

RECYCLABLE PAPER



Construction Equipment

VOLVO

Ref. No. VOE 63D9920017

LABEL FOR STEELBINDER

VOLVO

CUT HERE

BL60

PARTS CATALOG



VOLVO

PARTS CATALOG VOLVO BL60



PARTS CATALOG

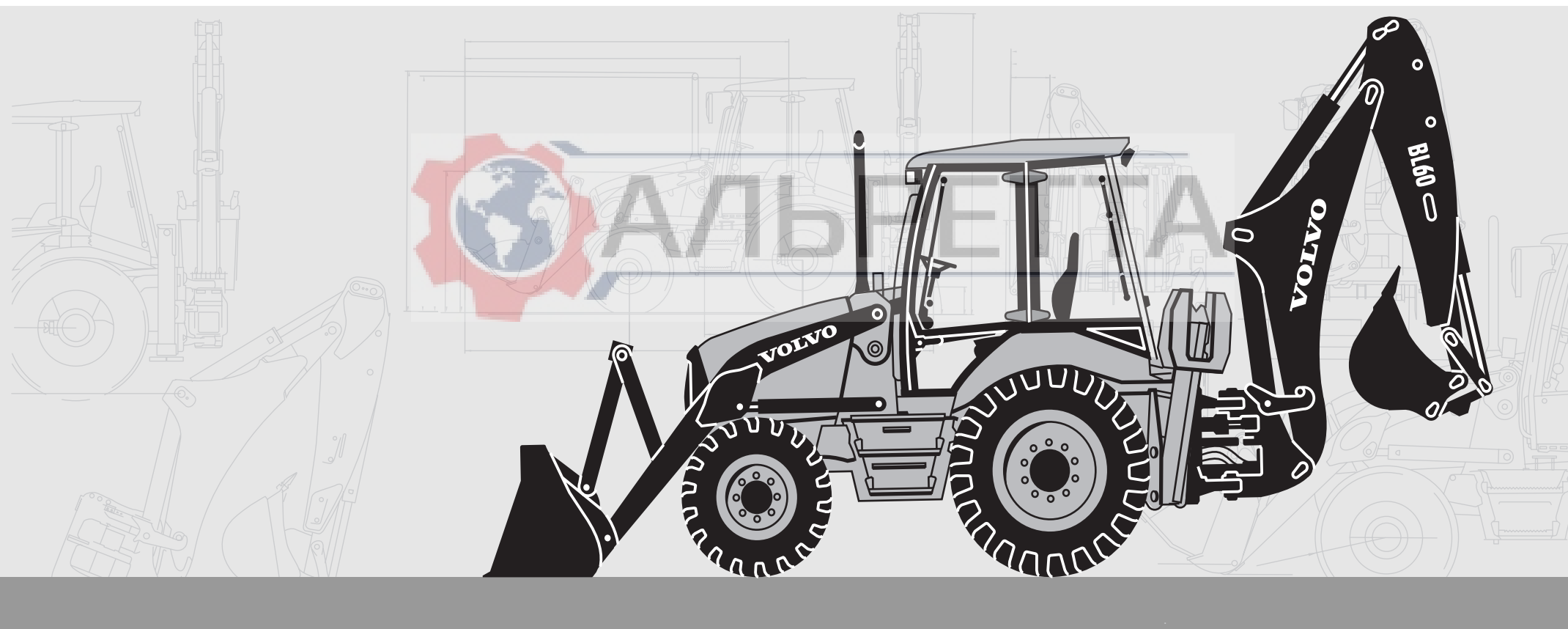
BL60



VOLVO

PARTS CATALOG

BL60

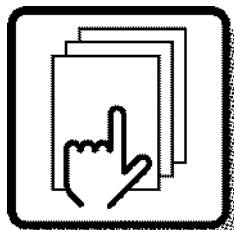




VOLVO

АЛЬРЕТТА

Construction Equipment

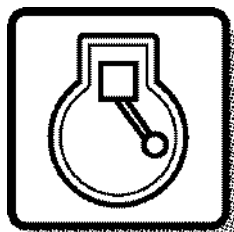
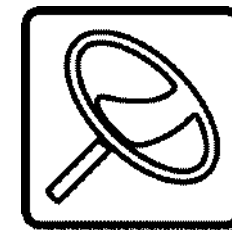


1

Preface and instructions
Préface et instructions
Vorwort und Anweisungen
Prefacio e instrucciones
Förord och anvisningar

Steering system
Système de direction
Lenksystem
Sistema de dirección
Styrssystem

6

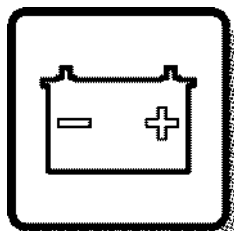
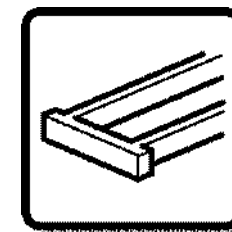


2

Engine
Moteur
Motor
Motor
Motor

Frame and wheels
Bâti et roues
Rahmen und räder
Bastidor y ruedas
Ram och hjul

7

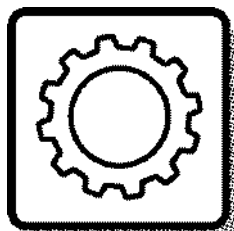
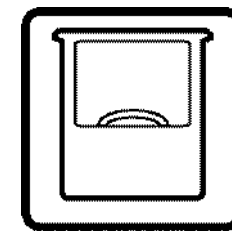


3

Electrical systems and instruments
Système électrique et instruments
Elektrisches System und Instrumente
Sistema eléctrico e instrumentos
Esystem och instrument

Body with associated parts
Carrosserie avec détails
Aufbau mit Zubehörteilen
Carrocería con detalles
Karosseri

8

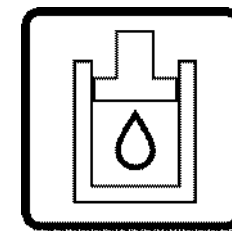


4

Power transmission
Transmission de force
Kraftübertragung
Transmisión de fuerza
Kraftöverföring

Miscellaneous equipment
Equipments divers
Übrige Ausrüstung
Equipo diverso
Övrig utrustning

9

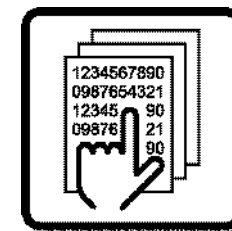


5

Brakes
Freins
Bremsen
Frenos
Bromsar

Numerical index
Répertoire numérique
Nummernverzeichnis
Índice numérico
Nummerregister

10



1

2

3

4

5

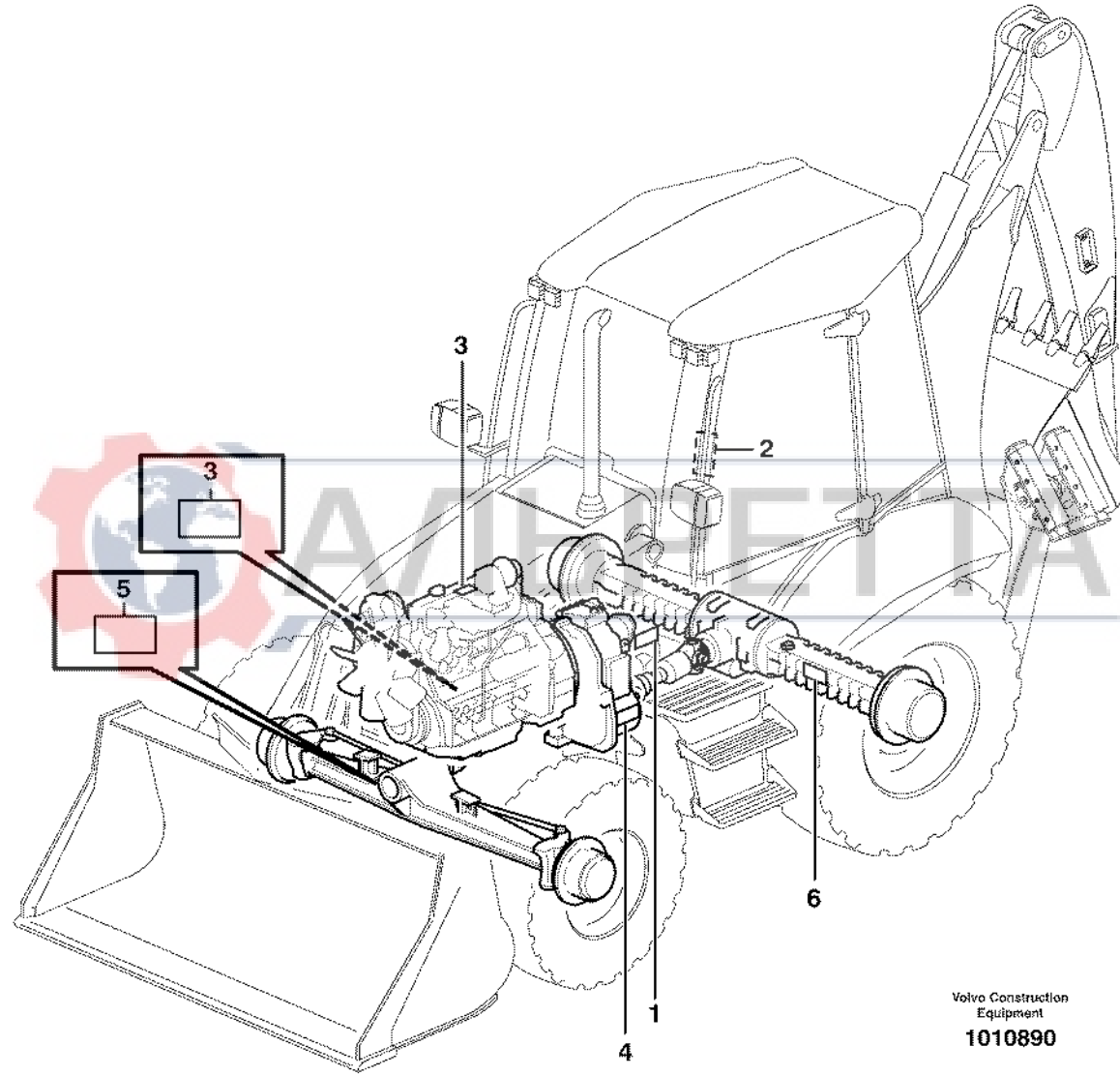
6

7

8

9

10



Volvo Construction
Equipment
1010890

GBR	FRA	DEU	ESP	SWE
1 Product sign plate	1 Enseigne de produit	1 Produktschild	1 Muestra del producto	1 Produktskylt
2 Driver's cab	2 Cabine du conducteur	2 Schutzfahrerhaus	2 Cabina de proteccion	2 Skyddshytt
3 Engine sign plate	3 Enseigne de moteur	3 Motorschild	3 Muestra de motor	3 Motorskylt
4 Power Transmission	4 Transmission De Force	4 Kraftubertragung	4 Transmision De Fuerza	4 Transmission
5 Drive axle front sign plate	5 Enseigne du pont, AV	5 Vorderachsenschild	5 Muestra del puente, delantero	5 Framaxelskylt
6 Drive axle rear sign plate	6 Enseigne du pont, AR	6 Hinterachsenschild	6 Muestra Del Puente, Tra	6 Bakaxelskylt



PRODUCT SIGN PLATE	MUESTRA DEL PRODUCTO	Catalogue id	Group
ENSEIGNE DE PRODUIT	PRODUKSKYLT	20017	1
PRODUKTSCHILD		Issue	Page
		VOE 63D9920017	5

VOLVO

BL60

FOREWORD		Catalogue id 20017	Group 1
		Issue VOE 63D9920017	Page 6
GBR		GBR	

Only genuine parts are presented in this catalogue. These parts have been subjected to the necessary function and endurance tests, and they comply with the high quality and safety requirements that have been set for Volvo Construction Equipment. You should note that warranties do not cover damages that are caused or aggravated by the fact that a non-genuine part was fitted.

The illustrations shown in the catalogues should not be used as assembly or workshop instructions. Separate literature for the various specific subject areas is available for that purpose.

The owner of the machine or equipment should state the model designation, manufacturing number, part number, quantity, and the name, or description, of the part when ordering parts.

For location of the model and engine designation plates, etc, see page 4-5.

Market-adapted equipment entered in catalogue, can be seen on page 26.

See page 13 for a "Catalogue Guide" on how to use the parts catalogue.

See page 22 for table of abbreviations.

This catalogue has been produced by Volvo Construction Equipment AB, Customer Support Division.

If you have any point of views regarding the catalogue, or if you detect any errors in the catalogue, please take a copy of the page in question, indicate the error(s), and send it to us at the following adress:

Volvo Construction Equipment AB
Customer Support Division
Catalogue Department
S-631 85 Eskilstuna.....Telefax: +46 16 15 29 15
E-mail: vce.parts.catalogue@volvo.com

BACKHOE LOADER BL60

BASIC MACHINE

11880001 BL60, SER NO 10001 -

CAB

11298190, Cab
11298189, Canopy

TRANSMISSION

11890339, 2WD
11884310, 4WD
11883792, 2WD S/N 10939 -
11887380, 4WD S/N 10939 -

DRIVING AXLE

11884373, Front 2WD
11883199, Front 2WD
11883203, Front 2WD
11887359, Front 2WD S/N 10939 -
11887360, Front 4WD S/N 10939 -
11885677, REAR
11887363, REAR S/N 10939 -

ENGINE

11885147, Type D4DCAE2

Seules les pièces d'origine sont présentées dans les catalogues des pièces de rechange. Toutes ces pièces ont été soumises à des tests de fonctionnement et de longévité pour être conformes aux exigences sévères de qualité et de sécurité posées par Volvo Construction Equipment. Notez que les garanties ne couvrent pas les dégâts et les dommages causés par le montage de pièces autres que des pièces d'origine.

Les illustrations dans le catalogue ne doivent pas être utilisées comme notice de montage ni comme instructions d'atelier. Pour ceci, nous vous renvoyons à la documentation spécifiquement éditée dans ce but.

Pour toute commande de pièces de rechange, indiquez la désignation du modèle, le numéro de fabrication, le numéro de référence, la quantité ainsi que la désignation de la pièce.

Le placement des plaques de désignation de modèle et de moteur etc. ressort de la figure ci-contre 4-5.

Equipment adapté au marché et indiqué dans la catalogue, prière de voir la liste en page 26.

Guide pour l'utilisation de catalogues de pièces de rechange, voir page 15.
Pour la liste des abréviations employées, prière de voir en page 22.

Ce catalogue est édité par Volvo Construction Equipment AB, Customer Support Division. Si vous avez des commentaires ou si vous découvrez des erreurs dans ce catalogue, nous vous serions reconnaissants de bien vouloir photocopier cette page, de la remplir et de nous la renvoyer.

Volvo Construction Equipment AB
Customer Support Division
Catalogue Department
S-631 85 Eskilstuna.....Telefax: +46 16 15 29 15
E-mail: vce.parts.catalog@volvo.com

CHARGEUSE-PELLETEUSE BL60

MACHINE DE BASE

11880001 BL60, NO DE SÉRIE 10001 -

CABINE

11298190, Cabine
11298189, Cabine ouverte

TRANSMISSION

11890339, 2WD
11884310, 4WD
11883792, 2WD S/N 10939 -
11887380, 4WD S/N 10939 -

PONT MOTEUR

11884373, AV 2WD
11883199, AV 2WD
11883203, AV 2WD
11887359, AV 2WD S/N 10939 -
11887360, AV 4WD S/N 10939 -
11885677, AR
11887363, AR S/N 10939 -

MOTEUR

11885147, Type D4DCAE2

AVANT-PROPOS

Catalogue id	Group
20017	1
Issue	Page
VOE 63D9920017	7

VORWORT		Catalogue id 20017	Group 1
		Issue VOE 63D9920017	Page 8
DEU	DEU		

In den Ersatzteilkatalogen sind nur Originalteile verzeichnet. Diese Teile haben die notwendigen Funktions- und Lebensdauertests durchlaufen und erfüllen die hohen Qualitäts- und Sicherheitsanforderungen von Volvo Construction Equipment. Beachten Sie bitte, dass die Garantien keine Schäden umfassen, die durch die Montage eines fremden Teils verursacht oder verschlimmert wurden.

Die Abbildungen in dem Katalog dürfen nicht als Montageanweisungen oder Werkstattanleitungen verwendet werden. Wir verweisen statt dessen auf die separate Literatur für diesen Zweck.

Der Maschinenbesitzer muss bei der Bestellung von Ersatzteilen die Modellbezeichnung, Fabriknummer, Artikelnummer sowie Anzahl und Bezeichnung des Teils angeben.

Die Anbringung der Schilder für Modell- und Motorbezeichnung usw. geht aus dem Bild auf Seite 4-5 hervor.

Für den Markt angepasste Ausrüstung wurde in den Katalog aufgenommen, Seite 26.

Die Anweisung auf Seite 17 hilft Ihnen sich im Ersatzteilkatalog zurechtzufinden.

Abkürzungsverzeichnis, siehe Seite 22.

Dieser Katalog wurde von Volvo Construction Equipment AB, Customer Support Division herausgegeben. Wenn Sie Kommentare zu diesem Katalog haben oder Fehler darin finden, kopieren Sie bitte die entsprechende Seite, machen Sie eine Notiz und schicken Sie diese ein an:

Volvo Construction Equipment AB
Customer Support Division
Catalogue Department
S-631 85 Eskilstuna, Schweden....Telefax: +46 16 15 29 15
E-mail: vce.parts.catalog@volvo.com

BAGGERLADER BL60

GRUNDMASCHINE

11880001 BL60, SER NO 10001 -

KABINE

11298190, CAB

11298189, Canopy

GETRIEBE

11890339, 2WD

11884310, 4WD

11883792, 2WD S/N 10939 -

11887380, 4WD S/N 10939 -

PLANETENWELLE

11884373, Vordere 2WD

11883199, Vordere 2WD

11883203, Vordere 2WD

11887359, Vordere 2WD S/N 10939 -

11887360, Vordere 4WD S/N 10939 -

11885677, Hintere

11887363, Hintere S/N 10939 -

MOTOR

11885147, Typ D4DCAE2

En los catálogos de repuestos se presentan únicamente piezas originales que han sido sometidas a las necesarias pruebas de funcionamiento y duración y que cumplen las elevadas exigencias de seguridad y calidad de Volvo Construction Equipment.

Recuerde que las garantías no cubren los daños ocasionados o agravados por no haber montado una pieza original.

Las ilustraciones del catálogo no deben utilizarse como base para el montaje ni como instrucciones de taller. Para ello recomendamos utilizar los manuales de taller editados a propósito.

Al hacer el pedido de repuestos, el propietario de la máquina debe indicar el modelo de la misma, su número de fabricación, la referencia de la pieza, la cantidad y la denominación.

La ubicación de letreros con las denominaciones de modelo y motor etc., puede verse en la página 4-5.

La lista de equipos de adaptación según mercado, introducidos en el catálogo, puede verse en la página 26.

Guía para el uso del catálogo, puede verse en la página 19.

La tabla de abreviaturas puede verse en la página 22.

Esté catálogo ha sido editado por Volvo Construction Equipment AB, Customer Support Division. Si tiene algún comentario que hacer sobre el catálogo, o detecta algún error, le rogamos que haga una copia de la página en cuestión y nos la remita junto con sus comentarios a:

Volvo Construction Equipment AB
Customer Support Division
Catalogue Department
S-631 85 Eskilstuna.....Telefax: +46 16 15 29 15
E-mail: vce.parts.catalog@volvo.com

CARGADORA RETROEXCAVADORA BL60

MÁQUINA BÁSICA

11880001 BL60, NÚM. DE SERIE 10001 -

CABINA

11298190, Cabina

11298189, Cabina abierta

CAJA DE CAMBIOS

11890339, 2WD

11884310, 4WD

11883792, 2WD S/N 10939 -

11887380, 4WD S/N 10939 -

EJE PROPULSOR

11884373, delantero 2WD

11883199, delantero 2WD

11883203, delantero 2WD

11887359, delantero 2WD S/N 10939 -

11887360, delantero 4WD S/N 10939 -

11885677, trasero

11887363, trasero S/N 10939 -

MOTOR

11885147, tipo D4DCAE2

PROLOGO

Catalogue id	Group
20017	1
Issue	Page
VOE 63D9920017	9

FÖRORD		Catalogue id 20017	Group 1
		Issue VOE 63D9920017	Page 10
SWE	SWE		

I denna reservdelskatalog presenteras endast originaldelar. De har genomgått nödvändiga funktions- och livslängdsprov samt uppfyller Volvo Construction Equipments höga kvalitets- och säkerhetskrav. Observera att garantin ej täcker skador som orsakats eller förvärrats av att en icke originaldel monterats.

Illustrationerna i katalogen skall ej användas som monteringsanvisningar eller verkstadsinstruktioner. Vi hänvisar istället till separat litteratur för ändamålet.

Maskinägaren ska vid beställning av reservdelar ange, modellbeteckning, tillverkningsnummer, artikelnummer, antal samt delens benämning.

Placering av skyltar för modell- och motorbeteckning etc., framgår av bild på sidan 4-5.

Marknadsanpassade utrustningar som är införda i denna katalog framgår av förteckningen på sidan 26.

Katalogguide för hur man använder reservdelskatalogen; se sidan 21.

Förkortningstabell, se sidan 22.

Denna katalog är producerad av Volvo Construction Equipment AB, Customer Support Division. Om ni har synpunkter eller upptäcker något fel i katalogen, var vänlig tag en kopia på sidan, gör en notering och sänd detta till:

Volvo Construction Equipment AB
Customer Support Division
Catalogue Department
S-631 85 Eskilstuna.....Telefax: +46 16 15 29
E-mail: vce.parts.catalog@volvo.com

Grävlastare BL60

BASMASKIN

11880001 BL60, SER NO 10001 -

HYTT

11298190 Cab
11298189 Canopy

TRANSMISSION

11890339, 2WD
11884310, 4WD
11883792, 2WD S/N 10939 -
11887380, 4WD S/N 10939 -

DRIVAXLAR

11884373, Fram 2WD
11883199, Fram 2WD
11883203, Fram 2WD
11887359, Fram 2WD S/N 10939 -
11887360, Fram 4WD S/N 10939 -
11885677, Bak
11887363, Bak S/N 10939 -

MOTOR

11885147. Typ D4DCAE2

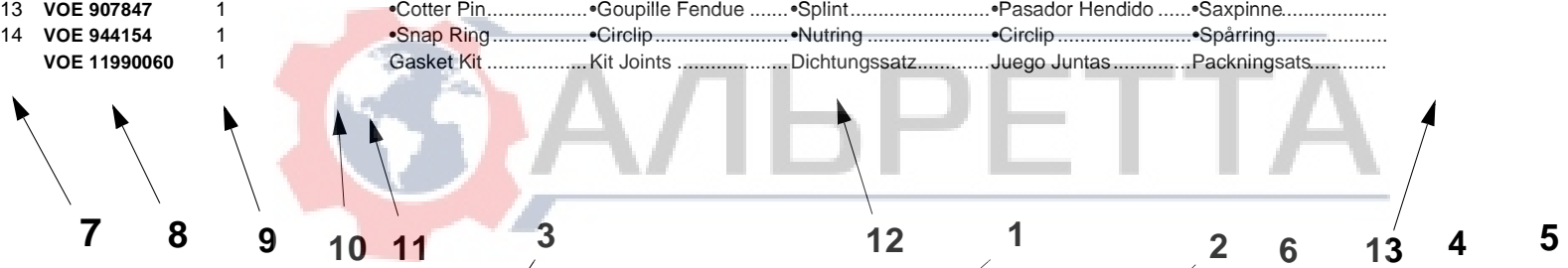


VOLVO

АЛЬРЕТТА

Construction Equipment

Fig.	Part No.	Quantity			P S	K T	Description	Dénomination	Bezeichnung	Denominación	Benämning	Notes
		1	2	3								
	VOE 4833424	1			SS	Hydr.cylinder	Verin Hydraul.	Druckölzylinder.....	Cilín Hidraul.....	Hydraulcyl.....	963)	
		1				Hydraulic cylinder.....	Verin Hydraulique	Hydraulzylinder	Cilindro Hidraulico	Hydraulcylinder.....	L PROD See group 94, avsn 250	
1	VOE 4833425	1				•Cylinder Tube	•Tube Cylindre	•Zylinderrohr.....	•Tubo Cilindro.....	•Cylinderrör.....		
2	VOE 4741303	1				•Piston Rod	•Tige Piston.....	•Kolbenstange	•Varilla Piston	•Kolstång.....		
3	VOE 4833432	1				•Pstn Rod Guide	•Gui.tige Piston	•Ko-stang Fuhrg	•Guia Var Piston	•Kolvst.styrning.....		
4	VOE 4784039	1			K	•Piston Rod Seal	•Eta.tige Piston.....	•Ko-stang Dichtg	•Reten Var Pist.....	•Kolvstångståtn.....		
5	VOE 4833433	1				•Spacer Ring	•Bagu.entretoise.....	•Abstandring.....	•Anillo Dist	•Distansring.....		
6	VOE 914516	1				•Snap Ring	•Circlip	•Nutring	•Circlip	•Spårring.....		
7	VOE 4784999	1			K	•Scraper	•Racleur	•Abstreicher.....	•Rascador.....	•Avstrykare.....		
8	VOE 4741302	1				•Piston	•Piston.....	•Kolben.....	•Piston	•Kolv.....		
9	VOE 925067	2			K	•O-ring.....	•Joint Torique.....	•O-ring.....	•Anillo Torico	•O-ring.....		
10	VOE 4881024	3			K	•Back-up Ring	•Bague Support.....	•Stützring.....	•Anillo Apoyo	•Stödtring.....		
11	VOE 955898	1				•Washer	•Rondelle.....	•Scheibe.....	•Arandela.....	•Bricka.....		
12	VOE 13955884	1				•Castle Nut.....	•Ecrou Crenele•Kronenmutter•Tuerca Corona•Kronmutter.....				(VOE 955884)	
13	VOE 907847	1				•Cotter Pin.....	•Goupille Fendue	•Splint.....	•Pasador Hendido	•Saxpinne.....		
14	VOE 944154	1				•Snap Ring	•Circlip	•Nutring	•Circlip	•Spårring.....		
	VOE 11990060	1				Gasket Kit	Kit Joints	Dichtungssatz.....	Juego Juntas	Packningsats.....		



963) **GB:** Cylinder tube is marked "424". See illustration fig. A. **FR:** Tube cylindre marquer "424". Voir illustration fig. A. **DE:** Das Zylinderrohr ist gekennzeichnet mit "424". Siehe Illustration fig. A. **ES:** Tubo cilindro marcado "424". Véase ilustración fig. A. **SE:** Cylinderrör är märkt "424". Se bild pos. A.

1	Hydraulcylinder E Prod	Catalogue id	90691	Group	924
2	Cilindro hidráulico E Prod	Illustr. No	AC290A	Section	200
3	Druckölzylinder E Prod	Issue	VOE 63D9990691	Page	623
4	Cylindre hydraulique E Prod				
5	Hydraulic cylinder E Prod				
	90271, 91357, STD USA				



In addition to part numbers, the Parts Catalogue also includes a vast amount of essential information which you, the operator, should be acquainted with.

With the "Catalogue Guide", we want to show clearly how the catalogues are arranged and what sort of information is presented therein.

Group 1 Preface and Instructions

Here you can find the following information:

- Title page and publication number
- Group index
- Product signs
- Preface
- List of items of equipment adapted to market requirements that have been introduced
- Catalogue Guide
- Table of abbreviations

Group 2 - 9 Text and illustration pages

- The table of contents shows the division of the main groups into sub-groups, with reference to page number and section.
- Illustration page. The position number of the illustration refers to the text page.
- Text page
 1. Heading.
 2. Additional text which limits the validity of the section. An example is information relating to manufacturing numbers and equipment adapted to market requirements.
 3. Designation for quantity columns.
 4. Illustrations.
 5. Group, section, page, which you should use when you search for information in the catalogue.
 6. Catalogue identification and issue designation.
 7. Position number of the part on the associated drawing.
 8. Part number
 9. Quantity. The column designation indicates the version which is shown in each column. The quantity stated refers to the quantity for each machine or, where appropriate, for each complete unit.
"REQ" refers to the required amount. See also "Notes" column.
- 10. PS (Parts Status) indicates the status code of the part.
"NS" means that the part is not kept in stock.

"OP" means that the part is no longer in stock.

"SE" means that an alternative part shall be used.

"SS" means that the part has been replaced.

Refer to Group 10 Replaced parts for further information.

11. KIT. Parts that are marked with a "K" are included in a kit. The number of the kit is often indicated after other part numbers.
12. Description. The indentations indicate if one or more parts are included in the assembled unit described above. The parts are included when a complete unit is ordered.
13. Notes. Other information relating to a particular part is given here.
 - Footnote number (963 for example) is given at the bottom of the page.
 - Replaced parts (955884, for example).
 - Product or manufacturing number.
 - Abbreviations and technical information.
 - Reference to page and group.

Group 10 Replaced parts / Number index

- Replaced parts. The part numbers of parts marked with "SS" (in the PS column) are indicated here, together with their replacement numbers.
The replacement parts may in turn be also replaced, and so on.
- Number index. All parts included in the catalogue are indicated here, together with a reference to group, section and page.

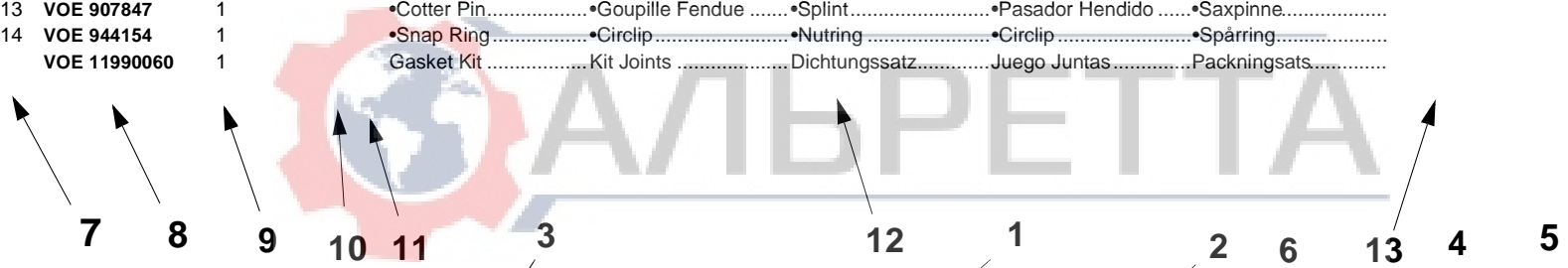
Continued improvements and successes in design could result in modifications to your equipment which are not covered by this publication. Each publication is revised when required to include these modifications in later issues.

Any unauthorized reproduction of any part of this document would be in violation of Volvo Construction Equipment AB, Customer Support Division's rights and will be prosecuted to the fullest extent allowed by law. We reserve the right to make changes without prior notice.

PARTS CATALOGUE INSTRUCTIONS

Catalogue id 20017	Group 1
Issue VOE 63D9920017	Page 13

Fig.	Part No.	Quantity			P S	K T	Description	Dénomination	Bezeichnung	Denominación	Benämning	Notes
		1	2	3								
	VOE 4833424	1			SS	Hydr.cylinder	Verin Hydraul.	Druckölzylinder.....	Cilín Hidraul.....	Hydraulcyl.....	963)	
		1				Hydraulic cylinder.....	Verin Hydraulique	Hydraulzylinder	Cilindro Hidraulico	Hydraulcylinder.....	L PROD See group 94, avsn 250	
1	VOE 4833425	1				•Cylinder Tube	•Tube Cylindre	•Zylinderrohr.....	•Tubo Cilindro.....	•Cylinderrör.....		
2	VOE 4741303	1				•Piston Rod	•Tige Piston.....	•Kolbenstange	•Varilla Piston	•Kolstång.....		
3	VOE 4833432	1				•Pstn Rod Guide	•Gui.tige Piston	•Ko-stang Fuhrg	•Guia Var Piston	•Kolvst.styrning.....		
4	VOE 4784039	1			K	•Piston Rod Seal	•Eta.tige Piston.....	•Ko-stang Dichtg	•Reten Var Pist.....	•Kolvstångståtn.....		
5	VOE 4833433	1				•Spacer Ring	•Bagu.entretoise.....	•Abstandring.....	•Anillo Dist	•Distansring.....		
6	VOE 914516	1				•Snap Ring	•Circlip	•Nutring	•Circlip	•Spårring.....		
7	VOE 4784999	1			K	•Scraper	•Racleur	•Abstreicher.....	•Rascador.....	•Avstrykare.....		
8	VOE 4741302	1				•Piston	•Piston.....	•Kolben.....	•Piston	•Kolv.....		
9	VOE 925067	2			K	•O-ring.....	•Joint Torique.....	•O-ring.....	•Anillo Torico	•O-ring.....		
10	VOE 4881024	3			K	•Back-up Ring	•Bague Support.....	•Stützring.....	•Anillo Apoyo	•Stödtring.....		
11	VOE 955898	1				•Washer	•Rondelle.....	•Scheibe	•Arandela.....	•Bricka.....		
12	VOE 13955884	1				•Castle Nut.....	•Ecrou Crenele•Kronenmutter•Tuerca Corona•Kronmutter.....				(VOE 955884)	
13	VOE 907847	1				•Cotter Pin.....	•Goupille Fendue	•Splint.....	•Pasador Hendido	•Saxpinne.....		
14	VOE 944154	1				•Snap Ring	•Circlip	•Nutring	•Circlip	•Spårring.....		
	VOE 11990060	1				Gasket Kit	Kit Joints	Dichtungssatz.....	Juego Juntas	Packningsats.....		



963) **GB:** Cylinder tube is marked "424". See illustration fig. A. **FR:** Tube cylindre marquer "424". Voir illustration fig. A. **DE:** Das Zylinderrohr ist gekennzeichnet mit "424". Siehe Illustration fig. A. **ES:** Tubo cilindro marcado "424". Véase ilustración fig. A. **SE:** Cylinderrör är märkt "424". Se bild pos. A.

1	Hydraulcylinder E Prod	Catalogue id	90691	Group	924
2	Cilindro hidráulico E Prod	Illustr. No	AC290A	Section	200
3	Druckölzylinder E Prod	Issue	VOE 63D9990691	Page	623
4	Cylindre hydraulique E Prod				
5	Hydraulic cylinder E Prod				
	90271, 91357, STD USA				



Le catalogue de pièces de rechange présente, non seulement les numéros de référence, mais également d'autres informations qu'un opérateur se doit de connaître. Ce guide de catalogue vous indique, d'une façon générale, comment sont conçus nos catalogues et quelles informations ils vous apportent.

Groupe 1 Avant-propos et instructions

Sous ce groupe, vous trouvez :

- La page de titre avec le numéro de publication
- Le registre des groupes
- Les plaques de produit
- Un avant-propos
- Une liste des équipements introduits suivant les pays
- Un guide de catalogue
- Un tableau des abréviations

Groupes 2 - 9 Pages de texte et d'illustration

- Le sommaire indique la division des groupes principaux en sous-groupes avec des renvois aux pages et aux sections.
- La page d'illustration. L'illustration donne les numéros de position qui renvoient à la page de texte.
- La page de texte
 1. Rubrique
 2. Texte supplémentaire qui limite la validité de la section, par exemple numéro de série et équipements adaptés aux pays
 3. Désignation des modèles pour les différentes colonnes
 4. Illustrations
 5. Groupe, section, page utilisés pour la recherche dans le catalogue
 6. Identification du catalogue et de l'édition
 7. Numéro de position de la pièce sur l'illustration afférente
 8. Numéro de référence
 9. Quantité. La désignation des colonnes indique le modèle qui se réfère à chaque colonne. La quantité indiquée correspond à la quantité par engin ou, suivant les cas, par unité complète. "REQ" signifie quantité nécessaire, voir la colonne Notes
 10. PS (Parts Status) indique le code d'état de la pièce.
 - "NS" signifie que la pièce n'existe pas en magasin.
 - "OP" signifie que la pièce n'est plus en magasin.
 - "SE" signifie qu'une autre pièce devrait être employée. .
 - "SS" signifie que la pièce a été remplacée.

Voir le groupe 10, pièces remplacées, pour de plus amples informations.

11. KIT. Les pièces marquées "K" font partie d'un kit. Le numéro du kit est le plus souvent indiqué après les autres numéros de référence.
12. Description. Le décalage indique si une ou plusieurs pièces font partie de l'unité complète indiquée au-dessus. Ces pièces sont envoyées pour une commande d'une unité complète.
13. Notes (Remarques). Diverses informations relatives à une pièce sont notées ici.
 - Un numéro de note de bas de page (par exemple 963) est donné au bas de la page.
 - Pièces remplacées (par exemple 955884).
 - Numéro de produit ou numéro de fabrication.
 - Abréviations et explications techniques.
 - Renvoi aux pages et aux groupes.

Groupe 10 Pièces remplacées/Registre des numéros

- Pièces remplacées. Les numéros de référence marqués "SS" (dans la colonne PS) sont repris ici avec leur numéro de remplacement. Ces pièces remplacées peuvent, à leur tour, être remplacées par d'autres, etc.
- Registre des numéros. Tous les numéros de référence du catalogue se retrouvent ici avec un renvoi au groupe, à la section et à la page.

Les perfectionnements continus et les progrès réalisés dans la conception peuvent entraîner, sur votre engin, des modifications qui ne sont pas prises en compte dans cette publication. Chaque publication est remise à jour suivant les besoins pour inclure toutes ces modifications dans les dernières éditions.

La reproduction non autorisée de toute partie de ce document constitue une violation des droits d'auteur de Volvo Construction Equipment AB, Customer Support Division et entraînera des poursuites aux termes de la loi. Nous nous réservons le droit d'apporter des modifications sans préavis.

CATALOGUE DE PIECES INSTRUCTIONS

Catalogue id	Group
20017	1
Issue	Page
VOE 63D9920017	15

Fig.	Part No.	Quantity			P S	K T	Description	Dénomination	Bezeichnung	Denominación	Benämning	Notes
		1	2	3								
	VOE 4833424	1			SS	Hydr.cylinder	Verin Hydraul.	Druckölzylinder.....	Cilín Hidraul.....	Hydraulcyl.....	963)	
		1				Hydraulic cylinder.....	Verin Hydraulique	Hydraulzylinder	Cilindro Hidraulico	Hydraulcylinder.....	L PROD See group 94, avsn 250	
1	VOE 4833425	1				•Cylinder Tube	•Tube Cylindre	•Zylinderrohr.....	•Tubo Cilindro.....	•Cylinderrör.....		
2	VOE 4741303	1				•Piston Rod	•Tige Piston.....	•Kolbenstange	•Varilla Piston	•Kolstång.....		
3	VOE 4833432	1				•Pstn Rod Guide	•Gui.tige Piston	•Ko-stang Fuhrg	•Guia Var Piston	•Kolvst.styrning.....		
4	VOE 4784039	1			K	•Piston Rod Seal	•Eta.tige Piston.....	•Ko-stang Dichtg	•Reten Var Pist.....	•Kolvstångståtn.....		
5	VOE 4833433	1				•Spacer Ring	•Bagu.entretoise.....	•Abstandring.....	•Anillo Dist	•Distansring.....		
6	VOE 914516	1				•Snap Ring	•Circlip	•Nutring	•Circlip	•Spårring.....		
7	VOE 4784999	1			K	•Scraper	•Racleur	•Abstreicher.....	•Rascador.....	•Avstrykare.....		
8	VOE 4741302	1				•Piston	•Piston.....	•Kolben.....	•Piston	•Kolv.....		
9	VOE 925067	2			K	•O-ring.....	•Joint Torique.....	•O-ring.....	•Anillo Torico	•O-ring.....		
10	VOE 4881024	3			K	•Back-up Ring	•Bague Support.....	•Stützring.....	•Anillo Apoyo	•Stödtring.....		
11	VOE 955898	1				•Washer	•Rondelle.....	•Scheibe	•Arandela.....	•Bricka.....		
12	VOE 13955884	1				•Castle Nut.....	•Ecrou Crenele•Kronenmutter•Tuerca Corona•Kronmutter.....				(VOE 955884)	
13	VOE 907847	1				•Cotter Pin.....	•Goupille Fendue	•Splint.....	•Pasador Hendido	•Saxpinne.....		
14	VOE 944154	1				•Snap Ring	•Circlip	•Nutring	•Circlip	•Spårring.....		
	VOE 11990060	1				Gasket Kit	Kit Joints	Dichtungssatz.....	Juego Juntas	Packningsats.....		



963) **GB:** Cylinder tube is marked "424". See illustration fig. A. **FR:** Tube cylindre marquer "424". Voir illustration fig. A. **DE:** Das Zylinderrohr ist gekennzeichnet mit "424". Siehe Illustration fig. A. **ES:** Tubo cilindro marcado "424". Véase ilustración fig. A. **SE:** Cylinderrör är märkt "424". Se bild pos. A.

1	Hydraulcylinder E Prod	Catalogue id	90691	Group	924
2	Cilindro hidráulico E Prod	Illustr. No	AC290A	Section	200
3	Druckölzylinder E Prod	Issue	VOE 63D9990691	Page	623
4	Cylindre hydraulique E Prod				
5	Hydraulic cylinder E Prod				
	90271, 91357, STD USA				



Im Ersatzteilkatalog sind außer den Artikelnummern auch eine Reihe von wesentlichen Informationen aufgeführt, die man unbedingt kennen sollte. Mit der Kataloganweisung wollen wir auf eine überschaubare Art und Weise zeigen, wie unsere Kataloge aufgebaut und welche Informationen hier enthalten sind.

Gruppe 1 Vorwort und Anweisungen

Hier findet man folgendes:

- Titelseite mit Publikationsnummer
- Gruppenregister
- Produktschilder
- Vorwort
- Verzeichnis über eingeführte marktangepasste Ausrüstungen
- Kataloganweisung
- Abkürzungstabelle

Gruppe 2 - 9 Text- und Bildseiten

- Das Inhaltsverzeichnis zeigt die Einteilung der Hauptgruppe in Untergruppen mit Hinweis auf Seite und Abschnitt.
- Bildseite. Die Positionsnummer der Abbildung weist auf die Textseite hin.
- Textseite.
 1. Überschrift
 2. Zusatztext, der die Gültigkeit des Abschnitts begrenzt, z.B. Information über Herstellungsnummer und marktangepasste Ausrüstungen.
 3. Bezeichnung für die Anzahl-Spalten
 4. Abbildungen
 5. Gruppe, Abschnitt, Seite, die bei der Suche im Katalog verwendet werden.
 6. Katalogkennung und Ausgabebezeichnung
 7. Positionsnummer des Artikels mit dazugehöriger Abbildung.
 8. Artikelnummer
 9. Anzahl. Die Spaltenbezeichnung zeigt, welche Ausführung per Spalte aufgeführt ist. Die angegebene Anzahl betrifft Anzahl pro Maschine oder ggf. pro komplette Einheit. "REQ" bezeichnet die erforderliche Menge, siehe Anmerkungsspalte.
 10. PS (Parts Status) zeigt den Statuscode des Artikels.
 - "NS" bedeutet, dass der Artikel nicht mehr auf Lager gehalten wird.
 - "OP" bedeutet, dass das Teil nicht mehr geführt wird.
 - "SE" bedeutet, dass ein alternatives Teil zu verwenden ist.
 - "SS" bedeutet, dass der Artikel ersetzt wurde.

Siehe Gruppe 10, Ersetzte Artikel, für weitere Information.

11. KIT. Artikel, die mit einem "K" gekennzeichnet sind, gehören zu einem Satz. Die Nummer des Satzes wird in den meisten Fällen nach den übrigen Artikelnummern angegeben.
12. Bezeichnung. Die Einrückung zeigt, dass ein oder mehrere Artikel in einer oben aufgeführten zusammengesetzten Einheit enthalten sind. Die Artikel sind in der Bestellung der kompletten Einheit enthalten.
13. Notes (Anmerkungen). Hier werden übrige Informationen für einen Artikel aufgeführt:
 - Fußnotennummer, (beispielsweise 963), wird ganz unten auf der Seite angegeben.
 - Ersetzte Artikel, (beispielsweise 955884)
 - Produkt- oder Herstellungsnummer
 - Abkürzungen oder technische Informationen
 - Seiten- und Gruppenhinweis

Gruppe 10 Ersetzte Artikel / Nummernregister

- Ersetzte Artikel. Hier sind die mit "SS" markierten (in der PS-Spalte) Artikelnummern mit ihrem Ersatz aufgeführt. Die ersetzten Artikel können wiederum ersetzt worden sein usw.
- Nummernregister. Hier sind alle im Katalog vorkommenden Artikel aufgeführt, und zwar mit Hinweis auf Gruppe, Abschnitt und Seite.

Fortlaufende Verbesserungen und Fortschritte in der Konstruktion können auch bei Ihrer Maschine zu Änderungen führen, die nicht von dieser Schrift umfasst werden. Jede Ausgabe wird bei Bedarf überarbeitet, um diese Veränderungen bei späteren Ausgaben mit zu berücksichtigen.

Jegliche Reproduktion dieses Dokumentes in Auszügen oder in vollem Umfang stellt eine Verletzung der Rechte von Volvo Construction Equipment AB, Customer Support dar und wird unter voller Ausschöpfung der gesetzlichen Möglichkeiten strafrechtlich verfolgt. Wir behalten uns das Recht auf Änderungen ohne vorherige Ankündigung vor.

ERSATZTEILEKATALOGBESTELLANWEISUNGEN

Catalogue id	Group
20017	1
Issue	Page
VOE 63D9920017	17

Fig.	Part No.	Quantity			P S	K T	Description	Dénomination	Bezeichnung	Denominación	Benämning	Notes
		1	2	3								
	VOE 4833424	1			SS	Hydr.cylinder	Verin Hydraul.	Druckölzylinder.....	Cilín Hidraul.....	Hydraulcyl.....	963)	
		1				Hydraulic cylinder.....	Verin Hydraulique	Hydraulzylinder	Cilindro Hidraulico	Hydraulcylinder.....	L PROD See group 94, avsn 250	
1	VOE 4833425	1				•Cylinder Tube	•Tube Cylindre	•Zylinderrohr.....	•Tubo Cilindro.....	•Cylinderrör.....		
2	VOE 4741303	1				•Piston Rod	•Tige Piston.....	•Kolbenstange	•Varilla Piston	•Kolstång.....		
3	VOE 4833432	1				•Pstn Rod Guide	•Gui.tige Piston	•Ko-stang Fuhrg	•Guia Var Piston	•Kolvst.styrning.....		
4	VOE 4784039	1			K	•Piston Rod Seal	•Eta.tige Piston.....	•Ko-stang Dichtg	•Reten Var Pist.....	•Kolvstångståtn.....		
5	VOE 4833433	1				•Spacer Ring	•Bagu.entretoise.....	•Abstandring.....	•Anillo Dist	•Distansring.....		
6	VOE 914516	1				•Snap Ring	•Circlip	•Nutring	•Circlip	•Spårring.....		
7	VOE 4784999	1			K	•Scraper	•Racleur	•Abstreicher.....	•Rascador.....	•Avstrykare.....		
8	VOE 4741302	1				•Piston	•Piston.....	•Kolben.....	•Piston	•Kolv.....		
9	VOE 925067	2			K	•O-ring.....	•Joint Torique.....	•O-ring.....	•Anillo Torico	•O-ring.....		
10	VOE 4881024	3			K	•Back-up Ring	•Bague Support.....	•Stützring.....	•Anillo Apoyo	•Stödtring.....		
11	VOE 955898	1				•Washer	•Rondelle.....	•Scheibe.....	•Arandela.....	•Bricka.....		
12	VOE 13955884	1				•Castle Nut.....	•Ecrou Crenele•Kronenmutter•Tuerca Corona•Kronmutter.....				(VOE 955884)	
13	VOE 907847	1				•Cotter Pin.....	•Goupille Fendue	•Splint.....	•Pasador Hendido	•Saxpinne.....		
14	VOE 944154	1				•Snap Ring	•Circlip	•Nutring	•Circlip	•Spårring.....		
	VOE 11990060	1				Gasket Kit	Kit Joints	Dichtungssatz.....	Juego Juntas.....	Packningsats.....		



963) **GB:** Cylinder tube is marked "424". See illustration fig. A. **FR:** Tube cylindre marquer "424". Voir illustration fig. A. **DE:** Das Zylinderrohr ist gekennzeichnet mit "424". Siehe Illustration fig. A. **ES:** Tubo cilindro marcado "424". Véase ilustración fig. A. **SE:** Cylinderrör är märkt "424". Se bild pos. A.

1	Hydraulcylinder E Prod	Catalogue id	90691	Group	924
2	Cilindro hidráulico E Prod	Illustr. No	AC290A	Section	200
3	Druckölzylinder E Prod	Issue	VOE 63D9990691	Page	623
4	Cylindre hydraulique E Prod				
5	Hydraulic cylinder E Prod				
	90271, 91357, STD USA				



En el catálogo de repuestos se incluye, además de los números de artículo, numerosa información muy útil.
El propósito de la guía es explicar la estructura de los catálogos y la información que se ofrece en los mismos.

Grupo 1 Prefacio e instrucciones

Se encontrará aquí:

- El título y el número de publicación
- El índice de grupos
- Los letreros de producto
- El prefacio
- Una lista sobre los equipos adaptados a los mercados
- La guía al catálogo
- Una tabla de abreviaturas

Grupo 2 - 9 páginas con texto e ilustraciones

- El índice muestra la clasificación de los grupos principales en subgrupos con remisiones a páginas y secciones.
- Página de ilustraciones. Los números de posición de las ilustraciones. Remisiones a páginas de texto.
- Páginas de texto
 1. Rúbrica
 2. Texto adicional que delimita la validez de la sección, por ejemplo, información sobre números de fabricación y equipos según mercado.
 3. Designación para columnas de cantidades.
 4. Número de ilustración.
 5. Grupo, sección, página. Se utilizan al manejar el catálogo
 6. Identificación e indicación de la edición del catálogo.
 7. Números de posición en la ilustración correspondiente.
 8. Números de artículo
 9. Cantidad. Se indica en esta columna la ejecución. El número indicado se refiere a la cantidad por máquina o, si procede, por unidad completa. "REQ" significa la cantidad necesaria, véase la columna de las notas.
- 10. PS (Parts Status) indica el código de estado del artículo.
 - "NS" indica que el artículo no se tiene en stock.
 - "OP" significa que ya no se mantiene la pieza en stock.

"SE" significa que se puede usar una pieza alternativa.

- "SS" indica que el artículo ha sido sustituido.

Para más información, véase el grupo 10, artículos sustituidos.

11. KIT. Los artículos marcados con una "K" forman parte de un juego. El número de juego suele indicarse detrás de los demás números de artículo.
12. Denominación. El desplazamiento indica que en la unidad indicada se incluyen uno o varios artículos. Estos se incluyen en la unidad completa pedida.
13. Notas. Aparecen aquí diversas informaciones relativas a los artículos:
 - Números de notas de pie de página; ej. 963) aparece al final de la página.
 - Artículos sustituidos. Ej. (955884)
 - Números de producto o fabricación.
 - Abreviaturas e información técnica.
 - Remisiones a páginas y grupos.

Grupo 10 Artículos sustituidos/Índice de números

- Artículos sustituidos. Se marcan aquí con "SS" (en la columna PS) los números de artículo con sus sustituciones. Los artículos sustituidos, a su vez, pueden haber sido sustituidos, etc.
- Índice de números. Aparecen aquí todos los artículos existentes en el catálogo con remisión a grupo, sección y página.

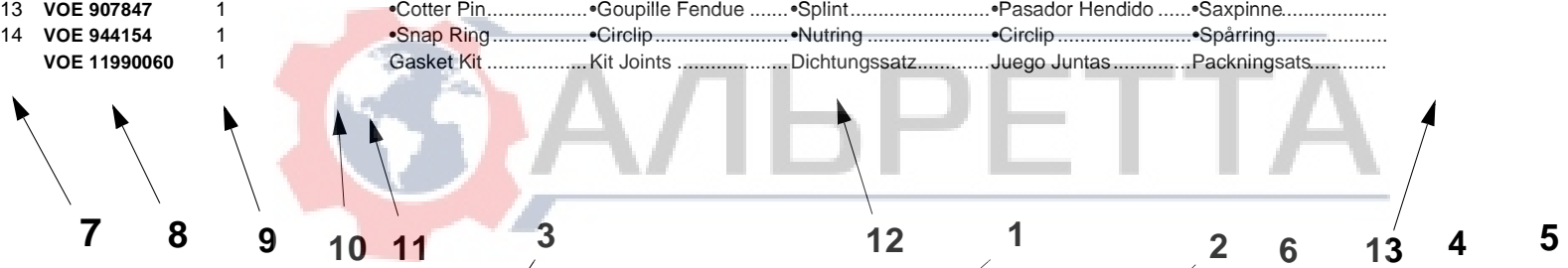
En su modelo de máquina pueden haberse introducido mejoras que no aparecen en esta publicación. Las publicaciones son revisadas para incluir las mejoras en ediciones posteriores.

Este documento está protegido por los derechos de autor y por lo tanto está prohibida su copia, impresión o cualquier otro tipo de reproducción indebida. La infracción de esta prohibición será penalizada. Reservado el derecho a introducir modificaciones.

CATALOGO DE PIEZAS INSTRUCCIONES

Catalogue id	Group
20017	1
Issue	Page
VOE 63D9920017	19

Fig.	Part No.	Quantity			P	K	Description	Dénomination	Bezeichnung	Denominación	Benämning	Notes
		1	2	3								
	VOE 4833424	1			SS	Hydr.cylinder	Verin Hydraul.	Druckölzylinder.....	Cilín Hidraul.....	Hydraulcyl.....	963)	
		1				Hydraulic cylinder.....	Verin Hydraulique	Hydraulzylinder	Cilindro Hidraulico	Hydraulcylinder.....	L PROD See group 94, avsn 250	
1	VOE 4833425	1				•Cylinder Tube	•Tube Cylindre	•Zylinderrohr.....	•Tubo Cilindro.....	•Cylinderrör.....		
2	VOE 4741303	1				•Piston Rod	•Tige Piston.....	•Kolbenstange	•Varilla Piston	•Kolstång.....		
3	VOE 4833432	1				•Pstn Rod Guide	•Gui.tige Piston	•Ko-stang Fuhrg	•Guia Var Piston	•Kolvst.styrning.....		
4	VOE 4784039	1			K	•Piston Rod Seal	•Eta.tige Piston.....	•Ko-stang Dichtg	•Reten Var Pist.....	•Kolvstångståtn.....		
5	VOE 4833433	1				•Spacer Ring	•Bagu.entretoise.....	•Abstandring.....	•Anillo Dist	•Distansring.....		
6	VOE 914516	1				•Snap Ring	•Circlip	•Nutring	•Circlip	•Spårring.....		
7	VOE 4784999	1			K	•Scraper	•Racleur	•Abstreicher.....	•Rascador.....	•Avstrykare.....		
8	VOE 4741302	1				•Piston	•Piston.....	•Kolben.....	•Piston	•Kolv.....		
9	VOE 925067	2			K	•O-ring.....	•Joint Torique.....	•O-ring.....	•Anillo Torico	•O-ring.....		
10	VOE 4881024	3			K	•Back-up Ring	•Bague Support.....	•Stützring.....	•Anillo Apoyo	•Stödtring.....		
11	VOE 955898	1				•Washer	•Rondelle.....	•Scheibe	•Arandela.....	•Bricka.....		
12	VOE 13955884	1				•Castle Nut.....	•Ecrou Crenele•Kronenmutter•Tuerca Corona•Kronmutter.....				(VOE 955884)	
13	VOE 907847	1				•Cotter Pin.....	•Goupille Fendue	•Splint.....	•Pasador Hendido	•Saxpinne.....		
14	VOE 944154	1				•Snap Ring	•Circlip	•Nutring	•Circlip	•Spårring.....		
	VOE 11990060	1				Gasket Kit	Kit Joints	Dichtungssatz.....	Juego Juntas	Packningsats.....		



963) **GB:** Cylinder tube is marked "424". See illustration fig. A. **FR:** Tube cylindre marquer "424". Voir illustration fig. A. **DE:** Das Zylinderrohr ist gekennzeichnet mit "424". Siehe Illustration fig. A. **ES:** Tubo cilindro marcado "424". Véase ilustración fig. A. **SE:** Cylinderrör är märkt "424". Se bild pos. A.

1	Hydraulcylinder E Prod	Catalogue id	90691	Group	924
2	Cilindro hidráulico E Prod	Illustr. No	AC290A	Section	200
3	Druckölzylinder E Prod	Issue	VOE 63D9990691	Page	623
4	Cylindre hydraulique E Prod				
5	Hydraulic cylinder E Prod				
	90271, 91357, STD USA				



I reservdelskatalogen presenteras förutom artikelnummer också en mängd information som är viktig att känna till.
Med katalogguiden vill vi på ett överskådligt sätt visa hur våra kataloger är uppbyggda och vad det är för information som presenteras.

Grupp 1 Förord och anvisningar

Här finner man följande:

- Titelsida med publikationsnummer
- Gruppregister
- Produktskyltar
- Förord
- Förteckning över införda marknadsanpassade utrustningar
- Katalogguiden
- Förkortningstabell

Grupp 2 - 9 Text- och bildsidor

- Innehållsförteckningen visar huvudgruppens indelning i undergrupper med hänvisning till sida och avsnitt.
- Bildsida. Illustrationens positionsnr. hänvisar till textsidan
- Textsida
 1. Rubrik
 2. Tilläggstext som begränsar avsnittets giltighet t.ex information om tillverkningsnummer och marknadsanpassade utrustningar.
 3. Beteckning för antalskolumner
 4. Illustrationsnr.
 5. Grupp, avsnitt, sida, användes då man söker i katalogen
 6. Katalogid. och utgåvebeteckning
 7. Artikelns positionsnummer på tillhörande illustration
 8. Artikelnummer
 9. Antal. Kolumnbeteckningen visar vilket utförande som redovisas per kolumn.
Angivet antal avser, antal per maskin eller i förekommande fall, per komplettenhet.
"REQ" avser erforderlig mängd, se Notes- kolumn.
 10. PS (Parts Status) visar artikelns statuskod.
 - "NS" betyder att artikeln inte lagerföres.
 - "OP" betyder att artikeln har utgått och lagerföres inte längre.
 - "SE" betyder att alternativ artikel ska användas.
 - "SS" Betyder att artikeln är ersatt.

Se grupp 10, ersatta artiklar för vidare information.

11. KIT. Artiklar som är markerade med ett "K" ingår i en sats.
Satsens nummer redovisas oftast efter övriga artikelnummer.
12. Benämning. Stegförskjutning visar om en eller flera artiklar ingår i en ovanför redovisad sammansatt enhet. Artiklarna medföljer vid beställning av den kompletta enheten.
13. Notes (Anmärkning). Här redovisas övrig information för en artikel;
 - Fotnotsnr, Ex. 963 återges längst ned på sidan.
 - Ersatta artiklar. Ex. (955884)
 - Produkt- eller tillverkningsnummer
 - Förkortningar och tekniska upplysningar
 - Sid- och grupp hänvisning.

Grupp 10 Ersatta artiklar / Nummerregister

- Ersatta artiklar. Här återfinns de med "SS" markerade (i PS -kolumn) artikelnumren med sina ersättningar. De ersättande artiklarna kan i sin tur vara ersatta osv.
- Nummerregister. Här finns alla i katalogen förekommande artiklar med hänvisning till grupp, avsnitt, sida.

Fortsatta förbättringar och framsteg vad det gäller konstruktion kan förorsaka förändringar på din maskin som inte omfattas av denna publikation. Varje publikation revideras vid behov för att inkludera dessa förändringar i senare utgåvor.

Detta dokument är upphovsrättsligt skyddat och åtnjuter därför skydd mot otillbörlig kopiering, eftertryck eller annan avbildning. Överträdelse mot detta förbud är förenat med straffansvar. Rätt till ändringar förbehålles.

RESERVEDELSKATALOG ANVISNINGAR

Catalogue id	Group
20017	1
Issue	Page
VOE 63D9920017	21

TABLE OF ABBREVIATION		PABLO DE ABBREVIATIONS			Catalogue id	Group
POUR LA LISTE DES ABRÉVIATIONS EMPLOYÉES		FÖRKORTNINGSTABELL			20017	1
ABKÜRZUNGSVERZEICHNIS					Issue	Page
					VOE 63D9920017	22
ABBREVIATION	ENGLISH	FRANÇAIS	DEUTSCH	ESPAÑOL	SVENSKA	
A	ampere	ampère	Ampere	amperio	ampere	
ALT	alternative	alternative	wahlweise	alternativa	alternativ	
AWD	All Wheel Drive	Toutes roues motrices	Allradantrieb	Tracción en las todas las ruedas	Allhjulsdrift	
AX ####-	as from axle No.	à partir du N° d'essieu	ab Achsennr.	a partir del eje nro	fr o m axel nr	
AX - ####	up to and incl. axle No.	jusqu'au N° d'essieu	bis Achsennr.	hasta el eje nro	t o m axel nr	
BL	black	noir	schwarz	negro	svart	
BLUE	blue	bleu	blau	azul	blå	
BR	brown	brun	braun	marrón	brun	
BRA	Brazil	Brésil	Brasilien	Brasil	Brasilien	
CAB #### -	as from cab No.	à partir du N° de cabine	ab Kabinen-herstellnr.	a partir de la cabina	fr o m hytt nr	
CAB - ####	up to and incl. cab No.	jusqu'au N° de cabine	bis Kabinen-herstellnr.	hasta la cabina nro	t o m hytt nr	
CAN	Canada	Canada	Kanada	Canadá	Kanada	
CENT	centre	au milieu	Mittlere	central	mittre	
CHN	China	Chine	China	China	Kina	
CIN	component identification number	Numéro de référence de sous-ensemble	Bauteil-Identifizierungsnummer	Número de identificación del componente	komponentidentifikationsnummer	
CPL	complete	complet	komplett	completo	komplett	
CU M	cubic metre	mètre cube	Kubikmeter	metro cúbico	kubikmeter	
DEG	numbers of degrees, C°	nombres de degré de chaleur, C°	Anzahl in Graden C°	numero de grado de calor, C°	antal grader, C°	
DELETED	deleted	supprimé	Nicht mehr lieferbar	Retirado	utgått	
DEU	Germany	Allemagne	Deutschland	Alemania	Tyskland	
DNK	Denmark	Danemark	Dänemark	Dinamarca	Danmark	
EEC	European Economic Community (EEC)	pays du marche commun (EEC)	EU-Markt (EEC)	el mercado común (EEC)	EU-marknad (EEC)	
ENG	Engine	moteur	Motor	motor	motor	
ENG #### -	as from engine No.	à partir du N° de moteur	ab Motornr.	a partir del motor nro	fr o m motor nr	
ENG - ####	up to and incl. engine No.	jusqu'au N° de moteur	bis Motornr.	hasta el motor nro	t o m motor nr	
E PROD	early production	production antérieure	Frühere Ausführung	producción anterior	tidigare utförande	
ESP	Spain	Espagne	Spanien	España	Spanien	
EU	European Union	Union Européenne	Europäische Union	Unión Europea	Europeiska unionen	
EXC ### -	as from excavator unit No.	à partir du N° d'excavateur	Ab Bagger-Aggregatnr.	a partir de agregado excavador nro	fr o m grävaggregat nr	
EXC - ###	up to and incl. excavator unit No.	jusqu'au N° d'excavateur	bis Bagger-Aggregatnr	hasta el agregado excavador nro	t o m grävaggregat nr	
EXCL	excluding	exclus	ausschliesslich	exclusivo	exklusive	
FIN	Finland	Finlande	Finnland	Finlandia	Finland	

ABBREVIATION	ENGLISH	FRANÇAIS	DEUTSCH	ESPAÑOL	SVENSKA
FORW	forward	avant	vordere	delante	främre
FRA	France	France	Frankreich	Francia	Frankrike
GBR	Great Britain	Angleterre	England	Inglaterra	Storbritannien
GRAM	gram	gramme	Gramm	gramo	gram
GREEN	green	vert	grün	verde	grön
GREY	grey	gris	grau	gris	grå
HT #### -	as from hydraulic transmission No.	à partir du transmission hydraulique N°	ab Hydraulikgetriebe	a partir de transmisión hidráulico nro	fr o m hydraultransmission nr
HT - ####	up to and incl. hydraulic transmission No.	jusqu'au transmission hydraulique N°	bis Hydraulikgetriebe	hasta el transmisión hidráulico nro	t o m hydraultransmission nr
ID	diameter, inner	diamètre, intérieur	Innendurchmesser	diámetro, interior	diameter, inre
IN	inch(es)	pouce	Zoll	pulgada	tum
INCL	inclusive	inclus	einschliesslich	inclusive	inklusive
INCL IN	included in	inclus dans	gehört zur	forma parte de	ingår i
INLET	inlet	entrée	Einlass	entrada	inlopp
INNER	inner	intérieur	innen	interior	inre
IRN	Iran	Iran	Iran	Iran	Iran
ITA	Italy	Italie	Italien	Italia	Italien
ITEM NO	see item No.	voir position	siehe Position Nr.	véase posición	se positionsnummer
K	included in parts kits	fait partie du jeu complet de réparation	gehört zur Satzverpackung	forma parte del juego por juego	ingår i satsförpackning
KOR	Korea	Corée	Korea	Corea	Korea
L	litre, length	litre, longueur	Liter, Länge	litros, longitud	liter, längd
LH	left	gauche	links	izquierdo	vänster
LOAD #### -	as from loading unit No.	à partir du N° de chargeur	ab Hubaggregatnr.	a partir du unibad carga nro	t o m lastaggregat nr
LOAD - ####	up to and incl. loading unit No.	jusqu'au N° de chargeur	bis Hubaggregatnr.	hasta unidad carga nro	t o m lastaggregat nr
LOW	lower	dessus	unten	inferior	undre
L PROD	late production	production postérieure	jetzige Ausführung	producción posterior	senare utförande
MARKED	marked	marque de	gekennzeichnet mit	marcado	märkt med
MODEL	model designation	Désignation de modèle	Modellbezeichnung	Designación de modelo	modellbeteckning
ML	millilitre	millilitre	Milliliter	mililitro	milliliter
MM	millimetre	millimètre	Millimeter	milímetros	millimeter
NLD	Netherlands	Pays-Bas	Holland	Holanda	Nederländerna
NO	number	numéro	Nummer	número	nummer
NOR	Norway	Norvège	Norwegen	Noruega	Norge

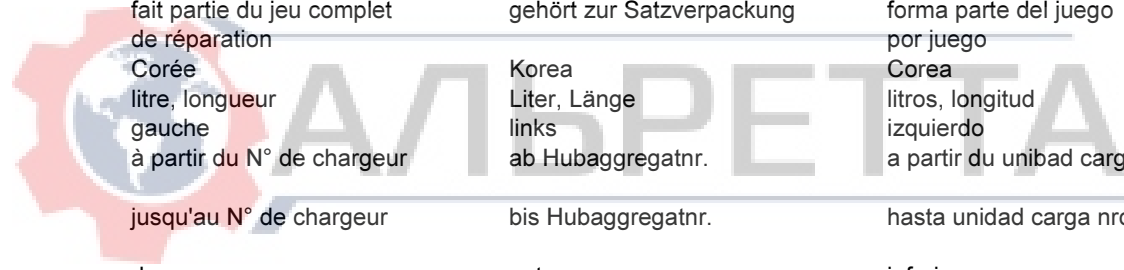


TABLE OF ABBREVIATION POUR LA LISTE DES ABRÉVIATIONS EMPLOYÉES ABKÜRZUNGSVERZEICHNIS	PABLO DE ABBREVIATIONS FÖRKORTNINGSTABELL	Catalogue id	Group
		20017	1
		Issue	Page
		VOE 63D9920017	23

TABLE OF ABBREVIATION		PABLO DE ABBREVIATIONS			Catalogue id	Group
POUR LA LISTE DES ABRÉVIATIONS EMPLOYÉES		FÖRKORTNINGSTABELL			20017	1
ABKÜRZUNGSVERZEICHNIS					Issue	Page
					VOE 63D9920017	24
ABBREVIATION	ENGLISH	FRANÇAIS	DEUTSCH	ESPAÑOL	SVENSKA	
NS	part not stocked as spare part	n'est pas stocké comme pièce de rechange	nicht als Ersatzteil vorrätig	no disponible como repuesto pieza de repuesto	detaljen lagerföres ej som reservdel	
OP	The part is no longer in stock	La pièce n'est plus en stock	Der Artikel wird nicht länger geführt	El artículo no se mantiene ya en stock	Artikeln lagerföres ej längre	
O SZ	over size	côte supérieur	Übergrösse	sobredimensión	överdimension	
OD	diameter, outer	diamètre extérieur	Aussendurchmesser	diámetro, exterior	diameter, yttre	
OR	orange	orange	orange	naranja	orange	
ORDER	order	commander	bestellen	hacer un pedido	beställ	
OUTER	outer	extérieur	aussen	exterior	yttre	
OUTLET	outlet	échappement	Auslass	escape	utlopp	
PAGE	see page	voir page	siehe Seite	véase página	se sida	
PAIR	pair	paire	Paar	par	par	
PCS	piece(s)	pièce	Stück	cada uno	styck	
PIN	product identification number	Numéro d'identification de produit	Produktidentifizierungs-Nummer	Número de identificación del producto	produktidentifikationsnummer	
PINK	pink	rose	rosa	rosa	rosa	
PROD NO	product No.	N° de produit	Produktnr.	nro de producto	produktnummer	
PRT	Portugal	Portugal	Portugal	Portugal	Portugal	
Q	Quantity l/min	Quantité l/min	Quantität l/min	Cantidad l/min	Kvantitet l/min	
REAR	rear	arrière	hinten	detrás	bakre	
RED	red	rouge	rot	rojo	röd	
REPL BY -	replaced by	remplacé par	ersetzt durch	substituido por	ersättes av	
REQ#	order as required,	quantité nécessaire,	erforderliche Anzahl	cantidad necesaria,	erforderligt antal,	
RH	right	droite	rechts	derecha	höger	
SE	alternative spare part version exists	une version pièce de rechange existe également	Alternative Ersatzteilausführung lieferbar	Existen otras versiones de las piezas de repuesto	alternativt reservdelsutförande finns	
SEE GROUP	see group	voir groupe	siehe Gruppe	véase grupo	se grupp	
SEE SB	see Service Bulletin	voir bulletin de service	siehe Kundendienstmitteilung	ver boletín de servicio	se servicemeddelande	
SER NO # -	as from serial No.	à partir du N° de fabrication	ab Fabrikationsnr.	a partir de fabric. nro	fr o m tillverkningsnr	
SER NO - #	up to and incl. serial No.	jusqu'au N° de fabrication	bis Fabrikationsnr.	hasta el fabric. nro	t o m tillverkningsnr	
S/N ##### -	as from serial No.	à partir du N° de série	ab Fabrikationsnr.	a partir de fabricación nro.	fr o m tillverkningsnr	
S/N - #####	up to and incl. serial No.	jusqu'au N° de série	bis Fabrikationsnr.	hasta el fabricación nro.	t o m tillverkningsnr	
SUPPL	supplementary details, no spare part	indication compléter	zusätzliche Angaben	parte completar	kompletterande uppgift, ej reservdel	
SPECIAL	special model	construction spéciale	Sonderausführung	modelo especial	specialutförande	
SQ MM	square millimeters	millimètre carré	Quadratmillimeter	milímetros cuadrados	kvadratmillimeter	
SS	superseded part	pièce remplacée	ersetztes Teil	pieza substituida	ersatt artikel	

ABBREVIATION	ENGLISH	FRANÇAIS	DEUTSCH	ESPAÑOL	SVENSKA
STD SZ	standard size	dimension standard	Standardabmessung	dimensión standard	standarddimension
SWE	Sweden	Suède	Schweden	Suecia	Sverige
THICK	thickness	épaisseur	Dicke	espesor	tjocklek
TM NO # -	as from transmission No.	à partir du N° de transmission	ab Getriebe nr.	a partir de transmisión nro	fr o m transmission nr
TM NO - #	up to and incl. transmission No.	jusqu'au N° de transmission	bis Getriebe nr.	hasta el de transmisión nro	t o m transmission nr
UPPER	upper	supérieur	oben	superior	övre
USA	United States of America	États-Unis	Vereinigte Staaten	Estados Unidos	USA
U SZ	under size	côte intérieur	Untergrösse	subdimensión	underdimension
V	volt	volt	Volt	voltio	volt
VIOL	violet	violet	violett	violeta	violett
W	Watt	watt	Watt	watio	watt
WHITE	white	blanc	weiss	blanco	vit
WID	width	largeur	Breite	ancho	bredd
YELL	yellow	jaune	gelb	amarillo	gul
ZAF	South Africa	Afrique du Sud	Südafrika	Sudáfrica	Sydafrika



TABLE OF ABBREVIATION	PABLO DE ABBREVIATIONS	Catalogue id	Group
POUR LA LISTE DES ABRÉVIATIONS EMPLOYÉES	FÖRKORTNINGSTABELL	20017	1
ABKÜRZUNGSVERZEICHNIS		Issue	Page
		VOE 63D9920017	25

VOLVO

BL60

PRODUCT AND EQUIPMENT VARIANTS		VARIANTES DE PRODUCTOS Y EQUIPAMIENTOS		Catalogue id 20017	Group 1
VARIANTES DE PRODUITS ET D'EQUIPMENTS		PRODUKT- OCH UTRUSTNINGSVARIANTER		Issue VOE 63D9920017	Page 26
PRODUKT- UND AUSRÜSTUNGSVARIANTEN					
Equipment	Kit No	Description	Equipment	Kit No	Description

11294005		Cab Cabine Fahrerhaus Cabina Hytt	11298018		Air conditioning climatisation Klimaanlage acondicionador de air luftkonditionering
11298009		Fixed steering column Colonne de direction fixe Feste Lenksäule Columna de dirección fija Fast rattstam	11298021		Steering Wheel Knob Boule pour volant Lenkradknopf Botón del volante Rattknopp
11298010		Adjustable steering column Colonne de direction réglable Verstellbare Lenksäule Columna de dirección ajustable Inställningsbar rattstam	11298028		Cab Cabine Fahrerhaus Cabina Hytt
11298013		External mirrors Rétroviseurs extérieurs Äußere Rückspiegel Retrovisores exteriores Yttre backspeglar	11298121		Panel Canopy Tableau de bord, cabine ouverte Instrumententafel für Canopy-Version Panel de cabina abierta Panel Öppen hytt
11298014		Parking brake Frein de stationnement Feststellbremse Freno de estacionamiento Parkeringsbroms	11298126		Front window Pare-brise Windschutzscheibe Parabrisas Vindruta
11298016	VOE 11712382	Sun shield Pare-soleil Sonnenblende Visera Solskydd	11298128		Panel for Canopy, two wheel steering Cabine ouverte 2 Ws Instrumententafel für Canopy, Zweiradlenkung 2 Ws techo Panel för Canopy, tvåhjulstyrning

Equipment	Kit No	Description	Equipment	Kit No	Description
11298158		Panel Canopy Tableau de bord, cabine ouverte Instrumententafel für Canopy-Version Panel de cabina abierta Panel Öppen hytt	11298189		Canopy Cabine ouverte Canopy Techo Canopy
11298159		Panel Canopy, mechanical handbrake Tableau de bord, cabine ouverte - frein de stationneme Instrumententafel für Canopy-Version, mechanische H Panel de cabina abierta, freno de mano mecánico Panel Öppen hytt, mekanisk handbroms	11298190		Cab Cabine Kabine Cabina Hytt
11298164		Rear view mirror Rétroiseur Rückspiegel Retrovisor Backspegel	11298203		Front window Pare-brise Windschutzscheibe Parabrisas Vindruta
11298166		External mirrors Rétroiseurs extérieurs Äußere Rückspiegel Retrovisores exteriores Yttre backspeglar	11298239		Lock For hood Release Serrure d'ouverture de capot Motorhauberverriegelung Bloqueo para soltar el capó Lås för huvöppning
11298168		Cup holder Porte-gobelet Becherhalter Portavasos Kopphållare	11880001		BL60 Backhoe Loader Basic Machine Chargeuse-pelleteuse BL60 , machine de base BL60 Baggerlader Grundmaschine Cargadora retroexcavadora, máquina básica BL60 Grävlastare basmaskin BL60
11298170		Vandal Guard Protection antivandalisme Vandalisierschutz Protección antivandalismo Vandalskydd	11885147		Engine Moteur Motor Motor Motor

PRODUCT AND EQUIPMENT VARIANTS	VARIANTES DE PRODUCTOS Y EQUIPAMIENTOS	Catalogue id	Group
VARIANTES DE PRODUITS ET D'EQUIPMENTS	PRODUKT- OCH UTRUSTNINGSVARIANTER	20017	1
PRODUKT- UND AUSRÜSTUNGSVARIANTEN		Issue	Page
		VOE 63D9920017	27

VOLVO

BL60

PRODUCT AND EQUIPMENT VARIANTS		VARIANTES DE PRODUCTOS Y EQUIPAMIENTOS		Catalogue id	Group
VARIANTES DE PRODUITS ET D'EQUIPMENTS		PRODUKT- OCH UTRUSTNINGSVARIANTER		20017	1
PRODUKT- UND AUSRÜSTUNGSVARIANTEN				Issue	Page
				VOE 63D9920017	28

Equipment	Kit No	Description	Equipment	Kit No	Description
11886317		Engine Moteur Motor Motor Motor	11891015		Tooth Guard Europe Protection de dent, Europe Zahnschutz Europa Protección de dientes Europa Tandskydd Europa
11887318		Engine Moteur Motor Motor Motor	11891016		Tooth Guard Italy Protection de dent, Italie Zahnschutz Italien Protección de dientes Italia Tandskydd Italien
11890342		Digger 4.5m Extendible Balancier 4,5 m extensible Baggeraggregat 4,5 m ausziehbar Excavadora 4,5 m extensible Grävaggregat 4,5m Förlängningsbart	11891017	VOE 11712669	Hammer HB 440 Marteau HB 440 Hammer HB 440 Martillo HB 440 Hammare HB 440
11890343		Digger 4.5m Standard Equipement excavateur 4,5 m standard Baggeraggregat 4,5 m Standard Excavadora 4,5 m tipo estándar Grävaggregat 4,5 m Standard	11891018	VOE 11715299	Multi Purpose Bucket 1m3 Multi Purpose Bucket 1m3 Multi Purpose Bucket 1m3 Multi Purpose Bucket 1m3 Multi Purpose Bucket 1m3
11890349		Lock kit Kit serrure Sperrsatz Kit de cerradura Låssats	11891043		Backhoe bucket Godet rétro Tiefräumlöffel Cuchara de retroexcavadora Djupgrävningsskopa 18"
11891014		Legals US Législation US US-Gesetze Reglamentación EE.UU. Lagkrav USA	11891050		25 km/h legal requirement Germany 25 km/h - vitesse limite en Allemagne 25 km/h gesetzlich vorgeschrieben in Deutschland Límite de velocidad de 25km/h Alemania 25 km/h lagkrav Tyskland

Equipment	Kit No	Description	Equipment	Kit No	Description
11891061	VOE 11710775	PinKit - bucket Kit pour le montage direct du godet Satz direktbefestigte Schaufel Kit de cuchara de montaje directo Sats direktinfäst skopa	11891092		European Bucket 450 wide Godet européen, largeur 450 Europäische Schaufel, Breite 450 mm Cuchara europea 450 de ancho Europeisk skopa 450 bred
11891076		Transmission 2wd powershuttle Transmission, 2 roues motrices Kraftübertragung, Zweiradantrieb Transmisión, tracción a 2 ruedas Kraftöverföring 2-hjulsdrift	11891093		European bucket 900 wide Godet européen, largeur 900 mm Europäische Schaufel, Breite 900 mm Cuchara europea 900 de ancho Europeisk skopa 900 bred
11891077		Transmission 4wd powershuttle Valve navette, transmission 4 roues motrices Getriebe 4-Radantrieb Power Shuttle Transmisión 4a corredera de potencia Kraftöverföring 4-hjulsdrift	11891099		Operator's seat, imitation leather Siège conducteur, accoudoir Fahrsitz, Armlehne Asiento de conductor, apoyabrazos Förrastol, armstöd
11891079		Hydraulic Loader Std Bucket Godet chargeur à commande hydraulique Hydraulik, Standardschaufel Hidráulica de cuchara estándar de cargadora Lastaggregatshydraulik för standardskopa	11891100		Operator's seat, imitation leather, armrest Siège conducteur, cuir synthétique, accoudoir Fahrsitz, Kunstleder, Armlehne Asiento de conductor, cuero artificial, apoyabrazos Förrastol, konstläder, armstöd
11891080		Hydraulics for GP loader bucket Commande hydraulique de godet universel (GP) Hydraulik für Mehrzweckschaufel Hidráulica de cuchara multipropósitos de cargadora Hydraulik för allround (gp) lastskopa	11891110		Operator's seat, electrically heated, air suspension Siège conducteur, chauffage électrique, suspension pn Fahrsitz, beheizt, luftgedert, Armlehne Asiento del conductor, térmico, suspensión neumática, Förrastol, eluppvärmd, luftfjädrad, armstöd
11891091		400 mm Gp Bucket Godet universel 400 mm 400 mm Allzwecklöffel Cuchara 400mm Gp 400 mm GP Skopa	11891112	VOE 11711249	US ISO levers Leviers US ISO US-ISO-Hebel EE.UU. Palancas ISO USA, ISO-spakar

PRODUCT AND EQUIPMENT VARIANTS	VARIANTES DE PRODUCTOS Y EQUIPAMIENTOS	Catalogue id	Group
VARIANTES DE PRODUITS ET D'EQUIPMENTS	PRODUKT- OCH UTRUSTNINGSVARIANTER	20017	1
PRODUKT- UND AUSRÜSTUNGSVARIANTEN		Issue	Page
		VOE 63D9920017	29

VOLVO

BL60

PRODUCT AND EQUIPMENT VARIANTS			VARIANTES DE PRODUCTOS Y EQUIPAMIENTOS			Catalogue id 20017	Group 1
VARIANTES DE PRODUITS ET D'EQUIPMENTS			PRODUKT- OCH UTRUSTNINGSVARIANTER			Issue VOE 63D9920017	Page 30
PRODUKT- UND AUSRÜSTUNGSVARIANTEN							
Equipment	Kit No	Description	Equipment	Kit No	Description		

11891113	VOE 11711256	US std levers Leviers US std US-Std.-Hebel EE.UU. Palancas tipo estándar USA, standardspakar	11891209		Transmission 4wd powershuttle Valve navette, transmission 4 roues motrices Getriebe 4-Radantrieb Power Shuttle Transmisión 4a corredera de potencia Kraftöverföring 4-hjulsdrift		
11891152	VOE 11885079	Tool Kit Jeu d'outillage Werkzeugsatz Kit de herramientas Verkytgssats	11891216		Operator seat Siège de conducteur Fahrsitz Asiento de conductor Förarstol, låg rygg		
11891176	VOE 11712670	GP Fork Kit Kit fourche universelle Gabelzinkensatz, GP Kit de horquilla Allround (GP) Gaffelsats	11891217		Operator's seat, imitation leather Siège conducteur, cuir synthétique Fahrsitz, Kunstleder Asiento de conductor, cuero artificial Förarstol, konstläder		
11891192		European bucket 610 wide Godet européen, largeur 610 mm Europäische Schaufel, Breite 610 mm Cuchara europea 610 de ancho Europeisk skopa 610 bred	11891224		Transmission 2wd powershuttle Valve navette, transmission 4 roues motrices Getriebe 2-Radantrieb Power Shuttle Transmisión 2a corredera de potencia Kraftöverföring 2-hjulsdrift powershift		
11891194		General purpose bucket 2350 wide Godet universel, largeur 2 350 mm Allzweckschaufel, Breite 2350 mm Cuchara para aplicaciones generales 2350 de ancho General purpose skopa 2350 bred	11891256		Counterweight Contrepoids Gegengewicht Contrapeso Motvikt		
11891202		European Bucket 305 wide Godet européen, largeur 305 Europäische Schaufel, Breite 305 mm Cuchara europea 305 de ancho Europeisk skopa 305 bred	11891262	VOE 11712425	Two rotating beacons Deux gyrophares Zwei rotierende Warnleuchten Dos luces giratorias de advertencia Två roterande varningsljus		

Equipment	Kit No	Description	Equipment	Kit No	Description
11891264		European Blade Kit 2350mm Lame européenne 2 350 mm Europäischer Scharsatz, 2350 mm Kit de hojas europeas 2350mm Europeisk bladsats 2350 mm	11891282	VOE 11988242	MP lifting fork kit Kit fourche de levage MP Hebegabel-Kit Juego de horquilla de elevación Multifunktionslyftgaffel sats
11891265		Tooth Kit Jeu de dents Zahnsatz Kit de dientes Tandsats	11891284		12x16.5 - 19.5lr24 12x16,5 - 19.5LR24 12x16,5 - 19.5LR24 12x16,5 - 19,5lr24 12x16,5 - 19.5lr24
11891267		Wheels and tyres opt 2 11x16 - 21x24 Roues et pneus optionnels 2 11x16 - 21x24 Räder und Reifen, optional, 2 11x16 - 21x24 Ruedas y neumáticos, opt 2 11x16 - 21x24 Hjul och däck opt 2 11x16 - 21x24	11891286		12x16.5 - 21x24 12x16,5 - 21LX24 12x16,5 - 21LX24 12x16,5 - 21x24 12x16,5 - 21x24
11891275		Wheels and tyres opt 1 11x16 - 19.5xr24 Roues et pneus optionnels 1 11x16 - 19.5xr24 Räder und Reifen, optional, 1 11x16 - 19,5xr24 Ruedas y neumáticos, opt 1 11x16 - 19.5xr24 Hjul och däck opt 1 11x16 - 19,5xr24	11891291		Work lamp, rear Lampe travail, aari`re Arbeitslampe, hinter Lampara de trabajo, trasero Arbetslampa, bakre
11891278		Instrument panel, Km/h Tableau de bord, km/h Instrumententafel, km/h Tablero de instrumentos, Km/h Instrumentpanel, km/h	11891292		Work lights front Phare travail Arbeitsscheinwerfer Faro de trabajo Arbetsstrålkastare, främre <i>FRONT LIGHT USE KIT NO 11988243.</i> <i>REAR LIGHT USE KIT NO 11988244.</i>
11891280		Instrument panel, without speedometer Tableau de bord sans tachymètre Instrumententafel, ohne Geschwindigkeitsmesser Tablero de instrumentos, sin velocímetro Instrumentpanel utan hastighetsmätare			

PRODUCT AND EQUIPMENT VARIANTS	VARIANTES DE PRODUCTOS Y EQUIPAMIENTOS	Catalogue id 20017	Group 1
VARIANTES DE PRODUITS ET D'EQUIPMENTS	PRODUKT- OCH UTRUSTNINGSVARIANTER	Issue VOE 63D9920017	Page 31
PRODUKT- UND AUSRÜSTUNGSVARIANTEN			

VOLVO

BL60

PRODUCT AND EQUIPMENT VARIANTS	VARIANTES DE PRODUCTOS Y EQUIPAMIENTOS	Catalogue id 20017	Group 1
VARIANTES DE PRODUITS ET D'EQUIPMENTS	PRODUKT- OCH UTRUSTNINGSVARIANTER	Issue VOE 63D9920017	Page 32
PRODUKT- UND AUSRÜSTUNGSVARIANTEN			

Equipment	Kit No	Description	Equipment	Kit No	Description
11891295		Grading bucket 1500mm Godet niveleur, largeur 1 500 mm Böschungslöffel 1500 mm Cuchara niveladora 1500 mm Planeringsskopa 1500 mm	11891315		Counterweight 335 kg Contrepoids 335 kg Gegengewicht 335 kg Contrapeso, 335 kg. Motvikt 335 kg
11891296		Grading bucket 1200mm Godet niveleur, largeur 1 200 mm Böschungslöffel 1200 mm Cuchara niveladora 1200 mm Planeringsskopa 1200 mm	11891316		Counterweight 468 kg Contrepoids 468 kg Gegengewicht 468 kg Contrapeso, 468 kg. Motvikt 468 kg
11891298		Hydraulic cap without key Bouchon hydraulique sans clé Hydraulische Kappe ohne Schlüssel Cubierta hidráulica sin llave Hydraulisk kåpa utan nyckel	11891318		Backhoe bucket Godet rétro Tiefräumlöffel Cuchara de retroexcavadora Djupgrävningsskopa 36"
11891299	VOE 11710951	Attachment bracket, mechanical Fixation outil Geräteträger Fijacion herramientas Redskapsfäste, mekaniskt	11891319		Backhoe bucket Godet rétro Tiefräumlöffel Cuchara de retroexcavadora Djupgrävningsskopa 30"
11891303	VOE 11988246	Radio with tape recorder Radio avec magnétophone Radio mit Tonbandgerät Radiocassette Radio med bandspelare	11891320		Backhoe bucket Godet rétro Tiefräumlöffel Cuchara de retroexcavadora Djupgrävningsskopa 24"
11891314		Seat belt Wide Ceinture de sécurité, large Sicherheitsgurt, breit Cinturón de seguridad, ancho Brett säkerhetsbälte			

Equipment	Kit No	Description	Equipment	Kit No	Description
11891321		Backhoe bucket Godet rétro Tiefräumlöffel Cuchara de retroexcavadora Djupgrävningsskopa 12"	11891345	VOE 11712723	Boom Suspension System Système de suspension des bras de levage, BSS Hubgerüst Sistema de suspensión de la pluma Lastarmsfjädring
11891324		Hydraulic Tank Lock Cap Bouchon de verrouillage du réservoir hydraulique Hydrauliktankverschluss Tapa de cierre del depósito hidráulico Hydraultankslock	11891346	VOE 11712722	Hammer Hydraulic Circuit Circuit hydraulique marteau Hammerhydraulik Circuito hidráulico para martillo Hydraulutrustning för hammare
11891329		Foot plate Semelle réversible Fußplatte Placa de soporte Fotplatta	11891350		Without Front Bucket Sans godet frontal Ohne Frontschaufel Sin cuchara frontal Utan frontskopa
11891331	VOE 11710906	Hose kit Kit flexibles Schlauchsatz Kit de manguera Slangsats	11891360		Wheels And Tyres Option15, 11x16 - 19.5x24 Options roues et pneus 15, 11x16 - 19.5x24 Räder und Reifen Option 15, 11x16 - 19.5x24 Opción de llantas y neumáticos 15, 11x16 - 19.5x24 Hjul och däck tillval 15, 11x16 - 19.5x24
11891332	VOE 11712415	Anti-theft kit Kit alarme antivol Diebstahlalarm-Kit Dispositivo antirrobo Stöldlarmsats	11891364		Standard Foot Equipped Avec semelles de stabilisateurs standard Mit Standardfußplatte Equipamiento de pedal estándar Fotplatta, standard
11891333		Hand Held Hydraulic Commande hydraulique manuelle Handhydraulik Hidráulica manual Extra hydrauluttag för handverktyg	11891365		Street Pad Semelle spéciale pour travaux urbains Fußplatte, Straßenausführung Pastillas de freno Fotplatta, gatutförande

PRODUCT AND EQUIPMENT VARIANTS	VARIANTES DE PRODUCTOS Y EQUIPAMIENTOS	Catalogue id 20017	Group 1
VARIANTES DE PRODUITS ET D'EQUIPMENTS	PRODUKT- OCH UTRUSTNINGSVARIANTER	Issue VOE 63D9920017	Page 33
PRODUKT- UND AUSRÜSTUNGSVARIANTEN			

VOLVO

BL60

PRODUCT AND EQUIPMENT VARIANTS		VARIANTES DE PRODUCTOS Y EQUIPAMIENTOS		Catalogue id 20017	Group 1
VARIANTES DE PRODUITS ET D'EQUIPMENTS		PRODUKT- OCH UTRUSTNINGSVARIANTER		Issue VOE 63D9920017	Page 34
PRODUKT- UND AUSRÜSTUNGSVARIANTEN					
Equipment	Kit No	Description	Equipment	Kit No	Description

11891369		Hand Held Hydraulic Commande hydraulique manuelle Handhydraulik Hidráulica manual Extra hydrauluttag för handverktyg	11891385		Wheels And Tyres Option16, 12x16.5 - 19.5lr24 Options roues et pneus 16, 12x16,5 - 19,5lr24 Räder und Reifen Option 16, 12x16,5 - 19,5lr24 Opción de llantas y neumáticos 16, 12x16,5 - 19,5lr24 Hjul och däck tillval 16, 12x16.5 - 19.5lr24
11891372		One Rotating Beacon Gyrophare unique Rotierende Warnleuchte Una luz rotativa En roterande varningslykta	11891386		Wheels And Tyres Option17, 11lx16 - 21lx24 Options roues et pneus 17, 11lx16 - 21lx24 Räder und Reifen Option 17, 11lx16 - 21lx24 Opción de llantas y neumáticos 17, 11lx16 - 21lx24 Hjul och däck tillval 17, 11lx16 - 21lx24
11891373	VOE 11988243	Work lights, front (rops) Projecteurs de travail AV (cabine ROPS) Arbeitsscheinwerfer, vorne (ROPS) Dos luces de trabajo delanteras opcionales Arbetsstrålkastare, främre (rops)	11891387		Wheels And Tyres Option 18, 12x16.5 - 21lx24 Options roues et pneus 18, 12x16,5 - 21lx24 Räder und Reifen Option 18, 12x16,5 - 21lx24 Opción de llantas y neumáticos 18, 12x16,5 - 21lx24 Hjul och däck tillval 18, 12x16.5 - 21lx24
11891375	VOE 11715009	Pipe kit for hammer attachment Kit conduits, marteau Leitungssatz für Hammeranbau Kit de tubería para fijación del martillo Rörsats för hammarredskap	11891391		Double Battery Deux batteries Doppelbatterie Batería doble Dubbelbatteri
11891376		Non-suspended Vinyl Seat Siège avec habillage vinyle, sans suspension Ungefederter Vinylsitz Asiento de vinilo sin suspensión Ofjädrad Vinylstol	11891392		Single Battery Une seule batterie Einfachbatterie Batería simple Enkelbatteri
11891377		Back up alarm Avertisseur de renversement Rückfahrwarner Alarma de retrocero Backalarm	11891429		Engine Preheater Réchauffeur de moteur Motorvorwärmer Precalentador de motor Motor förvärmare 120 V

Equipment	Kit No	Description	Equipment	Kit No	Description
11891430		Engine Preheater Réchauffeur de moteur Motorvorwärmer Precalentador de motor Motor förvärmare 240 V	11891561		Pin kit for bucket Kit de pivot d'axe pour godet Schaufelbolzensatz Juego de muñones para cuchara Axeltappsats för skopa
11891488		Radio Pre-installation Pré-installation autoradio Radio Vorbereitung Preinstalación de radio Radio förinstallation	11891565		Bucket Gp 1m3 With Forks Support Skopa Gp med fästen gafflar
11891494		Loader Bucket Gp1 Cubic Yard Skopa Gp direktinfäst (lastare)	11891567		Bolt On Blade 2250mm
11891503		Digger 4.5 Std/extending Tubing			
11891539		Pin kit for bucket Kit de pivot d'axe pour godet Schaufelbolzensatz Juego de muñones para cuchara Axeltappsats för skopa			
11891540		Bucket Gp 1m3 Without Forks Support Skopa Gp utan fästen gafflar			
11891541		Kombiskopa direktinfäst			
11891546		Hose kit Kit flexibles Schlauchsatz Kit de manguera Slangsats			

PRODUCT AND EQUIPMENT VARIANTS

VARIANTES DE PRODUCTOS Y EQUIPAMIENTOS

VARIANTES DE PRODUITS ET D'EQUIPMENTS

PRODUKT- OCH UTRUSTNINGSVARIANTER

PRODUKT- UND AUSRÜSTUNGSVARIANTEN

Catalogue id

20017

Issue

VOE 63D9920017

Group

1

Page

35

VOLVO

BL60

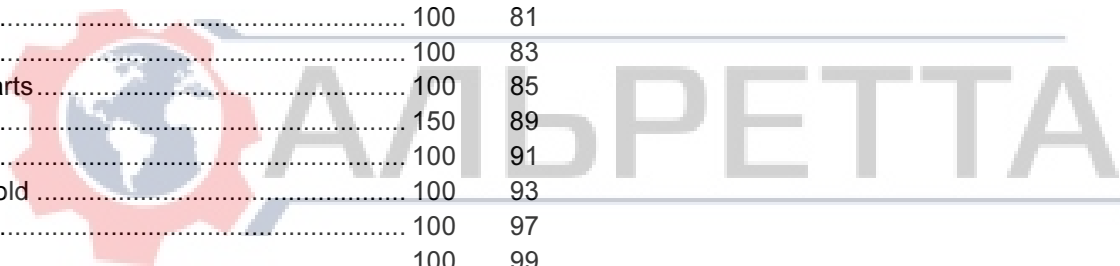


VOLVO

АЛБРЕТТА

Construction Equipment

GROUP	Section	Page	GROUP	Section	Page
210	Repair kits for engine	50	43	263	Belt transmission..... 150 117
210	Engine.....	100	49	269	Engine oil preheating 100 119
211	Cylinder head.....	100	51	271	Regulator control..... 100 121
212	Cylinder block	100	53	272	Hand throttle..... 100 123
212	Crankcase ventilation.....	150	55	273	Shutdown device..... 100 125
213	Pistons	100	57		
214	Valve mechanism.....	100	59		
215	Timing gear casing and gears.....	100	61		
216	Crankshaft and related parts.....	100	63		
216	Flywheel housing	150	67		
217	Oil sump.....	100	69		
218	Engine mounting 11891076, 11891077	100	71		
218	Engine mounting.....	200	73		
221	Lubricating oil system	100	75		
222	Oil filter.....	100	77		
223	Oil cooler	100	79		
233	Fuel pump	100	81		
234	Fuel tank, fuel pipes.....	100	83		
236	Fuel injection pump with fitting parts.....	100	85		
236	Regulator	150	89		
237	Fuel lines and injectors	100	91		
251	Inlet manifold and exhaust manifold	100	93		
252	Exhaust system, silencer	100	97		
255	Turbocharger with fitting parts	100	99		
256	Air filter with fitting parts.....	100	101		
256	Air filter.....	150	103		
260	Cooling system	100	105		
260	Cooling system incl. expansion tank.....	200	107		
261	Radiator with fitting parts	100	109		
262	Water pump and thermostat housing 11886317, 11887318.....	100	111		
263	Fan and installation components	100	115		



INDEX OF CONTENTS	Catalogue id 20017	Group 200
	Issue VOE 63D9920017	Page 37

VOLVO

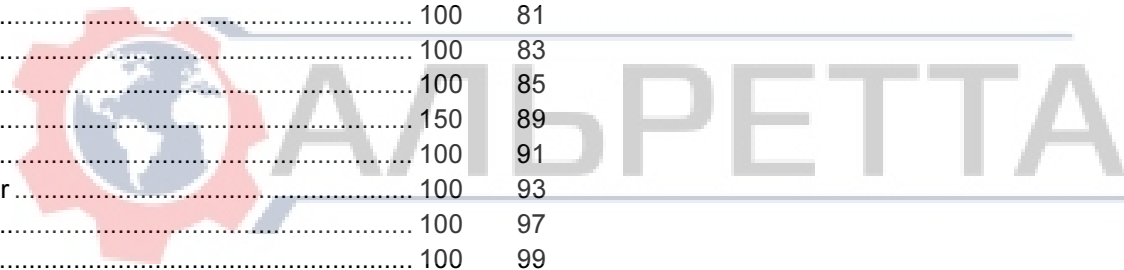


BL60

TABLE DES MATIÈRES		Catalogue id 20017	Group 200
		Issue VOE 63D9920017	Page 38

GROUPE	Section	Page	GROUPE	Section	Page
210	Jeu pour moteur.....	50	43	263	Transmission courrouie..... 150 117
210	Moteur.....	100	49	269	Préchauffage huile moteur..... 100 119
211	Culasse.....	100	51	271	Commande du régulateur..... 100 121
212	Bloc-cylindres.....	100	53	272	Accelérateur manual..... 100 123
212	Ventilation de carter.....	150	55	273	Arrêt de moteur..... 100 125
213	Pistons.....	100	57		
214	Commande des soupapes.....	100	59		
215	Carter de distribution et engrenage.....	100	61		
216	Axe à vilebreguintas.....	100	63		
216	Carter de volant.....	150	67		
217	Carter d'huile.....	100	69		
218	Suspension du moteur 11891076, 11891077.....	100	71		
218	Suspension du moteur.....	200	73		
221	Système de graissage.....	100	75		
222	Filtre à huile.....	100	77		
223	Radiateur d 'huile.....	100	79		
233	Pompe carburant.....	100	81		
234	Réservoir de carburant, conduit de carburant.....	100	83		
236	Pompe d'injection de combustible avec pièces de montage.....	100	85		
236	Régulateur.....	150	89		
237	Canalisation à combustible, injecteur.....	100	91		
251	Tubulure admission et tubulure echappement.....	100	93		
252	Système d'aspiration, silencieux.....	100	97		
255	Turbocompresseur avec pièces de montage.....	100	99		
256	Filtre à air avec pièces de montage.....	100	101		
256	Purificateur d'air.....	150	103		
260	Système de refroidissement.....	100	105		
260	Système de refroidissement avec vase d'expansion.....	200	107		
261	Radiateur avec pièces de montage.....	100	109		
262	Pompe à eau et boîtier thermostat 11886317, 11887318.....	100	111		
263	Ventilateur avec pièces de montage.....	100	115		

GRUPPE	Abschnitt	Seite	GRUPPE	Abschnitt	Seite		
210	Motorsätze	50	43	263	Riemenantrieb	150	117
210	Motor	100	49	269	Motorölvorwärmung	100	119
211	Zylinderkopf	100	51	271	Reglersteuerung	100	121
212	Zylinderblock	100	53	272	Handgas	100	123
212	Kurbelgehäusebelüftung	150	55	273	Motorabstellung	100	125
213	Kolben	100	57				
214	Ventilmechanismus	100	59				
215	Stirnradgehäuse und Nabenvorgelege	100	61				
216	Kurbelbewegung	100	63				
216	Schwungradgehäuse	150	67				
217	Ölwanne	100	69				
218	Motorbefestigung 11891076, 11891077	100	71				
218	Motorbefestigung	200	73				
221	Schmierölsystem	100	75				
222	ÖlfILTER	100	77				
223	Ölkühler	100	79				
233	Kraftstoffpumpe	100	81				
234	Kraftstofftank, kraftstoffrohr	100	83				
236	Einspritzpumpe mit Anbauteilen	100	85				
236	Regler	150	89				
237	Brennstoffrohre	100	91				
251	Ansaugrohr und Auspuffkrümmer	100	93				
252	Auspuffsystem, Schalldämpfer	100	97				
255	Torbolader mit Anbauteilen	100	99				
256	Luftfilter mit Anbauteilen	100	101				
256	Luftfilter	150	103				
260	Kühlanlage	100	105				
260	Kühlsystem mit Expansionstank	200	107				
261	Kühler mit Anbauteilen	100	109				
262	Wasserpumpe und Thermostatgehäuse 11886317, 11887318	100	111				
263	Lüfter mit Anbauteilen	100	115				



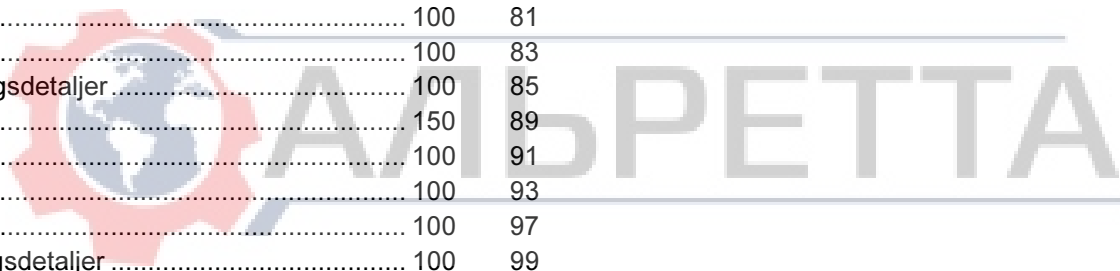
INHALTSVERZEICHNIS	Catalogue id 20017	Group 200
	Issue VOE 63D9920017	Page 39



INDICE		Catalogue id 20017	Group 200		
		Issue VOE 63D9920017	Page 40		
GRUPO	Sección	Página	GRUPO	Sección	Página

210	Juegos para el motor	50	43	263	Correa distribución	150	117
210	Motor	100	49	269	Pre calentamiento del aceite de motor	100	119
211	Culata	100	51	271	Mando del regulador	100	121
212	Bloque de cilindros	100	53	272	Acelerador manual	100	123
212	Ventilación del cárter	150	55	273	Parada del motor	100	125
213	Pistones	100	57				
214	Mecanismo de válvulas	100	59				
215	Caja de distribución y engranajes	100	61				
216	Cigüeñal	100	63				
216	Carcasa del volante	150	67				
217	Cárter	100	69				
218	Suspensión del motor 11891076, 11891077	100	71				
218	Suspensión del motor	200	73				
221	Sistema de lubricación	100	75				
222	Filtro de aceite	100	77				
223	Enfriador de aceite	100	79				
233	Bomba de combustible	100	81				
234	Depósito de combustible,tubos de combustible	100	83				
236	Bomba de inyección de accesoris de montaje	100	85				
236	Regulador	150	89				
237	Tuberías de combustible, inyector	100	91				
251	Tubo admisión y múltiple escape	100	93				
252	Sistema de escape, silenciador	100	97				
255	Turboalimentador con accesorios de montaje	100	99				
256	Filtro de aire con accesoris de montaje	100	101				
256	Filtro de aire	150	103				
260	Sistema de refrigeración	100	105				
260	Sistema de refrigeración con vaso expansión	200	107				
261	Radiador con accesorios de montaje	100	109				
262	Bomba de agua y caja de termostato 11886317, 11887318	100	111				
263	Ventilador con accesorios de montaje	100	115				

GRUPP		Avsnitt	Sida	GRUPP		Avsnitt	Sida
210	Satser för motor	50	43	263	Remtransmission	150	117
210	Motor	100	49	269	Motorolja förvärmning	100	119
211	Cylinderhuvud	100	51	271	Regulatorreglage.....	100	121
212	Cylinderblock	100	53	272	Handgasreglage.....	100	123
212	Vevhusventilation.....	150	55	273	Stoppmagnet.....	100	125
213	Kolvar.....	100	57				
214	Ventilmekanism.....	100	59				
215	Transmissionskåpa och drev	100	61				
216	Vevrörelse.....	100	63				
216	Svänghjulskåpa.....	150	67				
217	Oljesump.....	100	69				
218	Motorupphängning 11891076, 11891077	100	71				
218	Motorupphängning	200	73				
221	Smörjsystem	100	75				
222	Oljefilter.....	100	77				
223	Oljekylare.....	100	79				
233	Bränslepump.....	100	81				
234	Bränsletank, bränslerör.....	100	83				
236	Insprutningspump med monteringsdetaljer	100	85				
236	Regulator	150	89				
237	Bränslerör och insprutare.....	100	91				
251	Insugningsrör och avgasgrenrör	100	93				
252	Avgassystem, ljuddämpare.....	100	97				
255	Turbokompressor med monteringsdetaljer	100	99				
256	Luftrenare med monteringsdetaljer	100	101				
256	Luftrenare.....	150	103				
260	Kylsystem.....	100	105				
260	Kylsystem och expansionstank.....	200	107				
261	Kylare med monteringsdetaljer	100	109				
262	Vattenpump och termostathus 11886317, 11887318	100	111				
263	Fläkt med monteringsdetaljer.....	100	115				

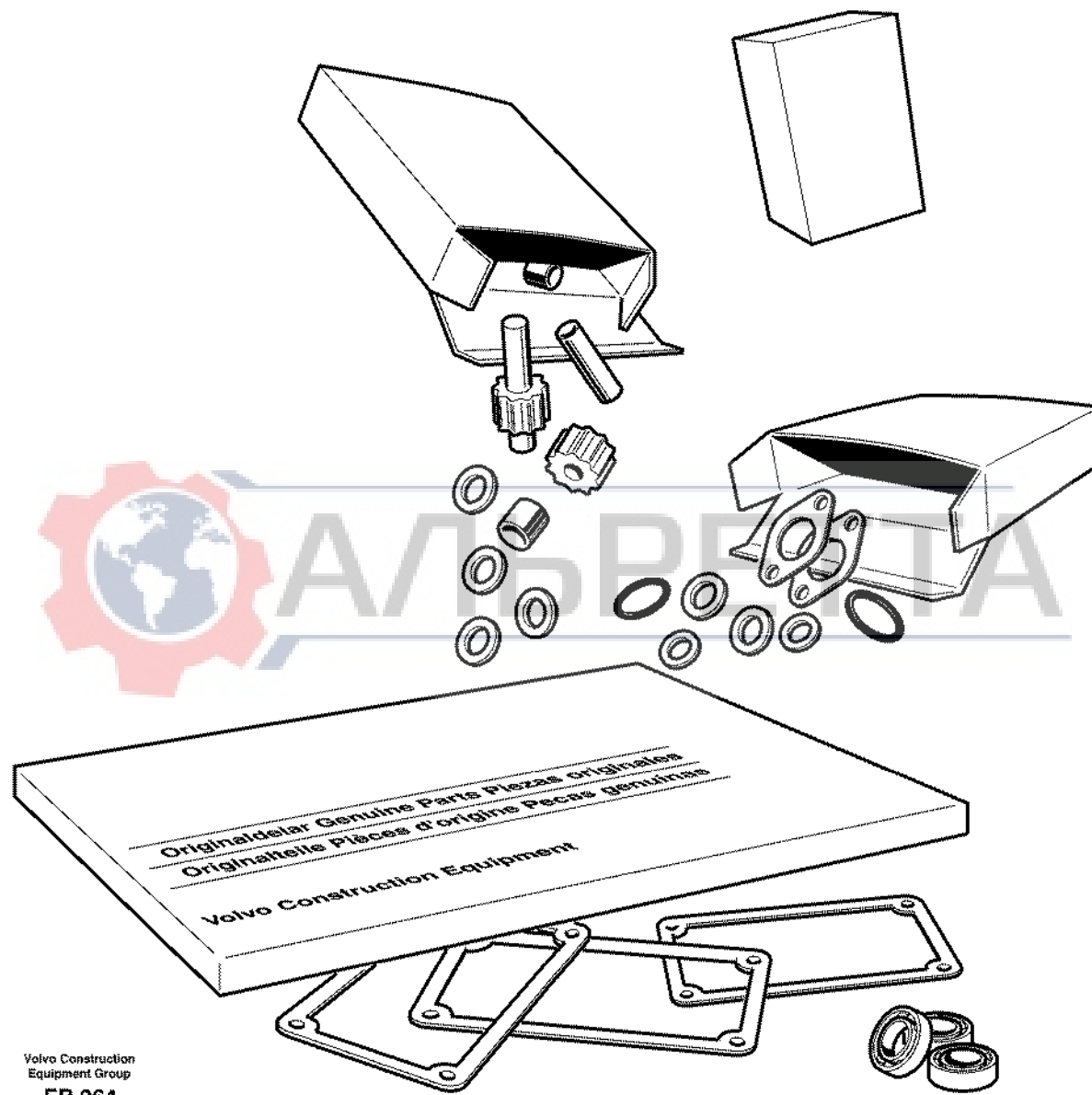


INNEHÅLLSFÖRTECKNING	Catalogue id 20017	Group 200
	Issue VOE 63D9920017	Page 41

VOLVO



BL60



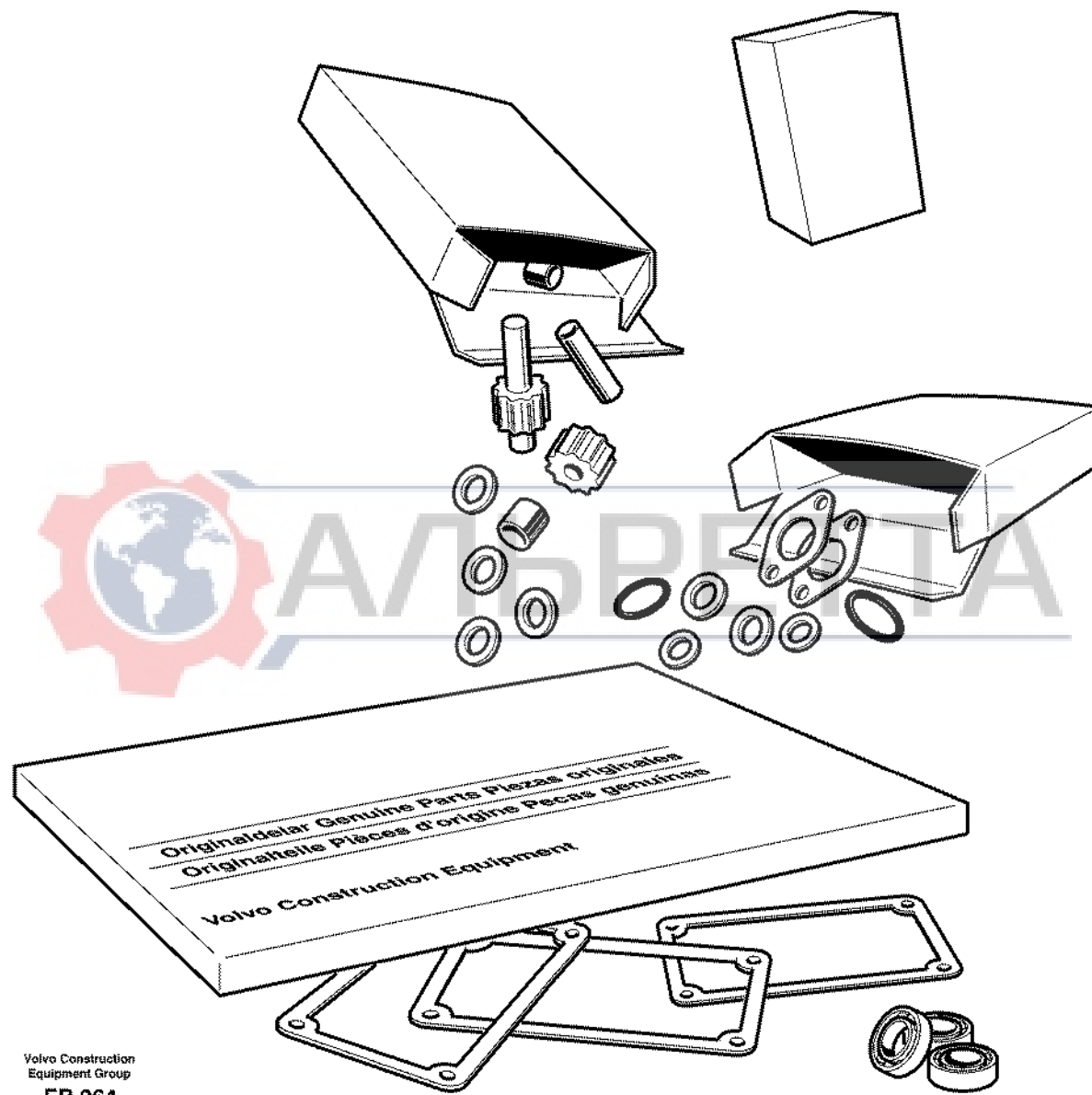
Volvo Construction
Equipment Group
EB 264

Fig.	Part No.	Quantity			P S	K I T	Description	Dénomination	Bezeichnung	Denominación	Benämning	Notes
		1	2	3								
	VOE 11712335					Overhaul Kit	Kit Renovation	Überholungssatz	Juego Reacondic	Renoveringsssats		
	VOE 11700391	1				•Gasket	•Joint	•Dichtung	•Junta	•Packning		
	VOE 11700397	4				•Shim	•Cale Reglage	•Nachstellblech	•Cuna de calzar	•Justerbleck		
	VOE 11701764	12				•O-ring	•Joint Torique	•O-Ring	•Junta torica	•O-ring		
	VOE 13947281	4				•Gasket	•Joint	•Dichtung	•Junta	•Packning		
	VOE 13947282	2				•Gasket	•Joint	•Dichtung	•Junta	•Packning		
	VOE 13947621	2				•Plane Gasket	•Joint Plan	•Flachdichtung	•Junta Plana	•Planpackning		
	VOE 13947622	2				•Plane Gasket	•Joint Plan	•Flachdichtung	•Junta Plana	•Planpackning		
	VOE 20405536	2				•Sealing ring	•Bague d'étanchéité	•Runddichtring	•Anillo reten	•Tätningring		
	VOE 20405543	8				•Shim	•Cale d'épaisseur	•Passscheibe	•Arandela Ajuste	•Passbricka		
	VOE 20405590	1				•Gasket	•Joint	•Dichtung	•Junta	•Packning		
	VOE 20405627	1				•Gasket	•Joint	•Dichtung	•Junta	•Packning		
	VOE 20405728	1				•Sealing ring	•Bague d'étanchéité	•Runddichtring	•Anillo reten	•Tätningring		
	VOE 20405825	1				•Gasket	•Joint	•Dichtung	•Junta	•Packning		
	VOE 20405938	1				•Connector	•Raccord	•Anschluss	•Union	•Anslutning		
	VOE 20412318	4				•Stud	•Goujon	•Stiftschraube	•Esparrago	•Pinnskruv		
	VOE 20412359	1				•Sealing ring	•Bague d'étanchéité	•Runddichtring	•Anillo reten	•Tätningring		
	VOE 20450736	2				•Thermostat	•Thermostat	•Thermostat	•Termostato	•Termostat		
	VOE 20459115	1				•Crankshaft Seal	•Joint Vilebreq	•Kurbelw Dichtg	•Reten Ciguenal	•Vevaxeltätning		
	VOE 20459140	5				•Main Bearing	•Pal.vilebrequin	•Hauptlager	•Cojin Bancada	•Ramlager		
	VOE 20459149	2				•Thrust Washer	•Rondelle Butee	•Druckscheibe	•Arandela Presio	•Tryckbricka		
	VOE 20459168	1				•Crankshaft Seal	•Joint Vilebreq	•Kurbelw Dichtg	•Reten Ciguenal	•Vevaxeltätning		
	VOE 20459171	1				•Nipple	•Raccord	•Nippel	•Niple	•Nippel		
	VOE 20459172	1				•Sealing ring	•Bague d'étanchéité	•Runddichtring	•Anillo reten	•Tätningring		
	VOE 20459203	1				•Gasket	•Joint	•Dichtung	•Junta	•Packning		
	VOE 20459222	4				•Gasket	•Joint	•Dichtung	•Junta	•Packning		
	VOE 20459236	1				•Gasket	•Joint	•Dichtung	•Junta	•Packning		
	VOE 20459833	1				•Gasket	•Joint	•Dichtung	•Junta	•Packning		
	VOE 20459839	2				•Bushing	•Bague	•Buchse	•Casquillo	•Bussning		
	VOE 20459840	1				•Cyl Head Gasket	•Joint Culasse	•Zyl Kopfdichtfg	•Junta Culata	•Cyl.huvud Packn		

1		Satser för motor Juegos para el motor Motorsätze Jeu pour moteur Repair kits for engine	Catalogue id	Group
2			20017	210
3			Illustr. No	Section
4			EB264	50
5			Issue	Page
			VOE 63D9920017	43

VOLVO

BL60



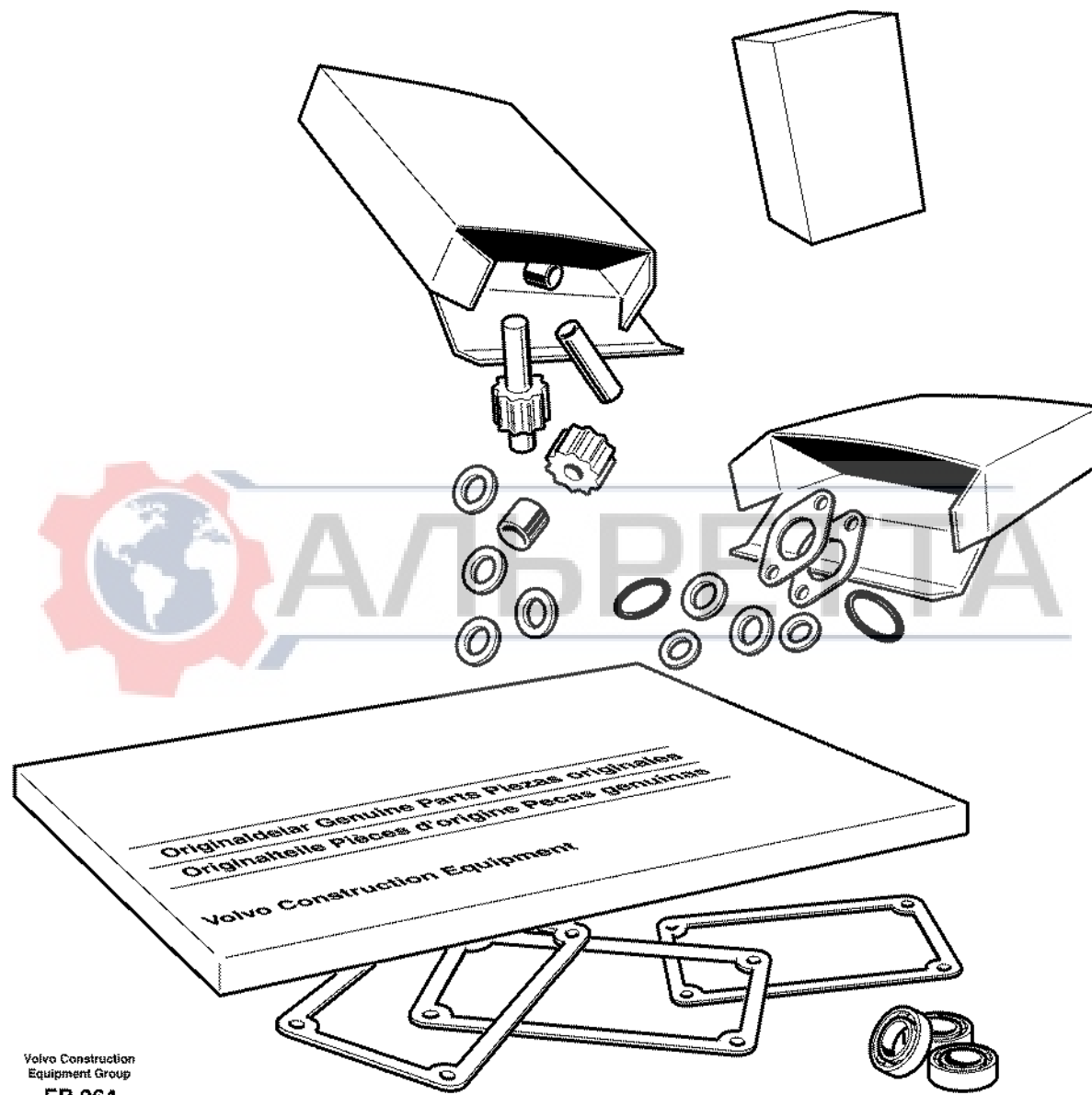
Volvo Construction
Equipment Group
EB 264

Fig.	Part No.	Quantity			P S	K I T	Description	Dénomination	Bezeichnung	Denominación	Benämning	Notes
		1	2	3								
VOE 20459841	1				SS	•Cyl Head Gasket	•Joint Culasse	•Zyl Kopfdichtfg	•Junta Culata	•Cyl.huvud Packn.....		
VOE 20459855	8					•Valve Seal	•Joint Soupape	•Ventildichtung	•Reten Valvula	•Ventiltätning.....		
VOE 20459904	1					•Sealing ring	•Bague d'étanchéité ..	•Runddichtring	•Anillo reten	•Tätningring.....		
VOE 20459953	1					•Sealing ring	•Bague d'étanchéité ..	•Runddichtring	•Anillo reten	•Tätningring.....		
VOE 20459954	1					•Sealing ring	•Bague d'étanchéité ..	•Runddichtring	•Anillo reten	•Tätningring.....		
VOE 20459955	1					•Sealing ring	•Bague d'étanchéité ..	•Runddichtring	•Anillo reten	•Tätningring.....		
VOE 20459961	2					•Sealing ring	•Bague d'étanchéité ..	•Runddichtring	•Anillo reten	•Tätningring.....		
VOE 20459998	1					•Cmshtf Bushing	•Bag.arbre Cames.....	•Nockenw Buchse	•Casqui Arb Lev	•Kamaxelbussning.....		
VOE 20459999	4					•Cmshtf Bushing	•Bag.arbre Cames.....	•Nockenw Buchse	•Casqui Arb Lev	•Kamaxelbussning.....		
VOE 20460009	4					•Piston Pin	•Axe Piston.....	•Kolbenbolzen	•Bulon	•Kolv tapp.....		
VOE 20460010	8					•Clip	•Clip.....	•Klemme	•Clip	•Clips.....		
VOE 20460013	4					•Piston.....	•Piston.....	•Kolben.....	•Piston	•Kolv.....		
VOE 20460022	1					•Gasket	•Joint	•Dichtung.....	•Junta	•Packning.....		
VOE 20460095	4					•Fuel pipe	•Conduit carbura	•Kraftstoffleitung	•Tubo combustib	•Bränslerör.....		
VOE 20482739	4					•Piston Ring Kit	•Jeu Segm.piston	•Kolbenringsatz	•Jg Segm Piston	•Kolv ringsats.....		
VOE 20517048	4					•Hexagon Nut.....	•Ecrou Hexagonal	•Sechskantmutter	•Tuerca Hexagon	•Sexkantsmutter.....		
VOE 20531832	2					•Gasket	•Joint	•Dichtung.....	•Junta	•Packning.....		
VOE 20537029	1					•Gasket	•Joint	•Dichtung.....	•Junta	•Packning.....		
VOE 20555403	4					•Bearing	•Palier.....	•Lager	•Cojinete	•Lager.....		
VOE 20557208	4					•Gasket	•Joint	•Dichtung.....	•Junta	•Packning.....		
VOE 20570522	1					•Cyl Head Gasket	•Joint Culasse	•Zyl Kopfdichtfg	•Junta Culata	•Cyl.huvud Packn.....		
VOE 7011998	1					•Gasket	•Joint	•Dichtung.....	•Junta	•Packning.....		
VOE 976929	12					•Gasket	•Joint	•Dichtung.....	•Junta	•Packning.....		
VOE 11712336						Cyl Head Kit.....	Jeu De Culasse.....	Zyl.kopfsats	Juego De Culata	Cyl.huvudsats.....		
VOE 13947281	2					•Gasket	•Joint	•Dichtung.....	•Junta	•Packning.....		
VOE 13947282	2					•Gasket	•Joint	•Dichtung.....	•Junta	•Packning.....		
VOE 13947621	1					•Plane Gasket	•Joint Plan	•Flachdichtung.....	•Junta Plana	•Planpackning.....		
VOE 13947622	1					•Plane Gasket	•Joint Plan	•Flachdichtung.....	•Junta Plana	•Planpackning.....		
VOE 20405536	2					•Sealing ring	•Bague d'étanchéité ..	•Runddichtring	•Anillo reten	•Tätningring.....		
VOE 20405590	1					•Gasket	•Joint	•Dichtung.....	•Junta	•Packning.....		

1	Satser för motor Juegos para el motor Motorsätze Jeu pour moteur Repair kits for engine	Catalogue id	Group
2		20017	210
3		Illustr. No	Section
4		EB264	50
5		Issue	Page
		VOE 63D9920017	45

VOLVO

BL60



Volvo Construction
Equipment Group
EB 264

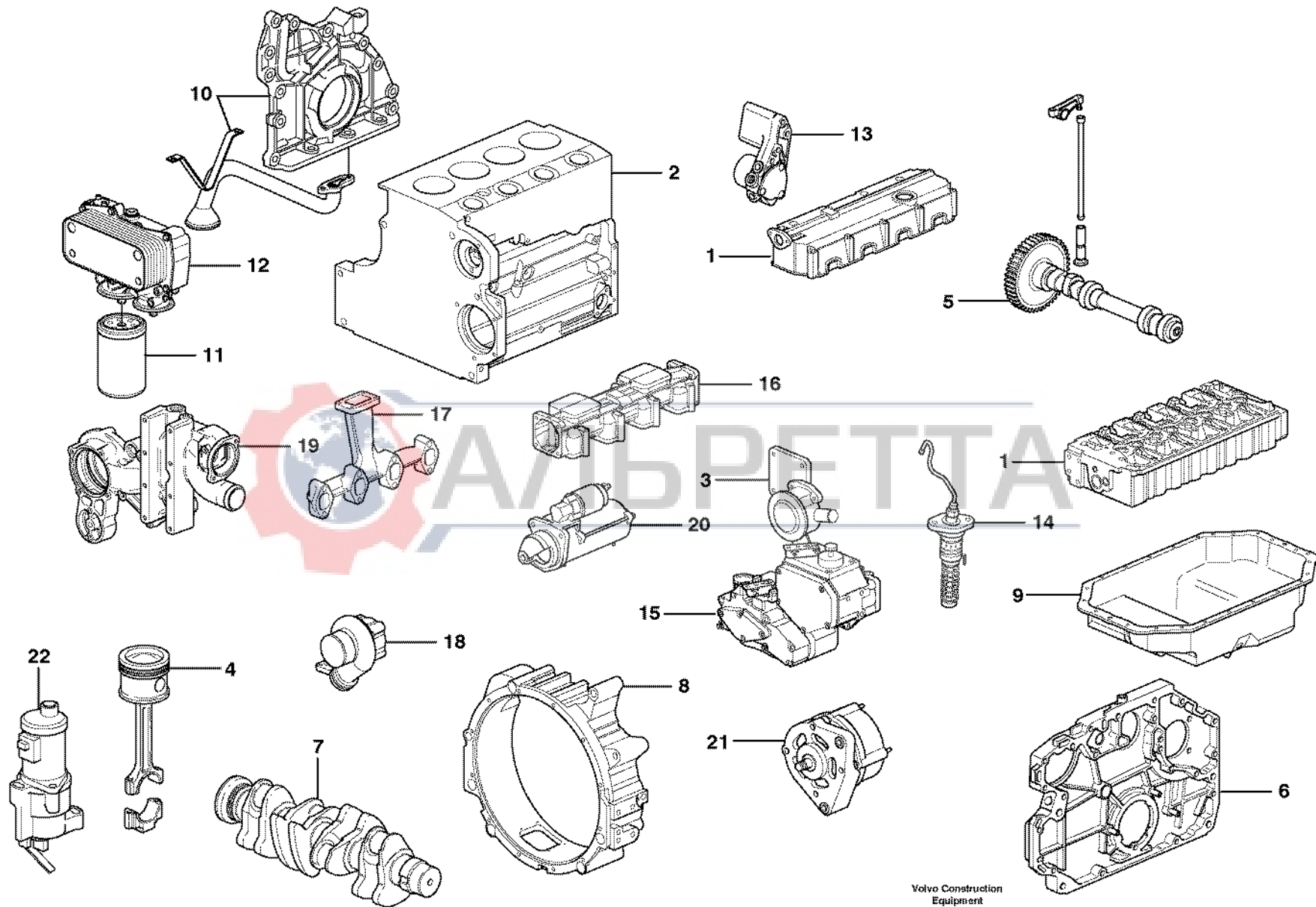
Fig.	Part No.	Quantity			P S	K I T	Description	Dénomination	Bezeichnung	Denominación	Benämning	Notes
		1	2	3								
VOE 20405627	1					•Gasket	•Joint	•Dichtung	•Junta	•Packning.....		
VOE 20405728	1					•Sealing ring.....	•Bague d'étanchéité ...	•Runddichtring.....	•Anillo reten	•Tätningring.....		
VOE 20405938	1					•Connector	•Raccord	•Anschluss.....	•Union.....	•Anslutning.....		
VOE 20412318	4					•Stud	•Goujon	•Stiftschraube.....	•Esparrago	•Pinnskruv.....		
VOE 20459171	1					•Nipple	•Raccord	•Nippel.....	•Niple.....	•Nippel.....		
VOE 20459172	1					•Sealing ring.....	•Bague d'étanchéité ...	•Runddichtring.....	•Anillo reten	•Tätningring.....		
VOE 20459222	4					•Gasket	•Joint	•Dichtung	•Junta	•Packning.....		
VOE 20459236	1					•Gasket	•Joint	•Dichtung	•Junta	•Packning.....		
VOE 20459833	1					•Gasket	•Joint	•Dichtung	•Junta	•Packning.....		
VOE 20459839	2					•Bushing.....	•Bague	•Buchse	•Casquillo	•Bussning.....		
VOE 20459840	1					•Cyl Head Gasket	•Joint Culasse	•Zyl Kopfdichtfg	•Junta Culata.....	•Cyl.huvud Packn.....		
VOE 20459841	1				SS	•Cyl Head Gasket	•Joint Culasse	•Zyl Kopfdichtfg	•Junta Culata.....	•Cyl.huvud Packn.....		
VOE 20459855	8					•Valve Seal	•Joint Soupape.....	•Ventildichtung	•Reten Valvula.....	•Ventiltätning.....		
VOE 20459953	1					•Sealing ring.....	•Bague d'étanchéité ...	•Runddichtring.....	•Anillo reten	•Tätningring.....		
VOE 20459955	1					•Sealing ring.....	•Bague d'étanchéité ...	•Runddichtring.....	•Anillo reten	•Tätningring.....		
VOE 20460095	4					•Fuel pipe.....	•Conduit carbura	•Kraftstoffleitung	•Tubo combustib	•Bränslerör.....		
VOE 20517048	4					•Hexagon Nut.....	•Ecroû Hexagonal	•Sechskantmutter	•Tuerca Hexagon	•Sexkantsmutter.....		
VOE 20531832	2					•Gasket	•Joint	•Dichtung	•Junta	•Packning.....		
VOE 20557208	4					•Gasket	•Joint	•Dichtung	•Junta	•Packning.....		
VOE 20570522	1					•Cyl Head Gasket	•Joint Culasse	•Zyl Kopfdichtfg	•Junta Culata.....	•Cyl.huvud Packn.....		



1	Satser för motor Juegos para el motor Motorsätze Jeu pour moteur Repair kits for engine	Catalogue id	Group
2		20017	210
3		Illustr. No	Section
4		EB264	50
5		Issue	Page
		VOE 63D9920017	47

VOLVO

BL60



Volvo Construction
Equipment
1004517

Fig.	Part No.	Quantity			P S	K I T	Description	Dénomination	Bezeichnung	Denominación	Benämning	Notes
		1	2	3								
	VOE 11885147				SS	Engine.....	Moteur.....	Verbrenn Motor	Motor	Motor.....		
	VOE 11886317					Engine.....	Moteur.....	Verbrenn Motor	Motor	Motor.....	(VOE 11885147) S/N - 10575	
	VOE 11887318					Engine.....	Moteur.....	Verbrenn Motor	Motor	Motor.....	S/N 10576 -	
1		1				•Cylinder head	•Culasse.....	•Zylinderkopf	•Culata.....	•Cylinderhuvud.....	See group 211, Page 51	
2		1				•Cylinder block	•Bloc-cylindres	•Zylinderblock.....	•Bloque cilindro	•Cylinderblock.....	See group 212, Page 53	
3		1				•Crankcase ventilatio	•Aération de carter	•Kurbelgehäuse,entlü.....	•Ventilación del ca	•Vevhusventilation.....	See group 212, Page 55	
4		4				•Piston.....	•Piston.....	•Kolben.....	•Piston	•Kolv.....	See group 213, Page 57	
5		1				•Valve mechanism	•Commande des sou.....	•Ventilmechanismus.....	•Mecanismo de valvul	•Ventilmekanism.....	See group 214, Page 59	
6		1				•Timing gear casing ...	•Carter distribution	•Steuergehäuse.....	•Cubierta distribucion	•Transmissionskåpa..	See group 215, Page 61	
7		1				•Crankshaft	•Vilebrequin.....	•Räderkasten Kubelw	•Cigüeñal.....	•Vevrörelse.....	See group 216, Page 63	
8		1				•Flywheel Hsg	•Carter Volant.....	•Schwungradgeh	•Cubiert Volante	•Svånghjulskåpa.....	See group 216, Page 67	
9		1				•Oil sump	•Carter d'huile.....	•Ölsumpf.....	•Carter de aceite	•Oljesump.....	See group 217, Page 69	
10		1				•Lubricating system....	•Syst.de graissage	•Schmierölsystem.....	•Sist.lubrificante.....	•Smörjssystem.....	See group 221, Page 75	
11		1				•Oil filter	•Filtre huile	•Ölfilter.....	•Filtro aceite	•Oljefilter.....	See group 222, Page 77	
12		1				•Oil cooler	•Radiateur huile.....	•Ölkühler.....	•Enfriador aceite	•Oljekylare.....	See group 223, Page 79	
13		1				•Fuel pump.....	•Pompe Carburant	•Kraftstoffpumpe.....	•Bomba Combustib	•Bränslepump.....	See group 233, Page 81	
14		4				•Injection pump	•Pompe injection	•Einspritzpumpe	•Bomba inyeccion.....	•Insprutningspump....	See group 236, Page 85	
15		1				•Regulator	•Regulateur	•Regler	•Regulador	•Regulator.....	See group 236, Page 89	
16		1				•Inlet pipe	•Tubulure.....	•Einlassrohr	•Tubo admision	•Inloppsror.....	See group 251, Page 93	
17		1				•Exhaust pipe.....	•Tuyau echappem.....	•Abgasschlauch.....	•Tubo escape	•Avgasrör.....	See group 251, Page 93	
18		1				•Turbocharger	•Turbocompresse.....	•Abgasturbolader.....	•Turbocompresor.....	•Turbokompressor.....	See group 255, Page 99	
19		1				•Water pump and ther	•Pompe a eau et boiti.....	•Wasserpumpe und	•Bomba de agua y caj	•Vattenpump och ter..	See group 262, Page 111	
20		1				•Starter motor.....	•Demarreur.....	•Anlasser	•Motor arranque	•Startmotor.....	See group 331, Page 137	
21		1				•Alternator with fitti	•Dynamo avec pièces	•Lichtmaschine mit A.....	•Alternador con acces	•Generator med mont	See group 321, Page 135	
22		1				•Stop solenoid.....	•Aimant d'arret.....	•Haltemagnet.....	•Solenoid parad.....	•Stoppmagnet.....	See group 273, Page 125	

1		Motor Motor Motor Moteur Engine	Catalogue id	Group
2			20017	210
3			Illustr. No	Section
4			1004517	100
5			Issue	Page
			VOE 63D9920017	49

VOLVO

BL60

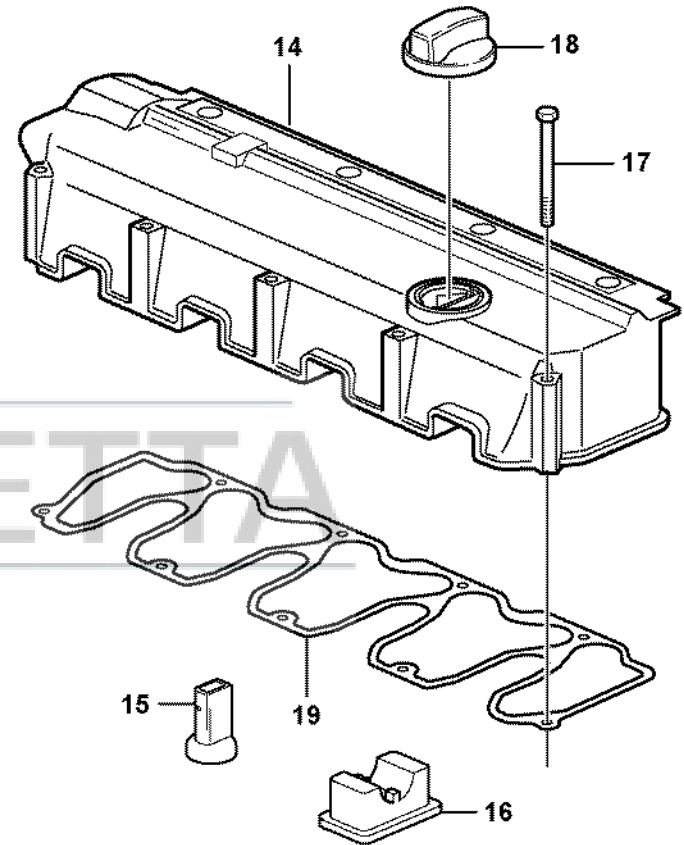
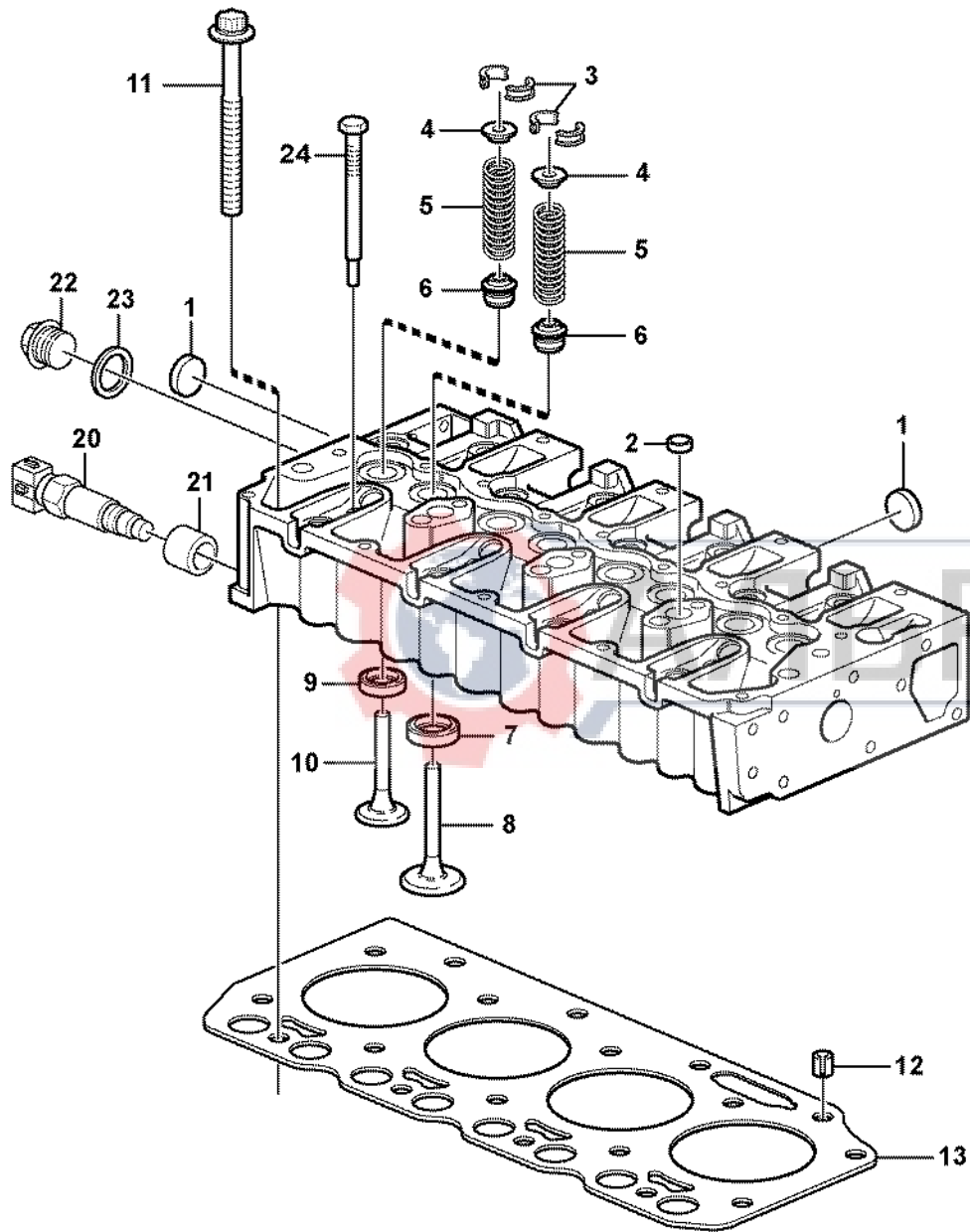
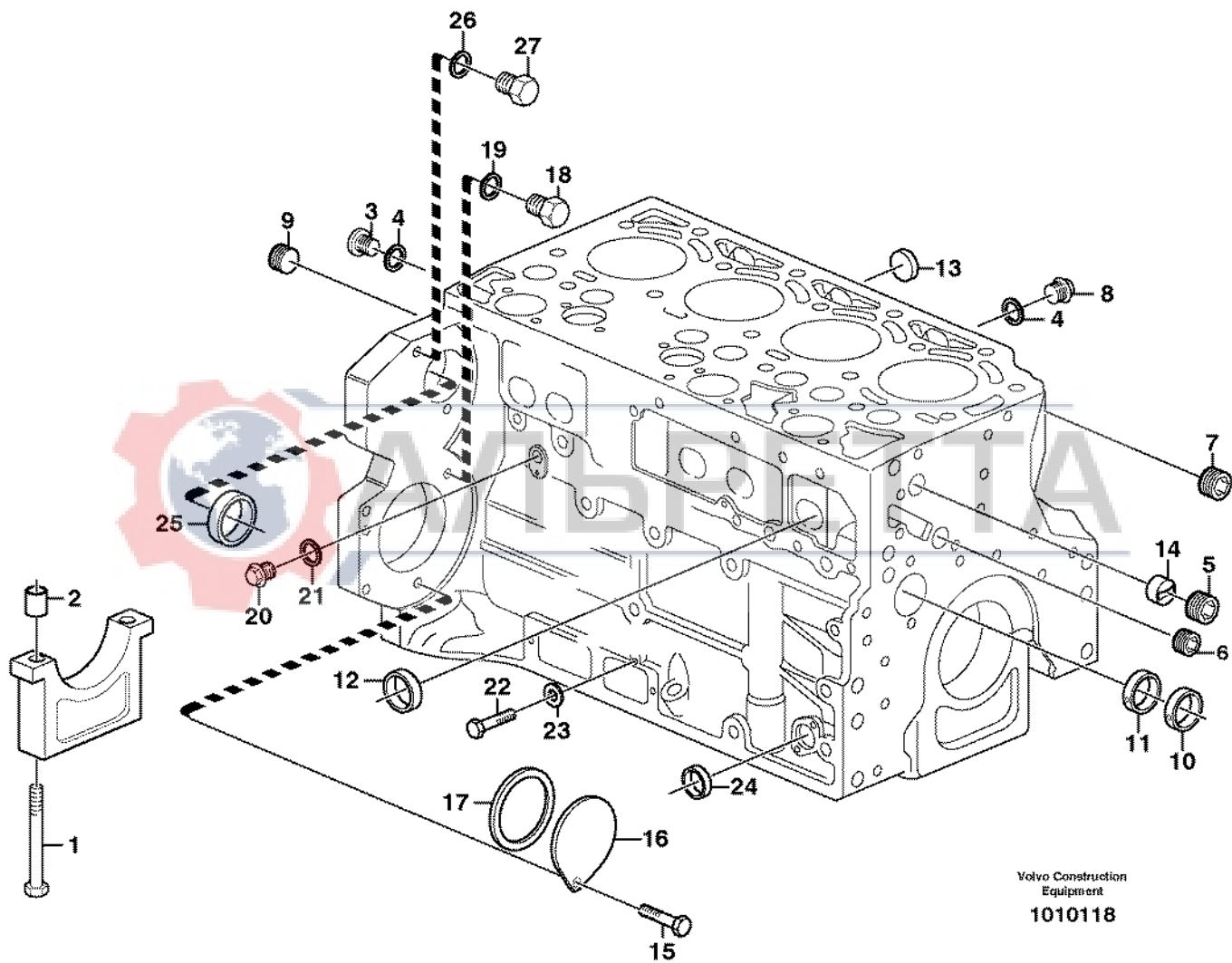


Fig.	Part No.	Quantity			P S	K I T	Description	Dénomination	Bezeichnung	Denominación	Benämning	Notes
		1	2	3								
	VOE 20555189	1	1			Cylinder head.....	Culasse.....	Zylinderkopf.....	Culata.....	Cylinderhuvud.....	ENG - 0902522	
	VOE 20590598	1	1			Cylinder head.....	Culasse.....	Zylinderkopf.....	Culata.....	Cylinderhuvud.....	ENG 0902523 -	
1	VOE 20412745	3	3			•Core Plug.....	•Ronde fermeture.....	•Fullscheibe.....	•Tapon.....	•Täppbricka.....		
2	VOE 20412733	3	3			•Core Plug.....	•Ronde fermeture.....	•Fullscheibe.....	•Tapon.....	•Täppbricka.....		
3	VOE 20459857	16	16			•Valve Cone.....	•Taquet.....	•Ventilkegelst.....	•Valvula Cono.....	•Knaster.....		
4	VOE 20535037	8	8			•Washer.....	•Rondelle.....	•Scheibe.....	•Arandela.....	•Bricka.....		
5	VOE 20459851	8	8			•Valve Spring.....	•Ressort Soupape.....	•Ventilfeder.....	•Resorte Valvula.....	•Ventilfjäder.....		
6	VOE 20459855	8	8			•Valve Seal.....	•Joint Soupape.....	•Ventildichtung.....	•Reten Valvula.....	•Ventiltätning.....		
7	VOE 20459852	4	4			•Valve seat.....	•Siege de soupape.....	•Ventilsitz.....	•Asiento de valvula.....	•Ventilsäte.....		
8	VOE 20791517	4	4			•Inlet valve.....	•Soupape d'entrée.....	•Einlassventil.....	•Valvula de entrada.....	•Inloppsventil.....		
9	VOE 20459854	4	4			•Valve seat.....	•Siege de soupape.....	•Ventilsitz.....	•Asiento de valvula.....	•Ventilsäte.....		
10	VOE 20791405	4	4			•Exhaust Valve.....	•Soupape Echappem.....	•Auslassventil.....	•Valvula Escape.....	•Avgasventil.....		
11	VOE 20459838	13	13			Bolt.....	Boulon.....	Bolzen.....	Perno.....	Bult.....		
12	VOE 20459839	2	2			Bushing.....	Bague.....	Buchse.....	Casquillo.....	Bussning.....		
13	VOE 20882841	1	1			Cyl Head Gasket.....	Joint Culasse.....	Zyl Kopfdichtfg.....	Junta Culata.....	Cyl.huvud Packn.....	1,2 MM	
	VOE 20882839	1	1			Cyl Head Gasket.....	Joint Culasse.....	Zyl Kopfdichtfg.....	Junta Culata.....	Cyl.huvud Packn.....	1,3 MM	
	VOE 20882838	1	1			Cyl Head Gasket.....	Joint Culasse.....	Zyl Kopfdichtfg.....	Junta Culata.....	Cyl.huvud Packn.....	1,4 MM	
14	VOE 20558934	1	1			Valve Cover.....	Cache-soupapes.....	Zylkopfhabe.....	Cubier Valvula.....	Ventilkåpa.....		
15	VOE 20459836	1	1			•Nozzle.....	•Gicleur.....	•Düse.....	•Difusor.....	•Munstycke.....		
16	VOE 20459835	1	1			•Cover.....	•Capot.....	•Haube.....	•Cubierta.....	•Kåpa.....		
17	VOE 20459830	9	9			Screw.....	Vis.....	Schraube.....	Tornillo.....	Skruv.....		
18	VOE 11700341	1	1			Filler cap.....	Bouchon Remplissa.....	Tankverschluss.....	Tapa Llenado.....	Påfyllningslock.....		
19	VOE 20558924	1	1			Gasket.....	Joint.....	Dichtung.....	Junta.....	Packning.....		
20	VOE 20924084	1	1			Sensor.....	Capteur.....	Geber.....	Captador.....	Givare.....		
21	VOE 13947621	1	1			•Plane Gasket.....	•Joint Plan.....	•Flachdichtung.....	•Junta Plana.....	•Planpackning.....		
22	VOE 20464451	1	1			Plug.....	Bouchon.....	Stopfen.....	Tapon.....	Plugg.....		
23	VOE 13947628	1	1			Plane Gasket.....	Joint Plan.....	Flachdichtung.....	Junta Plana.....	Planpackning.....	(VOE 20450898)	
24	VOE 20405895	1				Plug.....	Bouchon.....	Stopfen.....	Tapon.....	Plugg.....		
	VOE 20460459	1				Glow plug.....	Bougie de préchauffe.....	Glühkerze.....	Bujia.....	Glödstift.....		

1	11885147,11886317	Cylinderhuvud Culata Zylinderkopf Culasse Cylinder head	Catalogue id	Group
2	11887318		20017	211
3			Illustr. No	Section
4			1021429	100
5			Issue	Page
			VOE 63D9920017	51

VOLVO

BL60



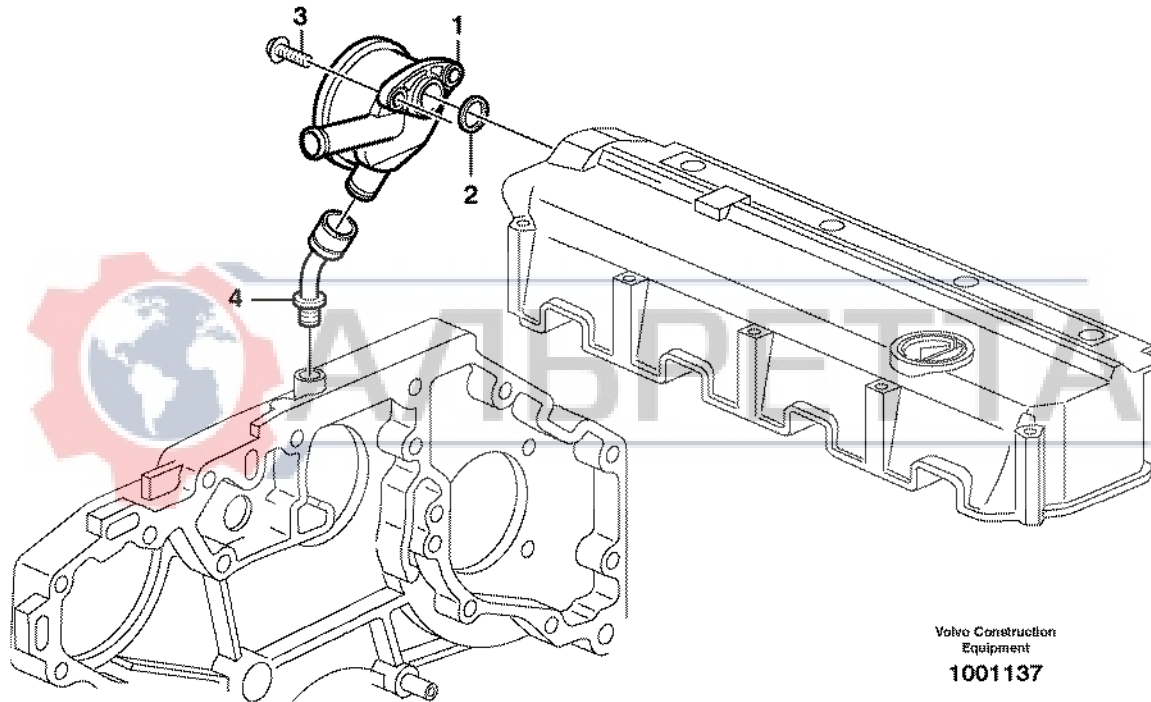
Volvo Construction
Equipment
1010118

Fig.	Part No.	Quantity			P S	K I T	Description	Dénomination	Bezeichnung	Denominación	Benämning	Notes
		1	2	3								
	VOE 24425842	1			SS	Crankcase.....	Carter Moteur.....	Kurbelgehäuse.....	Carter Ciguenal.....	Vevhus.....	ENG - 1064049	
	VOE 20791246	1				Cylinder Block.....	Bloc-cylindres.....	Zylinderblock.....	Bloque Cilindro.....	Cylinderblock.....	ENG 1064050 -	
1	VOE 20460006	10				•Screw.....	•Vis.....	•Schraube.....	•Tornillo.....	•Skruv.....		
2	VOE 20460001	10				•Bushing.....	•Bague.....	•Buchse.....	•Casquillo.....	•Bussning.....		
3	VOE 20460000	1				•Plug.....	•Bouchon.....	•Stopfen.....	•Tapon.....	•Plugg.....	(VOE 11700279)	
4	VOE 13969011	3				•Gasket.....	•Joint.....	•Dichtung.....	•Junta.....	•Packning.....		
5	VOE 20405717	1				•Plug.....	•Bouchon.....	•Stopfen.....	•Tapon.....	•Plugg.....	(VOE 20508585)	
6	VOE 20405719	1				•Plug.....	•Bouchon.....	•Stopfen.....	•Tapon.....	•Plugg.....	(VOE 20508590)	
7	VOE 20508600	2				•Plug.....	•Bouchon.....	•Stopfen.....	•Tapon.....	•Plugg.....		
8	VOE 20405716	2				•Plug.....	•Bouchon.....	•Stopfen.....	•Tapon.....	•Plugg.....		
9	VOE 20508605	1				•Plug.....	•Bouchon.....	•Stopfen.....	•Tapon.....	•Plugg.....		
10	VOE 20459999	4				•Cmshtf Bushing.....	•Bag.arbre Cames.....	•Nockenw Buchse.....	•Casqui Arb Lev.....	•Kamaxelbussning.....		
11	VOE 20459998	1				•Cmshtf Bushing.....	•Bag.arbre Cames.....	•Nockenw Buchse.....	•Casqui Arb Lev.....	•Kamaxelbussning.....		
12	VOE 20405721	6				•Hood.....	•Capuchon.....	•Verschlussdeckel.....	•Cubierta de tapón.....	•Huv.....		
13	VOE 20412745	4				•Core Plug.....	•Ronde.fermeture.....	•Fullscheibe.....	•Tapon.....	•Täppbricka.....		
14	VOE 11700288	1				•Sleeve.....	•Douille.....	•Hülse.....	•Manguito.....	•Hylsa.....		
15	VOE 11709826	2				Flange screw.....	Vis à bride.....	Flanschschraube.....	Torn embridado.....	Flänsskruv.....		
16	VOE 20459898	1				Cover.....	Capot.....	Haube.....	Capo.....	Huv.....		
17	VOE 20412359	1				Sealing ring.....	Bague d'étanchéité.....	Runddichtring.....	Anillo reten.....	Tätningsring.....		
18	VOE 20441859	1				Plug.....	Bouchon.....	Stopfen.....	Tapon.....	Plugg.....		
19	VOE 13947281	1				Gasket.....	Joint.....	Dichtung.....	Junta.....	Packning.....		
20	VOE 20405716	1				Plug.....	Bouchon.....	Stopfen.....	Tapon.....	Plugg.....		
21	VOE 13947621	1				Plane Gasket.....	Joint Plan.....	Flachdichtung.....	Junta Plana.....	Planpackning.....		
22	VOE 20459899	2				Screw.....	Vis.....	Schraube.....	Tornillo.....	Skruv.....		
23	VOE 20459900	2				Sealing ring.....	Bague d'étanchéité.....	Runddichtring.....	Anillo reten.....	Tätningsring.....		
24	VOE 20412745	1				Core Plug.....	Ronde.fermeture.....	Fullscheibe.....	Tapon.....	Täppbricka.....		
25	VOE 20450778	1				Core Plug.....	Ronde.fermeture.....	Fullscheibe.....	Tapon.....	Täppbricka.....		
26	VOE 13947281	2				Gasket.....	Joint.....	Dichtung.....	Junta.....	Packning.....		
27	VOE 20441859	2				Plug.....	Bouchon.....	Stopfen.....	Tapon.....	Plugg.....	(VOE 20532680)	

1		Cylinderblock Bloque de cilindros Zylinderblock Bloc-cylindres Cylinder block	Catalogue id	Group
2			20017	212
3			Illustr. No	Section
4			1010118	100
5			Issue	Page
			VOE 63D9920017	53

VOLVO

BL60



Volvo Construction
Equipment
1001137

Fig.	Part No.	Quantity			P S	K I T	Description	Dénomination	Bezeichnung	Denominación	Benämning	Notes
		1	2	3								
1	VOE 20405626	1				Regulator	Regulateur	Regler.....	Regulador.....	Regulator.....		
2	VOE 20405627	1				•Gasket	•Joint	•Dichtung.....	•Junta	•Packning.....		
3	VOE 20450728	2				Bolt.....	Boulon.....	Bolzen	Perno.....	Bult.....		
4	VOE 20405938	1				Connector	Raccord.....	Anschluss.....	Union	Anslutning.....		

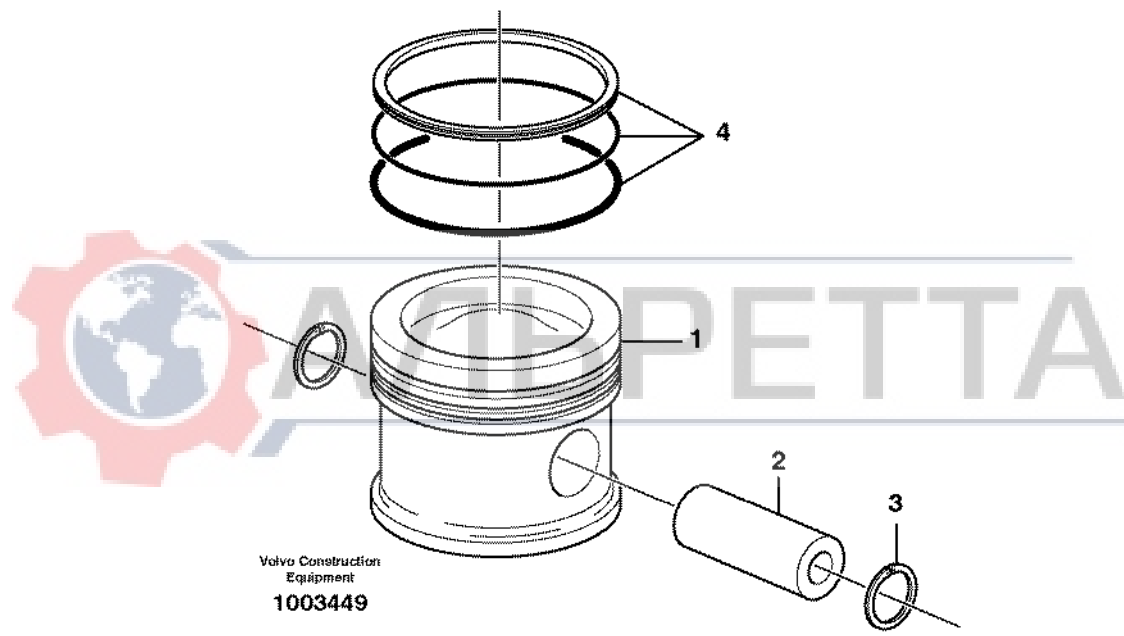


1	Vevhusventilation Ventilación del cárter Kurbelgehäusebelüftung Ventilation de carter Crankcase ventilation	Catalogue id	Group
2		20017	212
3		Illustr. No	Section
4		1001137	150
5		Issue	Page
		VOE 63D9920017	55

VOLVO



BL60



Volvo Construction
Equipment
1003449

Fig.	Part No.	Quantity			P S	K I T	Description	Dénomination	Bezeichnung	Denominación	Benämning	Notes
		1	2	3								
1	VOE 20460013	4				Piston	Piston	Kolben	Piston	Kolv.....		
2	VOE 20460009	4				•Piston Pin	•Axe Piston.....	•Kolbenbolzen	•Bulon	•Kolv tapp.....		
3	VOE 20460010	8				•Clip	•Clip.....	•Klemme	•Clip	•Clips.....		
4	VOE 20482739	4				•Piston Ring Kit	•Jeu Segm.piston	•Kolbenringsatz	•Jg Segm Piston	•Kolvringsats.....		



1	Kolvar Pistones Kolben Pistons Pistons	Catalogue id	Group
2		20017	213
3		Illustr. No	Section
4		1003449	100
5		Issue	Page
		VOE 63D9920017	57

VOLVO



BL60

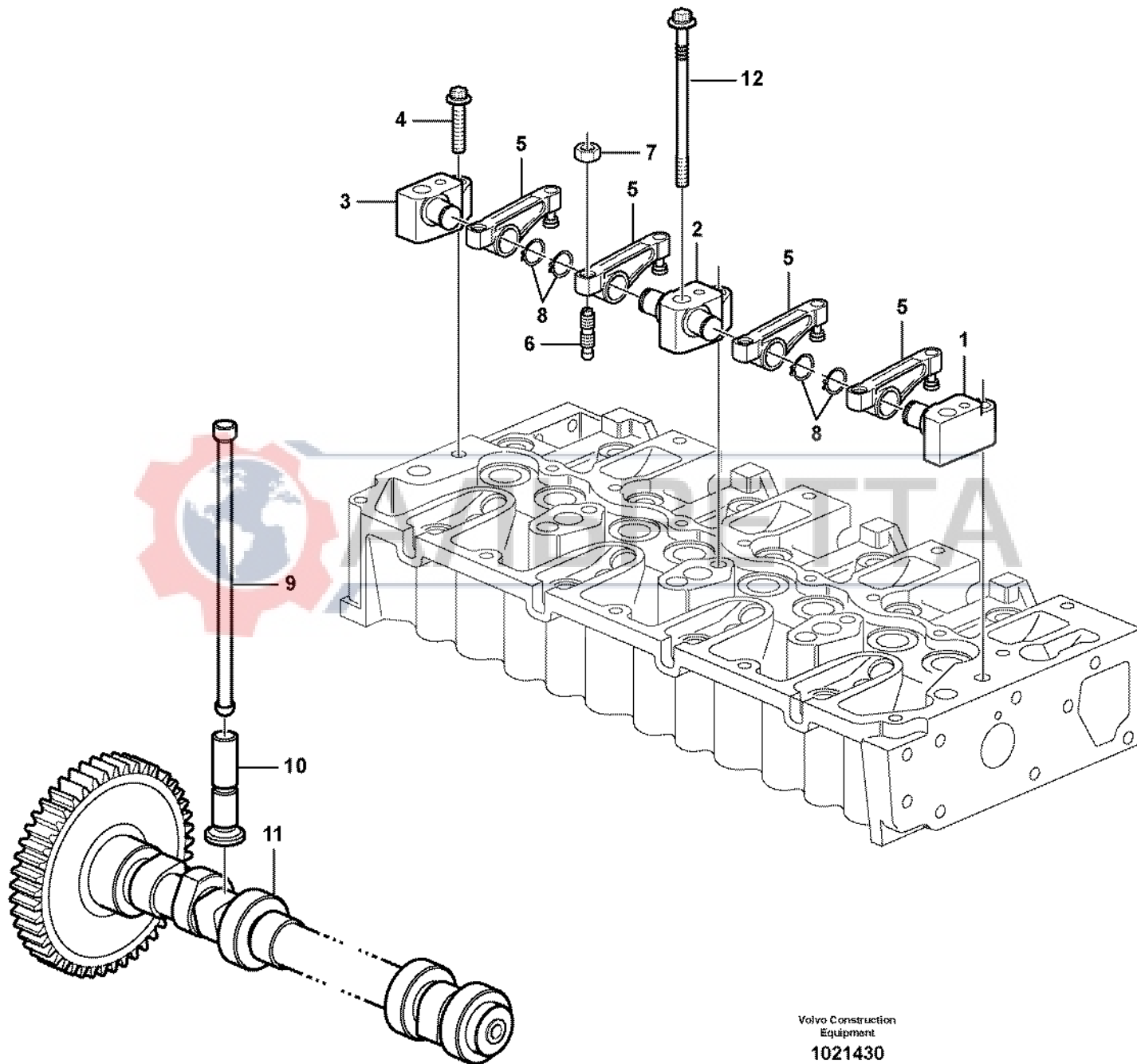


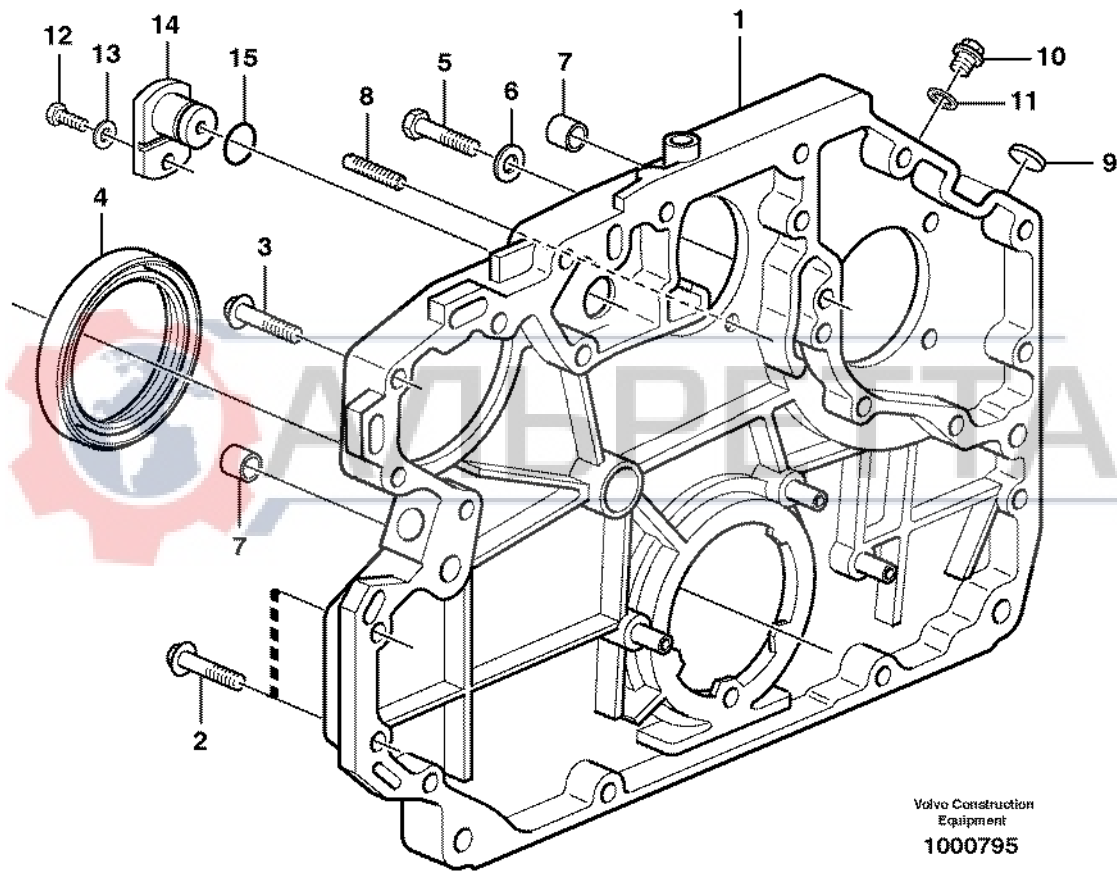
Fig.	Part No.	Quantity			P S	K I T	Description	Dénomination	Bezeichnung	Denominación	Benämning	Notes
		1	2	3								
1	VOE 20459848	1				Bracket.....	Console.....	Konsole	Consola	Konsol.....		
2	VOE 20459847	3				Bracket.....	Console.....	Konsole	Consola	Konsol.....		
3	VOE 20459849	1				Bracket.....	Console.....	Konsole	Consola	Konsol.....		
4	VOE 20459853	5				Screw	Vis	Schraube.....	Tornillo	Skruv.....		
5	VOE 20459850	8				Rocker Arm	Culbuteur	Kipphebel	Balancin	Vipparm.....		
6	VOE 20405524	8				Screw	Vis	Schraube.....	Tornillo	Skruv.....		
7	VOE 11700373	8				Nut	Ecrou.....	Mutter	Tuerca	Mutter.....		
8	VOE 945495	8				Snap Ring	Circlip	Nutring.....	Circlip	Spårring.....	(VOE 20549891)	
9	VOE 20460008	8				Push Rod	Tige-poussoir	Druckstange	Varilla Presion	Tryckstång.....		
10	VOE 20460007	8				Tappet.....	Poussoir Pompe.....	Pumpdrucker.....	Balancin	Lyftare.....		
11	VOE 20555491	1				Camshaft.....	Arbre a cames.....	Nockenwelle.....	Eje de levas.....	Kamaxel.....		
12	VOE 20459837	5				Bolt.....	Boulon.....	Bolzen	Perno.....	Bult.....		



1	Ventilmekanism Mecanismo de válvulas Ventilmechanismus Commande des soupapes Valve mechanism	Catalogue id	Group
2		20017	214
3		Illustr. No	Section
4		1021430	100
5		Issue	Page
		VOE 63D9920017	59

VOLVO

BL60



Volvo Construction
Equipment
1000795

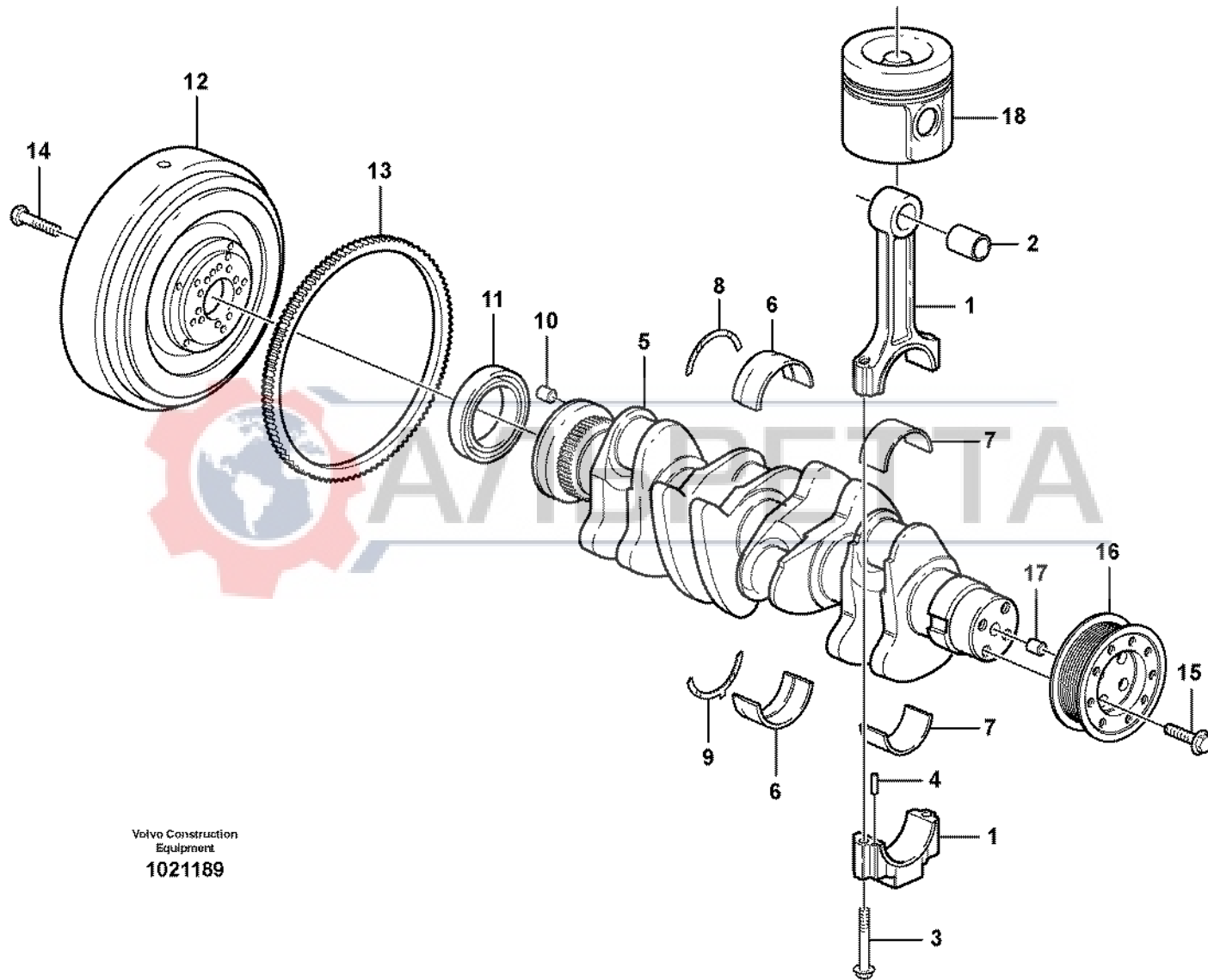
Fig.	Part No.	Quantity			P S	K I T	Description	Dénomination	Bezeichnung	Denominación	Benämning	Notes
		1	2	3								
1	VOE 2055502	1				Tmg Gear Cover	Couv.distribut.	Steuergeh Deck	Tapa Distribuc	Transm.lock.....	ENG - 00629848	
	VOE 20592820	1				Cover	Capot	Haube.....	Capo.....	Huv.....	ENG 00629849 -	
2	VOE 20412324	12				Screw	Vis	Schraube.....	Tornillo	Skruv.....		
3	VOE 20450801	4				Screw	Vis	Schraube.....	Tornillo	Skruv.....		
4	VOE 20459115	1				Crankshaft Seal	Joint Vilebreq.	Kurbelw Dichtg	Reten Ciguenal	Vevaxeltätning.....		
5	VOE 20405653	2				Screw	Vis	Schraube.....	Tornillo	Skruv.....		
6	VOE 13955900	2				Washer.....	Rondelle.....	Scheibe	Arandela.....	Bricka.....	(VOE 20539564)	
7	VOE 20585971	2				Bushing	Bague.....	Buchse	Casquillo	Bussning.....		
8	VOE 20450795	1				Set Screw.....	Vis Butee.....	Anschlagschraub.....	Tornillo Tope	Stoppskruv.....		
9	VOE 20405605	1				Cover	Capot	Haube.....	Capo.....	Huv.....		
10	VOE 20451012	1				Plug.....	Bouchon.....	Stopfen.....	Tapon	Plugg.....		
11	VOE 13947621	1				Plane Gasket	Joint Plan	Flachdichtung.....	Junta Plana	Planpackning.....		
12	VOE 20459977	1			SS	Screw	Vis	Schraube.....	Tornillo	Skruv.....		
13	VOE 20459183	1				Washer.....	Rondelle.....	Scheibe	Arandela.....	Bricka.....		
14	VOE 20405553	1				Cover	Capot	Haube.....	Capo.....	Huv.....		
15	VOE 20459904	1				Sealing ring	Bague d'étanchéité ...	Runddichtring.....	Anillo reten	Tättningsring.....		



1	Transmissionskåpa och drev Caja de distribución y engranajes Stirnradgehäuse und Nabenvorgelege Carter de distribution et engrenage Timing gear casing and gears	Catalogue id	Group
2		20017	215
3		Illustr. No	Section
4		1000795	100
5		Issue	Page
		VOE 63D9920017	61

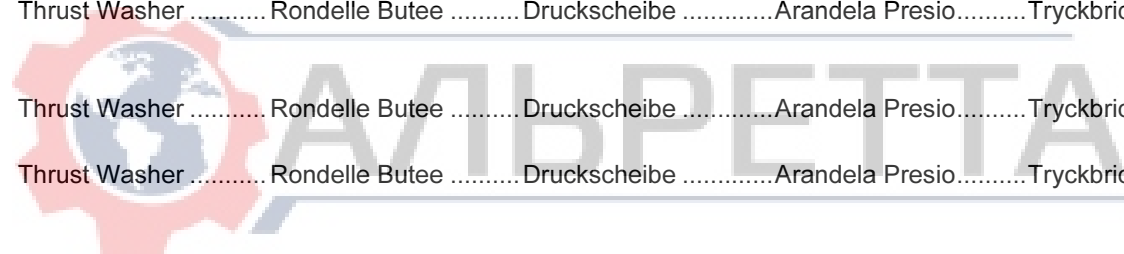
VOLVO

BL60



Volvo Construction
Equipment
1021189

Fig.	Part No.	Quantity			P S	K I T	Description	Dénomination	Bezeichnung	Denominación	Benämning	Notes
		1	2	3								
1	VOE 20882905	4				Connecting Rod	Bielle	Pleuel	Biela	Tapp.....		
2	VOE 20523284	8				•Bushing.....	•Bague	•Buchse	•Casquillo	•Bussning.....		
3	VOE 20459133	8				•Bolt	•Boulon.....	•Bolzen	•Perno	•Bult.....		
4	VOE 20459134	8				•Pin	•Goupille.....	•Zapfen.....	•Pasador.....	•Tapp.....		
5	VOE 20729184	1				Crankshaft.....	Vilebrequin	Kurbelwelle.....	Ciguenal	Vevaxel.....	ENG - 1026595	
	VOE 20891184	1				Crankshaft.....	Vilebrequin	Kurbelwelle.....	Ciguenal	Vevaxel.....	ENG 1026596 -	
6	VOE 20459140	5				Main Bearing.....	Pal.vilebrequin	Hauptlager.....	Cojin Bancada	Ramlager.....	STD 84,00 MM	
	VOE 20459139	5				Main Bearing.....	Pal.vilebrequin	Hauptlager.....	Cojin Bancada	Ramlager.....	U SZ 83,75 MM	
7	VOE 20555403	4				Bearing.....	Palier	Lager	Cojinete	Lager.....	ENG - 695616 STD 63,00 MM	
		4			NS	Bearing.....	Palier	Lager	Cojinete	Lager.....	ENG - 695616 U SZ 62,75 MM	
	VOE 20480536	4				Bearing.....	Palier	Lager	Cojinete	Lager.....	ENG 695617 - STD 63,00 MM	
	VOE 20522433	4				Bearing.....	Palier	Lager	Cojinete	Lager.....	ENG 695617 - U SZ 62,75 MM	
8	VOE 20459149	2				Thrust Washer	Rondelle Butee	Druckscheibe	Arandela Presio.....	Tryckbricka.....	STD WID 14 MM THICK 2,0 MM	
	VOE 20459148	2				Thrust Washer	Rondelle Butee	Druckscheibe	Arandela Presio.....	Tryckbricka.....	WID 14 MM THICK 2,2 MM	
9	VOE 20459143	2				Thrust Washer	Rondelle Butee	Druckscheibe	Arandela Presio.....	Tryckbricka.....	STD WID 10 MM THICK 2,0 MM	
		2			NS	Thrust Washer	Rondelle Butee	Druckscheibe	Arandela Presio.....	Tryckbricka.....	WID 10 MM THICK 2,2 MM	
10	VOE 20459144	1				Pin.....	Goupille.....	Zapfen	Pasador.....	Tapp.....		
11	VOE 20459115	1				Crankshaft Seal	Joint Vilebreq.	Kurbelw Dichtg	Reten Ciguenal	Vevaxeltätning.....		
12	VOE 20459124	1				Flywheel.....	Volant.....	Schwungrad	Volante	Svänghjul.....		
13	VOE 20706915	1				•Gear Ring	•Couronne dentee	•Zahnkranz	•Corona Dentada.....	•Kuggkrans.....		

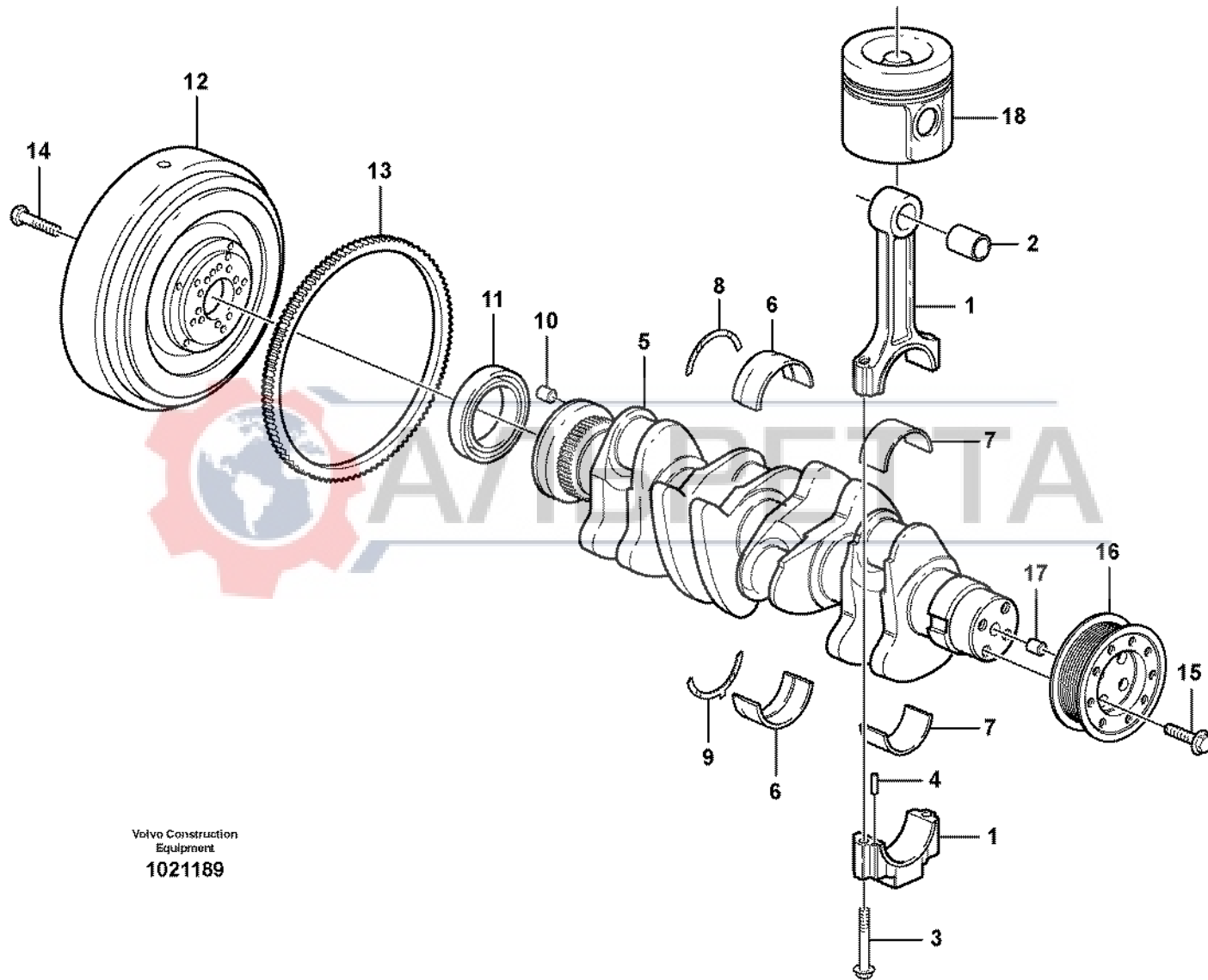


1	Vevrörelse Cigüeñal Kurbelbewegung Axe à vilebreguintas Crankshaft and related parts	Catalogue id	Group
2		20017	216
3		Illustr. No	Section
4		1021189	100
5		Issue	Page
		VOE 63D9920017	63

VOLVO

BL60





Volvo Construction
Equipment
1021189

Fig.	Part No.	Quantity			P S	K I T	Description	Dénomination	Bezeichnung	Denominación	Benämning	Notes
		1	2	3								
14	VOE 20405654	10				Bolt.....	Boulon.....	Bolzen	Perno.....	Bult.....		
15	VOE 24426216	1				Pulley	Poulie.....	Z-riemenscheibe	Polea Corr Dent	Kuggremhjul.....		
16	VOE 20405724	4				Screw	Vis	Schraube.....	Tornillo	Skruv.....		
17	VOE 20405634	1				Spring Pin	Axe de ressort.....	Federstift	Pasador Resorte	Fjäderpinne.....		
18		1				Piston.....	Piston	Kolben	Piston	Kolv.....	See group 213, Page 57	

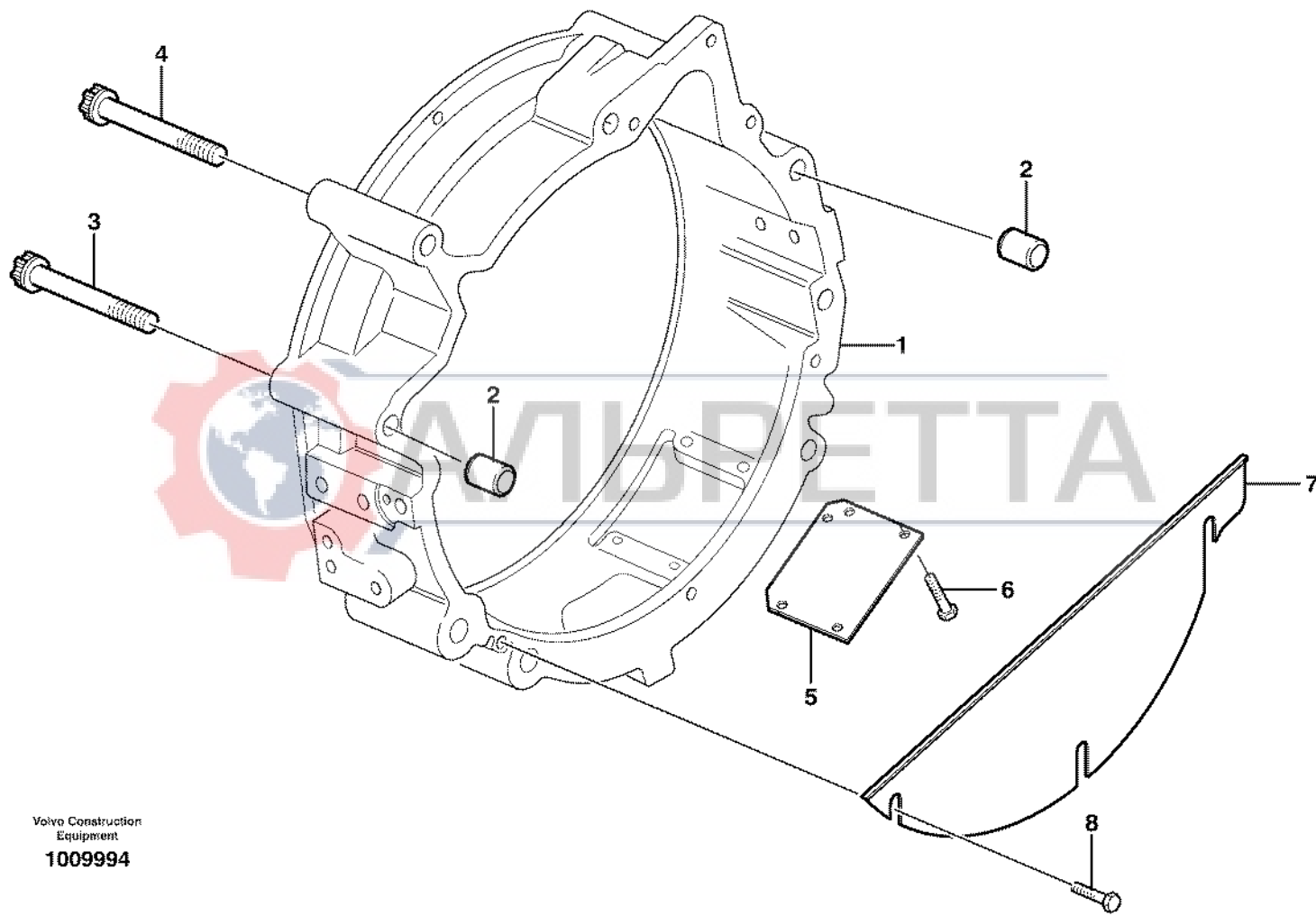


1		Vevrørelse Cigüeñal Kurbelbewegung Axe à vilebreguintas Crankshaft and related parts	Catalogue id	Group
2			20017	216
3			Illustr. No	Section
4			1021189	100
5			Issue	Page
			VOE 63D9920017	65

VOLVO



BL60



Volvo Construction
Equipment
1009994

Fig.	Part No.	Quantity			P S	K T	Description	Dénomination	Bezeichnung	Denominación	Benämning	Notes
		1	2	3								
1	VOE 20459990	1					Flywheel Hsg	Carter Volant	Schwungradgeh	Cubiert Volante	Svänghjulsååpa	(VOE 20550335)
2	VOE 20585971	2					Bushing	Bague	Buchse	Casquillo	Bussning	
3	VOE 20459996	2					Screw	Vis	Schraube	Tornillo	Skruv	
4	VOE 20459995	4					Screw	Vis	Schraube	Tornillo	Skruv	
5	VOE 20547288	1					Cover Plate	Protection en tole	Schutzblech	Placa Tapa	Täckplatta	
6	VOE 20405729	4					Screw	Vis	Schraube	Tornillo	Skruv	
7	VOE 20459989	1					Cover	Capot	Haube	Capo	Huv	
8	VOE 20405729	3					Screw	Vis	Schraube	Tornillo	Skruv	

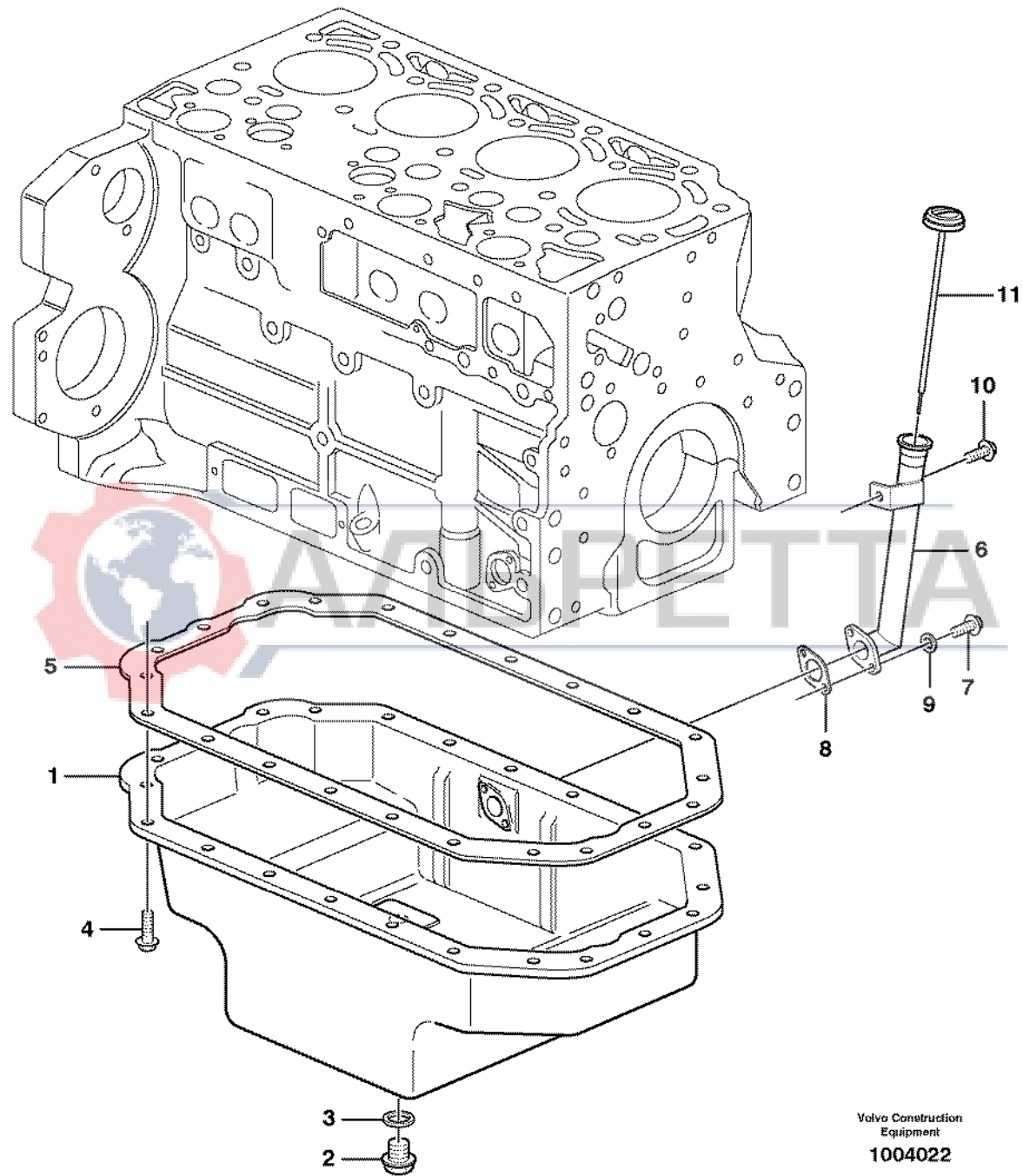


1		Svänghjulsååpa	Catalogue id	Group
2		Carcasa del volante	20017	216
3		Schwungradgehååuse	Illustr. No	Section
4		Carter de volant	1009994	150
5		Flywheel housing	Issue	Page
			VOE 63D9920017	67

VOLVO



BL60



Volvo Construction
Equipment
1004022

Fig.	Part No.	Quantity			P S	K I T	Description	Dénomination	Bezeichnung	Denominación	Benämning	Notes
		1	2	3								
1	VOE 20482006	1				Oil Pan	Carter Huile	Ölwanne	Carter Aceite	Oljesump.....		
2	VOE 20405506	1				Screw plug	Bouchon à vis	Verschlusschraube..	Tornillo de cierre	Skruvplugg.....		
3	VOE 20542740	1			SS	Sealing ring	Bague d'étanchéité	Runddichtring	Anillo reten	Tättningsring.....		
4	VOE 20405792	22				Screw	Vis	Schraube.....	Tornillo	Skruv.....		
5	VOE 20460021	1				Gasket.....	Joint	Dichtung	Junta	Packning.....		
6	VOE 20482010	1				Filler neck.....	Tuyau rempliss.....	Einfüllstutzen.....	Cuello Llenado	Påfyllningshals.....		
7	VOE 13949578	2				Screw	Vis	Schraube.....	Tornillo	Skruv.....		
8	VOE 20405825	1				Gasket.....	Joint	Dichtung	Junta	Packning.....		
9	VOE 20482736	2				Sealing ring	Bague d'étanchéité	Runddichtring	Anillo reten	Tättningsring.....		
10	VOE 20405792	1				Screw	Vis	Schraube.....	Tornillo	Skruv.....		
11	VOE 20482027	1				Filler cap	Bouch.reservoir	Tankverschluss	Tapa deposito	Tanklock.....		



1		Oljesump	Catalogue id	Group
2		Cárter	20017	217
3		Ölwanne	Illustr. No	Section
4		Carter d'huile	1004022	100
5		Oil sump	Issue	Page
			VOE 63D9920017	69

VOLVO

BL60

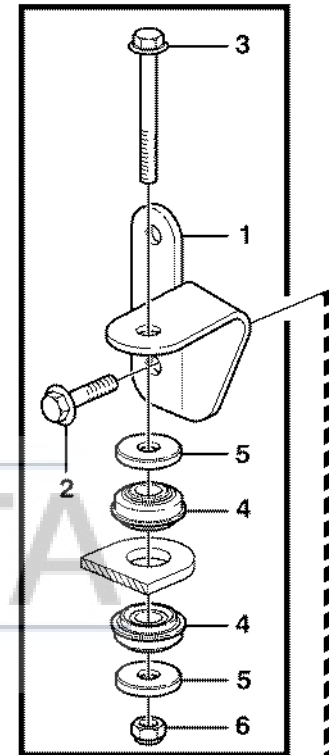
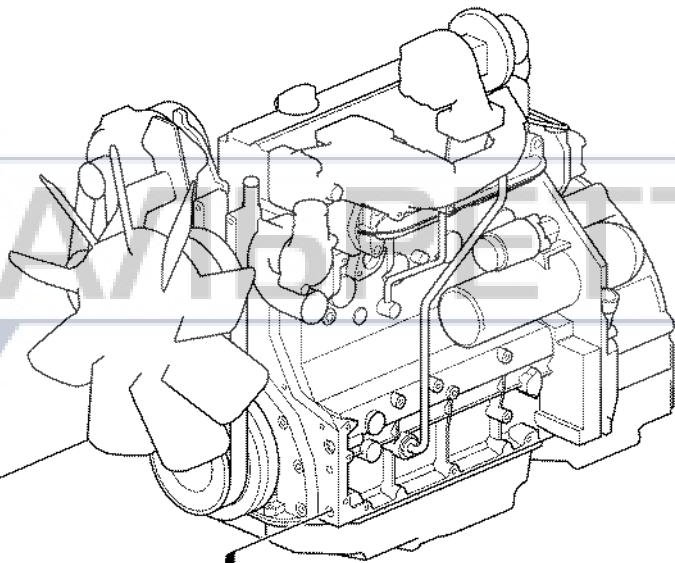
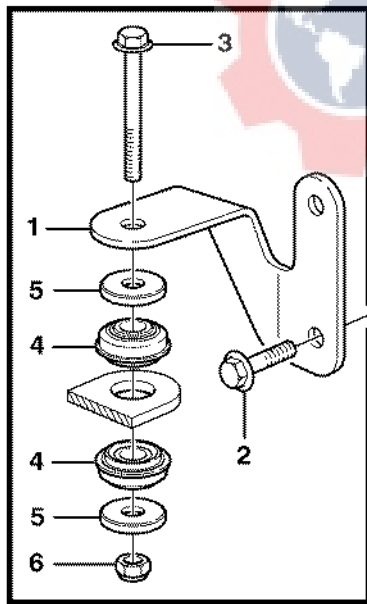


Fig.	Part No.	Quantity			P S	K I T	Description	Dénomination	Bezeichnung	Denominación	Benämning	Notes
		1	2	3								
1	VOE 11884716	1				Engine Mounting	Silentbl.moteur	Motorbefestg	Fijacion Motor.....	Motorfäste.....	LH	
	VOE 11884719	1				Engine Mounting	Silentbl.moteur	Motorbefestg	Fijacion Motor.....	Motorfäste.....	RH	
2	VOE 968435	4				Flange screw.....	Vis à bride	Flanschschraube.....	Torn embridado	Flänsskruv.....		
3	VOE 968593	2				Flange screw.....	Vis à bride	Flanschschraube.....	Torn embridado	Flänsskruv.....		
4	VOE 11884790	4				Vibration damper.....	Amort.vibration.....	Schwingdämpfer	Amortig vibrac	Svängningsdämpare..		
5	VOE 11884792	4				Washer.....	Rondelle	Scheibe	Arandela	Bricka.....		
6	VOE 13963110	2				Lock nut	Contre-ecrou	Sicherungsmutter	Contratuerca	Låsmutter.....		

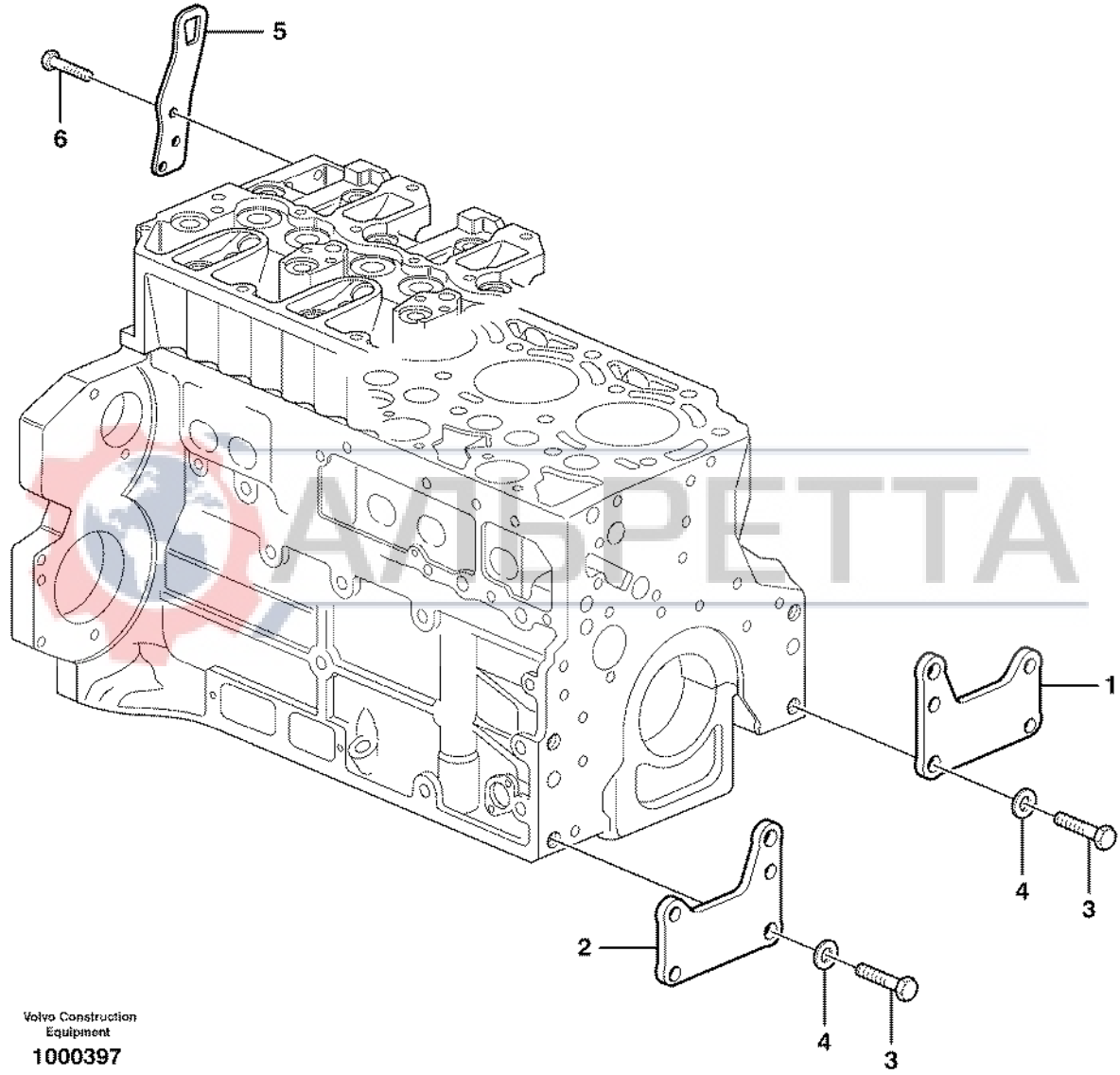


1		Motorupphängning Suspensión del motor Motorbefestigung Suspension du moteur Engine mounting	Catalogue id	Group
2			20017	218
3			Illustr. No	Section
4			1000563	100
5			Issue	Page
		11891076, 11891077	VOE 63D9920017	71

VOLVO



BL60



Volvo Construction
Equipment
1000397

Fig.	Part No.	Quantity			P S	K I T	Description	Dénomination	Bezeichnung	Denominación	Benämning	Notes
		1	2	3								
1	VOE 20723978	1				Bracket.....	Console.....	Konsole	Ménsula.....	Konsol.....		
2	VOE 20723984	1				Bracket.....	Console.....	Konsole	Ménsula.....	Konsol.....		
3	VOE 20535027	2				Screw	Vis	Schraube.....	Tornillo	Skruv.....		
4	VOE 20405606	2				Washer.....	Rondelle.....	Scheibe	Arandela.....	Bricka.....		
5		1			NS	Lifting eye.....	Oeillet levage	Hebeöse.....	Argoll elev	Lyftögla.....		
6	VOE 20450756	3				Screw	Vis	Schraube.....	Tornillo	Skruv.....		

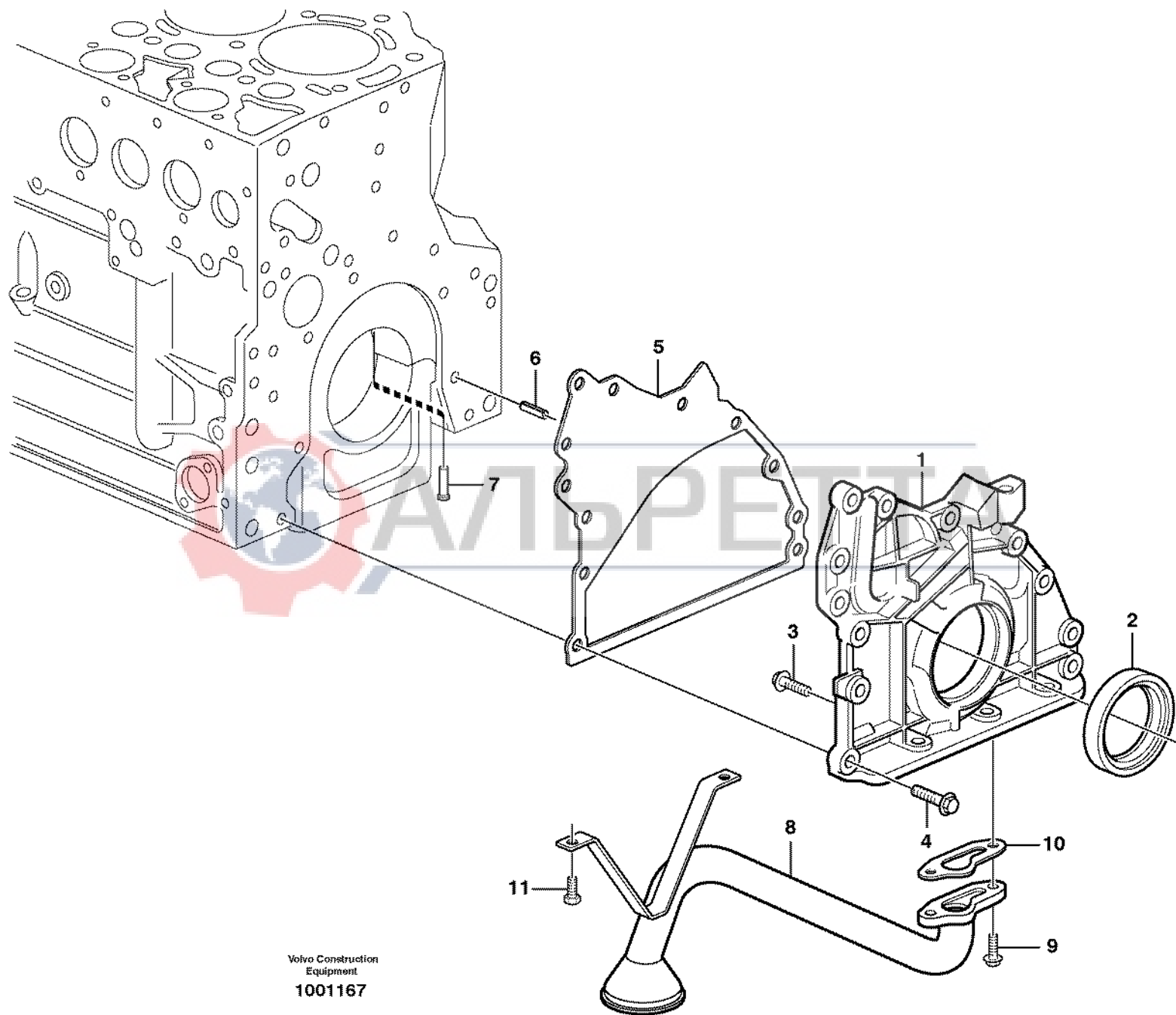


1	Motorupphängning Suspensión del motor Motorbefestigung Suspension du moteur Engine mounting	Catalogue id	Group
2		20017	218
3		Illustr. No	Section
4		1000397	200
5		Issue	Page
		VOE 63D9920017	73

VOLVO



BL60



Volvo Construction
Equipment
1001167

Fig.	Part No.	Quantity			P S	K I T	Description	Dénomination	Bezeichnung	Denominación	Benämning	Notes
		1	2	3								
1	VOE 20581867	1				Oil Pump	Pompe a huile	Ölpumpe.....	Bomba de aceite	Oljepump.....		
2	VOE 20459168	1				•Crankshaft Seal	•Joint Vilebreq.	•Kurbelw Dichtg.....	•Reten Ciguenal	•Vevaxeltätning.....		
3	VOE 20451738	8				•Screw.....	•Vis.....	•Schraube.....	•Tornillo	•Skruv.....		
4	VOE 20412324	10				Screw	Vis	Schraube.....	Tornillo	Skruv.....		
5	VOE 20537029	1				Gasket.....	Joint	Dichtung	Junta	Packning.....		
6	VOE 20405603	1				Spring Pin	Axe de ressort.....	Federstift	Pasador Resorte	Fjäderpinne.....		
7	VOE 20405561	1				Pstn Cool Jet.....	Buse Refr.pist.	Kolbenkühlöse.....	Boq.enfr Piston.....	Kolvkyln.munst.....		
8	VOE 20481754	1				Oil Pipe	Conduit Huile	Ölrohr	Tubo Aceite	Oljerör.....		
9	VOE 13949578	2				Screw	Vis	Schraube.....	Tornillo	Skruv.....		
10	VOE 11700391	1				Gasket.....	Joint	Dichtung	Junta	Packning.....		
11	VOE 20405792	1				Screw	Vis	Schraube.....	Tornillo	Skruv.....		



1	Smörjsystem Sistema de lubricación Schmierölsystem Système de graissage Lubricating oil system	Catalogue id	Group
2		20017	221
3		Illustr. No	Section
4		1001167	100
5		Issue	Page
		VOE 63D9920017	75

VOLVO

BL60

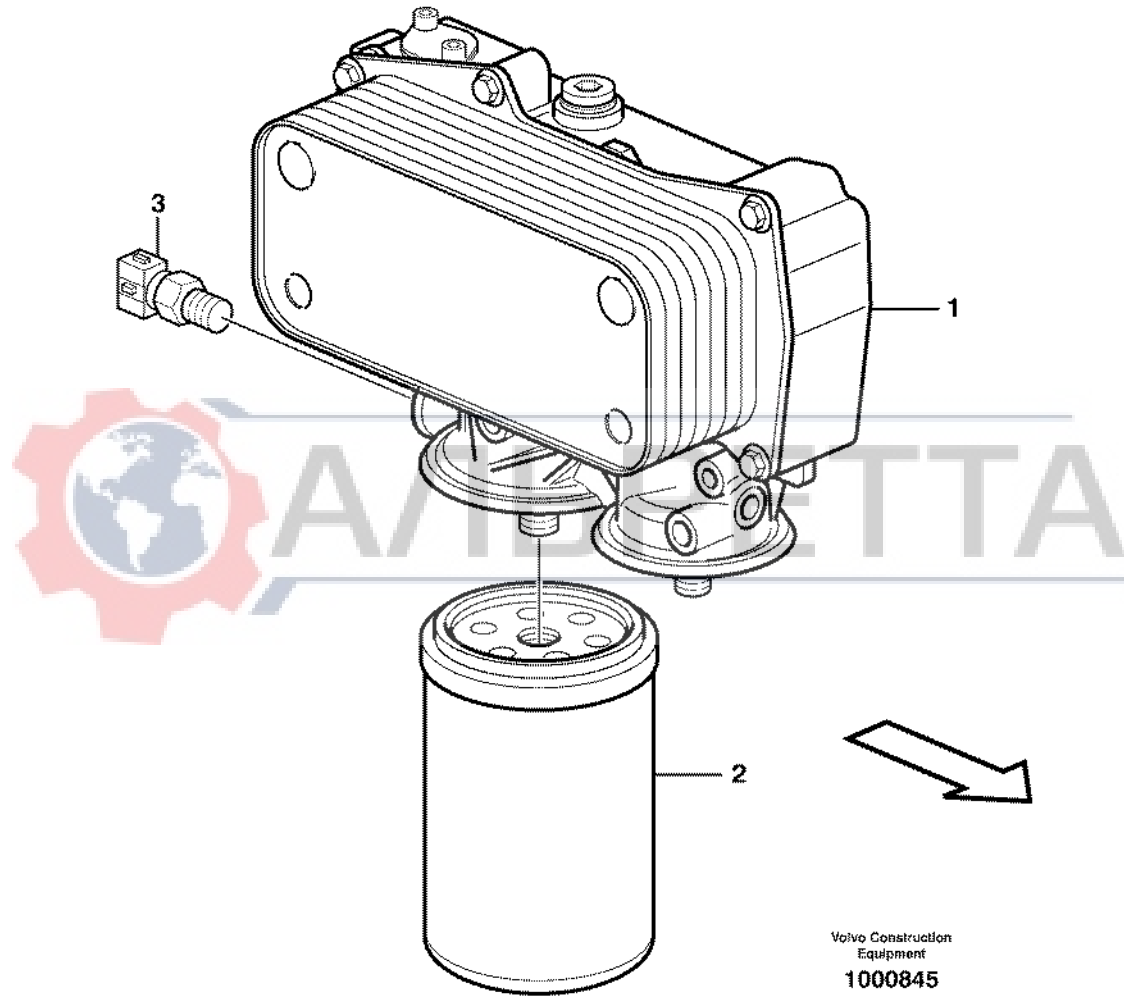


Fig.	Part No.	Quantity			P S	K I T	Description	Dénomination	Bezeichnung	Denominación	Benämning	Notes
		1	2	3								
1		1				Oil Cooler	Refroidisseur huile	Ölkühler	Enfriadores aceite	Öljekylare	See group 223, Page 79	
2	VOE 11700375	1				Oil Filter	Filtre Huile	ÖlfILTER	Filtro Aceite	Öljefilter		
3	VOE 20555385	1				Sensor	Capteur	Geber	Captador	Givare		

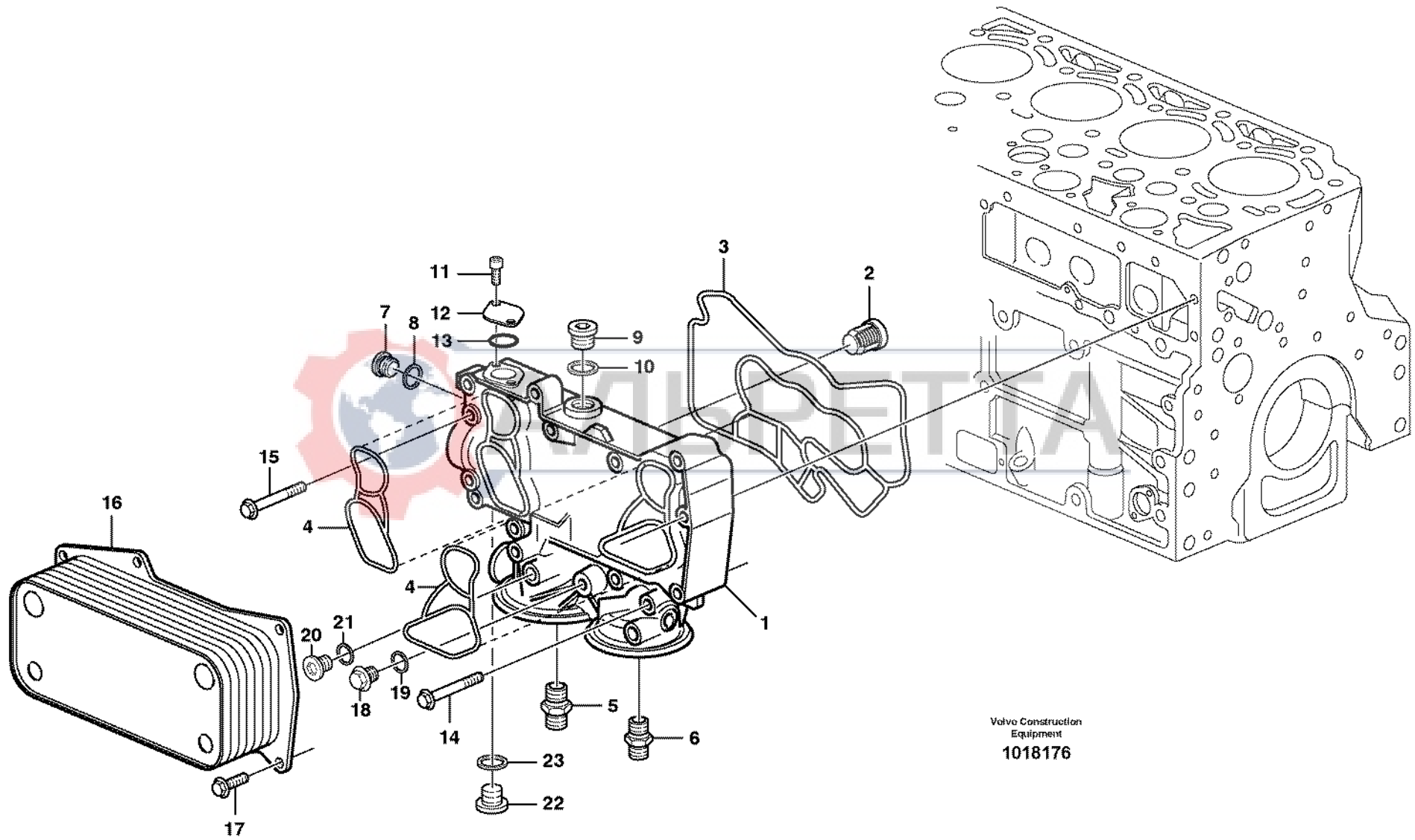


1		Oljefilter Filtro de aceite ÖlfILTER Filtre à huile Oil filter	Catalogue id	Group
2			20017	222
3			Illustr. No	Section
4			1000845	100
5			Issue	Page
			VOE 63D9920017	77

VOLVO



BL60



Volvo Construction
Equipment
1018176

Fig.	Part No.	Quantity			P S	K I T	Description	Dénomination	Bezeichnung	Denominación	Benämning	Notes
		1	2	3								
1	VOE 20459205	1					Oil Filter Hsg	Boitier Filt Hu	Ölfiltergehäuse	Caja Filt Aceit	Oljefilterhus.....	ENG - 01099408
1	VOE 20944091	1					Oil Filter Hsg	Boitier Filt Hu	Ölfiltergehäuse	Caja Filt Aceit	Oljefilterhus.....	ENG 01099409 -
2	VOE 20459204	1					•Valve.....	•Soupape	•Ventil.....	•Valvula	•Ventil.....	
3	VOE 20459203	1					•Gasket	•Joint	•Dichtung.....	•Junta	•Packning.....	
4	VOE 20459202	2					•Gasket	•Joint	•Dichtung.....	•Junta	•Packning.....	
5	VOE 20459201	1					•Nipple	•Raccord	•Nippel.....	•Niple.....	•Nippel.....	
6	VOE 20459200	1					•Nipple	•Raccord	•Nippel.....	•Niple.....	•Nippel.....	
7	VOE 20502245	1					•Screw plug	•Bouchon à vis	•Schraube.....	•Tapón roscado	•Skruvplugg.....	
8	VOE 20549894	1					•Sealing ring.....	•Bague d'étanchéité	•Runddichtring.....	•Anillo reten	•Tätningring.....	
9	VOE 20459195	2					•Plug	•Bouchon.....	•Stopfen	•Tapon.....	•Plugg.....	
10	VOE 13947628	2					•Plane Gasket	•Joint Plan	•Flachdichtung.....	•Junta Plana	•Planpackning.....	(VOE 20450898)
11	VOE 20459197	2					•Screw.....	•Vis	•Schraube.....	•Tornillo	•Skruv.....	
12	VOE 11700609	1					•Cap	•Chapeau	•Kappe	•Caperuza	•Lock.....	
13	VOE 20405599	1					•Sealing ring.....	•Bague d'étanchéité	•Runddichtring.....	•Anillo reten	•Tätningring.....	
14	VOE 20405917	3					Screw	Vis	Schraube.....	Tornillo	Skruv.....	
15	VOE 20405672	5					Screw	Vis	Schraube.....	Tornillo	Skruv.....	
16	VOE 20532396	1					Oil Cooler.....	Refroidisseur huile	Ölkühler.....	Enfriadores aceite	Oljekylare.....	
17	VOE 20405885	7					Screw	Vis	Schraube.....	Tornillo	Skruv.....	
18	VOE 20459941	1					Screw plug	Bouchon à vis	Verschlusschraube	Tornillo de cierre	Skruvplugg.....	
19	VOE 20459942	1					Sealing ring	Bague d'étanchéité	Runddichtring	Anillo reten	Tätningring.....	
20	VOE 20460239	1					Plug.....	Bouchon.....	Stopfen.....	Tapon	Plugg.....	
21	VOE 13947281	1					Gasket.....	Joint	Dichtung	Junta	Packning.....	
22	VOE 20496548	1					Plug.....	Tampon.....	Stopfen.....	Tapon	Plugg.....	
23	VOE 20450890	1					Sealing ring	Bague d'étanchéité	Runddichtring	Anillo reten	Tätningring.....	

1		Oljekylare Enfriador de aceite Ölkühler Radiateur d 'huile Oil cooler	Catalogue id	Group
2			20017	223
3			Illustr. No	Section
4			1018176	100
5			Issue	Page
			VOE 63D9920017	79

VOLVO

BL60

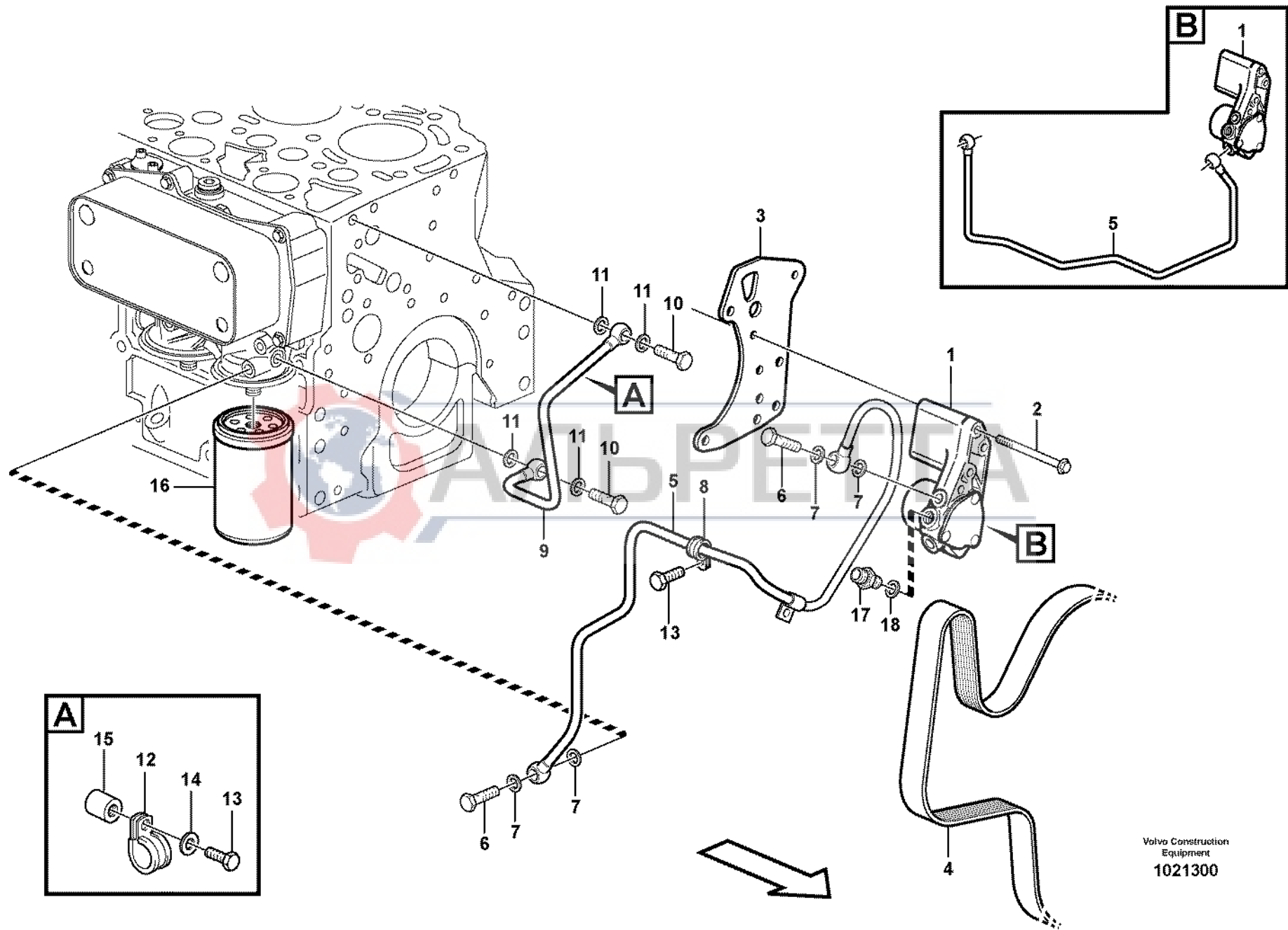
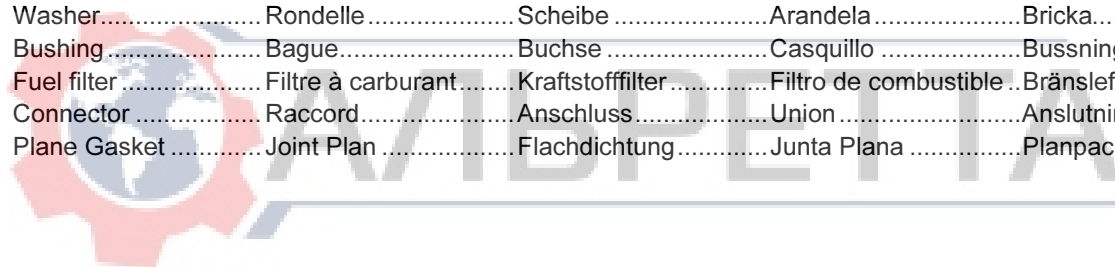


Fig.	Part No.	Quantity			P S	K I T	Description	Dénomination	Bezeichnung	Denominación	Benämning	Notes
		1	2	3								
1	VOE 20524154	1				Fuel pump	Pompe Carburant.....	Kraftstoffpumpe.....	Bomba Combustib.....	Bränslepump.....	ENG 00737369 -	
	VOE 20518337	1			SS	Fuel pump	Pompe Carburant.....	Kraftstoffpumpe.....	Bomba Combustib.....	Bränslepump.....	ENG - 00737368	
2	VOE 20459246	3				Screw	Vis	Schraube.....	Tornillo	Skruv.....		
3	VOE 20567447	1				Plate.....	Plaque.....	Platte.....	Placa	Platta.....		
4		1				V-belt.....	Courroie Trape.....	Keilriemen	Correa Trapez	Kilrem.....	See group 263, Page 117	
5	VOE 20524626	1				Fuel line	Flexible carburant	Kraftstoffschlauch.....	Manguera combustib.....	Bränsleledning.....	ENG 00737369 -	
	VOE 20481785	1				Fuel pipe.....	Conduit carbura	Kraftstoffleitung	Tubo combustib.....	Bränslerör.....	(VOE 20460057) ENG - 00737368	
6	VOE 7025167	2				•Hollow Screw.....	•Vis Creuse	•Hohlschraube.....	•Tornillo hueco	•Hålskruv.....		
7	VOE 13969011	4				•Gasket	•Joint	•Dichtung.....	•Junta	•Packning.....		
8	VOE 20460045	1				•Clamp	•Pince Serrage	•Klemme.....	•Abrazadera	•Klämna.....		
9	VOE 20481768	1				Fuel pipe.....	Conduit carbura	Kraftstoffleitung	Tubo combustib.....	Bränslerör.....		
10	VOE 7025167	2				•Hollow Screw.....	•Vis Creuse	•Hohlschraube.....	•Tornillo hueco	•Hålskruv.....		
11	VOE 13969011	4				•Gasket	•Joint	•Dichtung.....	•Junta	•Packning.....		
12	VOE 20460045	1				•Clamp	•Pince Serrage	•Klemme.....	•Abrazadera	•Klämna.....		
13	VOE 20405729	2				Screw.....	Vis	Schraube.....	Tornillo	Skruv.....		
14	VOE 20459183	1				Washer.....	Rondelle.....	Scheibe	Arandela.....	Bricka.....		
15	VOE 20481769	1				Bushing.....	Bague.....	Buchse	Casquillo	Bussning.....		
16	VOE 11708555	1				Fuel filter.....	Filtre à carburant.....	Kraftstofffilter	Filtro de combustible	Bränslefilter.....		
17	VOE 20412596	1				Connector	Raccord.....	Anschluss	Union	Anslutning.....	See group 234, Page 83	
18	VOE 13947622	1				Plane Gasket	Joint Plan	Flachdichtung.....	Junta Plana	Planpackning.....		

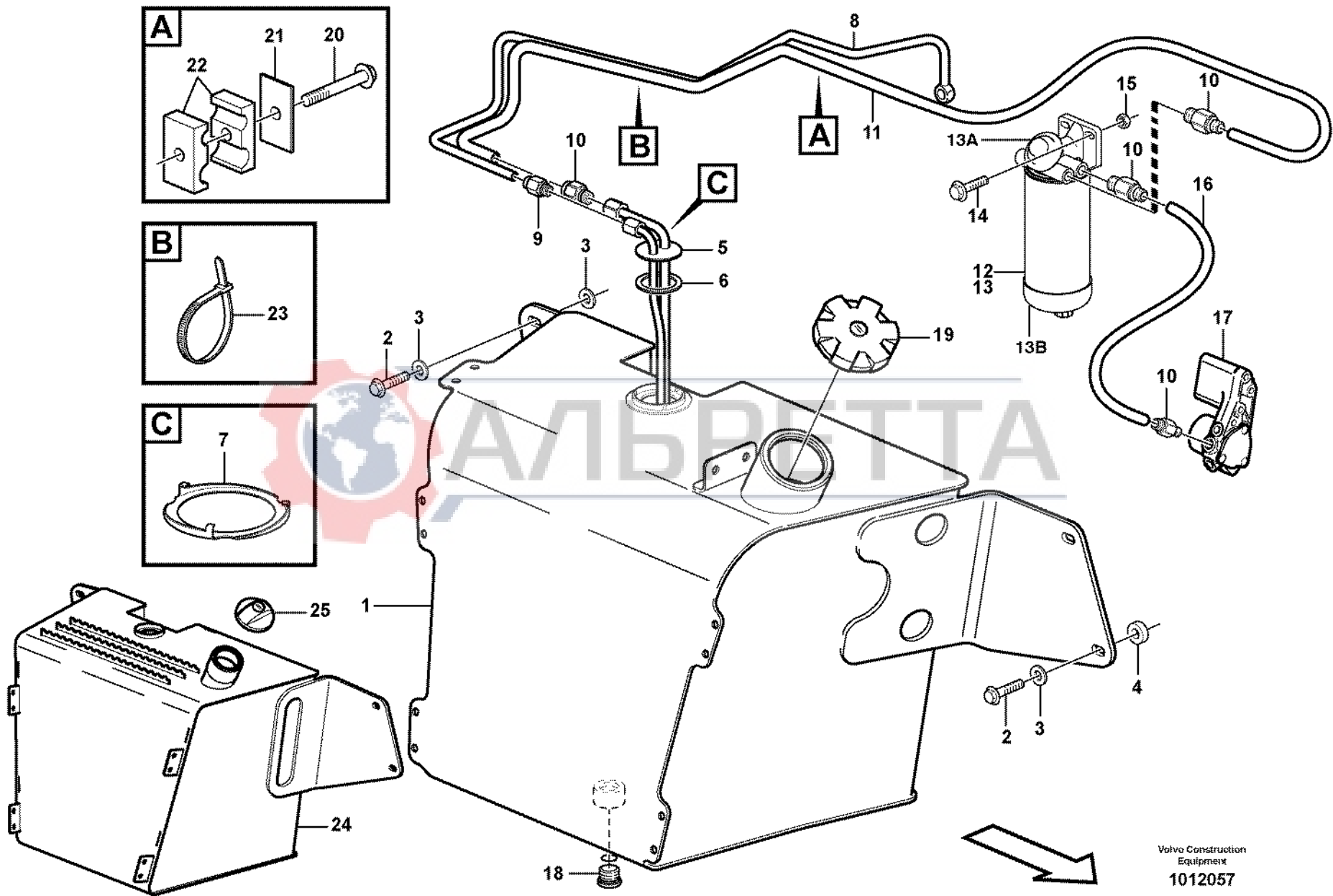


1		Bränslepump Bomba de combustible Kraftstoffpumpe Pompe carburant Fuel pump	Catalogue id	Group
2			20017	233
3			Illustr. No	Section
4			1021300	100
5			Issue	Page
			VOE 63D9920017	81

VOLVO

BL60





АЛЬФРЕТТА

Fig.	Part No.	Quantity			P S	K I T	Description	Dénomination	Bezeichnung	Denominación	Benämning	Notes
		1	2	3								
1	VOE 11882112	1				Fuel tank	Réservoir carburant	Kraftstofftank	Deposit combust	Bränsletank	SER NO -10511	
2	VOE 13965194	4				Flange screw	Vis à bride	Flanschschraube	Torn embridado	Flänsskruv		
3	VOE 947558	6				Washer	Rondelle	Scheibe	Arandela	Bricka		
4	VOE 11882457	2				Spacer	Entretoise	Abstandkörper	Distanciador	Distans		
5	VOE 11881914	1				Fuel Lvl Sensor	Ind.niv.carbur	Kraftst V-geber	Sensor Niv Comb	Bränslenivågiv		
6	VOE 11881915	1				Rubber Seal	Lèvre Caoutchouc	Gummilippe	Labio Goma	Gummiläpp		
7	VOE 11881916	1				Lock Ring	Anneau Verrouillage	Schlossring	Anillo Segurid	Låsring		
8	VOE 11883974	1				Fuel hose	Flexi.carburant	Kraftstoffschlauch	Manguera comb	Bränsleslang		
9	VOE 11882900	1				Union	Teton Connexion	Anschlussnippel	Niple Conexcion	Anslutn.nippel		
10	VOE 11883346	4				Union	Teton Connexion	Anschlussnippel	Niple Conexcion	Anslutn.nippel		
11	VOE 11884613	1				Fuel hose	Flexi.carburant	Kraftstoffschlauch	Manguera comb	Bränsleslang		
12	VOE 11110471	1			SS	Water Separator	Separateur Eau	Wasserabscheidr	Separador Agua	Vattenavskiljare	S/N - 10633	
	VOE 11110670	1				Water Separator	Separateur Eau	Wasserabscheidr	Separador Agua	Vattenavskiljare	S/N 10634 -	
13	VOE 11110474	1			SS	•Filter	•Filtre	•Filter	•Filtro	•Filter	S/N - 10633	
	VOE 11110668	1				•Filter	•Filtre	•Filter	•Filtro	•Filter	S/N 10634 -	
13A	VOE 11713138	1				•Filter Housing	•Corps de filtre	•Filtergehäuse	•Cuerpo de filtro	•Filterhus		
13B	VOE 3943382	1				•Bowl	•Coussinet	•Schale	•Taza	•Skål	(VOE 3836024)	
14	VOE 13965185	2				Flange screw	Vis à bride	Flanschschraube	Torn embridado	Flänsskruv		
15	VOE 13971095	2				Flange nut	Ecrou accouple	Bundmutter	Tuerca embridad	Flänsmutter		
16	VOE 11883973	1				Fuel hose	Flexi.carburant	Kraftstoffschlauch	Manguera comb	Bränsleslang		
17						Fuel pump	Pompe Carburant	Kraftstoffpumpe	Bomba Combustib	Bränslepump	See group 233, Page 81	
18	VOE 11882920	1				Plug	Bouchon	Stopfen	Tapon	Plugg		
	VOE 932042	1				•O-ring	•Joint Torique	•O-Ring	•Junta torica	•O-ring		
19	VOE 11884200	1				Filler cap	Bouchon Remplissa	Tankverschluss	Tapa Llenado	Påfyllningslock	SER NO -10511	
20	VOE 13965179	1				Flange screw	Vis à bride	Flanschschraube	Torn embridado	Flänsskruv		
21	VOE 11881311	1				Plate	Plaque	Platte	Placa	Platta		
22		2			NS	Bracket	Console	Konsole	Consola	Konsol		
23	VOE 4881438	2				Strip Clamp	Ruban Serrage	Kabelbinder	Abraz Cinta	Bandklamma		
24	VOE 11886973	1				Fuel tank	Réservoir carburant	Kraftstofftank	Deposit combust	Bränsletank	SER NO 10512-	
25	VOE 11887988	1				•Cap	•Chapeau	•Kappe	•Caperuza	•Lock	SER NO 10512-	

1		Bränsletank, bränslerör Depósito de combustible,tubos de combustible Kraftstofftank, kraftstoffrohr Réservoir de carburant, conduit de carburant Fuel tank, fuel pipes	Catalogue id	Group
2			20017	234
3			Illustr. No	Section
4			1012057	100
5			Issue	Page
			VOE 63D9920017	83

VOLVO

BL60

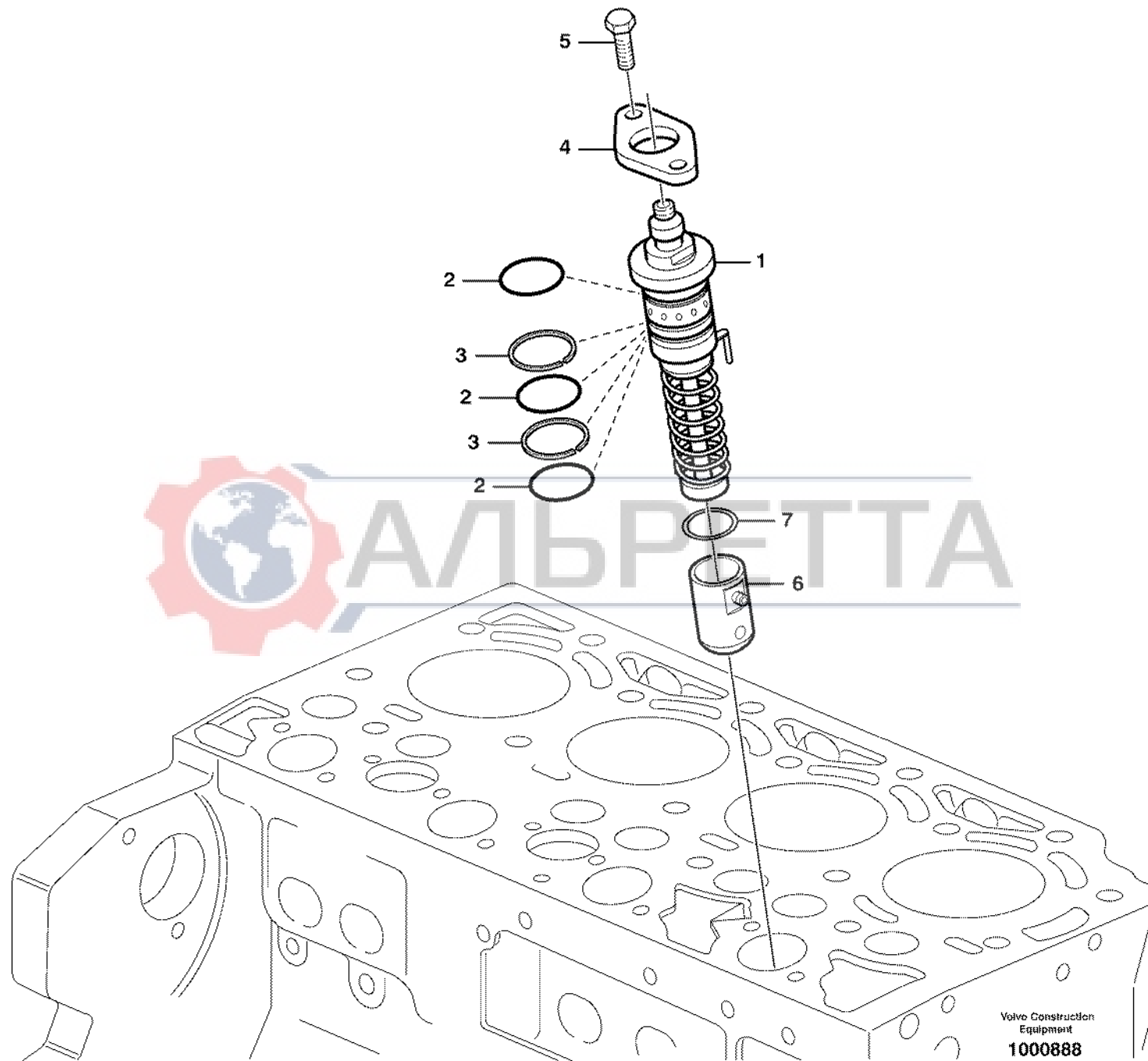


Fig.	Part No.	Quantity			P S	K I T	Description	Dénomination	Bezeichnung	Denominación	Benämning	Notes
		1	2	3								
1	VOE 24425954	4				Injection Pump	Pompe Injection	Einspritzpumpe	Bomba Inyeccion	Insprutn.pump		
2	VOE 11701764	12				•O-ring	•Joint Torique	•O-Ring	•Junta torica	•O-ring		
3	VOE 20405543	8				•Shim	•Cale d'épaisseur	•Passscheibe	•Arandela Ajuste	•Passbricka		
4	VOE 20405565	4				Flange	Flasque	Flansch	Brida	Fläns		
5	VOE 20460071	8				Screw	Vis	Schraube	Tornillo	Skruv		
6	VOE 20549905	4				Roller	Galet	Rolle	Rodillo	Rulle		
7	VOE 24425970	1				Shim	Cale d'épaisseur	Passscheibe	Arandela Ajuste	Passbricka	STD	
	VOE 24425958	1				Shim	Cale d'épaisseur	Passscheibe	Arandela Ajuste	Passbricka	THICK = 4,70 MM	
	VOE 24425969	1				Shim	Cale d'épaisseur	Passscheibe	Arandela Ajuste	Passbricka	THICK = 4,75 MM	
	VOE 24425972	1				Shim	Cale d'épaisseur	Passscheibe	Arandela Ajuste	Passbricka	THICK = 4,80 MM	
	VOE 24425973	1				Shim	Cale d'épaisseur	Passscheibe	Arandela Ajuste	Passbricka	THICK = 4,85 MM	
	VOE 24425974	1				Shim	Cale d'épaisseur	Passscheibe	Arandela Ajuste	Passbricka	THICK = 4,90 MM	
	VOE 24425982	1				Shim	Cale d'épaisseur	Passscheibe	Arandela Ajuste	Passbricka	THICK = 4,95 MM	
	VOE 24425983	1				Shim	Cale d'épaisseur	Passscheibe	Arandela Ajuste	Passbricka	THICK = 5,00 MM	
	VOE 24425984	1				Shim	Cale d'épaisseur	Passscheibe	Arandela Ajuste	Passbricka	THICK = 5,05 MM	
	VOE 24425985	1				Shim	Cale d'épaisseur	Passscheibe	Arandela Ajuste	Passbricka	THICK = 5,10 MM	
	VOE 24425986	1				Shim	Cale d'épaisseur	Passscheibe	Arandela Ajuste	Passbricka	THICK = 5,15 MM	
	VOE 24425987	1				Shim	Cale d'épaisseur	Passscheibe	Arandela Ajuste	Passbricka	THICK = 5,20 MM	
	VOE 24425989	1				Shim	Cale d'épaisseur	Passscheibe	Arandela Ajuste	Passbricka	THICK = 5,25 MM	
	VOE 24425991	1				Shim	Cale d'épaisseur	Passscheibe	Arandela Ajuste	Passbricka	THICK = 5,30 MM	
	VOE 24425992	1				Shim	Cale d'épaisseur	Passscheibe	Arandela Ajuste	Passbricka	THICK = 5,35 MM	
	VOE 24425994	1				Shim	Cale d'épaisseur	Passscheibe	Arandela Ajuste	Passbricka	THICK = 5,40 MM	
	VOE 24425996	1				Shim	Cale d'épaisseur	Passscheibe	Arandela Ajuste	Passbricka	THICK = 5,45 MM	
	VOE 24425998	1				Shim	Cale d'épaisseur	Passscheibe	Arandela Ajuste	Passbricka	THICK = 5,50 MM	
	VOE 24426002	1				Shim	Cale d'épaisseur	Passscheibe	Arandela Ajuste	Passbricka	THICK = 5,55 MM	
	VOE 24426004	1				Shim	Cale d'épaisseur	Passscheibe	Arandela Ajuste	Passbricka	THICK = 5,60 MM	
	VOE 24426005	1				Shim	Cale d'épaisseur	Passscheibe	Arandela Ajuste	Passbricka	THICK = 5,65 MM	
	VOE 24426006	1				Shim	Cale d'épaisseur	Passscheibe	Arandela Ajuste	Passbricka	THICK = 5,70 MM	
	VOE 24426007	1				Shim	Cale d'épaisseur	Passscheibe	Arandela Ajuste	Passbricka	THICK = 5,75 MM	
	VOE 24426010	1				Shim	Cale d'épaisseur	Passscheibe	Arandela Ajuste	Passbricka	THICK = 5,80 MM	

1		Insprutningspump med monteringsdetaljer Bomba de inyección de accesoris de montaje Einspritzpumpe mit Anbauteilen Pompe d'injection de combustible avec pièces de montage Fuel injection pump with fitting parts	Catalogue id	Group
2			20017	236
3			Illustr. No	Section
4			1000888	100
5			Issue	Page
			VOE 63D9920017	85

VOLVO

BL60

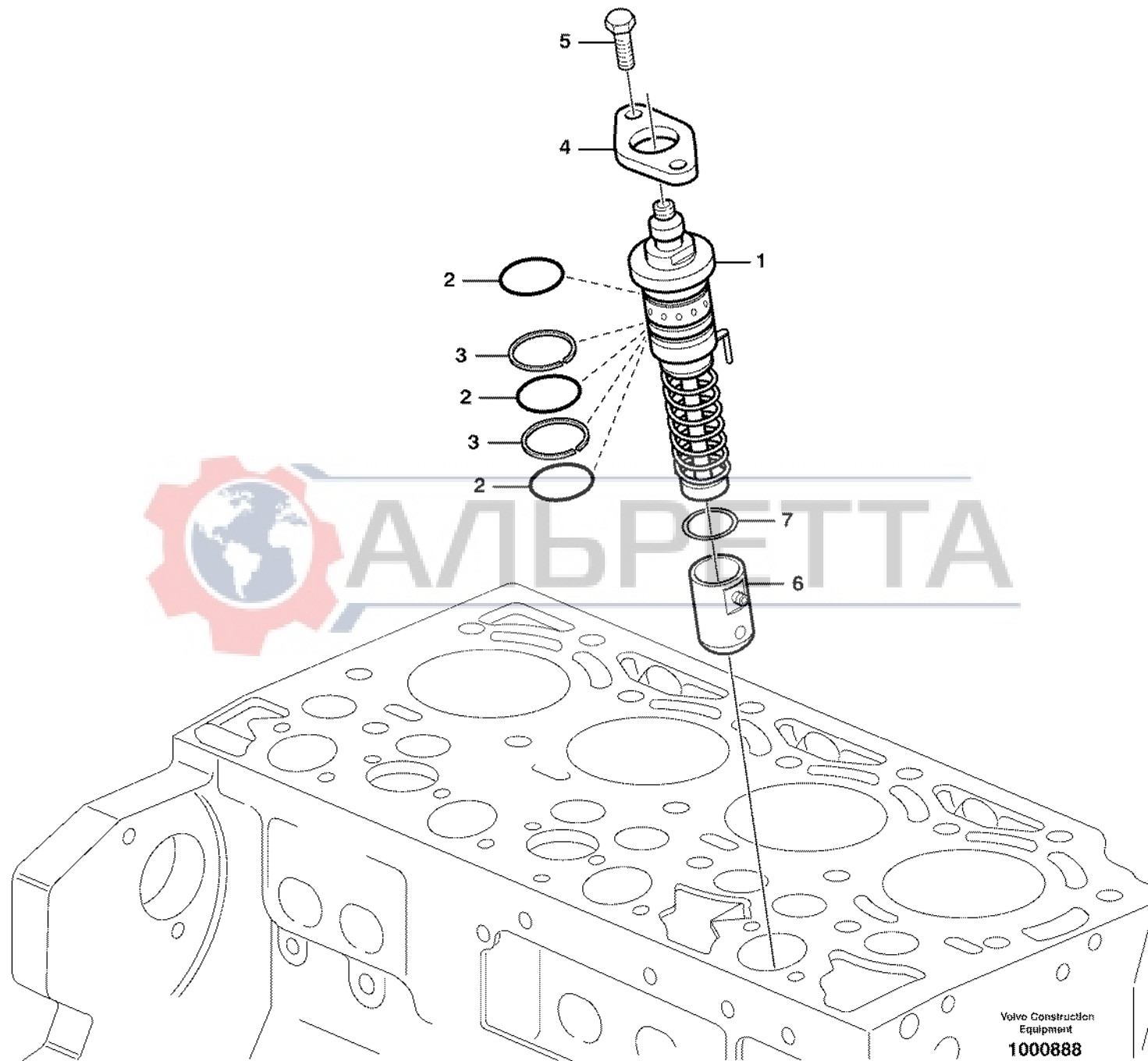


Fig.	Part No.	Quantity			P S	K I T	Description	Dénomination	Bezeichnung	Denominación	Benämning	Notes
		1	2	3								
VOE 24426011		1				Shim.....	Cale d'épaisseur	Passscheibe.....	Arandela Ajuste	Passbricka.....	THICK = 5,85 MM	
VOE 24426012		1				Shim.....	Cale d'épaisseur	Passscheibe.....	Arandela Ajuste	Passbricka.....	THICK = 5,90 MM	
VOE 24426013		1				Shim.....	Cale d'épaisseur	Passscheibe.....	Arandela Ajuste	Passbricka.....	THICK = 5,95 MM	
VOE 24426014		1				Shim.....	Cale d'épaisseur	Passscheibe.....	Arandela Ajuste	Passbricka.....	THICK = 6,00 MM	
VOE 24426015		1				Shim.....	Cale d'épaisseur	Passscheibe.....	Arandela Ajuste	Passbricka.....	THICK = 6,05 MM	
VOE 24426016		1				Shim.....	Cale d'épaisseur	Passscheibe.....	Arandela Ajuste	Passbricka.....	THICK = 6,10 MM	
VOE 24426017		1				Shim.....	Cale d'épaisseur	Passscheibe.....	Arandela Ajuste	Passbricka.....	THICK = 6,15 MM	
VOE 24426018		1				Shim.....	Cale d'épaisseur	Passscheibe.....	Arandela Ajuste	Passbricka.....	THICK = 6,20 MM	
VOE 24426019		1				Shim.....	Cale d'épaisseur	Passscheibe.....	Arandela Ajuste	Passbricka.....	THICK = 6,25 MM	
VOE 24426020		1				Shim.....	Cale d'épaisseur	Passscheibe.....	Arandela Ajuste	Passbricka.....	THICK = 6,30 MM	
VOE 24426021		1				Shim.....	Cale d'épaisseur	Passscheibe.....	Arandela Ajuste	Passbricka.....	THICK = 6,35 MM	
VOE 24426022		1				Shim.....	Cale d'épaisseur	Passscheibe.....	Arandela Ajuste	Passbricka.....	THICK = 6,40 MM	



1	Insprutningspump med monteringsdetaljer Bomba de inyección de accesorisde montaje Einspritzpumpe mit Anbauteilen Pompe d'injection de combustible avec pièces de montage Fuel injection pump with fitting parts	Catalogue id	Group
2		20017	236
3		Illustr. No	Section
4		1000888	100
5		Issue	Page
		VOE 63D9920017	87

VOLVO

BL60

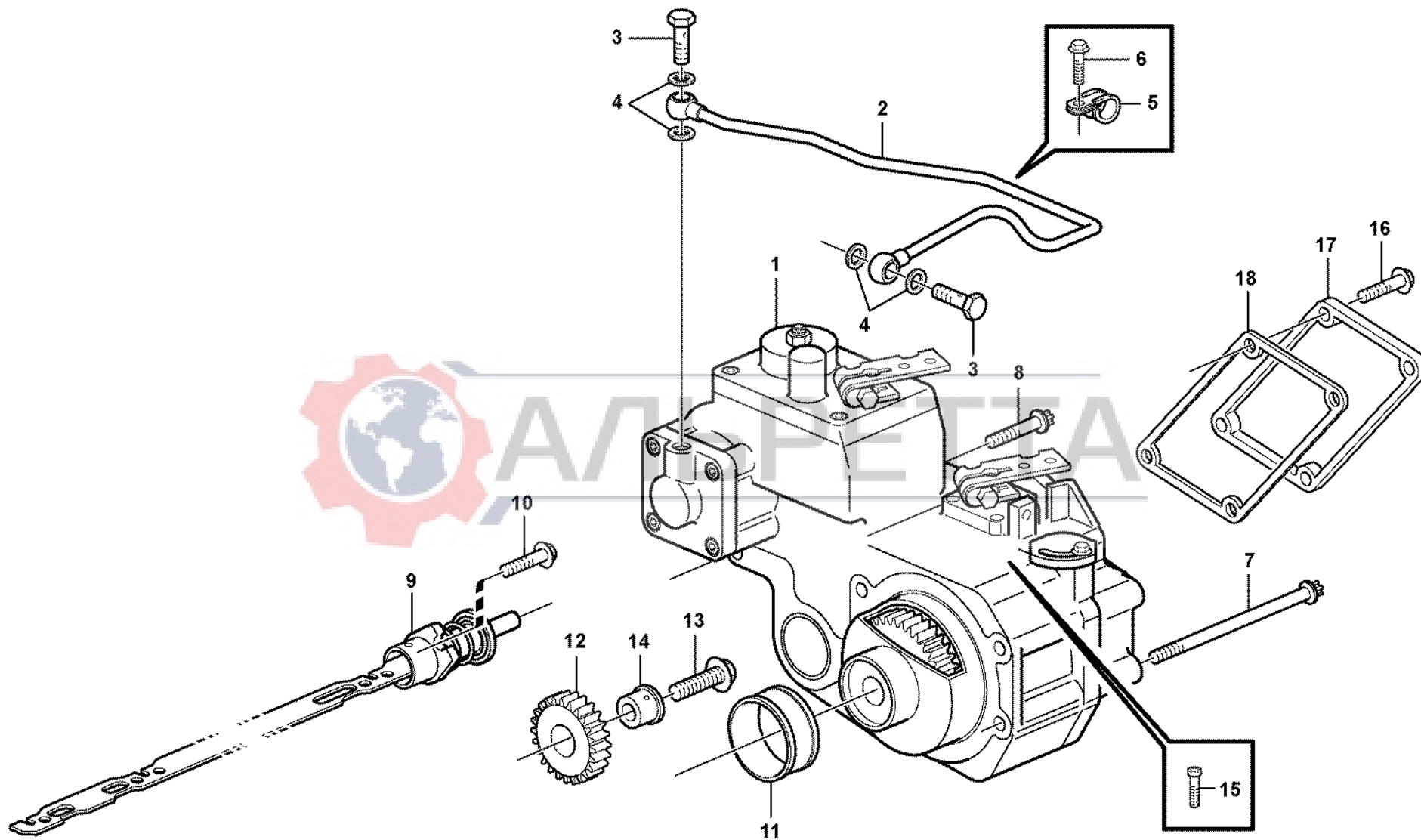
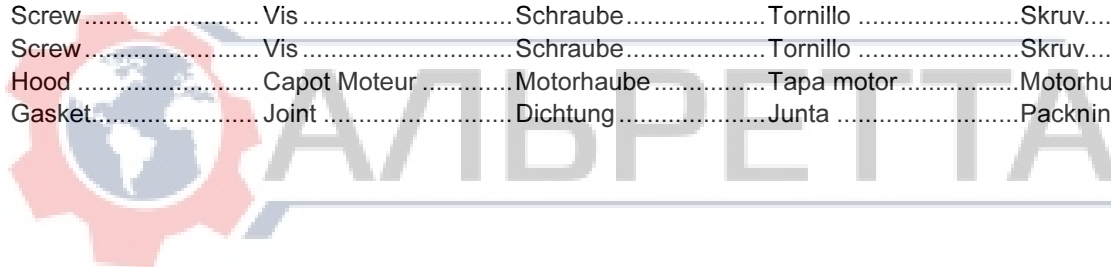


Fig.	Part No.	Quantity			P S	K I T	Description	Dénomination	Bezeichnung	Denominación	Benämning	Notes
		1	2	3								
1	VOE 20590555	1				Control	Commande	Regelung.....	Mando	Reglage.....	2067) ENG - 00894796	
	VOE 20590582	1				Regulator	Regulateur	Regler.....	Regulador.....	Regulator.....	ENG 00894797 -	
2	VOE 20504812	1				Pipe.....	Canalisation	Rohrleitung.....	Canalización.....	Rör.....		
3	VOE 20460289	2				Hollow screw.....	Vis creuse	Hohlschraube.....	Racor-surtidor	Hålskruv.....		
4	VOE 13947281	4				Gasket.....	Joint	Dichtung	Junta	Packning.....		
5	VOE 20405730	1				Clamp.....	Pince Serrage	Klemme	Abrazadera.....	Klämma.....		
6	VOE 20405729	1				Screw	Vis	Schraube.....	Tornillo	Skruv.....		
7	VOE 20460064	4				Screw	Vis	Schraube.....	Tornillo	Skruv.....		
8	VOE 888760	1				Screw	Vis	Schraube.....	Tornillo	Skruv.....		
9	VOE 20460069	1				Control Rod.....	Tige Commande	Schaltstange	Barra De Mando.....	Manöverstång.....		
10	VOE 20405538	1				Screw	Vis	Schraube.....	Tornillo	Skruv.....		
11	VOE 20460070	1				Bushing.....	Bague.....	Buchse.....	Casquillo	Bussning.....		
12	VOE 20555503	1				Gear	Pignon.....	Zahnradgetriebe.....	Engranaje.....	Kuggdrev.....		
13	VOE 20405560	1				Screw	Vis	Schraube.....	Tornillo	Skruv.....		
14	VOE 11700504	1				Pivot Pin.....	Goupille-guide.....	Gelenkstift	Pasador Artic.....	Ledpinne.....	ENG - 01047298	
	VOE 20758272	1				Pin.....	Goupille.....	Zapfen	Pasador.....	Tapp.....	ENG 01047299 -	
15	VOE 20460067	1				Screw	Vis	Schraube.....	Tornillo	Skruv.....		
16	VOE 20460082	4				Screw	Vis	Schraube.....	Tornillo	Skruv.....		
17		1			NS	Hood	Capot Moteur.....	Motorhaube	Tapa motor.....	Motorhuv.....		
18	VOE 20405509	1				Gasket.....	Joint	Dichtung	Junta	Packning.....		



2067) **GB:** Contact Volvo CE Customer Support. Individual Setting, Indicate Engine type and Engine number **FR:** Veuillez contacter Volvo CE Customer Support. Réglage individuel, indiquer le type et le numéro de moteur **DE:** Wenden Sie sich bitte an den Volvo CE Customer Support. Individuelle Einstellung, Motortyp und Motornummer angeben. **ES:** Dirigirse a Volvo CE Customer Support. Ajuste individual, indicar el tipo de motor y el número del motor **SE:** Kontakta Volvo CE Customer Support. Individuell inställning, Ange motortyp och motornummer

1	Regulator Regulador Regler Régulateur Regulator	Catalogue id	Group
2		20017	236
3		Illustr. No	Section
4		1021192	150
5		Issue	Page
		VOE 63D9920017	89

VOLVO

BL60

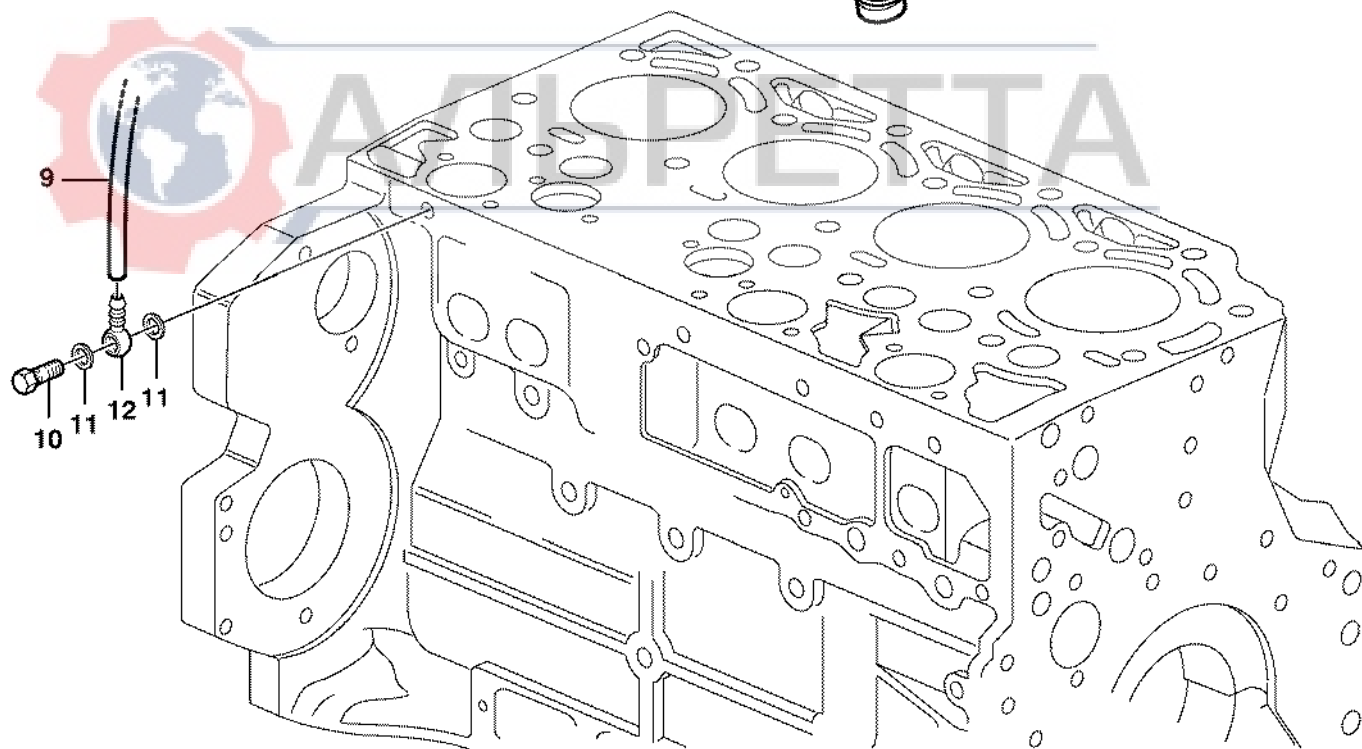
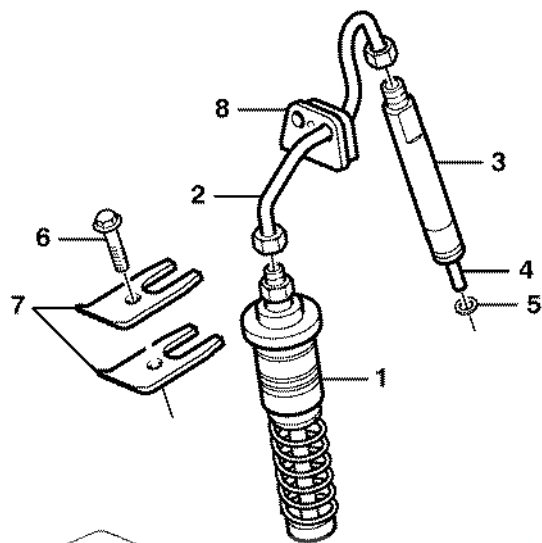


Fig.	Part No.	Quantity			P S	K I T	Description	Dénomination	Bezeichnung	Denominación	Benämning	Notes
		1	2	3								
1		4				Injection pump.....	Pompe injection	Einspritzpumpe	Bomba inyeccion	Insprutn.pump.....	See group 236, Page 85	
2	VOE 20460095	4				Fuel pipe	Conduit carbura	Kraftstoffleitung	Tubo combustib.....	Bränslerör.....		
3	VOE 24425916	4				Injector	Injecteur	Einspritzdüse.....	Inyector	Insprutare.....		
4	VOE 24425919	4				•Nozzle.....	•Nez D'injecteur.....	•Einspritzduse	•Tobera.....	•Spridare.....		
5	VOE 11700426	4				Seal.....	Joint	Dichtring	Junta	Tätning.....		
6	VOE 20405559	4				Screw	Vis	Schraube.....	Tornillo	Skruv.....		
7	VOE 11700424	8				Retainer	Retenue	Halter.....	Soporte.....	Hållare.....		
8	VOE 11700487	4				Rubber Seal	Lèvre Caoutchouc.....	Gummilippe	Labio Goma.....	Gummiläpp.....		
9		1				Fuel hose	Flexi.carburant	Kraftstoffschlauch.....	Manguera comb	Bränsleslang.....	See group 234, Page 83	
10	VOE 11704362	1				Delivery Valve	Soup.refouleme.....	Druckventil	Valvula Priesion	Tryckventil.....		
11	VOE 20459972	2				Sealing ring	Bague d'étanchéité	Runddichtring	Anillo reten	Tätningsring.....	(VOE 11700485)	
12	VOE 20459906	1				Nipple.....	Raccord.....	Nippel.....	Niple	Nippel.....		



1		Bränslerör och insprutare Tuberias de combustible, inyector Brennstoffrohre Canalisation à combustible, injecteur Fuel lines and injectors	Catalogue id	Group
2			20017	237
3			Illustr. No	Section
4			1009992	100
5			Issue	Page
			VOE 63D9920017	91

VOLVO

BL60

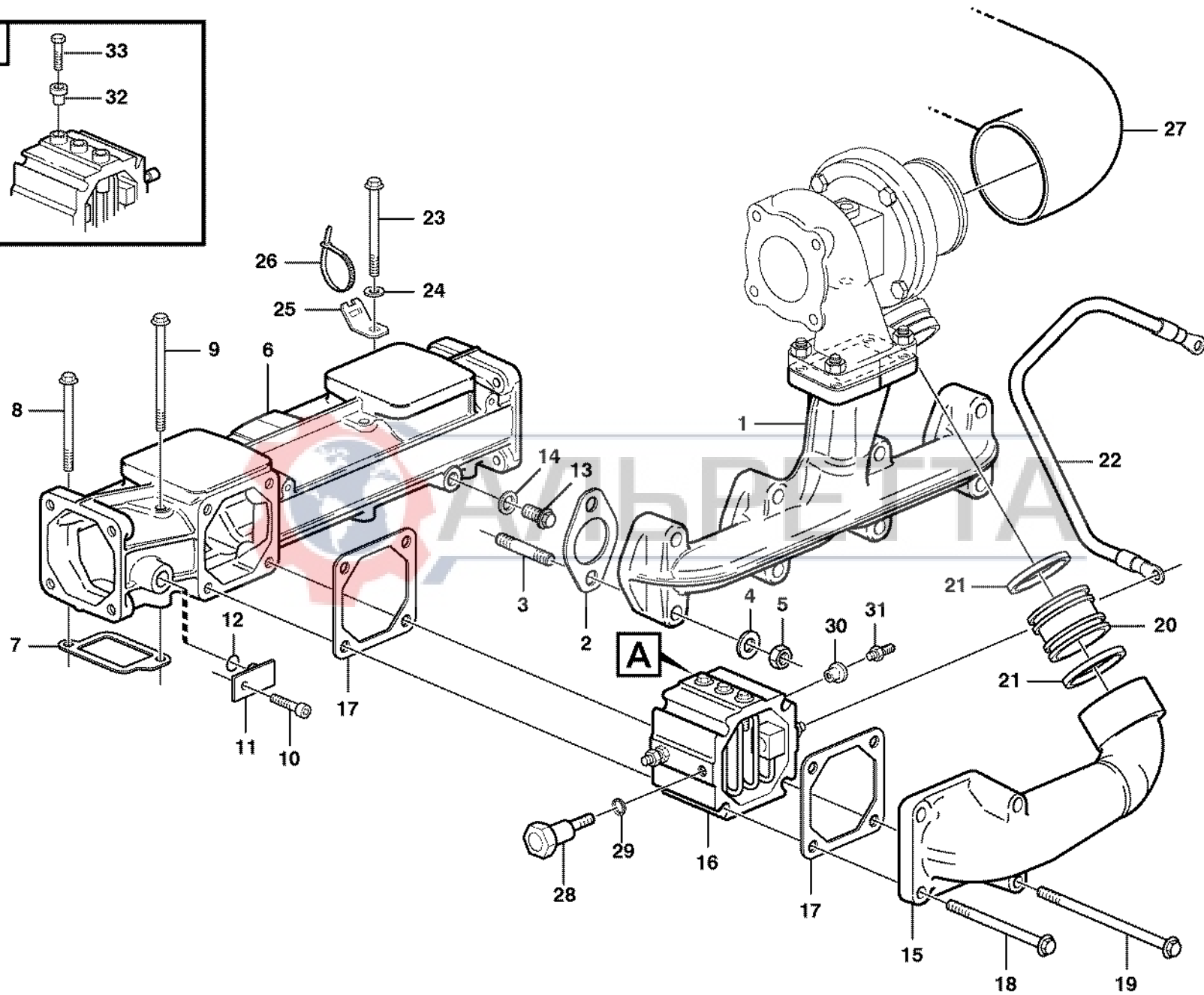
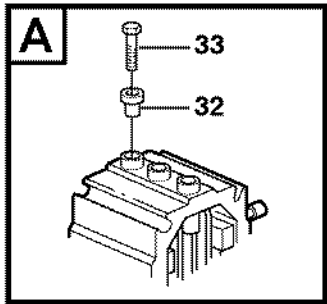


Fig.	Part No.	Quantity			P S	K I T	Description	Dénomination	Bezeichnung	Denominación	Benämning	Notes
		1	2	3								
1	VOE 24426230	1	1	1		Exhaust Pipe.....	Tuyau d'échappemen.	Auspuffrohr.....	Tubo Escape	Avgasrör.....		
2	VOE 20557208	4	4	4		Gasket.....	Joint	Dichtung	Junta	Packning.....		
3	VOE 20405587	8	8	8		Stud.....	Goujon	Stiftschraube	Esparrago.....	Pinnskruv.....		
4	VOE 11700543	8	8	8		Washer.....	Rondelle	Scheibe	Arandela.....	Bricka.....		
5	VOE 20505959	8	8	8		Hexagon Nut.....	Ecrou Hexagonal	Sechskantmutter	Tuerca Hexagon.....	Sexkantsmutter.....		
6	VOE 20565870	1	1	1		Charge Air Pipe.....	Tuyau Suralimen.....	Ladeluftrohr	Tubo Admis Aire.....	Laddluftför.....		
7	VOE 20555515	4	4	4		Gasket.....	Joint	Dichtung	Junta	Packning.....		
8	VOE 20459830	4	4	4		Screw.....	Vis	Schraube.....	Tornillo	Skruv.....		
9	VOE 20412601	4	4	4		Screw.....	Vis	Schraube.....	Tornillo	Skruv.....		
10	VOE 20450694	1	1	1		Screw.....	Vis	Schraube.....	Tornillo	Skruv.....		
11	VOE 20459910	1	1	1		Plug.....	Bouchon.....	Stopfen.....	Tapon	Plugg.....		
12	VOE 20459909	1	1	1		Sealing ring.....	Bague d'étanchéité	Runddichtring	Anillo reten	Tättningsring.....		
13	VOE 20451012	1	1	1		Plug.....	Bouchon.....	Stopfen.....	Tapon	Plugg.....		
14	VOE 13947621	1	1	1		Plane Gasket.....	Joint Plan	Flachdichtung.....	Junta Plana	Planpackning.....		
15	VOE 20459935	1	1			Elbow.....	Coude	Winkelstueck.....	Tubo acodado	Vinkel.....	ENG - 00985236	
	VOE 20726057	1	1	1		Elbow.....	Coude	Winkelstueck.....	Tubo acodado	Vinkel.....	ENG 00985237 -	
16	VOE 20532254	1	1			Heater.....	Elément de chauffag	Heizkörper.....	Calefaccion	Värmeelement.....	ENG - 01047118	
	VOE 20758403	1	1			Heater.....	Elément de chauffag	Heizkörper.....	Calefaccion	Värmeelement.....	ENG 01047119 -	
	VOE 20585825			1		Flange.....	Flasque	Flansch.....	Brida	Fläns.....		
17	VOE 20531832	2	2	2		Gasket.....	Joint	Dichtung	Junta	Packning.....		
18	VOE 20460123	2	2	2		Screw.....	Vis	Schraube.....	Tornillo	Skruv.....		
19	VOE 20459933	2	2	2		Screw.....	Vis	Schraube.....	Tornillo	Skruv.....		
20	VOE 20405616	1	1	1		Adapter.....	Raccord Reduct.	Verbind Stutzen.....	Adaptador.....	Adapter.....		
21	VOE 20405536	2	2	2		Sealing ring.....	Bague d'étanchéité	Runddichtring	Anillo reten	Tättningsring.....		
22	VOE 20726062	1				Cable.....	Câble.....	Seil	Cable.....	Lina.....		
23	VOE 20405898	1				Screw.....	Vis	Schraube.....	Tornillo	Skruv.....		
24	VOE 20460127	1				Washer.....	Rondelle	Scheibe	Arandela.....	Bricka.....		
25	VOE 20450997	1				Bracket.....	Console.....	Konsole	Consola	Konsol.....		
26	VOE 4881440	1				Strip Clamp.....	Ruban Serrage.....	Kabelbinder	Abraz Cinta	Bandklamma.....		
27		1	1	1		Hose.....	Durit	Schlauch	Tubo flexible.....	Slang.....	See group 256, Page 101	

1	11885147	Insugningsrör och avgasgrenrör Tubo admisión y múltiple escape Ansaugrohr und Auspuffkrümmer Tubulure admission et tubulure echappement Inlet manifold and exhaust manifold	Catalogue id	Group
2	11886317		20017	251
3	11887318		Illustr. No	Section
4			1021333	100
5			Issue	Page
		VOE 63D9920017	93	

VOLVO

BL60

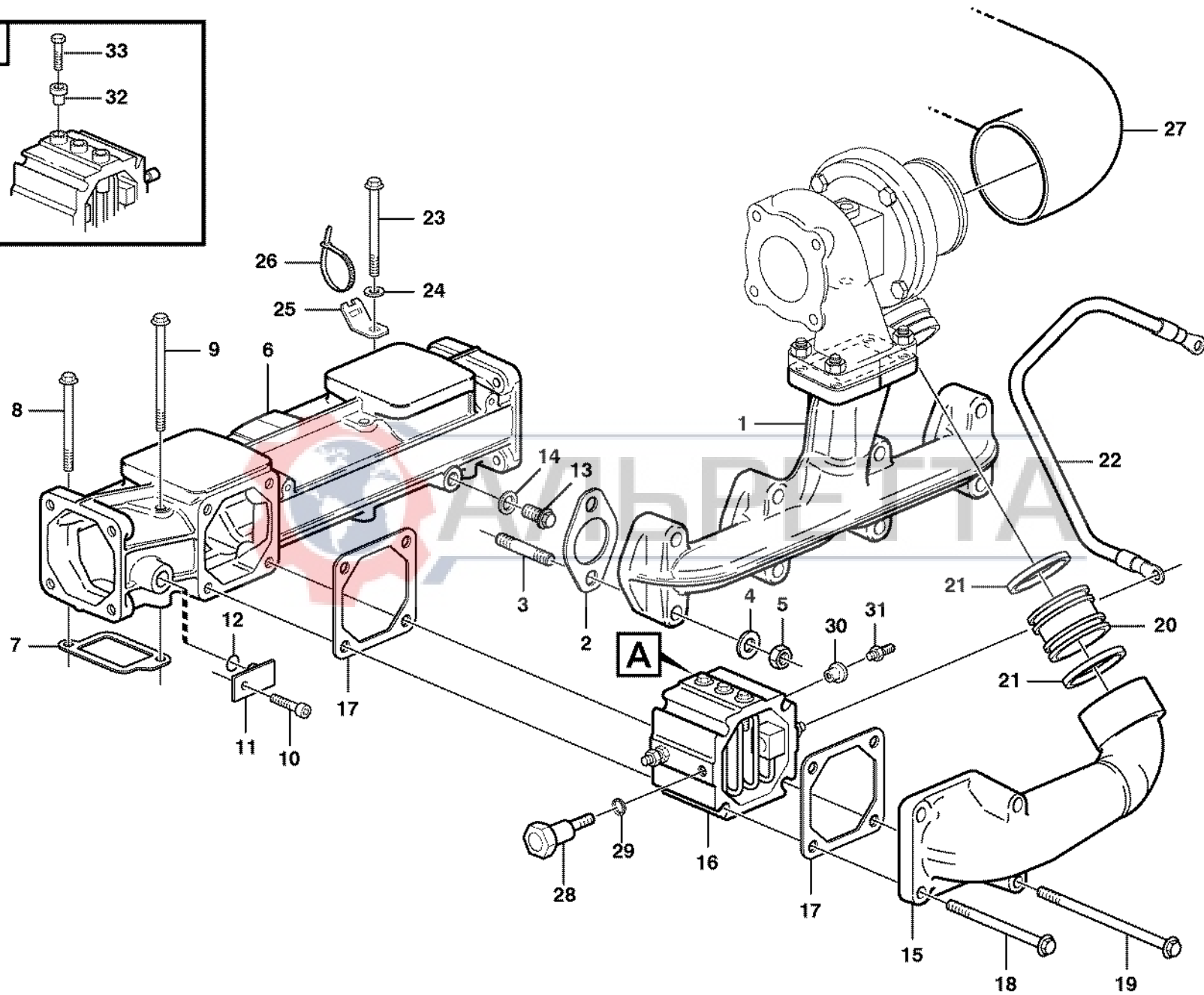
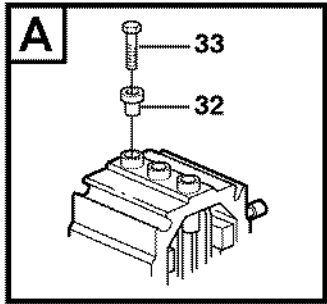


Fig.	Part No.	Quantity			P S	K I T	Description	Dénomination	Bezeichnung	Denominación	Benämning	Notes
		1	2	3								
28	VOE 20498498	1	1			Connector	Raccord.....	Anschluss.....	Union.....	Anslutning.....		
29	VOE 20498524	1	1			Sealing ring	Bague d'étanchéité ...	Runddichtring	Anillo reten	Tättningsring.....		
30	VOE 20521558	1	1			Insulator	Isolateur	Isolator	Aislador	Isolator.....		
31	VOE 20572787	1	1			Connector	Raccord.....	Anschluss.....	Union.....	Anslutning.....		
32	VOE 20550336	1	1			Insulator	Isolateur	Isolator	Aislador	Isolator.....		
33	VOE 20550356	1	1			Bolt.....	Boulon.....	Bolzen	Perno.....	Bult.....		



1	11885147	Insugningsrör och avgasgrenrör Tubo admisión y múltiple escape Ansaugrohr und Auspuffkrümmer Tubulure admission et tubulure echappement Inlet manifold and exhaust manifold	Catalogue id	Group
2	11886317		20017	251
3	11887318		Illustr. No	Section
4			1021333	100
5			Issue	Page
			VOE 63D9920017	95

VOLVO



BL60

Volvo Construction
Equipment
1014926

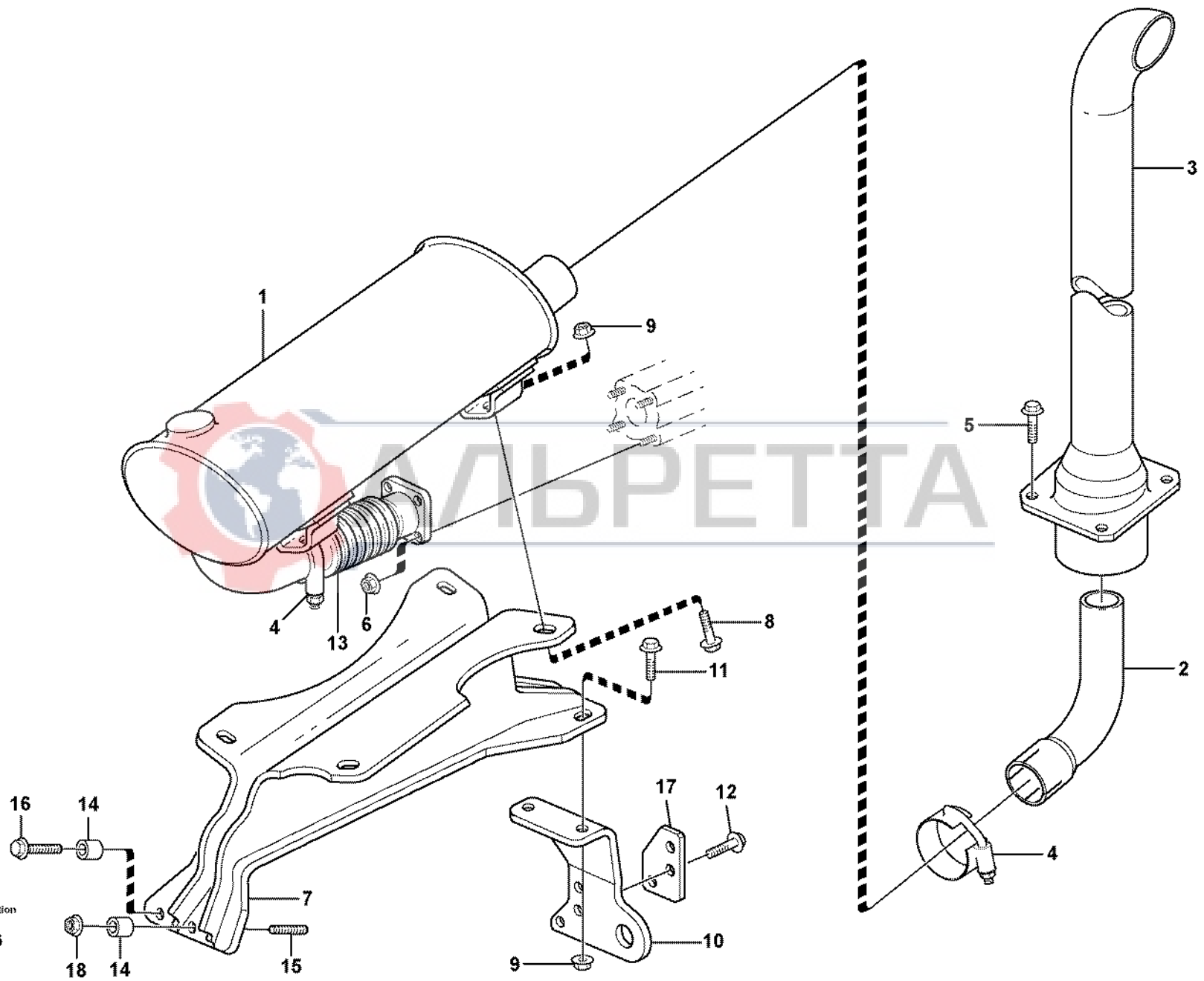


Fig.	Part No.	Quantity			P S	K I T	Description	Dénomination	Bezeichnung	Denominación	Benämning	Notes
		1	2	3								
1	VOE 11890338	1				Muffler	Silencieux	Schalldämpfer	Silencioso	Ljuddämpare		
2	VOE 11881139	1				Pipe	Canalisation	Rohrleitung	Canalización	Rör		
3	VOE 11890160	1				Exhaust Pipe	Tuyau d'échappemen	Auspuffrohr	Tube Escape	Avgasrör		
4	VOE 11883251	2				Clamp	Pince Serrage	Klemme	Abrazadera	Klämna		
5	VOE 946329	4				Flange screw	Vis à bride	Flanschschraube	Torn embridado	Flänsskruv		
6	VOE 948645	4				Flange Lock Nut	Contre écrou bride	Flanschmutter	Contratuer Embr	Flänslåsmutter		
7	VOE 11884001	1				Bracket	Console	Konsole	Ménsula	Konsol	2158)	
7	VOE 11886387	1				Bracket	Console	Konsole	Ménsula	Konsol	2159)	
8	VOE 946329	4				Flange screw	Vis à bride	Flanschschraube	Torn embridado	Flänsskruv		
9	VOE 13971095	6				Flange nut	Ecrou accouple	Bundmutter	Tuerca embridad	Flänsmutter		
10	VOE 11884006	1				Plate	Plaque	Platte	Placa	Platta	2158)	
10	VOE 11886391	1				Bracket	Console	Konsole	Ménsula	Konsol	2159)	
11	VOE 13965185	2				Flange screw	Vis à bride	Flanschschraube	Torn embridado	Flänsskruv		
12	VOE 946329	3				Flange screw	Vis à bride	Flanschschraube	Torn embridado	Flänsskruv	2158)	
12	VOE 946472	3				Flange screw	Vis à bride	Flanschschraube	Torn embridado	Flänsskruv	2159)	
13	VOE 11883424	1			SS	Tube	Tube	Rohr	Tube	Rör		
14	VOE 11884007	2				Spacer	Partie Intermédiaire	Zwischenstück	Espaciador	Mellandel	2158)	
14	VOE 11886393	2				Spacer	Partie Intermédiaire	Zwischenstück	Espaciador	Mellandel	2159)	
15	VOE 953073	2				Stud	Goujon	Stiftschraube	Esparrago	Pinnskruv	2158)	
16	VOE 13965188	2				Flange screw	Vis à bride	Flanschschraube	Torn embridado	Flänsskruv	2159)	
17	VOE 11886392	1				Plate	Plaque	Platte	Placa	Platta	2159)	
18	VOE 13971095	2				Flange nut	Ecrou accouple	Bundmutter	Tuerca embridad	Flänsmutter	2158)	

2158) Ser No -10177, 10179, 10181, 10195, 10198-10200, 10210-10211, 10222-10223

2159) Ser No 10178, 10180, 10182-10194, 10196-10197, 10201-10209, 10212-10221, 10224-

1	Avgassystem, ljuddämpare Sistema de escape, silenciador Auspuffsystem, Schalldämpfer Système d'aspiration, silencieux Exhaust system, silencer	Catalogue id	Group
2		20017	252
3		Illustr. No	Section
4		1014926	100
5		Issue	Page
		VOE 63D9920017	97

VOLVO

BL60

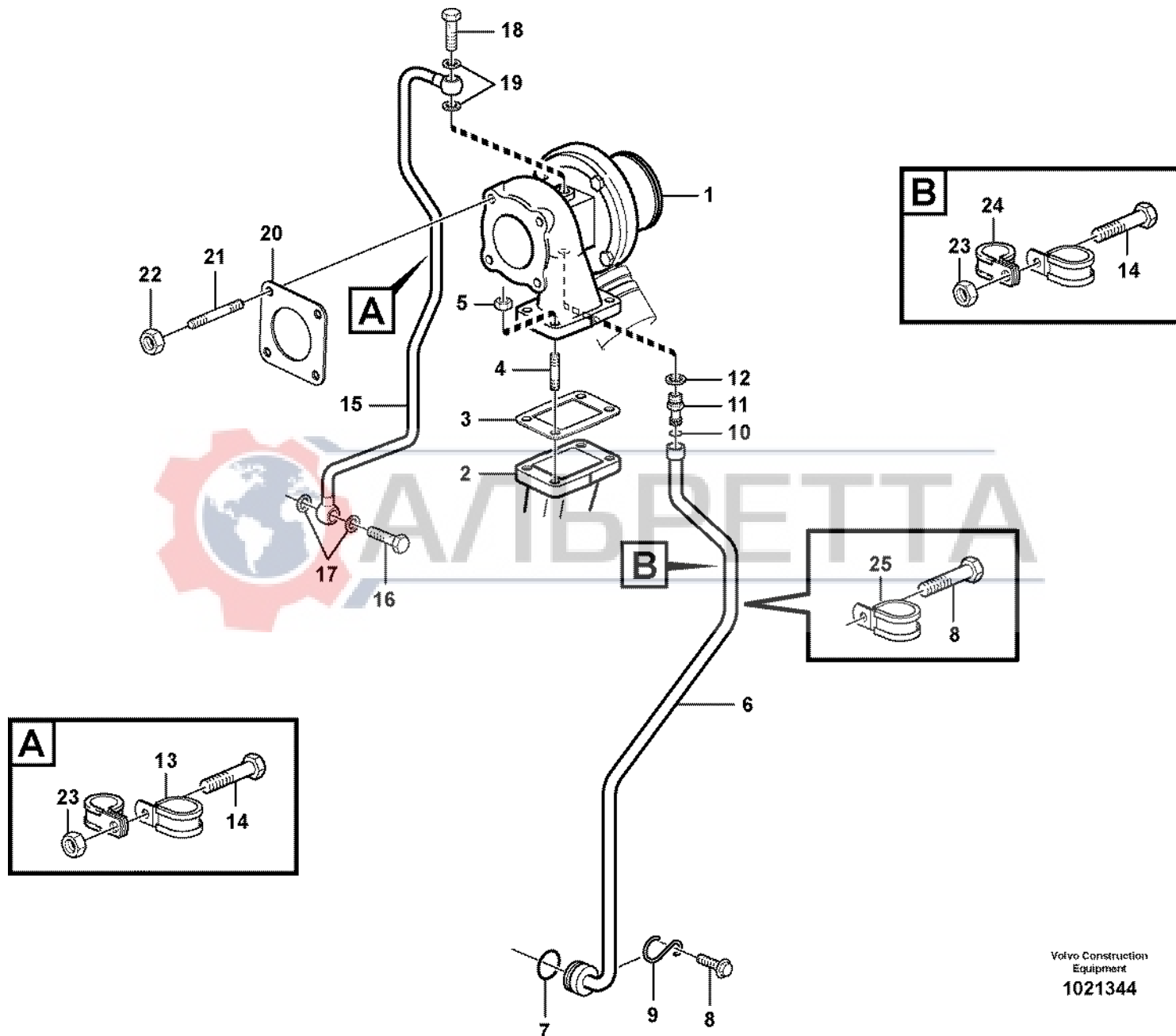


Fig.	Part No.	Quantity			P S	K I T	Description	Dénomination	Bezeichnung	Denominación	Benämning	Notes
		1	2	3								
1	VOE 20460945	1				Turbocharger	Turbocompresse	Abgasturbolader	Turbocompresor	Turbokompressor.....		
	VOE 20508630	1			OP	•Repair Kit	•Kit Réparation	•Reparatursatz	•Kit Reparacion	•Reparationsssats.....		
2		1				Exhaust Pipe.....	Tuyau d'échappemen.....	Auspuffrohr.....	Tube Escape	Avgasrör.....	See group 251, Page 93	
3	VOE 20559834	1				Manifold	Tubulure	Verzweigung	Bifurcacion	Förgrening.....		
4	VOE 20412318	4				Stud.....	Goujon	Stiftschraube	Esparrago.....	Pinnskruv.....		
5	VOE 20517048	4				Hexagon Nut.....	Ecrou Hexagonal	Sechskantmutter	Tuerca Hexagon.....	Sexkantsmutter.....		
6	VOE 20528339	1				Return Line	Conduit Retour.....	Rückaufleitung	Conduct Return	Returledning.....		
7	VOE 20405822	1				Sealing ring	Bague d'étanchéité	Runddichtring	Anillo reten	Tätningsring.....		
8	VOE 20405792	2				Screw	Vis	Schraube	Tornillo	Skruv.....		
9	VOE 20405789	1				Retainer	Retenue	Halter.....	Soporte.....	Hållare.....		
10	VOE 20459172	1				Sealing ring	Bague d'étanchéité	Runddichtring	Anillo reten	Tätningsring.....		
11	VOE 20459171	1				Nipple.....	Raccord	Nippel.....	Niple	Nippel.....		
12	VOE 20549894	1				Sealing ring	Bague d'étanchéité	Runddichtring	Anillo reten	Tätningsring.....		
13	VOE 20460045	1				Clamp.....	Pince Serrage	Klemme	Abrazadera.....	Klämma.....		
14	VOE 20460055	1				Screw.....	Vis	Schraube.....	Tornillo	Skruv.....		
15	VOE 20555494	1				Feed Line.....	Cond.alimentat.....	Druckleitung	Conduct Presion.....	Tryckledning.....		
16	VOE 20460231	1				Hollow screw.....	Vis creuse	Hohlschraube	Racor-surtidor	Hålskruv.....		
17	VOE 13947621	2				Plane Gasket	Joint Plan	Flachdichtung.....	Junta Plana	Planpackning.....		
18	VOE 20460936	1				Hollow screw.....	Vis creuse	Hohlschraube	Racor-surtidor	Hålskruv.....		
19	VOE 20460061	2				Seal.....	Joint	Dichtring	Junta	Tätning.....		
20	VOE 20459236	1				Gasket.....	Joint	Dichtung	Junta	Packning.....		
21	VOE 20459235	4				Stud.....	Goujon	Stiftschraube	Esparrago.....	Pinnskruv.....		
22	VOE 20517048	4				Hexagon Nut.....	Ecrou Hexagonal	Sechskantmutter	Tuerca Hexagon.....	Sexkantsmutter.....		
23	VOE 20460939	1				Hexagon Nut.....	Ecrou Hexagonal	Sechskantmutter	Tuerca Hexagon.....	Sexkantsmutter.....		
24	VOE 20459181	1				Clamp.....	Pince Serrage	Klemme	Abrazadera.....	Klämma.....		
25	VOE 20450867	1				Clamp.....	Pince Serrage	Klemme	Abrazadera.....	Klämma.....		

1	Turbokompressor med monteringsdetaljer Turboalimentador con accesorios de montaje Torbolader mit Anbauteilen Turbocompresseur avec pièces de montage Turbocharger with fitting parts	Catalogue id	Group
2		20017	255
3		Illustr. No	Section
4		1021344	100
5		Issue	Page
		VOE 63D9920017	99

VOLVO

BL60

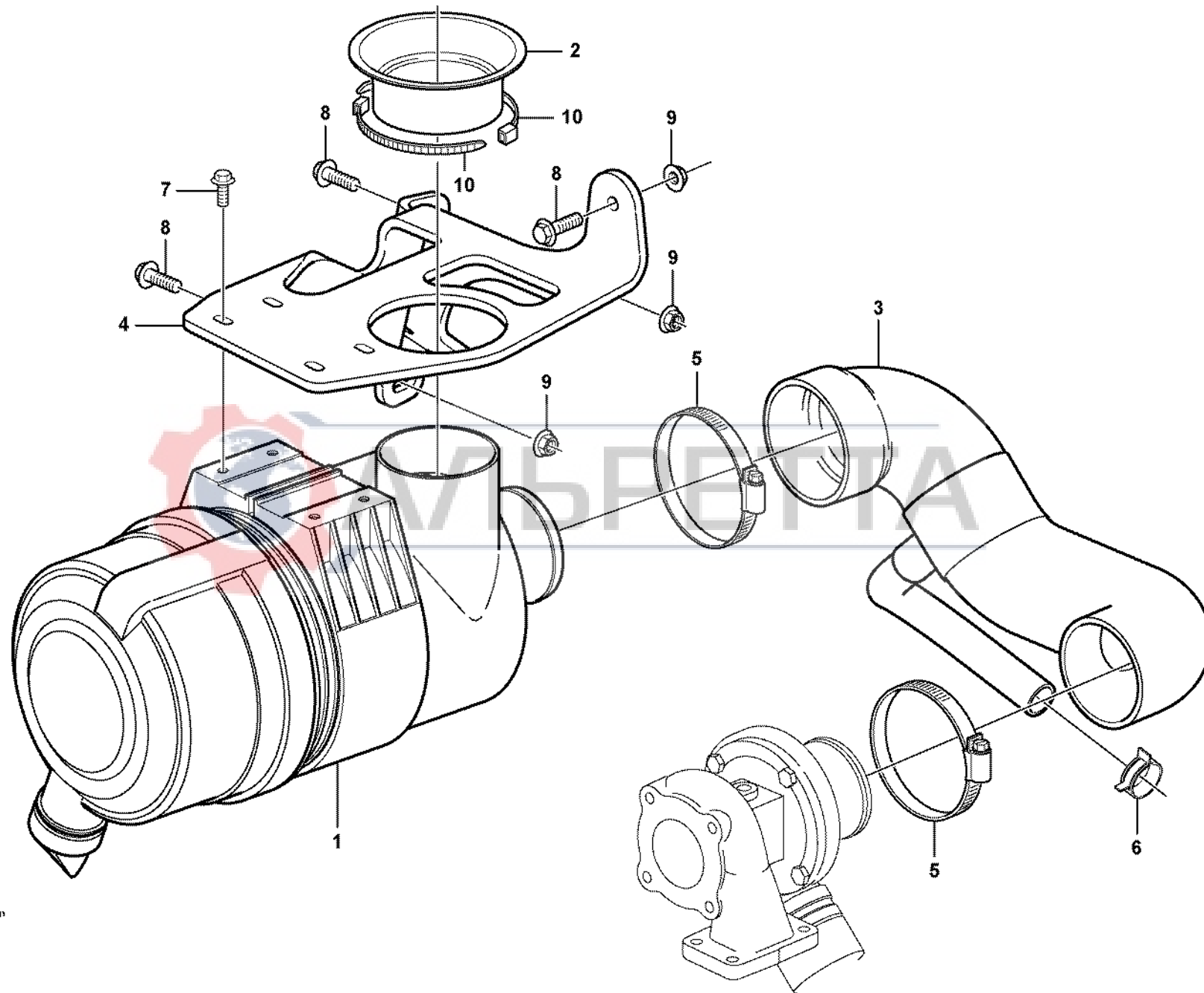


Fig.	Part No.	Quantity			P S	K I T	Description	Dénomination	Bezeichnung	Denominación	Benämning	Notes
		1	2	3								
1		1				Air Cleaner	Filtre Air.....	Luftfilter	Filtro Aire	Luftrenare.....	See group 256, Page 103	
2	VOE 11883145	1				Sealing ring	Bague d'étanchéité ...	Runddichtring	Anillo reten	Tättningsring.....		
3	VOE 11881164	1				Hose.....	Durit	Schlauch	Tubo flexible.....	Slang.....		
4		1			NS	Bracket.....	Console.....	Konsole	Ménsula.....	Konsol.....		
5	VOE 943483	2				Hose Clamp	Collier Serrage	Schlauchschelle	Abraz Manguera.....	Slangklamma.....		
6	VOE 982021	1				Hose Clamp	Collier Serrage	Schlauchschelle	Abraz Manguera.....	Slangklamma.....		
7	VOE 13946173	4				Flange screw.....	Vis à bride	Flanschschraube.....	Torn embridado	Flänsskruv.....		
8	VOE 946472	2				Flange screw.....	Vis à bride	Flanschschraube.....	Torn embridado	Flänsskruv.....		
9	VOE 13971095	2				Flange nut.....	Ecrou accouple.	Bundmutter.....	Tuerca embridad	Flänsmutter.....		
10	VOE 4881440	2				Strip Clamp	Ruban Serrage.....	Kabelbinder	Abraz Cinta	Bandklamma.....	SER NO 10161-	

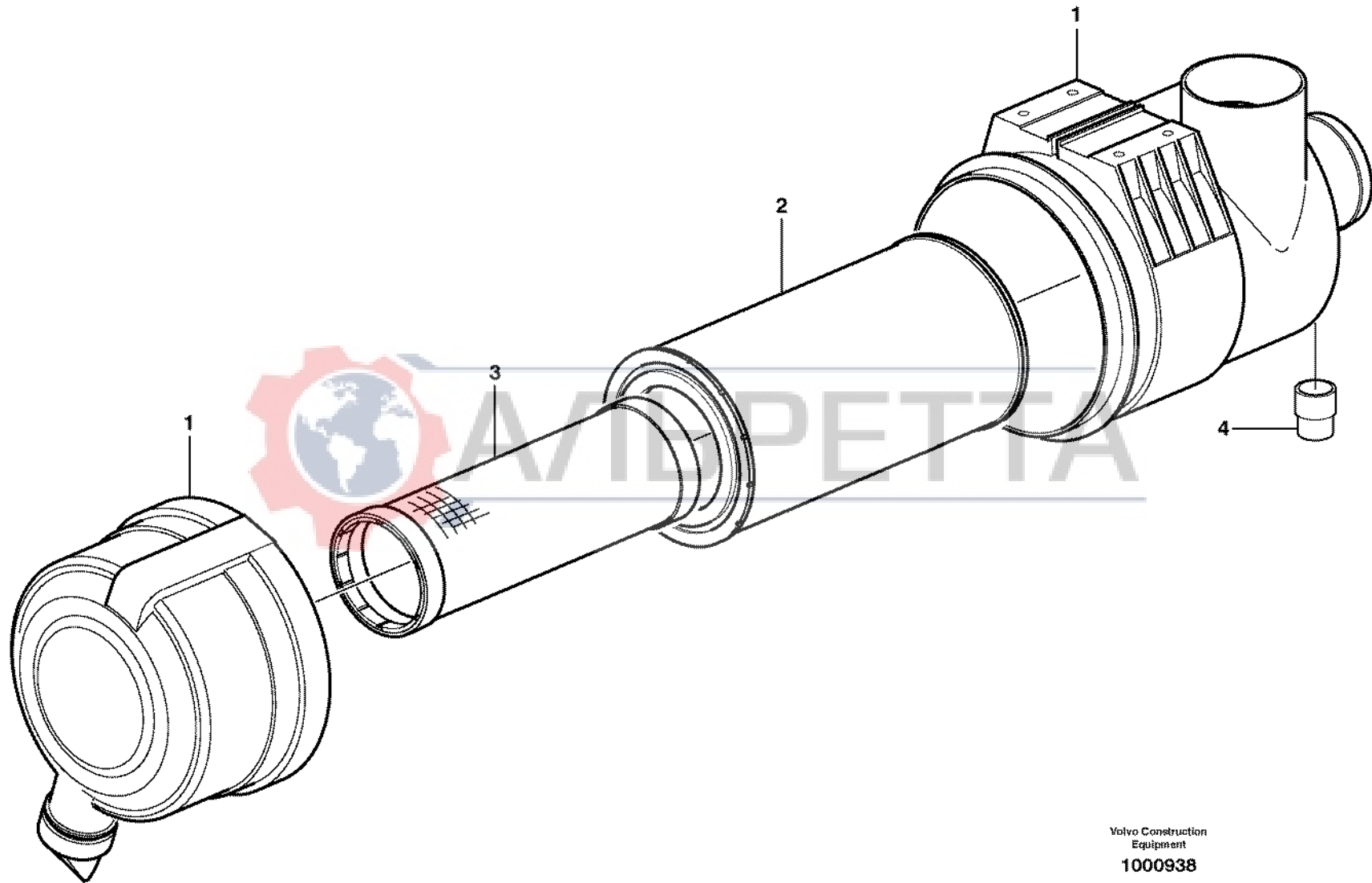


1		Luftrenare med monteringsdetaljer Filtro de aire con accesoris de montaje Luftfilter mit Anbauteilen Filtre à air avec pièces de montage Air filter with fitting parts	Catalogue id	Group
2			20017	256
3			Illustr. No	Section
4			1000937	100
5			Issue	Page
			VOE 63D9920017	101

VOLVO

BL60





Volvo Construction
Equipment
1000938

Fig.	Part No.	Quantity			P S	K I T	Description	Dénomination	Bezeichnung	Denominación	Benämning	Notes
		1	2	3								
1	VOE 11890335	1				Air Cleaner	Filtre Air.....	Luftfilter	Filtro Aire	Luftrenare.....		
2	VOE 11883618	1				•Primary Filter	•Prefiltre	•Vorfilter.....	•Prefiltro.....	•Förfilter.....		
3	VOE 11883619	1				•Safety filter.....	•Filtre de sécurité	•Sicherheitsfilter	•Filtro de seguridad	•Säkerhetsfilter.....		
4	VOE 11709746	1				•Indicator.....	•Indicateur	•Indikator	•Indicador	•Indikator.....		

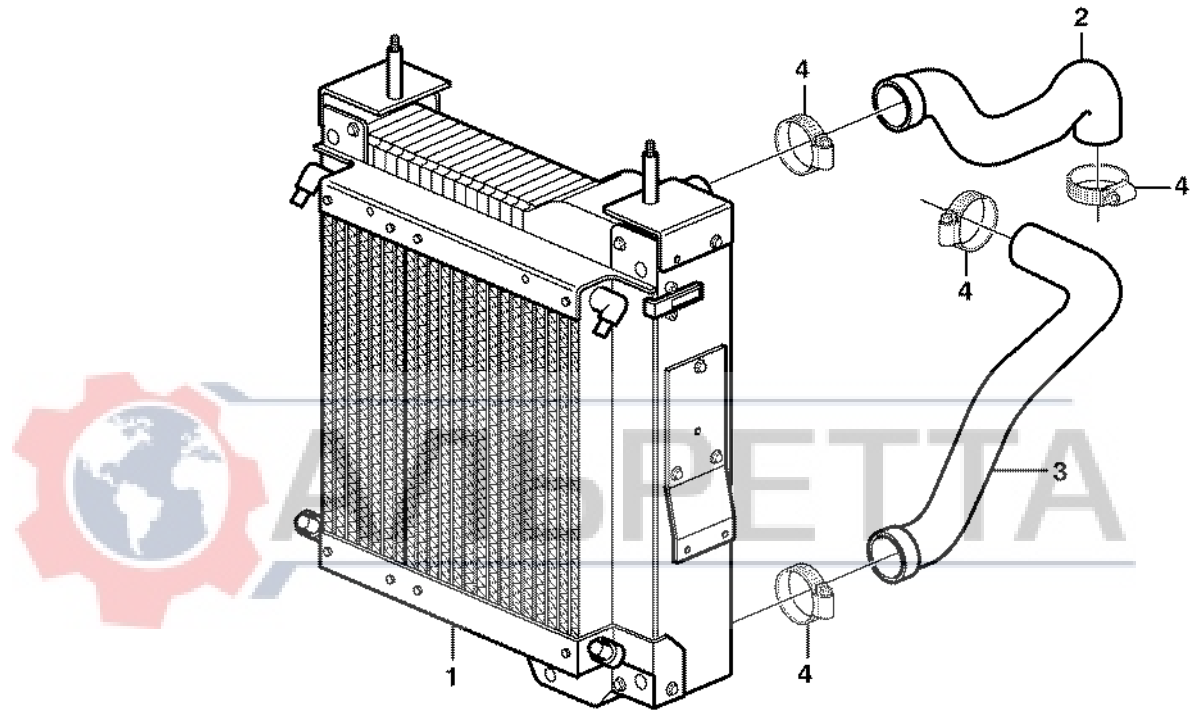


1		Luftrenare Filtro de aire Luftfilter Purificateur d'air Air filter	Catalogue id	Group
2			20017	256
3			Illustr. No	Section
4			1000938	150
5			Issue	Page
			VOE 63D9920017	103

VOLVO



BL60



Volvo Construction
Equipment
1000555

Fig.	Part No.	Quantity			P S	K I T	Description	Dénomination	Bezeichnung	Denominación	Benämning	Notes
		1	2	3								
1		1				Radiator	Radiateur	Kühler.....	Radiador.....	Kylare.....	See group 261, Page 109	
2	VOE 11881130	1				Radiator Hose	Durit Radiateur.....	Kuhlerschlauch.....	Manguera Radiad.....	Kylarslang.....		
3	VOE 11881131	1				Radiator Hose	Durit Radiateur.....	Kuhlerschlauch.....	Manguera Radiad.....	Kylarslang.....	S/N - 10938	
3	VOE 11888695	1				Hose.....	Durit	Schlauch	Tubo flexible.....	Slang.....	S/N 10939 -	
4	VOE 981604	4				Hose Clamp	Collier Serrage	Schlauchschelle	Abraz Manguera.....	Slangklamma.....		



1		Kylsystem Sistema de refrigeración Kühlanlage Système de refroidissement Cooling system	Catalogue id	Group
2			20017	260
3			Illustr. No	Section
4			1000555	100
5			Issue	Page
			VOE 63D9920017	105

VOLVO



BL60

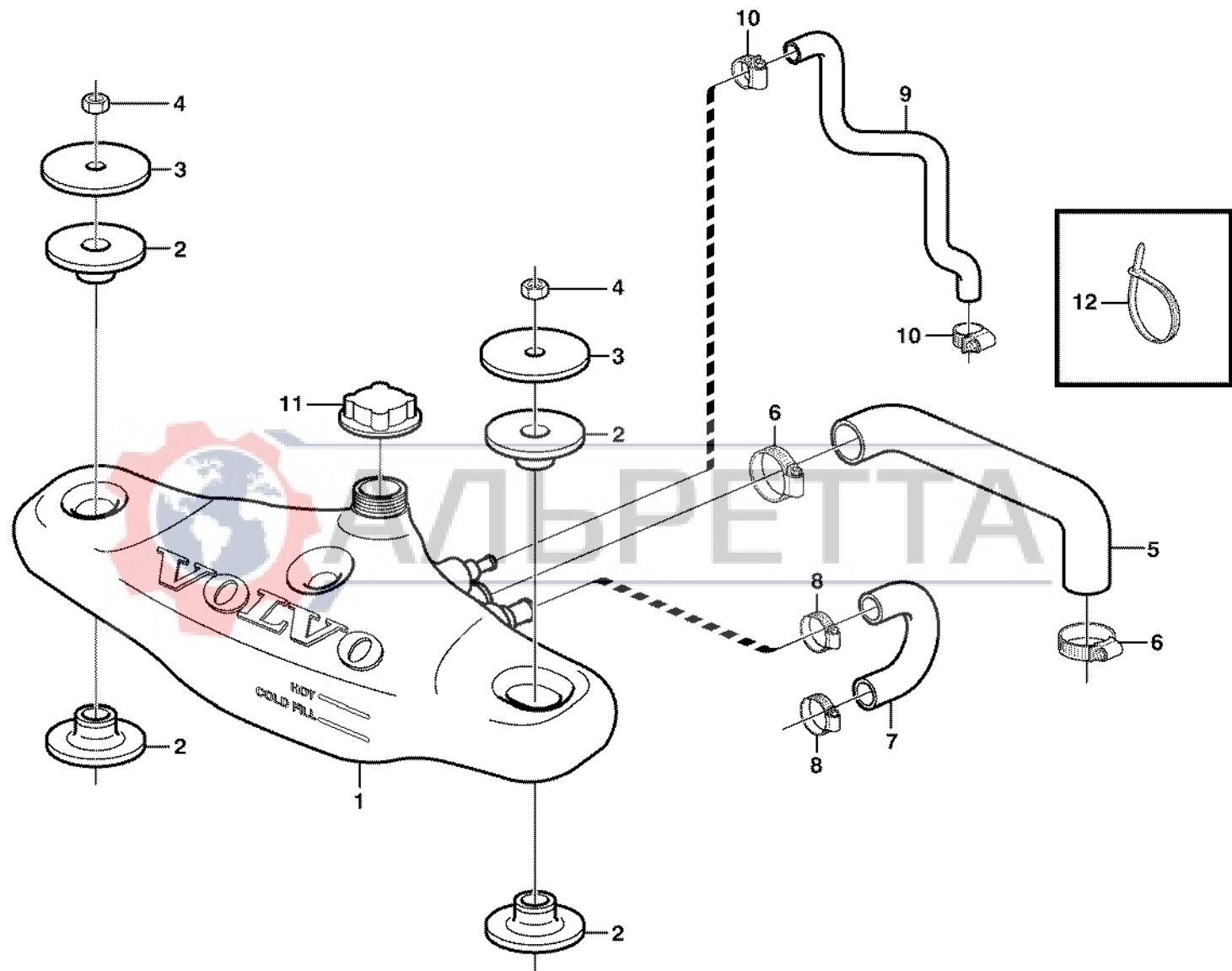


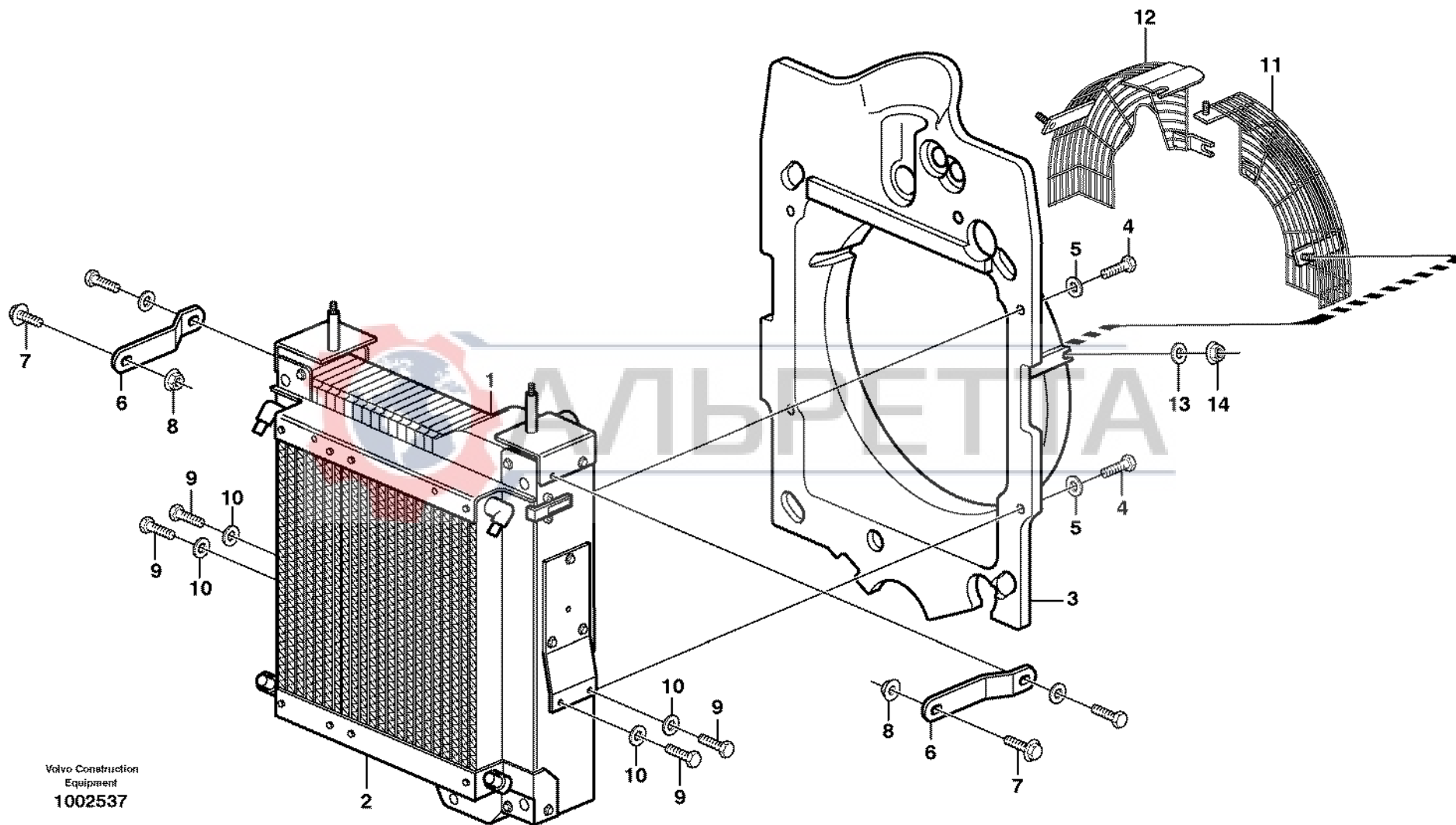
Fig.	Part No.	Quantity			P S	K I T	Description	Dénomination	Bezeichnung	Denominación	Benämning	Notes
		1	2	3								
1	VOE 11886455	1				Expansion Tank	Vase Expansion	Dehngefäß	Tanque Expansio	Expansionskärl.....	(VOE 11884118)	
2		4			NS	Spacer.....	Entretoise	Abstandkörper.....	Distanciador	Distans.....		
3		2			NS	Washer.....	Rondelle	Scheibe	Arandela	Bricka.....		
4	VOE 13971095	2				Flange nut.....	Ecrou accouple.	Bundmutter.....	Tuerca embridad	Flänsmutter.....		
5	VOE 11882659	1				Hose.....	Durit	Schlauch	Tubo flexible	Slang.....		
6	VOE 981708	2				Hose Clamp	Collier Serrage	Schlauchschelle	Abraz Manguera.....	Slangklamma.....		
7	VOE 11882756	1				Hose.....	Durit	Schlauch	Tubo flexible	Slang.....		
8	VOE 981705	2				Hose Clamp	Collier Serrage	Schlauchschelle	Abraz Manguera.....	Slangklamma.....		
9	VOE 11882757	1				Hose.....	Durit	Schlauch	Tubo flexible	Slang.....		
10	VOE 943469	2				Hose Clamp	Collier Serrage	Schlauchschelle	Abraz Manguera.....	Slangklamma.....		
11	VOE 1542591	1				Pressure Cap.....	Boucho.pression	Druckverschluss.....	Tapa Presion.....	Trycklock.....		
12	VOE 4881438	1				Strip Clamp	Ruban Serrage.....	Kabelbinder	Abraz Cinta	Bandklamma.....		



1	Kylsystem och expansionstank Sistema de refrigeración con vaso expansión Kühlsystem mit Expansionstank Système de refroidissement avec vase d'expansion Cooling system incl. expansion tank	Catalogue id	Group
2		20017	260
3		Illustr. No	Section
4		1000559	200
5		Issue	Page
		VOE 63D9920017	107

VOLVO

BL60



Volvo Construction
Equipment
1002537

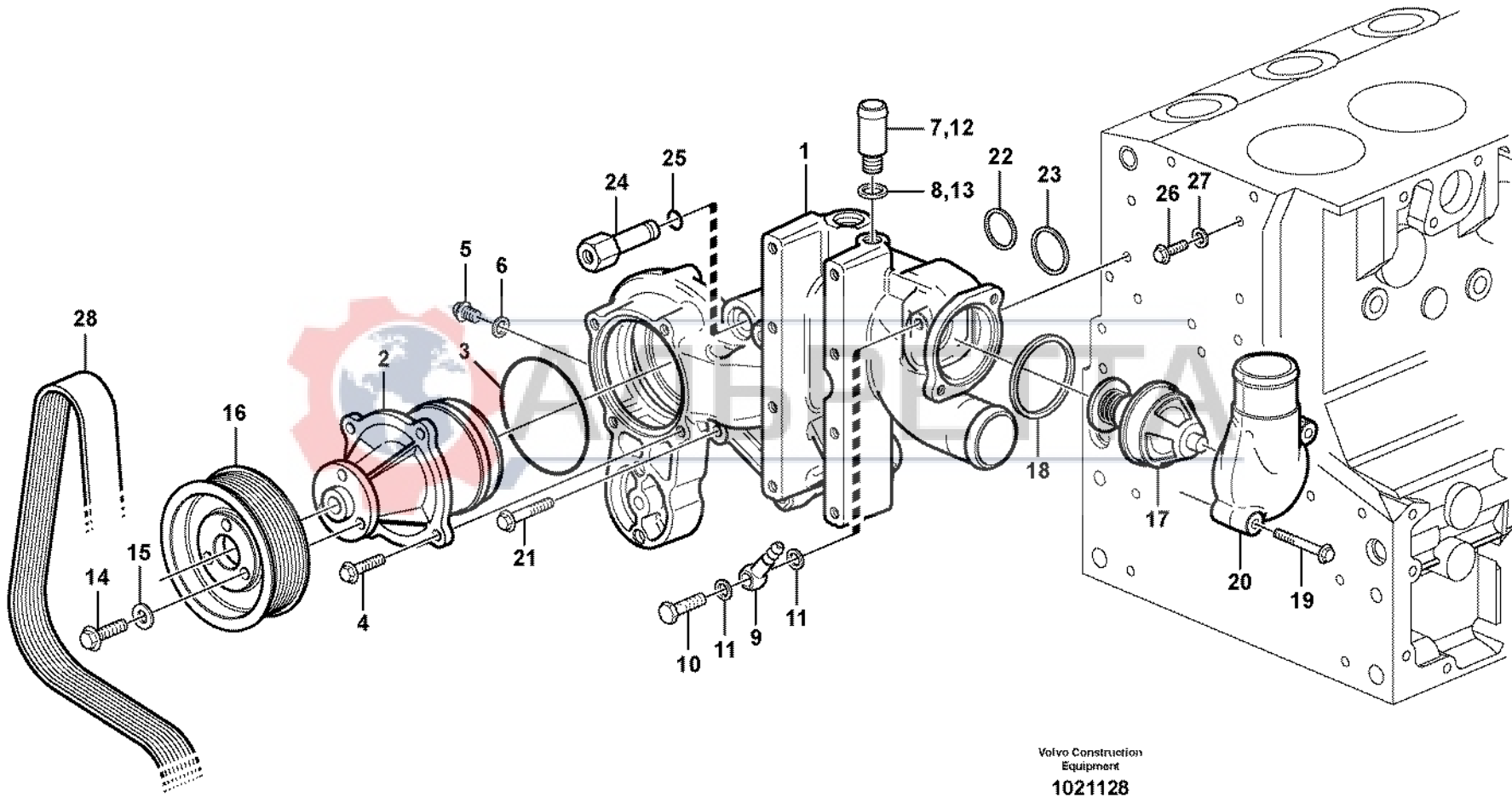
Fig.	Part No.	Quantity			P S	K I T	Description	Dénomination	Bezeichnung	Denominación	Benämning	Notes
		1	2	3								
1	VOE 11890331	1				Radiator	Radiateur	Radiator.....	Radiator.....	Radiator.....		
2	VOE 11890332	1				•Oil Cooler.....	•Refroidisseur huile	•Ölkühler.....	•Enfriadores aceite	•Oljekylare.....		
3	VOE 11887145	1				Fan Shroud	Boitier Ventilateur.....	Lufferhaube	Cubierta Ventilador	Fläktkåpa.....		
3	VOE 11888687	1				Fan Shroud	Boitier Ventilateur.....	Lufferhaube	Cubierta Ventilador	Fläktkåpa.....	S/N 10939 -	
4	VOE 13946173	4				Flange screw.....	Vis à bride	Flanschschaube.....	Torn embridado	Flänsskruv.....		
5	VOE 925739	4				Washer.....	Rondelle	Scheibe	Arandela	Bricka.....		
6	VOE 11884119	2				Plate.....	Plaque.....	Platte.....	Placa	Platta.....		
7	VOE 13946173	4				Flange screw.....	Vis à bride	Flanschschaube.....	Torn embridado	Flänsskruv.....		
8	VOE 13945408	2				Nut	Ecrou.....	Mutter.....	Tuerca	Mutter.....		
9	VOE 13945444	4				Flange screw.....	Vis à bride	Flanschschaube.....	Torn embridado	Flänsskruv.....		
10	VOE 11117464	4				Washer.....	Rondelle	Scheibe	Arandela	Bricka.....		
11	VOE 11885802	1				Grille.....	Grille.....	Kühlergrill	Calandra.....	Grill.....	DELETED REPL BY 11887369	
11	VOE 11887369	1				Grille.....	Grille.....	Kühlergrill	Calandra.....	Grill.....		
	VOE 948645	3				Flange Lock Nut.....	Contre écrou bride	Flanschmutter	Contratuer Embr.....	Flänslåsmutter.....		
	VOE 925739	3				Washer.....	Rondelle	Scheibe	Arandela	Bricka.....		
12	VOE 11885803	1				Grille.....	Grille.....	Kühlergrill	Calandra.....	Grill.....	DELETED REPL BY 11887369	
13	VOE 11117464	4				Washer.....	Rondelle	Scheibe	Arandela	Bricka.....	DELETED	
14	VOE 948645	4				Flange Lock Nut.....	Contre écrou bride	Flanschmutter	Contratuer Embr.....	Flänslåsmutter.....	DELETED	



1	Kylare med monteringsdetaljer Radiador con accesorios de montaje Kühler mit Anbauteilen Radiateur avec pièces de montage Radiator with fitting parts	Catalogue id	Group
2		20017	261
3		Illustr. No	Section
4		1002537	100
5		Issue	Page
		VOE 63D9920017	109

VOLVO

BL60



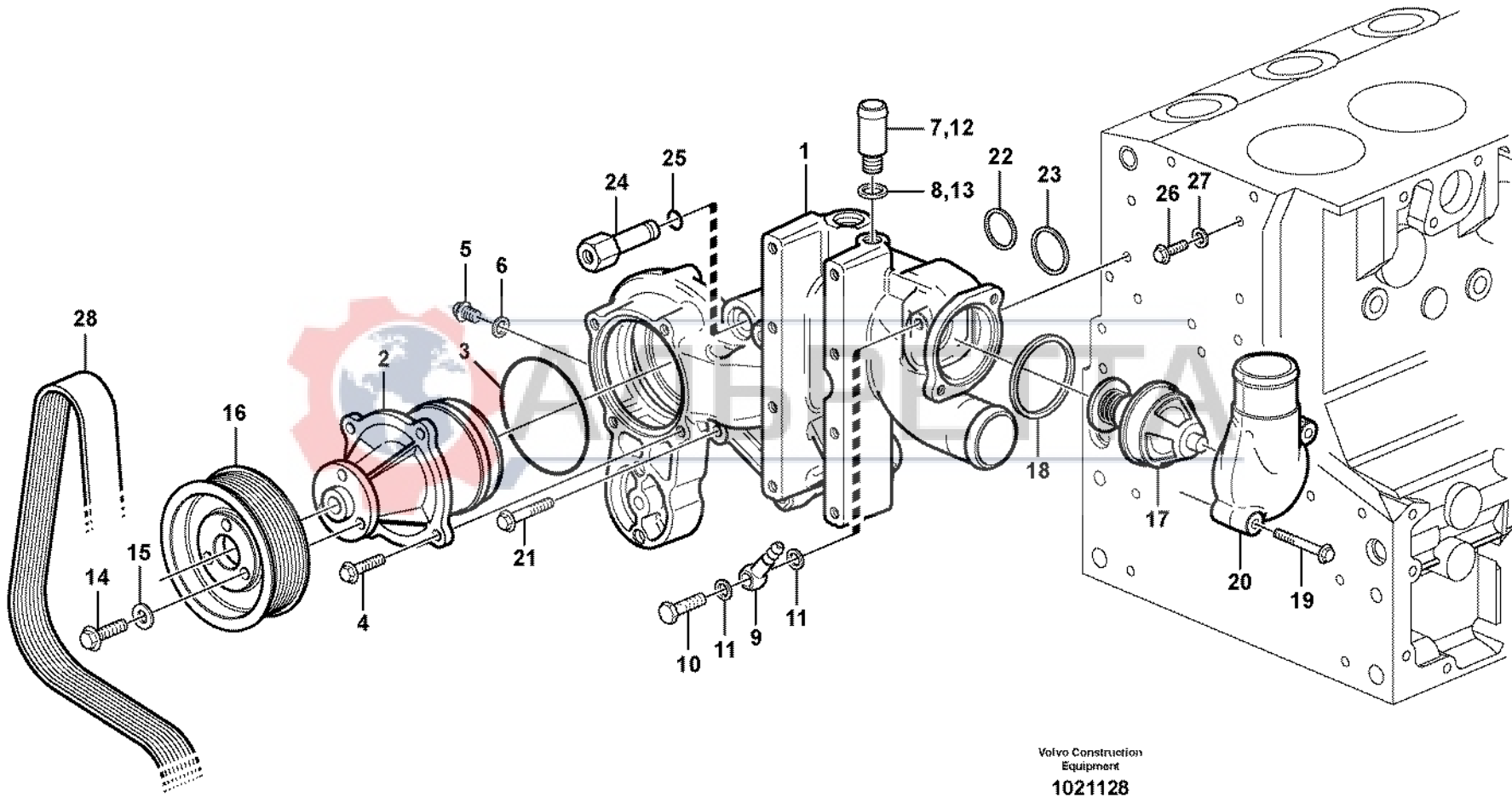
Volvo Construction
Equipment
1021128

Fig.	Part No.	Quantity			P S	K I T	Description	Dénomination	Bezeichnung	Denominación	Benämning	Notes
		1	2	3								
1	VOE 20550117	1				SS	Bracket.....	Console.....	Konsole.....	Ménsula.....	Konsol.....	ENG - 01007594
	VOE 20739051	1					Bracket.....	Console.....	Konsole.....	Ménsula.....	Konsol.....	ENG 01007595 - 10020146
	VOE 20791406	1					Bracket.....	Console.....	Konsole.....	Ménsula.....	Konsol.....	ENG 10020147 -
2	VOE 20502535	1					•Coolant Pump.....	•Pompe a eau.....	•Kühlwasserpumpe.....	•Bomba Ag.refr.....	•Kylvätskepump.....	ENG - 01007594
	VOE 20726092	1					•Coolant Pump.....	•Pompe a eau.....	•Kühlwasserpumpe.....	•Bomba Ag.refr.....	•Kylvätskepump.....	ENG 01007595 -
3	VOE 20502536	1					•Sealing ring.....	•Bague d'étanchéité ..	•Runddichtring.....	•Anillo reten.....	•Tätningring.....	
4	VOE 20405885	4					•Screw.....	•Vis.....	•Schraube.....	•Tornillo.....	•Skruv.....	
5	VOE 888774	1					•Plug.....	•Bouchon.....	•Stopfen.....	•Tapon.....	•Plugg.....	
6	VOE 13947281	1					•Gasket.....	•Joint.....	•Dichtung.....	•Junta.....	•Packning.....	
7	VOE 20412313	1					•Hose Connection.....	•Racco.flexible.....	•Schlauchanschl.....	•Conex Manguera.....	•Slanganslutning.....	ENG - 01007594
8	VOE 20549894	1					•Sealing ring.....	•Bague d'étanchéité ..	•Runddichtring.....	•Anillo reten.....	•Tätningring.....	ENG - 01007594
9	VOE 20551429	1					•Fitting.....	•Ecrou raccord.....	•Verschraubung.....	•Racor.....	•Förskruvning.....	
10	VOE 20460936	1					•Hollow screw.....	•Vis creuse.....	•Hohlschraube.....	•Racor-surtidor.....	•Hålskruv.....	
11	VOE 20460061	2					•Seal.....	•Joint.....	•Dichtring.....	•Junta.....	•Tätning.....	
12	VOE 20412313	1					Hose Connection.....	Racco.flexible.....	Schlauchanschl.....	Conex Manguera.....	Slanganslutning.....	ENG 01007595 -
13	VOE 20549894	1					Sealing ring.....	Bague d'étanchéité ..	Runddichtring.....	Anillo reten.....	Tätningring.....	ENG 01007595 -
14	VOE 20405792	3					Screw.....	Vis.....	Schraube.....	Tornillo.....	Skruv.....	
15	VOE 20450745	3					Washer.....	Rondelle.....	Scheibe.....	Arandela.....	Bricka.....	
16	VOE 20459949	1					Pulley.....	Poulie.....	Z-riemenscheibe.....	Polea Corr Dent.....	Kuggremhjul.....	
17	VOE 20450736	1					Thermostat.....	Thermostat.....	Thermostat.....	Termostato.....	Termostat.....	
18	VOE 20459961	1					Sealing ring.....	Bague d'étanchéité ..	Runddichtring.....	Anillo reten.....	Tätningring.....	
19	VOE 20405672	2					Screw.....	Vis.....	Schraube.....	Tornillo.....	Skruv.....	
20	VOE 20450735	1					Outlet.....	Sortie.....	Auslass.....	Salida.....	Utlopp.....	
21	VOE 20405723	5					Screw.....	Vis.....	Schraube.....	Tornillo.....	Skruv.....	
22	VOE 20459955	1					Sealing ring.....	Bague d'étanchéité ..	Runddichtring.....	Anillo reten.....	Tätningring.....	ENG - 10020146
	VOE 20799838	1					Rubber Seal.....	Lèvre Caoutchouc.....	Gummilippe.....	Labio Goma.....	Gummiläpp.....	ENG 10020147 -
23	VOE 20459953	1					Sealing ring.....	Bague d'étanchéité ..	Runddichtring.....	Anillo reten.....	Tätningring.....	
24	VOE 20459952	1					Connector.....	Raccord.....	Anschluss.....	Union.....	Anslutning.....	
25	VOE 20459954	1					•Sealing ring.....	•Bague d'étanchéité ..	•Runddichtring.....	•Anillo reten.....	•Tätningring.....	
26	VOE 20405898	1					Screw.....	Vis.....	Schraube.....	Tornillo.....	Skruv.....	

1		Vattenspump och termostathus	Catalogue id	Group
2		Bomba de agua y caja de termostato	20017	262
3		Wasserpumpe und Thermostatgehäuse	Illustr. No	Section
4		Pompe à eau et boîtier thermostat	1021128	100
5		Water pump and thermostat housing	Issue	Page
		11886317, 11887318	VOE 63D9920017	111

VOLVO

BL60



Volvo Construction
Equipment
1021128

Fig.	Part No.	Quantity			P S	K I T	Description	Dénomination	Bezeichnung	Denominación	Benämning	Notes
		1	2	3								
27	VOE 20459900	1				Sealing ring	Bague d'étanchéité	Runddichtring	Anillo reten	Tätningring.....		
28		1				V-belt.....	Courroie Trape.....	Keilriemen	Correa Trapez	Kilrem.....	See group 263, Page 117	

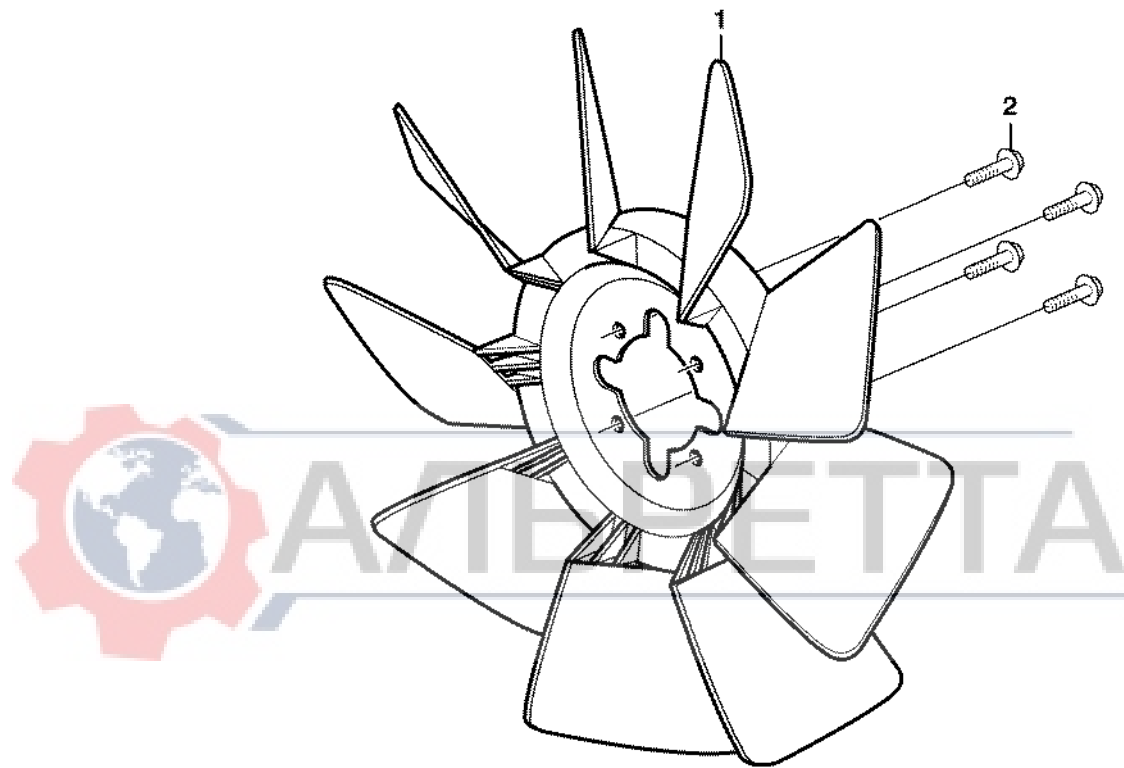


1		Vattenpump och termostathus Bomba de agua y caja de termostato Wasserpumpe und Thermostatgehäuse Pompe à eau et boîtier thermostat Water pump and thermostat housing	Catalogue id	Group
2			20017	262
3			Illustr. No	Section
4			1021128	100
5			Issue	Page
		11886317, 11887318	VOE 63D9920017	113

VOLVO



BL60



Volvo Construction
Equipment
1000585

Fig.	Part No.	Quantity			P S	K I T	Description	Dénomination	Bezeichnung	Denominación	Benämning	Notes
		1	2	3								
1	VOE 11882519	1				Fan.....	Ventilateur.....	Ventilator.....	Ventilador.....	Fläkt.....		
2	VOE 20405885	4				Screw.....	Vis.....	Schraube.....	Tornillo.....	Skruv.....		



1	Fläkt med monteringsdetaljer Ventilador con accesorios de montaje Lüfter mit Anbauteilen Ventilateur avec pièces de montage Fan and installation components	Catalogue id	Group
2		20017	263
3		Illustr. No	Section
4		1000585	100
5		Issue	Page
		VOE 63D9920017	115

VOLVO



BL60

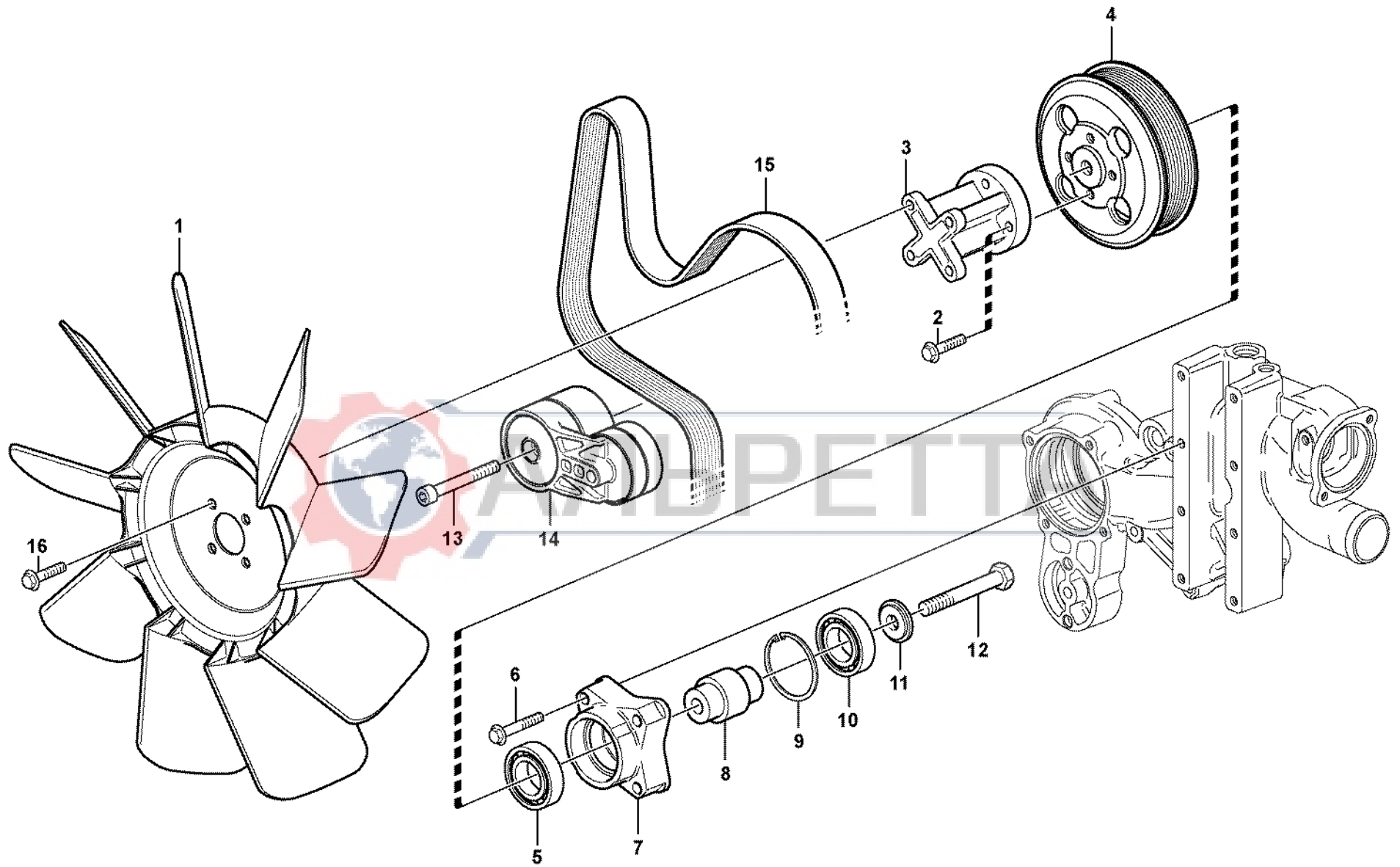


Fig.	Part No.	Quantity			P S	K I T	Description	Dénomination	Bezeichnung	Denominación	Benämning	Notes
		1	2	3								
1		1				Fan.....	Ventilateur.....	Ventilator.....	Ventilador.....	Fläkt.....	See group 263, Page 115	
2	VOE 20405504	4				Screw.....	Vis.....	Schraube.....	Tornillo.....	Skruv.....		
3	VOE 20405988	1				Adapter.....	Raccord Reduct.....	Verbind Stutzen.....	Adaptador.....	Adapter.....		
	VOE 20729310	1				Kit.....	Jeu.....	Bausatz.....	Juego.....	Sats.....		
4	VOE 20459864	1				•Pulley.....	•Poulie.....	•Z-riemenscheibe.....	•Polea Corr Dent.....	•Kuggremhjul.....		
5	VOE 20450749	1				•Ball Bearing.....	•Roulemen.billes.....	•Kugellager.....	•Cojinete Bolas.....	•Kullager.....		
6	VOE 20459263	4				•Screw.....	•Vis.....	•Schraube.....	•Tornillo.....	•Skruv.....		
7	VOE 20715795	1				•Bearing Bracket.....	•Porte-palier.....	•Lagerbock.....	•Soporte Cojin.....	•Lagerbock.....		
8	VOE 20459264	1				•Shaft.....	•Arbre.....	•Welle.....	•Arbol.....	•Axel.....		
9	VOE 20459025	1				•Retaining ring.....	•Bague retenue.....	•Haltering.....	•Anillo de apoyo.....	•Hållarring.....		
10	VOE 20450750	1				•Ball Bearing.....	•Roulemen.billes.....	•Kugellager.....	•Cojinete Bolas.....	•Kullager.....		
11	VOE 20459265	1				•Washer.....	•Rondelle.....	•Scheibe.....	•Arandela.....	•Bricka.....		
12	VOE 20450754	1				•Screw.....	•Vis.....	•Schraube.....	•Tornillo.....	•Skruv.....		
13	VOE 20555065	1				Screw.....	Vis.....	Schraube.....	Tornillo.....	Skruv.....		
14	VOE 20554253	1				Belt Tensioner.....	Tendeu.courroie.....	Riemenspanner.....	Tensor Correa.....	Remspännare.....	(VOE 20459947) ENG - 01099383	
14	VOE 20909227	1				Belt Tensioner.....	Tendeu.courroie.....	Riemenspanner.....	Tensor Correa.....	Remspännare.....	ENG 01099384 -	
15	VOE 11714203	1				Belt.....	Courroie.....	Riemen.....	Correa.....	Rem.....	(VOE 20492345)	
16	VOE 20405885	4				Screw.....	Vis.....	Schraube.....	Tornillo.....	Skruv.....		



1	Remtransmission Correa distribución Riemenantrieb Transmission courroie Belt transmission	Catalogue id	Group
2		20017	263
3		Illustr. No	Section
4		1021381	150
5		Issue	Page
		VOE 63D9920017	117

VOLVO

BL60

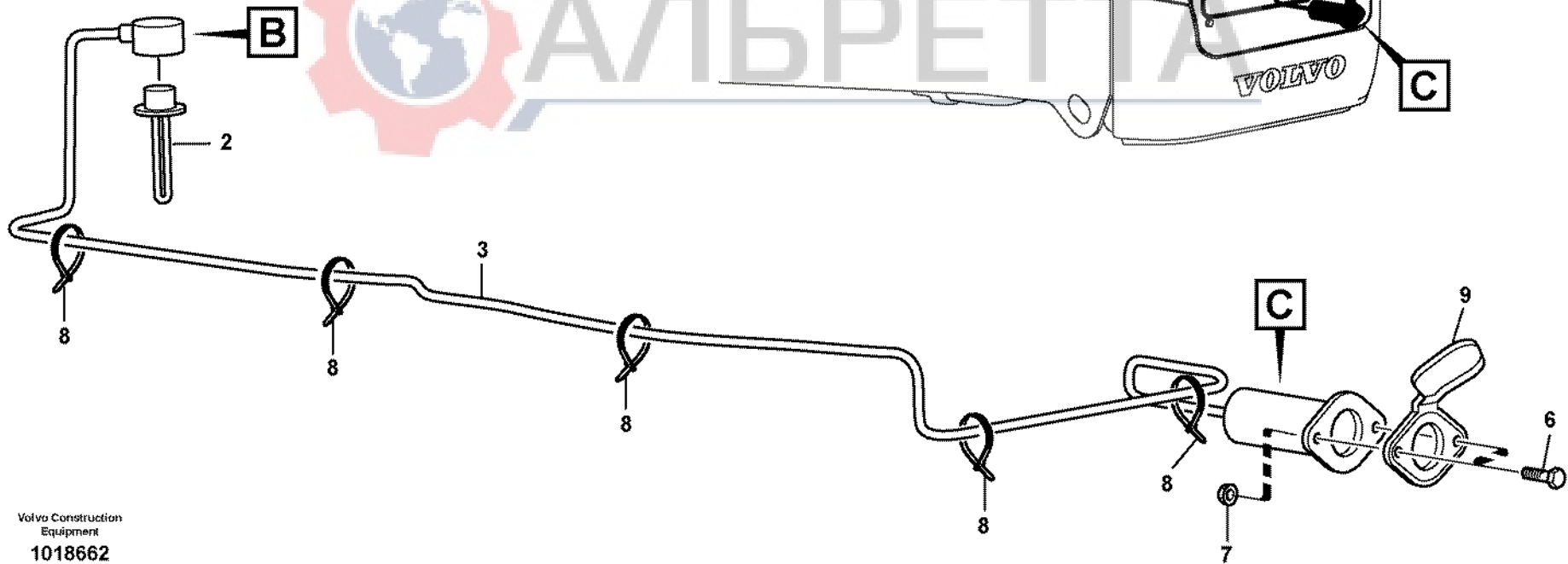
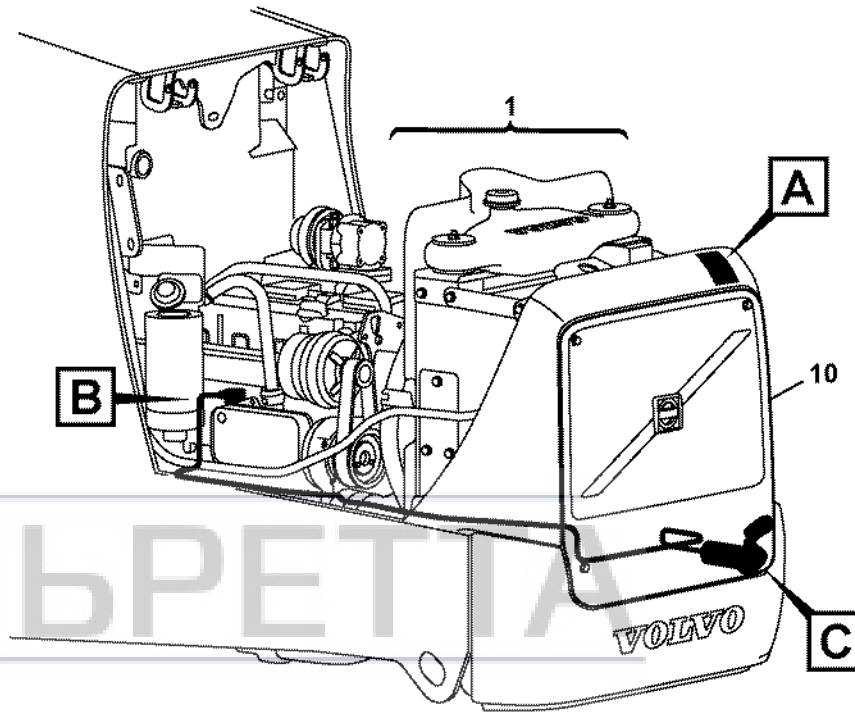
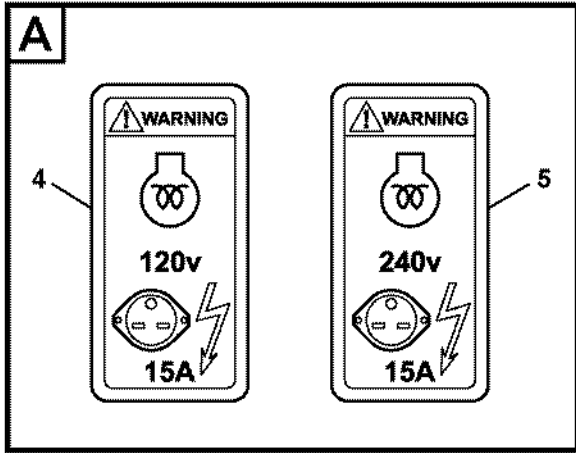


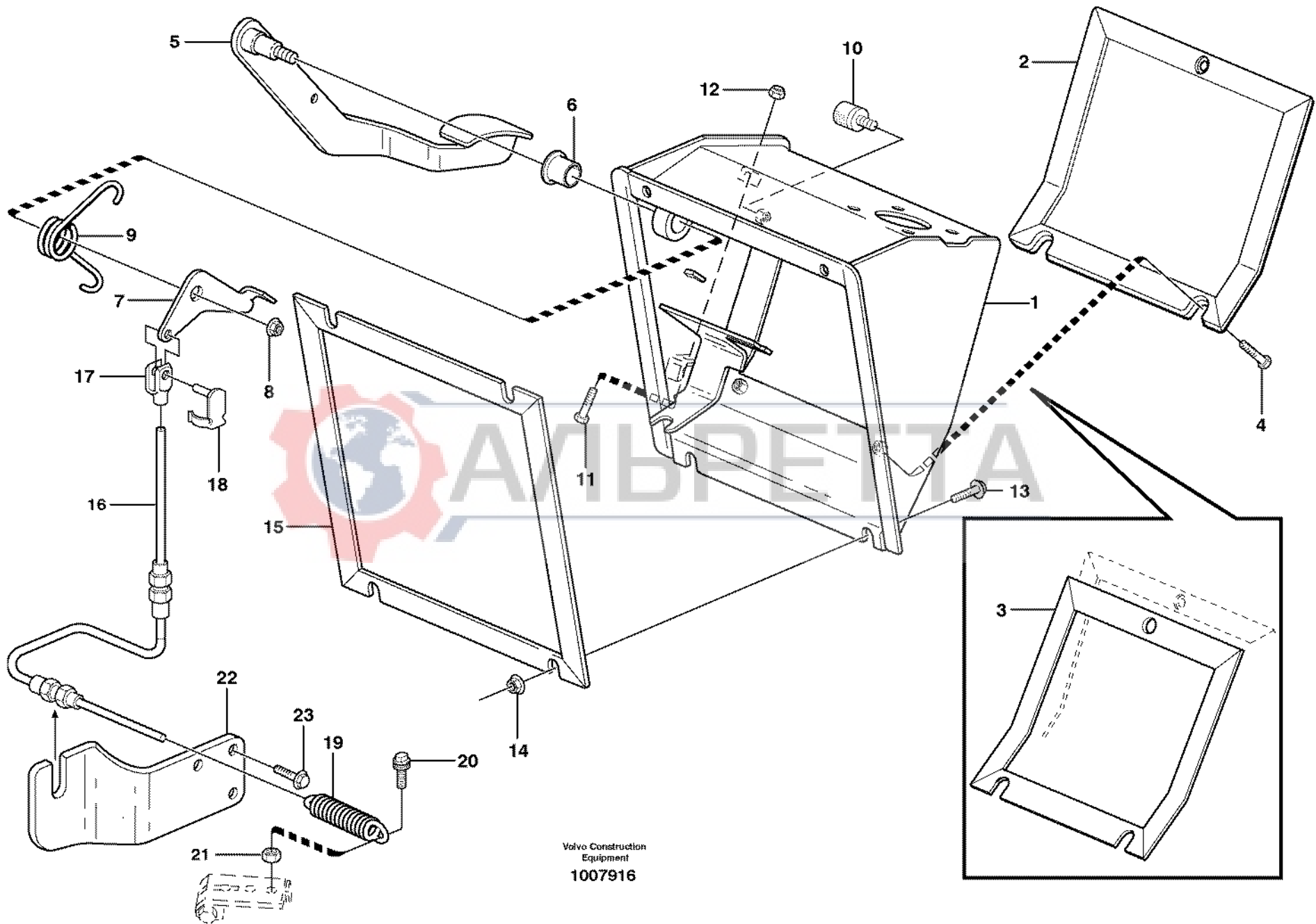
Fig.	Part No.	Quantity			P S	K I T	Description	Dénomination	Bezeichnung	Denominación	Benämning	Notes
		1	2	3								
1		1	1			Engine.....	Moteur.....	Verbrenn Motor.....	Motor.....	Motor.....	See group 210, Page 49	
2	VOE 11886629	1				Pre-heater.....	Prechauffeur.....	Vorwärmer.....	Precaentador.....	Förvärmare.....	120V	
2	VOE 11886630		1			Pre-heater.....	Prechauffeur.....	Vorwärmer.....	Precaentador.....	Förvärmare.....	240V	
3	VOE 11141656	1				Cable.....	Câble.....	Kabel.....	Cable.....	Kabel.....		
3	VOE 11141657		1			Cable.....	Câble.....	Kabel.....	Cable.....	Kabel.....		
4	VOE 11302220	1				Decal.....	Autocollant.....	Aufklebeschild.....	Calcomania.....	Dekal.....		
5	VOE 11302230		1			Decal.....	Decalcomanie.....	Abziehbild.....	Decalcomania.....	Dekal.....		
6	VOE 13969516	2	2			Screw.....	Vis.....	Schraube.....	Tornillo.....	Skruv.....		
7	VOE 975237	2	2			Lock nut.....	Contre-ecrou.....	Sicherungsmutter.....	Contratuerca.....	Låsmutter.....		
8	VOE 14016673	5	5			Strip Clamp.....	Ruban Serrage.....	Kabelbinder.....	Abraz Cinta.....	Bandklamma.....		
9	VOE 11109685	1	1			Cover.....	Couvercle.....	Deckel.....	Tapa.....	Lock.....		
10		1	1			Radiator grille.....	Calandre radia.....	Kühlergrill.....	Rejilla radiad.....	Kylargrill.....	See group 823, Page 411	



1	11891429	Motorolja förvärmning Precaentamiento del aceite de motor Motorölvorwärmung Préchauffage huile moteur Engine oil preheating	Catalogue id	Group
2	11891430		20017	269
3			Illustr. No	Section
4			1018662	100
5			Issue	Page
			VOE 63D9920017	119

VOLVO

BL60



Valvo Construction
 Equipment
 1007916

Fig.	Part No.	Quantity			P S	K I T	Description	Dénomination	Bezeichnung	Denominación	Benämning	Notes
		1	2	3								
		1			1	NS	Throttle control	Comm. accélérateur...	Gasregler	Mando acelerado	Gasreglage.....	
1	VOE 11202250	1			1		•Box	•Boîte	•Kasten	•Caja	•Låda	
2		1			1	NS	•Cover	•Capot	•Haube	•Capo	•Huv.....	
3	VOE 11202254	1			1		•Gasket	•Joint	•Dichtung.....	•Junta	•Packning.....	
4	VOE 13947542	3			3		•Screw.....	•Vis	•Schraube.....	•Tornillo	•Skruv.....	
5	VOE 11202248	1			1		•Accelerator Pedal	•Pédale d'accélérateu	•Gaspedal.....	•Pedal de acelerador..	•Gaspedal.....	
6	VOE 11200936	2			2		•Flange Bearing	•Palier Bride	•Flanschlager	•Cojinete Brida	•Flänslager.....	
7	VOE 11202437	1			1		•Link Arm	•Bras Commande.....	•Gelenkhebel.....	•Brazo Artic	•Länkmarm.....	
8	VOE 13971098	1			1		•Flange nut.....	•Ecrou accouple.	•Bundmutter	•Tuerca embridada.....	•Flänsmutter.....	
9	VOE 11202231	1			1		•Torsion Spring	•Ressort Torsion	•Drehstabfeder	•Resorte Torsion	•Vridfjäder.....	
10	VOE 11200579	1			1		•Absorber	•Amortisseur.....	•Dämpfer	•Amortiguador	•Dämpare.....	(VOE 11200431)
11	VOE 13946173	1			1		•Flange screw	•Vis à bride.....	•Flanschschaube.....	•Torn embridado.....	•Flänsskruv.....	
12	VOE 946036	1			1		•Lock nut.....	•Contre-ecrou.....	•Sicherungsmutter.....	•Contratuerca	•Låsmutter.....	
13	VOE 13945444	3					Flange screw.....	Vis à bride	Flanschschaube	Torn embridado	Flänsskruv.....	
	VOE 946671				3		Flange screw.....	Vis à bride	Flanschschaube	Torn embridado	Flänsskruv.....	
14	VOE 948645	2			2		Flange Lock Nut.....	Contre écrou bride	Flanschmutter	Contratuer Embr.....	Flänslåsmutter.....	
15	VOE 11202435	1			1		Gasket.....	Joint	Dichtung	Junta	Packning.....	
16	VOE 11888222	1					Throt Cont Ca	Câble d'accélération...	Gasregelzug	Cable Acelerad.....	Gasreglagewire.....	
17	VOE 11882487	1					Fork.....	Fourche	Gabel.....	Horquilla	Gaffel.....	
18	VOE 11882489	1					Pin.....	Clavette	Splint.....	Pasador.....	Sprint.....	
19	VOE 11882485	1					Spring.....	Ressort.....	Feder.....	Muelle.....	Fjäder.....	
20	VOE 11882478	1					Screw.....	Vis	Schraube.....	Tornillo	Skruv.....	
21	VOE 13955781	1					Nut	Ecrou.....	Mutter	Tuerca	Mutter.....	
22	VOE 11882482	1					Bracket.....	Console	Konsole	Consola	Konsol.....	
23	VOE 13946173	3					Flange screw.....	Vis à bride	Flanschschaube	Torn embridado	Flänsskruv.....	

1	11880001	Regulatorreglage Mando del regulador Reglersteuerung Commande du régulateur Regulator control	Catalogue id	Group
2	11298189, 11298190		20017	271
3	11294005		Illustr. No	Section
4			1007916	100
5			Issue	Page
			VOE 63D9920017	121

VOLVO

BL60

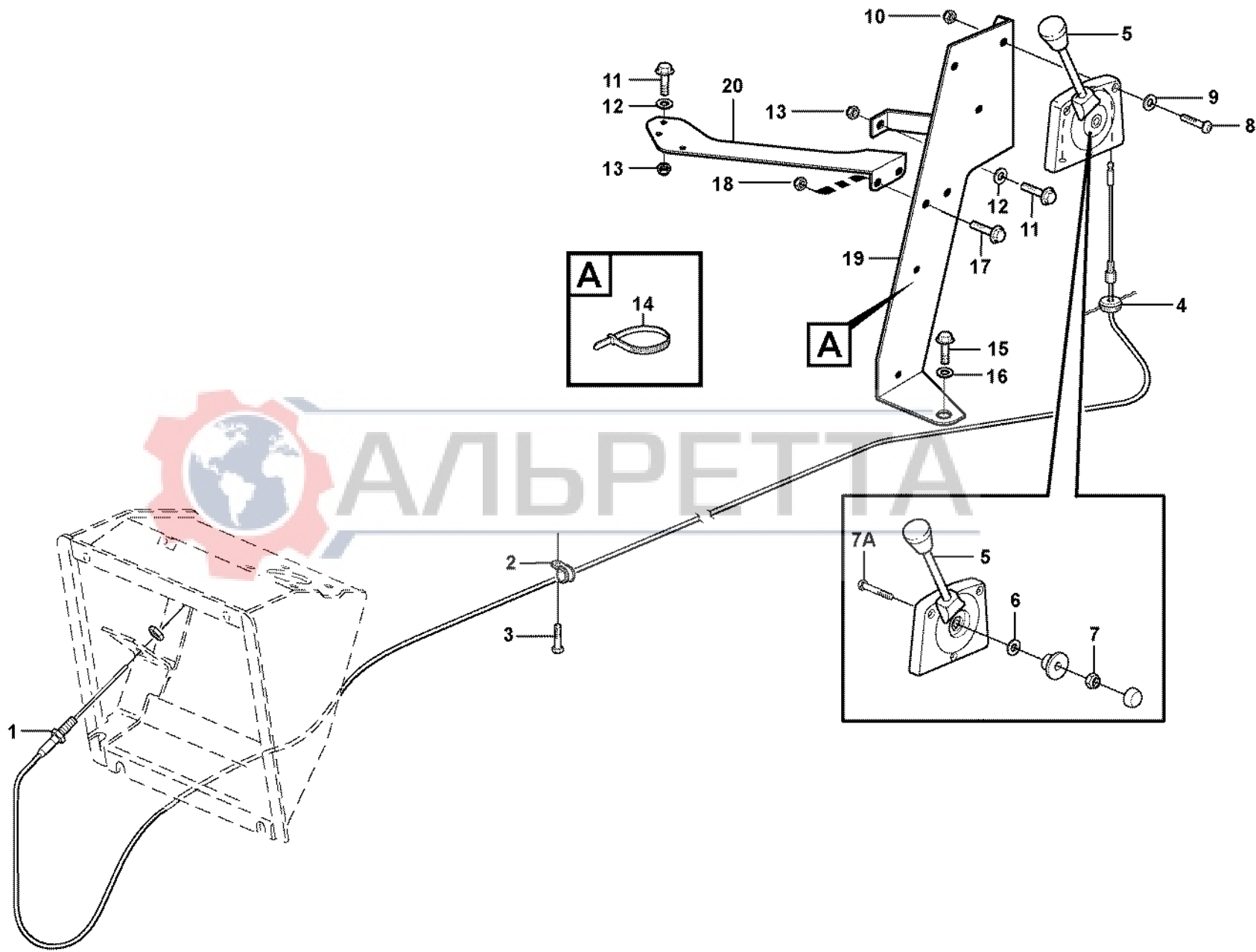
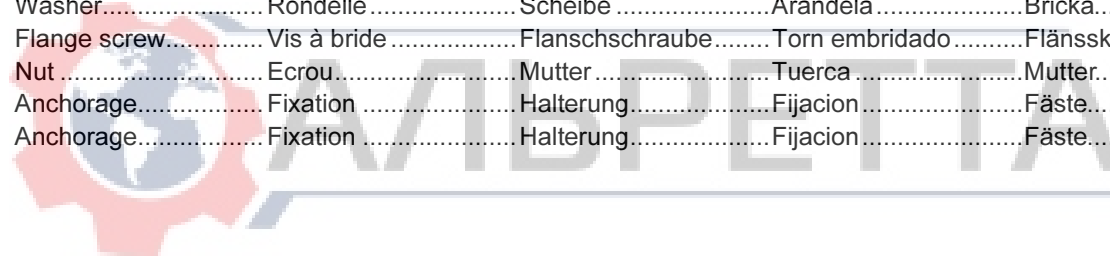


Fig.	Part No.	Quantity			P S	K I T	Description	Dénomination	Bezeichnung	Denominación	Benämning	Notes
		1	2	3								
1	VOE 11204468	1	1			Throt Cont Ca	Câble d'accélération...	Gasregelzug	Cable Acelerad	Gasreglagewire	(VOE 11200943)	
2	VOE 952623	1	1			Clamp	Pince Serrage	Klemme	Abrazadera	Klämma		
3	VOE 972421	1	1			Screw	Vis	Schraube	Tornillo	Skruv	M6x12	
4	VOE 941269	1	1			Plug	Bouchon	Stopfen	Tapon	Plugg		
5	VOE 11202931	1	1			Hand throttle control...	Accélérateur a main ...	Handgasregler	Mando manual aceler.	Handgasreglage		
6	VOE 11712696	1	1			•Washer	•Rondelle	•Scheibe	•Arandela	•Bricka		
7	VOE 946035	1	1			•Lock nut	•Contre-ecrou	•Sicherungsmutter	•Contratuerca	•Låsmutter		
7A	VOE 11715202	1	1			•Screw	•Vis	•Schraube	•Tornillo	•Skruv		
8	VOE 969793	3	3			Screw	Vis	Schraube	Tornillo	Skruv		
9	VOE 13940090	3	3			Washer	Rondelle	Scheibe	Arandela	Bricka		
10	VOE 13975237	3	3			Lock nut	Contre-ecrou	Sicherungsmutter	Contratuerca	Låsmutter		
11	VOE 13945444		4			Flange screw	Vis à bride	Flanschschraube	Torn embridado	Flänsskruv		
12	VOE 13960143		4			Washer	Rondelle	Scheibe	Arandela	Bricka		
13	VOE 13945408		4			Nut	Ecrou	Mutter	Tuerca	Mutter		
14	VOE 11039689		1			Strip Clamp	Ruban Serrage	Kabelbinder	Abraz Cinta	Bandklamma		
15	VOE 13946173		1			Flange screw	Vis à bride	Flanschschraube	Torn embridado	Flänsskruv		
16	VOE 13960141		1			Washer	Rondelle	Scheibe	Arandela	Bricka		
17	VOE 946440		2			Flange screw	Vis à bride	Flanschschraube	Torn embridado	Flänsskruv		
18	VOE 13945408		2			Nut	Ecrou	Mutter	Tuerca	Mutter		
19			1		NS	Anchorage	Fixation	Halterung	Fijacion	Fäste		
20			1		NS	Anchorage	Fixation	Halterung	Fijacion	Fäste		

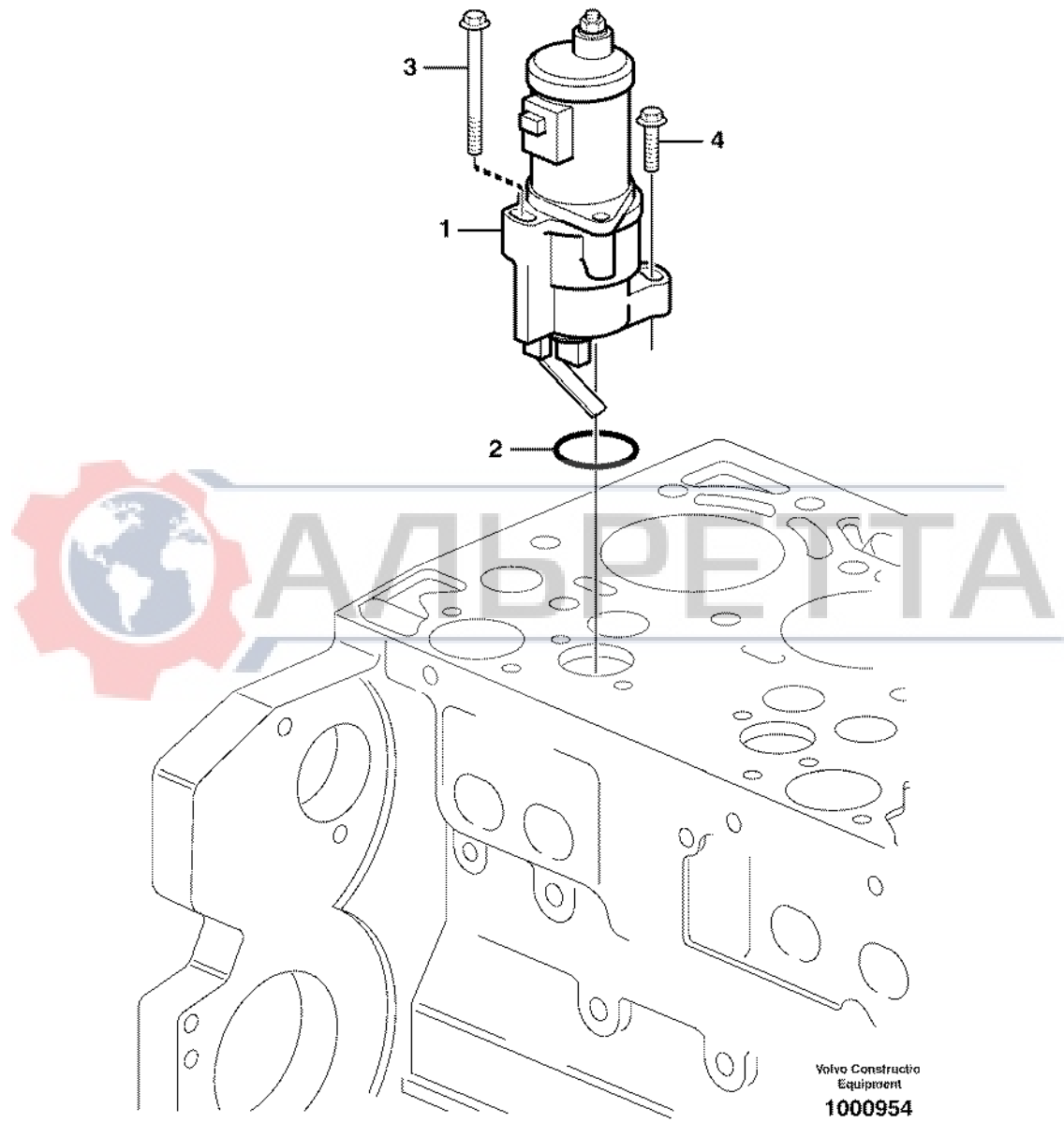


1	11298190	Handgasreglage Acelerador manual Handgas Accelérateur manual Hand throttle	Catalogue id	Group
2	11298189		20017	272
3			Illustr. No	Section
4			1021963	100
5			Issue	Page
			VOE 63D9920017	123

VOLVO



BL60



Volvo Constructo
Equipment
1000954

Fig.	Part No.	Quantity			P S	K I T	Description	Dénomination	Bezeichnung	Denominación	Benämning	Notes
		1	2	3								
1	VOE 20562765	1				Stop solenoid	Aimant d'arrêt.....	Haltemagnet.....	Solenoide parad	Stoppmagnet.....		
2	VOE 20405728	1				•Sealing ring.....	•Bague d'étanchéité ..	•Runddichtring.....	•Anillo reten	•Tätningring.....		
3	VOE 11700269	1				Screw	Vis	Schraube.....	Tornillo	Skruv.....		
4	VOE 13949578	1				Screw	Vis	Schraube.....	Tornillo	Skruv.....		



1	Stoppmagnet Parada del motor Motorabstellung Arret de moteur Shutdown device	Catalogue id	Group
2		20017	273
3		Illustr. No	Section
4		1000954	100
5		Issue	Page
		VOE 63D9920017	125

VOLVO



BL60



GROUP	Section	Page	GROUP	Section	Page
313	Battery box with fitting parts	100	133		
321	Alternator with assembling details	100	135		
331	Starter motor with assembling details	100	137		
352	Work lights	200	139		
353	Direction indicator	200	141		
354	Inner lamp 11298190	100	143		
362	Horn	100	145		
362	Rotating beacon	150	147		
363	Windshield wiper, front 11298190, 11298203.....	100	149		
363	Windshield wiper, rear 11298190	150	151		
363	Windshield washer	200	153		
371	Battery cable and main switch	100	155		
371	Cable harness, engine	200	159		
371	Cable harness, transmission. 11891076, 11891077.....	250	161		
371	Cable Harness cab int. roof 11298189, 11298190	350	163		
371	Cable harness chassis	400	165		
371	Cable harness rear valve block.....	450	169		
371	Other cables.....	500	171		
371	Cable harness, panel SER NO -10361	650	173		
371	Cable harness, panel SER NO 10362-.....	655	177		
371	Cable harness, control panel right 11298189	700	181		
371	Cable harness, control panel right 11298190, CAB SER NO -10430	725	183		
371	Cable harness, control panel right 11298190 SER NO 10431-	730	185		
371	Cable harness heater and air conditioning	750	187		
371	Cable harness, hand tool hydraulic 11891333.....	800	189		
372	Electrical distribut.unit and control unit	100	191		
380	Instruments panel	100	193		
380	Switch 11880001	200	195		
380	Anti-theft Kit 11891332	250	197		
380	Foot switch and electric power outlet.....	350	199		

INDEX OF CONTENTS	Catalogue id 20017	Group 300
	Issue VOE 63D9920017	Page 127

VOLVO

BL60



TABLE DES MATIÈRES				Catalogue id 20017	Group 300
				Issue VOE 63D9920017	Page 128
GROUPE	Section	Page	GROUPE	Section	Page

313	Cage batterie avec pièces de montage	100	133	380	Commutateur au pied et prise d'alimentation.....	350	199
321	Alternateur avec pieces de montage	100	135				
331	Démarrreur avec pieces de montage	100	137				
352	Phare de travail.....	200	139				
353	Indicateur de direction.....	200	141				
354	Interieure lampe 11298190	100	143				
362	Avertisseur sonore	100	145				
362	Gyrophare	150	147				
363	Essuie-vitre, avant 11298190, 11298203	100	149				
363	Essuie-vitre, arrière 11298190	150	151				
363	Lave - glace	200	153				
371	Cable batterie et robinet batterie.....	100	155				
371	Faisceau de câbles, moteur	200	159				
371	Faisceau de câbles, transmission. 11891076, 11891077	250	161				
371	Câblage, pavillon cabine 11298189, 11298190	350	163				
371	Faisceau de câbles, châssis	400	165				
371	Faisceau de câbles, bloc-distributeur arrière	450	169				
371	Autres câbles électriques	500	171				
371	Faisceau de câbles, pupitre central SER NO -10361	650	173				
371	Faisceau de câbles, pupitre central SER NO 10362-	655	177				
371	Faisceau de câbles, tableau de bord côté droit 11298189	700	181				
371	Faisceau de câbles, tableau de bord côté droit 11298190, CAB SER NO -10430	725	183				
371	Faisceau de câbles, tableau de bord côté droit 11298190 SER NO 10431-.....	730	185				
371	Faisceau de câbles, chauffage et refroidissement.....	750	187				
371	Faisceau câbles, circuit hydr. outil main 11891333	800	189				
372	Centrale de électrique.....	100	191				
380	Instruments	100	193				
380	Interrupteur 11880001	200	195				
380	Kit alarme antivol 11891332	250	197				

GRUPPE	Abschnitt	Seite	GRUPPE	Abschnitt	Seite
313	Batteriekasten mit Anbauteilen	100			133
321	Generator mit Anbauteilen	100			135
331	Anlasser mit Anbauteilen	100			137
352	Arbeitsscheinwerfer	200			139
353	Fahrtrichtungsanzeiger	200			141
354	Innen lampe 11298190	100			143
362	Signalhorn	100			145
362	Rundum-kennleuchte	150			147
363	Scheibenwischer, vorne 11298190, 11298203	100			149
363	Scheibenwischer, hinten 11298190	150			151
363	Scheibenwaschanlage	200			153
371	Batterieleitung und Batterietrennschalter	100			155
371	Kabelbündel, Motor	200			159
371	Kabelbaum, Getriebe. 11891076, 11891077	250			161
371	Leitung mit Kabine innen Decke 11298189, 11298190	350			163
371	Kabelbaum, Fahrgestell	400			165
371	Kabelbaum hinterer Ventilblock	450			169
371	Übrige Leitungen	500			171
371	Kabelbäume, Mitteltafel SER NO -10361	650			173
371	Kabelbäume, Mitteltafel SER NO 10362-	655			177
371	Kabelbaum, rechte Bedientafel 11298189	700			181
371	Kabelbaum, rechte Bedientafel 11298190, CAB SER NO -10430	725			183
371	Kabelbaum, rechte Bedientafel 11298190 SER NO 10431-	730			185
371	Kabelbaum, Heizung und Kühlung	750			187
371	Kabelbaum, Handwerkzeughydraulik 11891333	800			189
372	Elektrozentrale	100			191
380	Instrumente	100			193
380	Schalter 11880001	200			195
380	Diebstahlalarm-Kit 11891332	250			197
380	Fußschalter und Stromanschluss	350			199

INHALTSVERZEICHNIS	Catalogue id 20017	Group 300
	Issue VOE 63D9920017	Page 129

VOLVO

BL60



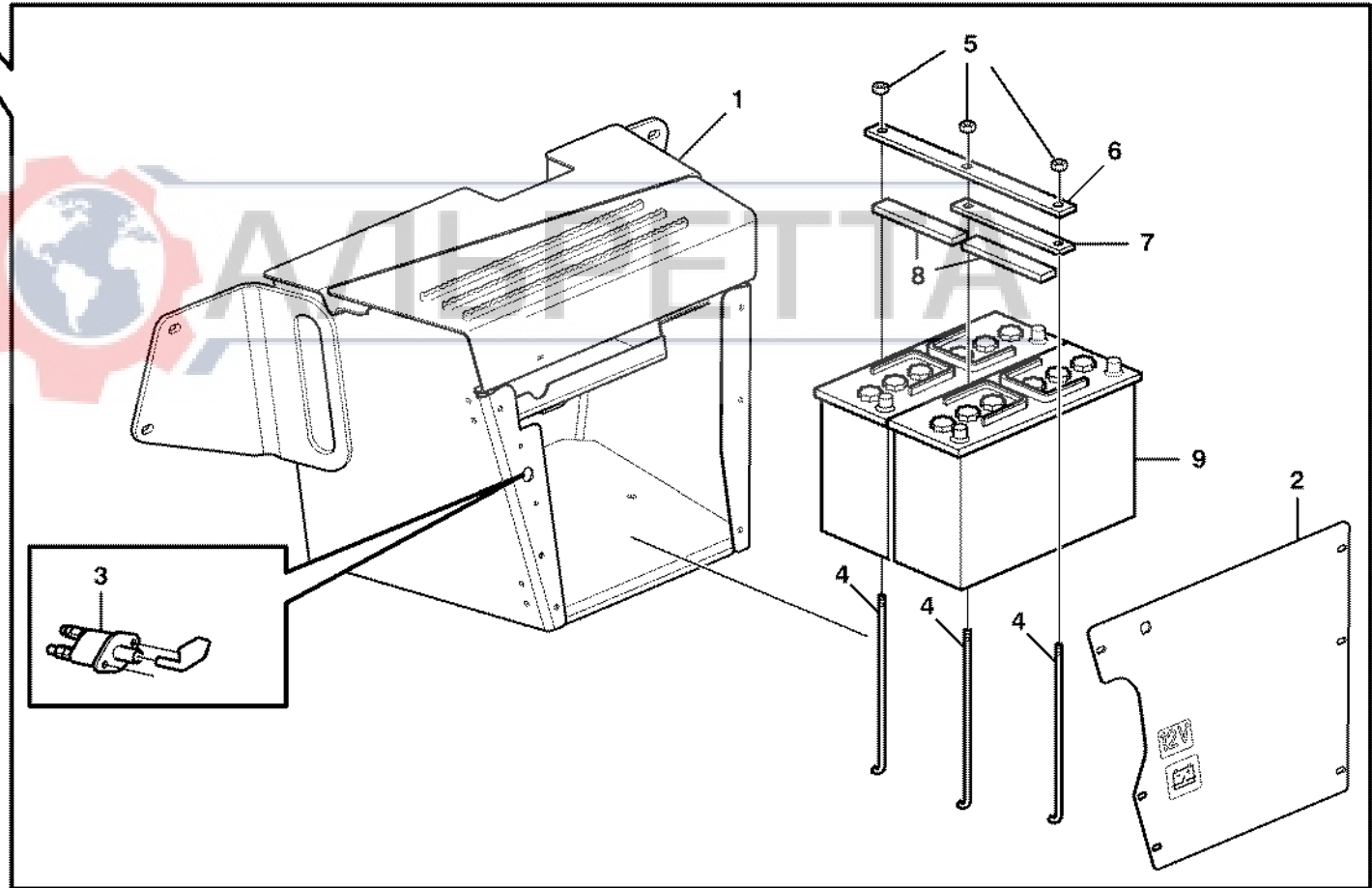
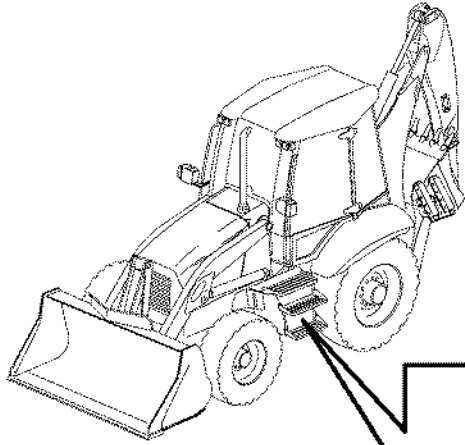
INDICE		Catalogue id 20017	Group 300		
		Issue VOE 63D9920017	Page 130		
GRUPO	Sección	Página	GRUPO	Sección	Página

313	Caja de batería con accesorios de montaje.....	100	133	380	Interruptor de pie y toma de corriente.....	350	199
321	Alternador con asesorios de montage	100	135				
331	Motor de arranque con asesorios de montaje.....	100	137				
352	Alumbrado de trabajo.....	200	139				
353	Indicador de dirección.....	200	141				
354	Interior lampare 11298190.....	100	143				
362	Bocina	100	145				
362	Faro de advertencia giratorio	150	147				
363	Limpiaparabrisas, delantero 11298190, 11298203.....	100	149				
363	Limpiaparabrisas, trasero 11298190	150	151				
363	Lavaparabrisas	200	153				
371	Cable de batería y desconector batería	100	155				
371	Haz de cables, motor	200	159				
371	Manojo de cable, transmisión. 11891076, 11891077	250	161				
371	Haz de cables en el techo interior de la cabina 11298189, 11298190350		163				
371	Haz de cables chasis	400	165				
371	Haz de cables del bloque de ventiladores traseros	450	169				
371	Otros cables.....	500	171				
371	Haz de cables, panel central SER NO -10361.....	650	173				
371	Haz de cables, panel central SER NO 10362-.....	655	177				
371	Haz de cables, panel de mandos derecho 11298189.....	700	181				
371	Haz de cables, panel de mandos derecho 11298190, CAB SER NO -10430.....	725	183				
371	Haz de cables, panel de mandos derecho 11298190 SER NO 10431-.....	730	185				
371	Cableado de equipo de calefacción y refrigeración	750	187				
371	Mazo de cables, hidráulica de herramienta manual 11891333	800	189				
372	Central eléctrica	100	191				
380	Instrumentos	100	193				
380	Interruptor 11880001	200	195				
380	Antirrobo 11891332	250	197				

GRUPP	Avsnitt	Sida	GRUPP	Avsnitt	Sida
313	Batterilåda med monteringsdetaljer	100			133
321	Generator med monteringsdetaljer	100			135
331	Startmotor med monteringsdetaljer.....	100			137
352	Arbetsbelysning	200			139
353	körriktningsvisare	200			141
354	Innerbelysning 11298190.....	100			143
362	Signalhorn.....	100			145
362	Roterande varningsljus	150			147
363	Vindrutetorkare, fram 11298190, 11298203	100			149
363	Vindrutetorkare, bak 11298190.....	150			151
363	Vindrutespolare.....	200			153
371	Batteriledning och batterifrånskiljare.....	100			155
371	Ledningsmatta, motor	200			159
371	Ledningsmatta transmission 11891076, 11891077	250			161
371	Ledn.m hytt inv tak 11298189, 11298190.....	350			163
371	Ledningsmatta chassi	400			165
371	Ledningsmatta bakre ventilblock.....	450			169
371	Övriga ledningar.....	500			171
371	Ledningsmatta, mittpanel SER NO -10361	650			173
371	Ledningsmatta, mittpanel SER NO 10362-.....	655			177
371	Ledningsmatta, manöverpanel höger 11298189	700			181
371	Ledningsmatta, manöverpanel höger 11298190, CAB SER NO -10430.....	725			183
371	Ledningsmatta, manöverpanel höger 11298190 SER NO 10431-	730			185
371	Ledningsmatta värme och kylanläggning.....	750			187
371	Ledningsmatta, handverktyg hydr. 11891333.....	800			189
372	Elcentral och styrenhet	100			191
380	Instrument panel	100			193
380	Strömställare 11880001.....	200			195
380	Stöldlarmsats 11891332	250			197
380	Fotströmställare och strömuttag	350			199

INNEHÅLLSFÖRTECKNING	Catalogue id 20017	Group 300
	Issue VOE 63D9920017	Page 131





Volvo Construction
Equipment
1012028

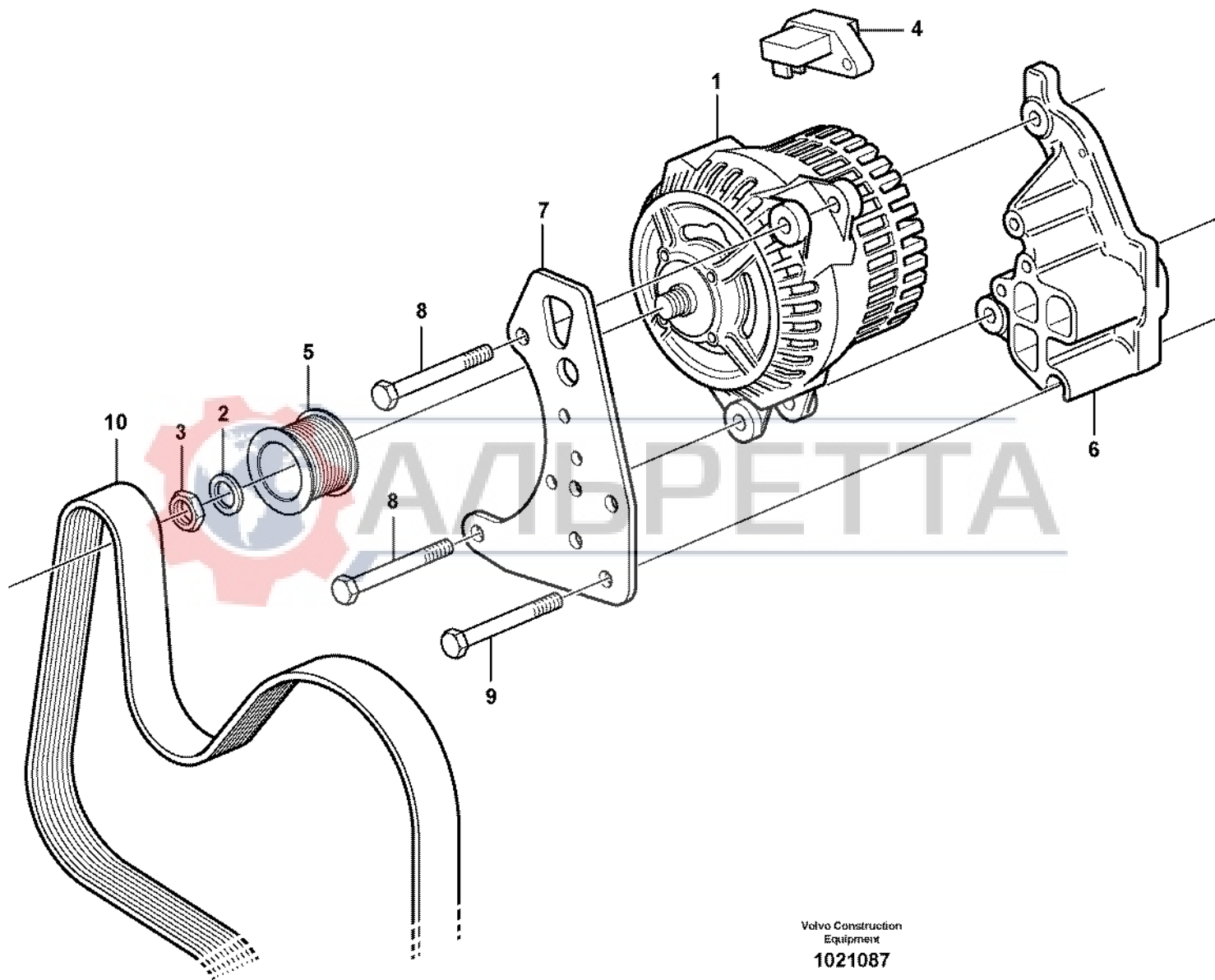
Fig.	Part No.	Quantity			P S	K I T	Description	Dénomination	Bezeichnung	Denominación	Benämning	Notes
		1	2	3								
1		1	1			Tool Box.....	Boite a outils	Werkzeugkasten	Caja herramientas	Verktygslåda.....	See group 896, Page 483	
2		1	1			Hatch.....	Trappe.....	Luke	Trampilla	Lucka.....	See group 896, Page 483	
3		1	1			Main Switch.....	Coupe-circuit pri.....	Hauptschalter	Interr Maestro	Huvudströmst.....	See group 371, Page 155	
4	VOE 11883321	2	3			Stay.....	Tirant.....	Strebe.....	Barra	Stag.....		
5	VOE 13971098	2	3			Flange nut.....	Ecrou accouple.	Bundmutter.....	Tuerca embridad	Flänsmutter.....		
6	VOE 11883320		1			Reinforcement.....	Renfort	Verstärkung.....	Refuerzo.....	Förstärkning.....		
7	VOE 11883584	1				Reinforcement.....	Renfort	Verstärkung.....	Refuerzo.....	Förstärkning.....		
8	VOE 11883599	1	2			Rubber Block	Bloc Caoutchouc.....	Gummiblock	Bloque Goma	Gummikuts.....		
9		1	2			Battery.....	Batterie.....	Batterie.....	Bateria.....	Batteri.....	See group 371, Page 155	



1	11891392	Batterilåda med monteringsdetaljer Caja de batería con accesorios de montaje Batteriekasten mit Anbauteilen Cage batterie avec pièces de montage Battery box with fitting parts	Catalogue id	Group
2	11891391		20017	313
3			Illustr. No	Section
4			1012028	100
5			Issue	Page
			VOE 63D9920017	133

VOLVO

BL60



Volvo Construction
Equipment
1021087

Fig.	Part No.	Quantity			P S	K I T	Description	Dénomination	Bezeichnung	Denominación	Benämning	Notes
		1	2	3								
1	VOE 20509446	1				Alternator	Alternateur	Lichtmaschine	Alternador	Generator.....		
2	VOE 20549886	1				•Spring Washer	•Rondelle élastique	•Federscheibe	•Arandela flexible	•Fjäderbricka.....		
3	VOE 20441521	1				•Nut	•Erou	•Mutter	•Tuerca	•Mutter.....		
4	VOE 20509482	1				•Voltage regulator	•Regulateur,tension....	•Spannungregler	•Regulador tension....	•Spänningsregulator..		
5	VOE 20460102	1				Pulley	Poulie	Z-riemenscheibe	Polea Corr Dent	Kuggremhjul.....		
6	VOE 20560564	1				Bracket.....	Console.....	Konsole	Ménsula.....	Konsol.....		
7	VOE 20567447	1				Plate.....	Plaque.....	Platte.....	Placa	Platta.....		
8	VOE 20460106	2				Screw	Vis	Schraube.....	Tornillo	Skruv.....		
9	VOE 20555084	4				Screw	Vis	Schraube.....	Tornillo	Skruv.....		
10		1				V-belt.....	Courroie Trape.....	Keilriemen	Correa Trapez	Kilrem.....	See group 263, Page 117	



1	Generator med monteringsdetaljer Alternador con asesorios de montage Generator mit Anbauteilen Alternateur avec pieces de montage Alternator with assembling details	Catalogue id	Group
2		20017	321
3		Illustr. No	Section
4		1021087	100
5		Issue	Page
		VOE 63D9920017	135

VOLVO

BL60

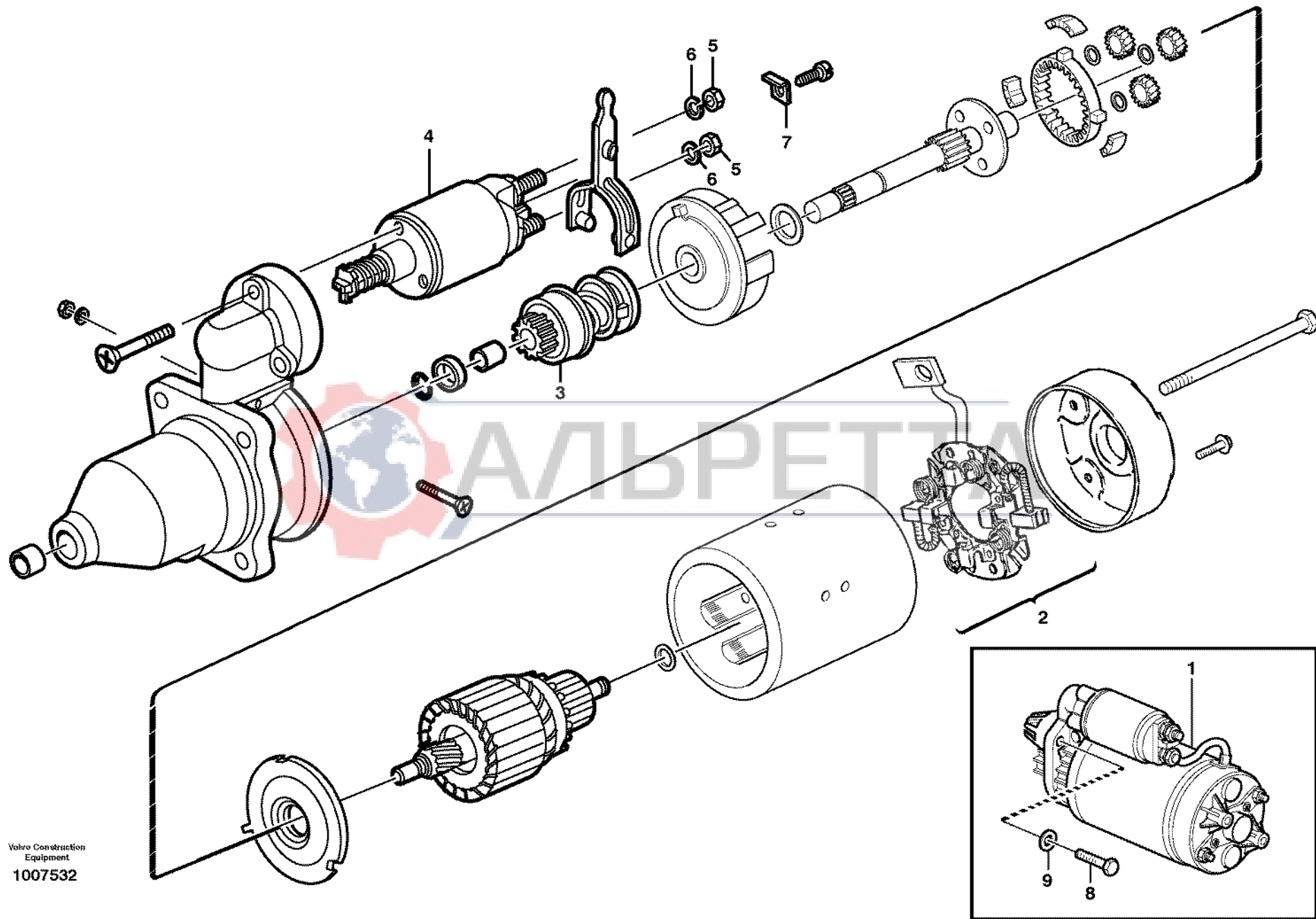


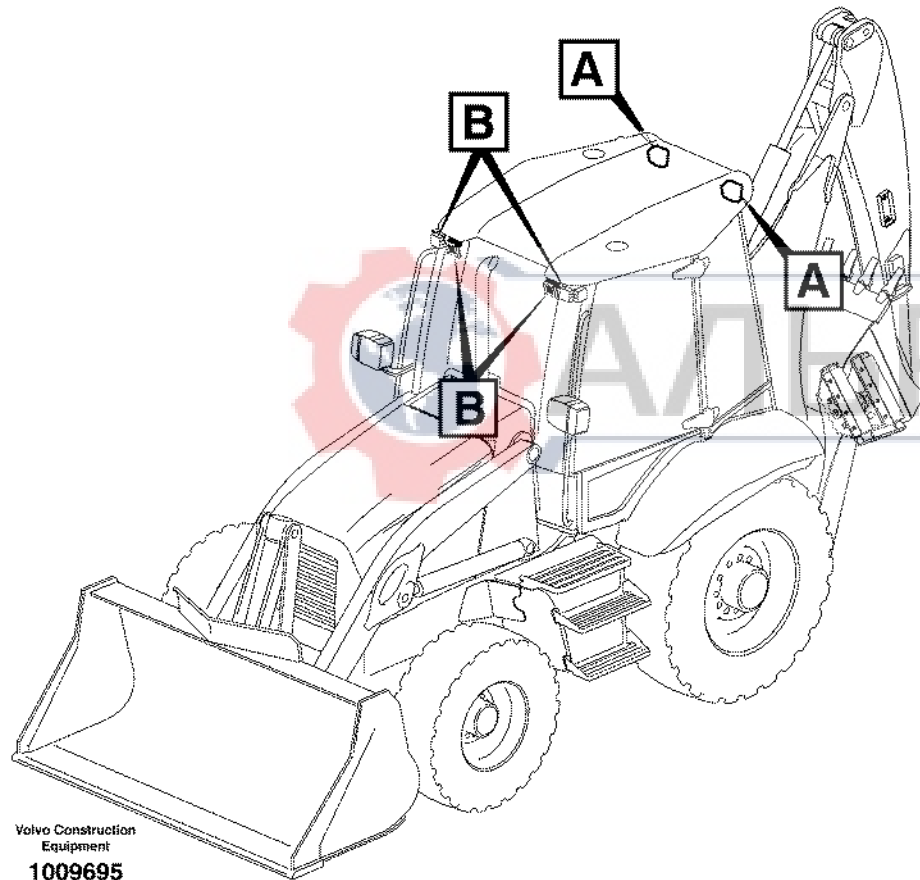
Fig.	Part No.	Quantity			P S	K I T	Description	Dénomination	Bezeichnung	Denominación	Benämning	Notes
		1	2	3								
1	VOE 20405828	1					Starter Motor	Demarreur	Anlasser	Motor de arranque	Startmotor	
2	VOE 20460117	1					•Brush Retainer	•Porte-balai	•Bürstenhalter	•Portaescobilla	•Borsthållare	
3	VOE 20460116	1					•Starter Pinion	•Pigno.demarreur	•Anlasserritzel	•Pinon Motor Arr	•Startmotordrev	
4	VOE 20460115	1					Relay	Relais	Relais	Rele	Relä	
5	VOE 20460118	2					Hexagon Nut	Ecrou Hexagonal	Sechskantmutter	Tuerca Hexagon	Sexkantsmutter	
6	VOE 20460119	2					Lock Washer	Rondel.verroui	Sicher Scheibe	Arandel Segurid	Låsbricka	
7	VOE 20460120	1					Clamp	Pince Serrage	Klemme	Abrazadera	Klämma	
8	VOE 20412751	3					Screw	Vis	Schraube	Tornillo	Skruv	ENG - 01099467
	VOE 20593357	3					Hexagon screw	Vis tête hexagonale	Sechskantschraube	Tornillo hexago	Sexkantsskruv	ENG 01099468 -
9	VOE 20459061	3					Washer	Rondelle	Scheibe	Arandela	Bricka	



1	Startmotor med monteringsdetaljer Motor de arranque con asesorios de montaje Anlasser mit Anbauteilen Démarrreur avec pieces de montage Starter motor with assembling details	Catalogue id	Group
2		20017	331
3		Illustr. No	Section
4		1007532	100
5		Issue	Page
		VOE 63D9920017	137

VOLVO

BL60



Volvo Construction
Equipment
1009695

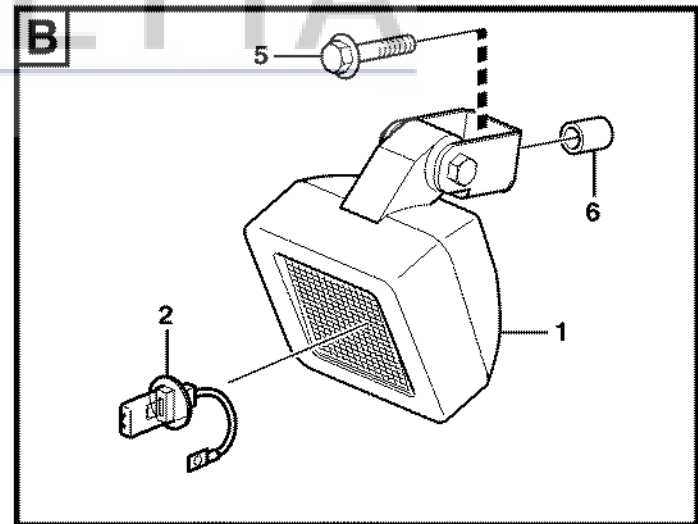
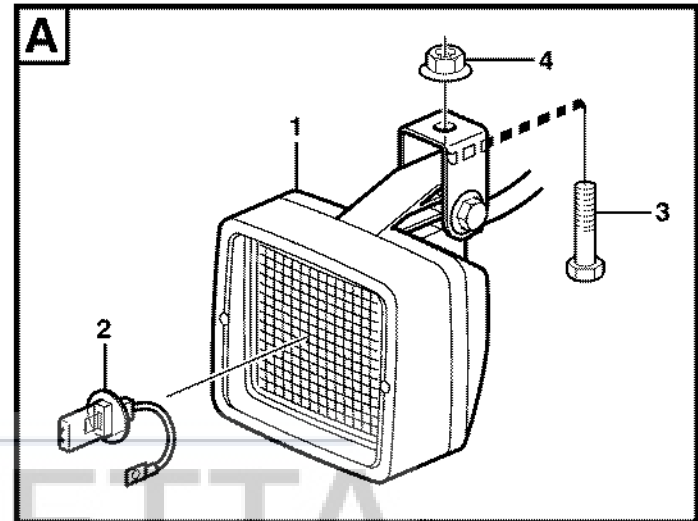


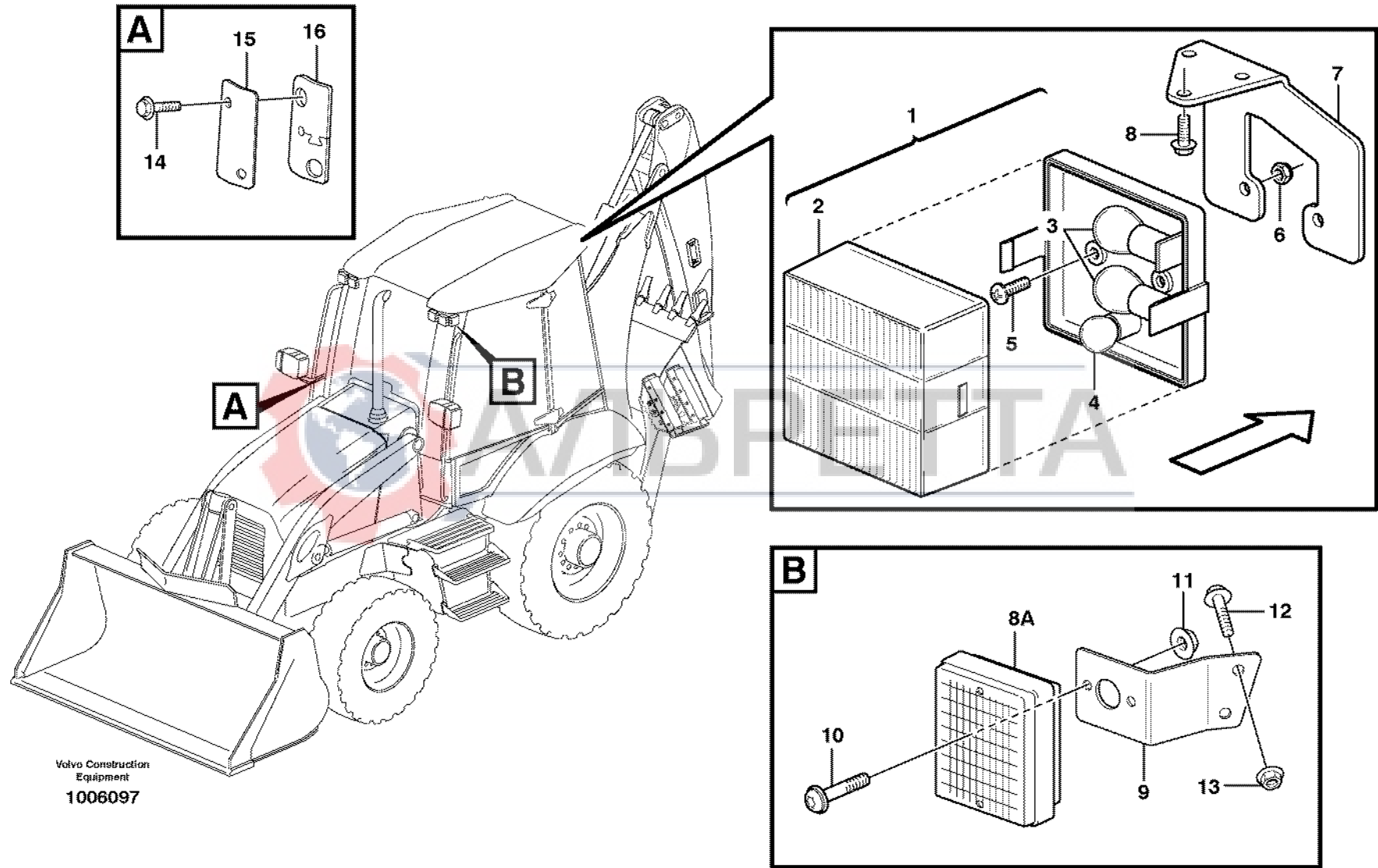
Fig.	Part No.	Quantity					P S	K I T	Description	Dénomination	Bezeichnung	Denominación	Benämning	Notes
		1	2	3	4	5								
1	VOE 11039856	2	2	2	2			Work Lamp	Lampe Travail.....	Arbeitslampe	Lampara Trabajo	Arbetslampan.....		
2	VOE 944265	1	1	1	1			•Bulb	•Ampoule.....	•Glühlampe	•Bombilla	•Glödlampa.....		
3	VOE 946440	2			2			Flange screw	Vis à bride	Flanschschraube	Torn embridado	Flänsskruv.....		
4	VOE 948645	2			2			Flange Lock Nut.....	Contre écrou bride..	Flanschmutter	Contratuer Embr.....	Flänslåsmutter.....		
5	VOE 13947760		2	2				Flange screw	Vis à bride	Flanschschraube	Torn embridado	Flänsskruv.....		
6	VOE 930434		2	2				Spacer Ring	Bagu.entretoise	Abstandring.....	Anillo Dist	Distansring.....		



1	11891291	Arbetsbelysning Alumbrado de trabajo Arbeitsscheinwerfer Phare de travail Work lights	Catalogue id	Group
2	11891292		20017	352
3	11891373 ROPS		Illustr. No	Section
4			1009695	200
5			Issue	Page
			VOE 63D9920017	139

VOLVO

BL60



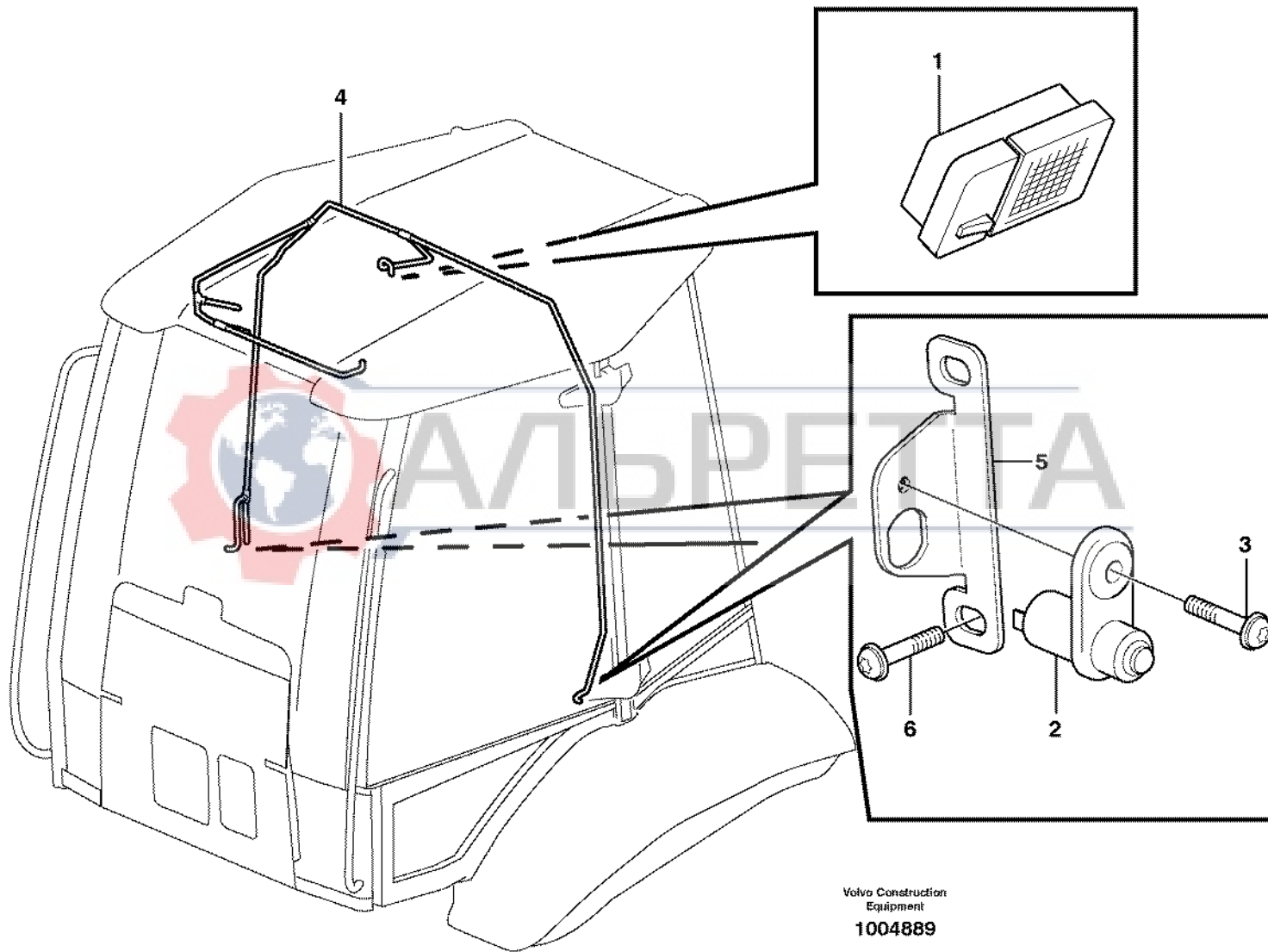
Volvo Construction
Equipment
1006097

Fig.	Part No.	Quantity			P S	K I T	Description	Dénomination	Bezeichnung	Denominación	Benämning	Notes
		1	2	3								
1	VOE 11885934		2	2			Tail Light	Feu Ar	Heckleuchte	Piloto Trasero	Baklykta	
2			1	1	NS		•Lens	•Verre	•Lichtscheibe	•Lente	•Glas	
3	VOE 965826		2	2			•Bulb	•Ampoule	•Glühlampe	•Bombilla	•Glödlampa	21W
4	VOE 946777		1	1			•Bulb	•Ampoule	•Glühlampe	•Bombilla	•Glödlampa	10W
5	VOE 969408	4					6-pt skt screw	Vis creuse de 6	Hohlschraube	Racor 6-dientes	Sextandhålskruv	
6	VOE 13949874	4					Flange Lock Nut	Contre écrou bride	Flanschmutter	Contratuer Embr	Flänslåsmutter	
7	VOE 11200231	1					Anchorage	Fixation	Halterung	Fijacion	Fäste	LH
	VOE 11200232	1					Anchorage	Fixation	Halterung	Fijacion	Fäste	RH
8	VOE 969407	6					6-pt skt screw	Vis creuse de 6	Hohlschraube	Racor 6-dientes	Sextandhålskruv	
8A	VOE 11882985	2					Turn Signal	Clignotant	Fahrtrichtzeig	Indic Direccion	Körriktn.visare	
9	VOE 11203061	1					Anchorage	Fixation	Halterung	Fijacion	Fäste	
10	VOE 969439	4					6-pt skt screw	Vis creuse de 6	Hohlschraube	Racor 6-dientes	Sextandhålskruv	
11	VOE 13949874	4					Flange Lock Nut	Contre écrou bride	Flanschmutter	Contratuer Embr	Flänslåsmutter	
12	VOE 13946173	4					Flange screw	Vis à bride	Flanschschaube	Torn embridado	Flänsskruv	
13	VOE 948645	4					Flange Lock Nut	Contre écrou bride	Flanschmutter	Contratuer Embr	Flänslåsmutter	
14	VOE 13946173	4					Flange screw	Vis à bride	Flanschschaube	Torn embridado	Flänsskruv	Cab only; SER NO -10004
14	VOE 13946173	4					Flange screw	Vis à bride	Flanschschaube	Torn embridado	Flänsskruv	
15	VOE 11201057	1					Cover	Capot	Haube	Capo	Huv	LH, Cab only; SER NO -10004
15	VOE 11201057	1					Cover	Capot	Haube	Capo	Huv	LH
15	VOE 11201058	1					Cover	Capot	Haube	Capo	Huv	RH, Cab only SER NO -10004
15	VOE 11201058	1					Cover	Capot	Haube	Capo	Huv	RH
16	VOE 11203861	2					Gasket	Joint	Dichtung	Junta	Packning	SER NO -10004
16	VOE 11203861	2					Gasket	Joint	Dichtung	Junta	Packning	

1	11891014	körriktningsvisare Indicador de dirección Fahrtrichtungsanzeiger Indicateur de direction Direction indicator	Catalogue id	Group
2	11298190		20017	353
3	11298189		Illustr. No	Section
4			1006097	200
5			Issue	Page
			VOE 63D9920017	141

VOLVO

BL60



Volvo Construction
Equipment
1004889

Fig.	Part No.	Quantity			P S	K I T	Description	Dénomination	Bezeichnung	Denominación	Benämning	Notes
		1	2	3								
1		1				Interior Lamp.....	Lampe Inter.....	Innenleuchte.....	Lamp Interior.....	Innerlampa.....		
		1				•Bulb	•Ampoule.....	•Glühlampe.....	•Ampolla.....	•Glödlampa.....		
2	VOE 3987417	2				Switch	Interrupteur	Trennschalter	Interruptor.....	Brytare.....	2157)	
3	VOE 969147	2				Screw	Vis	Schraube.....	Tornillo	Skruv.....		
4		1				Wire harness.....	Faisceau électrique....	Kabelbaum.....	Manojo cables	Ledningsmatta.....		
5	VOE 11200555	2				Anchorage.....	Fixation	Halterung.....	Fijacion.....	Fäste.....	2157)	
6	VOE 972421	4				Screw	Vis	Schraube.....	Tornillo	Skruv.....	2157)	

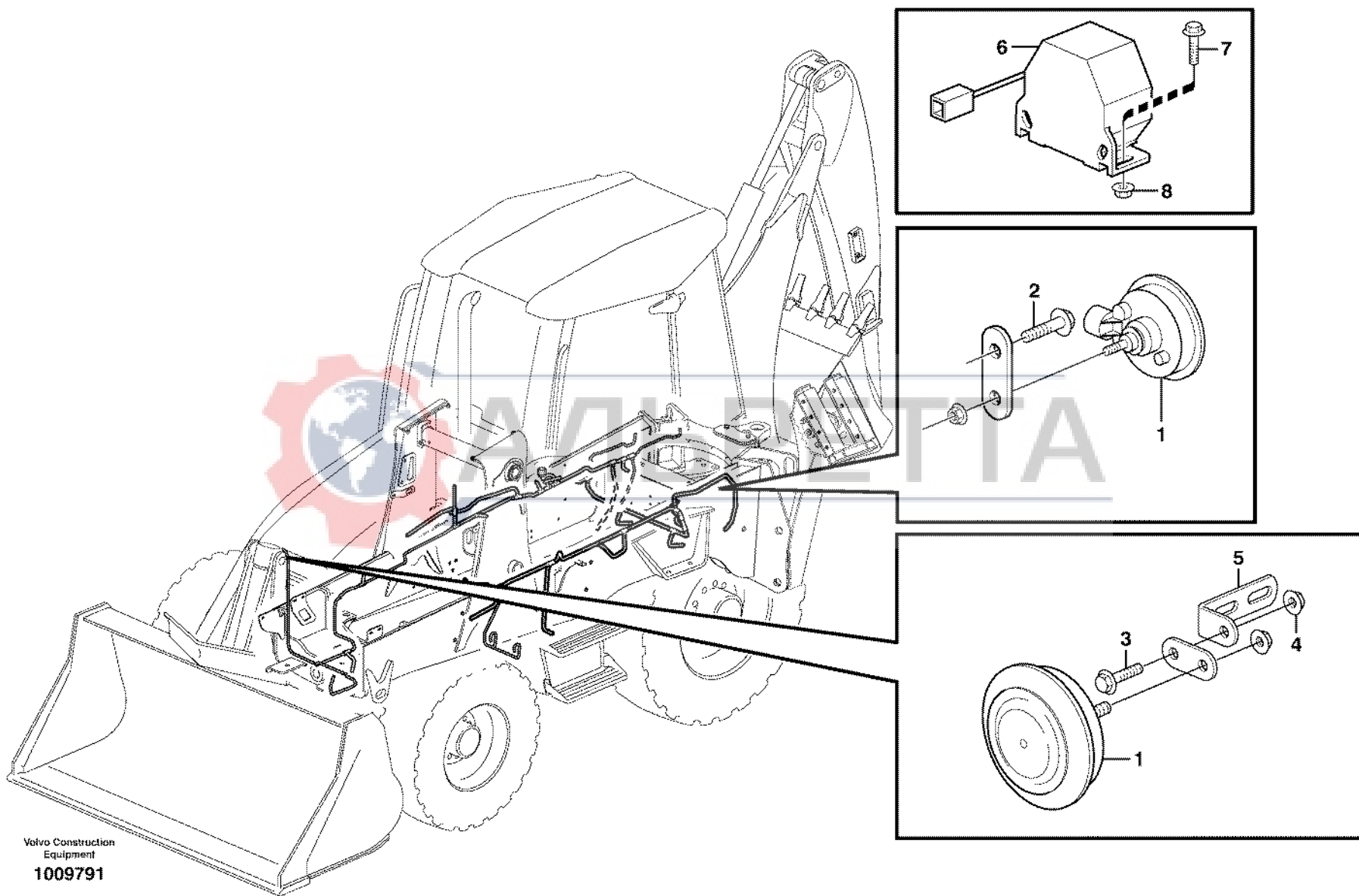


2157) **GB:** Ser. No. -10227 except 10178, 10180 **FR:** No de série -10227, sauf 10178, 10180 **DE:** Fert.-Nr. -10227 außer 10178, 10180 **ES:** Núm. de serie -10227 excepto 10178, 10180
SE: Tillverkningsnr. -10227 utom 10178, 10180

1		Innerbelysning Interior lampare Innen lampe Interieure lampe Inner lamp	Catalogue id	Group
2			20017	354
3			Illustr. No	Section
4			1004889	100
5			Issue	Page
	11298190		VOE 63D9920017	143

VOLVO

BL60



Volvo Construction
Equipment
1009791

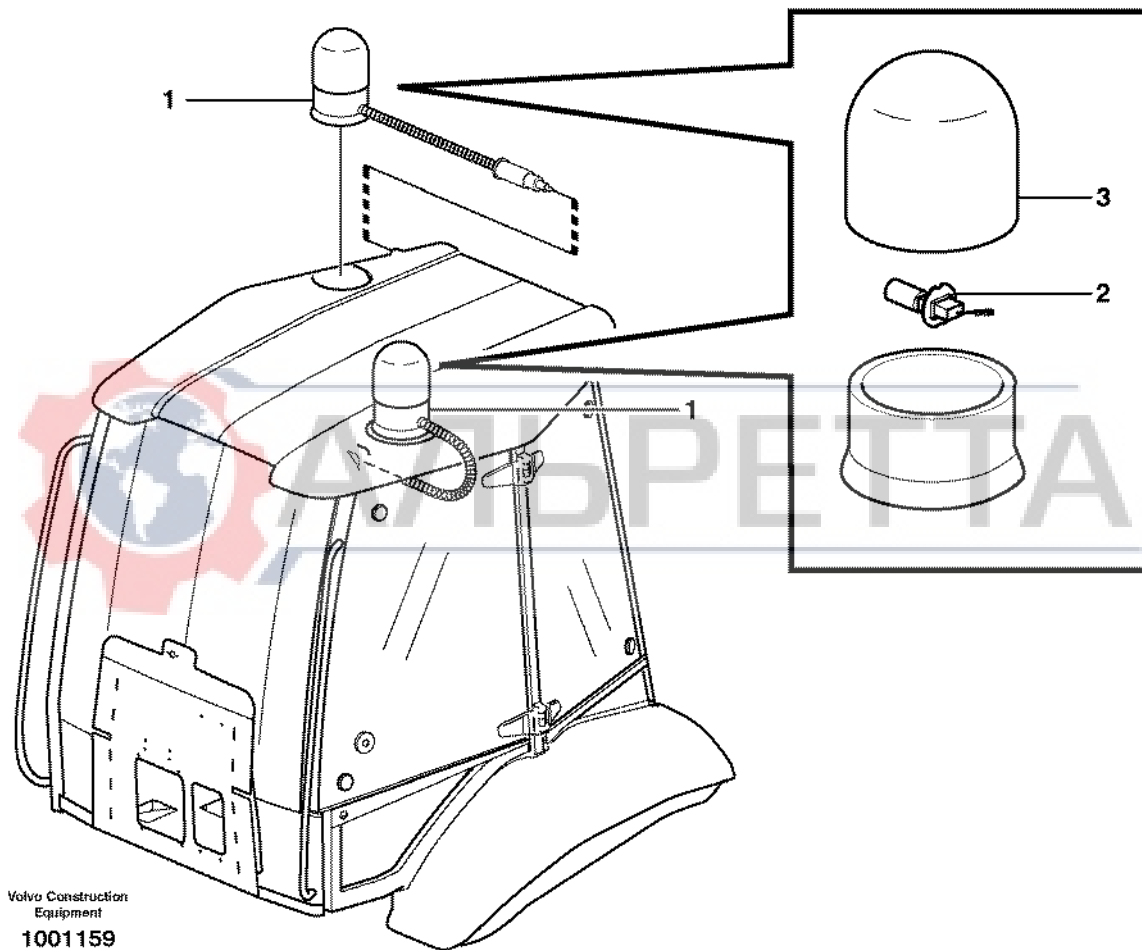
Fig.	Part No.	Quantity			P S	K I T	Description	Dénomination	Bezeichnung	Denominación	Benämning	Notes
		1	2	3								
1	VOE 11884428	2				Horn	Avertisseur sonore	Signalhorn	Avisador sonoro	Signalhorn.....	S/N - 10452	
	VOE 11305113	2				Horn	Avertisseur	Signalhorn	Bocina	Signalhorn.....	S/N 10453 -	
2	VOE 946440	1				Flange screw.....	Vis à bride	Flanschschraube.....	Torn embridado	Flänsskruv.....		
3	VOE 13946173	1				Flange screw.....	Vis à bride	Flanschschraube.....	Torn embridado	Flänsskruv.....		
4	VOE 948645	1				Flange Lock Nut.....	Contre écrou bride	Flanschmutter	Contratuer Embr.....	Flänslåsmutter.....		
5	VOE 13965558	1				Bracket.....	Console.....	Konsole	Consola	Konsol.....		
6	VOE 11886215		1			Alarm.....	Alarme.....	Alarm Richtung.....	Alarma	Varnare.....	(VOE 11850145)	
7	VOE 13946934		2			Screw	Vis	Schraube.....	Tornillo	Skruv.....		
8	VOE 13945407		2			Nut	Ecrou.....	Mutter	Tuerca	Mutter.....		



1	11880001	Signalhorn Bocina Signalhorn Avertisseur sonore Horn	Catalogue id	Group
2	11891014, 11891377		20017	362
3			Illustr. No	Section
4			1009791	100
5			Issue	Page
			VOE 63D9920017	145

VOLVO

BL60



Volvo Construction
Equipment
1001159

Fig.	Part No.	Quantity			P S	K I T	Description	Dénomination	Bezeichnung	Denominación	Benämning	Notes
		1	2	3								
1	VOE 11882303	1	2			Rotating Beacon	Gyrophare	Rundumkennleuchte ..	Luz Rotativa Emerge..	Roterande Varningslj.		
2	VOE 944265	1	1			•Bulb	•Ampoule.....	•Glühlampe.....	•Bombilla	•Glödlampa.....	55W	
3	VOE 11712340	1	1			•Lens.....	•Verre.....	•Lichtscheibe	•Lente	•Glas.....	(VOE 11709899)	



1	11891372	Roterande varningsljus Faro de advertencia giratorio Rundum-kennleuchte Gyrophare Rotating beacon	Catalogue id	Group
2	11891262		20017	362
3			Illustr. No	Section
4			1001159	150
5			Issue	Page
			VOE 63D9920017	147

VOLVO

BL60

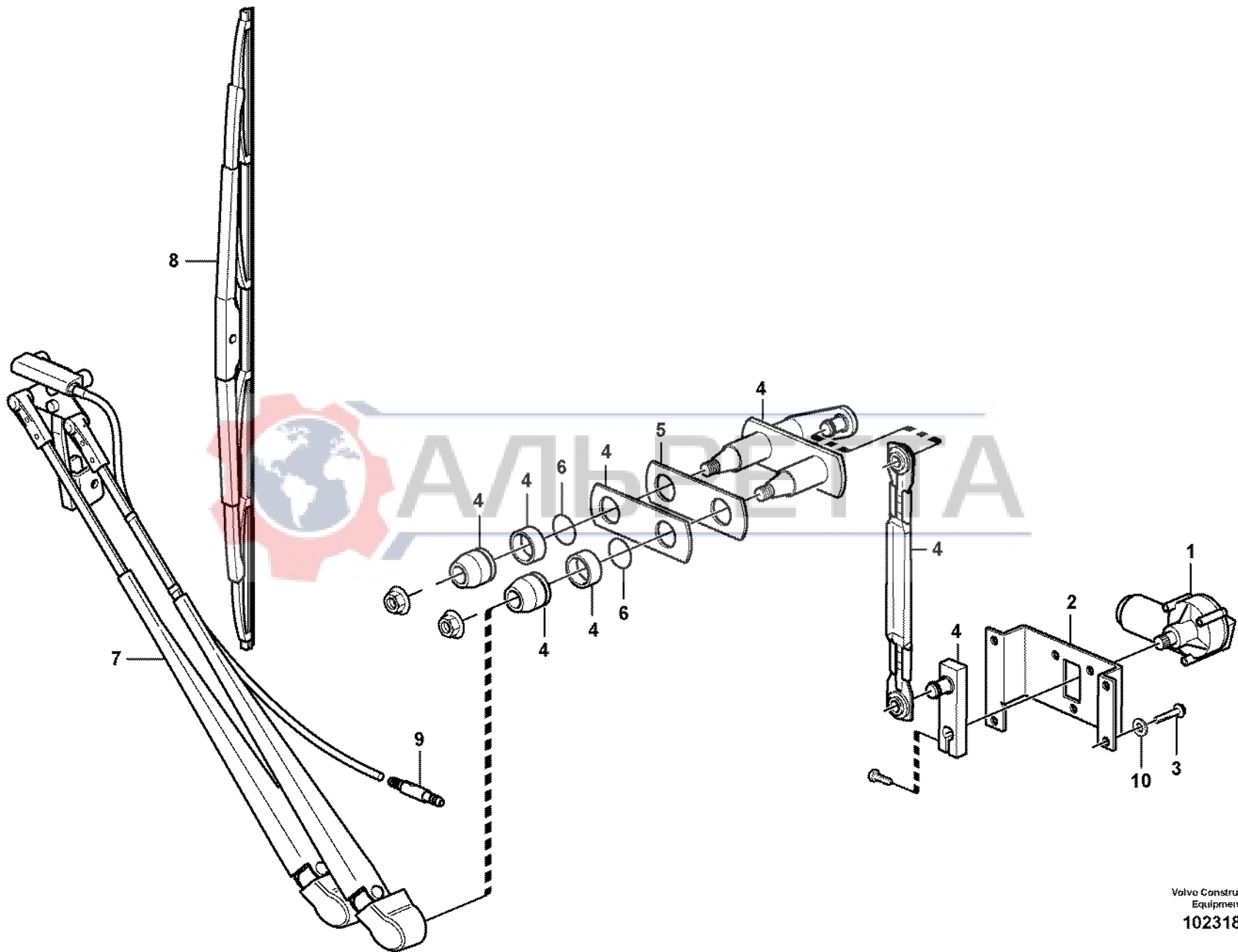


Fig.	Part No.	Quantity			P S	K I T	Description	Dénomination	Bezeichnung	Denominación	Benämning	Notes
		1	2	3								
1	VOE 11200669	1				Wiper Motor	Moteur essuie glace...	Wischemotor	Motor l.p.	Torkarmotor.....		
2	VOE 11200709	1				Anchorage.....	Fixation	Halterung.....	Fijacion.....	Fäste.....		
3	VOE 969147	4				Screw	Vis	Schraube.....	Tornillo	Skruv.....		
4	VOE 11200710	1				Linkage	Articulation	Gestänge.....	Varillado	Länkage.....		
5	VOE 11200787	1				Gasket.....	Joint	Dichtung	Junta	Packning.....		
6	VOE 978392	2				O-ring	Joint Torique	O-Ring	Junta torica.....	O-ring.....		
7	VOE 11200699	1				Wiper Arm.....	Bras Essu.glac.	Wischerarm	Brazo Limpiapar	Torkararm.....		
8	VOE 11200698	1				Wiper blade.....	Balai essuie glace	Wischerblatt	Escobilla l.p.	Torkarblad.....		
9	VOE 11200713	1				Check valve	Valve antiretour.....	Rückschlagventil	Válvula de retención...	Backventil.....		
10	VOE 960139	4				Washer.....	Rondelle	Scheibe	Arandela	Bricka.....		



1		Vindrutetorkare, fram Limpiaparabrisas, delantero Scheibenwischer, vorne Essuie-vitre, avant Windshield wiper, front	Catalogue id	Group
2			20017	363
3			Illustr. No	Section
4			1023186	100
5			Issue	Page
		11298190, 11298203	VOE 63D9920017	149

VOLVO

BL60

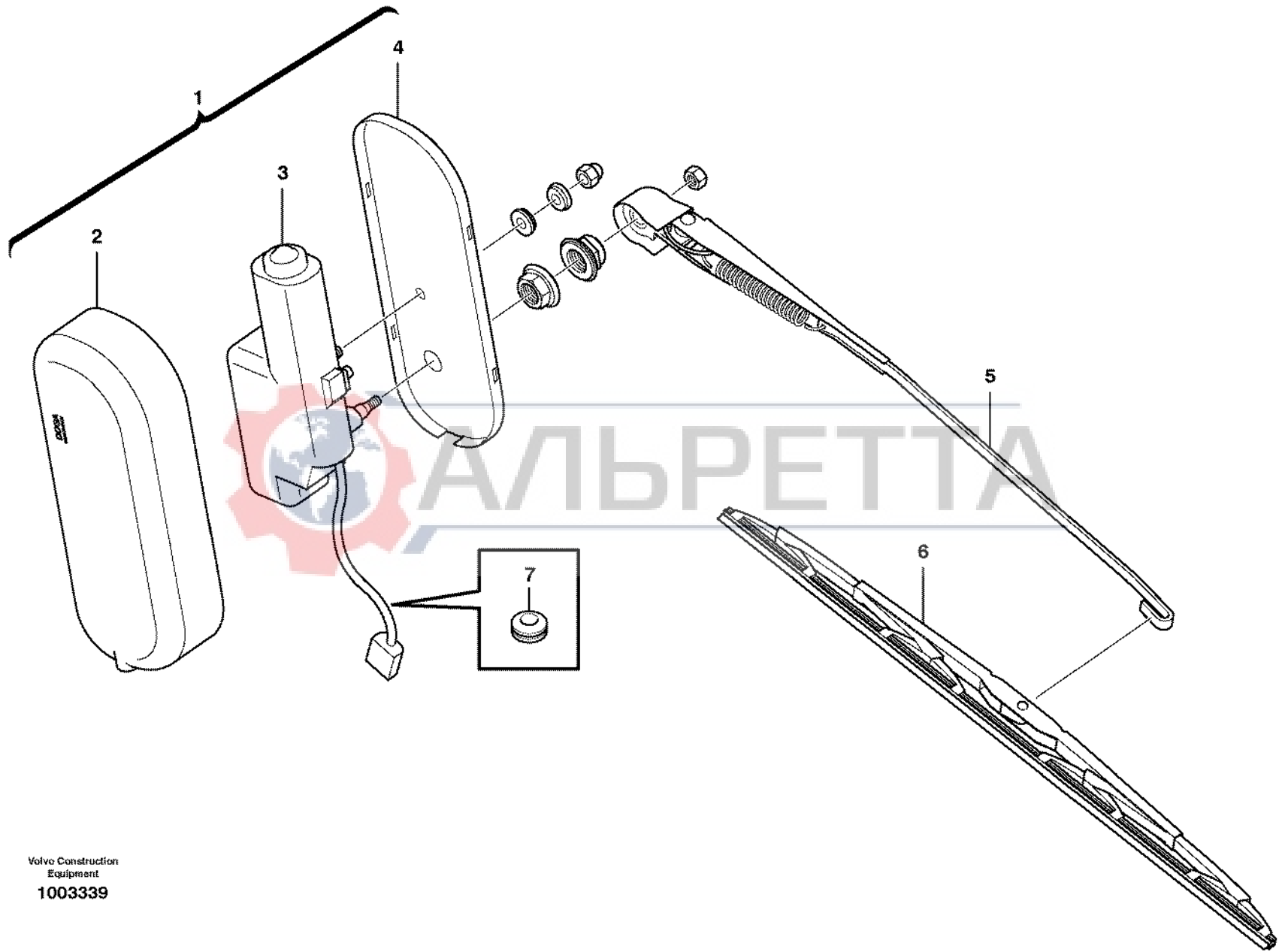


Fig.	Part No.	Quantity			P S	K I T	Description	Dénomination	Bezeichnung	Denominación	Benämning	Notes
		1	2	3								
1	VOE 11202201	1					Wiper Mechanism	Mec.essui.glace	Wischermechanis	Mecanismo Limp	Torkarmekanism.....	
2	VOE 11200674	1					•Cover	•Capot	•Haube	•Capo	•Huv.....	
3	VOE 11201418	1			SS		•Wiper Motor	•Moteur essuie glace..	•Wischermotor.....	•Motor l.p.	•Torkarmotor.....	
4		1			NS		•Anchorage	•Fixation	•Halterung	•Fijacion.....	•Fäste.....	
5	VOE 11200706	1					Wiper Arm	Bras Essu.glac.	Wischerarm	Brazo Limpiapar	Torkararm.....	
6	VOE 11200705	1					Wiper blade.....	Balai essuie glace	Wischerblatt	Escobilla l.p.	Torkarblad.....	
7	VOE 941262	1					Grommet.....	Passe fil	Durchführung	Aislador pasapanel.....	Genomföring.....	



1		Vindrutetorkare, bak	Catalogue id	Group
2		Limpiaparabrisas, trasero	20017	363
3		Scheibenwischer, hinten	Illustr. No	Section
4		Essuie-vitre, arrière	1003339	150
5		Windshield wiper, rear	Issue	Page
		11298190	VOE 63D9920017	151

VOLVO

BL60

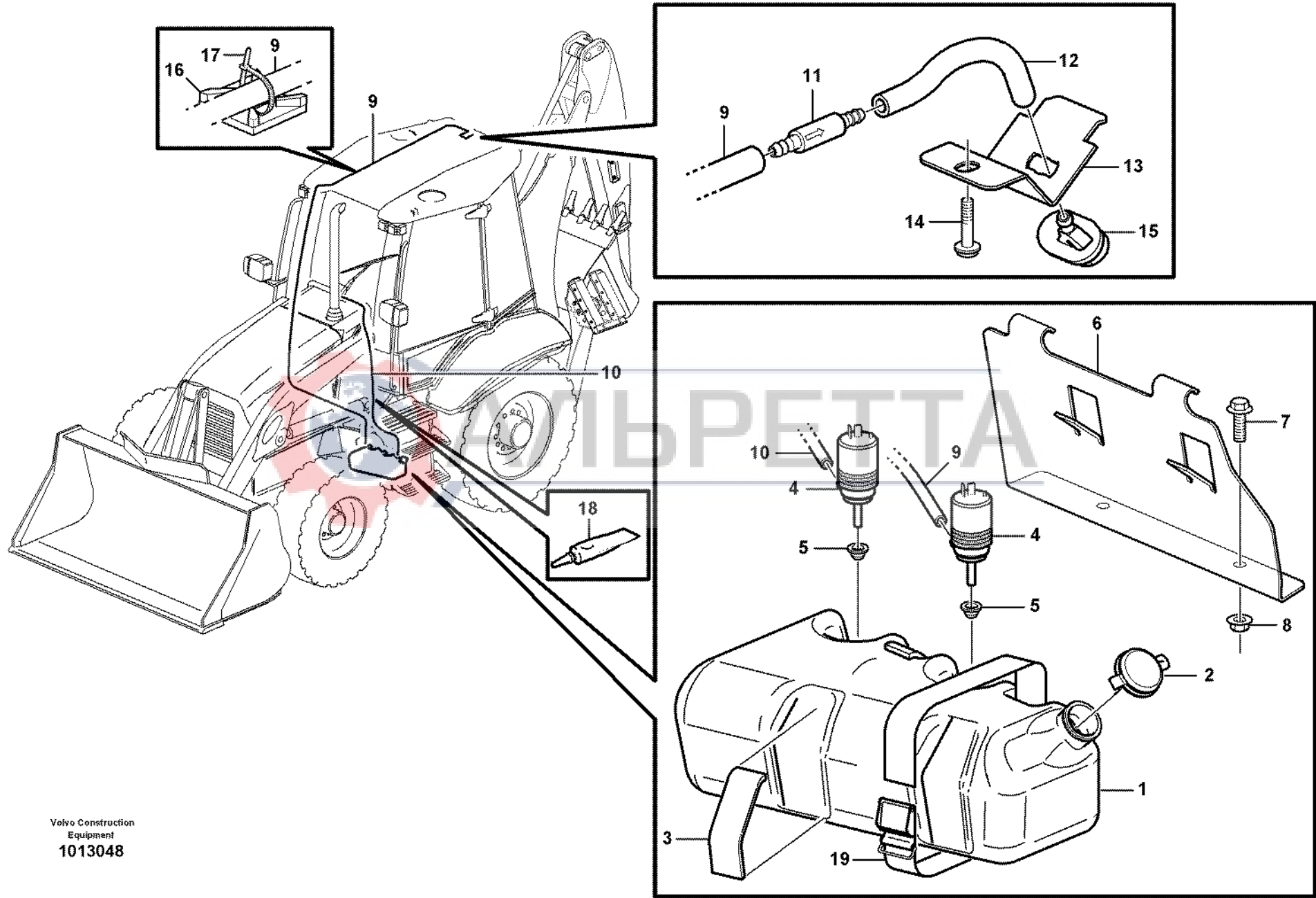


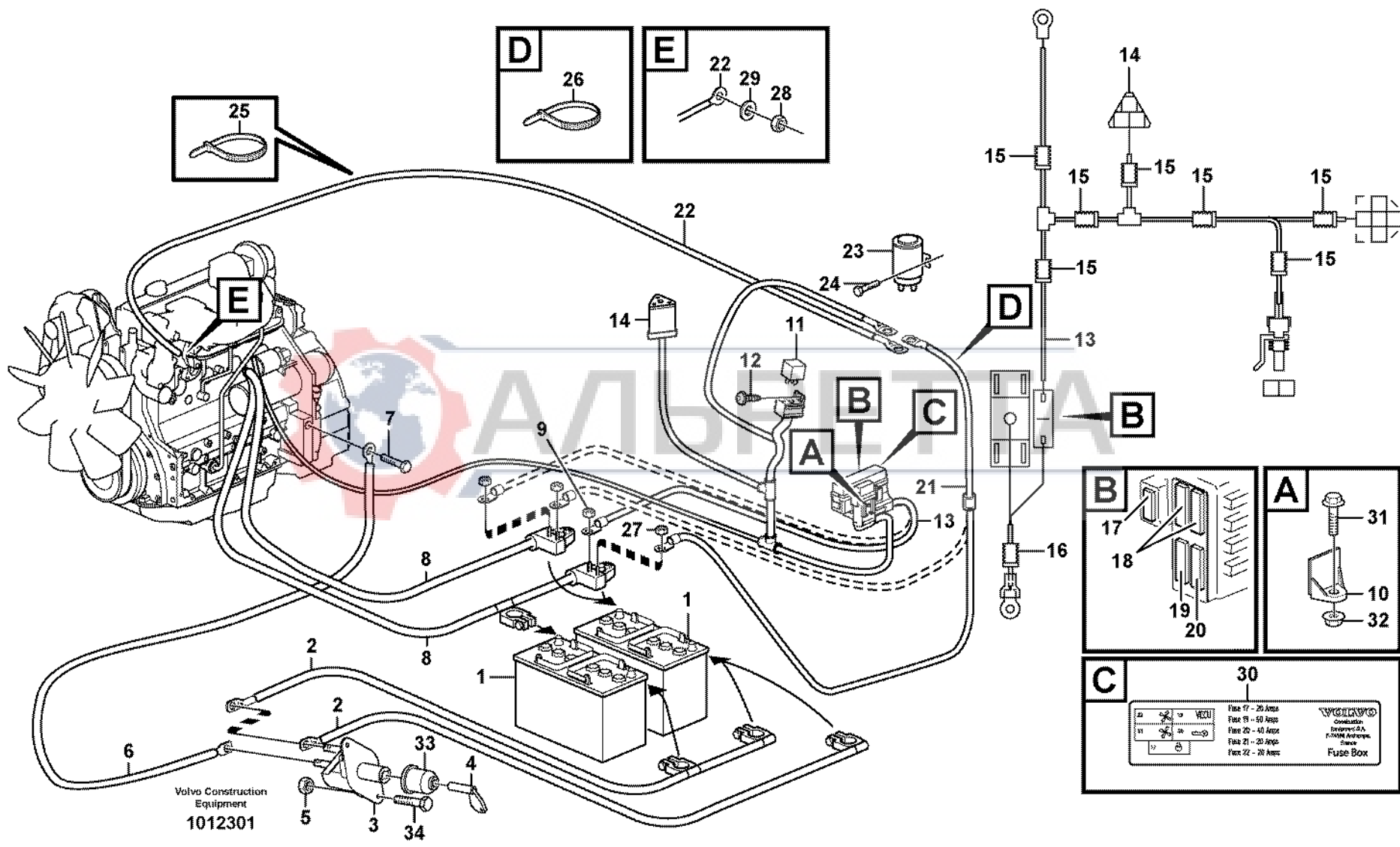
Fig.	Part No.	Quantity			P S	K I T	Description	Dénomination	Bezeichnung	Denominación	Benämning	Notes
		1	2	3								
1	VOE 11887150	1					Tank.....	Reservoir.....	Behälter.....	Depósito.....	Tank.....	SER NO 10005 -
1	VOE 11887149		1	1			Tank.....	Reservoir.....	Behälter.....	Depósito.....	Tank.....	SER NO 10005 -
2	VOE 11883650	1	1	1			Cap.....	Chapeau.....	Kappe.....	Caperuza.....	Lock.....	
3	VOE 11883640	4		4			Rubber Spacer.....	Cale Caoutchouc.....	Gummieinlage.....	Suplemento Goma.....	Gummimellanlägg.....	SER NO -10004
4	VOE 11883646	2	1	1			Pump.....	Pompe.....	Pumpe.....	Bomba.....	Pump.....	
5	VOE 11883648	2	1	1			Rubber Spacer.....	Cale Caoutchouc.....	Gummieinlage.....	Suplemento Goma.....	Gummimellanlägg.....	
6	VOE 11883641	1		1			Plate.....	Plaque.....	Platte.....	Placa.....	Platta.....	SER NO -10004
7	VOE 13946173	2		2			Flange screw.....	Vis à bride.....	Flanschschraube.....	Torn embridado.....	Flänsskruv.....	SER NO -10004
8	VOE 13945408	2		2			Nut.....	Ecrou.....	Mutter.....	Tuerca.....	Mutter.....	SER NO -10004
9	VOE 1304841	REQ					Hose.....	Durit.....	Schlauch.....	Tubo flexible.....	Slang.....	L = 5060 MM
10	VOE 1304841	REQ	REQ	REQ			Hose.....	Durit.....	Schlauch.....	Tubo flexible.....	Slang.....	L = 1600 MM
11	VOE 11200713	1					Check valve.....	Valve antiretour.....	Rückschlagventil.....	Válvula de retención.....	Backventil.....	
12	VOE 1304841	REQ					Hose.....	Durit.....	Schlauch.....	Tubo flexible.....	Slang.....	L = 50 MM
13	VOE 11203078	1					Anchorage.....	Fixation.....	Halterung.....	Fijacion.....	Fäste.....	
14	VOE 969404	1					6-pt skt screw.....	Vis creuse de 6.....	Hohlschraube.....	Racor 6-dientes.....	Sextandhålskruv.....	
15	VOE 11203079	1					Washer Jet.....	Gicl.lave-glace.....	Sprühdüse.....	Boquill Rociad.....	Spolarmunstycke.....	
16	VOE 14213026	4					Attachment.....	Fixation.....	Halterung.....	Fijacion.....	Fäste.....	
17	VOE 4821292	4					Strip Clamp.....	Ruban Serrage.....	Kabelbinder.....	Abraz Cinta.....	Bandklamma.....	
18	VOE 11708567	REQ	REQ	REQ			Adhesive.....	Adhesif.....	Klebstoff.....	Adhesivo.....	Lim.....	
19	VOE 11104606	2	2	2			Retaining Strap.....	Courroi.serrage.....	Halteriemen.....	Correa Tensora.....	Spännrem.....	SER NO 10005-



1	11298190	Vindrutespolare Lavaparabrisas Scheibenwaschanlage Lave - glace Windshield washer	Catalogue id	Group
2	11298203		20017	363
3	11298126		Illustr. No	Section
4			1013048	200
5			Issue	Page
			VOE 63D9920017	153

VOLVO

BL60

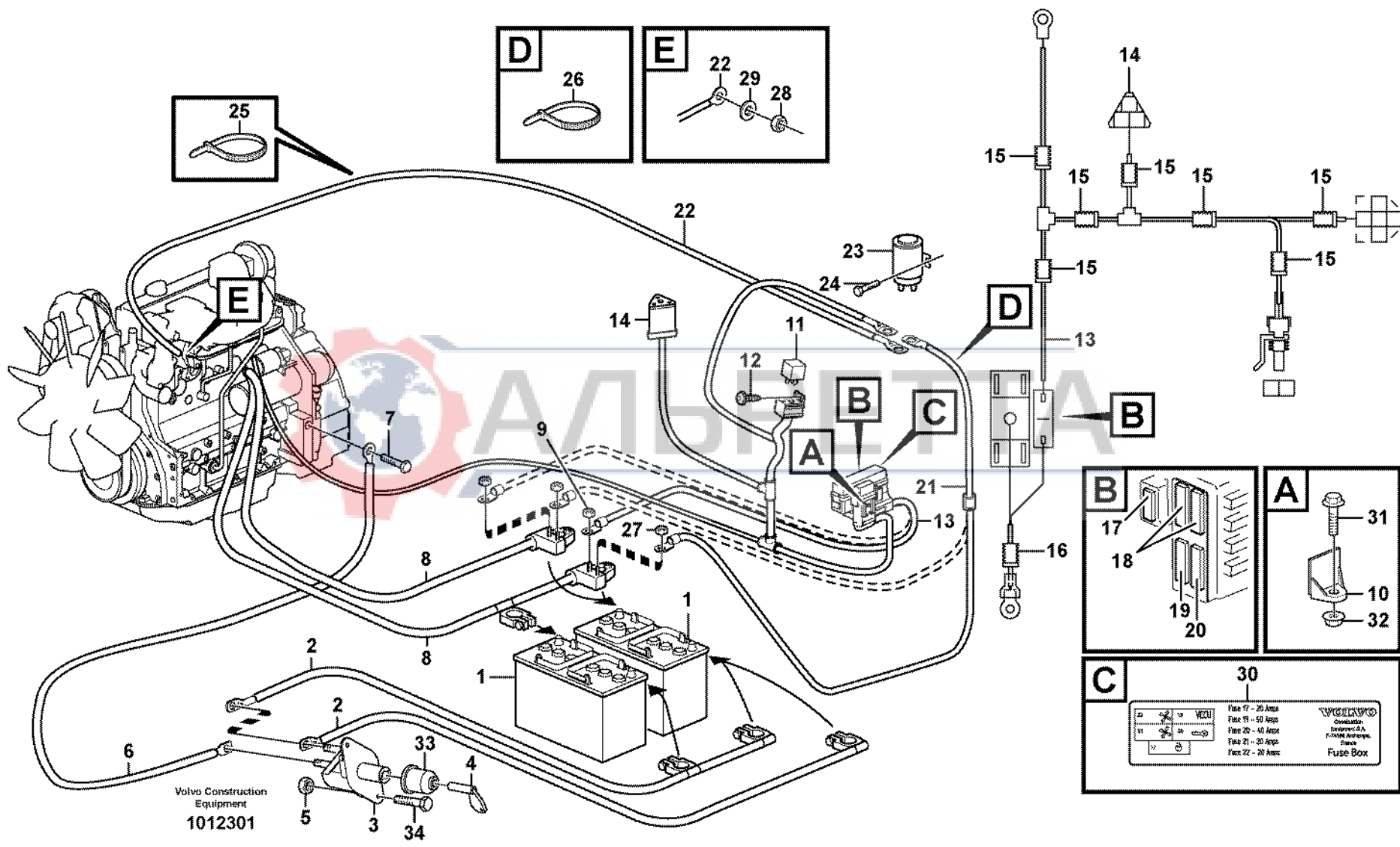


Volvo Construction
Equipment
1012301

B		A	
17	18	31	32
C		30	
22	29	Fuse 17 - 25 Amps	 VOLVO Construction Equipment Volvo USA Volvo Europe Volvo
11	28	Fuse 19 - 50 Amps	
12	27	Fuse 20 - 40 Amps	
13	26	Fuse 21 - 20 Amps	
14	25	Fuse 22 - 20 Amps	Fuse Box

Fig.	Part No.	Quantity			P S	K I T	Description	Dénomination	Bezeichnung	Denominación	Benämning	Notes
		1	2	3								
1	VOE 20393421	1	2			Battery.....	Batterie.....	Batterie.....	Bateria.....	Batteri.....		
2	VOE 11886121	1				Battery Cable.....	Câble batterie.....	Batterieleitung.....	Cable Bateria.....	Batteriledning.....		
2	VOE 11886126		1			Battery Cable.....	Câble batterie.....	Batterieleitung.....	Cable Bateria.....	Batteriledning.....		
3	VOE 3987034	1	1			Battery main switch....	Robinet batterie.....	Batterietrennschalter..	Desconectador bateri..	Batterifrånskiljare.....		
4	VOE 8157766	1	1			Handle.....	Poignee.....	Drehgriff.....	Mango.....	Vred.....		
5	VOE 969587	2	2			6-pt skt screw.....	Vis creuse de 6.....	Hohlschraube.....	Racor 6-dientes.....	Sextandhålskruv.....		
6	VOE 11886124	1	1			Battery Cable.....	Câble batterie.....	Batterieleitung.....	Cable Bateria.....	Batteriledning.....		
	VOE 965891	1	1			•Cable terminal.....	•Cosse cable.....	•Flachsteckhülse.....	•Terminal cable.....	•Ledningssko.....		
7	VOE 13965191	1	1			Flange screw.....	Vis à bride.....	Flanschschraube.....	Torn embridado.....	Flänsskruv.....		
8	VOE 11887721	1				Cable.....	Câble.....	Seil.....	Cable.....	Lina.....		
8	VOE 11887722		1			Cable.....	Câble.....	Seil.....	Cable.....	Lina.....		
9	VOE 13945408	1	1			Nut.....	Ecrou.....	Mutter.....	Tuerca.....	Mutter.....		
	VOE 946440	1	1			Flange screw.....	Vis à bride.....	Flanschschraube.....	Torn embridado.....	Flänsskruv.....		
10	VOE 11870628	2	2			Bracket.....	Console.....	Konsole.....	Ménsula.....	Konsol.....	SER NO -10361	
11	VOE 11305263	1	1			Relay.....	Relais.....	Relais.....	Rele.....	Relä.....	RE1	
12	VOE 969407	1	1			6-pt skt screw.....	Vis creuse de 6.....	Hohlschraube.....	Racor 6-dientes.....	Sextandhålskruv.....		
13	VOE 11886123	1	1			Wire harness.....	Faisceau électrique....	Kabelbaum.....	Manejo cables.....	Ledningsmatta.....	SER NO -10361	
13	VOE 11886587	1	1			Wire harness.....	Faisceau électrique....	Kabelbaum.....	Manejo cables.....	Ledningsmatta.....	SER NO 10362-	
						•CONNECTED TO:.....	•CONNECTÉ A:.....	•ANGESCHLOSSEN:.....	•CONECTADO A:.....	•ANSLUTER TILL:.....		
						•Cable harness Rea..	•Faisceau de câbles..	•Hinterer Kabelbaum..	•Haz de cables trase..	•Ledningsmatta Bakr.	X60	
						•Starter Relay.....	•Relais Demarra.....	•Anlassrelais.....	•Rele Arranque.....	•Startrelä.....	RE1 (X209)	
						•Relay, starter eleme..	•Relais, elem. demarr..	•Relais, kaltstartelem..	•Rele, calentador arr..	•Relä, startelement....	RE2 (X99)	
						•Starter Motor.....	•Demarreur.....	•Anlasser.....	•Motor de arranque...	•Startmotor.....	MO1 (X367)	
						•Battery.....	•Batterie.....	•Batterie.....	•Bateria.....	•Batteri.....	BA1 (X168)	
14	VOE 874654	1	1			•Rcpt Housing.....	•Douille Isolan.....	•Steckbuchse.....	•Aislador Mangui.....	•Hylsisolator.....	X60	
15	VOE 11170006	REQ	REQ			•Hose.....	•Durit.....	•Schlauch.....	•Tubo flexible.....	•Slang.....		
16	VOE 4803745	REQ	REQ			•Hose.....	•Durit.....	•Schlauch.....	•Tubo flexible.....	•Slang.....		
17	VOE 11882444	1	1			•Fuse.....	•Fusible.....	•Schmelzsicherung....	•Fusible.....	•Smältsäkring.....	20A	
18	VOE 11882444	2	2			•Fuse.....	•Fusible.....	•Schmelzsicherung....	•Fusible.....	•Smältsäkring.....	20A	
19	VOE 11882446	1	1			•Fuse.....	•Fusible.....	•Schmelzsicherung....	•Fusible.....	•Smältsäkring.....	40A	

1	11891392 (SINGLE)	Batteriledning och batterifrånskiljare Cable de bateria y desconectador bateria Batterieleitung und Batterietrennschalter Cable batterie et robinet batterie Battery cable and main switch	Catalogue id	Group
2	11891391 (DOUBLE)		20017	371
3			Illustr. No	Section
4			1012301	100
5			Issue	Page
		VOE 63D9920017	155	



Volvo Construction
Equipment
1012301

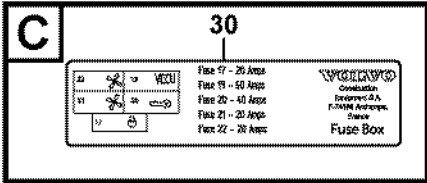
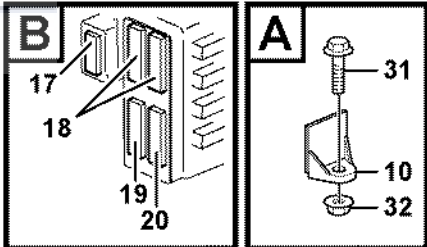
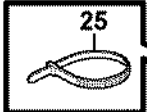
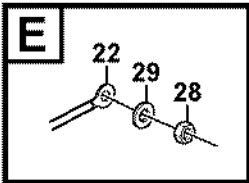
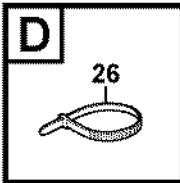


Fig.	Part No.	Quantity			P S	K I T	Description	Dénomination	Bezeichnung	Denominación	Benämning	Notes
		1	2	3								
20	VOE 11882512	1	1			•Fuse.....	•Fusible	•Schmelzsicherung.....	•Fusible	•Smältsäkring.....	60A	
21	VOE 11886119	1	1			Cable.....	Câble.....	Kabel.....	Cable.....	Kabel.....	S/N - 10575	
	VOE 11886557	1	1			Cable.....	Câble.....	Kabel.....	Cable.....	Kabel.....	S/N 10576 -	
	VOE 13947459	2	2			•Cable terminal	•Cosse cable	•Flachsteckhülse	•Terminal cable	•Ledningssko.....	S/N - 10575	
	VOE 11870441	1	1			•Fuse Holder	•Porte fusible.....	•Sicherungshalter	•Porta-fusible.....	•Säkringshållare.....	S/N - 10575	
	VOE 11870440	1	1			•Fuse.....	•Fusible	•Schmelzsicherung.....	•Fusible	•Smältsäkring.....	175A, S/N - 10575	
	VOE 4803746	REQ	REQ			•Hose	•Durit	•Schlauch.....	•Tubo flexible.....	•Slang.....	S/N - 10575	
22	VOE 11883278	1	1			Wire.....	Câble.....	Leitung	Cable.....	Ledning.....	S/N - 10575	
	VOE 11887633	1	1			Cable.....	Câble.....	Kabel.....	Cable.....	Kabel.....	S/N 10576 -	
	VOE 881503	2	2			•Cable terminal	•Cosse cable	•Flachsteckhülse	•Terminal cable	•Ledningssko.....	S/N - 10575	
23	VOE 20715643	1	1			•Relay	•Relais.....	•Relais	•Rele.....	•Relä.....	(VOE 20552405) RE2, S/N - 10575	
	VOE 20715643	1	1			Relay.....	Relais.....	Relais	Rele.....	Relä.....	S/N 10576 -	
24	VOE 13946934	2	2			Screw.....	Vis.....	Schraube.....	Tornillo	Skruv.....		
25	VOE 4881438	14	14			Strip Clamp	Ruban Serrage.....	Kabelbinder	Abraz Cinta	Bandklamma.....		
26	VOE 4881440	3	3			Strip Clamp	Ruban Serrage.....	Kabelbinder	Abraz Cinta	Bandklamma.....		
27	VOE 13945407	1	1			Nut.....	Ecrou.....	Mutter.....	Tuerca	Mutter.....		
28	VOE 983303	1	1			Nut.....	Ecrou.....	Mutter.....	Tuerca	Mutter.....	S/N - 10575	
29	VOE 955921	1	1			Spring Washer	Rondelle élastique	Federscheibe	Arandela flexible.....	Fjäderbricka.....	S/N - 10575	
	VOE 955920	1	1			Spring Washer	Rondelle élastique	Federscheibe	Arandela flexible.....	Fjäderbricka.....	S/N 10576 -	
30	VOE 11886286	1	1			Decal.....	Decalcomanie	Abziehbild.....	Decalcomania	Dekal.....	2149)	
30	VOE 11883711	1	1			Decal.....	Decalcomanie	Abziehbild.....	Decalcomania	Dekal.....	2150)	
31	VOE 13946173	2	2			Flange screw.....	Vis à bride	Flanschschraube.....	Torn embridado	Flänsskruv.....		
32	VOE 13945408	2	2			Nut.....	Ecrou.....	Mutter.....	Tuerca	Mutter.....		
33	VOE 1582293	1	1			Bellows.....	Capot Caoutcho.....	Gummimantel.....	Cubierta Goma.....	Gummikåpa.....	SER NO 10353-	
34	VOE 969422	2	2			6-pt sct screw.....	Vis creuse de 6	Hohlschraube.....	Racor 6-dientes.....	Sextandhålskruv.....	SER NO 10362-	

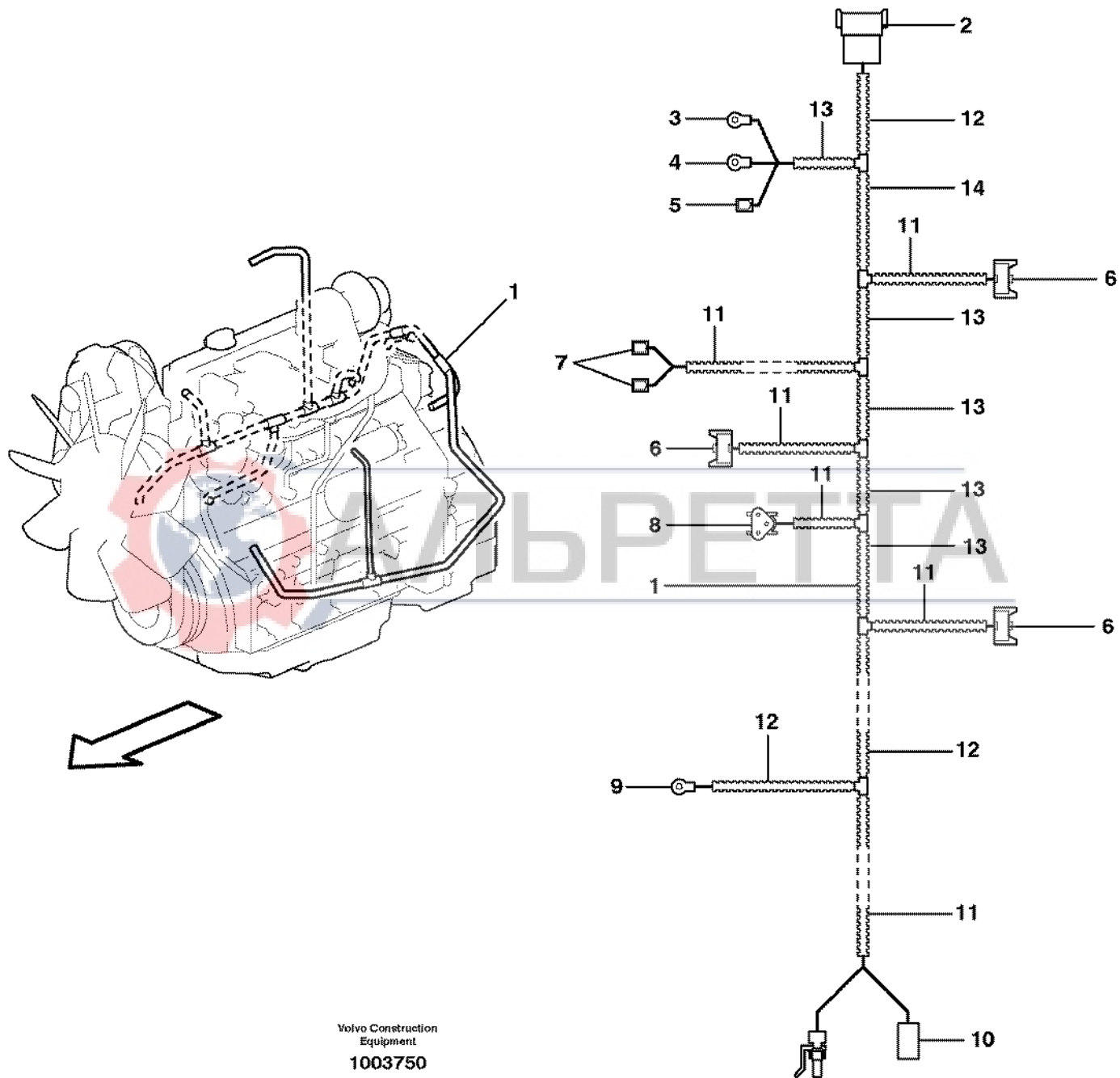
2149) SER NO 10178, 10180, 10182-10194, 10196-10197, 10201-

2150) SER NO -10200, 10222-10223

1	11891392 (SINGLE)	Batteriledning och batterifrånskiljare Cable de bateria y desconectador bateria Batterieleitung und Batterietrennschalter Cable batterie et robinet batterie Battery cable and main switch	Catalogue id	Group
2	11891391 (DOUBLE)		20017	371
3			Illustr. No	Section
4			1012301	100
5			Issue	Page
		VOE 63D9920017	157	

VOLVO

BL60



Volvo Construction
Equipment
1003750

Fig.	Part No.	Quantity			P S	K I T	Description	Dénomination	Bezeichnung	Denominación	Benämning	Notes
		1	2	3								
1	VOE 11884504	1					Cable harness..... Faisceau cables Kabelbaum Manojos cables Ledningsmatta..... ••CONNECTED TO:••CONNECTÉ A:.....••ANGESCHLOSSEN:••CONECTADO A:••ANSLUTER TILL:..... ••Cable harness Cha..••Faisceau de câbles..••Kabelbaum Fahrge..••Haz de cables, chas ••Ledningsmatta Cha. X13 ••Alternator.....••Alternateur.....••Lichtmaschine.....••Alternador.....••Generator..... AL1 ••Oil press., engine••Pression huile mote. ••Öldruck, Motor.....••Presión de aceite, ...••Oljetryck, motor..... SE6 ••Air filter.....••Filtre air.....••Luftfilter.....••Filtro aire.....••Lufffilter..... SE7 ••Key turn engine sto .••Commande stop••Abstellvorrichtung••Mando pare.....••Nyckelstopp..... MA7 ••Regulator.....••Regulateur.....••Regler.....••Regulador.....••Regulator..... MA1 ••Temp.sensor, engin. ••Detecteur temp,mot. ••Temperatargeber,m. ••Sensor temperat,m ..••Temp.givare, motor. SE2 ••Starter motor••Demarreur••Anlasser.....••Motor arranque••Startmotor..... MO1 ••AC Compressor.....••Compresseur AC.....••AC-Kompressor.....••Compresor de A/C ...••A/c Kompressor..... MO10					
2	VOE 874965	1					•Connector.....•Raccord.....•Anschluss.....•Union.....•Anslutning..... X13					
	VOE 14370889	1					•Spacer.....•Partie Intermédiaire ..•Zwischenstück.....•Espaciador.....•Mellandel.....					
3		1		NS			•Cable terminal.....•Cosse cable.....•Flachsteckhülse.....•Terminal cable.....•Ledningssko..... AL1 (X174)					
4	VOE 956926	1					•Cable terminal.....•Cosse cable.....•Flachsteckhülse.....•Terminal cable.....•Ledningssko..... AL1 (X173)					
5	VOE 973119	1					•Cable terminal.....•Cosse cable.....•Flachsteckhülse.....•Terminal cable.....•Ledningssko..... AL1 (X262)					
6	VOE 976256	3					•Insulator.....•Isolateur.....•Isolator.....•Aislador.....•Isolator..... SE2, SE6, MA7 (X211, X212, X213)					
7		2		NS			•Cable terminal.....•Cosse cable.....•Flachsteckhülse.....•Terminal cable.....•Ledningssko..... SE7 (X260, X261)					
8		1		NS			•Switch Housing.....•Boitier Contact.....•Kontaktgehäuse.....•Caja Contacto.....•Kontaktus..... MA1 (X214)					
9	VOE 949587	1					•Cable terminal.....•Cosse cable.....•Flachsteckhülse.....•Terminal cable.....•Ledningssko..... MO1 (X169)					
10		1		NS			•Cable terminal.....•Cosse cable.....•Flachsteckhülse.....•Terminal cable.....•Ledningssko..... MO10 (X100)					
11	VOE 4803746	REQ					•Hose.....•Durit.....•Schlauch.....•Tubo flexible.....•Slang.....					
12	VOE 4803748	REQ					•Hose.....•Durit.....•Schlauch.....•Tubo flexible.....•Slang.....					
13	VOE 4803751	REQ					•Hose.....•Durit.....•Schlauch.....•Tubo flexible.....•Slang.....					
14	VOE 4803752	REQ					•Hose.....•Durit.....•Schlauch.....•Tubo flexible.....•Slang.....					

1		Ledningsmatta, motor	Catalogue id	Group
2		Haz de cables, motor	20017	371
3		Kabelbündel, Motor	Illustr. No	Section
4		Faisceau de câbles, moteur	1003750	200
5		Cable harness, engine	Issue	Page
			VOE 63D9920017	159

VOLVO

BL60

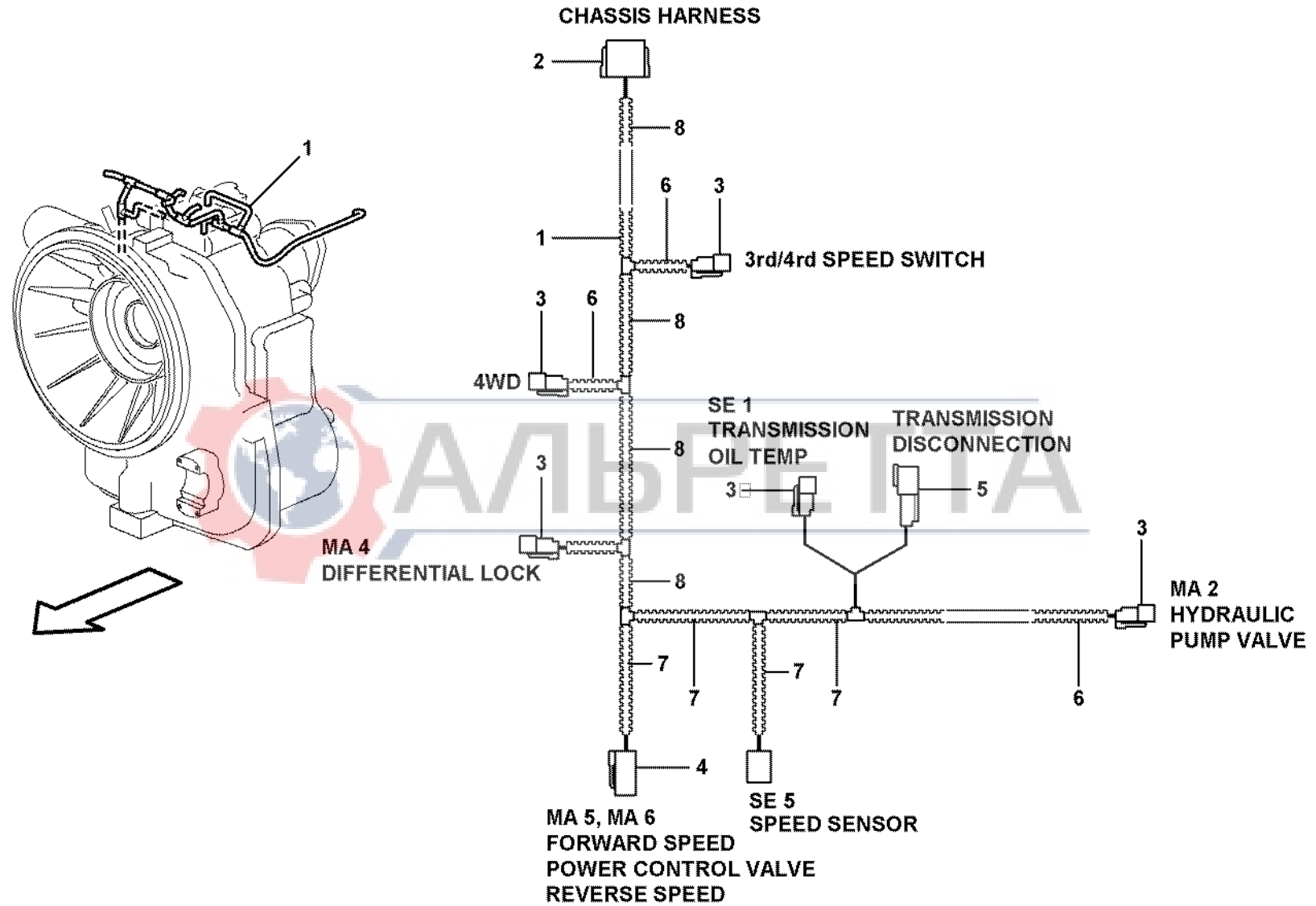
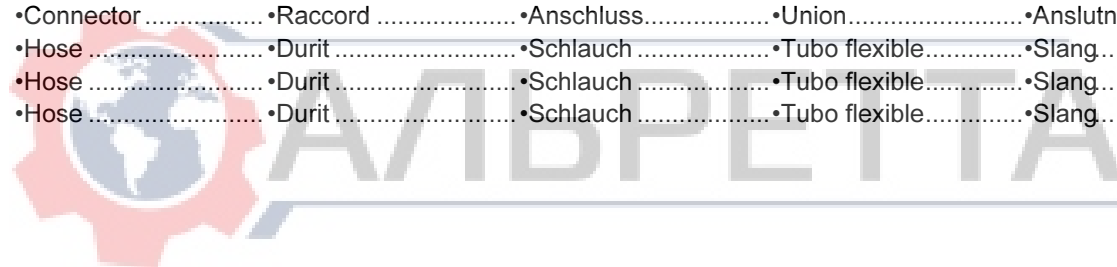


Fig.	Part No.	Quantity			P S	K I T	Description	Dénomination	Bezeichnung	Denominación	Benämning	Notes
		1	2	3								
1	VOE 11884089	1					Cable harness.....	Faisceau cables	Kabelbaum	Manojo cables	Ledningsmatta.....	S/N - 10938
1	VOE 11888412	1					Wire harness.....	Faisceau électrique....	Kabelbaum	Manojo cables	Ledningsmatta.....	S/N 10939 -
							•CONNECTED TO:	•CONNECTÉ A:	•ANGESCHLOSSEN:	•CONECTADO A:	•ANSLUTER TILL:	
							•Switch 3rd/4th gear	•Contact 3ème/4èm	•Schalter 3./4. Gang	•Contacto marcha 3a	•Kontakt 3:e/4:e växel	
							•Four-wheel drive	•Traction sur 4 roues	•Vierradantrieb	•Tracción en cuatro r	•Fyrhjulsdrivning	SE1
							•Diff.lock switch	•Comm.bloca.differe	•Ausgleichsperrscha	•Reglaje diferencial	•Diffspärrkontakt	MA4
							•Gear selector forwar	•Sélecteur de march	•Gangwähler vorwärt	•Selector de marcha	•Växelvälj.fram/back	MA5, MA6
							•Speed sensor	•Commande tachym	•Drehzahlshalter	•Sensor tacometro	•Varvtalsgivare	SE5
							•Hydraulic pump valv	•Valve de pompe hyd	•Hydraulikpumpenve	•Válvula de la bomba	•Hydraulpumpventil	MA2
							•Disconnecter trans	•Coupe-circuit, trans	•Getriebeausrückun	•Disyuntor transmisi	•Frånskiljare transmi	
							•Transmission Tem	•Temp. De Transm.	•Getriebetemp.	•Temp. Transmisión	•Transmissions Te	SE1
2	VOE 11709766	1					•Connector	•Raccord	•Anschluss.....	•Union.....	•Anslutning.....	
2	VOE 874967	1					•Key	•Clavette.....	•Keil.....	•Llave (cuna).....	•Kil.....	
3	VOE 874955	6					•Insulator.....	•Isolateur.....	•Isolator.....	•Aislador.....	•Isolator.....	
4	VOE 874957	1					•Housing	•Isolant.....	•Isolator.....	•Aislador.....	•Isolator.....	
4	VOE 874958	1					•Key	•Clavette.....	•Keil.....	•Llave (cuna).....	•Kil.....	
5	VOE 11709812	1			OP		•Connector	•Raccord	•Anschluss.....	•Union.....	•Anslutning.....	
6	VOE 11170006	REQ					•Hose	•Durit	•Schlauch.....	•Tubo flexible.....	•Slang.....	
7	VOE 4803746	REQ					•Hose	•Durit	•Schlauch.....	•Tubo flexible.....	•Slang.....	
8	VOE 4803748	REQ					•Hose	•Durit	•Schlauch.....	•Tubo flexible.....	•Slang.....	



1		Ledningsmatta transmission	Catalogue id	Group
2		Manojo de cable, transmisión.	20017	371
3		Kabelbaum, Getriebe.	Illustr. No	Section
4		Faisceau de câles, transmission.	1013297	250
5		Cable harness, transmission.	Issue	Page
		11891076, 11891077	VOE 63D9920017	161

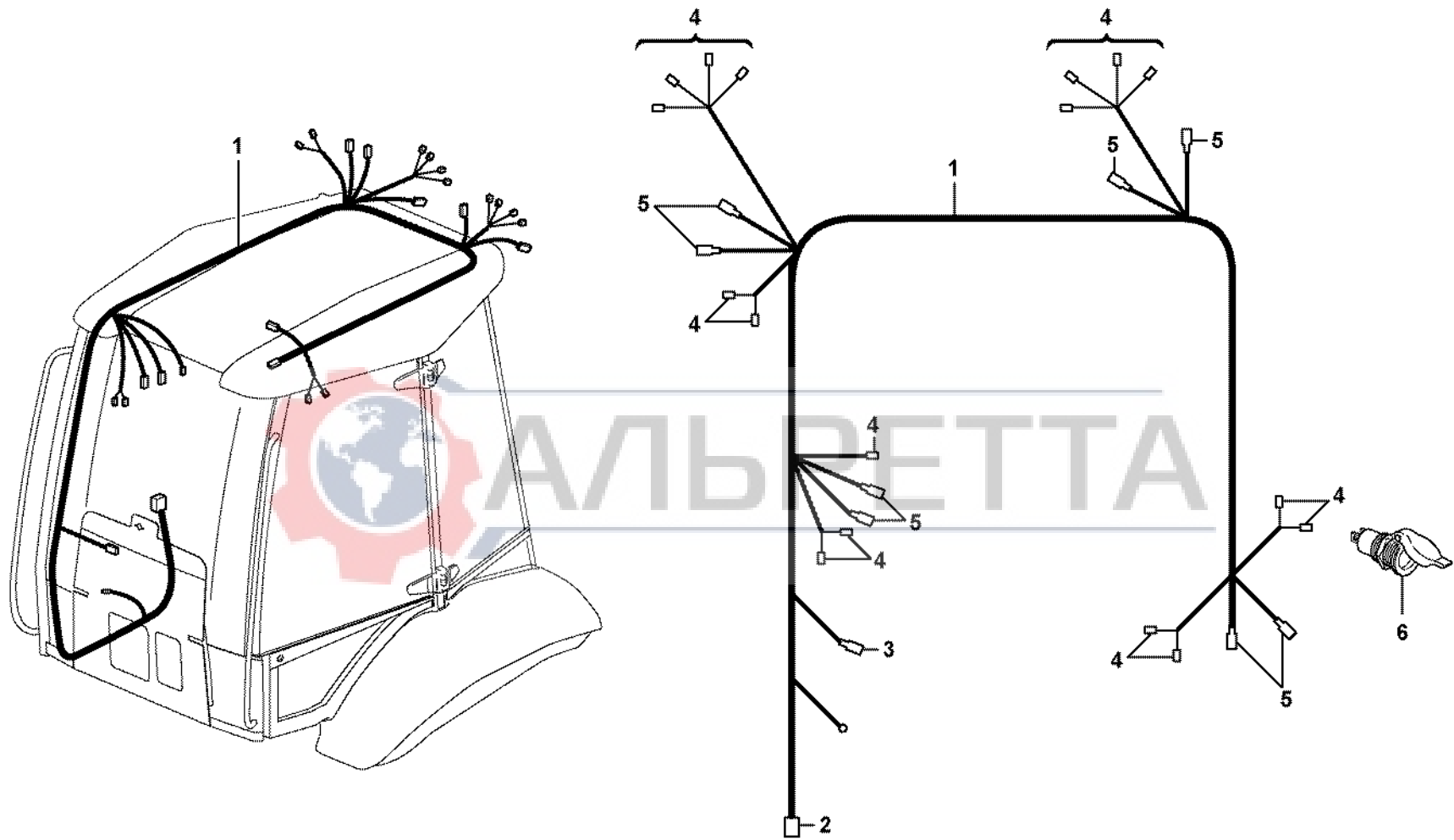


Fig.	Part No.	Quantity			P S	K I T	Description	Dénomination	Bezeichnung	Denominación	Benämning	Notes
		1	2	3								
1	VOE 11885808	1				Wire harness..... Faisceau électrique Kabelbaum Manojos cables Ledningsmatta..... •CONNECTED TO:..... •CONNECTÉ A: •ANGESCHLOSSEN: •CONECTADO A:..... •ANSLUTER TILL:..... ••ECU..... ••ECU..... ••ECU..... ••ECU..... ••ECU..... X1 ••Earth..... ••Terre..... ••Erde..... ••Tierra..... ••Jord..... X165 ••Fr Instrumentpanel .. ••Tableau de bord ce. ••Instrumententafel..... ••Tablero de instrume. ••Fr Instrumentbräda.. X36 ••Lighting..... ••Eclairage..... ••Beleuchtung..... ••Alumbrado ••Belysning..... X250, X251, X252, X253 ••Work lights..... ••Eclairage de travail .. ••Arbeitsbeleuchtung .. ••Alumbrado de trabaj ••Arbetsbelysning..... X84, X85, X86, X87 ••Antenna ••Antenne ••Antenne ••Antena ••Antenn..... X247 ••Rotating Beacon..... ••Gyrophare..... ••Rundumkennleucht.. ••Luz Rotativa Emerg. ••Roterande Varnings X245, X246, X247, X248 ••Rear lighting ••Illuminat.arriere..... ••Hintere Beleuchtun .. ••Luz detras ••Bakre belysning..... X52, X53 ••... working light ••éclairage de travail . ••... Arbeitsbeleuchtun ••...alumbrado de trab. ••... arbetsbelysning... X88, X89, X90, X91						
2	VOE 11709767	1				•Connector..... •Raccord..... •Anschluss..... •Union..... •Anslutning.....						
3	VOE 874957	1				•Housing..... •Isolant..... •Isolator..... •Aislador..... •Isolator.....						
4	VOE 973120	17				•Cable terminal •Cosse cable •Flachsteckhülse •Terminal cable •Ledningssko.....						
5	VOE 874955	8				•Insulator..... •Isolateur..... •Isolator..... •Aislador..... •Isolator.....						
6	VOE 14371054	2				Socket housing Douille isolante..... Steckdose Aislador mangui Hylsisolator.....						



1		Ledn.m hytt inv tak	Catalogue id	Group
2		Haz de cables en el techo interior de la cabina	20017	371
3		Leitung mit Kabine innen Decke	Illustr. No	Section
4		Câblage, pavillon cabine	1011783	350
5		Cable Harness cab int. roof	Issue	Page
		11298189, 11298190	VOE 63D9920017	163

VOLVO

BL60

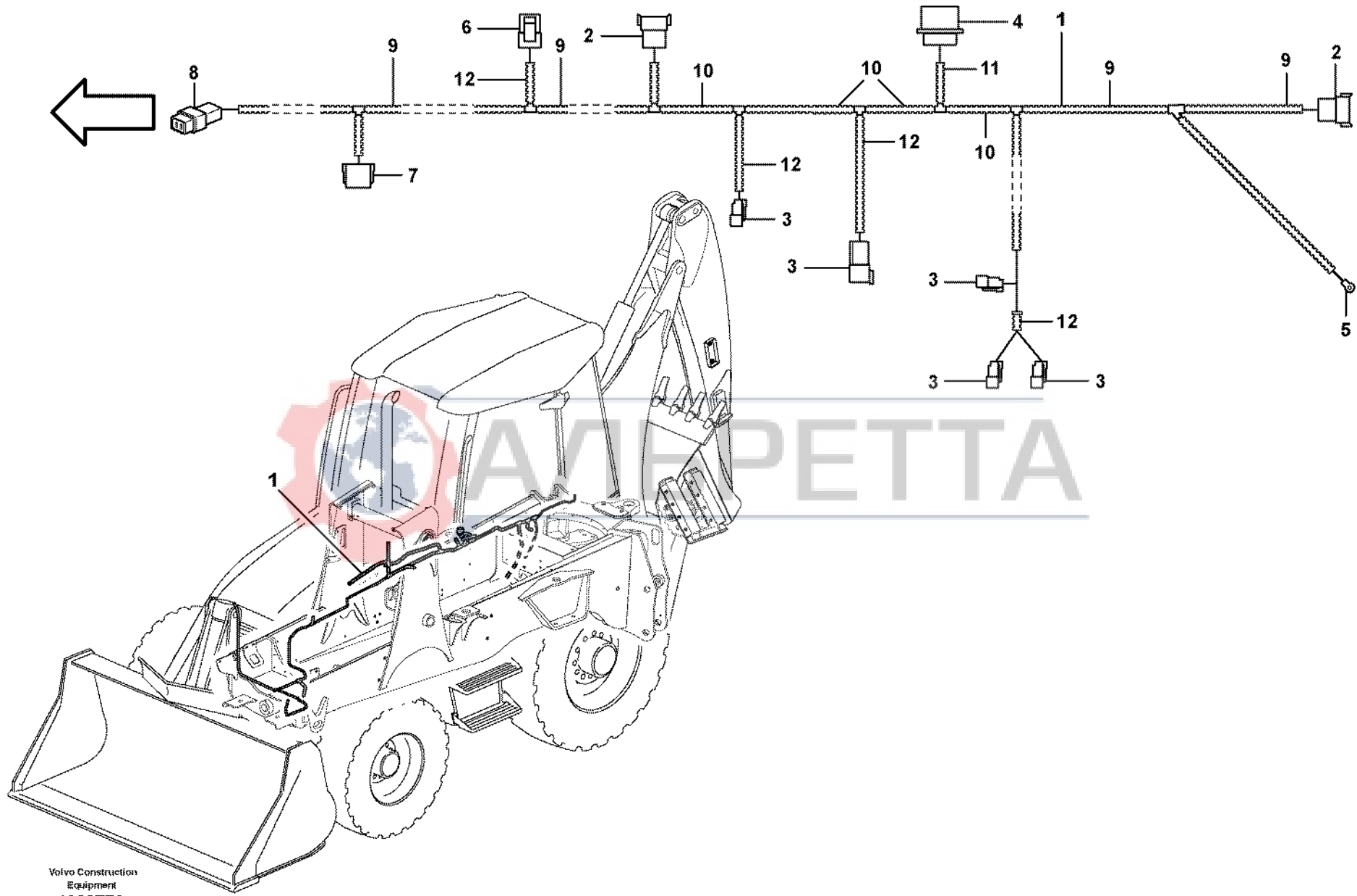


Fig.	Part No.	Quantity			P S	K I T	Description	Dénomination	Bezeichnung	Denominación	Benämning	Notes
		1	2	3								
1	VOE 11887383	1				Wire harness.....	Faisceau électrique....	Kabelbaum.....	Manojo cables.....	Ledningsmatta.....	S/N 10453 -	
	VOE 11886565	1				Cable.....	Câble.....	Seil.....	Cable.....	Lina.....	S/N 10252 - 10258 S/N 10261 - 10266 S/N 10268 - 10274 S/N 10276 - 10452	
	VOE 11886212	1				Wire harness.....	Faisceau électrique....	Kabelbaum.....	Manojo cables.....	Ledningsmatta.....	S/N - 10251 S/N 10259, S/N 10260 S/N 10267, S/N 10275	
						•CONNECTED TO:... •CONNECTÉ A:..... •ANGESCHLOSSEN:•CONECTADO A:..... •ANSLUTER TILL:..... •Valve block..... •Bloc-soupape..... •Ventilblock..... •Bloque de valvula..... •Ventilblock..... X11 •Earth..... •Terre..... •Erde..... •Tierra..... •Jord..... X164 •Hand brake..... •Frein à main..... •Handbremse..... •Freno de mano..... •Handbroms..... X80 •Valve Boom Suspen..... •Valve, suspension d..... •Ventil Hubgerüstdä..... •Válvula, suspensión..... •Ventil Lastarmsfjädr..... X78, X79 •Instrument panel Ri..... •Tableau de bord côt..... •Armaturen Brett recht..... •Tablero de instrume..... •Instrumentbräda Hö..... X8 •Valve Automatic Tilt..... •Valve, basculement..... •Ventil Kippautomati..... •Válvula, automatism..... •Ventil Tiltautomatik..... X41 •Fuel Gauge..... •Jauge Carburant..... •Kraftst Messer..... •Indic Combust..... •Bränslemätare..... X82 •Cable harness,tran..... •Faisceau cables,tra..... •Kabalbaum, Getrieb..... •Manojo cables,trans..... •Ledningsmatta,tran..... X12 •Switch Automatic Til..... •Contacteur, bascule..... •Schalter Kippautom..... •Contacto, automatis..... •Kontakt Tiltautomati..... X83 •Cable Harness, En..... •Faisceau De Câble..... •Kabelbündel, Motor..... •Haz De Cables, Mot..... •Ledningsmatta, Mot..... X13 •Horn..... •Avertisseur sonore..... •Signalhorn..... •Avisador sonoro..... •Signalhorn..... X202 •Connector..... •Raccord..... •Anschluss..... •Union..... •Anslutning..... X11, X12 •Spacer..... •Partie Intermédiaire..... •Zwischenstück..... •Espaciador..... •Mellandel..... •Insulator..... •Isolateur..... •Isolator..... •Aislador..... •Isolator..... X41, X78, X79, X80, X82 •Connector..... •Raccord..... •Anschluss..... •Union..... •Anslutning..... X8 •Cable terminal..... •Cosse cable..... •Flachsteckhülse..... •Terminal cable..... •Ledningssko..... X164 •Rcpt Housing..... •Douille Isolan..... •Steckbuchse..... •Aislador Mangui..... •Hylsisolator..... X83 •Connector..... •Raccord..... •Anschluss..... •Union..... •Anslutning..... X13 •Key..... •Clavette..... •Keil..... •Llave (cuna)..... •Kil..... •Insulator..... •Isolateur..... •Isolator..... •Aislador..... •Isolator..... X202 •Hose..... •Durit..... •Schlauch..... •Tubo flexible..... •Slang.....						
2	VOE 874965	2				Connector.....	Raccord.....	Anschluss.....	Union.....	Anslutning.....	X11, X12	
	VOE 14370889	2				Spacer.....	Partie Intermédiaire.....	Zwischenstück.....	Espaciador.....	Mellandel.....		
3	VOE 874955	5				Insulator.....	Isolateur.....	Isolator.....	Aislador.....	Isolator.....	X41, X78, X79, X80, X82	
4	VOE 11709788	2				Connector.....	Raccord.....	Anschluss.....	Union.....	Anslutning.....	X8	
5		1			NS	Cable terminal.....	Cosse cable.....	Flachsteckhülse.....	Terminal cable.....	Ledningssko.....	X164	
6	VOE 874654	1				Rcpt Housing.....	Douille Isolan.....	Steckbuchse.....	Aislador Mangui.....	Hylsisolator.....	X83	
7	VOE 11709766	1				Connector.....	Raccord.....	Anschluss.....	Union.....	Anslutning.....	X13	
	VOE 874967	1				Key.....	Clavette.....	Keil.....	Llave (cuna).....	Kil.....		
8		1			NS	Insulator.....	Isolateur.....	Isolator.....	Aislador.....	Isolator.....	X202	
9	VOE 4803748	REQ				Hose.....	Durit.....	Schlauch.....	Tubo flexible.....	Slang.....		

1		Ledningsmatta chassi	Catalogue id	Group
2		Haz de cables chasis	20017	371
3		Kabelbaum, Fahrgestell	Illustr. No	Section
4		Faisceau de câbles, châssis	1009779	400
5		Cable harness chassis	Issue	Page
			VOE 63D9920017	165

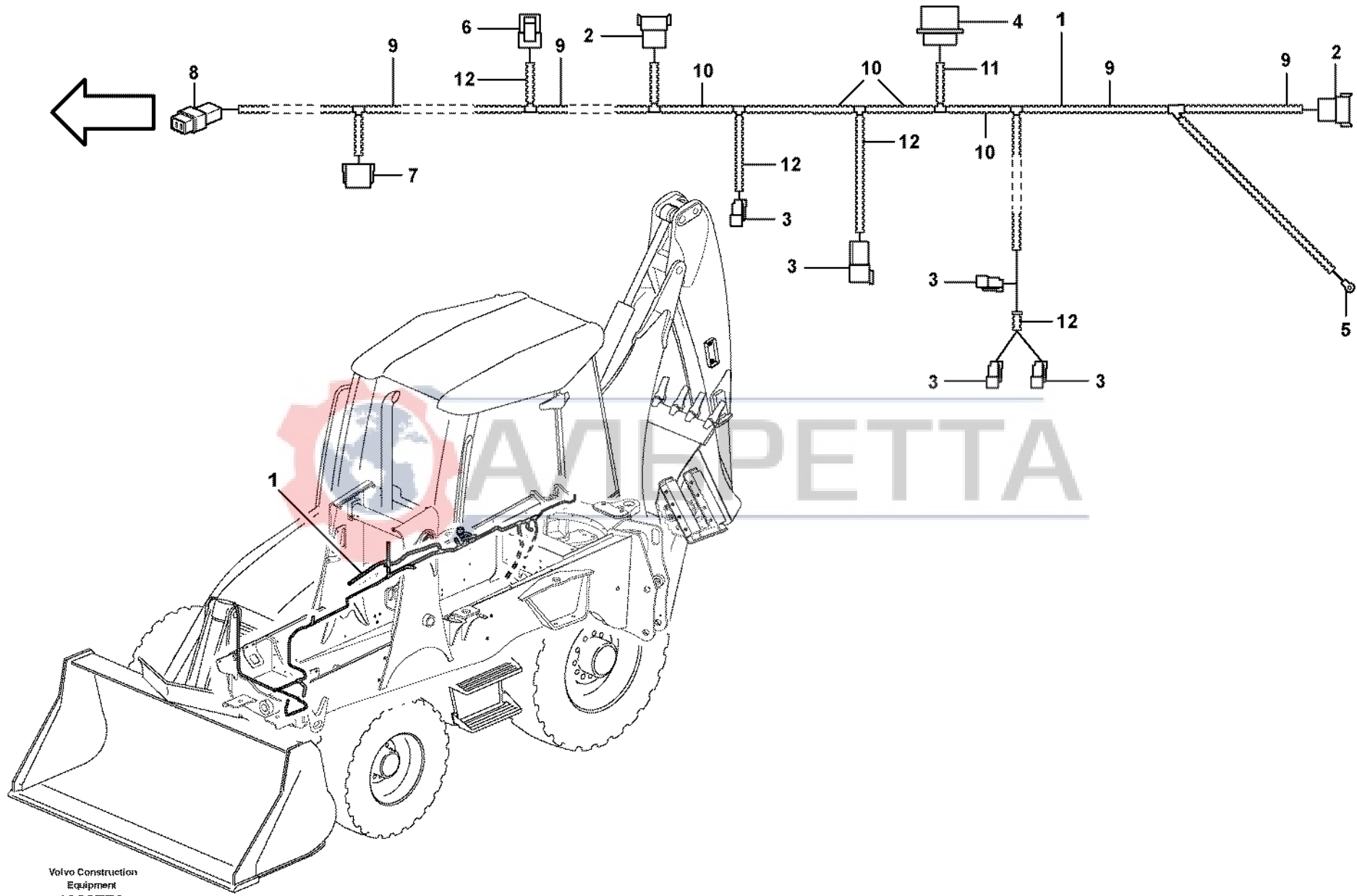


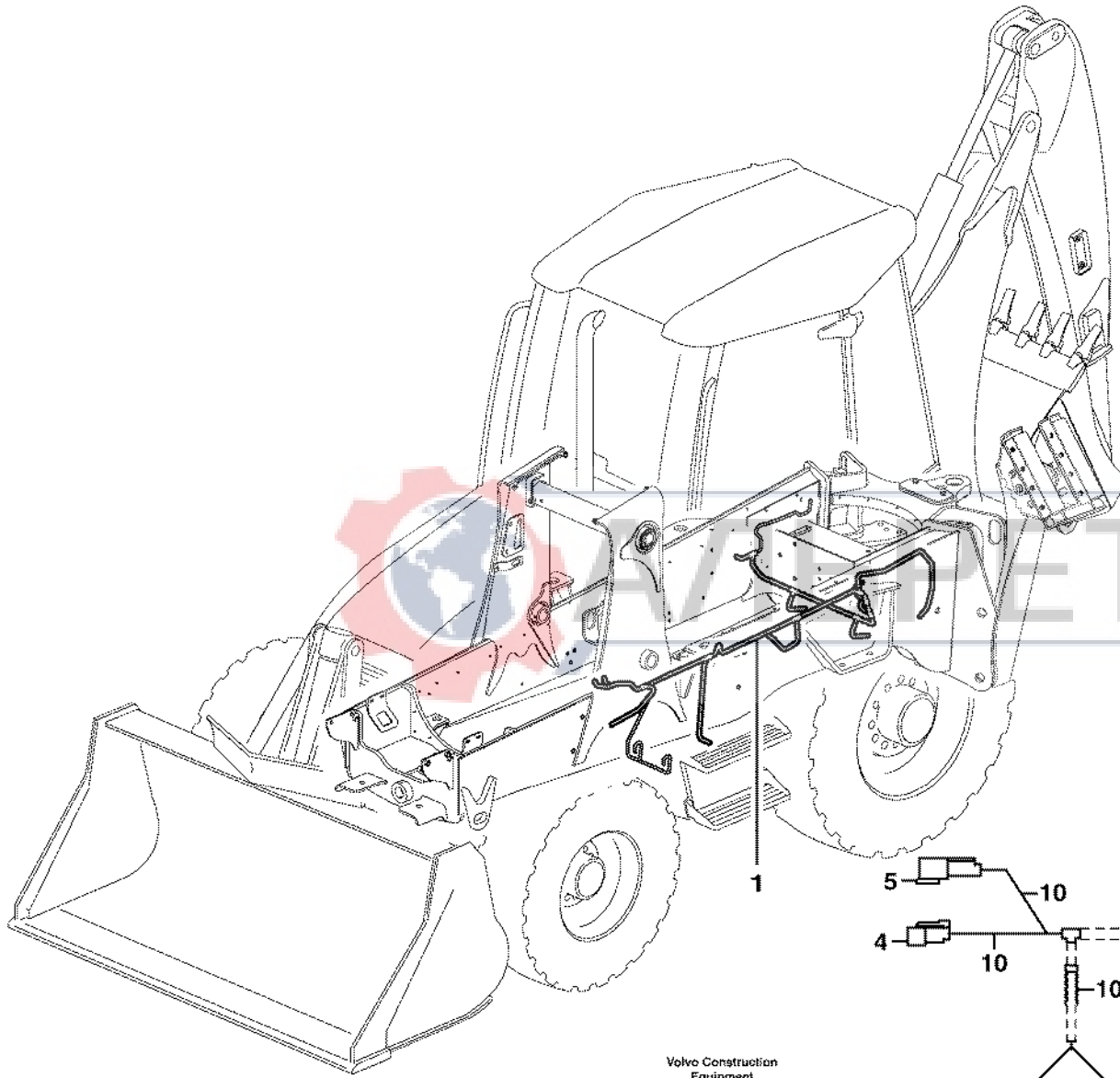
Fig.	Part No.	Quantity			P S	K I T	Description	Dénomination	Bezeichnung	Denominación	Benämning	Notes
		1	2	3								
10	VOE 4803751	REQ					•Hose	•Durit	•Schlauch	•Tubo flexible.....	•Slang.....	
11	VOE 4803752	REQ					•Hose	•Durit	•Schlauch	•Tubo flexible.....	•Slang.....	
12	VOE 11170006	REQ					•Hose	•Durit	•Schlauch	•Tubo flexible.....	•Slang.....	



1		Ledningsmatta chassi Haz de cables chasis Kabelbaum, Fahrgestell Faisceau de câbles, châssis Cable harness chassis	Catalogue id	Group
2			20017	371
3			Illustr. No	Section
4			1009779	400
5			Issue	Page
			VOE 63D9920017	167

VOLVO

BL60



Volvo Construction
Equipment
1011908

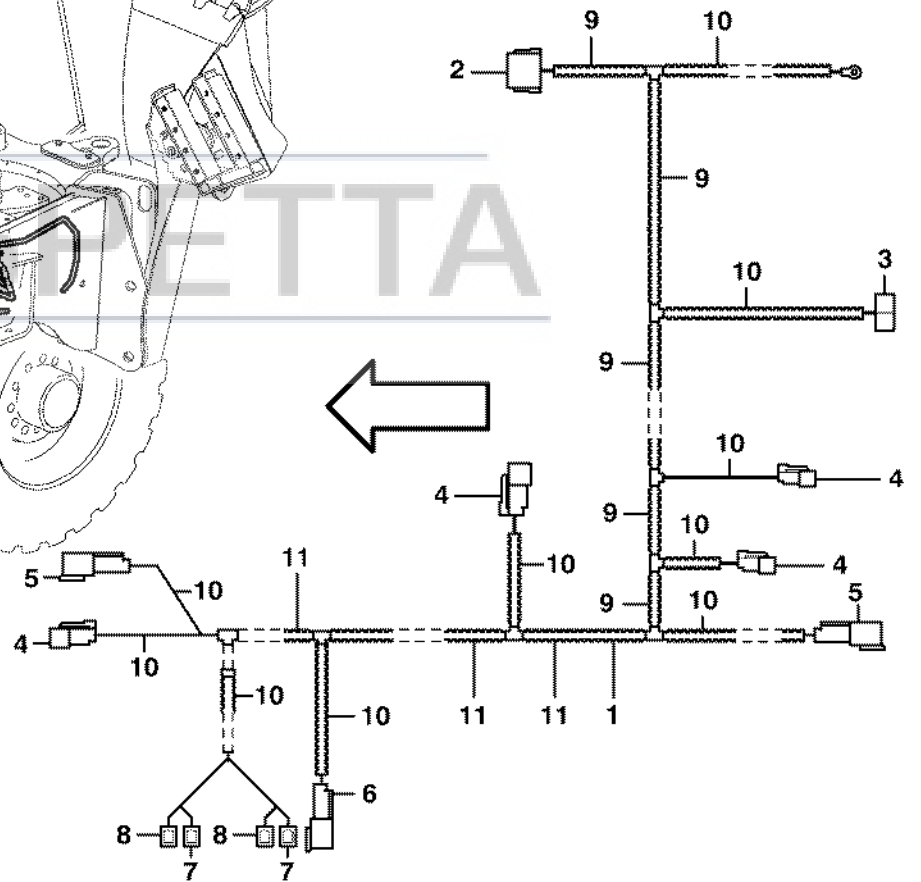


Fig.	Part No.	Quantity			P S	K I T	Description	Dénomination	Bezeichnung	Denominación	Benämning	Notes
		1	2	3								
1	VOE 11886209	1				Wire harness.....	Faisceau électrique....	Kabelbaum.....	Manejo cables.....	Ledningsmatta.....	S/N - 10452	
1	VOE 11887384	1				Wire harness.....	Faisceau électrique....	Kabelbaum.....	Manejo cables.....	Ledningsmatta.....	S/N 10453 - 10938	
1	VOE 11888535	1				Wire harness.....	Faisceau électrique....	Kabelbaum.....	Manejo cables.....	Ledningsmatta.....	S/N 10939 -	
						•CONNECTED TO:.....	•CONNECTÉ A:.....	•ANGESCHLOSSEN:.....	•CONECTADO A:.....	•ANSLUTER TILL:.....		
						•Cable harness Cha..	•Faisceau de câbles,.	•Kabelbaum Fahrge..	•Haz de cables, chas	•Ledningsmatta Cha.	X11	
						•Earth.....	•Terre.....	•Erde.....	•Tierra.....	•Jord.....	X163	
						•Horn.....	•Avertisseur sonore...	•Signalhorn.....	•Avisador sonoro.....	•Signalhorn.....	X201	
						•Boom lock.....	•Verrouillage de flèc..	•Auslegersperre.....	•Bloqueo de la plum..	•Bomlåsning.....	X74	
						•Hammer.....	•Marteau.....	•Hammer.....	•Martillo.....	•Hammare.....	X73	
						•Reverse-motion ala	•Avertisseur de recul.	•Ruckfahrwarner.....	•Senal acustica de ..	•Backalarm.....	X561	
						•Hydraulic oil filter	•Filtre hydraulique.....	•Filter hydraulik.....	•Filtro hidraulico.....	•Hydrauloljefilter.....	X170	
						•Starter Relay.....	•Relais Demarra.....	•Anlassrelais.....	•Rele Arranque.....	•Startrelä.....	X60	
						•Wshld Washer.....	•Lave-glace.....	•Frontsch.spuler.....	•Lavaparabrisas.....	•Vindrutespolare.....	X313-X314	
						•Temp. sensor Hydr..	•Décteur de tempé.	•Temp.-Geber Hydra.	•Sensor de temperat.	•Temp.givare Hydräu	X70, X71,	
2	VOE 11709766	1				•Connector.....	•Raccord.....	•Anschluss.....	•Union.....	•Anslutning.....	X11	
3	VOE 8159013	1				•Insulator.....	•Isolateur.....	•Isolator.....	•Aislador.....	•Isolator.....	X201	
4	VOE 874955	4				•Insulator.....	•Isolateur.....	•Isolator.....	•Aislador.....	•Isolator.....	X70, X73, X74, X75, X78 X79, X109, X112, X170	
5	VOE 874954	2				•Connector.....	•Raccord.....	•Anschluss.....	•Union.....	•Anslutning.....	X71	
6	VOE 11709787	1				•Connector.....	•Raccord.....	•Anschluss.....	•Union.....	•Anslutning.....	X60	
7	VOE 973119	2				•Cable terminal.....	•Cosse cable.....	•Flachsteckhülse.....	•Terminal cable.....	•Ledningssko.....	X312, X314	
8	VOE 973120	2				•Cable terminal.....	•Cosse cable.....	•Flachsteckhülse.....	•Terminal cable.....	•Ledningssko.....	X311, X313	
9	VOE 4803752	REQ				•Hose.....	•Durit.....	•Schlauch.....	•Tubo flexible.....	•Slang.....		
10	VOE 11170006	REQ				•Hose.....	•Durit.....	•Schlauch.....	•Tubo flexible.....	•Slang.....		
11	VOE 4803748	REQ				•Hose.....	•Durit.....	•Schlauch.....	•Tubo flexible.....	•Slang.....		

1		Ledningsmatta bakre ventilblock	Catalogue id	Group
2		Haz de cables del bloque de ventiladores traseros	20017	371
3		Kabelbaum hinterer Ventilblock	Illustr. No	Section
4		Faisceau de câbles, bloc-distributeur arrière	1011908	450
5		Cable harness rear valve block	Issue	Page
			VOE 63D9920017	169

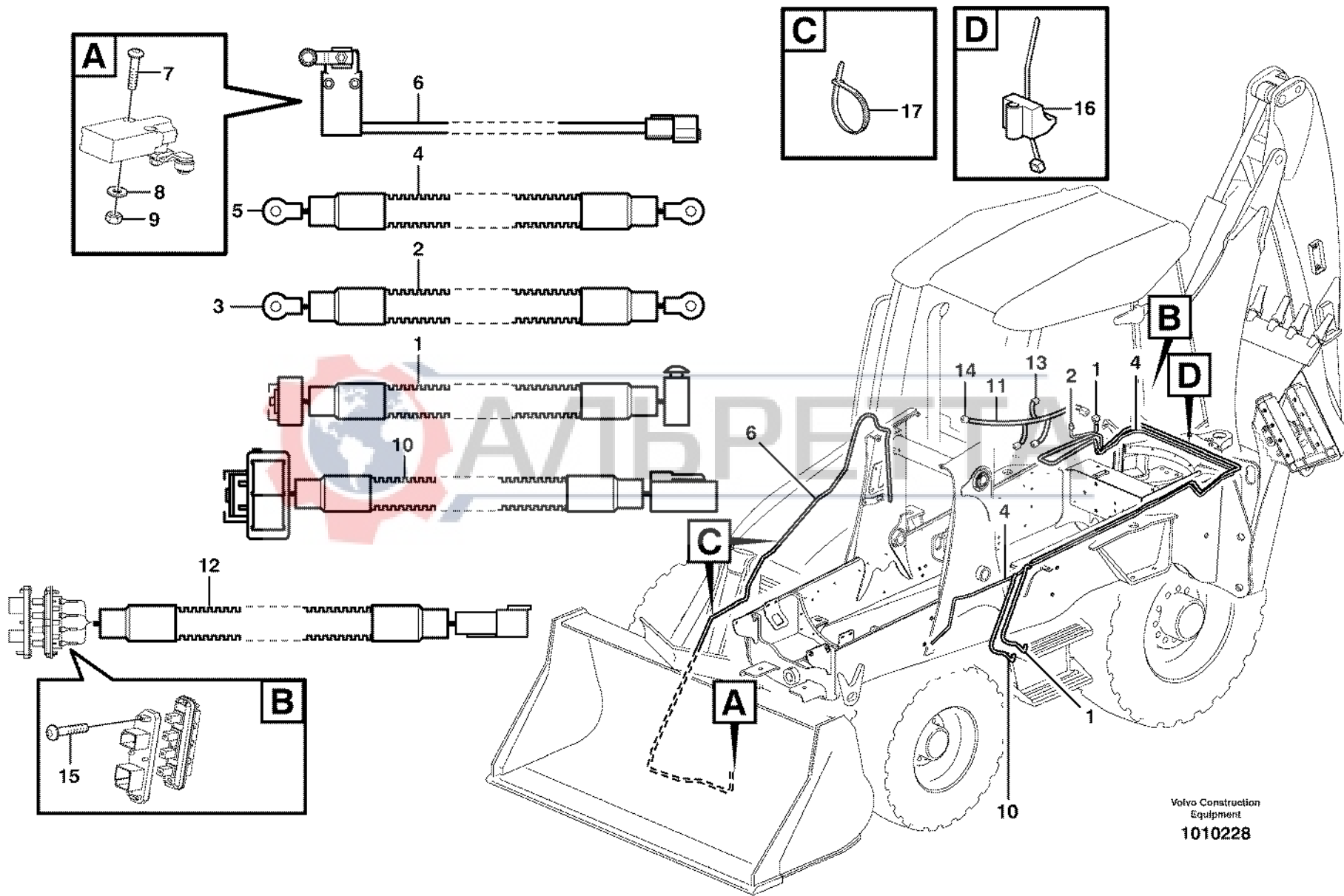


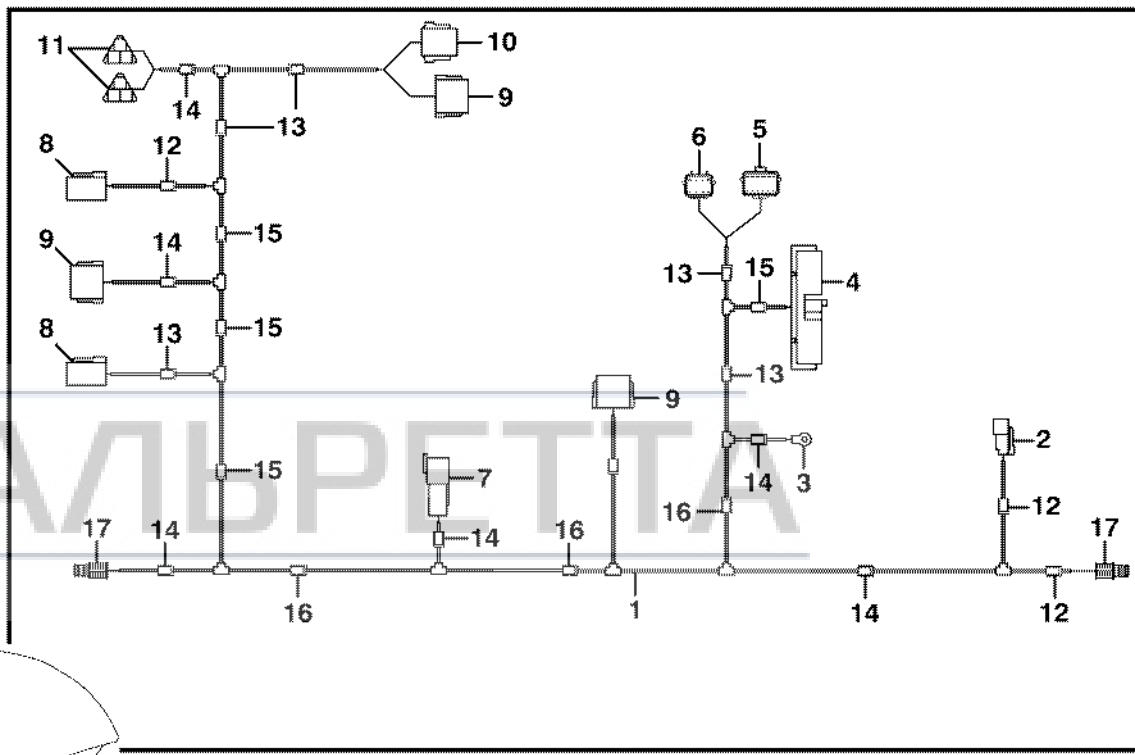
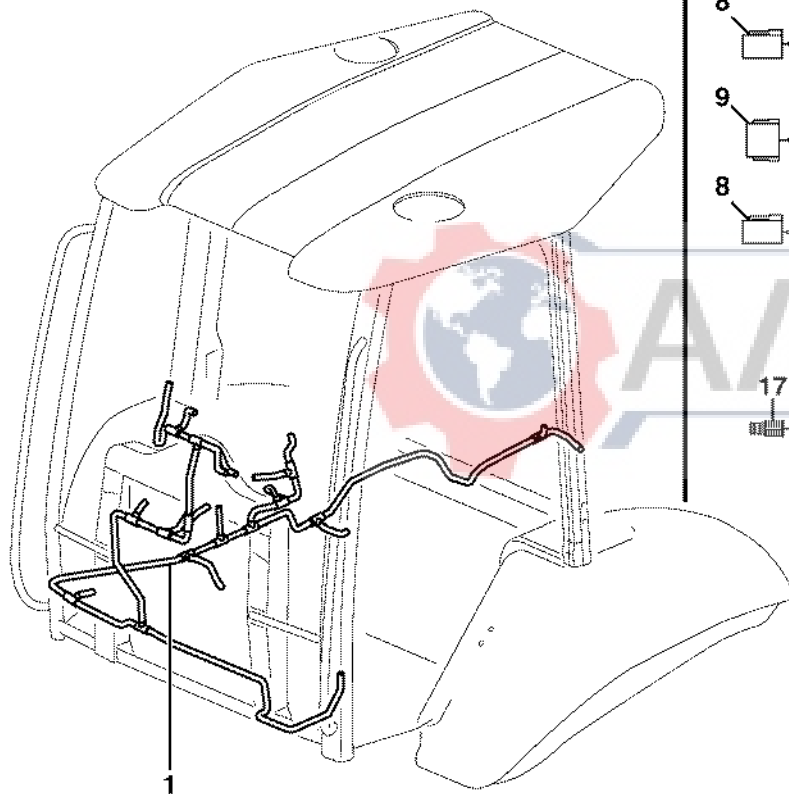
Fig.	Part No.	Quantity			P S	K I T	Description	Dénomination	Bezeichnung	Denominación	Benämning	Notes
		1	2	3								
1	VOE 11886120	1				Wire harness.....	Faisceau électrique....	Kabelbaum.....	Manejo cables.....	Ledningsmatta.....	MAIN FUSE TO CAB FLOOR HARNESS	
2	VOE 11885812	1				Wire Assembly.....	Câble.....	Leitung.....	Cable.....	Ledning.....	CABLE CHASSIS GROUND T CAB	
3	VOE 944158	2				•Cable terminal.....	•Cosse cable.....	•Flachsteckhülse.....	•Terminal cable.....	•Ledningssko.....		
4	VOE 11884215	1				Wire Assembly.....	Câble.....	Leitung.....	Cable.....	Ledning.....	ENGINE GROUND TO CHAS GROUND CABLE	
5	VOE 940337	1				•Cable terminal.....	•Cosse cable.....	•Flachsteckhülse.....	•Terminal cable.....	•Ledningssko.....		
6	VOE 11881207	1				Switch.....	Commutateur.....	Schalter.....	Contacteur.....	Strömställare.....		
7	VOE 969557	2				6-pt skt screw.....	Vis creuse de 6.....	Hohlschraube.....	Racor 6-dientes.....	Sextandhålskruv.....		
8	VOE 13940090	2				Washer.....	Rondelle.....	Scheibe.....	Arandela.....	Bricka.....		
9	VOE 13975237	2				Lock nut.....	Contre-ecrou.....	Sicherungsmutter.....	Contratuercas.....	Låsmutter.....		
10	VOE 11884086	1				Wire harness.....	Faisceau électrique....	Kabelbaum.....	Manejo cables.....	Ledningsmatta.....	2157) WIRE HARNESS A/C SUPP	
10	VOE 11886139	1				Wire harness.....	Faisceau électrique....	Kabelbaum.....	Manejo cables.....	Ledningsmatta.....	WIRE HARNESS A/C SUPPL SER NO 10178, 10180, 10228-	
11		1				Cable harness.....	Faisceau cables.....	Kabelbaum.....	Manejo cables.....	Ledningsmatta.....	WIRE HARNESS CAB HEATER See group 371, Page 187	
12	VOE 11884152	1				Cable harness.....	Faisceau cables.....	Kabelbaum.....	Manejo cables.....	Ledningsmatta.....	WINDOW SWITCH	
	VOE 874802	1				•Housing.....	•Isolant.....	•Isolator.....	•Aislador.....	•Isolator.....		
13	VOE 11890298	2				Switch.....	Interrupteur.....	Trennschalter.....	Interruptor.....	Brytare.....		
14	VOE 11305263	2				Relay.....	Relais.....	Relais.....	Rele.....	Relä.....		
15	VOE 975358	2				Screw.....	Vis.....	Schraube.....	Tornillo.....	Skruv.....		
16	VOE 980883	48				Strip Clamp.....	Ruban Serrage.....	Kabelbinder.....	Abraz Cinta.....	Bandklamma.....		
17	VOE 4881438	12				Strip Clamp.....	Ruban Serrage.....	Kabelbinder.....	Abraz Cinta.....	Bandklamma.....		

2157) GB: Ser. No. -10227 except 10178, 10180 FR: No de série -10227, sauf 10178, 10180 DE: Fert.-Nr. -10227 außer 10178, 10180 ES: Núm. de serie -10227 excepto 10178, 10180
SE: Tillverkningsnr. -10227 utom 10178, 10180

1	11880001	Övriga ledningar Otros cables Übrige Leitungen Autres câbles électriques Other cables	Catalogue id	Group
2	11298190		20017	371
3			Illustr. No	Section
4			1010228	500
5			Issue	Page
			VOE 63D9920017	171

VOLVO

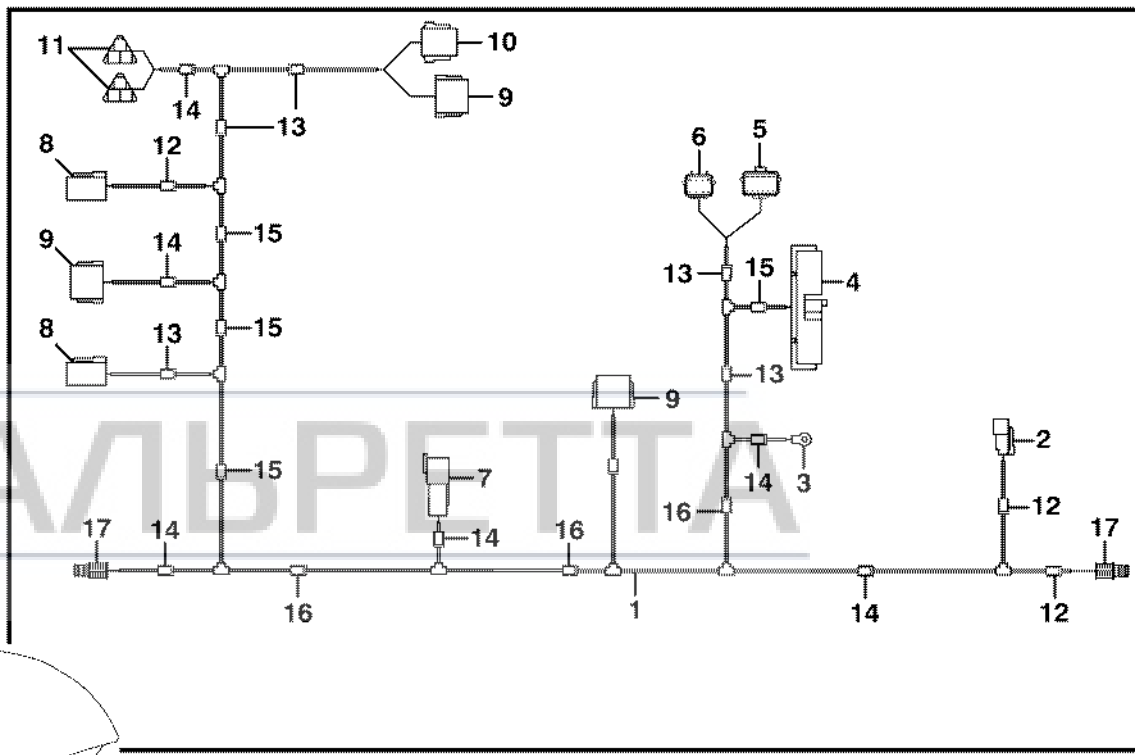
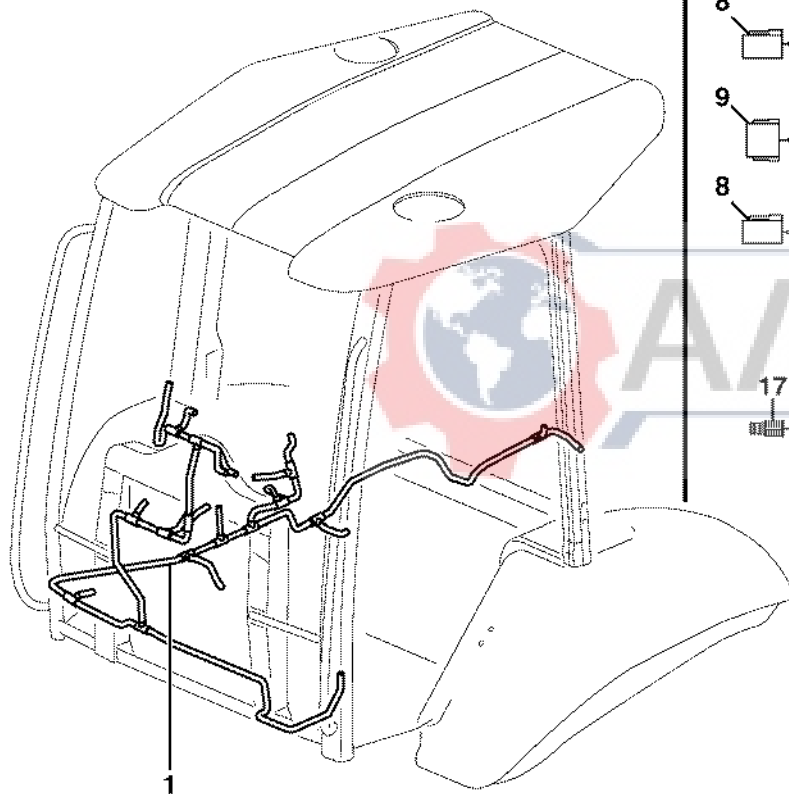
BL60



Volvo Construction
Equipment
1011902

Fig.	Part No.	Quantity			P S	K I T	Description	Dénomination	Bezeichnung	Denominación	Benämning	Notes
		1	2	3								
1	VOE 11886099	1					Wire harness..... Faisceau électrique.... Kabelbaum..... Manajo cables..... Ledningsmatta.....					FRONT DASHBOARD
							••CONNECTED TO:.... ••CONNECTÉ A:..... ••ANGESCHLOSSEN:••CONECTADO A:..... ••ANSLUTER TILL:....					
							••Switch..... ••Commutateur..... ••Schalter..... ••Contactor..... ••Strömställare.....					X89 HORN SWITCH
							••Earth..... ••Terre..... ••Erde..... ••Tierra..... ••Jord.....					X177
							••Control Unit..... ••Unite Commande..... ••Steuergerät..... ••Unidad Mando..... ••Styrenhet.....					X4 VECU
							••Cable harness..... ••Faisceau cables..... ••Kabelbaum..... ••Manajo cables..... ••Ledningsmatta.....					X34, X48 RH SIDE DASHBOARD
							••Cable harness..... ••Faisceau cables..... ••Kabelbaum..... ••Manajo cables..... ••Ledningsmatta.....					X14, HYDR. LEVER SWITCH
							••Cable harness..... ••Faisceau cables..... ••Kabelbaum..... ••Manajo cables..... ••Ledningsmatta.....					X36 CAB.EXTERIOR
							••Windshield wiper Fr. ••Essuie-glace, pare-.. ••Scheibenwischer vo. ••Limpiaparabrisas d .. ••Vindrutetorkare Fra.					X44
							••Switch..... ••Commutateur..... ••Schalter..... ••Commutador..... ••Omkopplare.....					X47, X16 LH, RH COMBI SWITCH
							••Stop Lt Switch..... ••Contacteur Stop..... ••Br Lichtschalt..... ••Cont Luz Freno..... ••Bromsljuskont.....					X61, X62
							••Instr Panel..... ••Planche de bord..... ••Instr Tafel..... ••Panel Instrum..... ••Instrumentpanel.....					X15, X33, FRONT
							••Switch..... ••Commutateur..... ••Schalter..... ••Contactor..... ••Strömställare.....					X203 HAMMER SWITCH
							••Switch..... ••Commutateur..... ••Schalter..... ••Contactor..... ••Strömställare.....					X204 DIFF LOCK
2	VOE 874955	1					••Insulator..... ••Isolateur..... ••Isolator..... ••Aislador..... ••Isolator.....					X89
3		1			NS		••Cable terminal..... ••Cosse cable..... ••Flachsteckhülse..... ••Terminal cable..... ••Ledningssko.....					X177
4		1			NS		••Connector..... ••Raccord..... ••Anschluss..... ••Union..... ••Anslutning.....					X4
5		1			NS		••Connector..... ••Raccord..... ••Anschluss..... ••Union..... ••Anslutning.....					X48
6		1			NS		••Connector..... ••Raccord..... ••Anschluss..... ••Union..... ••Anslutning.....					X34
7	VOE 874802	1					••Housing..... ••Isolant..... ••Isolator..... ••Aislador..... ••Isolator.....					X36
8	VOE 874960	2					••Housing..... ••Isolant..... ••Isolator..... ••Aislador..... ••Isolator.....					X44, X47
9	VOE 11709766	3					••Connector..... ••Raccord..... ••Anschluss..... ••Union..... ••Anslutning.....					X14, X15, X16
10	VOE 11709767	1					••Connector..... ••Raccord..... ••Anschluss..... ••Union..... ••Anslutning.....					X33
11	VOE 874654	2					••Rcpt Housing..... ••Douille Isolan..... ••Steckbuchse..... ••Aislador Mangui..... ••Hylsisolator.....					X61, X62
12	VOE 4803745	REQ					••Hose..... ••Durit..... ••Schlauch..... ••Tubo flexible..... ••Slang.....					
13	VOE 4803748	REQ					••Hose..... ••Durit..... ••Schlauch..... ••Tubo flexible..... ••Slang.....					
14	VOE 4803746	REQ					••Hose..... ••Durit..... ••Schlauch..... ••Tubo flexible..... ••Slang.....					
15	VOE 4803751	REQ					••Hose..... ••Durit..... ••Schlauch..... ••Tubo flexible..... ••Slang.....					

1	11298189, 11298190	Ledningsmatta, mittpanel	Catalogue id	Group
2		Haz de cables, panel central	20017	371
3		Kabelbäume, Mitteltafel	Illustr. No	Section
4		Faisceau de câbles, pupitre central	1011902	650
5		Cable harness, panel	Issue	Page
		SER NO -10361	VOE 63D9920017	173



Volvo Construction
Equipment
1011902

Fig.	Part No.	Quantity			P S	K I T	Description	Dénomination	Bezeichnung	Denominación	Benämning	Notes
		1	2	3								
16	VOE 4803752	REQ					•Hose	•Durit	•Schlauch	•Tubo flexible.....	•Slang.....	
17	VOE 949005	2					•Rcpt Housing	•Douille Isolan.	•Steckbuchse	•Aislador Mangui	•Hylisolator.....	X203,X204



1	11298189, 11298190	Ledningsmatta, mittpanel	Catalogue id	Group
2		Haz de cables, panel central	20017	371
3		Kabelbäume, Mitteltafel	Illustr. No	Section
4		Faisceau de câbles, pupitre central	1011902	650
5		Cable harness, panel	Issue	Page
		SER NO -10361	VOE 63D9920017	175

VOLVO

BL60

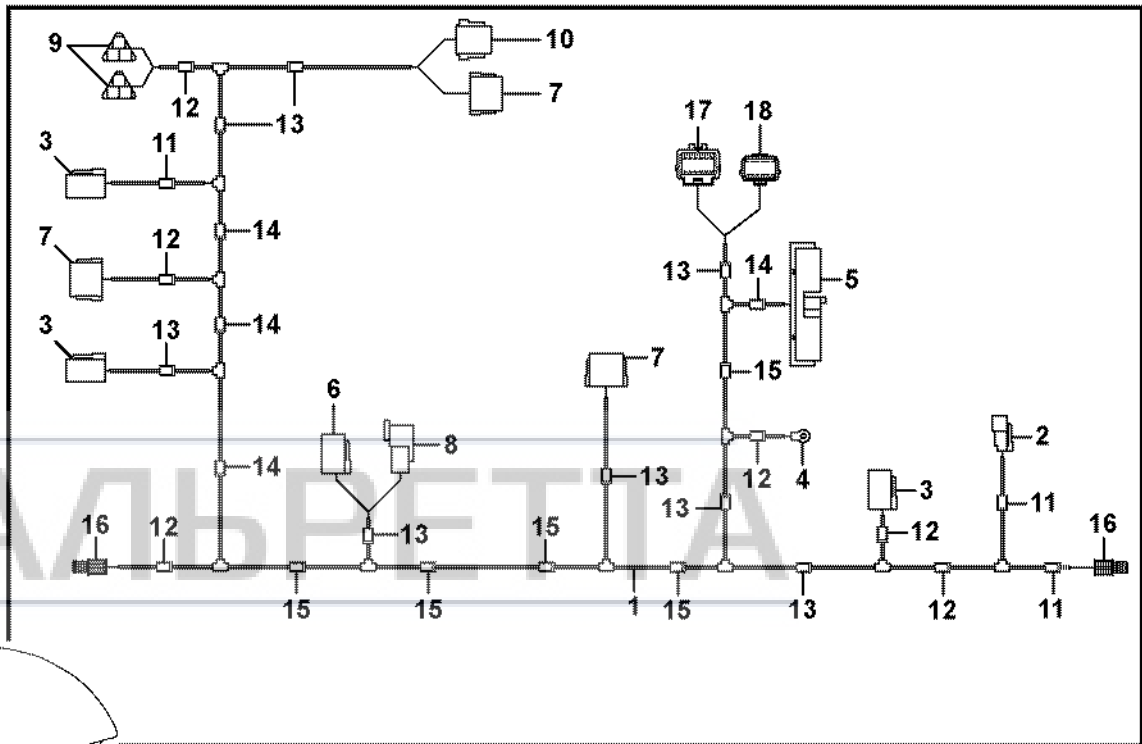
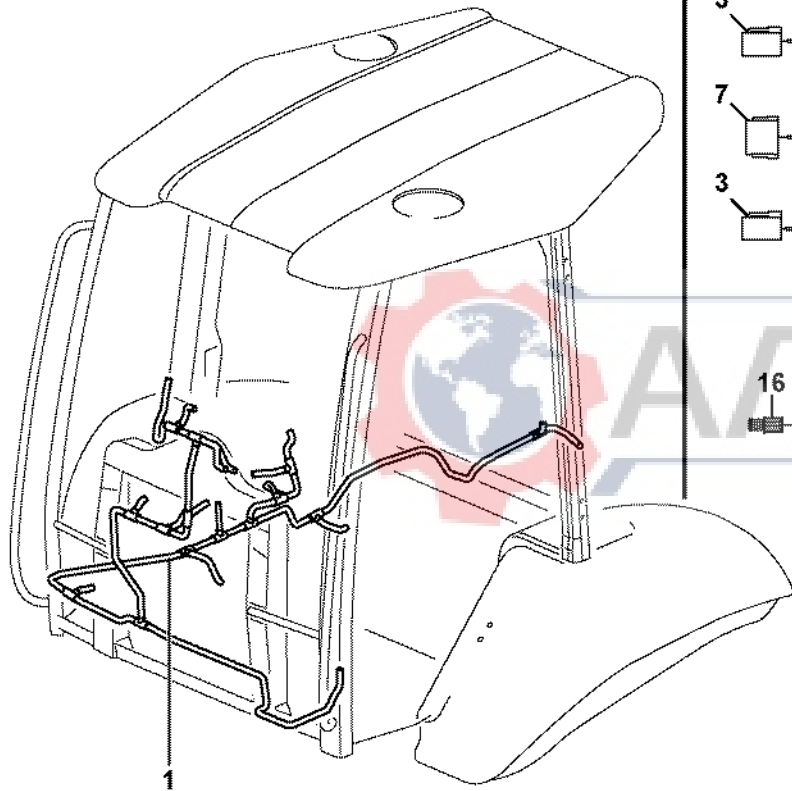


Fig.	Part No.	Quantity			P S	K I T	Description	Dénomination	Bezeichnung	Denominación	Benämning	Notes
		1	2	3								
1	VOE 11887022	1			SS	Wire harness.....	Faisceau électrique....	Kabelbaum.....	Manojo cables.....	Ledningsmatta.....	S/N - 10549	
1	VOE 11887637	1				Wire harness.....	Faisceau électrique....	Kabelbaum.....	Manojo cables.....	Ledningsmatta.....	FRONT DASHBOARD S/N 10550 - 10938	
1	VOE 11888816	1				Wire harness.....	Faisceau électrique....	Kabelbaum.....	Manojo cables.....	Ledningsmatta.....	S/N 10939 -	
						••CONNECTED TO:.....	••CONNECTÉ A:.....	••ANGESCHLOSSEN:.....	••CONECTADO A:.....	••ANSLUTER TILL:.....		
						••Switch.....	••Commutateur.....	••Schalter.....	••Contactor.....	••Strömställare.....	X103 HORN SWITCH	
						••Cable harness.....	••Faisceau cables.....	••Kabelbaum.....	••Manojo cables.....	••Ledningsmatta.....	X46 REAR LAMPS	
						••Earth.....	••Terre.....	••Erde.....	••Tierra.....	••Jord.....	X177	
						••Control Unit.....	••Unite Commande.....	••Steuergerät.....	••Unidad Mando.....	••Styrenhet.....	X4 VECU	
						••Cable harness.....	••Faisceau cables.....	••Kabelbaum.....	••Manojo cables.....	••Ledningsmatta.....	X34, X48 RH SIDE DASHBOARD	
						••Switch.....	••Commutateur.....	••Schalter.....	••Contactor.....	••Strömställare.....	X14 HYDRAULIC LEVER SWITCHES	
						••Cable harness.....	••Faisceau cables.....	••Kabelbaum.....	••Manojo cables.....	••Ledningsmatta.....	X36, X37 CAB.EXTERIOR	
						••Windshield wiper Fr.....	••Essuie-glace, pare-..	••Scheibenwischer vo.....	••Limpiaparabrisas d.....	••Vindrutetorkare Fra.....	X44	
						••Switch.....	••Commutateur.....	••Schalter.....	••Commutador.....	••Omkopplare.....	X47, X16 LH, RH COMBI SWITCH	
						••Stop Lt Switch.....	••Contacteur Stop.....	••Br Lichtschalt.....	••Cont Luz Freno.....	••Bromsljuskont.....	X61, X62	
						••Instr Panel.....	••Planche de bord.....	••Instr Tafel.....	••Panel Instrum.....	••Instrumentpanel.....	X15, X33, FRONT	
						••Switch.....	••Commutateur.....	••Schalter.....	••Contactor.....	••Strömställare.....	X203 HAMMER SWITCH	
						••Switch.....	••Commutateur.....	••Schalter.....	••Contactor.....	••Strömställare.....	X204 DIFF LOCK	
2	VOE 874955	1				••Insulator.....	••Isolateur.....	••Isolator.....	••Aislador.....	••Isolator.....	X103	
3	VOE 874960	3				••Housing.....	••Isolant.....	••Isolator.....	••Aislador.....	••Isolator.....	X46, X44, X47	
4		1			NS	••Cable terminal.....	••Cosse cable.....	••Flachsteckhülse.....	••Terminal cable.....	••Ledningssko.....	X177	
5		1			NS	••Connector.....	••Raccord.....	••Anschluss.....	••Union.....	••Anslutning.....	X4	
6	VOE 874957	1				••Housing.....	••Isolant.....	••Isolator.....	••Aislador.....	••Isolator.....	X36	
6	VOE 874958	1				••Key.....	••Clavette.....	••Keil.....	••Llave (cuna).....	••Kil.....		
7	VOE 11709766	3				••Connector.....	••Raccord.....	••Anschluss.....	••Union.....	••Anslutning.....	X14, X15, X16	
7	VOE 874967	1				••Key.....	••Clavette.....	••Keil.....	••Llave (cuna).....	••Kil.....		
8	VOE 874802	1				••Housing.....	••Isolant.....	••Isolator.....	••Aislador.....	••Isolator.....	X37	

1	11891076, 11891077	Ledningsmatta, mittpanel	Catalogue id	Group
2		Haz de cables, panel central	20017	371
3		Kabelbäume, Mitteltafel	Illustr. No	Section
4		Faisceau de câbles, pupitre central	1017414	655
5		Cable harness, panel	Issue	Page
		SER NO 10362-	VOE 63D9920017	177

VOLVO

BL60

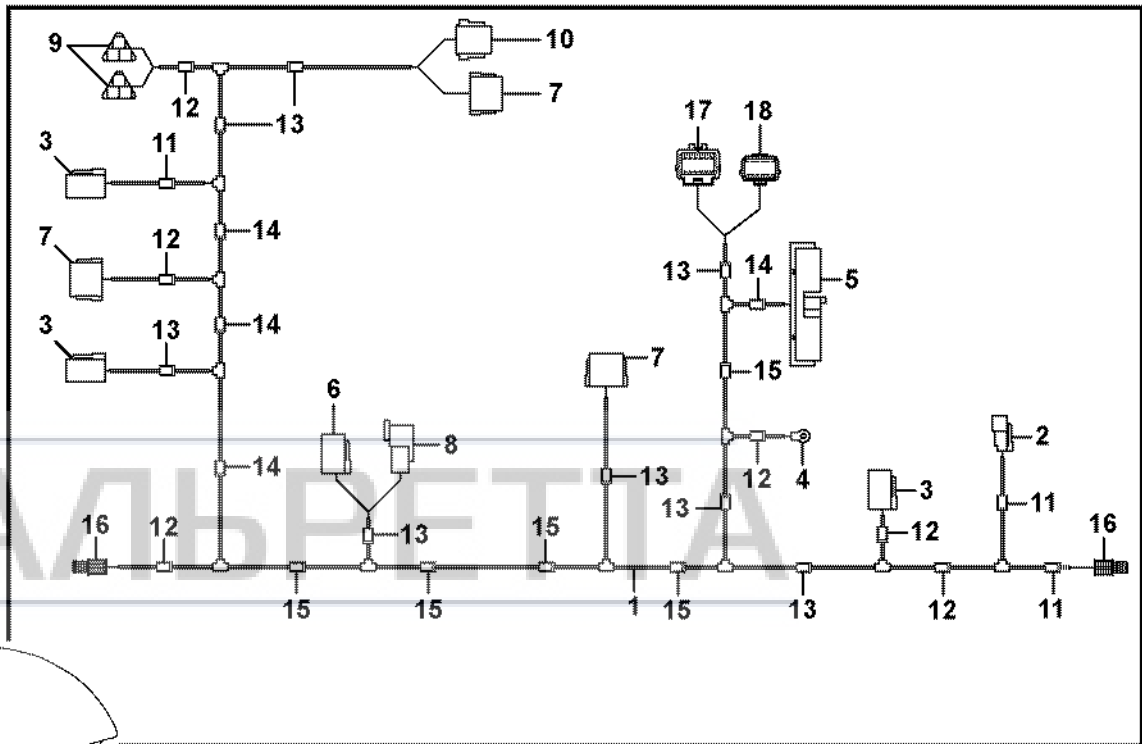
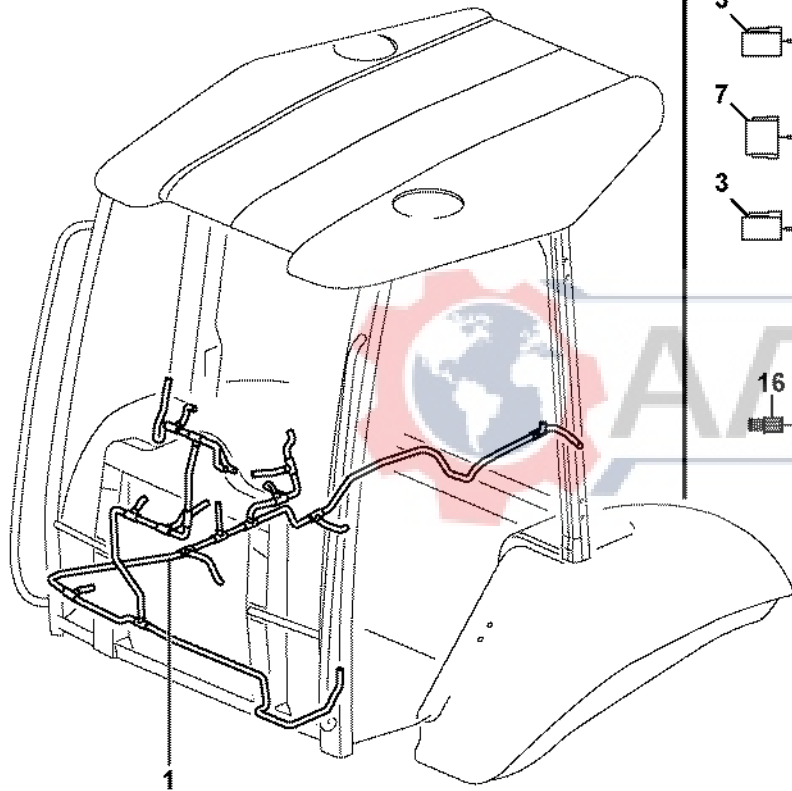


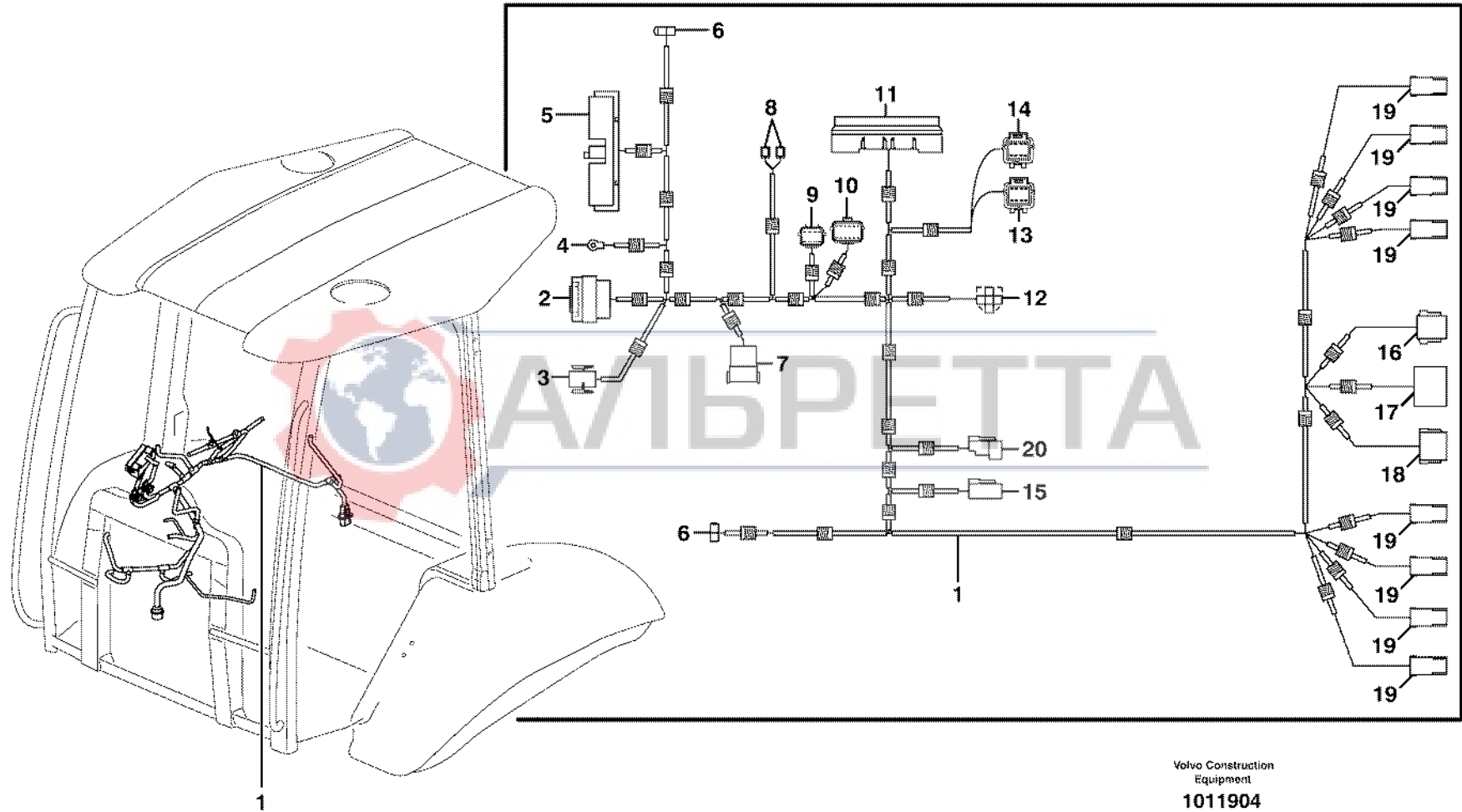
Fig.	Part No.	Quantity			P S	K I T	Description	Dénomination	Bezeichnung	Denominación	Benämning	Notes
		1	2	3								
8	VOE 14370883	1					•Spacer	•Partie Intermédiaire ..	•Zwischenstück	•Espaciador	•Mellandel.....	
9	VOE 874654	2					•Rcpt Housing	•Douille Isolan.	•Steckbuchse	•Aislador Mangui	•Hylisolator.....	X61, X62
10	VOE 11709767	1					•Connector	•Raccord	•Anschluss.....	•Union.....	•Anslutning.....	X33
11	VOE 4803745	REQ					•Hose	•Durit	•Schlauch	•Tubo flexible.....	•Slang.....	
12	VOE 4803746	REQ					•Hose	•Durit	•Schlauch	•Tubo flexible.....	•Slang.....	
13	VOE 4803748	REQ					•Hose	•Durit	•Schlauch	•Tubo flexible.....	•Slang.....	
14	VOE 4803751	REQ					•Hose	•Durit	•Schlauch	•Tubo flexible.....	•Slang.....	
15	VOE 4803752	REQ					•Hose	•Durit	•Schlauch	•Tubo flexible.....	•Slang.....	
16	VOE 949005	2					•Rcpt Housing	•Douille Isolan.	•Steckbuchse	•Aislador Mangui	•Hylisolator.....	X203,X204
17		1			NS		•Connector	•Raccord	•Anschluss.....	•Union.....	•Anslutning.....	X34
18		1			NS		•Connector	•Raccord	•Anschluss.....	•Union.....	•Anslutning.....	X48



1	11891076, 11891077	Ledningsmatta, mittpanel	Catalogue id	Group
2		Haz de cables, panel central	20017	371
3		Kabelbäume, Mitteltafel	Illustr. No	Section
4		Faisceau de câbles, pupitre central	1017414	655
5		Cable harness, panel	Issue	Page
		SER NO 10362-	VOE 63D9920017	179

VOLVO

BL60



Volvo Construction
Equipment
1011904

Fig.	Part No.	Quantity			P S	K I T	Description	Dénomination	Bezeichnung	Denominación	Benämning	Notes
		1	2	3								
1	VOE 11886098	1				Wire harness.....	Faisceau électrique....	Kabelbaum.....	Manojo cables.....	Ledningsmatta.....		
1	VOE 11886640	1				Wire harness.....	Faisceau électrique....	Kabelbaum.....	Manojo cables.....	Ledningsmatta.....	S/N 10434 - 10728	
1	VOE 11888003	1				Wire harness.....	Faisceau électrique....	Kabelbaum.....	Manojo cables.....	Ledningsmatta.....	S/N 10729 - 10938	
1	VOE 11888541	1				Wire harness.....	Faisceau électrique....	Kabelbaum.....	Manojo cables.....	Ledningsmatta.....	S/N 10939	
2		1			NS	•Connector.....	•Raccord.....	•Anschluss.....	•Union.....	•Anslutning.....	X7	
3		1			NS	•Connector.....	•Raccord.....	•Anschluss.....	•Union.....	•Anslutning.....	X140	
4		1			NS	•Cable terminal.....	•Cosse cable.....	•Flachsteckhülse.....	•Terminal cable.....	•Ledningssko.....	X160	
5		1			NS	•Connector.....	•Raccord.....	•Anschluss.....	•Union.....	•Anslutning.....	X2	
6		2			NS	•Housing.....	•Carter.....	•Gehäuse.....	•Carter.....	•Hus.....	X6, X208	
7	VOE 11709766	1				•Connector.....	•Raccord.....	•Anschluss.....	•Union.....	•Anslutning.....	X3	
8		2			NS	•Insulator.....	•Isolateur.....	•Isolator.....	•Aislador.....	•Isolator.....	X300,X301	
9		1			NS	•Insulator.....	•Isolateur.....	•Isolator.....	•Aislador.....	•Isolator.....	X34	
10		1			NS	•Insulator.....	•Isolateur.....	•Isolator.....	•Aislador.....	•Isolator.....	X48	
11		1			NS	•Connector.....	•Raccord.....	•Anschluss.....	•Union.....	•Anslutning.....		
		1				•Fuse box.....	•Boite a fusibles.....	•Sicherungsdose.....	•Caja de fusibles.....	•Säkringsdosa.....	See group 372, Page 191	
12		1			NS	•Housing.....	•Carter.....	•Gehäuse.....	•Carter.....	•Hus.....	X221	
13		1			NS	•Housing.....	•Isolant.....	•Isolator.....	•Aislador.....	•Isolator.....	X17	
14		1			NS	•Housing.....	•Isolant.....	•Isolator.....	•Aislador.....	•Isolator.....	X18	
15	VOE 874957	1				•Housing.....	•Isolant.....	•Isolator.....	•Aislador.....	•Isolator.....	X58	
	VOE 874958	1				•Key.....	•Clavette.....	•Keil.....	•Llave (cuna).....	•Kil.....		
16	VOE 11709767	1				•Connector.....	•Raccord.....	•Anschluss.....	•Union.....	•Anslutning.....	X30	
17		1			NS	•Starter Switch.....	•Commutat. demarre.....	•Anlassschalter.....	•Contact Arranq.....	•Startkontakt.....	X8	
18	VOE 11709766	1				•Connector.....	•Raccord.....	•Anschluss.....	•Union.....	•Anslutning.....	X9	
19	VOE 11881020	8				•Housing.....	•Carter.....	•Gehäuse.....	•Carter.....	•Hus.....	X121 - 124, X133,X135-X136	
20	VOE 874955	1				•Insulator.....	•Isolateur.....	•Isolator.....	•Aislador.....	•Isolator.....	X139	

1		Ledningsmatta, manöverpanel höger Haz de cables, panel de mandos derecho Kabelbaum, rechte Bedientafel Faisceau de câbles, tableau de bord côté droit Cable harness, control panel right	Catalogue id	Group
2			20017	371
3			Illustr. No	Section
4			1011904	700
5			Issue	Page
	11298189		VOE 63D9920017	181

VOLVO

BL60

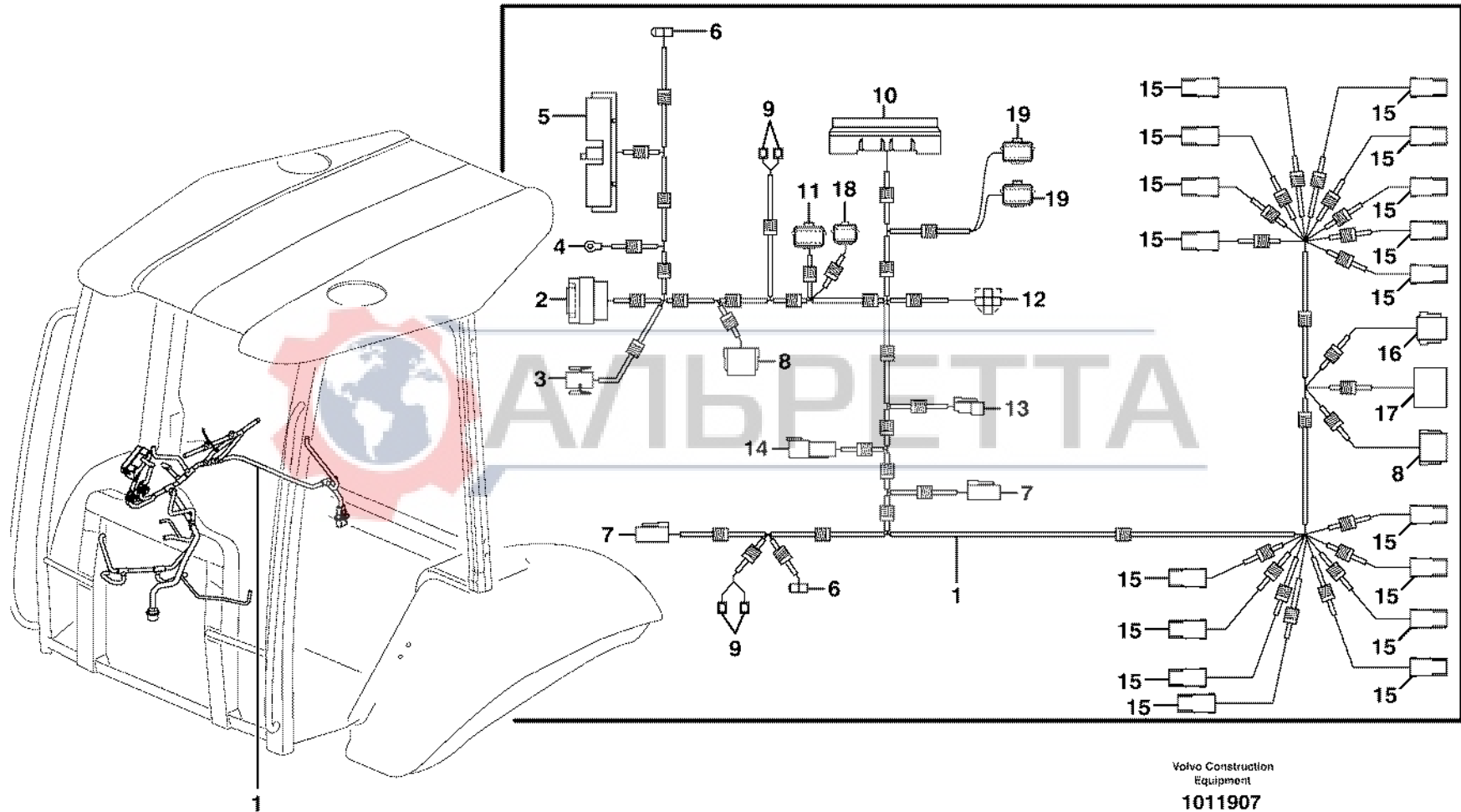


Fig.	Part No.	Quantity			P S	K I T	Description	Dénomination	Bezeichnung	Denominación	Benämning	Notes
		1	2	3								
1	VOE 11886104	1				Wire harness.....	Faisceau électrique....	Kabelbaum.....	Manejo cables.....	Ledningsmatta.....	RH SIDE DASHBOARD S/N - 10430	
1	VOE 11886639	1				Wire harness.....	Faisceau électrique....	Kabelbaum.....	Manejo cables.....	Ledningsmatta.....	S/N 10431 - 10741	
1	VOE 11888002	1				Wire harness.....	Faisceau électrique....	Kabelbaum.....	Manejo cables.....	Ledningsmatta.....	S/N 10742 - 10938	
1	VOE 11888540	1				Wire harness.....	Faisceau électrique....	Kabelbaum.....	Manejo cables.....	Ledningsmatta.....	S/N 10939 -	
2		1			NS	•Connector.....	•Raccord.....	•Anschluss.....	•Union.....	•Anslutning.....	X7	
3		1			NS	•Connector.....	•Raccord.....	•Anschluss.....	•Union.....	•Anslutning.....	X140	
4		1			NS	•Cable terminal.....	•Cosse cable.....	•Flachsteckhülse.....	•Terminal cable.....	•Ledningssko.....	X160	
5		1			NS	•Connector.....	•Raccord.....	•Anschluss.....	•Union.....	•Anslutning.....	X2	
6		2			NS	•Housing.....	•Carter.....	•Gehäuse.....	•Carter.....	•Hus.....	X6, X208	
7	VOE 874957	2				•Housing.....	•Isolant.....	•Isolator.....	•Aislador.....	•Isolator.....	X58, X50	
8	VOE 11709766	2				•Connector.....	•Raccord.....	•Anschluss.....	•Union.....	•Anslutning.....	X3,X9	
9		4			NS	•Insulator.....	•Isolateur.....	•Isolator.....	•Aislador.....	•Isolator.....	X300,X301	
10		1			NS	•Fuse box.....	•Boite a fusibles.....	•Sicherungsdose.....	•Caja de fusibles.....	•Säkringsdosa.....	See group 372, Page 191	
11		1			NS	•Connector.....	•Raccord.....	•Anschluss.....	•Union.....	•Anslutning.....	X34	
12		2			NS	•Housing.....	•Carter.....	•Gehäuse.....	•Carter.....	•Hus.....	X221	
13	VOE 874955	1				•Insulator.....	•Isolateur.....	•Isolator.....	•Aislador.....	•Isolator.....	X139	
14	VOE 874802	1				•Housing.....	•Isolant.....	•Isolator.....	•Aislador.....	•Isolator.....	X51	
15	VOE 11881020	17				•Housing.....	•Carter.....	•Gehäuse.....	•Carter.....	•Hus.....	X120 - 136	
16	VOE 11709767	1				•Connector.....	•Raccord.....	•Anschluss.....	•Union.....	•Anslutning.....	X30	
17		1				•Starter Switch.....	•Commutat. demarre.....	•Anlasschalter.....	•Contact Arranq.....	•Startkontakt.....	X8 See group 380, Page 195	
18		1			NS	•Connector.....	•Raccord.....	•Anschluss.....	•Union.....	•Anslutning.....	X48	
19		2			NS	•Insulator.....	•Isolateur.....	•Isolator.....	•Aislador.....	•Isolator.....	X17, X18	

1		Ledningsmatta, manöverpanel höger	Catalogue id	Group
2		Haz de cables, panel de mandos derecho	20017	371
3		Kabelbaum, rechte Bedientafel	Illustr. No	Section
4		Faisceau de câbles, tableau de bord côté droit	1011907	725
5		Cable harness, control panel right	Issue	Page
		11298190, CAB SER NO -10430	VOE 63D9920017	183

VOLVO

BL60

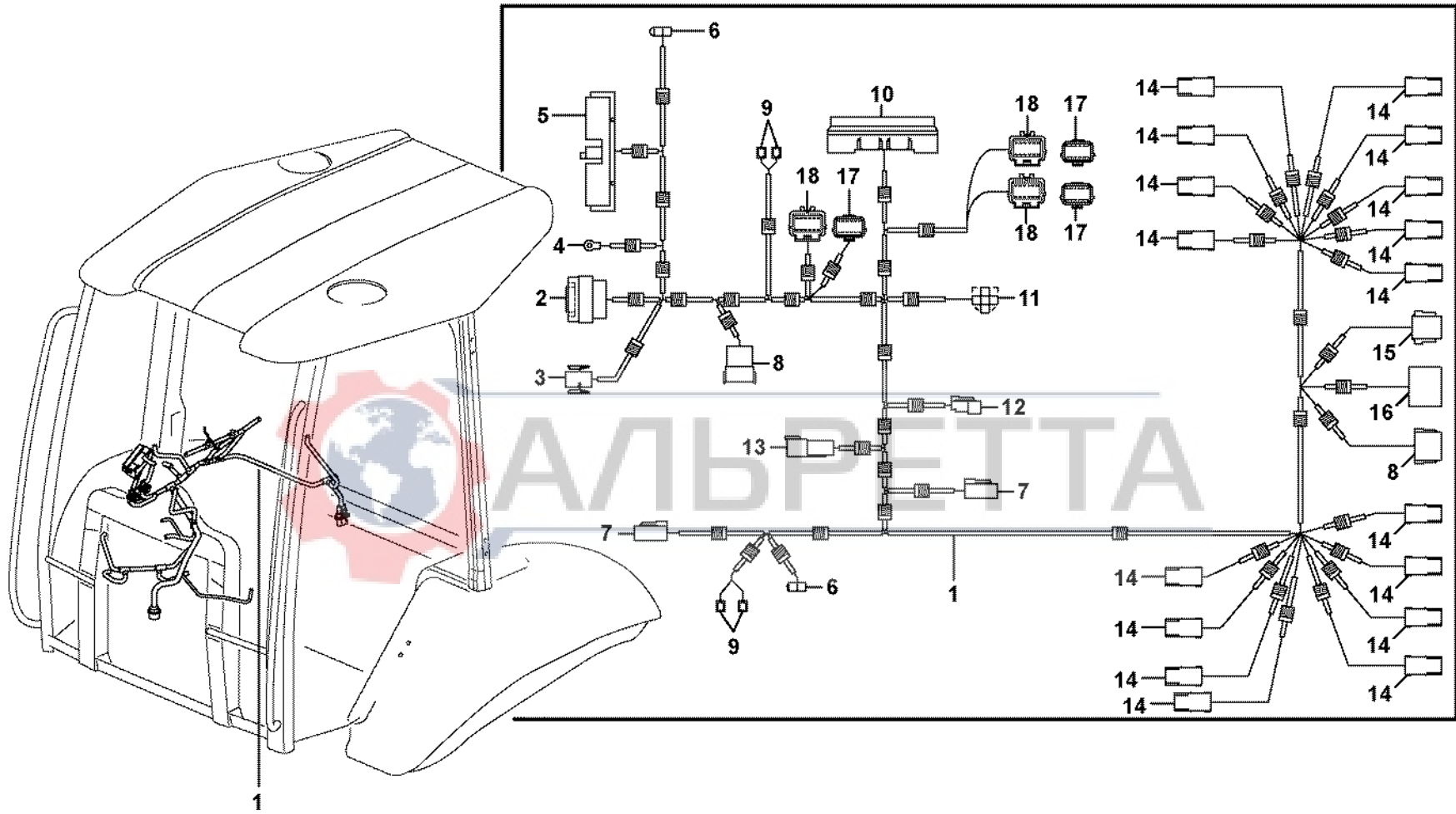
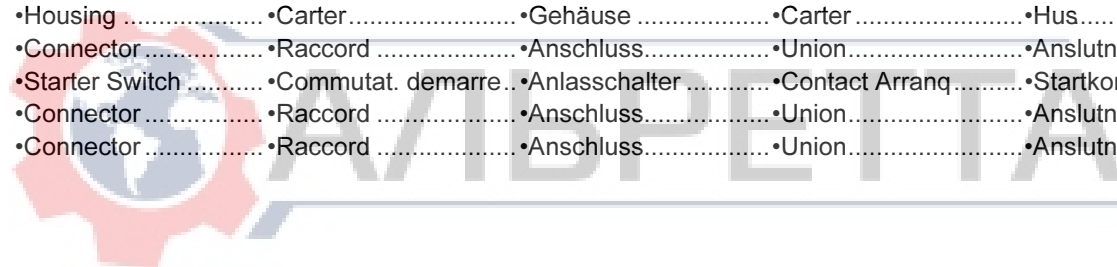
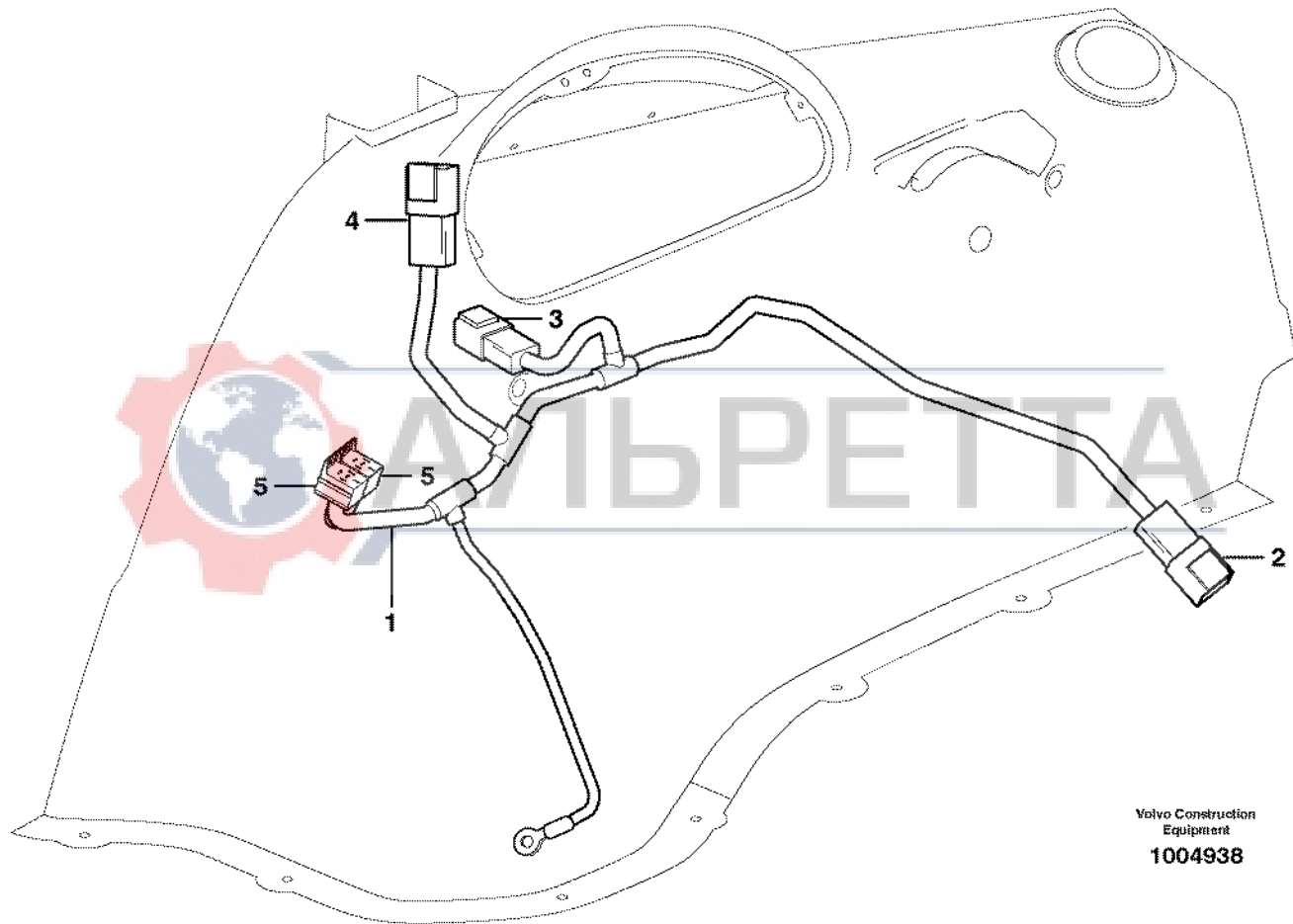


Fig.	Part No.	Quantity			P S	K I T	Description	Dénomination	Bezeichnung	Denominación	Benämning	Notes
		1	2	3								
1	VOE 11886639	1	1			Wire harness.....	Faisceau électrique....	Kabelbaum.....	Manejo cables.....	Ledningsmatta.....	RH SIDE DASHBOARD	
2		1	1	NS		•Connector.....	•Raccord.....	•Anschluss.....	•Union.....	•Anslutning.....	X7	
3		1	1	NS		•Connector.....	•Raccord.....	•Anschluss.....	•Union.....	•Anslutning.....	X140	
4		1	1	NS		•Cable terminal.....	•Cosse cable.....	•Flachsteckhülse.....	•Terminal cable.....	•Ledningssko.....	X160	
5		1	1	NS		•Connector.....	•Raccord.....	•Anschluss.....	•Union.....	•Anslutning.....	X2	
6		2	2	NS		•Housing.....	•Carter.....	•Gehäuse.....	•Carter.....	•Hus.....	X6, X208	
7	VOE 874957	2	2			•Housing.....	•Isolant.....	•Isolator.....	•Aislador.....	•Isolator.....	X58, X50	
7	VOE 874958	2	2			•Key.....	•Clavette.....	•Keil.....	•Llave (cuna).....	•Kil.....		
8	VOE 11709766	2	2			•Connector.....	•Raccord.....	•Anschluss.....	•Union.....	•Anslutning.....	X3,X9	
8	VOE 874967	2	2			•Key.....	•Clavette.....	•Keil.....	•Llave (cuna).....	•Kil.....		
9		4	4	NS		•Insulator.....	•Isolateur.....	•Isolator.....	•Aislador.....	•Isolator.....	X300,X301,X302,X303	
10		1	1	NS		•Fuse box.....	•Boite a fusibles.....	•Sicherungsdose.....	•Caja de fusibles.....	•Säkringsdosa.....		
11		2	2	NS		•Housing.....	•Carter.....	•Gehäuse.....	•Carter.....	•Hus.....	X221	
12	VOE 874955	1	1			•Insulator.....	•Isolateur.....	•Isolator.....	•Aislador.....	•Isolator.....	X139	
13	VOE 874802	1	1			•Housing.....	•Isolant.....	•Isolator.....	•Aislador.....	•Isolator.....	X51	
13	VOE 14370883	1	1			•Spacer.....	•Partie Intermédiaire ..	•Zwischenstück.....	•Espaciador.....	•Mellandel.....		
14	VOE 11881020	17	17			•Housing.....	•Carter.....	•Gehäuse.....	•Carter.....	•Hus.....	X120 - 136	
15	VOE 11709767	1	1			•Connector.....	•Raccord.....	•Anschluss.....	•Union.....	•Anslutning.....	X30	
16		1	1			•Starter Switch.....	•Commutat. démarre..	•Anlasschalter.....	•Contact Arranq.....	•Startkontakt.....	X8	
17		3	3	NS		•Connector.....	•Raccord.....	•Anschluss.....	•Union.....	•Anslutning.....	X19,X20,X48	
18		3	3	NS		•Connector.....	•Raccord.....	•Anschluss.....	•Union.....	•Anslutning.....	X17,X18,X34	



1		Ledningsmatta, manöverpanel höger Haz de cables, panel de mandos derecho Kabelbaum, rechte Bedientafel Faisceau de câbles, tableau de bord côté droit Cable harness, control panel right	Catalogue id	Group
2			20017	371
3			Illustr. No	Section
4			1017432	730
5			Issue	Page
	11298190 SER NO 10431-		VOE 63D9920017	185



Volvo Construction
Equipment
1004938

Fig.	Part No.	Quantity			P S	K I T	Description	Dénomination	Bezeichnung	Denominación	Benämning	Notes
		1	2	3								
1	VOE 11883593	1					Cable harness.....	Faisceau cables	Kabelbaum.....	Manejo cables	Ledningsmatta.....	
2	VOE 874802	1					•Housing	•Isolant	•Isolator	•Aislador	•Isolator.....	
3	VOE 874954	1					•Connector	•Raccord	•Anschluss.....	•Union.....	•Anslutning.....	
4	VOE 874959	1					•Housing	•Isolant	•Isolator	•Aislador	•Isolator.....	
5		2			NS		•Relay Socket	•Socle Relais.....	•Relaissockel.....	•Zocalo Rele.....	•Reläsocket.....	



1		Ledningsmatta värme och kylanläggning Cableado de equipo de calefacción y refrigeración Kabelbaum, Heizung und Kühlung Faisceau de câbles, chauffage et refroidissement Cable harness heater and air conditioning	Catalogue id	Group
2			20017	371
3			Illustr. No	Section
4			1004938	750
5			Issue	Page
			VOE 63D9920017	187

VOLVO

BL60

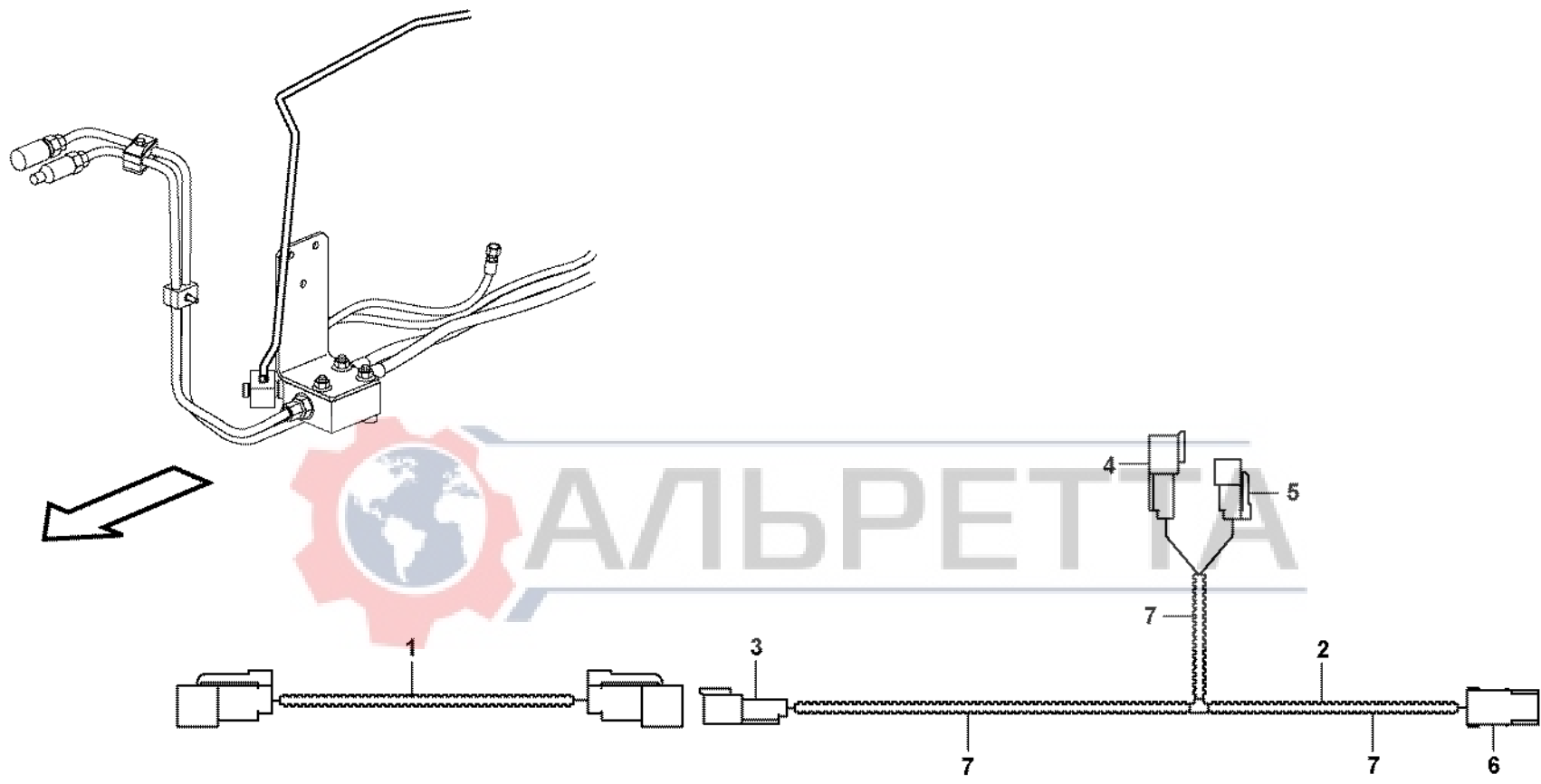


Fig.	Part No.	Quantity			P S	K I T	Description	Dénomination	Bezeichnung	Denominación	Benämning	Notes
		1	2	3								
1	VOE 11886626	1					Cable..... Câble..... Seil..... Cable..... Lina..... •CONNECTED TO:..... •CONNECTÉ A:..... •ANGESCHLOSSEN:..... •CONECTADO A:..... •ANSLUTER TILL:..... •Hand tool cab •Câble outil main..... •Handwerkzeug, Kab •Cabina de herramie. •Handverktyg hytt..... X 337 •Hand tool valve..... •Distrib. outil main..... •Handwerkzeugventil •Válvula de herramie. •Handverktyg ventil... X339					
2	VOE 11886627	1					Cable..... Câble..... Seil..... Cable..... Lina..... •CONNECTED TO:..... •CONNECTÉ A:..... •ANGESCHLOSSEN:..... •CONECTADO A:..... •ANSLUTER TILL:..... •Hand tool chassis h. •Faisceau câbles ch. •Handwerkzeug Fahr •Mazo de chasis de .. •Handverktyg chassi X337 •Hand tool switch..... •Commutateur outil .. •Handwerkzeugscha. •Conmutador de herr. •Handverktyg ströms X338 •Code lock •Serrure codée..... •Codeschloss •Bloqueo de código... •Kodlås..... X58					
3	VOE 874954	1					•Connector •Raccord •Anschluss..... •Union..... •Anslutning.....					
	VOE 14370881	1					•Spacer •Partie Intermédiaire .. •Zwischenstück •Espaciador •Mellandel.....					
4	VOE 874802	1					•Housing •Isolant •Isolator •Aislador •Isolator.....					
	VOE 14370883	1					•Spacer •Partie Intermédiaire .. •Zwischenstück •Espaciador •Mellandel.....					
5	VOE 874957	1					•Housing •Isolant •Isolator •Aislador •Isolator.....					
	VOE 874958	1					•Key •Clavette..... •Keil..... •Llave (cuna) •Kil.....					
6	VOE 11881020	1					•Housing •Carter..... •Gehäuse •Carter •Hus.....					
7	VOE 4803746	REQ					•Hose •Durit •Schlauch •Tubo flexible..... •Slang.....					



1		Ledningsmatta, handverktyg hydr.	Catalogue id	Group
2		Mazo de cables, hidráulica de herramienta manual	20017	371
3		Kabelbaum, Handwerkzeughydraulik	Illustr. No	Section
4		Faisceau câbles, circuit hydr. outil main	1018138	800
5		Cable harness, hand tool hydraulic	Issue	Page
		11891333	VOE 63D9920017	189

VOLVO

BL60

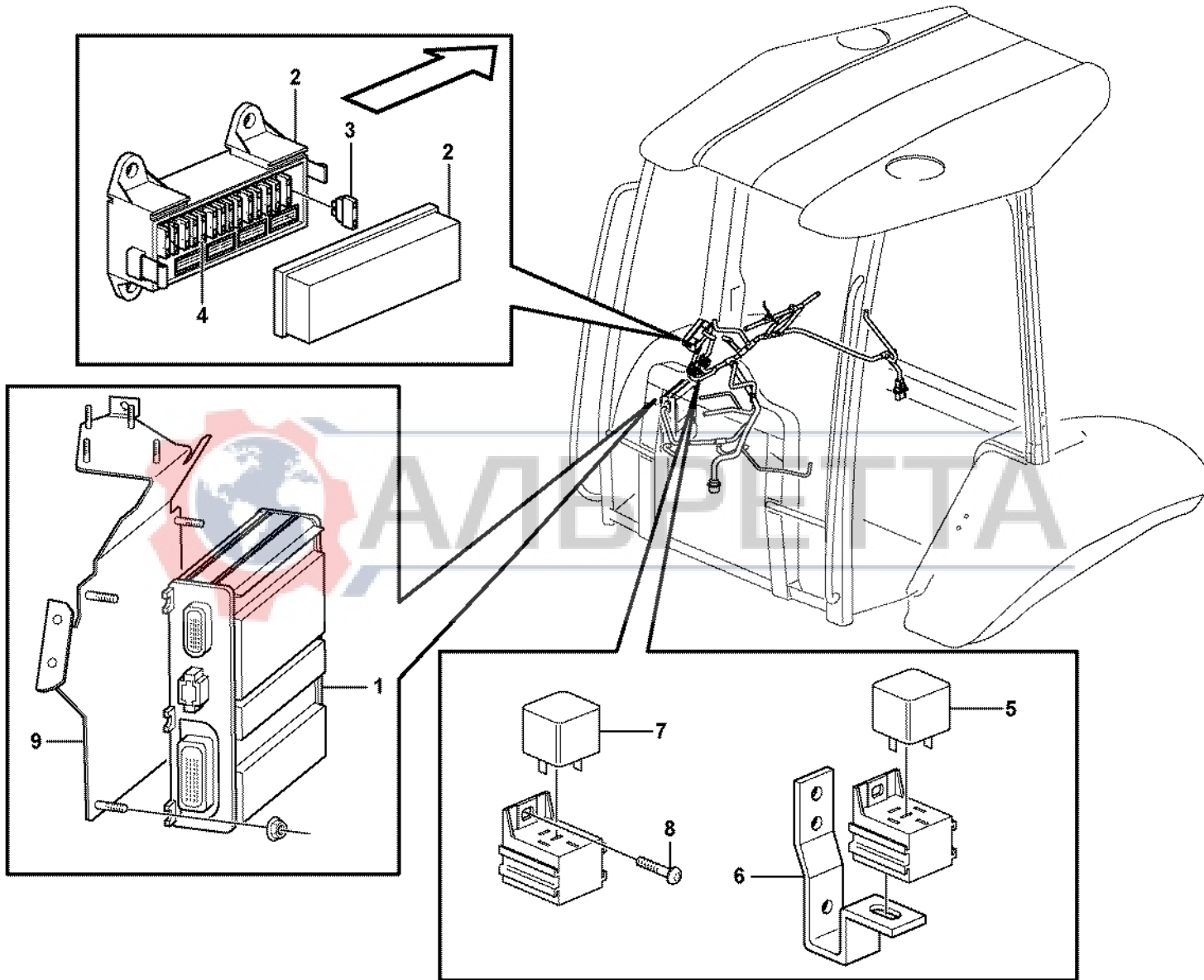


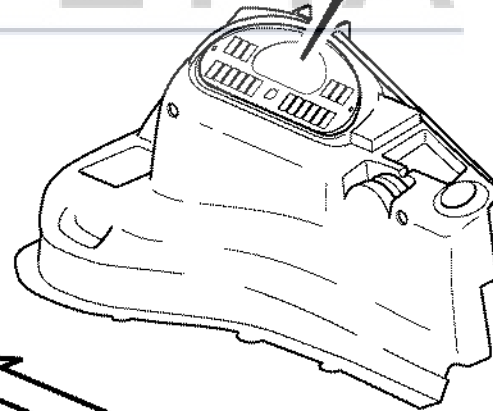
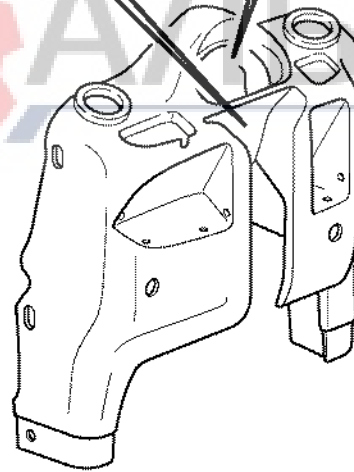
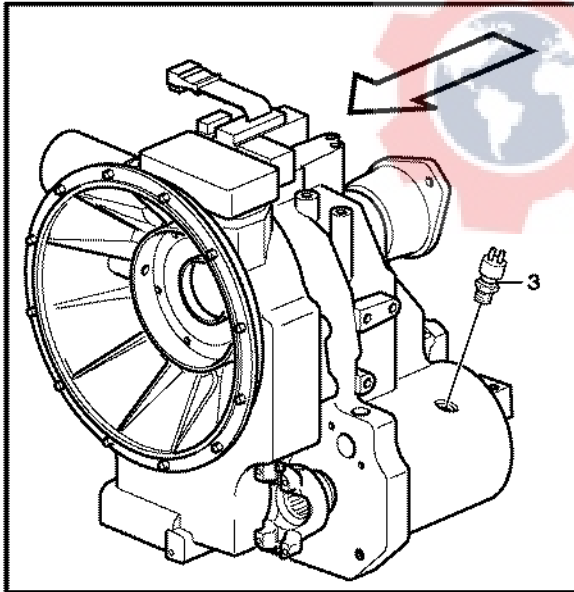
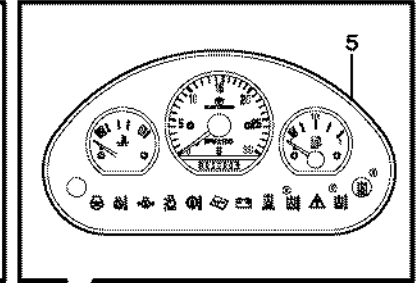
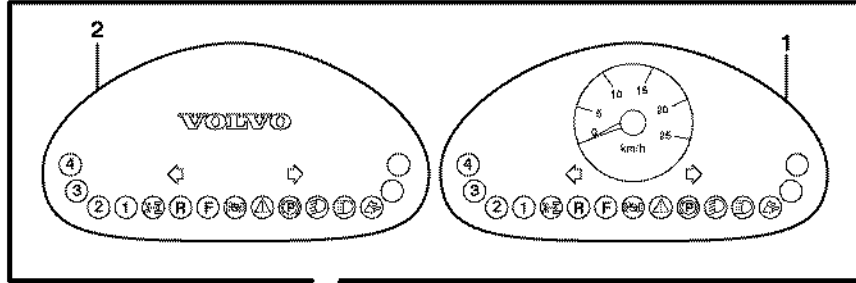
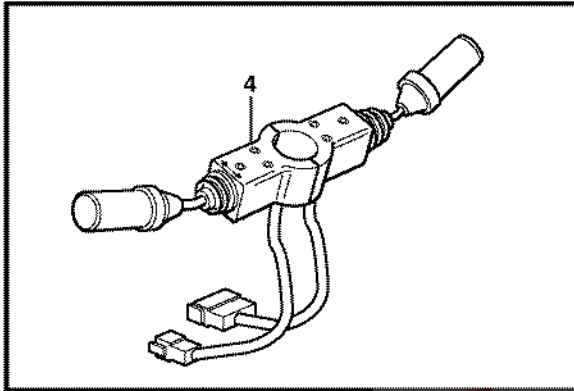
Fig.	Part No.	Quantity			P S	K I T	Description	Dénomination	Bezeichnung	Denominación	Benämning	Notes
		1	2	3								
1	VOE 11884775	1			SS	ECU	ECU	ECU.....	ECU.....	ECU.....	(VOE 11884008)	
2	VOE 11870026	1				Fuse box	Boite a fusibles.....	Sicherungsdose	Caja de fusibles.....	Säkringsdosa.....		
3	VOE 969161	15				•Fuse.....	•Fusible	•Schmelzsicherung.....	•Fusible	•Smältsäkring.....	10A	
4	VOE 978999	1				•Fuse.....	•Fusible	•Schmelzsicherung.....	•Fusible	•Smältsäkring.....	20A	
5	VOE 11305263	2				Relay.....	Relais	Relais	Rele.....	Relä.....		
6		1			NS	Attachment.....	Fixation	Halterung.....	Fijacion.....	Fäste.....		
7	VOE 11305263	2				Relay.....	Relais	Relais	Rele.....	Relä.....		
8	VOE 969278	2				Six Point Socket Scre Vis à six pans creux ...	Innensechskantschra .	Tornillo de cabeza he.	Sexkantsskruv.....		(VOE 13969278)	
9	VOE 11885991	1				Bracket.....	Console.....	Konsole	Ménsula.....	Konsol.....		



1		Elcentral och styrenhet Central eléctrica Elektrozentrale Centrale de électricité Electrical distribut.unit and control unit	Catalogue id	Group
2			20017	372
3			Illustr. No	Section
4			1006528	100
5			Issue	Page
			VOE 63D9920017	191

VOLVO

BL60



Volvo Construction
Equipment
1006688

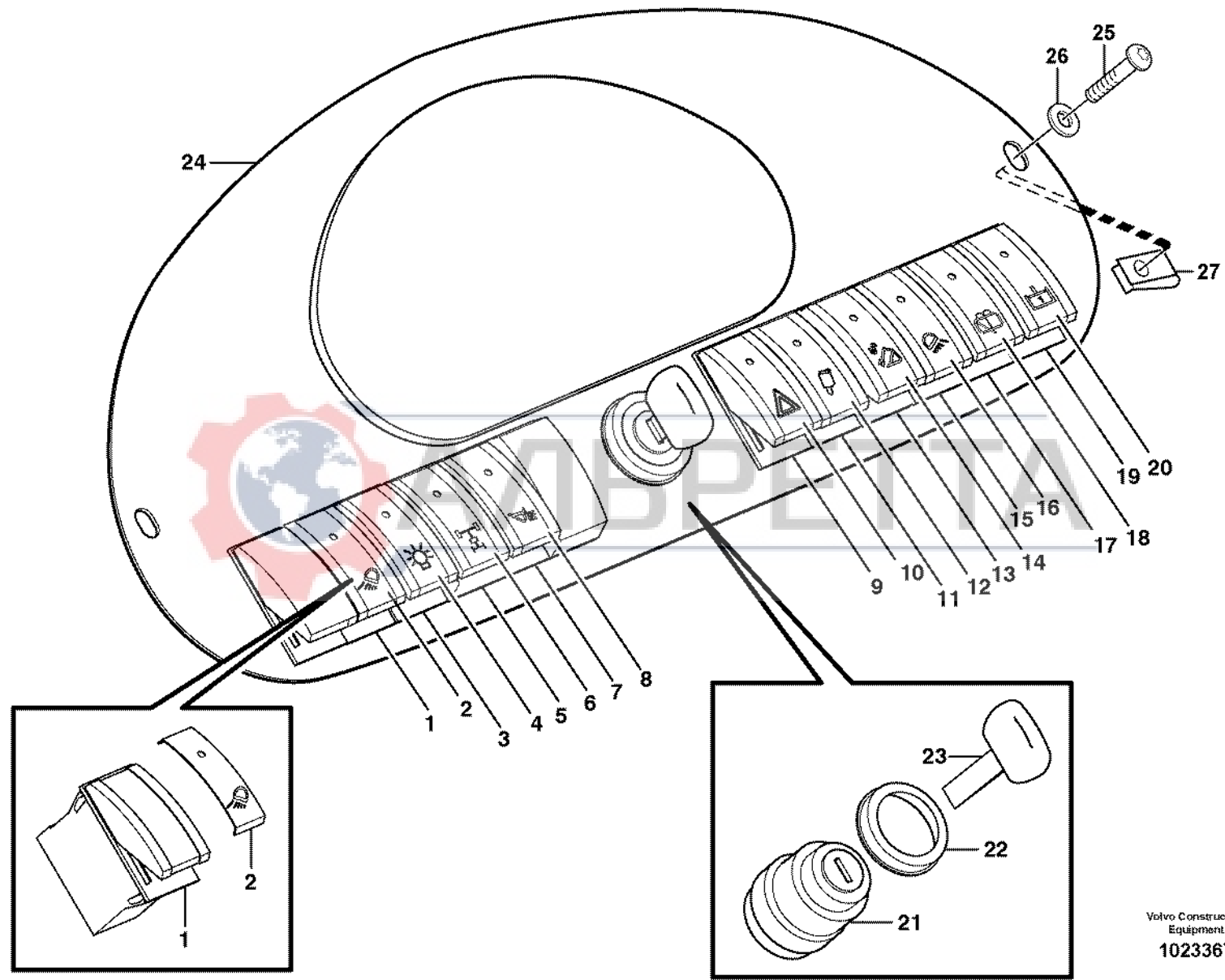
Fig.	Part No.	Quantity					P S	K I T	Description	Dénomination	Bezeichnung	Denominación	Benämning	Notes
		1	2	3	4	5								
1	VOE 11883051	1						Instr Panel.....	Planche de bord	Instr Tafel.....	Panel Instrum	Instrumentpanel.....	Speed = Km/h	
2	VOE 11882535		1					Instr Panel.....	Planche de bord	Instr Tafel.....	Panel Instrum	Instrumentpanel.....	Without speedometer	
3	VOE 4880804	1						Ind Sensor	Emett.induction	Induktionsgeber	Sensor Inducc	Indukt.givare.....		
4	VOE 11882493			1				Switch	Commutateur.....	Schalter.....	Contactador	Strömställare.....		
	VOE 11709756			1				•Switch	•Commutateur	•Schalter	•Contactador.....	•Strömställare.....	LH	
	VOE 11709757			1				•Switch	•Commutateur	•Schalter	•Contactador.....	•Strömställare.....	RH	
	VOE 955245			1				•Hexagon screw.....	•Vis tête hexagonal	•Sechskantschraub.....	•Tornillo hexago.....	•Sextkantsskruv.....		
5	VOE 11884151				1	SS		Instrument panel	Tableau de bord	Instrumententafel	Tablero de instrum	Instrumentpanel.....	S/N - 10614	
	VOE 11887447				1			Instrument panel	Tableau de bord	Instrumententafel	Tablero de instrum	Instrumentpanel.....	S/N 10615 -	



1	11891278	Instrument panel Instrumentos Instrumente Instruments Instruments panel	Catalogue id	Group
2	11891280		20017	380
3	11891076, 11891077		Illustr. No	Section
4	11880001 STD		1006688	100
5			Issue	Page
			VOE 63D9920017	193

VOLVO

BL60



Volvo Construction
Equipment
1023367

Fig.	Part No.	Quantity			P S	K I T	Description	Dénomination	Bezeichnung	Denominación	Benämning	Notes
		1	2	3								
1	VOE 11882275	1				Switch	Commutateur	Schalter	Contactador	Strömställare		
2	VOE 11883103	1				Symbol	Symbole	Symbol	Simbolo	Symbol		
3	VOE 11882275	1				Switch	Commutateur	Schalter	Contactador	Strömställare		
4	VOE 11883065	1				Symbol	Symbole	Symbol	Simbolo	Symbol		
5	VOE 11882275	1				Switch	Commutateur	Schalter	Contactador	Strömställare	11891077 SER NO -10361	
5	VOE 11882865	1				Rocker Switch	Commutateur à basc..	Wippschalter	Interruptor oscilante ..	Vaggomkopplare	11891077 SER NO 10362-	
6	VOE 11883061	1				Symbol	Symbole	Symbol	Simbolo	Symbol	11891077	
7	VOE 11882275	1				Switch	Commutateur	Schalter	Contactador	Strömställare	11891345	
8	VOE 11883062	1				Symbol	Symbole	Symbol	Simbolo	Symbol	11891345	
9	VOE 11890297	1				Switch	Commutateur	Schalter	Contactador	Strömställare		
10	VOE 11883067	1				Symbol	Symbole	Symbol	Simbolo	Symbol		
11	VOE 11882865	1				Rocker Switch	Commutateur à basc..	Wippschalter	Interruptor oscilante ..	Vaggomkopplare	11891346	
12	VOE 11884960	1				Symbol	Symbole	Symbol	Simbolo	Symbol	11891346	
13	VOE 11882865	1				Rocker Switch	Commutateur à basc..	Wippschalter	Interruptor oscilante ..	Vaggomkopplare		
14	VOE 11890074	1				Symbol	Symbole	Symbol	Simbolo	Symbol		
15	VOE 11882275	1				Switch	Commutateur	Schalter	Contactador	Strömställare		
16	VOE 11890070	1				Symbol	Symbole	Symbol	Simbolo	Symbol		
17	VOE 11890298	1				Switch	Interrupteur	Trennschalter	Interruptor	Brytare		
18	VOE 11883066	1				Symbol	Symbole	Symbol	Simbolo	Symbol		
19	VOE 11882865	1				Rocker Switch	Commutateur à basc..	Wippschalter	Interruptor oscilante ..	Vaggomkopplare	11891369	
20	VOE 11885734	1				Symbol	Symbole	Symbol	Simbolo	Symbol	11891369	
21	VOE 11881365	1				Starter Switch	Commutat. demarreu.	Anlasschalter	Contact Arranq	Startkontakt	X8	
22		1			NS	•Symbol strip	•Ruban symbole	•Symbolreihe	•Disco simbolos	•Symbolskiva		
23	VOE 11306919	REQ			K	•Key	•Cle	•Schlüssel	•Llave	•Nyckel	2338)	
24		1				Panel	Panneau	Verkleidung	Plancha	Panel	See group 881, Page 469	
25	VOE 969147	2				Screw	Vis	Schraube	Tornillo	Skruv		
26	VOE 960139	2				Washer	Rondelle	Scheibe	Arandela	Bricka		
27	VOE 949921	2				Spring Nut	Ecrou Ressort	Fed. Schliessmutter ..	Tuerca Resorte	Fjädermutter		

2338) **GB:** Keys, only to be sold in pairs. **FR:** Clés, vendues uniquement par paires **DE:** Schlüssel, werden nur paarweise verkauft. **ES:** Llaves, sólo se venden por pares. **SE:** Nycklar, säljes endast parvis.

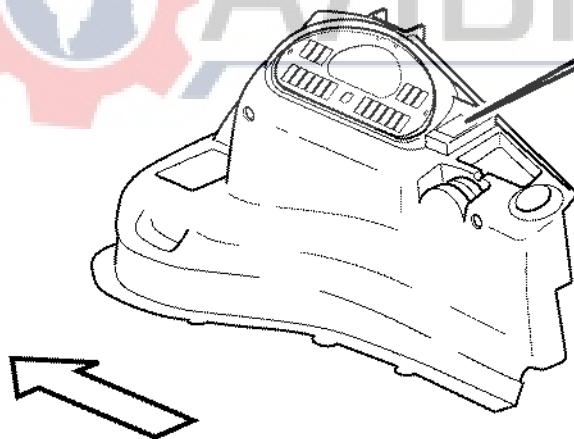
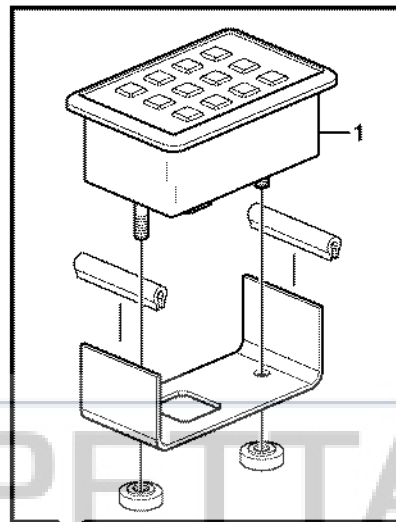
1	Strömställare Interruptor Schalter Interrupteur Switch 11880001	Catalogue id	Group
2		20017	380
3		Illustr. No	Section
4		1023367	200
5		Issue	Page
		VOE 63D9920017	195

VOLVO

BL60



АДЪРЕТТА



Valvo Construction
Equipment
1010396

Fig.	Part No.	Quantity			P S	K I T	Description	Dénomination	Bezeichnung	Denominación	Benämning	Notes
		1	2	3								
1	VOE 11883409	1					Keypad.....	Clavier.....	Tastatur.....	Teclado	Knappsats.....	



1		Stöldlarmsats Antirrobo Diebstahlalarm-Kit Kit alarme antivol Anti-theft Kit	Catalogue id	Group
2			20017	380
3			Illustr. No	Section
4			1010396	250
5			Issue	Page
		11891332	VOE 63D9920017	197

VOLVO

BL60



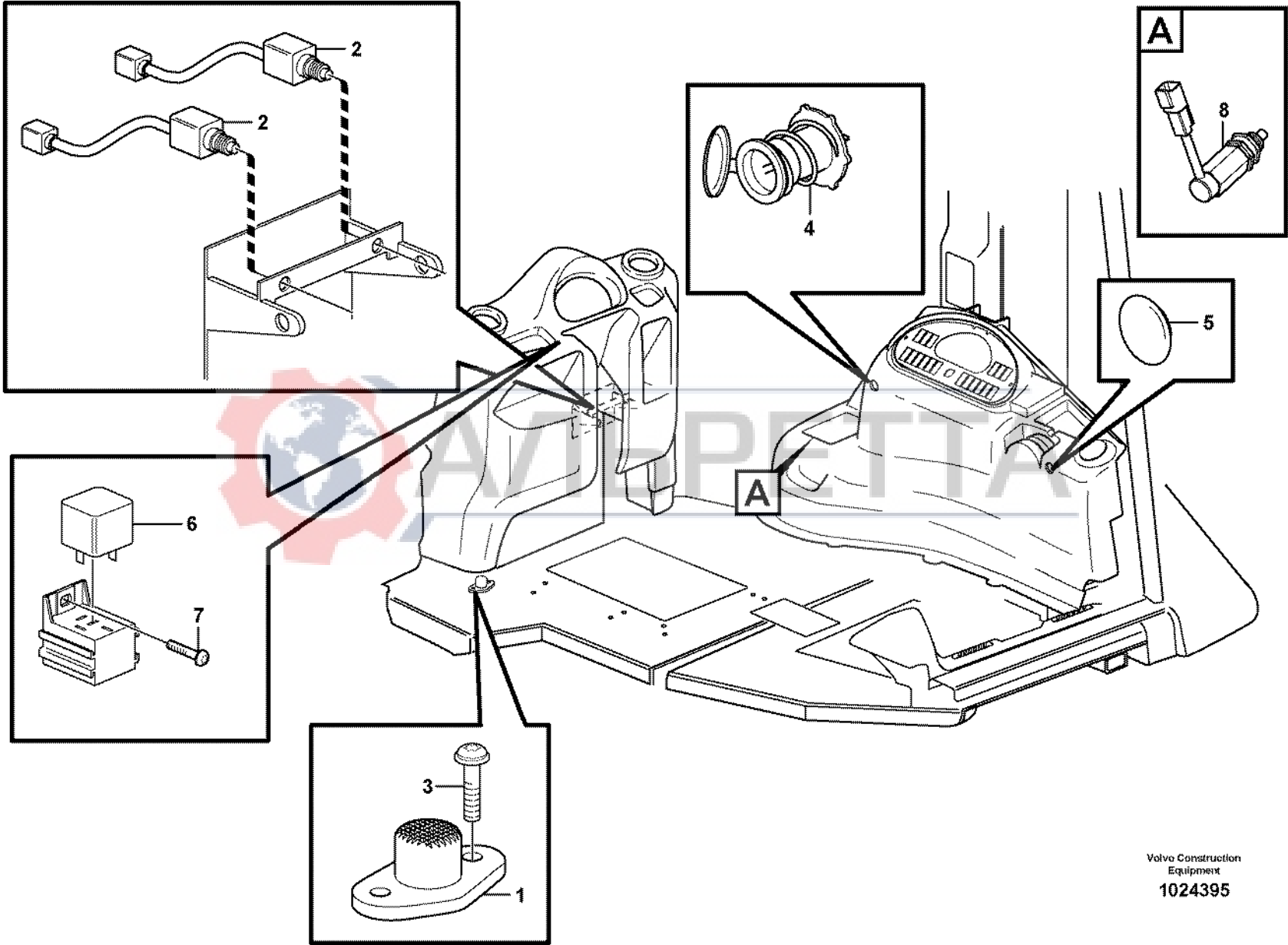


Fig.	Part No.	Quantity			P S	K I T	Description	Dénomination	Bezeichnung	Denominación	Benämning	Notes
		1	2	3								
1	VOE 1589502	1				Foot Operated Switch	Contacteur Au Pied ...	Fusschalter.....	Contacto Freno	Fotkontakt.....		
2		2				Stop Lt Switch	Contacteur Stop	Br Lichtschalt.....	Cont Luz Freno	Bromsljuskont.....	X61, X62 See group 525, Page 353	
3	VOE 969278	2				Six Point Socket Scre	Vis à six pans creux ...	Innensechskantschra .	Tornillo de cabeza he.	Sexkantsskruv.....	(VOE 13969278)	
4	VOE 11039750	1				Electrical plug.....	Fiche	Steckdose	Toma eléctrica.....	Eluttag.....		
5	VOE 11057786	1				Plug.....	Bouchon	Stopfen.....	Tapon	Plugg.....		
6	VOE 11305263	1				Relay.....	Relais	Relais	Rele	Relä.....	11891076, 11891077 S/N 10939 -	
7	VOE 969278	1				Six Point Socket Scre	Vis à six pans creux ...	Innensechskantschra .	Tornillo de cabeza he.	Sexkantsskruv.....	11891076, 11891077 S/N 10939 -	
8		1				Switch	Commutateur	Schalter	Contactador.....	Strömställare.....	See group 551, Page 357	



1	Fotströmställare och strömuttag Interruptor de pie y toma de corriente Fußschalter und Stromanschluss Commutateur au pied et prise d'alimentation Foot switch and electric power outlet	Catalogue id	Group
2		20017	380
3		Illustr. No	Section
4		1024395	350
5		Issue	Page
		VOE 63D9920017	199

VOLVO

BL60



VOLVO

АЛЬРЕТТА

Construction Equipment

GROUP	Section	Page	GROUP	Section	Page		
414	Torque converter with fitting parts.....	100	207	460	Planet axles with fitting parts S/N 10939 -	150	285
420	Hydraulic transmission with fitting parts 11891076.....	100	209	461	Planetary axle, front 11891284, 11891286, 11891385, 11891387	100	287
420	Hydraulic transmission with fitting parts 11891077	150	213	461	Pinion 11891284, 11891286, 11891385, 11891387	150	291
420	Hydraulic transmission with fitting parts 11891077 S/N 10939 -.....	200	217	461	Pinion 11887360	160	293
421	Oil filler and dipstick 11891076	150	221	461	Differential , front axle 11891284, 11891286, 11891385, 11891387 ..	200	295
421	Oil filler and dipstick 11891077 S/N - 10938.....	175	223	461	Differential , front axle 11887360	210	297
421	Oil filler and dipstick 11891077 S/N 10939 -.....	185	225	461	Drive axle 11880001, 11891284, 11891286, 11891385, 11891387 ..	250	299
421	Oil pump 11891076.....	200	227	461	Wheel hub 11891284, 11891286, 11891385, 11891387	300	301
421	Oil pump 11891077.....	225	229	461	Front axle 11891267, 11891275, 11891360, 11891386	400	303
421	Oil pump 11891077 S/N 10939 -	230	231	461	Front axle 11891267, 11891275, 11891360, 11891386	410	305
421	Clutch shaft forward/reverse 11891076	250	233	461	Front axle 11880001	420	307
421	Clutch shaft forward/reverse 11891077 S/N 10939 -.....	260	235	461	Wheel hub 11891267, 11891275, 11891360, 11891386	450	309
421	Clutch shaft forward/reverse 11891077 S/N - 10938.....	275	237	463	Planet shaft, rear	100	311
421	Reverse and primary shaft 11891076, 11891077	300	239	463	Planet shaft, rear S/N 10939 -.....	110	313
421	Secondary shaft 11891076	350	241	463	Pinion	150	315
421	Secondary shaft 11891077 S/N 10939 -.....	360	245	463	Pinion S/N 10939 -	160	317
421	Secondary shaft 11891077	375	249	463	Differential. Rear	200	319
421	Hydraulic clutch, 4wd 11891077	400	253	463	Differential. Rear	210	321
421	Shaft, four wheel drive 11891077 S/N 10939 -	410	257	463	Wheel hub	250	323
421	Gearshifting 11891076.....	450	259	463	Hub reduction, rear axle S/N 10939 -	260	325
421	Gearshifting 11891077 S/N 10939 -	460	261	463	Planetary gear	300	327
421	Gearshifting 11891077.....	475	263	468	Differential lock.....	100	329
421	Range selector valve 11891076, 11891077 S/N - 10938	500	265	468	Differential lock 11887363 S/N 10939 -	110	331
421	Range selector valve 11891076, 11891077 S/N 10939 -	525	269	468	Differential lock 11880001 S/N 10939 -	150	333
421	Solenoid valve 4wd 11891077	550	271	491	Oil cooler, transmission.....	100	335
424	Gear selector, 4-wheel drive 11891077	100	273				
424	Gear selector, 2-wheel drive 11891076	150	275				
436	Gear box housing with fitting parts.....	100	277				
451	Propeller shaft, mounting	100	279				
451	Propeller shaft.....	150	281				
460	Planet axles with fitting parts	100	283				

INDEX OF CONTENTS	Catalogue id 20017	Group 400
	Issue VOE 63D9920017	Page 201

VOLVO

BL60

TABLE DES MATIÈRES				Catalogue id		Group		
				20017		400		
				Issue		Page		
				VOE 63D9920017		202		
GROUPE	Section	Page	GROUPE	Section	Page	GROUPE	Section	Page
414	Convertisseur de couple avec pièces de montage	100	207	460	Train planétaire avec pièces de montage S/N 10939 -	150	285	
420	Transmission avec pièces de montage 11891076.....	100	209	461	Axe satellite, AV 11891284, 11891286, 11891385, 11891387	100	287	
420	Transmission avec pièces de montage 11891077.....	150	213	461	Pignon 11891284, 11891286, 11891385, 11891387	150	291	
420	Transmission avec pièces de montage 11891077 S/N 10939 -	200	217	461	Pignon 11887360	160	293	
421	Remplissage d'huile et indicateur de niveau 11891076.....	150	221	461	Differential, axe satellite, Av 11891284, 11891286, 11891385, 11891387	200	295	
421	Remplissage d'huile et indicateur de niveau 11891077 S/N - 10938	175	223	461	Differential, axe satellite, Av 11887360.....	210	297	
421	Remplissage d'huile et indicateur de niveau 11891077 S/N 10939 -	185	225	461	Arbre de roue 11880001, 11891284, 11891286, 11891385, 11891387	250	299	
421	Pompe à huile 11891076	200	227					
421	Pompe à huile 11891077	225	229	461	Moyeu de roue 11891284, 11891286, 11891385, 11891387	300	301	
421	Pompe à huile 11891077 S/N 10939 -	230	231	461	Essieu Av 11891267, 11891275, 11891360, 11891386	400	303	
421	Arbre d'accouplement AV/AR 11891076	250	233	461	Essieu Av 11891267, 11891275, 11891360, 11891386	410	305	
421	Arbre d'accouplement AV/AR 11891077 S/N 10939 -	260	235	461	Essieu Av 11880001	420	307	
421	Arbre d'accouplement AV/AR 11891077 S/N - 10938	275	237	461	Moyeu de roue 11891267, 11891275, 11891360, 11891386	450	309	
421	Marche AR et arbre primaire 11891076, 11891077	300	239	463	Essieu moteur, arrière	100	311	
421	Arbre secondaire 11891076.....	350	241	463	Essieu moteur, arrière S/N 10939 -	110	313	
421	Arbre secondaire 11891077 S/N 10939 -	360	245	463	Pignon	150	315	
421	Arbre secondaire 11891077	375	249	463	Pignon S/N 10939 -	160	317	
421	Embrayages, 4 roues motrices 11891077	400	253	463	Differential. Arrière	200	319	
421	11891077 S/N 10939 -	410	257	463	Differential. Arrière	210	321	
421	Commande de changement de vitesse 11891076	450	259	463	Moyeu de roue	250	323	
421	Commande de changement de vitesse 11891077 S/N 10939 -	460	261	463	Reducteur moyeu, axe satellite, Ar S/N 10939 -	260	325	
421	Commande de changement de vitesse 11891077	475	263	463	Réducteur planétaire	300	327	
421	Soupape sélectrice vitesse 11891076, 11891077 S/N - 10938	500	265	468	Blocage différentiel.....	100	329	
421	Soupape sélectrice vitesse 11891076, 11891077 S/N 10939 -	525	269	468	Blocage différentiel 11887363 S/N 10939 -	110	331	
421	Electrovalve 4 roues motrices 11891077	550	271	468	Blocage différentiel 11880001 S/N 10939 -	150	333	
424	Sélecteur de vitesse, 4 roues motrices 11891077	100	273	491	Radiateur huile, transmission.....	100	335	
424	Sélecteur de vitesse, 2 roues motrices 11891076	150	275					
436	Suspension boîte vitesses	100	277					
451	Arbres de transmission avec pièces de montage	100	279					
451	Arbre à cardans	150	281					
460	Train planétaire avec pièces de montage	100	283					

GRUPPE	Abschnitt	Seite	GRUPPE	Abschnitt	Seite
414 Drehmomentwandler mit Anbauteilen.....	100	207	460 Planetenwellen mit Anbauteilen S/N 10939 -.....	150	285
420 Transmission mit Anbauteilen 11891076.....	100	209	461 Planetenwelle, vorne 11891284, 11891286, 11891385, 11891387... 100	287	
420 Transmission mit Anbauteilen 11891077.....	150	213	461 Antriebskegelrad 11891284, 11891286, 11891385, 11891387.....	150	291
420 Transmission mit Anbauteilen 11891077 S/N 10939 -.....	200	217	461 Antriebskegelrad 11887360.....	160	293
421 Öleinfüllung und Ölmeßstab 11891076.....	150	221	461 Ausgleichgetriebe, Planetenwelle, vorne 11891284, 11891286, 11891385, 11891387.....	200	295
421 Öleinfüllung und Ölmeßstab 11891077 S/N - 10938.....	175	223	461 Ausgleichgetriebe, Planetenwelle, vorne 11887360.....	210	297
421 Öleinfüllung und Ölmeßstab 11891077 S/N 10939 -.....	185	225	461 Antriebsachse 11880001, 11891284, 11891286, 11891385, 11891387.....	250	299
421 Ölpumpe 11891076.....	200	227	461 Radnabe 11891284, 11891286, 11891385, 11891387.....	300	301
421 Ölpumpe 11891077.....	225	229	461 Vorederrachse 11891267, 11891275, 11891360, 11891386.....	400	303
421 Ölpumpe 11891077 S/N 10939 -.....	230	231	461 Vorederrachse 11891267, 11891275, 11891360, 11891386.....	410	305
421 Kupplungswelle vorwärts/rückwärts 11891076.....	250	233	461 Vorederrachse 11880001.....	420	307
421 Kupplungswelle vorwärts/rückwärts 11891077 S/N 10939 -.....	260	235	461 Radnabe 11891267, 11891275, 11891360, 11891386.....	450	309
421 Kupplungswelle vorwärts/rückwärts 11891077 S/N - 10938.....	275	237	463 Planetenwelle, hintere.....	100	311
421 Rück- und Primärwelle 11891076, 11891077.....	300	239	463 Planetenwelle, hintere S/N 10939 -.....	110	313
421 Sekundärachse 11891076.....	350	241	463 Antriebskegelrad.....	150	315
421 Sekundärachse 11891077 S/N 10939 -.....	360	245	463 Antriebskegelrad S/N 10939 -.....	160	317
421 Sekundärachse 11891077.....	375	249	463 Ausgleichgetriebe. Hinten.....	200	319
421 Kupplungen, 4-Radantrieb 11891077.....	400	253	463 Ausgleichgetriebe. Hinten.....	210	321
421 11891077 S/N 10939 -.....	410	257	463 Radnabe.....	250	323
421 Schaltbedienung 11891076.....	450	259	463 Nabenvorgelege, Planetenwelle, hinten S/N 10939 -.....	260	325
421 Schaltbedienung 11891077 S/N 10939 -.....	460	261	463 Planetenradgetriebe.....	300	327
421 Schaltbedienung 11891077.....	475	263	468 Ausgleichsperre.....	100	329
421 Getriebewählerventil 11891076, 11891077 S/N - 10938.....	500	265	468 Ausgleichsperre 11887363 S/N 10939 -.....	110	331
421 Getriebewählerventil 11891076, 11891077 S/N 10939 -.....	525	269	468 Ausgleichsperre 11880001 S/N 10939 -.....	150	333
421 Magnetventil 4-Radantrieb 11891077.....	550	271	491 Ölkühler, getriebe.....	100	335
424 Wählschalter, 4-Radantrieb 11891077.....	100	273			
424 Wählschalter, 2-Radantrieb 11891076.....	150	275			
436 Getriebeaufhängung.....	100	277			
451 Gelenkwellen mit Anbauteilen.....	100	279			
451 Gelenkwelle.....	150	281			
460 Planetenwellen mit Anbauteilen.....	100	283			

INHALTSVERZEICHNIS	Catalogue id 20017	Group 400
	Issue VOE 63D9920017	Page 203

INDICE		Catalogue id	Group
		20017	400
		Issue	Page
		VOE 63D9920017	204

GRUPO	Sección	Página	GRUPO	Sección	Página		
414	Convertidor de par con accesorios de montaje	100	207	460	Ejes planetarios con accesorios de montaje S/N 10939 -.....	150	285
420	Transmisión con accesorios de montaje 11891076.....	100	209	461	Eje planeta, delantera 11891284, 11891286, 11891385, 11891387 .	100	287
420	Transmisión con accesorios de montaje 11891077.....	150	213	461	Piñón de ataque 11891284, 11891286, 11891385, 11891387	150	291
420	Transmisión con accesorios de montaje 11891077 S/N 10939 -	200	217	461	Piñón de ataque 11887360	160	293
421	Boca de llenado de aceite y varilla de nivel 11891076	150	221	461	Diferencial, eje planeta delantero 11891284, 11891286, 11891385, 11891387	200	295
421	Boca de llenado de aceite y varilla de nivel 11891077 S/N - 10938..	175	223	461	Diferencial, eje planeta delantero 11887360.....	210	297
421	Boca de llenado de aceite y varilla de nivel 11891077 S/N 10939 -..	185	225	461	Eje propulsor 11880001, 11891284, 11891286, 11891385, 11891387	250	299
421	Bomba de aceite 11891076	200	227	461	Cubo de rueda 11891284, 11891286, 11891385, 11891387	300	301
421	Bomba de aceite 11891077	225	229	461	Eje delantero 11891267, 11891275, 11891360, 11891386	400	303
421	Bomba de aceite 11891077 S/N 10939	230	231	461	Eje delantero 11891267, 11891275, 11891360, 11891386	410	305
421	Eje de embrague delante/detrás 11891076	250	233	461	Eje delantero 11880001	420	307
421	Eje de embrague delante/detrás 11891077 S/N 10939 -.....	260	235	461	Cubo de rueda 11891267, 11891275, 11891360, 11891386	450	309
421	Eje de embrague delante/detrás 11891077 S/N - 10938.....	275	237	463	Eje propulsor, trasero	100	311
421	Eje trasero y primario 11891076, 11891077	300	239	463	Eje propulsor, trasero S/N 10939 -.....	110	313
421	Eje secundario 11891076	350	241	463	Piñón de ataque	150	315
421	Eje secundario 11891077 S/N 10939 -	360	245	463	Piñón de ataque S/N 10939 -	160	317
421	Eje secundario 11891077	375	249	463	Diferencial. Detrás.....	200	319
421	Embragues, tracción 4 ruedas 11891077	400	253	463	Diferencial. Detrás.....	210	321
421	11891077 S/N 10939 -	410	257	463	Cubo de rueda	250	323
421	Maniobra de la caja de cambios 11891076	450	259	463	Reduccion cubo, eje planeta trasero S/N 10939 -	260	325
421	Maniobra de la caja de cambios 11891077 S/N 10939 -	460	261	463	Engranaje planetario	300	327
421	Maniobra de la caja de cambios 11891077	475	263	468	Bloqueo del diferencial	100	329
421	Válvula selectora de gama 11891076, 11891077 S/N - 10938	500	265	468	Bloqueo del diferencial 11887363 S/N 10939 -.....	110	331
421	Válvula selectora de gama 11891076, 11891077 S/N 10939 -	525	269	468	Bloqueo del diferencial 11880001 S/N 10939 -.....	150	333
421	Válvula solenoide, tracción 4 ruedas 11891077	550	271	491	Enfriador aceite, transmision.....	100	335
424	Selector velocidad, tracción 4 ruedas 11891077	100	273				
424	Selector velocidad, tracción 2 ruedas 11891076	150	275				
436	Suspensión de la caja de cambios	100	277				
451	Ejes cardán con accesorios de montaje	100	279				
451	Ejes cardán	150	281				
460	Ejes planetarios con accesorios de montaje.....	100	283				

GRUPP		Avsnitt	Sida	GRUPP		Avsnitt	Sida
414	Momentomvandlare med monteringsdetaljer	100	207	460	Planetaxlar med monteringsdetaljer S/N 10939 -	150	285
420	Transmission med monteringsdetaljer 11891076	100	209	461	Planetaxel, fram 11891284, 11891286, 11891385, 11891387	100	287
420	Transmission med monteringsdetaljer 11891077	150	213	461	Pinjong 11891284, 11891286, 11891385, 11891387	150	291
420	Transmission med monteringsdetaljer 11891077 S/N 10939 -	200	217	461	Pinjong 11887360	160	293
421	Oljepåfyllning och mätsticka 11891076	150	221	461	Differential, framaxel 11891284, 11891286, 11891385, 11891387	200	295
421	Oljepåfyllning och mätsticka 11891077 S/N - 10938	175	223	461	Differential, framaxel 11887360	210	297
421	Oljepåfyllning och mätsticka 11891077 S/N 10939 -	185	225	461	Drivaxel 11880001, 11891284, 11891286, 11891385, 11891387	250	299
421	Oljepump 11891076	200	227	461	Hjulnav 11891284, 11891286, 11891385, 11891387	300	301
421	Oljepump 11891077	225	229	461	Framaxel 11891267, 11891275, 11891360, 11891386	400	303
421	Oljepump 11891077 S/N 10939 -	230	231	461	Framaxel 11891267, 11891275, 11891360, 11891386	410	305
421	Kopplingsaxel fram/back 11891076	250	233	461	Framaxel 11880001	420	307
421	Kopplingsaxel fram/back 11891077 S/N 10939 -	260	235	461	Hjulnav 11891267, 11891275, 11891360, 11891386	450	309
421	Kopplingsaxel fram/back 11891077 S/N - 10938	275	237	463	Planetaxel, bak	100	311
421	Back och primärxel 11891076, 11891077	300	239	463	Planetaxel, bak S/N 10939 -	110	313
421	Sekundär axel 11891076	350	241	463	Pinjong	150	315
421	Sekundär axel 11891077 S/N 10939 -	360	245	463	Pinjong S/N 10939 -	160	317
421	Sekundär axel 11891077	375	249	463	Differential. Bak	200	319
421	Hydraulkoppling, 4-hjulsdrift 11891077	400	253	463	Differential. Bak	210	321
421	Axel, fyrhjuldrift 11891077 S/N 10939 -	410	257	463	Hjulnav	250	323
421	Växelmanövrering 11891076	450	259	463	Navreduktion, bakaxel S/N 10939 -	260	325
421	Växelmanövrering 11891077 S/N 10939 -	460	261	463	Planetväxel	300	327
421	Växelmanövrering 11891077	475	263	468	Differentialspär	100	329
421	Växelväljarventil 11891076, 11891077 S/N - 10938	500	265	468	Differentialspär 11887363 S/N 10939 -	110	331
421	Växelväljarventil 11891076, 11891077 S/N 10939 -	525	269	468	Differentialspär 11880001 S/N 10939 -	150	333
421	Magnetventil 4-hjulsdrift 11891077	550	271	491	Oljekylare, transmission	100	335
424	Växelväljare, 4-hjulsdrift 11891077	100	273				
424	Växelväljare, 2-hjulsdrift 11891076	150	275				
436	Växellådsupphängning	100	277				
451	Kardanaxlar, montering	100	279				
451	Kardanaxel	150	281				
460	Planetaxlar med monteringsdetaljer	100	283				

INNEHÅLLSFÖRTECKNING

Catalogue id	Group
20017	400
Issue	Page
VOE 63D9920017	205

VOLVO

BL60

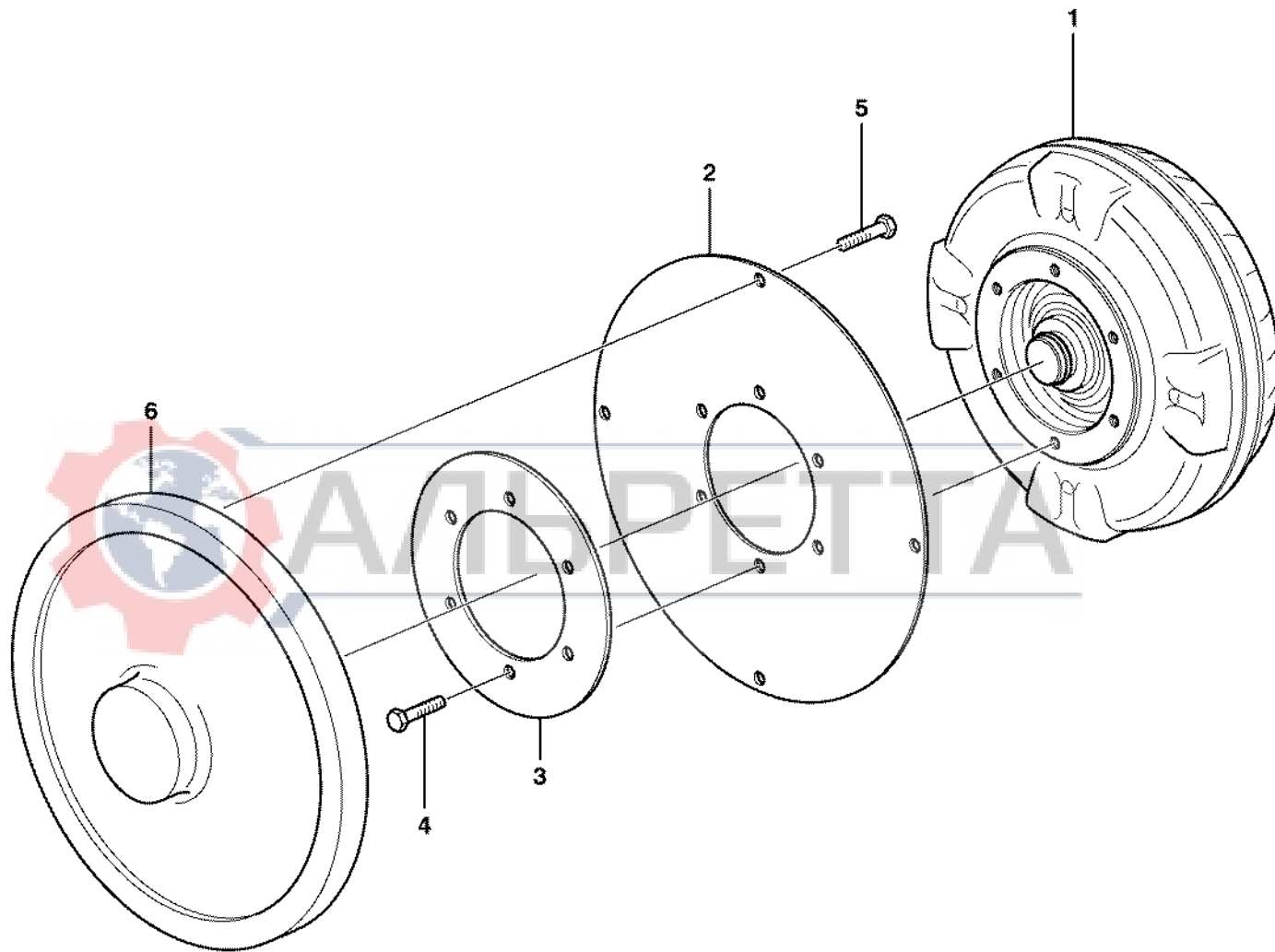


Fig.	Part No.	Quantity			P S	K I T	Description	Dénomination	Bezeichnung	Denominación	Benämning	Notes
		1	2	3								
1	VOE 11890327	1					Trq Converter.....	Converti.couple	Drehm Wandler	Convertidor Par	Momentomvandl.....	
2	VOE 11881176	1					Flexplate	Tole Entrainem.....	Mitnehmerblech.....	Placa De Brida	Medbringarplåt.....	
3	VOE 11881177	1					Flexplate	Tole Entrainem.....	Mitnehmerblech.....	Placa De Brida	Medbringarplåt.....	
4	VOE 13970944	6					Hexagon screw	Vis a tête hexagonale	Sechskantschr.....	Tornillo hexago.....	Sexkantsskruv.....	
5	VOE 13970876	4					Hexagon screw	Vis a tête hexagonale	Sechskantschr.....	Tornillo hexago.....	Sexkantsskruv.....	
6		1					Flywheel.....	Volant.....	Schwungrad	Volante	Svänghjul.....	See group 216, Page 63



1		Momentomvandlare med monteringsdetaljer Convertidor de par con accesorios de montaje Drehmomentwandler mit Anbauteilen Convertisseur de couple avec pièces de montage Torque converter with fitting parts	Catalogue id	Group
2			20017	414
3			Illustr. No	Section
4			1000854	100
5			Issue	Page
			VOE 63D9920017	207

VOLVO

BL60



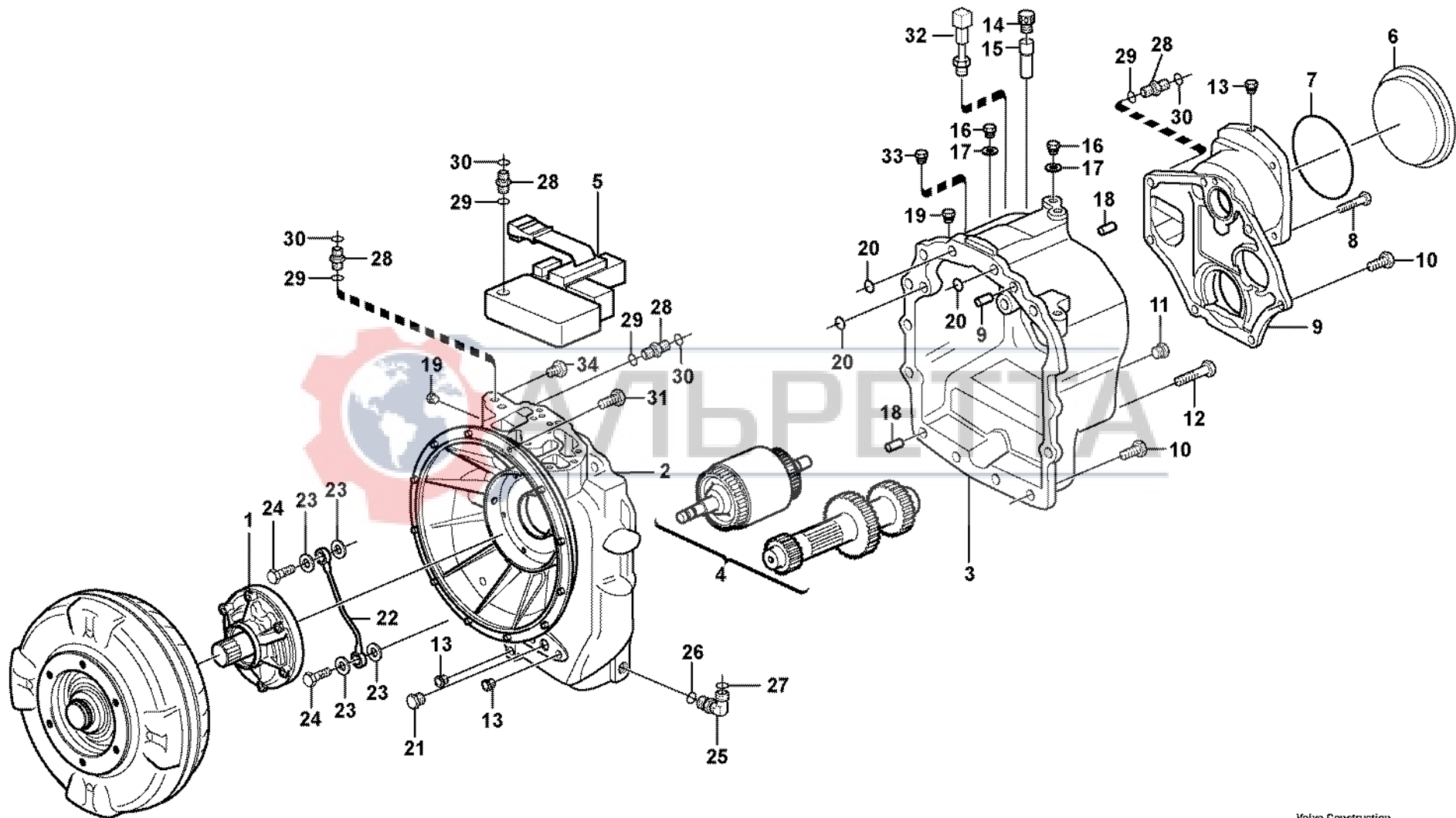


Fig.	Part No.	Quantity			P S	K I T	Description	Dénomination	Bezeichnung	Denominación	Benämning	Notes
		1	2	3								
	VOE 11890339	1				Transmission.....	Transmission.....	Getriebe	Transmision.....	Transmission.....		
1	VOE 11887379		1			Transmission.....	Transmission.....	Getriebe	Transmision.....	Transmission.....		
1		1	1			•Oil pump	•Pompe huile.....	•Ölpumpe	•Bomba aceite	•Oljepump.....	See group 421, Page 227	
2	VOE 11712460	1				•Housing	•Carter.....	•Gehäuse	•Carter	•Hus.....		
2	VOE 11716665		1			•Housing	•Carter.....	•Gehäuse	•Carter	•Hus.....		
3	VOE 11712461	1	1			•Housing	•Carter.....	•Gehäuse	•Carter	•Hus.....		
4		1	1			•Shaft with clutch	•Accouplement hydra ..	•Hydraulikkupplung	•Acoplamiento hidrau ..	•Axel med koppling....	See group 421, Page 233	
	VOE 11709103	1	1			•Reverse Shaft.....	•Arbre Marche Ar	•Rucklaufachse	•Eje Marcha Atr	•Backaxel.....	See group 421, Page 239	
	VOE 11709105	1	1			•Axle.....	•Arbre	•Welle	•Eje	•Axel.....	See group 421, Page 239	
	VOE 11712471	1	1			•Secondary Shaft	•Arbr.secondaire	•Sekundärwelle	•Eje Secundario.....	•Sekundäraxel.....	See group 421, Page 241	
5		1	1			•Gear selector valve...	•Valve selectr.vitesse ..	•Umsteuerventil	•valvula select.veloci ..	•Växelväljarventil.....	See group 421, Page 265	
6	VOE 11712462	1	1			•Plug	•Bouchon.....	•Stopfen	•Tapon.....	•Plugg.....		
7	VOE 11709074	1	1			•O-ring.....	•Joint Torique	•O-Ring.....	•Junta torica	•O-ring.....		
8	VOE 970809	2	2			•Hexagon screw	•Vis tête hexagonale ..	•Sechskantschraube ..	•Tornillo hexago	•Sexkantsskruv.....		
9	VOE 11712463	1	1			•End plate	•Flasque	•Stirnwand	•Extremo.....	•Gavel.....		
10	VOE 13970948	19	19			•Hexagon screw	•Vis a tête hexagonal ..	•Sechskantschr.	•Tornillo hexago	•Sexkantsskruv.....		
11	VOE 11709057	1	1			•Plug	•Bouchon.....	•Stopfen	•Tapon.....	•Plugg.....		
12	VOE 970823	2	2			•Hexagon screw	•Vis tête hexagonale ..	•Sechskantschraube ..	•Tornillo hexago	•Sexkantsskruv.....		
13	VOE 11712464	4	4			•Plug	•Bouchon.....	•Stopfen	•Tapon.....	•Plugg.....		
14	VOE 11709060	1	1			•Breather Cap	•Boucho.aeration.....	•Lüftungsdeckel.....	•Tapa Ventilac	•Ventil.lock.....		
15	VOE 11709063	1	1			•Breather Pipe.....	•Reniflard	•Luftungsrohr.....	•Conduct Ventil.....	•Ventilationsrör.....		
16	VOE 11709061	3	3			•Plug	•Bouchon.....	•Stopfen	•Tapon.....	•Plugg.....		
17	VOE 11709199	3	3			•Washer	•Rondelle.....	•Scheibe	•Arandela.....	•Bricka.....		
18	VOE 950588	3	3			•Pin	•Goupille.....	•Stift.....	•Pasador.....	•Pinne.....		
19	VOE 11709055	2	2			•Plug	•Bouchon.....	•Stopfen	•Tapon.....	•Plugg.....		
20	VOE 11709068	3				•O-ring.....	•Joint Torique	•O-Ring.....	•Junta torica	•O-ring.....		
21	VOE 11712466	1	1			•Plug	•Bouchon.....	•Stopfen	•Tapon.....	•Plugg.....		
22	VOE 11712465	1	1			•Oil Pipe	•Conduit Huile	•Ölrohr	•Tubo Aceite	•Oljerör.....		
23	VOE 11709065	4	4			•Copper Washer	•Rondelle en cuivre ...	•Kupferscheibe	•Arandela Cobre	•Kopparbricka.....		
24	VOE 11709066	2	2			•Hollow screw	•Vis creuse	•Hohlschraube.....	•Racor-surtidor	•Hålskruv.....		

1	11890339	Transmission med monteringsdetaljer Transmisión con accesorios de montaje Transmission mit Anbauteilen Transmission avec pièces de montage Hydraulic transmission with fitting parts	Catalogue id	Group
2	11887379		20017	420
3			Illustr. No	Section
4			1024002	100
5			Issue	Page
	11891076	VOE 63D9920017	209	

VOLVO

BL60

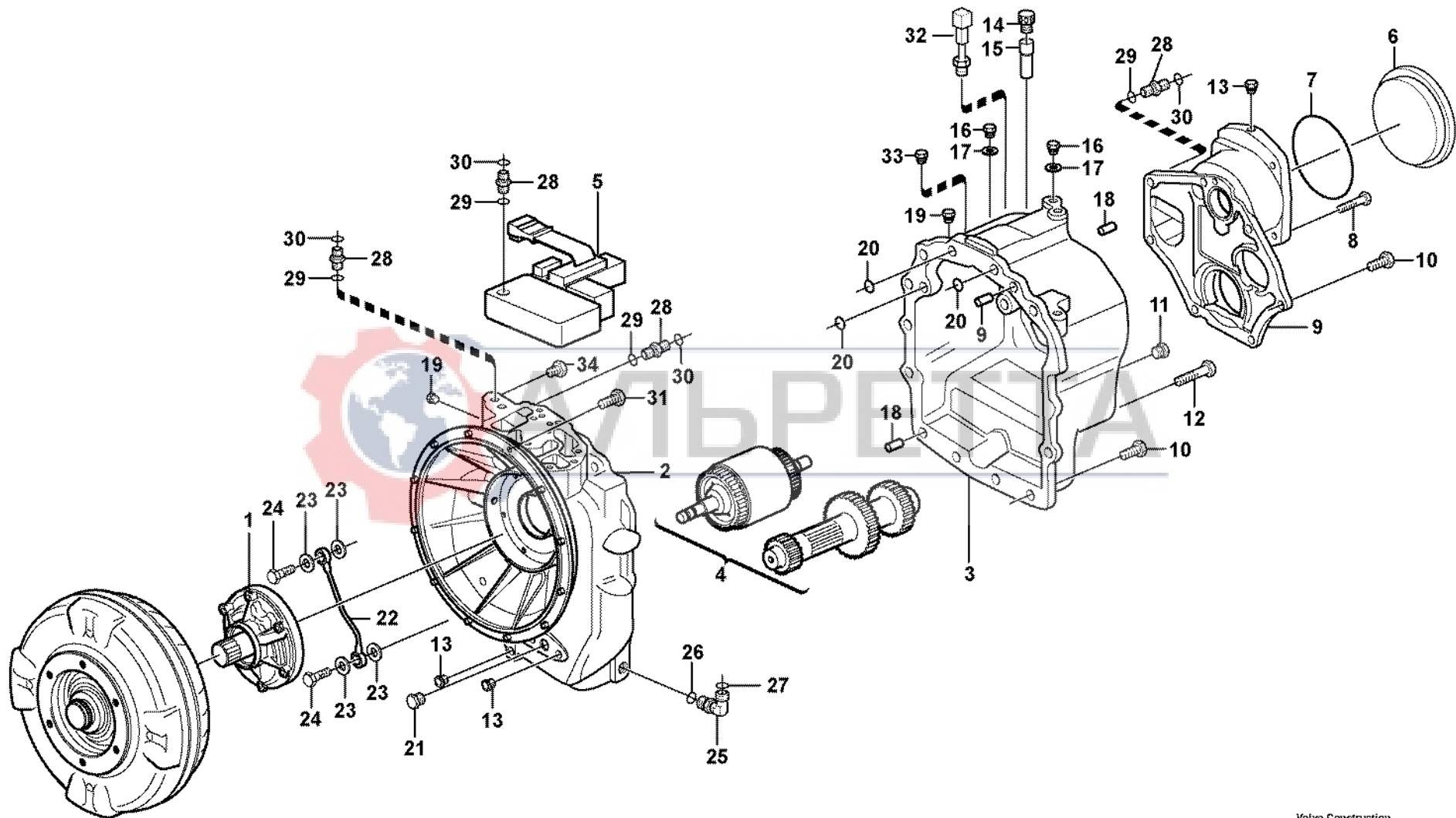


Fig.	Part No.	Quantity			P S	K I T	Description	Dénomination	Bezeichnung	Denominación	Benämning	Notes
		1	2	3								
25	VOE 935069	1					•Elbow nipple	•Raccord angulaire.....	•Winkelnippel.....	•Niple angular.....	•Vinkelnippel.....	
26	VOE 4880492	1					••O-ring	••Joint Torique.....	••O-Ring	••Junta torica	••O-ring.....	
27	VOE 4881722	1					••O-ring	••Joint Torique.....	••O-Ring	••Junta torica	••O-ring.....	
28	VOE 935085	4					•Nipple	•Raccord	•Nippel.....	•Niple.....	•Nippel.....	
28	VOE 13933858		4				•Union	•Teton Connexion	•Anschlussnippel.....	•Niple Conexcion.....	•Anslutn.nippel.....	
29	VOE 4880492	4	4				••O-ring	••Joint Torique.....	••O-Ring	••Junta torica	••O-ring.....	
30	VOE 4881722	4	4				••O-ring	••Joint Torique.....	••O-Ring	••Junta torica	••O-ring.....	
31	VOE 959238	12	12				Allen Hd Screw	Vis A 6 Pans Cr.....	Inbusschraube.....	Torn Hex Embut.....	Insexskruv.....	
32	VOE 11881160	1	1				Temp Sensor	Detecteur Temp.	Temperaturgeber	Sensor Temperat	Temp Givare.....	
33	VOE 11716639		1				Plug.....	Bouchon.....	Stopfen.....	Tapon	Plugg.....	
34	VOE 11709075		1				Plug.....	Bouchon.....	Stopfen.....	Tapon	Plugg.....	

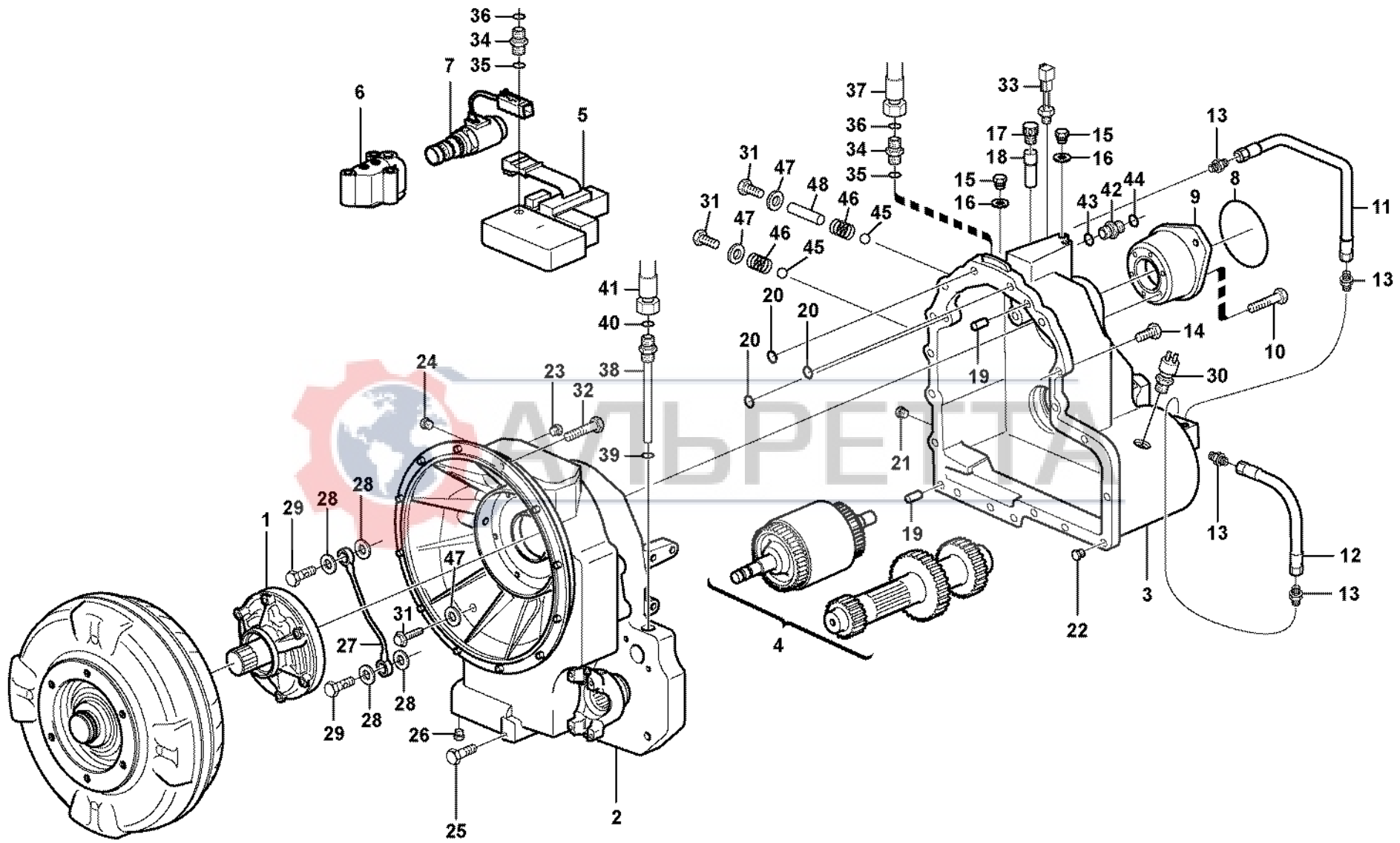


1	11890339	Transmission med monteringsdetaljer Transmisión con accesorios de montaje Transmission mit Anbauteilen Transmission avec pièces de montage Hydraulic transmission with fitting parts	Catalogue id	Group
2	11887379		20017	420
3			Illustr. No	Section
4			1024002	100
5			Issue	Page
	11891076		VOE 63D9920017	211

VOLVO

BL60

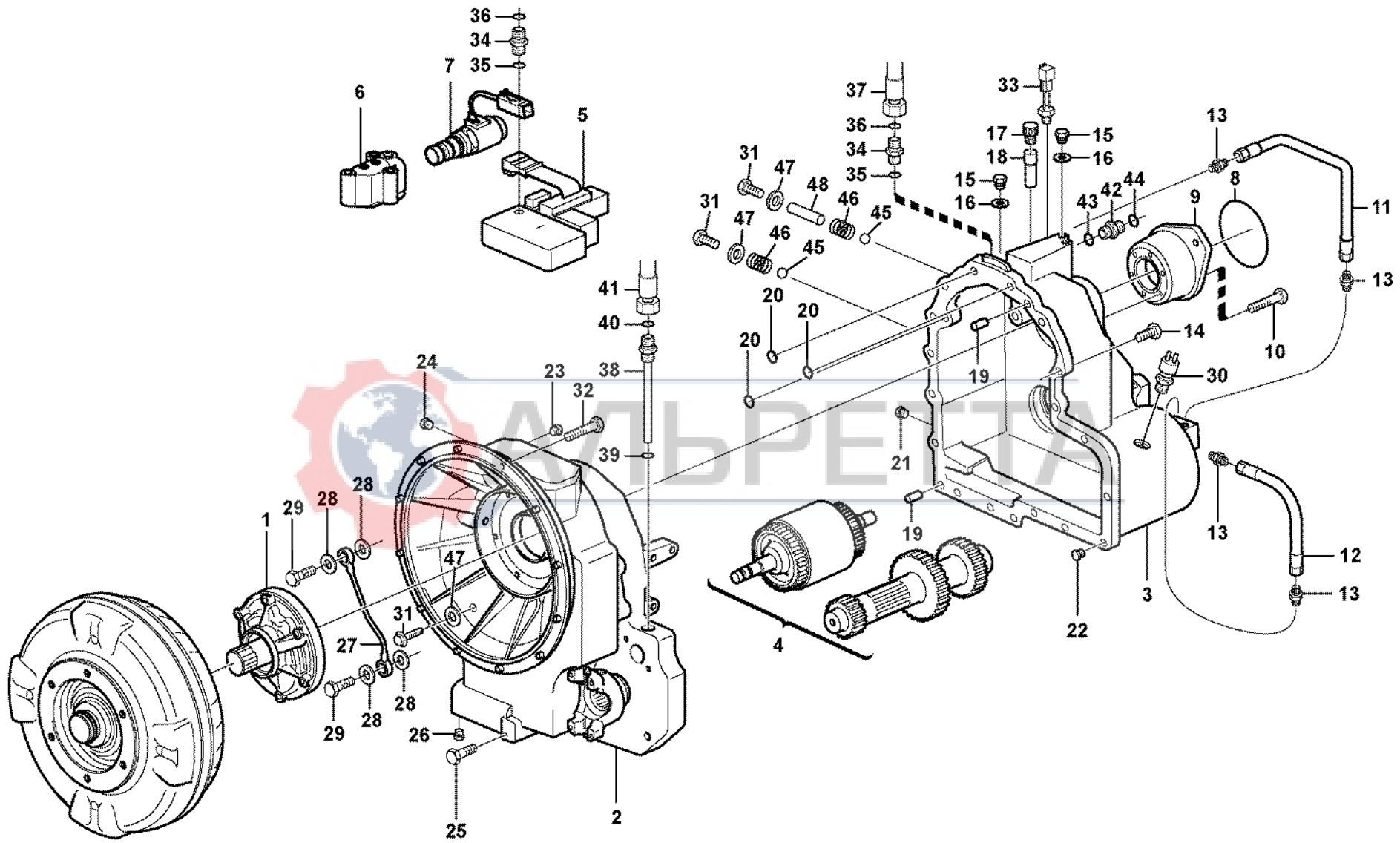




Volvo Construction
Equipment
1013233

Fig.	Part No.	Quantity			P S	K I T	Description	Dénomination	Bezeichnung	Denominación	Benämning	Notes
		1	2	3								
	VOE 11884310	1				Transmission.....	Transmission.....	Getriebe	Transmision.....	Transmission.....		
1	VOE 11709045	1				•Oil pump	•Pompe huile.....	•Ölpumpe	•Bomba aceite	•Oljepump.....	See group 421, Page 229	
2	VOE 11709058	1				•Housing	•Carter.....	•Gehäuse	•Carter	•Hus.....		
3	VOE 11709059	1				•Housing	•Carter.....	•Gehäuse	•Carter	•Hus.....		
4		1				•Shaft with clutch	•Accouplement hydra.	•Hydraulikkupplung	•Acoplamiento hidrau.	•Axel med koppling....	See group 421, Page 237	
	VOE 11709103	1				•Reverse Shaft.....	•Arbre Marche Ar	•Rucklaufachse	•Eje Marcha Atr	•Backaxel.....	See group 421, Page 239	
	VOE 11709105	1				•Axle.....	•Arbre	•Welle	•Eje	•Axel.....	See group 421, Page 239	
	VOE 11709134	1				•Secondary Shaft	•Arbr.secondaire	•Sekundärwelle	•Eje Secundario.....	•Sekundäraxel.....	See group 421, Page 249	
	VOE 11709152	1				•Axle.....	•Arbre	•Welle	•Eje	•Axel.....	See group 421, Page 253	
5		1				•Gear selector valve...•	•Valve selectr.vitesse.	•Umsteuventil	•valvula select.veloci.	•Växelväljarventil.....	See group 421, Page 265	
6		1				•Valve housing	•Carter soupape	•Ventilgehäuse	•Cuerpo valvula	•Ventilhus.....	See group 421, Page 271	
7		1				•Solinoid valve	•Vannr electrom.	•Magnetventil.....	•Electrovalvula.....	•Magnetventil.....	See group 421, Page 271	
8	VOE 11709074	1				•O-ring.....	•Joint Torique	•O-Ring.....	•Junta torica	•O-ring.....		
9	VOE 11709062	1				•Flange.....	•Flasque	•Flansch	•Brida.....	•Fläns.....		
10	VOE 13970947	6				•Hexagon screw	•Vis a tête hexagonal.	•Sechskantschr.	•Tornillo hexago	•Sexkantsskruv.....		
11	VOE 11709064	1				•Oil Pipe	•Conduit Huile	•Ölrohr	•Tubo Aceite.....	•Oljerör.....		
12	VOE 11709069	1				•Oil Pipe	•Conduit Huile	•Ölrohr	•Tubo Aceite.....	•Oljerör.....		
13	VOE 11709056	4				•Nipple	•Raccord	•Nippel.....	•Niple	•Nippel.....		
14	VOE 13970949	11				•Hexagon screw	•Vis a tête hexagonal.	•Sechskantschr.	•Tornillo hexago	•Sexkantsskruv.....	(VOE 970807)	
15	VOE 11709061	4				•Plug	•Bouchon.....	•Stopfen	•Tapon.....	•Plugg.....		
16	VOE 13947281	4				•Gasket	•Joint	•Dichtung.....	•Junta	•Packning.....		
17	VOE 11709060	1				•Breather Cap	•Boucho.aeration.....	•Lüftungsdeckel.....	•Tapa Ventilac	•Ventil.lock.....		
18	VOE 11709063	1				•Breather Pipe.....	•Reniffard	•Luftungsrohr.....	•Conduct Ventil.....	•Ventilationsrör.....		
19	VOE 950588	2				•Pin	•Goupille.....	•Stift.....	•Pasador.....	•Pinne.....		
20	VOE 11709068	5				•O-ring.....	•Joint Torique	•O-Ring.....	•Junta torica	•O-ring.....		
21	VOE 11709057	1				•Plug	•Bouchon.....	•Stopfen	•Tapon.....	•Plugg.....		
22	VOE 11709075	3				•Plug	•Bouchon.....	•Stopfen	•Tapon.....	•Plugg.....		
23	VOE 11709054	1				•Plug	•Bouchon.....	•Stopfen	•Tapon.....	•Plugg.....		
	VOE 11709055	2				•Plug	•Bouchon.....	•Stopfen	•Tapon.....	•Plugg.....		
24	VOE 11709070	1				•Plug	•Bouchon.....	•Stopfen	•Tapon.....	•Plugg.....		

1		Transmission med monteringsdetaljer	Catalogue id	Group
2		Transmisión con accesorios de montaje	20017	420
3		Transmission mit Anbauteilen	Illustr. No	Section
4		Transmission avec pièces de montage	1013233	150
5		Hydraulic transmission with fitting parts	Issue	Page
		11891077	VOE 63D9920017	213



Volvo Construction
Equipment
1013233

Fig.	Part No.	Quantity			P S	K I T	Description	Dénomination	Bezeichnung	Denominación	Benämning	Notes
		1	2	3								
25	VOE 970812	6				•Hexagon screw	•Vis a tête hexagonal	•Sechskantschr.	•Tornillo hexago	•Sexkantsskruv.....		
26	VOE 11709071	1				•Plug	•Bouchon.....	•Stopfen	•Tapon.....	•Plugg.....		
27	VOE 11709067	1				•Lubrication pipe	•Conduit de graissag...•Schmierrohr	•Tubo de lubricación...•Smörjrör.....				
28	VOE 11709065	4				•Copper Washer	•Rondelle en cuivre•Kupferscheibe	•Arandela Cobre	•Kopparbricka.....			
29	VOE 11709066	2				•Hollow screw	•Vis creuse	•Hohlschraube.....	•Racor-surtidor	•Hålskruv.....		
30		1				Ind Sensor.....	Emett.induction	Induktionsgeber.....	Sensor Inducc	Indukt.givare.....	See group 380, Page 193	
31	VOE 11709175	3				Screw	Vis	Schraube.....	Tornillo	Skruv.....	11890349, 11891050	
32	VOE 959238	12				Allen Hd Screw	Vis A 6 Pans Cr.....	Inbusschraube.....	Torn Hex Embut	Insexskruv.....		
33	VOE 11881160	1				Temp Sensor	Detecteur Temp.	Temperaturgeber	Sensor Temperat	Temp Givare.....		
34	VOE 935085	2				Nipple.....	Raccord.....	Nippel.....	Niple	Nippel.....		
35	VOE 932039	1				•O-ring.....	•Joint Torique	•O-Ring.....	•Junta torica	•O-ring.....		
36	VOE 4880492	1				•O-ring.....	•Joint Torique	•O-Ring.....	•Junta torica	•O-ring.....		
37		1				Hose.....	Durit	Schlauch	Tubo flexible.....	Slang.....	See group 517, Page 349	
38	VOE 11883691	1				Connector	Raccord.....	Anschluss.....	Union.....	Anslutning.....		
39	VOE 932041	1				•O-ring.....	•Joint Torique	•O-Ring.....	•Junta torica	•O-ring.....		
40	VOE 4880492	1				•O-ring.....	•Joint Torique	•O-Ring.....	•Junta torica	•O-ring.....		
41		1				Hose.....	Durit	Schlauch	Tubo flexible.....	Slang.....	See group 517, Page 349	
42	VOE 13933858	1				Union.....	Teton Connexion.....	Anschlussnippel	Niple Conexcion	Anslutn.nippel.....		
43	VOE 932039	1				•O-ring.....	•Joint Torique	•O-Ring.....	•Junta torica	•O-ring.....		
44	VOE 4881722	1				•O-ring.....	•Joint Torique	•O-Ring.....	•Junta torica	•O-ring.....		
45	VOE 11709177	2				Ball.....	Bille	Kugel.....	Bola	Kula.....		
46	VOE 11709176	2				Spring.....	Ressort.....	Feder.....	Muelle.....	Fjäder.....		
47	VOE 11709174	3				Washer.....	Rondelle	Scheibe	Arandela	Bricka.....		
48	VOE 11709186	1				Gear Selector.....	Selecte.vitesse	Wählhebel	Select Velocid	Växelväljare.....		

1	Transmission med monteringsdetaljer Transmisión con accesorios de montaje Transmission mit Anbauteilen Transmission avec pièces de montage Hydraulic transmission with fitting parts	Catalogue id	Group
2		20017	420
3		Illustr. No	Section
4		1013233	150
5		Issue	Page
	11891077	VOE 63D9920017	215

VOLVO

BL60

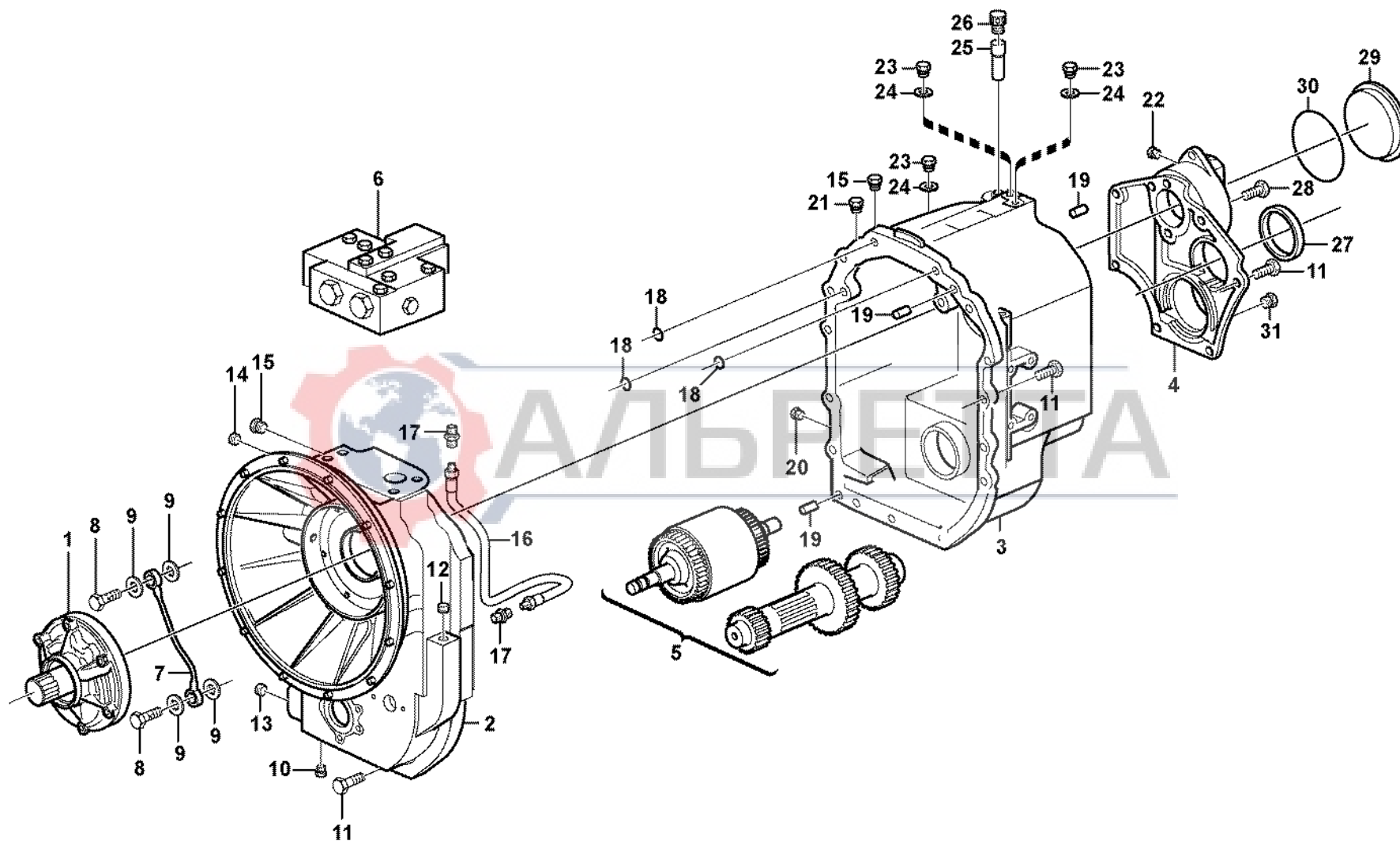


Fig.	Part No.	Quantity			P S	K I T	Description	Dénomination	Bezeichnung	Denominación	Benämning	Notes
		1	2	3								
	VOE 11887380					Transmission.....	Transmission.....	Getriebe	Transmision.....	Transmission.....		
1		1				•Oil pump	•Pompe huile.....	•Ölpumpe	•Bomba aceite	•Oljepump.....	See group 421, Page 231	
2	VOE 11716782	1				•Housing	•Carter.....	•Gehäuse	•Carter	•Hus.....		
3	VOE 11716783	1				•Housing	•Carter.....	•Gehäuse	•Carter	•Hus.....		
4	VOE 11712463	1				•End plate	•Flasque	•Stirnwand	•Extremo.....	•Gavel.....		
5		1				•Shaft with clutch	•Accouplement hydra	•Hydraulikkupplung	•Acoplamiento hidrau	•Axel med koppling....	See group 421, Page 235	
		1				•Reverse Shaft.....	•Arbre Marche Ar	•Rucklaufachse	•Eje Marcha Atr	•Backaxel.....	See group 421, Page 239	
		1				•Axle.....	•Arbre	•Welle	•Eje	•Axel.....	See group 421, Page 257	
		1				•Secondary Shaft	•Arbr.secondaire	•Sekundärwelle	•Eje Secundario.....	•Sekundäraxel.....	See group 421, Page 245	
6		1				•Gear selector valve...	•Valve selectr.vitesse	•Umsteuerventil	•valvula select.veloci	•Växelväljarventil.....	See group 421, Page 269	
7	VOE 11712465	1				•Oil Pipe	•Conduit Huile	•Ölrohr	•Tubo Aceite.....	•Oljerör.....		
8	VOE 11709066	2				•Hollow screw	•Vis creuse	•Hohlschraube.....	•Racor-surtidor	•Hålskruv.....		
9	VOE 11709065	4				•Copper Washer	•Rondelle en cuivre	•Kupferscheibe	•Arandela Cobre	•Kopparbricka.....		
10	VOE 11709071	1				•Plug	•Bouchon.....	•Stopfen	•Tapon.....	•Plugg.....		
11	VOE 13970948	22				•Hexagon screw	•Vis a tête hexagonal	•Sechskantschr.	•Tornillo hexago	•Sexkantsskruv.....		
12	VOE 11709200	1				•Plug	•Bouchon.....	•Stopfen	•Tapon.....	•Plugg.....		
13	VOE 11712960	1				•Rivet	•Rivet.....	•Niet.....	•Remache	•Nit.....		
14	VOE 11709070	1				•Plug	•Bouchon.....	•Stopfen	•Tapon.....	•Plugg.....		
15	VOE 11709055	2				•Plug	•Bouchon.....	•Stopfen	•Tapon.....	•Plugg.....		
16	VOE 11716784	1				•Lub Pipe	•Tuyau Graissage	•Schmierrohr	•Tubo Lubricante	•Smörjrör.....		
17	VOE 11709056	2				•Nipple	•Raccord	•Nippel.....	•Niple	•Nippel.....		
18	VOE 11709068	3				•O-ring.....	•Joint Torique	•O-Ring.....	•Junta torica	•O-ring.....		
19	VOE 950588	3				•Pin	•Goupille.....	•Stift.....	•Pasador.....	•Pinne.....		
20	VOE 11709057	1				•Plug	•Bouchon.....	•Stopfen	•Tapon.....	•Plugg.....		
21	VOE 11716639	1				•Plug	•Bouchon.....	•Stopfen	•Tapon.....	•Plugg.....		
22	VOE 11709200	1				•Plug	•Bouchon.....	•Stopfen	•Tapon.....	•Plugg.....		
23	VOE 11709061	3				•Plug	•Bouchon.....	•Stopfen	•Tapon.....	•Plugg.....		
24	VOE 11709199	3				•Washer	•Rondelle.....	•Scheibe	•Arandela.....	•Bricka.....		
25	VOE 11709063	1				•Breather Pipe.....	•Reniflard	•Luftungsrohr	•Conduct Ventil.....	•Ventilationsrör.....		
26	VOE 11709060	1				•Breather Cap	•Boucho.aeration.....	•Lüftungsdeckel.....	•Tapa Ventilac	•Ventil.lock.....		

1	11887380	Transmission med monteringsdetaljer Transmisión con accesorios de montaje Transmission mit Anbauteilen Transmission avec pièces de montage Hydraulic transmission with fitting parts	Catalogue id	Group
2			20017	420
3			Illustr. No	Section
4			1024684	200
5			Issue	Page
		11891077 S/N 10939 -	VOE 63D9920017	217

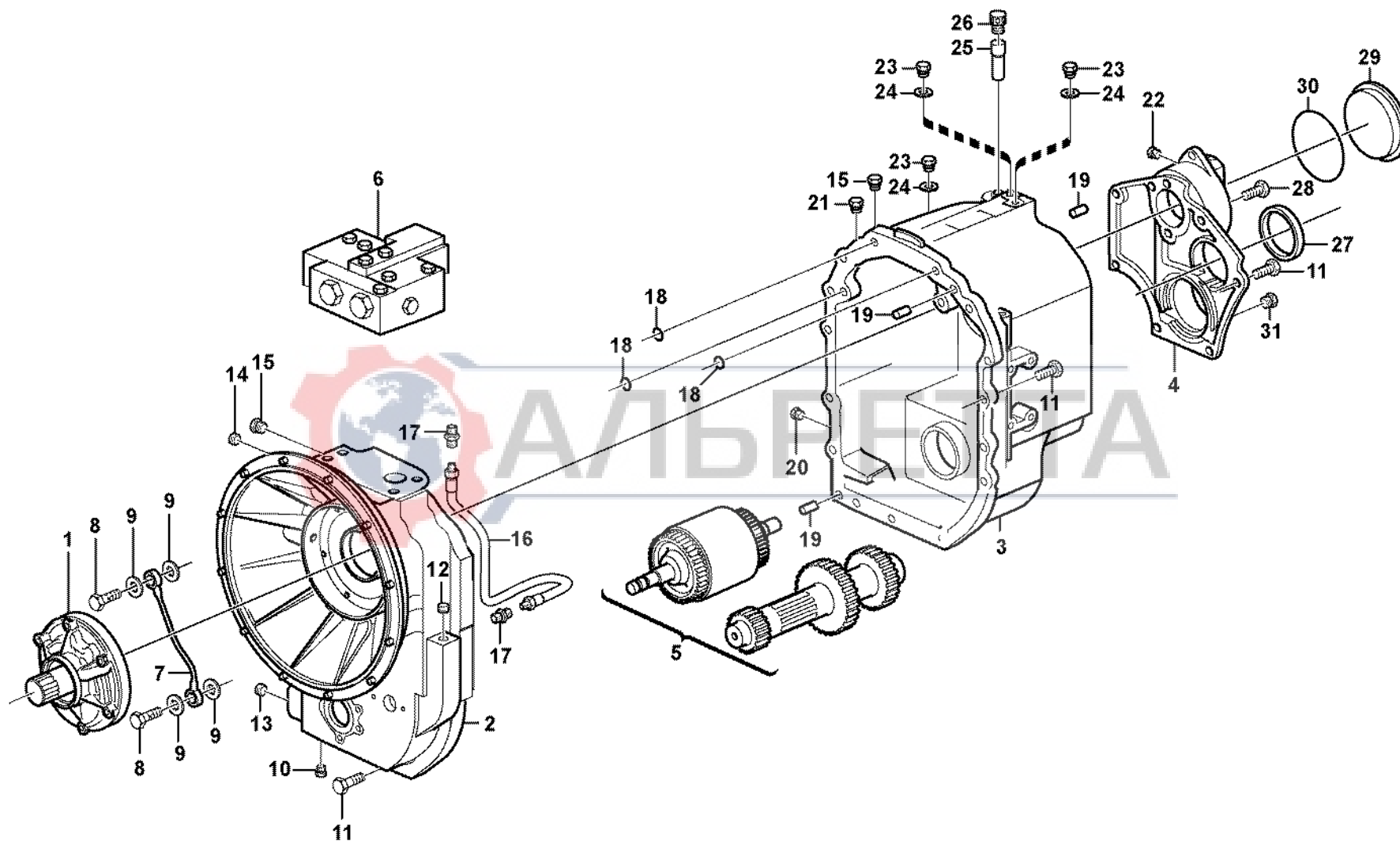


Fig.	Part No.	Quantity			P S	K I T	Description	Dénomination	Bezeichnung	Denominación	Benämning	Notes
		1	2	3								
27	VOE 11709133	1					•Seal	•Joint	•Dichtring.....	•Junta	•Tätning.....	
28	VOE 13970951	2					•Hexagon screw.....	•Vis a tête hexagonal .	•Sechskantschr.	•Tornillo hexago	•Sexkantsskruv.....	
29	VOE 11712462	1					•Plug	•Bouchon.....	•Stopfen	•Tapon.....	•Plugg.....	
30	VOE 11709074	1					•O-ring.....	•Joint Torique	•O-Ring.....	•Junta torica	•O-ring.....	

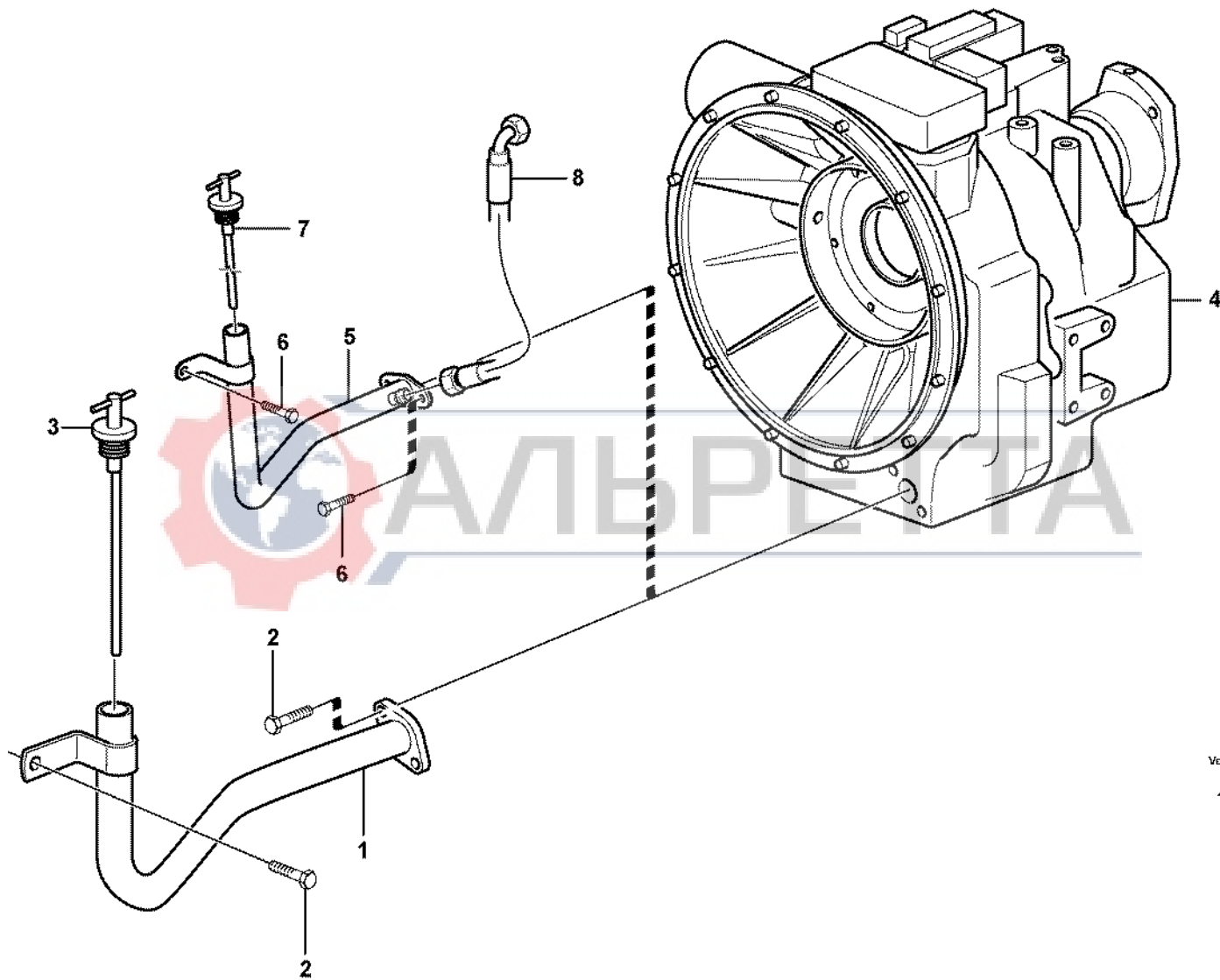


1	11887380	Transmission med monteringsdetaljer Transmisión con accesorios de montaje Transmission mit Anbauteilen Transmission avec pièces de montage Hydraulic transmission with fitting parts	Catalogue id	Group
2			20017	420
3			Illustr. No	Section
4			1024684	200
5			Issue	Page
	11891077 S/N 10939 -		VOE 63D9920017	219

VOLVO

BL60





Valvo Construction
Equipment
1024226

Fig.	Part No.	Quantity			P S	K I T	Description	Dénomination	Bezeichnung	Denominación	Benämning	Notes
		1	2	3								
1	VOE 11885030	1					Filler pipe	Tube remplissa.	Fullrohr	Tubo Llenado	Påfyllningsrör.....	
2	VOE 13967630	3					Allen Hd Screw	Vis A 6 Pans Cr.....	Inbusschraube.....	Torn Hex Embut.....	Insexskruv.....	
3	VOE 11885057	1					Filler cap	Bouchon Remplissa ...	Tankverschluss	Tapa Llenado	Påfyllningslock.....	
4	VOE 11890339	1					Transmission.....	Transmission.....	Getriebe	Transmision.....	Transmission.....	
4	VOE 11887379	1					Transmission.....	Transmission.....	Getriebe	Transmision.....	Transmission.....	
5	VOE 11888393	1					Filler pipe	Tube remplissa.	Fullrohr	Tubo Llenado	Påfyllningsrör.....	
6	VOE 13967630	3					Allen Hd Screw	Vis A 6 Pans Cr.....	Inbusschraube.....	Torn Hex Embut.....	Insexskruv.....	
7	VOE 11889090	1					Dipstick	Jauge	Messtab.....	Varill Medic.....	Mätsticka.....	
8	VOE 11882192	1					Hose assembly	Conduit flexible	Schlauchleitung.....	Conducto	Slangledning.....	



1	11890339	Oljepåfyllning och mätsticka Boca de llenado de aceitey varilla de nivel Öleinfüllung und Ölmeßtab Remplissage d'huile et indicateur de niveau Oil filler and dipstick	Catalogue id	Group
2	11887379		20017	421
3			Illustr. No	Section
4			1024226	150
5			Issue	Page
	11891076		VOE 63D9920017	221

VOLVO

BL60

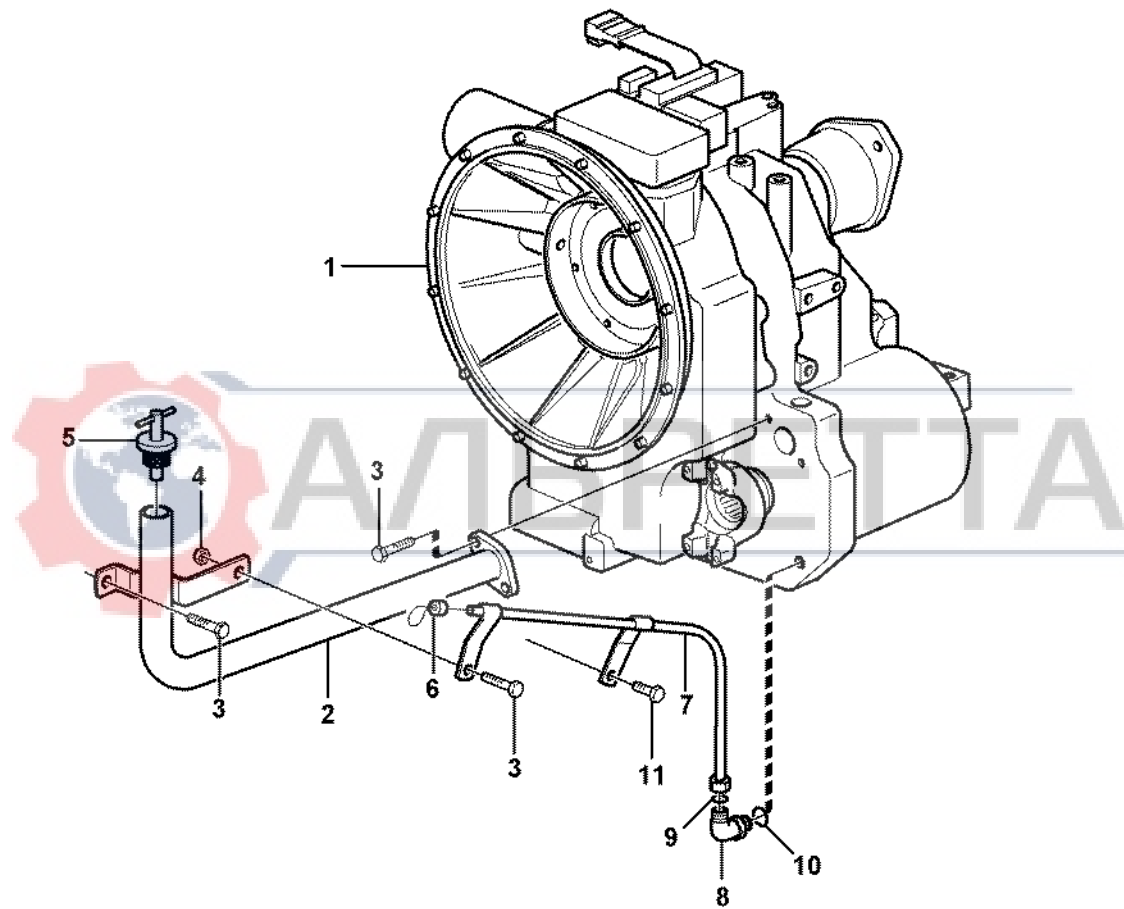


Fig.	Part No.	Quantity			P S	K I T	Description	Dénomination	Bezeichnung	Denominación	Benämning	Notes
		1	2	3								
1	VOE 11884310	1				Transmission.....	Transmission.....	Getriebe	Transmision.....	Transmission.....		
2	VOE 11884059	1				Tube.....	Tube.....	Rohr	Tube	Rör.....		
3	VOE 13967630	4				Allen Hd Screw	Vis A 6 Pans Cr.....	Inbusschraube.....	Torn Hex Embut	Insexskruv.....		
4	VOE 946036	1				Lock nut	Contre-ecrou	Sicherungsmutter	Contratuerca	Låsmutter.....		
5	VOE 11882698	1				Filler cap	Bouchon Remplissa	Tankverschluss	Tapa Llenado	Påfyllningslock.....		
6	VOE 11882695	1				Dipstick	Jauge	Messtab.....	Varill Medic.....	Mätsticka.....		
7	VOE 11882696	1				Dipstick Tube	Tube De Jauge	Messtabrohr	Tube Medicion.....	Mätstickör.....		
8	VOE 935069	1				Elbow nipple.....	Raccord angulaire.....	Winkelniessel.....	Niple angular	Vinkelniessel.....		
9	VOE 4880492	1				•O-ring.....	•Joint Torique	•O-Ring.....	•Junta torica	•O-ring.....	9,25X1,78 MM	
10	VOE 4881722	1				•O-ring.....	•Joint Torique	•O-Ring.....	•Junta torica	•O-ring.....	7,65X1,78 MM	
11	VOE 946502	1				Flange screw.....	Vis à bride	Flanschschraube.....	Torn embridado	Flänsskruv.....		



1		Oljepåfyllning och mätsticka Boca de llenado de aceitey varilla de nivel Öleinfüllung und Ölmeßtab Remplissage d'huile et indicateur de niveau Oil filler and dipstick 11891077 S/N - 10938	Catalogue id	Group
2			20017	421
3			Illustr. No	Section
4			1013101	175
5			Issue	Page
			VOE 63D9920017	223

VOLVO

BL60

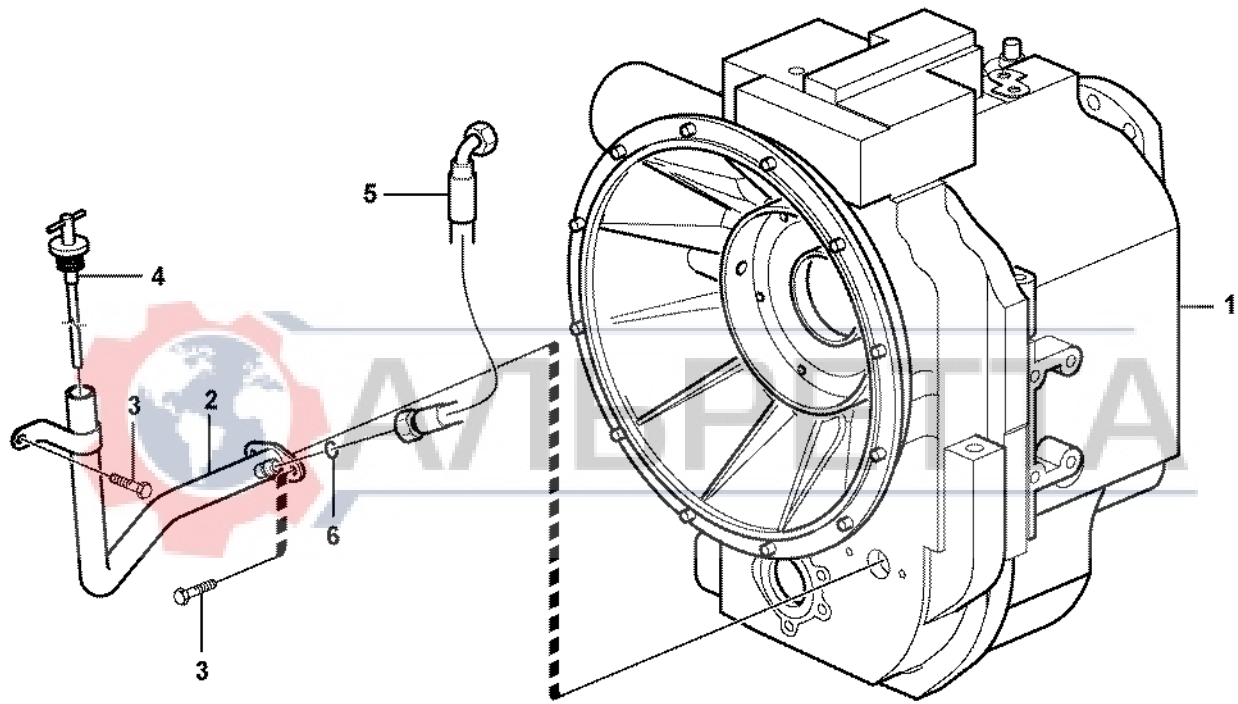


Fig.	Part No.	Quantity			P S	K I T	Description	Dénomination	Bezeichnung	Denominación	Benämning	Notes
		1	2	3								
1		1				Transmission.....	Transmission.....	Getriebe	Transmision.....	Transmission.....	See group 420, Page 217	
2	VOE 11888393	1				Filler pipe	Tube remplissa.	Fullrohr	Tube Llenado	Påfyllningsrör.....		
3	VOE 13967630	3				Allen Hd Screw	Vis A 6 Pans Cr.....	Inbusschraube.....	Torn Hex Embut	Insexskruv.....		
4	VOE 11889090	1				Dipstick	Jauge	Messtab.....	Varill Medic.....	Mätsticka.....		
5	VOE 11882192	1				Hose assembly	Conduit flexible	Schlauchleitung.....	Conducto.....	Slangledning.....		
6	VOE 990737	1				O-ring	Joint Torique	O-Ring.....	Junta torica.....	O-ring.....		

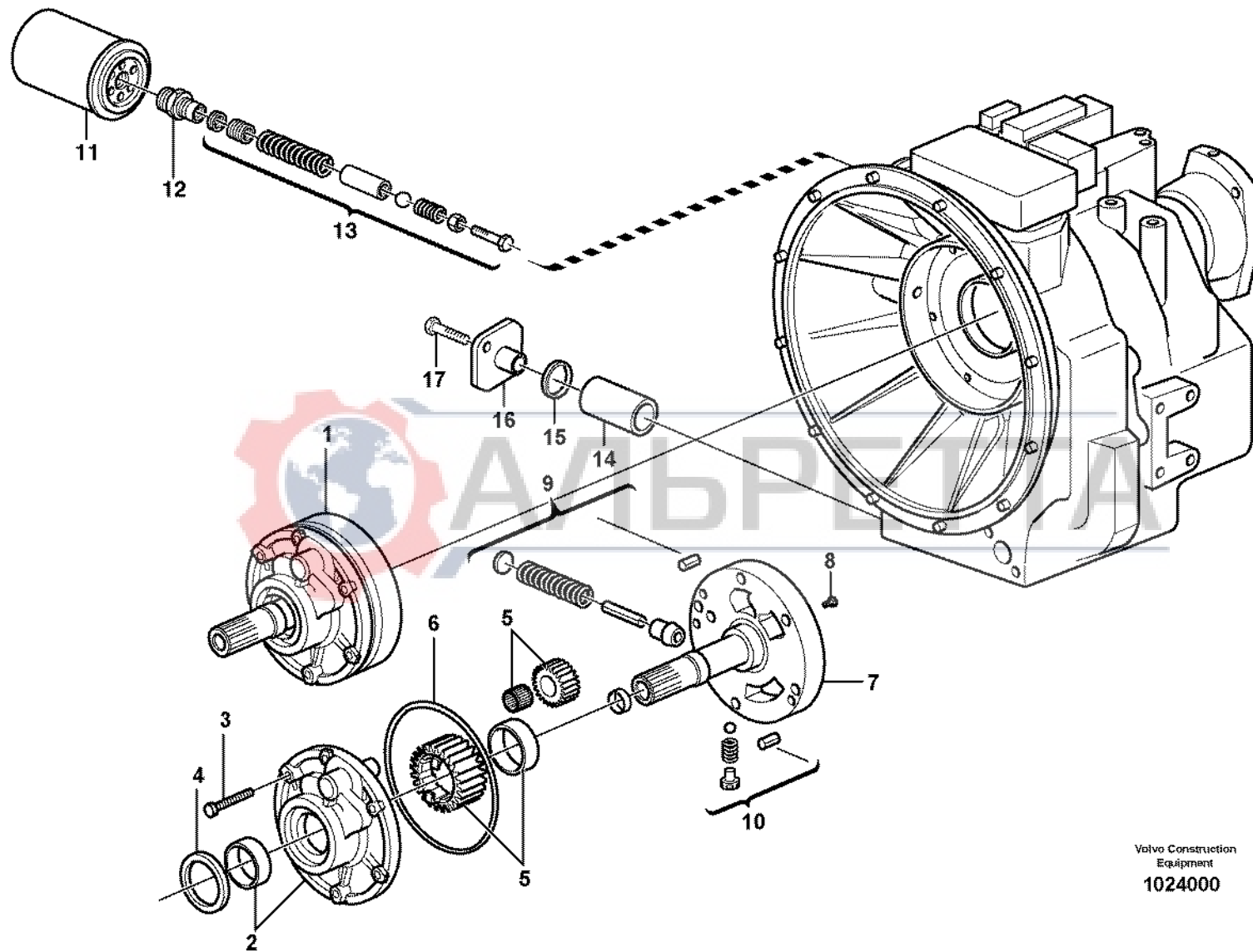


1		Oljepåfyllning och mätsticka Boca de llenado de aceitey varilla de nivel Öleinfüllung und Ölmeßtab Remplissage d'huile et indicateur de niveau Oil filler and dipstick 11891077 S/N 10939 -	Catalogue id	Group
2			20017	421
3			Illustr. No	Section
4			1024697	185
5			Issue	Page
			VOE 63D9920017	225

VOLVO

BL60





Volvo Construction
Equipment
1024000

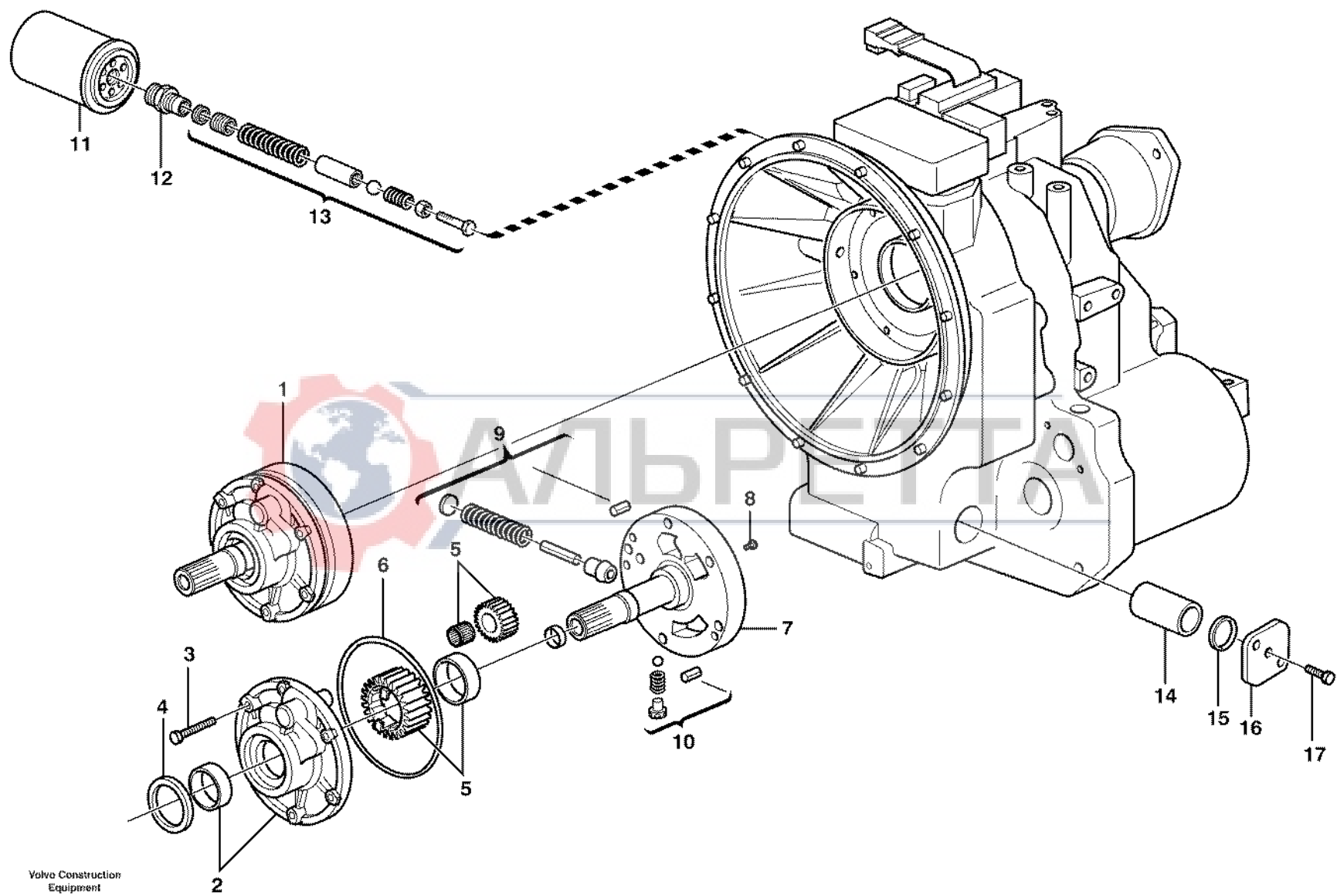
Fig.	Part No.	Quantity			P S	K I T	Description	Dénomination	Bezeichnung	Denominación	Benämning	Notes
		1	2	3								
1	VOE 11709045	1				Oil pump.....	Pompe huile	Ölpumpe.....	Bomba aceite	Oljepump.....		
1	VOE 11715039		1			Oil Pump	Pompe a huile	Ölpumpe.....	Bomba de aceite	Oljepump.....		
2		1	1	NS		•Pump Body	•Corps de pompe	•Pumpengehäuse.....	•Cuerpo Bomba	•Pumpkropp.....		
3	VOE 955302	6	6			•Hexagon screw	•Vis tête hexagonale ..	•Sechskantschraube ..	•Tornillo hexago	•Sexkantsskruv.....		
4	VOE 11712659	1	1			•Seal	•Joint	•Dichtring.....	•Junta	•Tätning.....		
5		1	1	NS		•Gear Set	•Jeu Pignons	•Zahnradatz	•Juego Engranaje.....	•Kugghjulsatz.....		
6	VOE 11709047	1	1			•O-ring.....	•Joint Torique	•O-Ring.....	•Junta torica	•O-ring.....		
7		1	1	NS		•Stator	•Stator	•Ständer	•Estator.....	•Stator.....		
8	VOE 13947542	1				•Screw.....	•Vis.....	•Schraube.....	•Tornillo	•Skruv.....		
9	VOE 11712940	1		OP		•Relief valve	•Limiteur - pression ...	•Druckbegrenzer	•Limitador presion	•Avlastningsventil.....		
10	VOE 11712941	1		OP		•Converter Valve	•Valve Converti.	•Wandlerventil	•Valv Convertid.....	•Momentomv.vent.....		
11	VOE 11709048	1	1			Oil Filter.....	Filtre Huile.....	Ölfilter.....	Filtro Aceite	Oljefilter.....		
12	VOE 11709053	1	1			Nipple.....	Raccord.....	Nippel.....	Niple	Nippel.....		
13	VOE 11709049		1			Valve Kit.....	Kit valve	Ventilsatz.....	Juego Valvula.....	Ventilsats.....		
14	VOE 11709050	1	1			Oil Filter.....	Filtre Huile.....	Ölfilter.....	Filtro Aceite	Oljefilter.....		
15	VOE 11709051	1	1			O-ring	Joint Torique	O-Ring.....	Junta torica.....	O-ring.....		
16	VOE 11709052	1	1			Cover	Couvercle	Deckel	Tapa	Lock.....		
17	VOE 13955294	2	2			Screw.....	Vis	Schraube.....	Tornillo	Skruv.....		



1	11890339	Oljepump Bomba de aceite Ölpumpe Pompe à huile Oil pump 11891076	Catalogue id	Group
2	11887379		20017	421
3			Illustr. No	Section
4			1024000	200
5			Issue	Page
			VOE 63D9920017	227

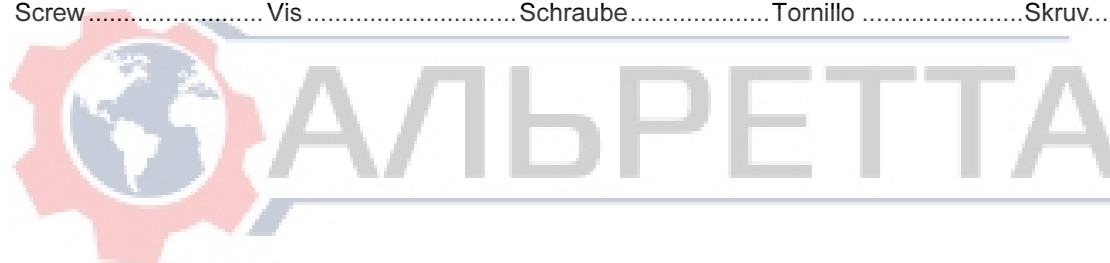
VOLVO

BL60



Volvo Construction
Equipment
1011548

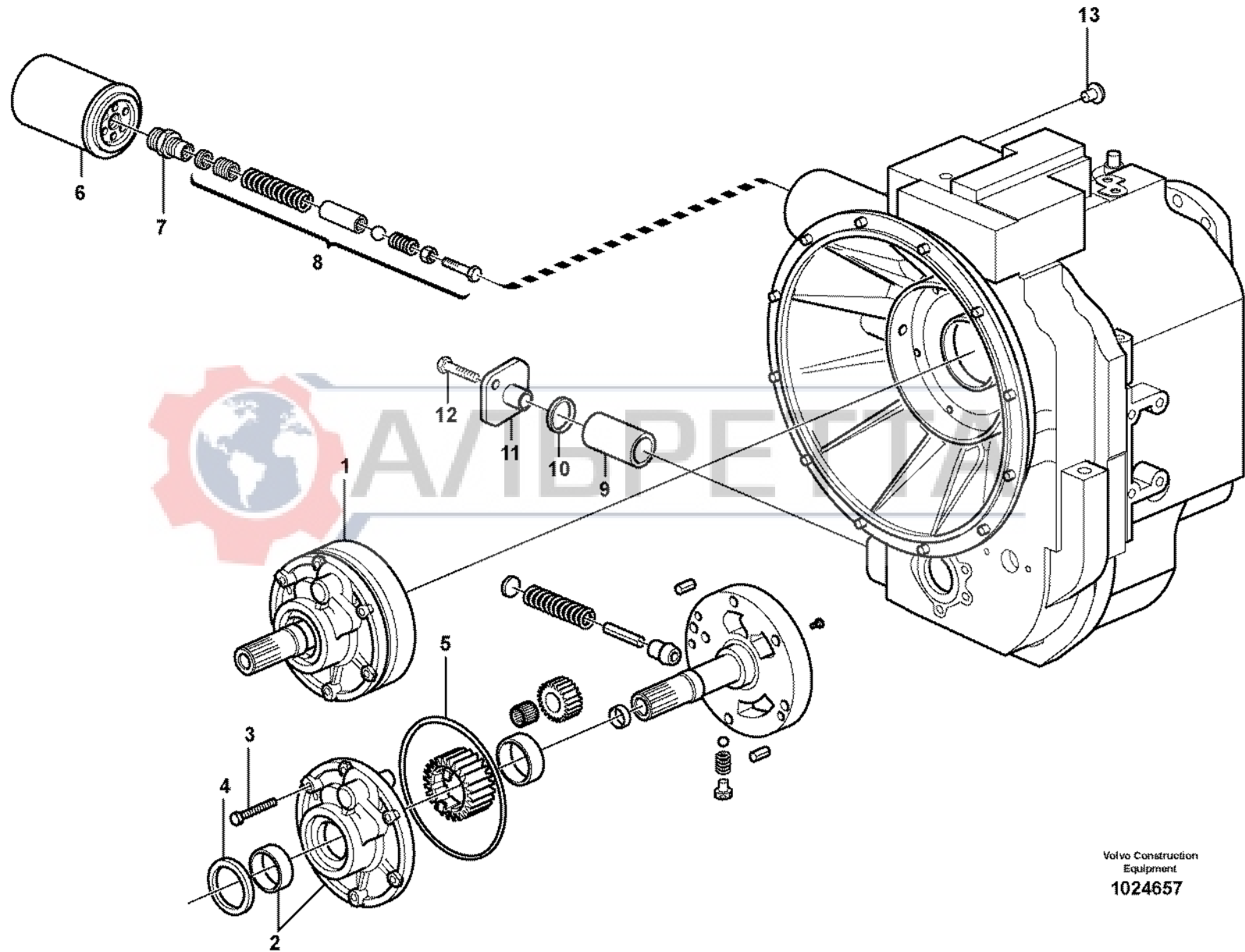
Fig.	Part No.	Quantity			P S	K I T	Description	Dénomination	Bezeichnung	Denominación	Benämning	Notes
		1	2	3								
1	VOE 11709045	1				Oil pump.....	Pompe huile	Ölpumpe.....	Bomba aceite	Oljepump.....		
2		1			NS	•Pump Body	•Corps de pompe	•Pumpengehäuse.....	•Cuerpo Bomba	•Pumpkropp.....		
3	VOE 955302	6				•Hexagon screw	•Vis tête hexagonale ..	•Sechskantschraube ..	•Tornillo hexago	•Sexkantsskruv.....		
4	VOE 11712659	1				•Seal	•Joint	•Dichtring.....	•Junta	•Tätning.....		
5		1			NS	•Gear Set	•Jeu Pignons	•Zahnradsatz	•Juego Engranaje.....	•Kugghjulsats.....		
6	VOE 11709047	1				•O-ring.....	•Joint Torique	•O-Ring.....	•Junta torica	•O-ring.....		
7		1			NS	•Stator	•Stator	•Ständer	•Estator.....	•Stator.....		
8	VOE 13947542	1				•Screw.....	•Vis	•Schraube.....	•Tornillo	•Skruv.....		
9	VOE 11712940	1			OP	•Relief valve	•Limiteur - pression ...	•Druckbegrenzer	•Limitador presion	•Avlastningsventil.....		
10	VOE 11712941	1			OP	•Converter Valve	•Valve Converti.	•Wandlerventil	•Valv Convertid.....	•Momentomv.vent.....		
11	VOE 11709048	1				Oil Filter.....	Filtre Huile.....	Ölfilter.....	Filtro Aceite	Oljefilter.....		
12	VOE 11709053	1				Nipple.....	Raccord.....	Nippel.....	Niple	Nippel.....		
13	VOE 11709049	1				Valve Kit.....	Kit valve	Ventilsatz.....	Juego Valvula.....	Ventilsats.....		
14	VOE 11709050	1				Oil Filter.....	Filtre Huile.....	Ölfilter.....	Filtro Aceite	Oljefilter.....		
15	VOE 11709051	1				O-ring	Joint Torique	O-Ring.....	Junta torica.....	O-ring.....		
16	VOE 11709052	1				Cover	Couvercle.....	Deckel	Tapa	Lock.....		
17	VOE 13955294	2				Screw.....	Vis	Schraube.....	Tornillo	Skruv.....		



1		Oljepump Bomba de aceite Ölpumpe Pompe à huile Oil pump 11891077	Catalogue id	Group
2			20017	421
3			Illustr. No	Section
4			1011548	225
5			Issue	Page
			VOE 63D9920017	229

VOLVO

BL60



Volvo Construction
Equipment
1024657

Fig.	Part No.	Quantity			P S	K I T	Description	Dénomination	Bezeichnung	Denominación	Benämning	Notes
		1	2	3								
1	VOE 11716780	1				Oil Pump	Pompe a huile	Ölpumpe.....	Bomba de aceite	Oljepump.....		
2		1			NS	•Pump Body	•Corps de pompe	•Pumpengehäuse.....	•Cuerpo Bomba	•Pumpkropp.....		
3	VOE 955302	6				•Hexagon screw	•Vis tête hexagonale ..	•Sechskantschraube ..	•Tornillo hexago	•Sexkantsskruv.....		
4	VOE 11712659	1				•Seal	•Joint	•Dichtring.....	•Junta	•Tätning.....		
5	VOE 11709047	1				•O-ring.....	•Joint Torique	•O-Ring.....	•Junta torica	•O-ring.....		
6	VOE 11716781	1				Oil Filter.....	Filtre Huile.....	Ölfilter.....	Filtro Aceite	Oljefilter.....		
7	VOE 11709053	1				Nipple.....	Raccord.....	Nippel	Niple	Nippel.....		
8	VOE 11709049	1				Valve Kit.....	Kit valve	Ventilsatz.....	Juego Valvula.....	Ventilsats.....		
9	VOE 11709050	1				Oil Filter.....	Filtre Huile.....	Ölfilter.....	Filtro Aceite	Oljefilter.....		
10	VOE 11709051	1				O-ring.....	Joint Torique	O-Ring.....	Junta torica.....	O-ring.....		
11	VOE 11709052	1				Cover	Couvercle.....	Deckel	Tapa	Lock.....		
12	VOE 13955294	2				Screw.....	Vis	Schraube.....	Tornillo	Skruv.....		
13	VOE 11709200	1				Plug.....	Bouchon	Stopfen.....	Tapon	Plugg.....		



1	11887380	Oljepump Bomba de aceite Ölpumpe Pompe à huile Oil pump	Catalogue id	Group
2			20017	421
3			Illustr. No	Section
4			1024657	230
5			Issue	Page
			VOE 63D9920017	231
			11891077 S/N 10939 -	

VOLVO

BL60

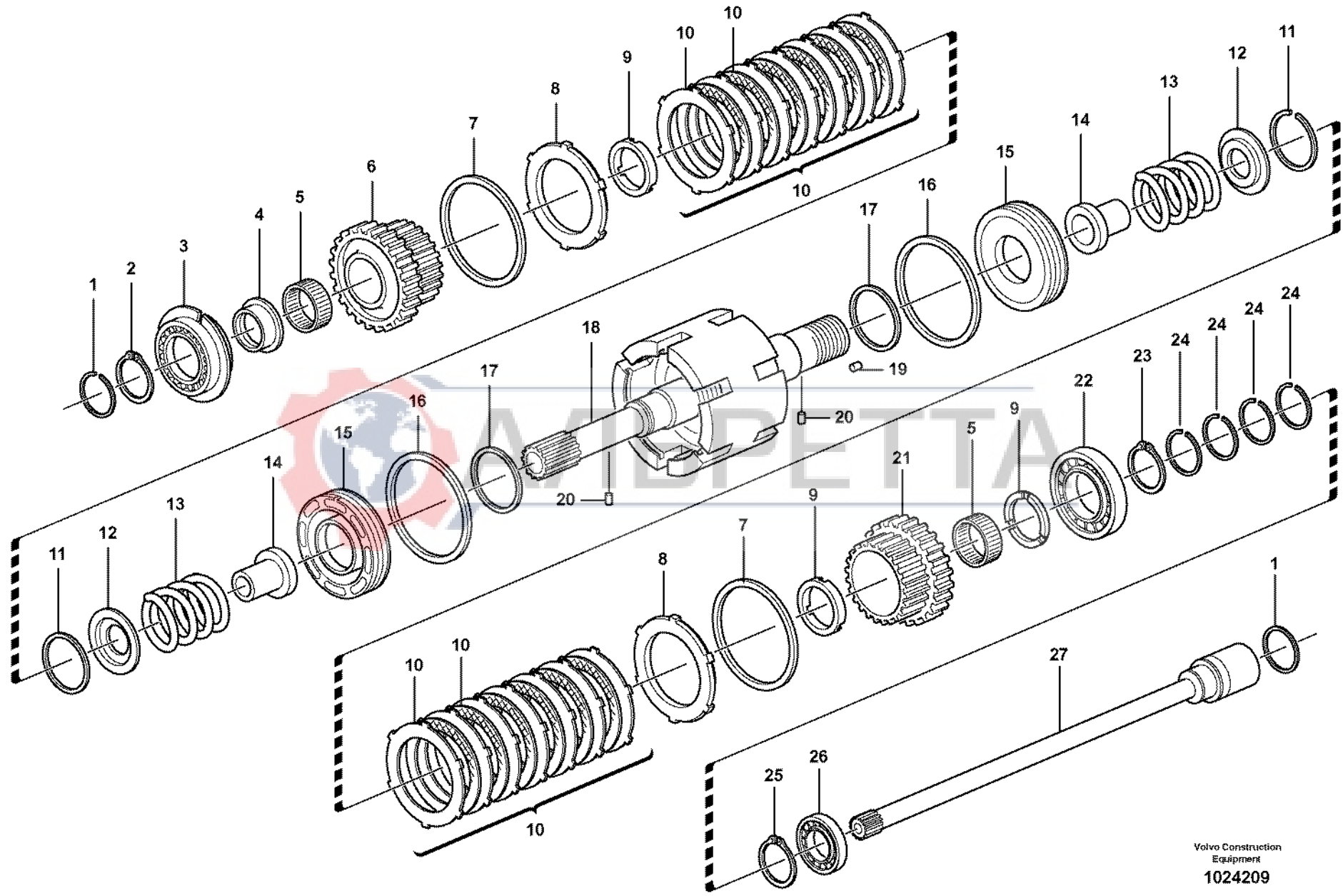


Fig.	Part No.	Quantity			P S	K I T	Description	Dénomination	Bezeichnung	Denominación	Benämning	Notes
		1	2	3								
1	VOE 11709076	2	2			Sealing ring	Bague d'étanchéité	Runddichtring	Anillo reten	Tätningsring		
2	VOE 11709077	1	1			Lock Ring	Anneau Verrouillage	Schlossring	Anillo Segurid	Låsring		
3	VOE 11709078	1	1			Bearing	Palier	Lager	Cojinete	Lager		
4	VOE 11709079	1	1			Spacer	Entretoise	Abstandkörper	Distanciador	Distans		
5	VOE 11709081	2	2			Needle Bearing	Roule.aiguilles	Nadellager	Cojinete Agujas	Nållager		
6	VOE 11709082	1	1			Drive gear	Pignon	Triebrad	Pinon	Drev		
7	VOE 11709083	2	2			Lock Ring	Anneau Verrouillage	Schlossring	Anillo Segurid	Låsring		
8	VOE 11709084	2	2			Clutch Ring	Manchon Acoup	Kupplungsring	Anillo Embrague	Kopplingsring		
9	VOE 11709085	3	3			Spacer	Entretoise	Abstandkörper	Distanciador	Distans		
10	VOE 11712953		2			Disc Kit	Jeu Disques	Lamellensatz	Juego Frenos	Lamellsats		
10	VOE 11709086	14				Clutch disc	Disque embrayage	Kupplungslamelle	Disco embrague	Kopplingslamell		
10	VOE 11709087	12				Clutch disc	Disque embrayage	Kupplungslamelle	Disco embrague	Kopplingslamell		
11	VOE 11709088	2	2			Lock Ring	Anneau Verrouillage	Schlossring	Anillo Segurid	Låsring		
12	VOE 11709089	2	2			Cover	Couvercle	Deckel	Tapa	Lock		
13	VOE 11709090	2	2			Lock Spring	Ressort Verrou	Sperrfeder	Resorte Bloqueo	Låsfjäder		
14	VOE 11709097	2	2			Flange	Bride	Flansch	Brida	Fläns		
15	VOE 11709091	2	2			Piston	Piston	Kolben	Piston	Kolv		
16	VOE 11709092	2	2			Seal	Joint	Dichtung	Reten	Tätning		
17	VOE 11709093	2	2			Seal	Joint	Dichtung	Reten	Tätning		
18	VOE 11712467	1				Shaft	Arbre	Welle	Arbol	Axel		
18	VOE 11716536		1			Shaft	Arbre	Welle	Arbol	Axel		
19	VOE 11712469	4	4			•Rivet	•Rivet	•Niet	•Remache	•Nit		
20	VOE 11709095	2	2			Pin	Goupille	Stift	Pasador	Pinne		
21	VOE 11709096	1	1			Drive gear	Pignon	Triebrad	Pinon	Drev		
22	VOE 11712468	1	1			Bearing	Palier	Lager	Cojinete	Lager		
23	VOE 11709151	1	1			Snap Ring	Circlip	Nutring	Circlip	Spårring		
24	VOE 11712470	4	4			Sealing ring	Bague d'étanchéité	Runddichtring	Anillo reten	Tätningsring		
25	VOE 81709100	1	1			Snap Ring	Circlip	Nutring	Circlip	Spårring		
26	VOE 11709099	1	1			Bearing	Palier	Lager	Cojinete	Lager		
27	VOE 11709101	1	1			Axle	Arbre	Welle	Eje	Axel		

1	11890339 S/N - 10938	Kopplingsaxel fram/back Eje de embrague delante/detrás Kupplungswelle vorwärts/rückwärts Arbre d'accouplement AV/AR Clutch shaft forward/reverse	Catalogue id	Group
2	11887379 S/N 10939 -		20017	421
3			Illustr. No	Section
4			1024209	250
5			Issue	Page
		11891076	VOE 63D9920017	233

VOLVO

BL60

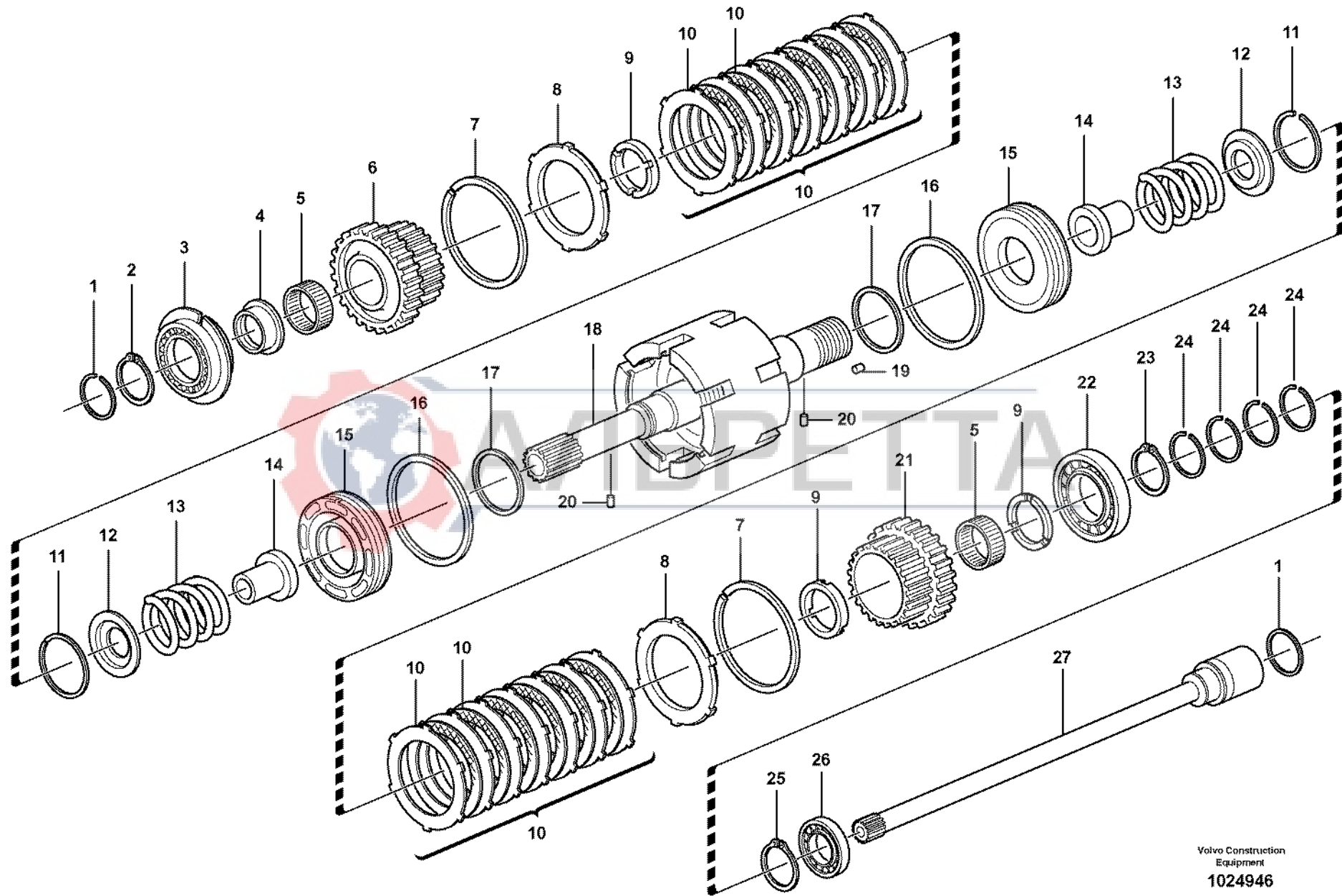


Fig.	Part No.	Quantity			P S	K I T	Description	Dénomination	Bezeichnung	Denominación	Benämning	Notes
		1	2	3								
1	VOE 11709076	2				Sealing ring	Bague d'étanchéité	Runddichtring	Anillo reten	Tätningsring		
2	VOE 11709077	1				Lock Ring	Anneau Verrouillage	Schlossring	Anillo Segurid	Låsring		
3	VOE 11709078	1				Bearing	Palier	Lager	Cojinete	Lager		
4	VOE 11709079	1				Spacer	Entretoise	Abstandkörper	Distanciador	Distans		
5	VOE 11709081	2				Needle Bearing	Roule.aiguilles	Nadellager	Cojinete Agujas	Nållager		
6	VOE 11709082	1				Drive gear	Pignon	Triebrad	Pinon	Drev		
7	VOE 11709083	2				Lock Ring	Anneau Verrouillage	Schlossring	Anillo Segurid	Låsring		
8	VOE 11709084	2				Clutch Ring	Manchon Acoup	Kupplungsring	Anillo Embrague	Kopplingsring		
9	VOE 11709085	3				Spacer	Entretoise	Abstandkörper	Distanciador	Distans		
10	VOE 11712953	2				Disc Kit	Jeu Disques	Lamellensatz	Juego Frenos	Lamellsats		
11	VOE 11709088	2				Lock Ring	Anneau Verrouillage	Schlossring	Anillo Segurid	Låsring		
12	VOE 11709089	2				Cover	Couvercle	Deckel	Tapa	Lock		
13	VOE 11709090	2				Lock Spring	Ressort Verrou	Sperrfeder	Resorte Bloqueo	Låsfjäder		
14	VOE 11709097	2				Flange	Bride	Flansch	Brida	Fläns		
15	VOE 11709091	2				Piston	Piston	Kolben	Piston	Kolv		
16	VOE 11709092	2				Seal	Joint	Dichtung	Reten	Tätning		
17	VOE 11709093	2				Seal	Joint	Dichtung	Reten	Tätning		
18	VOE 11716785	1				Shaft	Arbre	Welle	Arbol	Axel		
19	VOE 11712469	4				•Rivet	•Rivet	•Niet	•Remache	•Nit		
20	VOE 11709095	2				Pin	Goupille	Stift	Pasador	Pinne		
21	VOE 11709096	1				Drive gear	Pignon	Triebrad	Pinon	Drev		
22	VOE 11712468	1				Bearing	Palier	Lager	Cojinete	Lager		
23	VOE 11709151	1				Snap Ring	Circlip	Nutring	Circlip	Spårring		
24	VOE 11712470	4				Sealing ring	Bague d'étanchéité	Runddichtring	Anillo reten	Tätningsring		
25	VOE 81709100	1				Snap Ring	Circlip	Nutring	Circlip	Spårring		
26	VOE 11709099	1				Bearing	Palier	Lager	Cojinete	Lager		
27	VOE 11709101	1				Axle	Arbre	Welle	Eje	Axel		

1	11897380	Kopplingsaxel fram/back Eje de embrague delante/detrás Kupplungswelle vorwärts/rückwärts Arbre d'accouplement AV/AR Clutch shaft forward/reverse	Catalogue id	Group
2			20017	421
3			Illustr. No	Section
4			1024946	260
5			Issue	Page
		11891077 S/N 10939 -	VOE 63D9920017	235

VOLVO

BL60

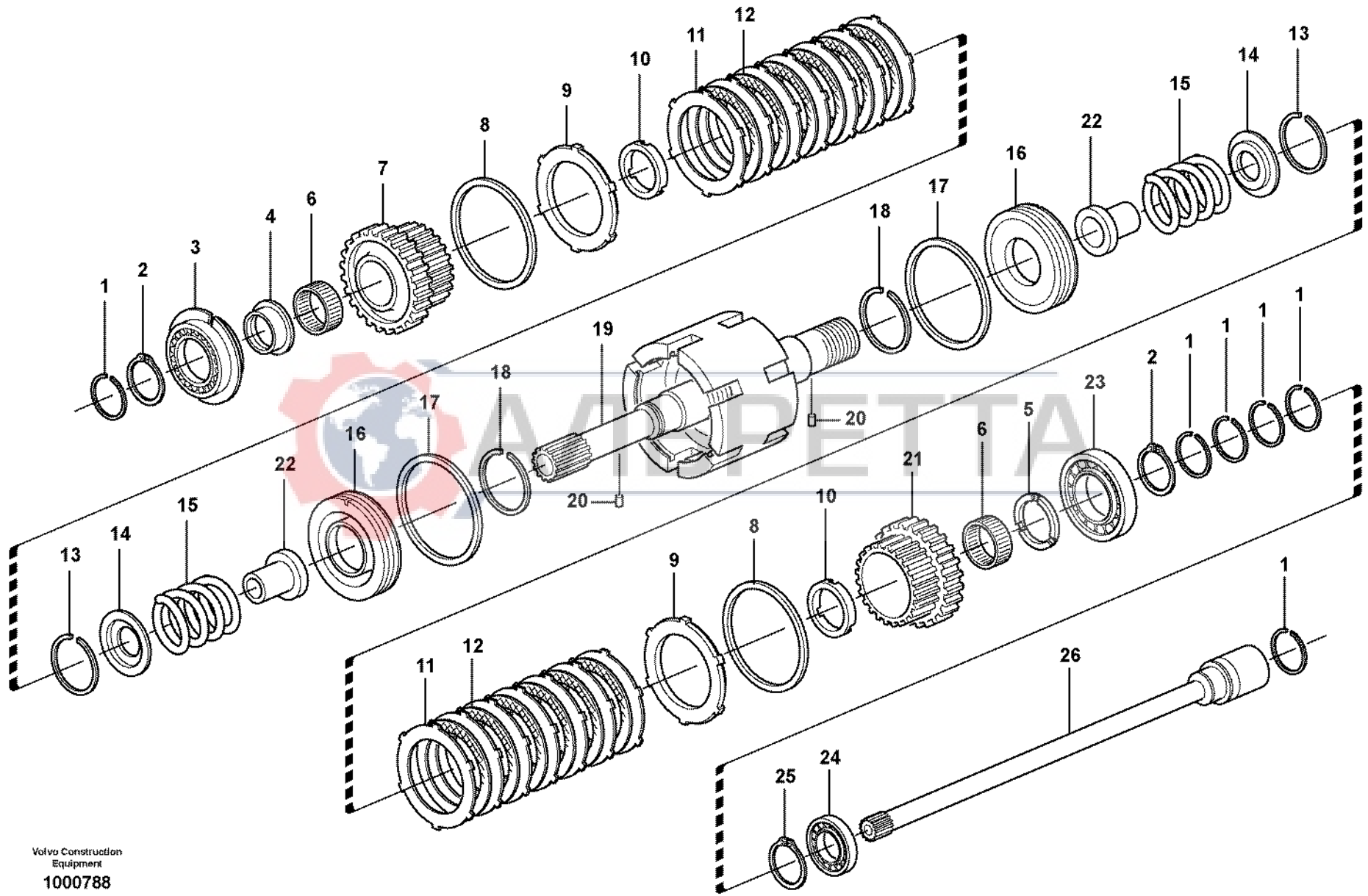


Fig.	Part No.	Quantity			P S	K I T	Description	Dénomination	Bezeichnung	Denominación	Benämning	Notes
		1	2	3								
1	VOE 11709076	6				Sealing ring	Bague d'étanchéité	Runddichtring	Anillo reten	Tätningsring		
2	VOE 11709077	2				Lock Ring	Anneau Verrouillage ..	Schlossring	Anillo Segurid	Låsring		
3	VOE 11709078	1				Bearing	Palier	Lager	Cojinete	Lager		
4	VOE 11709079	1				Spacer	Entretoise	Abstandkörper	Distanciador	Distans		
5	VOE 11709080	1				Spacer Washer	Rond.entretoise	Abstandscheibe	Arandela Dist	Distansbricka		
6	VOE 11709081	2				Needle Bearing	Roule.aiguilles	Nadellager	Cojinete Agujas	Nållager		
7	VOE 11709082	1				Drive gear	Pignon	Triebrad	Pinon	Drev		
8	VOE 11709083	2				Lock Ring	Anneau Verrouillage ..	Schlossring	Anillo Segurid	Låsring		
9	VOE 11709084	2				Clutch Ring	Manchon Acoup	Kupplungsring	Anillo Embrague	Kopplingsring		
10	VOE 11709085	2				Spacer	Entretoise	Abstandkörper	Distanciador	Distans		
11	VOE 11709086	14				Clutch disc	Disque embrayage	Kupplungslamelle	Disco embrague	Kopplingslamell		
12	VOE 11709087	12				Clutch disc	Disque embrayage	Kupplungslamelle	Disco embrague	Kopplingslamell		
13	VOE 11709088	2				Lock Ring	Anneau Verrouillage ..	Schlossring	Anillo Segurid	Låsring		
14	VOE 11709089	2				Cover	Couvercle	Deckel	Tapa	Lock		
15	VOE 11709090	2				Lock Spring	Ressort Verrou	Sperrfeder	Resorte Bloqueo	Låsfjäder		
16	VOE 11709091	2				Piston	Piston	Kolben	Piston	Kolv		
17	VOE 11709092	2				Seal	Joint	Dichtung	Reten	Tätning		
18	VOE 11709093	2				Seal	Joint	Dichtung	Reten	Tätning		
19	VOE 11709094	1				Axle	Arbre	Welle	Eje	Axel		
20	VOE 11709095	2				Pin	Goupille	Stift	Pasador	Pinne		
21	VOE 11709096	1				Drive gear	Pignon	Triebrad	Pinon	Drev		
22	VOE 11709097	2				Flange	Bride	Flansch	Brida	Fläns		
23	VOE 11709098	1				Bearing	Palier	Lager	Cojinete	Lager		
24	VOE 11709099	1				Bearing	Palier	Lager	Cojinete	Lager		
25	VOE 11709100	1				Snap Ring	Circlip	Nutring	Circlip	Spårring		
26	VOE 11709101	1				Axle	Arbre	Welle	Eje	Axel		

1		Kopplingsaxel fram/back Eje de embrague delante/detrás Kupplungswelle vorwärts/rückwärts Arbre d'accouplement AV/AR Clutch shaft forward/reverse 11891077 S/N - 10938	Catalogue id	Group
2			20017	421
3			Illustr. No	Section
4			1000788	275
5			Issue	Page
			VOE 63D9920017	237

VOLVO

BL60

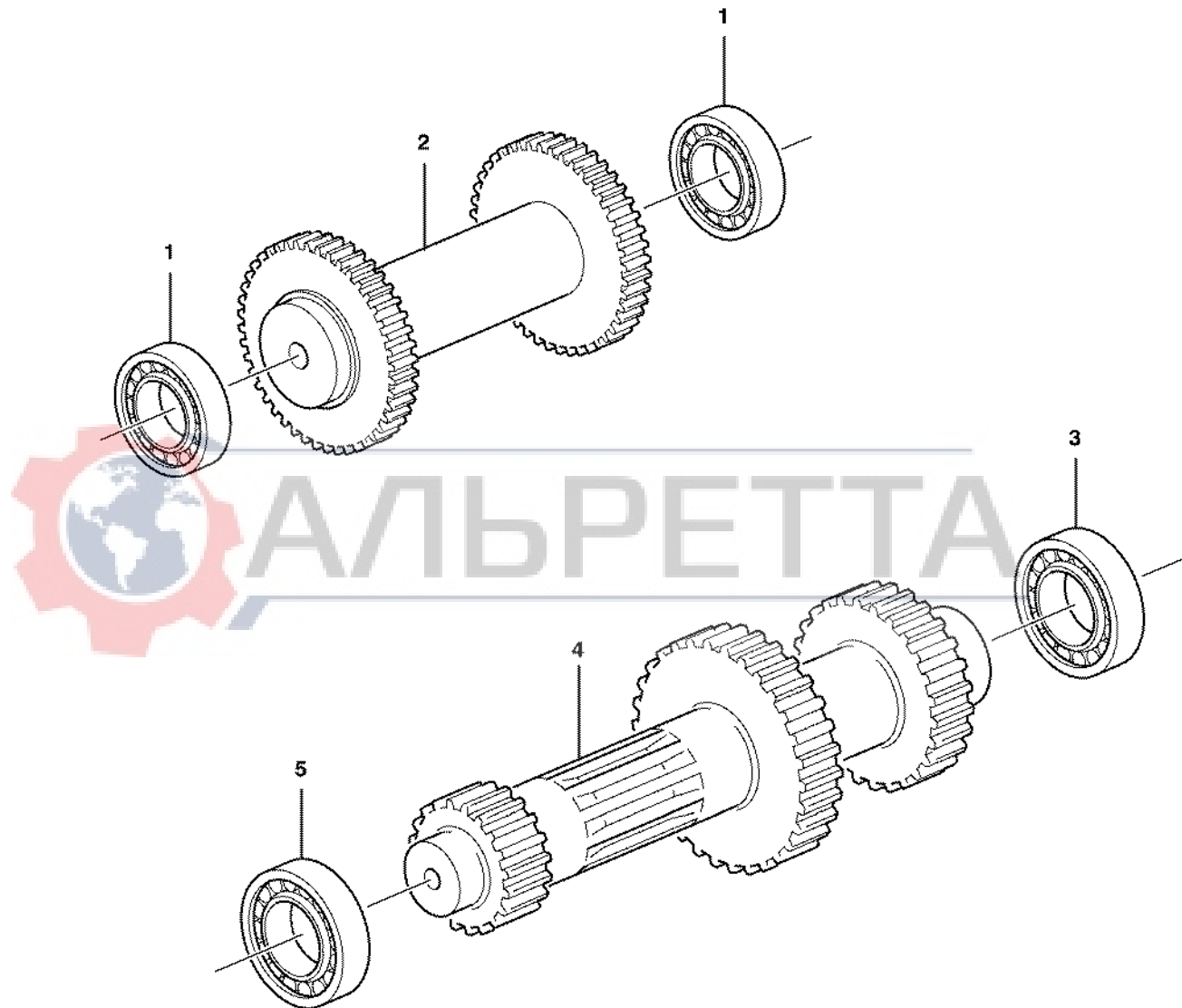


Fig.	Part No.	Quantity			P S	K I T	Description	Dénomination	Bezeichnung	Denominación	Benämning	Notes
		1	2	3								
1	VOE 11709102	2				Bearing.....	Palier.....	Lager.....	Cojinete.....	Lager.....		
2	VOE 11709103	1				Reverse Shaft.....	Arbre Marche Ar.....	Rucklaufachse.....	Eje Marcha Atr.....	Backaxel.....	(REVERSE)	
3	VOE 11709104	1				Bearing.....	Palier.....	Lager.....	Cojinete.....	Lager.....		
4	VOE 11709105	1				Axle.....	Arbre.....	Welle.....	Eje.....	Axel.....	(PRIMARY)	
5	VOE 11709106	1				Bearing.....	Palier.....	Lager.....	Cojinete.....	Lager.....		



1		Back och primäraxel Eje trasero y primario Rück- und Primärwelle Marche AR et arbre primaire Reverse and primary shaft 11891076, 11891077	Catalogue id	Group
2			20017	421
3			Illustr. No	Section
4			1000789	300
5			Issue	Page
			VOE 63D9920017	239

VOLVO

BL60



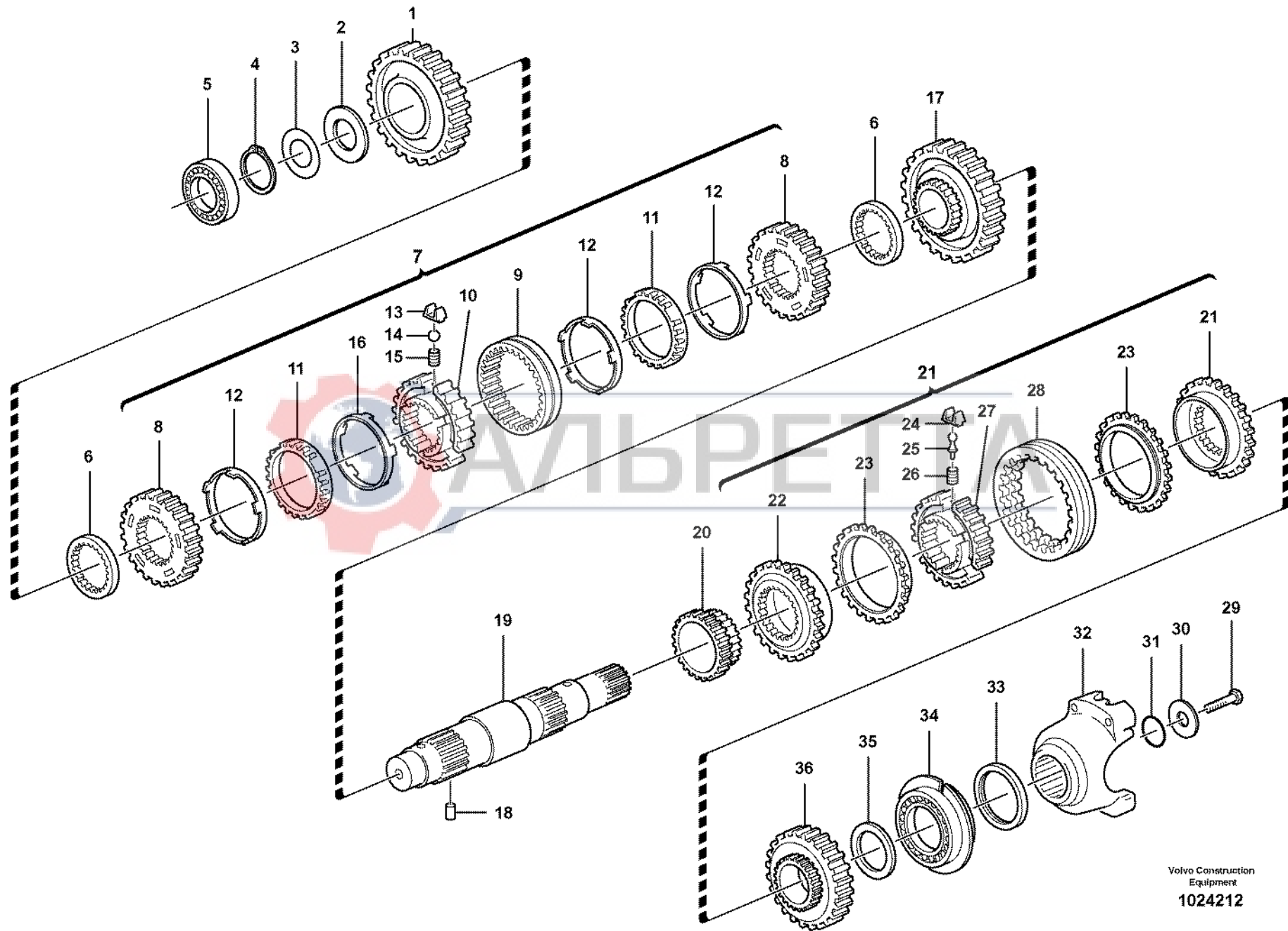


Fig.	Part No.	Quantity			P S	K I T	Description	Dénomination	Bezeichnung	Denominación	Benämning	Notes
		1	2	3								
1	VOE 11709107	1	1			Drive gear	Pignon.....	Triebrad.....	Pinon	Drev.....		
2	VOE 11709108	1	1			Thrust Washer	Rondelle Butee	Druckscheibe	Arandela Presio.....	Tryckbricka.....		
3	VOE 11709112	REQ	REQ			Adjuster washer	Rondelle ajust.	Passscheibe.....	Arandela ajust.	Justerbricka.....	THICK 0,05 MM	
3	VOE 11709113	REQ	REQ			Adjuster washer	Rondelle ajust.	Passscheibe.....	Arandela ajust.	Justerbricka.....	THICK 0,10 MM	
3	VOE 11709114	REQ	REQ			Adjuster washer	Rondelle ajust.	Passscheibe.....	Arandela ajust.	Justerbricka.....	THICK 0,30 MM	
3	VOE 11709115	REQ	REQ			Adjuster washer	Rondelle ajust.	Passscheibe.....	Arandela ajust.	Justerbricka.....	THICK 0,50 MM	
4	VOE 11709116	1	1			Snap Ring	Circlip	Nutring.....	Circlip	Spårring.....		
5	VOE 11709106	1	1			Bearing.....	Palier.....	Lager	Cojinete	Lager.....		
6	VOE 11709118	2	2			Spacer.....	Entretoise.....	Abstandkörper.....	Distanciador	Distans.....		
7	VOE 11709128	1	1			Kit.....	Jeu	Bausatz	Juego	Sats.....		
8	VOE 11709120	2	2			•Sync Cone	•Cone Synchro.....	•Synchronkegel.....	•Cono Sincroniz.....	•Synk.kona.....		
9	VOE 11709127	1	1			•Sleeve.....	•Douille.....	•Hülse.....	•Manguito	•Hylsa.....		
10	VOE 11709122	1	1			•Hub	•Bossage.....	•Nabe	•Asiento	•Nav.....		
11	VOE 11709123	2	2			•Cone	•Bague Interieu.	•Innenring.....	•Anillo Interior	•Innerring.....		
12	VOE 11709124	2	2			•Ring	•Anneau	•Ring.....	•Anillo	•Ring.....		
13	VOE 11709125	3	3			•Spring Plate	•Plaque Ressort.....	•Fed Spannplatte.....	•Placa Resorte	•Fjäderplatta.....		
14	VOE 11709126	3	3			•Ball.....	•Bille	•Kugel.....	•Bola	•Kula.....		
15	VOE 11709121	3	3			•Spring	•Ressort	•Feder.....	•Muelle	•Fjäder.....		
16	VOE 11709119	2	2			•Cone	•Bague Interieu.	•Innenring.....	•Anillo Interior	•Innerring.....		
17	VOE 11709130	1	1			Drive gear	Pignon.....	Triebrad.....	Pinon	Drev.....		
18	VOE 11709095	1	1			Pin.....	Goupille.....	Stift.....	Pasador.....	Pinne.....		
19	VOE 11712471	1	1			Secondary Shaft	Arbr.secondaire.....	Sekundärwelle.....	Eje Secundario.....	Sekundäraxel.....		
20	VOE 11709135	1	1			Drive gear	Pignon.....	Triebrad.....	Pinon	Drev.....		
21	VOE 11709143	1				Kit.....	Jeu	Bausatz	Juego	Sats.....		
21	VOE 11716672		1			Synchronizing Hub.....	Moyeu de synchronis.	Synchronisierungsna.	Cubo sincronizador ...	Synkroniseringsnav...		
22	VOE 11709136	2				•Clutch Gear	•Pignon Embraya.	•Kuppl Treibsch.....	•Pinon Embrague	•Kopplingsdrev.....		
22	VOE 11716666		2			•Clutch Ring	•Manchon Acoup.....	•Kupplungsring.....	•Anillo Embrague.....	•Kopplingsring.....		
23	VOE 11709138	2				•Cone	•Bague Interieu.	•Innenring.....	•Anillo Interior	•Innerring.....		
23	VOE 11716668		2			•Synchronizing Cone ..	•Cone de synchronis..	•Synchronisierungsk..	•Cono sincronizador ...	•Synkroniseringskon..		
24	VOE 11709139	3	3			•Spring Plate	•Plaque Ressort.....	•Fed Spannplatte.....	•Placa Resorte	•Fjäderplatta.....		

1	11890339 S/N - 10938	Sekundär axel Eje secundario Sekundärachse Arbre secondaire Secondary shaft	Catalogue id	Group
2	11887379 S/N 10939 -		20017	421
3			Illustr. No	Section
4			1024212	350
5			Issue	Page
	11891076	VOE 63D9920017	241	

VOLVO

BL60

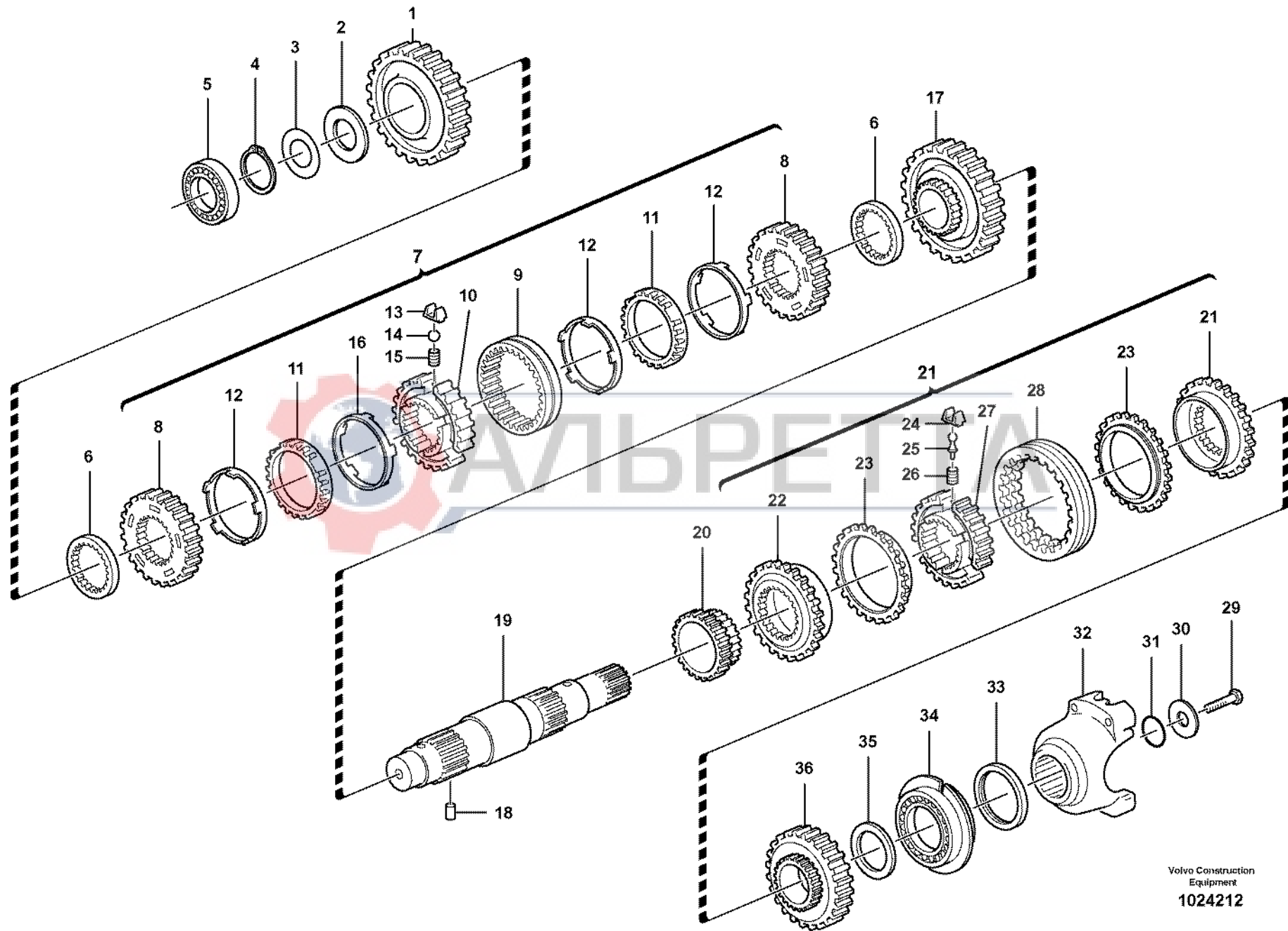


Fig.	Part No.	Quantity			P S	K I T	Description	Dénomination	Bezeichnung	Denominación	Benämning	Notes
		1	2	3								
25	VOE 11709140	3				•Pin	•Goupille.....	•Stift.....	•Pasador.....	•Pinne.....		
25	VOE 11716669		3			•Ball.....	•Bille	•Kugel.....	•Bola	•Kula.....		
26	VOE 11709141	3				•Spring	•Ressort	•Feder.....	•Muelle	•Fjäder.....		
26	VOE 11716670		3			•Spring	•Ressort	•Feder.....	•Muelle	•Fjäder.....		
27	VOE 11709137	1				•Hub	•Bossage.....	•Nabe	•Asiento	•Nav.....		
27	VOE 11716667		1			•Hub	•Bossage.....	•Nabe	•Asiento	•Nav.....		
28	VOE 11709142	1				•Sleeve.....	•Douille.....	•Hülse.....	•Manguito	•Hylsa.....		
28	VOE 11716671		1			•Sleeve.....	•Manchon	•Muffe.....	•Manguito	•Muff.....		
29	VOE 970827	1	1			Hexagon screw	Vis a tête hexagonale	Sechskantschr.....	Tornillo hexago.....	Sexkantsskruv.....		
30	VOE 11709144	1	1			Washer.....	Rondelle.....	Scheibe	Arandela	Bricka.....		
31	VOE 11709145	1	1			O-ring.....	Joint Torique	O-Ring.....	Junta torica.....	O-ring.....		
32	VOE 11709146	1	1			Flange.....	Bride.....	Flansch.....	Brida	Fläns.....		
33	VOE 11709133	1	1			Seal.....	Joint	Dichtring.....	Junta	Tätning.....	(VOE 11709147)	
34	VOE 11712472	1	1			Bearing.....	Palier.....	Lager.....	Cojinete	Lager.....		
35	VOE 11709080	1	1			Spacer Washer	Rond.entretoise.....	Abstandscheibe.....	Arandela Dist.....	Distansbricka.....		
36	VOE 11709150	1	1			Drive gear	Pignon.....	Triebrad.....	Pinon	Drev.....		



1	11890339 S/N - 10938	Sekundär axel Eje secundario Sekundärachse Arbre secondaire Secondary shaft	Catalogue id	Group
2	11887379 S/N 10939 -		20017	421
3			Illustr. No	Section
4			1024212	350
5			Issue	Page
	11891076	VOE 63D9920017	243	

VOLVO

BL60

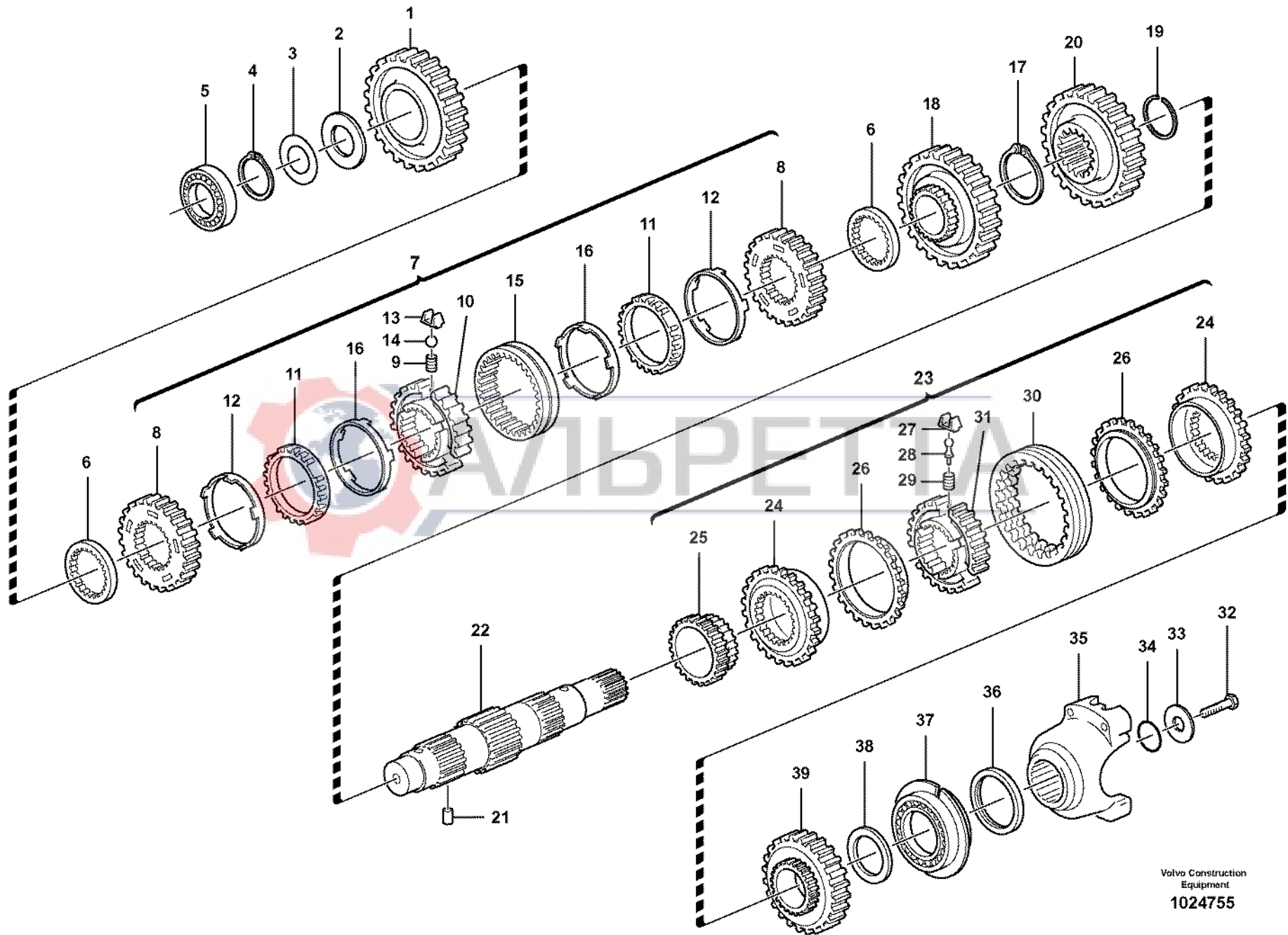


Fig.	Part No.	Quantity			P S	K I T	Description	Dénomination	Bezeichnung	Denominación	Benämning	Notes
		1	2	3								
1	VOE 11709107	1				Drive gear	Pignon.....	Triebrad.....	Pinon	Drev.....		
2	VOE 11709108	1				Thrust Washer	Rondelle Butee	Druckscheibe	Arandela Presio.....	Tryckbricka.....		
3	VOE 11709112	REQ				Adjuster washer	Rondelle ajust.	Passscheibe.....	Arandela ajust.	Justerbricka.....	THICK 0,05 MM	
3	VOE 11709113	REQ				Adjuster washer	Rondelle ajust.	Passscheibe.....	Arandela ajust.	Justerbricka.....	THICK 0,10 MM	
3	VOE 11709114	REQ				Adjuster washer	Rondelle ajust.	Passscheibe.....	Arandela ajust.	Justerbricka.....	THICK 0,30 MM	
3	VOE 11709115	REQ				Adjuster washer	Rondelle ajust.	Passscheibe.....	Arandela ajust.	Justerbricka.....	THICK 0,50 MM	
4	VOE 11709116	1				Snap Ring	Circlip	Nutring.....	Circlip	Spårring.....		
5	VOE 11709106	1				Bearing.....	Palier.....	Lager	Cojinete	Lager.....		
6	VOE 11709118	2				Spacer.....	Entretoise.....	Abstandkörper.....	Distanciador	Distans.....		
7	VOE 11709128	1				Kit.....	Jeu	Bausatz	Juego	Sats.....		
8	VOE 11709120	2				•Sync Cone	•Cone Synchro.....	•Synchronkegel.....	•Cono Sincroniz.....	•Synk.kona.....		
9	VOE 11709121	3				•Spring	•Ressort	•Feder	•Muelle	•Fjäder.....		
10	VOE 11709122	1				•Hub	•Bossage.....	•Nabe	•Asiento	•Nav.....		
11	VOE 11709123	2				•Cone	•Bague Interieu.	•Innenring.....	•Anillo Interior	•Innerring.....		
12	VOE 11709124	2				•Ring	•Anneau	•Ring.....	•Anillo	•Ring.....		
13	VOE 11709125	3				•Spring Plate	•Plaque Ressort.....	•Fed Spannplatte.....	•Placa Resorte	•Fjäderplatta.....		
14	VOE 11709126	3				•Ball.....	•Bille	•Kugel.....	•Bola	•Kula.....		
15	VOE 11709127	1				•Sleeve.....	•Douille.....	•Hülse.....	•Manguito	•Hylsa.....		
16	VOE 11709119	2				•Cone	•Bague Interieu.	•Innenring.....	•Anillo Interior	•Innerring.....		
17	VOE 11709131	1				Snap Ring	Circlip	Nutring.....	Circlip	Spårring.....		
18	VOE 11709130	1				Drive gear	Pignon.....	Triebrad.....	Pinon	Drev.....		
19	VOE 11709129	1				Snap Ring	Circlip	Nutring.....	Circlip	Spårring.....		
20	VOE 11716786	1				Drive Gear.....	Pignon.....	Triebrad.....	Pinon	Drivhjul.....		
21	VOE 11709095	1				Pin.....	Goupille.....	Stift	Pasador	Pinne.....		
22	VOE 11709134	1				Secondary Shaft	Arbr.secondaire.....	Sekundärwelle.....	Eje Secundario	Sekundäraxel.....		
23	VOE 11716672	1				Synchronizing Hub.....	Moyeu de synchronis.	Synchronisierungsna.	Cubo sincronizador	Synkroniseringsnav....		
24	VOE 11716666	2				•Clutch Ring	•Manchon Acoup.....	•Kupplungsring.....	•Anillo Embrague.....	•Kopplingsring.....		
25	VOE 11709135	1				•Drive gear	•Pignon.....	•Triebrad.....	•Pinon	•Drev.....		
26	VOE 11716668	2				•Synchronizing Cone ..	•Cone de synchronis. ..	•Synchronisierungsk..	•Cono sincronizador ..	•Synkroniseringskon..		
27	VOE 11709139	3				•Spring Plate	•Plaque Ressort.....	•Fed Spannplatte.....	•Placa Resorte	•Fjäderplatta.....		

1	11887380	Sekundär axel Eje secundario Sekundärachse Arbre secondaire Secondary shaft 11891077 S/N 10939 -	Catalogue id	Group
2			20017	421
3			Illustr. No	Section
4			1024755	360
5			Issue	Page
		VOE 63D9920017	245	

VOLVO

BL60

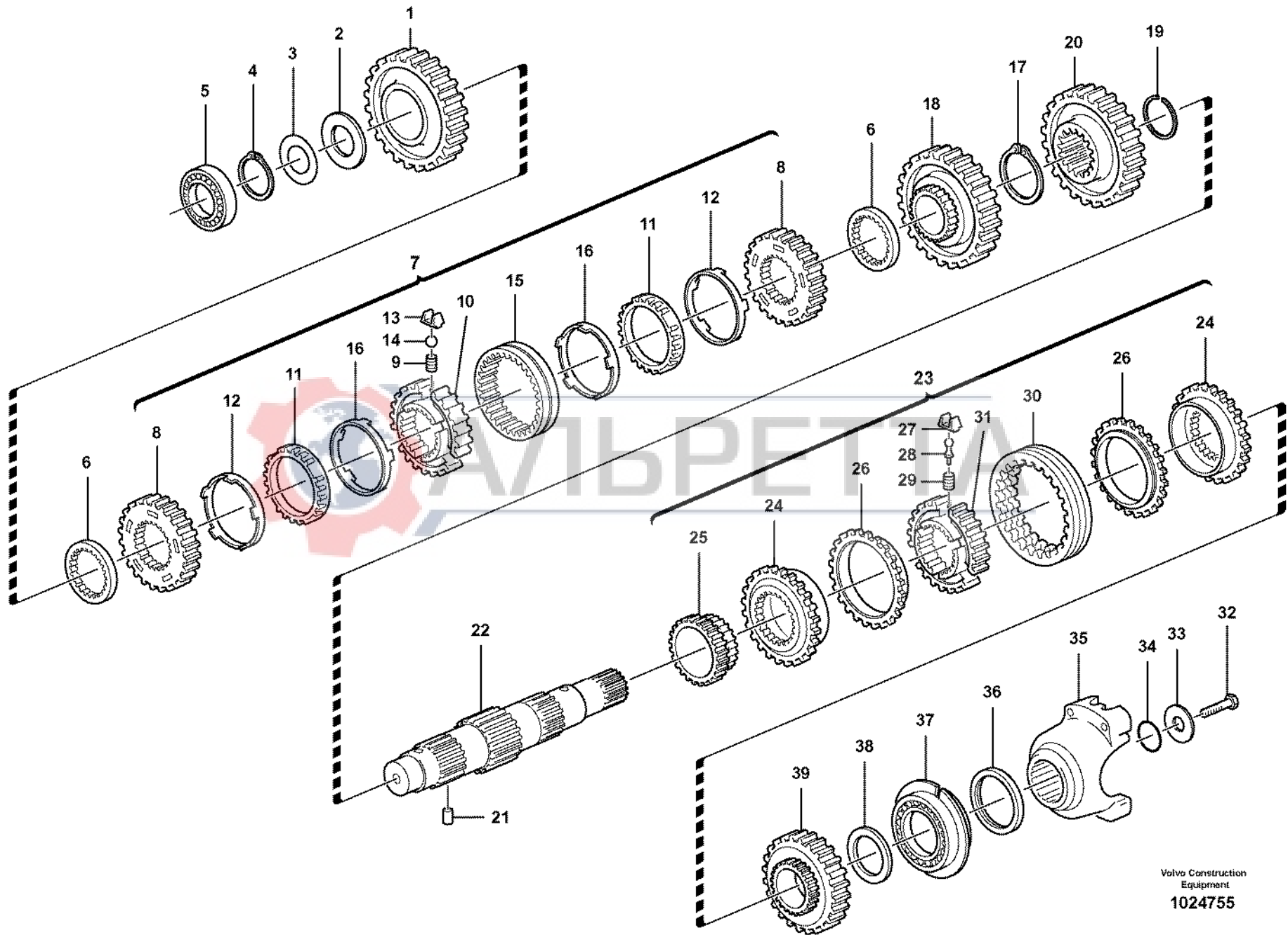


Fig.	Part No.	Quantity			P S	K I T	Description	Dénomination	Bezeichnung	Denominación	Benämning	Notes
		1	2	3								
28	VOE 11716669	3				•Ball.....	•Bille	•Kugel.....	•Bola.....	•Kula.....		
29	VOE 11716670	3				•Spring	•Ressort	•Feder.....	•Muelle	•Fjäder.....		
30	VOE 11716671	1				•Sleeve.....	•Manchon	•Muffe.....	•Manguito	•Muff.....		
31	VOE 11716667	1				•Hub	•Bossage.....	•Nabe	•Asiento	•Nav.....		
32	VOE 970827	1				Hexagon screw	Vis a tête hexagonale	Sechskantschr.....	Tornillo hexago.....	Sexkantsskruv.....		
33	VOE 11709144	1				Washer.....	Rondelle.....	Scheibe	Arandela.....	Bricka.....		
34	VOE 11709145	1				O-ring	Joint Torique	O-Ring.....	Junta torica.....	O-ring.....		
35	VOE 11709146	1				Flange	Bride.....	Flansch.....	Brida.....	Fläns.....		
36	VOE 11709133	1				Seal.....	Joint	Dichtring	Junta	Tätning.....	(VOE 11709147)	
37	VOE 11712472	1				Bearing.....	Palier.....	Lager.....	Cojinete	Lager.....		
38	VOE 11709080	1				Spacer Washer	Rond.entretoise.....	Abstandscheibe.....	Arandela Dist.....	Distansbricka.....		
39	VOE 11709150	1				Drive gear	Pignon.....	Triebrad.....	Pinon	Drev.....		



1	11887380	Sekundär axel Eje secundario Sekundärachse Arbre secondaire Secondary shaft	Catalogue id	Group
2			20017	421
3			Illustr. No	Section
4			1024755	360
5			Issue	Page
			VOE 63D9920017	247
11891077 S/N 10939 -				

VOLVO

BL60



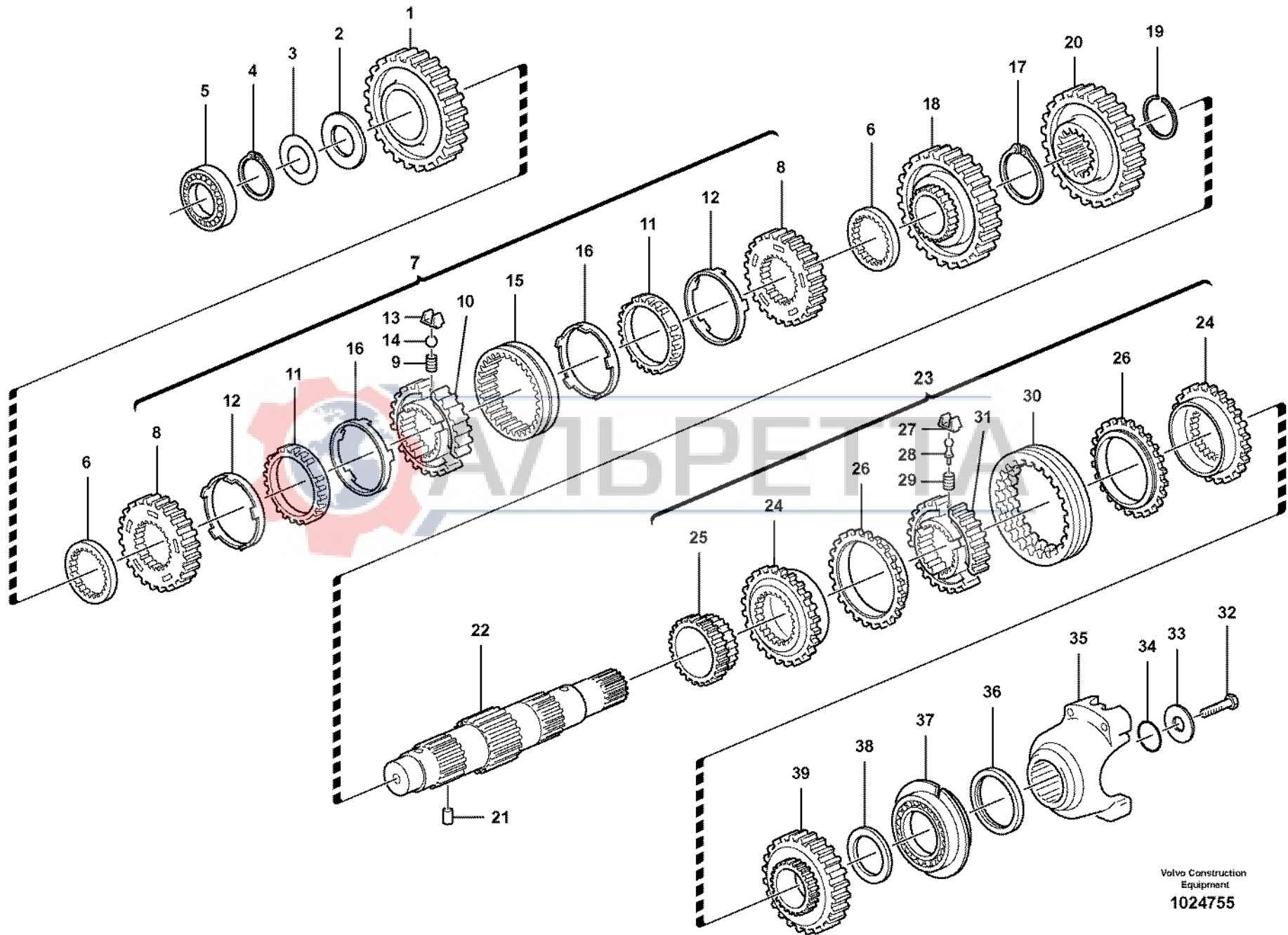


Fig.	Part No.	Quantity			P S	K I T	Description	Dénomination	Bezeichnung	Denominación	Benämning	Notes
		1	2	3								
1	VOE 11709107	1				Drive gear	Pignon.....	Triebrad.....	Pinon	Drev.....		
2	VOE 11709108	1				Thrust Washer	Rondelle Butee	Druckscheibe	Arandela Presio.....	Tryckbricka.....		
3	VOE 11709112	REQ				Adjuster washer	Rondelle ajust.	Passscheibe.....	Arandela ajust.	Justerbricka.....	THICK 0,05 MM	
3	VOE 11709113	REQ				Adjuster washer	Rondelle ajust.	Passscheibe.....	Arandela ajust.	Justerbricka.....	THICK 0,10 MM	
3	VOE 11709114	REQ				Adjuster washer	Rondelle ajust.	Passscheibe.....	Arandela ajust.	Justerbricka.....	THICK 0,30 MM	
3	VOE 11709115	REQ				Adjuster washer	Rondelle ajust.	Passscheibe.....	Arandela ajust.	Justerbricka.....	THICK 0,50 MM	
4	VOE 11709116	1				Snap Ring	Circlip	Nutring.....	Circlip	Spårring.....		
5	VOE 11709106	1				Bearing.....	Palier.....	Lager	Cojinete	Lager.....		
6	VOE 11709118	2				Spacer.....	Entretoise.....	Abstandkörper.....	Distanciador	Distans.....		
7	VOE 11709128	1				Kit.....	Jeu	Bausatz	Juego	Sats.....		
8	VOE 11709120	2				•Sync Cone	•Cone Synchrome.....	•Synchronkegel.....	•Cono Sincroniz.....	•Synk.kona.....		
9	VOE 11709121	3				•Spring	•Ressort	•Feder.....	•Muelle	•Fjäder.....		
10	VOE 11709122	1				•Hub	•Bossage.....	•Nabe	•Asiento	•Nav.....		
11	VOE 11709123	2				•Cone	•Bague Interieu.....	•Innenring.....	•Anillo Interior	•Innerring.....		
12	VOE 11709124	2				•Ring	•Anneau	•Ring.....	•Anillo	•Ring.....		
13	VOE 11709125	3				•Spring Plate.....	•Plaque Ressort.....	•Fed Spannplatte.....	•Placa Resorte	•Fjäderplatta.....		
14	VOE 11709126	3				•Ball.....	•Bille	•Kugel.....	•Bola	•Kula.....		
15	VOE 11709127	1				•Sleeve.....	•Douille.....	•Hülse.....	•Manguito	•Hylsa.....		
16	VOE 11709119	2				•Cone	•Bague Interieu.....	•Innenring.....	•Anillo Interior	•Innerring.....		
17	VOE 11709129	1				Snap Ring	Circlip	Nutring.....	Circlip	Spårring.....		
18	VOE 11709130	1				Drive gear	Pignon.....	Triebrad.....	Pinon	Drev.....		
19	VOE 11709131	1				Snap Ring	Circlip	Nutring.....	Circlip	Spårring.....		
20	VOE 11709132	1				Drive gear	Pignon.....	Triebrad.....	Pinon	Drev.....		
21	VOE 11709095	1				Pin.....	Goupille.....	Stift	Pasador	Pinne.....		
22	VOE 11709134	1				Secondary Shaft	Arbr.secondaire.....	Sekundärwelle.....	Eje Secundario	Sekundäraxel.....		
23	VOE 11709143	1				Kit.....	Jeu	Bausatz	Juego	Sats.....		
24	VOE 11709136	2				•Clutch Gear	•Pignon Embraya.....	•Kuppl Treibsch.....	•Pinon Embrague	•Kopplingsdrev.....		
25	VOE 11709135	1				•Drive gear	•Pignon.....	•Triebrad.....	•Pinon.....	•Drev.....		
26	VOE 11709138	2				•Cone	•Bague Interieu.....	•Innenring.....	•Anillo Interior	•Innerring.....		
27	VOE 11709139	3				•Spring Plate.....	•Plaque Ressort.....	•Fed Spannplatte.....	•Placa Resorte	•Fjäderplatta.....		

1		Sekundär axel Eje secundario Sekundärachse Arbre secondaire Secondary shaft 11891077	Catalogue id	Group
2			20017	421
3			Illustr. No	Section
4			1024755	375
5			Issue	Page
			VOE 63D9920017	249

VOLVO

BL60

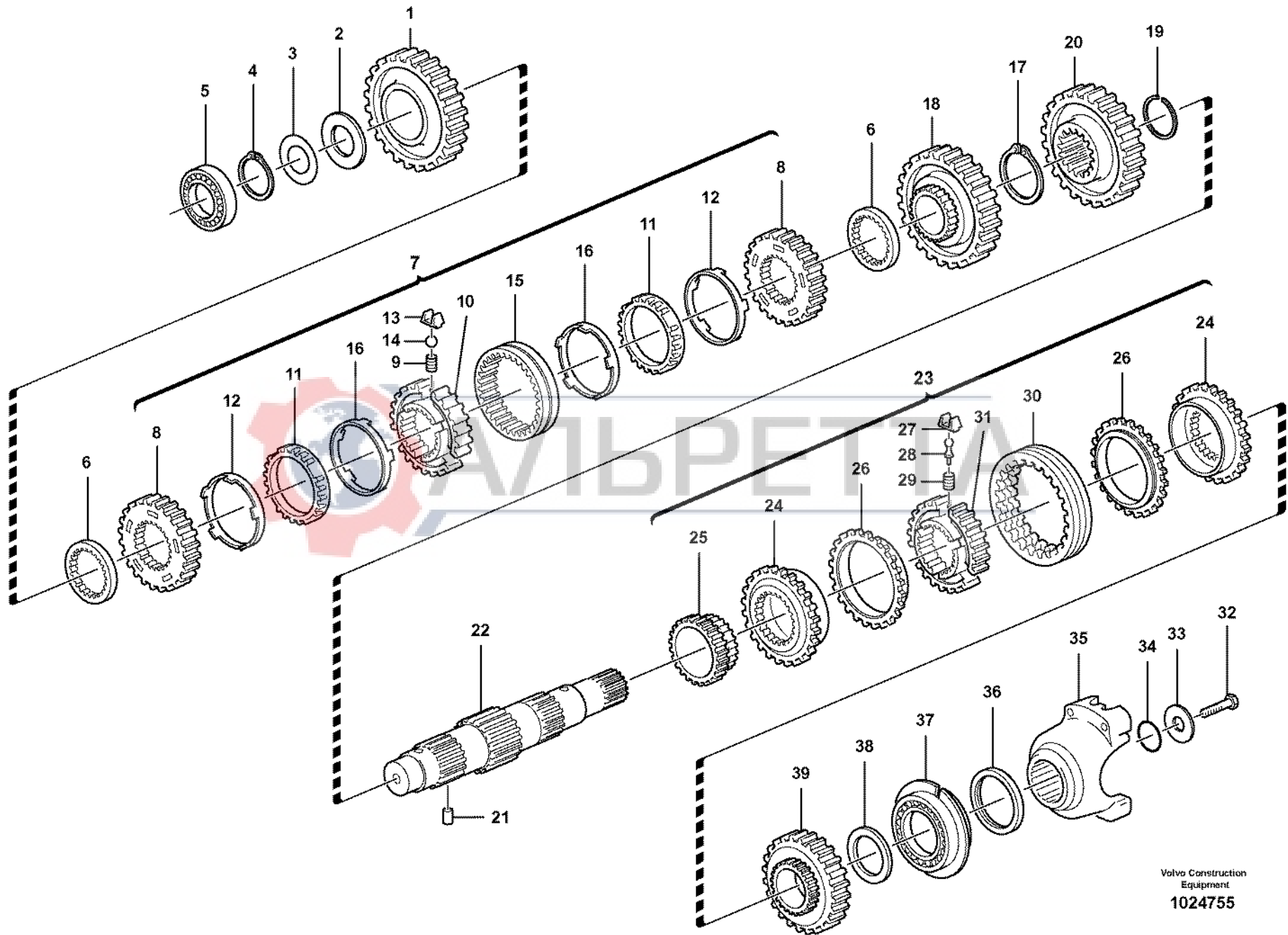


Fig.	Part No.	Quantity			P S	K I T	Description	Dénomination	Bezeichnung	Denominación	Benämning	Notes
		1	2	3								
28	VOE 11709140	3				•Pin	•Goupille.....	•Stift.....	•Pasador.....	•Pinne.....		
29	VOE 11709141	3				•Spring	•Ressort	•Feder.....	•Muelle	•Fjäder.....		
30	VOE 11709142	1				•Sleeve.....	•Douille.....	•Hülse.....	•Manguito	•Hylsa.....		
31	VOE 11709137	1				•Hub	•Bossage.....	•Nabe	•Asiento	•Nav.....		
32	VOE 970827	1				Hexagon screw	Vis a tête hexagonale	Sechskantschr.....	Tornillo hexago.....	Sexkantsskruv.....		
33	VOE 11709144	1				Washer.....	Rondelle.....	Scheibe	Arandela.....	Bricka.....		
34	VOE 11709145	1				O-ring	Joint Torique	O-Ring	Junta torica.....	O-ring.....		
35	VOE 11709146	1				Flange	Bride.....	Flansch.....	Brida.....	Fläns.....		
36	VOE 11709133	1				Seal.....	Joint	Dichtring	Junta	Tätning.....	(VOE 11709147)	
37	VOE 11709148	1				Bearing.....	Palier.....	Lager	Cojinete	Lager.....		
38	VOE 11709080	1				Spacer Washer	Rond.entretoise.....	Abstandscheibe.....	Arandela Dist.....	Distansbricka.....		
39	VOE 11709150	1				Drive gear	Pignon.....	Triebbad.....	Pinon	Drev.....		



1	Sekundär axel Eje secundario Sekundärachse Arbre secondaire Secondary shaft 11891077	Catalogue id	Group
2		20017	421
3		Illustr. No	Section
4		1024755	375
5		Issue	Page
		VOE 63D9920017	251

VOLVO

BL60

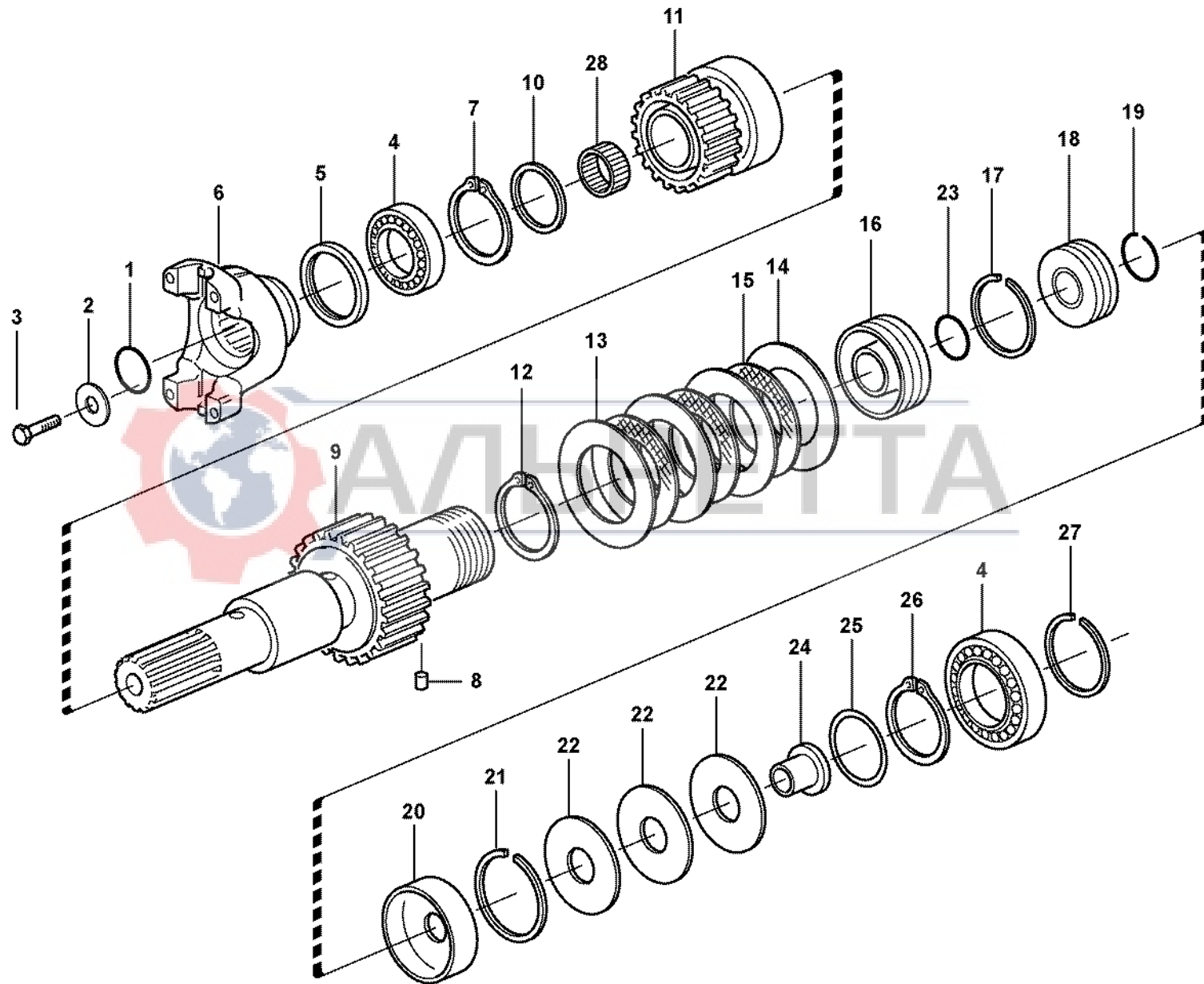


Fig.	Part No.	Quantity			P S	K I T	Description	Dénomination	Bezeichnung	Denominación	Benämning	Notes
		1	2	3								
1	VOE 11709145	1					O-ring	Joint Torique	O-Ring	Junta torica	O-ring	
2	VOE 11709144	1					Washer	Rondelle	Scheibe	Arandela	Bricka	
3	VOE 970827	1					Hexagon screw	Vis a tête hexagonale	Sechskantschr	Tornillo hexago	Sexkantsskruv	
4	VOE 11709098	2					Bearing	Palier	Lager	Cojinete	Lager	
5	VOE 11709133	1					Seal	Joint	Dichtring	Junta	Tätning	
6	VOE 11709146	1					Flange	Bride	Flansch	Brida	Fläns	
7	VOE 11709151	1					Snap Ring	Circlip	Nutring	Circlip	Spårring	
8	VOE 11709095	1					Pin	Goupille	Stift	Pasador	Pinne	
9	VOE 11709152	1					Axle	Arbre	Welle	Eje	Axel	
10	VOE 11709085	1					Spacer	Entretoise	Abstandkörper	Distanciador	Distans	
11	VOE 11709153	1					Drive gear	Pignon	Triebad	Pinon	Drev	
12	VOE 11709154	1					Snap Ring	Circlip	Nutring	Circlip	Spårring	
13	VOE 11709155	1					Flange	Bride	Flansch	Brida	Fläns	
14	VOE 11709156	13					Clutch Drive	Bride Commande	Antriebsflansch	Brida Embrague	Drivfläns	
15	VOE 11709157	12					Disc	Disque	Lamelle	Disco embrague	Lamell	
16	VOE 11709158	1					Clutch Drive	Bride Commande	Antriebsflansch	Brida Embrague	Drivfläns	
17	VOE 11709159	1					Seal	Joint	Dichtung	Reten	Tätning	
18	VOE 11709160	1					Clutch Plate	Disque	Lamelle	Disco Embrague	Lamell	
19	VOE 11709161	1					Seal	Joint	Dichtung	Reten	Tätning	
20	VOE 11709162	1					Sleeve	Douille	Hülse	Manguito	Hylsa	
21	VOE 11709163	1					Disc	Disque	Scheibe	Disco	Skiva	
22	VOE 11709164	3					Disc spring	Ressort diaphragme	Tellerfeder	Resorte disco	Tallriksfjäder	
23	VOE 11709165	1					O-ring	Joint Torique	O-Ring	Junta torica	O-ring	
24	VOE 11709166	1					Guide	Guide	Führung	Guia	Styrning	
25	VOE 11709167	REQ					Shim	Cale réglage	Nachstellblech	Laminilla de ajuste	Justerbleck	THICK 2,00 MM
25	VOE 11709168	REQ					Shim	Cale réglage	Nachstellblech	Laminilla de ajuste	Justerbleck	THICK 0,10 MM
25	VOE 11709169	REQ					Shim	Cale réglage	Nachstellblech	Laminilla de ajuste	Justerbleck	THICK 0,30 MM
25	VOE 11709170	REQ					Shim	Cale réglage	Nachstellblech	Laminilla de ajuste	Justerbleck	THICK 0,50 MM
26	VOE 11709171	1					Snap Ring	Circlip	Nutring	Circlip	Spårring	
27	VOE 11709076	2					Sealing ring	Bague d'étanchéité	Runddichtring	Anillo reten	Tätningsring	

1		Hydraulkoppling, 4-hjulsdrift Embragues, tracción 4 ruedas Kupplungen, 4-Radantrieb Embrayages, 4 roues motrices Hydraulic clutch, 4wd	Catalogue id	Group
2			20017	421
3			Illustr. No	Section
4			1000806	400
5			Issue	Page
		11891077	VOE 63D9920017	253

VOLVO

BL60

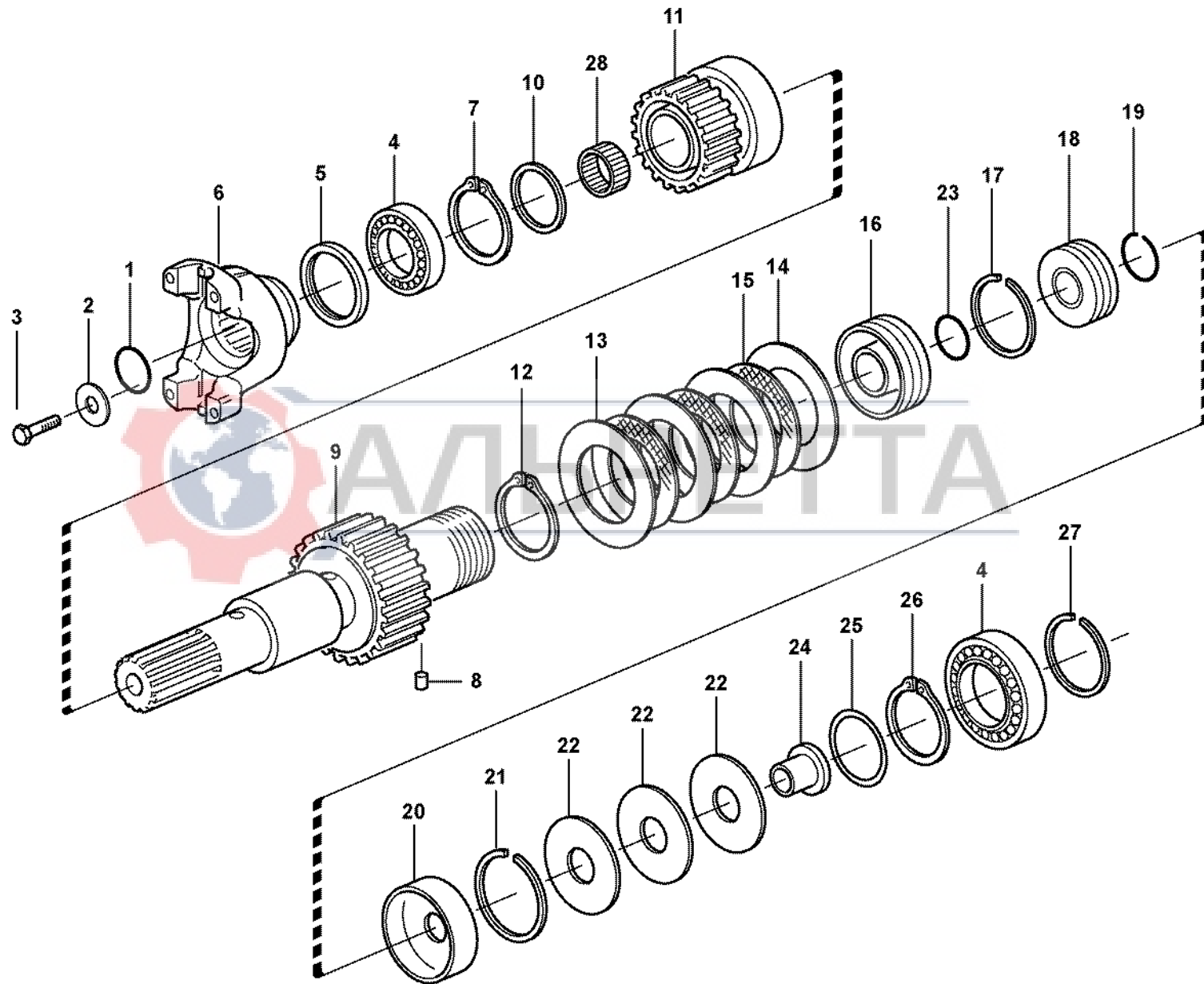


Fig.	Part No.	Quantity			P S	K I T	Description	Dénomination	Bezeichnung	Denominación	Benämning	Notes
		1	2	3								
28	VOE 11709081	1					Needle Bearing	Roule.aiguilles.....	Nadellager.....	Cojinete Agujas	Nållager.....	

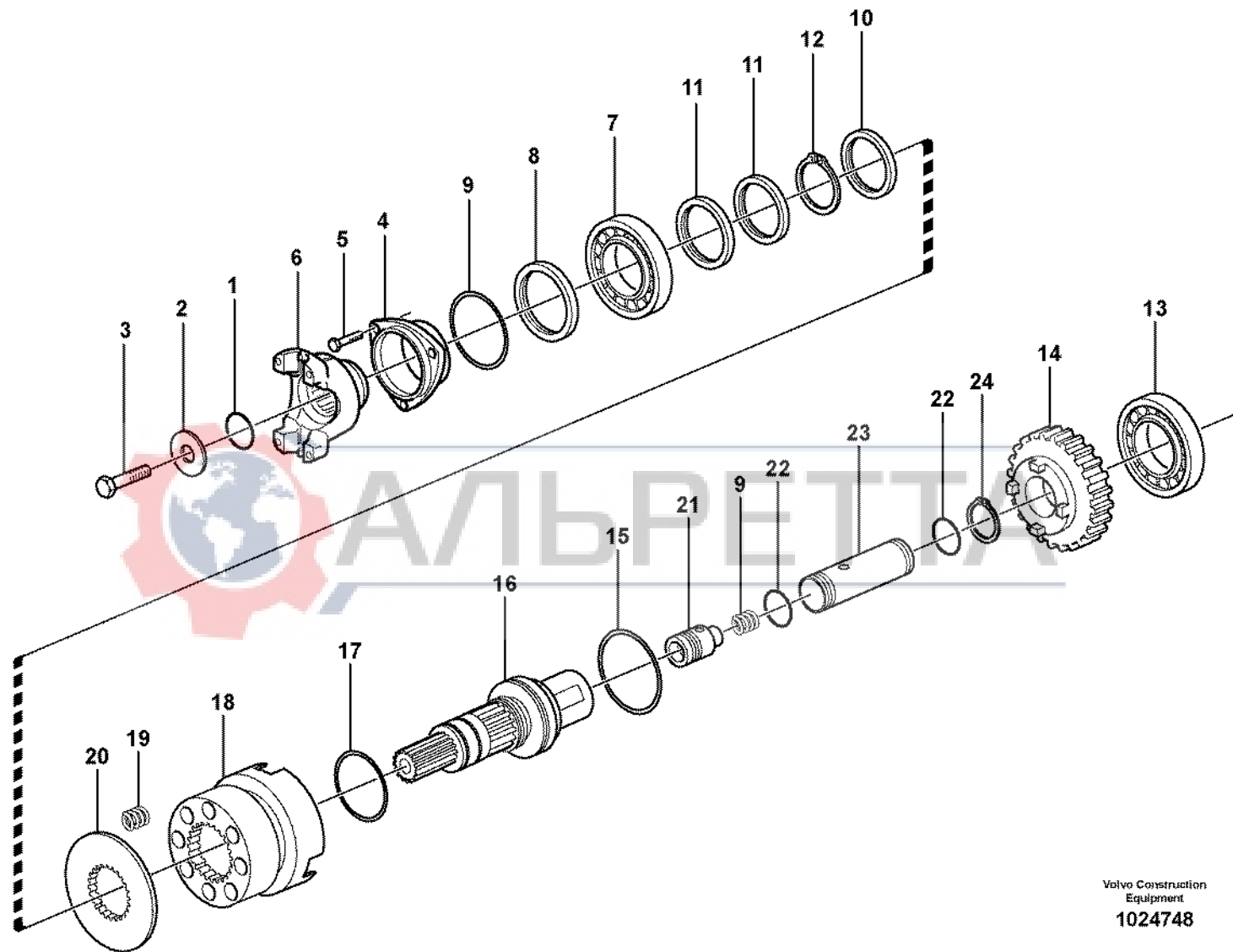


1		Hydraulkoppling, 4-hjulsdrift Embragues, tracción 4 ruedas Kupplungen, 4-Radantrieb Embrayages, 4 roues motrices Hydraulic clutch, 4wd	Catalogue id	Group
2			20017	421
3			Illustr. No	Section
4			1000806	400
5			Issue	Page
		11891077	VOE 63D9920017	255

VOLVO

BL60





Volvo Construction
Equipment
1024748

Fig.	Part No.	Quantity			P S	K I T	Description	Dénomination	Bezeichnung	Denominación	Benämning	Notes
		1	2	3								
1	VOE 11709321	1				O-ring	Joint Torique	O-Ring	Junta torica	O-ring		
2	VOE 11716787	1				Washer	Rondelle	Scheibe	Arandela	Bricka		
3	VOE 970827	1				Hexagon screw	Vis a tête hexagonale	Sechskantschr	Tornillo hexago	Sexkantsskruv		
4	VOE 11716788	1				End plate	Flasque	Stirnwand	Extremo	Gavel		
5	VOE 955296	3				Hexagon screw	Vis tête hexagonale	Sechskantschraube	Tornillo hexago	Sexkantsskruv		
6	VOE 11716789	1				Flange	Flasque	Flansch	Brida	Fläns		
7	VOE 11709102	1				Bearing	Palier	Lager	Cojinete	Lager		
8	VOE 11716790	1				Seal	Joint	Dichtring	Junta	Tätning		
9	VOE 11716791	1				O-ring	Joint Torique	O-Ring	Junta torica	O-ring		
10	VOE 11709167	1				Shim	Cale réglage	Nachstellblech	Laminilla de ajuste	Justerbleck		
11	VOE 11709076	2				Sealing ring	Bague d'étanchéité	Runddichtring	Anillo reten	Tätningsring		
12	VOE 11709171	1				Snap Ring	Circlip	Nutring	Circlip	Spårring		
13	VOE 11709098	1				Bearing	Palier	Lager	Cojinete	Lager		
14	VOE 11716792	1				Drive Gear	Pignon	Triebrad	Pinon	Drivhjul		
15	VOE 11716793	1				O-ring	Joint Torique	O-Ring	Junta torica	O-ring		
16	VOE 11716794	1				Shaft	Arbre	Welle	Arbol	Axel		
17	VOE 11716795	2				O-ring	Joint Torique	O-Ring	Junta torica	O-ring		
18	VOE 11716796	1				Sleeve	Manchon	Muffe	Manguito	Muff		
19	VOE 11716797	9				Spring	Ressort	Feder	Muelle	Fjäder		
20	VOE 11716798	1				Spacer Washer	Rond.entretoise	Abstandscheibe	Arandela Dist	Distansbricka		
21	VOE 11716799	1				Valve	Soupape	Ventil	Valvula	Ventil		
22	VOE 11716800	2				O-ring	Joint Torique	O-Ring	Junta torica	O-ring		
23	VOE 11716801	1				Cylinder	Verin	Zylinder	Cilindro	Cylinder		
24	VOE 11716802	1				Lock Ring	Anneau Verrouillage	Schlossring	Anillo Segurid	Låsring		

1	11887380	Axel, fyrhjulsdraft	Catalogue id	Group
2			20017	421
3			Illustr. No	Section
4			1024748	410
5			Issue	Page
		11891077 S/N 10939 -	VOE 63D9920017	257

VOLVO

BL60



АЛЪРЕТТА

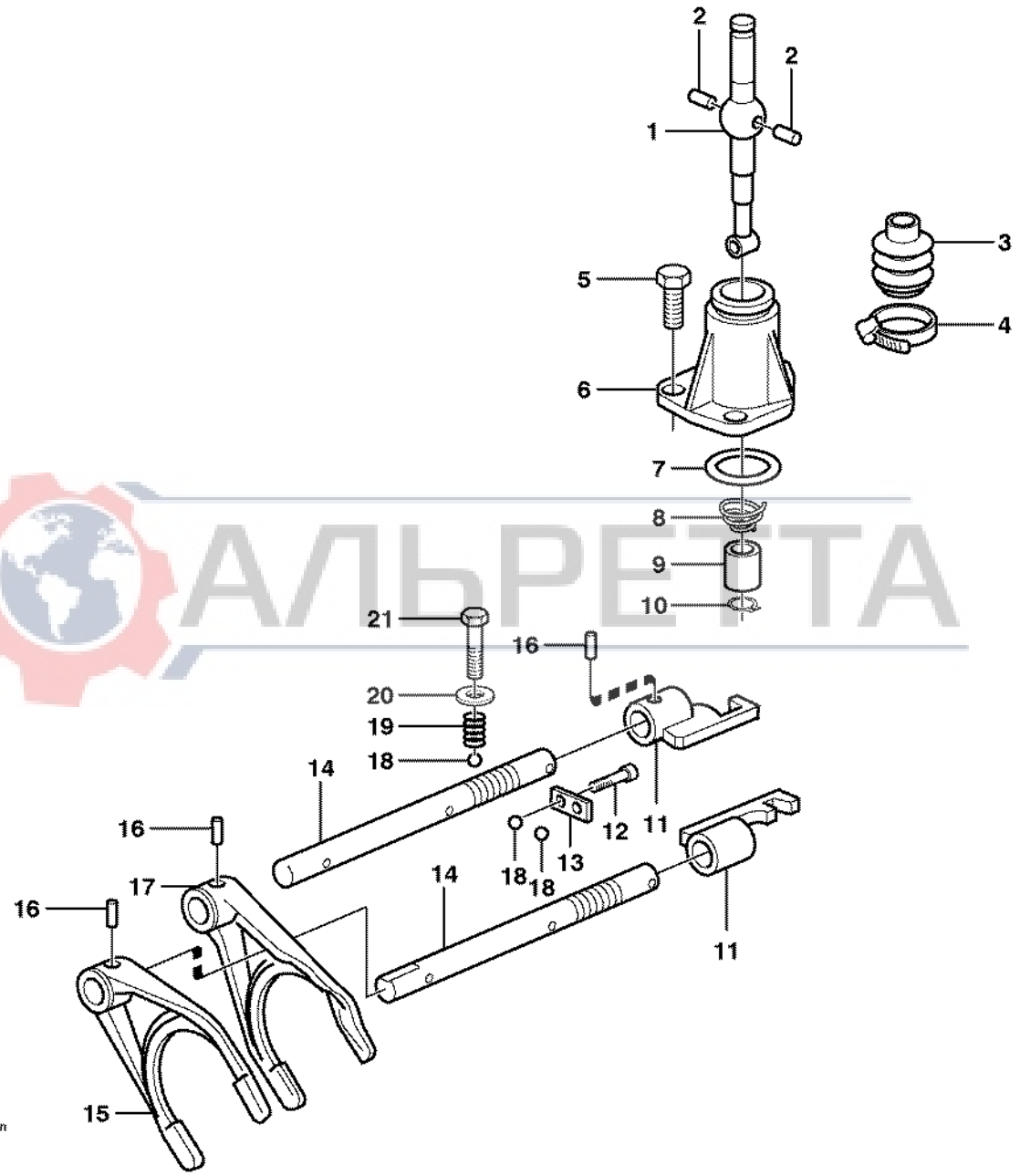
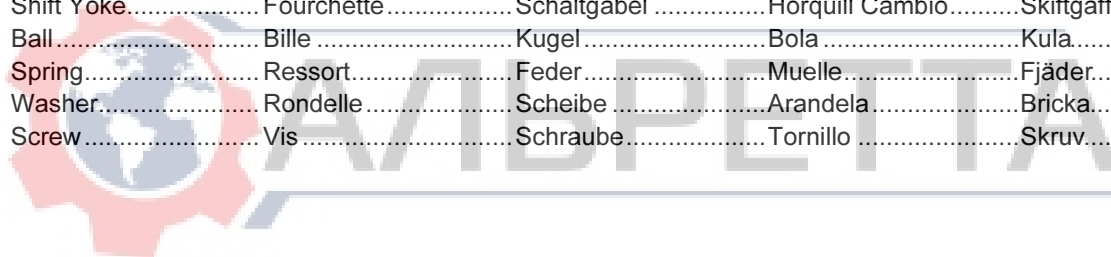


Fig.	Part No.	Quantity			P S	K I T	Description	Dénomination	Bezeichnung	Denominación	Benämning	Notes
		1	2	3								
1	VOE 11709179	1					Shift Lever.....	Levier Vitesse	Schalthebel	Palanca Cambios	Växelspak.....	
2	VOE 11709180	2					Pin.....	Goupille.....	Stift.....	Pasador.....	Pinne.....	
3	VOE 11709181	1					Boot.....	Soufflet.....	Manschette.....	Proteccion	Damask.....	
4	VOE 11709182	1					Clamp.....	Collier serrage.....	Klemme	Abrazadera.....	Klamma.....	
5	VOE 955297	3					Hexagon screw	Vis tête hexagonale ...	Sechskantschraube....	Tornillo hexago.....	Sexkantsskruv.....	
6	VOE 11712473	1					Cover	Capot	Haube.....	Capo.....	Huv.....	
7	VOE 11709165	1					O-ring	Joint Torique	O-Ring	Junta torica.....	O-ring.....	
8	VOE 11709183	1					Spring.....	Ressort.....	Feder.....	Muelle.....	Fjäder.....	
9	VOE 11709184	1					Bushing.....	Bague.....	Buchse	Casquillo	Bussning.....	
10	VOE 11709185	1					Snap Ring	Circlip	Nutring.....	Circlip	Spårring.....	
11	VOE 11712474	2					Shift Yoke.....	Fourchette.....	Schaltgabel	Horquill Cambio.....	Skiftgaffel.....	
12	VOE 970803	2					Hexagon screw	Vis tête hexagonale ...	Sechskantschraube....	Tornillo hexago.....	Sexkantsskruv.....	
13	VOE 11712475	1					Plate.....	Plaque.....	Platte	Placa	Platta.....	
14	VOE 11712476	2					Shift Rail.....	Coulisseau	Schaltchiene.....	Eje Cambio.....	Skiftaxel.....	
15	VOE 11712477	1					Shift Yoke.....	Fourchette.....	Schaltgabel	Horquill Cambio.....	Skiftgaffel.....	
16	VOE 11709189	4					Pin.....	Goupille.....	Stift.....	Pasador.....	Pinne.....	
17	VOE 11712478	1					Shift Yoke.....	Fourchette.....	Schaltgabel	Horquill Cambio.....	Skiftgaffel.....	
18	VOE 11709177	4					Ball.....	Bille	Kugel.....	Bola	Kula.....	
19	VOE 11709176	2					Spring.....	Ressort.....	Feder.....	Muelle.....	Fjäder.....	
20	VOE 11709174	3					Washer.....	Rondelle.....	Scheibe	Arandela.....	Bricka.....	
21	VOE 11709175	3					Screw.....	Vis	Schraube.....	Tornillo	Skruv.....	



1	Växelmanövrering Maniobra de la caja de cambios Schaltbedienung Commande de changement de vitesse Gearshifting	Catalogue id	Group
2		20017	421
3		Illustr. No	Section
4		1009247	450
5		Issue	Page
	11891076	VOE 63D9920017	259

VOLVO

BL60



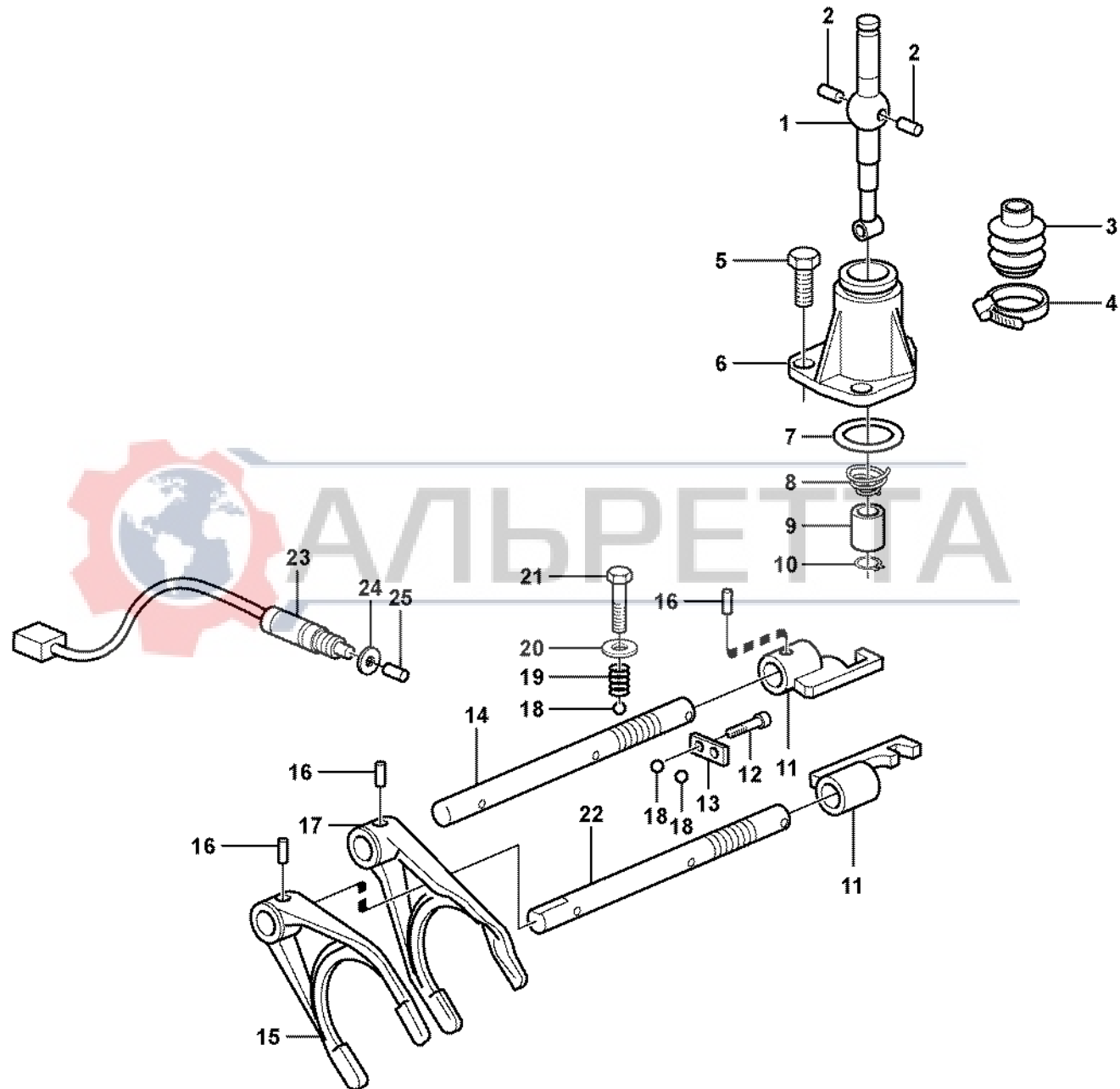


Fig.	Part No.	Quantity			P S	K I T	Description	Dénomination	Bezeichnung	Denominación	Benämning	Notes
		1	2	3								
1	VOE 11716673	1				Control Lever	Levier Commande.....	Bedienungshebel	Palanca Mando	Manöverspak		
2	VOE 11709180	2				Pin.....	Goupille.....	Stift.....	Pasador.....	Pinne.....		
3	VOE 11709181	1				Boot.....	Soufflet.....	Manschette.....	Proteccion	Damask.....		
4	VOE 11709182	1				Clamp.....	Collier serrage.....	Klemme	Abrazadera.....	Klamma.....		
5	VOE 955297	3				Hexagon screw	Vis tête hexagonale ...	Sechskantschraube....	Tornillo hexago.....	Sexkantsskruv.....		
6	VOE 11712473	1				Cover	Capot	Haube.....	Capo.....	Huv.....		
7	VOE 11709165	1				O-ring	Joint Torique	O-Ring	Junta torica.....	O-ring.....		
8	VOE 11709183	1				Spring.....	Ressort.....	Feder.....	Muelle.....	Fjäder.....		
9	VOE 11709184	1				Bushing	Bague.....	Buchse	Casquillo	Bussning.....		
10	VOE 11709185	1				Snap Ring	Circlip	Nutring.....	Circlip	Spårring.....		
11	VOE 11712474	2				Shift Yoke.....	Fourchette.....	Schaltgabel	Horquill Cambio.....	Skiftgaffel.....		
12	VOE 970803	2				Hexagon screw	Vis tête hexagonale ...	Sechskantschraube....	Tornillo hexago.....	Sexkantsskruv.....		
13	VOE 11712475	1				Plate.....	Plaque.....	Platte	Placa	Platta.....		
14	VOE 11716803	1				Shaft.....	Arbre	Welle	Arbol.....	Axel.....		
15	VOE 11712477	1				Shift Yoke.....	Fourchette.....	Schaltgabel	Horquill Cambio.....	Skiftgaffel.....		
16	VOE 11709189	4				Pin.....	Goupille.....	Stift.....	Pasador.....	Pinne.....		
17	VOE 11716674	1				Fork.....	Fourche.....	Gabel.....	Horquilla	Gaffel.....		
18	VOE 11709177	4				Ball.....	Bille	Kugel.....	Bola	Kula.....		
19	VOE 11709176	2				Spring.....	Ressort.....	Feder.....	Muelle.....	Fjäder.....		
20	VOE 11709174	3				Washer.....	Rondelle.....	Scheibe	Arandela.....	Bricka.....		
21	VOE 11709175	3				Screw.....	Vis.....	Schraube.....	Tornillo	Skruv.....		
22	VOE 11712476	1				Shift Rail.....	Coulisseau	Schaltchiene.....	Eje Cambio.....	Skiftaxel.....		
23	VOE 11712798	1				Sensor.....	Capteur	Geber	Captador	Givare.....		
24	VOE 11715354	1				O-ring	Joint Torique	O-Ring	Junta torica.....	O-ring.....		
25	VOE 11716804	1				Pin.....	Goupille.....	Zapfen	Pasador.....	Tapp.....		

1	11887380	Växelmanövrering Maniobra de la caja de cambios Schaltbedienung Commande de changement de vitesse Gearshifting	Catalogue id	Group
2			20017	421
3			Illustr. No	Section
4			1024750	460
5			Issue	Page
		11891077 S/N 10939 -	VOE 63D9920017	261

VOLVO

BL60

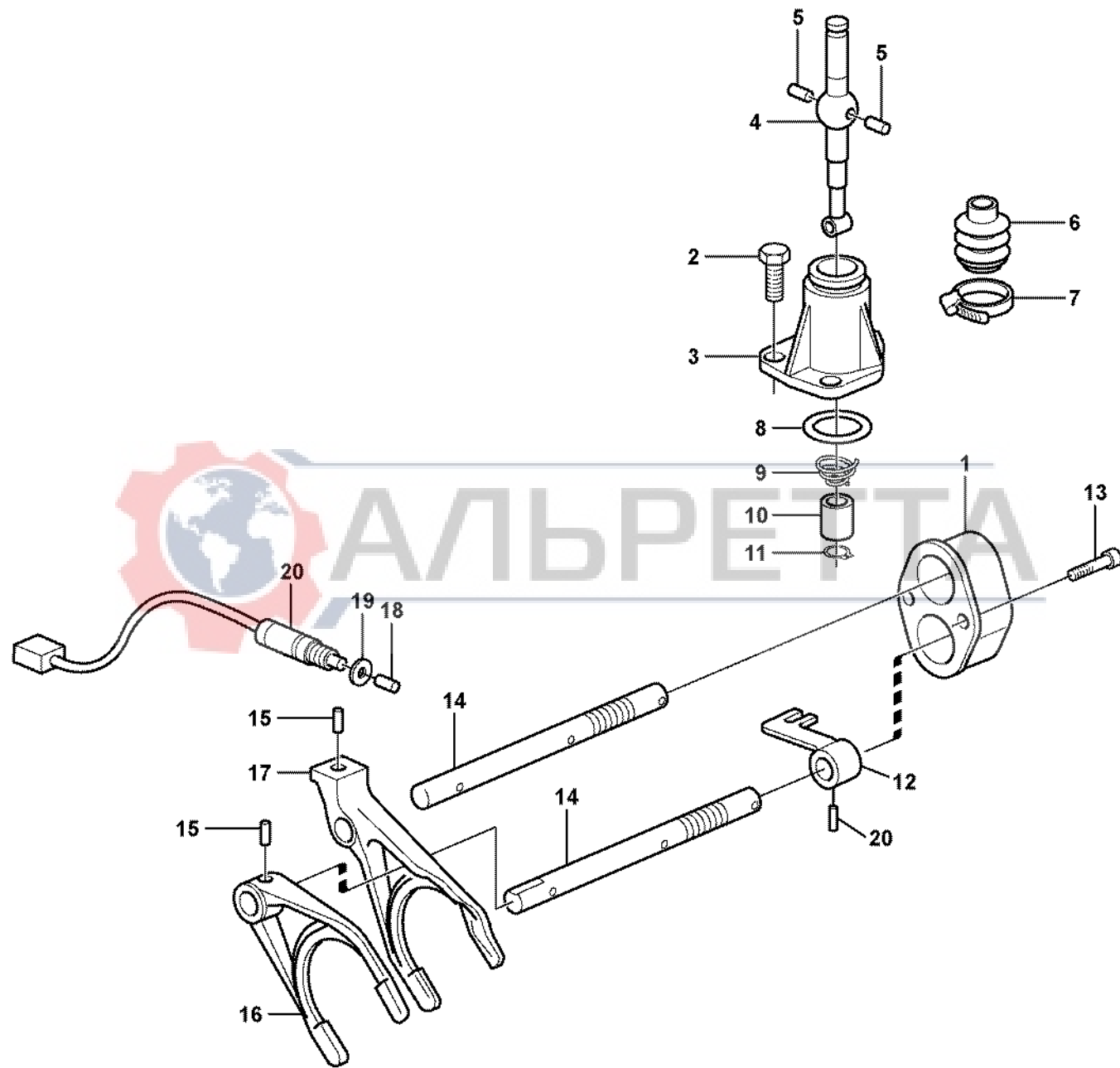


Fig.	Part No.	Quantity			P S	K I T	Description	Dénomination	Bezeichnung	Denominación	Benämning	Notes
		1	2	3								
1	VOE 11709173	1				Cover	Couvercle	Deckel	Tapa	Lock.....		
2	VOE 955297	3				Hexagon screw	Vis tête hexagonale ...	Sechskantschraube...	Tornillo hexago.....	Sexkantsskruv.....		
3	VOE 11709178	1				Gear Lvr Cover	Couv.levi.vite.....	Schaltdeckel	Tapa Pal Camb	Växelspakslock.....		
4	VOE 11709179	1				Shift Lever.....	Levier Vitesse	Schalthebel	Palanca Cambios	Växelspak.....		
5	VOE 11709180	2				Pin.....	Goupille.....	Stift	Pasador	Pinne.....		
6	VOE 11709181	1				Boot.....	Soufflet.....	Manschette.....	Proteccion	Damask.....		
7	VOE 11709182	1				Clamp.....	Collier serrage.....	Klemme	Abrazadera	Klamma.....		
8	VOE 11709165	1				O-ring	Joint Torique	O-Ring	Junta torica.....	O-ring.....		
9	VOE 11709183	1				Spring.....	Ressort.....	Feder	Muelle.....	Fjäder.....		
10	VOE 11709184	1				Bushing	Bague.....	Buchse	Casquillo	Bussning.....		
11	VOE 11709185	1				Snap Ring	Circlip	Nutring.....	Circlip	Spårring.....		
12	VOE 11709187	1				Gear Selector.....	Selecte.vitesse.....	Wählhebel	Select Velocid	Växelväljare.....		
13	VOE 970808	2				Hexagon screw	Vis a tête hexagonale	Sechskantschr.....	Tornillo hexago.....	Sexkantsskruv.....		
14	VOE 11709188	2				Gear Sel Rod	Tige Selec.vit.	Schaltstange	Varilla Select	Växelförarstång.....		
15	VOE 11709189	3				Pin.....	Goupille.....	Stift	Pasador	Pinne.....		
16	VOE 11709190	1				Shift Yoke.....	Fourchette.....	Schaltgabel	Horquill Cambio.....	Skiftgaffel.....		
17	VOE 11709191	1				Shift Yoke.....	Fourchette.....	Schaltgabel	Horquill Cambio.....	Skiftgaffel.....		
18	VOE 11709192	1				Pin.....	Goupille.....	Stift	Pasador	Pinne.....		
19	VOE 11715354	1				O-ring	Joint Torique	O-Ring	Junta torica.....	O-ring.....		
20	VOE 11712798	1				Sensor.....	Capteur	Geber	Captador	Givare.....	(VOE 11709194)	

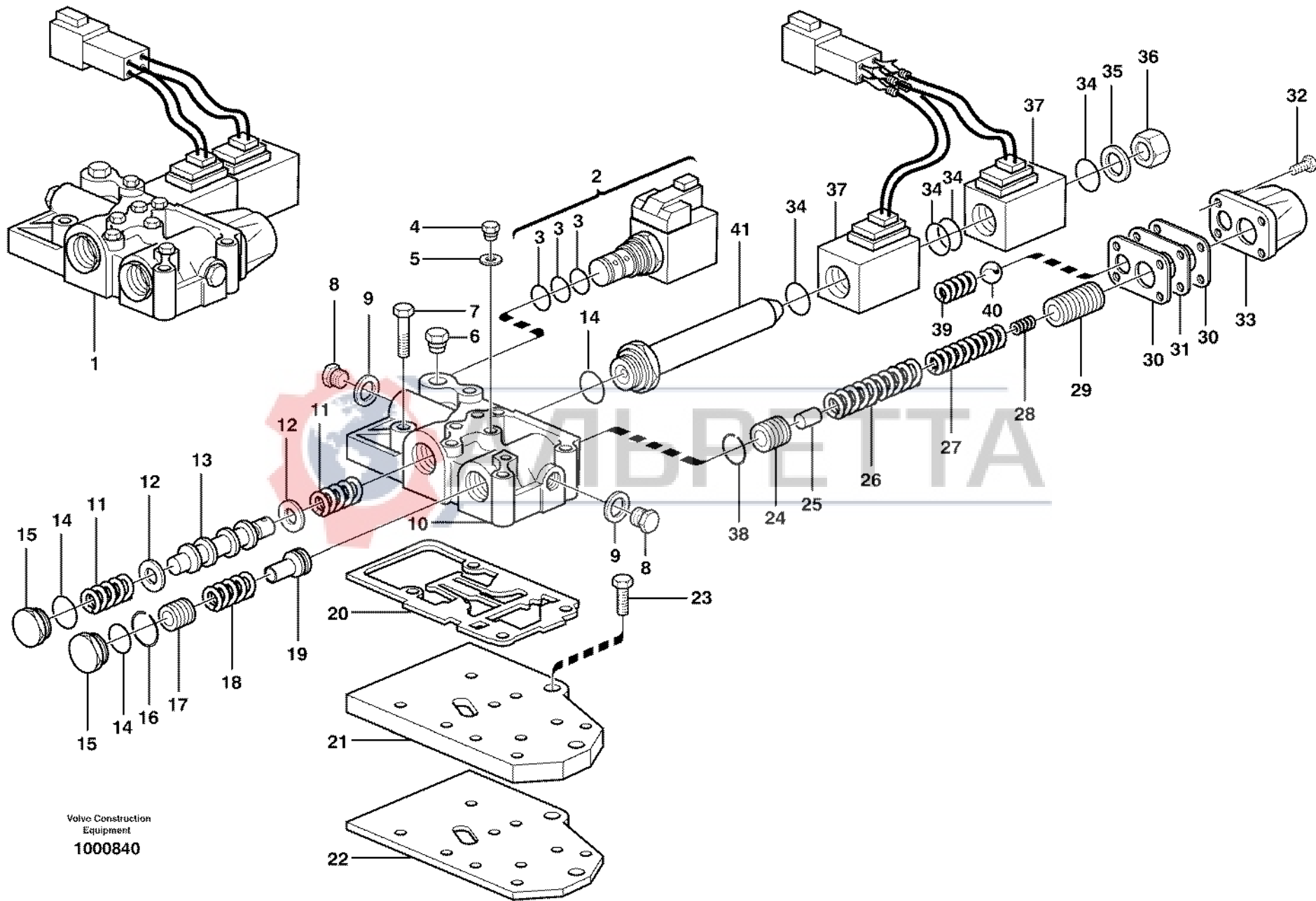


1	Växelmanövrering Maniobra de la caja de cambios Schaltbedienung Commande de changement de vitesse Gearshifting	Catalogue id	Group
2		20017	421
3		Illustr. No	Section
4		1000816	475
5		Issue	Page
	11891077	VOE 63D9920017	263

VOLVO

BL60





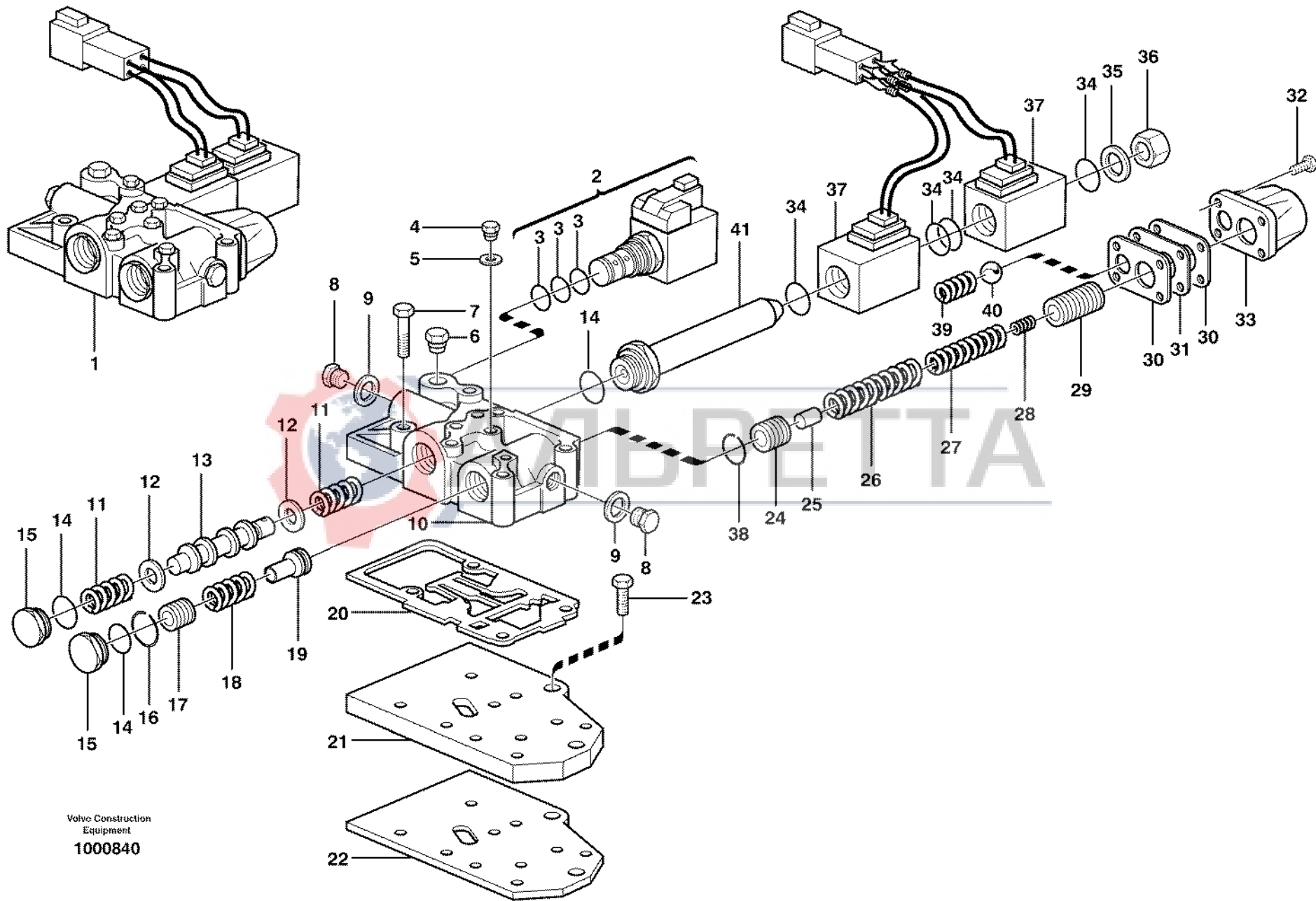
Volvo Construction
 Equipment
 1000840

Fig.	Part No.	Quantity			P S	K I T	Description	Dénomination	Bezeichnung	Denominación	Benämning	Notes
		1	2	3								
1	VOE 11709195	1				Distributor.....	Allumeur.....	Verteiler.....	Distribuidor.....	Fördelare.....		
2	VOE 11709196	1				•Valve.....	•Soupape.....	•Ventil.....	•Valvula.....	•Ventil.....		
3	VOE 11712480	1				••O-ring Kit.....	••Jeu Join.toriq.....	••O-ringsatz.....	••Jueg Anil Toric.....	••O-ringsats.....		
4	VOE 11709061	4				•Plug.....	•Bouchon.....	•Stopfen.....	•Tapon.....	•Plugg.....		
5	VOE 11709199	4				•Washer.....	•Rondelle.....	•Scheibe.....	•Arandela.....	•Bricka.....		
6	VOE 11709200	1				•Plug.....	•Bouchon.....	•Stopfen.....	•Tapon.....	•Plugg.....		
7	VOE 955302	6				•Hexagon screw.....	•Vis tête hexagonale..	•Sechskantschraube..	•Tornillo hexago.....	•Sexkantsskruv.....		
8	VOE 11709201	2				•Plug.....	•Bouchon.....	•Stopfen.....	•Tapon.....	•Plugg.....		
9	VOE 11709202	2				•Washer.....	•Rondelle.....	•Scheibe.....	•Arandela.....	•Bricka.....		
10		1			NS	•Valve housing.....	•Carter soupape.....	•Ventilgehäuse.....	•Cuerpo valvula.....	•Ventilhus.....		
11	VOE 11709203	2				•Spring.....	•Ressort.....	•Feder.....	•Muelle.....	•Fjäder.....		
12	VOE 11709204	2				•Washer.....	•Rondelle.....	•Scheibe.....	•Arandela.....	•Bricka.....		
13	VOE 11709205	1				•Piston.....	•Piston.....	•Kolben.....	•Piston.....	•Kolv.....		
14	VOE 11709206	3				•O-ring.....	•Joint Torique.....	•O-Ring.....	•Junta torica.....	•O-ring.....		
15	VOE 11709207	2				•Plug.....	•Bouchon.....	•Stopfen.....	•Tapon.....	•Plugg.....		
16	VOE 11709208	1				•Snap Ring.....	•Circlip.....	•Nutring.....	•Circlip.....	•Spårring.....		
17	VOE 11709209	1				•Piston.....	•Piston.....	•Kolben.....	•Piston.....	•Kolv.....		
18	VOE 11709210	1				•Spring.....	•Ressort.....	•Feder.....	•Muelle.....	•Fjäder.....		
19	VOE 11709211	1				•Bushing.....	•Bague.....	•Buchse.....	•Casquillo.....	•Bussning.....		
20	VOE 11709212	1				•Gasket.....	•Joint.....	•Dichtung.....	•Junta.....	•Packing.....		
21		1			NS	•Valve plate.....	•Plaque soupape.....	•Ventilplatte.....	•Placa valvula.....	•Ventilplatta.....		
22	VOE 11709213	1				•Gasket.....	•Joint.....	•Dichtung.....	•Junta.....	•Packing.....		
23	VOE 13955295	3				•Screw.....	•Vis.....	•Schraube.....	•Tornillo.....	•Skruv.....		
24	VOE 11709214	1				•Piston.....	•Piston.....	•Kolben.....	•Piston.....	•Kolv.....		
25	VOE 11709215	1				•Pin.....	•Goupille.....	•Stift.....	•Pasador.....	•Pinne.....		
26	VOE 11709216	1				•Spring.....	•Ressort.....	•Feder.....	•Muelle.....	•Fjäder.....		
27	VOE 11709217	1				•Spring.....	•Ressort.....	•Feder.....	•Muelle.....	•Fjäder.....		
28	VOE 11709218	1				•Spring.....	•Ressort.....	•Feder.....	•Muelle.....	•Fjäder.....		
29	VOE 11709219	1				•Piston.....	•Piston.....	•Kolben.....	•Piston.....	•Kolv.....		
30	VOE 11709220	2				•Gasket.....	•Joint.....	•Dichtung.....	•Junta.....	•Packing.....		

1	Växelväljarventil Válvula selectora de gama Getriebewählerventil Soupape sélectrice vitesse Range selector valve	Catalogue id	Group
2		20017	421
3		Illustr. No	Section
4		1000840	500
5		Issue	Page
	11891076, 11891077 S/N - 10938	VOE 63D9920017	265

VOLVO

BL60



Volvo Construction
 Equipment
 1000840

Fig.	Part No.	Quantity			P S	K I T	Description	Dénomination	Bezeichnung	Denominación	Benämning	Notes
		1	2	3								
31	VOE 11709221	1				•Plate	•Plaque.....	•Platte.....	•Placa	•Platta.....		
32	VOE 13948356	4				•Flange screw	•Vis à bride.....	•Flanschschraube.....	•Torn embridado.....	•Flänsskruv.....		
33	VOE 11709222	1				•Cover	•Couvercle.....	•Deckel	•Tapa	•Lock.....		
34	VOE 11709223	4				•O-ring.....	•Joint Torique	•O-Ring.....	•Junta torica	•O-ring.....		
35	VOE 11709224	1				•Washer	•Rondelle.....	•Scheibe	•Arandela.....	•Bricka.....		
36	VOE 11709225	1				•Plug	•Bouchon.....	•Stopfen	•Tapon.....	•Plugg.....		
37	VOE 11712481	2				•Solenoid valve	•Vanne electrom.....	•Magnetventil.....	•Electrovalvula.....	•Magnetventil.....		
38	VOE 11709228	1				•Snap Ring	•Circlip.....	•Nutring	•Circlip	•Spårring.....		
39	VOE 11709229	1				•Spring	•Ressort	•Feder.....	•Muelle	•Fjäder.....		
40	VOE 11709230	1				•Ball.....	•Bille	•Kugel.....	•Bola	•Kula.....		
41	VOE 11709231	1				•Pipe	•Canalisation	•Rohrleitung.....	•Canalizacion	•Rör.....		



1	Växelväljarventil Válvula selectora de gama Getriebewählerventil Soupape sélectrice vitesse Range selector valve	Catalogue id	Group
2		20017	421
3		Illustr. No	Section
4		1000840	500
5		Issue	Page
	11891076, 11891077 S/N - 10938	VOE 63D9920017	267

VOLVO

BL60



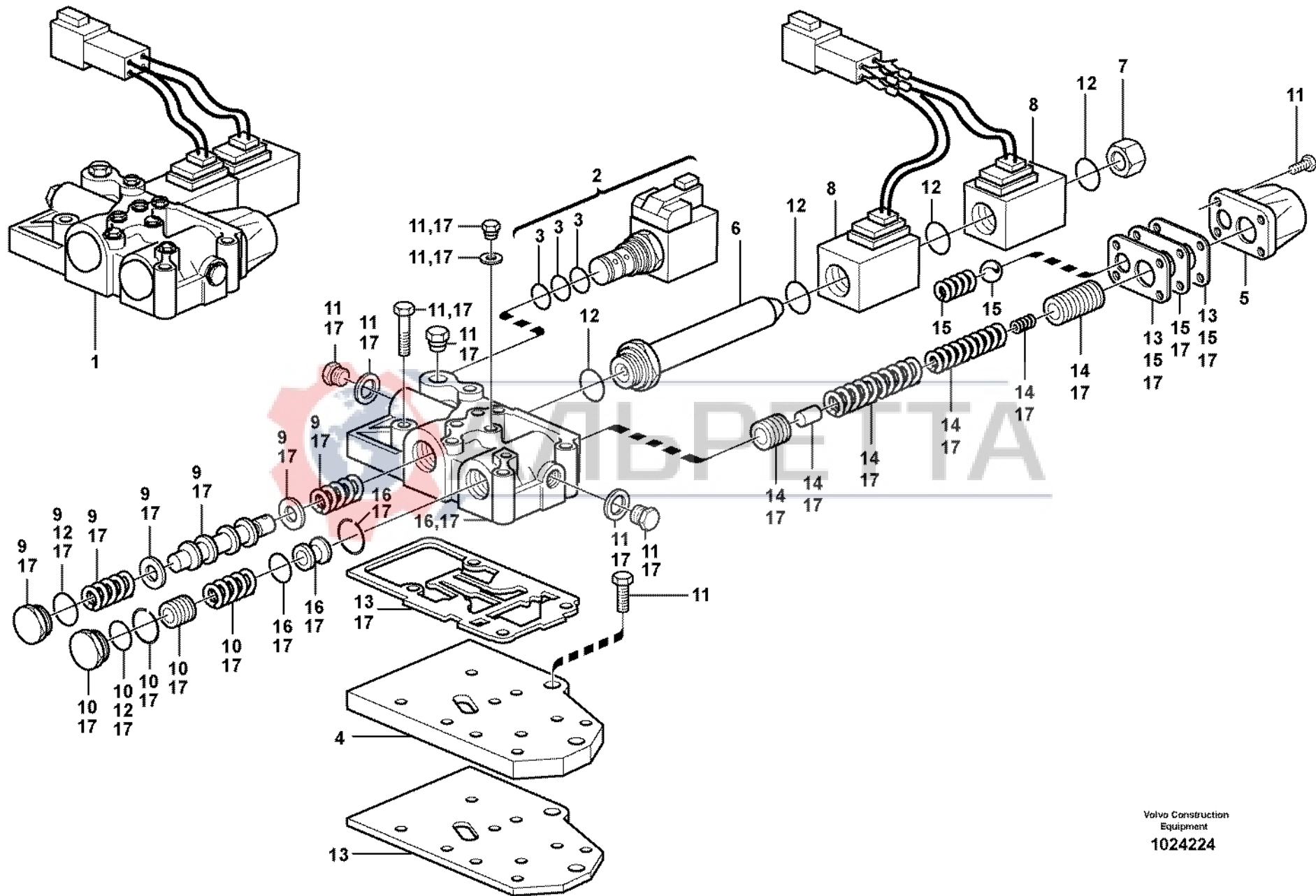


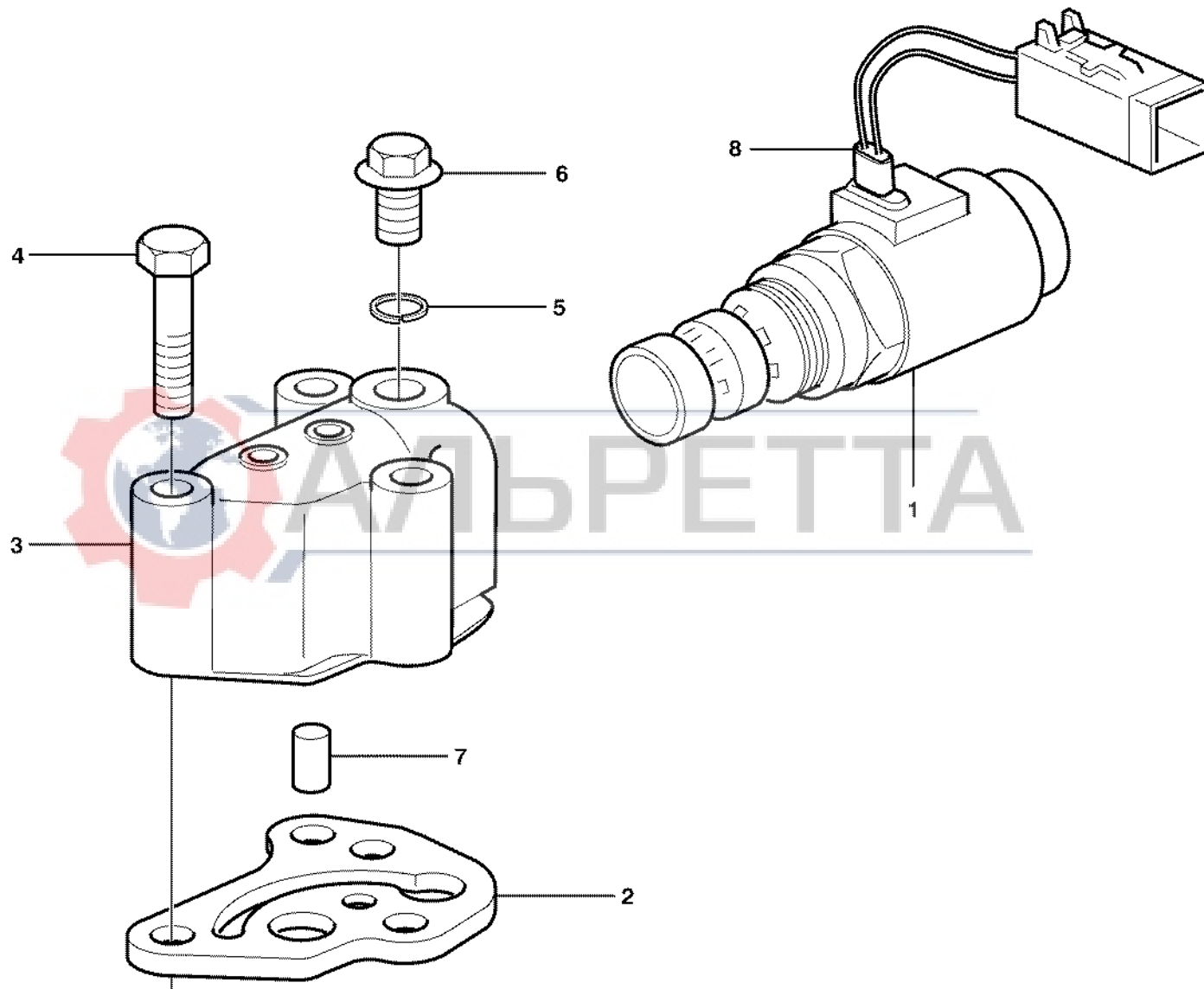
Fig.	Part No.	Quantity			P S	K I T	Description	Dénomination	Bezeichnung	Denominación	Benämning	Notes
		1	2	3								
1	VOE 11716675	1				Control valve	Valve controle	Steuerventil	Válvula control	Kontrollventil		
2	VOE 11709196	1				•Valve	•Soupape	•Ventil	•Valvula	•Ventil		
3	VOE 11709197	1				••O-ring Kit	••Jeu Join.toriq.	••O-ringsatz	••Jueg Anil Toric	••O-ringsats		
4	VOE 11716676	1				•Plate	•Plaque	•Platte	•Placa	•Platta		
5	VOE 11709222	1				•Cover	•Couvercle	•Deckel	•Tapa	•Lock		
6	VOE 11709231	1				•Pipe	•Canalisation	•Rohrleitung	•Canalización	•Rör		
7	VOE 11716677	1				•Plug	•Bouchon	•Stopfen	•Tapon	•Plugg		
8	VOE 11716678	2				•Valve	•Soupape	•Ventil	•Valvula	•Ventil		
9	VOE 11716679	1				•Slide	•Tiroir	•Schieber	•Corredera	•Slid		
10	VOE 11716680	1				•Piston Kit	•Jeu Pistons	•Kolbensatz	•Juego Piston	•Kolvsats		
11	VOE 11716681	1				•Screw Kit	•Kit Vis	•Schraubensatz	•Juego Tornillos	•Skruvsats		
12	VOE 11716682	1				•Sealing Kit	•Jeu Joints	•Dichtungssatz	•Juego Retenes	•Tätningssats		
13	VOE 11716683	1				•Gasket Kit	•Kit Joints	•Dichtungssatz	•Juego Juntas	•Packningsats		
14	VOE 11716684	1				•Valve Kit	•Kit valve	•Ventilsatz	•Juego Valvula	•Ventilsats		
15	VOE 11716685	1				•Plate	•Plaque	•Platte	•Placa	•Platta		
16	VOE 11716686	1				•Valve Kit	•Kit valve	•Ventilsatz	•Juego Valvula	•Ventilsats		
17	VOE 11716687	1				•Valve Kit	•Kit valve	•Ventilsatz	•Juego Valvula	•Ventilsats		



1	Växelväljarventil Válvula selectora de gama Getriebewählerventil Soupape sélectrice vitesse Range selector valve 11891076, 11891077 S/N 10939 -	Catalogue id 20017	Group 421	
2		Illustr. No 1024224	Section 525	
3			Issue VOE 63D9920017	Page 269
4				
5				

VOLVO

BL60



Volvo Construction
Equipment
1000817

Fig.	Part No.	Quantity			P S	K I T	Description	Dénomination	Bezeichnung	Denominación	Benämning	Notes
		1	2	3								
1	VOE 11709232	1				Solenoid valve.....	Vannr electrom.....	Magnetventil.....	Electrovalvula.....	Magnetventil.....		
2	VOE 11709233	1				Gasket.....	Joint.....	Dichtung.....	Junta.....	Packning.....		
3	VOE 11709234	1				Valve Housing.....	Carter Soupape.....	Ventilgehäuse.....	Cuerpo Valvula.....	Ventilhus.....		
4	VOE 955302	3				Hexagon screw.....	Vis tête hexagonale ...	Sechskantschraube...	Tornillo hexago.....	Sexkantsskruv.....		
5	VOE 11709199	1				Washer.....	Rondelle.....	Scheibe.....	Arandela.....	Bricka.....		
6	VOE 11709061	1				Plug.....	Bouchon.....	Stopfen.....	Tapon.....	Plugg.....		
7	VOE 11709235	1				Pin.....	Goupille.....	Zapfen.....	Pasador.....	Tapp.....		
8	VOE 11709236	1				Protective sleeve.....	Manchon de protectio	Schutzhülle.....	Manguito de protecci	Skyddshylsa.....		



1		Magnetventil 4-hjulsdrift	Catalogue id	Group
2		Válvula solenoide, tracción 4 ruedas	20017	421
3		Magnetventil 4-Radantrieb	Illustr. No	Section
4		Electrovalve 4 roues motrices	1000817	550
5		Solenoid valve 4wd	Issue	Page
		11891077	VOE 63D9920017	271

VOLVO

BL60

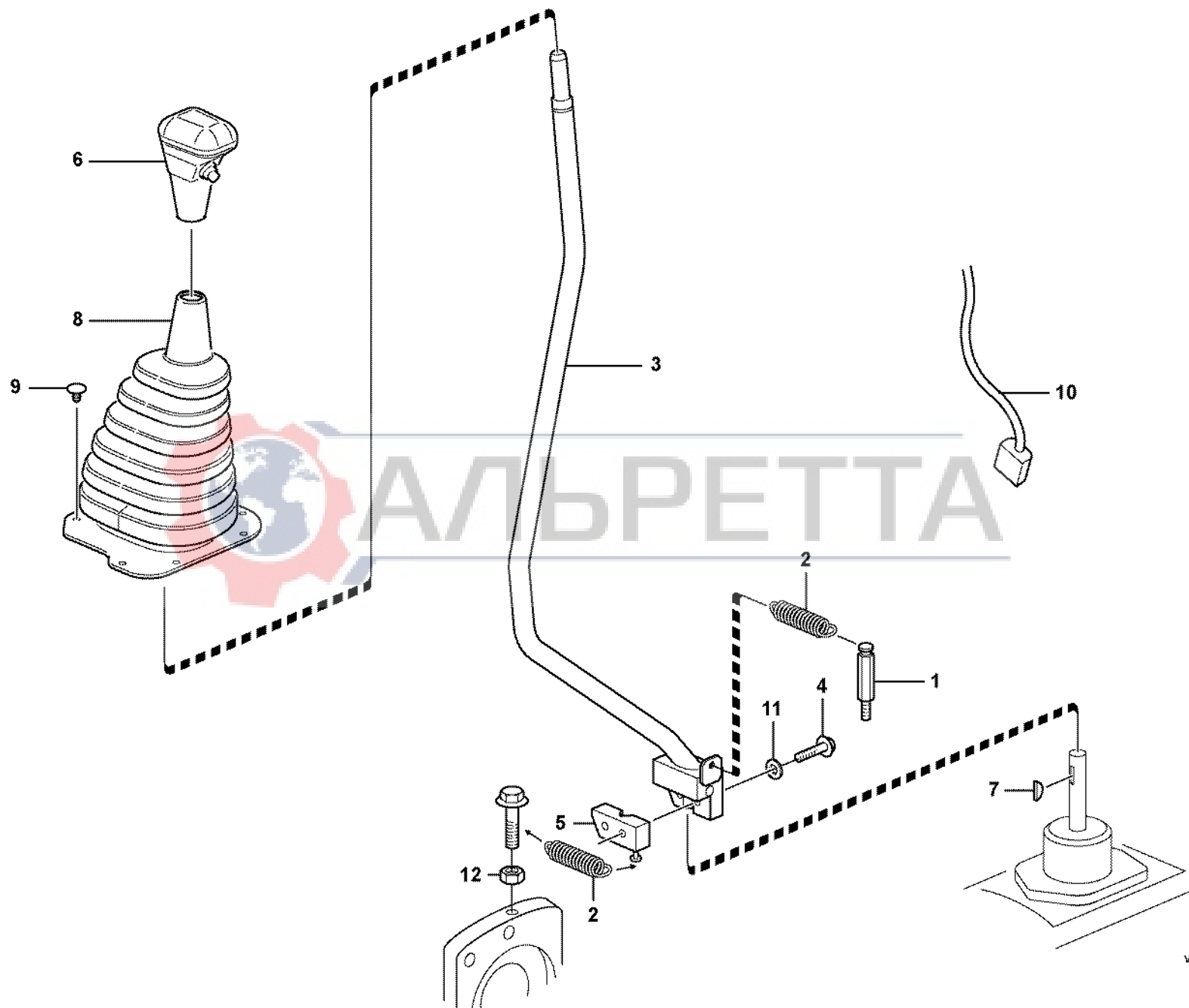


Fig.	Part No.	Quantity			P S	K I T	Description	Dénomination	Bezeichnung	Denominación	Benämning	Notes
		1	2	3								
1	VOE 11882559	1				Bracket.....	Console.....	Konsole	Consola	Konsol.....		
2	VOE 11882592	1	1			Spring.....	Ressort.....	Feder.....	Muelle.....	Fjäder.....		
3	VOE 11882560	1				Lever.....	Levier	Hebel.....	Palanca	Spak.....		
3	VOE 11888014		1			Lever.....	Levier	Hebel.....	Palanca	Spak.....		
4	VOE 13947760	2	3			Flange screw.....	Vis à bride	Flanschschraube.....	Torn embridado.....	Flänsskruv.....		
5	VOE 11882564	1				Clamp.....	Pince Serrage	Klemme.....	Abrazadera.....	Klämma.....		
5	VOE 11888694		1			Clamp.....	Pince Serrage	Klemme.....	Abrazadera.....	Klämma.....		
6	VOE 11881034	1				Knob.....	Bouton.....	Knauf.....	Boton.....	Knopp.....		
7	VOE 11881035	1				Key.....	Clavette.....	Keil	Llave (cuna)	Kil.....		
8	VOE 11881432	1				Bellows.....	Soufflet.....	Balg.....	Fuelle	Bälg.....		
9	VOE 11884070	7				Screw.....	Vis	Schraube.....	Tornillo	Skruv.....		
9	VOE 11881360		7			Retainer	Retenue	Halter.....	Soporte.....	Hållare.....		
10	VOE 11884022	1				Cable harness.....	Faisceau cables	Kabelbaum.....	Manojo cables	Ledningsmatta.....		
10	VOE 11884021		1			Cable harness.....	Faisceau cables	Kabelbaum.....	Manojo cables	Ledningsmatta.....		
11	VOE 942767	2				Toothed Washer	Rondelle Dentee	Zahnscheibe.....	Arandela Dentad	Tandbricka.....		
12	VOE 13945408		1			Nut.....	Ecrou.....	Mutter	Tuerca	Mutter.....		



1	S/N - 10938	Växelväljare, 4-hjulsdrift Selector velocidad, tracción 4 ruedas Wählschalter, 4-Radantrieb Sélecteur de vitesse, 4 roues motrices Gear selector, 4-wheel drive	Catalogue id	Group
2	S/N 10939 -		20017	424
3			Illustr. No	Section
4			1024233	100
5			Issue	Page
		11891077	VOE 63D9920017	273

VOLVO

BL60

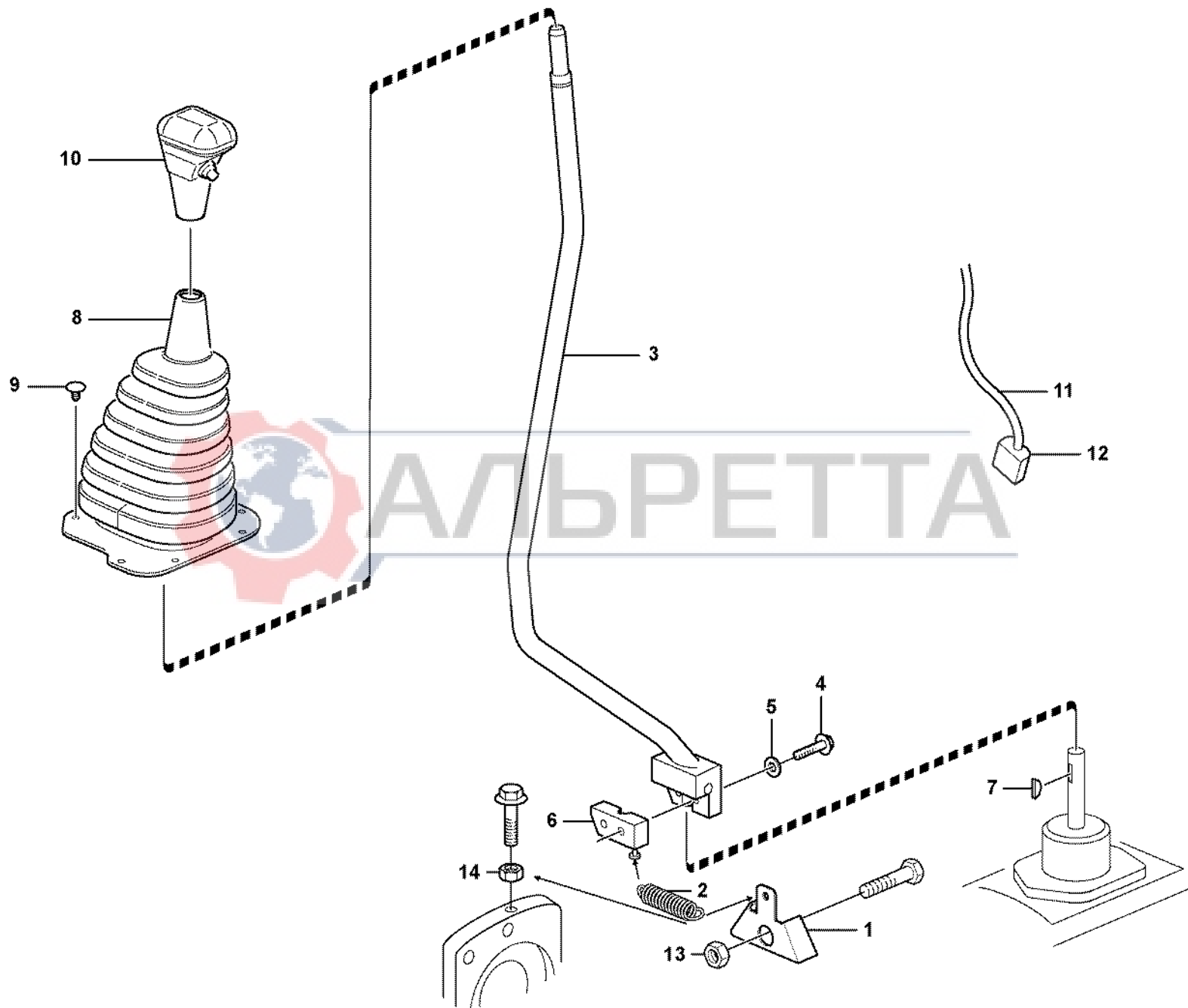


Fig.	Part No.	Quantity			P S	K I T	Description	Dénomination	Bezeichnung	Denominación	Benämning	Notes
		1	2	3								
1	VOE 11881126	1				Bracket.....	Console.....	Konsole	Ménsula.....	Konsol.....		
2	VOE 11881128	1				Spring.....	Ressort.....	Feder.....	Muelle.....	Fjäder.....		
2	VOE 11882592		1			Spring.....	Ressort.....	Feder.....	Muelle.....	Fjäder.....		
3	VOE 11881115	1				Lever.....	Levier	Hebel.....	Palanca	Spak.....		
3	VOE 11888014		1			Lever.....	Levier	Hebel.....	Palanca	Spak.....		
4	VOE 13947760	2	3			Flange screw.....	Vis à bride.....	Flanschschraube.....	Torn embridado.....	Flänsskruv.....		
5	VOE 942767	2				Toothed Washer	Rondelle Dentee	Zahnscheibe.....	Arandela Dentad	Tandbricka.....		
6	VOE 11881150	1				Clamp.....	Pince Serrage	Klemme	Abrazadera.....	Klämma.....		
6	VOE 11888694		1			Clamp.....	Pince Serrage	Klemme	Abrazadera.....	Klämma.....		
	VOE 11882564	1				•Clamp	•Pince Serrage	•Klemme.....	•Abrazadera	•Klämma.....		
		1			NS	•Bracket	•Console.....	•Konsole	•Ménsula	•Konsol.....		
7	VOE 11881035	1				Key.....	Clavette.....	Keil	Llave (cuna)	Kil.....		
8	VOE 11881432	1	1			Bellows.....	Soufflet.....	Balg.....	Fuelle	Bälg.....		
9	VOE 11884070	7				Screw.....	Vis	Schraube.....	Tornillo	Skruv.....		
9	VOE 11881360		7			Retainer	Retenue	Halter.....	Soporte.....	Hållare		
10	VOE 11881034	1	1			Knob.....	Bouton.....	Knauf.....	Boton	Knopp.....		
11	VOE 11884021	1	1			Cable harness.....	Faisceau cables	Kabelbaum.....	Manojo cables	Ledningsmatta.....		
12	VOE 874955	1	1			•Insulator.....	•Isolateur	•Isolator	•Aislador	•Isolator.....		
13	VOE 979021	1				Hexagon Nut.....	Ecrou Hexagonal	Sechskantmutter	Tuerca Hexagon.....	Sexkantmutter.....		
14	VOE 13945408		1			Nut.....	Ecrou.....	Mutter.....	Tuerca	Mutter.....		



1	S/N - 10938	Växelväljare, 2-hjulsdrift Selector velocidad, tracción 2 ruedas Wählschalter, 2-Radantrieb Sélecteur de vitesse, 2 roues motrices Gear selector, 2-wheel drive	Catalogue id	Group
2	S/N 10939 -		20017	424
3			Illustr. No	Section
4			1024232	150
5			Issue	Page
		11891076	VOE 63D9920017	275

VOLVO

BL60



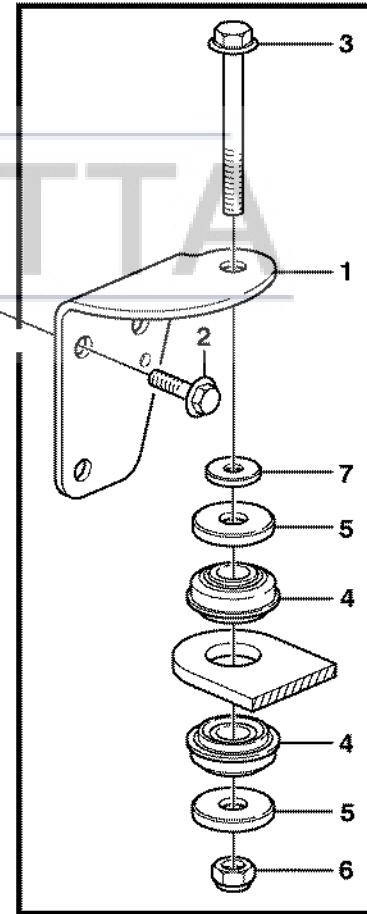
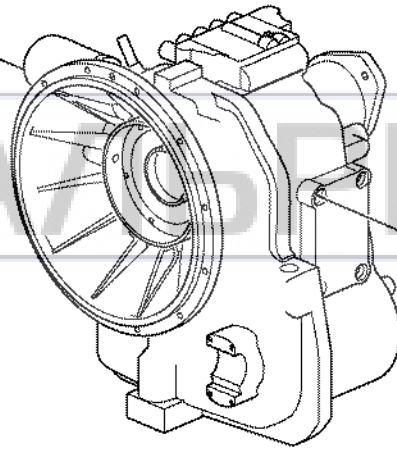
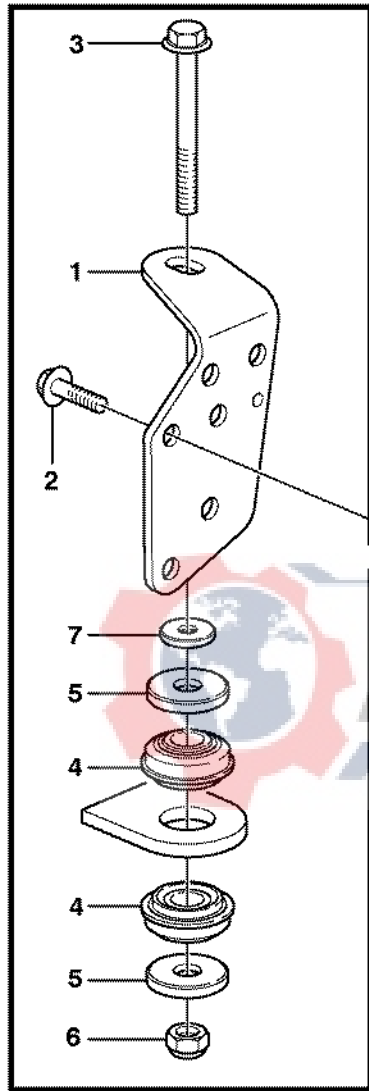


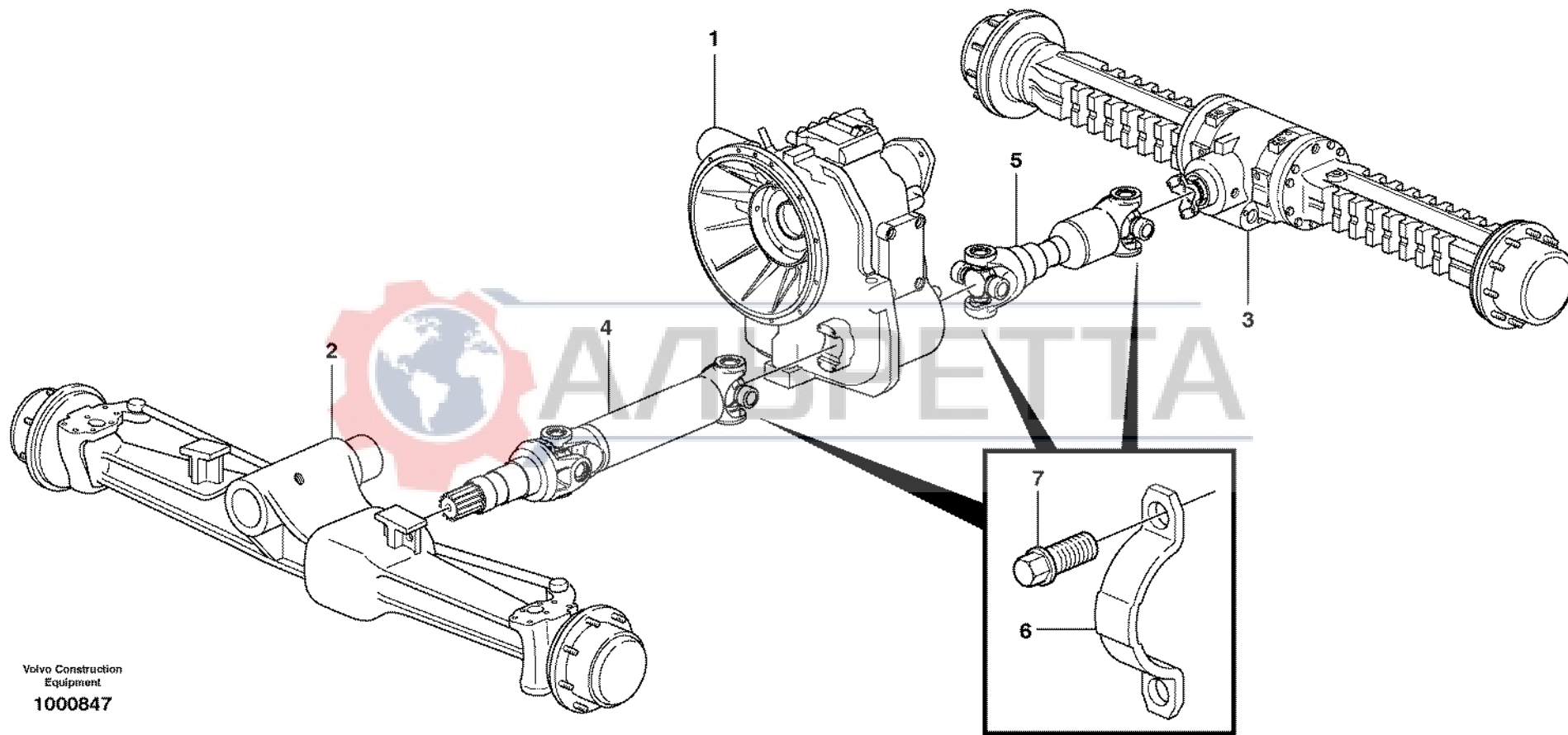
Fig.	Part No.	Quantity			P S	K I T	Description	Dénomination	Bezeichnung	Denominación	Benämning	Notes
		1	2	3								
1	VOE 11884722	1	1			Transmission Mounti..	Montage de la transm	Getriebe Einbau	Soporte de la transmi.	Växellådsfäste.....	LH	
1	VOE 11885976	1	1			Transmission Mounti..	Montage de la transm	Getriebe Einbau	Soporte de la transmi.	Växellådsfäste.....	RH	
2	VOE 13965191	6	6			Flange screw.....	Vis à bride	Flanschschraube.....	Torn embridado	Flänsskruv.....		
3	VOE 968593	2	2			Flange screw.....	Vis à bride	Flanschschraube.....	Torn embridado	Flänsskruv.....		
4	VOE 11884790	4	4			Vibration damper.....	Amort.vibration	Schwingdämpfer	Amortig vibrac	Svängningsdämpare..		
5	VOE 11884792	4	4			Washer.....	Rondelle	Scheibe	Arandela	Bricka.....		
6	VOE 13963110	2	2			Lock nut	Contre-ecrou	Sicherungsmutter	Contratuerca	Låsmutter.....		
7	VOE 11884725	1	1			Washer.....	Rondelle	Scheibe	Arandela	Bricka.....	RH	



1	11891076 2WD	Växellådsupphängning Suspensión de la caja de cambios Getriebeaufhängung Suspension boîte vitesses Gear box housing with fitting parts	Catalogue id	Group
2	11891077 4WD		20017	436
3			Illustr. No	Section
4			1007614	100
5			Issue	Page
			VOE 63D9920017	277

VOLVO

BL60



Volvo Construction
Equipment
1000847

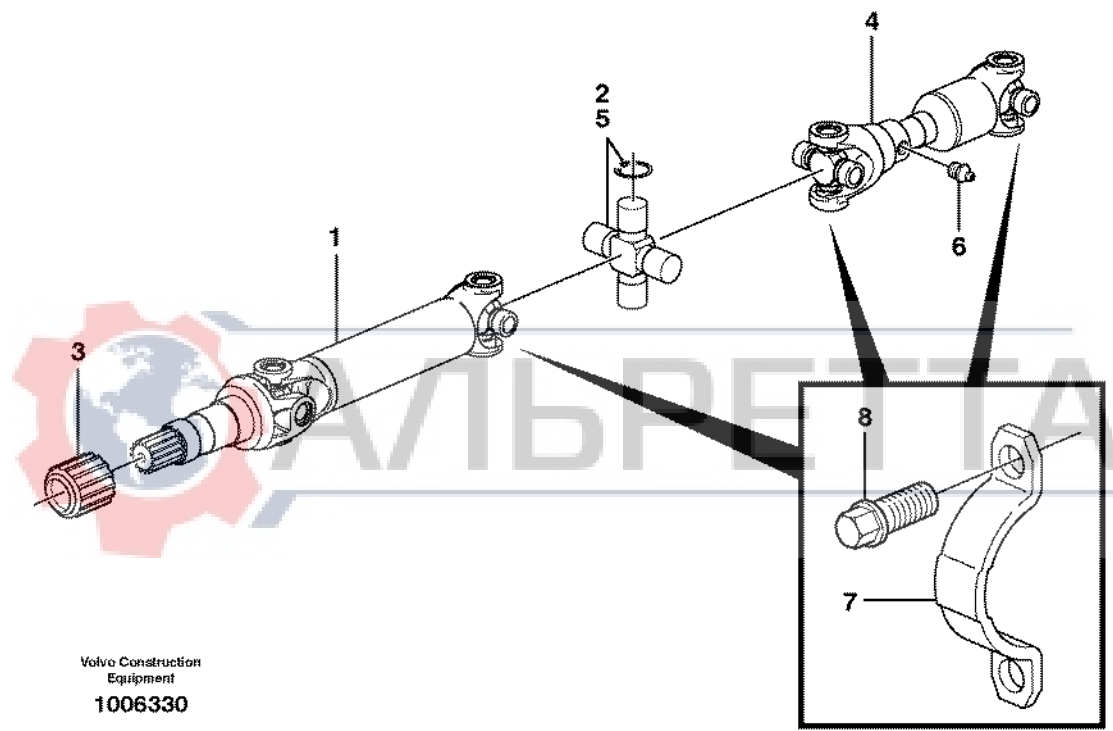
Fig.	Part No.	Quantity			P S	K I T	Description	Dénomination	Bezeichnung	Denominación	Benämning	Notes
		1	2	3								
1		1	1			Transmission.....	Transmission.....	Getriebe	Transmision.....	Transmission.....	See group 421, Page 221	
2		1	1			Front axle.....	Pont avant.....	Vorderachse.....	Eje delantero.....	Framaxel.....	See group 460, Page 283	
3		1	1			Rear axle.....	Essieu AR	Hinterachse	Eje posterior.....	Bakaxel.....	See group 460, Page 283	
4		1				Drive Shaft	Arbre transmission	Antriebswelle.....	Arbol de cde.....	Drivaxel.....	See group 451, Page 281	
5		1	1			Drive Shaft	Arbre transmission	Antriebswelle.....	Arbol de cde.....	Drivaxel.....	See group 451, Page 281	
6		4	6			Brace.....	Etrier	Bügel.....	Brida.....	Bygel.....	See group 451, Page 281	
7		8	12			Screw.....	Vis	Schraube.....	Tornillo	Skruv.....	See group 451, Page 281	



1	11891076	Kardanaxlar, montering Ejes cardán con accesorios de montaje Gelenkwellen mit Anbauteilen Arbres de transmission avec pièces de montage Propeller shaft, mounting	Catalogue id	Group
2	11891077		20017	451
3			Illustr. No	Section
4			1000847	100
5			Issue	Page
			VOE 63D9920017	279

VOLVO

BL60



Volvo Construction
Equipment
1006330

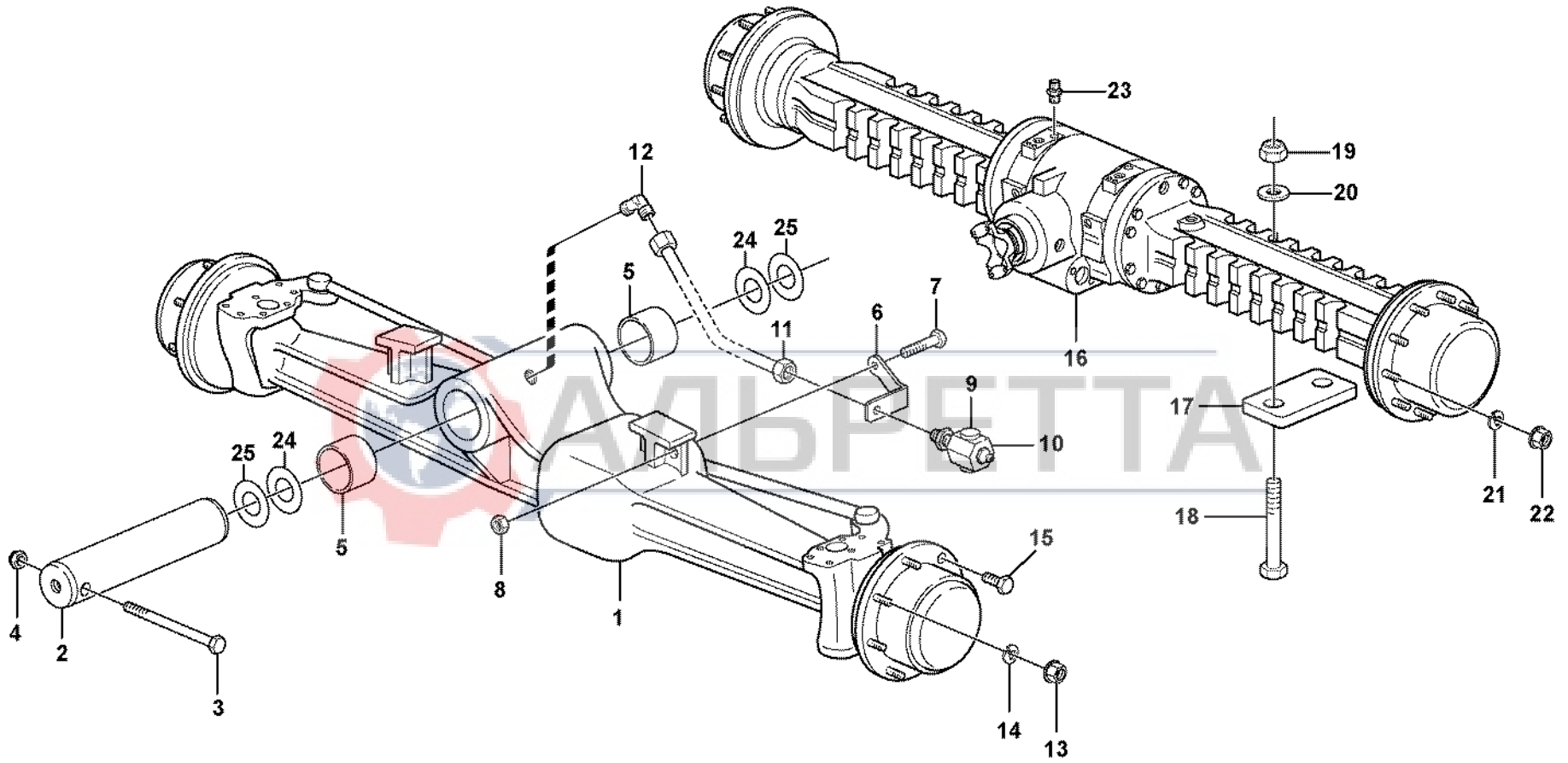
Fig.	Part No.	Quantity					P S	K I T	Description	Dénomination	Bezeichnung	Denominación	Benämning	Notes
		1	2	3	4	5								
1	VOE 11883171	1						Drive Shaft.....	Arbre transmission	Antriebswelle	Arbol de cde	Drivaxel.....	FRONT	
1	VOE 11886355		1					Drive Shaft.....	Arbre transmission	Antriebswelle	Arbol de cde	Drivaxel.....	FRONT	
2	VOE 11709833	2						•Spider	•Croisillon	•Kreuzstück	•Cruceta.....	•Kors.....		
2	VOE 11716650		2					•Spider	•Croisillon	•Kreuzstück	•Cruceta.....	•Kors.....		
3	VOE 11700105	1						•Dust Cap	•Cache poussiere ...	•Staubkappe	•Guardapolvo.....	•Dammskydd.....		
4	VOE 11883170	1		1				Drive Shaft.....	Arbre transmission	Antriebswelle	Arbol de cde	Drivaxel.....	REAR	
4	VOE 11888492		1		1			Driveshaft.....	Arbre Helice.....	Propellerwelle	Arbol Transm.....	Propelleraxel.....	REAR	
5	VOE 11709833	2		2				•Spider	•Croisillon	•Kreuzstück	•Cruceta.....	•Kors.....		
5	VOE 11716650		2		2			•Spider	•Croisillon	•Kreuzstück	•Cruceta.....	•Kors.....		
6	VOE 11988505	1	1	1	1			•Lub Nipple	•Graisseur	•Schmiernippel.....	•Engrasador.....	•Smörjnippel.....		
7	VOE 11003139	6	6	4	4			Brace	Etrier.....	Bügel.....	Brida	Bygel.....		
8	VOE 11003138	12	12	8	8			Screw	Vis	Schraube	Tornillo.....	Skruv.....		



1	11891077 S/N - 10938	Kardanaxel Ejes cardán Gelenkwelle Arbre à cardans Propeller shaft	Catalogue id	Group
2	11891077 S/N 10939 -		20017	451
3	11891076 S/N - 10938		Illustr. No	Section
4	11891076 S/N 10939 -		1006330	150
5			Issue	Page
			VOE 63D9920017	281

VOLVO

BL60



Volvo Construction
Equipment
1023210

Fig.	Part No.	Quantity					P S	K T	Description	Dénomination	Bezeichnung	Denominación	Benämning	Notes
		1	2	3	4	5								
1	VOE 11884373	1						Front axle.....	Pont avant	Vorderachse	Eje delantero	Framaxel.....	See group 461, Page 303	
1	VOE 11883203		1					Front Axle, 11.294:1	Pont AV, 11.294:1..	Vorderachse, 11.29	Eje delantero, 11.2	Framaxel, 11.294:1.	See group 461, Page 287	
1	VOE 11883199			1				Front axle.....	Pont avant	Vorderachse	Eje delantero	Framaxel.....	See group 461, Page 287	
2	VOE 11890146	1	1	1				Pin.....	Goupille	Stift.....	Pasador	Pinne.....		
3	VOE 970890	1	1	1				Hexagon screw	Vis a tête hexagona	Sechskantschr.	Tornillo hexago	Sexkantsskruv.....		
4	VOE 981314	1	1	1				Lock nut	Contre-ecrou	Sicherungsmutter....	Contratuerca.....	Låsmutter.....		
5		2	2	2				Bushing.....	Bague	Buchse.....	Casquillo.....	Bussning.....	See group 461, Page 303	
6	VOE 11882721	1	1	1				Support	Support.....	Stütze.....	Apoyo	Stöd.....		
7	VOE 13965185	1	1	1				Flange screw	Vis à bride	Flanschschraube ...	Torn embridado	Flänsskruv.....		
8	VOE 13971095	1	1	1				Flange nut.....	Ecrou accouple.	Bundmutter	Tuerca embridada ...	Flänsmutter.....		
9	VOE 11886461	1	1	1				Union	Teton Connexion ...	Anschlussnippel....	Niple Conexcion	Anslutn.nippel.....		
10	VOE 914167	1	1	1				Nipple.....	Raccord	Nippel.....	Niple	Nippel.....		
11	VOE 11882719	1	1	1				Tube.....	Tube	Rohr	Tube	Rör.....		
12	VOE 11882718	1	1	1				Elbow	Coude	Winkelstueck.....	Tube acodado	Vinkel.....		
13	VOE 11881211		16	16				Nut	Ecrou	Mutter.....	Tuerca	Mutter.....		
14	VOE 11881213		16	16				Washer	Rondelle	Scheibe	Arandela	Bricka.....		
15	VOE 11884145	16						Screw.....	Vis	Schraube	Tornillo.....	Skruv.....		
16	VOE 11885677			1				Rear axle	Essieu AR	Hinterachse.....	Eje posterior	Bakaxel.....	See group 463, Page 311	
17	VOE 11882674			2				Plate.....	Plaque	Platte.....	Placa	Platta.....		
18	VOE 968852			4				Hexagon screw	Vis tête hexagonale	Sechskantschraub ..	Tornillo hexago	Sexkantsskruv.....		
19	VOE 948836			4				Lock nut	Contre-ecrou	Sicherungsmutter....	Contratuerca.....	Låsmutter.....		
20	VOE 955905			4				Washer	Rondelle	Scheibe	Arandela	Bricka.....		
21	VOE 11881212			20				Washer	Rondelle	Scheibe	Arandela	Bricka.....		
22	VOE 11881210			20				Nut	Ecrou	Mutter.....	Tuerca	Mutter.....		
23	VOE 11883809			2				Nipple.....	Raccord	Nippel.....	Niple	Nippel.....		
24	VOE 11886398	2	2	2				Shim.....	Cale d'épaisseur....	Passscheibe	Arandela Ajuste	Passbricka.....	3 MM, S/N 10529 -	
25	VOE 11886947	REQ	REQ	REQ				Shim.....	Cale d'épaisseur....	Passscheibe	Arandela Ajuste	Passbricka.....	2 MM, S/N 10453 -	

1	11884373	Planetaxlar med monteringsdetaljer Ejes planetarios con accesorios de montaje Planetenwellen mit Anbauteilen Train planétaire avec pièces de montage Planet axles with fitting parts	Catalogue id	Group
2	11883203		20017	460
3	11883199		Illustr. No	Section
4	11885677		1023210	100
5			Issue	Page
			VOE 63D9920017	283

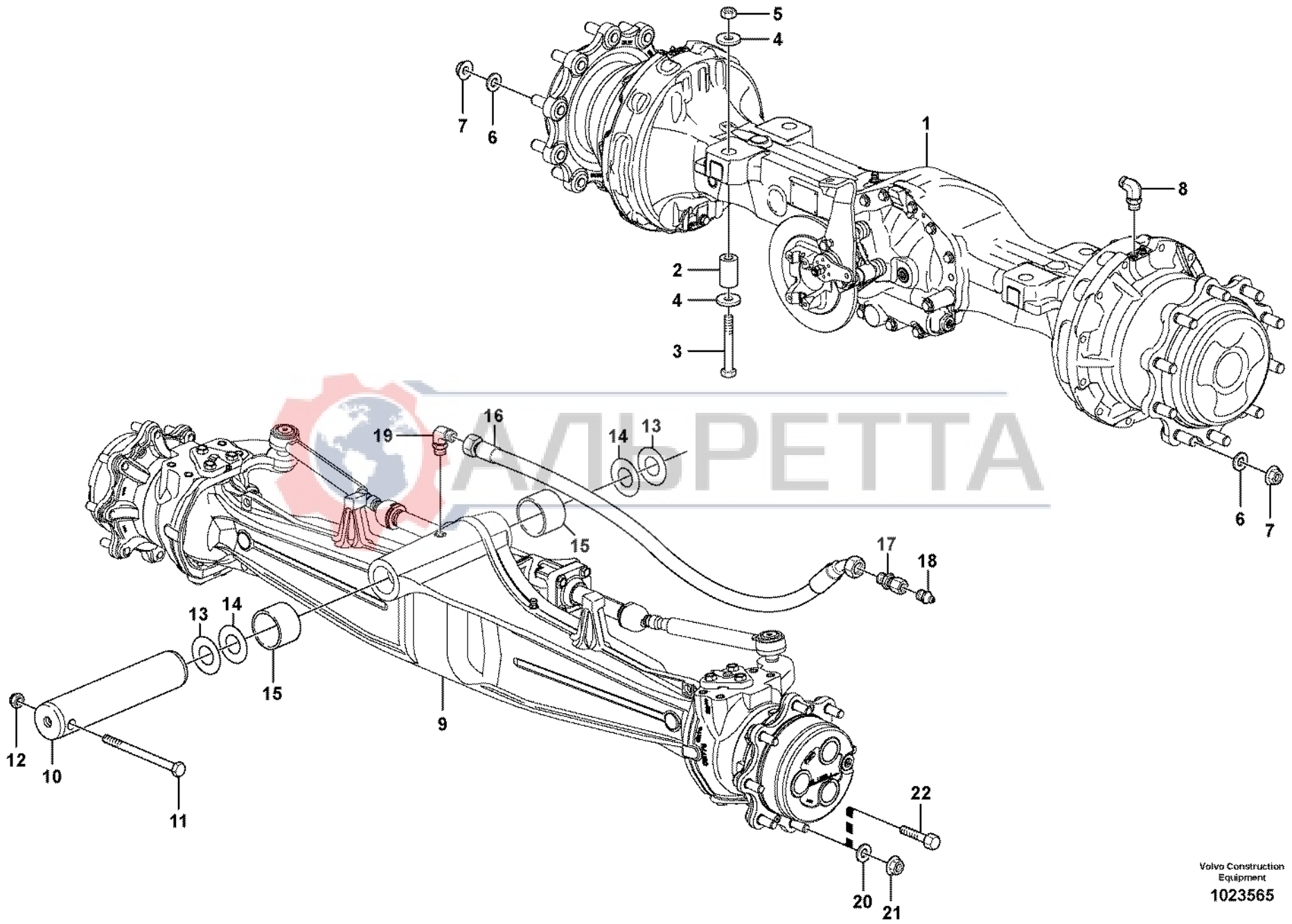
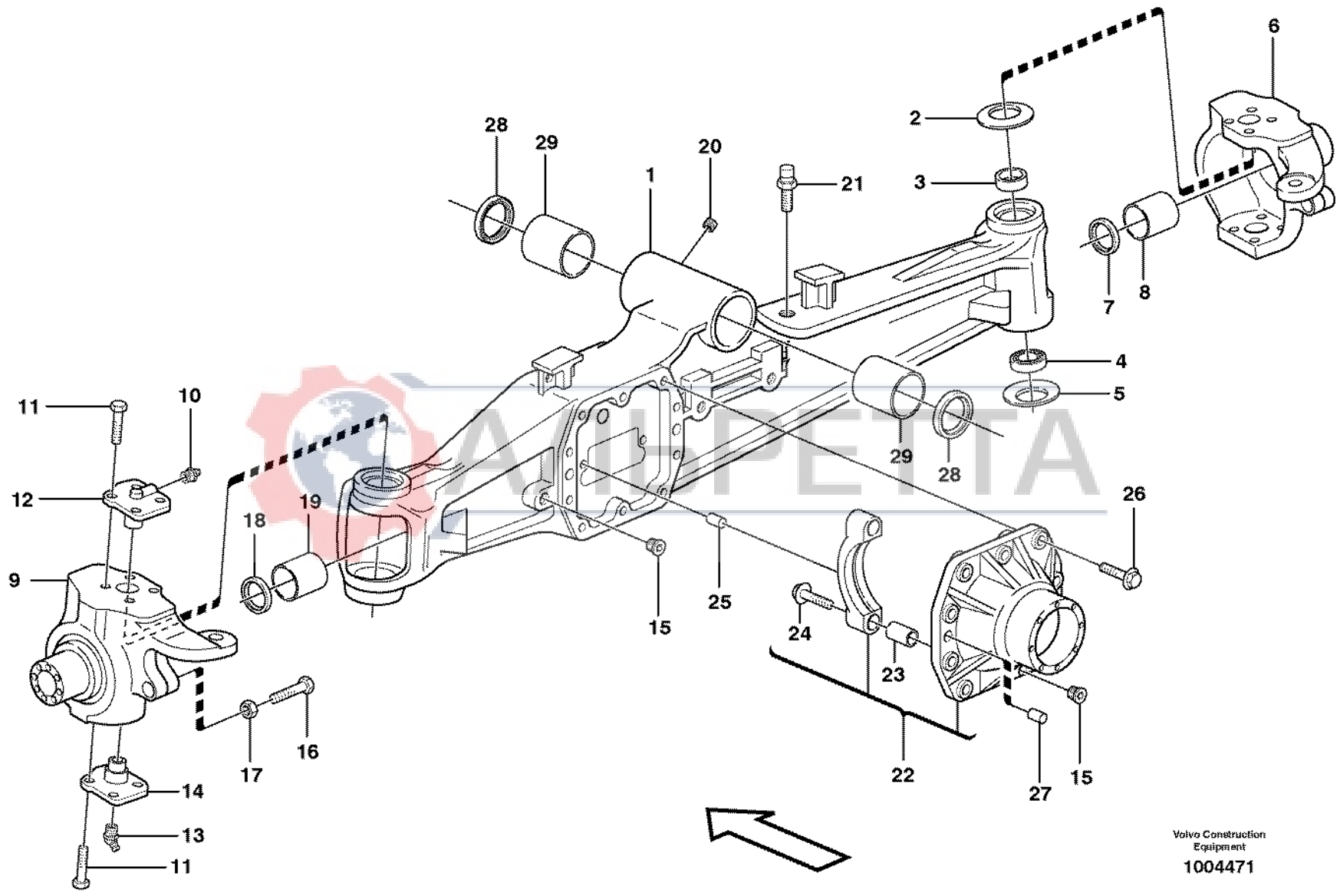


Fig.	Part No.	Quantity			P S	K I T	Description	Dénomination	Bezeichnung	Denominación	Benämning	Notes
		1	2	3								
1	VOE 11887363	1				Rear axle.....	Essieu AR	Hinterachse	Eje posterior	Bakaxel.....	See group 463, Page 313	
2	VOE 11887622	4				Spacer.....	Entretoise	Abstandstueck	Casquillo distanciad	Distans.....		
3	VOE 983695	4				Hexagon screw	Vis tête hexagonale	Sechskantschraube.....	Tornillo hexago.....	Sexkantsskruv.....		
5	VOE 980521	4				Nut	Ecrou.....	Mutter	Tuerca	Mutter.....		
4	VOE 14376982	4				Washer.....	Rondelle	Scheibe	Arandela	Bricka.....		
6	VOE 11881212	20				Washer.....	Rondelle	Scheibe	Arandela	Bricka.....		
7	VOE 11881210	20				Nut	Ecrou.....	Mutter	Tuerca	Mutter.....		
8	VOE 13933857	2				Elbow Nipple.....	Raccord angulaire.....	Winkelnippel.....	Niple Angular.....	V-nippel.....		
	VOE 990739	1				•O-ring.....	•Joint Torique	•O-Ring.....	•Junta torica	•O-ring.....		
	VOE 932039	1				•O-ring.....	•Joint Torique	•O-Ring.....	•Junta torica	•O-ring.....		
9	VOE 11887359			1		Front axle.....	Pont avant.....	Vorderachse.....	Eje delantero	Framaxel.....	See group 461, Page 305	
9	VOE 11887360		1			Front axle.....	Pont avant.....	Vorderachse.....	Eje delantero	Framaxel.....	See group 461, Page 307	
10	VOE 11888493		1	1		Pin.....	Goupille	Zapfen	Pasador	Tapp.....		
11	VOE 970890		1	1		Hexagon screw	Vis a tête hexagonale	Sechskantschr.....	Tornillo hexago.....	Sexkantsskruv.....		
12	VOE 981314		1	1		Lock nut	Contre-ecrou	Sicherungsmutter	Contratuerca	Låsmutter.....		
13	VOE 11888496		2	2		Shim.....	Cale d'épaisseur	Passscheibe.....	Arandela Ajuste	Passbricka.....	51X110X3 MM	
14	VOE 11886947	REQ	REQ			Shim.....	Cale d'épaisseur	Passscheibe.....	Arandela Ajuste	Passbricka.....	51X110X1 MM	
15			2			Bushing.....	Bague.....	Buchse	Casquillo	Bussning.....	See group 461, Page 307	
15				2		Bushing.....	Bague.....	Buchse	Casquillo	Bussning.....	See group 461, Page 305	
16	VOE 11888494		1	1		Hose.....	Durit	Schlauch	Tube flexible	Slang.....		
17	VOE 11888495		1	1		Union.....	Teton Connexion.....	Anschlussnippel	Niple Conexcion.....	Anslutn.nippel.....		
18	VOE 914167		1	1		Nipple.....	Raccord.....	Nippel.....	Niple	Nippel.....		
19	VOE 935067		1	1		Elbow nipple.....	Raccord angulaire.....	Winkelnippel.....	Niple angular	Vinkelnippel.....		
	VOE 991618		1	1 OP		•O-ring.....	•Joint Torique	•O-Ring.....	•Junta torica	•O-ring.....		
	VOE 990736		1	1		•O-ring.....	•Joint Torique	•O-Ring.....	•Junta torica	•O-ring.....		
20	VOE 11881213		16			Washer.....	Rondelle	Scheibe	Arandela	Bricka.....		
21	VOE 11881211		16			Nut	Ecrou.....	Mutter	Tuerca	Mutter.....		
22	VOE 11884145			16		Screw.....	Vis	Schraube.....	Tornillo	Skruv.....		

1	11887363	Planetaxlar med monteringsdetaljer Ejes planetarios con accesorios de montaje Planetenwellen mit Anbauteilen Train planétaire avec pièces de montage Planet axles with fitting parts S/N 10939 -	Catalogue id	Group
2	11887360		20017	460
3	11887359		Illustr. No	Section
4			1023565	150
5			Issue	Page
			VOE 63D9920017	285

VOLVO

BL60



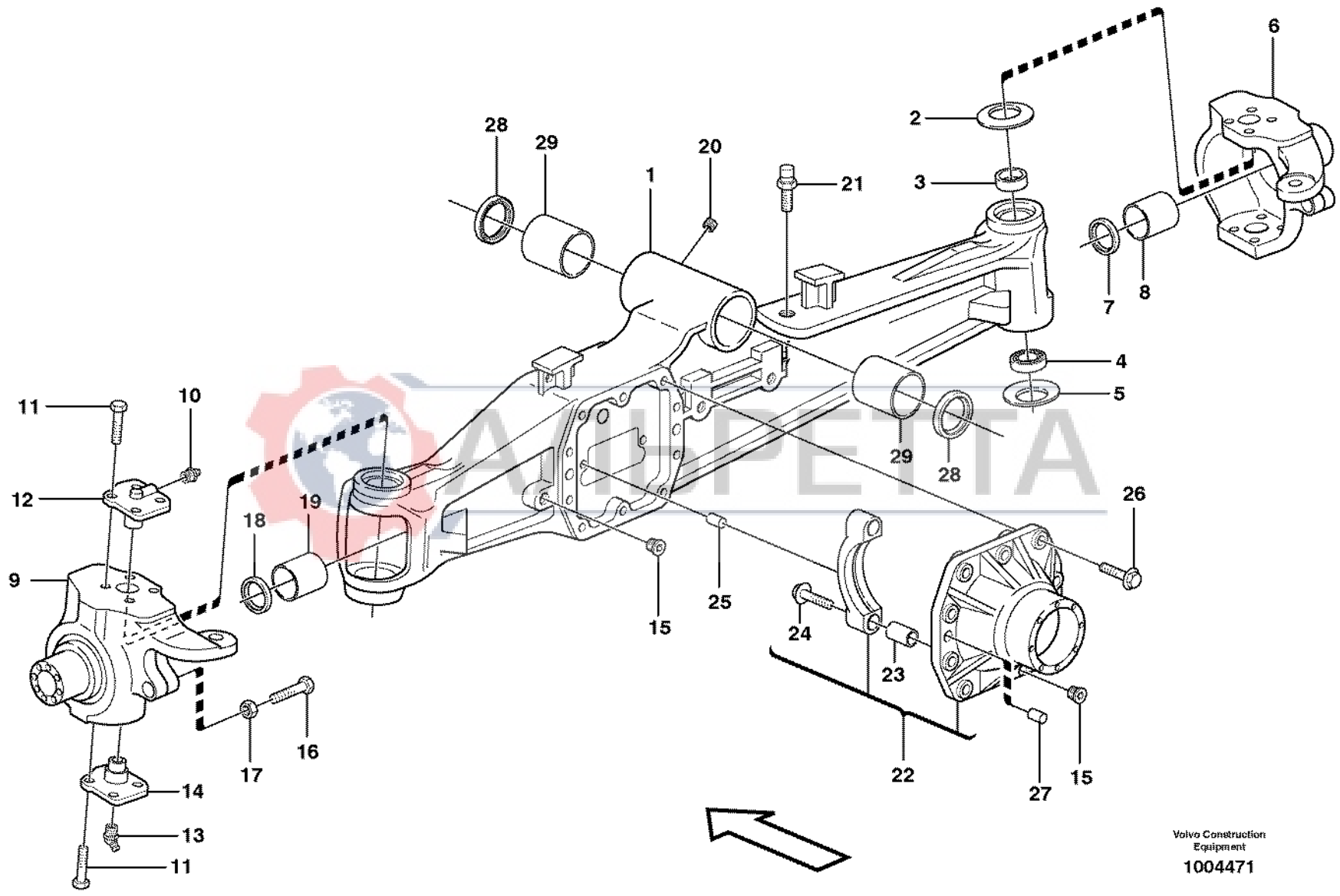
Volvo Construction
Equipment
1004471

Fig.	Part No.	Quantity			P S	K I T	Description	Dénomination	Bezeichnung	Denominación	Benämning	Notes
		1	2	3								
	VOE 11883199	1				Front axle.....	Pont avant.....	Vorderachse.....	Eje delantero.....	Framaxel.....		
	VOE 11883203		1			Front Axle, 11.294:1...	Pont AV, 11.294:1.....	Vorderachse, 11.294:	Eje delantero, 11.294.	Framaxel, 11.294:1....		
1	VOE 11988551	1	1			•Axle Casing	•Boite Essieu.....	•Achsgehäuse	•Carter Eje.....	•Axelkåpa.....		
2	VOE 11988552	2	2			•Disc Spring	•Rondel Ressort.....	•Scheibenfeder.....	•Arandela Elast.....	•Brickfjäder.....		
3	VOE 11988553	2	2			•Bushing.....	•Bague	•Buchse.....	•Casquillo	•Bussning.....		
4	VOE 11988554	2	2			•Bearing	•Palier.....	•Lager.....	•Cojinete.....	•Lager.....		
5	VOE 11988555	2	2			•Disc Spring	•Rondel Ressort.....	•Scheibenfeder.....	•Arandela Elast.....	•Brickfjäder.....		
6	VOE 11712501	1	1			•Housing	•Carter.....	•Gehäuse	•Carter	•Hus.....	RH	
7	VOE 11715254	2	2			•Seal	•Joint	•Dichtring.....	•Junta	•Tätning.....	(VOE 11709461)	
8	VOE 11709462	2	2			•Bushing.....	•Bague	•Buchse	•Casquillo	•Bussning.....		
9	VOE 11988561	1	1			•Housing	•Carter.....	•Gehäuse	•Carter	•Hus.....	LH	
10	VOE 11709410	2	2			•Lub Nipple	•Graisseur	•Schmiernippel.....	•Engrasador	•Smörjnippel.....		
11	VOE 11988559	16	16			•Screw.....	•Vis	•Schraube.....	•Tornillo	•Skruv.....		
12	VOE 11988560	2	2			•King Pin	•Pivot Fusee.....	•Achsschenkelbolzen	•Perno Mangueta	•Spindelbult.....		
13	VOE 11709464	2	2			•Lub Nipple	•Graisseur	•Schmiernippel.....	•Engrasador	•Smörjnippel.....		
14	VOE 11988562	2	2			•King Pin	•Pivot Fusee.....	•Achsschenkelbolzen	•Perno Mangueta	•Spindelbult.....		
15	VOE 11709403	2	2			•Plug	•Bouchon.....	•Stopfen	•Tapon.....	•Plugg.....		
16	VOE 11709452	2	2			•Screw.....	•Vis	•Schraube.....	•Tornillo	•Skruv.....		
17	VOE 11709453	2	2			•Nut.....	•Ecrou.....	•Mutter.....	•Tuerca.....	•Mutter.....		
18	VOE 11988556	2	2			•Seal	•Joint	•Dichtring.....	•Junta	•Tätning.....		
19	VOE 11988557	2	2			•Bushing.....	•Bague	•Buchse.....	•Casquillo	•Bussning.....		
20	VOE 11709268	1	1			•Plug	•Bouchon.....	•Stopfen	•Tapon.....	•Plugg.....		
21	VOE 11709275	1	1			•Breather Cap	•Boucho.aeration.....	•Lüftungsdeckel.....	•Tapa Ventilac	•Ventil.lock.....		
22	VOE 11709405	1	1			•Diff Housing	•Carter différentiel	•Differentialgehäuse...	•Carter diferencial.....	•Differentialhus.....		
23	VOE 11709406	4	4			••Bushing	••Bague	••Buchse.....	••Casquillo	••Bussning.....		
24	VOE 11709407	4	4			••Screw	••Vis.....	••Schraube	••Tornillo	••Skruv.....		
25	VOE 11709413	1	1			•Pin	•Goupille.....	•Stift.....	•Pasador.....	•Pinne.....		
26	VOE 11709404	10	10			•Screw.....	•Vis.....	•Schraube.....	•Tornillo	•Skruv.....		
27	VOE 11709402	2	2			•Pin	•Goupille.....	•Stift.....	•Pasador.....	•Pinne.....		
28	VOE 11709412	2	2			•Seal	•Joint	•Dichtung.....	•Reten	•Tätning.....		

1	11883199	Planetaxel, fram Eje planeta, delantera Planetenwelle, vorne Axe satellite, AV Planetary axle, front 11891284, 11891286, 11891385, 11891387	Catalogue id 20017	Group 461
2	11883203		Illustr. No 1004471	Section 100
3			Issue VOE 63D9920017	Page 287
4				
5				

VOLVO

BL60



Volvo Construction
Equipment
1004471

Fig.	Part No.	Quantity			P S	K I T	Description	Dénomination	Bezeichnung	Denominación	Benämning	Notes
		1	2	3								
29	VOE 11709411	2					•Bushing.....	•Bague	•Buchse	•Casquillo	•Bussning.....	
29	VOE 11715277	2					•Bushing.....	•Bague	•Buchse	•Casquillo	•Bussning.....	

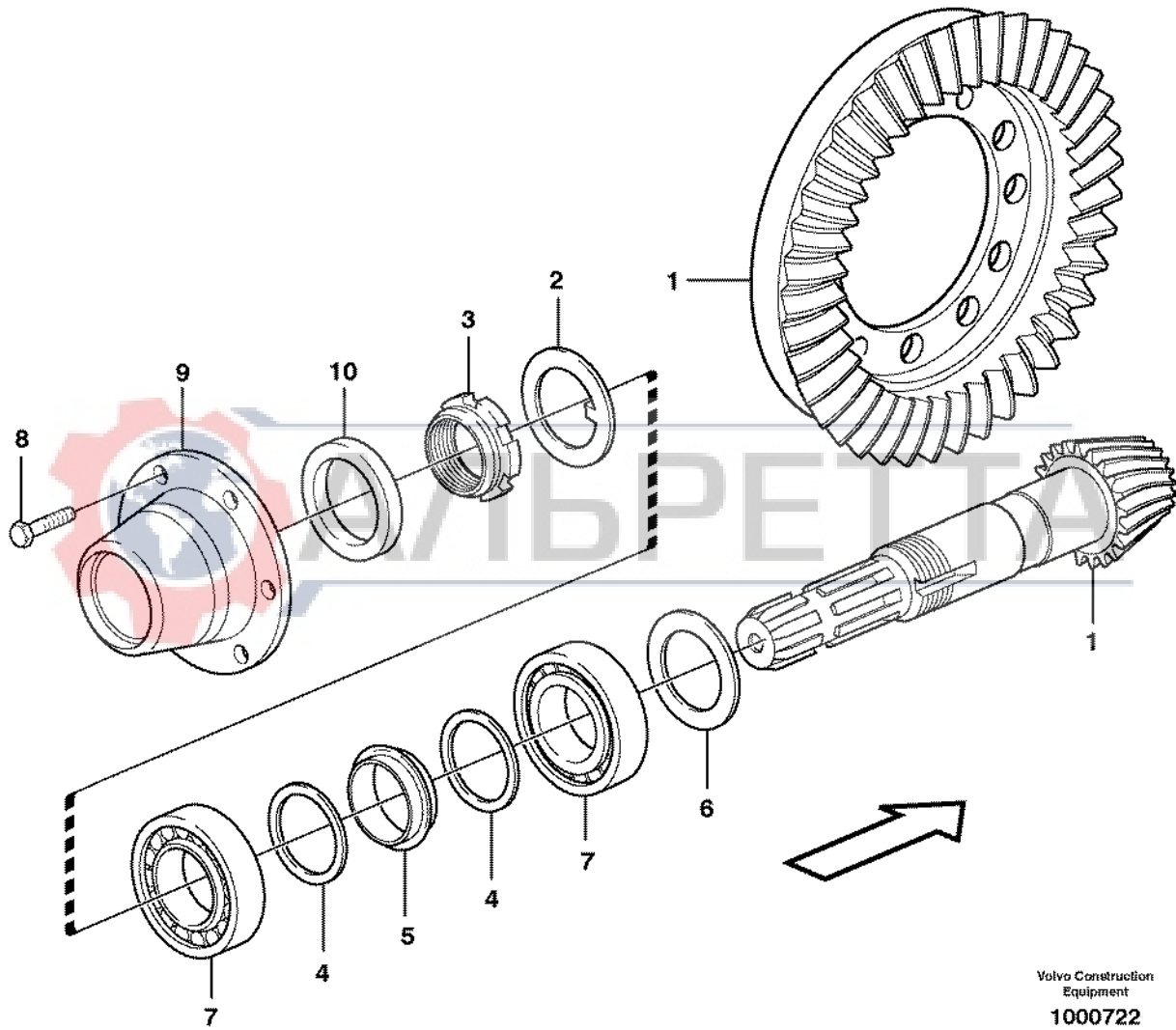


1	11883199	Planetaxel, fram Eje planeta, delantera Planetenwelle, vorne Axe satellite, AV Planetary axle, front 11891284, 11891286, 11891385, 11891387	Catalogue id 20017	Group 461
2	11883203		Illustr. No 1004471	Section 100
3				Issue VOE 63D9920017
4				
5				

VOLVO

BL60





Volvo Construction
Equipment
1000722

Fig.	Part No.	Quantity			P S	K I T	Description	Dénomination	Bezeichnung	Denominación	Benämning	Notes
		1	2	3								
1	VOE 11712806	1				Drive Gear Set	Kit Pignon.....	Triebsatz	Juego Pinon	Drevsats.....		
1	VOE 11715278		1			Drive Gear Set	Kit Pignon.....	Triebsatz	Juego Pinon	Drevsats.....		
2	VOE 11709288	1	1			•Lock Washer.....	•Rondel.verroui.	•Sicher Scheibe.....	•Arandel Segurid	•Låsbricka.....		
3	VOE 11709289	1	1			•Nut.....	•Ecrou	•Mutter.....	•Tuerca.....	•Mutter.....		
4	VOE 11709290	2	2			•Washer	•Rondelle.....	•Scheibe	•Arandela.....	•Bricka.....		
5	VOE 11709472	1	1			•Spacer	•Partie Intermédiaire ..	•Zwischenstück	•Espaciador	•Mellandel.....		
6	VOE 11709466	REQ	REQ			Adjuster washer	Rondelle ajust.	Passscheibe.....	Arandela ajust.	Justerbricka.....	THICK = 2,50 MM	
	VOE 11709467	REQ	REQ			Adjuster washer	Rondelle ajust.	Passscheibe.....	Arandela ajust.	Justerbricka.....	THICK = 2,60 MM	
	VOE 11709468	REQ	REQ			Adjuster washer	Rondelle ajust.	Passscheibe.....	Arandela ajust.	Justerbricka.....	THICK = 2,70 MM	
	VOE 11709469	REQ	REQ			Adjuster washer	Rondelle ajust.	Passscheibe.....	Arandela ajust.	Justerbricka.....	THICK = 2,80 MM	
	VOE 11709470	REQ	REQ			Adjuster washer	Rondelle ajust.	Passscheibe.....	Arandela ajust.	Justerbricka.....	THICK = 2,90 MM	
	VOE 11709471	REQ	REQ			Adjuster washer	Rondelle ajust.	Passscheibe.....	Arandela ajust.	Justerbricka.....	THICK = 3,00 MM	
7	VOE 11709299	2	2			Bearing.....	Palier.....	Lager.....	Cojinete	Lager.....		
8	VOE 11709473	6	6			Screw.....	Vis	Schraube.....	Tornillo	Skruv.....		
9	VOE 11988152	1	1			Flange.....	Flasque	Flansch.....	Brida.....	Fläns.....		
10	VOE 11715253	1	1			Seal.....	Joint	Dichtring.....	Junta	Tätning.....	(VOE 11709475)	



1	11883199	Pinjong Piñón de ataque Antriebskegelrad Pignon Pinion	Catalogue id	Group
2	11883203		20017	461
3			Illustr. No	Section
4			1000722	150
5			Issue	Page
		11891284, 11891286, 11891385, 11891387	VOE 63D9920017	291

VOLVO

BL60

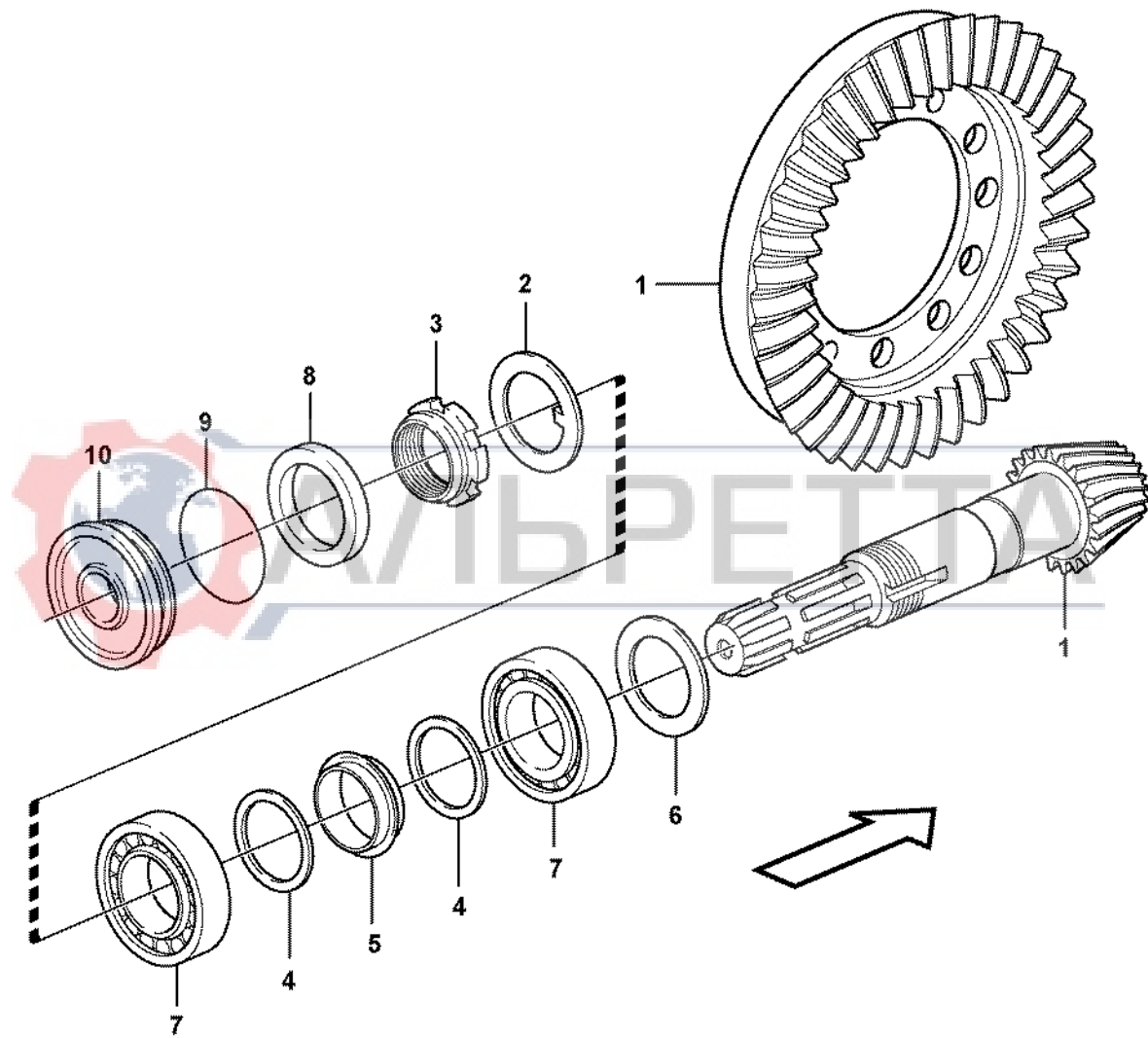


Fig.	Part No.	Quantity			P S	K I T	Description	Dénomination	Bezeichnung	Denominación	Benämning	Notes
		1	2	3								
1	VOE 11716722	1				Drive Gear Set	Kit Pignon.....	Triebsatz	Juego Pinon	Drevsats.....		
2	VOE 11709288	1				•Lock Washer.....	•Rondel.verroui	•Sicher Scheibe.....	•Arandel Segurid	•Låsbricka.....		
3	VOE 11709289	1				•Nut	•Ecrou	•Mutter.....	•Tuerca.....	•Mutter.....		
4	VOE 11709290	2				•Washer	•Rondelle.....	•Scheibe	•Arandela.....	•Bricka.....		
5	VOE 11709472	1				•Spacer	•Partie Intermédiaire ..	•Zwischenstück	•Espaciador	•Mellandel.....		
6	VOE 11709466	REQ				Adjuster washer	Rondelle ajust.	Passscheibe.....	Arandela ajust.	Justerbricka.....	THINCK = 2,50 MM	
	VOE 11709467	REQ				Adjuster washer	Rondelle ajust.	Passscheibe.....	Arandela ajust.	Justerbricka.....	THICK = 2,60 MM	
	VOE 11709468	REQ				Adjuster washer	Rondelle ajust.	Passscheibe.....	Arandela ajust.	Justerbricka.....	THICK = 2,70 MM	
	VOE 11709469	REQ				Adjuster washer	Rondelle ajust.	Passscheibe.....	Arandela ajust.	Justerbricka.....	THICK = 2,80 MM	
	VOE 11709470	REQ				Adjuster washer	Rondelle ajust.	Passscheibe.....	Arandela ajust.	Justerbricka.....	THICK = 2,90 MM	
	VOE 11709471	REQ				Adjuster washer	Rondelle ajust.	Passscheibe.....	Arandela ajust.	Justerbricka.....	THICK = 3,00 MM	
7	VOE 11709299	1				Bearing.....	Palier	Lager	Cojinete	Lager.....		
8	VOE 11715253	1				Seal.....	Joint	Dichtring	Junta	Tätning.....	(VOE 11709475)	
9	VOE 11716628	1				O-ring	Joint Torique	O-Ring	Junta torica.....	O-ring.....		
10	VOE 11716627	1				Cover	Capot	Haube.....	Capo.....	Huv.....		



1		Pinjong Piñón de ataque Antriebskegelrad Pignon Pinion 11887360	Catalogue id	Group
2			20017	461
3			Illustr. No	Section
4			1023520	160
5			Issue	Page
			VOE 63D9920017	293

VOLVO

BL60

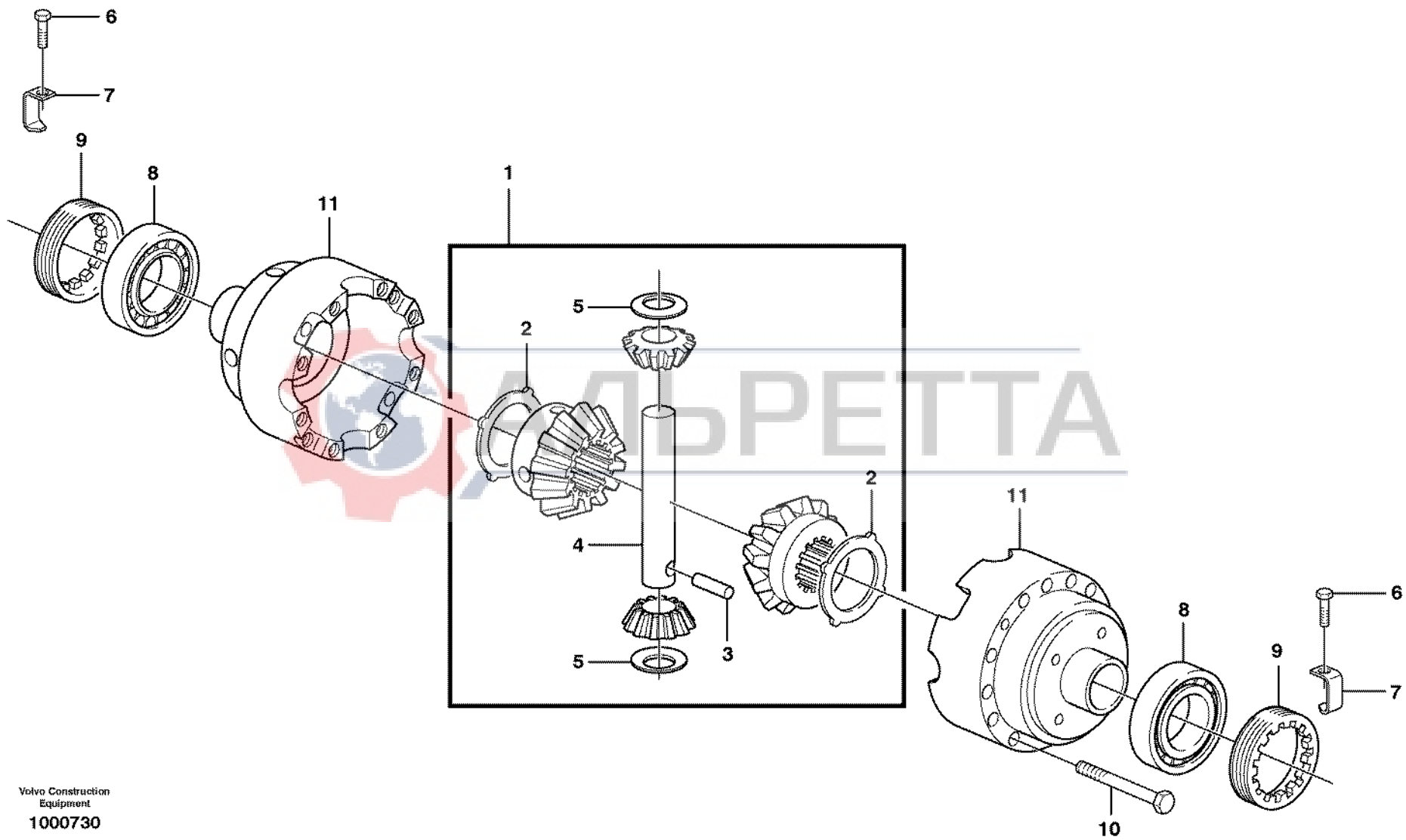


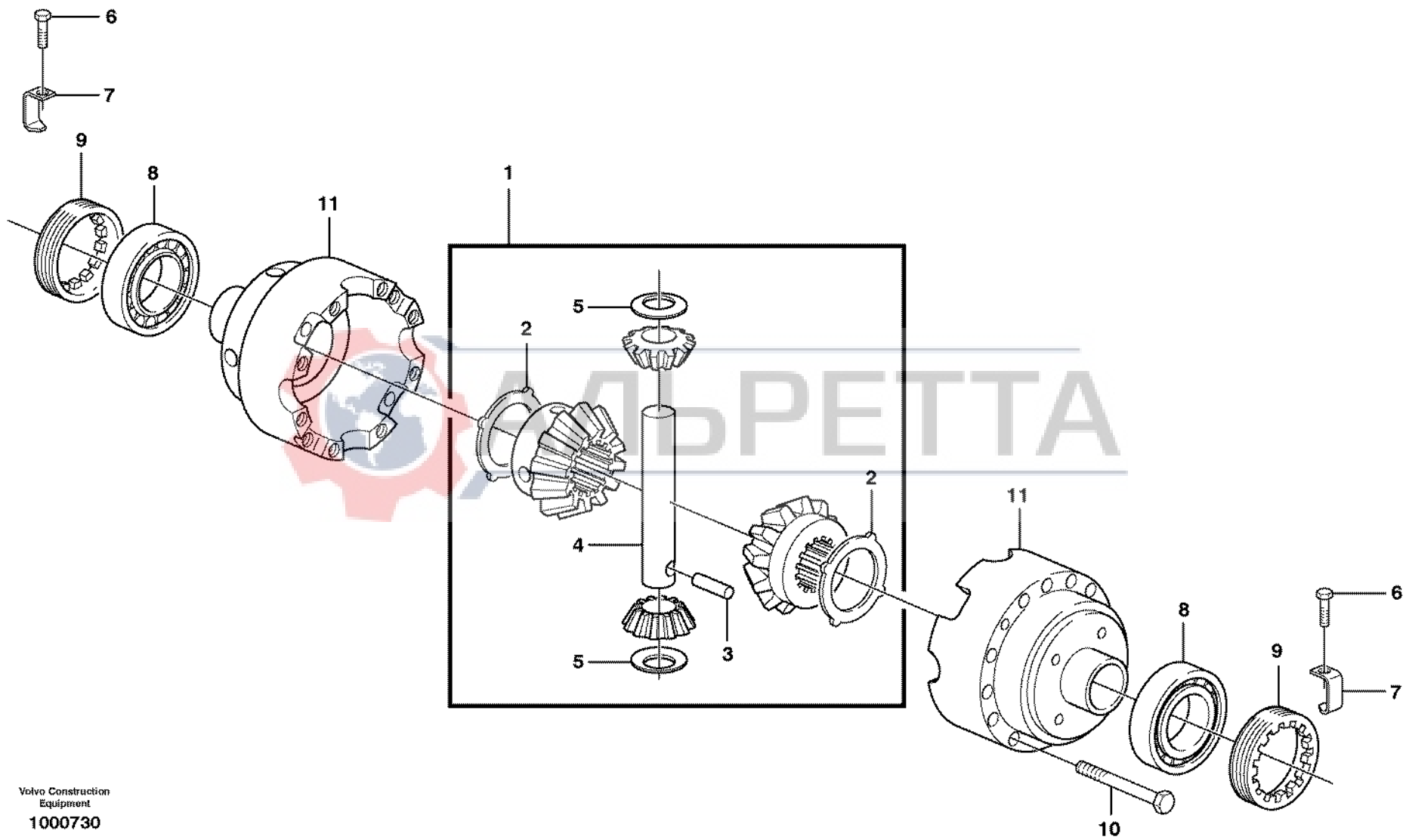
Fig.	Part No.	Quantity			P S	K I T	Description	Dénomination	Bezeichnung	Denominación	Benämning	Notes
		1	2	3								
1	VOE 11709476	1	1			Diff Pinion Set	Jeu Pign.diffe.	Ausgl Kegsatz	Kit Engran Dif	Diff.drevsats.....		
2	VOE 11709477	2	2			•Drive Plate	•Plaque Commande ...	•Treibscheibe	•Placa Motriz	•Drivplatta.....		
3	VOE 11709478	1	1			•Pin	•Goupille.....	•Stift.....	•Pasador.....	•Pinne.....		
4	VOE 11709479	1	1			•Axle.....	•Arbre	•Welle.....	•Eje.....	•Axel.....		
5	VOE 11709480	2	2			•Thrust Washer	•Rondelle Butee	•Druckscheibe	•Arandela Presio	•Tryckbricka.....		
6	VOE 11709312	2	2			Screw	Vis	Schraube.....	Tornillo	Skruv.....		
7	VOE 11709311	2	2			Locking Plate	Languette de verrouill	Sicherungsblech.....	Laminilla De Se	Vikbleck.....		
8	VOE 11709481	2	2			Bearing.....	Palier	Lager	Cojinete	Lager.....		
9	VOE 11709482	2	2			Ring.....	Anneau.....	Ring.....	Anillo	Ring.....		
10	VOE 11712807	12				Screw	Vis	Schraube.....	Tornillo	Skruv.....		
10	VOE 11709483		12			Screw	Vis	Schraube.....	Tornillo	Skruv.....		
11	VOE 11709484	1	1			Diff Housing	Carter différentiel	Differentialgehäuse	Carter diferencial.....	Differentialhus.....		



1	11883199	Differential, framaxel Diferencial, eje planeta delantero Ausgleichgetriebe, Planetenwelle, vorne Différentiel, axe satellite, Av Differential , front axle	Catalogue id	Group
2	11883203		20017	461
3			Illustr. No	Section
4			1000730	200
5			Issue	Page
			VOE 63D9920017	295
			11891284, 11891286, 11891385, 11891387	

VOLVO

BL60



Volvo Construction
Equipment
1000730

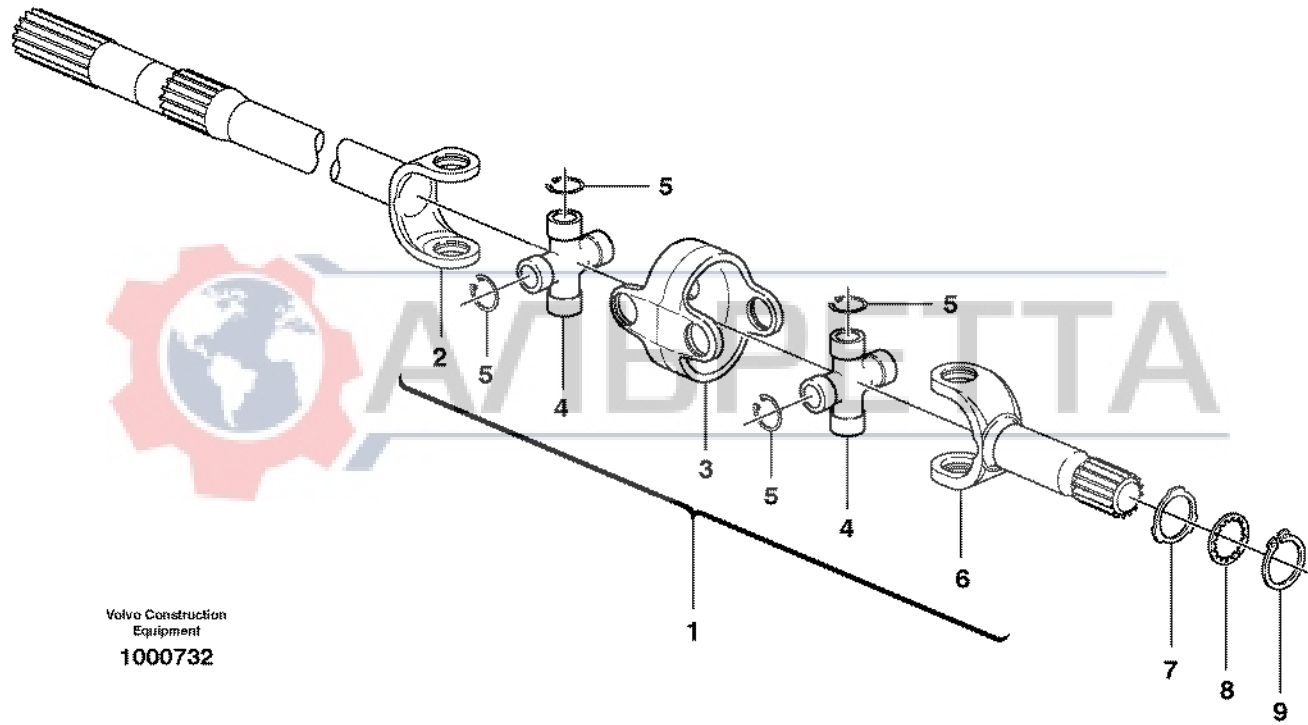
Fig.	Part No.	Quantity			P S	K I T	Description	Dénomination	Bezeichnung	Denominación	Benämning	Notes
		1	2	3								
1	VOE 11709476	1					Diff Pinion Set	Jeu Pign.diffe.	Ausgl Kegsatz	Kit Engran Dif	Diff.drevsats.....	
2	VOE 11709477	2					•Drive Plate	•Plaque Commande ...	•Treibscheibe	•Placa Motriz	•Drivplatta.....	
3	VOE 11709478	1					•Pin	•Goupille.....	•Stift.....	•Pasador.....	•Pinne.....	
4	VOE 11709479	1					•Axle.....	•Arbre	•Welle	•Eje.....	•Axel.....	
5	VOE 11709480	2					•Thrust Washer	•Rondelle Butee	•Druckscheibe	•Arandela Presio	•Tryckbricka.....	
6	VOE 11709312	2					Screw	Vis	Schraube.....	Tornillo	Skruv.....	
7	VOE 11716629	2					Locking Plate	Plaque Verroui.	Sperrblech.....	Placa Bloqueo	Spärrplåt.....	
8	VOE 11709481	2					Bearing.....	Palier	Lager	Cojinete	Lager.....	
9	VOE 11709482	2					Ring.....	Anneau.....	Ring.....	Anillo	Ring.....	
10	VOE 11709483	12					Screw	Vis	Schraube.....	Tornillo	Skruv.....	
11	VOE 11709484	1					Diff Housing	Carter différentiel	Differentialgehäuse	Carter diferencial	Differentialhus.....	



1	11880001	Differential, framaxel Diferencial, eje planeta delantero Ausgleichgetriebe, Planetenwelle, vorne Différentiel, axe satellite, Av Differential , front axle	Catalogue id	Group
2			20017	461
3			Illustr. No	Section
4			1000730	210
5			Issue	Page
		11887360	VOE 63D9920017	297

VOLVO

BL60



Volvo Construction
Equipment
1000732

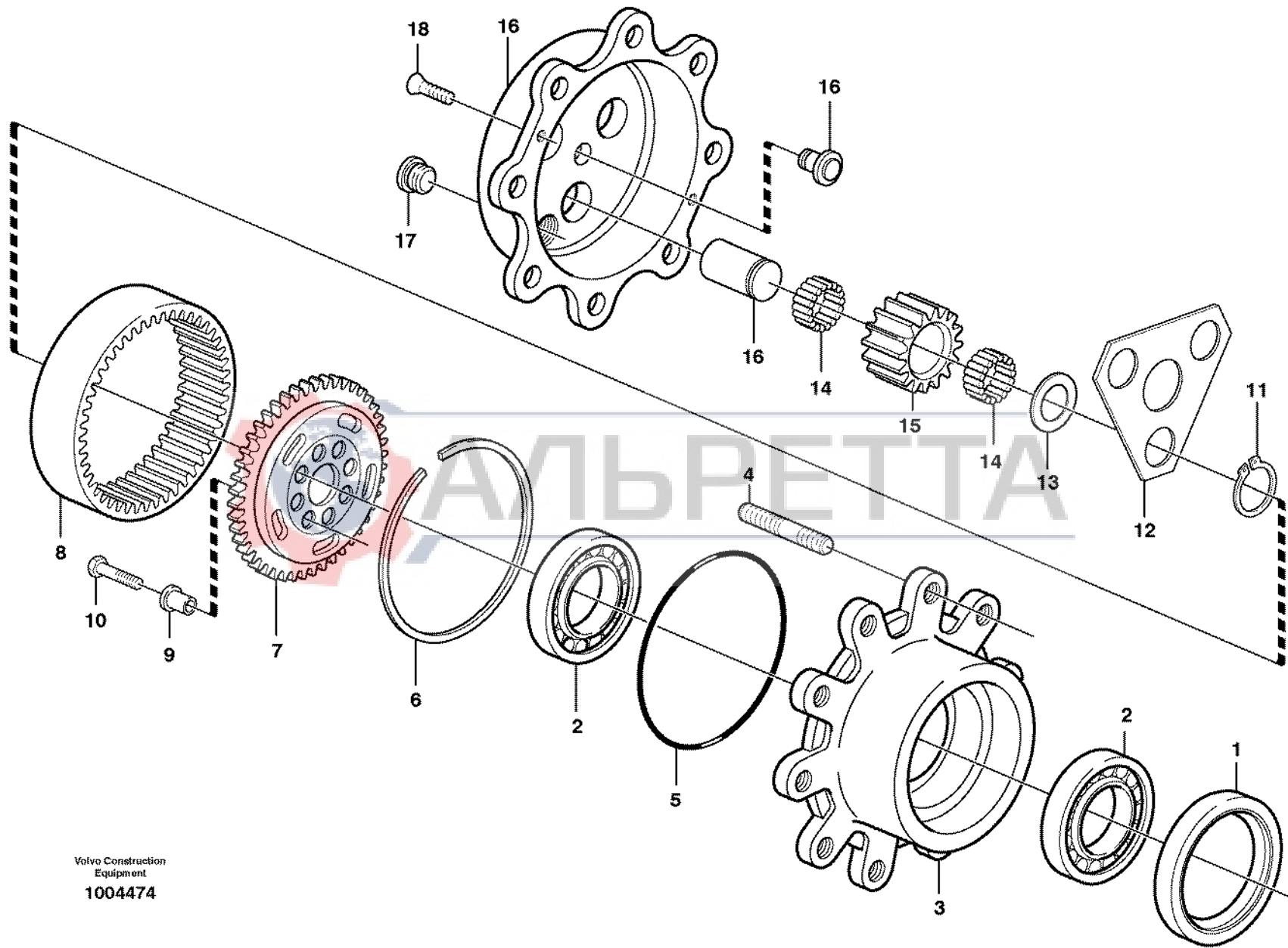
Fig.	Part No.	Quantity			P S	K I T	Description	Dénomination	Bezeichnung	Denominación	Benämning	Notes
		1	2	3								
1	VOE 11988569	1				Axle Shaft.....	Arbre Commande.....	Antriebswelle.....	Eje Propulsor.....	Drivaxel.....	LH	
1	VOE 11988570	1				Axle Shaft.....	Arbre Commande.....	Antriebswelle.....	Eje Propulsor.....	Drivaxel.....	RH	
1	VOE 11716724		1			Axle Shaft.....	Arbre Commande.....	Antriebswelle.....	Eje Propulsor.....	Drivaxel.....		
2		1	1		NS	•Drive shaft	•Arbre commande	•Antriebswelle.....	•Eje propulsor.....	•Drivaxel.....	Differential side	
3		2	2		NS	•Companion flange	•Flasque entraineme ..	•Antriebsflansch	•Brida.....	•Medbringare.....		
4	VOE 11988571	4	4			•Spider	•Croisillon	•Kreuzstück	•Cruceta	•Kors.....		
5		16	16		NS	••Lock ring.....	••Anneau verrouillage. ••	Schlossring	••Anillo seguridad	••Låsring.....		
6		2	2		NS	•Drive shaft	•Arbre commande	•Antriebswelle.....	•Eje propulsor.....	•Drivaxel.....	Wheel side	
7	VOE 11988572	2				Washer.....	Rondelle	Scheibe	Arandela	Bricka.....		
7	VOE 11716725		2			Washer.....	Rondelle	Scheibe	Arandela	Bricka.....		
8	VOE 11988573	2	2			Washer.....	Rondelle	Scheibe	Arandela	Bricka.....		
9	VOE 11709077	2	2			Lock Ring.....	Anneau Verrouillage ..	Schlossring.....	Anillo Segurid	Låsring.....		



1	11988569, 11988570	Drivaxel Eje propulsor Antriebsachse Arbre de roue Drive axle	Catalogue id	Group
2	11716724		20017	461
3			Illustr. No	Section
4			1000732	250
5			Issue	Page
	11880001, 11891284, 11891286, 11891385, 11891387		VOE 63D9920017	299

VOLVO

BL60



Volvo Construction
 Equipment
 1004474

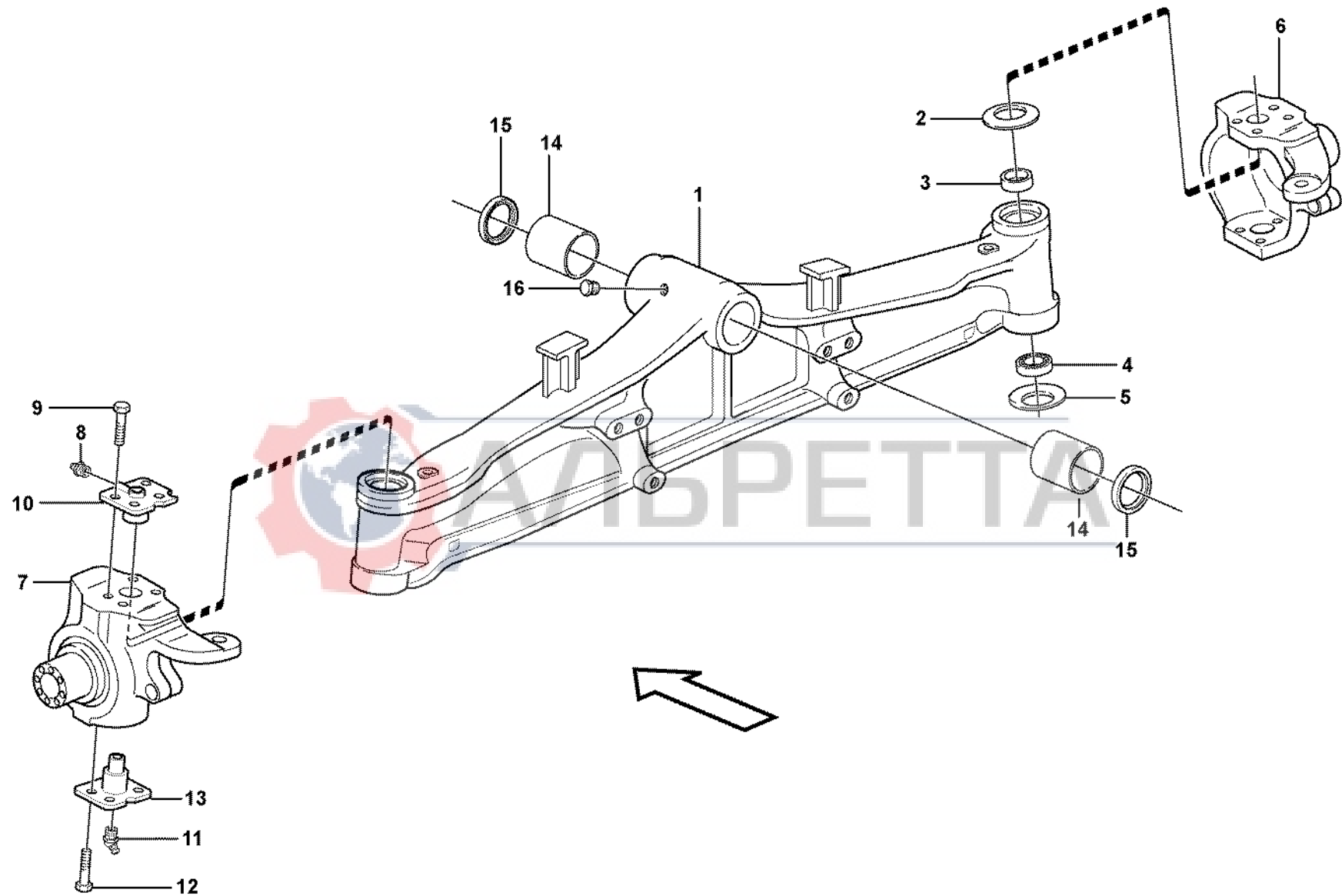
Fig.	Part No.	Quantity			P S	K I T	Description	Dénomination	Bezeichnung	Denominación	Benämning	Notes
		1	2	3								
1	VOE 11988582	2	2	2		Seal.....	Joint	Dichtring	Junta	Tätning.....		
2	VOE 11988581	4				Bearing.....	Palier	Lager	Cojinete	Lager.....		
2	VOE 11715279		4	4		Bearing.....	Palier	Lager	Cojinete	Lager.....		
3	VOE 11712505	2	2	2		Hub	Bossage	Nabe.....	Asiento	Nav.....		
4	VOE 11988575	16	16	16		•Stud	•Goujon	•Stiftschraube.....	•Esparrago	•Pinnskruv.....		
5	VOE 11709491	2	2	2		O-ring	Joint Torique	O-Ring	Junta torica.....	O-ring.....		
6	VOE 11709492	2	2	2		Ring.....	Anneau.....	Ring.....	Anillo	Ring.....		
7	VOE 11988577	2	2			Drive Gear.....	Pignon.....	Triebad.....	Pinon	Drivhjul.....		
7	VOE 11716726			2		Drive Gear.....	Pignon.....	Triebad.....	Pinon	Drivhjul.....		
8	VOE 11988580	2	2	2		Gear	Pignon.....	Zahnradgetriebe.....	Engranaje	Kuggdrev.....		
9	VOE 11988578	16	16	12		Bushing	Bague.....	Buchse	Casquillo	Bussning.....		
10	VOE 11988579	16	16	12		Screw	Vis	Schraube.....	Tornillo	Skruv.....		
11	VOE 11709300	6	6	6		Lock Ring	Anneau Verrouillage ..	Schlossring.....	Anillo Segurid	Låsring.....		
12	VOE 11988584	2	2	2		Thrust Washer	Rondelle Butee	Druckscheibe	Arandela Presio.....	Tryckbricka.....		
13	VOE 11988587	6	6	6		Thrust Washer	Rondelle Butee	Druckscheibe	Arandela Presio.....	Tryckbricka.....		
14	VOE 11988586	18	18	18		Needle Bearing	Roule.aiguilles.....	Nadellager.....	Cojinete Agujas	Nållager.....	10pcs/Kit	
15	VOE 11988585	6	6	6		Drive Gear.....	Pignon.....	Triebad.....	Pinon	Drivhjul.....		
16	VOE 11988588	2	2	2		Planet kit	Jeu planetaire	Planetenradsatz	Kit de planetas	Planetsats.....		
17	VOE 11709057	2	2	2		Plug.....	Bouchon.....	Stopfen.....	Tapon	Plugg.....		
18	VOE 11709370	4	4	4		Screw.....	Vis	Schraube.....	Tornillo	Skruv.....		



1	11883199	Hjulnav Cubo de rueda Radnabe Moyeu de roue Wheel hub	Catalogue id	Group
2	11883203		20017	461
3	11887360		Illustr. No	Section
4			1004474	300
5			Issue	Page
		11891284, 11891286, 11891385, 11891387	VOE 63D9920017	301

VOLVO

BL60



Valvo Construction
 Equipment
 1009215

Fig.	Part No.	Quantity			P S	K I T	Description	Dénomination	Bezeichnung	Denominación	Benämning	Notes
		1	2	3								
	VOE 11884373	1					Front axle.....	Pont avant.....	Vorderachse.....	Eje delantero.....	Framaxel.....	
1	VOE 11712506	1					•Axle Casing.....	•Boite Essieu.....	•Achsgehäuse.....	•Carter Eje.....	•Axelkåpa.....	
2	VOE 11988552	2					•Disc Spring.....	•Rondel Ressort.....	•Scheibenfeder.....	•Arandela Elast.....	•Brickfjäder.....	
3	VOE 11988553	2					•Bushing.....	•Bague.....	•Buchse.....	•Casquillo.....	•Bussning.....	
4	VOE 11709400	2					•Bearing.....	•Palier.....	•Lager.....	•Cojinete.....	•Lager.....	
5	VOE 11709401	2					•Disc Spring.....	•Rondel Ressort.....	•Scheibenfeder.....	•Arandela Elast.....	•Brickfjäder.....	
6	VOE 11712526	1					•Housing.....	•Carter.....	•Gehäuse.....	•Carter.....	•Hus.....	RH
7	VOE 11712501	1					•Housing.....	•Carter.....	•Gehäuse.....	•Carter.....	•Hus.....	LH
8	VOE 11709410	2					•Lub Nipple.....	•Graisseur.....	•Schmiernippel.....	•Engrasador.....	•Smörjnippel.....	
9	VOE 11988559	14					•Screw.....	•Vis.....	•Schraube.....	•Tornillo.....	•Skruv.....	
10	VOE 11988560	2					•King Pin.....	•Pivot Fusee.....	•Achsschenkelbolzen.....	•Perno Mangueta.....	•Spindelbult.....	
11	VOE 11709464	2					•Lub Nipple.....	•Graisseur.....	•Schmiernippel.....	•Engrasador.....	•Smörjnippel.....	
12	VOE 11712527	6					•Bolt.....	•Boulon.....	•Bolzen.....	•Perno.....	•Bult.....	
13	VOE 11709450	2					•King Pin.....	•Pivot Fusee.....	•Achsschenkelbolzen.....	•Perno Mangueta.....	•Spindelbult.....	
14	VOE 11709411	2					•Bushing.....	•Bague.....	•Buchse.....	•Casquillo.....	•Bussning.....	
15	VOE 11709412	2					•Seal.....	•Joint.....	•Dichtung.....	•Reten.....	•Tätning.....	
16	VOE 11709268	1					•Plug.....	•Bouchon.....	•Stopfen.....	•Tapon.....	•Plugg.....	



1	S/N - 10938	Framaxel Eje delantero Vorederachse Essieu Av Front axle	Catalogue id	Group
2			20017	461
3			Illustr. No	Section
4			1009215	400
5			Issue	Page
			VOE 63D9920017	303
			11891267, 11891275, 11891360, 11891386	

VOLVO

BL60

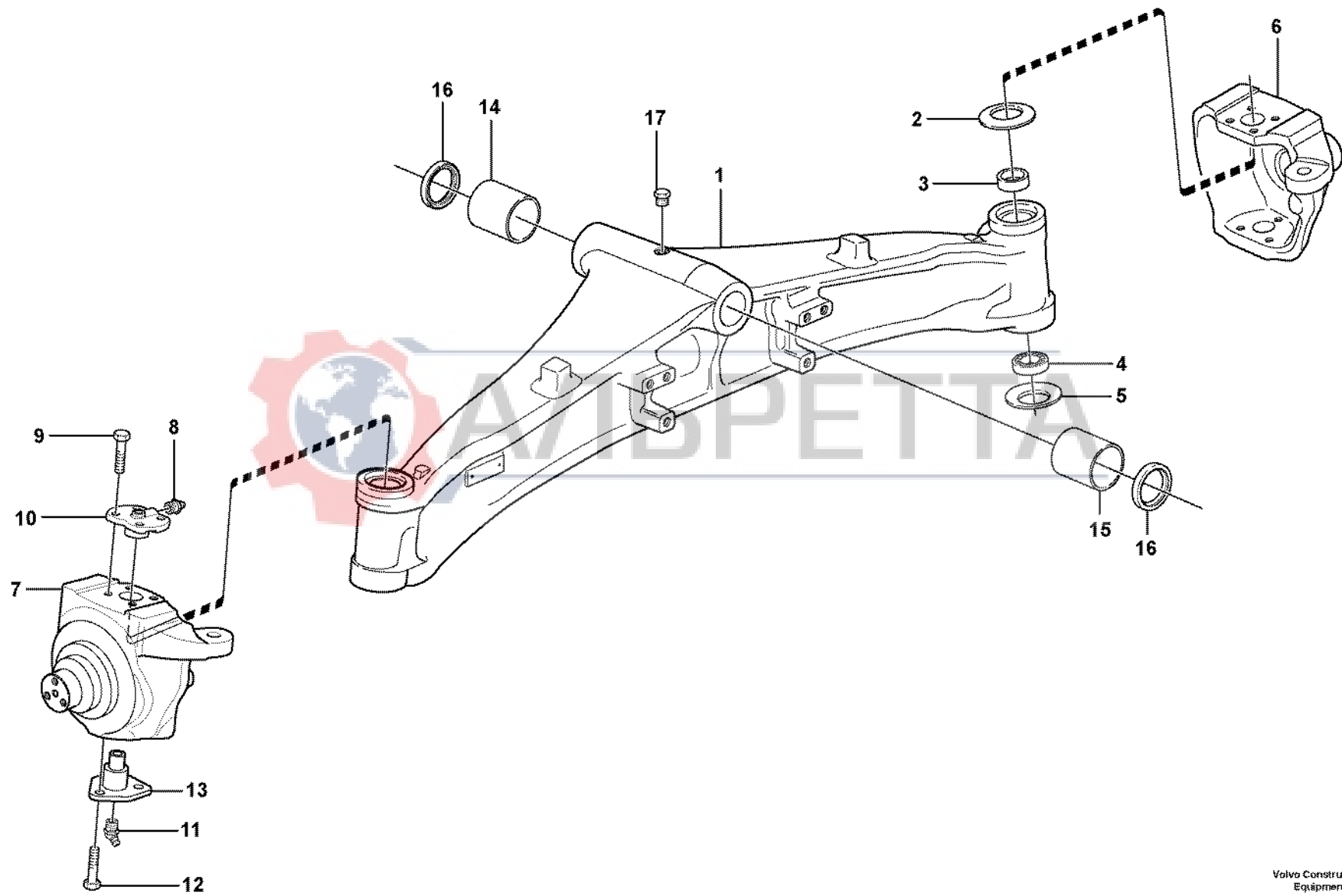


Fig.	Part No.	Quantity			P S	K I T	Description	Dénomination	Bezeichnung	Denominación	Benämning	Notes
		1	2	3								
	VOE 11887359	1				Front axle.....	Pont avant.....	Vorderachse.....	Eje delantero.....	Framaxel.....		
1	VOE 11716656	1				•Axle Casing.....	•Boite Essieu.....	•Achsgehäuse.....	•Carter Eje.....	•Axelkåpa.....		
2	VOE 11988552	1				•Disc Spring.....	•Rondel Ressort.....	•Scheibenfeder.....	•Arandela Elast.....	•Brickfjäder.....		
3	VOE 11988553	2				•Bushing.....	•Bague.....	•Buchse.....	•Casquillo.....	•Bussning.....		
4	VOE 11709400	2				•Bearing.....	•Palier.....	•Lager.....	•Cojinete.....	•Lager.....		
5	VOE 11709401	2				•Disc Spring.....	•Rondel Ressort.....	•Scheibenfeder.....	•Arandela Elast.....	•Brickfjäder.....		
6	VOE 11712526	1				•Housing.....	•Carter.....	•Gehäuse.....	•Carter.....	•Hus.....	RH	
7	VOE 11712501	1				•Housing.....	•Carter.....	•Gehäuse.....	•Carter.....	•Hus.....	LH	
8	VOE 11709410	2				•Lub Nipple.....	•Graisseur.....	•Schmiernippel.....	•Engrasador.....	•Smörjnippel.....		
9	VOE 11988559	14				•Screw.....	•Vis.....	•Schraube.....	•Tornillo.....	•Skruv.....		
10	VOE 11988560	2				•King Pin.....	•Pivot Fusee.....	•Achsschenkelbolzen.....	•Perno Mangueta.....	•Spindelbult.....		
11	VOE 11709464	2				•Lub Nipple.....	•Graisseur.....	•Schmiernippel.....	•Engrasador.....	•Smörjnippel.....		
12	VOE 11712527	6				•Bolt.....	•Boulon.....	•Bolzen.....	•Perno.....	•Bult.....		
13	VOE 11709450	2				•King Pin.....	•Pivot Fusee.....	•Achsschenkelbolzen.....	•Perno Mangueta.....	•Spindelbult.....		
14	VOE 11716618	1				•Bushing.....	•Bague.....	•Buchse.....	•Casquillo.....	•Bussning.....	FRONT	
15	VOE 11716619	1				•Bushing.....	•Bague.....	•Buchse.....	•Casquillo.....	•Bussning.....	REAR	
16	VOE 11716620	2				•Seal.....	•Joint.....	•Dichtring.....	•Junta.....	•Tätning.....		
17	VOE 11709282	1				•Plug.....	•Bouchon.....	•Stopfen.....	•Tapon.....	•Plugg.....		



1	S/N 10939 -	Framaxel Eje delantero Vorederachse Essieu Av Front axle	Catalogue id	Group
2			20017	461
3			Illustr. No	Section
4			1023532	410
5			Issue	Page
			VOE 63D9920017	305
			11891267, 11891275, 11891360, 11891386	

VOLVO

BL60

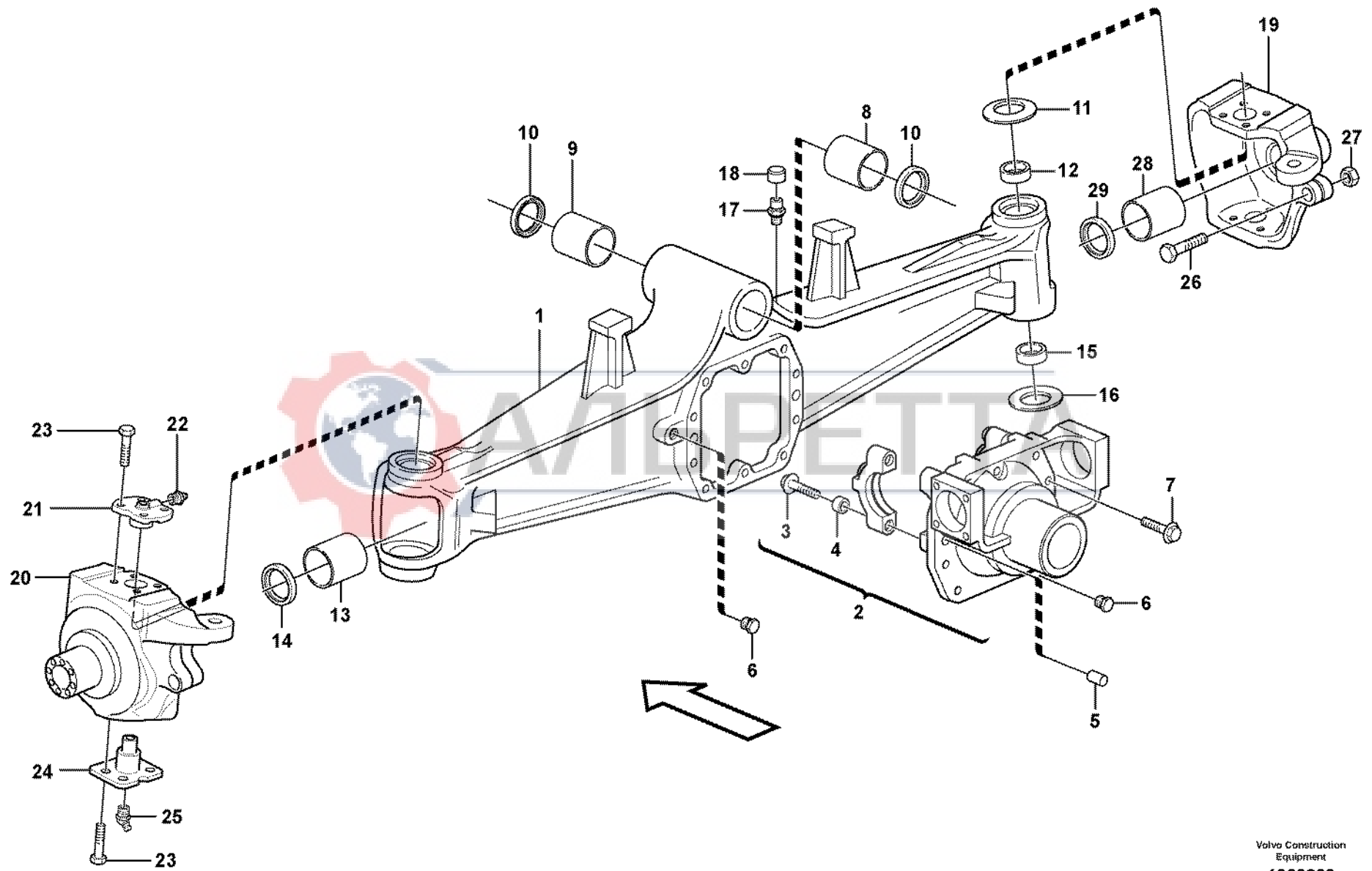
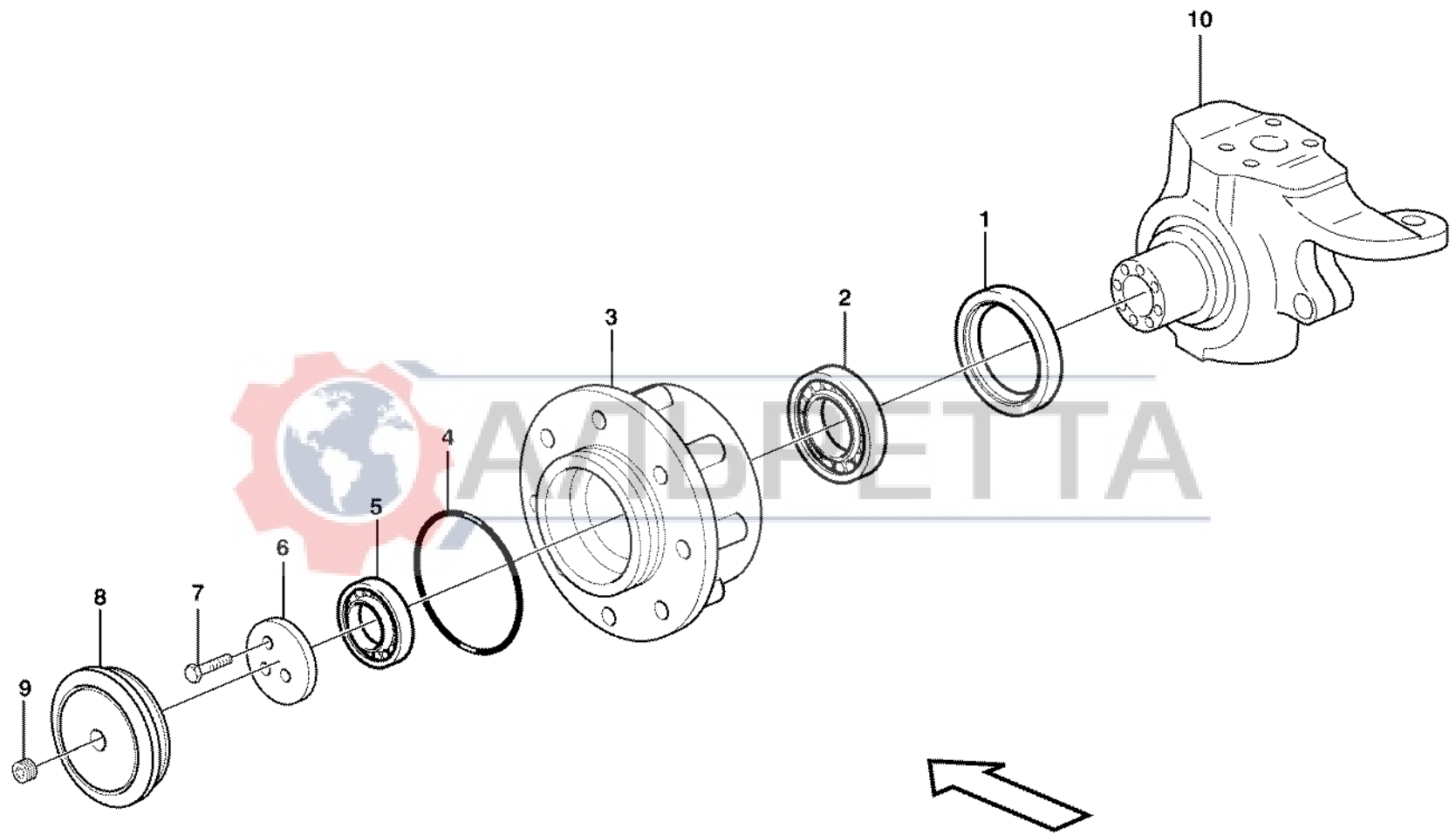


Fig.	Part No.	Quantity			P S	K I T	Description	Dénomination	Bezeichnung	Denominación	Benämning	Notes
		1	2	3								
	VOE 11887360	1				Front axle.....	Pont avant.....	Vorderachse.....	Eje delantero.....	Framaxel.....		
1	VOE 11716715	1				•Axle Casing.....	•Boite Essieu.....	•Achsgehäuse.....	•Carter Eje.....	•Axelkåpa.....		
2	VOE 11716712	1				••Differential Housing.....	••Carter de différentiel.....	••Differentialgehäuse.....	••Cárter de diferencial.....	••Differentialhus.....		
3	VOE 11709407	4				••Screw.....	••Vis.....	••Schraube.....	••Tornillo.....	••Skruv.....		
4	VOE 11709406	2				•Bushing.....	•Bague.....	•Buchse.....	•Casquillo.....	•Bussning.....		
5	VOE 11709402	2				•Pin.....	•Goupille.....	•Stift.....	•Pasador.....	•Pinne.....		
6	VOE 11709403	2				•Plug.....	•Bouchon.....	•Stopfen.....	•Tapon.....	•Plugg.....		
7	VOE 11709404	10				•Screw.....	•Vis.....	•Schraube.....	•Tornillo.....	•Skruv.....		
8	VOE 11716619	1				•Bushing.....	•Bague.....	•Buchse.....	•Casquillo.....	•Bussning.....		
9	VOE 11716618	1				•Bushing.....	•Bague.....	•Buchse.....	•Casquillo.....	•Bussning.....		
10	VOE 11716620	2				•Seal.....	•Joint.....	•Dichtring.....	•Junta.....	•Tätning.....		
11	VOE 11988552	2				•Disc Spring.....	•Rondel Ressort.....	•Scheibenfeder.....	•Arandela Elast.....	•Brickfjäder.....		
12	VOE 11988553	2				•Bushing.....	•Bague.....	•Buchse.....	•Casquillo.....	•Bussning.....		
13	VOE 11988557	2				•Bushing.....	•Bague.....	•Buchse.....	•Casquillo.....	•Bussning.....		
14	VOE 11716714	2				•Sealing ring.....	•Bague d'étanchéité.....	•Runddichtring.....	•Anillo reten.....	•Tätningring.....		
15	VOE 11988554	2				•Bearing.....	•Palier.....	•Lager.....	•Cojinete.....	•Lager.....		
16	VOE 11988555	2				•Disc Spring.....	•Rondel Ressort.....	•Scheibenfeder.....	•Arandela Elast.....	•Brickfjäder.....		
17	VOE 11709275	1				•Breather Cap.....	•Boucho.aeration.....	•Lüftungsdeckel.....	•Tapa Ventilac.....	•Ventil.lock.....		
18	VOE 11716713	1				•Cover.....	•Capot.....	•Haube.....	•Capo.....	•Huv.....		
19	VOE 11716718	1				•Housing.....	•Carter.....	•Gehäuse.....	•Carter.....	•Hus.....		
20	VOE 11716716	1				Housing.....	Carter.....	Gehäuse.....	Carter.....	Hus.....		
21	VOE 11988560	2				•King Pin.....	•Pivot Fusee.....	•Achsschenkelbolzen.....	•Perno Mangueta.....	•Spindelbult.....		
22	VOE 11709410	2				•Lub Nipple.....	•Graisseur.....	•Schmiernippel.....	•Engrasador.....	•Smörjnippel.....		
23	VOE 11988559	16				•Screw.....	•Vis.....	•Schraube.....	•Tornillo.....	•Skruv.....		
24	VOE 11988562	2				•King Pin.....	•Pivot Fusee.....	•Achsschenkelbolzen.....	•Perno Mangueta.....	•Spindelbult.....		
25	VOE 11709464	2				•Lub Nipple.....	•Graisseur.....	•Schmiernippel.....	•Engrasador.....	•Smörjnippel.....		
26	VOE 11709452	2				•Screw.....	•Vis.....	•Schraube.....	•Tornillo.....	•Skruv.....		
27	VOE 11709453	2				•Nut.....	•Ecrou.....	•Mutter.....	•Tuerca.....	•Mutter.....		
28	VOE 11709462	2				•Bushing.....	•Bague.....	•Buchse.....	•Casquillo.....	•Bussning.....		
29	VOE 11715254	2				•Seal.....	•Joint.....	•Dichtring.....	•Junta.....	•Tätning.....		

1	S/N 10939 -	Framaxel Eje delantero Vorederachse Essieu Av Front axle 11880001	Catalogue id	Group
2			20017	461
3			Illustr. No	Section
4			1023828	420
5			Issue	Page
			VOE 63D9920017	307

VOLVO

BL60



Valve Construction
Equipment
1009220

Fig.	Part No.	Quantity			P S	K I T	Description	Dénomination	Bezeichnung	Denominación	Benämning	Notes
		1	2	3								
1	VOE 11988582	2	2			Seal.....	Joint	Dichtring	Junta	Tätning.....		
2	VOE 11988581	2	2			Bearing.....	Palier	Lager.....	Cojinete	Lager.....		
3	VOE 11712533	2	2			Wheel Hub	Moyeu de roue	Radnabe.....	Cubo Rueda	Hjulnav.....		
4	VOE 11712534	2	2			O-ring	Joint Torique	O-Ring.....	Junta torica.....	O-ring.....		
5	VOE 11712535	2	2			Bearing.....	Palier	Lager.....	Cojinete	Lager.....		
6	VOE 11712536	2	2			Thrust Washer	Rondelle Butee	Druckscheibe	Arandela Presio.....	Tryckbricka.....		
7	VOE 11988559	6	6			Screw	Vis	Schraube.....	Tornillo	Skruv.....		
8	VOE 11712537	2	2			Cover	Capot	Haube.....	Capo.....	Huv.....		
9	VOE 11709268	2	2			Plug.....	Bouchon.....	Stopfen.....	Tapon	Plugg.....		
10		2				Housing.....	Carter	Gehäuse.....	Carter	Hus.....	See group 461, Page 303	
10		2				Housing.....	Carter	Gehäuse.....	Carter	Hus.....	See group 461, Page 305	

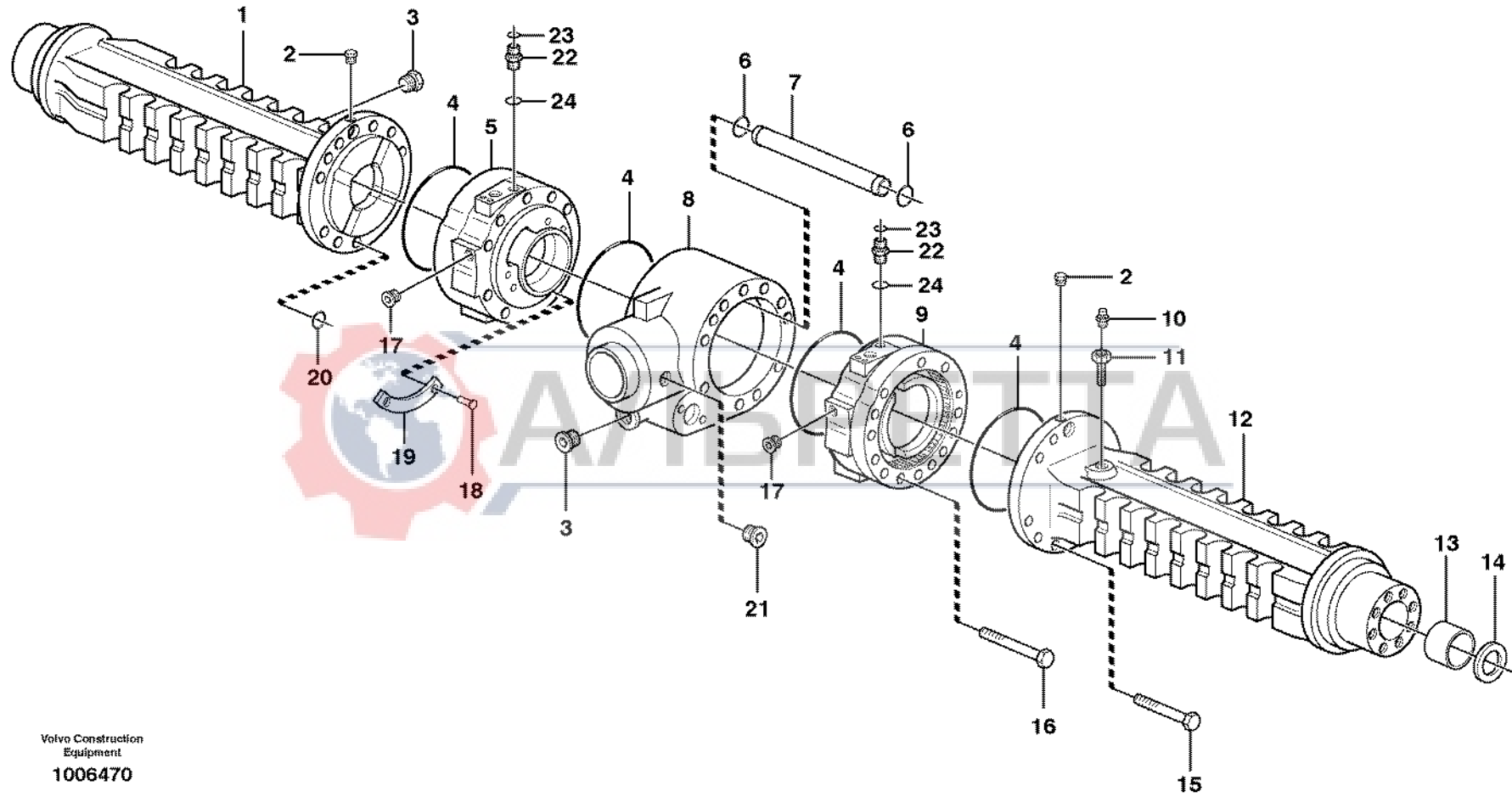


1	S/N - 10938	Hjulnav Cubo de rueda Radnabe Moyeu de roue Wheel hub	Catalogue id	Group
2	S/N 10939 -		20017	461
3			Illustr. No	Section
4			1009220	450
5			Issue	Page
			VOE 63D9920017	309
11891267, 11891275, 11891360, 11891386				

VOLVO

BL60





Volvo Construction
 Equipment
 1006470

Fig.	Part No.	Quantity			P S	K I T	Description	Dénomination	Bezeichnung	Denominación	Benämning	Notes
		1	2	3								
	VOE 11885677	1					Rear axle.....	Essieu AR	Hinterachse	Eje posterior	Bakaxel.....	
1	VOE 11712787	1					•Axle Casing	•Boite Essieu.....	•Achsgehäuse	•Carter Eje.....	•Axelkåpa.....	RH
2	VOE 11709268	2					•Plug	•Bouchon.....	•Stopfen	•Tapon.....	•Plugg.....	
3	VOE 11709057	2					•Plug	•Bouchon.....	•Stopfen	•Tapon.....	•Plugg.....	
4	VOE 11709269	4					•O-ring.....	•Joint Torique.....	•O-Ring.....	•Junta torica	•O-ring.....	
5	VOE 11709270	1					•Brake Cylinder	•Cylindre Frein	•Bremszylinder	•Cilindro Frenos.....	•Bromscylinder.....	RH
6	VOE 11709271	2					•O-ring.....	•Joint Torique.....	•O-Ring.....	•Junta torica	•O-ring.....	
7	VOE 11709272	1					•Pipe	•Canalisation	•Rohrleitung.....	•Canalización	•Rör.....	
8	VOE 11709273	1					•Axle Casing	•Boite Essieu.....	•Achsgehäuse	•Carter Eje.....	•Axelkåpa.....	
9	VOE 11709274	1					•Brake Cylinder	•Cylindre Frein	•Bremszylinder	•Cilindro Frenos.....	•Bromscylinder.....	LH
10	VOE 11709275	1					•Breather Cap	•Boucho.aeration.....	•Lüftungsdeckel.....	•Tapa Ventilac	•Ventil.lock.....	
11	VOE 11709276	1					•Breather Pipe.....	•Reniflard	•Luftungsrohr.....	•Conduct Ventil.....	•Ventilationsrör.....	
12	VOE 11712788	1					•Axle Casing	•Boite Essieu.....	•Achsgehäuse	•Carter Eje.....	•Axelkåpa.....	LH
13	VOE 11709278	2					•Bushing.....	•Bague	•Buchse	•Casquillo	•Bussning.....	
14	VOE 11709279	2					•Seal	•Joint	•Dichtung.....	•Reten	•Tätning.....	
15	VOE 11709280	22					•Screw.....	•Vis.....	•Schraube.....	•Tornillo	•Skruv.....	
16	VOE 11709281	2					•Screw.....	•Vis.....	•Schraube.....	•Tornillo	•Skruv.....	
17	VOE 11709282	2					•Plug	•Bouchon.....	•Stopfen	•Tapon.....	•Plugg.....	
18	VOE 11709283	4					•Rivet	•Rivet.....	•Niet.....	•Remache	•Nit.....	
19	VOE 11709284	2					•Plate	•Plaque.....	•Platte.....	•Placa	•Platta.....	
20	VOE 11709285	8					•O-ring.....	•Joint Torique.....	•O-Ring.....	•Junta torica	•O-ring.....	
21	VOE 11709286	1					•Plug	•Bouchon.....	•Stopfen	•Tapon.....	•Plugg.....	
22	VOE 935082	2					Nipple.....	Raccord.....	Nippel.....	Niple.....	Nippel.....	
23	VOE 4881722	2					•O-ring.....	•Joint Torique.....	•O-Ring.....	•Junta torica	•O-ring.....	
24	VOE 932037	2					•O-ring.....	•Joint Torique.....	•O-Ring.....	•Junta torica	•O-ring.....	

1		Planetaxel, bak Eje propulsor, trasero Planetenwelle, hintere Essieu moteur, arrière Planet shaft, rear	Catalogue id	Group
2			20017	463
3			Illustr. No	Section
4			1006470	100
5			Issue	Page
			VOE 63D9920017	311

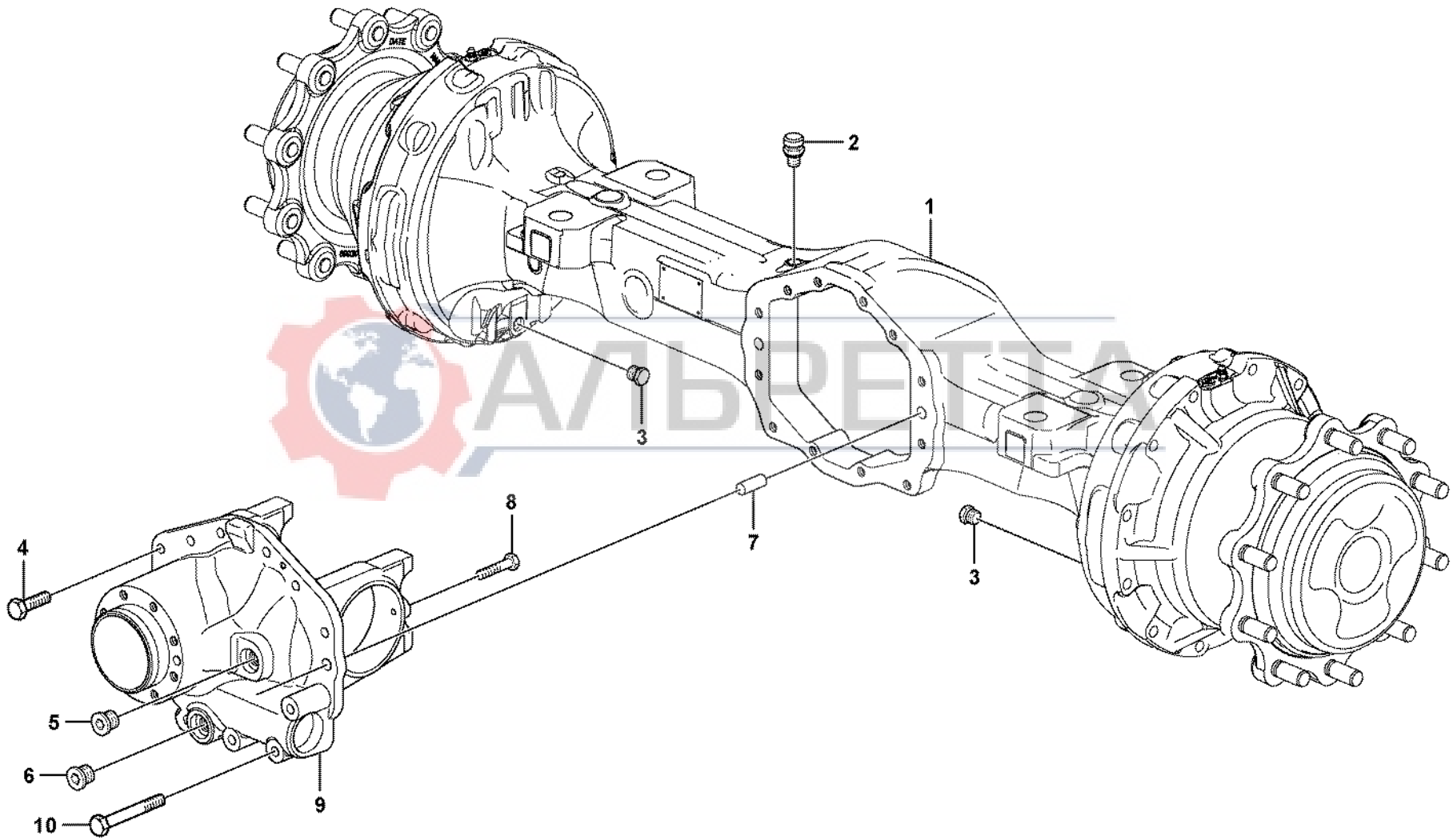


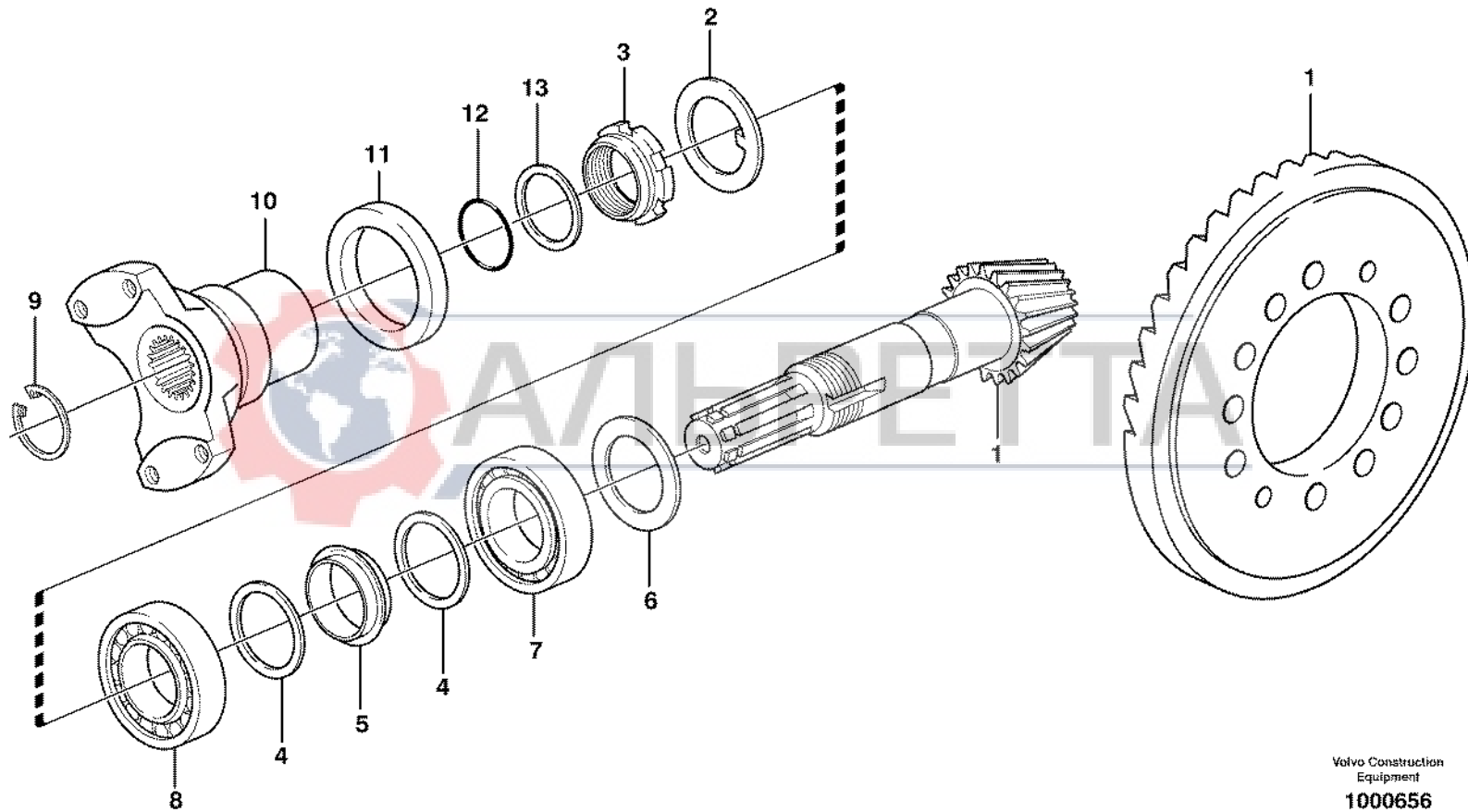
Fig.	Part No.	Quantity			P S	K I T	Description	Dénomination	Bezeichnung	Denominación	Benämning	Notes
		1	2	3								
	VOE 11887363	1				Rear axle.....	Essieu AR	Hinterachse	Eje posterior	Bakaxel.....	See group 463, Page 311	
1	VOE 11716543	1				•Axle Casing	•Boite Essieu.....	•Achsgehäuse	•Carter Eje.....	•Axelkåpa.....		
2	VOE 11709275	1				•Breather Cap	•Boucho.aeration.....	•Lüftungsdeckel.....	•Tapa Ventilac	•Ventil.lock.....		
3	VOE 11709403	2				•Plug	•Bouchon.....	•Stopfen	•Tapon.....	•Plugg.....		
4	VOE 11709404	8				•Screw.....	•Vis.....	•Schraube.....	•Tornillo	•Skruv.....		
5	VOE 11716544	1				•Plug	•Bouchon.....	•Stopfen	•Tapon.....	•Plugg.....		
6	VOE 11709057	1				•Plug	•Bouchon.....	•Stopfen	•Tapon.....	•Plugg.....		
7	VOE 11709402	2				•Pin	•Goupille.....	•Stift.....	•Pasador.....	•Pinne.....		
8	VOE 11716545	2				•Screw.....	•Vis.....	•Schraube.....	•Tornillo	•Skruv.....		
9	VOE 11716546	1				•Diff Housing	•Carter différentiel	•Differentialgehäuse...	•Carter diferencial.....	•Differentialhus.....		
10	VOE 11716547	4				•Screw.....	•Vis.....	•Schraube.....	•Tornillo	•Skruv.....		



1	Planetaxel, bak Eje propulsor, trasero Planetenwelle, hintere Essieu moteur, arrière Planet shaft, rear S/N 10939 -	Catalogue id	Group
2		20017	463
3		Illustr. No	Section
4		1023386	110
5		Issue	Page
		VOE 63D9920017	313

VOLVO

BL60



Valvo Construction
Equipment
1000656

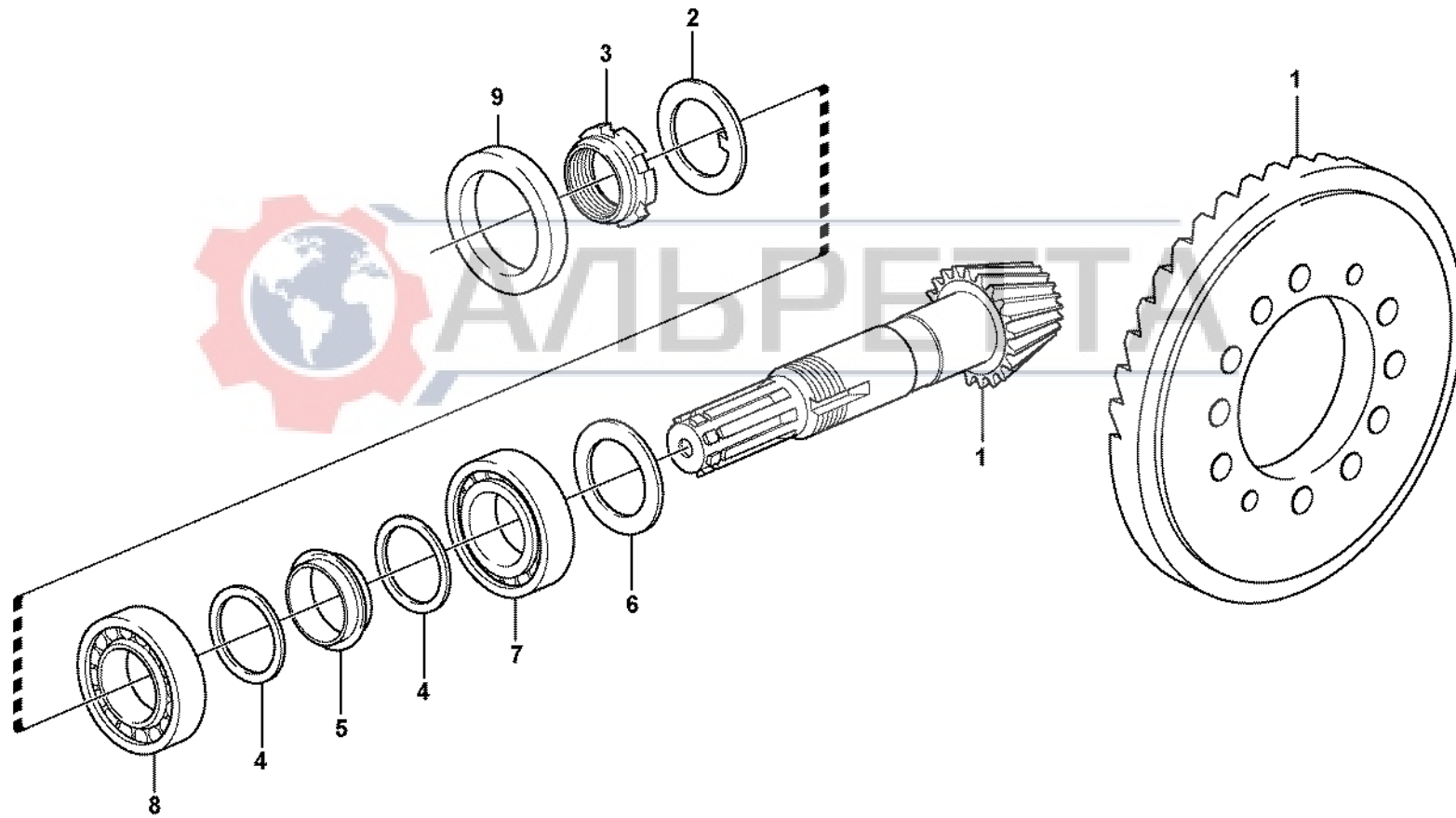
Fig.	Part No.	Quantity			P S	K I T	Description	Dénomination	Bezeichnung	Denominación	Benämning	Notes
		1	2	3								
1	VOE 11709287	1				Drive Gear Set	Kit Pignon.....	Triebsatz	Juego Pinon	Drevsats.....		
2	VOE 11709288	1				•Lock Washer.....	•Rondel.verroui	•Sicher Scheibe.....	•Arandel Segurid	•Låsbricka.....		
3	VOE 11709289	1				•Nut	•Ecrou	•Mutter.....	•Tuerca.....	•Mutter.....		
4	VOE 11709290	2				•Washer	•Rondelle.....	•Scheibe	•Arandela.....	•Bricka.....		
5	VOE 11709291	1				•Spacer	•Entretoise.....	•Abstandkörper.....	•Distanciador	•Distans.....		
6	VOE 11709292	REQ				Adjuster washer	Rondelle ajust.	Passscheibe.....	Arandela ajust.	Justerbricka.....	THICK 2,50 MM	
	VOE 11709293	REQ				Adjuster washer	Rondelle ajust.	Passscheibe.....	Arandela ajust.	Justerbricka.....	THICK 2,60 MM	
	VOE 11709294	REQ				Adjuster washer	Rondelle ajust.	Passscheibe.....	Arandela ajust.	Justerbricka.....	THICK 2,70 MM	
	VOE 11709295	REQ				Adjuster washer	Rondelle ajust.	Passscheibe.....	Arandela ajust.	Justerbricka.....	THICK 2,80 MM	
	VOE 11709296	REQ				Adjuster washer	Rondelle ajust.	Passscheibe.....	Arandela ajust.	Justerbricka.....	THICK 2,90 MM	
	VOE 11709297	REQ				Adjuster washer	Rondelle ajust.	Passscheibe.....	Arandela ajust.	Justerbricka.....	THICK 3,00 MM	
7	VOE 11709298	1				Bearing.....	Palier.....	Lager.....	Cojinete	Lager.....		
8	VOE 11709299	1				Bearing.....	Palier.....	Lager.....	Cojinete	Lager.....		
9	VOE 11709300	1				Lock Ring.....	Anneau Verrouillage ..	Schlossring.....	Anillo Segurid	Låsring.....		
10	VOE 11709301	1				Comp Flange	Flasque Entrai.....	Antriebsflansch.....	Brida.....	Medbringare.....		
11	VOE 11709302	1				Seal.....	Joint	Dichtung	Reten.....	Tätning.....		
12	VOE 11709303	1				O-ring	Joint Torique	O-Ring	Junta torica.....	O-ring.....		
13	VOE 11709304	1				Washer.....	Rondelle	Scheibe	Arandela.....	Bricka.....		



1		Pinjong Piñón de ataque Antriebskegelrad Pignon Pinion	Catalogue id	Group
2			20017	463
3			Illustr. No	Section
4			1000656	150
5			Issue	Page
			VOE 63D9920017	315

VOLVO

BL60



АЛЬРЕТА

Fig.	Part No.	Quantity			P S	K I T	Description	Dénomination	Bezeichnung	Denominación	Benämning	Notes
		1	2	3								
1	VOE 11716550	1					Drive Gear Set	Kit Pignon.....	Triebsatz	Juego Pinon	Drevsats.....	
2	VOE 11709288	1					•Lock Washer.....	•Rondel.verroui	•Sicher Scheibe.....	•Arandel Segurid	•Låsbricka.....	
3	VOE 11709289	1					•Nut	•Ecrou	•Mutter.....	•Tuerca.....	•Mutter.....	
4	VOE 11709290	2					•Washer	•Rondelle.....	•Scheibe	•Arandela.....	•Bricka.....	
5	VOE 11716551	1					•Spacer	•Entretoise.....	•Abstandkörper.....	•Distancidor	•Distans.....	
6	VOE 11709292	REQ					Adjuster washer	Rondelle ajust.	Passscheibe.....	Arandela ajust.	Justerbricka.....	THICK 2,50 MM
	VOE 11709293	REQ					Adjuster washer	Rondelle ajust.	Passscheibe.....	Arandela ajust.	Justerbricka.....	THICK 2,60 MM
	VOE 11709294	REQ					Adjuster washer	Rondelle ajust.	Passscheibe.....	Arandela ajust.	Justerbricka.....	THICK 2,70 MM
	VOE 11709295	REQ					Adjuster washer	Rondelle ajust.	Passscheibe.....	Arandela ajust.	Justerbricka.....	THICK 2,80 MM
	VOE 11709296	REQ					Adjuster washer	Rondelle ajust.	Passscheibe.....	Arandela ajust.	Justerbricka.....	THICK 2,90 MM
	VOE 11709297	REQ					Adjuster washer	Rondelle ajust.	Passscheibe.....	Arandela ajust.	Justerbricka.....	THICK 3,00 MM
7	VOE 11716615	1					Bearing.....	Palier	Lager.....	Cojinete	Lager.....	
8	VOE 11709299	1					Bearing.....	Palier	Lager.....	Cojinete	Lager.....	
9	VOE 11709302	1					Seal.....	Joint	Dichtung.....	Reten.....	Tätning.....	



1		Pinjong Piñón de ataque Antriebskegelrad Pignon Pinion S/N 10939 -	Catalogue id	Group
2			20017	463
3			Illustr. No	Section
4			1023388	160
5			Issue	Page
			VOE 63D9920017	317

VOLVO

BL60

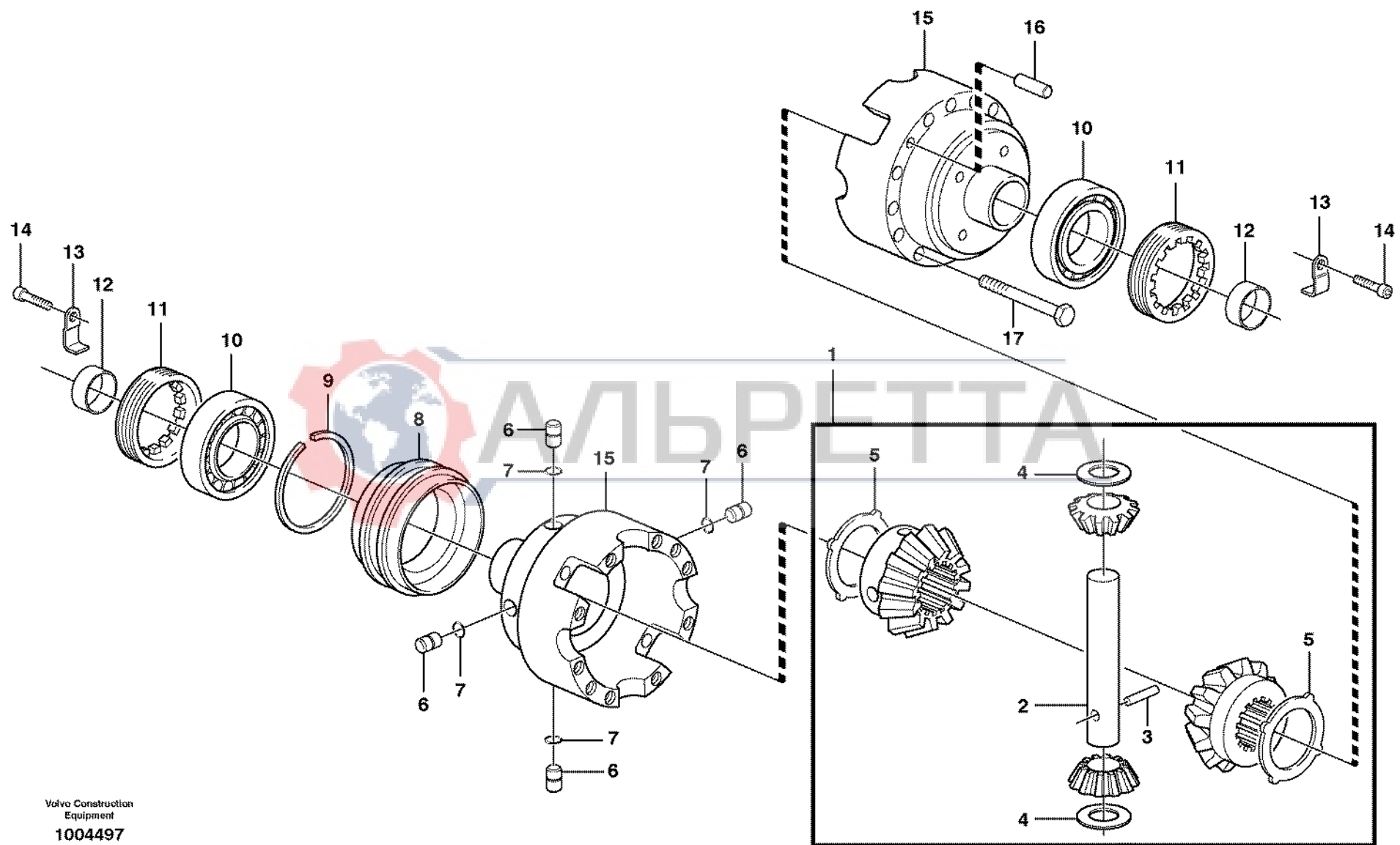


Fig.	Part No.	Quantity			P S	K I T	Description	Dénomination	Bezeichnung	Denominación	Benämning	Notes
		1	2	3								
1	VOE 11988596	1					Diff Pinion Set	Jeu Pign.diffe.	Ausgl Kegsatz	Kit Engran Dif	Diff.drevsats.....	
2	VOE 11988598	1					•Shaft	•Arbre	•Welle	•Arbol.....	•Axel.....	
3	VOE 11988597	1					•Pin	•Goupille.....	•Stift.....	•Pasador.....	•Pinne.....	
4	VOE 11988599	2					•Thrust Washer	•Rondelle Butee	•Druckscheibe	•Arandela Presio	•Tryckbricka.....	
5	VOE 11709307	2					•Drive Plate	•Plaque Commande ...	•Treibscheibe	•Placa Motriz	•Drivplatta.....	
6	VOE 11709308	4					Pin.....	Goupille.....	Stift.....	Pasador.....	Pinne.....	
7	VOE 11709309	4					O-ring	Joint Torique	O-Ring	Junta torica.....	O-ring.....	
8	VOE 11709310	1					Sleeve	Douille	Hülse	Manguito	Hylsa.....	
9	VOE 11988603	1					Ring.....	Anneau.....	Ring.....	Anillo	Ring.....	
10	VOE 11709314	2					Bearing.....	Palier	Lager	Cojinete	Lager.....	
11	VOE 11709313	2					Nut	Ecrou.....	Mutter	Tuerca	Mutter.....	
12	VOE 11709315	2					Bushing	Bague.....	Buchse	Casquillo	Bussning.....	
13	VOE 11709311	2					Locking Plate	Languette de verrouill	Sicherungsblech.....	Laminilla De Se	Vikbleck.....	
14	VOE 11709312	2					Screw	Vis	Schraube.....	Tornillo	Skruv.....	
15	VOE 11709317	1					Diff Housing	Carter différentiel	Differentialgehäuse	Carter diferencial.....	Differentialhus.....	
16	VOE 11709316	1					Pin.....	Goupille.....	Stift.....	Pasador.....	Pinne.....	
17	VOE 11709318	10					Screw.....	Vis	Schraube.....	Tornillo	Skruv.....	



1	Differential. Bak Diferencial. Detrás Ausgleichgetriebe. Hinten Différentiel. Arrière Differential. Rear	Catalogue id	Group
2		20017	463
3		Illustr. No	Section
4		1004497	200
5		Issue	Page
		VOE 63D9920017	319

VOLVO

BL60

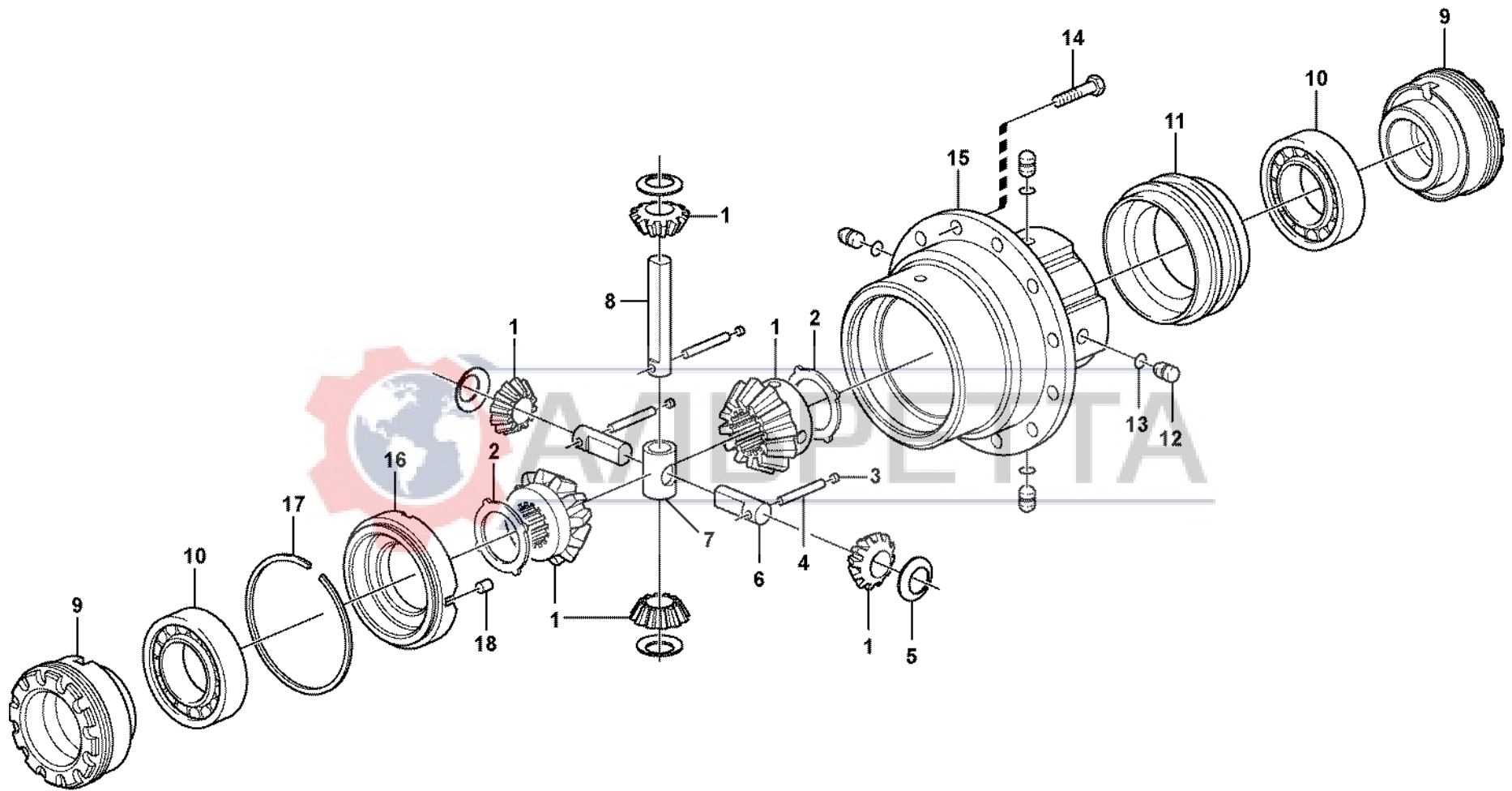


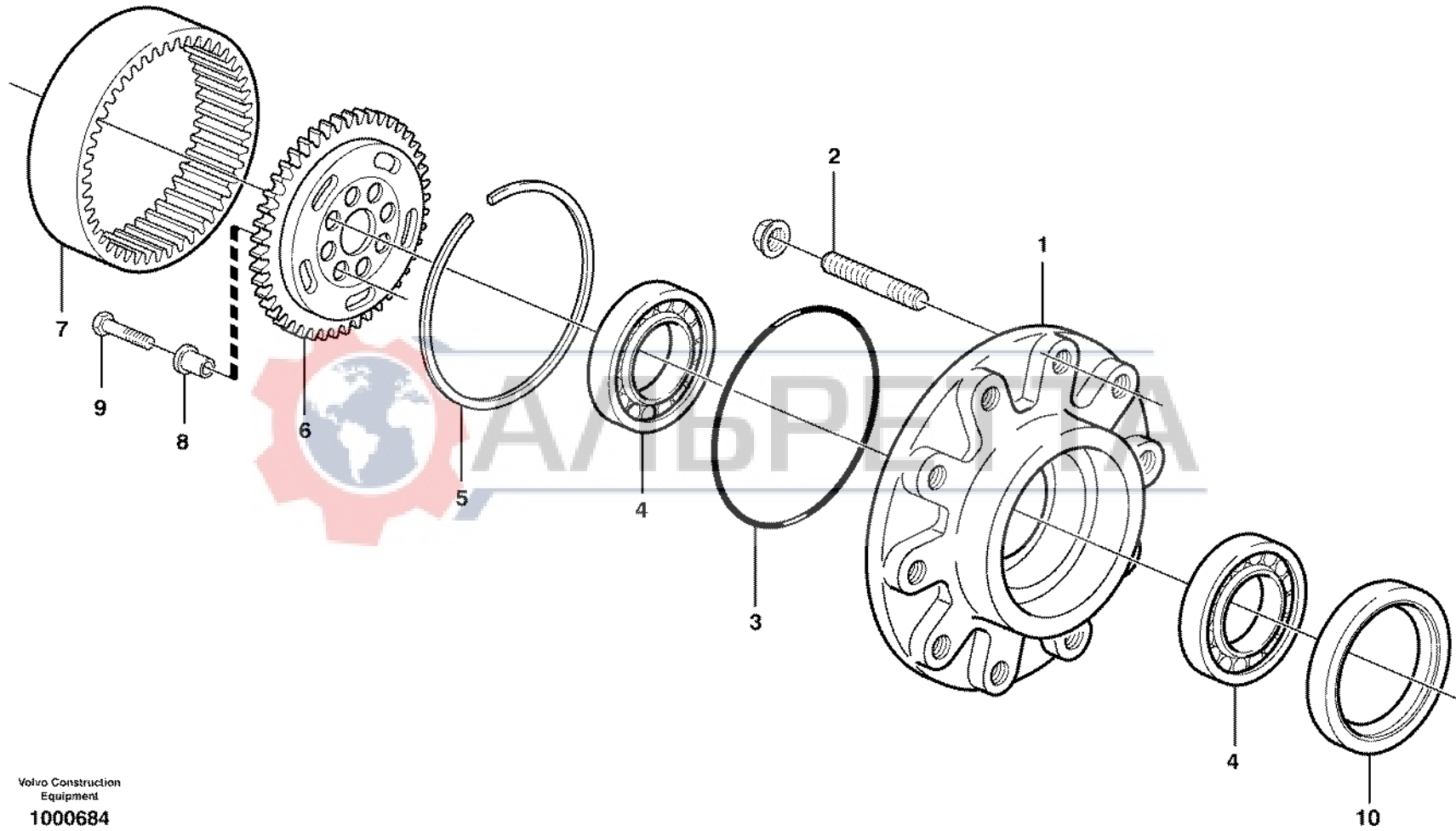
Fig.	Part No.	Quantity			P S	K I T	Description	Dénomination	Bezeichnung	Denominación	Benämning	Notes
		1	2	3								
1	VOE 11716556	1					Diff Pinion Set	Jeu Pign.diffe.	Ausgl Kegsatz	Kit Engran Dif	Diff.drevsats.....	
2	VOE 11716557	2					•Drive Plate	•Plaque Commande ..	•Treibscheibe	•Placa Motriz	•Drivplatta.....	
3	VOE 11709268	3					•Plug	•Bouchon.....	•Stopfen	•Tapon.....	•Plugg.....	
4	VOE 11716558	3					•Pin	•Goupille.....	•Zapfen.....	•Pasador.....	•Tapp.....	
5	VOE 11709306	4					Thrust Washer	Rondelle Butee	Druckscheibe	Arandela Presio.....	Tryckbricka.....	
6	VOE 11716559	2					Shaft.....	Arbre	Welle	Arbol.....	Axel.....	
7	VOE 11716560	1					Spider.....	Croisillon	Kreuzstück	Cruceta.....	Kors.....	
8	VOE 11988598	2					Shaft.....	Arbre	Welle	Arbol.....	Axel.....	
9	VOE 11716561	2					Ring.....	Anneau.....	Ring.....	Anillo	Ring.....	
10	VOE 11709314	2					Bearing.....	Palier.....	Lager.....	Cojinete	Lager.....	
11	VOE 11716562	1					Sleeve.....	Manchon	Muffe	Manguito	Muff.....	
12	VOE 11709308	2					Pin.....	Goupille.....	Stift.....	Pasador.....	Pinne.....	
13	VOE 11709309	4					O-ring.....	Joint Torique	O-Ring.....	Junta torica.....	O-ring.....	
14	VOE 11716563	1					Screw.....	Vis	Schraube.....	Tornillo	Skruv.....	
15	VOE 11716564	10					Diff Housing	Carter différentiel	Differentialgehäuse	Carter diferencial.....	Differentialhus.....	
16	VOE 11716565	1					Cover.....	Capot	Haube.....	Capo.....	Huv.....	
17	VOE 11716566	1					Lock Ring.....	Anneau Verrouillage ..	Schlossring.....	Anillo Segurid	Låsring.....	
18	VOE 11716567	1					Pin.....	Goupille.....	Zapfen.....	Pasador.....	Tapp.....	



1	Differential. Bak Diferencial. Detrás Ausgleichgetriebe. Hinten Différentiel. Arrière Differential. Rear	Catalogue id	Group
2		20017	463
3		Illustr. No	Section
4		1023391	210
5		Issue	Page
		VOE 63D9920017	321

VOLVO

BL60



Volvo Construction
Equipment
1000684

Fig.	Part No.	Quantity			P S	K I T	Description	Dénomination	Bezeichnung	Denominación	Benämning	Notes
		1	2	3								
1	VOE 11988622	2				Wheel Hub	Moyeu de roue	Radnabe.....	Cubo Rueda	Hjulnav.....		
2	VOE 11709357	20				•Stud	•Goujon	•Stiftschraube.....	•Esparrago	•Pinnskruv.....		
3	VOE 11709359	2				O-ring	Joint Torique	O-Ring	Junta torica.....	O-ring.....		
4	VOE 11709360	4				Bearing.....	Palier	Lager	Cojinete	Lager.....		
5	VOE 11709361	2				Lock Ring	Anneau Verrouillage ..	Schlossring.....	Anillo Segurid	Låsring.....		
6	VOE 11709362	2				Drive Gear.....	Pignon.....	Triebrad.....	Pinon	Drivhjul.....		
7	VOE 11988623	2				Crown Wheel	Couronne	Tellerrad	Corona	Kronhjul.....		
8	VOE 11709364	16				Bushing	Bague.....	Buchse	Casquillo	Bussning.....		
9	VOE 11709365	16				Screw	Vis	Schraube.....	Tornillo	Skruv.....		
10	VOE 11988156	2				Seal.....	Joint	Dichtung	Reten.....	Tätning.....		



1		Hjulnav	Catalogue id	Group
2		Cubo de rueda	20017	463
3		Radnabe	Illustr. No	Section
4		Moyeu de roue	1000684	250
5		Wheel hub	Issue	Page
			VOE 63D9920017	323

VOLVO

BL60

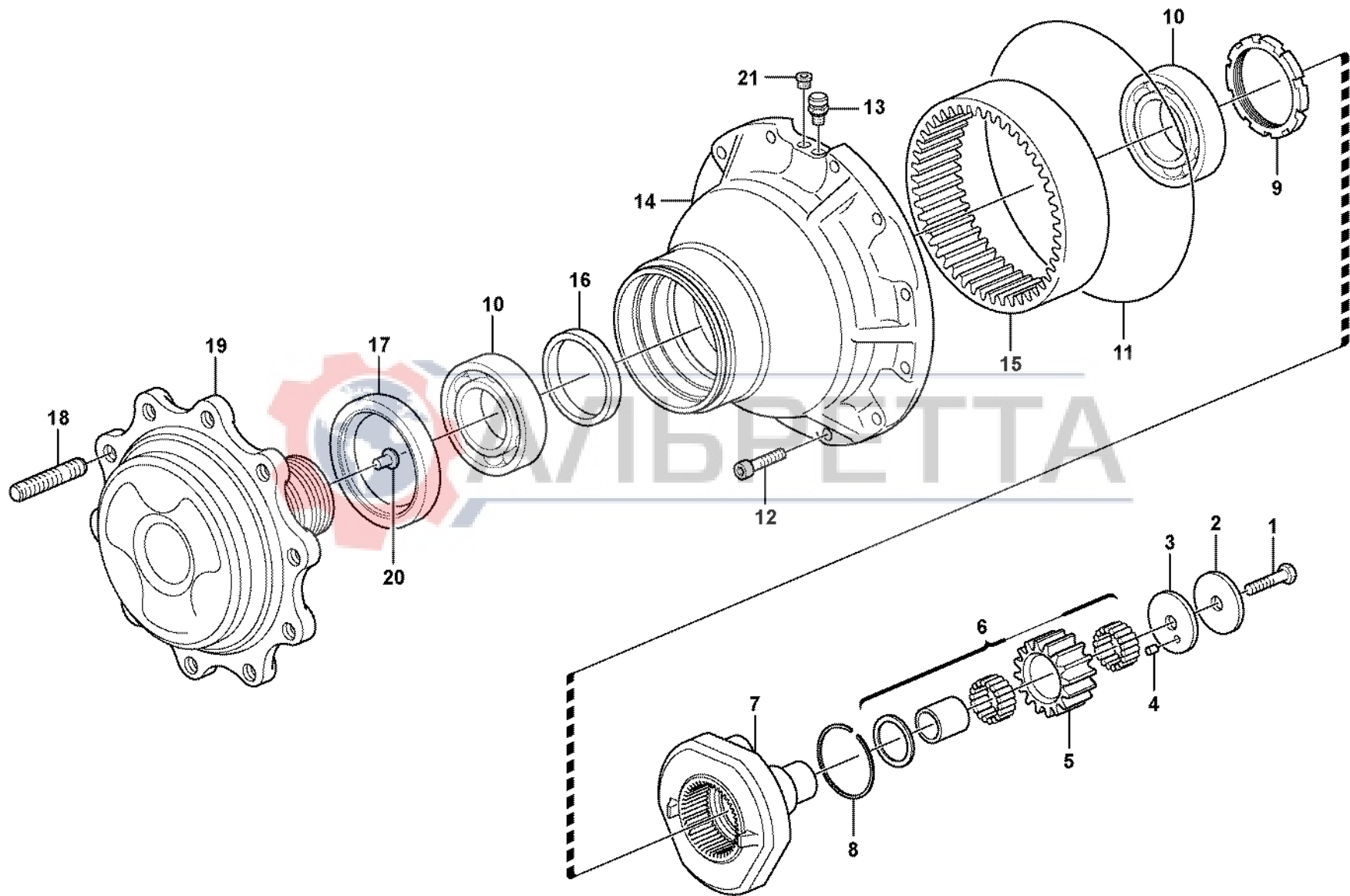


Fig.	Part No.	Quantity			P S	K I T	Description	Dénomination	Bezeichnung	Denominación	Benämning	Notes
		1	2	3								
1	VOE 11709377	6				Screw	Vis	Schraube	Tornillo	Skruv		
2	VOE 11716588	6				Thrust Washer	Rondelle Butee	Druckscheibe	Arandela Presio	Tryckbricka		
3	VOE 11716589	6				Thrust Washer	Rondelle Butee	Druckscheibe	Arandela Presio	Tryckbricka		
4	VOE 11716590	6				Pin	Goupille	Zapfen	Pasador	Tapp		
5	VOE 11716591	6				Drive Gear	Pignon	Triebrad	Pinon	Drivhjul		
6	VOE 11716592	6				Bearing Kit	Jeu Paliers	Lagersatz	Juego Cojinetes	Lagersats		
7	VOE 11716593	2				Planet kit	Jeu planetaire	Planetenradsatz	Kit de planetas	Planetsats		
8	VOE 11716594	2				Lock	Serrure	Schloß	Cierre	Låselement		
9	VOE 11716595	2				Nut	Ecrou	Mutter	Tuerca	Mutter		
10	VOE 11709360	4				Bearing	Palier	Lager	Cojinete	Lager		
11	VOE 11716597	2				O-ring	Joint Torique	O-Ring	Junta torica	O-ring		
12	VOE 11716596	24				Screw	Vis	Schraube	Tornillo	Skruv		
13	VOE 11709350	2				Breather Pipe	Reniflard	Luftungsrohr	Conduct Ventil	Ventilationsrör		
14	VOE 11716610	2				Hub	Bossage	Nabe	Asiento	Nav		
15	VOE 11716599	2				•Gear	•Pignon	•Zahnradgetriebe	•Engranaje	•Kuggdrev		
16	VOE 11716598	2				Spacer	Partie Intermédiaire	Zwischenstück	Espaciador	Mellandel		
17	VOE 11988156	2				Seal	Joint	Dichtung	Reten	Tätning		
18	VOE 11716612	20				Stud	Goujon	Stiftschraube	Esparrago	Pinnskruv		
19	VOE 11716611	2				Flange	Flasque	Flansch	Brida	Fläns		
20	VOE 11716613	2				Pad	Patin	Belag	Pastilla	Pad		
21	VOE 11709075	2				Plug	Bouchon	Stopfen	Tapon	Plugg		

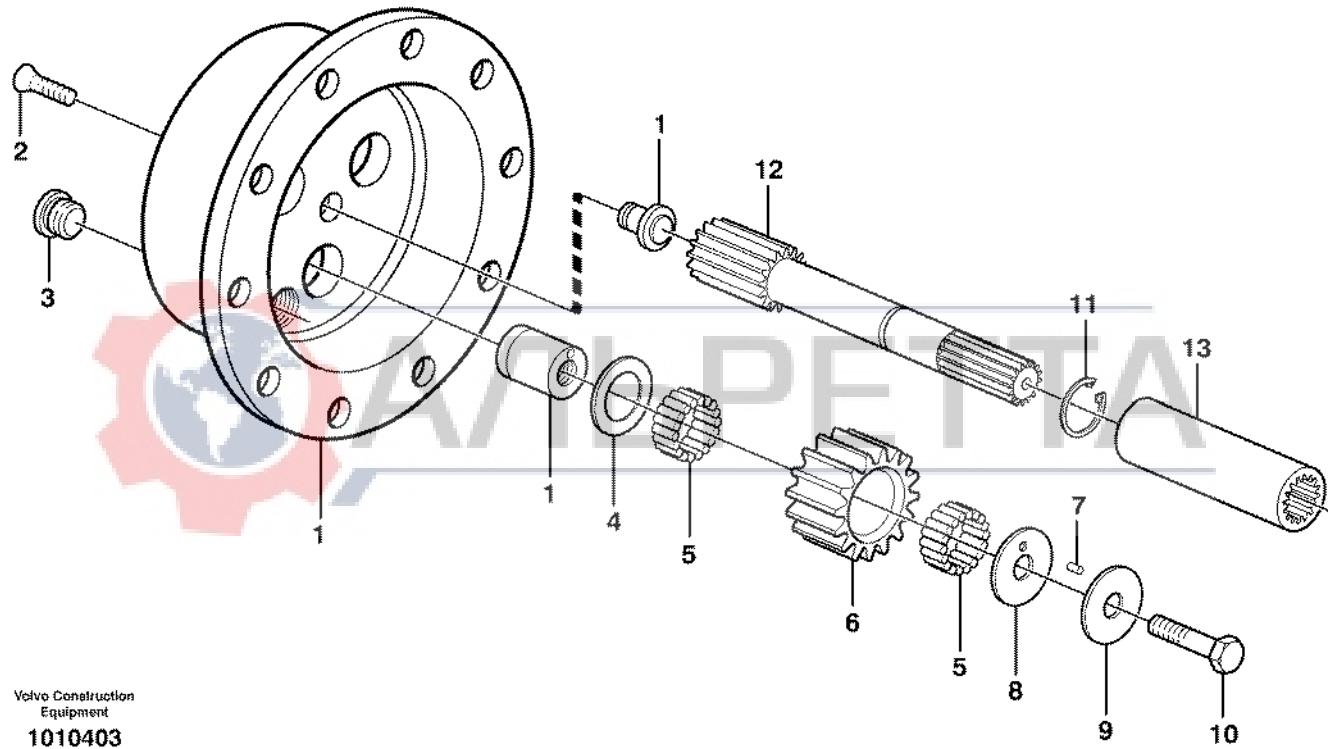


1		Navreduktion, bakaxel Reduccion cubo, eje planeta trasero Nabenvorgelege, Pflanzenwelle, hinten Reducteur moyeu, axe satellite, Ar Hub reduction, rear axle S/N 10939 -	Catalogue id 20017	Group 463
2			Illustr. No 1023393	Section 260
3				Issue VOE 63D9920017
4				
5				

VOLVO

BL60





Volvo Construction
Equipment
1010403

Fig.	Part No.	Quantity			P S	K I T	Description	Dénomination	Bezeichnung	Denominación	Benämning	Notes
		1	2	3								
1	VOE 11988624	2				Planet Gear.....	Planetaire.....	Planetenrad.....	Planetario.....	Planethjul.....		
2	VOE 11709370	4				Screw.....	Vis.....	Schraube.....	Tornillo.....	Skruv.....		
3	VOE 11709057	2				Plug.....	Bouchon.....	Stopfen.....	Tapon.....	Plugg.....		
4	VOE 11988626	6				Thrust Washer.....	Rondelle Butee.....	Druckscheibe.....	Arandela Presio.....	Tryckbricka.....		
5	VOE 11988625	168				Needle Bearing.....	Roule.aiguilles.....	Nadellager.....	Cojinete Agujas.....	Nållager.....	10pcs/Kit	
6	VOE 11988629	6				Drive Gear.....	Pignon.....	Triebrad.....	Pinon.....	Drivhjul.....		
7	VOE 11709374	6				Needle Bearing.....	Roule.aiguilles.....	Nadellager.....	Cojinete Agujas.....	Nållager.....	10pcs/Kit	
8	VOE 11988628	6				Thrust Washer.....	Rondelle Butee.....	Druckscheibe.....	Arandela Presio.....	Tryckbricka.....		
9	VOE 11988627	6				Thrust Washer.....	Rondelle Butee.....	Druckscheibe.....	Arandela Presio.....	Tryckbricka.....		
10	VOE 11709377	6				Screw.....	Vis.....	Schraube.....	Tornillo.....	Skruv.....		
11	VOE 11709378	2				Lock Ring.....	Anneau Verrouillage ..	Schlossring.....	Anillo Segurid.....	Låsring.....		
12	VOE 11988632	2				Shaft.....	Arbre.....	Welle.....	Arbol.....	Axel.....		
13	VOE 11709380	1				Engaging Sleeve.....	Manchon Accoup.....	Kupplungsmuffe.....	Manguito Embrag.....	Kopplingshylsa.....		



1	Planetväxel Engranaje planetario Planetenradgetriebe Réducteur planétaire Planetary gear	Catalogue id	Group
2		20017	463
3		Illustr. No	Section
4		1010403	300
5		Issue	Page
		VOE 63D9920017	327

VOLVO

BL60

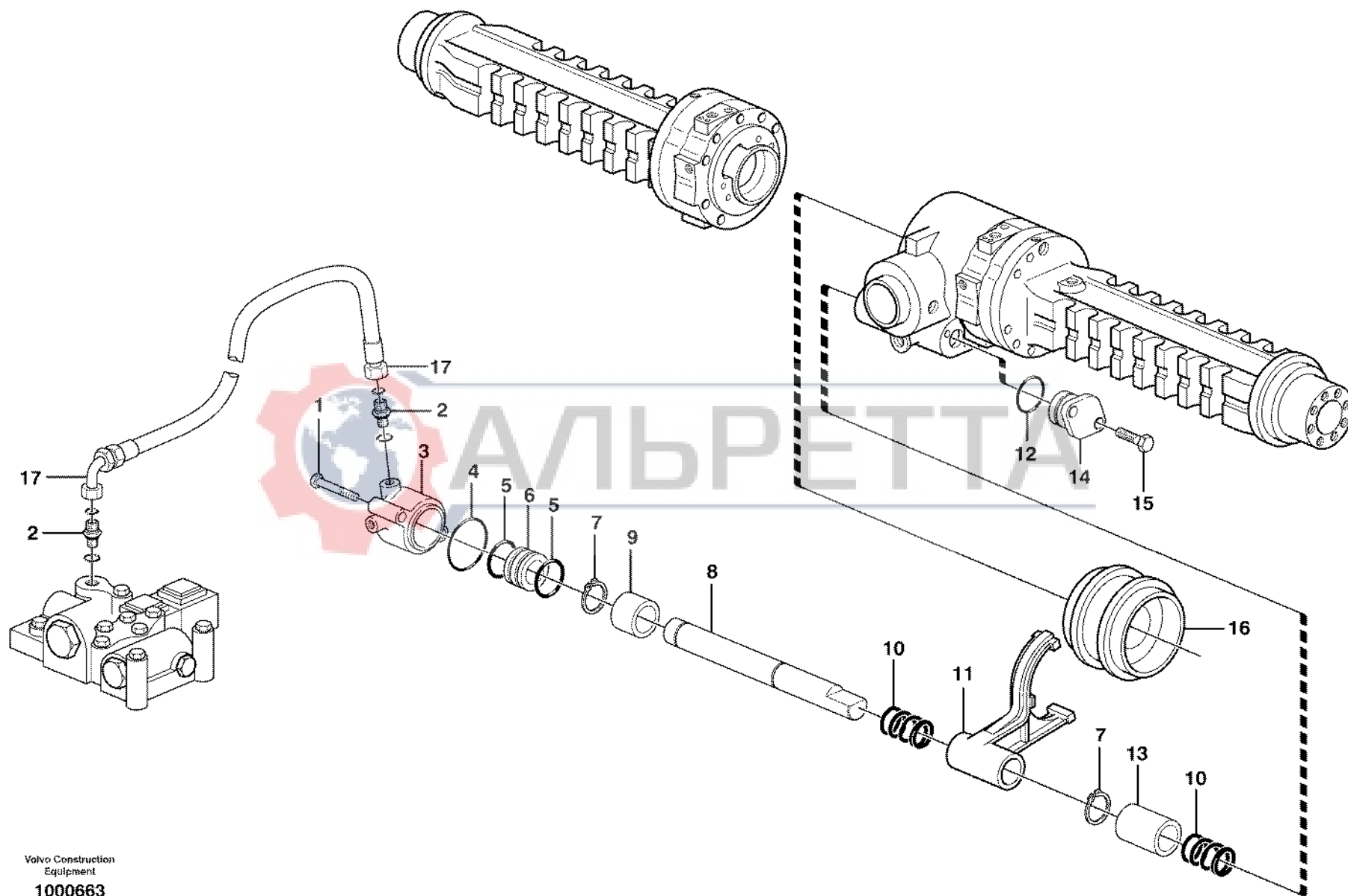


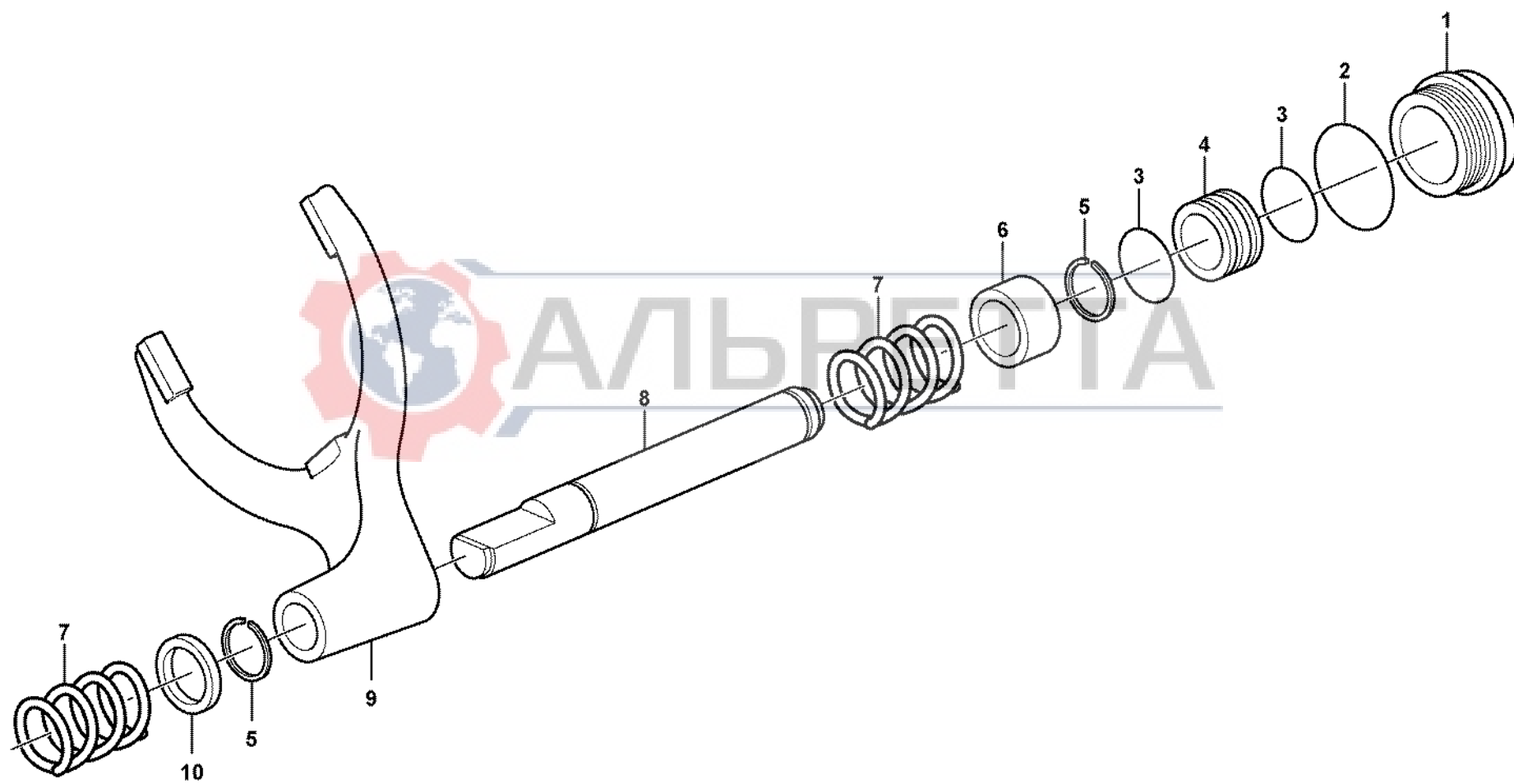
Fig.	Part No.	Quantity			P S	K I T	Description	Dénomination	Bezeichnung	Denominación	Benämning	Notes
		1	2	3								
1	VOE 955306	2				Hexagon screw	Vis tête hexagonale ...	Sechskantschraube....	Tornillo hexago.....	Sexkantsskruv.....		
2	VOE 935085	2				Nipple.....	Raccord.....	Nippel.....	Niple.....	Nippel.....	11880001	
	VOE 4880492	1				•O-ring.....	•Joint Torique	•O-Ring.....	•Junta torica	•O-ring.....	11880001 9,25 X 1,78 MM	
	VOE 932039	1				•O-ring.....	•Joint Torique	•O-Ring.....	•Junta torica	•O-ring.....	11880001 11,89 X 1,78 MM	
3	VOE 11709319	1				Housing.....	Carter.....	Gehäuse.....	Carter.....	Hus.....		
4	VOE 11709320	1				O-ring.....	Joint Torique	O-Ring.....	Junta torica.....	O-ring.....		
5	VOE 11709321	2				O-ring.....	Joint Torique	O-Ring.....	Junta torica.....	O-ring.....		
6	VOE 11709322	1				Piston.....	Piston.....	Kolben.....	Piston.....	Kolv.....		
7	VOE 11709323	2				Lock Ring.....	Anneau Verrouillage ..	Schlossring.....	Anillo Segurid	Låsring.....		
8	VOE 11709324	1				Axle.....	Arbre.....	Welle.....	Eje.....	Axel.....		
9	VOE 11709325	1				Bushing.....	Bague.....	Buchse.....	Casquillo	Bussning.....		
10	VOE 11709326	2				Spring.....	Ressort.....	Feder.....	Muelle.....	Fjäder.....		
11	VOE 11709327	1				Shift Yoke.....	Fourchette.....	Schaltgabel	Horquill Cambio.....	Skiftgaffel.....		
12	VOE 11709328	2				O-ring.....	Joint Torique	O-Ring.....	Junta torica.....	O-ring.....		
13	VOE 11709329	1				Spacer.....	Partie Intermédiaire ..	Zwischenstück.....	Espaciador	Mellandel.....		
14	VOE 11709330	1				Cover.....	Couvercle.....	Deckel.....	Tapa.....	Lock.....		
15	VOE 940142	2				Hexagon screw	Vis tête hexagonale ...	Sechskantschraube....	Tornillo hexago.....	Sexkantsskruv.....		
16	VOE 11885014	1				Sleeve.....	Douille.....	Hülse.....	Manguito	Hylsa.....	See group 463, Page 319	
17	VOE 11885014	1				Hose.....	Durit.....	Schlauch.....	Tubo flexible.....	Slang.....	11880001	



1	Differentialspär Bloqueo del diferencial Ausgleichsperre Blocage différentiel Differential lock	Catalogue id	Group
2		20017	468
3		Illustr. No	Section
4		1000663	100
5		Issue	Page
		VOE 63D9920017	329

VOLVO

BL60



АЛЬФЕТА

Fig.	Part No.	Quantity			P S	K I T	Description	Dénomination	Bezeichnung	Denominación	Benämning	Notes
		1	2	3								
1	VOE 11716578	1				Cover	Capot	Haube.....	Capo.....	Huv.....		
2	VOE 11716572	1				O-ring	Joint Torique	O-Ring.....	Junta torica.....	O-ring.....		
3	VOE 11709321	2				O-ring	Joint Torique	O-Ring.....	Junta torica.....	O-ring.....		
4	VOE 11709322	1				Piston	Piston	Kolben	Piston	Kolv.....		
5	VOE 11716573	2				Lock Ring	Anneau Verrouillage ..	Schlossring.....	Anillo Segurid	Låsring.....		
6	VOE 11716571	1				Bushing	Bague.....	Buchse	Casquillo	Bussning.....		
7	VOE 11709326	2				Spring.....	Ressort.....	Feder.....	Muelle.....	Fjäder.....		
8	VOE 11716570	1				Piston	Piston	Kolben	Piston	Kolv.....		
9	VOE 11716568	1				Shift Yoke.....	Fourchette.....	Schaltgabel	Horquill Cambio.....	Skiftgaffel.....		
10	VOE 11716569	1				Spacer Washer	Rond.entretoise.....	Abstandscheibe.....	Arandela Dist.....	Distansbricka.....		



1	Differentialspär Bloqueo del diferencial Ausgleichsperre Blocage différentiel Differential lock 11887363 S/N 10939 -	Catalogue id	Group
2		20017	468
3		Illustr. No	Section
4		1023401	110
5		Issue	Page
		VOE 63D9920017	331

VOLVO

BL60

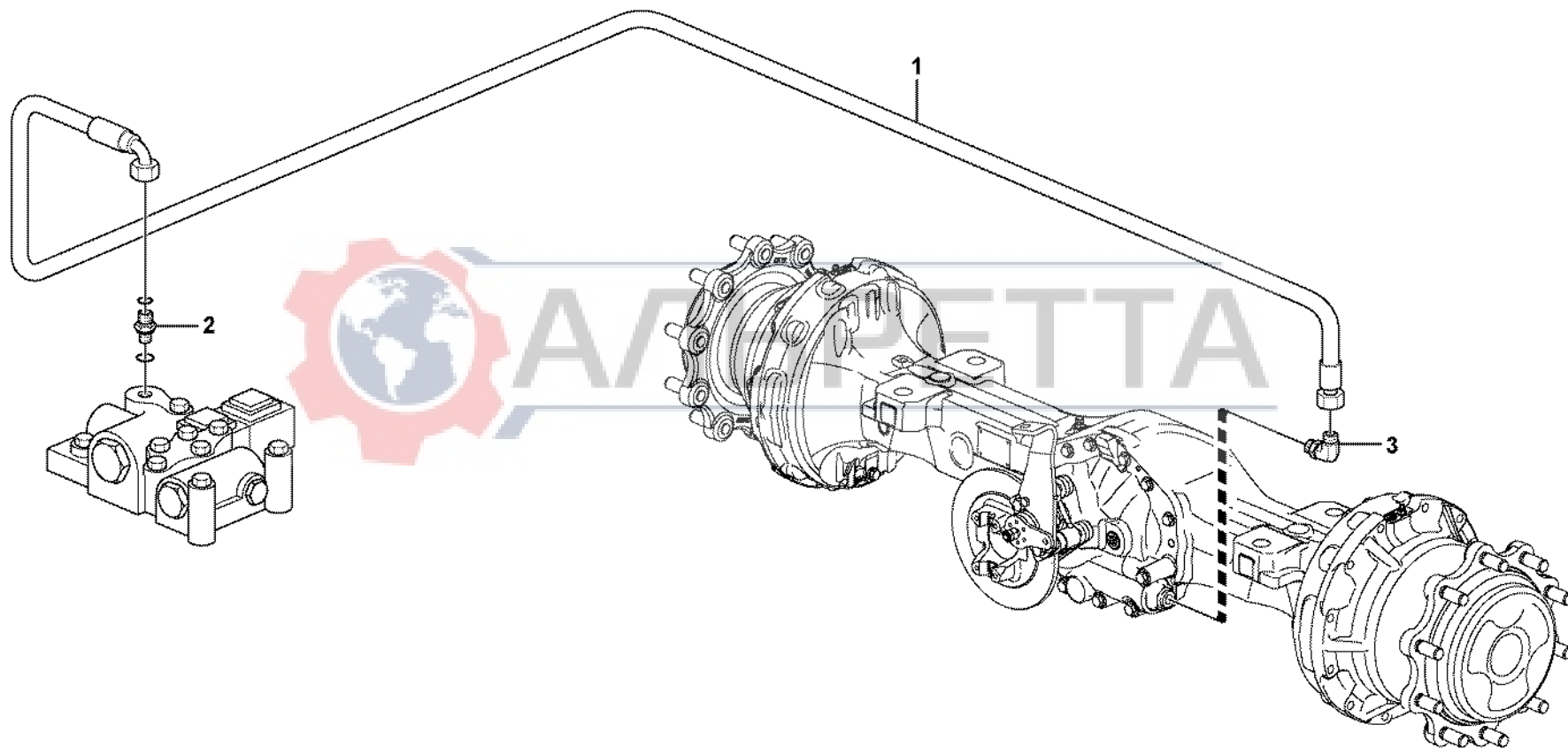


Fig.	Part No.	Quantity			P S	K I T	Description	Dénomination	Bezeichnung	Denominación	Benämning	Notes
		1	2	3								
1	VOE 11888607	1				Hose.....	Durit	Schlauch	Tubo flexible.....	Slang.....	L = 2700 MM	
2	VOE 935085	1				Nipple.....	Raccord.....	Nippel.....	Niple	Nippel.....		
3	VOE 13933857	1				Elbow Nipple.....	Raccord angulaire.....	Winkelnippel.....	Niple Angular.....	V-nippel.....		

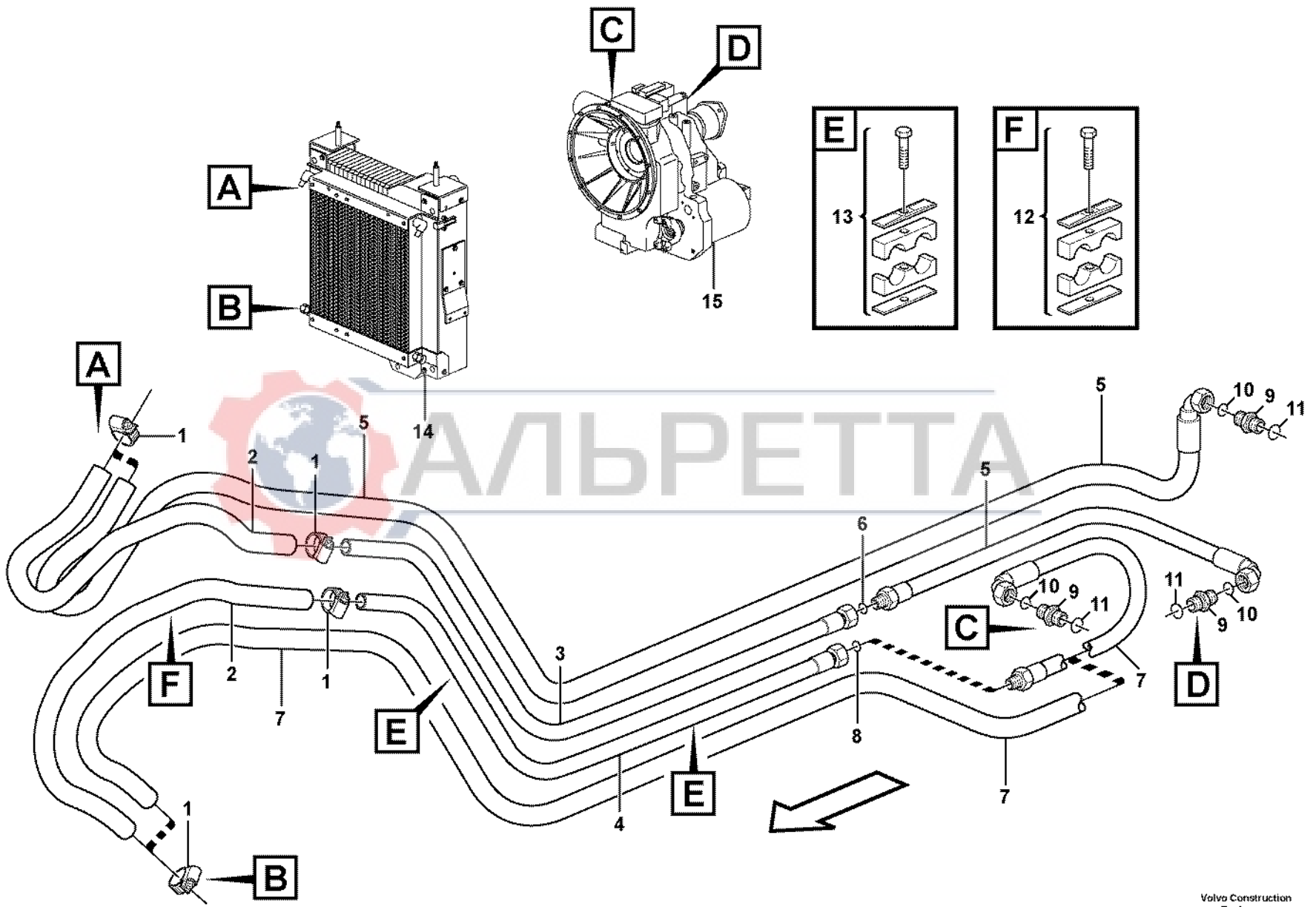


1	Differentialspär Bloqueo del diferencial Ausgleichsperre Blocage différentiel Differential lock 11880001 S/N 10939 -	Catalogue id	Group
2		20017	468
3		Illustr. No	Section
4		1023877	150
5		Issue	Page
		VOE 63D9920017	333

VOLVO

BL60





АЛЬРЕТТА

Fig.	Part No.	Quantity			P S	K I T	Description	Dénomination	Bezeichnung	Denominación	Benämning	Notes
		1	2	3								
1	VOE 943473	4	2	2		Hose Clamp	Collier Serrage	Schlauchschelle	Abraz Manguera.....	Slangklamma.....		
2	VOE 11882743	2				Hose.....	Durit	Schlauch	Tubo flexible.....	Slang.....		
3	VOE 11884818	1				Tube.....	Tube.....	Rohr	Tubo	Rör.....		
4	VOE 11884817	1				Tube.....	Tube.....	Rohr	Tubo	Rör.....		
5	VOE 11884251		1			Hose.....	Flexible.....	Schlauch	Manguera	Slang.....	(VOE 11884976)	
5	VOE 11888469			1		Hose.....	Durit	Schlauch	Tubo flexible.....	Slang.....	L = 2250 MM	
6	VOE 4880663		1			•O-ring.....	•Joint Torique	•O-Ring.....	•Junta torica	•O-ring.....		
7	VOE 11884251		1			Hose.....	Flexible.....	Schlauch	Manguera	Slang.....		
7	VOE 11888469			1		Hose.....	Durit	Schlauch	Tubo flexible.....	Slang.....	L = 2250 MM	
8	VOE 4880663		1			•O-ring.....	•Joint Torique	•O-Ring.....	•Junta torica	•O-ring.....		
9	VOE 935095		2			Nipple.....	Raccord.....	Nippel.....	Niple.....	Nippel.....		
9	VOE 935097			2		Nipple.....	Raccord.....	Nippel.....	Niple.....	Nippel.....		
10	VOE 4880663		2			•O-ring.....	•Joint Torique	•O-Ring.....	•Junta torica	•O-ring.....		
10	VOE 990740			2		•O-ring.....	•Joint Torique	•O-Ring.....	•Junta torica	•O-ring.....		
11	VOE 932041		2	2		•O-ring.....	•Joint Torique	•O-Ring.....	•Junta torica	•O-ring.....		
12	VOE 11885543		1			Clamp.....	Pince Serrage	Klemme	Abrazadera.....	Klämma.....		
13	VOE 11882855		2			Clamp.....	Pince Serrage	Klemme	Abrazadera.....	Klämma.....		
13	VOE 11888715			2		Clamp.....	Pince Serrage	Klemme	Abrazadera.....	Klämma.....		
14			1	1		Radiator	Radiateur	Kühler.....	Radiador.....	Kylare.....	See group 261, Page 109	
15			1	1		Transmission.....	Transmission.....	Getriebe.....	Transmision.....	Transmission.....	See group 421, Page 221	



1	11880001	Oljekylare, transmission Enfriador aceite, transmision Ölkühler, getriebe Radiateur huile, transmission Oil cooler, transmission	Catalogue id	Group
2	11891076, 11891077		20017	491
3	11891076 S/N 10939 -		Illustr. No	Section
4			1023893	100
5			Issue	Page
			VOE 63D9920017	335

VOLVO

BL60



VOLVO

АЛБРЕТТА

Construction Equipment

GROUP	Section	Page	GROUP	Section	Page
510	Brake operation rear	100			343
517	Multi-disc brake, rear	100			345
517	Multi-disc brake, rear S/N 10939 -	110			347
517	Wheel brake, rear S/N - 10938	200			349
517	Wheel brake, rear S/N 10939 -	250			351
525	Dual brake pedals 11294005, 11298189, 11880001	100			353
551	Parking brake S/N 10939 -	150			355
551	Parking brake	250			357



INDEX OF CONTENTS	Catalogue id 20017	Group 500
	Issue VOE 63D9920017	Page 337

VOLVO

BL60



TABLE DES MATIÈRES				Catalogue id		Group	
				20017		500	
				Issue		Page	
				VOE 63D9920017		338	
GROUPE	Section	Page	GROUPE	Section	Page		

510	Commande des freins AR.....	100	343
517	Frein à disques, AR	100	345
517	Frein à disques, AR S/N 10939 -	110	347
517	Frein de roue, Ar S/N - 10938.....	200	349
517	Frein de roue, Ar S/N 10939 -.....	250	351
525	Pédales de frein couplées 11294005, 11298189, 11880001.....	100	353
551	Frein parking S/N 10939 -.....	150	355
551	Frein parking	250	357



GRUPPE	Abschnitt	Seite	GRUPPE	Abschnitt	Seite
510	Bremsbedienung hinten	100			343
517	Lamellenbremse, hinten.....	100			345
517	Lamellenbremse, hinten S/N 10939 -	110			347
517	Radbremse, Hintere S/N - 10938.....	200			349
517	Radbremse, Hintere S/N 10939 -	250			351
525	Doppelte Bremspedale 11294005, 11298189, 11880001	100			353
551	Feststellbremse S/N 10939 -	150			355
551	Feststellbremse.....	250			357



INHALTSVERZEICHNIS	Catalogue id 20017	Group 500
	Issue VOE 63D9920017	Page 339

VOLVO

BL60



INDICE		Catalogue id 20017	Group 500		
		Issue VOE 63D9920017	Page 340		
GRUPO	Sección	Página	GRUPO	Sección	Página

510	Maniobra del freno trasero	100	343
517	Freno de disco, trasero	100	345
517	Freno de disco, trasero S/N 10939 -	110	347
517	Freno rueda, trasero S/N - 10938	200	349
517	Freno rueda, trasero S/N 10939 -	250	351
525	Pedales de freno, dobles 11294005, 11298189, 11880001	100	353
551	Freno estacionamiento S/N 10939 -	150	355
551	Freno estacionamiento	250	357



GRUPP	Avsnitt	Sida	GRUPP	Avsnitt	Sida
510	Bromsmanöverering bak.....	100			343
517	Lamellbroms, bak.....	100			345
517	Lamellbroms, bak S/N 10939 -	110			347
517	Hjulbroms, bakre S/N - 10938.....	200			349
517	Hjulbroms, bakre S/N 10939 -.....	250			351
525	Dubbla bromspedaler 11294005, 11298189, 11880001.....	100			353
551	Parkeringsbroms S/N 10939 -.....	150			355
551	Parkeringsbroms.....	250			357

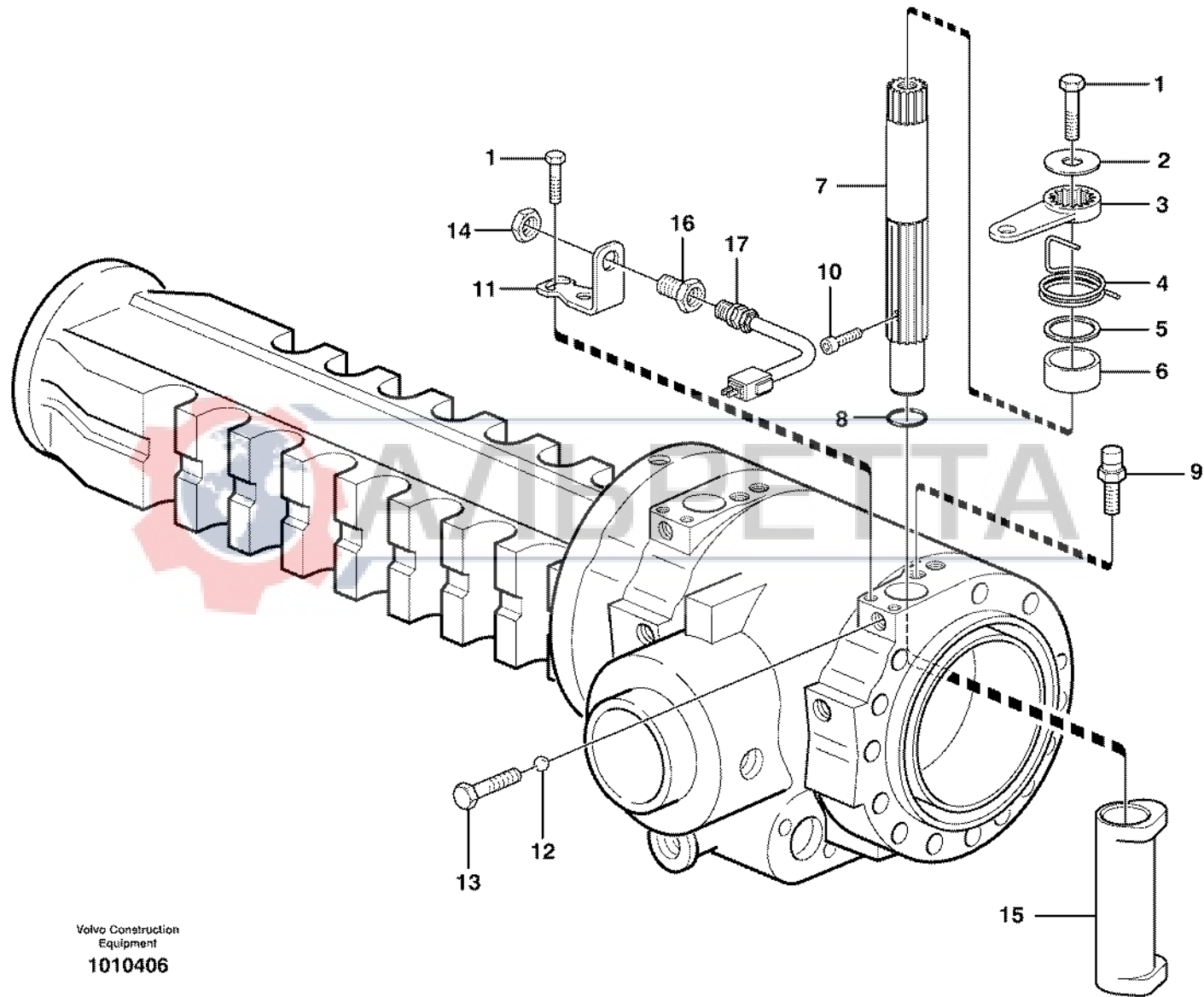


INNEHÅLLSFÖRTECKNING	Catalogue id 20017	Group 500
	Issue VOE 63D9920017	Page 341

VOLVO

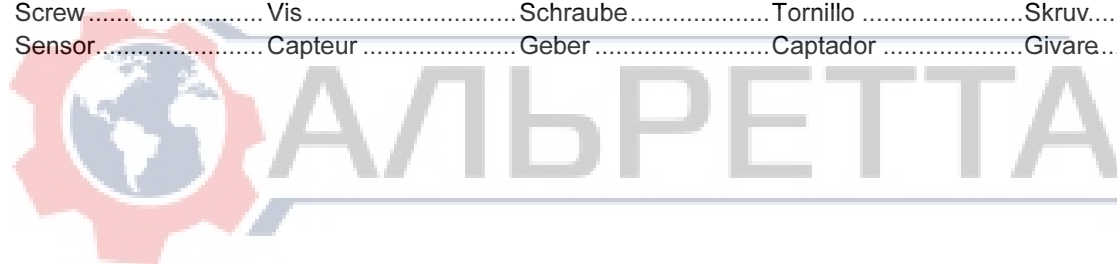
BL60





Volvo Construction
Equipment
1010406

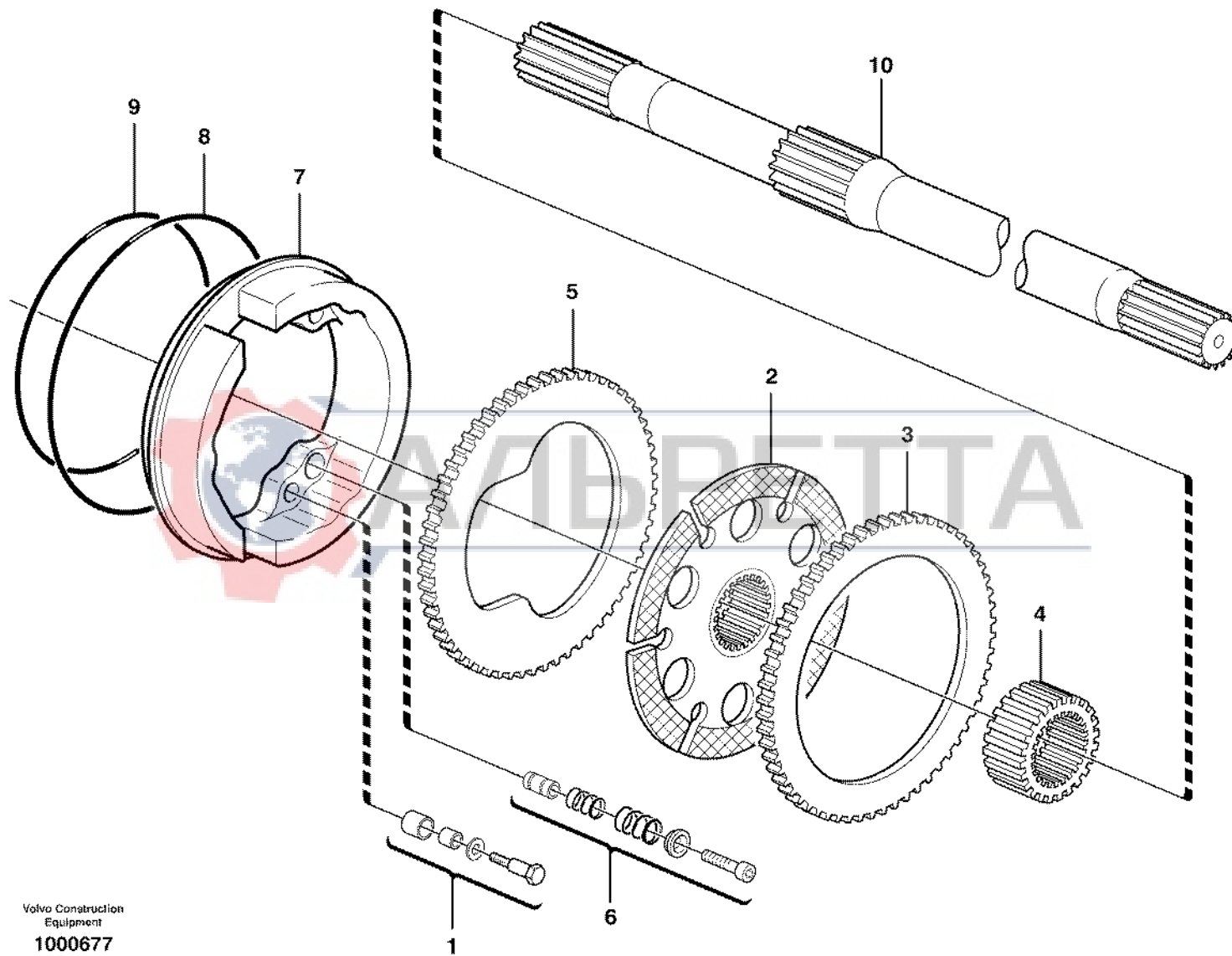
Fig.	Part No.	Quantity			P S	K I T	Description	Dénomination	Bezeichnung	Denominación	Benämning	Notes
		1	2	3								
1	VOE 11709341	6				Screw	Vis	Schraube	Tornillo	Skruv		
2	VOE 11709342	2				Washer	Rondelle	Scheibe	Arandela	Bricka		
3	VOE 11709343	2				Lever	Levier	Hebel	Palanca	Spak		
4	VOE 11709344	1				Spring	Ressort	Feder	Muelle	Fjäder	RH	
	VOE 11709345	1				Spring	Ressort	Feder	Muelle	Fjäder	LH	
5	VOE 11709346	2				Bushing	Bague	Buchse	Casquillo	Bussning		
6	VOE 11709347	2				Spacer sleeve	Douille entretoise	Distanzhülse	Manguito distanciado	Distanshylsa		
7	VOE 11709348	2				Brake Shaft	Arbre Frein	Bremswelle	Eje De Frenos	Bromsaxel		
8	VOE 11709349	2				O-ring	Joint Torique	O-Ring	Junta torica	O-ring		
9	VOE 11709350	2				Breather Pipe	Reniflard	Luftungsrohr	Conduct Ventil	Ventilationsrör		
10	VOE 11709351	2				Screw	Vis	Schraube	Tornillo	Skruv		
11	VOE 11709352	2				Bracket	Console	Konsole	Consola	Konsol		
12	VOE 11709353	2				Ball	Bille	Kugel	Bola	Kula		
13	VOE 11709354	2				Screw	Vis	Schraube	Tornillo	Skruv		
14	VOE 11712796	2				Nut	Ecrou	Mutter	Tuerca	Mutter		
15	VOE 11709356	2				Cam	Came	Nocken	Leva	Kam		
16	VOE 11712797	2				Screw	Vis	Schraube	Tornillo	Skruv		
17	VOE 11712798	2				Sensor	Capteur	Geber	Captador	Givare		



1	Bromsmanöverering bak Maniobra del freno trasero Bremsbedienung hinten Commande des freins AR Brake operation rear	Catalogue id	Group
2		20017	510
3		Illustr. No	Section
4		1010406	100
5		Issue	Page
		VOE 63D9920017	343

VOLVO

BL60



Volvo Construction
Equipment
1000677

Fig.	Part No.	Quantity			P S	K I T	Description	Dénomination	Bezeichnung	Denominación	Benämning	Notes
		1	2	3								
1	VOE 11709331	2				Adj Device.....	Disposi.reglage	Nachst Vorrhg	Disposit Ajuste	Justeranordning.....		
2	VOE 11709332	6				Brake Plate	Plaque Frein.....	Bremsplatte	Placa De Freno	Bromsplatta.....		
3	VOE 11709333	6				Drive Plate	Plaque Commande	Treibscheibe.....	Placa Motriz	Drivplatta.....		
4	VOE 11709334	2				Hub	Bossage	Nabe.....	Asiento	Nav.....		
5	VOE 11709335	2				Drive Plate	Plaque Commande	Treibscheibe.....	Placa Motriz	Drivplatta.....		
6	VOE 11709336	2				Adj Device.....	Disposi.reglage	Nachst Vorrhg	Disposit Ajuste	Justeranordning.....		
7	VOE 11709337	2				Brake Piston.....	Piston Frein.....	Bremskolben	Piston Frenos	Bromskolv.....		
8	VOE 11709338	2				Sealing ring	Bague d'étanchéité	Runddichtring	Anillo reten	Tätningring.....		
9	VOE 11709339	2				Sealing ring	Bague d'étanchéité	Runddichtring	Anillo reten	Tätningring.....		
10	VOE 11712789	2				Shaft.....	Arbre	Welle	Arbol.....	Axel.....		



1		Lamellbroms, bak Freno de disco, trasero Lamellenbremse, hinten Frein à disques, AR Multi-disc brake, rear	Catalogue id	Group
2			20017	517
3			Illustr. No	Section
4			1000677	100
5			Issue	Page
			VOE 63D9920017	345

VOLVO

BL60



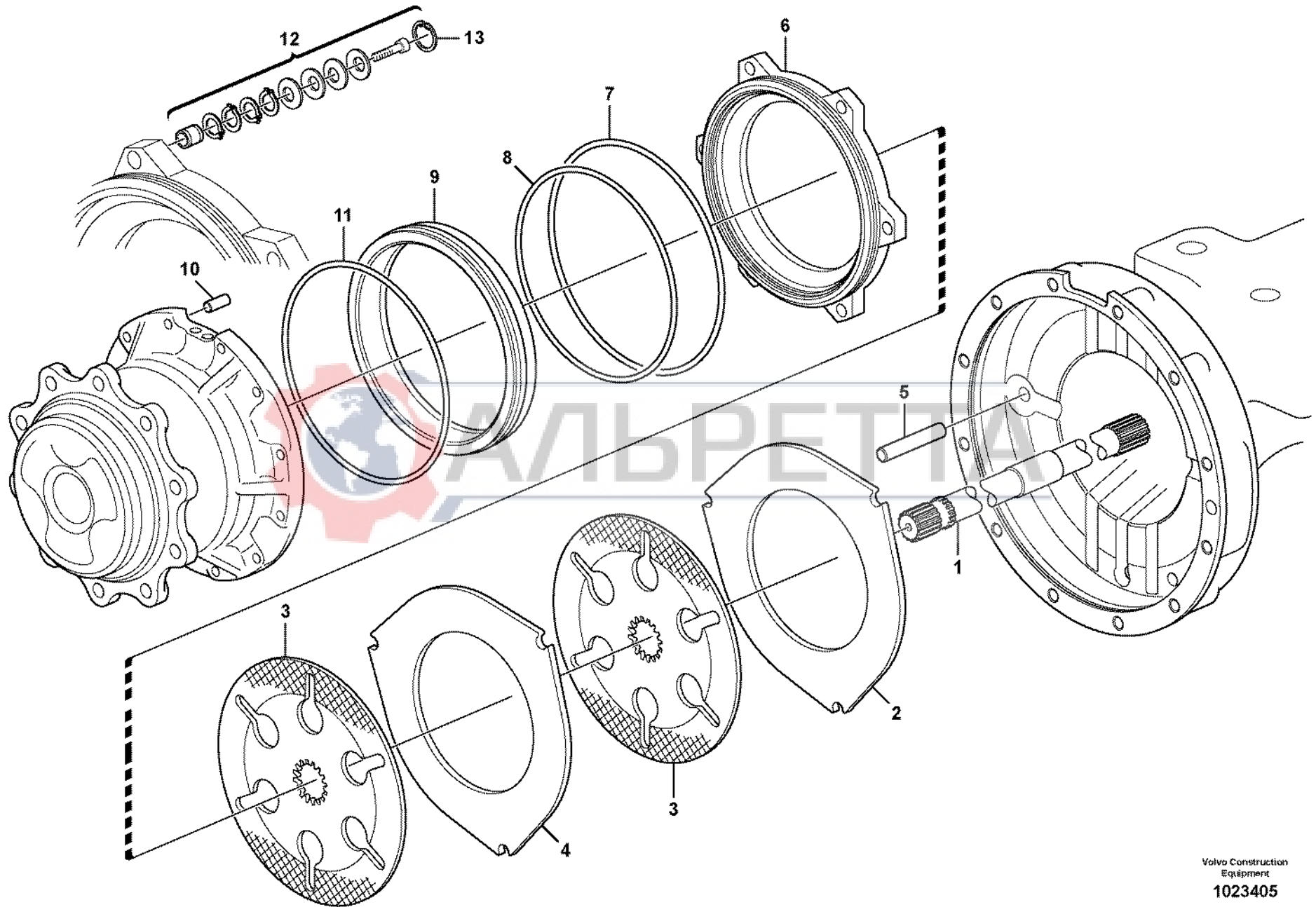


Fig.	Part No.	Quantity			P S	K I T	Description	Dénomination	Bezeichnung	Denominación	Benämning	Notes
		1	2	3								
1	VOE 11716574	1				Shaft.....	Arbre	Welle	Arbol.....	Axel.....	LH	
1	VOE 11716575	1				Shaft.....	Arbre	Welle	Arbol.....	Axel.....	RH	
2	VOE 11716580	2				Drive Plate	Plaque Commande	Treibscheibe.....	Placa Motriz	Drivplatta.....		
3	VOE 11716579	4				Brake Plate	Plaque Frein.....	Bremsplatte	Placa De Freno	Bromsplatta.....		
4	VOE 11716581	2				Drive Plate	Plaque Commande	Treibscheibe.....	Placa Motriz	Drivplatta.....		
5	VOE 11716582	6				Pin.....	Goupille.....	Zapfen	Pasador.....	Tapp.....		
6	VOE 11716583	2				Brake Piston.....	Piston Frein.....	Bremskolben	Piston Frenos	Bromskolv.....		
7	VOE 11716585	2				O-ring	Joint Torique	O-Ring	Junta torica.....	O-ring.....		
8	VOE 11716586	2				O-ring	Joint Torique	O-Ring	Junta torica.....	O-ring.....		
9	VOE 11716584	2				Brake Piston.....	Piston Frein.....	Bremskolben	Piston Frenos	Bromskolv.....		
10	VOE 11709413	2				Pin.....	Goupille.....	Stift	Pasador.....	Pinne.....		
11	VOE 11716587	2				O-ring	Joint Torique	O-Ring	Junta torica.....	O-ring.....		
12	VOE 11716577	6				Adjusting device.....	Dispositif reglage	Nachstellvorrichtung.....	Dispositivo de ajuste	Justeranordnung.....		
13	VOE 11716576	6				Lock	Serrure	Schloß	Cierre	Låselement.....		



1		Lamellbroms, bak Freno de disco, trasero Lamellenbremse, hinten Frein à disques, AR Multi-disc brake, rear S/N 10939 -	Catalogue id	Group
2			20017	517
3			Illustr. No	Section
4			1023405	110
5			Issue	Page
			VOE 63D9920017	347

VOLVO

BL60



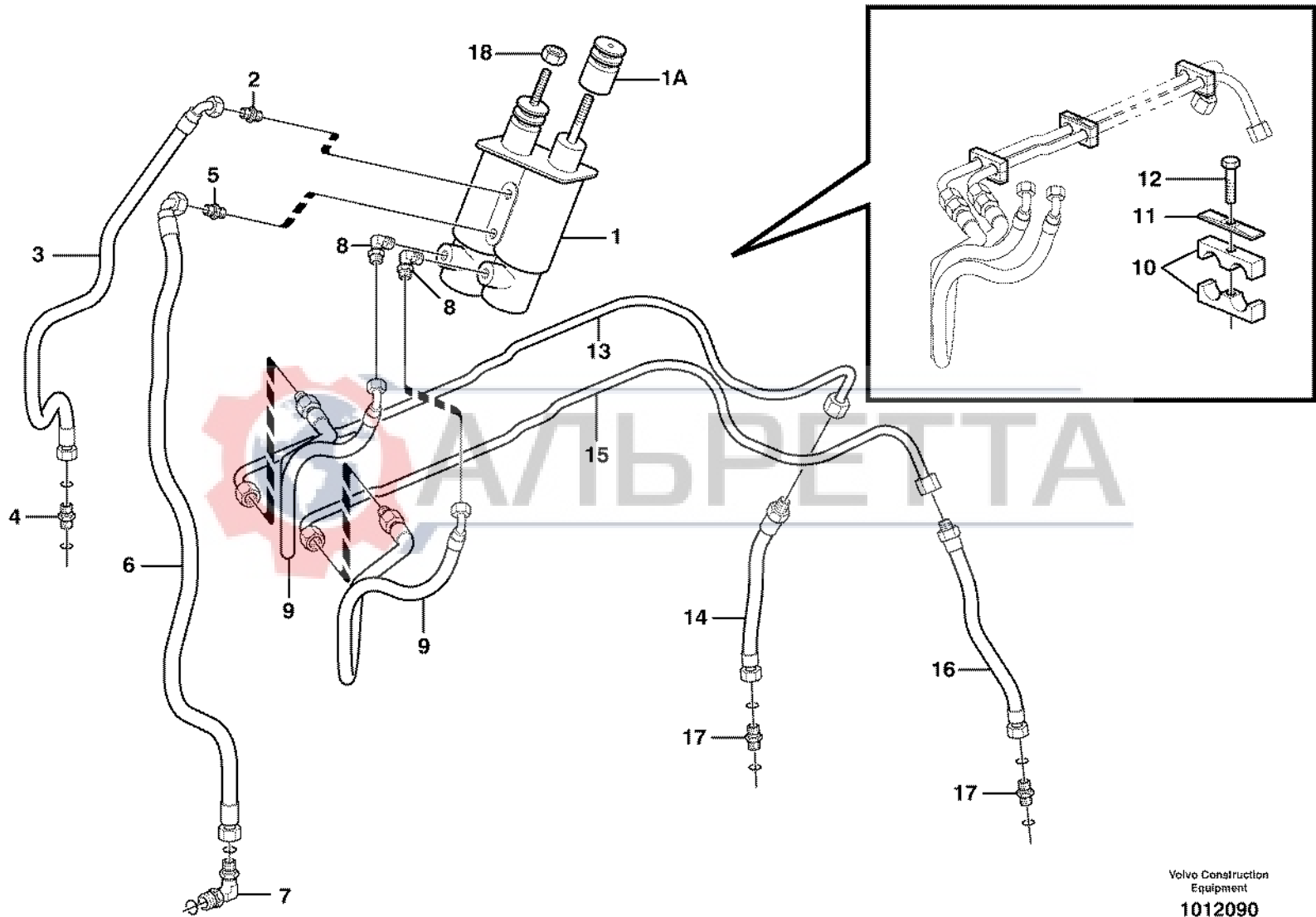


Fig.	Part No.	Quantity			P S	K I T	Description	Dénomination	Bezeichnung	Denominación	Benämning	Notes
		1	2	3								
1	VOE 11886053	1				SS	Brake Servo	Servofrein	Bremsservo	Servofreno	Bromsservo	
1A	VOE 11709901	2					Dust Cover	Pare-poussiere	Staubschutz	Prot Polvo	Dammskydd	
2	VOE 11883022	1					Connector	Raccord	Anschluss	Union	Anslutning	
3	VOE 11882741	1					Hose	Durit	Schlauch	Tubo flexible	Slang	
4	VOE 935085	1					Nipple	Raccord	Nippel	Niple	Nippel	See group 420, Page 209
	VOE 932039	1					•O-ring	•Joint Torique	•O-Ring	•Junta torica	•O-ring	
	VOE 4880492	1					•O-ring	•Joint Torique	•O-Ring	•Junta torica	•O-ring	
5	VOE 11883021	1					Connector	Raccord	Anschluss	Union	Anslutning	
6	VOE 11883764		1				Hose	Durit	Schlauch	Tubo flexible	Slang	
6	VOE 11882192			1		1	Hose assembly	Conduit flexible	Schlauchleitung	Conducto	Slangledning	
7		1					Connector	Raccord	Anschluss	Union	Anslutning	See group 420, Page 209
8	VOE 11883020	2					Elbow	Coude	Winkelstueck	Tubo acodado	Vinkel	
9	VOE 11883019	2					Hose	Durit	Schlauch	Tubo flexible	Slang	
10	VOE 11883048	4					Clamp	Pince Serrage	Klemme	Abrazadera	Klämna	
11	VOE 11883049	2					Plate	Plaque	Platte	Placa	Platta	
12	VOE 963196	2					Hexagon screw	Vis tête hexagonale	Sechskantschraube	Tornillo hexago	Sexkantsskruv	
13	VOE 11882992	1					Pipe	Canalisation	Rohrleitung	Canalización	Rör	RH
14	VOE 11883018	1					Hose	Durit	Schlauch	Tubo flexible	Slang	
15	VOE 11882993	1					Pipe	Canalisation	Rohrleitung	Canalización	Rör	LH
16	VOE 11883018	1					Hose	Durit	Schlauch	Tubo flexible	Slang	
17		2					Nipple	Raccord	Nippel	Niple	Nippel	See group 463, Page 311
18	VOE 13971068	2					Hexagon Nut	Ecrou Hexagonal	Sechskantmutter	Tuerca Hexagon	Sexkantsmutter	

1	11880001	Hjulbroms, bakre Freno rueda, trasero Radbremse, Hintere Frein de roue, Ar Wheel brake, rear S/N - 10938	Catalogue id	Group
2	11891077		20017	517
3	11891076		Illustr. No	Section
4			1012090	200
5			Issue	Page
			VOE 63D9920017	349

VOLVO

BL60

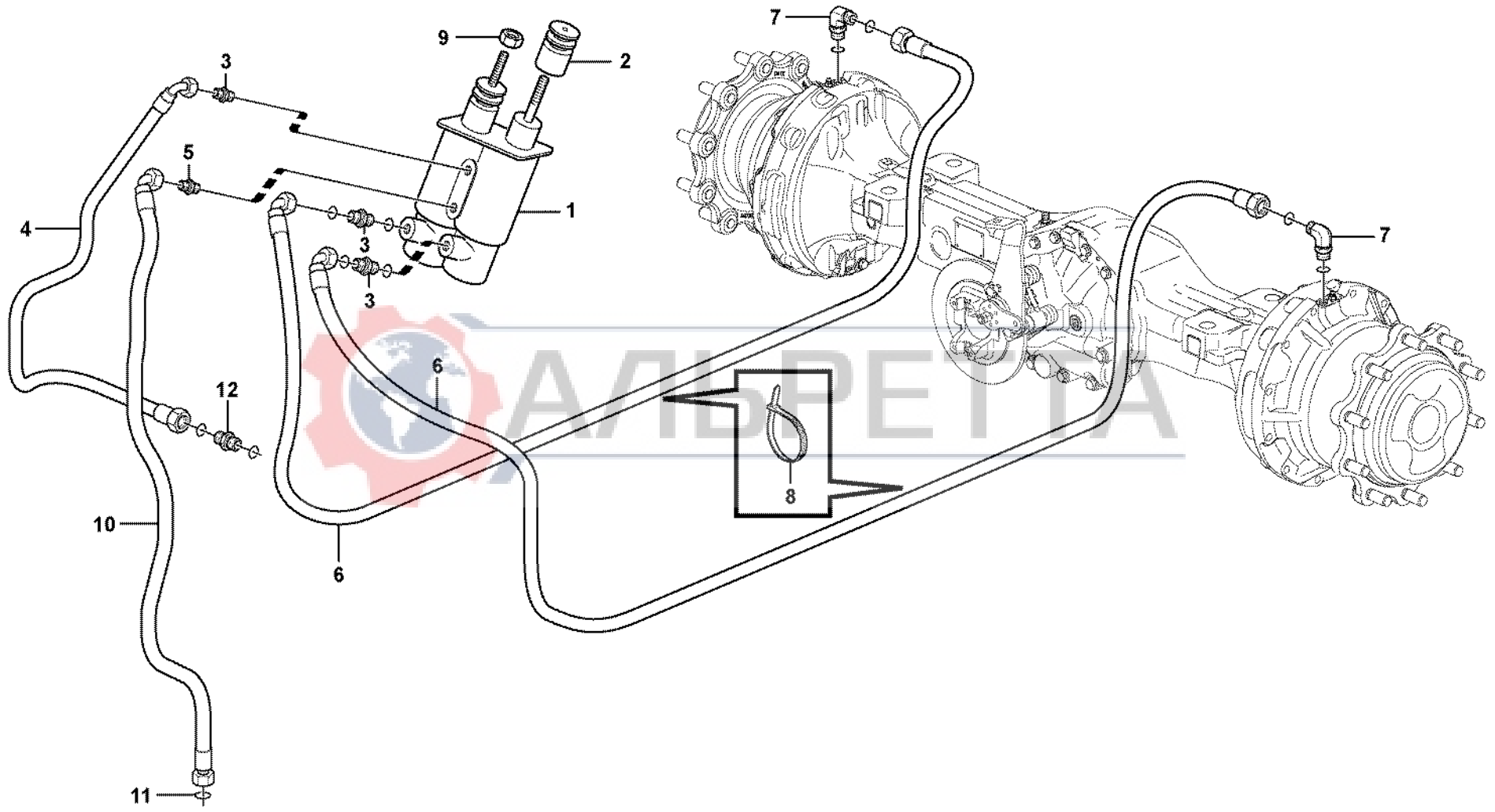
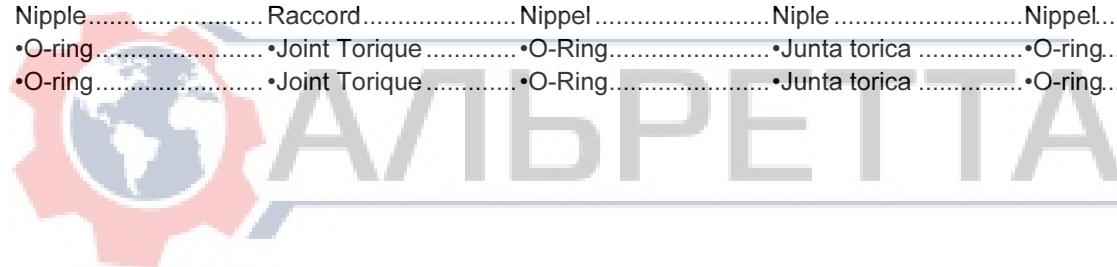


Fig.	Part No.	Quantity			P S	K I T	Description	Dénomination	Bezeichnung	Denominación	Benämning	Notes
		1	2	3								
1	VOE 11886865	1				Brake Servo	Servofrein	Bremsservo	Servofreno	Bromsservo		
2	VOE 11709901	2				Dust Cover	Pare-poussiere	Staubschutz	Prot Polvo	Dammskydd		
3	VOE 11883022	3				Connector	Raccord	Anschluss	Union	Anslutning		
	VOE 968207	3				•O-ring	•Joint Torique	•O-Ring	•Junta torica	•O-ring		
	VOE 990737	3				•O-ring	•Joint Torique	•O-Ring	•Junta torica	•O-ring		
4	VOE 11888671	1				Hose	Durit	Schlauch	Tubo flexible	Slang		
5	VOE 11883021	1				Connector	Raccord	Anschluss	Union	Anslutning		
6	VOE 11888669	2				Hose	Durit	Schlauch	Tubo flexible	Slang		
7	VOE 13933857	2				Elbow Nipple	Raccord angulaire	Winkelnippel	Niple Angular	V-nippel		
	VOE 990739	2				•O-ring	•Joint Torique	•O-Ring	•Junta torica	•O-ring		
	VOE 932039	2				•O-ring	•Joint Torique	•O-Ring	•Junta torica	•O-ring		
8	VOE 4821292	8				Strip Clamp	Ruban Serrage	Kabelbinder	Abraz Cinta	Bandklamma		
9	VOE 13971068	2				Hexagon Nut	Ecrou Hexagonal	Sechskantmutter	Tuerca Hexagon	Sexkantmutter		
10	VOE 11883764		1			Hose	Durit	Schlauch	Tubo flexible	Slang		
10	VOE 11882192			1		Hose assembly	Conduit flexible	Schlauchleitung	Conducto	Slangledning	See group 421, Page 225	
11	VOE 990737	1				O-ring	Joint Torique	O-Ring	Junta torica	O-ring		
12	VOE 935085	1				Nipple	Raccord	Nippel	Niple	Nippel	See group 420, Page 209	
	VOE 932039	1				•O-ring	•Joint Torique	•O-Ring	•Junta torica	•O-ring		
	VOE 990737	1				•O-ring	•Joint Torique	•O-Ring	•Junta torica	•O-ring		



1	11880001	Hjulbroms, bakre Freno rueda, trasero Radbremse, Hintere Frein de roue, Ar Wheel brake, rear S/N 10939 -	Catalogue id	Group
2	11891077		20017	517
3	11891076		Illustr. No	Section
4			1025978	250
5			Issue	Page
			VOE 63D9920017	351

VOLVO

BL60

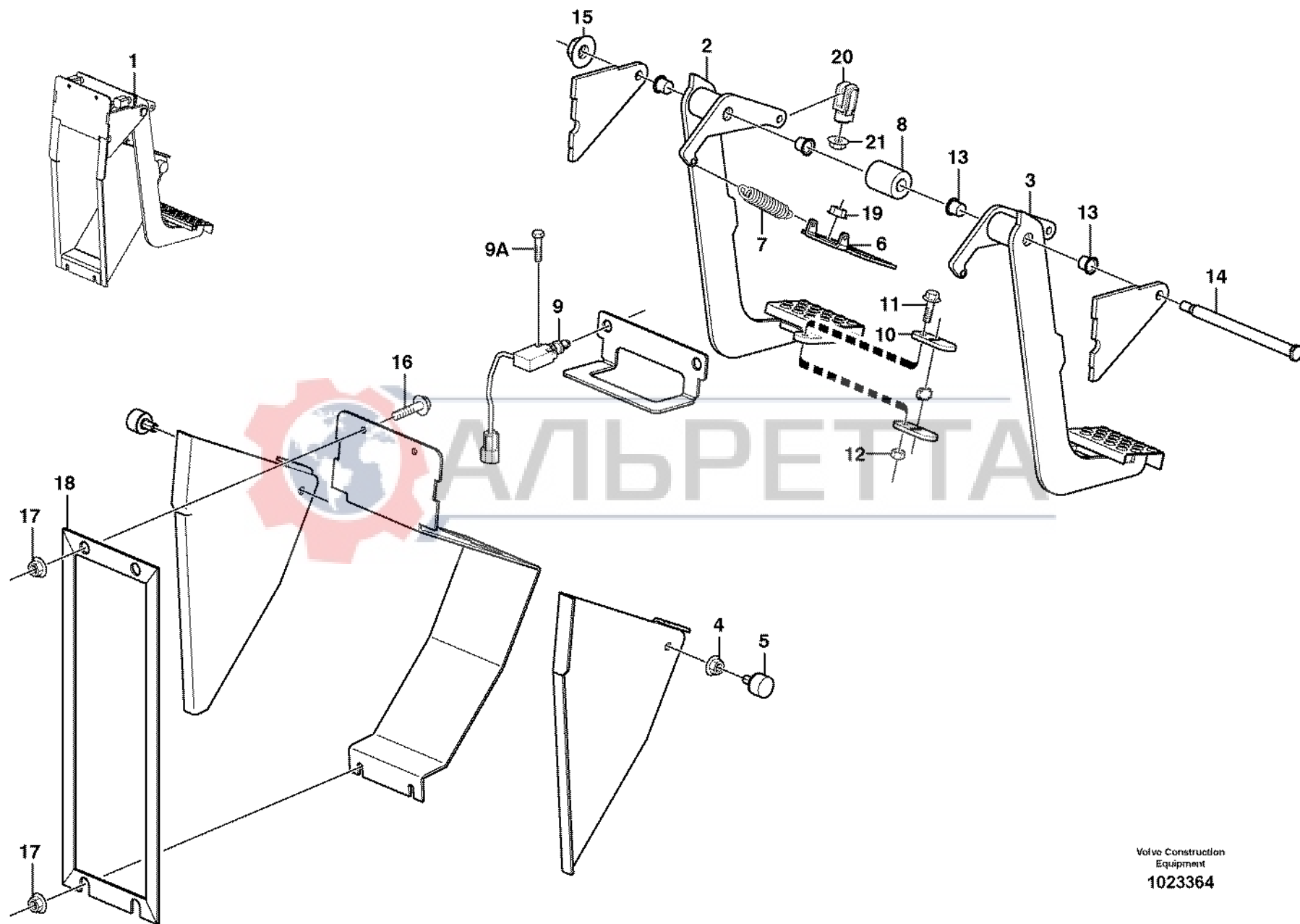


Fig.	Part No.	Quantity			P S	K I T	Description	Dénomination	Bezeichnung	Denominación	Benämning	Notes
		1	2	3								
		1			NS	Brake Unit	Ensemble Frein	Bremsanordnung	Unidad Freno	Bromsenhet		
1		1			NS	•Box	•Boîte	•Kasten	•Caja	•Låda		
2	VOE 11200877	1				•Brake Pedal	•Pedale Frein	•Bremspedal	•Pedal Frenos	•Bromspedal	RH	
3	VOE 11200878	1				•Brake Pedal	•Pedale Frein	•Bremspedal	•Pedal Frenos	•Bromspedal	LH	
4	VOE 981256	2				•Rivet Nut	•Ecrou Rivet	•Nietmutter	•Tuerca Remache	•Nitmutter		
5	VOE 11200579	2				•Absorber	•Amortisseur	•Dämpfer	•Amortiguador	•Dämpare		
6		1			NS	•Plate	•Tôle	•Blech	•Chapa	•Plåt		
7	VOE 11200429	2				•Tension Spring	•Ressort de traction	•Zugfeder	•Muelle traccion	•Dragfjäder		
8		1			NS	•Sleeve	•Douille	•Hülse	•Manguito	•Hylsa		
9	VOE 11887707	2				•Switch	•Commutateur	•Schalter	•Contactor	•Strömställare	X61, X62	
9	VOE 11888817	2				Switch	Commutateur	Schalter	Contactor	Strömställare	11891209, 11891224 S/N 10939 -	
9A	VOE 969147	2				•Screw	•Vis	•Schraube	•Tornillo	•Skruv		
10	VOE 11200511	1				•Lock Arm	•Bras Verrouill.	•Sperrhebel	•Brazo Bloqueo	•Låsarm		
11	VOE 13946670	1				•Flange screw	•Vis à bride	•Flanschschraube	•Torn embridado	•Flänsskruv		
12	VOE 948645	1				•Flange Lock Nut	•Contre écrou bride	•Flanschmutter	•Contratuer Embr	•Flänslåsmutter		
13	VOE 11200610	4				•Flange Bearing	•Palier Bride	•Flanschlager	•Cojinete Brida	•Flänslager		
14	VOE 11149686	1				•Pedal Shaft	•Axe Pedale	•Pedalachse	•Eje Pedal	•Pedalaxel		
15	VOE 971099	1				•Flange Lock Nut	•Contre écrou bride	•Flanschmutter	•Contratuer Embr	•Flänslåsmutter	(VOE 13971099)	
16	VOE 13945444	3				Flange screw	Vis à bride	Flanschschraube	Torn embridado	Flänsskruv		
17	VOE 981256	3				Rivet Nut	Ecrou Rivet	Nietmutter	Tuerca Remache	Nitmutter		
18	VOE 11202448	1				Gasket	Joint	Dichtung	Junta	Packning		
19	VOE 948645	4				Flange Lock Nut	Contre écrou bride	Flanschmutter	Contratuer Embr	Flänslåsmutter		
20	VOE 11200397	2				Link	Articulation	Gelenk	Articulacion	Länk		
21	VOE 983304	2				Hexagon Nut	Ecrou Hexagonal	Sechskantmutter	Tuerca Hexagon	Sexkantmutter		

1		Dubbla bromspedaler Pedales de freno, dobles Doppelte Bremspedale Pédales de frein couplées Dual brake pedals	Catalogue id	Group
2			20017	525
3			Illustr. No	Section
4			1023364	100
5			Issue	Page
			VOE 63D9920017	353
			11294005, 11298189, 11880001	

VOLVO

BL60

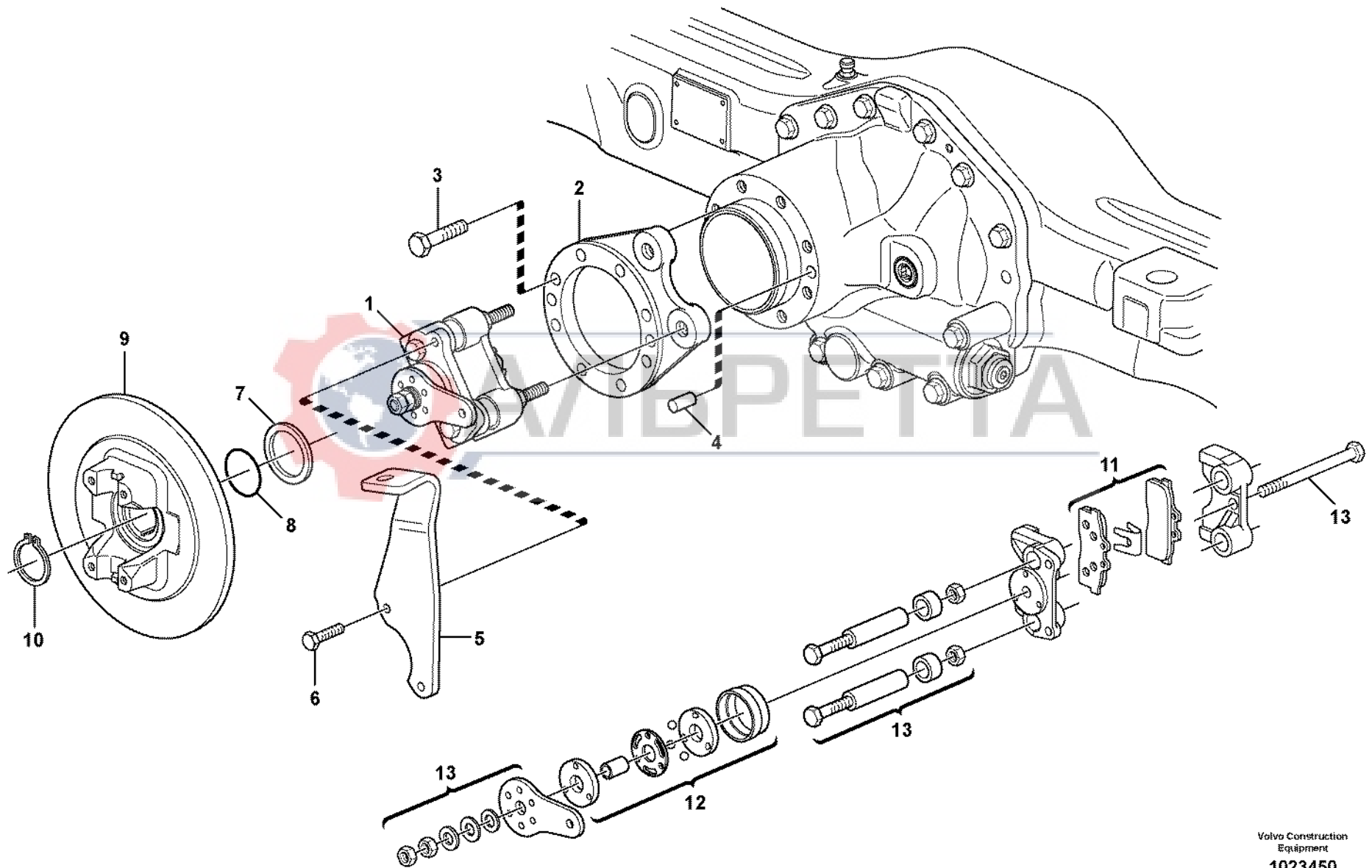


Fig.	Part No.	Quantity			P S	K I T	Description	Dénomination	Bezeichnung	Denominación	Benämning	Notes
		1	2	3								
1	VOE 11716606	1				Brake Disc.....	Disque Frein.....	Bremsscheibe	Disco De Freno	Bromsskiva.....		
2	VOE 11709300	1				Lock Ring.....	Anneau Verrouillage ..	Schlossring.....	Anillo Segurid	Låsring.....		
3	VOE 11709303	1				O-ring.....	Joint Torique	O-Ring.....	Junta torica.....	O-ring.....		
4	VOE 11709304	1				Washer.....	Rondelle	Scheibe	Arandela.....	Bricka.....		
5	VOE 11716602	8				Screw.....	Vis	Schraube.....	Tornillo	Skruv.....		
6	VOE 11716601	1				Anchorage.....	Fixation	Halterung.....	Fijacion.....	Fäste.....		
7	VOE 11716603	2				Pin.....	Goupille.....	Zapfen.....	Pasador.....	Tapp.....		
8	VOE 11716604	1				Bracket.....	Console.....	Konsole	Ménsula.....	Konsol.....		
9	VOE 11716605	2				Screw.....	Vis	Schraube.....	Tornillo	Skruv.....		
10	VOE 11716600	1				Brake Caliper	Etrier Frein	Bremssattel	Mordaza	Bromsok.....		
11	VOE 11716655	1				•Repair Kit.....	•Kit Réparation	•Reparatursatz	•Kit Reparacion	•Reparationsssats.....		
12	VOE 11716654	1				•Repair Kit.....	•Kit Réparation	•Reparatursatz	•Kit Reparacion	•Reparationsssats.....		
13	VOE 11716652	1				•Repair Kit.....	•Kit Réparation	•Reparatursatz	•Kit Reparacion	•Reparationsssats.....		



1	Parkeringsbroms Freno estacionamiento Feststellbremse Frein parking Parking brake S/N 10939 -	Catalogue id	Group
2		20017	551
3		Illustr. No	Section
4		1023450	150
5		Issue	Page
		VOE 63D9920017	355

VOLVO

BL60



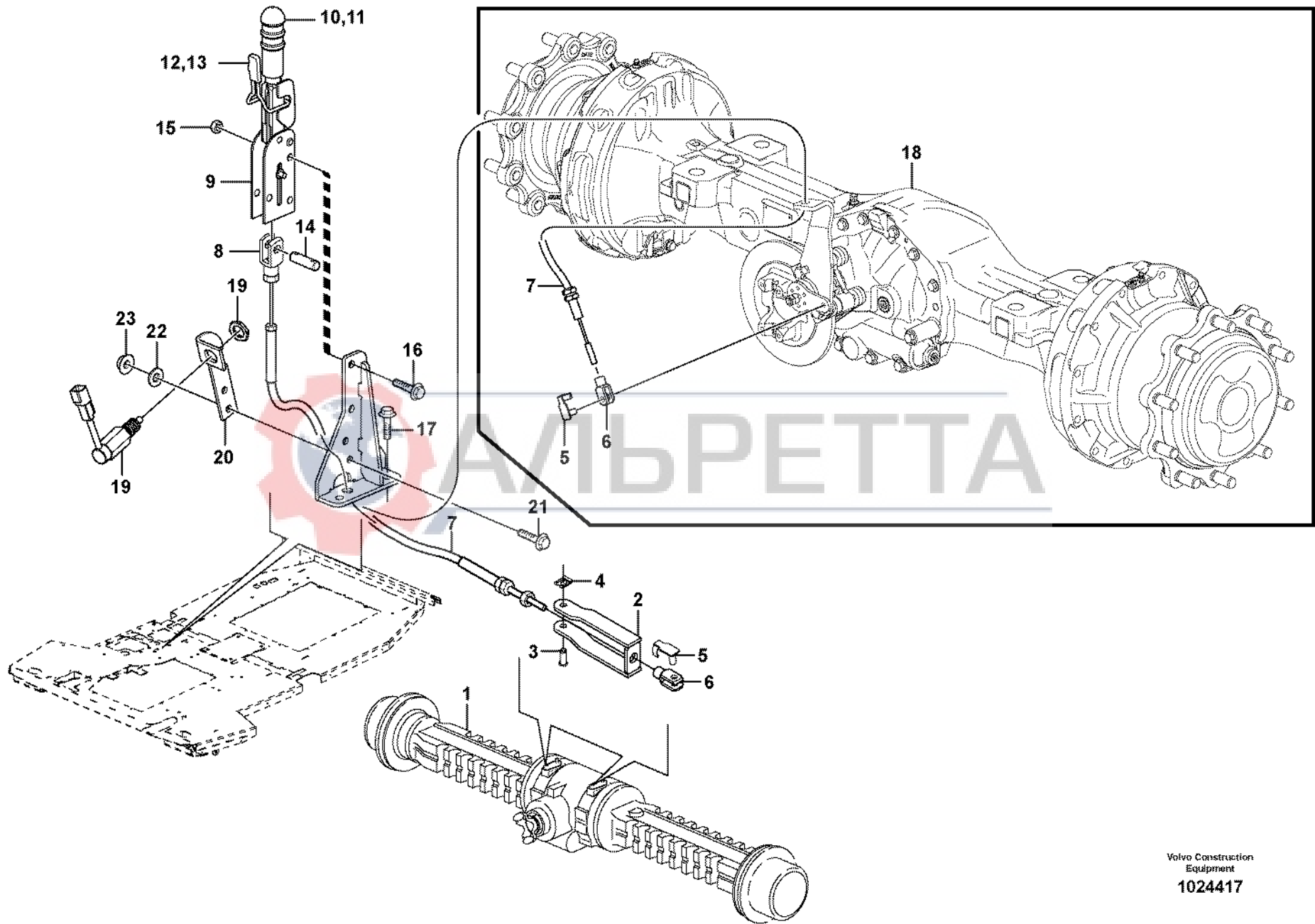
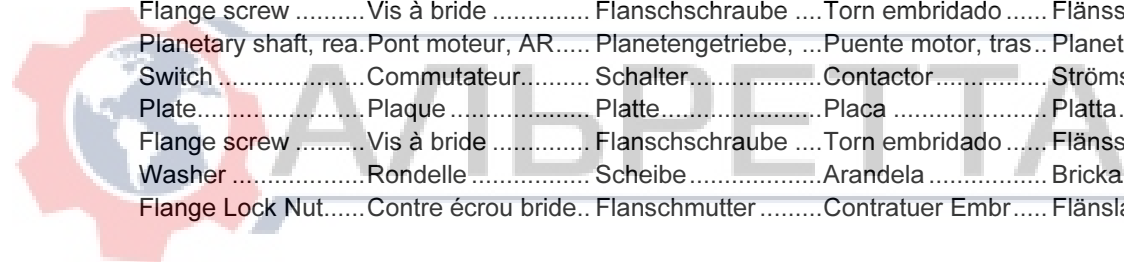


Fig.	Part No.	Quantity					P S	K I T	Description	Dénomination	Bezeichnung	Denominación	Benämning	Notes
		1	2	3	4	5								
1		1						Planetary shaft, rea. Pont moteur, AR.....	Planetengetriebe, ...	Puente motor, tras..	Planetaxel, bak.....		See group 460, Page 283	
2	VOE 11882783	1						Bracket.....	Console	Konsole	Ménsula	Konsol.....		
3	VOE 949755	1						Rtng Ring Bolt.....	Boulon Sill Bag	Sich.bolzen	Perno Circlip.....	Spårringsbult.....		
4	VOE 943926	1						Lock brace	Etrier de verrouillag	Sperrklinke	Brazo Seguridad.....	Låsbygel.....		
5	VOE 11883323	1			1			Clevis Pin.....	Vis A Oeuillet.....	Zylinderbolzen	Espiga	Cyl.bult.....		
6	VOE 11883319	1			1			Fork.....	Fourche	Gabel	Horquilla	Gaffel.....		
7	VOE 11888468	1			1			Cable	Câble.....	Kabel.....	Cable	Kabel.....		
8	VOE 11882913	1			1			Fork.....	Fourche	Gabel	Horquilla	Gaffel.....		
9	VOE 11200803		1	1				Parking Brake	Frein Parking	Feststellbremse	Freno Estacion	Parkeringsbroms....		
10	VOE 11709850		1	1				•Handle	•Poignee.....	•Handgriff	•Manilla.....	•Handgrepp.....		
11	VOE 11709851		1	1				•Spring	•Ressort.....	•Feder	•Muelle.....	•Fjäder.....		
12	VOE 11709852		1	1				•Leaf Spring	•Ressort plat.....	•Blattfeder	•Resorte plano.....	•Bladfjäder.....		
13	VOE 11709853		1	1				•Handle	•Poignee.....	•Handgriff	•Manilla.....	•Handgrepp.....		
14	VOE 11715435		1	1				Clevis Pin.....	Vis A Oeuillet.....	Zylinderbolzen	Espiga	Cyl.bult.....		
15	VOE 13971098		2	2				Flange nut.....	Ecrou accouple.	Bundmutter	Tuerca embridad	Flänsmutter.....		
16	VOE 13965186		2	2				Flange screw	Vis à bride	Flanschschraube	Torn embridado	Flänsskruv.....		
17	VOE 946329		2	2				Flange screw	Vis à bride	Flanschschraube	Torn embridado	Flänsskruv.....		
18								Planetary shaft, rea. Pont moteur, AR.....	Planetengetriebe, ...	Puente motor, tras..	Planetaxel, bak.....		See group 460, Page 285	
19	VOE 11888649		1	1				Switch	Commutateur.....	Schalter.....	Contacteur.....	Strömställare.....		
20	VOE 11205674		1	1				Plate.....	Plaque	Platte.....	Placa	Platta.....		
21	VOE 13945444		2	2				Flange screw	Vis à bride	Flanschschraube	Torn embridado	Flänsskruv.....		
22	VOE 983334		4	4				Washer	Rondelle	Scheibe.....	Arandela	Bricka.....		
23	VOE 948645		2	2				Flange Lock Nut.....	Contre écrou bride..	Flanschmutter	Contratuer Embr.....	Flänslåsmutter.....		



1	11880001	Parkeringsbroms Freno estacionamiento Feststellbremse Frein parking Parking brake	Catalogue id	Group
2	11298014		20017	551
3	11298189, 11298190		Illustr. No	Section
4	11880001 S/N 10939 -		1024417	250
5			Issue	Page
			VOE 63D9920017	357





VOLVO

АЛЬРЕТТА

Construction Equipment

GROUP		Section	Page	GROUP	Section	Page
641	Steering column with fitting parts	100	365			
645	Steering system 11891267, 11891275, 11891360, 11891386	100	367			
645	Steering system 11880001 (1887360) S/N 10939 -.....	150	369			
645	Steering system 11891284, 11891286, 11891385, 11891387	200	371			
645	Control valve	400	373			



INDEX OF CONTENTS	Catalogue id 20017	Group 600
	Issue VOE 63D9920017	Page 359

VOLVO

BL60



TABLE DES MATIÈRES				Catalogue id 20017	Group 600
				Issue VOE 63D9920017	Page 360
GROUPE	Section	Page	GROUPE	Section	Page

641	Colonne de direction avec pièces de montage	100	365
645	Systeme de direction 11891267, 11891275, 11891360, 11891386 ..	100	367
645	Systeme de direction 11880001 (1887360) S/N 10939 -	150	369
645	Systeme de direction 11891284, 11891286, 11891385, 11891387 ..	200	371
645	Valve de contrôle	400	373



GRUPPE	Abschnitt	Seite	GRUPPE	Abschnitt	Seite
641	Lenksäule mit Montageteilen	100			365
645	Lenkungssystem 11891267, 11891275, 11891360, 11891386	100			367
645	Lenkungssystem 11880001 (1887360) S/N 10939 -	150			369
645	Lenkungssystem 11891284, 11891286, 11891385, 11891387	200			371
645	Steuerventil	400			373



INHALTSVERZEICHNIS	Catalogue id 20017	Group 600
	Issue VOE 63D9920017	Page 361

VOLVO

BL60



INDICE		Catalogue id 20017	Group 600
		Issue VOE 63D9920017	Page 362
GRUPO	Sección	Página	GRUPO
			Sección
			Página

641	Columna de dirección con accesorios de montaje	100	365
645	Sistema de direccion 11891267, 11891275, 11891360, 11891386...	100	367
645	Sistema de direccion 11880001 (1887360) S/N 10939 -	150	369
645	Sistema de direccion 11891284, 11891286, 11891385, 11891387...	200	371
645	Válvula de control	400	373



GRUPP	Avsnitt	Sida	GRUPP	Avsnitt	Sida
641	Rattstam med monteringsdetaljer	100			365
645	Styrssystem 11891267, 11891275, 11891360, 11891386	100			367
645	Styrssystem 11880001 (1887360) S/N 10939 -.....	150			369
645	Styrssystem 11891284, 11891286, 11891385, 11891387	200			371
645	Kontrollventil	400			373



INNEHÅLLSFÖRTECKNING	Catalogue id 20017	Group 600
	Issue VOE 63D9920017	Page 363

VOLVO

BL60



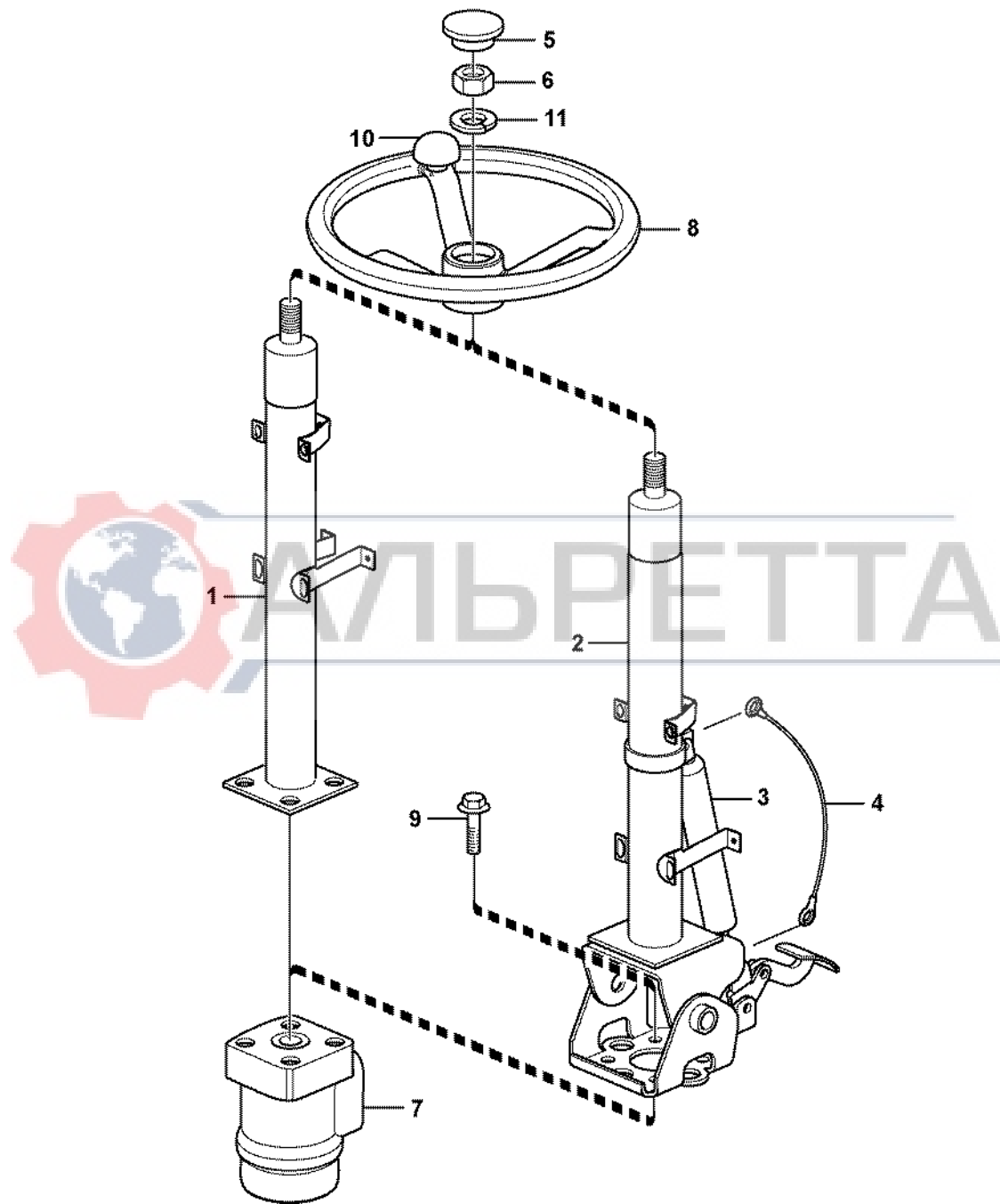


Fig.	Part No.	Quantity					P S	K T	Description	Dénomination	Bezeichnung	Denominación	Benämning	Notes
		1	2	3	4	5								
1	VOE 11200527	1						Steering Column.....	Colonne direction ...	Lenksäule	Columna direccion..	Rattstam.....		
2	VOE 11200587		1					Steering Column.....	Colonne direction ...	Lenksäule	Columna direccion..	Rattstam.....		
3	VOE 11715247		1					•Gas Spring	•Ressort Gaz	•Gasfeder.....	•Resorte A Gas.....	•Gasfjäder.....		
4	VOE 11715291		1					•Wire	•Fil	•Draht.....	•Alambre.....	•Tråd.....		
5	VOE 14371493	1	1					Cap	Chapeau.....	Verschlusskappe	Caperuza.....	Hatt.....		
6	VOE 955822	1	1					Hexagon Nut.....	Ecrou Hexagonal....	Sechskantmutter.....	Tuerca Hexagon.....	Sexkantsmutter.....		
7				1				Control valve.....	Valve controle	Steuerventil.....	Válvula control.....	Kontrollventil.....	See group 645, Page 373	
8	VOE 11200562	1	1					Steering Wheel	Volant direction	Lenkrad.....	Volante de direccio.	Ratt.....		
9	VOE 946329	4	4					Flange screw	Vis à bride	Flanschschraube	Torn embridado	Flänsskruv.....		
10	VOE 11200563				1			Knob	Bouton.....	Knauf	Boton.....	Knopp.....		
11	VOE 11104898	1	1					Lock Washer.....	Rondel.verroui.....	Sicher Scheibe.....	Arandel Segurid.....	Låsbricka.....		



1	11298009	Rattstam med monteringsdetaljer Columna de dirección con accesorios de montaje Lenksäule mit Montageteilen Colonne de direction avec pièces de montage Steering column with fitting parts	Catalogue id 20017	Group 641
2	11298010		Illustr. No 1012000	Section 100
3	11880001			Issue VOE 63D9920017
4	11298021			
5				

VOLVO

BL60



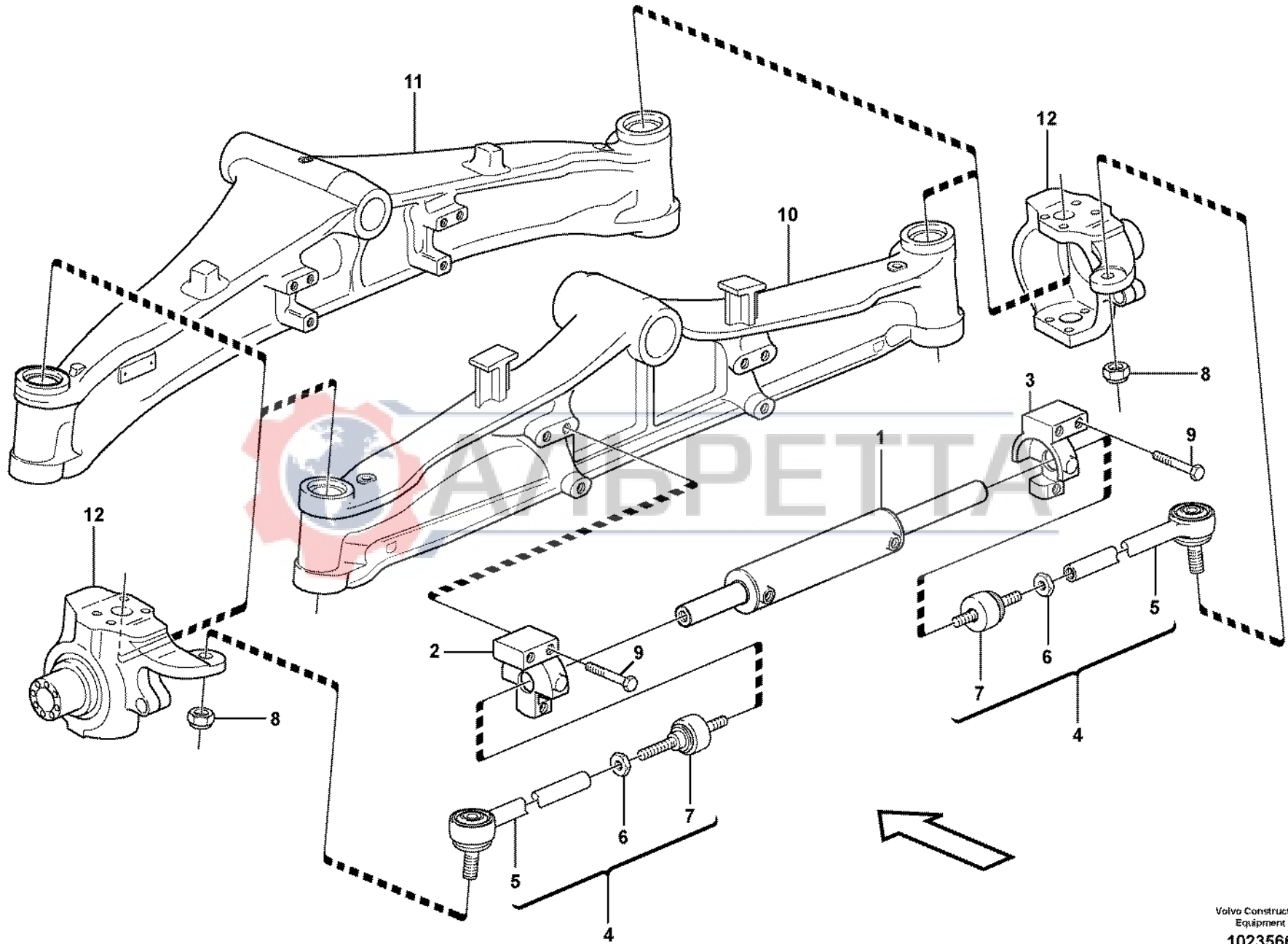


Fig.	Part No.	Quantity			P S	K I T	Description	Dénomination	Bezeichnung	Denominación	Benämning	Notes
		1	2	3								
1	VOE 11712522	1				Steering cylinder	Verin direction	Lenkzylinder	Cilindro direccion.....	Styrcylinder.....		
	VOE 11712523	1				•Sealing Kit	•Jeu Joints.....	•Dichtungssatz	•Juego Retenes.....	•Tätningssats.....		
2	VOE 11712524	1				•Cylinder head	•Culasse.....	•Zylinderkopf	•Culata.....	•Cylinderhuvud.....		
3	VOE 11712525	1				•Cylinder head	•Culasse.....	•Zylinderkopf	•Culata.....	•Cylinderhuvud.....		
4	VOE 11712459	2				Steering Link	Biell.direction.....	Steuerglied	Artic Direccion	Styrlänk.....		
5	VOE 11712503	1				•Steering Link.....	•Biell.direction	•Steuerglied.....	•Artic Direccion.....	•Styrlänk.....		
6	VOE 11988566	1				•Nut	•Ecrou	•Mutter.....	•Tuerca.....	•Mutter.....		
7	VOE 11988565	1				•Tie Rod	•Barre Accouple.	•Spurstange.....	•Barra Acoplam	•Parallellstag.....		
8	VOE 11988563	2				Nut	Ecrou.....	Mutter	Tuerca	Mutter.....		
9	VOE 11712504	6				Screw	Vis	Schraube.....	Tornillo	Skruv.....		
10		1				Front axle.....	Pont avant.....	Vorderachse.....	Eje delantero	Framaxel.....	S/N - 10938 See group 461, Page 303	
10		1				Front axle.....	Pont avant.....	Vorderachse.....	Eje delantero	Framaxel.....	S/N 10939 - See group 461, Page 305	
11		1				Housing.....	Carter	Gehäuse.....	Carter	Hus.....	See group 461, Page 303	



1	Styrsystem Sistema de direccion Lenkungssystem Systeme de direction Steering system	Catalogue id	Group
2		20017	645
3		Illustr. No	Section
4		1023566	100
5		Issue	Page
		VOE 63D9920017	367
		11891267, 11891275, 11891360, 11891386	

VOLVO

BL60



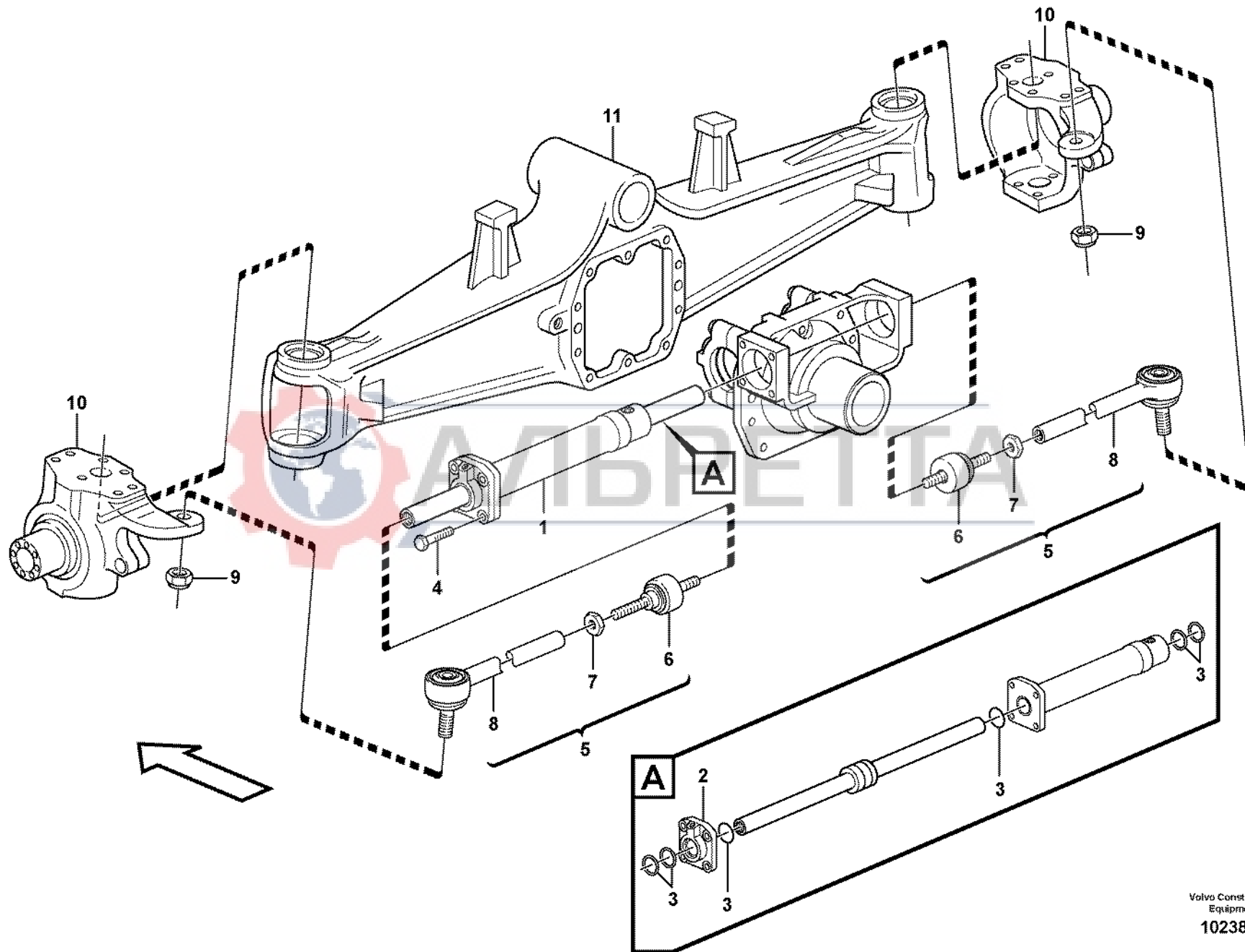


Fig.	Part No.	Quantity			P S	K I T	Description	Dénomination	Bezeichnung	Denominación	Benämning	Notes
		1	2	3								
1	VOE 11716717	1					Steering cylinder	Verin direction	Lenkzylinder	Cilindro direccion.....	Styrcylinder.....	
2	VOE 11716719	1					•Cylinder head	•Culasse.....	•Zylinderkopf	•Culata.....	•Cylinderhuvud.....	
3	VOE 11716720	1					•Sealing Kit	•Jeu Joints.....	•Dichtungssatz	•Juego Retenes.....	•Tätningssats.....	
4	VOE 11716623	4					•Screw.....	•Vis.....	•Schraube.....	•Tornillo	•Skruv.....	
5	VOE 11988564	2					•Steering Rod.....	•Bielle direction	•Lenkstange	•Biela direccion.....	•Styrstag.....	
6	VOE 11988567	2					••Ball joint.....	••Rotule articul.....	••Kugelgelenk.....	••Rotula	••Kulled.....	
7	VOE 11988566	2					••Nut.....	••Ecrou	••Mutter	••Tuerca.....	••Mutter.....	
8	VOE 11988565	2					••Tie Rod.....	••Barre Accouple.	••Spurstange	••Barra Acoplam	••Parallelstag.....	
9	VOE 11988563	2					•Nut.....	•Ecrou	•Mutter.....	•Tuerca.....	•Mutter.....	
10		2					•Housing	•Carter.....	•Gehäuse	•Carter	•Hus.....	See group 461, Page 307
11		1					Front axle.....	Pont avant.....	Vorderachse.....	Eje delantero	Framaxel.....	See group 461, Page 307

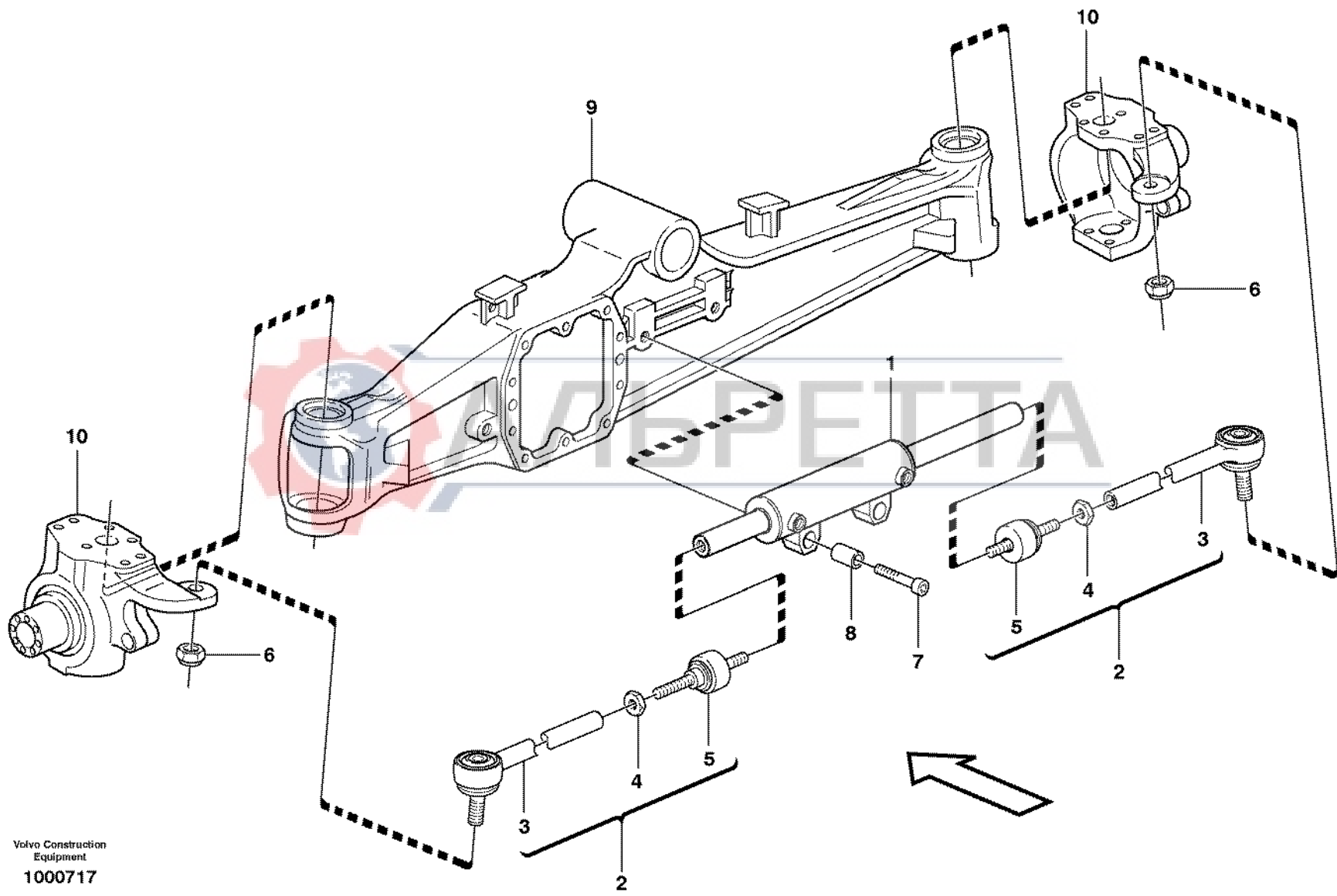


1	Styrsystem Sistema de direccion Lenkungssystem Systeme de direction Steering system	Catalogue id	Group
2		20017	645
3		Illustr. No	Section
4		1023829	150
5		Issue	Page
	11880001 (1887360) S/N 10939 -	VOE 63D9920017	369

VOLVO

BL60





Volvo Construction
Equipment
1000717

Fig.	Part No.	Quantity			P S	K I T	Description	Dénomination	Bezeichnung	Denominación	Benämning	Notes
		1	2	3								
1	VOE 11988151	1				Strg Cylinder	Verin Direction	Lenkzylinder	Cil Direccion	Styrcylinder.....		
	VOE 11709898	1				•Sealing Kit	•Jeu Joints.....	•Dichtungssatz	•Juego Retenes	•Tätningssats.....		
	VOE 11712479	2				•Seal	•Joint	•Dichtring.....	•Junta	•Tätning.....		
2	VOE 11988564	2				Steering Rod	Bielle direction.....	Lenkstange.....	Biela direccion.....	Styrstag.....		
3	VOE 11988565	1				•Tie Rod	•Barre Accouple.	•Spurstange.....	•Barra Acoplam	•Parallelstag.....		
4	VOE 11988566	1				•Nut	•Ecrou	•Mutter.....	•Tuerca.....	•Mutter.....		
5	VOE 11988567	1				•Ball joint.....	•Rotule articul.....	•Kugelgelenk	•Rotula.....	•Kulled.....		
6	VOE 11988563	2				Nut	Ecrou.....	Mutter.....	Tuerca	Mutter.....		
7	VOE 11709454	2				Screw	Vis	Schraube.....	Tornillo	Skruv.....		
8	VOE 11709460	2				Bushing	Bague.....	Buchse	Casquillo	Bussning.....		
9		1				Front axle.....	Pont avant.....	Vorderachse.....	Eje delantero	Framaxel.....	See group 461, Page 287	
10		1				Housing.....	Carter	Gehäuse.....	Carter	Hus.....	See group 461, Page 287	



1	Styrsystem Sistema de direccion Lenkungssystem Systeme de direction Steering system	Catalogue id	Group
2		20017	645
3		Illustr. No	Section
4		1000717	200
5		Issue	Page
		VOE 63D9920017	371
		11891284, 11891286, 11891385, 11891387	

VOLVO

BL60



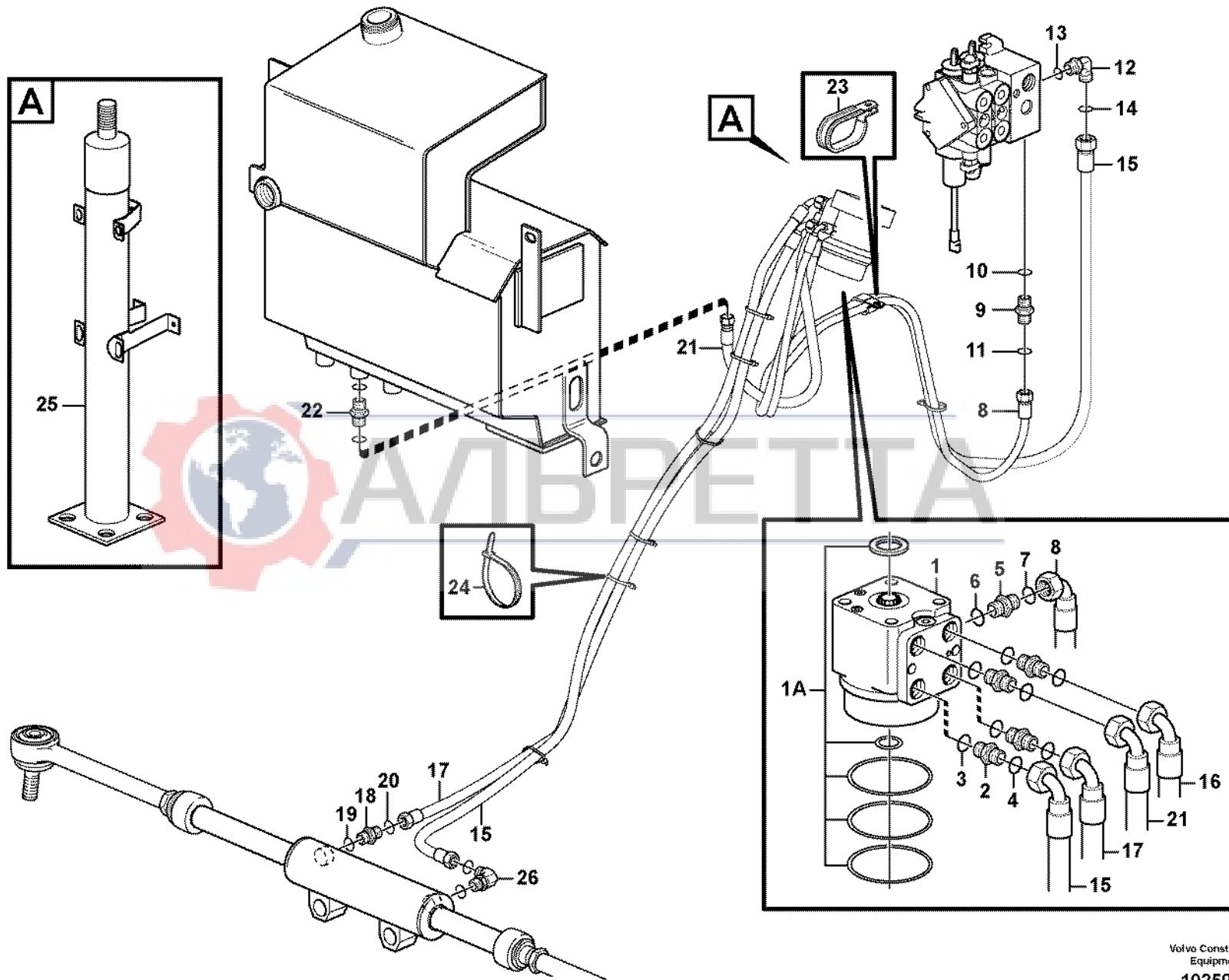


Fig.	Part No.	Quantity			P S	K I T	Description	Dénomination	Bezeichnung	Denominación	Benämning	Notes
		1	2	3								
1	VOE 11890016	1				Control valve	Valve controle	Steuerventil	Válvula control	Kontrollventil		
1A	VOE 11709888	1				•Sealing Kit	•Jeu Joints	•Dichtungssatz	•Juego Retenes	•Tätningssats		
2	VOE 935089	4				Nipple	Raccord	Nippel	Niple	Nippel		
3	VOE 932040	1				•O-ring	•Joint Torique	•O-Ring	•Junta torica	•O-ring		
4	VOE 4880492	1				•O-ring	•Joint Torique	•O-Ring	•Junta torica	•O-ring		
5	VOE 935082	1				Nipple	Raccord	Nippel	Niple	Nippel		
6	VOE 932037	1				•O-ring	•Joint Torique	•O-Ring	•Junta torica	•O-ring		
7	VOE 4881722	1				•O-ring	•Joint Torique	•O-Ring	•Junta torica	•O-ring		
8	VOE 11885684	1				Hose assembly	Conduit flexible	Schlauchleitung	Conducto	Slangledning		
9	VOE 13933858	1				Union	Teton Connexion	Anschlussnippel	Niple Conexcion	Anslutn.nippel		
10	VOE 932039	1				•O-ring	•Joint Torique	•O-Ring	•Junta torica	•O-ring		
11	VOE 4881722	1				•O-ring	•Joint Torique	•O-Ring	•Junta torica	•O-ring		
12	VOE 935070	1				Elbow nipple	Raccord angulaire	Winkelnippel	Niple angular	Vinkelnippel		
13	VOE 932040	1				•O-ring	•Joint Torique	•O-Ring	•Junta torica	•O-ring		
14	VOE 4880492	1				•O-ring	•Joint Torique	•O-Ring	•Junta torica	•O-ring		
15	VOE 11885685	1				Hose assembly	Conduit flexible	Schlauchleitung	Conducto	Slangledning		
16	VOE 11882938	1				Hose assembly	Conduit flexible	Schlauchleitung	Conducto	Slangledning		
17	VOE 11882937	1				Hose assembly	Conduit flexible	Schlauchleitung	Conducto	Slangledning		
18	VOE 935640	2				Nipple	Raccord	Nippel	Niple	Nippel		
18	VOE 935085	1				Nipple	Raccord	Nippel	Niple	Nippel	S/N 10939 -	
19	VOE 932039	1				•O-ring	•Joint Torique	•O-Ring	•Junta torica	•O-ring		
20	VOE 4880492	1				•O-ring	•Joint Torique	•O-Ring	•Junta torica	•O-ring		
21	VOE 1882940	1				Hose	Durit	Schlauch	Tubo flexible	Slang		
22		1				Nipple	Raccord	Nippel	Niple	Nippel	See group 911, Page 503	
23	VOE 981665	1				Clamp	Pince Serrage	Klemme	Abrazadera	Klämna		
24	VOE 4881438	7				Strip Clamp	Ruban Serrage	Kabelbinder	Abraz Cinta	Bandklamma		
25		1				Steering Column	Colonne direction	Lenksäule	Columna direccion	Rattstam	See group 641, Page 365	
26	VOE 935069	1				Elbow nipple	Raccord angulaire	Winkelnippel	Niple angular	Vinkelnippel	S/N 10939 -	
	VOE 932039	1				•O-ring	•Joint Torique	•O-Ring	•Junta torica	•O-ring		
	VOE 990737	1				•O-ring	•Joint Torique	•O-Ring	•Junta torica	•O-ring		

1		Kontrollventil Válvula de control Steuerventil Valve de contrôle Control valve	Catalogue id	Group
2			20017	645
3			Illustr. No	Section
4			1025981	400
5			Issue	Page
			VOE 63D9920017	373



VOLVO

АЛБРЕТТА

Construction Equipment

GROUP	Section	Page	GROUP	Section	Page
711	Frame.....	100			381
716	Counterweight.....	100			383
771	Wheel.....	100			385
771	Wheel.....	110			387
771	Wheel.....	120			389
771	Wheel.....	130			391



INDEX OF CONTENTS	Catalogue id 20017	Group 700
	Issue VOE 63D9920017	Page 375

VOLVO

BL60



TABLE DES MATIÈRES				Catalogue id 20017		Group 700	
				Issue VOE 63D9920017		Page 376	
GROUPE		Section	Page	GROUPE		Section	Page

711	Chassis	100	381
716	Contrepoids.....	100	383
771	Roue	100	385
771	Roue	110	387
771	Roue	120	389
771	Roue	130	391



GRUPPE	Abschnitt	Seite	GRUPPE	Abschnitt	Seite
711 Rahmen	100	381			
716 Gegengewicht	100	383			
771 Rad	100	385			
771 Rad	110	387			
771 Rad	120	389			
771 Rad	130	391			



INHALTSVERZEICHNIS	Catalogue id 20017	Group 700
	Issue VOE 63D9920017	Page 377

VOLVO

BL60



INDICE		Catalogue id 20017	Group 700		
		Issue VOE 63D9920017	Page 378		
GRUPO	Sección	Página	GRUPO	Sección	Página

711	Bastidor	100	381
716	Contrapeso	100	383
771	Rueda	100	385
771	Rueda	110	387
771	Rueda	120	389
771	Rueda	130	391



GRUPP	Avsnitt	Sida	GRUPP	Avsnitt	Sida
711 Ram	100	381			
716 Motvikt.....	100	383			
771 Hjul.....	100	385			
771 Hjul.....	110	387			
771 Hjul.....	120	389			
771 Hjul.....	130	391			



INNEHÅLLSFÖRTECKNING	Catalogue id 20017	Group 700
	Issue VOE 63D9920017	Page 379

VOLVO

BL60



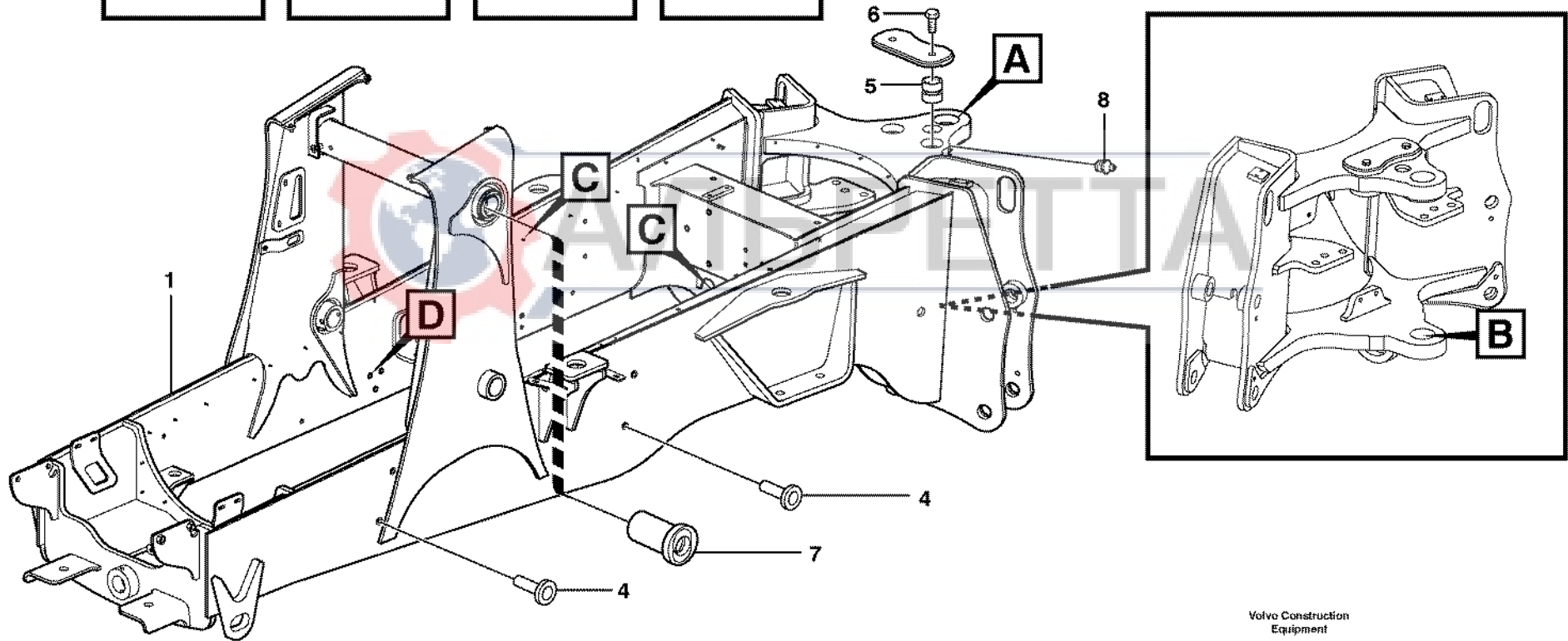
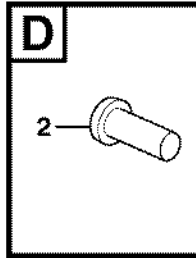
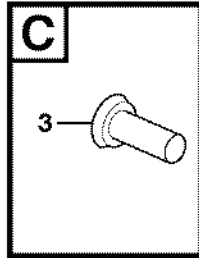
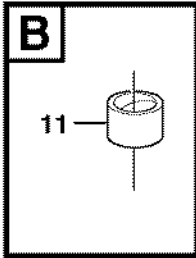
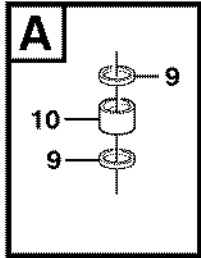


Fig.	Part No.	Quantity			P S	K I T	Description	Dénomination	Bezeichnung	Denominación	Benämning	Notes
		1	2	3								
1	VOE 11884658	1				Chassis	Chassis	Fahrgestell	Chasis	Chassi.....	SER NO -10327	
1	VOE 11885990	1				Chassis	Chassis	Fahrgestell	Chasis	Chassi.....	SER NO 10328-10528	
1	VOE 11886709	1				Frame.....	Chassis	Rahmen.....	Bastidor	Ram.....	SER NO 10529 - 10938	
1	VOE 11888296	1				Chassis	Chassis	Fahrgestell	Chasis	Chassi.....	S/N 10939 -	
2	VOE 11882680	3				•Rivet	•Rivet.....	•Niet.....	•Remache.....	•Nit.....		
3	VOE 11882026	7				•Rivet	•Rivet.....	•Niet.....	•Remache.....	•Nit.....		
4	VOE 11881792	11				•Blind Rivet	•Rivet Borgne	•Blindniet	•Remache Ciego	•Blindnit.....		
5	VOE 11884510	2				•Bushing.....	•Bague	•Buchse	•Casquillo	•Bussning.....		
6	VOE 191900	2				•Plug	•Bouchon.....	•Stopfen	•Tapon.....	•Plugg.....		
7	VOE 11883771	2				•Bushing.....	•Bague	•Buchse	•Casquillo	•Bussning.....		
8	VOE 914167	2				•Nipple	•Raccord	•Nippel.....	•Niple.....	•Nippel.....		
9	VOE 11881489	6				•Scraper	•Racloir.....	•Abstreicher.....	•Rascador.....	•Skrapa.....		
10	VOE 11884582	1				•Bushing.....	•Bague	•Buchse	•Casquillo	•Bussning.....		
11	VOE 11884714	1				•Bushing.....	•Bague	•Buchse	•Casquillo	•Bussning.....		



1		Ram Bastidor Rahmen Chassis Frame	Catalogue id	Group
2			20017	711
3			Illustr. No	Section
4			1003882	100
5			Issue	Page
			VOE 63D9920017	381

VOLVO

BL60

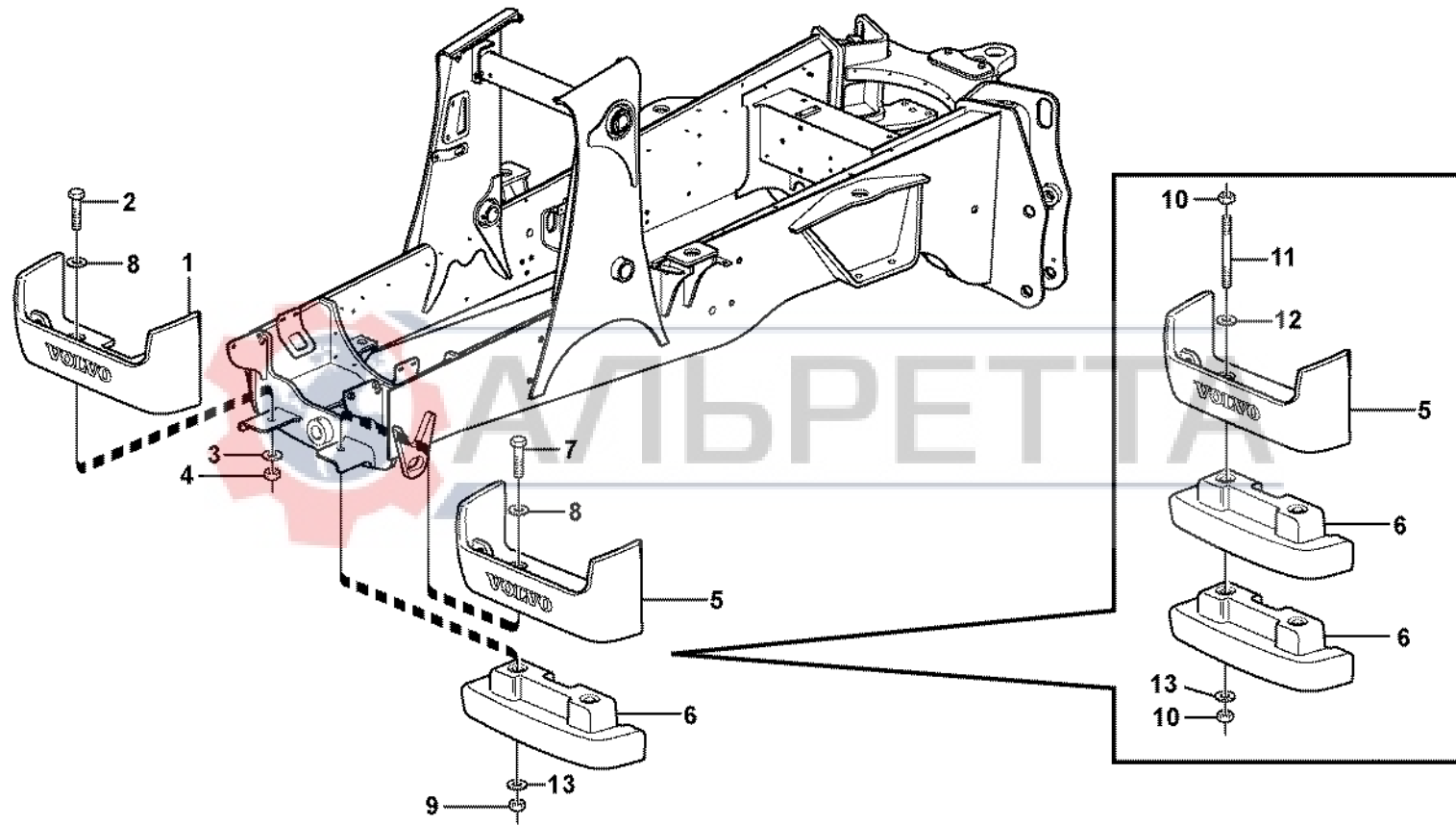


Fig.	Part No.	Quantity			P S	K I T	Description	Dénomination	Bezeichnung	Denominación	Benämning	Notes
		1	2	3								
1	VOE 11886741	1					Counterweight.....	Contrepoids.....	Gegengewicht	Contrapeso.....	Motvikt.....	105 kg
2	VOE 979920	2					Hexagon screw	Vis tête hexagonale ...	Sechskantschraube....	Tornillo hexago.....	Sexkantsskruv.....	SER NO -10422
2	VOE 13963362	2					Hexagon screw	Vis tête hexagonale ...	Sechskantschraube....	Tornillo hexago.....	Sexkantsskruv.....	SER NO 10423-
3	VOE 955905	4					Washer.....	Rondelle	Scheibe	Arandela	Bricka.....	SER NO -10422
3	VOE 955905	2					Washer.....	Rondelle	Scheibe	Arandela	Bricka.....	SER NO 10423-
4	VOE 980521	2					Nut	Ecrou.....	Mutter	Tuerca	Mutter.....	SER NO -10422
4	VOE 983377	2					Lock nut	Contre-ecrou	Sicherungsmutter	Contratuerca	Låsmutter.....	SER NO 10423-
5	VOE 11886742		1	1			Counterweight.....	Contrepoids.....	Gegengewicht	Contrapeso.....	Motvikt.....	202 KG
6	VOE 11886925		1	2			Counterweight.....	Contrepoids.....	Gegengewicht	Contrapeso.....	Motvikt.....	133 KG
7	VOE 13980100	2					Hexagon screw	Vis tête hexagonale ...	Sechskantschraube....	Tornillo hexago.....	Sexkantsskruv.....	
8	VOE 983340	2					Washer.....	Rondelle	Scheibe	Arandela	Bricka.....	SER NO -10422
8	VOE 14376982	2	2				Washer.....	Rondelle	Scheibe	Arandela	Bricka.....	SER NO 10423-
9	VOE 980521	2					Nut	Ecrou.....	Mutter	Tuerca	Mutter.....	SER NO -10422
9	VOE 983377	2					Lock nut	Contre-ecrou	Sicherungsmutter	Contratuerca	Låsmutter.....	SER NO 10423-
10	VOE 983377		4				Lock nut	Contre-ecrou	Sicherungsmutter	Contratuerca	Låsmutter.....	
11	VOE 11887733	2					Rod	Monture.....	Fuhler	Varilla	Spröt.....	
12	VOE 983340	2					Washer.....	Rondelle	Scheibe	Arandela	Bricka.....	SER NO -10422
12	VOE 14376982	2					Washer.....	Rondelle	Scheibe	Arandela	Bricka.....	SER NO 10423-
13	VOE 11055610	2	2				Washer.....	Rondelle	Scheibe	Arandela	Bricka.....	



1	11891256 105 KG	Motvikt Contrapeso Gegengewicht Contrepoids Counterweight	Catalogue id	Group
2	11891315 202+133 KG		20017	716
3	11891316 202+2X133 KG		Illustr. No	Section
4			1006660	100
5			Issue	Page
			VOE 63D9920017	383

VOLVO

BL60

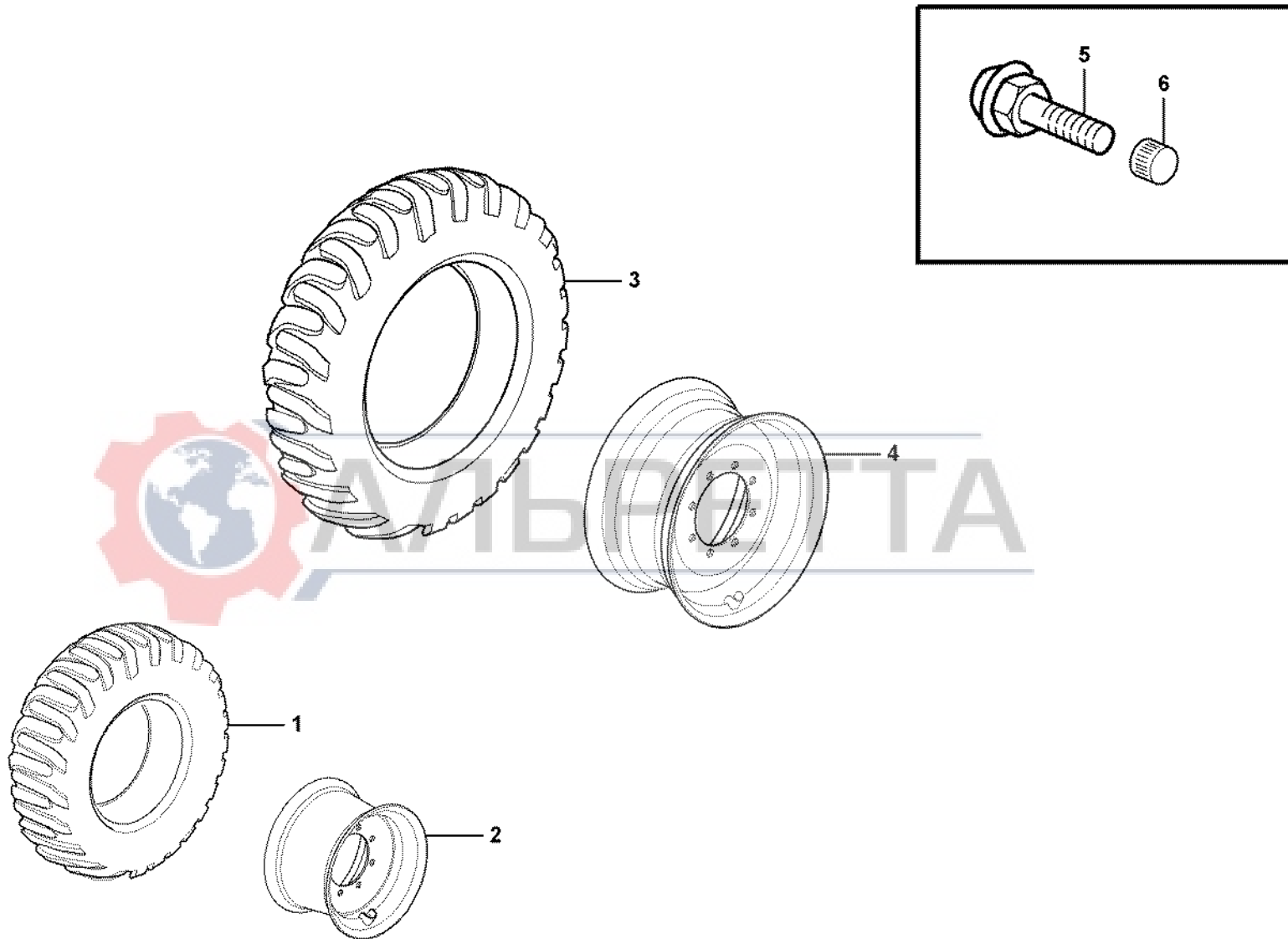


Fig.	Part No.	Quantity					P S	K I T	Description	Dénomination	Bezeichnung	Denominación	Benämning	Notes
		1	2	3	4	5								
1	VOE 11881816	2	2					Tire.....	Pneu.....	Reifen.....	Neumatico.....	Däck.....	11Lx16	
2	VOE 11881828	2	2					Rim.....	Jante.....	Radfelge.....	Llania.....	Fälg.....	16"	
3	VOE 11881822			2				Tire.....	Pneu.....	Reifen.....	Neumatico.....	Däck.....	21Lx24	
3	VOE 11881821				2			Tire.....	Pneu.....	Reifen.....	Neumatico.....	Däck.....	19,5Lx24	
4	VOE 11885861			2				Rim.....	Jante.....	Radfelge.....	Llania.....	Fälg.....	DW18x24"	
4	VOE 11885676				2			Rim.....	Jante.....	Radfelge.....	Llania.....	Fälg.....	W16Lx24"	
5	VOE 784076	2	2	2	2			Valve.....	Soupape.....	Ventil.....	Valvula.....	Ventil.....		
6	VOE 4789869	2	2	2	2			Cap.....	Chapeau.....	Verschlusskappe.....	Caperuza.....	Hatt.....		



1	11891267 FRONT	Hjul Rueda Rad Roue Wheel	Catalogue id 20017	Group 771
2	11891275 FRONT		Illustr. No 1012700	Section 100
3	11891267 REAR			Issue VOE 63D9920017
4	11891275 REAR			
5				

VOLVO

BL60

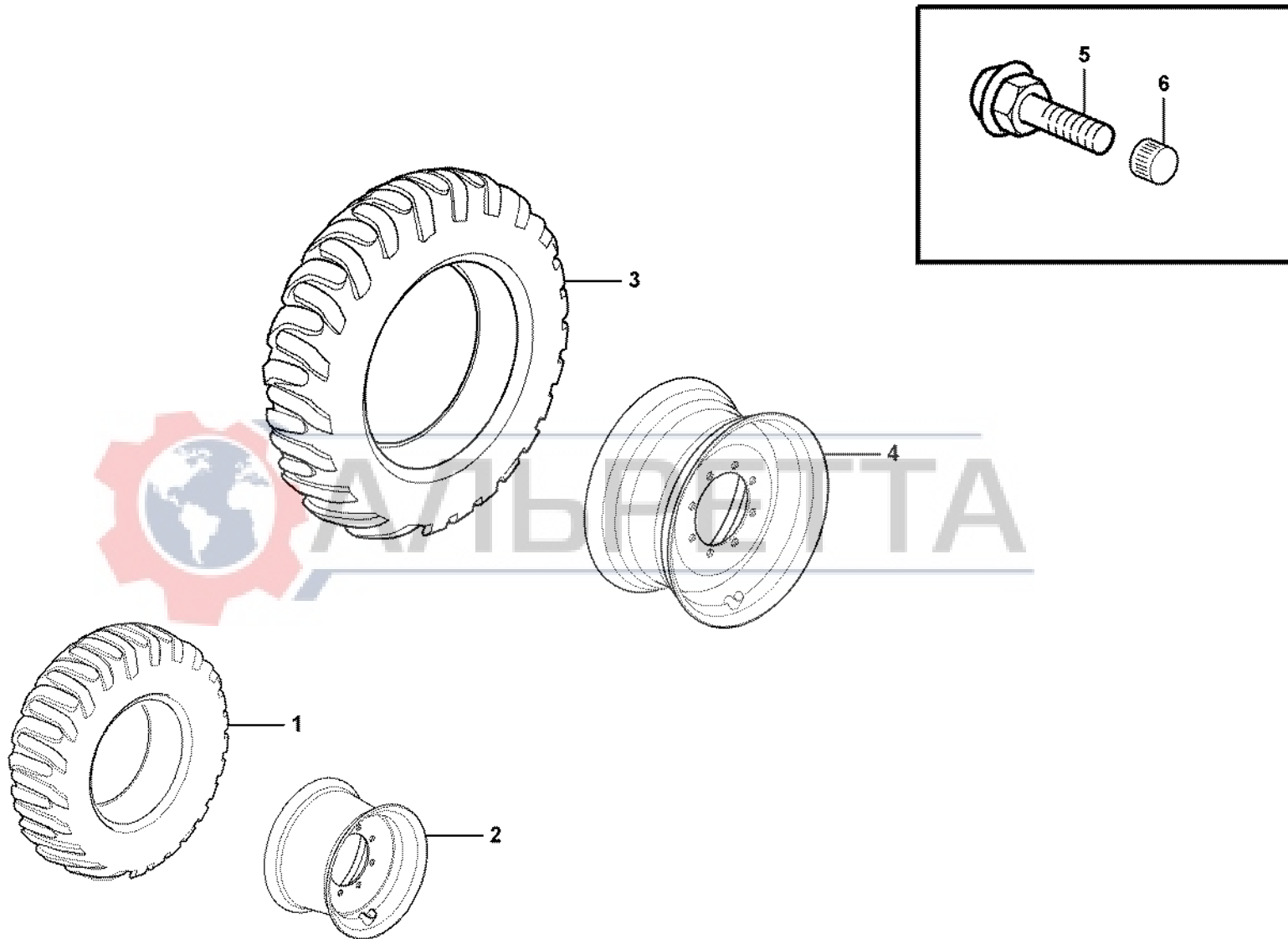


Fig.	Part No.	Quantity					P S	K T	Description	Dénomination	Bezeichnung	Denominación	Benämning	Notes
		1	2	3	4	5								
	VOE 11886224	1	1					Wheel.....	Roue.....	Rad	Rueda.....	Hjul.....	LH 12X16,5	
	VOE 11886225	1	1					Wheel.....	Roue.....	Rad	Rueda.....	Hjul.....	RH 12X16,5	
				1	1	NS		Wheel.....	Roue.....	Rad	Rueda.....	Hjul.....	LH 21LX24	
				1	1	NS		Wheel.....	Roue.....	Rad	Rueda.....	Hjul.....	RH 21LX24	
1	VOE 11881817	1	1					•Tire	•Pneu.....	•Reifen	•Neumatico	•Däck.....	12x16,5	
2	VOE 11886202	1	1					•Rim	•Jante	•Radfelge	•Llania.....	•Fälg.....	16,5x8,25	
3	VOE 11881821			1				•Tire	•Pneu.....	•Reifen	•Neumatico	•Däck.....	19,5Lx24	
3	VOE 11881822				1			•Tire	•Pneu.....	•Reifen	•Neumatico	•Däck.....	21Lx24	
4	VOE 11885676			1				•Rim	•Jante	•Radfelge	•Llania.....	•Fälg.....	W16Lx24	
4	VOE 11885861				1			•Rim	•Jante	•Radfelge	•Llania.....	•Fälg.....	DW18x24"	
5	VOE 784076	1	1	1	1			•Valve	•Soupape.....	•Ventil.....	•Valvula	•Ventil.....		
6	VOE 4789869	1	1	1	1			•Cap	•Chapeau	•Verschlusskappe ...	•Caperuza.....	•Hatt.....		



1	11891284 FRONT	Hjul Rueda Rad Roue Wheel	Catalogue id	Group
2	11891286 FRONT		20017	771
3	11891284 REAR		Illustr. No	Section
4	11891286 REAR		1012700	110
5			Issue	Page
			VOE 63D9920017	387

VOLVO

BL60

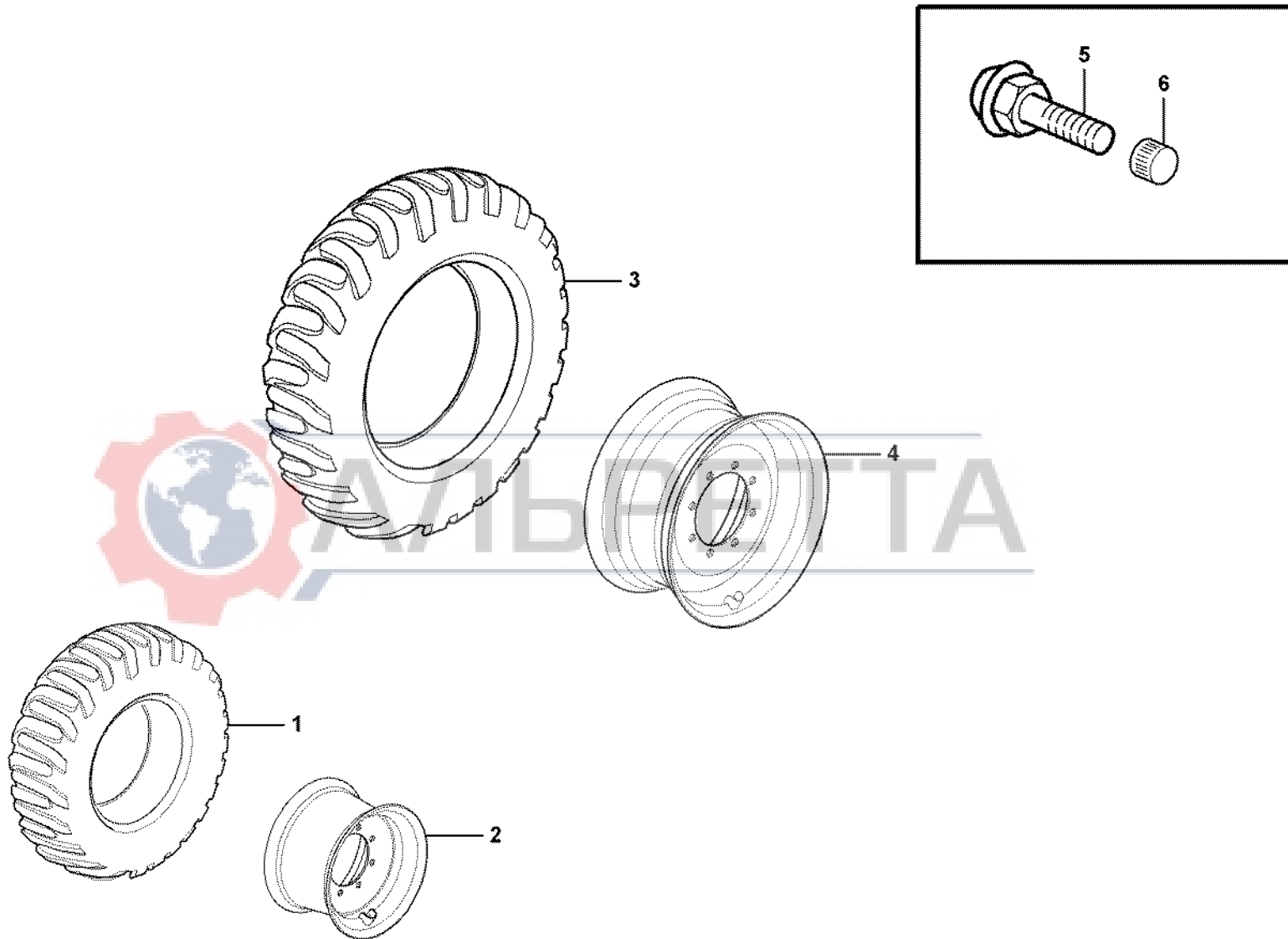


Fig.	Part No.	Quantity					P S	K T	Description	Dénomination	Bezeichnung	Denominación	Benämning	Notes
		1	2	3	4	5								
		1					NS	Wheel.....	Roue.....	Rad	Rueda.....	Hjul.....	11LX16	
	VOE 11886224		1					Wheel.....	Roue.....	Rad	Rueda.....	Hjul.....	LH 12X16,5	
	VOE 11886225		1					Wheel.....	Roue.....	Rad	Rueda.....	Hjul.....	RH 12X16,5	
				1	1		NS	Wheel.....	Roue.....	Rad	Rueda.....	Hjul.....	LH 19.5LX24	
				1	1		NS	Wheel.....	Roue.....	Rad	Rueda.....	Hjul.....	RH 19.5LX24	
1	VOE 11881816	1						•Tire	•Pneu.....	•Reifen	•Neumatico	•Däck.....	11Lx16	
1	VOE 11881817		1					•Tire	•Pneu.....	•Reifen	•Neumatico	•Däck.....	12x16,5	
2	VOE 11881828	1						•Rim	•Jante	•Radfelge	•Llania.....	•Fälg.....	16"	
2	VOE 11886202		1					•Rim	•Jante	•Radfelge	•Llania.....	•Fälg.....	16,5x8,25	
3	VOE 11886082			1	1			•Tire	•Pneu.....	•Reifen	•Neumatico	•Däck.....	19,5Lx24	
4	VOE 11885676			1	1			•Rim	•Jante	•Radfelge	•Llania.....	•Fälg.....	W16Lx24"	
5	VOE 784076	1	1	1	1			•Valve	•Soupape.....	•Ventil.....	•Valvula	•Ventil.....		
6	VOE 4789869	1	1	1	1			•Cap.....	•Chapeau	•Verschlusskappe ...	•Caperuza.....	•Hatt.....		



1	11891360 FRONT	Hjul Rueda Rad Roue Wheel	Catalogue id	Group
2	11891385 FRONT		20017	771
3	11891360 REAR		Illustr. No	Section
4	11891385 REAR		1012700	120
5			Issue	Page
			VOE 63D9920017	389

VOLVO

BL60

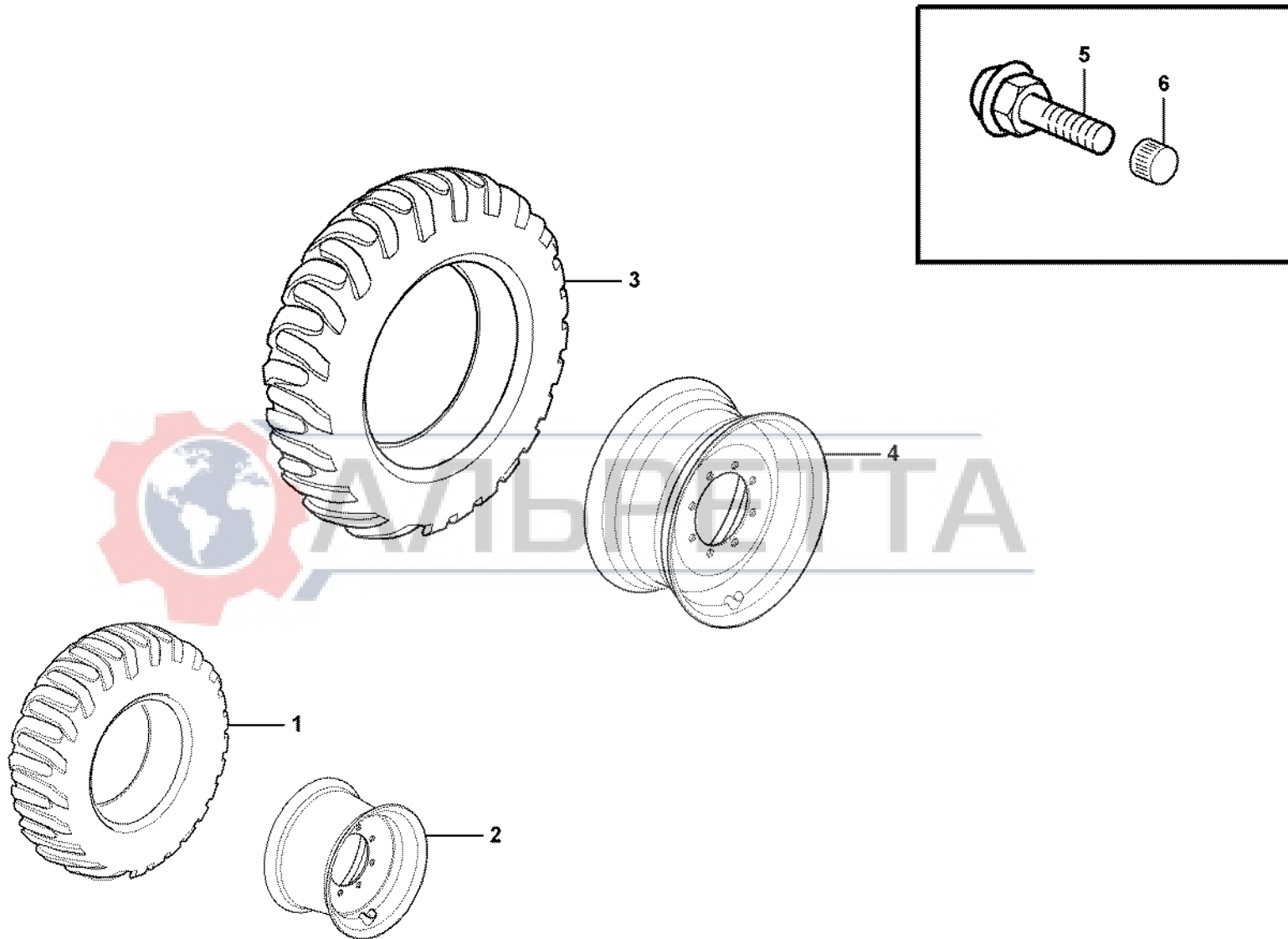


Fig.	Part No.	Quantity					P S	K I T	Description	Dénomination	Bezeichnung	Denominación	Benämning	Notes
		1	2	3	4	5								
1	VOE 11881816	2						Tire.....	Pneu	Reifen	Neumatico	Däck.....	11Lx16	
1	VOE 11886080		2					Tire.....	Pneu	Reifen	Neumatico	Däck.....	12x16,5	
2	VOE 11881828	2						Rim	Jante	Radfelge	Llania	Fälg.....	16"	
2	VOE 11886202		2					Rim	Jante	Radfelge	Llania	Fälg.....	16,5x8,25	
3	VOE 11886083			2	2			Tire.....	Pneu	Reifen	Neumatico	Däck.....	21Lx24	
4	VOE 11885861			2	2			Rim	Jante	Radfelge	Llania	Fälg.....	DW18x24"	
5	VOE 784076	2	2	2	2			Valve.....	Soupape	Ventil.....	Valvula.....	Ventil.....		
6	VOE 4789869	2	2	2	2			Cap	Chapeau.....	Verschlusskappe	Caperuza	Hatt.....		



1	11891386 FRONT	Hjul Rueda Rad Roue Wheel	Catalogue id	Group
2	11891387 FRONT		20017	771
3	11891386 REAR		Illustr. No	Section
4	11891387 REAR		1012700	130
5			Issue	Page
			VOE 63D9920017	391

VOLVO

BL60



VOLVO

АЛБРЕТТА

Construction Equipment

GROUP	Section	Page	GROUP	Section	Page
810	Cab body: roof and floor panel.....	150	399	882	Casing loader controls 300 481
818	Cab mounting block	100	403	896	Toolbox 100 483
821	Engine hood.....	100	405	896	Tool 11891152 150 485
823	Radiator casing.....	100	411	897	Sign plates and decals 100 487
825	Mud guards 11298189, 11298190	100	413	897	Decals WARNING..... 150 489
827	Step handle canopy	100	415		
827	Foot step	150	417		
831	Door with fitting parts 11298190	100	419		
841	Rear view mirror.....	100	425		
843	Glass panes 11298190, 11298203	100	427		
843	Windows 11298190	150	429		
851	Interior components 11298018	150	433		
852	Operator seat with fitting parts	100	435		
852	Operator's seat.....	110	437		
852	Operator's seat.....	120	441		
852	Operator's seat.....	150	443		
852	Operator's seat.....	200	445		
852	Operator's seat, heated, air suspensioned.	250	447		
872	Heating system 11298018, 11298190	100	449		
872	Air ducts 11298018	200	451		
872	Air ducts 11298028, 11298190	250	453		
873	Cab heater 11298028, 11298190	100	457		
873	Radiator and control 11298028, 11298018, 11298190.....	150	459		
873	Cab heater with connectors 11298028, 11298190	200	461		
874	Air conditioning 11298018	100	463		
874	Evaporator, assembly 11298018	350	465		
874	Assembly hoses: Evaporator, receiver drier, condenser. 11298018 .	450	467		
881	Instrument panel	100	469		
881	Radio bracket.....	150	473		
881	Vandalism kit 11298170.....	200	475		
882	Interior components	100	477		

INDEX OF CONTENTS	Catalogue id 20017	Group 800
	Issue VOE 63D9920017	Page 393

VOLVO

BL60



TABLE DES MATIÈRES				Catalogue id 20017	Group 800
				Issue VOE 63D9920017	Page 394
GROUPE	Section	Page	GROUPE	Section	Page

810	Corps de cabine: toit et tôle plancher.....	150	399	882	Capotage, commandes de l'équipement chargeur.....	300	481
818	Suspension de cabine.....	100	403	896	Caisse outil.....	100	483
821	Capot moteur.....	100	405	896	Outil 11891152.....	150	485
823	Boîtier radiateur.....	100	411	897	Enseignes et décalcomanies.....	100	487
825	Garde-boue 11298189, 11298190.....	100	413	897	Calcomanies WARNING.....	150	489
827	Poignée d'accès, cabine ouverte.....	100	415				
827	Marche-pied.....	150	417				
831	Porte avec pièces de montage 11298190.....	100	419				
841	Retroviseur.....	100	425				
843	Vitres 11298190, 11298203.....	100	427				
843	Fenêtres 11298190.....	150	429				
851	Pieces d'amenagement 11298018.....	150	433				
852	Siège conducteur avec pièces de montage.....	100	435				
852	Siège du conucteur.....	110	437				
852	Siège du conucteur.....	120	441				
852	Siège du condecteur.....	150	443				
852	Siège du condecteur.....	200	445				
852	Siège du conducteur suspension pneumatique.....	250	447				
872	Système du chauffage 11298018, 11298190.....	100	449				
872	Canalisation d'air 11298018.....	200	451				
872	Canalisation d'air 11298028, 11298190.....	250	453				
873	Chauffe-cabine 11298028, 11298190.....	100	457				
873	Radiateur et réglage 11298028, 11298018, 11298190.....	150	459				
873	Chauffe-cabine avec raccords 11298028, 11298190.....	200	461				
874	Climatisation 11298018.....	100	463				
874	Evaporateur, montage 11298018.....	350	465				
874	Montage flexibles, evaporateur, deshydrateurcondenseur 11298018450.....	450	467				
881	Tableau de bord.....	100	469				
881	Console radio.....	150	473				
881	Kit de protection antivandalisme 11298170.....	200	475				
882	Pieces d'amenagement.....	100	477				

GRUPPE	Abschnitt	Seite	GRUPPE	Abschnitt	Seite		
810	Fahrerhausgerippe: Dach und Bodenblech.....	150	399	882	Abdeckung Ladereglage.....	300	481
818	Kabinenaufhängung.....	100	403	896	Werkzeugkasten.....	100	483
821	Motorhaube.....	100	405	896	Werkzeug 11891152.....	150	485
823	Kühlerhaube.....	100	411	897	Schilder und aufklebeschild.....	100	487
825	Kotflügel 11298189, 11298190.....	100	413	897	Aufklebeschild WARNING.....	150	489
827	Einstieg, Überrollbügel.....	100	415				
827	Trittleiter.....	150	417				
831	Tür mit Anbauteilen 11298190.....	100	419				
841	Rückspiegel.....	100	425				
843	Fensterscheibe 11298190, 11298203.....	100	427				
843	Fenster 11298190.....	150	429				
851	Innenausstattung 11298018.....	150	433				
852	Fahrersitz mit Anbauteilen.....	100	435				
852	Fahrersitz.....	110	437				
852	Fahrersitz.....	120	441				
852	Fahrersitz.....	150	443				
852	Fahrersitz.....	200	445				
852	Fahrersitz, Luftfedert.....	250	447				
872	Heizsystem 11298018, 11298190.....	100	449				
872	Luftkanäle 11298018.....	200	451				
872	Luftkanäle 11298028, 11298190.....	250	453				
873	Kabinenheizung 11298028, 11298190.....	100	457				
873	Heizkörper und Regler 11298028, 11298018, 11298190.....	150	459				
873	Fahrerhausheizung mit anschlusse 11298028, 11298190.....	200	461				
874	Klimaanlage 11298018.....	100	463				
874	Verdampfer, Anbauteilen 11298018.....	350	465				
874	Anbauteilen schlauch, verdampfer, entfeuchter 11298018.....	450	467				
881	Instrumententafel.....	100	469				
881	Radioträger.....	150	473				
881	Vandalisierungschutz 11298170.....	200	475				
882	Innenausstattung.....	100	477				



INHALTSVERZEICHNIS	Catalogue id 20017	Group 800
	Issue VOE 63D9920017	Page 395



INDICE		Catalogue id 20017	Group 800		
		Issue VOE 63D9920017	Page 396		
GRUPO	Sección	Página	GRUPO	Sección	Página

810	Cuerpo de cabina: techo y plancha de piso.....	150	399	882	Cubierta, control de cargadora.....	300	481
818	Suspensión de cabina.....	100	403	896	Caja de herramientas.....	100	483
821	Capo.....	100	405	896	Herramienta 11891152.....	150	485
823	Cubierta del radiador.....	100	411	897	Muestras y decalcomanías.....	100	487
825	Guardabarros 11298189, 11298190.....	100	413	897	Calcomanías WARNING.....	150	489
827	Asidero de entrada protección contra vuelcos.....	100	415				
827	Escalón de acceso.....	150	417				
831	Puerta con accesorios de montaje 11298190.....	100	419				
841	Retrovisor.....	100	425				
843	Ventanillas 11298190, 11298203.....	100	427				
843	Ventanas 11298190.....	150	429				
851	Detalles interiores 11298018.....	150	433				
852	Asiento del conductor con piezas de montaje.....	100	435				
852	Asiento del conductor.....	110	437				
852	Asiento del conductor.....	120	441				
852	Asiento del conductor.....	150	443				
852	Asiento del conductor.....	200	445				
852	Asiento de conducción de suspensión neumática.....	250	447				
872	Sistema de calefacción 11298018, 11298190.....	100	449				
872	Conductos de aire 11298018.....	200	451				
872	Conductos de aire 11298028, 11298190.....	250	453				
873	Calefactor de cabina 11298028, 11298190.....	100	457				
873	Radiador y reglaje 11298028, 11298018, 11298190.....	150	459				
873	Calefactor cabina con uniones 11298028, 11298190.....	200	461				
874	Acondicionador de aire 11298018.....	100	463				
874	Evaporador, montaje 11298018.....	350	465				
874	Montaje mangueras, evaporador, secador, condensador 11298018.....	450	467				
881	Panel de instrumentos.....	100	469				
881	Panel de radio.....	150	473				
881	Protección contra vandalismo 11298170.....	200	475				
882	Detalles interiores.....	100	477				

GRUPP		Avsnitt	Sida	GRUPP		Avsnitt	Sida
810	Hyttstomme: tak och golvplåt.....	150	399	882	Kåpa lastarreglage	300	481
818	Hyttupphängning.....	100	403	896	Verktygslåda	100	483
821	Motorhuv	100	405	896	Verktyg 11891152	150	485
823	Kylarkåpa	100	411	897	Skyltar och dekaler.....	100	487
825	Stänkskärmar 11298189, 11298190.....	100	413	897	Dekaler WARNING	150	489
827	Instegshandtag version med soltak	100	415				
827	Fotsteg	150	417				
831	Dörr med monteringsdetaljer 11298190	100	419				
841	Backspeglar	100	425				
843	Rutor 11298190, 11298203	100	427				
843	Fönster 11298190.....	150	429				
851	Inredningsdetaljer 11298018	150	433				
852	Förestol med monteringsdetaljer	100	435				
852	Förestol.....	110	437				
852	Förestol.....	120	441				
852	Förestol, ISRI.....	150	443				
852	Förestol, ISRI.....	200	445				
852	Luffjädrande förestol, Eluppvärmd.....	250	447				
872	Värmesystem 11298018, 11298190	100	449				
872	Luftkanaler 11298018	200	451				
872	Luftkanaler 11298028, 11298190	250	453				
873	Hyttvärmare 11298028, 11298190	100	457				
873	Radiator och reglage 11298028, 11298018, 11298190.....	150	459				
873	Hyttvärmare med anslutningar 11298028, 11298190.....	200	461				
874	Luftkonditionering 11298018.....	100	463				
874	Evaporator, montering 11298018	350	465				
874	Montering slangar: Evaporator, torkare, kondensor. 11298018.....	450	467				
881	Instrumentpanel	100	469				
881	Radiokonsol	150	473				
881	Vandalskydd 11298170	200	475				
882	Inredningsdetaljer	100	477				

INNEHÅLLSFÖRTECKNING	Catalogue id 20017	Group 800
	Issue VOE 63D9920017	Page 397

VOLVO

BL60



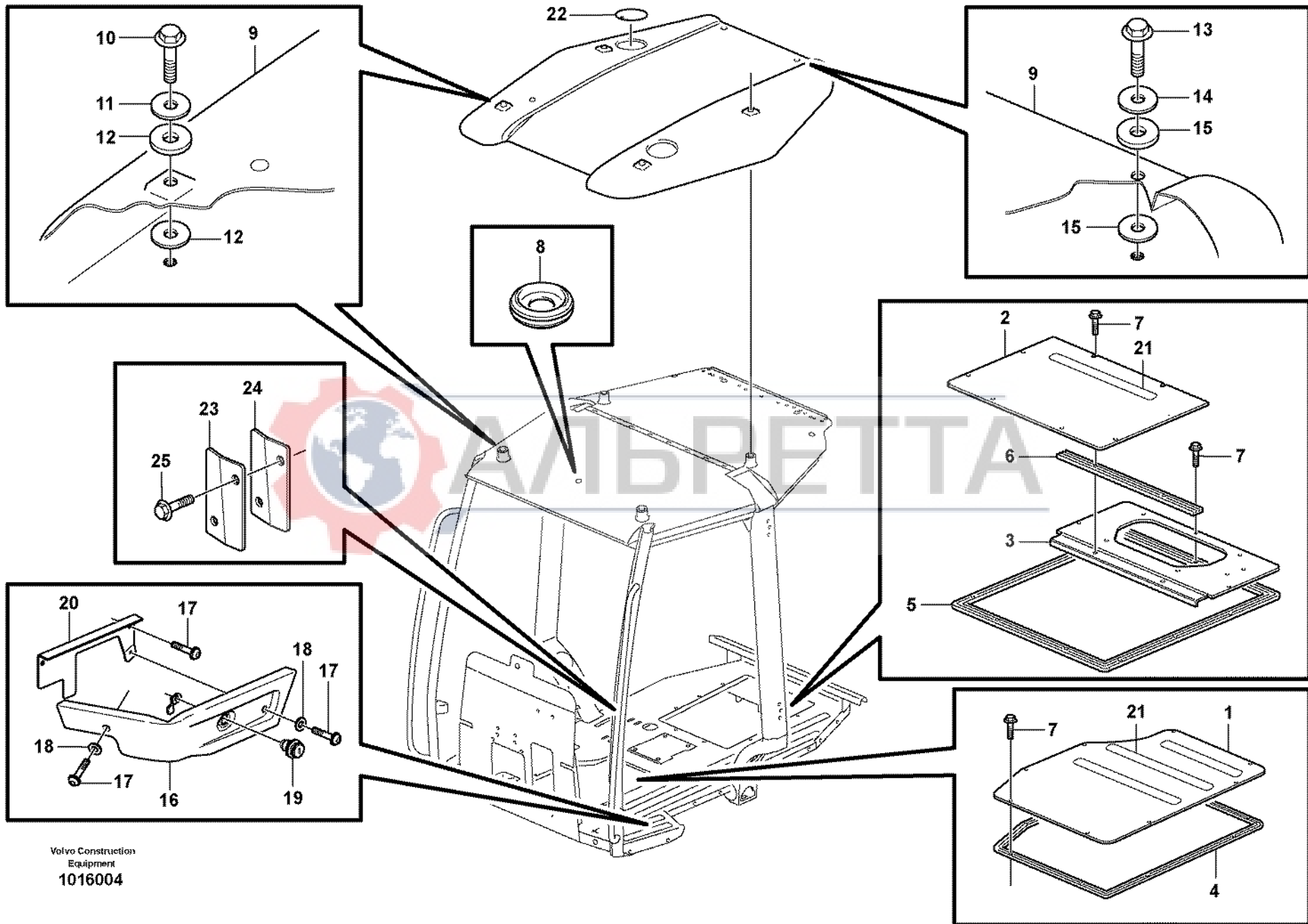


Fig.	Part No.	Quantity			P S	K I T	Description	Dénomination	Bezeichnung	Denominación	Benämning	Notes
		1	2	3								
	VOE 11203253	1					Cab framework.....	Carcasse cabine	FH-Gerippe	Armazon cabina	Hyttstomme.....	
	VOE 11202965		1				Cab framework.....	Carcasse cabine	FH-Gerippe	Armazon cabina	Hyttstomme.....	
1	VOE 11200797	1					Hatch.....	Trappe.....	Luke	Tapa	Lucka.....	SER NO -10227 EXCL 10178, 10180
1	VOE 11203487	1					Hatch.....	Trappe.....	Luke	Trampilla	Lucka.....	SER NO 10178, 10180, 10228-
1	VOE 11200797		1				Hatch.....	Trappe.....	Luke	Tapa	Lucka.....	
2	VOE 11201163	1					Hatch.....	Trappe.....	Luke	Trampilla	Lucka.....	SER NO -10227 EXCL 10178, 10180
2	VOE 11203491	1					Hatch.....	Trappe.....	Luke	Trampilla	Lucka.....	SER NO 10178, 10180, 10228-
2	VOE 11201163		1				Hatch.....	Trappe.....	Luke	Trampilla	Lucka.....	
3	VOE 11200851	1					Plate.....	Plaque.....	Platte	Placa	Platta.....	
4	VOE 11104947	REQ	1				Sealing strip	Lisse etancheite	Dichtleiste.....	Moldura reten	Tättningslist.....	L = 1800 MM
5	VOE 11104947	REQ	1				Sealing strip	Lisse etancheite	Dichtleiste.....	Moldura reten	Tättningslist.....	L = 2100 MM
6	VOE 11104947	REQ	1				Sealing strip	Lisse etancheite	Dichtleiste.....	Moldura reten	Tättningslist.....	L = 460 MM
7	VOE 13947542	19	19				Screw.....	Vis	Schraube.....	Tornillo	Skruv.....	
8	VOE 941267	1	1				Plug.....	Bouchon.....	Stopfen.....	Tapon	Plugg.....	
9	VOE 11200004	1	1				Roof.....	Toit.....	Dach.....	Techo	Tak.....	
10	VOE 974428	4	4				Flange screw.....	Vis à bride.....	Flanschschraube.....	Torn embridado.....	Flänsskruv.....	
11	VOE 955905	4	4				Washer.....	Rondelle.....	Scheibe	Arandela.....	Bricka.....	
12	VOE 11200002	8	8				Spacer.....	Entretoise.....	Abstandkörper.....	Distanciador.....	Distans.....	
13	VOE 946440	2	2				Flange screw.....	Vis à bride.....	Flanschschraube.....	Torn embridado.....	Flänsskruv.....	
14	VOE 13960143	2	2				Washer.....	Rondelle.....	Scheibe	Arandela.....	Bricka.....	
15	VOE 11149399	4	4				Seal.....	Joint	Dichtung	Reten.....	Tätning.....	
16	VOE 11200556	1	1				Side Panel.....	Panneau Lateral.....	Seit Verkl.....	Panel Lateral.....	Sidopanel.....	LH
16	VOE 11201171	1	1				Side Panel.....	Panneau Lateral.....	Seit Verkl.....	Panel Lateral.....	Sidopanel.....	RH
17	VOE 972421	9	9				Screw.....	Vis	Schraube.....	Tornillo	Skruv.....	
18	VOE 955892	5	5				Washer.....	Rondelle.....	Scheibe	Arandela.....	Bricka.....	
19		1					Lock Cylinder.....	Barille.serrure.....	Schliesszyl	Cilindro Cierre.....	Låscylinder.....	See group 821, Page 405

1	11298190	Hyttstomme: tak och golvplåt. Cuerpo de cabina: techo y plancha de piso. Fahrerhausgerippe: Dach und Bodenblech. Corps de cabine: toit et tôle plancher. Cab body: roof and floor panel.	Catalogue id	Group
2	11298189		20017	810
3			Illustr. No	Section
4			1016004	150
5			Issue	Page
			VOE 63D9920017	399

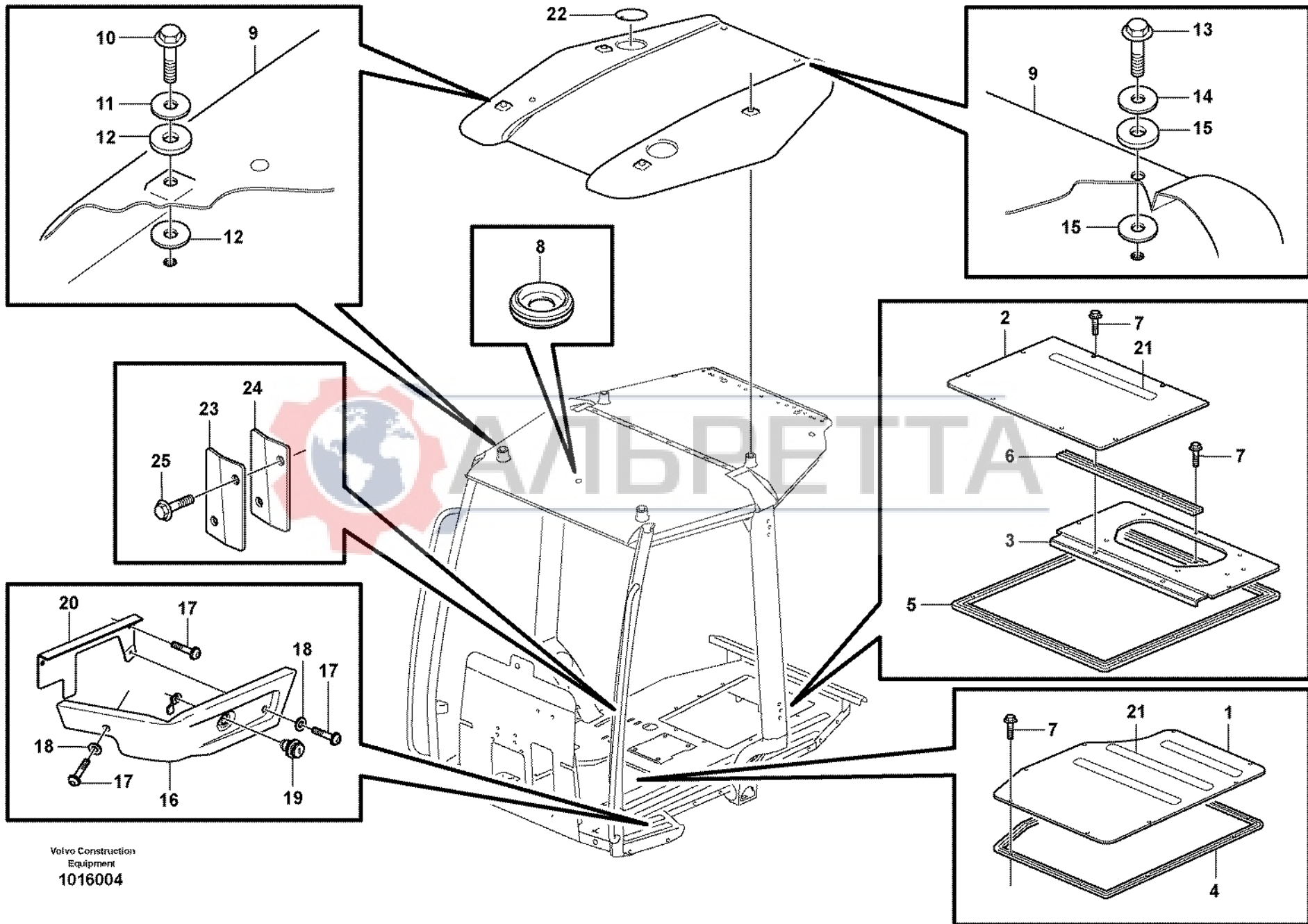


Fig.	Part No.	Quantity			P S	K I T	Description	Dénomination	Bezeichnung	Denominación	Benämning	Notes
		1	2	3								
20	VOE 11201172	1	1			Anchorage.....	Fixation	Halterung.....	Fijacion.....	Fäste.....	LH	
20	VOE 11201036	1	1			Anchorage.....	Fixation	Halterung.....	Fijacion.....	Fäste.....	RH	
21	VOE 11203449	REQ				Tape.....	Scotch.....	Klebeband.....	Cinta.....	Tape.....		
22	VOE 11200459	2				Attaching Plate.....	Fer Fixation	Befestigungslasche.....	Plato Fijacion.....	Fästjärn.....		
23	VOE 11201057	1				Cover	Capot	Haube.....	Capo.....	Huv.....	RH; SER NO 10532- EXCL 10535	
23	VOE 11201058	1				Cover	Capot	Haube.....	Capo.....	Huv.....	LH; SER NO 10532- EXCL 10535	
24	VOE 11203861	2				Gasket.....	Joint	Dichtung.....	Junta	Packning.....	SER NO 10532- EXCL 10535	
25	VOE 13946173	4				Flange screw.....	Vis à bride	Flanschschraube.....	Torn embridado.....	Flänsskruv.....	SER NO 10532- EXCL 10535	



1	11298190	Hyttstomme: tak och golvplåt. Cuerpo de cabina: techo y plancha de piso. Fahrerhausgerippe: Dach und Bodenblech. Corps de cabine: toit et tôle plancher. Cab body: roof and floor panel.	Catalogue id	Group
2	11298189		20017	810
3			Illustr. No	Section
4			1016004	150
5			Issue	Page
			VOE 63D9920017	401

VOLVO

BL60



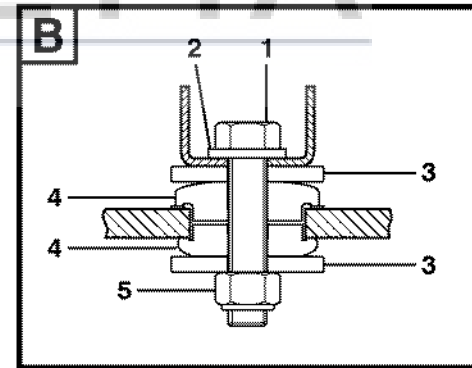
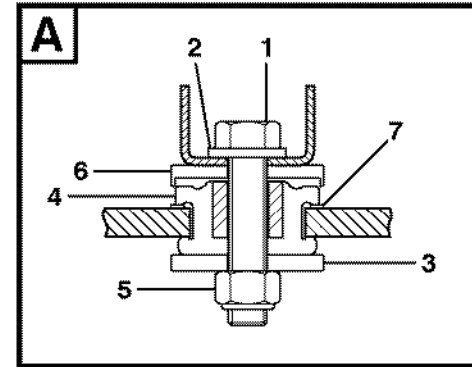
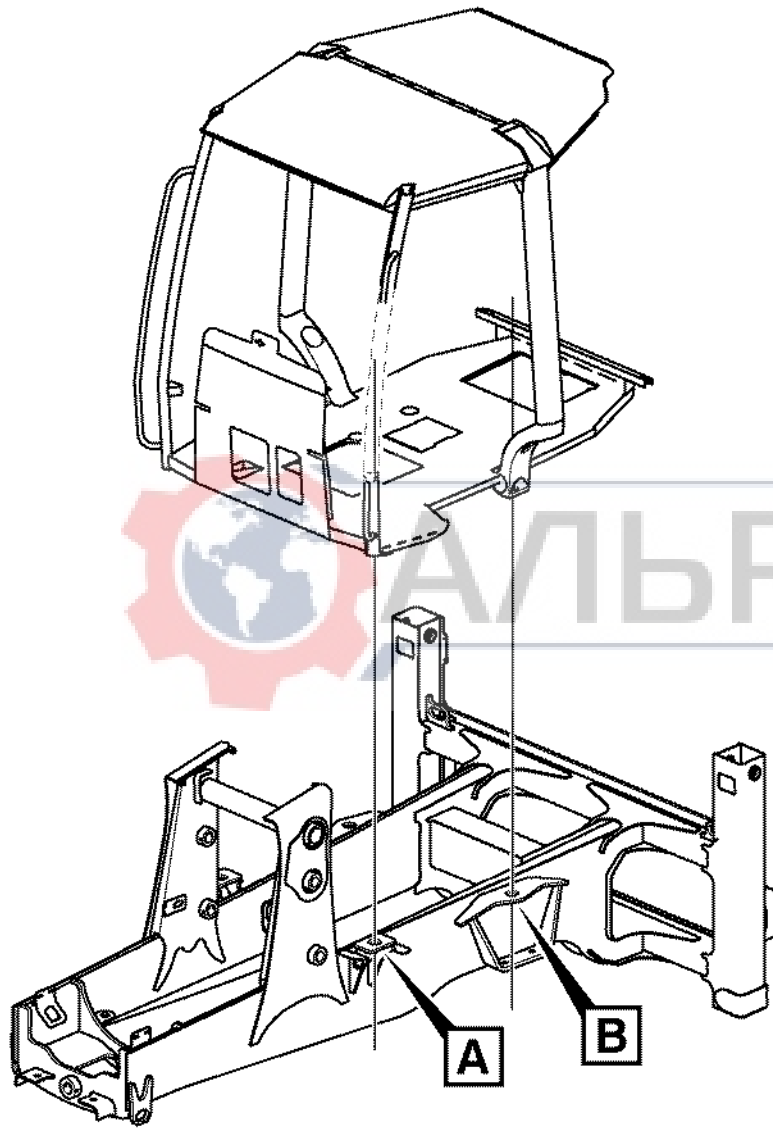


Fig.	Part No.	Quantity			P S	K I T	Description	Dénomination	Bezeichnung	Denominación	Benämning	Notes
		1	2	3								
1	VOE 978953	2				Screw	Vis	Schraube	Tornillo	Skruv		
	VOE 983299		2			Hexagon screw	Vis a tête hexagonale	Sechskantschr	Tornillo hexago	Sexkantsskruv		
2	VOE 11055616	2	2			Washer	Rondelle	Scheibe	Arandela	Bricka		
3	VOE 11881773	2				Washer	Rondelle	Scheibe	Arandela	Bricka		
	VOE 11886647		4			Washer	Rondelle	Scheibe	Arandela	Bricka		
4	VOE 11883856	2				Base	Pied	Fuss	Base	Fot		
	VOE 11884520		4			Base	Pied	Fuss	Base	Fot		
5	VOE 963111	2	2			Lock nut	Contre-ecrou	Sicherungsmutter	Contratuerca	Låsmutter		
6	VOE 11883939	2				Washer	Rondelle	Scheibe	Arandela	Bricka		
7	VOE 11885690	2				Washer	Rondelle	Scheibe	Arandela	Bricka	(VOE 11884195)	

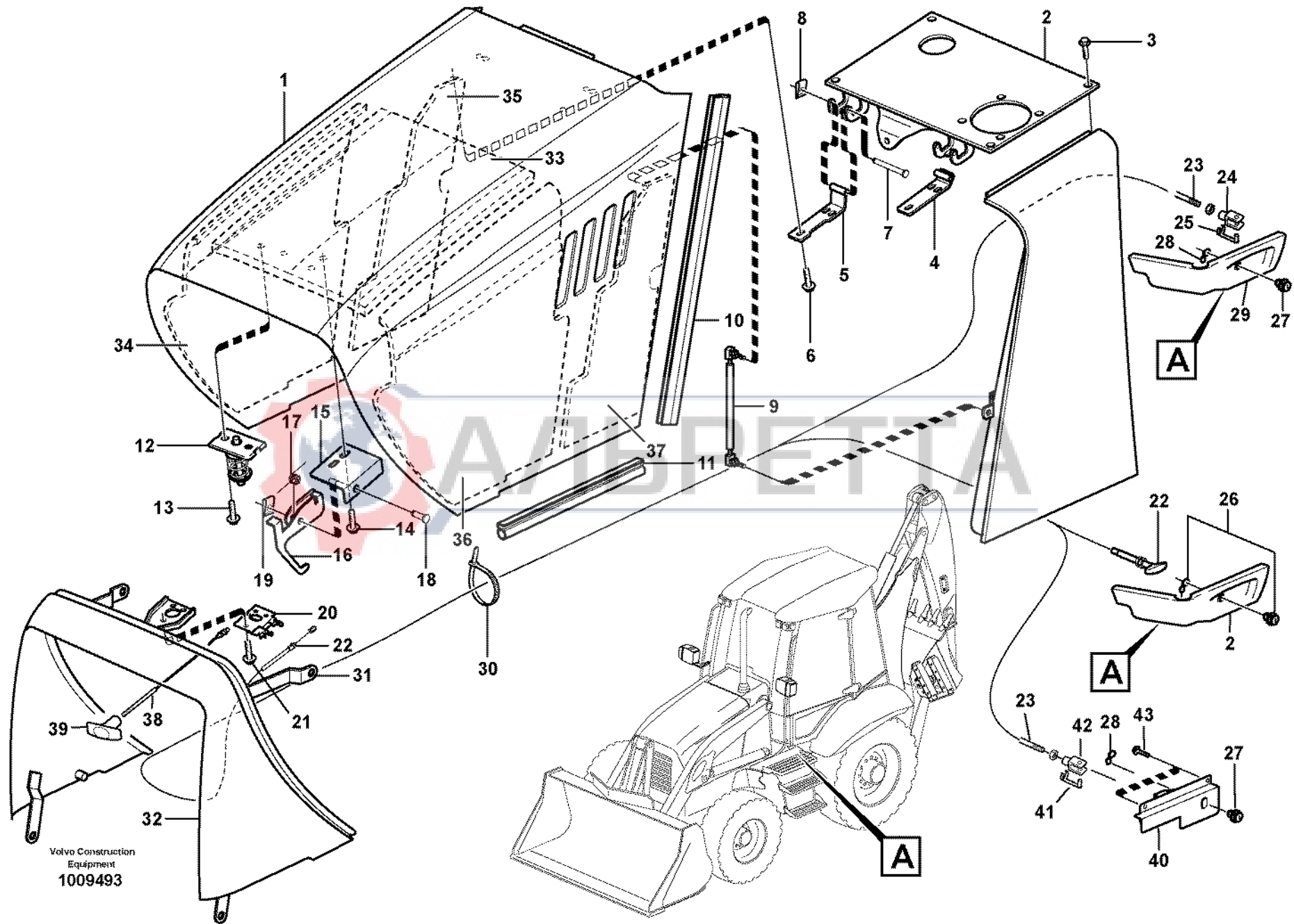


1	FRONT	Hyttupphängning Suspensión de cabina Kabinenaufhängung Suspension de cabine Cab mounting block	Catalogue id	Group
2	REAR		20017	818
3			Illustr. No	Section
4			1006670	100
5			Issue	Page
		VOE 63D9920017	403	

VOLVO

BL60





Volvo Construction
Equipment
1009493

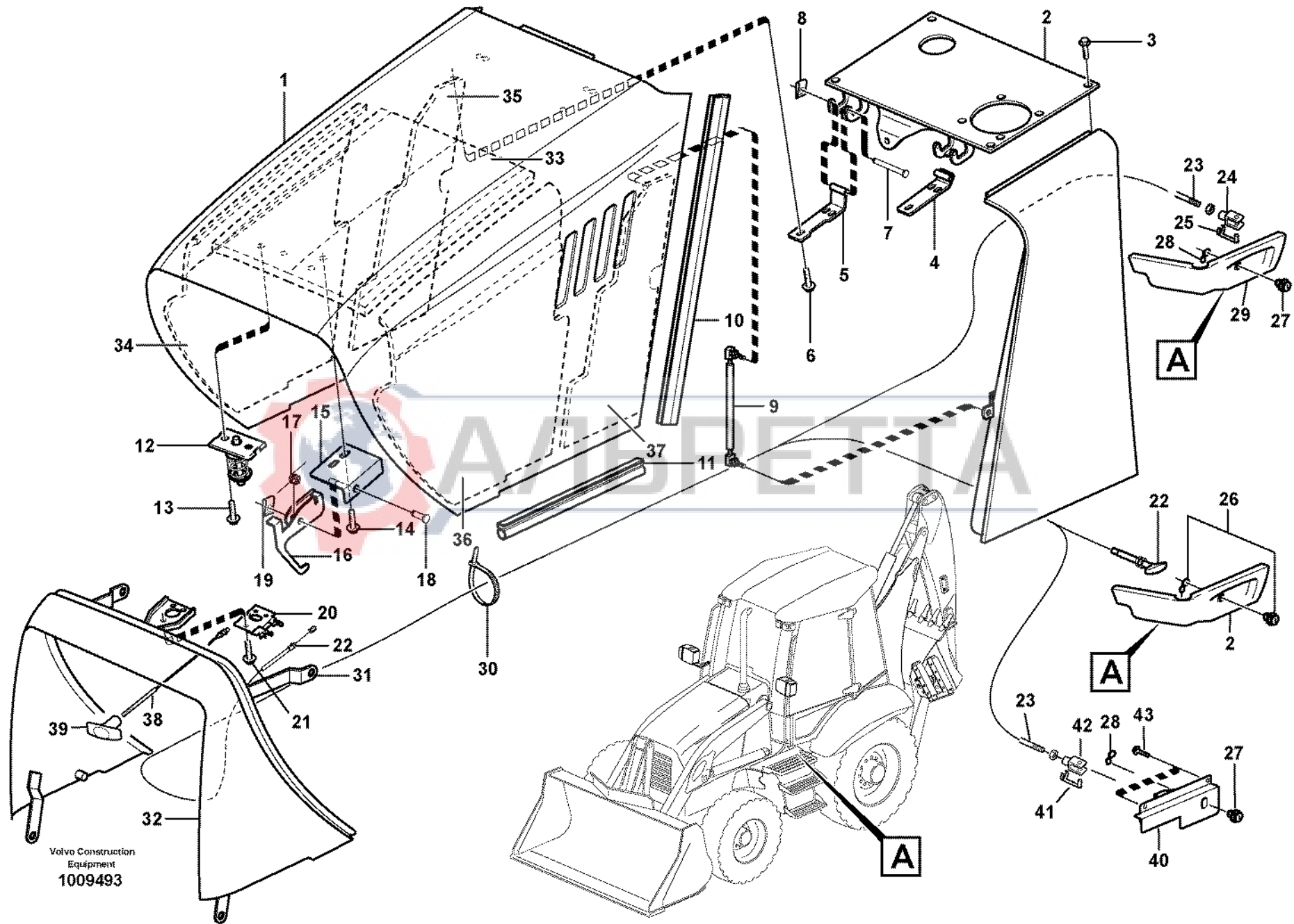
Fig.	Part No.	Quantity					P S	K T	Description	Dénomination	Bezeichnung	Denominación	Benämning	Notes
		1	2	3	4	5								
1	VOE 11882980	1						Hood	Capot Moteur	Motorhaube.....	Tapa motor.....	Motorhuv.....		
2	VOE 11882408	1						Top Plate	Tole Superieure.....	Deckblech	Placa Superior.....	Överplåt.....	SER NO -10327	
2	VOE 11886377	1						Top Plate	Tole Superieure.....	Deckblech	Placa Superior.....	Överplåt.....	SER NO 10328-	
	VOE 11887626	REQ						Shim.....	Cale d'épaisseur.....	Passscheibe	Arandela Ajuste	Passbricka.....		
3	VOE 13947760	4						Flange screw	Vis à bride	Flanschschraube	Torn embridado	Flänsskruv.....		
4	VOE 11881237	1						Hinge	Charniere	Scharnier	Bisagra	Gångjärn.....		
5	VOE 11882965	1						Hinge	Charniere	Scharnier	Bisagra	Gångjärn.....		
6	VOE 13945444	6						Flange screw	Vis à bride	Flanschschraube	Torn embridado	Flänsskruv.....		
7	VOE 11883052	2						Pin.....	Goupille	Zapfen.....	Pasador.....	Tapp.....		
8	VOE 943926	2						Lock brace	Etrier de verrouillag	Sperrklinke	Brazo Seguridad.....	Låsbygel.....		
9	VOE 11884653	2						Gas Spring.....	Ressort Gaz	Gasfeder	Resorte A Gas.....	Gasfjäder.....		
10	VOE 11881899	2						Seal.....	Joint.....	Dichtung.....	Reten	Tätning.....		
11	VOE 11881002	2						Seal.....	Joint.....	Dichtung.....	Reten	Tätning.....		
12	VOE 11114940	1						Lock Bolt.....	Boulon Verroui.	Sicher Bolzen.....	Perno Seguridad	Låsult.....		
13	VOE 13946173	2						Flange screw	Vis à bride	Flanschschraube	Torn embridado	Flänsskruv.....		
14	VOE 13946173	2						Flange screw	Vis à bride	Flanschschraube	Torn embridado	Flänsskruv.....		
15	VOE 11885233	1						Bracket.....	Console	Konsole	Ménsula.....	Konsol.....	(VOE 11884632)	
16	VOE 11885234	1						Hook	Crochet.....	Haken	Gancho	Krok.....		
17	VOE 11881351	1						Spring	Ressort.....	Feder	Muelle	Fjäder.....		
18	VOE 942290	1						Rtng Ring Bolt.....	Boulon Sill Bag.....	Sich.bolzen	Perno Circlip.....	Spåringsbult.....		
19	VOE 13942915	1						Safety Brace	Etrier Securite.....	Sicherungsbugel	Brida Seguridad.....	Säkringsbygel.....		
20	VOE 11882989	1						Catch	Disque Blocage	Sperrplatte	Disco Bloqueo	Spärrskiva.....		
21	VOE 13965175	3						Screw.....	Vis	Schraube	Tornillo.....	Skruv.....		
22	VOE 11883860	1						Cable	Câble	Seil.....	Cable	Lina.....	2155)	
23	VOE 11886250		1					Cable	Câble	Seil.....	Cable	Lina.....	SER NO 10178, 10180, 10228-	
23	VOE 11886789		1					Cable	Câble	Seil.....	Cable	Lina.....	SER NO 10479-	

2155) **GB:** Cab: Ser. No.-10227 except 10178, 10180; Canopy: Ser. No. -10048 **FR:** Cabine: No de série -10227, sauf 10178, 10180 **DE:** Kabine: Fert.-Nr.. -10227 außer 10178, 10180; Canopy: Fert.-Nr. -10048 **ES:** Cabina: Núm. de serie -10227 excepto 10178, 10180; Cabina abierta: Núm. de serie -10048 **SE:** Hytt: Tillverkningsnr. -10227 utom 10178, 10180; Öppen hytt: Tillverkningsnr. -10048

1	11880001	Motorhuv Capo Motorhaube Capot moteur Engine hood	Catalogue id	Group
2	11298189		20017	821
3	11298190		Illustr. No	Section
4	11298239		1009493	100
5			Issue	Page
			VOE 63D9920017	405

VOLVO

BL60



Volvo Construction
Equipment
1009493

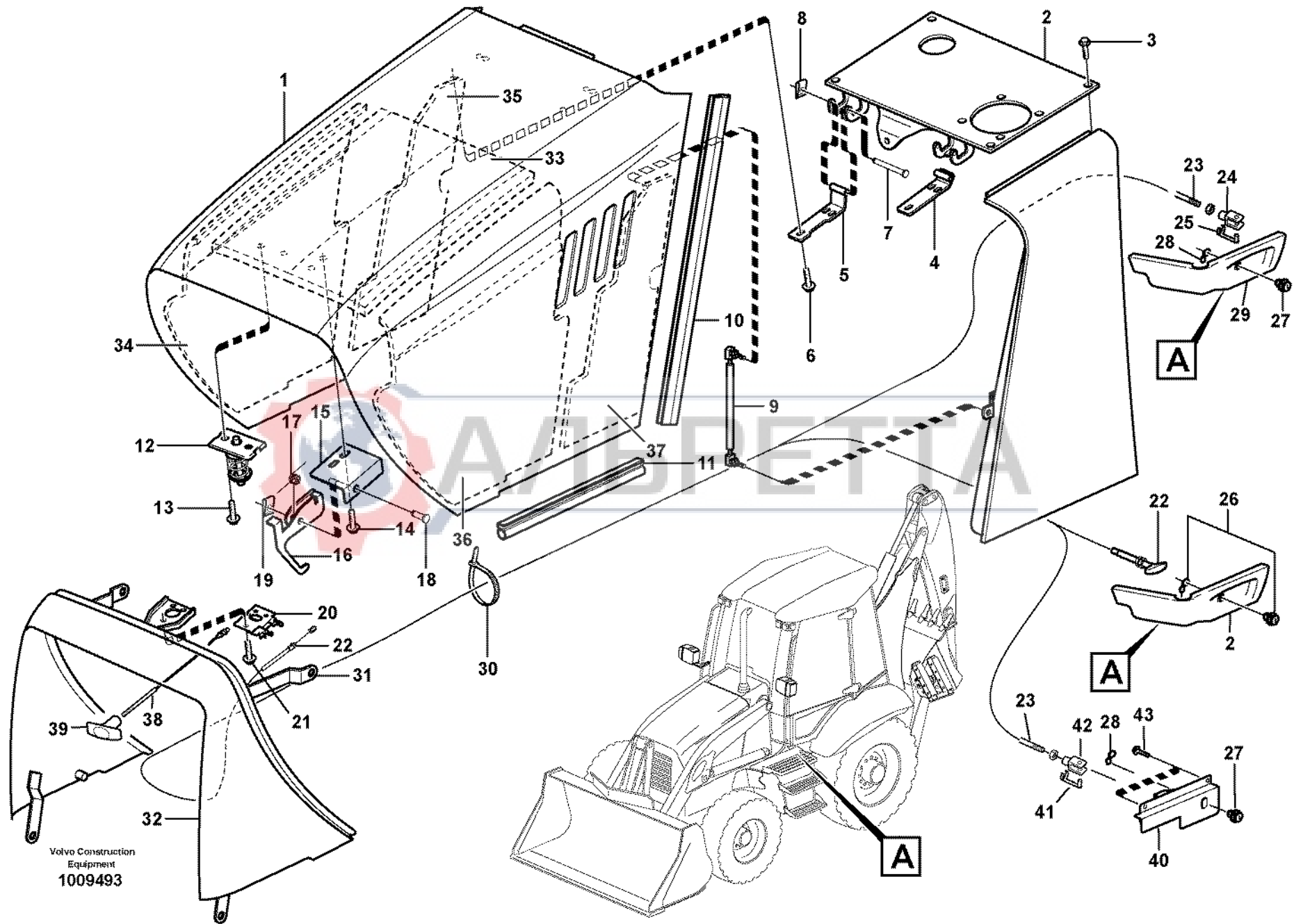
Fig.	Part No.	Quantity					P S	K T	Description	Dénomination	Bezeichnung	Denominación	Benämning	Notes
		1	2	3	4	5								
24	VOE 11882487			1				Fork.....	Fourche	Gabel	Horquilla	Gaffel.....	SER NO 10178, 10180, 10228-	
25	VOE 11882489			1				Pin.....	Clavette	Splint.....	Pasador	Sprint.....	SER NO 10178, 10180, 10228-	
26	VOE 11881549	1						Lock Cylinder	Barille.serrure	Schliesszyl	Cilindro Cierre	Låscylinder.....	2155)	
26	VOE 11881549			1				Lock Cylinder	Barille.serrure	Schliesszyl	Cilindro Cierre	Låscylinder.....	SER NO 10178, 10180, 10228-10238, 10247, 10259, 10260, 10267	
27	VOE 11886138			1				Lock	Serrure	Schloss	Cierre.....	Lås.....	SER NO 10239- ; EXCL 10247, 10259, 10260, 10267	
27	VOE 11886138				1			Lock	Serrure	Schloss	Cierre.....	Lås.....		
28	VOE 11886474			1				Lock Plate	Plaque Verroui.	Verschl Platte.....	Placa Seguridad	Låsplatta.....	SER NO 10239- ; EXCL 10247,10259, 10260, 10267	
28	VOE 11886474				1			Lock Plate	Plaque Verroui.	Verschl Platte.....	Placa Seguridad	Låsplatta.....		
29		1						Side Panel	Panneau Lateral	Seit Verkl	Panel Lateral	Sidopanel.....	See group 810, Page 399	
30	VOE 4881438	2						Strip Clamp	Ruban Serrage	Kabelbinder.....	Abraz Cinta.....	Bandklamma.....	2155)	
30	VOE 4881438			2				Strip Clamp	Ruban Serrage	Kabelbinder.....	Abraz Cinta.....	Bandklamma.....	SER NO 10178, 10180, 10228-	
31		1						Bracket.....	Console	Konsole.....	Ménsula.....	Konsol.....	See group 261, Page 109	
32		1						Nose Part.....	Partie Nez	Frontgeschirr.....	Parte Delantera	Nosdel.....	See group 823, Page 411	
33	VOE 11883414	1					SS	Insulation	Isolant.....	Isolierung	Aislante.....	Isolering.....		
34	VOE 11883418	1						Insulation	Isolant.....	Isolierung	Aislante.....	Isolering.....		
35	VOE 11886546	1						Insulation	Isolant.....	Isolierung	Aislante.....	Isolering.....		
36	VOE 11886547	1						Insulation	Isolant.....	Isolierung	Aislante.....	Isolering.....		
37	VOE 11886545	1						Insulation	Isolant.....	Isolierung	Aislante.....	Isolering.....		

2155) **GB:** Cab: Ser. No.-10227 except 10178, 10180; Canopy: Ser. No. -10048 **FR:** Cabine: No de série -10227, sauf 10178, 10180 **DE:** Kabine: Fert.-Nr. -10227 außer 10178, 10180; Canopy: Fert.-Nr. -10048 **ES:** Cabina: Núm. de serie -10227 excepto 10178, 10180; Cabina abierta: Núm. de serie -10048 **SE:** Hytt: Tillverkningsnr. -10227 utom 10178, 10180; Öppen hytt: Tillverkningsnr. -10048

1	11880001	Motorhuv Capo Motorhaube Capot moteur Engine hood	Catalogue id	Group
2	11298189		20017	821
3	11298190		Illustr. No	Section
4	11298239		1009493	100
5			Issue	Page
			VOE 63D9920017	407

VOLVO

BL60



Volvo Construction
 Equipment
 1009493

Fig.	Part No.	Quantity					P S	K T	Description	Dénomination	Bezeichnung	Denominación	Benämning	Notes
		1	2	3	4	5								
38	VOE 11886264		1					Cable	Câble	Seil	Cable	Lina.....	SER NO 10049-10478	
39	VOE 11886270		1					Handle	Poignee	Handgriff	Manilla	Handgrepp.....	SER NO 10049-10478	
40	VOE 11887014		1					Handle	Poignee	Handgriff	Manilla	Handgrepp.....	SER NO 10479-	
41	VOE 11882489		1					Pin.....	Clavette	Splint.....	Pasador	Sprint.....	SER NO 10479-	
42	VOE 11882487		1					Fork.....	Fourche	Gabel	Horquilla	Gaffel.....	SER NO 10479-	
43	VOE 13947949		2					Flange screw	Vis à bride	Flanschschraube	Torn embridado	Flänsskruv.....	SER NO 10479-	

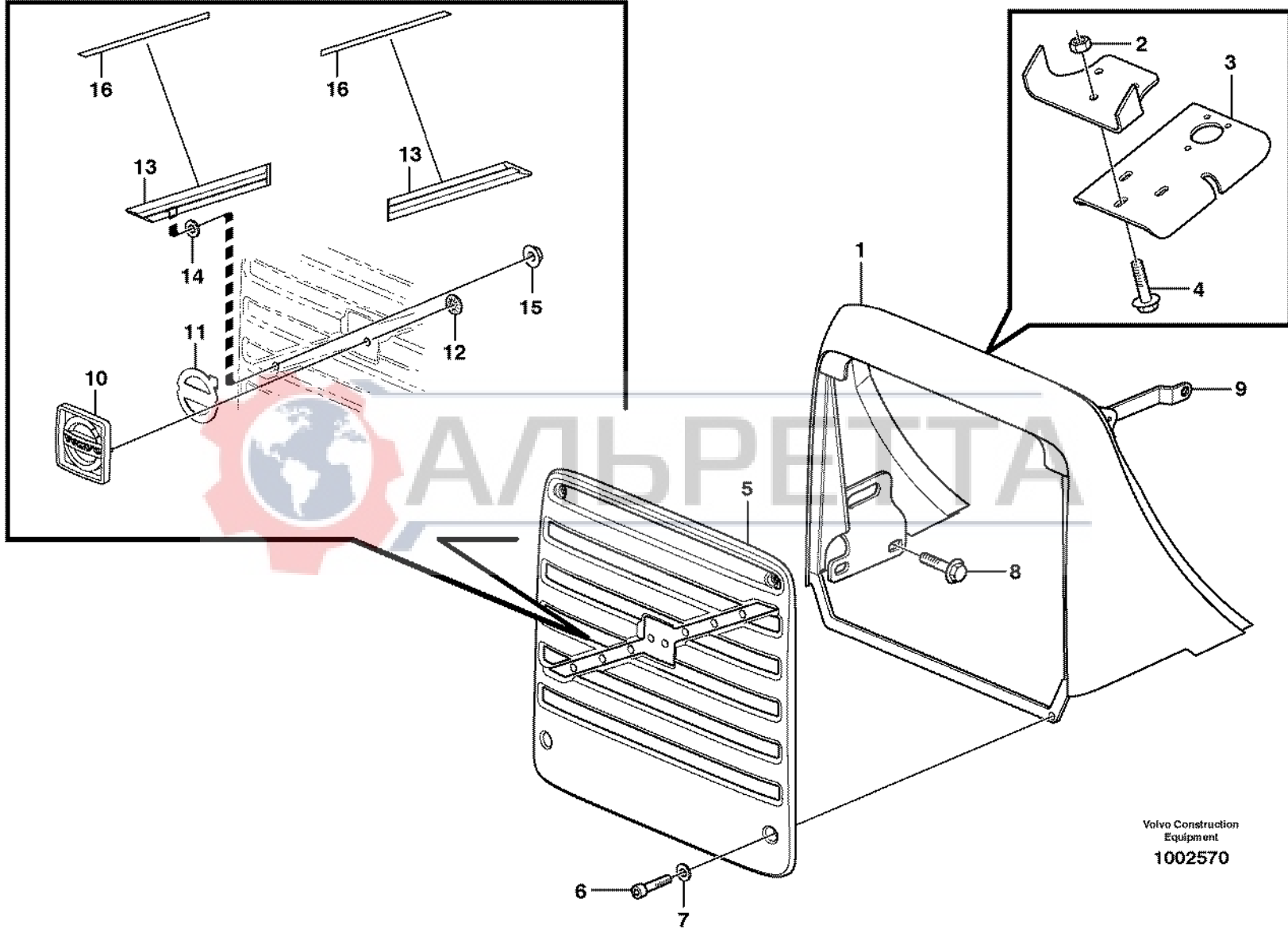


1	11880001	Motorhuv Capo Motorhaube Capot moteur Engine hood	Catalogue id	Group
2	11298189		20017	821
3	11298190		Illustr. No	Section
4	11298239		1009493	100
5			Issue	Page
			VOE 63D9920017	409

VOLVO

BL60





Volvo Construction
Equipment
1002570

Fig.	Part No.	Quantity			P S	K I T	Description	Dénomination	Bezeichnung	Denominación	Benämning	Notes
		1	2	3								
1	VOE 11883132	1				Nose Part.....	Partie Nez	Frontgeschirr	Parte Delantera	Nosdel.....		
2	VOE 955782	3				•Hexagon Nut.....	•Ecrou Hexagonal	•Sechskantmutter	•Tuerca Hexagon	•Sexkantmutter.....		
3	VOE 11883678	1				Bracket.....	Console.....	Konsole	Ménsula.....	Konsol.....		
4	VOE 13946173	3				Flange screw.....	Vis à bride	Flanschschraube.....	Torn embridado	Flänsskruv.....		
5	VOE 11881191	1				Radiator grille.....	Calandre radia.	Kühlergrill	Rejilla radiad	Kylargrill.....		
6	VOE 13969599	4				Screw.....	Vis	Schraube.....	Tornillo	Skruv.....		
7	VOE 13955894	4				Washer.....	Rondelle.....	Scheibe	Arandela.....	Bricka.....		
8	VOE 968589	4				Flange screw.....	Vis à bride	Flanschschraube.....	Torn embridado	Flänsskruv.....		
9		2				Bracket.....	Console.....	Konsole	Ménsula.....	Konsol.....	See group 821, Page 405	
10	VOE 11884163	1				Emblem.....	Monogramme	Emblem	Emblema	Emblem.....		
11	VOE 11884214	1				Adhesive	Adhesif	Klebstoff	Adhesivo	Lim.....		
12	VOE 945780	2				Retainer	Retenue	Halter.....	Soporte.....	Hållare.....		
13	VOE 11884154	2				Profile.....	Profile.....	Profil.....	Perfil	Profil.....		
14	VOE 949102	6				Washer.....	Rondelle.....	Scheibe	Arandela.....	Bricka.....		
15	VOE 13965483	6				Flange Lock Nut.....	Contre écrou bride	Flanschmutter	Contratuer Embr.....	Flänslåsmutter.....		
16	VOE 11884165	2				Strip.....	Bande.....	Streifen.....	Cinta.....	Band.....		



1		Kylarkåpa Cubierta del radiador Kühlerhaube Boitier radiateur Radiator casing	Catalogue id	Group
2			20017	823
3			Illustr. No	Section
4			1002570	100
5			Issue	Page
			VOE 63D9920017	411

VOLVO

BL60

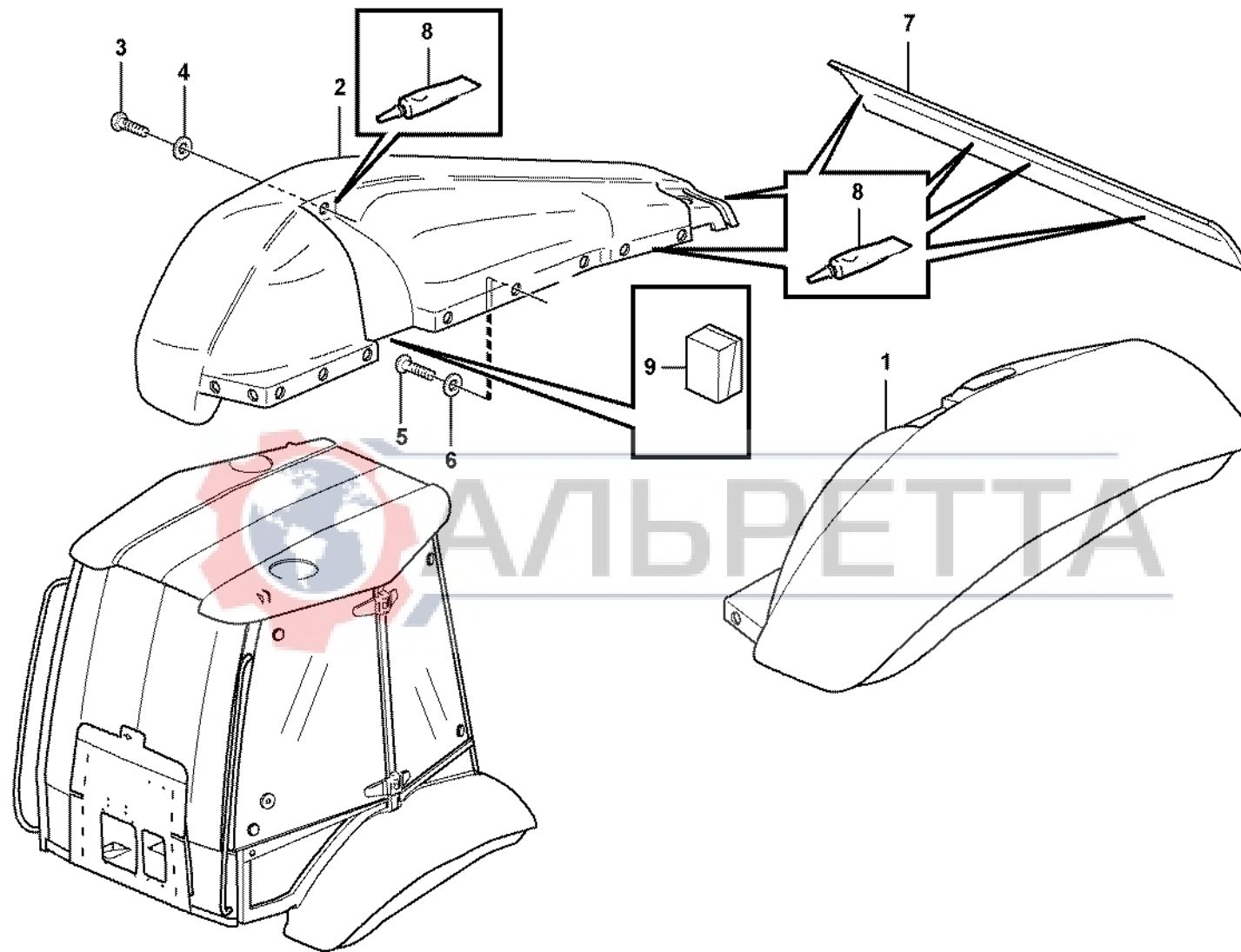


Fig.	Part No.	Quantity			P S	K I T	Description	Dénomination	Bezeichnung	Denominación	Benämning	Notes
		1	2	3								
1	VOE 11149785	1				Fender.....	Aile	Kotflügel	Guardabarro	Stänkskärm.....	LH	
2	VOE 11200890	1			SS	Fender.....	Aile	Kotflügel	Guardabarro	Stänkskärm.....	RH	
3	VOE 13945444	2				Flange screw.....	Vis à bride	Flanschschraube.....	Torn embridado	Flänsskruv.....		
4	VOE 13960141	2				Washer.....	Rondelle	Scheibe	Arandela	Bricka.....		
5	VOE 972421	24				Screw	Vis	Schraube.....	Tornillo	Skruv.....		
6	VOE 960139	24				Washer.....	Rondelle	Scheibe	Arandela	Bricka.....		
7	VOE 11200222	1				Panel.....	Panneau.....	Verkleidung	Plancha	Panel.....		
8	VOE 11708567	REQ				Adhesive	Adhesif	Klebstoff	Adhesivo	Lim.....		
9	VOE 11201553	REQ				Seal.....	Joint	Dichtung	Reten.....	Tätning.....	Cab only	

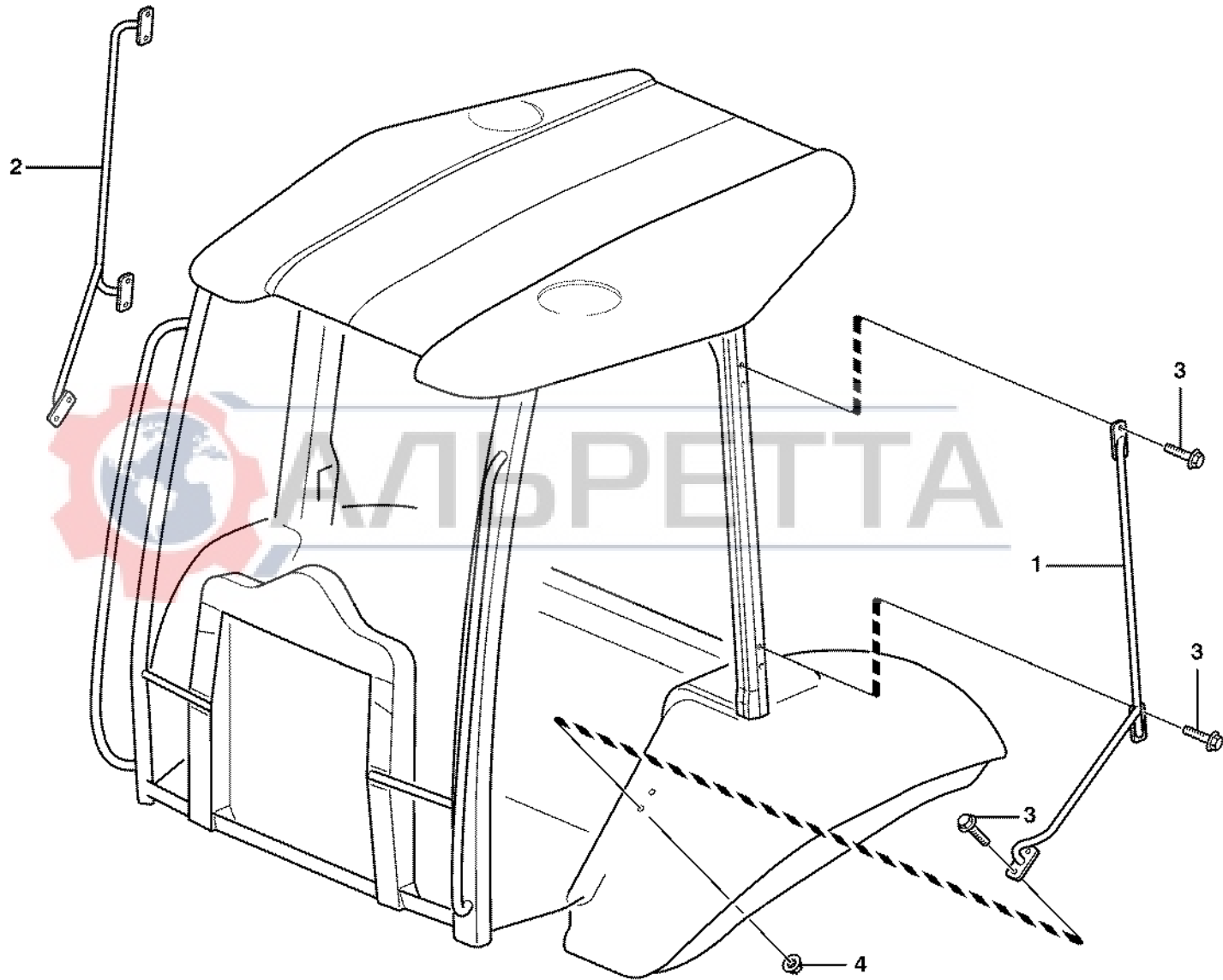


1		Stänkskärmar Guardabarros Kotflügel Garde-boue Mud guards	Catalogue id	Group
2			20017	825
3			Illustr. No	Section
4			1013212	100
5			Issue	Page
			VOE 63D9920017	413
11298189, 11298190				

VOLVO

BL60





Volvo Construction
Equipment
1001040

Fig.	Part No.	Quantity			P S	K I T	Description	Dénomination	Bezeichnung	Denominación	Benämning	Notes
		1	2	3								
1	VOE 11200658	1					Courtesy Handle	Poignee Entree	Einstieggriff	Manilla Acceso	Instegshandtag.....	LH
2	VOE 11200835	1	1				Courtesy Handle	Poignee Entree	Einstieggriff	Manilla Acceso	Instegshandtag.....	RH
3	VOE 946671	12	6				Flange screw.....	Vis à bride	Flanschschraube.....	Torn embridado	Flänsskruv.....	
4	VOE 948645	2					Flange Lock Nut.....	Contre écrou bride	Flanschmutter	Contratuer Embr.....	Flänslåsmutter.....	LH



1	11298189	Instegshandtag version med soltak Asidero de entrada protección contra vuelcos Einstieg, Überrollbügel Poignée d'accès, cabine ouverte Step handle canopy	Catalogue id	Group
2	11298161		20017	827
3			Illustr. No	Section
4			1001040	100
5			Issue	Page
			VOE 63D9920017	415

VOLVO

BL60



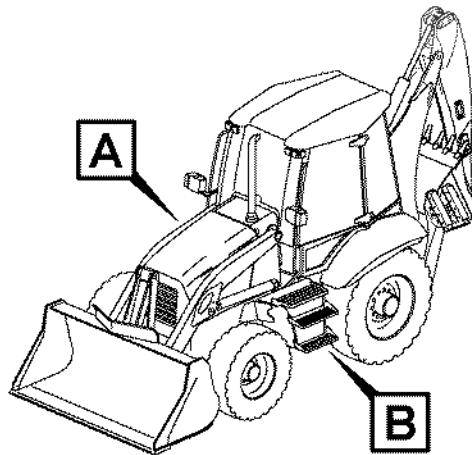
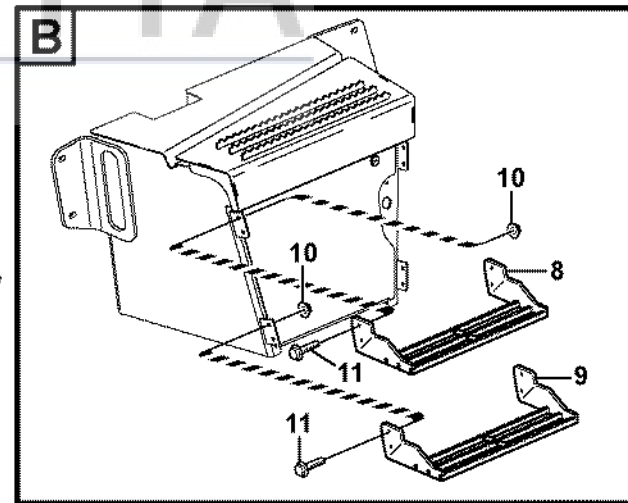
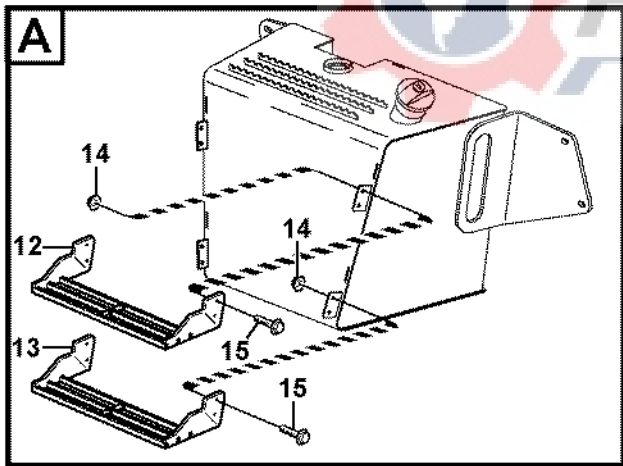
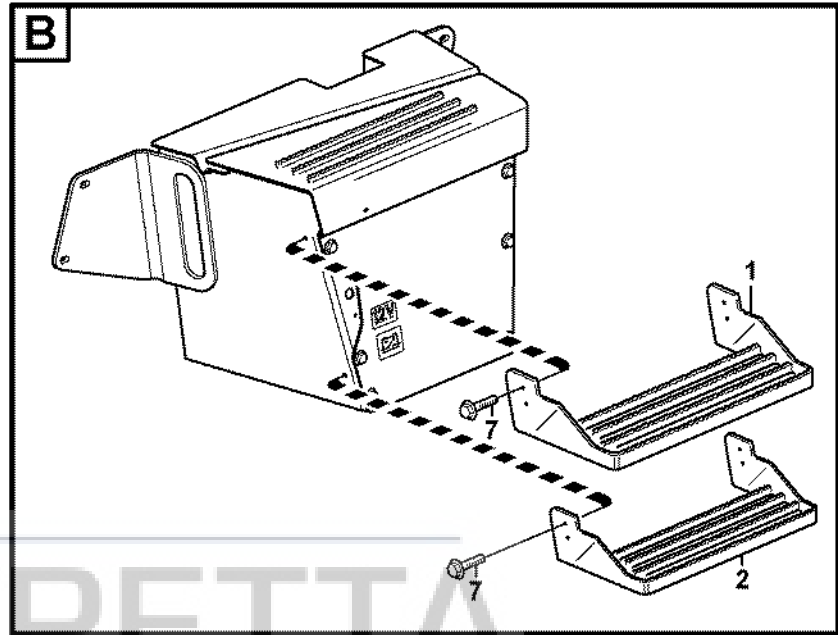
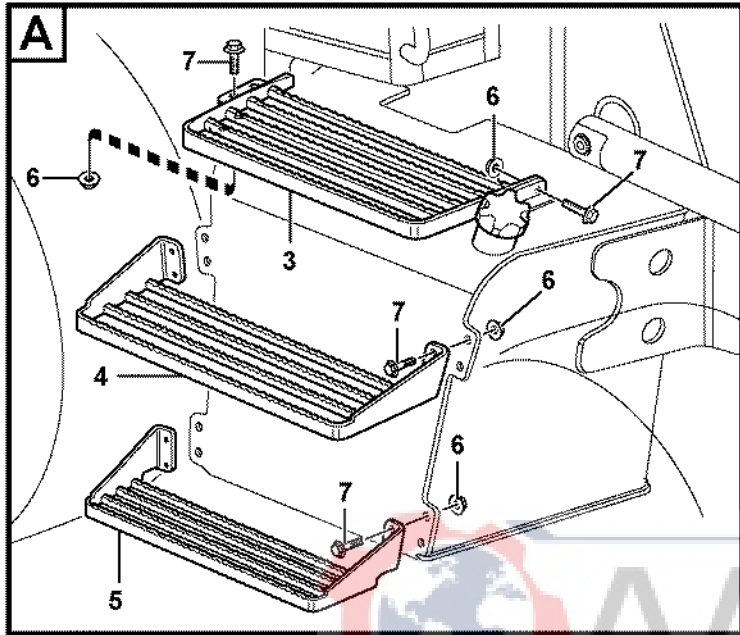


Fig.	Part No.	Quantity			P S	K I T	Description	Dénomination	Bezeichnung	Denominación	Benämning	Notes
		1	2	3								
1	VOE 11886292	1				Step.....	Marche Escalier	Treppenstufe	Escalon	Trappsteg.....	SER NO -10518	
2	VOE 11886293	1				Step.....	Marche Escalier	Treppenstufe	Escalon	Trappsteg.....	SER NO -10518	
3	VOE 11883479	1				Step.....	Marche Escalier	Treppenstufe	Escalon	Trappsteg.....	SER NO -10511	
4	VOE 11883232	1				Step.....	Marche Escalier	Treppenstufe	Escalon	Trappsteg.....	SER NO -10511	
5	VOE 11882104	1				Step.....	Marche Escalier	Treppenstufe	Escalon	Trappsteg.....	SER NO -10511	
6	VOE 13971098	12				Flange nut.....	Ecrou accouple.	Bundmutter.....	Tuerca embridada	Flänsmutter.....	SER NO -10511	
7	VOE 946329	20				Flange screw.....	Vis à bride	Flanschschraube.....	Torn embridado	Flänsskruv.....	SER NO -10511	
8	VOE 11886987	1				Step.....	Marche Escalier	Treppenstufe	Escalon	Trappsteg.....	SER NO 10519-	
9	VOE 11886992	1				Step.....	Marche Escalier	Treppenstufe	Escalon	Trappsteg.....	SER NO 10519-	
10	VOE 948645	8				Flange Lock Nut.....	Contre écrou bride	Flanschmutter	Contratuer Embr.....	Flänslåsmutter.....	SER NO 10519-	
11	VOE 13946173	8				Flange screw.....	Vis à bride	Flanschschraube.....	Torn embridado	Flänsskruv.....	SER NO 10519-	
12	VOE 11886987	1				Step.....	Marche Escalier	Treppenstufe	Escalon	Trappsteg.....	SER NO 10512-	
13	VOE 11886992	1				Step.....	Marche Escalier	Treppenstufe	Escalon	Trappsteg.....	SER NO 10512-	
14	VOE 948645	8				Flange Lock Nut.....	Contre écrou bride	Flanschmutter	Contratuer Embr.....	Flänslåsmutter.....	SER NO 10512-	
15	VOE 13946173	8				Flange screw.....	Vis à bride	Flanschschraube.....	Torn embridado	Flänsskruv.....	SER NO 10512-	



1	Fotsteg Escalón de acceso Trittleiter Marche-pied Foot step	Catalogue id	Group
2		20017	827
3		Illustr. No	Section
4		1012022	150
5		Issue	Page
		VOE 63D9920017	417

VOLVO

BL60



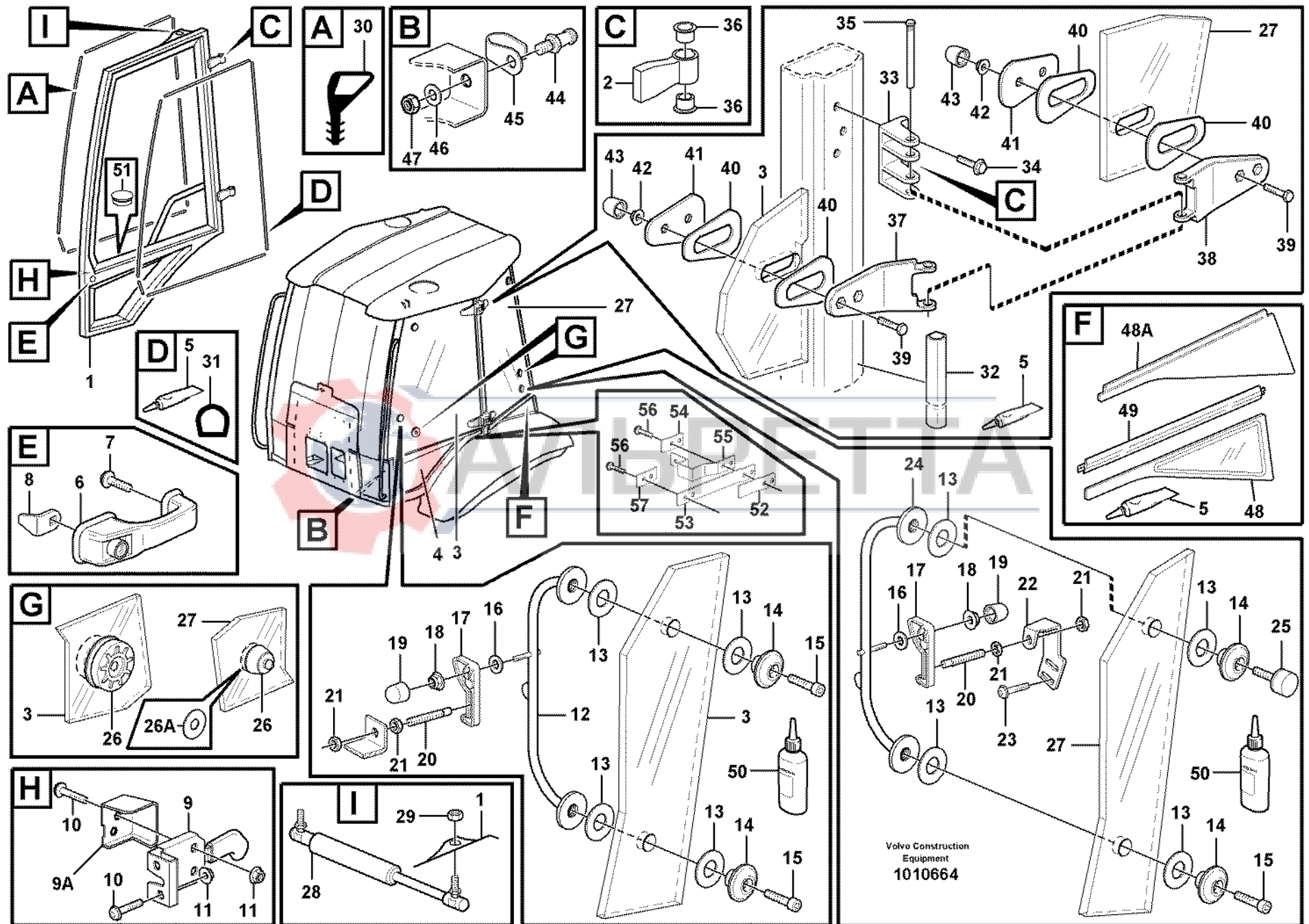


Fig.	Part No.	Quantity			P S	K I T	Description	Dénomination	Bezeichnung	Denominación	Benämning	Notes
		1	2	3								
1	VOE 11203022	1				Door	Porte	Tür	Puerta	Dörr	LH	
	VOE 11203032	1				Door	Porte	Tür	Puerta	Dörr	RH	
2	VOE 11200071	4				•Hinge	•Charniere	•Scharnier	•Bisagra	•Gångjärn		
3		1				Window	Vitre	Fensterscheibe	Ventana	Ruta	LH	
		1				Window	Vitre	Fensterscheibe	Ventana	Ruta	RH	
											See group 843, Page 427	
4		1				Window	Vitre	Fensterscheibe	Ventana	Ruta	LH	
		1				Window	Vitre	Fensterscheibe	Ventana	Ruta	RH	
											See group 843, Page 427	
5	VOE 11708567	REQ				•Adhesive	•Adhesif	•Klebstoff	•Adhesivo	•Lim		
6	VOE 11201846	2				Door Handle	Poignee de porte	Türdrücker	Empunadura de puer	Dörrhandtag		
7	VOE 969147	2				Screw	Vis	Schraube	Tornillo	Skruv		
8	VOE 11200464	2				Lock Lug	Talon Verrouil	Sperrzacken	Talon Cierre	Låsklack		
9	VOE 11202452	1				Door Lock	Serrure Porte	Türschloss	Cerradura Puert	Dörrlås	LH	
	VOE 11202453	1				Door Lock	Serrure Porte	Türschloss	Cerradura Puert	Dörrlås	RH	
9A	VOE 11202353	1				Protection	Protection	Schutz	Proteccion	Skydd	LH	
	VOE 11202354	1				Protection	Protection	Schutz	Proteccion	Skydd	RH	
10	VOE 969587	8				6-pt skt screw	Vis creuse de 6	Hohlschraube	Racor 6-dientes	Sextandhålskruv		
11	VOE 13949278	8				Flange Lock Nut	Contre écrou bride	Flanschmutter	Contratuer Embr	Flänslåsmutter		
12	VOE 11202438	1				Handle	Poignee	Handgriff	Manilla	Handgrepp	LH	
	VOE 11202464	1				Handle	Poignee	Handgriff	Manilla	Handgrepp	RH	
13	VOE 11200244	8				Rubber Washer	Rondelle Caoutchouc	Gummischeibe	Arandela Goma	Gummibricka		
14	VOE 11200246	4				Clamping Plate	Plaque Serrage	Klemmplatte	Placa Apriete	Klämplatta		
15	VOE 959220	6				Allen Hd Screw	Vis A 6 Pans Cr	Inbusschraube	Tom Hex Embut	Insexskruv		
16	VOE 13955894	4				Washer	Rondelle	Scheibe	Arandela	Bricka		
17	VOE 11201071	4				Lock Handle	Poignee Verrou	Schliessgriff	Manilla	Låshandtag		
18	VOE 948645	4				Flange Lock Nut	Contre écrou bride	Flanschmutter	Contratuer Embr	Flänslåsmutter		
19	VOE 11006824	4				Protective cap	Capuchon de protecti	Schutzkappe	Cubierta de protecció	Skyddshatt		

1		Dörr med monteringsdetaljer	Catalogue id	Group
2		Puerta con accesorios de montaje	20017	831
3		Tür mit Anbauteilen	Illustr. No	Section
4		Porte avec pièces de montage	1010664	100
5		Door with fitting parts	Issue	Page
		11298190	VOE 63D9920017	419

VOLVO

BL60

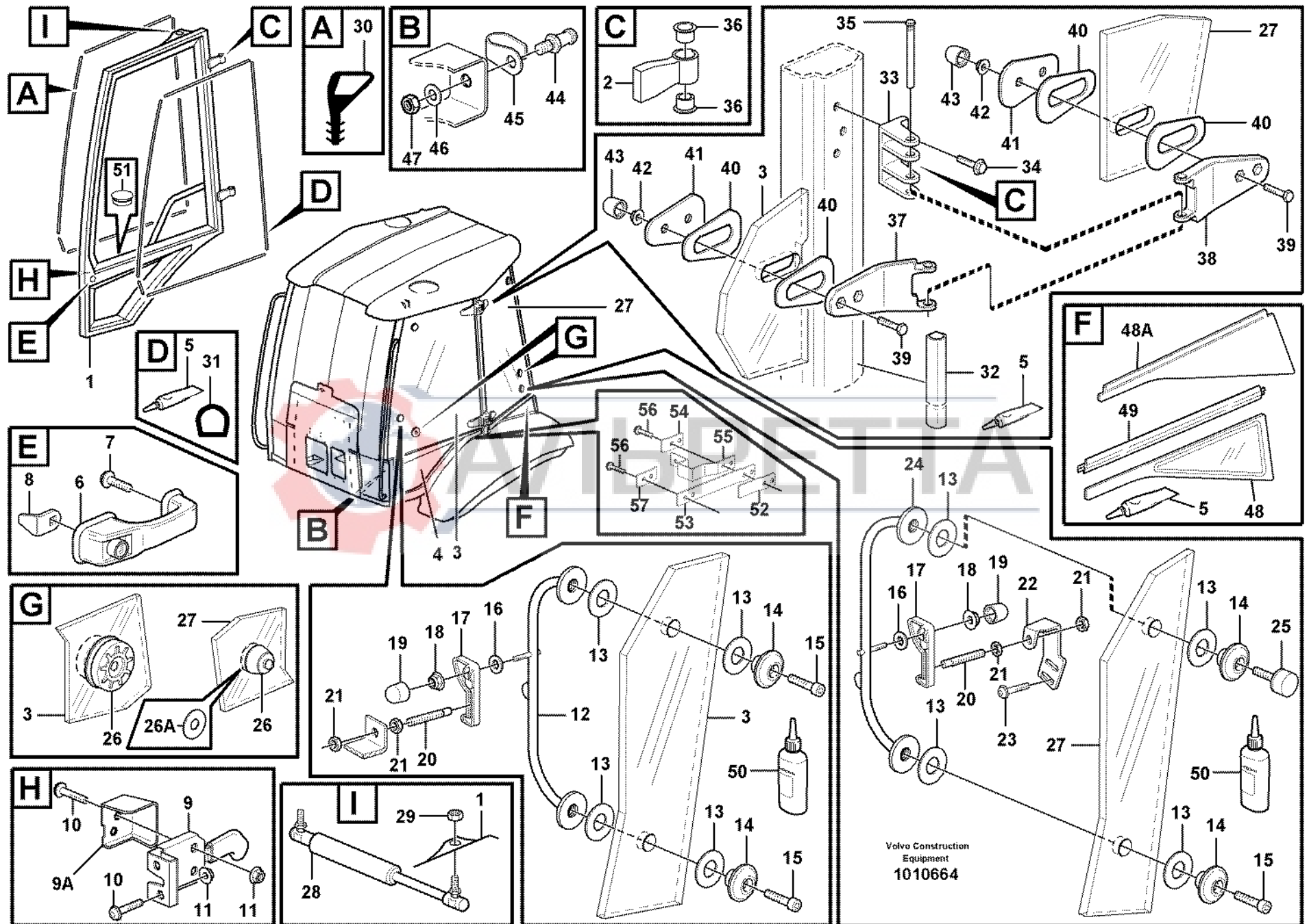


Fig.	Part No.	Quantity			P S	K I T	Description	Dénomination	Bezeichnung	Denominación	Benämning	Notes
		1	2	3								
20	VOE 11202722	4				Shaft.....	Arbre	Welle	Arbol.....	Axel.....		
21	VOE 983303	8				Nut	Ecrou.....	Mutter	Tuerca	Mutter.....		
22	VOE 11201053	1				Anchorage.....	Fixation	Halterung.....	Fijacion.....	Fäste.....	LH	
	VOE 11201052	1				Anchorage.....	Fixation	Halterung.....	Fijacion.....	Fäste.....	RH	
23	VOE 969147	4				Screw	Vis	Schraube.....	Tornillo	Skruv.....		
24	VOE 11200060	1				Handle.....	Poignee.....	Handgriff.....	Manilla.....	Handgrepp.....	LH	
	VOE 11200061	1				Handle.....	Poignee.....	Handgriff.....	Manilla.....	Handgrepp.....	RH	
25	VOE 11200579	2				Absorber	Amortisseur.....	Dämpfer	Amortiguador.....	Dämpare.....		
26	VOE 11200239	2				Locking Device.....	Ens. verrouillage	Verriegelung	Dispos Cierre	Låsanordning.....		
26A	VOE 11200054	2				Spacer.....	Partie Intermédiaire.....	Zwischenstück.....	Espaciador	Mellandel.....		
27		1				Side Window	Fenetre Lat.....	Seitenfenster	Ventana Lateral.....	Sidofönster.....	LH	
		1				Side Window	Fenetre Lat.....	Seitenfenster	Ventana Lateral.....	Sidofönster.....	RH	
											See group 843, Page 427	
											See group 843, Page 427	
28	VOE 11200552	2				Gas Spring	Ressort Gaz	Gasfeder	Resorte A Gas.....	Gasfjäder.....		
29	VOE 983303	2				Nut	Ecrou.....	Mutter	Tuerca	Mutter.....		
30	VOE 11007421	REQ				Sealing strip	Lisse etancheite	Dichtleiste.....	Moldura reten	Tättningslist.....	2 X L = 4250 MM	
31	VOE 11200633	REQ				Seg moulding	Joint Etancheite	Dichtprofil	Liston reten	Tättningslist.....	2 X L = 3650 MM	
32	VOE 11200633	REQ				Seg moulding	Joint Etancheite	Dichtprofil	Liston reten	Tättningslist.....	2 X L = 3600 MM	
33	VOE 11200077	4				Hinge Anchorage	Fixat.charniere	Scharnierplatte.....	Fijac Bisagra	Gångjärnsfäste.....		
34	VOE 11200077	12				Hinge Anchorage	Fixat.charniere	Scharnierplatte.....	Fijac Bisagra	Gångjärnsfäste.....		
35	VOE 11202349	4				Hinge Pin	Axe Charniere	Scharnierstift	Pasador Bisagra.....	Gångjärnspinne.....		
36	VOE 11200634	8				Slide Bearing.....	Palier Glissage	Gleitlager.....	Cojinete Fricci	Glidlager.....		
37	VOE 11200072	4				Hinge.....	Charniere	Scharnier.....	Bisagra	Gångjärn.....		
38	VOE 11200070	4				Hinge.....	Charniere	Scharnier.....	Bisagra	Gångjärn.....		
39	VOE 955297	16				Hexagon screw	Vis tête hexagonale	Sechskantschraube.....	Tornillo hexago.....	Sexkantsskruv.....		
40	VOE 11200059	16				Sealing ring	Bague d'étanchéité	Runddichtring	Anillo reten	Tättningsring.....		
41	VOE 11200081	8				Plate.....	Plaque.....	Platte.....	Placa	Platta.....		
42	VOE 948645	16				Flange Lock Nut.....	Contre écrou bride	Flanschmutter	Contratuer Embr.....	Flänslåsmutter.....		
43	VOE 11006824	16				Protective cap	Capuchon de protecti.....	Schutzkappe	Cubierta de protecció.....	Skyddshatt.....		

1		Dörr med monteringsdetaljer	Catalogue id	Group
2		Puerta con accesorios de montaje	20017	831
3		Tür mit Anbauteilen	Illustr. No	Section
4		Porte avec pièces de montage	1010664	100
5		Door with fitting parts	Issue	Page
		11298190	VOE 63D9920017	421

VOLVO

BL60

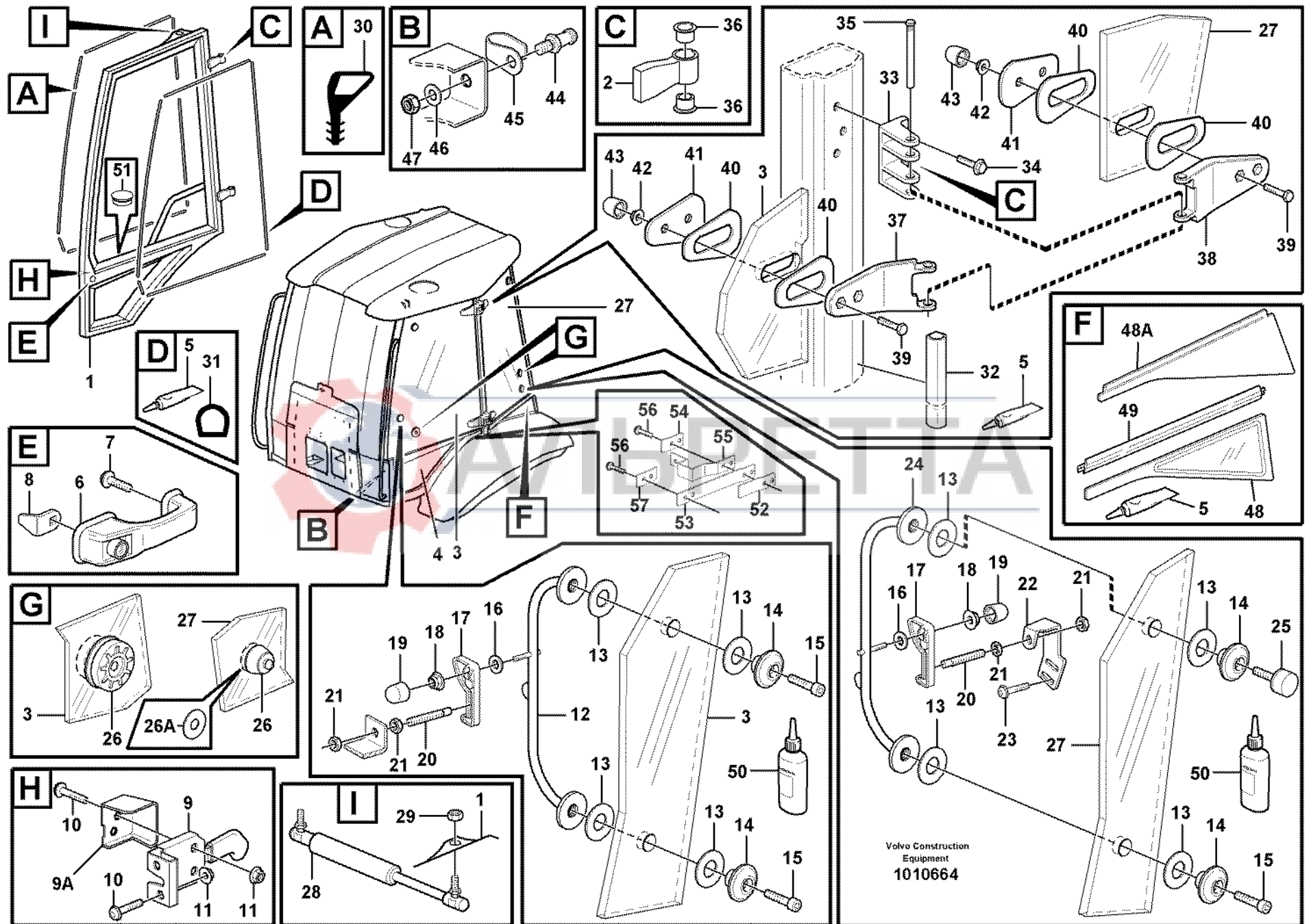


Fig.	Part No.	Quantity			P S	K I T	Description	Dénomination	Bezeichnung	Denominación	Benämning	Notes
		1	2	3								
44	VOE 14340282	2				Lock Bolt.....	Boulon Verroui.....	Sicher Bolzen.....	Perno Seguridad.....	Låsbult.....		
45	VOE 14344720	2				Brace.....	Etrier.....	Bügel.....	Brida.....	Bygel.....		
46	VOE 13955897	2				Washer.....	Rondelle.....	Scheibe.....	Arandela.....	Bricka.....		
47	VOE 946830	2				Hexagon Nut.....	Ecrou Hexagonal.....	Sechskantmutter.....	Tuerca Hexagon.....	Sexkantsmutter.....		
48	VOE 11200615	1				Window.....	Vitre.....	Fensterscheibe.....	Ventana.....	Ruta.....	SER NO -10160	
48A	VOE 11203345	1				Side Plate.....	Tole Laterale.....	Seitenwandblech.....	Placa Lateral.....	Sidoplåt.....	SER NO 10161-	
49	VOE 11200617	1			OP	Edge Stiffening.....	Renfort Bord.....	Kant Absteifg.....	Estiram Canto.....	Kantförstyvning.....	SER NO -10160	
50	VOE 11200847	1				Locking Fluid.....	Liquide Blocage.....	Sich.flussigk.....	Liquido Sellad.....	Låsvätska.....		
51	VOE 4881293	2				Protecting Plug.....	Tampon Protect.....	Sicher Stöpsel.....	Tapon Protecc.....	Skyddspropp.....		
52	VOE 11202062	2				Rubber Plate.....	Plaque Caoutchouc.....	Gummiplatte.....	Placa Goma.....	Gummiplatta.....		
53	VOE 11200580	2				Strip.....	Bande.....	Streifen.....	Cinta.....	Band.....		
54	VOE 11200611	1				Anchorage.....	Fixation.....	Halterung.....	Fijacion.....	Fäste.....	LH	
55	VOE 11200885	1				Anchorage.....	Fixation.....	Halterung.....	Fijacion.....	Fäste.....	RH	
56	VOE 972421	8				Screw.....	Vis.....	Schraube.....	Tornillo.....	Skruv.....		
57	VOE 11200611	2				Anchorage.....	Fixation.....	Halterung.....	Fijacion.....	Fäste.....		



1	Dörr med monteringsdetaljer Puerta con accesorios de montaje Tür mit Anbauteilen Porte avec pièces de montage Door with fitting parts	Catalogue id	Group
2		20017	831
3		Illustr. No	Section
4		1010664	100
5		Issue	Page
	11298190	VOE 63D9920017	423

VOLVO

BL60



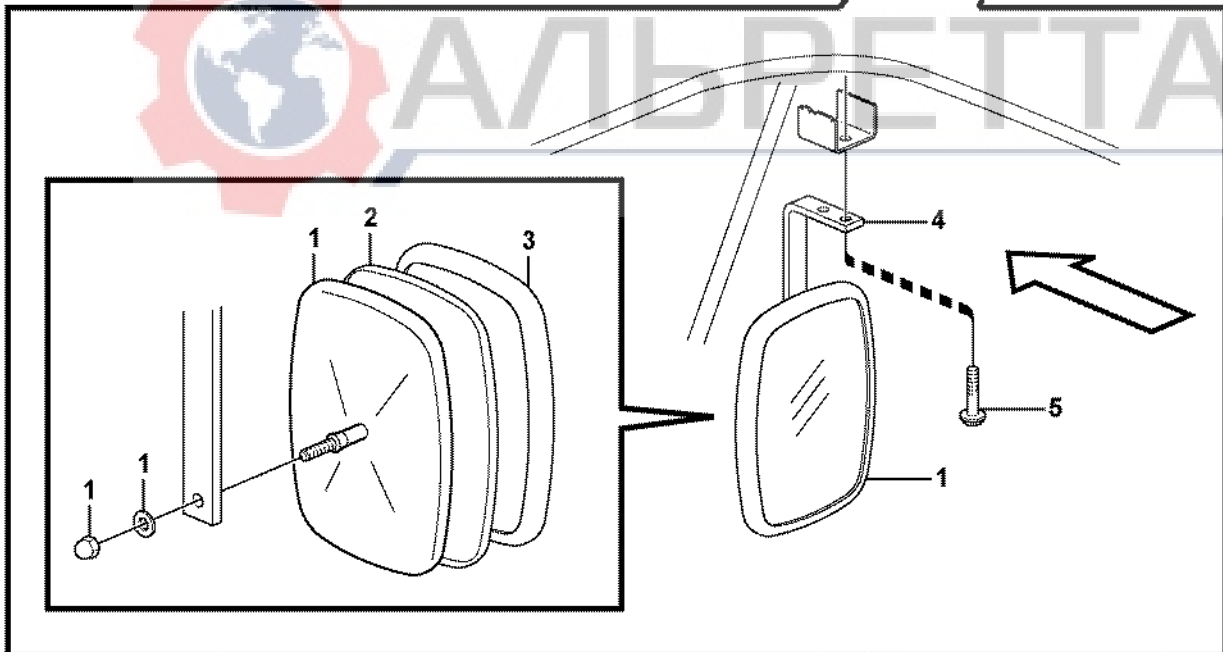
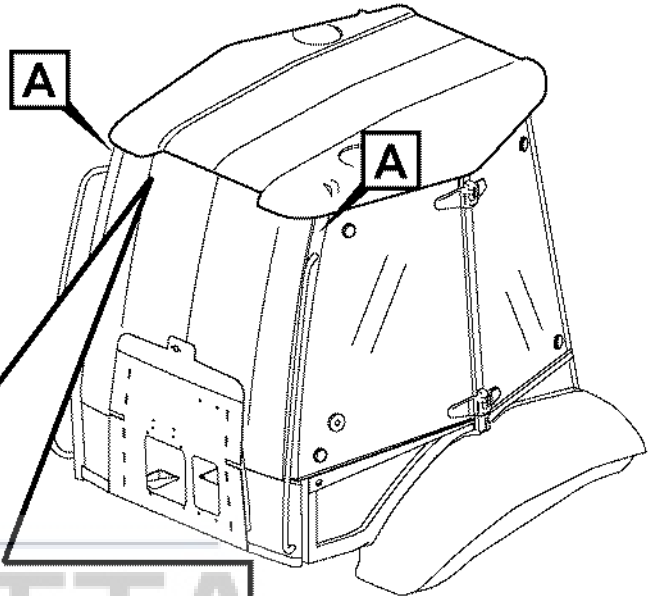
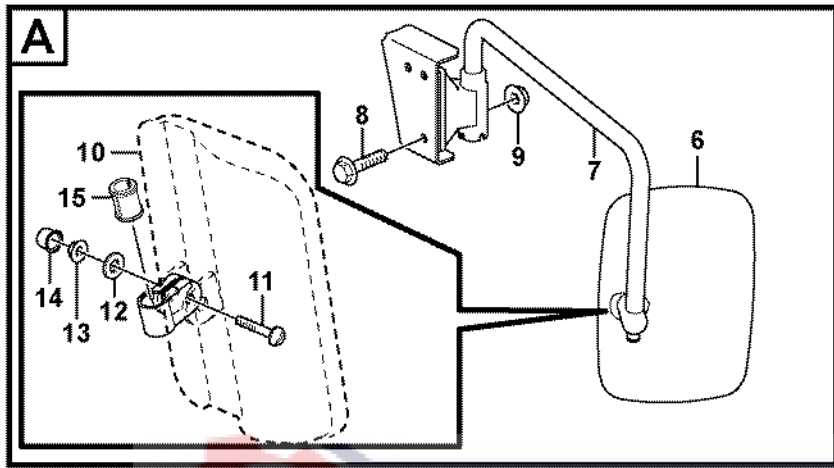


Fig.	Part No.	Quantity					P S	K I T	Description	Dénomination	Bezeichnung	Denominación	Benämning	Notes
		1	2	3	4	5								
1	VOE 11164488					1		Mirror	Miroir	Spiegel.....	Espejo	Spegel.....		
	VOE 13948356					1		Flange screw	Vis à bride	Flanschschraube	Torn embridado	Flänsskruv.....		
2						1	NS	•Mirror Glass	•Verre Miroir	•Spiegelglas	•Cristal Espejo	•Spegelglas.....		
3						1	NS	•Frame	•Chassis	•Rahmen	•Bastidor	•Ram.....		
4	VOE 11200896					1		Attachment.....	Fixation.....	Halterung	Fijacion	Fäste.....		
5	VOE 969587					2		6-pt skt screw.....	Vis creuse de 6	Hohlschraube.....	Racor 6-dientes	Sextandhålskruv.....		
6	ZM 2907156	2						Mirror	Miroir	Spiegel.....	Espejo	Spegel.....		
7	ZM 2907157	1	1					Retaining rod, left....	Barre de retenue à	Haltestange, links	Barra de retención, Arm.....	LH		
	ZM 2907158	1	1					Retaining rod, right	Barre de retenue à	Haltestange, rechts.....	Barra de retención, Spegelbygel.....	RH		
8	VOE 13946173	4	4					Flange screw	Vis à bride	Flanschschraube	Torn embridado	Flänsskruv.....		
9	VOE 948645	4	4					Flange Lock Nut.....	Contre écrou bride..	Flanschmutter	Contratuer Embr.....	Flänslåsmutter.....		
10	VOE 11121366					2		Kerb Obs Mirror	Miroir Vu.proc	Nahsichtspiegel	Retrovisor	Närsiktspegel.....		
11	VOE 955276					1		•Hexagon screw.....	•Vis tête hexagonal	•Sechskantschraub	•Tornillo hexago.....	•Sexkantsskruv.....	(VOE 11710604)	
12	VOE 960139					1		•Washer	•Rondelle	•Scheibe.....	•Arandela.....	•Bricka.....		
13	VOE 13963105					1		•Lock nut.....	•Contre-ecrou	•Sicherungsmutter	•Contratuerca	•Låsmutter.....		
14	VOE 11710605					1	OP	•Protective cap.....	•Capuchon de prot	•Schutzkappe.....	•Cubierta de protec.....	•Skyddshatt.....		
15	VOE 11203785					2		Sleeve.....	Manchon	Muffe	Manguito.....	Muff.....		

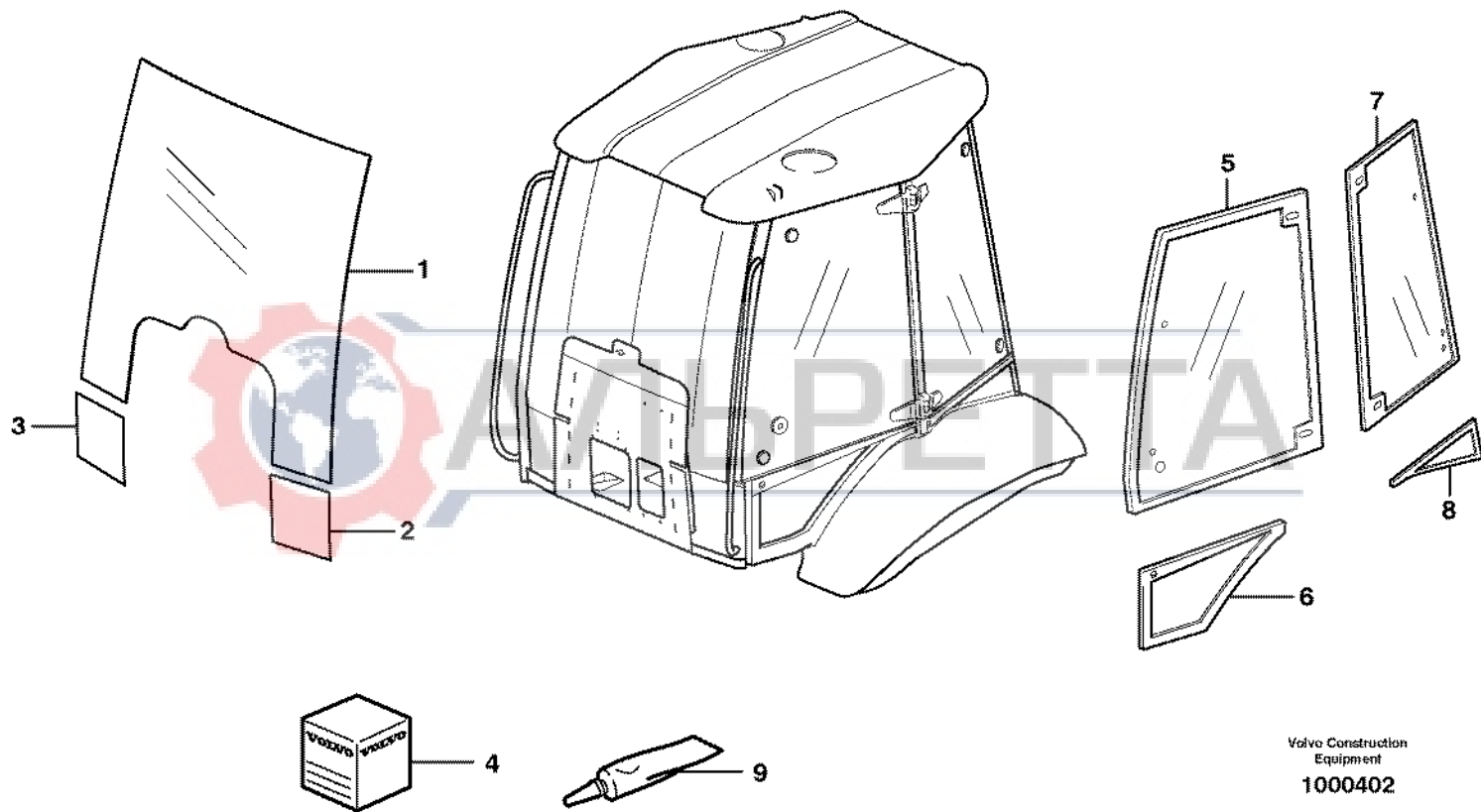


1	11298190	Backspeglar Retrovisor Rückspiegel Retroviseur Rear view mirror	Catalogue id	Group
2	11298013		20017	841
3	11298166		Illustr. No	Section
4	11298164		1010113	100
5			Issue	Page
			VOE 63D9920017	425

VOLVO

BL60





Volvo Construction
Equipment
1000402

Fig.	Part No.	Quantity			P S	K I T	Description	Dénomination	Bezeichnung	Denominación	Benämning	Notes
		1	2	3								
1	VOE 11200910	1	1			Windshield	Pare-brise	Frontscheibe	Parabrisas	Framruta		
2	VOE 11149730	1	1			Window	Vitre	Fensterscheibe	Ventana	Ruta	VOLVO	
3	VOE 11149731	1	1			Window	Vitre	Fensterscheibe	Ventana	Ruta		
4	VOE 11704359	REQ	REQ			Adhesive Kit	Kit Colle	Leimsatz	Juego Encolado	Limsats		
5	VOE 11202442	1				Window	Vitre	Fensterscheibe	Ventana	Ruta	LH	
	VOE 11202463	1				Window	Vitre	Fensterscheibe	Ventana	Ruta	RH	
6	VOE 11149772	1				Window	Vitre	Fensterscheibe	Ventana	Ruta	LH	
	VOE 11149774	1				Window	Vitre	Fensterscheibe	Ventana	Ruta	RH	
7	VOE 11149692	1				Side Window	Fenetre Lat	Seitenfenster	Ventana Lateral	Sidofönster	LH	
	VOE 11149693	1				Side Window	Fenetre Lat	Seitenfenster	Ventana Lateral	Sidofönster	RH	
8	VOE 11200615	1				Window	Vitre	Fensterscheibe	Ventana	Ruta		
9	VOE 11708567	REQ	REQ			Adhesive	Adhesif	Klebstoff	Adhesivo	Lim		



1	11298190	Rutor Ventanillas Fensterscheibe Vitres Glass panes 11298190, 11298203	Catalogue id	Group
2	11298203		20017	843
3			Illustr. No	Section
4			1000402	100
5			Issue	Page
			VOE 63D9920017	427

VOLVO

BL60



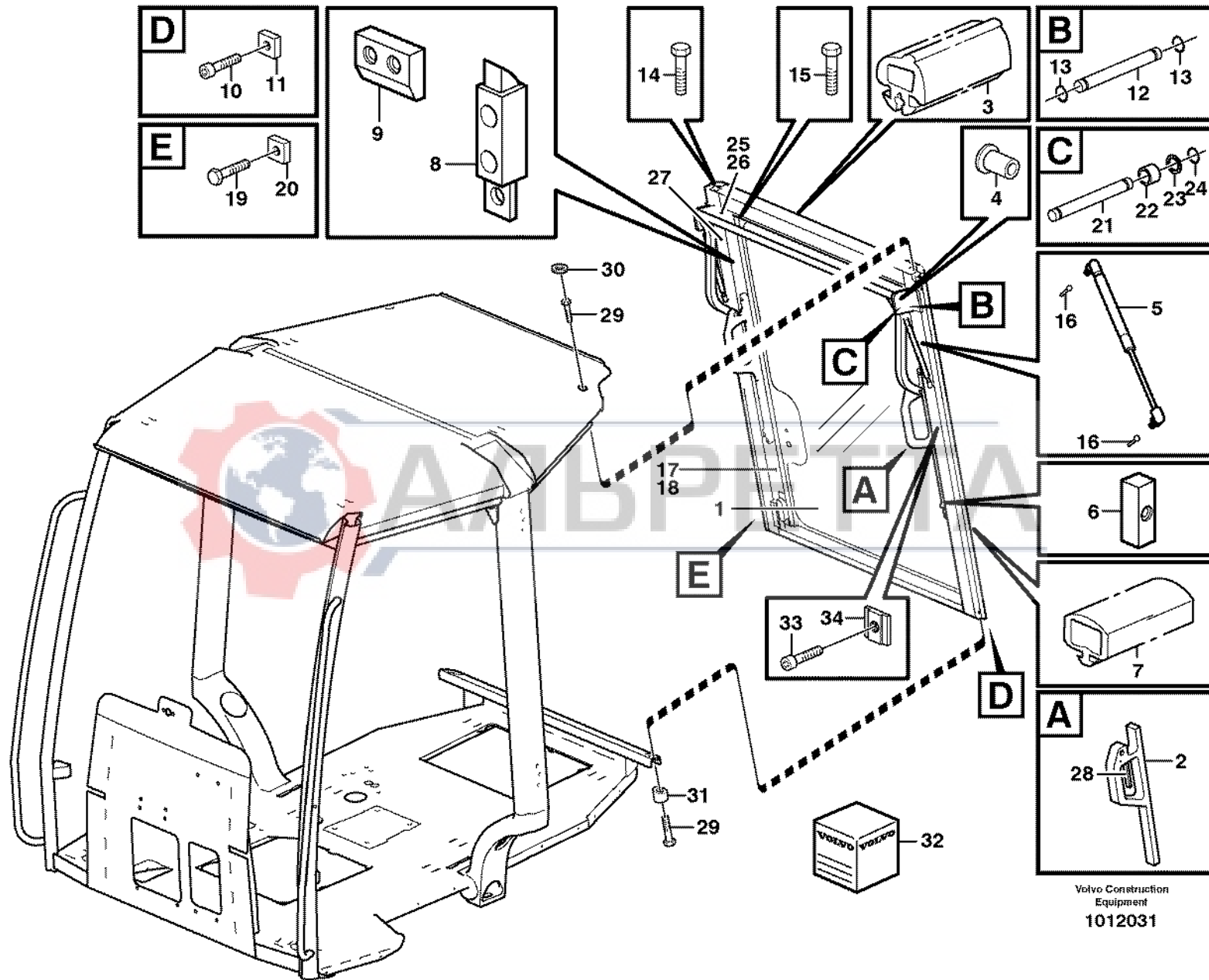
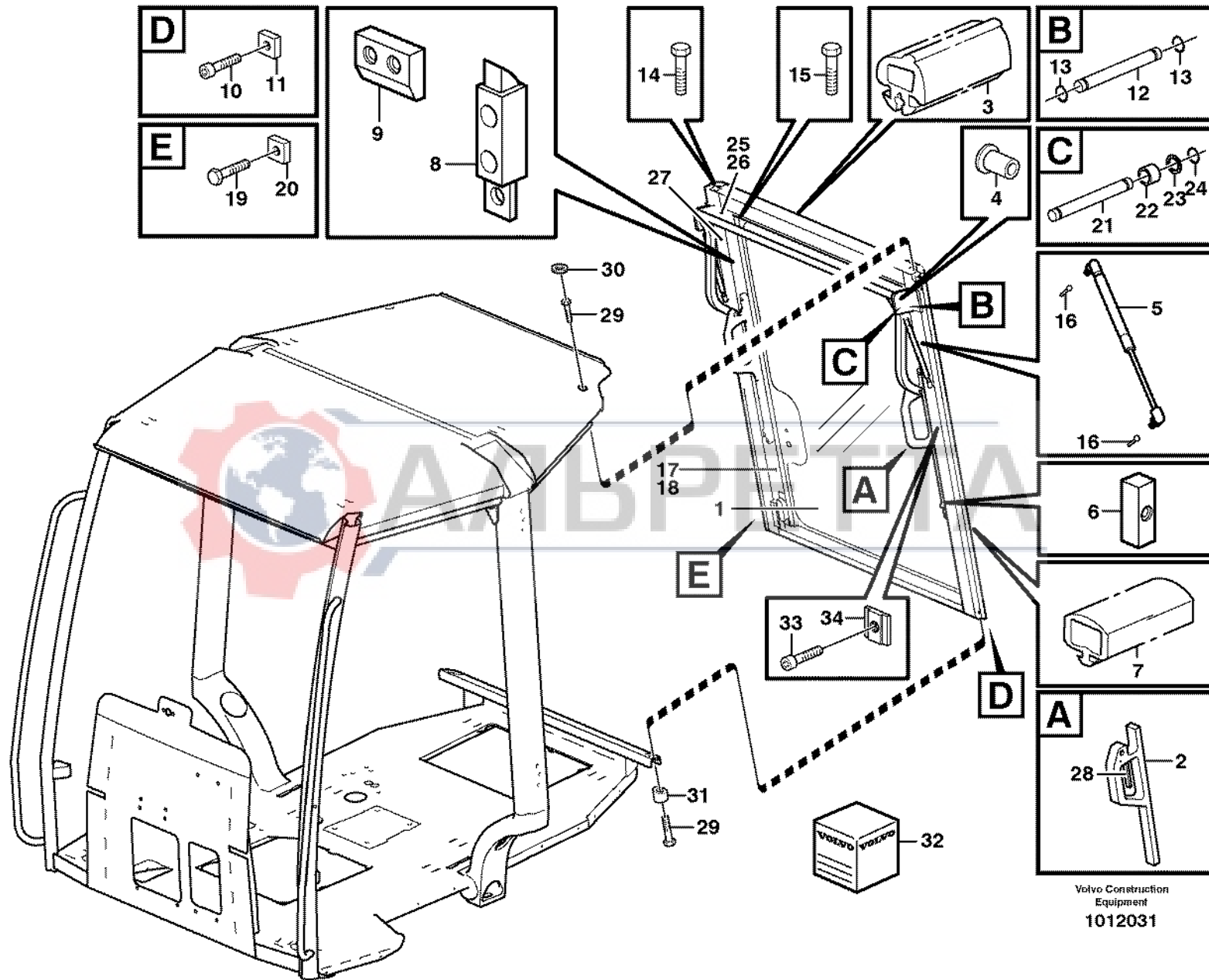


Fig.	Part No.	Quantity			P S	K I T	Description	Dénomination	Bezeichnung	Denominación	Benämning	Notes
		1	2	3								
	VOE 11203588	1				Rear Window	Lunette Ar	Heckfenster	Luneta Post	Bakruta		
1	VOE 11709834	1			SS	•Rear Window	•Lunette Ar	•Heckfenster	•Luneta Post	•Bakruta		
2	VOE 11712557	2				•Handle	•Poignee	•Handgriff	•Manilla	•Handgrepp		
3	VOE 11709845	REQ				•Rubber Moulding	•Joint Caoutchouc	•Gummileiste	•Liston Goma	•Gummilist	L = 1800 MM	
4	VOE 11709836	1				•Bushing	•Bague	•Buchse	•Casquillo	•Bussning		
5	VOE 11709843	2				•Gas Spring	•Ressort Gaz	•Gasfeder	•Resorte A Gas	•Gasfjäder		
6	VOE 11713153	2				•Bearing Roller	•Rouleau Palier	•Lagerrolle	•Rodillo Cojinet	•Lagerrulle	SEE SB BHL1K	
7	VOE 11709840	REQ				•Rubber Moulding	•Joint Caoutchouc	•Gummileiste	•Liston Goma	•Gummilist		
8	VOE 11709841	2				•Latch	•Poignee Blocage	•Knebel	•Mango Seguridad	•Låsvred		
9	VOE 11709844	2				•Locating Key	•Cle Localisati	•Führungsnocke	•Llave	•Medbringare		
10	VOE 11712854	2				•Screw	•Vis	•Schraube	•Tornillo	•Skruv		
11	VOE 11712663	2				•Nut	•Ecrou	•Mutter	•Tuerca	•Mutter		
12	VOE 11712866	2				•Shaft	•Arbre	•Welle	•Arbol	•Axel		
13	VOE 11712853	4				•Retaining ring	•Bague retenue	•Haltering	•Anillo de apoyo	•Hållarring		
14	VOE 11712855	8				•Screw	•Vis	•Schraube	•Tornillo	•Skruv		
15	VOE 11712856	4				•Screw	•Vis	•Schraube	•Tornillo	•Skruv		
16	VOE 11712857	4				•Ball Stud	•Axe Bille	•Kugelzapfen	•Gorron De Bola	•Kultapp		
17	VOE 11712858	1				•Locking Plate	•Plaque Verroui	•Sperrblech	•Placa Bloqueo	•Spärrplåt	RH	
18	VOE 11712859	1				•Locking Plate	•Plaque Verroui	•Sperrblech	•Placa Bloqueo	•Spärrplåt	LH	
19	VOE 11712860	4				•Allen Head Screw	•Vis à six pans creux	•Inbussschraube	•Tornillo tipo Allen	•Insexskruv		
20	VOE 11712663	4				•Nut	•Ecrou	•Mutter	•Tuerca	•Mutter		
21	VOE 11712876	2				•Pin	•Goupille	•Zapfen	•Pasador	•Tapp		
22	VOE 11712867	2				•Spacer	•Partie Intermédiaire	•Zwischenstück	•Espaciador	•Mellandel		
23	VOE 11712862	2				•Washer	•Rondelle	•Scheibe	•Arandela	•Bricka		
24	VOE 11712861	2				•Snap Ring	•Circlip	•Nutring	•Circlip	•Spårring		
25	VOE 11712864	1				•Ladder	•Echelle	•Leiter	•Escala	•Lejdare	RH	
26	VOE 11712865	1				•Ladder	•Echelle	•Leiter	•Escala	•Lejdare	LH	
27	VOE 11712868	2				•Slide Dog	•Talon Guidage	•Gleittrucken	•Talon Desliz	•Glidklack		
28	VOE 11712869	2				•Handle	•Poignee	•Handgriff	•Manilla	•Handgrepp		
29	VOE 13965186	4				Flange screw	Vis à bride	Flanschschraube	Torn embridado	Flänsskruv		

1		Fönster Ventanas Fenster Fenêtres Windows	Catalogue id	Group
2			20017	843
3			Illustr. No	Section
4			1012031	150
5			Issue	Page
		11298190	VOE 63D9920017	429

VOLVO

BL60



Volvo Construction
Equipment
1012031

Fig.	Part No.	Quantity			P S	K I T	Description	Dénomination	Bezeichnung	Denominación	Benämning	Notes
		1	2	3								
30	VOE 961970	2				Plug.....	Bouchon.....	Stopfen.....	Tapon.....	Plugg.....		
31	VOE 11200600	2				Spacer.....	Entretoise.....	Abstandstueck.....	Casquillo distanciad	Distans.....		
32	VOE 11704359	1				Adhesive Kit.....	Kit Colle.....	Leimsatz.....	Juego Encolado	Limsats.....		
33	VOE 11712662	12				Screw.....	Vis.....	Schraube.....	Tornillo.....	Skruv.....		
34	VOE 11712663	8				Nut.....	Ecrou.....	Mutter.....	Tuerca.....	Mutter.....		

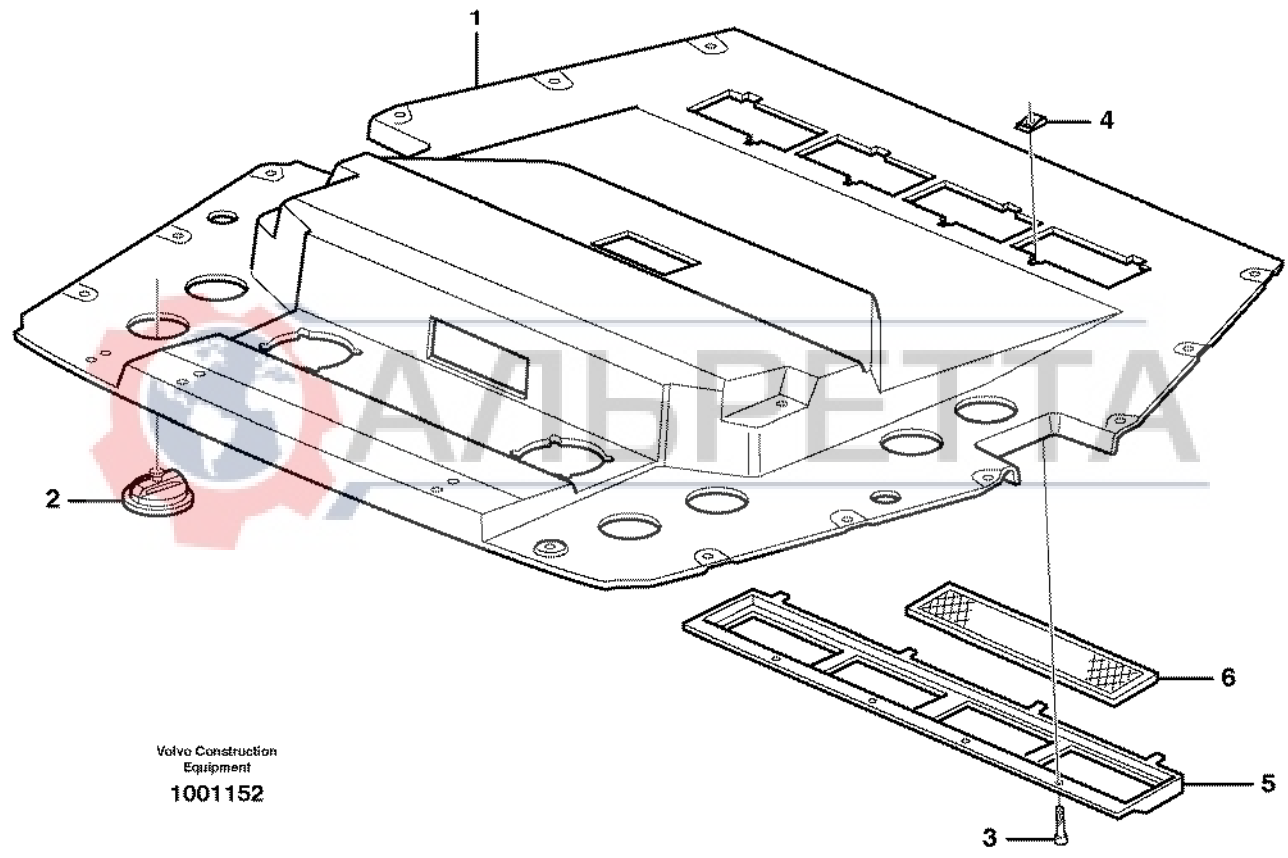


1	Fönster Ventanas Fenster Fenêtres Windows 11298190	Catalogue id	Group
2		20017	843
3		Illustr. No	Section
4		1012031	150
5		Issue	Page
		VOE 63D9920017	431

VOLVO

BL60





Volvo Construction
Equipment
1001152

Fig.	Part No.	Quantity			P S	K I T	Description	Dénomination	Bezeichnung	Denominación	Benämning	Notes
		1	2	3								
1	VOE 11200549	1				Headlining	Garnit.pavillon	Dachhimmel	Techo Interior	Innertak.....	S/N - 10760	
	VOE 11204540	1				Headlining	Garnit.pavillon	Dachhimmel	Techo Interior	Innertak.....	S/N 10761 -	
2	VOE 11200838	8				Air Outlet.....	Diffuseur d'air	Luftdüse	Difusor de aire	Luftmunstycke.....		
3		4				Screw	Vis	Schraube.....	Tornillo	Skruv.....	See group 872, Page 451	
4		4				Spring Nut.....	Ecrou Ressort	Fed. Schliessmutter ...	Tuerca Resorte	Fjädermutter.....	See group 872, Page 451	
5		1				Filter Retainer	Porte-filtre	Filtertopf	Soporte Filtro.....	Filterhållare.....	See group 872, Page 451	
6		2				Filter.....	Filtre	Filter	Filtro	Filter.....	See group 872, Page 451	

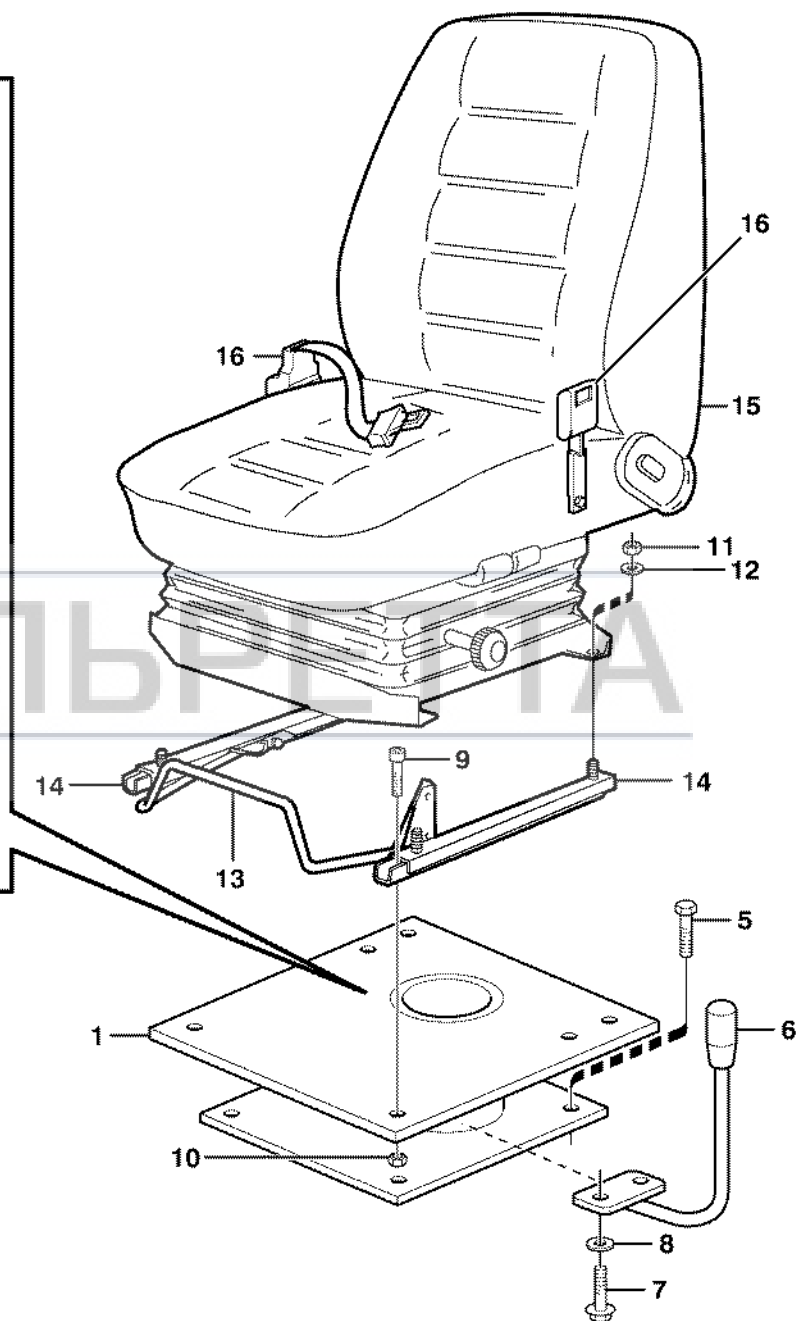
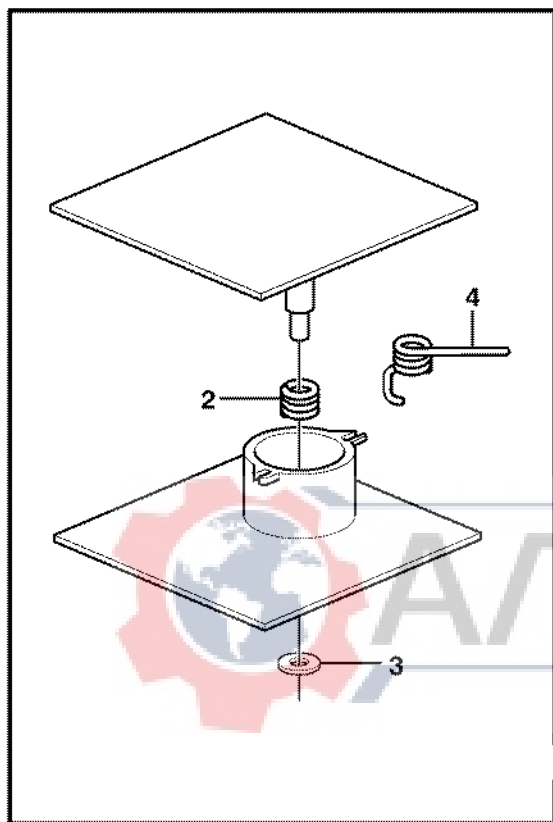


1	Inredningsdetaljer Detalles interiores Innenausstattung Pieces d'aménagement Interior components	Catalogue id	Group
2		20017	851
3		Illustr. No	Section
4		1001152	150
5		Issue	Page
	11298018	VOE 63D9920017	433

VOLVO

BL60





Volvo Construction
Equipment
1010420

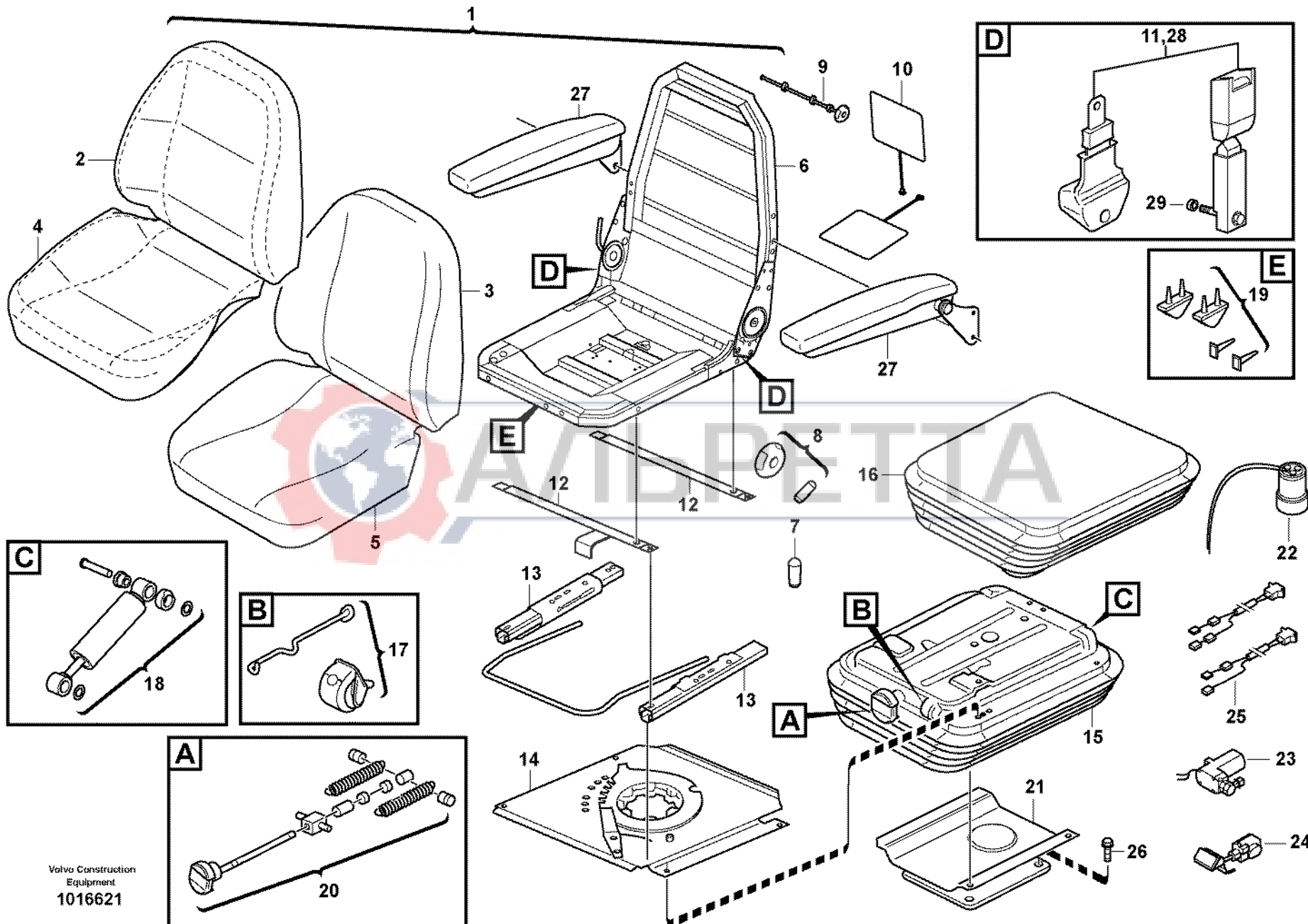
Fig.	Part No.	Quantity			P S	K I T	Description	Dénomination	Bezeichnung	Denominación	Benämning	Notes
		1	2	3								
1	VOE 11715524	1				Swivel.....	Emerillon	Schwingel.....	Placa giratoria	Svivel.....	(VOE 11885153)	
2	VOE 11712757	1			OP	•Spring	•Ressort	•Feder.....	•Muelle	•Fjäder.....		
3	VOE 11712758	1			OP	•Bearing	•Palier.....	•Lager.....	•Cojinete.....	•Lager.....		
4	VOE 11712759	1			OP	•Plastic Washer.....	•Z.....	•Kunstst.scheibe.....	•Arandela Plast.....	•Plastbricka.....		
5	VOE 13965191	4				Flange screw.....	Vis à bride	Flanschschraube.....	Torn embridado	Flänsskruv.....		
6	VOE 11883774	1				Handle.....	Poignee.....	Handgriff.....	Manilla.....	Handgrepp.....		
7	VOE 947107	2				Flange screw.....	Vis à bride	Flanschschraube.....	Torn embridado	Flänsskruv.....		
8	VOE 955921	2				Spring Washer	Rondelle élastique	Federscheibe	Arandela flexible.....	Fjäderbricka.....		
9	VOE 959220	4				Allen Hd Screw	Vis A 6 Pans Cr.....	Inbusschraube.....	Torn Hex Embut.....	Insexskruv.....		
10	VOE 948645	4				Flange Lock Nut.....	Contre écrou bride	Flanschmutter	Contratuer Embr.....	Flänslåsmutter.....		
11	VOE 983403	4				Lock nut	Contre-ecrou	Sicherungsmutter	Contratuerca	Låsmutter.....		
12	VOE 13960141	4				Washer.....	Rondelle	Scheibe	Arandela	Bricka.....		
13	VOE 11883773	1				Handle.....	Poignee.....	Handgriff.....	Manilla.....	Handgrepp.....		
14	VOE 11104093	1				Slide Rail.....	Rail Guidage	Gleitschiene	Riel Deslizam	Glidskena.....	LH	
	VOE 11104092	1				Slide Rail.....	Rail Guidage	Gleitschiene	Riel Deslizam	Glidskena.....	RH	
15	VOE 11884651	1				Seat.....	Siege.....	Sitz	Asiento	Sits.....	11891100, 11891217 See group 852, Page 445	
	VOE 11884650	1				Seat.....	Siege.....	Sitz	Asiento	Sits.....	11891099, 11891216 See group 852, Page 443	
	VOE 11884652	1				Seat.....	Siege.....	Sitz	Asiento	Sits.....	11891110 See group 852, Page 447	
	VOE 11885943	1				Seat.....	Siege.....	Sitz	Asiento	Sits.....	11891376	
16	VOE 11104125	1				Hip Belt	Ceinture Hanche	Hüftgurt	Cinturon Cadera.....	Höftbälte.....	11891314	

2254) 11891099: S/N -10389, 11891100: S/N -10549, 11891110: S/N -10346, 11891216: S/N -10263, 11891217: S/N -10264, 11891376: S/N -10290

1	Förarstol med monteringsdetaljer Asiento del conductor con piezas de montaje Fahrersitz mit Anbauteilen Siège conducteur avec pièces de montage Operator seat with fitting parts 2254)	Catalogue id	Group
2		20017	852
3		Illustr. No	Section
4		1010420	100
5		Issue	Page
		VOE 63D9920017	435

VOLVO

BL60



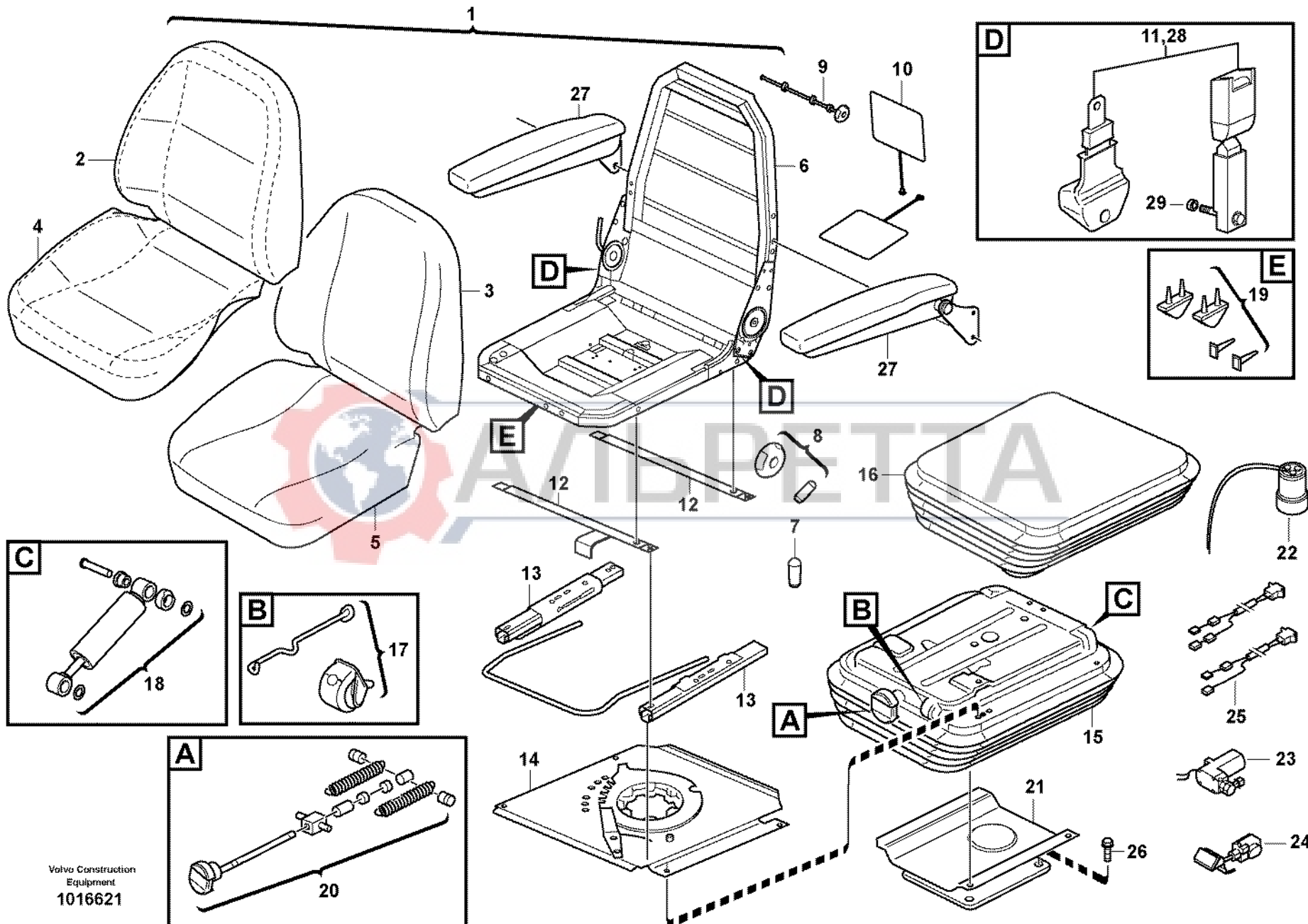
Volvo Construction
Equipment
1016621

Fig.	Part No.	Quantity					P S	K I T	Description	Dénomination	Bezeichnung	Denominación	Benämning	Notes
		1	2	3	4	5								
1	VOE 11886222	1	1					Seat	Siege	Sitz	Asiento	Sits		
1	VOE 11886223			1	1			Seat	Siege	Sitz	Asiento	Sits		
1	VOE 11886193					1		Seat	Siege	Sitz	Asiento	Sits		
2	VOE 11715083	1	1			1		•Upholstery	•Garniture Habit.....	•Bezug	•Tapizado	•Klädsel.....		
2	VOE 11715081			1	1			•Upholstery	•Garniture Habit.....	•Bezug	•Tapizado	•Klädsel.....		
3	VOE 11715045	1	1	1	1	1		•Backrest Cushion ..	•Coussin de dossi...	•Rückenlehnenkiss ..	•Cojín del respaldo ..	•Ryggstödsdyna.....		
4	VOE 11715084	1	1			1		•Upholstery	•Garniture Habit.....	•Bezug	•Tapizado	•Klädsel.....		
4	VOE 11715082			1	1			•Upholstery	•Garniture Habit.....	•Bezug	•Tapizado	•Klädsel.....		
5	VOE 11715047	1	1	1	1	1		•Seat cushion.....	•Coussin siege	•Sitzkissen	•Cojin asiento	•Sittdyna.....		
6	VOE 11715057	1	1	1	1	1		•Seat frame	•cadre Siege	•Sitzrahmen	•Marco asiento.....	•Sitsram.....		
7	VOE 11715058	1	1	1	1			•Knob	•Bouton.....	•Knopf	•Boton.....	•Knapp.....		
8	VOE 11715068					1		•Knob	•Bouton.....	•Knopf	•Boton.....	•Knapp.....		
9	VOE 11715069					1		•Lumbar Support.....	•Repose-reins.....	•Kreuzstutze.....	•Placa Lumbar	•Svankplatta.....		
10	VOE 11715070					1		•Heater.....	•Elément de chauff ..	•Heizkörper	•Calefaccion	•Värmeelement.....		
11	VOE 11715053	1	1	1	1	1		•Hip Belt.....	•Ceinture Hanche ...	•Hüftgurt.....	•Cinturon Cadera....	•Höftbälte.....		
12	VOE 11715049	1	1	1	1	1		•Cross Stay	•Etai Transvers.....	•Querstrebe.....	•Barra Transver	•Tvärstag.....		
13	VOE 11715050	1	1	1	1	1		•Seat Rail	•Rail Siege.....	•Sitzschiene	•Riel Asiento.....	•Stolskena.....		
14	VOE 11715051	1	1	1	1			•Turntable	•Selle Attela.....	•Drehscheibe	•Mesa Giratoria.....	•Vändskiva.....		
14	VOE 11715071					1		•Turntable	•Selle Attela.....	•Drehscheibe	•Mesa Giratoria.....	•Vändskiva.....		
15	VOE 11715059	1	1	1	1			•Seat Spring Suspe ..	•Suspension Siege ..	•Sitzfederung	•Resorte Asiento....	•Sitsfjädring.....		
15	VOE 11715072					1		•Seat Spring Suspe ..	•Suspension Siege ..	•Sitzfederung	•Resorte Asiento....	•Sitsfjädring.....		
16	VOE 11715062	1	1	1	1	1		•Bellows	•Capot Caoutcho....	•Gummimantel	•Cubierta Goma.....	•Gummikåpa.....		
17	VOE 11715063	1	1	1	1	1		•Indicator.....	•Indicateur	•Indikator	•Indicador	•Indikator.....		
18	VOE 11715064	1	1	1	1			•Shock Absorber	•Amortis confort.....	•Komf Stossdfr	•Amortiguador.....	•Stötdämpare.....		
18	VOE 11715074					1		•Shock Absorber	•Amortis confort.....	•Komf Stossdfr	•Amortiguador.....	•Stötdämpare.....		
19	VOE 11715065	1	1	1	1	1		•Bump Stop.....	•Butee Suspensi....	•Anschlagpuffer.....	•Tope Pluma.....	•Bomningsanslag...		
20	VOE 11715066	1	1	1	1			•Height Adjuster	•Reglage Hauteur...	•Höhenversteller	•Ajuste Altura.....	•Höjdomställare.....		
21	VOE 11715067	1	1	1	1			•Seat Bracket.....	•Etrier De Siege.....	•Sitzkonsole	•Consola Asiento	•Sitskonsol.....		
22	VOE 11715076					1		•Air Spring.....	•Ressort Pneuma. ...	•Luftfeder	•Resorte Neumat ...	•Luftfjäder.....		
23	VOE 11715077					1		•Compressor.....	•Compresseur	•Kompressor	•Compresor	•Kompressor.....		

1	11891216 S/N 10264-	Förarstol Asiento del conductor Fahrersitz Siège du concteur Operator's seat	Catalogue id	Group
2	11891099 S/N 10390-		20017	852
3	11891217 S/N 10265-		Illustr. No	Section
4	11891100 S/N 10550-		1016621	110
5	11891110 S/N 10347-		Issue	Page
		VOE 63D9920017	437	

VOLVO

BL60



Volvo Construction
Equipment
1016621

Fig.	Part No.	Quantity					P S	K I T	Description	Dénomination	Bezeichnung	Denominación	Benämning	Notes
		1	2	3	4	5								
24	VOE 11715078						1	•Valve	•Soupape.....	•Ventil.....	•Valvula	•Ventil.....		
25	VOE 11715079						1	•Cable harness	•Faisceau cables	•Kabelbaum	•Manejo cables	•Ledningsmatta.....		
26	VOE 13965191	4	4	4	4	4	4	Flange screw	Vis à bride	Flanschschraube	Torn embridado	Flänsskruv.....		
27	VOE 11191410		1				1	Arm Rest.....	Accoudoir	Armlehne	Reposabrazos	Armstöd.....		
28	VOE 11104125	1	1	1	1	1	1	Hip Belt	Ceinture Hanche	Hüftgurt	Cinturon Cadera	Höftbälte.....	11891314	
29	VOE 11886348	2	2	2	2	2	2	Spacer	Partie Intermédiair..	Zwischenstück	Espaciador	Mellandel.....	11891314	



1	11891216 S/N 10264-	Förarstol Asiento del conductor Fahrsitz Siège du conucteur Operator's seat	Catalogue id	Group
2	11891099 S/N 10390-		20017	852
3	11891217 S/N 10265-		Illustr. No	Section
4	11891100 S/N 10550-		1016621	110
5	11891110 S/N 10347-		Issue	Page
			VOE 63D9920017	439

VOLVO

BL60



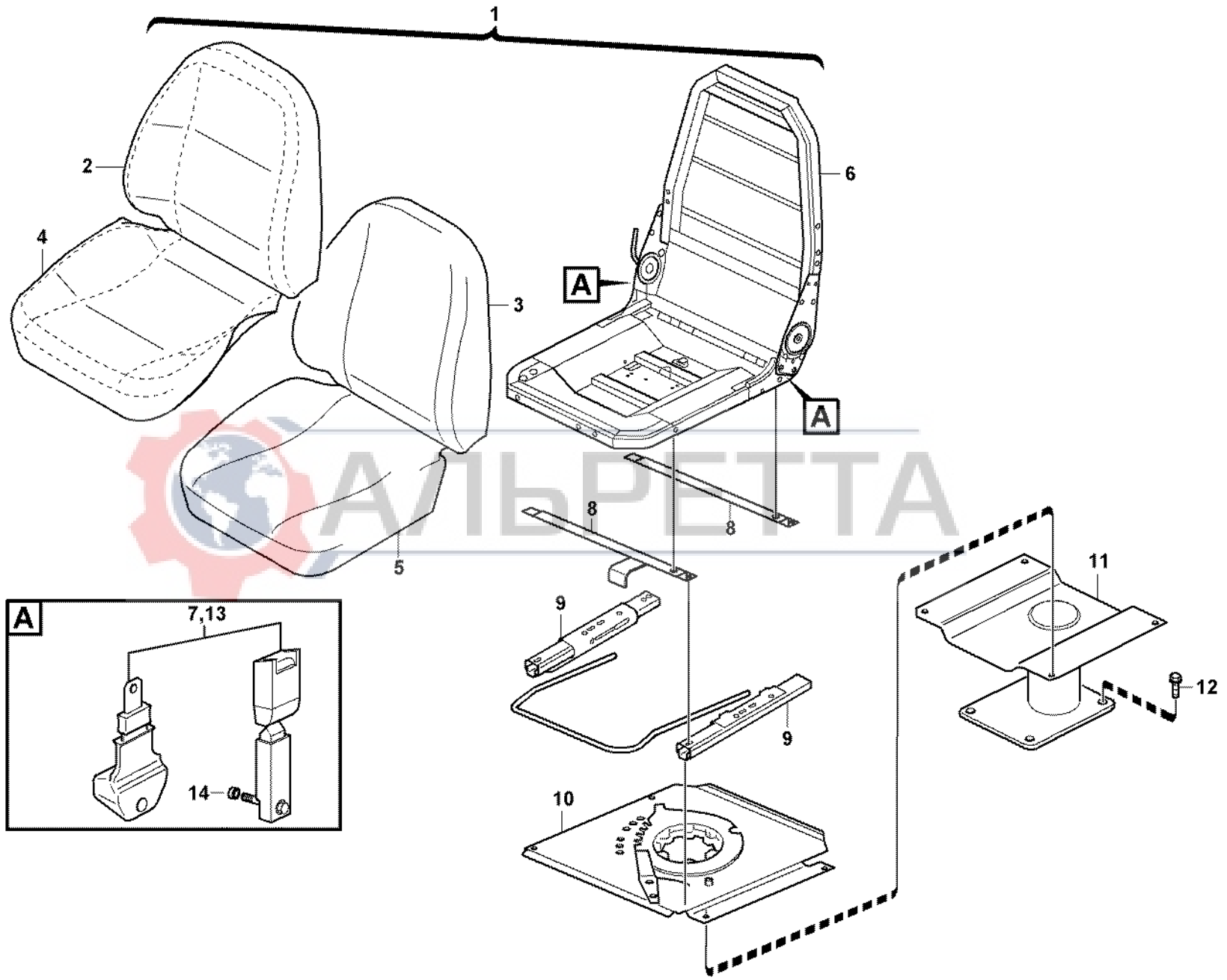


Fig.	Part No.	Quantity			P S	K I T	Description	Dénomination	Bezeichnung	Denominación	Benämning	Notes
		1	2	3								
1	VOE 11886065	1				Seat.....	Siege	Sitz	Asiento	Sits.....		
2	VOE 11715044	1				•Upholstery	•Garniture Habit	•Bezug	•Tapizado	•Klädsel.....		
3	VOE 11715045	1				•Backrest Cushion	•Coussin de dossier	•Rückenlehnenkisse.....	•Cojín del respaldo	•Ryggstödsdyna.....		
4	VOE 11715046	1				•Upholstery	•Garniture Habit	•Bezug	•Tapizado	•Klädsel.....		
5	VOE 11715047	1				•Seat cushion	•Coussin siege	•Sitzkissen.....	•Cojin asiento	•Sittdyna.....		
6	VOE 11715048	1				•Seat frame	•cadre Siege.....	•Sitzrahmen.....	•Marco asiento	•Sitsram.....		
7	VOE 11715053	1				•Hip Belt	•Ceinture Hanche.....	•Hüftgurt	•Cinturon Cadera.....	•Höftbälte.....		
8	VOE 11715049	1				•Cross Stay	•Etai Transvers.....	•Querstrebe	•Barra Transver	•Tvärstag.....		
9	VOE 11715050	1				•Seat Rail	•Rail Siege	•Sitzschiene.....	•Riel Asiento.....	•Stolskena.....		
10	VOE 11715051	1				•Turntable	•Sellette Attela.....	•Drehscheibe.....	•Mesa Giratoria	•Vändskiva.....		
11	VOE 11715052	1				•Seat Bracket	•Etrier De Siege	•Sitzkonsole.....	•Consola Asiento.....	•Sitskonsol.....		
12	VOE 13965191	4				Flange screw.....	Vis à bride	Flanschschraube.....	Torn embridado.....	Flänsskruv.....		
13	VOE 11104125	1				Hip Belt	Ceinture Hanche	Hüftgurt	Cinturon Cadera.....	Höftbälte.....	11891314	
14	VOE 11886348	2				Spacer.....	Partie Intermédiaire.....	Zwischenstück.....	Espaciador	Mellandel.....	11891314	

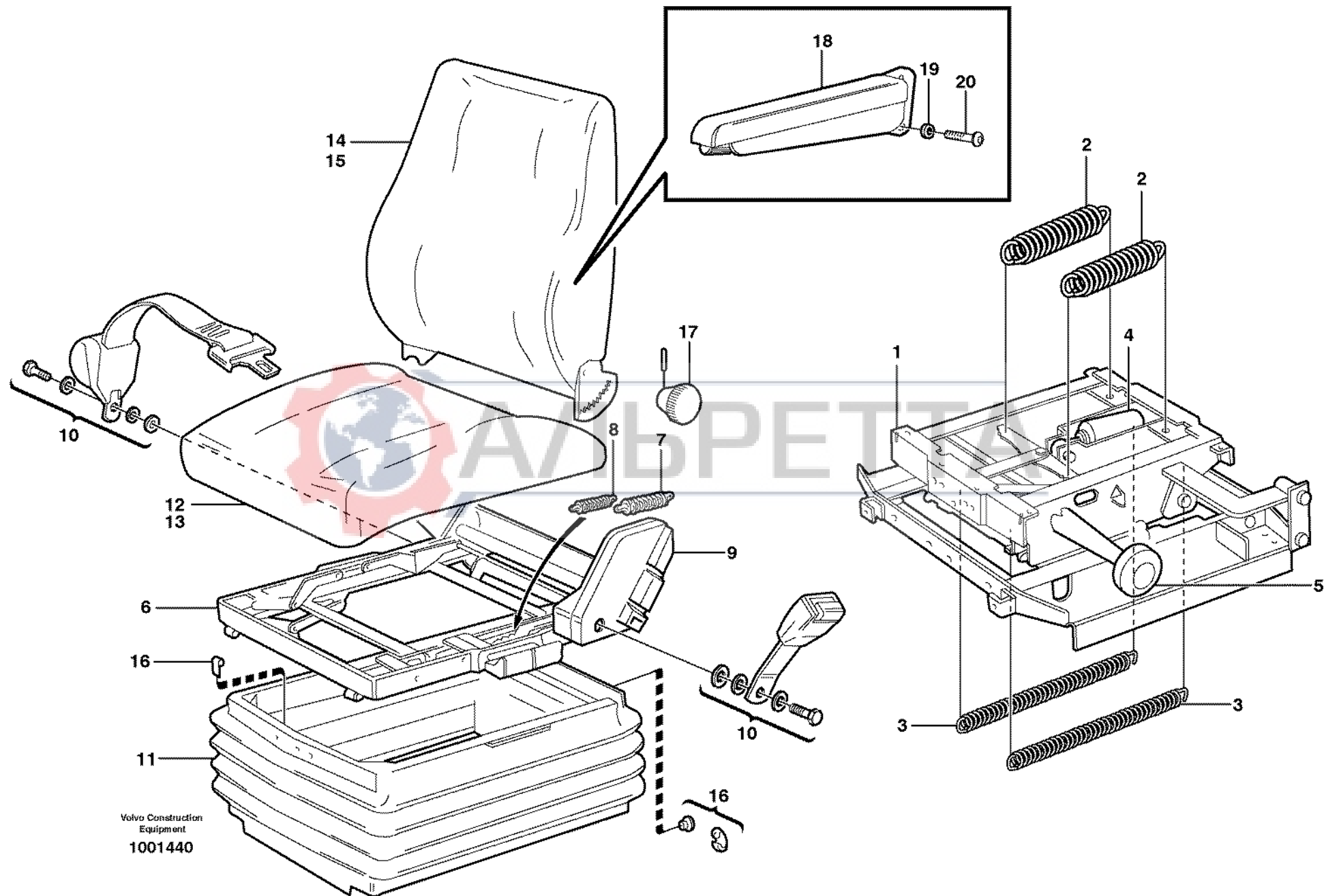


1	11891376 S/N 10291-	Förarstol Asiento del conductor Fahrersitz Siège du concteur Operator's seat	Catalogue id	Group
2			20017	852
3			Illustr. No	Section
4			1013341	120
5			Issue	Page
			VOE 63D9920017	441

VOLVO

BL60





Volvo Construction
 Equipment
 1001440

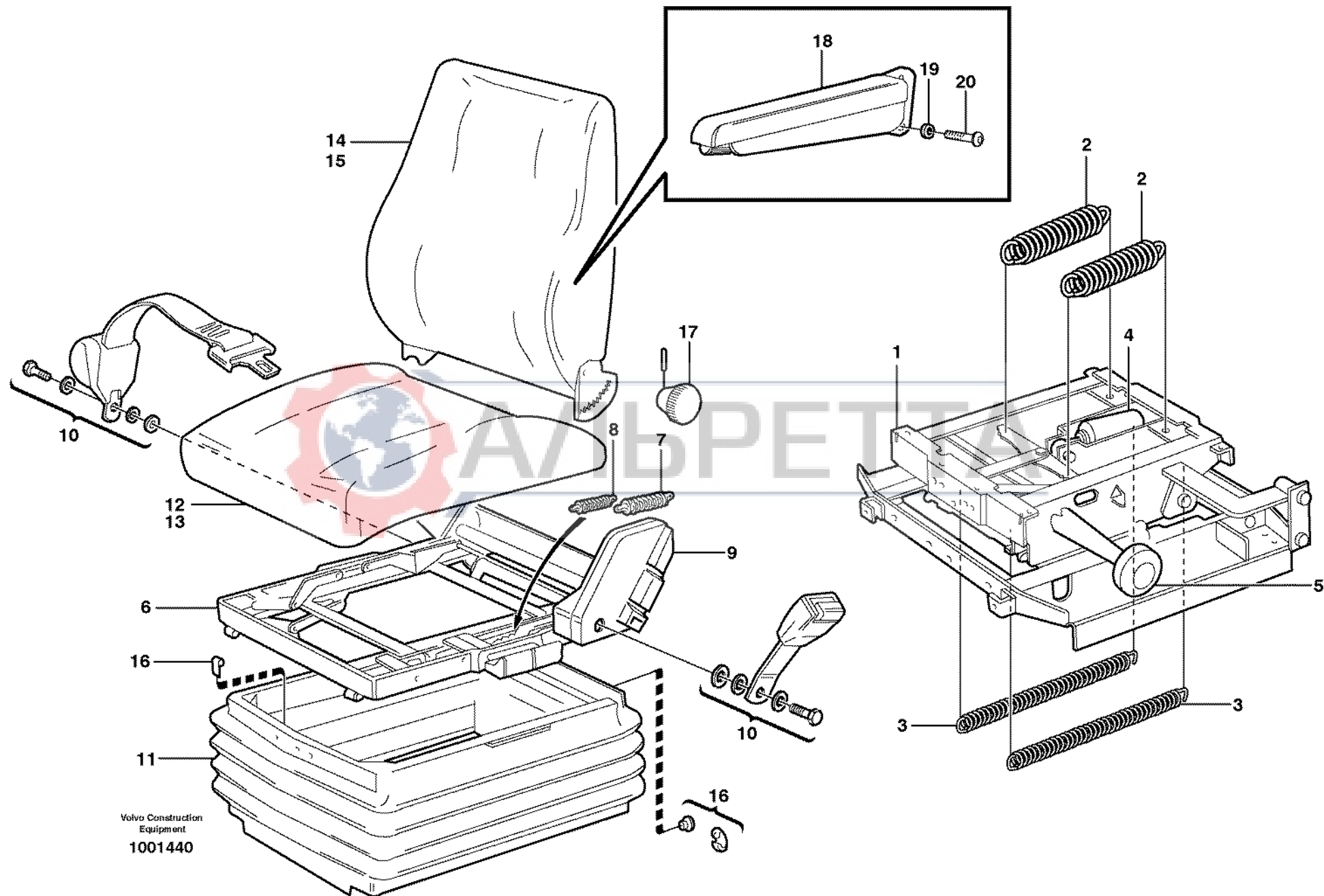
Fig.	Part No.	Quantity			P S	K I T	Description	Dénomination	Bezeichnung	Denominación	Benämning	Notes
		1	2	3								
	VOE 11884650	1	1			Seat.....	Siege.....	Sitz.....	Asiento.....	Sits.....		
1	VOE 11707355	1	1			•Spring Suspension ..	•Unite Suspension.....	•Federbündel.....	•Unidad Suspension...	•Fjädringsenhet.....		
2	VOE 6213261	2	2			••Spring.....	••Ressort.....	••Feder.....	••Muelle.....	••Fjäder.....		
3	VOE 11707356	2	2			••Spring.....	••Ressort.....	••Feder.....	••Muelle.....	••Fjäder.....		
4	VOE 11707351	1	1			••Shock absorber.....	••Amortisseur.....	••Stossdämpfer.....	••Amortiguador.....	••Stötdämpare.....		
5	VOE 3090569	1	1			••Knob.....	••Bouton.....	••Knauf.....	••Boton.....	••Knopp.....		
6	VOE 11709744	1	1			•Seat frame.....	•cadre Siege.....	•Sitzrahmen.....	•Marco asiento.....	•Sitsram.....		
7	VOE 1696529	2	2			••Spring.....	••Ressort.....	••Feder.....	••Muelle.....	••Fjäder.....		
8	VOE 1518748	1	1			••Spring.....	••Ressort.....	••Feder.....	••Muelle.....	••Fjäder.....		
9	VOE 11709389	1	1			••Cover.....	••Capot.....	••Haube.....	••Cubierta.....	••Kåpa.....	LH	
	VOE 11709390	1	1			••Cover.....	••Capot.....	••Haube.....	••Cubierta.....	••Kåpa.....	RH	
10	VOE 11707348	1	1			••Hip Belt.....	••Ceinture Hanche.....	••Hüftgurt.....	••Cinturon Cadera.....	••Höftbälte.....		
11	VOE 11709391	1	1			•Bellows.....	•Soufflet.....	•Balg.....	•Fuelle.....	•Bälg.....		
12	VOE 11709388	1	1			•Seat.....	•Siege.....	•Sitz.....	•Asiento.....	•Sits.....		
13	VOE 11996163	1	1			••Upholstery.....	••Garniture Habit.....	••Bezug.....	••Tapizado.....	••Klädsel.....		
14	VOE 11709385	1	1			•Backrest.....	•Dossier.....	•Rücken.....	•Respaldo.....	•Rygg.....		
15	VOE 11709386	1	1			••Upholstery.....	••Garniture Habit.....	••Bezug.....	••Tapizado.....	••Klädsel.....		
16	VOE 11709392	1	1			•Attachment kit.....	•Jeu de fixation.....	•Befestigungssatz.....	•Juego acoplamiento..	•Fästsats.....		
17	VOE 11709387	1	1			•Steering wheel.....	•Volant.....	•Lenkrad.....	•Volante.....	•Ratt.....		
18	VOE 11882471	1				Arm Rest.....	Accoudoir.....	Armlehne.....	Reposabrazos.....	Armstöd.....	LH	
	VOE 11882470	1				Arm Rest.....	Accoudoir.....	Armlehne.....	Reposabrazos.....	Armstöd.....	RH	
19	VOE 13955894	4				•Washer.....	•Rondelle.....	•Scheibe.....	•Arandela.....	•Bricka.....		
20	VOE 11709040	4				•Screw.....	•Vis.....	•Schraube.....	•Tornillo.....	•Skruv.....		

2118) GB: Cloth Seats For Cabs FR: Siège conducteur habillage textile DE: Stofbezogene Sitze für Kabine ES: Asiento tapizado en textil para cabinas SE: Tygbeklädd stol för hytt

1	11891216 S/N -10263	Förarstol, ISRI. Asiento del conductor. Fahrersitz. Siège du conducteur. Operator's seat. 2118)	Catalogue id	Group
2	11891099 S/N -10389		20017	852
3			Illustr. No	Section
4			1001440	150
5			Issue	Page
		VOE 63D9920017	443	

VOLVO

BL60



Volvo Construction
 Equipment
 1001440

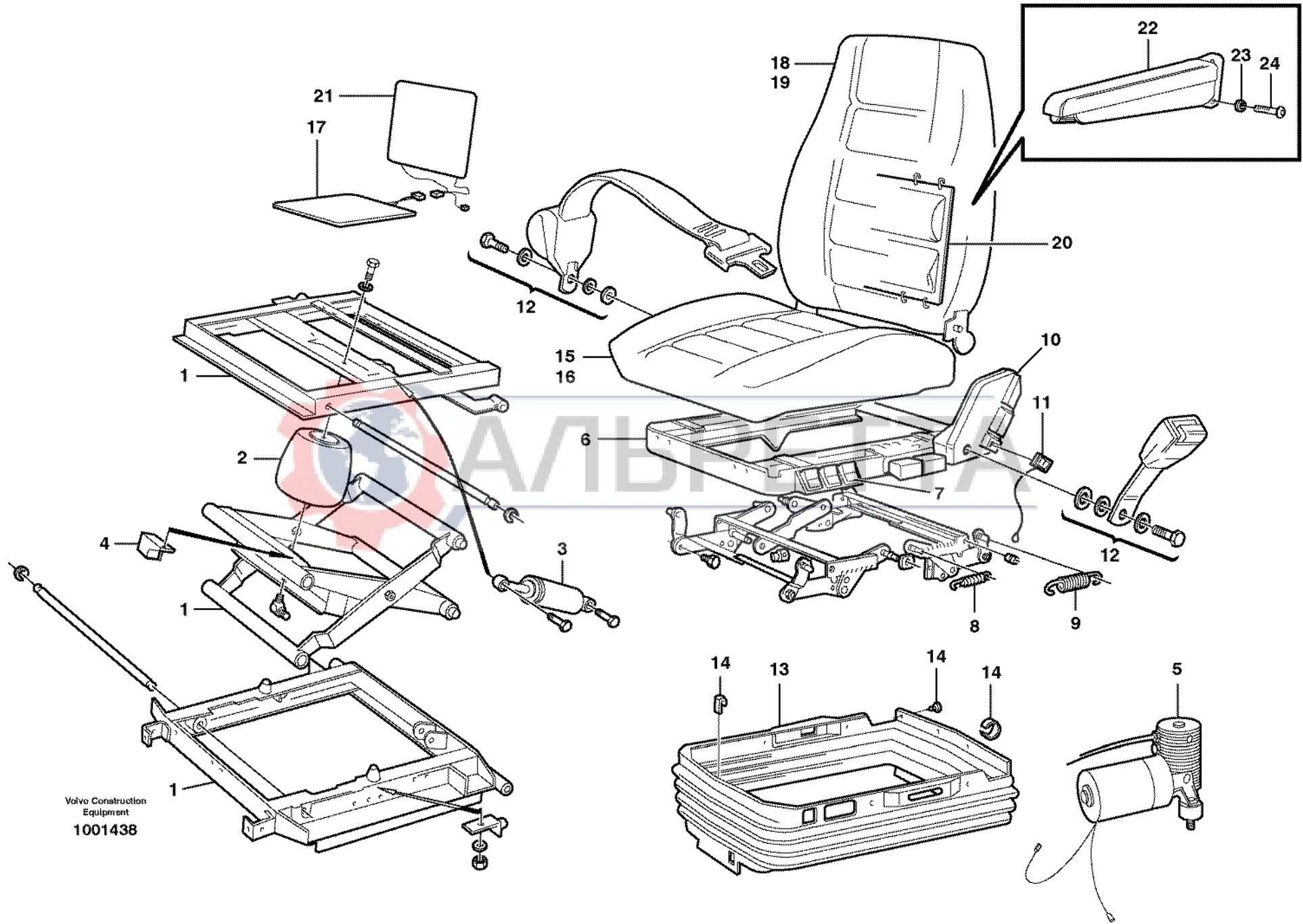
Fig.	Part No.	Quantity			P S	K I T	Description	Dénomination	Bezeichnung	Denominación	Benämning	Notes
		1	2	3								
	VOE 11884651	1	1			Seat.....	Siege.....	Sitz.....	Asiento.....	Sits.....		
1	VOE 11707355	1	1			•Spring Suspension ..	•Unite Suspension.....	•Federbündel.....	•Unidad Suspension...	•Fjädringsenhet.....		
2	VOE 6213261	2	2			••Spring.....	••Ressort.....	••Feder.....	••Muelle.....	••Fjäder.....		
3	VOE 11707356	2	2			••Spring.....	••Ressort.....	••Feder.....	••Muelle.....	••Fjäder.....		
4	VOE 11707351	1	1			••Shock absorber.....	••Amortisseur.....	••Stossdämpfer.....	••Amortiguador.....	••Stötdämpare.....		
5	VOE 3090569	1	1			••Knob.....	••Bouton.....	••Knauf.....	••Boton.....	••Knopp.....		
6	VOE 11709744	1	1			•Seat frame.....	•cadre Siege.....	•Sitzrahmen.....	•Marco asiento.....	•Sitsram.....		
7	VOE 1696529	2	2			••Spring.....	••Ressort.....	••Feder.....	••Muelle.....	••Fjäder.....		
8	VOE 1518748	1	1			••Spring.....	••Ressort.....	••Feder.....	••Muelle.....	••Fjäder.....		
9	VOE 11709389	1	1			••Cover.....	••Capot.....	••Haube.....	••Cubierta.....	••Kåpa.....	LH	
	VOE 11709390	1	1			••Cover.....	••Capot.....	••Haube.....	••Cubierta.....	••Kåpa.....	RH	
10	VOE 11707348	1	1			••Hip Belt.....	••Ceinture Hanche.....	••Hüftgurt.....	••Cinturon Cadera.....	••Höftbälte.....		
11	VOE 11709391	1	1			•Bellows.....	•Soufflet.....	•Balg.....	•Fuelle.....	•Bälg.....		
12	VOE 11704771	1	1			•Seat.....	•Siege.....	•Sitz.....	•Asiento.....	•Sits.....		
13	VOE 11704772	1	1			••Upholstery.....	••Garniture Habit.....	••Bezug.....	••Tapizado.....	••Klädsel.....		
14	VOE 11709393	1	1			•Backrest.....	•Repose-rein.....	•Rückenlehne.....	•Apoyo respaldo.....	•Ryggstöd.....		
15	VOE 11709394	1	1			••Upholstery.....	••Garniture Habit.....	••Bezug.....	••Tapizado.....	••Klädsel.....		
16	VOE 11709392	1	1			•Attachment kit.....	•Jeu de fixation.....	•Befestigungssatz.....	•Juego acoplamiento..	•Fästsats.....		
17	VOE 11709387	1	1			•Steering wheel.....	•Volant.....	•Lenkrad.....	•Volante.....	•Ratt.....		
18	VOE 11882471	1				Arm Rest.....	Accoudoir.....	Armlehne.....	Reposabrazos.....	Armstöd.....	LH	
	VOE 11882470	1				Arm Rest.....	Accoudoir.....	Armlehne.....	Reposabrazos.....	Armstöd.....	RH	
19	VOE 13955894	4				•Washer.....	•Rondelle.....	•Scheibe.....	•Arandela.....	•Bricka.....		
20	VOE 11709040	4				Screw.....	Vis.....	Schraube.....	Tornillo.....	Skruv.....		

2119) GB: Vinyl seat for ROPS FR: Siège avec habillage vinyle pour cabine ROPS DE: Vinylbezogener Sitz für ROPS-Kabine ES: Asiento con tapizado de vinilo para cabina ROPS
SE: Vinylbeklädd stol för ROPS-hytt

1	11891217 S/N -10264	Förarstol, ISRI. Asiento del conductor. Fahrsitz. Siège du conducteur. Operator's seat. 2119)	Catalogue id	Group
2	11891100 S/N -10549		20017	852
3			Illustr. No	Section
4			1001440	200
5			Issue	Page
		VOE 63D9920017	445	

VOLVO

BL60



Volvo Construction
Equipment
1001438

Fig.	Part No.	Quantity			P S	K I T	Description	Dénomination	Bezeichnung	Denominación	Benämning	Notes
		1	2	3								
	VOE 11884652	1				Seat.....	Siege.....	Sitz.....	Asiento.....	Sits.....		
1	VOE 11709420	1				•Suspension unit.....	•Ensemble suspensi...	•Federbündel.....	•Unidad de suspensi ..	•Fjäderupphängnings.		
1A	VOE 3091629	1				••Elbow nipple.....	••Raccord angulaire ..	••Winkelnippel.....	••Niple angular.....	••Vinkelnippel.....		
2	VOE 11707350	1				••Air Bellows.....	••Soufflet Air.....	••Luftbalg.....	••Fuelle Aire.....	••Luftbälg.....		
3	VOE 11707351	1				••Shock absorber.....	••Amortisseur.....	••Stossdämpfer.....	••Amortiguador.....	••Stötdämpare.....		
4	VOE 11709422	1				••Relay.....	••Relais.....	••Relais.....	••Rele.....	••Relä.....		
5	VOE 11709423	1				••Compressor.....	••Compresseur.....	••Kompressor.....	••Compresor.....	••Kompressor.....		
6	VOE 11709421	1				•Seat frame.....	•cadre Siege.....	•Sitzrahmen.....	•Marco asiento.....	•Sitsram.....		
7	VOE 11707347	1				•Control.....	•Commande.....	•Regelung.....	•Mando.....	•Reglage.....		
8	VOE 1518748	1				•Spring.....	•Ressort.....	•Feder.....	•Muelle.....	•Fjäder.....		
9	VOE 1696529	2				•Spring.....	•Ressort.....	•Feder.....	•Muelle.....	•Fjäder.....		
10	VOE 11709419	1				•Cover.....	•Capot.....	•Haube.....	•Cubierta.....	•Kåpa.....	LH	
	VOE 11709390	1				•Cover.....	•Capot.....	•Haube.....	•Cubierta.....	•Kåpa.....	RH	
11	VOE 11707346	1				•Switch.....	•Commutateur.....	•Schalter.....	•Contactor.....	•Strömställare.....		
12	VOE 11707348	1				•Hip Belt.....	•Ceinture Hanche.....	•Hüftgurt.....	•Cinturon Cadera.....	•Höftbälte.....		
13	VOE 11709391	1				•Bellows.....	•Soufflet.....	•Balg.....	•Fuelle.....	•Bälg.....		
14	VOE 11709392	1				•Attachment kit.....	•Jeu de fixation.....	•Befestigungssatz.....	•Juego acoplamiento..	•Fästsats.....		
15	VOE 11709418	1				•Seat.....	•Siege.....	•Sitz.....	•Asiento.....	•Sits.....		
16	VOE 11998561	1				•Upholstery.....	•Garniture Habit.....	•Bezug.....	•Tapizado.....	•Klädsel.....		
17	VOE 11706320	1				•Heater.....	•Elément de chauffa..	•Heizkörper.....	•Calefaccion.....	•Värmeelement.....		
18	VOE 11709417	1				•Backrest.....	•Repose-rein.....	•Rückenlehne.....	•Apoyo respaldo.....	•Ryggstöd.....		
19	VOE 11707344	1				•Upholstery.....	•Garniture Habit.....	•Bezug.....	•Tapizado.....	•Klädsel.....		
20	VOE 11997265	1				•Lumbar Support.....	•Repose-reins.....	•Kreuzstutze.....	•Placa Lumbar.....	•Svankplatta.....		
21	VOE 11706318	1				•Heater.....	•Elément de chauffa..	•Heizkörper.....	•Calefaccion.....	•Värmeelement.....		
22	VOE 11882471	1				Arm Rest.....	Accoudoir.....	Armlehne.....	Reposabrazos.....	Armstöd.....	LH	
	VOE 11882470	1				Arm Rest.....	Accoudoir.....	Armlehne.....	Reposabrazos.....	Armstöd.....	RH	
23	VOE 13955894	4				•Washer.....	•Rondelle.....	•Scheibe.....	•Arandela.....	•Bricka.....		
24	VOE 11709040	4				Screw.....	Vis.....	Schraube.....	Tornillo.....	Skruv.....		

1	11891110 S/N -10346	Luftfjädrande förarstol, Eluppvärmd. Asiento de conducción de suspensión neumática. Fahrersitz, Luftfedert. Siège du conducteur suspension pneumatique. Operator's seat, heated, air suspended.	Catalogue id	Group
2			20017	852
3			Illustr. No	Section
4			1001438	250
5			Issue	Page
		VOE 63D9920017	447	

VOLVO

BL60

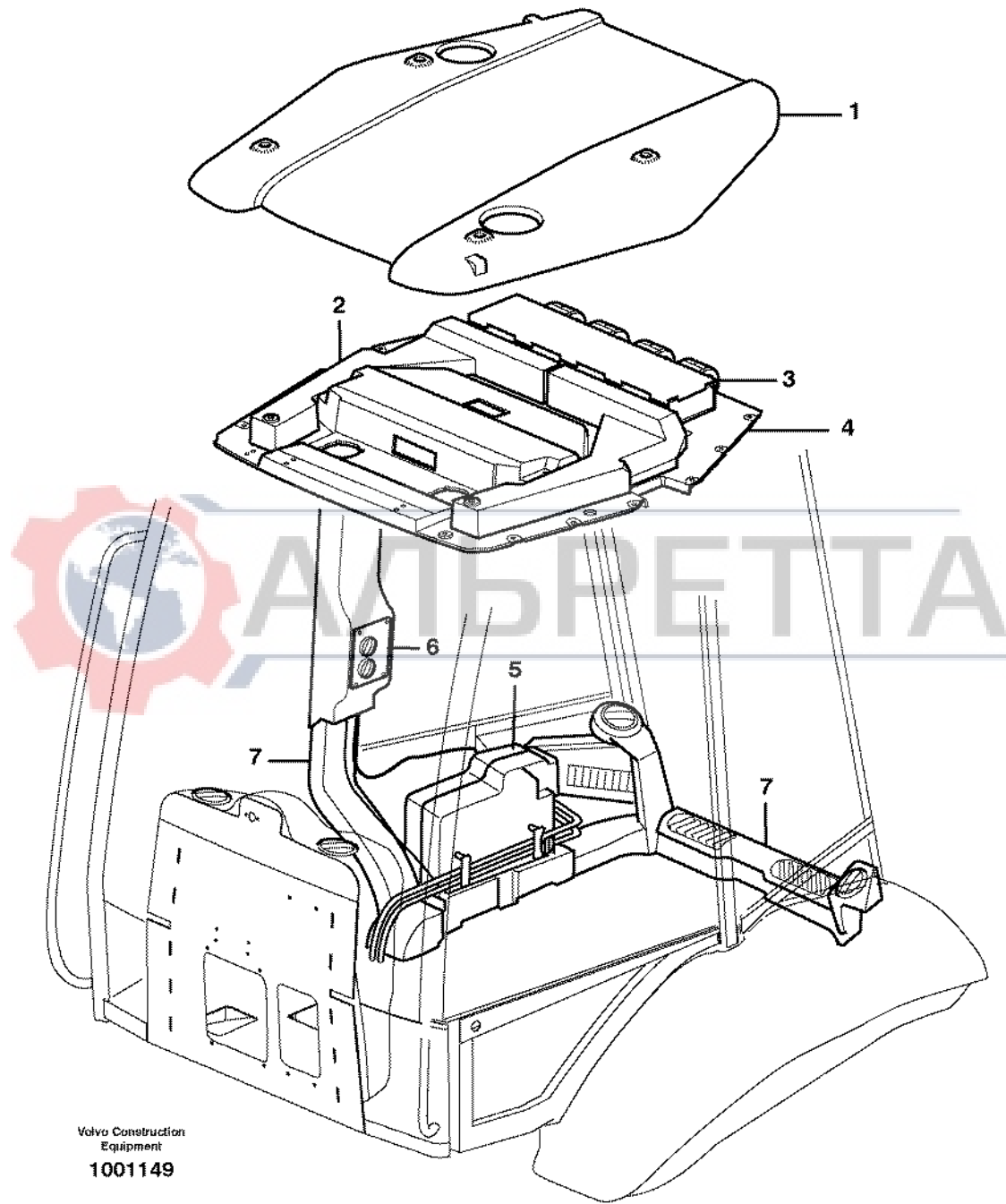


Fig.	Part No.	Quantity			P S	K I T	Description	Dénomination	Bezeichnung	Denominación	Benämning	Notes
		1	2	3								
1		1				Roof	Toit	Dach	Techo	Tak	See group 810, Page 399	
2		1				Air Duct	Tambour Air	Lufttrommel	Conducto Aire	Lufttrumma	See group 872, Page 451	
3		1				Air Cond	Climatisation	Klimaanlage	Acondicion Aire	Luftkond	See group 874, Page 463	
4		1				Headlining	Garnit.pavillon	Dachhimmel	Techo Interior	Innertak	See group 851, Page 433	
5		1				Cab Heater	Chauffage cabine	Kabinenheizung	Calef Cabina	Hyttvärmare	See group 873, Page 457	
6		1				Control Panel	Panneau commande	Bedienungstafel	Panel Mando	Reglagepanel	See group 873, Page 459	
7		1				Air ducts	Canalisation d'air	Luftkanäle	Canales de aire	Luftkanaler	See group 872, Page 453	

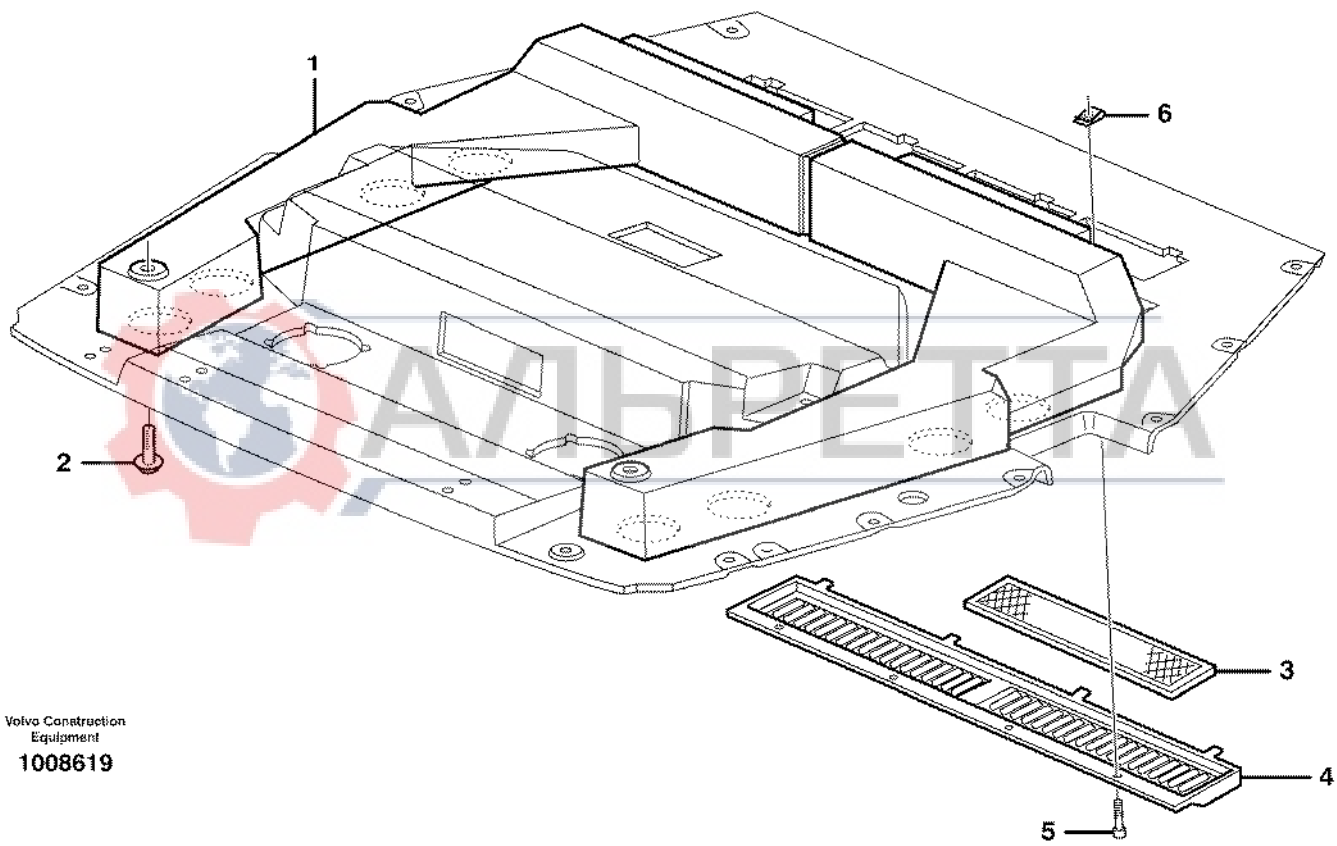


1	Värmesystem Sistema de calefacción Heizsystem Système du chauffage Heating system	Catalogue id	Group
2		20017	872
3		Illustr. No	Section
4		1001149	100
5		Issue	Page
	11298018, 11298190	VOE 63D9920017	449

VOLVO

BL60





Volvo Construction
Equipment
1008619

Fig.	Part No.	Quantity			P S	K I T	Description	Dénomination	Bezeichnung	Denominación	Benämning	Notes
		1	2	3								
1	VOE 11200530	1				Air duct.....	Canal air.....	Luftkanal.....	Canal aire.....	Luftkanal.....		
2	VOE 13946173	2				Flange screw.....	Vis à bride.....	Flanschschraube.....	Torn embridado.....	Flänsskruv.....		
3	VOE 11200824	2				Filter.....	Filtre.....	Filter.....	Filtro.....	Filter.....		
4	VOE 11202426	1				Filter Retainer.....	Porte-filtre.....	Filtertopf.....	Soporte Filtro.....	Filterhållare.....		
5	VOE 969405	4				6-pt skt screw.....	Vis creuse de 6.....	Hohlschraube.....	Racor 6-dientes.....	Sextandhålskruv.....		
6	VOE 949937	4				Spring Nut.....	Ecrou Ressort.....	Fed. Schliessmutter.....	Tuerca Resorte.....	Fjädermutter.....		

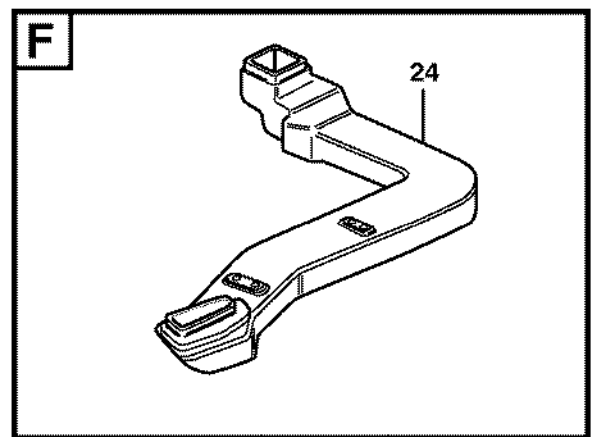
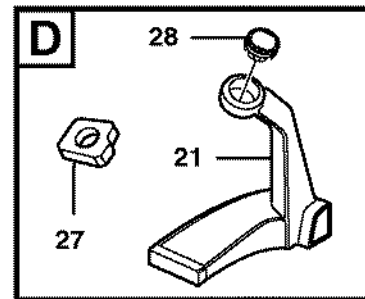
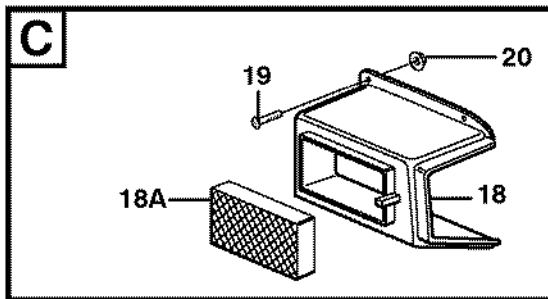
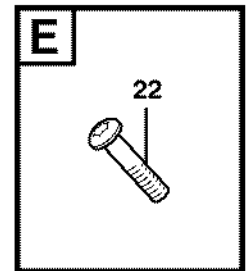
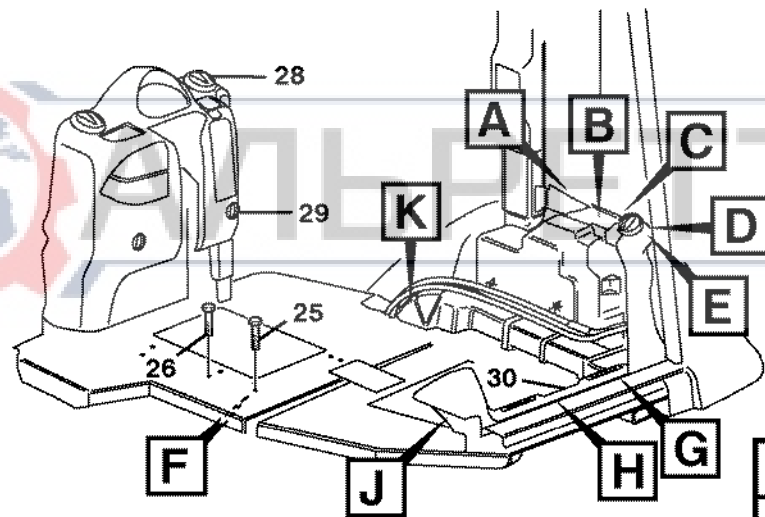
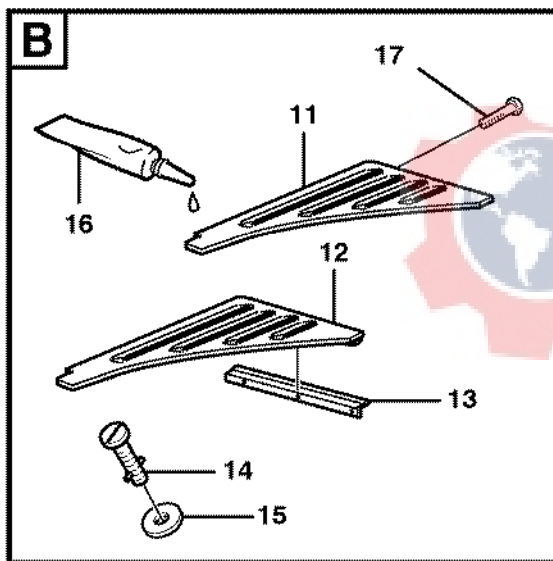
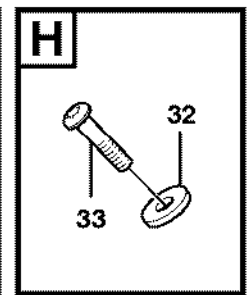
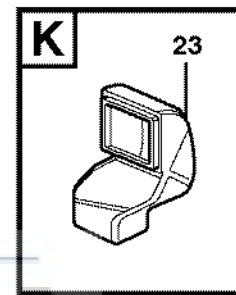
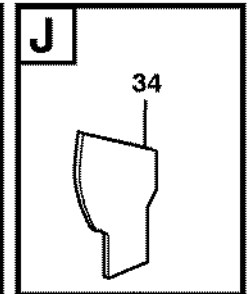
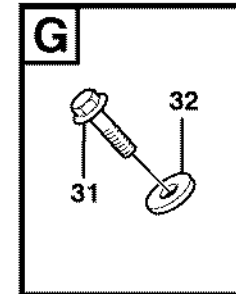
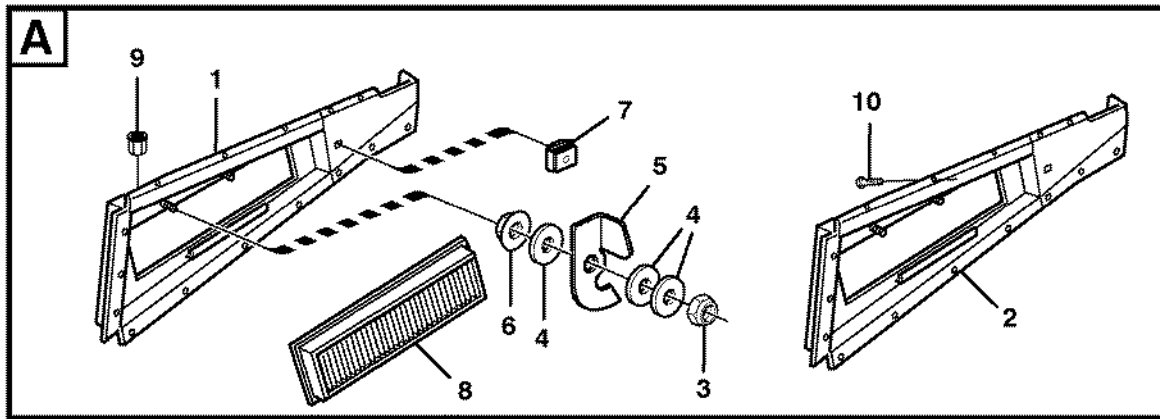


1		Luftkanaler Conductos de aire Luftkanäle Canalisation d'air Air ducts	Catalogue id	Group
2			20017	872
3			Illustr. No	Section
4			1008619	200
5			Issue	Page
		11298018	VOE 63D9920017	451

VOLVO

BL60





Volvo Construction
Equipment
1007868

Fig.	Part No.	Quantity			P S	K I T	Description	Dénomination	Bezeichnung	Denominación	Benämning	Notes
		1	2	3								
1		1			NS	Filter Retainer	Porte-filtre	Filtertopf	Soporte Filtro	Filterhållare		
2	VOE 11201308	1				•Filter Retainer	•Porte-filtre	•Filtertopf	•Soporte Filtro	•Filterhållare		
3	VOE 13965483	2				•Flange Lock Nut	•Contre écrou bride	•Flanschmutter	•Contratuer Embr	•Flänslåsmutter		
4	VOE 13940090	6				•Washer	•Rondelle	•Scheibe	•Arandela	•Bricka		
5	VOE 11200818	2				•Striker Plate	•Gache	•Schliesskeil	•Placa Bloqueo	•Låsbleck		
6	VOE 13963104	2				•Lock nut	•Contre-ecrou	•Sicherungsmutter	•Contratuerca	•Låsmutter		
7	VOE 11201055	1				•Buckle	•Boucle	•Schnalle	•Argolla	•Spänne		
8	VOE 11703979	1				•Primary Filter	•Prefiltre	•Vorfilter	•Prefiltro	•Förfilter		
9	VOE 977222	1				•Rivet Nut	•Ecroû Rivet	•Nietmutter	•Tuerca Remache	•Nitmutter		
10	VOE 976162	7				Screw	Vis	Schraube	Tornillo	Skruv		
11		1			NS	Air Inlet	Prise Air	Lufteinlass	Toma Aire	Luftintag		
12	VOE 11201291	1				•Air Inlet	•Prise Air	•Lufteinlass	•Toma Aire	•Luftintag		
13	VOE 11200794	1				•Hinge	•Charniere	•Scharnier	•Bisagra	•Gångjärn		
14	VOE 11201054	1				•Buckle	•Boucle	•Schnalle	•Argolla	•Spänne		
15	VOE 11201056	1				•Lock Washer	•Rondel verroui	•Sicher Scheibe	•Arandel Segurid	•Låsbricka		
16	VOE 11708567	REQ				•Adhesive	•Adhesif	•Klebstoff	•Adhesivo	•Lim		
	VOE 762681	REQ				•Rubber Moulding	•Joint Caoutchouc	•Gummileiste	•Liston Goma	•Gummilist	L = 780 MM L = 925 MM	
17	VOE 13946544	3				Flange screw	Vis à bride	Flanschschraube	Torn embridado	Flänsskruv		
18	VOE 11200836	1				Air Inlet	Prise Air	Lufteinlass	Toma Aire	Luftintag		
18A	VOE 11712164	1				•Filter	•Filtre	•Filter	•Filtro	•Filter	(Recirculation)	
19	VOE 969422	4				6-pt skt screw	Vis creuse de 6	Hohlschraube	Racor 6-dientes	Sextandhålskruv	(VOE 13969422)	
20	VOE 13949278	4				Flange Lock Nut	Contre écrou bride	Flanschmutter	Contratuer Embr	Flänslåsmutter		
21	VOE 11200730	1				Air duct	Canal air	Luftkanal	Canal aire	Luftkanal		
22	VOE 969587	1				6-pt skt screw	Vis creuse de 6	Hohlschraube	Racor 6-dientes	Sextandhålskruv		
23	VOE 11200727	1				Air duct	Canal air	Luftkanal	Canal aire	Luftkanal		
24	VOE 11200990	1				Air duct	Canal air	Luftkanal	Canal aire	Luftkanal		
25	VOE 13946544	5				Flange screw	Vis à bride	Flanschschraube	Torn embridado	Flänsskruv		
26	VOE 13946544	4				Flange screw	Vis à bride	Flanschschraube	Torn embridado	Flänsskruv		
27		1			NS	Insulation	Isolant	Isolierung	Aislante	Isolering		

1		Luftkanaler	Catalogue id	Group
2		Conductos de aire	20017	872
3		Luftkanäle	Illustr. No	Section
4		Canalisation d'air	1007868	250
4		Air ducts	Issue	Page
5		11298028, 11298190	VOE 63D9920017	453

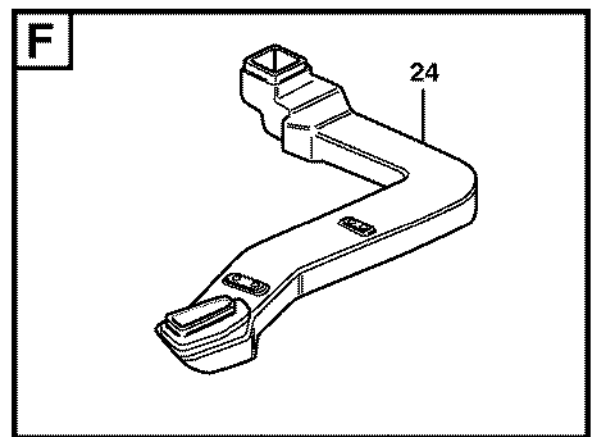
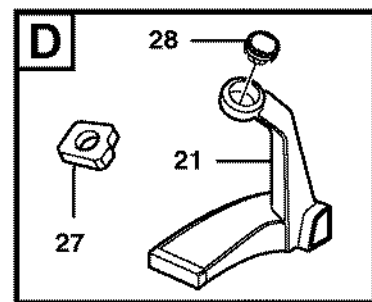
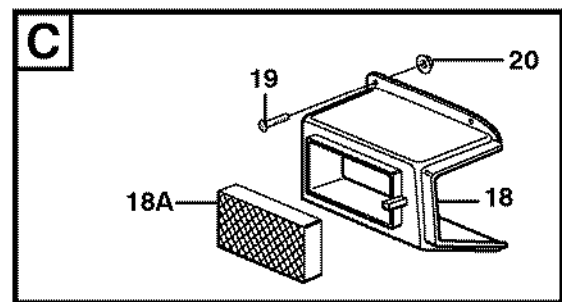
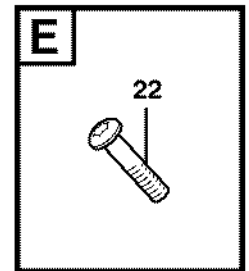
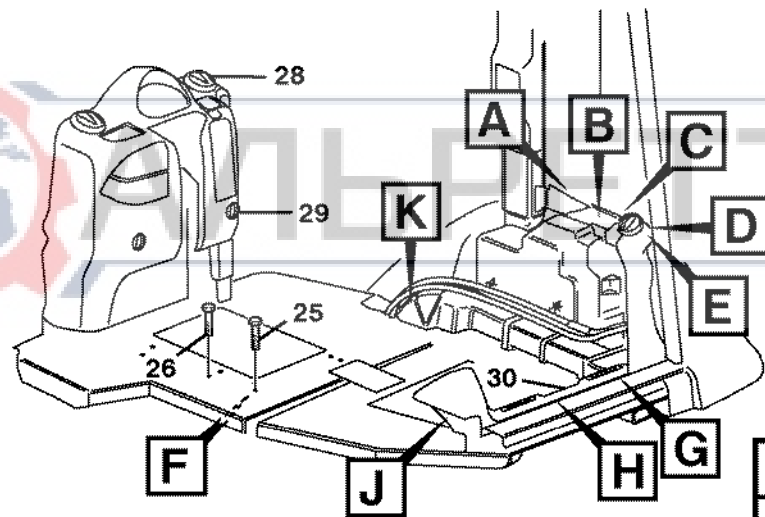
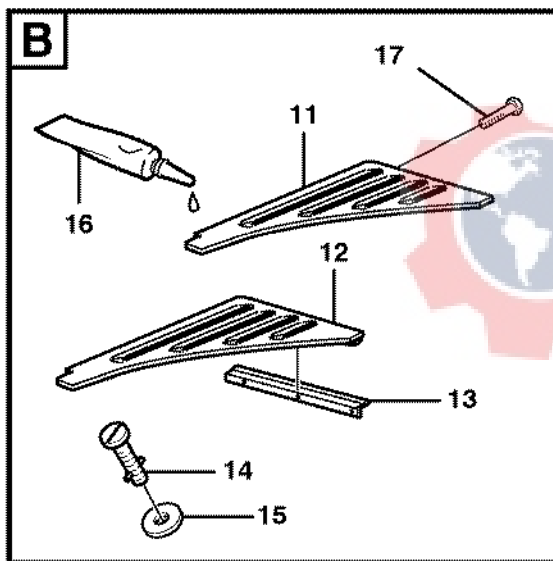
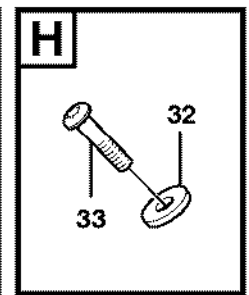
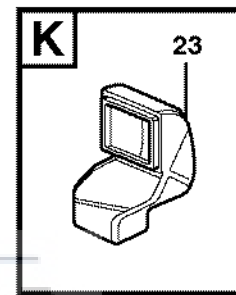
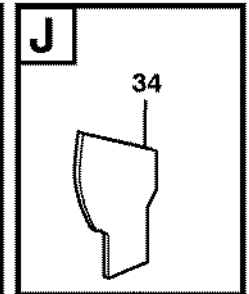
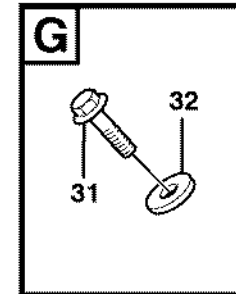
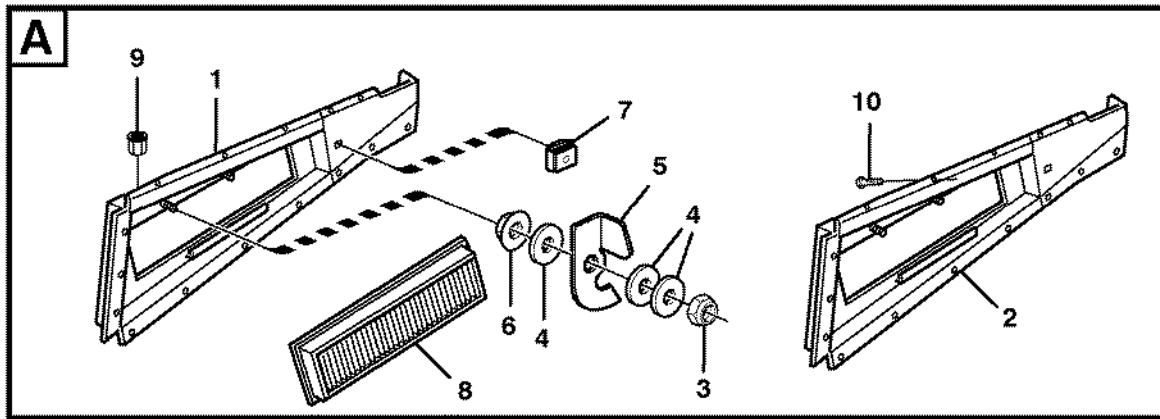


Fig.	Part No.	Quantity			P S	K I T	Description	Dénomination	Bezeichnung	Denominación	Benämning	Notes
		1	2	3								
28	VOE 11104372	4				Air Outlet.....	Diffuseur d'air	Luftdüse	Difusor de aire	Luftmunstycke.....		
29	VOE 11104371	2				Air Outlet.....	Diffuseur d'air	Luftdüse	Difusor de aire	Luftmunstycke.....		
30	VOE 11200543	1				Air duct.....	Canal air.....	Luftkanal.....	Canal aire	Luftkanal.....		
31	VOE 13947542	2				Screw	Vis	Schraube.....	Tornillo	Skruv.....		
32	VOE 13960138	1				Washer.....	Rondelle	Scheibe	Arandela	Bricka.....		
	VOE 960139	2				Washer.....	Rondelle	Scheibe	Arandela	Bricka.....		
33	VOE 972412	1				Screw	Vis	Schraube.....	Tornillo	Skruv.....		
34		REQ			NS	Insulation.....	Isolant	Isolierung.....	Aislante	Isolering.....		

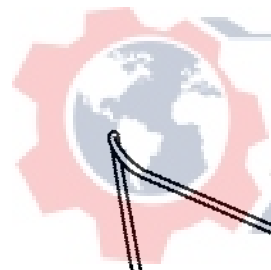


1		Luftkanaler Conductos de aire Luftkanäle Canalisation d'air Air ducts	Catalogue id	Group
2			20017	872
3			Illustr. No	Section
4			1007868	250
5			Issue	Page
		11298028, 11298190	VOE 63D9920017	455

VOLVO

BL60





АЛЬРЕТ

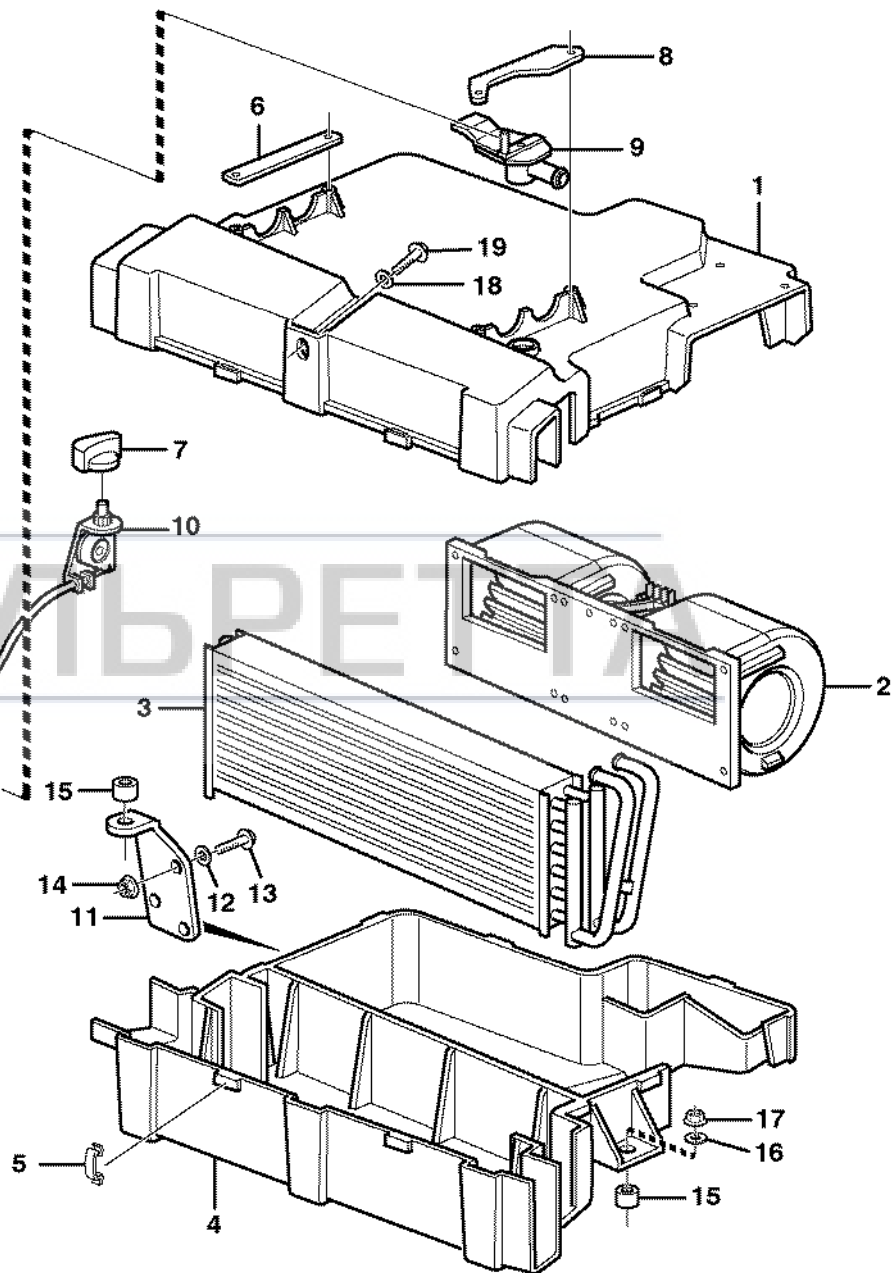
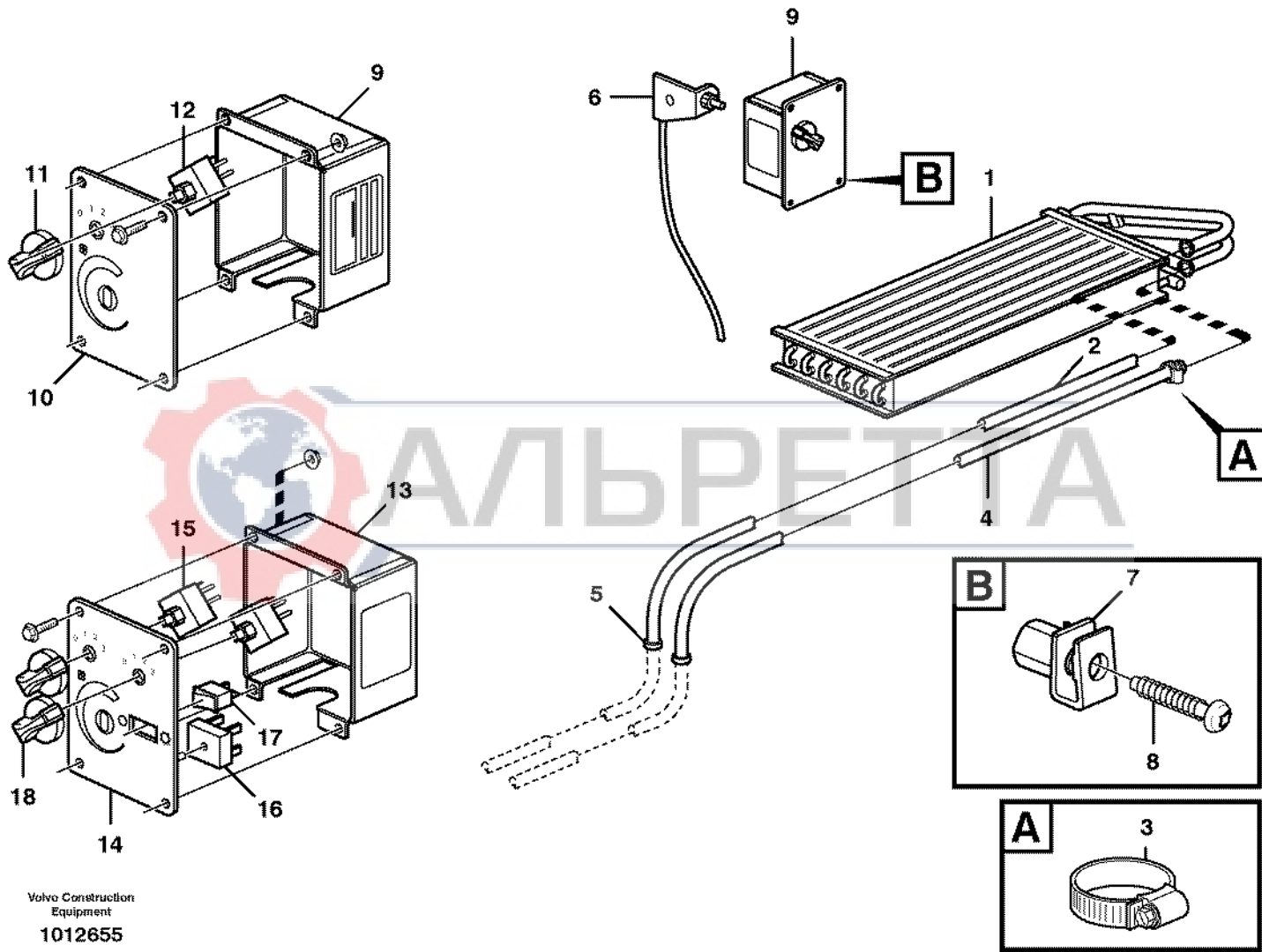


Fig.	Part No.	Quantity			P S	K I T	Description	Dénomination	Bezeichnung	Denominación	Benämning	Notes
		1	2	3								
	VOE 11200528	1				Cab Heater.....	Chauffage cabine.....	Kabinenheizung	Calef Cabina	Hyttvärmare.....		
1		1			NS	•Housing	•Carter.....	•Gehäuse	•Carter.....	•Hus.....		
2	VOE 11709685	1				•Motor	•Moteur.....	•Motor.....	•Motor.....	•Motor.....		
3		1				•Radiator.....	•Radiateur	•Radiator	•Radiador	•Radiator.....	See group 873, Page 459	
4		1			NS	•Housing	•Carter.....	•Gehäuse	•Carter.....	•Hus.....		
5	VOE 11709691	8				•Clip	•Clip.....	•Klemme.....	•Clip.....	•Clips.....		
6	VOE 11709688	1				•Bracket	•Console.....	•Konsole.....	•Consola.....	•Konsol.....		
7	VOE 11709689	1				•Handle	•Poignee.....	•Drehgriff	•Mango	•Vred.....		
8	VOE 11709686	1				•Bracket	•Console.....	•Konsole.....	•Consola.....	•Konsol.....		
9	VOE 11709687	1				•Valve.....	•Soupape	•Ventil.....	•Valvula	•Ventil.....		
10	VOE 11709690	1				•Converter.....	•Convertisseur.....	•Wandler.....	•Convertidor	•Omvandlare.....		
11		1			NS	Anchorage.....	Fixation	Halterung.....	Fijacion.....	Fäste.....		
12	VOE 13960141	3				Washer.....	Rondelle	Scheibe	Arandela.....	Bricka.....	(VOE 976944)	
13	VOE 13945444	3				Flange screw.....	Vis à bride	Flanschschraube	Torn embridado.....	Flänsskruv.....		
14	VOE 948645	3				Flange Lock Nut.....	Contre écrou bride	Flanschmutter	Contratuer Embr.....	Flänslåsmutter.....		
15	VOE 11200746	2				Vib Damper.....	Amort.vibration.....	Schwingdämpfer	Amortig Vibrac.....	Vibr.dämpare.....		
16	VOE 13960141	3				Washer.....	Rondelle	Scheibe	Arandela.....	Bricka.....	(VOE 976944)	
17	VOE 948645	4				Flange Lock Nut.....	Contre écrou bride	Flanschmutter	Contratuer Embr.....	Flänslåsmutter.....		
18	VOE 13960141	1				Washer.....	Rondelle	Scheibe	Arandela.....	Bricka.....	(VOE 976944)	
19	VOE 13945444	1				Flange screw.....	Vis à bride	Flanschschraube	Torn embridado.....	Flänsskruv.....		



1		Hyttvärmare	Catalogue id	Group
2		Calefactor de cabina	20017	873
3		Kabinenheizung	Illustr. No	Section
4		Chauffe-cabine	1001153	100
5		Cab heater	Issue	Page
		11298028, 11298190	VOE 63D9920017	457





Volvo Construction
Equipment
1012655

Fig.	Part No.	Quantity			P S	K I T	Description	Dénomination	Bezeichnung	Denominación	Benämning	Notes
		1	2	3								
1	VOE 11709684	1				Radiator	Radiateur	Radiator.....	Radiador.....	Radiator.....		
2	VOE 11204029	1				Hose.....	Durit	Schlauch	Tube flexible.....	Slang.....	L = 2750MM NEW	
2	VOE 943368	REQ				Hose.....	Durit	Schlauch	Tube flexible.....	Slang.....	L = 1675MM OLD	
3	VOE 13943472	4				Clamp.....	Pince Serrage	Klemme	Abrazadera.....	Klämma.....		
4	VOE 11204029	1				Hose.....	Durit	Schlauch	Tube flexible.....	Slang.....	L = 2750MM NEW	
4	VOE 943368	REQ				Hose.....	Durit	Schlauch	Tube flexible.....	Slang.....	L = 2300MM OLD	
5	VOE 961970	2				Plug.....	Bouchon.....	Stopfen.....	Tapon	Plugg.....		
6		1				Converter	Convertisseur	Wandler.....	Convertidor.....	Omvandlare.....		
7	VOE 977982	4				Spring Nut.....	Ecrou Ressort	Fed. Schliessmutter ...	Tuerca Resorte	Fjädermutter.....		
8	VOE 975380	4				Screw	Vis	Schraube.....	Tornillo	Skruv.....		
9	VOE 11200821	1				Control Panel	Tableau de bord.....	Steuerpult.....	Panel de control	Kontrollpanel.....		
10	VOE 11709696	1				•Cover	•Couvercle.....	•Deckel	•Tapa	•Lock.....		
11	VOE 11709689	1				•Handle	•Poignee.....	•Drehgriff	•Mango	•Vred.....		
12	VOE 11709697	1				•Switch	•Commutateur	•Schalter	•Contactor	•Strömställare.....		
13	VOE 11200533	1				Control Panel	Tableau de bord.....	Steuerpult.....	Panel de control	Kontrollpanel.....		
14	VOE 11709706	1				•Cover	•Couvercle.....	•Deckel	•Tapa	•Lock.....		
15	VOE 11709697	2				•Switch	•Commutateur	•Schalter	•Contactor	•Strömställare.....		
16	VOE 11709707	1				•Rectifier	•Redresseur	•Gleichrichter.....	•Rectificador	•Likriktare.....		
17	VOE 11709708	1				•Switch	•Interrupteur	•Trennschalter.....	•Interruptor	•Brytare.....		
18	VOE 11709689	1				•Handle	•Poignee.....	•Drehgriff	•Mango	•Vred.....		

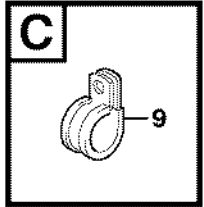
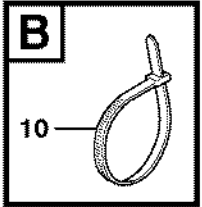
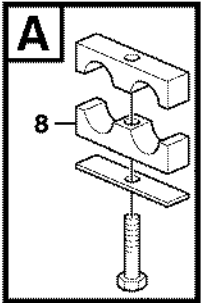
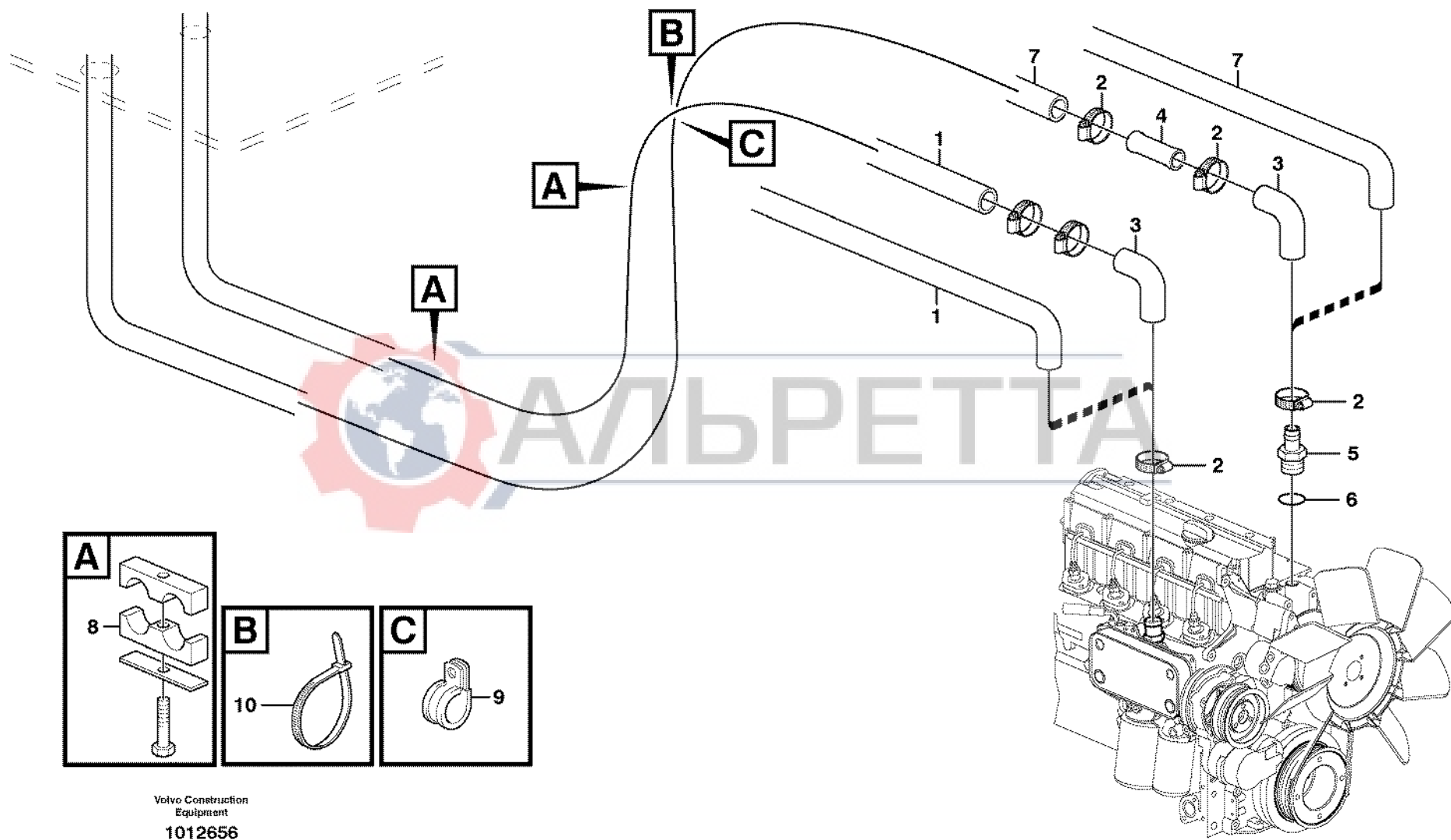


1	11298028, 11298190	Radiator och reglage Radiador y reglaje Heizkörper und Regler Radiateur et réglage Radiator and control	Catalogue id	Group
2	11298018		20017	873
3			Illustr. No	Section
4			1012655	150
5			Issue	Page
	11298028, 11298018, 11298190	VOE 63D9920017	459	

VOLVO

BL60





Volvo Construction
Equipment
1012656

Fig.	Part No.	Quantity			P S	K I T	Description	Dénomination	Bezeichnung	Denominación	Benämning	Notes
		1	2	3								
1	VOE 11204029	1				Hose.....	Durit	Schlauch	Tubo flexible	Slang.....		
1	VOE 943368		REQ			Hose.....	Durit	Schlauch	Tubo flexible	Slang.....		
2	VOE 968847	2	6			Hose Clamp	Collier Serrage	Schlauchschelle	Abraz Manguera.....	Slangklamma.....		
3	VOE 11881442		2			Elbow	Coude	Winkelstueck	Tubo acodado	Vinkel.....		
4	VOE 11006632		2			Tube.....	Tube.....	Rohr	Tubo	Rör.....		
5	VOE 11883933	2	2			Connector	Raccord.....	Anschluss.....	Union	Anslutning.....		
6	VOE 13947628	2	2			Plane Gasket	Joint Plan	Flachdichtung.....	Junta Plana	Planpackning.....		
7	VOE 11204029	1				Hose.....	Durit	Schlauch	Tubo flexible	Slang.....		
7	VOE 943368		REQ			Hose.....	Durit	Schlauch	Tubo flexible	Slang.....		
8	VOE 11881443	2	2			Clamp.....	Pince Serrage	Klemme	Abrazadera.....	Klämma.....		
9	VOE 13977600	1				Clamp.....	Pince Serrage	Klemme	Abrazadera.....	Klämma.....	(VOE 977600)	
10	VOE 4881440	1	2			Strip Clamp	Ruban Serrage.....	Kabelbinder	Abraz Cinta	Bandklamma.....		



1	NEW	Hyttvärmare med anslutningar Calefactor cabina con uniones Fahrerhausheizung mit anschlusse Chauffe-cabine avec raccords Cab heater with connectors	Catalogue id	Group
2	OLD		20017	873
3			Illustr. No	Section
4			1012656	200
5			Issue	Page
			VOE 63D9920017	461
			11298028, 11298190	

VOLVO

BL60



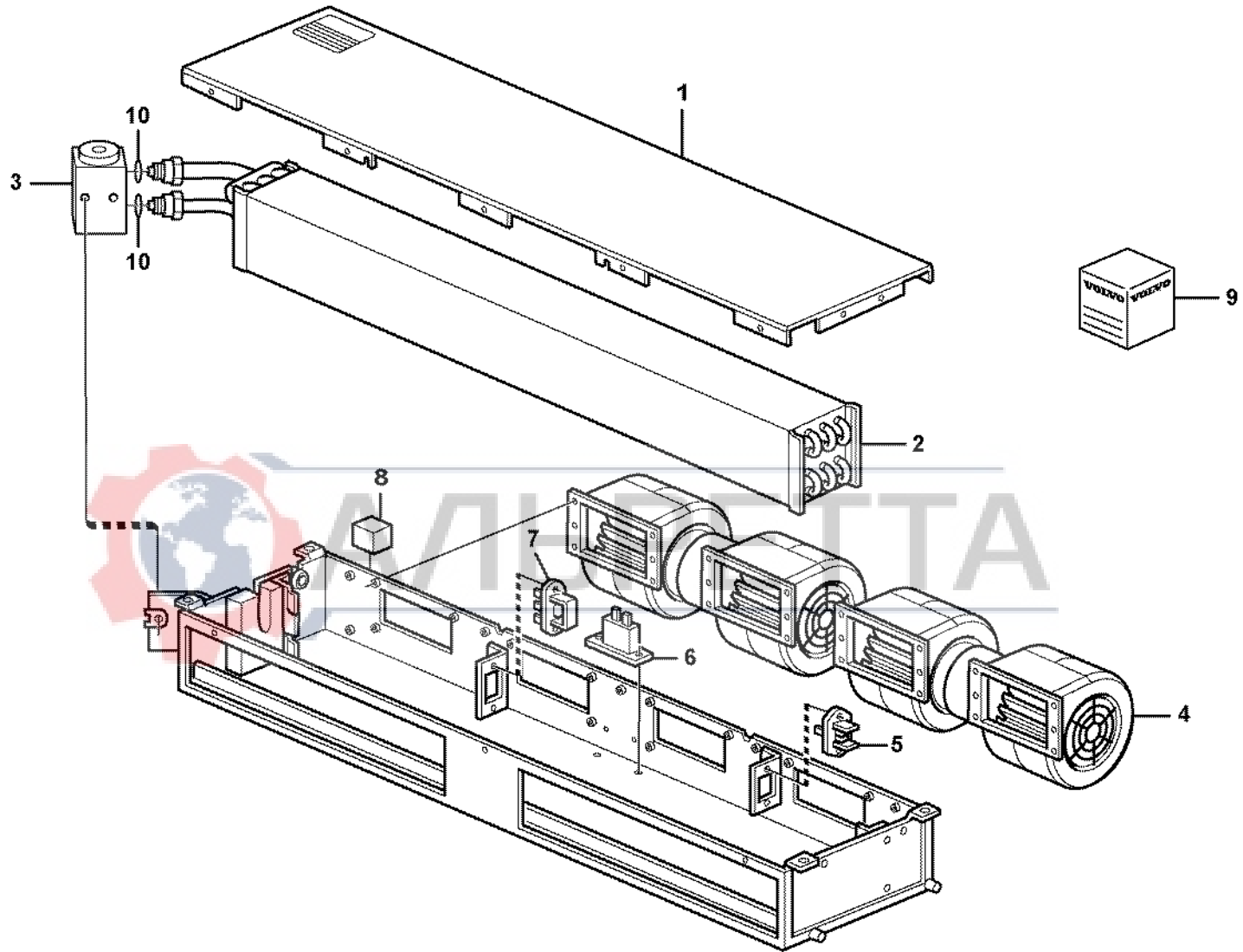


Fig.	Part No.	Quantity			P S	K I T	Description	Dénomination	Bezeichnung	Denominación	Benämning	Notes
		1	2	3								
	VOE 11203150	1				Air conditioning	Climatisation	Klimaanlage	Acondicion de aire.....	Luftkonditinerig.....		
1		1			NS	•Cap	•Chapeau	•Kappe	•Caperuza	•Lock.....		
2		1				•Evaporator	•Evaporateur	•Verdampfer	•Evaporador	•Förångare.....	See group 874, Page 465	
3		1				•Expansion Valve.....	•Robin.expansion	•Exp Vent	•Valv Expansion	•Expansionsvent.....	See group 874, Page 465	
4	VOE 11709704	1				•Motor	•Moteur.....	•Motor.....	•Motor.....	•Motor.....		
5	VOE 11709700	1				•Resistor	•Resistance	•Widerstand.....	•Resistencia	•Resistor.....		
6	VOE 11709701	1				•Thermostat	•Thermostat.....	•Thermostat.....	•Termostato.....	•Termostat.....		
7	VOE 11709702	1				•Resistor	•Resistance	•Widerstand.....	•Resistencia	•Resistor.....		
8	VOE 11709703	1				•Relay	•Relais.....	•Relais.....	•Rele.....	•Relä.....		
9	VOE 11715018	1				•Sealing Kit	•Jeu Joints.....	•Dichtungssatz	•Juego Retenes.....	•Tätningssats.....		
10	VOE 11715021	2				O-ring.....	Joint Torique	O-Ring.....	Junta torica.....	O-ring.....		



1		Luftkonditionering	Catalogue id	Group
2		Acondicionador de aire	20017	874
3		Klimaanlage	Illustr. No	Section
4		Climatisation	1001150	100
5		Air conditioning	Issue	Page
		11298018	VOE 63D9920017	463

VOLVO

BL60



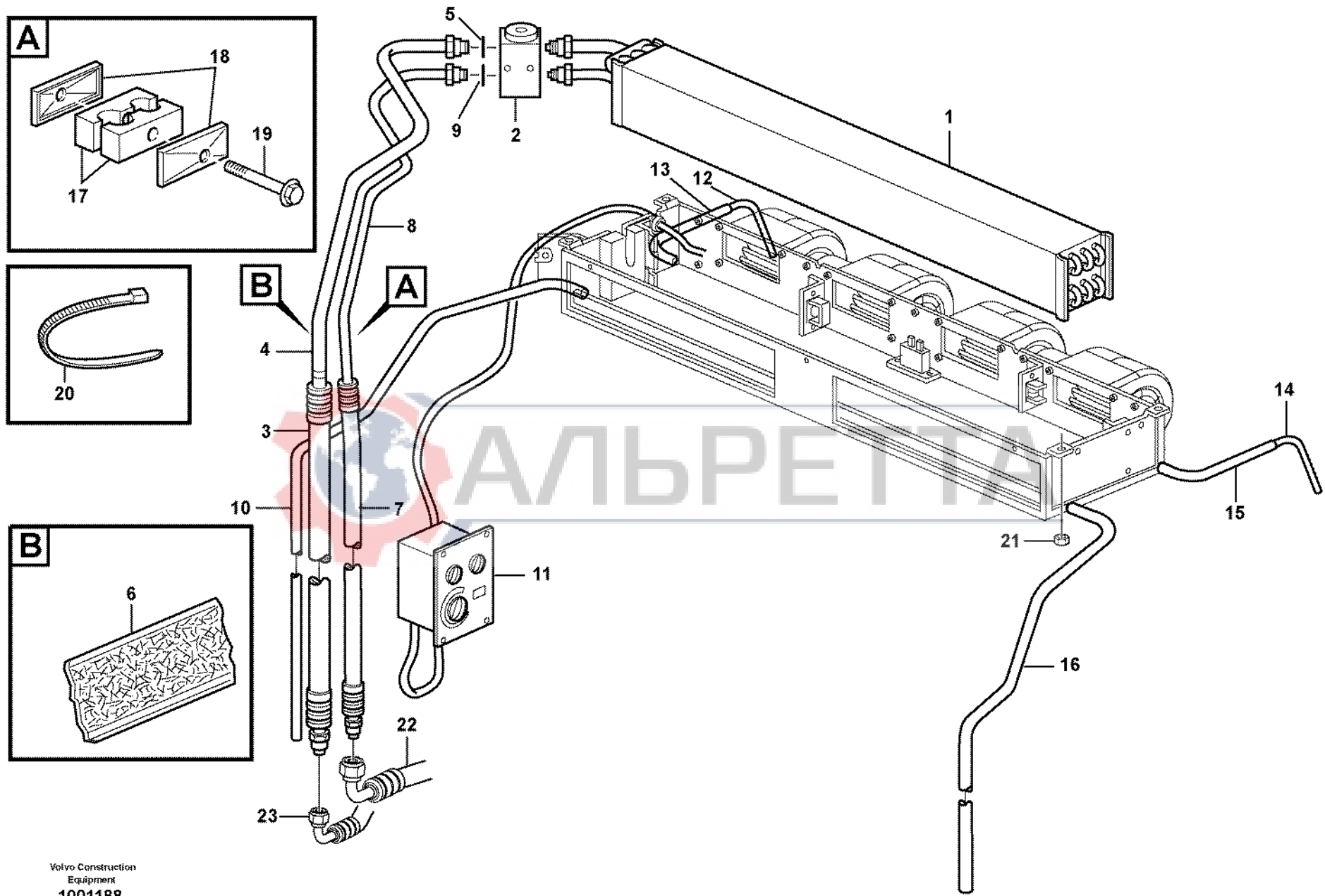
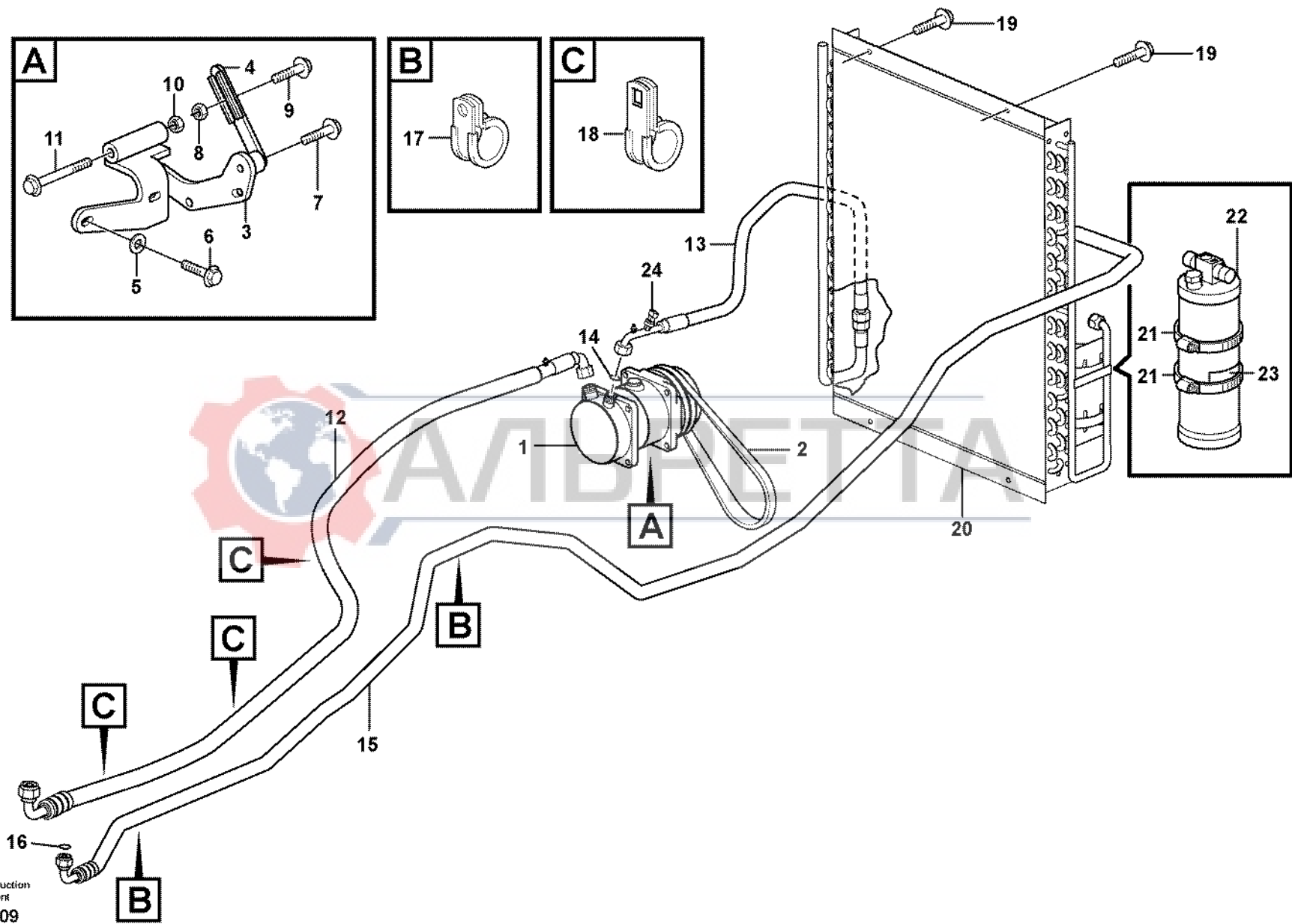
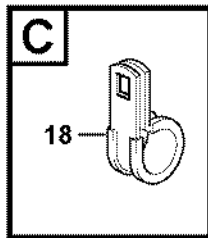
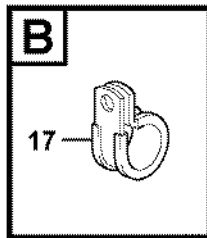
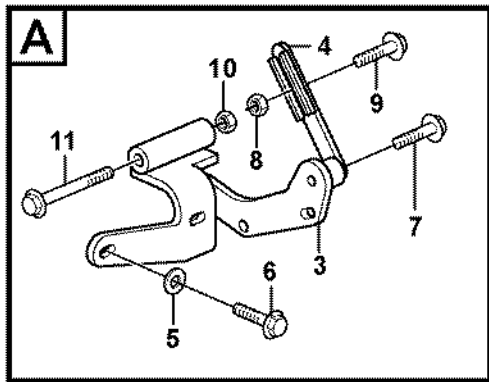


Fig.	Part No.	Quantity			P S	K I T	Description	Dénomination	Bezeichnung	Denominación	Benämning	Notes
		1	2	3								
1	VOE 11709698	1				Evaporator	Evaporateur	Verdampfer	Evaporador.....	Förångare.....		
2	VOE 11709699	1				•Expansion Valve	•Robin.expansion	•Exp Vent	•Valv Expansion	•Expansionsvent.....		
3	VOE 11201065	1				Hose.....	Durit	Schlauch	Tubo flexible.....	Slang.....		
4	VOE 11201063	1				Tube.....	Tube.....	Rohr	Tubo	Rör.....		
5	VOE 11715022	1				O-ring.....	Joint Torique	O-Ring.....	Junta torica.....	O-ring.....		
6	VOE 11003291	REQ				Tape.....	Scotch.....	Klebeband.....	Cinta.....	Tape.....	L=1000 MM	
7	VOE 11201064	1				Hose.....	Durit	Schlauch	Tubo flexible.....	Slang.....		
8	VOE 11201062	1				Tube.....	Tube.....	Rohr	Tubo	Rör.....		
9	VOE 11715020	1				O-ring.....	Joint Torique	O-Ring.....	Junta torica.....	O-ring.....		
10	VOE 941507	1				Hose.....	Durit	Schlauch	Tubo flexible.....	Slang.....	L = 2100MM	
11		1				Control Panel	Panneau commande.....	Bedienungstafel	Panel Mando	Reglagepanel.....	See group 873, Page 459	
12	VOE 11039491	1				Hose.....	Durit	Schlauch	Tubo flexible.....	Slang.....	L = 150MM	
13	VOE 941507	1				Hose.....	Durit	Schlauch	Tubo flexible.....	Slang.....	L = 300MM	
14	VOE 11039491	1				Hose.....	Durit	Schlauch	Tubo flexible.....	Slang.....	L = 150MM	
15	VOE 941507	1				Hose.....	Durit	Schlauch	Tubo flexible.....	Slang.....	L = 300MM	
16	VOE 941507	1				Hose.....	Durit	Schlauch	Tubo flexible.....	Slang.....	L = 2100MM	
17	VOE 11200928	2				Hose retainer	Porte-flexible	Schlauchhalter	Reten manguera	Slanghållare.....		
18	VOE 11200929	2				Plate.....	Plaqué	Platte	Placa	Platta.....		
19	VOE 946470	1				Flange screw.....	Vis à bride	Flanschschraube.....	Torn embridado	Flänsskruv.....		
20	VOE 4881440	10				Strip Clamp	Ruban Serrage.....	Kabelbinder	Abraz Cinta	Bandklamma.....		
21	VOE 948645	4				Flange Lock Nut.....	Contre écrou bride	Flanschmutter	Contratuer Embr.....	Flänslåsmutter.....		
22		1				Hose.....	Durit	Schlauch	Tubo flexible.....	Slang.....	See group 874, Page 467	
23		1				Hose.....	Durit	Schlauch	Tubo flexible.....	Slang.....	See group 874, Page 467	

1		Evaporator, montering	Catalogue id	Group
2		Evaporador, montaje	20017	874
3		Verdampfer, Anbauteilen	Illustr. No	Section
4		Evaporateur, montage	1001188	350
5		Evaporator, assembly	Issue	Page
		11298018	VOE 63D9920017	465



Volvo Construction
Equipment
1012009

Fig.	Part No.	Quantity			P S	K I T	Description	Dénomination	Bezeichnung	Denominación	Benämning	Notes
		1	2	3								
1	VOE 11882069	1					Compressor	Compresseur	Kompressor	Compresor	Kompressor.....	
2	VOE 11883725	1					V-belt.....	Courroie Trape.....	Keilriemen	Correa Trapez	Kilrem.....	
3	VOE 11888237	1					Bracket.....	Console.....	Konsole	Ménsula.....	Konsol.....	
4	VOE 11884868	1					Bracket.....	Console.....	Konsole	Ménsula.....	Konsol.....	
5	VOE 11117464	4					Washer.....	Rondelle	Scheibe	Arandela.....	Bricka.....	
6	VOE 13967630	4					Allen Hd Screw	Vis A 6 Pans Cr.....	Inbusschraube.....	Torn Hex Embut.....	Insexskruv.....	
7	VOE 13945444	1					Flange screw.....	Vis à bride	Flanschschaube.....	Torn embridado	Flänsskruv.....	
8	VOE 961991	1					Hexagon Nut.....	Ecrou Hexagonal	Sechskantmutter	Tuerca Hexagon.....	Sexkantsmutter.....	
9	VOE 946671	1					Flange screw.....	Vis à bride	Flanschschaube.....	Torn embridado	Flänsskruv.....	
10	VOE 981314	1					Lock nut	Contre-ecrou	Sicherungsmutter	Contratuerca	Låsmutter.....	
11	VOE 13970963	1					Hexagon screw	Vis a tête hexagonale	Sechskantschr.....	Tornillo hexago.....	Sexkantsskruv.....	
12	VOE 11883807	1					Hose.....	Durit	Schlauch	Tubo flexible.....	Slang.....	
13	VOE 11883805	1					Hose.....	Durit	Schlauch	Tubo flexible.....	Slang.....	
14	VOE 11715021	2					O-ring.....	Joint Torique	O-Ring	Junta torica.....	O-ring.....	
15	VOE 11883806	1					Hose.....	Durit	Schlauch	Tubo flexible.....	Slang.....	
16	VOE 11715020	2					O-ring.....	Joint Torique	O-Ring	Junta torica.....	O-ring.....	
17	VOE 967531	2					Clamp.....	Pince Serrage	Klemme	Abrazadera.....	Klämma.....	
18	VOE 947457	3					Clamp.....	Pince Serrage	Klemme	Abrazadera.....	Klämma.....	
	VOE 972421	1					Screw.....	Vis	Schraube	Tornillo	Skruv.....	
19	VOE 13946934	5					Screw.....	Vis	Schraube	Tornillo	Skruv.....	
20	VOE 11890334	1					Condenser	Condenseur	Kondensator.....	Condensador.....	Kondensor.....	
21	VOE 11709815	1					•Clamp	•Pince Serrage	•Klemme.....	•Abrazadera	•Klämma.....	
22	VOE 11709814	1					•Receiver Drier.....	•Deshydrateur	•Entfeuchter.....	•Secador.....	•Torkare.....	
23	VOE 13935003	1					Warning Decal	Decal.avertiss.	Warnaufkleber.....	Calcomania Adv	Varningsdekal.....	
24	VOE 11881763	1					Pressure Switch	Mano contact	Druckschalter	Manocontacto.....	Tryckkontakt.....	

1		Montering slangar: Evaporator, torkare, kondensor. Montaje mangueras, evaporador, secador, condensador Anbauteilen schlauch, verdampfer, entfeuchter Montage flexibles, évaporateur, deshydrateurcondenseur Assembly hoses: Evaparator, receiver drier, condenser.	Catalogue id	Group
2			20017	874
3			Illustr. No	Section
4			1012009	450
5			Issue	Page
		11298018	VOE 63D9920017	467

VOLVO

BL60

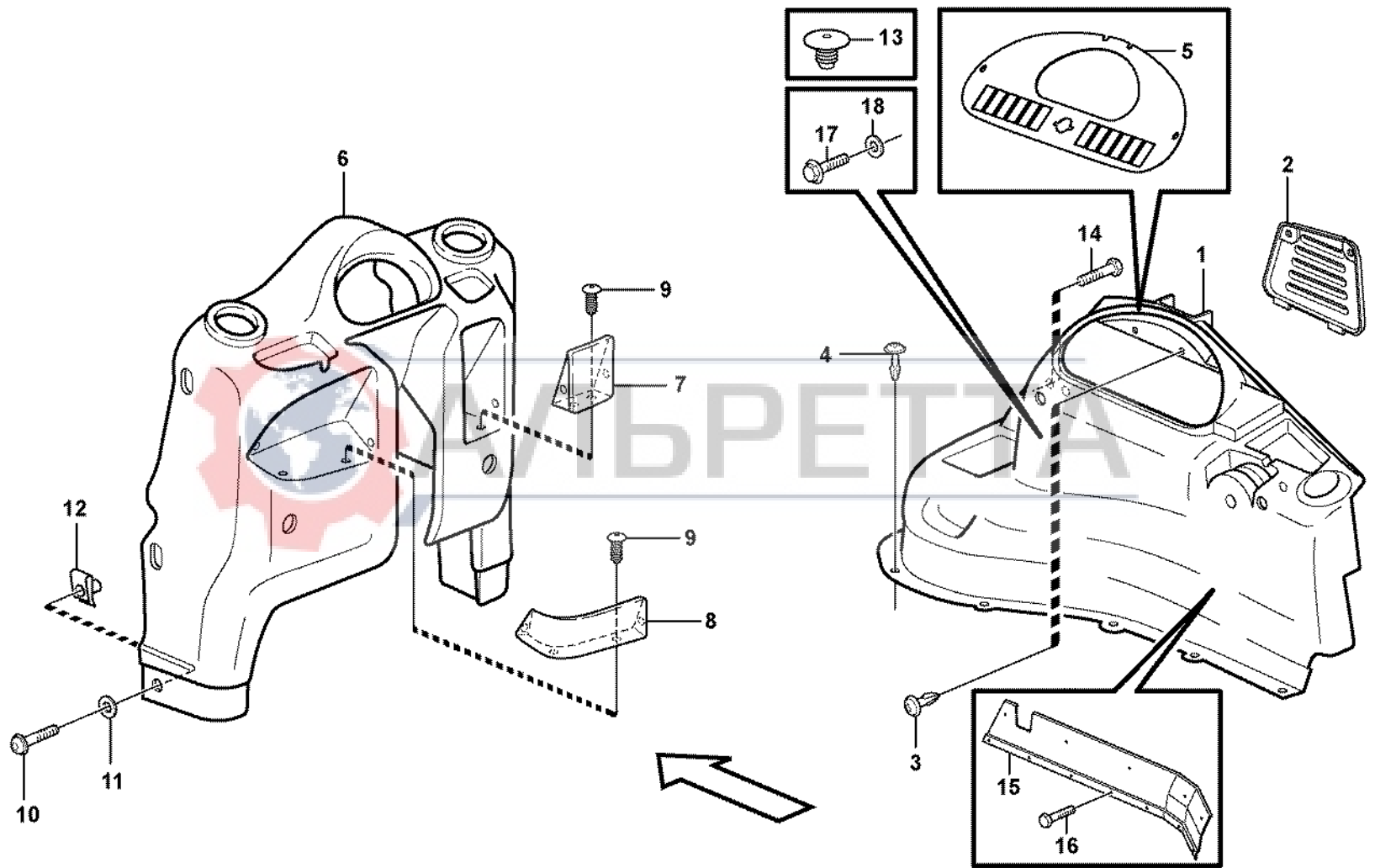


Fig.	Part No.	Quantity					P S	K I T	Description	Dénomination	Bezeichnung	Denominación	Benämning	Notes
		1	2	3	4	5								
1	VOE 11200739			1					Side Panel	Panneau Lateral	Seit Verkl	Panel Lateral	Sidopanel.....	SER NO -10227, EXCL 10178, 10180
1	VOE 11203560			1					Side Panel	Panneau Lateral	Seit Verkl	Panel Lateral	Sidopanel.....	SER NO 10228-, INCL 10178, 10180
1	VOE 11200743					1			Side Panel	Panneau Lateral	Seit Verkl	Panel Lateral	Sidopanel.....	11298159
1	VOE 11200743	1							Side Panel	Panneau Lateral	Seit Verkl	Panel Lateral	Sidopanel.....	SER NO -10227, EXCL 10178, 10180
1	VOE 11203562	1							Side Panel	Panneau Lateral	Seit Verkl	Panel Lateral	Sidopanel.....	SER NO 10228-, INCL 10178, 10180
1	VOE 11200744					1			Side Panel	Panneau Lateral	Seit Verkl	Panel Lateral	Sidopanel.....	11298121, 11298158
2	VOE 11204407	1		1					Cover	Capot.....	Haube	Capo.....	Huv.....	
3	VOE 11201200	5		5					Plastic Rivet.....	Rivet Plastique	Kunststoffniet.....	Remache Plast.....	Plastnit.....	
4	VOE 11201200	7		7					Plastic Rivet.....	Rivet Plastique	Kunststoffniet.....	Remache Plast.....	Plastnit.....	
5	VOE 11885809					1			Panel.....	Panneau.....	Verkleidung.....	Plancha.....	Panel.....	
	VOE 11203055					1			Panel.....	Panneau.....	Verkleidung.....	Plancha.....	Panel.....	11298170
6	VOE 11204415	1	1						Front Panel	Panneau Av.....	Frontbekleidung.....	Panel Delantero.....	Frontpanel.....	
	VOE 11204417			1					Front Panel	Panneau Av.....	Frontbekleidung.....	Panel Delantero.....	Frontpanel.....	
7		1	1	1			NS		•Storage Tray.....	•Case Rangement ..	•Ablagefach.....	•Espac Guardaobj ..	•Förvaringsfack.....	
8		1	1	1			NS		•Storage Tray.....	•Case Rangement ..	•Ablagefach.....	•Espac Guardaobj ..	•Förvaringsfack.....	
9	VOE 11200973	8	8	8					•Plug	•Bouchon.....	•Stopfen	•Tapon	•Plugg.....	
10	VOE 969589	6		6					6-pt skt screw.....	Vis creuse de 6	Hohlschraube.....	Racor 6-dientes.....	Sextandhålskruv.....	
11	VOE 960139	6		6					Washer	Rondelle	Scheibe.....	Arandela	Bricka.....	
12	VOE 949921	6		6					Spring Nut.....	Ecrou Ressort.....	Fed. Schliessmutter ..	Tuerca Resorte.....	Fjädermutter.....	
13	VOE 11057786	1		1					Plug.....	Bouchon	Stopfen	Tapon	Plugg.....	
14	VOE 13946173	2							Flange screw	Vis à bride	Flanschschraube	Torn embridado	Flänsskruv.....	
	VOE 13945444			2					Flange screw	Vis à bride	Flanschschraube	Torn embridado	Flänsskruv.....	
	VOE 13960141			2					Washer	Rondelle	Scheibe.....	Arandela	Bricka.....	
15	VOE 11202229	1							Attachment.....	Fixation.....	Halterung	Fijacion.....	Fäste.....	
16	VOE 975378	7							Screw.....	Vis	Schraube	Tornillo.....	Skruv.....	
17	VOE 946671	2							Flange screw	Vis à bride	Flanschschraube	Torn embridado	Flänsskruv.....	

1	11298189	Instrumentpanel Panel de instrumentos Instrumententafel Tableau de bord Instrument panel	Catalogue id	Group
2	11298128		20017	881
3	11298190		Illustr. No	Section
4	11880001		1009946	100
5			Issue	Page
			VOE 63D9920017	469

VOLVO

BL60

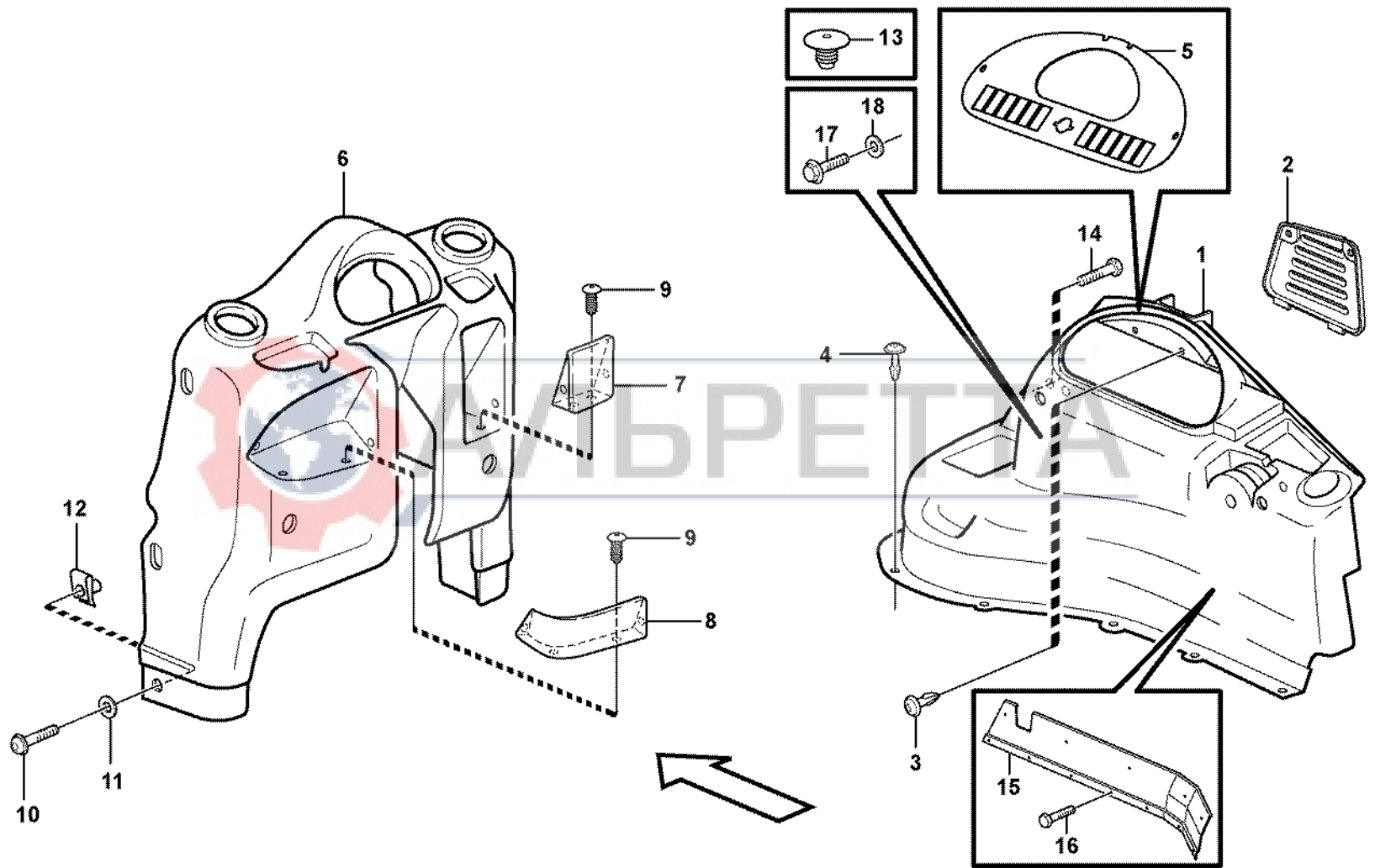


Fig.	Part No.	Quantity					P S	K I T	Description	Dénomination	Bezeichnung	Denominación	Benämning	Notes
		1	2	3	4	5								

18 VOE 13960143 2 Washer Rondelle Scheibe Arandela Bricka



1	11298189	Instrumentpanel Panel de instrumentos Instrumententafel Tableau de bord Instrument panel	Catalogue id	Group
2	11298128		20017	881
3	11298190		Illustr. No	Section
4	11880001		1009946	100
5			Issue	Page
			VOE 63D9920017	471

VOLVO

BL60



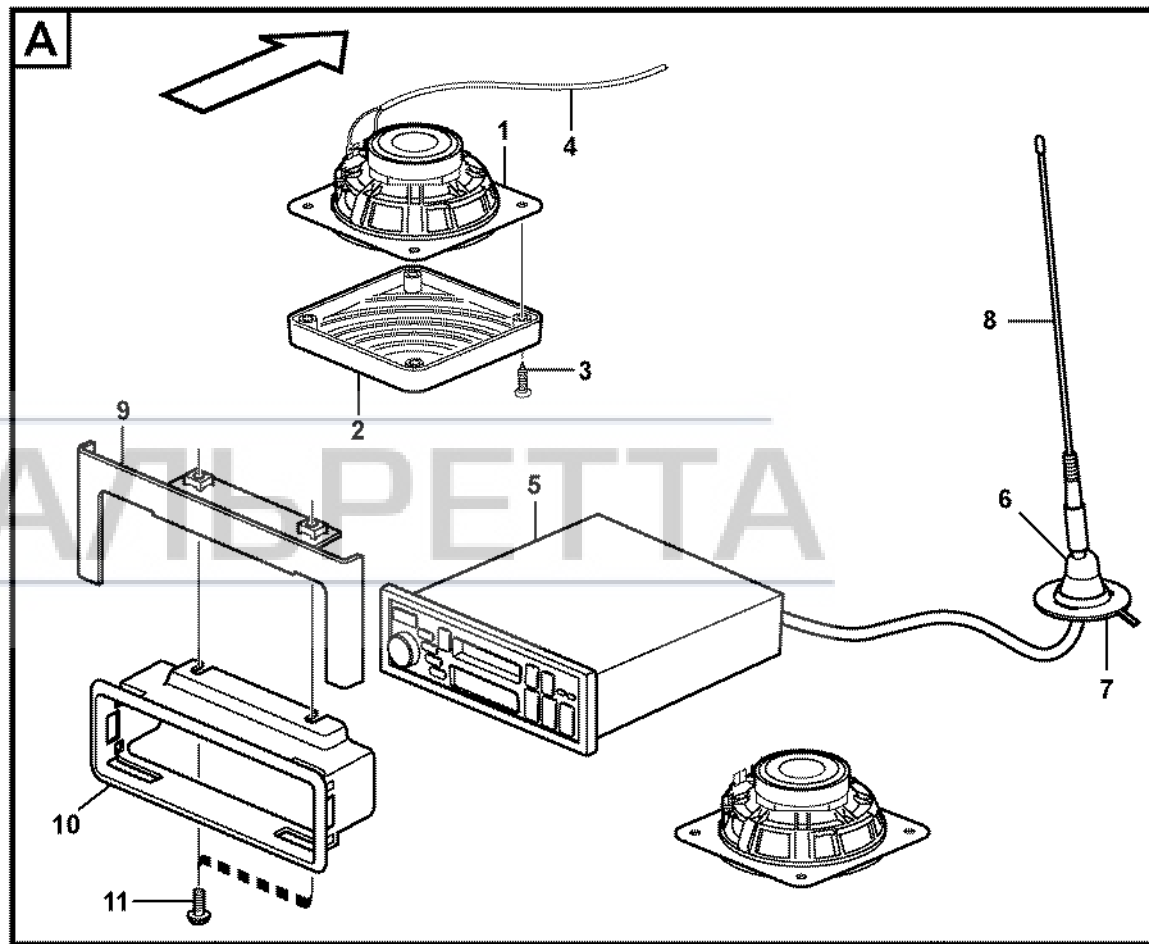
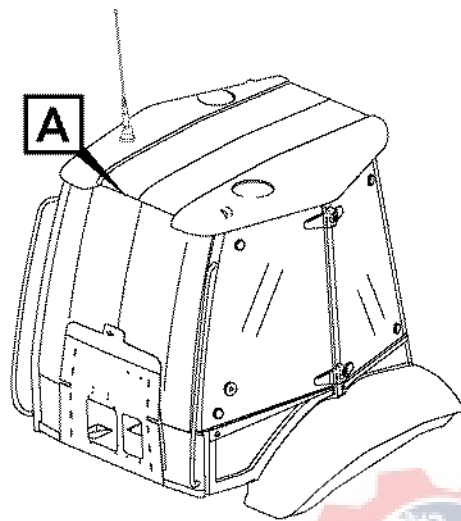


Fig.	Part No.	Quantity			P S	K I T	Description	Dénomination	Bezeichnung	Denominación	Benämning	Notes
		1	2	3								
1	VOE 11201898	2	2			Speaker.....	Haut-parleur	Lautsprecher	Altavoz	Högtalare.....		
2	VOE 11201899	2	2			Speaker Grille	Grille Haut-parleur.....	Lautsprechergitter	Rejilla Altavoz.....	Högtalargaller.....		
3	VOE 972007	8	8			Screw	Vis	Schraube.....	Tornillo	Skruv.....	S/N - 10760	
	VOE 969478	8	8			6-pt skt screw.....	Vis creuse de 6	Hohlschraube.....	Racor 6-dientes	Sextandhålskruv.....	S/N 10761 -	
	VOE 11164693	8	8			Spring Nut.....	Ecrou Ressort	Fed. Schliessmutter	Tuerca Resorte	Fjädermutter.....	S/N 10761 -	
4	VOE 11170724	1	1			Cable harness.....	Faisceau cables	Kabelbaum.....	Manojo cables	Ledningsmatta.....		
5	VOE 11803635	1				Radio.....	Auto-radio	Radio.....	Radio	Radio.....	(VOE 11884631)	
6	VOE 1578603	1	1			Anchorage.....	Fixation	Halterung.....	Fijacion.....	Fäste.....		
7	VOE 11200607	1				Ground Conn	Liaison Masse	Masseanschluss.....	Conexion Tierra.....	Jordförbindning.....	SER NO -10466	
7	VOE 11204085	1				Ground Conn	Liaison Masse	Masseanschluss.....	Conexion Tierra.....	Jordförbindning.....	SER NO 10467-	
7	VOE 11204085		1			Ground Conn	Liaison Masse	Masseanschluss.....	Conexion Tierra.....	Jordförbindning.....		
8	VOE 1083597	1	1			Antenna.....	Antenne	Antenne.....	Antena	Antenn.....		
9	VOE 11203823		1			Anchorage.....	Fixation	Halterung.....	Fijacion.....	Fäste.....		
9	VOE 11203823	1				Anchorage.....	Fixation	Halterung.....	Fijacion.....	Fäste.....	SER NO 10550-	
10	VOE 11164554		1			Radio Bracket	Support Radio	Radioträger	Consola Radio.....	Radiokonsol.....		
10	VOE 11164554	1				Radio Bracket	Support Radio	Radioträger	Consola Radio.....	Radiokonsol.....	SER NO 10550-	
11	VOE 946440		2			Flange screw.....	Vis à bride	Flanschschraube.....	Torn embridado	Flänsskruv.....		
11	VOE 946440	2				Flange screw.....	Vis à bride	Flanschschraube.....	Torn embridado	Flänsskruv.....	SER NO 10550-	

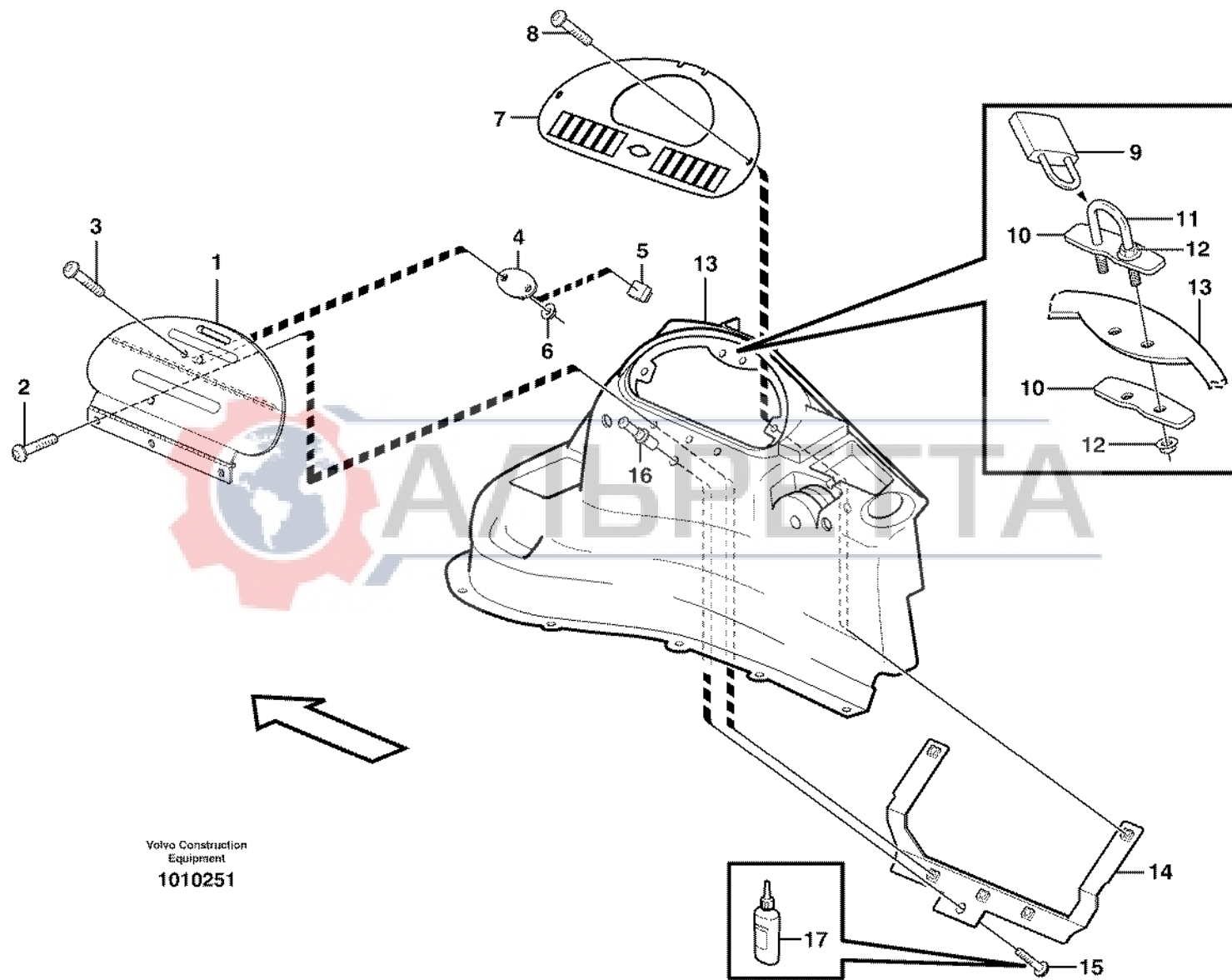


1	11891303	Radiokonsol Panel de radio Radioträger Console radio Radio bracket	Catalogue id	Group
2	11891488		20017	881
3			Illustr. No	Section
4			1012751	150
5			Issue	Page
			VOE 63D9920017	473

VOLVO

BL60





Volvo Construction
Equipment
1010251

Fig.	Part No.	Quantity			P S	K I T	Description	Dénomination	Bezeichnung	Denominación	Benämning	Notes
		1	2	3								
1	VOE 11202166	1				Vandal Guard.....	Protection antivandali.	Wandal.schutz.....	Protec Antirobo	Vandalskydd.....		
2	VOE 972421	3				Screw.....	Vis.....	Schraube.....	Tornillo	Skruv.....	(VOE 13969422)	
3	VOE 969513	2				Screw.....	Vis.....	Schraube.....	Tornillo	Skruv.....		
4	VOE 11202423	1				Door Retainer.....	Support Porte.....	Türhalter.....	Reten Puerta.....	Dörrhållare.....		
5	VOE 11202422	1				Rubber Sleeve.....	Douille Caoutch.....	Gummimanschette.....	Manguito Goma.....	Gummihylsa.....		
6	VOE 13975237	2				Lock nut.....	Contre-ecrou.....	Sicherungsmutter.....	Contratuerca.....	Låsmutter.....		
7		1				Panel.....	Panneau.....	Verkleidung.....	Plancha.....	Panel.....	See group 881, Page 469	
8	VOE 969147	2				Screw.....	Vis.....	Schraube.....	Tornillo	Skruv.....		
	VOE 960139	2				Washer.....	Rondelle.....	Scheibe.....	Arandela.....	Bricka.....		
9	VOE 11885135	1				Padlock.....	Cadenas.....	Vorhängeschloss.....	Cerrojo	Hänglås.....		
10	VOE 11201422	2				Plate.....	Plaque.....	Platte.....	Placa.....	Platta.....		
11	VOE 11201421	1				Brace.....	Etrier.....	Bügel.....	Brida.....	Bygel.....		
12	VOE 13949278	4				Flange Lock Nut.....	Contre écrou bride.....	Flanschmutter.....	Contratuer Embr.....	Flänslåsmutter.....		
13		1				Side Panel.....	Panneau Lateral.....	Seit Verkl.....	Panel Lateral.....	Sidopanel.....	See group 881, Page 469	
14	VOE 11202424	1				Reinforcing plate.....	Tole renfort.....	Verstärkungsblech.....	Placa refuerzo.....	Förstärkningsplåt.....		
15	VOE 13965175	1				Screw.....	Vis.....	Schraube.....	Tornillo	Skruv.....		
16	VOE 11202421	1				Pin.....	Goupille.....	Zapfen.....	Pasador.....	Tapp.....		
17	VOE 11200847	1			OP	Locking Fluid.....	Liquide Blocage.....	Sich.flussigk.....	Liquido Sellad.....	Låsvätska.....		



1		Vandalskydd	Catalogue id	Group
2		Protección contra vandalismo	20017	881
3		Vandalisierungschutz	Illustr. No	Section
4		Kit de protection antivandalisme	1010251	200
5		Vandalism kit	Issue	Page
		11298170	VOE 63D9920017	475

VOLVO

BL60



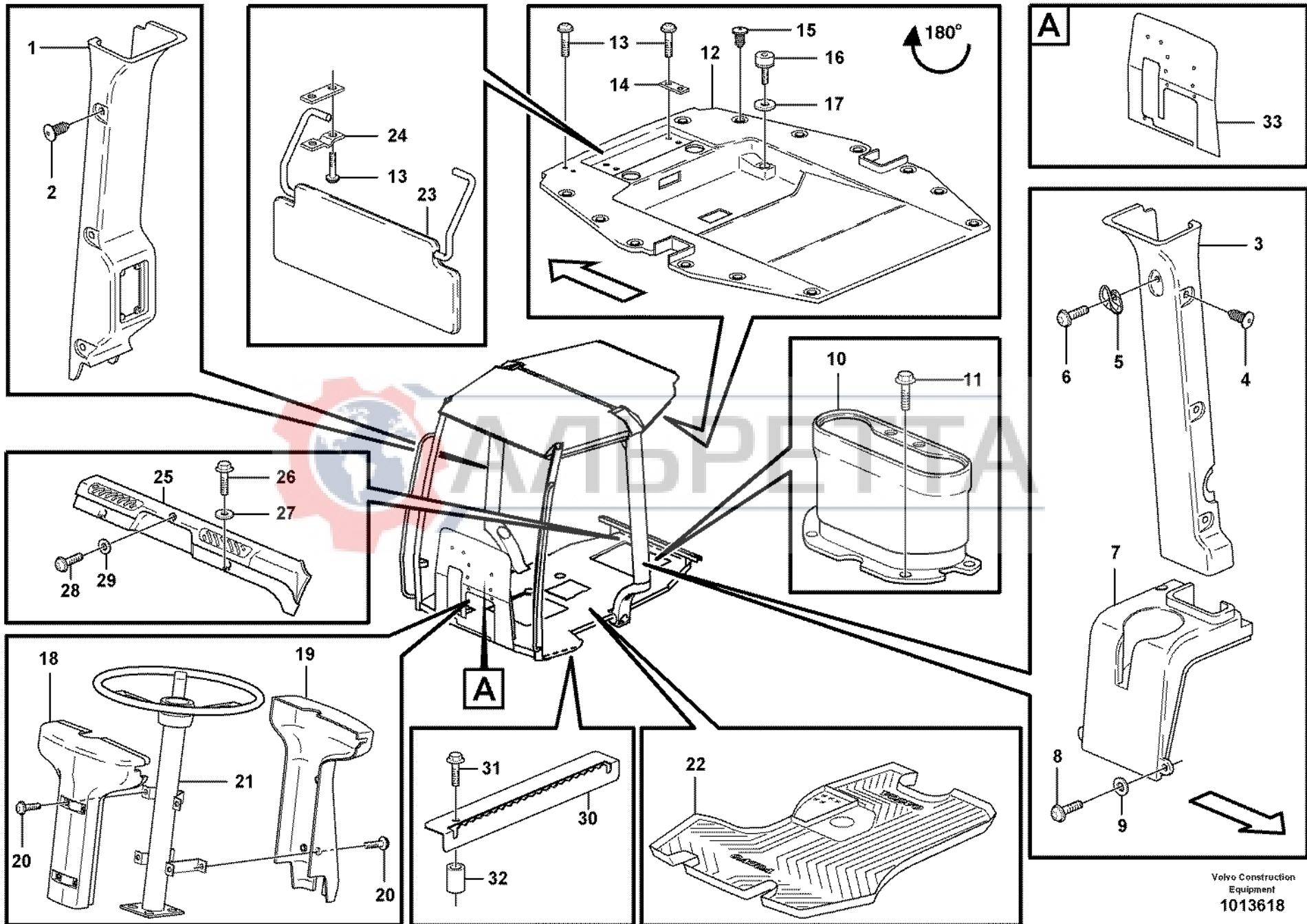


Fig.	Part No.	Quantity					P S	K I T	Description	Dénomination	Bezeichnung	Denominación	Benämning	Notes
		1	2	3	4	5								
1	VOE 11200546	1	1					Cover	Capotage.....	Deckel.....	Cubierta.....	Täckkåpa.....		
2	VOE 1613068	6						Plug.....	Bouchon	Stopfen	Tapon	Plugg.....		
3	VOE 11200545	1						Cover	Capotage.....	Deckel.....	Cubierta.....	Täckkåpa.....	SER NO -10227, EXCL 10178, 10180	
3	VOE 11203565	1						Cover	Capot.....	Haube	Cubierta.....	Kåpa.....	SER NO 10228-, INCL 10178, 10180	
3	VOE 11200545		1					Cover	Capotage.....	Deckel.....	Cubierta.....	Täckkåpa.....		
4	VOE 1613068	6						Plug.....	Bouchon	Stopfen	Tapon	Plugg.....		
5	VOE 11078015	1						Coat hanger.....	Porte manteau.....	Kleiderhaken.....	Percha	Klädkrok.....		
6	VOE 972401	2						Screw.....	Vis	Schraube	Tornillo.....	Skruv.....		
7	VOE 11204411	1						Side Panel	Panneau Lateral.....	Seit Verkl	Panel Lateral	Sidopanel.....	11298168	
8	VOE 975378	4						Screw.....	Vis	Schraube	Tornillo.....	Skruv.....	11298168	
9	VOE 13940090	4						Washer	Rondelle	Scheibe	Arandela.....	Bricka.....	11298168	
10	VOE 11200735	1			1			Cover	Capot.....	Haube	Cubierta.....	Kåpa.....		
	VOE 11203356	1						Cover	Capot.....	Haube	Capo.....	Huv.....	11891112, 11891113	
11	VOE 13946934	4			4			Screw.....	Vis	Schraube	Tornillo.....	Skruv.....	11891112, 11891113	
12	VOE 11200944	1						Headlining.....	Garnit.pavillon	Dachhimmel.....	Techo Interior	Innertak.....	S/N - 10760	
	VOE 11204962	1						Headlining.....	Garnit.pavillon	Dachhimmel.....	Techo Interior	Innertak.....	S/N 10761 -	
13	VOE 969587	6			4			6-pt skt screw.....	Vis creuse de 6	Hohlschraube.....	Racor 6-dientes	Sextandhålskruv.....		
14	VOE 14343207	2			2			Spacer	Entretoise	Abstandstueck.....	Casquillo distancia	Distans.....		
15	VOE 1613068	13						Plug.....	Bouchon	Stopfen	Tapon	Plugg.....		
16	VOE 11200579	2	2					Absorber	Amortisseur	Dämpfer	Amortiguador.....	Dämpare.....		
17	VOE 13960141	REQ	REQ					Washer	Rondelle	Scheibe	Arandela	Bricka.....	(VOE 976944)	
18	VOE 11204410	1			1			Strg Col Cover	Capo.col.dirac.....	Lenkverkleidung.....	Cubiert Col Dir.....	Styrkolonnkåpa.....	Kpl	
19	VOE 11204410	1			1			Strg Col Cover	Capo.col.dirac.....	Lenkverkleidung.....	Cubiert Col Dir.....	Styrkolonnkåpa.....		
20	VOE 972410	7			7			Screw.....	Vis	Schraube	Tornillo.....	Skruv.....		
21		1						Steering Column.....	Colonne direction	Lenksäule	Columna direccion.....	Rattstam.....	See group 641, Page 365	
22	VOE 11200547	1						Floor mat.....	Tapis sol.....	Bodenmatte	Alfombra piso	Golvmatte.....		
23	VOE 11006992			1				Sun Visor	Pare soleil	Sonnenblende.....	Pafasol	Solskydd.....		
24	VOE 14343206			2				Cap	Cavalier.....	Überwurf	Sombrerete.....	Överfall.....		

1	11298190	Inredningsdetaljer Detalles interiores Innenausstattung Pieces d'amenagement Interior components	Catalogue id	Group
2	11298028		20017	882
3	11298016		Illustr. No	Section
4	11298189		1013618	100
5	11298165		Issue	Page
			VOE 63D9920017	477

VOLVO

BL60

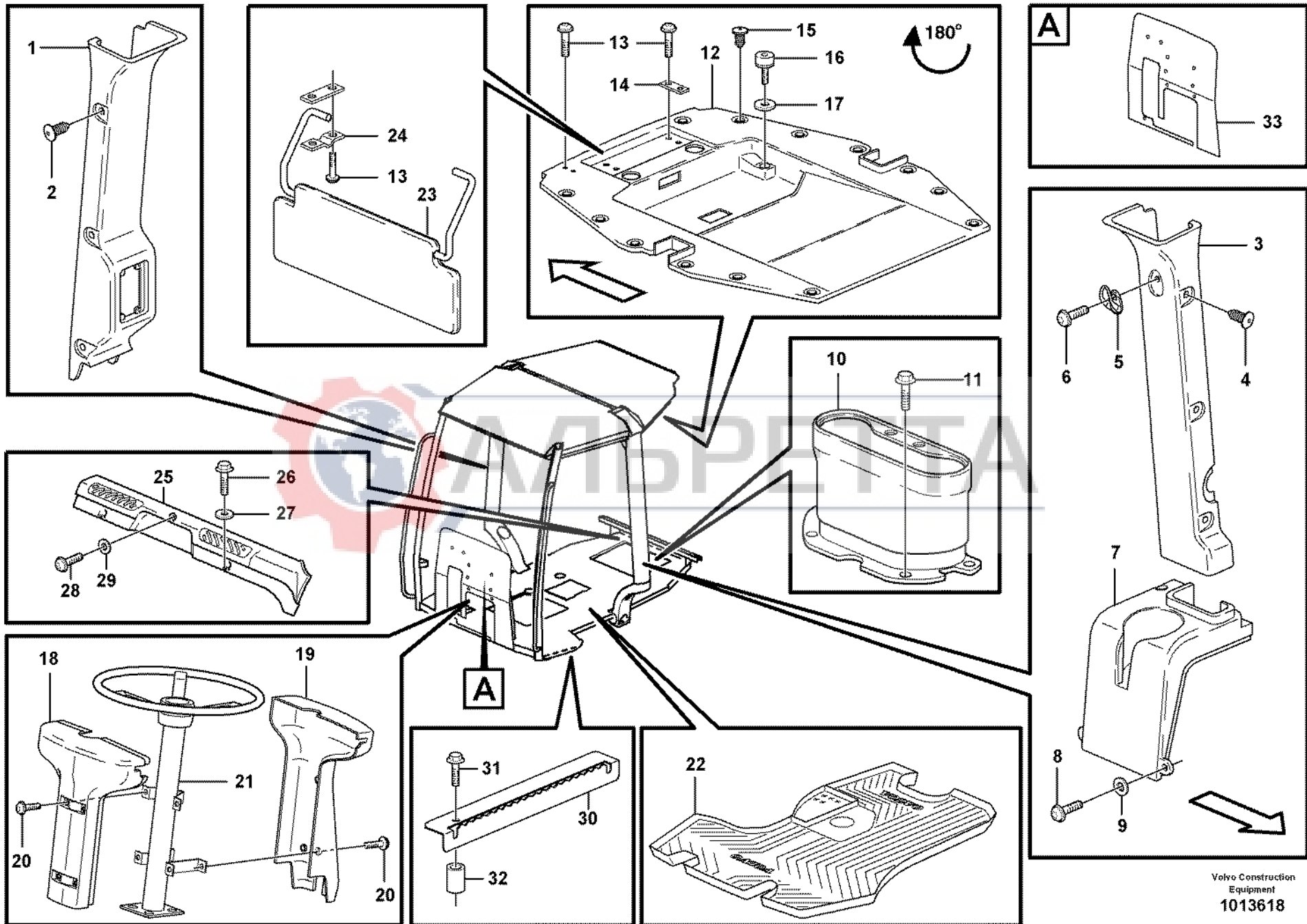


Fig.	Part No.	Quantity					P S	K I T	Description	Dénomination	Bezeichnung	Denominación	Benämning	Notes
		1	2	3	4	5								
25	VOE 11201216					1		Foot Rest	Repose-pied	Fusstutze	Apoyo Pie	Fotstöd.....		
26	VOE 13947542					2		Screw	Vis	Schraube	Tornillo.....	Skruv.....		
27	VOE 960139					2		Washer	Rondelle	Scheibe	Arandela.....	Bricka.....		
28	VOE 972412					1		Screw	Vis	Schraube	Tornillo.....	Skruv.....		
29	VOE 13960138					1		Washer	Rondelle	Scheibe	Arandela.....	Bricka.....		
30						1	NS	Anchorage	Fixation.....	Halterung	Fijacion	Fäste.....		
31	VOE 930416					4		Spacer Ring	Bagu.entretoise	Abstandring.....	Anillo Dist	Distansring.....		
32	VOE 13948356					4		Flange screw	Vis à bride	Flanschschraube	Torn embridado	Flänsskruv.....		
33	VOE 11200882	1						Insulation	Isolant.....	Isolierung	Aislante.....	Isolering.....		



1	11298190	Inredningsdetaljer Detalles interiores Innenausstattung Pieces d'amenagement Interior components	Catalogue id 20017	Group 882
2	11298028		Illustr. No 1013618	Section 100
3	11298016			Issue VOE 63D9920017
4	11298189			
5	11298165			

VOLVO

BL60



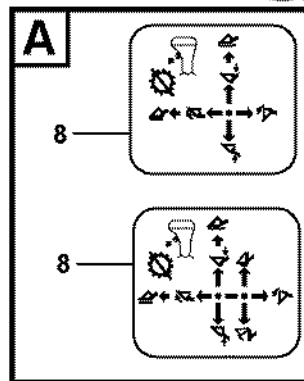
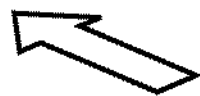
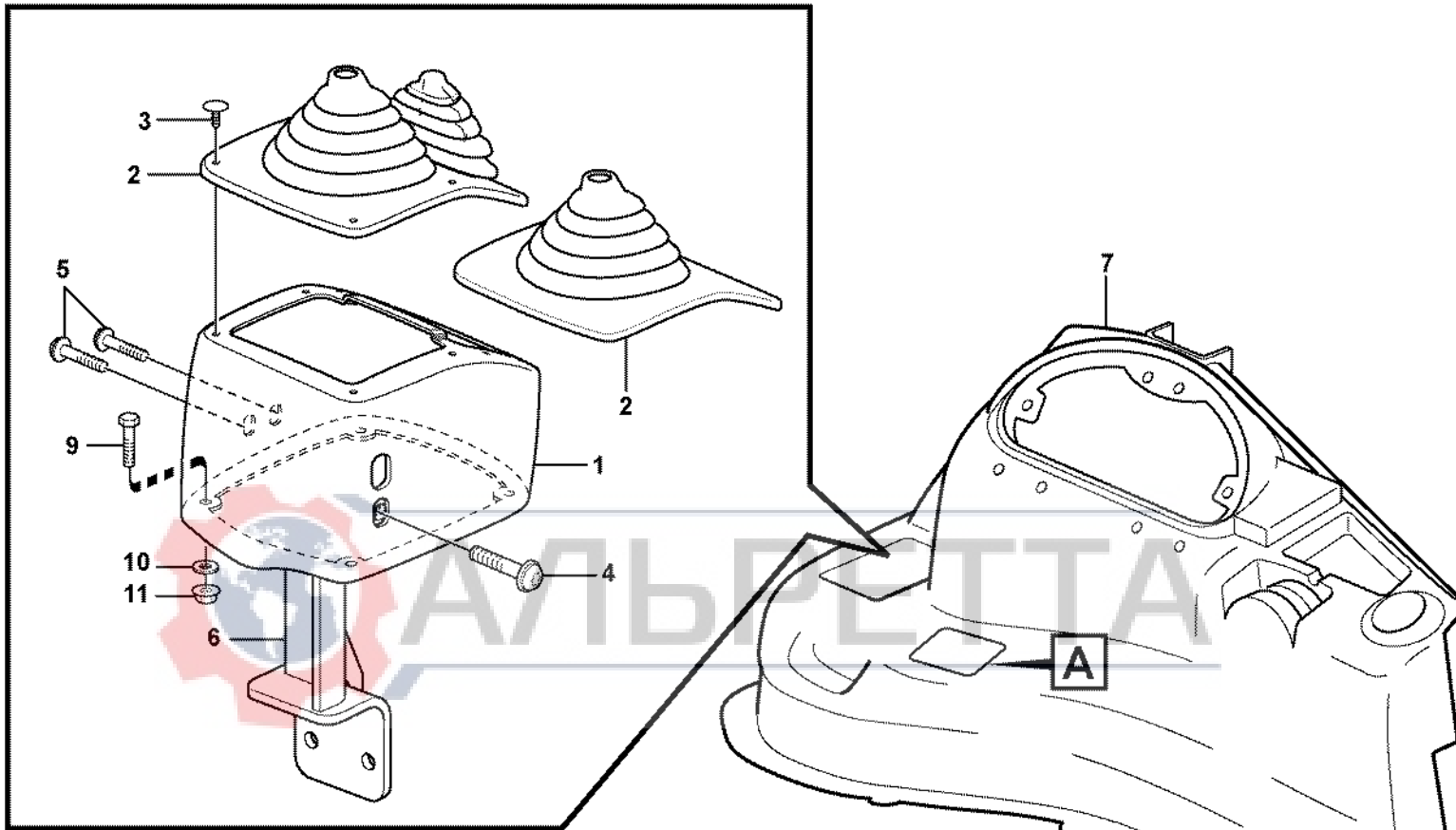


Fig.	Part No.	Quantity			P S	K I T	Description	Dénomination	Bezeichnung	Denominación	Benämning	Notes
		1	2	3								
1	VOE 11885305	1	1			Cover	Capot	Haube.....	Capo.....	Huv.....		
2	VOE 11881363	1				Bellows.....	Capot Caoutcho.....	Gummimantel.....	Cubierta Goma.....	Gummikåpa.....		
2	VOE 11881364		1			Bellows.....	Capot Caoutcho.....	Gummimantel.....	Cubierta Goma.....	Gummikåpa.....		
3	VOE 11884070	8	8			Screw	Vis	Schraube.....	Tornillo	Skruv.....		
4	VOE 969423	1	1			6-pt skt screw.....	Vis creuse de 6	Hohlschraube.....	Racor 6-dientes.....	Sextandhålskruv.....	2152)	
5	VOE 969147	2	2			Screw	Vis	Schraube.....	Tornillo	Skruv.....	2152)	
6		1	1			Bracket.....	Console.....	Konsole	Ménsula.....	Konsol.....	See group 915, Page 607	
7		1	1			Side Panel.....	Panneau Lateral.....	Seit Verkl.....	Panel Lateral	Sidopanel.....	See group 881, Page 469	
8		1				Decal.....	Decalcomanie	Abziehbild.....	Decalcomania	Dekal.....	See group 897, Page 487	
8			1			Decal.....	Decalcomanie	Abziehbild.....	Decalcomania	Dekal.....	See group 897, Page 487	
9	VOE 972410	4	4			Screw	Vis	Schraube.....	Tornillo	Skruv.....	2151)	
10	VOE 940090	4	4	SS		Washer.....	Rondelle	Scheibe	Arandela.....	Bricka.....	2151)	
11	VOE 13949874	4	4			Flange Lock Nut.....	Contre écrou bride	Flanschmutter	Contratuer Embr.....	Flänslåsmutter.....	2151)	



2151) Ser No 10192-10194, 10196, 10201-10205, 10209, 10228-

2152) Ser No -10191, 10195, 10197-10200, 10206-10208, 10209-10227

1	11891079	Kåpa lastarreglage Cubierta, control de cargadora Abdeckung Ladereglage Capotage, commandes de l'équipement chargeur Casing loader controls	Catalogue id	Group
2	11891080		20017	882
3			Illustr. No	Section
4			1009539	300
5			Issue	Page
			VOE 63D9920017	481

VOLVO

BL60



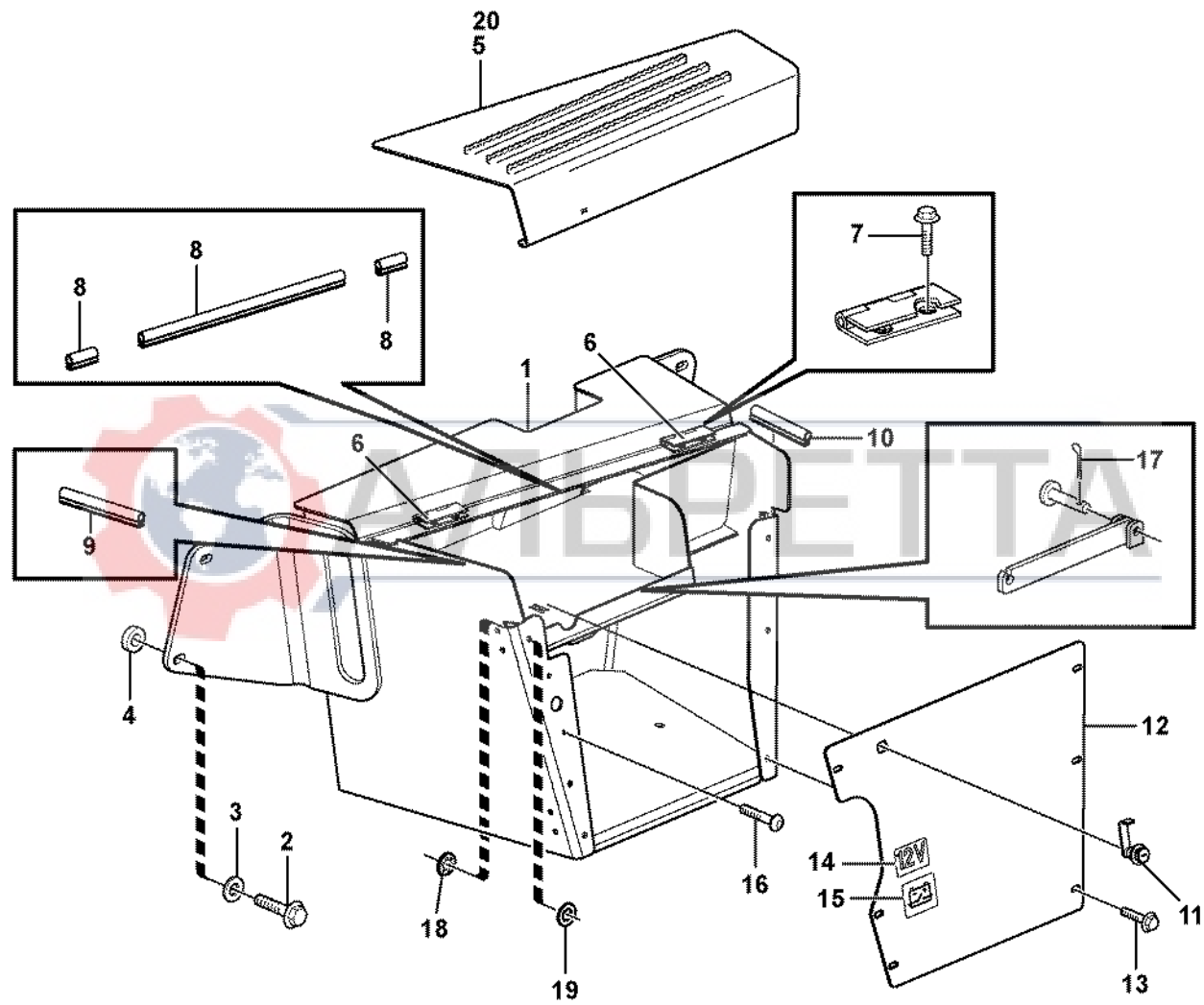


Fig.	Part No.	Quantity			P S	K I T	Description	Dénomination	Bezeichnung	Denominación	Benämning	Notes
		1	2	3								
1	VOE 11886127	1				Tool Box.....	Boite a outils	Werkzeugkasten	Caja herramientas	Verktygslåda.....	2170)	
1	VOE 11886506	1				Tool Box.....	Boite a outils	Werkzeugkasten	Caja herramientas	Verktygslåda.....	2171)	
1	VOE 11887066	1				Tool Box.....	Boite a outils	Werkzeugkasten	Caja herramientas	Verktygslåda.....	SER NO 10519-	
2	VOE 13965194	4				Flange screw.....	Vis à bride	Flanschschraube.....	Torn embridado	Flänsskruv.....		
3	VOE 947558	6				Washer.....	Rondelle	Scheibe	Arandela	Bricka.....		
4	VOE 11882457	2				Spacer.....	Entretoise	Abstandkörper.....	Distanciador	Distans.....		
5	VOE 11886129	1				Hatch.....	Trappe.....	Luke	Trampilla	Lucka.....	2170)	
5	VOE 11886530	1				Hatch.....	Trappe.....	Luke	Trampilla	Lucka.....	2171)	
6	VOE 11886132	2				•Hinge	•Charniere	•Scharnier.....	•Bisagra	•Gångjärn.....	SER NO -10518	
7	VOE 13946544	4				Flange screw.....	Vis à bride	Flanschschraube.....	Torn embridado	Flänsskruv.....		
8	VOE 11886149	REQ				Seal.....	Joint	Dichtring	Junta	Tätning.....		
9	VOE 11886133	1				Seal.....	Joint	Dichtring	Junta	Tätning.....	L = 200 MM;SER NO -10518	
10	VOE 11886134	1				Seal.....	Joint	Dichtring	Junta	Tätning.....	L = 98 MM; SER NO -10518	
11	VOE 11886138	1				Lock.....	Serrure	Schloss.....	Cierre	Lås.....		
12	VOE 11886097	1				Plate.....	Tôle	Blech	Chapa.....	Plåt.....	2170)	
13	VOE 946440	6				Flange screw.....	Vis à bride	Flanschschraube.....	Torn embridado	Flänsskruv.....	2170)	
14	VOE 11883632	1				Decal.....	Decalcomanie	Abziehbild	Decalcomania	Dekal.....		
15	VOE 14346537	1				Sign.....	Enseigne	Schild	Letrero	Skylt.....		
16	VOE 969422	2				6-pt skt screw.....	Vis creuse de 6	Hohlschraube	Racor 6-dientes	Sextandhålskruv.....	2170)	
17	VOE 907825	1				Cotter Pin.....	Goupille Fendue.....	Splint	Pasador Hendido	Saxpinne.....		
18	VOE 13967580	2				Retainer.....	Retenue	Halter.....	Soporte	Hållare.....	2281)	
19	VOE 13960141	2				Washer.....	Rondelle	Scheibe	Arandela	Bricka.....	2281)	
20	VOE 11886999	1				Door.....	Porte	Tür.....	Puerta.....	Dörr.....	SER NO 10519-	

2170) SER NO -10177, 10179, 10181, 10195, 10198-10200, 10206-10208, 10210-10215, 10219-10220, 10222-10223

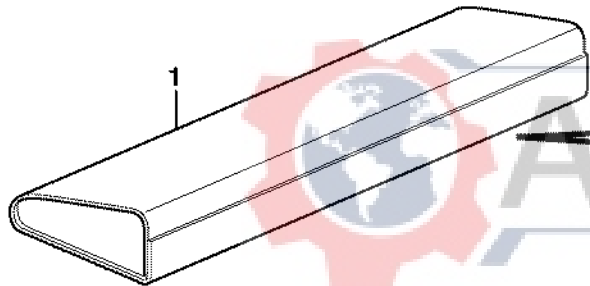
2171) SER NO 10178, 10180, 10182-10194, 10196-10197, 10201-10205, 10209, 10216-10218, 10221, 10227-10518

2281) SER NO 10178, 10180, 10182-10194, 10196-10197, 10201-10205, 10209, 10216-10218, 10221, 10227-

1	Verktygslåda Caja de herramientas Werkzeugkasten Caisse outil Toolbox	Catalogue id	Group
2		20017	896
3		Illustr. No	Section
4		1012393	100
5		Issue	Page
		VOE 63D9920017	483

VOLVO

BL60



Volvo Construction
Equipment
1006672

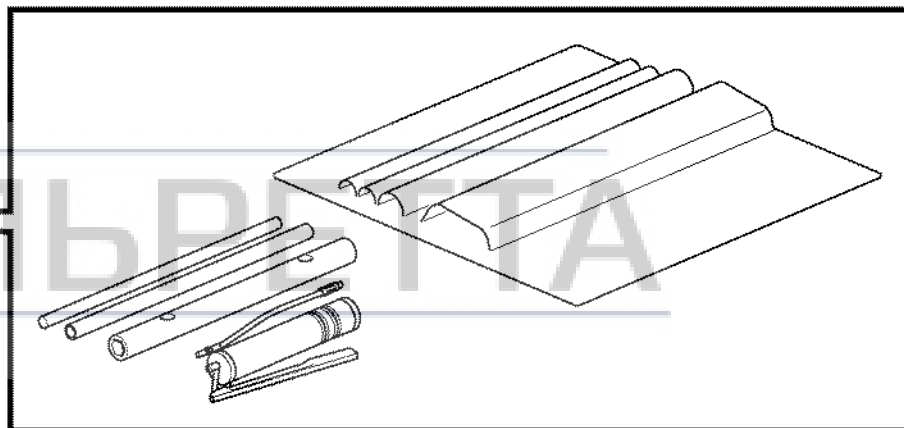


Fig.	Part No.	Quantity			P S	K I T	Description	Dénomination	Bezeichnung	Denominación	Benämning	Notes
		1	2	3								
1	VOE 11885079	1					Tool kit	Kit outils	Werkzeugsatz	Juego herramien	Verktygssats.....	

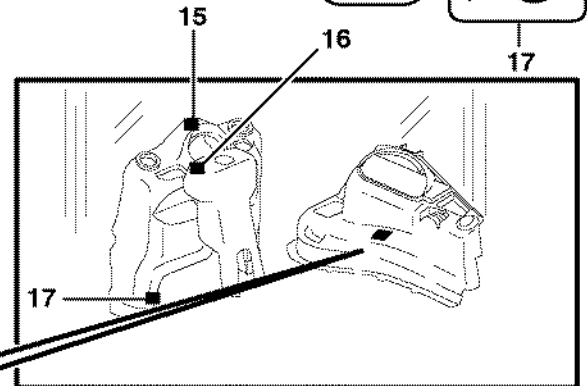
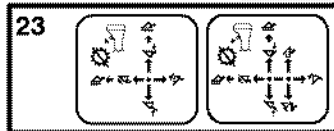
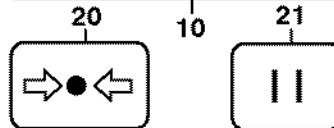
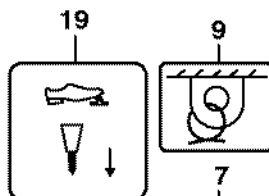
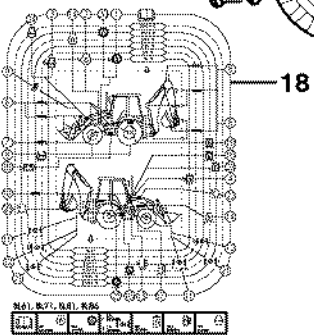
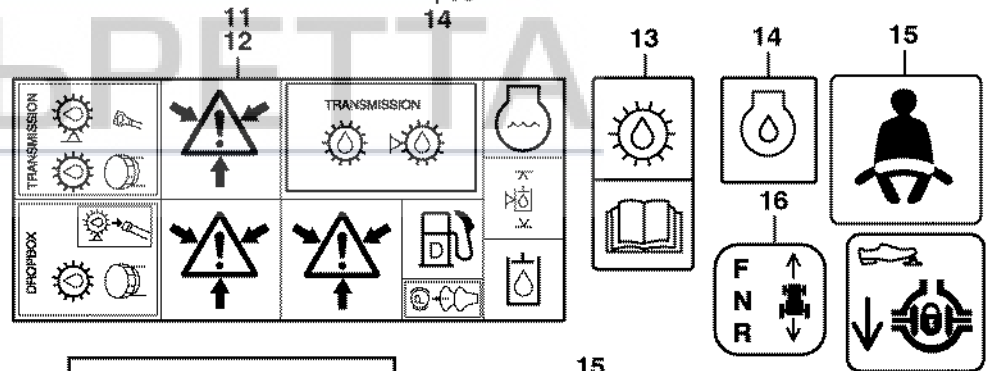
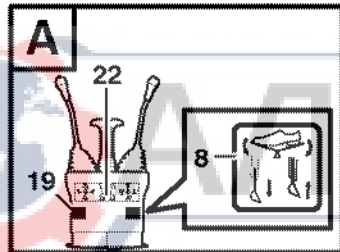
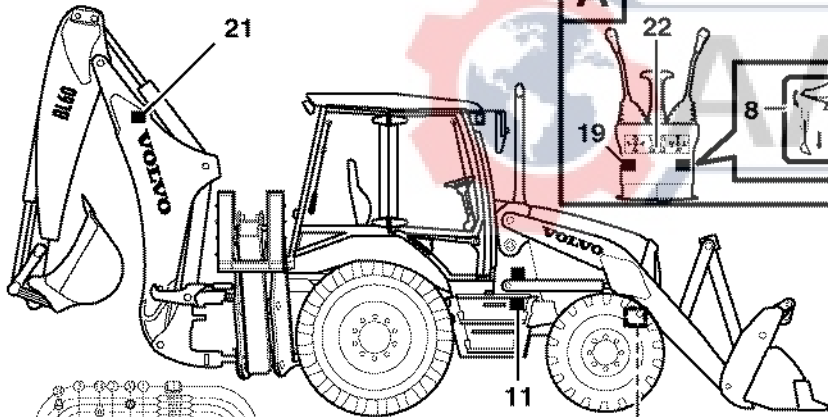
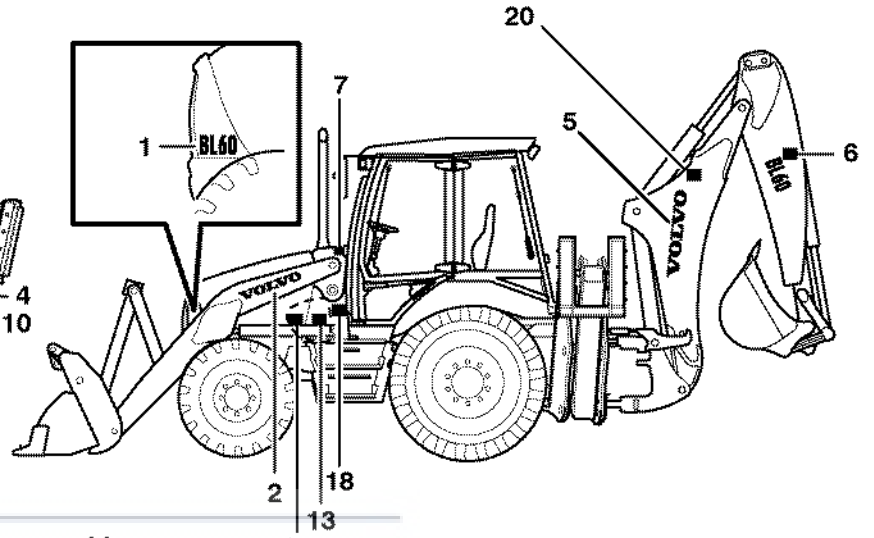
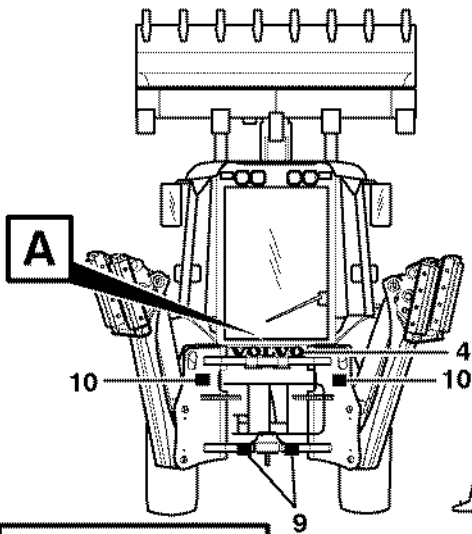
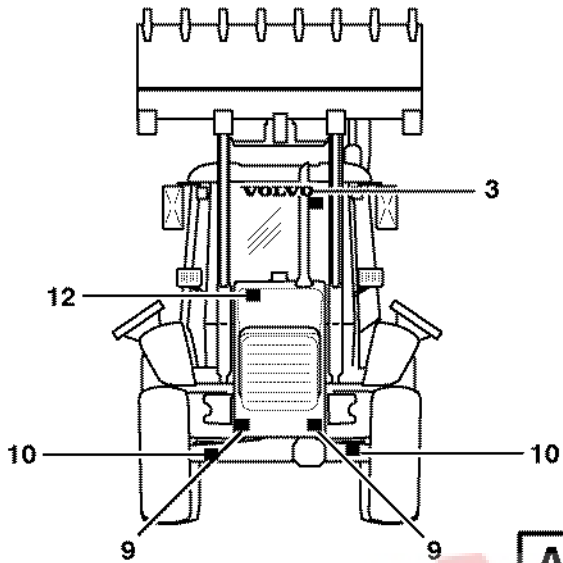


1		Verktyg Herramienta Werkzeug Outil Tool	Catalogue id	Group
2			20017	896
3			Illustr. No	Section
4			1006672	150
5			Issue	Page
		11891152	VOE 63D9920017	485

VOLVO

BL60





Volvo Construction
Equipment
1008926

**CALIFORNIA
Proposition 65 Warning**
Diesel engine exhaust and some of its
constituents are known to the state of
California to cause cancer, birth defects
and other reproductive harm

Fig.	Part No.	Quantity			P S	K I T	Description	Dénomination	Bezeichnung	Denominación	Benämning	Notes
		1	2	3								
1	VOE 11883734	2				Label, Adhesive	Autocollant	Aufkleber	Etiqueta adhesiva.....	Dekal, självhäftande..		
2	VOE 11883888	2				Label	Etiquette	Etikett	Etiqueta	Etikett.....		
3	VOE 11881585	1				Label	Etiquette	Etikett	Etiqueta	Etikett.....		
4	VOE 11883719	1				Label	Etiquette	Etikett	Etiqueta	Etikett.....		
5	VOE 11883720	2				Label	Etiquette	Etikett	Etiqueta	Etikett.....		
6	VOE 11883742	2				Label, Adhesive	Autocollant	Aufkleber	Etiqueta adhesiva.....	Dekal, självhäftande..		
7	VOE 11046865	1				Decal.....	Decalcomanie	Abziehbild.....	Decalcomania	Dekal.....		
8	VOE 11884333	1				Decal.....	Autocollant	Aufklebeschild	Calcomania	Dekal.....	11890342	
9	VOE 11026730	4				Decal.....	Decalcomanie	Abziehbild.....	Decalcomania	Dekal.....		
10	VOE 11004094	4				Decal.....	Decalcomanie	Abziehbild.....	Decalcomania	Dekal.....		
11	VOE 11003865	1				Decal.....	Decalcomanie	Abziehbild.....	Decalcomania	Dekal.....		
12	VOE 11003865	1				Decal.....	Decalcomanie	Abziehbild.....	Decalcomania	Dekal.....		
13	VOE 11883642	1				Decal.....	Decalcomanie	Abziehbild.....	Decalcomania	Dekal.....		
14	VOE 11180010	1				Decal.....	Decalcomanie	Abziehbild.....	Decalcomania	Dekal.....		
15	VOE 11883294	1				Decal.....	Decalcomanie	Abziehbild.....	Decalcomania	Dekal.....		
16	VOE 11883303	1				Decal.....	Decalcomanie	Abziehbild.....	Decalcomania	Dekal.....		
17	VOE 11883293	1				Decal.....	Decalcomanie	Abziehbild.....	Decalcomania	Dekal.....		
18	VOE 11883867	1				Decal.....	Decalcomanie	Abziehbild.....	Decalcomania	Dekal.....		
19	VOE 11883304	1				Decal.....	Decalcomanie	Abziehbild.....	Decalcomania	Dekal.....	11891346	
20	VOE 11884374	1				Decal.....	Decalcomanie	Abziehbild.....	Decalcomania	Dekal.....	11891346	
21	VOE 11884375	1			OP	Decal.....	Decalcomanie	Abziehbild.....	Decalcomania	Dekal.....	11891346 SER NO -10402	
22	VOE 11883299	1				Decal.....	Decalcomanie	Abziehbild.....	Decalcomania	Dekal.....	11891112	
	VOE 11883296	1				Decal.....	Decalcomanie	Abziehbild.....	Decalcomania	Dekal.....	11891113	
23	VOE 11885420	1				Decal.....	Decalcomanie	Abziehbild.....	Decalcomania	Dekal.....	11891079	
	VOE 11885192	1				Decal.....	Decalcomanie	Abziehbild.....	Decalcomania	Dekal.....	11891080 S/N - 10400	
	VOE 11887201	1				Decal.....	Decalcomanie	Abziehbild.....	Decalcomania	Dekal.....	11891080 S/N 10401 -	

1	11880001 (STD)	Skyltar och dekaler Muestras y decalcomanias Schilder und aufklebeschild Enseignes et décalcomanies Sign plates and decals	Catalogue id	Group
2	11891014		20017	897
3			Illustr. No	Section
4			1008926	100
5			Issue	Page
		VOE 63D9920017	487	

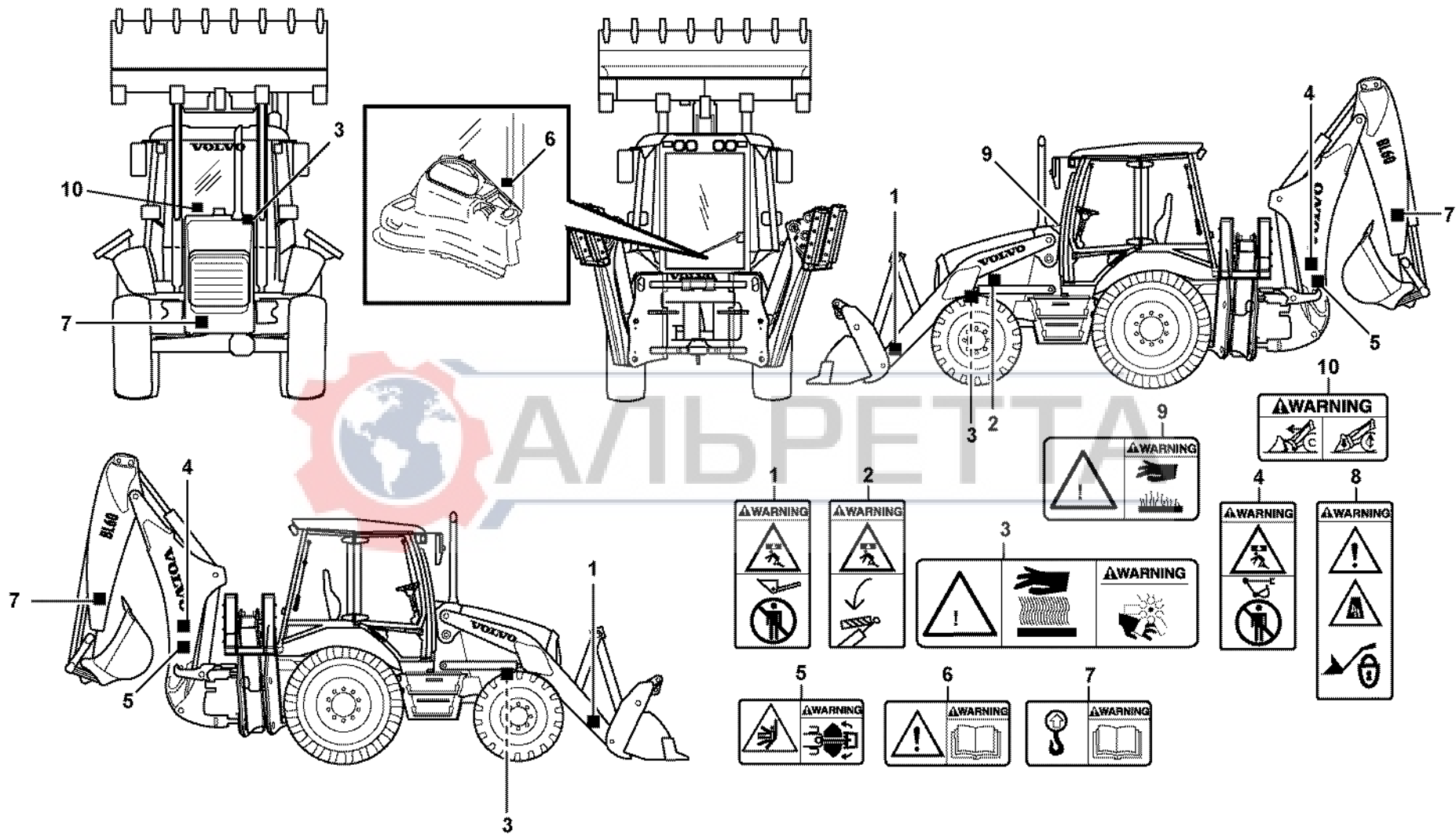


Fig.	Part No.	Quantity			P S	K I T	Description	Dénomination	Bezeichnung	Denominación	Benämning	Notes
		1	2	3								
1	VOE 11027566	2				Warning Decal	Decal.avertiss.	Warnaufkleber	Calcomania Adv	Varningsdekal.....		
2	VOE 13935008	1				Warning Decal	Decal.avertiss.	Warnaufkleber	Calcomania Adv	Varningsdekal.....		
3	VOE 11884027	2				Decal.....	Decalcomanie	Abziehbild.....	Decalcomania	Dekal.....		
4	VOE 11883289	2				Decal.....	Decalcomanie	Abziehbild.....	Decalcomania	Dekal.....		
5	VOE 11883290	2				Decal.....	Decalcomanie	Abziehbild.....	Decalcomania	Dekal.....		
6	VOE 11883617	1				Decal.....	Decalcomanie	Abziehbild.....	Decalcomania	Dekal.....		
7	VOE 11883533	3				Decal.....	Decalcomanie	Abziehbild.....	Decalcomania	Dekal.....		
8	VOE 11885038	1				Decal.....	Decalcomanie	Abziehbild.....	Decalcomania	Dekal.....		
9	VOE 14266041	1				Sign.....	Enseigne	Schild	Letrero	Skylt.....		



1	Dekaler Calcomanías Aufklebeschild Calcomanies Decals WARNING	Catalogue id	Group
2		20017	897
3		Illustr. No	Section
4		1012079	150
5		Issue	Page
		VOE 63D9920017	489

VOLVO

BL60





VOLVO

АЛЬРЕТТА

Construction Equipment

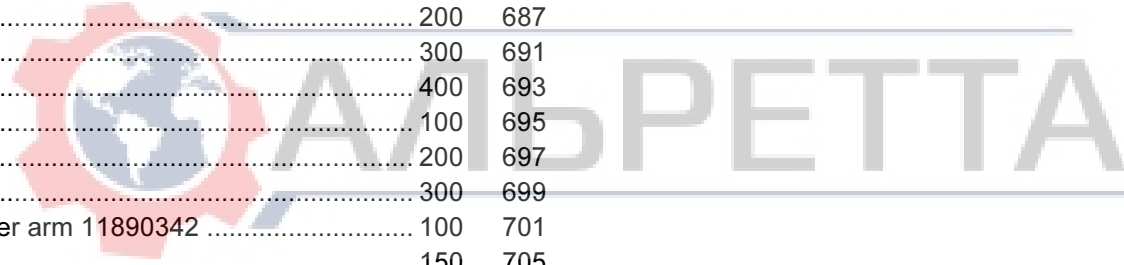
GROUP	Section	Page	GROUP	Section	Page
911 Hydraulic oil tank.....	200	503	912 Valve section.....	250	585
911 Hydraulic system, suction line, filter 11891076.....	250	507	912 Valve section.....	275	587
911 Hydraulic system, suction line, filter 11891077.....	275	509	912 Valve body.....	300	589
911 Hydraulic system, return line S/N - 10938.....	300	511	912 Inlet valve.....	350	591
911 Hydraulic system, return line S/N 10939 -.....	310	515	912 Magnet valve.....	400	593
911 Hydraulic oil cooler S/N - 10938.....	325	519	912 Valve section.....	500	595
911 Hydraulic oil cooler S/N 10939 -.....	330	521	912 Valve section.....	550	597
911 Hydraulic system, feed line S/N - 10938.....	350	523	913 Hydraulic pump 11891076, 11891077.....	200	599
911 Hydraulic system, feed line S/N 10939 -.....	360	525	915 Controls.....	100	601
911 Hydraulic system, hammer.....	400	527	915 Loader controls.....	150	607
911 Pipes for hammer attachment 11891375.....	450	531	915 Pedal 11890342.....	200	611
911 Hydraulics loader (lift & tilt).....	550	533	916 Optional hydraulic equipment 11891369, S/N - 10938.....	100	613
911 Hydraulic system, excavator.....	700	537	916 Optional hydraulic equipment 11891369, S/N 10939 -.....	110	617
911 Hydraulic system, stabiliser legs.....	750	541	916 Boom suspension system 11891345 S/N - 10938.....	350	621
911 Hydraulic system loader.....	800	545	916 Boom suspension system 11891345 S/N - 10939.....	360	623
911 Hydraulic system loader 11880001, S/N 10939 -.....	810	549	924 Attachment bracket, mechanical 11891299.....	100	625
911 Hydraulic system, excavator beam 11890342, 11890343, S/N - 10938.....	900	553	925 Bucket, straight with teeth.....	100	627
911 Hydraulic system, boom 11880001, S/N 10939 -.....	910	555	925 Bucket, straight with teeth S/N 10939 -.....	125	629
911 Hydraulic system dipper arm 11890342, 11890343, S/N - 10938.....	1000	557	925 Bucket, straight with teeth S/N 10939 -.....	130	631
911 Hydraulic system dipper arm 11880001, S/N 10939 -.....	1010	559	925 Bucket, straight with teeth (BACKHOE).....	150	633
911 Hydraulic system, bucket 11890342.....	1100	561	925 Bucket, straight with teeth (LOADER).....	200	635
911 Hydraulic system, bucket 11890343, S/N - 10938.....	1150	565	925 Bucket, straight lip without teeth 11891295, 11891296.....	250	637
911 Hydraulic system, bucket S/N 10939 -.....	1160	569	925 Bucket, straight lip without teeth.....	260	639
911 Hydraulic system extendible dipper arm 11890342.....	1200	571	925 Bucket, straight lip without teeth.....	300	641
911 Hydraulic system, lock cylinder S/N - 10938.....	1300	573	925 Multi-purpose bucket.....	310	643
911 Hydraulic system, lock cylinder S/N 10939 -.....	1310	575	925 Multi-purpose bucket.....	320	647
911 Hydraulic system, combi-bucket.....	1350	577	925 Multi-purpose bucket 11891541.....	350	651
912 Valve body.....	150	579	925 Hydraulic cylinder 11891018 (MULTI-PURPOSE BUCKET).....	400	653
912 Inlet valve.....	200	581	925 Transport bracket without front bucket 11891350.....	500	655
912 Valve section.....	225	583	926 Fork arm.....	100	657
			926 Retainer for hammer.....	200	659

INDEX OF CONTENTS	Catalogue id 20017	Group 900
	Issue VOE 63D9920017	Page 491



INDEX OF CONTENTS				Catalogue id 20017		Group 900		
				Issue VOE 63D9920017		Page 492		
GROUP	Section	Page	GROUP	Section	Page	GROUP	Section	Page

926	Hammer 11891017	250	661
945	Lifting framework with assembly parts	150	663
945	Pins for mounting bucket	160	669
945	Lifting framework with assembly parts 11880001, S/N 10939 -	175	671
945	Mechanical self levelling tilt mechanism 11891079, 11881080	200	677
945	Hydraulic cylinder 11891079 11891080.....	250	679
945	Hydraulic cylinder 11891079, 11891080.....	300	681
971	Swing system.....	100	683
971	Boom swing system	200	687
971	Swing cylinder.....	300	691
971	Lock cylinder	400	693
972	Stabilisers	100	695
972	Stabiliser cylinder.....	200	697
972	Foot plate	300	699
974	Excavator boom, extendible dipper arm 11890342	100	701
974	Boom and dipper arm 11890343	150	705
974	Boom cylinder 11890342, 11890343	200	709
975	Dipper arm cylinder 11890342, 11890343.....	100	711
975	Bucket cylinder 11890342, 11890343.....	200	713
975	Extendible dipper cylinder 11890342.....	300	715



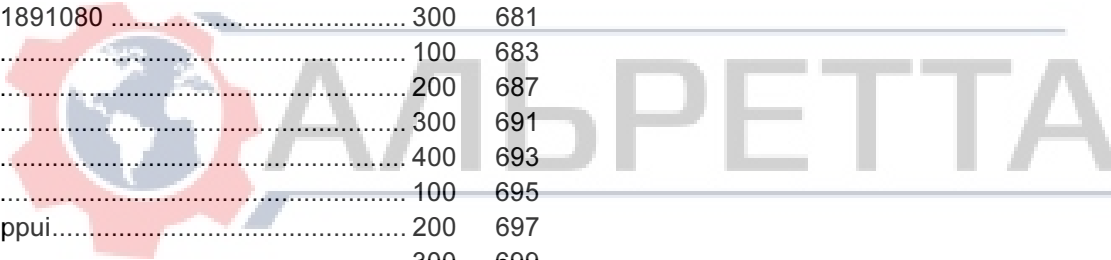
GROUPE	Section	Page	GROUPE	Section	Page		
911	Réservoir d'huile hydraulique.....	200	503	912	Section de valve.....	225	583
911	Système hydraulique, conduit d'aspiration, filtre 11891076.....	250	507	912	Section de valve.....	250	585
911	Système hydraulique, conduit d'aspiration, filtre 11891077.....	275	509	912	Section de valve.....	275	587
911	Système hydraulique, conduit retour S/N - 10938.....	300	511	912	Bloc-soupapes.....	300	589
911	Système hydraulique, conduit retour S/N 10939 -.....	310	515	912	Soupape d'admission.....	350	591
911	Radiateur huile S/N - 10938.....	325	519	912	Vanne electromagnetique.....	400	593
911	Radiateur huile S/N 10939 -.....	330	521	912	Section de valve.....	500	595
911	Systeme Hydr. conduit alimentation S/N - 10938.....	350	523	912	Section de valve.....	550	597
911	Systeme Hydr. conduit alimentation S/N 10939 -.....	360	525	913	Pompe hydraulique 11891076, 11891077.....	200	599
911	Système hydraulique, marteau.....	400	527	915	Commandes.....	100	601
911	Conduits, marteau 11891375.....	450	531	915	Commandes de l'équipement chargeur.....	150	607
911	Equipement chargeur à commande hydraulique (levage et basculement).....	550	533	915	Pedale 11890342.....	200	611
911	Système hydralique groupe pelle.....	700	537	916	Equipement hydraulique optionnel 11891369, S/N - 10938.....	100	613
911	Système hydraulique Bequilles.....	750	541	916	Equipement hydraulique optionnel 11891369, S/N 10939 -.....	110	617
911	Hydraulic system loader.....	800	545	916	Amortisseur vibrations 11891345 S/N - 10938.....	350	621
911	Hydraulic system loader 11880001, S/N 10939 -.....	810	549	916	Amortisseur vibrations 11891345 S/N - 10939.....	360	623
911	Hydraulic system, excavator beam 11890342, 11890343, S/N - 10938.....	900	553	924	Porte-outil, verrouillage mécanique 11891299.....	100	625
911	Système hydraulique, flèche 11880001, S/N 10939 -.....	910	555	925	Godet, droit avec dents.....	100	627
911	Système hydraulique, balancier 11890342, 11890343, S/N - 10938.....	1000	557	925	Godet, droit avec dents S/N 10939 -.....	125	629
911	Système hydraulique, balancier 11880001, S/N 10939 -.....	1010	559	925	Godet, droit avec dents S/N 10939 -.....	130	631
911	Système hydraulique, godet 11890342.....	1100	561	925	Godet, droit avec dents (BACKHOE).....	150	633
911	Système hydraulique, godet 11890343, S/N - 10938.....	1150	565	925	Godet, droit avec dents (LOADER).....	200	635
911	Système hydraulique, godet S/N 10939 -.....	1160	569	925	Godet, droit sans dents 11891295, 11891296.....	250	637
911	Système hydraulique bras de pelle telescope 11890342.....	1200	571	925	Godet, droit sans dents.....	260	639
911	Système hydraulique, vérin de verrouillage S/N - 10938.....	1300	573	925	Godet, droit sans dents.....	300	641
911	Système hydraulique, vérin de verrouillage S/N 10939 -.....	1310	575	925	Godet combiné.....	310	643
911	Système hydraulique, godet combiné.....	1350	577	925	Godet combiné.....	320	647
912	Bloc-soupapes.....	150	579	925	Godet combiné 11891541.....	350	651
912	Soupape d'admission.....	200	581	925	Vérins hydrauliques 11891018 (MULTI-PURPOSE BUCKET).....	400	653
				925	Fixation transport sans godet frontal 11891350.....	500	655
				926	Bras fourche.....	100	657

TABLE DES MATIÈRES	Catalogue id 20017	Group 900
	Issue VOE 63D9920017	Page 493



TABLE DES MATIÈRES				Catalogue id 20017	Group 900
				Issue VOE 63D9920017	Page 494
GROUPE	Section	Page	GROUPE	Section	Page

926	Support de marteau	200	659
926	Marteau 11891017.....	250	661
945	Chassis levage avec pièces de montage.....	150	663
945	Pivots d'axe pour fixation de godet	160	669
945	Chassis levage avec pièces de montage 11880001, S/N 10939 -	175	671
945	Mécanisme de basculement à autoréglage mécanique 11891079, 11881080	200	677
945	Vérins hydrauliques 11891079 11891080	250	679
945	Vérins hydrauliques 11891079, 11891080	300	681
971	Système de pivotement	100	683
971	Système hydraulique, orientation.....	200	687
971	Vérin d'orientation	300	691
971	Vérin de verrouillage	400	693
972	Bequille	100	695
972	Vérin hydraulique pour jambe d'appui.....	200	697
972	Socle	300	699
974	Flèche d'équipement excavateur avec bras télescopique 11890342	100	701
974	Flèche et balancier 11890343.....	150	705
974	Vérin de flèche 11890342, 11890343	200	709
975	Vérin de bras 11890342, 11890343.....	100	711
975	Vérin de godet 11890342, 11890343.....	200	713
975	Cylindre telescope. 11890342	300	715



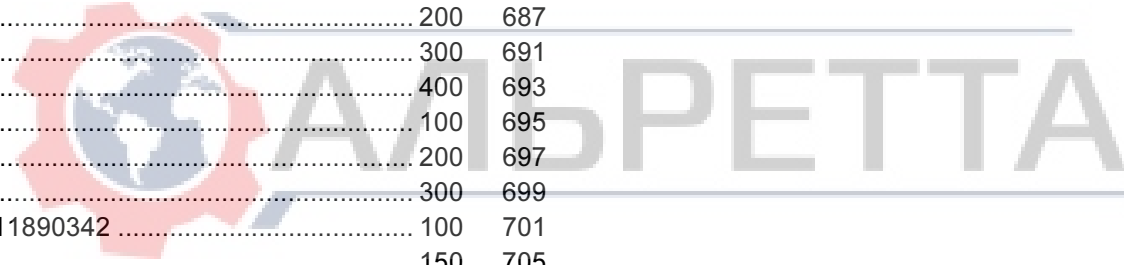
GRUPPE	Abschnitt	Seite	GRUPPE	Abschnitt	Seite
911 Hydrauliköltank	200	503	912 Ventil	250	585
911 Hydraulikanlage, Saugleitung, Filter 11891076	250	507	912 Ventil	275	587
911 Hydraulikanlage, Saugleitung, Filter 11891077	275	509	912 Ventilgruppe	300	589
911 Druckölsystem, Rücklaufleitung S/N - 10938	300	511	912 Einlassventil	350	591
911 Druckölsystem, Rücklaufleitung S/N 10939 -	310	515	912 Magnetventil	400	593
911 Hydraulikölkühler S/N - 10938	325	519	912 Ventil	500	595
911 Hydraulikölkühler S/N 10939 -	330	521	912 Ventil	550	597
911 Hydraulikanlage, Druckleitungen S/N - 10938	350	523	913 Hydraulikpumpe 11891076, 11891077	200	599
911 Hydraulikanlage, Druckleitungen S/N 10939 -	360	525	915 Regler	100	601
911 Hydraulikanlage, Hammer	400	527	915 Loader controls	150	607
911 Leitungen für Hammeranbau 11891375	450	531	915 Pedal 11890342	200	611
911 Ladehydraulik (Heben und Kippen)	550	533	916 Zusätzliche Hydraulikausrüstung 11891369, S/N - 10938	100	613
911 Hydraulikanlage ventil zum ausleger Baggeraggregat	700	537	916 Zusätzliche Hydraulikausrüstung 11891369, S/N 10939 -	110	617
911 Hydraulikanlage Bodenstützen	750	541	916 Schwingungsdämpfer 11891345 S/N - 10938	350	621
911 Hydraulikanlage, Lader	800	545	916 Schwingungsdämpfer 11891345 S/N - 10939	360	623
911 Hydraulikanlage, Lader 11880001, S/N 10939 -	810	549	924 Geräteträger, mechanisch 11891299	100	625
911 Hydraulic system, excavator beam 11890342, 11890343, S/N - 10938	900	553	925 Schaufel, gerade mit Zähnen	100	627
911 Hydraulikanlage, Baggerausleger 11880001, S/N 10939 -	910	555	925 Schaufel, gerade mit Zähnen S/N 10939 -	125	629
911 Hydraulikanlage, Baggerstiel 11890342, 11890343, S/N - 10938 ...	1000	557	925 Schaufel, gerade mit Zähnen S/N 10939 -	130	631
911 Hydraulikanlage, Baggerstiel 11880001, S/N 10939 -	1010	559	925 Schaufel, gerade mit Zähnen (BACKHOE)	150	633
911 Hydraulikanlage, Löffel 11890342	1100	561	925 Schaufel, gerade mit Zähnen (LOADER)	200	635
911 Hydraulikanlage, Löffel 11890343, S/N - 10938	1150	565	925 Schaufel, gerade, ohne Zähne 11891295, 11891296	250	637
911 Hydraulikanlage, Löffel S/N 10939 -	1160	569	925 Schaufel, gerade, ohne Zähne	260	639
911 Hydraulikanlage für teleskopische baggerarm 11890342	1200	571	925 Schaufel, gerade, ohne Zähne	300	641
911 Hydraulikanlage, Sperrzylinder S/N - 10938	1300	573	925 Kombilöffel	310	643
911 Hydraulikanlage, Sperrzylinder S/N 10939 -	1310	575	925 Kombilöffel	320	647
911 Hydraulikanlage, Kombilöffel	1350	577	925 Kombilöffel 11891541	350	651
912 Ventilgruppe	150	579	925 Hydraulikzylinder 11891018 (MULTI-PURPOSE BUCKET)	400	653
912 Einlassventil	200	581	925 Transporthalterung ohne Schaufel 11891350	500	655
912 Ventil	225	583	926 Gabelzinke	100	657
			926 Halter für Hammer	200	659

INHALTSVERZEICHNIS	Catalogue id 20017	Group 900
	Issue VOE 63D9920017	Page 495



INHALTSVERZEICHNIS				Catalogue id 20017		Group 900	
				Issue VOE 63D9920017		Page 496	
GRUPPE	Abschnitt	Seite	GRUPPE	Abschnitt	Seite		

926	Hammer 11891017	250	661
945	Hubgerüst mit Anbauteilen.....	150	663
945	Bolzen zur Befestigung der Schaufel.....	160	669
945	Hubgerüst mit Anbauteilen 11880001, S/N 10939 -	175	671
945	Selbstregelnder Kippmechanismus 11891079, 11881080	200	677
945	Hydraulikzylinder 11891079 11891080.....	250	679
945	Hydraulikzylinder 11891079, 11891080.....	300	681
971	Schwenksystem	100	683
971	Hydraulikkreis, Schwenken	200	687
971	Schwenkzylinder	300	691
971	Sperrzylinder	400	693
972	Pratzen.....	100	695
972	Hydraulzylinder für Pratzen.....	200	697
972	Fußplatte.....	300	699
974	Grabausleger mit Teleskopstiel 11890342	100	701
974	Ausleger und Stiel 11890343	150	705
974	Auslegerzylinder 11890342, 11890343	200	709
975	Stielzylinder 11890342, 11890343.....	100	711
975	Schaufelzylinder 11890342, 11890343.....	200	713
975	Teleskopzylinder. 11890342	300	715



GRUPO	Sección	Página	GRUPO	Sección	Página		
911	Depósito de aceite hidráulico	200	503	912	Sección de válvulas	250	585
911	Sistema hidráulico, conducto de aspiración, filtro 11891076	250	507	912	Sección de válvulas	275	587
911	Sistema hidráulico, conducto de aspiración, filtro 11891077	275	509	912	Bloque de válvulas	300	589
911	Sistema hidráulico, conducto de retorno S/N - 10938	300	511	912	Válvula de admisión	350	591
911	Sistema hidráulico, conducto de retorno S/N 10939 -	310	515	912	Electrovalvula	400	593
911	Enfriador de aceite hidráulico S/N - 10938	325	519	912	Sección de válvulas	500	595
911	Enfriador de aceite hidráulico S/N 10939 -	330	521	912	Sección de válvulas	550	597
911	Sistema hidráulico, conducto presion S/N - 10938	350	523	913	Bomba hidráulica 11891076, 11891077	200	599
911	Sistema hidráulico, conducto presion S/N 10939 -	360	525	915	Mandos	100	601
911	Sistema hidráulico, martillo	400	527	915	Mandos de la cargadora	150	607
911	Tubería para fijación del martillo 11891375	450	531	915	Pedal 11890342	200	611
911	Sistema hidráulico de cargadora (elevación y volteo)	550	533	916	Equipo hidráulico adicional 11891369, S/N - 10938	100	613
911	Sistema hidrlico excavador	700	537	916	Equipo hidráulico adicional 11891369, S/N 10939 -	110	617
911	Sistema hidráulico patas de apoyo	750	541	916	Amortiguador de vibraciones 11891345 S/N - 10938	350	621
911	Hydraulic system loader	800	545	916	Amortiguador de vibraciones 11891345 S/N - 10939	360	623
911	Hydraulic system loader 11880001, S/N 10939 -	810	549	924	Portaimplemento, mecánico 11891299	100	625
911	Hydraulic system, excavator beam 11890342, 11890343, S/N - 10938	900	553	925	Cuchara, recta con dientes	100	627
911	Sistema hidráulico, pluma de excavación 11880001, S/N 10939 -	910	555	925	Cuchara, recta con dientes S/N 10939 -	125	629
911	Sistema hidráulico, balancín 11890342, 11890343, S/N - 10938	1000	557	925	Cuchara, recta con dientes S/N 10939 -	130	631
911	Sistema hidráulico, balancín 11880001, S/N 10939 -	1010	559	925	Cuchara, recta con dientes (BACKHOE)	150	633
911	Sistema hidráulico, cuchara 11890342	1100	561	925	Cuchara, recta con dientes (LOADER)	200	635
911	Sistema hidráulico, cuchara 11890343, S/N - 10938	1150	565	925	Cuchara recta sin dientes 11891295, 11891296	250	637
911	Sistema hidráulico, cuchara S/N 10939 -	1160	569	925	Cuchara recta sin dientes	260	639
911	Sistema hidráulico brazo excavador telescopico 11890342	1200	571	925	Cuchara recta sin dientes	300	641
911	Sistema hidráulico, cilindro de bloqueo S/N - 10938	1300	573	925	Cuchara multipropósitos	310	643
911	Sistema hidráulico, cilindro de bloqueo S/N 10939 -	1310	575	925	Cuchara multipropósitos	320	647
911	Sistema hidráulico, cuchara combinada	1350	577	925	Cuchara multipropósitos 11891541	350	651
912	Bloque de válvulas	150	579	925	Cilindros hidráulicos 11891018 (MULTI-PURPOSE BUCKET)	400	653
912	Válvula de admisión	200	581	925	Fijaciones de transporte sin cuchara frontal 11891350	500	655
912	Sección de válvulas	225	583	926	Brazo horquilla	100	657
				926	Soporte para martillo	200	659

INDICE	Catalogue id 20017	Group 900
	Issue VOE 63D9920017	Page 497



INDICE		Catalogue id 20017	Group 900		
		Issue VOE 63D9920017	Page 498		
GRUPO	Sección	Página	GRUPO	Sección	Página

926	Martillo 11891017	250	661
945	Bastidor elevación con piezas de montaje.....	150	663
945	Muñones para fijación de cuchara	160	669
945	Bastidor elevación con piezas de montaje 11880001, S/N 10939 - ..	175	671
945	Mecanismo de basculamiento mecánico autoajustable 11891079, 11881080	200	677
945	Cilindros hidráulicos 11891079 11891080	250	679
945	Cilindros hidráulicos 11891079, 11891080	300	681
971	Sistema de oscilación	100	683
971	Sistema hidráulico, giro.....	200	687
971	Cilindro de giro	300	691
971	Cilindro de bloqueo	400	693
972	Pata de apoyo	100	695
972	Cilindro hidraulico para pata de apoyo	200	697
972	Placa de soporte	300	699
974	Pluma de excavación con brazo telescópico 11890342	100	701
974	Pluma y brazo 11890343	150	705
974	Cilindro de pluma 11890342, 11890343	200	709
975	Cilindro de brazo 11890342, 11890343	100	711
975	Cilindro de cazo 11890342, 11890343	200	713
975	Cilindro telescopico. 11890342	300	715



GRUPP	Avsnitt	Sida	GRUPP	Avsnitt	Sida		
911	Hydrauloljetank	200	503	912	Ventilsektion	275	587
911	Hydraulsystem, sugledning, filter 11891076	250	507	912	Ventilblock	300	589
911	Hydraulsystem, sugledning, filter 11891077	275	509	912	Inloppsventil	350	591
911	Hydraulsystem, returledning S/N - 10938	300	511	912	Magnetventil	400	593
911	Hydraulsystem, returledning S/N 10939 -	310	515	912	Ventilsektion	500	595
911	Hydrauloljekylare S/N - 10938	325	519	912	Ventilsektion	550	597
911	Hydrauloljekylare S/N 10939 -	330	521	913	Hydraulpump 11891076, 11891077	200	599
911	Hydraulsystem, tryckledningar S/N - 10938	350	523	915	Reglage	100	601
911	Hydraulsystem, tryckledningar S/N 10939 -	360	525	915	Lastarreglage	150	607
911	Hydraulsystem hammare	400	527	915	Pedal 11890342	200	611
911	Rör till hammarredskap 11891375	450	531	916	Extra hydraulutrustning 11891369, S/N - 10938	100	613
911	Hydraulik lastare (lyft & tilt)	550	533	916	Extra hydraulutrustning 11891369, S/N 10939 -	110	617
911	Hydraulsystem, grävare	700	537	916	Svängningsdämpare 11891345 S/N - 10938	350	621
911	Hydraulsystem, stödben	750	541	916	Svängningsdämpare 11891345 S/N - 10939	360	623
911	Hydraulsystem, lastare	800	545	924	Redskapsfäste, mekaniskt 11891299	100	625
911	Hydraulsystem, lastare 11880001, S/N 10939 -	810	549	925	Skopa, rak med tänder	100	627
911	Hydraulsystem, grävbox 11890342, 11890343, S/N - 10938	900	553	925	Skopa, rak med tänder S/N 10939 -	125	629
911	Hydraulsystem, grävbox 11880001, S/N 10939 -	910	555	925	Skopa, rak med tänder S/N 10939 -	130	631
911	Hydraulsystem, grävvarm 11890342, 11890343, S/N - 10938	1000	557	925	Skopa, rak med tänder (BACKHOE)	150	633
911	Hydraulsystem, grävvarm 11880001, S/N 10939 -	1010	559	925	Skopa, rak med tänder (LOADER)	200	635
911	Hydraulsystem, skopa 11890342	1100	561	925	Skopa, rak utan tänder 11891295, 11891296	250	637
911	Hydraulsystem, skopa 11890343, S/N - 10938	1150	565	925	Skopa, rak utan tänder	260	639
911	Hydraulsystem, skopa S/N 10939 -	1160	569	925	Skopa, rak utan tänder	300	641
911	Hydraulsystem, grävvarm teleskopisk 11890342	1200	571	925	Kombiskopa	310	643
911	Hydraulsystem, spärrcylinder S/N - 10938	1300	573	925	Kombiskopa	320	647
911	Hydraulsystem, spärrcylinder S/N 10939 -	1310	575	925	Kombiskopa 11891541	350	651
911	Hydraulsystem, kombiskopa	1350	577	925	Hydraulcylinder 11891018 (MULTI-PURPOSE BUCKET)	400	653
912	Ventilblock	150	579	925	Transportfäste utan frontskopa 11891350	500	655
912	Inloppsventil	200	581	926	Gaffelarm	100	657
912	Ventilsektion	225	583	926	Hållare för hammare	200	659
912	Ventilsektion	250	585	926	Hammare 11891017	250	661

INNEHÅLLSFÖRTECKNING

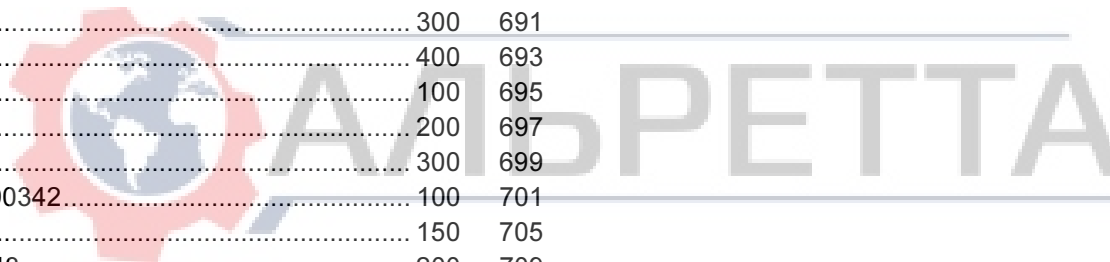
Catalogue id 20017	Group 900
Issue VOE 63D9920017	Page 499

VOLVO

BL60

INNEHÅLLSFÖRTECKNING				Catalogue id 20017		Group 900	
				Issue VOE 63D9920017		Page 500	
GRUPP	Avsnitt	Sida	GRUPP	Avsnitt	Sida	GRUPP	Sida

945	Lyftramverk med monteringsdetaljer.....	150	663
945	Axeltappar för infästning av skopa.....	160	669
945	Lyftramverk med monteringsdetaljer 11880001, S/N 10939 -	175	671
945	Mekanisk självjusterande tiltmekanism 11891079, 11881080.....	200	677
945	Hydraulcylinder 11891079 11891080	250	679
945	Hydraulcylinder 11891079, 11891080	300	681
971	Svängsystem	100	683
971	Hydraulsystem, sväng.....	200	687
971	Svängcylinder	300	691
971	Spärrcylinder	400	693
972	Stödben.....	100	695
972	Stödbenscylinder	200	697
972	Fotplatta	300	699
974	Grävboom med teleskoparm 11890342.....	100	701
974	Bom och skaft 11890343	150	705
974	Bomcylinder 11890342, 11890343	200	709
975	Skaftcylinder 11890342, 11890343	100	711
975	Skopocylinder 11890342, 11890343	200	713
975	Teleskopcylinder 11890342	300	715





VOLVO

АЛЬРЕТТА

Construction Equipment

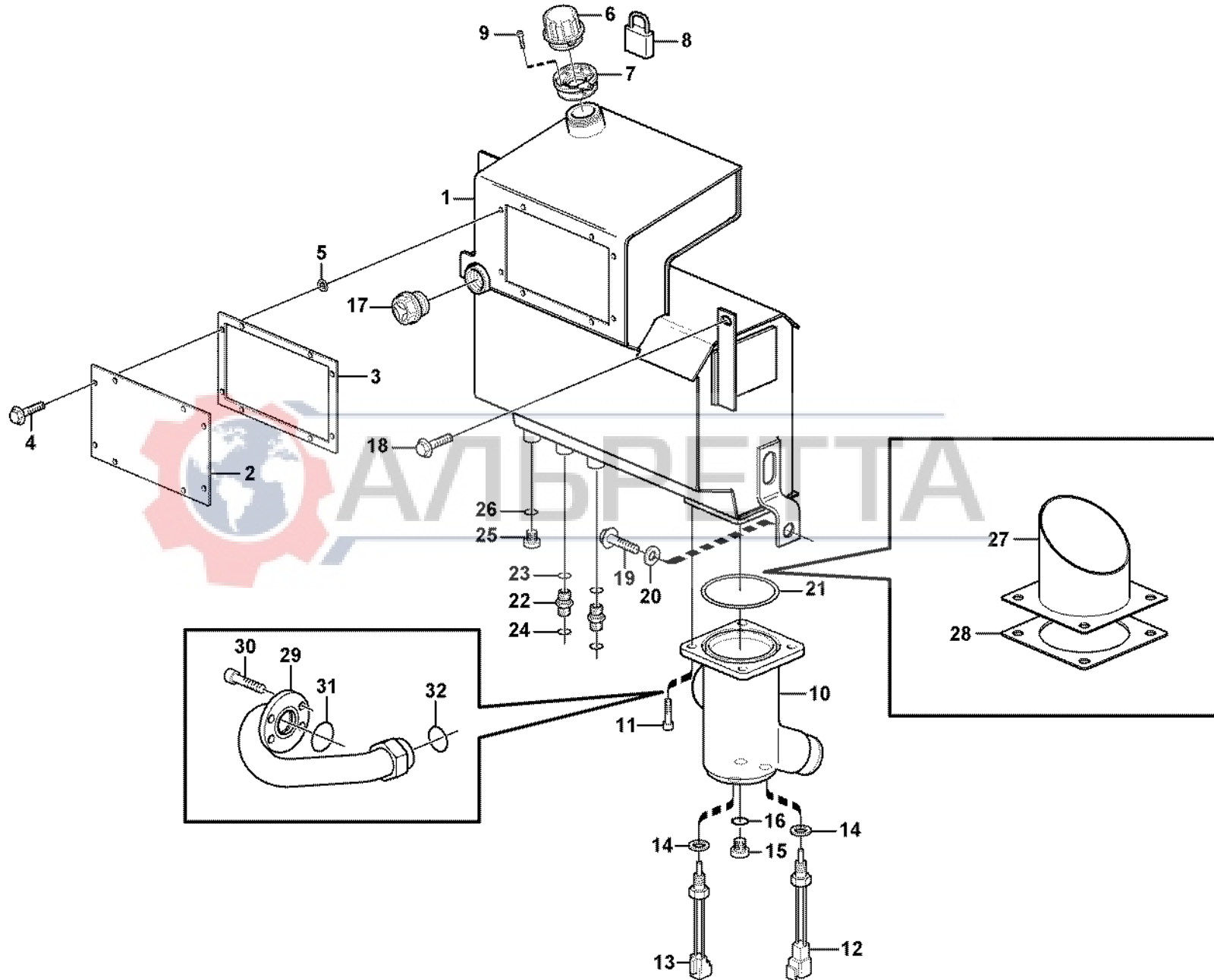


Fig.	Part No.	Quantity			P S	K I T	Description	Dénomination	Bezeichnung	Denominación	Benämning	Notes
		1	2	3								
1	VOE 11886273	1				Tank.....	Reservoir.....	Behälter.....	Depósito.....	Tank.....		
2	VOE 11886272	1				•Plate.....	•Plaque.....	•Platte.....	•Placa.....	•Platta.....		
3	VOE 11886707	1				•Gasket.....	•Joint.....	•Dichtung.....	•Junta.....	•Packning.....		
4	VOE 13946173	10				•Flange screw.....	•Vis à bride.....	•Flanschschraube.....	•Torn embridado.....	•Flänsskruv.....		
5	VOE 978254	10				•Gasket.....	•Joint.....	•Dichtung.....	•Junta.....	•Packning.....		
6	VOE 11882636		1	1		Cover.....	Couvercle.....	Deckel.....	Tapa.....	Lock.....		
7	VOE 11881028		1	1		Thread Plate.....	Plaque Taraudle.....	Gewindeplatte.....	Chapa Roscada.....	Gängplatta.....		
8	VOE 11885135			1		Padlock.....	Cadenas.....	Vorhängeschloss.....	Cerrojo.....	Hänglås.....		
9	VOE 941460		6	6		Screw.....	Vis.....	Schraube.....	Tornillo.....	Skruv.....		
10	VOE 11886154	1				Bowl.....	Coussinet.....	Schale.....	Taza.....	Skål.....	S/N - 10260 S/N 10267 S/N 10275	
	VOE 11886464	1			SS	Bowl.....	Coussinet.....	Schale.....	Taza.....	Skål.....	S/N 10261 - 10266 S/N 10268 - 10274 S/N 10276 - 10549	
	VOE 11887207	1				Bowl.....	Coussinet.....	Schale.....	Taza.....	Skål.....	S/N 10550 - 10835	
	VOE 11888268	1				Bowl.....	Coussinet.....	Schale.....	Taza.....	Skål.....	S/N 10836 -	
11	VOE 967635	4				Allen Hd Screw.....	Vis A 6 Pans Cr.....	Inbusschraube.....	Torn Hex Embut.....	Insexskruv.....		
12	VOE 11881158	1				Temp Sensor.....	Decteur Temp.....	Temperaturgeber.....	Sensor Temperat.....	Temp Givare.....	10 DEG	
13	VOE 11884069	1				Temp Sensor.....	Decteur Temp.....	Temperaturgeber.....	Sensor Temperat.....	Temp Givare.....	97 DEG	
14	VOE 11883592	2				Seal.....	Joint.....	Dichtring.....	Junta.....	Tätning.....	S/N - 10549	
	VOE 977934	2				Gasket.....	Joint.....	Dichtung.....	Junta.....	Packning.....	S/N 10550 -	
15	VOE 11885751	1				Plug.....	Bouchon.....	Stopfen.....	Tapon.....	Plugg.....	S/N - 10835	
16	VOE 14213676	1				Sealing ring.....	Bague d'étanchéité.....	Runddichtring.....	Anillo reten.....	Tätningsring.....		
17	VOE 11882635	1				Level glass.....	Voyant de contrôle de.....	Schauglas.....	Mirilla de nivel.....	Nivåglas.....		
18	VOE 13965191	6				Flange screw.....	Vis à bride.....	Flanschschraube.....	Torn embridado.....	Flänsskruv.....		
19	VOE 13965192	1				Flange screw.....	Vis à bride.....	Flanschschraube.....	Torn embridado.....	Flänsskruv.....		
20	VOE 13947355	1				Washer.....	Rondelle.....	Scheibe.....	Arandela.....	Bricka.....		
21	VOE 11882675	1				O-ring.....	Joint Torique.....	O-Ring.....	Junta torica.....	O-ring.....		
22	VOE 935085	2				Nipple.....	Raccord.....	Nippel.....	Niple.....	Nippel.....		

1	11891076, 11891077	Hydrauloljetank Depósito de aceite hidráulico Hydrauliköltank Réservoir d'huile hydraulique Hydraulic oil tank	Catalogue id	Group
2	11891298		20017	911
3	11891324		Illustr. No	Section
4			1012768	200
5			Issue	Page
		VOE 63D9920017	503	

VOLVO

BL60

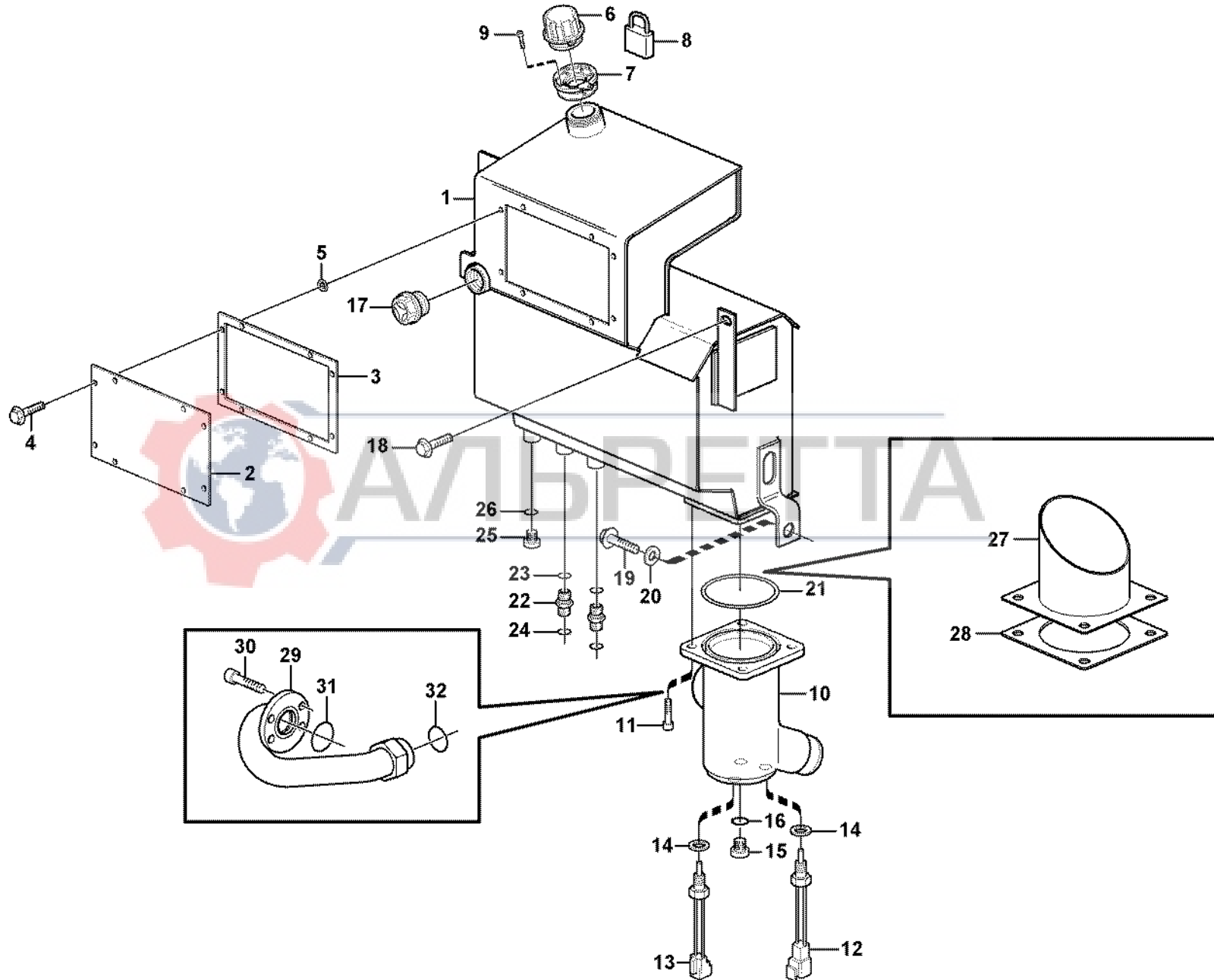


Fig.	Part No.	Quantity			P S	K I T	Description	Dénomination	Bezeichnung	Denominación	Benämning	Notes
		1	2	3								
23	VOE 932039	1				•O-ring.....	•Joint Torique	•O-Ring.....	•Junta torica	•O-ring.....		
24	VOE 4880492	1				•O-ring.....	•Joint Torique	•O-Ring.....	•Junta torica	•O-ring.....		
25	VOE 11881384	1				Fitting	Ecrou raccord.....	Verschraubung.....	Racor.....	Förskruvning.....		
26	VOE 932037	1				•O-ring.....	•Joint Torique	•O-Ring.....	•Junta torica	•O-ring.....		
27	VOE 11885999	1				Tube.....	Tube.....	Rohr	Tube	Rör.....		
28	VOE 11887625	2				Gasket.....	Joint	Dichtung	Junta	Packning.....		
29	VOE 11886421	1				Tube.....	Tube	Rohr	Tube	Rör.....		
30	VOE 959238	4				Allen Hd Screw	Vis A 6 Pans Cr.....	Inbusschraube.....	Torn Hex Embut	Insexskruv.....		
31	VOE 13949238	1				O-ring.....	Joint Torique	O-Ring.....	Junta torica.....	O-ring.....		
32	VOE 981291	1				O-ring.....	Joint Torique	O-Ring.....	Junta torica.....	O-ring.....		



1	11891076, 11891077	Hydrauloljetank Depósito de aceite hidráulico Hydrauliköltank Réservoir d'huile hydraulique Hydraulic oil tank	Catalogue id	Group
2	11891298		20017	911
3	11891324		Illustr. No	Section
4			1012768	200
5			Issue	Page
			VOE 63D9920017	505

VOLVO

BL60



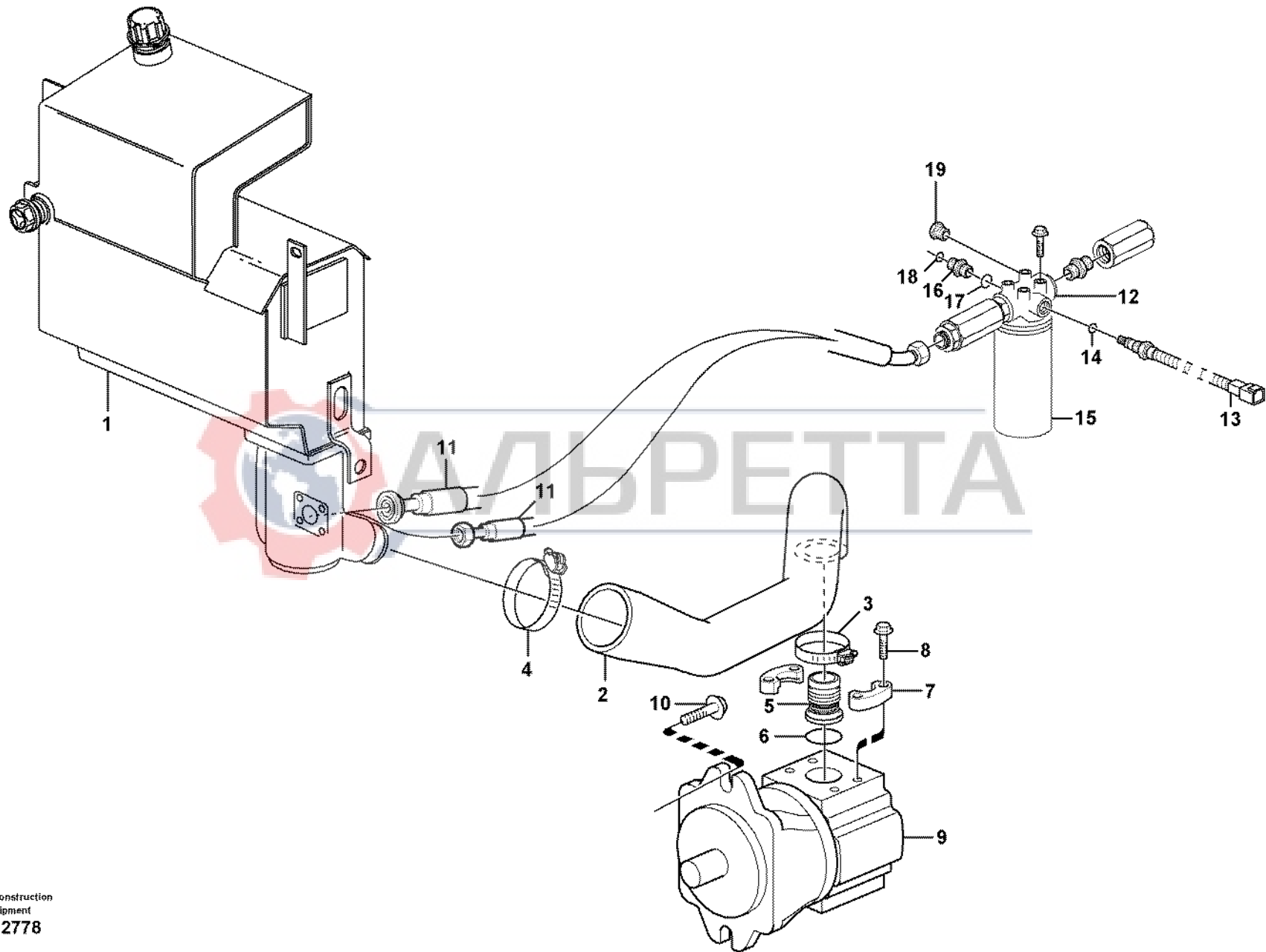


Fig.	Part No.	Quantity			P S	K I T	Description	Dénomination	Bezeichnung	Denominación	Benämning	Notes
		1	2	3								
1		1	1			Hydr fluid tank	Reservoir fluid.hydr. ...	Druckölbehälter	Dep Aceit Hidr	Hydrauloljetank.....	See group 911, Page 503	
2	VOE 11886177	1				Hose.....	Durit	Schlauch	Tubo flexible	Slang.....	(VOE 11885321)	
2	VOE 11886177		1			Hose.....	Durit	Schlauch	Tubo flexible	Slang.....		
3	VOE 943480	1				Hose Clamp	Collier Serrage	Schlauchschelle	Abraz Manguera.....	Slangklamma.....	ID = 70 MM	
3	VOE 11059298		1			Hose Clamp	Collier Serrage	Schlauchschelle	Abraz Manguera.....	Slangklamma.....	ID = 86MM	
4	VOE 943481	1				Hose Clamp	Collier Serrage	Schlauchschelle	Abraz Manguera.....	Slangklamma.....	ID = 80 MM	
4	VOE 11059299		1			Hose Clamp	Collier Serrage	Schlauchschelle	Abraz Manguera.....	Slangklamma.....	ID = 86MM	
5	VOE 11885308	1	1			Fitting	Ecrou raccord.....	Verschraubung.....	Racor.....	Förskruvning.....		
6	VOE 13949239	1	1			O-ring.....	Joint Torique	O-Ring.....	Junta torica.....	O-ring.....		
7	VOE 936620	2	2			Flange Half.....	Demi-bride	Flanschhälfte.....	Media brida	Flänshalva.....		
8	VOE 13965191	4	4			Flange screw.....	Vis à bride	Flanschschraube.....	Torn embridado.....	Flänsskruv.....		
9	VOE 11881939	1	1			Pump.....	Pompe.....	Pumpe.....	Bomba.....	Pump.....		
10	VOE 968589	2	2			Flange screw.....	Vis à bride	Flanschschraube.....	Torn embridado.....	Flänsskruv.....		
11		1	1			Hose assembly	Conduit flexible	Schlauchleitung.....	Conducto	Slangledning.....	See group 911, Page 511	
12	VOE 11882505	1	1			Filter.....	Filtre	Filter	Filtro	Filter.....		
13	VOE 11712309	1	1			•Sensor	•Capteur	•Geber	•Captador	•Givare.....		
14	VOE 932039	1	1			•O-ring.....	•Joint Torique	•O-Ring.....	•Junta torica	•O-ring.....		
15	VOE 11882353	1	1			•Oil Filter	•Filtre Huile.....	•Ölfiler.....	•Filtro Aceite.....	•Oljefilter.....		
16	VOE 13933862	1	1			Nipple.....	Raccord.....	Nippel.....	Niple	Nippel.....		
17	VOE 932042	1	1			•O-ring.....	•Joint Torique	•O-Ring.....	•Junta torica	•O-ring.....		
18	VOE 981289	1	1			•O-ring.....	•Joint Torique	•O-Ring.....	•Junta torica	•O-ring.....		
19	VOE 11882920	1	1			Plug.....	Bouchon.....	Stopfen.....	Tapon	Plugg.....		

2130) Ser No -10054, 10059-10060, 10063-10067

2131) Ser No 10055-10058, 10061-10062, 10068-

1	2130) .	Hydraulsystem, sugledning, filter Sistema hidráulico, conducto de aspiración, filtro Hydraulikanlage, Saugleitung, Filter Système hydraulique, conduit d'aspiration, filtre Hydraulic system, suction line, filter	Catalogue id	Group
2	2131) .		20017	911
3			Illustr. No	Section
4			1012778	250
5			Issue	Page
		11891076	VOE 63D9920017	507

VOLVO

BL60

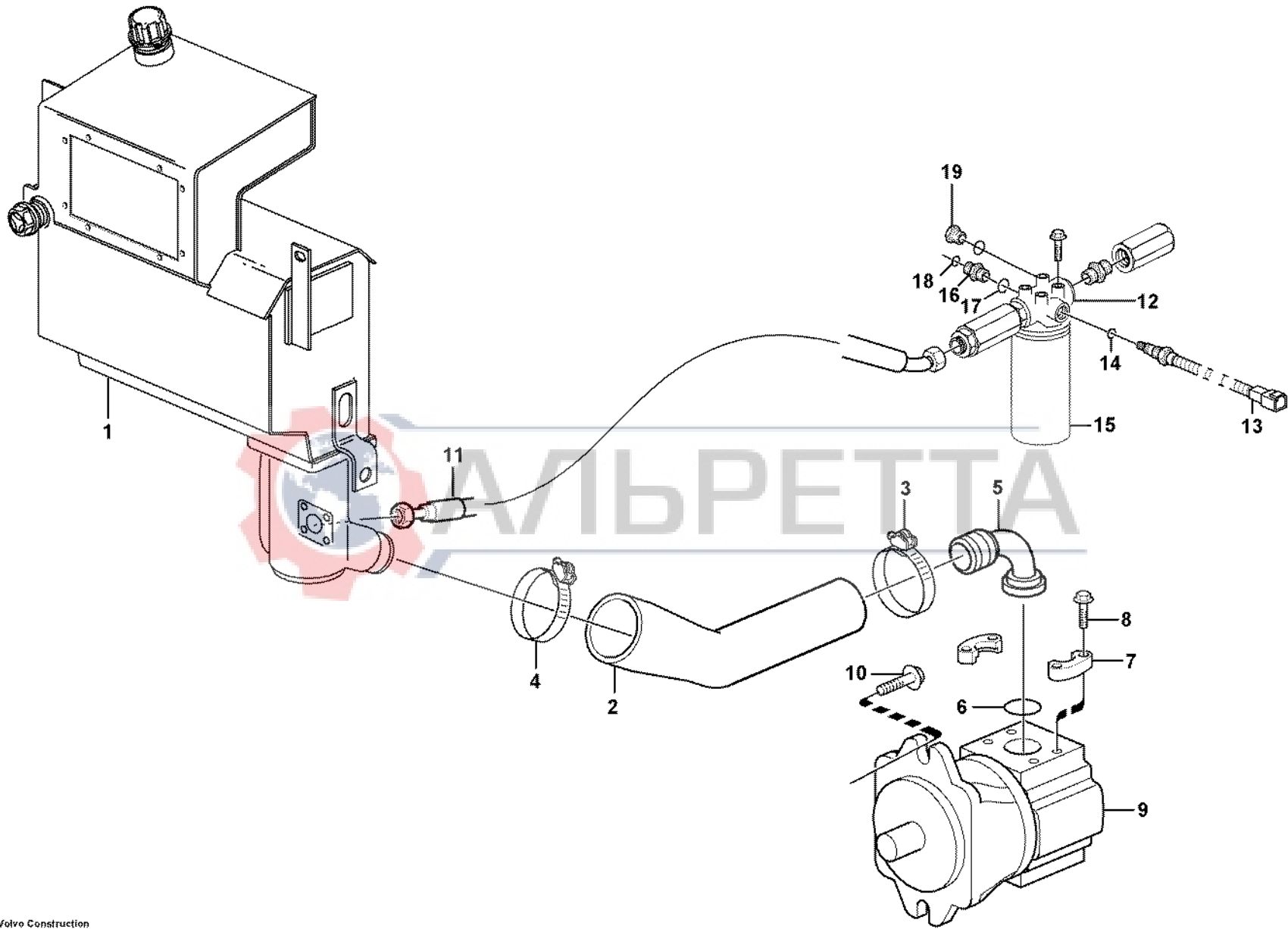
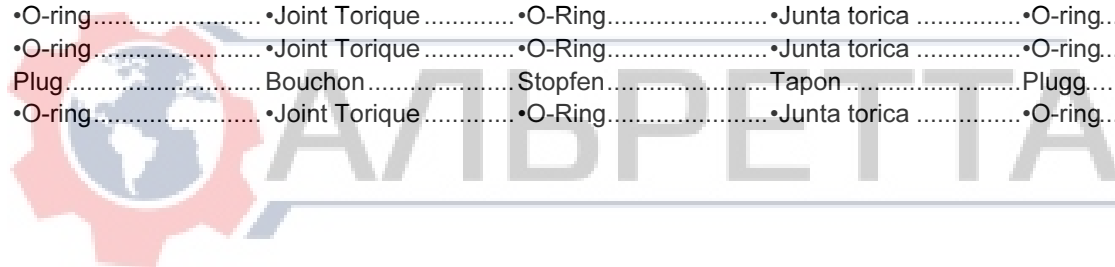


Fig.	Part No.	Quantity			P S	K I T	Description	Dénomination	Bezeichnung	Denominación	Benämning	Notes
		1	2	3								
1		1				Hydr fluid tank	Reservoir fluid.hydr.	Druckölbehälter	Dep Aceit Hidr	Hydrauloljetank.....	See group 911, Page 503	
2	VOE 11886420	1				Suction hose	Durit aspiration	Saugschlauch.....	Manguer aspirac	Sugslang.....		
3	VOE 11059298	1				Hose Clamp	Collier Serrage	Schlauchselle	Abraz Manguera.....	Slangklamma.....	ID = 86MM	
4	VOE 11059299	1				Hose Clamp	Collier Serrage	Schlauchselle	Abraz Manguera.....	Slangklamma.....	ID = 86MM	
5	VOE 11885780	1				Fitting	Ecrou raccord.....	Verschraubung.....	Racor.....	Förskruvning.....		
6	VOE 13949239	1				O-ring	Joint Torique	O-Ring	Junta torica.....	O-ring.....		
7	VOE 936620	2				Flange Half.....	Demi-bride	Flanschhälfte.....	Media brida	Flänshalva.....		
8	VOE 13965191	4				Flange screw.....	Vis à bride	Flanschschaube.....	Torn embridado	Flänsskruv.....		
9		1				Pump.....	Pompe.....	Pumpe.....	Bomba.....	Pump.....	See group 913, Page 599	
10	VOE 968589	2				Flange screw.....	Vis à bride	Flanschschaube.....	Torn embridado	Flänsskruv.....		
11		1				Hose assembly	Conduit flexible	Schlauchleitung.....	Conducto	Slangledning.....	See group 911, Page 511	
12	VOE 11882505	1				Filter	Filtre	Filter	Filtro	Filter.....	11880001	
13	VOE 11712309	1				•Sensor	•Capteur	•Geber.....	•Captador	•Givare.....	11880001	
14	VOE 932039	1				•O-ring.....	•Joint Torique	•O-Ring.....	•Junta torica	•O-ring.....	11880001	
15	VOE 11882353	1				•Oil Filter	•Filtre Huile.....	•Ölfilter.....	•Filtro Aceite	•Oljefilter.....	11880001	
16	VOE 13933862	1				Nipple	Raccord.....	Nippel.....	Niple	Nippel.....		
17	VOE 932042	1				•O-ring.....	•Joint Torique	•O-Ring.....	•Junta torica	•O-ring.....		
18	VOE 981289	1				•O-ring.....	•Joint Torique	•O-Ring.....	•Junta torica	•O-ring.....		
19	VOE 11882920	1				Plug.....	Bouchon	Stopfen.....	Tapon	Plugg.....	11880001	
20	VOE 932042	1				•O-ring.....	•Joint Torique	•O-Ring.....	•Junta torica	•O-ring.....	11880001	



1	Hydraulsystem, sugledning, filter Sistema hidráulico, conducto de aspiración, filtro Hydraulikanlage, Saugleitung, Filter Système hydraulique, conduit d'aspiration, filtre Hydraulic system, suction line, filter	Catalogue id	Group
2		20017	911
3		Illustr. No	Section
4		1013289	275
5		Issue	Page
	11891077	VOE 63D9920017	509



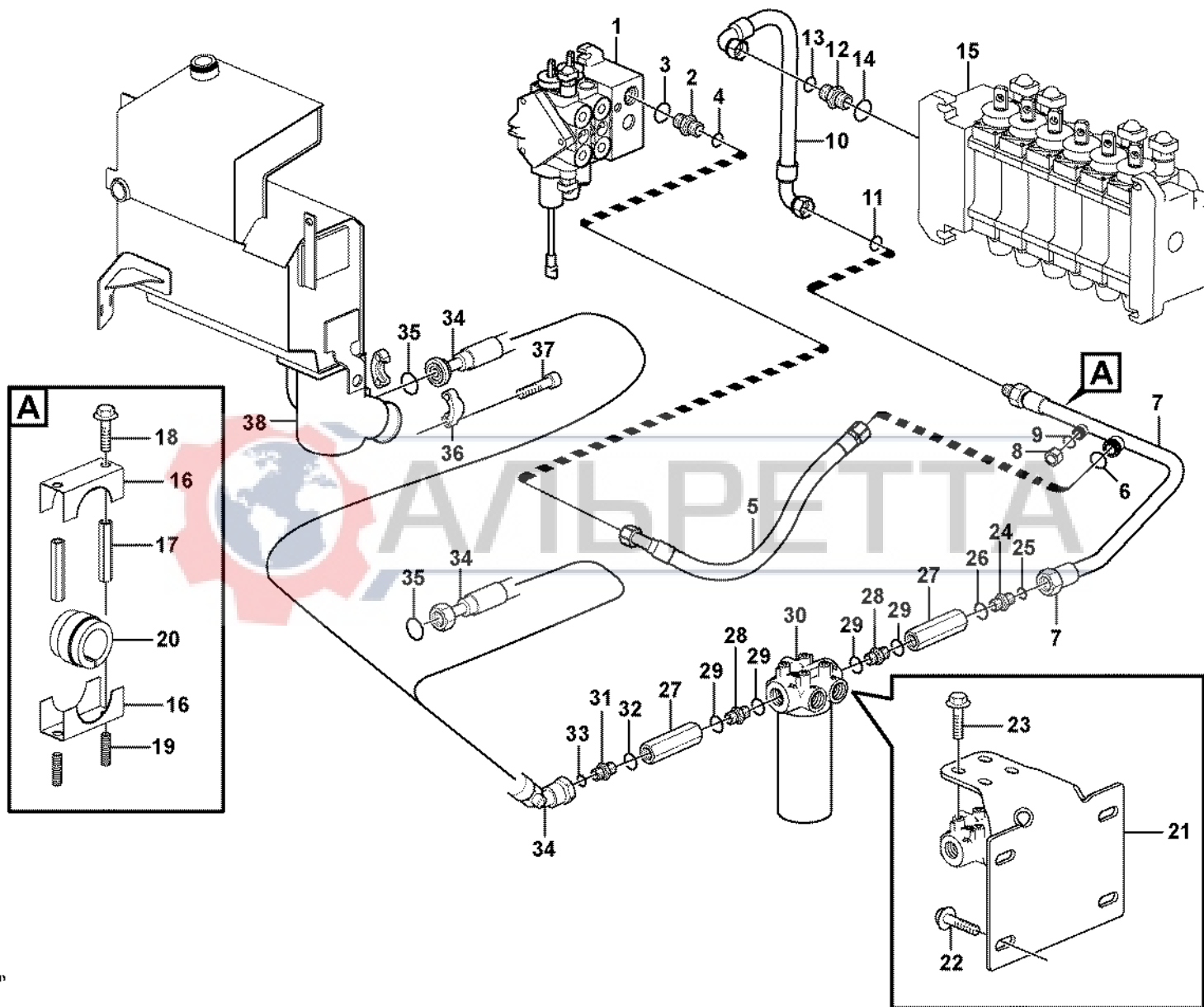


Fig.	Part No.	Quantity			P S	K I T	Description	Dénomination	Bezeichnung	Denominación	Benämning	Notes
		1	2	3								
1	VOE 11886541	1	1			Valve	Soupape	Ventil	Valvula	Ventil	See group 912, Page 579	
2	VOE 935229	1	1			Nipple	Raccord	Nippel	Niple	Nippel		
3	VOE 981290	1	1			•O-ring	•Joint Torique	•O-Ring	•Junta torica	•O-ring		
4	VOE 932043	1	1			•O-ring	•Joint Torique	•O-Ring	•Junta torica	•O-ring		
5	VOE 11885757	1	1			Hose	Durit	Schlauch	Tubo flexible	Slang		
6	VOE 981290	1	1			O-ring	Joint Torique	O-Ring	Junta torica	O-ring		
7	VOE 11885549	1	1			Tube	Tube	Rohr	Tubo	Rör		
8	VOE 935574	1	1			Plug	Bouchon	Stopfen	Tapon	Plugg		
9	VOE 4880493	1	1			O-ring	Joint Torique	O-Ring	Junta torica	O-ring		
10	VOE 11885255	1	1			Hose	Durit	Schlauch	Tubo flexible	Slang		
11	VOE 981290	1	1			O-ring	Joint Torique	O-Ring	Junta torica	O-ring		
12	VOE 935229	1	1			Nipple	Raccord	Nippel	Niple	Nippel		
13	VOE 981290	1	1			•O-ring	•Joint Torique	•O-Ring	•Junta torica	•O-ring		
14	VOE 932043	1	1			•O-ring	•Joint Torique	•O-Ring	•Junta torica	•O-ring		
15		1	1			Valve	Soupape	Ventil	Valvula	Ventil		See group 912, Page 589
16	VOE 11884642	2	2			Support	Support	Stütze	Apoyo	Stöd		
17	VOE 11884640	2	2			Spacer	Partie Intermédiaire	Zwischenstück	Espaciador	Mellandel		
18	VOE 946329	2	2			Flange screw	Vis à bride	Flanschschaube	Torn embridado	Flänsskruv		
19	VOE 11884641	2	2			Stud	Goujon	Stiftschraube	Esparrago	Pinnskruv		
20	VOE 11885518	1	1			Bushing	Bague	Buchse	Casquillo	Bussning		
21		1	1	NS		Bracket	Console	Konsole	Ménsula	Konsol	SER NO -10327	
22	VOE 965225	4	4			Flange screw	Vis à bride	Flanschschaube	Torn embridado	Flänsskruv	SER NO -10327	
23	VOE 946441	4	4			Flange screw	Vis à bride	Flanschschaube	Torn embridado	Flänsskruv		
24	VOE 936122	1	1			Nipple	Raccord	Nippel	Niple	Nippel		
25	VOE 4880492	1	1			O-ring	Joint Torique	O-Ring	Junta torica	O-ring		
26	VOE 14211861	1	1			Sealing ring	Bague d'étanchéité	Runddichtring	Anillo reten	Tättningsring		
27	VOE 11882347	2	2			Check valve	Valve antiretour	Rückschlagventil	Válvula de retención	Backventil		
28	VOE 11883508	2	2			Nipple	Raccord	Nippel	Niple	Nippel		

2130) Ser No -10054, 10059-10060, 10063-10067

2131) Ser No 10055-10058, 10061-10062, 10068-

1	2130) .	Hydraulsystem, returledning Sistema hidráulico, conducto de retorno Druckölsystem, Rücklaufleitung Système hydraulique, conduit retour Hydraulic system, return line S/N - 10938	Catalogue id	Group
2	2131) .		20017	911
3			Illustr. No	Section
4			1012779	300
5			Issue	Page
			VOE 63D9920017	511

VOLVO

BL60

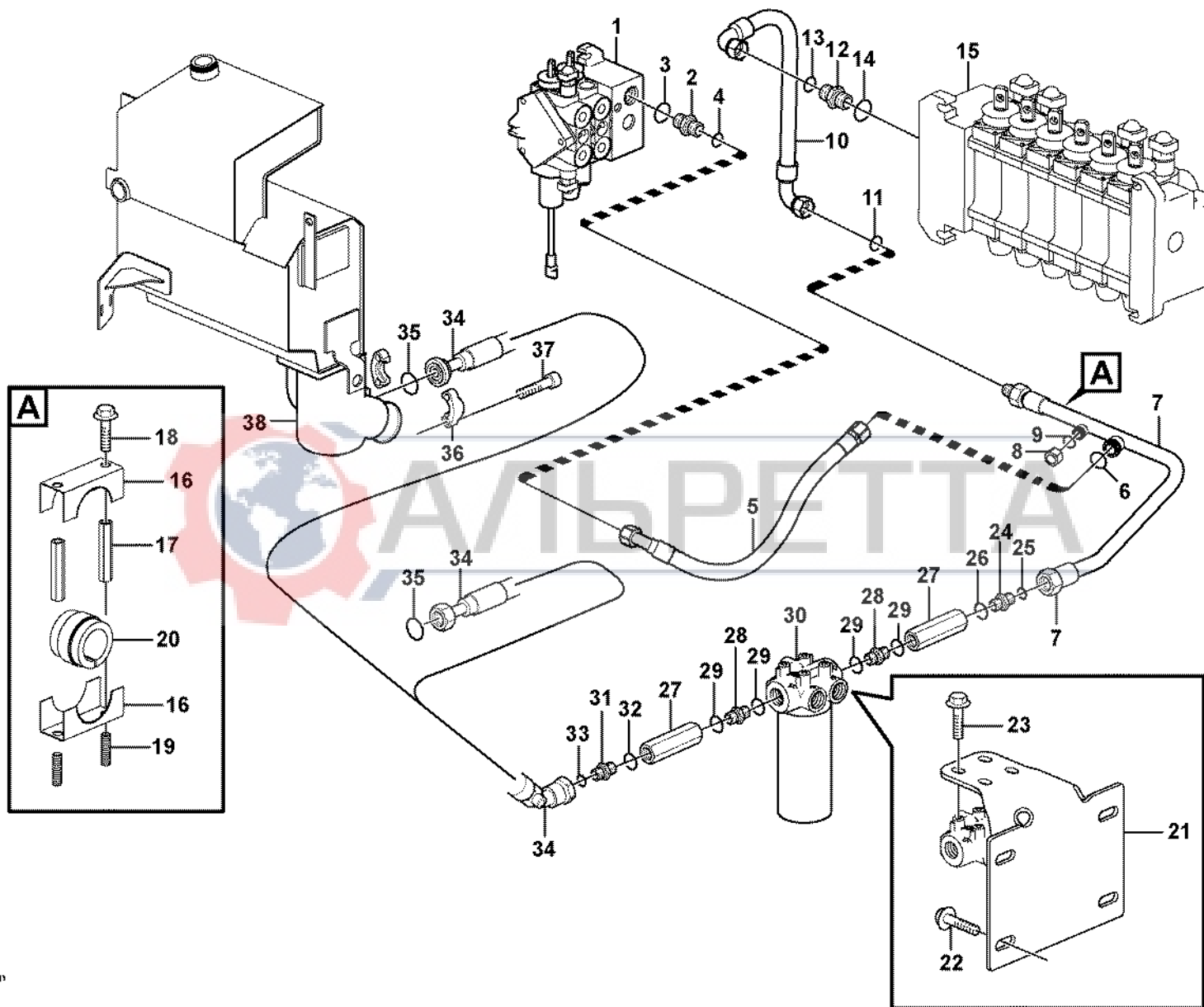


Fig.	Part No.	Quantity			P S	K I T	Description	Dénomination	Bezeichnung	Denominación	Benämning	Notes
		1	2	3								
29	VOE 11883682	4	4			Seal.....	Joint	Dichtring	Junta	Tätning.....		
30		1	1			Filter.....	Filtre	Filter	Filtro	Filter.....	See group 911, Page 507	
31	VOE 936122	1	1			Nipple.....	Raccord.....	Nippel	Niple	Nippel.....		
32	VOE 14211861	1	1			Sealing ring	Bague d'étanchéité	Runddichtring	Anillo reten	Tätningsring.....		
33	VOE 4880492	1	1			O-ring	Joint Torique	O-Ring	Junta torica.....	O-ring.....		
34	VOE 11881378	1				Hose assembly	Conduit flexible	Schlauchleitung.....	Conducto.....	Slangledning.....		
34	VOE 11886151		1			Hose.....	Durit	Schlauch	Tubo flexible.....	Slang.....		
35	VOE 13949238	1				O-ring	Joint Torique	O-Ring	Junta torica.....	O-ring.....		
35	VOE 981291		1			O-ring	Joint Torique	O-Ring	Junta torica.....	O-ring.....		
36	VOE 11881376	2				Flange.....	Flasque	Flansch.....	Brida.....	Fläns.....		
37	VOE 967635	4				Allen Hd Screw	Vis A 6 Pans Cr.....	Inbusschraube.....	Tom Hex Embut.....	Insexskruv.....		
38		1	1			Bowl.....	Coussinet.....	Schale	Taza	Skål.....	See group 911, Page 503	



2130) Ser No -10054, 10059-10060, 10063-10067

2131) Ser No 10055-10058, 10061-10062, 10068-

1	2130) .	Hydraulsystem, returledning Sistema hidráulico, conducto de retorno Druckölsystem, Rücklaufleitung Système hydraulique, conduit retour Hydraulic system, return line S/N - 10938	Catalogue id	Group
2	2131) .		20017	911
3			Illustr. No	Section
4			1012779	300
5			Issue	Page
			VOE 63D9920017	513

VOLVO

BL60



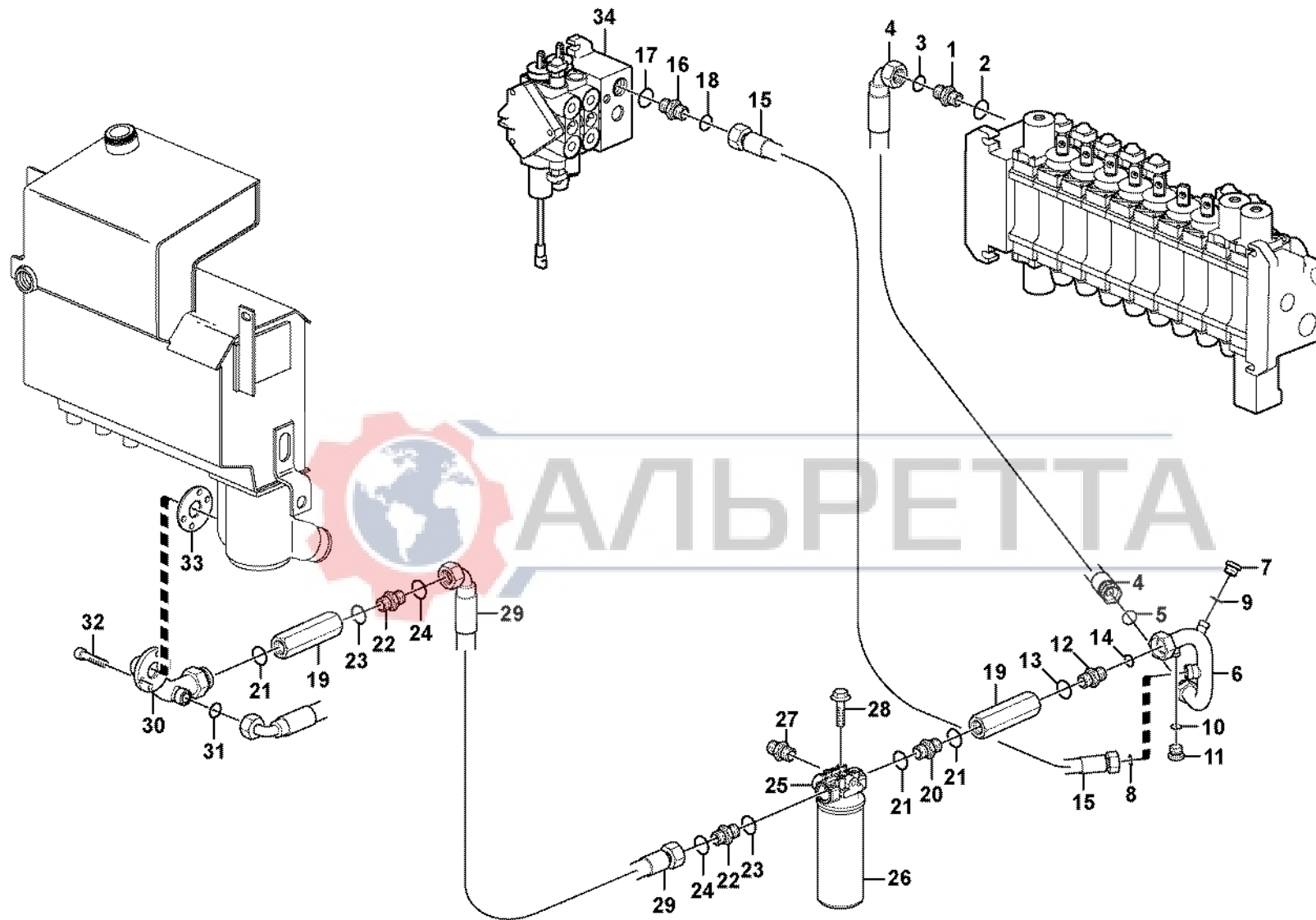


Fig.	Part No.	Quantity			P S	K I T	Description	Dénomination	Bezeichnung	Denominación	Benämning	Notes
		1	2	3								
1	VOE 935229	1				Nipple.....	Raccord.....	Nippel.....	Niple.....	Nippel.....		
2	VOE 981290	1				•O-ring.....	•Joint Torique.....	•O-Ring.....	•Junta torica.....	•O-ring.....		
3	VOE 932043	1				•O-ring.....	•Joint Torique.....	•O-Ring.....	•Junta torica.....	•O-ring.....		
4	VOE 937991	1				Hose assembly.....	Conduit flexible.....	Schlauchleitung.....	Conducto.....	Slangledning.....	L = 900 MM	
5	VOE 981290	1				O-ring.....	Joint Torique.....	O-Ring.....	Junta torica.....	O-ring.....		
6	VOE 11888525	1				Tube Assembly.....	Tuyauterie.....	Rohrleitung.....	Tuberia.....	Rörledning.....		
7	VOE 935575	1				Plug.....	Bouchon.....	Stopfen.....	Tapon.....	Plugg.....		
8	VOE 981290	1				O-ring.....	Joint Torique.....	O-Ring.....	Junta torica.....	O-ring.....		
9	VOE 990739	1				O-ring.....	Joint Torique.....	O-Ring.....	Junta torica.....	O-ring.....		
10	VOE 990738	1				O-ring.....	Joint Torique.....	O-Ring.....	Junta torica.....	O-ring.....		
11	VOE 935574	1				Plug.....	Bouchon.....	Stopfen.....	Tapon.....	Plugg.....		
12	VOE 936122	1				Nipple.....	Raccord.....	Nippel.....	Niple.....	Nippel.....		
13	VOE 14211861	1				•Sealing ring.....	•Bague d'étanchéité.....	•Runddichtring.....	•Anillo reten.....	•Tätningsring.....		
14	VOE 981291	1				•O-ring.....	•Joint Torique.....	•O-Ring.....	•Junta torica.....	•O-ring.....		
15	VOE 937990	1				Hose assembly.....	Conduit flexible.....	Schlauchleitung.....	Conducto.....	Slangledning.....	L = 650 MM	
16	VOE 935229	1				Nipple.....	Raccord.....	Nippel.....	Niple.....	Nippel.....		
17	VOE 981290	1				•O-ring.....	•Joint Torique.....	•O-Ring.....	•Junta torica.....	•O-ring.....		
18	VOE 932043	1				•O-ring.....	•Joint Torique.....	•O-Ring.....	•Junta torica.....	•O-ring.....		
19	VOE 11882347	2				Check valve.....	Valve antiretour.....	Rückschlagventil.....	Válvula de retención.....	Backventil.....		
20	VOE 11883508	1				Nipple.....	Raccord.....	Nippel.....	Niple.....	Nippel.....		
21	VOE 11883682	3				Seal.....	Joint.....	Dichtring.....	Junta.....	Tätning.....		
22	VOE 11888088	2				Fitting.....	Ecrou raccord.....	Verschraubung.....	Racor.....	Förskruvning.....		
23	VOE 14211861	1				•Sealing ring.....	•Bague d'étanchéité.....	•Runddichtring.....	•Anillo reten.....	•Tätningsring.....		
24	VOE 981290	1				•O-ring.....	•Joint Torique.....	•O-Ring.....	•Junta torica.....	•O-ring.....		
25	VOE 11882505	1				Filter.....	Filtre.....	Filter.....	Filtro.....	Filter.....		
26		1			NS	•Filter Cartridge.....	•Element Filtre.....	•Filterpatrone.....	•Patron Filtrant.....	•Filterpatron.....		
27		1			NS	•Sensor.....	•Capteur.....	•Geber.....	•Captador.....	•Givare.....		
28	VOE 946441	4				Flange screw.....	Vis à bride.....	Flanschschraube.....	Torn embridado.....	Flänsskruv.....		
29	VOE 937966	1				Hose assembly.....	Conduit flexible.....	Schlauchleitung.....	Conducto.....	Slangledning.....		
30	VOE 11888080	1				Tube.....	Tube.....	Rohr.....	Tubo.....	Rör.....		

1		Hydraulsystem, returledning Sistema hidráulico, conducto de retorno Druckölsystem, Rücklaufleitung Système hydraulique, conduit retour Hydraulic system, return line S/N 10939 -	Catalogue id	Group
2			20017	911
3			Illustr. No	Section
4			1024749	310
5			Issue	Page
			VOE 63D9920017	515

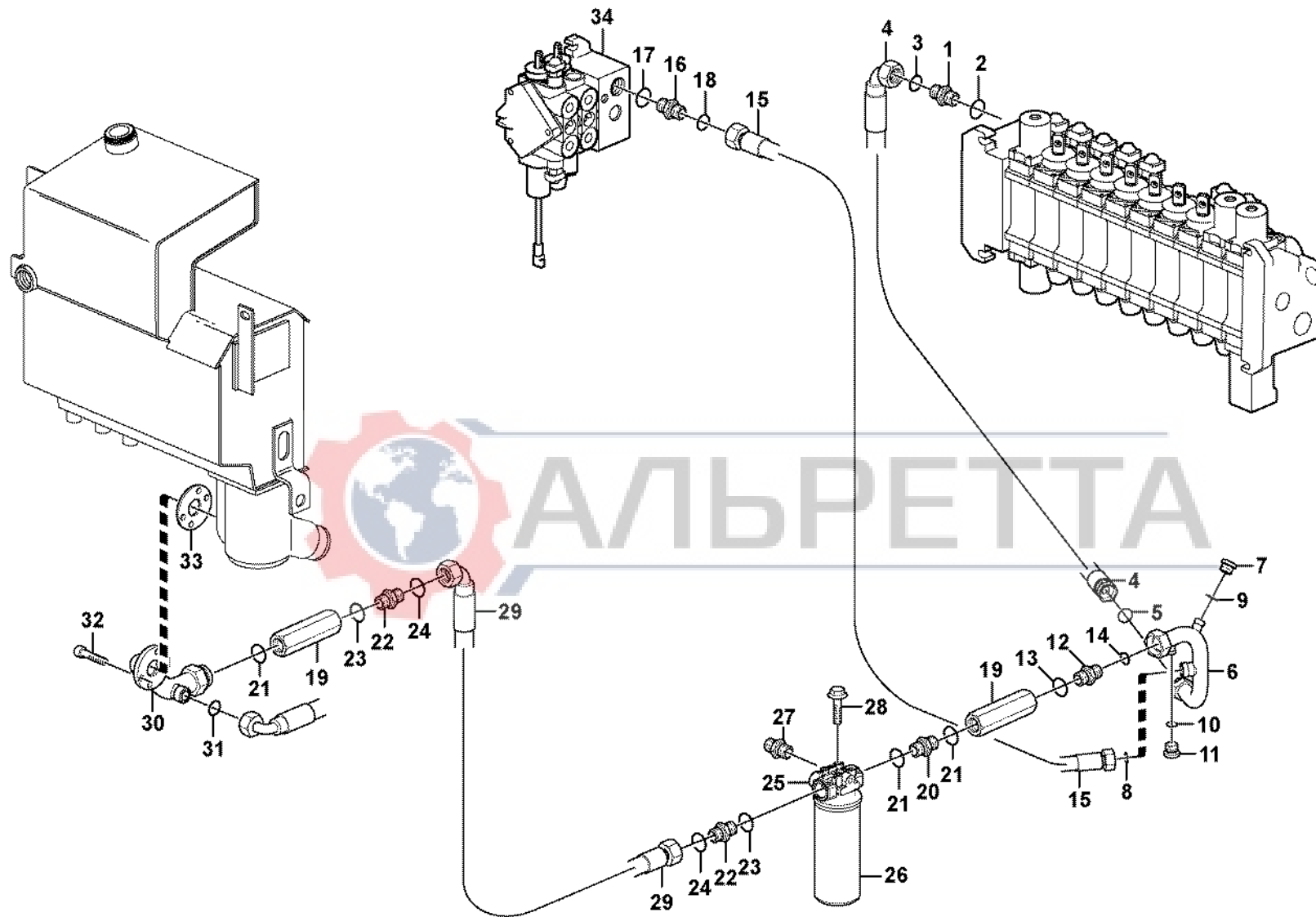


Fig.	Part No.	Quantity			P S	K I T	Description	Dénomination	Bezeichnung	Denominación	Benämning	Notes
		1	2	3								
31	VOE 990740	1				O-ring	Joint Torique	O-Ring	Junta torica	O-ring		
32	VOE 959238	4				Allen Hd Screw	Vis A 6 Pans Cr	Inbusschraube	Torn Hex Embut	Insexskruv		
33	VOE 11886430	1				Gasket	Joint	Dichtung	Junta	Packning		
34		1				Valve	Soupape	Ventil	Valvula	Ventil	See group 912, Page 579	

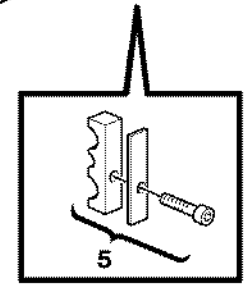
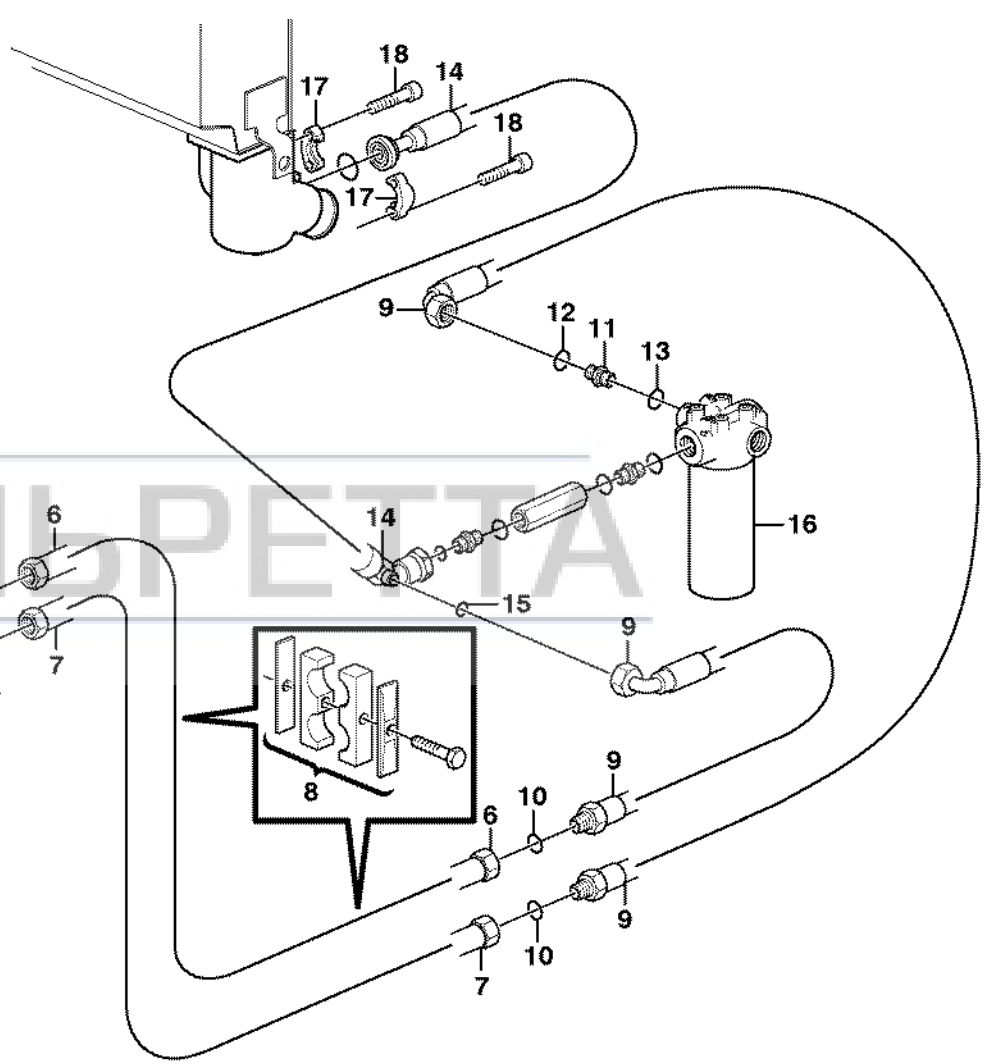
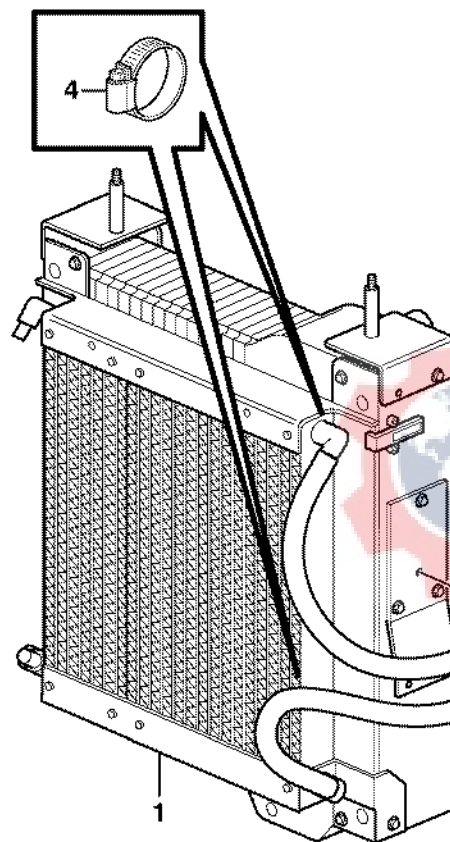


1		Hydraulsystem, returledning Sistema hidráulico, conducto de retorno Druckölsystem, Rücklaufleitung Système hydraulique, conduit retour Hydraulic system, return line S/N 10939 -	Catalogue id	Group
2			20017	911
3			Illustr. No	Section
4			1024749	310
5			Issue	Page
			VOE 63D9920017	517

VOLVO

BL60

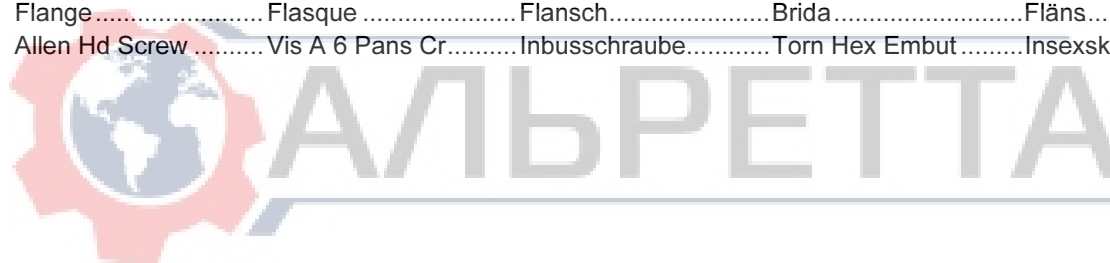




Volvo Construction
Equipment
1009094

АЛБРЕТТА

Fig.	Part No.	Quantity			P S	K I T	Description	Dénomination	Bezeichnung	Denominación	Benämning	Notes
		1	2	3								
1		1				Oil Cooler.....	Refroidisseur huile	Ölkühler.....	Enfriadores aceite	Oljekylare.....	See group 261, Page 109	
2	VOE 11882738	2				Hose.....	Durit	Schlauch	Tubo flexible.....	Slang.....		
3	VOE 981289	1				•O-ring.....	•Joint Torique	•O-Ring.....	•Junta torica	•O-ring.....		
4	VOE 943473	2				Hose Clamp	Collier Serrage	Schlauchschelle	Abraz Manguera.....	Slangklamma.....		
5	VOE 11885543	1				Clamp.....	Pince Serrage	Klemme	Abrazadera.....	Klämma.....		
6	VOE 11884808	1				Tube.....	Tube.....	Rohr	Tubo	Rör.....		
7	VOE 11882912	1				Tube.....	Tube.....	Rohr	Tubo	Rör.....		
8	VOE 11882856	2				Clamp.....	Pince Serrage	Klemme	Abrazadera.....	Klämma.....		
9	VOE 11882737	2				Hose.....	Durit	Schlauch	Tubo flexible.....	Slang.....		
10	VOE 981289	1				•O-ring.....	•Joint Torique	•O-Ring.....	•Junta torica	•O-ring.....		
11	VOE 13933862	1				Nipple.....	Raccord.....	Nippel.....	Niple	Nippel.....		
12	VOE 981289	1				•O-ring.....	•Joint Torique	•O-Ring.....	•Junta torica	•O-ring.....		
13	VOE 932042	1				•O-ring.....	•Joint Torique	•O-Ring.....	•Junta torica	•O-ring.....		
14		1				Hose assembly	Conduit flexible	Schlauchleitung.....	Conducto.....	Slangledning.....	See group 911, Page 511	
15	VOE 981289	1				•O-ring.....	•Joint Torique	•O-Ring.....	•Junta torica	•O-ring.....		
16	11882505	1				Filter.....	Filtre	Filter	Filtro	Filter.....	See group 911, Page 511	
17	VOE 11881376	1				Flange.....	Flasque	Flansch.....	Brida.....	Fläns.....		
18	VOE 967635	4				Allen Hd Screw	Vis A 6 Pans Cr.....	Inbusschraube.....	Torn Hex Embut.....	Insexskruv.....		

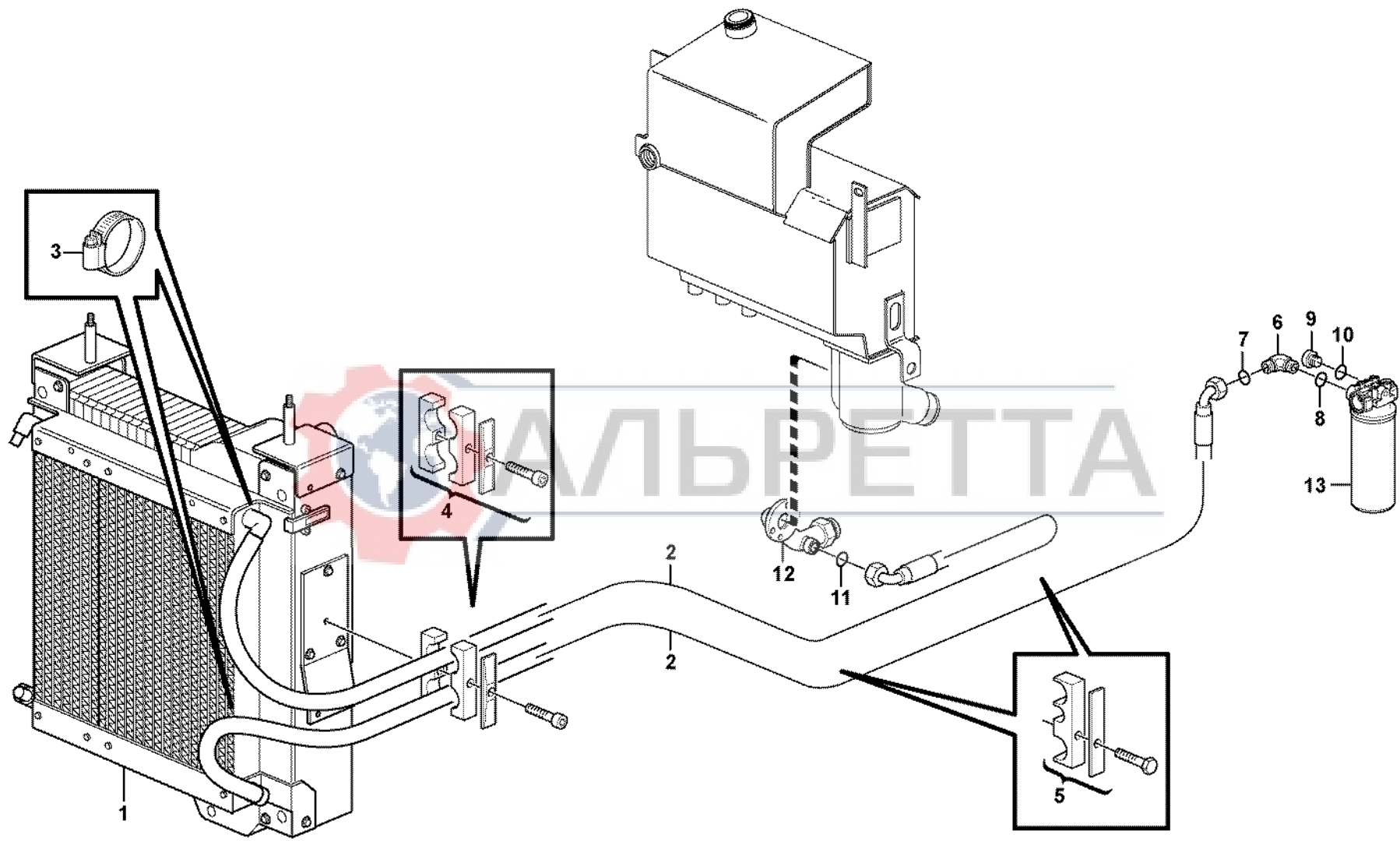


1		Hydrauloljekylare	Catalogue id	Group
2		Enfriador de aceite hidráulico	20017	911
3		Hydraulikölkühler	Illustr. No	Section
4		Radiateur huile	1009094	325
5		Hydraulic oil cooler	Issue	Page
		S/N - 10938	VOE 63D9920017	519

VOLVO

BL60





АЛЬРЕТТА

Fig.	Part No.	Quantity			P S	K I T	Description	Dénomination	Bezeichnung	Denominación	Benämning	Notes
		1	2	3								
1		1				Oil Cooler.....	Refroidisseur huile	Ölkühler.....	Enfriadores aceite	Oljekylare.....	See group 261, Page 109	
2	VOE 11888461	2				Hose assembly	Conduit flexible	Schlauchleitung.....	Conducto.....	Slangledning.....		
3	VOE 943473	2				Hose Clamp	Collier Serrage	Schlauchschelle	Abraz Manguera.....	Slangklamma.....		
4	VOE 11885543	1				Clamp.....	Pince Serrage	Klemme	Abrazadera.....	Klämma.....		
5	VOE 11888715	2				Clamp.....	Pince Serrage	Klemme	Abrazadera.....	Klämma.....		
6	VOE 13933864	1				Elbow nipple.....	Raccord angulaire.....	Winkelnippel.....	Niple angular	Vinkelnippel.....		
7	VOE 990740	1				•O-ring.....	•Joint Torique	•O-Ring.....	•Junta torica	•O-ring.....		
8	VOE 932042	1				•O-ring.....	•Joint Torique	•O-Ring.....	•Junta torica	•O-ring.....		
9	VOE 11882920	1				Plug.....	Bouchon.....	Stopfen.....	Tapon	Plugg.....		
10	VOE 932042	1				•O-ring.....	•Joint Torique	•O-Ring.....	•Junta torica	•O-ring.....		
11	VOE 990740	1				O-ring.....	Joint Torique	O-Ring.....	Junta torica.....	O-ring.....		
12		1				Tube.....	Tube.....	Rohr	Tube	Rör.....	See group 911, Page 515	
13		1				Filter.....	Filtre	Filter	Filtro	Filter.....	See group 911, Page 515	



1		Hydrauloljekylare Enfriador de aceite hidráulico Hydraulikölkühler Radiateur huile Hydraulic oil cooler S/N 10939 -	Catalogue id	Group
2			20017	911
3			Illustr. No	Section
4			1024601	330
5			Issue	Page
			VOE 63D9920017	521

VOLVO

BL60



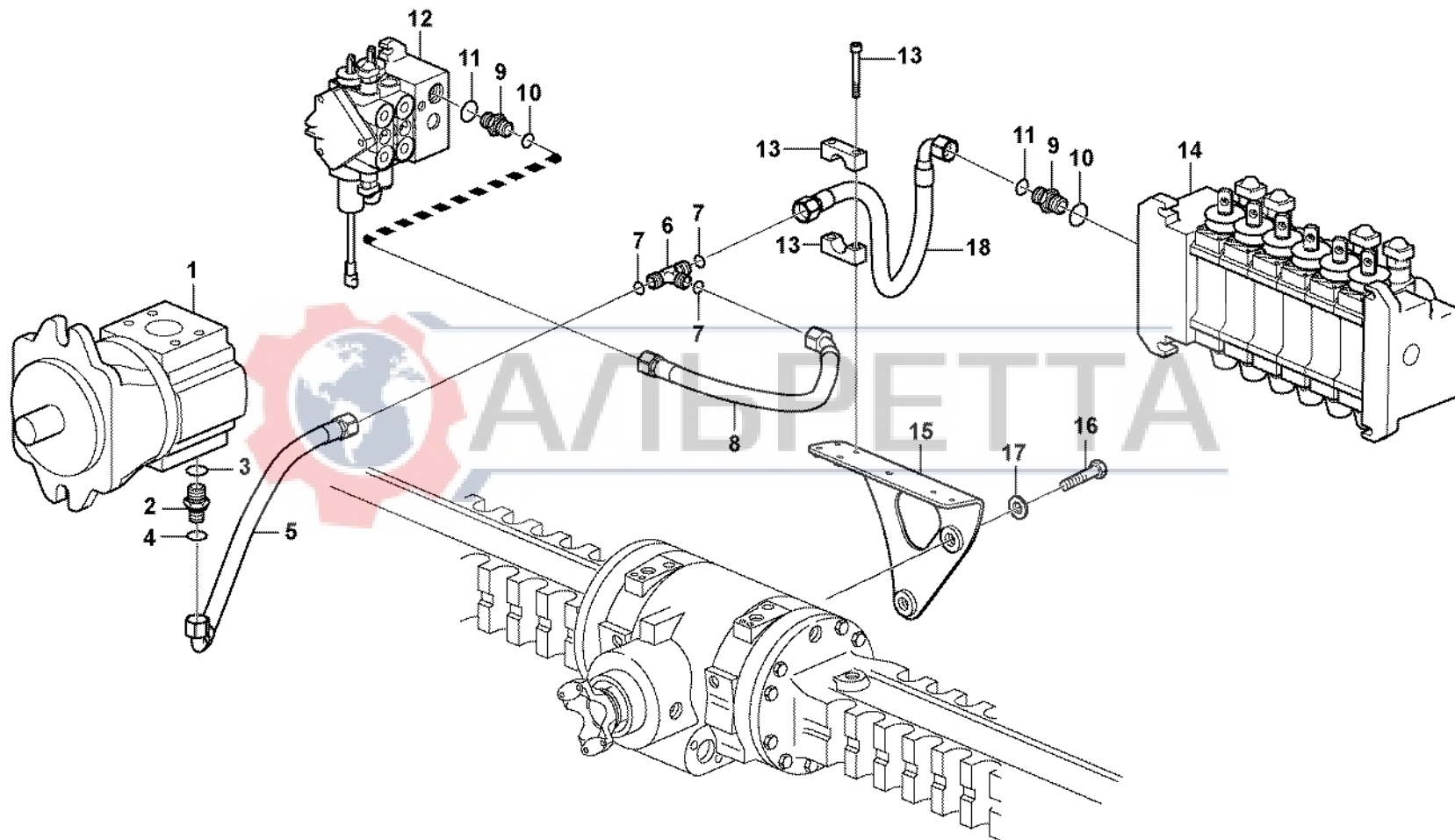


Fig.	Part No.	Quantity			P S	K I T	Description	Dénomination	Bezeichnung	Denominación	Benämning	Notes
		1	2	3								
1		1				Pump.....	Pompe.....	Pumpe.....	Bomba.....	Pump.....	See group 911, Page 507	
2	VOE 936070	1				Nipple.....	Raccord.....	Nippel.....	Niple.....	Nippel.....		
3	VOE 983123	1				•O-ring.....	•Joint Torique.....	•O-Ring.....	•Junta torica.....	•O-ring.....		
4	VOE 983024	1				•O-ring.....	•Joint Torique.....	•O-Ring.....	•Junta torica.....	•O-ring.....		
5	VOE 11885256	1				Hose.....	Durit.....	Schlauch.....	Tubo flexible.....	Slang.....	L = 650MM; SER NO -10430	
5	VOE 11886945	1				Hose.....	Durit.....	Schlauch.....	Tubo flexible.....	Slang.....	L = 700MM; SER NO 10431-	
6	VOE 11881387	1				Fitting.....	Raccord tuyau.....	Rohrkupplung.....	Acoplamiento Tubo.....	Rörkoppling.....		
7	VOE 981289	3				•O-ring.....	•Joint Torique.....	•O-Ring.....	•Junta torica.....	•O-ring.....		
8	VOE 11885517	1				Hose.....	Durit.....	Schlauch.....	Tubo flexible.....	Slang.....	L = 640 MM	
9	VOE 13933862	2				Nipple.....	Raccord.....	Nippel.....	Niple.....	Nippel.....		
10	VOE 981289	1				•O-ring.....	•Joint Torique.....	•O-Ring.....	•Junta torica.....	•O-ring.....		
11	VOE 932042	1				•O-ring.....	•Joint Torique.....	•O-Ring.....	•Junta torica.....	•O-ring.....		
12		1				Valve.....	Soupape.....	Ventil.....	Valvula.....	Ventil.....	See group 912, Page 579	
13	VOE 11885762	1				Clamp.....	Pince Serrage.....	Klemme.....	Abrazadera.....	Klämma.....		
14		1				Valve.....	Soupape.....	Ventil.....	Valvula.....	Ventil.....	See group 912, Page 589	
15		1			NS	Plate.....	Plaque.....	Platte.....	Placa.....	Platta.....	SER NO -10146	
15		1			NS	Plate.....	Plaque.....	Platte.....	Placa.....	Platta.....	SER NO 10147-	
16	VOE 984190	2				Hexagon screw.....	Vis tête hexagonale.....	Sechskantschraube.....	Tornillo hexago.....	Sexkantsskruv.....	SER NO -10146	
17	VOE 955901	2				Washer.....	Rondelle.....	Scheibe.....	Arandela.....	Bricka.....	SER NO -10146	
18	VOE 11885256	1				Hose.....	Durit.....	Schlauch.....	Tubo flexible.....	Slang.....		



1		Hydraulsystem, tryckledningar Sistema hidráulico, conducto presión Hydraulikanlage, Druckleitungen Systeme Hydr. conduit alimentation Hydraulic system, feed line S/N - 10938	Catalogue id	Group
2			20017	911
3			Illustr. No	Section
4			1009315	350
5			Issue	Page
			VOE 63D9920017	523

VOLVO

BL60



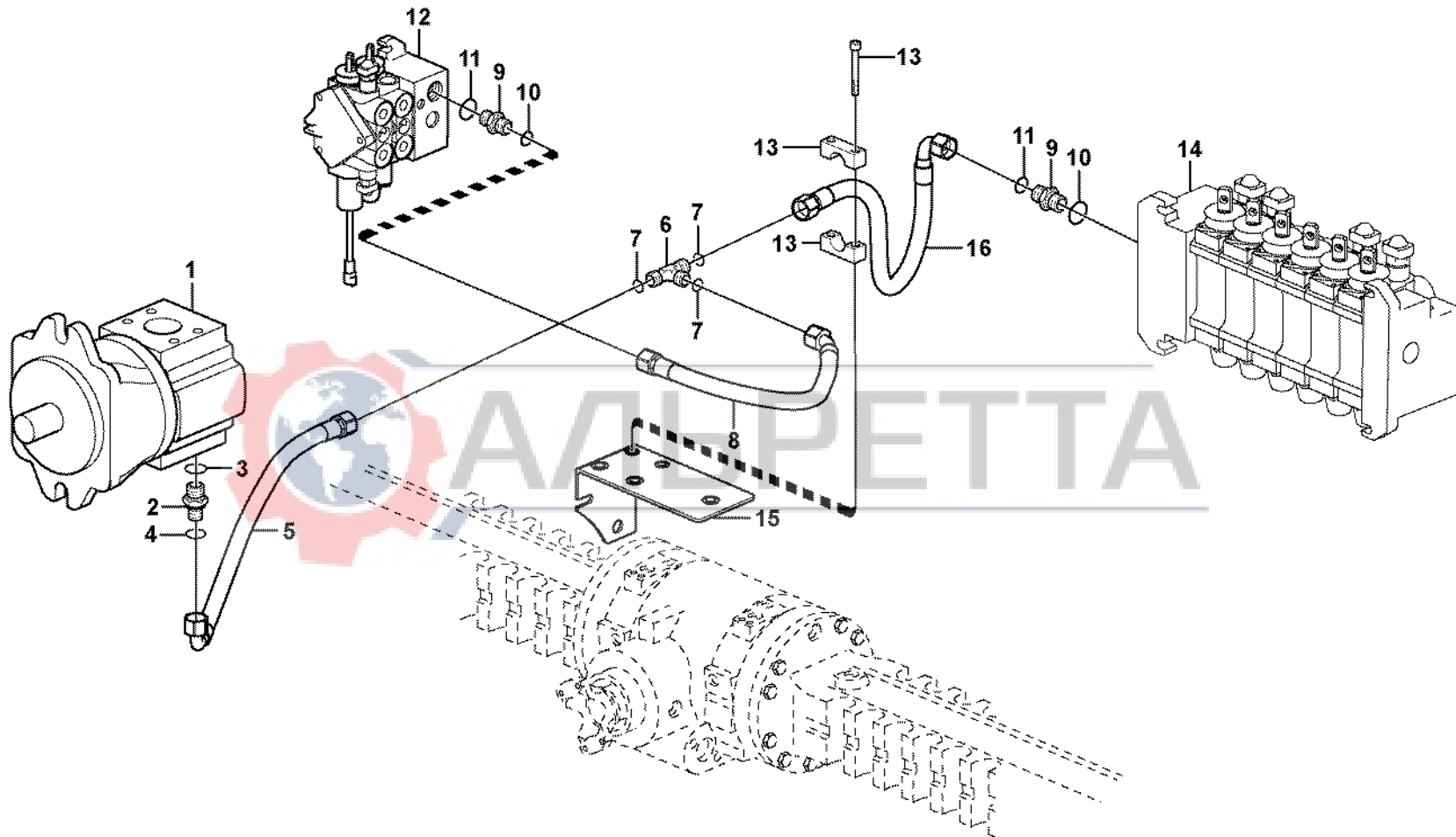


Fig.	Part No.	Quantity			P S	K I T	Description	Dénomination	Bezeichnung	Denominación	Benämning	Notes
		1	2	3								
1		1				Pump.....	Pompe.....	Pumpe.....	Bomba.....	Pump.....	See group 911, Page 507	
2	VOE 936070	1				Nipple.....	Raccord.....	Nippel.....	Niple.....	Nippel.....		
3	VOE 983123	1				•O-ring.....	•Joint Torique.....	•O-Ring.....	•Junta torica.....	•O-ring.....		
4	VOE 983024	1				•O-ring.....	•Joint Torique.....	•O-Ring.....	•Junta torica.....	•O-ring.....		
5	VOE 11886945	1				Hose.....	Durit.....	Schlauch.....	Tubo flexible.....	Slang.....		
6	VOE 11881387	1				Fitting.....	Raccord tuyau.....	Rohrkupplung.....	Acoplamiento Tubo.....	Rörkoppling.....		
7	VOE 981289	3				•O-ring.....	•Joint Torique.....	•O-Ring.....	•Junta torica.....	•O-ring.....		
8	VOE 11431003	1				Hose assembly.....	Conduit flexible.....	Schlauchleitung.....	Conducto.....	Slangledning.....		
9	VOE 13933862	2				Nipple.....	Raccord.....	Nippel.....	Niple.....	Nippel.....		
10	VOE 981289	1				•O-ring.....	•Joint Torique.....	•O-Ring.....	•Junta torica.....	•O-ring.....		
11	VOE 932042	1				•O-ring.....	•Joint Torique.....	•O-Ring.....	•Junta torica.....	•O-ring.....		
12		1				Valve.....	Soupape.....	Ventil.....	Valvula.....	Ventil.....	See group 912, Page 579	
13	VOE 13965178	2				Screw.....	Vis.....	Schraube.....	Tornillo.....	Skruv.....		
14	VOE 11885762	1				Clamp.....	Pince Serrage.....	Klemme.....	Abrazadera.....	Klämma.....		
15	VOE 13949278	1				Flange Lock Nut.....	Contre écrou bride.....	Flanschmutter.....	Contratuer Embr.....	Flänslåsmutter.....		
16	VOE 11431014	1				Hose assembly.....	Conduit flexible.....	Schlauchleitung.....	Conducto.....	Slangledning.....		
17		1				Valve.....	Soupape.....	Ventil.....	Valvula.....	Ventil.....	See group 912, Page 589	
18		1			NS	Bracket.....	Console.....	Konsole.....	Ménsula.....	Konsol.....		

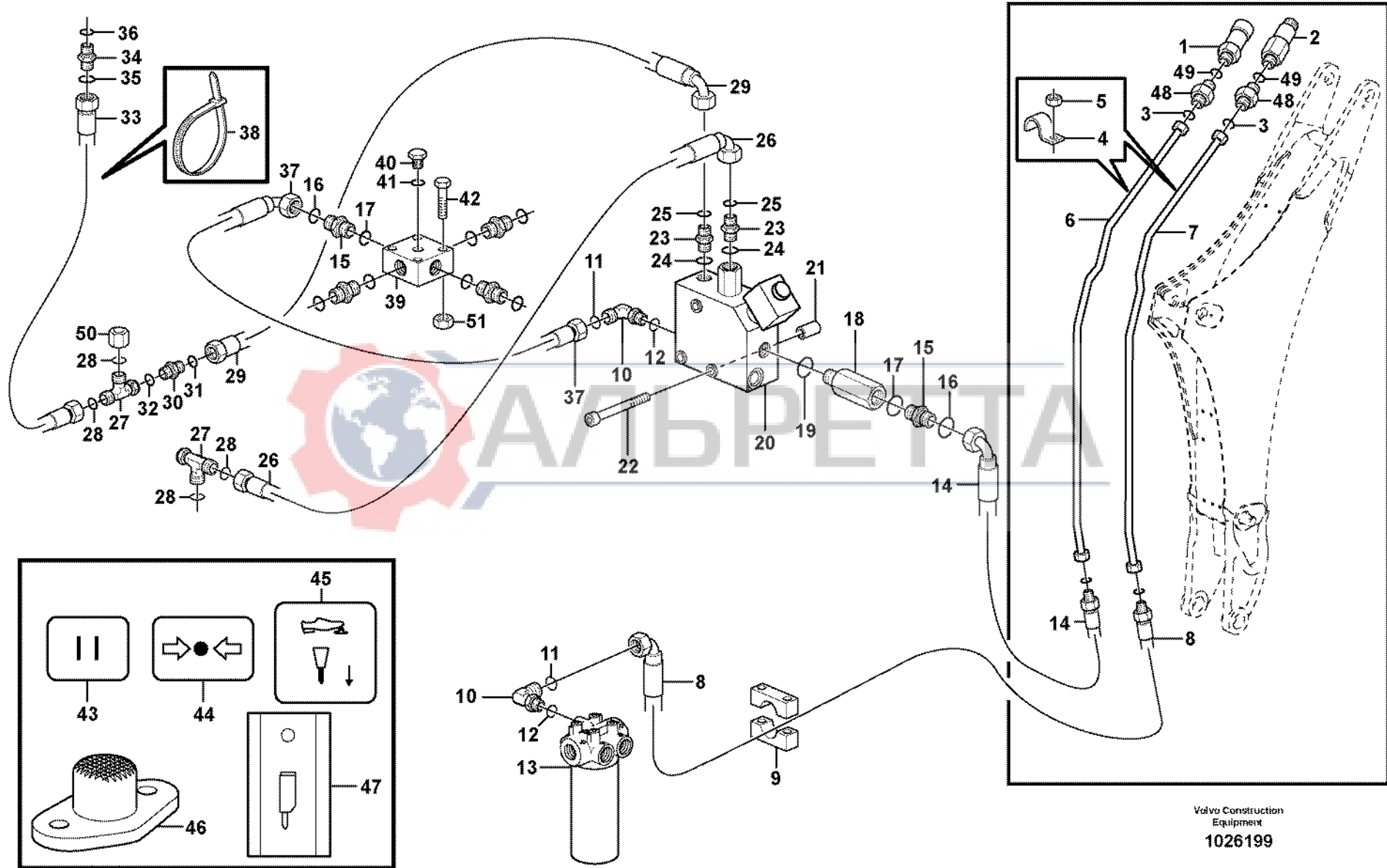


1		Hydraulsystem, tryckledningar Sistema hidráulico, conducto presion Hydraulikanlage, Druckleitungen Systeme Hydr. conduit alimentation Hydraulic system, feed line S/N 10939 -	Catalogue id	Group
2			20017	911
3			Illustr. No	Section
4			1024753	360
5			Issue	Page
			VOE 63D9920017	525

VOLVO

BL60





Volvo Construction
Equipment
1026199

Fig.	Part No.	Quantity			P S	K I T	Description	Dénomination	Bezeichnung	Denominación	Benämning	Notes
		1	2	3								
1	VOE 11882298	1				Fitting	Raccord tuyau	Rohrkupplung	Acoplam tubo	Rörkoppling.....		
2	VOE 11882299	1				Fitting	Raccord tuyau	Rohrkupplung	Acoplam tubo	Rörkoppling.....		
3	VOE 981290	2				O-ring	Joint Torique	O-Ring	Junta torica	O-ring.....		
4	VOE 11887319	2				Clamp.....	Pince Serrage	Klemme	Abrazadera.....	Klämma.....		
5	VOE 983306	2				Hexagon Nut.....	Ecrou Hexagonal	Sechskantmutter	Tuerca Hexagon.....	Sexkantsmutter.....		
6	VOE 11884833	1				Tube.....	Tube.....	Rohr	Tubo	Rör.....		
7	VOE 11884832	1				Tube.....	Tube.....	Rohr	Tubo	Rör.....		
8	VOE 11884629	1				Return Hose.....	Flexible Retour.....	Rucklaufschl.....	Mang Retorno	Returslang.....	S/N - 10938	
8	VOE 11888851	1				Hose assembly	Conduit flexible	Schlauchleitung.....	Conducto	Slangledning.....	S/N 10939 -	
9	VOE 11884968	1				Clamp.....	Collier serrage.....	Klemme	Abrazadera.....	Klamma.....	S/N - 10938	
10	VOE 13933864	2				Elbow nipple.....	Raccord angulaire.....	Winkelnippel.....	Niple angular	Vinkelnippel.....		
11	VOE 981289	1				•O-ring.....	•Joint Torique	•O-Ring.....	•Junta torica	•O-ring.....		
12	VOE 932042	1				•O-ring.....	•Joint Torique	•O-Ring.....	•Junta torica	•O-ring.....		
13		1				Filter.....	Filtre	Filter	Filtro	Filter.....	See group 911, Page 507	
14	VOE 11884415	1				Hose.....	Durit	Schlauch	Tubo flexible.....	Slang.....		
	VOE 981290	1				•O-ring.....	•Joint Torique	•O-Ring.....	•Junta torica	•O-ring.....		
15	VOE 13933862	6	4			Nipple.....	Raccord.....	Nippel.....	Niple	Nippel.....		
16	VOE 981289	1	1			•O-ring.....	•Joint Torique	•O-Ring.....	•Junta torica	•O-ring.....		
17	VOE 932042	1	1			•O-ring.....	•Joint Torique	•O-Ring.....	•Junta torica	•O-ring.....		
18	VOE 11885860	1				Check valve	Valve antiretour.....	Rückschlagventil	Válvula de retención.....	Backventil.....		
19	VOE 932042	1				•O-ring.....	•Joint Torique	•O-Ring.....	•Junta torica	•O-ring.....		
20	VOE 11885771	1				Valve.....	Soupape.....	Ventil	Valvula	Ventil.....	See group 912, Page 593	
21	VOE 11884291	3				Spacer Sleeve.....	Douï.entretoise	Distanzhülse.....	Manguito Dist	Distanshylsa.....		
22	VOE 13965183	3				Flange screw.....	Vis à bride	Flanschschraube	Torn embridado	Flänsskruv.....		
23	VOE 13933858	2				Union.....	Teton Connexion.....	Anschlussnippel	Niple Conexcion	Anslutn.nippel.....		
24	VOE 932039	1				•O-ring.....	•Joint Torique	•O-Ring.....	•Junta torica	•O-ring.....		
25	VOE 4881722	1				•O-ring.....	•Joint Torique	•O-Ring.....	•Junta torica	•O-ring.....		
26	VOE 11885262	1				Hose.....	Durit	Schlauch	Tubo flexible.....	Slang.....		
27	VOE 13933859	1				Nipple.....	Raccord.....	Nippel.....	Niple	Nippel.....		
28	VOE 4881722	2				•O-ring.....	•Joint Torique	•O-Ring.....	•Junta torica	•O-ring.....		

1	11891346	Hydraulsystem hammare Sistema hidráulico, martillo Hydraulikanlage, Hammer Système hydraulique, marteau Hydraulic system, hammer	Catalogue id	Group
2	11880001		20017	911
3			Illustr. No	Section
4			1026199	400
5			Issue	Page
			VOE 63D9920017	527

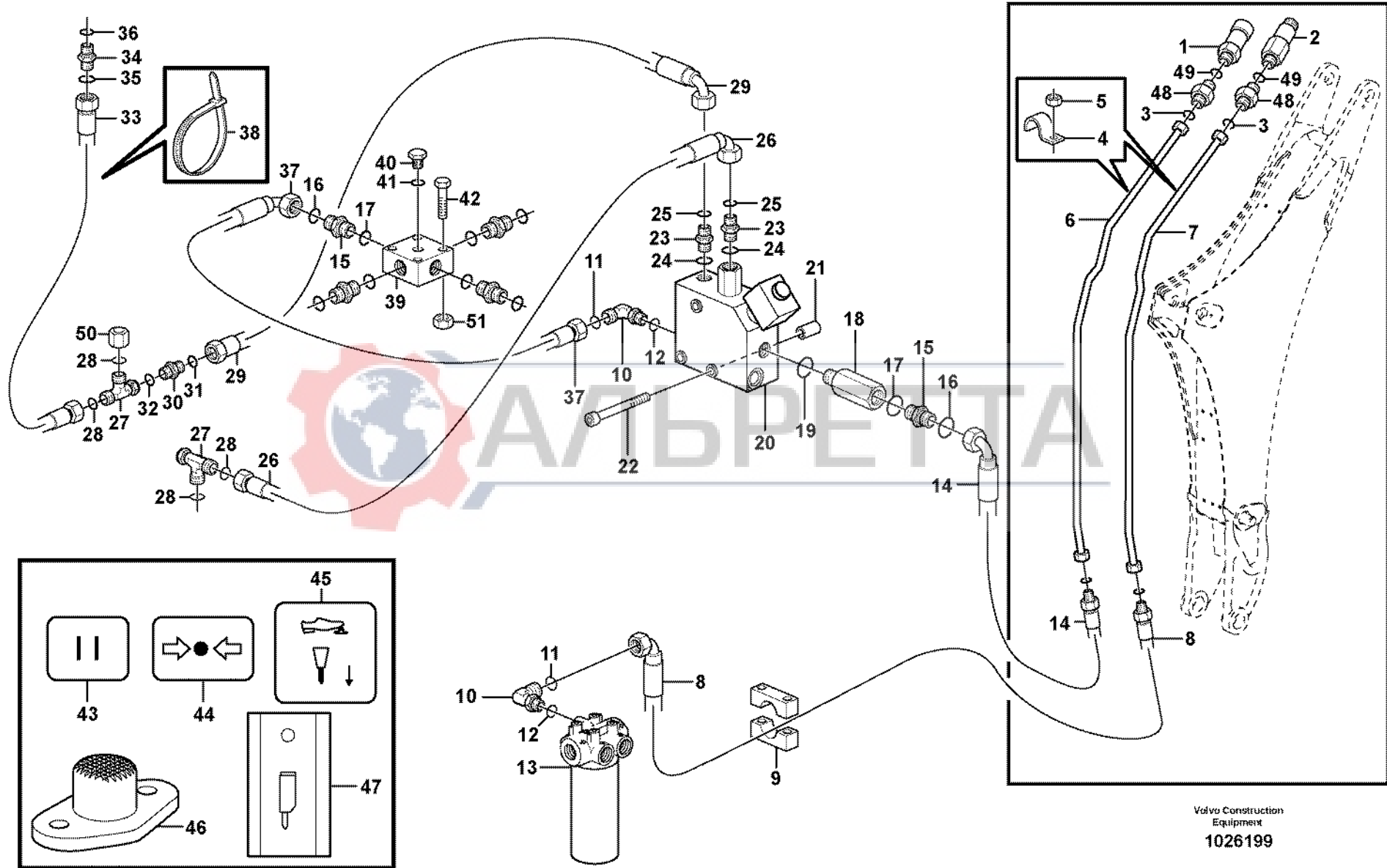


Fig.	Part No.	Quantity			P S	K I T	Description	Dénomination	Bezeichnung	Denominación	Benämning	Notes
		1	2	3								
29	VOE 11884274	1				Hose.....	Durit	Schlauch	Tubo flexible	Slang.....		
30	VOE 935436	1				Nipple.....	Raccord.....	Nippel	Niple	Nippel.....		
31	VOE 4881722	1				•O-ring.....	•Joint Torique	•O-Ring.....	•Junta torica	•O-ring.....		
32	VOE 4881722	1				•O-ring.....	•Joint Torique	•O-Ring.....	•Junta torica	•O-ring.....		
33	VOE 11885514		1			Hose.....	Durit	Schlauch	Tubo flexible	Slang.....		
34	VOE 935082	1				Nipple.....	Raccord.....	Nippel	Niple	Nippel.....		
35	VOE 4881722	1				•O-ring.....	•Joint Torique	•O-Ring.....	•Junta torica	•O-ring.....		
36	VOE 932037	1				•O-ring.....	•Joint Torique	•O-Ring.....	•Junta torica	•O-ring.....		
37	VOE 11885256	1				Hose.....	Durit	Schlauch	Tubo flexible	Slang.....		
38	VOE 4881438	4				Strip Clamp	Ruban Serrage.....	Kabelbinder	Abraz Cinta	Bandklamma.....		
39	VOE 11886192	1	1			Valve.....	Soupape.....	Ventil	Valvula	Ventil.....		
40	VOE 11883510	1	1			Plug.....	Bouchon.....	Stopfen.....	Tapon	Plugg.....		
41	VOE 932039	1	1			•O-ring.....	•Joint Torique	•O-Ring.....	•Junta torica	•O-ring.....		
42	VOE 983247	2				Hexagon screw	Vis a tête hexagonale	Sechskantschr.....	Tornillo hexago.....	Sexkantsskruv.....		
42	VOE 967632		2			Allen Hd Screw	Vis A 6 Pans Cr.....	Inbusschraube.....	Torn Hex Embut.....	Insexskriv.....	S/N - 10938	
42	VOE 13965181		2			Flange screw.....	Vis à bride	Flanschschraube.....	Torn embridado.....	Flänsskriv.....	S/N 10939 -	
43		1				Decal.....	Decalcomanie	Abziehbild.....	Decalcomania	Dekal.....	See group 897, Page 487	
44		1				Decal.....	Decalcomanie	Abziehbild.....	Decalcomania	Dekal.....	See group 897, Page 487	
45		1				Decal.....	Decalcomanie	Abziehbild.....	Decalcomania	Dekal.....	See group 897, Page 487	
46	VOE 1589502	1				Foot Operated Switch	Contacteur Au Pied.....	Fusschalter.....	Contacto Freno	Fotkontakt.....	See group 380, Page 199	
47	VOE 11884960	1				Symbol.....	Symbole.....	Symbol	Simbolo	Symbol.....	See group 380, Page 195	
48	VOE 11881382	2				Nipple.....	Raccord.....	Nippel	Niple	Nippel.....		
49	VOE 931212	2				•O-ring.....	•Joint Torique	•O-Ring.....	•Junta torica	•O-ring.....		
50	VOE 935756	1				Plug.....	Bouchon.....	Stopfen.....	Tapon	Plugg.....	S/N 10939 -	
51	VOE 13945408		2			Nut.....	Ecrou.....	Mutter.....	Tuerca	Mutter.....	S/N 10939 -	

1	11891346	Hydraulsystem hammare Sistema hidráulico, martillo Hydraulikanlage, Hammer Système hydraulique, marteau Hydraulic system, hammer	Catalogue id	Group
2	11880001		20017	911
3			Illustr. No	Section
4			1026199	400
5			Issue	Page
			VOE 63D9920017	529

VOLVO

BL60



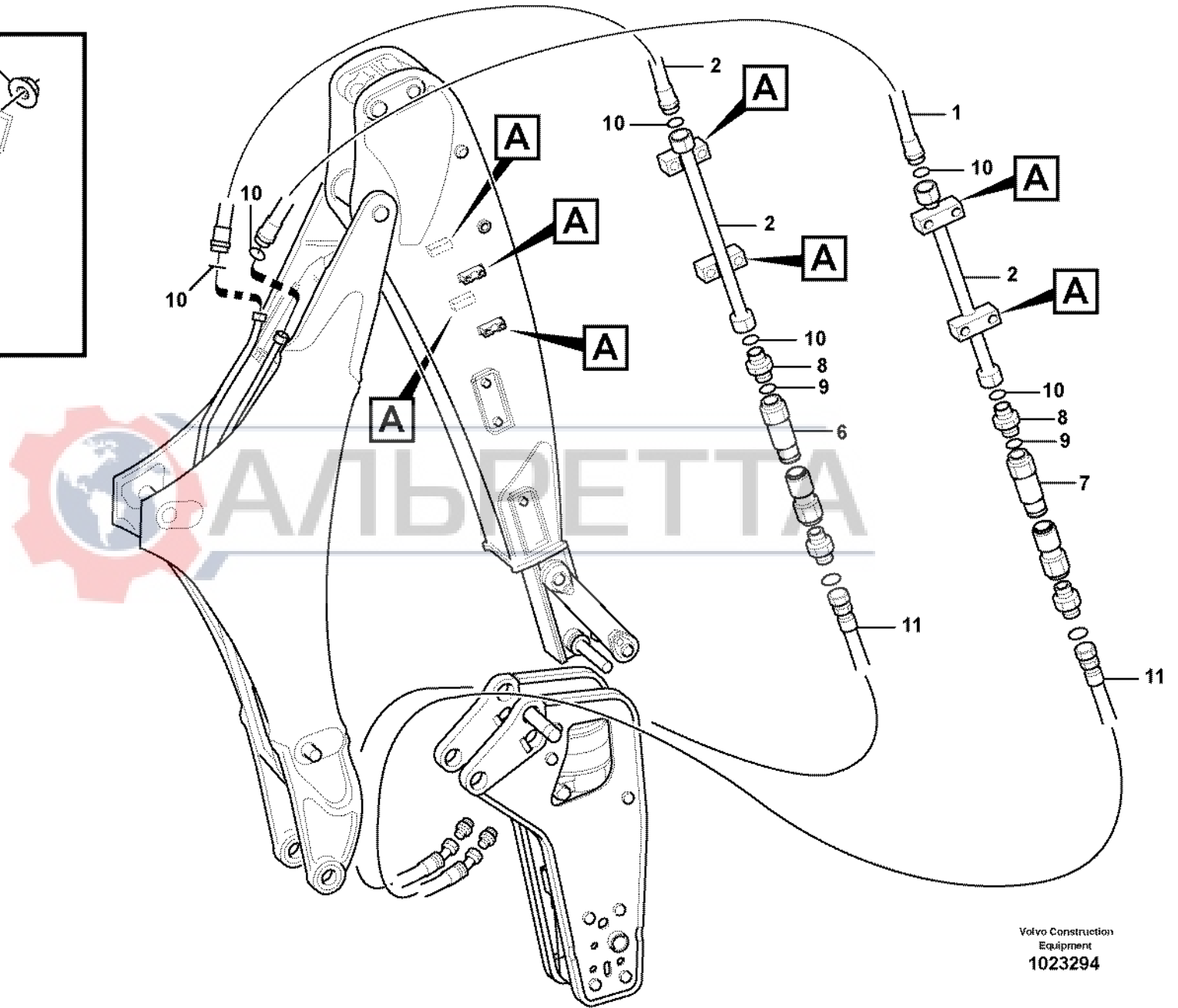
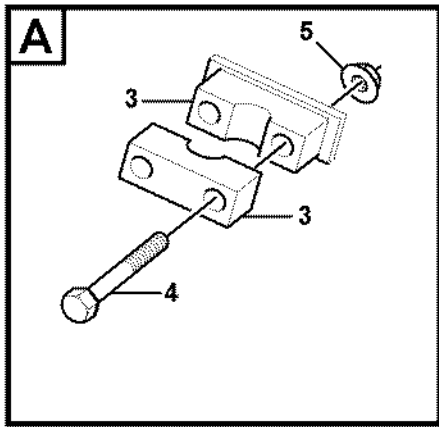


Fig.	Part No.	Quantity			P S	K I T	Description	Dénomination	Bezeichnung	Denominación	Benämning	Notes
		1	2	3								
1	VOE 11885790	2				Hose.....	Durit	Schlauch	Tubo flexible.....	Slang.....		
2	VOE 11885786	2				Tube.....	Tube.....	Rohr	Tubo	Rör.....		
3	VOE 11886452	4				Clamp.....	Pince Serrage	Klemme	Abrazadera.....	Klämna.....		
4	VOE 11886495	8				Screw.....	Vis	Schraube.....	Tornillo	Skruv.....		
5	VOE 13971098	8				Flange nut.....	Ecrou accouple.	Bundmutter.....	Tuerca embridad	Flänsmutter.....		
6	VOE 11882299	1				Fitting	Raccord tuyau	Rohrkupplung.....	Acoplam tubo	Rörkoppling.....		
7	VOE 11882298	1				Fitting	Raccord tuyau	Rohrkupplung.....	Acoplam tubo	Rörkoppling.....		
8	VOE 11881382	2				Nipple.....	Raccord.....	Nippel	Niple	Nippel.....		
9	VOE 932040	2				O-ring.....	Joint Torique	O-Ring.....	Junta torica.....	O-ring.....		
10	VOE 981290	4				O-ring.....	Joint Torique	O-Ring.....	Junta torica.....	O-ring.....		
11		2				Hose.....	Durit	Schlauch	Tubo flexible.....	Slang.....	See group 926, Page 659	



1		Rör till hammarredskap Tubería para fijación del martillo Leitungen für Hammeranbau Conduits, marteau Pipes for hammer attachment	Catalogue id	Group
2			20017	911
3			Illustr. No	Section
4			1023294	450
5			Issue	Page
		11891375	VOE 63D9920017	531

VOLVO

BL60



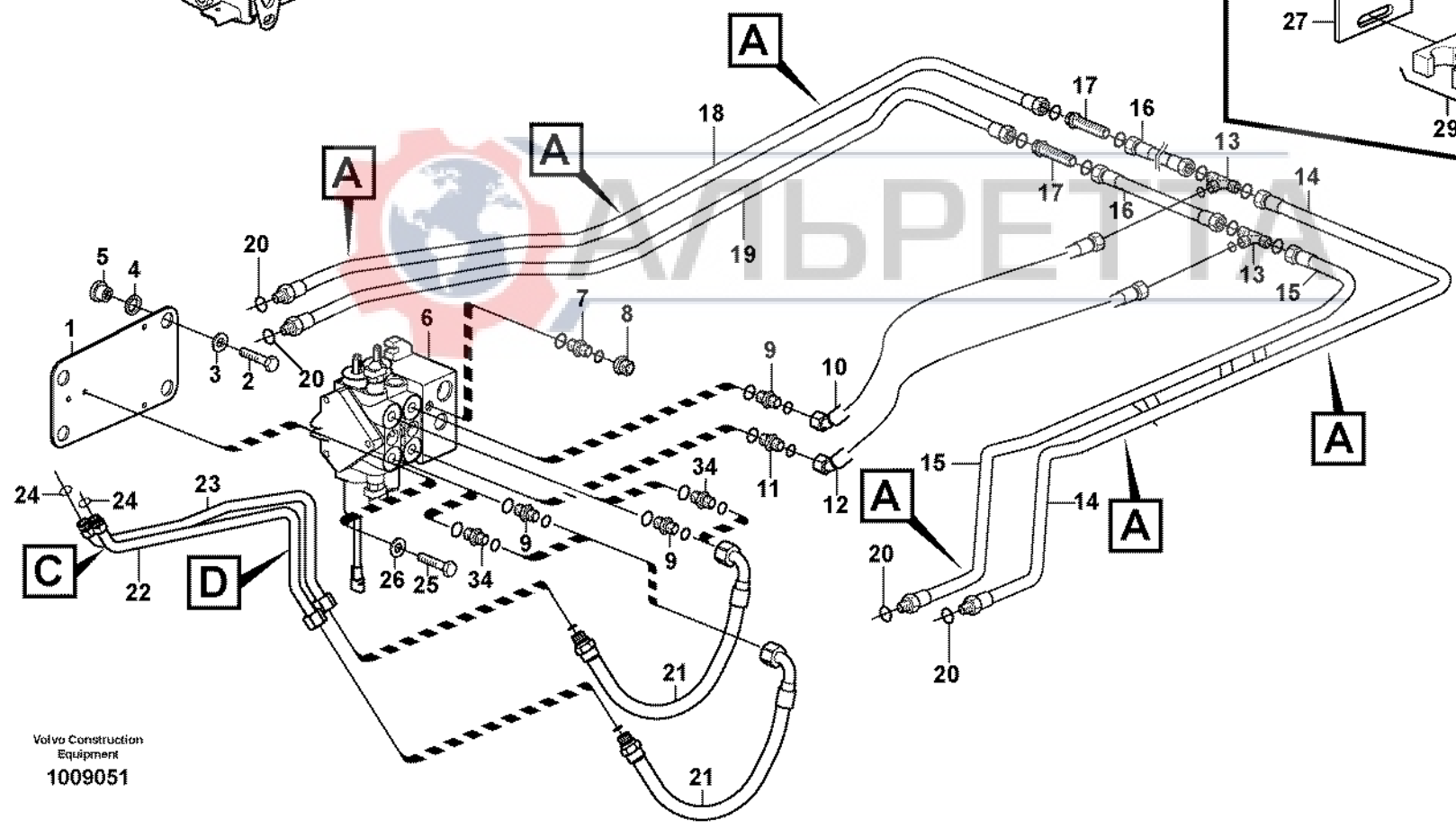
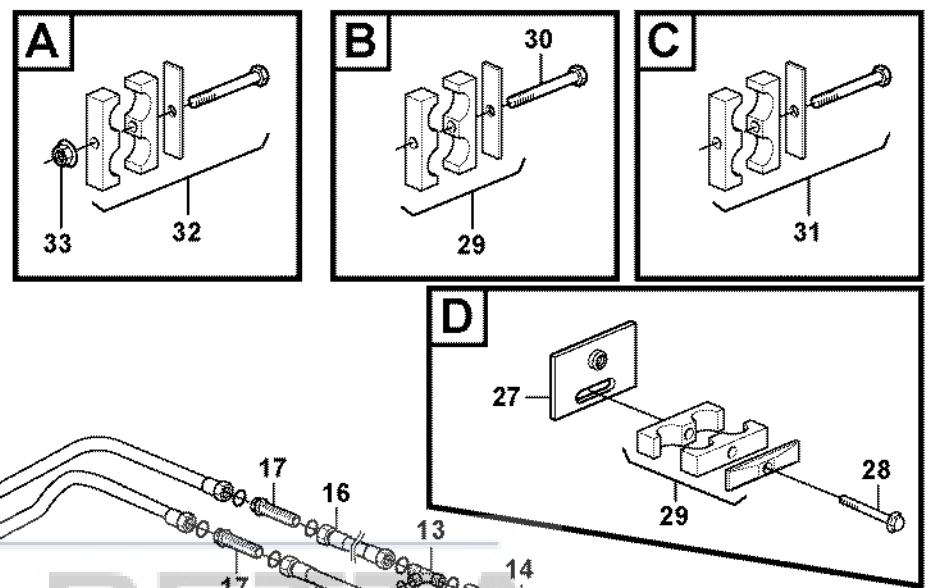
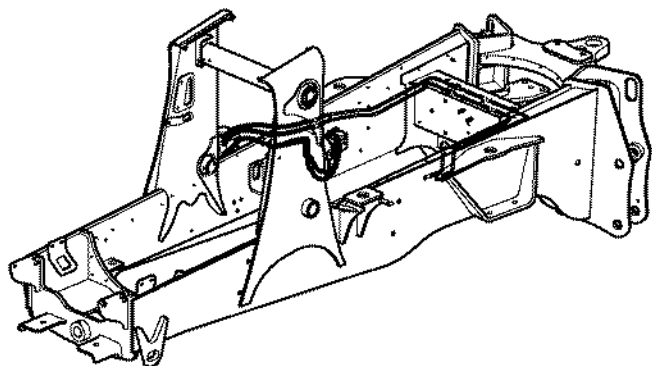


Fig.	Part No.	Quantity			P S	K I T	Description	Dénomination	Bezeichnung	Denominación	Benämning	Notes
		1	2	3								
1		1	1		NS	Valve Support	Support Soupape	Ventilstütze.....	Apoyo Valvula	Ventilstöd.....		
2	VOE 13965194	4	4			Flange screw.....	Vis à bride.....	Flanschschraube.....	Torn embridado.....	Flänsskruv.....		
3	VOE 13947355	4	4			Washer.....	Rondelle.....	Scheibe	Arandela.....	Bricka.....		
4	VOE 955908	4	4			Washer.....	Rondelle.....	Scheibe	Arandela.....	Bricka.....		
5	VOE 11881720	4	4			Rubber element	Element caoutch	Gummielement.....	Elemento goma	Gummielement.....		
6	VOE 11886541	1	1			Valve.....	Soupape.....	Ventil.....	Valvula	Ventil.....	See group 912, Page 579	
7	VOE 11885699	1	1			Check valve	Valve antiretour.....	Rückschlagventil	Válvula de retención..	Backventil.....		
	VOE 4880663	1	1			•O-ring.....	•Joint Torique	•O-Ring.....	•Junta torica	•O-ring.....		
	VOE 932039	1	1			•O-ring.....	•Joint Torique	•O-Ring.....	•Junta torica	•O-ring.....		
8	VOE 11885733	1	1			Fitting	Ecrou raccord.....	Verschraubung.....	Racor.....	Förskruvning.....		
	VOE 4881722	1	1			•O-ring.....	•Joint Torique	•O-Ring.....	•Junta torica	•O-ring.....		
9	VOE 935032	3				Nipple.....	Raccord.....	Nippel.....	Niple	Nippel.....	SER NO -10451	
9	VOE 935032	1	1			Nipple.....	Raccord.....	Nippel.....	Niple	Nippel.....	SER NO 10452-	
	VOE 990739	1	1			•O-ring.....	•Joint Torique	•O-Ring.....	•Junta torica	•O-ring.....		
	VOE 932042	1	1			•O-ring.....	•Joint Torique	•O-Ring.....	•Junta torica	•O-ring.....		
10	VOE 11885759	1	1			Hose.....	Durit	Schlauch	Tubo flexible.....	Slang.....		
10	VOE 11888624		1			Hose assembly	Conduit flexible	Schlauchleitung.....	Conducto.....	Slangledning.....		
11	VOE 935093	1	1			Union.....	Teton Connexion.....	Anschlussnippel	Niple Conexcion	Anslutn.nippel.....		
	VOE 990738	1	1			•O-ring.....	•Joint Torique	•O-Ring.....	•Junta torica	•O-ring.....		
	VOE 932042	1	1			•O-ring.....	•Joint Torique	•O-Ring.....	•Junta torica	•O-ring.....		
12	VOE 11885516	1				Hose.....	Durit	Schlauch	Tubo flexible.....	Slang.....		
12	VOE 11888625		1			Hose assembly	Conduit flexible	Schlauchleitung.....	Conducto.....	Slangledning.....		
13	VOE 11884287	2	2			Fitting	Ecrou raccord.....	Verschraubung.....	Racor.....	Förskruvning.....		
	VOE 990739	2	2			•O-ring.....	•Joint Torique	•O-Ring.....	•Junta torica	•O-ring.....		
14	VOE 11882768	1	1			Tube.....	Tube.....	Rohr	Tubo	Rör.....		
15	VOE 11882767	1	1			Tube.....	Tube.....	Rohr	Tubo	Rör.....		
16	VOE 11882763	2				Tube.....	Tube.....	Rohr	Tubo	Rör.....		
17	VOE 13933961	2				Nipple.....	Raccord.....	Nippel.....	Niple	Nippel.....		
	VOE 990739	2				•O-ring.....	•Joint Torique	•O-Ring.....	•Junta torica	•O-ring.....		
18	VOE 11882766	1				Tube.....	Tube.....	Rohr	Tubo	Rör.....		

1	S/N - 10938	Hydraulik lastare (lyft & tilt) Sistema hidráulico de cargadora (elevación y volteo) Ladehydraulik (Heben und Kippen) Equipement chargeur à commande hydraulique (levage et basculement) Hydraulics loader (lift & tilt)	Catalogue id	Group
2	S/N 10939 -		20017	911
3			Illustr. No	Section
4			1009051	550
5			Issue	Page
			VOE 63D9920017	533

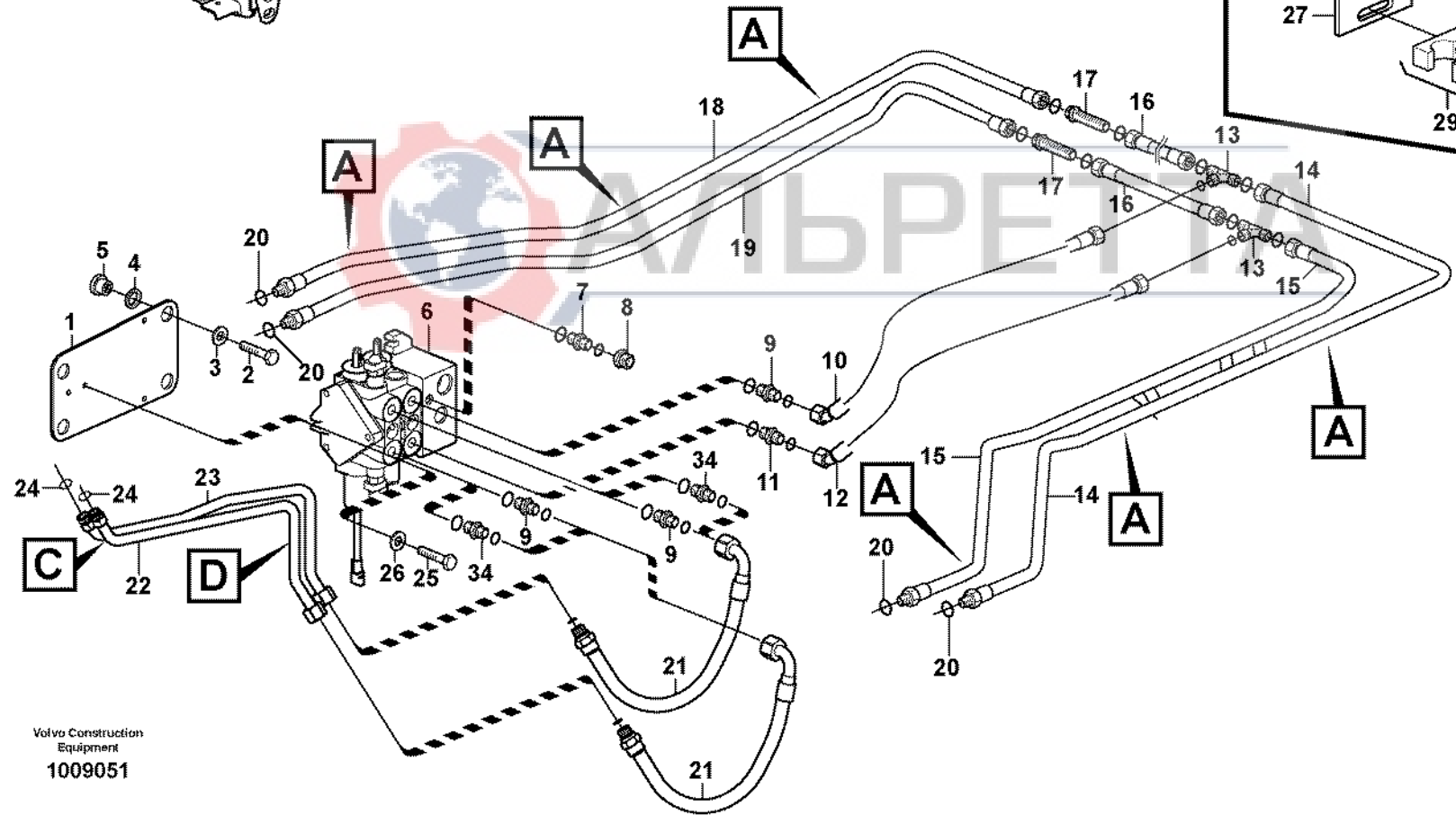
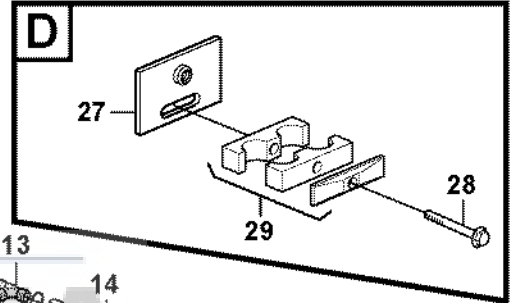
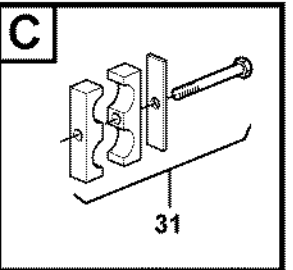
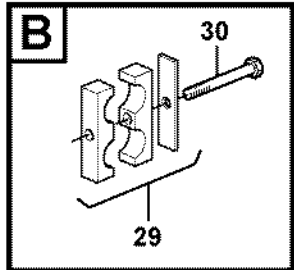
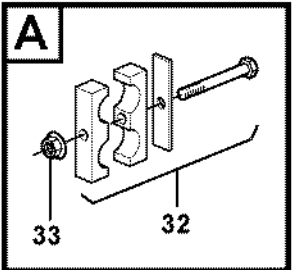
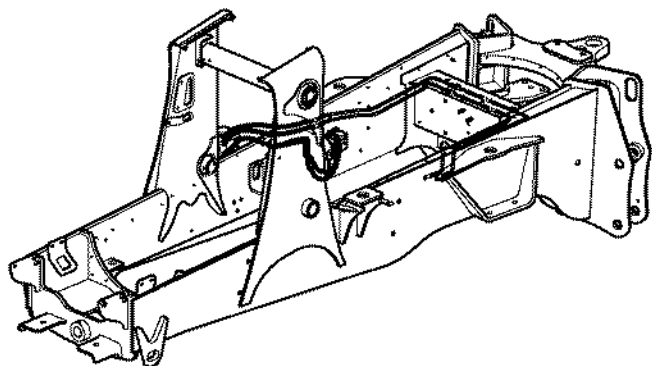
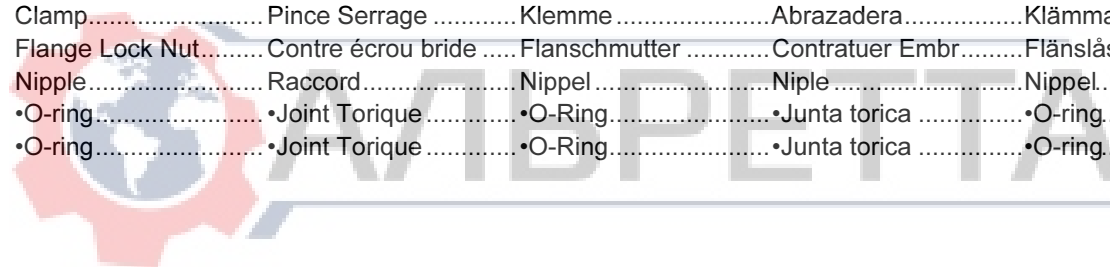


Fig.	Part No.	Quantity			P S	K I T	Description	Dénomination	Bezeichnung	Denominación	Benämning	Notes
		1	2	3								
18	VOE 11888712		1			Tube.....	Tube.....	Rohr.....	Tubo.....	Rör.....		
19	VOE 11882765	1				Tube.....	Tube.....	Rohr.....	Tubo.....	Rör.....		
19	VOE 11888711		1			Tube.....	Tube.....	Rohr.....	Tubo.....	Rör.....		
20	VOE 990738	4	4			O-ring.....	Joint Torique.....	O-Ring.....	Junta torica.....	O-ring.....		
21	VOE 11885253	2	2			Hose.....	Durit.....	Schlauch.....	Tubo flexible.....	Slang.....		
	VOE 990739	2	2			O-ring.....	Joint Torique.....	O-Ring.....	Junta torica.....	O-ring.....		
22	VOE 11883522	1	1			Tube.....	Tube.....	Rohr.....	Tubo.....	Rör.....		
23	VOE 11883523	1	1			Tube.....	Tube.....	Rohr.....	Tubo.....	Rör.....		
24	VOE 990739	2	2			O-ring.....	Joint Torique.....	O-Ring.....	Junta torica.....	O-ring.....		
25	VOE 983253	3	3			Hexagon screw.....	Vis tête hexagonale.....	Sechskantschraube.....	Tornillo hexago.....	Sexkantsskruv.....		
26	VOE 13930842	3	3			Washer.....	Rondelle.....	Scheibe.....	Arandela.....	Bricka.....		
27	VOE 11885758	1	1			Plate.....	Plaque.....	Platte.....	Placa.....	Platta.....		
28	VOE 946671	1	1			Flange screw.....	Vis à bride.....	Flanschschraube.....	Torn embridado.....	Flänskskruv.....		
29	VOE 11881641	1	1			Clamp.....	Pince Serrage.....	Klemme.....	Abrazadera.....	Klämma.....		
30	VOE 983246	1	1			Hexagon screw.....	Vis a tête hexagonale.....	Sechskantschr.....	Tornillo hexago.....	Sexkantsskruv.....		
31	VOE 11881372	1	1			Clamp.....	Pince Serrage.....	Klemme.....	Abrazadera.....	Klämma.....		
32	VOE 11881340	6	6			Clamp.....	Pince Serrage.....	Klemme.....	Abrazadera.....	Klämma.....		
33	VOE 948645	3	3			Flange Lock Nut.....	Contre écrou bride.....	Flanschmutter.....	Contratuer Embr.....	Flänslåsmutter.....		
34	VOE 13933862	2	2			Nipple.....	Raccord.....	Nippel.....	Niple.....	Nippel.....	SER NO 10452-	
	VOE 981289	2	2			•O-ring.....	•Joint Torique.....	•O-Ring.....	•Junta torica.....	•O-ring.....		
	VOE 932042	2	2			•O-ring.....	•Joint Torique.....	•O-Ring.....	•Junta torica.....	•O-ring.....		



1	S/N - 10938	Hydraulik lastare (lyft & tilt) Sistema hidráulico de cargadora (elevación y volteo) Ladehydraulik (Heben und Kippen) Equipement chargeur à commande hydraulique (levage et basculement) Hydraulics loader (lift & tilt)	Catalogue id 20017	Group 911
2	S/N 10939 -		Illustr. No 1009051	Section 550
3				
4			Issue VOE 63D9920017	Page 535
5				

VOLVO

BL60



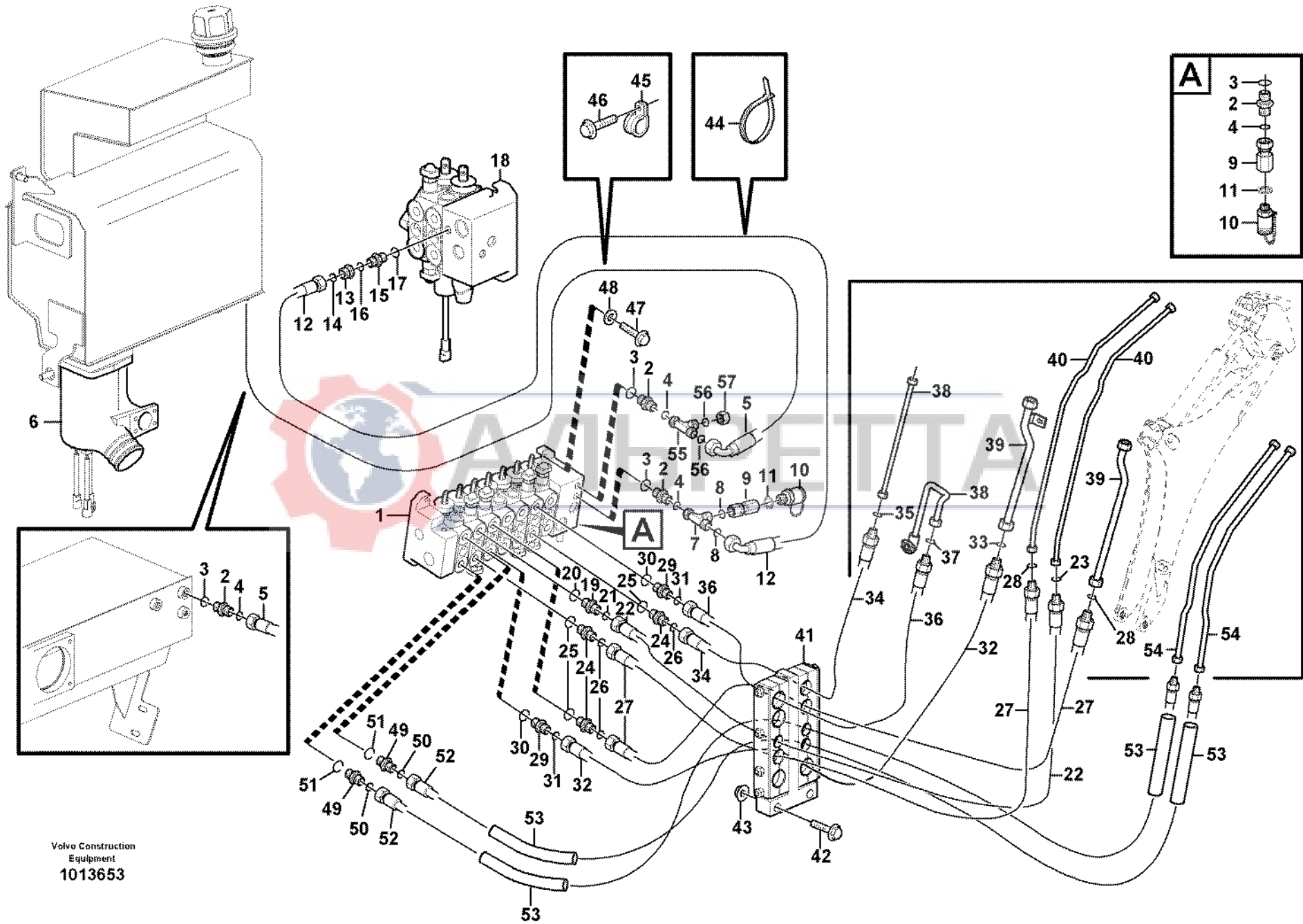


Fig.	Part No.	Quantity			P S	K I T	Description	Dénomination	Bezeichnung	Denominación	Benämning	Notes
		1	2	3								
1		1				Valve.....	Soupape.....	Ventil.....	Valvula.....	Ventil.....	See group 912, Page 589	
1			1			Valve.....	Soupape.....	Ventil.....	Valvula.....	Ventil.....	See group 912, Page 589	
2	VOE 13933858	4				Union.....	Teton Connexion.....	Anschlussnippel.....	Niple Conexcion.....	Anslutn.nippel.....		
3	VOE 932039	1				•O-ring.....	•Joint Torique.....	•O-Ring.....	•Junta torica.....	•O-ring.....		
4	VOE 4881722	1				•O-ring.....	•Joint Torique.....	•O-Ring.....	•Junta torica.....	•O-ring.....		
5	VOE 11885263	1				Hose.....	Durit.....	Schlauch.....	Tubo flexible.....	Slang.....		
6		1				Bowl.....	Coussinet.....	Schale.....	Taza.....	Skål.....	See group 911, Page 503	
7	VOE 13933859	1				Nipple.....	Raccord.....	Nippel.....	Niple.....	Nippel.....		
8	VOE 4881722	2				•O-ring.....	•Joint Torique.....	•O-Ring.....	•Junta torica.....	•O-ring.....		
9	VOE 11884794	2				Fitting.....	Ecrou raccord.....	Verschraubung.....	Racor.....	Förskruvning.....		
10	VOE 11881392	2				Testing Nipple.....	Raccord contrôle.....	Prufnippel.....	Niple Medicion.....	Mät-nippel.....		
11	VOE 14211856	1				•Sealing ring.....	•Bague d'étanchéité.....	•Runddichtring.....	•Anillo reten.....	•Tätning-ring.....		
12	VOE 11885261	1				Hose.....	Durit.....	Schlauch.....	Tubo flexible.....	Slang.....		
13	VOE 11885733	1				Fitting.....	Ecrou raccord.....	Verschraubung.....	Racor.....	Förskruvning.....		
14	VOE 4881722	1				•O-ring.....	•Joint Torique.....	•O-Ring.....	•Junta torica.....	•O-ring.....		
15	VOE 11885699	1				Check valve.....	Valve antiretour.....	Rückschlagventil.....	Válvula de retención.....	Backventil.....		
16	VOE 932039	1				•O-ring.....	•Joint Torique.....	•O-Ring.....	•Junta torica.....	•O-ring.....		
17	VOE 4880663	1				•O-ring.....	•Joint Torique.....	•O-Ring.....	•Junta torica.....	•O-ring.....		
18	VOE 11886541	1				Valve.....	Soupape.....	Ventil.....	Valvula.....	Ventil.....		
19	VOE 935093	1				Union.....	Teton Connexion.....	Anschlussnippel.....	Niple Conexcion.....	Anslutn.nippel.....		
20	VOE 932042	1				•O-ring.....	•Joint Torique.....	•O-Ring.....	•Junta torica.....	•O-ring.....		
21	VOE 4880493	1				•O-ring.....	•Joint Torique.....	•O-Ring.....	•Junta torica.....	•O-ring.....		
22	VOE 11883894	1				Hose.....	Durit.....	Schlauch.....	Tubo flexible.....	Slang.....		
23	VOE 4880663	1				•O-ring.....	•Joint Torique.....	•O-Ring.....	•Junta torica.....	•O-ring.....		
24	VOE 935032	3				Nipple.....	Raccord.....	Nippel.....	Niple.....	Nippel.....		
25	VOE 932042	1				•O-ring.....	•Joint Torique.....	•O-Ring.....	•Junta torica.....	•O-ring.....		
26	VOE 4880663	1				•O-ring.....	•Joint Torique.....	•O-Ring.....	•Junta torica.....	•O-ring.....		
27	VOE 11883892	2				Hose.....	Durit.....	Schlauch.....	Tubo flexible.....	Slang.....		
28	VOE 981289	1				•O-ring.....	•Joint Torique.....	•O-Ring.....	•Junta torica.....	•O-ring.....		
29	VOE 13933862	2				Nipple.....	Raccord.....	Nippel.....	Niple.....	Nippel.....		

1	11880001	Hydraulsystem, grävare Sistema hidrlico excavador Hydraulikanlage ventil zum ausleger Baggeraggregat Système hydalrique groupe pelle Hydraulic system, excavator	Catalogue id	Group
2	11890342		20017	911
3			Illustr. No	Section
4			1013653	700
5			Issue	Page
			VOE 63D9920017	537



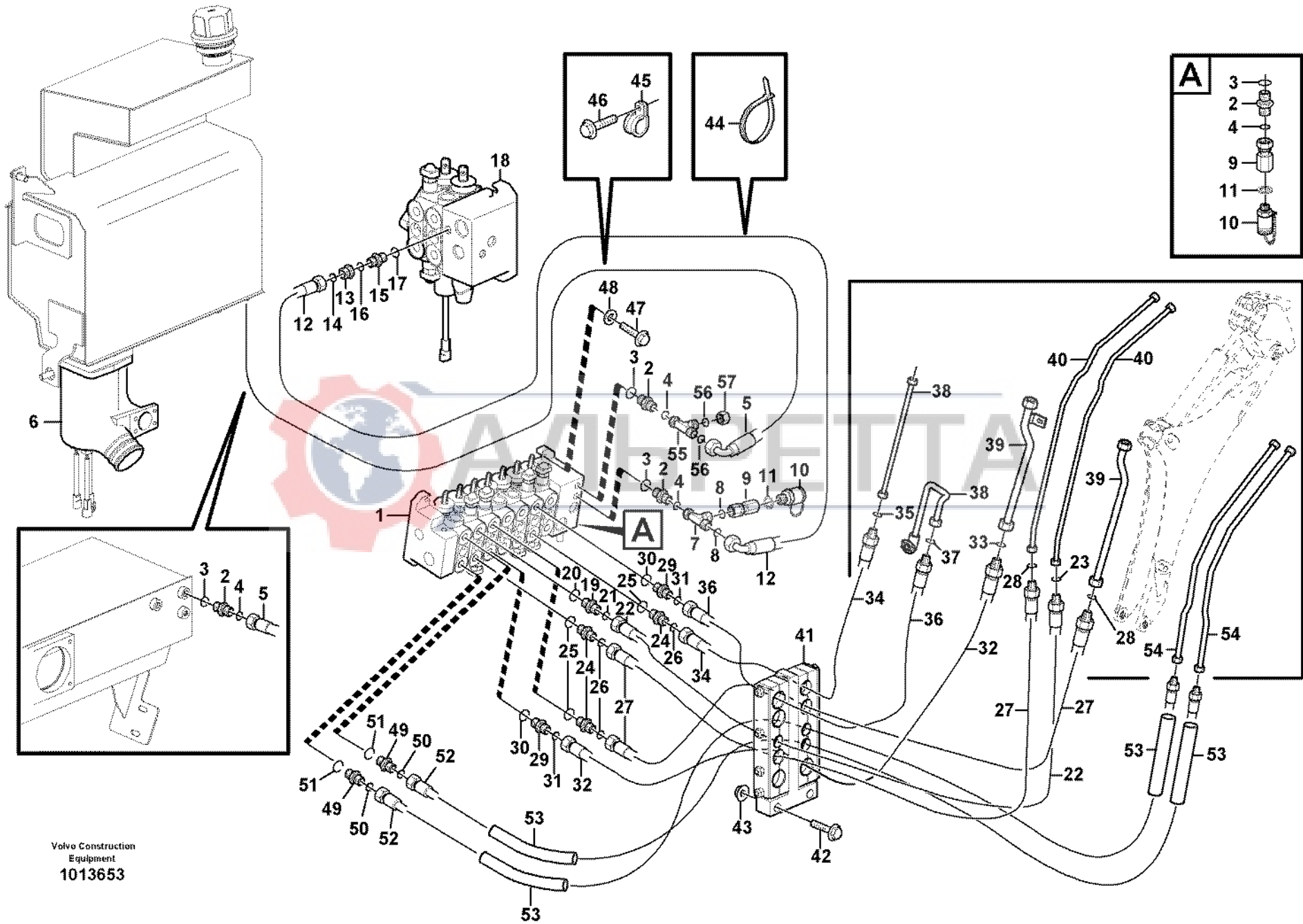


Fig.	Part No.	Quantity			P S	K I T	Description	Dénomination	Bezeichnung	Denominación	Benämning	Notes
		1	2	3								
30	VOE 932042	1				•O-ring.....	•Joint Torique	•O-Ring.....	•Junta torica	•O-ring.....		
31	VOE 981289	1				•O-ring.....	•Joint Torique	•O-Ring.....	•Junta torica	•O-ring.....		
32	VOE 11883891	1				Hose.....	Durit	Schlauch	Tubo flexible.....	Slang.....		
33	VOE 981290	1				•O-ring.....	•Joint Torique	•O-Ring.....	•Junta torica	•O-ring.....		
34	VOE 11883890	1				Hose.....	Durit	Schlauch	Tubo flexible.....	Slang.....		
35	VOE 981289	1				•O-ring.....	•Joint Torique	•O-Ring.....	•Junta torica	•O-ring.....		
36	VOE 11883889	1				Hose.....	Durit	Schlauch	Tubo flexible.....	Slang.....		
37	VOE 981290	1				•O-ring.....	•Joint Torique	•O-Ring.....	•Junta torica	•O-ring.....		
38		2				Pipe.....	Canalisation	Rohrleitung.....	Canalizacion.....	Rör.....	See group 911, Page 553	
39		2				Pipe.....	Canalisation	Rohrleitung.....	Canalizacion.....	Rör.....	See group 911, Page 557	
40		2				Pipe.....	Canalisation	Rohrleitung.....	Canalizacion.....	Rör.....	See group 911, Page 561	
41	VOE 11884965	1				Clamp.....	Pince Serrage	Klemme.....	Abrazadera.....	Klämna.....		
42	VOE 965195	2				Flange screw.....	Vis à bride	Flanschschaube.....	Torn embridado.....	Flänsskruv.....		
43	VOE 971096	2				Flange nut.....	Ecrou accouple	Bundmutter.....	Tuerca embridad	Flänsmutter.....		
44	VOE 4881438	7				Strip Clamp	Ruban Serrage.....	Kabelbinder	Abraz Cinta	Bandklamma.....		
45	VOE 978869	2				Clamp.....	Pince Serrage	Klemme.....	Abrazadera.....	Klämna.....		
46	VOE 946671	2				Flange screw.....	Vis à bride	Flanschschaube.....	Torn embridado.....	Flänsskruv.....		
47	VOE 983253	3				Hexagon screw	Vis tête hexagonale	Sechskantschraube.....	Tornillo hexago.....	Sexkantsskruv.....		
48	VOE 13930842	3				Washer.....	Rondelle	Scheibe.....	Arandela.....	Bricka.....		
49	VOE 935093	2				Union.....	Teton Connexion.....	Anschlussnippel	Niple Conexcion.....	Anslutn.nippel.....		
50	VOE 4880493	1				•O-ring.....	•Joint Torique	•O-Ring.....	•Junta torica	•O-ring.....		
51	VOE 932042	1				•O-ring.....	•Joint Torique	•O-Ring.....	•Junta torica	•O-ring.....		
52	VOE 11885707	2				Hose.....	Durit	Schlauch	Tubo flexible.....	Slang.....		
53	VOE 11885208	2				Protection.....	Protection.....	Schutz	Proteccion	Skydd.....		
54		2				Pipe.....	Canalisation	Rohrleitung.....	Canalizacion.....	Rör.....	See group 911, Page 571	
55	VOE 13933859	1				Nipple.....	Raccord.....	Nippel.....	Niple	Nippel.....	SER NO 10161-	
56	VOE 4881722	2				•O-ring.....	•Joint Torique	•O-Ring.....	•Junta torica	•O-ring.....	SER NO 10161-	
57	VOE 935756	1				Plug.....	Bouchon.....	Stopfen.....	Tapon	Plugg.....	SER NO 10161-	

1	11880001	Hydraulsystem, grävare Sistema hidrlico excavador Hydraulikanlage ventil zum ausleger Baggeraggregat Système hydalrique groupe pelle Hydraulic system, excavator	Catalogue id	Group
2	11890342		20017	911
3			Illustr. No	Section
4			1013653	700
5			Issue	Page
			VOE 63D9920017	539

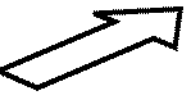
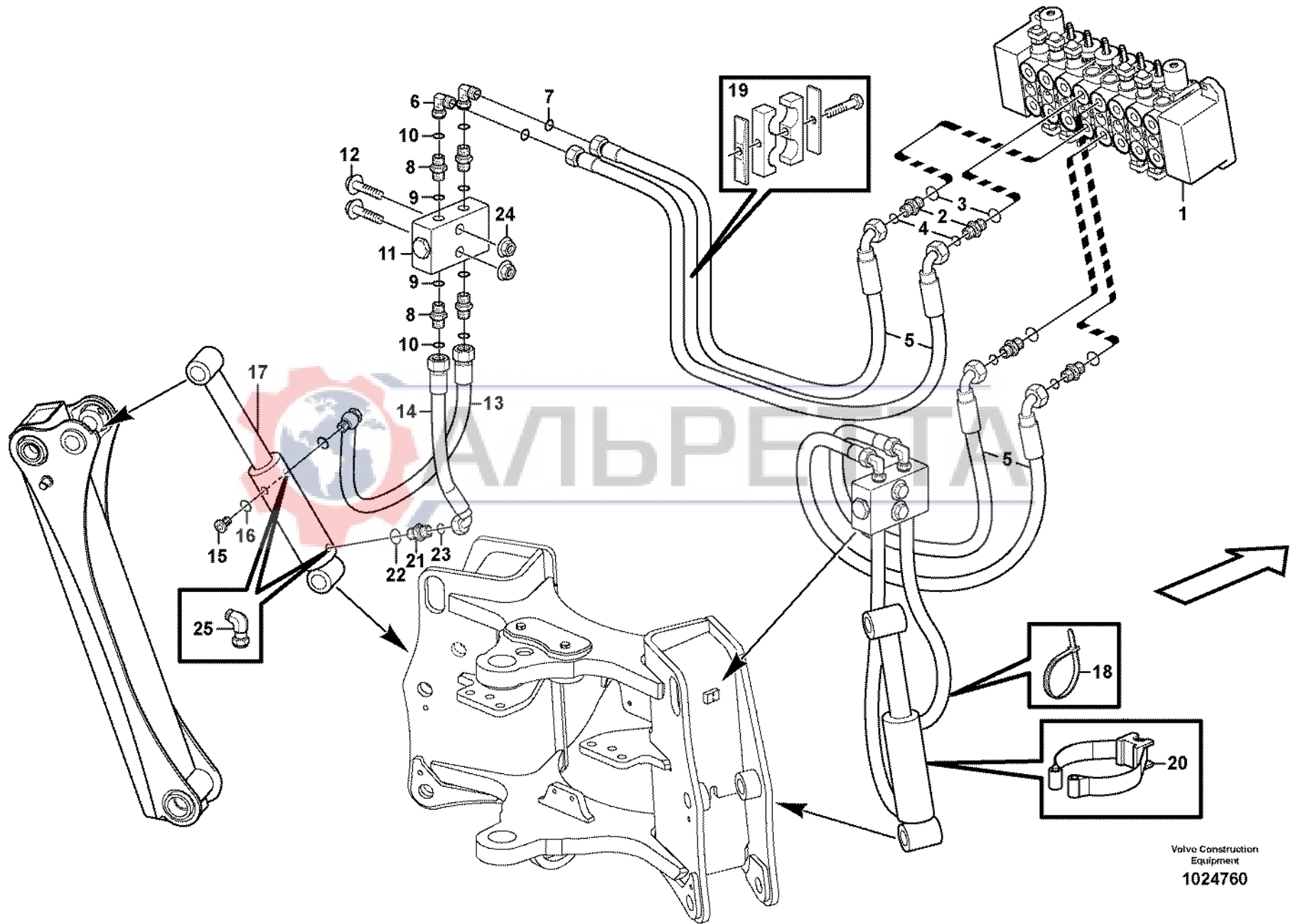


Fig.	Part No.	Quantity			P S	K I T	Description	Dénomination	Bezeichnung	Denominación	Benämning	Notes
		1	2	3								
1		1				Valve	Soupape.....	Ventil	Valvula	Ventil.....	See group 912, Page 589	
2	VOE 11882258	4				Nipple.....	Raccord.....	Nippel	Niple	Nippel.....		
3	VOE 932042	1				•O-ring.....	•Joint Torique	•O-Ring.....	•Junta torica	•O-ring.....		
4	VOE 4880492	1				•O-ring.....	•Joint Torique	•O-Ring.....	•Junta torica	•O-ring.....		
5	VOE 11885037	4				Hose.....	Durit	Schlauch	Tubo flexible.....	Slang.....	S/N - 10938	
5	VOE 11888650	4				Hose assembly	Conduit flexible	Schlauchleitung.....	Conducto.....	Slangledning.....	S/N 10939 -	
6	VOE 13933900	4				Elbow nipple.....	Raccord angulaire.....	Winkelnippel.....	Niple angular	Vinkelnippel.....		
7	VOE 4880492	1				•O-ring.....	•Joint Torique	•O-Ring.....	•Junta torica	•O-ring.....		
8	VOE 935085	8				Nipple.....	Raccord.....	Nippel	Niple	Nippel.....	2316)	
8	VOE 935089	8				Nipple.....	Raccord.....	Nippel	Niple	Nippel.....	2317)	
9	VOE 932039	1				•O-ring.....	•Joint Torique	•O-Ring.....	•Junta torica	•O-ring.....	2316)	
9	VOE 932040	1				•O-ring.....	•Joint Torique	•O-Ring.....	•Junta torica	•O-ring.....	2317)	
10	VOE 4880492	1				•O-ring.....	•Joint Torique	•O-Ring.....	•Junta torica	•O-ring.....		
11	VOE 11881880	2				Check valve	Valve antiretour.....	Rückschlagventil	Válvula de retención.....	Backventil.....	2316)	
11	VOE 11885315	2				Valve.....	Soupape.....	Ventil	Valvula	Ventil.....	2317)	
12	VOE 975903	4				Flange screw.....	Vis à bride	Flanschschraube	Torn embridado	Flänsskruv.....	S/N - 10938	
12	VOE 13965179	4				Flange screw.....	Vis à bride	Flanschschraube	Torn embridado	Flänsskruv.....	S/N 10939 -	
13	VOE 11885056	2				Hose.....	Durit	Schlauch	Tubo flexible.....	Slang.....	S/N - 10938	
	VOE 13947621	1				•Plane Gasket.....	•Joint Plan	•Flachdichtung.....	•Junta Plana	•Planpackning.....		
	VOE 964113	1				•O-ring.....	•Joint Torique	•O-Ring.....	•Junta torica	•O-ring.....		
	VOE 11370560	1				•Sealing washer.....	•Rond.etancheite.....	•Dichtscheibe	•Arandela reten	•Tätningbricka.....		
	VOE 11370589	1				•Screw.....	•Vis	•Schraube.....	•Tornillo	•Skruv.....		

- 2316) **GB:** For machines with variant 11890342: SER NO. -10500; For all other machines: SER NO. -10600 **FR:** Pour les machines avec variante 11890342 : N° DE SÉRIE -10500 ; Pour toutes les autres machines : N° DE SÉRIE -10600 **DE:** Für Maschinen mit Variante 11890342: SER NO -10500; Für alle anderen Maschinen: SER NO -10600 **ES:** Para máquinas con la variante 11890342: N° de fabr. -10500; Para todas las demás máquinas: N° de fabr. -10600 **SE:** För maskiner med variant 11890342: SER NO -10500; För alla övriga maskiner: SER NO -10600
- 2317) **GB:** For machines with variant 11890342: SER NO. 10501-; For all other machines: SER NO. 10601- **FR:** Pour les machines avec variante 11890342 : N° DE SÉRIE 10501- ; Pour toutes les autres machines : N° DE SÉRIE 10601- **DE:** Für Maschinen mit Variante 11890342: SER NO 10501-; Für alle anderen Maschinen: SER NO 10601- **ES:** Para máquinas con la variante 11890342: N° de fabr. 10501-; Para todas las demás máquinas: N° de fabr. 10601- **SE:** För maskiner med variant 11890342: SER NO 10501-; För alla övriga maskiner: SER NO 10601-

1	Hydraulsystem, stödben Sistema hidráulico patas de apoyo Hydraulikanlage Bodenstützen Système hydraulique Bequilles Hydraulic system, stabiliser legs	Catalogue id	Group
2		20017	911
3		Illustr. No	Section
4		1024760	750
5		Issue	Page
		VOE 63D9920017	541

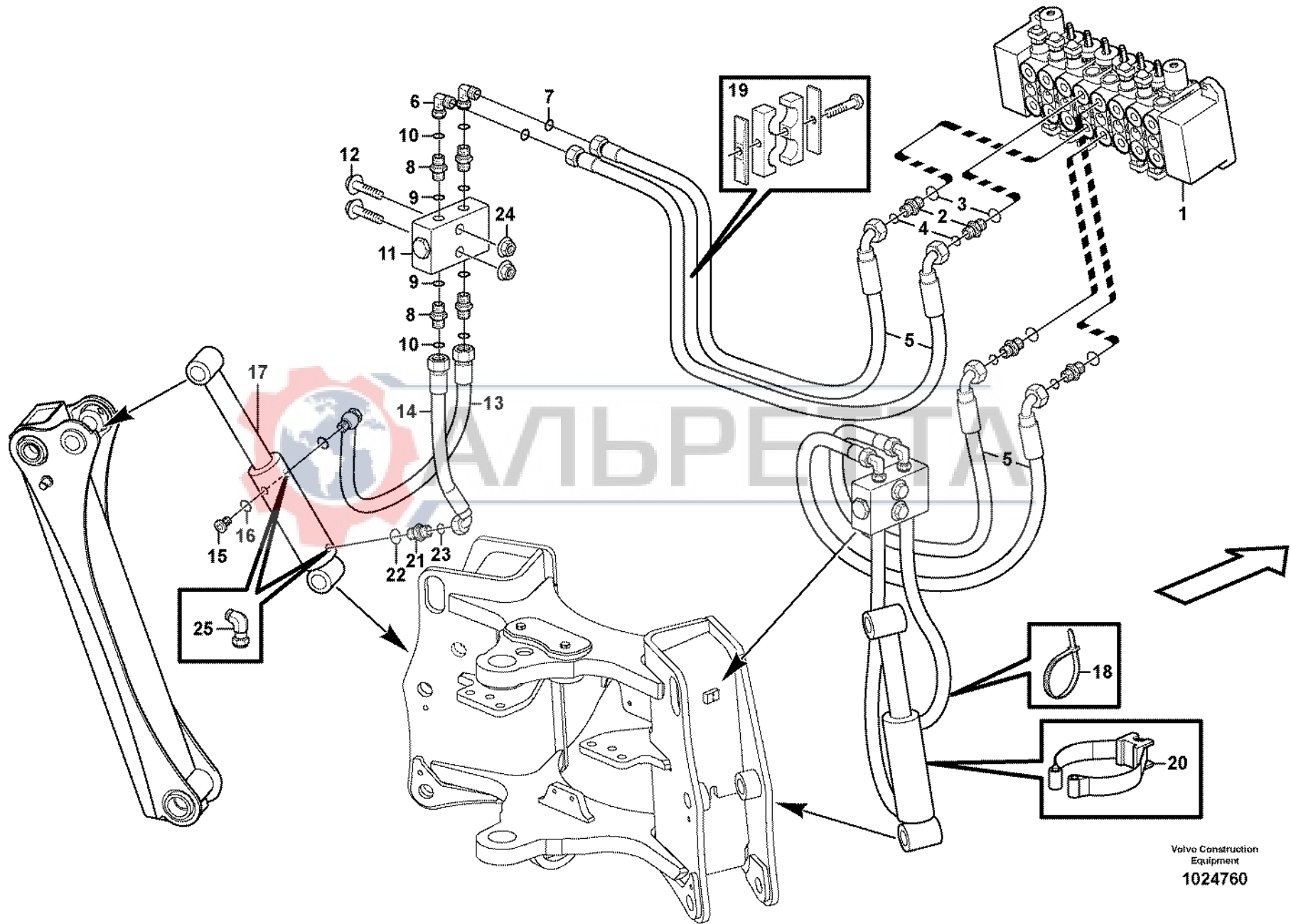


Fig.	Part No.	Quantity			P S	K I T	Description	Dénomination	Bezeichnung	Denominación	Benämning	Notes
		1	2	3								
13	VOE 11888600	2				Hose assembly	Conduit flexible	Schlauchleitung.....	Conducto.....	Slangledning.....	S/N 10939 -	
14	VOE 11885165	2				Hose.....	Durit	Schlauch	Tube flexible.....	Slang.....	S/N - 10938	
14	VOE 11888600	2				Hose assembly	Conduit flexible	Schlauchleitung.....	Conducto.....	Slangledning.....	S/N 10939 -	
15	VOE 11883510	2				Plug.....	Bouchon.....	Stopfen.....	Tapon.....	Plugg.....		
16	VOE 932039	1				•O-ring.....	•Joint Torique.....	•O-Ring.....	•Junta torica	•O-ring.....		
17		2				Cylinder.....	Verin.....	Zylinder	Cilindro.....	Cylinder.....	See group 972, Page 697	
18	VOE 4881438	REQ				Strip Clamp	Ruban Serrage.....	Kabelbinder	Abraz Cinta	Bandklamma.....		
19	VOE 11883635	2				Clamp.....	Collier serrage.....	Klemme	Abrazadera.....	Klamma.....	S/N - 10938	
19	VOE 11888578	2				Clamp.....	Pince Serrage	Klemme	Abrazadera.....	Klämma.....	S/N 10939 -	
20	VOE 11885704	2				Clamp.....	Pince Serrage	Klemme	Abrazadera.....	Klämma.....	S/N - 10591	
20	VOE 11887112	2				Clamp.....	Pince Serrage	Klemme	Abrazadera.....	Klämma.....	S/N 10592 -	
21	VOE 935085	2				Nipple.....	Raccord.....	Nippel.....	Niple.....	Nippel.....	S/N - 10938	
22	VOE 932039	1				•O-ring.....	•Joint Torique.....	•O-Ring.....	•Junta torica	•O-ring.....		
23	VOE 4880492	1				•O-ring.....	•Joint Torique.....	•O-Ring.....	•Junta torica	•O-ring.....		
24	VOE 948645	4				Flange Lock Nut.....	Contre écrou bride	Flanschmutter	Contratuer Embr.....	Flänslåsmutter.....	S/N 10939 -	
25	VOE 935069	4				Elbow nipple.....	Raccord angulaire.....	Winkel nipple.....	Niple angular	Vinkelnippel.....	S/N 10939 -	



1		Hydraulsystem, stödben Sistema hidráulico patas de apoyo Hydraulikanlage Bodenstützen Système hydraulique Bequilles Hydraulic system, stabiliser legs	Catalogue id	Group
2			20017	911
3			Illustr. No	Section
4			1024760	750
5			Issue	Page
			VOE 63D9920017	543

VOLVO

BL60



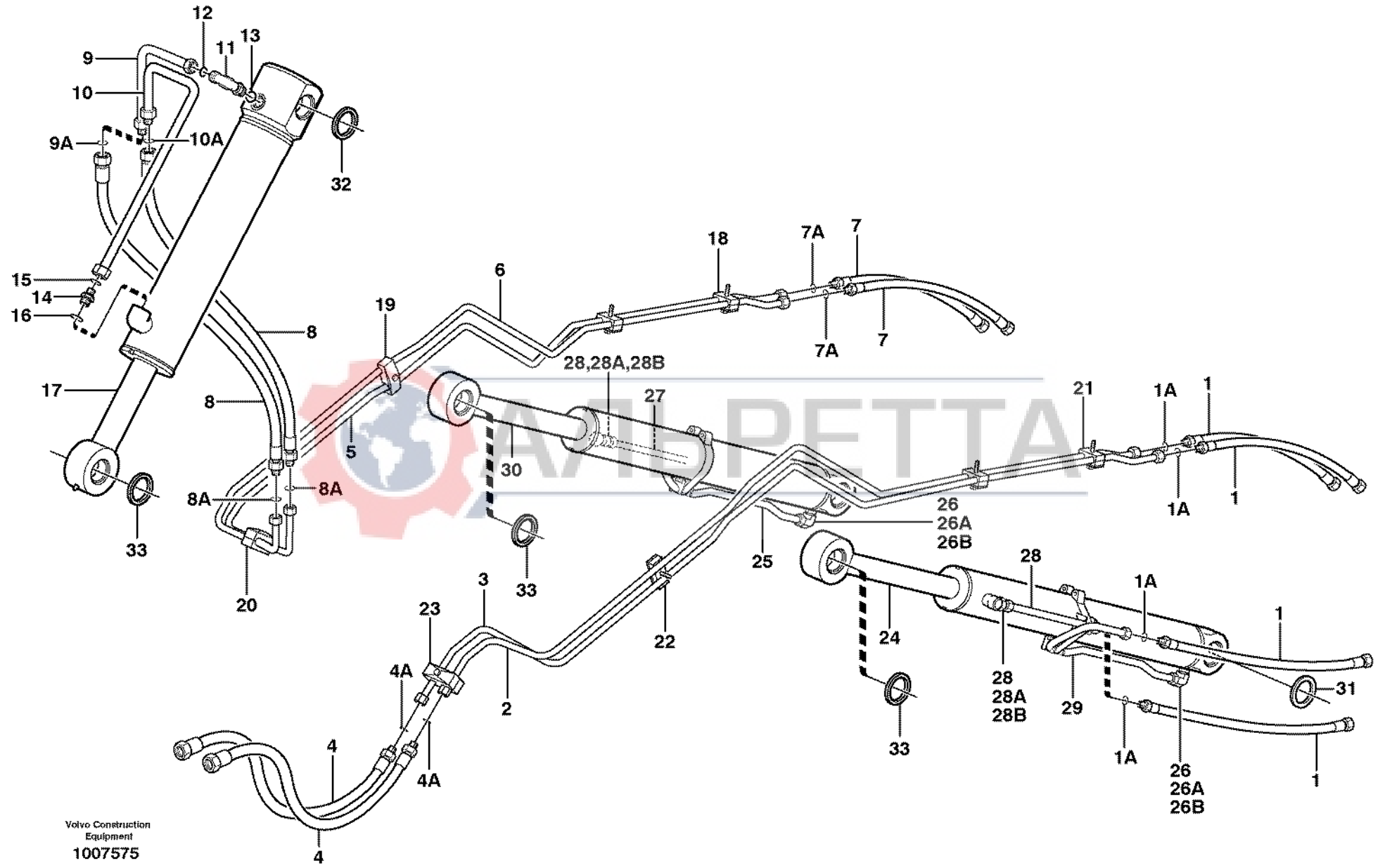


Fig.	Part No.	Quantity			P S	K I T	Description	Dénomination	Bezeichnung	Denominación	Benämning	Notes
		1	2	3								
1	VOE 11882204		6			Hose.....	Durit	Schlauch	Tubo flexible	Slang.....		
1A	VOE 4880663		1			•O-ring.....	•Joint Torique	•O-Ring.....	•Junta torica	•O-ring.....		
2	VOE 11885164			1		Tube.....	Tube.....	Rohr	Tubo	Rör.....		
3	VOE 11885163			1		Tube.....	Tube.....	Rohr	Tubo	Rör.....		
4	VOE 11881060	2		2		Hose assembly	Conduit flexible	Schlauchleitung.....	Conducto.....	Slangledning.....		
4A	VOE 4880663	1		1		•O-ring.....	•Joint Torique	•O-Ring.....	•Junta torica	•O-ring.....		
5	VOE 11885151	1		1		Tube.....	Tube.....	Rohr	Tubo	Rör.....		
6	VOE 11885150	1		1		Tube.....	Tube.....	Rohr	Tubo	Rör.....		
7	VOE 11882649		2			Hose assembly	Conduit flexible	Schlauchleitung.....	Conducto.....	Slangledning.....		
7A	VOE 981289		1			•O-ring.....	•Joint Torique	•O-Ring.....	•Junta torica	•O-ring.....		
8	VOE 11884228		2			Hose.....	Durit	Schlauch	Tubo flexible	Slang.....		
8A	VOE 981289		1			•O-ring.....	•Joint Torique	•O-Ring.....	•Junta torica	•O-ring.....		
9	VOE 11882801	1		1		Tube.....	Tube.....	Rohr	Tubo	Rör.....		
9A	VOE 4880663	1		1		•O-ring.....	•Joint Torique	•O-Ring.....	•Junta torica	•O-ring.....		
10	VOE 11882800	1		1		Tube.....	Tube.....	Rohr	Tubo	Rör.....		
10A	VOE 4880663	1		1		•O-ring.....	•Joint Torique	•O-Ring.....	•Junta torica	•O-ring.....		
11	VOE 935079	1		1		Elbow nipple.....	Raccord angulaire.....	Winkelnippel.....	Niple angular.....	Vinkelnippel.....		
12	VOE 981289	1		1		•O-ring.....	•Joint Torique	•O-Ring.....	•Junta torica	•O-ring.....		
13	VOE 932041	1		1		•O-ring.....	•Joint Torique	•O-Ring.....	•Junta torica	•O-ring.....		
14	VOE 13933862	1		1		Nipple.....	Raccord.....	Nippel.....	Niple.....	Nippel.....		
15	VOE 981289	1		1		•O-ring.....	•Joint Torique	•O-Ring.....	•Junta torica	•O-ring.....		
16	VOE 932042	1		1		•O-ring.....	•Joint Torique	•O-Ring.....	•Junta torica	•O-ring.....		
17	VOE 11882905	1		1		Cylinder.....	Verin.....	Zylinder	Cilindro	Cylinder.....	See group 945, Page 681	
18	VOE 11881093	2		2		Clamp.....	Pince Serrage	Klemme	Abrazadera.....	Klämma.....		
19	VOE 11883229	1		1		Clamp.....	Pince Serrage	Klemme	Abrazadera.....	Klämma.....		
20	VOE 11881372	1		1		Clamp.....	Pince Serrage	Klemme	Abrazadera.....	Klämma.....		
21	VOE 11881340			2		Clamp.....	Pince Serrage	Klemme	Abrazadera.....	Klämma.....		
22	VOE 11881054			1		Clamp.....	Pince Serrage	Klemme	Abrazadera.....	Klämma.....		
23	VOE 11882854			1		Clamp.....	Pince Serrage	Klemme	Abrazadera.....	Klämma.....		
24	VOE 11881974	1		1		Cylinder.....	Verin.....	Zylinder	Cilindro	Cylinder.....	See group 945, Page 679	

1	11891079 S/N - 10938	Hydraulsystem, lastare Hydraulic system loader Hydraulikanlage, Lader Hydraulic system loader Hydraulic system loader	Catalogue id	Group
2	11880001 S/N - 10938		20017	911
3	11891080 S/N - 10938		Illustr. No	Section
4			1007575	800
5			Issue	Page
		VOE 63D9920017	545	



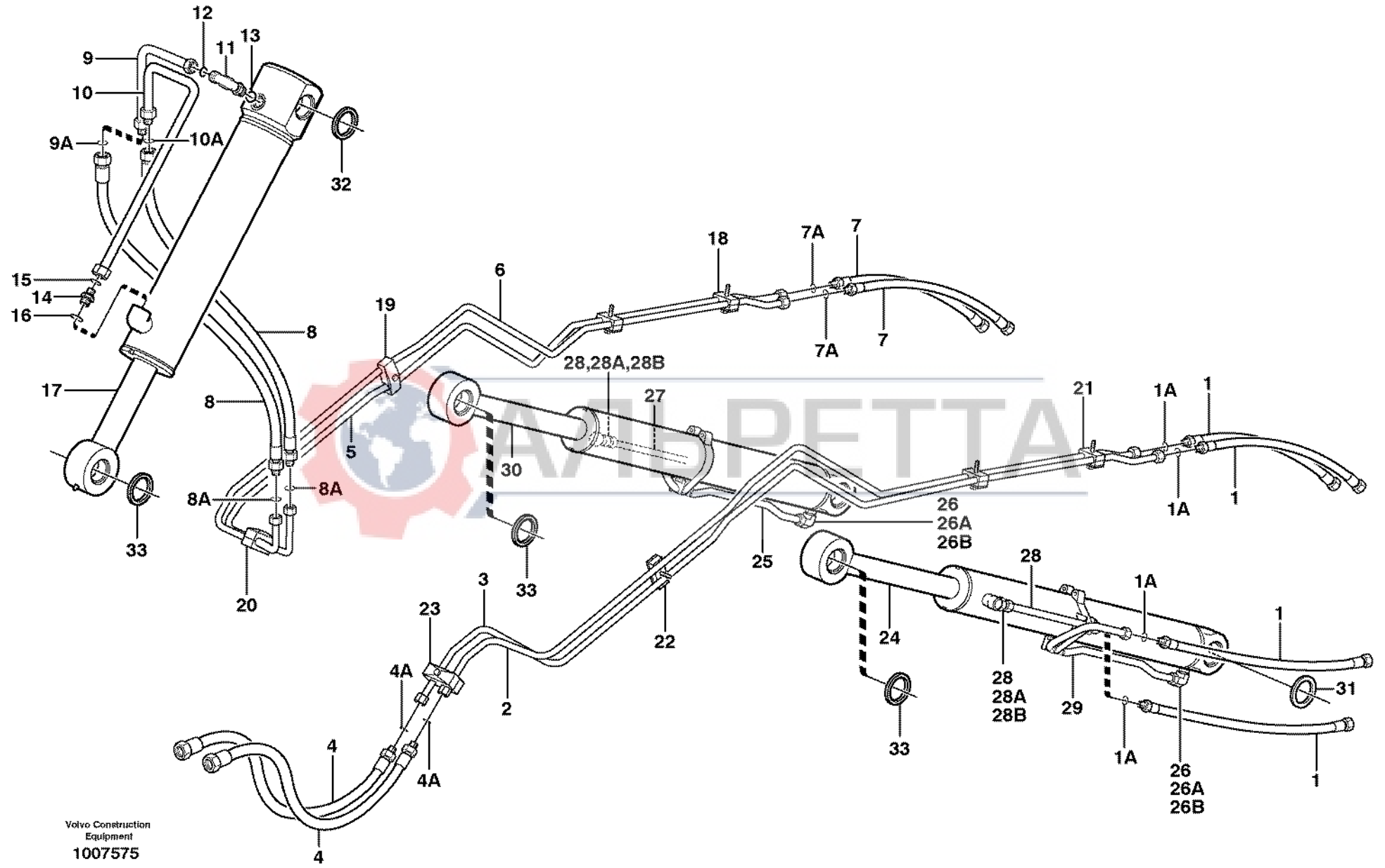


Fig.	Part No.	Quantity			P S	K I T	Description	Dénomination	Bezeichnung	Denominación	Benämning	Notes
		1	2	3								
25	VOE 11882798	1		1		Tube.....	Tube.....	Rohr.....	Tube.....	Rör.....		
26	VOE 935076	2		2		Elbow Nipple.....	Raccord angulaire.....	Winkelnippel.....	Niple Angular.....	V-nippel.....		
26A	VOE 4880663	1		1		•O-ring.....	•Joint Torique.....	•O-Ring.....	•Junta torica.....	•O-ring.....		
26B	VOE 932040	1		1		•O-ring.....	•Joint Torique.....	•O-Ring.....	•Junta torica.....	•O-ring.....		
27	VOE 11882799	2		2		Tube.....	Tube.....	Rohr.....	Tube.....	Rör.....		
28	VOE 935094	2		2		Nipple.....	Raccord.....	Nippel.....	Niple.....	Nippel.....		
28A	VOE 4880663	1		1		•O-ring.....	•Joint Torique.....	•O-Ring.....	•Junta torica.....	•O-ring.....		
28B	VOE 932040	1		1		•O-ring.....	•Joint Torique.....	•O-Ring.....	•Junta torica.....	•O-ring.....		
29	VOE 11881499	1		1		Tube.....	Tube.....	Rohr.....	Tube.....	Rör.....		
30	VOE 11881973	1		1		Cylinder.....	Verin.....	Zylinder.....	Cilindro.....	Cylinder.....	See group 945, Page 679	
31	VOE 11890069	4		4		Seal.....	Joint.....	Dichtung.....	Reten.....	Tätning.....		
32	VOE 11883937	2		2		Scraper.....	Racloir.....	Abstreicher.....	Rascador.....	Skrapa.....		
33	VOE 11883675	6		6		Scraper.....	Racloir.....	Abstreicher.....	Rascador.....	Skrapa.....		

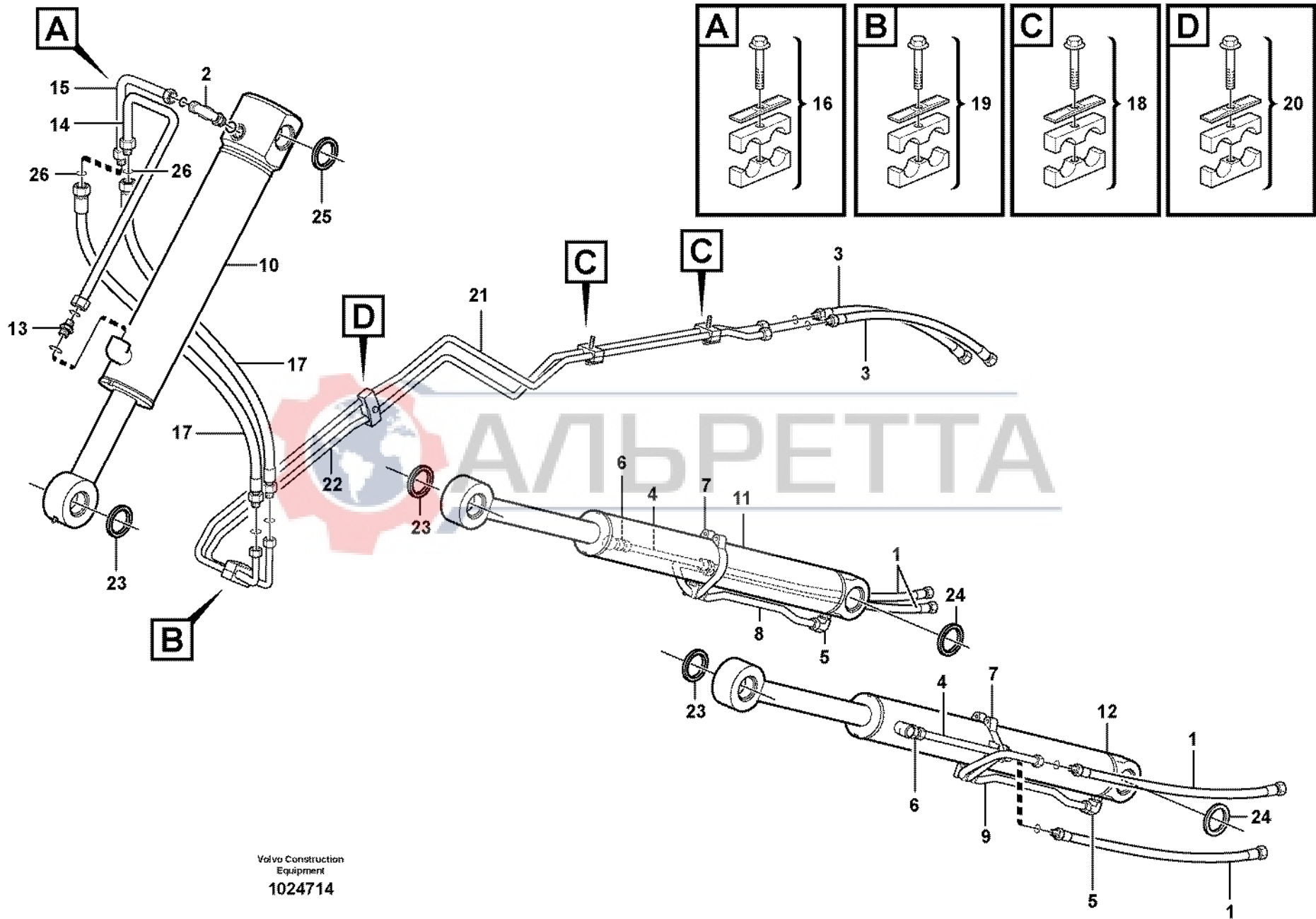


1	11891079 S/N - 10938	Hydraulsystem, lastare Hydraulic system loader Hydraulikanlage, Lader Hydraulic system loader Hydraulic system loader	Catalogue id 20017	Group 911
2	11880001 S/N - 10938		Illustr. No 1007575	Section 800
3	11891080 S/N - 10938			
4			Issue VOE 63D9920017	Page 547
5				

VOLVO

BL60



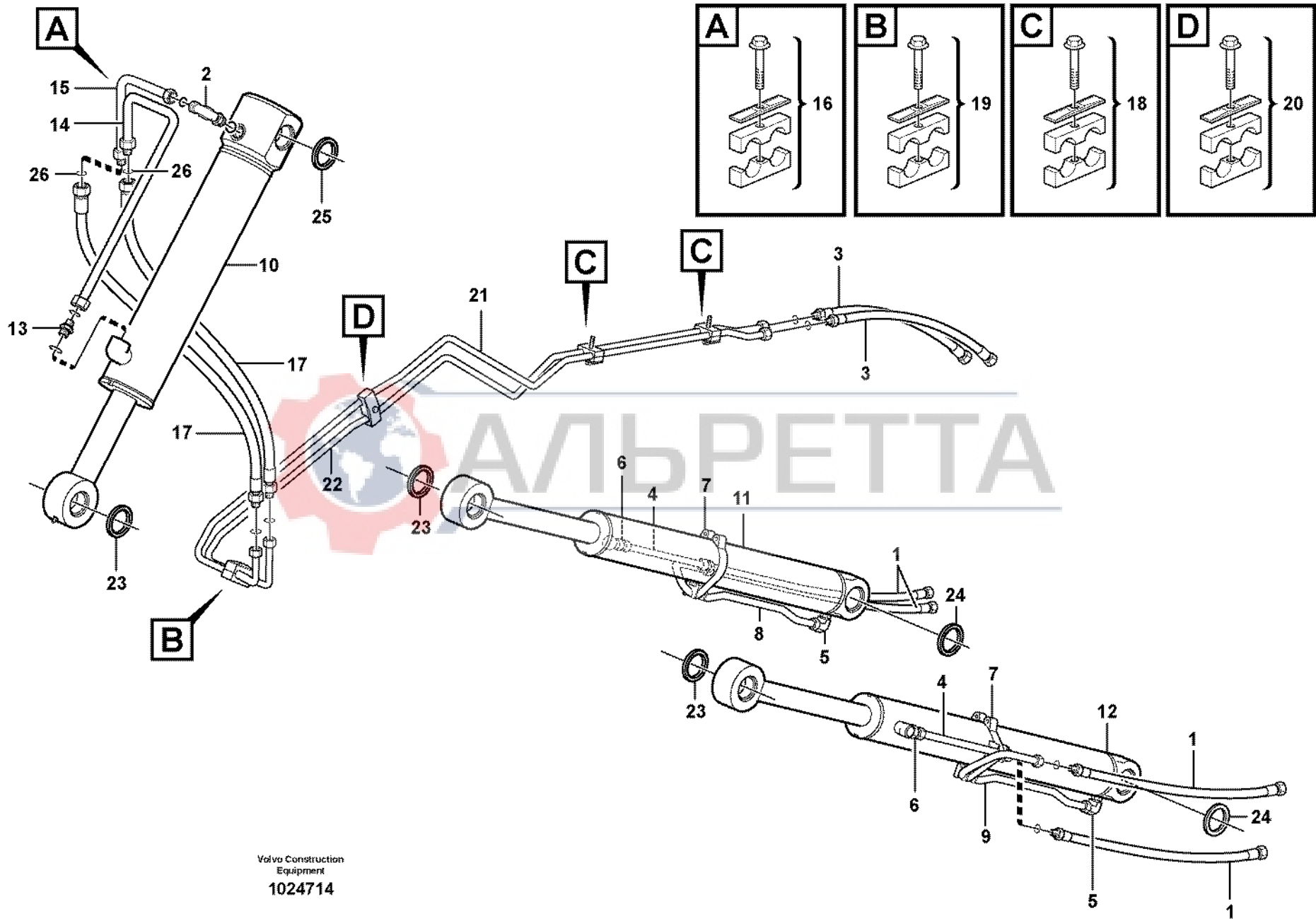


Volvo Construction
Equipment
1024714

Fig.	Part No.	Quantity			P S	K I T	Description	Dénomination	Bezeichnung	Denominación	Benämning	Notes
		1	2	3								
1	VOE 11882204	4				Hose.....	Durit	Schlauch	Tubo flexible	Slang.....		
2	VOE 935079	1				Elbow nipple.....	Raccord angulaire.....	Winkelnippel.....	Niple angular	Vinkelnippel.....		
	VOE 981289	1				•O-ring.....	•Joint Torique	•O-Ring.....	•Junta torica	•O-ring.....		
	VOE 932041	1				•O-ring.....	•Joint Torique	•O-Ring.....	•Junta torica	•O-ring.....		
3	VOE 11882649	2				Hose assembly	Conduit flexible	Schlauchleitung.....	Conducto.....	Slangledning.....		
4	VOE 11882799	2				Tube.....	Tube.....	Rohr	Tubo	Rör.....		
5	VOE 935076	2				Elbow Nipple.....	Raccord angulaire.....	Winkelnippel.....	Niple Angular.....	V-nippel.....		
	VOE 4880663	2				•O-ring.....	•Joint Torique	•O-Ring.....	•Junta torica	•O-ring.....		
	VOE 932040	2				•O-ring.....	•Joint Torique	•O-Ring.....	•Junta torica	•O-ring.....		
6	VOE 935094	2				Nipple.....	Raccord.....	Nippel.....	Niple	Nippel.....		
	VOE 4880663	2				•O-ring.....	•Joint Torique	•O-Ring.....	•Junta torica	•O-ring.....		
	VOE 932040	2				•O-ring.....	•Joint Torique	•O-Ring.....	•Junta torica	•O-ring.....		
7	VOE 11885203	2				Clamp.....	Pince Serrage	Klemme	Abrazadera.....	Klämma.....		
8	VOE 11882798	1				Tube.....	Tube.....	Rohr	Tubo	Rör.....		
9	VOE 11881499	1				Tube.....	Tube.....	Rohr	Tubo	Rör.....		
10		1				Cylinder.....	Verin.....	Zylinder	Cilindro	Cylinder.....	See group 945, Page 681	
11		1				Cylinder.....	Verin.....	Zylinder	Cilindro	Cylinder.....	See group 945, Page 679	
12		1				Cylinder.....	Verin.....	Zylinder	Cilindro	Cylinder.....	See group 945, Page 679	
13	VOE 13933862	1				Nipple.....	Raccord.....	Nippel.....	Niple	Nippel.....		
	VOE 981289	1				•O-ring.....	•Joint Torique	•O-Ring.....	•Junta torica	•O-ring.....		
	VOE 932042	1				•O-ring.....	•Joint Torique	•O-Ring.....	•Junta torica	•O-ring.....		
14	VOE 11882800	1				Tube.....	Tube.....	Rohr	Tubo	Rör.....		
15	VOE 11882801	1				Tube.....	Tube.....	Rohr	Tubo	Rör.....		
16	VOE 11881092	1				Clamp.....	Pince Serrage	Klemme	Abrazadera.....	Klämma.....		
17	VOE 11884228	2				Hose.....	Durit	Schlauch	Tubo flexible	Slang.....		
18	VOE 11881093	2				Clamp.....	Pince Serrage	Klemme	Abrazadera.....	Klämma.....		
19	VOE 11881372	1				Clamp.....	Pince Serrage	Klemme	Abrazadera.....	Klämma.....		
20	VOE 11883229	1				Clamp.....	Pince Serrage	Klemme	Abrazadera.....	Klämma.....		
21	VOE 11888396	1				Tube.....	Tube.....	Rohr	Tubo	Rör.....		
22	VOE 11888397	1				Tube.....	Tube.....	Rohr	Tubo	Rör.....		

1		Hydraulsystem, lastare Hydraulic system loader Hydraulikanlage, Lader Hydraulic system loader Hydraulic system loader	Catalogue id	Group
2			20017	911
3			Illustr. No	Section
4			1024714	810
5			Issue	Page
		11880001, S/N 10939 -	VOE 63D9920017	549





Volvo Construction
Equipment
1024714

Fig.	Part No.	Quantity			P S	K I T	Description	Dénomination	Bezeichnung	Denominación	Benämning	Notes
		1	2	3								
23	VOE 11883675	6				Scraper	Racloir.....	Abstreicher.....	Rascador.....	Skrapa.....		
24	VOE 11890069	4				Seal.....	Joint	Dichtung.....	Reten.....	Tätning.....		
25	VOE 11883937	2				Scraper	Racloir.....	Abstreicher.....	Rascador.....	Skrapa.....		
26	VOE 4880663	2				O-ring.....	Joint Torique	O-Ring.....	Junta torica.....	O-ring.....		

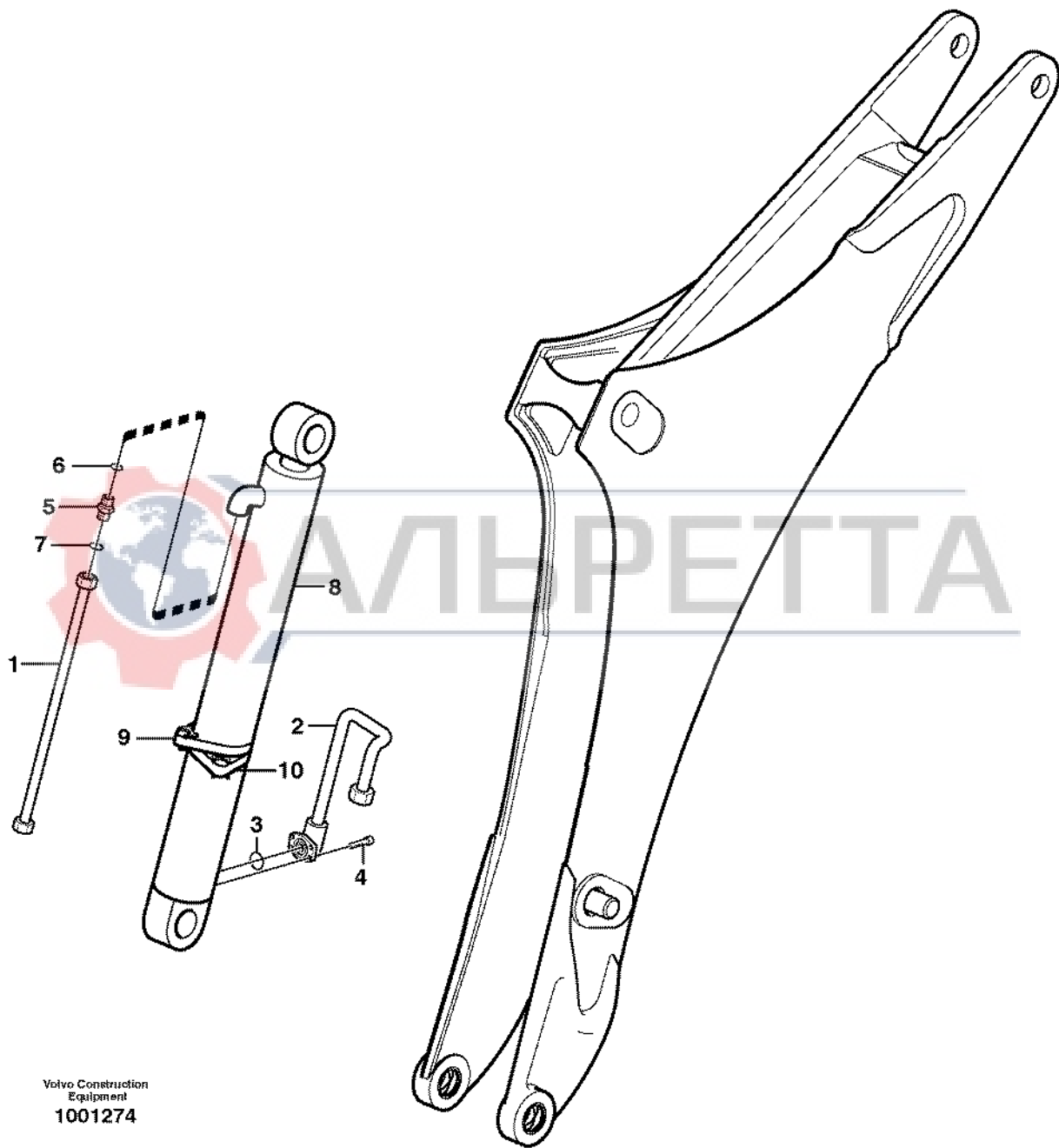


1	Hydraulsystem, lastare Hydraulic system loader Hydraulikanlage, Lader Hydraulic system loader Hydraulic system loader 11880001, S/N 10939 -	Catalogue id	Group
2		20017	911
3		Illustr. No	Section
4		1024714	810
5		Issue	Page
		VOE 63D9920017	551

VOLVO

BL60





Volvo Construction
Equipment
1001274

Fig.	Part No.	Quantity			P S	K I T	Description	Dénomination	Bezeichnung	Denominación	Benämning	Notes
		1	2	3								
1	VOE 11891063	1				Pipe.....	Canalisation	Rohrleitung.....	Canalización.....	Rör.....		
2	VOE 11891064	1				Pipe.....	Canalisation	Rohrleitung.....	Canalización.....	Rör.....		
3	VOE 13948699	1				O-ring.....	Joint Torique	O-Ring.....	Junta torica.....	O-ring.....		
4	VOE 967635	4				Allen Hd Screw	Vis A 6 Pans Cr.....	Inbusschraube.....	Torn Hex Embut.....	Insexskruv.....		
5	VOE 13933862	1				Nipple.....	Raccord.....	Nippel.....	Niple.....	Nippel.....		
6	VOE 981289	1				•O-ring.....	•Joint Torique	•O-Ring.....	•Junta torica	•O-ring.....		
7	VOE 932042	1				•O-ring.....	•Joint Torique	•O-Ring.....	•Junta torica	•O-ring.....		
8		1				Boom Cylinder	Verin Fleche.....	Auslegerzyl.....	Cilindro Pluma	Bomcylinder.....	See group 974, Page 709	
9	VOE 11881289	1				Clamp.....	Pince Serrage	Klemme	Abrazadera.....	Klämma.....		
10	VOE 11881101	1				Clamp.....	Pince Serrage	Klemme	Abrazadera.....	Klämma.....	SER NO -10004	
10	VOE 11886191	REQ				Clamp.....	Pince Serrage	Klemme	Abrazadera.....	Klämma.....	SER NO 10005-	

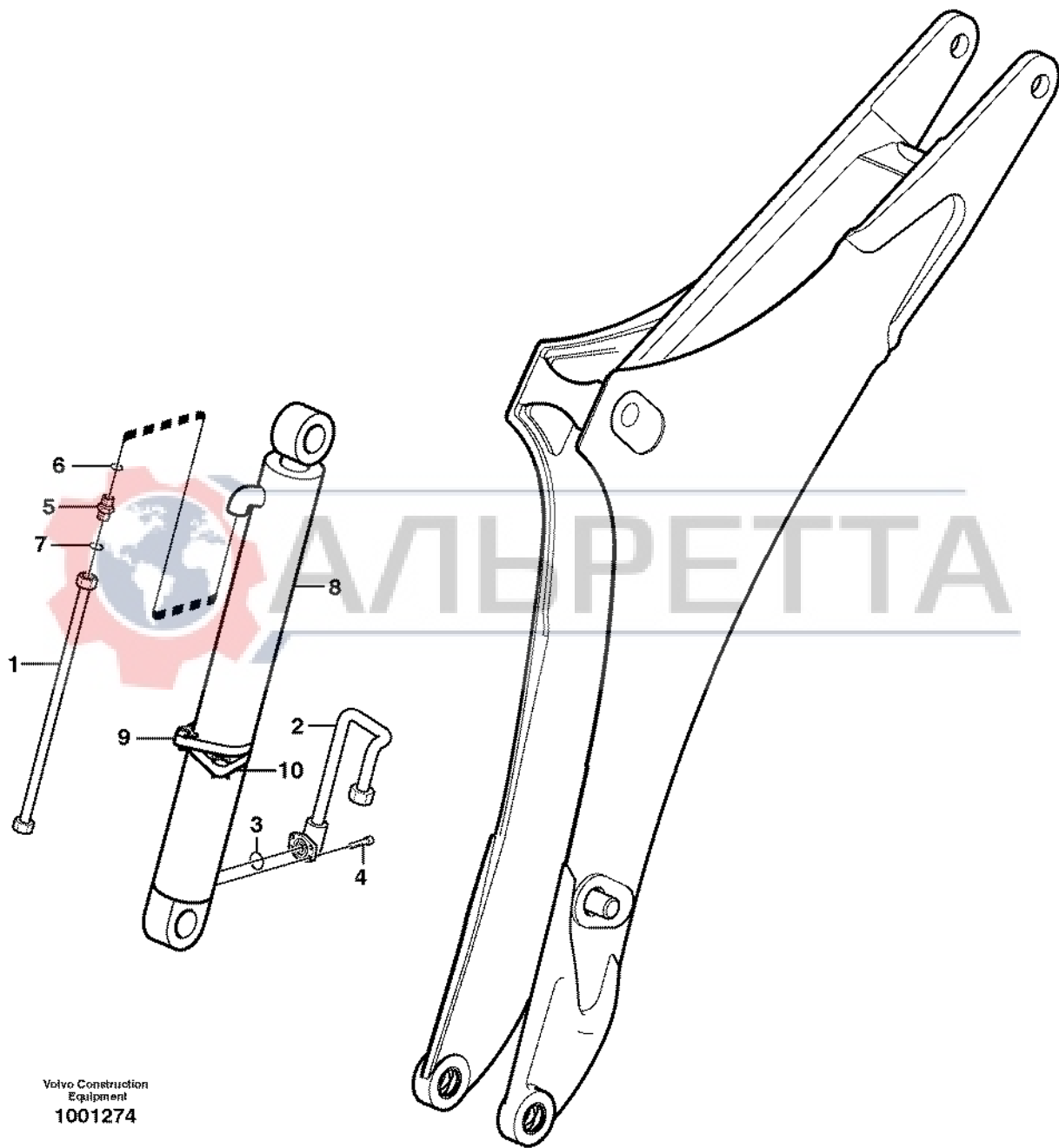


1		Hydraulsystem, grävboom Hydraulic system, excavator beam Hydraulic system, excavator beam Hydraulic system, excavator beam Hydraulic system, excavator beam 11890342, 11890343, S/N - 10938	Catalogue id 20017	Group 911
2			Illustr. No 1001274	Section 900
3				Issue VOE 63D9920017
4				
5				

VOLVO

BL60





Volvo Construction
Equipment
1001274

Fig.	Part No.	Quantity			P S	K I T	Description	Dénomination	Bezeichnung	Denominación	Benämning	Notes
		1	2	3								
1	VOE 11891063	1				Pipe.....	Canalisation	Rohrleitung.....	Canalización.....	Rör.....		
2	VOE 11891064	1				Pipe.....	Canalisation	Rohrleitung.....	Canalización.....	Rör.....		
3	VOE 13948699	1				O-ring.....	Joint Torique	O-Ring.....	Junta torica.....	O-ring.....		
4	VOE 967635	4				Allen Hd Screw	Vis A 6 Pans Cr.....	Inbusschraube.....	Torn Hex Embut.....	Insexskruv.....		
5	VOE 13933862	1				Nipple.....	Raccord.....	Nippel.....	Niple.....	Nippel.....		
6	VOE 981289	1				•O-ring.....	•Joint Torique	•O-Ring.....	•Junta torica	•O-ring.....		
7	VOE 932042	1				•O-ring.....	•Joint Torique	•O-Ring.....	•Junta torica	•O-ring.....		
8	VOE 11881809	1				Boom Cylinder	Verin de fleche	Auslegerzylinder.....	Maquina de flecha.....	Bomcylinder.....	See group 974, Page 709	
9	VOE 11881289	1				Clamp.....	Pince Serrage	Klemme	Abrazadera.....	Klämma.....		
10	VOE 11881101	1				Clamp.....	Pince Serrage	Klemme	Abrazadera.....	Klämma.....		

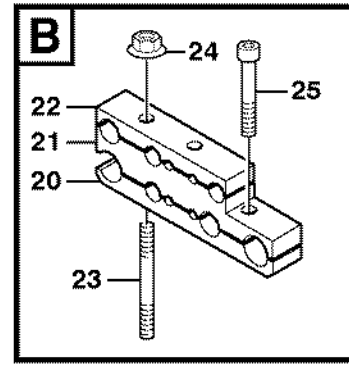
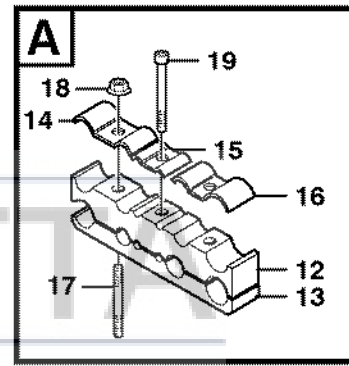
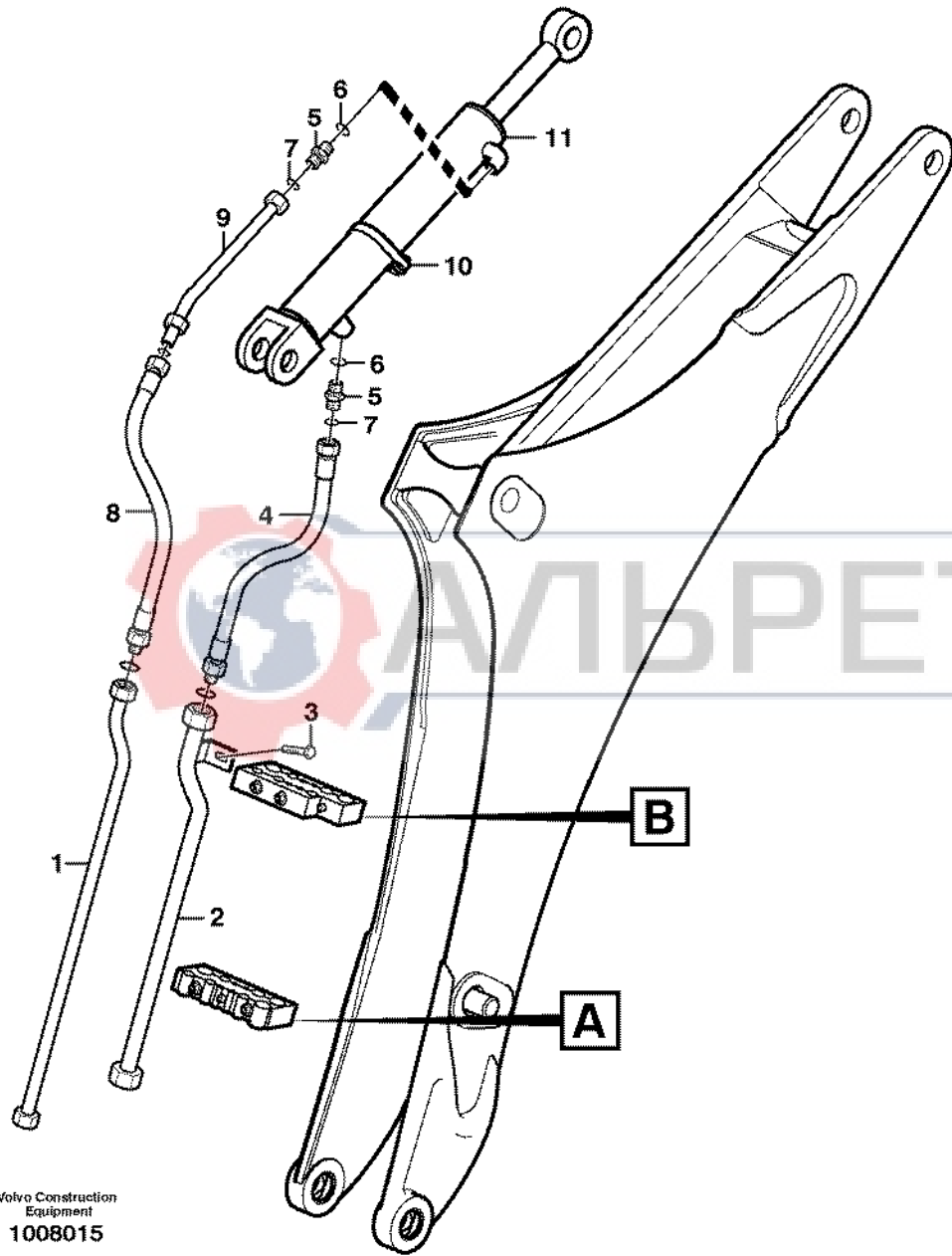


1		Hydraulsystem, grävboom Sistema hidráulico, pluma de excavación Hydraulikanlage, Baggerausleger Système hydraulique, flèche Hydraulic system, boom	Catalogue id	Group
2			20017	911
3			Illustr. No	Section
4			1001274	910
5			Issue	Page
			VOE 63D9920017	555
			11880001, S/N 10939 -	

VOLVO

BL60





Volvo Construction
Equipment
1008015

Fig.	Part No.	Quantity			P S	K I T	Description	Dénomination	Bezeichnung	Denominación	Benämning	Notes
		1	2	3								
1	VOE 11891058	1				Pipe.....	Canalisation	Rohrleitung.....	Canalización.....	Rör.....		
2	VOE 11891062	1				Pipe.....	Canalisation	Rohrleitung.....	Canalización.....	Rör.....		
3	VOE 13967630	1				Allen Hd Screw	Vis A 6 Pans Cr.....	Inbusschraube.....	Torn Hex Embut.....	Insexskruv.....		
4	VOE 11882200	1				Hose assembly	Conduit flexible	Schlauchleitung.....	Conducto.....	Slangledning.....		
	VOE 981290	1				•O-ring.....	•Joint Torique.....	•O-Ring.....	•Junta torica	•O-ring.....		
5	VOE 13933862	2				Nipple.....	Raccord.....	Nippel.....	Niple.....	Nippel.....		
6	VOE 981289	1				•O-ring.....	•Joint Torique.....	•O-Ring.....	•Junta torica	•O-ring.....		
7	VOE 932042	1				•O-ring.....	•Joint Torique.....	•O-Ring.....	•Junta torica	•O-ring.....		
8	VOE 11882201	1				Hose assembly	Conduit flexible	Schlauchleitung.....	Conducto.....	Slangledning.....		
	VOE 981289	1				•O-ring.....	•Joint Torique.....	•O-Ring.....	•Junta torica	•O-ring.....		
9	VOE 11881937	1				Tube.....	Tube.....	Rohr.....	Tube.....	Rör.....		
	VOE 981289	1				•O-ring.....	•Joint Torique.....	•O-Ring.....	•Junta torica	•O-ring.....		
10	VOE 11881101	1				Clamp.....	Pince Serrage	Klemme.....	Abrazadera.....	Klämma.....	SER NO -10004	
10	VOE 11886191	REQ				Clamp.....	Pince Serrage	Klemme.....	Abrazadera.....	Klämma.....	SER NO 10005-	
11		1				Dipper Arm Cylinder.....	Vérin de bras.....	Stielzylinder.....	Cilindro de brazo.....	Skaftcylinder.....	See group 975, Page 711	
12	VOE 11881346	1				Clamp.....	Pince Serrage	Klemme.....	Abrazadera.....	Klämma.....		
13	VOE 11881345	1				Clamp.....	Pince Serrage	Klemme.....	Abrazadera.....	Klämma.....		
14	VOE 11881048	1				Clamp.....	Pince Serrage	Klemme.....	Abrazadera.....	Klämma.....		
15	VOE 11881049	1				Clamp.....	Pince Serrage	Klemme.....	Abrazadera.....	Klämma.....		
16	VOE 11882857	1				Clamp.....	Pince Serrage	Klemme.....	Abrazadera.....	Klämma.....		
17	VOE 953059	2				Stud.....	Goujon	Stiftschraube	Esparrago.....	Pinnskruv.....		
18	VOE 948645	1				Flange Lock Nut.....	Contre écrou bride	Flanschmutter	Contratuer Embr.....	Flänslåsmutter.....		
	VOE 983306	1				Hexagon Nut.....	Ecrou Hexagonal	Sechskantmutter	Tuerca Hexagon.....	Sexkantsmutter.....		
19	VOE 967633	1				Allen Hd Screw	Vis A 6 Pans Cr.....	Inbusschraube.....	Torn Hex Embut.....	Insexskruv.....		
20	VOE 11886105	1				Band.....	Etrier Serrage.....	Schelle	Cinta.....	Klamma.....	(VOE 11881347)	
21	VOE 11881348	1				Clamp.....	Pince Serrage	Klemme.....	Abrazadera.....	Klämma.....		
22	VOE 11881349	1				Clamp.....	Pince Serrage	Klemme.....	Abrazadera.....	Klämma.....		
23	VOE 953062	2				Stud.....	Goujon	Stiftschraube	Esparrago.....	Pinnskruv.....		
24	VOE 948645	2				Flange Lock Nut.....	Contre écrou bride	Flanschmutter	Contratuer Embr.....	Flänslåsmutter.....		
25	VOE 13949927	1				Allen Hd Screw	Vis A 6 Pans Cr.....	Inbusschraube.....	Torn Hex Embut.....	Insexskruv.....		

1		Hydraulsystem, grävarm Sistema hidráulico, balancín Hydraulikanlage, Baggerstiel Système hydraulique, balancier Hydraulic system dipper arm	Catalogue id	Group
2			20017	911
3			Illustr. No	Section
4			1008015	1000
5			Issue	Page
		11890342, 11890343, S/N - 10938	VOE 63D9920017	557

VOLVO

BL60



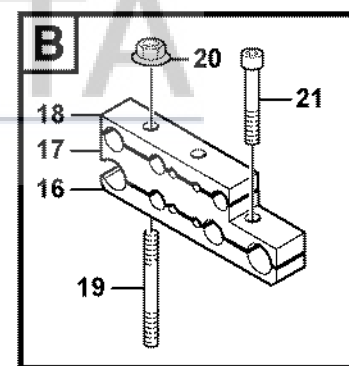
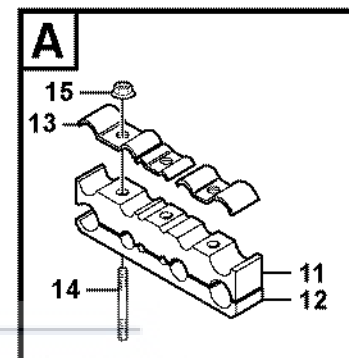
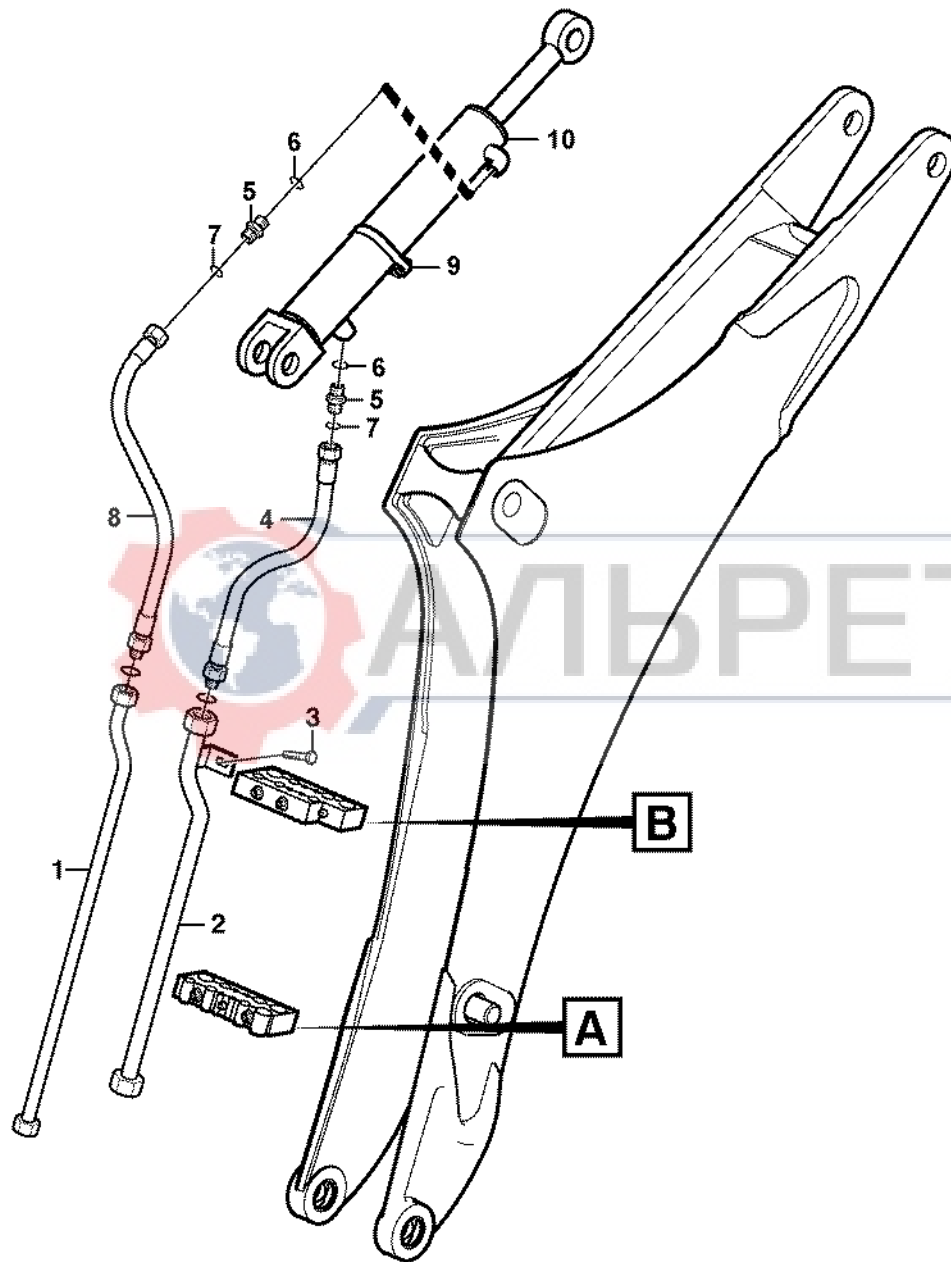


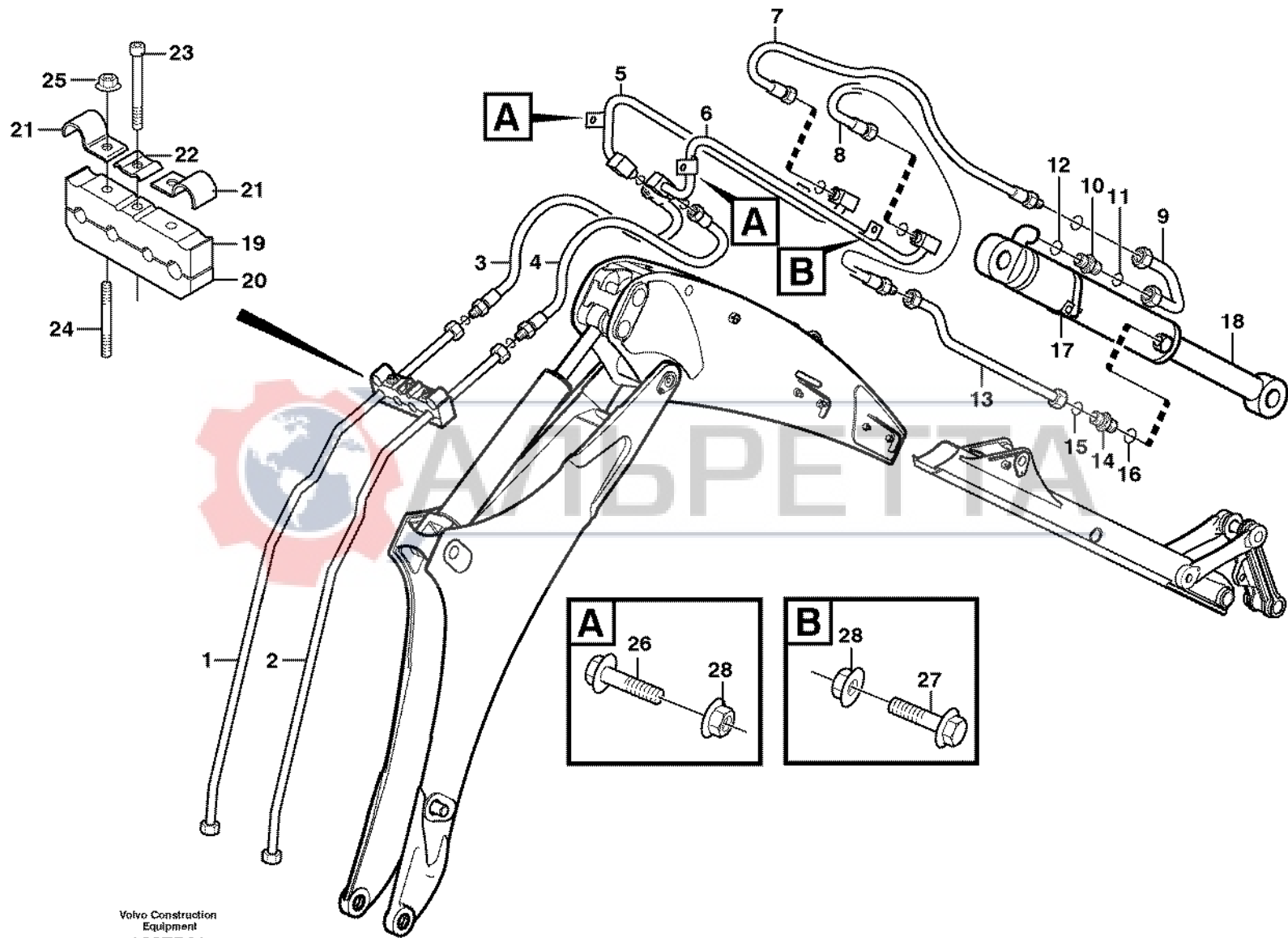
Fig.	Part No.	Quantity			P S	K I T	Description	Dénomination	Bezeichnung	Denominación	Benämning	Notes
		1	2	3								
1	VOE 11891058	1				Pipe.....	Canalisation	Rohrleitung.....	Canalización.....	Rör.....		
2	VOE 11891062	1				Pipe.....	Canalisation	Rohrleitung.....	Canalización.....	Rör.....		
3	VOE 13967630	1				Allen Hd Screw	Vis A 6 Pans Cr.....	Inbusschraube.....	Torn Hex Embut.....	Insexskruv.....	SER NO -12189	
3	VOE 13945444	1				Flange screw.....	Vis à bride	Flanschschraube.....	Torn embridado	Flänsskruv.....	SER NO 12190-	
4	VOE 11882200	1				Hose assembly	Conduit flexible	Schlauchleitung.....	Conducto.....	Slangledning.....		
	VOE 981290	1				•O-ring.....	•Joint Torique	•O-Ring.....	•Junta torica	•O-ring.....		
5	VOE 13933862	2				Nipple.....	Raccord.....	Nippel.....	Niple	Nippel.....		
6	VOE 990740	2				•O-ring.....	•Joint Torique	•O-Ring.....	•Junta torica	•O-ring.....		
7	VOE 932042	2				•O-ring.....	•Joint Torique	•O-Ring.....	•Junta torica	•O-ring.....		
8	VOE 11888543	1				Hose assembly	Conduit flexible	Schlauchleitung.....	Conducto.....	Slangledning.....		
9	VOE 11881101	1				Clamp.....	Pince Serrage	Klemme	Abrazadera.....	Klämma.....		
10	VOE 11881810	1				Dipper Arm Cylinder...	Vérin de bras.....	Stielzylinder.....	Cilindro de brazo	Skaftcylinder.....	See group 975, Page 711	
11	VOE 11881346	1				Clamp.....	Pince Serrage	Klemme	Abrazadera.....	Klämma.....		
12	VOE 11886105	1				Band.....	Etrier Serrage	Schelle	Cinta	Klamma.....		
13	VOE 11887870	1				Clamp.....	Pince Serrage	Klemme	Abrazadera.....	Klämma.....		
14	VOE 953059	2				Stud.....	Goujon	Stiftschraube	Esparrago.....	Pinnskruv.....		
15	VOE 961991	2				Hexagon Nut.....	Ecrou Hexagonal	Sechskantmutter	Tuerca Hexagon.....	Sexkantsmutter.....		
16	VOE 11886105	1				Band.....	Etrier Serrage	Schelle	Cinta	Klamma.....	(VOE 11881347)	
17	VOE 11881348	1				Clamp.....	Pince Serrage	Klemme	Abrazadera.....	Klämma.....		
18	VOE 11881349	1				Clamp.....	Pince Serrage	Klemme	Abrazadera.....	Klämma.....		
19	VOE 11885982	2				Stud.....	Goujon	Stiftschraube	Esparrago.....	Pinnskruv.....		
20	VOE 961991	2				Hexagon Nut.....	Ecrou Hexagonal	Sechskantmutter	Tuerca Hexagon.....	Sexkantsmutter.....		
21	VOE 13949927	1				Allen Hd Screw	Vis A 6 Pans Cr.....	Inbusschraube.....	Torn Hex Embut.....	Insexskruv.....		

1		Hydraulsystem, grävarm Sistema hidráulico, balancín Hydraulikanlage, Baggerstiel Système hydraulique, balancier Hydraulic system dipper arm	Catalogue id	Group
2			20017	911
3			Illustr. No	Section
4			1024672	1010
5			Issue	Page
		11880001, S/N 10939 -	VOE 63D9920017	559

VOLVO

BL60





Volvo Construction
Equipment
1007541

Fig.	Part No.	Quantity			P S	K I T	Description	Dénomination	Bezeichnung	Denominación	Benämning	Notes
		1	2	3								
1	VOE 11891056	1				Pipe.....	Canalisation	Rohrleitung.....	Canalizacion.....	Rör.....		
2	VOE 11891054	1				Pipe.....	Canalisation	Rohrleitung.....	Canalizacion.....	Rör.....		
3	VOE 11882203	1				Hose assembly	Conduit flexible	Schlauchleitung.....	Conducto.....	Slangledning.....		
	VOE 981289	1				•O-ring.....	•Joint Torique	•O-Ring.....	•Junta torica	•O-ring.....		
4	VOE 11881638	1				Hose assembly	Conduit flexible	Schlauchleitung.....	Conducto.....	Slangledning.....		
	VOE 4880663	2				•O-ring.....	•Joint Torique	•O-Ring.....	•Junta torica	•O-ring.....		
5	VOE 11886476	1				Feed Pipe.....	Conduit Entree	Einlaufrohr.....	Tubo Entrada	Tillopsrör.....		
	VOE 4880663	2				O-ring.....	Joint Torique	O-Ring.....	Junta torica.....	O-ring.....		
6	VOE 11886480	1				Feed Pipe.....	Conduit Entree	Einlaufrohr.....	Tubo Entrada	Tillopsrör.....		
	VOE 4880493	2				O-ring.....	Joint Torique	O-Ring.....	Junta torica.....	O-ring.....		
7	VOE 11882205	1				Hose assembly	Conduit flexible	Schlauchleitung.....	Conducto.....	Slangledning.....	S/N - 10539	
	VOE 981289	1				•O-ring.....	•Joint Torique	•O-Ring.....	•Junta torica	•O-ring.....		
	VOE 11887018	1				Hose.....	Durit	Schlauch	Tubo flexible.....	Slang.....	S/N 10540 -	
8	VOE 11882206	1				Hose assembly	Conduit flexible	Schlauchleitung.....	Conducto.....	Slangledning.....	S/N - 10539	
	VOE 4880663	1				•O-ring.....	•Joint Torique	•O-Ring.....	•Junta torica	•O-ring.....		
	VOE 11887019	1				Hose.....	Durit	Schlauch	Tubo flexible.....	Slang.....	S/N 10540 -	
9	VOE 11891088	1				Pipe.....	Canalisation	Rohrleitung.....	Canalizacion.....	Rör.....		
10	VOE 13933862	1				Nipple.....	Raccord.....	Nippel.....	Niple.....	Nippel.....		
11	VOE 981289	1				•O-ring.....	•Joint Torique	•O-Ring.....	•Junta torica	•O-ring.....		
12	VOE 932042	1				•O-ring.....	•Joint Torique	•O-Ring.....	•Junta torica	•O-ring.....		
13	VOE 11891089	1			SS	Pipe.....	Canalisation	Rohrleitung.....	Canalizacion.....	Rör.....		
14	VOE 935094	1				Nipple.....	Raccord.....	Nippel.....	Niple.....	Nippel.....		
15	VOE 4880663	1				•O-ring.....	•Joint Torique	•O-Ring.....	•Junta torica	•O-ring.....		
16	VOE 932040	1				•O-ring.....	•Joint Torique	•O-Ring.....	•Junta torica	•O-ring.....		
17	VOE 11881292	1				Clamp.....	Pince Serrage	Klemme	Abrazadera.....	Klämma.....		
18		1				Bucket Cylinder.....	Verin de godet.....	Löffelzylinder.....	Maquina de copa.....	Skoppcylinder.....	See group 975, Page 713	
19	VOE 11881344	1				Clamp.....	Pince Serrage	Klemme	Abrazadera.....	Klämma.....		
20	VOE 11881343	1				Clamp.....	Pince Serrage	Klemme	Abrazadera.....	Klämma.....		
21	VOE 11881053	2				Clamp.....	Pince Serrage	Klemme	Abrazadera.....	Klämma.....		
22	VOE 11881049	1				Clamp.....	Pince Serrage	Klemme	Abrazadera.....	Klämma.....		

1		Hydraulsystem, skopa Sistema hidráulico, cuchara Hydraulikanlage, Löffel Système hydraulique, godet Hydraulic system, bucket	Catalogue id	Group
2			20017	911
3			Illustr. No	Section
4			1007541	1100
5			Issue	Page
	11890342		VOE 63D9920017	561

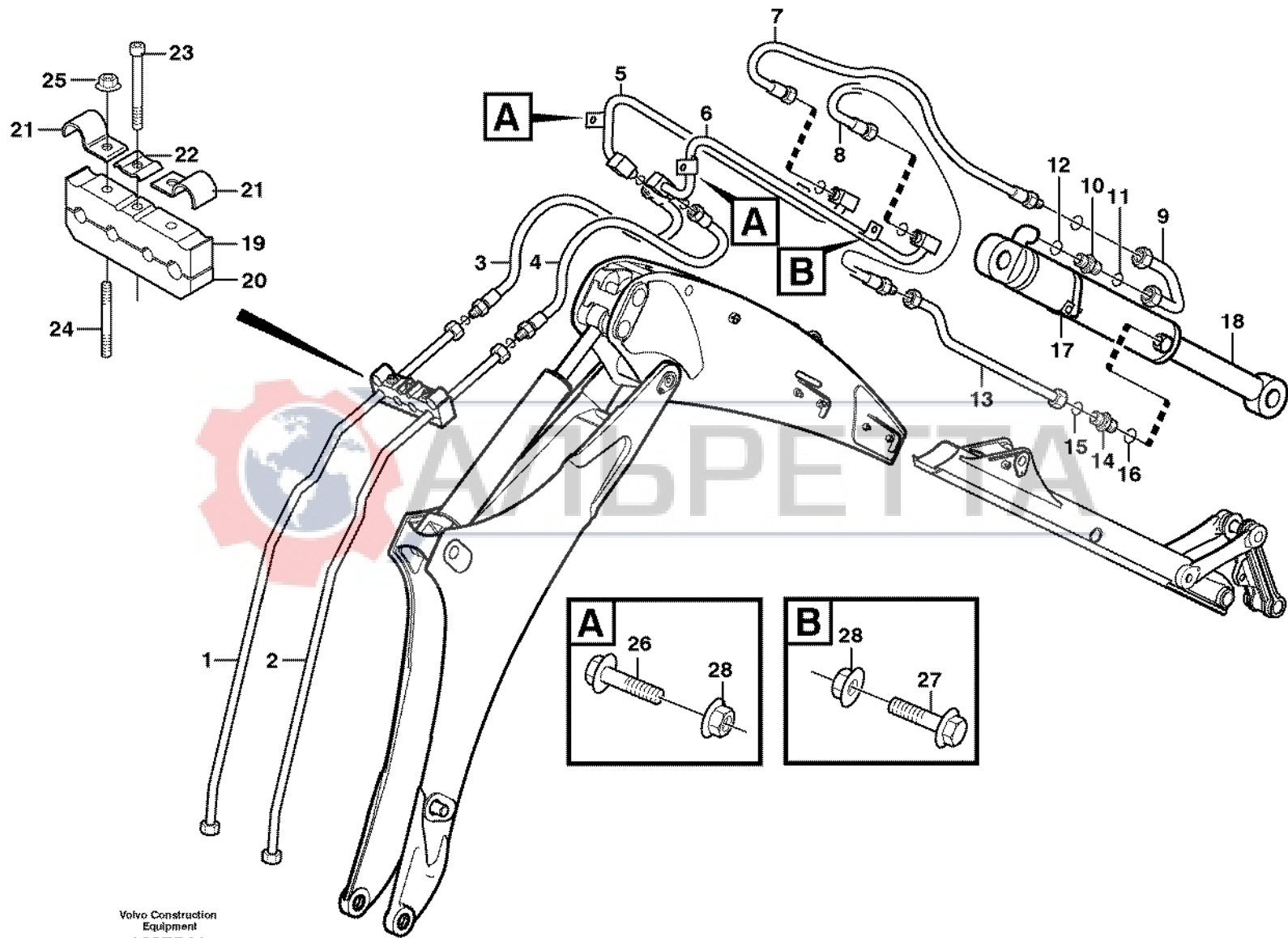


Fig.	Part No.	Quantity			P S	K I T	Description	Dénomination	Bezeichnung	Denominación	Benämning	Notes
		1	2	3								
23	VOE 967631	1					Allen Hd Screw	Vis A 6 Pans Cr.....	Inbusschraube.....	Torn Hex Embut	Insexskruv.....	
24	VOE 953062	2					Stud.....	Goujon	Stiftschraube	Esparrago.....	Pinnskruv.....	
25	VOE 948645	2					Flange Lock Nut.....	Contre écrou bride	Flanschmutter	Contratuer Embr.....	Flänslåsmutter.....	
26	VOE 13947760	2					Flange screw.....	Vis à bride	Flanschschraube.....	Torn embridado	Flänsskruv.....	
27	VOE 13945444	3					Flange screw.....	Vis à bride	Flanschschraube.....	Torn embridado	Flänsskruv.....	
28	VOE 945408	4			SS		Flange Lock Nut.....	Contre écrou bride	Flanschmutter	Contratuer Embr.....	Flänslåsmutter.....	



1		Hydraulsystem, skopa Sistema hidráulico, cuchara Hydraulikanlage, Löffel Système hydraulique, godet Hydraulic system, bucket	Catalogue id	Group
2			20017	911
3			Illustr. No	Section
4			1007541	1100
5			Issue	Page
		11890342	VOE 63D9920017	563

VOLVO

BL60



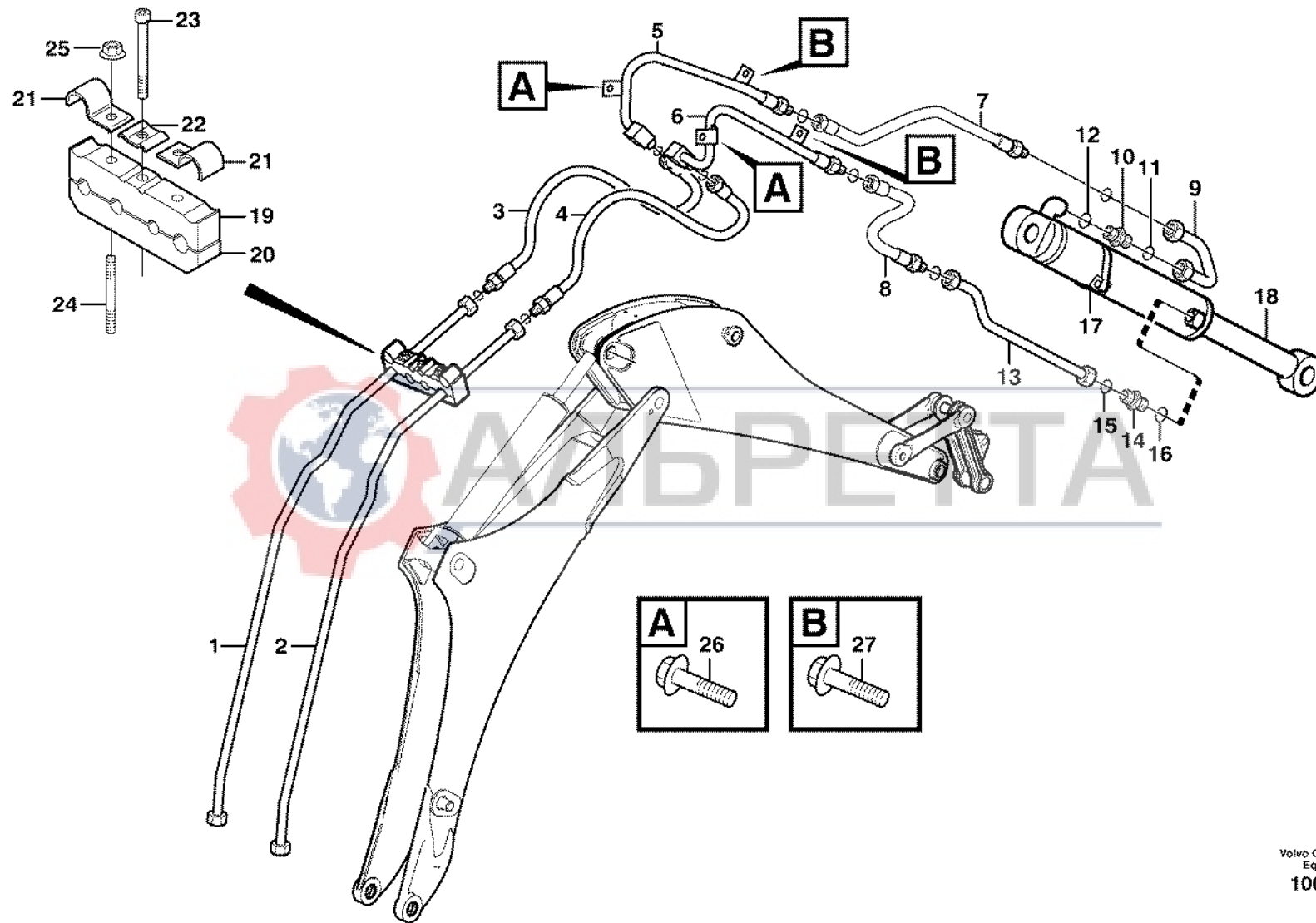


Fig.	Part No.	Quantity			P S	K I T	Description	Dénomination	Bezeichnung	Denominación	Benämning	Notes
		1	2	3								
1	VOE 11891056	1				Pipe.....	Canalisation	Rohrleitung.....	Canalización.....	Rör.....		
2	VOE 11891054	1				Pipe.....	Canalisation	Rohrleitung.....	Canalización.....	Rör.....		
3	VOE 11882203	1				Hose assembly	Conduit flexible	Schlauchleitung.....	Conducto.....	Slangledning.....		
	VOE 981289	1				•O-ring.....	•Joint Torique	•O-Ring.....	•Junta torica	•O-ring.....		
4	VOE 11881638	1				Hose assembly	Conduit flexible	Schlauchleitung.....	Conducto.....	Slangledning.....		
	VOE 4880663	1				•O-ring.....	•Joint Torique	•O-Ring.....	•Junta torica	•O-ring.....		
5	VOE 11885243	1				Pipe.....	Canalisation	Rohrleitung.....	Canalización.....	Rör.....		
	VOE 4880493	2				O-ring.....	Joint Torique	O-Ring.....	Junta torica.....	O-ring.....		
6	VOE 11885242	1				Pipe.....	Canalisation	Rohrleitung.....	Canalización.....	Rör.....		
	VOE 4880663	2				O-ring.....	Joint Torique	O-Ring.....	Junta torica.....	O-ring.....		
7	VOE 11882203	1				Hose assembly	Conduit flexible	Schlauchleitung.....	Conducto.....	Slangledning.....		
	VOE 981289	1				•O-ring.....	•Joint Torique	•O-Ring.....	•Junta torica	•O-ring.....		
8	VOE 11881638	1				Hose assembly	Conduit flexible	Schlauchleitung.....	Conducto.....	Slangledning.....		
	VOE 4880663	1				O-ring.....	Joint Torique	O-Ring.....	Junta torica.....	O-ring.....		
9	VOE 11891088	1				Pipe.....	Canalisation	Rohrleitung.....	Canalización.....	Rör.....		
10	VOE 13933862	1				Nipple.....	Raccord.....	Nippel.....	Niple.....	Nippel.....		
11	VOE 981289	1				•O-ring.....	•Joint Torique	•O-Ring.....	•Junta torica	•O-ring.....		
12	VOE 932042	1				•O-ring.....	•Joint Torique	•O-Ring.....	•Junta torica	•O-ring.....		
13	VOE 11885152	1				Tube.....	Tube.....	Rohr.....	Tube.....	Rör.....		
14	VOE 935094	1				Nipple.....	Raccord.....	Nippel.....	Niple.....	Nippel.....		
15	VOE 4880663	1				•O-ring.....	•Joint Torique	•O-Ring.....	•Junta torica	•O-ring.....		
16	VOE 932040	1				•O-ring.....	•Joint Torique	•O-Ring.....	•Junta torica	•O-ring.....		
17	VOE 11881292	1				Clamp.....	Pince Serrage	Klemme.....	Abrazadera.....	Klämna.....		
18		1				Bucket Cylinder.....	Verin de godet.....	Löffelzylinder.....	Maquina de copa.....	Skopcyylinder.....	See group 975, Page 713	
19	VOE 11881344	1				Clamp.....	Pince Serrage	Klemme.....	Abrazadera.....	Klämna.....		
20	VOE 11881343	1				Clamp.....	Pince Serrage	Klemme.....	Abrazadera.....	Klämna.....		
21	VOE 11881053	2				Clamp.....	Pince Serrage	Klemme.....	Abrazadera.....	Klämna.....		
22	VOE 11881049	1				Clamp.....	Pince Serrage	Klemme.....	Abrazadera.....	Klämna.....		
23	VOE 967631	1				Allen Hd Screw	Vis A 6 Pans Cr.....	Inbusschraube.....	Torn Hex Embut.....	Insexskruv.....		
24	VOE 953062	2				Stud.....	Goujon	Stiftschraube.....	Esparrago.....	Pinnskruv.....		

1		Hydraulsystem, skopa Sistema hidráulico, cuchara Hydraulikanlage, Löffel Système hydraulique, godet Hydraulic system, bucket	Catalogue id	Group
2			20017	911
3			Illustr. No	Section
4			1008784	1150
5			Issue	Page
		11890343, S/N - 10938	VOE 63D9920017	565

VOLVO

BL60



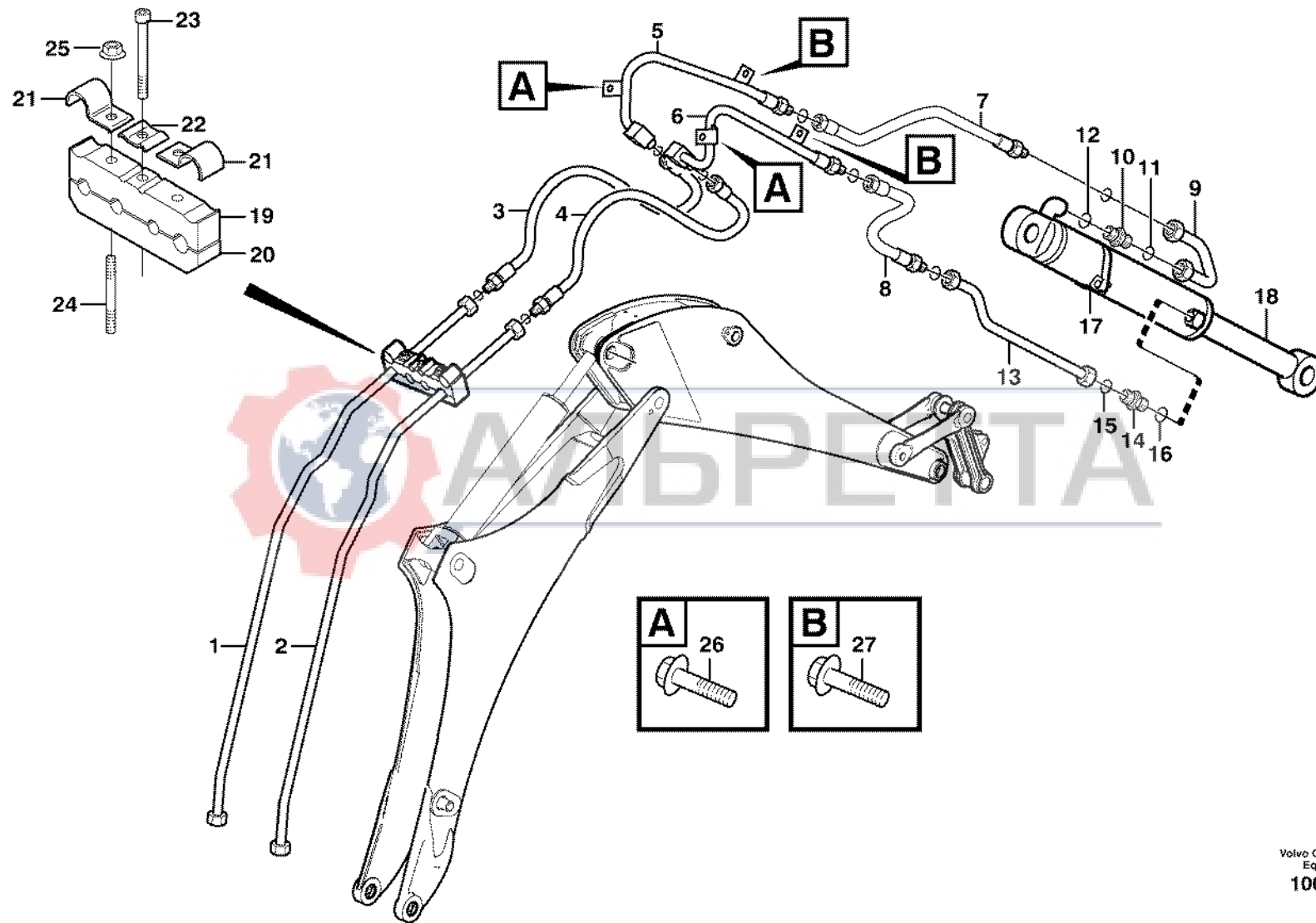


Fig.	Part No.	Quantity			P S	K I T	Description	Dénomination	Bezeichnung	Denominación	Benämning	Notes
		1	2	3								
25	VOE 948645	2				Flange Lock Nut.....	Contre écrou bride	Flanschmutter	Contratuer Embr.....	Flänslåsmutter.....		
26	VOE 946440	2				Flange screw.....	Vis à bride	Flanschschraube.....	Torn embridado	Flänsskruv.....	S/N - 10539	
	VOE 13965175	2				Screw	Vis	Schraube.....	Tornillo	Skruv.....	S/N 10540 -	
27	VOE 13945444	3				Flange screw.....	Vis à bride	Flanschschraube.....	Torn embridado	Flänsskruv.....		



1		Hydraulsystem, skopa Sistema hidráulico, cuchara Hydraulikanlage, Löffel Système hydraulique, godet Hydraulic system, bucket	Catalogue id	Group
2			20017	911
3			Illustr. No	Section
4			1008784	1150
5			Issue	Page
		11890343, S/N - 10938	VOE 63D9920017	567

VOLVO

BL60



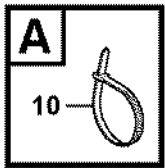
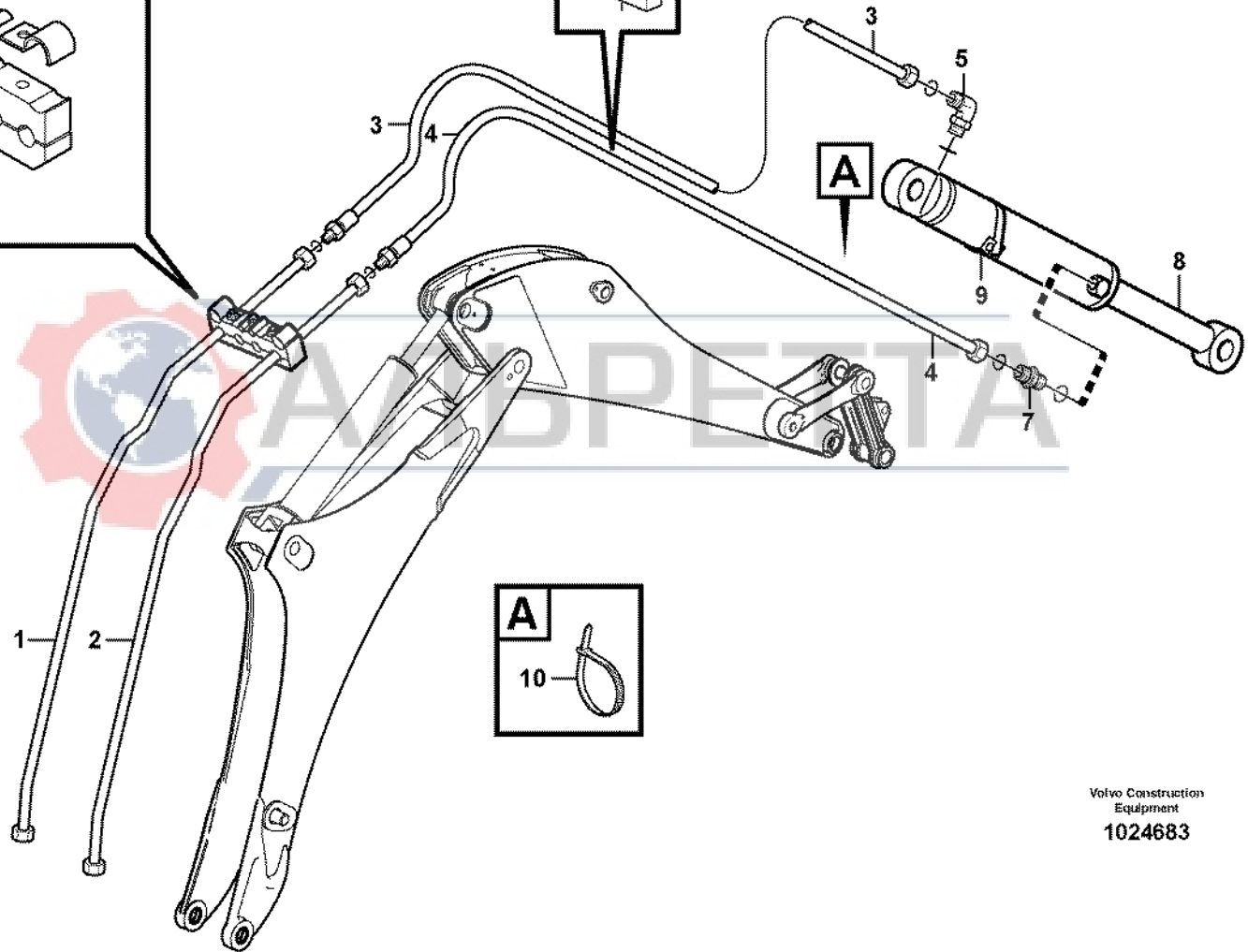
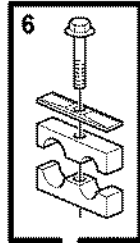
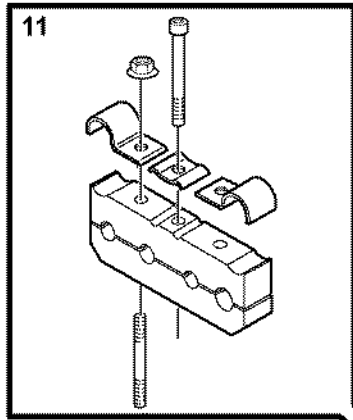


Fig.	Part No.	Quantity			P S	K I T	Description	Dénomination	Bezeichnung	Denominación	Benämning	Notes
		1	2	3								
1	VOE 11891056	1				Pipe.....	Canalisation	Rohrleitung.....	Canalización.....	Rör.....		
2	VOE 11891054	1				Pipe.....	Canalisation	Rohrleitung.....	Canalización.....	Rör.....		
3	VOE 11888545		1			Hose assembly	Conduit flexible	Schlauchleitung.....	Conducto.....	Slangedning.....		
	VOE 990740		1			•O-ring.....	•Joint Torique	•O-Ring.....	•Junta torica	•O-ring.....		
4	VOE 11888544		1			Hose assembly	Conduit flexible	Schlauchleitung.....	Conducto.....	Slangedning.....		
	VOE 990739		1			•O-ring.....	•Joint Torique	•O-Ring.....	•Junta torica	•O-ring.....		
5	VOE 13933864	1				Elbow nipple.....	Raccord angulaire.....	Winkelnippel.....	Niple angular	Vinkelnippel.....		
	VOE 990740	1				•O-ring.....	•Joint Torique	•O-Ring.....	•Junta torica	•O-ring.....		
	VOE 932042	1				•O-ring.....	•Joint Torique	•O-Ring.....	•Junta torica	•O-ring.....		
6	VOE 11888547	1				Clamp.....	Pince Serrage	Klemme	Abrazadera.....	Klämma.....		
7	VOE 935094	1				Nipple.....	Raccord.....	Nippel.....	Niple	Nippel.....		
	VOE 990739	1				•O-ring.....	•Joint Torique	•O-Ring.....	•Junta torica	•O-ring.....		
	VOE 932040	1				•O-ring.....	•Joint Torique	•O-Ring.....	•Junta torica	•O-ring.....		
8	VOE 11888095	1				Cylinder.....	Verin.....	Zylinder	Cilindro	Cylinder.....		
9	VOE 11881292	1				Clamp.....	Pince Serrage	Klemme	Abrazadera.....	Klämma.....		
10	VOE 4881440		1			Strip Clamp	Ruban Serrage.....	Kabelbinder	Abraz Cinta	Bandklamma.....		
11	VOE 11888547		1			Clamp.....	Pince Serrage	Klemme	Abrazadera.....	Klämma.....		

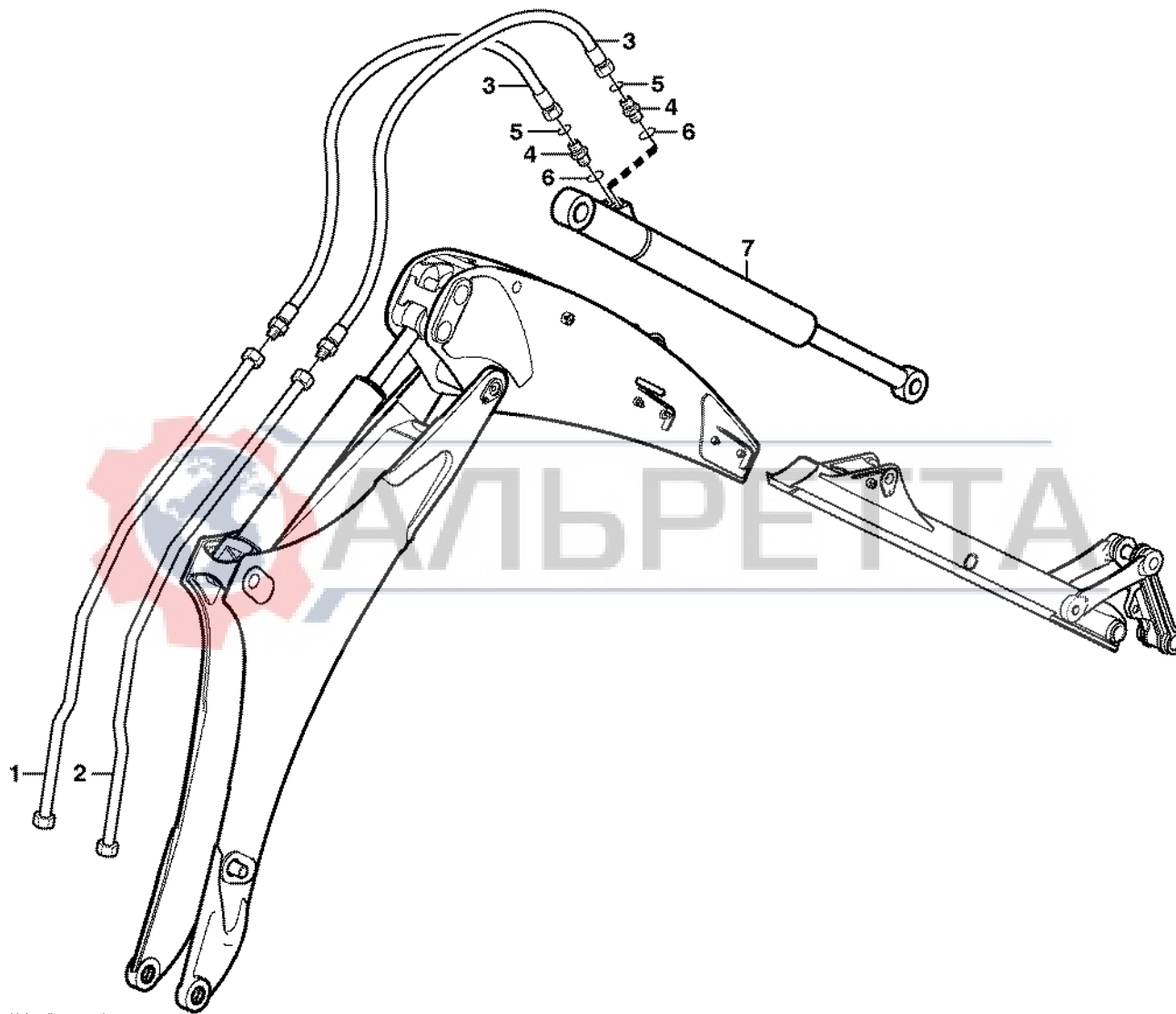


1	11880001	Hydraulsystem, skopa Sistema hidráulico, cuchara Hydraulikanlage, Löffel Système hydraulique, godet Hydraulic system, bucket	Catalogue id	Group
2	11891503		20017	911
3			Illustr. No	Section
4			1024683	1160
5			Issue	Page
	S/N 10939 -	VOE 63D9920017	569	

VOLVO

BL60





Volvo Construction
Equipment
1001300

Fig.	Part No.	Quantity			P S	K I T	Description	Dénomination	Bezeichnung	Denominación	Benämning	Notes
		1	2	3								
1	VOE 11891060	1					Pipe.....	Canalisation	Rohrleitung.....	Canalización.....	Rör.....	
2	VOE 11891059	1					Pipe.....	Canalisation	Rohrleitung.....	Canalización.....	Rör.....	
3	VOE 11881638	2					Hose assembly	Conduit flexible	Schlauchleitung.....	Conducto.....	Slangedning.....	
4	VOE 13933923	2					Nipple.....	Raccord.....	Nippel.....	Niple.....	Nippel.....	
5	VOE 4880493	2					•O-ring.....	•Joint Torique.....	•O-Ring.....	•Junta torica	•O-ring.....	
6	VOE 932040	2					•O-ring.....	•Joint Torique.....	•O-Ring.....	•Junta torica	•O-ring.....	
7		1					Extendible dipper Cyli Verin Telescope	Teleskopzyl	Cilin Telescop.....	Telesk.cylinder.....		See group 975, Page 715



1	Hydraulsystem, grävarm teleskopisk Sistema hidráulico brazo excavador telescópico Hydralikanlage für teleskopische baggerarm Système hydraulique bras de pelle telescope Hydraulic system extendible dipper arm	Catalogue id	Group
2		20017	911
3		Illustr. No	Section
4		1001300	1200
5		Issue	Page
	11890342	VOE 63D9920017	571

VOLVO

BL60



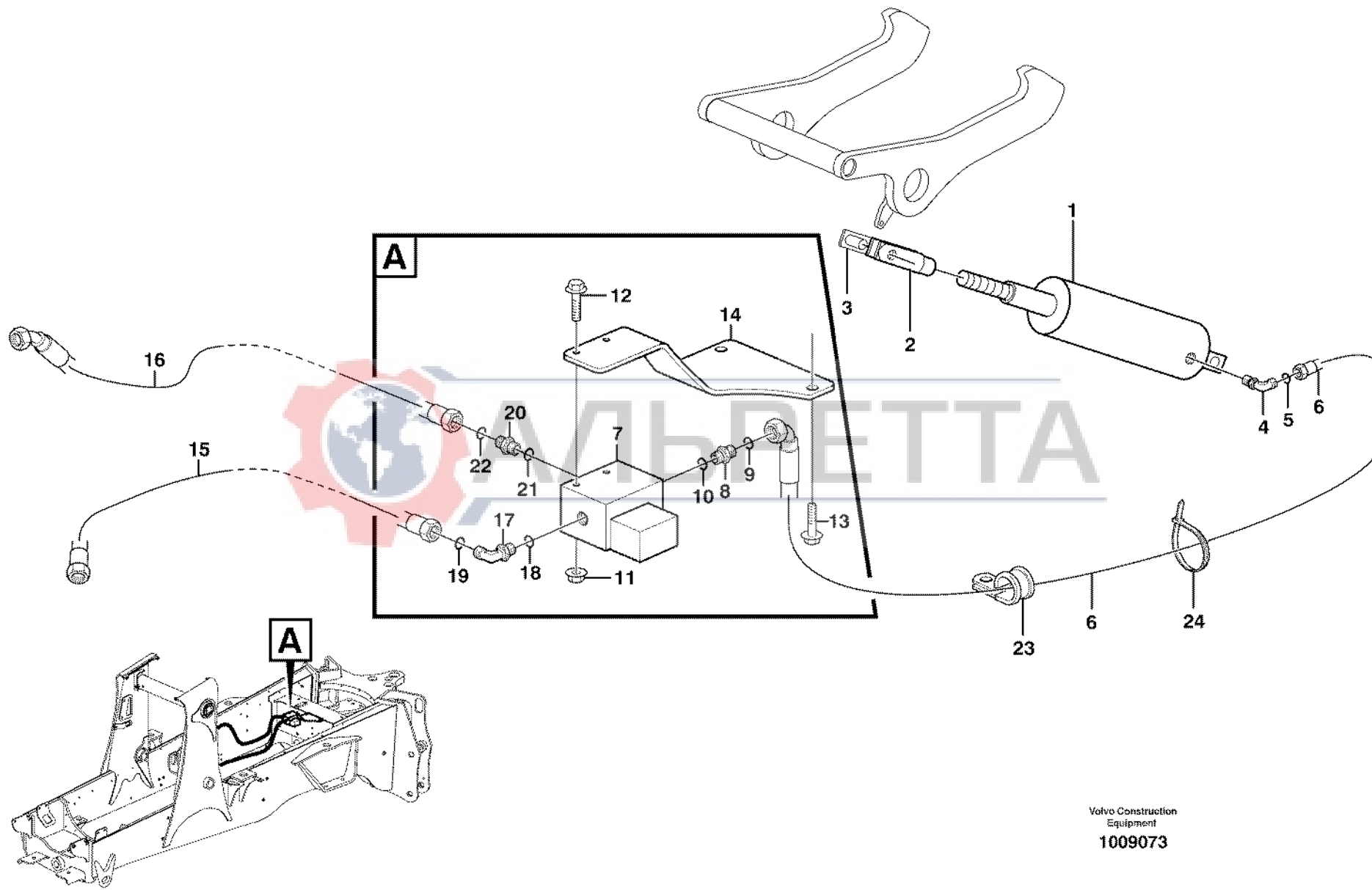


Fig.	Part No.	Quantity			P S	K I T	Description	Dénomination	Bezeichnung	Denominación	Benämning	Notes
		1	2	3								
1		1				Locking Cyl	Cyl Verrouil	Sperrzylinder	Cil Bloqueo	Spärrcylinder.....	See group 971, Page 693	
2	VOE 11883319	1				Fork.....	Fourche.....	Gabel.....	Horquilla	Gaffel.....		
3	VOE 11883323	1				Clevis Pin	Vis A Oeuillet	Zylinderbolzen.....	Espiga	Cyl.bult.....		
4	VOE 935538	1				Elbow nipple.....	Raccord angulaire.....	Winkelnippel.....	Niple angular	Vinkelnippel.....		
5	VOE 4881722	1				•O-ring.....	•Joint Torique	•O-Ring.....	•Junta torica	•O-ring.....		
6	VOE 11884381	1				Hose.....	Durit	Schlauch	Tubo flexible.....	Slang.....		
7	VOE 11881356	1				Solenoid valve.....	Vanne electrom.....	Magnetventil.....	Electrovalvula	Magnetventil.....		
	VOE 11715259	1				•Solenoid.....	•Solénoide.....	•Magnet	•Solenoid	•Solenoid.....		
8	VOE 13933858	1				Union.....	Teton Connexion.....	Anschlussnippel	Niple Conexcion	Anslutn.nippel.....		
9	VOE 4881722	1				•O-ring.....	•Joint Torique	•O-Ring.....	•Junta torica	•O-ring.....		
10	VOE 932039	1				•O-ring.....	•Joint Torique	•O-Ring.....	•Junta torica	•O-ring.....		
11	VOE 13965177	2				Flange screw.....	Vis à bride	Flanschschraube	Torn embridado.....	Flänsskruv.....		
12	VOE 13949278	2				Flange Lock Nut.....	Contre écrou bride	Flanschmutter	Contratuer Embr.....	Flänslåsmutter.....		
13	VOE 946472	2				Flange screw.....	Vis à bride	Flanschschraube	Torn embridado.....	Flänsskruv.....		
14	VOE 11884950	1				Bracket.....	Console.....	Konsole	Ménsula.....	Konsol.....		
15	VOE 11886152	1				Hose.....	Durit	Schlauch	Tubo flexible.....	Slang.....		
16	VOE 11884547	1				Hose.....	Durit	Schlauch	Tubo flexible.....	Slang.....		
17	VOE 935640	1				Nipple.....	Raccord.....	Nippel	Niple	Nippel.....		
18	VOE 4881722	1				•O-ring.....	•Joint Torique	•O-Ring.....	•Junta torica	•O-ring.....		
19	VOE 4880492	1				•O-ring.....	•Joint Torique	•O-Ring.....	•Junta torica	•O-ring.....		
20	VOE 935085	1				Nipple.....	Raccord.....	Nippel	Niple	Nippel.....		
21	VOE 932039	1				•O-ring.....	•Joint Torique	•O-Ring.....	•Junta torica	•O-ring.....		
22	VOE 4880492	1				•O-ring.....	•Joint Torique	•O-Ring.....	•Junta torica	•O-ring.....		
23	VOE 978869	1				Clamp.....	Pince Serrage	Klemme	Abrazadera.....	Klämna.....		
24	VOE 4881438	1				Strip Clamp	Ruban Serrage.....	Kabelbinder	Abraz Cinta	Bandklamma.....		

1		Hydraulsystem, spärrcylinder Sistema hidráulico, cilindro de bloqueo Hydraulikanlage, Sperrzylinder Système hydraulique, vérin de verrouillage Hydraulic system, lock cylinder S/N - 10938	Catalogue id	Group
2			20017	911
3			Illustr. No	Section
4			1009073	1300
5			Issue	Page
			VOE 63D9920017	573

VOLVO

BL60



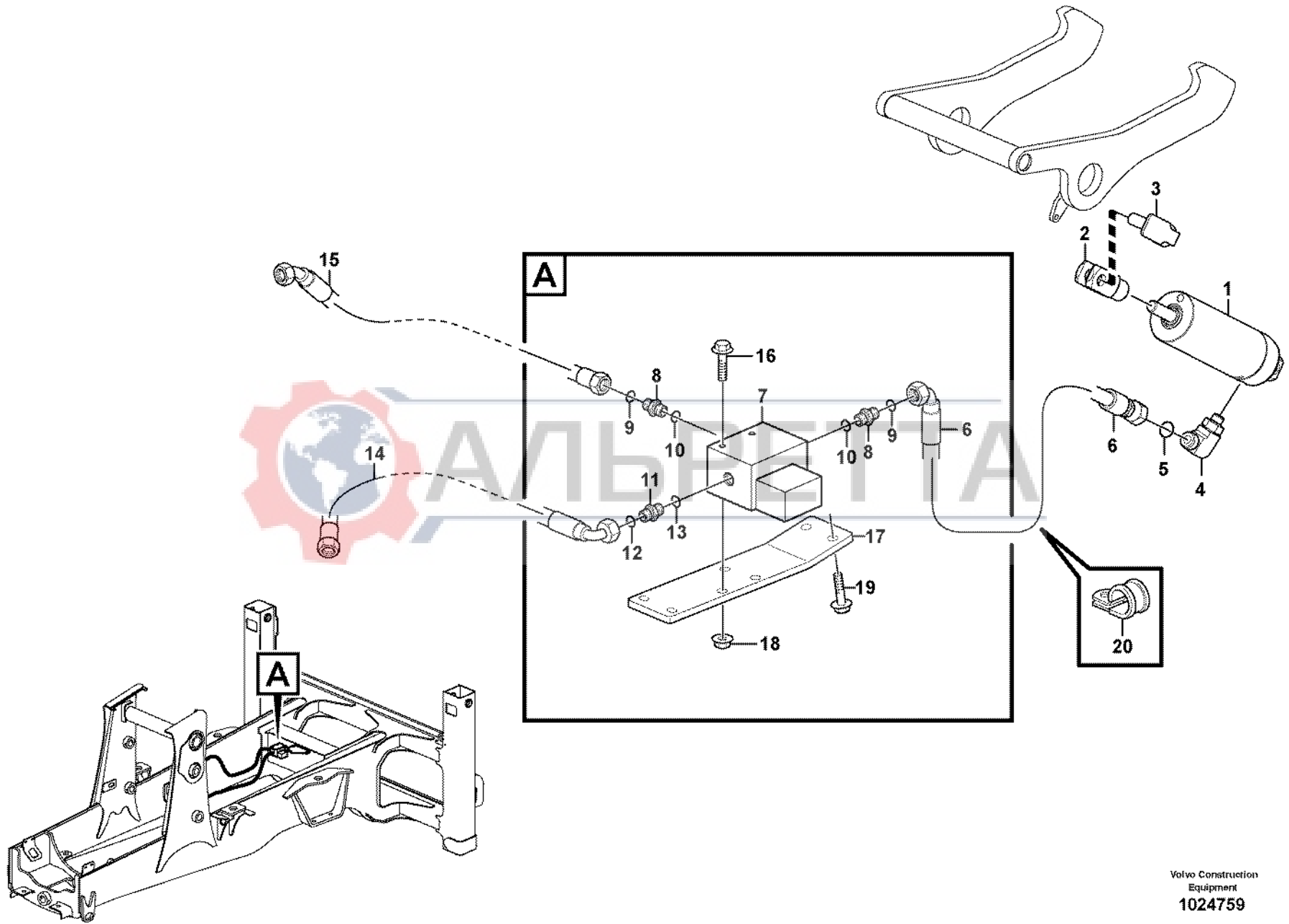


Fig.	Part No.	Quantity			P S	K I T	Description	Dénomination	Bezeichnung	Denominación	Benämning	Notes
		1	2	3								
1		1				Locking Cyl	Cyl Verrouil	Sperrzylinder	Cil Bloqueo	Spärrcylinder.....	See group 971, Page 693	
2	VOE 11883319	1				Fork.....	Fourche.....	Gabel.....	Horquilla	Gaffel.....		
3	VOE 11883323	1				Clevis Pin	Vis A Oeuillet	Zylinderbolzen.....	Espiga	Cyl.bult.....		
4	VOE 935538	1				Elbow nipple.....	Raccord angulaire.....	Winkelnippel.....	Niple angular	Vinkelnippel.....		
5	VOE 4881722	1				•O-ring.....	•Joint Torique	•O-Ring.....	•Junta torica	•O-ring.....		
6	VOE 11884381	1				Hose.....	Durit	Schlauch	Tubo flexible.....	Slang.....		
7	VOE 11881356	1				Solenoid valve.....	Vanne electrom.....	Magnetventil.....	Electrovalvula	Magnetventil.....		
	VOE 11715259	1				•Solenoid.....	•Solénoide.....	•Magnet	•Solenoid	•Solenoid.....		
8	VOE 13933858	2				Union.....	Teton Connexion.....	Anschlussnippel	Niple Conexcion	Anslutn.nippel.....		
9	VOE 4881722	2				•O-ring.....	•Joint Torique	•O-Ring.....	•Junta torica	•O-ring.....		
10	VOE 932039	2				•O-ring.....	•Joint Torique	•O-Ring.....	•Junta torica	•O-ring.....		
11	VOE 935085	1				Nipple.....	Raccord.....	Nippel.....	Niple	Nippel.....		
12	VOE 4880492	1				•O-ring.....	•Joint Torique	•O-Ring.....	•Junta torica	•O-ring.....		
13	VOE 932039	1				•O-ring.....	•Joint Torique	•O-Ring.....	•Junta torica	•O-ring.....		
14	VOE 11884546	1				Hose.....	Durit	Schlauch	Tubo flexible.....	Slang.....		
15	VOE 11884547	1				Hose.....	Durit	Schlauch	Tubo flexible.....	Slang.....		
16	VOE 13965177	2				Flange screw.....	Vis à bride	Flanschschaube.....	Torn embridado	Flänsskruv.....		
17		1			NS	Bracket.....	Console.....	Konsole	Ménsula.....	Konsol.....		
18	VOE 13949278	2				Flange Lock Nut.....	Contre écrou bride	Flanscmutter	Contratuer Embr.....	Flänslåsmutter.....		
19	VOE 946472	2				Flange screw.....	Vis à bride	Flanschschaube.....	Torn embridado	Flänsskruv.....		
20	VOE 978869	1				Clamp.....	Pince Serrage	Klemme.....	Abrazadera.....	Klämma.....		

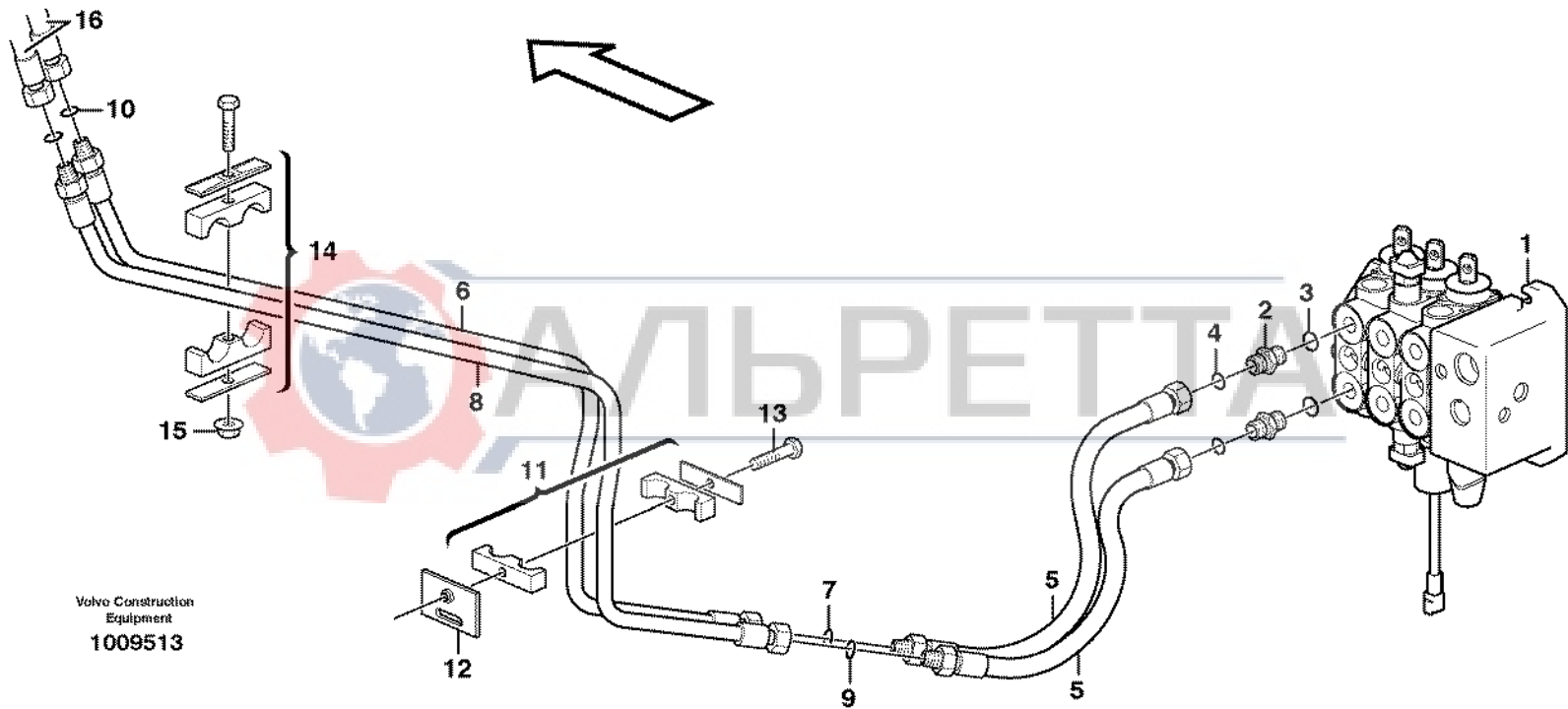


1		Hydraulsystem, spärrcylinder Sistema hidráulico, cilindro de bloqueo Hydraulikanlage, Sperrzylinder Système hydraulique, vérin de verrouillage Hydraulic system, lock cylinder S/N 10939 -	Catalogue id	Group
2			20017	911
3			Illustr. No	Section
4			1024759	1310
5			Issue	Page
			VOE 63D9920017	575

VOLVO

BL60





Volvo Construction
Equipment
1009513

Fig.	Part No.	Quantity			P S	K I T	Description	Dénomination	Bezeichnung	Denominación	Benämning	Notes
		1	2	3								
1	VOE 11881896	1				Valve	Soupape.....	Ventil	Valvula	Ventil.....	See group 912, Page 579	
2	VOE 935093	2				Union.....	Teton Connexion.....	Anschlussnippel	Niple Conexcion	Anslutn.nippel.....		
3	VOE 932042	1				•O-ring.....	•Joint Torique	•O-Ring.....	•Junta torica	•O-ring.....		
4	VOE 4880493	1				•O-ring.....	•Joint Torique	•O-Ring.....	•Junta torica	•O-ring.....		
5	VOE 11885260	2				Hose.....	Durit	Schlauch	Tube flexible.....	Slang.....		
6	VOE 11885553	1				Tube.....	Tube.....	Rohr	Tube	Rör.....		
7	VOE 4880493	1				O-ring	Joint Torique	O-Ring	Junta torica.....	O-ring.....		
8	VOE 11885554	1				Tube.....	Tube.....	Rohr	Tube	Rör.....		
9	VOE 4880493	1				O-ring	Joint Torique	O-Ring	Junta torica.....	O-ring.....		
10	VOE 4880493	2				O-ring	Joint Torique	O-Ring	Junta torica.....	O-ring.....		
11	VOE 11882854	1				Clamp.....	Pince Serrage	Klemme	Abrazadera.....	Klämma.....		
12	VOE 11885758	1				Plate.....	Plaque.....	Platte.....	Placa	Platta.....		
13	VOE 946671	1				Flange screw.....	Vis à bride	Flanschschraube.....	Torn embridado.....	Flänsskruv.....		
14	VOE 11881340	1				Clamp.....	Pince Serrage	Klemme	Abrazadera.....	Klämma.....		
15	VOE 948645	1				Flange Lock Nut.....	Contre écrou bride	Flanschmutter	Contratuer Embr.....	Flänslåsmutter.....		
16		1				Hose.....	Durit	Schlauch	Tube flexible.....	Slang.....		See group 911, Page 545

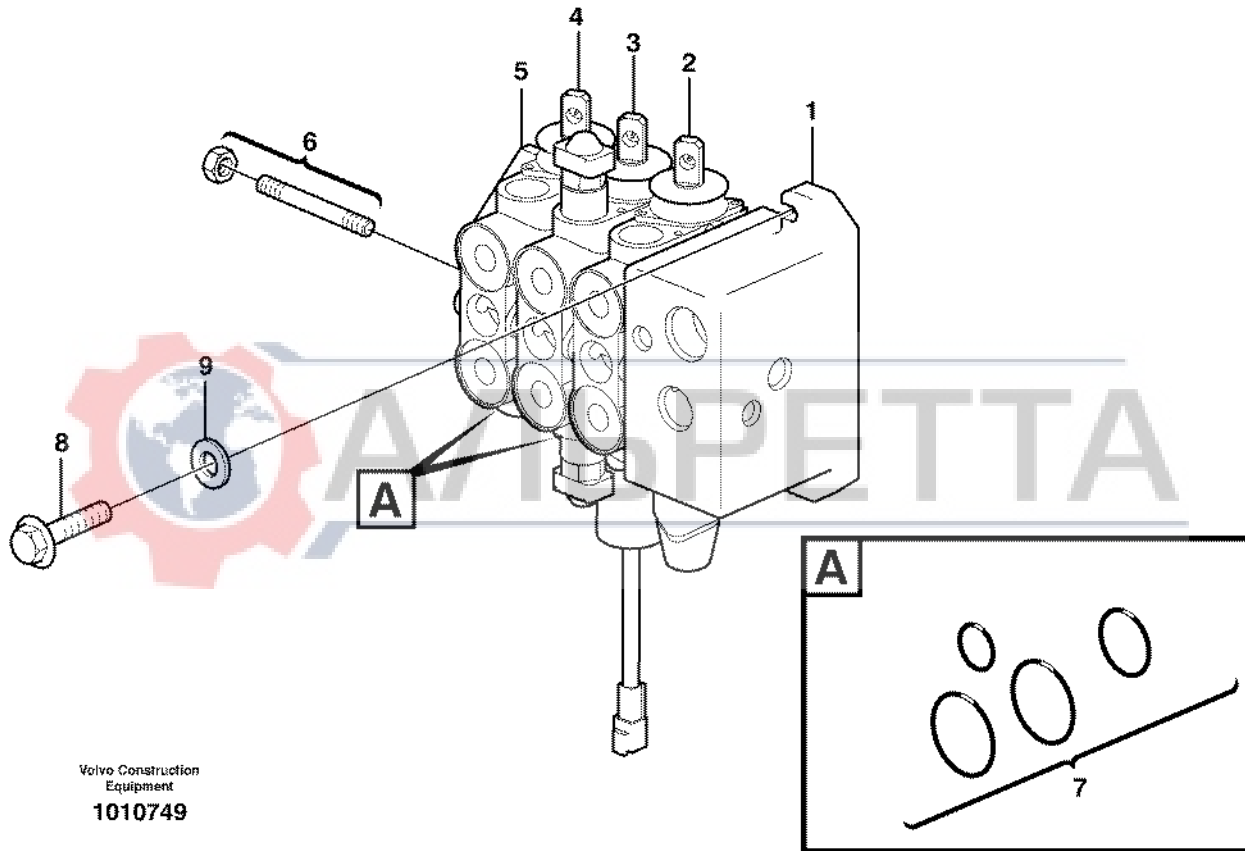


1	Hydraulsystem, kombiskopa Sistema hidráulico, cuchara combinada Hydraulikanlage, Kombilöffel Système hydraulique, godet combiné Hydraulic system, combi-bucket	Catalogue id	Group
2		20017	911
3		Illustr. No	Section
4		1009513	1350
5		Issue	Page
		VOE 63D9920017	577

VOLVO

BL60





Volvo Construction
Equipment
1010749

Fig.	Part No.	Quantity			P S	K I T	Description	Dénomination	Bezeichnung	Denominación	Benämning	Notes
		1	2	3								
	VOE 11886542	1				Valve	Soupape.....	Ventil	Valvula	Ventil.....		
	VOE 11886541		1			Valve	Soupape.....	Ventil	Valvula	Ventil.....		
1	VOE 11712893	1	1			•Inlet valve	•Soupape d'entrée	•Einlassventil.....	•Valvula de entrada	•Inloppsventil.....	See group 912, Page 581	
2	VOE 11712894	1	1			•Direction Valve	•Valve Direction.....	•Wegeventil	•Valvula Orient	•Riktningssventil.....	See group 912, Page 585	
						••Valve, Lift cylinder ...	••Valve, vérin de levag...	••Ventil, Hubzylinder...	••Válvula, cilindro de ..	••Ventil, Lyftcylinder...		
3	VOE 11712895	1	1			•Direction Valve	•Valve Direction.....	•Wegeventil	•Valvula Orient	•Riktningssventil.....	See group 912, Page 587	
						••Valve, Tilt.....	••Valve, basculement ..	••Ventil, Kippzylinder ..	••Válvula, volteo	••Ventil, Tilt.....		
4	VOE 11712896	1				•Direction Valve	•Valve Direction.....	•Wegeventil	•Valvula Orient	•Riktningssventil.....	See group 912, Page 583	
						••Valve, Bucket openi...	••Valve, ouverture de ..	••Ventil, Auskippen	••Válvula, abertura de ..	••Ventil, Skopöppning ..		
5	VOE 11712897	1	1			•Direction Valve	•Valve Direction.....	•Wegeventil	•Valvula Orient	•Riktningssventil.....		
						••Exhaust valve	••Soupape d'échappe	••Auslassventil.....	••Válvula de escape	••Utloppsventil.....		
6	VOE 11712898	1				•Screw Kit	•Kit Vis.....	•Schraubensatz	•Juego Tornillos.....	•Skruvsats.....		
	VOE 11712622		1			•Screw Kit	•Kit Vis.....	•Schraubensatz	•Juego Tornillos.....	•Skruvsats.....		
7	VOE 11712623	4	3			•Sealing Kit	•Jeu Joints.....	•Dichtungssatz	•Juego Retenes	•Tätningssats.....		
8	VOE 983253	3	3			Hexagon screw	Vis tête hexagonale ...	Sechskantschraube....	Tornillo hexago.....	Sexkantsskruv.....		
9	VOE 13930842	3	3			Washer.....	Rondelle	Scheibe	Arandela	Bricka.....		

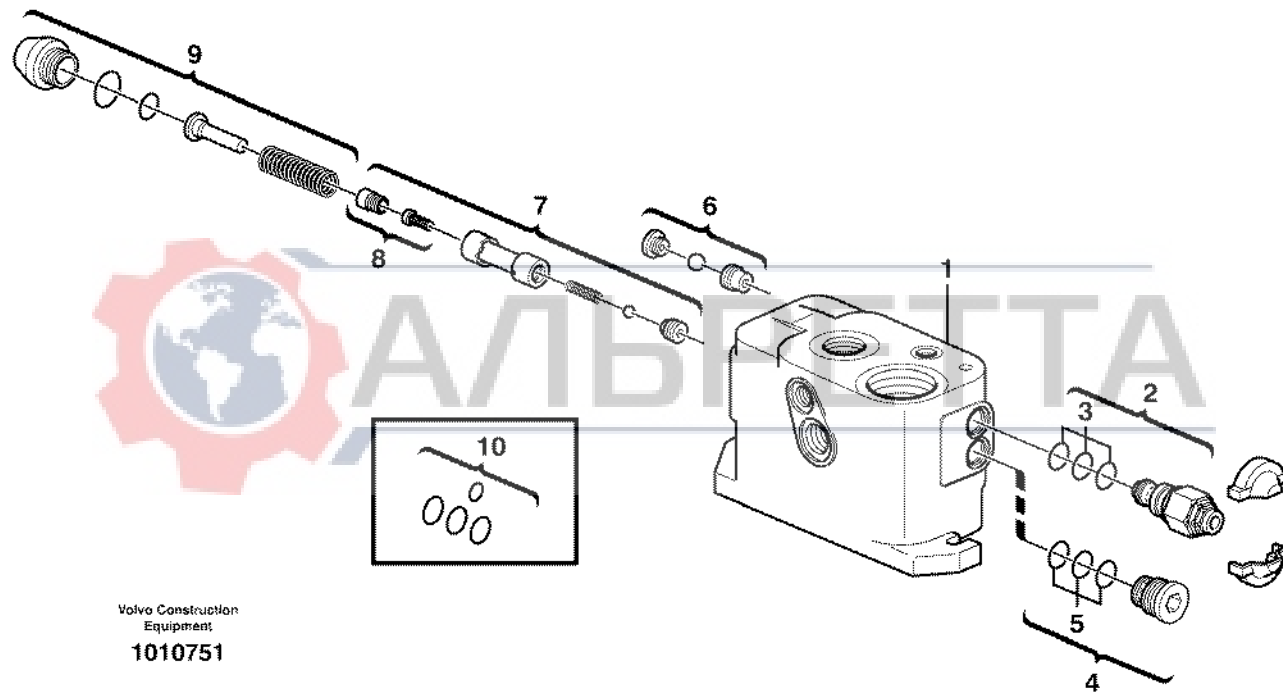


1	11886542	Ventilblock Bloque de válvulas Ventilgruppe Bloc-soupapes Valve body	Catalogue id	Group
2	11886541		20017	912
3			Illustr. No	Section
4			1010749	150
5			Issue	Page
		VOE 63D9920017	579	

VOLVO

BL60





Volvo Construction
Equipment
1010751

Fig.	Part No.	Quantity			P S	K I T	Description	Dénomination	Bezeichnung	Denominación	Benämning	Notes
		1	2	3								
1	VOE 11712893						Inlet valve.....	Soupape d'entrée.....	Einlassventil	Valvula de entrada	Inloppsventil.....	
2	VOE 11988524	1					•Relief valve	•Limiteur - pression	•Druckbegrenzer	•Limitador presion	•Avlastningsventil.....	
3	VOE 11988540	1					•Sealing Kit	•Jeu Joints	•Dichtungssatz	•Juego Retenes.....	•Tätningssats.....	
4	VOE 11712903	1					•Plug	•Bouchon.....	•Stopfen	•Tapon.....	•Plugg.....	
5	VOE 11988539	1					•Sealing Kit	•Jeu Joints	•Dichtungssatz	•Juego Retenes.....	•Tätningssats.....	
6	VOE 11712902	1					•Shuttle Valve	•Valve Navette	•Wechselventil.....	•Valv Lanzadera	•Skyttelventil.....	
7	VOE 11712900	1					•Spool	•Bobine.....	•Schieber.....	•Bobina.....	•Slid.....	
8	VOE 11712901	1					•Filter Kit	•Lot de filtres	•Filtersatz	•Juego Filtro	•Filtersats.....	
9	VOE 11712899	1					•Plug Kit	•Kit Tampon	•Stopfensatz	•Kit Tapones.....	•Pluggsats.....	
10	VOE 11988537	1					•Sealing Kit	•Jeu Joints.....	•Dichtungssatz	•Juego Retenes.....	•Tätningssats.....	

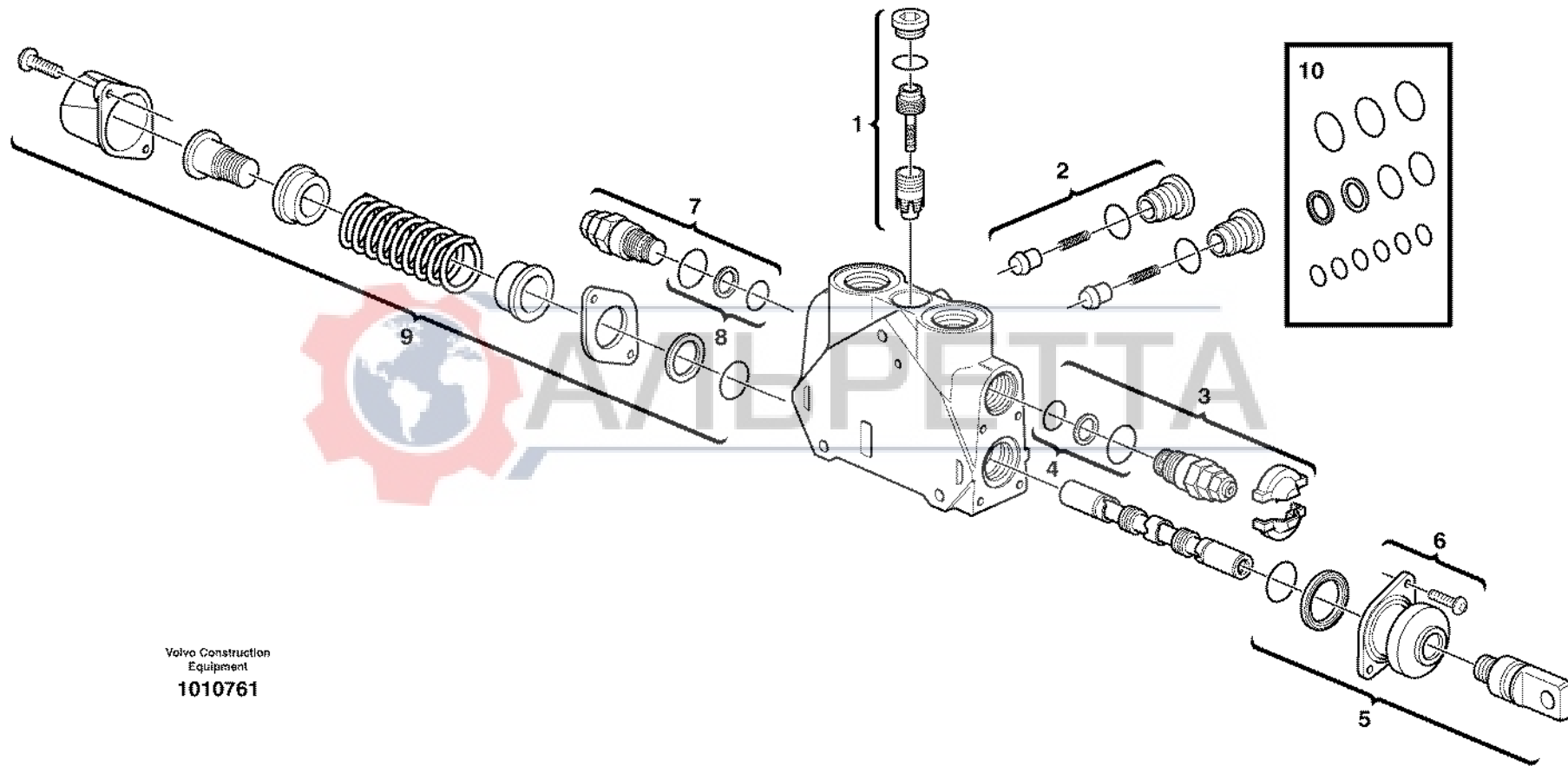


1	11712893	Inloppsventil Válvula de admisión Einlassventil Soupape d'admission Inlet valve	Catalogue id	Group
2			20017	912
3			Illustr. No	Section
4			1010751	200
5			Issue	Page
			VOE 63D9920017	581

VOLVO

BL60





Valvo Construction
Equipment
1010761

Fig.	Part No.	Quantity			P S	K I T	Description	Dénomination	Bezeichnung	Denominación	Benämning	Notes
		1	2	3								
	VOE 11712896	1					Direction Valve.....	Valve Direction.....	Wegeventil	Valvula Orient.....	Riktningventil.....	
							•Valve, Bucket openi.	•Valve, ouverture de	•Ventil, Auskippen.....	•Válvula, apertura de	•Ventil, Skopöppning	
1	VOE 11988526	1					•Press Regulator.....	•Regulateu Press	•Druckregler	•Regul Presion	•Tryckregulator.....	
2	VOE 11988527	1					•Check valve	•Valve antiretour.....	•Rückschlagventil.....	•Válvula de retención	•Backventil.....	
3	VOE 11988532	1					•Relief valve	•Limiteur - pression	•Druckbegrenzer	•Limitador presion	•Avlastningsventil.....	
4	VOE 11988541	1					•Sealing Kit	•Jeu Joints	•Dichtungssatz	•Juego Retenes.....	•Tätningssats.....	
5	VOE 11715275	1					•Control	•Commande	•Regelung.....	•Mando	•Reglage.....	(VOE 11988528)
6	VOE 11712580	1					•Bellows Kit.....	•Kit soufflet.....	•Balgatz.....	•Juego fuelle	•Bälgsatz.....	
7	VOE 11988533	1					•Valve.....	•Soupape	•Ventil.....	•Valvula	•Ventil.....	
8	VOE 11988541	1					•Sealing Kit	•Jeu Joints	•Dichtungssatz	•Juego Retenes.....	•Tätningssats.....	
9	VOE 11988529	1					•Control	•Commande	•Regelung.....	•Mando	•Reglage.....	
10	VOE 11988538	1			SS		•Sealing Kit	•Jeu Joints.....	•Dichtungssatz	•Juego Retenes.....	•Tätningssats.....	

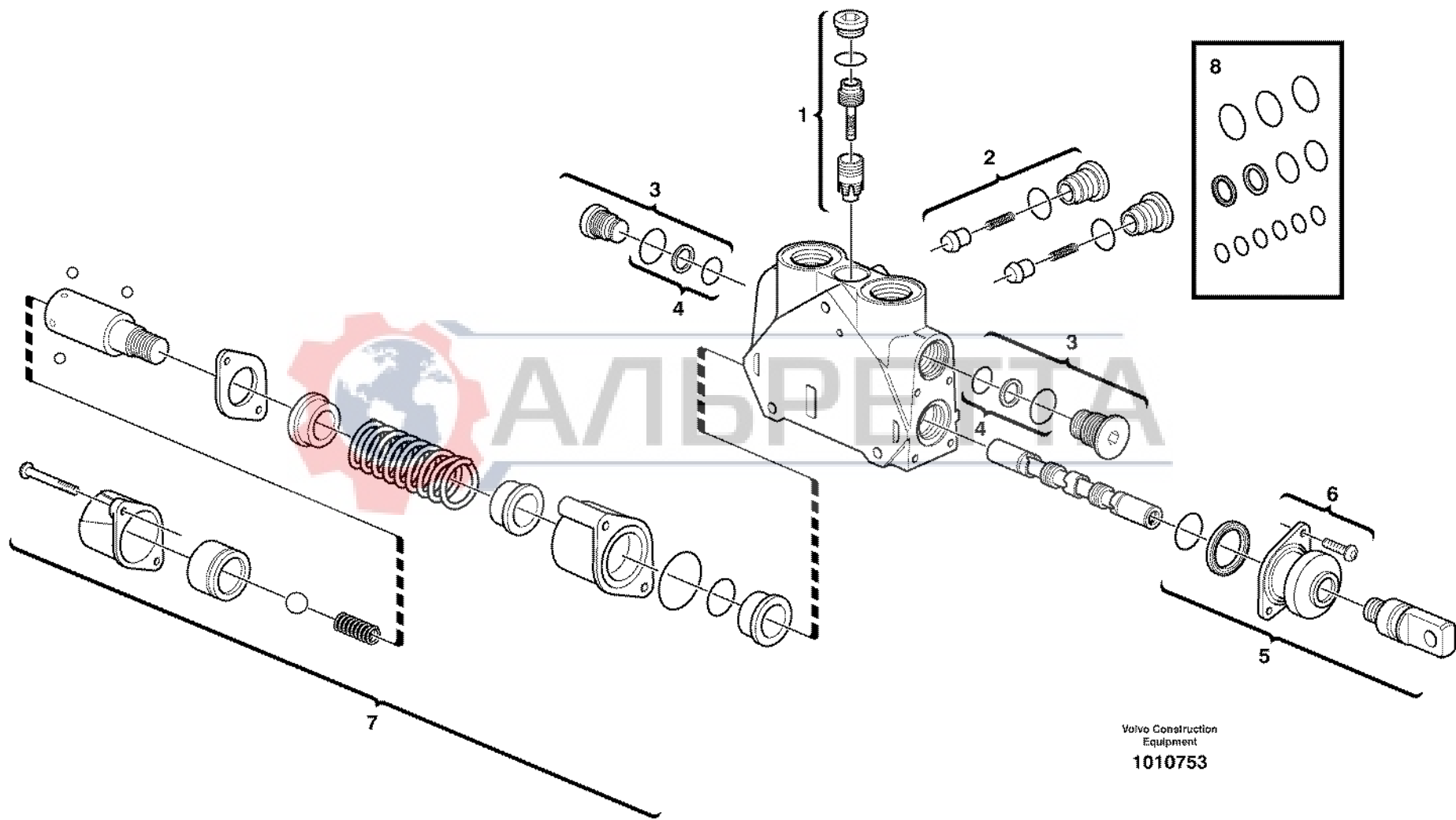


1	11712896	Ventilsektion Sección de válvulas Ventil Section de valve Valve section	Catalogue id	Group
2			20017	912
3			Illustr. No	Section
4			1010761	225
5			Issue	Page
			VOE 63D9920017	583

VOLVO

BL60





Volvo Construction
Equipment
1010753

Fig.	Part No.	Quantity			P S	K I T	Description	Dénomination	Bezeichnung	Denominación	Benämning	Notes
		1	2	3								
	VOE 11712894	1					Direction Valve..... Valve Direction..... Wegeventil Valvula Orient..... Riktningventil..... ••Valve, Lift cylinder ... ••Valve, vérin de levag••Ventil, Hubzylinder... ••Válvula, cilindro de ..••Ventil, Lyftcylinder...					
1	VOE 11988526	1					•Press Regulator..... •Regulateu Press •Druckregler •Regul Presion •Tryckregulator.....					
2	VOE 11988527	1					•Check valve •Valve antiretour..... •Rückschlagventil •Válvula de retención .•Backventil.....					
3	VOE 11712886	2					•Plug •Bouchon..... •Stopfen •Tapon..... •Plugg.....					
4	VOE 11988541	1					•Sealing Kit •Jeu Joints •Dichtungssatz •Juego Retenes..... •Tätningssats.....					
5	VOE 11715275	1					•Control •Commande •Regelung..... •Mando •Reglage..... (VOE 11988528)					
6	VOE 11712580	1					•Bellows Kit..... •Kit soufflet..... •Balgatz •Juego fuelle •Bälgatz.....					
7	VOE 11712904	1					•Control •Commande •Regelung..... •Mando •Reglage.....					
8	VOE 11988538	1			SS		•Sealing Kit •Jeu Joints..... •Dichtungssatz •Juego Retenes..... •Tätningssats.....					

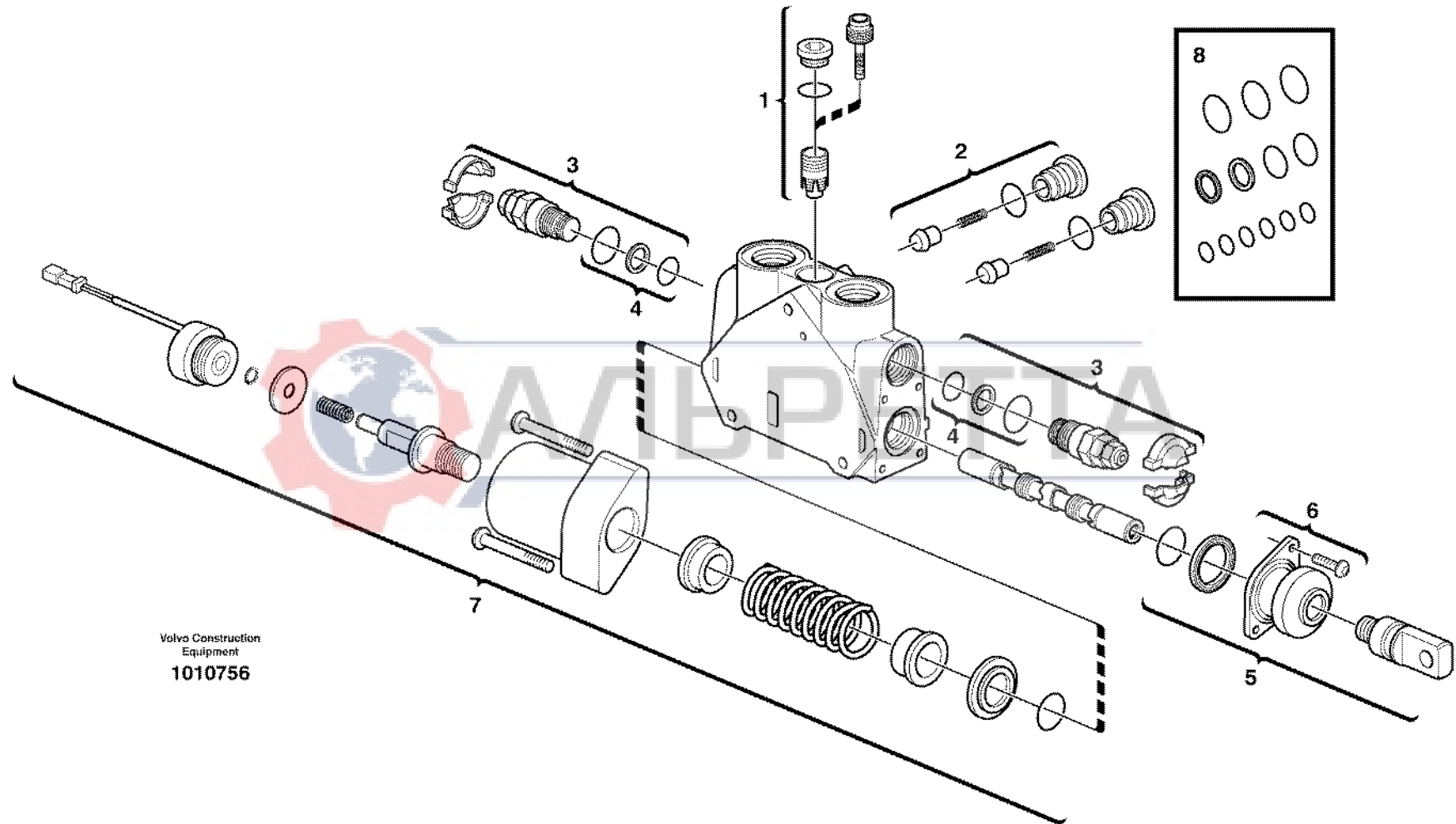


1	11712894	Ventilsektion Sección de válvulas Ventil Section de valve Valve section	Catalogue id	Group
2			20017	912
3			Illustr. No	Section
4			1010753	250
5			Issue	Page
			VOE 63D9920017	585

VOLVO

BL60





Volvo Construction
Equipment
1010756

Fig.	Part No.	Quantity			P S	K I T	Description	Dénomination	Bezeichnung	Denominación	Benämning	Notes
		1	2	3								
	VOE 11712895	1					Direction Valve..... Valve Direction..... Wegeventil Valvula Orient..... Riktningventil..... ••Valve, Lift cylinder ... ••Valve, vérin de levag••Ventil, Hubzylinder... ••Válvula, cilindro de ..••Ventil, Lyftcylinder...					
1	VOE 11988526	1					••Press Regulator..... ••Regulateur Press ••Druckregler ••Regul Presion ••Tryckregulator.....					
2	VOE 11988527	1					••Check valve ••Valve antiretour..... ••Rückschlagventil ••Válvula de retención . ••Backventil.....					
3	VOE 11988532	2					••Relief valve ••Limiteur - pression ••Druckbegrenzer ••Limitador presion ••Avlastningsventil.....					
4	VOE 11988541	1					••Sealing Kit ••Jeu Joints ••Dichtungssatz ••Juego Retenes..... ••Tätningssats.....					
5	VOE 11715275	1					••Control ••Commande ••Regelung..... ••Mando ••Reglage.....				(VOE 11988528)	
6	VOE 11712580	1					••Bellows Kit..... ••Kit soufflet..... ••Balgssatz ••Juego fuelle ••Bälgssats.....					
7	VOE 11712905	1					••Control ••Commande ••Regelung..... ••Mando ••Reglage.....					
8	VOE 11988538	1			SS		••Sealing Kit ••Jeu Joints..... ••Dichtungssatz ••Juego Retenes..... ••Tätningssats.....					

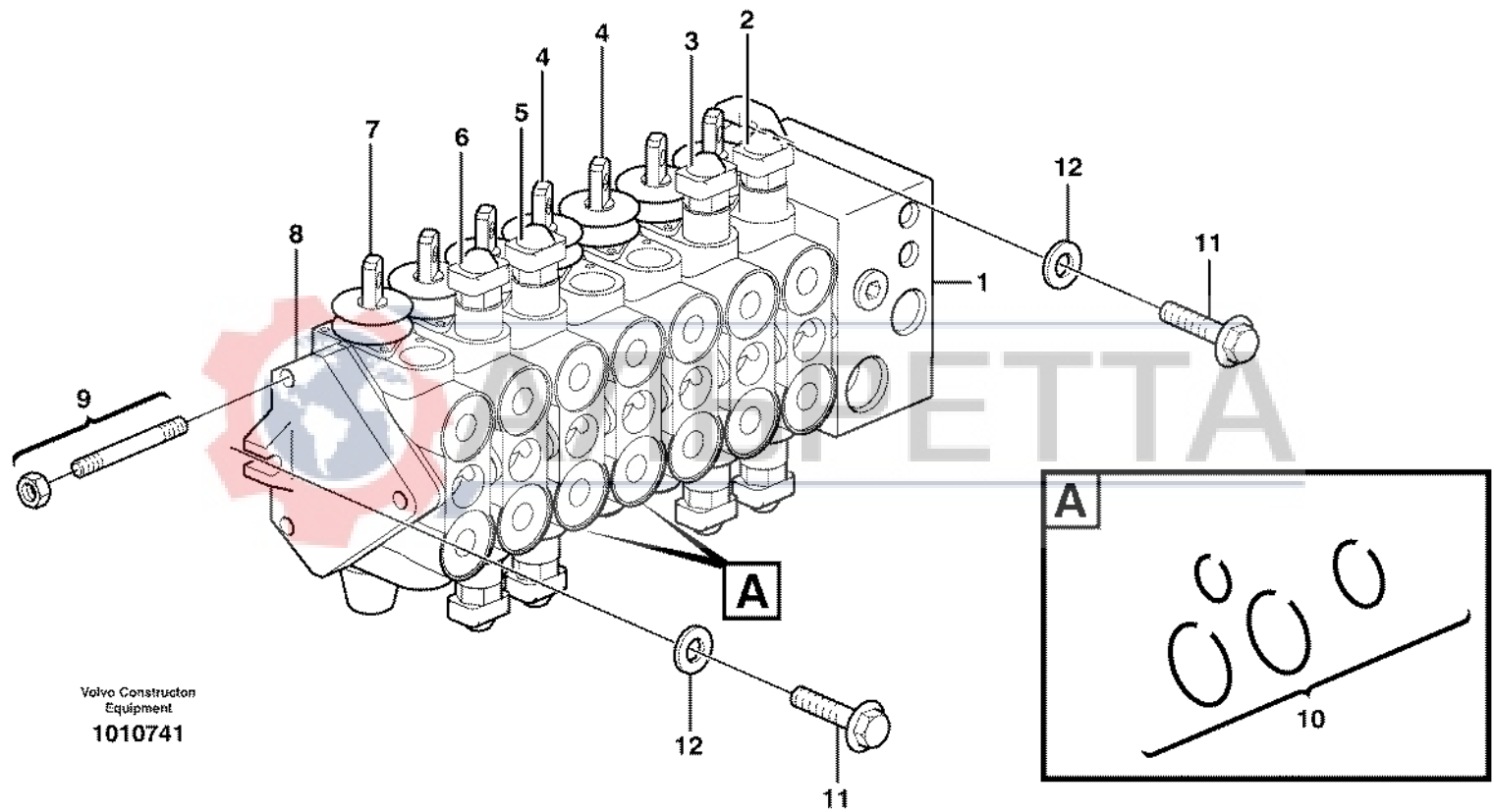


1	11712895	Ventilsektion Sección de válvulas Ventil Section de valve Valve section	Catalogue id	Group
2			20017	912
3			Illustr. No	Section
4			1010756	275
5			Issue	Page
			VOE 63D9920017	587

VOLVO

BL60





Volvo Constructor
 Equipment
 1010741

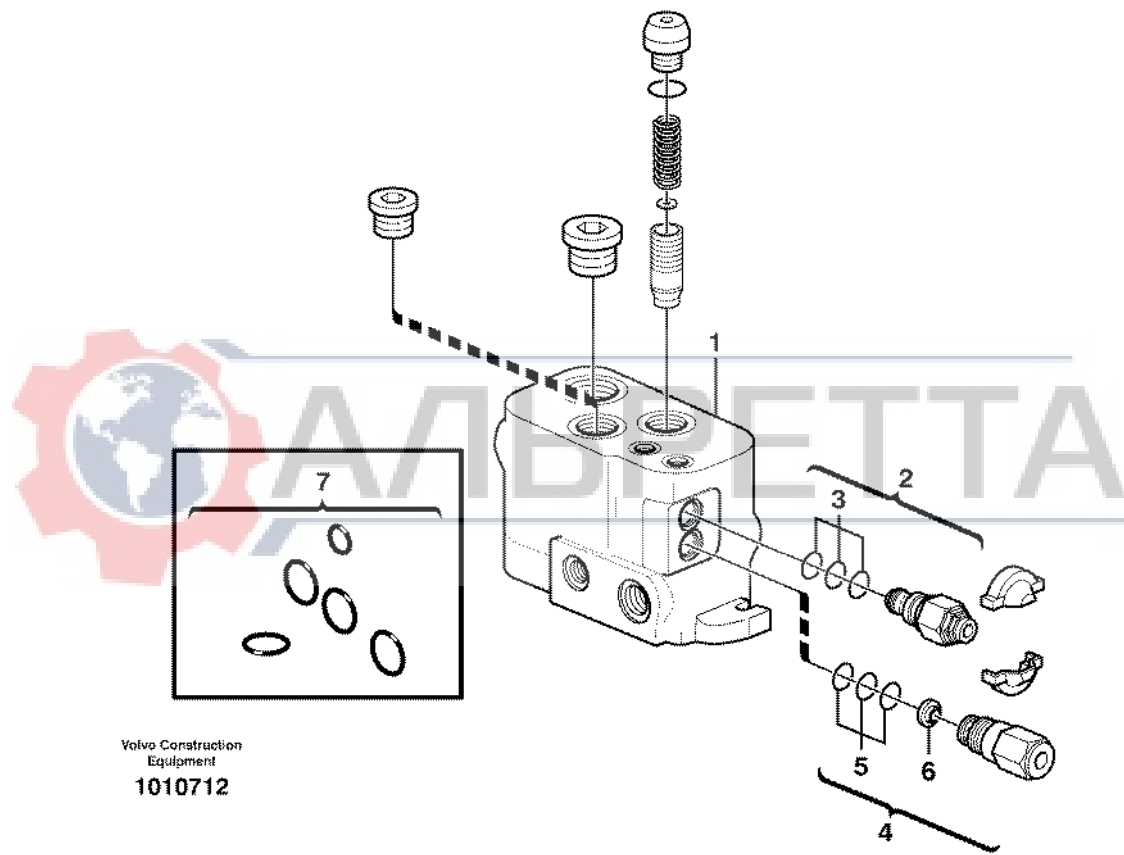
Fig.	Part No.	Quantity			P S	K I T	Description	Dénomination	Bezeichnung	Denominación	Benämning	Notes
		1	2	3								
	VOE 11886729	1				Valve	Soupape.....	Ventil	Valvula	Ventil.....		
	VOE 11712921	1				•Screw Kit	•Kit Vis	•Schraubensatz.....	•Juego Tornillos	•Skruvsats.....		
	VOE 11886728		1			Valve	Soupape.....	Ventil	Valvula	Ventil.....		
1	VOE 11712877	1	1			•Inlet valve	•Soupape d'entrée	•Einlassventil.....	•Valvula de entrada	•Inloppsventil.....	See group 912, Page 591	
2	VOE 11712879	1	1			•Direction Valve	•Valve Direction.....	•Wegeventil	•Valvula Orient	•Riktningssventil.....	See group 912, Page 595	
						•Valve, Slew.....	•Valve, orientation.....	•Ventil, Schwenk	•Válvula, giro	•Ventil, Sväng.....		
3	VOE 11712881	1	1			•Direction Valve	•Valve Direction.....	•Wegeventil	•Valvula Orient	•Riktningssventil.....	See group 912, Page 595	
						•Valve, Boom cylind	•Valve, vérin de flèch	•Ventil, Auslegerzylind	•Válvula, cilindro de ..	•Ventil, Bomcylinder..		
4	VOE 11712882	2	2			•Direction Valve	•Valve Direction.....	•Wegeventil	•Valvula Orient	•Riktningssventil.....	See group 912, Page 597	
						•Valve, Stabilisers.....	•Valve, stabilisateur ..	•Ventil, Stützbeine.....	•Válvula, patas de ap	•Ventil, Stödben.....		
5	VOE 11712883	1	1			•Direction Valve	•Valve Direction.....	•Wegeventil	•Valvula Orient	•Riktningssventil.....	See group 912, Page 595	
						•Valve, Dipper arm cy	•Valve, vérin de bala.	•Ventil, Schaftzylinder	•Válvula, cilindro del .	•Ventil, Skaftcylinder.		
6	VOE 11712884	1	1			•Direction Valve	•Valve Direction.....	•Wegeventil	•Valvula Orient	•Riktningssventil.....	See group 912, Page 595	
						•Valve, Bucket cylind	•Valve, vérin de gode	•Ventil, Schaufelzylind	•Válvula, cilindro de c	•Ventil, Skopcylinder.		
7	VOE 11712885		1			•Direction Valve	•Valve Direction.....	•Wegeventil	•Valvula Orient	•Riktningssventil.....	See group 912, Page 597	
						•Valve, Telescope cyl	•Valve, vérin de flèch	•Ventil, Teleskopzylind	•Válvula, cilindro tele.	•Ventil, Teleskopcylind		
8	VOE 11712887	1	1			•Direction Valve	•Valve Direction.....	•Wegeventil	•Valvula Orient	•Riktningssventil.....		
						•Exhaust valve	•Soupape d'échappe.	•Auslassventil.....	•Válvula de escape ..	•Utloppsventil.....		
9	11712921	1				•Screw Kit	•Kit Vis	•Schraubensatz.....	•Juego Tornillos	•Skruvsats.....		
	VOE 11712888		1			•Screw Kit	•Kit Vis	•Schraubensatz.....	•Juego Tornillos	•Skruvsats.....		
10	VOE 11712623	7	8			•Sealing Kit	•Jeu Joints.....	•Dichtungssatz	•Juego Retenes.....	•Tätningssats.....		
11	VOE 983253	3	3			Hexagon screw	Vis tête hexagonale ..	Sechskantschraube.....	Tornillo hexago.....	Sexkantsskruv.....		
12	VOE 13930842	3	3			Washer.....	Rondelle	Scheibe	Arandela	Bricka.....		

1	11880001	Ventilblock Bloque de válvulas Ventilgruppe Bloc-soupapes Valve body	Catalogue id	Group
2	11890342		20017	912
3			Illustr. No	Section
4			1010741	300
5			Issue	Page
			VOE 63D9920017	589

VOLVO

BL60





Volvo Construction
Equipment
1010712

Fig.	Part No.	Quantity			P S	K I T	Description	Dénomination	Bezeichnung	Denominación	Benämning	Notes
		1	2	3								
1	VOE 11712877						Inlet valve.....	Soupape d'entrée.....	Einlassventil	Valvula de entrada	Inloppsventil.....	
2	VOE 11988524	1					•Relief valve	•Limiteur - pression	•Druckbegrenzer	•Limitador presion	•Avlastningsventil.....	
3	VOE 11988540	1					••Sealing Kit	••Jeu Joints	••Dichtungssatz	••Juego Retenes.....	••Tätningssats.....	
4	VOE 11988525	1					•Flow Adj Valve.....	•Valve Reg.debit	•Flussregelvent.....	•Valv Ajust Caud	•Flödesregl.vent.....	
5	VOE 11988539	1					••Sealing Kit	••Jeu Joints	••Dichtungssatz	••Juego Retenes.....	••Tätningssats.....	
6	VOE 11710925	1					••Filter	••Filtre.....	••Filter.....	••Filtro.....	••Filter.....	
7	VOE 11988537	1					•Sealing Kit	•Jeu Joints.....	•Dichtungssatz	•Juego Retenes	•Tätningssats.....	



1	11712877	Inloppsventil Válvula de admisión Einlassventil Soupape d'admission Inlet valve	Catalogue id	Group
2			20017	912
3			Illustr. No	Section
4			1010712	350
5			Issue	Page
			VOE 63D9920017	591

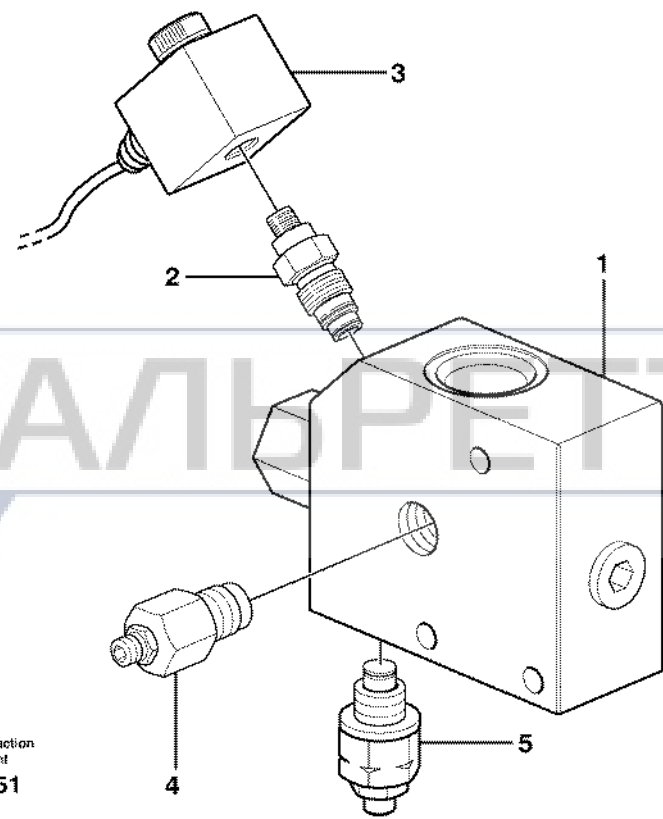
VOLVO

BL60





АЛЪРЕТТА



Volvo Construction
Equipment
1009751

Fig.	Part No.	Quantity			P S	K I T	Description	Dénomination	Bezeichnung	Denominación	Benämning	Notes
		1	2	3								
1	VOE 11885771	1				Valve	Soupape.....	Ventil	Valvula	Ventil.....		
2	VOE 11712724	1				•Solenoid valve	•Vanne electrom.....	•Magnetventil.....	•Electrovalvula.....	•Magnetventil.....		
	VOE 11712725	1				••Sealing Kit	••Jeu Joints	••Dichtungssatz	••Juego Retenes.....	••Tätningssats.....		
3	VOE 11711130	1				•Coil	•Bobine.....	•Zündspule	•Bobina.....	•Spole.....		
4	VOE 11712726	1				•Flow Valve	•Robinet Debit	•Flussventil	•Valvula Caudal	•Flödesventil.....		
	VOE 11712727	1				••Sealing Kit	••Jeu Joints	••Dichtungssatz	••Juego Retenes.....	••Tätningssats.....		
5	VOE 11712728	1				•Pressure Limiting Va	•Pressure Limiti	•Pressure Limiti	•Pressure Limiti	•Begr.ventil.....		
	VOE 11712729	1				••Sealing Kit	••Jeu Joints	••Dichtungssatz	••Juego Retenes.....	••Tätningssats.....		

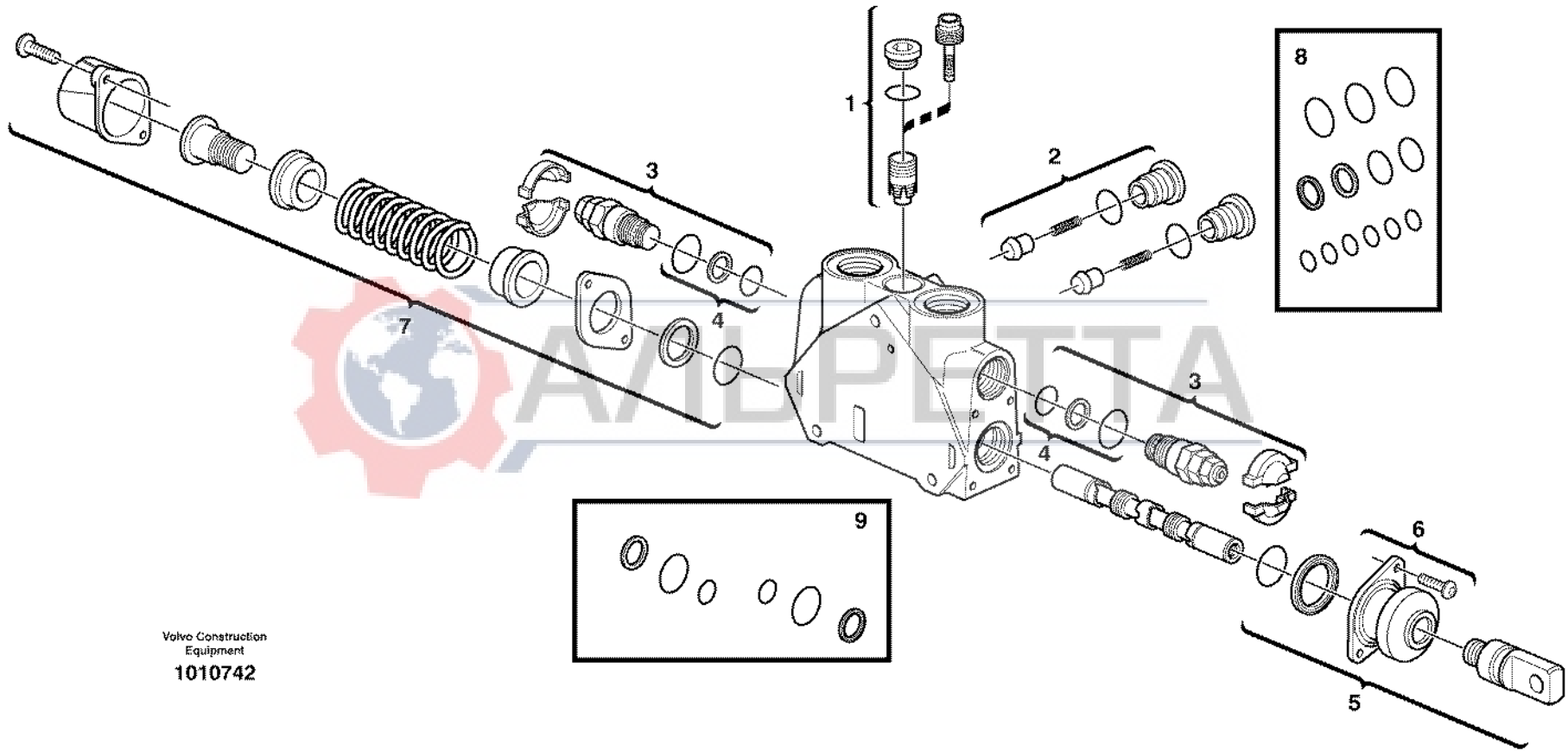


1		Magnetventil Electrovalvula Magnetventil Vanne electromagnetique Magnet valve	Catalogue id	Group
2			20017	912
3			Illustr. No	Section
4			1009751	400
5			Issue	Page
			VOE 63D9920017	593

VOLVO

BL60





Volvo Construction
Equipment
1010742

Fig.	Part No.	Quantity					P S	K I T	Description	Dénomination	Bezeichnung	Denominación	Benämning	Notes
		1	2	3	4	5								
	VOE 11712879	1						Direction Valve.....	Valve Direction	Wegeventil	Valvula Orient.....	Riktningventil.....		
	VOE 11712881		1					•Valve, Slew.....	•Valve, orientation ..	•Ventil, Schwenk	•Válvula, giro	•Ventil, Sväng.....		
	VOE 11712883			1				Direction Valve.....	Valve Direction	Wegeventil	Valvula Orient.....	Riktningventil.....		
	VOE 11712884				1			•Valve, Boom cylind	•Valve, vérin de flèc	•Ventil, Auslegerzyli	•Válvula, cilindro de	•Ventil, Bomcylinde		
	VOE 11712884				1			Direction Valve.....	Valve Direction	Wegeventil	Valvula Orient.....	Riktningventil.....		
	VOE 11988526		1	1	1			•Valve, Dipper arm	•Valve, vérin de bal	•Ventil, Schaftzylind	•Válvula, cilindro de	•Ventil, Skaftcylinde		
	VOE 11712880		1					Direction Valve.....	Valve Direction	Wegeventil	Valvula Orient.....	Riktningventil.....		
1	VOE 11988526		1	1	1			•Valve, Bucket cylin	•Valve, vérin de god	•Ventil, Schaufelzyli	•Válvula, cilindro de	•Ventil, Skopcylinde		
	VOE 11712880		1					•Press Regulator.....	•Regulateu Press ...	•Druckregler	•Regul Presion.....	•Tryckregulator.....		
2	VOE 11988527		1	1	1			•Compensator.....	•Compensateur	•Kompensator	•Compensador.....	•Kompensator.....		
3	VOE 11988532		2	2	2			•Check valve.....	•Valve antiretour.....	•Rückschlagventil....	•Válvula de retenció	•Backventil.....		
4	VOE 11988541		1	1	1			•Relief valve.....	•Limiteur - pressio ..	•Druckbegrenzer	•Limitador presion...	•Avlastningsventil...		
5	VOE 11715275		1	1	1			••Sealing Kit.....	••Jeu Joints.....	••Dichtungssatz.....	••Juego Retenes.....	••Tätningssats.....		
6	VOE 11712580		1	1	1			Control.....	•Commande	•Regelung	•Mando	•Reglage.....	(VOE 11988528)	
7	VOE 11988529		1	1	1			••Bellows Kit.....	••Kit soufflet	••Balgatz.....	••Juego fuelle	••Bälgsatz.....		
8	VOE 11988538		1	1	1	SS		Control.....	•Commande	•Regelung	•Mando	•Reglage.....		
9	VOE 11712579		1	1		SS		•Sealing Kit.....	•Jeu Joints.....	•Dichtungssatz.....	•Juego Retenes.....	•Tätningssats.....		

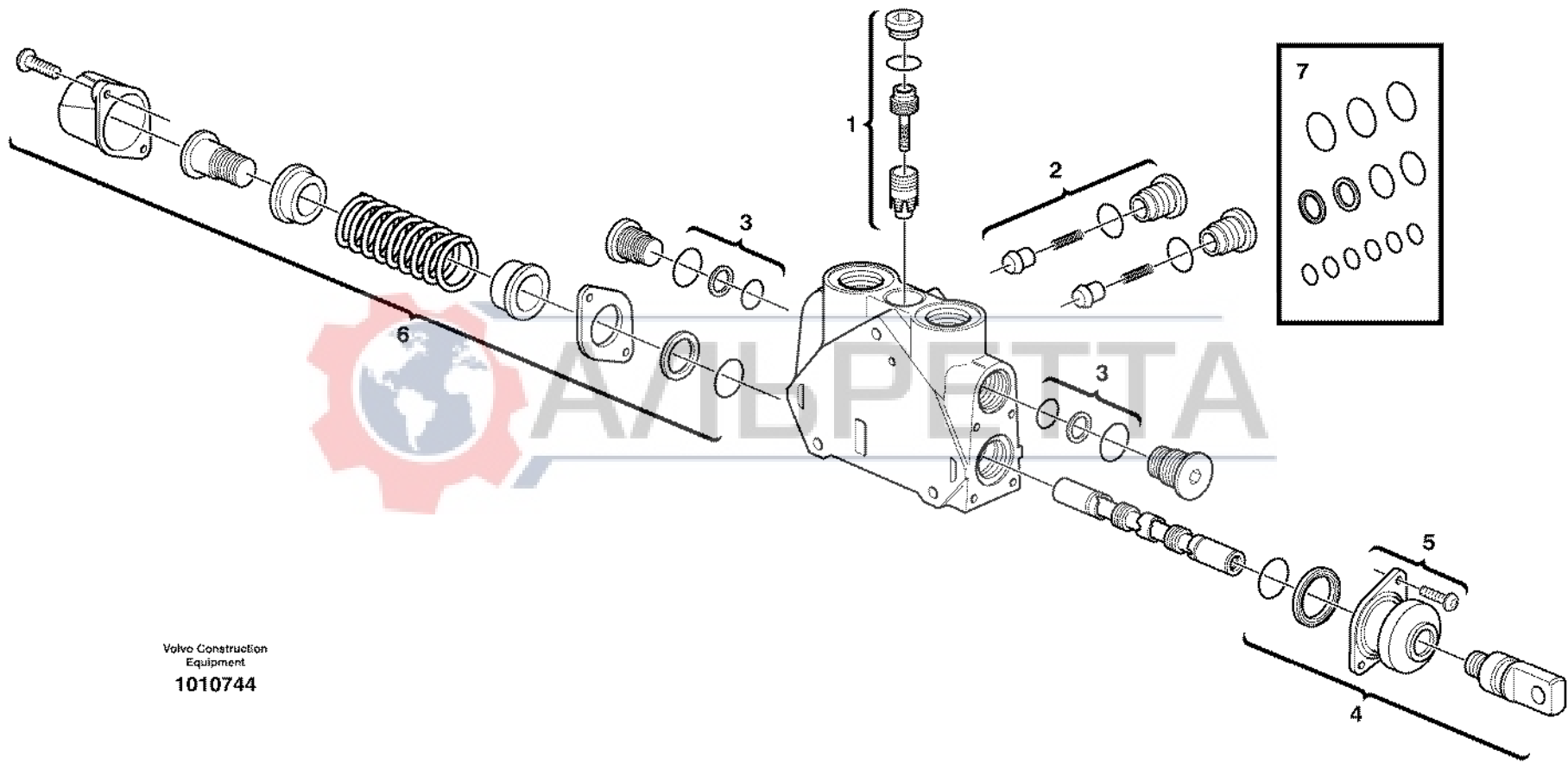


1	11712879	Ventilsektion Sección de válvulas Ventil Section de valve Valve section	Catalogue id	Group
2	11712881		20017	912
3	11712883		Illustr. No	Section
4	11712884		1010742	500
5			Issue	Page
			VOE 63D9920017	595

VOLVO

BL60





Volvo Construction
Equipment
1010744

Fig.	Part No.	Quantity			P S	K I T	Description	Dénomination	Bezeichnung	Denominación	Benämning	Notes
		1	2	3								
	VOE 11712882	1				Direction Valve.....	Valve Direction.....	Wegeventil	Valvula Orient.....	Riktningssventil.....		
	VOE 11712885		1			••Valve, Stabilisers.....	••Valve, stabilisateur ..	••Ventil, Stützbeine.....	••Válvula, patas de ap	••Ventil, Stödben.....		
	VOE 11988526	1	1			Direction Valve.....	Valve Direction.....	Wegeventil	Valvula Orient.....	Riktningssventil.....		
1	VOE 11988527	1	1			••Valve, Telescope cyl	••Valve, vérin de flèche	••Ventil, Teleskopzylinder	••Válvula, cilindro tele.	••Ventil, Teleskopzylinder		
2	VOE 11988541	1	2			•Press Regulator.....	•Regulateur Press	•Druckregler	•Regul Presion	•Tryckregulator.....		
3	VOE 11715275	1	1			•Check valve.....	•Valve antiretour.....	•Rückschlagventil.....	•Válvula de retención	•Backventil.....	(VOE 11988528)	
4	VOE 11712580	1	1			•Sealing Kit	•Jeu Joints.....	•Dichtungssatz	•Juego Retenes.....	•Tätningssats.....		
5	VOE 11988529	1	1			•Control	•Commande	•Regelung.....	•Mando	•Reglage.....		
6	VOE 11988538	1	1	SS		•Bellows Kit.....	•Kit soufflet.....	•Balgatz.....	•Juego fuelle	•Bälgsatz.....		
7	VOE 11988538	1	1			•Control	•Commande	•Regelung.....	•Mando	•Reglage.....		
	VOE 11988538	1	1			•Sealing Kit	•Jeu Joints.....	•Dichtungssatz	•Juego Retenes.....	•Tätningssats.....		



1	11712882	Ventilsektion Sección de válvulas Ventil Section de valve Valve section	Catalogue id 20017	Group 912
2	11712885		Illustr. No 1010744	Section 550
3				Issue VOE 63D9920017
4				
5				

VOLVO

BL60



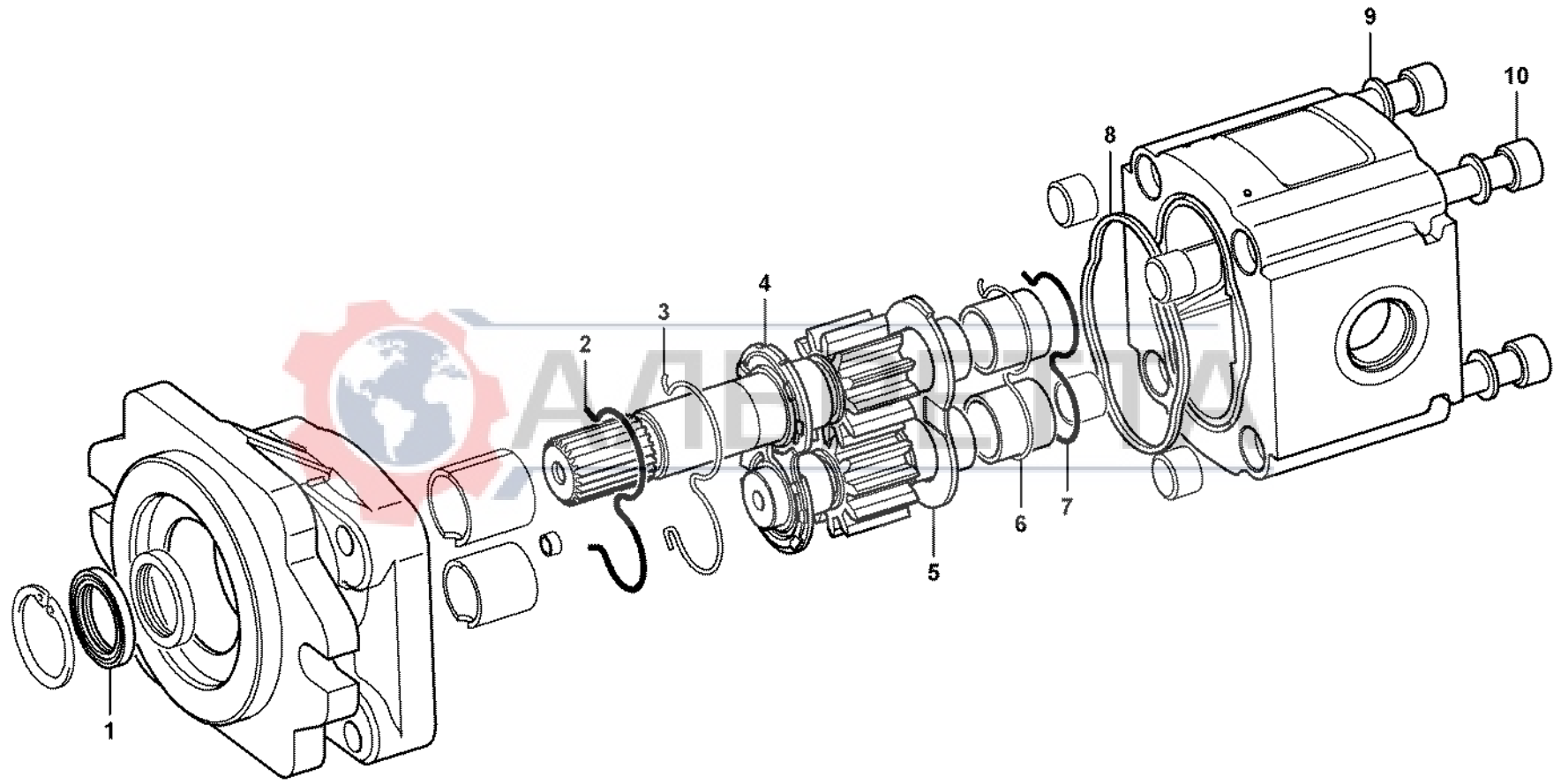


Fig.	Part No.	Quantity			P S	K I T	Description	Dénomination	Bezeichnung	Denominación	Benämning	Notes
		1	2	3								
	VOE 11881939	1				Pump.....	Pompe.....	Pumpe.....	Bomba.....	Pump.....		
1	VOE 11713046	2				•Seal	•Joint	•Dichtring.....	•Junta	•Tätning.....		
2	VOE 11713048	1				•Lock Ring.....	•Anneau Verrouillage	•Schlossring	•Anillo Segurid	•Låsring.....		
3	VOE 11713049	1				•Seal	•Joint	•Dichtring.....	•Junta	•Tätning.....		
4	VOE 11713050	1				•Thrust Ring	•Bague Butee	•Druckring.....	•Anillo Presion	•Tryckring.....		
5	VOE 11713051	1				•Thrust Ring	•Bague Butee	•Druckring.....	•Anillo Presion	•Tryckring.....		
6	VOE 11713052	1				•Seal	•Joint	•Dichtring.....	•Junta	•Tätning.....		
7	VOE 11713053	1				•Lock Ring.....	•Anneau Verrouillage	•Schlossring	•Anillo Segurid	•Låsring.....		
8	VOE 11713054	1				•Sealing ring.....	•Bague d'étanchéité	•Runddichtring.....	•Anillo reten	•Tätningsring.....		
9	VOE 11713055	4				•Washer	•Rondelle.....	•Scheibe	•Arandela.....	•Bricka.....		
10	VOE 11713056	4				•Screw.....	•Vis.....	•Schraube.....	•Tornillo	•Skruv.....		

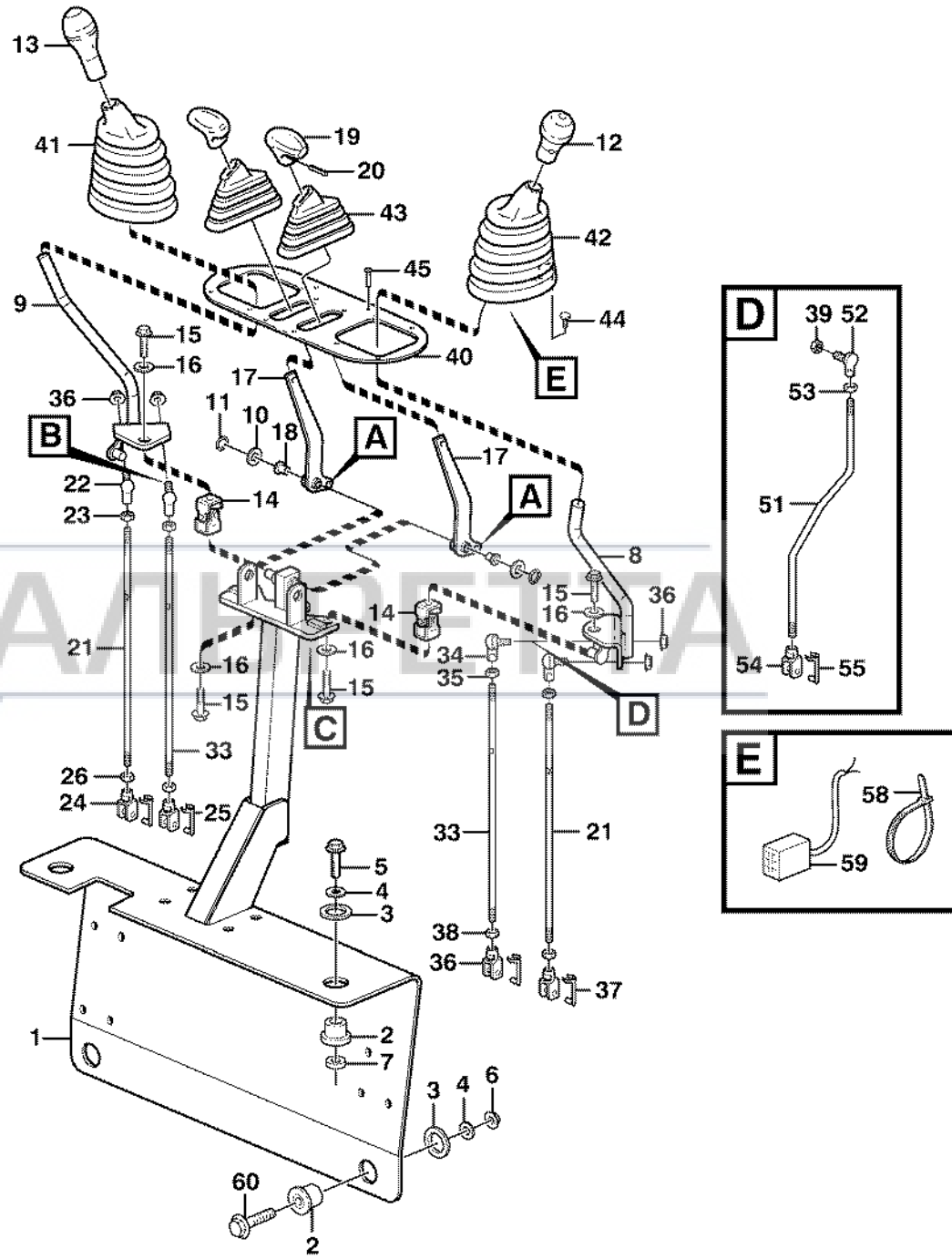
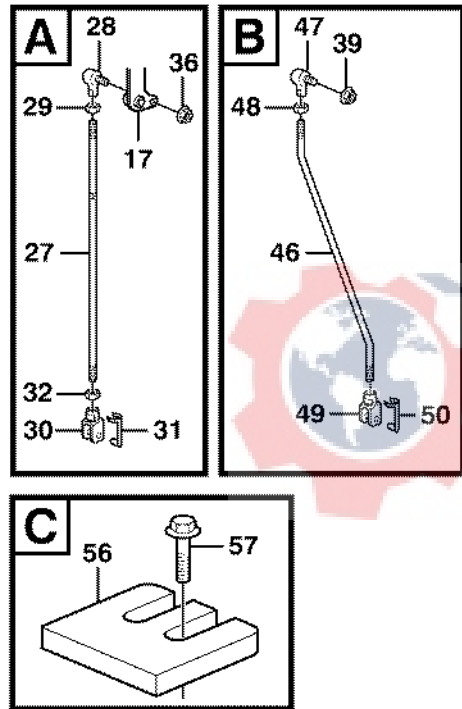


1		Hydraulic pump Bomba hidráulica Hydraulikpumpe Pompe hydraulique Hydraulic pump	Catalogue id	Group
2			20017	913
3			Illustr. No	Section
4			1013095	200
5			Issue	Page
			VOE 63D9920017	599
			11891076, 11891077	

VOLVO

BL60





Volvo Construction
Equipment
1008653

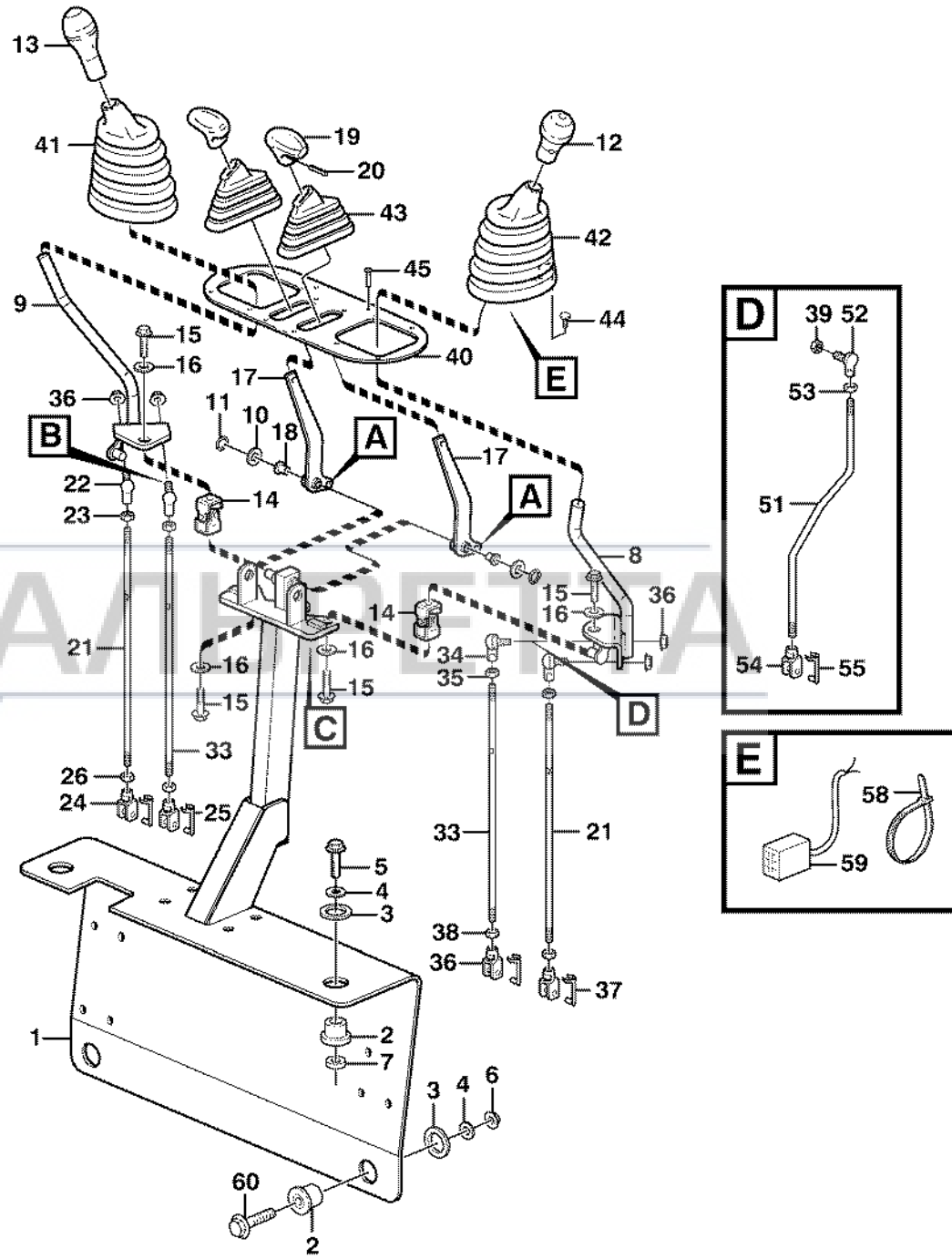
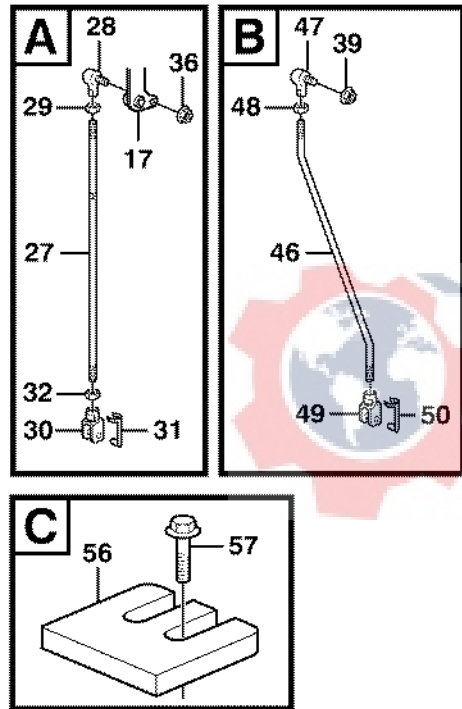
Fig.	Part No.	Quantity			P S	K I T	Description	Dénomination	Bezeichnung	Denominación	Benämning	Notes
		1	2	3								
1	VOE 11885169	1	1			Bracket.....	Console.....	Konsole	Ménsula.....	Konsol.....		
2	VOE 11881720	4	4			Rubber element	Element caoutch	Gummielement.....	Elemento goma	Gummielement.....		
3	VOE 955908	4	4			Washer.....	Rondelle.....	Scheibe	Arandela.....	Bricka.....		
4	VOE 13947355	4	4			Washer.....	Rondelle.....	Scheibe	Arandela.....	Bricka.....		
5	VOE 965195	2	2			Flange screw.....	Vis à bride	Flanschschraube.....	Torn embridado	Flänsskruv.....		
6	VOE 971099	2	2			Flange Lock Nut.....	Contre écrou bride	Flanschmutter	Contratuer Embr.....	Flänslåsmutter.....	(VOE 13971099)	
7	VOE 11884217	2	2			Spacer.....	Entretoise.....	Abstandkörper.....	Distanciador	Distans.....		
8	VOE 11881708	1	1			Lever.....	Levier	Hebel.....	Palanca	Spak.....	LH	
9	VOE 11881717	1	1			Lever.....	Levier	Hebel.....	Palanca	Spak.....	RH	
10	VOE 11884269	2	2			Plastic Washer.....	Rondelle Plastique	Kunstst.scheibe.....	Arandela de plástico..	Plastbricka.....		
11	VOE 914446	2	2			Snap Ring.....	Circlip	Nutring.....	Circlip	Spårring.....		
12	VOE 11882526	1	1			Lever Knob.....	Boule de levier	Hebelknopf.....	Bola de palanca	Spakknopp.....	LH	
	VOE 11305749	1	1			Switch	Commutateur	Schalter.....	Contacteur.....	Strömställare.....	(VOE 11711582)	
13	VOE 11882525	1	1			Lever Knob.....	Boule de levier	Hebelknopf.....	Bola de palanca	Spakknopp.....	RH	
14	VOE 11881721	2	2			Ball joint	Rotule articul.	Kugelgelenk	Rotula	Kulled.....		
15	VOE 946502	4	4			Flange screw.....	Vis à bride	Flanschschraube.....	Torn embridado	Flänsskruv.....		
16	VOE 967600	4	4			Lock Washer.....	Rondel.verroui.....	Sicher Scheibe	Arandel Segurid.....	Låsbricka.....		
17	VOE 11884431	2	2			Lever.....	Levier	Hebel.....	Palanca	Spak.....		
	VOE 11882182	1	1			•Bushing.....	•Bague	•Buchse	•Casquillo	•Bussning.....		
18	VOE 11882115	2	2			Bushing.....	Bague.....	Buchse	Casquillo	Bussning.....		
19	VOE 11882604	2	2			Knob.....	Bouton.....	Knauf.....	Boton	Knopp.....		
20	VOE 951952	2	2			Spring Pin.....	Axe de ressort.....	Federstift	Pasador Resorte	Fjäderpinne.....		
21	VOE 11882925	2	2			Bar	Barre	Stab.....	Barra	Stång.....		
22	VOE 959080	1	1			•Anl Ball Joint.....	•Rotul.angulaire.....	•Winkelgelenk.....	•Rotula Angular	•Vinkelkulled.....		
23	VOE 961991	1	1			•Hexagon Nut.....	•Ecroû Hexagonal	•Sechskantmutter.....	•Tuerca Hexagon	•Sexkantsmutter.....		
24	VOE 11881742	1	1			•Fork	•Fourche.....	•Gabel	•Horquilla	•Gaffel.....		
25	VOE 945634	1	1			••Yoke Bolt.....	••Boulon Etrier.....	••Gabelbolzen	••Perno Horquilla	••Gaffelbult.....		
26	VOE 949847	1	1			•Hexagon Nut.....	•Ecroû Hexagonal	•Sechskantmutter.....	•Tuerca Hexagon	•Sexkantsmutter.....		
27	VOE 11882923	2	2			Bar	Barre	Stab.....	Barra	Stång.....		
28	VOE 959080	1	1			•Anl Ball Joint.....	•Rotul.angulaire.....	•Winkelgelenk.....	•Rotula Angular	•Vinkelkulled.....		

1	11891113	Reglage Mandos Regler Commandes Controls	Catalogue id	Group
2	11891112		20017	915
3			Illustr. No	Section
4			1008653	100
5			Issue	Page
			VOE 63D9920017	601

VOLVO

BL60





Volvo Construction
Equipment
1008653

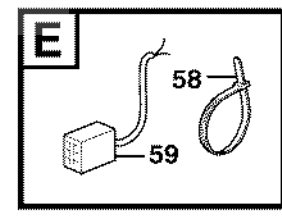
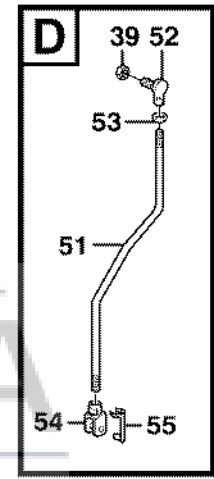
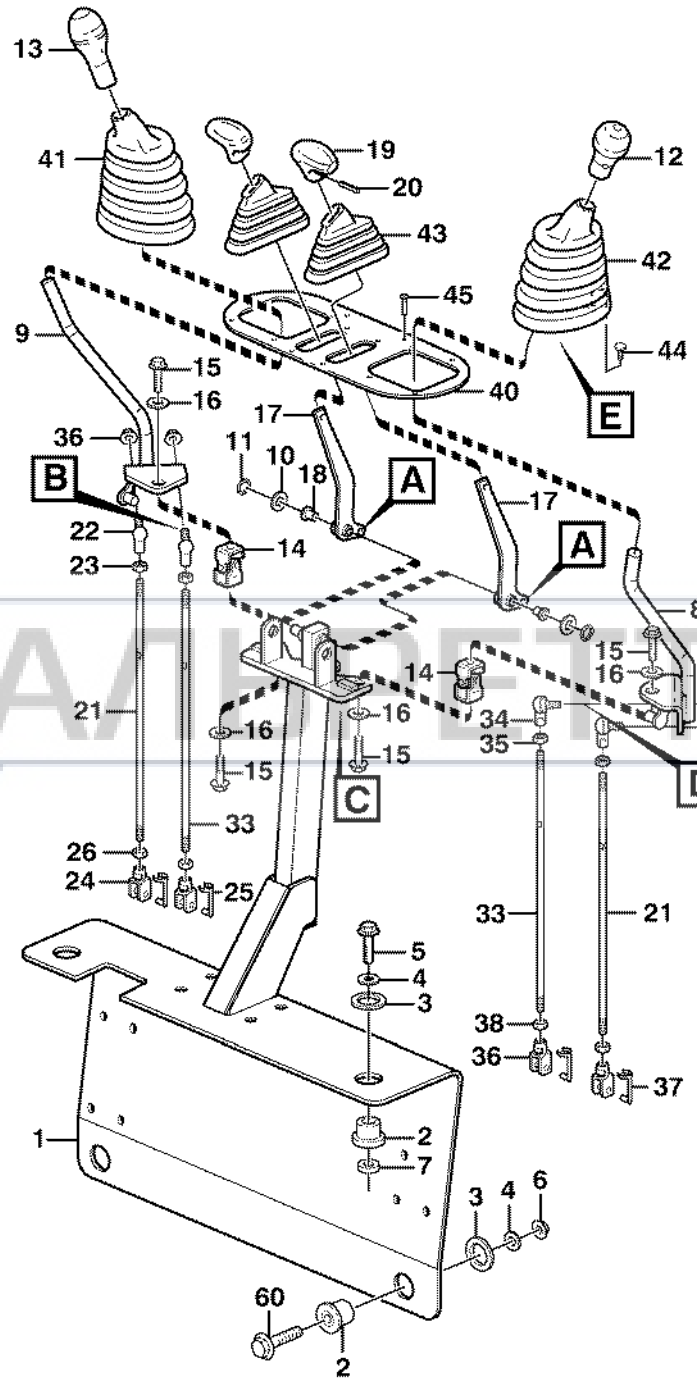
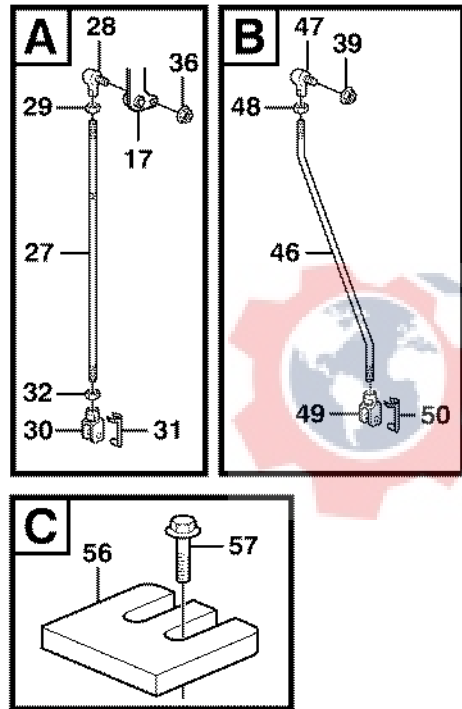
Fig.	Part No.	Quantity			P S	K I T	Description	Dénomination	Bezeichnung	Denominación	Benämning	Notes
		1	2	3								
29	VOE 961991	1	1			•Hexagon Nut.....	•Ecrou Hexagonal	•Sechskantmutter	•Tuerca Hexagon	•Sexkantsmutter.....		
30	VOE 11881742	1	1			•Fork	•Fourche.....	•Gabel	•Horquilla	•Gaffel.....		
31	VOE 945634	1	1			••Yoke Bolt	••Boulon Etrier.....	••Gabelbolzen	••Perno Horquilla	••Gaffelbult.....		
32	VOE 949847	1	1			•Hexagon Nut.....	•Ecrou Hexagonal	•Sechskantmutter	•Tuerca Hexagon	•Sexkantsmutter.....		
33	VOE 11882925	2				Bar	Barre	Stab.....	Barra	Stång.....		
34	VOE 959080	1				•Anl Ball Joint.....	•Rotul.angulaire.....	•Winkelgelenk.....	•Rotula Angular	•Vinkelkulled.....		
35	VOE 961991	1				•Hexagon Nut.....	•Ecrou Hexagonal	•Sechskantmutter	•Tuerca Hexagon	•Sexkantsmutter.....		
36	VOE 11881742	1				•Fork	•Fourche.....	•Gabel	•Horquilla	•Gaffel.....		
37	VOE 945634	1				••Yoke Bolt	••Boulon Etrier.....	••Gabelbolzen	••Perno Horquilla	••Gaffelbult.....		
38	VOE 949847	1				•Hexagon Nut.....	•Ecrou Hexagonal	•Sechskantmutter	•Tuerca Hexagon	•Sexkantsmutter.....		
39	VOE 948645	6	6			Flange Lock Nut.....	Contre écrou bride	Flanschmutter	Contratuer Embr.....	Flänslåsmutter.....		
40		1	1	NS		Plate.....	Tôle	Blech	Chapa.....	Plåt.....		
41	VOE 11881338	1	1			Bellows.....	Soufflet.....	Balg	Fuelle	Bälg.....	LH	
42	VOE 11881339	1	1			Bellows.....	Soufflet.....	Balg	Fuelle	Bälg.....	RH	
43	VOE 11881341	2	2			Bellows.....	Soufflet.....	Balg	Fuelle	Bälg.....		
44	VOE 11884070	12	12			Screw.....	Vis	Schraube.....	Tornillo	Skruv.....		
45	VOE 13971307	3	3			Screw.....	Vis	Schraube.....	Tornillo	Skruv.....		
46	VOE 11885188	1				Control rod	Tige réglage	Regelstange	Varilla regul	Reglerstång.....		
47	VOE 11885184	1				•Ball joint	•Rotule articul.....	•Kugelgelenk	•Rotula.....	•Kulled.....		
48	VOE 13971068	1				•Hexagon Nut.....	•Ecrou Hexagonal	•Sechskantmutter	•Tuerca Hexagon	•Sexkantsmutter.....		
49	VOE 11885182	1				•Clevis	•Fourche.....	•Gabel	•Horquilla	•Gaffel.....		
50	VOE 945634	1				•Yoke Bolt	•Boulon Etrier	•Gabelbolzen.....	•Perno Horquilla	•Gaffelbult.....		
51	VOE 11885189	1				Rod	Tringle	Stange.....	Tirante	Stång.....		
52	VOE 11885184	1				•Ball joint	•Rotule articul.....	•Kugelgelenk	•Rotula.....	•Kulled.....		
53	VOE 13971068	1				•Hexagon Nut.....	•Ecrou Hexagonal	•Sechskantmutter	•Tuerca Hexagon	•Sexkantsmutter.....		
54	VOE 11885182	1				•Clevis.....	•Fourche.....	•Gabel	•Horquilla	•Gaffel.....		
55	VOE 945634	1				•Yoke Bolt	•Boulon Etrier	•Gabelbolzen.....	•Perno Horquilla	•Gaffelbult.....		
56	VOE 11885168	2	2			Plate.....	Plaque.....	Platte	Placa	Platta.....		
57	VOE 13946544	4	4			Flange screw.....	Vis à bride	Flanschschraube	Torn embridado	Flänsskruv.....		
58	VOE 4881440	2	2			Strip Clamp	Ruban Serrage.....	Kabelbinder	Abraz Cinta	Bandklamma.....		

1	11891113	Reglage Mandos Regler Commandes Controls	Catalogue id	Group
2	11891112		20017	915
3			Illustr. No	Section
4			1008653	100
5			Issue	Page
			VOE 63D9920017	603

VOLVO

BL60





Volvo Construction
Equipment
1008653

Fig.	Part No.	Quantity			P S	K I T	Description	Dénomination	Bezeichnung	Denominación	Benämning	Notes
		1	2	3								
59	VOE 11884023	1	1			Wire Harness	Faisceau de câbles	Kabelbaum	Manejo Cables	Ledningsmatta	X89, W2P - X326, X327	
	VOE 874954	1	1			•Connector	•Raccord	•Anschluss.....	•Union.....	•Anslutning.....		
60	VOE 13965194	2	2			Flange screw.....	Vis à bride	Flanschschraube.....	Torn embridado	Flänsskruv.....		



1	11891113	Reglage Mandos Regler Commandes Controls	Catalogue id	Group
2	11891112		20017	915
3			Illustr. No	Section
4			1008653	100
5			Issue	Page
			VOE 63D9920017	605

VOLVO

BL60



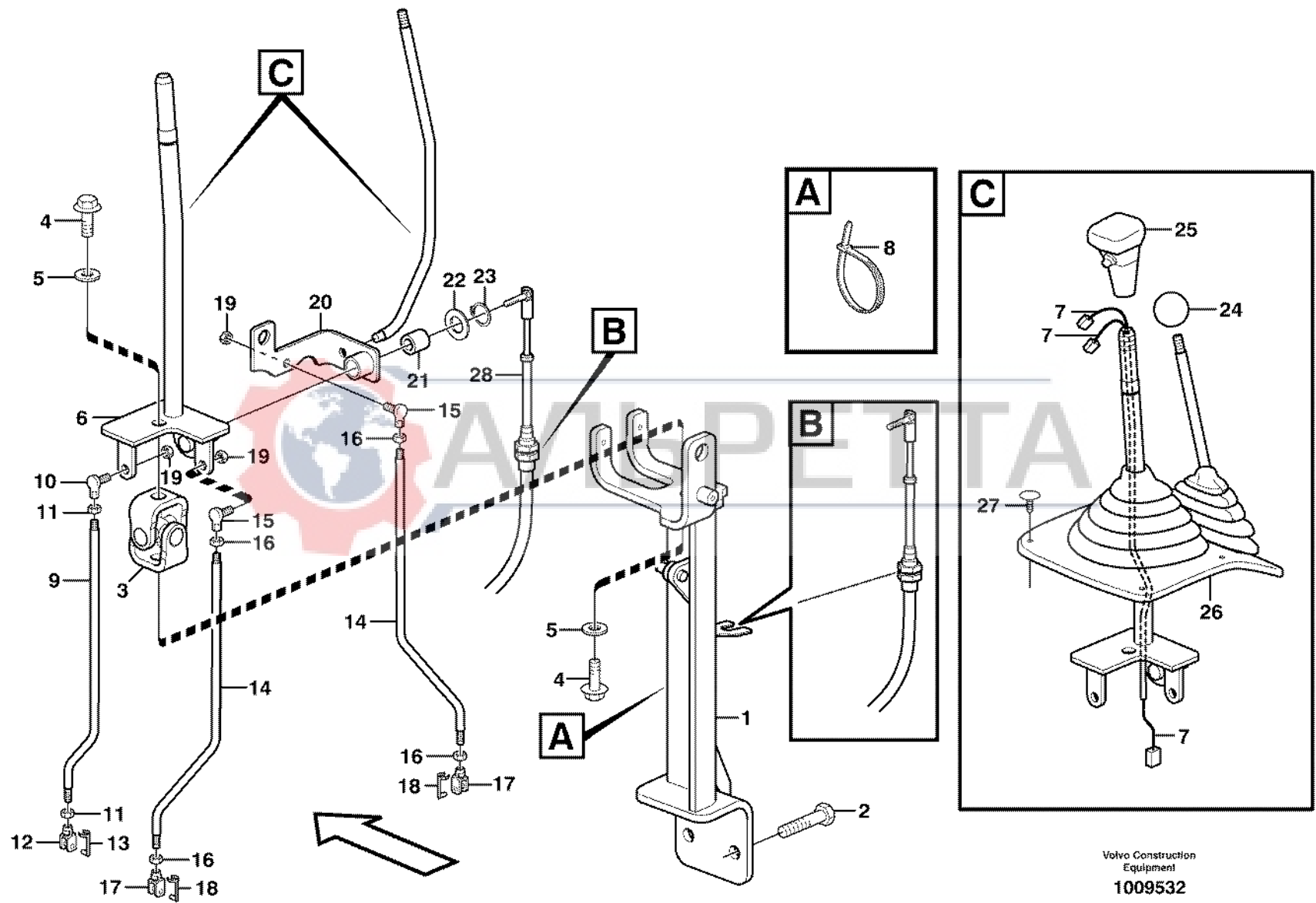


Fig.	Part No.	Quantity			P S	K I T	Description	Dénomination	Bezeichnung	Denominación	Benämning	Notes
		1	2	3								
1		1	1		NS	Support	Support	Stütze	Apoyo	Stöd	2152)	
1	VOE 11886196	1	1			Bracket.....	Console.....	Konsole	Ménsula.....	Konsol.....	2151)	
2	VOE 13965192	2	2			Flange screw.....	Vis à bride	Flanschschraube.....	Torn embridado	Flänsskruv.....		
3	VOE 11881721	1	1			Ball joint	Rotule articul.	Kugelgelenk	Rotula	Kulled.....		
4	VOE 946502	2	2			Flange screw.....	Vis à bride	Flanschschraube.....	Torn embridado	Flänsskruv.....		
5	VOE 967600	2	2			Lock Washer.....	Rondel.verroui.....	Sicher Scheibe	Arandel Segurid	Låsbricka.....		
6	VOE 11891106	1	1		SS	Control Lever	Levier Commande.....	Bedienungshebel	Palanca Mando	Manöverspak.....	2152)	
6	VOE 11887195	1	1			Lever.....	Levier	Hebel.....	Palanca	Spak.....	2151)	
7	VOE 11885183	1	1			Wire harness.....	Faisceau électrique....	Kabelbaum	Manojo cables	Ledningsmatta.....		
8	VOE 4881440	1	1			Strip Clamp	Ruban Serrage.....	Kabelbinder	Abraz Cinta	Bandklamma.....		
9	VOE 11891102	1	1			Control Rod.....	Tige Commande	Schaltstange	Barra De Mando	Manöverstång.....	2152)	
9	VOE 11886275	1	1			Control Rod.....	Tige Commande	Schaltstange	Barra De Mando	Manöverstång.....	2151)	
10	VOE 959080	1	1			•Anl Ball Joint.....	•Rotul.angulaire.....	•Winkelgelenk.....	•Rotula Angular	•Vinkelkulled.....		
11	VOE 13971068	2	2			•Hexagon Nut.....	•Ecrou Hexagonal	•Sechskantmutter	•Tuerca Hexagon	•Sexkantsmutter.....		
12	VOE 11882913	1	1			•Fork	•Fourche.....	•Gabel	•Horquilla	•Gaffel.....		
13	VOE 945634	1	1			•Yoke Bolt	•Boulon Etrier	•Gabelbolzen.....	•Perno Horquilla	•Gaffelbult.....		
14	VOE 11891101	2	1			Control Rod.....	Tige Commande	Schaltstange	Barra De Mando	Manöverstång.....	2152)	
14	VOE 11886274	2	1			Control Rod.....	Tige Commande	Schaltstange	Barra De Mando	Manöverstång.....	2151)	
15	VOE 959080	1	1			•Anl Ball Joint.....	•Rotul.angulaire.....	•Winkelgelenk.....	•Rotula Angular	•Vinkelkulled.....		
16	VOE 13971068	2	2			•Hexagon Nut.....	•Ecrou Hexagonal	•Sechskantmutter	•Tuerca Hexagon	•Sexkantsmutter.....		
17	VOE 11882913	1	1			•Fork	•Fourche.....	•Gabel	•Horquilla	•Gaffel.....		
18	VOE 945634	1	1			•Yoke Bolt	•Boulon Etrier	•Gabelbolzen.....	•Perno Horquilla	•Gaffelbult.....		
19	VOE 948645	3	2			Flange Lock Nut.....	Contre écrou bride	Flanschmutter	Contratuer Embr.....	Flänslåsmutter.....		
20	VOE 11887186	1				Lever.....	Levier	Hebel.....	Palanca	Spak.....		
21	VOE 11885968	1				Bushing.....	Bague.....	Buchse	Casquillo	Bussning.....		
22	VOE 914450	1				Snap Ring	Circlip	Nutring.....	Circlip	Spärring.....		
23	VOE 11885969	1				Washer.....	Rondelle	Scheibe	Arandela	Bricka.....		
24	VOE 11882040	1				Knob.....	Bouton.....	Knopf.....	Boton.....	Knapp.....		

2151) Ser No 10192-10194, 10196, 10201-10205, 10209, 10228-

2152) Ser No -10191, 10195, 10197-10200, 10206-10208, 10209-10227

1	11891080	Lastarreglage Mandos de la cargadora Loader controls Commandes de l'équipement chargeur Loader controls	Catalogue id	Group
2	11891079		20017	915
3			Illustr. No	Section
4			1009532	150
5			Issue	Page
		VOE 63D9920017	607	

VOLVO

BL60

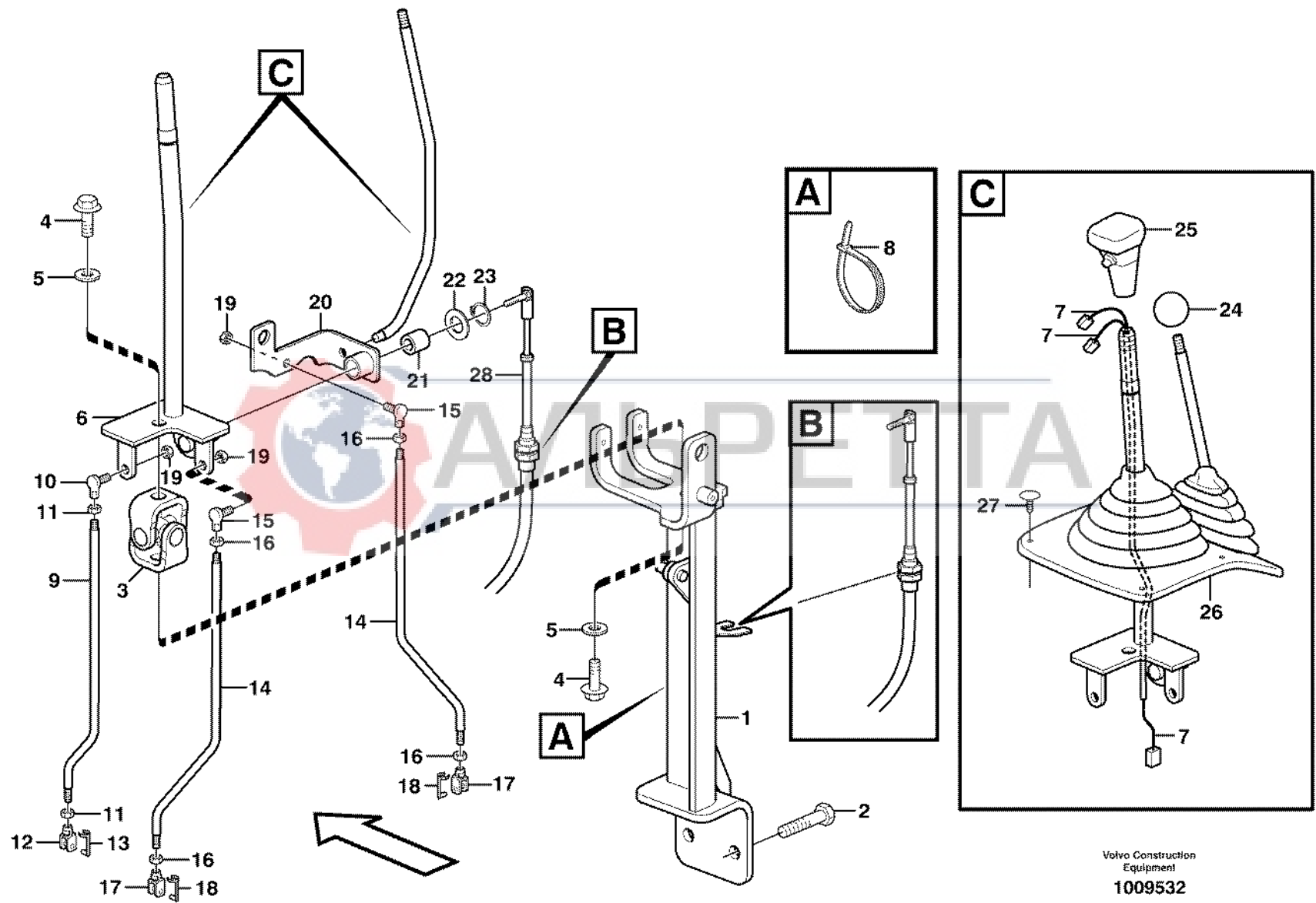


Fig.	Part No.	Quantity			P S	K I T	Description	Dénomination	Bezeichnung	Denominación	Benämning	Notes
		1	2	3								
25	VOE 11885185	1	1			Knob.....	Bouton.....	Knopf.....	Boton.....	Knapp.....	2152)	
25	VOE 11886188	1	1			Knob.....	Bouton.....	Knopf.....	Boton.....	Knapp.....	2151)	
26		1	1			Bellows.....	Capot Caoutcho.....	Gummimantel.....	Cubierta Goma.....	Gummikåpa.....	See group 882, Page 481	
27		8	8			Screw.....	Vis.....	Schraube.....	Tornillo.....	Skruv.....	See group 882, Page 481	
28		1	1			Cable.....	Câble.....	Kabel.....	Cable.....	Kabel.....	See group 945, Page 677	



2151) Ser No 10192-10194, 10196, 10201-10205, 10209, 10228-

2152) Ser No -10191, 10195, 10197-10200, 10206-10208, 10209-10227

1	11891080	Lastarreglage Mandos de la cargadora Loader controls Commandes de l'équipement chargeur Loader controls	Catalogue id	Group
2	11891079		20017	915
3			Illustr. No	Section
4			1009532	150
5			Issue	Page
			VOE 63D9920017	609

VOLVO

BL60



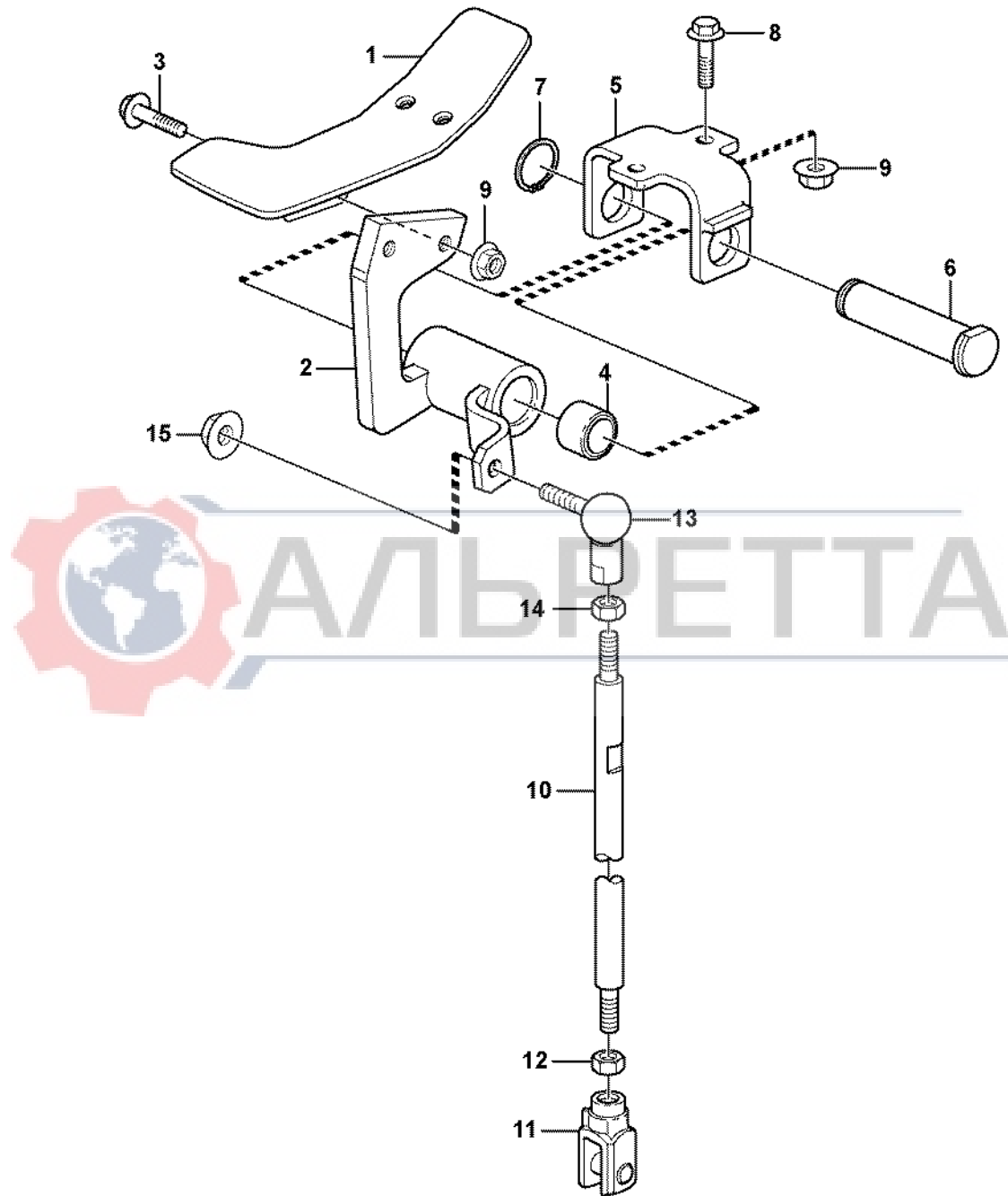


Fig.	Part No.	Quantity			P S	K I T	Description	Dénomination	Bezeichnung	Denominación	Benämning	Notes
		1	2	3								
1	VOE 11885930	1				Pedal.....	Pedale.....	Pedal.....	Pedal.....	Pedal.....		
2	VOE 11886331	1				Support.....	Support.....	Stütze.....	Apoyo.....	Stöd.....		
3	VOE 13945444	2				Flange screw.....	Vis à bride.....	Flanschschraube.....	Torn embridado.....	Flänsskruv.....		
4	VOE 11886867	2				Bushing.....	Bague.....	Buchse.....	Casquillo.....	Bussning.....		
5	VOE 11883399	1				Support.....	Support.....	Stütze.....	Apoyo.....	Stöd.....		
6	VOE 11883402	1				Pin.....	Goupille.....	Zapfen.....	Pasador.....	Tapp.....		
7	VOE 914454	1				Snap Ring.....	Circlip.....	Nutring.....	Circlip.....	Spårring.....		
8	VOE 13946173	2				Flange screw.....	Vis à bride.....	Flanschschraube.....	Torn embridado.....	Flänsskruv.....		
9	VOE 948645	4				Flange Lock Nut.....	Contre écrou bride.....	Flanschmutter.....	Contratuer Embr.....	Flänslåsmutter.....		
10	VOE 11886340	1				Rod.....	Tringle.....	Stange.....	Tirante.....	Stång.....		
11	VOE 11881742	1				•Fork.....	•Fourche.....	•Gabel.....	•Horquilla.....	•Gaffel.....		
	VOE 945634	1				••Yoke Bolt.....	••Boulon Etrier.....	••Gabelbolzen.....	••Perno Horquilla.....	••Gaffelbult.....		
12	VOE 961991	1				•Hexagon Nut.....	•Erou Hexagonal.....	•Sechskantmutter.....	•Tuerca Hexagon.....	•Sexkantsmutter.....		
13	VOE 959080	1				•Anl Ball Joint.....	•Rotul.angulaire.....	•Winkelgelenk.....	•Rotula Angular.....	•Vinkelkuled.....		
14	VOE 961991	1				•Hexagon Nut.....	•Erou Hexagonal.....	•Sechskantmutter.....	•Tuerca Hexagon.....	•Sexkantsmutter.....		
15	VOE 13945408	1				•Nut.....	•Erou.....	•Mutter.....	•Tuerca.....	•Mutter.....		

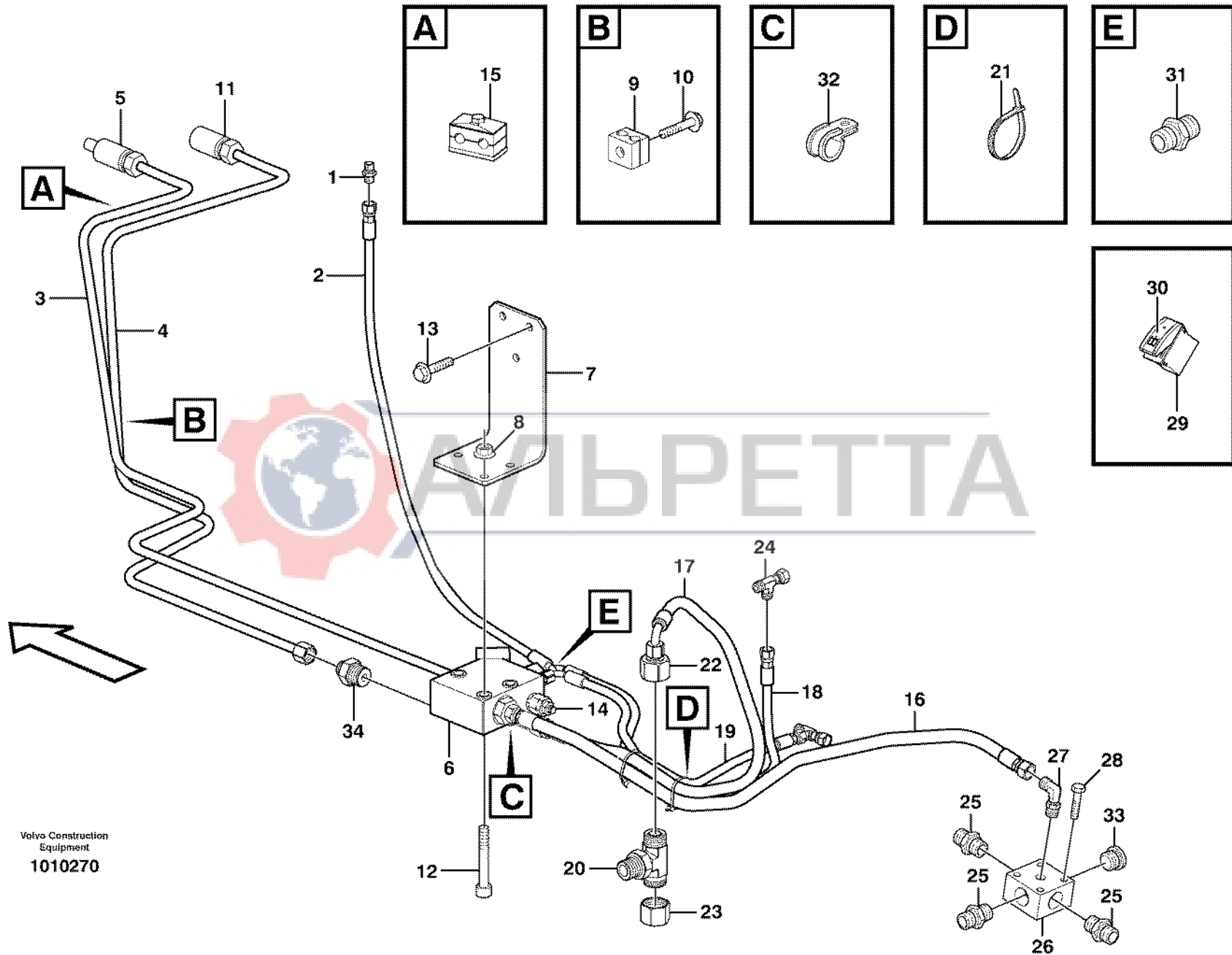


1	Pedal	Catalogue id	Group
2	Pedal	20017	915
3	Pedal	Illustr. No	Section
4	Pedale	1023203	200
5	Pedal	Issue	Page
	11890342	VOE 63D9920017	611

VOLVO

BL60





Volvo Construction
Equipment
1010270

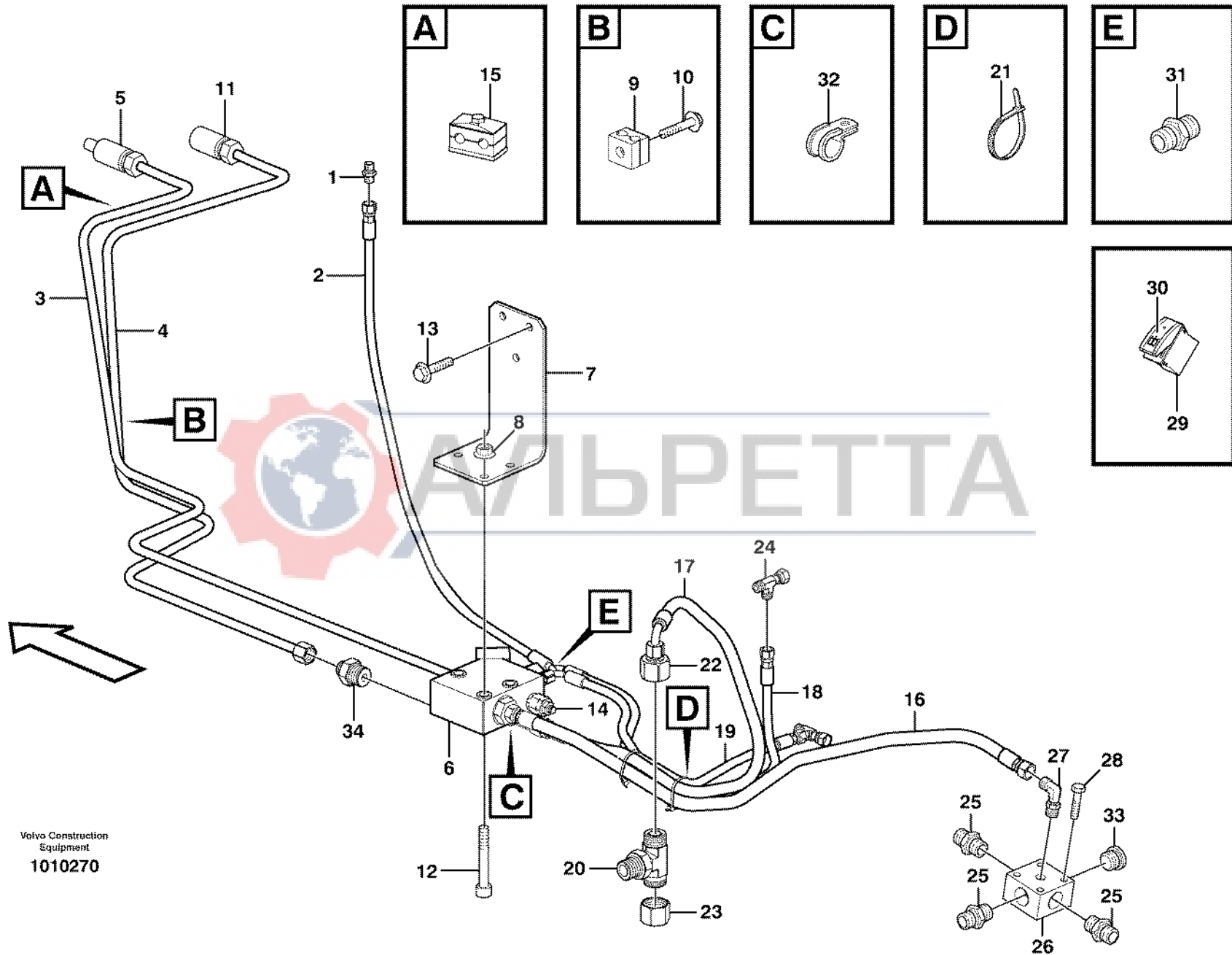
Fig.	Part No.	Quantity			P S	K I T	Description	Dénomination	Bezeichnung	Denominación	Benämning	Notes
		1	2	3								
1	VOE 935082	1				Nipple.....	Raccord.....	Nippel.....	Niple.....	Nippel.....		
	VOE 4881722	1				•O-ring.....	•Joint Torique.....	•O-Ring.....	•Junta torica.....	•O-ring.....		
	VOE 932037	1				•O-ring.....	•Joint Torique.....	•O-Ring.....	•Junta torica.....	•O-ring.....		
2	VOE 11885777	1				Hose.....	Durit.....	Schlauch.....	Tubo flexible.....	Slang.....		
3	VOE 11885240	1				Tube.....	Tube.....	Rohr.....	Tubo.....	Rör.....		
4	VOE 11885241	1				Tube.....	Tube.....	Rohr.....	Tubo.....	Rör.....		
5	VOE 11885281	1				Hydraulic clutch.....	Accouplement hydrau.....	Hydraulikkupplung.....	Acoplamiento hidrauli.....	Hydraulkoppling.....		
6	VOE 11881719	1				Valve.....	Soupape.....	Ventil.....	Valvula.....	Ventil.....	SER NO -10408	
	VOE 11716875	1				•Solenoid valve.....	•Vanne electrom.....	•Magnetventil.....	•Electrovalvula.....	•Magnetventil.....		
	VOE 11711130	1				•Coil.....	•Bobine.....	•Zündspule.....	•Bobina.....	•Spole.....		
6	VOE 11885274	1				Valve.....	Soupape.....	Ventil.....	Valvula.....	Ventil.....	SER NO 10409-	
	VOE 11716875	1				•Solenoid valve.....	•Vanne electrom.....	•Magnetventil.....	•Electrovalvula.....	•Magnetventil.....		
	VOE 11711130	1				•Coil.....	•Bobine.....	•Zündspule.....	•Bobina.....	•Spole.....		
7	VOE 11885273	1				Plate.....	Plaque.....	Platte.....	Placa.....	Platta.....		
8	VOE 948645	3				Flange Lock Nut.....	Contre écrou bride.....	Flanschmutter.....	Contratuer Embr.....	Flänslåsmutter.....		
9	VOE 11884039	1				Clamp.....	Pince Serrage.....	Klemme.....	Abrazadera.....	Klämma.....		
10	VOE 13965177	1				Flange screw.....	Vis à bride.....	Flanschschaube.....	Torn embridado.....	Flänsskruv.....		
11	VOE 11885282	1				Hydraulic clutch.....	Accouplement hydrau.....	Hydraulikkupplung.....	Acoplamiento hidrauli.....	Hydraulkoppling.....		
12	VOE 967633	3				Allen Hd Screw.....	Vis A 6 Pans Cr.....	Inbusschraube.....	Torn Hex Embut.....	Insexskruv.....		
13	VOE 946441	3				Flange screw.....	Vis à bride.....	Flanschschaube.....	Torn embridado.....	Flänsskruv.....		
14	VOE 11882258	1				Nipple.....	Raccord.....	Nippel.....	Niple.....	Nippel.....		
	VOE 932042	1				•O-ring.....	•Joint Torique.....	•O-Ring.....	•Junta torica.....	•O-ring.....		
	VOE 4880492	1				•O-ring.....	•Joint Torique.....	•O-Ring.....	•Junta torica.....	•O-ring.....		
15	VOE 11885701	1				Clamp.....	Pince Serrage.....	Klemme.....	Abrazadera.....	Klämma.....		
16	VOE 11886152	1				Hose.....	Durit.....	Schlauch.....	Tubo flexible.....	Slang.....		
17	VOE 11885272	1				Hose.....	Durit.....	Schlauch.....	Tubo flexible.....	Slang.....		
18	VOE 11885270	1				Hose.....	Durit.....	Schlauch.....	Tubo flexible.....	Slang.....		
19	VOE 11884279	1				Hose.....	Durit.....	Schlauch.....	Tubo flexible.....	Slang.....		
20	VOE 11884783	1				Fitting.....	Ecrou raccord.....	Verschraubung.....	Racor.....	Förskruvning.....		
	VOE 932042	1				•O-ring.....	•Joint Torique.....	•O-Ring.....	•Junta torica.....	•O-ring.....		

1	Extra hydraulutrustning Equipo hidráulico adicional Zusätzliche Hydraulikausrüstung Equipement hydraulique optionnel Optional hydraulic equipment	Catalogue id	Group
2		20017	916
3		Illustr. No	Section
4		1010270	100
5		Issue	Page
	11891369, S/N - 10938	VOE 63D9920017	613

VOLVO

BL60





Volvo Construction
Equipment
1010270

Fig.	Part No.	Quantity			P S	K I T	Description	Dénomination	Bezeichnung	Denominación	Benämning	Notes
		1	2	3								
	VOE 981289	2				•O-ring.....	•Joint Torique.....	•O-Ring.....	•Junta torica.....	•O-ring.....		
21	VOE 4881438	2				Strip Clamp.....	Ruban Serrage.....	Kabelbinder.....	Abraz Cinta.....	Bandklamma.....		
22	VOE 11885276	1				Reduction.....	Reduction.....	Reduzierung.....	Reduccion.....	Reducering.....		
23	VOE 935576	1				Plug.....	Bouchon.....	Stopfen.....	Tapon.....	Plugg.....		
24	VOE 13933859	2				Nipple.....	Raccord.....	Nippel.....	Niple.....	Nippel.....		
	VOE 4881722	2				•O-ring.....	•Joint Torique.....	•O-Ring.....	•Junta torica.....	•O-ring.....		
25	VOE 13933862	3				Nipple.....	Raccord.....	Nippel.....	Niple.....	Nippel.....		
	VOE 981289	1				•O-ring.....	•Joint Torique.....	•O-Ring.....	•Junta torica.....	•O-ring.....		
	VOE 932042	1				•O-ring.....	•Joint Torique.....	•O-Ring.....	•Junta torica.....	•O-ring.....		
26	VOE 11886192	1				Valve.....	Soupape.....	Ventil.....	Valvula.....	Ventil.....		
27	VOE 935069	1				Elbow nipple.....	Raccord angulaire.....	Winkelnippel.....	Niple angular.....	Vinkelnippel.....		
	VOE 4881722	1				•O-ring.....	•Joint Torique.....	•O-Ring.....	•Junta torica.....	•O-ring.....		
	VOE 4880492	1				•O-ring.....	•Joint Torique.....	•O-Ring.....	•Junta torica.....	•O-ring.....		
28	VOE 983247	2				Hexagon screw.....	Vis a tête hexagonale.....	Sechskantschr.....	Tornillo hexago.....	Sexkantsskruv.....		
29	VOE 11882865	1				Rocker Switch.....	Commutateur à basc.....	Wippschalter.....	Interruptor oscilante.....	Vaggomkopplare.....	See group 380, Page 195	
30	VOE 11885734	1				Symbol.....	Symbole.....	Symbol.....	Simbolo.....	Symbol.....	See group 380, Page 195	
31	VOE 13933858	2				Union.....	Teton Connexion.....	Anschlussnippel.....	Niple Conexcion.....	Anslutn.nippel.....		
	VOE 4881722	1				•O-ring.....	•Joint Torique.....	•O-Ring.....	•Junta torica.....	•O-ring.....		
	VOE 932039	1				•O-ring.....	•Joint Torique.....	•O-Ring.....	•Junta torica.....	•O-ring.....		
32	VOE 978869	1				Clamp.....	Pince Serrage.....	Klemme.....	Abrazadera.....	Klämma.....		
33	VOE 11882920	1				Plug.....	Bouchon.....	Stopfen.....	Tapon.....	Plugg.....		
	VOE 932042	1				•O-ring.....	•Joint Torique.....	•O-Ring.....	•Junta torica.....	•O-ring.....		
34	VOE 935093	1				Union.....	Teton Connexion.....	Anschlussnippel.....	Niple Conexcion.....	Anslutn.nippel.....		
	VOE 4880493	1				•O-ring.....	•Joint Torique.....	•O-Ring.....	•Junta torica.....	•O-ring.....		
	VOE 932042	1				•O-ring.....	•Joint Torique.....	•O-Ring.....	•Junta torica.....	•O-ring.....		

1	Extra hydraulutrustning Equipo hidráulico adicional Zusätzliche Hydraulikausrüstung Equipement hydraulique optionnel Optional hydraulic equipment	Catalogue id	Group
2		20017	916
3		Illustr. No	Section
4		1010270	100
5		Issue	Page
	11891369, S/N - 10938	VOE 63D9920017	615

VOLVO

BL60



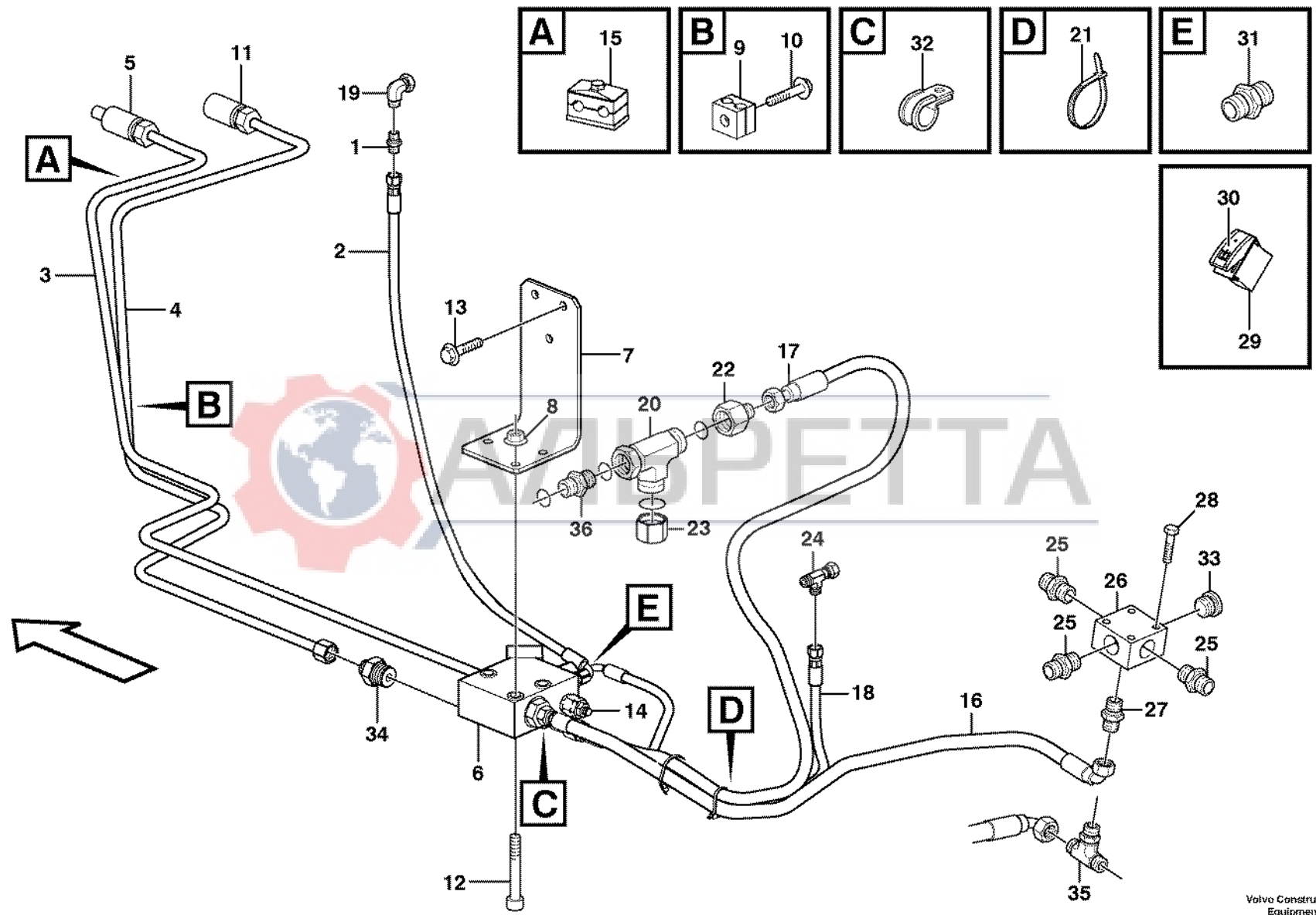


Fig.	Part No.	Quantity			P S	K I T	Description	Dénomination	Bezeichnung	Denominación	Benämning	Notes
		1	2	3								
1	VOE 935082	1				Nipple.....	Raccord.....	Nippel.....	Niple.....	Nippel.....		
	VOE 4881722	1				•O-ring.....	•Joint Torique.....	•O-Ring.....	•Junta torica.....	•O-ring.....		
	VOE 932037	1				•O-ring.....	•Joint Torique.....	•O-Ring.....	•Junta torica.....	•O-ring.....		
2	VOE 938074	1				Hose assembly.....	Conduit flexible.....	Schlauchleitung.....	Conducto.....	Slangledning.....		
3	VOE 11885240	1				Tube.....	Tube.....	Rohr.....	Tube.....	Rör.....		
4	VOE 11885241	1				Tube.....	Tube.....	Rohr.....	Tube.....	Rör.....		
5	VOE 11885281	1				Hydraulic clutch.....	Accouplement hydrau.....	Hydraulikkupplung.....	Acoplamiento hidrauli.....	Hydraulkoppling.....		
6	VOE 11885274	1				Valve.....	Soupape.....	Ventil.....	Valvula.....	Ventil.....		
	VOE 11716875	1				•Solenoid valve.....	•Vanne electrom.....	•Magnetventil.....	•Electrovalvula.....	•Magnetventil.....		
	VOE 11711130	1				•Coil.....	•Bobine.....	•Zündspule.....	•Bobina.....	•Spole.....		
7	VOE 11885273	1				Plate.....	Plaque.....	Platte.....	Placa.....	Platta.....		
8	VOE 948645	3				Flange Lock Nut.....	Contre écrou bride.....	Flanschmutter.....	Contratuer Embr.....	Flänslåsmutter.....		
9	VOE 11884039	1				Clamp.....	Pince Serrage.....	Klemme.....	Abrazadera.....	Klämma.....		
10	VOE 13965177	1				Flange screw.....	Vis à bride.....	Flanschschaube.....	Torn embridado.....	Flänsskruv.....		
11	VOE 11885282	1				Hydraulic clutch.....	Accouplement hydrau.....	Hydraulikkupplung.....	Acoplamiento hidrauli.....	Hydraulkoppling.....		
12	VOE 967633	3				Allen Hd Screw.....	Vis A 6 Pans Cr.....	Inbusschraube.....	Torn Hex Embut.....	Insexskruv.....		
13	VOE 946472	3				Flange screw.....	Vis à bride.....	Flanschschaube.....	Torn embridado.....	Flänsskruv.....		
14	VOE 11882258	1				Nipple.....	Raccord.....	Nippel.....	Niple.....	Nippel.....		
	VOE 932042	1				•O-ring.....	•Joint Torique.....	•O-Ring.....	•Junta torica.....	•O-ring.....		
	VOE 4880492	1				•O-ring.....	•Joint Torique.....	•O-Ring.....	•Junta torica.....	•O-ring.....		
15	VOE 11885701	1				Clamp.....	Pince Serrage.....	Klemme.....	Abrazadera.....	Klämma.....		
16	VOE 936539	1				Hose assembly.....	Conduit flexible.....	Schlauchleitung.....	Conducto.....	Slangledning.....		
17	VOE 11888841	1				Hose assembly.....	Conduit flexible.....	Schlauchleitung.....	Conducto.....	Slangledning.....		
18	VOE 11885270	1				Hose.....	Durit.....	Schlauch.....	Tube flexible.....	Slang.....		
19	VOE 13933905	1				Elbow nipple.....	Raccord angulaire.....	Winkelnippel.....	Niple angular.....	Vinkelnippel.....		
	VOE 990736	1				•O-ring.....	•Joint Torique.....	•O-Ring.....	•Junta torica.....	•O-ring.....		
20	VOE 13933874	1				Nipple.....	Raccord.....	Nippel.....	Niple.....	Nippel.....		
21	VOE 4881440	4				Strip Clamp.....	Ruban Serrage.....	Kabelbinder.....	Abraz Cinta.....	Bandklamma.....		
22	VOE 11885276	1				Reduction.....	Reduction.....	Reduzierung.....	Reduccion.....	Reducering.....		
23	VOE 935576	1				Plug.....	Bouchon.....	Stopfen.....	Tapon.....	Plugg.....		

1	Extra hydraulutrustning Equipo hidráulico adicional Zusätzliche Hydraulikausrüstung Equipement hydraulique optionnel Optional hydraulic equipment	Catalogue id	Group
2		20017	916
3		Illustr. No	Section
4		1024699	110
5		Issue	Page
	11891369, S/N 10939 -	VOE 63D9920017	617

VOLVO

BL60



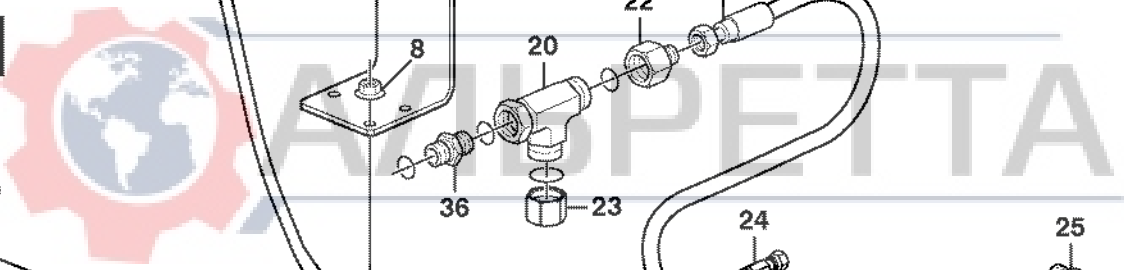
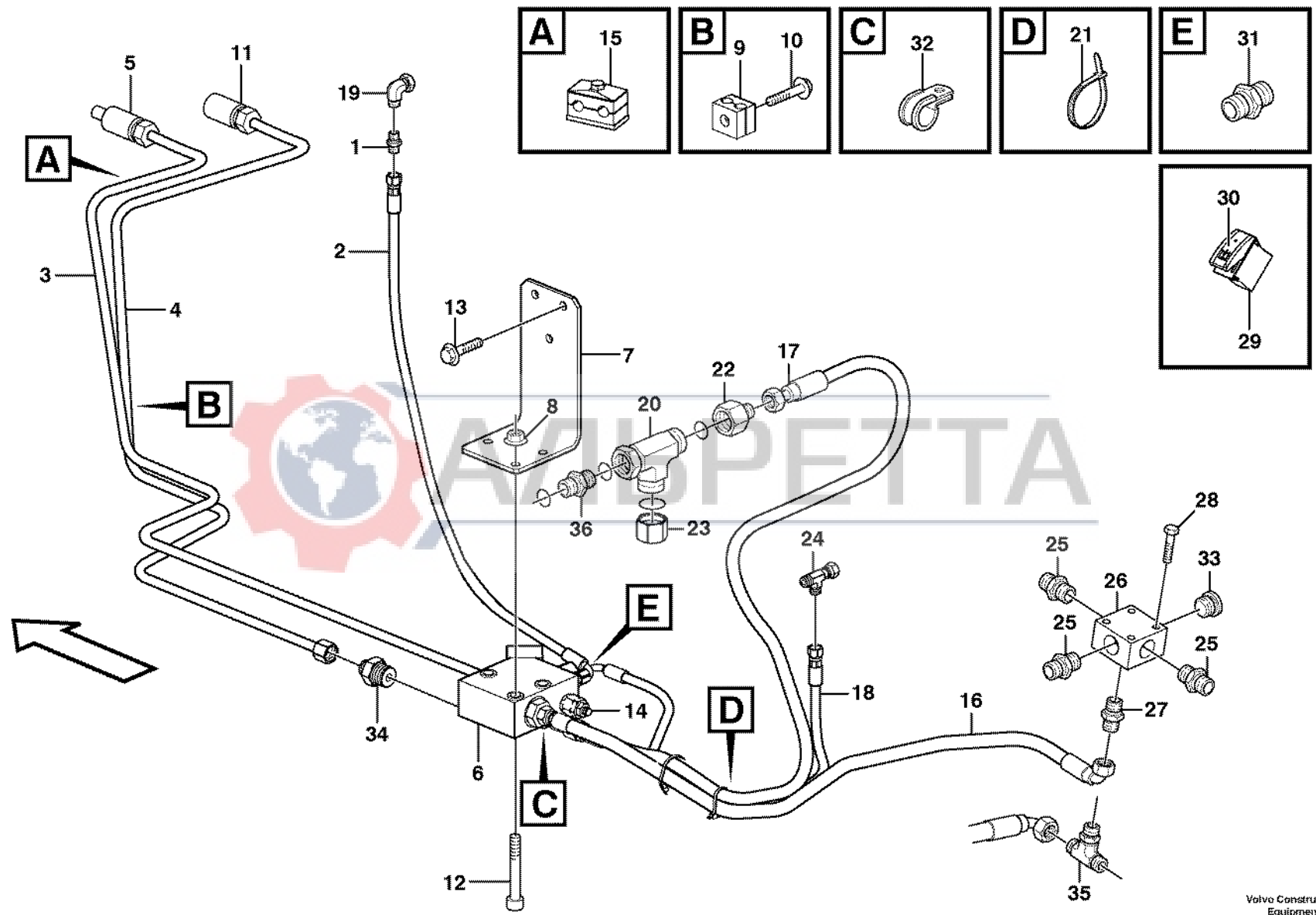


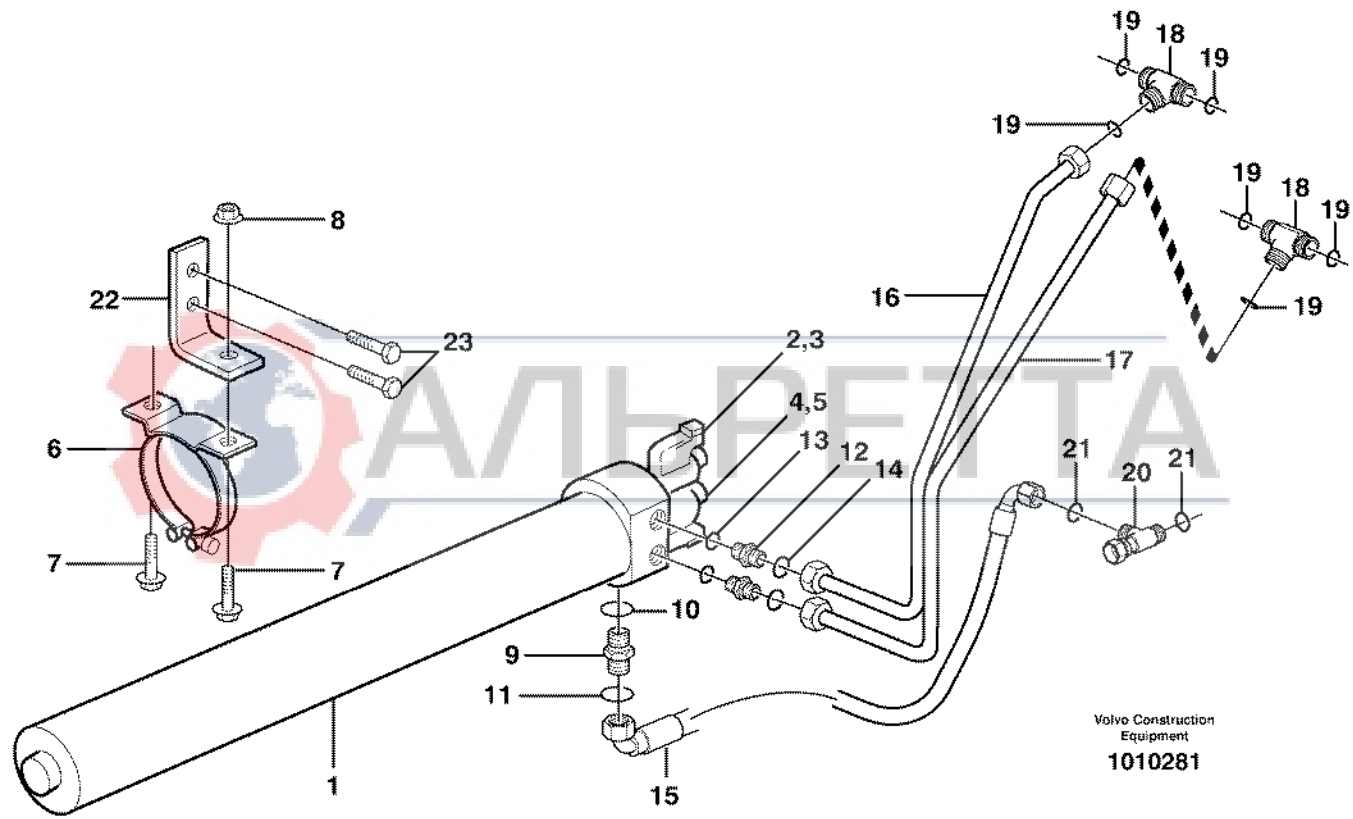
Fig.	Part No.	Quantity			P S	K I T	Description	Dénomination	Bezeichnung	Denominación	Benämning	Notes
		1	2	3								
24	VOE 13933859	2				Nipple.....	Raccord.....	Nippel.....	Niple.....	Nippel.....		
24	VOE 4881722	2				•O-ring.....	•Joint Torique.....	•O-Ring.....	•Junta torica.....	•O-ring.....		
25	VOE 13933862	3				Nipple.....	Raccord.....	Nippel.....	Niple.....	Nippel.....		
25	VOE 981289	1				•O-ring.....	•Joint Torique.....	•O-Ring.....	•Junta torica.....	•O-ring.....		
25	VOE 932042	1				•O-ring.....	•Joint Torique.....	•O-Ring.....	•Junta torica.....	•O-ring.....		
26	VOE 11886192	1				Valve.....	Soupape.....	Ventil.....	Valvula.....	Ventil.....		
27	VOE 935085	1				Nipple.....	Raccord.....	Nippel.....	Niple.....	Nippel.....		
27	VOE 932039	1				•O-ring.....	•Joint Torique.....	•O-Ring.....	•Junta torica.....	•O-ring.....		
27	VOE 4880492	1				•O-ring.....	•Joint Torique.....	•O-Ring.....	•Junta torica.....	•O-ring.....		
28	VOE 983247	2				Hexagon screw.....	Vis a tête hexagonale.....	Sechskantschr.....	Tornillo hexago.....	Sexkantsskruv.....		
29	VOE 11882865	1				Rocker Switch.....	Commutateur à basc.....	Wippschalter.....	Interruptor oscilante.....	Vaggomkopplare.....		
30	VOE 11885734	1				Symbol.....	Symbole.....	Symbol.....	Simbolo.....	Symbol.....		
31	VOE 13933858	2				Union.....	Teton Connexion.....	Anschlussnippel.....	Niple Conexcion.....	Anslutn.nippel.....		
31	VOE 4881722	1				•O-ring.....	•Joint Torique.....	•O-Ring.....	•Junta torica.....	•O-ring.....		
31	VOE 932039	1				•O-ring.....	•Joint Torique.....	•O-Ring.....	•Junta torica.....	•O-ring.....		
32	VOE 978869	1				Clamp.....	Pince Serrage.....	Klemme.....	Abrazadera.....	Klämma.....		
33	VOE 11882920	1				Plug.....	Bouchon.....	Stopfen.....	Tapon.....	Plugg.....		
33	VOE 932042	1				•O-ring.....	•Joint Torique.....	•O-Ring.....	•Junta torica.....	•O-ring.....		
34	VOE 935093	1				Union.....	Teton Connexion.....	Anschlussnippel.....	Niple Conexcion.....	Anslutn.nippel.....		
34	VOE 4880493	1				•O-ring.....	•Joint Torique.....	•O-Ring.....	•Junta torica.....	•O-ring.....		
34	VOE 932042	1				•O-ring.....	•Joint Torique.....	•O-Ring.....	•Junta torica.....	•O-ring.....		
35	VOE 936606	1				T-nipple.....	Raccord-t.....	T-Nippel.....	Niple T.....	T-nippel.....		
36	VOE 13933862	1				Nipple.....	Raccord.....	Nippel.....	Niple.....	Nippel.....		
36	VOE 990740	1				•O-ring.....	•Joint Torique.....	•O-Ring.....	•Junta torica.....	•O-ring.....		
36	VOE 932042	1				•O-ring.....	•Joint Torique.....	•O-Ring.....	•Junta torica.....	•O-ring.....		

1	Extra hydraulutrustning Equipo hidráulico adicional Zusätzliche Hydraulikausrüstung Equipement hydraulique optionnel Optional hydraulic equipment	Catalogue id	Group
2		20017	916
3		Illustr. No	Section
4		1024699	110
5		Issue	Page
	11891369, S/N 10939 -	VOE 63D9920017	619

VOLVO

BL60





Volvo Construction
Equipment
1010281

Fig.	Part No.	Quantity			P S	K I T	Description	Dénomination	Bezeichnung	Denominación	Benämning	Notes
		1	2	3								
1	VOE 11709780	1				Accumulator	Accumulateur	Speicher	Acumulador	Accumulator		
2	VOE 11709782	1				•Solenoid valve	•Vanne electrom.....	•Magnetventil.....	•Electrovalvula.....	•Magnetventil.....		
3	VOE 11709783	1				•Coil	•Bobine.....	•Wickel	•Bobina.....	•Spole.....		
4	VOE 11709781	1				•Solenoid valve	•Vanne electrom.....	•Magnetventil.....	•Electrovalvula.....	•Magnetventil.....		
5	VOE 11709783	1				•Coil	•Bobine.....	•Wickel	•Bobina.....	•Spole.....		
6	VOE 11882885	2				Clamp.....	Pince Serrage	Klemme	Abrazadera.....	Klämma.....		
7	VOE 13965179	4				Flange screw.....	Vis à bride	Flanschschraube.....	Torn embridado	Flänsskruv.....		
8	VOE 948645	2				Flange Lock Nut.....	Contre écrou bride	Flanschmutter	Contratuer Embr.....	Flänslåsmutter.....		
9	VOE 13933923	1				Nipple.....	Raccord.....	Nippel	Niple	Nippel.....		
10	VOE 932040	1				•O-ring.....	•Joint Torique	•O-Ring.....	•Junta torica	•O-ring.....		
11	VOE 4880493	1				•O-ring.....	•Joint Torique	•O-Ring.....	•Junta torica	•O-ring.....		
12	VOE 935094	2				Nipple.....	Raccord.....	Nippel	Niple	Nippel.....		
13	VOE 932040	2				•O-ring.....	•Joint Torique	•O-Ring.....	•Junta torica	•O-ring.....		
14	VOE 4880663	2				•O-ring.....	•Joint Torique	•O-Ring.....	•Junta torica	•O-ring.....		
15	VOE 11885515	1				Hose.....	Durit	Schlauch	Tube flexible.....	Slang.....		
16	VOE 11884869	1				Tube.....	Tuyau	Rohr	Tube	Rör.....		
17	VOE 11884870	1				Tube.....	Tuyau	Rohr	Tube	Rör.....		
18	VOE 11884287	2				Fitting.....	Ecrou raccord.....	Verschraubung.....	Racor.....	Förskruvning.....		
19	VOE 4880663	6				•O-ring.....	•Joint Torique	•O-Ring.....	•Junta torica	•O-ring.....		
20	VOE 13933878	1				Nipple.....	Raccord.....	Nippel	Niple	Nippel.....		
21	VOE 4880493	2				•O-ring.....	•Joint Torique	•O-Ring.....	•Junta torica	•O-ring.....		
22	VOE 11884882	2				Plate.....	Plaque.....	Platte.....	Placa	Platta.....		
23	VOE 946671	4				Flange screw.....	Vis à bride	Flanschschraube.....	Torn embridado	Flänsskruv.....		

1	Svängningsdämpare Amortiguador de vibraciones Schwingungsdämpfer Amortisseur vibrations Boom suspension system 11891345 S/N - 10938	Catalogue id	Group
2		20017	916
3		Illustr. No	Section
4		1010281	350
5		Issue	Page
		VOE 63D9920017	621

VOLVO

BL60



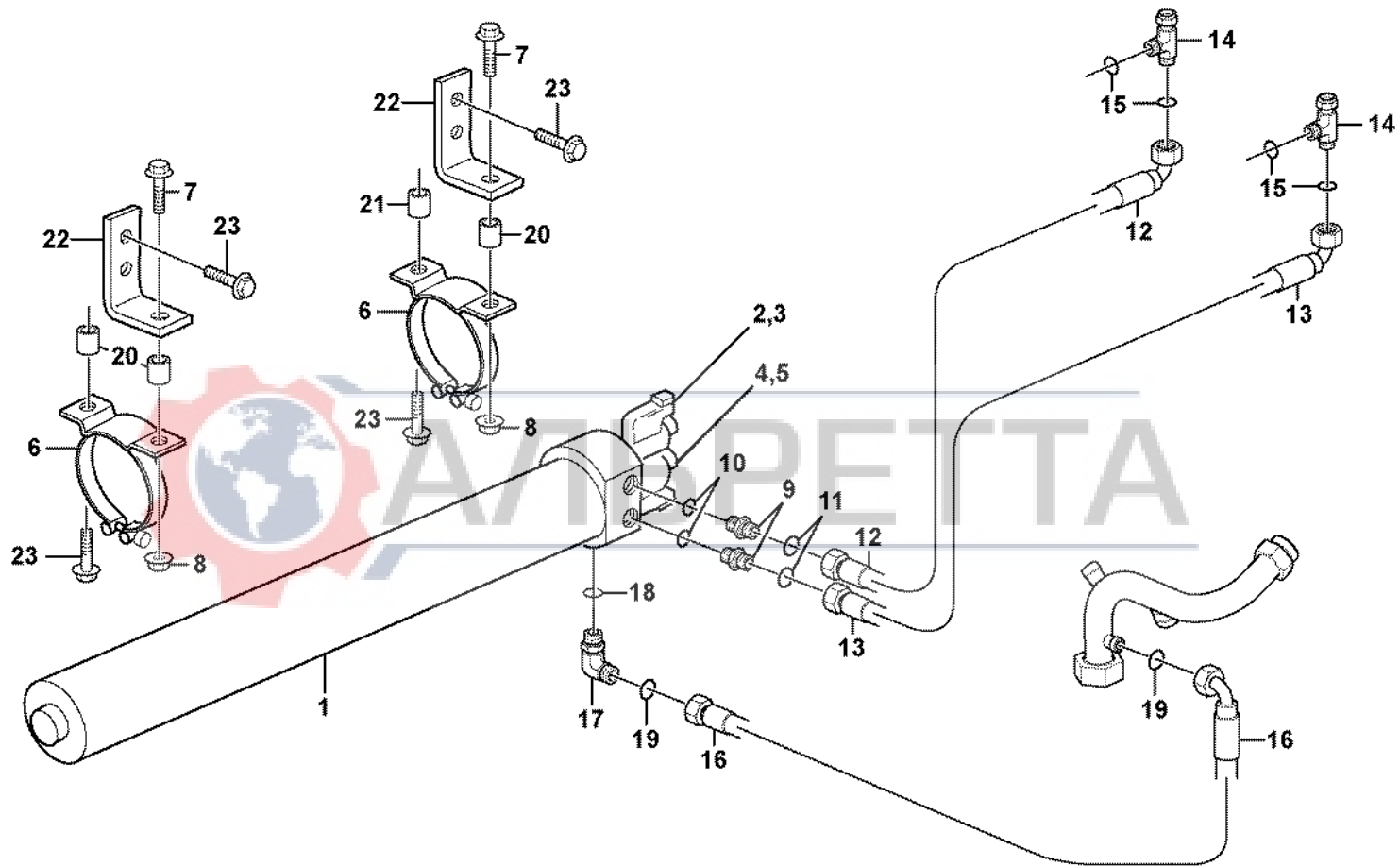


Fig.	Part No.	Quantity			P S	K I T	Description	Dénomination	Bezeichnung	Denominación	Benämning	Notes
		1	2	3								
1	VOE 11709780	1				Accumulator	Accumulateur	Speicher	Acumulador	Akkumulator.....		
2	VOE 11709782	1				•Solenoid valve	•Vanne electrom.....	•Magnetventil.....	•Electrovalvula.....	•Magnetventil.....		
3	VOE 11709783	1				•Coil	•Bobine.....	•Wickel	•Bobina.....	•Spole.....		
4	VOE 11709781	1				•Solenoid valve	•Vanne electrom.....	•Magnetventil.....	•Electrovalvula.....	•Magnetventil.....		
5	VOE 11709783	1				•Coil	•Bobine.....	•Wickel	•Bobina.....	•Spole.....		
6	VOE 11888757	2				Clamp.....	Pince Serrage	Klemme	Abrazadera.....	Klämma.....		
7	VOE 13965179	2				Flange screw.....	Vis à bride	Flanschschraube.....	Torn embridado	Flänsskruv.....		
8	VOE 948645	2				Flange Lock Nut.....	Contre écrou bride	Flanschmutter	Contratuer Embr.....	Flänslåsmutter.....		
9	VOE 13933923	2				Nipple.....	Raccord.....	Nippel	Niple	Nippel.....		
10	VOE 932040	1				•O-ring.....	•Joint Torique	•O-Ring.....	•Junta torica	•O-ring.....		
11	VOE 990738	1				•O-ring.....	•Joint Torique	•O-Ring.....	•Junta torica	•O-ring.....		
12	VOE 11888752	1				Hose assembly	Conduit flexible	Schlauchleitung.....	Conducto	Slangledning.....		
13	VOE 11888753	1				Hose assembly	Conduit flexible	Schlauchleitung.....	Conducto	Slangledning.....		
14	VOE 935028	2				Nipple.....	Raccord.....	Nippel	Niple	Nippel.....		
15	VOE 990739	4				•O-ring.....	•Joint Torique	•O-Ring.....	•Junta torica	•O-ring.....		
16	VOE 937237	1				Hose assembly	Conduit flexible	Schlauchleitung.....	Conducto	Slangledning.....		
17	VOE 13933868	1				Elbow Nipple.....	Raccord angulaire.....	Winkelnippel.....	Niple Angular.....	V-nippel.....		
18	VOE 990738	1				•O-ring.....	•Joint Torique	•O-Ring.....	•Junta torica	•O-ring.....		
19	VOE 932040	5				•O-ring.....	•Joint Torique	•O-Ring.....	•Junta torica	•O-ring.....		
20	VOE 930438	3				Spacer Ring	Bagu.entretoise	Abstandring	Anillo Dist	Distansring.....		
21	VOE 930430	1				Spacer Ring	Bagu.entretoise	Abstandring	Anillo Dist	Distansring.....		
22	VOE 11888756	2				Bracket.....	Console.....	Konsole	Ménsula.....	Konsol.....		
23	VOE 946671	5				Flange screw.....	Vis à bride	Flanschschraube.....	Torn embridado	Flänsskruv.....		
24	VOE 13965180	1				•Flange screw	•Vis à bride	•Flanschschraube.....	•Torn embridado.....	•Flänsskruv.....		

1	Svängningsdämpare Amortiguador de vibraciones Schwingungsdämpfer Amortisseur vibrations Boom suspension system 11891345 S/N - 10939	Catalogue id	Group
2		20017	916
3		Illustr. No	Section
4		1024706	360
5		Issue	Page
		VOE 63D9920017	623

VOLVO

BL60



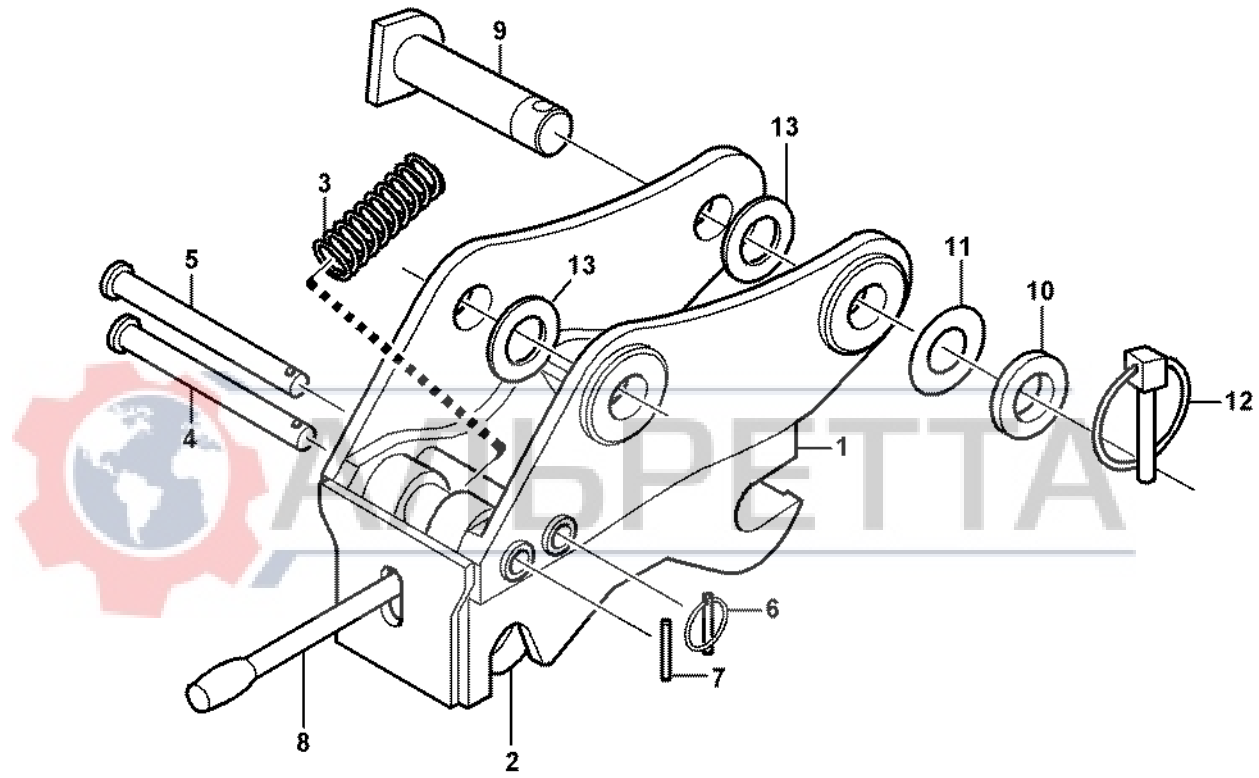


Fig.	Part No.	Quantity			P S	K I T	Description	Dénomination	Bezeichnung	Denominación	Benämning	Notes
		1	2	3								
1	VOE 11884311	1					Quick Coupling.....	Accouplement Ra.....	Schnellkupplung.....	Acoplamiento Ra.....	Snabbkoppling.....	
2	VOE 11712602	1					•Hook	•Crochet	•Haken.....	•Gancho	•Krok.....	
3	VOE 11712603	1					•Spring	•Ressort	•Feder.....	•Muelle	•Fjäder.....	
4	VOE 11712604	1					•Pin	•Goupille.....	•Zapfen.....	•Pasador.....	•Tapp.....	
5	VOE 11712605	1					•Pin	•Goupille.....	•Zapfen.....	•Pasador.....	•Tapp.....	
6	VOE 11712606	1					•Pin	•Goupille.....	•Zapfen.....	•Pasador.....	•Tapp.....	
7	VOE 11712607	1					•Pin	•Goupille.....	•Zapfen.....	•Pasador.....	•Tapp.....	
8	VOE 11886254	1					Handle.....	Poignee.....	Handgriff.....	Manilla.....	Handgrepp.....	
9	VOE 11883624	2					Pin.....	Clavette.....	Splint.....	Pasador.....	Sprint.....	
10	VOE 955912	2					Washer.....	Rondelle.....	Scheibe.....	Arandela.....	Bricka.....	
11	VOE 403078	6					Shim.....	Cale Reglage.....	Nachstellblech.....	Laminill Ajuste.....	Justerbleck.....	
12	VOE 11881622	2					Locking pin.....	Goupille d'arrêt.....	Schliessbolzen.....	Pasador de cierre.....	Låspinne.....	
13	VOE 11885220	6					Spacer.....	Entretoise.....	Abstandkörper.....	Distanciador.....	Distans.....	

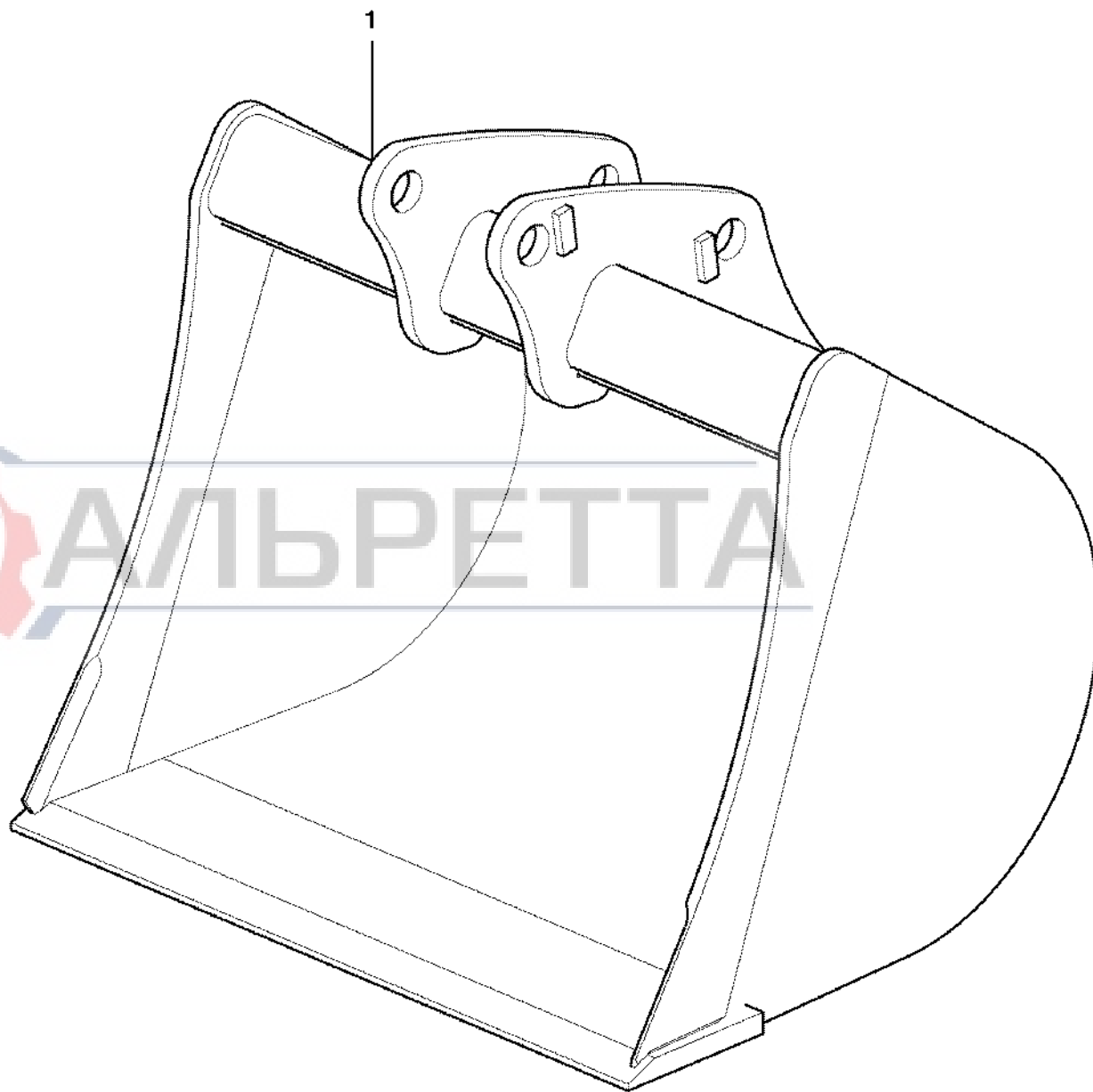
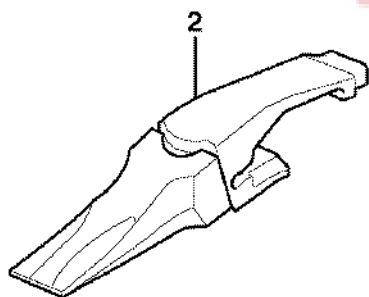
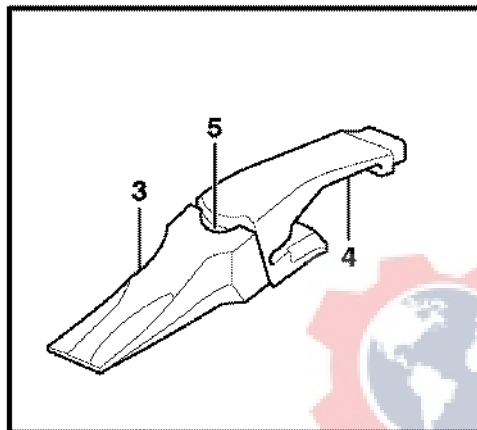


1	Redskapsfäste, mekaniskt Portaimplemento, mecánico Geräteträger, mechanisch Porte-outil, verrouillage mécanique Attachment bracket, mechanical	Catalogue id	Group
2		20017	924
3		Illustr. No	Section
4		1013366	100
5		Issue	Page
	11891299	VOE 63D9920017	625

VOLVO

BL60





Volvo Construction
Equipment
1003947

Fig.	Part No.	Quantity					P S	K T	Description	Dénomination	Bezeichnung	Denominación	Benämning	Notes
		1	2	3	4	5								
1	VOE 11884487	1						Bucket.....	Godet	Löffel	Cuchara	Skopa.....	WID = 36"	
1	VOE 11884479		1					Bucket.....	Godet	Löffel	Cuchara	Skopa.....	WID = 30"	
1	VOE 11888440			1				Bucket.....	Godet	Löffel	Cuchara	Skopa.....		
1	VOE 11888170				1			Bucket.....	Godet	Löffel	Cuchara	Skopa.....		
2	VOE 11881712	6	6			SS		•Tooth	•Dent	•Zahn	•Diente.....	•Tand.....		
2				6	5	NS		•Tooth Assembly.....	•.....	•.....	•.....	•Tand.....		
3	VOE 11884312	6	6					•Bucket Tooth	•Dent de godet	•Löffelzahn.....	•Diente Cuchara	•Skoptand.....	(VOE 11988296)	
3	VOE 11884312			6	5			•Bucket Tooth	•Dent de godet	•Löffelzahn.....	•Diente Cuchara	•Skoptand.....		
4	VOE 11988403	6	6					•Adapter.....	•Raccord Reduct. ...	•Verbind Stutzen....	•Adaptador	•Adapter.....		
4	VOE 11801591			6	5			•Tooth Holder	•Porte dent	•Zahnhalter	•Porta-diente	•Holktand.....		
5	VOE 11988297	6	6					•Lock Pin	•Goupille Verro.....	•Sicherungsstift.....	•Pasador Segurid ..	•Låspinne.....		
5	VOE 11884314			6	5			•Key	•Clavette.....	•Keil	•Llave (cuna)	•Kil.....		

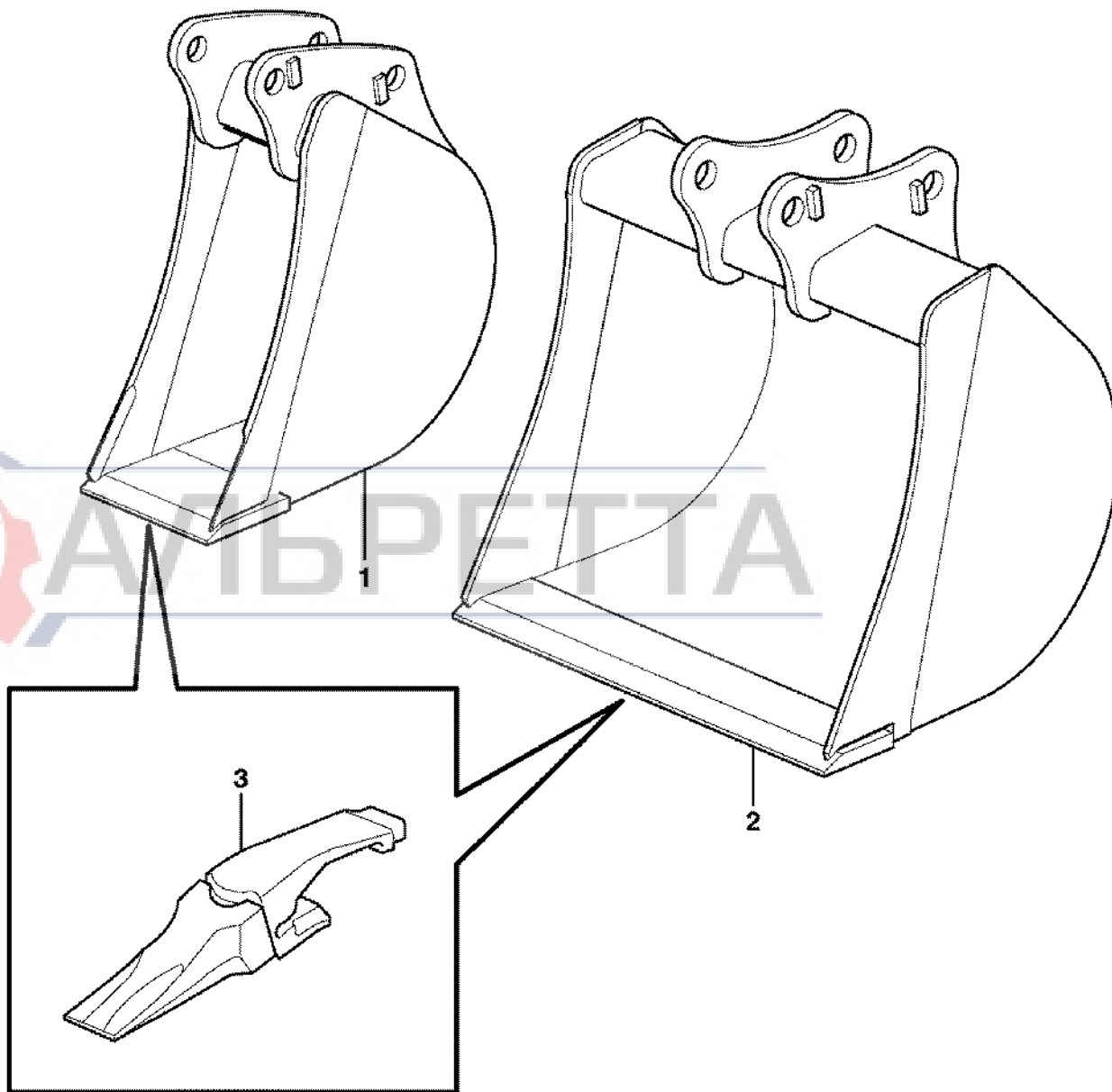
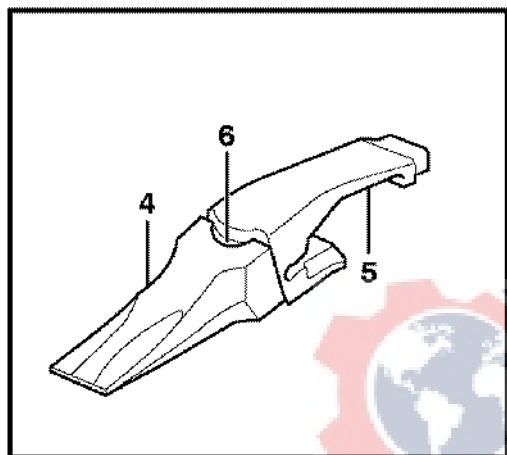


1	11891318 S/N - 10938	Skopa, rak med tänder Cuchara, recta con dientes Schaufel, gerade mit Zähnen Godet, droit avec dents Bucket, straight with teeth	Catalogue id	Group
2	11891319		20017	925
3	11891318 S/N 10938 -		Illustr. No	Section
4	11891320 S/N 10938 -		1003947	100
5			Issue	Page
			VOE 63D9920017	627

VOLVO

BL60





Volvo Construction
Equipment
1003948

Fig.	Part No.	Quantity					P S	K T	Description	Dénomination	Bezeichnung	Denominación	Benämning	Notes
		1	2	3	4	5								
1	VOE 11888420	1						Bucket.....	Godet	Löffel	Cuchara	Skopa.....	WID = 300 MM	
1	VOE 11888421		1					Bucket.....	Godet	Löffel	Cuchara	Skopa.....	WID = 400 MM	
1	VOE 11888437				1			Bucket.....	Godet	Löffel	Cuchara	Skopa.....	WID = 12" (300 MM)	
2	VOE 11888422			1				Bucket.....	Godet	Löffel	Cuchara	Skopa.....	WID = 450 MM	
2	VOE 11888438					1		Bucket.....	Godet	Löffel	Cuchara	Skopa.....		
3	VOE 11987752	3	3	4	3	4		•Bucket Tooth	•Dent de godet	•Löffelzahn	•Diente Cuchara	•Skoptand.....		
4	VOE 11884312	3	3	4	3	4		••Bucket Tooth	••Dent de godet	••Löffelzahn.....	••Diente Cuchara	••Skoptand.....		
5	VOE 11801591	3	3	4	3	4		••Tooth Holder	••Porte dent	••Zahnhalter	••Porta-diente	••Holktand.....		
6	VOE 11884314	3	3	4	3	4		••Key	••Clavette.....	••Keil	••Llave (cuna)	••Kil.....		

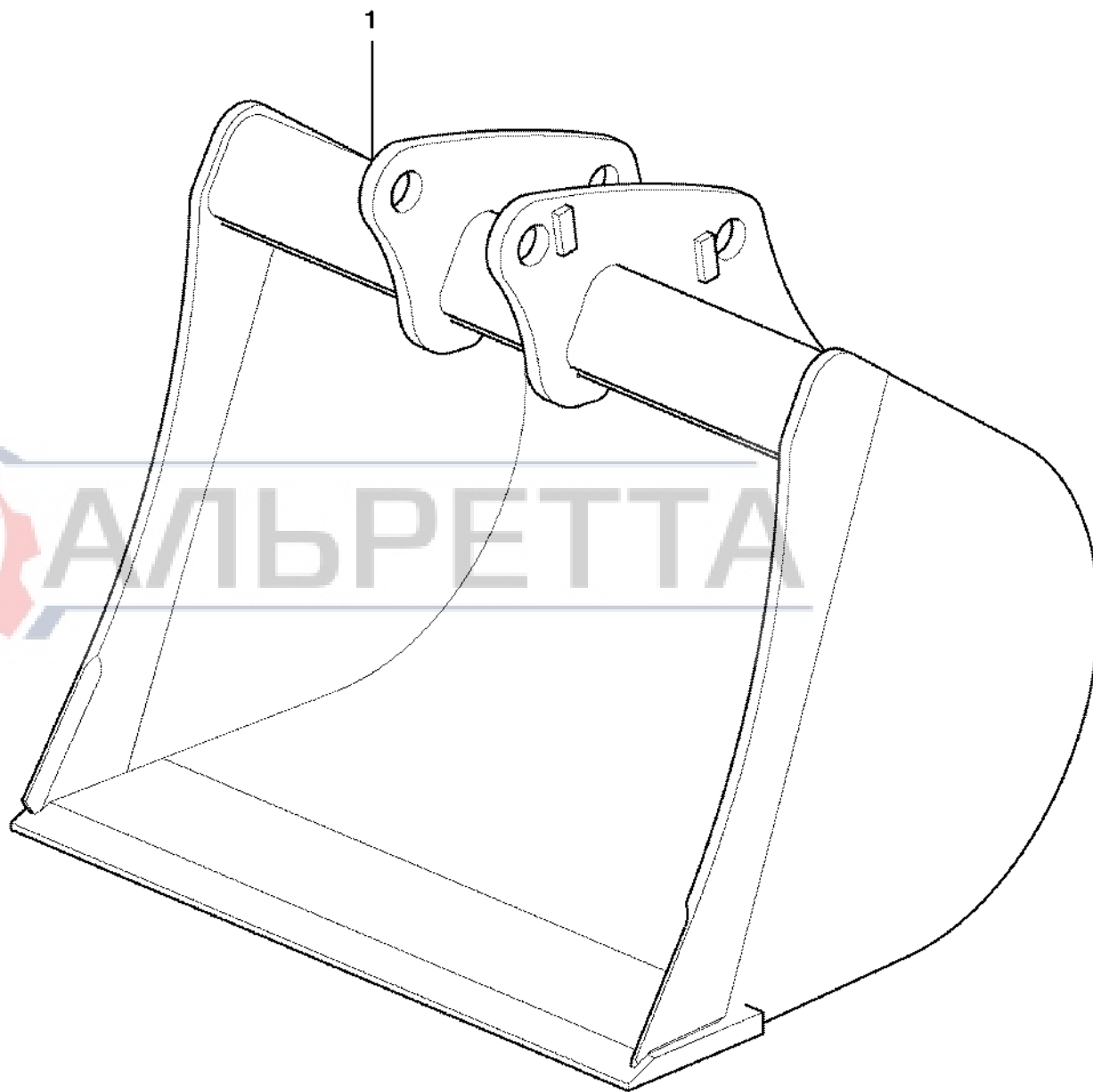
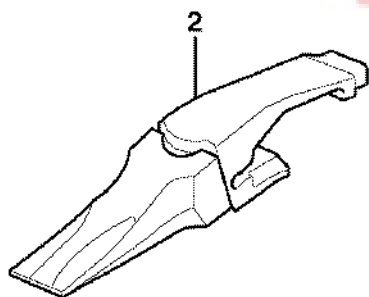
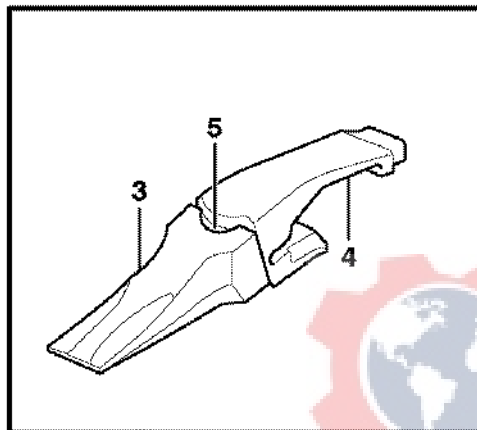


1	11891202	Skopa, rak med tänder Cuchara, recta con dientes Schaufel, gerade mit Zähnen Godet, droit avec dents Bucket, straight with teeth S/N 10939 -	Catalogue id 20017	Group 925
2	11891091		Illustr. No 1003948	Section 125
3	11891092			Issue VOE 63D9920017
4	11891321			
5	11891043			

VOLVO

BL60





Volvo Construction
Equipment
1003947

Fig.	Part No.	Quantity			P S	K I T	Description	Dénomination	Bezeichnung	Denominación	Benämning	Notes
		1	2	3								
1	VOE 11888423	1				Bucket.....	Godet	Löffel	Cuchara.....	Skopa.....	WID = 36"	
	VOE 11888161		1			Bucket.....	Godet	Löffel	Cuchara.....	Skopa.....	WID = 30"	
2		6	4	NS		•Tooth Assembly	•.....	•.....	•.....	•Tand.....		
3	VOE 11884312	6	4			••Bucket Tooth	••Dent de godet.....	••Löffelzahn	••Diente Cuchara.....	••Skoptand.....		
4	VOE 11801591	6	4			••Tooth Holder.....	••Porte dent.....	••Zahnhalter	••Porta-diente	••Holktand.....		
5	VOE 11884314	6	4			••Key	••Clavette	••Keil.....	••Llave (cuna).....	••Kil.....		

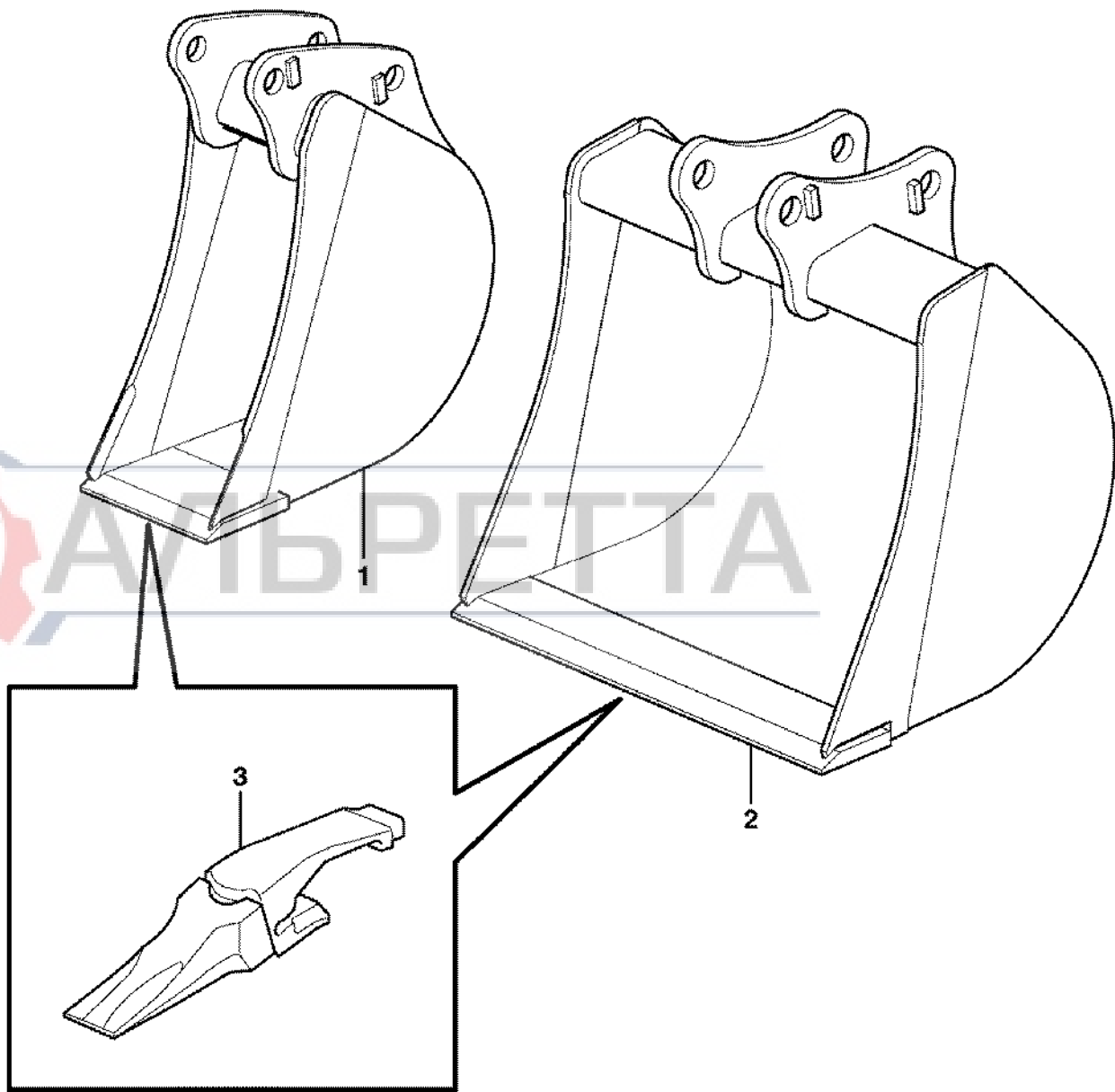
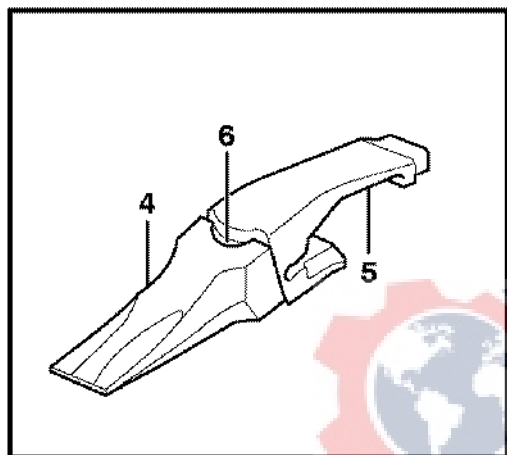


1	11891093	Skopa, rak med tänder Cuchara, recta con dientes Schaufel, gerade mit Zähnen Godet, droit avec dents Bucket, straight with teeth S/N 10939 -	Catalogue id	Group
2	11891192		20017	925
3			Illustr. No	Section
4			1003947	130
5			Issue	Page
		VOE 63D9920017	631	

VOLVO

BL60





Volvo Construction
Equipment
1003948

Fig.	Part No.	Quantity					P S	K I T	Description	Dénomination	Bezeichnung	Denominación	Benämning	Notes
		1	2	3	4	5								
1	VOE 11884454	1						Bucket.....	Godet	Löffel	Cuchara	Skopa.....	WIDE = 12"	
2	VOE 11884471		1					Bucket.....	Godet	Löffel	Cuchara	Skopa.....	WIDE = 24"	
	VOE 11884463			1				Bucket.....	Godet	Löffel	Cuchara	Skopa.....	WIDE = 18"	
3	VOE 11881712	3	5	4			SS	•Tooth	•Dent	•Zahn	•Diente.....	•Tand.....		
4	VOE 11884312	3	5	4				••Bucket Tooth	••Dent de godet	••Löffelzahn.....	••Diente Cuchara	••Skoptand.....	(VOE 11988296)	
5	VOE 11988403	3	5	4				••Adapter.....	••Raccord Reduct.	••Verbind Stutzen....	••Adaptador	••Adapter.....		
6	VOE 11988297	3	5	4				••Lock Pin	••Goupille Verro.....	••Sicherungsstift.....	••Pasador Segurid ..	••Låspinne.....		

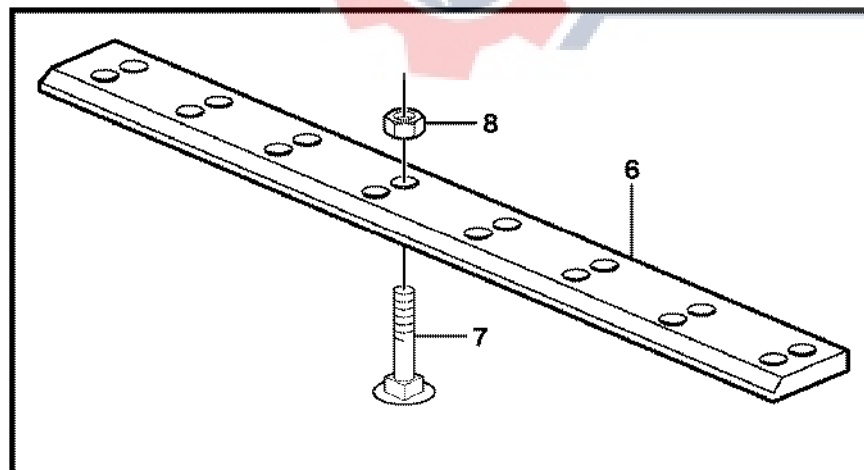
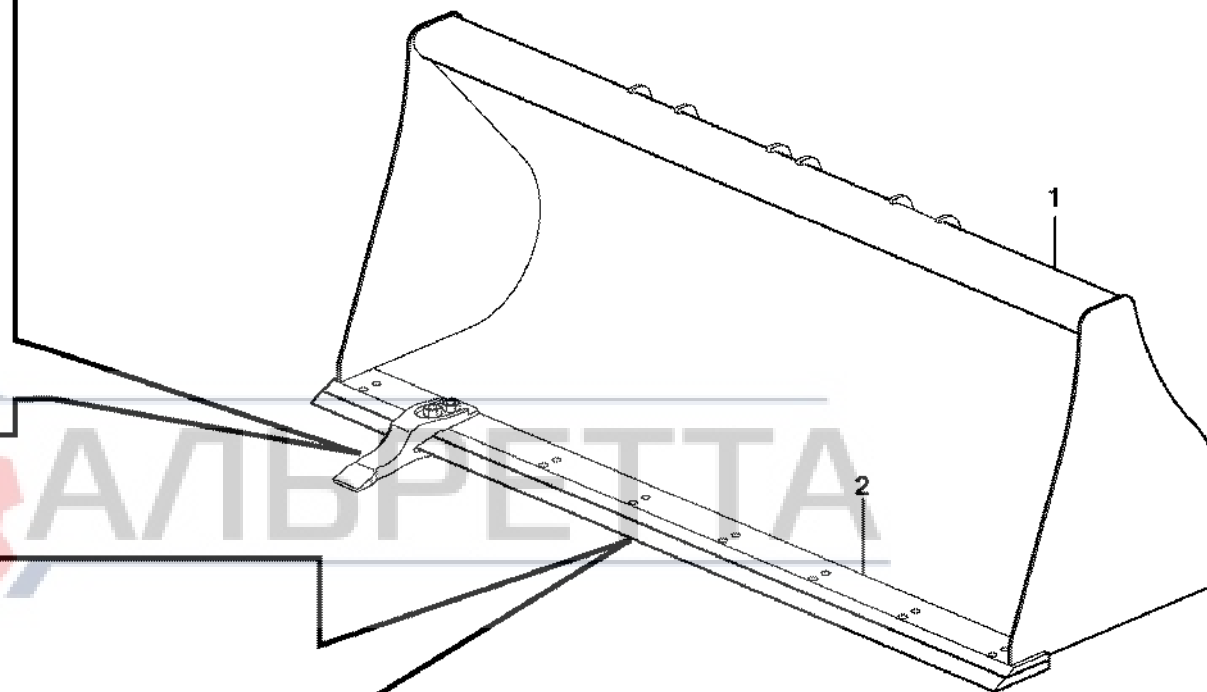
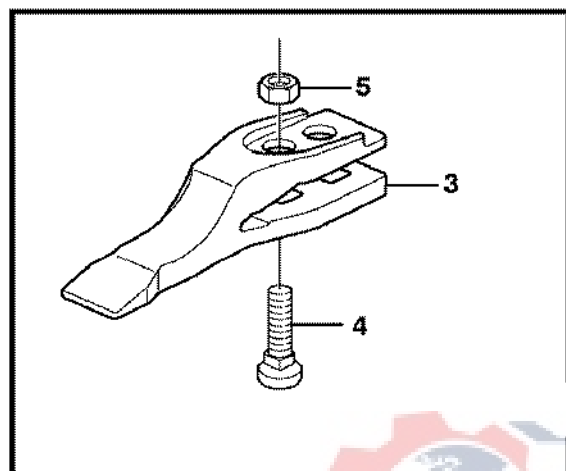


1	11891321 S/N - 10938	Skopa, rak med tänder Cuchara, recta con dientes Schaufel, gerade mit Zähnen Godet, droit avec dents Bucket, straight with teeth (BACKHOE)	Catalogue id	Group
2	11891320 S/N - 10938		20017	925
3	11891043 S/N - 10938		Illustr. No	Section
4			1003948	150
5			Issue	Page
			VOE 63D9920017	633

VOLVO

BL60





Volvo Construction
Equipment
1003969

Fig.	Part No.	Quantity			P S	K I T	Description	Dénomination	Bezeichnung	Denominación	Benämning	Notes
		1	2	3								
1	VOE 11886653	1					Bucket.....	Godet.....	Löffel.....	Cuchara.....	Skopa.....	(VOE 11884026) WIDE = 2350 MM
2	VOE 11881240	1					•Blade.....	•Tôle usure.....	•Verschl Klinge.....	•Hoja.....	•Slitstål.....	
3	VOE 11881047		8				•Tooth.....	•Dent.....	•Zahn.....	•Diente.....	•Tand.....	
4	VOE 11081028		16				•Sq Neck Screw.....	•Vis Tete Bombee.....	•Schr. M. 4-kant.....	•Tornillo Rotula.....	•Kullerskruv.....	
5	VOE 979022		16				•Nut.....	•Ecrou.....	•Mutter.....	•Tuerca.....	•Mutter.....	
6	VOE 11883780			1			Blade.....	Tôle usure.....	Verschl Klinge.....	Hoja.....	Slitstål.....	
7	VOE 11081026			16			Sq Neck Screw.....	Vis Tete Bombee.....	Schr. M. 4-kant.....	Tornillo Rotula.....	Kullerskruv.....	
8	VOE 979022			16			Nut.....	Ecrou.....	Mutter.....	Tuerca.....	Mutter.....	



1	11891194	Skopa, rak med tänder Cuchara, recta con dientes Schaufel, gerade mit Zähnen Godet, droit avec dents Bucket, straight with teeth (LOADER)	Catalogue id 20017	Group 925
2	11891265		Illustr. No 1003969	Section 200
3	11891264			Issue VOE 63D9920017
4				
5				

VOLVO

BL60



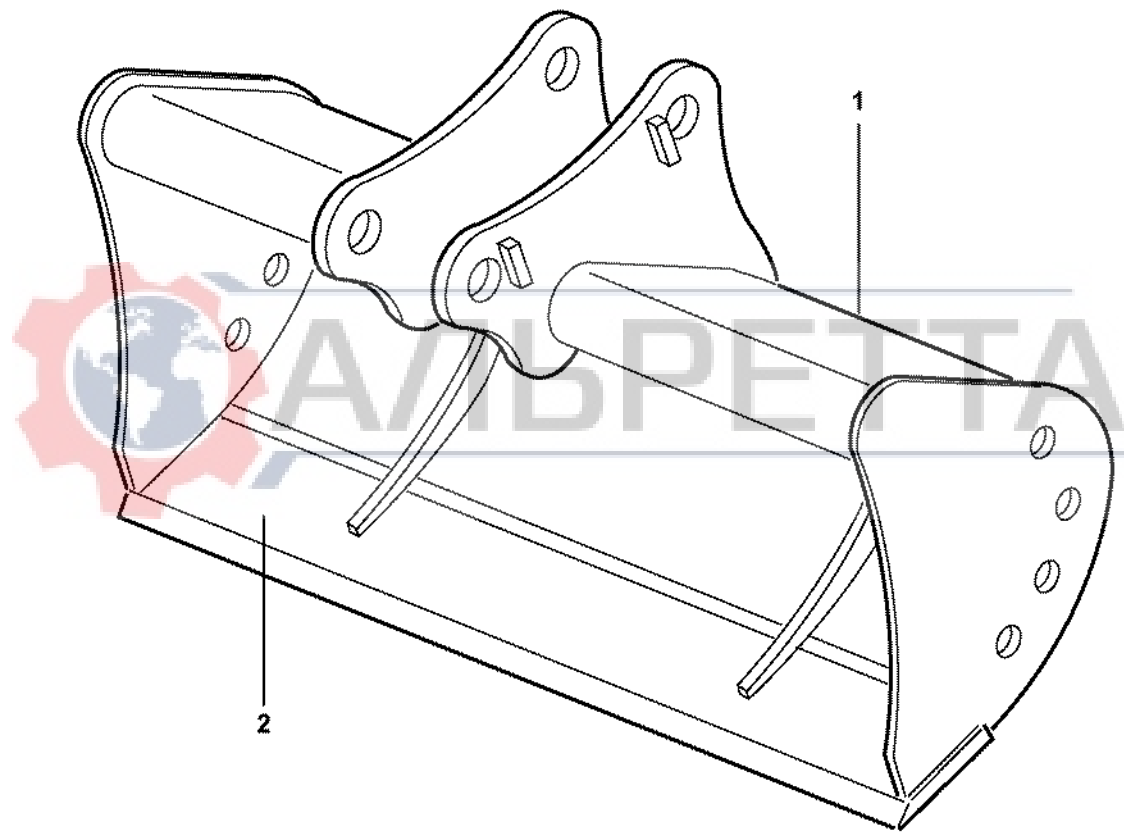


Fig.	Part No.	Quantity			P S	K I T	Description	Dénomination	Bezeichnung	Denominación	Benämning	Notes
		1	2	3								
1	VOE 11886418	1					Bucket.....	Godet	Löffel	Cuchara.....	Skopa.....	Wide = 1500MM
1	VOE 11886424		1				Bucket.....	Godet	Löffel	Cuchara.....	Skopa.....	Wide = 1200MM
2	VOE 11886425		1				•Plate	•Plaque.....	•Platte.....	•Placa	•Platta.....	



1	11891295	Skopa, rak utan tänder Cuchara recta sin dientes Schaufel, gerade, ohne Zähne Godet, droit sans dents Bucket, straight lip without teeth	Catalogue id	Group
2	11891296		20017	925
3			Illustr. No	Section
4			1002364	250
5			Issue	Page
		11891295, 11891296	VOE 63D9920017	637

VOLVO

BL60



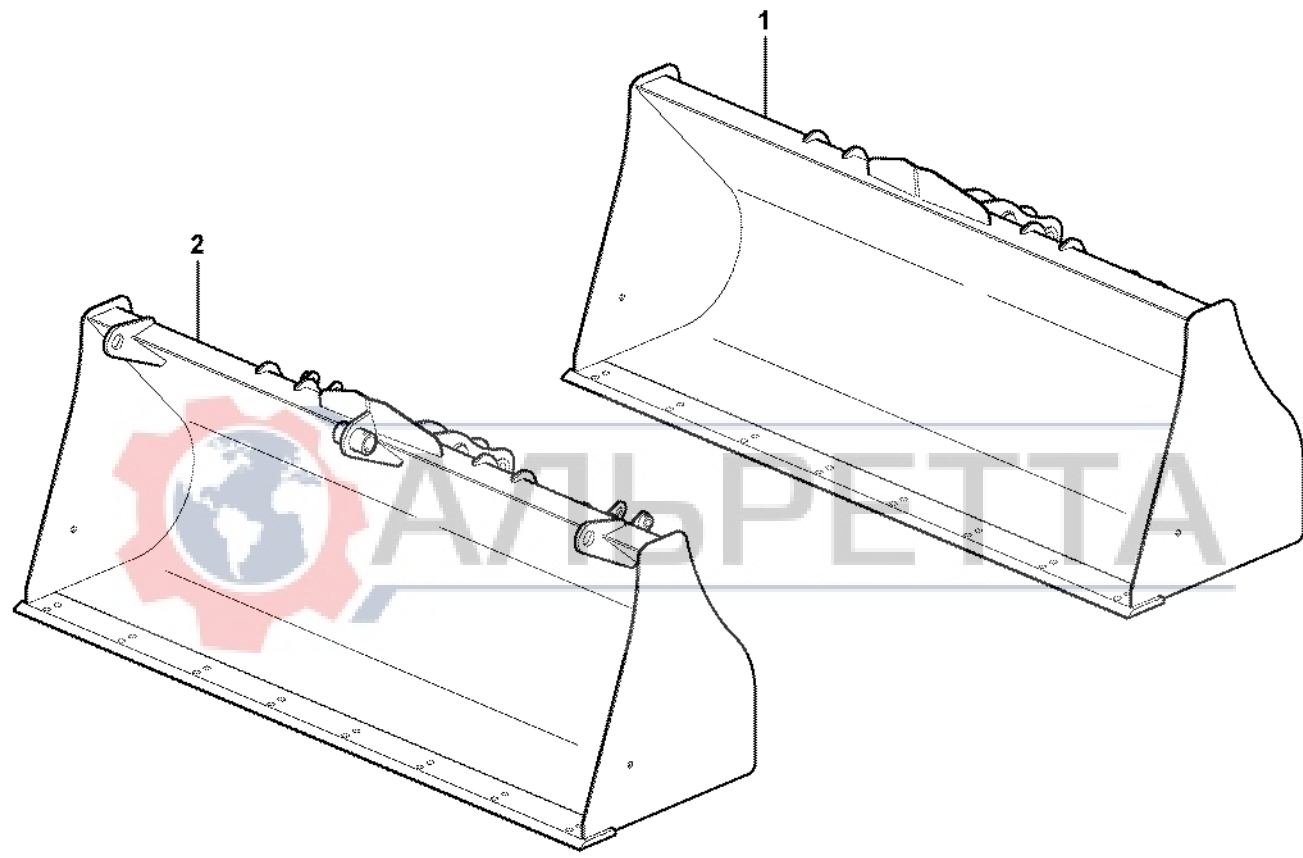


Fig.	Part No.	Quantity			P S	K I T	Description	Dénomination	Bezeichnung	Denominación	Benämning	Notes
		1	2	3								
1	VOE 11888238	1					Bucket.....	Godet	Löffel	Cuchara.....	Skopa.....	
2	VOE 11888809		1				Bucket.....	Godet	Löffel	Cuchara.....	Skopa.....	



1	11891540	Skopa, rak utan tänder Cuchara recta sin dientes Schaufel, gerade, ohne Zähne Godet, droit sans dents Bucket, straight lip without teeth	Catalogue id	Group
2	11891565		20017	925
3			Illustr. No	Section
4			1025967	260
5			Issue	Page
			VOE 63D9920017	639

VOLVO

BL60



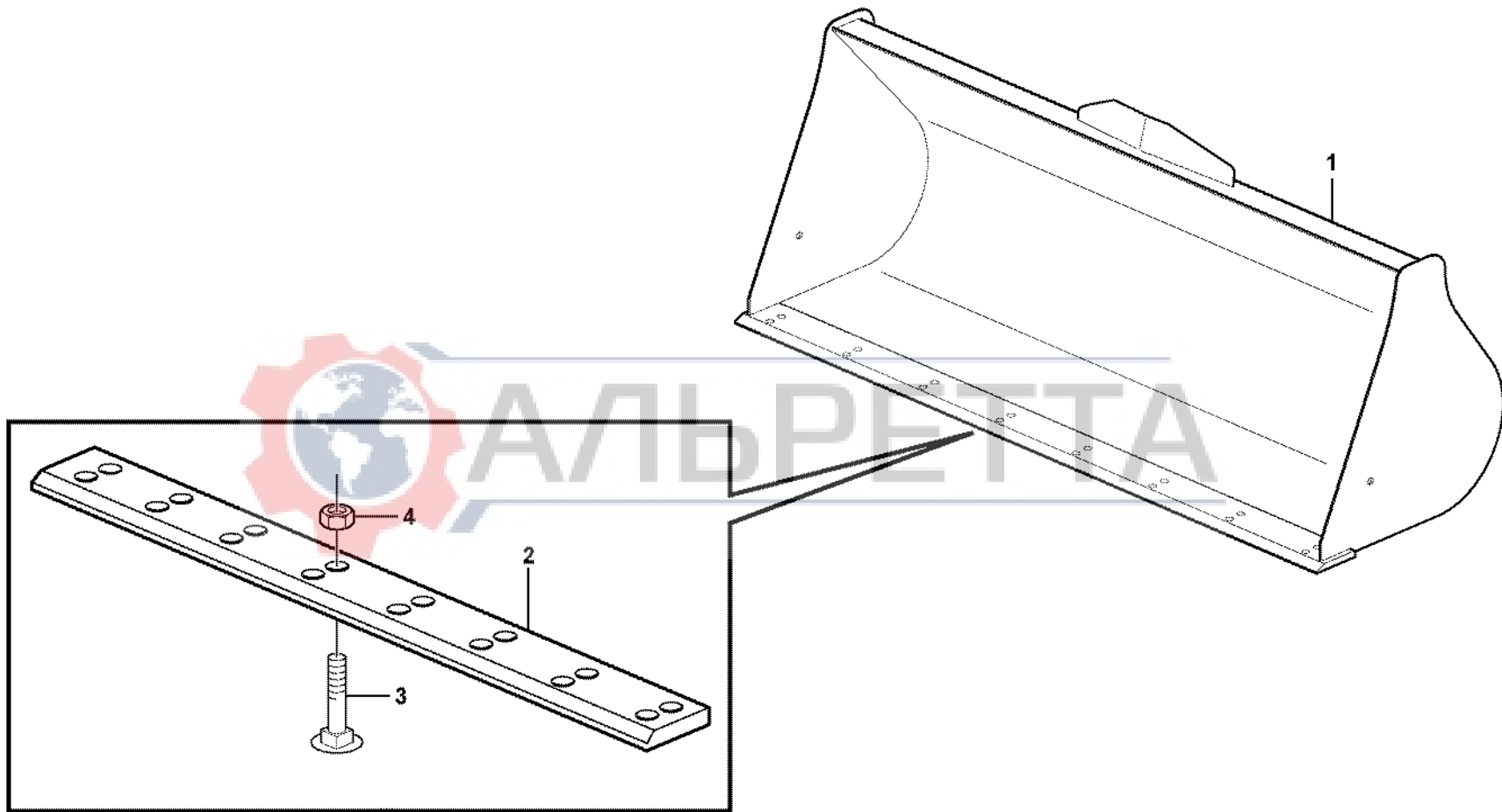


Fig.	Part No.	Quantity			P S	K I T	Description	Dénomination	Bezeichnung	Denominación	Benämning	Notes
		1	2	3								
1	VOE 11888240	1				Bucket.....	Godet	Löffel	Cuchara.....	Skopa.....	Wide = 1500MM	
2	VOE 11888847		1			Blade.....	Tôle usure	Verschl Klinge	Hoja.....	Slitstål.....	Wide = 1200MM	
3	VOE 11081026		16			Sq Neck Screw	Vis Tete Bombe	Schr. M. 4-kant.....	Tornillo Rotula	Kullerskruv.....		
4	VOE 979022		16			Nut	Ecrou.....	Mutter	Tuerca	Mutter.....		

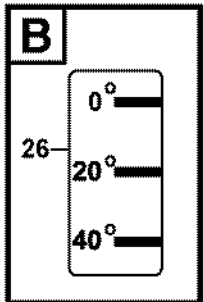
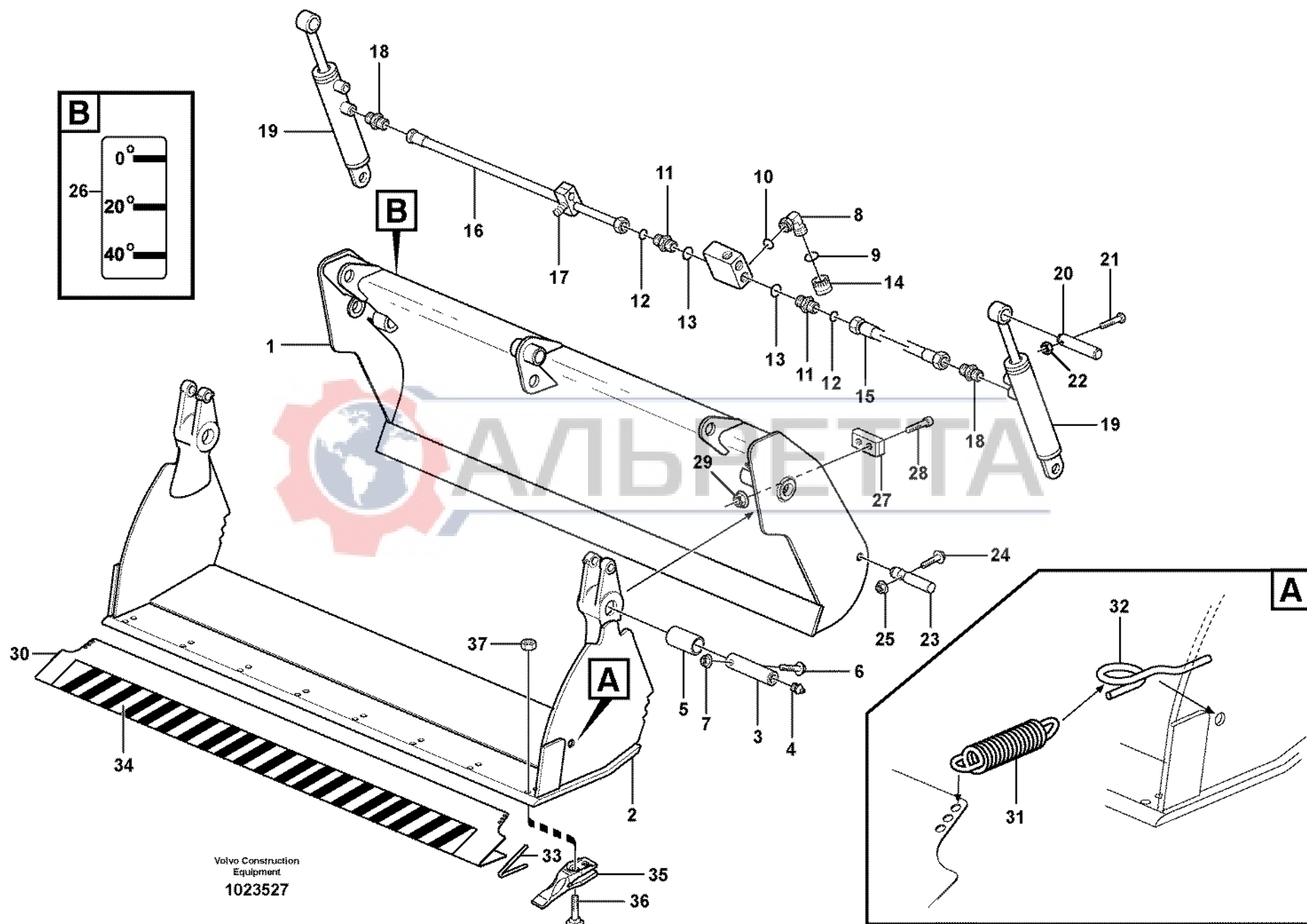


1	11891494	Skopa, rak utan tänder Cuchara recta sin dientes Schaufel, gerade, ohne Zähne Godet, droit sans dents Bucket, straight lip without teeth	Catalogue id	Group
2	11891567		20017	925
3			Illustr. No	Section
4			1025963	300
5			Issue	Page
			VOE 63D9920017	641

VOLVO

BL60





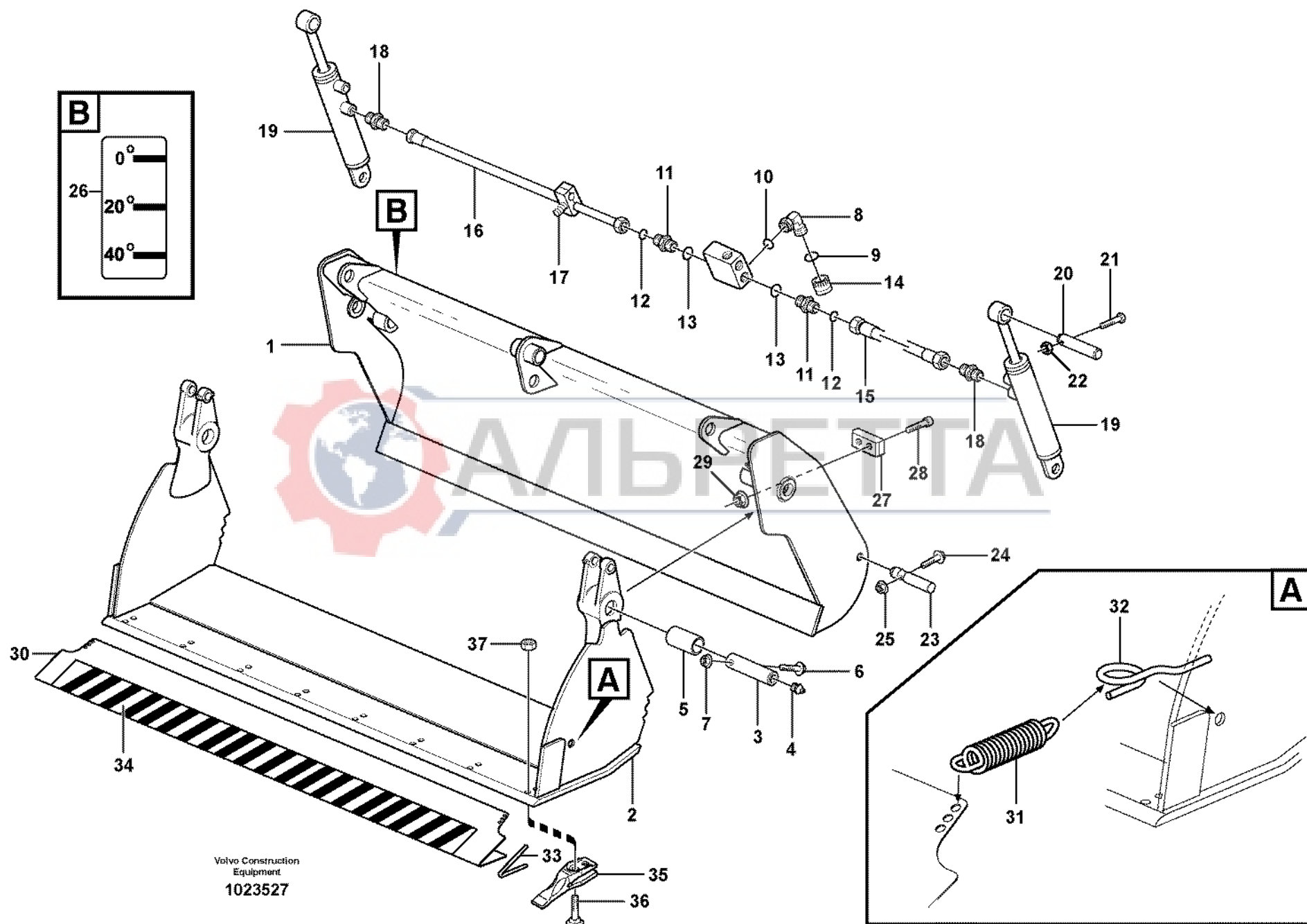
Volvo Construction
Equipment
1023527

Fig.	Part No.	Quantity					P S	K I T	Description	Dénomination	Bezeichnung	Denominación	Benämning	Notes
		1	2	3	4	5								
	VOE 11884921	1					SS	Bucket.....	Godet	Löffel	Cuchara	Skopa.....	SER NO - 10023	
1		1					NS	•Backrest Frame	•Cadre Dossier	•Rückenlehngest.....	•Marco Respaldo	•Ryggram.....		
2		1					NS	•Plate	•Plaque.....	•Platte	•Placa	•Platta.....		
3	VOE 11881091	2						•Pin	•Goupille.....	•Zapfen	•Pasador.....	•Tapp.....		
4	VOE 914167	2						•Nipple	•Raccord.....	•Nippel	•Niple	•Nippel.....		
5	VOE 11881154	2						•Bushing	•Bague.....	•Buchse.....	•Casquillo	•Bussning.....		
6	VOE 13965190	2						•Screw	•Vis	•Schraube	•Tornillo	•Skruv.....		
7	VOE 13971095	2						•Flange nut	•Ecrou accouple.	•Bundmutter	•Tuerca embridad... ..	•Flänsmutter.....		
8	VOE 935073	2						•Elbow nipple	•Raccord angulaire.	•Winkelnippel	•Niple angular	•Winkelnippel.....		
9	VOE 990738	1						•O-ring	•Joint Torique	•O-Ring	•Junta torica	•O-ring.....		
10	VOE 932041	1						•O-ring	•Joint Torique	•O-Ring	•Junta torica	•O-ring.....		
11	VOE 935092	4						•Nipple	•Raccord.....	•Nippel	•Niple	•Nippel.....		
12	VOE 990739	1						•O-ring	•Joint Torique	•O-Ring	•Junta torica	•O-ring.....		
13	VOE 932041	1						•O-ring	•Joint Torique	•O-Ring	•Junta torica	•O-ring.....		
14		2					NS	•Cap Plug.....	•Boucho.capuchon .	•Bundschraube	•Tapon	•Hattplugg.....		
15	VOE 11885738	2						•Hose assembly	•Conduit flexible	•Schlauchleitung	•Conducto.....	•Slangedning.....	L = 750 MM	
16	VOE 11885736	2						•Hose assembly	•Conduit flexible	•Schlauchleitung	•Conducto.....	•Slangedning.....	L = 750 MM	
17	VOE 11881641	1						•Clamp	•Pince Serrage	•Klemme	•Abrazadera.....	•Klänna.....		
18	VOE 11883196	4						•Fitting.....	•Ecrou raccord.....	•Verschraubung	•Racor.....	•Förskruvning.....	SER NO - 10734	
	VOE 990738	1						•O-ring	•Joint Torique	•O-Ring	•Junta torica	•O-ring.....		
	VOE 432039	1						•O-ring	•Joint Torique	•O-Ring	•Junta torica	•O-ring.....		
19		2						•Cylinder	•Verin.....	•Zylinder.....	•Cilindro	•Cylinder.....	See group 925, Page 653	
20	VOE 11881149	2						•Pin	•Goupille.....	•Zapfen	•Pasador.....	•Tapp.....		
21	VOE 13965182	2						•Flange screw	•Vis à bride	•Flansschraube	•Torn embridado	•Flänsskruv.....		
22	VOE 13945408	2						•Nut.....	•Ecrou.....	•Mutter	•Tuerca	•Mutter.....		
23	VOE 11881153	2						•Pin	•Goupille.....	•Zapfen	•Pasador.....	•Tapp.....		
24	VOE 13965187	2						•Flange screw	•Vis à bride	•Flansschraube	•Torn embridado	•Flänsskruv.....		
25	VOE 13971095	2						•Flange nut	•Ecrou accouple.	•Bundmutter	•Tuerca embridad... ..	•Flänsmutter.....		
26	VOE 11883252	1						•Decal	•Decalcomanie	•Abziehbild	•Decalcomania	•Dekal.....		
27	VOE 11881583		2					Rubber Block	Bloc Caoutchouc	Gummiblock.....	Bloque Goma	Gummikuts.....	11891282	



1	11891018 EARLY PROD	Kombiskopa Cuchara multipropósitos Kombilöffel Godet combiné Multi-purpose bucket	Catalogue id	Group
2	11891265		20017	925
3	11891282		Illustr. No	Section
4	11891015		1023527	310
5			Issue	Page
			VOE 63D9920017	643





Volvo Construction
Equipment
1023527

Fig.	Part No.	Quantity					P S	K T	Description	Dénomination	Bezeichnung	Denominación	Benämning	Notes
		1	2	3	4	5								
28	VOE 969846			4				Screw	Vis	Schraube	Tornillo.....	Skruv.....	11891282	
29	VOE 948645			4				Flange Lock Nut.....	Contre écrou bride..	Flanschmutter	Contratuer Embr.....	Flänslåsmutter.....	11891282	
30	VOE 11884094				1			Guard.....	Protection	Schutz.....	Protección	Skydd.....	11891015, 11891016	
31	VOE 11315002				2			Tension spring	Ressort traction	Zugfeder	Resorte tension	Dragfjäder.....	11891015, 11891016	
32	ZM 2801364				2			Lug.....	Oreille.....	Öse	Oreja.....	Öra.....	11891015, 11891016	
33	VOE 11305168				1			Edge protection.....	Renfort bord	Kantbeschlag	Guarnic canto	Kantskoning.....	11891015, 11891016 L = 300 MM	
34	VOE 11884095				1			Decal.....	Decalcomanie.....	Abziehbild	Decalcomania.....	Dekal.....	DELETED (ITALY)	
35	VOE 11881047		8					Tooth.....	Dent.....	Zahn.....	Diente	Tand.....	11891265	
36	VOE 11081028		16					Sq Neck Screw	Vis Tete Bombée....	Schr. M. 4-kant	Tornillo Rotula	Kullerskruv.....	11891265	
37	VOE 979022		16					Nut	Ecrou.....	Mutter.....	Tuerca	Mutter.....	11891265	

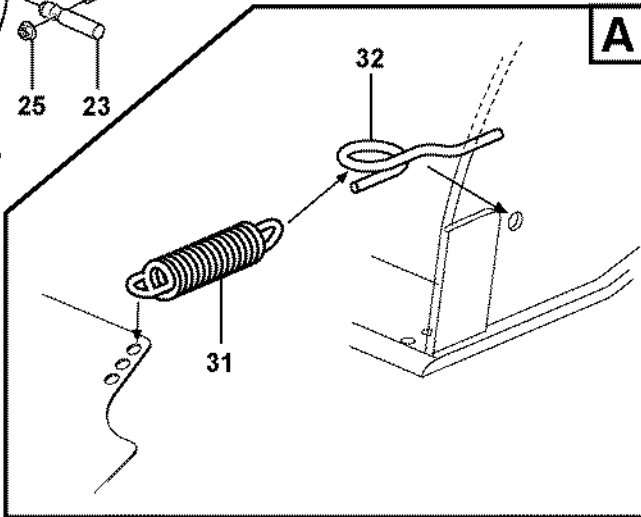
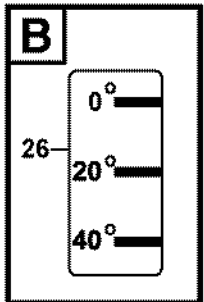
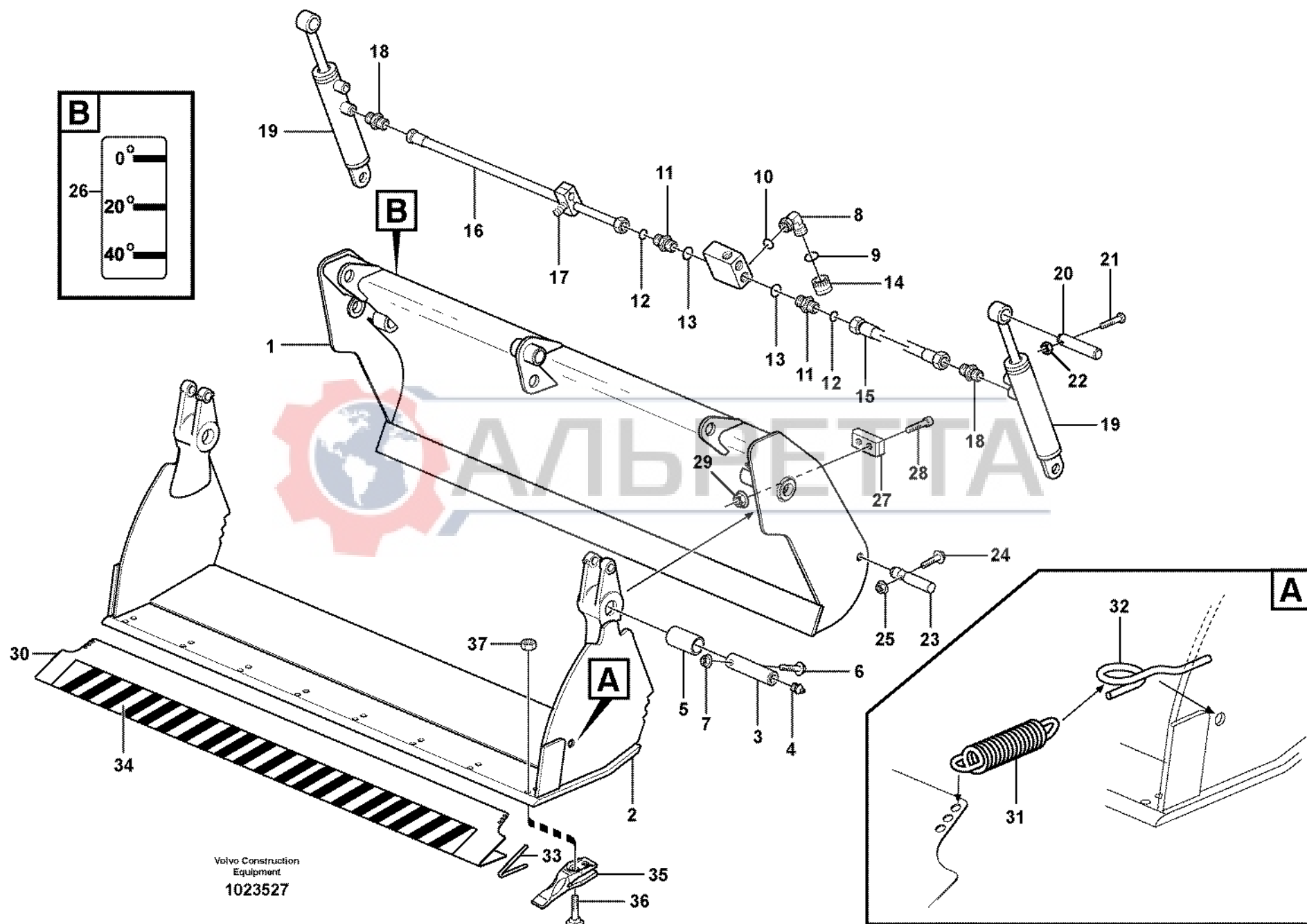


1	11891018 EARLY PROD	Kombiskopa Cuchara multipropósitos Kombilöffel Godet combiné Multi-purpose bucket	Catalogue id	Group
2	11891265		20017	925
3	11891282		Illustr. No	Section
4	11891015		1023527	310
5			Issue	Page
			VOE 63D9920017	645

VOLVO

BL60





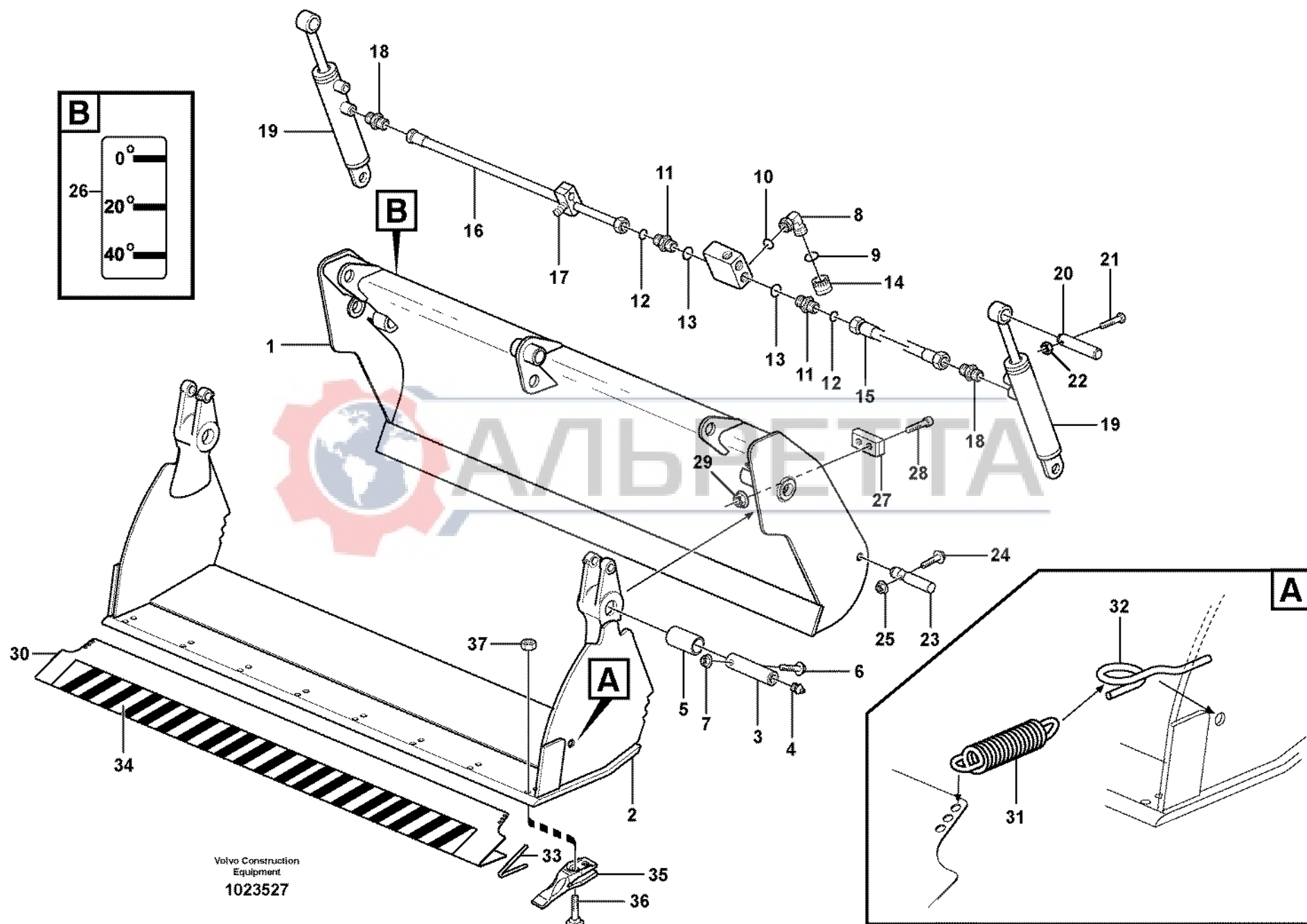
Volvo Construction
Equipment
1023527

Fig.	Part No.	Quantity					P S	K I T	Description	Dénomination	Bezeichnung	Denominación	Benämning	Notes
		1	2	3	4	5								
	VOE 11885876	1						Bucket.....	Godet	Löffel	Cuchara	Skopa.....	SER NO 10024 - 10734	
	VOE 11887209	1						Bucket.....	Godet	Löffel	Cuchara	Skopa.....	SER NO 10735 -	
1		1				NS		•Backrest Frame	•Cadre Dossier	•Rückenlehngest.....	•Marco Respaldo	•Ryggram.....		
2		1				NS		•Plate	•Plaque.....	•Platte	•Placa	•Platta.....		
3	VOE 11881091	2						•Pin	•Goupille.....	•Zapfen	•Pasador.....	•Tapp.....		
4	VOE 914167	2						•Nipple	•Raccord.....	•Nippel	•Niple	•Nippel.....		
5	VOE 11881154	2						•Bushing	•Bague.....	•Buchse.....	•Casquillo	•Bussning.....		
6	VOE 13965190	2						•Screw	•Vis	•Schraube	•Tornillo	•Skruv.....		
7	VOE 13971095	2						•Flange nut	•Ecrou accouple.	•Bundmutter	•Tuerca embridad	•Flänsmutter.....		
8	VOE 935073	2						Elbow nipple	Raccord angulaire ..	Winkelnippel	Niple angular	Vinkelnippel.....		
9	VOE 990738	1						•O-ring	•Joint Torique	•O-Ring	•Junta torica.....	•O-ring.....		
10	VOE 932041	1						•O-ring	•Joint Torique	•O-Ring	•Junta torica.....	•O-ring.....		
11	VOE 935092	4						Nipple.....	Raccord.....	Nippel.....	Niple	Nippel.....		
12	VOE 990739	1						•O-ring	•Joint Torique	•O-Ring	•Junta torica.....	•O-ring.....		
13	VOE 932041	1						•O-ring	•Joint Torique	•O-Ring	•Junta torica.....	•O-ring.....		
14		2				NS		Cap Plug	Boucho.capuchon ..	Bundschraube.....	Tapon	Hattplugg.....		
15	VOE 11885738	2						Hose assembly	Conduit flexible.....	Schlauchleitung	Conducto	Slangledning.....	L = 750 MM	
16	VOE 11885736	2						Hose assembly	Conduit flexible.....	Schlauchleitung	Conducto	Slangledning.....	L = 750 MM	
17	VOE 11886153	1						Clamp	Pince Serrage	Klemme.....	Abrazadera	Klämma.....		
18	VOE 935091	4						Nipple.....	Raccord.....	Nippel.....	Niple	Nippel.....	SER NO 10735 -	
	VOE 990738	1						•O-ring	•Joint Torique	•O-Ring	•Junta torica.....	•O-ring.....		
	VOE 932041	1						•O-ring	•Joint Torique	•O-Ring	•Junta torica.....	•O-ring.....		
19		2						Cylinder.....	Verin	Zylinder	Cilindro	Cylinder.....	See group 925, Page 653	
20	VOE 11881149	2						Pin.....	Goupille	Zapfen.....	Pasador	Tapp.....		
21	VOE 13965182	2						Flange screw	Vis à bride	Flanschschraube	Torn embridado	Flänsskruv.....		
22	VOE 13945408	2						Nut	Ecrou.....	Mutter.....	Tuerca	Mutter.....		
23	VOE 11881153	2						Pin.....	Goupille	Zapfen.....	Pasador	Tapp.....		
24	VOE 13965188	2						Flange screw	Vis à bride	Flanschschraube	Torn embridado	Flänsskruv.....		
25	VOE 13971095	2						Flange nut.....	Ecrou accouple.	Bundmutter	Tuerca embridad	Flänsmutter.....		
26	VOE 11883252	1						Decal.....	Decalcomanie.....	Abziehbild	Decalcomania.....	Dekal.....		



1	11891018 LATE PROD	Kombiskopa Cuchara multipropósitos Kombilöffel Godet combiné Multi-purpose bucket	Catalogue id	Group
2	11891265		20017	925
3	11891282		Illustr. No	Section
4	11891015		1023527	320
5			Issue	Page
			VOE 63D9920017	647





Volvo Construction
Equipment
1023527

Fig.	Part No.	Quantity					P S	K T	Description	Dénomination	Bezeichnung	Denominación	Benämning	Notes
		1	2	3	4	5								
27	VOE 11881583			2				Rubber Block	Bloc Caoutchouc	Gummiblock	Bloque Goma	Gummikuts	11891282	
28	VOE 969846			4				Screw	Vis	Schraube	Tornillo	Skruv	11891282	
29	VOE 948645			4				Flange Lock Nut	Contre écrou bride ..	Flanschmutter	Contratuer Embr	Flänslåsmutter	11891282	
30	VOE 11884094				1	1		Guard	Protection	Schutz	Protección	Skydd	11891015, 11891016	
31	VOE 11315002				2	2		Tension spring	Ressort traction	Zugfeder	Resorte tension	Dragfjäder	11891015, 11891016	
32	ZM 2801364				2	2		Lug	Oreille	Öse	Oreja	Öra	11891015, 11891016	
33	VOE 11305168				1	1		Edge protection	Renfort bord	Kantbeschlag	Guarnic canto	Kantskoning	11891015, 11891016 L = 300 MM	
34	VOE 11884095				1	1		Decal	Decalcomanie	Abziehbild	Decalcomania	Dekal	DELETED (ITALY)	
35	VOE 11881047		8					Tooth	Dent	Zahn	Diente	Tand	11891265	
36	VOE 11081028		16					Sq Neck Screw	Vis Tete Bombée	Schr. M. 4-kant	Tornillo Rotula	Kullerskruv	11891265	
37	VOE 979022		16					Nut	Ecrou	Mutter	Tuerca	Mutter	11891265	

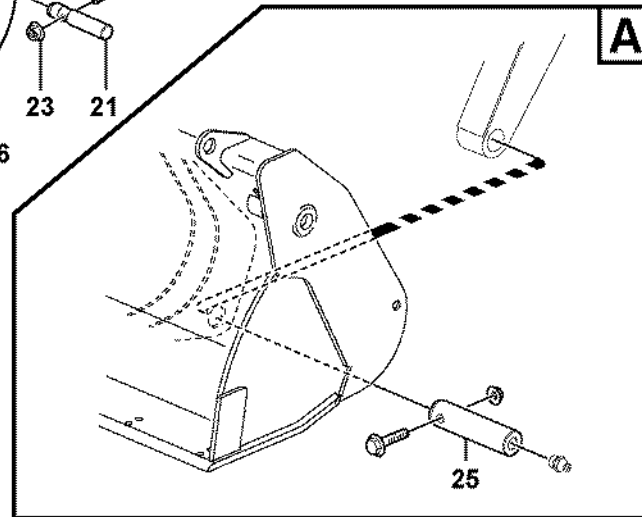
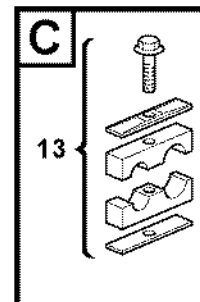
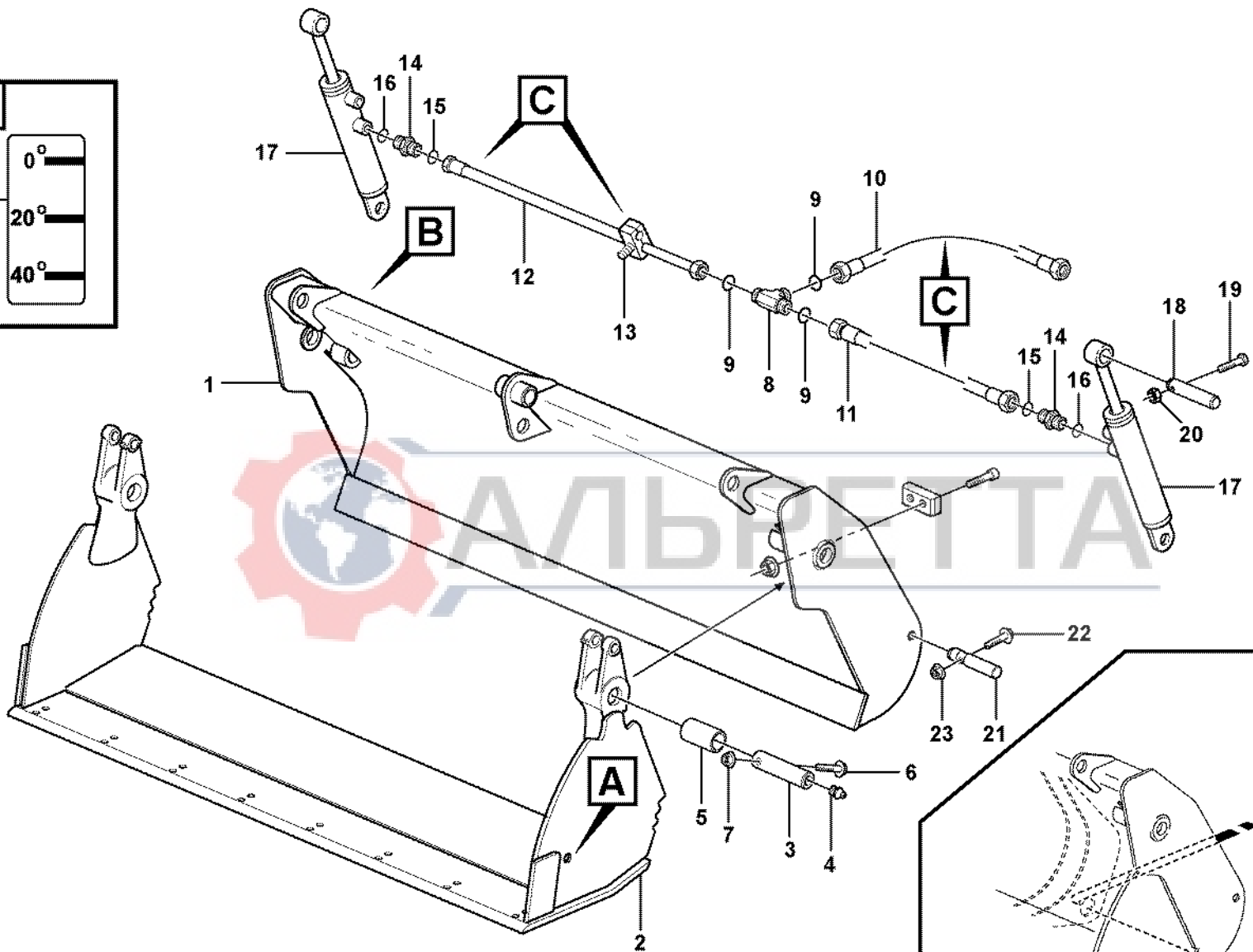
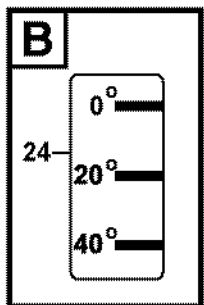


1	11891018 LATE PROD	Kombiskopa Cuchara multipropósitos Kombilöffel Godet combiné Multi-purpose bucket	Catalogue id	Group
2	11891265		20017	925
3	11891282		Illustr. No	Section
4	11891015		1023527	320
5			Issue	Page
			VOE 63D9920017	649

VOLVO

BL60





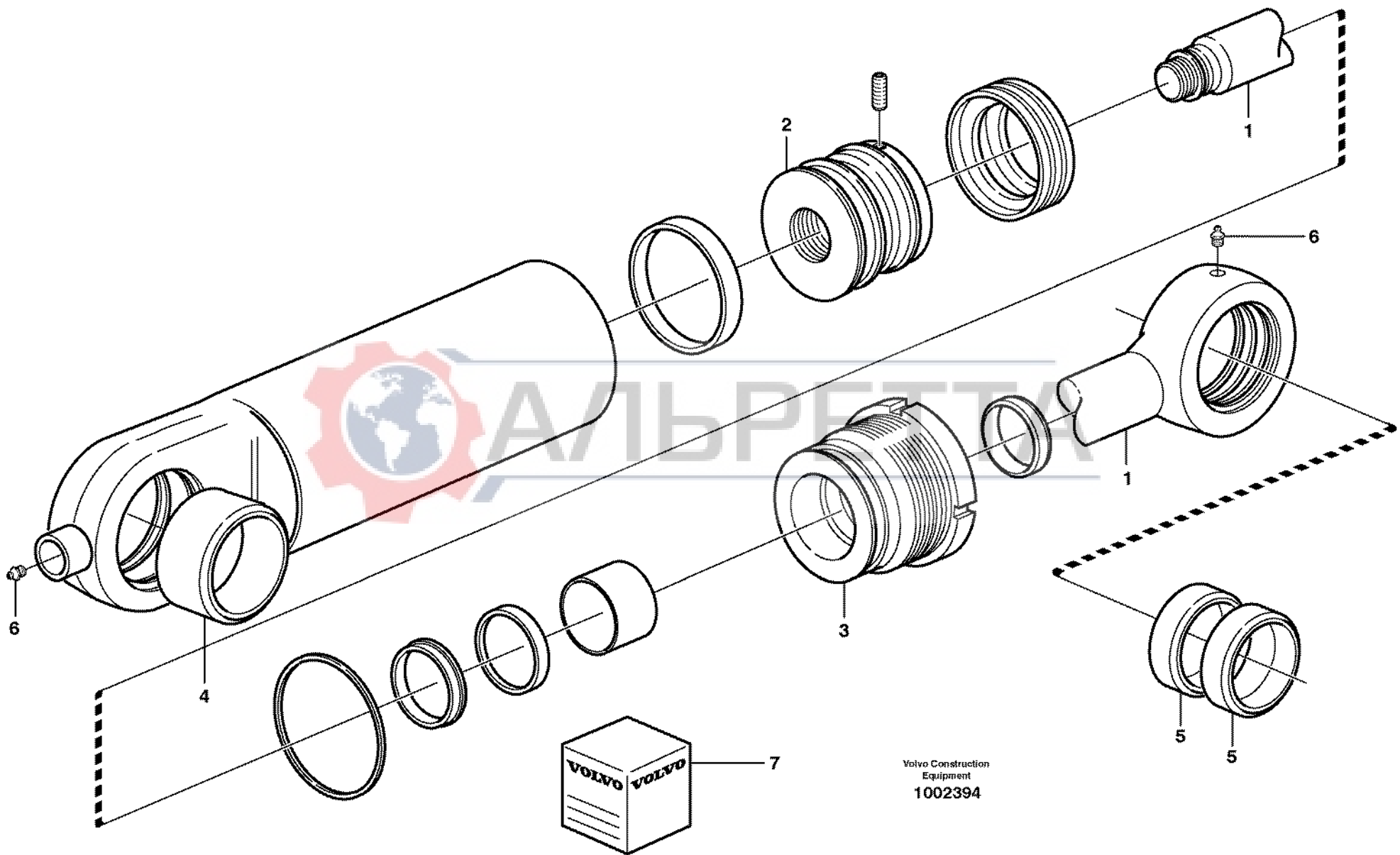
Volvo Construction
Equipment
1025969

Fig.	Part No.	Quantity					P S	K I T	Description	Dénomination	Bezeichnung	Denominación	Benämning	Notes
		1	2	3	4	5								
	VOE 11887763	1						Bucket.....	Godet	Löffel	Cuchara	Skopa		
1		1					NS	•Backrest Frame	•Cadre Dossier	•Rückenlehngest.....	•Marco Respaldo	•Ryggram.....		
2		1					NS	•Plate	•Plaque.....	•Platte	•Placa	•Platta.....		
3	VOE 11881091	2						•Pin	•Goupille.....	•Zapfen	•Pasador.....	•Tapp.....		
4	VOE 914167	2						•Nipple	•Raccord.....	•Nippel	•Niple	•Nippel.....		
5	VOE 11881154	2						•Bushing	•Bague.....	•Buchse.....	•Casquillo	•Bussning.....		
6	VOE 13965190	2						•Screw	•Vis	•Schraube	•Tornillo	•Skruv.....		
7	VOE 13971095	2						•Flange nut	•Ecrou accouple.	•Bundmutter	•Tuerca embridad ...	•Flänsmutter.....		
8	VOE 935453	2						T-nipple.....	Raccord-t.....	T-Nippel	Niple T	T-nippel.....		
9	VOE 990738	6						•O-ring	•Joint Torique	•O-Ring	•Junta torica.....	•O-ring.....		
10	VOE 11888254	2						Hose	Durit.....	Schlauch	Tubo flexible	Slang		
11	VOE 11886567	2						Hose assembly	Conduit flexible.....	Schlauchleitung	Conducto	Slangledning.....		
12	VOE 937950	1						Hose assembly	Conduit flexible.....	Schlauchleitung	Conducto	Slangledning.....		
13	VOE 11886153	4						Clamp	Pince Serrage	Klemme.....	Abrazadera.....	Klämma.....		
14	VOE 935091	4						Nipple.....	Raccord.....	Nippel.....	Niple	Nippel.....		
15	VOE 990738	4						•O-ring	•Joint Torique	•O-Ring	•Junta torica.....	•O-ring.....		
16	VOE 932039	4						•O-ring	•Joint Torique	•O-Ring	•Junta torica.....	•O-ring.....		
17	VOE 11887168	2						Cylinder.....	Verin	Zylinder	Cilindro	Cylinder.....		
18	VOE 11881149	2						Pin.....	Goupille	Zapfen.....	Pasador	Tapp.....		
19	VOE 13965182	2						Flange screw	Vis à bride	Flansschraube	Torn embridado	Flänsskruv.....		
20	VOE 13945408	2						Nut	Ecrou	Mutter.....	Tuerca	Mutter.....		
21	VOE 11888216	2						Pin.....	Goupille	Zapfen.....	Pasador	Tapp.....		
22	VOE 13965188	2						Flange screw	Vis à bride	Flansschraube	Torn embridado	Flänsskruv.....		
23	VOE 13971095	2						Flange nut.....	Ecrou accouple.	Bundmutter	Tuerca embridad ...	Flänsmutter.....		
24	VOE 11883252	1						Decal.....	Decalcomanie.....	Abziehbild	Decalcomania.....	Dekal.....		
25		1						Attaching kit.....	Kit de fixation.....	Befestigungssatz	Juego de fijación ...	Fästsats.....	See group 945, Page 669	



1	Kombiskopa Cuchara multipropósitos Kombilöffel Godet combiné Multi-purpose bucket	Catalogue id	Group
2		20017	925
3		Illustr. No	Section
4		1025969	350
5		Issue	Page
	11891541	VOE 63D9920017	651





Volvo Construction
Equipment
1002394

Fig.	Part No.	Quantity			P S	K I T	Description	Dénomination	Bezeichnung	Denominación	Benämning	Notes
		1	2	3								
	VOE 11882886	1					Cylinder.....	Verin.....	Zylinder	Cilindro	Cylinder.....	
1	VOE 11709909	1					•Piston rod	•Bielle de piston	•Kolbenstange	•Biela de piston	•Kolvstång.....	
2	VOE 11709912	1					•Piston.....	•Piston.....	•Kolben.....	•Piston	•Kolv.....	
3	VOE 11709911	1					•Pstn Rod Guide	•Gui.tige Piston	•Ko-stang Fuhrg	•Guia Var Piston	•Kolvst.styrning.....	
4	VOE 11709908	1					•Bushing.....	•Bague	•Buchse	•Casquillo	•Bussning.....	
5	VOE 11709910	2					•Bushing.....	•Bague	•Buchse	•Casquillo	•Bussning.....	
6	VOE 11709664	2					•Lub Nipple	•Graisseur	•Schmiernippel	•Engrasador	•Smörjnippel.....	
7	VOE 11709913	1					•Sealing Kit	•Jeu Joints.....	•Dichtungssatz	•Juego Retenes.....	•Tätningssats.....	

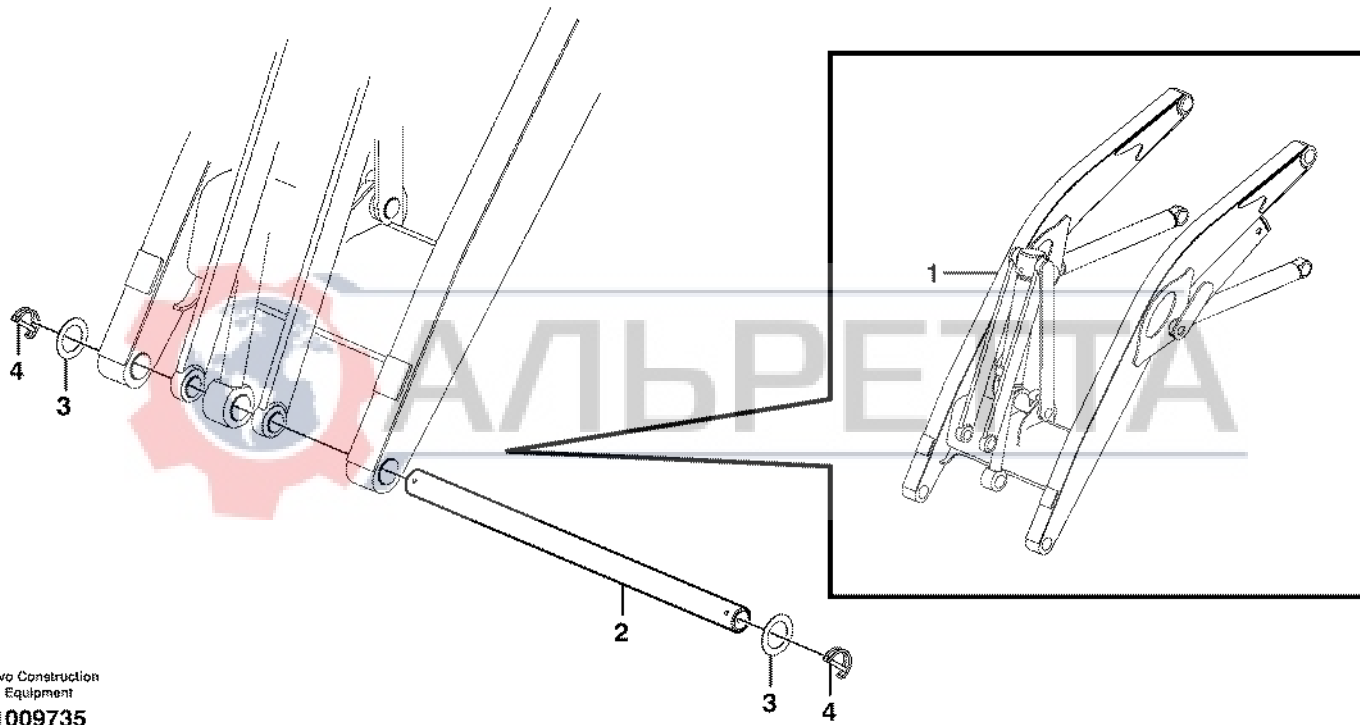


1		Hydraulicylinder Cilindros hidráulicos Hydraulikzylinder Vérins hydrauliques Hydraulic cylinder	Catalogue id	Group
2			20017	925
3			Illustr. No	Section
4			1002394	400
5			Issue	Page
		11891018 (MULTI-PURPOSE BUCKET)	VOE 63D9920017	653

VOLVO

BL60





Volvo Construction
Equipment
1009735

Fig.	Part No.	Quantity			P S	K I T	Description	Dénomination	Bezeichnung	Denominación	Benämning	Notes
		1	2	3								
1		1				Loader arm.....	Bras de chargeur	Laderhübarm.....	Brazo de cargador.....	Lastarm.....	See group 945, Page 663	
2	VOE 11885595	1				Pin.....	Goupille.....	Zapfen.....	Pasador.....	Tapp.....		
3	VOE 11890115	2				Washer.....	Rondelle.....	Scheibe.....	Arandela.....	Bricka.....		
4	VOE 11885596	2				Clip.....	Clip.....	Klemme.....	Clip.....	Clips.....		



1	Transportfäste utan frontskopa Fijaciones de transporte sin cuchara frontal Transporthalterung ohne Schaufel Fixation transport sans godet frontal Transport bracket without front bucket	Catalogue id	Group
2		20017	925
3		Illustr. No	Section
4		1009735	500
5		Issue	Page
	11891350	VOE 63D9920017	655

VOLVO

BL60



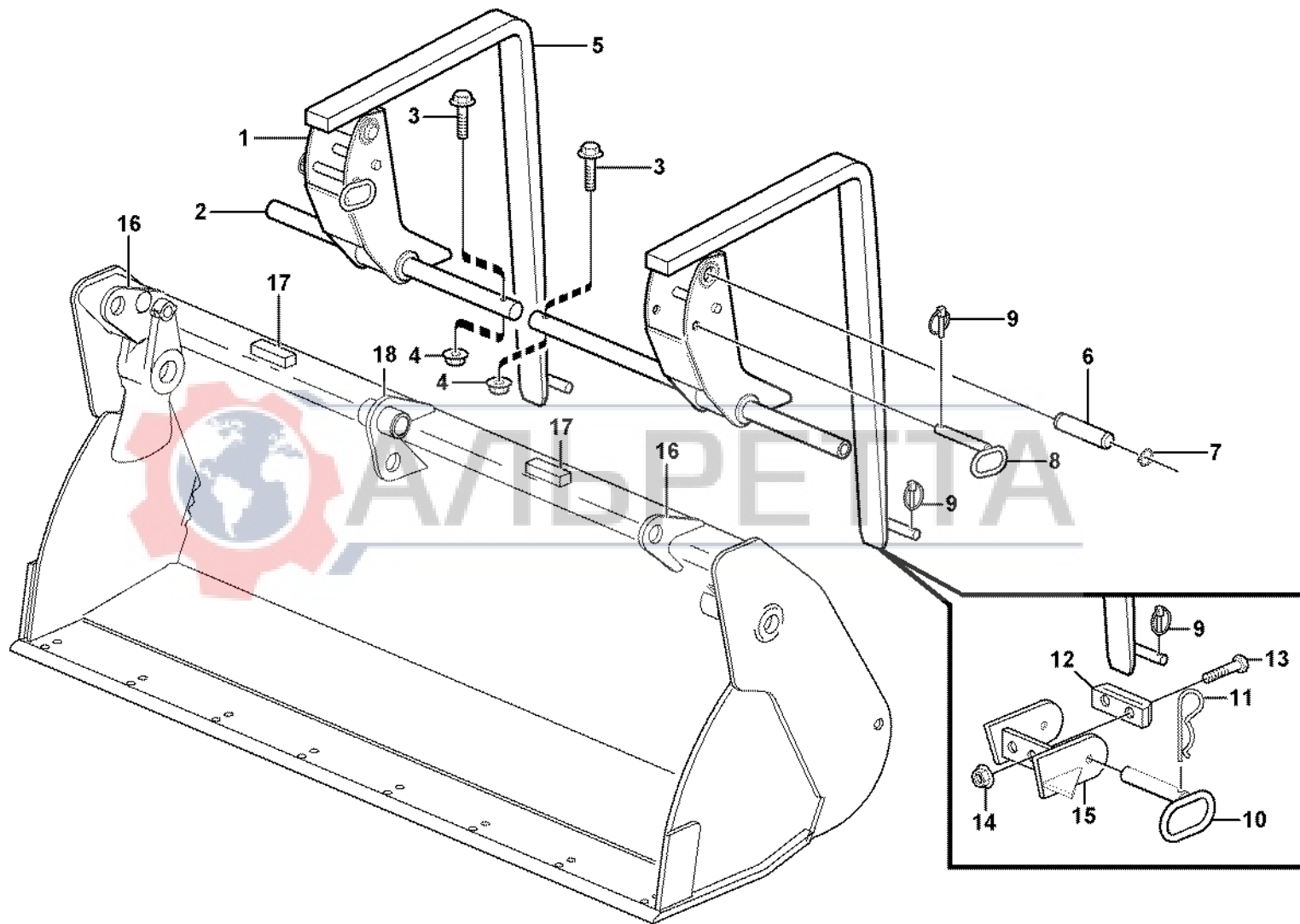
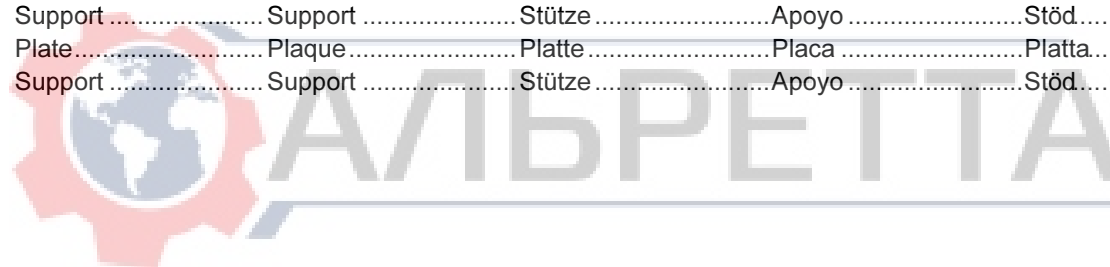


Fig.	Part No.	Quantity			P S	K I T	Description	Dénomination	Bezeichnung	Denominación	Benämning	Notes
		1	2	3								
1	VOE 11884125	2	2			Bracket.....	Console.....	Konsole	Ménsula.....	Konsol.....	(VOE 11881578)	
2	VOE 11881580	2	2			Fork Attachment.....	Fixatio.fourche	Gabelbefestig.	Fij Horquilla	Gaffelfäste.....		
3	VOE 13965189	2	2			Flange screw.....	Vis a bride	Flanschschraube.....	Torn embridado	Flänsskruv.....		
4	VOE 13971095	2	2			Flange nut.....	Ecrou accouple.	Bundmutter.....	Tuerca embridada	Flänsmutter.....		
5	VOE 11881579	2	2			Fork.....	Fourche.....	Gabel.....	Horquilla	Gaffel.....		
6	VOE 11881582	2	2			Pin.....	Goupille.....	Zapfen	Pasador.....	Tapp.....		
7	VOE 13914468	4	4			Snap Ring	Circlip	Nutring.....	Circlip	Spårring.....		
8	VOE 11881581	2	2			Pin.....	Clavette.....	Splint	Pasador.....	Sprint.....		
9	VOE 11881622	2	2			Locking pin.....	Goupille d'arrêt.....	Schliessbolzen	Pasador de cierre	Låspinne.....		
10	VOE 11884099	2	2			Pin.....	Clavette.....	Splint	Pasador.....	Sprint.....	(VOE 11883382)	
11	VOE 978997	2	2			Retaining pin.....	Goupille elast	Federsplint	Pasador resorte.....	Fjädersprint.....		
12	VOE 11881583	2	2			Rubber Block	Bloc Caoutchouc.....	Gummiblock	Bloque Goma	Gummikuts.....		
13	VOE 13947760	4	4			Flange screw.....	Vis à bride	Flanschschraube.....	Torn embridado	Flänsskruv.....		
14	VOE 948645	4	4			Flange Lock Nut.....	Contre écrou bride	Flanschmutter	Contratuer Embr.....	Flänslåsmutter.....		
15	VOE 11884972	1				Bracket.....	Console.....	Konsole	Ménsula.....	Konsol.....	LH	
	VOE 11884973	1				Fork Attachment.....	Fixatio.fourche	Gabelbefestig.	Fij Horquilla	Gaffelfäste.....	RH	
16	VOE 11884971	2				Support	Support	Stütze	Apoyo	Stöd.....		
17	VOE 11884928	2				Plate.....	Plaque.....	Platte	Placa	Platta.....		
18	VOE 11885010	1				Support	Support	Stütze	Apoyo	Stöd.....		

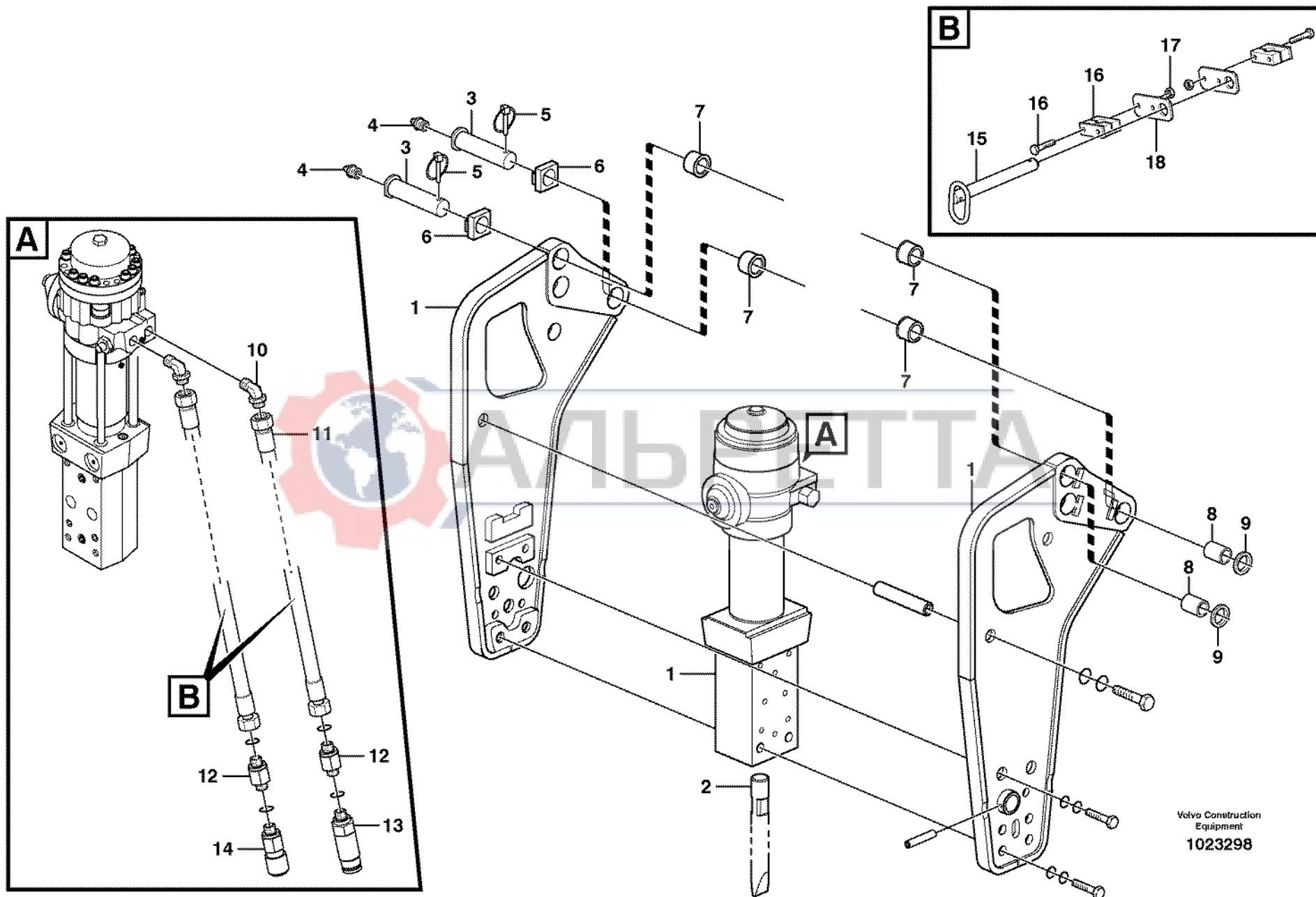


1	11891282	Gaffelarm Brazo horquilla Gabelzinke Bras fourche Fork arm	Catalogue id	Group
2	11891176		20017	926
3			Illustr. No	Section
4			1012596	100
5			Issue	Page
			VOE 63D9920017	657

VOLVO

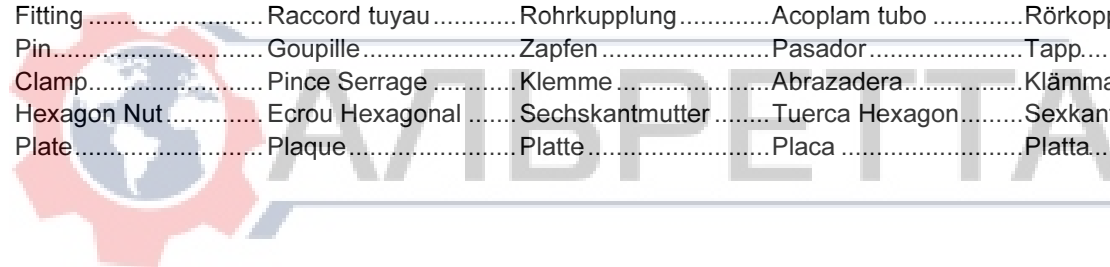
BL60





Volvo Construction
Equipment
1023298

Fig.	Part No.	Quantity			P S	K I T	Description	Dénomination	Bezeichnung	Denominación	Benämning	Notes
		1	2	3								
1	VOE 11885267	1					Hammer	Marteau	Hammer	Martillo	Hammare	
2	VOE 11884071	1					Tool	Outil	Gerät	Aparejo	Redskap	
3	VOE 11884032	2					Pin	Goupille	Zapfen	Pasador	Tapp	
4	VOE 914167	2					Nipple	Raccord	Nippel	Niple	Nippel	
5	VOE 11881622	2					Locking pin	Goupille d'arrêt	Schliessbolzen	Pasador de cierre	Låspinne	
6		2			NS		Spacer	Partie Intermédiaire	Zwischenstück	Espaciador	Mellandel	
7	VOE 11883969	4					Bushing	Bague	Buchse	Casquillo	Bussning	
8	VOE 11884028	2			OP		Spacer	Partie Intermédiaire	Zwischenstück	Espaciador	Mellandel	
9	VOE 955912	2					Washer	Rondelle	Scheibe	Arandela	Bricka	
10	VOE 11885306		2	2			Fitting	Ecrou raccord	Verschraubung	Racor	Förskruvning	
11	VOE 11885789			2			Hose	Durit	Schlauch	Tubo flexible	Slang	
11	VOE 11885307		2				Hose	Durit	Schlauch	Tubo flexible	Slang	
12	VOE 11881382			2			Nipple	Raccord	Nippel	Niple	Nippel	
	VOE 981290		2	2			•O-ring	•Joint Torique	•O-Ring	•Junta torica	•O-ring	
	VOE 932040			2			•O-ring	•Joint Torique	•O-Ring	•Junta torica	•O-ring	
13	VOE 11882299	1	1				Fitting	Raccord tuyau	Rohrkupplung	Acoplam tubo	Rörkoppling	See group 911, Page 527
14	VOE 11882298	1	1				Fitting	Raccord tuyau	Rohrkupplung	Acoplam tubo	Rörkoppling	See group 911, Page 527
15	VOE 11885264	1					Pin	Goupille	Zapfen	Pasador	Tapp	
16	VOE 11885216	2					Clamp	Pince Serrage	Klemme	Abrazadera	Klämma	
17	VOE 13971068	4					Hexagon Nut	Ecrou Hexagonal	Sechskantmutter	Tuerca Hexagon	Sexkantsmutter	
18	VOE 11885266	2					Plate	Plaque	Platte	Placa	Platta	

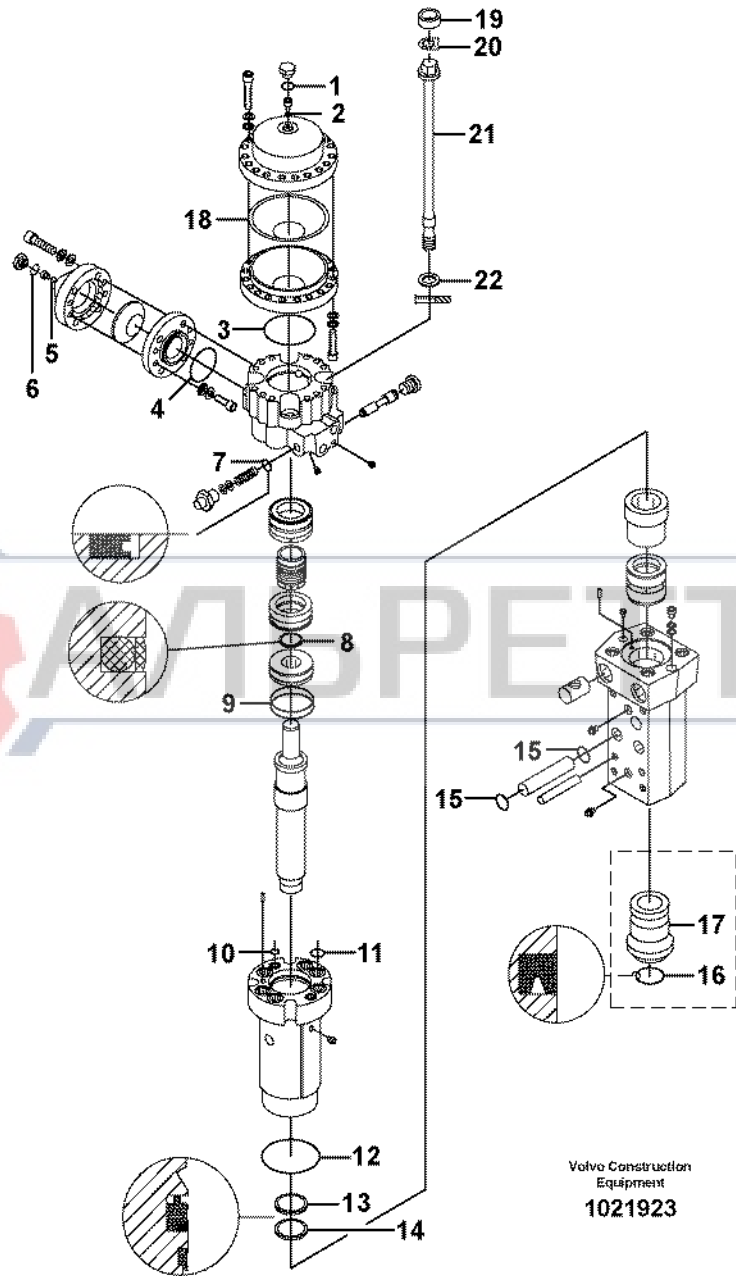


1	11891017	Hållare för hammare Soporte para martillo Halter für Hammer Support de marteau Retainer for hammer	Catalogue id	Group
2	11891331		20017	926
3	11891546		Illustr. No	Section
4			1023298	200
5			Issue	Page
			VOE 63D9920017	659

VOLVO

BL60





Volvo Construction
Equipment
1021923

Fig.	Part No.	Quantity			P S	K I T	Description	Dénomination	Bezeichnung	Denominación	Benämning	Notes
		1	2	3								
	VOE 11885267	1				Hammer	Marteau	Hammer	Martillo	Hammare		
	VOE 11988196	1				•Sealing Kit	•Jeu Joints	•Dichtungssatz	•Juego Retenes	•Tätningssats		
1		1			NS	•O-ring	•Joint Torique	•O-Ring	•Junta torica	•O-ring		
2		1			NS	•Ring	•Anneau	•Ring	•Anillo	•Ring		
3		1			NS	•O-ring	•Joint Torique	•O-Ring	•Junta torica	•O-ring		
4		1			NS	•O-ring	•Joint Torique	•O-Ring	•Junta torica	•O-ring		
5		1			NS	•Ring	•Anneau	•Ring	•Anillo	•Ring		
6		1			NS	•O-ring	•Joint Torique	•O-Ring	•Junta torica	•O-ring		
7		1			NS	•Seal	•Joint	•Dichtring	•Junta	•Tätning		
8		1			NS	•Seal	•Joint	•Dichtring	•Junta	•Tätning		
9		2			NS	•O-ring	•Joint Torique	•O-Ring	•Junta torica	•O-ring		
10		2			NS	•O-ring	•Joint Torique	•O-Ring	•Junta torica	•O-ring		
11		6			NS	•O-ring	•Joint Torique	•O-Ring	•Junta torica	•O-ring		
12		1			NS	•O-ring	•Joint Torique	•O-Ring	•Junta torica	•O-ring		
13		1			NS	•Seal	•Joint	•Dichtring	•Junta	•Tätning		
14		1			NS	•Wiper	•Essuie-glace	•Wischer	•Limpiaparabrisa	•Torkare		
15		4			NS	•O-ring	•Joint Torique	•O-Ring	•Junta torica	•O-ring		
16		1			NS	•Seal	•Joint	•Dichtring	•Junta	•Tätning		
17	VOE 11710932	1				•Bushing	•Bague	•Buchse	•Casquillo	•Bussning		
18	VOE 11710933	1				•Diaphragm	•Diaphragme	•Membrane	•Diafragma	•Membran		
19	VOE 11716349	4				•Rubber Ring	•Bague Caoutcho	•Gummiring	•Aro Goma	•Gummiring		
20	VOE 11716348	4				•Lock Plate	•Plaque Verroui	•Verschl Platte	•Placa Seguridad	•Låsplatta		
21	VOE 11716347	4				•Tie Rod	•Barre Accouple	•Spurstange	•Barra Acoplam	•Parallellstag		
22	VOE 11716350	4				•Washer	•Rondelle	•Scheibe	•Arandela	•Bricka		

1		Hammare Martillo Hammer Marteau Hammer 11891017	Catalogue id	Group
2			20017	926
3			Illustr. No	Section
4			1021923	250
5			Issue	Page
			VOE 63D9920017	661

VOLVO

BL60



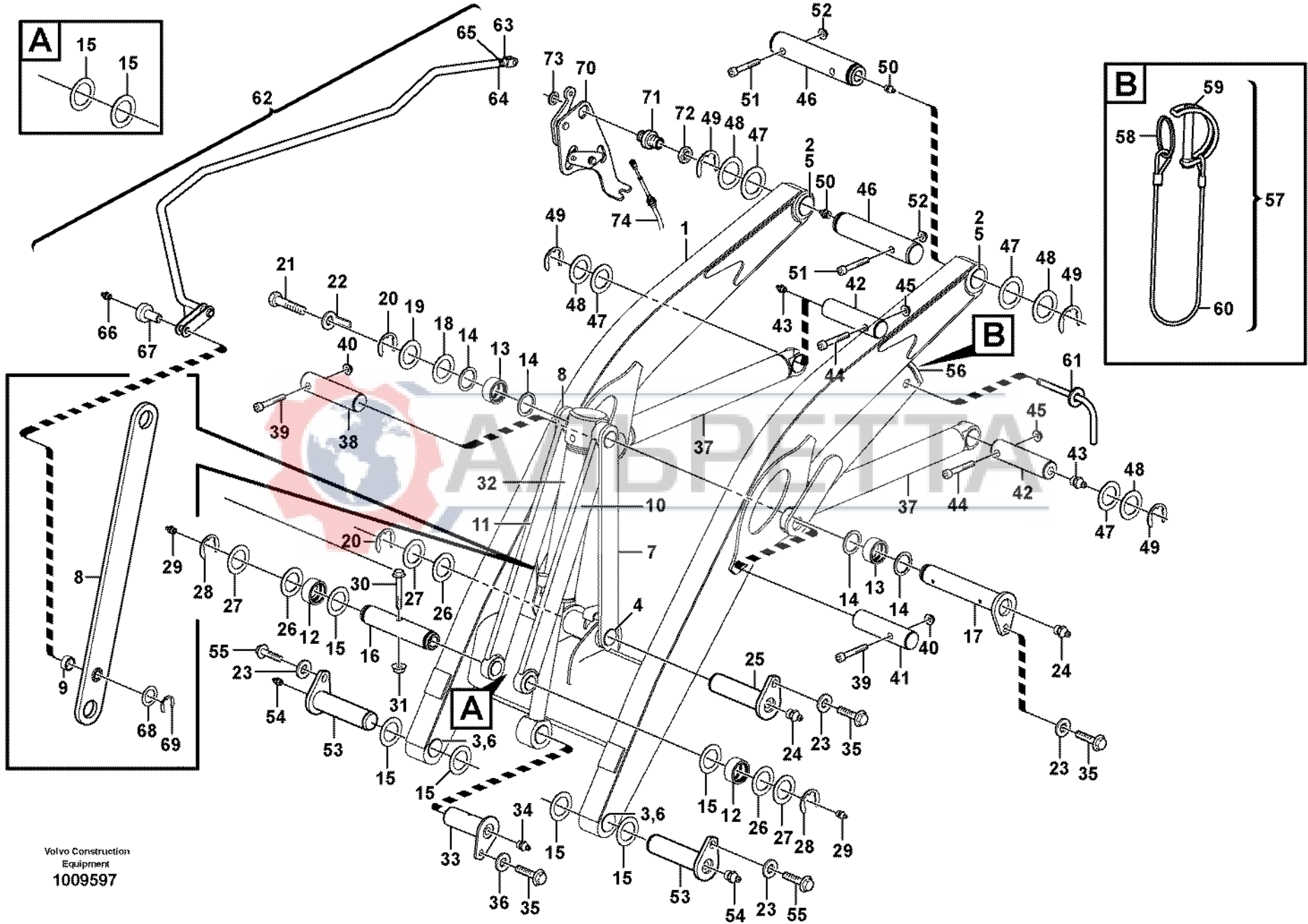


Fig.	Part No.	Quantity			P S	K I T	Description	Dénomination	Bezeichnung	Denominación	Benämning	Notes
		1	2	3								
1	VOE 11885375	1				Loader arm.....	Bras de chargeur	Laderhübarm.....	Brazo de cargador.....	Lastarm.....		
2	VOE 11883772	2				•Bushing.....	•Bague	•Buchse	•Casquillo	•Bussning.....		
3	VOE 11883802	2				•Bushing.....	•Bague	•Buchse	•Casquillo	•Bussning.....		
4	VOE 11883803	2				•Bushing.....	•Bague	•Buchse	•Casquillo	•Bussning.....		
5	VOE 11890069	2				Seal.....	Joint	Dichtung	Reten.....	Tätning.....		
6	VOE 11882456	2				Seal.....	Joint	Dichtung	Reten.....	Tätning.....		
7	VOE 11884638	1				Link	Articulation	Gelenk.....	Articulacion.....	Länk.....	LH	
8	VOE 11884637	1				Link	Articulation	Gelenk.....	Articulacion.....	Länk.....	RH	
9	VOE 11883447	1				•Bushing.....	•Bague	•Buchse	•Casquillo	•Bussning.....		
10	VOE 11884822	1				Link	Articulation	Gelenk.....	Articulacion.....	Länk.....	LH	
11	VOE 11884815	1				Link	Articulation	Gelenk.....	Articulacion.....	Länk.....	RH	
12	VOE 11883801	2				•Bushing.....	•Bague	•Buchse	•Casquillo	•Bussning.....		
13	VOE 11883857	2				•Bushing.....	•Bague	•Buchse	•Casquillo	•Bussning.....		
14	VOE 11883937	4				Scraper	Racloir.....	Abstreicher.....	Rascador.....	Skrapa.....		
15	VOE 11882456	8				Seal.....	Joint	Dichtung	Reten.....	Tätning.....		
16	VOE 11882932	1				Pin.....	Goupille.....	Zapfen.....	Pasador.....	Tapp.....		
17	VOE 11884823	1				Pin.....	Goupille.....	Zapfen.....	Pasador.....	Tapp.....		
18	VOE 11883929	1				Washer.....	Rondelle.....	Scheibe.....	Arandela.....	Bricka.....	THICK = 2 MM	
19	VOE 11883930	1				Washer.....	Rondelle.....	Scheibe.....	Arandela.....	Bricka.....	THICK = 3 MM	
20	VOE 11890110	2				Snap Ring.....	Circlip.....	Nutring.....	Circlip.....	Spårring.....		
21	VOE 13965191	1				Flange screw.....	Vis à bride.....	Flanschschraube.....	Torn embridado.....	Flänsskruv.....		
22	VOE 11884117	1				Indicator.....	Indicateur.....	Indikator.....	Indicador.....	Indikator.....		
23	VOE 11884168	4				Spacer.....	Entretoise.....	Abstandstueck.....	Casquillo distanciad	Distans.....		
24	VOE 914167	2				Nipple.....	Raccord.....	Nippel.....	Niple.....	Nippel.....		
25	VOE 11883032	1				Pin.....	Goupille.....	Zapfen.....	Pasador.....	Tapp.....		
26	VOE 11890115	3				Washer.....	Rondelle.....	Scheibe.....	Arandela.....	Bricka.....	THICK = 2 MM	
27	VOE 11890116	3				Washer.....	Rondelle.....	Scheibe.....	Arandela.....	Bricka.....	THICK = 3 MM	
28	VOE 11890110	2				Snap Ring.....	Circlip.....	Nutring.....	Circlip.....	Spårring.....		
29	VOE 914167	2				Nipple.....	Raccord.....	Nippel.....	Niple.....	Nippel.....		
30	VOE 969313	1				Flange screw.....	Vis à bride.....	Flanschschraube.....	Torn embridado.....	Flänsskruv.....		

1	11880001, S/N - 10938	Lyftramverk med monteringsdetaljer Bastidor elevación con piezas de montaje Hubgerüst mit Anbauteilen Chassis levage avec pièces de montage Lifting framework with assembly parts	Catalogue id	Group
2	11891079		20017	945
3	11891080		Illustr. No	Section
4			1009597	150
5			Issue	Page
			VOE 63D9920017	663

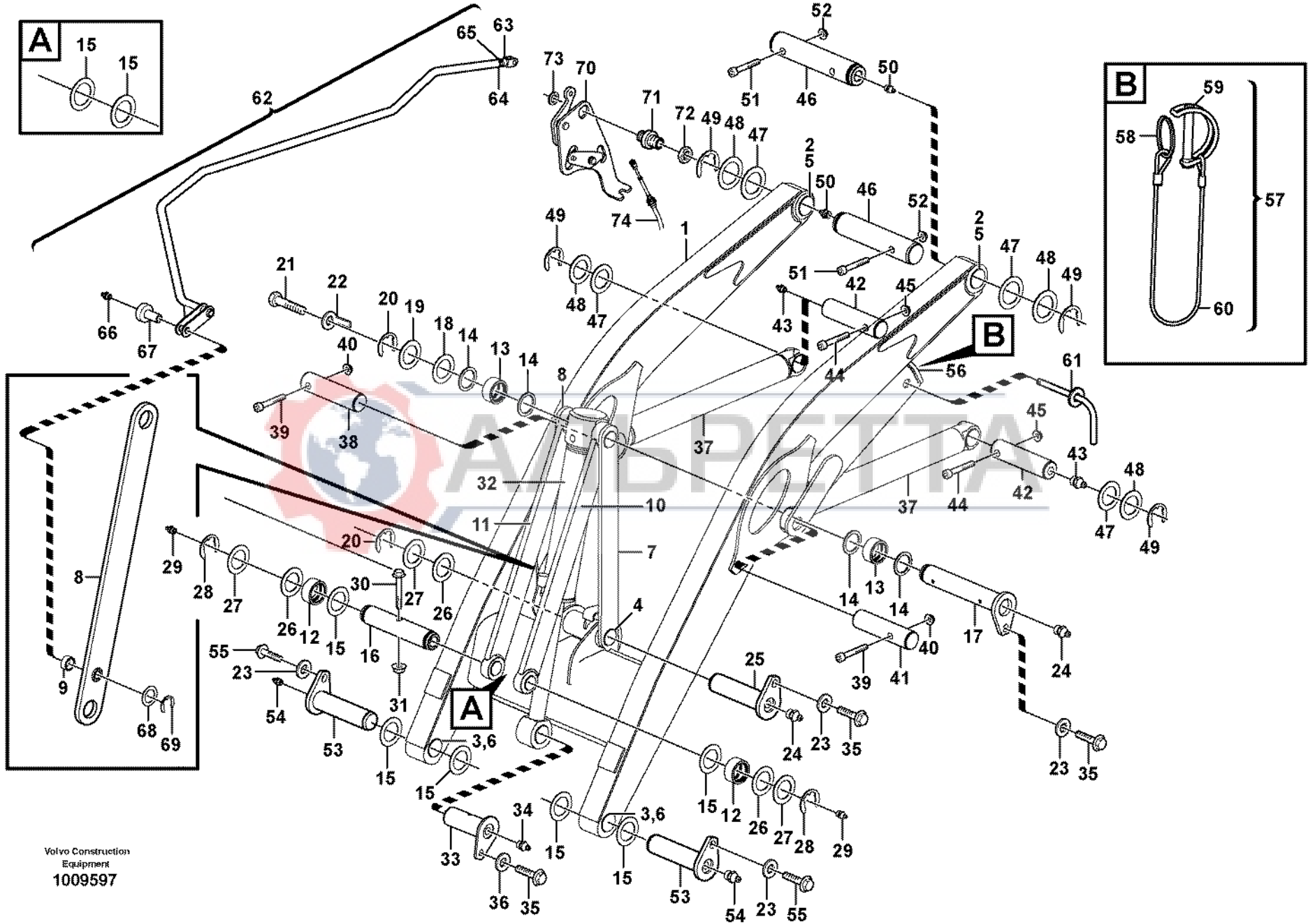


Fig.	Part No.	Quantity			P S	K I T	Description	Dénomination	Bezeichnung	Denominación	Benämning	Notes
		1	2	3								
31	VOE 13971098	1				Flange nut.....	Ecrou accouple.....	Bundmutter.....	Tuerca embridad.....	Flänsmutter.....		
32		1				Tilt Cylinder.....	Verin inclinasion.....	Neigungszylinderr.....	Maquina inclinacion.....	Tiltcylinder.....	See group 945, Page 681	
33	VOE 11884182	1				Pin.....	Goupille.....	Zapfen.....	Pasador.....	Tapp.....		
34	VOE 914167	1				Nipple.....	Raccord.....	Nippel.....	Niple.....	Nippel.....		
35	VOE 974428	3				Flange screw.....	Vis à bride.....	Flanschschaube.....	Torn embridado.....	Flänsskruv.....		
36	VOE 11884170	1				Spacer.....	Entretoise.....	Abstandstueck.....	Casquillo distanciad.....	Distans.....		
37		2				Lifting cylinder.....	Verin levage.....	Hubzylinder.....	Cilindro elevacion.....	Lyftcylinder.....	See group 945, Page 679	
38	VOE 11883381	1				Pin.....	Goupille.....	Zapfen.....	Pasador.....	Tapp.....		
39	VOE 967640	2				Screw.....	Vis.....	Schraube.....	Tornillo.....	Skruv.....		
40	VOE 983304	2				Hexagon Nut.....	Ecrou Hexagonal.....	Sechskantmutter.....	Tuerca Hexagon.....	Sexkantsmutter.....		
41	VOE 11882477	1				Pin.....	Goupille.....	Zapfen.....	Pasador.....	Tapp.....	(VOE 11882421)	
42	VOE 11883858	2				Pin.....	Goupille.....	Zapfen.....	Pasador.....	Tapp.....		
43	VOE 914167	2				Nipple.....	Raccord.....	Nippel.....	Niple.....	Nippel.....		
44	VOE 13965190	2				Screw.....	Vis.....	Schraube.....	Tornillo.....	Skruv.....		
45	VOE 13971098	2				Flange nut.....	Ecrou accouple.....	Bundmutter.....	Tuerca embridad.....	Flänsmutter.....		
46	VOE 11883029	2				Pin.....	Goupille.....	Zapfen.....	Pasador.....	Tapp.....		
47	VOE 11890117	4				Washer.....	Rondelle.....	Scheibe.....	Arandela.....	Bricka.....	THICK = 2 MM	
48	VOE 11890118	4				Washer.....	Rondelle.....	Scheibe.....	Arandela.....	Bricka.....	THICK = 3 MM	
49	VOE 11890109	4				Snap Ring.....	Circlip.....	Nutring.....	Circlip.....	Spärring.....		
50	VOE 914167	2				Nipple.....	Raccord.....	Nippel.....	Niple.....	Nippel.....		
51	VOE 968237	2				Flange screw.....	Vis à bride.....	Flanschschaube.....	Torn embridado.....	Flänsskruv.....		
52	VOE 13971098	2				Flange nut.....	Ecrou accouple.....	Bundmutter.....	Tuerca embridad.....	Flänsmutter.....		
53	VOE 11882428	2				Pin.....	Goupille.....	Zapfen.....	Pasador.....	Tapp.....		
54	VOE 914167	2				Nipple.....	Raccord.....	Nippel.....	Niple.....	Nippel.....		
55	VOE 968589	2				Flange screw.....	Vis à bride.....	Flanschschaube.....	Torn embridado.....	Flänsskruv.....		
56	VOE 11884758	1				Saf Catch Kit.....	Kit Bloc.secur.....	Sichriegelsatz.....	Jueg Bloq Segur.....	Säkerhspärrsats.....		
57	VOE 11883476	1				•Safety Strap.....	•Elingu.securite.....	•Zurrband.....	•Estrobo Segurid.....	•Säkerhetsstropp.....		
58	VOE 11884616	1				••Ring.....	••Anneau.....	••Ring.....	••Anillo.....	••Ring.....		
59	VOE 11884614	1			OP	••Spring Pin.....	••Axe de ressort.....	••Federstift.....	••Pasador Resorte.....	••Fjäderpinne.....		
60	VOE 11881557	1				••Steel Wire.....	••Fil Acier.....	••Stahldraht.....	••Alambre.....	••Ståltråd.....		

1	11880001, S/N - 10938	Lyftramverk med monteringsdetaljer Bastidor elevación con piezas de montaje Hubgerüst mit Anbauteilen Chassis levage avec pièces de montage Lifting framework with assembly parts	Catalogue id	Group
2	11891079		20017	945
3	11891080		Illustr. No	Section
4			1009597	150
5			Issue	Page
			VOE 63D9920017	665

VOLVO

BL60



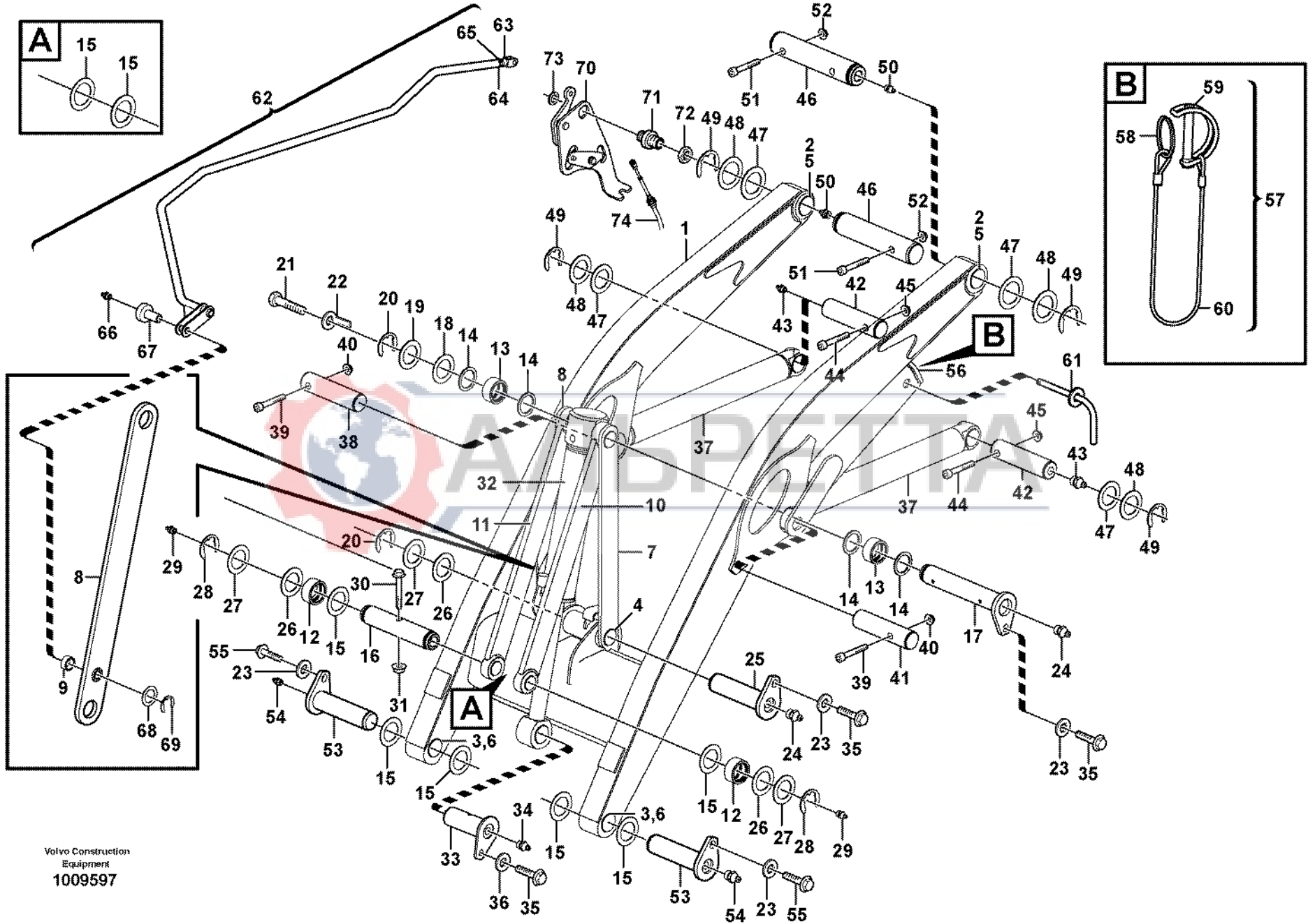


Fig.	Part No.	Quantity			P S	K I T	Description	Dénomination	Bezeichnung	Denominación	Benämning	Notes
		1	2	3								
61	VOE 11882476	1				Pin.....	Goupille.....	Zapfen.....	Pasador.....	Tapp.....		
62	VOE 11884793		1	1		Linkage.....	Syst.articulat.....	Gelenksystem.....	Sistem Articul.....	Länksystem.....		
63	VOE 11881413		1	1		•Fork.....	•Fourche.....	•Gabel.....	•Horquilla.....	•Gaffel.....		
64	VOE 13971072		1	1		•Hexagon Nut.....	•Ecrou Hexagonal.....	•Sechskantmutter.....	•Tuerca Hexagon.....	•Sexkantsmutter.....		
65	VOE 11885207		1	1		•Pin.....	•Goupille.....	•Zapfen.....	•Pasador.....	•Tapp.....		
66	VOE 914167		1	1		•Nipple.....	•Raccord.....	•Nippel.....	•Niple.....	•Nippel.....		
67	VOE 11885429		1	1		•Axle.....	•Axe Rotatif.....	•Wellenzapfen.....	•Eje.....	•Axeltapp.....		
68	VOE 13955900		1	1		•Washer.....	•Rondelle.....	•Scheibe.....	•Arandela.....	•Bricka.....		
69	VOE 914450		1	1		•Snap Ring.....	•Circlip.....	•Nutring.....	•Circlip.....	•Spårring.....		
70			1	1		Bracket.....	Console.....	Konsole.....	Ménsula.....	Konsol.....	See group 945, Page 677	
71	VOE 11881050		1	1		Pin.....	Goupille.....	Zapfen.....	Pasador.....	Tapp.....		
72	VOE 11883692		1	1		Nut.....	Ecrou.....	Mutter.....	Tuerca.....	Mutter.....		
73	VOE 11881654		1	1		Nut.....	Ecrou.....	Mutter.....	Tuerca.....	Mutter.....		
74			1	1		Cable.....	Câble.....	Kabel.....	Cable.....	Kabel.....	See group 945, Page 677	

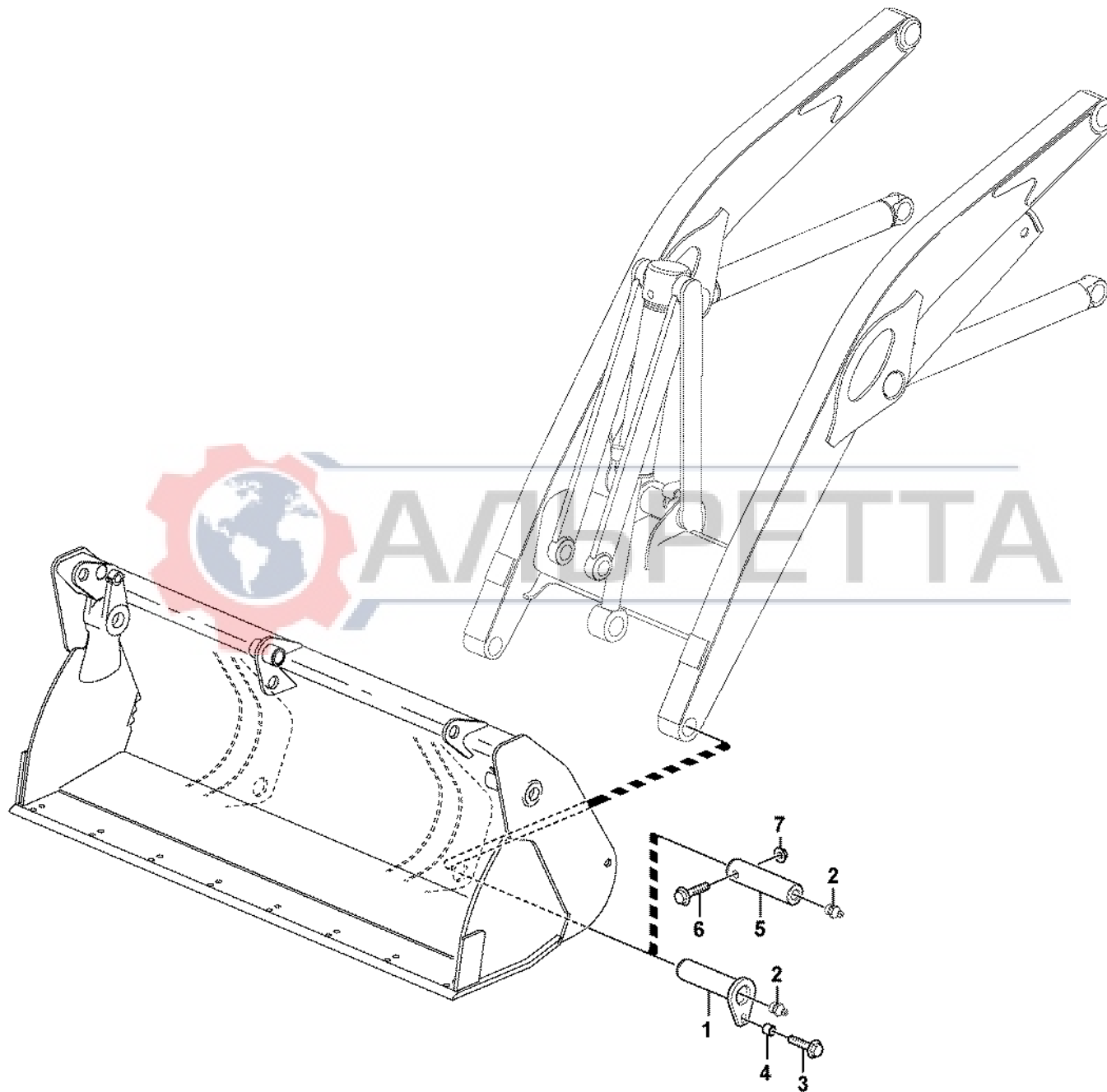


1	11880001, S/N - 10938	Lyftramverk med monteringsdetaljer Bastidor elevación con piezas de montaje Hubgerüst mit Anbauteilen Chassis levage avec pièces de montage Lifting framework with assembly parts	Catalogue id	Group
2	11891079		20017	945
3	11891080		Illustr. No	Section
4			1009597	150
5			Issue	Page
			VOE 63D9920017	667

VOLVO

BL60





Volvo Construction
Equipment
1023838

Fig.	Part No.	Quantity			P S	K I T	Description	Dénomination	Bezeichnung	Denominación	Benämning	Notes
		1	2	3								
1	VOE 11882428	2				Pin.....	Goupille.....	Zapfen.....	Pasador.....	Tapp.....		
2	VOE 914167	2	2			Nipple.....	Raccord.....	Nippel.....	Niple.....	Nippel.....		
3	VOE 968589	2				Flange screw.....	Vis à bride.....	Flanschschraube.....	Torn embridado.....	Flänsskruv.....		
4	VOE 11884168	2				Spacer.....	Entretoise.....	Abstandstueck.....	Casquillo distanciad ..	Distans.....		
5	VOE 11888037		2			Pin.....	Goupille.....	Zapfen.....	Pasador.....	Tapp.....		
6	VOE 13965190		2			Screw.....	Vis.....	Schraube.....	Tornillo.....	Skruv.....		
7	VOE 13971098		2			Flange nut.....	Ecrou accouple.....	Bundmutter.....	Tuerca embridad	Flänsmutter.....		



1	11891561	Axeltappar för infästning av skopa Muñones para fijación de cuchara Bolzen zur Befestigung der Schaufel Pivots d'axe pour fixation de godet Pins for mounting bucket	Catalogue id	Group
2	11891539		20017	945
3			Illustr. No	Section
4			1023838	160
5			Issue	Page
			VOE 63D9920017	669

VOLVO

BL60



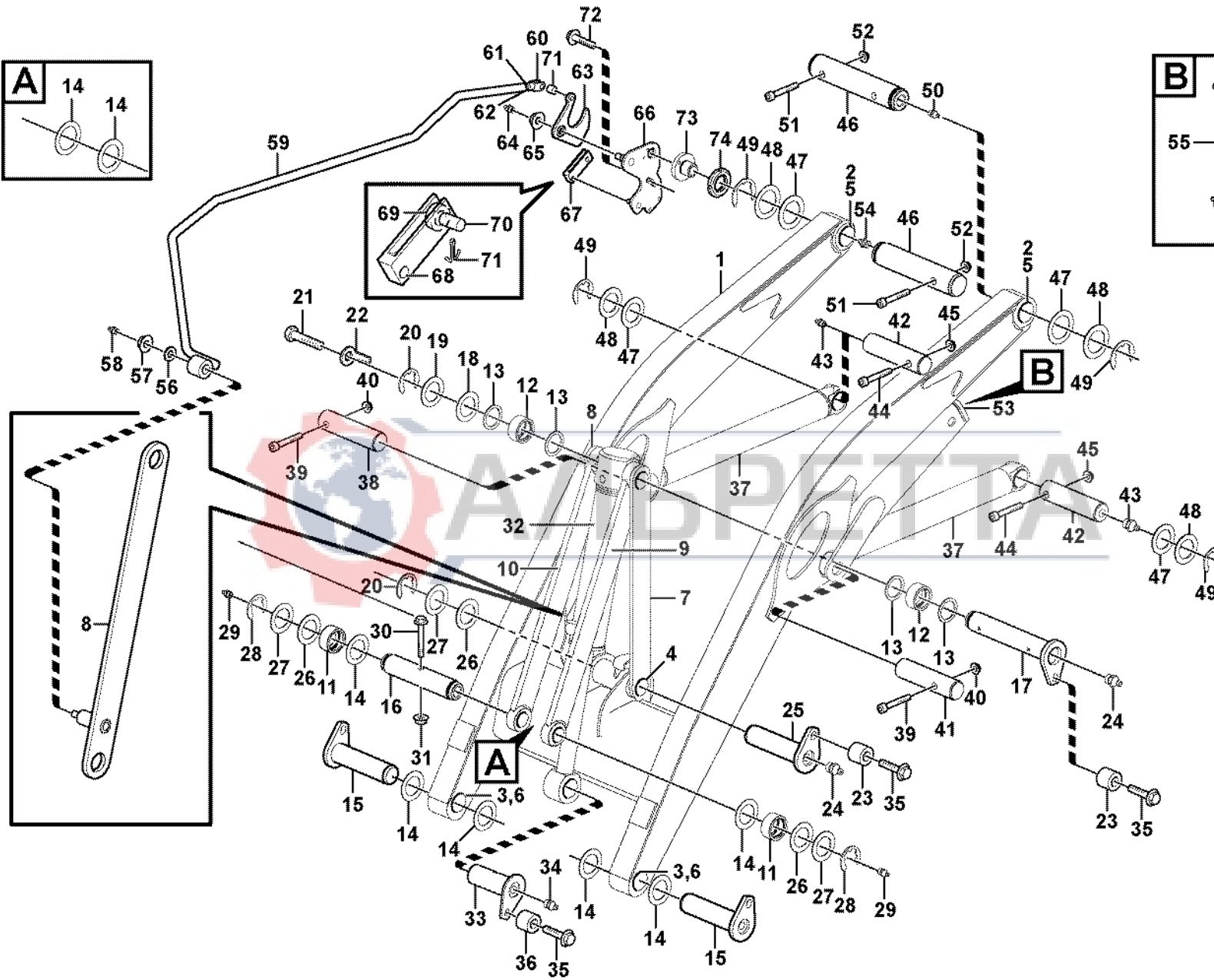
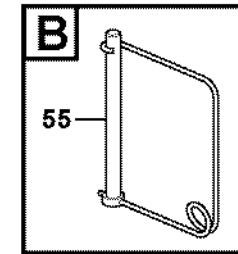
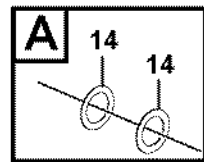


Fig.	Part No.	Quantity			P S	K I T	Description	Dénomination	Bezeichnung	Denominación	Benämning	Notes
		1	2	3								
1	VOE 11889130	1				Loader arm.....	Bras de chargeur	Laderhübarm.....	Brazo de cargador.....	Lastarm.....		
2	VOE 11883772	2				•Bushing.....	•Bague	•Buchse	•Casquillo	•Bussning.....		
3	VOE 11883802	2				•Bushing.....	•Bague	•Buchse	•Casquillo	•Bussning.....		
4	VOE 11883803	2				•Bushing.....	•Bague	•Buchse	•Casquillo	•Bussning.....		
5	VOE 11890069	2				Seal.....	Joint	Dichtung	Reten.....	Tätning.....		
6	VOE 11882456	2				Seal.....	Joint	Dichtung	Reten.....	Tätning.....		
7	VOE 11884638	1				Link	Articulation	Gelenk.....	Articulacion.....	Länk.....	LH	
8	VOE 11887308	1				Arm	Bras.....	Arm.....	Brazo.....	Arm.....	RH	
9	VOE 11884822	1				Link	Articulation	Gelenk.....	Articulacion.....	Länk.....	LH	
10	VOE 11884815	1				Link	Articulation	Gelenk.....	Articulacion.....	Länk.....	RH	
11	VOE 11883801	2				•Bushing.....	•Bague	•Buchse	•Casquillo	•Bussning.....		
12	VOE 11883857	2				•Bushing.....	•Bague	•Buchse	•Casquillo	•Bussning.....		
13	VOE 11883937	4				Scraper	Racloir.....	Abstreicher.....	Rascador.....	Skrapa.....		
14	VOE 11882456	8				Seal.....	Joint	Dichtung	Reten.....	Tätning.....		
15		2				Pin.....	Goupille.....	Zapfen.....	Pasador.....	Tapp.....	See group 945, Page 669	
16	VOE 11882932	1				Pin.....	Goupille.....	Zapfen.....	Pasador.....	Tapp.....		
17	VOE 11888280	1				Pin.....	Goupille.....	Zapfen.....	Pasador.....	Tapp.....		
18	VOE 11883929	1				Washer.....	Rondelle.....	Scheibe.....	Arandela.....	Bricka.....	THICK = 2 MM	
19	VOE 11883930	1				Washer.....	Rondelle.....	Scheibe.....	Arandela.....	Bricka.....	THICK = 3 MM	
20	VOE 11890110	2				Snap Ring.....	Circlip.....	Nutring.....	Circlip.....	Spårring.....		
21	VOE 13965191	1				Flange screw.....	Vis à bride.....	Flanschschraube.....	Torn embridado.....	Flänsskruv.....		
22	VOE 11884117	1				Indicator.....	Indicateur.....	Indikator.....	Indicador.....	Indikator.....		
23	VOE 11884168	2				Spacer.....	Entretoise.....	Abstandstueck.....	Casquillo distanciad	Distans.....		
24	VOE 914167	2				Nipple.....	Raccord.....	Nippel.....	Niple.....	Nippel.....		
25	VOE 11883032	1				Pin.....	Goupille.....	Zapfen.....	Pasador.....	Tapp.....		
26	VOE 11890115	REQ				Washer.....	Rondelle.....	Scheibe.....	Arandela.....	Bricka.....	THICK = 2 MM	
27	VOE 11890116	REQ				Washer.....	Rondelle.....	Scheibe.....	Arandela.....	Bricka.....	THICK = 3 MM	
28	VOE 11890110	2				Snap Ring.....	Circlip.....	Nutring.....	Circlip.....	Spårring.....		
29	VOE 914167	2				Nipple.....	Raccord.....	Nippel.....	Niple.....	Nippel.....		
30	VOE 969313	1				Flange screw.....	Vis à bride.....	Flanschschraube.....	Torn embridado.....	Flänsskruv.....		

1		Lyftramverk med monteringsdetaljer	Catalogue id	Group
2		Bastidor elevación con piezas de montaje	20017	945
3		Hubgerüst mit Anbauteilen	Illustr. No	Section
4		Chassis levage avec pièces de montage	1024718	175
5		Lifting framework with assembly parts	Issue	Page
		11880001, S/N 10939 -	VOE 63D9920017	671

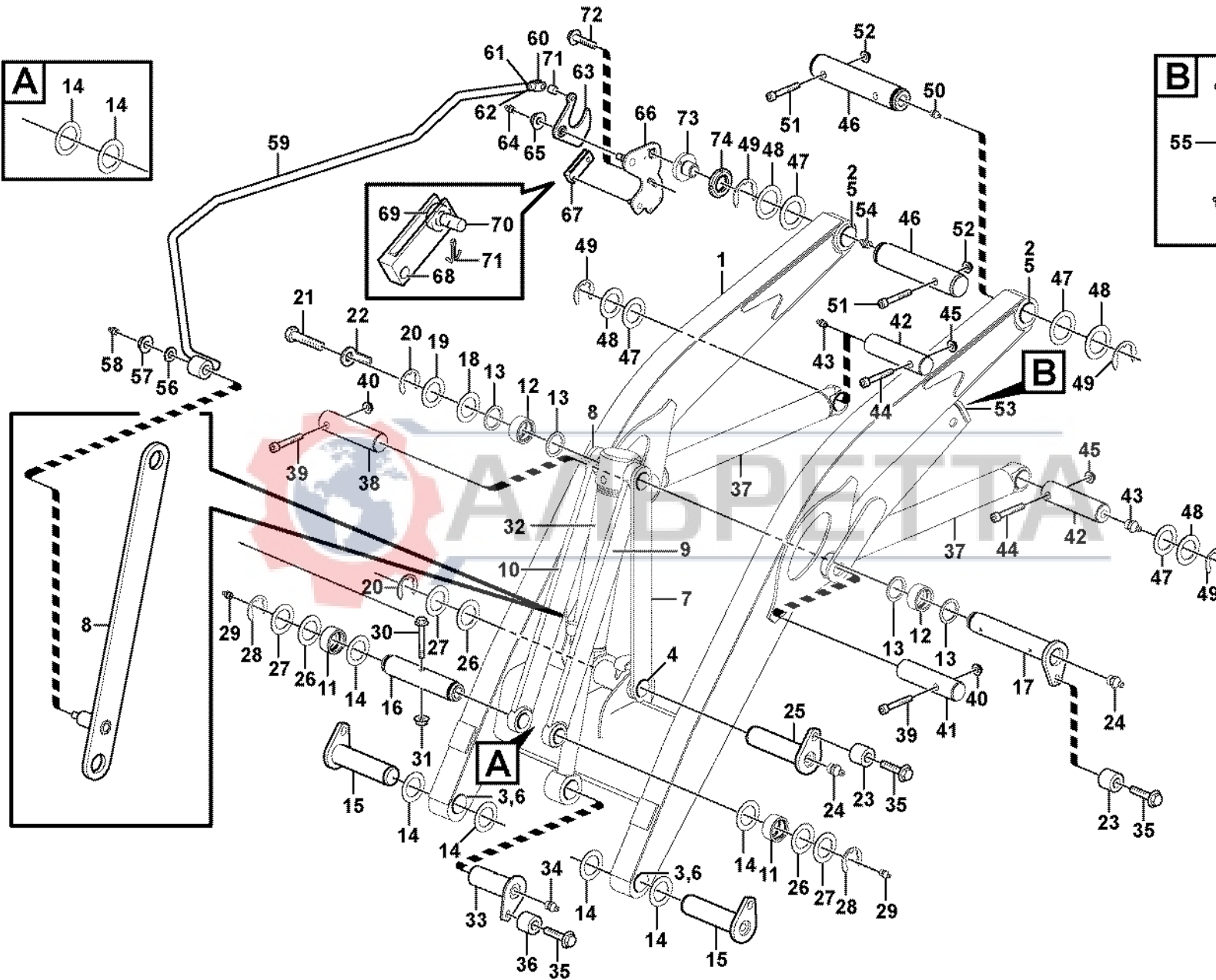
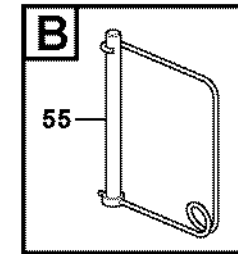
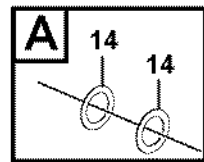


Fig.	Part No.	Quantity			P S	K I T	Description	Dénomination	Bezeichnung	Denominación	Benämning	Notes
		1	2	3								
31	VOE 13971098	1				Flange nut.....	Ecrou accouple.....	Bundmutter.....	Tuerca embridad.....	Flänsmutter.....		
32		1				Tilt Cylinder.....	Verin inclinaison.....	Neigungszylinderr.....	Maquina inclinacion.....	Tiltcylinder.....	See group 945, Page 681	
33	VOE 11884182	1				Pin.....	Goupille.....	Zapfen.....	Pasador.....	Tapp.....		
34	VOE 914167	1				Nipple.....	Raccord.....	Nippel.....	Niple.....	Nippel.....		
35	VOE 974428	3				Flange screw.....	Vis à bride.....	Flanschschaube.....	Torn embridado.....	Flänsskruv.....		
36	VOE 11884170	1				Spacer.....	Entretoise.....	Abstandstueck.....	Casquillo distanciad.....	Distans.....		
37		2				Lifting cylinder.....	Verin levage.....	Hubzylinder.....	Cilindro elevacion.....	Lyftcylinder.....	See group 945, Page 679	
38	VOE 11888366	1				Pin.....	Goupille.....	Zapfen.....	Pasador.....	Tapp.....		
39	VOE 967640	2				Screw.....	Vis.....	Schraube.....	Tornillo.....	Skruv.....		
40	VOE 983304	2				Hexagon Nut.....	Ecrou Hexagonal.....	Sechskantmutter.....	Tuerca Hexagon.....	Sexkantsmutter.....		
41	VOE 11883381	1				Pin.....	Goupille.....	Zapfen.....	Pasador.....	Tapp.....	(VOE 11882421)	
42	VOE 11883858	2				Pin.....	Goupille.....	Zapfen.....	Pasador.....	Tapp.....		
43	VOE 914167	2				Nipple.....	Raccord.....	Nippel.....	Niple.....	Nippel.....		
44	VOE 967640	2				Screw.....	Vis.....	Schraube.....	Tornillo.....	Skruv.....		
45	VOE 13971098	2				Flange nut.....	Ecrou accouple.....	Bundmutter.....	Tuerca embridad.....	Flänsmutter.....		
46	VOE 11883029	2				Pin.....	Goupille.....	Zapfen.....	Pasador.....	Tapp.....		
47	VOE 11890117	REQ				Washer.....	Rondelle.....	Scheibe.....	Arandela.....	Bricka.....	THICK = 2 MM	
48	VOE 11890118	REQ				Washer.....	Rondelle.....	Scheibe.....	Arandela.....	Bricka.....	THICK = 3 MM	
49	VOE 11890109	4				Snap Ring.....	Circlip.....	Nutring.....	Circlip.....	Spärring.....		
50	VOE 914167	1				Nipple.....	Raccord.....	Nippel.....	Niple.....	Nippel.....		
51	VOE 968237	2				Flange screw.....	Vis à bride.....	Flanschschaube.....	Torn embridado.....	Flänsskruv.....		
52	VOE 13971098	2				Flange nut.....	Ecrou accouple.....	Bundmutter.....	Tuerca embridad.....	Flänsmutter.....		
53	VOE 11888616	2				Safety Brace.....	Etrier Securite.....	Sicherungsbugel.....	Brida Seguridad.....	Säkringsbygel.....		
54	VOE 11887317	1				Lubricating nipple.....	Graisseur.....	Schmiernippel.....	Engrasador.....	Smörjnippel.....		
55	VOE 11888737	1				•Lock brace.....	•Etrier de verrouillage.....	•Sperrklinke.....	•Brazo Seguridad.....	•Låsbygel.....		
56	VOE 983338	1				Washer.....	Rondelle.....	Scheibe.....	Arandela.....	Bricka.....		
57	VOE 13967934	1				Flange Lock Nut.....	Contre écrou bride.....	Flanschmutter.....	Contratuer Embr.....	Flänslåsmutter.....		
58	VOE 914167	1				Nipple.....	Raccord.....	Nippel.....	Niple.....	Nippel.....		
59	VOE 11887325	1				Tube.....	Tube.....	Rohr.....	Tube.....	Rör.....		
60	VOE 11881413	1				Fork.....	Fourche.....	Gabel.....	Horquilla.....	Gaffel.....		

1		Lyftramverk med monteringsdetaljer Bastidor elevación con piezas de montaje Hubgerüst mit Anbauteilen Chassis levage avec pièces de montage Lifting framework with assembly parts	Catalogue id	Group
2			20017	945
3			Illustr. No	Section
4			1024718	175
5			Issue	Page
		11880001, S/N 10939 -	VOE 63D9920017	673

VOLVO

BL60



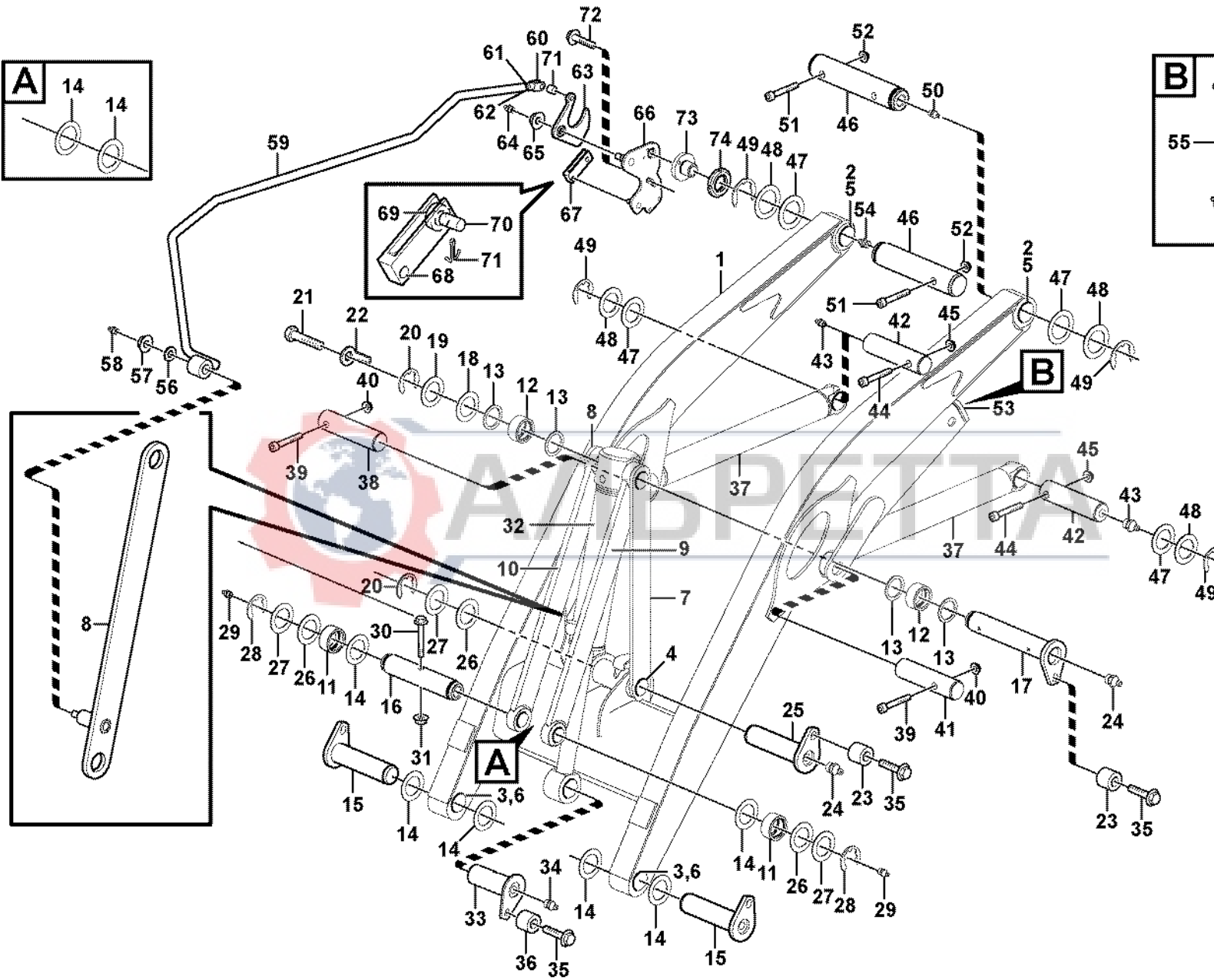
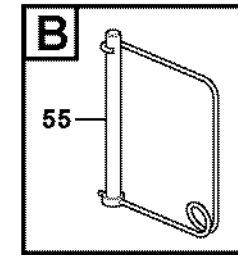
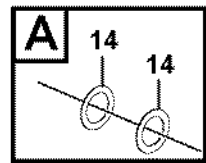


Fig.	Part No.	Quantity			P S	K I T	Description	Dénomination	Bezeichnung	Denominación	Benämning	Notes
		1	2	3								
61	VOE 971081	1				Hexagon Nut.....	Ecrou Hexagonal	Sechskantmutter	Tuerca Hexagon.....	Sexkantsmutter.....		
62	VOE 11888748	1				Rod	Tringle.....	Stange.....	Tirante	Stång.....		
63	VOE 11887303	1				Cam	Came	Nocken	Leva	Kam.....		
64	VOE 914167	1				Nipple.....	Raccord.....	Nippel.....	Niple	Nippel.....		
65	VOE 13967934	1				Flange Lock Nut.....	Contre écrou bride	Flanschmutter	Contratuer Embr.....	Flänslåsmutter.....		
66	VOE 11887302	1				Support	Support	Stütze	Apoyo	Stöd.....		
67	VOE 11888274	1				Bracket.....	Console.....	Konsole	Ménsula.....	Konsol.....		
68	VOE 11887440	1				Bushing.....	Bague.....	Buchse	Casquillo	Bussning.....		
68	VOE 11882999	1				Roller.....	Galet	Rolle	Rodillo	Rulle.....		
70	VOE 11883000	1				Pin.....	Goupille.....	Zapfen	Pasador.....	Tapp.....		
71	VOE 907838	3				Cotter Pin.....	Goupille Fendue.....	Splint	Pasador Hendido	Saxpinne.....		
72	VOE 946440	2				Flange screw.....	Vis à bride	Flanschschraube.....	Torn embridado.....	Flänsskruv.....		
73	VOE 11887329	1				Support Pin	Goupille Appui.....	Stützapfen	Pasador Apoyo.....	Stödtapp.....		
74	VOE 11881654	1				Nut	Ecrou.....	Mutter	Tuerca	Mutter.....		



1	Lyftramverk med monteringsdetaljer Bastidor elevación con piezas de montaje Hubgerüst mit Anbauteilen Chassis levage avec pièces de montage Lifting framework with assembly parts	Catalogue id	Group
2		20017	945
3		Illustr. No	Section
4		1024718	175
5		Issue	Page
	11880001, S/N 10939 -	VOE 63D9920017	675

VOLVO

BL60



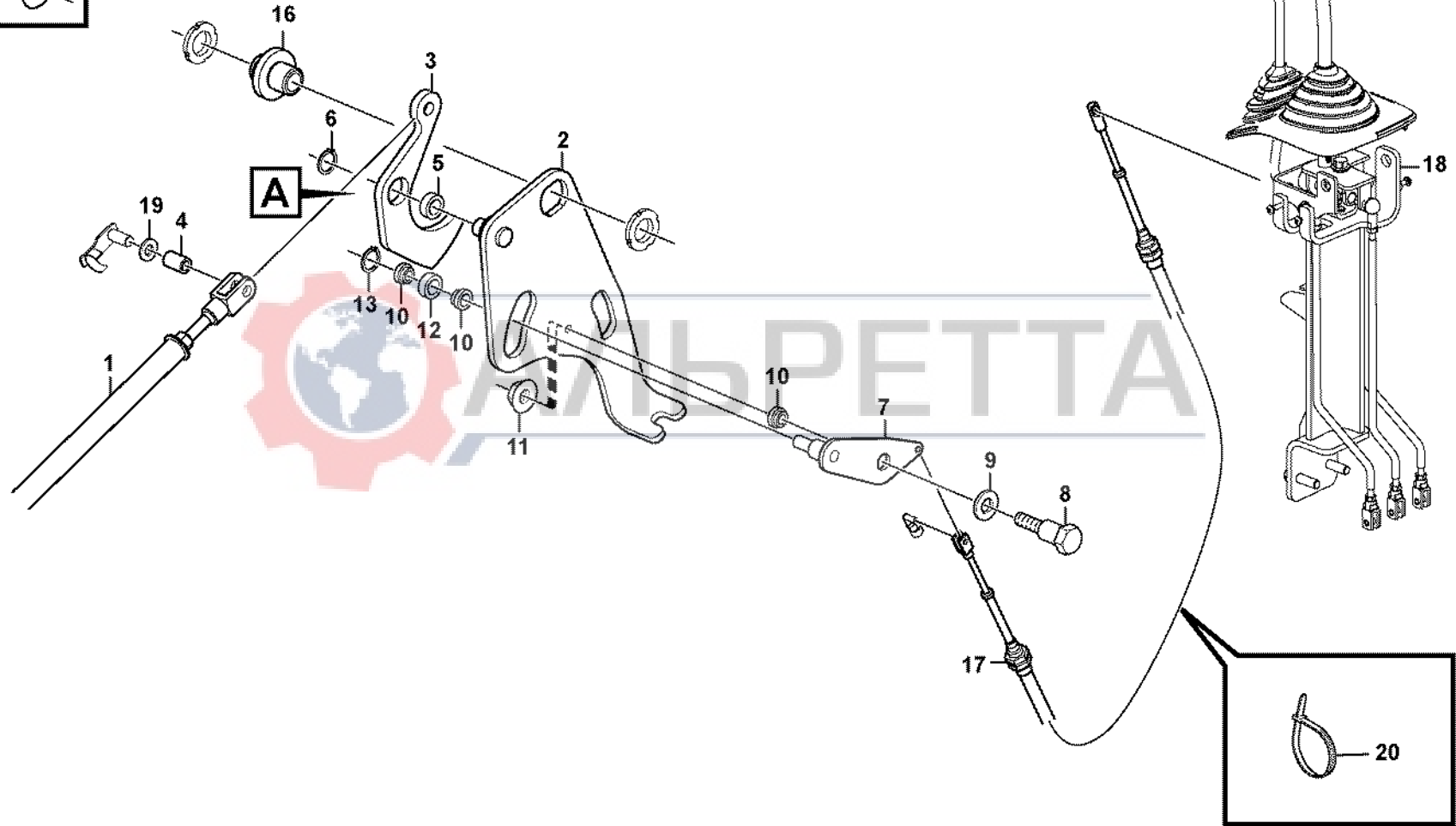
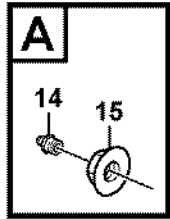


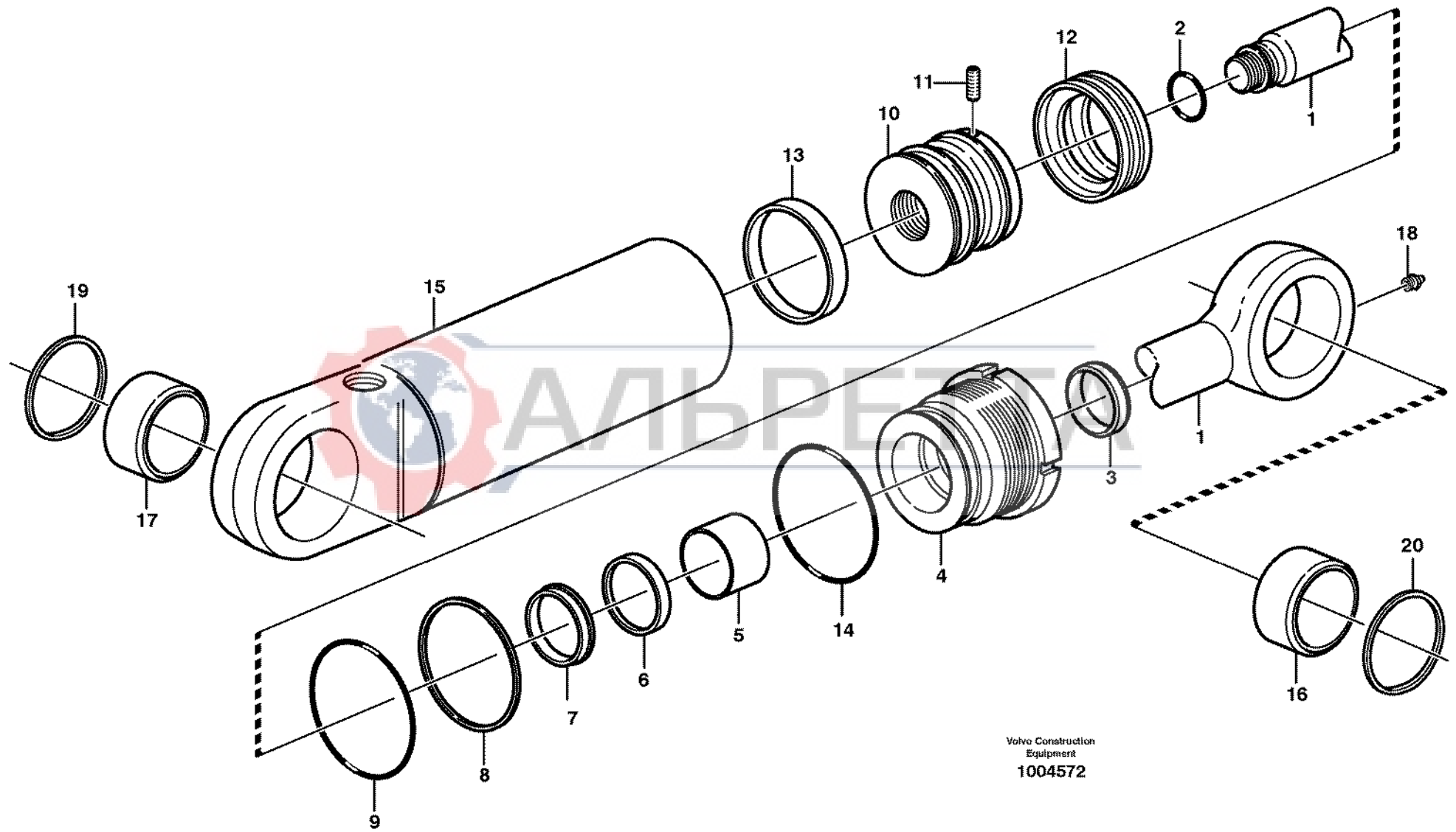
Fig.	Part No.	Quantity			P S	K I T	Description	Dénomination	Bezeichnung	Denominación	Benämning	Notes
		1	2	3								
1		1	1			Linkage	Syst.articulat.	Gelenksystem	Sistem Articul	Länksystem.....	See group 945, Page 663	
2	VOE 11886338	1				Bracket.....	Console.....	Konsole	Ménsula.....	Konsol.....		
	VOE 11887335		1			Bracket.....	Console.....	Konsole	Ménsula.....	Konsol.....		
	VOE 11886482	1				•Bracket	•Console.....	•Konsole	•Ménsula	•Konsol.....		
			1	NS		•Bracket	•Console.....	•Konsole	•Ménsula	•Konsol.....		
3	VOE 11885717	1				•Cam	•Came	•Nocken.....	•Leva	•Kam.....		
			1	NS		•Cam	•Came	•Nocken.....	•Leva	•Kam.....		
4	VOE 968942	1	1			••Bearing Bushing	••Coussinet.....	••Lagerbuchse.....	••Casq Cojinete	••Lagerbussning.....		
5	VOE 966722	1				••Bearing Bushing	••Coussinet.....	••Lagerbuchse.....	••Casq Cojinete	••Lagerbussning.....		
	VOE 11883447		1			••Bushing	••Bague	••Buchse.....	••Casquillo	••Bussning.....		
6	VOE 914450	1				•Snap Ring	•Circlip.....	•Nutring	•Circlip	•Spårring.....		
7	VOE 11885663	1	1			•Lever	•Levier.....	•Hebel.....	•Palanca	•Spak.....		
8	VOE 11885774	1	1			•Bolt	•Boulon.....	•Bolzen	•Perno	•Bult.....		
9	VOE 930872	2	2			•Washer	•Rondelle.....	•Scheibe	•Arandela.....	•Bricka.....		
10	VOE 11885772	3	3			•Bushing.....	•Bague	•Buchse	•Casquillo	•Bussning.....		
11	VOE 948645	1	1			•Flange Lock Nut	•Contre écrou bride	•Flanschmutter	•Contratuer Embr	•Flänslåsmutter.....		
12	VOE 11885773	1	1			•Spacer Bushing	•Bagu.entretoise.....	•Abstandbuchse	•Buje Distanciad	•Distansbussning.....		
13	VOE 914446	1	1			•Snap Ring	•Circlip.....	•Nutring	•Circlip	•Spårring.....		
14	VOE 914167		1			•Nipple	•Raccord	•Nippel.....	•Niple	•Nippel.....		
15	VOE 13967934		1			•Flange Lock Nut	•Contre écrou bride	•Flanschmutter	•Contratuer Embr	•Flänslåsmutter.....		
16		1				Pin.....	Goupille.....	Zapfen.....	Pasador.....	Tapp.....	See group 945, Page 663	
17	VOE 11885671	1				Cable.....	Câble.....	Seil.....	Cable	Lina.....		
18		1				Bracket.....	Console.....	Konsole	Ménsula.....	Konsol.....	See group 915, Page 607	
19	VOE 11886342	2				Spacer.....	Partie Intermédiaire.....	Zwischenstück.....	Espaciador	Mellandel.....	SER NO 10419-	
20	VOE 4881440	1				Strip Clamp	Ruban Serrage.....	Kabelbinder	Abraz Cinta	Bandklamma.....	SER NO 10419-	

1	S/N - 10938	Mekanisk självjusterande tiltmekanism Mecanismo de basculamiento mecánico autoajustable Selbstregelnder Kippmechanismus Mécanisme de basculement à autoréglage mécanique Mechanical self levelling tilt mechanism	Catalogue id	Group
2	S/N 10939 -		20017	945
3			Illustr. No	Section
4			1024734	200
5			Issue	Page
		11891079, 11881080	VOE 63D9920017	677

VOLVO

BL60





Volvo Construction
Equipment
1004572

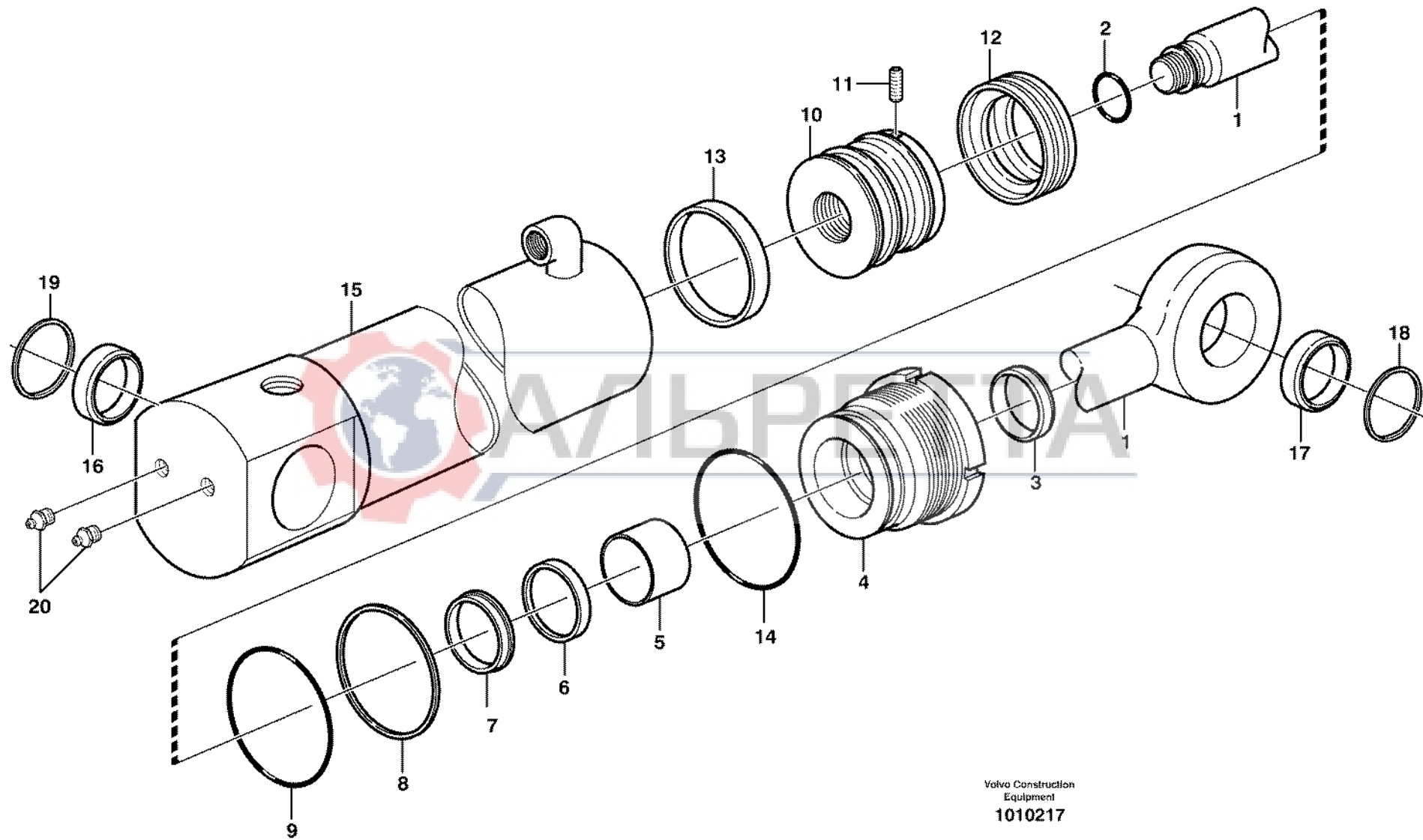
Fig.	Part No.	Quantity			P S	K I T	Description	Dénomination	Bezeichnung	Denominación	Benämning	Notes
		1	2	3								
	VOE 11881973	1				Cylinder.....	Verin.....	Zylinder	Cilindro	Cylinder.....	LH See group 945, Page 663	
	VOE 11881974	1				Cylinder.....	Verin.....	Zylinder	Cilindro	Cylinder.....	RH See group 945, Page 663	
1	VOE 11988262	1	1			•Piston rod	•Bielle de piston	•Kolbenstange	•Biela de piston	•Kolvstång.....		
2		1	1	NS K		•O-ring.....	•Joint Torique	•O-Ring.....	•Junta torica	•O-ring.....		
3		1	1	NS K		•Scraper.....	•Racleur	•Abstreifring.....	•Aro rascador	•Avstrykare.....		
4	VOE 11712744	1	1	OP		•Piston rod guide.....	•Guide tige piston.....	•Kolbenstangenführu..	•Guia varilla piston	•Kolvst.styrning.....		
5		1	1	NS K		•Guide Ring.....	•Bague Guide.....	•Führungsring.....	•Anillo Guia.....	•Styrring.....		
6		1	1	NS K		•Piston Rod Seal.....	•Eta.tige Piston.....	•Ko-stang Dichtg	•Reten Var Pist.....	•Kolvstångstätt.....		
7		1	1	NS K		•Lock Ring.....	•Anneau Verrouillage	•Schlossring	•Anillo Segurid	•Låsring.....		
8		1	1	NS K		•Back-up ring	•Rondelle anti-extrusi	•Stützring.....	•Anillo Apoyo	•Stödring.....		
9		1	1	NS K		•O-ring.....	•Joint Torique	•O-Ring.....	•Junta torica	•O-ring.....		
10	VOE 11712745	1	1	OP		•Piston.....	•Piston.....	•Kolben.....	•Piston	•Kolv.....		
11		1	1	NS K		•Screw.....	•Vis.....	•Schraube.....	•Tornillo	•Skruv.....		
12		1	1	NS K		•Piston seal	•Etanchei.piston	•Kolbendichtung	•Reten piston.....	•Kolvtätning.....		
13		1	1	NS K		•Guide Ring.....	•Bague Guide.....	•Führungsring.....	•Anillo Guia.....	•Styrring.....		
14		1	1	NS K		•O-ring.....	•Joint Torique	•O-Ring.....	•Junta torica	•O-ring.....		
15		1	1	NS		•Cylinder tube	•Tube cylindre	•Zylinderrohr.....	•Tubo cilindro	•Cylinderrör.....		
16	VOE 11711136	1	1			•Bushing.....	•Bague	•Buchse.....	•Casquillo	•Bussning.....		
17	VOE 11988263	1	1			•Bushing.....	•Bague	•Buchse.....	•Casquillo	•Bussning.....		
18	VOE 11709664	1	1			•Lub Nipple	•Graisseur	•Schmiernippel	•Engrasador	•Smörjnippel.....		
19		2	2	NS		Scraper	Racloir	Abstreicher	Rascador	Skrapa.....		
20	VOE 11883675	2	2			Scraper	Racloir	Abstreicher	Rascador	Skrapa.....		
	VOE 11712746	1	1			Sealing Kit.....	Jeu Joints.....	Dichtungssatz.....	Juego Retenes	Tätningssats.....		

1	11881973	Hydraulicylinder Cilindros hidráulicos Hydraulikzylinder Vérins hydrauliques Hydraulic cylinder	Catalogue id	Group
2	11881974		20017	945
3			Illustr. No	Section
4			1004572	250
5			Issue	Page
		11891079 11891080	VOE 63D9920017	679

VOLVO

BL60





Valvo Construction
Equipment
1010217

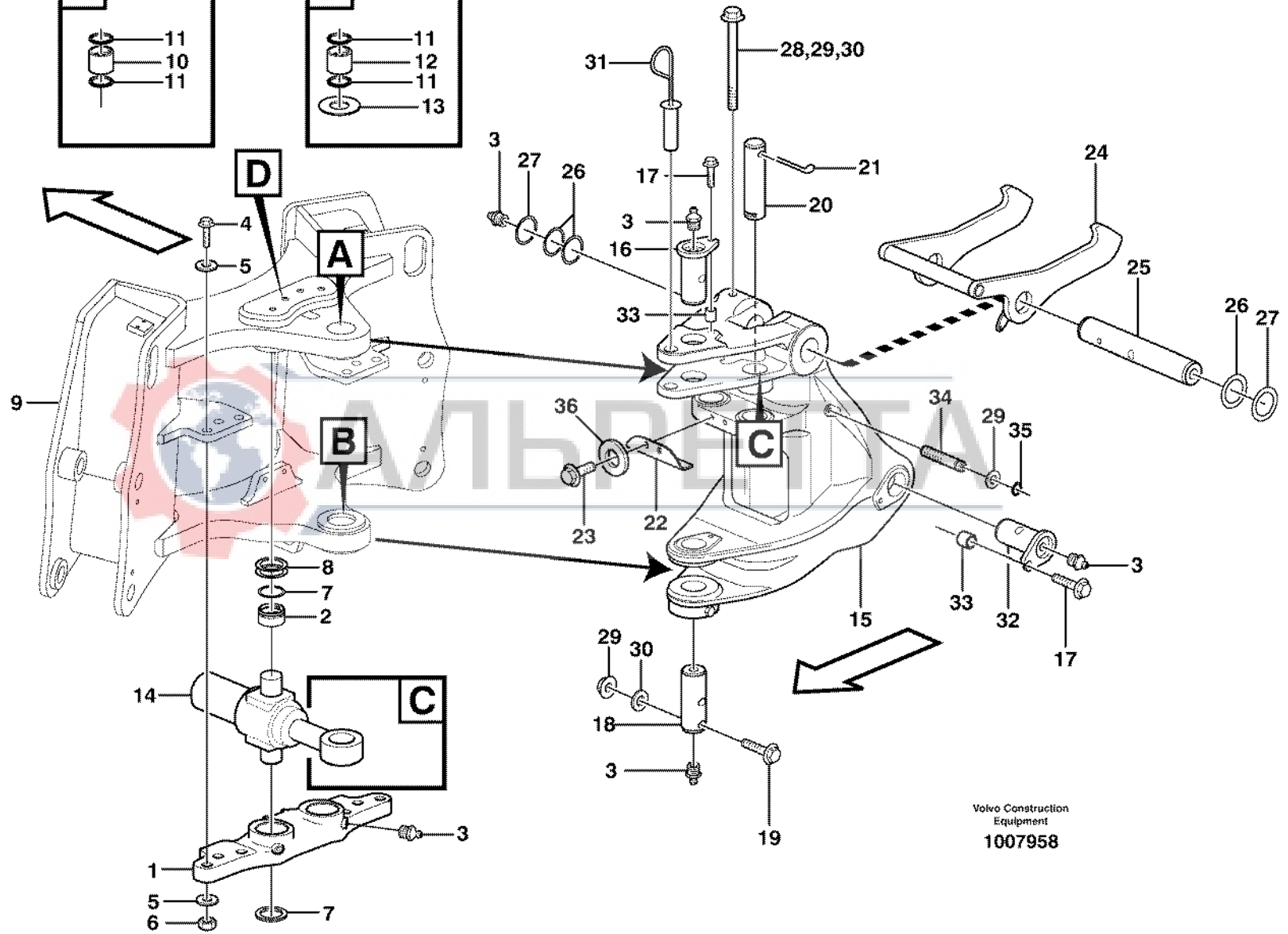
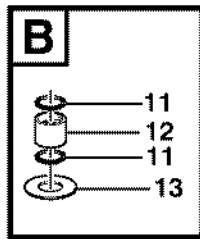
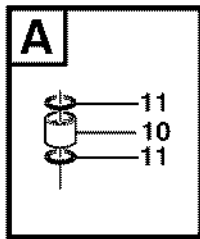
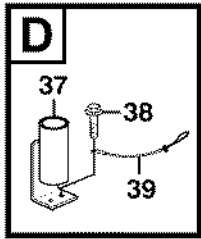
Fig.	Part No.	Quantity			P S	K I T	Description	Dénomination	Bezeichnung	Denominación	Benämning	Notes
		1	2	3								
	VOE 11882905	1				Cylinder.....	Verin.....	Zylinder	Cilindro	Cylinder.....	See group 945, Page 663	
1	VOE 11988259	1				•Piston rod	•Bielle de piston	•Kolbenstange	•Biela de piston	•Kolvstång.....		
2		1			NS K	•O-ring.....	•Joint Torique	•O-Ring.....	•Junta torica	•O-ring.....		
3		1			NS K	•Scraper	•Racleur	•Abstreifring.....	•Aro rascador	•Avstrykare.....		
4	VOE 11712747	1			OP	•Piston rod guide.....	•Guide tige piston.....	•Kolbenstangenführu.....	•Guia varilla piston	•Kolvst.styrning.....		
5		1			NS K	•Guide Ring.....	•Bague Guide.....	•Führungsring.....	•Anillo Guia.....	•Styrring.....		
6		1			NS K	•Piston Rod Seal	•Eta.tige Piston.....	•Ko-stang Dichtg	•Reten Var Pist.....	•Kolvstångstättn.....		
7		1			NS K	•Lock Ring.....	•Anneau Verrouillage	•Schlossring	•Anillo Segurid	•Låsring.....		
8		1			NS K	•Back-up ring	•Rondelle anti-extrusi	•Stützring.....	•Anillo Apoyo	•Stödtring.....		
9		1			NS K	•O-ring.....	•Joint Torique	•O-Ring.....	•Junta torica	•O-ring.....		
10	VOE 11712748	1			OP	•Piston.....	•Piston.....	•Kolben.....	•Piston	•Kolv.....		
11		1			NS K	•Screw.....	•Vis	•Schraube.....	•Tornillo	•Skruv.....		
12		1			NS K	•Piston seal	•Etanchei.piston	•Kolbendichtung	•Reten piston.....	•Kolvtätning.....		
13		1			NS K	•Guide Ring.....	•Bague Guide.....	•Führungsring.....	•Anillo Guia.....	•Styrring.....		
14		1			NS K	•O-ring.....	•Joint Torique	•O-Ring.....	•Junta torica	•O-ring.....		
15		1			NS	•Cylinder tube	•Tube cylindre	•Zylinderrohr.....	•Tubo cilindro	•Cylinderrör.....		
16	VOE 11988260	2				•Bushing.....	•Bague	•Buchse	•Casquillo	•Bussning.....		
17	VOE 11711134	1				•Bushing.....	•Bague	•Buchse	•Casquillo	•Bussning.....		
18	VOE 11709664	2				•Lub Nipple	•Graisseur	•Schmiernippel	•Engrasador	•Smörjnippel.....		
19	VOE 11883675	2				Scraper	Racloir.....	Abstreicher	Rascador	Skrapa.....		
20	VOE 11883937	2				Scraper	Racloir.....	Abstreicher	Rascador	Skrapa.....		
	VOE 11712749	1				Sealing Kit.....	Jeu Joints.....	Dichtungssatz.....	Juego Retenes	Tätningssats.....		

1		Hydraulicylinder Cilindros hidráulicos Hydraulikzylinder Vérins hydrauliques Hydraulic cylinder	Catalogue id	Group
2			20017	945
3			Illustr. No	Section
4			1010217	300
5			Issue	Page
		11891079, 11891080	VOE 63D9920017	681

VOLVO

BL60





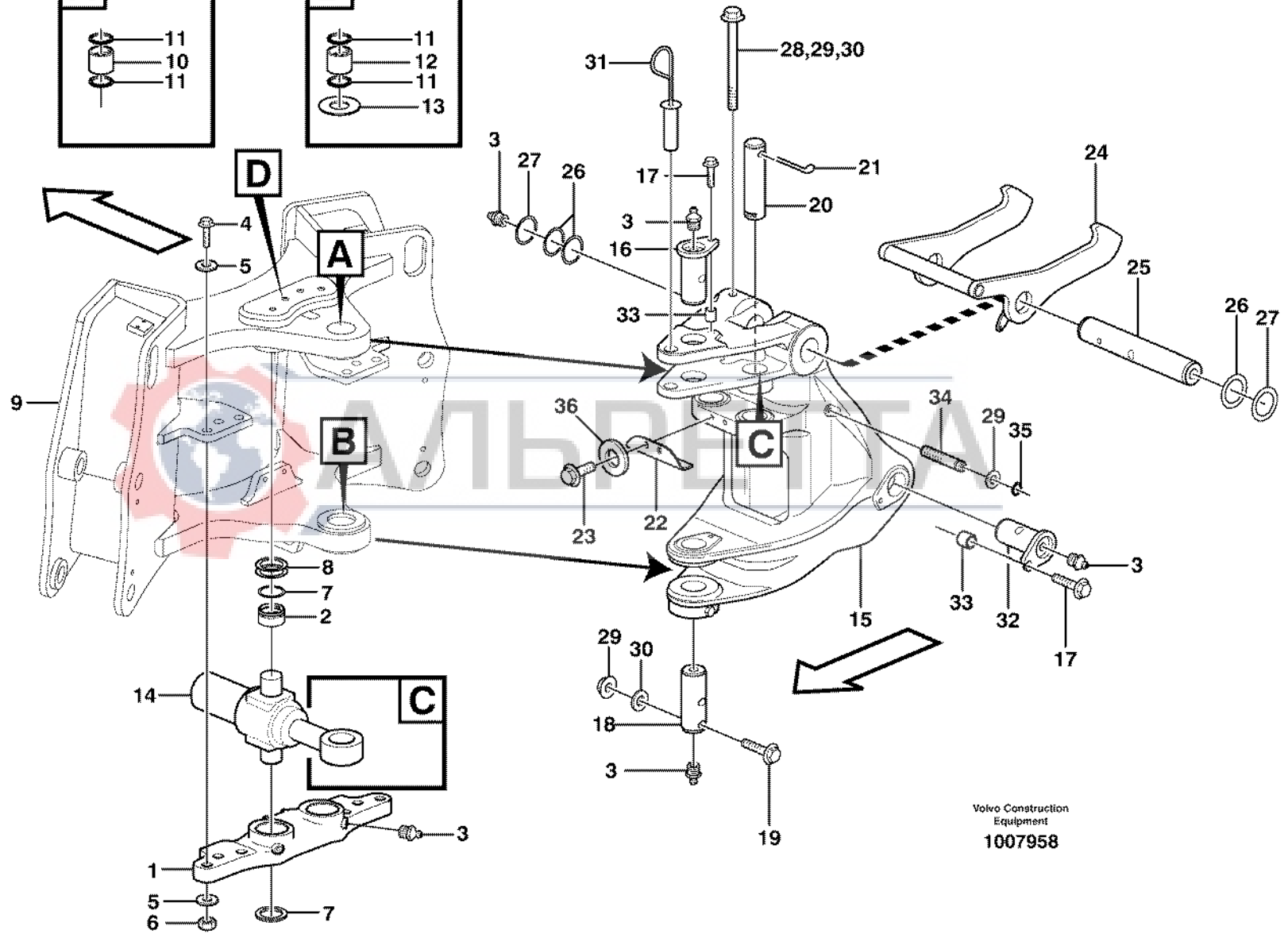
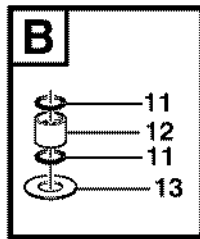
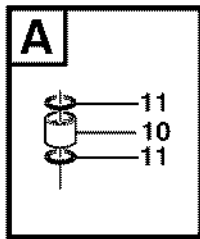
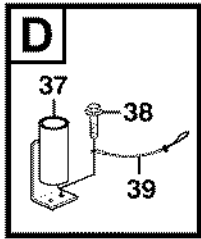
Volvo Construction
Equipment
1007958

Fig.	Part No.	Quantity			P S	K I T	Description	Dénomination	Bezeichnung	Denominación	Benämning	Notes
		1	2	3								
1	VOE 11883439	1				Center Plate	Plaque Centrale	Mittenblech	Placa Central	Centrumplåt	S/N - 10633	
	VOE 11887300	1				Center Plate	Plaque Centrale	Mittenblech	Placa Central	Centrumplåt	S/N 10634 -	
2	VOE 11883757	2				•Bushing	•Bague	•Buchse	•Casquillo	•Bussning		
3	VOE 914167	7				Nipple	Raccord	Nippel	Niple	Nippel		
4	VOE 13963362	6				Hexagon screw	Vis tête hexagonale	Sechskantschraube	Tornillo hexago	Sexkantsskruv		
5	VOE 955905	12				Washer	Rondelle	Scheibe	Arandela	Bricka		
6	VOE 983312	6				Hexagon Nut	Ecrou Hexagonal	Sechskantmutter	Tuerca Hexagon	Sexkantsmutter		
7	VOE 11881489	6				Scraper	Racloir	Abstreicher	Rascador	Skrapa		
8	VOE 11882660	6				Shim	Cale d'épaisseur	Ausgleichscheibe	Suplementos de ajus	Mellanlägg		
9		1				Frame	Chassis	Rahmen	Bastidor	Ram	See group 711, Page 381	
10		1				Bushing	Bague	Buchse	Casquillo	Bussning	See group 711, Page 381	
11		6				Scraper	Racloir	Abstreicher	Rascador	Skrapa	See group 711, Page 381	
12		1				Bushing	Bague	Buchse	Casquillo	Bussning	See group 711, Page 381	
13	VOE 11883751	2				Spacer	Partie Intermédiaire	Zwischenstück	Espaciador	Mellandel		
14		2				Swg Lk Cylinder	Barille serrure	Pivotsperzyl	Cilindro Cierre	Pendellåscyl	See group 971, Page 691	
15	VOE 11883729	1			SS	Swing Post	Support de rotation	Drehstütze	Apoyo de giro	Svängpelare	S/N - 10611	
	VOE 11887295	1				Swing Post	Support de rotation	Drehstütze	Apoyo de giro	Svängpelare	S/N 10612 -	
16	VOE 11883727	1				Pin	Goupille	Zapfen	Pasador	Tapp		
17	VOE 968435	3				Flange screw	Vis à bride	Flanschsraube	Torn embridado	Flänsskruv		
18	VOE 11883728	1				Pin	Goupille	Zapfen	Pasador	Tapp		
19	VOE 968237	1				Flange screw	Vis à bride	Flanschsraube	Torn embridado	Flänsskruv		
20	VOE 11888681	2				Pin	Goupille	Zapfen	Pasador	Tapp		
21	VOE 907903	1				Cotter Pin	Goupille Fendue	Splint	Pasador Hendido	Saxpinne	When required	
22	VOE 11883733	1				Stop	Arrêt	Anschlag	Parada	Stopp		
23	VOE 974428	2				Flange screw	Vis à bride	Flanschsraube	Torn embridado	Flänsskruv		
24	VOE 11888656	1				Lock	Serrure	Schloß	Cierre	Låselement		
25	VOE 11883732	1				Pin	Goupille	Zapfen	Pasador	Tapp		
26	VOE 11885224	3				Shim	Cale d'épaisseur	Passcheibe	Arandela Ajuste	Passbricka	THICK 1,0 MM	
27	VOE 11885225	4				Shim	Cale d'épaisseur	Passcheibe	Arandela Ajuste	Passbricka	THICK 2,5 MM	
28	VOE 949824	1				Flange screw	Vis à bride	Flanschsraube	Torn embridado	Flänsskruv		

1		Svängsystem Sistema de oscilación Schwenksystem Système de pivotement Swing system	Catalogue id	Group
2			20017	971
3			Illustr. No	Section
4			1007958	100
5			Issue	Page
			VOE 63D9920017	683

VOLVO

BL60



Volvo Construction
Equipment
1007958

Fig.	Part No.	Quantity			P S	K I T	Description	Dénomination	Bezeichnung	Denominación	Benämning	Notes
		1	2	3								
29	VOE 13983307	2				Hexagon Nut.....	Ecrou Hexagonal	Sechskantmutter	Tuerca Hexagon.....	Sexkantsmutter.....		
30	VOE 13960143	3				Washer.....	Rondelle	Scheibe	Arandela.....	Bricka.....		
31	VOE 11884569	1				Lock	Serrure	Schloß	Cierre	Låselement.....		
32	VOE 11883753	2				Pin.....	Goupille.....	Zapfen	Pasador	Tapp.....		
33	VOE 11884168	3				Spacer.....	Entretoise	Abstandstueck.....	Casquillo distanciad	Distans.....		
34	VOE 11886468	1				Stud.....	Goujon	Stiftschraube	Esparrago.....	Pinnskruv.....		
35	VOE 14025792	1				Retaining ring.....	Bague retenue	Haltering.....	Anillo de apoyo.....	Hållarring.....		
36	VOE 983338	2				Washer.....	Rondelle	Scheibe	Arandela.....	Bricka.....		
37	VOE 11885074	1				Pin.....	Goupille.....	Zapfen	Pasador.....	Tapp.....		
38	VOE 13946173	2				Flange screw.....	Vis à bride	Flanschschraube	Torn embridado	Flänsskruv.....		
39	VOE 11883651	1				Cable.....	Câble.....	Seil	Cable.....	Lina.....		

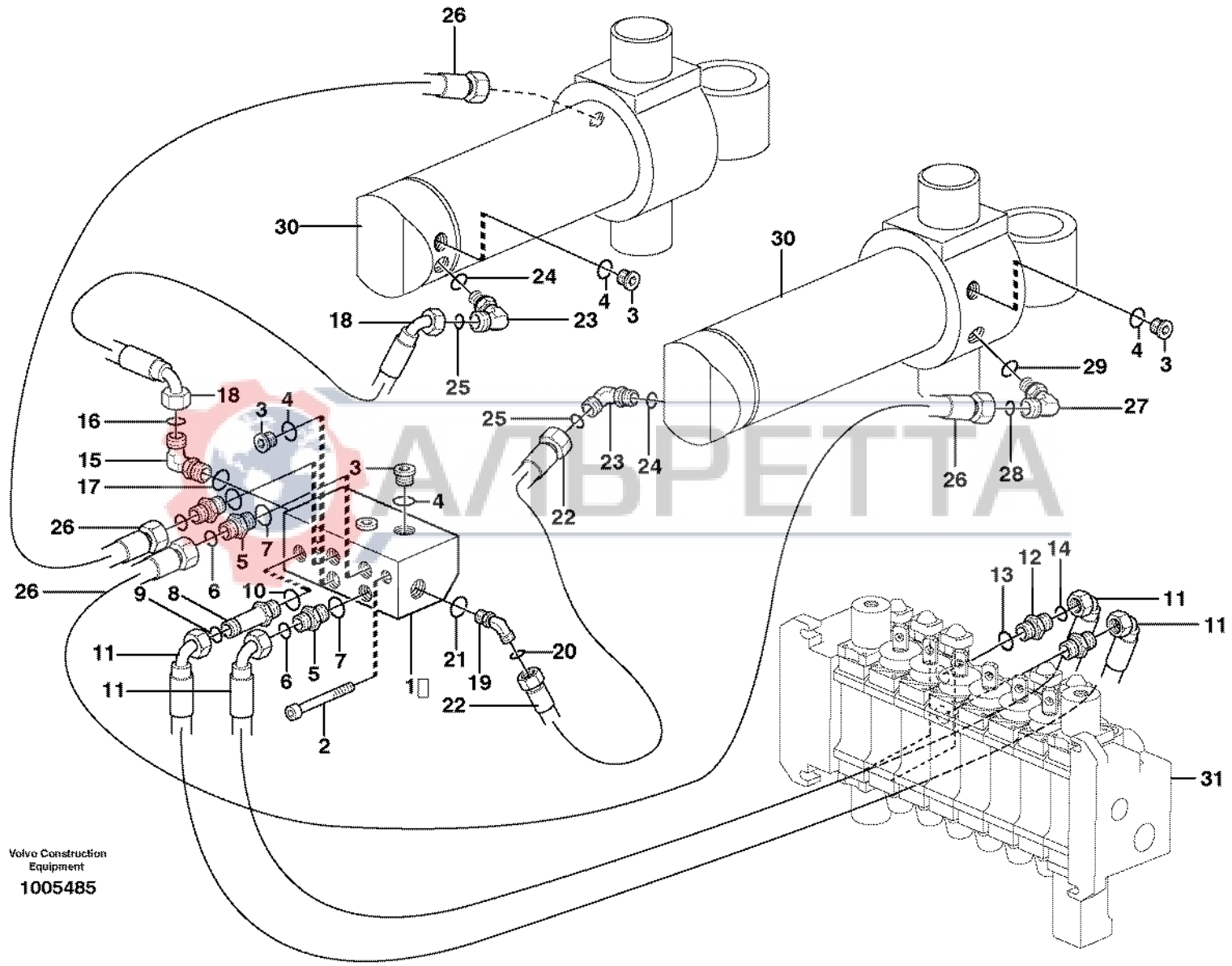


1		Svängsystem Sistema de oscilación Schwenksystem Système de pivotement Swing system	Catalogue id	Group
2			20017	971
3			Illustr. No	Section
4			1007958	100
5			Issue	Page
			VOE 63D9920017	685

VOLVO

BL60



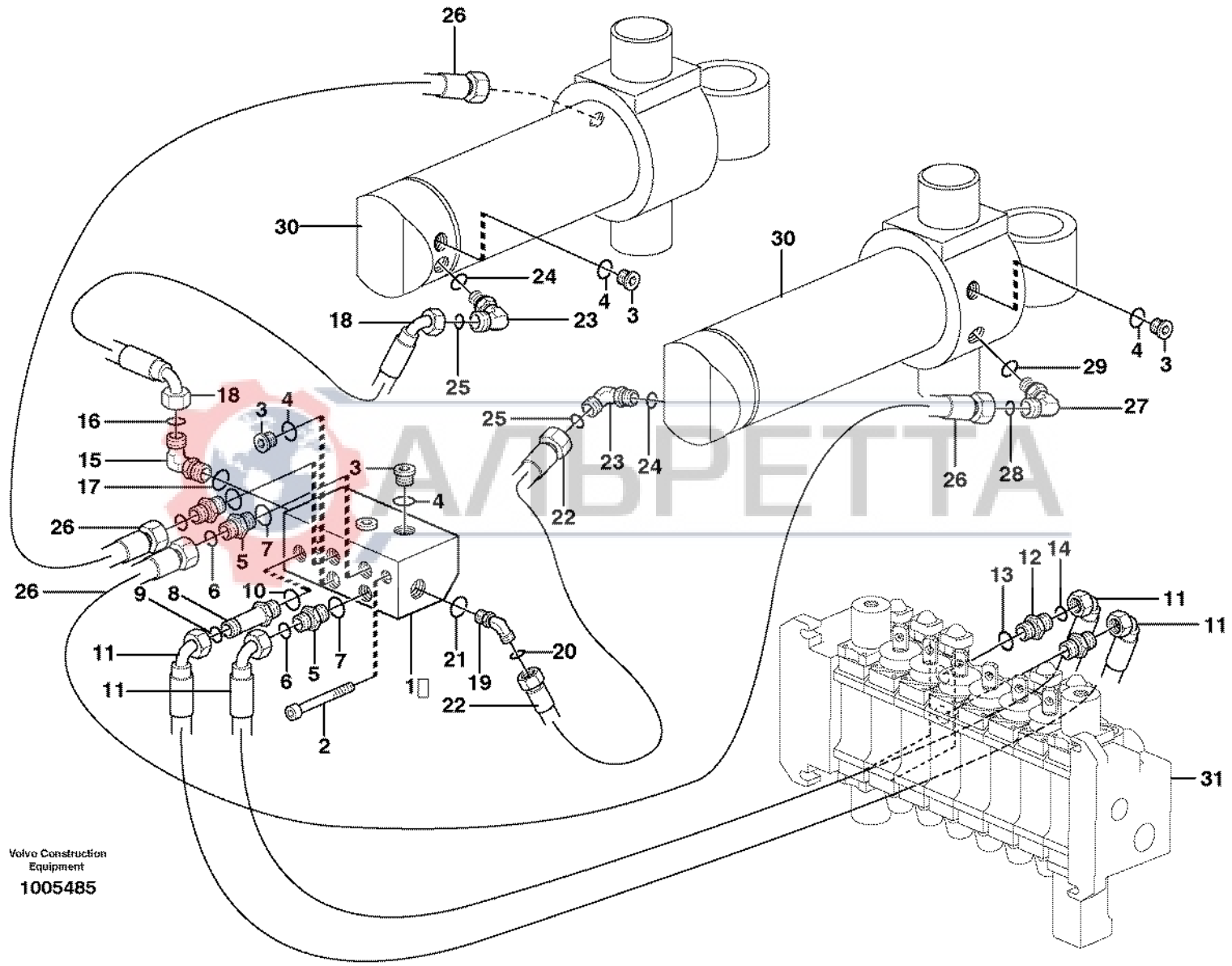


Volvo Construction
Equipment
1005485

Fig.	Part No.	Quantity			P S	K I T	Description	Dénomination	Bezeichnung	Denominación	Benämning	Notes
		1	2	3								
1	VOE 11882500	1				Valve Body.....	Corps Valve	Ventilkörper	Cuerpo Valvula.....	Ventilkropp.....		
2	VOE 967632	2				Allen Hd Screw	Vis A 6 Pans Cr.....	Inbusschraube.....	Torn Hex Embut.....	Insexskruv.....		
3	VOE 11883510	7				Plug.....	Bouchon.....	Stopfen.....	Tapon.....	Plugg.....		
4	VOE 932039	1				•O-ring.....	•Joint Torique.....	•O-Ring.....	•Junta torica.....	•O-ring.....		
5	VOE 13933858	3				Union.....	Teton Connexion.....	Anschlussnippel.....	Niple Conexcion.....	Anslutn.nippel.....		
6	VOE 4881722	1				•O-ring.....	•Joint Torique.....	•O-Ring.....	•Junta torica.....	•O-ring.....		
7	VOE 932039	1				•O-ring.....	•Joint Torique.....	•O-Ring.....	•Junta torica.....	•O-ring.....		
8	VOE 11881379	1				Nipple.....	Raccord.....	Nippel.....	Niple.....	Nippel.....		
9	VOE 4880492	1				•O-ring.....	•Joint Torique.....	•O-Ring.....	•Junta torica.....	•O-ring.....		
10	VOE 932039	1				•O-ring.....	•Joint Torique.....	•O-Ring.....	•Junta torica.....	•O-ring.....		
11	VOE 11884542	2				Hose.....	Flexible.....	Schlauch.....	Manguera.....	Slang.....		
12	VOE 11882258	2				Nipple.....	Raccord.....	Nippel.....	Niple.....	Nippel.....		
13	VOE 932042	1				•O-ring.....	•Joint Torique.....	•O-Ring.....	•Junta torica.....	•O-ring.....		
14	VOE 4880492	1				•O-ring.....	•Joint Torique.....	•O-Ring.....	•Junta torica.....	•O-ring.....		
15	VOE 935069	1				Elbow nipple.....	Raccord angulaire.....	Winkel-nippel.....	Niple angular.....	Vinkel-nippel.....		
16	VOE 4881722	1				•O-ring.....	•Joint Torique.....	•O-Ring.....	•Junta torica.....	•O-ring.....		
17	VOE 4880492	1				•O-ring.....	•Joint Torique.....	•O-Ring.....	•Junta torica.....	•O-ring.....		
18	VOE 11882803	1				Hose assembly.....	Conduit flexible.....	Schlauchleitung.....	Conducto.....	Slangledning.....		
19	VOE 935640	1				Nipple.....	Raccord.....	Nippel.....	Niple.....	Nippel.....		
20	VOE 4880492	1				•O-ring.....	•Joint Torique.....	•O-Ring.....	•Junta torica.....	•O-ring.....		
21	VOE 932039	1				•O-ring.....	•Joint Torique.....	•O-Ring.....	•Junta torica.....	•O-ring.....		
22	VOE 11882192	1				Hose assembly.....	Conduit flexible.....	Schlauchleitung.....	Conducto.....	Slangledning.....		
23	VOE 11884787	2				Nipple.....	Raccord.....	Nippel.....	Niple.....	Nippel.....		
24	VOE 932040	1				•O-ring.....	•Joint Torique.....	•O-Ring.....	•Junta torica.....	•O-ring.....		
25	VOE 4880492	1				•O-ring.....	•Joint Torique.....	•O-Ring.....	•Junta torica.....	•O-ring.....		
26	VOE 11882194	2				Hose.....	Flexible.....	Schlauch.....	Manguera.....	Slang.....		
27	VOE 935069	2				Elbow nipple.....	Raccord angulaire.....	Winkel-nippel.....	Niple angular.....	Vinkel-nippel.....		
28	VOE 4881722	1				•O-ring.....	•Joint Torique.....	•O-Ring.....	•Junta torica.....	•O-ring.....		
29	VOE 4880492	1				•O-ring.....	•Joint Torique.....	•O-Ring.....	•Junta torica.....	•O-ring.....		
30		2				Swing cylinder.....	Vérin d'orientation.....	Schwenkzylinder.....	Cilindro de giro.....	Svängcylinder.....	See group 971, Page 691	

1		Hydraulsystem, sväng Sistema hidráulico, giro Hydraulikkreis, Schwenken Système hydraulique, orientation Boom swing system	Catalogue id	Group
2			20017	971
3			Illustr. No	Section
4			1005485	200
5			Issue	Page
			VOE 63D9920017	687





Volvo Construction
Equipment
1005485

Fig.	Part No.	Quantity			P S	K I T	Description	Dénomination	Bezeichnung	Denominación	Benämning	Notes
		1	2	3								

31		1				Valve	Soupape.....	Ventil	Valvula	Ventil.....	See group 911, Page 537
----	--	---	--	--	--	-------------	--------------	--------------	---------------	-------------	-------------------------

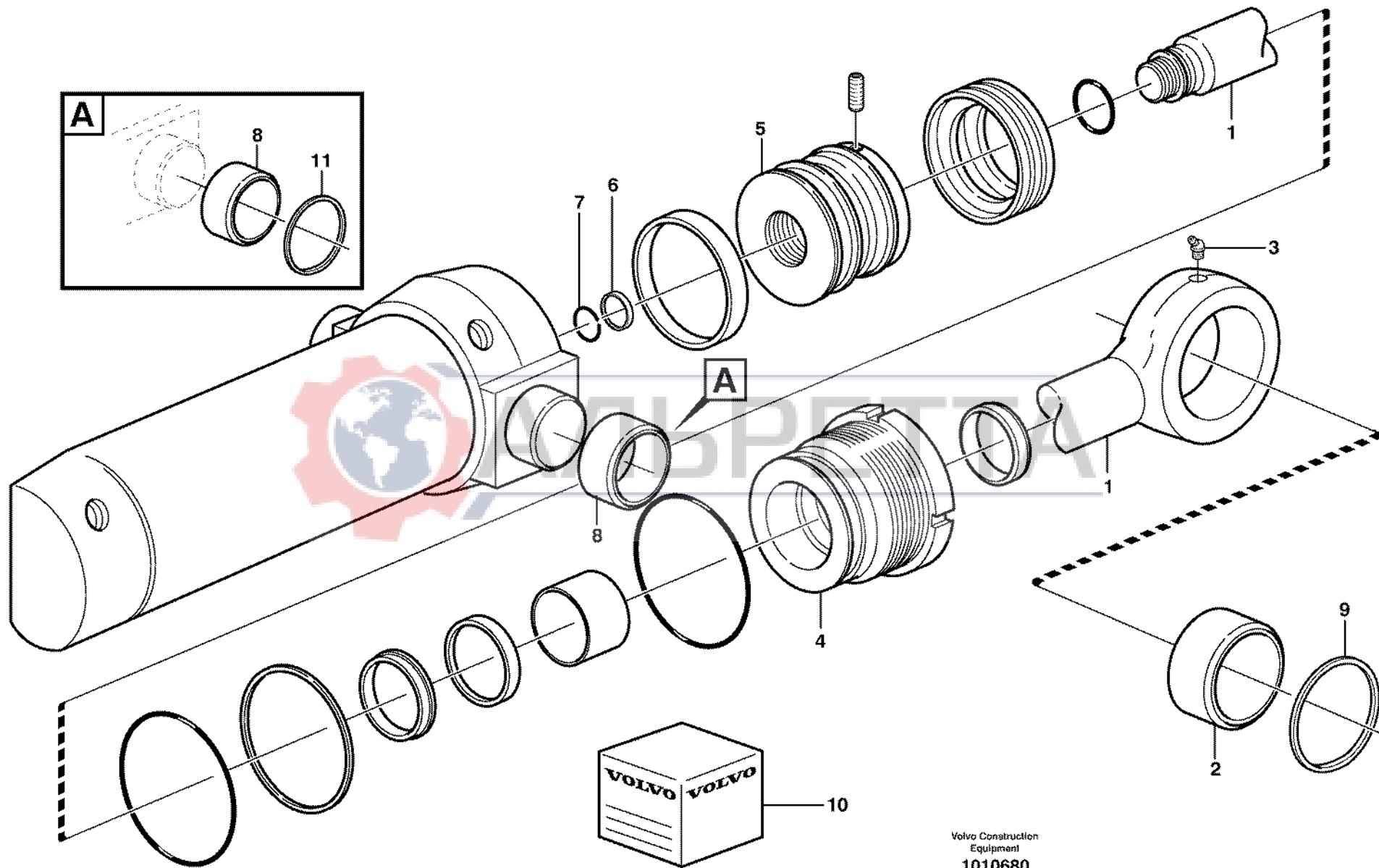


1		Hydraulsystem, sväng Sistema hidráulico, giro Hydraulikkreis, Schwenken Système hydraulique, orientation Boom swing system	Catalogue id	Group
2			20017	971
3			Illustr. No	Section
4			1005485	200
5			Issue	Page
			VOE 63D9920017	689

VOLVO

BL60





Volvo Construction
Equipment
1010680

Fig.	Part No.	Quantity			P S	K I T	Description	Dénomination	Bezeichnung	Denominación	Benämning	Notes
		1	2	3								
	VOE 11884052	1				Swing cylinder.....	Vérin d'orientation	Schwenkzylinder	Cilindro de giro	Svängcylinder.....		
1	VOE 11988249	1				•Piston rod	•Bielle de piston	•Kolbenstange	•Biela de piston	•Kolvstång.....		
2	VOE 11988255	1				•Bushing.....	•Bague	•Buchse	•Casquillo	•Bussning.....		
3	VOE 11988251	1				•Lub Nipple	•Graisseur	•Schmiernippel	•Engrasador	•Smörjnippel.....		
4	VOE 11988250	1				•Pstn Rod Guide	•Gui.tige Piston	•Ko-stang Fuhrg	•Guia Var Piston.....	•Kolvst.styrning.....		
5	VOE 11709676	1				•Piston.....	•Piston.....	•Kolben.....	•Piston	•Kolv.....		
6	VOE 11709526	1				•Cushion Ring	•Douille amortisseurs ..	•Dämpfhülse.....	•Manguito Amorti.....	•Dämpfylsa.....		
7	VOE 11709527	1				•Lock Ring.....	•Anneau Verrouillage ..	•Schlossring	•Anillo Segurid.....	•Låsring.....		
8	VOE 11709672	2				•Bushing.....	•Bague	•Buchse	•Casquillo	•Bussning.....		
9	VOE 11883937	2				Scraper	Racloir.....	Abstreicher	Rascador.....	Skrapa.....		
10	VOE 11709677	1				Sealing Kit.....	Jeu Joints.....	Dichtungssatz.....	Juego Retenes	Tätningssats.....		
11	VOE 11709616	2				Scraper	Racloir.....	Abstreicher	Rascador.....	Skrapa.....		

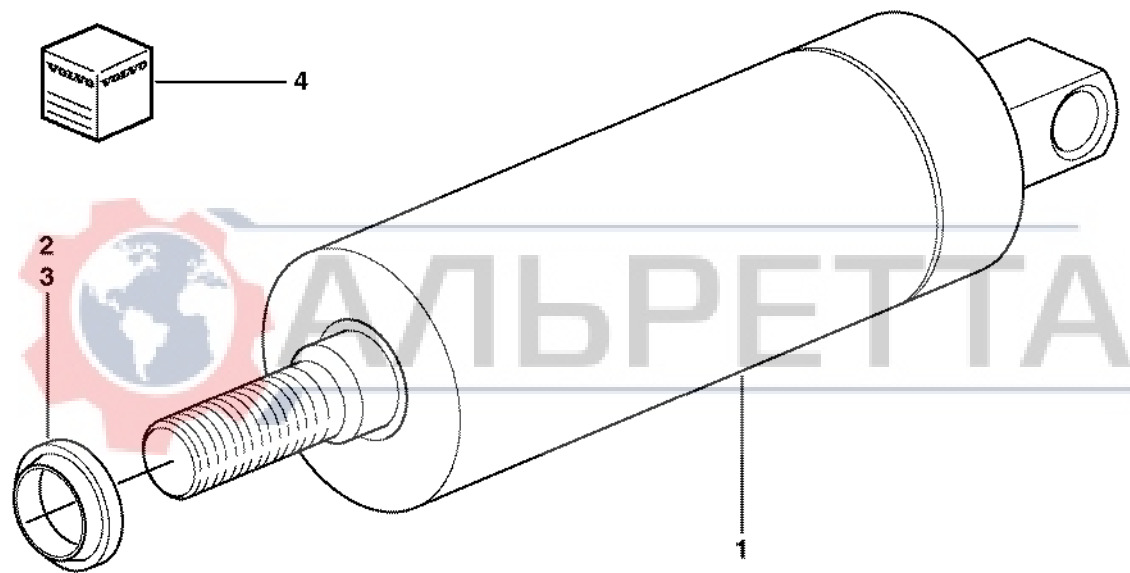


1	Svängcylinder Cilindro de giro Schwenkzylinder Vérin d'orientation Swing cylinder	Catalogue id	Group
2		20017	971
3		Illustr. No	Section
4		1010680	300
5		Issue	Page
		VOE 63D9920017	691

VOLVO

BL60





Volvo Construction
Equipment
1003011

Fig.	Part No.	Quantity			P S	K I T	Description	Dénomination	Bezeichnung	Denominación	Benämning	Notes
		1	2	3								
1	VOE 11884579	1				Locking Cyl	Cyl Verrouil	Sperrzylinder	Cil Bloqueo	Spärrcylinder.....		
1	VOE 11888096		1			Cylinder.....	Verin.....	Zylinder	Cilindro	Cylinder.....		
2	VOE 11709679	1				•Scraper	•Racloir.....	•Abstreicher.....	•Rascador.....	•Skrapa.....		
3	VOE 11709680	1				•Filter.....	•Filtre.....	•Filter.....	•Filtro	•Filter.....		
4	VOE 11710606	1				•Sealing Kit	•Jeu Joints.....	•Dichtungssatz	•Juego Retenes.....	•Tätningssats.....		



1	11884579	Spärrcylinder Cilindro de bloqueo Sperrzylinder Vérin de verrouillage Lock cylinder	Catalogue id	Group
2	11888096 S/N 10939 -		20017	971
3			Illustr. No	Section
4			1003011	400
5			Issue	Page
			VOE 63D9920017	693

VOLVO

BL60



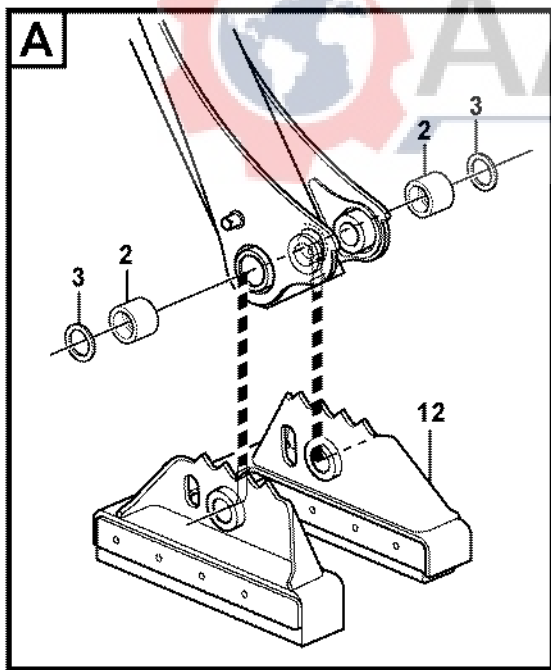
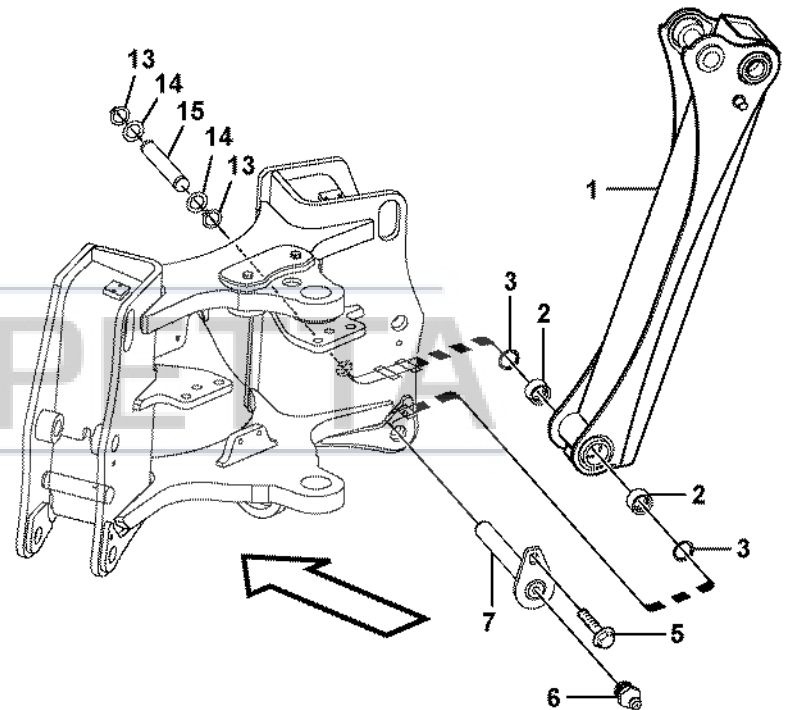
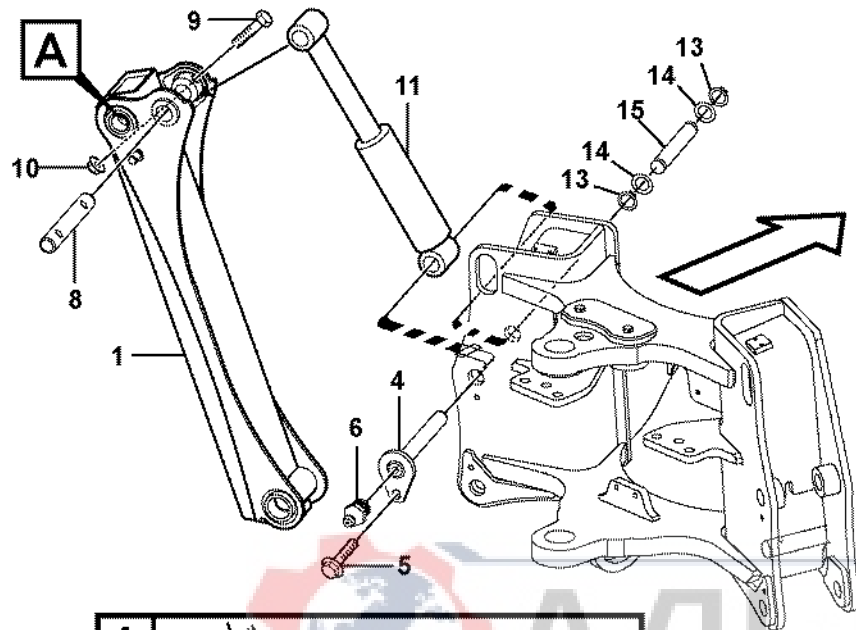


Fig.	Part No.	Quantity			P S	K I T	Description	Dénomination	Bezeichnung	Denominación	Benämning	Notes
		1	2	3								
1	VOE 11883560	1				Plate.....	Plaque.....	Platte.....	Placa.....	Platta.....	LH	
	VOE 11888361		1			Stabilizer Bar.....	Stabilisatrice.....	Querstabilisat.....	Estabilizador.....	Krängn.hämmare.....		
	VOE 11883572	1				Plate.....	Plaque.....	Platte.....	Placa.....	Platta.....	RH	
	VOE 11888360		1			Plate.....	Plaque.....	Platte.....	Placa.....	Platta.....		
2	VOE 11883768	8	8			•Bushing.....	•Bague.....	•Buchse.....	•Casquillo.....	•Bussning.....		
3	VOE 11890048	8	8			Seal.....	Joint.....	Dichtring.....	Junta.....	Tätning.....		
4	VOE 11883502	2	2			Pin.....	Goupille.....	Zapfen.....	Pasador.....	Tapp.....	SER NO -10327	
5	VOE 968589	4	4			Flange screw.....	Vis à bride.....	Flanschschraube.....	Torn embridado.....	Flänsskruv.....	SER NO -10327	
6	VOE 914167	4	4			Nipple.....	Raccord.....	Nippel.....	Niple.....	Nippel.....		
7	VOE 11882537	2	2			Pin.....	Goupille.....	Zapfen.....	Pasador.....	Tapp.....	SER NO -10327	
8	VOE 11881266	2	2			Pin.....	Goupille.....	Zapfen.....	Pasador.....	Tapp.....		
9	VOE 967640	2	2			Screw.....	Vis.....	Schraube.....	Tornillo.....	Skruv.....		
10	VOE 13971098	2	2			Flange nut.....	Ecrou accouple.....	Bundmutter.....	Tuerca embridad.....	Flänsmutter.....		
11		2	2			Cylinder.....	Verin.....	Zylinder.....	Cilindro.....	Cylinder.....	See group 972, Page 697	
12		2	2			Foot Plate.....	Plaque Pedale.....	Fussplatte.....	Placa Pie.....	Fotplatta.....	See group 972, Page 699	
13	VOE 914470	8	8			Snap Ring.....	Circlip.....	Nutring.....	Circlip.....	Spårring.....	SER NO 10328-	
14	VOE 11840898	8	8			Shim.....	Cale d'épaisseur.....	Passscheibe.....	Arandela Ajuste.....	Passbricka.....	SER NO 10328-10577	
14	VOE 403078	12	12			Shim.....	Cale Reglage.....	Nachstellblech.....	Laminill Ajuste.....	Justerbleck.....	SER NO 10578-	
15	VOE 11887208	4	4			Pin.....	Goupille.....	Zapfen.....	Pasador.....	Tapp.....	SER NO 10328-	

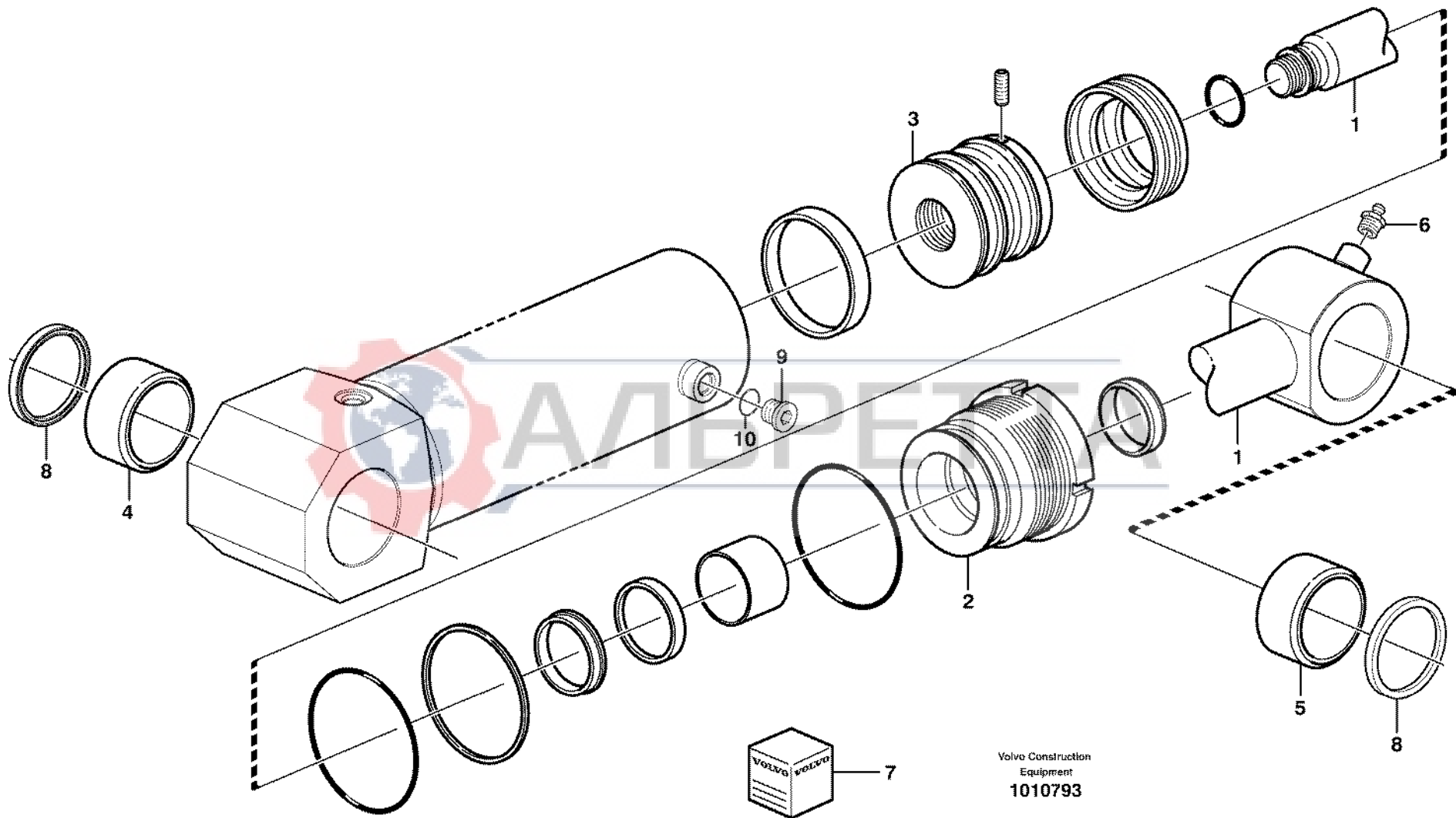


1	S/N - 10938	Stödben Pata de apoyo Pratzen Bequille Stabilisers	Catalogue id	Group
2	S/N 10939 -		20017	972
3			Illustr. No	Section
4			1007940	100
5			Issue	Page
		VOE 63D9920017	695	

VOLVO

BL60





Volvo Construction
Equipment
1010793

Fig.	Part No.	Quantity			P S	K I T	Description	Dénomination	Bezeichnung	Denominación	Benämning	Notes
		1	2	3								
	VOE 11885749	2				Cylinder.....	Verin.....	Zylinder	Cilindro	Cylinder.....		
	VOE 11886367		2			Cylinder.....	Verin.....	Zylinder	Cilindro	Cylinder.....		
1	VOE 11712922	1				•Piston rod	•Bielle de piston	•Kolbenstange	•Biela de piston	•Kolvstång.....		
	VOE 11715302		1			•Piston rod	•Bielle de piston	•Kolbenstange	•Biela de piston	•Kolvstång.....		
2	VOE 11710945	1				•Pstn Rod Guide	•Gui.tige Piston	•Ko-stang Fuhrg	•Guia Var Piston	•Kolvst.styrning.....		
	VOE 11715303		1			•Piston rod guide.....	•Guide tige piston.....	•Kolbenstangenführu..	•Guia varilla piston	•Kolvst.styrning.....		
3	VOE 11710946	1				•Piston.....	•Piston.....	•Kolben.....	•Piston	•Kolv.....		
	VOE 11715304		1			•Piston.....	•Piston.....	•Kolben.....	•Piston	•Kolv.....		
4	VOE 11710942	2	2			•Bushing.....	•Bague	•Buchse	•Casquillo	•Bussning.....		
5	VOE 11710944	1	1			•Bushing.....	•Bague	•Buchse	•Casquillo	•Bussning.....		
6	VOE 11710947	1	1			•Lub Nipple	•Graisseur	•Schmiernippel	•Engrasador	•Smörjnippel.....		
7	VOE 11710948	2				Sealing Kit.....	Jeu Joints.....	Dichtungssatz.....	Juego Retenes	Tätningssats.....		
	VOE 11715295		1			Sealing Kit.....	Jeu Joints.....	Dichtungssatz.....	Juego Retenes	Tätningssats.....		
8	VOE 11883674	8				Sealing ring	Bague d'étanchéité	Runddichtring	Anillo reten	Tätningsring.....		
9	VOE 11883510	2				Plug.....	Bouchon	Stopfen.....	Tapon	Plugg.....		
10	VOE 932039	1				•O-ring.....	•Joint Torique	•O-Ring.....	•Junta torica	•O-ring.....		



1	S/N - 10591	Stödbenscyylinder Cilindro hidraulico para pata de apoyo Hydraulzylinder für Pratzen Vérin hydraulique pour jambe d'appui Stabiliser cylinder	Catalogue id	Group
2	S/N 10592 -		20017	972
3			Illustr. No	Section
4			1010793	200
5			Issue	Page
			VOE 63D9920017	697

VOLVO

BL60



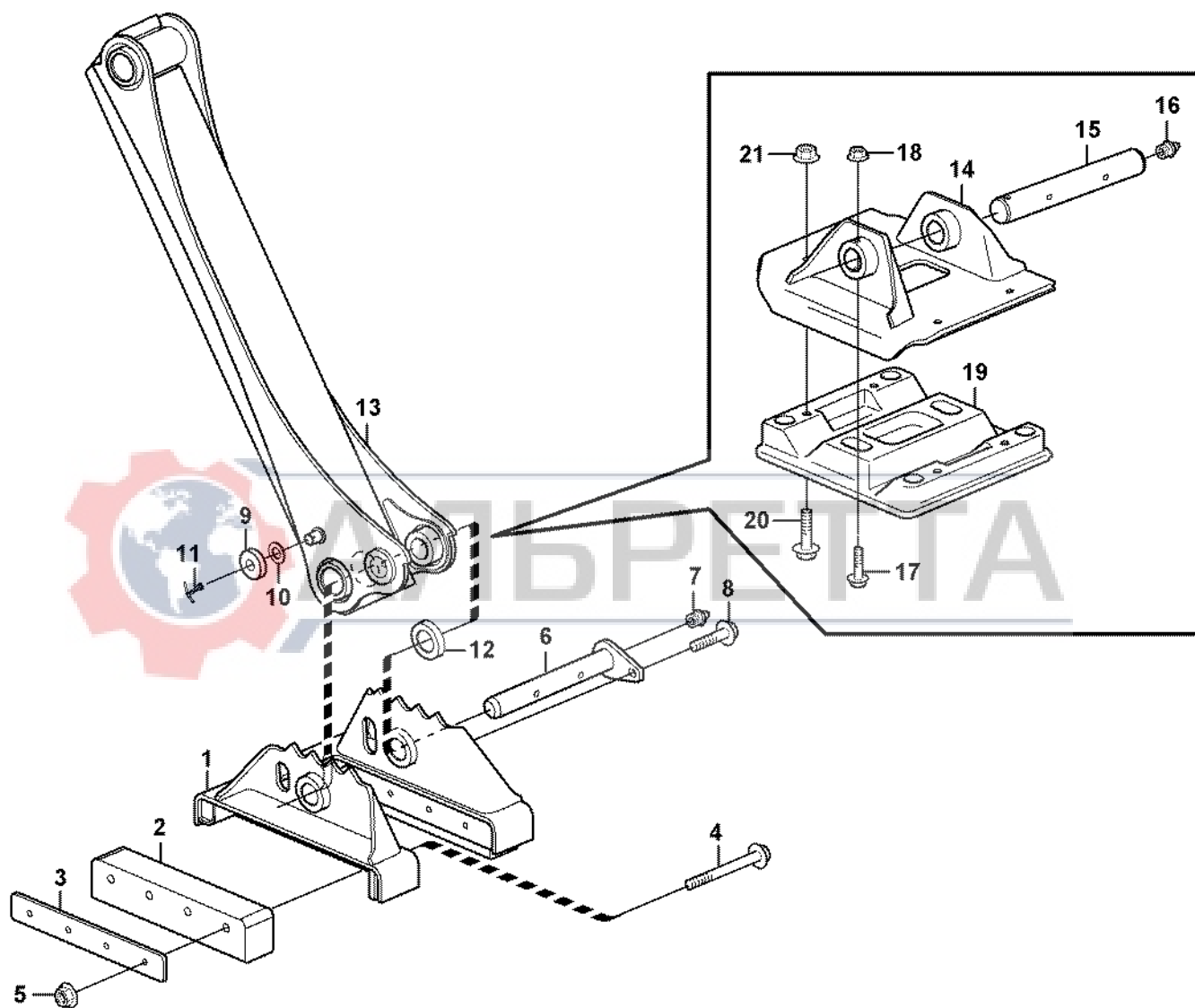


Fig.	Part No.	Quantity			P S	K I T	Description	Dénomination	Bezeichnung	Denominación	Benämning	Notes
		1	2	3								
1	VOE 11883545	1				Foot Plate.....	Plaque Pedale.....	Fussplatte.....	Placa Pie	Fotplatta.....	LH	
	VOE 11883556	1				Pad.....	Patin.....	Belag.....	Pastilla.....	Pad.....	RH	
	VOE 11888747					Foot Plate.....	Plaque Pedale.....	Fussplatte.....	Placa Pie	Fotplatta.....		
2	VOE 11885784	4				Pad.....	Patin.....	Belag.....	Pastilla.....	Pad.....	(VOE 11884292)	
3	VOE 11883544	4				Plate.....	Plaque.....	Platte.....	Placa	Platta.....		
4	VOE 11885271	16				Screw.....	Vis.....	Schraube.....	Tornillo	Skruv.....		
5	VOE 971099	16				Flange Lock Nut.....	Contre écrou bride	Flanschmutter	Contratuer Embr.....	Flänslåsmutter.....	(VOE 13971099)	
6	VOE 11884382	2				Pin.....	Goupille.....	Zapfen.....	Pasador.....	Tapp.....		
7	VOE 914167	2				Nipple.....	Raccord.....	Nippel.....	Niple	Nippel.....		
8	VOE 974428	2				Flange screw.....	Vis à bride	Flanschschraube	Torn embridado	Flänsskruv.....		
9	VOE 11885295	2				Washer.....	Rondelle.....	Scheibe	Arandela.....	Bricka.....	S/N - 10769	
	VOE 11888232	2				Wheel.....	Roue	Rad.....	Rueda.....	Hjul.....	S/N 10770 -	
10	VOE 930853	2				Washer.....	Rondelle.....	Scheibe	Arandela.....	Bricka.....	S/N - 10769	
	VOE 11888020	2				Washer.....	Rondelle.....	Scheibe	Arandela.....	Bricka.....	S/N 10770 -	
11	VOE 907864	2				Cotter Pin.....	Goupille Fendue.....	Splint.....	Pasador Hendido	Saxpinne.....		
12	VOE 11890115	REQ				Washer.....	Rondelle.....	Scheibe	Arandela.....	Bricka.....		
13		2				Support.....	Support	Stütze.....	Apoyo	Stöd.....	See group 972, Page 695	
14	VOE 11884102		2			Pad.....	Patin.....	Belag.....	Pastilla.....	Pad.....		
15	VOE 11885002		2			Pin.....	Goupille.....	Zapfen.....	Pasador.....	Tapp.....		
16	VOE 914167		2			Nipple.....	Raccord.....	Nippel.....	Niple	Nippel.....		
17	VOE 967640		2			Screw.....	Vis.....	Schraube.....	Tornillo	Skruv.....		
18	VOE 13971098		2			Flange nut.....	Ecrou accouple.....	Bundmutter.....	Tuerca embridad	Flänsmutter.....		
19	VOE 11885747		2			Pad.....	Patin.....	Belag.....	Pastilla.....	Pad.....		
20	VOE 13965196		8			Screw.....	Vis.....	Schraube.....	Tornillo	Skruv.....		
21	VOE 971099		8			Flange Lock Nut.....	Contre écrou bride	Flanschmutter	Contratuer Embr.....	Flänslåsmutter.....		

1	11891329 S/N - 10938	Fotplatta Placa de soporte Fußplatte Socle Foot plate	Catalogue id	Group
2	11891364		20017	972
3	11891365		Illustr. No	Section
4			1013660	300
5			Issue	Page
			VOE 63D9920017	699

VOLVO

BL60



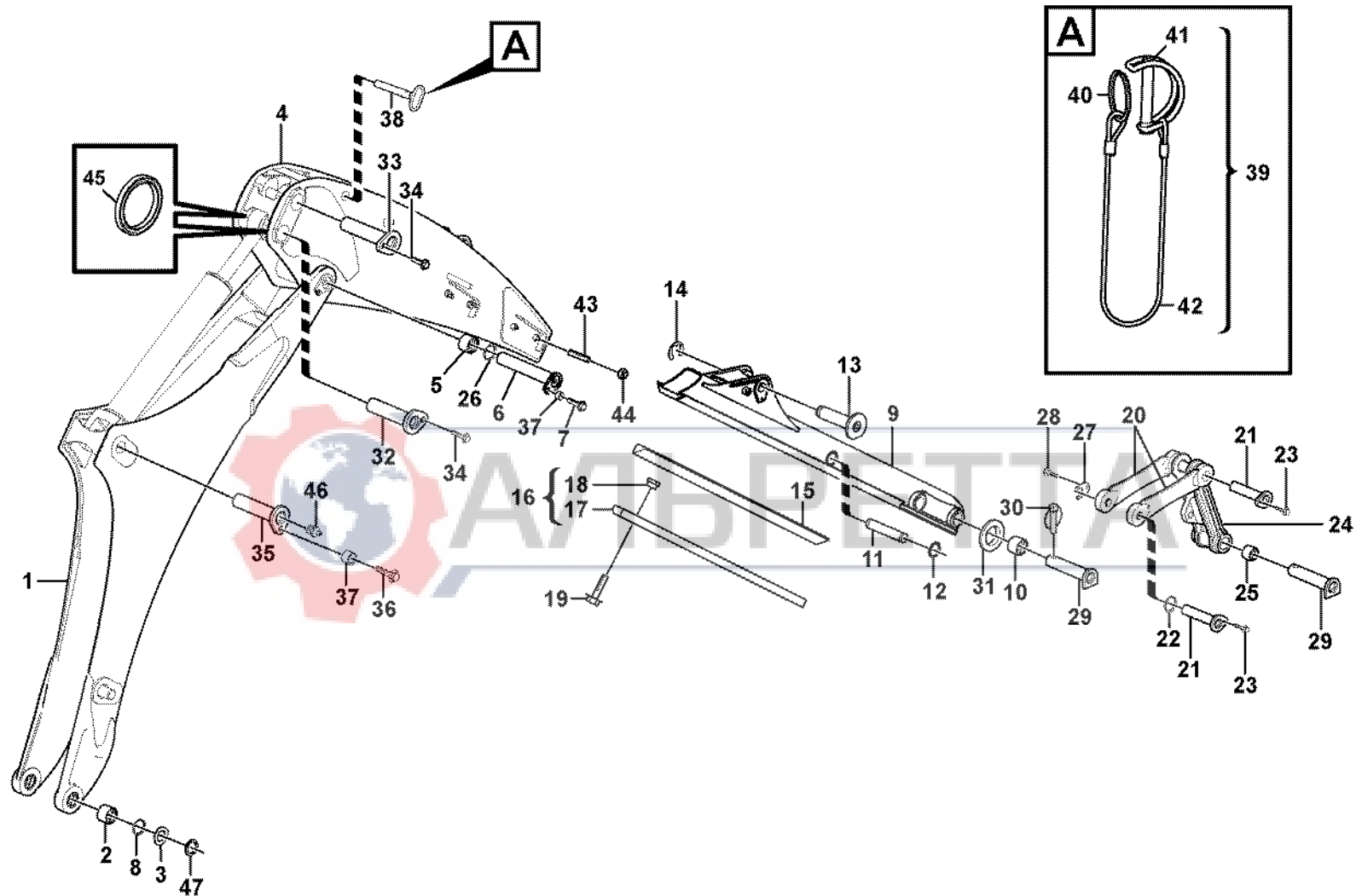


Fig.	Part No.	Quantity			P S	K I T	Description	Dénomination	Bezeichnung	Denominación	Benämning	Notes
		1	2	3								
1	VOE 11886266	1				Boom.....	Fleche	Ausleger	Pluma	Bom.....		
1	VOE 11888239		1			Boom.....	Fleche	Ausleger	Pluma	Bom.....		
2	VOE 11885426	2	2			•Bushing.....	•Bague	•Buchse	•Casquillo	•Bussning.....		
3	VOE 11885225	REQ	REQ			Shim.....	Cale d'épaisseur	Passscheibe.....	Arandela Ajuste	Passbricka.....		
4	VOE 11886499	1	1			Arm	Bras.....	Arm.....	Brazo	Arm.....	(VOE 11884262)	
5	VOE 11883769	2	2			•Bushing.....	•Bague	•Buchse	•Casquillo	•Bussning.....		
6	VOE 11886255	1				Pin.....	Goupille.....	Zapfen	Pasador.....	Tapp.....		
6	VOE 11887962		1			Pin.....	Goupille.....	Zapfen	Pasador.....	Tapp.....		
7	VOE 968589	1	1			Flange screw.....	Vis à bride	Flanschschraube	Torn embridado	Flänsskruv.....		
8	VOE 11890069	6	6			Seal.....	Joint	Dichtung	Reten.....	Tätning.....		
9	VOE 11884248	1	1			Arm	Bras.....	Arm.....	Brazo	Arm.....		
10	VOE 11883770	4	4			•Bushing.....	•Bague	•Buchse	•Casquillo	•Bussning.....		
11	VOE 11883897	1	1			Pin.....	Goupille.....	Zapfen	Pasador.....	Tapp.....		
12	VOE 914465	2	2			Snap Ring	Circlip	Nutring	Circlip	Spårring.....		
13	VOE 11884259	1	1			Pin.....	Goupille.....	Zapfen	Pasador.....	Tapp.....		
14	VOE 967562	1	1			Snap ring.....	Circlip	Nutring	Circlip	Spårring.....		
15	VOE 11885340	1	1			Wear Part.....	Piece Usure	Verschleissteil	Secc Desgaste	Slitdel.....		
15	VOE 11885339	1	1			Wear Part.....	Piece Usure	Verschleissteil	Secc Desgaste	Slitdel.....		
16	VOE 11883863	2	2			Strip.....	Bande.....	Streifen.....	Cinta	Band.....	S/N - 10795	
16	VOE 11887915	2	2			Strip.....	Bande.....	Streifen.....	Cinta	Band.....	S/N 10796 -	
17	VOE 11883862	1	1	SS		•Strip.....	•Bande	•Streifen.....	•Cinta	•Band.....	S/N - 10795	
18	VOE 11883865	5	5			•Square Nut	•Erou Carre	•Vierkantmutter.....	•Tuerca Cuadrada	•Fyrkantmutter.....		
19	VOE 946441	10	10			Flange screw.....	Vis à bride	Flanschschraube	Torn embridado	Flänsskruv.....		
20	VOE 11886174	2	2			Link	Articulation	Gelenk.....	Articulacion.....	Länk.....		
21	VOE 11882533	2	2			Pin.....	Goupille.....	Zapfen	Pasador.....	Tapp.....		
22	VOE 11890048	4	4			Seal.....	Joint	Dichtring	Junta	Tätning.....		
23	VOE 968589	2	2			Flange screw.....	Vis à bride	Flanschschraube	Torn embridado	Flänsskruv.....		
24	VOE 11881575	1	1			Link	Articulation	Gelenk.....	Articulacion.....	Länk.....	DELETED	
25	VOE 11883768	4	4			•Bushing.....	•Bague	•Buchse	•Casquillo	•Bussning.....		
26	VOE 11890117	REQ	REQ			Washer.....	Rondelle.....	Scheibe	Arandela.....	Bricka.....		

1	11886266 S/N - 10938	Grävbom med teleskoparm Pluma de excavación con brazo telescópico Grabausleger mit Teleskopstiel Flèche d'équipement excavateur avec bras télescopique Excavator boom, extendible dipper arm	Catalogue id	Group
2	11888239 S/N 10939 -		20017	974
3			Illustr. No	Section
4			1008839	100
5			Issue	Page
	11890342	VOE 63D9920017	701	

VOLVO

BL60



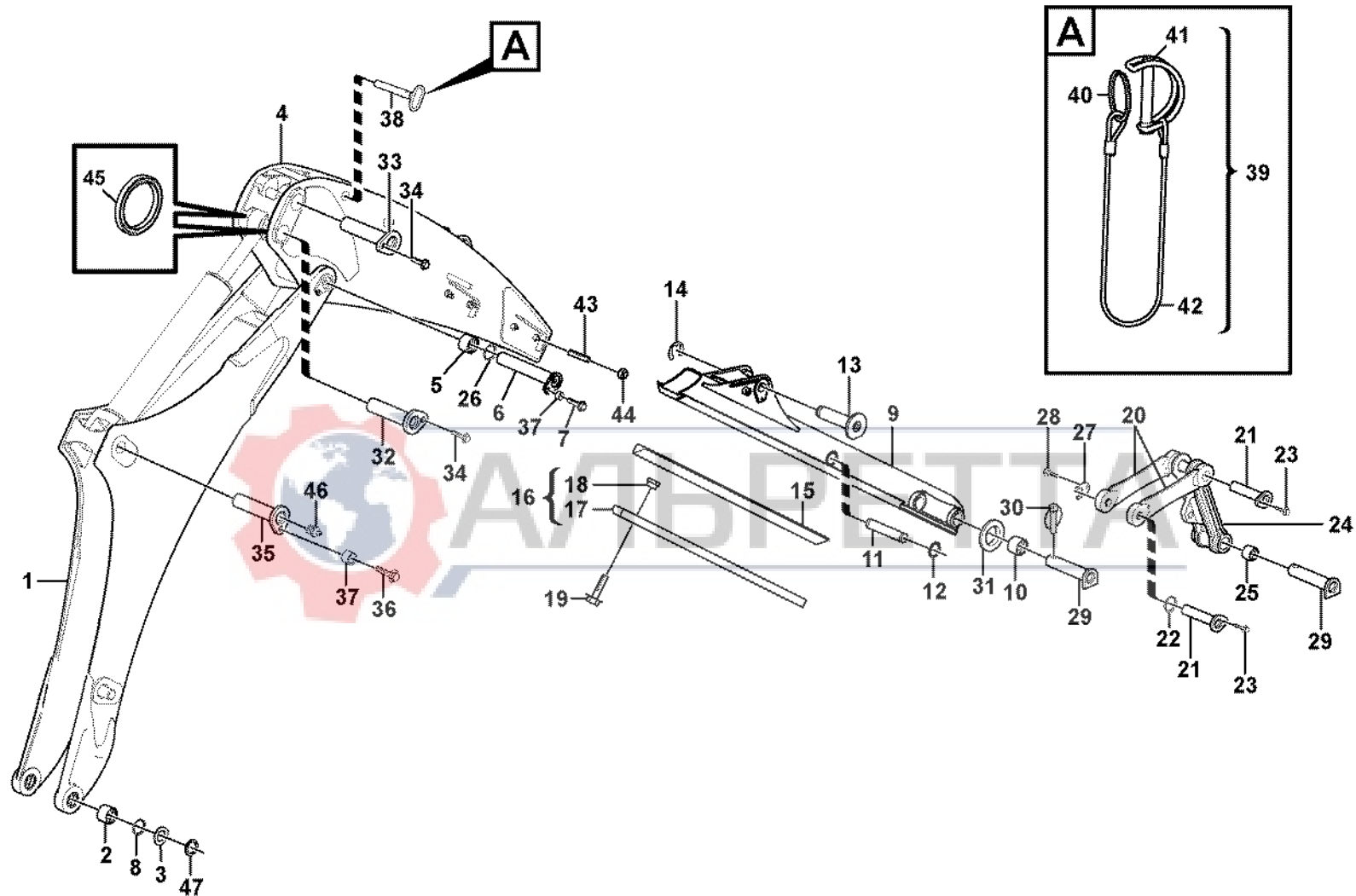


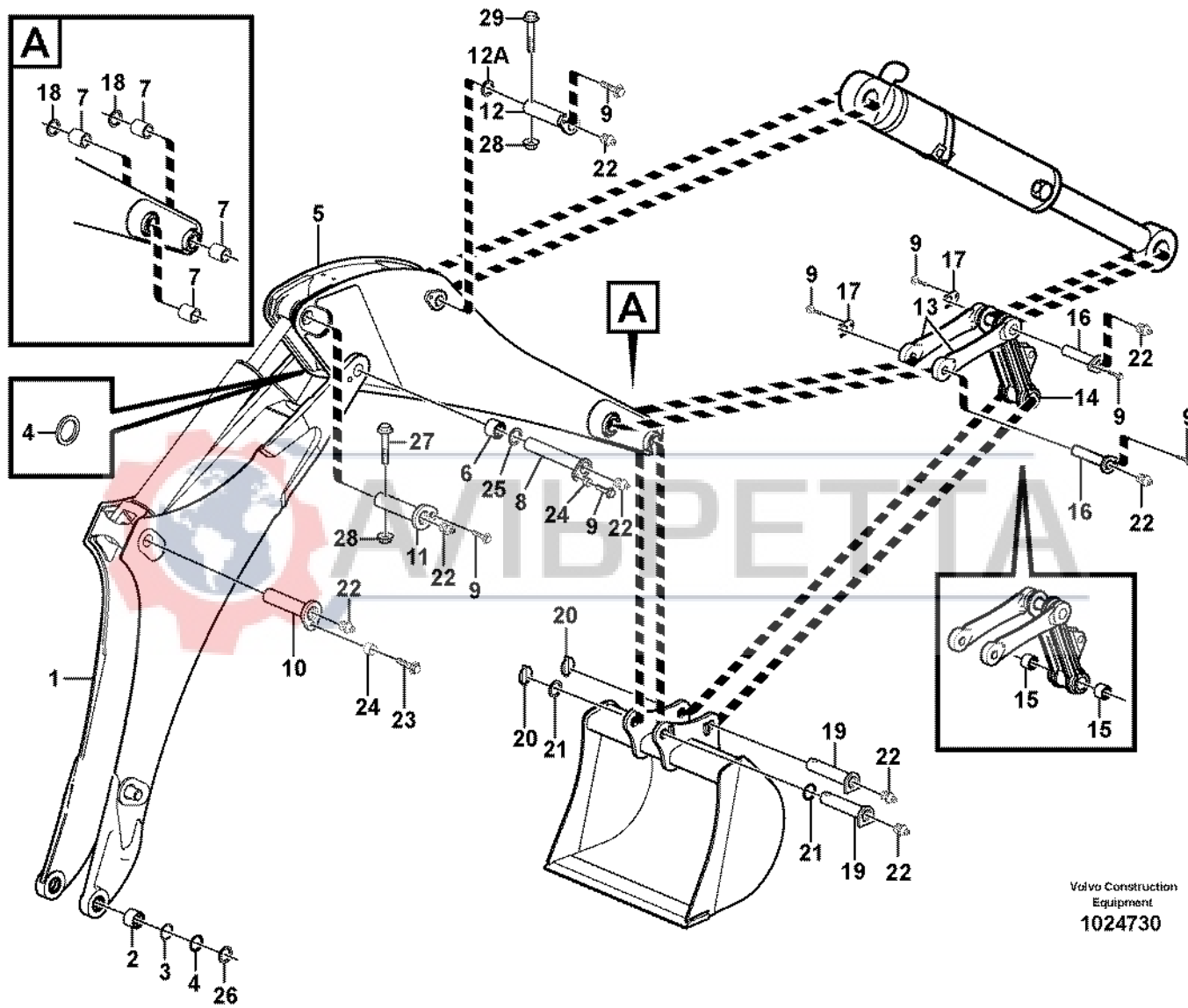
Fig.	Part No.	Quantity			P S	K I T	Description	Dénomination	Bezeichnung	Denominación	Benämning	Notes
		1	2	3								
27	VOE 11881629	2	2			Clip.....	Clip.....	Klemme.....	Clip.....	Clips.....		
28	VOE 968589	2	2			Flange screw.....	Vis à bride.....	Flanschschraube.....	Torn embridado.....	Flänsskruv.....		
29	VOE 11883275	2	2			Pin.....	Goupille.....	Zapfen.....	Pasador.....	Tapp.....	11891061	
30	VOE 11881622	2	2			Locking pin.....	Goupille d'arrêt.....	Schliessbolzen.....	Pasador de cierre.....	Låspinne.....	11891061	
31	VOE 955912	2	2			Washer.....	Rondelle.....	Scheibe.....	Arandela.....	Bricka.....	11891061	
32	VOE 11882677	1	1			Pin.....	Goupille.....	Zapfen.....	Pasador.....	Tapp.....		
33	VOE 11882537	1	1			Pin.....	Goupille.....	Zapfen.....	Pasador.....	Tapp.....		
34	VOE 968589	2	2			Flange screw.....	Vis à bride.....	Flanschschraube.....	Torn embridado.....	Flänsskruv.....		
35	VOE 11884607	1				Pin.....	Goupille.....	Zapfen.....	Pasador.....	Tapp.....		
35	VOE 11887958		1			Pin.....	Goupille.....	Zapfen.....	Pasador.....	Tapp.....		
36	VOE 968435	1	1			Flange screw.....	Vis à bride.....	Flanschschraube.....	Torn embridado.....	Flänsskruv.....		
37	VOE 11884168	2	2			Spacer.....	Entretoise.....	Abstandstueck.....	Casquillo distanciad.....	Distans.....		
38	VOE 11882540	1	1			Pin.....	Goupille.....	Zapfen.....	Pasador.....	Tapp.....		
39	VOE 11883476	1	1			Safety Strap.....	Elingu.securite.....	Zurband.....	Estrobo Segurid.....	Säkerhetsstropp.....		
40	VOE 11884616	1	1			•Ring.....	•Anneau.....	•Ring.....	•Anillo.....	•Ring.....		
41	VOE 11884614	1	1	OP		•Spring Pin.....	•Axe de ressort.....	•Federstift.....	•Pasador Resorte.....	•Fjäderpinne.....		
42	VOE 11881557	1	1			•Steel Wire.....	•Fil Acier.....	•Stahldraht.....	•Alambre.....	•Ståltråd.....		
43	VOE 11882667	8	8			Set Screw.....	Vis Butee.....	Anschlagschraub.....	Tornillo Tope.....	Stoppskruv.....		
44	VOE 979021	8	8			Hexagon Nut.....	Ecrou Hexagonal.....	Sechskantmutter.....	Tuerca Hexagon.....	Sexkantsmutter.....		
45	VOE 11883936	2	2			Seal.....	Joint.....	Dichtung.....	Junta.....	Tätning.....		
46	VOE 914167	11	10			Nipple.....	Raccord.....	Nippel.....	Niple.....	Nippel.....		
47	VOE 11885224	REQ	REQ			Shim.....	Cale d'épaisseur.....	Passscheibe.....	Arandela Ajuste.....	Passbricka.....		

1	11886266 S/N - 10938	Grävbom med teleskoparm Pluma de excavación con brazo telescópico Grabausleger mit Teleskopstiel Flèche d'équipement excavateur avec bras télescopique Excavator boom, extendible dipper arm	Catalogue id	Group
2	11888239 S/N 10939 -		20017	974
3			Illustr. No	Section
4			1008839	100
5			Issue	Page
		11890342	VOE 63D9920017	703

VOLVO

BL60

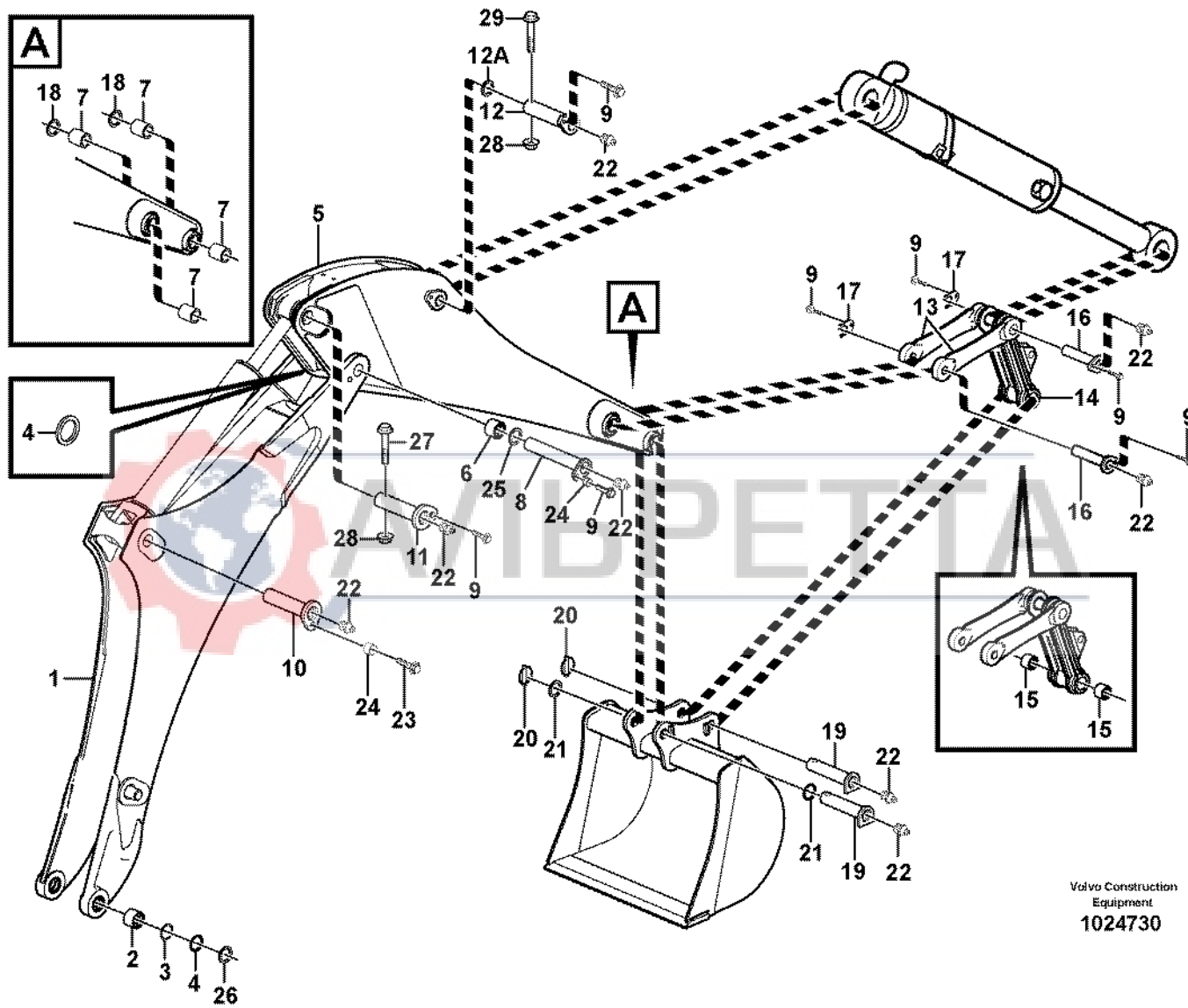




Volvo Construction
Equipment
1024730

Fig.	Part No.	Quantity			P S	K I T	Description	Dénomination	Bezeichnung	Denominación	Benämning	Notes
		1	2	3								
1	VOE 11886266	1				Boom.....	Fleche	Ausleger	Pluma	Bom.....		
1	VOE 11888239		1			Boom.....	Fleche	Ausleger	Pluma	Bom.....		
2	VOE 11885426	2	2			•Bushing.....	•Bague	•Buchse	•Casquillo	•Bussning.....	(VOE 11884713)	
3	VOE 11885225	REQ	REQ			Shim.....	Cale d'épaisseur	Passscheibe.....	Arandela Ajuste	Passbricka.....		
4	VOE 11890069	6	6			Seal.....	Joint	Dichtung	Reten.....	Tätning.....		
5	VOE 11885329	1				Dipper Arm.....	Balancier	Stiel	Brazo Cuchara	Skaft.....		
5	VOE 11888559		1			Dipper Arm.....	Balancier	Stiel	Brazo Cuchara	Skaft.....		
6	VOE 11883769	2	2			•Bushing.....	•Bague	•Buchse	•Casquillo	•Bussning.....		
7	VOE 11883770	4	4			•Bushing.....	•Bague	•Buchse	•Casquillo	•Bussning.....		
8	VOE 11886255	1				Pin.....	Goupille.....	Zapfen	Pasador.....	Tapp.....		
8	VOE 11887962		1			Pin.....	Goupille.....	Zapfen	Pasador.....	Tapp.....		
9	VOE 968589	7	5			Flange screw.....	Vis à bride	Flanschschraube	Torn embridado.....	Flänsskruv.....		
10	VOE 11884607	1				Pin.....	Goupille.....	Zapfen	Pasador.....	Tapp.....		
10	VOE 11887958		1			Pin.....	Goupille.....	Zapfen	Pasador.....	Tapp.....		
11	VOE 11884016	1				Pin.....	Goupille.....	Zapfen	Pasador.....	Tapp.....		
11	VOE 11887964		1			Pin.....	Goupille.....	Zapfen	Pasador.....	Tapp.....		
12	VOE 11884573	1				Pin.....	Goupille.....	Zapfen	Pasador.....	Tapp.....		
12	VOE 11887965		1			Pin.....	Goupille.....	Zapfen	Pasador.....	Tapp.....		
12A	VOE 11890117	2	2			Washer.....	Rondelle	Scheibe	Arandela	Bricka.....		
13	VOE 11886174	2	2			Link.....	Articulation	Gelenk	Articulacion	Länk.....		
14	VOE 11881575	1	1			Link.....	Articulation	Gelenk	Articulacion	Länk.....		
15	VOE 11883768	4	4			•Bushing.....	•Bague	•Buchse	•Casquillo	•Bussning.....		
16	VOE 11882533	2	2			Pin.....	Goupille.....	Zapfen	Pasador.....	Tapp.....		
17	VOE 11881629	2	2			Clip.....	Clip	Klemme	Clip	Clips.....		
18	VOE 11890048	4	4			Seal.....	Joint	Dichtring	Junta	Tätning.....		
19	VOE 11883275	2	2			Pin.....	Goupille.....	Zapfen	Pasador.....	Tapp.....	11891061	
20	VOE 11881622	2	2			Locking pin.....	Goupille d'arrêt.....	Schliessbolzen	Pasador de cierre.....	Låspinne.....	11891061	
21	VOE 955912	2	2			Washer.....	Rondelle	Scheibe	Arandela	Bricka.....	11891061	
22	VOE 914167	9				Nipple.....	Raccord.....	Nippel	Niple	Nippel.....		
22	VOE 914167		8			Nipple.....	Raccord.....	Nippel	Niple	Nippel.....		

1	S/N - 10938	Bom och skaft Pluma y brazo Ausleger und Stiel Flèche et balancier Boom and dipper arm	Catalogue id	Group
2	S/N 10939 -		20017	974
3			Illustr. No	Section
4			1024730	150
5			Issue	Page
		11890343	VOE 63D9920017	705



Volvo Construction
Equipment
1024730

Fig.	Part No.	Quantity			P S	K I T	Description	Dénomination	Bezeichnung	Denominación	Benämning	Notes
		1	2	3								
23	VOE 968435	1	1			Flange screw.....	Vis à bride	Flanschschraube	Torn embridado	Flänsskruv.....		
24	VOE 11884168	2	2			Spacer.....	Entretoise	Abstandstueck.....	Casquillo distanciad ..	Distans.....		
25	VOE 11890117	REQ	REQ			Washer.....	Rondelle	Scheibe	Arandela	Bricka.....		
26	VOE 11885224	REQ	REQ			Shim.....	Cale d'épaisseur	Passscheibe.....	Arandela Ajuste	Passbricka.....		
27	VOE 965197		1			Screw	Vis	Schraube.....	Tornillo	Skruv.....		
28	VOE 971099		2			Flange Lock Nut.....	Contre écrou bride	Flanschmutter	Contratuer Embr.....	Flänslåsmutter.....		
29	VOE 13965229		1			Flange screw.....	Vis à bride	Flanschschraube.....	Torn embridado	Flänsskruv.....		

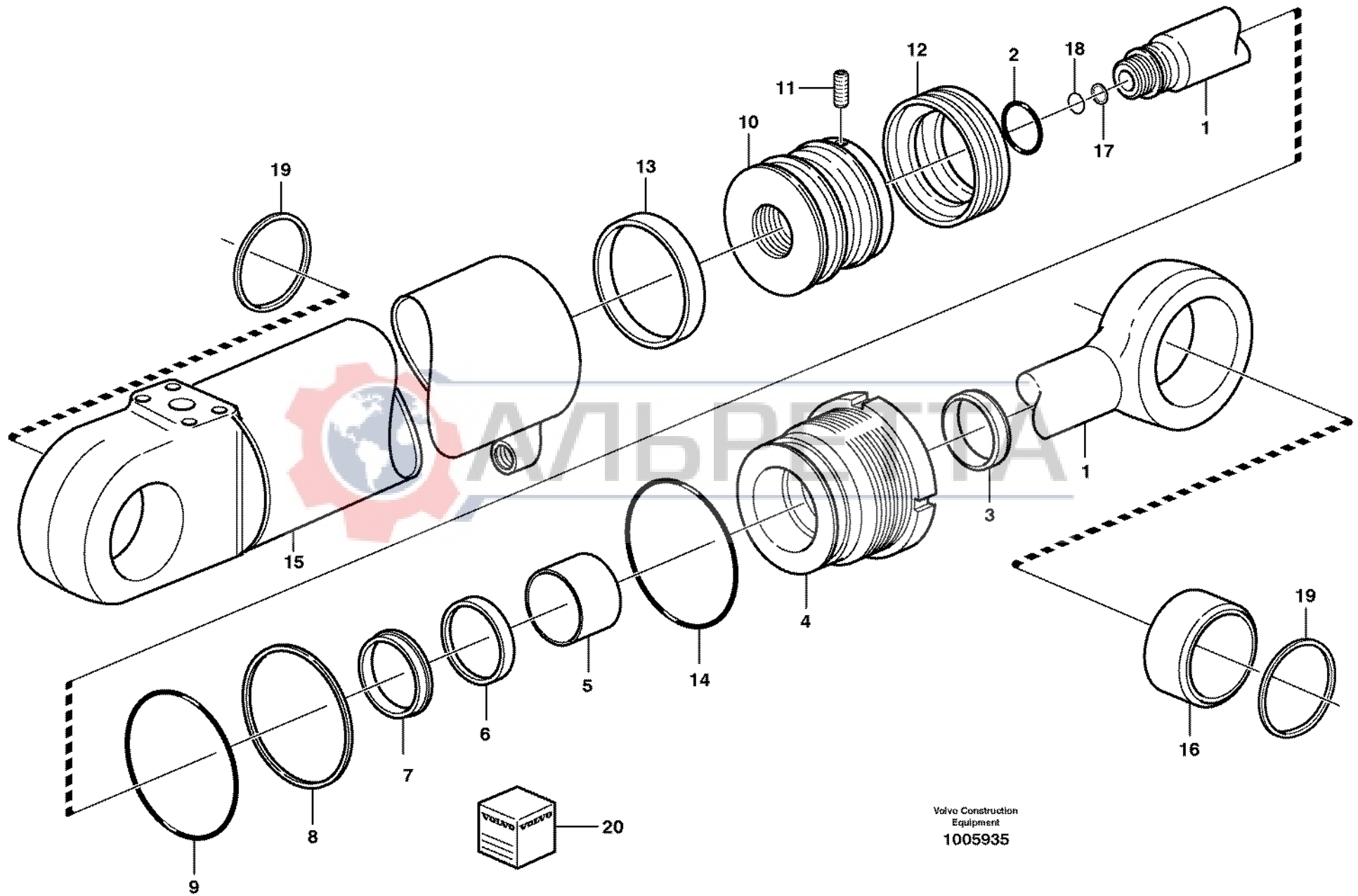


1	S/N - 10938	Bom och skaft Pluma y brazo Ausleger und Stiel Flèche et balancier Boom and dipper arm	Catalogue id	Group
2	S/N 10939 -		20017	974
3			Illustr. No	Section
4			1024730	150
5			Issue	Page
	11890343	VOE 63D9920017	707	

VOLVO

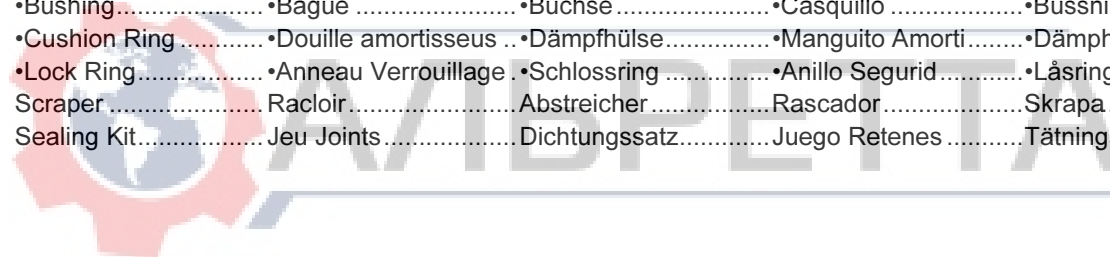
BL60





Volvo Construction
Equipment
1005935

Fig.	Part No.	Quantity			P S	K I T	Description	Dénomination	Bezeichnung	Denominación	Benämning	Notes
		1	2	3								
	VOE 11881809	1				Boom Cylinder	Verin de fleche	Auslegerzylinder.....	Maquina de flecha.....	Bomcylinder.....	See group 911, Page 553	
1	VOE 11712451	1				•Piston rod	•Bielle de piston	•Kolbenstange	•Biela de piston	•Kolvstång.....		
2		1			NS K	•O-ring.....	•Joint Torique	•O-Ring.....	•Junta torica	•O-ring.....		
3		1			NS K	•Scraper	•Racleur	•Abstreifring.....	•Aro rascador	•Avstrykare.....		
4	VOE 11712452	1			OP	•Piston rod guide.....	•Guide tige piston.....	•Kolbenstangenführu.....	•Guia varilla piston	•Kolvst.styrning.....		
5		1			NS K	•Guide Ring.....	•Bague Guide.....	•Führungsring.....	•Anillo Guia.....	•Styrring.....		
6		1			NS K	•Piston Rod Seal	•Eta.tige Piston.....	•Ko-stang Dichtg	•Reten Var Pist.....	•Kolvstångstättn.....		
7		1			NS K	•Lock Ring.....	•Anneau Verrouillage	•Schlossring	•Anillo Segurid	•Låsring.....		
8		1			NS K	•Back-up ring	•Rondelle anti-extrusi	•Stützring.....	•Anillo Apoyo	•Stödtring.....		
9		1			NS K	•O-ring.....	•Joint Torique	•O-Ring.....	•Junta torica	•O-ring.....		
10	VOE 11712453	1			OP	•Piston.....	•Piston.....	•Kolben.....	•Piston	•Kolv.....		
11		1			NS K	•Screw.....	•Vis	•Schraube.....	•Tornillo	•Skruv.....		
12		1			NS K	•Piston seal	•Etanchei.piston	•Kolbendichtung	•Reten piston.....	•Kolvtätning.....		
13		1			NS K	•Guide Ring.....	•Bague Guide.....	•Führungsring.....	•Anillo Guia.....	•Styrring.....		
14		1			NS K	•O-ring.....	•Joint Torique	•O-Ring.....	•Junta torica	•O-ring.....		
15		1			NS	•Cylinder tube	•Tube cylindre	•Zylinderrohr.....	•Tubo cilindro	•Cylinderrör.....		
16	VOE 11711135	2				•Bushing.....	•Bague	•Buchse	•Casquillo	•Bussning.....	(VOE 11709599)	
17	VOE 11709526	1				•Cushion Ring	•Douille amortisseurs	•Dämpfhülse.....	•Manguito Amorti.....	•Dämpfhylsa.....		
18		1				•Lock Ring.....	•Anneau Verrouillage	•Schlossring	•Anillo Segurid	•Låsring.....		
19	VOE 11709602	4				Scraper	Racloir.....	Abstreicher	Rascador	Skrapa.....		
20	VOE 11712455	1				Sealing Kit.....	Jeu Joints.....	Dichtungssatz.....	Juego Retenes	Tätningssats.....		

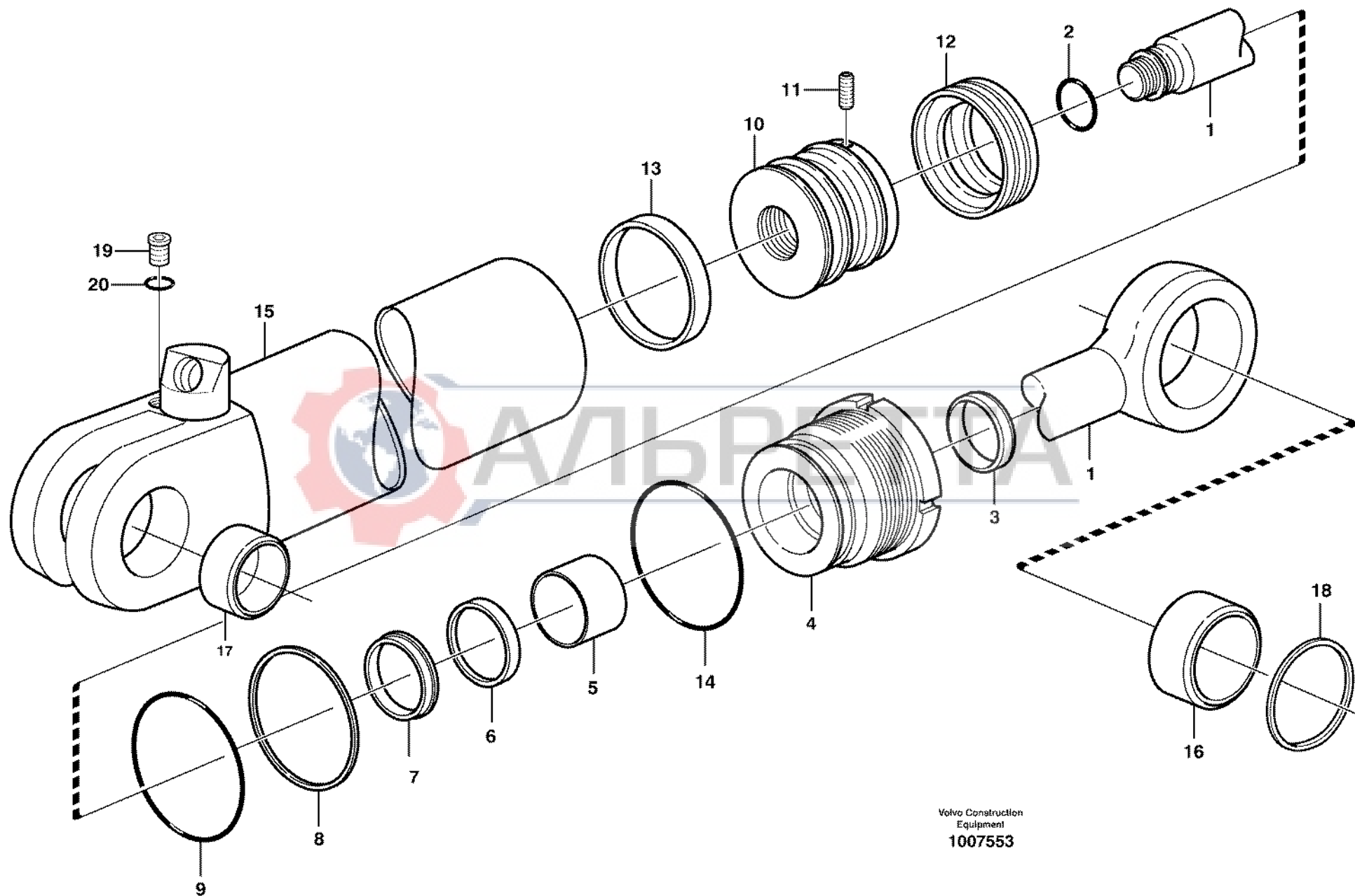


1		Bomcylinder	Catalogue id	Group
2		Cilindro de pluma	20017	974
3		Auslegerzylinder	Illustr. No	Section
4		Vérin de flèche	1005935	200
5		Boom cylinder	Issue	Page
		11890342, 11890343	VOE 63D9920017	709

VOLVO

BL60





Volvo Construction
Equipment
1007553

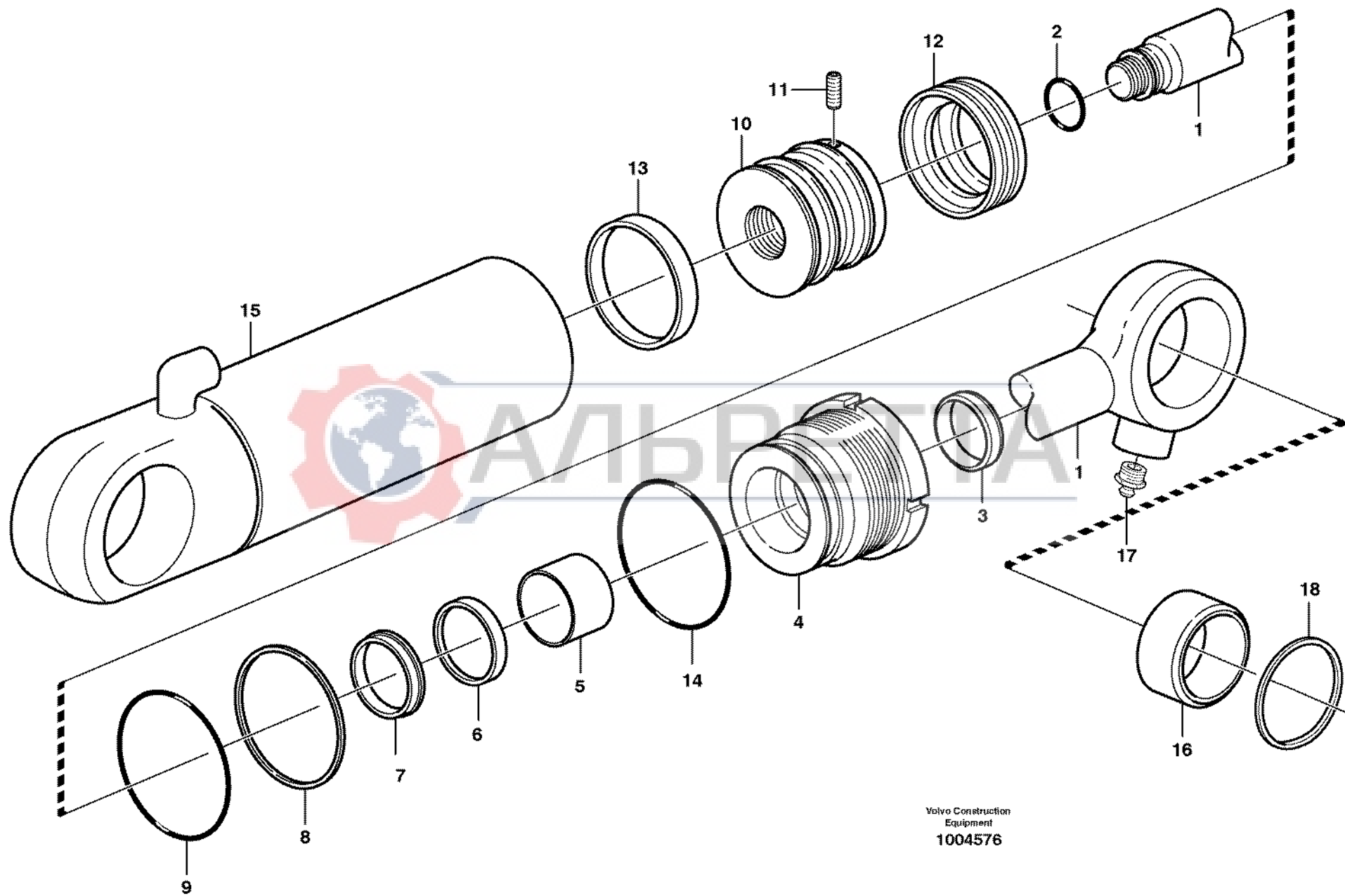
Fig.	Part No.	Quantity			P S	K I T	Description	Dénomination	Bezeichnung	Denominación	Benämning	Notes
		1	2	3								
	VOE 11881810	1				Dipper Arm Cylinder...	Vérin de bras.....	Stielzylinder.....	Cilindro de brazo.....	Skaftcylinder.....	See group 911, Page 557	
1	VOE 11712444	1				•Piston rod	•Bielle de piston	•Kolbenstange.....	•Biela de piston	•Kolvstång.....		
2		1			NS K	•O-ring.....	•Joint Torique.....	•O-Ring.....	•Junta torica	•O-ring.....		
3		1			NS K	•Scraper.....	•Racleur	•Abstreifring.....	•Aro rascador	•Avstrykare.....		
4	VOE 11709619	1			OP	•Pstn Rod Guide	•Gui.tige Piston	•Ko-stang Fuhrg	•Guia Var Piston.....	•Kolvst.styrning.....		
5		1			NS K	•Guide Ring.....	•Bague Guide.....	•Führungsring.....	•Anillo Guia.....	•Styrning.....		
6		1			NS K	•Piston Rod Seal.....	•Eta.tige Piston.....	•Ko-stang Dichtg	•Reten Var Pist.....	•Kolvstångstättn.....		
7		1			NS K	•Lock Ring.....	•Anneau Verrouillage	•Schlossring	•Anillo Segurid.....	•Låsring.....		
8		1			NS K	•Back-up ring	•Rondelle anti-extrusi	•Stützring.....	•Anillo Apoyo	•Stödtring.....		
9		1			NS K	•O-ring.....	•Joint Torique.....	•O-Ring.....	•Junta torica	•O-ring.....		
10	VOE 11709620	1				•Piston.....	•Piston.....	•Kolben.....	•Piston	•Kolv.....		
11		1			NS K	•Screw.....	•Vis.....	•Schraube.....	•Tornillo	•Skruv.....		
12		1			NS K	•Piston seal	•Etanchei.piston	•Kolbendichtung	•Reten piston.....	•Kolvtätning.....		
13		1			NS K	•Guide Ring.....	•Bague Guide.....	•Führungsring.....	•Anillo Guia.....	•Styrning.....		
14		1			NS K	•O-ring.....	•Joint Torique.....	•O-Ring.....	•Junta torica	•O-ring.....		
15		1			NS	•Cylinder tube	•Tube cylindre	•Zylinderrohr.....	•Tubo cilindro	•Cylinderrör.....		
16	VOE 11711135	1				•Bushing.....	•Bague	•Buchse	•Casquillo	•Bussning.....	(VOE 11709599)	
17	VOE 11711974	2				•Bushing.....	•Bague	•Buchse	•Casquillo	•Bussning.....		
18	VOE 11709602	2				Scraper.....	Racloir.....	Abstreicher.....	Rascador.....	Skrapa.....		
19	VOE 11883510	1				Plug.....	Bouchon.....	Stopfen.....	Tapon	Plugg.....		
20	VOE 932039	1				•O-ring.....	•Joint Torique.....	•O-Ring.....	•Junta torica	•O-ring.....		
	VOE 11709624	1				Sealing Kit.....	Jeu Joints.....	Dichtungssatz.....	Juego Retenes	Tätningssats.....		

1		Skaftcylinder	Catalogue id	Group
2		Cilindro de brazo	20017	975
3		Stielzylinder	Illustr. No	Section
4		Vérin de bras	1007553	100
5		Dipper arm cylinder	Issue	Page
		11890342, 11890343	VOE 63D9920017	711

VOLVO

BL60





Volvo Construction
Equipment
1004576

Fig.	Part No.	Quantity			P S	K I T	Description	Dénomination	Bezeichnung	Denominación	Benämning	Notes
		1	2	3								
	VOE 11886501	1				Cylinder.....	Verin.....	Zylinder	Cilindro	Cylinder.....	See group 911, Page 565	
1	VOE 11712446	1				•Piston rod	•Bielle de piston	•Kolbenstange	•Biela de piston	•Kolvstång.....		
2		1			NS K	•O-ring.....	•Joint Torique	•O-Ring.....	•Junta torica	•O-ring.....		
3		1			NS K	•Scraper	•Racleur	•Abstreifring.....	•Aro rascador	•Avstrykare.....		
4	VOE 11712447	1			OP	•Piston rod guide.....	•Guide tige piston.....	•Kolbenstangenführu.....	•Guia varilla piston	•Kolvst.styrning.....		
5		1			NS K	•Guide Ring.....	•Bague Guide.....	•Führungsring.....	•Anillo Guia.....	•Styrning.....		
6		1			NS K	•Piston Rod Seal	•Eta.tige Piston.....	•Ko-stang Dichtg	•Reten Var Pist.....	•Kolvstångstättn.....		
7		1			NS K	•Lock Ring.....	•Anneau Verrouillage	•Schlossring	•Anillo Segurid	•Låsring.....		
8		1			NS K	•Back-up ring	•Rondelle anti-extrusi	•Stützring.....	•Anillo Apoyo	•Stödtring.....		
9		1			NS K	•O-ring.....	•Joint Torique	•O-Ring.....	•Junta torica	•O-ring.....		
10	VOE 11712448	1			OP	•Piston.....	•Piston.....	•Kolben.....	•Piston	•Kolv.....		
11		1			NS K	•Screw.....	•Vis	•Schraube.....	•Tornillo	•Skruv.....		
12		1			NS K	•Piston seal	•Etanchei.piston	•Kolbendichtung	•Reten piston.....	•Kolvtätning.....		
13		1			NS K	•Guide Ring.....	•Bague Guide.....	•Führungsring.....	•Anillo Guia.....	•Styrning.....		
14		1			NS K	•O-ring.....	•Joint Torique	•O-Ring.....	•Junta torica	•O-ring.....		
15		1			NS	•Cylinder tube	•Tube cylindre	•Zylinderrohr.....	•Tubo cilindro	•Cylinderrör.....		
16	VOE 11710944	2				•Bushing.....	•Bague	•Buchse	•Casquillo	•Bussning.....		
17	VOE 11709664	1				•Lub Nipple	•Graisseur	•Schmiernippel	•Engrasador	•Smörjnippel.....		
18	VOE 11709605	4				Scraper	Racleur.....	Abstreicher	Rascador	Avstrykare.....		
	VOE 11712450	1				Sealing Kit.....	Jeu Joints.....	Dichtungssatz.....	Juego Retenes	Tätningssats.....		

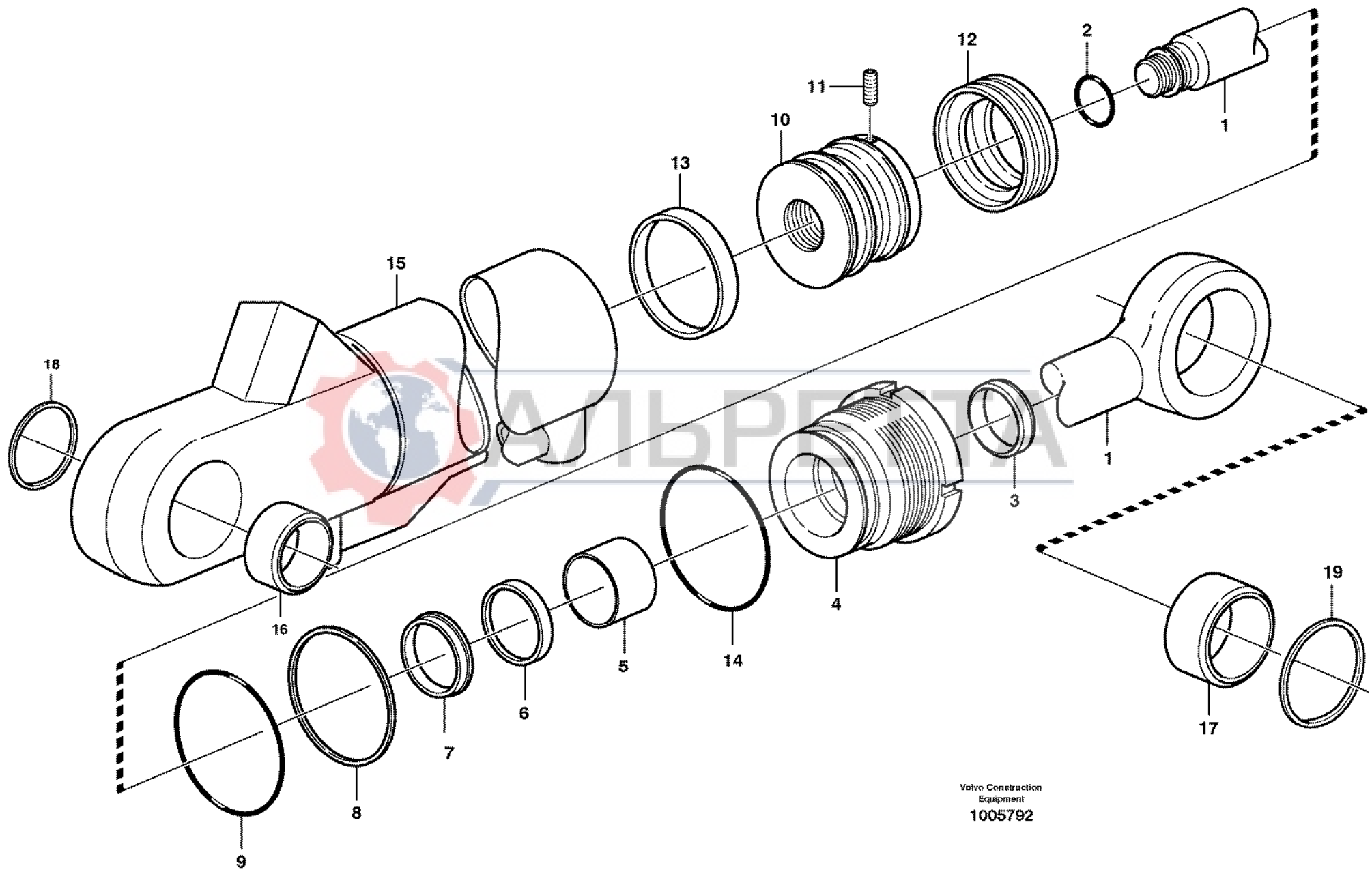


1		Skopcyliner Cilindro de cazo Schaufelzylinder Vérin de godet Bucket cylinder 11890342, 11890343	Catalogue id	Group
2			20017	975
3			Illustr. No	Section
4			1004576	200
5			Issue	Page
			VOE 63D9920017	713

VOLVO

BL60





Volvo Construction
Equipment
1005792

Fig.	Part No.	Quantity			P S	K I T	Description	Dénomination	Bezeichnung	Denominación	Benämning	Notes
		1	2	3								
	VOE 1188694	1				Cylinder.....	Cylindre.....	Zylinder.....	Cilindro.....	Cylinder.....	(VOE 11885626) See group 911, Page 571	
1	VOE 11988253	1				•Piston Rod.....	•Tige de piston.....	•Kolbenstange.....	•Varilla Piston.....	•Kolvstång.....		
2		1			NS K	•O-ring.....	•Joint Torique.....	•O-Ring.....	•Junta torica.....	•O-ring.....		
3		1			NS K	•Scraper.....	•Racleur.....	•Abstreifring.....	•Aro rascador.....	•Avstrykare.....		
4	VOE 11709536	1				•Pstn Rod Guide.....	•Gui.tige Piston.....	•Ko-stang Fuhrg.....	•Guia Var Piston.....	•Kolvst.styrning.....		
5		1			NS K	•Guide Ring.....	•Bague Guide.....	•Führungsring.....	•Anillo Guia.....	•Styrring.....		
6		1			NS K	•Piston Rod Seal.....	•Eta.tige Piston.....	•Ko-stang Dichtg.....	•Reten Var Pist.....	•Kolvstångstätt.....		
7		1			NS K	•Lock Ring.....	•Anneau Verrouillage.....	•Schlossring.....	•Anillo Segurid.....	•Låsring.....		
8		1			NS K	•Back-up ring.....	•Rondelle anti-extrusi.....	•Stützring.....	•Anillo Apoyo.....	•Stödring.....		
9		1			NS K	•O-ring.....	•Joint Torique.....	•O-Ring.....	•Junta torica.....	•O-ring.....		
10	VOE 11709537	1				•Piston.....	•Piston.....	•Kolben.....	•Piston.....	•Kolv.....		
11		1			NS K	•Screw.....	•Vis.....	•Schraube.....	•Tornillo.....	•Skruv.....		
12		1			NS K	•Piston seal.....	•Etanchei.piston.....	•Kolbendichtung.....	•Reten piston.....	•Kolvtätning.....		
13		1			NS K	•Guide Ring.....	•Bague Guide.....	•Führungsring.....	•Anillo Guia.....	•Styrring.....		
14		1			NS K	•O-ring.....	•Joint Torique.....	•O-Ring.....	•Junta torica.....	•O-ring.....		
15		1			NS	•Cylinder tube.....	•Tube cylindre.....	•Zylinderrohr.....	•Tubo cilindro.....	•Cylinderrör.....		
16	VOE 11711485	1				•Bushing.....	•Bague.....	•Buchse.....	•Casquillo.....	•Bussning.....		
17	VOE 11988256	1				•Bushing.....	•Bague.....	•Buchse.....	•Casquillo.....	•Bussning.....		
18	VOE 11709605	2				Scraper.....	Racleur.....	Abstreicher.....	Rascador.....	Avstrykare.....		
19	VOE 11988257	2				Scraper.....	Racleur.....	Abstreicher.....	Rascador.....	Avstrykare.....		
	VOE 11709538	1				Sealing Kit.....	Jeu Joints.....	Dichtungssatz.....	Juego Retenes.....	Tätningssats.....		

1	Teleskopcyylinder Cilindro telescopico. Teleskopzylinder. Cylindre telescope. Extendible dipper cylinder 11890342	Catalogue id	Group
2		20017	975
3		Illustr. No	Section
4		1005792	300
5		Issue	Page
		VOE 63D9920017	715

VOLVO

BL60



Part No	Group	Sect	Page	Part No	Group	Sect	Page	Part No	Group	Sect	Page	Part No	Group	Sect	Page	Part No	Group	Sect	Page
11712921	912	300	589	VOE 11104093	852	100	435	VOE 11170006	371	450	169	VOE 11200552	831	100	421	VOE 11200743	881	100	469
11882505	911	325	519	VOE 11104125	852	100	435	VOE 11170724	881	150	473	VOE 11200555	354	100	143	VOE 11200744	881	100	469
VOE 1083597	881	150	473	VOE 11104125	852	110	439	VOE 11180010	897	100	487	VOE 11200556	810	150	399	VOE 11200746	873	100	457
VOE 11003138	451	150	281	VOE 11104125	852	120	441	VOE 11191410	852	110	439	VOE 11200562	641	100	365	VOE 11200787	363	100	149
VOE 11003139	451	150	281	VOE 11104371	872	250	455	VOE 11200002	810	150	399	VOE 11200563	641	100	365	VOE 11200794	872	250	453
VOE 11003291	874	350	465	VOE 11104372	872	250	455	VOE 11200004	810	150	399	VOE 11200579	271	100	121	VOE 11200797	810	150	399
VOE 11003865	897	100	487	VOE 11104606	363	200	153	VOE 11200054	831	100	421	VOE 11200579	525	100	353	VOE 11200803	551	250	357
VOE 11004094	897	100	487	VOE 11104898	641	100	365	VOE 11200059	831	100	421	VOE 11200579	831	100	421	VOE 11200818	872	250	453
VOE 11006632	873	200	461	VOE 11104947	810	150	399	VOE 11200060	831	100	421	VOE 11200579	882	100	477	VOE 11200821	873	150	459
VOE 11006824	831	100	419	VOE 11109685	269	100	119	VOE 11200061	831	100	421	VOE 11200580	831	100	423	VOE 11200824	872	200	451
VOE 11006824	831	100	421	VOE 11110471	234	100	83	VOE 11200070	831	100	421	VOE 11200587	641	100	365	VOE 11200835	827	100	415
VOE 11006992	882	100	477	VOE 11110474	234	100	83	VOE 11200071	831	100	419	VOE 11200600	843	150	431	VOE 11200836	872	250	453
VOE 11007421	831	100	421	VOE 11110668	234	100	83	VOE 11200072	831	100	421	VOE 11200607	881	150	473	VOE 11200838	851	150	433
VOE 11026730	897	100	487	VOE 11110670	234	100	83	VOE 11200077	831	100	421	VOE 11200610	525	100	353	VOE 11200847	831	100	423
VOE 11027566	897	150	489	VOE 11114940	821	100	405	VOE 11200081	831	100	421	VOE 11200611	831	100	423	VOE 11200847	881	200	475
VOE 11039491	874	350	465	VOE 11117464	261	100	109	VOE 11200222	825	100	413	VOE 11200615	831	100	423	VOE 11200851	810	150	399
VOE 11039689	272	100	123	VOE 11117464	874	450	467	VOE 11200231	353	200	141	VOE 11200615	843	100	427	VOE 11200877	525	100	353
VOE 11039750	380	350	199	VOE 11121366	841	100	425	VOE 11200232	353	200	141	VOE 11200617	831	100	423	VOE 11200878	525	100	353
VOE 11039856	352	200	139	VOE 11141656	269	100	119	VOE 11200239	831	100	421	VOE 11200633	831	100	421	VOE 11200882	882	100	479
VOE 11046865	897	100	487	VOE 11141657	269	100	119	VOE 11200244	831	100	419	VOE 11200634	831	100	421	VOE 11200885	831	100	423
VOE 11055610	716	100	383	VOE 11149399	810	150	399	VOE 11200246	831	100	419	VOE 11200658	827	100	415	VOE 11200890	825	100	413
VOE 11055616	818	100	403	VOE 11149686	525	100	353	VOE 11200397	525	100	353	VOE 11200669	363	100	149	VOE 11200896	841	100	425
VOE 11057786	380	350	199	VOE 11149692	843	100	427	VOE 11200429	525	100	353	VOE 11200674	363	150	151	VOE 11200910	843	100	427
VOE 11057786	881	100	469	VOE 11149693	843	100	427	VOE 11200459	810	150	401	VOE 11200698	363	100	149	VOE 11200928	874	350	465
VOE 11059298	911	250	507	VOE 11149730	843	100	427	VOE 11200464	831	100	419	VOE 11200699	363	100	149	VOE 11200929	874	350	465
VOE 11059298	911	275	509	VOE 11149731	843	100	427	VOE 11200511	525	100	353	VOE 11200705	363	150	151	VOE 11200936	271	100	121
VOE 11059299	911	250	507	VOE 11149772	843	100	427	VOE 11200527	641	100	365	VOE 11200706	363	150	151	VOE 11200944	882	100	477
VOE 11059299	911	275	509	VOE 11149774	843	100	427	VOE 11200528	873	100	457	VOE 11200709	363	100	149	VOE 11200973	881	100	469
VOE 11078015	882	100	477	VOE 11149785	825	100	413	VOE 11200530	872	200	451	VOE 11200710	363	100	149	VOE 11200990	872	250	453
VOE 11081026	925	200	635	VOE 11164488	841	100	425	VOE 11200533	873	150	459	VOE 11200713	363	100	149	VOE 11201036	810	150	401
VOE 11081026	925	300	641	VOE 11164554	881	150	473	VOE 11200543	872	250	455	VOE 11200713	363	200	153	VOE 11201052	831	100	421
VOE 11081028	925	200	635	VOE 11164693	881	150	473	VOE 11200545	882	100	477	VOE 11200727	872	250	453	VOE 11201053	831	100	421
VOE 11081028	925	310	645	VOE 11170006	371	100	155	VOE 11200546	882	100	477	VOE 11200730	872	250	453	VOE 11201054	872	250	453
VOE 11081028	925	320	649	VOE 11170006	371	250	161	VOE 11200547	882	100	477	VOE 11200735	882	100	477	VOE 11201055	872	250	453
VOE 11104092	852	100	435	VOE 11170006	371	400	167	VOE 11200549	851	150	433	VOE 11200739	881	100	469	VOE 11201056	872	250	453

NUMERICAL INDEX	INDICE DE NÚMERO		Catalogue id	Group
	RÉPERTOIRE DE NUMÉROS	NUMMERREGISTER	20017	1000
			Issue	Page
NUMMERNREGISTER			VOE 63D9920017	1

VOLVO

BL60

NUMERICAL INDEX				INDICE DE NÚMERO				Catalogue id				Group			
RÉPERTOIRE DE NUMÉROS				NUMMERREGISTER				20017				1000			
NUMMERNREGISTER								Issue				Page			
VOE 63D9920017								VOE 63D9920017				2			
Part No	Group	Sect	Page	Part No	Group	Sect	Page	Part No	Group	Sect	Page	Part No	Group	Sect	Page
VOE 11201057	353	200	141	VOE 11202422	881	200	475	VOE 11203861	353	200	141	VOE 11298028	882	100	477
VOE 11201057	810	150	401	VOE 11202423	881	200	475	VOE 11203861	810	150	401	VOE 11298121	881	100	469
VOE 11201058	353	200	141	VOE 11202424	881	200	475	VOE 11204029	873	150	459	VOE 11298126	363	200	153
VOE 11201058	810	150	401	VOE 11202426	872	200	451	VOE 11204029	873	200	461	VOE 11298128	881	100	469
VOE 11201062	874	350	465	VOE 11202435	271	100	121	VOE 11204085	881	150	473	VOE 11298158	881	100	469
VOE 11201063	874	350	465	VOE 11202437	271	100	121	VOE 11204407	881	100	469	VOE 11298159	881	100	469
VOE 11201064	874	350	465	VOE 11202438	831	100	419	VOE 11204410	882	100	477	VOE 11298164	841	100	425
VOE 11201065	874	350	465	VOE 11202442	843	100	427	VOE 11204411	882	100	477	VOE 11298166	841	100	425
VOE 11201071	831	100	419	VOE 11202448	525	100	353	VOE 11204415	881	100	469	VOE 11298168	882	100	477
VOE 11201163	810	150	399	VOE 11202452	831	100	419	VOE 11204417	881	100	469	VOE 11298170	881	100	469
VOE 11201171	810	150	399	VOE 11202453	831	100	419	VOE 11204468	272	100	123	VOE 11298170	881	200	475
VOE 11201172	810	150	401	VOE 11202463	843	100	427	VOE 11204540	851	150	433	VOE 11298189	271	100	121
VOE 11201200	881	100	469	VOE 11202464	831	100	419	VOE 11204962	882	100	477	VOE 11298189	272	100	123
VOE 11201216	882	100	479	VOE 11202722	831	100	421	VOE 11205674	551	250	357	VOE 11298189	353	200	141
VOE 11201291	872	250	453	VOE 11202931	272	100	123	VOE 11294005	271	100	121	VOE 11298189	371	350	163
VOE 11201308	872	250	453	VOE 11202965	810	150	399	VOE 11294005	525	100	353	VOE 11298189	371	650	173
VOE 11201418	363	150	151	VOE 11203022	831	100	419	VOE 11298009	641	100	365	VOE 11298189	371	700	181
VOE 11201421	881	200	475	VOE 11203032	831	100	419	VOE 11298010	641	100	365	VOE 11298189	525	100	353
VOE 11201422	881	200	475	VOE 11203055	881	100	469	VOE 11298013	841	100	425	VOE 11298189	551	250	357
VOE 11201553	825	100	413	VOE 11203061	353	200	141	VOE 11298014	551	250	357	VOE 11298189	810	150	399
VOE 11201846	831	100	419	VOE 11203078	363	200	153	VOE 11298016	882	100	477	VOE 11298189	821	100	405
VOE 11201898	881	150	473	VOE 11203079	363	200	153	VOE 11298018	851	150	433	VOE 11298189	825	100	413
VOE 11201899	881	150	473	VOE 11203150	874	100	463	VOE 11298018	872	100	449	VOE 11298189	827	100	415
VOE 11202062	831	100	423	VOE 11203253	810	150	399	VOE 11298018	872	200	451	VOE 11298189	881	100	469
VOE 11202166	881	200	475	VOE 11203345	831	100	423	VOE 11298018	873	150	459	VOE 11298189	882	100	477
VOE 11202201	363	150	151	VOE 11203356	882	100	477	VOE 11298018	874	100	463	VOE 11298190	271	100	121
VOE 11202229	881	100	469	VOE 11203449	810	150	401	VOE 11298018	874	350	465	VOE 11298190	272	100	123
VOE 11202231	271	100	121	VOE 11203487	810	150	399	VOE 11298018	874	450	467	VOE 11298190	354	100	143
VOE 11202248	271	100	121	VOE 11203491	810	150	399	VOE 11298021	641	100	365	VOE 11298190	363	100	149
VOE 11202250	271	100	121	VOE 11203560	881	100	469	VOE 11298028	371	750	187	VOE 11298190	363	150	151
VOE 11202254	271	100	121	VOE 11203562	881	100	469	VOE 11298028	852	200	445	VOE 11298190	363	200	153
VOE 11202349	831	100	421	VOE 11203565	882	100	477	VOE 11298028	872	250	453	VOE 11298190	371	350	163
VOE 11202353	831	100	419	VOE 11203588	843	150	429	VOE 11298028	873	100	457	VOE 11298190	371	500	171
VOE 11202354	831	100	419	VOE 11203785	841	100	425	VOE 11298028	873	150	459	VOE 11298190	371	650	173
VOE 11202421	881	200	475	VOE 11203823	881	150	473	VOE 11298028	873	200	461	VOE 11298190	371	725	183
												VOE 11302220	269	100	119
												VOE 11302230	269	100	119
												VOE 11305113	362	100	145
												VOE 11305168	925	310	645
												VOE 11305168	925	320	649
												VOE 11305263	371	100	155
												VOE 11305263	371	500	171
												VOE 11305263	372	100	191
												VOE 11305263	380	350	199
												VOE 11305749	915	100	601
												VOE 11306919	380	200	195
												VOE 11315002	925	310	645
												VOE 11315002	925	320	649
												VOE 11370560	911	750	541
												VOE 11370589	911	750	541

Part No	Group	Sect	Page	Part No	Group	Sect	Page	Part No	Group	Sect	Page	Part No	Group	Sect	Page	Part No	Group	Sect	Page
VOE 11431003	911	360	525	VOE 11707351	852	200	445	VOE 11709053	421	200	227	VOE 11709066	420	150	215	VOE 11709080	421	375	251
VOE 11431014	911	360	525	VOE 11707351	852	250	447	VOE 11709053	421	225	229	VOE 11709066	420	200	217	VOE 11709081	421	250	233
VOE 11700105	451	150	281	VOE 11707355	852	150	443	VOE 11709053	421	230	231	VOE 11709067	420	150	215	VOE 11709081	421	260	235
VOE 11700269	273	100	125	VOE 11707355	852	200	445	VOE 11709054	420	150	213	VOE 11709068	420	100	209	VOE 11709081	421	275	237
VOE 11700288	212	100	53	VOE 11707356	852	150	443	VOE 11709055	420	100	209	VOE 11709068	420	150	213	VOE 11709081	421	400	255
VOE 11700341	211	100	51	VOE 11707356	852	200	445	VOE 11709055	420	150	213	VOE 11709068	420	200	217	VOE 11709082	421	250	233
VOE 11700373	214	100	59	VOE 11708555	233	100	81	VOE 11709055	420	200	217	VOE 11709069	420	150	213	VOE 11709082	421	260	235
VOE 11700375	222	100	77	VOE 11708567	363	200	153	VOE 11709056	420	150	213	VOE 11709070	420	150	213	VOE 11709082	421	275	237
VOE 11700391	210	50	43	VOE 11708567	825	100	413	VOE 11709056	420	200	217	VOE 11709070	420	200	217	VOE 11709083	421	250	233
VOE 11700391	221	100	75	VOE 11708567	831	100	419	VOE 11709057	420	100	209	VOE 11709071	420	150	215	VOE 11709083	421	260	235
VOE 11700397	210	50	43	VOE 11708567	843	100	427	VOE 11709057	420	150	213	VOE 11709071	420	200	217	VOE 11709083	421	275	237
VOE 11700424	237	100	91	VOE 11708567	872	250	453	VOE 11709057	420	200	217	VOE 11709074	420	100	209	VOE 11709084	421	250	233
VOE 11700426	237	100	91	VOE 11709040	852	150	443	VOE 11709057	461	300	301	VOE 11709074	420	150	213	VOE 11709084	421	260	235
VOE 11700487	237	100	91	VOE 11709040	852	200	445	VOE 11709057	463	100	311	VOE 11709074	420	200	219	VOE 11709084	421	275	237
VOE 11700504	236	150	89	VOE 11709040	852	250	447	VOE 11709057	463	110	313	VOE 11709075	420	100	211	VOE 11709085	421	250	233
VOE 11700543	251	100	93	VOE 11709045	420	150	213	VOE 11709057	463	300	327	VOE 11709075	420	150	213	VOE 11709085	421	260	235
VOE 11700609	223	100	79	VOE 11709045	421	200	227	VOE 11709058	420	150	213	VOE 11709075	463	260	325	VOE 11709085	421	275	237
VOE 11701764	210	50	43	VOE 11709045	421	225	229	VOE 11709059	420	150	213	VOE 11709076	421	250	233	VOE 11709085	421	400	253
VOE 11701764	236	100	85	VOE 11709047	421	200	227	VOE 11709060	420	100	209	VOE 11709076	421	260	235	VOE 11709086	421	250	233
VOE 11703979	872	250	453	VOE 11709047	421	225	229	VOE 11709060	420	150	213	VOE 11709076	421	275	237	VOE 11709086	421	275	237
VOE 11704359	843	100	427	VOE 11709047	421	230	231	VOE 11709060	420	200	217	VOE 11709076	421	400	253	VOE 11709087	421	250	233
VOE 11704359	843	150	431	VOE 11709048	421	200	227	VOE 11709061	420	100	209	VOE 11709076	421	410	257	VOE 11709087	421	275	237
VOE 11704362	237	100	91	VOE 11709048	421	225	229	VOE 11709061	420	150	213	VOE 11709077	421	250	233	VOE 11709088	421	250	233
VOE 11704771	852	200	445	VOE 11709049	421	200	227	VOE 11709061	420	200	217	VOE 11709077	421	260	235	VOE 11709088	421	260	235
VOE 11704772	852	200	445	VOE 11709049	421	225	229	VOE 11709061	421	500	265	VOE 11709077	421	275	237	VOE 11709088	421	275	237
VOE 11706318	852	250	447	VOE 11709049	421	230	231	VOE 11709061	421	550	271	VOE 11709077	461	250	299	VOE 11709089	421	250	233
VOE 11706320	852	250	447	VOE 11709050	421	200	227	VOE 11709062	420	150	213	VOE 11709078	421	250	233	VOE 11709089	421	260	235
VOE 11707344	852	250	447	VOE 11709050	421	225	229	VOE 11709063	420	100	209	VOE 11709078	421	260	235	VOE 11709089	421	275	237
VOE 11707346	852	250	447	VOE 11709050	421	230	231	VOE 11709063	420	150	213	VOE 11709078	421	275	237	VOE 11709090	421	250	233
VOE 11707347	852	250	447	VOE 11709051	421	200	227	VOE 11709063	420	200	217	VOE 11709079	421	250	233	VOE 11709090	421	260	235
VOE 11707348	852	150	443	VOE 11709051	421	225	229	VOE 11709064	420	150	213	VOE 11709079	421	260	235	VOE 11709090	421	275	237
VOE 11707348	852	200	445	VOE 11709051	421	230	231	VOE 11709065	420	100	209	VOE 11709079	421	275	237	VOE 11709091	421	250	233
VOE 11707348	852	250	447	VOE 11709052	421	200	227	VOE 11709065	420	150	215	VOE 11709080	421	275	237	VOE 11709091	421	260	235
VOE 11707350	852	250	447	VOE 11709052	421	225	229	VOE 11709065	420	200	217	VOE 11709080	421	350	243	VOE 11709091	421	275	237
VOE 11707351	852	150	443	VOE 11709052	421	230	231	VOE 11709066	420	100	209	VOE 11709080	421	360	247	VOE 11709092	421	250	233

NUMERICAL INDEX RÉPERTOIRE DE NUMÉROS NUMMERNREGISTER	INDICE DE NÚMERO		Catalogue id	Group
	NUMMERREGISTER		20017	1000
			Issue	Page
		VOE 63D9920017	3	

VOLVO

BL60

NUMERICAL INDEX				INDICE DE NÚMERO				Catalogue id				Group			
RÉPERTOIRE DE NUMÉROS				NUMMERREGISTER				20017				1000			
NUMMERNREGISTER								Issue				Page			
								VOE 63D9920017				4			
Part No	Group	Sect	Page	Part No	Group	Sect	Page	Part No	Group	Sect	Page	Part No	Group	Sect	Page
VOE 11709092	421	260	235	VOE 11709105	420	100	209	VOE 11709120	421	360	245	VOE 11709133	421	350	243
VOE 11709092	421	275	237	VOE 11709105	420	150	213	VOE 11709120	421	375	249	VOE 11709133	421	360	247
VOE 11709093	421	250	233	VOE 11709105	421	300	239	VOE 11709121	421	350	241	VOE 11709133	421	375	251
VOE 11709093	421	260	235	VOE 11709106	421	300	239	VOE 11709121	421	360	245	VOE 11709133	421	400	253
VOE 11709093	421	275	237	VOE 11709106	421	350	241	VOE 11709121	421	375	249	VOE 11709134	420	150	213
VOE 11709094	421	275	237	VOE 11709106	421	360	245	VOE 11709122	421	350	241	VOE 11709134	421	360	245
VOE 11709095	421	250	233	VOE 11709106	421	375	249	VOE 11709122	421	360	245	VOE 11709134	421	375	249
VOE 11709095	421	260	235	VOE 11709107	421	350	241	VOE 11709122	421	375	249	VOE 11709135	421	350	241
VOE 11709095	421	275	237	VOE 11709107	421	360	245	VOE 11709123	421	350	241	VOE 11709135	421	360	245
VOE 11709095	421	350	241	VOE 11709107	421	375	249	VOE 11709123	421	360	245	VOE 11709135	421	375	249
VOE 11709095	421	360	245	VOE 11709108	421	350	241	VOE 11709123	421	375	249	VOE 11709136	421	350	241
VOE 11709095	421	375	249	VOE 11709108	421	360	245	VOE 11709124	421	350	241	VOE 11709136	421	375	249
VOE 11709095	421	400	253	VOE 11709108	421	375	249	VOE 11709124	421	360	245	VOE 11709137	421	350	243
VOE 11709096	421	250	233	VOE 11709112	421	350	241	VOE 11709124	421	375	249	VOE 11709137	421	375	251
VOE 11709096	421	260	235	VOE 11709112	421	360	245	VOE 11709125	421	350	241	VOE 11709138	421	350	241
VOE 11709096	421	275	237	VOE 11709112	421	375	249	VOE 11709125	421	360	245	VOE 11709138	421	375	249
VOE 11709097	421	250	233	VOE 11709113	421	350	241	VOE 11709125	421	375	249	VOE 11709139	421	350	241
VOE 11709097	421	260	235	VOE 11709113	421	360	245	VOE 11709126	421	350	241	VOE 11709139	421	360	245
VOE 11709097	421	275	237	VOE 11709113	421	375	249	VOE 11709126	421	360	245	VOE 11709139	421	375	249
VOE 11709098	421	275	237	VOE 11709114	421	350	241	VOE 11709126	421	375	249	VOE 11709140	421	350	243
VOE 11709098	421	400	253	VOE 11709114	421	360	245	VOE 11709127	421	350	241	VOE 11709140	421	375	251
VOE 11709098	421	410	257	VOE 11709114	421	375	249	VOE 11709127	421	360	245	VOE 11709141	421	350	243
VOE 11709099	421	250	233	VOE 11709115	421	350	241	VOE 11709127	421	375	249	VOE 11709141	421	375	251
VOE 11709099	421	260	235	VOE 11709115	421	360	245	VOE 11709128	421	350	241	VOE 11709142	421	350	243
VOE 11709099	421	275	237	VOE 11709115	421	375	249	VOE 11709128	421	360	245	VOE 11709142	421	375	251
VOE 11709100	421	275	237	VOE 11709116	421	350	241	VOE 11709128	421	375	249	VOE 11709143	421	350	241
VOE 11709101	421	250	233	VOE 11709116	421	360	245	VOE 11709129	421	360	245	VOE 11709143	421	375	249
VOE 11709101	421	260	235	VOE 11709116	421	375	249	VOE 11709129	421	375	249	VOE 11709144	421	350	243
VOE 11709101	421	275	237	VOE 11709118	421	350	241	VOE 11709130	421	350	241	VOE 11709144	421	360	247
VOE 11709102	421	300	239	VOE 11709118	421	360	245	VOE 11709130	421	360	245	VOE 11709144	421	375	251
VOE 11709102	421	410	257	VOE 11709118	421	375	249	VOE 11709130	421	375	249	VOE 11709144	421	400	253
VOE 11709103	420	100	209	VOE 11709119	421	350	241	VOE 11709131	421	360	245	VOE 11709145	421	350	243
VOE 11709103	420	150	213	VOE 11709119	421	360	245	VOE 11709131	421	375	249	VOE 11709145	421	360	247
VOE 11709103	421	300	239	VOE 11709119	421	375	249	VOE 11709132	421	375	249	VOE 11709145	421	375	251
VOE 11709104	421	300	239	VOE 11709120	421	350	241	VOE 11709133	420	200	219	VOE 11709145	421	400	253

Part No	Group	Sect	Page	Part No	Group	Sect	Page	Part No	Group	Sect	Page	Part No	Group	Sect	Page	Part No	Group	Sect	Page
VOE 11709171	421	400	253	VOE 11709185	421	475	263	VOE 11709215	421	500	265	VOE 11709275	463	100	311	VOE 11709296	463	150	315
VOE 11709171	421	410	257	VOE 11709186	420	150	215	VOE 11709216	421	500	265	VOE 11709275	463	110	313	VOE 11709296	463	160	317
VOE 11709173	421	475	263	VOE 11709187	421	475	263	VOE 11709217	421	500	265	VOE 11709276	463	100	311	VOE 11709297	463	150	315
VOE 11709174	420	150	215	VOE 11709188	421	475	263	VOE 11709218	421	500	265	VOE 11709278	463	100	311	VOE 11709297	463	160	317
VOE 11709174	421	450	259	VOE 11709189	421	450	259	VOE 11709219	421	500	265	VOE 11709279	463	100	311	VOE 11709298	463	150	315
VOE 11709174	421	460	261	VOE 11709189	421	460	261	VOE 11709220	421	500	265	VOE 11709280	463	100	311	VOE 11709299	461	150	291
VOE 11709175	420	150	215	VOE 11709189	421	475	263	VOE 11709221	421	500	267	VOE 11709281	463	100	311	VOE 11709299	461	160	293
VOE 11709175	421	450	259	VOE 11709190	421	475	263	VOE 11709222	421	500	267	VOE 11709282	461	410	305	VOE 11709299	463	150	315
VOE 11709175	421	460	261	VOE 11709191	421	475	263	VOE 11709222	421	525	269	VOE 11709282	463	100	311	VOE 11709299	463	160	317
VOE 11709176	420	150	215	VOE 11709192	421	475	263	VOE 11709223	421	500	267	VOE 11709283	463	100	311	VOE 11709300	461	300	301
VOE 11709176	421	450	259	VOE 11709195	421	500	265	VOE 11709224	421	500	267	VOE 11709284	463	100	311	VOE 11709300	463	150	315
VOE 11709176	421	460	261	VOE 11709196	421	500	265	VOE 11709225	421	500	267	VOE 11709285	463	100	311	VOE 11709300	551	150	355
VOE 11709177	420	150	215	VOE 11709196	421	525	269	VOE 11709228	421	500	267	VOE 11709286	463	100	311	VOE 11709301	463	150	315
VOE 11709177	421	450	259	VOE 11709197	421	525	269	VOE 11709229	421	500	267	VOE 11709287	463	150	315	VOE 11709302	463	150	315
VOE 11709177	421	460	261	VOE 11709199	420	100	209	VOE 11709230	421	500	267	VOE 11709288	461	150	291	VOE 11709302	463	160	317
VOE 11709178	421	475	263	VOE 11709199	420	200	217	VOE 11709231	421	500	267	VOE 11709288	461	160	293	VOE 11709303	463	150	315
VOE 11709179	421	450	259	VOE 11709199	421	500	265	VOE 11709231	421	525	269	VOE 11709288	463	150	315	VOE 11709303	551	150	355
VOE 11709179	421	475	263	VOE 11709199	421	550	271	VOE 11709232	421	550	271	VOE 11709288	463	160	317	VOE 11709304	463	150	315
VOE 11709180	421	450	259	VOE 11709200	420	200	217	VOE 11709233	421	550	271	VOE 11709289	461	150	291	VOE 11709304	551	150	355
VOE 11709180	421	460	261	VOE 11709200	421	230	231	VOE 11709234	421	550	271	VOE 11709289	461	160	293	VOE 11709306	463	210	321
VOE 11709180	421	475	263	VOE 11709200	421	500	265	VOE 11709235	421	550	271	VOE 11709289	463	150	315	VOE 11709307	463	200	319
VOE 11709181	421	450	259	VOE 11709201	421	500	265	VOE 11709236	421	550	271	VOE 11709289	463	160	317	VOE 11709308	463	200	319
VOE 11709181	421	460	261	VOE 11709202	421	500	265	VOE 11709268	461	100	287	VOE 11709290	461	150	291	VOE 11709308	463	210	321
VOE 11709181	421	475	263	VOE 11709203	421	500	265	VOE 11709268	461	400	303	VOE 11709290	461	160	293	VOE 11709309	463	200	319
VOE 11709182	421	450	259	VOE 11709204	421	500	265	VOE 11709268	461	450	309	VOE 11709290	463	150	315	VOE 11709309	463	210	321
VOE 11709182	421	460	261	VOE 11709205	421	500	265	VOE 11709268	463	100	311	VOE 11709290	463	160	317	VOE 11709310	463	200	319
VOE 11709182	421	475	263	VOE 11709206	421	500	265	VOE 11709268	463	210	321	VOE 11709291	463	150	315	VOE 11709311	461	200	295
VOE 11709183	421	450	259	VOE 11709207	421	500	265	VOE 11709269	463	100	311	VOE 11709292	463	150	315	VOE 11709311	463	200	319
VOE 11709183	421	460	261	VOE 11709208	421	500	265	VOE 11709270	463	100	311	VOE 11709292	463	160	317	VOE 11709312	461	200	295
VOE 11709183	421	475	263	VOE 11709209	421	500	265	VOE 11709271	463	100	311	VOE 11709293	463	150	315	VOE 11709312	461	210	297
VOE 11709184	421	450	259	VOE 11709210	421	500	265	VOE 11709272	463	100	311	VOE 11709293	463	160	317	VOE 11709312	463	200	319
VOE 11709184	421	460	261	VOE 11709211	421	500	265	VOE 11709273	463	100	311	VOE 11709294	463	150	315	VOE 11709313	463	200	319
VOE 11709184	421	475	263	VOE 11709212	421	500	265	VOE 11709274	463	100	311	VOE 11709294	463	160	317	VOE 11709314	463	200	319
VOE 11709185	421	450	259	VOE 11709213	421	500	265	VOE 11709275	461	100	287	VOE 11709295	463	150	315	VOE 11709314	463	210	321
VOE 11709185	421	460	261	VOE 11709214	421	500	265	VOE 11709275	461	420	307	VOE 11709295	463	160	317	VOE 11709315	463	200	319

NUMERICAL INDEX	INDICE DE NÚMERO		Catalogue id	Group
	RÉPERTOIRE DE NUMÉROS	NUMMERREGISTER	20017	1000
			Issue	Page
NUMMERNREGISTER			VOE 63D9920017	5

VOLVO

BL60

NUMERICAL INDEX				INDICE DE NÚMERO				Catalogue id				Group			
RÉPERTOIRE DE NUMÉROS				NUMMERREGISTER				20017				1000			
NUMMERNREGISTER								Issue				Page			
								VOE 63D9920017				6			
Part No	Group	Sect	Page	Part No	Group	Sect	Page	Part No	Group	Sect	Page	Part No	Group	Sect	Page
VOE 11709316	463	200	319	VOE 11709348	510	100	343	VOE 11709391	852	200	445	VOE 11709417	852	250	447
VOE 11709317	463	200	319	VOE 11709349	510	100	343	VOE 11709391	852	250	447	VOE 11709418	852	250	447
VOE 11709318	463	200	319	VOE 11709350	463	260	325	VOE 11709392	852	150	443	VOE 11709419	852	250	447
VOE 11709319	468	100	329	VOE 11709350	510	100	343	VOE 11709392	852	200	445	VOE 11709420	852	250	447
VOE 11709320	468	100	329	VOE 11709351	510	100	343	VOE 11709392	852	250	447	VOE 11709421	852	250	447
VOE 11709321	421	410	257	VOE 11709352	510	100	343	VOE 11709393	852	200	445	VOE 11709422	852	250	447
VOE 11709321	468	100	329	VOE 11709353	510	100	343	VOE 11709394	852	200	445	VOE 11709423	852	250	447
VOE 11709321	468	110	331	VOE 11709354	510	100	343	VOE 11709400	461	400	303	VOE 11709450	461	400	303
VOE 11709322	468	100	329	VOE 11709356	510	100	343	VOE 11709400	461	410	305	VOE 11709450	461	410	305
VOE 11709322	468	110	331	VOE 11709357	463	250	323	VOE 11709401	461	400	303	VOE 11709452	461	100	287
VOE 11709323	468	100	329	VOE 11709359	463	250	323	VOE 11709401	461	410	305	VOE 11709452	461	420	307
VOE 11709324	468	100	329	VOE 11709360	463	250	323	VOE 11709402	461	100	287	VOE 11709453	461	100	287
VOE 11709325	468	100	329	VOE 11709360	463	260	325	VOE 11709402	461	420	307	VOE 11709453	461	420	307
VOE 11709326	468	100	329	VOE 11709361	463	250	323	VOE 11709402	463	110	313	VOE 11709454	645	200	371
VOE 11709326	468	110	331	VOE 11709362	463	250	323	VOE 11709403	461	100	287	VOE 11709460	645	200	371
VOE 11709327	468	100	329	VOE 11709364	463	250	323	VOE 11709403	461	420	307	VOE 11709462	461	100	287
VOE 11709328	468	100	329	VOE 11709365	463	250	323	VOE 11709403	463	110	313	VOE 11709462	461	420	307
VOE 11709329	468	100	329	VOE 11709370	461	300	301	VOE 11709404	461	100	287	VOE 11709464	461	100	287
VOE 11709330	468	100	329	VOE 11709370	463	300	327	VOE 11709404	461	420	307	VOE 11709464	461	400	303
VOE 11709331	517	100	345	VOE 11709374	463	300	327	VOE 11709404	463	110	313	VOE 11709464	461	410	305
VOE 11709332	517	100	345	VOE 11709377	463	260	325	VOE 11709405	461	100	287	VOE 11709464	461	420	307
VOE 11709333	517	100	345	VOE 11709377	463	300	327	VOE 11709406	461	100	287	VOE 11709466	461	150	291
VOE 11709334	517	100	345	VOE 11709378	463	300	327	VOE 11709406	461	420	307	VOE 11709466	461	160	293
VOE 11709335	517	100	345	VOE 11709380	463	300	327	VOE 11709407	461	100	287	VOE 11709467	461	150	291
VOE 11709336	517	100	345	VOE 11709385	852	150	443	VOE 11709407	461	420	307	VOE 11709467	461	160	293
VOE 11709337	517	100	345	VOE 11709386	852	150	443	VOE 11709410	461	100	287	VOE 11709468	461	150	291
VOE 11709338	517	100	345	VOE 11709387	852	150	443	VOE 11709410	461	400	303	VOE 11709468	461	160	293
VOE 11709339	517	100	345	VOE 11709387	852	200	445	VOE 11709410	461	410	305	VOE 11709469	461	150	291
VOE 11709341	510	100	343	VOE 11709388	852	150	443	VOE 11709410	461	420	307	VOE 11709469	461	160	293
VOE 11709342	510	100	343	VOE 11709389	852	150	443	VOE 11709411	461	100	289	VOE 11709470	461	150	291
VOE 11709343	510	100	343	VOE 11709389	852	200	445	VOE 11709411	461	400	303	VOE 11709470	461	160	293
VOE 11709344	510	100	343	VOE 11709390	852	150	443	VOE 11709412	461	100	287	VOE 11709471	461	150	291
VOE 11709345	510	100	343	VOE 11709390	852	200	445	VOE 11709412	461	400	303	VOE 11709471	461	160	293
VOE 11709346	510	100	343	VOE 11709390	852	250	447	VOE 11709413	461	100	287	VOE 11709472	461	150	291
VOE 11709347	510	100	343	VOE 11709391	852	150	443	VOE 11709413	517	110	347	VOE 11709472	461	160	293
VOE 11709473	461	150	291									VOE 11709473	461	150	291
VOE 11709476	461	200	295									VOE 11709476	461	200	295
VOE 11709476	461	210	297									VOE 11709476	461	210	297
VOE 11709477	461	200	295									VOE 11709477	461	200	295
VOE 11709477	461	210	297									VOE 11709477	461	210	297
VOE 11709478	461	200	295									VOE 11709478	461	200	295
VOE 11709478	461	210	297									VOE 11709478	461	210	297
VOE 11709479	461	200	295									VOE 11709479	461	200	295
VOE 11709479	461	210	297									VOE 11709479	461	210	297
VOE 11709480	461	200	295									VOE 11709480	461	200	295
VOE 11709480	461	210	297									VOE 11709480	461	210	297
VOE 11709481	461	200	295									VOE 11709481	461	200	295
VOE 11709481	461	210	297									VOE 11709481	461	210	297
VOE 11709482	461	200	295									VOE 11709482	461	200	295
VOE 11709482	461	210	297									VOE 11709482	461	210	297
VOE 11709483	461	200	295									VOE 11709483	461	200	295
VOE 11709483	461	210	297									VOE 11709483	461	210	297
VOE 11709484	461	200	295									VOE 11709484	461	200	295
VOE 11709484	461	210	297									VOE 11709484	461	210	297
VOE 11709491	461	300	301									VOE 11709491	461	300	301
VOE 11709492	461	300	301									VOE 11709492	461	300	301
VOE 11709526	971	300	691									VOE 11709526	971	300	691
VOE 11709526	974	200	709									VOE 11709526	974	200	709
VOE 11709527	971	300	691									VOE 11709527	971	300	691
VOE 11709536	975	300	715									VOE 11709536	975	300	715
VOE 11709537	975	300	715									VOE 11709537	975	300	715
VOE 11709538	975	300	715									VOE 11709538	975	300	715
VOE 11709602	974	200	709									VOE 11709602	974	200	709
VOE 11709602	975	100	711									VOE 11709602	975	100	711
VOE 11709605	975	200	713									VOE 11709605	975	200	713
VOE 11709605	975	300	715									VOE 11709605	975	300	715
VOE 11709616	971	300	691									VOE 11709616	971	300	691
VOE 11709619	975	100	711									VOE 11709619	975	100	711
VOE 11709624	975	100	711									VOE 11709624	975	100	711
VOE 11709664	925	400	653									VOE 11709664	925	400	653

Part No	Group	Sect	Page	Part No	Group	Sect	Page	Part No	Group	Sect	Page	Part No	Group	Sect	Page	Part No	Group	Sect	Page
VOE 11709664	945	250	679	VOE 11709766	371	400	165	VOE 11709850	551	250	357	VOE 11711974	975	100	711	VOE 11712471	421	350	241
VOE 11709664	945	300	681	VOE 11709766	371	450	169	VOE 11709851	551	250	357	VOE 11712164	872	250	453	VOE 11712472	421	350	243
VOE 11709664	975	200	713	VOE 11709766	371	650	173	VOE 11709852	551	250	357	VOE 11712309	911	250	507	VOE 11712472	421	360	247
VOE 11709672	971	300	691	VOE 11709766	371	655	177	VOE 11709853	551	250	357	VOE 11712309	911	275	509	VOE 11712473	421	450	259
VOE 11709676	971	300	691	VOE 11709766	371	700	181	VOE 11709888	645	400	373	VOE 11712335	210	50	43	VOE 11712473	421	460	261
VOE 11709677	971	300	691	VOE 11709766	371	725	183	VOE 11709898	645	200	371	VOE 11712336	210	50	45	VOE 11712474	421	450	259
VOE 11709679	971	400	693	VOE 11709766	371	730	185	VOE 11709901	517	200	349	VOE 11712340	362	150	147	VOE 11712474	421	460	261
VOE 11709680	971	400	693	VOE 11709767	371	350	163	VOE 11709901	517	250	351	VOE 11712444	975	100	711	VOE 11712475	421	450	259
VOE 11709684	873	150	459	VOE 11709767	371	650	173	VOE 11709908	925	400	653	VOE 11712446	975	200	713	VOE 11712475	421	460	261
VOE 11709685	873	100	457	VOE 11709767	371	655	179	VOE 11709909	925	400	653	VOE 11712447	975	200	713	VOE 11712476	421	450	259
VOE 11709686	873	100	457	VOE 11709767	371	700	181	VOE 11709910	925	400	653	VOE 11712448	975	200	713	VOE 11712476	421	460	261
VOE 11709687	873	100	457	VOE 11709767	371	725	183	VOE 11709911	925	400	653	VOE 11712450	975	200	713	VOE 11712477	421	450	259
VOE 11709688	873	100	457	VOE 11709767	371	730	185	VOE 11709912	925	400	653	VOE 11712451	974	200	709	VOE 11712477	421	460	261
VOE 11709689	873	100	457	VOE 11709780	916	350	621	VOE 11709913	925	400	653	VOE 11712452	974	200	709	VOE 11712478	421	450	259
VOE 11709689	873	150	459	VOE 11709780	916	360	623	VOE 117099620	975	100	711	VOE 11712453	974	200	709	VOE 11712479	645	200	371
VOE 11709690	873	100	457	VOE 11709781	916	350	621	VOE 11710605	841	100	425	VOE 11712455	974	200	709	VOE 11712480	421	500	265
VOE 11709691	873	100	457	VOE 11709781	916	360	623	VOE 11710606	971	400	693	VOE 11712459	645	100	367	VOE 11712481	421	500	267
VOE 11709696	873	150	459	VOE 11709782	916	350	621	VOE 11710925	912	350	591	VOE 11712460	420	100	209	VOE 11712501	461	100	287
VOE 11709697	873	150	459	VOE 11709782	916	360	623	VOE 11710932	926	250	661	VOE 11712461	420	100	209	VOE 11712501	461	400	303
VOE 11709698	874	350	465	VOE 11709783	916	350	621	VOE 11710933	926	250	661	VOE 11712462	420	100	209	VOE 11712501	461	410	305
VOE 11709699	874	350	465	VOE 11709783	916	360	623	VOE 11710942	972	200	697	VOE 11712462	420	200	219	VOE 11712503	645	100	367
VOE 11709700	874	100	463	VOE 11709787	371	450	169	VOE 11710944	972	200	697	VOE 11712463	420	100	209	VOE 11712504	645	100	367
VOE 11709701	874	100	463	VOE 11709788	371	400	165	VOE 11710944	975	200	713	VOE 11712463	420	200	217	VOE 11712505	461	300	301
VOE 11709702	874	100	463	VOE 11709812	371	250	161	VOE 11710945	972	200	697	VOE 11712464	420	100	209	VOE 11712506	461	400	303
VOE 11709703	874	100	463	VOE 11709814	874	450	467	VOE 11710946	972	200	697	VOE 11712465	420	100	209	VOE 11712522	645	100	367
VOE 11709704	874	100	463	VOE 11709815	874	450	467	VOE 11710947	972	200	697	VOE 11712465	420	200	217	VOE 11712523	645	100	367
VOE 11709706	873	150	459	VOE 11709826	212	100	53	VOE 11710948	972	200	697	VOE 11712466	420	100	209	VOE 11712524	645	100	367
VOE 11709707	873	150	459	VOE 11709833	451	150	281	VOE 11711130	912	400	593	VOE 11712467	421	250	233	VOE 11712525	645	100	367
VOE 11709708	873	150	459	VOE 11709834	843	150	429	VOE 11711130	916	100	613	VOE 11712468	421	250	233	VOE 11712526	461	400	303
VOE 11709744	852	150	443	VOE 11709836	843	150	429	VOE 11711130	916	110	617	VOE 11712468	421	260	235	VOE 11712526	461	410	305
VOE 11709744	852	200	445	VOE 11709840	843	150	429	VOE 11711134	945	300	681	VOE 11712469	421	250	233	VOE 11712527	461	400	303
VOE 11709746	256	150	103	VOE 11709841	843	150	429	VOE 11711135	974	200	709	VOE 11712469	421	260	235	VOE 11712527	461	410	305
VOE 11709756	380	100	193	VOE 11709843	843	150	429	VOE 11711135	975	100	711	VOE 11712470	421	250	233	VOE 11712533	461	450	309
VOE 11709757	380	100	193	VOE 11709844	843	150	429	VOE 11711136	945	250	679	VOE 11712470	421	260	235	VOE 11712534	461	450	309
VOE 11709766	371	250	161	VOE 11709845	843	150	429	VOE 11711485	975	300	715	VOE 11712471	420	100	209	VOE 11712535	461	450	309

NUMERICAL INDEX

RÉPERTOIRE DE NUMÉROS

NUMMERNREGISTER

INDICE DE NÚMERO

NUMMERREGISTER

Catalogue id

20017

Group

1000

Issue

VOE 63D9920017

Page

7

VOLVO

BL60

NUMERICAL INDEX				INDICE DE NÚMERO				Catalogue id				Group			
RÉPERTOIRE DE NUMÉROS				NUMMERREGISTER				20017				1000			
NUMMERNREGISTER								Issue				Page			
								VOE 63D9920017				8			
Part No	Group	Sect	Page	Part No	Group	Sect	Page	Part No	Group	Sect	Page	Part No	Group	Sect	Page
VOE 11712536	461	450	309	VOE 11712748	945	300	681	VOE 11712879	912	500	595	VOE 11712940	421	225	229
VOE 11712537	461	450	309	VOE 11712749	945	300	681	VOE 11712880	912	500	595	VOE 11712941	421	200	227
VOE 11712557	843	150	429	VOE 11712757	852	100	435	VOE 11712881	912	300	589	VOE 11712941	421	225	229
VOE 11712579	912	500	595	VOE 11712758	852	100	435	VOE 11712881	912	500	595	VOE 11712953	421	250	233
VOE 11712580	912	225	583	VOE 11712759	852	100	435	VOE 11712882	912	300	589	VOE 11712953	421	260	235
VOE 11712580	912	250	585	VOE 11712787	463	100	311	VOE 11712882	912	550	597	VOE 11712960	420	200	217
VOE 11712580	912	275	587	VOE 11712788	463	100	311	VOE 11712883	912	300	589	VOE 11713046	913	200	599
VOE 11712580	912	500	595	VOE 11712789	517	100	345	VOE 11712883	912	500	595	VOE 11713048	913	200	599
VOE 11712580	912	550	597	VOE 11712796	510	100	343	VOE 11712884	912	300	589	VOE 11713049	913	200	599
VOE 11712602	924	100	625	VOE 11712797	510	100	343	VOE 11712884	912	500	595	VOE 11713050	913	200	599
VOE 11712603	924	100	625	VOE 11712798	421	460	261	VOE 11712885	912	300	589	VOE 11713051	913	200	599
VOE 11712604	924	100	625	VOE 11712798	421	475	263	VOE 11712885	912	550	597	VOE 11713052	913	200	599
VOE 11712605	924	100	625	VOE 11712798	510	100	343	VOE 11712886	912	250	585	VOE 11713053	913	200	599
VOE 11712606	924	100	625	VOE 11712806	461	150	291	VOE 11712887	912	300	589	VOE 11713054	913	200	599
VOE 11712607	924	100	625	VOE 11712807	461	200	295	VOE 11712888	912	300	589	VOE 11713055	913	200	599
VOE 11712622	912	150	579	VOE 11712853	843	150	429	VOE 11712893	912	150	579	VOE 11713056	913	200	599
VOE 11712623	912	150	579	VOE 11712854	843	150	429	VOE 11712893	912	200	581	VOE 11713138	234	100	83
VOE 11712623	912	300	589	VOE 11712855	843	150	429	VOE 11712894	912	150	579	VOE 11713153	843	150	429
VOE 11712659	421	200	227	VOE 11712856	843	150	429	VOE 11712894	912	250	585	VOE 11714203	263	150	117
VOE 11712659	421	225	229	VOE 11712857	843	150	429	VOE 11712895	912	150	579	VOE 11715018	874	100	463
VOE 11712659	421	230	231	VOE 11712858	843	150	429	VOE 11712895	912	275	587	VOE 11715020	874	350	465
VOE 11712662	843	150	431	VOE 11712859	843	150	429	VOE 11712896	912	150	579	VOE 11715020	874	450	467
VOE 11712663	843	150	429	VOE 11712860	843	150	429	VOE 11712896	912	225	583	VOE 11715021	874	100	463
VOE 11712663	843	150	431	VOE 11712861	843	150	429	VOE 11712897	912	150	579	VOE 11715021	874	450	467
VOE 11712696	272	100	123	VOE 11712862	843	150	429	VOE 11712898	912	150	579	VOE 11715022	874	350	465
VOE 11712724	912	400	593	VOE 11712864	843	150	429	VOE 11712899	912	200	581	VOE 11715039	421	200	227
VOE 11712725	912	400	593	VOE 11712865	843	150	429	VOE 11712900	912	200	581	VOE 11715044	852	120	441
VOE 11712726	912	400	593	VOE 11712866	843	150	429	VOE 11712901	912	200	581	VOE 11715045	852	110	437
VOE 11712727	912	400	593	VOE 11712867	843	150	429	VOE 11712902	912	200	581	VOE 11715045	852	120	441
VOE 11712728	912	400	593	VOE 11712868	843	150	429	VOE 11712903	912	200	581	VOE 11715046	852	120	441
VOE 11712729	912	400	593	VOE 11712869	843	150	429	VOE 11712904	912	250	585	VOE 11715047	852	110	437
VOE 11712744	945	250	679	VOE 11712876	843	150	429	VOE 11712905	912	275	587	VOE 11715047	852	120	441
VOE 11712745	945	250	679	VOE 11712877	912	300	589	VOE 11712921	912	300	589	VOE 11715048	852	120	441
VOE 11712746	945	250	679	VOE 11712877	912	350	591	VOE 11712922	972	200	697	VOE 11715049	852	110	437
VOE 11712747	945	300	681	VOE 11712879	912	300	589	VOE 11712940	421	200	227	VOE 11715049	852	120	441

Part No	Group	Sect	Page	Part No	Group	Sect	Page	Part No	Group	Sect	Page	Part No	Group	Sect	Page	Part No	Group	Sect	Page
VOE 11715254	461	420	307	VOE 11716559	463	210	321	VOE 11716594	463	260	325	VOE 11716665	420	100	209	VOE 11716717	645	150	369
VOE 11715259	911	1300	573	VOE 11716560	463	210	321	VOE 11716595	463	260	325	VOE 11716666	421	350	241	VOE 11716718	461	420	307
VOE 11715259	911	1310	575	VOE 11716561	463	210	321	VOE 11716596	463	260	325	VOE 11716666	421	360	245	VOE 11716719	645	150	369
VOE 11715275	912	225	583	VOE 11716562	463	210	321	VOE 11716597	463	260	325	VOE 11716667	421	350	243	VOE 11716720	645	150	369
VOE 11715275	912	250	585	VOE 11716563	463	210	321	VOE 11716598	463	260	325	VOE 11716667	421	360	247	VOE 11716722	461	160	293
VOE 11715275	912	275	587	VOE 11716564	463	210	321	VOE 11716599	463	260	325	VOE 11716668	421	350	241	VOE 11716724	461	250	299
VOE 11715275	912	500	595	VOE 11716565	463	210	321	VOE 11716600	551	150	355	VOE 11716668	421	360	245	VOE 11716725	461	250	299
VOE 11715275	912	550	597	VOE 11716566	463	210	321	VOE 11716601	551	150	355	VOE 11716669	421	350	243	VOE 11716726	461	300	301
VOE 11715277	461	100	289	VOE 11716567	463	210	321	VOE 11716602	551	150	355	VOE 11716669	421	360	247	VOE 11716780	421	230	231
VOE 11715278	461	150	291	VOE 11716568	468	110	331	VOE 11716603	551	150	355	VOE 11716670	421	350	243	VOE 11716781	421	230	231
VOE 11715279	461	300	301	VOE 11716569	468	110	331	VOE 11716604	551	150	355	VOE 11716670	421	360	247	VOE 11716782	420	200	217
VOE 11715291	641	100	365	VOE 11716570	468	110	331	VOE 11716605	551	150	355	VOE 11716671	421	350	243	VOE 11716783	420	200	217
VOE 11715295	972	200	697	VOE 11716571	468	110	331	VOE 11716606	551	150	355	VOE 11716671	421	360	247	VOE 11716784	420	200	217
VOE 11715302	972	200	697	VOE 11716572	468	110	331	VOE 11716610	463	260	325	VOE 11716672	421	350	241	VOE 11716785	421	260	235
VOE 11715303	972	200	697	VOE 11716573	468	110	331	VOE 11716611	463	260	325	VOE 11716672	421	360	245	VOE 11716786	421	360	245
VOE 11715304	972	200	697	VOE 11716574	517	110	347	VOE 11716612	463	260	325	VOE 11716673	421	460	261	VOE 11716787	421	410	257
VOE 11715354	421	460	261	VOE 11716575	517	110	347	VOE 11716613	463	260	325	VOE 11716674	421	460	261	VOE 11716788	421	410	257
VOE 11715354	421	475	263	VOE 11716576	517	110	347	VOE 11716615	463	160	317	VOE 11716675	421	525	269	VOE 11716789	421	410	257
VOE 11715435	551	250	357	VOE 11716577	517	110	347	VOE 11716618	461	410	305	VOE 11716676	421	525	269	VOE 11716790	421	410	257
VOE 11715524	852	100	435	VOE 11716578	468	110	331	VOE 11716618	461	420	307	VOE 11716677	421	525	269	VOE 11716791	421	410	257
VOE 11716347	926	250	661	VOE 11716579	517	110	347	VOE 11716619	461	410	305	VOE 11716678	421	525	269	VOE 11716792	421	410	257
VOE 11716348	926	250	661	VOE 11716580	517	110	347	VOE 11716619	461	420	307	VOE 11716679	421	525	269	VOE 11716793	421	410	257
VOE 11716349	926	250	661	VOE 11716581	517	110	347	VOE 11716620	461	410	305	VOE 11716680	421	525	269	VOE 11716794	421	410	257
VOE 11716350	926	250	661	VOE 11716582	517	110	347	VOE 11716620	461	420	307	VOE 11716681	421	525	269	VOE 11716795	421	410	257
VOE 11716536	421	250	233	VOE 11716583	517	110	347	VOE 11716623	645	150	369	VOE 11716682	421	525	269	VOE 11716796	421	410	257
VOE 11716543	463	110	313	VOE 11716584	517	110	347	VOE 11716627	461	160	293	VOE 11716683	421	525	269	VOE 11716797	421	410	257
VOE 11716544	463	110	313	VOE 11716585	517	110	347	VOE 11716628	461	160	293	VOE 11716684	421	525	269	VOE 11716798	421	410	257
VOE 11716545	463	110	313	VOE 11716586	517	110	347	VOE 11716629	461	210	297	VOE 11716685	421	525	269	VOE 11716799	421	410	257
VOE 11716546	463	110	313	VOE 11716587	517	110	347	VOE 11716639	420	100	211	VOE 11716686	421	525	269	VOE 11716800	421	410	257
VOE 11716547	463	110	313	VOE 11716588	463	260	325	VOE 11716639	420	200	217	VOE 11716687	421	525	269	VOE 11716801	421	410	257
VOE 11716550	463	160	317	VOE 11716589	463	260	325	VOE 11716650	451	150	281	VOE 11716712	461	420	307	VOE 11716802	421	410	257
VOE 11716551	463	160	317	VOE 11716590	463	260	325	VOE 11716652	551	150	355	VOE 11716713	461	420	307	VOE 11716803	421	460	261
VOE 11716556	463	210	321	VOE 11716591	463	260	325	VOE 11716654	551	150	355	VOE 11716714	461	420	307	VOE 11716804	421	460	261
VOE 11716557	463	210	321	VOE 11716592	463	260	325	VOE 11716655	551	150	355	VOE 11716715	461	420	307	VOE 11716875	916	100	613
VOE 11716558	463	210	321	VOE 11716593	463	260	325	VOE 11716656	461	410	305	VOE 11716716	461	420	307	VOE 11716875	916	110	617

NUMERICAL INDEX RÉPERTOIRE DE NUMÉROS NUMMERNREGISTER	INDICE DE NÚMERO NUMMERREGISTER	Catalogue id	Group
		20017	1000
		Issue	Page
		VOE 63D9920017	9

VOLVO

BL60

Part No	Group	Sect	Page	Part No	Group	Sect	Page	Part No	Group	Sect	Page	Part No	Group	Sect	Page	Part No	Group	Sect	Page
VOE 11881549	821	100	407	VOE 11881721	915	150	607	VOE 11881974	945	250	679	VOE 11882347	911	300	511	VOE 11882512	371	100	157
VOE 11881557	945	150	665	VOE 11881742	915	100	601	VOE 11882026	711	100	381	VOE 11882347	911	310	515	VOE 11882519	263	100	115
VOE 11881557	974	100	703	VOE 11881742	915	100	603	VOE 11882040	915	150	607	VOE 11882353	911	250	507	VOE 11882525	915	100	601
VOE 11881575	974	100	701	VOE 11881742	915	200	611	VOE 11882069	874	450	467	VOE 11882353	911	275	509	VOE 11882526	915	100	601
VOE 11881575	974	150	705	VOE 11881763	874	450	467	VOE 11882104	827	150	417	VOE 11882408	821	100	405	VOE 11882533	974	100	701
VOE 11881579	926	100	657	VOE 11881773	818	100	403	VOE 11882112	234	100	83	VOE 11882428	945	150	665	VOE 11882533	974	150	705
VOE 11881580	926	100	657	VOE 11881792	711	100	381	VOE 11882115	915	100	601	VOE 11882428	945	160	669	VOE 11882535	380	100	193
VOE 11881581	926	100	657	VOE 11881809	911	910	555	VOE 11882182	915	100	601	VOE 11882444	371	100	155	VOE 11882537	972	100	695
VOE 11881582	926	100	657	VOE 11881809	974	200	709	VOE 11882192	421	150	221	VOE 11882446	371	100	155	VOE 11882537	974	100	703
VOE 11881583	925	310	643	VOE 11881810	911	1010	559	VOE 11882192	421	185	225	VOE 11882456	945	150	663	VOE 11882540	974	100	703
VOE 11881583	925	320	649	VOE 11881810	975	100	711	VOE 11882192	517	200	349	VOE 11882456	945	175	671	VOE 11882559	424	100	273
VOE 11881583	926	100	657	VOE 11881816	771	100	385	VOE 11882192	517	250	351	VOE 11882457	234	100	83	VOE 11882560	424	100	273
VOE 11881585	897	100	487	VOE 11881816	771	120	389	VOE 11882192	971	200	687	VOE 11882457	896	100	483	VOE 11882564	424	100	273
VOE 11881622	924	100	625	VOE 11881816	771	130	391	VOE 11882194	971	200	687	VOE 11882470	852	150	443	VOE 11882564	424	150	275
VOE 11881622	926	100	657	VOE 11881817	771	110	387	VOE 11882200	911	1000	557	VOE 11882470	852	200	445	VOE 11882592	424	100	273
VOE 11881622	926	200	659	VOE 11881817	771	120	389	VOE 11882200	911	1010	559	VOE 11882470	852	250	447	VOE 11882592	424	150	275
VOE 11881622	974	100	703	VOE 11881821	771	100	385	VOE 11882201	911	1000	557	VOE 11882471	852	150	443	VOE 11882604	915	100	601
VOE 11881622	974	150	705	VOE 11881821	771	110	387	VOE 11882203	911	1100	561	VOE 11882471	852	200	445	VOE 11882635	911	200	503
VOE 11881629	974	100	703	VOE 11881822	771	100	385	VOE 11882203	911	1150	565	VOE 11882471	852	250	447	VOE 11882636	911	200	503
VOE 11881629	974	150	705	VOE 11881822	771	110	387	VOE 11882204	911	800	545	VOE 11882476	945	150	667	VOE 11882649	911	800	545
VOE 11881638	911	1100	561	VOE 11881828	771	100	385	VOE 11882204	911	810	549	VOE 11882477	945	150	665	VOE 11882649	911	810	549
VOE 11881638	911	1150	565	VOE 11881828	771	120	389	VOE 11882205	911	1100	561	VOE 11882478	271	100	121	VOE 11882659	260	200	107
VOE 11881638	911	1200	571	VOE 11881828	771	130	391	VOE 11882206	911	1100	561	VOE 11882482	271	100	121	VOE 11882660	971	100	683
VOE 11881641	911	550	535	VOE 11881880	911	750	541	VOE 11882258	911	750	541	VOE 11882485	271	100	121	VOE 11882667	974	100	703
VOE 11881641	925	310	643	VOE 11881896	911	1350	577	VOE 11882258	916	100	613	VOE 11882487	271	100	121	VOE 11882674	460	100	283
VOE 11881654	945	150	667	VOE 11881899	821	100	405	VOE 11882258	916	110	617	VOE 11882487	821	100	407	VOE 11882675	911	200	503
VOE 11881654	945	175	675	VOE 11881914	234	100	83	VOE 11882258	971	200	687	VOE 11882487	821	100	409	VOE 11882677	974	100	703
VOE 11881708	915	100	601	VOE 11881915	234	100	83	VOE 11882275	380	200	195	VOE 11882489	271	100	121	VOE 11882680	711	100	381
VOE 11881712	925	100	627	VOE 11881916	234	100	83	VOE 11882298	911	400	527	VOE 11882489	821	100	407	VOE 11882695	421	175	223
VOE 11881712	925	150	633	VOE 11881937	911	1000	557	VOE 11882298	911	450	531	VOE 11882489	821	100	409	VOE 11882696	421	175	223
VOE 11881717	915	100	601	VOE 11881939	911	250	507	VOE 11882298	926	200	659	VOE 11882493	380	100	193	VOE 11882698	421	175	223
VOE 11881719	916	100	613	VOE 11881939	913	200	599	VOE 11882299	911	400	527	VOE 11882500	971	200	687	VOE 11882718	460	100	283
VOE 11881720	911	550	533	VOE 11881973	911	800	547	VOE 11882299	911	450	531	VOE 11882505	911	250	507	VOE 11882719	460	100	283
VOE 11881720	915	100	601	VOE 11881973	945	250	679	VOE 11882299	926	200	659	VOE 11882505	911	275	509	VOE 11882721	460	100	283
VOE 11881721	915	100	601	VOE 11881974	911	800	545	VOE 11882303	362	150	147	VOE 11882505	911	310	515	VOE 11882737	911	325	519

NUMERICAL INDEX RÉPERTOIRE DE NUMÉROS NUMMERNREGISTER	INDICE DE NÚMERO NUMMERREGISTER		Catalogue id 20017	Group 1000
			Issue VOE 63D9920017	Page 11

VOLVO

BL60

Part No	Group	Sect	Page	Part No	Group	Sect	Page	Part No	Group	Sect	Page	Part No	Group	Sect	Page	Part No	Group	Sect	Page
VOE 11883727	971	100	683	VOE 11883856	818	100	403	VOE 11884007	252	100	97	VOE 11884154	823	100	411	VOE 11884314	925	100	627
VOE 11883728	971	100	683	VOE 11883857	945	150	663	VOE 11884016	974	150	705	VOE 11884163	823	100	411	VOE 11884314	925	125	629
VOE 11883729	971	100	683	VOE 11883857	945	175	671	VOE 11884021	424	100	273	VOE 11884165	823	100	411	VOE 11884314	925	130	631
VOE 11883732	971	100	683	VOE 11883858	945	150	665	VOE 11884021	424	150	275	VOE 11884168	945	150	663	VOE 11884333	897	100	487
VOE 11883733	971	100	683	VOE 11883858	945	175	673	VOE 11884022	424	100	273	VOE 11884168	945	160	669	VOE 11884373	460	100	283
VOE 11883734	897	100	487	VOE 11883860	821	100	405	VOE 11884023	915	100	605	VOE 11884168	945	175	671	VOE 11884373	461	400	303
VOE 11883742	897	100	487	VOE 11883862	974	100	701	VOE 11884027	897	150	489	VOE 11884168	971	100	685	VOE 11884374	897	100	487
VOE 11883751	971	100	683	VOE 11883863	974	100	701	VOE 11884028	926	200	659	VOE 11884168	974	100	703	VOE 11884375	897	100	487
VOE 11883753	971	100	685	VOE 11883865	974	100	701	VOE 11884032	926	200	659	VOE 11884168	974	150	707	VOE 11884381	911	1300	573
VOE 11883757	971	100	683	VOE 11883867	897	100	487	VOE 11884039	916	100	613	VOE 11884170	945	150	665	VOE 11884381	911	1310	575
VOE 11883764	517	200	349	VOE 11883888	897	100	487	VOE 11884039	916	110	617	VOE 11884170	945	175	673	VOE 11884382	972	300	699
VOE 11883764	517	250	351	VOE 11883889	911	700	539	VOE 11884052	971	300	691	VOE 11884182	945	150	665	VOE 11884415	911	400	527
VOE 11883768	972	100	695	VOE 11883890	911	700	539	VOE 11884059	421	175	223	VOE 11884182	945	175	673	VOE 11884428	362	100	145
VOE 11883768	974	100	701	VOE 11883891	911	700	539	VOE 11884069	911	200	503	VOE 11884200	234	100	83	VOE 11884431	915	100	601
VOE 11883768	974	150	705	VOE 11883892	911	700	537	VOE 11884070	424	100	273	VOE 11884214	823	100	411	VOE 11884454	925	150	633
VOE 11883769	974	100	701	VOE 11883894	911	700	537	VOE 11884070	424	150	275	VOE 11884215	371	500	171	VOE 11884463	925	150	633
VOE 11883769	974	150	705	VOE 11883897	974	100	701	VOE 11884070	882	300	481	VOE 11884217	915	100	601	VOE 11884471	925	150	633
VOE 11883770	974	100	701	VOE 11883929	945	150	663	VOE 11884070	915	100	603	VOE 11884228	911	800	545	VOE 11884479	925	100	627
VOE 11883770	974	150	705	VOE 11883929	945	175	671	VOE 11884071	926	200	659	VOE 11884228	911	810	549	VOE 11884487	925	100	627
VOE 11883771	711	100	381	VOE 11883930	945	150	663	VOE 11884086	371	500	171	VOE 11884248	974	100	701	VOE 11884504	371	200	159
VOE 11883772	945	150	663	VOE 11883930	945	175	671	VOE 11884089	371	250	161	VOE 11884251	491	100	335	VOE 11884510	711	100	381
VOE 11883772	945	175	671	VOE 11883933	873	200	461	VOE 11884094	925	310	645	VOE 11884259	974	100	701	VOE 11884520	818	100	403
VOE 11883773	852	100	435	VOE 11883936	974	100	703	VOE 11884094	925	320	649	VOE 11884269	915	100	601	VOE 11884542	971	200	687
VOE 11883774	852	100	435	VOE 11883937	911	800	547	VOE 11884095	925	310	645	VOE 11884274	911	400	529	VOE 11884546	911	1310	575
VOE 11883780	925	200	635	VOE 11883937	911	810	551	VOE 11884095	925	320	649	VOE 11884279	916	100	613	VOE 11884547	911	1300	573
VOE 11883801	945	150	663	VOE 11883937	945	150	663	VOE 11884099	926	100	657	VOE 11884287	911	550	533	VOE 11884547	911	1310	575
VOE 11883801	945	175	671	VOE 11883937	945	175	671	VOE 11884102	972	300	699	VOE 11884287	916	350	621	VOE 11884569	971	100	685
VOE 11883802	945	150	663	VOE 11883937	945	300	681	VOE 11884117	945	150	663	VOE 11884291	911	400	527	VOE 11884573	974	150	705
VOE 11883802	945	175	671	VOE 11883937	971	300	691	VOE 11884117	945	175	671	VOE 11884310	420	150	213	VOE 11884579	971	400	693
VOE 11883803	945	150	663	VOE 11883939	818	100	403	VOE 11884119	261	100	109	VOE 11884310	421	175	223	VOE 11884582	711	100	381
VOE 11883803	945	175	671	VOE 11883969	926	200	659	VOE 11884125	926	100	657	VOE 11884311	924	100	625	VOE 11884607	974	100	703
VOE 11883805	874	450	467	VOE 11883973	234	100	83	VOE 11884145	460	100	283	VOE 11884312	925	100	627	VOE 11884607	974	150	705
VOE 11883806	874	450	467	VOE 11883974	234	100	83	VOE 11884145	460	150	285	VOE 11884312	925	125	629	VOE 11884613	234	100	83
VOE 11883807	874	450	467	VOE 11884001	252	100	97	VOE 11884151	380	100	193	VOE 11884312	925	130	631	VOE 11884614	945	150	665
VOE 11883809	460	100	283	VOE 11884006	252	100	97	VOE 11884152	371	500	171	VOE 11884312	925	150	633	VOE 11884614	974	100	703

NUMERICAL INDEX RÉPERTOIRE DE NUMÉROS NUMMERNREGISTER	INDICE DE NÚMERO		Catalogue id	Group
	NUMMERREGISTER		20017	1000
			Issue	Page
		VOE 63D9920017	13	

VOLVO

BL60

NUMERICAL INDEX				INDICE DE NÚMERO				Catalogue id				Group			
RÉPERTOIRE DE NUMÉROS				NUMMERREGISTER				20017				1000			
NUMMERNREGISTER								Issue				Page			
NUMMERNREGISTER								VOE 63D9920017				14			
Part No	Group	Sect	Page	Part No	Group	Sect	Page	Part No	Group	Sect	Page	Part No	Group	Sect	Page
VOE 11884616	945	150	665	VOE 11884817	491	100	335	VOE 11885147	211	100	51	VOE 11885192	897	100	487
VOE 11884616	974	100	703	VOE 11884818	491	100	335	VOE 11885147	212	100	53	VOE 11885203	911	810	549
VOE 11884629	911	400	527	VOE 11884822	945	150	663	VOE 11885147	212	150	55	VOE 11885207	945	150	667
VOE 11884637	945	150	663	VOE 11884822	945	175	671	VOE 11885147	213	100	57	VOE 11885208	911	700	539
VOE 11884638	945	150	663	VOE 11884823	945	150	663	VOE 11885147	214	100	59	VOE 11885216	926	200	659
VOE 11884638	945	175	671	VOE 11884832	911	400	527	VOE 11885147	215	100	61	VOE 11885220	924	100	625
VOE 11884640	911	300	511	VOE 11884833	911	400	527	VOE 11885147	216	100	63	VOE 11885224	971	100	683
VOE 11884641	911	300	511	VOE 11884868	874	450	467	VOE 11885147	216	150	67	VOE 11885224	974	100	703
VOE 11884642	911	300	511	VOE 11884869	916	350	621	VOE 11885147	217	100	69	VOE 11885224	974	150	707
VOE 11884650	852	100	435	VOE 11884870	916	350	621	VOE 11885147	221	100	75	VOE 11885225	971	100	683
VOE 11884650	852	150	443	VOE 11884882	916	350	621	VOE 11885147	222	100	77	VOE 11885225	974	100	701
VOE 11884651	852	100	435	VOE 11884921	925	310	643	VOE 11885147	223	100	79	VOE 11885225	974	150	705
VOE 11884651	852	200	445	VOE 11884928	926	100	657	VOE 11885147	233	100	81	VOE 11885233	821	100	405
VOE 11884652	852	100	435	VOE 11884950	911	1300	573	VOE 11885147	236	100	85	VOE 11885234	821	100	405
VOE 11884652	852	250	447	VOE 11884960	380	200	195	VOE 11885147	236	150	89	VOE 11885240	916	100	613
VOE 11884653	821	100	405	VOE 11884960	911	400	529	VOE 11885147	237	100	91	VOE 11885240	916	110	617
VOE 11884658	711	100	381	VOE 11884965	911	700	539	VOE 11885147	251	100	93	VOE 11885241	916	100	613
VOE 11884714	711	100	381	VOE 11884968	911	400	527	VOE 11885147	255	100	99	VOE 11885241	916	110	617
VOE 11884716	218	100	71	VOE 11884971	926	100	657	VOE 11885147	263	100	115	VOE 11885242	911	1150	565
VOE 11884719	218	100	71	VOE 11884972	926	100	657	VOE 11885147	263	150	117	VOE 11885243	911	1150	565
VOE 11884722	436	100	277	VOE 11884973	926	100	657	VOE 11885147	273	100	125	VOE 11885253	911	550	535
VOE 11884725	436	100	277	VOE 11885002	972	300	699	VOE 11885150	911	800	545	VOE 11885255	911	300	511
VOE 11884758	945	150	665	VOE 11885010	926	100	657	VOE 11885151	911	800	545	VOE 11885256	911	350	523
VOE 11884775	372	100	191	VOE 11885014	468	100	329	VOE 11885152	911	1150	565	VOE 11885256	911	400	529
VOE 11884783	916	100	613	VOE 11885030	421	150	221	VOE 11885163	911	800	545	VOE 11885260	911	1350	577
VOE 11884787	971	200	687	VOE 11885037	911	750	541	VOE 11885164	911	800	545	VOE 11885261	911	700	537
VOE 11884790	218	100	71	VOE 11885038	897	150	489	VOE 11885165	911	750	543	VOE 11885262	911	400	527
VOE 11884790	436	100	277	VOE 11885056	911	750	541	VOE 11885168	915	100	603	VOE 11885263	911	700	537
VOE 11884792	218	100	71	VOE 11885057	421	150	221	VOE 11885169	915	100	601	VOE 11885264	926	200	659
VOE 11884792	436	100	277	VOE 11885074	971	100	685	VOE 11885182	915	100	603	VOE 11885266	926	200	659
VOE 11884793	945	150	667	VOE 11885079	896	150	485	VOE 11885183	915	150	607	VOE 11885267	926	200	659
VOE 11884794	911	700	537	VOE 11885135	881	200	475	VOE 11885184	915	100	603	VOE 11885267	926	250	661
VOE 11884808	911	325	519	VOE 11885135	911	200	503	VOE 11885185	915	150	609	VOE 11885270	916	100	613
VOE 11884815	945	150	663	VOE 11885147	210	50	43	VOE 11885188	915	100	603	VOE 11885270	916	110	617
VOE 11884815	945	175	671	VOE 11885147	210	100	49	VOE 11885189	915	100	603	VOE 11885271	972	300	699
												VOE 11885514	911	400	529
												VOE 11885515	916	350	621
												VOE 11885516	911	550	533
												VOE 11885517	911	350	523
												VOE 11885518	911	300	511
												VOE 11885543	491	100	335
												VOE 11885543	911	325	519
												VOE 11885543	911	330	521
												VOE 11885549	911	300	511
												VOE 11885553	911	1350	577

Part No	Group	Sect	Page	Part No	Group	Sect	Page	Part No	Group	Sect	Page	Part No	Group	Sect	Page	Part No	Group	Sect	Page
VOE 1188554	911	1350	577	VOE 11885759	911	550	533	VOE 11886065	852	120	441	VOE 11886191	911	900	553	VOE 11886317	211	100	51
VOE 11885595	925	500	655	VOE 11885762	911	350	523	VOE 11886080	771	130	391	VOE 11886191	911	1000	557	VOE 11886317	216	100	63
VOE 11885596	925	500	655	VOE 11885762	911	360	525	VOE 11886082	771	120	389	VOE 11886192	911	400	529	VOE 11886317	236	100	85
VOE 11885663	945	200	677	VOE 11885771	911	400	527	VOE 11886083	771	130	391	VOE 11886192	916	100	615	VOE 11886317	251	100	93
VOE 11885671	945	200	677	VOE 11885771	912	400	593	VOE 11886097	896	100	483	VOE 11886192	916	110	619	VOE 11886317	262	100	111
VOE 11885676	771	100	385	VOE 11885772	945	200	677	VOE 11886098	371	700	181	VOE 11886193	852	110	437	VOE 11886331	915	200	611
VOE 11885676	771	110	387	VOE 11885773	945	200	677	VOE 11886099	371	650	173	VOE 11886196	915	150	607	VOE 11886338	945	200	677
VOE 11885676	771	120	389	VOE 11885774	945	200	677	VOE 11886104	371	725	183	VOE 11886202	771	110	387	VOE 11886340	915	200	611
VOE 11885677	460	100	283	VOE 11885777	916	100	613	VOE 11886105	911	1000	557	VOE 11886202	771	120	389	VOE 11886342	945	200	677
VOE 11885677	463	100	311	VOE 11885780	911	275	509	VOE 11886105	911	1010	559	VOE 11886202	771	130	391	VOE 11886348	852	110	439
VOE 11885684	645	400	373	VOE 11885784	972	300	699	VOE 11886119	371	100	157	VOE 11886209	371	450	169	VOE 11886348	852	120	441
VOE 11885685	645	400	373	VOE 11885786	911	450	531	VOE 11886120	371	500	171	VOE 11886212	371	400	165	VOE 11886355	451	150	281
VOE 11885690	818	100	403	VOE 11885789	926	200	659	VOE 11886121	371	100	155	VOE 11886215	362	100	145	VOE 11886367	972	200	697
VOE 11885699	911	550	533	VOE 11885790	911	450	531	VOE 11886123	371	100	155	VOE 11886222	852	110	437	VOE 11886377	821	100	405
VOE 11885699	911	700	537	VOE 11885802	261	100	109	VOE 11886124	371	100	155	VOE 11886223	852	110	437	VOE 11886387	252	100	97
VOE 11885701	916	100	613	VOE 11885803	261	100	109	VOE 11886126	371	100	155	VOE 11886224	771	110	387	VOE 11886391	252	100	97
VOE 11885701	916	110	617	VOE 11885808	371	350	163	VOE 11886127	896	100	483	VOE 11886224	771	120	389	VOE 11886392	252	100	97
VOE 11885704	911	750	543	VOE 11885809	881	100	469	VOE 11886129	896	100	483	VOE 11886225	771	110	387	VOE 11886393	252	100	97
VOE 11885707	911	700	539	VOE 11885812	371	500	171	VOE 11886132	896	100	483	VOE 11886225	771	120	389	VOE 11886398	460	100	283
VOE 11885717	945	200	677	VOE 11885860	911	400	527	VOE 11886133	896	100	483	VOE 11886250	821	100	405	VOE 11886418	925	250	637
VOE 11885733	911	550	533	VOE 11885861	771	100	385	VOE 11886134	896	100	483	VOE 11886254	924	100	625	VOE 11886420	911	275	509
VOE 11885733	911	700	537	VOE 11885861	771	110	387	VOE 11886138	821	100	407	VOE 11886255	974	100	701	VOE 11886421	911	200	505
VOE 11885734	380	200	195	VOE 11885861	771	130	391	VOE 11886138	896	100	483	VOE 11886255	974	150	705	VOE 11886424	925	250	637
VOE 11885734	916	100	615	VOE 11885876	925	320	647	VOE 11886139	371	500	171	VOE 11886264	821	100	409	VOE 11886425	925	250	637
VOE 11885734	916	110	619	VOE 11885930	915	200	611	VOE 11886149	896	100	483	VOE 11886266	974	100	701	VOE 11886430	911	310	517
VOE 11885736	925	310	643	VOE 11885934	353	200	141	VOE 11886151	911	300	513	VOE 11886266	974	150	705	VOE 11886452	911	450	531
VOE 11885736	925	320	647	VOE 11885943	852	100	435	VOE 11886152	911	1300	573	VOE 11886270	821	100	409	VOE 11886455	260	200	107
VOE 11885738	925	310	643	VOE 11885968	915	150	607	VOE 11886152	916	100	613	VOE 11886272	911	200	503	VOE 11886461	460	100	283
VOE 11885738	925	320	647	VOE 11885969	915	150	607	VOE 11886153	925	320	647	VOE 11886273	911	200	503	VOE 11886464	911	200	503
VOE 11885747	972	300	699	VOE 11885976	436	100	277	VOE 11886153	925	350	651	VOE 11886274	915	150	607	VOE 11886468	971	100	685
VOE 11885749	972	200	697	VOE 11885982	911	1010	559	VOE 11886154	911	200	503	VOE 11886275	915	150	607	VOE 11886474	821	100	407
VOE 11885751	911	200	503	VOE 11885990	711	100	381	VOE 11886174	974	100	701	VOE 11886286	371	100	157	VOE 11886476	911	1100	561
VOE 11885757	911	300	511	VOE 11885991	372	100	191	VOE 11886174	974	150	705	VOE 11886292	827	150	417	VOE 11886480	911	1100	561
VOE 11885758	911	550	535	VOE 11885999	911	200	505	VOE 11886177	911	250	507	VOE 11886293	827	150	417	VOE 11886482	945	200	677
VOE 11885758	911	1350	577	VOE 11886053	517	200	349	VOE 11886188	915	150	609	VOE 11886317	210	100	49	VOE 11886495	911	450	531

NUMERICAL INDEX RÉPERTOIRE DE NUMÉROS NUMMERNREGISTER	INDICE DE NÚMERO		Catalogue id	Group
	NUMMERREGISTER		20017	1000
			Issue	Page
		VOE 63D9920017	15	

VOLVO

BL60

Part No	Group	Sect	Page	Part No	Group	Sect	Page	Part No	Group	Sect	Page	Part No	Group	Sect	Page	Part No	Group	Sect	Page
VOE 11888656	971	100	683	VOE 11890069	945	175	671	VOE 11890342	897	100	487	VOE 11891018	925	310	643	VOE 11891076	421	450	259
VOE 11888669	517	250	351	VOE 11890069	974	100	701	VOE 11890342	911	700	537	VOE 11891018	925	320	647	VOE 11891076	421	500	265
VOE 11888671	517	250	351	VOE 11890069	974	150	705	VOE 11890342	911	900	553	VOE 11891018	925	400	653	VOE 11891076	421	525	269
VOE 11888681	971	100	683	VOE 11890070	380	200	195	VOE 11890342	911	1000	557	VOE 11891043	925	125	629	VOE 11891076	424	150	275
VOE 11888687	261	100	109	VOE 11890074	380	200	195	VOE 11890342	911	1100	561	VOE 11891043	925	150	633	VOE 11891076	436	100	277
VOE 11888694	424	100	273	VOE 11890109	945	150	665	VOE 11890342	911	1200	571	VOE 11891050	420	150	215	VOE 11891076	451	100	279
VOE 11888694	424	150	275	VOE 11890109	945	175	673	VOE 11890342	912	300	589	VOE 11891054	911	1100	561	VOE 11891076	451	150	281
VOE 11888695	260	100	105	VOE 11890110	945	150	663	VOE 11890342	912	350	591	VOE 11891054	911	1150	565	VOE 11891076	491	100	335
VOE 11888711	911	550	535	VOE 11890110	945	175	671	VOE 11890342	912	500	595	VOE 11891054	911	1160	569	VOE 11891076	517	200	349
VOE 11888712	911	550	535	VOE 11890115	925	500	655	VOE 11890342	912	550	597	VOE 11891056	911	1100	561	VOE 11891076	517	250	351
VOE 11888715	491	100	335	VOE 11890115	945	150	663	VOE 11890342	915	200	611	VOE 11891056	911	1150	565	VOE 11891076	911	200	503
VOE 11888715	911	330	521	VOE 11890115	945	175	671	VOE 11890342	974	100	701	VOE 11891056	911	1160	569	VOE 11891076	911	250	507
VOE 11888737	945	175	673	VOE 11890115	972	300	699	VOE 11890342	974	200	709	VOE 11891058	911	1000	557	VOE 11891076	913	200	599
VOE 11888747	972	300	699	VOE 11890116	945	150	663	VOE 11890342	975	100	711	VOE 11891058	911	1010	559	VOE 11891077	218	100	71
VOE 11888748	945	175	675	VOE 11890116	945	175	671	VOE 11890342	975	200	713	VOE 11891059	911	1200	571	VOE 11891077	371	250	161
VOE 11888752	916	360	623	VOE 11890117	945	150	665	VOE 11890342	975	300	715	VOE 11891060	911	1200	571	VOE 11891077	371	655	177
VOE 11888753	916	360	623	VOE 11890117	945	175	673	VOE 11890343	911	900	553	VOE 11891061	974	100	703	VOE 11891077	380	200	195
VOE 11888756	916	360	623	VOE 11890117	974	100	701	VOE 11890343	911	1000	557	VOE 11891061	974	150	705	VOE 11891077	380	350	199
VOE 11888757	916	360	623	VOE 11890117	974	150	705	VOE 11890343	911	1150	565	VOE 11891062	911	1000	557	VOE 11891077	420	150	213
VOE 11888809	925	260	639	VOE 11890117	974	150	707	VOE 11890343	974	150	705	VOE 11891062	911	1010	559	VOE 11891077	420	200	217
VOE 11888816	371	655	177	VOE 11890118	945	150	665	VOE 11890343	974	200	709	VOE 11891063	911	900	553	VOE 11891077	421	175	223
VOE 11888817	525	100	353	VOE 11890118	945	175	673	VOE 11890343	975	100	711	VOE 11891063	911	910	555	VOE 11891077	421	185	225
VOE 11888841	916	110	617	VOE 11890146	460	100	283	VOE 11890343	975	200	713	VOE 11891064	911	900	553	VOE 11891077	421	225	229
VOE 11888847	925	300	641	VOE 11890160	252	100	97	VOE 11890349	420	150	215	VOE 11891064	911	910	555	VOE 11891077	421	230	231
VOE 11888851	911	400	527	VOE 11890297	380	200	195	VOE 11891014	362	100	145	VOE 11891076	218	100	71	VOE 11891077	421	260	235
VOE 11889090	421	150	221	VOE 11890298	371	500	171	VOE 11891014	897	100	487	VOE 11891076	371	250	161	VOE 11891077	421	275	237
VOE 11889090	421	185	225	VOE 11890298	380	200	195	VOE 11891014	897	150	489	VOE 11891076	371	655	177	VOE 11891077	421	300	239
VOE 11889130	945	175	671	VOE 11890327	414	100	207	VOE 11891015	925	310	643	VOE 11891076	380	100	193	VOE 11891077	421	360	245
VOE 11890016	645	400	373	VOE 11890331	261	100	109	VOE 11891015	925	310	645	VOE 11891076	380	350	199	VOE 11891077	421	375	249
VOE 11890048	972	100	695	VOE 11890332	261	100	109	VOE 11891015	925	320	647	VOE 11891076	420	100	209	VOE 11891077	421	400	253
VOE 11890048	974	100	701	VOE 11890334	874	450	467	VOE 11891015	925	320	649	VOE 11891076	421	150	221	VOE 11891077	421	410	257
VOE 11890048	974	150	705	VOE 11890335	256	150	103	VOE 11891016	925	310	645	VOE 11891076	421	200	227	VOE 11891077	421	460	261
VOE 11890069	911	800	547	VOE 11890338	252	100	97	VOE 11891016	925	320	649	VOE 11891076	421	250	233	VOE 11891077	421	475	263
VOE 11890069	911	810	551	VOE 11890339	420	100	209	VOE 11891017	926	200	659	VOE 11891076	421	300	239	VOE 11891077	421	500	265
VOE 11890069	945	150	663	VOE 11890339	421	150	221	VOE 11891017	926	250	661	VOE 11891076	421	350	241	VOE 11891077	421	525	269

NUMERICAL INDEX RÉPERTOIRE DE NUMÉROS NUMMERNREGISTER	INDICE DE NÚMERO		Catalogue id	Group
	NUMMERREGISTER		20017	1000
			Issue	Page
		VOE 63D9920017	17	

VOLVO

BL60

Part No	Group	Sect	Page	Part No	Group	Sect	Page	Part No	Group	Sect	Page	Part No	Group	Sect	Page	Part No	Group	Sect	Page
VOE 11891387	460	100	283	VOE 11988256	975	300	715	VOE 11988538	912	275	587	VOE 11988560	461	410	305	VOE 11988587	461	300	301
VOE 11891387	461	100	287	VOE 11988257	975	300	715	VOE 11988538	912	500	595	VOE 11988560	461	420	307	VOE 11988588	461	300	301
VOE 11891387	461	150	291	VOE 11988259	945	300	681	VOE 11988538	912	550	597	VOE 11988561	461	100	287	VOE 11988596	463	200	319
VOE 11891387	461	200	295	VOE 11988260	945	300	681	VOE 11988539	912	200	581	VOE 11988562	461	100	287	VOE 11988597	463	200	319
VOE 11891387	461	250	299	VOE 11988262	945	250	679	VOE 11988539	912	350	591	VOE 11988562	461	420	307	VOE 11988598	463	200	319
VOE 11891387	461	300	301	VOE 11988263	945	250	679	VOE 11988540	912	200	581	VOE 11988563	645	100	367	VOE 11988598	463	210	321
VOE 11891387	645	200	371	VOE 11988297	925	100	627	VOE 11988540	912	350	591	VOE 11988563	645	150	369	VOE 11988599	463	200	319
VOE 11891387	771	130	391	VOE 11988297	925	150	633	VOE 11988541	912	225	583	VOE 11988563	645	200	371	VOE 11988603	463	200	319
VOE 11891391	313	100	133	VOE 11988403	925	100	627	VOE 11988541	912	250	585	VOE 11988564	645	150	369	VOE 11988622	463	250	323
VOE 11891391	371	100	155	VOE 11988403	925	150	633	VOE 11988541	912	275	587	VOE 11988564	645	200	371	VOE 11988623	463	250	323
VOE 11891392	313	100	133	VOE 11988505	451	150	281	VOE 11988541	912	500	595	VOE 11988565	645	100	367	VOE 11988624	463	300	327
VOE 11891392	371	100	155	VOE 11988524	912	200	581	VOE 11988541	912	550	597	VOE 11988565	645	150	369	VOE 11988625	463	300	327
VOE 11891429	269	100	119	VOE 11988524	912	350	591	VOE 11988551	461	100	287	VOE 11988565	645	200	371	VOE 11988626	463	300	327
VOE 11891430	269	100	119	VOE 11988525	912	350	591	VOE 11988552	461	100	287	VOE 11988566	645	100	367	VOE 11988627	463	300	327
VOE 11891488	881	150	473	VOE 11988526	912	225	583	VOE 11988552	461	400	303	VOE 11988566	645	150	369	VOE 11988628	463	300	327
VOE 11891494	925	300	641	VOE 11988526	912	250	585	VOE 11988552	461	410	305	VOE 11988566	645	200	371	VOE 11988629	463	300	327
VOE 11891503	911	1160	569	VOE 11988526	912	275	587	VOE 11988552	461	420	307	VOE 11988567	645	150	369	VOE 11988632	463	300	327
VOE 11891539	945	160	669	VOE 11988526	912	500	595	VOE 11988553	461	100	287	VOE 11988567	645	200	371	VOE 11996163	852	150	443
VOE 11891540	925	260	639	VOE 11988526	912	550	597	VOE 11988553	461	400	303	VOE 11988569	461	250	299	VOE 11997265	852	250	447
VOE 11891541	925	350	651	VOE 11988527	912	225	583	VOE 11988553	461	410	305	VOE 11988570	461	250	299	VOE 11998561	852	250	447
VOE 11891546	926	200	659	VOE 11988527	912	250	585	VOE 11988553	461	420	307	VOE 11988571	461	250	299	VOE 1304841	363	200	153
VOE 11891561	945	160	669	VOE 11988527	912	275	587	VOE 11988554	461	100	287	VOE 11988572	461	250	299	VOE 13914468	926	100	657
VOE 11891565	925	260	639	VOE 11988527	912	500	595	VOE 11988554	461	420	307	VOE 11988573	461	250	299	VOE 13930842	911	550	535
VOE 11891567	925	300	641	VOE 11988527	912	550	597	VOE 11988555	461	100	287	VOE 11988575	461	300	301	VOE 13930842	911	700	539
VOE 11987752	925	125	629	VOE 11988529	912	225	583	VOE 11988555	461	420	307	VOE 11988577	461	300	301	VOE 13930842	912	150	579
VOE 11988151	645	200	371	VOE 11988529	912	500	595	VOE 11988556	461	100	287	VOE 11988578	461	300	301	VOE 13930842	912	300	589
VOE 11988152	461	150	291	VOE 11988529	912	550	597	VOE 11988557	461	100	287	VOE 11988579	461	300	301	VOE 13933857	460	150	285
VOE 11988156	463	250	323	VOE 11988532	912	225	583	VOE 11988557	461	420	307	VOE 11988580	461	300	301	VOE 13933857	468	150	333
VOE 11988156	463	260	325	VOE 11988532	912	275	587	VOE 11988559	461	100	287	VOE 11988581	461	300	301	VOE 13933857	517	250	351
VOE 11988196	926	250	661	VOE 11988532	912	500	595	VOE 11988559	461	400	303	VOE 11988581	461	450	309	VOE 13933858	420	100	211
VOE 11988249	971	300	691	VOE 11988533	912	225	583	VOE 11988559	461	410	305	VOE 11988582	461	300	301	VOE 13933858	420	150	215
VOE 11988250	971	300	691	VOE 11988537	912	200	581	VOE 11988559	461	420	307	VOE 11988582	461	450	309	VOE 13933858	645	400	373
VOE 11988251	971	300	691	VOE 11988537	912	350	591	VOE 11988559	461	450	309	VOE 11988584	461	300	301	VOE 13933858	911	400	527
VOE 11988253	975	300	715	VOE 11988538	912	225	583	VOE 11988560	461	100	287	VOE 11988585	461	300	301	VOE 13933858	911	700	537
VOE 11988255	971	300	691	VOE 11988538	912	250	585	VOE 11988560	461	400	303	VOE 11988586	461	300	301	VOE 13933858	911	1300	573

NUMERICAL INDEX	INDICE DE NÚMERO		Catalogue id	Group
	RÉPERTOIRE DE NUMÉROS	NUMMERREGISTER	20017	1000
			Issue	Page
NUMMERNREGISTER			VOE 63D9920017	19

VOLVO

BL60

Part No	Group	Sect	Page	Part No	Group	Sect	Page	Part No	Group	Sect	Page	Part No	Group	Sect	Page	Part No	Group	Sect	Page
VOE 13955900	945	150	667	VOE 13965182	925	320	647	VOE 13965229	974	150	707	VOE 13971095	260	200	107	VOE 14344720	831	100	423
VOE 13960138	872	250	455	VOE 13965182	925	350	651	VOE 13965483	823	100	411	VOE 13971095	460	100	283	VOE 14346537	896	100	483
VOE 13960138	882	100	479	VOE 13965183	911	400	527	VOE 13965483	872	250	453	VOE 13971095	925	310	643	VOE 14370881	371	800	189
VOE 13960141	272	100	123	VOE 13965185	234	100	83	VOE 13965558	362	100	145	VOE 13971095	925	320	647	VOE 14370883	371	655	179
VOE 13960141	825	100	413	VOE 13965185	252	100	97	VOE 13967580	896	100	483	VOE 13971095	925	350	651	VOE 14370883	371	730	185
VOE 13960141	852	100	435	VOE 13965185	460	100	283	VOE 13967630	421	150	221	VOE 13971095	926	100	657	VOE 14370883	371	800	189
VOE 13960141	873	100	457	VOE 13965186	551	250	357	VOE 13967630	421	175	223	VOE 13971098	271	100	121	VOE 14370889	371	200	159
VOE 13960141	881	100	469	VOE 13965186	843	150	429	VOE 13967630	421	185	225	VOE 13971098	313	100	133	VOE 14370889	371	400	165
VOE 13960141	882	100	477	VOE 13965187	925	310	643	VOE 13967630	874	450	467	VOE 13971098	551	250	357	VOE 14371054	371	350	163
VOE 13960141	896	100	483	VOE 13965188	252	100	97	VOE 13967630	911	1000	557	VOE 13971098	827	150	417	VOE 14371493	641	100	365
VOE 13960143	272	100	123	VOE 13965188	925	320	647	VOE 13967630	911	1010	559	VOE 13971098	911	450	531	VOE 14376982	460	150	285
VOE 13960143	810	150	399	VOE 13965188	925	350	651	VOE 13967934	945	175	673	VOE 13971098	945	150	665	VOE 14376982	716	100	383
VOE 13960143	881	100	471	VOE 13965189	926	100	657	VOE 13967934	945	175	675	VOE 13971098	945	160	669	VOE 1518748	852	150	443
VOE 13960143	971	100	685	VOE 13965190	925	310	643	VOE 13967934	945	200	677	VOE 13971098	945	175	673	VOE 1518748	852	200	445
VOE 13963104	872	250	453	VOE 13965190	925	320	647	VOE 13969011	212	100	53	VOE 13971098	972	100	695	VOE 1518748	852	250	447
VOE 13963105	841	100	425	VOE 13965190	925	350	651	VOE 13969011	233	100	81	VOE 13971098	972	300	699	VOE 1542591	260	200	107
VOE 13963110	218	100	71	VOE 13965190	945	150	665	VOE 13969516	269	100	119	VOE 13971307	915	100	603	VOE 1578603	881	150	473
VOE 13963110	436	100	277	VOE 13965190	945	160	669	VOE 13969599	823	100	411	VOE 13975237	272	100	123	VOE 1582293	371	100	157
VOE 13963362	716	100	383	VOE 13965191	371	100	155	VOE 13970876	414	100	207	VOE 13975237	371	500	171	VOE 1589502	380	350	199
VOE 13963362	971	100	683	VOE 13965191	436	100	277	VOE 13970944	414	100	207	VOE 13975237	881	200	475	VOE 1589502	911	400	529
VOE 13965175	821	100	405	VOE 13965191	852	100	435	VOE 13970947	420	150	213	VOE 13977600	873	200	461	VOE 1613068	882	100	477
VOE 13965175	881	200	475	VOE 13965191	852	110	439	VOE 13970948	420	100	209	VOE 13980100	716	100	383	VOE 1696529	852	150	443
VOE 13965175	911	1150	567	VOE 13965191	852	120	441	VOE 13970948	420	200	217	VOE 13983307	971	100	685	VOE 1696529	852	200	445
VOE 13965177	911	1300	573	VOE 13965191	911	200	503	VOE 13970949	420	150	213	VOE 14016673	269	100	119	VOE 1696529	852	250	447
VOE 13965177	911	1310	575	VOE 13965191	911	250	507	VOE 13970951	420	200	219	VOE 14025792	971	100	685	VOE 1882940	645	400	373
VOE 13965177	916	100	613	VOE 13965191	911	275	509	VOE 13970963	874	450	467	VOE 14211856	911	700	537	VOE 191900	711	100	381
VOE 13965177	916	110	617	VOE 13965191	945	150	663	VOE 13971068	517	200	349	VOE 14211861	911	300	511	VOE 20393421	371	100	155
VOE 13965178	911	360	525	VOE 13965191	945	175	671	VOE 13971068	517	250	351	VOE 14211861	911	300	513	VOE 20405504	263	150	117
VOE 13965179	234	100	83	VOE 13965192	911	200	503	VOE 13971068	915	100	603	VOE 14211861	911	310	515	VOE 20405506	217	100	69
VOE 13965179	911	750	541	VOE 13965192	915	150	607	VOE 13971068	915	150	607	VOE 14213026	363	200	153	VOE 20405509	236	150	89
VOE 13965179	916	350	621	VOE 13965194	234	100	83	VOE 13971068	926	200	659	VOE 14213676	911	200	503	VOE 20405524	214	100	59
VOE 13965179	916	360	623	VOE 13965194	896	100	483	VOE 13971072	945	150	667	VOE 14266041	897	150	489	VOE 20405536	210	50	43
VOE 13965180	916	360	623	VOE 13965194	911	550	533	VOE 13971095	234	100	83	VOE 14340282	831	100	423	VOE 20405536	210	50	45
VOE 13965181	911	400	529	VOE 13965194	915	100	605	VOE 13971095	252	100	97	VOE 14343206	882	100	477	VOE 20405536	251	100	93
VOE 13965182	925	310	643	VOE 13965196	972	300	699	VOE 13971095	256	100	101	VOE 14343207	882	100	477	VOE 20405538	236	150	89

NUMERICAL INDEX RÉPERTOIRE DE NUMÉROS NUMMERNREGISTER	INDICE DE NÚMERO NUMMERREGISTER		Catalogue id 20017	Group 1000
			Issue VOE 63D9920017	Page 21

VOLVO

BL60

NUMERICAL INDEX				INDICE DE NÚMERO				Catalogue id				Group			
RÉPERTOIRE DE NUMÉROS				NUMMERREGISTER				20017				1000			
NUMMERNREGISTER								Issue				Page			
NUMMERNREGISTER								VOE 63D9920017				22			
Part No	Group	Sect	Page	Part No	Group	Sect	Page	Part No	Group	Sect	Page	Part No	Group	Sect	Page
VOE 20405543	210	50	43	VOE 20405729	236	150	89	VOE 20412745	212	100	53	VOE 20459144	216	100	63
VOE 20405543	236	100	85	VOE 20405730	236	150	89	VOE 20412751	331	100	137	VOE 20459148	216	100	63
VOE 20405553	215	100	61	VOE 20405789	255	100	99	VOE 20441521	321	100	135	VOE 20459149	210	50	43
VOE 20405559	237	100	91	VOE 20405792	217	100	69	VOE 20441859	212	100	53	VOE 20459149	216	100	63
VOE 20405560	236	150	89	VOE 20405792	221	100	75	VOE 20450694	251	100	93	VOE 20459168	210	50	43
VOE 20405561	221	100	75	VOE 20405792	255	100	99	VOE 20450728	212	150	55	VOE 20459168	221	100	75
VOE 20405565	236	100	85	VOE 20405792	262	100	111	VOE 20450735	262	100	111	VOE 20459171	210	50	43
VOE 20405587	251	100	93	VOE 20405822	255	100	99	VOE 20450736	210	50	43	VOE 20459171	210	50	47
VOE 20405590	210	50	43	VOE 20405825	210	50	43	VOE 20450736	262	100	111	VOE 20459171	255	100	99
VOE 20405590	210	50	45	VOE 20405825	217	100	69	VOE 20450745	262	100	111	VOE 20459172	210	50	43
VOE 20405599	223	100	79	VOE 20405828	331	100	137	VOE 20450749	263	150	117	VOE 20459172	210	50	47
VOE 20405603	221	100	75	VOE 20405885	223	100	79	VOE 20450750	263	150	117	VOE 20459172	255	100	99
VOE 20405605	215	100	61	VOE 20405885	262	100	111	VOE 20450754	263	150	117	VOE 20459181	255	100	99
VOE 20405606	218	200	73	VOE 20405885	263	100	115	VOE 20450756	218	200	73	VOE 20459183	215	100	61
VOE 20405616	251	100	93	VOE 20405885	263	150	117	VOE 20450778	212	100	53	VOE 20459183	233	100	81
VOE 20405626	212	150	55	VOE 20405895	211	100	51	VOE 20450795	215	100	61	VOE 20459195	223	100	79
VOE 20405627	210	50	43	VOE 20405898	251	100	93	VOE 20450801	215	100	61	VOE 20459197	223	100	79
VOE 20405627	210	50	47	VOE 20405898	262	100	111	VOE 20450867	255	100	99	VOE 20459200	223	100	79
VOE 20405627	212	150	55	VOE 20405917	223	100	79	VOE 20450890	223	100	79	VOE 20459201	223	100	79
VOE 20405634	216	100	65	VOE 20405938	210	50	43	VOE 20450997	251	100	93	VOE 20459202	223	100	79
VOE 20405653	215	100	61	VOE 20405938	210	50	47	VOE 20451012	215	100	61	VOE 20459203	210	50	43
VOE 20405654	216	100	65	VOE 20405938	212	150	55	VOE 20451012	251	100	93	VOE 20459203	223	100	79
VOE 20405672	223	100	79	VOE 20405988	263	150	117	VOE 20451738	221	100	75	VOE 20459204	223	100	79
VOE 20405672	262	100	111	VOE 20412313	262	100	111	VOE 20459025	263	150	117	VOE 20459205	223	100	79
VOE 20405716	212	100	53	VOE 20412318	210	50	43	VOE 20459061	331	100	137	VOE 20459222	210	50	43
VOE 20405717	212	100	53	VOE 20412318	210	50	47	VOE 20459115	210	50	43	VOE 20459222	210	50	47
VOE 20405719	212	100	53	VOE 20412318	255	100	99	VOE 20459115	215	100	61	VOE 20459235	255	100	99
VOE 20405721	212	100	53	VOE 20412324	215	100	61	VOE 20459115	216	100	63	VOE 20459236	210	50	43
VOE 20405723	262	100	111	VOE 20412324	221	100	75	VOE 20459124	216	100	63	VOE 20459236	210	50	47
VOE 20405724	216	100	65	VOE 20412359	210	50	43	VOE 20459133	216	100	63	VOE 20459236	255	100	99
VOE 20405728	210	50	43	VOE 20412359	212	100	53	VOE 20459134	216	100	63	VOE 20459246	233	100	81
VOE 20405728	210	50	47	VOE 20412596	233	100	81	VOE 20459139	216	100	63	VOE 20459263	263	150	117
VOE 20405728	273	100	125	VOE 20412601	251	100	93	VOE 20459140	210	50	43	VOE 20459264	263	150	117
VOE 20405729	216	150	67	VOE 20412733	211	100	51	VOE 20459140	216	100	63	VOE 20459265	263	150	117
VOE 20405729	233	100	81	VOE 20412745	211	100	51	VOE 20459143	216	100	63	VOE 20459830	211	100	51
												VOE 20459830	251	100	93
												VOE 20459833	210	50	43
												VOE 20459833	210	50	47
												VOE 20459835	211	100	51
												VOE 20459836	211	100	51
												VOE 20459837	214	100	59
												VOE 20459838	211	100	51
												VOE 20459839	210	50	43
												VOE 20459839	210	50	47
												VOE 20459839	210	50	47
												VOE 20459839	211	100	51
												VOE 20459840	210	50	43
												VOE 20459840	210	50	47
												VOE 20459841	210	50	45
												VOE 20459841	210	50	47
												VOE 20459847	214	100	59
												VOE 20459848	214	100	59
												VOE 20459849	214	100	59
												VOE 20459850	214	100	59
												VOE 20459851	211	100	51
												VOE 20459852	211	100	51
												VOE 20459853	214	100	59
												VOE 20459854	211	100	51
												VOE 20459855	210	50	45
												VOE 20459855	210	50	47
												VOE 20459855	211	100	51
												VOE 20459857	211	100	51
												VOE 20459864	263	150	117
												VOE 20459898	212	100	53
												VOE 20459899	212	100	53
												VOE 20459900	212	100	53
												VOE 20459900	262	100	113
												VOE 20459904	210	50	45
												VOE 20459904	215	100	61
												VOE 20459906	237	100	91
												VOE 20459909	251	100	93

Part No	Group	Sect	Page	Part No	Group	Sect	Page	Part No	Group	Sect	Page	Part No	Group	Sect	Page	Part No	Group	Sect	Page
VOE 20459910	251	100	93	VOE 20460010	213	100	57	VOE 20460939	255	100	99	VOE 20524626	233	100	81	VOE 20557208	210	50	47
VOE 20459933	251	100	93	VOE 20460013	210	50	45	VOE 20460945	255	100	99	VOE 20528339	255	100	99	VOE 20557208	251	100	93
VOE 20459935	251	100	93	VOE 20460013	213	100	57	VOE 20464451	211	100	51	VOE 20531832	210	50	45	VOE 20558924	211	100	51
VOE 20459941	223	100	79	VOE 20460021	217	100	69	VOE 20480536	216	100	63	VOE 20531832	210	50	47	VOE 20558934	211	100	51
VOE 20459942	223	100	79	VOE 20460022	210	50	45	VOE 20481754	221	100	75	VOE 20531832	251	100	93	VOE 20559834	255	100	99
VOE 20459949	262	100	111	VOE 20460045	233	100	81	VOE 20481768	233	100	81	VOE 20532254	251	100	93	VOE 20560564	321	100	135
VOE 20459952	262	100	111	VOE 20460045	255	100	99	VOE 20481769	233	100	81	VOE 20532396	223	100	79	VOE 20562765	273	100	125
VOE 20459953	210	50	45	VOE 20460055	255	100	99	VOE 20481785	233	100	81	VOE 20535027	218	200	73	VOE 20565870	251	100	93
VOE 20459953	210	50	47	VOE 20460061	255	100	99	VOE 20482006	217	100	69	VOE 20535037	211	100	51	VOE 20567447	233	100	81
VOE 20459953	262	100	111	VOE 20460061	262	100	111	VOE 20482010	217	100	69	VOE 20537029	210	50	45	VOE 20567447	321	100	135
VOE 20459954	210	50	45	VOE 20460064	236	150	89	VOE 20482027	217	100	69	VOE 20537029	221	100	75	VOE 20570522	210	50	45
VOE 20459954	262	100	111	VOE 20460067	236	150	89	VOE 20482736	217	100	69	VOE 20542740	217	100	69	VOE 20570522	210	50	47
VOE 20459955	210	50	45	VOE 20460069	236	150	89	VOE 20482739	210	50	45	VOE 20547288	216	150	67	VOE 20572787	251	100	95
VOE 20459955	210	50	47	VOE 20460070	236	150	89	VOE 20482739	213	100	57	VOE 20549886	321	100	135	VOE 20581867	221	100	75
VOE 20459955	262	100	111	VOE 20460071	236	100	85	VOE 20496548	223	100	79	VOE 20549894	223	100	79	VOE 20585825	251	100	93
VOE 20459961	210	50	45	VOE 20460082	236	150	89	VOE 20498498	251	100	95	VOE 20549894	255	100	99	VOE 20585971	215	100	61
VOE 20459961	262	100	111	VOE 20460095	210	50	45	VOE 20498524	251	100	95	VOE 20549894	262	100	111	VOE 20585971	216	150	67
VOE 20459972	237	100	91	VOE 20460095	210	50	47	VOE 20502245	223	100	79	VOE 20549905	236	100	85	VOE 20590555	236	150	89
VOE 20459977	215	100	61	VOE 20460095	237	100	91	VOE 20502535	262	100	111	VOE 20550117	262	100	111	VOE 20590582	236	150	89
VOE 20459989	216	150	67	VOE 20460102	321	100	135	VOE 20502536	262	100	111	VOE 20550336	251	100	95	VOE 20590598	211	100	51
VOE 20459990	216	150	67	VOE 20460106	321	100	135	VOE 20504812	236	150	89	VOE 20550356	251	100	95	VOE 20592820	215	100	61
VOE 20459995	216	150	67	VOE 20460115	331	100	137	VOE 20505959	251	100	93	VOE 20551429	262	100	111	VOE 20593357	331	100	137
VOE 20459996	216	150	67	VOE 20460116	331	100	137	VOE 20508600	212	100	53	VOE 20554253	263	150	117	VOE 20706915	216	100	63
VOE 20459998	210	50	45	VOE 20460117	331	100	137	VOE 20508605	212	100	53	VOE 20555065	263	150	117	VOE 20715643	371	100	157
VOE 20459998	212	100	53	VOE 20460118	331	100	137	VOE 20508630	255	100	99	VOE 20555084	321	100	135	VOE 20715795	263	150	117
VOE 20459999	210	50	45	VOE 20460119	331	100	137	VOE 20509446	321	100	135	VOE 20555189	211	100	51	VOE 20723978	218	200	73
VOE 20459999	212	100	53	VOE 20460120	331	100	137	VOE 20509482	321	100	135	VOE 20555385	222	100	77	VOE 20723984	218	200	73
VOE 20460000	212	100	53	VOE 20460123	251	100	93	VOE 20517048	210	50	45	VOE 20555403	210	50	45	VOE 20726057	251	100	93
VOE 20460001	212	100	53	VOE 20460127	251	100	93	VOE 20517048	210	50	47	VOE 20555403	216	100	63	VOE 20726062	251	100	93
VOE 20460006	212	100	53	VOE 20460231	255	100	99	VOE 20517048	255	100	99	VOE 20555491	214	100	59	VOE 20726092	262	100	111
VOE 20460007	214	100	59	VOE 20460239	223	100	79	VOE 20518337	233	100	81	VOE 20555494	255	100	99	VOE 20729184	216	100	63
VOE 20460008	214	100	59	VOE 20460289	236	150	89	VOE 20521558	251	100	95	VOE 20555502	215	100	61	VOE 20729310	263	150	117
VOE 20460009	210	50	45	VOE 20460459	211	100	51	VOE 20522433	216	100	63	VOE 20555503	236	150	89	VOE 20739051	262	100	111
VOE 20460009	213	100	57	VOE 20460936	255	100	99	VOE 20523284	216	100	63	VOE 20555515	251	100	93	VOE 20758272	236	150	89
VOE 20460010	210	50	45	VOE 20460936	262	100	111	VOE 20524154	233	100	81	VOE 20557208	210	50	45	VOE 20758403	251	100	93

NUMERICAL INDEX RÉPERTOIRE DE NUMÉROS NUMMERNREGISTER	INDICE DE NÚMERO NUMMERREGISTER		Catalogue id 20017	Group 1000
			Issue VOE 63D9920017	Page 23

VOLVO

BL60

NUMERICAL INDEX				INDICE DE NÚMERO				Catalogue id 20017				Group 1000							
RÉPERTOIRE DE NUMÉROS				NUMMERREGISTER				Issue VOE 63D9920017				Page 24							
NUMMERNREGISTER																			
Part No	Group	Sect	Page	Part No	Group	Sect	Page	Part No	Group	Sect	Page	Part No	Group	Sect	Page	Part No	Group	Sect	Page
VOE 20791246	212	100	53	VOE 24426002	236	100	85	VOE 4803745	371	655	179	VOE 4880492	911	1300	573	VOE 4881438	911	400	529
VOE 20791405	211	100	51	VOE 24426004	236	100	85	VOE 4803746	371	100	157	VOE 4880492	911	1310	575	VOE 4881438	911	700	539
VOE 20791406	262	100	111	VOE 24426005	236	100	85	VOE 4803746	371	200	159	VOE 4880492	916	100	613	VOE 4881438	911	750	543
VOE 20791517	211	100	51	VOE 24426006	236	100	85	VOE 4803746	371	250	161	VOE 4880492	916	100	615	VOE 4881438	911	1300	573
VOE 20799838	262	100	111	VOE 24426007	236	100	85	VOE 4803746	371	650	173	VOE 4880492	916	110	617	VOE 4881438	916	100	615
VOE 20882838	211	100	51	VOE 24426010	236	100	85	VOE 4803746	371	655	179	VOE 4880492	916	110	619	VOE 4881440	251	100	93
VOE 20882839	211	100	51	VOE 24426011	236	100	87	VOE 4803746	371	800	189	VOE 4880492	971	200	687	VOE 4881440	256	100	101
VOE 20882841	211	100	51	VOE 24426012	236	100	87	VOE 4803748	371	200	159	VOE 4880493	911	300	511	VOE 4881440	371	100	157
VOE 20882905	216	100	63	VOE 24426013	236	100	87	VOE 4803748	371	250	161	VOE 4880493	911	700	537	VOE 4881440	873	200	461
VOE 20891184	216	100	63	VOE 24426014	236	100	87	VOE 4803748	371	400	165	VOE 4880493	911	700	539	VOE 4881440	874	350	465
VOE 20909227	263	150	117	VOE 24426015	236	100	87	VOE 4803748	371	450	169	VOE 4880493	911	1100	561	VOE 4881440	911	1160	569
VOE 20924084	211	100	51	VOE 24426016	236	100	87	VOE 4803748	371	650	173	VOE 4880493	911	1150	565	VOE 4881440	915	100	603
VOE 20944091	223	100	79	VOE 24426017	236	100	87	VOE 4803748	371	655	179	VOE 4880493	911	1200	571	VOE 4881440	915	150	607
VOE 24425842	212	100	53	VOE 24426018	236	100	87	VOE 4803751	371	200	159	VOE 4880493	911	1350	577	VOE 4881440	916	110	617
VOE 24425916	237	100	91	VOE 24426019	236	100	87	VOE 4803751	371	400	167	VOE 4880493	916	100	615	VOE 4881440	945	200	677
VOE 24425919	237	100	91	VOE 24426020	236	100	87	VOE 4803751	371	650	173	VOE 4880493	916	110	619	VOE 4881722	420	100	211
VOE 24425954	236	100	85	VOE 24426021	236	100	87	VOE 4803751	371	655	179	VOE 4880493	916	350	621	VOE 4881722	420	150	215
VOE 24425958	236	100	85	VOE 24426022	236	100	87	VOE 4803752	371	200	159	VOE 4880663	491	100	335	VOE 4881722	421	175	223
VOE 24425969	236	100	85	VOE 24426216	216	100	65	VOE 4803752	371	400	167	VOE 4880663	911	550	533	VOE 4881722	463	100	311
VOE 24425970	236	100	85	VOE 24426230	251	100	93	VOE 4803752	371	450	169	VOE 4880663	911	700	537	VOE 4881722	645	400	373
VOE 24425972	236	100	85	VOE 3090569	852	150	443	VOE 4803752	371	650	175	VOE 4880663	911	800	545	VOE 4881722	911	400	527
VOE 24425973	236	100	85	VOE 3090569	852	200	445	VOE 4803752	371	655	179	VOE 4880663	911	800	547	VOE 4881722	911	400	529
VOE 24425974	236	100	85	VOE 3091629	852	250	447	VOE 4821292	363	200	153	VOE 4880663	911	810	549	VOE 4881722	911	550	533
VOE 24425982	236	100	85	VOE 3943382	234	100	83	VOE 4821292	517	250	351	VOE 4880663	911	810	551	VOE 4881722	911	700	537
VOE 24425983	236	100	85	VOE 3987034	371	100	155	VOE 4880492	420	100	211	VOE 4880663	911	1100	561	VOE 4881722	911	700	539
VOE 24425984	236	100	85	VOE 3987417	354	100	143	VOE 4880492	420	150	215	VOE 4880663	911	1150	565	VOE 4881722	911	1300	573
VOE 24425985	236	100	85	VOE 403078	924	100	625	VOE 4880492	421	175	223	VOE 4880663	916	350	621	VOE 4881722	911	1310	575
VOE 24425986	236	100	85	VOE 403078	972	100	695	VOE 4880492	468	100	329	VOE 4880804	380	100	193	VOE 4881722	916	100	613
VOE 24425987	236	100	85	VOE 432039	925	310	643	VOE 4880492	517	200	349	VOE 4881293	831	100	423	VOE 4881722	916	100	615
VOE 24425989	236	100	85	VOE 4789869	771	100	385	VOE 4880492	645	400	373	VOE 4881438	234	100	83	VOE 4881722	916	110	617
VOE 24425991	236	100	85	VOE 4789869	771	110	387	VOE 4880492	911	200	505	VOE 4881438	260	200	107	VOE 4881722	916	110	619
VOE 24425992	236	100	85	VOE 4789869	771	120	389	VOE 4880492	911	300	511	VOE 4881438	371	100	157	VOE 4881722	971	200	687
VOE 24425994	236	100	85	VOE 4789869	771	130	391	VOE 4880492	911	300	513	VOE 4881438	371	500	171	VOE 6213261	852	150	443
VOE 24425996	236	100	85	VOE 4803745	371	100	155	VOE 4880492	911	750	541	VOE 4881438	645	400	373	VOE 6213261	852	200	445
VOE 24425998	236	100	85	VOE 4803745	371	650	173	VOE 4880492	911	750	543	VOE 4881438	821	100	407	VOE 7011998	210	50	45

Part No	Group	Sect	Page	Part No	Group	Sect	Page	Part No	Group	Sect	Page	Part No	Group	Sect	Page	Part No	Group	Sect	Page
VOE 7025167	233	100	81	VOE 874957	371	250	161	VOE 914167	945	150	663	VOE 932039	420	150	215	VOE 932040	971	200	687
VOE 762681	872	250	453	VOE 874957	371	350	163	VOE 914167	945	150	665	VOE 932039	460	150	285	VOE 932041	420	150	215
VOE 784076	771	100	385	VOE 874957	371	655	177	VOE 914167	945	150	667	VOE 932039	468	100	329	VOE 932041	491	100	335
VOE 784076	771	110	387	VOE 874957	371	700	181	VOE 914167	945	160	669	VOE 932039	517	200	349	VOE 932041	911	800	545
VOE 784076	771	120	389	VOE 874957	371	725	183	VOE 914167	945	175	671	VOE 932039	517	250	351	VOE 932041	911	810	549
VOE 784076	771	130	391	VOE 874957	371	730	185	VOE 914167	945	175	673	VOE 932039	645	400	373	VOE 932041	925	310	643
VOE 8157766	371	100	155	VOE 874957	371	800	189	VOE 914167	945	175	675	VOE 932039	911	200	505	VOE 932041	925	320	647
VOE 8159013	371	450	169	VOE 874958	371	250	161	VOE 914167	945	200	677	VOE 932039	911	250	507	VOE 932042	234	100	83
VOE 81709100	421	250	233	VOE 874958	371	655	177	VOE 914167	971	100	683	VOE 932039	911	275	509	VOE 932042	911	250	507
VOE 81709100	421	260	235	VOE 874958	371	700	181	VOE 914167	972	100	695	VOE 932039	911	400	527	VOE 932042	911	275	509
VOE 874654	371	100	155	VOE 874958	371	730	185	VOE 914167	972	300	699	VOE 932039	911	400	529	VOE 932042	911	325	519
VOE 874654	371	400	165	VOE 874958	371	800	189	VOE 914167	974	100	703	VOE 932039	911	550	533	VOE 932042	911	330	521
VOE 874654	371	650	173	VOE 874959	371	750	187	VOE 914167	974	150	705	VOE 932039	911	700	537	VOE 932042	911	350	523
VOE 874654	371	655	179	VOE 874960	371	650	173	VOE 914446	915	100	601	VOE 932039	911	750	541	VOE 932042	911	360	525
VOE 874802	371	500	171	VOE 874960	371	655	177	VOE 914446	945	200	677	VOE 932039	911	750	543	VOE 932042	911	400	527
VOE 874802	371	650	173	VOE 874965	371	200	159	VOE 914450	915	150	607	VOE 932039	911	1300	573	VOE 932042	911	550	533
VOE 874802	371	655	177	VOE 874965	371	400	165	VOE 914450	945	150	667	VOE 932039	911	1310	575	VOE 932042	911	550	535
VOE 874802	371	725	183	VOE 874967	371	250	161	VOE 914450	945	200	677	VOE 932039	916	100	615	VOE 932042	911	700	537
VOE 874802	371	730	185	VOE 874967	371	400	165	VOE 914454	915	200	611	VOE 932039	916	110	619	VOE 932042	911	700	539
VOE 874802	371	750	187	VOE 874967	371	655	177	VOE 914465	974	100	701	VOE 932039	925	350	651	VOE 932042	911	750	541
VOE 874802	371	800	189	VOE 874967	371	730	185	VOE 914470	972	100	695	VOE 932039	971	200	687	VOE 932042	911	800	545
VOE 874954	371	450	169	VOE 881503	371	100	157	VOE 925739	261	100	109	VOE 932039	972	200	697	VOE 932042	911	810	549
VOE 874954	371	750	187	VOE 888760	236	150	89	VOE 930416	882	100	479	VOE 932039	975	100	711	VOE 932042	911	900	553
VOE 874954	371	800	189	VOE 888774	262	100	111	VOE 930430	916	360	623	VOE 932040	645	400	373	VOE 932042	911	910	555
VOE 874954	915	100	605	VOE 907825	896	100	483	VOE 930434	352	200	139	VOE 932040	911	450	531	VOE 932042	911	1000	557
VOE 874955	371	250	161	VOE 907838	945	175	675	VOE 930438	916	360	623	VOE 932040	911	750	541	VOE 932042	911	1010	559
VOE 874955	371	350	163	VOE 907864	972	300	699	VOE 930853	972	300	699	VOE 932040	911	800	547	VOE 932042	911	1100	561
VOE 874955	371	400	165	VOE 907903	971	100	683	VOE 930872	945	200	677	VOE 932040	911	810	549	VOE 932042	911	1150	565
VOE 874955	371	450	169	VOE 914167	460	100	283	VOE 931212	911	400	529	VOE 932040	911	1100	561	VOE 932042	911	1160	569
VOE 874955	371	650	173	VOE 914167	460	150	285	VOE 932037	463	100	311	VOE 932040	911	1150	565	VOE 932042	911	1350	577
VOE 874955	371	655	177	VOE 914167	711	100	381	VOE 932037	645	400	373	VOE 932040	911	1160	569	VOE 932042	916	100	613
VOE 874955	371	700	181	VOE 914167	925	310	643	VOE 932037	911	200	505	VOE 932040	911	1200	571	VOE 932042	916	100	615
VOE 874955	371	725	183	VOE 914167	925	320	647	VOE 932037	911	400	529	VOE 932040	916	350	621	VOE 932042	916	110	617
VOE 874955	371	730	185	VOE 914167	925	350	651	VOE 932037	916	100	613	VOE 932040	916	360	623	VOE 932042	916	110	619
VOE 874955	424	150	275	VOE 914167	926	200	659	VOE 932037	916	110	617	VOE 932040	926	200	659	VOE 932042	971	200	687

NUMERICAL INDEX RÉPERTOIRE DE NUMÉROS NUMMERNREGISTER	INDICE DE NÚMERO NUMMERREGISTER		Catalogue id 20017	Group 1000
			Issue VOE 63D9920017	Page 25

VOLVO

BL60

NUMERICAL INDEX				INDICE DE NÚMERO				Catalogue id				Group			
RÉPERTOIRE DE NUMÉROS				NUMMERREGISTER				20017				1000			
NUMMERNREGISTER								Issue				Page			
								VOE 63D9920017				26			
Part No	Group	Sect	Page	Part No	Group	Sect	Page	Part No	Group	Sect	Page	Part No	Group	Sect	Page
VOE 932043	911	300	511	VOE 935085	911	1310	575	VOE 935640	971	200	687	VOE 943480	911	250	507
VOE 932043	911	310	515	VOE 935085	916	110	619	VOE 935756	911	400	529	VOE 943481	911	250	507
VOE 935028	916	360	623	VOE 935089	645	400	373	VOE 935756	911	700	539	VOE 943483	256	100	101
VOE 935032	911	550	533	VOE 935089	911	750	541	VOE 936070	911	350	523	VOE 943926	551	250	357
VOE 935032	911	700	537	VOE 935091	925	320	647	VOE 936070	911	360	525	VOE 943926	821	100	405
VOE 935067	460	150	285	VOE 935091	925	350	651	VOE 936122	911	300	511	VOE 944158	371	500	171
VOE 935069	420	100	211	VOE 935092	925	310	643	VOE 936122	911	300	513	VOE 944265	352	200	139
VOE 935069	421	175	223	VOE 935092	925	320	647	VOE 936122	911	310	515	VOE 944265	362	150	147
VOE 935069	645	400	373	VOE 935093	911	550	533	VOE 936539	916	110	617	VOE 945408	911	1100	563
VOE 935069	911	750	543	VOE 935093	911	700	537	VOE 936606	916	110	619	VOE 945495	214	100	59
VOE 935069	916	100	615	VOE 935093	911	700	539	VOE 936620	911	250	507	VOE 945634	915	100	601
VOE 935069	971	200	687	VOE 935093	911	1350	577	VOE 936620	911	275	509	VOE 945634	915	100	603
VOE 935070	645	400	373	VOE 935093	916	100	615	VOE 937237	916	360	623	VOE 945634	915	150	607
VOE 935073	925	310	643	VOE 935093	916	110	619	VOE 937950	925	350	651	VOE 945634	915	200	611
VOE 935073	925	320	647	VOE 935094	911	800	547	VOE 937966	911	310	515	VOE 945780	823	100	411
VOE 935076	911	800	547	VOE 935094	911	810	549	VOE 937990	911	310	515	VOE 946035	272	100	123
VOE 935076	911	810	549	VOE 935094	911	1100	561	VOE 937991	911	310	515	VOE 946036	271	100	121
VOE 935079	911	800	545	VOE 935094	911	1150	565	VOE 938074	916	110	617	VOE 946036	421	175	223
VOE 935079	911	810	549	VOE 935094	911	1160	569	VOE 940090	882	300	481	VOE 946329	252	100	97
VOE 935082	463	100	311	VOE 935094	916	350	621	VOE 940142	468	100	329	VOE 946329	551	250	357
VOE 935082	645	400	373	VOE 935095	491	100	335	VOE 940337	371	500	171	VOE 946329	641	100	365
VOE 935082	911	400	529	VOE 935097	491	100	335	VOE 941262	363	150	151	VOE 946329	827	150	417
VOE 935082	916	100	613	VOE 935229	911	300	511	VOE 941267	810	150	399	VOE 946329	911	300	511
VOE 935082	916	110	617	VOE 935229	911	310	515	VOE 941269	272	100	123	VOE 946440	272	100	123
VOE 935085	420	100	211	VOE 935436	911	400	529	VOE 941460	911	200	503	VOE 946440	352	200	139
VOE 935085	420	150	215	VOE 935453	925	350	651	VOE 941507	874	350	465	VOE 946440	362	100	145
VOE 935085	468	100	329	VOE 935538	911	1300	573	VOE 942290	821	100	405	VOE 946440	371	100	155
VOE 935085	468	150	333	VOE 935538	911	1310	575	VOE 942767	424	100	273	VOE 946440	810	150	399
VOE 935085	517	200	349	VOE 935574	911	300	511	VOE 942767	424	150	275	VOE 946440	881	150	473
VOE 935085	517	250	351	VOE 935574	911	310	515	VOE 943368	873	150	459	VOE 946440	896	100	483
VOE 935085	645	400	373	VOE 935575	911	310	515	VOE 943368	873	200	461	VOE 946440	911	1150	567
VOE 935085	911	200	503	VOE 935576	916	100	615	VOE 943469	260	200	107	VOE 946440	945	175	675
VOE 935085	911	750	541	VOE 935576	916	110	617	VOE 943473	491	100	335	VOE 946441	911	300	511
VOE 935085	911	750	543	VOE 935640	645	400	373	VOE 943473	911	325	519	VOE 946441	911	310	515
VOE 935085	911	1300	573	VOE 935640	911	1300	573	VOE 943473	911	330	521	VOE 946441	916	100	613

Part No	Group	Sect	Page	Part No	Group	Sect	Page	Part No	Group	Sect	Page	Part No	Group	Sect	Page	Part No	Group	Sect	Page
VOE 948645	831	100	419	VOE 950588	420	100	209	VOE 955912	926	200	659	VOE 965195	911	700	539	VOE 968589	823	100	411
VOE 948645	831	100	421	VOE 950588	420	150	213	VOE 955912	974	100	703	VOE 965195	915	100	601	VOE 968589	911	250	507
VOE 948645	841	100	425	VOE 950588	420	200	217	VOE 955912	974	150	705	VOE 965197	974	150	707	VOE 968589	911	275	509
VOE 948645	852	100	435	VOE 951952	915	100	601	VOE 955920	371	100	157	VOE 965225	911	300	511	VOE 968589	945	150	665
VOE 948645	873	100	457	VOE 952623	272	100	123	VOE 955921	371	100	157	VOE 965826	353	200	141	VOE 968589	945	160	669
VOE 948645	874	350	465	VOE 953059	911	1000	557	VOE 955921	852	100	435	VOE 965891	371	100	155	VOE 968589	972	100	695
VOE 948645	911	550	535	VOE 953059	911	1010	559	VOE 956926	371	200	159	VOE 966722	945	200	677	VOE 968589	974	100	701
VOE 948645	911	750	543	VOE 953062	911	1000	557	VOE 959080	915	100	601	VOE 967531	874	450	467	VOE 968589	974	100	703
VOE 948645	911	1000	557	VOE 953062	911	1100	563	VOE 959080	915	100	603	VOE 967562	974	100	701	VOE 968589	974	150	705
VOE 948645	911	1100	563	VOE 953062	911	1150	565	VOE 959080	915	150	607	VOE 967600	915	100	601	VOE 968593	218	100	71
VOE 948645	911	1150	567	VOE 953073	252	100	97	VOE 959080	915	200	611	VOE 967600	915	150	607	VOE 968593	436	100	277
VOE 948645	911	1350	577	VOE 955245	380	100	193	VOE 959220	831	100	419	VOE 967631	911	1100	563	VOE 968847	873	200	461
VOE 948645	915	100	603	VOE 955276	841	100	425	VOE 959220	852	100	435	VOE 967631	911	1150	565	VOE 968852	460	100	283
VOE 948645	915	150	607	VOE 955296	421	410	257	VOE 959238	420	100	211	VOE 967632	911	400	529	VOE 968942	945	200	677
VOE 948645	915	200	611	VOE 955297	421	450	259	VOE 959238	420	150	215	VOE 967632	971	200	687	VOE 969147	354	100	143
VOE 948645	916	100	613	VOE 955297	421	460	261	VOE 959238	911	200	505	VOE 967633	911	1000	557	VOE 969147	363	100	149
VOE 948645	916	110	617	VOE 955297	421	475	263	VOE 959238	911	310	517	VOE 967633	916	100	613	VOE 969147	380	200	195
VOE 948645	916	350	621	VOE 955297	831	100	421	VOE 960139	363	100	149	VOE 967633	916	110	617	VOE 969147	525	100	353
VOE 948645	916	360	623	VOE 955302	421	200	227	VOE 960139	380	200	195	VOE 967635	911	200	503	VOE 969147	831	100	419
VOE 948645	925	310	645	VOE 955302	421	225	229	VOE 960139	825	100	413	VOE 967635	911	300	513	VOE 969147	831	100	421
VOE 948645	925	320	649	VOE 955302	421	230	231	VOE 960139	841	100	425	VOE 967635	911	325	519	VOE 969147	881	200	475
VOE 948645	926	100	657	VOE 955302	421	500	265	VOE 960139	872	250	455	VOE 967635	911	900	553	VOE 969147	882	300	481
VOE 948645	945	200	677	VOE 955302	421	550	271	VOE 960139	881	100	469	VOE 967635	911	910	555	VOE 969161	372	100	191
VOE 948836	460	100	283	VOE 955306	468	100	329	VOE 960139	881	200	475	VOE 967640	945	150	665	VOE 969278	372	100	191
VOE 949005	371	650	175	VOE 955782	823	100	411	VOE 960139	882	100	479	VOE 967640	945	175	673	VOE 969278	380	350	199
VOE 949005	371	655	179	VOE 955822	641	100	365	VOE 961970	843	150	431	VOE 967640	972	100	695	VOE 969313	945	150	663
VOE 949102	823	100	411	VOE 955892	810	150	399	VOE 961970	873	150	459	VOE 967640	972	300	699	VOE 969313	945	175	671
VOE 949587	371	200	159	VOE 955901	911	350	523	VOE 961991	874	450	467	VOE 968207	517	250	351	VOE 969404	363	200	153
VOE 949755	551	250	357	VOE 955905	460	100	283	VOE 961991	911	1010	559	VOE 968237	945	150	665	VOE 969405	872	200	451
VOE 949824	971	100	683	VOE 955905	716	100	383	VOE 961991	915	100	601	VOE 968237	945	175	673	VOE 969407	353	200	141
VOE 949847	915	100	601	VOE 955905	810	150	399	VOE 961991	915	100	603	VOE 968237	971	100	683	VOE 969407	371	100	155
VOE 949847	915	100	603	VOE 955905	971	100	683	VOE 961991	915	200	611	VOE 968435	218	100	71	VOE 969408	353	200	141
VOE 949921	380	200	195	VOE 955908	911	550	533	VOE 963111	818	100	403	VOE 968435	971	100	683	VOE 969422	371	100	157
VOE 949921	881	100	469	VOE 955908	915	100	601	VOE 963196	517	200	349	VOE 968435	974	100	703	VOE 969422	872	250	453
VOE 949937	872	200	451	VOE 955912	924	100	625	VOE 964113	911	750	541	VOE 968435	974	150	707	VOE 969422	896	100	483

NUMERICAL INDEX RÉPERTOIRE DE NUMÉROS NUMMERNREGISTER	INDICE DE NÚMERO NUMMERREGISTER	Catalogue id	Group
		20017	1000
		Issue	Page
		VOE 63D9920017	27

VOLVO

BL60

NUMERICAL INDEX				INDICE DE NÚMERO								Catalogue id		Group	
RÉPERTOIRE DE NUMÉROS				NUMMERREGISTER								20017		1000	
NUMMERNREGISTER												Issue		Page	
												VOE 63D9920017		28	
Part No	Group	Sect	Page	Part No	Group	Sect	Page	Part No	Group	Sect	Page	Part No	Group	Sect	Page
VOE 969423	882	300	481	VOE 972410	882	100	477	VOE 978869	911	1300	573	VOE 981289	916	110	619
VOE 969439	353	200	141	VOE 972410	882	300	481	VOE 978869	911	1310	575	VOE 981290	911	300	511
VOE 969478	881	150	473	VOE 972412	872	250	455	VOE 978869	916	100	615	VOE 981290	911	310	515
VOE 969513	881	200	475	VOE 972412	882	100	479	VOE 978869	916	110	619	VOE 981290	911	400	527
VOE 969557	371	500	171	VOE 972421	272	100	123	VOE 978953	818	100	403	VOE 981290	911	450	531
VOE 969587	371	100	155	VOE 972421	354	100	143	VOE 978997	926	100	657	VOE 981290	911	700	539
VOE 969587	831	100	419	VOE 972421	810	150	399	VOE 978999	372	100	191	VOE 981290	911	1000	557
VOE 969587	841	100	425	VOE 972421	825	100	413	VOE 979021	424	150	275	VOE 981290	911	1010	559
VOE 969587	872	250	453	VOE 972421	831	100	423	VOE 979021	974	100	703	VOE 981290	926	200	659
VOE 969587	882	100	477	VOE 972421	874	450	467	VOE 979022	925	200	635	VOE 981291	911	200	505
VOE 969589	881	100	469	VOE 972421	881	200	475	VOE 979022	925	300	641	VOE 981291	911	300	513
VOE 969793	272	100	123	VOE 973119	371	200	159	VOE 979022	925	310	645	VOE 981291	911	310	515
VOE 969846	925	310	645	VOE 973119	371	450	169	VOE 979022	925	320	649	VOE 981314	460	100	283
VOE 969846	925	320	649	VOE 973120	371	350	163	VOE 979920	716	100	383	VOE 981314	460	150	285
VOE 970803	421	450	259	VOE 973120	371	450	169	VOE 980521	460	150	285	VOE 981314	874	450	467
VOE 970803	421	460	261	VOE 974428	810	150	399	VOE 980521	716	100	383	VOE 981604	260	100	105
VOE 970808	421	475	263	VOE 974428	945	150	665	VOE 980883	371	500	171	VOE 981665	645	400	373
VOE 970809	420	100	209	VOE 974428	945	175	673	VOE 981256	525	100	353	VOE 981705	260	200	107
VOE 970812	420	150	215	VOE 974428	971	100	683	VOE 981289	911	250	507	VOE 981708	260	200	107
VOE 970823	420	100	209	VOE 974428	972	300	699	VOE 981289	911	275	509	VOE 982021	256	100	101
VOE 970827	421	350	243	VOE 975237	269	100	119	VOE 981289	911	325	519	VOE 983024	911	350	523
VOE 970827	421	360	247	VOE 975358	371	500	171	VOE 981289	911	350	523	VOE 983024	911	360	525
VOE 970827	421	375	251	VOE 975378	881	100	469	VOE 981289	911	360	525	VOE 983123	911	350	523
VOE 970827	421	400	253	VOE 975378	882	100	477	VOE 981289	911	400	527	VOE 983123	911	360	525
VOE 970827	421	410	257	VOE 975380	873	150	459	VOE 981289	911	550	535	VOE 983246	911	550	535
VOE 970890	460	100	283	VOE 975903	911	750	541	VOE 981289	911	700	537	VOE 983247	911	400	529
VOE 970890	460	150	285	VOE 976162	872	250	453	VOE 981289	911	700	539	VOE 983247	916	100	615
VOE 971081	945	175	675	VOE 976256	371	200	159	VOE 981289	911	800	545	VOE 983247	916	110	619
VOE 971096	911	700	539	VOE 976929	210	50	45	VOE 981289	911	810	549	VOE 983253	911	550	535
VOE 971099	525	100	353	VOE 977222	872	250	453	VOE 981289	911	900	553	VOE 983253	911	700	539
VOE 971099	915	100	601	VOE 977934	911	200	503	VOE 981289	911	910	555	VOE 983253	912	150	579
VOE 971099	972	300	699	VOE 977982	873	150	459	VOE 981289	911	1000	557	VOE 983253	912	300	589
VOE 971099	974	150	707	VOE 978254	911	200	503	VOE 981289	911	1100	561	VOE 983299	818	100	403
VOE 972007	881	150	473	VOE 978392	363	100	149	VOE 981289	911	1150	565	VOE 983303	371	100	157
VOE 972401	882	100	477	VOE 978869	911	700	539	VOE 981289	916	100	615	VOE 983303	831	100	421
VOE 983304	525	100	353									VOE 983304	945	150	665
VOE 983304	945	150	665									VOE 983304	945	175	673
VOE 983306	911	400	527									VOE 983306	911	400	527
VOE 983306	911	1000	557									VOE 983306	911	1000	557
VOE 983312	971	100	683									VOE 983312	971	100	683
VOE 983334	551	250	357									VOE 983334	551	250	357
VOE 983338	945	175	673									VOE 983338	945	175	673
VOE 983338	971	100	685									VOE 983338	971	100	685
VOE 983340	716	100	383									VOE 983340	716	100	383
VOE 983377	716	100	383									VOE 983377	716	100	383
VOE 983403	852	100	435									VOE 983403	852	100	435
VOE 983695	460	150	285									VOE 983695	460	150	285
VOE 984190	911	350	523									VOE 984190	911	350	523
VOE 990736	460	150	285									VOE 990736	460	150	285
VOE 990736	916	110	617									VOE 990736	916	110	617
VOE 990737	421	185	225									VOE 990737	421	185	225
VOE 990737	517	250	351									VOE 990737	517	250	351
VOE 990737	645	400	373									VOE 990737	645	400	373
VOE 990738	911	310	515									VOE 990738	911	310	515
VOE 990738	911	550	533									VOE 990738	911	550	533
VOE 990738	911	550	535									VOE 990738	911	550	535
VOE 990738	916	360	623									VOE 990738	916	360	623
VOE 990738	925	310	643									VOE 990738	925	310	643
VOE 990738	925	320	647									VOE 990738	925	320	647
VOE 990738	925	350	651									VOE 990738	925	350	651
VOE 990739	460	150	285									VOE 990739	460	150	285
VOE 990739	517	250	351									VOE 990739	517	250	351
VOE 990739	911	310	515									VOE 990739	911	310	515
VOE 990739	911	550	533									VOE 990739	911	550	533
VOE 990739	911	550	535									VOE 990739	911	550	535
VOE 990739	911	1160	569									VOE 990739	911	1160	569
VOE 990739	916	360	623									VOE 990739	916	360	623
VOE 990739	925	310	643									VOE 990739	925	310	643
VOE 990739	925	320	647									VOE 990739	925	320	647

Part No	Group	Sect	Page	Part No	Group	Sect	Page	Part No	Group	Sect	Page	Part No	Group	Sect	Page
VOE 990740	491	100	335												
VOE 990740	911	310	517												
VOE 990740	911	330	521												
VOE 990740	911	1010	559												
VOE 990740	911	1160	569												
VOE 990740	916	110	619												
VOE 991618	460	150	285												
ZM 2801364	925	310	645												
ZM 2801364	925	320	649												
ZM 2907156	841	100	425												
ZM 2907157	841	100	425												
ZM 2907158	841	100	425												



NUMERICAL INDEX RÉPERTOIRE DE NUMÉROS NUMMERNREGISTER	INDICE DE NÚMERO NUMMERREGISTER	Catalogue id	Group
		20017	1000
		Issue	Page
		VOE 63D9920017	29

VOLVO

BL60