

RECYCLABLE PAPER



Construction Equipment

**VOLVO**

Ref. No. VOE 63G9920004

LABEL FOR STEELBINDER

**VOLVO**

CUT HERE

**BL70**  
**PARTS CATALOG**



**VOLVO**

**PARTS CATALOG VOLVO BL70**

**PARTS CATALOG**

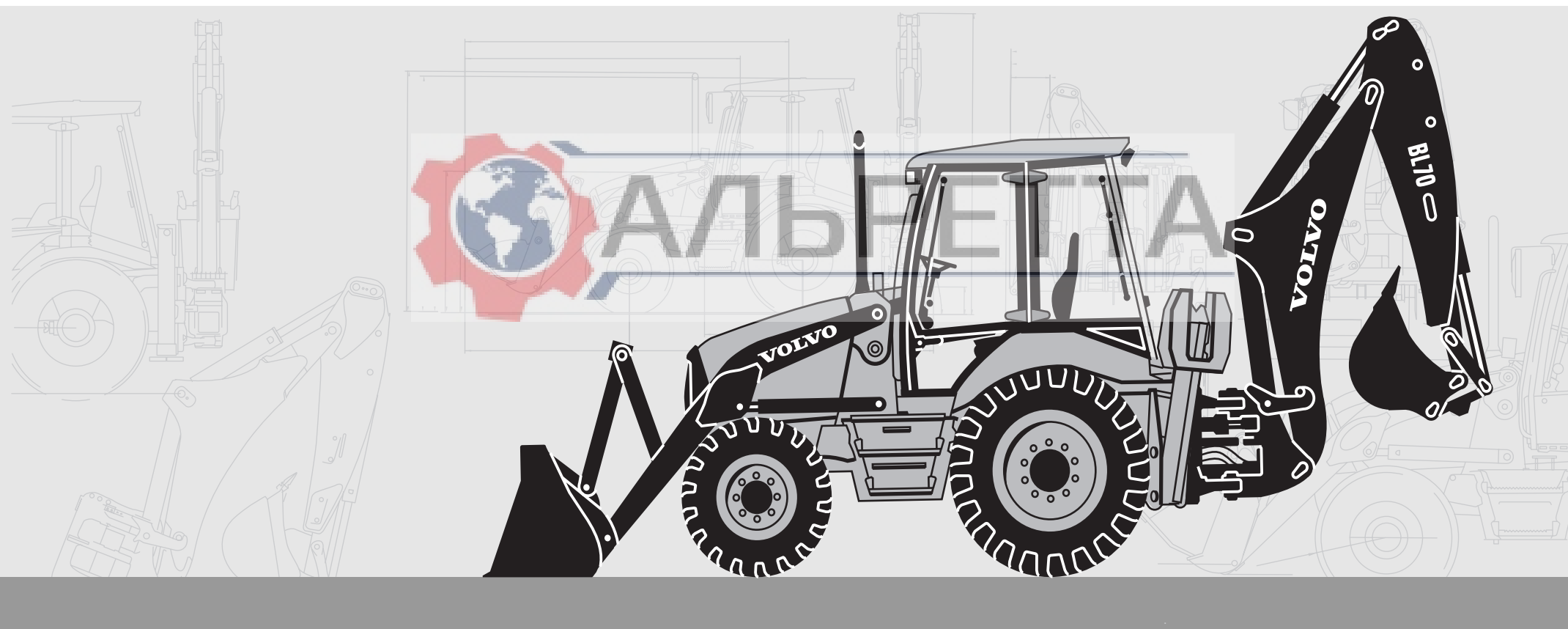
**BL70**



**VOLVO**

PARTS CATALOG

# BL70

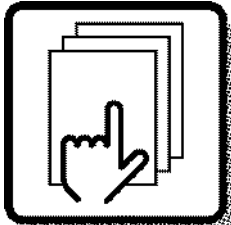




**VOLVO**

АЛЬРЕТТА

Construction Equipment



**1**

Preface and instructions  
Préface et instructions  
Vorwort und Anweisungen  
Prefacio e instrucciones  
Förord och anvisningar

Steering system  
Système de direction  
Lenksystem  
Sistema de dirección  
Styrssystem

**6**

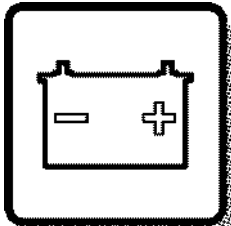
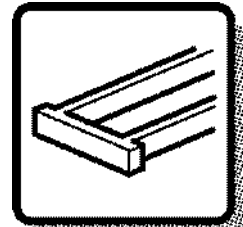


**2**

Engine  
Moteur  
Motor  
Motor  
Motor

Frame and wheels  
Bâti et roues  
Rahmen und räder  
Bastidor y ruedas  
Ram och hjul

**7**

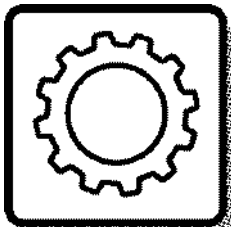
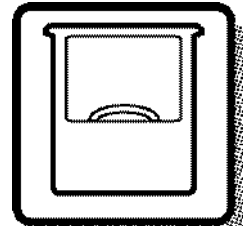


**3**

Electrical systems and instruments  
Système électrique et instruments  
Elektrisches System und Instrumente  
Sistema eléctrico e instrumentos  
Esystem och instrument

Body with associated parts  
Carrosserie avec détails  
Aufbau mit Zubehörteilen  
Carrocería con detalles  
Karosseri

**8**

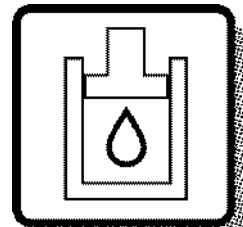


**4**

Power transmission  
Transmission de force  
Kraftübertragung  
Transmisión de fuerza  
Kraftöverföring

Miscellaneous equipment  
Equipments divers  
Übrige Ausrüstung  
Equipo diverso  
Övrig utrustning

**9**

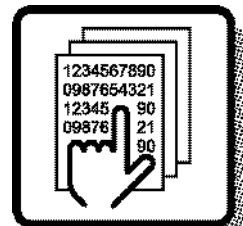


**5**

Brakes  
Freins  
Bremsen  
Frenos  
Bromsar

Numerical index  
Répertoire numérique  
Nummernverzeichnis  
Índice numérico  
Nummerregister

**10**



**1**

**2**

**3**

**4**

**5**

**6**

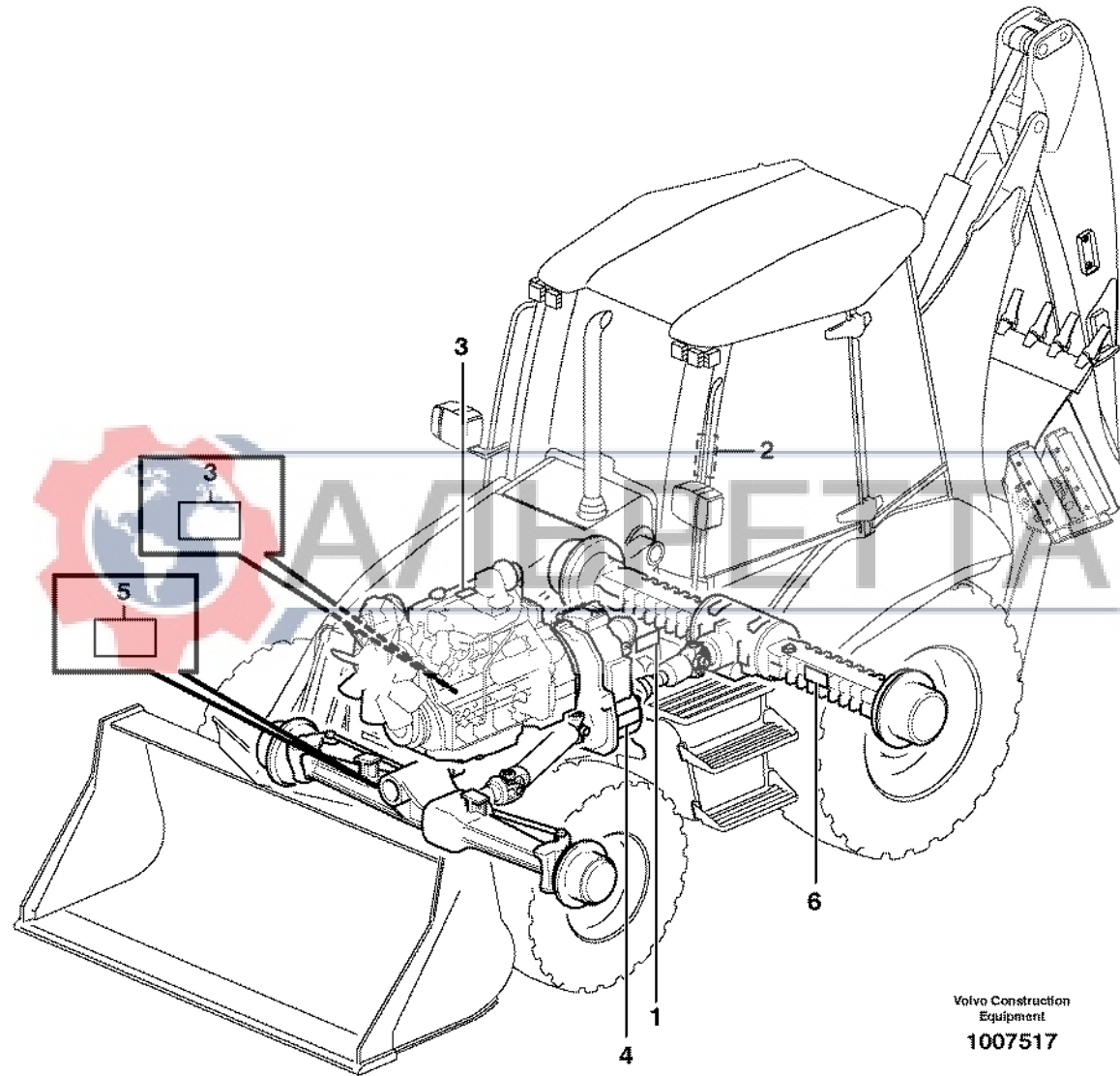
**7**

**8**

**9**

**10**





Volvo Construction  
Equipment  
1007517

GBR	FRA	DEU	ESP	SWE
1 Product sign plate	1 Enseigne de produit	1 Produktschild	1 Muestra del producto	1 Produktskyt
2 Driver's cab	2 Cabine du conducteur	2 Schutzfahrerhaus	2 Cabina de proteccion	2 Skyddshytt
3 Engine sign plate	3 Enseigne de moteur	3 Motorschild	3 Muestra de motor	3 Motorskyt
4 Power Transmission	4 Transmission De Force	4 Kraftubertragung	4 Transmision De Fuerza	4 Transmission
5 Drive axle front sign plate	5 Enseigne du pont, AV	5 Vorderachsenschild	5 Muestra del puente, delantero	5 Framaxelskyt
6 Drive axle rear sign plate	6 Enseigne du pont, AR	6 Hinterachsenschild	6 Muestra Del Puente, Tra	6 Bakaxelskyt



PRODUCT SIGN PLATE	MUESTRA DEL PRODUCTO	Catalogue id	Group
ENSEIGNE DE PRODUIT	PRODUKSKYLT	<b>20004</b>	<b>1</b>
PRODUKTSCHILD		Issue	Page
		VOE 63G9920004	<b>5</b>

**VOLVO**

**BL70**

<b>FOREWORD</b>		Catalogue id <b>20004</b>	Group <b>1</b>
		Issue <b>VOE 63G9920004</b>	Page <b>6</b>
GBR		GBR	

Only genuine parts are presented in this catalogue. These parts have been subjected to the necessary function and endurance tests, and they comply with the high quality and safety requirements that have been set for Volvo Construction Equipment. You should note that warranties do not cover damages that are caused or aggravated by the fact that a non-genuine part was fitted.

The illustrations shown in the catalogues should not be used as assembly or workshop instructions. Separate literature for the various specific subject areas is available for that purpose.

The owner of the machine or equipment should state the model designation, manufacturing number, part number, quantity, and the name, or description, of the part when ordering parts.

For location of the model and engine designation plates, etc, see page 4-5.

Market-adapted equipment entered in catalogue, can be seen on page 26.

See page 13 for a "Catalogue Guide" on how to use the parts catalogue.

See page 22 for table of abbreviations.

This catalogue has been produced by Volvo Construction Equipment AB, Customer Support Division.

If you have any point of views regarding the catalogue, or if you detect any errors in the catalogue, please take a copy of the page in question, indicate the error(s), and send it to us at the following address:

Volvo Construction Equipment AB  
Customer Support Division  
Catalogue Department  
S-631 85 Eskilstuna.....Telefax: +46 16 15 29 15  
E-mail: vce.parts.catalogue@volvo.com

## BACKHOE LOADER BL70

### BASIC MACHINE

11880002 BL70, SER NO 10001 -

### CAB

11294005, Cab

### TRANSMISSION

4WD 11884310

4WD 11890341

4WD 11888337

4WD 11887380, S/N 11145 -

4WD 11887381, S/N 11145 -

2WD 11890339

2WD 11887379, S/N 11145 -

### DRIVING AXLE

Front 4WD 11883883

Front 4WD 11885275

Front 4WD 11887362, S/N 11145 -

Rear 11884150

Rear 11885845

Rear 11887363, S/N 11145 -

### ENGINE

11883246, Type D4DCBE1

11885148, Type D4DCBE2

Seules les pièces d'origine sont présentées dans les catalogues des pièces de rechange. Toutes ces pièces ont été soumises à des tests de fonctionnement et de longévité pour être conformes aux exigences sévères de qualité et de sécurité posées par Volvo Construction Equipment. Notez que les garanties ne couvrent pas les dégâts et les dommages causés par le montage de pièces autres que des pièces d'origine.

Les illustrations dans le catalogue ne doivent pas être utilisées comme notice de montage ni comme instructions d'atelier. Pour ceci, nous vous renvoyons à la documentation spécifiquement éditée dans ce but.

Pour toute commande de pièces de rechange, indiquez la désignation du modèle, le numéro de fabrication, le numéro de référence, la quantité ainsi que la désignation de la pièce.

Le placement des plaques de désignation de modèle et de moteur etc. ressort de la figure ci-contre 4-5.

Equipment adapté au marché et indiqué dans la catalogue, prière de voir la liste en page 26.

Guide pour l'utilisation de catalogues de pièces de rechange, voir page 15. Pour la liste des abréviations employées, prière de voir en page 22.

Ce catalogue est édité par Volvo Construction Equipment AB, Customer Support Division. Si vous avez des commentaires ou si vous découvrez des erreurs dans ce catalogue, nous vous serions reconnaissants de bien vouloir photocopier cette page, de la remplir et de nous la renvoyer.

Volvo Construction Equipment AB  
Customer Support Division  
Catalogue Department  
S-631 85 Eskilstuna.....Telefax: +46 16 15 29 15  
E-mail: vce.parts.catalog@volvo.com

## LA PELLECHARGEUSEILL BL70

### MACHINE DE BASE

11880002, SER NO 10001 -

### CABINE DU CONDUCTEUR

11294005, Cab

### TRANSMISSION

4WD 11884310

4WD 11890341

4WD 11888337

4WD 11887380, S/N 11145 -

4WD 11887381, S/N 11145 -

2WD 11890339

2WD 11887379, S/N 11145 -

### ESSIEU MOTEUR

AV 4WD 11883883

AV 4WD 11885275

AV 4WD 11887362, S/N 11145 -

AR 11884150

AR 11885845

AR 11887363, S/N 11145 -

### MOTEUR

11883246, Type D4DCBE1

11885148, Type D4DCBE2

AVANT-PROPOS

Catalogue id	Group
<b>20004</b>	<b>1</b>
Issue	Page
<b>VOE 63G9920004</b>	<b>7</b>

<b>VORWORT</b>		Catalogue id <b>20004</b>	Group <b>1</b>
		Issue <b>VOE 63G9920004</b>	Page <b>8</b>
DEU	DEU		

In den Ersatzteilkatalogen sind nur Originalteile verzeichnet. Diese Teile haben die notwendigen Funktions- und Lebensdauertests durchlaufen und erfüllen die hohen Qualitäts- und Sicherheitsanforderungen von Volvo Construction Equipment. Beachten Sie bitte, dass die Garantien keine Schäden umfassen, die durch die Montage eines fremden Teils verursacht oder verschlimmert wurden.

Die Abbildungen in dem Katalog dürfen nicht als Montageanweisungen oder Werkstattanleitungen verwendet werden. Wir verweisen statt dessen auf die separate Literatur für diesen Zweck.

Der Maschinenbesitzer muss bei der Bestellung von Ersatzteilen die Modellbezeichnung, Fabriknummer, Artikelnummer sowie Anzahl und Bezeichnung des Teils angeben.

Die Anbringung der Schilder für Modell- und Motorbezeichnung usw. geht aus dem Bild auf Seite 4-5 hervor.

Für den Markt angepasste Ausrüstung wurde in den Katalog aufgenommen, Seite 26.

Die Anweisung auf Seite 17 hilft Ihnen sich im Ersatzteilkatalog zurechtzufinden.

Abkürzungsverzeichnis, siehe Seite 22.

Dieser Katalog wurde von Volvo Construction Equipment AB, Customer Support Division herausgegeben. Wenn Sie Kommentare zu diesem Katalog haben oder Fehler darin finden, kopieren Sie bitte die entsprechende Seite, machen Sie eine Notiz und schicken Sie diese ein an:

Volvo Construction Equipment AB  
Customer Support Division  
Catalogue Department  
S-631 85 Eskilstuna, Schweden....Telefax: +46 16 15 29 15  
E-mail: vce.parts.catalog@volvo.com

## BAGGERLADER BL70

**GRUNDMASCHINE**  
11880002, SER NO 10001 -

**FAHRERHAUS**  
11294005 CAB

**GETRIEBE**  
4WD 11884310  
4WD 11890341  
4WD 11888337  
4WD 11887380, S/N 11145 -  
4WD 11887381, S/N 11145 -  
2WD 11890339  
2WD 11887379, S/N 11145 -

**PLANETENWELLE**  
Vordere 4WD 11883883  
Vordere 4WD 11885275  
Vordere 4WD 11887362, S/N 11145 -

Hintere 11884150  
Hintere 11885845  
Hintere 11887363, S/N 11145 -

**MOTOR**  
11883246, Typ D4DCBE1  
11885148, Typ D4DCBE2

En los catálogos de repuestos se presentan únicamente piezas originales que han sido sometidas a las necesarias pruebas de funcionamiento y duración y que cumplen las elevadas exigencias de seguridad y calidad de Volvo Construction Equipment.

Recuerde que las garantías no cubren los daños ocasionados o agravados por no haber montado una pieza original.

Las ilustraciones del catálogo no deben utilizarse como base para el montaje ni como instrucciones de taller. Para ello recomendamos utilizar los manuales de taller editados a propósito.

Al hacer el pedido de repuestos, el propietario de la máquina debe indicar el modelo de la misma, su número de fabricación, la referencia de la pieza, la cantidad y la denominación.

La ubicación de letreros con las denominaciones de modelo y motor etc., puede verse en la página 4-5.

La lista de equipos de adaptación según mercado, introducidos en el catálogo, puede verse en la página 26.

Guía para el uso del catálogo, puede verse en la página 19.

La tabla de abreviaturas puede verse en la página 22.

Esté catálogo ha sido editado por Volvo Construction Equipment AB, Customer Support Division. Si tiene algún comentario que hacer sobre el catálogo, o detecta algún error, le rogamos que haga una copia de la página en cuestión y nos la remita junto con sus comentarios a:

Volvo Construction Equipment AB  
Customer Support Division  
Catalogue Department  
S-631 85 Eskilstuna.....Telefax: +46 16 15 29 15  
E-mail: vce.parts.catalog@volvo.com

## RETROCARGADORA BL70

### MÁQUINA BÁSICA

11880002, SER NO 10001 -

### CABINA DEL CONDUCTOR

11294005 Cab

### TRANSMISIÓN

4WD 11884310

4WD 11890341

4WD 11888337

4WD 11887380, S/N 11145 -

4WD 11887381, S/N 11145 -

2WD 11890339

2WD 11887379, S/N 11145 -

### EJE PROPULSOR

Delantero 4WD 11883883

Delantero 4WD 11885275

Delantero 4WD 11887362, S/N 11145 -

Trasero 11884150

Trasero 11885845

Trasero 11887363, S/N 11145 -

### MOTOR

11883246, Type D4DCBE1

11885148, Type D4DCBE2

## PROLOGO

Catalogue id	Group
<b>20004</b>	<b>1</b>
Issue	Page
<b>VOE 63G9920004</b>	<b>9</b>

<b>FÖRORD</b>		Catalogue id <b>20004</b>	Group <b>1</b>
		Issue <b>VOE 63G9920004</b>	Page <b>10</b>
SWE	SWE		

I denna reservdelskatalog presenteras endast originaldelar. De har genomgått nödvändiga funktions- och livslängdsprov samt uppfyller Volvo Construction Equipments höga kvalitets- och säkerhetskrav. Observera att garantin ej täcker skador som orsakats eller förvärrats av att en icke originaldel monterats.

Illustrationerna i katalogen skall ej användas som monteringsanvisningar eller verkstadsinstruktioner. Vi hänvisar istället till separat litteratur för ändamålet.

Maskinägaren ska vid beställning av reservdelar ange, modellbeteckning, tillverkningsnummer, artikelnummer, antal samt delens benämning.

Placering av skyltar för modell- och motorbeteckning etc., framgår av bild på sidan 4-5.

Marknadsanpassade utrustningar som är införda i denna katalog framgår av förteckningen på sidan 26.

Katalogguide för hur man använder reservdelskatalogen; se sidan 21.

Förkortningstabell, se sidan 22.

Denna katalog är producerad av Volvo Construction Equipment AB, Customer Support Division. Om ni har synpunkter eller upptäcker något fel i katalogen, var vänlig tag en kopia på sidan, gör en notering och sänd detta till:

Volvo Construction Equipment AB  
Customer Support Division  
Catalogue Department  
S-631 85 Eskilstuna.....Telefax: +46 16 15 29  
E-mail: vce.parts.catalog@volvo.com

#### Grävlastare BL70

#### BASMASKIN

11880002 BL70, SER NO 10001 -

#### HYTT

11294005 Cab

#### TRANSMISSION

4WD 11884310

4WD 11890341

4WD 11888337

4WD 11887380, S/N 11145 -

4WD 11887381, S/N 11145 -

2WD 11890339

2WD 11887379, S/N 11145 -

#### DRIVAXLAR

Fram 4WD 11883883

Fram 4WD 11885275

Fram 4WD 11887362, S/N 11145 -

Bak 11884150

Bak 11885845

Bak 11887363, S/N 11145 -

#### MOTOR

11883246. Typ D4DCBE1

11885148, Typ D4DCBE2



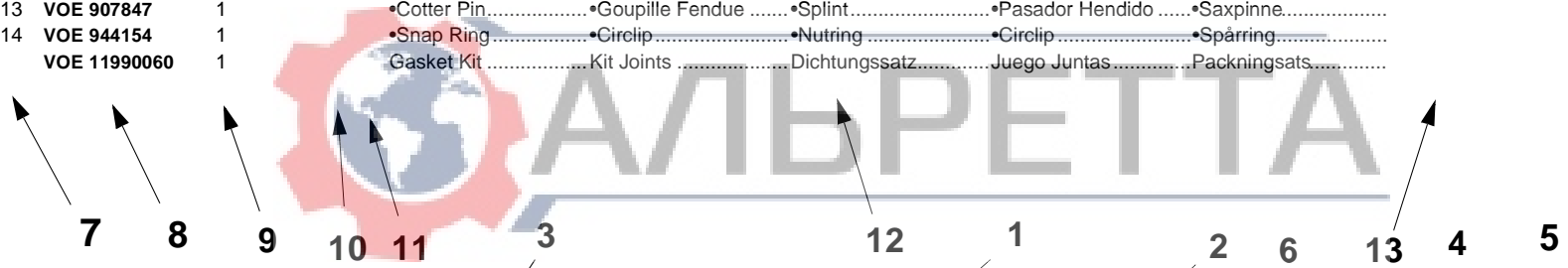
**VOLVO**

АЛЬРЕТТА

Construction Equipment



Fig.	Part No.	Quantity			P	K	Description	Dénomination	Bezeichnung	Denominación	Benämning	Notes
		1	2	3								
	<b>VOE 4833424</b>	1			SS	Hydr.cylinder .....	Verin Hydraul. ....	Druckölzylinder.....	Cilín Hidraul.....	Hydraulcyl.....	963)	
		1				Hydraulic cylinder.....	Verin Hydraulique .....	Hydraulzylinder .....	Cilindro Hidraulico .....	Hydraulcylinder.....	L PROD See group 94, avsn 250	
1	<b>VOE 4833425</b>	1				•Cylinder Tube .....	•Tube Cylindre .....	•Zylinderrohr.....	•Tubo Cilindro.....	•Cylinderrör.....		
2	<b>VOE 4741303</b>	1				•Piston Rod .....	•Tige Piston.....	•Kolbenstange .....	•Varilla Piston .....	•Kolstång.....		
3	<b>VOE 4833432</b>	1				•Pstn Rod Guide .....	•Gui.tige Piston .....	•Ko-stang Fuhrg .....	•Guia Var Piston .....	•Kolvst.styrning.....		
4	<b>VOE 4784039</b>	1			K	•Piston Rod Seal .....	•Eta.tige Piston.....	•Ko-stang Dichtg .....	•Reten Var Pist.....	•Kolvstångståtn.....		
5	<b>VOE 4833433</b>	1				•Spacer Ring .....	•Bagu.entretoise.....	•Abstandring.....	•Anillo Dist .....	•Distansring.....		
6	<b>VOE 914516</b>	1				•Snap Ring .....	•Circlip .....	•Nutring .....	•Circlip .....	•Spårring.....		
7	<b>VOE 4784999</b>	1			K	•Scraper .....	•Racleur .....	•Abstreicher.....	•Rascador.....	•Avstrykare.....		
8	<b>VOE 4741302</b>	1				•Piston .....	•Piston.....	•Kolben.....	•Piston .....	•Kolv.....		
9	<b>VOE 925067</b>	2			K	•O-ring.....	•Joint Torique.....	•O-ring.....	•Anillo Torico .....	•O-ring.....		
10	<b>VOE 4881024</b>	3			K	•Back-up Ring .....	•Bague Support.....	•Stützring.....	•Anillo Apoyo .....	•Stödtring.....		
11	<b>VOE 955898</b>	1				•Washer .....	•Rondelle.....	•Scheibe .....	•Arandela.....	•Bricka.....		
12	<b>VOE 13955884</b>	1				•Castle Nut.....	•Ecrou Crenele•Kronenmutter•Tuerca Corona•Kronmutter.....				(VOE 955884)	
13	<b>VOE 907847</b>	1				•Cotter Pin.....	•Goupille Fendue .....	•Splint.....	•Pasador Hendido .....	•Saxpinne.....		
14	<b>VOE 944154</b>	1				•Snap Ring .....	•Circlip .....	•Nutring .....	•Circlip .....	•Spårring.....		
	<b>VOE 11990060</b>	1				Gasket Kit .....	Kit Joints .....	Dichtungssatz.....	Juego Juntas .....	Packningsats.....		



963) **GB:** Cylinder tube is marked "424". See illustration fig. A. **FR:** Tube cylindre marquer "424". Voir illustration fig. A. **DE:** Das Zylinderrohr ist gekennzeichnet mit "424". Siehe Illustration fig. A. **ES:** Tubo cilindro marcado "424". Véase ilustración fig. A. **SE:** Cylinderrör är märkt "424". Se bild pos. A.

1	<b>Hydraulcylinder E Prod</b>	Catalogue id	Group
2	<b>Cilindro hidráulico E Prod</b>	<b>90691</b>	<b>924</b>
3	<b>Druckölzylinder E Prod</b>	Illustr. No	Section
4	<b>Cylindre hydraulique E Prod</b>	<b>AC290A</b>	<b>200</b>
5	<b>Hydraulic cylinder E Prod</b>	Issue	Page
	<b>90271, 91357, STD USA</b>	<b>VOE 63D9990691</b>	<b>623</b>



In addition to part numbers, the Parts Catalogue also includes a vast amount of essential information which you, the operator, should be acquainted with.

With the "Catalogue Guide", we want to show clearly how the catalogues are arranged and what sort of information is presented therein.

### Group 1 Preface and Instructions

Here you can find the following information:

- Title page and publication number
- Group index
- Product signs
- Preface
- List of items of equipment adapted to market requirements that have been introduced
- Catalogue Guide
- Table of abbreviations

### Group 2 - 9 Text and illustration pages

- The table of contents shows the division of the main groups into sub-groups, with reference to page number and section.
- Illustration page. The position number of the illustration refers to the text page.
- Text page
  1. Heading.
  2. Additional text which limits the validity of the section. An example is information relating to manufacturing numbers and equipment adapted to market requirements.
  3. Designation for quantity columns.
  4. Illustrations.
  5. Group, section, page, which you should use when you search for information in the catalogue.
  6. Catalogue identification and issue designation.
  7. Position number of the part on the associated drawing.
  8. Part number
  9. Quantity. The column designation indicates the version which is shown in each column. The quantity stated refers to the quantity for each machine or, where appropriate, for each complete unit.  
"REQ" refers to the required amount. See also "Notes" column.
- 10. PS (Parts Status) indicates the status code of the part.  
"NS" means that the part is not kept in stock.

"OP" means that the part is no longer in stock.

"SE" means that an alternative part shall be used.

"SS" means that the part has been replaced.

Refer to Group 10 Replaced parts for further information.

11. KIT. Parts that are marked with a "K" are included in a kit. The number of the kit is often indicated after other part numbers.
12. Description. The indentations indicate if one or more parts are included in the assembled unit described above. The parts are included when a complete unit is ordered.
13. Notes. Other information relating to a particular part is given here.
  - Footnote number (963 for example) is given at the bottom of the page.
  - Replaced parts (955884, for example).
  - Product or manufacturing number.
  - Abbreviations and technical information.
  - Reference to page and group.

### Group 10 Replaced parts / Number index

- Replaced parts. The part numbers of parts marked with "SS" (in the PS column) are indicated here, together with their replacement numbers.  
The replacement parts may in turn be also replaced, and so on.
- Number index. All parts included in the catalogue are indicated here, together with a reference to group, section and page.

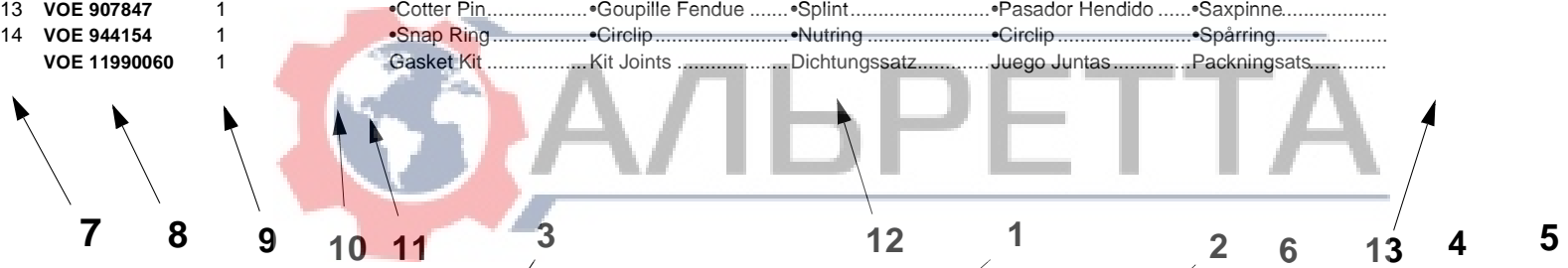
Continued improvements and successes in design could result in modifications to your equipment which are not covered by this publication. Each publication is revised when required to include these modifications in later issues.

*Any unauthorized reproduction of any part of this document would be in violation of Volvo Construction Equipment AB, Customer Support Division's rights and will be prosecuted to the fullest extent allowed by law. We reserve the right to make changes without prior notice.*

## PARTS CATALOGUE INSTRUCTIONS

Catalogue id <b>20004</b>	Group <b>1</b>
Issue <b>VOE 63G9920004</b>	Page <b>13</b>

Fig.	Part No.	Quantity			P	K	Description	Dénomination	Bezeichnung	Denominación	Benämning	Notes
		1	2	3								
	<b>VOE 4833424</b>	1			SS	Hydr.cylinder .....	Verin Hydraul. ....	Druckölzylinder.....	Cilín Hidraul.....	Hydraulcyl.....	963)	
		1				Hydraulic cylinder.....	Verin Hydraulique .....	Hydraulzylinder .....	Cilindro Hidraulico .....	Hydraulcylinder.....	L PROD See group 94, avsn 250	
1	<b>VOE 4833425</b>	1				•Cylinder Tube .....	•Tube Cylindre .....	•Zylinderrohr.....	•Tubo Cilindro.....	•Cylinderrör.....		
2	<b>VOE 4741303</b>	1				•Piston Rod .....	•Tige Piston .....	•Kolbenstange .....	•Varilla Piston .....	•Kolstång.....		
3	<b>VOE 4833432</b>	1				•Pstn Rod Guide .....	•Gui.tige Piston .....	•Ko-stang Fuhrg .....	•Guia Var Piston .....	•Kolvst.styrning.....		
4	<b>VOE 4784039</b>	1			K	•Piston Rod Seal .....	•Eta.tige Piston.....	•Ko-stang Dichtg .....	•Reten Var Pist.....	•Kolvstångståtn.....		
5	<b>VOE 4833433</b>	1				•Spacer Ring .....	•Bagu.entretoise.....	•Abstandring.....	•Anillo Dist .....	•Distansring.....		
6	<b>VOE 914516</b>	1				•Snap Ring .....	•Circlip .....	•Nutring .....	•Circlip .....	•Spårring.....		
7	<b>VOE 4784999</b>	1			K	•Scraper .....	•Racleur .....	•Abstreicher.....	•Rascador.....	•Avstrykare.....		
8	<b>VOE 4741302</b>	1				•Piston .....	•Piston.....	•Kolben.....	•Piston .....	•Kolv.....		
9	<b>VOE 925067</b>	2			K	•O-ring.....	•Joint Torique.....	•O-ring.....	•Anillo Torico .....	•O-ring.....		
10	<b>VOE 4881024</b>	3			K	•Back-up Ring .....	•Bague Support.....	•Stützring.....	•Anillo Apoyo .....	•Stödtring.....		
11	<b>VOE 955898</b>	1				•Washer .....	•Rondelle.....	•Scheibe.....	•Arandela.....	•Bricka.....		
12	<b>VOE 13955884</b>	1				•Castle Nut.....	•Ecrou Crenele•Kronenmutter•Tuerca Corona•Kronmutter.....				(VOE 955884)	
13	<b>VOE 907847</b>	1				•Cotter Pin.....	•Goupille Fendue .....	•Splint.....	•Pasador Hendido .....	•Saxpinne.....		
14	<b>VOE 944154</b>	1				•Snap Ring .....	•Circlip .....	•Nutring .....	•Circlip .....	•Spårring.....		
	<b>VOE 11990060</b>	1				Gasket Kit .....	Kit Joints .....	Dichtungssatz.....	Juego Juntas .....	Packningsats.....		



963) **GB:** Cylinder tube is marked "424". See illustration fig. A. **FR:** Tube cylindre marquer "424". Voir illustration fig. A. **DE:** Das Zylinderrohr ist gekennzeichnet mit "424". Siehe Illustration fig. A. **ES:** Tubo cilindro marcado "424". Véase ilustración fig. A. **SE:** Cylinderrör är märkt "424". Se bild pos. A.

1	<b>Hydraulcylinder E Prod</b>	Catalogue id	<b>90691</b>	Group	<b>924</b>
2	<b>Cilindro hidráulico E Prod</b>	Illustr. No	<b>AC290A</b>	Section	<b>200</b>
3	<b>Druckölzylinder E Prod</b>	Issue	<b>VOE 63D9990691</b>	Page	<b>623</b>
4	<b>Cylindre hydraulique E Prod</b>				
5	<b>Hydraulic cylinder E Prod</b>				
	<b>90271, 91357, STD USA</b>				



Le catalogue de pièces de rechange présente, non seulement les numéros de référence, mais également d'autres informations qu'un opérateur se doit de connaître. Ce guide de catalogue vous indique, d'une façon générale, comment sont conçus nos catalogues et quelles informations ils vous apportent.

### Groupe 1 Avant-propos et instructions

Sous ce groupe, vous trouvez :

- La page de titre avec le numéro de publication
- Le registre des groupes
- Les plaques de produit
- Un avant-propos
- Une liste des équipements introduits suivant les pays
- Un guide de catalogue
- Un tableau des abréviations

### Groupes 2 - 9 Pages de texte et d'illustration

- Le sommaire indique la division des groupes principaux en sous-groupes avec des renvois aux pages et aux sections.
- La page d'illustration. L'illustration donne les numéros de position qui renvoient à la page de texte.
- La page de texte
  1. Rubrique
  2. Texte supplémentaire qui limite la validité de la section, par exemple numéro de série et équipements adaptés aux pays
  3. Désignation des modèles pour les différentes colonnes
  4. Illustrations
  5. Groupe, section, page utilisés pour la recherche dans le catalogue
  6. Identification du catalogue et de l'édition
  7. Numéro de position de la pièce sur l'illustration afférente
  8. Numéro de référence
  9. Quantité. La désignation des colonnes indique le modèle qui se réfère à chaque colonne. La quantité indiquée correspond à la quantité par engin ou, suivant les cas, par unité complète. "REQ" signifie quantité nécessaire, voir la colonne Notes
  10. PS (Parts Status) indique le code d'état de la pièce.
    - "NS" signifie que la pièce n'existe pas en magasin.
    - "OP" signifie que la pièce n'est plus en magasin.
    - "SE" signifie qu'une autre pièce devrait être employée. .
    - "SS" signifie que la pièce a été remplacée.

Voir le groupe 10, pièces remplacées, pour de plus amples informations.

11. KIT. Les pièces marquées "K" font partie d'un kit. Le numéro du kit est le plus souvent indiqué après les autres numéros de référence.
12. Description. Le décalage indique si une ou plusieurs pièces font partie de l'unité complète indiquée au-dessus. Ces pièces sont envoyées pour une commande d'une unité complète.
13. Notes (Remarques). Diverses informations relatives à une pièce sont notées ici.
  - Un numéro de note de bas de page (par exemple 963) est donné au bas de la page.
  - Pièces remplacées (par exemple 955884).
  - Numéro de produit ou numéro de fabrication.
  - Abréviations et explications techniques.
  - Renvoi aux pages et aux groupes.

### Groupe 10 Pièces remplacées/Registre des numéros

- Pièces remplacées. Les numéros de référence marquées "SS" (dans la colonne PS) sont repris ici avec leur numéro de remplacement. Ces pièces remplacées peuvent, à leur tour, être remplacées par d'autres, etc.
- Registre des numéros. Tous les numéros de référence du catalogue se retrouvent ici avec un renvoi au groupe, à la section et à la page.

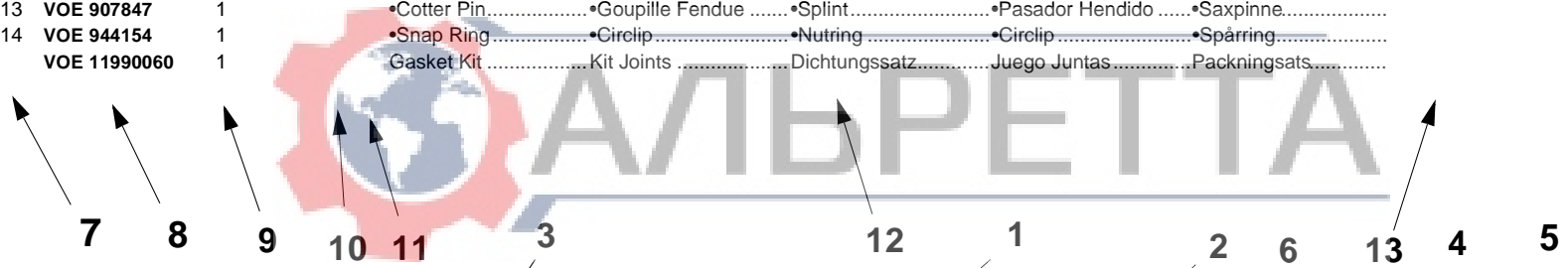
Les perfectionnements continus et les progrès réalisés dans la conception peuvent entraîner, sur votre engin, des modifications qui ne sont pas prises en compte dans cette publication. Chaque publication est remise à jour suivant les besoins pour inclure toutes ces modifications dans les dernières éditions.

*La reproduction non autorisée de toute partie de ce document constitue une violation des droits d'auteur de Volvo Construction Equipment AB, Customer Support Division et entraînera des poursuites aux termes de la loi. Nous nous réservons le droit d'apporter des modifications sans préavis.*

## CATALOGUE DE PIECES INSTRUCTIONS

Catalogue id	Group
<b>20004</b>	<b>1</b>
Issue	Page
<b>VOE 63G9920004</b>	<b>15</b>

Fig.	Part No.	Quantity			P	K	Description	Dénomination	Bezeichnung	Denominación	Benämning	Notes
		1	2	3								
	<b>VOE 4833424</b>	1			SS	Hydr.cylinder .....	Verin Hydraul. ....	Druckölzylinder.....	Cilín Hidraul.....	Hydraulcyl.....	963)	
		1				Hydraulic cylinder.....	Verin Hydraulique .....	Hydraulzylinder .....	Cilindro Hidraulico .....	Hydraulcylinder.....	L PROD See group 94, avsn 250	
1	<b>VOE 4833425</b>	1				•Cylinder Tube .....	•Tube Cylindre .....	•Zylinderrohr.....	•Tubo Cilindro.....	•Cylinderrör.....		
2	<b>VOE 4741303</b>	1				•Piston Rod .....	•Tige Piston.....	•Kolbenstange .....	•Varilla Piston .....	•Kolstång.....		
3	<b>VOE 4833432</b>	1				•Pstn Rod Guide .....	•Gui.tige Piston .....	•Ko-stang Fuhrg .....	•Guia Var Piston .....	•Kolvst.styrning.....		
4	<b>VOE 4784039</b>	1			K	•Piston Rod Seal .....	•Eta.tige Piston.....	•Ko-stang Dichtg .....	•Reten Var Pist.....	•Kolvstångståtn.....		
5	<b>VOE 4833433</b>	1				•Spacer Ring .....	•Bagu.entretoise.....	•Abstandring.....	•Anillo Dist .....	•Distansring.....		
6	<b>VOE 914516</b>	1				•Snap Ring .....	•Circlip .....	•Nutring .....	•Circlip .....	•Spårring.....		
7	<b>VOE 4784999</b>	1			K	•Scraper .....	•Racleur .....	•Abstreicher.....	•Rascador.....	•Avstrykare.....		
8	<b>VOE 4741302</b>	1				•Piston .....	•Piston.....	•Kolben.....	•Piston .....	•Kolv.....		
9	<b>VOE 925067</b>	2			K	•O-ring.....	•Joint Torique.....	•O-ring.....	•Anillo Torico .....	•O-ring.....		
10	<b>VOE 4881024</b>	3			K	•Back-up Ring .....	•Bague Support.....	•Stützring.....	•Anillo Apoyo .....	•Stödtring.....		
11	<b>VOE 955898</b>	1				•Washer .....	•Rondelle.....	•Scheibe.....	•Arandela.....	•Bricka.....		
12	<b>VOE 13955884</b>	1				•Castle Nut.....	•Ecrou Crenele•Kronenmutter•Tuerca Corona•Kronmutter.....				(VOE 955884)	
13	<b>VOE 907847</b>	1				•Cotter Pin.....	•Goupille Fendue .....	•Splint.....	•Pasador Hendido .....	•Saxpinne.....		
14	<b>VOE 944154</b>	1				•Snap Ring .....	•Circlip .....	•Nutring .....	•Circlip .....	•Spårring.....		
	<b>VOE 11990060</b>	1				Gasket Kit .....	Kit Joints .....	Dichtungssatz.....	Juego Juntas .....	Packningsats.....		



963) **GB:** Cylinder tube is marked "424". See illustration fig. A. **FR:** Tube cylindre marquer "424". Voir illustration fig. A. **DE:** Das Zylinderrohr ist gekennzeichnet mit "424". Siehe Illustration fig. A. **ES:** Tubo cilindro marcado "424". Véase ilustración fig. A. **SE:** Cylinderrör är märkt "424". Se bild pos. A.

1	<b>Hydraulcylinder E Prod</b>	Catalogue id	<b>90691</b>	Group	<b>924</b>
2	<b>Cilindro hidráulico E Prod</b>	Illustr. No	<b>AC290A</b>	Section	<b>200</b>
3	<b>Druckölzylinder E Prod</b>	Issue	<b>VOE 63D9990691</b>	Page	<b>623</b>
4	<b>Cylindre hydraulique E Prod</b>				
5	<b>Hydraulic cylinder E Prod</b>				
	<b>90271, 91357, STD USA</b>				



Im Ersatzteilkatalog sind außer den Artikelnummern auch eine Reihe von wesentlichen Informationen aufgeführt, die man unbedingt kennen sollte. Mit der Kataloganweisung wollen wir auf eine überschaubare Art und Weise zeigen, wie unsere Kataloge aufgebaut und welche Informationen hier enthalten sind.

### Gruppe 1 Vorwort und Anweisungen

Hier findet man folgendes:

- Titelseite mit Publikationsnummer
- Gruppenregister
- Produktschilder
- Vorwort
- Verzeichnis über eingeführte marktangepasste Ausrüstungen
- Kataloganweisung
- Abkürzungstabelle

### Gruppe 2 - 9 Text- und Bildseiten

- Das Inhaltsverzeichnis zeigt die Einteilung der Hauptgruppe in Untergruppen mit Hinweis auf Seite und Abschnitt.
- Bildseite. Die Positionsnummer der Abbildung weist auf die Textseite hin.
- Textseite.
  1. Überschrift
  2. Zusatztext, der die Gültigkeit des Abschnitts begrenzt, z.B. Information über Herstellungsnummer und marktangepasste Ausrüstungen.
  3. Bezeichnung für die Anzahl-Spalten
  4. Abbildungen
  5. Gruppe, Abschnitt, Seite, die bei der Suche im Katalog verwendet werden.
  6. Katalogkennung und Ausgabebezeichnung
  7. Positionsnummer des Artikels mit dazugehöriger Abbildung.
  8. Artikelnummer
  9. Anzahl. Die Spaltenbezeichnung zeigt, welche Ausführung per Spalte aufgeführt ist. Die angegebene Anzahl betrifft Anzahl pro Maschine oder ggf. pro komplette Einheit. "REQ" bezeichnet die erforderliche Menge, siehe Anmerkungsspalte.
  10. PS (Parts Status) zeigt den Statuscode des Artikels.
    - "NS" bedeutet, dass der Artikel nicht mehr auf Lager gehalten wird.
    - "OP" bedeutet, dass das Teil nicht mehr geführt wird.
    - "SE" bedeutet, dass ein alternatives Teil zu verwenden ist.
    - "SS" bedeutet, dass der Artikel ersetzt wurde.

Siehe Gruppe 10, Ersetzte Artikel, für weitere Information.

11. KIT. Artikel, die mit einem "K" gekennzeichnet sind, gehören zu einem Satz. Die Nummer des Satzes wird in den meisten Fällen nach den übrigen Artikelnummern angegeben.
12. Bezeichnung. Die Einrückung zeigt, dass ein oder mehrere Artikel in einer oben aufgeführten zusammengesetzten Einheit enthalten sind. Die Artikel sind in der Bestellung der kompletten Einheit enthalten.
13. Notes (Anmerkungen). Hier werden übrige Informationen für einen Artikel aufgeführt:
  - Fußnotenummer, (beispielsweise 963), wird ganz unten auf der Seite angegeben.
  - Ersetzte Artikel, (beispielsweise 955884)
  - Produkt- oder Herstellungsnummer
  - Abkürzungen oder technische Informationen
  - Seiten- und Gruppenhinweis

### Gruppe 10 Ersetzte Artikel / Nummernregister

- Ersetzte Artikel. Hier sind die mit "SS" markierten (in der PS-Spalte) Artikelnummern mit ihrem Ersatz aufgeführt. Die ersetzten Artikel können wiederum ersetzt worden sein usw.
- Nummernregister. Hier sind alle im Katalog vorkommenden Artikel aufgeführt, und zwar mit Hinweis auf Gruppe, Abschnitt und Seite.

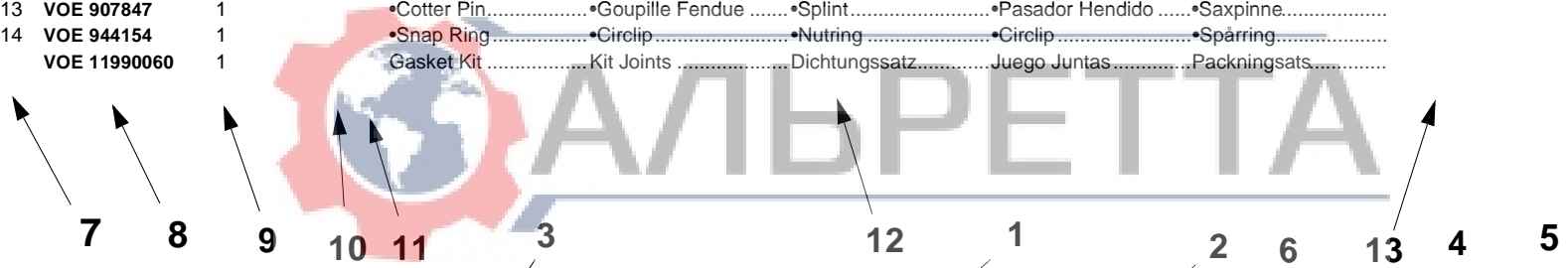
Fortlaufende Verbesserungen und Fortschritte in der Konstruktion können auch bei Ihrer Maschine zu Änderungen führen, die nicht von dieser Schrift umfasst werden. Jede Ausgabe wird bei Bedarf überarbeitet, um diese Veränderungen bei späteren Ausgaben mit zu berücksichtigen.

*Jegliche Reproduktion dieses Dokumentes in Auszügen oder in vollem Umfang stellt eine Verletzung der Rechte von Volvo Construction Equipment AB, Customer Support dar und wird unter voller Ausschöpfung der gesetzlichen Möglichkeiten strafrechtlich verfolgt. Wir behalten uns das Recht auf Änderungen ohne vorherige Ankündigung vor.*

## ERSATZTEILEKATALOGBESTELLANWEISUNGEN

Catalogue id	Group
<b>20004</b>	<b>1</b>
Issue	Page
<b>VOE 63G9920004</b>	<b>17</b>

Fig.	Part No.	Quantity			P	K	Description	Dénomination	Bezeichnung	Denominación	Benämning	Notes
		1	2	3								
	<b>VOE 4833424</b>	1			SS	Hydr.cylinder .....	Verin Hydraul. ....	Druckölzylinder.....	Cilín Hidraul.....	Hydraulcyl.....	963)	
		1				Hydraulic cylinder.....	Verin Hydraulique .....	Hydraulzylinder .....	Cilindro Hidraulico .....	Hydraulcylinder.....	L PROD See group 94, avsn 250	
1	<b>VOE 4833425</b>	1				•Cylinder Tube .....	•Tube Cylindre .....	•Zylinderrohr.....	•Tubo Cilindro.....	•Cylinderrör.....		
2	<b>VOE 4741303</b>	1				•Piston Rod .....	•Tige Piston.....	•Kolbenstange .....	•Varilla Piston .....	•Kolstång.....		
3	<b>VOE 4833432</b>	1				•Pstn Rod Guide .....	•Gui.tige Piston .....	•Ko-stang Fuhrg .....	•Guia Var Piston .....	•Kolvst.styrning.....		
4	<b>VOE 4784039</b>	1			K	•Piston Rod Seal .....	•Eta.tige Piston.....	•Ko-stang Dichtg .....	•Reten Var Pist.....	•Kolvstångståtn.....		
5	<b>VOE 4833433</b>	1				•Spacer Ring .....	•Bagu.entretoise.....	•Abstandring.....	•Anillo Dist .....	•Distansring.....		
6	<b>VOE 914516</b>	1				•Snap Ring .....	•Circlip .....	•Nutring .....	•Circlip .....	•Spårring.....		
7	<b>VOE 4784999</b>	1			K	•Scraper .....	•Racleur .....	•Abstreicher.....	•Rascador.....	•Avstrykare.....		
8	<b>VOE 4741302</b>	1				•Piston .....	•Piston.....	•Kolben.....	•Piston .....	•Kolv.....		
9	<b>VOE 925067</b>	2			K	•O-ring.....	•Joint Torique.....	•O-ring.....	•Anillo Torico .....	•O-ring.....		
10	<b>VOE 4881024</b>	3			K	•Back-up Ring .....	•Bague Support.....	•Stützring.....	•Anillo Apoyo .....	•Stödtring.....		
11	<b>VOE 955898</b>	1				•Washer .....	•Rondelle.....	•Scheibe.....	•Arandela.....	•Bricka.....		
12	<b>VOE 13955884</b>	1				•Castle Nut.....	•Ecrou Crenele•Kronenmutter•Tuerca Corona•Kronmutter.....				(VOE 955884)	
13	<b>VOE 907847</b>	1				•Cotter Pin.....	•Goupille Fendue .....	•Splint.....	•Pasador Hendido .....	•Saxpinne.....		
14	<b>VOE 944154</b>	1				•Snap Ring .....	•Circlip .....	•Nutring .....	•Circlip .....	•Spårring.....		
	<b>VOE 11990060</b>	1				Gasket Kit .....	Kit Joints .....	Dichtungssatz.....	Juego Juntas .....	Packningsats.....		



963) **GB:** Cylinder tube is marked "424". See illustration fig. A. **FR:** Tube cylindre marquer "424". Voir illustration fig. A. **DE:** Das Zylinderrohr ist gekennzeichnet mit "424". Siehe Illustration fig. A. **ES:** Tubo cilindro marcado "424". Véase ilustración fig. A. **SE:** Cylinderrör är märkt "424". Se bild pos. A.

1	<b>Hydraulcylinder E Prod</b>	Catalogue id	<b>90691</b>	Group	<b>924</b>
2	<b>Cilindro hidráulico E Prod</b>	Illustr. No	<b>AC290A</b>	Section	<b>200</b>
3	<b>Druckölzylinder E Prod</b>	Issue	<b>VOE 63D9990691</b>	Page	<b>623</b>
4	<b>Cylindre hydraulique E Prod</b>				
5	<b>Hydraulic cylinder E Prod</b>				
	<b>90271, 91357, STD USA</b>				





En el catálogo de repuestos se incluye, además de los números de artículo, numerosa información muy útil.  
El propósito de la guía es explicar la estructura de los catálogos y la información que se ofrece en los mismos.

### Grupo 1 Prefacio e instrucciones

Se encontrará aquí:

- El título y el número de publicación
- El índice de grupos
- Los letreros de producto
- El prefacio
- Una lista sobre los equipos adaptados a los mercados
- La guía al catálogo
- Una tabla de abreviaturas

### Grupo 2 - 9 páginas con texto e ilustraciones

- El índice muestra la clasificación de los grupos principales en subgrupos con remisiones a páginas y secciones.
- Página de ilustraciones. Los números de posición de las ilustraciones. Remisiones a páginas de texto.
- Páginas de texto
  1. Rúbrica
  2. Texto adicional que delimita la validez de la sección, por ejemplo, información sobre números de fabricación y equipos según mercado.
  3. Designación para columnas de cantidades.
  4. Número de ilustración.
  5. Grupo, sección, página. Se utilizan al manejar el catálogo
  6. Identificación e indicación de la edición del catálogo.
  7. Números de posición en la ilustración correspondiente.
  8. Números de artículo
  9. Cantidad. Se indica en esta columna la ejecución. El número indicado se refiere a la cantidad por máquina o, si procede, por unidad completa. "REQ" significa la cantidad necesaria, véase la columna de las notas.
- 10. PS (Parts Status) indica el código de estado del artículo.
  - "NS" indica que el artículo no se tiene en stock.
  - "OP" significa que ya no se mantiene la pieza en stock.

"SE" significa que se puede usar una pieza alternativa.

- "SS" indica que el artículo ha sido sustituido.

Para más información, véase el grupo 10, artículos sustituidos.

11. KIT. Los artículos marcados con una "K" forman parte de un juego. El número de juego suele indicarse detrás de los demás números de artículo.
12. Denominación. El desplazamiento indica que en la unidad indicada se incluyen uno o varios artículos. Estos se incluyen en la unidad completa pedida.
13. Notas. Aparecen aquí diversas informaciones relativas a los artículos:
  - Números de notas de pie de página; ej. 963) aparece al final de la página.
  - Artículos sustituidos. Ej. (955884)
  - Números de producto o fabricación.
  - Abreviaturas e información técnica.
  - Remisiones a páginas y grupos.

### Grupo 10 Artículos sustituidos/Índice de números

- Artículos sustituidos. Se marcan aquí con "SS" (en la columna PS) los números de artículo con sus sustituciones. Los artículos sustituidos, a su vez, pueden haber sido sustituidos, etc.
- Índice de números. Aparecen aquí todos los artículos existentes en el catálogo con remisión a grupo, sección y página.

En su modelo de máquina pueden haberse introducido mejoras que no aparecen en esta publicación. Las publicaciones son revisadas para incluir las mejoras en ediciones posteriores.

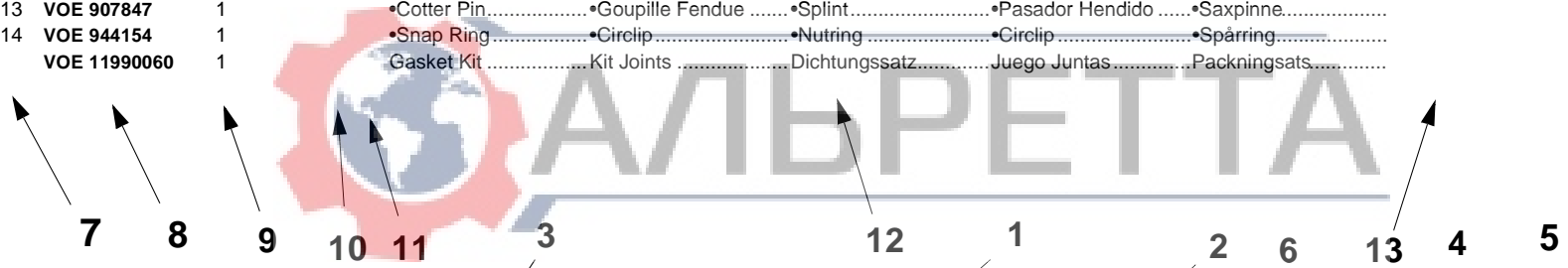
*Este documento está protegido por los derechos de autor y por lo tanto está prohibida su copia, impresión o cualquier otro tipo de reproducción indebida. La infracción de esta prohibición será penalizada. Reservado el derecho a introducir modificaciones.*

## CATALOGO DE PIEZAS INSTRUCCIONES

Catalogue id	Group
<b>20004</b>	<b>1</b>
Issue	Page
<b>VOE 63G9920004</b>	<b>19</b>



Fig.	Part No.	Quantity			P	K	Description	Dénomination	Bezeichnung	Denominación	Benämning	Notes
		1	2	3								
	<b>VOE 4833424</b>	1			SS	Hydr.cylinder .....	Verin Hydraul. ....	Druckölzylinder.....	Cilín Hidraul.....	Hydraulcyl.....	963)	
		1				Hydraulic cylinder.....	Verin Hydraulique .....	Hydraulzylinder .....	Cilindro Hidraulico .....	Hydraulcylinder.....	L PROD See group 94, avsn 250	
1	<b>VOE 4833425</b>	1				•Cylinder Tube .....	•Tube Cylindre .....	•Zylinderrohr.....	•Tubo Cilindro.....	•Cylinderrör.....		
2	<b>VOE 4741303</b>	1				•Piston Rod .....	•Tige Piston.....	•Kolbenstange .....	•Varilla Piston .....	•Kolstång.....		
3	<b>VOE 4833432</b>	1				•Pstn Rod Guide .....	•Gui.tige Piston .....	•Ko-stang Fuhrg .....	•Guia Var Piston .....	•Kolvst.styrning.....		
4	<b>VOE 4784039</b>	1			K	•Piston Rod Seal .....	•Eta.tige Piston.....	•Ko-stang Dichtg .....	•Reten Var Pist.....	•Kolvstångståtn.....		
5	<b>VOE 4833433</b>	1				•Spacer Ring .....	•Bagu.entretoise.....	•Abstandring.....	•Anillo Dist .....	•Distansring.....		
6	<b>VOE 914516</b>	1				•Snap Ring .....	•Circlip .....	•Nutring .....	•Circlip .....	•Spårring.....		
7	<b>VOE 4784999</b>	1			K	•Scraper .....	•Racleur .....	•Abstreicher.....	•Rascador.....	•Avstrykare.....		
8	<b>VOE 4741302</b>	1				•Piston .....	•Piston.....	•Kolben.....	•Piston .....	•Kolv.....		
9	<b>VOE 925067</b>	2			K	•O-ring.....	•Joint Torique.....	•O-ring.....	•Anillo Torico .....	•O-ring.....		
10	<b>VOE 4881024</b>	3			K	•Back-up Ring .....	•Bague Support.....	•Stutzring.....	•Anillo Apoyo .....	•Stödtring.....		
11	<b>VOE 955898</b>	1				•Washer .....	•Rondelle.....	•Scheibe .....	•Arandela.....	•Bricka.....		
12	<b>VOE 13955884</b>	1				•Castle Nut.....	•Ecrou Crenele•Kronenmutter•Tuerca Corona•Kronmutter.....				(VOE 955884)	
13	<b>VOE 907847</b>	1				•Cotter Pin.....	•Goupille Fendue .....	•Splint.....	•Pasador Hendido .....	•Saxpinne.....		
14	<b>VOE 944154</b>	1				•Snap Ring .....	•Circlip .....	•Nutring .....	•Circlip .....	•Spårring.....		
	<b>VOE 11990060</b>	1				Gasket Kit .....	Kit Joints .....	Dichtungssatz.....	Juego Juntas .....	Packningsats.....		



963) **GB:** Cylinder tube is marked "424". See illustration fig. A. **FR:** Tube cylindre marquer "424". Voir illustration fig. A. **DE:** Das Zylinderrohr ist gekennzeichnet mit "424". Siehe Illustration fig. A. **ES:** Tubo cilindro marcado "424". Véase ilustración fig. A. **SE:** Cylinderrör är märkt "424". Se bild pos. A.

1	<b>Hydraulcylinder E Prod</b>	Catalogue id	<b>90691</b>	Group	<b>924</b>
2	<b>Cilindro hidráulico E Prod</b>	Illustr. No	<b>AC290A</b>	Section	<b>200</b>
3	<b>Druckölzylinder E Prod</b>	Issue	<b>VOE 63D9990691</b>	Page	<b>623</b>
4	<b>Cylindre hydraulique E Prod</b>				
5	<b>Hydraulic cylinder E Prod</b>				
	<b>90271, 91357, STD USA</b>				



I reservdelskatalogen presenteras förutom artikelnummer också en mängd information som är viktig att känna till.  
Med katalogguiden vill vi på ett överskådligt sätt visa hur våra kataloger är uppbyggda och vad det är för information som presenteras.

### Grupp 1 Förord och anvisningar

Här finner man följande:

- Titelsida med publikationsnummer
- Gruppregister
- Produktskyltar
- Förord
- Förteckning över införda marknadsanpassade utrustningar
- Katalogguiden
- Förkortningstabell

### Grupp 2 - 9 Text- och bildsidor

- Innehållsförteckningen visar huvudgruppens indelning i undergrupper med hänvisning till sida och avsnitt.
- Bildsida. Illustrationens positionsnr. hänvisar till textsidan
- Textsida
  1. Rubrik
  2. Tilläggstext som begränsar avsnittets giltighet t.ex information om tillverkningsnummer och marknadsanpassade utrustningar.
  3. Beteckning för antalskolumner
  4. Illustrationsnr.
  5. Grupp, avsnitt, sida, användes då man söker i katalogen
  6. Katalogid. och utgåvebeteckning
  7. Artikelns positionsnummer på tillhörande illustration
  8. Artikelnummer
  9. Antal. Kolumnbeteckningen visar vilket utförande som redovisas per kolumn.  
Angivet antal avser, antal per maskin eller i förekommande fall, per komplettenhet.  
"REQ" avser erforderlig mängd, se Notes- kolumn.
  10. PS (Parts Status) visar artikelns statuskod.
    - "NS" betyder att artikeln inte lagerföres.
    - "OP" betyder att artikeln har utgått och lagerföres inte längre.
    - "SE" betyder att alternativ artikel ska användas.
    - "SS" Betyder att artikeln är ersatt.

Se grupp 10, ersatta artiklar för vidare information.

11. KIT. Artiklar som är markerade med ett "K" ingår i en sats.  
Satsens nummer redovisas oftast efter övriga artikelnummer.
12. Benämning. Stegförskjutning visar om en eller flera artiklar ingår i en ovanför redovisad sammansatt enhet. Artiklarna medföljer vid beställning av den kompletta enheten.
13. Notes (Anmärkning). Här redovisas övrig information för en artikel;
  - Fotnotsnr, Ex. 963 återges längst ned på sidan.
  - Ersatta artiklar. Ex. (955884)
  - Produkt- eller tillverkningsnummer
  - Förkortningar och tekniska upplysningar
  - Sid- och grupphänvisning.

### Grupp 10 Ersatta artiklar / Nummerregister

- Ersatta artiklar. Här återfinns de med "SS" markerade (i PS -kolumn) artikelnumren med sina ersättningar. De ersättande artiklarna kan i sin tur vara ersatta osv.
- Nummerregister. Här finns alla i katalogen förekommande artiklar med hänvisning till grupp, avsnitt, sida.

Fortsatta förbättringar och framsteg vad det gäller konstruktion kan förorsaka förändringar på din maskin som inte omfattas av denna publikation. Varje publikation revideras vid behov för att inkludera dessa förändringar i senare utgåvor.

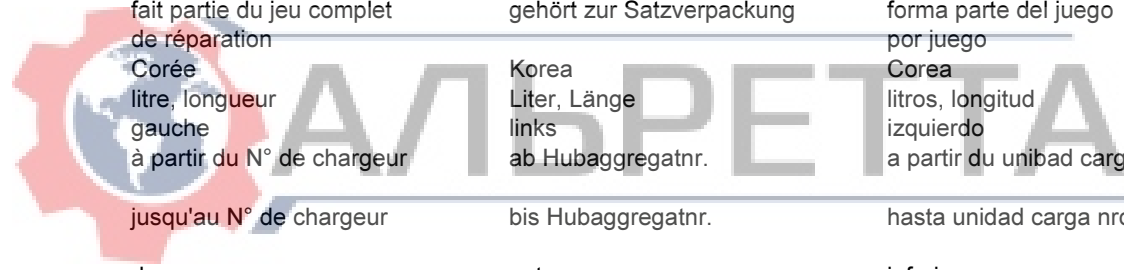
*Detta dokument är upphovsrättsligt skyddat och åtnjuter därför skydd mot otillbörlig kopiering, eftertryck eller annan avbildning. Överträdelse mot detta förbud är förenat med straffansvar. Rätt till ändringar förbehålles.*

## RESERVEDELSKATALOG ANVISNINGAR

Catalogue id <b>20004</b>	Group <b>1</b>
Issue <b>VOE 63G9920004</b>	Page <b>21</b>

TABLE OF ABBREVIATION		PABLO DE ABBREVIATIONS			Catalogue id	Group
POUR LA LISTE DES ABRÉVIATIONS EMPLOYÉES		FÖRKORTNINGSTABELL			20004	1
ABKÜRZUNGSVERZEICHNIS					Issue	Page
					VOE 63G9920004	22
ABBREVIATION	ENGLISH	FRANÇAIS	DEUTSCH	ESPAÑOL	SVENSKA	
A	ampere	ampère	Ampere	amperio	ampere	
ALT	alternative	alternative	wahlweise	alternativa	alternativ	
AWD	All Wheel Drive	Toutes roues motrices	Allradantrieb	Tracción en las todas las ruedas	Allhjulsdrift	
AX ####-	as from axle No.	à partir du N° d'essieu	ab Achsennr.	a partir del eje nro	fr o m axel nr	
AX - ####	up to and incl. axle No.	jusqu'au N° d'essieu	bis Achsennr.	hasta el eje nro	t o m axel nr	
BL	black	noir	schwarz	negro	svart	
BLUE	blue	bleu	blau	azul	blå	
BR	brown	brun	braun	marrón	brun	
BRA	Brazil	Brésil	Brasilien	Brasil	Brasilien	
CAB #### -	as from cab No.	à partir du N° de cabine	ab Kabinen-herstellnr.	a partir de la cabina	fr o m hytt nr	
CAB - ####	up to and incl. cab No.	jusqu'au N° de cabine	bis Kabinen-herstellnr.	hasta la cabina nro	t o m hytt nr	
CAN	Canada	Canada	Kanada	Canadá	Kanada	
CENT	centre	au milieu	Mittlere	central	mittre	
CHN	China	Chine	China	China	Kina	
CIN	component identification number	Numéro de référence de sous-ensemble	Bauteil-Identifizierungsnummer	Número de identificación del componente	komponentidentifikationsnummer	
CPL	complete	complet	komplett	completo	komplett	
CU M	cubic metre	mètre cube	Kubikmeter	metro cúbico	kubikmeter	
DEG	numbers of degrees, C°	nombres de degré de chaleur, C°	Anzahl in Graden C°	numero de grado de calor, C°	antal grader, C°	
DELETED	deleted	supprimé	Nicht mehr lieferbar	Retirado	utgått	
DEU	Germany	Allemagne	Deutschland	Alemania	Tyskland	
DNK	Denmark	Danemark	Dänemark	Dinamarca	Danmark	
EEC	European Economic Community (EEC)	pays du marche commun (EEC)	EU-Markt (EEC)	el mercado común (EEC)	EU-marknad (EEC)	
ENG	Engine	moteur	Motor	motor	motor	
ENG #### -	as from engine No.	à partir du N° de moteur	ab Motornr.	a partir del motor nro	fr o m motor nr	
ENG - ####	up to and incl. engine No.	jusqu'au N° de moteur	bis Motornr.	hasta el motor nro	t o m motor nr	
E PROD	early production	production antérieure	Frühere Ausführung	producción anterior	tidigare utförande	
ESP	Spain	Espagne	Spanien	España	Spanien	
EU	European Union	Union Européenne	Europäische Union	Unión Europea	Europeiska unionen	
EXC ### -	as from excavator unit No.	à partir du N° d'excavateur	Ab Bagger-Aggregatnr.	a partir de agregado excavador nro	fr o m grävaggregat nr	
EXC - ###	up to and incl. excavator unit No.	jusqu'au N° d'excavateur	bis Bagger-Aggregatnr	hasta el agregado excavador nro	t o m grävaggregat nr	
EXCL	excluding	exclus	ausschliesslich	exclusivo	exklusive	
FIN	Finland	Finlande	Finnland	Finlandia	Finland	

ABBREVIATION	ENGLISH	FRANÇAIS	DEUTSCH	ESPAÑOL	SVENSKA
FORW	forward	avant	vordere	delante	främre
FRA	France	France	Frankreich	Francia	Frankrike
GBR	Great Britain	Angleterre	England	Inglaterra	Storbritannien
GRAM	gram	gramme	Gramm	gramo	gram
GREEN	green	vert	grün	verde	grön
GREY	grey	gris	grau	gris	grå
HT #### -	as from hydraulic transmission No.	à partir du transmission hydraulique N°	ab Hydraulikgetriebe	a partir de transmisión hidráulico nro	fr o m hydraultransmission nr
HT - ####	up to and incl. hydraulic transmission No.	jusqu'au transmission hydraulique N°	bis Hydraulikgetriebe	hasta el transmisión hidráulico nro	t o m hydraultransmission nr
ID	diameter, inner	diamètre, intérieur	Innendurchmesser	diámetro, interior	diameter, inre
IN	inch(es)	pouce	Zoll	pulgada	tum
INCL	inclusive	inclus	einschliesslich	inclusive	inklusive
INCL IN	included in	inclus dans	gehört zur	forma parte de	ingår i
INLET	inlet	entrée	Einlass	entrada	inlopp
INNER	inner	intérieur	innen	interior	inre
IRN	Iran	Iran	Iran	Iran	Iran
ITA	Italy	Italie	Italien	Italia	Italien
ITEM NO	see item No.	voir position	siehe Position Nr.	véase posición	se positionsnummer
K	included in parts kits	fait partie du jeu complet de réparation	gehört zur Satzverpackung	forma parte del juego por juego	ingår i satsförpackning
KOR	Korea	Corée	Korea	Corea	Korea
L	litre, length	litre, longueur	Liter, Länge	litros, longitud	liter, längd
LH	left	gauche	links	izquierdo	vänster
LOAD #### -	as from loading unit No.	à partir du N° de chargeur	ab Hubaggregatnr.	a partir du unibad carga nro	t o m lastaggregat nr
LOAD - ####	up to and incl. loading unit No.	jusqu'au N° de chargeur	bis Hubaggregatnr.	hasta unidad carga nro	t o m lastaggregat nr
LOW	lower	dessous	unten	inferior	undre
L PROD	late production	production postérieure	jetzige Ausführung	producción posterior	senare utförande
MARKED	marked	marque de	gekennzeichnet mit	marcado	märkt med
MODEL	model designation	Désignation de modèle	Modellbezeichnung	Designación de modelo	modellbeteckning
ML	millilitre	millilitre	Milliliter	mililitro	milliliter
MM	millimetre	millimètre	Millimeter	milímetros	millimeter
NLD	Netherlands	Pays-Bas	Holland	Holanda	Nederländerna
NO	number	numéro	Nummer	número	nummer
NOR	Norway	Norvège	Norwegen	Noruega	Norge



<b>TABLE OF ABBREVIATION</b> <b>POUR LA LISTE DES ABRÉVIATIONS EMPLOYÉES</b> <b>ABKÜRZUNGSVERZEICHNIS</b>	<b>PABLO DE ABBREVIATIONS</b> <b>FÖRKORTNINGSTABELL</b>	Catalogue id	Group
		20004	1
		Issue	Page
		VOE 63G9920004	23

TABLE OF ABBREVIATION		PABLO DE ABREVIATIONS			Catalogue id	Group
POUR LA LISTE DES ABRÉVIATIONS EMPLOYÉES		FÖRKORTNINGSTABELL			20004	1
ABKÜRZUNGSVERZEICHNIS					Issue	Page
					VOE 63G9920004	24
ABBREVIATION	ENGLISH	FRANÇAIS	DEUTSCH	ESPAÑOL	SVENSKA	
NS	part not stocked as spare part	n'est pas stocké comme pièce de rechange	nicht als Ersatzteil vorrätig	no disponible como repuesto pieza de repuesto	detaljen lagerföres ej som reservdel	
OP	The part is no longer in stock	La pièce n'est plus en stock	Der Artikel wird nicht länger geführt	El artículo no se mantiene ya en stock	Artikeln lagerföres ej längre	
O SZ	over size	côte supérieur	Übergrösse	sobredimensión	överdimension	
OD	diameter, outer	diamètre extérieur	Aussendurchmesser	diámetro, exterior	diameter, yttre	
OR	orange	orange	orange	naranja	orange	
ORDER	order	commander	bestellen	hacer un pedido	beställ	
OUTER	outer	extérieur	aussen	exterior	yttre	
OUTLET	outlet	échappement	Auslass	escape	utlopp	
PAGE	see page	voir page	siehe Seite	véase página	se sida	
PAIR	pair	paire	Paar	par	par	
PCS	piece(s)	pièce	Stück	cada uno	styck	
PIN	product identification number	Numéro d'identification de produit	Produktidentifizierungs-Nummer	Número de identificación del producto	produktidentifikationsnummer	
PINK	pink	rose	rosa	rosa	rosa	
PROD NO	product No.	N° de produit	Produktnr.	nro de producto	produktnummer	
PRT	Portugal	Portugal	Portugal	Portugal	Portugal	
Q	Quantity l/min	Quantité l/min	Quantität l/min	Cantidad l/min	Kvantitet l/min	
REAR	rear	arrière	hinten	detrás	bakre	
RED	red	rouge	rot	rojo	röd	
REPL BY -	replaced by	remplacé par	ersetzt durch	substituido por	ersättes av	
REQ#	order as required,	quantité nécessaire,	erforderliche Anzahl	cantidad necesaria,	erforderligt antal,	
RH	right	droite	rechts	derecha	höger	
SE	alternative spare part version exists	une version pièce de rechange existe également	Alternative Ersatzteilausführung lieferbar	Existen otras versiones de las piezas de repuesto	alternativt reservdelsutförande finns	
SEE GROUP	see group	voir groupe	siehe Gruppe	véase grupo	se grupp	
SEE SB	see Service Bulletin	voir bulletin de service	siehe Kundendienstmitteilung	ver boletin de servicio	se servicemeddelande	
SER NO # -	as from serial No.	à partir du N° de fabrication	ab Fabrikationsnr.	a partir de fabric. nro	fr o m tillverkningsnr	
SER NO - #	up to and incl. serial No.	jusqu'au N° de fabrication	bis Fabrikationsnr.	hasta el fabric. nro	t o m tillverkningsnr	
S/N ##### -	as from serial No.	à partir du N° de série	ab Fabrikationsnr.	a partir de fabricación nro.	fr o m tillverkningsnr	
S/N - #####	up to and incl. serial No.	jusqu'au N° de série	bis Fabrikationsnr.	hasta el fabricación nro.	t o m tillverkningsnr	
SUPPL	supplementary details, no spare part	indication compléter	zuzätzliche Angaben	parte completar	kompletterande uppgift, ej reservdel	
SPECIAL	special model	construction spéciale	Sonderausführung	modelo especial	specialutförande	
SQ MM	square millimeters	millimètre carré	Quadratmillimeter	milímetros cuadrados	kvadratmillimeter	
SS	superseded part	pièce remplacée	ersetztes Teil	pieza substituida	ersatt artikel	

ABBREVIATION	ENGLISH	FRANÇAIS	DEUTSCH	ESPAÑOL	SVENSKA
STD SZ	standard size	dimension standard	Standardabmessung	dimensión standard	standarddimension
SWE	Sweden	Suède	Schweden	Suecia	Sverige
THICK	thickness	épaisseur	Dicke	espesor	tjocklek
TM NO # -	as from transmission No.	à partir du N° de transmission	ab Getriebe nr.	a partir de transmisión nro	fr o m transmission nr
TM NO - #	up to and incl. transmission No.	jusqu'au N° de transmission	bis Getriebe nr.	hasta el de transmisión nro	t o m transmission nr
UPPER	upper	supérieur	oben	superior	övre
USA	United States of America	États-Unis	Vereinigte Staaten	Estados Unidos	USA
U SZ	under size	côte intérieur	Untergrösse	subdimensión	underdimension
V	volt	volt	Volt	voltio	volt
VIOL	violet	violet	violett	violeta	violett
W	Watt	watt	Watt	watio	watt
WHITE	white	blanc	weiss	blanco	vit
WID	width	largeur	Breite	ancho	bredd
YELL	yellow	jaune	gelb	amarillo	gul
ZAF	South Africa	Afrique du Sud	Südafrika	Sudáfrica	Sydafrika



TABLE OF ABBREVIATION	PABLO DE ABBREVIATIONS	Catalogue id	Group
POUR LA LISTE DES ABRÉVIATIONS EMPLOYÉES	FÖRKORTNINGSTABELL	<b>20004</b>	<b>1</b>
ABKÜRZUNGSVERZEICHNIS		Issue	Page
		VOE 63G9920004	<b>25</b>

**VOLVO**

**BL70**

<b>PRODUCT AND EQUIPMENT VARIANTS</b>			<b>VARIANTES DE PRODUCTOS Y EQUIPAMIENTOS</b>			Catalogue id <b>20004</b>		Group <b>1</b>	
<b>VARIANTES DE PRODUITS ET D'EQUIPMENTS</b>			<b>PRODUKT- OCH UTRUSTNINGSVARIANTER</b>			Issue <b>VOE 63G9920004</b>		Page <b>26</b>	
<b>PRODUKT- UND AUSRÜSTUNGSVARIANTEN</b>									
Equipment	Kit No	Description	Equipment	Kit No	Description				

11294005		Cab Cabine Fahrerhaus Cabina Hytt	11298018		Air conditioning climatisation Klimaanlage acondicionador de air luftkonditionering				
11298009		Fixed steering column Colonne de direction fixe Feste Lenksäule Columna de dirección fija Fast rattstam	11298021		Steering Wheel Knob Boule pour volant Lenkradknopf Botón del volante Rattknopp				
11298010		Adjustable steering column Colonne de direction réglable Verstellbare Lenksäule Columna de dirección ajustable Inställningsbar rattstam	11298028		Cab Cabine Fahrerhaus Cabina Hytt				
11298012		Front window for canopy Pare-brise, cabine ouverte Frontscheibe für Überrollbügel Ventana delantera para protección contra vuelcos Vindruta för soltak	11298029		Cab. Open Rops Cabine. Open Rops Kabine. Open Rops Cabina. Open Rops Hytt. Open Rops				
11298013		External mirrors Rétroviseurs extérieurs Äußere Rückspiegel Retrovisores exteriores Yttre backspeglar	11298032	VOE 11712693	Anti-vandalism kit Kit de protection antivandalisme Vandalisierungsschutz Protección contra vandalismo Vandalskydd				
11298016	VOE 11712382	Sun shield Pare-soleil Sonnenblende Visera Solskydd	11298159		Panel Canopy, mechanical handbrake Tableau de bord, cabine ouverte - frein de stationneme Instrumententafel für Canopy-Version, mechanische H Panel de cabina abierta, freno de mano mecánico Panel Öppen hytt, mekanisk handbroms				

Equipment	Kit No	Description	Equipment	Kit No	Description
11298164		Rear view mirror Rétroiseur Rückspiegel Retrovisor Backspegel	11298280		Floor mat For Pilot Controls Tapis de sol pour commandes pilotes Bodenmatte für Pilotsteuerungen Alfombrilla para mandos piloto Golvmatta för pilotreglage
11298165		Floor mat mechanical exc control Tapis de sol Bodenmatte Alfombra Golvmatta	11880002		Basic machine BI70 Usa Machine de base BL70, USA Grundmaschine BL70 USA Máquina básica BL70 USA Basmaskin BL70 USA
11298196		Cab BI70 Cabine BI70 Kabine BI70 Cabina BI70 Öppen hytt BI70	11882593		Single battery Une seule batterie Einzelbatterie Una batería Enkelt batteri
11298198		Canopy BI70 Cabine ouverte BI70 Canopy BI70 Cabina abierta BI70 Öppen hytt BI70	11882594		Double battery Deux batteries Doppelbatterie Dos baterías Dubbelt batteri
11298203		Front window Pare-brise Windschutzscheibe Parabrisas Vindruta	11883246		Engine Moteur Motor Motor Motor 70 KW
11298239		Lock For hood Release Serrure d'ouverture de capot Motorhaubenverriegelung Bloqueo para soltar el capó Lås för huvöppning	11885148		Engine Moteur Motor Motor Motor

PRODUCT AND EQUIPMENT VARIANTS

VARIANTES DE PRODUCTOS Y EQUIPAMIENTOS

VARIANTES DE PRODUITS ET D'EQUIPMENTS

PRODUKT- OCH UTRUSTNINGSVARIANTER

PRODUKT- UND AUSRÜSTUNGSVARIANTEN

Catalogue id

20004

Group

1

Issue

VOE 63G9920004

Page

27

**VOLVO**

**BL70**



<b>PRODUCT AND EQUIPMENT VARIANTS</b>	<b>VARIANTES DE PRODUCTOS Y EQUIPAMIENTOS</b>	Catalogue id <b>20004</b>	Group <b>1</b>
<b>VARIANTES DE PRODUITS ET D'EQUIPMENTS</b>	<b>PRODUKT- OCH UTRUSTNINGSVARIANTER</b>	Issue <b>VOE 63G9920004</b>	Page <b>28</b>
<b>PRODUKT- UND AUSRÜSTUNGSVARIANTEN</b>			

Equipment	Kit No	Description	Equipment	Kit No	Description
11887320		Engine Moteur Motor Motor Motor	11891018	VOE 11715299	Multi Purpose Bucket 1m3 Multi Purpose Bucket 1m3 Multi Purpose Bucket 1m3 Multi Purpose Bucket 1m3 Multi Purpose Bucket 1m3
11890349		Lock kit Kit serrure Sperrsatz Kit de cerradura Låssats	11891020		Hydraulics for Mp Loader Bucket (with std dipper) Equipement hydraulique pour godet chargeur MP (avec Hydraulik für Mehrzweckschaufel (mit Standardstiel) Hidráulica para cuchara de cargadora Mp (con brazo ex Hydraulik för allround (GP) lastskopa (med std. skaft)
11891005		Hyd 4 In One + 4.5 Ext Dipper Godet à commande hydraulique 4 en 1 + balancier prol Hydraulikfunktion 4 in 1 plus 4,5 m ausziehbarer Stiel Hid. 4 en una + 4.5 Balancín extensible Enspaksreglage med 4 funktioner + utskjutbart skaft 4,	11891022		Hydraulic Ext dipper Balancier prolongé à commande hydraulique Hydraulik Stielverlängerung Sistema hidráulico, balancín Förlängt skaft
11891014		Legals US Législation US US-Gesetze Reglamentación EE.UU. Lagkrav USA	11891041		Digger 4.5m Standard Equipement excavateur 4,5 m std Stiel 4,5 m Standard Excavadora 4,5 m tipo estándar Grävaggregat 4,5 m Standard
11891015		Tooth Guard Europe Protection de dent, Europe Zahnschutz Europa Protección de dientes Europa Tandskydd Europa	11891043		Backhoe bucket Godet rétro Tiefräumlöffel Cuchara de retroexcavadora Djupgrävningsskopa 18"
11891017	VOE 11712669	Hammer HB 440 Marteau HB 440 Hammer HB 440 Martillo HB 440 Hammare HB 440	11891061	VOE 11710775	PinKit - bucket Kit pour le montage direct du godet Satz direktbefestigte Schaufel Kit de cuchara de montaje directo Sats direktinfäst skopa

Equipment	Kit No	Description	Equipment	Kit No	Description
11891065		Hydraulics for Std Loader Bucket (with ext dipper) Équipement hydraulique pour godet chargeur standard Hydraulik für Standardschaufel (mit Verl. Stiel) Hidráulica para cuchara de cargadora estándar (con br Hydraulik för Std. Lastskopa (med förlängt skaft)	11891100		Operator's seat, imitation leather, armrest Siège conducteur, cuir synthétique, accoudoir Fahrsitz, Kunstleder, Armlehne Asiento de conductor, cuero artificial, apoyabrazos Förarstol, konstläder, armstöd
11891090		Hammer hydraulics Équipement hydraulique de marteau Hammerausrüstung Hidráulica para martillo Hammare/sax	11891110		Operator's seat, electrically heated, air suspension Siège conducteur, chauffage électrique, suspension pn Fahrsitz, beheizt, luftgefedert, Armlehne Asiento del conductor, térmico, suspensión neumática, Förarstol, eluppvärmd, luftfjädrad, armstöd
11891091		400 mm Gp Bucket Godet universel 400 mm 400 mm Allzwecklöffel Cuchara 400mm Gp 400 mm GP Skopa	11891112	VOE 11711249	US ISO levers Leviers US ISO US-ISO-Hebel EE.UU. Palancas ISO USA, ISO-spakar
11891092		European Bucket 450 wide Godet européen, largeur 450 Europäische Schaufel, Breite 450 mm Cuchara europea 450 de ancho Europeisk skopa 450 bred	11891113	VOE 11711256	US std levers Leviers US std US-Std.-Hebel EE.UU. Palancas tipo estándar USA, standardspakar
11891093		European bucket 900 wide Godet européen, largeur 900 mm Europäische Schaufel, Breite 900 mm Cuchara europea 900 de ancho Europeisk skopa 900 bred	11891152	VOE 11885079	Tool Kit Jeu d'outillage Werkzeugsatz Kit de herramientas Verktygssats
11891099		Operator's seat, imitation leather Siège conducteur, accoudoir Fahrsitz, Armlehne Asiento de conductor, apoyabrazos Förarstol, armstöd	11891176	VOE 11712670	GP Fork Kit Kit fourche universelle Gabelzinkensatz, GP Kit de horquilla Allround (GP) Gaffelsats

PRODUCT AND EQUIPMENT VARIANTS	VARIANTES DE PRODUCTOS Y EQUIPAMIENTOS	Catalogue id	Group
VARIANTES DE PRODUITS ET D'EQUIPMENTS	PRODUKT- OCH UTRUSTNINGSVARIANTER	<b>20004</b>	<b>1</b>
PRODUKT- UND AUSRÜSTUNGSVARIANTEN		Issue <b>VOE 63G9920004</b>	Page <b>29</b>

**VOLVO**

**BL70**

<b>PRODUCT AND EQUIPMENT VARIANTS</b>			<b>VARIANTES DE PRODUCTOS Y EQUIPAMIENTOS</b>			Catalogue id <b>20004</b>		Group <b>1</b>	
<b>VARIANTES DE PRODUITS ET D'EQUIPMENTS</b>			<b>PRODUKT- OCH UTRUSTNINGSVARIANTER</b>			Issue <b>VOE 63G9920004</b>		Page <b>30</b>	
<b>PRODUKT- UND AUSRÜSTUNGSVARIANTEN</b>									
Equipment	Kit No	Description	Equipment	Kit No	Description				

11891192		European bucket 610 wide Godet européen, largeur 610 mm Europäische Schaufel, Breite 610 mm Cuchara europea 610 de ancho Europeisk skopa 610 bred	11891217		Operator's seat, imitation leather Siège conducteur, cuir synthétique Fahrsitz, Kunstleder Asiento de conductor, cuero artificial Förarstol, konstläder				
11891194		General purpose bucket 2350 wide Godet universel, largeur 2 350 mm Allzweckschaufel, Breite 2350 mm Cuchara para aplicaciones generales 2350 de ancho General purpose skopa 2350 bred	11891224		Transmission 2wd powershuttle Valve navette, transmission 4 roues motrices Getriebe 2-Radantrieb Power Shuttle Transmisión 2a corredera de potencia Kraftöverföring 2-hjulsdrift powershift				
11891202		European Bucket 305 wide Godet européen, largeur 305 Europäische Schaufel, Breite 305 mm Cuchara europea 305 de ancho Europeisk skopa 305 bred	11891238		Hydraulic Loader Quick Attach Porte-outil à verrouillage hydraulique sur équipement c Hydraulischer Schnellwechsler für Lader Enganche rápido de cargadora hidráulica Lastaggregat, hydr. snabbfäste				
11891208		Hydraul Loader Std Ctrl Commande std, chargeuse hydraulique Hydraulische Standardschaufel Control estándar de cargadora hidráulica Hydraullastare, standard manöverorgan	11891255		Transmission 4wd powershift Valve Power-Shift, transmission 4 roues motrices Getriebe 4-Radantrieb Power Shuttle Transmisión 4a marcha de potencia Kraftöverföring 4-hjulsdrift powershift				
11891209		Transmission 4wd powershuttle Valve navette, transmission 4 roues motrices Getriebe 4-Radantrieb Power Shuttle Transmisión 4a corredera de potencia Kraftöverföring 4-hjulsdrift	11891256		Counterweight Contrepoids Gegengewicht Contrapeso Motvikt				
11891216		Operator seat Siège de conducteur Fahrsitz Asiento de conductor Förarstol, låg rygg	11891261	VOE 11712424	One rotating beacon Un seul gyrophare Eine rotierende Warnleuchte Una luz giratoria de advertencia Ett roterande varningsljus				

Equipment	Kit No	Description	Equipment	Kit No	Description
11891262	VOE 11712425	Two rotating beacons Deux gyrophares Zwei rotierende Warnleuchten Dos luces giratorias de advertencia Två roterande varningsljus	11891279		Instrument panel, m.p.h Tableau de bord, m.p.h. Instrumententafel, m.p.h. Tablero de instrumentos, m.p.h Instrumentpanel, m.p.h
11891264		European Blade Kit 2350mm Lame européenne 2 350 mm Europäischer Scharsatz, 2350 mm Kit de hojas europeas 2350mm Europeisk bladsats 2350 mm	11891280		Instrument panel, without speedometer Tableau de bord sans tachymètre Instrumententafel, ohne Geschwindigkeitsmesser Tablero de instrumentos, sin velocímetro Instrumentpanel utan hastighetsmätare
11891265		Tooth Kit Jeu de dents Zahnsatz Kit de dientes Tandsats	11891282	VOE 11988242	MP lifting fork kit Kit fourche de levage MP Hebegabel-Kit Juego de horquilla de elevación Multifunktionslyftgaffel sats
11891267		Wheels and tyres opt 2 11x16 - 21x24 Roues et pneus optionnels 2 11x16 - 21x24 Räder und Reifen, optional, 2 11x16 - 21x24 Ruedas y neumáticos, opt 2 11x16 - 21x24 Hjul och däck opt 2 11x16 - 21x24	11891283		Wheels and tyres opt 3 12.5/80x18 - 19.5lr24 Roues et pneus optionnels 3 12.5/80x18 - 19.5lr24 Räder und Reifen, optional, 3 12,5/80x18 - 19,5lr24 Ruedas y neumáticos, opt 3 12.5/80x18 - 19.5lr24 Hjul och däck opt 3 12,5/80x18 - 19,5lr24
11891275		Wheels and tyres opt 1 11x16 - 19.5xr24 Roues et pneus optionnels 1 11x16 - 19.5xr24 Räder und Reifen, optional, 1 11x16 - 19,5xr24 Ruedas y neumáticos, opt 1 11x16 - 19.5xr24 Hjul och däck opt 1 11x16 - 19,5xr24	11891289		Wheels and tyres opt 6 12.5/80x18 - 21x24 Roues et pneus optionnels 6 12.5/80x18 - 21x24 Räder und Reifen, optional, 6 12,5/80x18 - 21x24 Ruedas y neumáticos, opt 12.5/80x18 - 21x24 Hjul och däck opt 6 12,5/80x18 - 21x24
11891278		Instrument panel, Km/h Tableau de bord, km/h Instrumententafel, km/h Tablero de instrumentos, Km/h Instrumentpanel, km/h	11891291		Work lamp, rear Lampe travail, aari`re Arbeitslampe, hinter Lampara de trabajo, trasero Arbetslampan, bakre

<b>PRODUCT AND EQUIPMENT VARIANTS</b>	<b>VARIANTES DE PRODUCTOS Y EQUIPAMIENTOS</b>	Catalogue id <b>20004</b>	Group <b>1</b>
<b>VARIANTES DE PRODUITS ET D'EQUIPMENTS</b>	<b>PRODUKT- OCH UTRUSTNINGSVARIANTER</b>	Issue <b>VOE 63G9920004</b>	Page <b>31</b>
<b>PRODUKT- UND AUSRÜSTUNGSVARIANTEN</b>			

**VOLVO**

**BL70**

PRODUCT AND EQUIPMENT VARIANTS			VARIANTES DE PRODUCTOS Y EQUIPAMIENTOS			Catalogue id	Group
VARIANTES DE PRODUITS ET D'EQUIPMENTS			PRODUKT- OCH UTRUSTNINGSVARIANTER			20004	1
PRODUKT- UND AUSRÜSTUNGSVARIANTEN						Issue	Page
						VOE 63G9920004	32

Equipment	Kit No	Description	Equipment	Kit No	Description
11891292		Work lights front Phare travail Arbeitsscheinwerfer Faro de trabajo Arbetsstrålkastare, främre <i>FRONT LIGHT USE KIT NO 11988243.</i> <i>REAR LIGHT USE KIT NO 11988244.</i>	11891299	VOE 11710951	Attachment bracket, mechanical Fixation outil Geräteträger Fijacion herramientas Redskapsfäste, mekaniskt
11891293	VOE 11988245	Ride control hydraulic control Commande hydraulique de translation Fahrsteuerung Hydrauliksteuerung Control hidráulico del control de marcha Körmanövrering / hydraulisk manövrering	11891303	VOE 11988246	Radio with tape recorder Radio avec magnétophone Radio mit Tonbandgerät Radiocassette Radio med bandspelare
11891295		Grading bucket 1500mm Godet niveleur, largeur 1 500 mm Böschungslöffel 1500 mm Cuchara niveladora 1500 mm Planeringsskopa 1500 mm	11891314		Seat belt Wide Ceinture de sécurité, large Sicherheitsgurt, breit Cinturón de seguridad, ancho Brett säkerhetsbälte
11891296		Grading bucket 1200mm Godet niveleur, largeur 1 200 mm Böschungslöffel 1200 mm Cuchara niveladora 1200 mm Planeringsskopa 1200 mm	11891315		Counterweight 335 kg Contrepoids 335 kg Gegengewicht 335 kg Contrapeso, 335 kg. Motvikt 335 kg
11891298		Hydraulic cap without key Bouchon hydraulique sans clé Hydraulische Kappe ohne Schlüssel Cubierta hidráulica sin llave Hydraulisk kåpa utan nyckel	11891316		Counterweight 468 kg Contrepoids 468 kg Gegengewicht 468 kg Contrapeso, 468 kg. Motvikt 468 kg
			11891318		Backhoe bucket Godet rétro Tiefräumlöffel Cuchara de retroexcavadora Djupgrävningsskopa 36"

Equipment	Kit No	Description	Equipment	Kit No	Description
11891319		Backhoe bucket Godet rétro Tiefräumlöffel Cuchara de retroexcavadora Djupgrävningsskopa 30"	11891329		Foot plate Semelle réversible Fußplatte Placa de soporte Fotplatta
11891320		Backhoe bucket Godet rétro Tiefräumlöffel Cuchara de retroexcavadora Djupgrävningsskopa 24"	11891331	VOE 11710906	Hose kit Kit flexibles Schlauchsatz Kit de manguera Slangsats
11891321		Backhoe bucket Godet rétro Tiefräumlöffel Cuchara de retroexcavadora Djupgrävningsskopa 12"	11891332	VOE 11712415	Anti-theft kit Kit alarme antivol Diebstahlalarm-Kit Dispositivo antirrobo Stöldlarmsats
11891324		Hydraulic Tank Lock Cap Bouchon de verrouillage du réservoir hydraulique Hydrauliktankverschluss Tapa de cierre del depósito hidráulico Hydrauliktankslock	11891333		Hand Held Hydraulic Commande hydraulique manuelle Handhydraulik Hidráulica manual Extra hydrauluttag för handverktyg
11891325	VOE 11712419	Front Fenders Gardeboue AV Vordere Stoßstange Guardabarros delanteros Främre Avbärare	11891335		Hydraulic Digger Bracket for Ext Dipper Porte-outil à verrouillage hydraulique pour balancier pr Hydraulischer Geräteträger für verlängerten Baggerarm Portaimplementos hidráulico para brazo opcional Hydrauliskt redskapsfäste till förlängd grävarm
			11891350		Without Front Bucket Sans godet frontal Ohne Frontschaufel Sin cuchara frontal Utan frontskopa

<b>PRODUCT AND EQUIPMENT VARIANTS</b>	<b>VARIANTES DE PRODUCTOS Y EQUIPAMIENTOS</b>	Catalogue id <b>20004</b>	Group <b>1</b>
<b>VARIANTES DE PRODUITS ET D'EQUIPMENTS</b>	<b>PRODUKT- OCH UTRUSTNINGSVARIANTER</b>	Issue <b>VOE 63G9920004</b>	Page <b>33</b>
<b>PRODUKT- UND AUSRÜSTUNGSVARIANTEN</b>			

**VOLVO**

**BL70**

<b>PRODUCT AND EQUIPMENT VARIANTS</b>			<b>VARIANTES DE PRODUCTOS Y EQUIPAMIENTOS</b>			Catalogue id <b>20004</b>	Group <b>1</b>
<b>VARIANTES DE PRODUITS ET D'EQUIPMENTS</b>			<b>PRODUKT- OCH UTRUSTNINGSVARIANTER</b>			Issue <b>VOE 63G9920004</b>	Page <b>34</b>
<b>PRODUKT- UND AUSRÜSTUNGSVARIANTEN</b>							
Equipment	Kit No	Description	Equipment	Kit No	Description		

11891352		Hydraulic Digger Bracket for Std Dipper Porte-outil à verrouillage hydraulique pour balancier sta Hydraulischer Geräteträger für Standardbaggerarm Portaimplementos hidráulico para brazo estándar Hydrauliskt redskapsfäste till Std Grävarm	11891363		Hydraulic Digger Bracket for Std Dipper Porte-outil à verrouillage hydraulique pour balancier sta Hydraulischer Geräteträger für Standardbaggerarm Portaimplementos hidráulico para brazo estándar Hydrauliskt redskapsfäste till Std Grävarm		
11891355		Backhoe bucket Godet rétro Tiefräumlöffel Cuchara de retroexcavadora Djupgrävningsskopa 300 MM	11891364		Standard Foot Equipped Avec semelles de stabilisateurs standard Mit Standardfußplatte Equipamiento de pedal estándar Fotplatta, standard		
11891356		Backhoe bucket Godet rétro Tiefräumlöffel Cuchara de retroexcavadora Djupgrävningsskopa 610 MM	11891365		Street Pad Semelle spéciale pour travaux urbains Fußplatte, Straßenausführung Pastillas de freno Fotplatta, gatututförande		
11891357		Backhoe bucket Godet rétro Tiefräumlöffel Cuchara de retroexcavadora Djupgrävningsskopa 900 MM	11891375	VOE 11715009	Pipe kit for hammer attachment Kit conduits, marteau Leitungssatz für Hammeranbau Kit de tubería para fijación del martillo Rörsats för hammarredskap		
11891361		Hydraulic Circuit for Hydraulic Bracket Circuit hydraulique, porte-outil Hydraulikkreis für Hydraulikhalter Circuito hidráulico del portaimplementos hidráulico Hydraulikrets för Hydrauliskt Fäste	11891377		Back up alarm Avertisseur de renversement Rückfahrwarner Alarma de retrocero Backalarm		
			11891389		Wheel Option19, Titan, 12,5/80x18+19,5lx24 Option de roue 19, Titane, 12,5/80x18+19,5lx24 Rad Option 19, Titan, 12,5/80x18 + 19,5lx24 Opción de ruedas19, Titan, 12,5/80x18+19,5lx24 Hjulutrustning 19, Titan, 12,5/80x18+19,5lx24		

Equipment	Kit No	Description	Equipment	Kit No	Description
11891390		Wheel Option 20, Titan, 12,5-80x18+21lx24 Option de roue 20, Titane, 12,5-80x18+21lx24 Rad Option 20, Titan, 12,5-80x18 + 21lx24 Opción de ruedas20, Titan, 12,5-80x18+21lx24 Hjulutrustning 20, Titan, 12,5-80x18+21lx24	11891441		Digger 4.5 Standard With Extendible Tubing Equipement excavateur 4,5 m standard avec conduits t Löffel 4.5 Standard mit verlängerbaren Rohren Excavador 4,5 estándar con tubería ampliable Grävaggregat 4.5 Standard med förlängda rörledningar
11891391		Double Battery Deux batteries Doppelbatterie Batería doble Dubbelbatteri	11891488		Radio Pre-installation Pré-installation autoradio Radio Vorbereitung Preinstalación de radio Radio förinallation
11891392		Single Battery Une seule batterie Einfachbatterie Batería simple Enkelbatteri	11891506		Hydraulic Joystick Standard ISO Levier de commande hydraulique standard ISO Hydraulik Steuerknüppel Standard ISO Palanca hidráulica estándar ISO Hydraulisk Joystick Standard ISO
11891429		Engine Preheater Réchauffeur de moteur Motorvorwärmer Precalentador de motor Motor förvärmare 120 V	11891507		Hydraulic Joystick Standard Sae Levier de commande hydraulique standard SAE Hydraulik Steuerknüppel Standard SAE Palanca hidráulica estándar SAE Hydraulisk Joystick Standard Sae
11891430		Engine Preheater Réchauffeur de moteur Motorvorwärmer Precalentador de motor Motor förvärmare 240 V	11891508		Hydraulic Joystick Standard SAE/ISO Levier de commande hydraulique standard SAE/ISO Hydraulik Steuerknüppel Standard SAE/ISO Palanca hidráulica estándar SAE/ISO Hydraulisk Joystick Standard SAE/ISO
			11891509		Hydraulic Joystick Extendible ISO Levier de commande hydraulique télescopique ISO Hydraulik Steuerknüppel verlängerbar ISO Palanca hidráulica extensible ISO Hydraulisk Joystick Förläng ISO

<b>PRODUCT AND EQUIPMENT VARIANTS</b>	<b>VARIANTES DE PRODUCTOS Y EQUIPAMIENTOS</b>	Catalogue id <b>20004</b>	Group <b>1</b>
<b>VARIANTES DE PRODUITS ET D'EQUIPMENTS</b>	<b>PRODUKT- OCH UTRUSTNINGSVARIANTER</b>	Issue <b>VOE 63G9920004</b>	Page <b>35</b>
<b>PRODUKT- UND AUSRÜSTUNGSVARIANTEN</b>			

**VOLVO**

**BL70**



<b>PRODUCT AND EQUIPMENT VARIANTS</b>			<b>VARIANTES DE PRODUCTOS Y EQUIPAMIENTOS</b>			Catalogue id <b>20004</b>	Group <b>1</b>
<b>VARIANTES DE PRODUITS ET D'EQUIPMENTS</b>			<b>PRODUKT- OCH UTRUSTNINGSVARIANTER</b>			Issue <b>VOE 63G9920004</b>	Page <b>36</b>
<b>PRODUKT- UND AUSRÜSTUNGSVARIANTEN</b>							
Equipment	Kit No	Description	Equipment	Kit No	Description		

11891510 Hydraulic Joystic Extendible Sae  
 Levier de commande hydraulique télescopique SAE  
 Hydraulik Steuerknüppel verlängerbar SAE  
 Palanca hidráulica extensible SAE  
 Hydraulisk Joystick Förläng SAE

11891565 Bucket Gp 1m3 With Forks Support  
 Skopa Gp med fästen gafflar

11891511 Hydraulic Joystick Extendible SAE/ISO  
 Levier de commande hydraulique standard SAE/ISO  
 Hydraulischer Steuerknüppel verlängerbar SAE/ISO  
 Palanca hidráulica extensible SAE/ISO  
 Hydraulisk Joystick Förläng SAE/ISO

11891539 Pin kit for bucket  
 Kit de pivot d'axe pour godet  
 Schaufelbolzensatz  
 Juego de muñones para cuchara  
 Axeltappsats för skopa



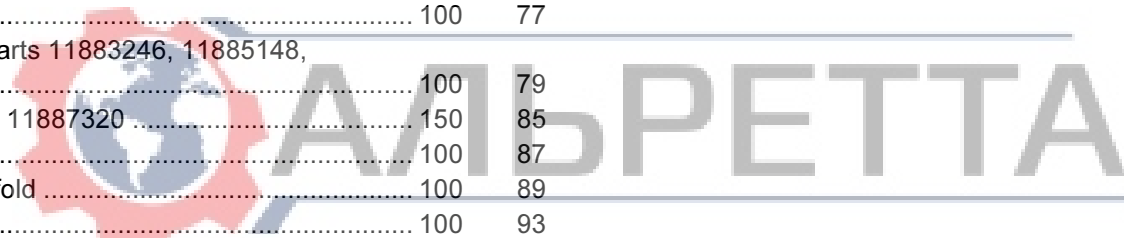
11891540 Bucket Gp 1m3 Without Forks Support  
 Skopa Gp utan fästen gafflar

11891541 Kombiskopa direktinfäst

11891546 Hose kit  
 Kit flexibles  
 Schlauchsatz  
 Kit de manguera  
 Slangsats

11891561 Pin kit for bucket  
 Kit de pivot d'axe pour godet  
 Schaufelbolzensatz  
 Juego de muñones para cuchara  
 Axeltappsats för skopa

GROUP	Section	Page	GROUP	Section	Page
210	Engine.....	100	43	263	Fan and installation components ..... 100 111
211	Cylinder head 11883246, 11885148, 11887320.....	100	45	263	Belt transmission 11883246, 11885148, 11887320..... 150 113
212	Cylinder block 11883246, 11885148, 11887320.....	100	47	269	Engine oil preheating ..... 100 115
212	Crankcase ventilation 11883246, 11885148, 11887320.....	150	49	271	Regulator control..... 100 117
213	Pistons 11883246, 11885148, 11887320.....	100	51	272	Hand throttle..... 100 121
214	Valve mechanism 11883246, 11885148, 11887320.....	100	53	273	Shutdown device 11883246, 11885148..... 100 123
215	Timing gear casing and gears 11883246, 11885148, 11887320.....	100	55		
216	Crankshaft and related parts 11883246, 11885148, 11887320.....	100	57		
216	Flywheel housing 11883246, 11885148, 11887320.....	150	61		
217	Oil sump 11883246, 11885148, 11887320.....	100	63		
218	Engine mounting 11883246, 11885148, 11887320.....	100	65		
218	Engine mounting.....	200	67		
221	Lubricating oil system 11883246, 11885148, 11887320.....	100	69		
222	Oil filter 11883246, 11885148, 11887320.....	100	71		
223	Oil cooler 11883246, 11885148, 11887320.....	100	73		
233	Fuel pump 11883246, 11885148, 11887320.....	100	75		
234	Fuel tank, fuel pipes.....	100	77		
236	Fuel injection pump with fitting parts 11883246, 11885148, 11887320.....	100	79		
236	Regulator 11883246, 11885148, 11887320.....	150	85		
237	Fuel lines and injectors.....	100	87		
251	Inlet manifold and exhaust manifold.....	100	89		
252	Exhaust system, silencer.....	100	93		
255	Turbocharger with fitting parts 11883246, 11885148, 11887320.....	100	95		
256	Air filter with fitting parts.....	100	97		
256	Air filter.....	150	99		
260	Cooling system.....	100	101		
260	Cooling system incl. expansion tank.....	200	103		
261	Radiator with fitting parts.....	100	105		
262	Water pump and thermostat housing 11883246, 11885148, 11887320.....	100	107		



<b>INDEX OF CONTENTS</b>	Catalogue id <b>20004</b>	Group <b>200</b>
	Issue <b>VOE 63G9920004</b>	Page <b>37</b>

**VOLVO**



**BL70**

<b>TABLE DES MATIÈRES</b>		Catalogue id <b>20004</b>	Group <b>200</b>
		Issue <b>VOE 63G9920004</b>	Page <b>38</b>

GROUPE	Section	Page	GROUPE	Section	Page
210 Moteur.....	100	43	263 Ventilateur avec pièces de montage.....	100	111
211 Culasse 11883246, 11885148, 11887320.....	100	45	263 Transmission courroie 11883246, 11885148, 11887320.....	150	113
212 Bloc-cylindres 11883246, 11885148, 11887320.....	100	47	269 Préchauffage huile moteur.....	100	115
212 Ventilation de carter 11883246, 11885148, 11887320.....	150	49	271 Commande du régulateur.....	100	117
213 Pistons 11883246, 11885148, 11887320.....	100	51	272 Accélérateur manuel.....	100	121
214 Commande des soupapes 11883246, 11885148, 11887320.....	100	53	273 Arrêt de moteur 11883246, 11885148.....	100	123
215 Carter de distribution et engrenage 11883246, 11885148, 11887320.....	100	55			
216 Axe à vilebrequins 11883246, 11885148, 11887320.....	100	57			
216 Carter de volant 11883246, 11885148, 11887320.....	150	61			
217 Carter d'huile 11883246, 11885148, 11887320.....	100	63			
218 Suspension du moteur 11883246, 11885148, 11887320.....	100	65			
218 Suspension du moteur.....	200	67			
221 Système de graissage 11883246, 11885148, 11887320.....	100	69			
222 Filtre à huile 11883246, 11885148, 11887320.....	100	71			
223 Radiateur d'huile 11883246, 11885148, 11887320.....	100	73			
233 Pompe carburant 11883246, 11885148, 11887320.....	100	75			
234 Réservoir de carburant, conduit de carburant.....	100	77			
236 Pompe d'injection de combustible avec pièces de montage 11883246, 11885148, 11887320.....	100	79			
236 Régulateur 11883246, 11885148, 11887320.....	150	85			
237 Canalisation à combustible, injecteur.....	100	87			
251 Tubulure admission et tubulure échappement.....	100	89			
252 Système d'aspiration, silencieux.....	100	93			
255 Turbocompresseur avec pièces de montage 11883246, 11885148, 11887320.....	100	95			
256 Filtre à air avec pièces de montage.....	100	97			
256 Purificateur d'air.....	150	99			
260 Système de refroidissement.....	100	101			
260 Système de refroidissement avec vase d'expansion.....	200	103			
261 Radiateur avec pièces de montage.....	100	105			
262 Pompe à eau et boîtier thermostat 11883246, 11885148, 11887320.....	100	107			

GRUPPE	Abschnitt	Seite	GRUPPE	Abschnitt	Seite
210 Motor .....	100	43	263 Lüfter mit Anbauteilen .....	100	111
211 Zylinderkopf 11883246, 11885148, 11887320 .....	100	45	263 Riemenantrieb 11883246, 11885148, 11887320.....	150	113
212 Zylinderblock 11883246, 11885148, 11887320.....	100	47	269 Motorölvorwärmung .....	100	115
212 Kurbelgehäusebelüftung 11883246, 11885148, 11887320 .....	150	49	271 Reglersteuerung.....	100	117
213 Kolben 11883246, 11885148, 11887320.....	100	51	272 Handgas.....	100	121
214 Ventilmechanismus 11883246, 11885148, 11887320.....	100	53	273 Motorabstellung 11883246, 11885148.....	100	123
215 Stirnradgehäuse und Nabenvorgelege 11883246, 11885148, 11887320 .....	100	55			
216 Kurbelbewegung 11883246, 11885148, 11887320 .....	100	57			
216 Schwungradgehäuse 11883246, 11885148, 11887320 .....	150	61			
217 Ölwanne 11883246, 11885148, 11887320.....	100	63			
218 Motorbefestigung 11883246, 11885148, 11887320 .....	100	65			
218 Motorbefestigung .....	200	67			
221 Schmierölsystem 11883246, 11885148, 11887320.....	100	69			
222 Ölfilter 11883246, 11885148, 11887320.....	100	71			
223 Ölkühler 11883246, 11885148, 11887320.....	100	73			
233 Kraftstoffpumpe 11883246, 11885148, 11887320.....	100	75			
234 Kraftstofftank, kraftstoffrohr.....	100	77			
236 Einspritzpumpe mit Anbauteilen 11883246, 11885148, 11887320 ...	100	79			
236 Regler 11883246, 11885148, 11887320 .....	150	85			
237 Brennstoffrohre .....	100	87			
251 Ansaugrohr und Auspuffkrümmer .....	100	89			
252 Auspuffsystem, Schalldämpfer .....	100	93			
255 Torbolader mit Anbauteilen 11883246, 11885148, 11887320.....	100	95			
256 Luftfilter mit Anbauteilen .....	100	97			
256 Luftfilter .....	150	99			
260 Kühlanlage .....	100	101			
260 Kühlsystem mit Expansionstank .....	200	103			
261 Kühler mit Anbauteilen.....	100	105			
262 Wasserpumpe und Thermostatgehäuse 11883246, 11885148, 11887320 .....	100	107			

<b>INHALTSVERZEICHNIS</b>	Catalogue id <b>20004</b>	Group <b>200</b>
	Issue <b>VOE 63G9920004</b>	Page <b>39</b>

**VOLVO**

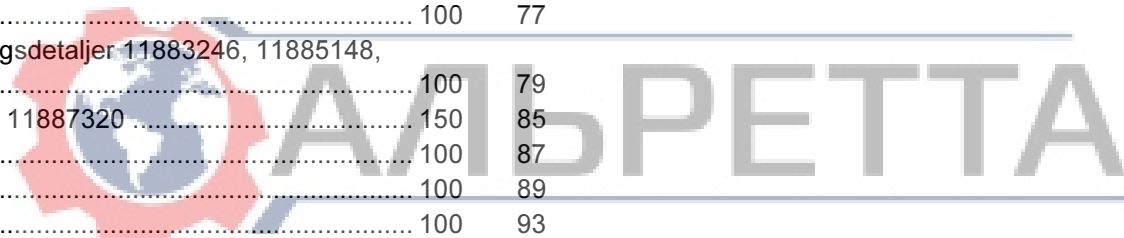


**BL70**

<b>INDICE</b>		Catalogue id <b>20004</b>	Group <b>200</b>		
		Issue <b>VOE 63G9920004</b>	Page <b>40</b>		
GRUPO	Sección	Página	GRUPO	Sección	Página

210	Motor.....	100	43	262	Bomba de agua y caja de termostato 11883246, 11885148, 11887320 .....	100	107
211	Culata 11883246, 11885148, 11887320.....	100	45	263	Ventilador con accesorios de montaje .....	100	111
212	Bloque de cilindros 11883246, 11885148, 11887320.....	100	47	263	Correa distribución 11883246, 11885148, 11887320 .....	150	113
212	Ventilación del cárter 11883246, 11885148, 11887320 .....	150	49	269	Pre calentamiento del aceite de motor.....	100	115
213	Pistones 11883246, 11885148, 11887320 .....	100	51	271	Mando del regulador .....	100	117
214	Mecanismo de válvulas 11883246, 11885148, 11887320 .....	100	53	272	Acelerador manual.....	100	121
215	Caja de distribución y engranajes 11883246, 11885148, 11887320 .....	100	55	273	Parada del motor 11883246, 11885148.....	100	123
216	Cigüeñal 11883246, 11885148, 11887320.....	100	57				
216	Carcasa del volante 11883246, 11885148, 11887320 .....	150	61				
217	Cárter 11883246, 11885148, 11887320 .....	100	63				
218	Suspensión del motor 11883246, 11885148, 11887320 .....	100	65				
218	Suspensión del motor .....	200	67				
221	Sistema de lubricación 11883246, 11885148, 11887320 .....	100	69				
222	Filtro de aceite 11883246, 11885148, 11887320 .....	100	71				
223	Enfriador de aceite 11883246, 11885148, 11887320 .....	100	73				
233	Bomba de combustible 11883246, 11885148, 11887320 .....	100	75				
234	Depósito de combustible,tubos de combustible.....	100	77				
236	Bomba de inyección de accesorisde montaje 11883246, 11885148, 11887320 .....	100	79				
236	Regulador 11883246, 11885148, 11887320 .....	150	85				
237	Tuberías de combustible, inyector .....	100	87				
251	Tubo admisión y múltiple escape.....	100	89				
252	Sistema de escape, silenciador .....	100	93				
255	Turboalimentador con accesorios de montaje 11883246, 11885148, 11887320 .....	100	95				
256	Filtro de aire con accesoris de montaje .....	100	97				
256	Filtro de aire .....	150	99				
260	Sistema de refrigeración .....	100	101				
260	Sistema de refrigeración con vaso expansión .....	200	103				
261	Radiador con accesorios de montaje.....	100	105				

GRUPP	Avsnitt	Sida	GRUPP	Avsnitt	Sida		
210	Motor	100	43	263	Fläkt med monteringsdetaljer	100	111
211	Cylinderhuvud 11883246, 11885148, 11887320	100	45	263	Remtransmission 11883246, 11885148, 11887320	150	113
212	Cylinderblock 11883246, 11885148, 11887320	100	47	269	Motorolja förvärmning	100	115
212	Vevhusventilation 11883246, 11885148, 11887320	150	49	271	Regulatorreglage	100	117
213	Kolvar 11883246, 11885148, 11887320	100	51	272	Handgasreglage	100	121
214	Ventilmekanism 11883246, 11885148, 11887320	100	53	273	Stoppmagnet 11883246, 11885148	100	123
215	Transmissionskåpa och drev 11883246, 11885148, 11887320	100	55				
216	Vevrörelse 11883246, 11885148, 11887320	100	57				
216	Svänghjulskåpa 11883246, 11885148, 11887320	150	61				
217	Oljesump 11883246, 11885148, 11887320	100	63				
218	Motorupphängning 11883246, 11885148, 11887320	100	65				
218	Motorupphängning	200	67				
221	Smörjsystem 11883246, 11885148, 11887320	100	69				
222	Oljefilter 11883246, 11885148, 11887320	100	71				
223	Oljekylare 11883246, 11885148, 11887320	100	73				
233	Bränslepump 11883246, 11885148, 11887320	100	75				
234	Bränsletank, bränslerör	100	77				
236	Insprutningspump med monteringsdetaljer 11883246, 11885148, 11887320	100	79				
236	Regulator 11883246, 11885148, 11887320	150	85				
237	Bränslerör och insprutare	100	87				
251	Insugningsrör och avgasgrenrör	100	89				
252	Avgassystem, ljuddämpare	100	93				
255	Turbokompressor med monteringsdetaljer 11883246, 11885148, 11887320	100	95				
256	Luftrenare med monteringsdetaljer	100	97				
256	Luftrenare	150	99				
260	Kylsystem	100	101				
260	Kylsystem och expansionstank	200	103				
261	Kylare med monteringsdetaljer	100	105				
262	Vattenpump och termostathus 11883246, 11885148, 11887320	100	107				



<b>INNEHÅLLSFÖRTECKNING</b>	Catalogue id <b>20004</b>	Group <b>200</b>
	Issue <b>VOE 63G9920004</b>	Page <b>41</b>

**VOLVO**



**BL70**

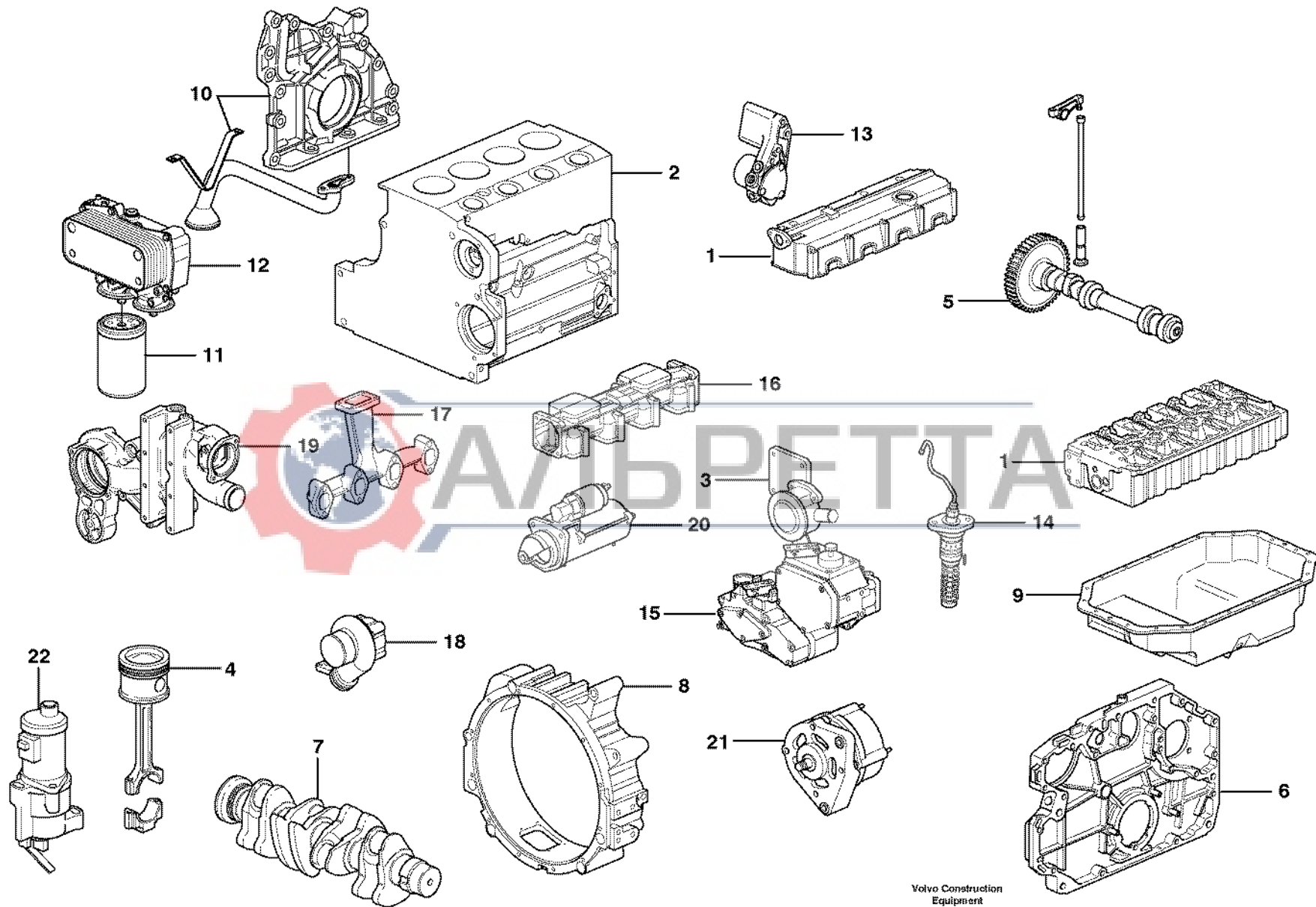




Fig.	Part No.	Quantity			P S	K I T	Description	Dénomination	Bezeichnung	Denominación	Benämning	Notes
		1	2	3								
	<b>VOE 11883246</b>				SS	Engine.....	Moteur.....	Verbrenn Motor.....	Motor.....	Motor.....	S/N - 10602	
	<b>VOE 11885148</b>					Engine.....	Moteur.....	Verbrenn Motor.....	Motor.....	Motor.....	S/N 10603 - 10863	
	<b>VOE 11887320</b>					Engine.....	Moteur.....	Verbrenn Motor.....	Motor.....	Motor.....	S/N 10864 -	
1		1				•Cylinder head.....	•Culasse.....	•Zylinderkopf.....	•Culata.....	•Cylinderhuvud.....	See group 211, Page 45	
2		1				•Cylinder block.....	•Bloc-cylindres.....	•Zylinderblock.....	•Bloque cilindro.....	•Cylinderblock.....	See group 212, Page 47	
3		1				•Crankcase ventilatio ..	•Aération de carter.....	•Kurbelgehäuse,entlü..	•Ventilación del ca.....	•Vevhusventilation.....	See group 212, Page 49	
4		4				•Piston.....	•Piston.....	•Kolben.....	•Piston.....	•Kolv.....	See group 213, Page 51	
5		1				•Valve mechanism.....	•Commande des sou..	•Ventilmechanismus...	•Mecanismo de valvul ..	•Ventilmekanism.....	See group 214, Page 53	
6		1				•Timing gear casing ...	•Carter distribution.....	•Steuergehäuse.....	•Cubierta distribucion ..	•Transmissionskåpa..	See group 215, Page 55	
7		1				•Crankshaft.....	•Vilebrequin.....	•Räderkasten Kubelw ..	•Cigüeñal.....	•Vevrörelse.....	See group 216, Page 57	
8		1				•Flywheel Hsg.....	•Carter Volant.....	•Schwungradgeh.....	•Cubiert Volante.....	•Svånghjulsåpa.....	See group 216, Page 61	
9		1				•Oil sump.....	•Carter d'huile.....	•Ölsumpf.....	•Carter de aceite.....	•Oljesump.....	See group 217, Page 63	
10		1				•Lubricating system....	•Syst.de graissage.....	•Schmierölsystem.....	•Sist.lubrificante.....	•Smörjsystem.....	See group 221, Page 69	
11		1				•Oil filter.....	•Filtre huile.....	•Ölfilter.....	•Filtro aceite.....	•Oljefilter.....	See group 222, Page 71	
12		1				•Oil cooler.....	•Radiateur huile.....	•Ölkühler.....	•Enfriador aceite.....	•Oljekylare.....	See group 223, Page 73	
13		1				•Fuel pump.....	•Pompe Carburant.....	•Kraftstoffpumpe.....	•Bomba Combustib.....	•Bränslepump.....	See group 233, Page 75	
14		4				•Injection pump.....	•Pompe injection.....	•Einspritzpumpe.....	•Bomba inyeccion.....	•Insprutningspump....	See group 236, Page 79	
15		1				•Regulator.....	•Regulateur.....	•Regler.....	•Regulador.....	•Regulator.....	See group 236, Page 85	
16		1				•Inlet pipe.....	•Tubulure.....	•Einlassrohr.....	•Tubo admision.....	•Inloppsör.....	See group 251, Page 89	
17		1				•Exhaust pipe.....	•Tuyau echappem.....	•Abgasschlauch.....	•Tubo escape.....	•Avgasör.....	See group 251, Page 89	
18		1				•Turbocharger.....	•Turbocompresse.....	•Abgasturbolader.....	•Turbocompresor.....	•Turbokompressor.....	See group 255, Page 95	
19		1				•Water pump and ther ..	•Pompe a eau et boiti..	•Wasserpumpe und ..	•Bomba de agua y caj ..	•Vattenpump och ter..	See group 262, Page 107	
20		1				•Starter motor.....	•Demarreur.....	•Anlasser.....	•Motor arranque.....	•Startmotor.....	See group 331, Page 135	
21		1				•Alternator with fitti ..	•Dynamo avec pièces ..	•Lichtmaschine mit A..	•Alternador con acces ..	•Generator med mont ..	See group 321, Page 133	
22		1				•Stop solenoid.....	•Aimant d'arret.....	•Haltemagnet.....	•Solenioide parad.....	•Stoppmagnet.....	See group 273, Page 123	

1		<b>Motor</b> <b>Motor</b> <b>Motor</b> <b>Moteur</b> <b>Engine</b>	Catalogue id	Group
2			<b>20004</b>	<b>210</b>
3			Illustr. No	Section
4			<b>1004517</b>	<b>100</b>
5			Issue	Page
			<b>VOE 63G9920004</b>	<b>43</b>

**VOLVO**

**BL70**



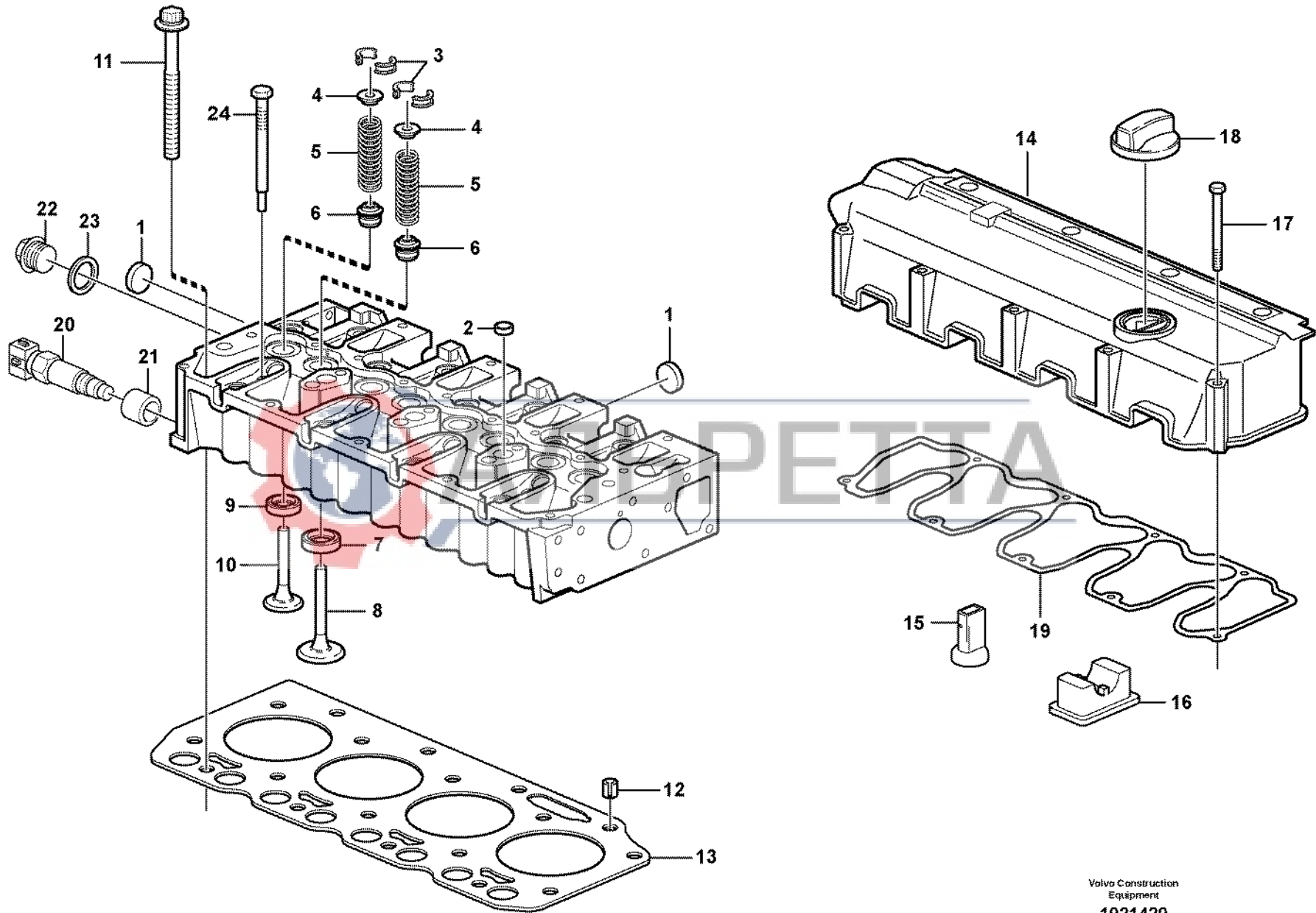
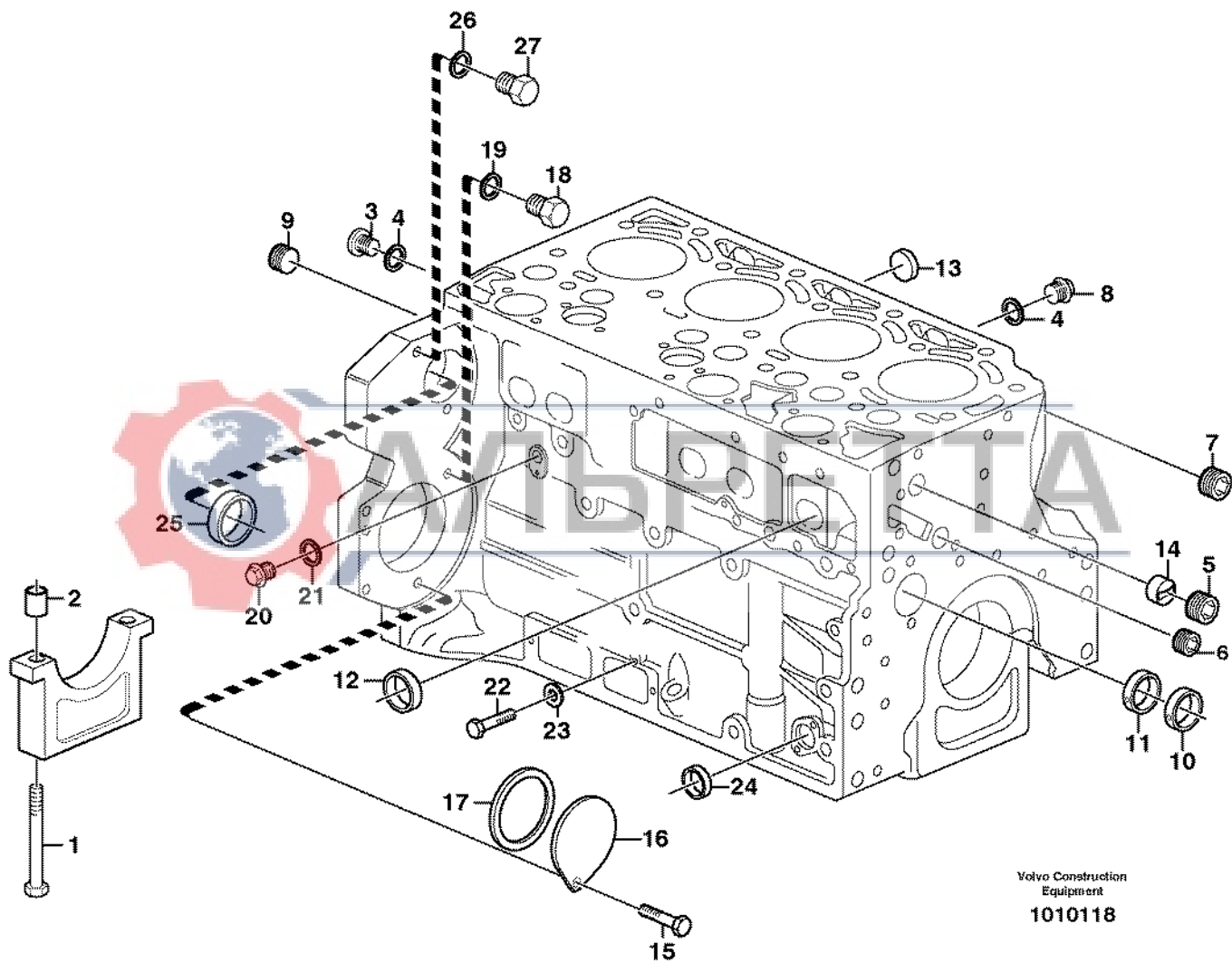


Fig.	Part No.	Quantity			P S	K I T	Description	Dénomination	Bezeichnung	Denominación	Benämning	Notes
		1	2	3								
	VOE 20555189	1	1			Cylinder head.....	Culasse.....	Zylinderkopf.....	Culata.....	Cylinderhuvud.....	ENG - 0902522	
	VOE 20590598	1	1			Cylinder head.....	Culasse.....	Zylinderkopf.....	Culata.....	Cylinderhuvud.....	ENG 0902523 -	
1	VOE 20412745	3	3			•Core Plug.....	•Ronde fermeture.....	•Fullscheibe.....	•Tapon.....	•Täppbricka.....		
2	VOE 20412733	3	3			•Core Plug.....	•Ronde fermeture.....	•Fullscheibe.....	•Tapon.....	•Täppbricka.....		
3	VOE 20459857	16	16			•Valve Cone.....	•Taquet.....	•Ventilkegelst.....	•Valvula Cono.....	•Knaster.....		
4	VOE 20535037	8	8			•Washer.....	•Rondelle.....	•Scheibe.....	•Arandela.....	•Bricka.....		
5	VOE 20459851	8	8			•Valve Spring.....	•Ressort Soupape.....	•Ventilfeder.....	•Resorte Valvula.....	•Ventilfjäder.....		
6	VOE 20459855	8	8			•Valve Seal.....	•Joint Soupape.....	•Ventildichtung.....	•Reten Valvula.....	•Ventiltätning.....		
7	VOE 20459852	4	4			•Valve seat.....	•Siege de soupape.....	•Ventilsitz.....	•Asiento de valvula.....	•Ventilsäte.....		
8	VOE 20791517	4	4			•Inlet valve.....	•Soupape d'entrée.....	•Einlassventil.....	•Valvula de entrada.....	•Inloppsventil.....		
9	VOE 20459854	4	4			•Valve seat.....	•Siege de soupape.....	•Ventilsitz.....	•Asiento de valvula.....	•Ventilsäte.....		
10	VOE 20791405	4	4			•Exhaust Valve.....	•Soupape Echappem.....	•Auslassventil.....	•Valvula Escape.....	•Avgasventil.....		
11	VOE 20459838	13	13			Bolt.....	Boulon.....	Bolzen.....	Perno.....	Bult.....		
12	VOE 20459839	2	2			Bushing.....	Bague.....	Buchse.....	Casquillo.....	Bussning.....		
13	VOE 20882841	1	1			Cyl Head Gasket.....	Joint Culasse.....	Zyl Kopfdichtfg.....	Junta Culata.....	Cyl.huvud Packn.....	1,2 MM	
	VOE 20882839	1	1			Cyl Head Gasket.....	Joint Culasse.....	Zyl Kopfdichtfg.....	Junta Culata.....	Cyl.huvud Packn.....	1,3 MM	
	VOE 20882838	1	1			Cyl Head Gasket.....	Joint Culasse.....	Zyl Kopfdichtfg.....	Junta Culata.....	Cyl.huvud Packn.....	1,4 MM	
14	VOE 20558934	1	1			Valve Cover.....	Cache-soupapes.....	Zylkopfhäube.....	Cubier Valvula.....	Ventilkåpa.....		
15	VOE 20459836	1	1			•Nozzle.....	•Gicleur.....	•Düse.....	•Difusor.....	•Munstycke.....		
16	VOE 20459835	1	1			•Cover.....	•Capot.....	•Haube.....	•Cubierta.....	•Kåpa.....		
17	VOE 20459830	9	9			Screw.....	Vis.....	Schraube.....	Tornillo.....	Skruv.....		
18	VOE 11700341	1	1			Filler cap.....	Bouchon Remplissa.....	Tankverschluss.....	Tapa Llenado.....	Påfyllningslock.....		
19	VOE 20558924	1	1			Gasket.....	Joint.....	Dichtung.....	Junta.....	Packning.....		
20	VOE 20924084	1	1			Sensor.....	Capteur.....	Geber.....	Captador.....	Givare.....		
21	VOE 13947621	1	1			•Plane Gasket.....	•Joint Plan.....	•Flachdichtung.....	•Junta Plana.....	•Planpackning.....		
22	VOE 20464451	1	1			Plug.....	Bouchon.....	Stopfen.....	Tapon.....	Plugg.....		
23	VOE 13947628	1	1			Plane Gasket.....	Joint Plan.....	Flachdichtung.....	Junta Plana.....	Planpackning.....	(VOE 20450898)	
24	VOE 20405895	1				Plug.....	Bouchon.....	Stopfen.....	Tapon.....	Plugg.....		
	VOE 20460459	1				Glow plug.....	Bougie de préchauffe.....	Glühkerze.....	Bujia.....	Glödstift.....		

1	11883246,11885148	Cylinderhuvud Culata Zylinderkopf Culasse Cylinder head	Catalogue id	Group
2	11887320		<b>20004</b>	<b>211</b>
3			Illustr. No	Section
4			<b>1021429</b>	<b>100</b>
5			Issue	Page
	11883246, 11885148, 11887320		<b>VOE 63G9920004</b>	<b>45</b>

**VOLVO**

**BL70**



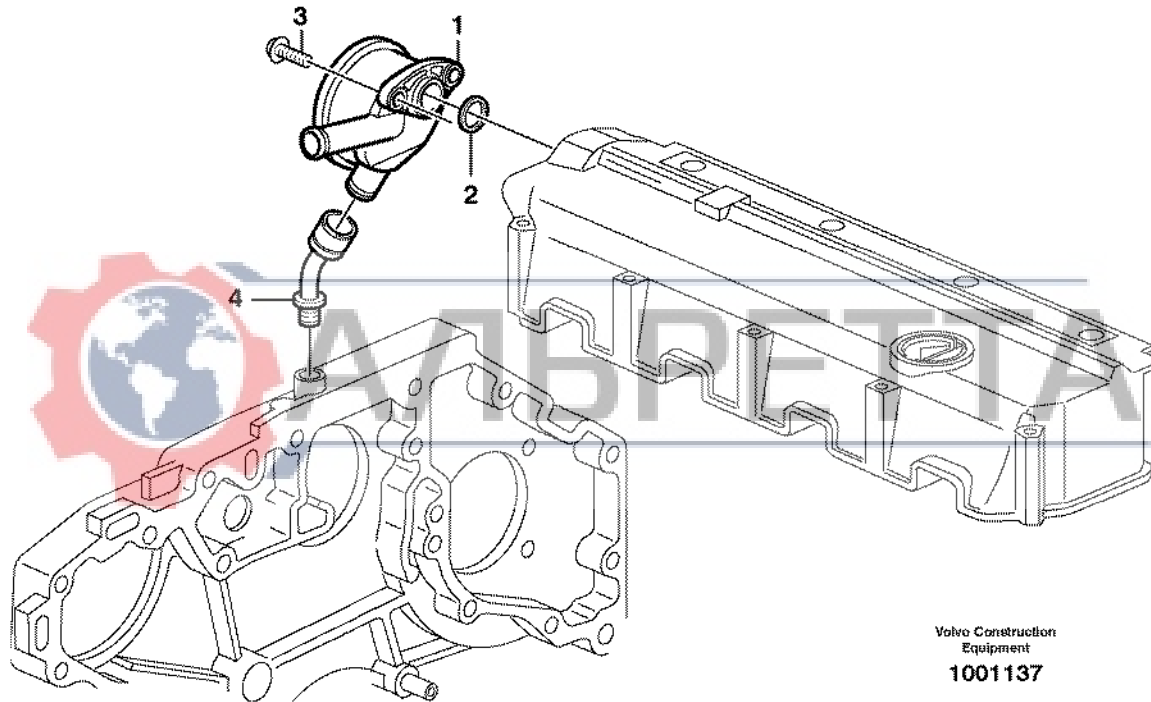
Volvo Construction  
Equipment  
1010118

Fig.	Part No.	Quantity			P S	K I T	Description	Dénomination	Bezeichnung	Denominación	Benämning	Notes
		1	2	3								
	VOE 24425842	1			SS	Crankcase.....	Carter Moteur.....	Kurbelgehäuse.....	Carter Ciguenal.....	Vevhus.....	ENG - 1064049	
	VOE 20791246	1				Cylinder Block.....	Bloc-cylindres.....	Zylinderblock.....	Bloque Cilindro.....	Cylinderblock.....	ENG 1064050 -	
1	VOE 20460006	10				•Screw.....	•Vis.....	•Schraube.....	•Tornillo.....	•Skruv.....		
2	VOE 20460001	10				•Bushing.....	•Bague.....	•Buchse.....	•Casquillo.....	•Bussning.....		
3	VOE 20460000	1				•Plug.....	•Bouchon.....	•Stopfen.....	•Tapon.....	•Plugg.....	(VOE 11700279)	
4	VOE 13969011	3				•Gasket.....	•Joint.....	•Dichtung.....	•Junta.....	•Packning.....		
5	VOE 20405717	1				•Plug.....	•Bouchon.....	•Stopfen.....	•Tapon.....	•Plugg.....	(VOE 20508585)	
6	VOE 20405719	1				•Plug.....	•Bouchon.....	•Stopfen.....	•Tapon.....	•Plugg.....	(VOE 20508590)	
7	VOE 20508600	2				•Plug.....	•Bouchon.....	•Stopfen.....	•Tapon.....	•Plugg.....		
8	VOE 20405716	2				•Plug.....	•Bouchon.....	•Stopfen.....	•Tapon.....	•Plugg.....		
9	VOE 20508605	1				•Plug.....	•Bouchon.....	•Stopfen.....	•Tapon.....	•Plugg.....		
10	VOE 20459999	4				•Cmsht Bushing.....	•Bag.arbre Cames.....	•Nockenw Buchse.....	•Casqui Arb Lev.....	•Kamaxelbussning.....		
11	VOE 20459998	1				•Cmsht Bushing.....	•Bag.arbre Cames.....	•Nockenw Buchse.....	•Casqui Arb Lev.....	•Kamaxelbussning.....		
12	VOE 20405721	6				•Hood.....	•Capuchon.....	•Verschlussdeckel.....	•Cubierta de tapón.....	•Huv.....		
13	VOE 20412745	4				•Core Plug.....	•Ronde.fermeture.....	•Fullscheibe.....	•Tapon.....	•Täppbricka.....		
14	VOE 11700288	1				•Sleeve.....	•Douille.....	•Hülse.....	•Manguito.....	•Hylsa.....		
15	VOE 11709826	2				Flange screw.....	Vis à bride.....	Flanschschraube.....	Torn embridado.....	Flänsskruv.....		
16	VOE 20459898	1				Cover.....	Capot.....	Haube.....	Capo.....	Huv.....		
17	VOE 20412359	1				Sealing ring.....	Bague d'étanchéité.....	Runddichtring.....	Anillo reten.....	Tätningring.....		
18	VOE 20441859	1				Plug.....	Bouchon.....	Stopfen.....	Tapon.....	Plugg.....		
19	VOE 13947281	1				Gasket.....	Joint.....	Dichtung.....	Junta.....	Packning.....		
20	VOE 20405716	1				Plug.....	Bouchon.....	Stopfen.....	Tapon.....	Plugg.....		
21	VOE 13947621	1				Plane Gasket.....	Joint Plan.....	Flachdichtung.....	Junta Plana.....	Planpackning.....		
22	VOE 20459899	2				Screw.....	Vis.....	Schraube.....	Tornillo.....	Skruv.....		
23	VOE 20459900	2				Sealing ring.....	Bague d'étanchéité.....	Runddichtring.....	Anillo reten.....	Tätningring.....		
24	VOE 20412745	1				Core Plug.....	Ronde.fermeture.....	Fullscheibe.....	Tapon.....	Täppbricka.....		
25	VOE 20450778	1				Core Plug.....	Ronde.fermeture.....	Fullscheibe.....	Tapon.....	Täppbricka.....		
26	VOE 13947281	2				Gasket.....	Joint.....	Dichtung.....	Junta.....	Packning.....		
27	VOE 20441859	2				Plug.....	Bouchon.....	Stopfen.....	Tapon.....	Plugg.....	(VOE 20532680)	

1		<b>Cylinderblock</b> <b>Bloque de cilindros</b> <b>Zylinderblock</b> <b>Bloc-cylindres</b> <b>Cylinder block</b>	Catalogue id	Group
2			<b>20004</b>	<b>212</b>
3			Illustr. No	Section
4			<b>1010118</b>	<b>100</b>
5			Issue	Page
		<b>11883246, 11885148, 11887320</b>	<b>VOE 63G9920004</b>	<b>47</b>

**VOLVO**

**BL70**



Volvo Construction  
Equipment  
**1001137**

Fig.	Part No.	Quantity			P S	K I T	Description	Dénomination	Bezeichnung	Denominación	Benämning	Notes
		1	2	3								
1	VOE 20405626	1					Regulator .....	Regulateur .....	Regler.....	Regulador.....	Regulator.....	
2	VOE 20405627	1					•Gasket .....	•Joint .....	•Dichtung.....	•Junta .....	•Packning.....	
3	VOE 20450728	2					Bolt.....	Boulon.....	Bolzen .....	Perno.....	Bult.....	
4	VOE 20405938	1					Connector .....	Raccord.....	Anschluss.....	Union .....	Anslutning.....	

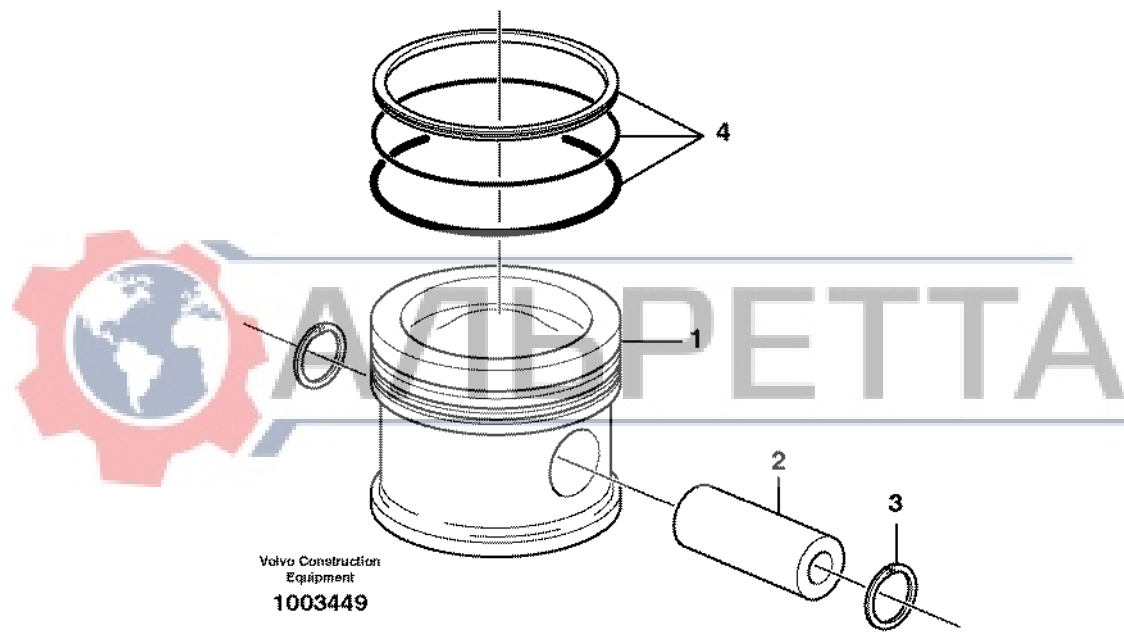


1		<b>Vevhusventilation</b> <b>Ventilación del cárter</b> <b>Kurbelgehäusebelüftung</b> <b>Ventilation de carter</b> <b>Crankcase ventilation</b>	Catalogue id	Group
2			<b>20004</b>	<b>212</b>
3			Illustr. No	Section
4			<b>1001137</b>	<b>150</b>
5			Issue	Page
		<b>11883246, 11885148, 11887320</b>	<b>VOE 63G9920004</b>	<b>49</b>

**VOLVO**



**BL70**



Volvo Construction  
Equipment  
1003449

Fig.	Part No.	Quantity			P S	K I T	Description	Dénomination	Bezeichnung	Denominación	Benämning	Notes
		1	2	3								
1	VOE 20460013	4				Piston .....	Piston .....	Kolben .....	Piston .....	Kolv.....		
2	VOE 20460009	4				•Piston Pin .....	•Axe Piston.....	•Kolbenbolzen .....	•Bulon .....	•Kolvtapp.....		
3	VOE 20460010	8				•Clip .....	•Clip.....	•Klemme.....	•Clip.....	•Clips.....		
4	VOE 20482739	4				•Piston Ring Kit .....	•Jeu Segm.piston .....	•Kolbenringsatz .....	•Jg Segm Piston .....	•Kolvringsats.....		



1	<b>Kolvar</b> <b>Pistones</b> <b>Kolben</b> <b>Pistons</b> <b>Pistons</b>	Catalogue id	Group
2		<b>20004</b>	<b>213</b>
3		Illustr. No	Section
4		<b>1003449</b>	<b>100</b>
5		Issue	Page
	<b>11883246, 11885148, 11887320</b>	<b>VOE 63G9920004</b>	<b>51</b>

**VOLVO**



**BL70**



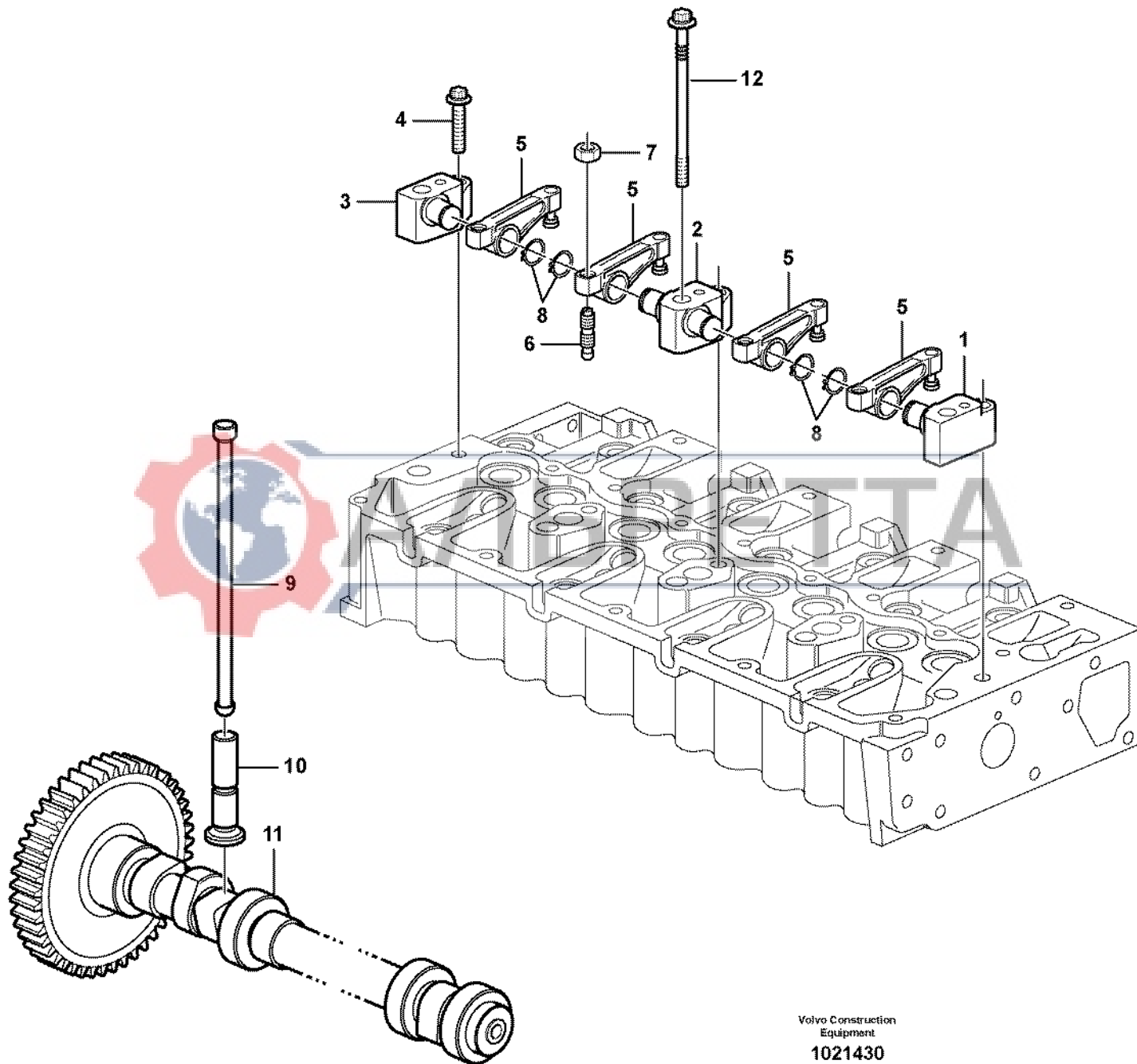


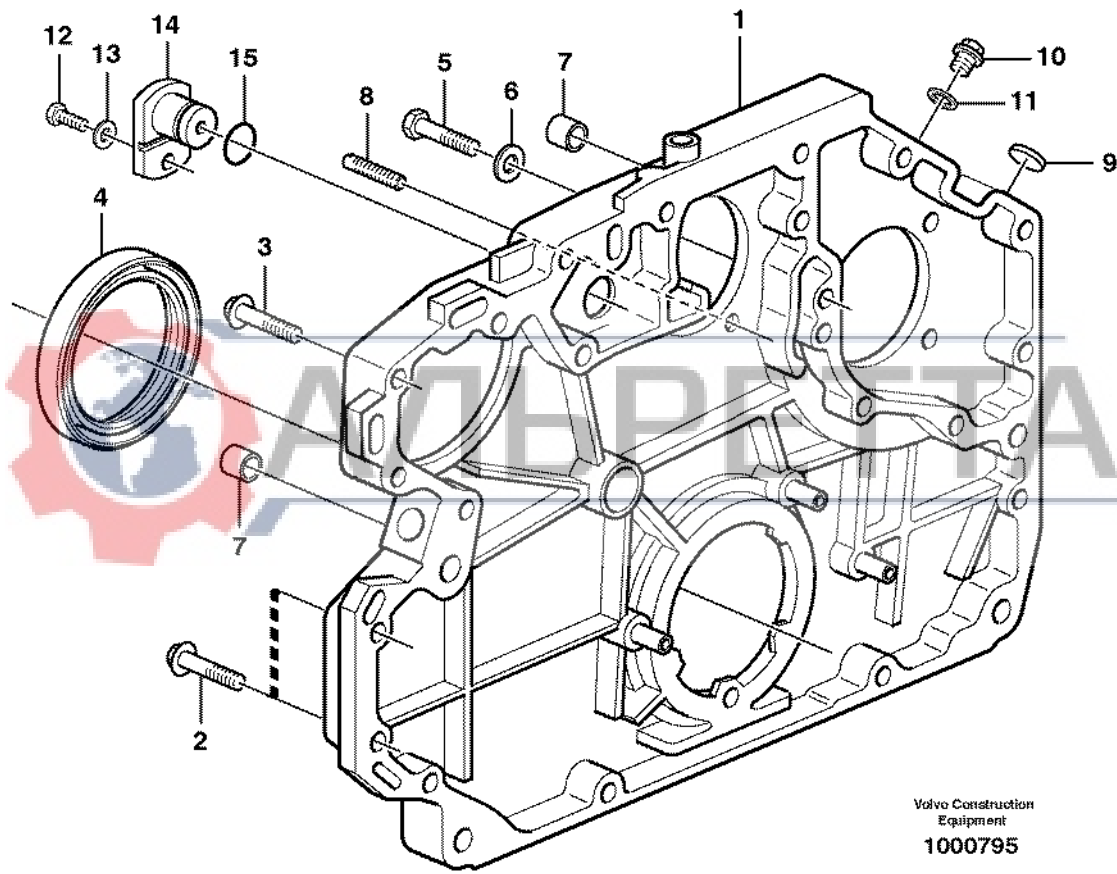
Fig.	Part No.	Quantity			P S	K I T	Description	Dénomination	Bezeichnung	Denominación	Benämning	Notes
		1	2	3								
1	VOE 20459848	1				Bracket.....	Console.....	Konsole .....	Consola .....	Konsol.....		
2	VOE 20459847	3				Bracket.....	Console.....	Konsole .....	Consola .....	Konsol.....		
3	VOE 20459849	1				Bracket.....	Console.....	Konsole .....	Consola .....	Konsol.....		
4	VOE 20459853	5				Screw .....	Vis .....	Schraube.....	Tornillo .....	Skruv.....		
5	VOE 20459850	8				Rocker Arm .....	Culbuteur .....	Kipphebel .....	Balancin .....	Vipparm.....		
6	VOE 20405524	8				Screw .....	Vis .....	Schraube.....	Tornillo .....	Skruv.....		
7	VOE 11700373	8				Nut .....	Ecrou.....	Mutter .....	Tuerca .....	Mutter.....		
8	VOE 945495	8				Snap Ring .....	Circlip .....	Nutring.....	Circlip .....	Spårring.....	(VOE 20549891)	
9	VOE 20460008	8				Push Rod .....	Tige-poussoir .....	Druckstange .....	Varilla Presion .....	Tryckstång.....		
10	VOE 20460007	8				Tappet.....	Poussoir Pompe.....	Pumpdrucker.....	Balancin .....	Lyftare.....		
11	VOE 20555491	1				Camshaft.....	Arbre a cames.....	Nockenwelle.....	Eje de levas.....	Kamaxel.....		
12	VOE 20459837	5				Bolt.....	Boulon.....	Bolzen .....	Perno.....	Bult.....		



1	<b>Ventilmekanism</b> <b>Mecanismo de válvulas</b> <b>Ventilmechanismus</b> <b>Commande des soupapes</b> <b>Valve mechanism</b>	Catalogue id	Group
2		<b>20004</b>	<b>214</b>
3		Illustr. No	Section
4		<b>1021430</b>	<b>100</b>
5		Issue	Page
	<b>11883246, 11885148, 11887320</b>	<b>VOE 63G9920004</b>	<b>53</b>

**VOLVO**

**BL70**



Volvo Construction  
Equipment  
1000795

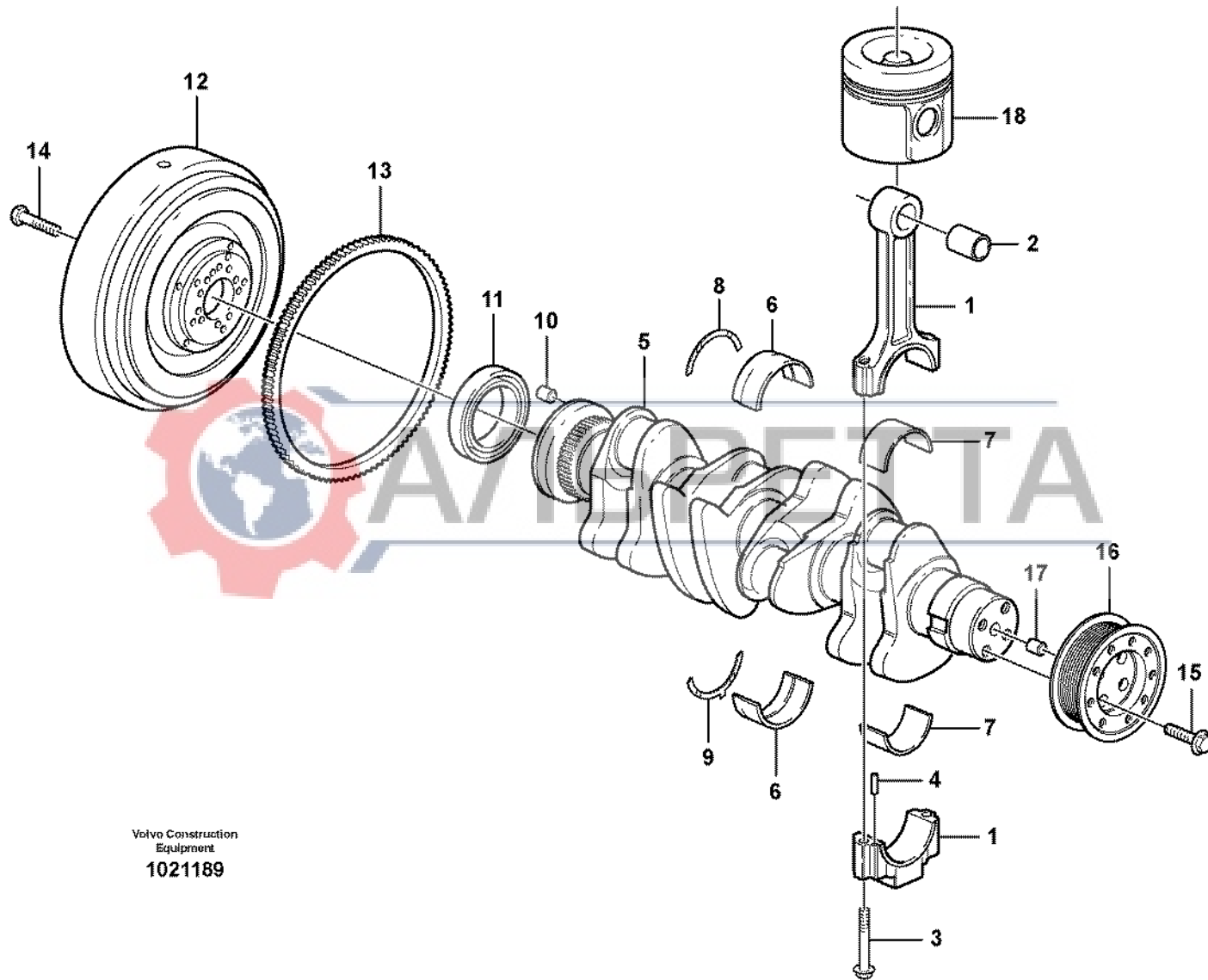
Fig.	Part No.	Quantity			P S	K I T	Description	Dénomination	Bezeichnung	Denominación	Benämning	Notes
		1	2	3								
1	VOE 2055502	1				Tmg Gear Cover .....	Couv.distribut. ....	Steuergeh Deck .....	Tapa Distribuc .....	Transm.lock.....	ENG - 00629848	
	VOE 20592820	1				Cover .....	Capot .....	Haube.....	Capo.....	Huv.....	ENG 00629849 -	
2	VOE 20412324	12				Screw .....	Vis .....	Schraube.....	Tornillo .....	Skruv.....		
3	VOE 20450801	4				Screw .....	Vis .....	Schraube.....	Tornillo .....	Skruv.....		
4	VOE 20459115	1				Crankshaft Seal .....	Joint Vilebreq. ....	Kurbelw Dichtg .....	Reten Ciguenal .....	Vevaxeltätning.....		
5	VOE 20405653	2				Screw .....	Vis .....	Schraube.....	Tornillo .....	Skruv.....		
6	VOE 13955900	2				Washer.....	Rondelle.....	Scheibe .....	Arandela.....	Bricka.....	(VOE 20539564)	
7	VOE 20585971	2				Bushing .....	Bague.....	Buchse .....	Casquillo .....	Bussning.....		
8	VOE 20450795	1				Set Screw.....	Vis Butee.....	Anschlagschraub.....	Tornillo Tope .....	Stoppskruv.....		
9	VOE 20405605	1				Cover .....	Capot .....	Haube.....	Capo.....	Huv.....		
10	VOE 20451012	1				Plug.....	Bouchon.....	Stopfen.....	Tapon .....	Plugg.....		
11	VOE 13947621	1				Plane Gasket .....	Joint Plan .....	Flachdichtung.....	Junta Plana .....	Planpackning.....		
12	VOE 20405706	1				Screw .....	Vis .....	Schraube.....	Tornillo .....	Skruv.....		
13	VOE 20459183	1				Washer.....	Rondelle.....	Scheibe .....	Arandela.....	Bricka.....		
14	VOE 20405553	1				Cover .....	Capot .....	Haube.....	Capo.....	Huv.....		
15	VOE 20459904	1				Sealing ring .....	Bague d'étanchéité ...	Runddichtring.....	Anillo reten .....	Tättningsring.....		



1	<b>Transmissionskåpa och drev</b> <b>Caja de distribución y engranajes</b> <b>Stirnradgehäuse und Nabenvorgelege</b> <b>Carter de distribution et engrenage</b> <b>Timing gear casing and gears</b>	Catalogue id	Group
2		<b>20004</b>	<b>215</b>
3		Illustr. No	Section
4		<b>1000795</b>	<b>100</b>
5		Issue	Page
	<b>11883246, 11885148, 11887320</b>	<b>VOE 63G9920004</b>	<b>55</b>

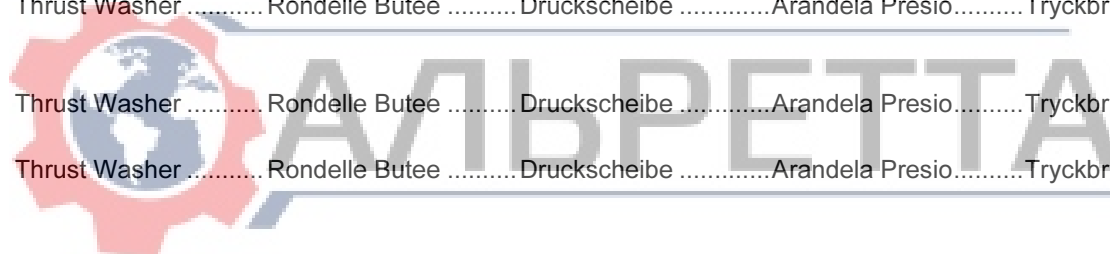
**VOLVO**

**BL70**



Volvo Construction  
Equipment  
1021189

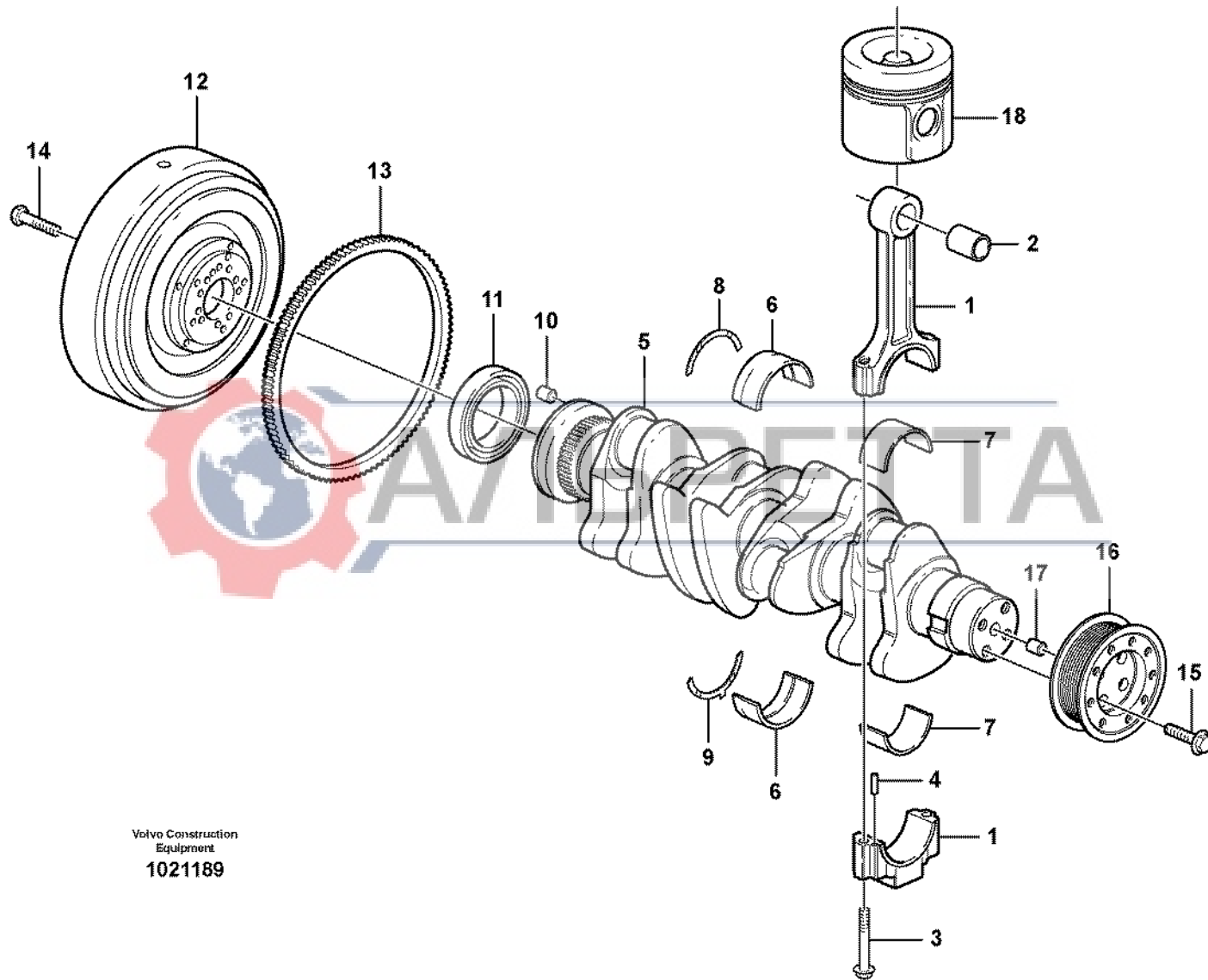
Fig.	Part No.	Quantity			P S	K I T	Description	Dénomination	Bezeichnung	Denominación	Benämning	Notes
		1	2	3								
1	VOE 20882905	4				Connecting Rod .....	Bielle .....	Pleuel .....	Biela .....	Tapp.....		
2	VOE 20523284	8				•Bushing.....	•Bague .....	•Buchse .....	•Casquillo .....	•Bussning.....		
3	VOE 20459133	8				•Bolt .....	•Boulon.....	•Bolzen .....	•Perno .....	•Bult.....		
4	VOE 20459134	8				•Pin .....	•Goupille.....	•Zapfen.....	•Pasador.....	•Tapp.....		
5	VOE 20729184	1				Crankshaft.....	Vilebrequin .....	Kurbelwelle.....	Ciguenal .....	Vevaxel.....	ENG - 1026595	
	VOE 20891184	1				Crankshaft.....	Vilebrequin .....	Kurbelwelle.....	Ciguenal .....	Vevaxel.....	ENG 1026596 -	
6	VOE 20459140	5				Main Bearing.....	Pal.vilebrequin .....	Hauptlager.....	Cojin Bancada.....	Ramlager.....	STD 84,00 MM	
	VOE 20459139	5				Main Bearing.....	Pal.vilebrequin .....	Hauptlager.....	Cojin Bancada.....	Ramlager.....	U SZ 83,75 MM	
7	VOE 20555403	4				Bearing.....	Palier .....	Lager .....	Cojinete .....	Lager.....	ENG - 695616 STD 63,00 MM	
		4			NS	Bearing.....	Palier .....	Lager .....	Cojinete .....	Lager.....	ENG - 695616 U SZ 62,75 MM	
	VOE 20480536	4				Bearing.....	Palier .....	Lager .....	Cojinete .....	Lager.....	ENG 695617 - STD 63,00 MM	
	VOE 20522433	4				Bearing.....	Palier .....	Lager .....	Cojinete .....	Lager.....	ENG 695617 - U SZ 62,75 MM	
8	VOE 20459149	2				Thrust Washer .....	Rondelle Butee .....	Druckscheibe .....	Arandela Presio.....	Tryckbricka.....	STD WID 14 MM THICK 2,0 MM	
	VOE 20459148	2				Thrust Washer .....	Rondelle Butee .....	Druckscheibe .....	Arandela Presio.....	Tryckbricka.....	WID 14 MM THICK 2,2 MM	
9	VOE 20459143	2				Thrust Washer .....	Rondelle Butee .....	Druckscheibe .....	Arandela Presio.....	Tryckbricka.....	STD WID 10 MM THICK 2,0 MM	
		2			NS	Thrust Washer .....	Rondelle Butee .....	Druckscheibe .....	Arandela Presio.....	Tryckbricka.....	WID 10 MM THICK 2,2 MM	
10	VOE 20459144	1				Pin.....	Goupille.....	Zapfen .....	Pasador.....	Tapp.....		
11	VOE 20459115	1				Crankshaft Seal .....	Joint Vilebreq. ....	Kurbelw Dichtg .....	Reten Ciguenal .....	Vevaxeltätning.....		
12	VOE 20459124	1				Flywheel.....	Volant.....	Schwungrad .....	Volante .....	Svänghjul.....		
13	VOE 20706915	1				•Gear Ring .....	•Couronne dentee .....	•Zahnkranz .....	•Corona Dentada.....	•Kuggkrans.....		



1		<b>Vevrørelse</b> <b>Cigüeñal</b> <b>Kurbelbewegung</b> <b>Axe à vilebreguintas</b> <b>Crankshaft and related parts</b>	Catalogue id	Group
2			<b>20004</b>	<b>216</b>
3			Illustr. No	Section
4			<b>1021189</b>	<b>100</b>
5			Issue	Page
		<b>11883246, 11885148, 11887320</b>	<b>VOE 63G9920004</b>	<b>57</b>

**VOLVO**

**BL70**



Volvo Construction  
Equipment  
1021189

Fig.	Part No.	Quantity			P S	K I T	Description	Dénomination	Bezeichnung	Denominación	Benämning	Notes
		1	2	3								
14	VOE 20405654	10				Bolt.....	Boulon.....	Bolzen .....	Perno.....	Bult.....		
15	VOE 24426216	1				Pulley .....	Poulie .....	Z-riemenscheibe .....	Polea Corr Dent .....	Kuggremhjul.....		
16	VOE 20405724	4				Screw .....	Vis .....	Schraube.....	Tornillo .....	Skruv.....		
17	VOE 20405634	1				Spring Pin .....	Axe de ressort.....	Federstift .....	Pasador Resorte .....	Fjäderpinne.....		
18		1				Piston.....	Piston .....	Kolben .....	Piston .....	Kolv.....	See group 213, Page 51	



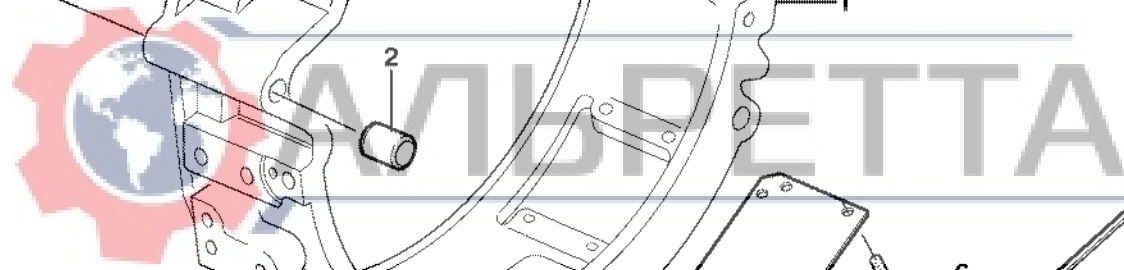
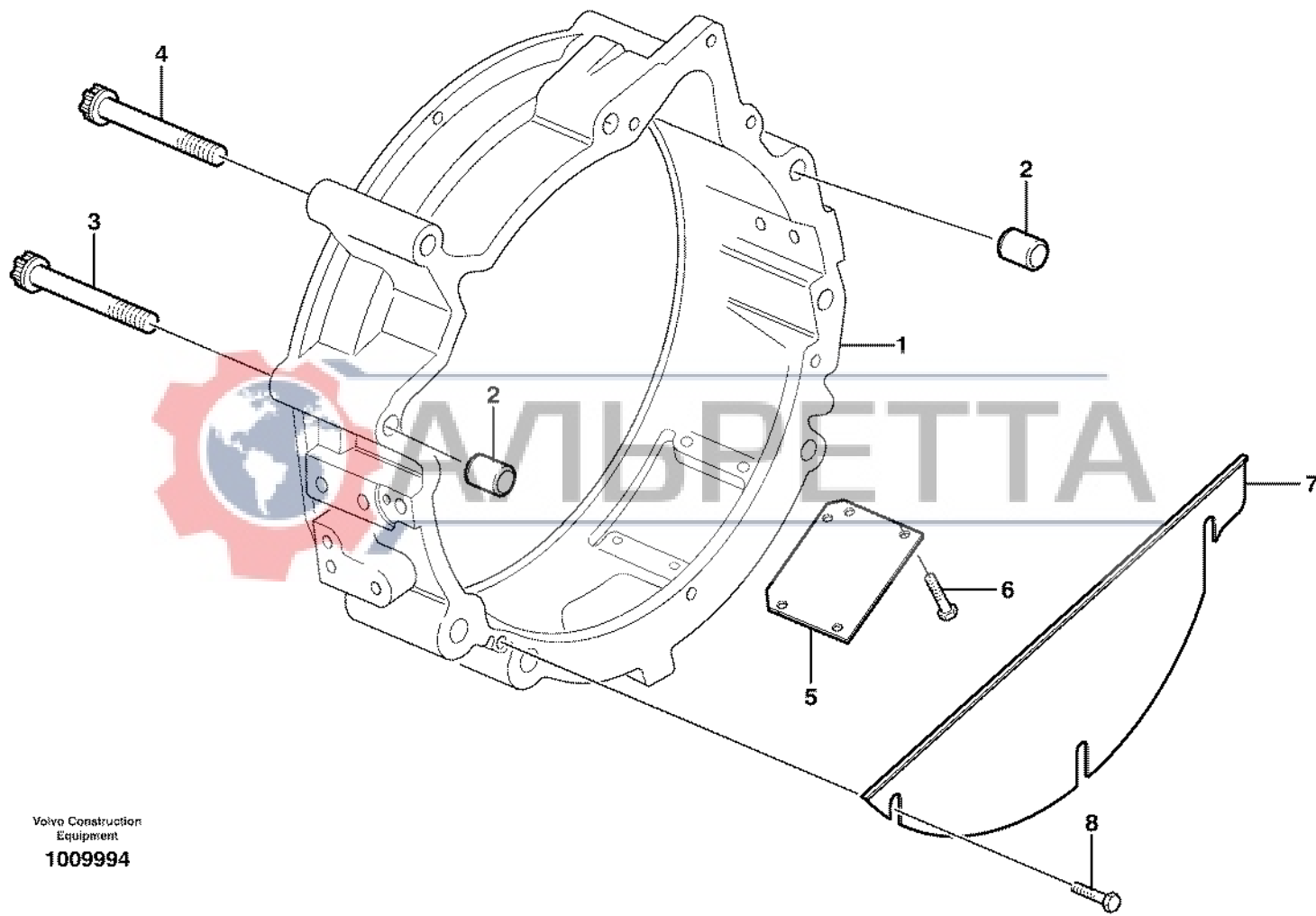
1	<b>Vevrørelse</b> <b>Cigüeñal</b> <b>Kurbelbewegung</b> <b>Axe à vilebreguintas</b> <b>Crankshaft and related parts</b>  <b>11883246, 11885148, 11887320</b>	Catalogue id	Group
2		<b>20004</b>	<b>216</b>
3		Illustr. No	Section
4		<b>1021189</b>	<b>100</b>
5		Issue	Page
		<b>VOE 63G9920004</b>	<b>59</b>

**VOLVO**



**BL70**





Volvo Construction  
Equipment  
1009994

Fig.	Part No.	Quantity			P S	K I T	Description	Dénomination	Bezeichnung	Denominación	Benämning	Notes
		1	2	3								
1	VOE 20459990	1				Flywheel Hsg .....	Carter Volant .....	Schwungradgeh .....	Cubiert Volante .....	Svänghjulsååpa .....	(VOE 20550335)	
2	VOE 20585971	2				Bushing .....	Bague.....	Buchse .....	Casquillo .....	Bussning.....		
3	VOE 20459996	2				Screw .....	Vis .....	Schraube.....	Tornillo .....	Skruv.....		
4	VOE 20459995	4				Screw .....	Vis .....	Schraube.....	Tornillo .....	Skruv.....		
5	VOE 20547288	1				Cover Plate .....	Protection en toile .....	Schutzblech.....	Placa Tapa .....	Täckplatta.....		
6	VOE 20405729	4				Screw .....	Vis .....	Schraube.....	Tornillo .....	Skruv.....		
7	VOE 20459989	1				Cover .....	Capot .....	Haube.....	Capo.....	Huv.....		
8	VOE 20405729	3				Screw .....	Vis .....	Schraube.....	Tornillo .....	Skruv.....		

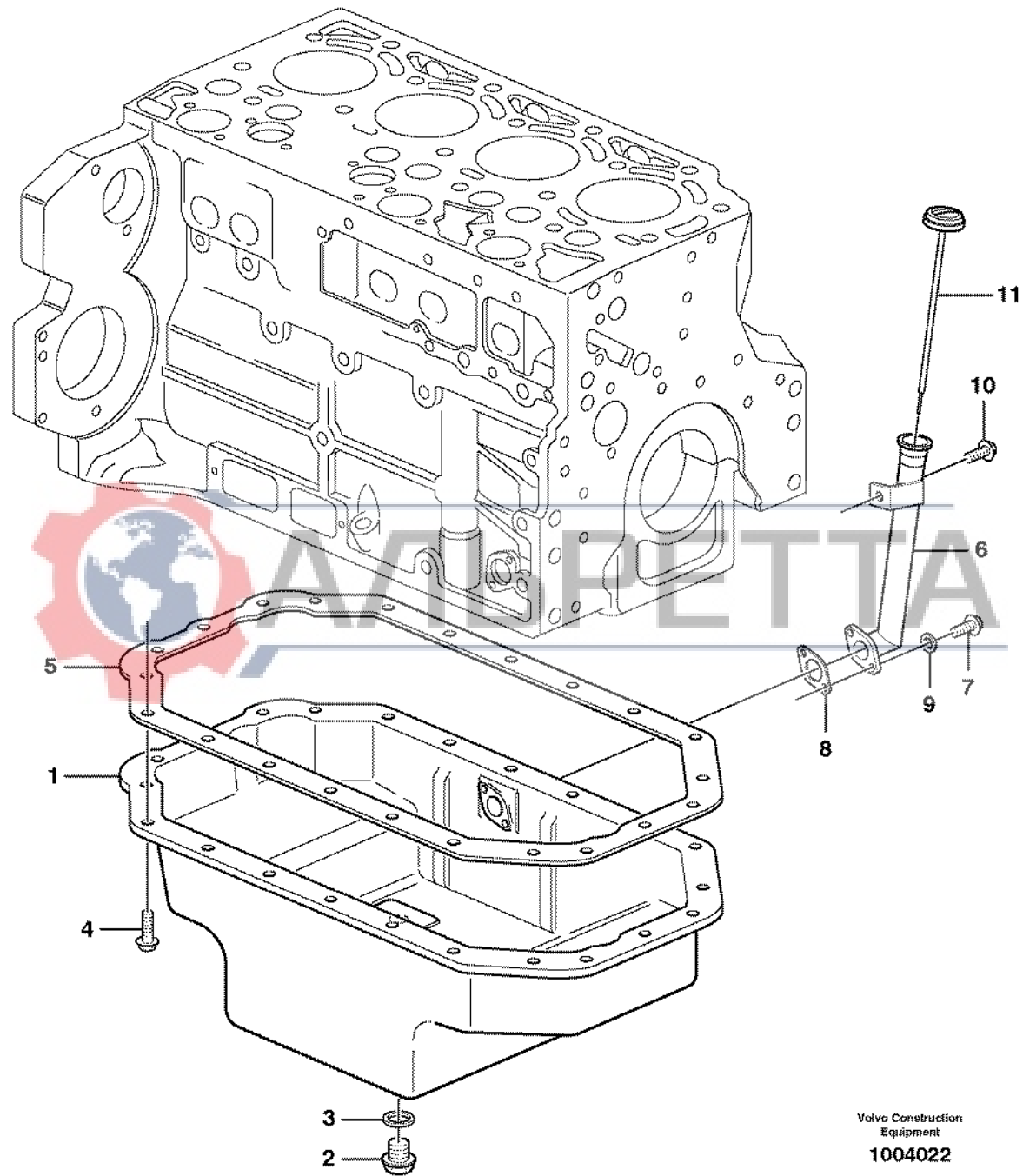


1	<b>Svänghjulsååpa</b> <b>Carcasa del volante</b> <b>Schwungradgehåuse</b> <b>Carter de volant</b> <b>Flywheel housing</b>	Catalogue id	Group
2		<b>20004</b>	<b>216</b>
3		Illustr. No	Section
4		<b>1009994</b>	<b>150</b>
5		Issue	Page
11883246, 11885148, 11887320		VOE 63G9920004	<b>61</b>

**VOLVO**



**BL70**



Volvo Construction  
Equipment  
1004022

Fig.	Part No.	Quantity			P S	K I T	Description	Dénomination	Bezeichnung	Denominación	Benämning	Notes
		1	2	3								
1	VOE 20482006	1				Oil Pan .....	Carter Huile .....	Ölwanne .....	Carter Aceite .....	Oljesump.....		
2	VOE 20405506	1				Screw plug .....	Bouchon à vis .....	Verschlusschraube...	Tornillo de cierre .....	Skruvplugg.....		
3	VOE 20542740	1			SS	Sealing ring .....	Bague d'étanchéité .....	Runddichtring .....	Anillo reten .....	Tätningring.....		
4	VOE 20405792	22				Screw .....	Vis .....	Schraube.....	Tornillo .....	Skruv.....		
5	VOE 20460021	1				Gasket.....	Joint .....	Dichtung .....	Junta .....	Packning.....		
6	VOE 20482010	1				Filler neck.....	Tuyau rempliss.....	Einfüllstutzen .....	Cuello Llenado .....	Påfyllningshals.....		
7	VOE 13949578	2				Screw .....	Vis .....	Schraube.....	Tornillo .....	Skruv.....		
8	VOE 20405825	1				Gasket.....	Joint .....	Dichtung .....	Junta .....	Packning.....		
9	VOE 20482736	2				Sealing ring .....	Bague d'étanchéité .....	Runddichtring .....	Anillo reten .....	Tätningring.....		
10	VOE 20405792	1				Screw .....	Vis .....	Schraube.....	Tornillo .....	Skruv.....		
11	VOE 20482027	1				Filler cap .....	Bouch.reservoir .....	Tankverschluss .....	Tapa deposito .....	Tanklock.....		



1		Oljesump	Catalogue id	Group
2		Cárter	<b>20004</b>	<b>217</b>
3		Ölwanne	Illustr. No	Section
4		Carter d'huile	<b>1004022</b>	<b>100</b>
5		Oil sump	Issue	Page
		<b>11883246, 11885148, 11887320</b>	<b>VOE 63G9920004</b>	<b>63</b>

**VOLVO**

**BL70**

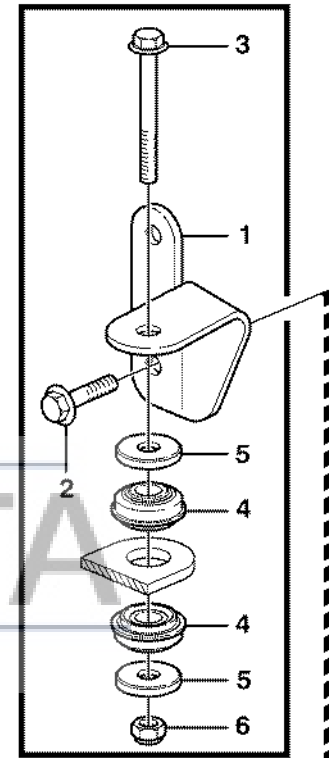
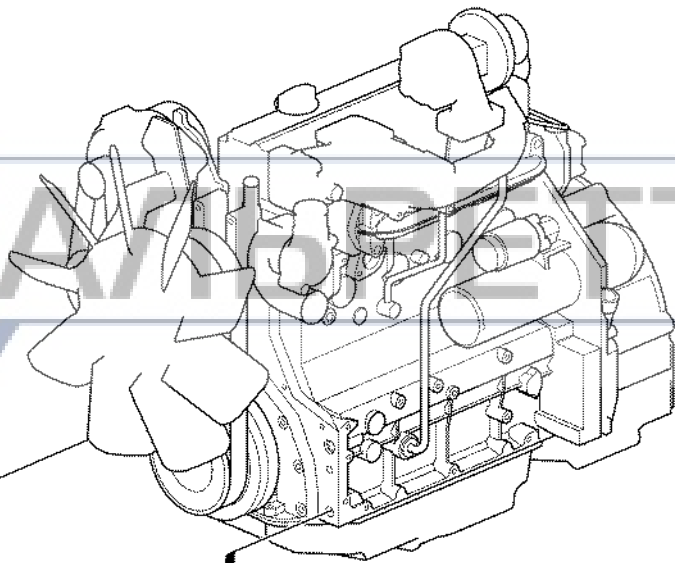
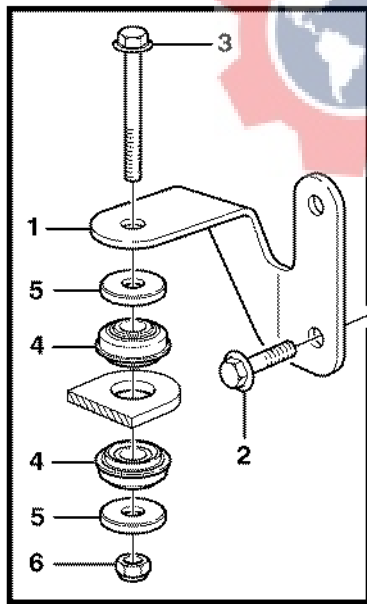


Fig.	Part No.	Quantity			P S	K I T	Description	Dénomination	Bezeichnung	Denominación	Benämning	Notes
		1	2	3								
1	VOE 11884716	1				Engine Mounting .....	Silentbl.moteur .....	Motorbefestg .....	Fijacion Motor.....	Motorfäste.....	LH	
	VOE 11884719	1				Engine Mounting .....	Silentbl.moteur .....	Motorbefestg .....	Fijacion Motor.....	Motorfäste.....	RH	
2	VOE 968435	4				Flange screw.....	Vis à bride .....	Flanschschraube.....	Torn embridado .....	Flänsskruv.....		
3	VOE 968593	2				Flange screw.....	Vis à bride .....	Flanschschraube.....	Torn embridado .....	Flänsskruv.....		
4	VOE 11884790	4				Vibration damper.....	Amort.vibration.....	Schwingdämpfer .....	Amortig vibrac .....	Svängningsdämpare..		
5	VOE 11884792	4				Washer.....	Rondelle .....	Scheibe .....	Arandela .....	Bricka.....	(VOE 11881841)	
6	VOE 13963110	2				Lock nut .....	Contre-ecrou .....	Sicherungsmutter .....	Contratuerca .....	Låsmutter.....		

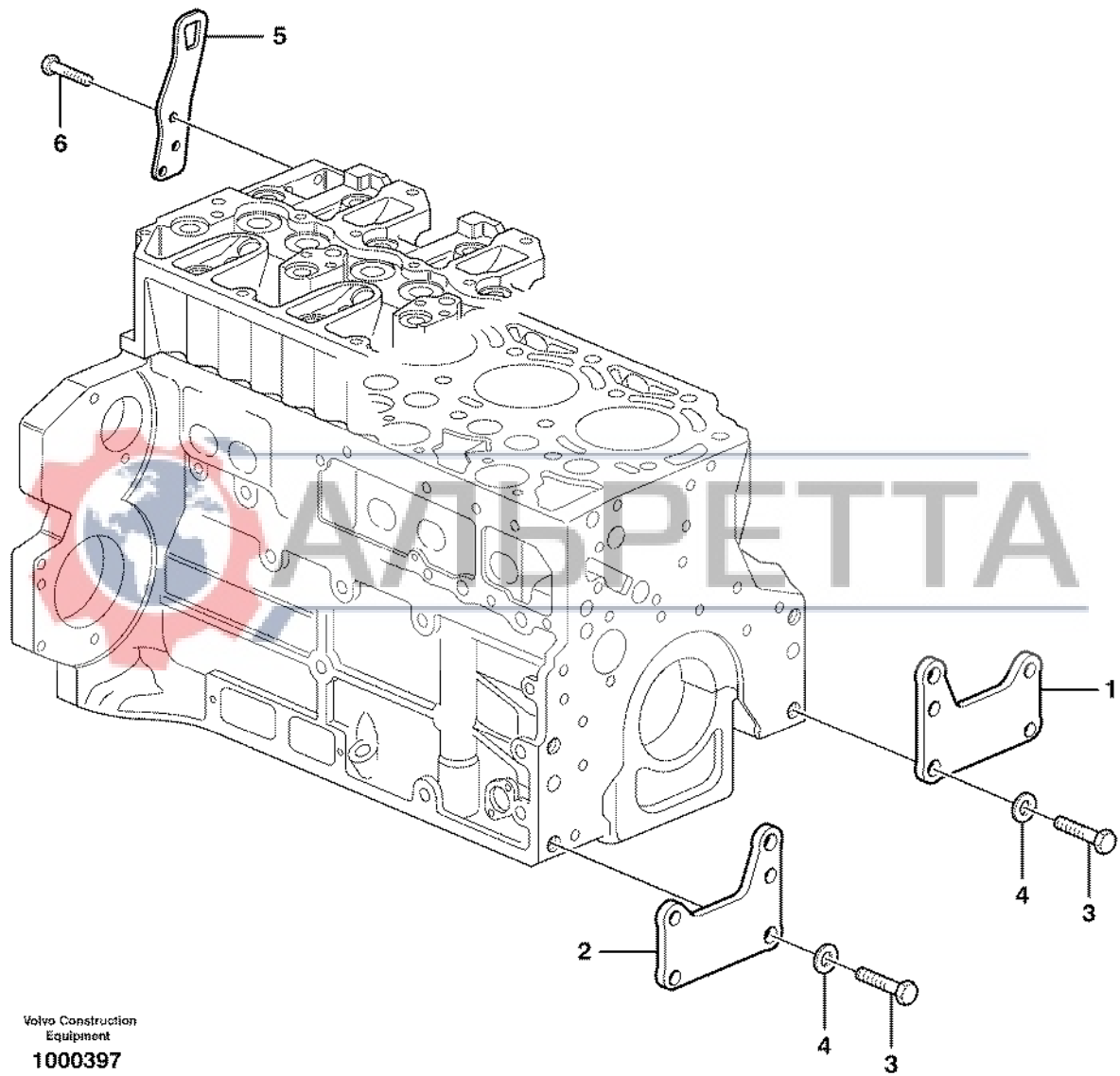


1		<b>Motorupphängning</b> <b>Suspensión del motor</b> <b>Motorbefestigung</b> <b>Suspension du moteur</b> <b>Engine mounting</b>	Catalogue id	Group
2			<b>20004</b>	<b>218</b>
3			Illustr. No	Section
4			<b>1000563</b>	<b>100</b>
5			Issue	Page
		<b>11883246, 11885148, 11887320</b>	<b>VOE 63G9920004</b>	<b>65</b>

**VOLVO**



**BL70**



Volvo Construction  
Equipment  
1000397

Fig.	Part No.	Quantity			P S	K I T	Description	Dénomination	Bezeichnung	Denominación	Benämning	Notes
		1	2	3								
1	VOE 20723978	1				Bracket.....	Console.....	Konsole .....	Ménsula.....	Konsol.....		
2	VOE 20723984	1				Bracket.....	Console.....	Konsole .....	Ménsula.....	Konsol.....		
3	VOE 20535027	2				Screw .....	Vis .....	Schraube.....	Tornillo .....	Skruv.....		
4	VOE 20405606	2				Washer.....	Rondelle.....	Scheibe .....	Arandela.....	Bricka.....		
5		1			NS	Lifting eye.....	Oeillet levage .....	Hebeöse.....	Argoll elev .....	Lyftögla.....		
6	VOE 20450756	3				Screw .....	Vis .....	Schraube.....	Tornillo .....	Skruv.....		



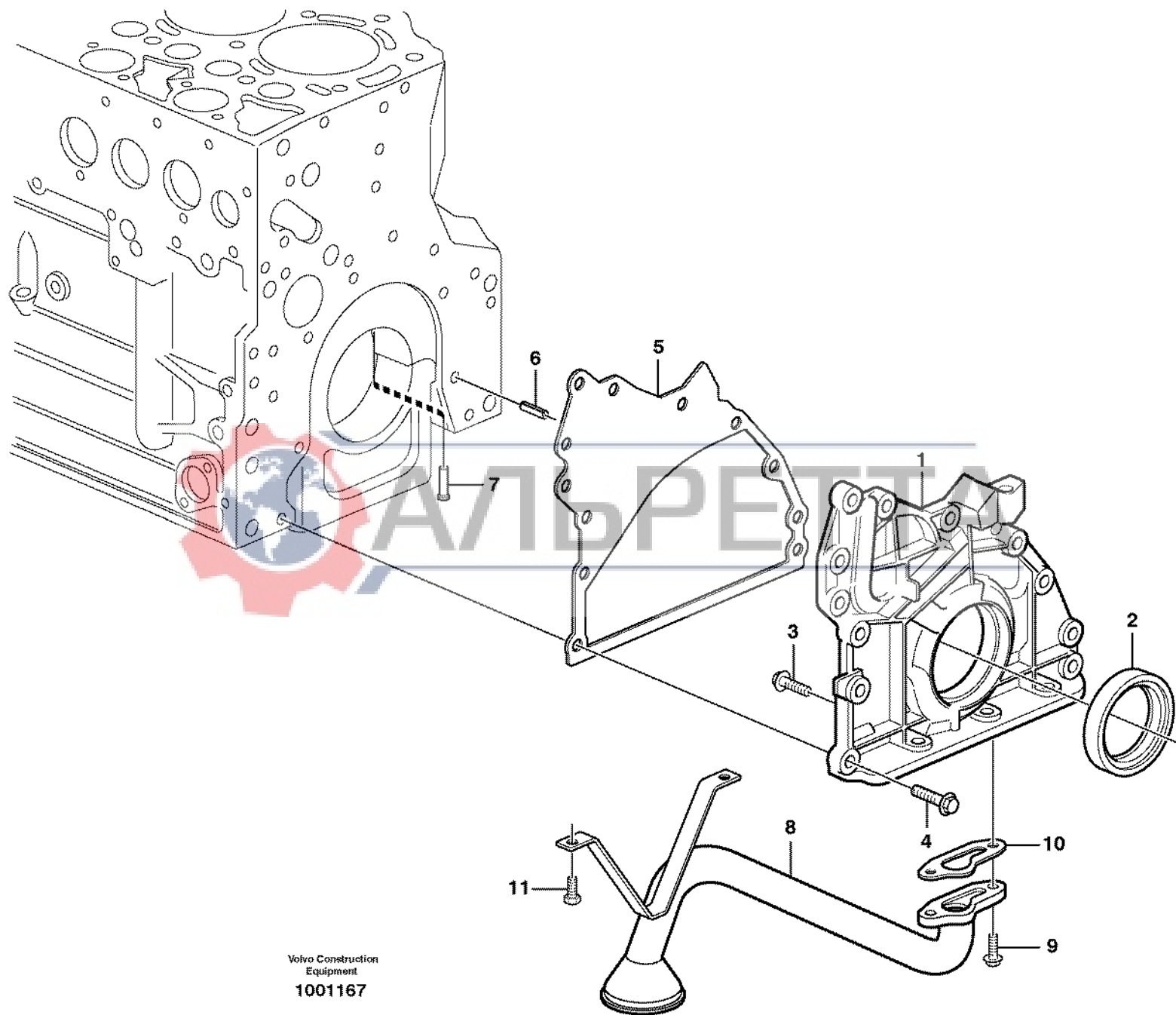
1	<b>Motorupphängning</b> <b>Suspensión del motor</b> <b>Motorbefestigung</b> <b>Suspension du moteur</b> <b>Engine mounting</b>	Catalogue id	Group
2		<b>20004</b>	<b>218</b>
3		Illustr. No	Section
4		<b>1000397</b>	<b>200</b>
5		Issue	Page
		<b>VOE 63G9920004</b>	<b>67</b>

**VOLVO**



**BL70**





Volvo Construction  
Equipment  
1001167

Fig.	Part No.	Quantity			P S	K I T	Description	Dénomination	Bezeichnung	Denominación	Benämning	Notes
		1	2	3								
1	VOE 20581867	1				Oil Pump .....	Pompe a huile .....	Ölpumpe.....	Bomba de aceite .....	Oljepump.....		
2	VOE 20459168	1				•Crankshaft Seal .....	•Joint Vilebreq. ....	•Kurbelw Dichtg.....	•Reten Ciguenal .....	•Vevaxeltätning.....		
3	VOE 20451738	8				•Screw.....	•Vis.....	•Schraube.....	•Tornillo .....	•Skruv.....		
4	VOE 20412324	10				Screw .....	Vis .....	Schraube.....	Tornillo .....	Skruv.....		
5	VOE 20537029	1				Gasket.....	Joint .....	Dichtung .....	Junta .....	Packning.....		
6	VOE 20405603	1				Spring Pin .....	Axe de ressort.....	Federstift .....	Pasador Resorte .....	Fjäderpinne.....		
7	VOE 20405561	1				Pstn Cool Jet.....	Buse Refr.pist. ....	Kolbenkühlöse.....	Boq.enfr Piston.....	Kolvkyln.munst.....		
8	VOE 20481754	1				Oil Pipe .....	Conduit Huile .....	Ölrohr .....	Tubo Aceite .....	Oljerör.....		
9	VOE 13949578	2				Screw .....	Vis .....	Schraube.....	Tornillo .....	Skruv.....		
10	VOE 11700391	1				Gasket.....	Joint .....	Dichtung .....	Junta .....	Packning.....		
11	VOE 20405792	1				Screw .....	Vis .....	Schraube.....	Tornillo .....	Skruv.....		



1		<b>Smörjsystem</b> <b>Sistema de lubricación</b> <b>Schmierölsystem</b> <b>Système de graissage</b> <b>Lubricating oil system</b>	Catalogue id	Group
2			<b>20004</b>	<b>221</b>
3			Illustr. No	Section
4			<b>1001167</b>	<b>100</b>
5			Issue	Page
		<b>11883246, 11885148, 11887320</b>	<b>VOE 63G9920004</b>	<b>69</b>

**VOLVO**

**BL70**



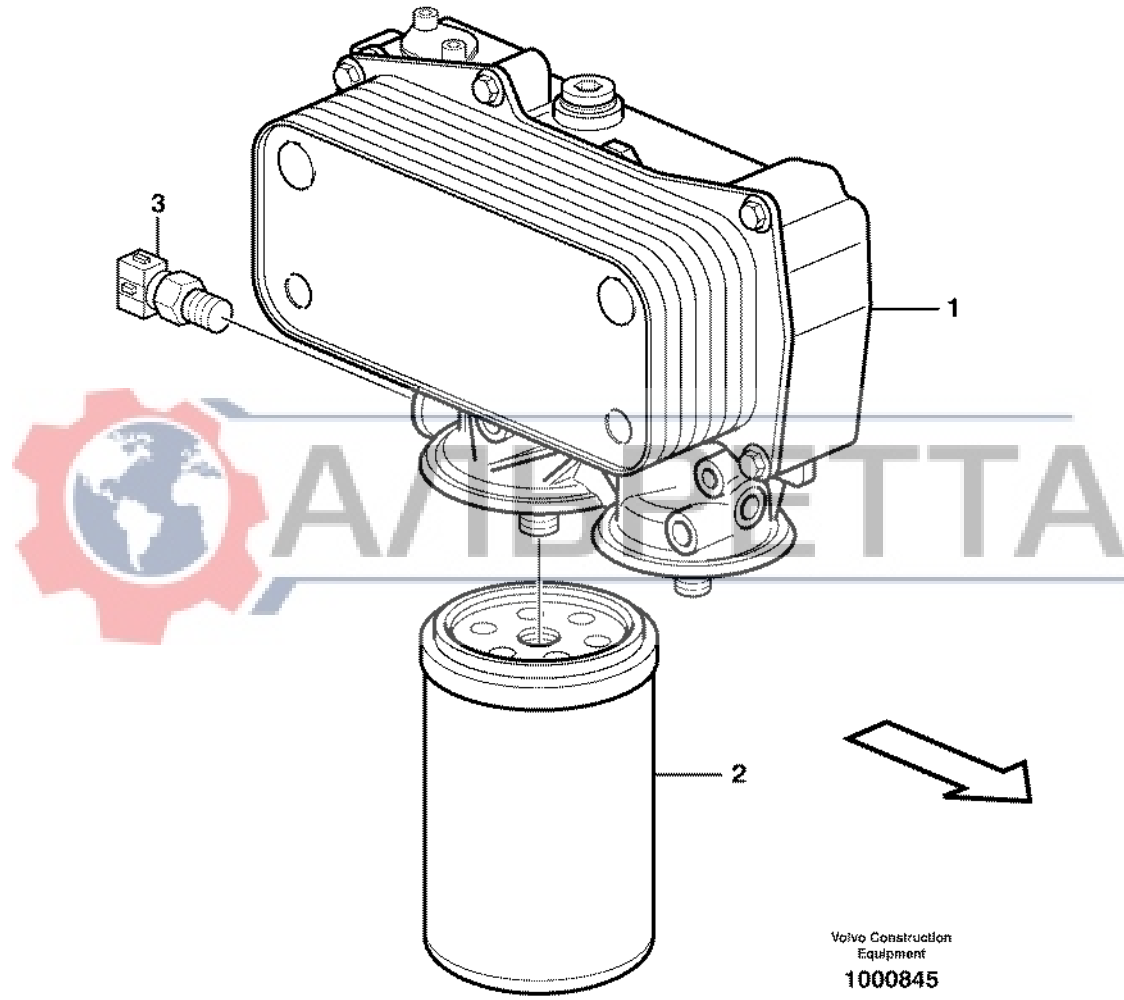


Fig.	Part No.	Quantity			P S	K I T	Description	Dénomination	Bezeichnung	Denominación	Benämning	Notes
		1	2	3								
1		1				Oil Cooler.....	Refroidisseur huile .....	Ölkühler.....	Enfriadores aceite .....	Öljekylare.....	See group 223, Page 73	
2	<b>VOE 11700375</b>	1				Oil Filter.....	Filtre Huile.....	Ölfilter.....	Filtro Aceite .....	Öljefilter.....		
3	<b>VOE 20555385</b>	1				Sensor.....	Capteur .....	Geber .....	Captador .....	Givare.....		

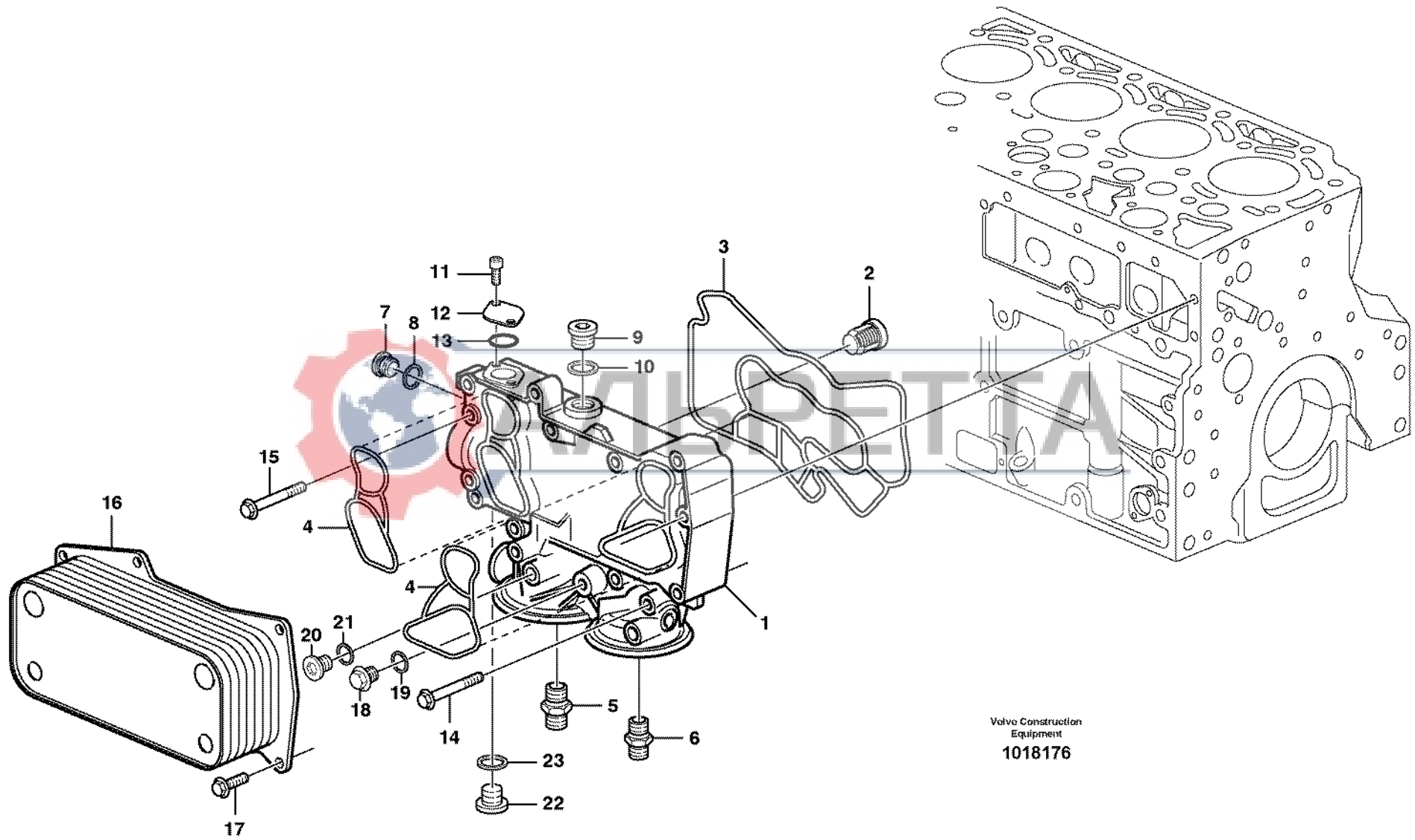


1		<b>Oljefilter</b> <b>Filtro de aceite</b> <b>Ölfilter</b> <b>Filtre à huile</b> <b>Oil filter</b>  <b>11883246, 11885148, 11887320</b>	Catalogue id	Group
2			<b>20004</b>	<b>222</b>
3			Illustr. No	Section
4			<b>1000845</b>	<b>100</b>
5			Issue	Page
			<b>VOE 63G9920004</b>	<b>71</b>

**VOLVO**



**BL70**



Volvo Construction  
Equipment  
1018176

Fig.	Part No.	Quantity			P S	K I T	Description	Dénomination	Bezeichnung	Denominación	Benämning	Notes
		1	2	3								
1	VOE 20459205	1					Oil Filter Hsg .....	Boitier Filt Hu .....	Ölfiltergehäuse .....	Caja Filt Aceit .....	Oljefilterhus.....	ENG - 01099408
1	VOE 20944091	1					Oil Filter Hsg .....	Boitier Filt Hu .....	Ölfiltergehäuse .....	Caja Filt Aceit .....	Oljefilterhus.....	ENG 01099409 -
2	VOE 20459204	1					•Valve.....	•Soupape .....	•Ventil.....	•Valvula .....	•Ventil.....	
3	VOE 20459203	1					•Gasket .....	•Joint .....	•Dichtung.....	•Junta .....	•Packning.....	
4	VOE 20459202	2					•Gasket .....	•Joint .....	•Dichtung.....	•Junta .....	•Packning.....	
5	VOE 20459201	1					•Nipple .....	•Raccord .....	•Nippel.....	•Niple.....	•Nippel.....	
6	VOE 20459200	1					•Nipple .....	•Raccord .....	•Nippel.....	•Niple.....	•Nippel.....	
7	VOE 20502245	1					•Screw plug .....	•Bouchon à vis .....	•Schraube.....	•Tapón roscado .....	•Skruvplugg.....	
8	VOE 20549894	1					•Sealing ring.....	•Bague d'étanchéité .....	•Runddichtring.....	•Anillo reten .....	•Tätningring.....	
9	VOE 20459195	2					•Plug .....	•Bouchon.....	•Stopfen .....	•Tapon.....	•Plugg.....	
10	VOE 13947628	2					•Plane Gasket.....	•Joint Plan .....	•Flachdichtung.....	•Junta Plana .....	•Planpackning.....	
11	VOE 20459197	2					•Screw.....	•Vis .....	•Schraube.....	•Tornillo .....	•Skruv.....	
12	VOE 11700609	1					•Cap .....	•Chapeau .....	•Kappe .....	•Caperuza .....	•Lock.....	
13	VOE 20405599	1					•Sealing ring.....	•Bague d'étanchéité .....	•Runddichtring.....	•Anillo reten .....	•Tätningring.....	
14	VOE 20405917	3					Screw .....	Vis .....	Schraube.....	Tornillo .....	Skruv.....	
15	VOE 20405672	5					Screw .....	Vis .....	Schraube.....	Tornillo .....	Skruv.....	
16	VOE 20532396	1					Oil Cooler.....	Refroidisseur huile .....	Ölkühler.....	Enfriadores aceite .....	Oljekylare.....	
17	VOE 20405885	7					Screw .....	Vis .....	Schraube.....	Tornillo .....	Skruv.....	
18	VOE 20459941	1					Screw plug .....	Bouchon à vis .....	Verschlusschraube.....	Tornillo de cierre .....	Skruvplugg.....	
19	VOE 20459942	1					Sealing ring .....	Bague d'étanchéité .....	Runddichtring.....	Anillo reten .....	Tätningring.....	
20	VOE 20460239	1					Plug.....	Bouchon.....	Stopfen.....	Tapon.....	Plugg.....	
21	VOE 13947281	1					Gasket.....	Joint .....	Dichtung.....	Junta .....	Packning.....	
22	VOE 20496548	1					Plug.....	Tampon.....	Stopfen.....	Tapon.....	Plugg.....	
23	VOE 20450890	1					Sealing ring.....	Bague d'étanchéité .....	Runddichtring.....	Anillo reten .....	Tätningring.....	

1		<b>Oljekylare</b> <b>Enfriador de aceite</b> <b>Ölkühler</b> <b>Radiateur d 'huile</b> <b>Oil cooler</b>  <b>11883246, 11885148, 11887320</b>	Catalogue id	Group
2			<b>20004</b>	<b>223</b>
3			Illustr. No	Section
4			<b>1018176</b>	<b>100</b>
5			Issue	Page
			<b>VOE 63G9920004</b>	<b>73</b>

**VOLVO**

**BL70**

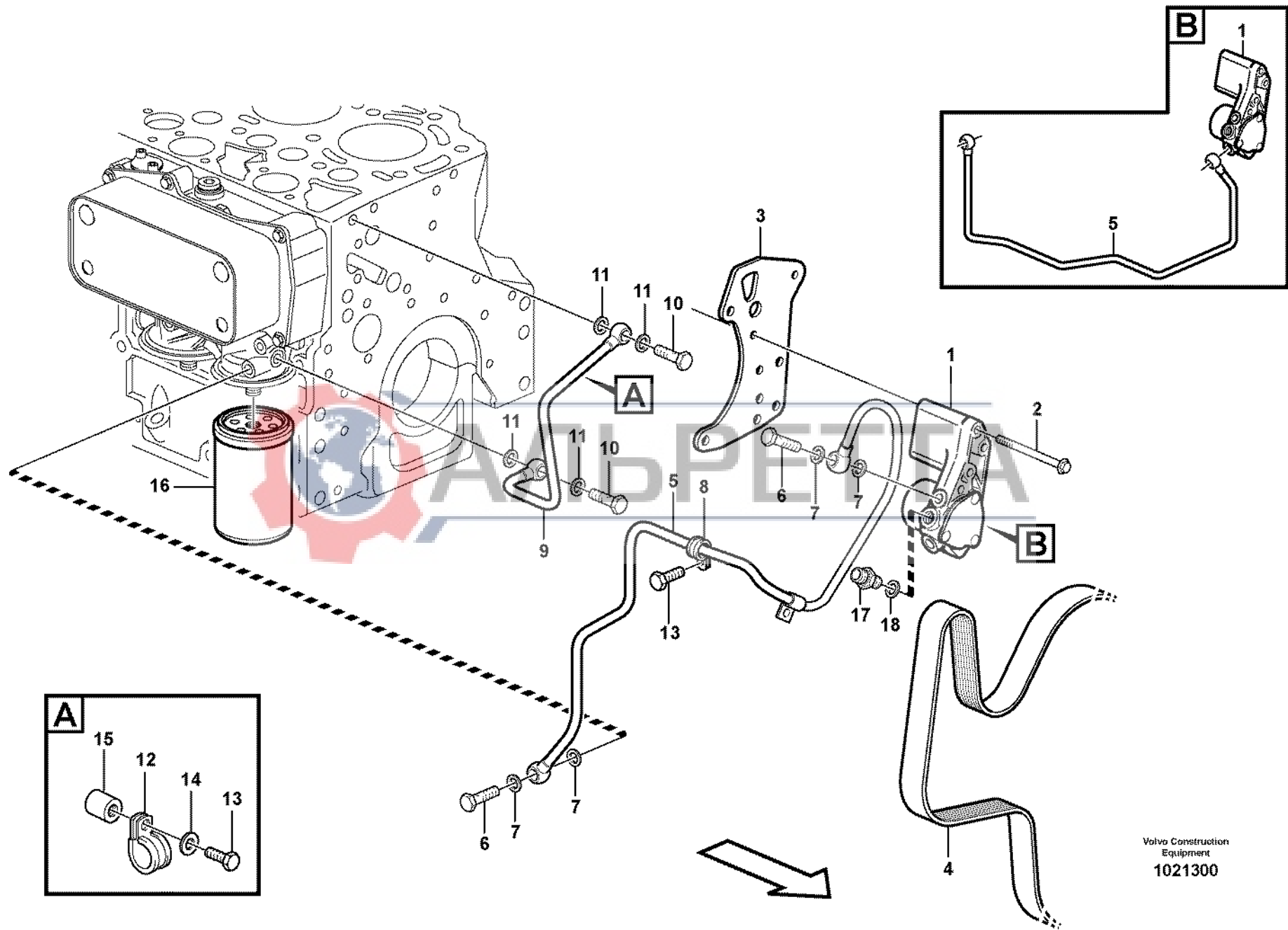


Fig.	Part No.	Quantity			P S	K I T	Description	Dénomination	Bezeichnung	Denominación	Benämning	Notes
		1	2	3								
1	VOE 20524154	1				Fuel pump	Pompe Carburant	Kraftstoffpumpe	Bomba Combustib	Bränslepump	ENG 00737369 -	
	VOE 20518337	1			SS	Fuel pump	Pompe Carburant	Kraftstoffpumpe	Bomba Combustib	Bränslepump	ENG - 00737368	
2	VOE 20459246	3				Screw	Vis	Schraube	Tornillo	Skruv		
3	VOE 20567447	1				Plate	Plaque	Platte	Placa	Platta		
4		1				V-belt	Courroie Trape	Keilriemen	Correa Trapez	Kilrem	See group 263, Page 113	
5	VOE 20524626	1				Fuel line	Flexible carburant	Kraftstoffschlauch	Manguera combustib	Bränsleledning	ENG 00737369 -	
	VOE 20481785	1				Fuel pipe	Conduit carbura	Kraftstoffleitung	Tubo combustib	Bränslerör	ENG - 00737368	
6	VOE 7025167	2				•Hollow Screw	•Vis Creuse	•Hohlschraube	•Tornillo hueco	•Hålskruv		
7	VOE 13969011	4				•Gasket	•Joint	•Dichtung	•Junta	•Packning		
8	VOE 20460045	1				•Clamp	•Pince Serrage	•Klemme	•Abrazadera	•Klämna		
9	VOE 20481768	1				Fuel pipe	Conduit carbura	Kraftstoffleitung	Tubo combustib	Bränslerör		
10	VOE 7025167	2				•Hollow Screw	•Vis Creuse	•Hohlschraube	•Tornillo hueco	•Hålskruv		
11	VOE 13969011	4				•Gasket	•Joint	•Dichtung	•Junta	•Packning		
12	VOE 20460045	1				•Clamp	•Pince Serrage	•Klemme	•Abrazadera	•Klämna		
13	VOE 20405729	2				Screw	Vis	Schraube	Tornillo	Skruv		
14	VOE 20459183	1				Washer	Rondelle	Scheibe	Arandela	Bricka		
15	VOE 20481769	1				Bushing	Bague	Buchse	Casquillo	Bussning		
16	VOE 11708555	1				Fuel filter	Filtre à carburant	Kraftstofffilter	Filtro de combustible	Bränslefilter		
17	VOE 20412596	1				Connector	Raccord	Anschluss	Union	Anslutning	See group 234, Page 77	
18	VOE 13947622	1				Plane Gasket	Joint Plan	Flachdichtung	Junta Plana	Planpackning		

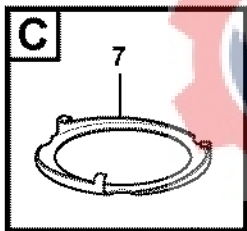
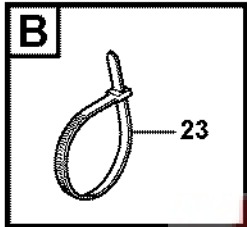
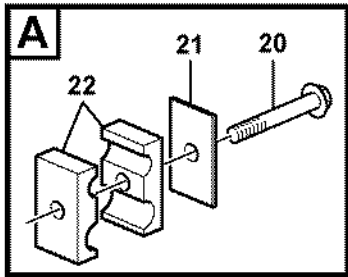
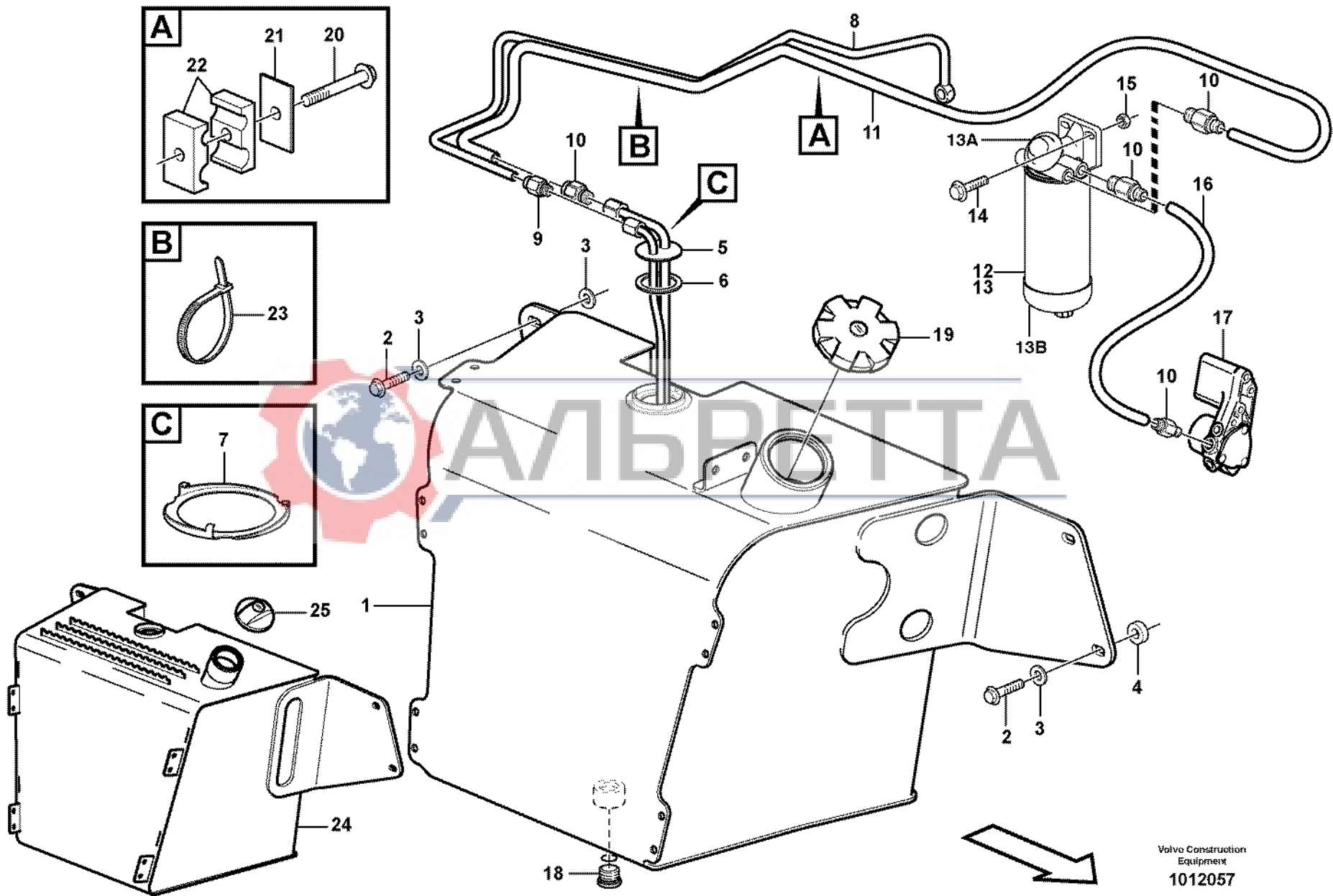


1		<b>Bränslepump</b> <b>Bomba de combustible</b> <b>Kraftstoffpumpe</b> <b>Pompe carburant</b> <b>Fuel pump</b>	Catalogue id	Group
2			<b>20004</b>	<b>233</b>
3			Illustr. No	Section
4			<b>1021300</b>	<b>100</b>
5			Issue	Page
		<b>11883246, 11885148, 11887320</b>	<b>VOE 63G9920004</b>	<b>75</b>

**VOLVO**

**BL70**





Volvo Construction  
Equipment  
1012057

Fig.	Part No.	Quantity			P S	K I T	Description	Dénomination	Bezeichnung	Denominación	Benämning	Notes
		1	2	3								
1	VOE 11882112	1				Fuel tank .....	Réservoir carburant ...	Kraftstofftank .....	Deposit combust .....	Bränsletank.....	SER NO -10804	
2	VOE 13965194	4				Flange screw.....	Vis à bride .....	Flanschschraube .....	Torn embridado .....	Flänsskruv.....		
3	VOE 947558	6				Washer.....	Rondelle .....	Scheibe .....	Arandela .....	Bricka.....		
4	VOE 11882457	2				Spacer.....	Entretoise .....	Abstandkörper.....	Distanciador .....	Distans.....		
5	VOE 11881914	1				Fuel Lvl Sensor .....	Ind.niv.carbur. ....	Kraftst V-geber .....	Sensor Niv Comb .....	Bränslenivågiv.....		
6	VOE 11881915	1				Rubber Seal .....	Lèvre Caoutchouc.....	Gummilippe .....	Labio Goma.....	Gummiläpp.....		
7	VOE 11881916	1				Lock Ring .....	Anneau Verrouillage ..	Schlossring.....	Anillo Segurid .....	Låsring.....		
8	VOE 11883974	1				Fuel hose .....	Flexi.carburant .....	Kraftstoffschlauch.....	Manguera comb .....	Bränsleslang.....		
9	VOE 11882900	1				Union.....	Teton Connexion.....	Anschlussnippel .....	Niple Conexcion .....	Anslutn.nippel.....		
10	VOE 11883346	4				Union.....	Teton Connexion.....	Anschlussnippel .....	Niple Conexcion .....	Anslutn.nippel.....		
11	VOE 11884613	1				Fuel hose .....	Flexi.carburant .....	Kraftstoffschlauch.....	Manguera comb .....	Bränsleslang.....		
12	VOE 11110471	1			SS	Water Separator.....	Separateur Eau .....	Wasserabscheidr .....	Separador Agua .....	Vattenavskiljare.....	S/N - 10905	
	VOE 11110670	1				Water Separator.....	Separateur Eau .....	Wasserabscheidr .....	Separador Agua .....	Vattenavskiljare.....	S/N 10906 -	
13	VOE 11110474	1			SS	•Filter.....	•Filtre .....	•Filter .....	•Filtro .....	•Filter.....	S/N - 10905	
	VOE 11110668	1				•Filter.....	•Filtre .....	•Filter .....	•Filtro .....	•Filter.....	S/N 10906 -	
13A	VOE 11713138	1				•Filter Housing .....	•Corps de filtre .....	•Filtergehäuse .....	•Cuerpo de filtro .....	•Filterhus.....		
13B	VOE 3943382	1				•Bowl.....	•Coussinet.....	•Schale .....	•Taza .....	•Skål.....	(VOE 3836024)	
14	VOE 13965185	2				Flange screw.....	Vis à bride .....	Flanschschraube .....	Torn embridado .....	Flänsskruv.....		
15	VOE 13971095	2				Flange nut.....	Ecrou accouple .....	Bundmutter.....	Tuerca embridad .....	Flänsmutter.....		
16	VOE 11883973	1				Fuel hose .....	Flexi.carburant .....	Kraftstoffschlauch.....	Manguera comb .....	Bränsleslang.....		
17						Fuel pump.....	Pompe Carburant.....	Kraftstoffpumpe.....	Bomba Combustib.....	Bränslepump.....	See group 233, Page 75	
18	VOE 11882920	1				Plug.....	Bouchon .....	Stopfen.....	Tapon .....	Plugg.....		
	VOE 932042	1				•O-ring.....	•Joint Torique .....	•O-Ring.....	•Junta torica .....	•O-ring.....		
19	VOE 11884200	1				Filler cap .....	Bouchon Remplissa ..	Tankverschluss .....	Tapa Llenado .....	Påfyllningslock.....	SER NO -10804	
20	VOE 13965179	1				Flange screw.....	Vis à bride .....	Flanschschraube .....	Torn embridado .....	Flänsskruv.....		
21	VOE 11881311	1				Plate.....	Plaque .....	Platte .....	Placa .....	Platta.....		
22		2			NS	Bracket.....	Console .....	Konsole .....	Consola .....	Konsol.....		
23	VOE 4881438	2				Strip Clamp .....	Ruban Serrage.....	Kabelbinder .....	Abraz Cinta .....	Bandklamma.....		
24	VOE 11886973	1				Fuel tank .....	Réservoir carburant ...	Kraftstofftank .....	Deposit combust .....	Bränsletank.....	SER NO 10805-	
25	VOE 11887988	1				•Cap .....	•Chapeau .....	•Kappe .....	•Caperuza .....	•Lock.....	SER NO 10805-	

1		<b>Bränsletank, bränslerör</b> <b>Depósito de combustible,tubos de combustible</b> <b>Kraftstofftank, kraftstoffrohr</b> <b>Réservoir de carburant, conduit de carburant</b> <b>Fuel tank, fuel pipes</b>	Catalogue id	Group
2			<b>20004</b>	<b>234</b>
3			Illustr. No	Section
4			<b>1012057</b>	<b>100</b>
5			Issue	Page
			<b>VOE 63G9920004</b>	<b>77</b>

**VOLVO**

**BL70**

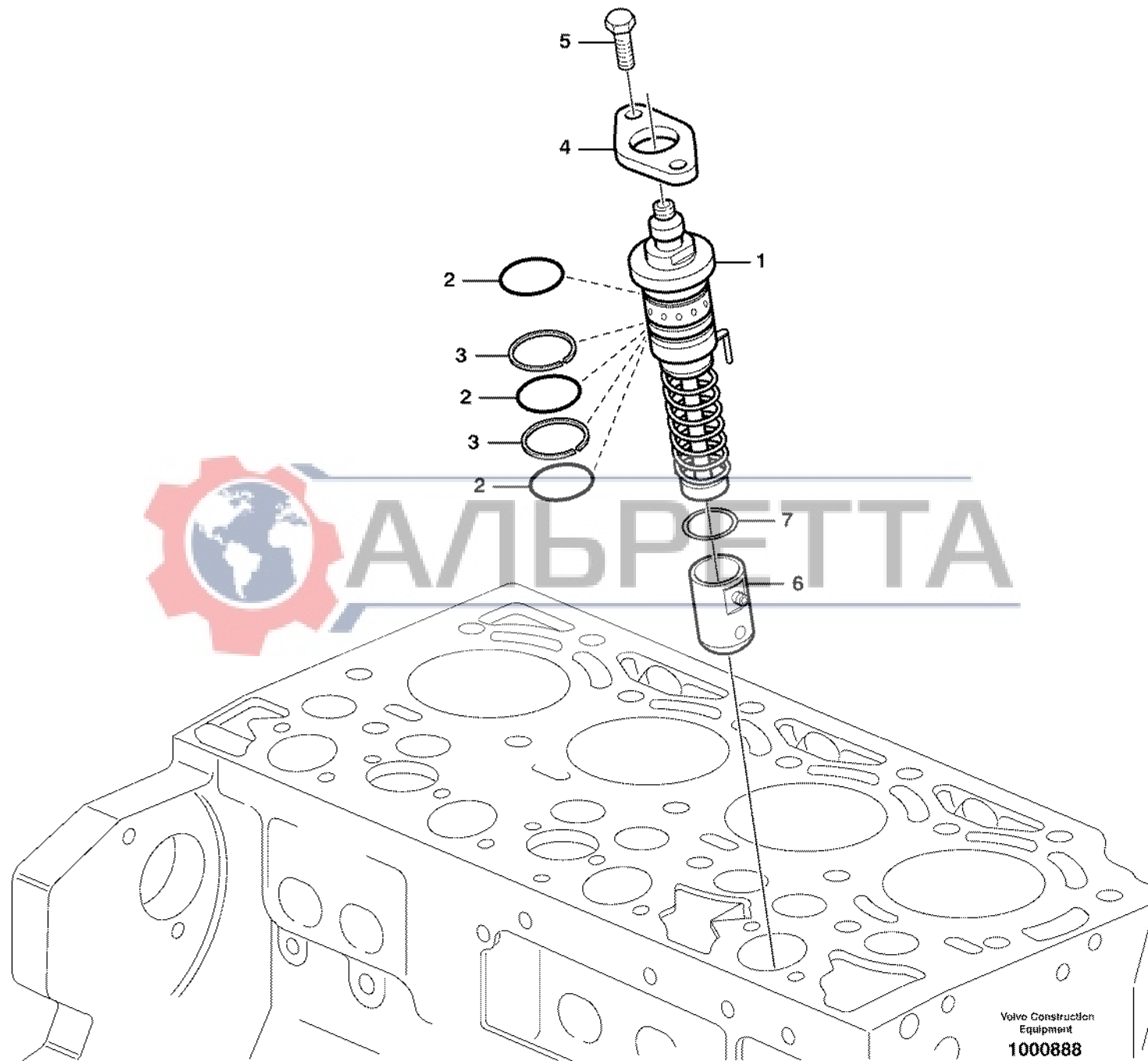


Fig.	Part No.	Quantity			P S	K I T	Description	Dénomination	Bezeichnung	Denominación	Benämning	Notes
		1	2	3								
1	VOE 20460072	4				Injection Pump	Pompe Injection	Einspritzpumpe	Bomba Inyeccion	Insprutn.pump		
	VOE 24425954		4			Injection Pump	Pompe Injection	Einspritzpumpe	Bomba Inyeccion	Insprutn.pump		
2	VOE 11701764	12	12			•O-ring	•Joint Torique	•O-Ring	•Junta torica	•O-ring		
3	VOE 20405543	8	8			•Shim	•Cale d'épaisseur	•Passscheibe	•Arandela Ajuste	•Passbricka		
4	VOE 20405565	4	4			Flange	Flasque	Flansch	Brida	Fläns		
5	VOE 20460071	8	8			Screw	Vis	Schraube	Tornillo	Skruv		
6	VOE 11700392	4				Roller	Galet	Rolle	Rodillo	Rulle		
	VOE 20549905		4			Roller	Galet	Rolle	Rodillo	Rulle		
7	VOE 11700397	1				Shim	Cale Reglage	Nachstellblech	Cuna de calzar	Justerbleck	STD	
	VOE 24425970		1			Shim	Cale d'épaisseur	Passscheibe	Arandela Ajuste	Passbricka	STD	
	VOE 11700398	1				Shim	Cale Reglage	Nachstellblech	Cuna de calzar	Justerbleck	THICK = 1,30 MM	
	VOE 11700399	1				Shim	Cale Reglage	Nachstellblech	Cuna de calzar	Justerbleck	THICK = 1,40 MM	
	VOE 11700400	1				Shim	Cale Reglage	Nachstellblech	Cuna de calzar	Justerbleck	THICK = 1,50 MM	
	VOE 11700401	1				Shim	Cale Reglage	Nachstellblech	Cuna de calzar	Justerbleck	THICK = 1,60 MM	
	VOE 11700402	1				Shim	Cale Reglage	Nachstellblech	Cuna de calzar	Justerbleck	THICK = 1,70 MM	
	VOE 11700403	1				Shim	Cale Reglage	Nachstellblech	Cuna de calzar	Justerbleck	THICK = 1,80 MM	
	VOE 11700404	1				Spacer	Compensation	Ausgleichscheibe	Compensación	Distans	THICK = 1,90 MM	
	VOE 11700405	1				Shim	Cale d'épaisseur	Passscheibe	Arandela Ajuste	Passbricka	THICK = 2,00 MM	
	VOE 11700406	1				Spacer	Compensation	Ausgleichscheibe	Compensación	Distans	THICK = 2,10 MM	
	VOE 11700407	1				Shim	Cale d'épaisseur	Passscheibe	Arandela Ajuste	Passbricka	THICK = 2,20 MM	
	VOE 11700408	1				Spacer	Compensation	Ausgleichscheibe	Compensación	Distans	THICK = 2,30 MM	
	VOE 11700409	1				Shim	Cale Reglage	Nachstellblech	Cuna de calzar	Justerbleck	THICK = 2,40 MM	
	VOE 11700410	1				Shim	Cale d'épaisseur	Passscheibe	Arandela Ajuste	Passbricka	THICK = 2,50 MM	
	VOE 11700411	1				Shim	Cale d'épaisseur	Passscheibe	Arandela Ajuste	Passbricka	THICK = 2,60 MM	
	VOE 11700412	1				Shim	Cale d'épaisseur	Passscheibe	Arandela Ajuste	Passbricka	THICK = 2,70 MM	
	VOE 11700413	1				Shim	Cale d'épaisseur	Passscheibe	Arandela Ajuste	Passbricka	THICK = 2,80 MM	
	VOE 11700414	1				Shim	Cale d'épaisseur	Passscheibe	Arandela Ajuste	Passbricka	THICK = 2,90 MM	
	VOE 11700415	1				Shim	Cale d'épaisseur	Passscheibe	Arandela Ajuste	Passbricka	THICK = 3,00 MM	
	VOE 11700416	1				Punching	Lamelle Reglage	Ausglei.scheibe	Chapa De Ajuste	Justerbleck	THICK = 3,10 MM	
	VOE 11700417	1				Shim	Cale d'épaisseur	Passscheibe	Arandela Ajuste	Passbricka	THICK = 3,20 MM	

1	11883246	<b>Insprutningspump med monteringsdetaljer</b> <b>Bomba de inyección de accesorisde montaje</b> <b>Einspritzpumpe mit Anbauteilen</b> <b>Pompe d'injection de combustible avec pièces de montage</b> <b>Fuel injection pump with fitting parts</b>	Catalogue id	Group
2	11885148,11887320		<b>20004</b>	<b>236</b>
3			Illustr. No	Section
4			<b>1000888</b>	<b>100</b>
5			Issue	Page
		<b>11883246, 11885148, 11887320</b>	<b>VOE 63G9920004</b>	<b>79</b>

**VOLVO**

**BL70**

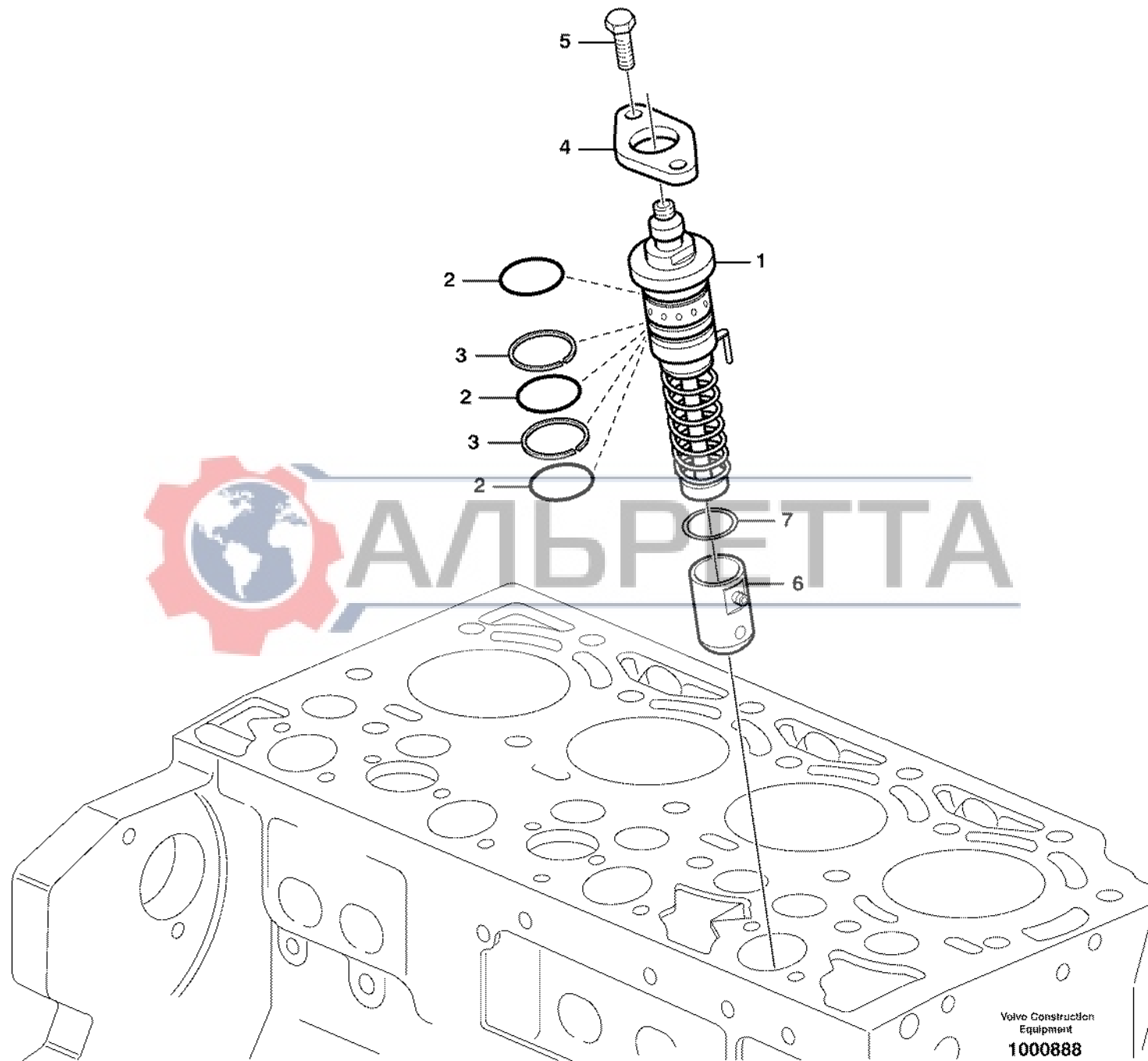


Fig.	Part No.	Quantity			P S	K I T	Description	Dénomination	Bezeichnung	Denominación	Benämning	Notes
		1	2	3								
VOE 11700418		1				Shim.....	Cale d'épaisseur .....	Passscheibe.....	Arandela Ajuste .....	Passbricka.....	THICK = 3,30 MM	
VOE 11700419		1				Shim.....	Cale d'épaisseur .....	Passscheibe.....	Arandela Ajuste .....	Passbricka.....	THICK = 3,40 MM	
VOE 11700420		1				Shim.....	Cale d'épaisseur .....	Passscheibe.....	Arandela Ajuste .....	Passbricka.....	THICK = 3,50 MM	
VOE 11700421		1				Shim.....	Cale d'épaisseur .....	Passscheibe.....	Arandela Ajuste .....	Passbricka.....	THICK = 3,60 MM	
VOE 11700422		1				Shim.....	Cale d'épaisseur .....	Passscheibe.....	Arandela Ajuste .....	Passbricka.....	THICK = 3,70 MM	
VOE 11700395		1				Shim.....	Cale Reglage .....	Nachstellblech.....	Cuna de calzar .....	Justerbleck.....	THICK = 1,00 MM	
VOE 11700396		1				Shim.....	Cale Reglage .....	Nachstellblech.....	Cuna de calzar .....	Justerbleck.....	THICK = 1,10 MM	
VOE 24425958			1			Shim.....	Cale d'épaisseur .....	Passscheibe.....	Arandela Ajuste .....	Passbricka.....	THICK = 4,70 MM	
VOE 24425969			1			Shim.....	Cale d'épaisseur .....	Passscheibe.....	Arandela Ajuste .....	Passbricka.....	THICK = 4,75 MM	
VOE 24425972			1			Shim.....	Cale d'épaisseur .....	Passscheibe.....	Arandela Ajuste .....	Passbricka.....	THICK = 4,80 MM	
VOE 24425973			1			Shim.....	Cale d'épaisseur .....	Passscheibe.....	Arandela Ajuste .....	Passbricka.....	THICK = 4,85 MM	
VOE 24425974			1			Shim.....	Cale d'épaisseur .....	Passscheibe.....	Arandela Ajuste .....	Passbricka.....	THICK = 4,90 MM	
VOE 24425982			1			Shim.....	Cale d'épaisseur .....	Passscheibe.....	Arandela Ajuste .....	Passbricka.....	THICK = 4,95 MM	
VOE 24425983			1			Shim.....	Cale d'épaisseur .....	Passscheibe.....	Arandela Ajuste .....	Passbricka.....	THICK = 5,00 MM	
VOE 24425984			1			Shim.....	Cale d'épaisseur .....	Passscheibe.....	Arandela Ajuste .....	Passbricka.....	THICK = 5,05 MM	
VOE 24425985			1			Shim.....	Cale d'épaisseur .....	Passscheibe.....	Arandela Ajuste .....	Passbricka.....	THICK = 5,10 MM	
VOE 24425986			1			Shim.....	Cale d'épaisseur .....	Passscheibe.....	Arandela Ajuste .....	Passbricka.....	THICK = 5,15 MM	
VOE 24425987			1			Shim.....	Cale d'épaisseur .....	Passscheibe.....	Arandela Ajuste .....	Passbricka.....	THICK = 5,20 MM	
VOE 24425989			1			Shim.....	Cale d'épaisseur .....	Passscheibe.....	Arandela Ajuste .....	Passbricka.....	THICK = 5,25 MM	
VOE 24425991			1			Shim.....	Cale d'épaisseur .....	Passscheibe.....	Arandela Ajuste .....	Passbricka.....	THICK = 5,30 MM	
VOE 24425992			1			Shim.....	Cale d'épaisseur .....	Passscheibe.....	Arandela Ajuste .....	Passbricka.....	THICK = 5,35 MM	
VOE 24425994			1			Shim.....	Cale d'épaisseur .....	Passscheibe.....	Arandela Ajuste .....	Passbricka.....	THICK = 5,40 MM	
VOE 24425996			1			Shim.....	Cale d'épaisseur .....	Passscheibe.....	Arandela Ajuste .....	Passbricka.....	THICK = 5,45 MM	
VOE 24425998			1			Shim.....	Cale d'épaisseur .....	Passscheibe.....	Arandela Ajuste .....	Passbricka.....	THICK = 5,50 MM	
VOE 24426002			1			Shim.....	Cale d'épaisseur .....	Passscheibe.....	Arandela Ajuste .....	Passbricka.....	THICK = 5,55 MM	
VOE 24426004			1			Shim.....	Cale d'épaisseur .....	Passscheibe.....	Arandela Ajuste .....	Passbricka.....	THICK = 5,60 MM	
VOE 24426005			1			Shim.....	Cale d'épaisseur .....	Passscheibe.....	Arandela Ajuste .....	Passbricka.....	THICK = 5,65 MM	
VOE 24426006			1			Shim.....	Cale d'épaisseur .....	Passscheibe.....	Arandela Ajuste .....	Passbricka.....	THICK = 5,70 MM	
VOE 24426007			1			Shim.....	Cale d'épaisseur .....	Passscheibe.....	Arandela Ajuste .....	Passbricka.....	THICK = 5,75 MM	
VOE 24426010			1			Shim.....	Cale d'épaisseur .....	Passscheibe.....	Arandela Ajuste .....	Passbricka.....	THICK = 5,80 MM	

1	11883246	<b>Insprutningspump med monteringsdetaljer</b> <b>Bomba de inyección de accesoris de montaje</b> <b>Einspritzpumpe mit Anbauteilen</b> <b>Pompe d'injection de combustible avec pièces de montage</b> <b>Fuel injection pump with fitting parts</b>	Catalogue id	Group
2	11885148,11887320		<b>20004</b>	<b>236</b>
3			Illustr. No	Section
4			<b>1000888</b>	<b>100</b>
5			Issue	Page
			<b>VOE 63G9920004</b>	<b>81</b>

**VOLVO**

**BL70**

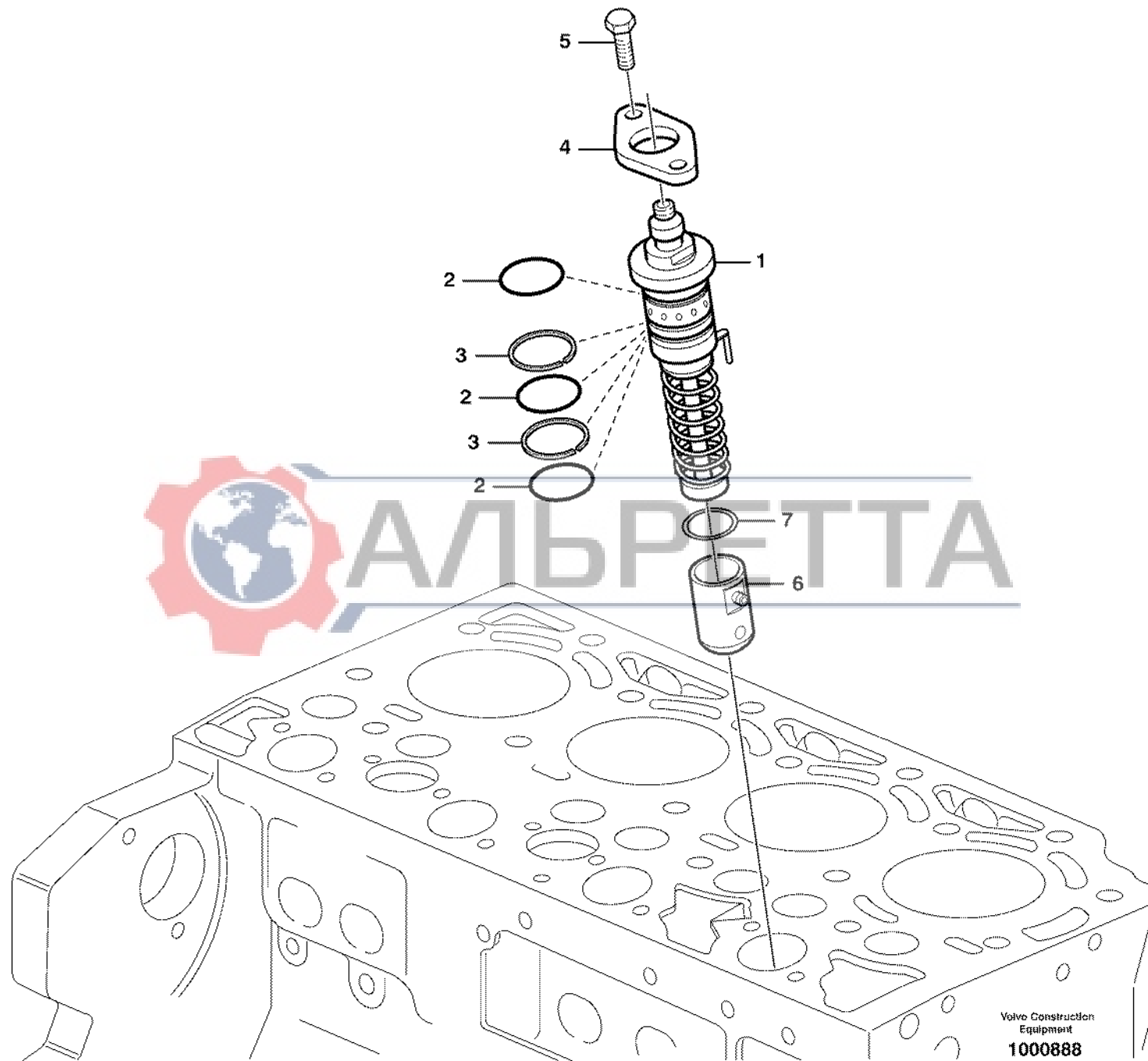




Fig.	Part No.	Quantity			P S	K I T	Description	Dénomination	Bezeichnung	Denominación	Benämning	Notes
		1	2	3								
	VOE 24426011	1				Shim.....	Cale d'épaisseur .....	Passscheibe.....	Arandela Ajuste .....	Passbricka.....	THICK = 5,85 MM	
	VOE 24426012	1				Shim.....	Cale d'épaisseur .....	Passscheibe.....	Arandela Ajuste .....	Passbricka.....	THICK = 5,90 MM	
	VOE 24426013	1				Shim.....	Cale d'épaisseur .....	Passscheibe.....	Arandela Ajuste .....	Passbricka.....	THICK = 5,95 MM	
	VOE 24426014	1				Shim.....	Cale d'épaisseur .....	Passscheibe.....	Arandela Ajuste .....	Passbricka.....	THICK = 6,00 MM	
	VOE 24426015	1				Shim.....	Cale d'épaisseur .....	Passscheibe.....	Arandela Ajuste .....	Passbricka.....	THICK = 6,05 MM	
	VOE 24426016	1				Shim.....	Cale d'épaisseur .....	Passscheibe.....	Arandela Ajuste .....	Passbricka.....	THICK = 6,10 MM	
	VOE 24426017	1				Shim.....	Cale d'épaisseur .....	Passscheibe.....	Arandela Ajuste .....	Passbricka.....	THICK = 6,15 MM	
	VOE 24426018	1				Shim.....	Cale d'épaisseur .....	Passscheibe.....	Arandela Ajuste .....	Passbricka.....	THICK = 6,20 MM	
	VOE 24426019	1				Shim.....	Cale d'épaisseur .....	Passscheibe.....	Arandela Ajuste .....	Passbricka.....	THICK = 6,25 MM	
	VOE 24426020	1				Shim.....	Cale d'épaisseur .....	Passscheibe.....	Arandela Ajuste .....	Passbricka.....	THICK = 6,30 MM	
	VOE 24426021	1				Shim.....	Cale d'épaisseur .....	Passscheibe.....	Arandela Ajuste .....	Passbricka.....	THICK = 6,35 MM	
	VOE 24426022	1				Shim.....	Cale d'épaisseur .....	Passscheibe.....	Arandela Ajuste .....	Passbricka.....	THICK = 6,40 MM	

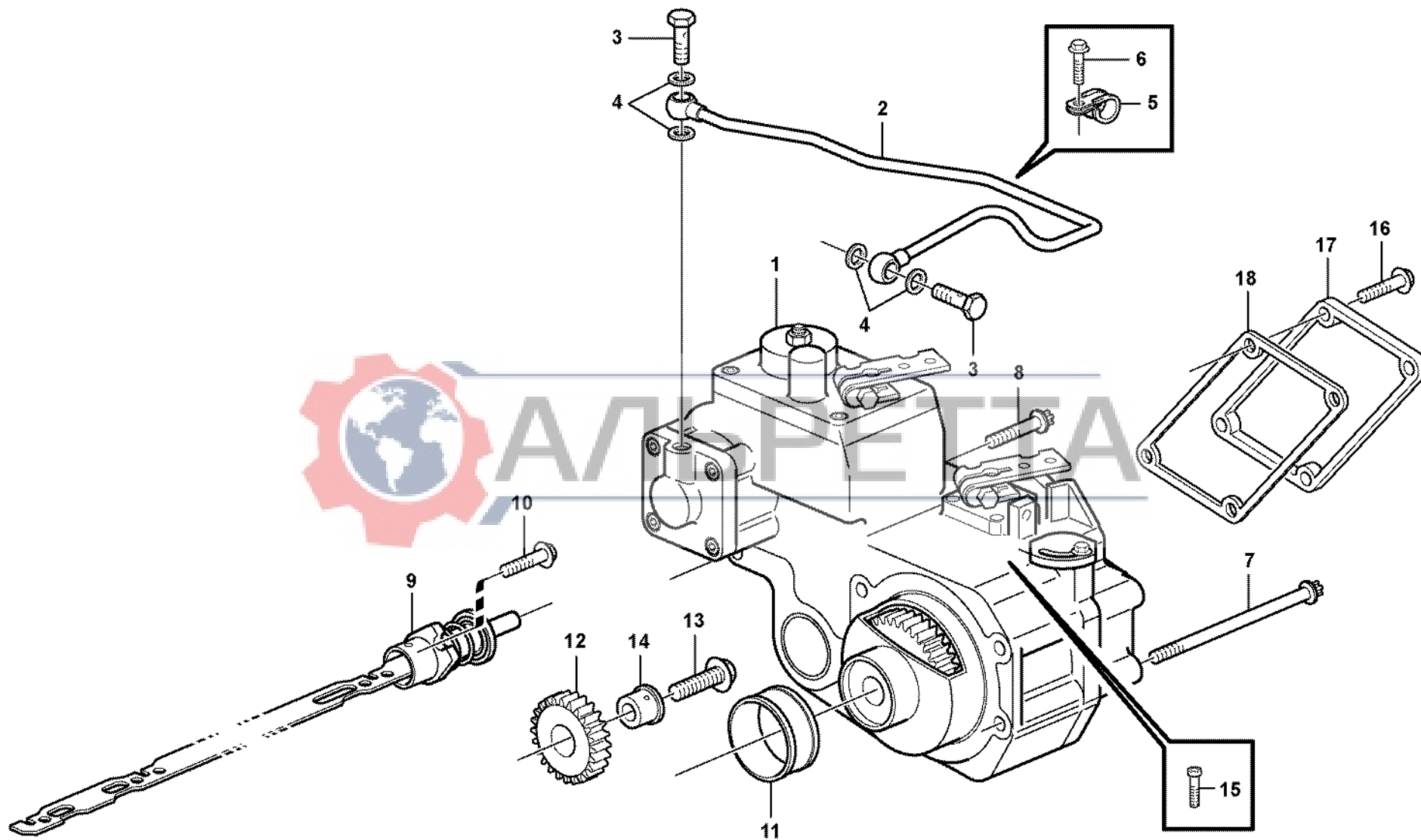


1	11883246	<b>Insprutningspump med monteringsdetaljer</b> <b>Bomba de inyección de accesoris de montaje</b> <b>Einspritzpumpe mit Anbauteilen</b> <b>Pompe d'injection de combustible avec pièces de montage</b> <b>Fuel injection pump with fitting parts</b>	Catalogue id	Group
2	11885148,11887320		<b>20004</b>	<b>236</b>
3			Illustr. No	Section
4			<b>1000888</b>	<b>100</b>
5			Issue	Page
		<b>11883246, 11885148, 11887320</b>	<b>VOE 63G9920004</b>	<b>83</b>

**VOLVO**

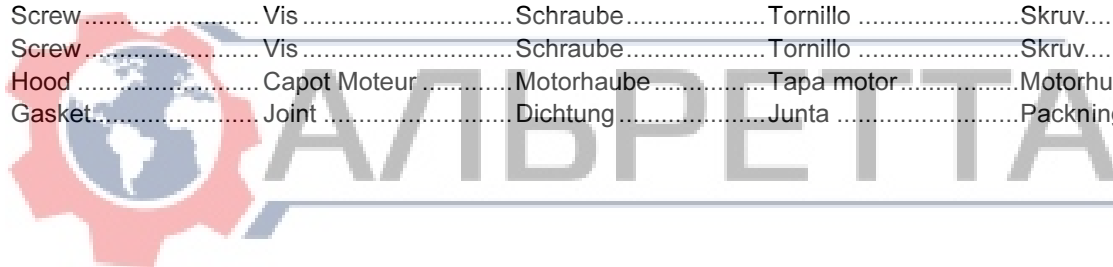
**BL70**





ALPETA

Fig.	Part No.	Quantity			P S	K I T	Description	Dénomination	Bezeichnung	Denominación	Benämning	Notes
		1	2	3								
1	VOE 20590555	1				Control .....	Commande .....	Regelung.....	Mando .....	Reglage.....	2067) ENG - 00894796	
	VOE 20590582	1				Regulator .....	Regulateur .....	Regler.....	Regulador.....	Regulator.....	ENG 00894797 -	
2	VOE 20504812	1				Pipe.....	Canalisation .....	Rohrleitung.....	Canalización.....	Rör.....		
3	VOE 20460289	2				Hollow screw.....	Vis creuse .....	Hohlschraube.....	Racor-surtidor .....	Hålskruv.....		
4	VOE 13947281	4				Gasket.....	Joint .....	Dichtung .....	Junta .....	Packning.....		
5	VOE 20405730	1				Clamp.....	Pince Serrage .....	Klemme.....	Abrazadera.....	Klämma.....		
6	VOE 20405729	1				Screw .....	Vis .....	Schraube.....	Tornillo .....	Skruv.....		
7	VOE 20460064	4				Screw .....	Vis .....	Schraube.....	Tornillo .....	Skruv.....		
8	VOE 888760	1				Screw .....	Vis .....	Schraube.....	Tornillo .....	Skruv.....		
9	VOE 20460069	1				Control Rod.....	Tige Commande .....	Schaltstange .....	Barra De Mando.....	Manöverstång.....		
10	VOE 20405538	1				Screw .....	Vis .....	Schraube.....	Tornillo .....	Skruv.....		
11	VOE 20460070	1				Bushing.....	Bague.....	Buchse.....	Casquillo .....	Bussning.....		
12	VOE 20555503	1				Gear .....	Pignon.....	Zahnradgetriebe.....	Engranaje.....	Kuggdrev.....		
13	VOE 20405560	1				Screw .....	Vis .....	Schraube.....	Tornillo .....	Skruv.....		
14	VOE 11700504	1				Pivot Pin.....	Goupille-guide.....	Gelenkstift .....	Pasador Artic.....	Ledpinne.....	ENG - 01047298	
	VOE 20758272	1				Pin.....	Goupille.....	Zapfen .....	Pasador.....	Tapp.....	ENG 01047299 -	
15	VOE 20460067	1				Screw .....	Vis .....	Schraube.....	Tornillo .....	Skruv.....		
16	VOE 20460082	4				Screw .....	Vis .....	Schraube.....	Tornillo .....	Skruv.....		
17		1			NS	Hood .....	Capot Moteur.....	Motorhaube .....	Tapa motor.....	Motorhuv.....		
18	VOE 20405509	1				Gasket.....	Joint .....	Dichtung .....	Junta .....	Packning.....		



2067) **GB:** Contact Volvo CE Customer Support. Individual Setting, Indicate Engine type and Engine number **FR:** Veuillez contacter Volvo CE Customer Support. Réglage individuel, indiquer le type et le numéro de moteur **DE:** Wenden Sie sich bitte an den Volvo CE Customer Support. Individuelle Einstellung, Motortyp und Motornummer angeben. **ES:** Dirigirse a Volvo CE Customer Support. Ajuste individual, indicar el tipo de motor y el número del motor **SE:** Kontakta Volvo CE Customer Support. Individuell inställning, Ange motortyp och motornummer

1	<b>Regulator</b> <b>Regulador</b> <b>Regler</b> <b>Régulateur</b> <b>Regulator</b>	Catalogue id	Group
2		<b>20004</b>	<b>236</b>
3		Illustr. No	Section
4		<b>1021192</b>	<b>150</b>
5		Issue	Page
	<b>11883246, 11885148, 11887320</b>	<b>VOE 63G9920004</b>	<b>85</b>

**VOLVO**

**BL70**

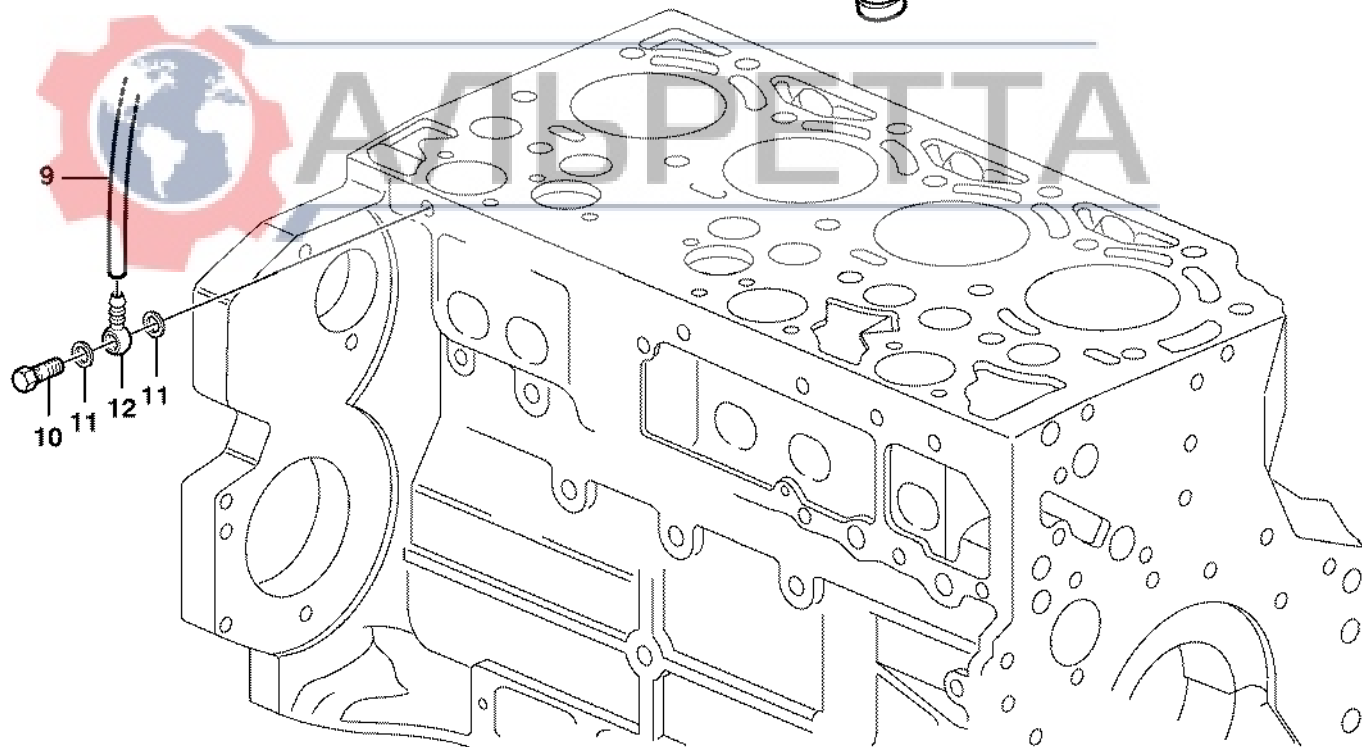
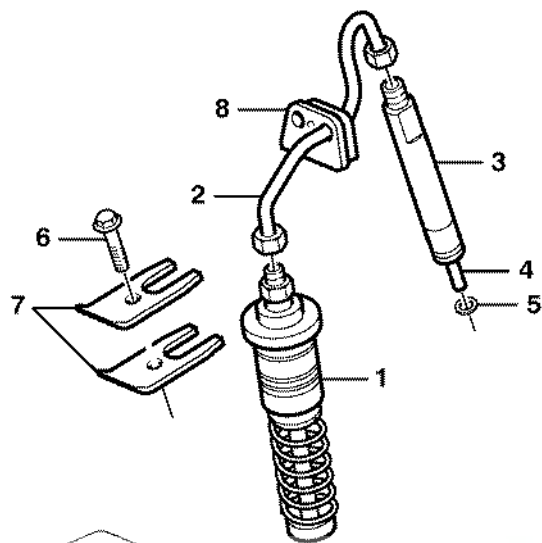


Fig.	Part No.	Quantity			P S	K I T	Description	Dénomination	Bezeichnung	Denominación	Benämning	Notes
		1	2	3								
1		4	4			Injection pump.....	Pompe injection .....	Einspritzpumpe .....	Bomba inyeccion .....	Insprutn.pump.....	See group 236, Page 79	
2	VOE 20460095	4	4			Fuel pipe .....	Conduit carbura .....	Kraftstoffleitung .....	Tubo combustib.....	Bränslerör.....		
3	VOE 20549383	4				Injector .....	Injecteur .....	Einspritzdüse.....	Inyector .....	Insprutare.....		
	VOE 24425916	4				Injector .....	Injecteur .....	Einspritzdüse.....	Inyector .....	Insprutare.....		
4	VOE 20460098	4				•Nozzle.....	•Nez D'injecteur.....	•Einspritzduse .....	•Tobera.....	•Spridare.....		
	VOE 24425919	4				•Nozzle.....	•Nez D'injecteur.....	•Einspritzduse .....	•Tobera.....	•Spridare.....		
5	VOE 11700426	4	4			Seal.....	Joint .....	Dichtring .....	Junta .....	Tätning.....		
6	VOE 20405559	4	4			Screw .....	Vis .....	Schraube.....	Tornillo .....	Skruv.....		
7	VOE 11700424	8	8			Retainer .....	Retenue .....	Halter.....	Soporte.....	Hållare.....		
8	VOE 11700487	4	4			Rubber Seal .....	Lèvre Caoutchouc.....	Gummilippe .....	Labio Goma.....	Gummiläpp.....		
9		1	1			Fuel hose .....	Flexi.carburant .....	Kraftstoffschlauch.....	Manguera comb .....	Bränsleslang.....	See group 234, Page 77	
10	VOE 11704362	1	1			Delivery Valve .....	Soup.refouleme.....	Druckventil .....	Valvula Presion .....	Tryckventil.....		
11	VOE 20459972	2	2			Sealing ring .....	Bague d'étanchéité ...	Runddichtring .....	Anillo reten .....	Tätningsring.....		
12	VOE 20459906	1	1			Nipple.....	Raccord.....	Nippel .....	Niple .....	Nippel.....		



1	11883246	<b>Bränslerör och insprutare</b> <b>Tuberias de combustible, inyector</b> <b>Brennstoffrohre</b> <b>Canalisation à combustible, injecteur</b> <b>Fuel lines and injectors</b>	Catalogue id	Group
2	11885148, 11887320		<b>20004</b>	<b>237</b>
3			Illustr. No	Section
4			<b>1009992</b>	<b>100</b>
5			Issue	Page
			<b>VOE 63G9920004</b>	<b>87</b>

**VOLVO**

**BL70**

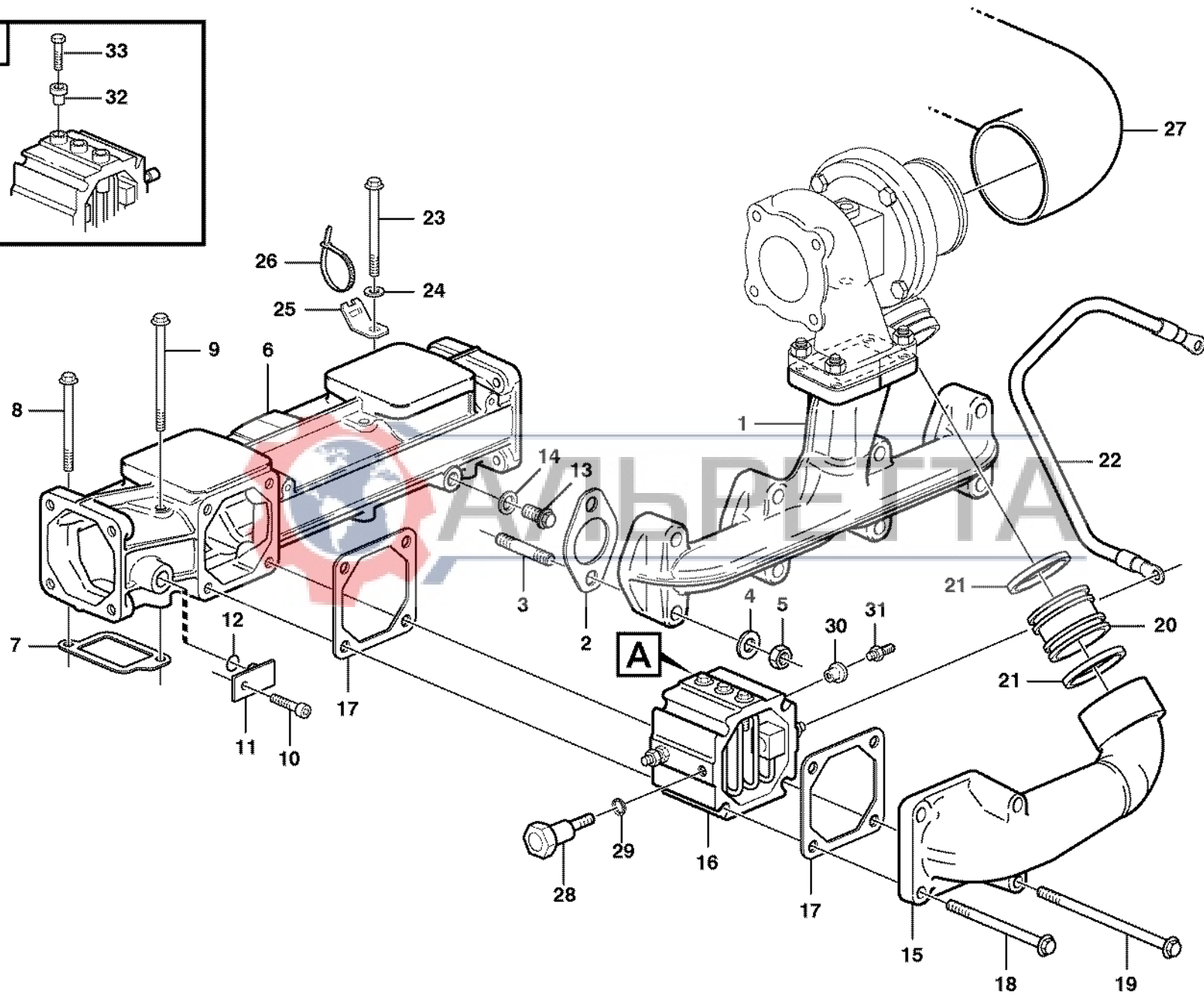
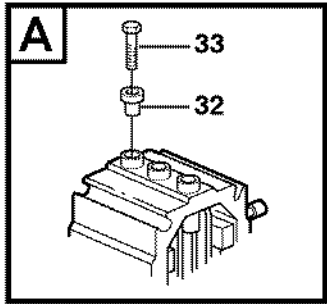


Fig.	Part No.	Quantity			P S	K I T	Description	Dénomination	Bezeichnung	Denominación	Benämning	Notes
		1	2	3								
1	VOE 24426230	1	1	1		Exhaust Pipe.....	Tuyau d'échappemen.	Auspuffrohr.....	Tubo Escape .....	Avgasrör.....		
2	VOE 20557208	4	4	4		Gasket.....	Joint .....	Dichtung .....	Junta .....	Packning.....		
3	VOE 20405587	8	8	8		Stud.....	Goujon .....	Stiftschraube .....	Esparrago.....	Pinnskruv.....		
4	VOE 11700543	8	8	8		Washer.....	Rondelle .....	Scheibe .....	Arandela.....	Bricka.....		
5	VOE 20505959	8	8	8		Hexagon Nut.....	Ecrou Hexagonal .....	Sechskantmutter .....	Tuerca Hexagon.....	Sexkantsmutter.....		
6	VOE 20565870	1	1	1		Charge Air Pipe.....	Tuyau Suralimen.....	Ladeluftrohr .....	Tubo Admis Aire.....	Laddluftför.....		
7	VOE 20555515	4	4	4		Gasket.....	Joint .....	Dichtung .....	Junta .....	Packning.....		
8	VOE 20459830	4	4	4		Screw.....	Vis .....	Schraube.....	Tornillo .....	Skruv.....		
9	VOE 20412601	4	4	4		Screw.....	Vis .....	Schraube.....	Tornillo .....	Skruv.....		
10	VOE 20450694	1	1	1		Screw.....	Vis .....	Schraube.....	Tornillo .....	Skruv.....		
11	VOE 20459910	1	1	1		Plug.....	Bouchon.....	Stopfen.....	Tapon .....	Plugg.....		
12	VOE 20459909	1	1	1		Sealing ring.....	Bague d'étanchéité .....	Runddichtring .....	Anillo reten .....	Tättningsring.....		
13	VOE 20451012	1	1	1		Plug.....	Bouchon.....	Stopfen.....	Tapon .....	Plugg.....		
14	VOE 13947621	1	1	1		Plane Gasket.....	Joint Plan .....	Flachdichtung.....	Junta Plana .....	Planpackning.....		
15	VOE 20459935	1	1			Elbow.....	Coude .....	Winkelstueck.....	Tubo acodado .....	Vinkel.....	ENG - 00985236	
	VOE 20726057	1	1	1		Elbow.....	Coude .....	Winkelstueck.....	Tubo acodado .....	Vinkel.....	ENG 00985237 -	
16	VOE 20532254	1	1			Heater.....	Elément de chauffag .....	Heizkörper.....	Calefaccion .....	Värmeelement.....	ENG - 01047118	
	VOE 20758403	1	1			Heater.....	Elément de chauffag .....	Heizkörper.....	Calefaccion .....	Värmeelement.....	ENG 01047119 -	
	VOE 20585825			1		Flange.....	Flasque .....	Flansch.....	Brida .....	Fläns.....		
17	VOE 20531832	2	2	2		Gasket.....	Joint .....	Dichtung.....	Junta .....	Packning.....		
18	VOE 20460123	2	2	2		Screw.....	Vis .....	Schraube.....	Tornillo .....	Skruv.....		
19	VOE 20459933	2	2	2		Screw.....	Vis .....	Schraube.....	Tornillo .....	Skruv.....		
20	VOE 20405616	1	1	1		Adapter.....	Raccord Reduct. ....	Verbind Stutzen.....	Adaptador.....	Adapter.....		
21	VOE 20405536	2	2	2		Sealing ring.....	Bague d'étanchéité .....	Runddichtring .....	Anillo reten .....	Tättningsring.....		
22	VOE 20726062	1				Cable.....	Câble.....	Seil .....	Cable.....	Lina.....		
23	VOE 20405898	1				Screw.....	Vis .....	Schraube.....	Tornillo .....	Skruv.....		
24	VOE 20460127	1				Washer.....	Rondelle .....	Scheibe .....	Arandela.....	Bricka.....		
25	VOE 20450997	1				Bracket.....	Console.....	Konsole .....	Consola .....	Konsol.....		
26	VOE 4881440	1				Strip Clamp.....	Ruban Serrage.....	Kabelbinder .....	Abraz Cinta .....	Bandklamma.....		
27		1	1	1		Hose.....	Durit .....	Schlauch .....	Tubo flexible.....	Slang.....	See group 256, Page 97	

1	11883246	<b>Insugningsrör och avgasgrenrör</b> <b>Tubo admisión y múltiple escape</b> <b>Ansaugrohr und Auspuffkrümmer</b> <b>Tubulure admission et tubulure echappement</b> <b>Inlet manifold and exhaust manifold</b>	Catalogue id	Group
2	11885148		<b>20004</b>	<b>251</b>
3	11887320		Illustr. No	Section
4			<b>1021333</b>	<b>100</b>
5			Issue	Page
			<b>VOE 63G9920004</b>	<b>89</b>

**VOLVO**

**BL70**

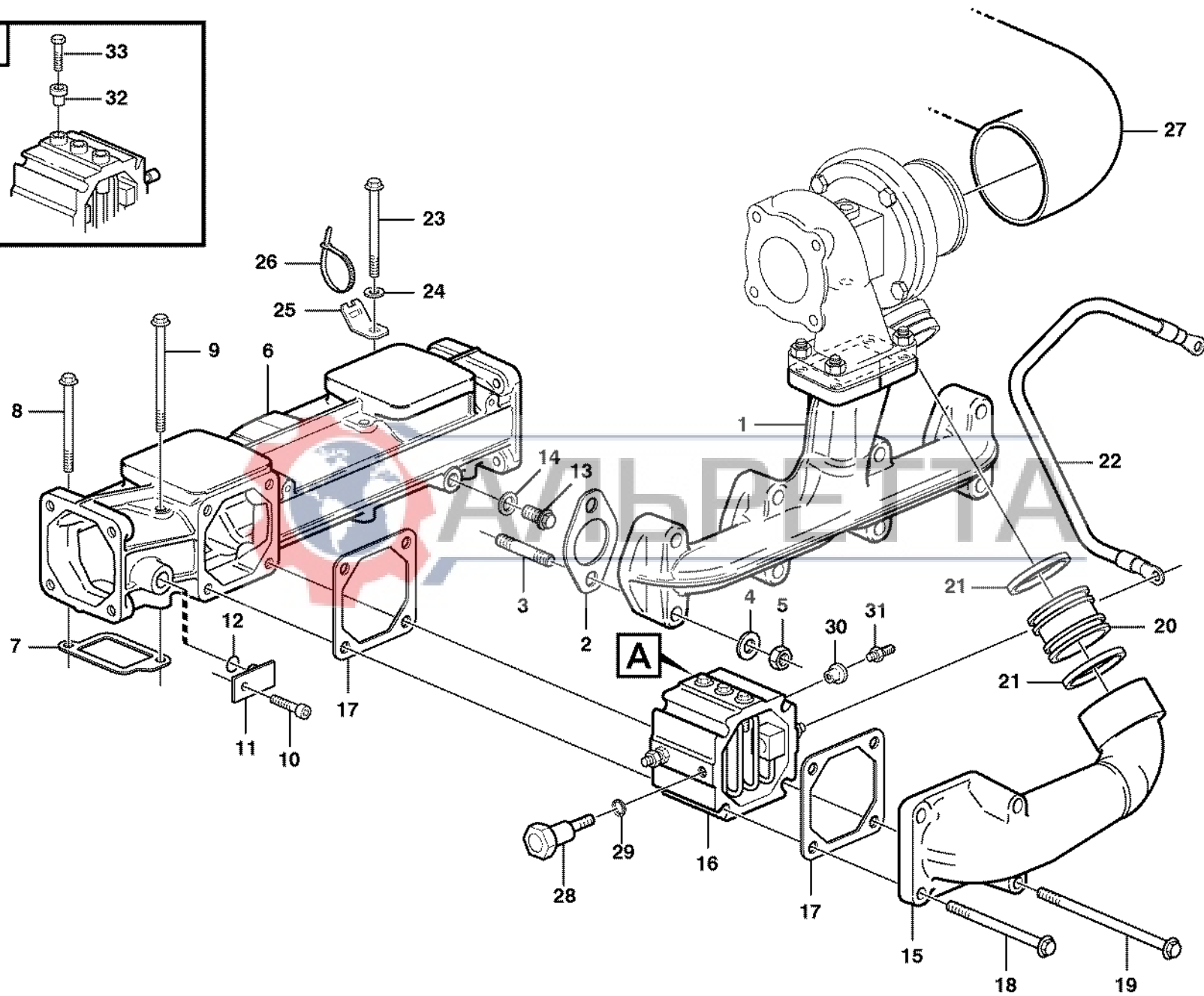
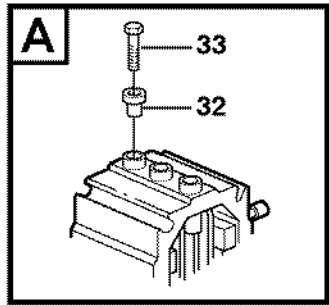


Fig.	Part No.	Quantity			P S	K I T	Description	Dénomination	Bezeichnung	Denominación	Benämning	Notes
		1	2	3								
28	VOE 20498498	1	1			Connector .....	Raccord.....	Anschluss.....	Union.....	Anslutning.....		
29	VOE 20498524	1	1			Sealing ring .....	Bague d'étanchéité ...	Runddichtring .....	Anillo reten .....	Tätningring.....		
30	VOE 20521558	1	1			Insulator .....	Isolateur .....	Isolator .....	Aislador .....	Isolator.....		
31	VOE 20572787	1	1			Connector .....	Raccord.....	Anschluss.....	Union.....	Anslutning.....		
32	VOE 20550336	1	1			Insulator .....	Isolateur .....	Isolator .....	Aislador .....	Isolator.....		
33	VOE 20550356	1	1			Bolt.....	Boulon.....	Bolzen .....	Perno.....	Bult.....		



1	11883246	<b>Insugningsrör och avgasgrenrör</b> <b>Tubo admisión y múltiple escape</b> <b>Ansaugrohr und Auspuffkrümmer</b> <b>Tubulure admission et tubulure echappement</b> <b>Inlet manifold and exhaust manifold</b>	Catalogue id	Group
2	11885148		<b>20004</b>	<b>251</b>
3	11887320		Illustr. No	Section
4			<b>1021333</b>	<b>100</b>
5			Issue	Page
			<b>VOE 63G9920004</b>	<b>91</b>

**VOLVO**



**BL70**



Volvo Construction  
Equipment  
1014926

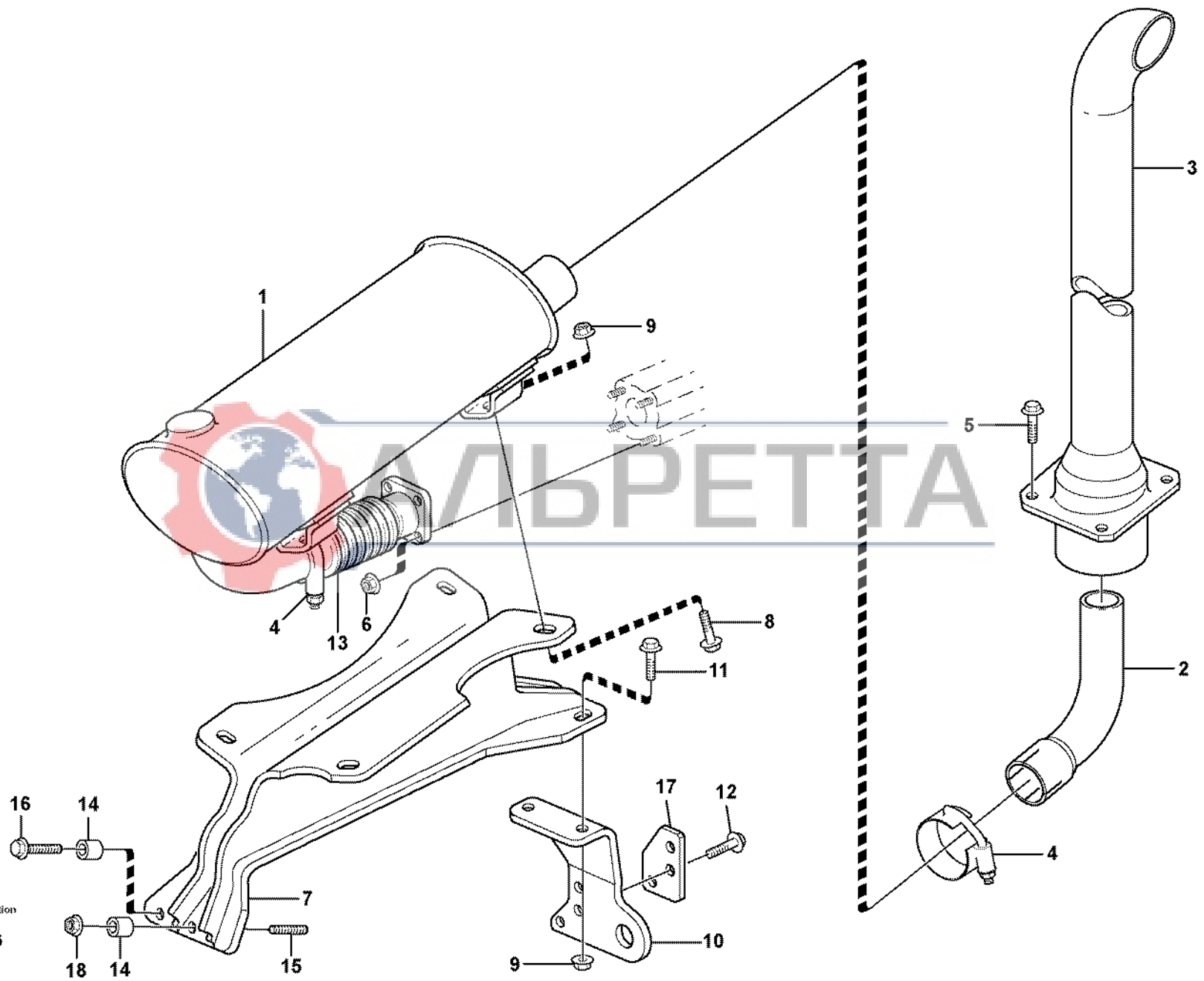
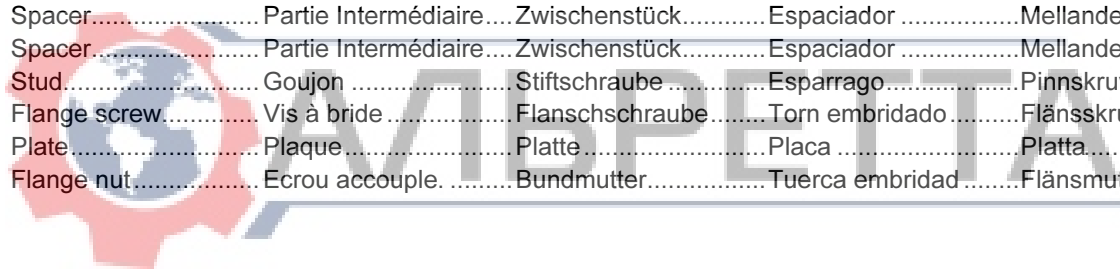


Fig.	Part No.	Quantity			P S	K I T	Description	Dénomination	Bezeichnung	Denominación	Benämning	Notes
		1	2	3								
1	VOE 11890338	1					Muffler .....	Silencieux .....	Schalldämpfer .....	Silencioso .....	Ljuddämpare .....	
2	VOE 11881139	1					Pipe .....	Canalisation .....	Rohrleitung .....	Canalización .....	Rör .....	
3	VOE 11890160	1					Exhaust Pipe .....	Tuyau d'échappemen .....	Auspuffrohr .....	Tube Escape .....	Avgasrör .....	
4	VOE 11883251	2					Clamp .....	Pince Serrage .....	Klemme .....	Abrazadera .....	Klämma .....	
5	VOE 946329	4					Flange screw .....	Vis à bride .....	Flanschschraube .....	Torn embridado .....	Flänsskruv .....	
6	VOE 948645	4					Flange Lock Nut .....	Contre écrou bride .....	Flanschmutter .....	Contratuer Embr .....	Flänslåsmutter .....	
7	VOE 11884001	1					Bracket .....	Console .....	Konsole .....	Ménsula .....	Konsol .....	SER NO -10636
7	VOE 11886387	1					Bracket .....	Console .....	Konsole .....	Ménsula .....	Konsol .....	SER NO 10637-
8	VOE 946329	4					Flange screw .....	Vis à bride .....	Flanschschraube .....	Torn embridado .....	Flänsskruv .....	
9	VOE 13971095	6					Flange nut .....	Ecrou accouple .....	Bundmutter .....	Tuerca embridad .....	Flänsmutter .....	
10	VOE 11884006	1					Plate .....	Plaque .....	Platte .....	Placa .....	Platta .....	SER NO -10636
10	VOE 11886391	1					Bracket .....	Console .....	Konsole .....	Ménsula .....	Konsol .....	SER NO 10637-
11	VOE 13965185	2					Flange screw .....	Vis à bride .....	Flanschschraube .....	Torn embridado .....	Flänsskruv .....	
12	VOE 946329	3					Flange screw .....	Vis à bride .....	Flanschschraube .....	Torn embridado .....	Flänsskruv .....	SER NO -10636
12	VOE 946472	3					Flange screw .....	Vis à bride .....	Flanschschraube .....	Torn embridado .....	Flänsskruv .....	SER NO 10637-
13	VOE 11883424	1			SS		Tube .....	Tube .....	Rohr .....	Tube .....	Rör .....	
14	VOE 11884007	2					Spacer .....	Partie Intermédiaire .....	Zwischenstück .....	Espaciador .....	Mellandel .....	SER NO -10636
14	VOE 11886393	2					Spacer .....	Partie Intermédiaire .....	Zwischenstück .....	Espaciador .....	Mellandel .....	SER NO 10637-
15	VOE 953073	2					Stud .....	Goujon .....	Stiftschraube .....	Esparrago .....	Pinnskruv .....	SER NO -10636
16	VOE 13965188	2					Flange screw .....	Vis à bride .....	Flanschschraube .....	Torn embridado .....	Flänsskruv .....	SER NO 10637-
17	VOE 11886392	1					Plate .....	Plaque .....	Platte .....	Placa .....	Platta .....	SER NO 10637-
18	VOE 13971095	2					Flange nut .....	Ecrou accouple .....	Bundmutter .....	Tuerca embridad .....	Flänsmutter .....	SER NO -10636



1	<b>Avgassystem, ljuddämpare</b> <b>Sistema de escape, silenciador</b> <b>Auspuffsystem, Schalldämpfer</b> <b>Système d'aspiration, silencieux</b> <b>Exhaust system, silencer</b>	Catalogue id	Group
2		<b>20004</b>	<b>252</b>
3		Illustr. No	Section
4		<b>1014926</b>	<b>100</b>
5		Issue	Page
		<b>VOE 63G9920004</b>	<b>93</b>

**VOLVO**

**BL70**

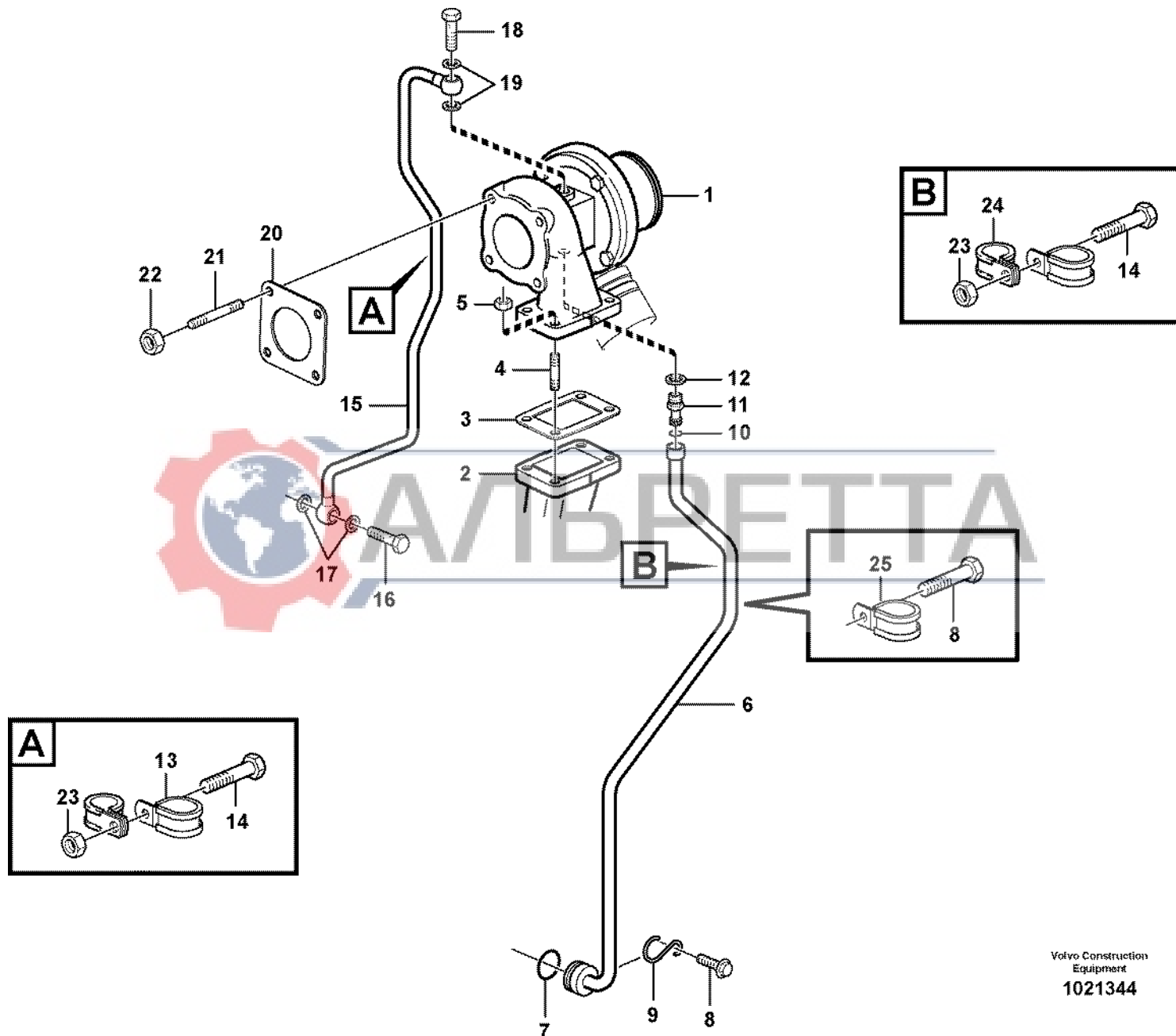


Fig.	Part No.	Quantity			P S	K I T	Description	Dénomination	Bezeichnung	Denominación	Benämning	Notes
		1	2	3								
1	VOE 20460945	1				Turbocharger .....	Turbocompresse .....	Abgasturbolader .....	Turbocompresor .....	Turbokompressor.....		
	VOE 20508630	1			OP	•Repair Kit .....	•Kit Réparation .....	•Reparaturatz .....	•Kit Reparacion .....	•Reparationssts.....		
2		1				Exhaust Pipe.....	Tuyau d'échappemen.....	Auspuffrohr.....	Tube Escape .....	Avgasrör.....	See group 251, Page 89	
3	VOE 20559834	1				Manifold .....	Tubulure .....	Verzweigung .....	Bifurcacion .....	Förgrening.....		
4	VOE 20412318	4				Stud.....	Goujon .....	Stiftschraube .....	Esparrago.....	Pinnskruv.....		
5	VOE 20517048	4				Hexagon Nut.....	Ecrou Hexagonal .....	Sechskantmutter .....	Tuerca Hexagon.....	Sexkantsmutter.....		
6	VOE 20528339	1				Return Line .....	Conduit Retour.....	Rückaufleitung .....	Conduct Return .....	Returledning.....		
7	VOE 20405822	1				Sealing ring .....	Bague d'étanchéité .....	Runddichtring .....	Anillo reten .....	Tätningsring.....		
8	VOE 20405792	2				Screw .....	Vis .....	Schraube .....	Tornillo .....	Skruv.....		
9	VOE 20405789	1				Retainer .....	Retenue .....	Halter.....	Soporte.....	Hållare.....		
10	VOE 20459172	1				Sealing ring .....	Bague d'étanchéité .....	Runddichtring .....	Anillo reten .....	Tätningsring.....		
11	VOE 20459171	1				Nipple.....	Raccord .....	Nippel.....	Niple .....	Nippel.....		
12	VOE 20549894	1				Sealing ring .....	Bague d'étanchéité .....	Runddichtring .....	Anillo reten .....	Tätningsring.....		
13	VOE 20460045	1				Clamp.....	Pince Serrage .....	Klemme .....	Abrazadera.....	Klämma.....		
14	VOE 20460055	1				Screw.....	Vis .....	Schraube.....	Tornillo .....	Skruv.....		
15	VOE 20555494	1				Feed Line.....	Cond.alimentat.....	Druckleitung .....	Conduct Presion.....	Tryckledning.....		
16	VOE 20460231	1				Hollow screw.....	Vis creuse .....	Hohlschraube .....	Racor-surtidor .....	Hålskruv.....		
17	VOE 13947621	2				Plane Gasket .....	Joint Plan .....	Flachdichtung .....	Junta Plana .....	Planpackning.....		
18	VOE 20460936	1				Hollow screw.....	Vis creuse .....	Hohlschraube .....	Racor-surtidor .....	Hålskruv.....		
19	VOE 20460061	2				Seal.....	Joint .....	Dichtring .....	Junta .....	Tätning.....		
20	VOE 20459236	1				Gasket.....	Joint .....	Dichtung .....	Junta .....	Packning.....		
21	VOE 20459235	4				Stud.....	Goujon .....	Stiftschraube .....	Esparrago.....	Pinnskruv.....		
22	VOE 20517048	4				Hexagon Nut.....	Ecrou Hexagonal .....	Sechskantmutter .....	Tuerca Hexagon.....	Sexkantsmutter.....		
23	VOE 20460939	1				Hexagon Nut.....	Ecrou Hexagonal .....	Sechskantmutter .....	Tuerca Hexagon.....	Sexkantsmutter.....		
24	VOE 20459181	1				Clamp.....	Pince Serrage .....	Klemme .....	Abrazadera.....	Klämma.....		
25	VOE 20450867	1				Clamp.....	Pince Serrage .....	Klemme .....	Abrazadera.....	Klämma.....		

1		<b>Turbokompressor med monteringsdetaljer</b> <b>Turboalimentador con accesorios de montaje</b> <b>Torbolader mit Anbauteilen</b> <b>Turbocompresseur avec pièces de montage</b> <b>Turbocharger with fitting parts</b>	Catalogue id	Group
2			<b>20004</b>	<b>255</b>
3			Illustr. No	Section
4			<b>1021344</b>	<b>100</b>
5			Issue	Page
		<b>11883246, 11885148, 11887320</b>	<b>VOE 63G9920004</b>	<b>95</b>

**VOLVO**

**BL70**

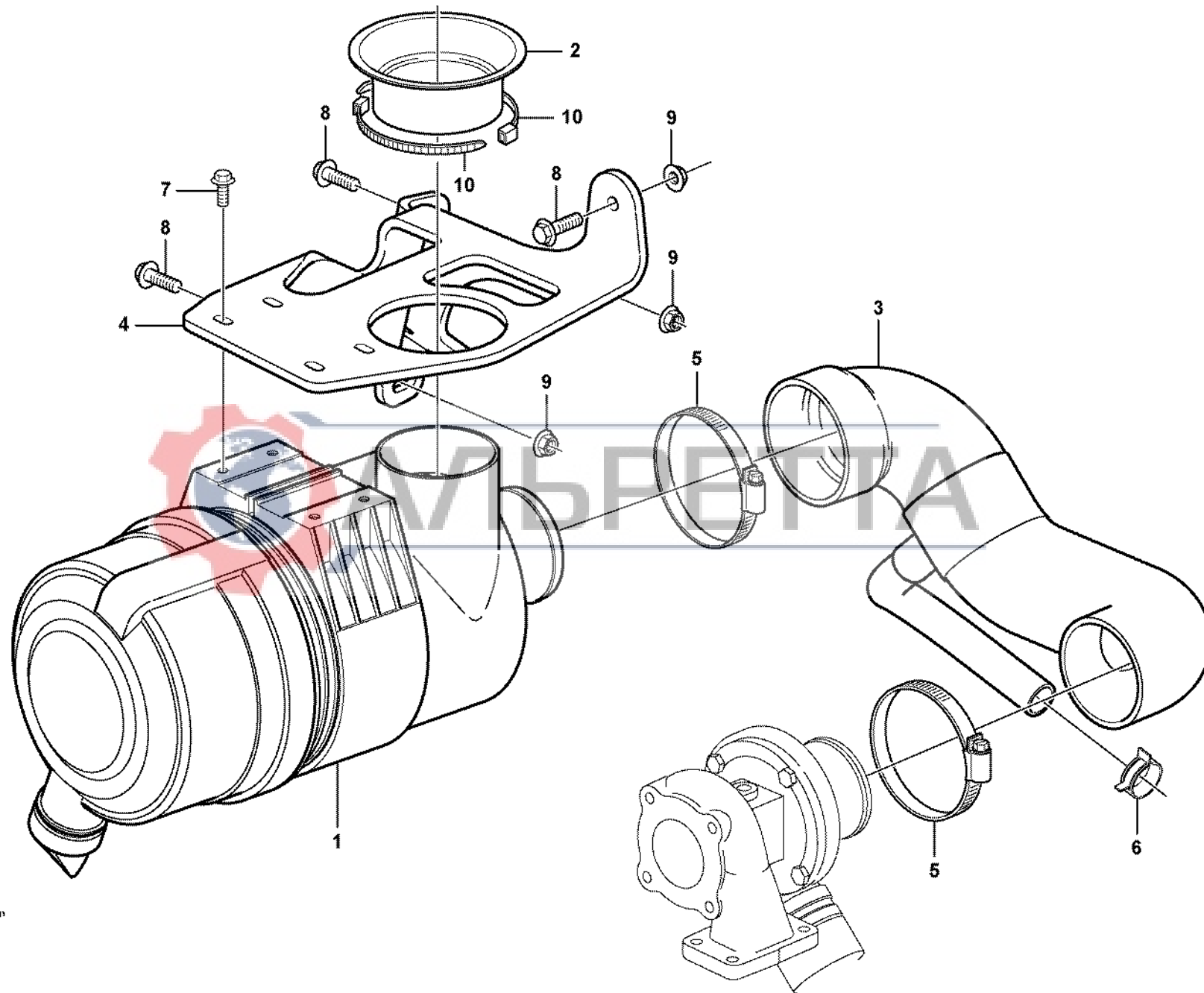


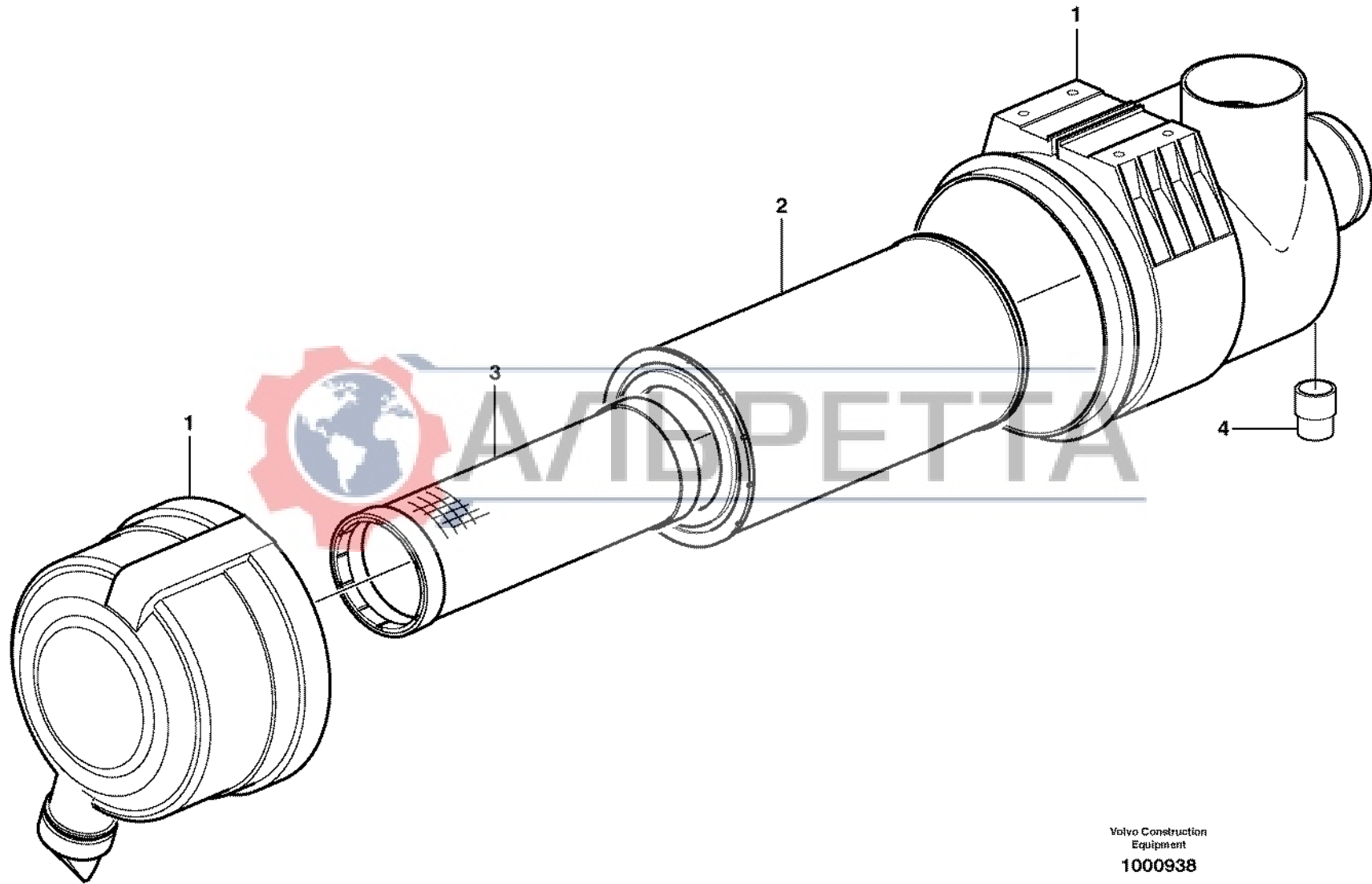
Fig.	Part No.	Quantity			P S	K I T	Description	Dénomination	Bezeichnung	Denominación	Benämning	Notes
		1	2	3								
1		1				Air Cleaner .....	Filtre Air.....	Luftfilter .....	Filtro Aire .....	Luftrenare.....	See group 256, Page 99	
2	VOE 11883145	1				Sealing ring .....	Bague d'étanchéité ...	Runddichtring .....	Anillo reten .....	Tätningring.....		
3	VOE 11881164	1				Hose.....	Durit .....	Schlauch .....	Tubo flexible.....	Slang.....		
4		1			NS	Bracket.....	Console.....	Konsole .....	Ménsula.....	Konsol.....		
5	VOE 943483	2				Hose Clamp .....	Collier Serrage .....	Schlauchschelle .....	Abraz Manguera.....	Slangklamma.....		
6	VOE 982021	1				Hose Clamp .....	Collier Serrage .....	Schlauchschelle .....	Abraz Manguera.....	Slangklamma.....		
7	VOE 13946173	4				Flange screw.....	Vis à bride .....	Flanschschraube.....	Torn embridado .....	Flänsskruv.....		
8	VOE 946472	2				Flange screw.....	Vis à bride .....	Flanschschraube.....	Torn embridado .....	Flänsskruv.....		
9	VOE 13971095	2				Flange nut.....	Ecrou accouple. ....	Bundmutter.....	Tuerca embridad .....	Flänsmutter.....		
10	VOE 4881440	2				Strip Clamp .....	Ruban Serrage.....	Kabelbinder .....	Abraz Cinta .....	Bandklamma.....	SER NO 10617-	



1		<b>Luftrenare med monteringsdetaljer</b> <b>Filtro de aire con accesoris de montaje</b> <b>Luftfilter mit Anbauteilen</b> <b>Filtre à air avec pièces de montage</b> <b>Air filter with fitting parts</b>	Catalogue id	Group
2			<b>20004</b>	<b>256</b>
3			Illustr. No	Section
4			<b>1000937</b>	<b>100</b>
5			Issue	Page
			<b>VOE 63G9920004</b>	<b>97</b>

**VOLVO**

**BL70**



Volvo Construction  
Equipment  
1000938

Fig.	Part No.	Quantity			P S	K I T	Description	Dénomination	Bezeichnung	Denominación	Benämning	Notes
		1	2	3								
1	VOE 11890335	1					Air Cleaner .....	Filtre Air.....	Luftfilter .....	Filtro Aire .....	Luftrenare.....	
2	VOE 11883618	1					•Primary Filter .....	•Prefiltre .....	•Vorfilter.....	•Prefiltro.....	•Förfilter.....	
3	VOE 11883619	1					•Safety filter.....	•Filtre de sécurité .....	•Sicherheitsfilter .....	•Filtro de seguridad .....	•Säkerhetsfilter.....	
4	VOE 11709746	1					•Indicator.....	•Indicateur .....	•Indikator .....	•Indicador .....	•Indikator.....	



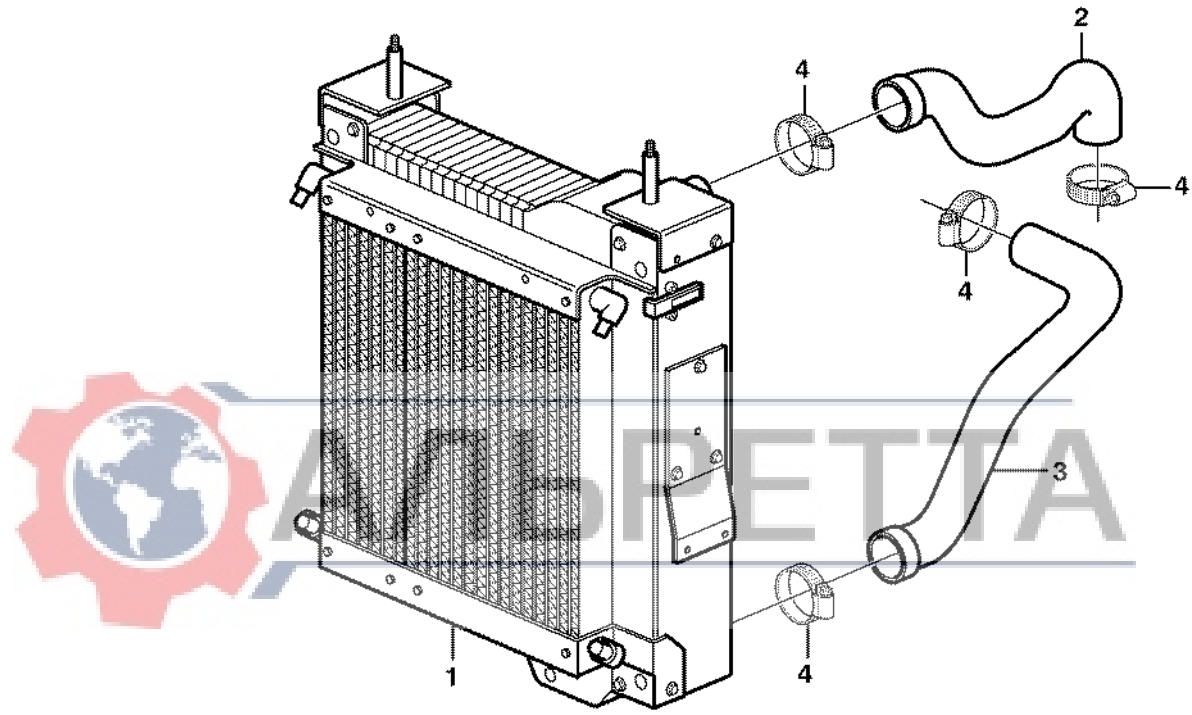
1		<b>Luftrenare</b> <b>Filtro de aire</b> <b>Luftfilter</b> <b>Purificateur d'air</b> <b>Air filter</b>	Catalogue id	Group
2			<b>20004</b>	<b>256</b>
3			Illustr. No	Section
4			<b>1000938</b>	<b>150</b>
5			Issue	Page
			<b>VOE 63G9920004</b>	<b>99</b>

**VOLVO**



**BL70**





Volvo Construction  
Equipment  
**1000555**

Fig.	Part No.	Quantity			P S	K I T	Description	Dénomination	Bezeichnung	Denominación	Benämning	Notes
		1	2	3								
1		1				Radiator .....	Radiateur .....	Kühler .....	Radiador .....	Kylare .....	See group 261, Page 105	
2	VOE 11881130	1				Radiator Hose .....	Durit Radiateur .....	Kuhlerschlauch .....	Manguera Radiad .....	Kylarslang .....		
3	VOE 11881131	1				Radiator Hose .....	Durit Radiateur .....	Kuhlerschlauch .....	Manguera Radiad .....	Kylarslang .....	S/N - 11144	
3	VOE 11888695	1				Hose .....	Durit .....	Schlauch .....	Tubo flexible .....	Slang .....	S/N 11145 -	
4	VOE 981604	4				Hose Clamp .....	Collier Serrage .....	Schlauchschelle .....	Abraz Manguera .....	Slangklamma .....		



1		<b>Kylsystem</b> <b>Sistema de refrigeración</b> <b>Kühlanlage</b> <b>Système de refroidissement</b> <b>Cooling system</b>	Catalogue id	Group
2			<b>20004</b>	<b>260</b>
3			Illustr. No	Section
4			<b>1000555</b>	<b>100</b>
5			Issue	Page
			<b>VOE 63G9920004</b>	<b>101</b>

**VOLVO**



**BL70**

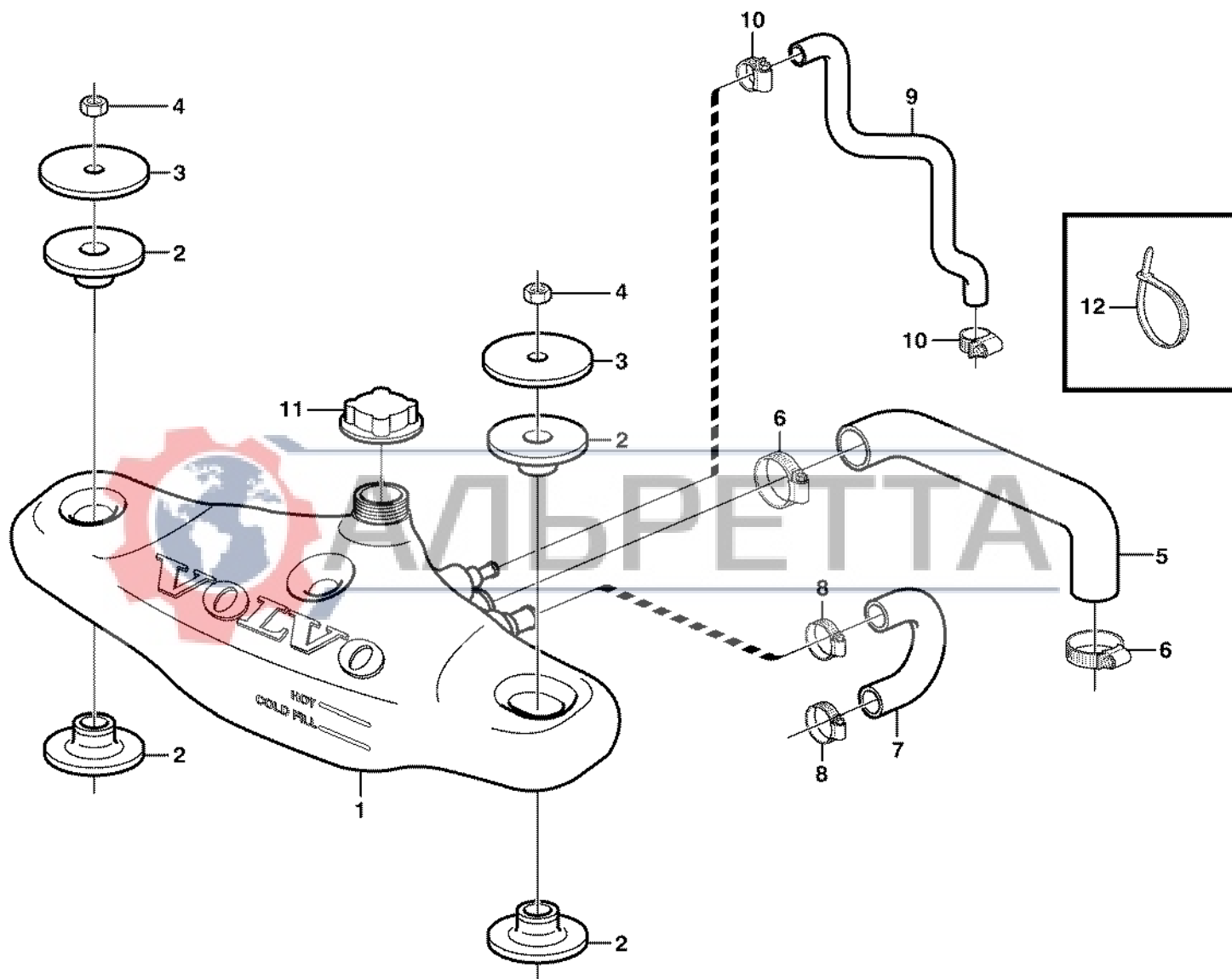


Fig.	Part No.	Quantity			P S	K I T	Description	Dénomination	Bezeichnung	Denominación	Benämning	Notes
		1	2	3								
1	VOE 11886455	1				Expansion Tank .....	Vase Expansion .....	Dehngefäß .....	Tanque Expansio .....	Expansionskärl.....	(VOE 11884118)	
2		4			NS	Spacer.....	Entretoise .....	Abstandkörper.....	Distanciador .....	Distans.....		
3		2			NS	Washer.....	Rondelle .....	Scheibe .....	Arandela .....	Bricka.....		
4	VOE 13971095	2				Flange nut.....	Ecrou accouple. ....	Bundmutter.....	Tuerca embridad .....	Flänsmutter.....		
5	VOE 11882659	1				Hose.....	Durit .....	Schlauch .....	Tubo flexible .....	Slang.....		
6	VOE 981708	2				Hose Clamp .....	Collier Serrage .....	Schlauchselle .....	Abraz Manguera.....	Slangklamma.....		
7	VOE 11882756	1				Hose.....	Durit .....	Schlauch .....	Tubo flexible .....	Slang.....		
8	VOE 981705	2				Hose Clamp .....	Collier Serrage .....	Schlauchselle .....	Abraz Manguera.....	Slangklamma.....		
9	VOE 11882757	1				Hose.....	Durit .....	Schlauch .....	Tubo flexible .....	Slang.....		
10	VOE 943469	2				Hose Clamp .....	Collier Serrage .....	Schlauchselle .....	Abraz Manguera.....	Slangklamma.....		
11	VOE 1542591	1				Pressure Cap.....	Boucho.pression .....	Druckverschluss.....	Tapa Presion.....	Trycklock.....		
12	VOE 4881438	1				Strip Clamp .....	Ruban Serrage.....	Kabelbinder .....	Abraz Cinta .....	Bandklamma.....		

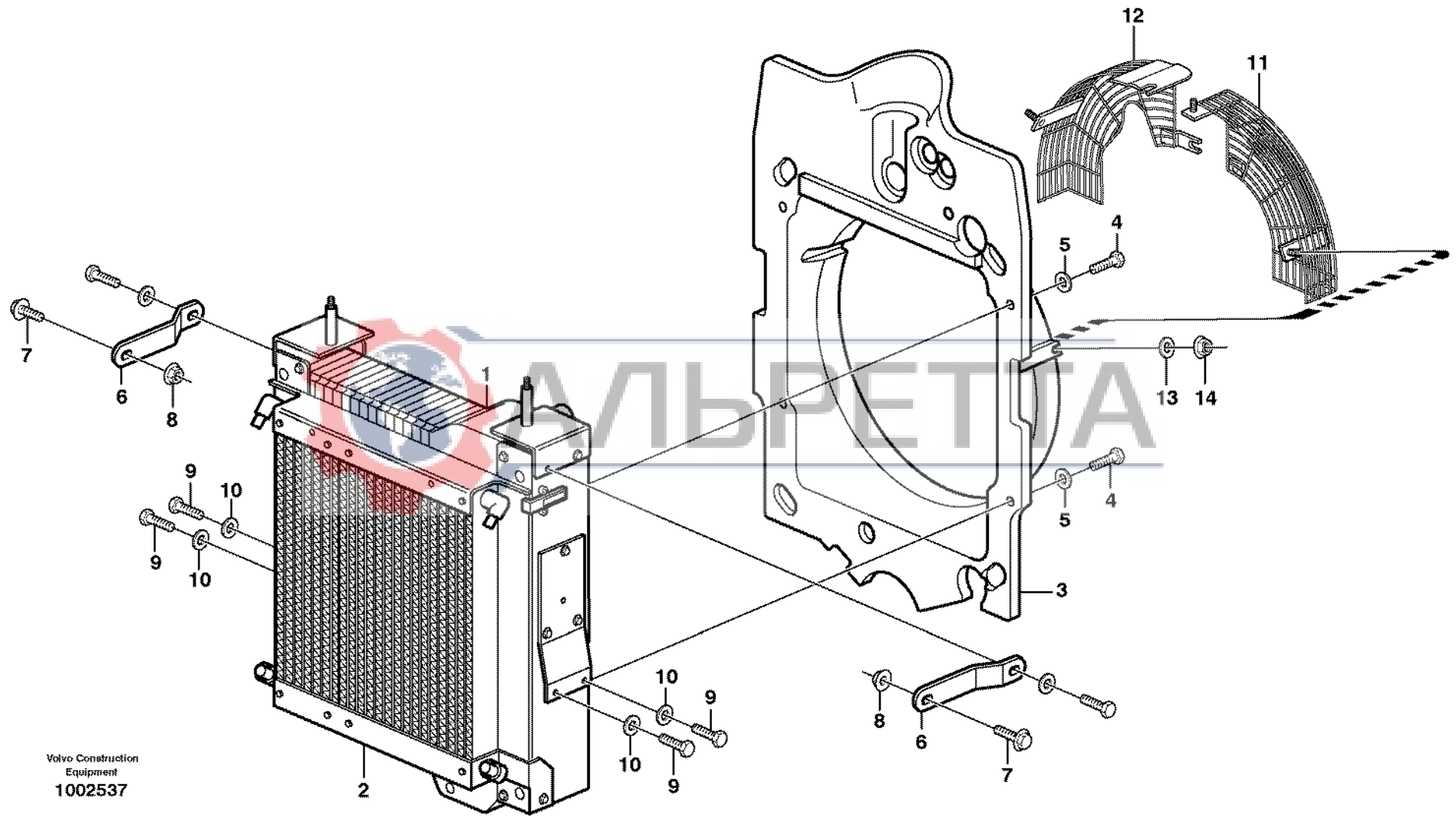


1	<b>Kylsystem och expansionstank</b> <b>Sistema de refrigeración con vaso expansión</b> <b>Kühlsystem mit Expansionstank</b> <b>Système de refroidissement avec vase d'expansion</b> <b>Cooling system incl. expansion tank</b>	Catalogue id	Group
2		<b>20004</b>	<b>260</b>
3		Illustr. No	Section
4		<b>1000559</b>	<b>200</b>
5		Issue	Page
		<b>VOE 63G9920004</b>	<b>103</b>

**VOLVO**



**BL70**



Volvo Construction  
Equipment  
1002537

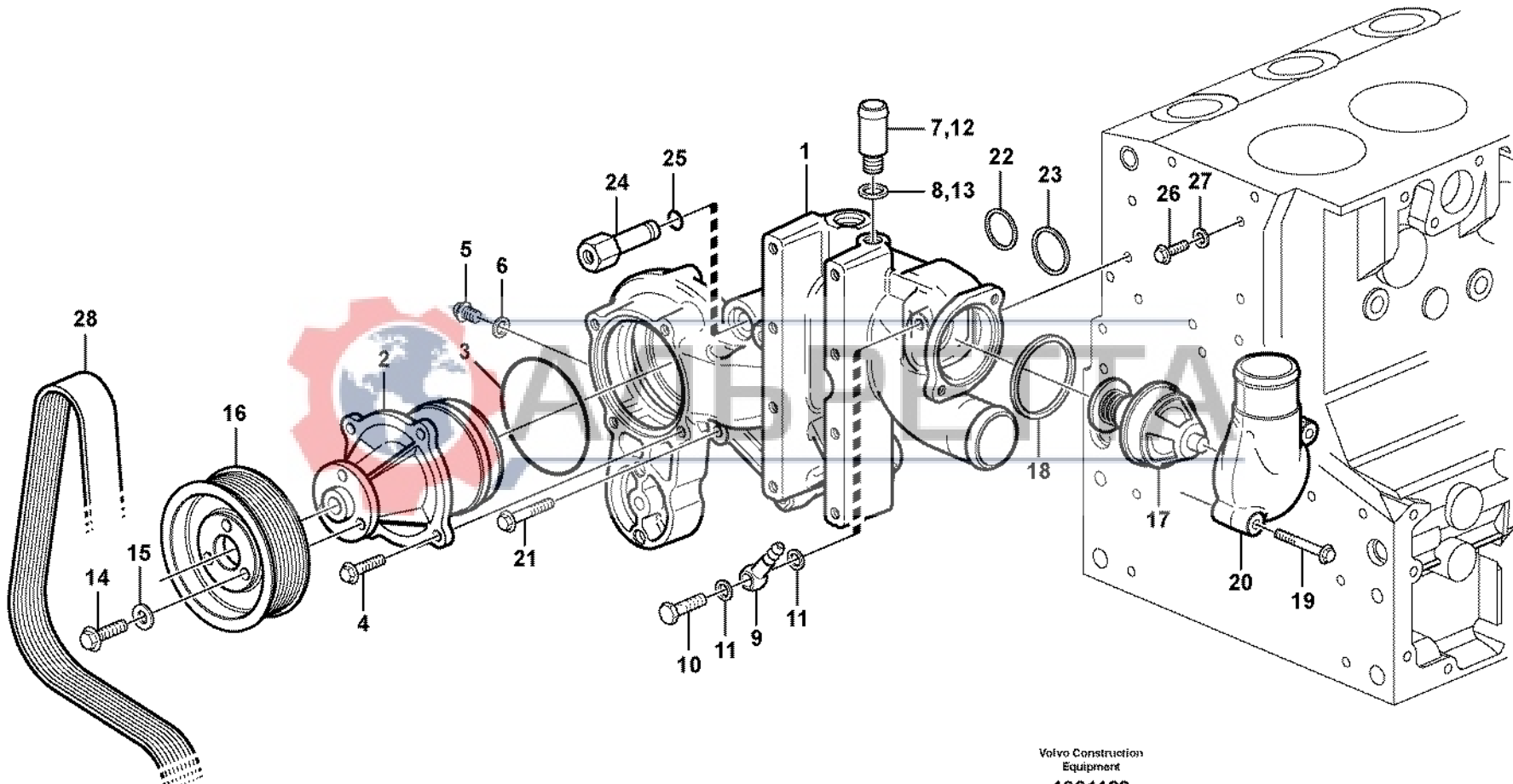
Fig.	Part No.	Quantity			P S	K I T	Description	Dénomination	Bezeichnung	Denominación	Benämning	Notes
		1	2	3								
1	VOE 11890331	1				Radiator .....	Radiateur .....	Radiator.....	Radiador.....	Radiator.....		
2	VOE 11890332	1				•Oil Cooler.....	•Refroidisseur huile .....	•Ölkühler.....	•Enfriadores aceite .....	•Oljekylare.....		
3	VOE 11888687	1				Fan Shroud .....	Boitier Ventilateur.....	Lufferhaube .....	Cubierta Ventilador .....	Fläktkåpa.....		
4	VOE 13946173	4				Flange screw.....	Vis à bride .....	Flanschschaube.....	Torn embridado .....	Flänsskruv.....		
5	VOE 925739	4				Washer.....	Rondelle .....	Scheibe .....	Arandela .....	Bricka.....		
6	VOE 11884119	2				Plate.....	Plaque.....	Platte.....	Placa .....	Platta.....		
7	VOE 13946173	4				Flange screw.....	Vis à bride .....	Flanschschaube.....	Torn embridado .....	Flänsskruv.....		
8	VOE 13945408	2				Nut .....	Ecrou.....	Mutter .....	Tuerca .....	Mutter.....		
9	VOE 13945444	4				Flange screw.....	Vis à bride .....	Flanschschaube.....	Torn embridado .....	Flänsskruv.....		
10	VOE 11117464	4				Washer.....	Rondelle .....	Scheibe .....	Arandela .....	Bricka.....		
11	VOE 11885802	1				Grille.....	Grille.....	Kühlergrill .....	Calandra.....	Grill.....	S/N - 10939	
11	VOE 11887369	1				Grille.....	Grille.....	Kühlergrill .....	Calandra.....	Grill.....	S/N 10940 -	
12	VOE 11885803	1				Grille.....	Grille.....	Kühlergrill .....	Calandra.....	Grill.....	S/N - 10939	
13	VOE 11117464	4				Washer.....	Rondelle .....	Scheibe .....	Arandela .....	Bricka.....	S/N - 13939	
13	VOE 11117464	3				Washer.....	Rondelle .....	Scheibe .....	Arandela .....	Bricka.....	S/N 13940 -	
14	VOE 948645	4				Flange Lock Nut.....	Contre écrou bride .....	Flanschmutter .....	Contratuer Embr.....	Flänslåsmutter.....	S/N - 13939	
14	VOE 948645	3				Flange Lock Nut.....	Contre écrou bride .....	Flanschmutter .....	Contratuer Embr.....	Flänslåsmutter.....	S/N 13940 -	



1	<b>Kylare med monteringsdetaljer</b> <b>Radiador con accesorios de montaje</b> <b>Kühler mit Anbauteilen</b> <b>Radiateur avec pièces de montage</b> <b>Radiator with fitting parts</b>	Catalogue id	Group
2		<b>20004</b>	<b>261</b>
3		Illustr. No	Section
4		<b>1002537</b>	<b>100</b>
5		Issue	Page
		<b>VOE 63G9920004</b>	<b>105</b>

**VOLVO**

**BL70**



Volvo Construction  
Equipment  
1021128

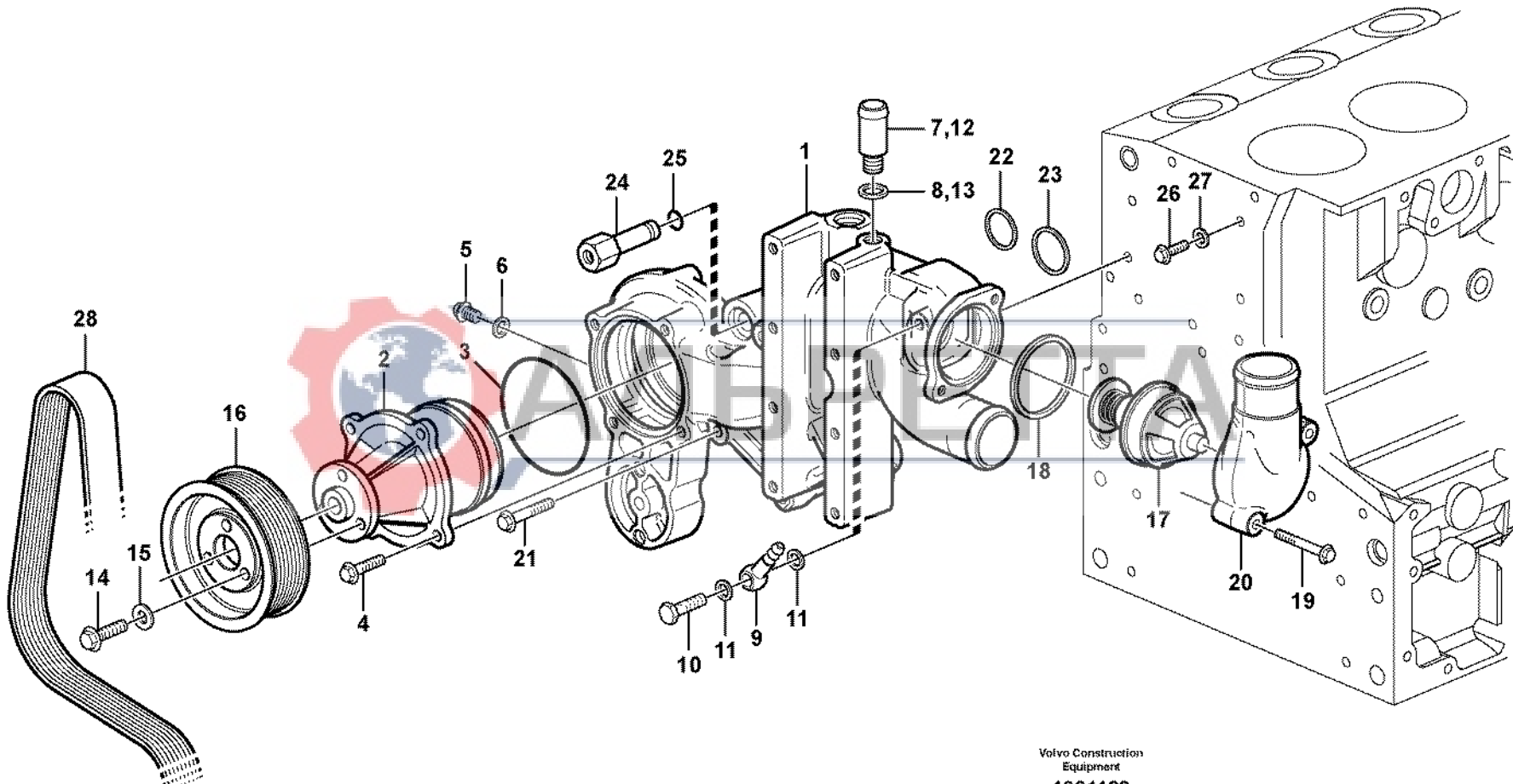
Fig.	Part No.	Quantity			P S	K I T	Description	Dénomination	Bezeichnung	Denominación	Benämning	Notes
		1	2	3								
1	VOE 20550117	1				SS	Bracket.....	Console.....	Konsole.....	Ménsula.....	Konsol.....	ENG - 01007594
	VOE 20739051	1					Bracket.....	Console.....	Konsole.....	Ménsula.....	Konsol.....	ENG 01007595 - 10020146
	VOE 20791406	1					Bracket.....	Console.....	Konsole.....	Ménsula.....	Konsol.....	ENG 10020147 -
2	VOE 20502535	1					•Coolant Pump.....	•Pompe a eau.....	•Kühlwasserpumpe.....	•Bomba Ag.refr.....	•Kylvätskepump.....	ENG - 01007594
	VOE 20726092	1					•Coolant Pump.....	•Pompe a eau.....	•Kühlwasserpumpe.....	•Bomba Ag.refr.....	•Kylvätskepump.....	ENG 01007595 -
3	VOE 20502536	1					•Sealing ring.....	•Bague d'étanchéité.....	•Runddichtring.....	•Anillo reten.....	•Tätningring.....	
4	VOE 20405885	4					•Screw.....	•Vis.....	•Schraube.....	•Tornillo.....	•Skruv.....	
5	VOE 888774	1					•Plug.....	•Bouchon.....	•Stopfen.....	•Tapon.....	•Plugg.....	
6	VOE 13947281	1					•Gasket.....	•Joint.....	•Dichtung.....	•Junta.....	•Packning.....	
7	VOE 20412313	1					•Hose Connection.....	•Racco.flexible.....	•Schlauchanschl.....	•Conex Manguera.....	•Slanganslutning.....	ENG - 01007594
8	VOE 20549894	1					•Sealing ring.....	•Bague d'étanchéité.....	•Runddichtring.....	•Anillo reten.....	•Tätningring.....	ENG - 01007594
9	VOE 20551429	1					•Fitting.....	•Ecrou raccord.....	•Verschraubung.....	•Racor.....	•Förskruvning.....	
10	VOE 20460936	1					•Hollow screw.....	•Vis creuse.....	•Hohlschraube.....	•Racor-surtidor.....	•Hålskruv.....	
11	VOE 20460061	2					•Seal.....	•Joint.....	•Dichtring.....	•Junta.....	•Tätning.....	
12	VOE 20412313	1					Hose Connection.....	Racco.flexible.....	Schlauchanschl.....	Conex Manguera.....	Slanganslutning.....	ENG 01007595 -
13	VOE 20549894	1					Sealing ring.....	Bague d'étanchéité.....	Runddichtring.....	Anillo reten.....	Tätningring.....	ENG 01007595 -
14	VOE 20405792	3					Screw.....	Vis.....	Schraube.....	Tornillo.....	Skruv.....	
15	VOE 20450745	3					Washer.....	Rondelle.....	Scheibe.....	Arandela.....	Bricka.....	
16	VOE 20459949	1					Pulley.....	Poulie.....	Z-riemenscheibe.....	Polea Corr Dent.....	Kuggremhjul.....	
17	VOE 20450736	1					Thermostat.....	Thermostat.....	Thermostat.....	Termostato.....	Termostat.....	
18	VOE 20459961	1					Sealing ring.....	Bague d'étanchéité.....	Runddichtring.....	Anillo reten.....	Tätningring.....	
19	VOE 20405672	2					Screw.....	Vis.....	Schraube.....	Tornillo.....	Skruv.....	
20	VOE 20450735	1					Outlet.....	Sortie.....	Auslass.....	Salida.....	Utlopp.....	
21	VOE 20405723	5					Screw.....	Vis.....	Schraube.....	Tornillo.....	Skruv.....	
22	VOE 20459955	1					Sealing ring.....	Bague d'étanchéité.....	Runddichtring.....	Anillo reten.....	Tätningring.....	ENG - 10020146
	VOE 20799838	1					Rubber Seal.....	Lèvre Caoutchouc.....	Gummilippe.....	Labio Goma.....	Gummiläpp.....	ENG 10020147 -
23	VOE 20459953	1					Sealing ring.....	Bague d'étanchéité.....	Runddichtring.....	Anillo reten.....	Tätningring.....	
24	VOE 20459952	1					Connector.....	Raccord.....	Anschluss.....	Union.....	Anslutning.....	
25	VOE 20459954	1					•Sealing ring.....	•Bague d'étanchéité.....	•Runddichtring.....	•Anillo reten.....	•Tätningring.....	
26	VOE 20405898	1					Screw.....	Vis.....	Schraube.....	Tornillo.....	Skruv.....	

1		<b>Vattenspump och termostathus</b>	Catalogue id	Group
2		<b>Bomba de agua y caja de termostato</b>	<b>20004</b>	<b>262</b>
3		<b>Wasserpumpe und Thermostatgehäuse</b>	Illustr. No	Section
4		<b>Pompe à eau et boîtier thermostat</b>	<b>1021128</b>	<b>100</b>
5		<b>Water pump and thermostat housing</b>	Issue	Page
		<b>11883246, 11885148, 11887320</b>	<b>VOE 63G9920004</b>	<b>107</b>

**VOLVO**

**BL70**





Volvo Construction  
Equipment  
1021128

Fig.	Part No.	Quantity			P S	K I T	Description	Dénomination	Bezeichnung	Denominación	Benämning	Notes
		1	2	3								
27	<b>VOE 20459900</b>	1				Sealing ring .....	Bague d'étanchéité ....	Runddichtring .....	Anillo reten .....	Tätningring.....		
28		1				V-belt.....	Courroie Trape.....	Keilriemen .....	Correa Trapez .....	Kilrem.....	See group 263, Page 113	

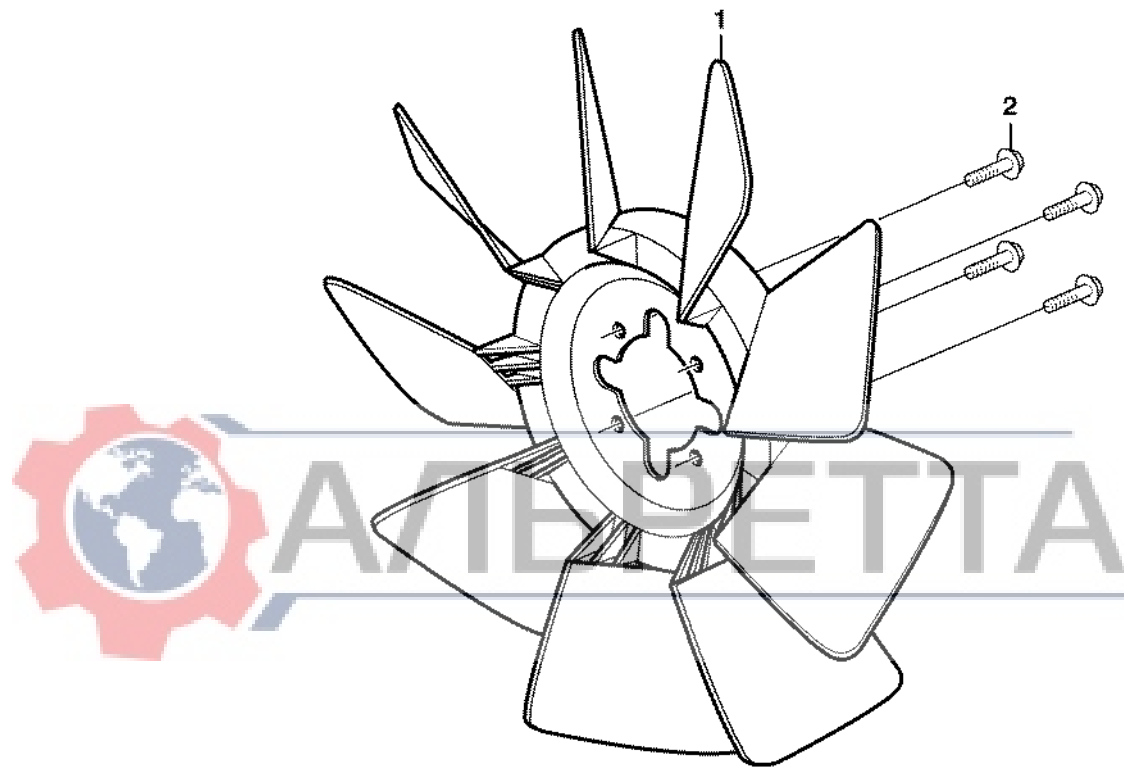


1		<b>Vattenspump och termostathus</b> <b>Bomba de agua y caja de termostato</b> <b>Wasserpumpe und Thermostatgehäuse</b> <b>Pompe à eau et boîtier thermostat</b> <b>Water pump and thermostat housing</b>	Catalogue id	Group
2			<b>20004</b>	<b>262</b>
3			Illustr. No	Section
4			<b>1021128</b>	<b>100</b>
5			Issue	Page
		<b>11883246, 11885148, 11887320</b>	<b>VOE 63G9920004</b>	<b>109</b>

**VOLVO**



**BL70**



Volvo Construction  
Equipment  
1000585

Fig.	Part No.	Quantity			P S	K I T	Description	Dénomination	Bezeichnung	Denominación	Benämning	Notes
		1	2	3								
1	VOE 11882519	1				Fan.....	Ventilateur.....	Ventilator.....	Ventilador.....	Fläkt.....		
2	VOE 20405885	4				Screw.....	Vis.....	Schraube.....	Tornillo.....	Skruv.....		



1	<b>Fläkt med monteringsdetaljer</b> <b>Ventilador con accesorios de montaje</b> <b>Lüfter mit Anbauteilen</b> <b>Ventilateur avec pièces de montage</b> <b>Fan and installation components</b>	Catalogue id	Group
2		<b>20004</b>	<b>263</b>
3		Illustr. No	Section
4		<b>1000585</b>	<b>100</b>
5		Issue	Page
		<b>VOE 63G9920004</b>	<b>111</b>

**VOLVO**



**BL70**

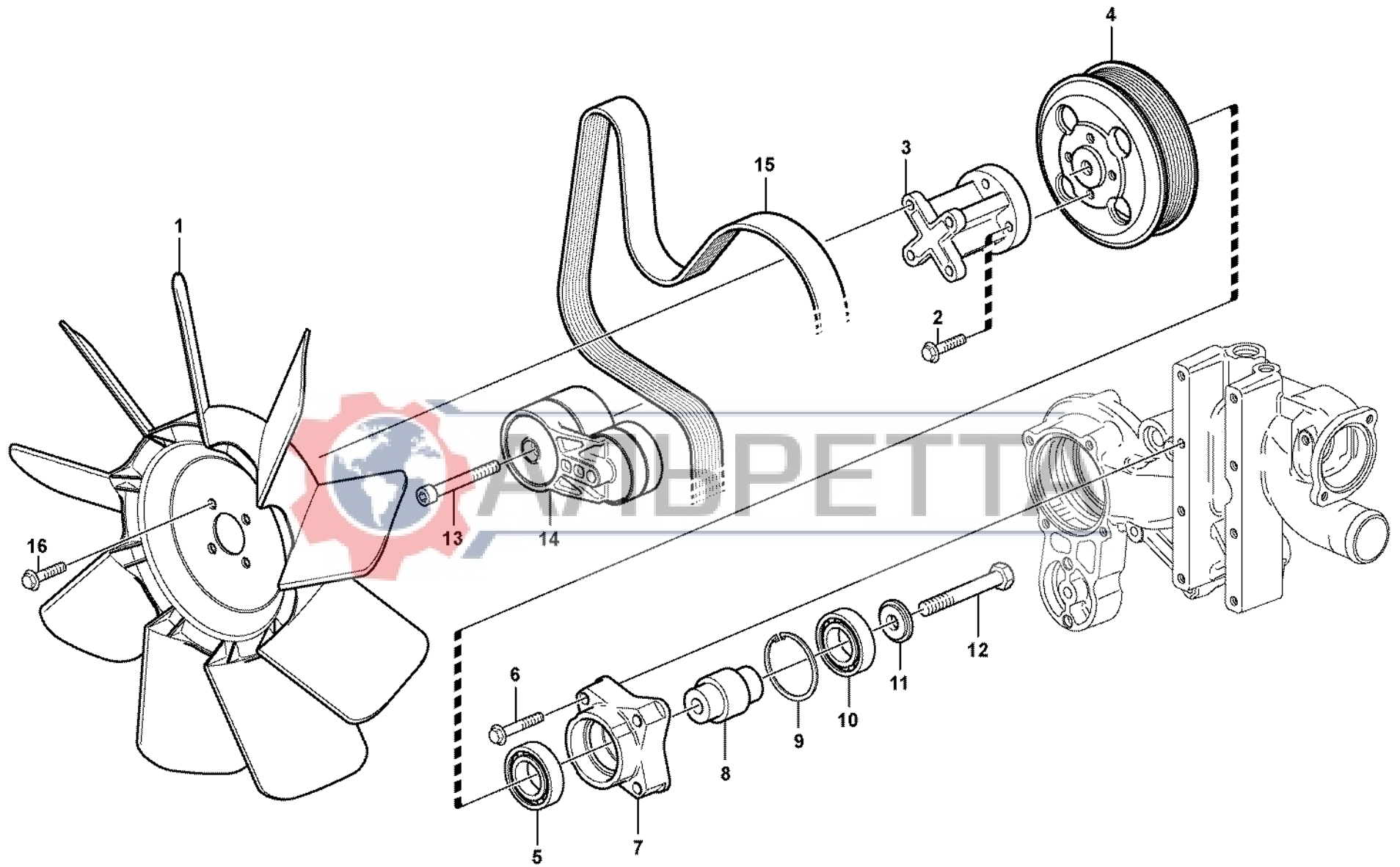


Fig.	Part No.	Quantity			P S	K I T	Description	Dénomination	Bezeichnung	Denominación	Benämning	Notes
		1	2	3								
1		1				Fan.....	Ventilateur.....	Ventilator.....	Ventilador.....	Fläkt.....	See group 263, Page 111	
2	VOE 20405504	4				Screw.....	Vis.....	Schraube.....	Tornillo.....	Skruv.....		
3	VOE 20405988	1				Adapter.....	Raccord Reduct.....	Verbind Stutzen.....	Adaptador.....	Adapter.....		
	VOE 20729310	1				Kit.....	Jeu.....	Bausatz.....	Juego.....	Sats.....		
4	VOE 20459864	1				•Pulley.....	•Poulie.....	•Z-riemenscheibe.....	•Polea Corr Dent.....	•Kuggremhjul.....		
5	VOE 20450749	1				•Ball Bearing.....	•Roulemen.billes.....	•Kugellager.....	•Cojinete Bolas.....	•Kullager.....		
6	VOE 20459263	4				•Screw.....	•Vis.....	•Schraube.....	•Tornillo.....	•Skruv.....		
7	VOE 20715795	1				•Bearing Bracket.....	•Porte-palier.....	•Lagerbock.....	•Soporte Cojin.....	•Lagerbock.....		
8	VOE 20459264	1				•Shaft.....	•Arbre.....	•Welle.....	•Arbol.....	•Axel.....		
9	VOE 20459025	1				•Retaining ring.....	•Bague retenue.....	•Haltering.....	•Anillo de apoyo.....	•Hållarring.....		
10	VOE 20450750	1				•Ball Bearing.....	•Roulemen.billes.....	•Kugellager.....	•Cojinete Bolas.....	•Kullager.....		
11	VOE 20459265	1				•Washer.....	•Rondelle.....	•Scheibe.....	•Arandela.....	•Bricka.....		
12	VOE 20450754	1				•Screw.....	•Vis.....	•Schraube.....	•Tornillo.....	•Skruv.....		
13	VOE 20555065	1				Screw.....	Vis.....	Schraube.....	Tornillo.....	Skruv.....		
14	VOE 20554253	1				Belt Tensioner.....	Tendeu.courroie.....	Riemenspanner.....	Tensor Correa.....	Remspännare.....	(VOE 20459947) ENG - 01099383	
14	VOE 20909227	1				Belt Tensioner.....	Tendeu.courroie.....	Riemenspanner.....	Tensor Correa.....	Remspännare.....	ENG 01099384 -	
15	VOE 11709636	1				V-belt.....	Courroie Trape.....	Keilriemen.....	Correa Trapez.....	Kilrem.....		
16	VOE 20405885	4				Screw.....	Vis.....	Schraube.....	Tornillo.....	Skruv.....		



1	<b>Remtransmission</b> <b>Correa distribución</b> <b>Riemenantrieb</b> <b>Transmission courroie</b> <b>Belt transmission</b>	Catalogue id	Group
2		<b>20004</b>	<b>263</b>
3		Illustr. No	Section
4		<b>1021381</b>	<b>150</b>
5		Issue	Page
	<b>11883246, 11885148, 11887320</b>	<b>VOE 63G9920004</b>	<b>113</b>

**VOLVO**



**BL70**

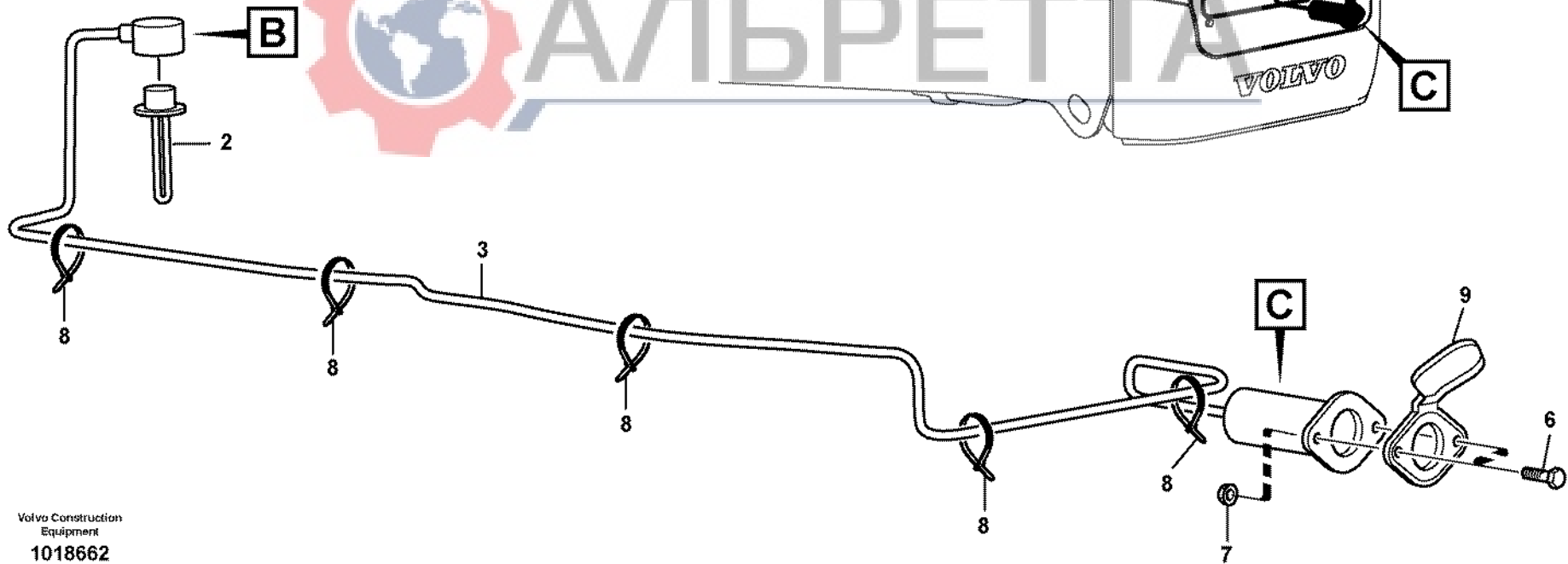
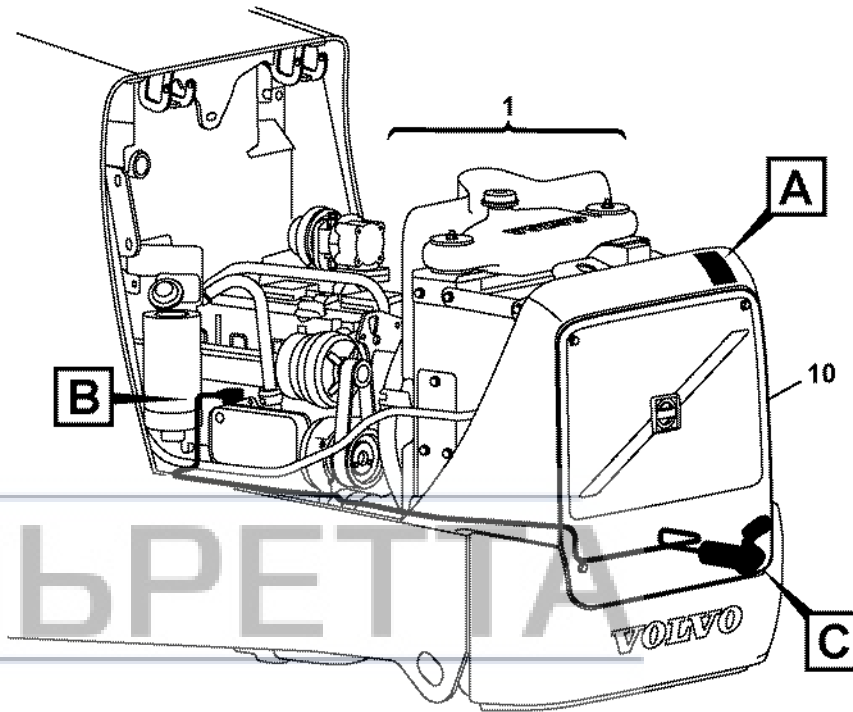
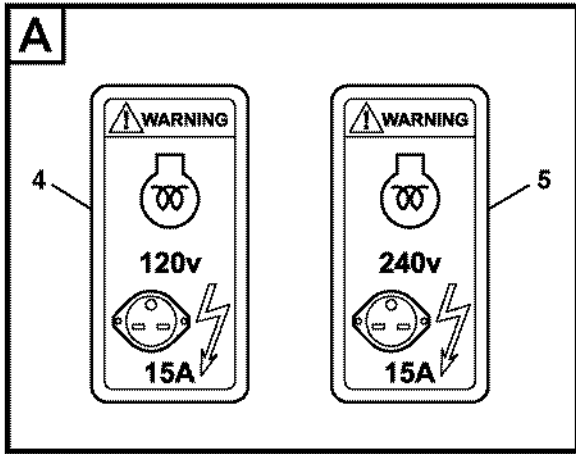


Fig.	Part No.	Quantity			P S	K I T	Description	Dénomination	Bezeichnung	Denominación	Benämning	Notes
		1	2	3								
1		1	1			Engine.....	Moteur.....	Verbrenn Motor.....	Motor.....	Motor.....	See group 210, Page 43	
2	<b>VOE 11886629</b>	1				Pre-heater.....	Prechauffeur.....	Vorwärmer.....	Precaentador.....	Förvärmare.....	120V	
2	<b>VOE 11886630</b>		1			Pre-heater.....	Prechauffeur.....	Vorwärmer.....	Precaentador.....	Förvärmare.....	240V	
3	<b>VOE 11141656</b>	1				Cable.....	Câble.....	Kabel.....	Cable.....	Kabel.....		
3	<b>VOE 11141657</b>		1			Cable.....	Câble.....	Kabel.....	Cable.....	Kabel.....		
4	<b>VOE 11302220</b>	1				Decal.....	Autocollant.....	Aufklebeschild.....	Calcomania.....	Dekal.....		
5	<b>VOE 11302230</b>		1			Decal.....	Decalcomanie.....	Abziehbild.....	Decalcomania.....	Dekal.....		
6	<b>VOE 13969516</b>	2	2			Screw.....	Vis.....	Schraube.....	Tornillo.....	Skruv.....		
7	<b>VOE 975237</b>	2	2			Lock nut.....	Contre-ecrou.....	Sicherungsmutter.....	Contratuerca.....	Låsmutter.....		
8	<b>VOE 14016673</b>	5	5			Strip Clamp.....	Ruban Serrage.....	Kabelbinder.....	Abraz Cinta.....	Bandklamma.....		
9	<b>VOE 11109685</b>	1	1			Cover.....	Couvercle.....	Deckel.....	Tapa.....	Lock.....		
10		1	1			Radiator grille.....	Calandre radia.....	Kühlergrill.....	Rejilla radiad.....	Kylargrill.....	See group 823, Page 441	



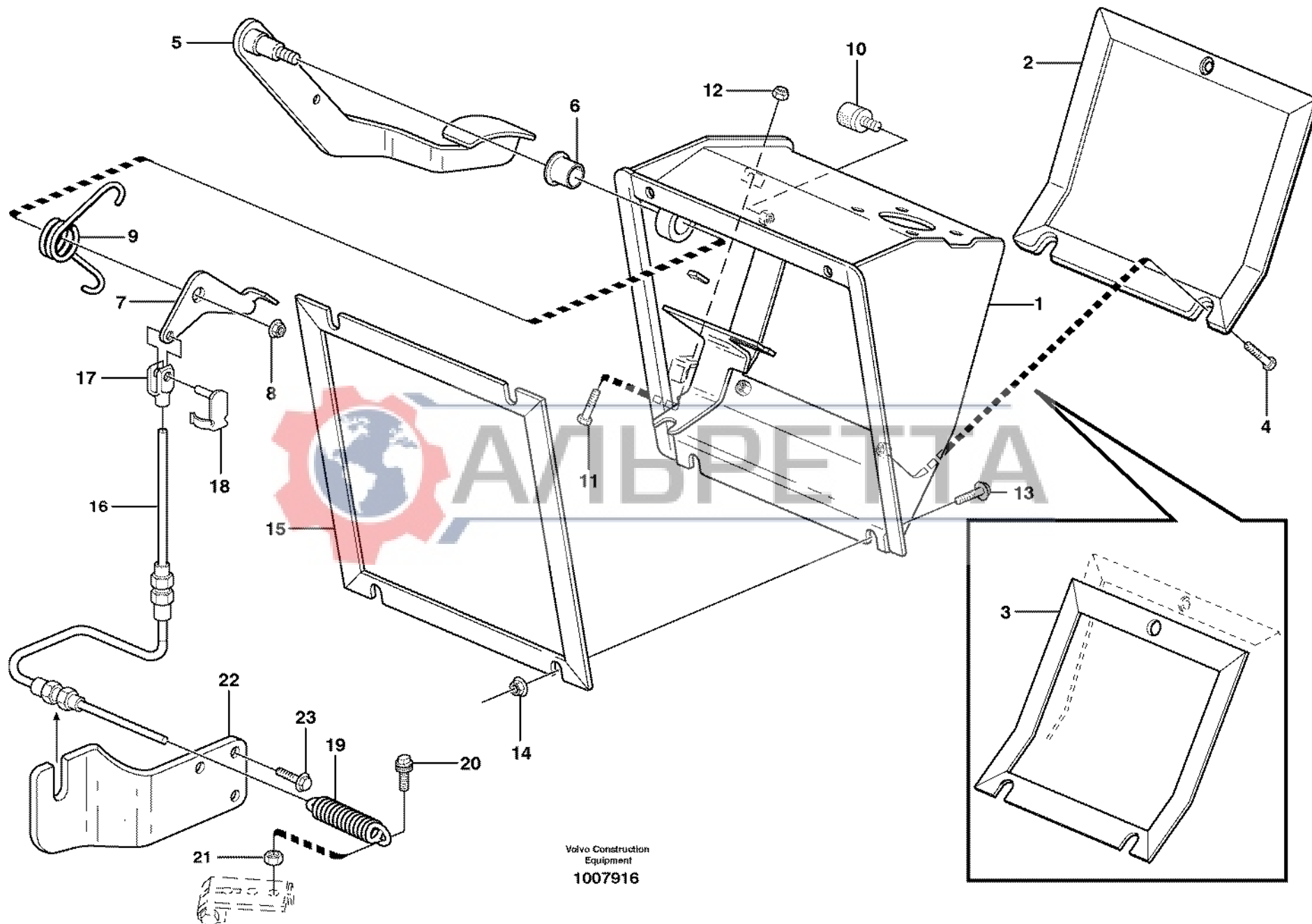
1	<b>11891429</b>	<b>Motorolja förvärmning</b> <b>Precaentamiento del aceite de motor</b> <b>Motorölvorwärmung</b> <b>Préchauffage huile moteur</b> <b>Engine oil preheating</b>	Catalogue id	Group
2	<b>11891430</b>		<b>20004</b>	<b>269</b>
3			Illustr. No	Section
4			<b>1018662</b>	<b>100</b>
5			Issue	Page
			<b>VOE 63G9920004</b>	<b>115</b>

**VOLVO**



**BL70**





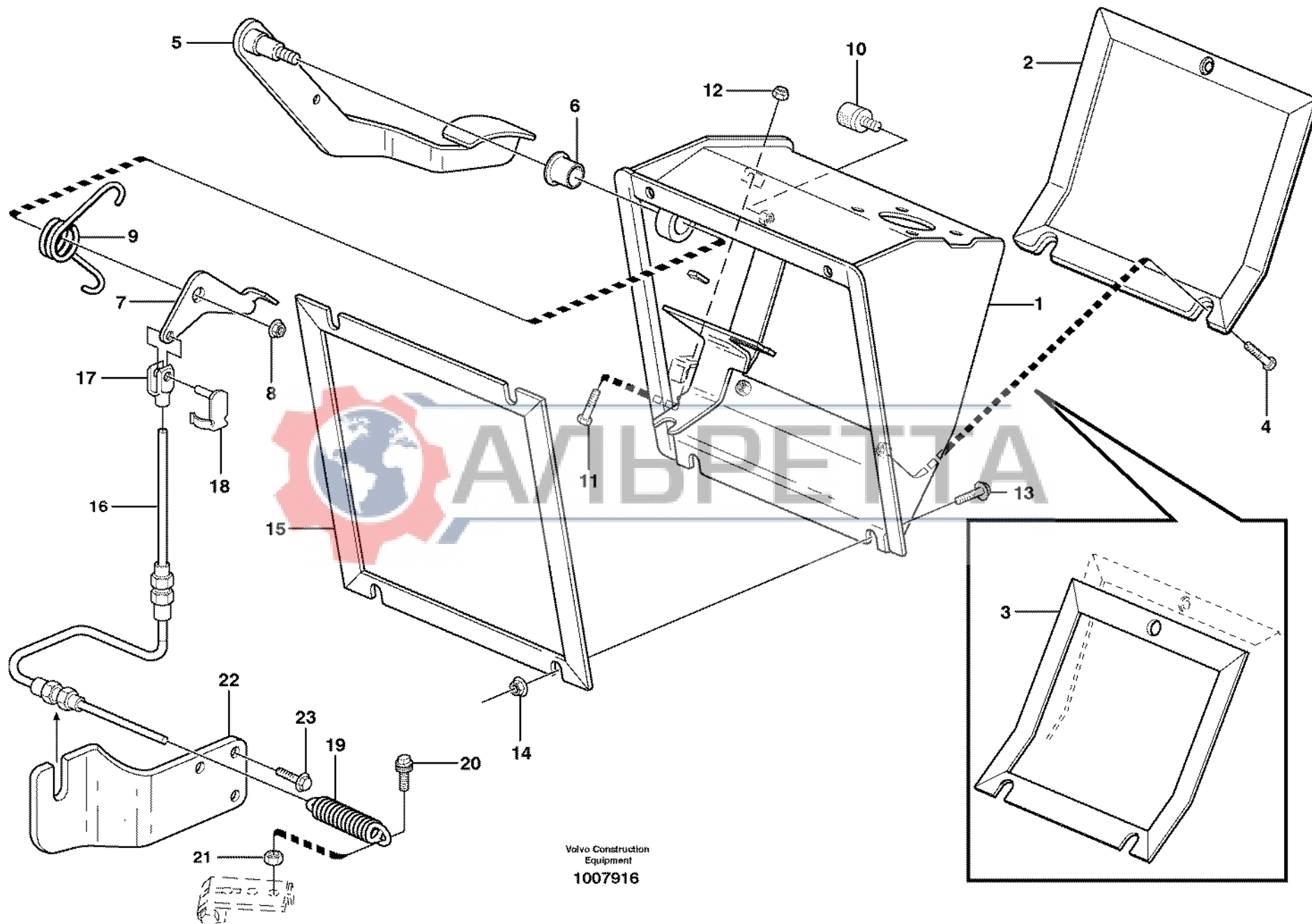
Valvo Construction  
Equipment  
1007916

Fig.	Part No.	Quantity					P S	K T	Description	Dénomination	Bezeichnung	Denominación	Benämning	Notes
		1	2	3	4	5								
		1					NS	Throttle control.....	Comm. accelerate..	Gasregler .....	Mando acelerado....	Gasreglage.....		
1	VOE 11200940		1	1			NS	Throttle control.....	Comm. accelerate..	Gasregler .....	Mando acelerado....	Gasreglage.....		
	VOE 11202250		1	1				•Box .....	•Boîte.....	•Kasten .....	•Caja.....	•Låda.....		
2			1				NS	•Cap.....	•Chapeau .....	•Kappe .....	•Caperuza.....	•Lock.....		
			1	1			NS	•Cover.....	•Capot .....	•Haube.....	•Capo.....	•Huv.....		
3	VOE 11200675		1					•Gasket.....	•Joint .....	•Dichtung .....	•Junta .....	•Packning.....		
	VOE 11202254		1	1				•Gasket.....	•Joint .....	•Dichtung .....	•Junta .....	•Packning.....		
4	VOE 13946934		3					•Screw .....	•Vis .....	•Schraube .....	•Tornillo .....	•Skruv.....		
	VOE 13947542		3	3				•Screw .....	•Vis .....	•Schraube .....	•Tornillo .....	•Skruv.....		
5	VOE 11200937		1					•Accel Pedal .....	•Pedale Acceler.....	•Gaspedal .....	•Pedal Acelerad .....	•Gaspedal.....		
	VOE 11202248		1	1				•Accelerator Pedal .....	•Pédale d'accélérat.....	•Gaspedal .....	•Pedal de acelerad .....	•Gaspedal.....		
6	VOE 11200936		2	2				•Flange Bearing .....	•Palier Bride .....	•Flanschlager.....	•Cojinete Brida.....	•Flänslager.....		
7			1				NS	•Link Arm .....	•Bras Commande .....	•Gelenkhebel .....	•Brazo Artic.....	•Länkmarm.....		
	VOE 11202437		1	1				•Link Arm .....	•Bras Commande .....	•Gelenkhebel .....	•Brazo Artic.....	•Länkmarm.....		
8	VOE 13971098		1	1	1			•Flange nut .....	•Ecrou accouple. ....	•Bundmutter .....	•Tuerca embridada .....	•Flänsmutter.....		
9	VOE 11200982		1					•Tension Spring .....	•Ressort de tractio.....	•Zugfeder .....	•Muelle traccion .....	•Dragfjäder.....		
	VOE 11202231		1	1				•Torsion Spring .....	•Ressort Torsion.....	•Drehstabfeder.....	•Resorte Torsion.....	•Vridfjäder.....		
10	VOE 11200579		1	1	1			•Absorber .....	•Amortisseur .....	•Dämpfer.....	•Amortiguador.....	•Dämpare.....		
11	VOE 13946173		1	1	1			•Flange screw .....	•Vis à bride .....	•Flansschraube .....	•Torn embridado .....	•Flänsskruv.....		
12	VOE 946036		1	1	1			•Lock nut .....	•Contre-ecrou .....	•Sicherungsmutter .....	•Contratuerca .....	•Låsmutter.....		
13	VOE 946671		3	3				Flange screw .....	Vis à bride .....	Flansschraube .....	Torn embridado .....	Flänsskruv.....		
	VOE 13945444				3			Flange screw .....	Vis à bride .....	Flansschraube .....	Torn embridado .....	Flänsskruv.....		
14	VOE 948645		2	2	2			Flange Lock Nut.....	Contre écrou bride..	Flanschmutter .....	Contratuer Embr.....	Flänslåsmutter.....		
15	VOE 11200653		1					Gasket .....	Joint.....	Dichtung.....	Junta.....	Packning.....		
	VOE 11202435			1	1			Gasket .....	Joint.....	Dichtung.....	Junta.....	Packning.....		
16	VOE 1188222	1						Throt Cont Ca .....	Câble d'accélératio.....	Gasregelzug .....	Cable Acelerad .....	Gasreglagewire.....		
17	VOE 11882487	1						Fork.....	Fourche .....	Gabel .....	Horquilla .....	Gaffel.....		
18	VOE 11882489	1						Pin.....	Clavette .....	Splint.....	Pasador .....	Sprint.....		
19	VOE 11882485	1						Spring .....	Ressort.....	Feder .....	Muelle.....	Fjäder.....		

1	11880002	<b>Regulatorreglage</b> <b>Mando del regulador</b> <b>Reglersteuerung</b> <b>Commande du régulateur</b> <b>Regulator control</b>	Catalogue id	Group
2	11294005 E PROD		<b>20004</b>	<b>271</b>
3	11294005 L PROD		Illustr. No	Section
4	11298196, 11298198		<b>1007916</b>	<b>100</b>
5			Issue	Page
			<b>VOE 63G9920004</b>	<b>117</b>

**VOLVO**

**BL70**



Valvo Construction  
Equipment  
1007916

Fig.	Part No.	Quantity					P S	K I T	Description	Dénomination	Bezeichnung	Denominación	Benämning	Notes
		1	2	3	4	5								
20	VOE 11882478	1						Screw .....	Vis .....	Schraube .....	Tornillo.....	Skruv.....		
21	VOE 13955781	1						Nut .....	Ecrou .....	Mutter.....	Tuerca .....	Mutter.....		
22	VOE 11882482	1						Bracket.....	Console .....	Konsole.....	Consola .....	Konsol.....		
23	VOE 13946173	3						Flange screw .....	Vis à bride .....	Flanschschraube .....	Torn embridado .....	Flänsskruv.....		

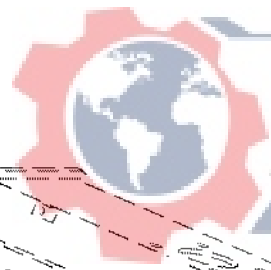
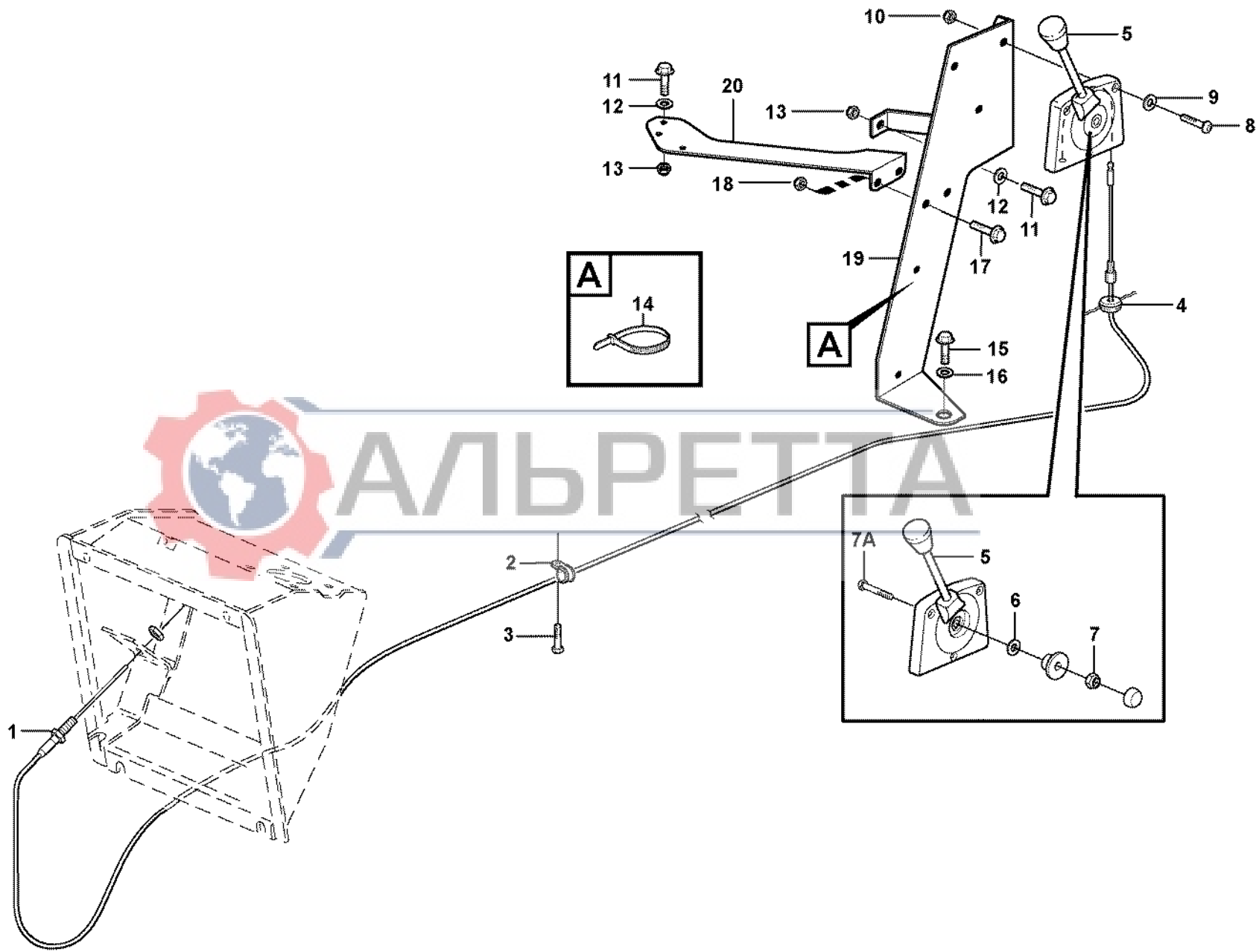


1	11880002	Regulatorreglage Mando del regulador Reglersteuerung Commande du régulateur Regulator control	Catalogue id	Group
2	11294005 E PROD		<b>20004</b>	<b>271</b>
3	11294005 L PROD		Illustr. No	Section
4	11298196, 11298198		<b>1007916</b>	<b>100</b>
5			Issue	Page
			<b>VOE 63G9920004</b>	<b>119</b>

**VOLVO**



**BL70**



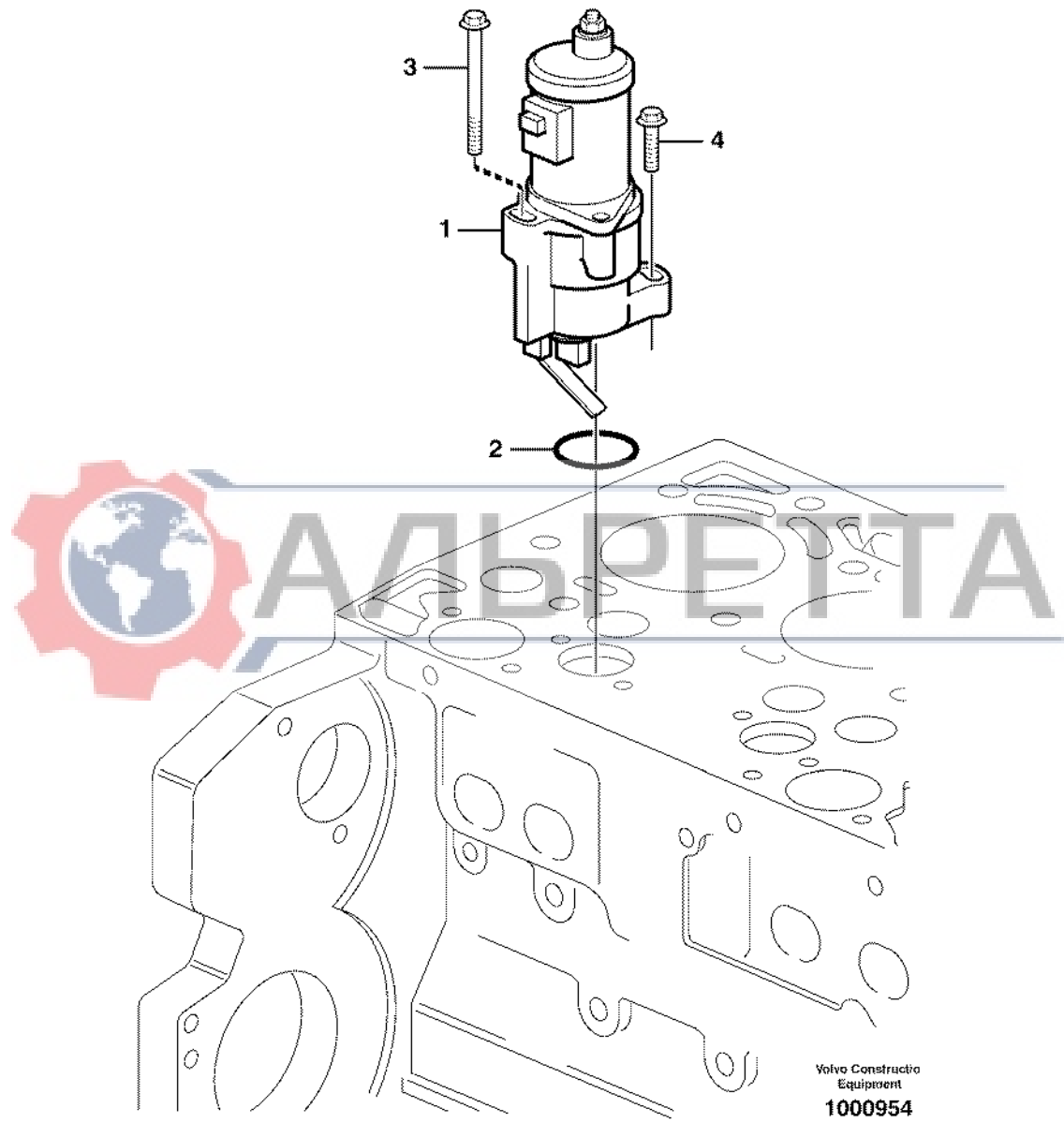
АЛЬРЕТТА

Fig.	Part No.	Quantity			P S	K I T	Description	Dénomination	Bezeichnung	Denominación	Benämning	Notes
		1	2	3								
1	VOE 11204468	1	1			Throt Cont Ca .....	Câble d'accélération...	Gasregelzug .....	Cable Acelerad .....	Gasreglagewire .....	(VOE 11200943)	
2	VOE 952623	1	1			Clamp .....	Pince Serrage .....	Klemme .....	Abrazadera .....	Klämma .....		
3	VOE 13946501	1				Screw .....	Vis .....	Schraube .....	Tornillo .....	Skruv .....		
	VOE 972421		1			Screw .....	Vis .....	Schraube .....	Tornillo .....	Skruv .....		
4	VOE 941269	1	1			Plug .....	Bouchon .....	Stopfen .....	Tapon .....	Plugg .....		
5	VOE 11202931	1	1			Hand throttle control...	Accélérateur a main ...	Handgasregler .....	Mando manual aceler.	Handgasreglage .....		
6	VOE 11712696	1	1			•Washer .....	•Rondelle .....	•Scheibe .....	•Arandela .....	•Bricka .....		
7	VOE 946035	1	1			•Lock nut .....	•Contre-ecrou .....	•Sicherungsmutter .....	•Contratuerca .....	•Låsmutter .....		
7A	VOE 11715202	1	1			•Screw .....	•Vis .....	•Schraube .....	•Tornillo .....	•Skruv .....		
8	VOE 969793	3	3			Screw .....	Vis .....	Schraube .....	Tornillo .....	Skruv .....		
9	VOE 955891	3				Washer .....	Rondelle .....	Scheibe .....	Arandela .....	Bricka .....		
	VOE 13940090		3			Washer .....	Rondelle .....	Scheibe .....	Arandela .....	Bricka .....		
10	VOE 13975237	3	3			Lock nut .....	Contre-ecrou .....	Sicherungsmutter .....	Contratuerca .....	Låsmutter .....		
11	VOE 13945444	4				Flange screw .....	Vis à bride .....	Flanschschraube .....	Torn embridado .....	Flänsskruv .....		
12	VOE 13960143	4				Washer .....	Rondelle .....	Scheibe .....	Arandela .....	Bricka .....		
13	VOE 13945408	4				Nut .....	Ecrou .....	Mutter .....	Tuerca .....	Mutter .....		
14	VOE 11039689	1				Strip Clamp .....	Ruban Serrage .....	Kabelbinder .....	Abraz Cinta .....	Bandklamma .....		
15	VOE 13946173	1				Flange screw .....	Vis à bride .....	Flanschschraube .....	Torn embridado .....	Flänsskruv .....		
16	VOE 13960141	1				Washer .....	Rondelle .....	Scheibe .....	Arandela .....	Bricka .....		
17	VOE 946440	2				Flange screw .....	Vis à bride .....	Flanschschraube .....	Torn embridado .....	Flänsskruv .....		
18	VOE 13945408	2				Nut .....	Ecrou .....	Mutter .....	Tuerca .....	Mutter .....		
19		1				Anchorage .....	Fixation .....	Halterung .....	Fijacion .....	Fäste .....		
20		1				Anchorage .....	Fixation .....	Halterung .....	Fijacion .....	Fäste .....		

1	11294005	<b>Handgasreglage</b> <b>Acelerador manual</b> <b>Handgas</b> <b>Accelérateur manual</b> <b>Hand throttle</b>	Catalogue id	Group
2	11298198		<b>20004</b>	<b>272</b>
3			Illustr. No	Section
4			<b>1021963</b>	<b>100</b>
5			Issue	Page
			<b>VOE 63G9920004</b>	<b>121</b>

**VOLVO**

**BL70**



Volvo Constructio  
Equipment  
1000954

Fig.	Part No.	Quantity			P S	K I T	Description	Dénomination	Bezeichnung	Denominación	Benämning	Notes
		1	2	3								
1	VOE 20562765	1					Stop solenoid .....	Aimant d'arret.....	Haltemagnet.....	Solenoido parad .....	Stoppmagnet.....	
2	VOE 20405728	1					•Sealing ring.....	•Bague d'étanchéité ..	•Runddichtring.....	•Anillo reten .....	•Tätningring.....	
3	VOE 11700269	1					Screw .....	Vis .....	Schraube.....	Tornillo .....	Skruv.....	
4	VOE 13949578	1					Screw .....	Vis .....	Schraube.....	Tornillo .....	Skruv.....	



1		<b>Stoppmagnet</b> <b>Parada del motor</b> <b>Motorabstellung</b> <b>Arret de moteur</b> <b>Shutdown device</b>	Catalogue id	Group
2			<b>20004</b>	<b>273</b>
3			Illustr. No	Section
4			<b>1000954</b>	<b>100</b>
5			Issue	Page
		<b>11883246, 11885148</b>	<b>VOE 63G9920004</b>	<b>123</b>

**VOLVO**



**BL70**





**VOLVO**

АЛЬРЕТТА

Construction Equipment

GROUP	Section	Page	GROUP	Section	Page		
313	Battery box with fitting parts .....	100	131	372	Electrical distribut.unit and control unit.....	100	209
321	Alternator with assembling details .....	100	133	380	Instruments panel.....	100	211
331	Starter motor with assembling details .....	100	135	380	Switch.....	200	213
352	Work lights .....	200	137	380	Anti-theft Kit 11891332.....	250	217
353	Direction indicator .....	200	139	380	Foot switch and electric power outlet .....	350	219
354	Inner lamp .....	100	141				
362	Horn .....	100	143				
362	Rotating beacon.....	150	145				
363	Windshield wiper, front 11298012, 11298028, 11298196, 11298203	100	147				
363	Windshield wiper, rear 11298028, 11298196 .....	150	149				
363	Windshield washer.....	200	151				
371	Battery cable and main switch .....	100	153				
371	Cable harness, engine .....	200	159				
371	Cable harness, transmission. 11891209, 11891224.....	250	161				
371	Cable harness, transmission. 11891255.....	275	163				
371	Cable Harness Lighting Cab Ext. SER NO -10704.....	300	165				
371	Cable Harness cab int. roof .....	350	167				
371	Cable Harness cab int. roof SER NO 10705-.....	360	169				
371	Cable harness chassis.....	400	171				
371	Cable harness rear valve block.....	450	173				
371	Other cables.....	500	177				
371	Cable harness, panel SER NO -10704 .....	650	179				
371	Cable harness, panel SER NO 10705-.....	655	183				
371	Cable harness, panel 11891255.....	675	187				
371	Cable harness, control panel right SER NO -10704 .....	700	191				
371	Cable harness, control panel right .....	710	193				
371	Cable harness, control panel right 11891255 .....	725	195				
371	Cable harness heater and air conditioning 11298028, 11298196 .....	750	197				
371	Cable harness, hand tool hydraulic 11891333.....	800	199				
371	Cable harness, Pilot Excavator Controls .....	900	201				
371	Cable harness, Loader Quick Attach 11891238 .....	950	207				

<b>INDEX OF CONTENTS</b>	Catalogue id <b>20004</b>	Group <b>300</b>
	Issue <b>VOE 63G9920004</b>	Page <b>125</b>

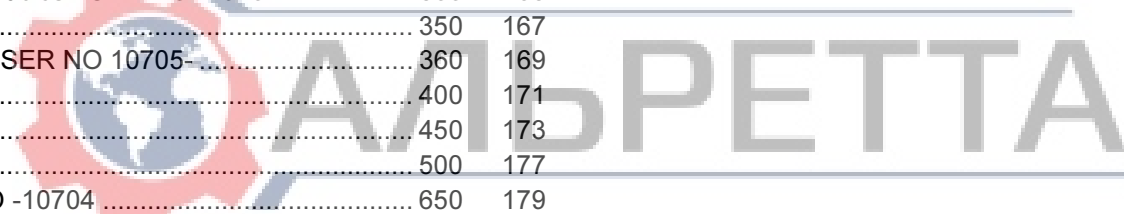
**VOLVO**

**BL70**

<b>TABLE DES MATIÈRES</b>				Catalogue id <b>20004</b>		Group <b>300</b>	
				Issue <b>VOE 63G9920004</b>		Page <b>126</b>	
GROUPE		Section	Page	GROUPE		Section	Page

313	Cage batterie avec pièces de montage .....	100	131	371	Faisceau de câbles, porte-outil à accouplement rapide 11891238.....	950	207
321	Alternateur avec pieces de montage .....	100	133	372	Centrale de électricité .....	100	209
331	Démarrreur avec pieces de montage .....	100	135	380	Instruments .....	100	211
352	Phare de travail .....	200	137	380	Interrupteur.....	200	213
353	Indicateur de direction.....	200	139	380	Kit alarme antivol 11891332.....	250	217
354	Interieure lampe .....	100	141	380	Commutateur au pied et prise d'alimentation.....	350	219
362	Avertisseur sonore .....	100	143				
362	Gyrophare .....	150	145				
363	Essuie-vitre, avant 11298012, 11298028, 11298196, 11298203 .....	100	147				
363	Essuie-vitre, arrière 11298028, 11298196 .....	150	149				
363	Lave - glace .....	200	151				
371	Cable batterie et robinet batterie.....	100	153				
371	Faisceau de câbles, moteur .....	200	159				
371	Faisceau de câles, transmission. 11891209, 11891224 .....	250	161				
371	Faisceau de câles, transmission. 11891255 .....	275	163				
371	Câblage, éclairage extérieur cabine SER NO -10704 .....	300	165				
371	Câblage, pavillon cabine .....	350	167				
371	Câblage, pavillon cabine SER NO 10705- .....	360	169				
371	Faisceau de câbles, châssis .....	400	171				
371	Faisceau de câbles, bloc-distributeur arrière .....	450	173				
371	Autres câbles électriques .....	500	177				
371	Faisceau de câbles, pupitre central SER NO -10704 .....	650	179				
371	Faisceau de câbles, pupitre central SER NO 10705- .....	655	183				
371	Faisceau de câbles, pupitre central 11891255 .....	675	187				
371	Faisceau de câbles, tableau de bord côté droit SER NO -10704 .....	700	191				
371	Faisceau de câbles, tableau de bord côté droit .....	710	193				
371	Faisceau de câbles, tableau de bord côté droit 11891255 .....	725	195				
371	Faisceau de câbles, chauffage et refroidissement 11298028, 11298196 .....	750	197				
371	Faisceau câbles, circuit hydr. outil main 11891333 .....	800	199				
371	Faisceau de câbles, servocommande hydraulique creusement .....	900	201				

GRUPPE	Abschnitt	Seite	GRUPPE	Abschnitt	Seite		
313	Batteriekasten mit Anbauteilen .....	100	131	371	Kabelbäume, Lader Schnellwechsler 11891238 .....	950	207
321	Generator mit Anbauteilen .....	100	133	372	Elektrozentrale .....	100	209
331	Anlasser mit Anbauteilen .....	100	135	380	Instrumente .....	100	211
352	Arbeitsscheinwerfer .....	200	137	380	Schalter .....	200	213
353	Fahrtrichtungsanzeiger .....	200	139	380	Diebstahlalarm-Kit 11891332 .....	250	217
354	Innen lampe .....	100	141	380	Fußschalter und Stromanschluss.....	350	219
362	Signalhorn.....	100	143				
362	Rundum-kennleuchte.....	150	145				
363	Scheibenwischer, vorne 11298012, 11298028, 11298196, 11298203 .....	100	147				
363	Scheibenwischer, hinten 11298028, 11298196 .....	150	149				
363	Scheibenwaschanlage .....	200	151				
371	Batterieleitung und Batterietrennschalter .....	100	153				
371	Kabelbündel, Motor .....	200	159				
371	Kabelbaum, Getriebe. 11891209, 11891224 .....	250	161				
371	Kabelbaum, Getriebe. 11891255 .....	275	163				
371	Leitung mit Kabinenbeleuchtung außen SER NO -10704 .....	300	165				
371	Leitung mit Kabine innen Decke .....	350	167				
371	Leitung mit Kabine innen Decke SER NO 10705- .....	360	169				
371	Kabelbaum, Fahrgestell .....	400	171				
371	Kabelbaum hinterer Ventilblock .....	450	173				
371	Übrige Leitungen.....	500	177				
371	Kabelbäume, Mitteltafel SER NO -10704 .....	650	179				
371	Kabelbäume, Mitteltafel SER NO 10705- .....	655	183				
371	Kabelbäume, Mitteltafel 11891255 .....	675	187				
371	Kabelbaum, rechte Bedientafel SER NO -10704 .....	700	191				
371	Kabelbaum, rechte Bedientafel .....	710	193				
371	Kabelbaum, rechte Bedientafel 11891255 .....	725	195				
371	Kabelbaum, Heizung und Kühlung 11298028, 11298196 .....	750	197				
371	Kabelbaum, Handwerkzeughydraulik 11891333 .....	800	199				
371	Kabelbaum, vorgesteuerte Bagger-Bedienelemente .....	900	201				

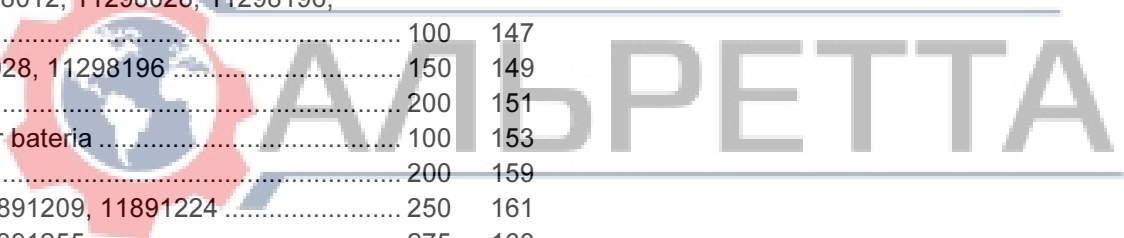


<b>INHALTSVERZEICHNIS</b>	Catalogue id <b>20004</b>	Group <b>300</b>
	Issue <b>VOE 63G9920004</b>	Page <b>127</b>

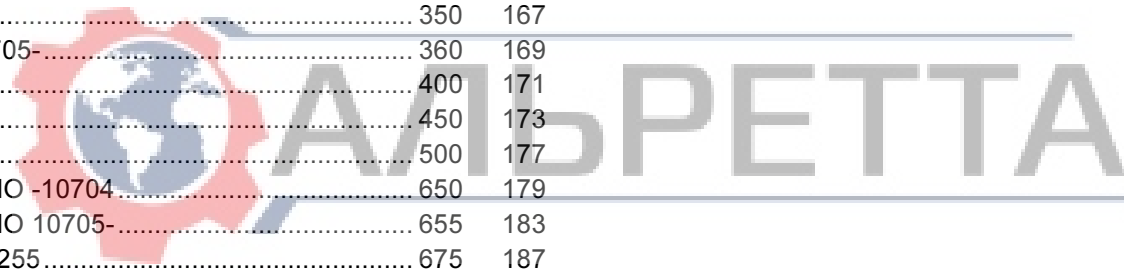


<b>INDICE</b>		Catalogue id <b>20004</b>	Group <b>300</b>		
		Issue <b>VOE 63G9920004</b>	Page <b>128</b>		
GRUPO	Sección	Página	GRUPO	Sección	Página

313	Caja de batería con accesorios de montaje.....	100	131	371	Mazo de cables, mandos piloto de excavadora .....	900	201
321	Alternador con asesorios de montage .....	100	133	371	Mazo de cables, enganche rápido cargadora 11891238 .....	950	207
331	Motor de arranque con asesorios de montaje.....	100	135	372	Central eléctrica .....	100	209
352	Alumbrado de trabajo.....	200	137	380	Instrumentos .....	100	211
353	Indicador de dirección.....	200	139	380	Interruptor.....	200	213
354	Interior lampare.....	100	141	380	Antirrobo 11891332.....	250	217
362	Bocina .....	100	143	380	Interruptor de pie y toma de corriente .....	350	219
362	Faro de advertencia giratorio .....	150	145				
363	Limpiaparabrisas, delantero 11298012, 11298028, 11298196, 11298203 .....	100	147				
363	Limpiaparabrisas, trasero 11298028, 11298196 .....	150	149				
363	Lavaparabrisas .....	200	151				
371	Cable de batería y desconectador batería .....	100	153				
371	Haz de cables, motor .....	200	159				
371	Manojo de cable, transmisión. 11891209, 11891224 .....	250	161				
371	Manojo de cable, transmisión. 11891255 .....	275	163				
371	Haz de cables de alumbrado exterior de la cabina SER NO -10704 .....	300	165				
371	Haz de cables en el techo interior de la cabina .....	350	167				
371	Haz de cables en el techo interior de la cabina SER NO 10705- .....	360	169				
371	Haz de cables chasis .....	400	171				
371	Haz de cables del bloque de ventiladores traseros .....	450	173				
371	Otros cables .....	500	177				
371	Haz de cables, panel central SER NO -10704.....	650	179				
371	Haz de cables, panel central SER NO 10705-.....	655	183				
371	Haz de cables, panel central 11891255.....	675	187				
371	Haz de cables, panel de mandos derecho SER NO -10704.....	700	191				
371	Haz de cables, panel de mandos derecho.....	710	193				
371	Haz de cables, panel de mandos derecho 11891255.....	725	195				
371	Cableado de equipo de calefacción y refrigeración 11298028, 11298196 .....	750	197				
371	Mazo de cables, hidráulica de herramienta manual 11891333 .....	800	199				



GRUPP		Avsnitt	Sida	GRUPP		Avsnitt	Sida
313	Batterilåda med monteringsdetaljer .....	100	131	372	Elcentral och styrenhet.....	100	209
321	Generator med monteringsdetaljer .....	100	133	380	Instrument panel .....	100	211
331	Startmotor med monteringsdetaljer.....	100	135	380	Strömställare .....	200	213
352	Arbetsbelysning .....	200	137	380	Stöldlarmsats 11891332 .....	250	217
353	körriktningsvisare .....	200	139	380	Fotströmställare och strömuttag.....	350	219
354	Innerbelysning.....	100	141				
362	Signalhorn.....	100	143				
362	Roterande varningsljus .....	150	145				
363	Vindrutetorkare, fram 11298012, 11298028, 11298196, 11298203 ..	100	147				
363	Vindrutetorkare, bak 11298028, 11298196.....	150	149				
363	Vindrutespolare.....	200	151				
371	Batteriledning och batterifrånskiljare.....	100	153				
371	Ledningsmatta, motor .....	200	159				
371	Ledningsmatta transmission 11891209, 11891224 .....	250	161				
371	Ledningsmatta transmission 11891255 .....	275	163				
371	Ledn.m Belysn Hytt Utv SER NO -10704 .....	300	165				
371	Ledn.m hytt inv tak.....	350	167				
371	Ledn.m hytt inv tak SER NO 10705-.....	360	169				
371	Ledningsmatta chassi .....	400	171				
371	Ledningsmatta bakre ventilblock.....	450	173				
371	Övriga ledningar.....	500	177				
371	Ledningsmatta, mittpanel SER NO -10704.....	650	179				
371	Ledningsmatta, mittpanel SER NO 10705-.....	655	183				
371	Ledningsmatta, mittpanel 11891255.....	675	187				
371	Ledningsmatta, manöverpanel höger SER NO -10704 .....	700	191				
371	Ledningsmatta, manöverpanel höger .....	710	193				
371	Ledningsmatta, manöverpanel höger 11891255 .....	725	195				
371	Ledningsmatta värme och kylanläggning 11298028, 11298196.....	750	197				
371	Ledningsmatta, handverktyg hydr. 11891333.....	800	199				
371	Ledningsmatta, pilotstyrda grävreglage .....	900	201				
371	Ledningsmatta, lastaggregat snabbfäste 11891238.....	950	207				



<b>INNEHÅLLSFÖRTECKNING</b>	Catalogue id <b>20004</b>	Group <b>300</b>
	Issue <b>VOE 63G9920004</b>	Page <b>129</b>



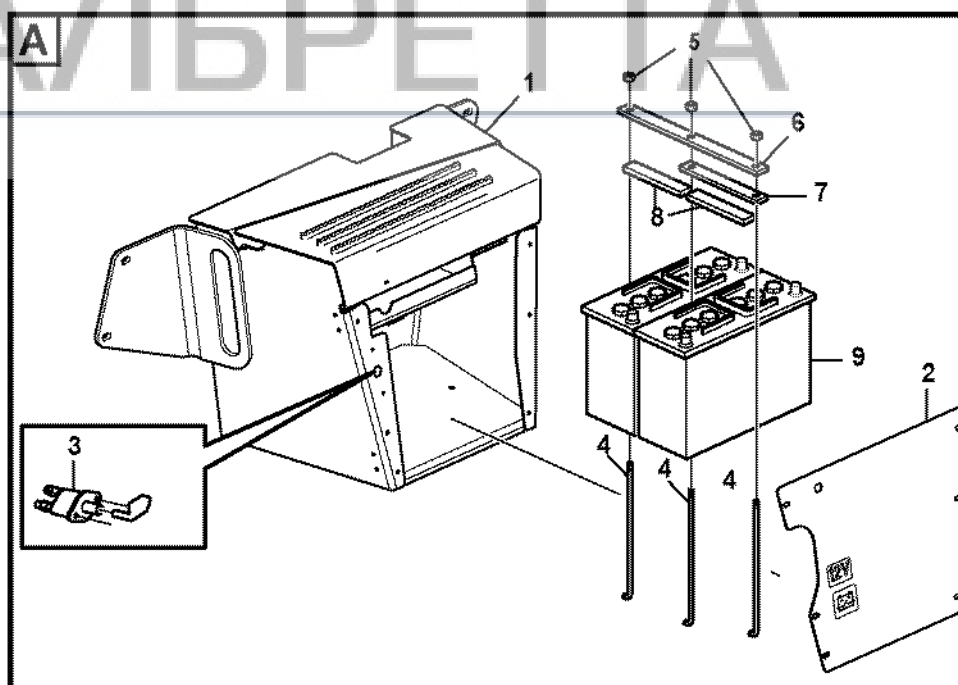
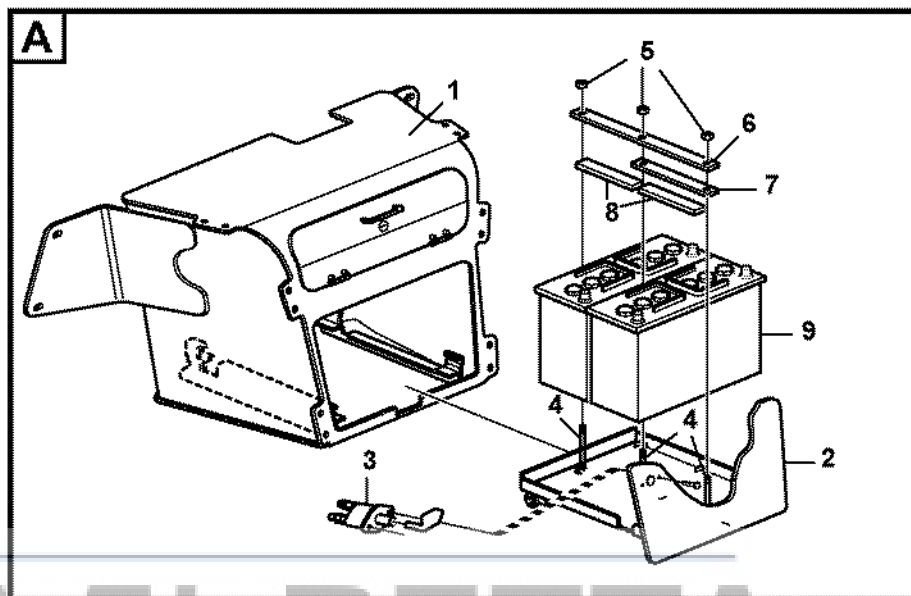
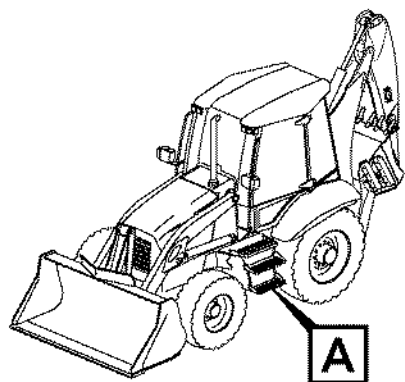


Fig.	Part No.	Quantity			P S	K I T	Description	Dénomination	Bezeichnung	Denominación	Benämning	Notes
		1	2	3								
1		1	1			Tool Box.....	Boite a outils .....	Werkzeugkasten .....	Caja herramientas .....	Verktyglåda.....	See group 896, Page 515	
2		1	1			Drawer .....	Tireur.....	Abzieher .....	Remolcador .....	Dragare.....	See group 896, Page 515	
3		1	1			Main Switch.....	Coupe-circuit pri.....	Hauptschalter .....	Interr Maestro .....	Huvudströmst.....	See group 371, Page 153	
4	VOE 11883321	2	3			Stay.....	Tirant.....	Strebe.....	Barra .....	Stag.....		
5	VOE 13971098	2	3			Flange nut.....	Ecrou accouple. ....	Bundmutter.....	Tuerca embridad .....	Flänsmutter.....		
6	VOE 11883320		1			Reinforcement.....	Renfort .....	Verstärkung.....	Refuerzo.....	Förstärkning.....		
7	VOE 11883584	1				Reinforcement.....	Renfort .....	Verstärkung.....	Refuerzo.....	Förstärkning.....		
8	VOE 11883599	1	2			Rubber Block .....	Bloc Caoutchouc.....	Gummiblock .....	Bloque Goma .....	Gummikuts.....		
9		1	2			Battery.....	Batterie.....	Batterie.....	Bateria.....	Batteri.....	See group 371, Page 153	

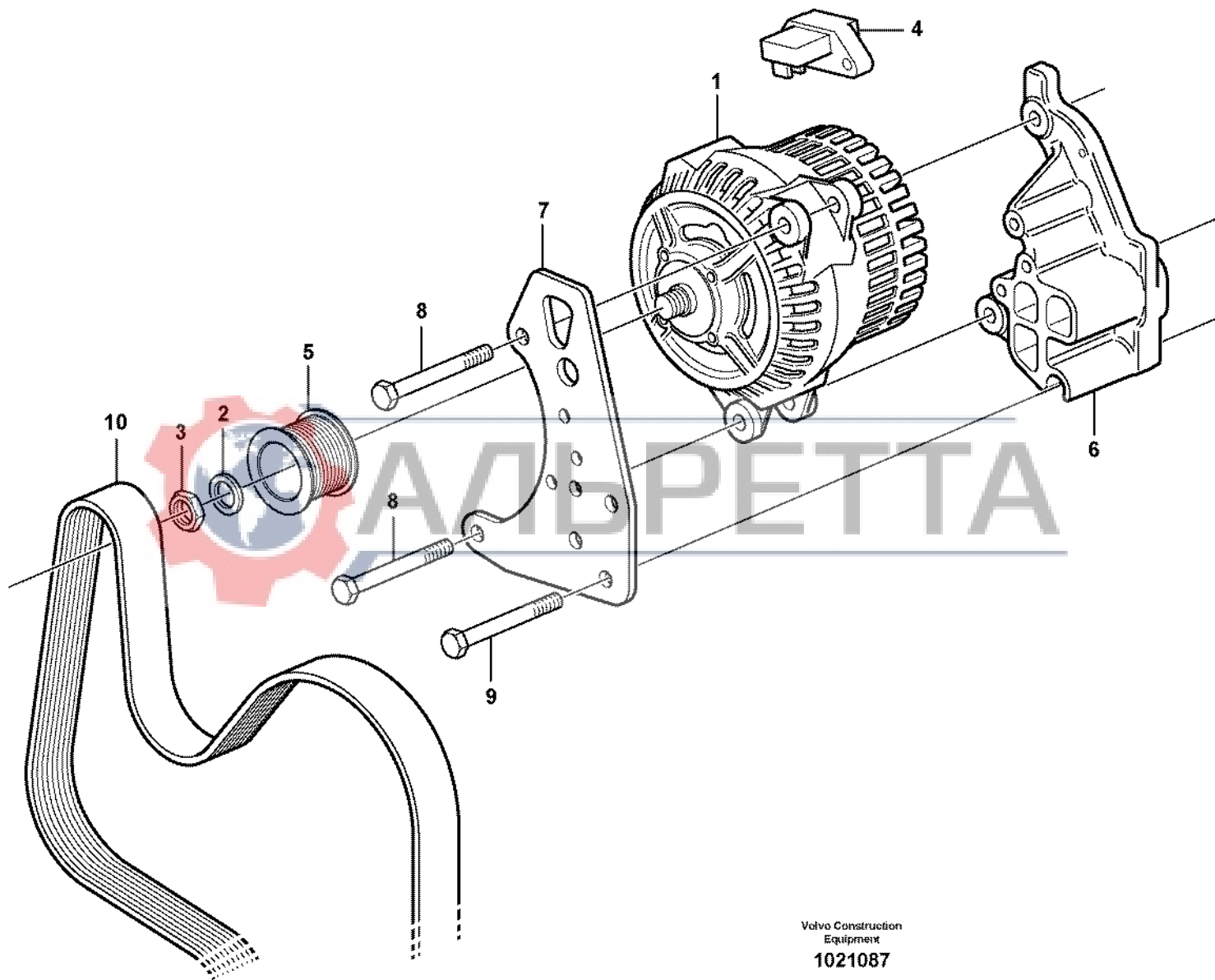


1	11882593, 11891392	<b>Batterilåda med monteringsdetaljer</b> <b>Caja de batería con accesorios de montaje</b> <b>Batteriekasten mit Anbauteilen</b> <b>Cage batterie avec pièces de montage</b> <b>Battery box with fitting parts</b>	Catalogue id	Group
2	11882594, 11891391		<b>20004</b>	<b>313</b>
3			Illustr. No	Section
4			<b>1007519</b>	<b>100</b>
5			Issue	Page
			<b>VOE 63G9920004</b>	<b>131</b>

**VOLVO**

**BL70**





Volvo Construction  
Equipment  
1021087

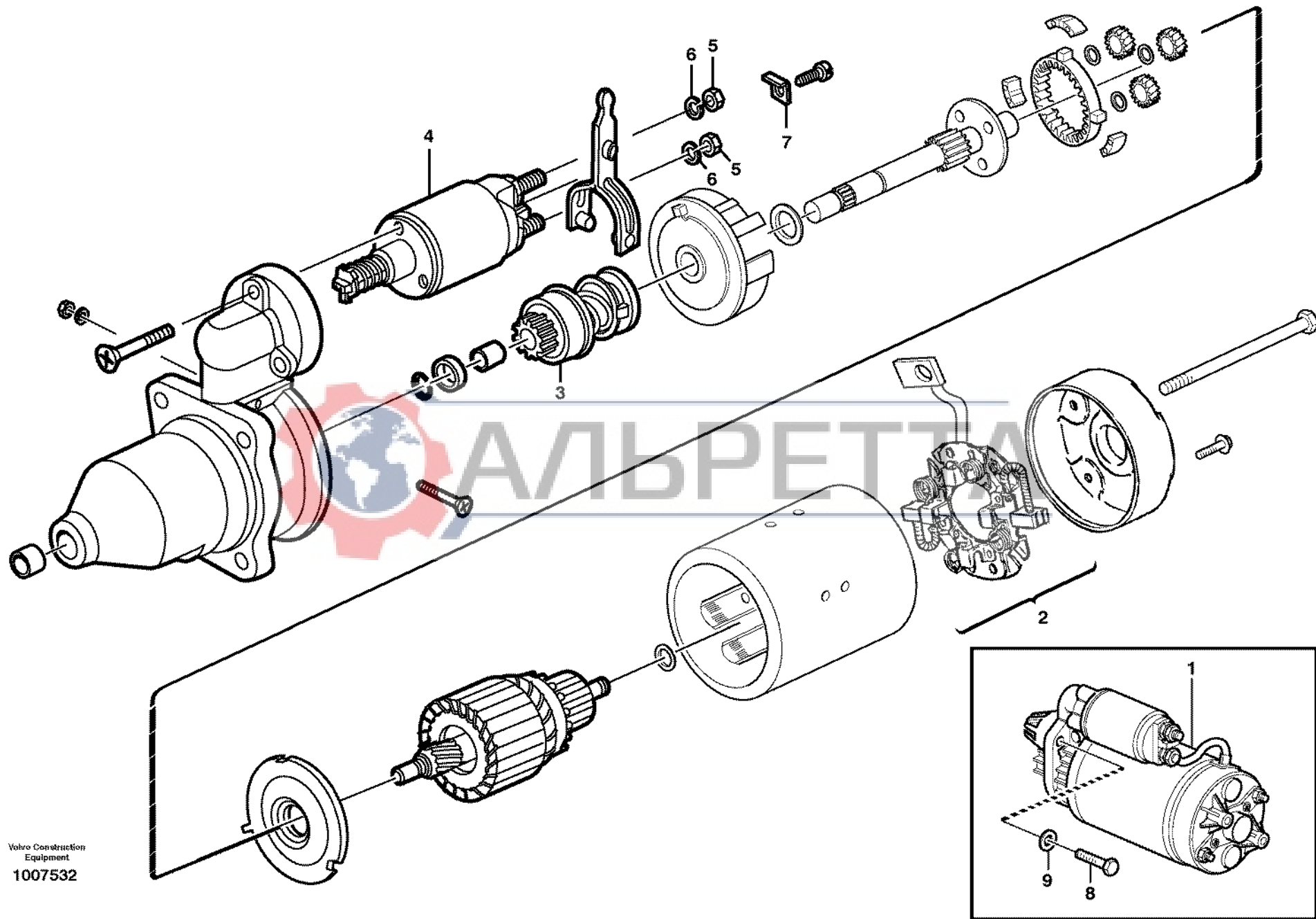
Fig.	Part No.	Quantity			P S	K I T	Description	Dénomination	Bezeichnung	Denominación	Benämning	Notes
		1	2	3								
1	VOE 20509446	1					Alternator .....	Alternateur .....	Lichtmaschine .....	Alternador .....	Generator.....	
2	VOE 20549886	1					•Spring Washer .....	•Rondelle élastique .....	•Federscheibe .....	•Arandela flexible .....	•Fjäderbricka.....	
3	VOE 20441521	1					•Nut .....	•Ecrou .....	•Mutter .....	•Tuerca .....	•Mutter.....	
4	VOE 20509482	1					•Voltage regulator .....	•Regulateur,tension....	•Spannungregler .....	•Regulador tension....	•Spänningsregulator..	
5	VOE 20460102	1					Pulley .....	Poulie .....	Z-riemenscheibe .....	Polea Corr Dent .....	Kuggremhjul.....	
6	VOE 20560564	1					Bracket.....	Console.....	Konsole .....	Ménsula.....	Konsol.....	
7	VOE 20567447	1					Plate.....	Plaque.....	Platte.....	Placa .....	Platta.....	
8	VOE 20460106	2					Screw .....	Vis .....	Schraube.....	Tornillo .....	Skruv.....	
9	VOE 20555084	4					Screw .....	Vis .....	Schraube.....	Tornillo .....	Skruv.....	
10		1					V-belt.....	Courroie Trape.....	Keilriemen .....	Correa Trapez .....	Kilrem.....	See group 263, Page 113



1	<b>Generator med monteringsdetaljer</b> <b>Alternador con asesorios de montage</b> <b>Generator mit Anbauteilen</b> <b>Alternateur avec pieces de montage</b> <b>Alternator with assembling details</b>	Catalogue id	Group
2		<b>20004</b>	<b>321</b>
3		Illustr. No	Section
4		<b>1021087</b>	<b>100</b>
5		Issue	Page
		<b>VOE 63G9920004</b>	<b>133</b>

**VOLVO**

**BL70**



Volvo Construction  
Equipment  
1007532

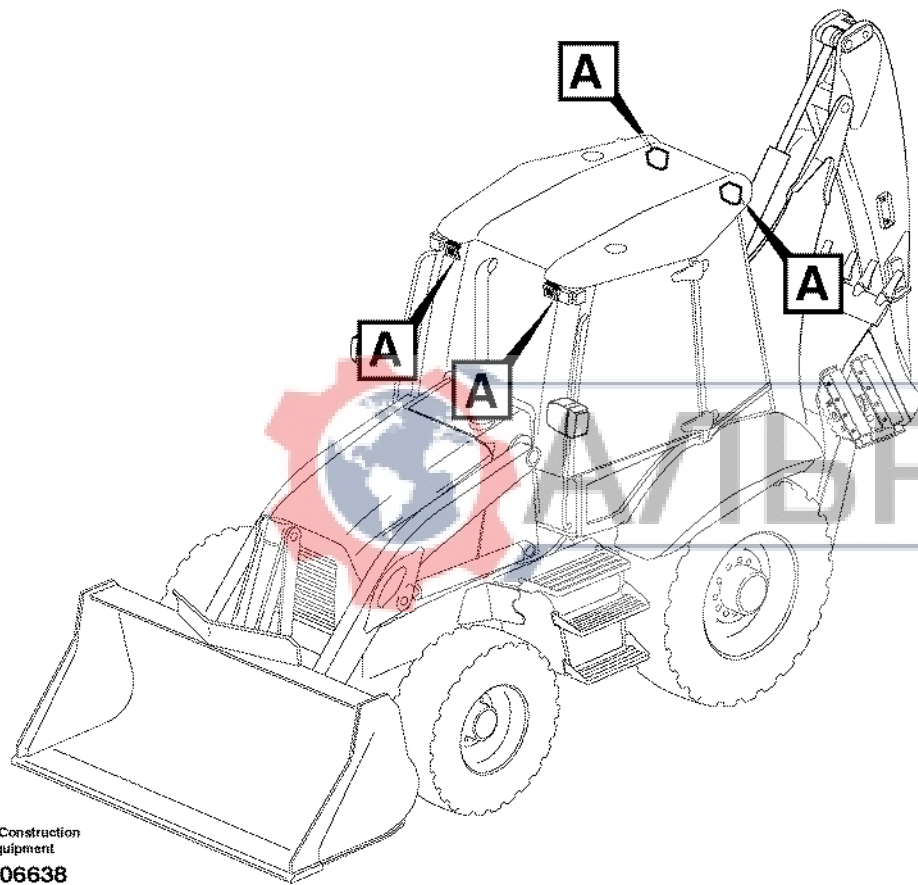
Fig.	Part No.	Quantity			P S	K I T	Description	Dénomination	Bezeichnung	Denominación	Benämning	Notes
		1	2	3								
1	VOE 20405828	1					Starter Motor .....	Demarreur .....	Anlasser .....	Motor de arranque .....	Startmotor .....	
2	VOE 20460117	1					•Brush Retainer .....	•Porte-balai .....	•Bürstenhalter .....	•Portaescobilla .....	•Borstållare .....	
3	VOE 20460116	1					•Starter Pinion .....	•Pigno.demarreur .....	•Anlasserritzel .....	•Pinon Motor Arr .....	•Startmotordrev .....	
4	VOE 20460115	1					Relay .....	Relais .....	Relais .....	Rele .....	Relä .....	
5	VOE 20460118	2					Hexagon Nut .....	Ecrou Hexagonal .....	Sechskantmutter .....	Tuerca Hexagon .....	Sexkantsmutter .....	
6	VOE 20460119	2					Lock Washer .....	Rondel.verroui .....	Sicher Scheibe .....	Arandel Segurid .....	Låsbricka .....	
7	VOE 20460120	1					Clamp .....	Pince Serrage .....	Klemme .....	Abrazadera .....	Klämma .....	
8	VOE 20412751	3					Screw .....	Vis .....	Schraube .....	Tornillo .....	Skruv .....	ENG - 01099467
	VOE 20593357	3					Hexagon screw .....	Vis tête hexagonale .....	Sechskantschraube .....	Tornillo hexago .....	Sexkantsskruv .....	ENG 01099468 -
9	VOE 20459061	3					Washer .....	Rondelle .....	Scheibe .....	Arandela .....	Bricka .....	



1	<b>Startmotor med monteringsdetaljer</b> <b>Motor de arranque con asesorios de montaje</b> <b>Anlasser mit Anbauteilen</b> <b>Démarrreur avec pieces de montage</b> <b>Starter motor with assembling details</b>	Catalogue id	Group
2		<b>20004</b>	<b>331</b>
3		Illustr. No	Section
4		<b>1007532</b>	<b>100</b>
5		Issue	Page
		<b>VOE 63G9920004</b>	<b>135</b>

**VOLVO**

**BL70**



Volvo Construction  
Equipment  
1006638

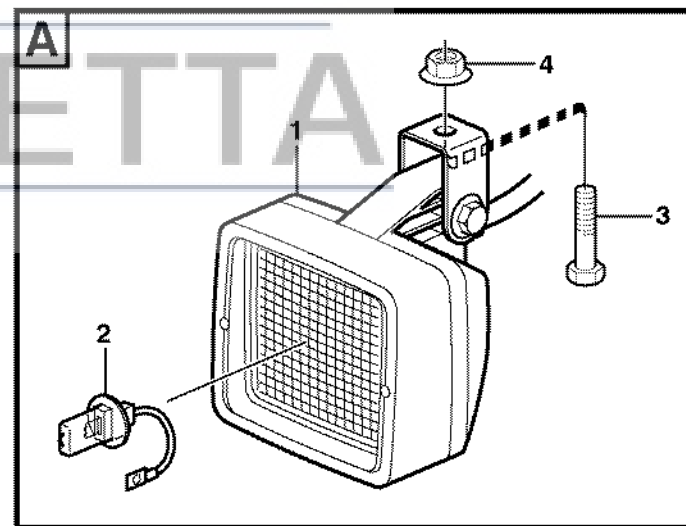


Fig.	Part No.	Quantity			P S	K I T	Description	Dénomination	Bezeichnung	Denominación	Benämning	Notes
		1	2	3								
1	VOE 11039856	2	2			Work Lamp.....	Lampe Travail .....	Arbeitslampe .....	Lampara Trabajo .....	Arbetslampan.....		
2	VOE 944265	1	1			•Bulb .....	•Ampoule.....	•Glühlampe.....	•Bombilla .....	•Glödlampa.....		
3	VOE 13946173	2	2			Flange screw.....	Vis à bride .....	Flanschschraube.....	Torn embridado .....	Flänsskruv.....		
4	VOE 948645	2	2			Flange Lock Nut.....	Contre écrou bride .....	Flanschmutter .....	Contratuer Embr.....	Flänslåsmutter.....		



1	11891291	<b>Arbeitsbelysning</b> <b>Alumbrado de trabajo</b> <b>Arbeitsscheinwerfer</b> <b>Phare de travail</b> <b>Work lights</b>	Catalogue id	Group
2	11891292		<b>20004</b>	<b>352</b>
3			Illustr. No	Section
4			<b>1006638</b>	<b>200</b>
5			Issue	Page
			<b>VOE 63G9920004</b>	<b>137</b>

**VOLVO**

**BL70**

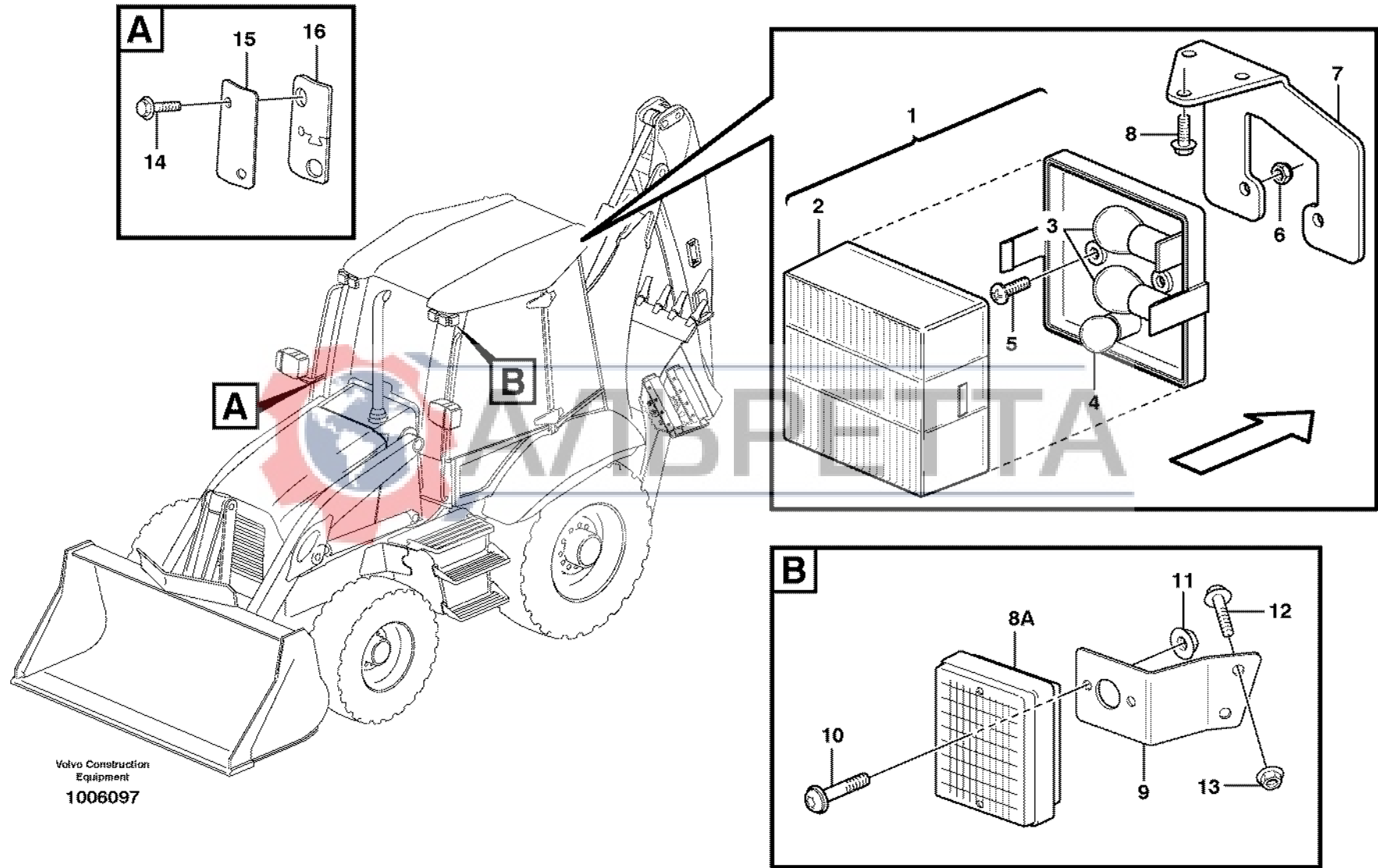
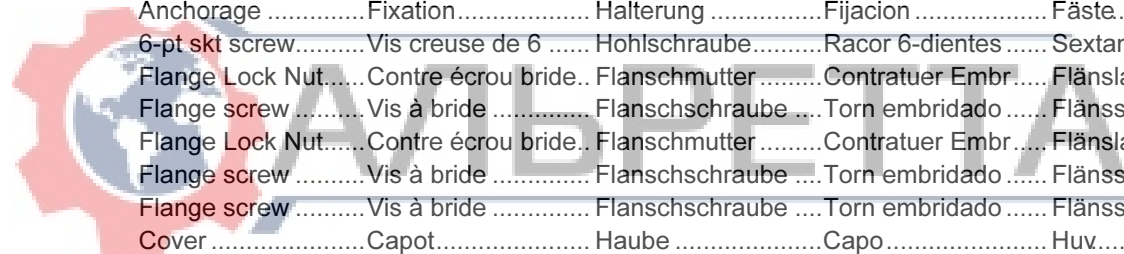
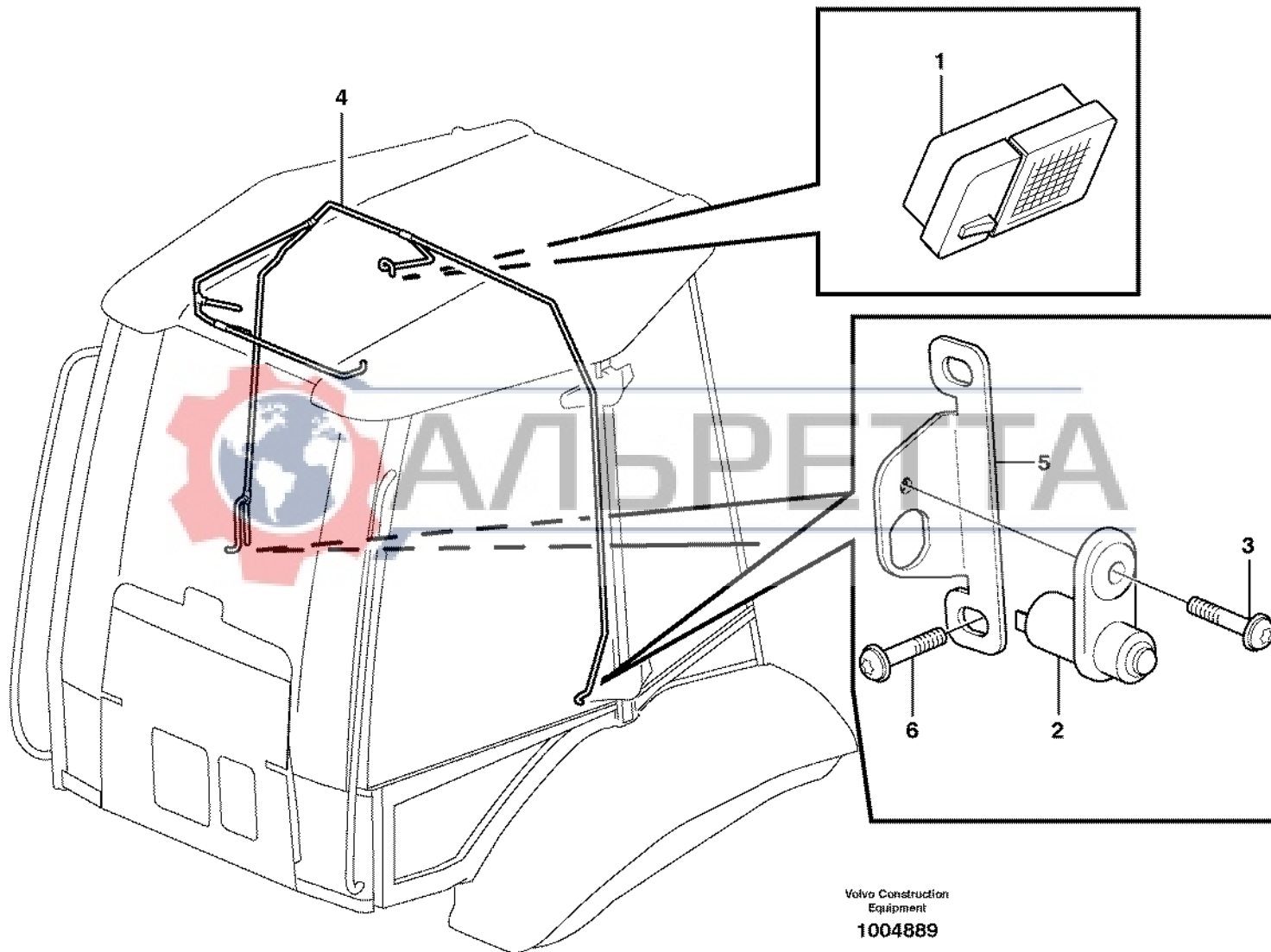


Fig.	Part No.	Quantity					P S	K T	Description	Dénomination	Bezeichnung	Denominación	Benämning	Notes
		1	2	3	4	5								
1	VOE 11882270	2						Tail Light .....	Feu Ar .....	Heckleuchte .....	Piloto Trasero .....	Baklykta.....	SER NO -10602	
1	VOE 11882270		2					Tail Light .....	Feu Ar .....	Heckleuchte .....	Piloto Trasero .....	Baklykta.....	SER NO 10603 - 10704	
1	VOE 11885934		2					Tail Light .....	Feu Ar .....	Heckleuchte .....	Piloto Trasero .....	Baklykta.....	SER NO 10603 - 10704	
1	VOE 11885934			2	2			Tail Light .....	Feu Ar .....	Heckleuchte .....	Piloto Trasero .....	Baklykta.....	SER NO 10705-	
2	VOE 11988186	1	1	1	1			•Lens.....	•Verre .....	•Lichtscheibe.....	•Lente .....	•Glas.....		
3	VOE 965826	2	2	2	2			•Bulb .....	•Ampoule.....	•Glühlampe .....	•Bombilla .....	•Glödlampa.....		
4	VOE 946777	1	1	1	1			•Bulb .....	•Ampoule.....	•Glühlampe .....	•Bombilla .....	•Glödlampa.....		
5	VOE 969410	4						6-pt skt screw.....	Vis creuse de 6 .....	Hohlschraube.....	Racor 6-dientes .....	Sextandhålskruv.....	SER NO -10607	
5	VOE 969408	4						6-pt skt screw.....	Vis creuse de 6 .....	Hohlschraube.....	Racor 6-dientes .....	Sextandhålskruv.....	SER NO 10608-	
6	VOE 13949874	4						Flange Lock Nut.....	Contre écrou bride..	Flanschmutter .....	Contratuer Embr.....	Flänslåsmutter.....		
7	VOE 11200231	1						Anchorage .....	Fixation.....	Halterung .....	Fijacion .....	Fäste.....	LH	
7	VOE 11200232	1						Anchorage .....	Fixation.....	Halterung .....	Fijacion .....	Fäste.....	RH	
8	VOE 969407	6						6-pt skt screw.....	Vis creuse de 6 .....	Hohlschraube.....	Racor 6-dientes .....	Sextandhålskruv.....		
8A	VOE 11882985	2						Turn Signal .....	Clignotant .....	Fahrtrichtzeig .....	Indic Direccion .....	Körriktn.visare.....		
9	VOE 11201033	1						Anchorage .....	Fixation.....	Halterung .....	Fijacion .....	Fäste.....	LH; SER NO -10607	
9	VOE 11201034	1						Anchorage .....	Fixation.....	Halterung .....	Fijacion .....	Fäste.....	RH; SER NO 10607-	
9	VOE 11203061	2						Anchorage .....	Fixation.....	Halterung .....	Fijacion .....	Fäste.....	SER NO 10608-	
10	VOE 969439	4						6-pt skt screw.....	Vis creuse de 6 .....	Hohlschraube.....	Racor 6-dientes .....	Sextandhålskruv.....		
11	VOE 13949874	4						Flange Lock Nut.....	Contre écrou bride..	Flanschmutter .....	Contratuer Embr.....	Flänslåsmutter.....		
12	VOE 13946173	4						Flange screw .....	Vis à bride .....	Flanschschraube .....	Torn embridado .....	Flänsskruv.....		
13	VOE 948645	4						Flange Lock Nut.....	Contre écrou bride..	Flanschmutter .....	Contratuer Embr.....	Flänslåsmutter.....		
14	VOE 13946173		4					Flange screw .....	Vis à bride .....	Flanschschraube .....	Torn embridado .....	Flänsskruv.....	SER NO -10602	
14	VOE 13946173			4				Flange screw .....	Vis à bride .....	Flanschschraube .....	Torn embridado .....	Flänsskruv.....		
15	VOE 11201057	1						Cover .....	Capot.....	Haube .....	Capo .....	Huv.....	LH, SER NO -10602	
15	VOE 11201057			1				Cover .....	Capot.....	Haube .....	Capo .....	Huv.....	LH	
15	VOE 11201058	1						Cover .....	Capot.....	Haube .....	Capo .....	Huv.....	RH; SER NO -10602	
15	VOE 11201058			1				Cover .....	Capot.....	Haube .....	Capo .....	Huv.....	RH	
16	VOE 11203861		2					Gasket .....	Joint.....	Dichtung.....	Junta.....	Packning.....	SER NO -10602	
16	VOE 11203861			2				Gasket .....	Joint.....	Dichtung.....	Junta.....	Packning.....		



1	11891014	<b>körriktningsvisare</b> <b>Indicador de dirección</b> <b>Fahrtrichtungsanzeiger</b> <b>Indicateur de direction</b> <b>Direction indicator</b>	Catalogue id	Group
2	11880002		<b>20004</b>	<b>353</b>
3	11298196		Illustr. No	Section
4	11298198		<b>1006097</b>	<b>200</b>
5			Issue	Page
		<b>VOE 63G9920004</b>	<b>139</b>	





Volvo Construction  
Equipment  
1004889

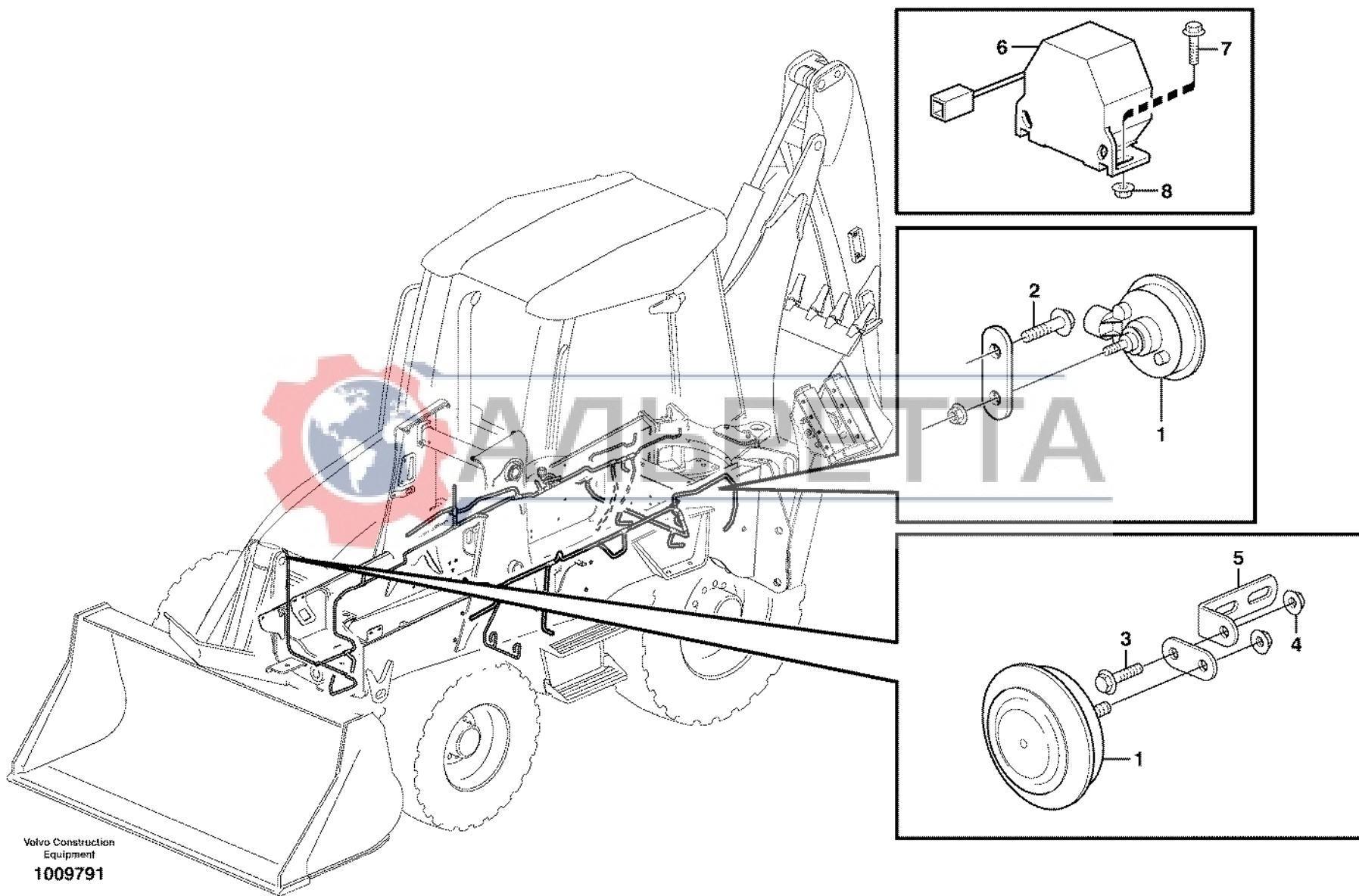
Fig.	Part No.	Quantity			P S	K I T	Description	Dénomination	Bezeichnung	Denominación	Benämning	Notes
		1	2	3								
1	<b>VOE 11200915</b>	1				Interior Lamp.....	Lampe Inter.....	Innenleuchte.....	Lamp Interior.....	Innerlampa.....		
	<b>VOE 11709768</b>	1				•Bulb .....	•Ampoule.....	•Glühlampe.....	•Ampolla.....	•Glödlampa.....		
2	<b>VOE 3987417</b>	2				Switch .....	Interrupteur .....	Trennschalter .....	Interruptor.....	Brytare.....		
3	<b>VOE 969147</b>	2				Screw .....	Vis .....	Schraube.....	Tornillo .....	Skruv.....		
4		1				Wire harness.....	Faisceau électrique....	Kabelbaum.....	Manojo cables .....	Ledningsmatta.....	See group 371, Page 167	
5	<b>VOE 11200555</b>	2				Anchorage.....	Fixation .....	Halterung.....	Fijacion.....	Fäste.....		
6	<b>VOE 972421</b>	4				Screw .....	Vis .....	Schraube.....	Tornillo .....	Skruv.....		



1		<b>Innerbelysning</b> <b>Interior lampare</b> <b>Innen lampe</b> <b>Interieure lampe</b> <b>Inner lamp</b>	Catalogue id	Group
2			<b>20004</b>	<b>354</b>
3			Illustr. No	Section
4			<b>1004889</b>	<b>100</b>
5			Issue	Page
			<b>VOE 63G9920004</b>	<b>141</b>

**VOLVO**

**BL70**



Volvo Construction  
Equipment  
1009791

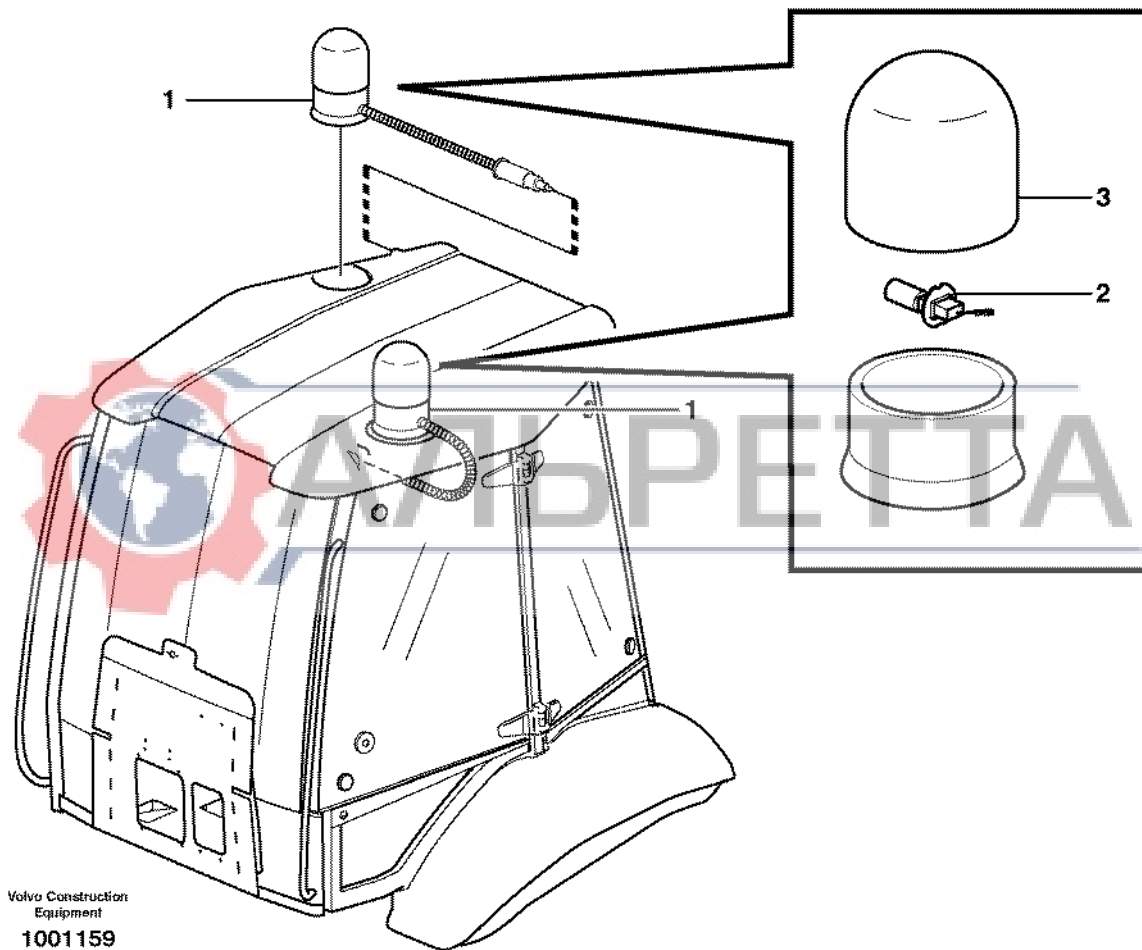
Fig.	Part No.	Quantity			P S	K I T	Description	Dénomination	Bezeichnung	Denominación	Benämning	Notes
		1	2	3								
1	VOE 11884428	2				Horn .....	Avertisseur sonore .....	Signalhorn .....	Avisador sonoro .....	Signalhorn.....	S/N - 10778	
	VOE 11305113	2				Horn .....	Avertisseur .....	Signalhorn .....	Bocina .....	Signalhorn.....	S/N 10779 -	
2	VOE 946440	1				Flange screw.....	Vis à bride .....	Flanschschraube.....	Torn embridado .....	Flänsskruv.....		
3	VOE 13946173	1				Flange screw.....	Vis à bride .....	Flanschschraube.....	Torn embridado .....	Flänsskruv.....		
4	VOE 948645	1				Flange Lock Nut.....	Contre écrou bride .....	Flanschmutter .....	Contratuer Embr.....	Flänslåsmutter.....		
5	VOE 13965558	1				Bracket.....	Console.....	Konsole .....	Consola .....	Konsol.....		
6	VOE 11886215		1			Alarm.....	Alarme.....	Alarm Richtung.....	Alarma .....	Varnare.....		
7	VOE 13946934		2			Screw .....	Vis .....	Schraube.....	Tornillo .....	Skruv.....		
8	VOE 13945407		2			Nut .....	Ecrou.....	Mutter .....	Tuerca .....	Mutter.....		



1	11880002	Signalhorn Bocina Signalhorn Avertisseur sonore Horn	Catalogue id	Group
2	11891014, 11891377		<b>20004</b>	<b>362</b>
3			Illustr. No	Section
4			<b>1009791</b>	<b>100</b>
5			Issue	Page
			<b>VOE 63G9920004</b>	<b>143</b>

**VOLVO**

**BL70**



Volvo Construction  
Equipment  
1001159

Fig.	Part No.	Quantity			P S	K I T	Description	Dénomination	Bezeichnung	Denominación	Benämning	Notes
		1	2	3								
1	VOE 11882303	1	2			Rotating Beacon .....	Gyrophare .....	Rundumkennleuchte ..	Luz Rotativa Emerge..	Roterande Varningslj.		
2	VOE 944265	1	1			•Bulb .....	•Ampoule.....	•Glühlampe.....	•Bombilla .....	•Glödlampa.....	55W	
3	VOE 11712340	1	1			•Lens.....	•Verre.....	•Lichtscheibe .....	•Lente .....	•Glas.....	(VOE 11709899)	



1	11891261	<b>Roterande varningsljus</b> <b>Faro de advertencia giratorio</b> <b>Rundum-kennleuchte</b> <b>Gyrophare</b> <b>Rotating beacon</b>	Catalogue id	Group
2	11891262		<b>20004</b>	<b>362</b>
3			Illustr. No	Section
4			<b>1001159</b>	<b>150</b>
5			Issue	Page
			<b>VOE 63G9920004</b>	<b>145</b>

**VOLVO**

**BL70**

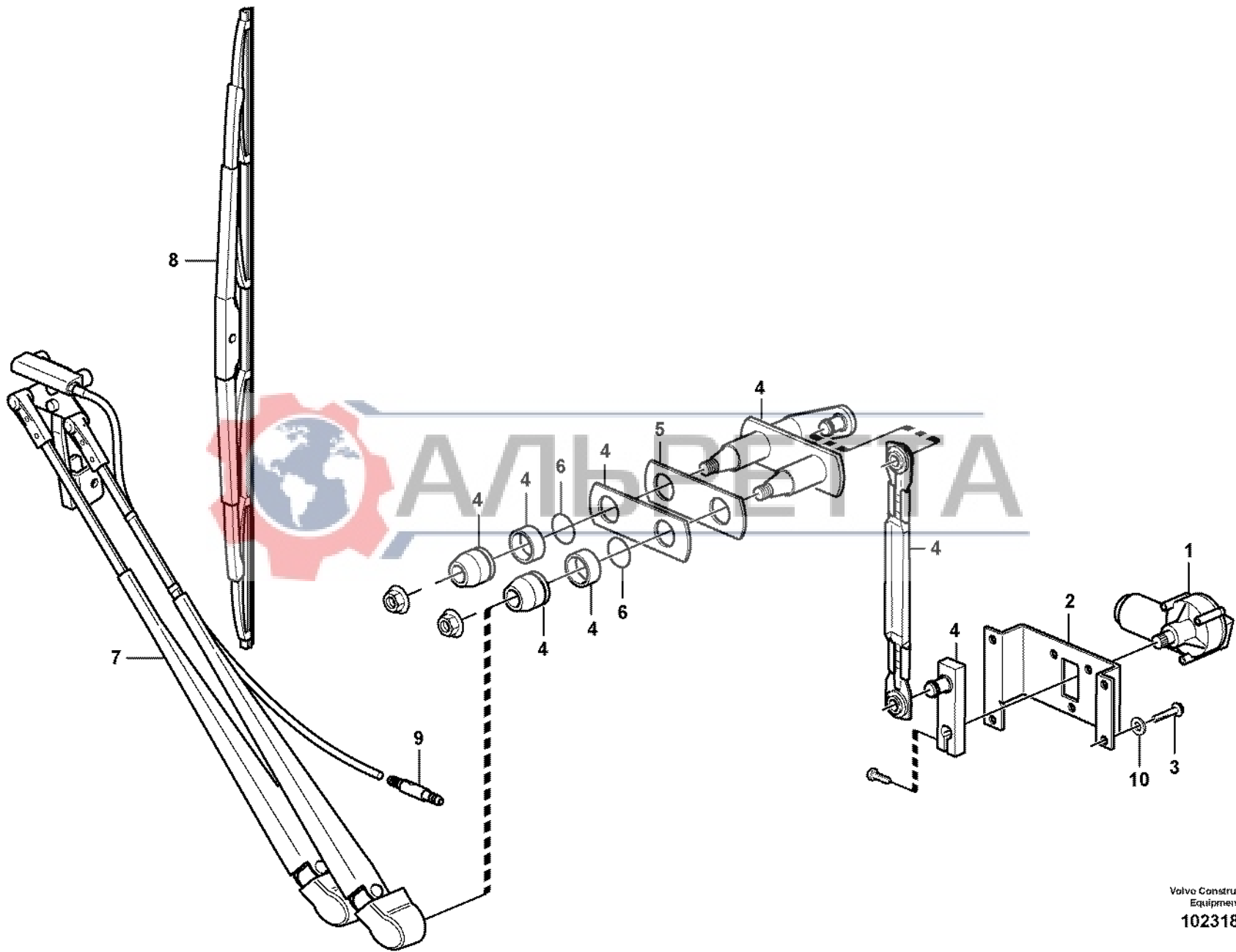


Fig.	Part No.	Quantity			P S	K I T	Description	Dénomination	Bezeichnung	Denominación	Benämning	Notes
		1	2	3								
1	VOE 11200669	1					Wiper Motor .....	Moteur essuie glace...	Wischermotor .....	Motor l.p. ....	Torkarmotor.....	
2	VOE 11200709	1					Anchorage.....	Fixation .....	Halterung.....	Fijacion.....	Fäste.....	
3	VOE 969147	4					Screw .....	Vis .....	Schraube.....	Tornillo .....	Skruv.....	
4	VOE 11200710	1					Linkage .....	Articulation .....	Gestänge.....	Varillado .....	Länkage.....	
5	VOE 11200787	1					Gasket.....	Joint .....	Dichtung .....	Junta .....	Packning.....	
6	VOE 978392	2					O-ring .....	Joint Torique .....	O-Ring .....	Junta torica.....	O-ring.....	
7	VOE 11200699	1					Wiper Arm.....	Bras Essu.glac. ....	Wischerarm .....	Brazo Limpiapar .....	Torkararm.....	
8	VOE 11200698	1					Wiper blade.....	Balai essuie glace .....	Wischerblatt .....	Escobilla l.p. ....	Torkarblad.....	
9	VOE 11200713	1					Check valve .....	Valve antiretour.....	Rückschlagventil .....	Válvula de retención...	Backventil.....	
10	VOE 960139	4					Washer.....	Rondelle .....	Scheibe .....	Arandela .....	Bricka.....	



1		<b>Vindrutetorkare, fram</b> <b>Limpiaparabrisas, delantero</b> <b>Scheibenwischer, vorne</b> <b>Essuie-vitre, avant</b> <b>Windshield wiper, front</b>	Catalogue id	Group
2			<b>20004</b>	<b>363</b>
3			Illustr. No	Section
4			<b>1023186</b>	<b>100</b>
5			Issue	Page
			<b>VOE 63G9920004</b>	<b>147</b>
			<b>11298012, 11298028, 11298196, 11298203</b>	

**VOLVO**

**BL70**



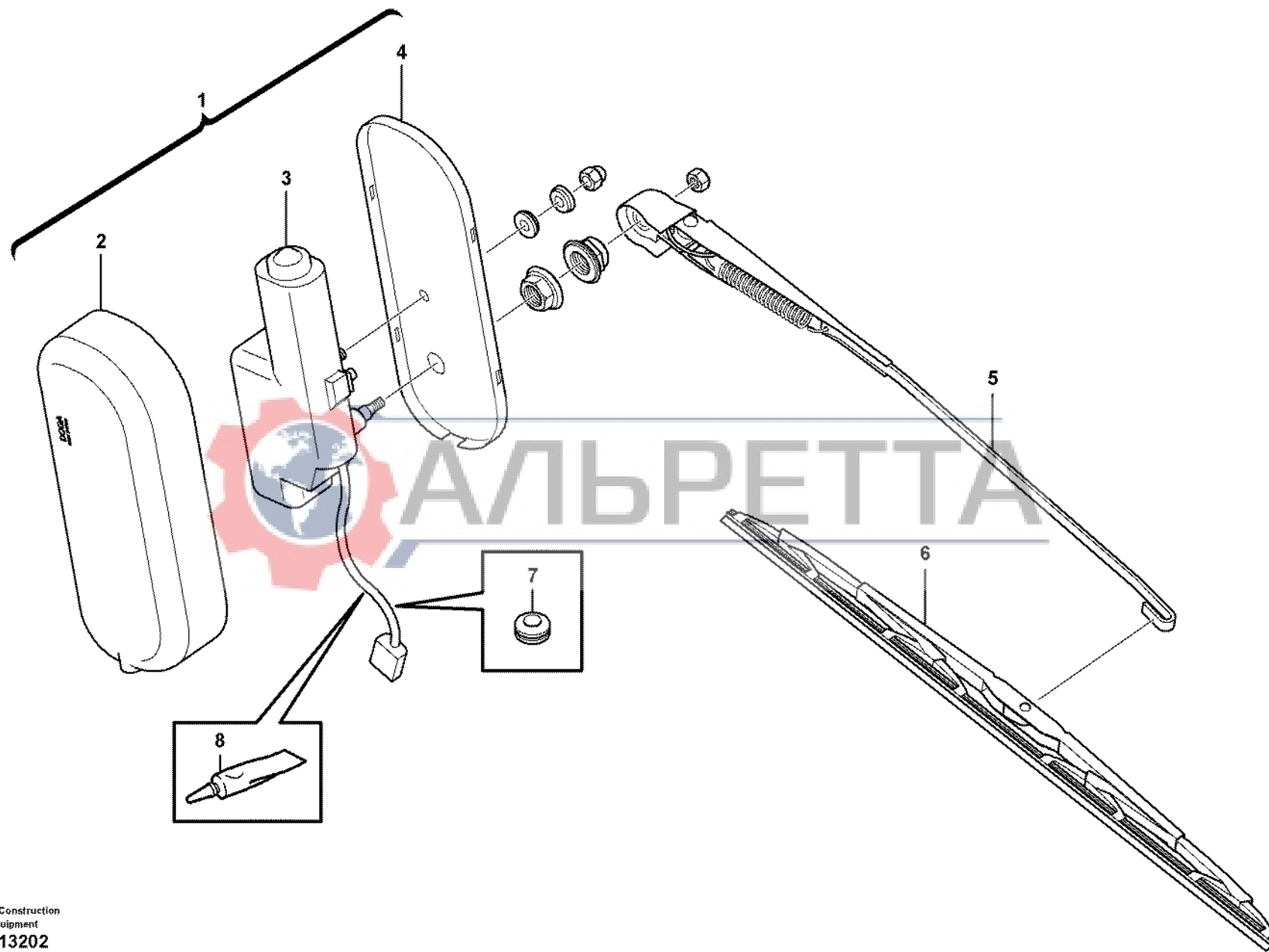


Fig.	Part No.	Quantity			P S	K I T	Description	Dénomination	Bezeichnung	Denominación	Benämning	Notes
		1	2	3								
1	VOE 11202201	1					Wiper Mechanism .....	Mec.essui.glace .....	Wischermechanis .....	Mecanismo Limp .....	Torkarmekanism.....	
2	VOE 11200674	1					•Cover .....	•Capot .....	•Haube .....	•Capo .....	•Huv.....	
3	VOE 11201418	1			SS		•Wiper Motor .....	•Moteur essuie glace..	•Wischermotor.....	•Motor l.p. ....	•Torkarmotor.....	
4		1			NS		•Anchorage .....	•Fixation .....	•Halterung .....	•Fijacion.....	•Fäste.....	
5	VOE 11200706	1					Wiper Arm .....	Bras Essu.glac. ....	Wischerarm .....	Brazo Limpiapar .....	Torkararm.....	
6	VOE 11200705	1					Wiper blade.....	Balai essuie glace .....	Wischerblatt .....	Escobilla l.p. ....	Torkarblad.....	
7	VOE 941262	1					Grommet.....	Passe fil .....	Durchführung .....	Aislador pasapanel.....	Genomföring.....	
8	VOE 11708567	REQ					Adhesive .....	Adhesif .....	Klebstoff .....	Adhesivo .....	Lim.....	



1		Vindrutetorkare, bak	Catalogue id	Group
2		Limpiaparabrisas, trasero	<b>20004</b>	<b>363</b>
3		Scheibenwischer, hinten	Illustr. No	Section
4		Essuie-vitre, arrière	<b>1013202</b>	<b>150</b>
5		Windshield wiper, rear	Issue	Page
		11298028, 11298196	VOE 63G9920004	<b>149</b>

**VOLVO**

**BL70**

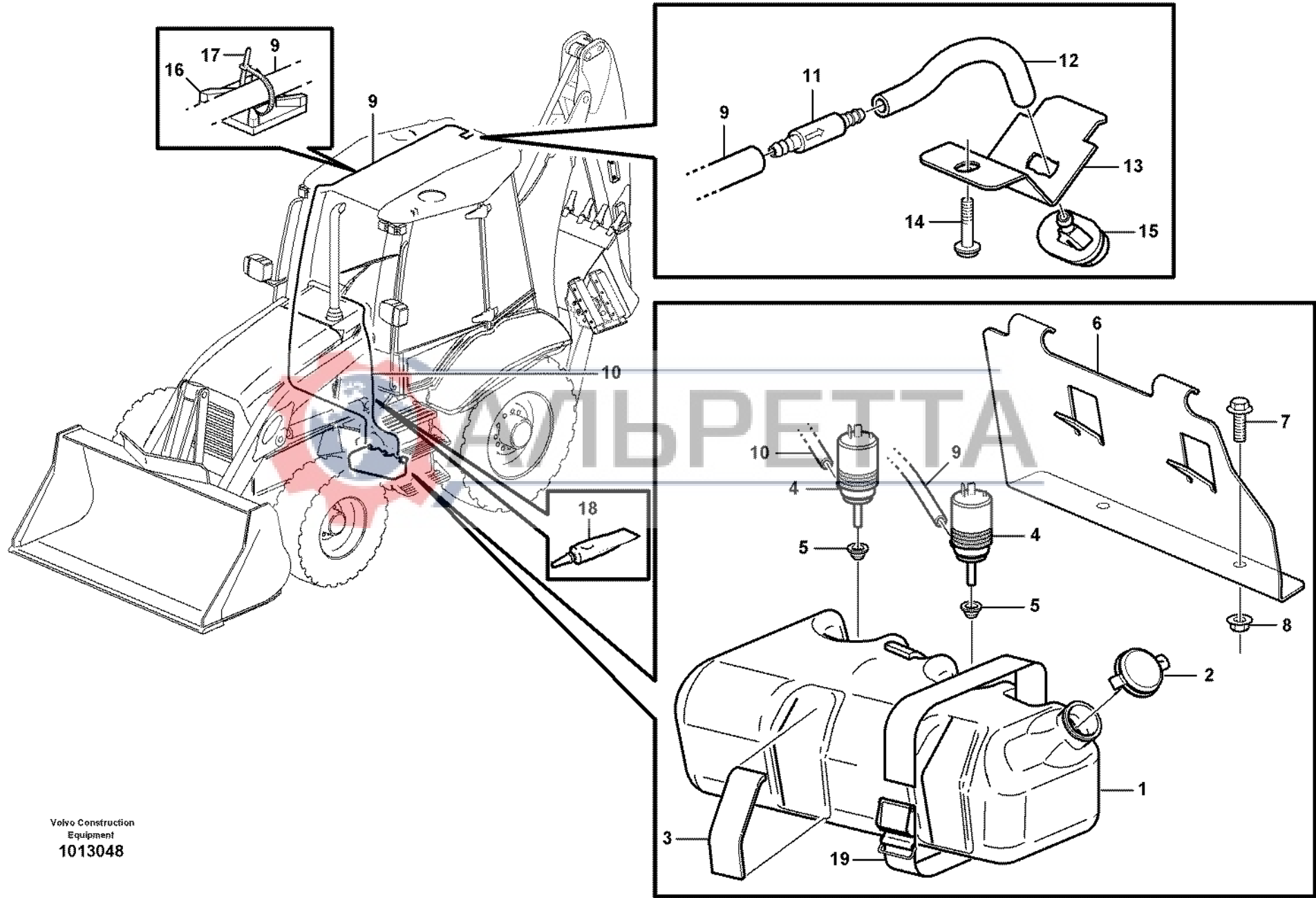


Fig.	Part No.	Quantity					P S	K T	Description	Dénomination	Bezeichnung	Denominación	Benämning	Notes
		1	2	3	4	5								
1	VOE 11887150	1		1				Tank.....	Reservoir.....	Behälter .....	Depósito .....	Tank.....		
	VOE 11887149		1		1			Tank.....	Reservoir.....	Behälter .....	Depósito .....	Tank.....		
2	VOE 11883650	1	1	1	1			Cap .....	Chapeau.....	Kappe .....	Caperuza.....	Lock.....		
3	VOE 11883640	4	4					Rubber Spacer.....	Cale Caoutchouc....	Gummieinlage.....	Suplemento Goma .	Gummimellanlägg..	SER NO -10640 EXCL 10637	
4	VOE 11883646	2	1	2	1			Pump .....	Pompe.....	Pumpe .....	Bomba .....	Pump.....		
5	VOE 11883648	2	1	2	1			Rubber Spacer.....	Cale Caoutchouc....	Gummieinlage.....	Suplemento Goma .	Gummimellanlägg..		
6	VOE 11883641	1	1					Plate.....	Plaque .....	Platte.....	Placa .....	Platta.....	SER NO -10640 EXCL 10637	
7	VOE 13946173	2	2					Flange screw .....	Vis à bride .....	Flanschschraube .....	Torn embridado .....	Flänsskruv.....	SER NO -10640 EXCL 10637	
8	VOE 13945408	2	2					Nut .....	Ecrou.....	Mutter.....	Tuerca .....	Mutter.....	SER NO -10640 EXCL 10637	
9	VOE 1304841	REQ						Hose .....	Durit.....	Schlauch .....	Tubo flexible .....	Slang.....	L = 5060 MM	
10	VOE 1304841	REQ	REQ					Hose .....	Durit.....	Schlauch .....	Tubo flexible .....	Slang.....	L = 1600 MM	
11	VOE 11200713	1						Check valve .....	Valve antiretour .....	Rückschlagventil.....	Válvula de retenció.	Backventil.....		
12	VOE 1304841	REQ						Hose .....	Durit.....	Schlauch .....	Tubo flexible .....	Slang.....	L = 50 MM	
13	VOE 11203078	1						Anchorage .....	Fixation.....	Halterung .....	Fijacion.....	Fäste.....		
14	VOE 969404	1						6-pt skt screw.....	Vis creuse de 6 .....	Hohlschraube.....	Racor 6-dientes .....	Sextandhålskruv.....		
15	VOE 11203079	1						Washer Jet.....	Gicl.lave-glace.....	Sprühdüse .....	Boquill Rociad .....	Spolarmunstycke....		
16	VOE 14213026	4						Attachment.....	Fixation.....	Halterung .....	Fijacion.....	Fäste.....		
17	VOE 4821292	4						Strip Clamp .....	Ruban Serrage .....	Kabelbinder.....	Abraz Cinta.....	Bandklamma.....		
18	VOE 11708567	REQ	REQ					Adhesive .....	Adhesif .....	Klebstoff.....	Adhesivo.....	Lim.....		
19	VOE 11104606	2	2	2	2			Retaining Strap.....	Courroi.serrage .....	Halteriemen .....	Correa Tensora .....	Spännrem.....	SER NO 10641- INCL 10637	



1	11298028	<b>Vindrutespolare</b> <b>Lavaparabrisas</b> <b>Scheibenwaschanlage</b> <b>Lave - glace</b> <b>Windshield washer</b>	Catalogue id	Group
2	11298012		<b>20004</b>	<b>363</b>
3	11298196		Illustr. No	Section
4	11298203		<b>1013048</b>	<b>200</b>
5			Issue	Page
			<b>VOE 63G9920004</b>	<b>151</b>

**VOLVO**

**BL70**

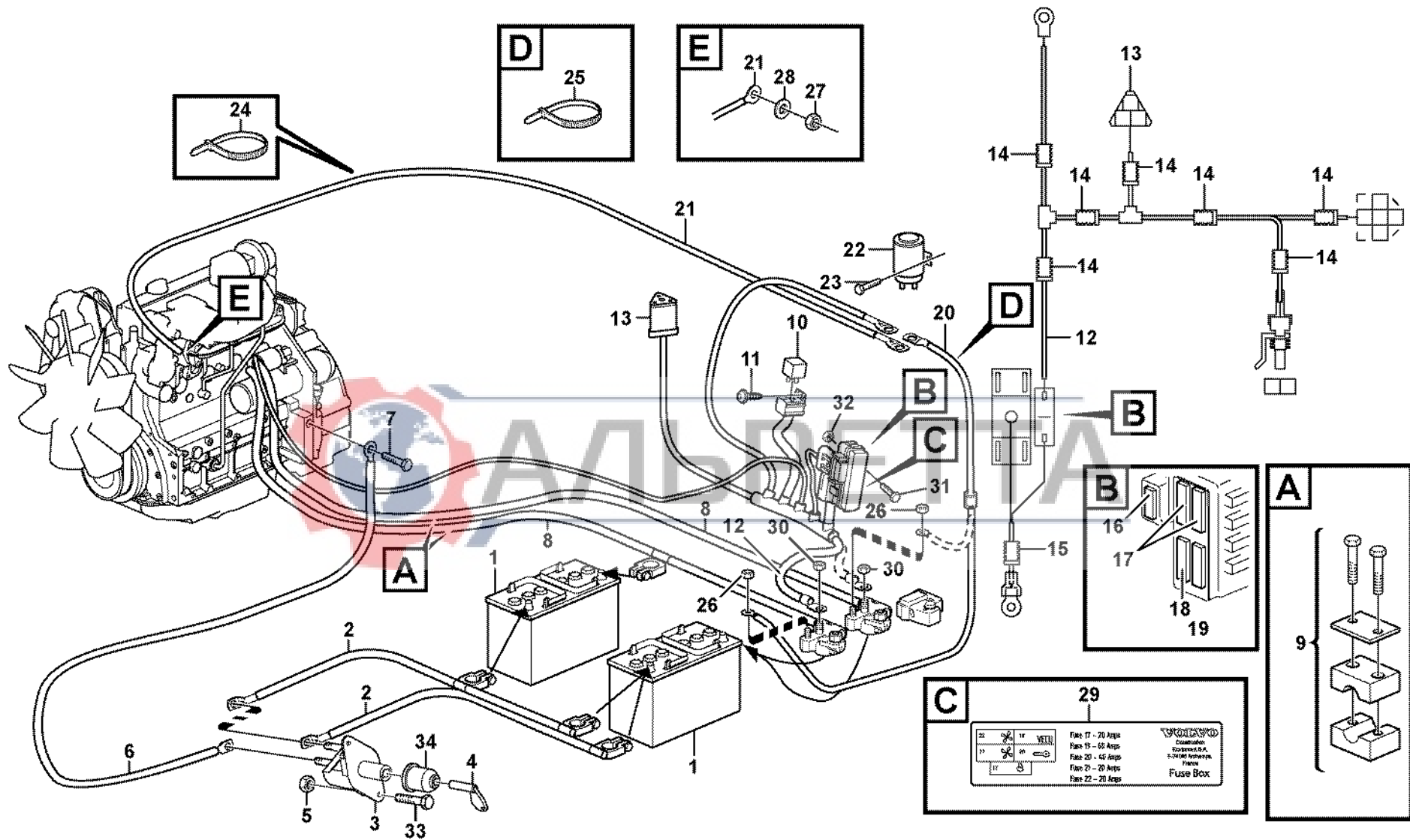


Fig.	Part No.	Quantity					P S	K T	Description	Dénomination	Bezeichnung	Denominación	Benämning	Notes
		1	2	3	4	5								
1	VOE 20393421	1	2	1	2			Battery .....	Batterie .....	Batterie .....	Bateria .....	Batteri.....		
2	VOE 11882580	1						Battery Cable .....	Câble batterie .....	Batterieleitung .....	Cable Bateria.....	Batteriledning.....	SER NO -10640, EXCL10637	
2	VOE 11886121	1						Battery Cable .....	Câble batterie .....	Batterieleitung .....	Cable Bateria.....	Batteriledning.....	SER NO 10641-, INCL10637	
2	VOE 11886121			1				Battery Cable .....	Câble batterie .....	Batterieleitung .....	Cable Bateria.....	Batteriledning.....		
2	VOE 11884081		1					Battery Cable .....	Câble batterie .....	Batterieleitung .....	Cable Bateria.....	Batteriledning.....	SER NO -10640, EXCL10637	
2	VOE 11886126		1					Battery Cable .....	Câble batterie .....	Batterieleitung .....	Cable Bateria.....	Batteriledning.....	SER NO 10641-, INCL10637	
2	VOE 11886126				1			Battery Cable .....	Câble batterie .....	Batterieleitung .....	Cable Bateria.....	Batteriledning.....		
3	VOE 3987034	1	1	1	1			Battery main switch.....	Robinet batterie .....	Batterietrennschalt.....	Desconectador bat .....	Batterifrånskiljare.....		
4	VOE 8157766	1	1	1	1			•Handle .....	•Poignee.....	•Drehgriff.....	•Mango .....	•Vred.....		
5	VOE 983302	2	2					Nut .....	Ecrou .....	Mutter.....	Tuerca .....	Mutter.....	SER NO -10640, EXCL10637	
5	VOE 983302			2	2			Nut .....	Ecrou .....	Mutter.....	Tuerca .....	Mutter.....		
6	VOE 11884768	1	1					Battery Cable .....	Câble batterie .....	Batterieleitung .....	Cable Bateria.....	Batteriledning.....	SER NO -10640, EXCL10637	
6	VOE 11886124	1	1					Battery Cable .....	Câble batterie .....	Batterieleitung .....	Cable Bateria.....	Batteriledning.....	SER NO 10641-, INCL10637	
6	VOE 11886124			1	1			Battery Cable .....	Câble batterie .....	Batterieleitung .....	Cable Bateria.....	Batteriledning.....		
	VOE 965891	1	1	1	1			•Cable terminal .....	•Cosse cable .....	•Flachsteckhülse.....	•Terminal cable.....	•Ledningssko.....		
7	VOE 13965191	1	1	1	1			Flange screw .....	Vis à bride .....	Flanschschraube .....	Torn embridado .....	Flänskruv.....		
8	VOE 11884930	1						Battery Cable .....	Câble batterie .....	Batterieleitung .....	Cable Bateria.....	Batteriledning.....	SER NO -10640, EXCL10637	
8	VOE 11887721	1						Cable .....	Câble .....	Seil .....	Cable .....	Lina.....	SER NO 10641-, INCL10637	
8	VOE 11887721			1				Cable .....	Câble .....	Seil .....	Cable .....	Lina.....		
8	VOE 11884931		1					Battery Cable .....	Câble batterie .....	Batterieleitung .....	Cable Bateria.....	Batteriledning.....	SER NO -10640, EXCL10637	
8	VOE 11887722		1					Cable .....	Câble .....	Seil .....	Cable .....	Lina.....	SER NO 10641-, INCL10637	
8	VOE 11887722				1			Cable .....	Câble .....	Seil .....	Cable .....	Lina.....		
9	VOE 11883608	2	2					Clamp .....	Pince Serrage .....	Klemme.....	Abrazadera .....	Klämma.....	SER NO -10640, EXCL10637	
10	VOE 11305263	1	1	1	1			Relay.....	Relais .....	Relais .....	Rele .....	Relä.....	RE1	
11	VOE 969405	1	1					6-pt skt screw.....	Vis creuse de 6 .....	Hohlschraube.....	Racor 6-dientes .....	Sextandhålskruv.....		
	VOE 969407			1	1			6-pt skt screw.....	Vis creuse de 6 .....	Hohlschraube.....	Racor 6-dientes .....	Sextandhålskruv.....		
12	VOE 11884932	1	1					Wire harness.....	Faisceau electriqu .....	Kabelbaum.....	Manojo cables .....	Ledningsmatta.....	SER NO -10640, EXCL10637	
12	VOE 11886123	1	1					Wire harness.....	Faisceau electriqu .....	Kabelbaum.....	Manojo cables .....	Ledningsmatta.....	SER NO 10641-, INCL10637	
12	VOE 11886123			1	1			Wire harness.....	Faisceau electriqu .....	Kabelbaum.....	Manojo cables .....	Ledningsmatta.....	SER NO -10704	
12	VOE 11886587			1	1			Wire harness.....	Faisceau electriqu .....	Kabelbaum.....	Manojo cables .....	Ledningsmatta.....	SER NO 10705-	



1	11882593 (SINGLE)	<b>Batteriledning och batterifrånskiljare</b> <b>Cable de bateria y desconectador bateria</b> <b>Batterieleitung und Batterietrennschalter</b> <b>Cable batterie et robinet batterie</b> <b>Battery cable and main switch</b>	Catalogue id	Group
2	11882594 (DOUBLE)		<b>20004</b>	<b>371</b>
3	11891392 (SINGLE)		Illustr. No	Section
4	11891391 (DOUBLE)		<b>1017107</b>	<b>100</b>
5			Issue	Page
		<b>VOE 63G9920004</b>	<b>153</b>	



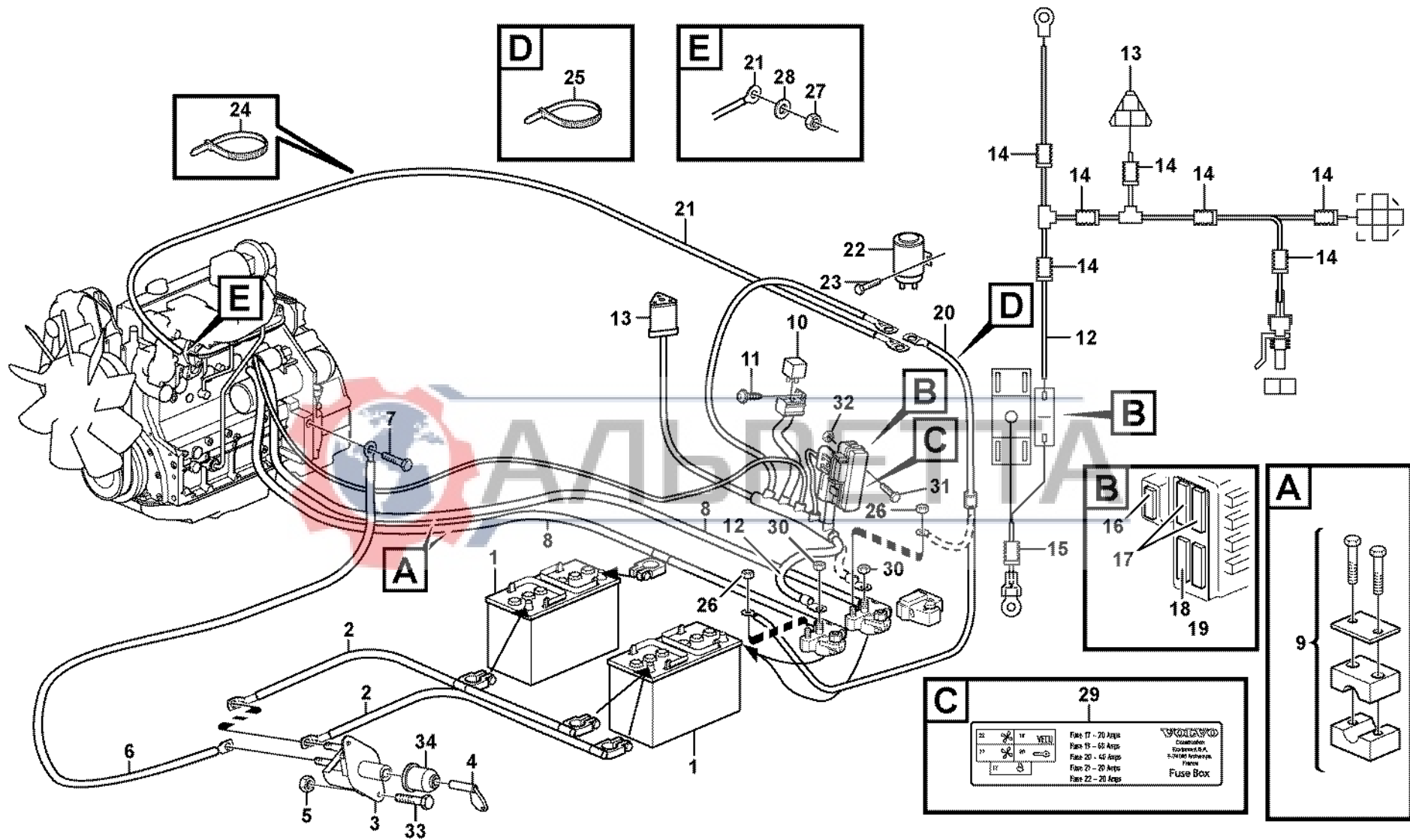
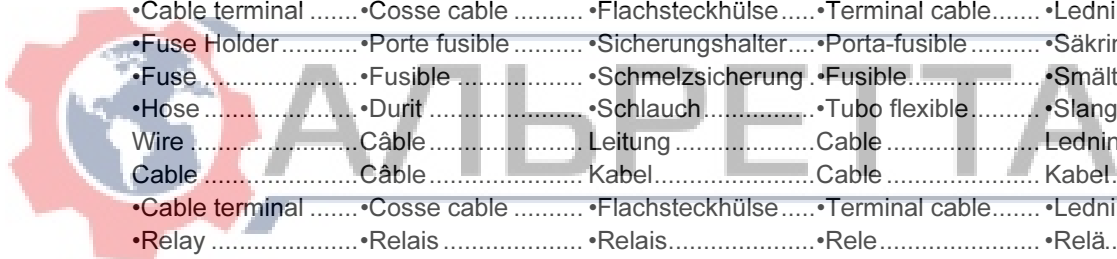


Fig.	Part No.	Quantity					P S	K T	Description	Dénomination	Bezeichnung	Denominación	Benämning	Notes
		1	2	3	4	5								
								•CONNECTED TO: •CONNECTÉ A: ..... •ANGESCHLOSSE •CONECTADO A:... •ANSLUTER TILL:..						
								•Cable harness R ..•Faisceau de câbl. •Hinterer Kabelba ..•Haz de cables tra. •Ledningsmatta B. X60						
								•Starter Relay ..... •Relais Demarra. .... •Anlassrelais ..... •Rele Arranque..... •Startrelä..... RE1						
								•Relay,starter ele ...•Relais,elem.dem ..•Relais,kaltstartele. •Rele,calentador a. •Relä,starthelement RE2						
								•Starter Motor ..... •Demarreur..... •Anlasser ..... •Motor de arranqu. •Startmotor..... MO1						
								•Battery..... •Batterie ..... •Batterie ..... •Bateria ..... •Batteri..... BA1						
13	VOE 874654	1	1	1	1			•Rcpt Housing..... •Douille Isolan. .... •Steckbuchse..... •Aislador Mangui .... •Hylisolator..... X60						
14	VOE 11170006	REQ	REQ	REQ	REQ			•Hose ..... •Durit ..... •Schlauch..... •Tubo flexible..... •Slang.....						
15	VOE 4803745	REQ	REQ	REQ	REQ			•Hose ..... •Durit ..... •Schlauch..... •Tubo flexible..... •Slang.....						
16	VOE 11882444	1	1	1	1			•Fuse ..... •Fusible ..... •Schmelzsicherung. •Fusible..... •Smältsäkring..... 20A						
17	VOE 11882444	2	2	2	2			•Fuse ..... •Fusible ..... •Schmelzsicherung. •Fusible..... •Smältsäkring..... 20A						
18	VOE 11882446	1	1	2	2			•Fuse ..... •Fusible ..... •Schmelzsicherung. •Fusible..... •Smältsäkring..... 40A						
19	VOE 11882512	1	1	1	1			•Fuse ..... •Fusible ..... •Schmelzsicherung. •Fusible..... •Smältsäkring..... 60A						
20	VOE 11886119	1	1	1	1			Cable ..... Câble ..... Kabel..... Cable ..... Kabel..... (VOE 11885028)						
	VOE 11886557	1	1	1	1			Cable ..... Câble ..... Kabel..... Cable ..... Kabel..... S/N - 10863						
	VOE 13947459	2	2	2	2			•Cable terminal ..... •Cosse cable ..... •Flachsteckhülse..... •Terminal cable..... •Ledningssko..... S/N - 10863						
	VOE 11870441	1	1	1	1			•Fuse Holder ..... •Porte fusible ..... •Sicherungshalter..... •Porta-fusible ..... •Säkringshållare..... S/N - 10863						
	VOE 11870440	1	1	1	1			•Fuse ..... •Fusible ..... •Schmelzsicherung. •Fusible..... •Smältsäkring..... 175A, S/N - 10863						
	VOE 4803746	REQ	REQ	REQ	REQ			•Hose ..... •Durit ..... •Schlauch..... •Tubo flexible..... •Slang..... S/N - 10863						
21	VOE 11883278	1	1	1	1			Wire ..... Câble ..... Leitung ..... Cable ..... Ledning..... S/N - 10863						
	VOE 11887633	1	1	1	1			Cable ..... Câble ..... Kabel..... Cable ..... Kabel..... S/N 10864 -						
	VOE 881503	2	2	2	2			•Cable terminal ..... •Cosse cable ..... •Flachsteckhülse..... •Terminal cable..... •Ledningssko..... S/N - 10863						
22	VOE 20715643	1	1	1	1			•Relay ..... •Relais ..... •Relais..... •Rele ..... •Relä..... (VOE 20552405)						
	VOE 20715643	1	1	1	1			Relay..... Relais ..... Relais ..... Rele ..... Relä..... S/N 10864 -						
23	VOE 13946934	2	2	2	2			Screw..... Vis ..... Schraube ..... Tornillo..... Skruv.....						
24	VOE 4881438	14	14	14	14			Strip Clamp ..... Ruban Serrage ..... Kabelbinder..... Abraz Cinta..... Bandklamma.....						
25	VOE 4881440	3	3	3	3			Strip Clamp ..... Ruban Serrage ..... Kabelbinder..... Abraz Cinta..... Bandklamma.....						
26	VOE 13945407	1	1	1	1			Nut ..... Ecrou ..... Mutter..... Tuerca ..... Mutter.....						



1	11882593 (SINGLE)	<b>Batteriledning och batterifrånsljare</b> <b>Cable de bateria y desconectador bateria</b> <b>Batterieleitung und Batterietrennschalter</b> <b>Cable batterie et robinet batterie</b> <b>Battery cable and main switch</b>	Catalogue id	Group
2	11882594 (DOUBLE)		<b>20004</b>	<b>371</b>
3	11891392 (SINGLE)		Illustr. No	Section
4	11891391 (DOUBLE)		<b>1017107</b>	<b>100</b>
5			Issue	Page
		<b>VOE 63G9920004</b>	<b>155</b>	



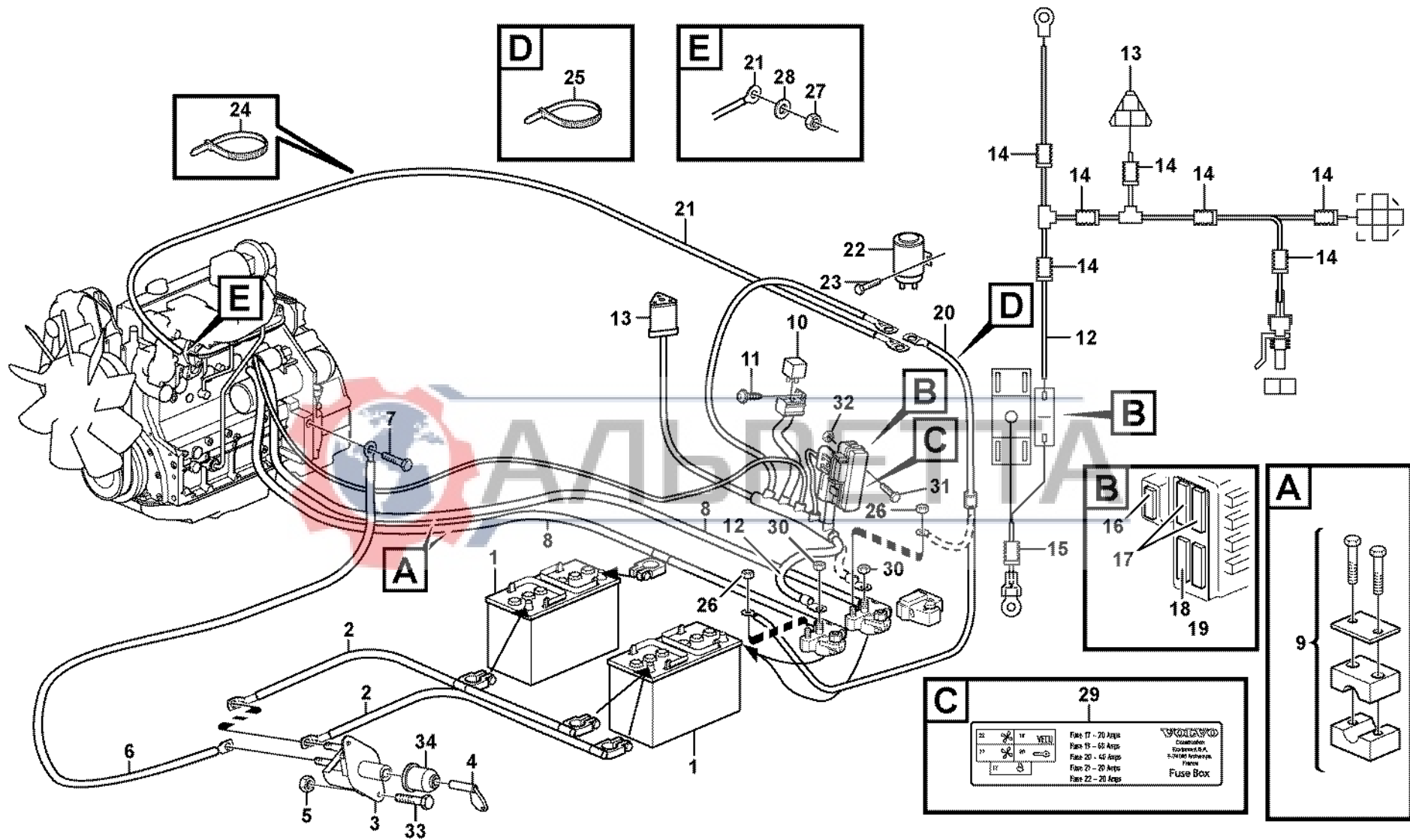


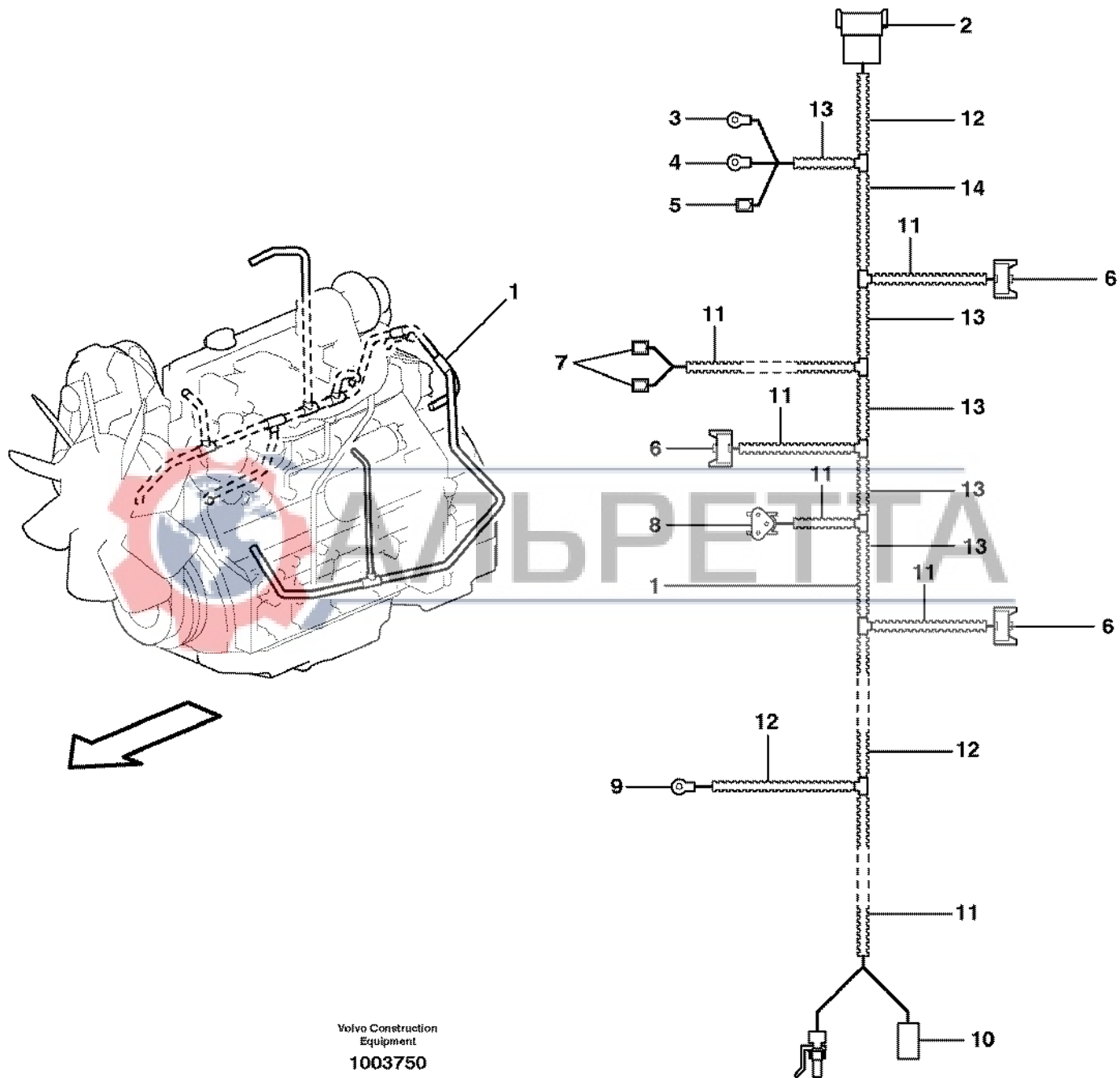
Fig.	Part No.	Quantity					P S	K I T	Description	Dénomination	Bezeichnung	Denominación	Benämning	Notes
		1	2	3	4	5								
27	VOE 983303	1	1	1	1			Nut .....	Ecrou .....	Mutter .....	Tuerca .....	Mutter .....	S/N - 10863	
28	VOE 955921	1	1	1	1			Spring Washer .....	Rondelle élastique ..	Federscheibe .....	Arandela flexible .....	Fjäderbricka .....	S/N - 10863	
	VOE 955920	1	1	1	1			Spring Washer .....	Rondelle élastique ..	Federscheibe .....	Arandela flexible .....	Fjäderbricka .....	S/N 10864 -	
29	VOE 11886286	1	1	1	1			Decal .....	Decalcomanie .....	Abziehbild .....	Decalcomania .....	Dekal .....	SER NO 10637-	
29	VOE 11883711	1	1					Decal .....	Decalcomanie .....	Abziehbild .....	Decalcomania .....	Dekal .....	SER NO -10636	
30	VOE 13945408	1	1	1	1			Nut .....	Ecrou .....	Mutter .....	Tuerca .....	Mutter .....		
	VOE 946440	1	1	1	1			Flange screw .....	Vis à bride .....	Flanschschraube .....	Torn embridado .....	Flänsskruv .....		
31	VOE 13946173	2	2					Flange screw .....	Vis à bride .....	Flanschschraube .....	Torn embridado .....	Flänsskruv .....	SER NO 10641-, INCL10637	
31	VOE 13946173			2	2			Flange screw .....	Vis à bride .....	Flanschschraube .....	Torn embridado .....	Flänsskruv .....		
32	VOE 13945408	2	2					Nut .....	Ecrou .....	Mutter .....	Tuerca .....	Mutter .....	SER NO 10641-, INCL10637	
32	VOE 13945408			2	2			Nut .....	Ecrou .....	Mutter .....	Tuerca .....	Mutter .....		
33	VOE 969587			2	2			6-pt skt screw .....	Vis creuse de 6 .....	Hohlschraube .....	Racor 6-dientes .....	Sextandhålskruv .....		
34	VOE 1582293	1	1	1	1			Bellows .....	Capot Caoutcho .....	Gummimantel .....	Cubierta Goma .....	Gummikåpa .....	SER NO 10698-, INCL10693	



1	11882593 (SINGLE)	<b>Batteriledning och batterifrånskiljare</b> <b>Cable de bateria y desconectador bateria</b> <b>Batterieleitung und Batterietrennschalter</b> <b>Cable batterie et robinet batterie</b> <b>Battery cable and main switch</b>	Catalogue id	Group
2	11882594 (DOUBLE)		<b>20004</b>	<b>371</b>
3	11891392 (SINGLE)		Illustr. No	Section
4	11891391 (DOUBLE)		<b>1017107</b>	<b>100</b>
5			Issue	Page
		<b>VOE 63G9920004</b>	<b>157</b>	

**VOLVO**

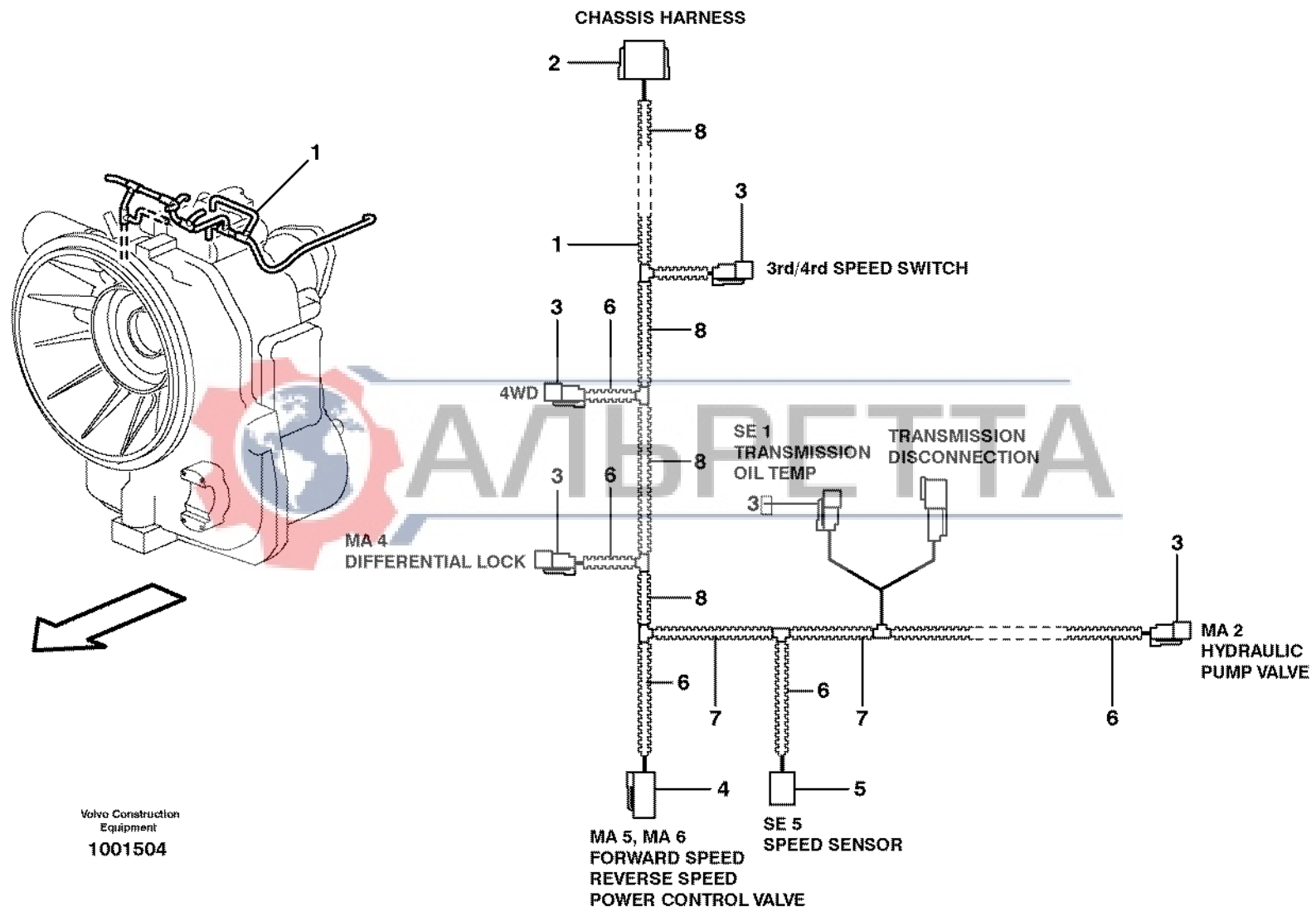
**BL70**



Volvo Construction  
Equipment  
1003750

Fig.	Part No.	Quantity			P S	K I T	Description	Dénomination	Bezeichnung	Denominación	Benämning	Notes
		1	2	3								
1	<b>VOE 11884504</b>	1					Cable harness..... Faisceau cables ..... Kabelbaum ..... Manojos cables ..... Ledningsmatta..... ••CONNECTED TO:••CONNECTÉ A: ..... ••ANGESCHLOSSEN:••CONECTADO A: ..... ••ANSLUTER TILL:..... ••Cable harness Cha.. ••Faisceau de câbles.. ••Kabelbaum Fahrge.. ••Haz de cables, chas ••Ledningsmatta Cha. X13 ••Alternator ..... ••Alternateur ..... ••Lichtmaschine ..... ••Alternador ..... ••Generator..... AL1 ••Oil press., engine .... ••Pression huile mote. ••Öldruck, Motor ..... ••Presión de aceite, ... ••Oljetryck, motor..... SE6 ••Air filter ..... ••Filtre air..... ••Luftfilter ..... ••Filtro aire ..... ••Lufffilter..... SE7 ••Key turn engine sto . ••Commande stop ..... ••Abstellvorrichtung .... ••Mando pare..... ••Nyckelstopp..... MA7 ••Regulator ..... ••Regulateur ..... ••Regler ..... ••Regulador ..... ••Regulator..... MA1 ••Temp.sensor, engin. ••Detecteur temp,mot. ••Temperaturgeber,m. ••Sensor temperat,m .. ••Temp.givare, motor. SE2 ••Starter motor ..... ••Demarreur ..... ••Anlasser..... ••Motor arranque ..... ••Startmotor..... MO1 ••AC Compressor ..... ••Compresseur AC ..... ••AC-Kompressor ..... ••Compresor de A/C ... ••A/c Kompressor..... MO10					
2	<b>VOE 874965</b>	1					•Connector ..... •Raccord ..... •Anschluss..... •Union..... •Anslutning..... X13					
	<b>VOE 14370889</b>	1					•Spacer ..... •Partie Intermédiaire .. •Zwischenstück ..... •Espaciador ..... •Mellandel.....					
3		1			NS		•Cable terminal ..... •Cosse cable ..... •Flachsteckhülse ..... •Terminal cable ..... •Ledningssko..... AL1 (X174)					
4	<b>VOE 956926</b>	1					•Cable terminal ..... •Cosse cable ..... •Flachsteckhülse ..... •Terminal cable ..... •Ledningssko..... AL1 (X173)					
5	<b>VOE 973119</b>	1					•Cable terminal ..... •Cosse cable ..... •Flachsteckhülse ..... •Terminal cable ..... •Ledningssko..... AL1 (X262)					
6	<b>VOE 976256</b>	3					•Insulator..... •Isolateur ..... •Isolator ..... •Aislador ..... •Isolator..... SE2, SE6, MA7 (X211, X212, X213)					
7		2			NS		•Cable terminal ..... •Cosse cable..... •Flachsteckhülse ..... •Terminal cable ..... •Ledningssko..... SE7 (X260, X261)					
8		1			NS		•Switch Housing ..... •Boitier Contact ..... •Kontaktgehäuse ..... •Caja Contacto ..... •Kontaktthus..... MA1 (X214)					
9	<b>VOE 949587</b>	1					•Cable terminal ..... •Cosse cable ..... •Flachsteckhülse ..... •Terminal cable ..... •Ledningssko..... MO1 (X169)					
10		1			NS		•Cable terminal ..... •Cosse cable ..... •Flachsteckhülse ..... •Terminal cable ..... •Ledningssko..... MO10 (X100)					
11	<b>VOE 4803746</b>	REQ					•Hose ..... •Durit ..... •Schlauch ..... •Tubo flexible..... •Slang.....					
12	<b>VOE 4803748</b>	REQ					•Hose ..... •Durit ..... •Schlauch ..... •Tubo flexible..... •Slang.....					
13	<b>VOE 4803751</b>	REQ					•Hose ..... •Durit ..... •Schlauch ..... •Tubo flexible..... •Slang.....					
14	<b>VOE 4803752</b>	REQ					•Hose ..... •Durit ..... •Schlauch ..... •Tubo flexible..... •Slang.....					

1		<b>Ledningsmatta, motor</b>	Catalogue id	Group
2		<b>Haz de cables, motor</b>	<b>20004</b>	<b>371</b>
3		<b>Kabelbündel, Motor</b>	Illustr. No	Section
4		<b>Faisceau de câbles, moteur</b>	<b>1003750</b>	<b>200</b>
5		<b>Cable harness, engine</b>	Issue	Page
			<b>VOE 63G9920004</b>	<b>159</b>



Volvo Construction  
Equipment  
1001504

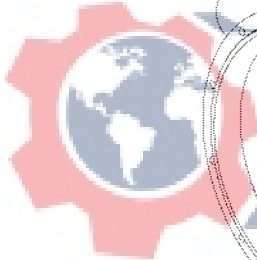
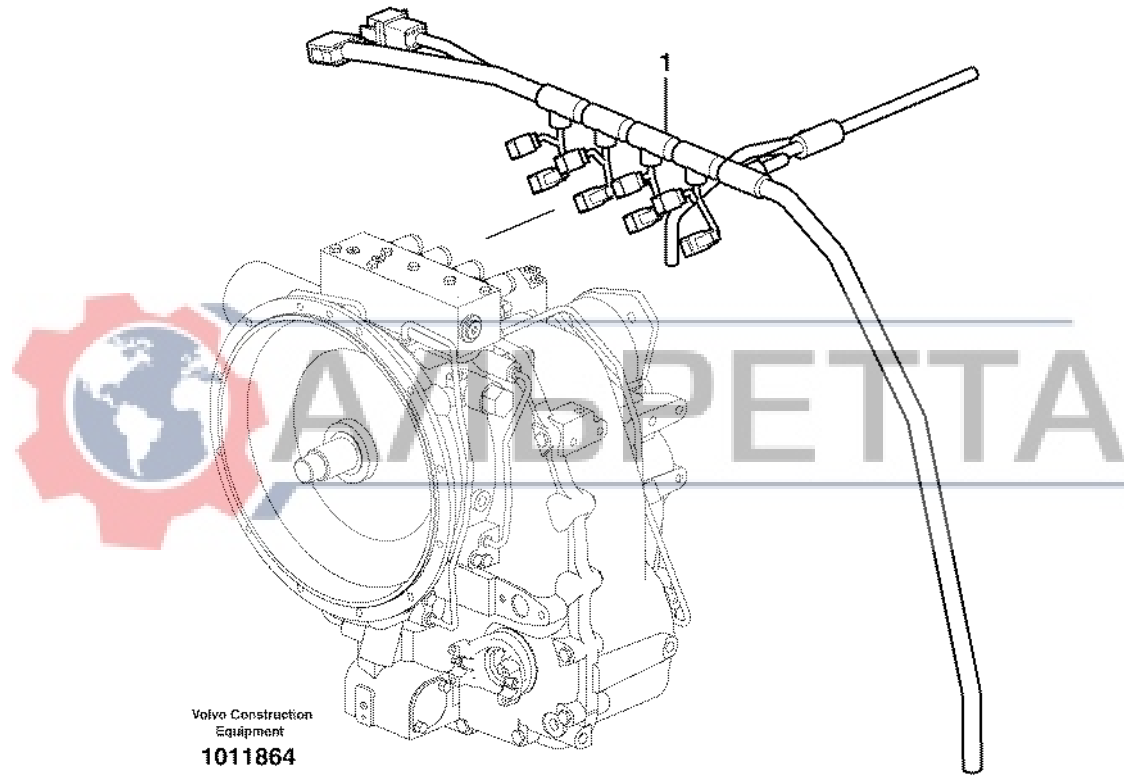
Fig.	Part No.	Quantity			P S	K I T	Description	Dénomination	Bezeichnung	Denominación	Benämning	Notes
		1	2	3								
1	<b>VOE 11884089</b>	1				Cable harness.....	Faisceau cables .....	Kabelbaum .....	Manojo cables .....	Ledningsmatta.....	S/N - 11144	
1	<b>VOE 11888412</b>	1				Wire harness.....	Faisceau électrique....	Kabelbaum .....	Manojo cables .....	Ledningsmatta.....	S/N 11145 -	
						•CONNECTED TO:	•CONNECTÉ A:	•ANGESCHLOSSEN:	•CONECTADO A:	•ANSLUTER TILL:		
						•Switch 3rd/4th gear	•Contact 3ème/4èm	•Schalter 3./4. Gang	•Contacto marcha 3a	•Kontakt 3:e/4:e växel		
						•Four-wheel drive	•Traction sur 4 roues	•Vierradantrieb	•Tracción en cuatro r	•Fyrhjulsdrivning	SE1	
						•Diff.lock switch	•Comm.bloca.differe	•Ausgleichsperrscha	•Reglaje diferencial	•Diffspärrkontakt	MA4	
						•Gear selector forwar	•Sélecteur de march	•Gangwähler vorwärt	•Selector de marcha	•Växelvälj.fram/back	MA5, MA6	
						•Speed sensor	•Commande tachym	•Drehzahlshalter	•Sensor tacometro	•Varvtalsgivare	SE5	
						•Hydraulic pump valv	•Valve de pompe hyd	•Hydraulikpumpenve	•Válvula de la bomba	•Hydraulpumpventil	MA2	
						•Disconnecter trans	•Coupe-circuit, trans	•Getriebeausrückun	•Disyuntor transmisi	•Frånskiljare transmi		
						•Transmission Tem	•Temp. De Transm.	•Getriebetemp.	•Temp. Transmisión	•Transmissions Te	SE1	
2	<b>VOE 11709766</b>	1				•Connector .....	•Raccord .....	•Anschluss.....	•Union.....	•Anslutning.....		
3	<b>VOE 874955</b>	6				•Insulator .....	•Isolateur .....	•Isolator .....	•Aislador .....	•Isolator.....		
4	<b>VOE 874957</b>	1				•Housing .....	•Isolant .....	•Isolator .....	•Aislador .....	•Isolator.....		
5	<b>VOE 11709812</b>	1			OP	•Connector .....	•Raccord .....	•Anschluss.....	•Union.....	•Anslutning.....		
6	<b>VOE 11170006</b>	REQ				•Hose .....	•Durit .....	•Schlauch .....	•Tubo flexible.....	•Slang.....		
7	<b>VOE 4803746</b>	REQ				•Hose .....	•Durit .....	•Schlauch .....	•Tubo flexible.....	•Slang.....		
8	<b>VOE 4803748</b>	REQ				•Hose .....	•Durit .....	•Schlauch .....	•Tubo flexible.....	•Slang.....		



1		<b>Ledningsmatta transmission</b> <b>Manojo de cable, transmisión.</b> <b>Kabelbaum, Getriebe.</b> <b>Faisceau de câles, transmission.</b> <b>Cable harness, transmission.</b>	Catalogue id	Group
2			<b>20004</b>	<b>371</b>
3			Illustr. No	Section
4			<b>1001504</b>	<b>250</b>
5			Issue	Page
		<b>11891209, 11891224</b>	<b>VOE 63G9920004</b>	<b>161</b>

**VOLVO**

**BL70**



ALBERTA

Volvo Construction  
Equipment  
1011864

Fig.	Part No.	Quantity			P S	K I T	Description	Dénomination	Bezeichnung	Denominación	Benämning	Notes
		1	2	3								
1	VOE 11885622	1					Wire harness.....	Faisceau électrique....	Kabelbaum.....	Manojo cables.....	Ledningsmatta.....	
							•CONNECTED TO:	•CONNECTÉ A:	•ANGESCHLOSSEN:	•CONECTADO A:	•ANSLUTER TILL:	
							•Wire harness	•Faisceau électrique	•Kabelbaum	•Manojo cables	•Ledningsmatta	X12 CHASSIS HARNESS
							•Wire harness	•Faisceau électrique	•Kabelbaum	•Manojo cables	•Ledningsmatta	X36 RH SIDE DASHBOARD
							•Diff. lock	•Blocage différentiel	•Ausgleichsperre	•Bloqueo diferencial	•Diffspärr	X94
							•Gear valve	•Soupape	•Ventil	•Valvula	•Växelventil	X114, X115, X118, X119
							•Four-wheel drive	•Traction sur 4 roues	•Vierradantrieb	•Tracción en cuatro r	•Fyrhjulsdrivning	X93
							•Gear selector forwar	•Sélecteur de march	•Gangwähler vorwärt	•Selector de marcha	•Växelvälj.fram/back	X116, X117
							•Speed sensor	•Commande tachym	•Drehzahlshalter	•Sensor tacometro	•Varvtalsgivare	X207
							•Temp.gauge, trans	•Indicat.temp. trans	•Temp.anzeiger,getri	•Termometro, trans	•Transm.oljetemp.m	X96
							•Hydraulic pump valv	•Valve de pompe hyd	•Hydraulikpumpenve	•Válvula de la bomba	•Hydraulpumpventil	X97

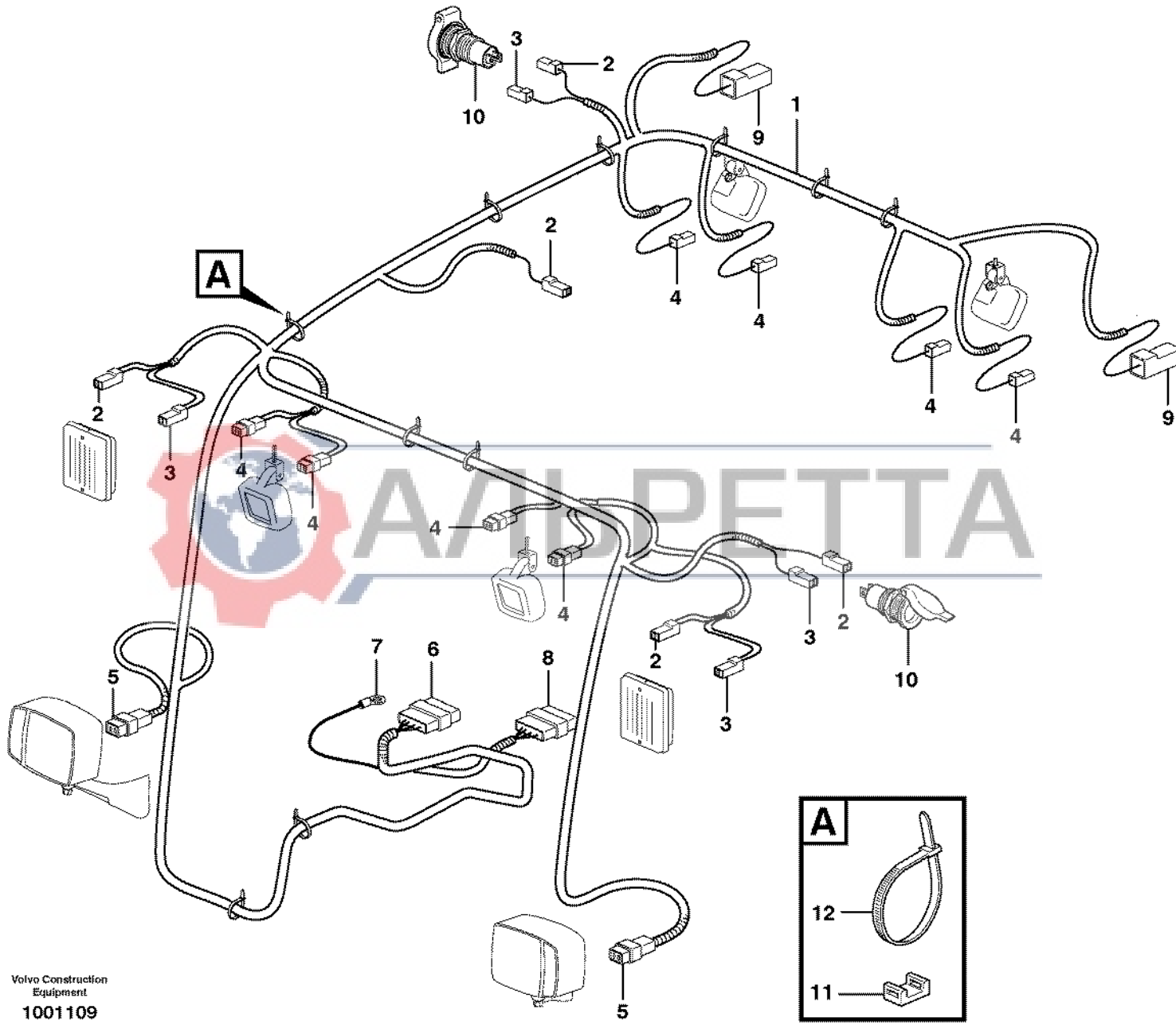


1		<b>Ledningsmatta transmission</b> <b>Manojo de cable, transmisión.</b> <b>Kabelbaum, Getriebe.</b> <b>Faisceau de câles, transmission.</b> <b>Cable harness, transmission.</b>	Catalogue id	Group
2			<b>20004</b>	<b>371</b>
3			Illustr. No	Section
4			<b>1011864</b>	<b>275</b>
5		11891255	Issue	Page
			<b>VOE 63G9920004</b>	<b>163</b>

**VOLVO**

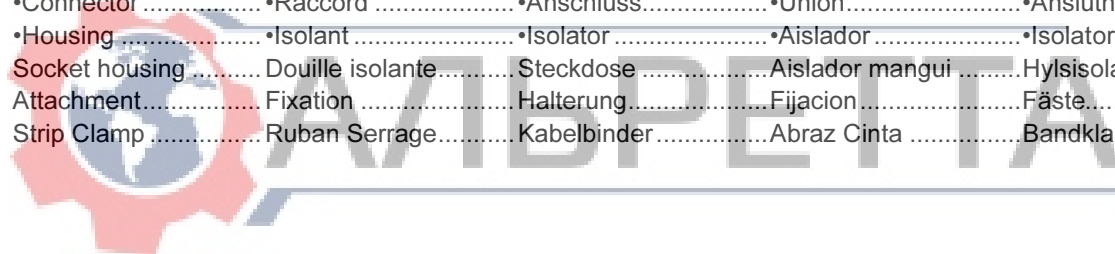
**BL70**





Volvo Construction  
Equipment  
1001109

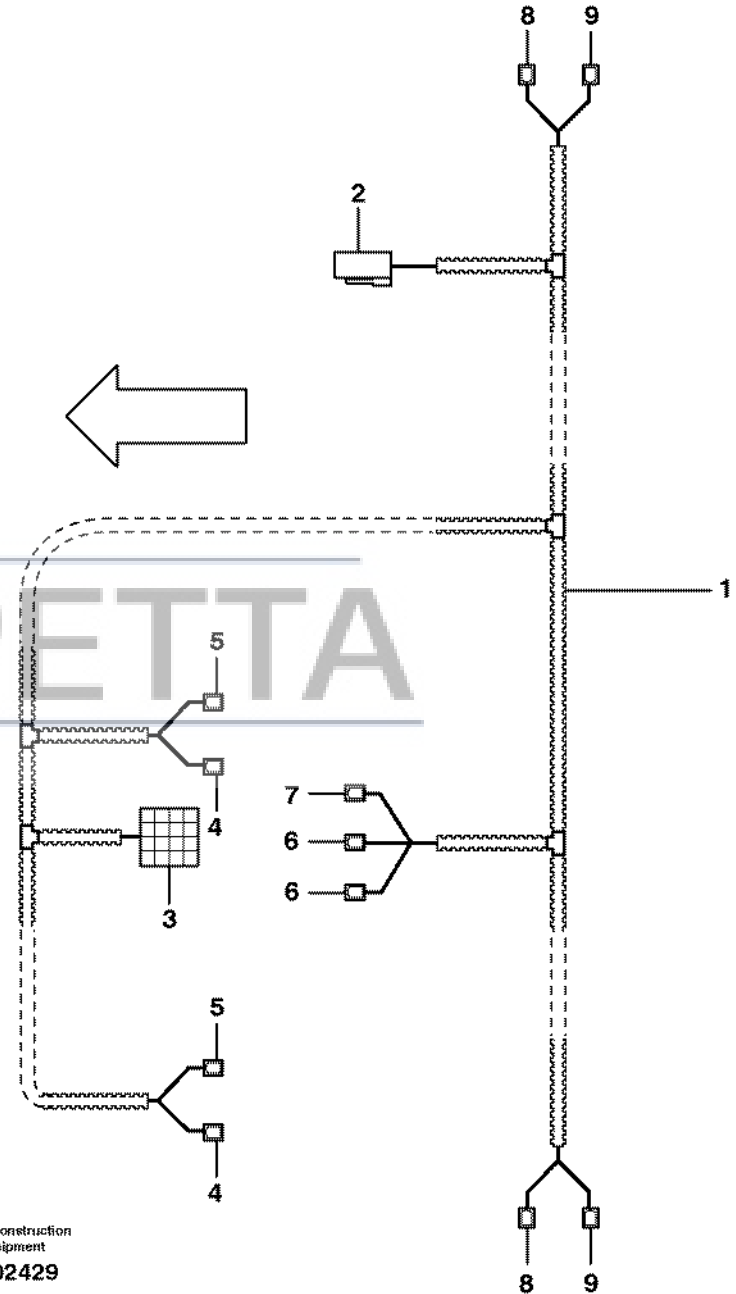
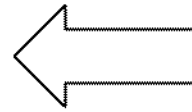
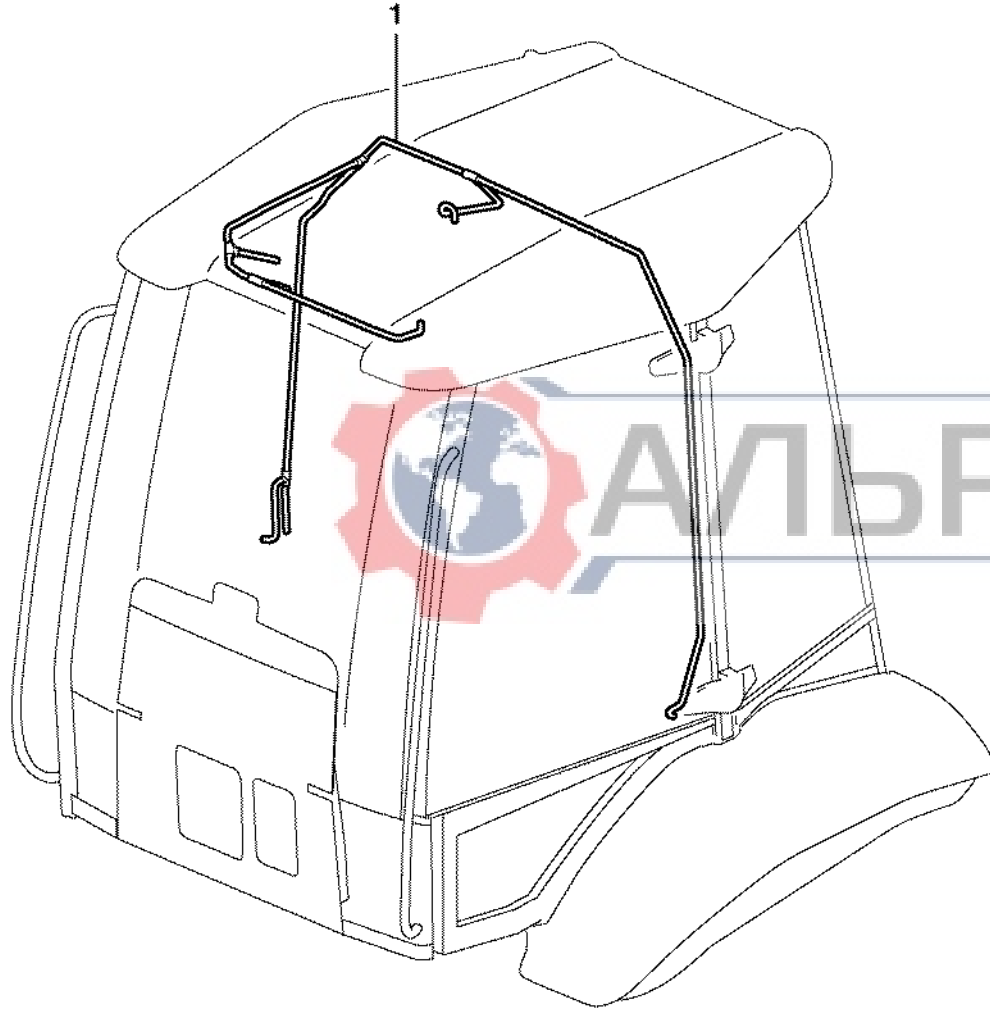
Fig.	Part No.	Quantity			P S	K I T	Description	Dénomination	Bezeichnung	Denominación	Benämning	Notes
		1	2	3								
1	VOE 11884514	1					Cable harness..... Faisceau cables ..... Kabelbaum ..... Manojos cables ..... Ledningsmatta..... •CONNECTED TO:..... •CONNECTÉ A:..... •ANGESCHLOSSEN:..... •CONECTADO A:..... •ANSLUTER TILL:..... •Headlamp ..... •Phare ..... •Scheinwerfer ..... •Faro ..... •Strålkastare..... LA1, LA2 •Rear lighting ..... •Illuminat.arriere..... •Hintere Beleuchtun. •Luz detras ..... •Bakre belysning..... LA5, LA6 •Work lights..... •Eclairage de travail.. •Arbeitsbeleuchtung.. •Alumbrado de trabaj •Arbetsbelysning..... LA13 - LA20 •Antenna ..... •Antenne ..... •Antenne ..... •Antena ..... •Antenn..... X247 •Rotating Beacon..... •Gyrophare..... •Rundumkennleucht.. •Luz Rotativa Emerg. •Roterande Varnings LA23, LA24 •Cable Harness Instr. •Câblage, tableau de •Leitung mit Armatur. •Haz cables tablero i. •Ledn.m Instrum.br F X32 •Earth..... •Terre ..... •Erde ..... •Tierra ..... •Jord..... X165 •Control unit, V-ECU. •Unite commande, V. •Steuergerät, V-ECU. •Unidad mando, V-E. •Styrenhet, V-ECU... X1					
2	VOE 973120	2					•Cable terminal ..... •Cosse cable ..... •Flachsteckhülse ..... •Terminal cable ..... •Ledningssko..... LA23, LA24					
3	VOE 973119	3					•Cable terminal ..... •Cosse cable ..... •Flachsteckhülse ..... •Terminal cable ..... •Ledningssko..... LA23, LA24					
4	VOE 874955	8					•Insulator..... •Isolateur ..... •Isolator ..... •Aislador ..... •Isolator..... LA13 - LA20					
5	VOE 874960	2					•Housing ..... •Isolant ..... •Isolator ..... •Aislador ..... •Isolator..... LA1, LA2					
6	VOE 11709767	1					•Connector ..... •Raccord ..... •Anschluss..... •Union..... •Anslutning..... X32					
7		1			NS		•Connector ..... •Raccord ..... •Anschluss..... •Union..... •Anslutning..... X165					
8	VOE 11709767	1					•Connector ..... •Raccord ..... •Anschluss..... •Union..... •Anslutning..... X1					
9	VOE 874957	2					•Housing ..... •Isolant ..... •Isolator ..... •Aislador ..... •Isolator.....					
10	VOE 14371054	2					Socket housing ..... Douille isolante ..... Steckdose ..... Aislador mangui ..... Hylsisolator.....					
11	VOE 14213026	20					Attachment..... Fixation ..... Halterung..... Fijacion..... Fäste.....					
12	VOE 4881438	20					Strip Clamp ..... Ruban Serrage..... Kabelbinder..... Abraz Cinta ..... Bandklamma.....					



1		Ledn.m Belysn Hytt Utv	Catalogue id	Group
2		Haz de cables de alumbrado exterior de la cabina	20004	371
3		Leitung mit Kabinenbeleuchtung außen	Illustr. No	Section
4		Câblage, éclairage extérieur cabine	1001109	300
5		Cable Harness Lighting Cab Ext.	Issue	Page
		SER NO -10704	VOE 63G9920004	165

**VOLVO**

**BL70**



Volvo Construction  
Equipment  
1002429

Fig.	Part No.	Quantity			P S	K I T	Description	Dénomination	Bezeichnung	Denominación	Benämning	Notes
		1	2	3								
1	<b>VOE 11887632</b>	1				Wire harness.....	Faisceau électrique....	Kabelbaum.....	Manejo cables.....	Ledningsmatta.....	S/N 10900 -	
	<b>VOE 11884654</b>	1				Cable harness.....	Faisceau cables.....	Kabelbaum.....	Manejo cables.....	Ledningsmatta.....	S/N - 10899	
						•CONNECTED TO:.....	•CONNECTÉ A:.....	•ANGESCHLOSSEN:.....	•CONECTADO A:.....	•ANSLUTER TILL:.....		
						•Cable harness, right ..	•Faisceau cables, dr ..	•Kabelbaum, rechts....	•Manejo cables, dere ..	•Ledningsmatta, hög..	X51	
						•Radio.....	•Auto-radio.....	•Radio.....	•Radio.....	•Radio.....	RA1 (X200)	
						•Speaker.....	•Haut-parleur.....	•Lautsprecher.....	•Altavoz.....	•Högtalare.....	LH RH	
						•Interior light.....	•Lampe interieure.....	•Innenleuchte.....	•Lampara interior.....	•Innerbelysning.....	X308 - 310	
						•Door Switch.....	•Contact Porte.....	•Turschalter.....	•Contacto Puerta.....	•Dörrkontakt.....	LH SW28, RH SW27	
2	<b>VOE 874957</b>	1				•Housing.....	•Isolant.....	•Isolator.....	•Aislador.....	•Isolator.....	X51	
3		1			NS	•Insulator.....	•Isolateur.....	•Isolator.....	•Aislador.....	•Isolator.....	RA1 X200	
4	<b>VOE 973126</b>	2				•Cable terminal.....	•Cosse cable.....	•Flachsteckhülse.....	•Terminal cable.....	•Ledningssko.....	X155, X156	
5	<b>VOE 946787</b>	2				•Cable terminal.....	•Cosse cable.....	•Flachsteckhülse.....	•Terminal cable.....	•Ledningssko.....	X150, X151	
6	<b>VOE 973119</b>	2				•Cable terminal.....	•Cosse cable.....	•Flachsteckhülse.....	•Terminal cable.....	•Ledningssko.....	X308, X309	
7	<b>VOE 973120</b>	1				•Cable terminal.....	•Cosse cable.....	•Flachsteckhülse.....	•Terminal cable.....	•Ledningssko.....	X310	
8		2			NS	•Cable terminal.....	•Cosse cable.....	•Flachsteckhülse.....	•Terminal cable.....	•Ledningssko.....	X305, X307	
9		2			NS	•Cable terminal.....	•Cosse cable.....	•Flachsteckhülse.....	•Terminal cable.....	•Ledningssko.....	X304, X306	



1		<b>Ledn.m hytt inv tak</b>	Catalogue id	Group
2		<b>Haz de cables en el techo interior de la cabina</b>	<b>20004</b>	<b>371</b>
3		<b>Leitung mit Kabine innen Decke</b>	Illustr. No	Section
4		<b>Câblage, pavillon cabine</b>	<b>1002429</b>	<b>350</b>
5		<b>Cable Harness cab int. roof</b>	Issue	Page
			<b>VOE 63G9920004</b>	<b>167</b>

**VOLVO**

**BL70**

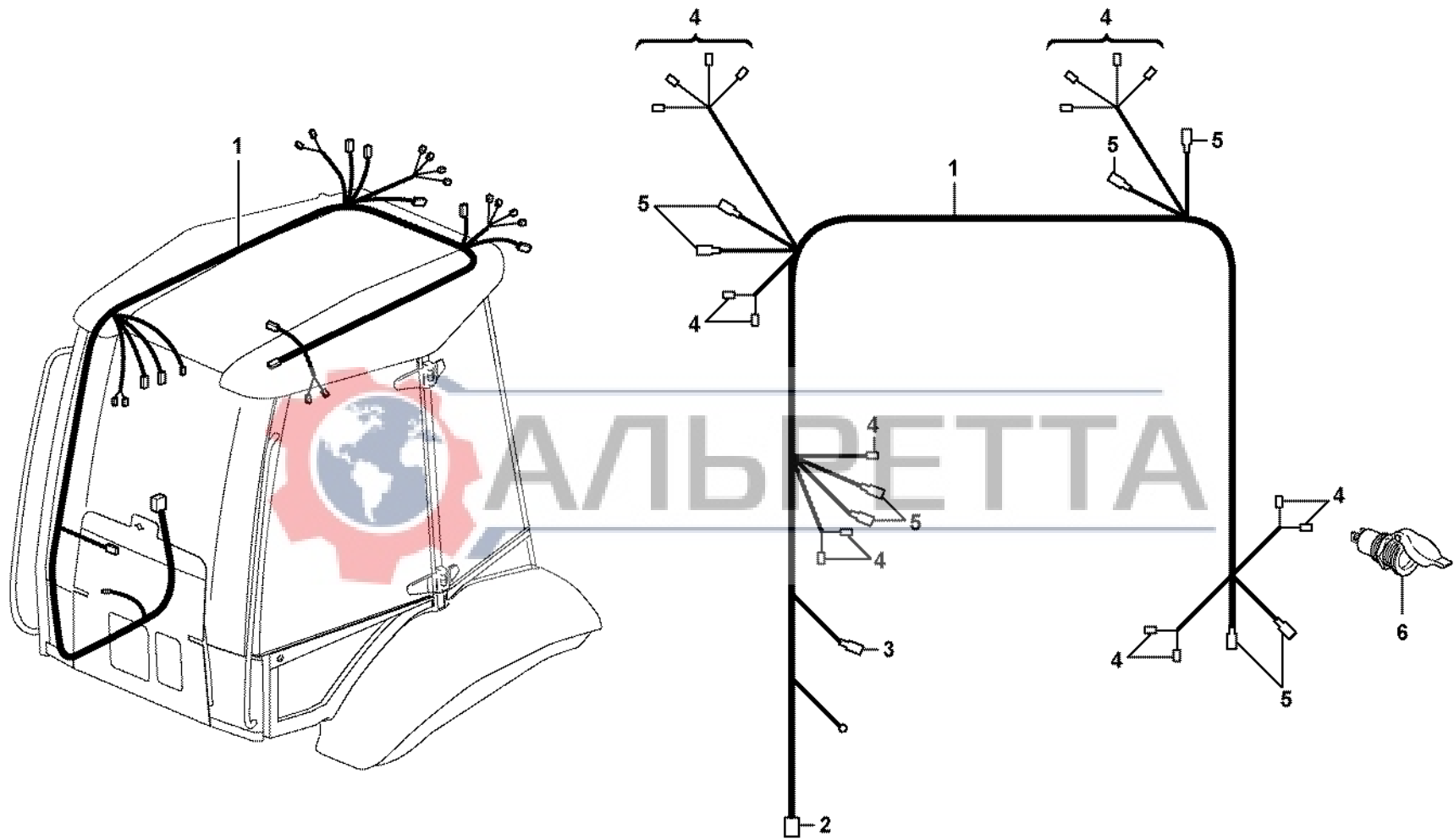


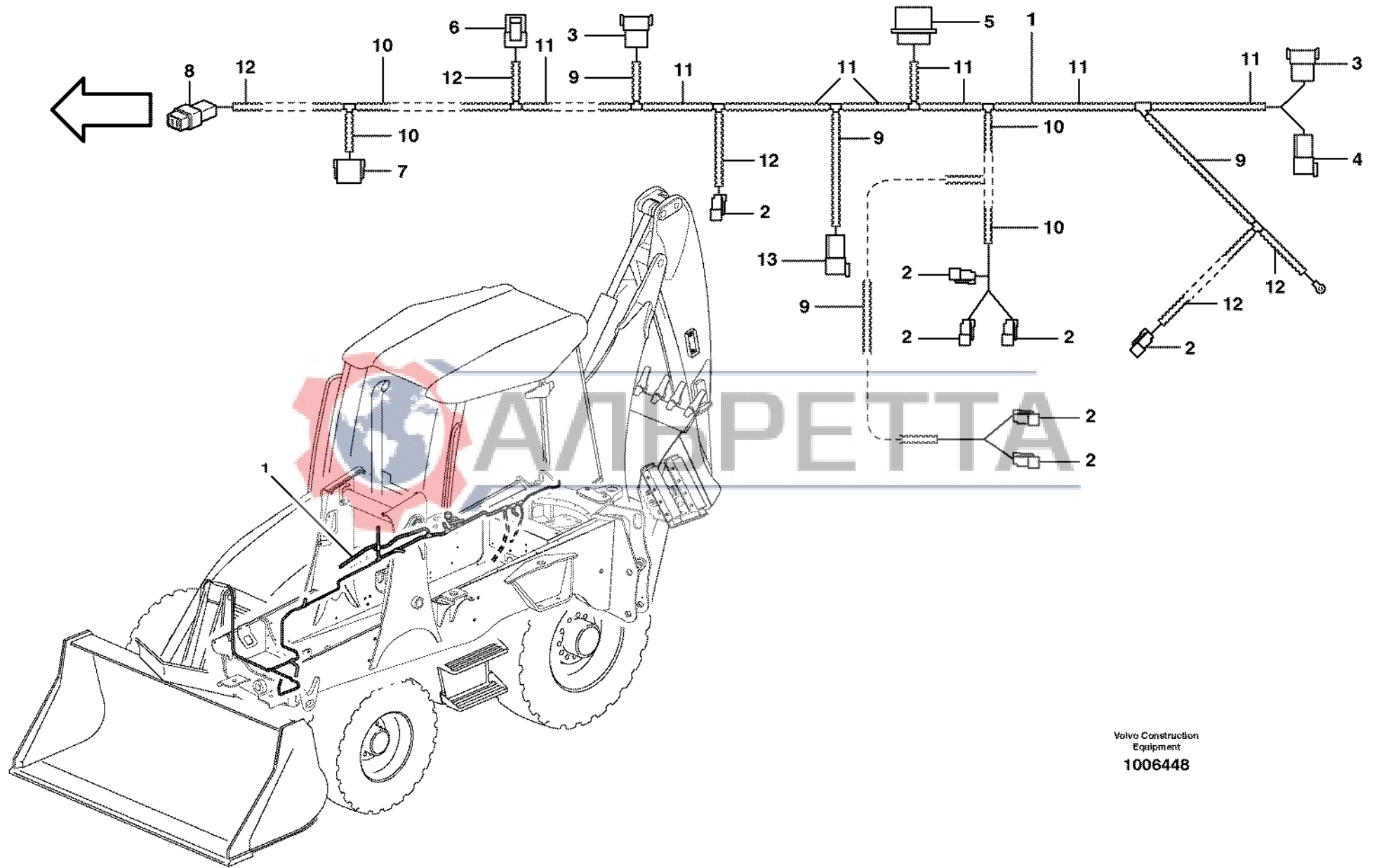
Fig.	Part No.	Quantity			P S	K I T	Description	Dénomination	Bezeichnung	Denominación	Benämning	Notes
		1	2	3								
1	VOE 11885808	1					Wire harness..... Faisceau électrique .... Kabelbaum ..... Manojos cables ..... Ledningsmatta..... •CONNECTED TO:..... •CONNECTÉ A: ..... •ANGESCHLOSSEN: •CONECTADO A:..... •ANSLUTER TILL:..... ••ECU..... ••ECU..... ••ECU..... ••ECU..... ••ECU..... X1 ••Earth..... ••Terre..... ••Erde..... ••Tierra..... ••Jord..... X165 ••Fr Instrumentpanel .. ••Tableau de bord ce. ••Instrumententafel..... ••Tablero de instrume. ••Fr Instrumentbräda.. X36 ••Lighting..... ••Eclairage..... ••Beleuchtung..... ••Alumbrado ..... ••Belysning..... X250, X251, X252, X253 ••Work lights..... ••Eclairage de travail .. ••Arbeitsbeleuchtung .. ••Alumbrado de trabaj ••Arbetsbelysning..... X84, X85, X86, X87 ••Antenna ..... ••Antenne ..... ••Antenne ..... ••Antena ..... ••Antenn..... X247 ••Rotating Beacon ..... ••Gyrophare..... ••Rundumkennleucht.. ••Luz Rotativa Emerg. ••Roterande Varnings X245, X246, X247, X248 ••Rear lighting ..... ••Illuminat.arriere..... ••Hintere Beleuchtun .. ••Luz detras ..... ••Bakre belysning..... X52, X53 ••... working light ..... ••éclairage de travail . ••... Arbeitsbeleuchtun ••...alumbrado de trab. ••... arbetsbelysning... X88, X89, X90, X91					
2	VOE 11709767	1					•Connector..... •Raccord..... •Anschluss..... •Union..... •Anslutning.....					
3	VOE 874957	1					•Housing..... •Isolant..... •Isolator..... •Aislador..... •Isolator.....					
4	VOE 973120	17					•Cable terminal ..... •Cosse cable ..... •Flachsteckhülse ..... •Terminal cable ..... •Ledningssko.....					
5	VOE 874955	8					•Insulator..... •Isolateur..... •Isolator..... •Aislador..... •Isolator.....					
6	VOE 14371054	1					Socket housing ..... Douille isolante..... Steckdose ..... Aislador mangui ..... Hylsisolator.....					



1	11298196, 11298198	Ledn.m hytt inv tak	Catalogue id	Group
2		Haz de cables en el techo interior de la cabina	20004	371
3		Leitung mit Kabine innen Decke	Illustr. No	Section
4		Câblage, pavillon cabine	1011783	360
5		Cable Harness cab int. roof	Issue	Page
		SER NO 10705-	VOE 63G9920004	169

**VOLVO**

**BL70**



Volvo Construction  
Equipment  
1006448

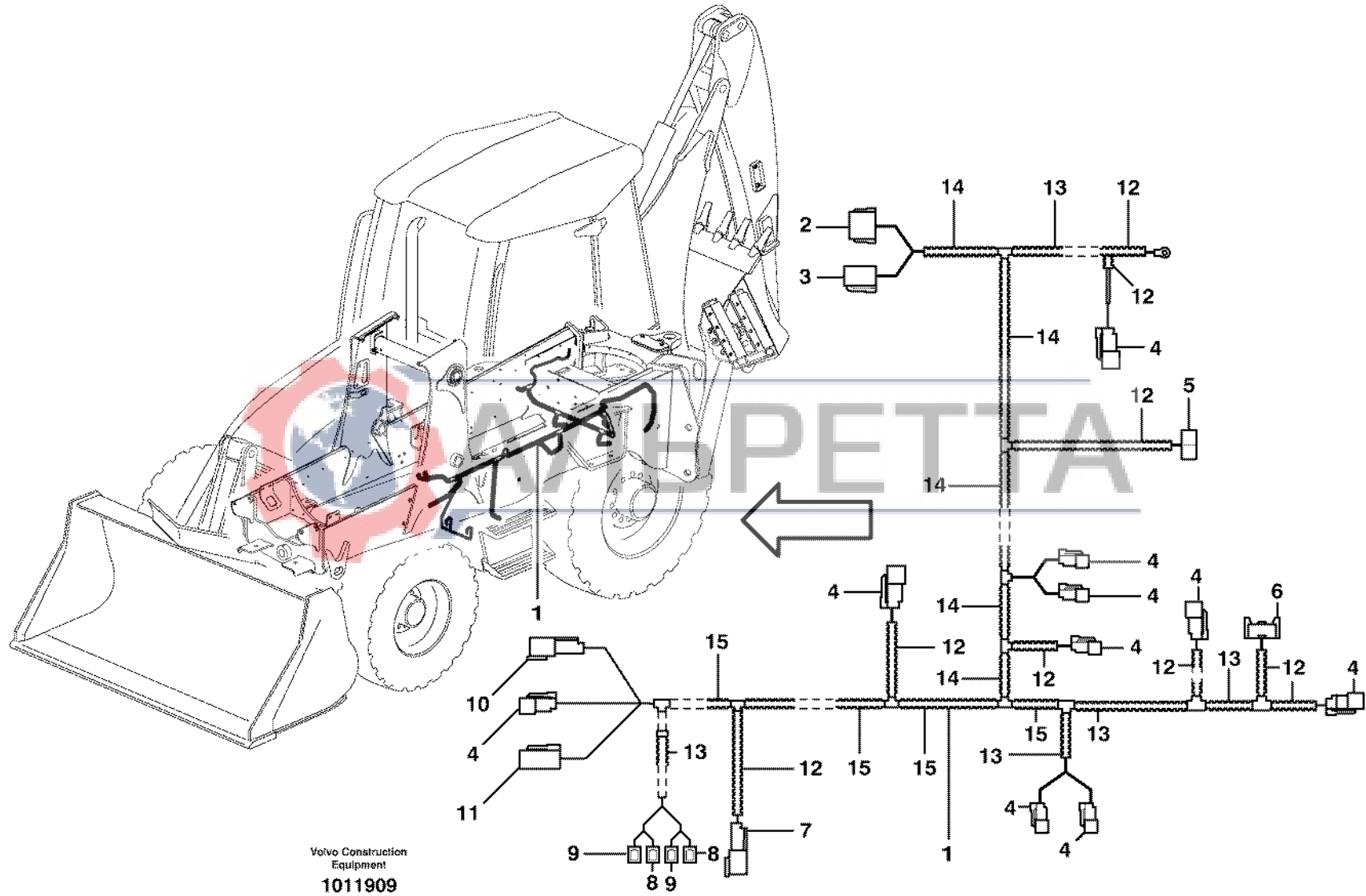
Fig.	Part No.	Quantity			P S	K I T	Description	Dénomination	Bezeichnung	Denominación	Benämning	Notes
		1	2	3								
1	<b>VOE 11887382</b>	1				Wire harness.....	Faisceau électrique....	Kabelbaum.....	Manejo cables.....	Ledningsmatta.....	S/N 10779 -	
	<b>VOE 11884799</b>	1				Wire harness.....	Faisceau électrique....	Kabelbaum.....	Manejo cables.....	Ledningsmatta.....	S/N - 10778	
						••CONNECTED TO:...	••CONNECTÉ A:.....	••ANGESCHLOSSEN:••	••CONECTADO A:.....	••ANSLUTER TILL:.....		
						••Float Position Valve.	••Soupape Pos.flottan	••Schwimmventil.....	••Valvula Pos Flotacio	••Flytlägesventil.....	X81	
						••Valve block.....	••Bloc-soupape.....	••Ventilblock.....	••Bloque de valvula....	••Ventilblock.....	X11, X40	
						••Valve Hydr. attachm	••Valve, porte-outil à v	••Ventil hydr. Gerätetr	••Válvula, portaimple..	••Ventil Hydr.reds.fäst	X77	
						••Valve Hydr. attachm	••Valve, porte-outil à v	••Ventil hydr. Gerätetr	••Válvula, portaimple..	••Ventil Hydr.reds.fäst	X76	
						••Hand brake.....	••Frein à main.....	••Handbremse.....	••Freno de mano.....	••Handbroms.....	X80	
						••Valve Boom Suspen	••Valve, suspension d	••Ventil Hubgerüstdä..	••Válvula, suspensión.	••Ventil Lastarmsfjädr.	X78, X79	
						••Instrument panel Ri	••Tableau de bord côt.	••Armaturen Brett recht	••Tablero de instrume.	••Instrumentbräda Hö	X8	
						••Valve Automatic Tilt.	••Valve, basculement	••Ventil Kippautomati.	••Válvula, automatism	••Ventil Tiltautomatik..	X41	
						••Fuel Gauge.....	••Jauge Carburant.....	••Kraftst Messer.....	••Indic Combust.....	••Bränslemätare.....	X82	
						••Cable harness,tran	••Faisceau cables,tra	••Kabalbaum, Getrieb.	••Manejo cables,trans.	••Ledningsmatta,tran.	X12	
						••Switch Automatic Til	••Contacteur, bascule.	••Schalter Kippautom.	••Contacto, automatiz.	••Kontakt Tiltautomati.	X83	
						••Cable Harness, En	••Faisceau De Câble..	••Kabelbündel, Motor	••Haz De Cables, Mot.	••Ledningsmatta, Mot.	X13	
						••Horn.....	••Avertisseur sonore...	••Signalhorn.....	••Avisador sonoro.....	••Signalhorn.....	X202	
2	<b>VOE 874955</b>	7				••Insulator.....	••Isolateur.....	••Isolator.....	••Aislador.....	••Isolator.....	X81, X77, X76, X78, X79, X80, X82	
3	<b>VOE 874965</b>	3				••Connector.....	••Raccord.....	••Anschluss.....	••Union.....	••Anslutning.....	X11, X12	
4	<b>VOE 874959</b>	1				••Housing.....	••Isolant.....	••Isolator.....	••Aislador.....	••Isolator.....	X40	
5	<b>VOE 11709788</b>	1				••Connector.....	••Raccord.....	••Anschluss.....	••Union.....	••Anslutning.....	X8	
6	<b>VOE 874654</b>	1				••Rcpt Housing.....	••Douille Isolan.....	••Steckbuchse.....	••Aislador Mangui.....	••Hylisolator.....	X83	
7	<b>VOE 11709766</b>	1				••Connector.....	••Raccord.....	••Anschluss.....	••Union.....	••Anslutning.....	X13	
8		1			NS	••Insulator.....	••Isolateur.....	••Isolator.....	••Aislador.....	••Isolator.....	X202	
9	<b>VOE 4803748</b>	4				••Hose.....	••Durit.....	••Schlauch.....	••Tubo flexible.....	••Slang.....		
10	<b>VOE 4803751</b>	4				••Hose.....	••Durit.....	••Schlauch.....	••Tubo flexible.....	••Slang.....		
11	<b>VOE 4803752</b>	8				••Hose.....	••Durit.....	••Schlauch.....	••Tubo flexible.....	••Slang.....		
12	<b>VOE 11170006</b>	5				••Hose.....	••Durit.....	••Schlauch.....	••Tubo flexible.....	••Slang.....		
13	<b>VOE 874960</b>	1				••Housing.....	••Isolant.....	••Isolator.....	••Aislador.....	••Isolator.....	X41	

1		<b>Ledningsmatta chassi</b>	Catalogue id	Group
2		<b>Haz de cables chasis</b>	<b>20004</b>	<b>371</b>
3		<b>Kabelbaum, Fahrgestell</b>	Illustr. No	Section
4		<b>Faisceau de câbles, châssis</b>	<b>1006448</b>	<b>400</b>
5		<b>Cable harness chassis</b>	Issue	Page
			<b>VOE 63G9920004</b>	<b>171</b>

**VOLVO**

**BL70**

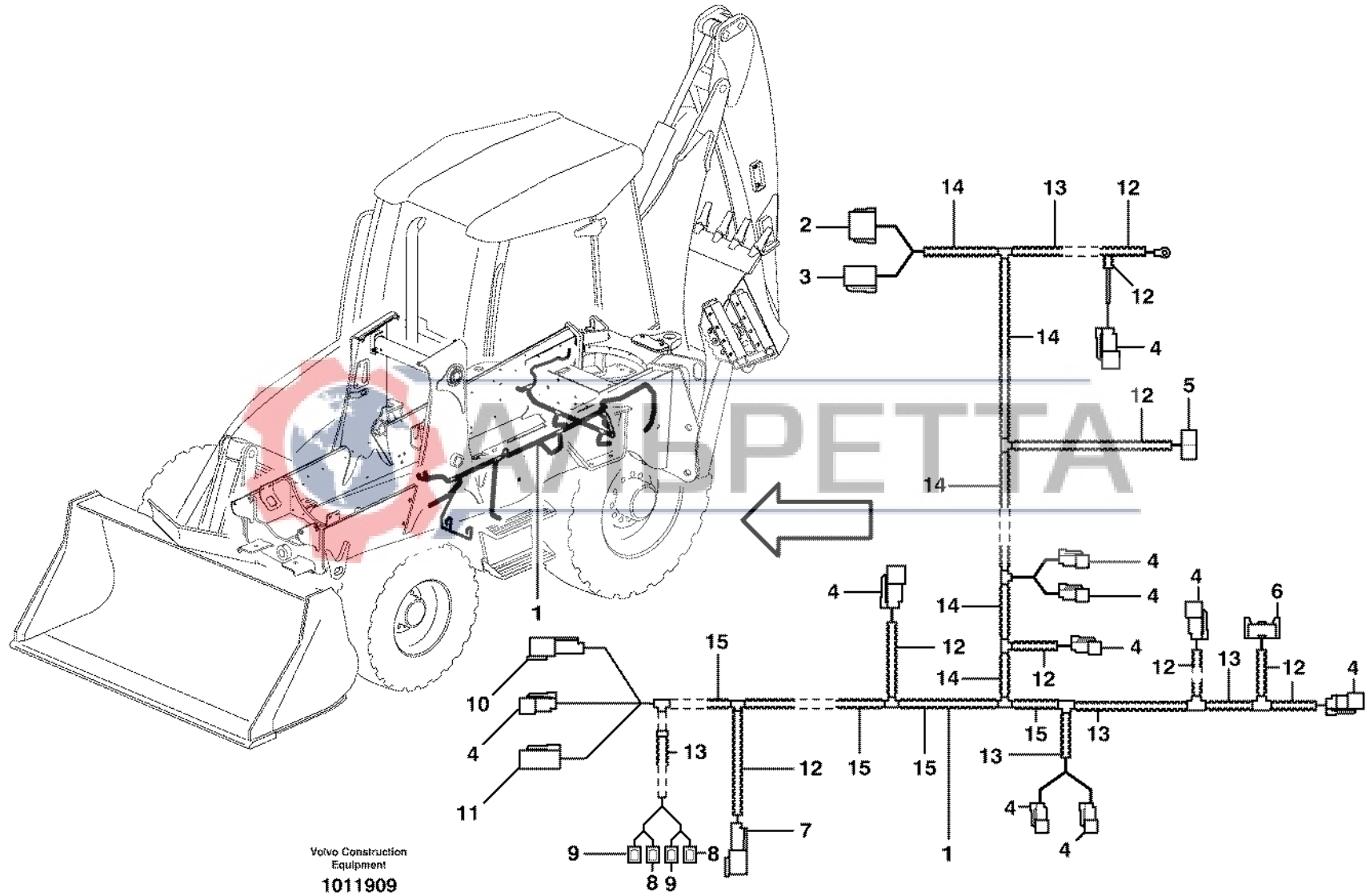




Volvo Construction  
Equipment  
1011909

Fig.	Part No.	Quantity			P S	K I T	Description	Dénomination	Bezeichnung	Denominación	Benämning	Notes
		1	2	3								
1	VOE 11886740	1				Wire harness.....	Faisceau électrique....	Kabelbaum.....	Manejo cables.....	Ledningsmatta.....	S/N - 10778	
1	VOE 11887385	1				Wire harness.....	Faisceau électrique....	Kabelbaum.....	Manejo cables.....	Ledningsmatta.....	S/N 10779 - 11045	
1	VOE 11888267	1				Wire harness.....	Faisceau électrique....	Kabelbaum.....	Manejo cables.....	Ledningsmatta.....	S/N 11046 - 11144	
1	VOE 11888536	1				Wire harness.....	Faisceau électrique....	Kabelbaum.....	Manejo cables.....	Ledningsmatta.....	S/N 11145 -	
						•CONNECTED TO:.....	•CONNECTÉ A:.....	•ANGESCHLOSSEN:.....	•CONECTADO A:.....	•ANSLUTER TILL:.....		
						•Cable harness Cha..	•Faisceau de câbles,.	•Kabelbaum Fahrge..	•Haz de cables, chas	•Ledningsmatta Cha.	X11, X40	
						•Float Position Valve.	•Soupape Pos.flottan	•Schwimmventil.....	•Valvula Pos Flotacio	•Flytlägesventil.....	MA19, X112	
						•Earth.....	•Terre.....	•Erde.....	•Tierra.....	•Jord.....	X163	
						•Horn.....	•Avertisseur sonore...	•Signalhorn.....	•Avisador sonoro.....	•Signalhorn.....	X201	
						•Hand brake.....	•Frein à main.....	•Handbremse.....	•Freno de mano.....	•Handbroms.....	X75	
						•Boom lock.....	•Verrouillage de flèc..	•Auslegersperre.....	•Bloqueo de la plum..	•Bomlåsning.....	X74	
						•Hammer.....	•Marteau.....	•Hammer.....	•Martillo.....	•Hammare.....	X73	
						•Overload warning....	•Avertisseur de surc..	•Überlastwarnung.....	•Advertencia de sobr..	•Överlastvarning.....	X109	
						•Reverse-motion ala..	•Avertisseur de recul..	•Ruckfahrwarner.....	•Senal acustica de ..	•Backalarm.....	X561	
						•Valve Boom Suspen	•Valve, suspension d	•Ventil Hubgerüstdä..	•Válvula, suspensión.	•Ventil Lastarmsfjädr.	X78, X79	
						•Hydraulic oil filter.....	•Filtre hydraulique.....	•Filter hydraulik.....	•Filtro hidraulico.....	•Hydrauloljefilter.....	X170	
						•Starter Relay.....	•Relais Demarra.....	•Anlassrelais.....	•Rele Arranque.....	•Startrelä.....	X60	
						•Wshld Washer.....	•Lave-glace.....	•Frontsch.spuler.....	•Lavaparabrisas.....	•Vindrutespolare.....	X311-X314	
						•Temp. sensor Hydr..	•Décteur de tempé..	•Temp.-Geber Hydra..	•Sensor de temperat..	•Temp.givare Hydräu	X70, X71,	
						•Flow regulator Hydr.	•Régulateur de débit.	•Förderstromregler ..	•Regulador de caud ..	•Flödesregulator Hyd	X59	
2	VOE 11709766	1				•Connector.....	•Raccord.....	•Anschluss.....	•Union.....	•Anslutning.....	X11	
3	VOE 874960	1				•Housing.....	•Isolant.....	•Isolator.....	•Aislador.....	•Isolator.....	X40	
4	VOE 874955	10				•Insulator.....	•Isolateur.....	•Isolator.....	•Aislador.....	•Isolator.....	MA8, MA12, MA13, MA15, MA18, MA19, MA22, SE8, SE10, X561	
5	VOE 8159013	1				•Insulator.....	•Isolateur.....	•Isolator.....	•Aislador.....	•Isolator.....	X201	
6	VOE 976256	1				•Insulator.....	•Isolateur.....	•Isolator.....	•Aislador.....	•Isolator.....	MA14	
7	VOE 11709787	1				•Connector.....	•Raccord.....	•Anschluss.....	•Union.....	•Anslutning.....	RE1	
8	VOE 973119	2				•Cable terminal.....	•Cosse cable.....	•Flachsteckhülse.....	•Terminal cable.....	•Ledningssko.....	X312, X314	
9	VOE 973120	2				•Cable terminal.....	•Cosse cable.....	•Flachsteckhülse.....	•Terminal cable.....	•Ledningssko.....	X311, X313	

1		<b>Ledningsmatta bakre ventilblock</b>	Catalogue id	Group
2		<b>Haz de cables del bloque de ventiladores traseros</b>	<b>20004</b>	<b>371</b>
3		<b>Kabelbaum hinterer Ventilblock</b>	Illustr. No	Section
4		<b>Faisceau de câbles, bloc-distributeur arrière</b>	<b>1011909</b>	<b>450</b>
5		<b>Cable harness rear valve block</b>	Issue	Page
			<b>VOE 63G9920004</b>	<b>173</b>



Volvo Construction  
Equipment  
1011909

Fig.	Part No.	Quantity			P S	K I T	Description	Dénomination	Bezeichnung	Denominación	Benämning	Notes
		1	2	3								
10	VOE 874954	1					•Connector .....	•Raccord .....	•Anschluss.....	•Union.....	•Anslutning.....	SE9
11	VOE 874654	1					•Rcpt Housing .....	•Douille Isolan. ....	•Steckbuchse .....	•Aislador Mangui .....	•Hylisolator.....	SE12
12	VOE 11170006	REQ					•Hose .....	•Durit .....	•Schlauch .....	•Tubo flexible.....	•Slang.....	
13	VOE 4803746	REQ					•Hose .....	•Durit .....	•Schlauch .....	•Tubo flexible.....	•Slang.....	
14	VOE 4803752	REQ					•Hose .....	•Durit .....	•Schlauch .....	•Tubo flexible.....	•Slang.....	
15	VOE 4803748	REQ					•Hose .....	•Durit .....	•Schlauch .....	•Tubo flexible.....	•Slang.....	X163



1		<b>Ledningsmatta bakre ventilblock</b> <b>Haz de cables del bloque de ventiladores traseros</b> <b>Kabelbaum hinterer Ventilblock</b> <b>Faisceau de câbles, bloc-distributeur arrière</b> <b>Cable harness rear valve block</b>	Catalogue id	Group
2			<b>20004</b>	<b>371</b>
3			Illustr. No	Section
4			<b>1011909</b>	<b>450</b>
5			Issue	Page
			<b>VOE 63G9920004</b>	<b>175</b>

**VOLVO**

**BL70**

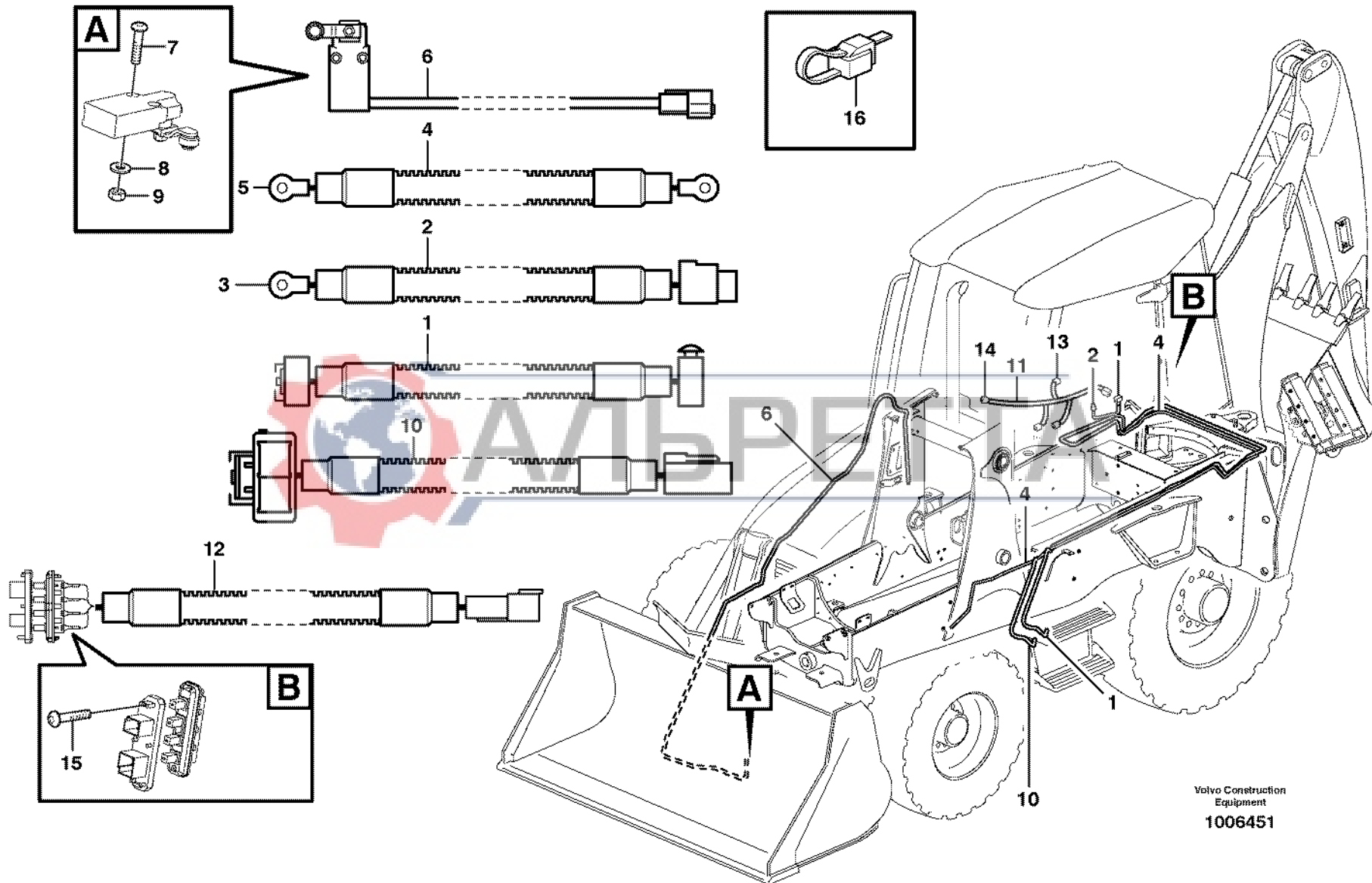
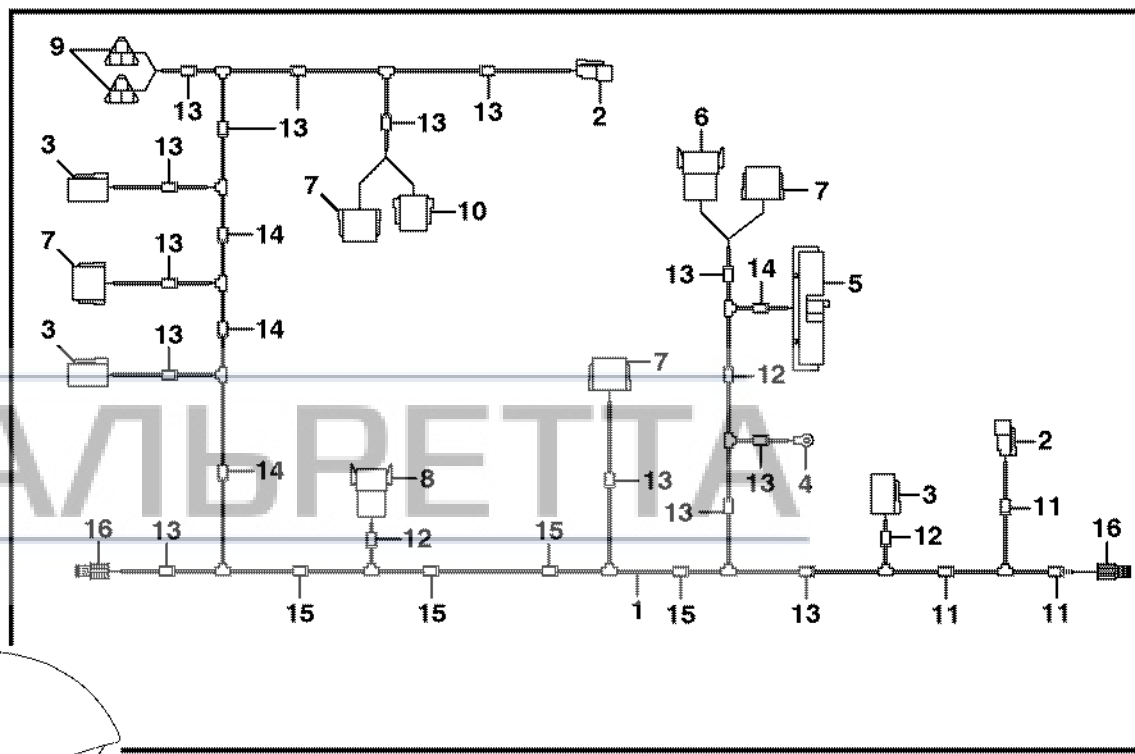
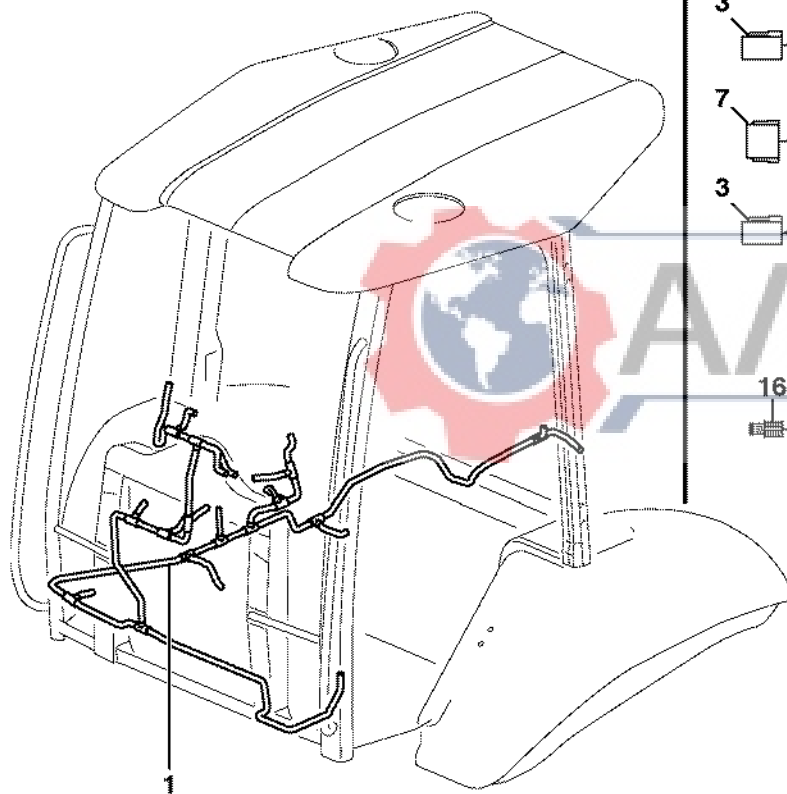


Fig.	Part No.	Quantity			P S	K I T	Description	Dénomination	Bezeichnung	Denominación	Benämning	Notes
		1	2	3								
1	VOE 11886120	1				Wire harness.....	Faisceau électrique....	Kabelbaum.....	Manejo cables.....	Ledningsmatta.....	MAIN FUSE TO CAB FLOOR HARNESS	
2	VOE 11885812	1				Wire Assembly.....	Câble.....	Leitung.....	Cable.....	Ledning.....	CABLE CHASSIS GROUND T CAB	
3	VOE 11882336	1				•Connector.....	•Raccord.....	•Anschluss.....	•Union.....	•Anslutning.....		
4	VOE 11884215	1				Wire Assembly.....	Câble.....	Leitung.....	Cable.....	Ledning.....	ENGINE GROUND TO CHAS GROUND CABLE	
5	VOE 940337	1				•Cable terminal.....	•Cosse cable.....	•Flachsteckhülse.....	•Terminal cable.....	•Ledningssko.....		
6	VOE 11881207	1				Switch.....	Commutateur.....	Schalter.....	Contacteur.....	Strömställare.....		
7	VOE 969557	2				6-pt skt screw.....	Vis creuse de 6.....	Hohlschraube.....	Racor 6-dientes.....	Sextandhålskruv.....		
8	VOE 13940090	2				Washer.....	Rondelle.....	Scheibe.....	Arandela.....	Bricka.....		
9	VOE 13975237	2				Lock nut.....	Contre-ecrou.....	Sicherungsmutter.....	Contratuercas.....	Låsmutter.....		
10	VOE 11884086	1				Wire harness.....	Faisceau électrique....	Kabelbaum.....	Manejo cables.....	Ledningsmatta.....	WIRE HARNESS A/C SUPPL	
11		1				Cable harness.....	Faisceau cables.....	Kabelbaum.....	Manejo cables.....	Ledningsmatta.....	WIRE HARNESS CAB HEATER See group 371, Page 197	
12	VOE 11884152	1				Cable harness.....	Faisceau cables.....	Kabelbaum.....	Manejo cables.....	Ledningsmatta.....	WINDOW SWITCH	
	VOE 874802	1				•Housing.....	•Isolant.....	•Isolator.....	•Aislador.....	•Isolator.....		
13	VOE 11890298	2				Switch.....	Interrupteur.....	Trennschalter.....	Interruptor.....	Brytare.....	See group 380, Page 213	
14	VOE 11305263	2				Relay.....	Relais.....	Relais.....	Rele.....	Relä.....	See group 372, Page 209	
15	VOE 975358	2				Screw.....	Vis.....	Schraube.....	Tornillo.....	Skruv.....		
16	VOE 980883	51				Strip Clamp.....	Ruban Serrage.....	Kabelbinder.....	Abraz Cinta.....	Bandklamma.....		

1	<b>Övriga ledningar</b> <b>Otros cables</b> <b>Übrige Leitungen</b> <b>Autres câbles électriques</b> <b>Other cables</b>	Catalogue id	Group
2		<b>20004</b>	<b>371</b>
3		Illustr. No	Section
4		<b>1006451</b>	<b>500</b>
5		Issue	Page
		<b>VOE 63G9920004</b>	<b>177</b>



Volvo Construction  
Equipment  
1005126



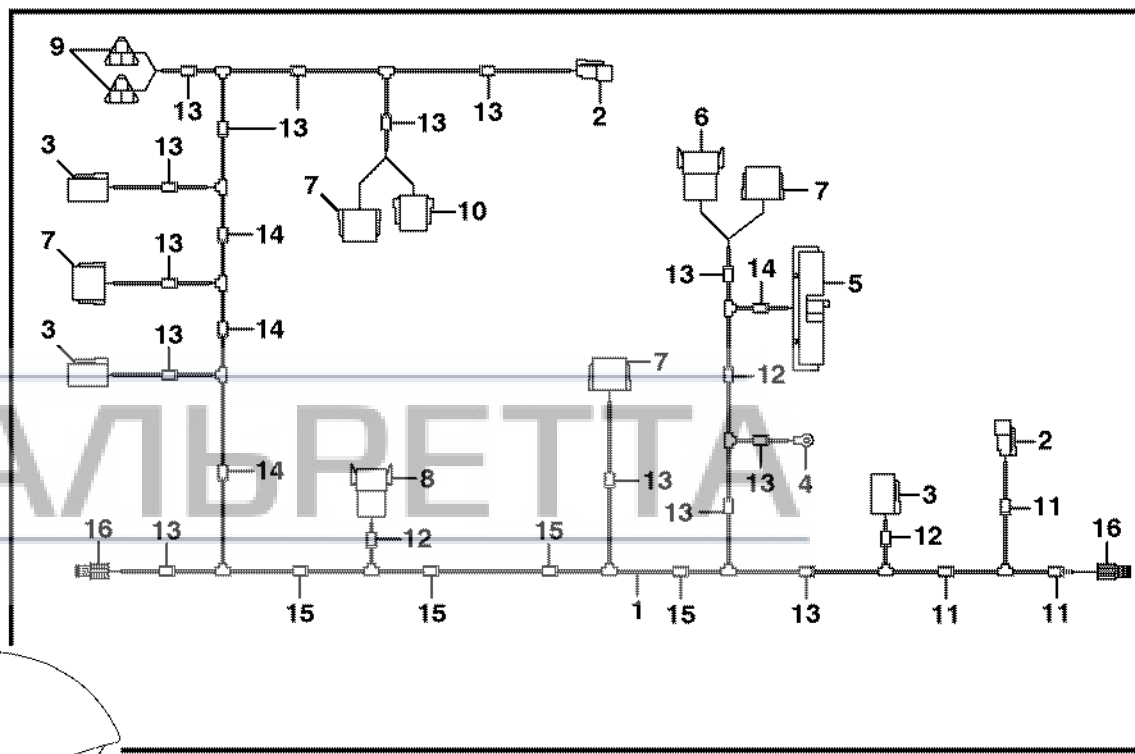
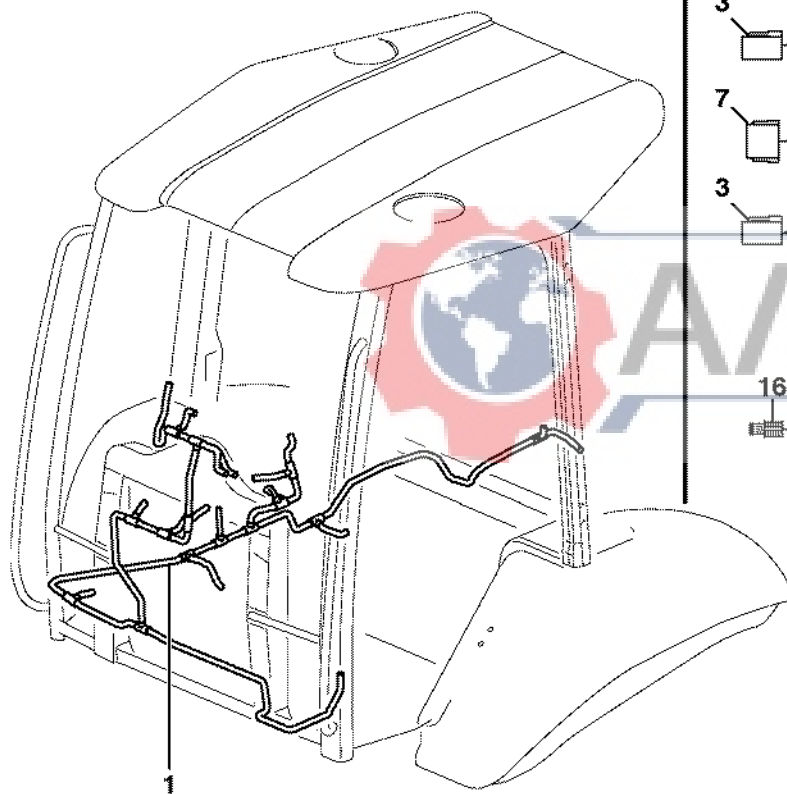
Fig.	Part No.	Quantity			P S	K I T	Description	Dénomination	Bezeichnung	Denominación	Benämning	Notes
		1	2	3								
1	VOE 11885470	1					Cable harness..... Faisceau cables ..... Kabelbaum ..... Manajo cables ..... Ledningsmatta.....					FRONT DASHBOARD
							••CONNECTED TO:••CONNECTÉ A:.....••ANGESCHLOSSEN:••CONECTADO A:.....••ANSLUTER TILL:.....					
							••Switch.....••Commutateur.....••Schalter.....••Contactor.....••Strömställare.....					X89 HORN SWITCH
							••Cable harness.....••Faisceau cables.....••Kabelbaum.....••Manajo cables.....••Ledningsmatta.....					X46 REAR LAMPS
							••Earth.....••Terre.....••Erde.....••Tierra.....••Jord.....					X177
							••Control Unit.....••Unite Commande.....••Steuergerät.....••Unidad Mando.....••Styrenhet.....					X4 VECU
							••Cable harness.....••Faisceau cables.....••Kabelbaum.....••Manajo cables.....••Ledningsmatta.....					X34, X48 RH SIDE DASHBOARD
							••Switch.....••Commutateur.....••Schalter.....••Contactor.....••Strömställare.....					X14 HYDRAULIC LEVER SWITCHES
							••Cable harness.....••Faisceau cables.....••Kabelbaum.....••Manajo cables.....••Ledningsmatta.....					X32 CAB.EXTERIOR
							••Windshield wiper Fr. ••Essuie-glace, pare-...••Scheibenwischer vo. ••Limpiaparabrisas d...••Vindrutetorkare Fra.					X44
							••Switch.....••Commutateur.....••Schalter.....••Commutador.....••Omkopplare.....					X47, X16 LH, RH COMBI SWITCH
							••Stop Lt Switch.....••Contacteur Stop.....••Br Lichtschalt.....••Cont Luz Freno.....••Bromsljuskont.....					X61, X62
							••Instr Panel.....••Planche de bord.....••Instr Tafel.....••Panel Instrum.....••Instrumentpanel.....					X15, X33, FRONT
							••Four-wheel steering. ••Quatre roues directr. ••Vierradlenkung.....••Dirección en cuatro.....••Fyrhjulstyrning.....					X102
							••Switch.....••Commutateur.....••Schalter.....••Contactor.....••Strömställare.....					X203 HAMMER SWITCH
							••Switch.....••Commutateur.....••Schalter.....••Contactor.....••Strömställare.....					X204 DIFF LOCK
2	VOE 874955	2					••Insulator.....••Isolateur.....••Isolator.....••Aislador.....••Isolator.....					X89, X102
3	VOE 874960	3					••Housing.....••Isolant.....••Isolator.....••Aislador.....••Isolator.....					X46, X44, X47
4		1			NS		••Cable terminal.....••Cosse cable.....••Flachsteckhülse.....••Terminal cable.....••Ledningssko.....					X177
5		1			NS		••Connector.....••Raccord.....••Anschluss.....••Union.....••Anslutning.....					X4
6	VOE 874965	1					••Connector.....••Raccord.....••Anschluss.....••Union.....••Anslutning.....					X34
	VOE 14370889	1					••Spacer.....••Partie Intermédiaire.....••Zwischenstück.....••Espaciador.....••Mellandel.....					
7	VOE 11709766	4					••Connector.....••Raccord.....••Anschluss.....••Union.....••Anslutning.....					X14, X15, X16, X48
8	VOE 874114	1					••Connector.....••Raccord.....••Anschluss.....••Conexión.....••Anslutning.....					X32
	VOE 14370887	1					••Key.....••Clavette.....••Keil.....••Llave (cuna).....••Kil.....					
9	VOE 874654	2					••Rcpt Housing.....••Douille Isolan.....••Steckbuchse.....••Aislador Mangui.....••Hylisolator.....					X61, X62
10	VOE 11709767	1					••Connector.....••Raccord.....••Anschluss.....••Union.....••Anslutning.....					X33

1		<b>Ledningsmatta, mittpanel</b>	Catalogue id	Group
2		<b>Haz de cables, panel central</b>	<b>20004</b>	<b>371</b>
3		<b>Kabelbäume, Mitteltafel</b>	Illustr. No	Section
4		<b>Faisceau de câbles, pupitre central</b>	<b>1005126</b>	<b>650</b>
5		<b>Cable harness, panel</b>	Issue	Page
		<b>SER NO -10704</b>	<b>VOE 63G9920004</b>	<b>179</b>

**VOLVO**

**BL70**





Volvo Construction  
Equipment  
1005126

Fig.	Part No.	Quantity			P S	K I T	Description	Dénomination	Bezeichnung	Denominación	Benämning	Notes
		1	2	3								
11	VOE 4803745	REQ					•Hose .....	•Durit .....	•Schlauch .....	•Tubo flexible.....	•Slang.....	
12	VOE 4803746	REQ					•Hose .....	•Durit .....	•Schlauch .....	•Tubo flexible.....	•Slang.....	
13	VOE 4803748	REQ					•Hose .....	•Durit .....	•Schlauch .....	•Tubo flexible.....	•Slang.....	
14	VOE 4803751	REQ					•Hose .....	•Durit .....	•Schlauch .....	•Tubo flexible.....	•Slang.....	
15	VOE 4803752	REQ					•Hose .....	•Durit .....	•Schlauch .....	•Tubo flexible.....	•Slang.....	
16	VOE 949005	2					•Rcpt Housing .....	•Douille Isolan. ....	•Steckbuchse .....	•Aislador Mangui .....	•Hylisolator.....	X203,X204



1		Ledningsmatta, mittpanel	Catalogue id	Group
2		Haz de cables, panel central	<b>20004</b>	<b>371</b>
3		Kabelbäume, Mitteltafel	Illustr. No	Section
4		Faisceau de câbles, pupitre central	<b>1005126</b>	<b>650</b>
5		Cable harness, panel	Issue	Page
		SER NO -10704	VOE 63G9920004	<b>181</b>

**VOLVO**

**BL70**

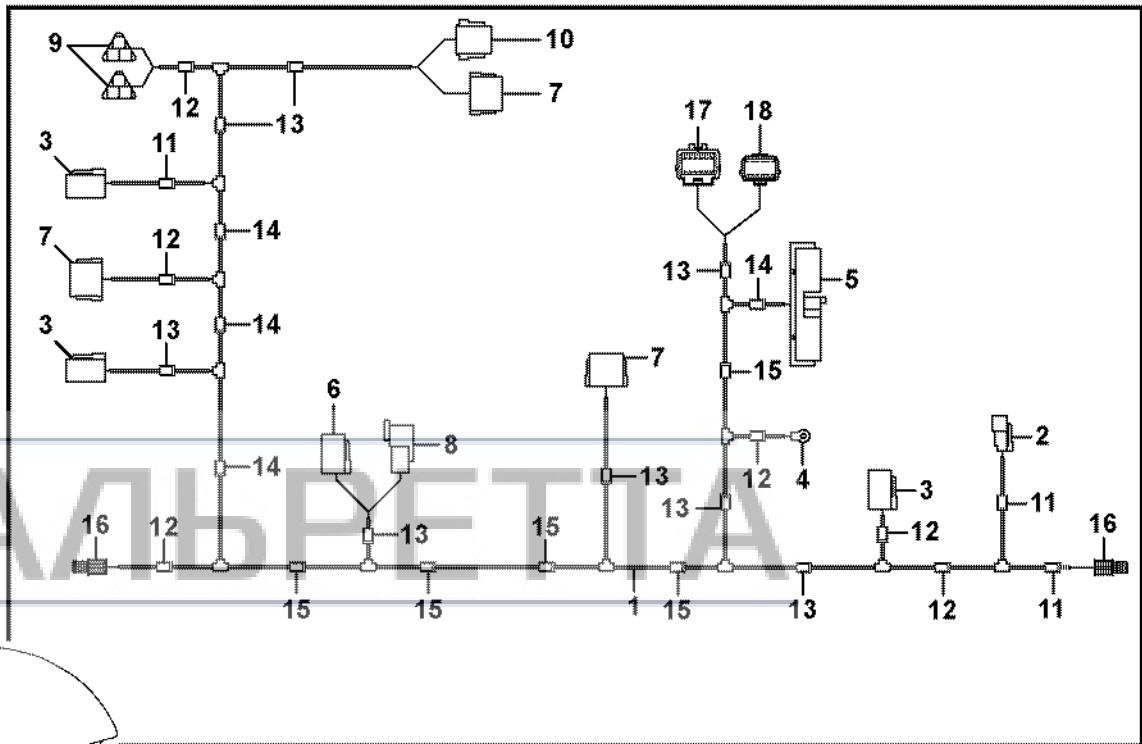
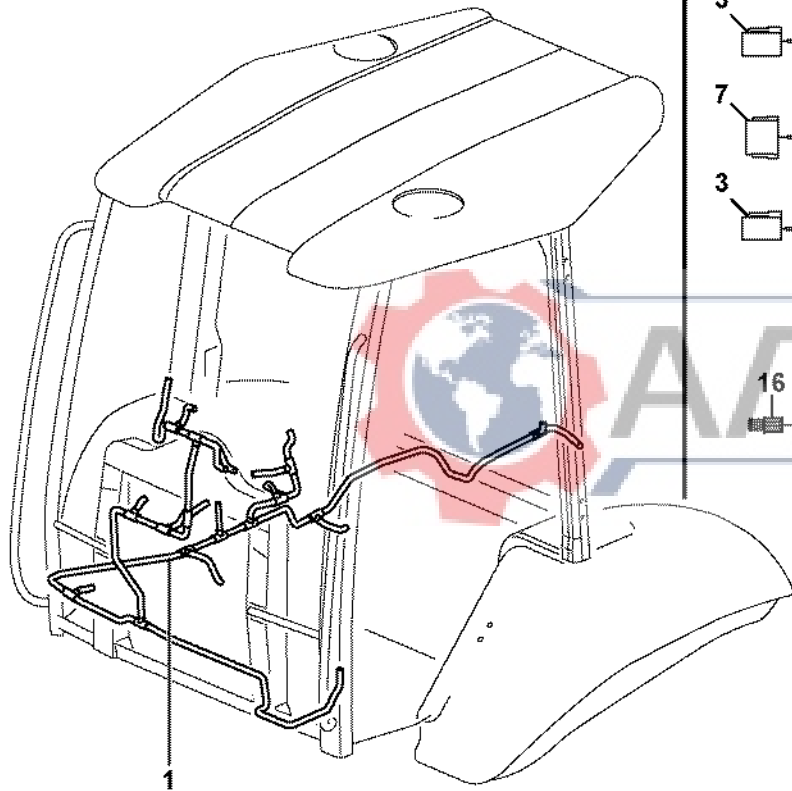


Fig.	Part No.	Quantity			P S	K I T	Description	Dénomination	Bezeichnung	Denominación	Benämning	Notes
		1	2	3								
1	VOE 11887022	1			SS	Wire harness.....	Faisceau électrique....	Kabelbaum.....	Manojo cables.....	Ledningsmatta.....	S/N - 10870	
1	VOE 11887637	1				Wire harness.....	Faisceau électrique....	Kabelbaum.....	Manojo cables.....	Ledningsmatta.....	FRONT DASHBOARD S/N 10871 - 11144	
1	VOE 11888816	1				Wire harness.....	Faisceau électrique....	Kabelbaum.....	Manojo cables.....	Ledningsmatta.....	S/N 11145 -	
						••CONNECTED TO:.....	••CONNECTÉ A:.....	••ANGESCHLOSSEN:.....	••CONECTADO A:.....	••ANSLUTER TILL:.....		
						••Switch.....	••Commutateur.....	••Schalter.....	••Contactor.....	••Strömställare.....	X103 HORN SWITCH	
						••Cable harness.....	••Faisceau cables.....	••Kabelbaum.....	••Manojo cables.....	••Ledningsmatta.....	X46 REAR LAMPS	
						••Earth.....	••Terre.....	••Erde.....	••Tierra.....	••Jord.....	X177	
						••Control Unit.....	••Unite Commande.....	••Steuergerät.....	••Unidad Mando.....	••Styrenhet.....	X4 VECU	
						••Cable harness.....	••Faisceau cables.....	••Kabelbaum.....	••Manojo cables.....	••Ledningsmatta.....	X34, X48 RH SIDE DASHBOARD	
						••Switch.....	••Commutateur.....	••Schalter.....	••Contactor.....	••Strömställare.....	X14 HYDRAULIC LEVER SWITCHES	
						••Cable harness.....	••Faisceau cables.....	••Kabelbaum.....	••Manojo cables.....	••Ledningsmatta.....	X36, X37 CAB.EXTERIOR	
						••Windshield wiper Fr.....	••Essuie-glace, pare-..	••Scheibenwischer vo.....	••Limpiaparabrisas d.....	••Vindrutetorkare Fra.....	X44	
						••Switch.....	••Commutateur.....	••Schalter.....	••Commutador.....	••Omkopplare.....	X47, X16 LH, RH COMBI SWITCH	
						••Stop Lt Switch.....	••Contacteur Stop.....	••Br Lichtschalt.....	••Cont Luz Freno.....	••Bromsljuskont.....	X61, X62	
						••Instr Panel.....	••Planche de bord.....	••Instr Tafel.....	••Panel Instrum.....	••Instrumentpanel.....	X15, X33, FRONT	
						••Switch.....	••Commutateur.....	••Schalter.....	••Contactor.....	••Strömställare.....	X203 HAMMER SWITCH	
						••Switch.....	••Commutateur.....	••Schalter.....	••Contactor.....	••Strömställare.....	X204 DIFF LOCK	
2	VOE 874955	1				••Insulator.....	••Isolateur.....	••Isolator.....	••Aislador.....	••Isolator.....	X103	
3	VOE 874960	3				••Housing.....	••Isolant.....	••Isolator.....	••Aislador.....	••Isolator.....	X46, X44, X47	
4		1			NS	••Cable terminal.....	••Cosse cable.....	••Flachsteckhülse.....	••Terminal cable.....	••Ledningssko.....	X177	
5		1			NS	••Connector.....	••Raccord.....	••Anschluss.....	••Union.....	••Anslutning.....	X4	
6	VOE 874957	1				••Housing.....	••Isolant.....	••Isolator.....	••Aislador.....	••Isolator.....	X36	
6	VOE 874958	1				••Key.....	••Clavette.....	••Keil.....	••Llave (cuna).....	••Kil.....		
7	VOE 11709766	3				••Connector.....	••Raccord.....	••Anschluss.....	••Union.....	••Anslutning.....	X14, X15, X16	
7	VOE 874967	1				••Key.....	••Clavette.....	••Keil.....	••Llave (cuna).....	••Kil.....		
8	VOE 874802	1				••Housing.....	••Isolant.....	••Isolator.....	••Aislador.....	••Isolator.....	X37	

1	11891209, 11891224	Ledningsmatta, mittpanel	Catalogue id	Group
2		Haz de cables, panel central	20004	371
3		Kabelbäume, Mitteltafel	Illustr. No	Section
4		Faisceau de câbles, pupitre central	1017414	655
5		Cable harness, panel	Issue	Page
		SER NO 10705-	VOE 63G9920004	183

**VOLVO**

**BL70**

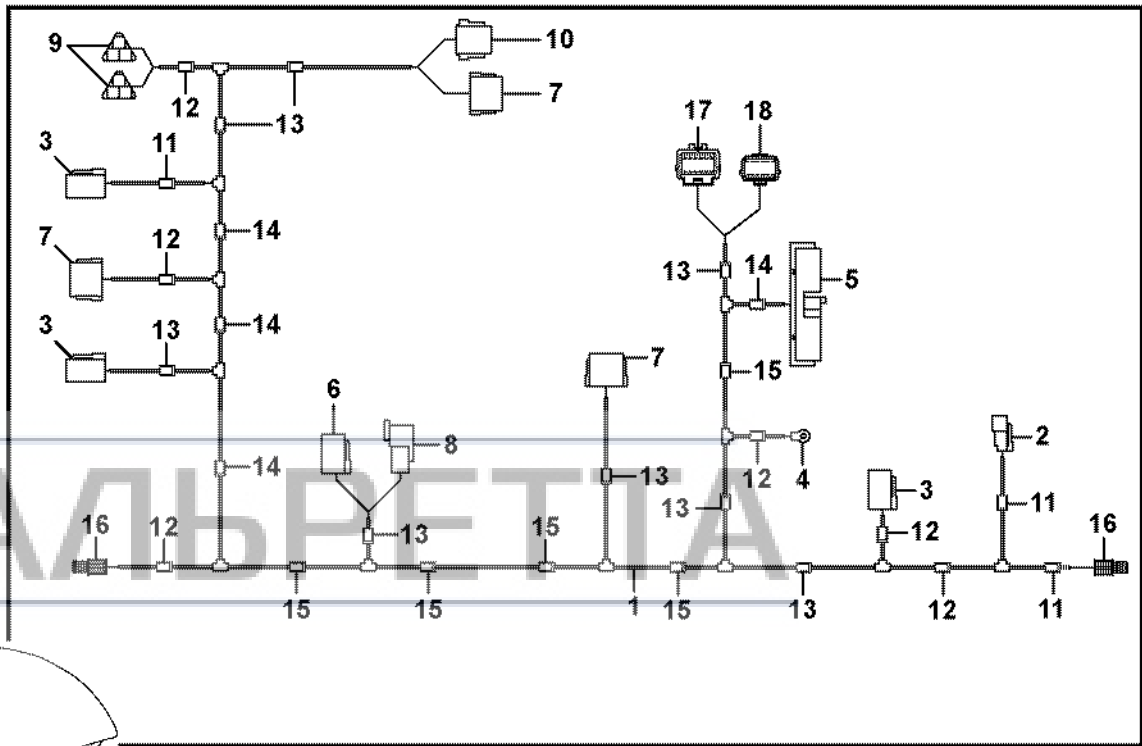
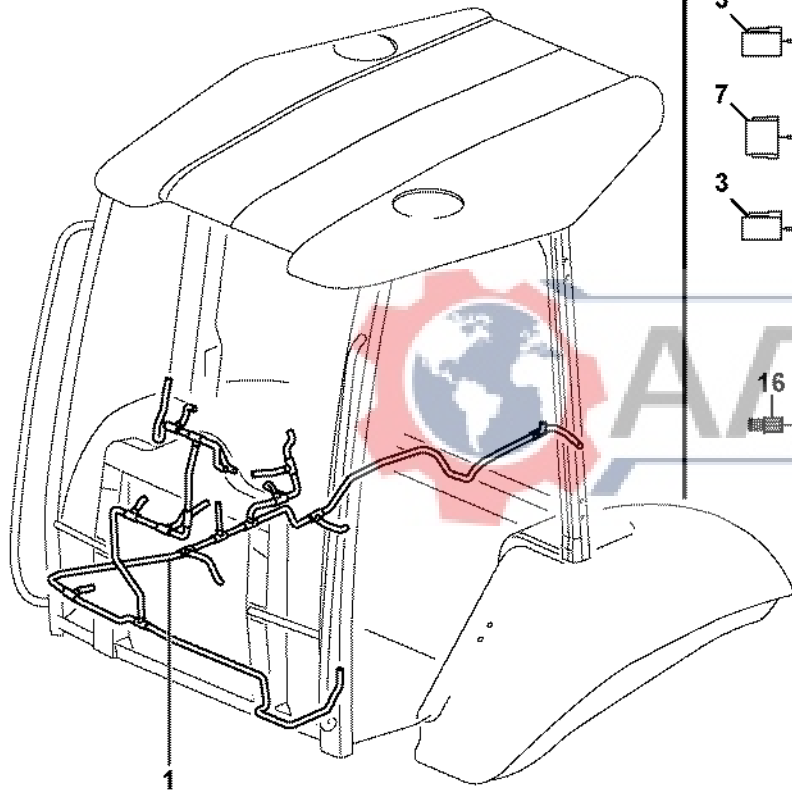


Fig.	Part No.	Quantity			P S	K I T	Description	Dénomination	Bezeichnung	Denominación	Benämning	Notes
		1	2	3								
8	VOE 14370883	1					•Spacer .....	•Partie Intermédiaire ..	•Zwischenstück .....	•Espaciador .....	•Mellandel.....	
9	VOE 874654	2					•Rcpt Housing .....	•Douille Isolan. ....	•Steckbuchse .....	•Aislador Mangui .....	•Hylisolator.....	X61, X62
10	VOE 11709767	1					•Connector .....	•Raccord .....	•Anschluss.....	•Union.....	•Anslutning.....	X33
11	VOE 4803745	REQ					•Hose .....	•Durit .....	•Schlauch .....	•Tubo flexible.....	•Slang.....	
12	VOE 4803746	REQ					•Hose .....	•Durit .....	•Schlauch .....	•Tubo flexible.....	•Slang.....	
13	VOE 4803748	REQ					•Hose .....	•Durit .....	•Schlauch .....	•Tubo flexible.....	•Slang.....	
14	VOE 4803751	REQ					•Hose .....	•Durit .....	•Schlauch .....	•Tubo flexible.....	•Slang.....	
15	VOE 4803752	REQ					•Hose .....	•Durit .....	•Schlauch .....	•Tubo flexible.....	•Slang.....	
16	VOE 949005	2					•Rcpt Housing .....	•Douille Isolan. ....	•Steckbuchse .....	•Aislador Mangui .....	•Hylisolator.....	X203,X204
17		1			NS		•Connector .....	•Raccord .....	•Anschluss.....	•Union.....	•Anslutning.....	X34
18		1			NS		•Connector .....	•Raccord .....	•Anschluss.....	•Union.....	•Anslutning.....	X48



1	11891209, 11891224	<b>Ledningsmatta, mittpanel</b> <b>Haz de cables, panel central</b> <b>Kabelbäume, Mitteltafel</b> <b>Faisceau de câbles, pupitre central</b> <b>Cable harness, panel</b> <b>SER NO 10705-</b>	Catalogue id	Group
2			<b>20004</b>	<b>371</b>
3			Illustr. No	Section
4			<b>1017414</b>	<b>655</b>
5			Issue	Page
			<b>VOE 63G9920004</b>	<b>185</b>

**VOLVO**

**BL70**

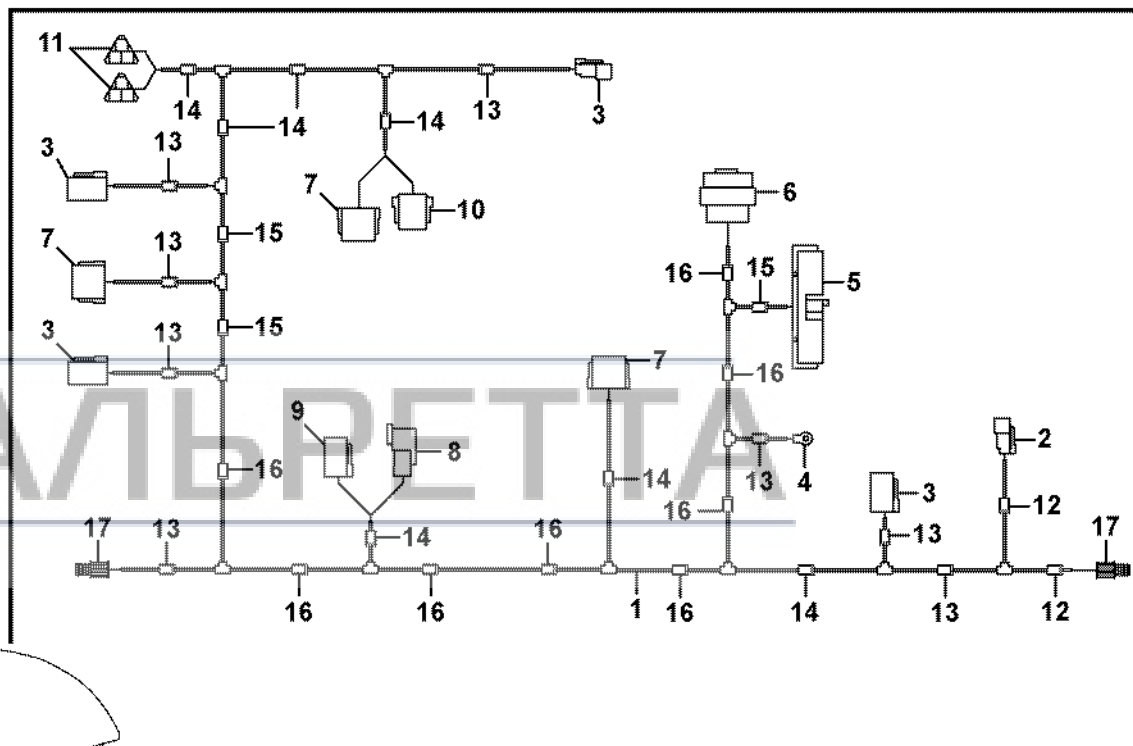
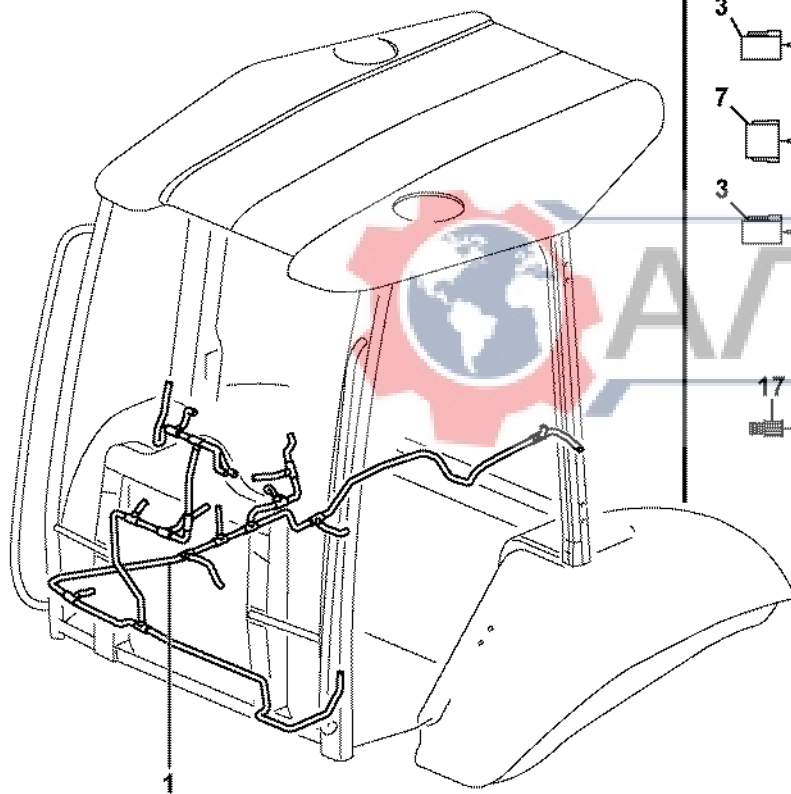


Fig.	Part No.	Quantity			P S	K I T	Description	Dénomination	Bezeichnung	Denominación	Benämning	Notes
		1	2	3								
1	VOE 11887021	1					Wire harness.....	Faisceau électrique....	Kabelbaum.....	Manojo cables.....	Ledningsmatta.....	S/N - 10863
1	VOE 11887636	1					Wire harness.....	Faisceau électrique....	Kabelbaum.....	Manojo cables.....	Ledningsmatta.....	FRONT DASHBOARD S/N 10864 - 11144
1	VOE 11888815	1					Wire harness.....	Faisceau électrique....	Kabelbaum.....	Manojo cables.....	Ledningsmatta.....	S/N 11145 -
							••CONNECTED TO:...	••CONNECTÉ A:.....	••ANGESCHLOSSEN:••	••CONECTADO A:.....	••ANSLUTER TILL:.....	
							••Switch.....	••Commutateur.....	••Schalter.....	••Contactor.....	••Strömställare.....	X89 HORN SWITCH
							••Cable harness.....	••Faisceau cables.....	••Kabelbaum.....	••Manojo cables.....	••Ledningsmatta.....	X46 REAR LAMPS
							••Earth.....	••Terre.....	••Erde.....	••Tierra.....	••Jord.....	X177
							••Control Unit.....	••Unite Commande.....	••Steuergerät.....	••Unidad Mando.....	••Styrenhet.....	X4 VECU
							••Cable harness.....	••Faisceau cables.....	••Kabelbaum.....	••Manojo cables.....	••Ledningsmatta.....	X330 RH SIDE DASHBOARD
							••Switch.....	••Commutateur.....	••Schalter.....	••Contactor.....	••Strömställare.....	X14 HYDRAULIC LEVER SWITCHES
							••Cable harness.....	••Faisceau cables.....	••Kabelbaum.....	••Manojo cables.....	••Ledningsmatta.....	X36, X37 CAB.EXTERIOR
							••Windshield wiper Fr.	••Essuie-glace, pare-..	••Scheibenwischer vo.	••Limpiaparabrisas d..	••Vindrutetorkare Fra.	X44
							••Switch.....	••Commutateur.....	••Schalter.....	••Commutador.....	••Omkopplare.....	X47, X16 LH, RH COMBI SWITCH
							••Stop Lt Switch.....	••Contacteur Stop.....	••Br Lichtschalt.....	••Cont Luz Freno.....	••Bromsljuskont.....	X61, X62
							••Instr Panel.....	••Planche de bord.....	••Instr Tafel.....	••Panel Instrum.....	••Instrumentpanel.....	X15, X33, FRONT
							••Four-wheel steering.	••Quatre roues directr.	••Vierradlenkung.....	••Dirección en cuatro	••Fyrhjulstyrning.....	X102
							••Switch.....	••Commutateur.....	••Schalter.....	••Contactor.....	••Strömställare.....	X203 HAMMER SWITCH
							••Switch.....	••Commutateur.....	••Schalter.....	••Contactor.....	••Strömställare.....	X204 DIFF LOCK
2	VOE 874955	1					••Insulator.....	••Isolateur.....	••Isolator.....	••Aislador.....	••Isolator.....	X89
3	VOE 874960	4					••Housing.....	••Isolant.....	••Isolator.....	••Aislador.....	••Isolator.....	X46, X44, X102
4		1			NS		••Cable terminal.....	••Cosse cable.....	••Flachsteckhülse.....	••Terminal cable.....	••Ledningssko.....	X177
5		1			NS		••Connector.....	••Raccord.....	••Anschluss.....	••Union.....	••Anslutning.....	X4
6		1			NS		••Connector.....	••Raccord.....	••Anschluss.....	••Union.....	••Anslutning.....	X330
7	VOE 11709766	3					••Connector.....	••Raccord.....	••Anschluss.....	••Union.....	••Anslutning.....	X14, X15, X16
7	VOE 874967	3					••Key.....	••Clavette.....	••Keil.....	••Llave (cuna).....	••Kil.....	
8	VOE 874802	1					••Housing.....	••Isolant.....	••Isolator.....	••Aislador.....	••Isolator.....	X36
8	VOE 14370883	1					••Spacer.....	••Partie Intermédiaire..	••Zwischenstück.....	••Espaciador.....	••Mellandel.....	

1		<b>Ledningsmatta, mittpanel</b>	Catalogue id	Group
2		<b>Haz de cables, panel central</b>	<b>20004</b>	<b>371</b>
3		<b>Kabelbäume, Mitteltafel</b>	Illustr. No	Section
4		<b>Faisceau de câbles, pupitre central</b>	<b>1011883</b>	<b>675</b>
5		<b>Cable harness, panel</b>	Issue	Page
		<b>11891255</b>	<b>VOE 63G9920004</b>	<b>187</b>



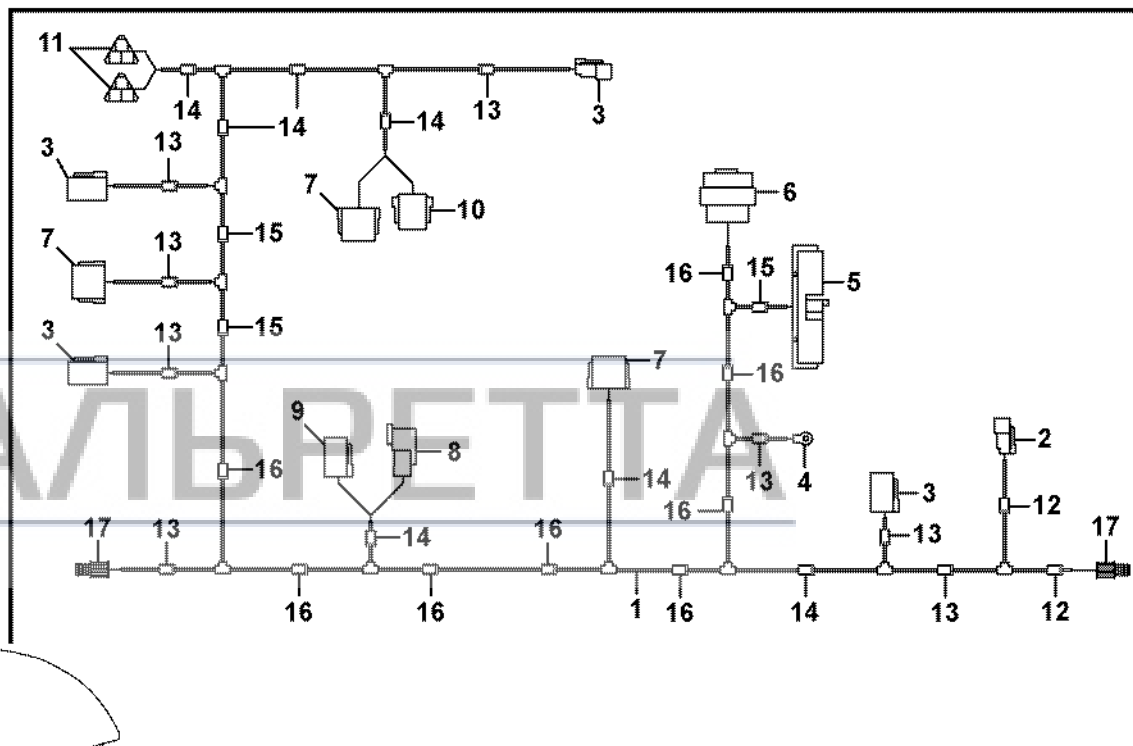
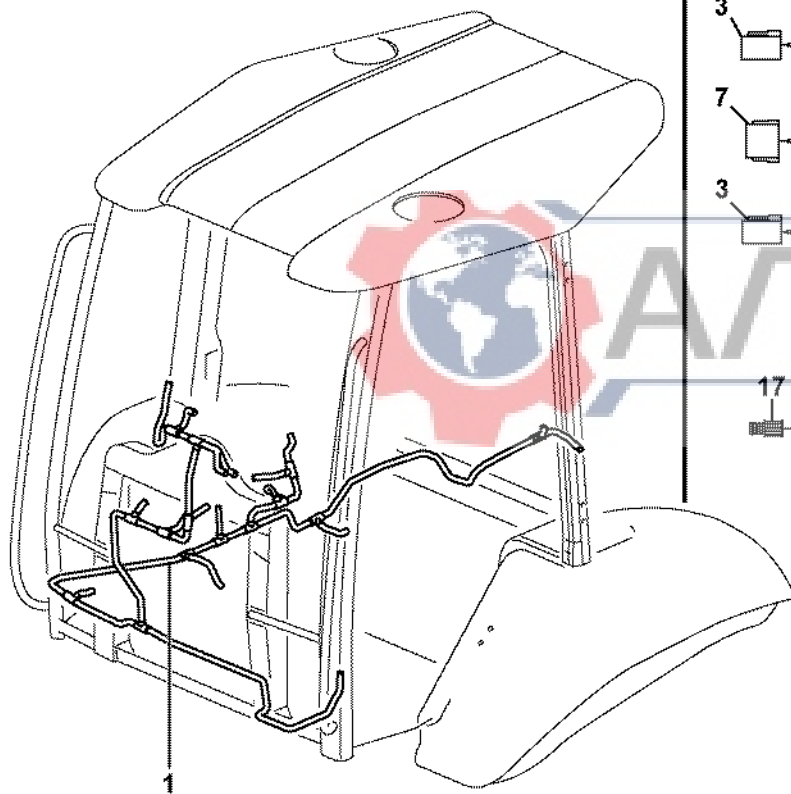


Fig.	Part No.	Quantity			P S	K I T	Description	Dénomination	Bezeichnung	Denominación	Benämning	Notes
		1	2	3								
9	VOE 874957	1				•Housing .....	•Isolant .....	•Isolator .....	•Aislador .....	•Isolator.....	X37	
9	VOE 874958	1				•Key .....	•Clavette.....	•Keil .....	•Llave (cuna) .....	•Kil.....		
10	VOE 11709767	2				•Connector .....	•Raccord .....	•Anschluss.....	•Union.....	•Anslutning.....	X33, X47	
11	VOE 874654	2				•Rcpt Housing .....	•Douille Isolan. ....	•Steckbuchse .....	•Aislador Mangui .....	•Hylisolator.....	X61, X62	
12	VOE 4803745	REQ				•Hose .....	•Durit .....	•Schlauch .....	•Tubo flexible.....	•Slang.....		
13	VOE 4803746	REQ				•Hose .....	•Durit .....	•Schlauch .....	•Tubo flexible.....	•Slang.....		
14	VOE 4803748	REQ				•Hose .....	•Durit .....	•Schlauch .....	•Tubo flexible.....	•Slang.....		
15	VOE 4803751	REQ				•Hose .....	•Durit .....	•Schlauch .....	•Tubo flexible.....	•Slang.....		
16	VOE 4803752	REQ				•Hose .....	•Durit .....	•Schlauch .....	•Tubo flexible.....	•Slang.....		
17	VOE 949005	2				•Rcpt Housing .....	•Douille Isolan. ....	•Steckbuchse .....	•Aislador Mangui .....	•Hylisolator.....	X203,X204	



1		Ledningsmatta, mittpanel	Catalogue id	Group
2		Haz de cables, panel central	<b>20004</b>	<b>371</b>
3		Kabelbäume, Mitteltafel	Illustr. No	Section
4		Faisceau de câbles, pupitre central	<b>1011883</b>	<b>675</b>
5		Cable harness, panel	Issue	Page
		<b>11891255</b>	<b>VOE 63G9920004</b>	<b>189</b>

**VOLVO**

**BL70**

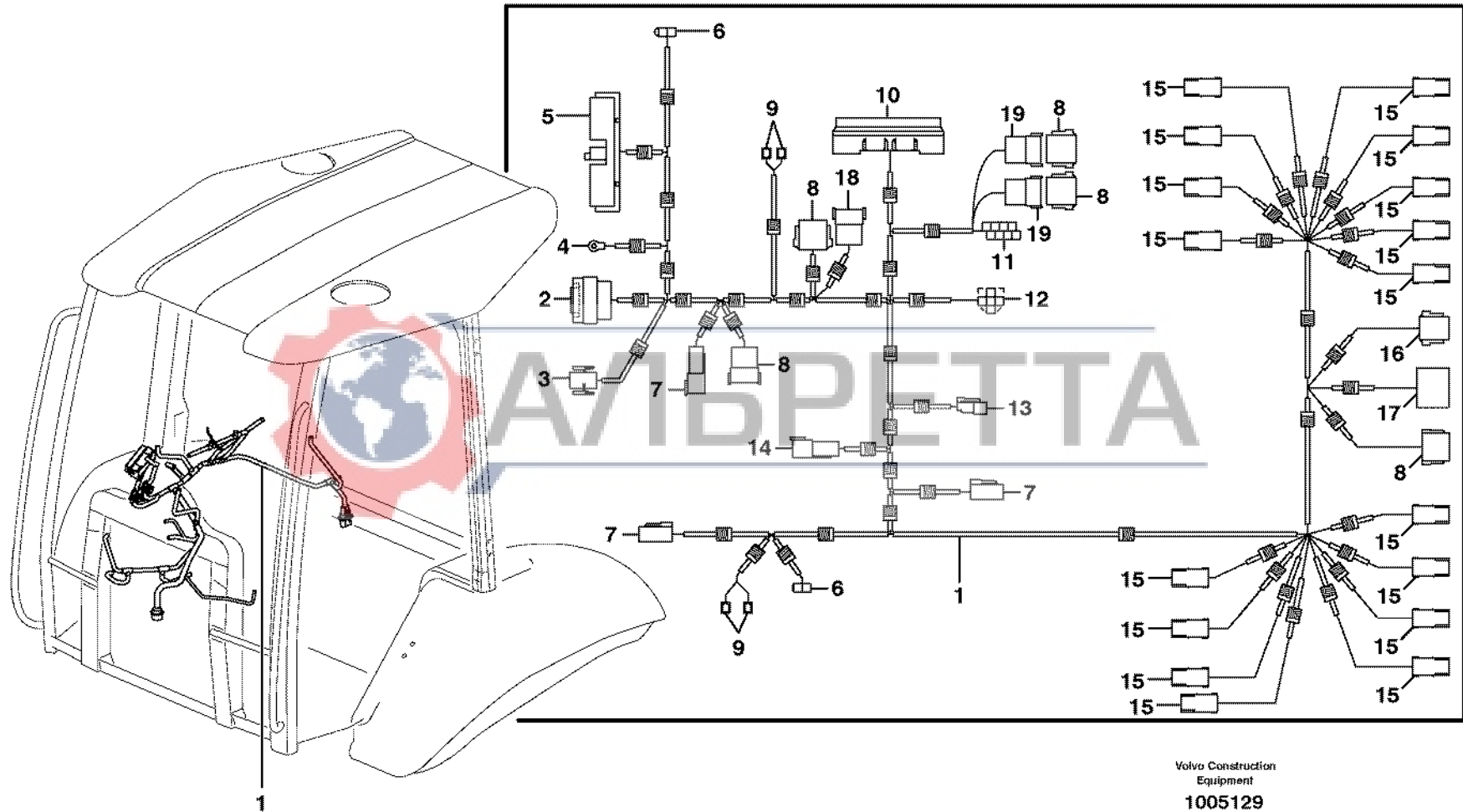
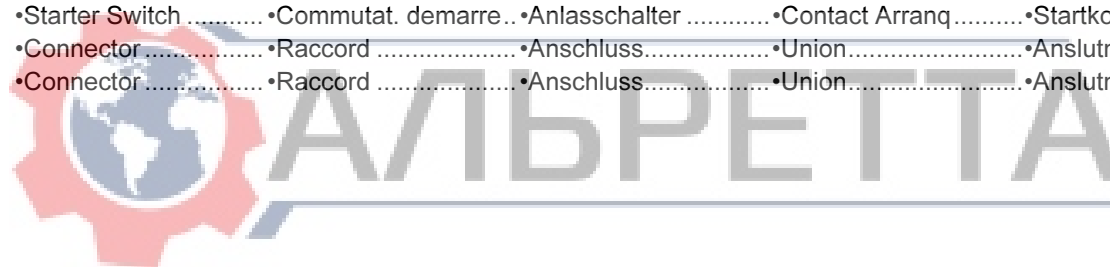


Fig.	Part No.	Quantity			P S	K I T	Description	Dénomination	Bezeichnung	Denominación	Benämning	Notes
		1	2	3								
1	<b>VOE 11884511</b>	1				Cable harness.....	Faisceau cables .....	Kabelbaum.....	Manojo cables .....	Ledningsmatta.....	RH SIDE DASHBOARD	
2		1			NS	•Connector .....	•Raccord .....	•Anschluss.....	•Union.....	•Anslutning.....	X7	
3		1			NS	•Connector .....	•Raccord .....	•Anschluss.....	•Union.....	•Anslutning.....	X140	
4		1			NS	•Cable terminal .....	•Cosse cable .....	•Flachsteckhülse .....	•Terminal cable .....	•Ledningssko.....	X160	
5		1			NS	•Connector .....	•Raccord .....	•Anschluss.....	•Union.....	•Anslutning.....	X2	
6		2			NS	•Housing .....	•Carter.....	•Gehäuse .....	•Carter .....	•Hus.....	X6, X208	
7	<b>VOE 874957</b>	3				•Housing .....	•Isolant .....	•Isolator .....	•Aislador .....	•Isolator.....	X5, X58, X50	
8	<b>VOE 11709766</b>	5				•Connector .....	•Raccord .....	•Anschluss.....	•Union.....	•Anslutning.....	X3,X9,X19,X20,X34	
9		4			NS	•Insulator.....	•Isolateur.....	•Isolator .....	•Aislador .....	•Isolator.....	X300,X301	
10		1			NS	•Connector .....	•Raccord .....	•Anschluss.....	•Union.....	•Anslutning.....		
11	<b>VOE 1096614</b>	1				•Insulator.....	•Isolateur.....	•Isolator .....	•Aislador .....	•Isolator.....	X27	
12		2			NS	•Insulator.....	•Isolateur.....	•Isolator .....	•Aislador .....	•Isolator.....	X221	
13	<b>VOE 874955</b>	1				•Insulator.....	•Isolateur.....	•Isolator .....	•Aislador .....	•Isolator.....	X139	
14	<b>VOE 874802</b>	1				•Housing .....	•Isolant .....	•Isolator .....	•Aislador .....	•Isolator.....	X51	
15	<b>VOE 11881020</b>	17				•Housing .....	•Carter.....	•Gehäuse .....	•Carter .....	•Hus.....	X120 - 136	
16	<b>VOE 11709767</b>	1				•Connector .....	•Raccord .....	•Anschluss.....	•Union.....	•Anslutning.....	X30	
17		1			NS	•Starter Switch .....	•Commutat. demarre..	•Anlasschalter .....	•Contact Arranq.....	•Startkontakt.....	X8	
18	<b>VOE 874965</b>	1				•Connector .....	•Raccord .....	•Anschluss.....	•Union.....	•Anslutning.....	X48	
19	<b>VOE 11988978</b>	2				•Connector .....	•Raccord .....	•Anschluss.....	•Union.....	•Anslutning.....		



1		<b>Ledningsmatta, manöverpanel höger</b> <b>Haz de cables, panel de mandos derecho</b> <b>Kabelbaum, rechte Bedientafel</b> <b>Faisceau de câbles, tableau de bord côté droit</b> <b>Cable harness, control panel right</b> <b>SER NO -10704</b>	Catalogue id	Group
2			<b>20004</b>	<b>371</b>
3			Illustr. No	Section
4			<b>1005129</b>	<b>700</b>
5			Issue	Page
			<b>VOE 63G9920004</b>	<b>191</b>

**VOLVO**

**BL70**

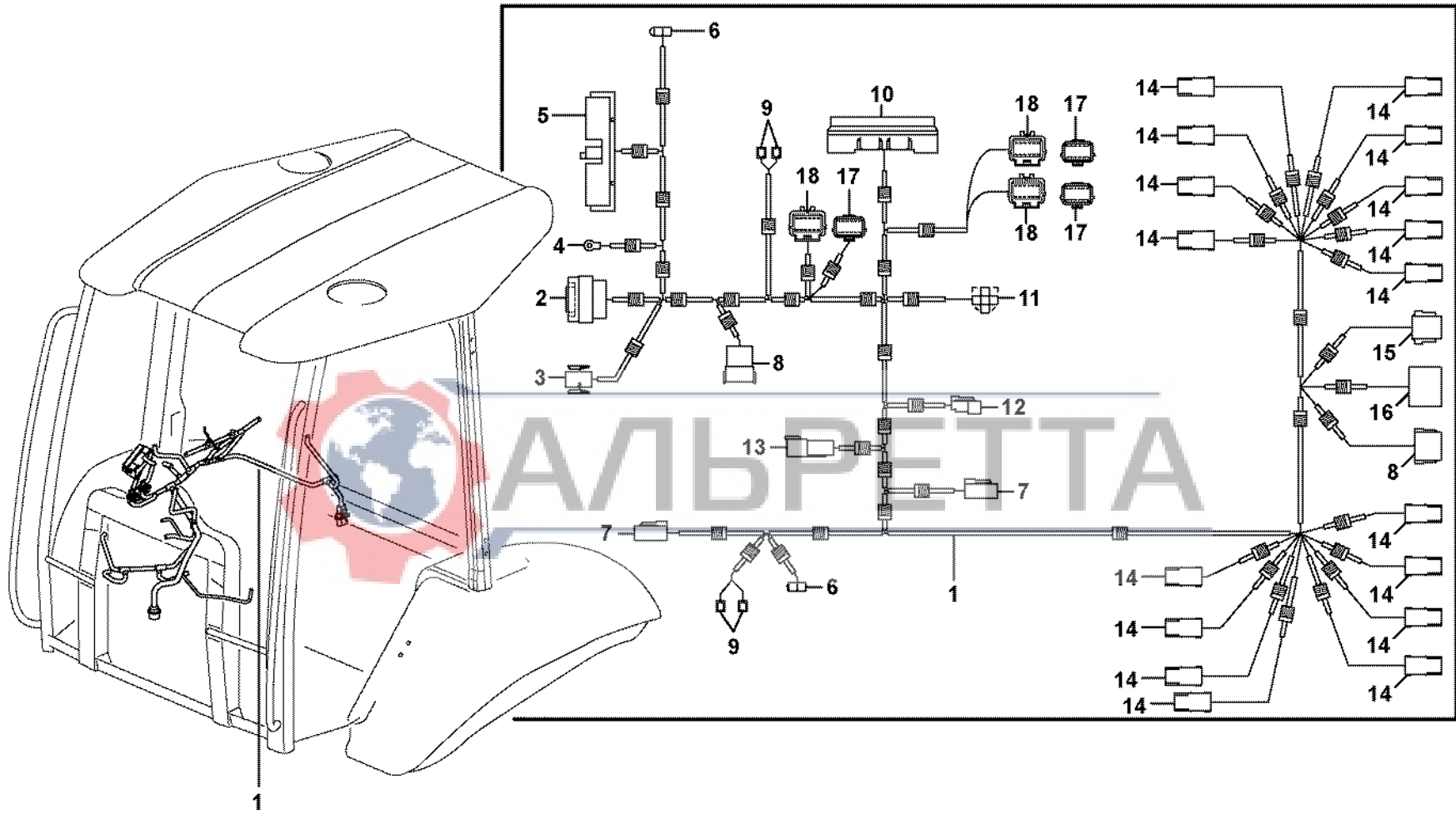
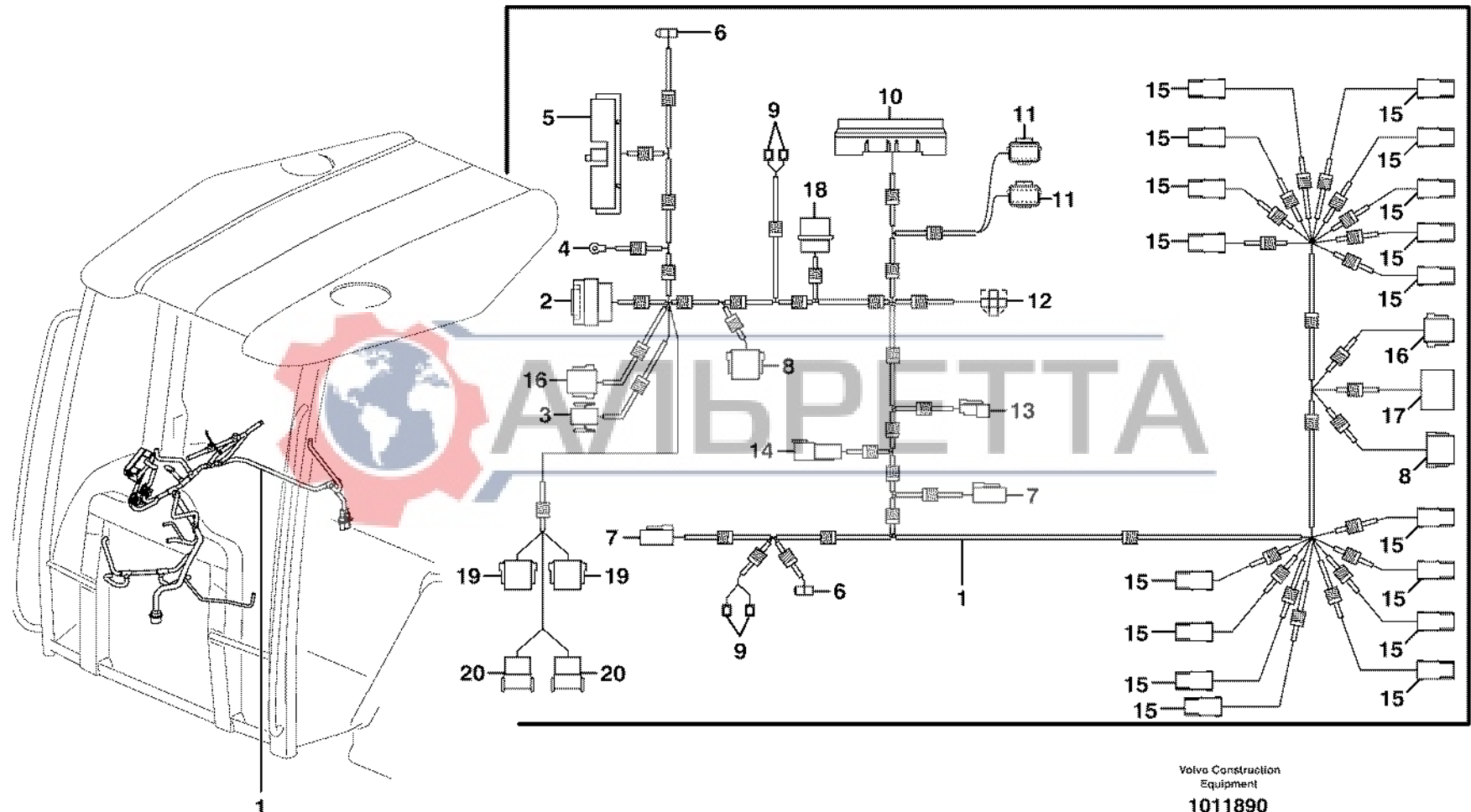


Fig.	Part No.	Quantity			P S	K I T	Description	Dénomination	Bezeichnung	Denominación	Benämning	Notes
		1	2	3								
1	VOE 11888002	1				Wire harness.....	Faisceau électrique....	Kabelbaum.....	Manojo cables.....	Ledningsmatta.....	S/N - 11144 RH SIDE DASHBOARD	
1	VOE 11888540	1				Wire harness.....	Faisceau électrique....	Kabelbaum.....	Manojo cables.....	Ledningsmatta.....	S/N 11145 -	
2		1			NS	•Connector.....	•Raccord.....	•Anschluss.....	•Union.....	•Anslutning.....	X7	
3		1			NS	•Connector.....	•Raccord.....	•Anschluss.....	•Union.....	•Anslutning.....	X140	
4		1			NS	•Cable terminal.....	•Cosse cable.....	•Flachsteckhülse.....	•Terminal cable.....	•Ledningssko.....	X160	
5		1			NS	•Connector.....	•Raccord.....	•Anschluss.....	•Union.....	•Anslutning.....	X2	
6		2			NS	•Housing.....	•Carter.....	•Gehäuse.....	•Carter.....	•Hus.....	X6, X208	
7	VOE 874957	2				•Housing.....	•Isolant.....	•Isolator.....	•Aislador.....	•Isolator.....	X58, X50	
7	VOE 874958	2				•Key.....	•Clavette.....	•Keil.....	•Llave (cuna).....	•Kil.....		
8	VOE 11709766	2				•Connector.....	•Raccord.....	•Anschluss.....	•Union.....	•Anslutning.....	X3,X9	
8	VOE 874967	2				•Key.....	•Clavette.....	•Keil.....	•Llave (cuna).....	•Kil.....		
9		4			NS	•Insulator.....	•Isolateur.....	•Isolator.....	•Aislador.....	•Isolator.....	X300,X301,X302,X303	
10		1			NS	•Fuse box.....	•Boite a fusibles.....	•Sicherungsdose.....	•Caja de fusibles.....	•Säkringsdosa.....	See group 372, Page 209	
11		2			NS	•Housing.....	•Carter.....	•Gehäuse.....	•Carter.....	•Hus.....	X221	
12	VOE 874955	1				•Insulator.....	•Isolateur.....	•Isolator.....	•Aislador.....	•Isolator.....	X139	
13	VOE 874802	1				•Housing.....	•Isolant.....	•Isolator.....	•Aislador.....	•Isolator.....	X51	
13	VOE 14370883	1				•Spacer.....	•Partie Intermédiaire.....	•Zwischenstück.....	•Espaciador.....	•Mellandel.....		
14	VOE 11881020	17				•Housing.....	•Carter.....	•Gehäuse.....	•Carter.....	•Hus.....	X120 - 136	
15	VOE 11709767	1				•Connector.....	•Raccord.....	•Anschluss.....	•Union.....	•Anslutning.....	X30	
16		1				•Starter Switch.....	•Commutat. demarre.....	•Anlasschalter.....	•Contact Arranq.....	•Startkontakt.....	X8 See group 380, Page 213	
17		3			NS	•Connector.....	•Raccord.....	•Anschluss.....	•Union.....	•Anslutning.....	X19,X20,X48	
18		3			NS	•Connector.....	•Raccord.....	•Anschluss.....	•Union.....	•Anslutning.....	X17,X18,X34	

1	11891209, 11891224	<b>Ledningsmatta, manöverpanel höger</b> <b>Haz de cables, panel de mandos derecho</b> <b>Kabelbaum, rechte Bedientafel</b> <b>Faisceau de câbles, tableau de bord côté droit</b> <b>Cable harness, control panel right</b>	Catalogue id	Group
2			<b>20004</b>	<b>371</b>
3			Illustr. No	Section
4			<b>1017432</b>	<b>710</b>
5			Issue	Page
			<b>VOE 63G9920004</b>	<b>193</b>

**VOLVO**

**BL70**



Volvo Construction  
Equipment  
1011890

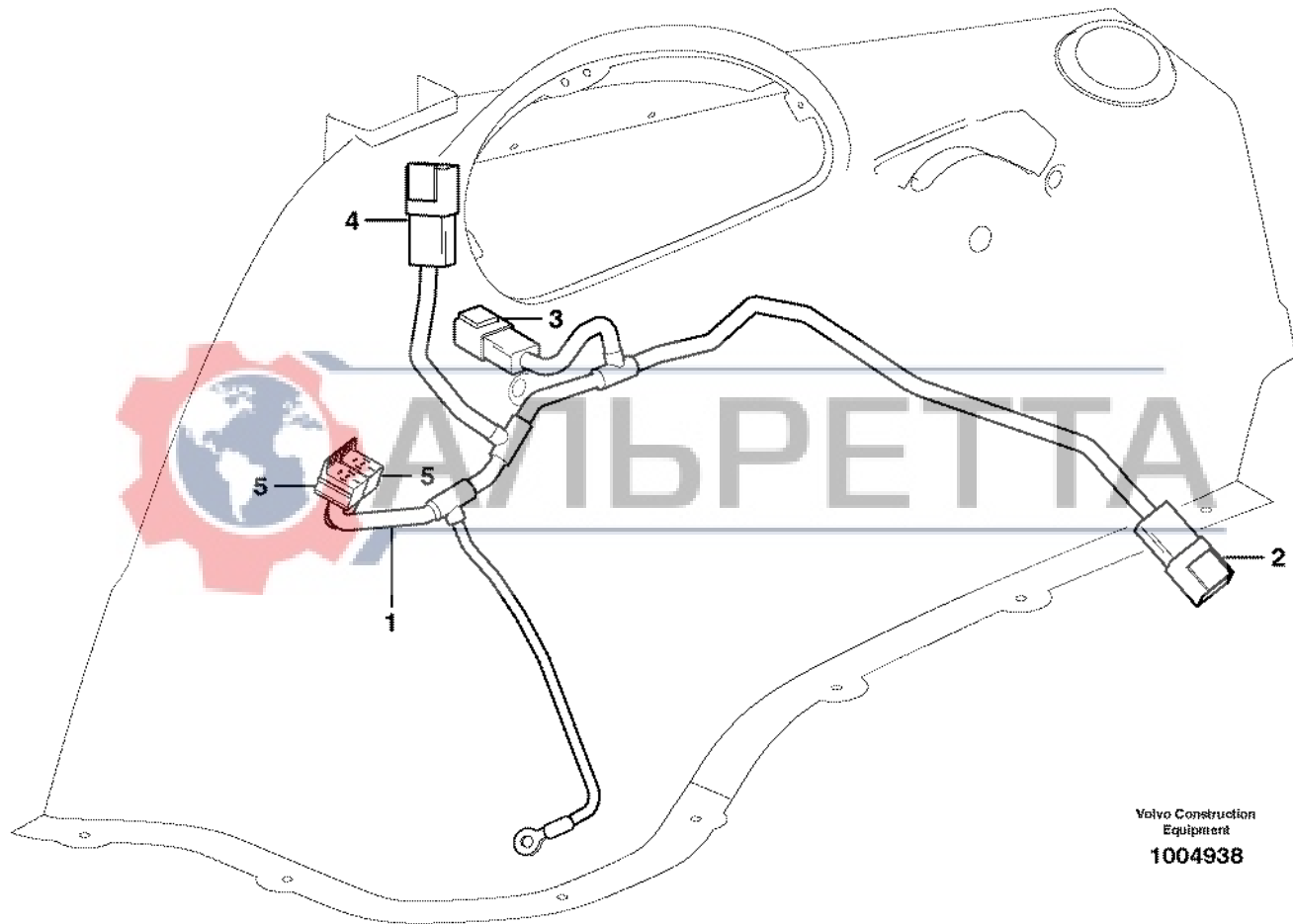
Fig.	Part No.	Quantity			P S	K I T	Description	Dénomination	Bezeichnung	Denominación	Benämning	Notes
		1	2	3								
1	VOE 11885600	1				Wire harness.....	Faisceau électrique....	Kabelbaum.....	Manejo cables.....	Ledningsmatta.....	RH SIDE DASHBOARD S/N - 10739	
1	VOE 11886638	1				Wire harness.....	Faisceau électrique....	Kabelbaum.....	Manejo cables.....	Ledningsmatta.....	S/N 10740 - 10983	
1	VOE 11888001	1				Wire harness.....	Faisceau électrique....	Kabelbaum.....	Manejo cables.....	Ledningsmatta.....	S/N 10984 - 11144	
1	VOE 11888539	1				Wire harness.....	Faisceau électrique....	Kabelbaum.....	Manejo cables.....	Ledningsmatta.....	S/N 11145 -	
2		1			NS	•Connector.....	•Raccord.....	•Anschluss.....	•Union.....	•Anslutning.....	X7	
3		1			NS	•Connector.....	•Raccord.....	•Anschluss.....	•Union.....	•Anslutning.....	X140	
4		1			NS	•Cable terminal.....	•Cosse cable.....	•Flachsteckhülse.....	•Terminal cable.....	•Ledningssko.....	X160	
5		1			NS	•Connector.....	•Raccord.....	•Anschluss.....	•Union.....	•Anslutning.....	X2	
6		2			NS	•Housing.....	•Carter.....	•Gehäuse.....	•Carter.....	•Hus.....	X6, X208	
7	VOE 874957	2				•Housing.....	•Isolant.....	•Isolator.....	•Aislador.....	•Isolator.....	X58, X50	
8	VOE 11709766	2				•Connector.....	•Raccord.....	•Anschluss.....	•Union.....	•Anslutning.....	X3, X9	
9		4			NS	•Insulator.....	•Isolateur.....	•Isolator.....	•Aislador.....	•Isolator.....	X300, X301	
10		1			NS	•Fuse box.....	•Boite a fusibles.....	•Sicherungsdose.....	•Caja de fusibles.....	•Säkringsdosa.....	See group 372, Page 209	
11		2			NS	•Connector.....	•Raccord.....	•Anschluss.....	•Union.....	•Anslutning.....	X17, X18	
12		2			NS	•Housing.....	•Carter.....	•Gehäuse.....	•Carter.....	•Hus.....	X221	
13	VOE 874955	1				•Insulator.....	•Isolateur.....	•Isolator.....	•Aislador.....	•Isolator.....	X139	
14	VOE 874802	1				•Housing.....	•Isolant.....	•Isolator.....	•Aislador.....	•Isolator.....	X51	
15	VOE 11881020	17				•Housing.....	•Carter.....	•Gehäuse.....	•Carter.....	•Hus.....	X120 - 136	
16	VOE 11709767	1				•Connector.....	•Raccord.....	•Anschluss.....	•Union.....	•Anslutning.....	X30	
17		1				•Starter Switch.....	•Commutat. demarre.....	•Anlasschalter.....	•Contact Arranq.....	•Startkontakt.....	X8	
18		1			NS	•Connector.....	•Raccord.....	•Anschluss.....	•Union.....	•Anslutning.....	X48	
19		2			NS	•Insulator.....	•Isolateur.....	•Isolator.....	•Aislador.....	•Isolator.....	X21, X22	
20		2			NS	•Connector.....	•Raccord.....	•Anschluss.....	•Union.....	•Anslutning.....	X25, X26	

1		<b>Ledningsmatta, manöverpanel höger</b> <b>Haz de cables, panel de mandos derecho</b> <b>Kabelbaum, rechte Bedientafel</b> <b>Faisceau de câbles, tableau de bord côté droit</b> <b>Cable harness, control panel right</b>	Catalogue id	Group
2			<b>20004</b>	<b>371</b>
3			Illustr. No	Section
4			<b>1011890</b>	<b>725</b>
5			Issue	Page
	<b>11891255</b>		<b>VOE 63G9920004</b>	<b>195</b>

**VOLVO**

**BL70**





Volvo Construction  
Equipment  
**1004938**

Fig.	Part No.	Quantity			P S	K I T	Description	Dénomination	Bezeichnung	Denominación	Benämning	Notes
		1	2	3								
1	VOE 11883593	1					Cable harness.....	Faisceau cables .....	Kabelbaum.....	Manejo cables .....	Ledningsmatta.....	
2	VOE 874802	1					•Housing .....	•Isolant .....	•Isolator .....	•Aislador .....	•Isolator.....	
3	VOE 874954	1					•Connector .....	•Raccord .....	•Anschluss.....	•Union.....	•Anslutning.....	
4	VOE 874959	1					•Housing .....	•Isolant .....	•Isolator .....	•Aislador .....	•Isolator.....	
5		2			NS		•Relay Socket .....	•Socle Relais.....	•Relaissockel.....	•Zocalo Rele.....	•Reläsockel.....	

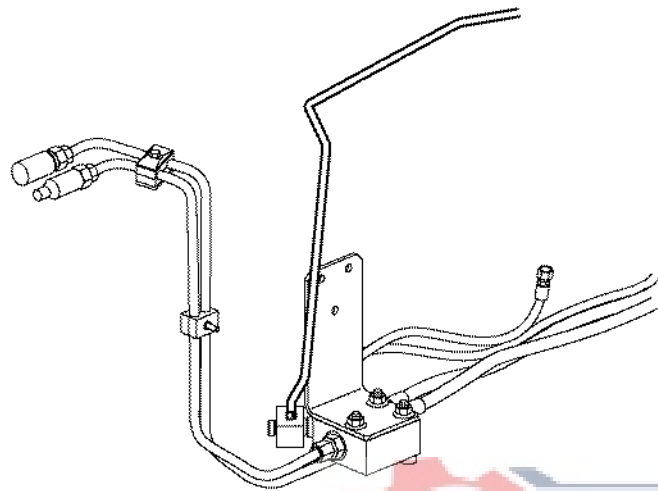


1		<b>Ledningsmatta värme och kylanläggning</b> <b>Cableado de equipo de calefacción y refrigeración</b> <b>Kabelbaum, Heizung und Kühlung</b> <b>Faisceau de câbles, chauffage et refroidissement</b> <b>Cable harness heater and air conditioning</b>	Catalogue id	Group
2			<b>20004</b>	<b>371</b>
3			Illustr. No	Section
4			<b>1004938</b>	<b>750</b>
5			Issue	Page
		<b>11298028, 11298196</b>	<b>VOE 63G9920004</b>	<b>197</b>

**VOLVO**

**BL70**





# АЛЬРЕТТА

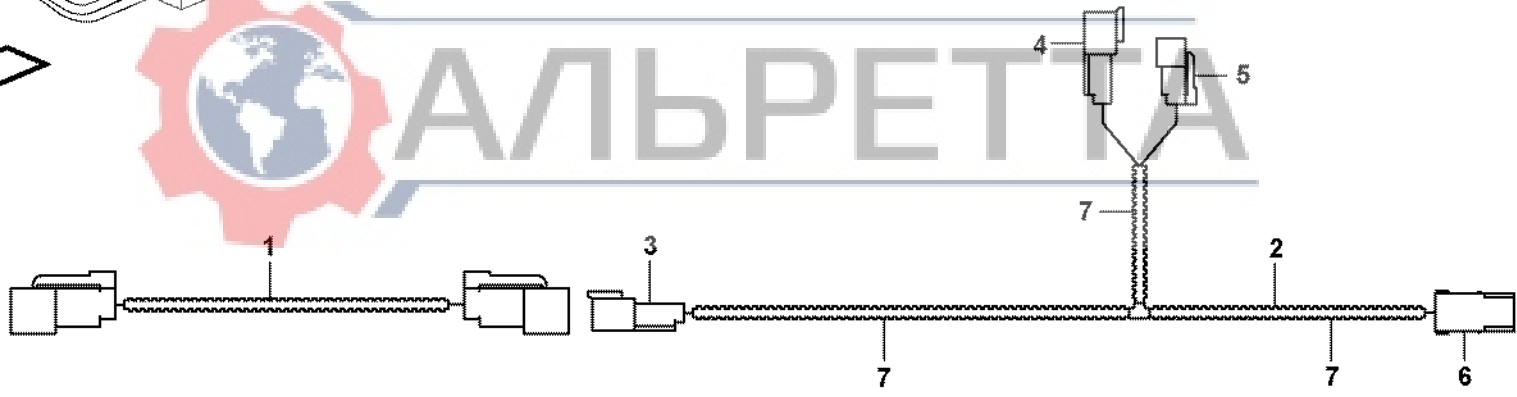


Fig.	Part No.	Quantity			P S	K I T	Description	Dénomination	Bezeichnung	Denominación	Benämning	Notes
		1	2	3								
1	VOE 11886626	1					Cable..... Câble..... Seil..... Cable..... Lina..... •CONNECTED TO:..... •CONNECTÉ A:..... •ANGESCHLOSSEN:..... •CONECTADO A:..... •ANSLUTER TILL:..... •Hand tool cab ..... •Câble outil main..... •Handwerkzeug, Kab •Cabina de herramie. •Handverktyg hytt..... X 337 •Hand tool valve..... •Distrib. outil main..... •Handwerkzeugventil •Válvula de herramie. •Handverktyg ventil... X339					
2	VOE 11886627	1					Cable..... Câble..... Seil..... Cable..... Lina..... •CONNECTED TO:..... •CONNECTÉ A:..... •ANGESCHLOSSEN:..... •CONECTADO A:..... •ANSLUTER TILL:..... •Hand tool chassis h. •Faisceau câbles ch. •Handwerkzeug Fahr •Mazo de chasis de .. •Handverktyg chassi X337 •Hand tool switch..... •Commutateur outil .. •Handwerkzeugscha. •Conmutador de herr. •Handverktyg ströms X338 •Code lock ..... •Serrure codée..... •Codeschloss ..... •Bloqueo de código... •Kodlås..... X58					
3	VOE 874954	1					•Connector ..... •Raccord ..... •Anschluss..... •Union..... •Anslutning.....					
	VOE 14370881	1					•Spacer ..... •Partie Intermédiaire .. •Zwischenstück ..... •Espaciador ..... •Mellandel.....					
4	VOE 874802	1					•Housing ..... •Isolant ..... •Isolator ..... •Aislador ..... •Isolator.....					
	VOE 14370883	1					•Spacer ..... •Partie Intermédiaire .. •Zwischenstück ..... •Espaciador ..... •Mellandel.....					
5	VOE 874957	1					•Housing ..... •Isolant ..... •Isolator ..... •Aislador ..... •Isolator.....					
	VOE 874958	1					•Key ..... •Clavette..... •Keil..... •Llave (cuna) ..... •Kil.....					
6	VOE 11881020	1					•Housing ..... •Carter..... •Gehäuse ..... •Carter ..... •Hus.....					
7	VOE 4803746	REQ					•Hose ..... •Durit ..... •Schlauch ..... •Tubo flexible..... •Slang.....					



1		Ledningsmatta, handverktyg hydr.	Catalogue id	Group
2		Mazo de cables, hidráulica de herramienta manual	<b>20004</b>	<b>371</b>
3		Kabelbaum, Handwerkzeughydraulik	Illustr. No	Section
4		Faisceau câbles, circuit hydr. outil main	<b>1018138</b>	<b>800</b>
5		Cable harness, hand tool hydraulic	Issue	Page
		<b>11891333</b>	<b>VOE 63G9920004</b>	<b>199</b>

**VOLVO**

**BL70**

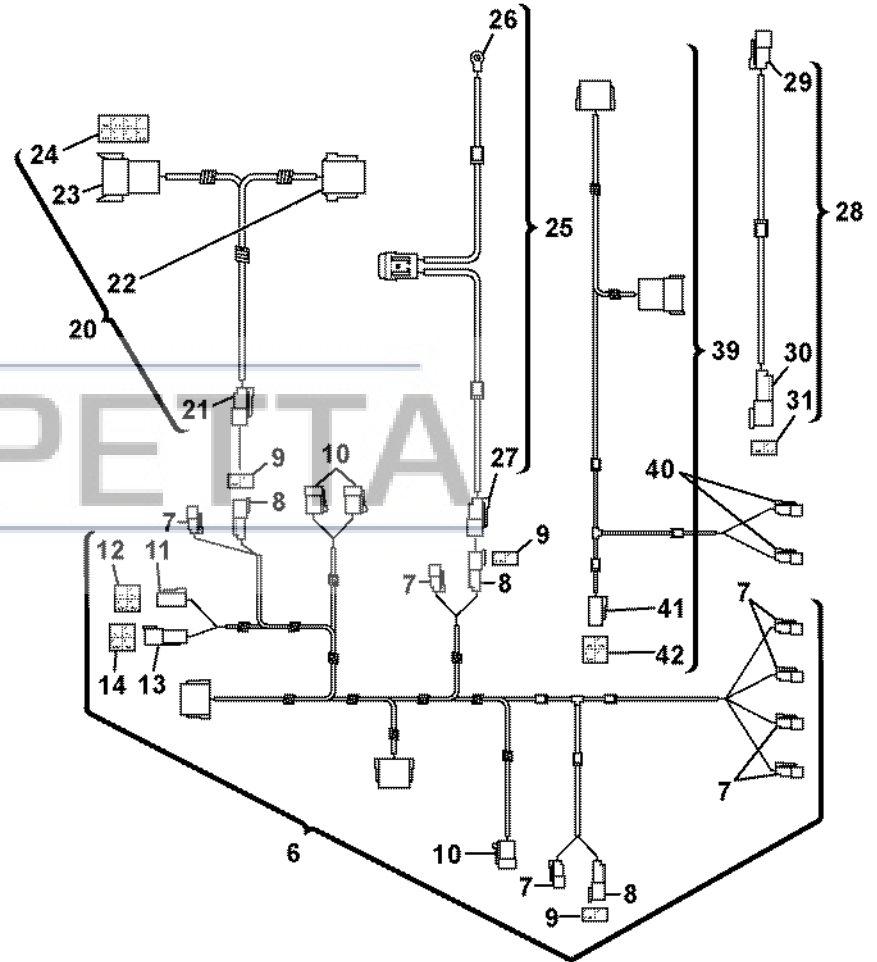
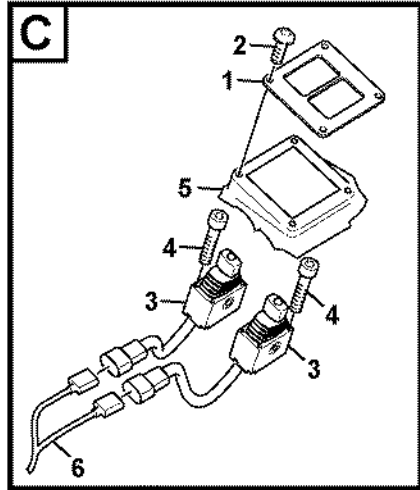
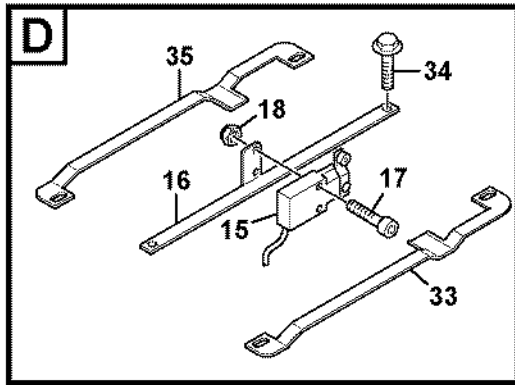
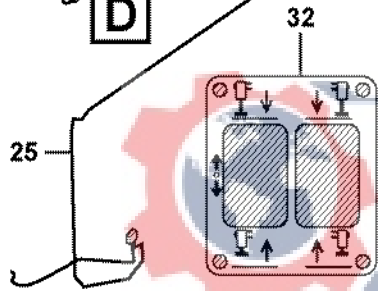
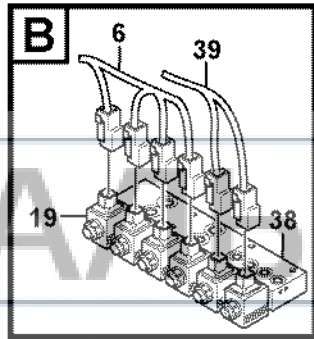
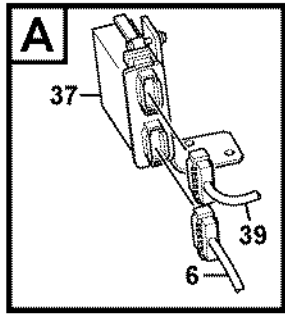
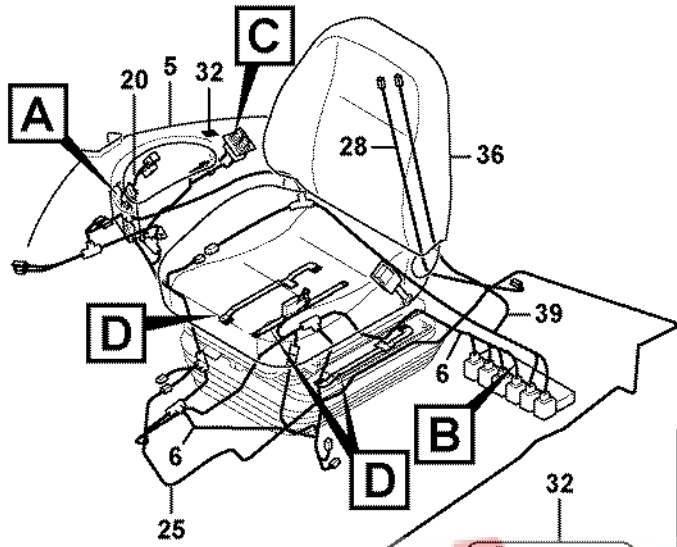


Fig.	Part No.	Quantity					P S	K T	Description	Dénomination	Bezeichnung	Denominación	Benämning	Notes
		1	2	3	4	5								
1		1	1	1	1		NS	Support Plate	Plaque Support	Stützplatte	Placa Apoyo	Stödplatta		
2	VOE 969278	4	4	4	4			Six Point Socket Sc Vis à six pans creu	Innensechskantsc	Tornillo de cabeza	Sextkantsskruv			
3	VOE 11886974	2	2	2	2			Lever	Levier	Hebel	Palanca	Spak		
4	VOE 982176	8	8	8	8			Six Point Socket Sc Vis à six pans creu	Innensechskantsc	Tornillo de cabeza	Sextkantsskruv			
5		1	1	1	1			Side Panel	Panneau Lateral	Seit Verkl	Panel Lateral	Sidopanel		
6	VOE 11887265	1	1	1	1			Wire harness	Faisceau electriqu	Kabelbaum	Manejo cables	Ledningsmatta		
								•CONNECTED TO: •CONNECTÉ A: ..... •ANGESCHLOSSE •CONECTADO A: ... •ANSLUTER TILL:..						
								••Anti Theft.....•Protection antivol ••Diebstahlschutz ....•Antirrobo ..... ••Stöldskydd..... X58						
								••Right side Harne ..•Faisceau de câbl..•Kabelbaum recht ..•Cableado lado de. ••Höger ledningsm.. X58						
								••HECU .....•Unité H-ECU ..... •HECU .....•HECU .....•HECU..... X371						
								••Extending Dipper ••Faisceau de câbl..•Stielverlängerung, ••Cableado de braz ••Förlängning skaft. X378						
								••Seat Switch .....•Commutateur siè .•Sitzschalter.....•Interruptor de asi..•Stol strömställare. X380						
								••Boom Lock Valve ••Valve de verrouilla••Ausleger, Rücksc .•Válvula de bloque ••Bomlåsventil..... X384						
								••Rear Valve Harne ••Faisceau de câbl..•Rückwärtiges Ven ••Cableado válvula ••Bakre ventil ledni. X385						
								••Stabilizer Valve ....•Valve stabilisateu. ••Stabilisatorventil ...•Válvula de estabili ••Stödben ventil..... X374-X377						
								••Hydraulic Option...•Option hydrauliqu. ••Hydraulik Zusatza ••Opción hidráulica. ••Hydraulik tillval..... X372, 373, X388, X389						
								••Stabilizer Switch...•Commutateur sta .•Stabilisatorschalt ..•Interruptor de est .•Stödben strömstä. X368, X369						
7	VOE 874955	7	7	7	7			Insulator	Isolateur	Isolator	Aislador	Isolator		
8	VOE 874954	3	3	3	3			Connector	Raccord	Anschluss	Union	Anslutning		
9	VOE 14370881	3	3	3	3			Spacer	Partie Intermédiair	Zwischenstück	Espaciador	Mellandel		
10	VOE 874654	3	3	3	3			Rcpt Housing	Douille Isolan	Steckbuchse	Aislador Mangui	Hylsisolator		
11	VOE 874957	1	1	1	1			Housing	Isolant	Isolator	Aislador	Isolator		
12	VOE 874958	1	1	1	1			Key	Clavette	Keil	Llave (cuna)	Kil		
13	VOE 874802	1	1	1	1			Housing	Isolant	Isolator	Aislador	Isolator		
14	VOE 14370883	1	1	1	1			Spacer	Partie Intermédiair	Zwischenstück	Espaciador	Mellandel		
15	VOE 11887649	1	1	1	1			Switch	Commutateur	Schalter	Contactador	Strömställare		
16	VOE 11887635	1	1	1	1			Bracket	Console	Konsole	Ménsula	Konsol		
17	VOE 969557	2	2	2	2			6-pt skt screw	Vis creuse de 6	Hohlschraube	Racor 6-dientes	Sextandhålskruv		
18	VOE 975237	2	2	2	2			Lock nut	Contre-ecrou	Sicherungsmutter	Contratuerca	Låsmutter		
19		1	1	1	1			Valve	Soupape	Ventil	Valvula	Ventil		

1	11891506, 11891507	<b>Ledningsmatta, pilotstyrda grävreglage</b> <b>Mazo de cables, mandos piloto de excavadora</b> <b>Kabelbaum, vorgesteuerte Bagger-Bedienelemente</b> <b>Faisceau de câbles, servocommande hydraulique creusement</b> <b>Cable harness, Pilot Excavator Controls</b>	Catalogue id	Group
2	11891508		<b>20004</b>	<b>371</b>
3	11891509, 11891510		Illustr. No	Section
4	11891511		<b>1018634</b>	<b>900</b>
5			Issue	Page
		<b>VOE 63G9920004</b>	<b>201</b>	

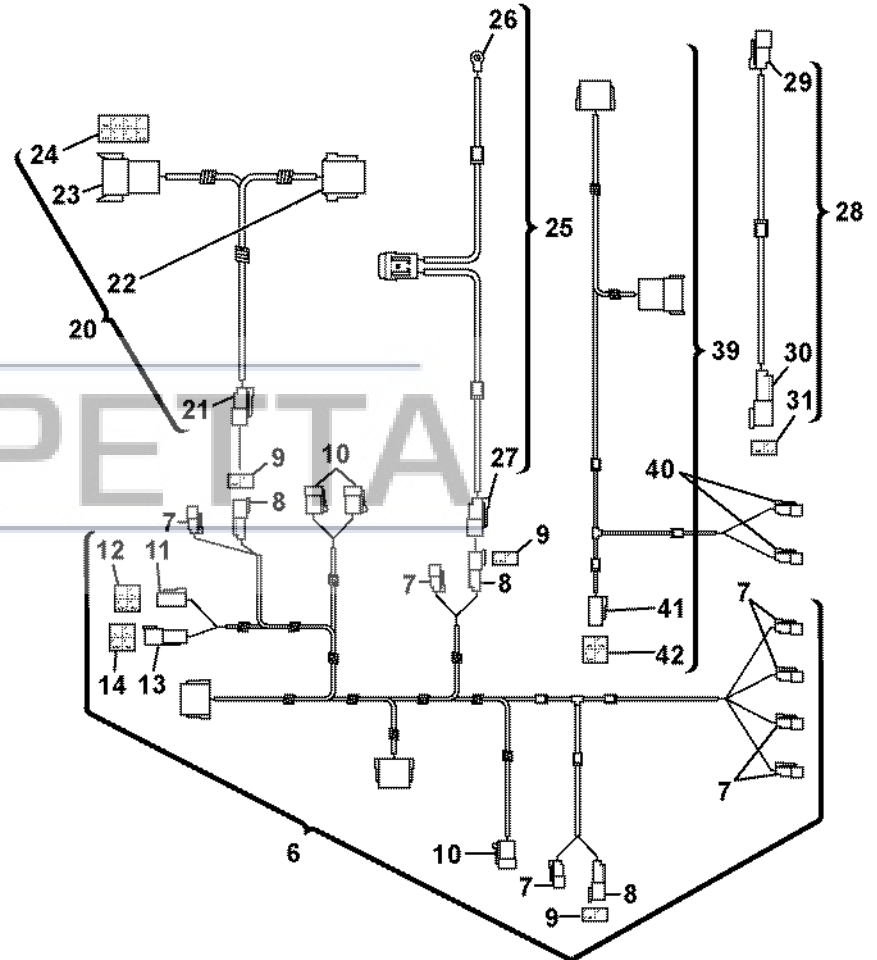
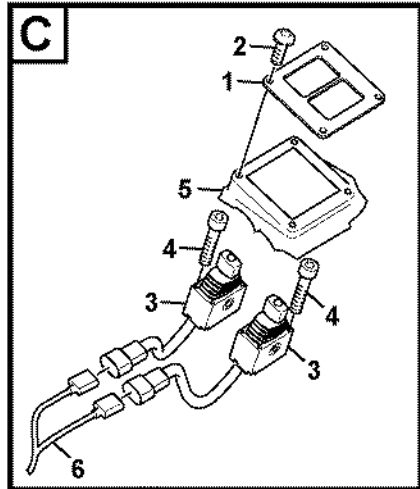
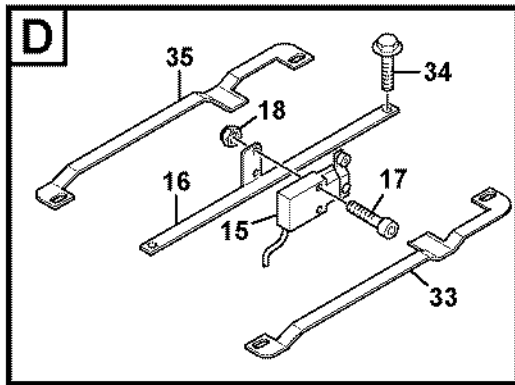
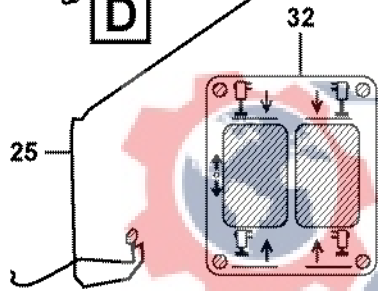
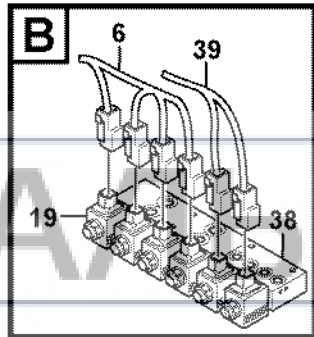
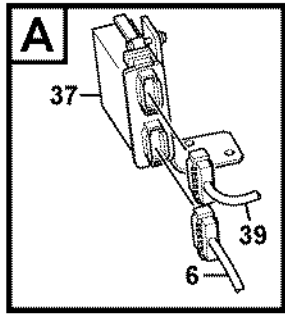
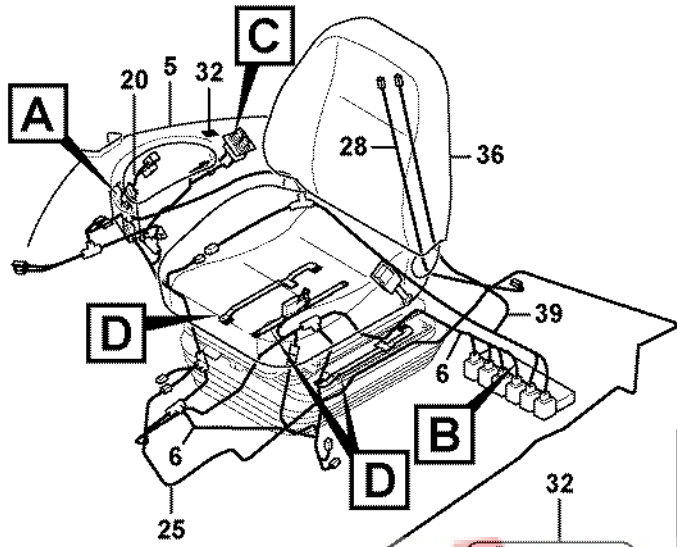


Fig.	Part No.	Quantity					P S	K I T	Description	Dénomination	Bezeichnung	Denominación	Benämning	Notes
		1	2	3	4	5								
20	VOE 11887348	1	1	1	1			Wire harness..... Faisceau electriqu .. Kabelbaum..... Manoj cables ..... Ledningsmatta..... •CONNECTED TO: •CONNECTÉ A: ..... •ANGESCHLOSSE •CONECTADO A: ... •ANSLUTER TILL:.. ••Right side Harne ..•Faisceau de câbl.. •Kabelbaum rech ..•Cableado lado de. •Höger ledningsm. X391 ••Stabilizer El. Harn •Faisceau de câbl.. •Stabilisator, Kabe ••Cableado del est.. •Stödben lednings. X389 ••Right Instrument ..•Ensemble instru ... •Instrumententafel, •Grupo de instrum . •Höger kombiinstr.. X390						
21	VOE 874955	1	1	1	1			•Insulator..... •Isolateur ..... •Isolator..... •Aislador ..... •Isolator.....						
22	VOE 11709767	1	1	1	1			•Connector..... •Raccord..... •Anschluss ..... •Union..... •Anslutning.....						
23	VOE 874114	1	1	1	1			•Connector..... •Raccord..... •Anschluss ..... •Conexión ..... •Anslutning.....						
24	VOE 14370887	1	1	1	1			•Key ..... •Clavette..... •Keil..... •Llave (cuna) ..... •Kil.....						
25	VOE 11887260	1	1	1	1			Cable ..... Câble ..... Seil..... Cable ..... Lina..... •CONNECTED TO: •CONNECTÉ A: ..... •ANGESCHLOSSE •CONECTADO A: ... •ANSLUTER TILL:.. ••Stabilizer El. Harn •Faisceau de câbl.. •Stabilisator, Kabe ••Cableado del est.. •Stödben lednings. X373 ••Battery..... •Batterie ..... •Batterie ..... •Bateria ..... •Batteri..... X370						
26	VOE 881508	1	1	1	1			•Cable terminal ..... •Cosse cable ..... •Kabelschuh..... •Terminal cable..... •Ledningssko.....						
27	VOE 874955	1	1	1	1			•Insulator..... •Isolateur ..... •Isolator..... •Aislador ..... •Isolator.....						
28	VOE 11887267	1	1	1	1			Wire harness..... Faisceau electriqu .. Kabelbaum..... Manoj cables ..... Ledningsmatta..... •CONNECTED TO: •CONNECTÉ A: ..... •ANGESCHLOSSE •CONECTADO A: ... •ANSLUTER TILL:.. ••Front Dashboard ..•Faisceau de câbl.. •Vorderes Armatur ••Cableado del pan. •Främre instr. pan. X354 ••Horn ..... •Avertisseur sonor. •Signalhorn ..... •Avisador sonoro ... •Signalhorn..... X386						
29	VOE 874955	1	1	1	1			•Insulator..... •Isolateur ..... •Isolator..... •Aislador ..... •Isolator.....						
30	VOE 874954	1	1	1	1			•Connector..... •Raccord..... •Anschluss ..... •Union..... •Anslutning.....						
31	VOE 14370881	1	1	1	1			•Spacer..... •Partie Intermédiair. •Zwischenstück ..... •Espaciador ..... •Mellandel.....						
32	VOE 11887630	1	1	1	1			Decal..... Decalcomanie..... Abziehbild ..... Decalcomania..... Dekal.....						
33	VOE 11887634	1	1	1	1			Stop Plate ..... Plaque Butee..... Stopplatte..... Placa Tope ..... Anslagsplatta.....						
34	VOE 946441	2	2	2	2			Flange screw ..... Vis à bride ..... Flanschschraube .... Torn embridado ..... Flänsskruv.....						
35	VOE 11887640	1	1	1	1			Stop Plate ..... Plaque Butee..... Stopplatte..... Placa Tope ..... Anslagsplatta.....						
36		1	1	1	1			Seat ..... Siège conducteur ... Sitz..... Asiento ..... Stol.....						
37		1	1	1	1			ECU ..... ECU..... ECU ..... ECU..... ECU.....						
38				1	1			Valve ..... Soupape..... Ventil..... Valvula..... Ventil.....						
39	VOE 11887266			1	1			Wire harness..... Faisceau electriqu .. Kabelbaum..... Manoj cables ..... Ledningsmatta.....						



1	11891506, 11891507	<b>Ledningsmatta, pilotstyrda grävreglage</b> <b>Mazo de cables, mandos piloto de excavadora</b> <b>Kabelbaum, vorgesteuerte Bagger-Bedienelemente</b> <b>Faisceau de câbles, servocommande hydraulique creusement</b> <b>Cable harness, Pilot Excavator Controls</b>	Catalogue id	Group
2	11891508		<b>20004</b>	<b>371</b>
3	11891509, 11891510		Illustr. No	Section
4	11891511		<b>1018634</b>	<b>900</b>
5			Issue	Page
		<b>VOE 63G9920004</b>	<b>203</b>	



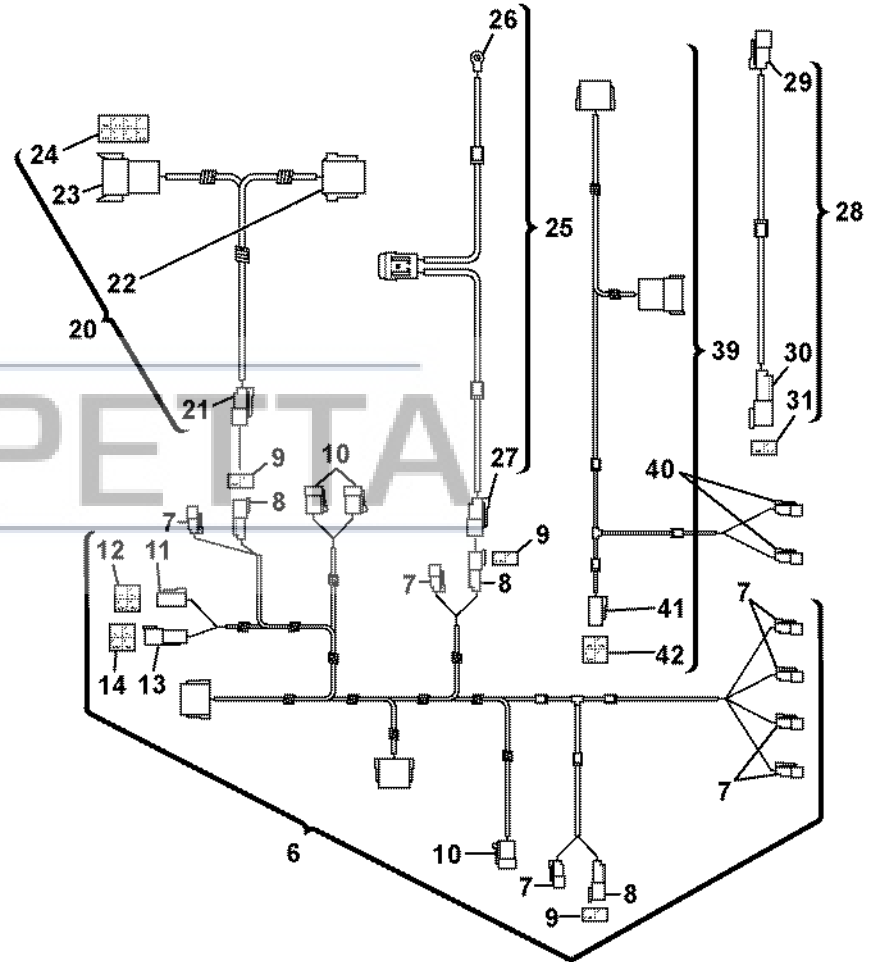
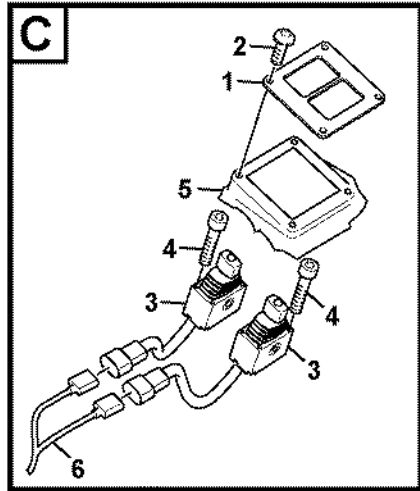
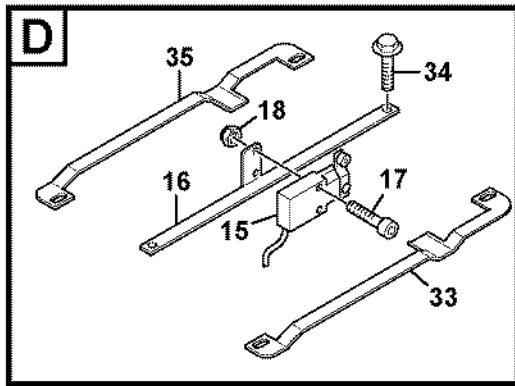
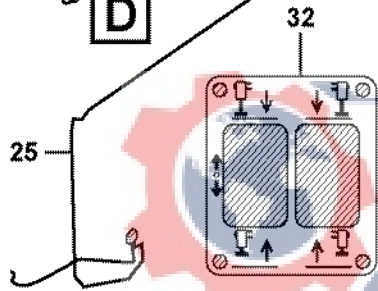
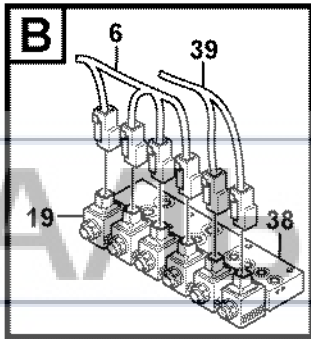
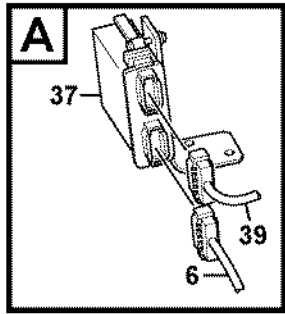
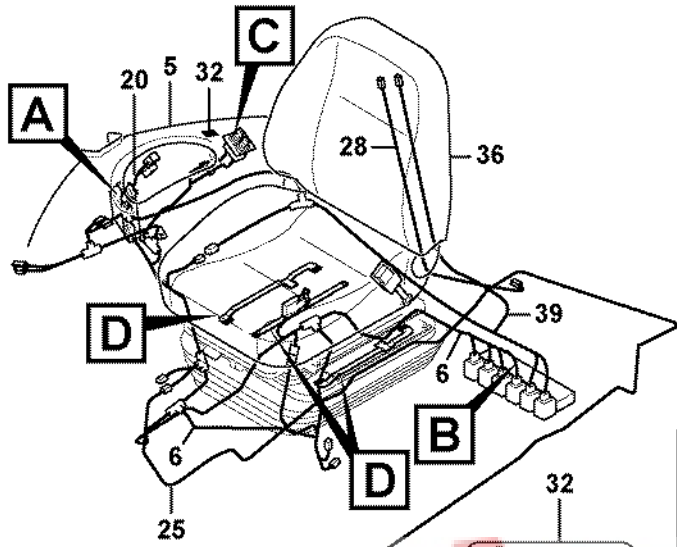


Fig.	Part No.	Quantity					P S	K I T	Description	Dénomination	Bezeichnung	Denominación	Benämning	Notes
		1	2	3	4	5								
								•CONNECTED TO: •CONNECTÉ A: ..... •ANGESCHLOSSE •CONECTADO A:... •ANSLUTER TILL:..						
								•HECU ..... •Unité H-ECU ..... •HECU ..... •HECU ..... •HECU..... X379						
								•Ext. Dipper •Faisceau de câbl. •Stielverlängerung, •Cableado de braz •Förlängning skaft. X378						
								•Ext. Dipper Switch •Balancier télesco •Stielverlängerung, •Interruptor de braz •Förläng skaft strö. X381						
								•Ext. Dipper Valve •Valve balancier tél •Stielverlängerung, •Válvula de brazo e •Förläng skaft venti X382, X383						
40	VOE 874955		2	2				•Insulator ..... •Isolateur ..... •Isolator ..... •Aislador ..... •Isolator.....						
41	VOE 874957		1	1				•Housing ..... •Isolant ..... •Isolator ..... •Aislador ..... •Isolator.....						
42	VOE 874958		1	1				•Key ..... •Clavette ..... •Keil ..... •Llave (cuna) ..... •Kil.....						



1	11891506, 11891507	<b>Ledningsmatta, pilotstyrda grävreglage</b> <b>Mazo de cables, mandos piloto de excavadora</b> <b>Kabelbaum, vorgesteuerte Bagger-Bedienelemente</b> <b>Faisceau de câbles, servocommande hydraulique creusement</b> <b>Cable harness, Pilot Excavator Controls</b>	Catalogue id	Group
2	11891508		<b>20004</b>	<b>371</b>
3	11891509, 11891510		Illustr. No	Section
4	11891511		<b>1018634</b>	<b>900</b>
5			Issue	Page
			<b>VOE 63G9920004</b>	<b>205</b>

**VOLVO**

**BL70**

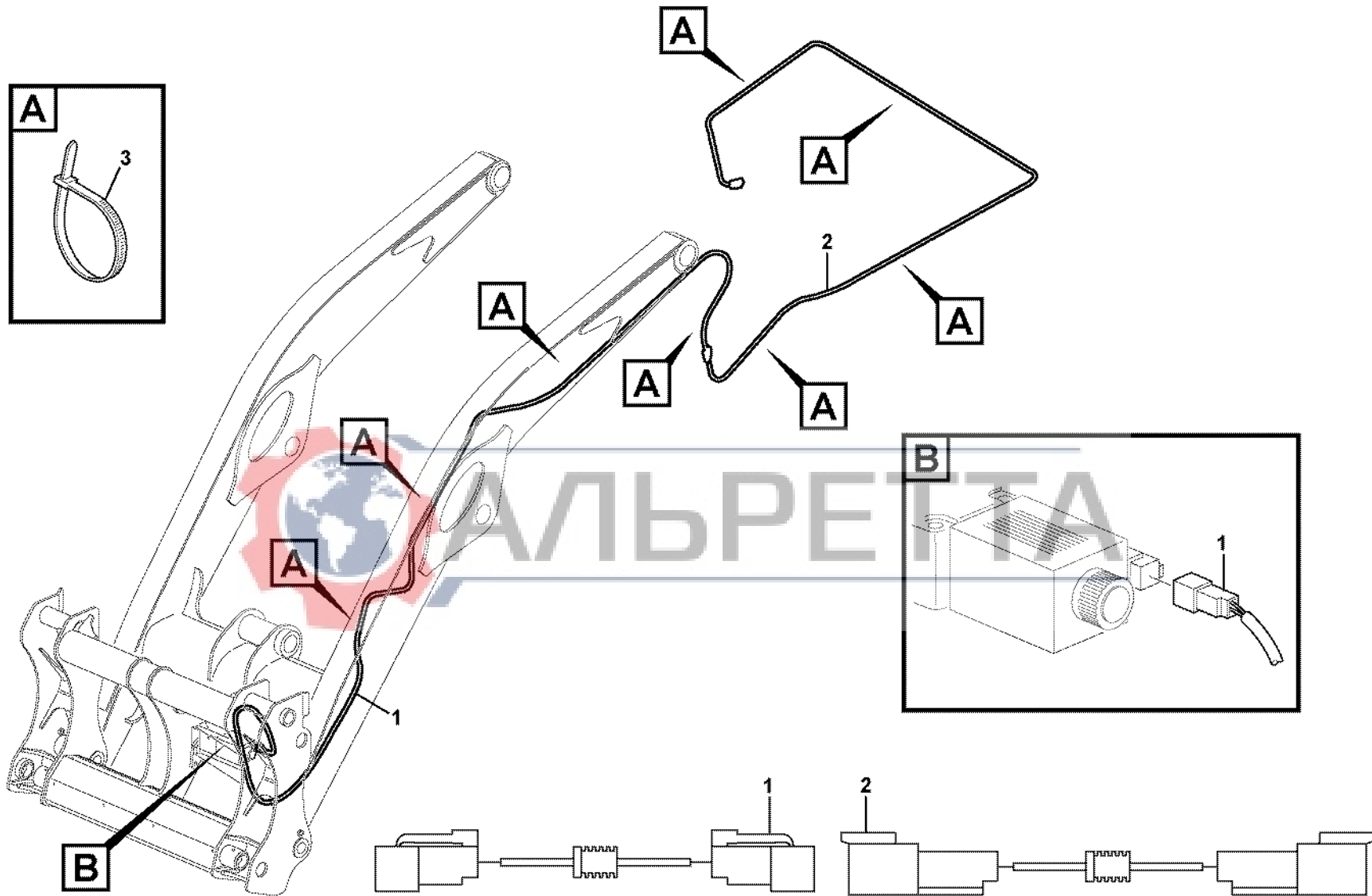


Fig.	Part No.	Quantity			P S	K I T	Description	Dénomination	Bezeichnung	Denominación	Benämning	Notes
		1	2	3								
1	VOE 11886448	1					Wire harness..... Faisceau électrique .... Kabelbaum .....	Manojo cables .....	Ledningsmatta.....			
							•CONNECTED TO:..... •CONNECTÉ A: .....	•ANGESCHLOSSEN:.....	•CONECTADO A:.....	•ANSLUTER TILL:.....		
							•Quick Attach Loader •Chargeuse avec por	•Schnellwechsler La..	•Enganche rápido ca.	•Snabbfäste lastaggr.	X 141	
2	VOE 11886368	1					Wire harness..... Faisceau électrique .... Kabelbaum .....	Manojo cables .....	Ledningsmatta.....			
							•CONNECTED TO:..... •CONNECTÉ A: .....	•ANGESCHLOSSEN:.....	•CONECTADO A:.....	•ANSLUTER TILL:.....		
							•Quick Attach chassi. •Châssis avec porte-	•Schnellwechsler Fa .	•Enganche rápido ch.	•Snabbfäste ram.....	X140	
3	VOE 14016673	36					Strip Clamp ..... Ruban Serrage.....	Kabelbinder .....	Abraz Cinta .....	Bandklamma.....		
							•Quick Attach valve... •Distributeur, porte-o.	•Schnellwechsler Ve .	•Enganche rápido vá.	•Snabbfäste ventil.....	X77	



1		Ledningsmatta, lastaggregat snabbfäste	Catalogue id	Group
2		Mazo de cables, enganche rápido cargadora	20004	371
3		Kabelbäume, Lader Schnellwechsler	Illustr. No	Section
4		Faisceau de câbles, porte-outil à accouplement rapide	1019574	950
5		Cable harness, Loader Quick Attach	Issue	Page
		11891238	VOE 63G9920004	207

**VOLVO**

**BL70**

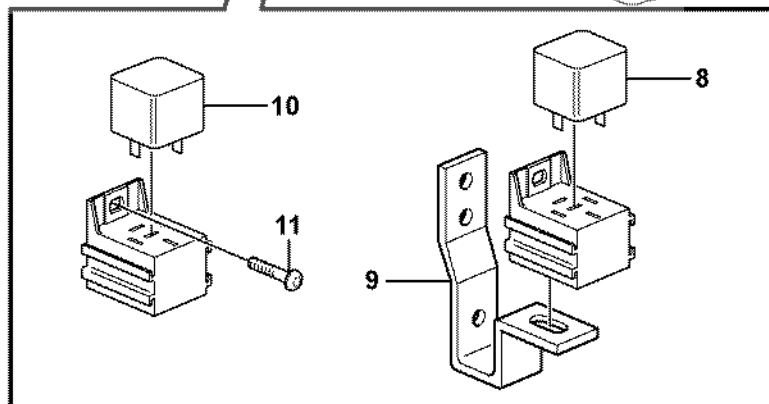
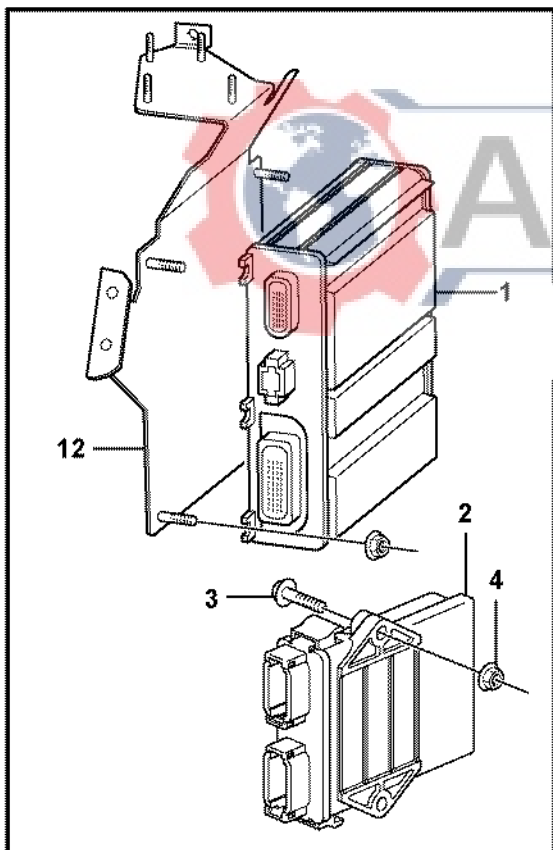
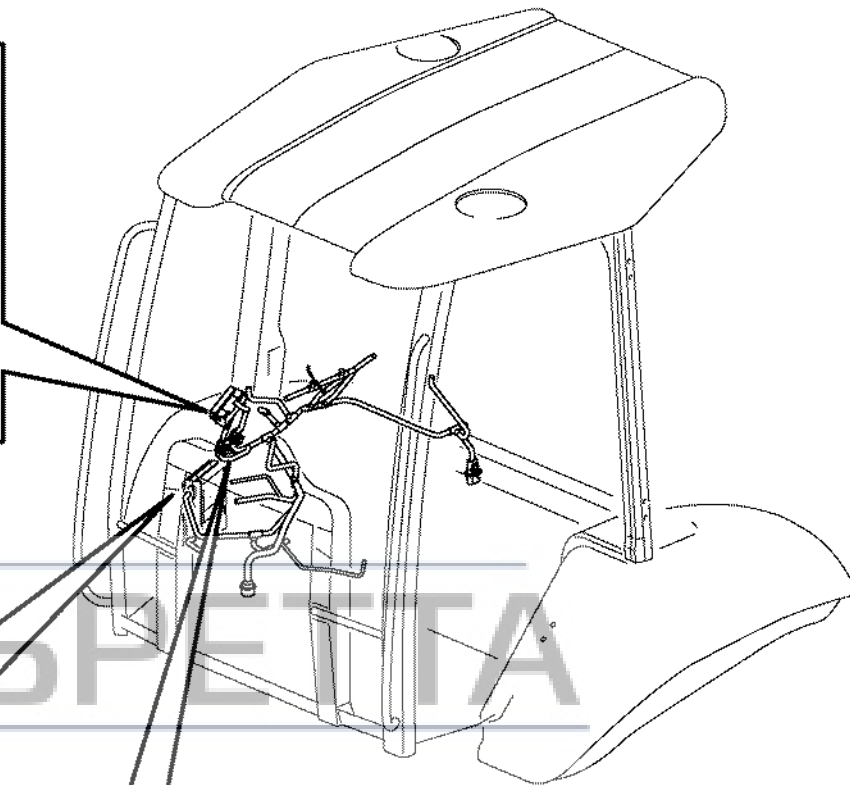
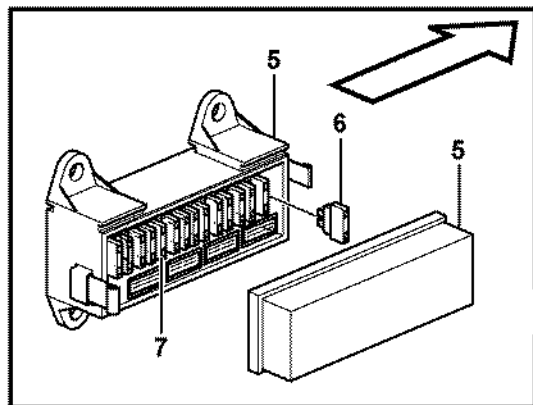


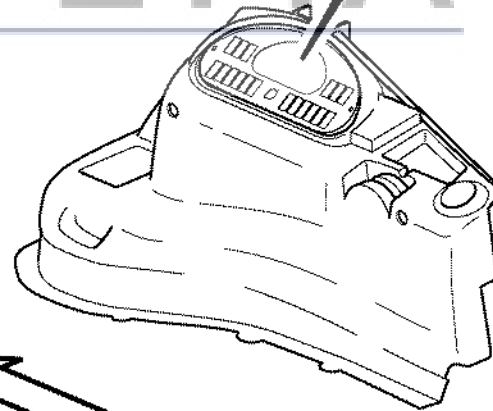
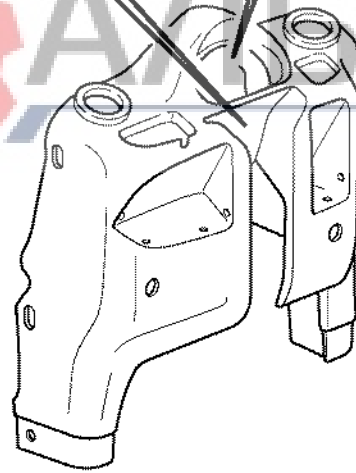
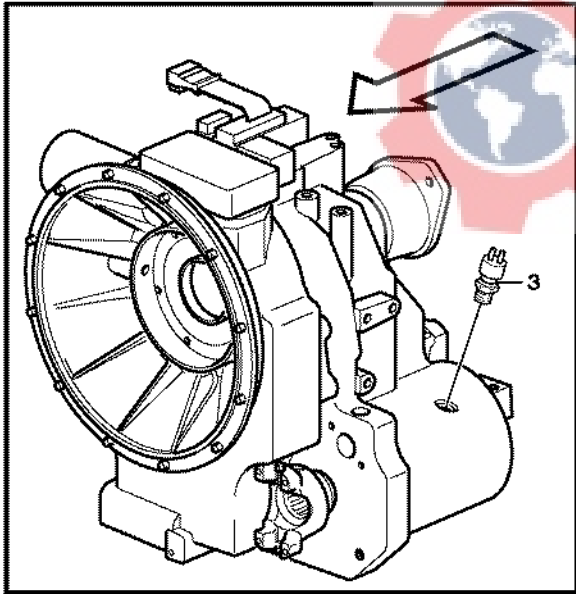
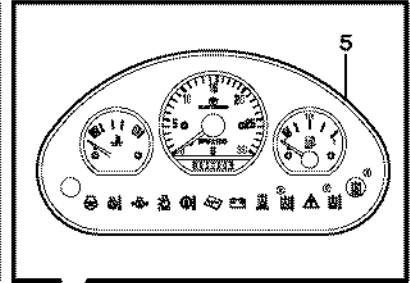
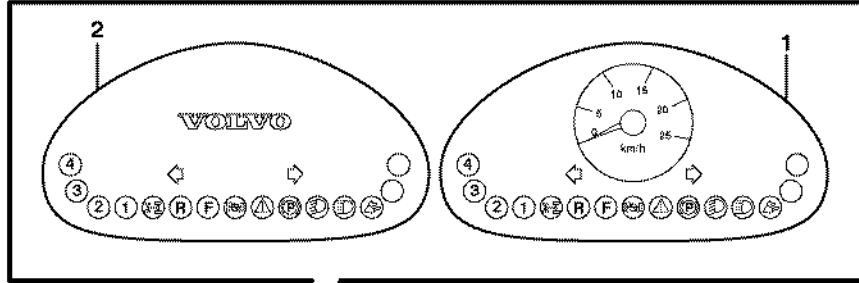
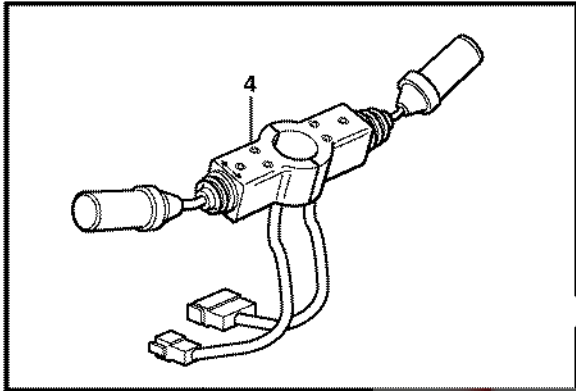
Fig.	Part No.	Quantity					P S	K T	Description	Dénomination	Bezeichnung	Denominación	Benämning	Notes
		1	2	3	4	5								
1	VOE 11884775	1					SS	ECU .....	ECU.....	ECU .....	ECU.....	ECU.....	(VOE 11884008)	
2	VOE 11886047		1					ECU .....	ECU.....	ECU .....	ECU.....	ECU.....	S/N - 11144	
2	VOE 11888852		1					ECU .....	ECU.....	ECU .....	ECU.....	ECU.....	S/N 11145 -	
2	VOE 11887258			1	1	1		ECU .....	ECU.....	ECU .....	ECU.....	ECU.....		
3	VOE 13948356		2	2	2	2		Flange screw .....	Vis à bride .....	Flanschschraube .....	Torn embridado .....	Flänsskruv.....		
4	VOE 13945407		2	2	2	2		Nut .....	Ecrou .....	Mutter.....	Tuerca .....	Mutter.....		
5	VOE 11870026	1	1					Fuse box .....	Boite a fusibles.....	Sicherungsdose .....	Caja de fusibles.....	Säkringsdosa.....		
6	VOE 969161	15	15					•Fuse .....	•Fusible .....	•Schmelzsicherung .....	•Fusible.....	•Smältsäkring.....	10A	
7	VOE 978999	1	1					•Fuse .....	•Fusible .....	•Schmelzsicherung .....	•Fusible.....	•Smältsäkring.....	20A	
8	VOE 11305263	2	2					Relay.....	Relais .....	Relais.....	Rele .....	Relä.....		
9	VOE 11200885	1	1					Anchorage .....	Fixation.....	Halterung .....	Fijacion .....	Fäste.....		
10	VOE 11305263	2	2					Relay.....	Relais .....	Relais.....	Rele .....	Relä.....		
11	VOE 969278	2	2					Six Point Socket Sc	Vis à six pans creu	Innensechskantsc...	Tornillo de cabeza	Sexkantsskruv.....	(VOE 13969278)	
12	VOE 11885991	1	1					Bracket.....	Console .....	Konsole.....	Ménsula.....	Konsol.....	11880002	



1	11891209	Elcentral och styrenhet Central eléctrica Elektrozentrale Centrale de électricue Electrical distribut.unit and control unit	Catalogue id	Group
2	11891255		<b>20004</b>	<b>372</b>
3	11891506, 11891507		Illustr. No	Section
4	11891508, 11891509		<b>1011894</b>	<b>100</b>
5	11891510, 11891511		Issue	Page
			<b>VOE 63G9920004</b>	<b>209</b>

**VOLVO**

**BL70**



Volvo Construction  
Equipment  
1006688

Fig.	Part No.	Quantity					P S	K I T	Description	Dénomination	Bezeichnung	Denominación	Benämning	Notes
		1	2	3	4	5								
1	VOE 11883051	1						Instr Panel.....	Planche de bord .....	Instr Tafel.....	Panel Instrum .....	Instrumentpanel.....	Speed = Km/h S/N - 11144	
1	VOE 11888769	1						Instrument panel.....	Tableau de bord .....	Instrumententafel....	Tablero de instrum .	Instrumentpanel.....	S/N 11145 -	
1	VOE 11883583		1				OP	Instr Panel.....	Planche de bord .....	Instr Tafel.....	Panel Instrum .....	Instrumentpanel.....	Speed = m.p.h	
2	VOE 11882535			1				Instr Panel.....	Planche de bord .....	Instr Tafel.....	Panel Instrum .....	Instrumentpanel.....	Without speedometer	
3	VOE 4880804	1	1					Ind Sensor .....	Emett.induction .....	Induktionsgeber .....	Sensor Inducc .....	Indukt.givare.....		
3	VOE 11888534	1						Induction sensor .....	Commande tachy ...	Drehzahlschalter.....	Sensor tacometro ...	Induktionsgivare.....	S/N ? -	
4	VOE 11882493					1		Switch .....	Commutateur.....	Schalter.....	Contactador.....	Strömställare.....	11891209	
4	VOE 11886084				1			Switch .....	Commutateur.....	Schalter.....	Contactador.....	Strömställare.....	11891255	
	VOE 11709756					1		•Switch.....	•Commutateur .....	•Schalter .....	•Contactador.....	•Strömställare.....	11891209 LH	
	VOE 11715917				1			•Switch.....	•Commutateur .....	•Schalter .....	•Contactador.....	•Strömställare.....	11891255 LH	
	VOE 11709757				1	1		•Switch.....	•Commutateur .....	•Schalter .....	•Contactador.....	•Strömställare.....	11891209, 11891255 RH	
	VOE 955245					1		•Hexagon screw.....	•Vis tête hexagonal	•Sechskantschraub .	•Tornillo hexago.....	•Sextantsskruv.....		
5	VOE 11884151					1	SS	Instrument panel.....	Tableau de bord .....	Instrumententafel....	Tablero de instrum .	Instrumentpanel.....	S/N - 10901	
	VOE 11887447					1		Instrument panel.....	Tableau de bord .....	Instrumententafel....	Tablero de instrum .	Instrumentpanel.....	S/N 10902 -	



1	11891278	Instrument panel Instrumentos Instrumente Instruments Instruments panel	Catalogue id	Group
2	11891279		<b>20004</b>	<b>380</b>
3	11891280		Illustr. No	Section
4	11880002		<b>1006688</b>	<b>100</b>
5	11891209, 11891224		Issue	Page
		<b>VOE 63G9920004</b>	<b>211</b>	

**VOLVO**

**BL70**



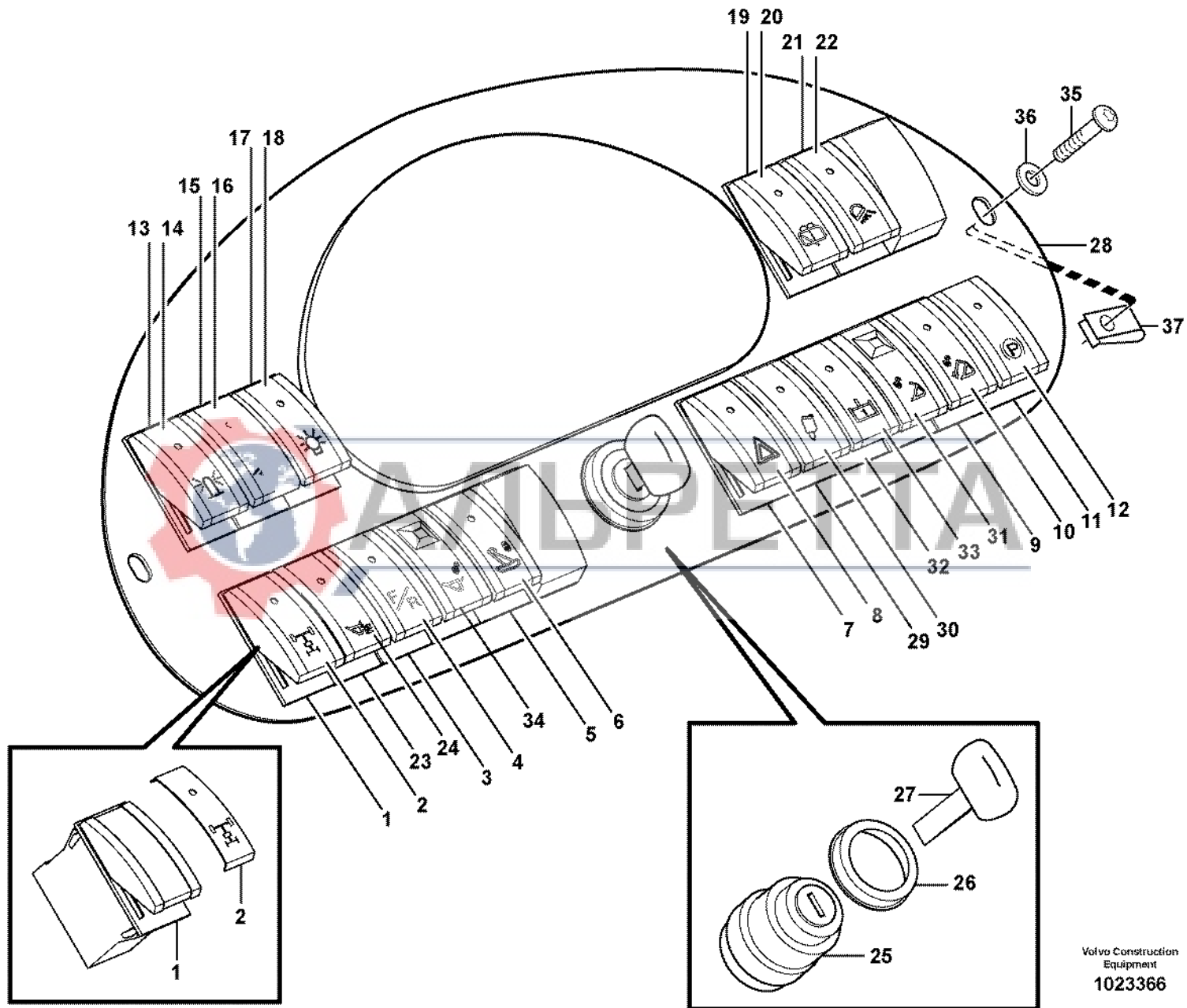


Fig.	Part No.	Quantity			P S	K I T	Description	Dénomination	Bezeichnung	Denominación	Benämning	Notes
		1	2	3								
1	VOE 11882865	1					Rocker Switch .....	Commutateur à basc..	Wippschalter .....	Interruptor oscilante ..	Vaggomkopplare.....	
2	VOE 11883061	1					Symbol .....	Symbole .....	Symbol .....	Simbolo .....	Symbol.....	
3	VOE 11883221	1					Switch .....	Commutateur .....	Schalter .....	Contactador.....	Strömställare.....	
4	VOE 11882868	1					Symbol .....	Symbole .....	Symbol .....	Simbolo .....	Symbol.....	
5	VOE 11882865	1					Rocker Switch .....	Commutateur à basc..	Wippschalter .....	Interruptor oscilante ..	Vaggomkopplare.....	
6	VOE 11883068	1					Symbol .....	Symbole .....	Symbol .....	Simbolo .....	Symbol.....	
7	VOE 11890297	1					Switch .....	Commutateur .....	Schalter .....	Contactador.....	Strömställare.....	
8	VOE 11883067	1					Symbol .....	Symbole .....	Symbol .....	Simbolo .....	Symbol.....	
9	VOE 11882865	1					Rocker Switch .....	Commutateur à basc..	Wippschalter .....	Interruptor oscilante ..	Vaggomkopplare.....	
10	VOE 11890074	1					Symbol .....	Symbole .....	Symbol .....	Simbolo .....	Symbol.....	
11	VOE 11882865	1					Rocker Switch .....	Commutateur à basc..	Wippschalter .....	Interruptor oscilante ..	Vaggomkopplare.....	S/N - 11144
12	VOE 11883060	1					Symbol .....	Symbole .....	Symbol .....	Simbolo .....	Symbol.....	S/N - 11144
13	VOE 11882865	1					Rocker Switch .....	Commutateur à basc..	Wippschalter .....	Interruptor oscilante ..	Vaggomkopplare.....	
14	VOE 11890076	1					Symbol .....	Symbole .....	Symbol .....	Simbolo .....	Symbol.....	
15	VOE 11882275	1					Switch .....	Commutateur .....	Schalter .....	Contactador.....	Strömställare.....	
16	VOE 11883103	1					Symbol .....	Symbole .....	Symbol .....	Simbolo .....	Symbol.....	
17	VOE 11882275	1					Switch .....	Commutateur .....	Schalter .....	Contactador.....	Strömställare.....	
18	VOE 11883065	1					Symbol .....	Symbole .....	Symbol .....	Simbolo .....	Symbol.....	
19	VOE 11890298	1					Switch .....	Interrupteur .....	Trennschalter .....	Interruptor .....	Brytare .....	
20	VOE 11883066	1					Symbol .....	Symbole .....	Symbol .....	Simbolo .....	Symbol.....	
21	VOE 11882275	1					Switch .....	Commutateur .....	Schalter .....	Contactador.....	Strömställare.....	
22	VOE 11890070	1					Symbol .....	Symbole .....	Symbol .....	Simbolo .....	Symbol.....	
23	VOE 11882275	1					Switch .....	Commutateur .....	Schalter .....	Contactador.....	Strömställare.....	11891293
24	VOE 11883062	1					Symbol .....	Symbole .....	Symbol .....	Simbolo .....	Symbol.....	11891293
25	VOE 11881365	1					Starter Switch.....	Commutat. demarreu.	Anlasschalter.....	Contact Arranq .....	Startkontakt.....	X8
26		1			NS		•Symbol strip.....	•Ruban symbole.....	•Symbolreihe .....	•Disco simbolos.....	•Symbolskiva.....	
27	VOE 11306919	REQ			K		•Key .....	•Cle .....	•Schlüssel.....	•Llave .....	•Nyckel.....	2338)
28		1					Panel.....	Panneau.....	Verkleidung .....	Plancha .....	Panel.....	See group 881, Page 499

2338) **GB:** Keys, only to be sold in pairs. **FR:** Clés, vendues uniquement par paires **DE:** Schlüssel, werden nur paarweise verkauft. **ES:** Llaves, sólo se venden por pares. **SE:** Nycklar, säljes endast parvis.

1	<b>Strömställare</b> <b>Interruptor</b> <b>Schalter</b> <b>Interrupteur</b> <b>Switch</b>	Catalogue id	Group
2		<b>20004</b>	<b>380</b>
3		Illustr. No	Section
4		<b>1023366</b>	<b>200</b>
5		Issue	Page
		<b>VOE 63G9920004</b>	<b>213</b>

**VOLVO**

**BL70**

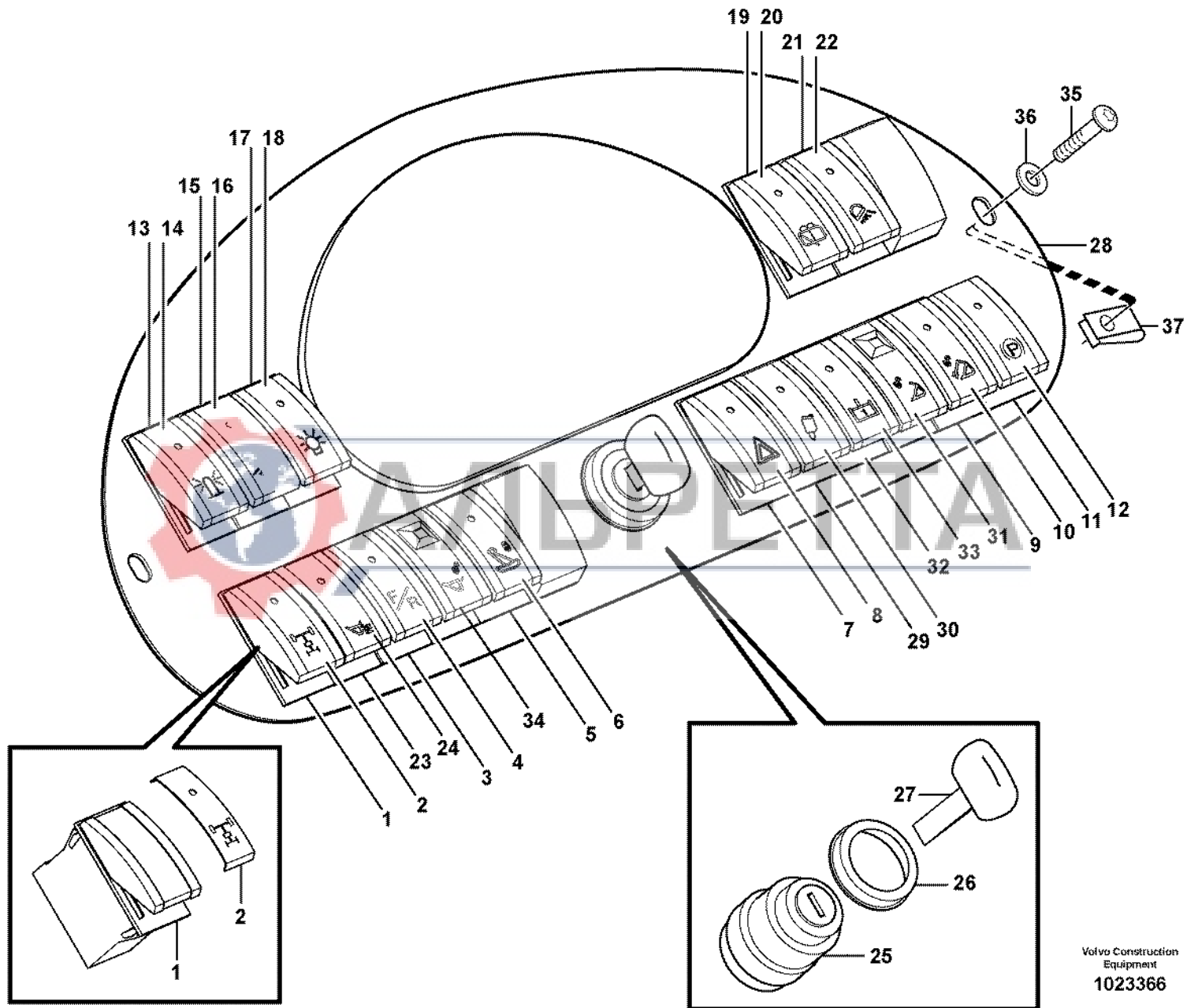


Fig.	Part No.	Quantity			P S	K I T	Description	Dénomination	Bezeichnung	Denominación	Benämning	Notes
		1	2	3								
29	VOE 11882865	1				Rocker Switch .....	Commutateur à basc..	Wippschalter .....	Interruptor oscilante ...	Vaggomkopplare.....	11891090	
30	VOE 11884960	1				Symbol.....	Symbole .....	Symbol .....	Simbolo .....	Symbol.....	11891090	
31	VOE 11883064	1				Switch .....	Commutateur .....	Schalter .....	Contactador.....	Strömställare.....	11891335, 11891352 11891361, 11891363	
32	VOE 11882865	1				Rocker Switch .....	Commutateur à basc..	Wippschalter .....	Interruptor oscilante ...	Vaggomkopplare.....	11891333	
33	VOE 11885734	1				Symbol.....	Symbole .....	Symbol .....	Simbolo .....	Symbol.....	11891333	
34	VOE 11883063	1				Switch .....	Commutateur .....	Schalter .....	Contactador.....	Strömställare.....	11891238	
35	VOE 969147	2				Screw .....	Vis .....	Schraube.....	Tornillo .....	Skruv.....		
36	VOE 960139	2				Washer.....	Rondelle .....	Scheibe .....	Arandela .....	Bricka.....		
37	VOE 949921	2				Spring Nut.....	Ecrou Ressort .....	Fed. Schliessmutter ...	Tuerca Resorte .....	Fjädermutter.....		



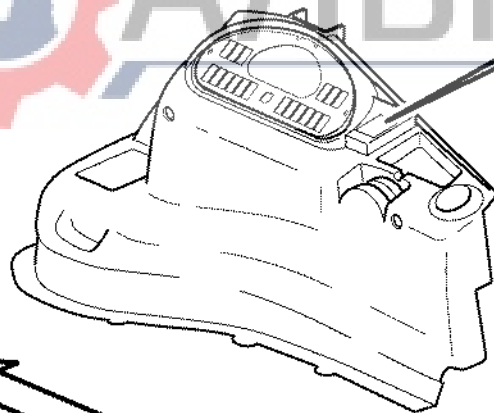
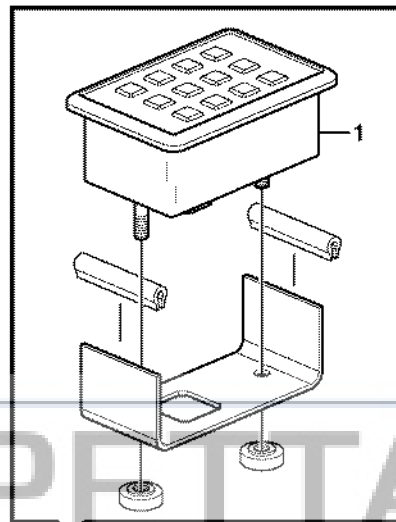
1	<b>Strömställare</b> <b>Interruptor</b> <b>Schalter</b> <b>Interrupteur</b> <b>Switch</b>	Catalogue id	Group
2		<b>20004</b>	<b>380</b>
3		Illustr. No	Section
4		<b>1023366</b>	<b>200</b>
5		Issue	Page
		<b>VOE 63G9920004</b>	<b>215</b>

**VOLVO**

**BL70**



АДЪРЕТТА



Valvo Construction  
Equipment  
1010396

Fig.	Part No.	Quantity			P S	K I T	Description	Dénomination	Bezeichnung	Denominación	Benämning	Notes
		1	2	3								
1	VOE 11883409	1					Keypad.....	Clavier.....	Tastatur.....	Teclado .....	Knappsats.....	



1		<b>Stöldlarmsats</b> <b>Antirrobo</b> <b>Diebstahlalarm-Kit</b> <b>Kit alarme antivol</b> <b>Anti-theft Kit</b>	Catalogue id	Group
2			<b>20004</b>	<b>380</b>
3			Illustr. No	Section
4			<b>1010396</b>	<b>250</b>
5			Issue	Page
		<b>11891332</b>	<b>VOE 63G9920004</b>	<b>217</b>

**VOLVO**

**BL70**



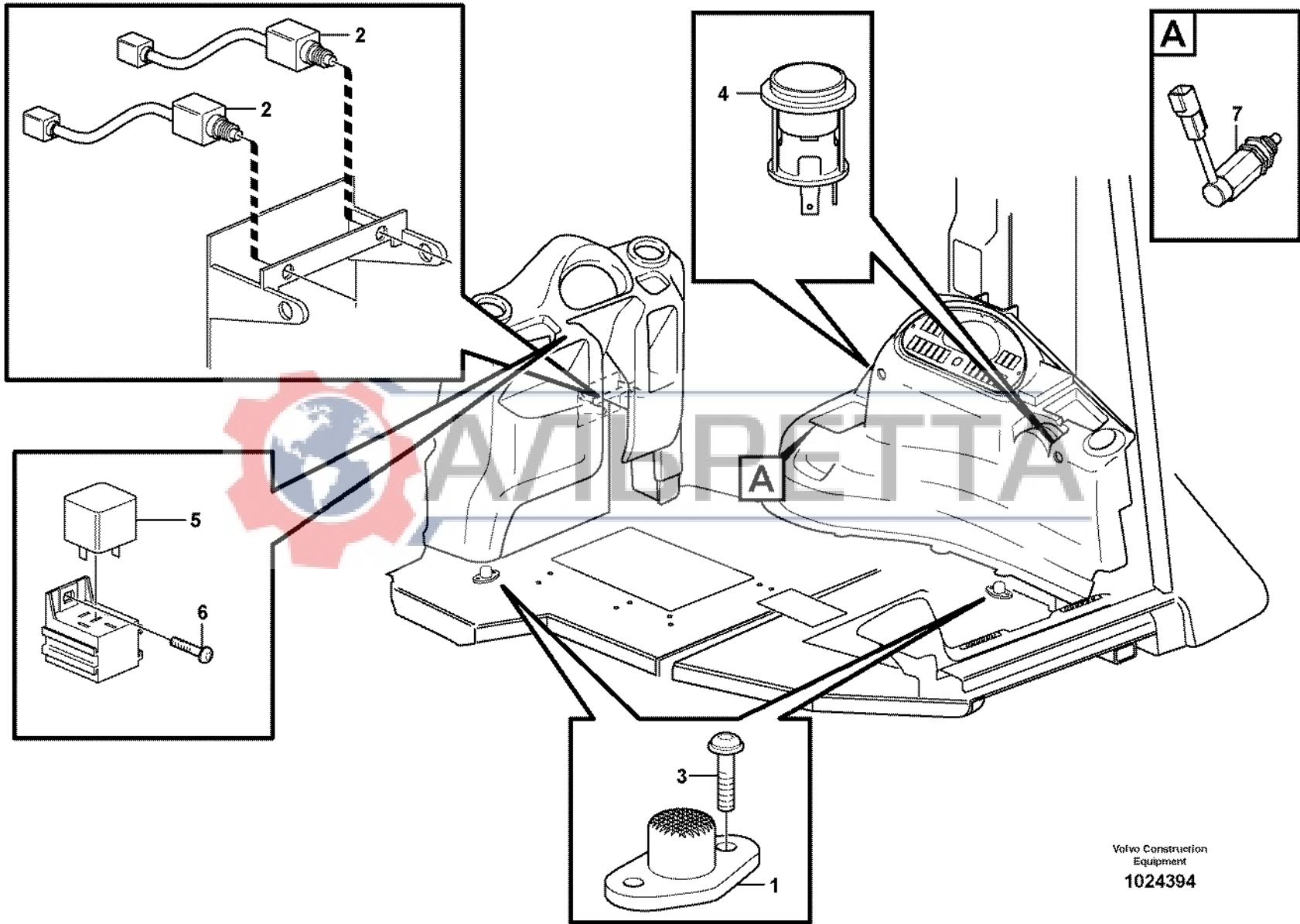


Fig.	Part No.	Quantity			P S	K I T	Description	Dénomination	Bezeichnung	Denominación	Benämning	Notes
		1	2	3								
1	<b>VOE 1589502</b>	1	1			Foot Operated Switch	Contacteur Au Pied ....	Fusschalter.....	Contacto Freno .....	Fotkontakt.....		
2		2				Stop Lt Switch .....	Contacteur Stop .....	Br Lichtschalt.....	Cont Luz Freno .....	Bromsljuskont.....	X61, X62 See group 525, Page 387	
3	<b>VOE 969278</b>	2	2			Six Point Socket Scre	Vis à six pans creux ...	Innensechskantschra .	Tornillo de cabeza he.	Sexkantsskruv.....	(VOE 13969278)	
4	<b>VOE 11039750</b>	2				Electrical plug.....	Fiche .....	Steckdose .....	Toma eléctrica.....	Eluttag.....		
5	<b>VOE 11305263</b>	1				Relay.....	Relais .....	Relais .....	Rele.....	Relä.....	11891209, 11891224 11891255 S/N 11145 -	
6	<b>VOE 969278</b>	1				Six Point Socket Scre	Vis à six pans creux ...	Innensechskantschra .	Tornillo de cabeza he.	Sexkantsskruv.....	11891209, 11891224 11891255 S/N 11145 -	



1	<b>STD</b>	<b>Fotströmställare och strömuttag</b> <b>Interruptor de pie y toma de corriente</b> <b>Fußschalter und Stromanschluss</b> <b>Commutateur au pied et prise d'alimentation</b> <b>Foot switch and electric power outlet</b>	Catalogue id	Group
2	<b>11891090</b>		<b>20004</b>	<b>380</b>
3			Illustr. No	Section
4			<b>1024394</b>	<b>350</b>
5			Issue	Page
		<b>VOE 63G9920004</b>	<b>219</b>	

**VOLVO**

**BL70**





GROUP	Section	Page	GROUP	Section	Page
414 Torque converter with fitting parts.....	100	231	421 Solenoid valve 4wd 11891209 .....	550	315
420 Hydraulic transmission with fitting parts 11891209.....	100	233	424 Gear selector, 4-wheel drive 11891209 .....	100	317
420 Hydraulic transmission with fitting parts 11891209 S/N 11145 -.....	110	237	424 Gear selector, 2-wheel drive 11891224 .....	150	319
420 Hydraulic transmission with fitting parts 11891224.....	125	241	436 Gear box housing with fitting parts 11891209, 11891255, 11891224	100	321
420 Hydraulic transmission with fitting parts 11891255.....	150	245	451 Propeller shaft, mounting 11891209, 11891255, 11891224 .....	100	323
420 Hydraulic transmission with fitting parts 11891255 S/N 11145 -.....	160	249	451 Propeller shaft 11891209, 11891224, 11891255 .....	150	325
421 Oil filler and dipstick .....	150	253	460 Planet axles with fitting parts 11891283, 11891289, 11891389,		
421 Oil filler and dipstick 11891224 .....	175	255	11891390 .....	100	327
421 Oil pump 11891209 S/N - 11144 .....	200	257	460 Planet axles with fitting parts S/N 11145 - .....	150	329
421 Oil pump 11891209 S/N 11145 - .....	205	259	461 Planetary axle, front 11891283, 11891289, 11891389, 11891390 ....	100	331
421 Oil pump 11891224.....	210	261	461 Pinion 11891283, 11891289, 11891389, 11891390 .....	150	335
421 Oil pump 11891255 S/N - 11144 .....	225	263	461 Pinion S/N 11145 - .....	160	337
421 Oil pump 11891255 S/N 11145 - .....	230	265	461 Differential , front axle 11880002, 11891283, 11891289, 11891389,		
421 Clutch shaft forward/reverse 11891209 S/N - 11144.....	250	267	11891390 .....	200	339
421 Clutch shaft forward/reverse 11891209 S/N 11145 - .....	255	269	461 Drive axle 11891283, 11891289, 11891389, 11891390 .....	250	341
421 Clutch shaft forward/reverse 11891224 .....	260	271	461 Wheel hub 11880002, 11891283, 11891289, 11891389, 11891390 .	300	343
421 Clutch shaft forward/reverse 11891255 .....	275	273	461 Planetary gear 11880002, 11891283, 11891289, 11891389,		
421 Reverse and primary shaft 11891209, 11891224 .....	300	275	11891390 .....	350	345
421 Reverse and primary shaft 11891255 .....	325	277	463 Planet shaft, rear 11891283, 11891289, 11891389, 11891390.....	100	347
421 Secondary shaft 11891209 S/N - 11144 .....	350	279	463 Planet shaft, rear S/N 11145 - .....	110	349
421 Secondary shaft 11891209 S/N 11145 - .....	360	283	463 Pinion 11891283, 11891289, 11891389, 11891389 .....	150	351
421 Secondary shaft 11891255 .....	375	287	463 Pinion S/N 11145 - .....	160	353
421 Hydraulic clutch, 4wd 11891209.....	400	291	463 Differential. Rear 11891283,11891289, 11891389, 11891390 .....	200	355
421 Shaft, four wheel drive 11891209 S/N 11145 - .....	410	295	463 Differential. Rear .....	210	357
421 Hydraulic clutch, 4wd 11891255 .....	425	297	463 Wheel hub 11891283, 11891289, 11891389, 11891390 .....	250	359
421 Gearshifting 11891209.....	450	301	463 Hub reduction, rear axle S/N 11145 -.....	260	361
421 Gearshifting 11891224.....	460	303	463 Planetary gear 11891283, 11891289, 11891389, 11891390.....	300	363
421 Gearshifting 11891209 S/N 11145 - .....	470	305	468 Differential lock 11891283, 11891289, 11891389, 11891390.....	100	365
421 Control valve 11891255.....	475	307	468 Differential lock S/N 11145 - .....	110	367
421 Range selector valve 11891209, 11891224 S/N - 11144 .....	500	309	468 Differential lock 11880002 S/N 11145 - .....	150	369
421 Range selector valve 11891209, 11891224 S/N 11145 - .....	525	313	491 Oil cooler, transmission.....	100	371

<b>INDEX OF CONTENTS</b>	Catalogue id <b>20004</b>	Group <b>400</b>
	Issue <b>VOE 63G9920004</b>	Page <b>221</b>

TABLE DES MATIÈRES				Catalogue id		Group		
				20004		400		
				Issue		Page		
				VOE 63G9920004		222		
GROUPE	Section	Page	GROUPE	Section	Page	GROUPE	Section	Page
414	Convertisseur de couple avec pièces de montage .....	100	231	421	Electrovalve 4 roues motrices 11891209 .....	550	315	
420	Transmission avec pièces de montage 11891209.....	100	233	424	Sélecteur de vitesse, 4 roues motrices 11891209 .....	100	317	
420	Transmission avec pièces de montage 11891209 S/N 11145 - .....	110	237	424	Sélecteur de vitesse, 2 roues motrices 11891224 .....	150	319	
420	Transmission avec pièces de montage 11891224.....	125	241	436	Suspension boîte vitesses 11891209, 11891255, 11891224 .....	100	321	
420	Transmission avec pièces de montage 11891255.....	150	245	451	Arbres de transmission avec pièces de montage 11891209, 11891255, 11891224 .....	100	323	
420	Transmission avec pièces de montage 11891255 S/N 11145 - .....	160	249	451	Arbre à cardans 11891209, 11891224, 11891255.....	150	325	
421	Remplissage d'huile et indicateur de niveau.....	150	253	460	Train planétaire avec pièces de montage 11891283, 11891289, 11891389, 11891390 .....	100	327	
421	Remplissage d'huile et indicateur de niveau 11891224.....	175	255	460	Train planétaire avec pièces de montage S/N 11145 - .....	150	329	
421	Pompe à huile 11891209 S/N - 11144 .....	200	257	461	Axe satellite, AV 11891283, 11891289, 11891389, 11891390 .....	100	331	
421	Pompe à huile 11891209 S/N 11145 - .....	205	259	461	Pignon 11891283, 11891289, 11891389, 11891390 .....	150	335	
421	Pompe à huile 11891224 .....	210	261	461	Pignon S/N 11145 - .....	160	337	
421	Pompe à huile 11891255 S/N - 11144 .....	225	263	461	Differential, axe satellite, Av 11880002, 11891283, 11891289, 11891389, 11891390 .....	200	339	
421	Pompe à huile 11891255 S/N 11145 - .....	230	265	461	Arbre de roue 11891283, 11891289, 11891389, 11891390 .....	250	341	
421	Arbre d'accouplement AV/AR 11891209 S/N - 11144 .....	250	267	461	Moyeu de roue 11880002, 11891283, 11891289, 11891389, 11891390 .....	300	343	
421	Arbre d'accouplement AV/AR 11891209 S/N 11145 - .....	255	269	461	Réducteur planétaire 11880002, 11891283, 11891289, 11891389, 11891390 .....	350	345	
421	Arbre d'accouplement AV/AR 11891224 .....	260	271	463	Essieu moteur, arrière 11891283, 11891289, 11891389, 11891390 .....	100	347	
421	Arbre d'accouplement AV/AR 11891255 .....	275	273	463	Essieu moteur, arrière S/N 11145 - .....	110	349	
421	Marche AR et arbre primaire 11891209, 11891224.....	300	275	463	Pignon 11891283, 11891289, 11891389, 11891389 .....	150	351	
421	Marche AR et arbre primaire 11891255.....	325	277	463	Pignon S/N 11145 - .....	160	353	
421	Arbre secondaire 11891209 S/N - 11144 .....	350	279	463	Differential. Arrière 11891283, 11891289, 11891389, 11891390 .....	200	355	
421	Arbre secondaire 11891209 S/N 11145 - .....	360	283	463	Differential. Arrière .....	210	357	
421	Arbre secondaire 11891255.....	375	287	463	Moyeu de roue 11891283, 11891289, 11891389, 11891390 .....	250	359	
421	Embrayages, 4 roues motrices 11891209 .....	400	291	463	Reducteur moyeu, axe satellite, Ar S/N 11145 - .....	260	361	
421	11891209 S/N 11145 - .....	410	295	463	Réducteur planétaire 11891283, 11891289, 11891389, 11891390 .....	300	363	
421	Embrayages, 4 roues motrices 11891255 .....	425	297	468	Blocage différentiel 11891283, 11891289, 11891389, 11891390.....	100	365	
421	Commande de changement de vitesse 11891209 .....	450	301	468	Blocage différentiel S/N 11145 - .....	110	367	
421	Commande de changement de vitesse 11891224 .....	460	303					
421	Commande de changement de vitesse 11891209 S/N 11145 - .....	470	305					
421	Valve de contrôle 11891255 .....	475	307					
421	Soupape sélectrice vitesse 11891209, 11891224 S/N - 11144 .....	500	309					
421	Soupape sélectrice vitesse 11891209, 11891224 S/N 11145 - .....	525	313					

GROUPE	Section	Page	GROUPE	Section	Page
468	Blocage différentiel 11880002 S/N 11145 - .....	150			369
491	Radiateur huile, transmission.....	100			371



<b>TABLE DES MATIÈRES</b>	Catalogue id <b>20004</b>	Group <b>400</b>
	Issue <b>VOE 63G9920004</b>	Page <b>223</b>

**VOLVO**

**BL70**



<b>INHALTSVERZEICHNIS</b>		Catalogue id <b>20004</b>	Group <b>400</b>
		Issue <b>VOE 63G9920004</b>	Page <b>224</b>

GRUPPE	Abschnitt	Seite	GRUPPE	Abschnitt	Seite		
414	Drehmomentwandler mit Anbauteilen .....	100	231	421	Magnetventil 4-Radantrieb 11891209 .....	550	315
420	Transmission mit Anbauteilen 11891209 .....	100	233	424	Wählschalter, 4-Radantrieb 11891209 .....	100	317
420	Transmission mit Anbauteilen 11891209 S/N 11145 - .....	110	237	424	Wählschalter, 2-Radantrieb 11891224 .....	150	319
420	Transmission mit Anbauteilen 11891224 .....	125	241	436	Getriebeaufhängung 11891209, 11891255, 11891224 .....	100	321
420	Transmission mit Anbauteilen 11891255 .....	150	245	451	Gelenkwellen mit Anbauteilen 11891209, 11891255, 11891224 .....	100	323
420	Transmission mit Anbauteilen 11891255 S/N 11145 - .....	160	249	451	Gelenkwelle 11891209, 11891224, 11891255 .....	150	325
421	Öleinfüllung und Ölmeßstab .....	150	253	460	Planetenwellen mit Anbauteilen 11891283, 11891289, 11891389, 11891390 .....	100	327
421	Öleinfüllung und Ölmeßstab 11891224 .....	175	255	460	Planetenwellen mit Anbauteilen S/N 11145 - .....	150	329
421	Ölpumpe 11891209 S/N - 11144 .....	200	257	461	Planetenwelle, vorne 11891283, 11891289, 11891389, 11891390 ...	100	331
421	Ölpumpe 11891209 S/N 11145 - .....	205	259	461	Antriebskegelrad 11891283, 11891289, 11891389, 11891390 .....	150	335
421	Ölpumpe 11891224 .....	210	261	461	Antriebskegelrad S/N 11145 - .....	160	337
421	Ölpumpe 11891255 S/N - 11144 .....	225	263	461	Ausgleichgetriebe, Planetenwelle, vorne 11880002, 11891283, 11891289, 11891389, 11891390 .....	200	339
421	Ölpumpe 11891255 S/N 11145 - .....	230	265	461	Antriebsachse 11891283, 11891289, 11891389, 11891390 .....	250	341
421	Kupplungswelle vorwärts/rückwärts 11891209 S/N - 11144 .....	250	267	461	Radnabe 11880002, 11891283, 11891289, 11891389, 11891390 ....	300	343
421	Kupplungswelle vorwärts/rückwärts 11891209 S/N 11145 - .....	255	269	461	Planetenradgetriebe 11880002, 11891283, 11891289, 11891389, 11891390 .....	350	345
421	Kupplungswelle vorwärts/rückwärts 11891224 .....	260	271	463	Planetenwelle, hintere 11891283, 11891289, 11891389, 11891390 .	100	347
421	Kupplungswelle vorwärts/rückwärts 11891255 .....	275	273	463	Planetenwelle, hintere S/N 11145 - .....	110	349
421	Rück- und Primärwelle 11891209, 11891224 .....	300	275	463	Antriebskegelrad 11891283, 11891289, 11891389, 11891389 .....	150	351
421	Rück- und Primärwelle 11891255 .....	325	277	463	Antriebskegelrad S/N 11145 - .....	160	353
421	Sekundärachse 11891209 S/N - 11144 .....	350	279	463	Ausgleichgetriebe. Hinten 11891283, 11891289, 11891389, 11891390 .....	200	355
421	Sekundärachse 11891209 S/N 11145 - .....	360	283	463	Ausgleichgetriebe. Hinten .....	210	357
421	Sekundärachse 11891255 .....	375	287	463	Radnabe 11891283, 11891289, 11891389, 11891390 .....	250	359
421	Kupplungen, 4-Radantrieb 11891209 .....	400	291	463	Nabenvorgelege, Planetenwelle, hinten S/N 11145 - .....	260	361
421	11891209 S/N 11145 - .....	410	295	463	Planetenradgetriebe 11891283, 11891289, 11891389, 11891390 ....	300	363
421	Kupplungen, 4-Radantrieb 11891255 .....	425	297	468	Ausgleichsperre 11891283, 11891289, 11891389, 11891390 .....	100	365
421	Schaltbedienung 11891209 .....	450	301	468	Ausgleichsperre S/N 11145 - .....	110	367
421	Schaltbedienung 11891224 .....	460	303	468	Ausgleichsperre 11880002 S/N 11145 - .....	150	369
421	Schaltbedienung 11891209 S/N 11145 - .....	470	305				
421	Steuerventil 11891255 .....	475	307				
421	Getriebewählerventil 11891209, 11891224 S/N - 11144 .....	500	309				
421	Getriebewählerventil 11891209, 11891224 S/N 11145 - .....	525	313				



INHALTSVERZEICHNIS	Catalogue id <b>20004</b>	Group <b>400</b>
	Issue <b>VOE 63G9920004</b>	Page <b>225</b>



<b>INDICE</b>	Catalogue id <b>20004</b>	Group <b>400</b>
	Issue <b>VOE 63G9920004</b>	Page <b>226</b>

GRUPO	Sección	Página	GRUPO	Sección	Página		
414	Convertidor de par con accesorios de montaje .....	100	231	421	Válvula solenoide, tracción 4 ruedas 11891209 .....	550	315
420	Transmisión con accesorios de montaje 11891209.....	100	233	424	Selectores velocidad, tracción 4 ruedas 11891209 .....	100	317
420	Transmisión con accesorios de montaje 11891209 S/N 11145 - .....	110	237	424	Selectores velocidad, tracción 2 ruedas 11891224 .....	150	319
420	Transmisión con accesorios de montaje 11891224.....	125	241	436	Suspensión de la caja de cambios 11891209, 11891255, 11891224	100	321
420	Transmisión con accesorios de montaje 11891255.....	150	245	451	Ejes cardán con accesorios de montaje 11891209, 11891255, 11891224 .....	100	323
420	Transmisión con accesorios de montaje 11891255 S/N 11145 - .....	160	249	451	Ejes cardán 11891209, 11891224, 11891255 .....	150	325
421	Boca de llenado de aceite y varilla de nivel .....	150	253	460	Ejes planetarios con accesorios de montaje 11891283, 11891289, 11891389, 11891390 .....	100	327
421	Boca de llenado de aceite y varilla de nivel 11891224 .....	175	255	460	Ejes planetarios con accesorios de montaje S/N 11145 - .....	150	329
421	Bomba de aceite 11891209 S/N - 11144 .....	200	257	461	Eje planeta, delantera 11891283, 11891289, 11891389, 11891390 .....	100	331
421	Bomba de aceite 11891209 S/N 11145 .....	205	259	461	Piñón de ataque 11891283, 11891289, 11891389, 11891390 .....	150	335
421	Bomba de aceite 11891224 .....	210	261	461	Piñón de ataque S/N 11145 - .....	160	337
421	Bomba de aceite 11891255 S/N - 11144 .....	225	263	461	Diferencial, eje planeta delantero 11880002, 11891283, 11891289, 11891389, 11891390 .....	200	339
421	Bomba de aceite 11891255 S/N 11145 - .....	230	265	461	Eje propulsor 11891283, 11891289, 11891389, 11891390 .....	250	341
421	Eje de embrague delante/detrás 11891209 S/N - 11144 .....	250	267	461	Cubo de rueda 11880002, 11891283, 11891289, 11891389, 11891390 .....	300	343
421	Eje de embrague delante/detrás 11891209 S/N 11145 - .....	255	269	461	Engranaje planetario 11880002, 11891283, 11891289, 11891389, 11891390 .....	350	345
421	Eje de embrague delante/detrás 11891224 .....	260	271	463	Eje propulsor, trasero 11891283, 11891289, 11891389, 11891390 .....	100	347
421	Eje de embrague delante/detrás 11891255 .....	275	273	463	Eje propulsor, trasero S/N 11145 - .....	110	349
421	Eje trasero y primario 11891209, 11891224 .....	300	275	463	Piñón de ataque 11891283, 11891289, 11891389, 11891389 .....	150	351
421	Eje trasero y primario 11891255 .....	325	277	463	Piñón de ataque S/N 11145 - .....	160	353
421	Eje secundario 11891209 S/N - 11144 .....	350	279	463	Diferencial. Detrás 11891283, 11891289, 11891389, 11891390 .....	200	355
421	Eje secundario 11891209 S/N 11145 - .....	360	283	463	Diferencial. Detrás .....	210	357
421	Eje secundario 11891255 .....	375	287	463	Cubo de rueda 11891283, 11891289, 11891389, 11891390 .....	250	359
421	Embragues, tracción 4 ruedas 11891209 .....	400	291	463	Reducción cubo, eje planeta trasero S/N 11145 - .....	260	361
421	11891209 S/N 11145 - .....	410	295	463	Engranaje planetario 11891283, 11891289, 11891389, 11891390 .....	300	363
421	Embragues, tracción 4 ruedas 11891255 .....	425	297	468	Bloqueo del diferencial 11891283, 11891289, 11891389, 11891390 .....	100	365
421	Maniobra de la caja de cambios 11891209 .....	450	301	468	Bloqueo del diferencial S/N 11145 - .....	110	367
421	Maniobra de la caja de cambios 11891224 .....	460	303				
421	Maniobra de la caja de cambios 11891209 S/N 11145 - .....	470	305				
421	Válvula de control 11891255 .....	475	307				
421	Válvula selectora de gama 11891209, 11891224 S/N - 11144 .....	500	309				
421	Válvula selectora de gama 11891209, 11891224 S/N 11145 - .....	525	313				

468	Bloqueo del diferencial 11880002 S/N 11145 - .....	150	369
491	Enfriador aceite, transmision .....	100	371



INDICE	Catalogue id <b>20004</b>	Group <b>400</b>
	Issue <b>VOE 63G9920004</b>	Page <b>227</b>

**VOLVO**

**BL70**





<b>INNEHÅLLSFÖRTECKNING</b>				Catalogue id <b>20004</b>		Group <b>400</b>	
				Issue <b>VOE 63G9920004</b>		Page <b>228</b>	
GRUPP	Avsnitt	Sida	GRUPP	Avsnitt	Sida		

414	Momentomvandlare med monteringsdetaljer.....	100	231	421	Magnetventil 4-hjulsdrift 11891209 .....	550	315
420	Transmission med monteringsdetaljer 11891209 .....	100	233	424	Växelväljare, 4-hjulsdrift 11891209 .....	100	317
420	Transmission med monteringsdetaljer 11891209 S/N 11145 - .....	110	237	424	Växelväljare, 2-hjulsdrift 11891224 .....	150	319
420	Transmission med monteringsdetaljer 11891224 .....	125	241	436	Växellådsupphängning 11891209, 11891255, 11891224 .....	100	321
420	Transmission med monteringsdetaljer 11891255 .....	150	245	451	Kardanaxlar, montering 11891209, 11891255, 11891224 .....	100	323
420	Transmission med monteringsdetaljer 11891255 S/N 11145 - .....	160	249	451	Kardanaxel 11891209, 11891224, 11891255 .....	150	325
421	Oljepåfyllning och mätsticka .....	150	253	460	Planetaxlar med monteringsdetaljer 11891283, 11891289, 11891389, 11891390 .....	100	327
421	Oljepåfyllning och mätsticka 11891224 .....	175	255	460	Planetaxlar med monteringsdetaljer S/N 11145 - .....	150	329
421	Oljepump 11891209 S/N - 11144 .....	200	257	461	Planetaxel, fram 11891283, 11891289, 11891389, 11891390 .....	100	331
421	Oljepump 11891209 S/N 11145 - .....	205	259	461	Pinjong 11891283, 11891289, 11891389, 11891390 .....	150	335
421	Oljepump 11891224.....	210	261	461	Pinjong S/N 11145 - .....	160	337
421	Oljepump 11891255 S/N - 11144 .....	225	263	461	Differential, framaxel 11880002, 11891283, 11891289, 11891389, 11891390 .....	200	339
421	Oljepump 11891255 S/N 11145 - .....	230	265	461	Drivaxel 11891283, 11891289, 11891389, 11891390 .....	250	341
421	Kopplingsaxel fram/back 11891209 S/N - 11144 .....	250	267	461	Hjulnav 11880002, 11891283, 11891289, 11891389, 11891390 .....	300	343
421	Kopplingsaxel fram/back 11891209 S/N 11145 - .....	255	269	461	Planetväxel 11880002, 11891283, 11891289, 11891389, 11891390 .....	350	345
421	Kopplingsaxel fram/back 11891224 .....	260	271	463	Planetaxel, bak 11891283, 11891289, 11891389, 11891390.....	100	347
421	Kopplingsaxel fram/back 11891255.....	275	273	463	Planetaxel, bak S/N 11145 - .....	110	349
421	Back och primärxel 11891209, 11891224 .....	300	275	463	Pinjong 11891283, 11891289, 11891389, 11891389 .....	150	351
421	Back och primärxel 11891255 .....	325	277	463	Pinjong S/N 11145 - .....	160	353
421	Sekundär axel 11891209 S/N - 11144 .....	350	279	463	Differential. Bak 11891283,11891289, 11891389, 11891390 .....	200	355
421	Sekundär axel 11891209 S/N 11145 - .....	360	283	463	Differential. Bak.....	210	357
421	Sekundär axel 11891255 .....	375	287	463	Hjulnav 11891283, 11891289, 11891389, 11891390 .....	250	359
421	Hydraulkoppling, 4-hjulsdrift 11891209.....	400	291	463	Navreduktion, bakaxel S/N 11145 - .....	260	361
421	Axel, fyrhjulsdrift 11891209 S/N 11145 - .....	410	295	463	Planetväxel 11891283, 11891289, 11891389, 11891390.....	300	363
421	Hydraulkoppling, 4-hjulsdrift 11891255.....	425	297	468	Differentialspär 11891283, 11891289, 11891389, 11891390.....	100	365
421	Växelmanövrering 11891209 .....	450	301	468	Differentialspär S/N 11145 - .....	110	367
421	Växelmanövrering 11891224 .....	460	303	468	Differentialspär 11880002 S/N 11145 - .....	150	369
421	Växelmanövrering 11891209 S/N 11145 - .....	470	305	491	Oljekylare, transmission .....	100	371
421	Kontrollventil 11891255 .....	475	307				
421	Växelväljarventil 11891209, 11891224 S/N - 11144.....	500	309				
421	Växelväljarventil 11891209, 11891224 S/N 11145 - .....	525	313				



**VOLVO**

АЛЬРЕТТА

Construction Equipment

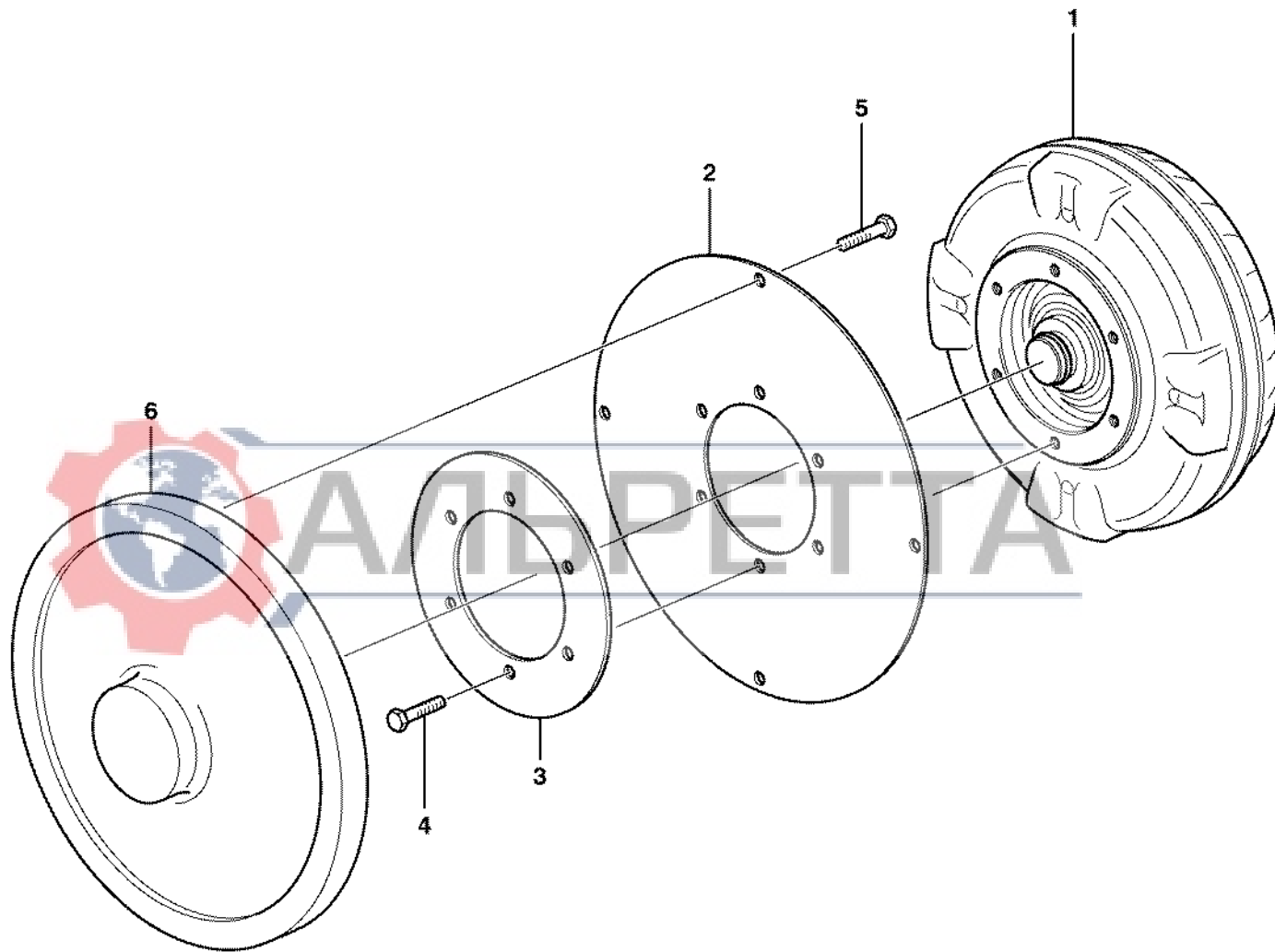


Fig.	Part No.	Quantity			P S	K I T	Description	Dénomination	Bezeichnung	Denominación	Benämning	Notes
		1	2	3								
1	VOE 11890327	1					Trq Converter.....	Converti.couple .....	Drehm Wandler .....	Convertidor Par .....	Momentomvandl.....	
2	VOE 11881176	1					Flexplate .....	Tole Entrainem.....	Mitnehmerblech.....	Placa De Brida .....	Medbringarplåt.....	
3	VOE 11881177	1					Flexplate .....	Tole Entrainem.....	Mitnehmerblech.....	Placa De Brida .....	Medbringarplåt.....	
4	VOE 13970944	6					Hexagon screw .....	Vis a tête hexagonale	Sechskantschr.....	Tornillo hexago.....	Sexkantsskruv.....	
5	VOE 13970876	4					Hexagon screw .....	Vis a tête hexagonale	Sechskantschr.....	Tornillo hexago.....	Sexkantsskruv.....	
6		1					Flywheel.....	Volant.....	Schwungrad .....	Volante .....	Svänghjul.....	See group 216, Page 57



1		<b>Momentomvandlare med monteringsdetaljer</b> <b>Convertidor de par con accesorios de montaje</b> <b>Drehmomentwandler mit Anbauteilen</b> <b>Convertisseur de couple avec pièces de montage</b> <b>Torque converter with fitting parts</b>	Catalogue id	Group
2			<b>20004</b>	<b>414</b>
3			Illustr. No	Section
4			<b>1000854</b>	<b>100</b>
5			Issue	Page
			<b>VOE 63G9920004</b>	<b>231</b>

**VOLVO**

**BL70**

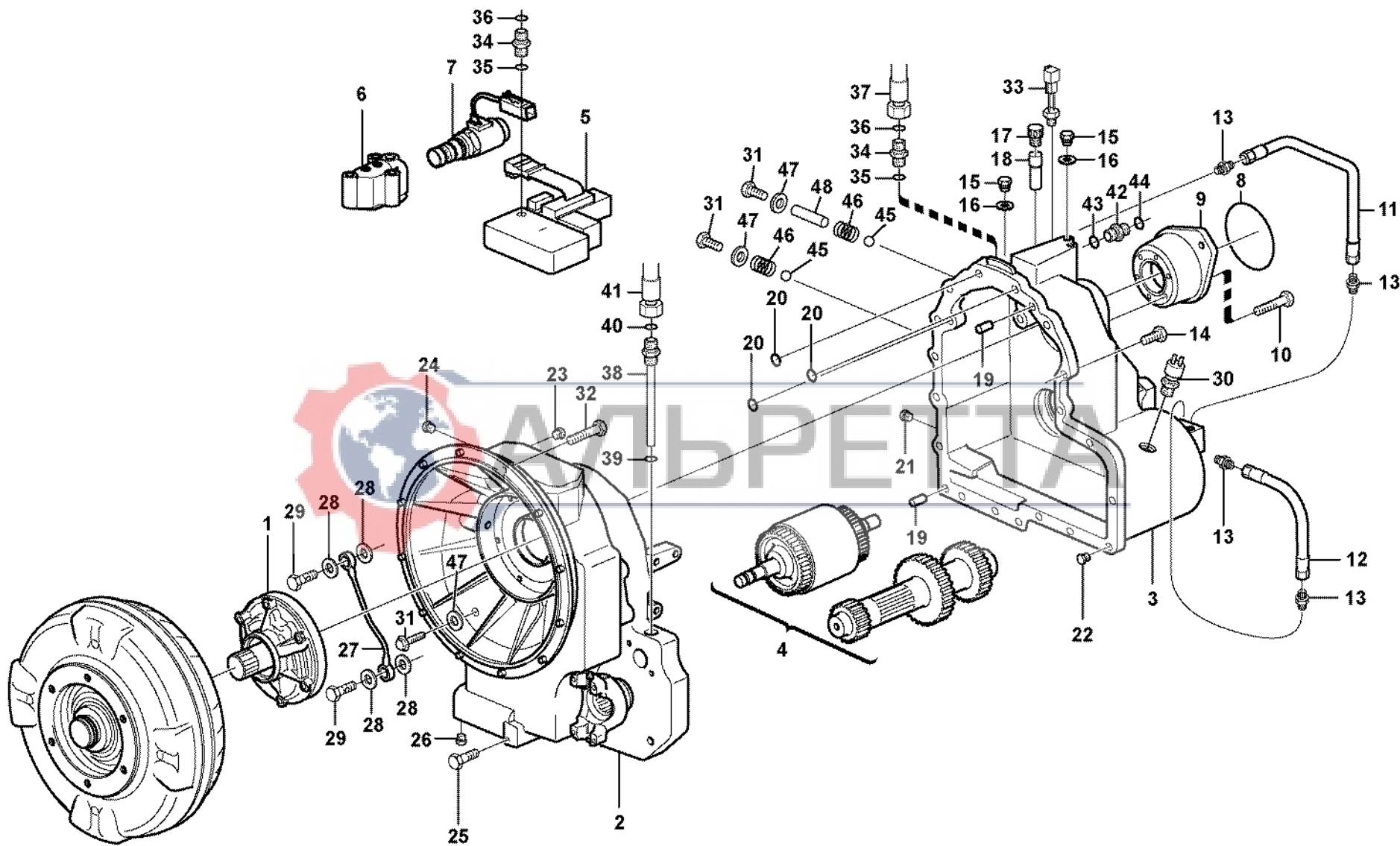


Fig.	Part No.	Quantity			P S	K I T	Description	Dénomination	Bezeichnung	Denominación	Benämning	Notes
		1	2	3								
	<b>VOE 11884310</b>	1					Transmission.....	Transmission.....	Getriebe .....	Transmision.....	Transmission.....	
1	<b>VOE 11709045</b>	1					•Oil pump .....	•Pompe huile.....	•Ölpumpe .....	•Bomba aceite .....	•Oljepump.....	See group 421, Page 257
2	<b>VOE 11709058</b>	1					•Housing .....	•Carter.....	•Gehäuse .....	•Carter .....	•Hus.....	
3	<b>VOE 11709059</b>	1					•Housing .....	•Carter.....	•Gehäuse .....	•Carter .....	•Hus.....	
4		1					•Shaft with clutch .....	•Accouplement hydra. ....	•Hydraulikkupplung .....	•Acoplamiento hidrau. ....	•Axel med koppling....	See group 421, Page 267
	<b>VOE 11709103</b>	1					•Reverse Shaft.....	•Arbre Marche Ar .....	•Rucklaufachse .....	•Eje Marcha Atr .....	•Backaxel.....	See group 421, Page 275
	<b>VOE 11709105</b>	1					•Axle.....	•Arbre .....	•Welle .....	•Eje .....	•Axel.....	See group 421, Page 275
	<b>VOE 11709134</b>	1					•Secondary Shaft .....	•Arbr.secondaire .....	•Sekundärwelle .....	•Eje Secundario.....	•Sekundäraxel.....	See group 421, Page 279
	<b>VOE 11709152</b>	1					•Axle.....	•Arbre .....	•Welle .....	•Eje .....	•Axel.....	See group 421, Page 291
5		1					•Gear selector valve...•	•Valve selectr.vitesse. ....	•Umsteurventil .....	•valvula select.veloci. ....	•Växelväljarventil.....	See group 421, Page 309
6		1					•Valve housing .....	•Carter soupape .....	•Ventilgehäuse .....	•Cuerpo valvula .....	•Ventilhus.....	See group 421, Page 315
7		1					•Solinoid valve .....	•Vannr electrom. ....	•Magnetventil.....	•Electrovalvula.....	•Magnetventil.....	See group 421, Page 315
8	<b>VOE 11709074</b>	1					•O-ring.....	•Joint Torique .....	•O-Ring.....	•Junta torica .....	•O-ring.....	
9	<b>VOE 11709062</b>	1					•Flange.....	•Flasque .....	•Flansch .....	•Brida.....	•Fläns.....	
10	<b>VOE 13970947</b>	6					•Hexagon screw .....	•Vis a tête hexagonal. ....	•Sechskantschr. ....	•Tornillo hexago .....	•Sexkantsskruv.....	
11	<b>VOE 11709064</b>	1					•Oil Pipe .....	•Conduit Huile .....	•Ölrohr .....	•Tubo Aceite.....	•Oljerör.....	
12	<b>VOE 11709069</b>	1					•Oil Pipe .....	•Conduit Huile .....	•Ölrohr .....	•Tubo Aceite.....	•Oljerör.....	
13	<b>VOE 11709056</b>	4					•Nipple .....	•Raccord .....	•Nippel .....	•Niple .....	•Nippel.....	
14	<b>VOE 13970949</b>	11					•Hexagon screw .....	•Vis a tête hexagonal. ....	•Sechskantschr. ....	•Tornillo hexago .....	•Sexkantsskruv.....	(VOE 970807)
15	<b>VOE 11709061</b>	4					•Plug .....	•Bouchon.....	•Stopfen .....	•Tapon.....	•Plugg.....	
16	<b>VOE 13947281</b>	4					•Gasket .....	•Joint .....	•Dichtung.....	•Junta .....	•Packning.....	
17	<b>VOE 11709060</b>	1					•Breather Cap .....	•Boucho.aeration.....	•Lüftungsdeckel.....	•Tapa Ventilac .....	•Ventil.lock.....	
18	<b>VOE 11709063</b>	1					•Breather Pipe.....	•Reniffard .....	•Luftungsrohr.....	•Conduct Ventil.....	•Ventilationsrör.....	
19	<b>VOE 950588</b>	2					•Pin .....	•Goupille.....	•Stift.....	•Pasador.....	•Pinne.....	
20	<b>VOE 11709068</b>	5					•O-ring.....	•Joint Torique .....	•O-Ring.....	•Junta torica .....	•O-ring.....	
21	<b>VOE 11709057</b>	1					•Plug .....	•Bouchon.....	•Stopfen .....	•Tapon.....	•Plugg.....	
22	<b>VOE 11709075</b>	3					•Plug .....	•Bouchon.....	•Stopfen .....	•Tapon.....	•Plugg.....	
23	<b>VOE 11709054</b>	1					•Plug .....	•Bouchon.....	•Stopfen .....	•Tapon.....	•Plugg.....	
	<b>VOE 11709055</b>	2					•Plug .....	•Bouchon.....	•Stopfen .....	•Tapon.....	•Plugg.....	
24	<b>VOE 11709070</b>	1					•Plug .....	•Bouchon.....	•Stopfen .....	•Tapon.....	•Plugg.....	

1		<b>Transmission med monteringsdetaljer</b>	Catalogue id	Group
2		<b>Transmisión con accesorios de montaje</b>	<b>20004</b>	<b>420</b>
3		<b>Transmission mit Anbauteilen</b>	Illustr. No	Section
4		<b>Transmission avec pièces de montage</b>	<b>1013233</b>	<b>100</b>
5		<b>Hydraulic transmission with fitting parts</b>	Issue	Page
		<b>11891209</b>	<b>VOE 63G9920004</b>	<b>233</b>

**VOLVO**

**BL70**

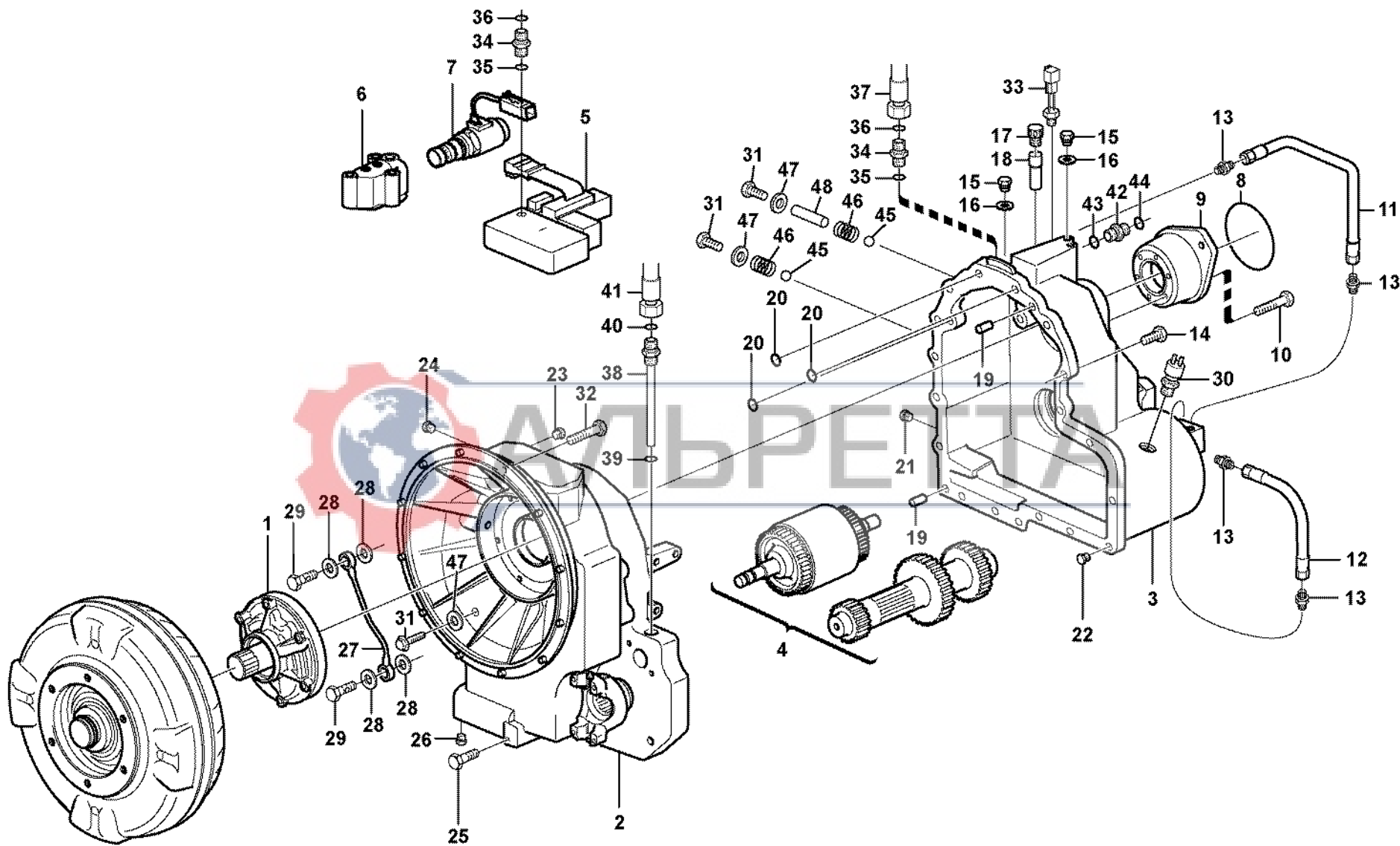


Fig.	Part No.	Quantity			P S	K I T	Description	Dénomination	Bezeichnung	Denominación	Benämning	Notes
		1	2	3								
25	VOE 970812	6				•Hexagon screw .....	•Vis a tête hexagonal .....	•Sechskantschr. ....	•Tornillo hexago .....	•Sexkantsskruv.....		
26	VOE 11709071	1				•Plug .....	•Bouchon.....	•Stopfen .....	•Tapon.....	•Plugg.....		
27	VOE 11709067	1				•Lubrication pipe .....	•Conduit de graissag...•Schmierrohr .....	•Tubo de lubricación...•Smörjrör.....				
28	VOE 11709065	4				•Copper Washer .....	•Rondelle en cuivre ....•Kupferscheibe .....	•Arandela Cobre .....	•Kopparbricka.....			
29	VOE 11709066	2				•Hollow screw .....	•Vis creuse .....	•Hohlschraube.....	•Racor-surtidor .....	•Hålskruv.....		
30		1				Ind Sensor.....	Emett.induction .....	Induktionsgeber.....	Sensor Inducc .....	Indukt.givare.....	See group 380, Page 211	
31	VOE 11709175	3				Screw .....	Vis .....	Schraube.....	Tornillo .....	Skruv.....	11890349	
32	VOE 959238	12				Allen Hd Screw .....	Vis A 6 Pans Cr.....	Inbusschraube.....	Torn Hex Embut .....	Insexskruv.....		
33	VOE 11881160	1				Temp Sensor .....	Detecteur Temp. ....	Temperaturgeber .....	Sensor Temperat .....	Temp Givare.....		
34	VOE 935085	2				Nipple.....	Raccord.....	Nippel.....	Niple .....	Nippel.....		
35	VOE 932039	1				•O-ring.....	•Joint Torique .....	•O-Ring.....	•Junta torica .....	•O-ring.....		
36	VOE 4880492	1				•O-ring.....	•Joint Torique .....	•O-Ring.....	•Junta torica .....	•O-ring.....		
37		1				Hose.....	Durit .....	Schlauch .....	Tubo flexible.....	Slang.....	See group 517, Page 383	
38	VOE 11883691	1				Connector .....	Raccord.....	Anschluss.....	Union .....	Anslutning.....		
39	VOE 932041	1				•O-ring.....	•Joint Torique .....	•O-Ring.....	•Junta torica .....	•O-ring.....		
40	VOE 4880492	1				•O-ring.....	•Joint Torique .....	•O-Ring.....	•Junta torica .....	•O-ring.....		
41		1				Hose.....	Durit .....	Schlauch .....	Tubo flexible.....	Slang.....	See group 517, Page 383	
42	VOE 11883510	1				Plug.....	Bouchon .....	Stopfen.....	Tapon .....	Plugg.....		
43	VOE 932039	1				•O-ring.....	•Joint Torique .....	•O-Ring.....	•Junta torica .....	•O-ring.....		
44		1			NS	O-ring.....	Joint Torique .....	O-Ring.....	Junta torica .....	O-ring.....		
45	VOE 11709177	2				Ball.....	Bille .....	Kugel.....	Bola .....	Kula.....		
46	VOE 11709176	2				Spring.....	Ressort.....	Feder.....	Muelle.....	Fjäder.....		
47	VOE 11709174	3				Washer.....	Rondelle .....	Scheibe .....	Arandela .....	Bricka.....		
48	VOE 11809186	1				O-ring.....	Joint Torique .....	O-Ring.....	Junta torica.....	O-ring.....		

1	<b>Transmission med monteringsdetaljer</b> <b>Transmisión con accesorios de montaje</b> <b>Transmission mit Anbauteilen</b> <b>Transmission avec pièces de montage</b> <b>Hydraulic transmission with fitting parts</b>	Catalogue id	Group
2		<b>20004</b>	<b>420</b>
3		Illustr. No	Section
4		<b>1013233</b>	<b>100</b>
5		Issue	Page
	<b>11891209</b>	<b>VOE 63G9920004</b>	<b>235</b>

**VOLVO**

**BL70**



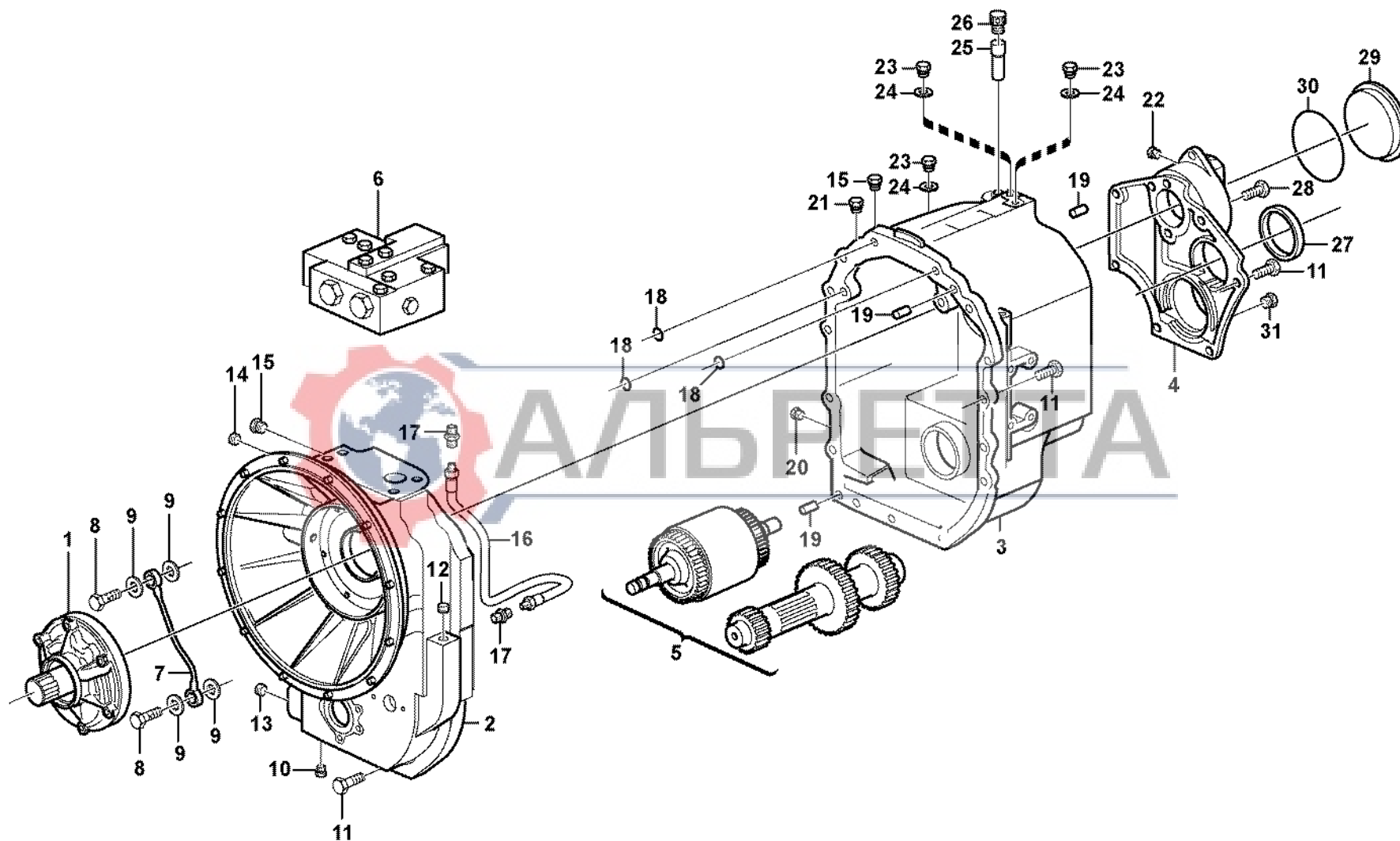


Fig.	Part No.	Quantity			P S	K I T	Description	Dénomination	Bezeichnung	Denominación	Benämning	Notes
		1	2	3								
	<b>VOE 11887380</b>					Transmission.....	Transmission.....	Getriebe .....	Transmision.....	Transmission.....		
1		1				•Oil pump .....	•Pompe huile.....	•Ölpumpe .....	•Bomba aceite .....	•Oljepump.....	See group 421, Page 259	
2	<b>VOE 11716782</b>	1				•Housing .....	•Carter.....	•Gehäuse .....	•Carter .....	•Hus.....		
3	<b>VOE 11716783</b>	1				•Housing .....	•Carter.....	•Gehäuse .....	•Carter .....	•Hus.....		
4	<b>VOE 11712463</b>	1				•End plate .....	•Flasque .....	•Stirnwand .....	•Extremo.....	•Gavel.....		
5		1				•Shaft with clutch .....	•Accouplement hydra .....	•Hydraulikkupplung .....	•Acoplamiento hidrau .....	•Axel med koppling....	See group 421, Page 269	
		1				•Reverse Shaft.....	•Arbre Marche Ar .....	•Rucklaufachse .....	•Eje Marcha Atr .....	•Backaxel.....	See group 421, Page 275	
		1				•Axle.....	•Arbre .....	•Welle .....	•Eje .....	•Axel.....	See group 421, Page 295	
		1				•Secondary Shaft .....	•Arbr.secondaire .....	•Sekundärwelle .....	•Eje Secundario.....	•Sekundäraxel.....	See group 421, Page 283	
6		1				•Gear selector valve...	•Valve selectr.vitesse .....	•Umsteuerventil .....	•valvula select.veloci .....	•Växelväljarventil.....	See group 421, Page 313	
7	<b>VOE 11712465</b>	1				•Oil Pipe .....	•Conduit Huile .....	•Ölrohr .....	•Tubo Aceite.....	•Oljerör.....		
8	<b>VOE 11709066</b>	2				•Hollow screw .....	•Vis creuse .....	•Hohlschraube.....	•Racor-surtidor .....	•Hålskruv.....		
9	<b>VOE 11709065</b>	4				•Copper Washer .....	•Rondelle en cuivre .....	•Kupferscheibe .....	•Arandela Cobre.....	•Kopparbricka.....		
10	<b>VOE 11709071</b>	1				•Plug .....	•Bouchon.....	•Stopfen .....	•Tapon.....	•Plugg.....		
11	<b>VOE 13970948</b>	22				•Hexagon screw .....	•Vis a tête hexagonal .....	•Sechskantschr. ....	•Tornillo hexago .....	•Sexkantsskruv.....		
12	<b>VOE 11709200</b>	1				•Plug .....	•Bouchon.....	•Stopfen .....	•Tapon.....	•Plugg.....		
13	<b>VOE 11712960</b>	1				•Rivet .....	•Rivet.....	•Niet.....	•Remache .....	•Nit.....		
14	<b>VOE 11709070</b>	1				•Plug .....	•Bouchon.....	•Stopfen .....	•Tapon.....	•Plugg.....		
15	<b>VOE 11709055</b>	2				•Plug .....	•Bouchon.....	•Stopfen .....	•Tapon.....	•Plugg.....		
16	<b>VOE 11716784</b>	1				•Lub Pipe .....	•Tuyau Graissage .....	•Schmierrohr .....	•Tubo Lubricante .....	•Smörjrör.....		
17	<b>VOE 11709056</b>	2				•Nipple .....	•Raccord .....	•Nippel.....	•Niple .....	•Nippel.....		
18	<b>VOE 11709068</b>	3				•O-ring.....	•Joint Torique .....	•O-Ring.....	•Junta torica .....	•O-ring.....		
19	<b>VOE 950588</b>	3				•Pin .....	•Goupille.....	•Stift.....	•Pasador.....	•Pinne.....		
20	<b>VOE 11709057</b>	1				•Plug .....	•Bouchon.....	•Stopfen .....	•Tapon.....	•Plugg.....		
21	<b>VOE 11716639</b>	1				•Plug .....	•Bouchon.....	•Stopfen .....	•Tapon.....	•Plugg.....		
22	<b>VOE 11709200</b>	1				•Plug .....	•Bouchon.....	•Stopfen .....	•Tapon.....	•Plugg.....		
23	<b>VOE 11709061</b>	3				•Plug .....	•Bouchon.....	•Stopfen .....	•Tapon.....	•Plugg.....		
24	<b>VOE 11709199</b>	3				•Washer .....	•Rondelle.....	•Scheibe .....	•Arandela.....	•Bricka.....		
25	<b>VOE 11709063</b>	1				•Breather Pipe.....	•Reniflard .....	•Luftungsrohr .....	•Conduct Ventil.....	•Ventilationsrör.....		
26	<b>VOE 11709060</b>	1				•Breather Cap .....	•Boucho.aeration.....	•Lüftungsdeckel.....	•Tapa Ventilac .....	•Ventil.lock.....		

1	11887380	<b>Transmission med monteringsdetaljer</b> <b>Transmisión con accesorios de montaje</b> <b>Transmission mit Anbauteilen</b> <b>Transmission avec pièces de montage</b> <b>Hydraulic transmission with fitting parts</b>	Catalogue id	Group
2			<b>20004</b>	<b>420</b>
3			Illustr. No	Section
4			<b>1024684</b>	<b>110</b>
5			Issue	Page
		<b>11891209 S/N 11145 -</b>	<b>VOE 63G9920004</b>	<b>237</b>

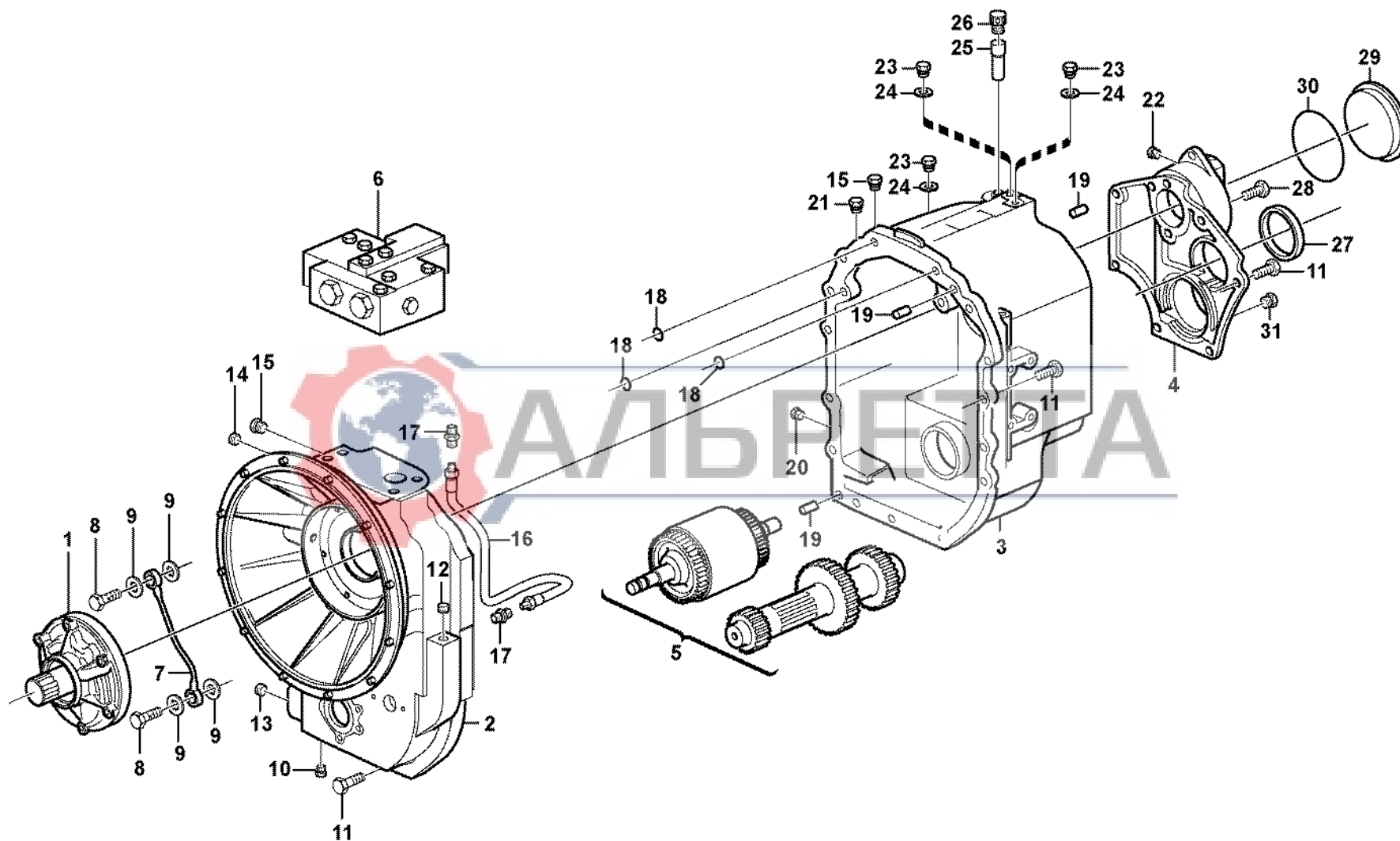


Fig.	Part No.	Quantity			P S	K I T	Description	Dénomination	Bezeichnung	Denominación	Benämning	Notes
		1	2	3								
27	VOE 11709133	1					•Seal .....	•Joint .....	•Dichtring.....	•Junta .....	•Tätning.....	
28	VOE 13970951	2					•Hexagon screw.....	•Vis a tête hexagonal .	•Sechskantschr. ....	•Tornillo hexago .....	•Sexkantsskruv.....	
29	VOE 11712462	1					•Plug .....	•Bouchon.....	•Stopfen .....	•Tapon.....	•Plugg.....	
30	VOE 11709074	1					•O-ring.....	•Joint Torique.....	•O-Ring.....	•Junta torica .....	•O-ring.....	



1	11887380	<b>Transmission med monteringsdetaljer</b> <b>Transmisión con accesorios de montaje</b> <b>Transmission mit Anbauteilen</b> <b>Transmission avec pièces de montage</b> <b>Hydraulic transmission with fitting parts</b>	Catalogue id	Group
2			<b>20004</b>	<b>420</b>
3			Illustr. No	Section
4			<b>1024684</b>	<b>110</b>
5			Issue	Page
	11891209 S/N 11145 -		<b>VOE 63G9920004</b>	<b>239</b>

**VOLVO**

**BL70**



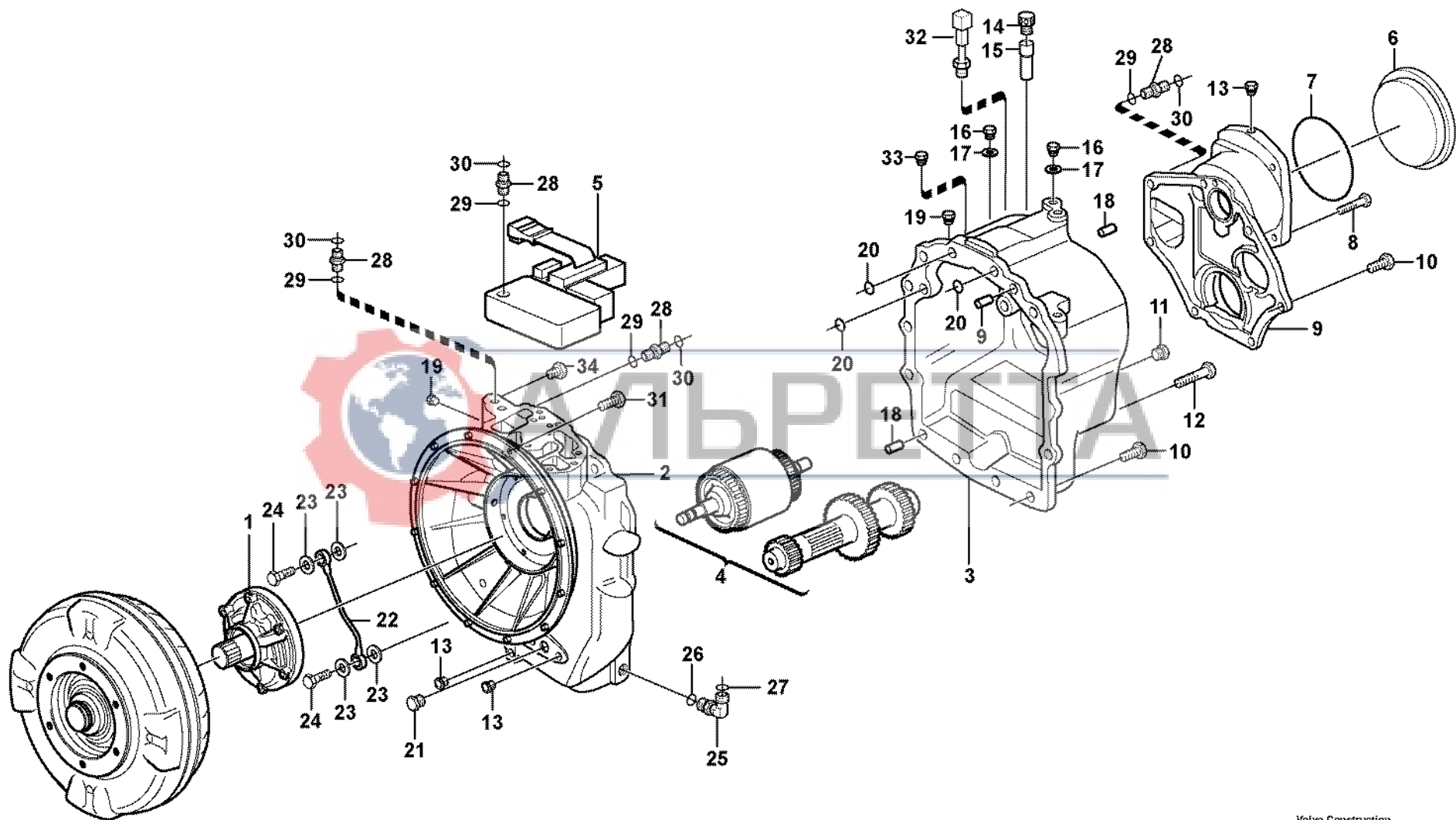


Fig.	Part No.	Quantity			P S	K I T	Description	Dénomination	Bezeichnung	Denominación	Benämning	Notes
		1	2	3								
	<b>VOE 11890339</b>	1				Transmission.....	Transmission.....	Getriebe .....	Transmision.....	Transmission.....		
	<b>VOE 11887379</b>		1			Transmission.....	Transmission.....	Getriebe .....	Transmision.....	Transmission.....		
1			1			•Oil Pump .....	•Pompe a huile.....	•Ölpumpe .....	•Bomba de aceite .....	•Oljepump.....	See group 421, Page 261	
2	<b>VOE 11712460</b>	1				•Housing .....	•Carter.....	•Gehäuse .....	•Carter .....	•Hus.....		
2	<b>VOE 11716665</b>		1			•Housing .....	•Carter.....	•Gehäuse .....	•Carter .....	•Hus.....		
3	<b>VOE 11712461</b>	1	1			•Housing .....	•Carter.....	•Gehäuse .....	•Carter .....	•Hus.....		
4		1	1			•Shaft with clutch .....	•Accouplement hydra ..	•Hydraulikkupplung ....	•Acoplamiento hidrau ..	•Axel med koppling....	See group 421, Page 271	
	<b>VOE 11709103</b>	1	1			•Reverse Shaft.....	•Arbre Marche Ar .....	•Rucklaufachse .....	•Eje Marcha Atr .....	•Backaxel.....	See group 421, Page 275	
	<b>VOE 11709105</b>	1	1			•Axle.....	•Arbre .....	•Welle .....	•Eje .....	•Axel.....	See group 421, Page 275	
	<b>VOE 11712471</b>	1	1			•Secondary Shaft .....	•Arbr.secondaire .....	•Sekundärwelle .....	•Eje Secundario.....	•Sekundäraxel.....	See group 421, Page 283	
5		1	1			•Gear selector valve...	•Valve selectr.vitesse ..	•Umsteurventil .....	•valvula select.veloci ..	•Växelväljarventil.....	See group 421, Page 309	
6	<b>VOE 11712462</b>	1	1			•Plug .....	•Bouchon.....	•Stopfen .....	•Tapon.....	•Plugg.....		
7	<b>VOE 11709074</b>	1	1			•O-ring.....	•Joint Torique .....	•O-Ring.....	•Junta torica .....	•O-ring.....		
8	<b>VOE 970809</b>	2	2			•Hexagon screw .....	•Vis tête hexagonale ..	•Sechskantschraube ..	•Tornillo hexago .....	•Sexkantsskruv.....		
9	<b>VOE 11712463</b>	1	1			•End plate .....	•Flasque .....	•Stirnwand .....	•Extremo.....	•Gavel.....		
10	<b>VOE 13970948</b>	19	19			•Hexagon screw .....	•Vis a tête hexagonal ..	•Sechskantschr. ....	•Tornillo hexago .....	•Sexkantsskruv.....		
11	<b>VOE 11709057</b>	1	1			•Plug .....	•Bouchon.....	•Stopfen .....	•Tapon.....	•Plugg.....		
12	<b>VOE 970823</b>	2	2			•Hexagon screw .....	•Vis tête hexagonale ..	•Sechskantschraube ..	•Tornillo hexago .....	•Sexkantsskruv.....		
13	<b>VOE 11712464</b>	4	4			•Plug .....	•Bouchon.....	•Stopfen .....	•Tapon.....	•Plugg.....		
14	<b>VOE 11709060</b>	1	1			•Breather Cap .....	•Boucho.aeration.....	•Lüftungsdeckel.....	•Tapa Ventilac .....	•Ventil.lock.....		
15	<b>VOE 11709063</b>	1	1			•Breather Pipe.....	•Reniflard .....	•Luftungsrohr.....	•Conduct Ventil.....	•Ventilationsrör.....		
16	<b>VOE 11709061</b>	3	3			•Plug .....	•Bouchon.....	•Stopfen .....	•Tapon.....	•Plugg.....		
17	<b>VOE 11709199</b>	3	3			•Washer .....	•Rondelle.....	•Scheibe .....	•Arandela.....	•Bricka.....		
18	<b>VOE 950588</b>	3	3			•Pin .....	•Goupille.....	•Stift.....	•Pasador.....	•Pinne.....		
19	<b>VOE 11709055</b>	2	2			•Plug .....	•Bouchon.....	•Stopfen .....	•Tapon.....	•Plugg.....		
20	<b>VOE 11709068</b>	3	3			•O-ring.....	•Joint Torique .....	•O-Ring.....	•Junta torica .....	•O-ring.....		
21	<b>VOE 11712466</b>	1	1			•Plug .....	•Bouchon.....	•Stopfen .....	•Tapon.....	•Plugg.....		
22	<b>VOE 11712465</b>	1	1			•Oil Pipe .....	•Conduit Huile .....	•Ölrohr .....	•Tubo Aceite .....	•Oljerör.....		
23	<b>VOE 11709065</b>	4	4			•Copper Washer .....	•Rondelle en cuivre ...	•Kupferscheibe .....	•Arandela Cobre .....	•Kopparbricka.....		
24	<b>VOE 11709066</b>	2	2			•Hollow screw .....	•Vis creuse .....	•Hohlschraube.....	•Racor-surtidor .....	•Hålskruv.....		

1	<b>11890339</b>	<b>Transmission med monteringsdetaljer</b> <b>Transmisión con accesorios de montaje</b> <b>Transmission mit Anbauteilen</b> <b>Transmission avec pièces de montage</b> <b>Hydraulic transmission with fitting parts</b>	Catalogue id	Group
2	<b>11887379</b>		<b>20004</b>	<b>420</b>
3			Illustr. No	Section
4			<b>1024002</b>	<b>125</b>
5			Issue	Page
		<b>11891224</b>	<b>VOE 63G9920004</b>	<b>241</b>

**VOLVO**

**BL70**

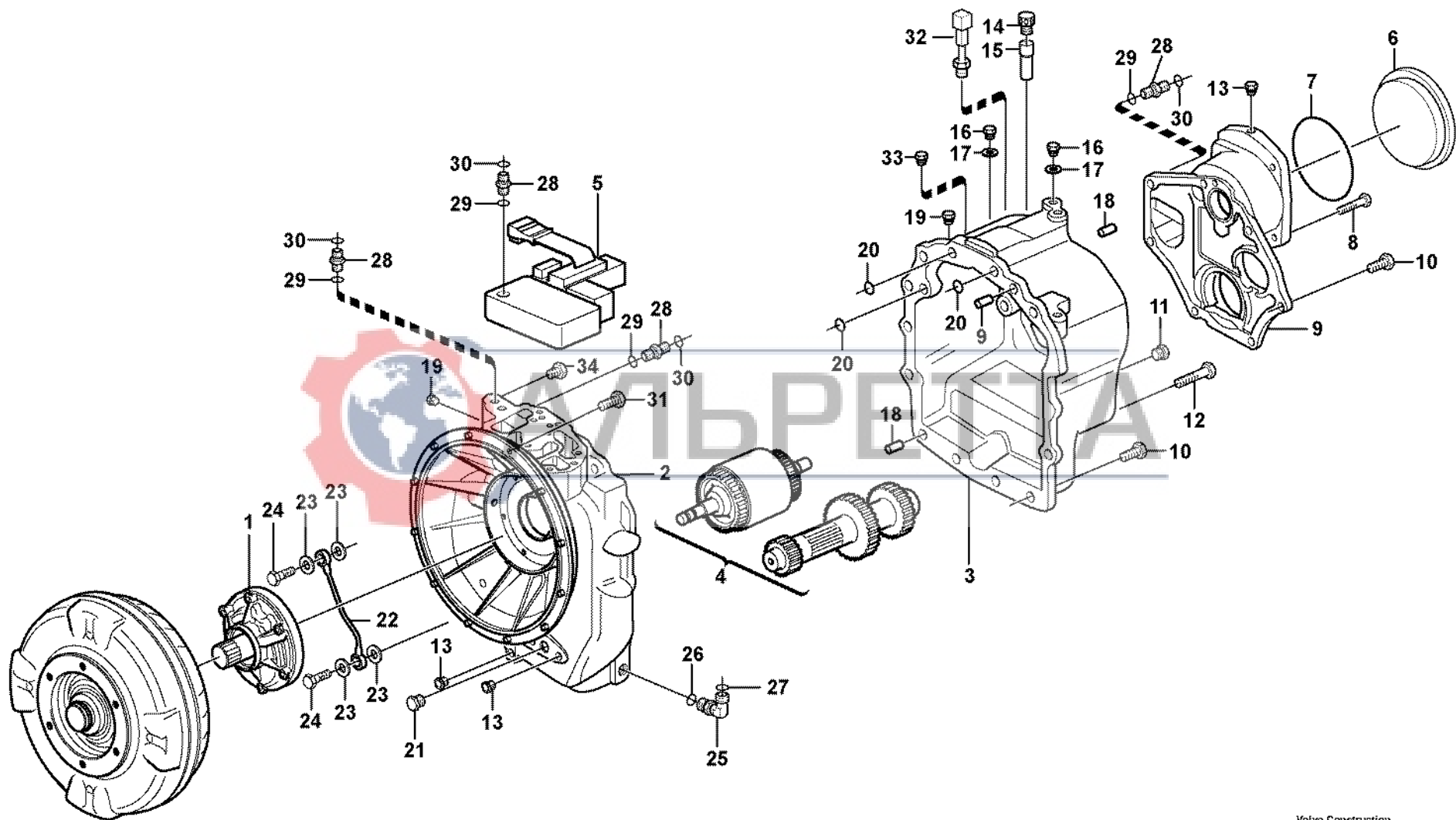




Fig.	Part No.	Quantity			P S	K I T	Description	Dénomination	Bezeichnung	Denominación	Benämning	Notes
		1	2	3								
25	VOE 935069	1					•Elbow nipple .....	•Raccord angulaire.....	•Winkelnippel.....	•Niple angular .....	•Vinkelnippel.....	
26	VOE 4880492	1					••O-ring .....	••Joint Torique.....	••O-Ring .....	••Junta torica .....	••O-ring.....	
27	VOE 4881722	1					••O-ring .....	••Joint Torique.....	••O-Ring .....	••Junta torica .....	••O-ring.....	
28	VOE 935085	4					•Nipple .....	•Raccord .....	•Nippel.....	•Niple .....	•Nippel.....	
28	VOE 13933858		4				•Union .....	•Teton Connexion .....	•Anschlussnippel .....	•Niple Conexcion.....	•Anslutn.nippel.....	
29	VOE 4880492	4	4				••O-ring .....	••Joint Torique.....	••O-Ring .....	••Junta torica .....	••O-ring.....	
30	VOE 4881722	4	4				••O-ring .....	••Joint Torique.....	••O-Ring .....	••Junta torica .....	••O-ring.....	
31	VOE 959238	12	12				Allen Hd Screw .....	Vis A 6 Pans Cr.....	Inbusschraube.....	Torn Hex Embut .....	Insexskruv.....	
32	VOE 11881160	1	1				Temp Sensor .....	Detecteur Temp. ....	Temperaturgeber .....	Sensor Temperat .....	Temp Givare.....	
33	VOE 11716639		1				Plug.....	Bouchon.....	Stopfen.....	Tapon .....	Plugg.....	
34	VOE 11709075		1				Plug.....	Bouchon.....	Stopfen.....	Tapon .....	Plugg.....	



1	11890339	<b>Transmission med monteringsdetaljer</b> <b>Transmisión con accesorios de montaje</b> <b>Transmission mit Anbauteilen</b> <b>Transmission avec pièces de montage</b> <b>Hydraulic transmission with fitting parts</b>	Catalogue id	Group
2	11887379		<b>20004</b>	<b>420</b>
3			Illustr. No	Section
4			<b>1024002</b>	<b>125</b>
5			Issue	Page
	11891224	<b>VOE 63G9920004</b>	<b>243</b>	

**VOLVO**

**BL70**



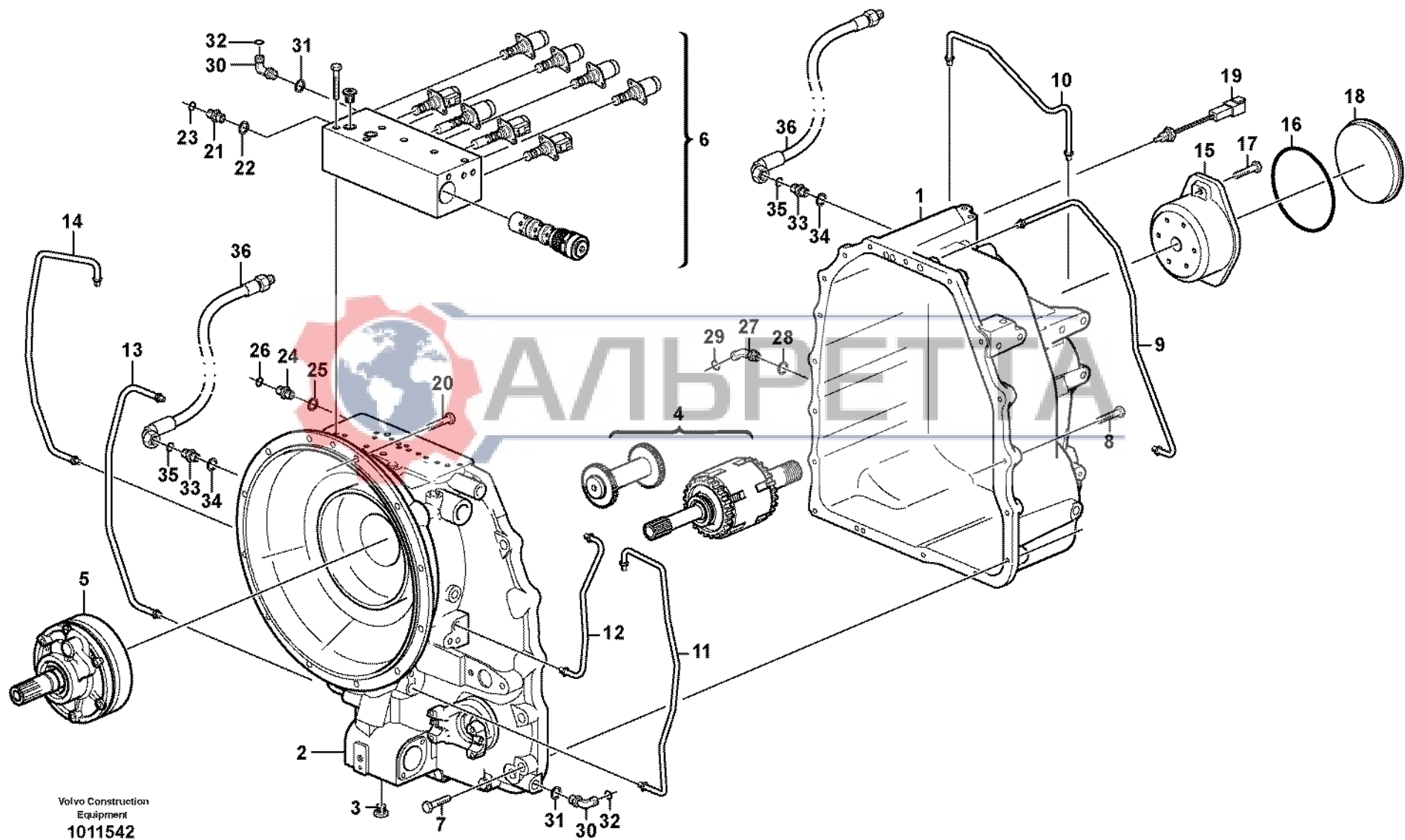


Fig.	Part No.	Quantity			P S	K I T	Description	Dénomination	Bezeichnung	Denominación	Benämning	Notes
		1	2	3								
	<b>VOE 11890341</b>	1				SS	Transmission.....	Transmission.....	Getriebe .....	Transmision.....	Transmission.....	S/N - 11144
	<b>VOE 11888337</b>		1				Transmission.....	Transmission.....	Getriebe .....	Transmision.....	Transmission.....	S/N 11145 -
1	<b>VOE 11712943</b>	1	1				•Housing .....	•Carter.....	•Gehäuse .....	•Carter .....	•Hus.....	
2	<b>VOE 11712944</b>	1	1				•Housing .....	•Carter.....	•Gehäuse .....	•Carter .....	•Hus.....	
3	<b>VOE 11709071</b>	1	1				••Plug .....	••Bouchon .....	••Stopfen .....	••Tapon.....	••Plugg.....	
4		1	1				•Input Shaft .....	•Arbre Primaire.....	•Antriebswelle.....	•Eje Primario .....	•Ingående Axel.....	See group 421, Page 273
		1	1				•Reverse Shaft.....	•Arbre Marche Ar .....	•Rucklaufachse .....	•Eje Marcha Atr .....	•Backaxel.....	See group 421, Page 277
		1	1				•Primary shaft .....	•Arbre primaire .....	•Primärachse.....	•Eje primario .....	•Primäraxel.....	See group 421, Page 277
		1	1				•Secondary Shaft .....	•Arbr.secondaire .....	•Sekundärwelle .....	•Eje Secundario.....	•Sekundäraxel.....	See group 421, Page 287
		1	1				•Output shaft .....	•Arbre secondaire .....	•Abtriebswelle.....	•Eje secundario .....	•Utgående axel.....	See group 421, Page 297
5		1	1				•Oil pump .....	•Pompe huile.....	•Ölpumpe .....	•Bomba aceite .....	•Oljepump.....	See group 421, Page 263
6		1	1				•Gear selector valve...	•Valve selectr.vitesse.	•Umsteurventil.....	•valvula select.veloci.	•Växelväjlarventil.....	See group 421, Page 307
7	<b>VOE 970811</b>	5	5				Hexagon screw .....	Vis tête hexagonale ...	Sechskantschraube....	Tornillo hexago.....	Sexkantsskruv.....	
8	<b>VOE 13970948</b>	18					•Hexagon screw .....	•Vis a tête hexagonal.	•Sechskantschr. ....	•Tornillo hexago .....	•Sexkantsskruv.....	
8	<b>VOE 13970948</b>		13				•Hexagon screw .....	•Vis a tête hexagonal.	•Sechskantschr. ....	•Tornillo hexago .....	•Sexkantsskruv.....	
9	<b>VOE 11712949</b>	1	1				•Pipe .....	•Canalisation .....	•Rohrleitung.....	•Canalizacion .....	•Rör.....	
10	<b>VOE 11712950</b>	1	1				•Pipe .....	•Canalisation .....	•Rohrleitung.....	•Canalizacion .....	•Rör.....	
11	<b>VOE 11712948</b>	1	1				•Pipe .....	•Canalisation .....	•Rohrleitung.....	•Canalizacion .....	•Rör.....	
12	<b>VOE 11712947</b>	1	1				•Pipe .....	•Canalisation .....	•Rohrleitung.....	•Canalizacion .....	•Rör.....	
13	<b>VOE 11712946</b>	1	1				•Pipe .....	•Canalisation .....	•Rohrleitung.....	•Canalizacion .....	•Rör.....	
14	<b>VOE 11712945</b>	1	1				•Pipe .....	•Canalisation .....	•Rohrleitung.....	•Canalizacion .....	•Rör.....	
15	<b>VOE 11709062</b>	1	1				•Flange.....	•Flasque .....	•Flansch .....	•Brida.....	•Fläns.....	
16	<b>VOE 11709074</b>	1	1				•O-ring.....	•Joint Torique .....	•O-Ring.....	•Junta torica .....	•O-ring.....	
17	<b>VOE 13970947</b>	6	6				•Hexagon screw .....	•Vis a tête hexagonal.	•Sechskantschr. ....	•Tornillo hexago .....	•Sexkantsskruv.....	
18	<b>VOE 11712462</b>	1	1				•Plug .....	•Bouchon.....	•Stopfen .....	•Tapon.....	•Plugg.....	
19	<b>VOE 11881160</b>	1	1				Temp Sensor .....	Detecteur Temp. ....	Temperaturgeber .....	Sensor Temperat .....	Temp Givare.....	
20	<b>VOE 13970947</b>	12	12				Hexagon screw .....	Vis a tête hexagonale	Sechskantschr.....	Tornillo hexago.....	Sexkantsskruv.....	
21	<b>VOE 13933858</b>	1	1				Union.....	Teton Connexion.....	Anschlussnippel .....	Niple Conexcion .....	Anslutn.nippel.....	
22	<b>VOE 932039</b>	1	1				•O-ring.....	•Joint Torique .....	•O-Ring.....	•Junta torica .....	•O-ring.....	
23	<b>VOE 4881772</b>	1	1				•O-ring.....	•Joint Torique .....	•O-Ring.....	•Junta torica .....	•O-ring.....	

1	11890341	<b>Transmission med monteringsdetaljer</b> <b>Transmisión con accesorios de montaje</b> <b>Transmission mit Anbauteilen</b> <b>Transmission avec pièces de montage</b> <b>Hydraulic transmission with fitting parts</b>	Catalogue id	Group
2	11888337		<b>20004</b>	<b>420</b>
3			Illustr. No	Section
4			<b>1011542</b>	<b>150</b>
5			Issue	Page
		<b>11891255</b>	<b>VOE 63G9920004</b>	<b>245</b>

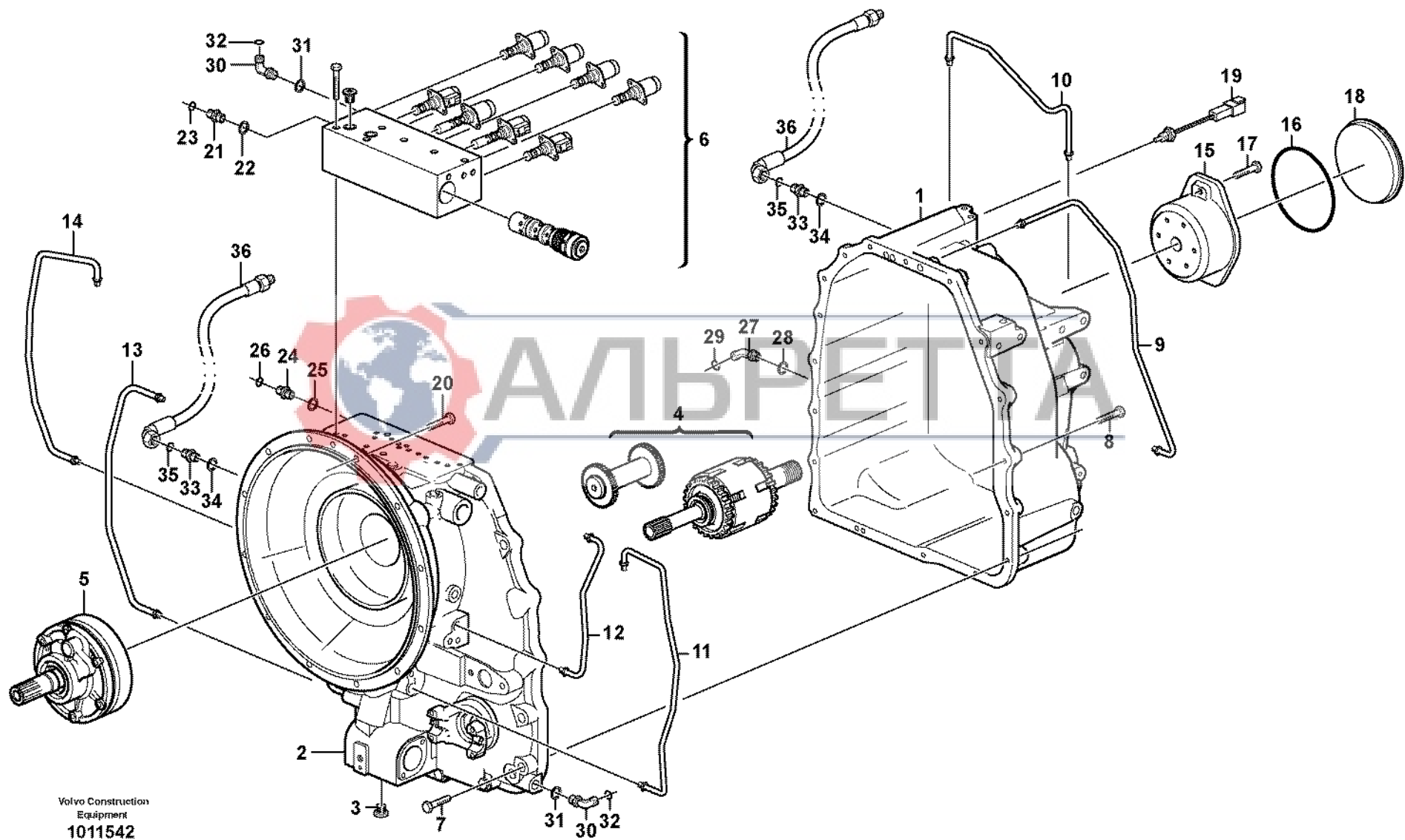


Fig.	Part No.	Quantity			P S	K I T	Description	Dénomination	Bezeichnung	Denominación	Benämning	Notes
		1	2	3								
24	VOE 935085	1	1			Nipple.....	Raccord.....	Nippel.....	Niple.....	Nippel.....		
25	VOE 932039	1	1			•O-ring.....	•Joint Torique.....	•O-Ring.....	•Junta torica.....	•O-ring.....		
26	VOE 4880492	1	1			•O-ring.....	•Joint Torique.....	•O-Ring.....	•Junta torica.....	•O-ring.....		
27	VOE 935640	1	1			Nipple.....	Raccord.....	Nippel.....	Niple.....	Nippel.....		
28	VOE 932039	1	1			•O-ring.....	•Joint Torique.....	•O-Ring.....	•Junta torica.....	•O-ring.....		
29	VOE 4880492	1	1			•O-ring.....	•Joint Torique.....	•O-Ring.....	•Junta torica.....	•O-ring.....		
30	VOE 935069	2	1			Elbow nipple.....	Raccord angulaire.....	Winkelnippel.....	Niple angular.....	Vinkelnippel.....		
31	VOE 4880492	1	1			•O-ring.....	•Joint Torique.....	•O-Ring.....	•Junta torica.....	•O-ring.....		
32	VOE 4881722	1	1			•O-ring.....	•Joint Torique.....	•O-Ring.....	•Junta torica.....	•O-ring.....		
33	VOE 935095	2	2			Nipple.....	Raccord.....	Nippel.....	Niple.....	Nippel.....		
34	VOE 932041	1	1			•O-ring.....	•Joint Torique.....	•O-Ring.....	•Junta torica.....	•O-ring.....		
35	VOE 4880663	1	1			•O-ring.....	•Joint Torique.....	•O-Ring.....	•Junta torica.....	•O-ring.....		
36		2	2			Hose.....	Flexible.....	Schlauch.....	Manguera.....	Slang.....	See group 491, Page 371	



1	11890341	<b>Transmission med monteringsdetaljer</b> <b>Transmisión con accesorios de montaje</b> <b>Transmission mit Anbauteilen</b> <b>Transmission avec pièces de montage</b> <b>Hydraulic transmission with fitting parts</b>	Catalogue id	Group
2	11888337		<b>20004</b>	<b>420</b>
3			Illustr. No	Section
4			<b>1011542</b>	<b>150</b>
5			Issue	Page
	11891255	<b>VOE 63G9920004</b>	<b>247</b>	

**VOLVO**

**BL70**

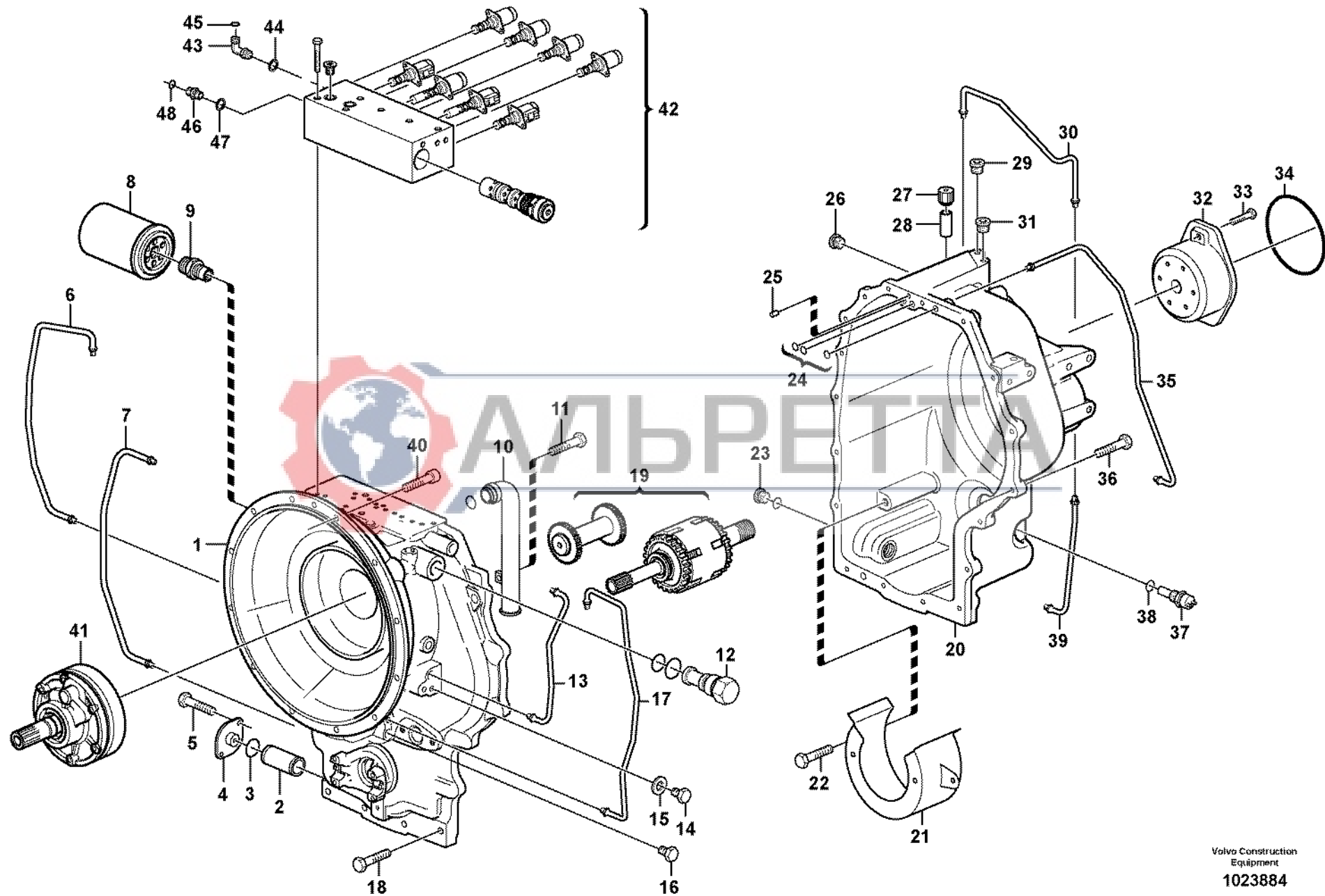


Fig.	Part No.	Quantity			P S	K I T	Description	Dénomination	Bezeichnung	Denominación	Benämning	Notes
		1	2	3								
	VOE 11887381	1				Transmission.....	Transmission.....	Getriebe .....	Transmision.....	Transmission.....		
1	VOE 11716634	1				Housing.....	Carter.....	Gehäuse.....	Carter.....	Hus.....		
2	VOE 11709050	1				Oil Filter.....	Filtre Huile.....	ÖlfILTER.....	Filtro Aceite .....	Oljefilter.....		
3	VOE 11709051	1				O-ring.....	Joint Torique .....	O-Ring.....	Junta torica.....	O-ring.....		
4	VOE 11709052	1				Cover.....	Couvercle.....	Deckel.....	Tapa.....	Lock.....		
5	VOE 13955294	2				Screw.....	Vis.....	Schraube.....	Tornillo .....	Skruv.....		
6	VOE 11716632	1				Tube.....	Tube.....	Rohr .....	Tube.....	Rör.....		
7	VOE 11716633	1				Tube.....	Tube.....	Rohr .....	Tube.....	Rör.....		
8	VOE 11709048	1				Oil Filter.....	Filtre Huile.....	ÖlfILTER.....	Filtro Aceite .....	Oljefilter.....		
9	VOE 11709053	1				Nipple.....	Raccord.....	Nippel.....	Niple.....	Nippel.....		
10	VOE 11716635	1				Tube.....	Tube.....	Rohr .....	Tube.....	Rör.....		
11	VOE 946441	1				Flange screw.....	Vis à bride.....	Flanschschraube.....	Torn embridado.....	Flänsskruv.....		
12	VOE 11712951	1				Valve.....	Soupape.....	Ventil.....	Valvula .....	Ventil.....		
13	VOE 11716636	1				Tube.....	Tube.....	Rohr .....	Tube.....	Rör.....		
14	VOE 11709061	5				Plug.....	Bouchon.....	Stopfen.....	Tapon.....	Plugg.....		
15	VOE 11709199	5				Washer.....	Rondelle.....	Scheibe.....	Arandela.....	Bricka.....		
16	VOE 11709075	3				Plug.....	Bouchon.....	Stopfen.....	Tapon.....	Plugg.....		
17	VOE 11716637	1				Tube.....	Tube.....	Rohr .....	Tube.....	Rör.....		
18	VOE 13970949	5				Hexagon screw.....	Vis a tête hexagonale.....	Sechskantschr.....	Tornillo hexago.....	Sexkantsskruv.....		
19		1				Input Shaft.....	Arbre Primaire.....	Antriebswelle.....	Eje Primario.....	Ingående Axel.....	See group 421, Page 273	
19		1				Reverse Shaft.....	Arbre Marche Ar.....	Rucklaufachse.....	Eje Marcha Atr.....	Backaxel.....	See group 421, Page 277	
19		1				Primary shaft.....	Arbre primaire .....	Primärachse .....	Eje primario .....	Primäraxel.....	See group 421, Page 277	
19		1				Secondary Shaft.....	Arbr.secondaire.....	Sekundärwelle.....	Eje Secundario.....	Sekundäraxel.....	See group 421, Page 287	
19		1				Output shaft.....	Arbre secondaire.....	Abtriebswelle.....	Eje secundario .....	Utgående axel.....	See group 421, Page 297	
20	VOE 11716645	1				Housing.....	Carter.....	Gehäuse.....	Carter.....	Hus.....		
21	VOE 11716638	1				Protection.....	Protection.....	Schutz.....	Proteccion .....	Skydd.....		
22	VOE 946441	2				Flange screw.....	Vis à bride.....	Flanschschraube.....	Torn embridado.....	Flänsskruv.....		
23	VOE 11709057	1				Plug.....	Bouchon.....	Stopfen.....	Tapon.....	Plugg.....		
24	VOE 11709068	3				O-ring.....	Joint Torique .....	O-Ring.....	Junta torica.....	O-ring.....		
25	VOE 950588	2				Pin.....	Goupille.....	Stift.....	Pasador.....	Pinne.....		

1		<b>Transmission med monteringsdetaljer</b>	Catalogue id	Group
2		<b>Transmisión con accesorios de montaje</b>	<b>20004</b>	<b>420</b>
3		<b>Transmission mit Anbauteilen</b>	Illustr. No	Section
4		<b>Transmission avec pièces de montage</b>	<b>1023884</b>	<b>160</b>
5		<b>Hydraulic transmission with fitting parts</b>	Issue	Page
		<b>11891255 S/N 11145 -</b>	<b>VOE 63G9920004</b>	<b>249</b>

**VOLVO**

**BL70**



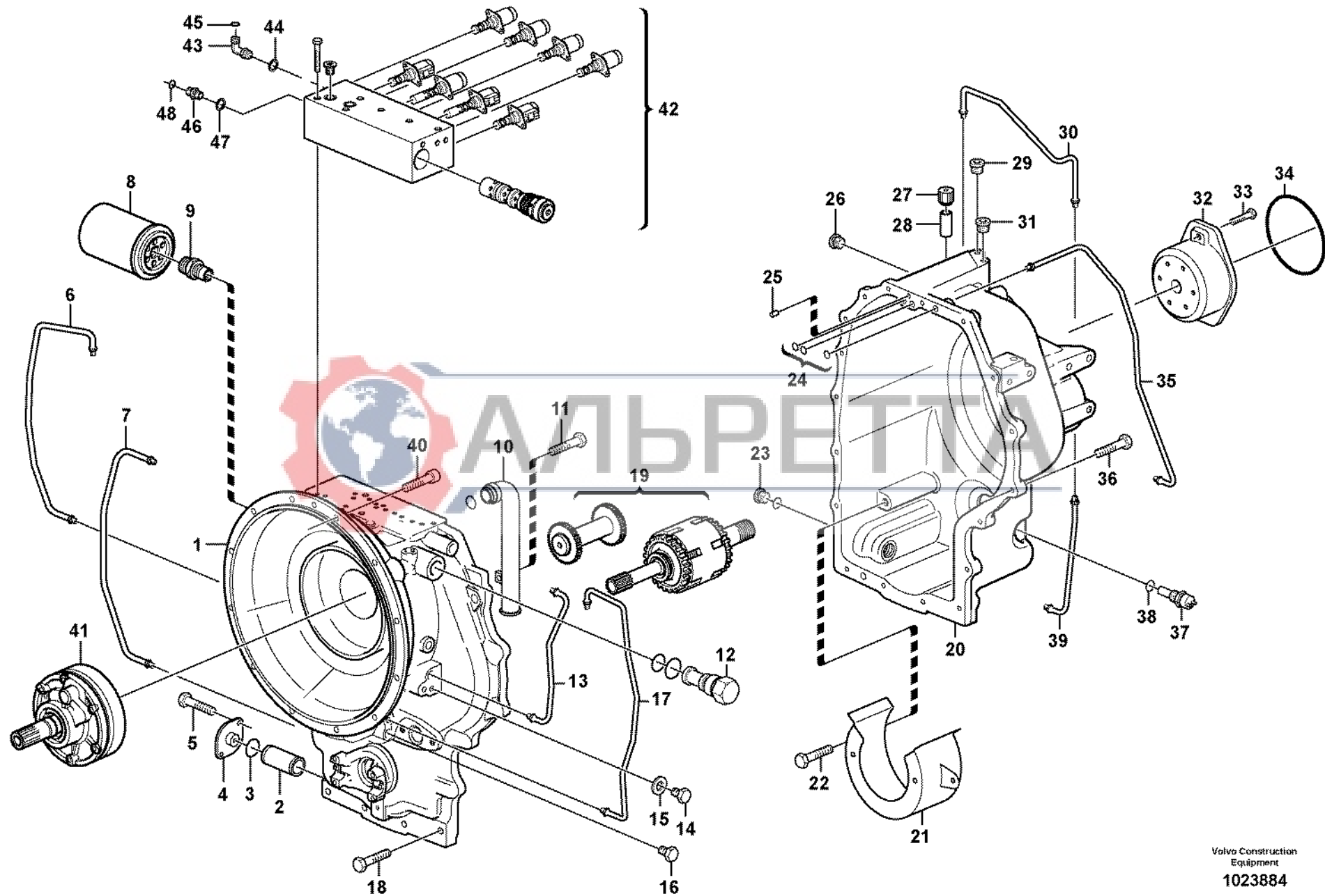


Fig.	Part No.	Quantity			P S	K I T	Description	Dénomination	Bezeichnung	Denominación	Benämning	Notes
		1	2	3								
26	VOE 11709055	2				Plug.....	Bouchon.....	Stopfen.....	Tapon.....	Plugg.....		
27	VOE 11709060	1				Breather Cap.....	Boucho.aeration.....	Lüftungsdeckel.....	Tapa Ventilac.....	Ventil.lock.....		
28	VOE 11709063	1				Breather Pipe.....	Reniflard.....	Luftungsrohr.....	Conduct Ventil.....	Ventilationsrör.....		
29	VOE 11709075	2				Plug.....	Bouchon.....	Stopfen.....	Tapon.....	Plugg.....		
30	VOE 11712950	1				Pipe.....	Canalisation.....	Rohrleitung.....	Canalizacion.....	Rör.....		
31	VOE 11716639	1				Plug.....	Bouchon.....	Stopfen.....	Tapon.....	Plugg.....		
32	VOE 11716640	1				Flange.....	Flasque.....	Flansch.....	Brida.....	Fläns.....		
33	VOE 13970947	6				Hexagon screw.....	Vis a tête hexagonale.....	Sechskantschr.....	Tornillo hexago.....	Sexkantsskruv.....		
34	VOE 11709074	1				O-ring.....	Joint Torique.....	O-Ring.....	Junta torica.....	O-ring.....		
35	VOE 11716641	1				Tube.....	Tube.....	Rohr.....	Tube.....	Rör.....		
36	VOE 13970947	13				Hexagon screw.....	Vis a tête hexagonale.....	Sechskantschr.....	Tornillo hexago.....	Sexkantsskruv.....		
37	VOE 11716642	1				Sensor.....	Capteur.....	Geber.....	Captador.....	Givare.....		
38	VOE 11716643	1				Washer.....	Rondelle.....	Scheibe.....	Arandela.....	Bricka.....		
39	VOE 11716644	1				Tube.....	Tube.....	Rohr.....	Tube.....	Rör.....		
40	VOE 959238	12				Allen Hd Screw.....	Vis A 6 Pans Cr.....	Inbusschraube.....	Torn Hex Embut.....	Insexskriv.....		
41		1				Oil pump.....	Pompe huile.....	Ölpumpe.....	Bomba aceite.....	Oljepump.....	See group 421, Page 265	
42		1				Gear selector valve.....	Valve selectr.vitesse ..	Umsteuventil.....	valvula select.veloci ..	Växelväljarventil.....	See group 421, Page 307	
43	VOE 13933857	1				Elbow Nipple.....	Raccord angulaire.....	Winkelnippel.....	Niple Angular.....	V-nippel.....		
44	VOE 932039	1				•O-ring.....	•Joint Torique.....	•O-Ring.....	•Junta torica.....	•O-ring.....		
45	VOE 990736	1				•O-ring.....	•Joint Torique.....	•O-Ring.....	•Junta torica.....	•O-ring.....		
46	VOE 13933858	1				Union.....	Teton Connexion.....	Anschlussnippel.....	Niple Conexcion.....	Anslutn.nippel.....		
47	VOE 932039	1				•O-ring.....	•Joint Torique.....	•O-Ring.....	•Junta torica.....	•O-ring.....		
48	VOE 990736	1				•O-ring.....	•Joint Torique.....	•O-Ring.....	•Junta torica.....	•O-ring.....		

1	<b>Transmission med monteringsdetaljer</b> <b>Transmisión con accesorios de montaje</b> <b>Transmission mit Anbauteilen</b> <b>Transmission avec pièces de montage</b> <b>Hydraulic transmission with fitting parts</b>  <b>11891255 S/N 11145 -</b>	Catalogue id	Group
2		<b>20004</b>	<b>420</b>
3		Illustr. No	Section
4		<b>1023884</b>	<b>160</b>
5		Issue	Page
		<b>VOE 63G9920004</b>	<b>251</b>



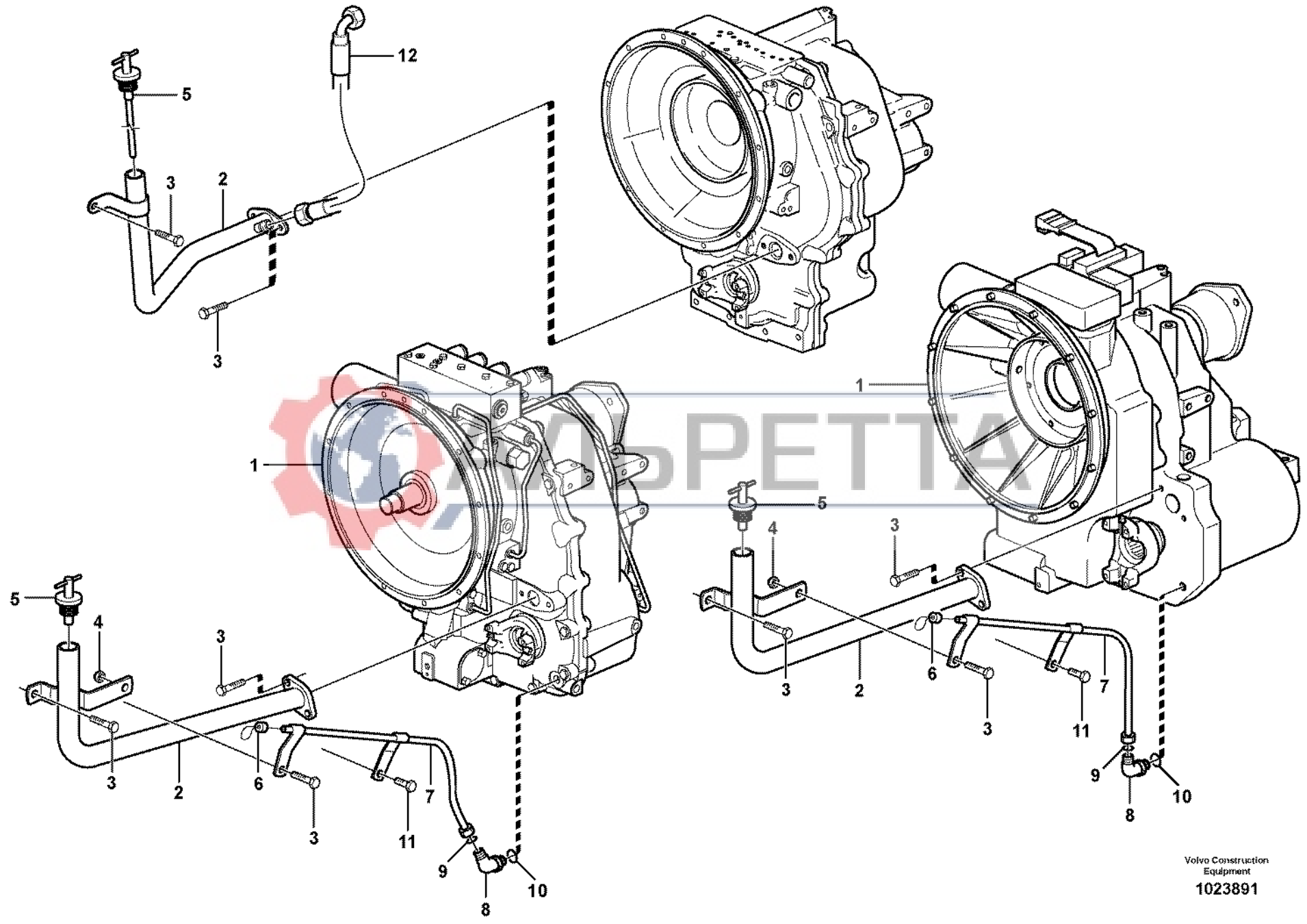
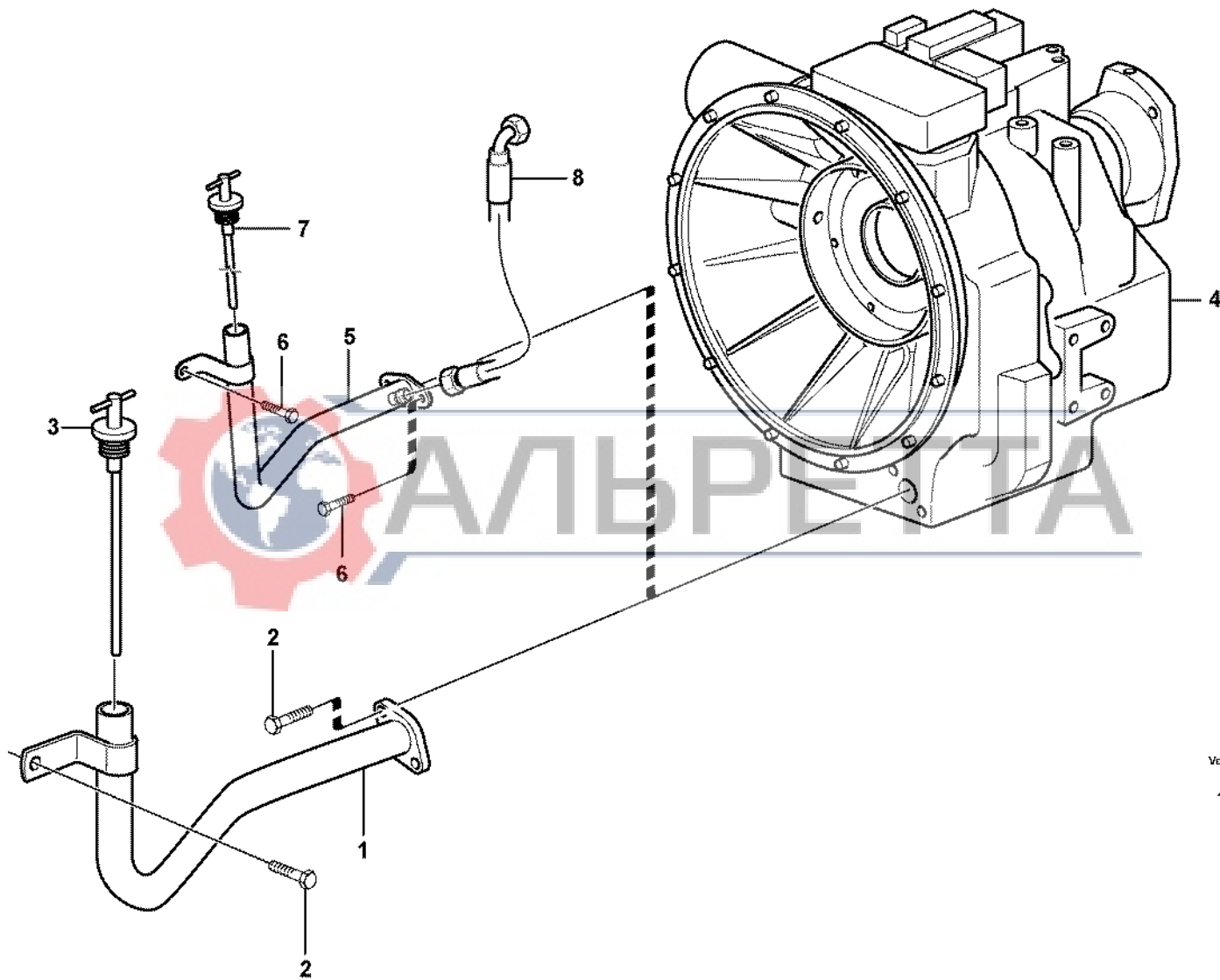


Fig.	Part No.	Quantity					P S	K T	Description	Dénomination	Bezeichnung	Denominación	Benämning	Notes
		1	2	3	4	5								
1	VOE 11884310	1						Transmission .....	Transmission .....	Getriebe .....	Transmision .....	Transmission.....	Power shuttle	
1	VOE 11887380				1			Transmission .....	Transmission .....	Getriebe .....	Transmision .....	Transmission.....		
1	VOE 11890341		1				SS	Transmission .....	Transmission .....	Getriebe .....	Transmision .....	Transmission.....		
1	VOE 11888337		1					Transmission .....	Transmission .....	Getriebe .....	Transmision .....	Transmission.....	S/N - 11144	
1	VOE 11887381			1				Transmission .....	Transmission .....	Getriebe .....	Transmision .....	Transmission.....	S/N 11145 -	
2	VOE 11884059	1						Tube.....	Tube .....	Rohr .....	Tubo .....	Rör.....	Powershift	
2	VOE 11888393				1			Filler pipe .....	Tube remplissa .....	Fullrohr.....	Tubo Llenado .....	Påfyllningsrör.....		
2	VOE 11884881		1					Filler pipe .....	Tube remplissa .....	Fullrohr.....	Tubo Llenado .....	Påfyllningsrör.....		
2	VOE 11888392			1				Filler pipe .....	Tube remplissa .....	Fullrohr.....	Tubo Llenado .....	Påfyllningsrör.....		
3	VOE 963218		4					Hexagon screw .....	Vis tête hexagonale .....	Sechskantschraub .....	Tornillo hexago .....	Sexkantsskruv.....		
3	VOE 13967630	4		3	3			Allen Hd Screw .....	Vis A 6 Pans Cr.....	Inbusschraube .....	Torn Hex Embut .....	Insexskruv.....		
4	VOE 963106		1					Lock nut .....	Contre-ecrou .....	Sicherungsmutter.....	Contratuerca.....	Låsmutter.....		
	VOE 946036		1					Lock nut .....	Contre-ecrou .....	Sicherungsmutter.....	Contratuerca.....	Låsmutter.....		
5	VOE 11882698	1	1					Filler cap .....	Bouchon Rempliss .....	Tankverschluss .....	Tapa Llenado .....	Påfyllningslock.....		
5	VOE 11888467			1				Dipstick .....	Jauge .....	Messtab .....	Varill Medic .....	Mätsticka.....		
5	VOE 11889090				1			Dipstick .....	Jauge .....	Messtab .....	Varill Medic .....	Mätsticka.....		
6	VOE 11882695	1						Dipstick .....	Jauge .....	Messtab .....	Varill Medic .....	Mätsticka.....		
6	VOE 11885312		1					Dipstick .....	Jauge .....	Messtab .....	Varill Medic .....	Mätsticka.....		
7	VOE 11882696	1						Dipstick Tube .....	Tube De Jauge.....	Messtabrohr .....	Tubo Medicion .....	Mätstickerör.....		
7	VOE 11884176		1					Dipstick Tube .....	Tube De Jauge.....	Messtabrohr .....	Tubo Medicion .....	Mätstickerör.....		
8	VOE 935069	1						Elbow nipple .....	Raccord angulaire .....	Winkelnippel .....	Niple angular .....	Vinkelnippel.....		
8	VOE 935640		1					Nipple.....	Raccord .....	Nippel.....	Niple .....	Nippel.....		
	VOE 11883510	1						Plug.....	Bouchon .....	Stopfen .....	Tapon .....	Plugg.....		
9	VOE 4880492		1					•O-ring .....	•Joint Torique .....	•O-Ring .....	•Junta torica.....	•O-ring.....		
10	VOE 932039	1	1					•O-ring .....	•Joint Torique .....	•O-Ring .....	•Junta torica.....	•O-ring.....		
11	VOE 946502	1	1					Flange screw .....	Vis à bride .....	Flanschschraube .....	Torn embridado .....	Flänsskruv.....		
12	VOE 11882192			1	1			Hose assembly .....	Conduit flexible.....	Schlauchleitung .....	Conducto .....	Slangledning.....		



1	11891209 S/N - 11144	<b>Oljepåfyllning och mätsticka</b> <b>Boca de llenado de aceitey varilla de nivel</b> <b>Öleinfüllung und Ölmeßtab</b> <b>Remplissage d'huile et indicateur de niveau</b> <b>Oil filler and dipstick</b>	Catalogue id	Group
2	11891255 S/N - 11144		<b>20004</b>	<b>421</b>
3	11891255 S/N 11145 -		Illustr. No	Section
4	11891209 S/N 11145 -		<b>1023891</b>	<b>150</b>
5			Issue	Page
		<b>VOE 63G9920004</b>	<b>253</b>	



Valvo Construction  
Equipment  
1024226

Fig.	Part No.	Quantity			P S	K I T	Description	Dénomination	Bezeichnung	Denominación	Benämning	Notes
		1	2	3								
1	VOE 11885030	1					Filler pipe .....	Tube remplissa. ....	Fullrohr .....	Tubo Llenado .....	Påfyllningsrör.....	
2	VOE 13967630	3					Allen Hd Screw .....	Vis A 6 Pans Cr.....	Inbusschraube.....	Torn Hex Embut.....	Insexskruv.....	
3	VOE 11885057	1					Filler cap .....	Bouchon Remplissa ...	Tankverschluss .....	Tapa Llenado .....	Påfyllningslock.....	
4	VOE 11890339	1					Transmission.....	Transmission.....	Getriebe .....	Transmision.....	Transmission.....	
4	VOE 11887379		1				Transmission.....	Transmission.....	Getriebe .....	Transmision.....	Transmission.....	
5	VOE 11888393		1				Filler pipe .....	Tube remplissa. ....	Fullrohr .....	Tubo Llenado .....	Påfyllningsrör.....	
6	VOE 13967630		3				Allen Hd Screw .....	Vis A 6 Pans Cr.....	Inbusschraube.....	Torn Hex Embut.....	Insexskruv.....	
7	VOE 11889090		1				Dipstick .....	Jauge .....	Messtab.....	Varill Medic.....	Mätsticka.....	
8	VOE 11882192		1				Hose assembly .....	Conduit flexible .....	Schlauchleitung.....	Conducto .....	Slangledning.....	

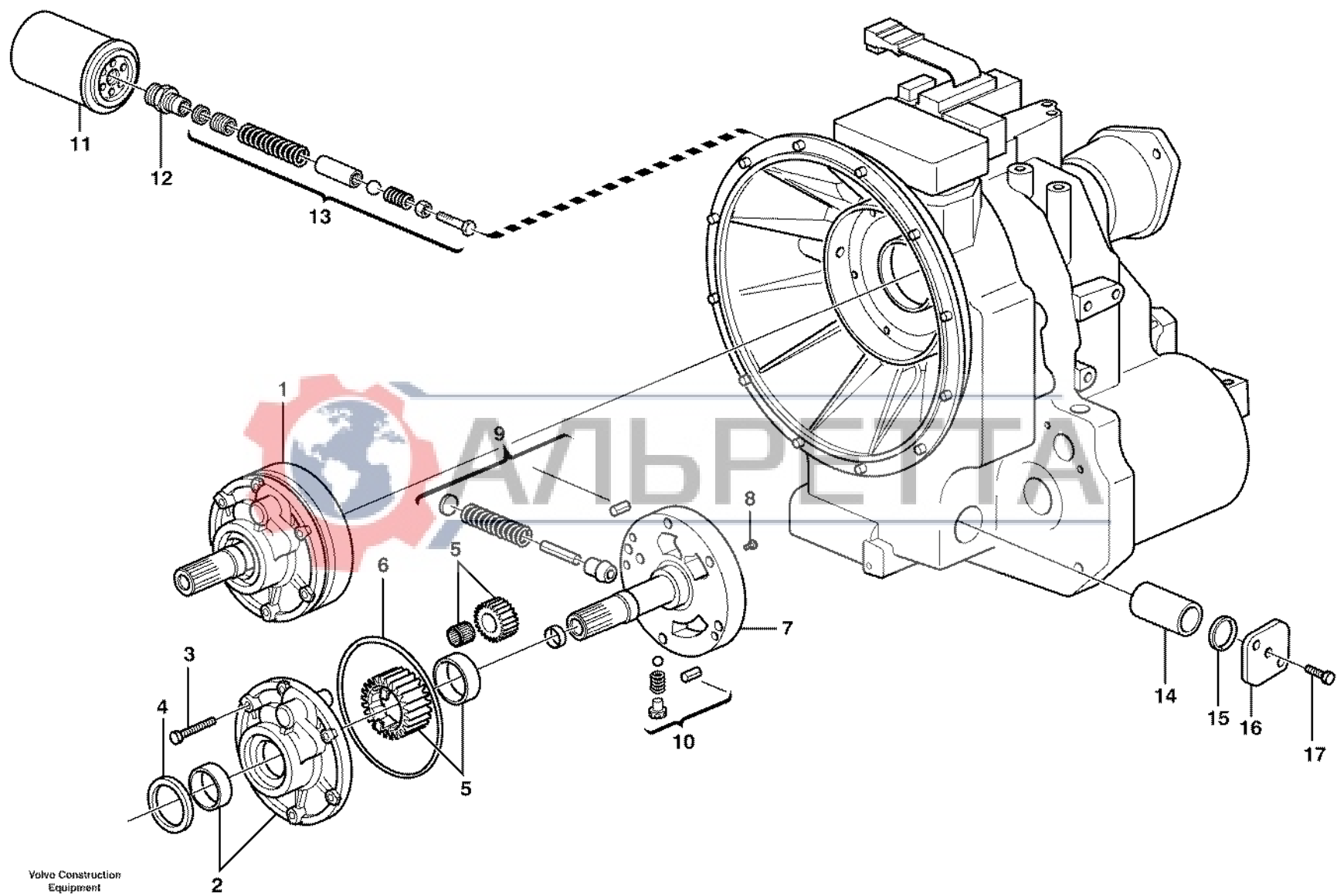


1	11890339	<b>Oljepåfyllning och mätsticka</b> <b>Boca de llenado de aceitey varilla de nivel</b> <b>Öleinfüllung und Ölmeßtab</b> <b>Remplissage d'huile et indicateur de niveau</b> <b>Oil filler and dipstick</b>	Catalogue id	Group
2	11887379		<b>20004</b>	<b>421</b>
3			Illustr. No	Section
4			<b>1024226</b>	<b>175</b>
5			Issue	Page
	11891224	<b>VOE 63G9920004</b>	<b>255</b>	

**VOLVO**

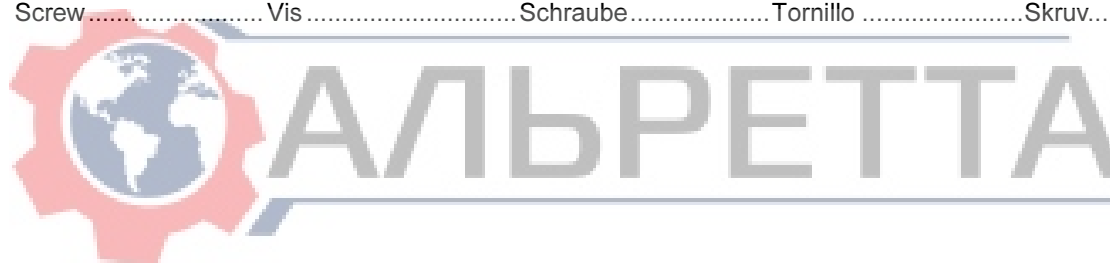
**BL70**





Volvo Construction  
 Equipment  
 1011548

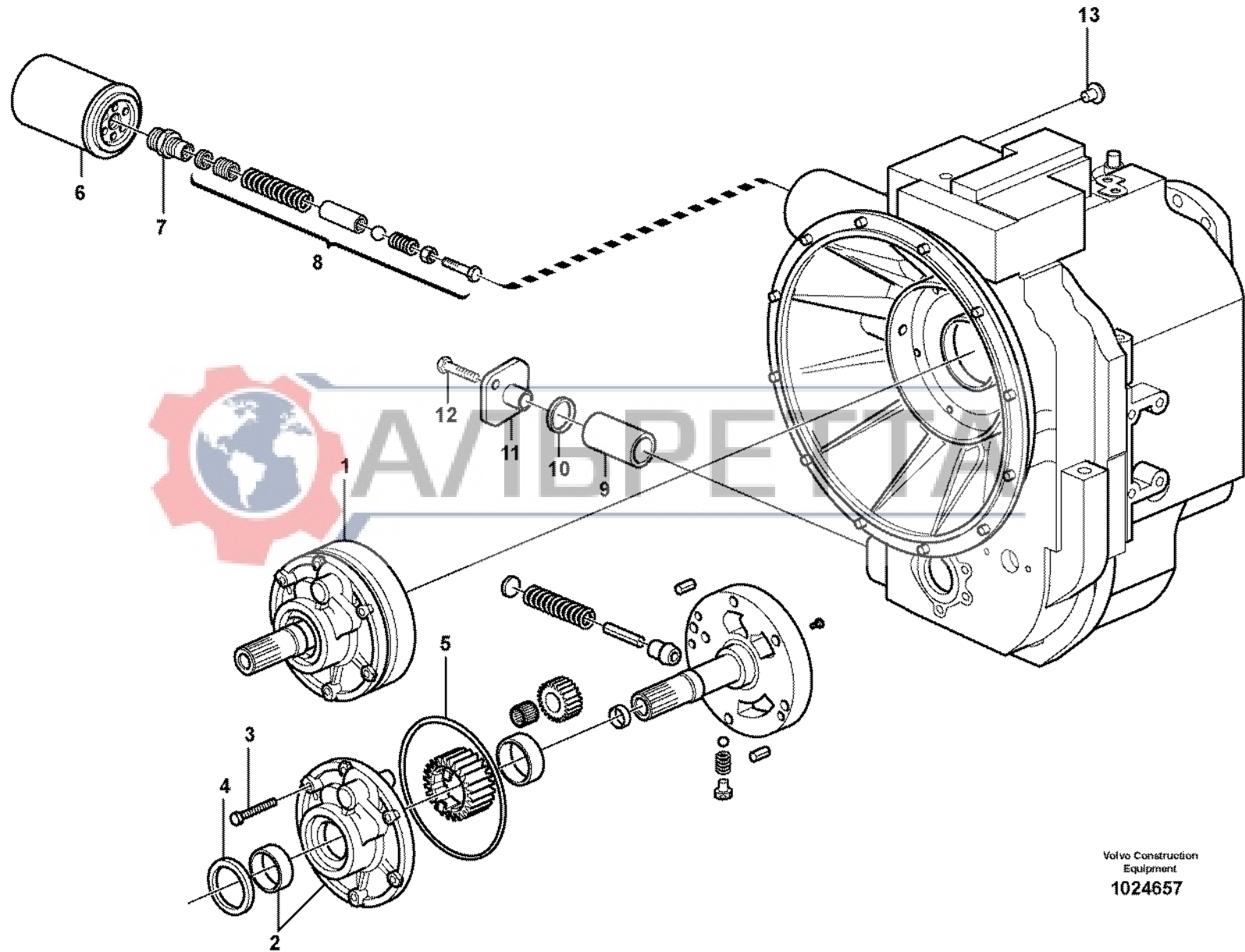
Fig.	Part No.	Quantity			P S	K I T	Description	Dénomination	Bezeichnung	Denominación	Benämning	Notes
		1	2	3								
1	VOE 11709045	1				Oil pump.....	Pompe huile .....	Ölpumpe.....	Bomba aceite .....	Oljepump.....		
2		1			NS	•Pump Body .....	•Corps de pompe .....	•Pumpengehäuse.....	•Cuerpo Bomba .....	•Pumpkropp.....		
3	VOE 955302	9				•Hexagon screw .....	•Vis tête hexagonale ..	•Sechskantschraube ..	•Tornillo hexago .....	•Sexkantsskruv.....		
4	VOE 11712659	1				•Seal .....	•Joint .....	•Dichtring.....	•Junta .....	•Tätning.....		
5		1			NS	•Gear Set .....	•Jeu Pignons .....	•Zahnradsatz .....	•Juego Engranaje.....	•Kugghjulsats.....		
6	VOE 11709047	1				•O-ring.....	•Joint Torique .....	•O-Ring.....	•Junta torica .....	•O-ring.....		
7		1			NS	•Stator .....	•Stator .....	•Ständer .....	•Estator.....	•Stator.....		
8	VOE 13947542	1				•Screw.....	•Vis .....	•Schraube.....	•Tornillo .....	•Skruv.....		
9	VOE 11712940	1			OP	•Relief valve .....	•Limiteur - pression ...	•Druckbegrenzer .....	•Limitador presion .....	•Avlastningsventil.....		
10	VOE 11712941	1			OP	•Converter Valve .....	•Valve Converti. ....	•Wandlerventil .....	•Valv Convertid.....	•Momentomv.vent.....		
11	VOE 11709048	1				Oil Filter.....	Filtre Huile.....	Ölfilter.....	Filtro Aceite .....	Oljefilter.....		
12	VOE 11709053	1				Nipple.....	Raccord.....	Nippel.....	Niple .....	Nippel.....		
13	VOE 11709049	1				Valve Kit.....	Kit valve .....	Ventilsatz.....	Juego Valvula.....	Ventilsats.....		
14	VOE 11709050	1				Oil Filter.....	Filtre Huile.....	Ölfilter.....	Filtro Aceite .....	Oljefilter.....		
15	VOE 11709051	1				O-ring .....	Joint Torique .....	O-Ring.....	Junta torica.....	O-ring.....		
16	VOE 11709052	1				Cover .....	Couvercle.....	Deckel .....	Tapa .....	Lock.....		
17	VOE 13955294	2				Screw.....	Vis .....	Schraube.....	Tornillo .....	Skruv.....		



1		<b>Oljepump</b> <b>Bomba de aceite</b> <b>Ölpumpe</b> <b>Pompe à huile</b> <b>Oil pump</b>	Catalogue id	Group
2			<b>20004</b>	<b>421</b>
3			Illustr. No	Section
4			<b>1011548</b>	<b>200</b>
5			Issue	Page
			<b>VOE 63G9920004</b>	<b>257</b>
			<b>11891209 S/N - 11144</b>	

**VOLVO**

**BL70**



Volvo Construction  
Equipment  
1024657

Fig.	Part No.	Quantity			P S	K I T	Description	Dénomination	Bezeichnung	Denominación	Benämning	Notes
		1	2	3								
1	VOE 11716780	1				Oil Pump .....	Pompe a huile .....	Ölpumpe.....	Bomba de aceite .....	Oljepump.....		
2		1			NS	•Pump Body .....	•Corps de pompe .....	•Pumpengehäuse.....	•Cuerpo Bomba .....	•Pumpkropp.....		
3	VOE 955302	6				•Hexagon screw .....	•Vis tête hexagonale ..	•Sechskantschraube ..	•Tornillo hexago .....	•Sexkantsskruv.....		
4	VOE 11712659	1				•Seal .....	•Joint .....	•Dichtring.....	•Junta .....	•Tätning.....		
5	VOE 11709047	1				•O-ring.....	•Joint Torique .....	•O-Ring.....	•Junta torica .....	•O-ring.....		
6	VOE 11716781	1				Oil Filter.....	Filtre Huile.....	Ölfilter.....	Filtro Aceite .....	Oljefilter.....		
7	VOE 11709053	1				Nipple.....	Raccord.....	Nippel .....	Niple .....	Nippel.....		
8	VOE 11709049	1				Valve Kit.....	Kit valve .....	Ventilsatz.....	Juego Valvula.....	Ventilsats.....		
9	VOE 11709050	1				Oil Filter.....	Filtre Huile.....	Ölfilter.....	Filtro Aceite .....	Oljefilter.....		
10	VOE 11709051	1				O-ring.....	Joint Torique .....	O-Ring.....	Junta torica.....	O-ring.....		
11	VOE 11709052	1				Cover .....	Couvercle.....	Deckel .....	Tapa .....	Lock.....		
12	VOE 13955294	2				Screw.....	Vis .....	Schraube.....	Tornillo .....	Skruv.....		
13	VOE 11709200	1				Plug.....	Bouchon .....	Stopfen.....	Tapon .....	Plugg.....		

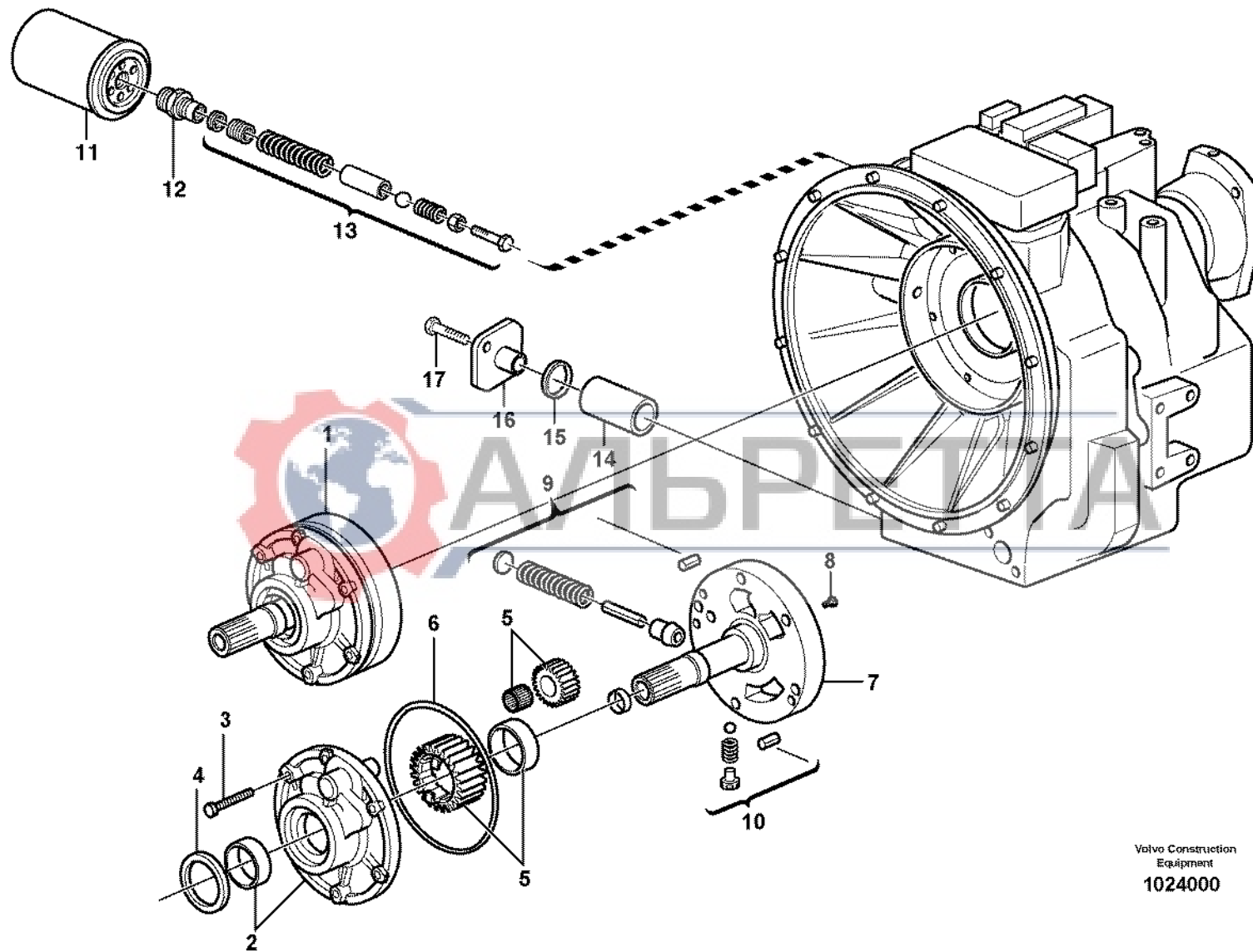


1	11887380	<b>Oljepump</b> <b>Bomba de aceite</b> <b>Ölpumpe</b> <b>Pompe à huile</b> <b>Oil pump</b>	Catalogue id	Group
2			<b>20004</b>	<b>421</b>
3			Illustr. No	Section
4			<b>1024657</b>	<b>205</b>
5			Issue	Page
		<b>11891209 S/N 11145 -</b>	<b>VOE 63G9920004</b>	<b>259</b>

**VOLVO**

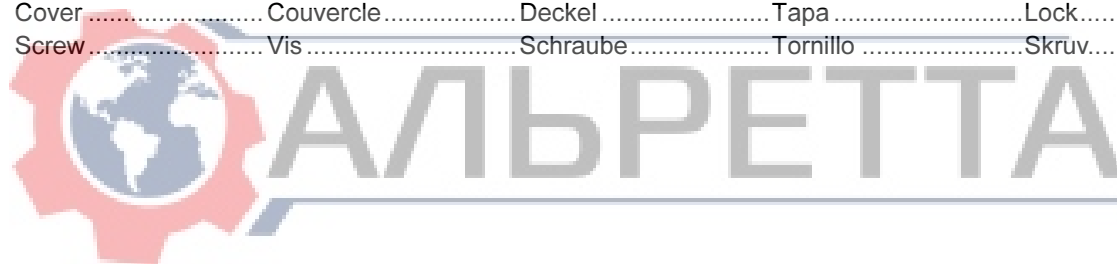
**BL70**





Volvo Construction  
Equipment  
1024000

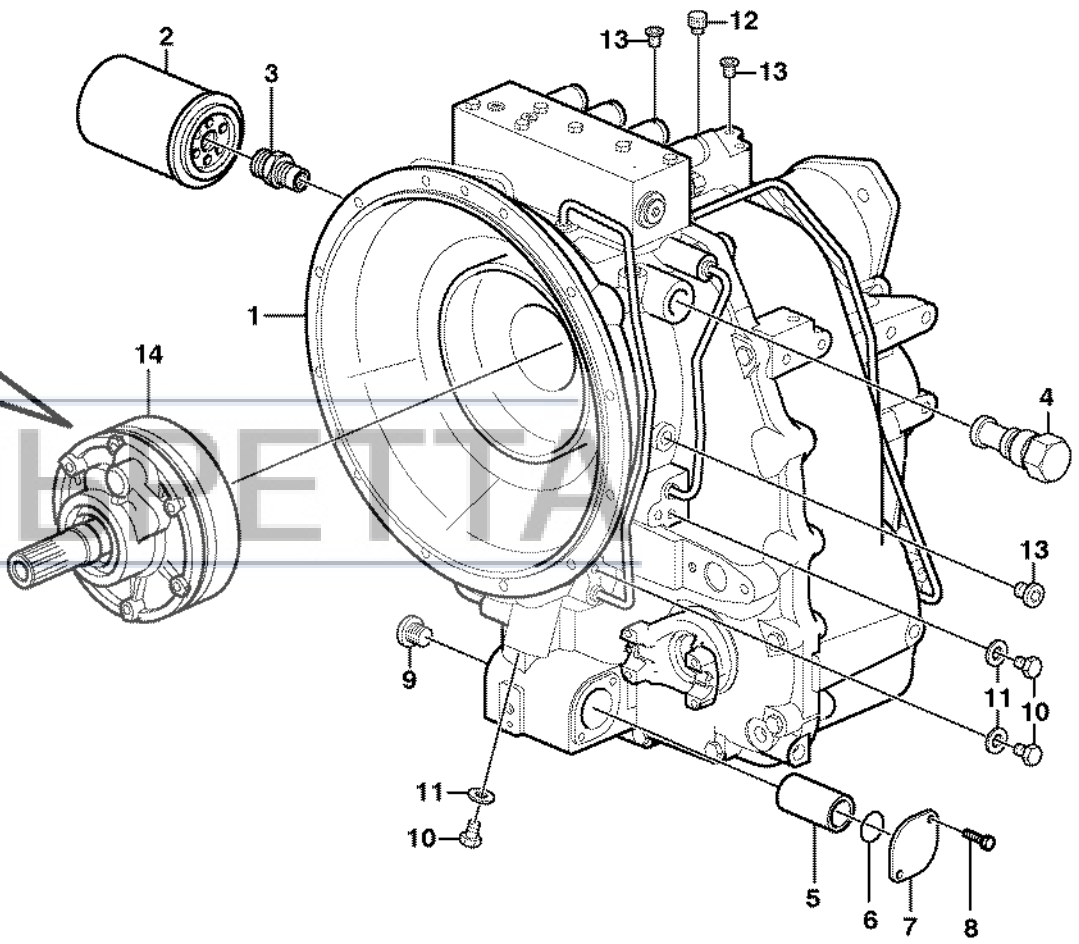
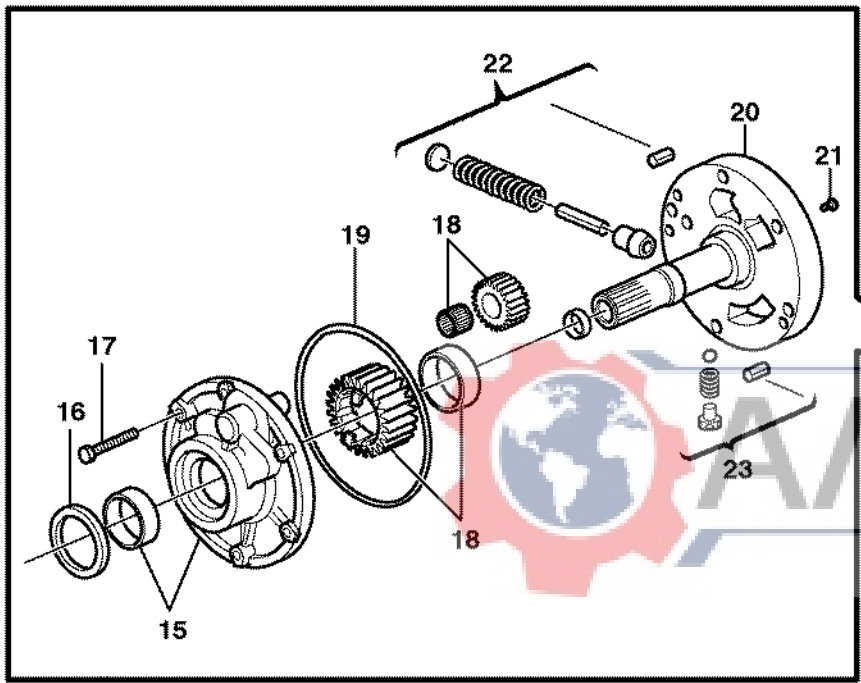
Fig.	Part No.	Quantity			P S	K I T	Description	Dénomination	Bezeichnung	Denominación	Benämning	Notes
		1	2	3								
1	VOE 11709045	1				Oil pump.....	Pompe huile .....	Ölpumpe.....	Bomba aceite .....	Oljepump.....		
1	VOE 11715039		1			Oil Pump .....	Pompe a huile .....	Ölpumpe.....	Bomba de aceite .....	Oljepump.....	S/N - 11144	
2		1	1	NS		•Pump Body .....	•Corps de pompe .....	•Pumpengehäuse.....	•Cuerpo Bomba .....	•Pumpkropp.....		
3	VOE 955302	6	6			•Hexagon screw .....	•Vis tête hexagonale ..	•Sechskantschraube ..	•Tornillo hexago .....	•Sexkantsskruv.....		
4	VOE 11712659	1	1			•Seal .....	•Joint .....	•Dichtring.....	•Junta .....	•Tätning.....		
5		1	1	NS		•Gear Set .....	•Jeu Pignons .....	•Zahnradsatz .....	•Juego Engranaje.....	•Kugghjulsats.....		
6	VOE 11709047	1	1			•O-ring.....	•Joint Torique .....	•O-Ring.....	•Junta torica .....	•O-ring.....		
7		1	1	NS		•Stator .....	•Stator .....	•Ständer .....	•Estator.....	•Stator.....		
8	VOE 13947542	1				•Screw.....	•Vis.....	•Schraube.....	•Tornillo .....	•Skruv.....		
9	VOE 11712940	1		OP		•Relief valve .....	•Limiteur - pression ...	•Druckbegrenzer .....	•Limitador presion .....	•Avlastningsventil.....		
10	VOE 11712941	1		OP		•Converter Valve .....	•Valve Converti. ....	•Wandlerventil .....	•Valv Convertid.....	•Momentomv.vent.....		
11	VOE 11709048	1	1			Oil Filter.....	Filtre Huile.....	Ölfilter.....	Filtro Aceite .....	Oljefilter.....		
12	VOE 11709053	1	1			Nipple.....	Raccord.....	Nippel.....	Niple .....	Nippel.....		
13	VOE 11709049		1			Valve Kit.....	Kit valve .....	Ventilsatz.....	Juego Valvula.....	Ventilsats.....		
14	VOE 11709050	1	1			Oil Filter.....	Filtre Huile.....	Ölfilter.....	Filtro Aceite .....	Oljefilter.....		
15	VOE 11709051	1	1			O-ring .....	Joint Torique .....	O-Ring.....	Junta torica.....	O-ring.....		
16	VOE 11709052	1	1			Cover .....	Couvercle .....	Deckel .....	Tapa .....	Lock.....		
17	VOE 13955294	2	2			Screw .....	Vis .....	Schraube.....	Tornillo .....	Skruv.....		



1	11890339	Oljepump Bomba de aceite Ölpumpe Pompe à huile Oil pump 11891224	Catalogue id	Group
2	11887379		<b>20004</b>	<b>421</b>
3			Illustr. No	Section
4			<b>1024000</b>	<b>210</b>
5			Issue	Page
			<b>VOE 63G9920004</b>	<b>261</b>

**VOLVO**

**BL70**



Volvo Construction  
Equipment  
1011531

Fig.	Part No.	Quantity			P S	K I T	Description	Dénomination	Bezeichnung	Denominación	Benämning	Notes
		1	2	3								
1	VOE 11890341	1				SS	Transmission.....	Transmission.....	Getriebe .....	Transmision.....	Transmission.....	
2	VOE 11709048	1					•Oil Filter .....	•Filtre Huile.....	•Ölfilter.....	•Filtro Aceite .....	•Oljefilter.....	
3	VOE 11709053	1					•Nipple .....	•Raccord .....	•Nippel.....	•Niple.....	•Nippel.....	
4	VOE 11712951	1					•Valve.....	•Soupape .....	•Ventil.....	•Valvula .....	•Ventil.....	
5	VOE 11709050	1					•Oil Filter .....	•Filtre Huile.....	•Ölfilter.....	•Filtro Aceite .....	•Oljefilter.....	
6	VOE 11709051	1					•O-ring.....	•Joint Torique.....	•O-Ring.....	•Junta torica .....	•O-ring.....	
7	VOE 11709052	1					•Cover .....	•Couvercle.....	•Deckel.....	•Tapa .....	•Lock.....	
8	VOE 13955294	2					•Screw.....	•Vis.....	•Schraube.....	•Tornillo .....	•Skruv.....	
9	VOE 11709057	5					•Plug .....	•Bouchon.....	•Stopfen .....	•Tapon.....	•Plugg.....	
10	VOE 11709061	6					•Plug .....	•Bouchon.....	•Stopfen .....	•Tapon.....	•Plugg.....	
11	VOE 11709199	6					•Washer .....	•Rondelle.....	•Scheibe .....	•Arandela.....	•Bricka.....	
12	VOE 11709060	1					•Breather Cap .....	•Boucho.aeration.....	•Lüftungsdeckel.....	•Tapa Ventilac .....	•Ventil.lock.....	
13	VOE 11709075	3					•Plug .....	•Bouchon.....	•Stopfen .....	•Tapon.....	•Plugg.....	
14	VOE 11709045	1					•Oil pump .....	•Pompe huile.....	•Ölpumpe .....	•Bomba aceite .....	•Oljepump.....	
15		1				NS	••Pump Body.....	••Corps de pompe .....	••Pumpengehäuse .....	••Cuerpo Bomba.....	••Pumpkropp.....	
16	VOE 11712659	1					••Seal .....	••Joint.....	••Dichtring .....	••Junta .....	••Tätning.....	
17	VOE 955302	9					••Hexagon screw.....	••Vis tête hexagonale.....	••Sechskantschraube .....	••Tornillo hexago .....	••Sexkantsskruv.....	
18		1				NS	••Gear Set.....	••Jeu Pignons.....	••Zahnradatz.....	••Juego Engranaje.....	••Kugghjulsats.....	
19	VOE 11709047	1					••O-ring.....	••Joint Torique.....	••O-Ring .....	••Junta torica .....	••O-ring.....	
20		1				NS	••Stator.....	••Stator.....	••Ständer.....	••Estator.....	••Stator.....	
21	VOE 13947542	1					••Screw .....	••Vis.....	••Schraube .....	••Tornillo .....	••Skruv.....	
22	VOE 11712940	1				OP	••Relief valve.....	••Limiteur - pression .....	••Druckbegrenzer .....	••Limitador presion .....	••Avlastningsventil.....	
23	VOE 11712941	1				OP	••Converter Valve.....	••Valve Converti. ....	••Wandlerventil.....	••Valv Convertid .....	••Momentomv.vent.....	

1		<b>Oljepump</b> <b>Bomba de aceite</b> <b>Ölpumpe</b> <b>Pompe à huile</b> <b>Oil pump</b>  <b>11891255 S/N - 11144</b>	Catalogue id	Group
2			<b>20004</b>	<b>421</b>
3			Illustr. No	Section
4			<b>1011531</b>	<b>225</b>
5			Issue	Page
			<b>VOE 63G9920004</b>	<b>263</b>

**VOLVO**

**BL70**

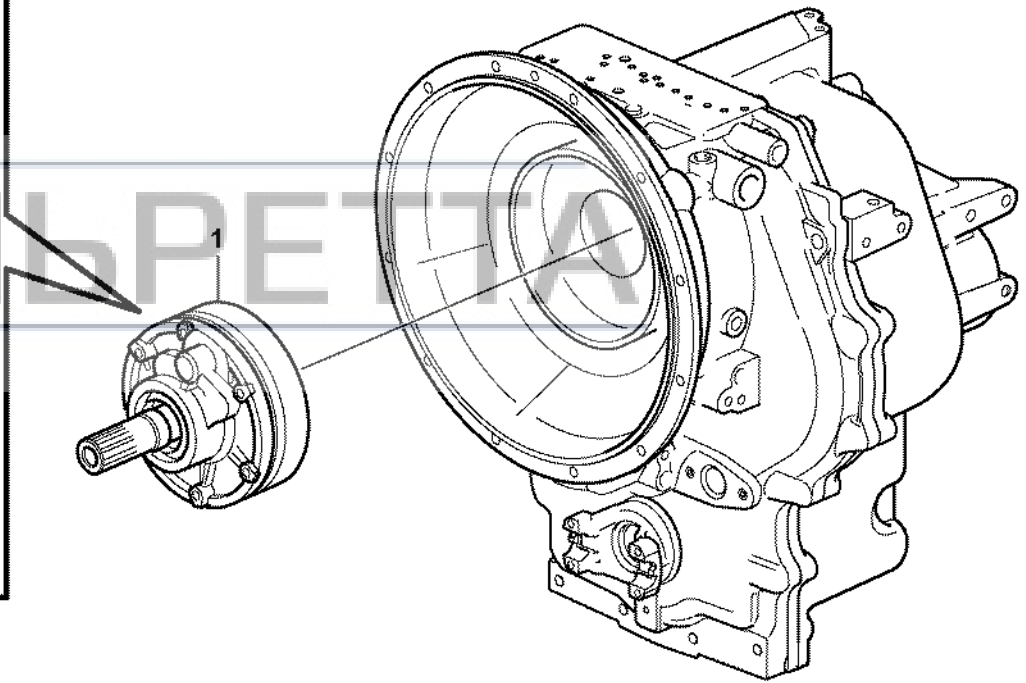
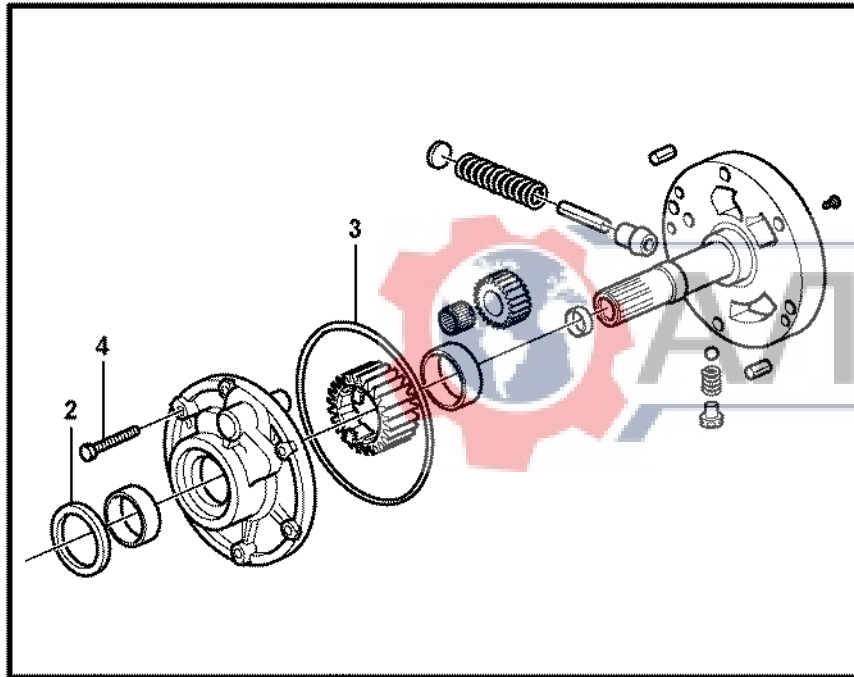


Fig.	Part No.	Quantity			P S	K I T	Description	Dénomination	Bezeichnung	Denominación	Benämning	Notes
		1	2	3								
1	VOE 11715039	1				Oil Pump .....	Pompe a huile .....	Ölpumpe.....	Bomba de aceite .....	Oljepump.....		
2	VOE 11712659	1				•Seal .....	•Joint .....	•Dichtring.....	•Junta .....	•Tätning.....		
3	VOE 11709047	1				•O-ring.....	•Joint Torique .....	•O-Ring.....	•Junta torica .....	•O-ring.....		
4	VOE 955302	9				Hexagon screw .....	Vis tête hexagonale ...	Sechskantschraube....	Tornillo hexago.....	Sexkantsskruv.....		



1		<b>Oljepump</b> <b>Bomba de aceite</b> <b>Ölpumpe</b> <b>Pompe à huile</b> <b>Oil pump</b>	Catalogue id	Group
2			<b>20004</b>	<b>421</b>
3			Illustr. No	Section
4			<b>1023885</b>	<b>230</b>
5			Issue	Page
		<b>11891255 S/N 11145 -</b>	<b>VOE 63G9920004</b>	<b>265</b>

**VOLVO**

**BL70**



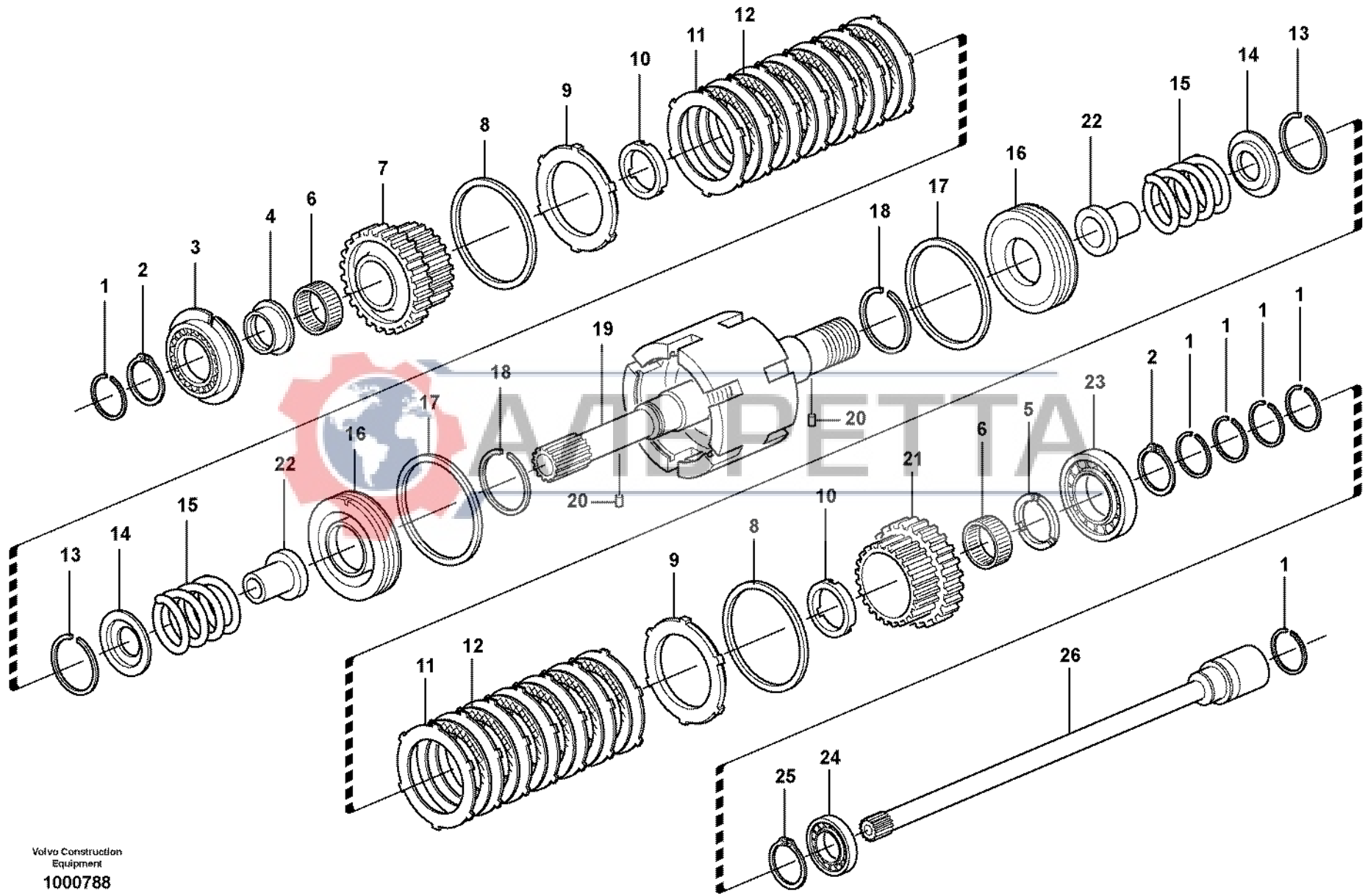


Fig.	Part No.	Quantity			P S	K I T	Description	Dénomination	Bezeichnung	Denominación	Benämning	Notes
		1	2	3								
1	VOE 11709076	6				Sealing ring .....	Bague d'étanchéité .....	Runddichtring .....	Anillo reten .....	Tätningsring .....		
2	VOE 11709077	2				Lock Ring .....	Anneau Verrouillage ..	Schlossring .....	Anillo Segurid .....	Låsring .....		
3	VOE 11709078	1				Bearing .....	Palier .....	Lager .....	Cojinete .....	Lager .....		
4	VOE 11709079	1				Spacer .....	Entretoise .....	Abstandkörper .....	Distanciador .....	Distans .....		
5	VOE 11709080	1				Spacer Washer .....	Rond.entretoise .....	Abstandscheibe .....	Arandela Dist .....	Distansbricka .....		
6	VOE 11709081	2				Needle Bearing .....	Roule.aiguilles .....	Nadellager .....	Cojinete Agujas .....	Nållager .....		
7	VOE 11709082	1				Drive gear .....	Pignon .....	Triebrad .....	Pinon .....	Drev .....		
8	VOE 11709083	2				Lock Ring .....	Anneau Verrouillage ..	Schlossring .....	Anillo Segurid .....	Låsring .....		
9	VOE 11709084	2				Clutch Ring .....	Manchon Acoup .....	Kupplungsring .....	Anillo Embrague .....	Kopplingsring .....		
10	VOE 11709085	2				Spacer .....	Entretoise .....	Abstandkörper .....	Distanciador .....	Distans .....		
11	VOE 11709086	14				Clutch disc .....	Disque embrayage .....	Kupplungslamelle .....	Disco embrague .....	Kopplingslamell .....		
12	VOE 11709087	12				Clutch disc .....	Disque embrayage .....	Kupplungslamelle .....	Disco embrague .....	Kopplingslamell .....		
13	VOE 11709088	2				Lock Ring .....	Anneau Verrouillage ..	Schlossring .....	Anillo Segurid .....	Låsring .....		
14	VOE 11709089	2				Cover .....	Couvercle .....	Deckel .....	Tapa .....	Lock .....		
15	VOE 11709090	2				Lock Spring .....	Ressort Verrou .....	Sperrfeder .....	Resorte Bloqueo .....	Låsfjäder .....		
16	VOE 11709091	2				Piston .....	Piston .....	Kolben .....	Piston .....	Kolv .....		
17	VOE 11709092	2				Seal .....	Joint .....	Dichtung .....	Reten .....	Tätning .....		
18	VOE 11709093	2				Seal .....	Joint .....	Dichtung .....	Reten .....	Tätning .....		
19	VOE 11709094	1				Axle .....	Arbre .....	Welle .....	Eje .....	Axel .....		
20	VOE 11709095	2				Pin .....	Goupille .....	Stift .....	Pasador .....	Pinne .....		
21	VOE 11709096	1				Drive gear .....	Pignon .....	Triebrad .....	Pinon .....	Drev .....		
22	VOE 11709097	2				Flange .....	Bride .....	Flansch .....	Brida .....	Fläns .....		
23	VOE 11709098	1				Bearing .....	Palier .....	Lager .....	Cojinete .....	Lager .....		
24	VOE 11709099	1				Bearing .....	Palier .....	Lager .....	Cojinete .....	Lager .....		
25	VOE 11709100	1				Snap Ring .....	Circlip .....	Nutring .....	Circlip .....	Spårring .....		
26	VOE 11709101	1				Axle .....	Arbre .....	Welle .....	Eje .....	Axel .....		

1	<b>Kopplingsaxel fram/back</b> <b>Eje de embrague delante/detrás</b> <b>Kupplungswelle vorwärts/rückwärts</b> <b>Arbre d'accouplement AV/AR</b> <b>Clutch shaft forward/reverse</b>	Catalogue id	Group
2		<b>20004</b>	<b>421</b>
3		Illustr. No	Section
4		<b>1000788</b>	<b>250</b>
5		Issue	Page
	<b>11891209 S/N - 11144</b>	<b>VOE 63G9920004</b>	<b>267</b>

**VOLVO**

**BL70**



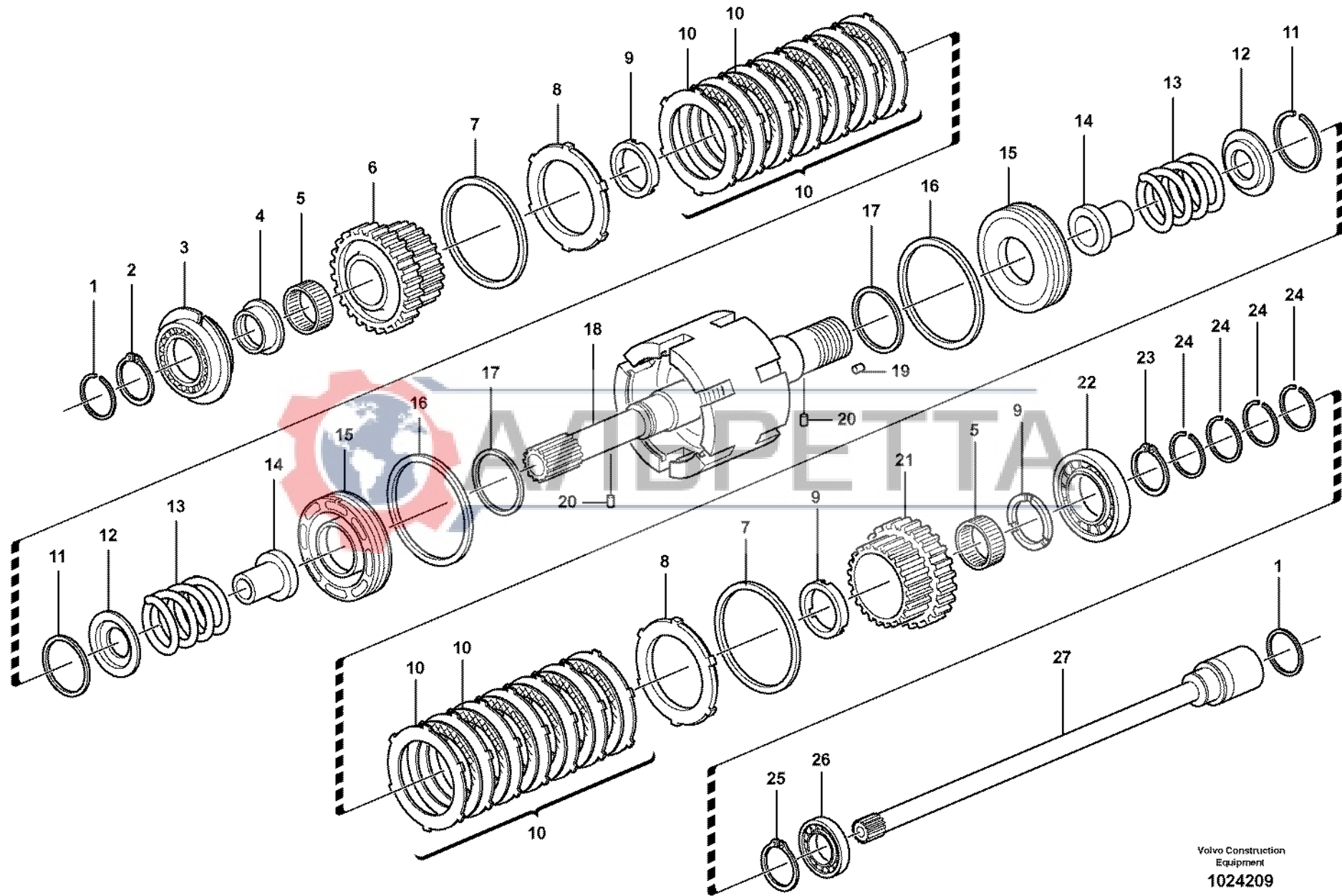


Fig.	Part No.	Quantity			P S	K I T	Description	Dénomination	Bezeichnung	Denominación	Benämning	Notes
		1	2	3								
1	VOE 11709076	2					Sealing ring .....	Bague d'étanchéité .....	Runddichtring .....	Anillo reten .....	Tätningring .....	
2	VOE 11709077	1					Lock Ring .....	Anneau Verrouillage ..	Schlossring .....	Anillo Segurid .....	Låsring .....	
3	VOE 11709078	1					Bearing .....	Palier .....	Lager .....	Cojinete .....	Lager .....	
4	VOE 11709079	1					Spacer .....	Entretoise .....	Abstandkörper .....	Distanciador .....	Distans .....	
5	VOE 11709081	2					Needle Bearing .....	Roule.aiguilles .....	Nadellager .....	Cojinete Agujas .....	Nållager .....	
6	VOE 11709082	1					Drive gear .....	Pignon .....	Triebrad .....	Pinon .....	Drev .....	
7	VOE 11709083	2					Lock Ring .....	Anneau Verrouillage ..	Schlossring .....	Anillo Segurid .....	Låsring .....	
8	VOE 11709084	2					Clutch Ring .....	Manchon Acoup. ....	Kupplungsring .....	Anillo Embrague .....	Kopplingsring .....	
9	VOE 11709085	3					Spacer .....	Entretoise .....	Abstandkörper .....	Distanciador .....	Distans .....	
10	VOE 11709087	2					Clutch disc .....	Disque embrayage .....	Kupplungslamelle .....	Disco embrague .....	Kopplingslamell .....	
11	VOE 11709088	2					Lock Ring .....	Anneau Verrouillage ..	Schlossring .....	Anillo Segurid .....	Låsring .....	
12	VOE 11709089	2					Cover .....	Couvercle .....	Deckel .....	Tapa .....	Lock .....	
13	VOE 11709090	2					Lock Spring .....	Ressort Verrou. ....	Sperrfeder .....	Resorte Bloqueo .....	Låsfjäder .....	
14	VOE 11709097	2					Flange .....	Bride .....	Flansch .....	Brida .....	Fläns .....	
15	VOE 11709091	2					Piston .....	Piston .....	Kolben .....	Piston .....	Kolv .....	
16	VOE 11709092	2					Seal .....	Joint .....	Dichtung .....	Reten .....	Tätning .....	
17	VOE 11709093	2					Seal .....	Joint .....	Dichtung .....	Reten .....	Tätning .....	
18	VOE 11716785	1					Shaft .....	Arbre .....	Welle .....	Arbol .....	Axel .....	
19	VOE 11712469	4					•Rivet .....	•Rivet .....	•Niet .....	•Remache .....	•Nit .....	
20	VOE 11709095	2					Pin .....	Goupille .....	Stift .....	Pasador .....	Pinne .....	
21	VOE 11709096	1					Drive gear .....	Pignon .....	Triebrad .....	Pinon .....	Drev .....	
22	VOE 11712468	1					Bearing .....	Palier .....	Lager .....	Cojinete .....	Lager .....	
23	VOE 11709151	1					Snap Ring .....	Circlip .....	Nutring .....	Circlip .....	Spårring .....	
24	VOE 11712470	4					Sealing ring .....	Bague d'étanchéité .....	Runddichtring .....	Anillo reten .....	Tätningring .....	
25	VOE 81709100	1					Snap Ring .....	Circlip .....	Nutring .....	Circlip .....	Spårring .....	
26	VOE 11709099	1					Bearing .....	Palier .....	Lager .....	Cojinete .....	Lager .....	
27	VOE 11709101	1					Axle .....	Arbre .....	Welle .....	Eje .....	Axel .....	

1	11897380	<b>Kopplingsaxel fram/back</b> <b>Eje de embrague delante/detrás</b> <b>Kupplungswelle vorwärts/rückwärts</b> <b>Arbre d'accouplement AV/AR</b> <b>Clutch shaft forward/reverse</b>  <b>11891209 S/N 11145 -</b>	Catalogue id	Group
2			<b>20004</b>	<b>421</b>
3			Illustr. No	Section
4			<b>1024209</b>	<b>255</b>
5			Issue	Page
			<b>VOE 63G9920004</b>	<b>269</b>

**VOLVO**

**BL70**

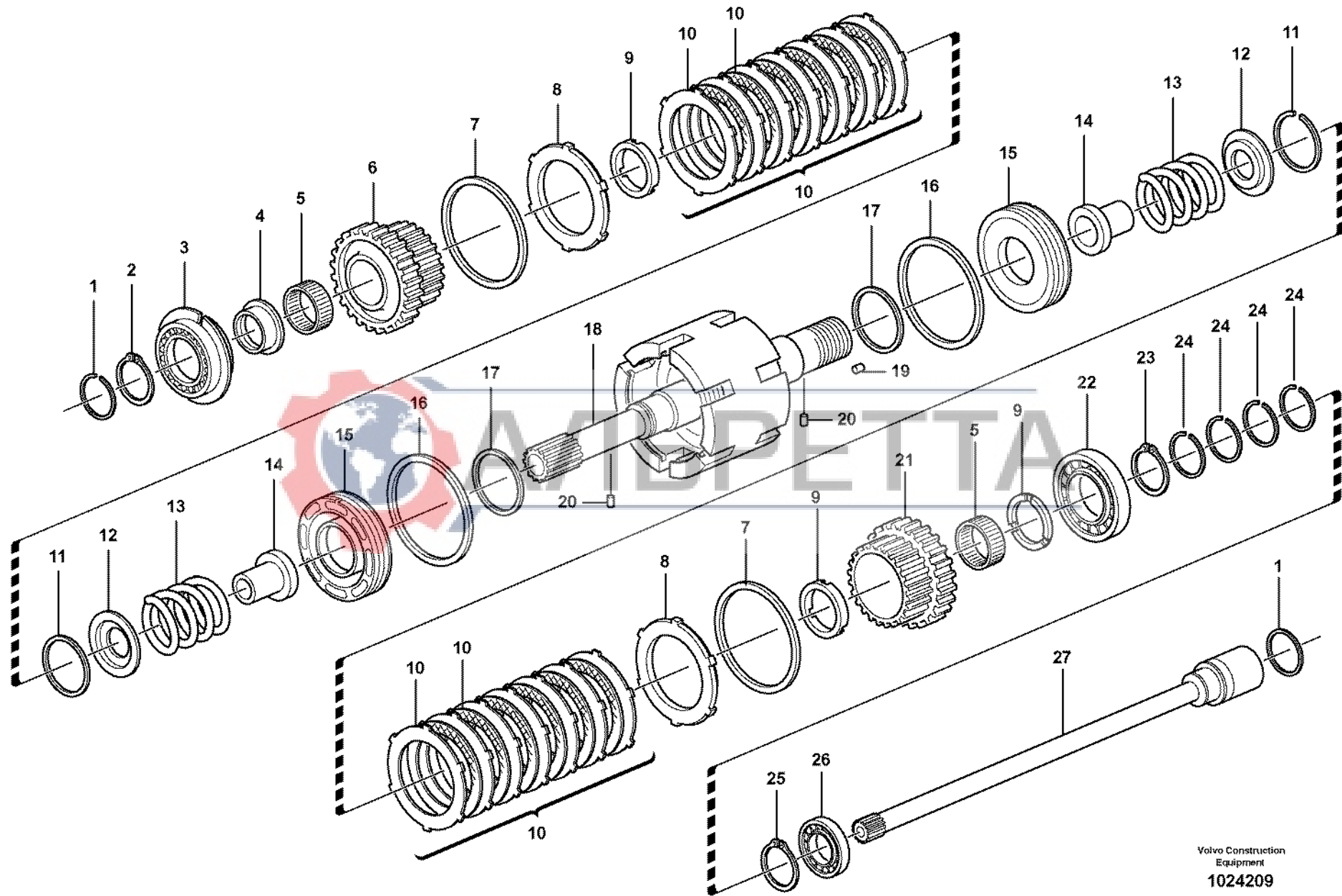
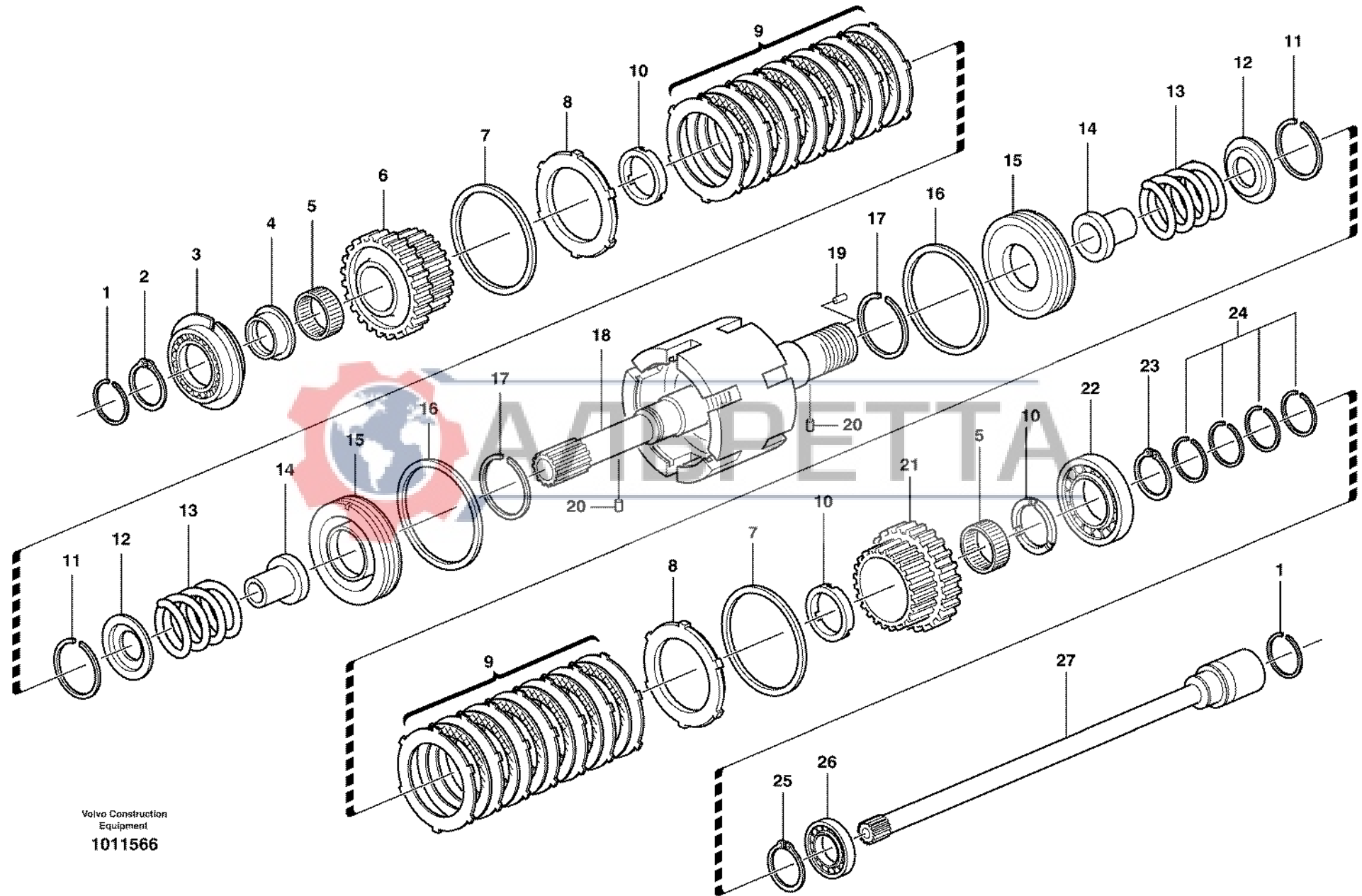


Fig.	Part No.	Quantity			P S	K I T	Description	Dénomination	Bezeichnung	Denominación	Benämning	Notes
		1	2	3								
1	VOE 11709076	2	2			Sealing ring .....	Bague d'étanchéité .....	Runddichtring .....	Anillo reten .....	Tätningsring .....		
2	VOE 11709077	1	1			Lock Ring .....	Anneau Verrouillage .....	Schlossring .....	Anillo Segurid .....	Låsring .....		
3	VOE 11709078	1	1			Bearing .....	Palier .....	Lager .....	Cojinete .....	Lager .....		
4	VOE 11709079	1	1			Spacer .....	Entretoise .....	Abstandkörper .....	Distanciador .....	Distans .....		
5	VOE 11709081	2	2			Needle Bearing .....	Roule.aiguilles .....	Nadellager .....	Cojinete Agujas .....	Nållager .....		
6	VOE 11709082	1	1			Drive gear .....	Pignon .....	Triebrad .....	Pinon .....	Drev .....		
7	VOE 11709083	2	2			Lock Ring .....	Anneau Verrouillage .....	Schlossring .....	Anillo Segurid .....	Låsring .....		
8	VOE 11709084	2	2			Clutch Ring .....	Manchon Acoup .....	Kupplungsring .....	Anillo Embrague .....	Kopplingsring .....		
9	VOE 11709085	3	3			Spacer .....	Entretoise .....	Abstandkörper .....	Distanciador .....	Distans .....		
10	VOE 11712953		2			Disc Kit .....	Jeu Disques .....	Lamellensatz .....	Juego Frenos .....	Lamellsats .....		
10	VOE 11709086	14				Clutch disc .....	Disque embrayage .....	Kupplungslamelle .....	Disco embrague .....	Kopplingslamell .....		
10	VOE 11709087	12				Clutch disc .....	Disque embrayage .....	Kupplungslamelle .....	Disco embrague .....	Kopplingslamell .....		
11	VOE 11709088	2	2			Lock Ring .....	Anneau Verrouillage .....	Schlossring .....	Anillo Segurid .....	Låsring .....		
12	VOE 11709089	2	2			Cover .....	Couvercle .....	Deckel .....	Tapa .....	Lock .....		
13	VOE 11709090	2	2			Lock Spring .....	Ressort Verrou .....	Sperrfeder .....	Resorte Bloqueo .....	Låsfjäder .....		
14	VOE 11709097	2	2			Flange .....	Bride .....	Flansch .....	Brida .....	Fläns .....		
15	VOE 11709091	2	2			Piston .....	Piston .....	Kolben .....	Piston .....	Kolv .....		
16	VOE 11709092	2	2			Seal .....	Joint .....	Dichtung .....	Reten .....	Tätning .....		
17	VOE 11709093	2	2			Seal .....	Joint .....	Dichtung .....	Reten .....	Tätning .....		
18	VOE 11712467	1				Shaft .....	Arbre .....	Welle .....	Arbol .....	Axel .....		
18	VOE 11716536		1			Shaft .....	Arbre .....	Welle .....	Arbol .....	Axel .....		
19	VOE 11712469	4	4			•Rivet .....	•Rivet .....	•Niet .....	•Remache .....	•Nit .....		
20	VOE 11709095	2	2			Pin .....	Goupille .....	Stift .....	Pasador .....	Pinne .....		
21	VOE 11709096	1	1			Drive gear .....	Pignon .....	Triebrad .....	Pinon .....	Drev .....		
22	VOE 11712468	1	1			Bearing .....	Palier .....	Lager .....	Cojinete .....	Lager .....		
23	VOE 11709151	1	1			Snap Ring .....	Circlip .....	Nutring .....	Circlip .....	Spårring .....		
24	VOE 11712470	4	4			Sealing ring .....	Bague d'étanchéité .....	Runddichtring .....	Anillo reten .....	Tätningsring .....		
25	VOE 11709100	1	1			Snap Ring .....	Circlip .....	Nutring .....	Circlip .....	Spårring .....		
26	VOE 11709099	1	1			Bearing .....	Palier .....	Lager .....	Cojinete .....	Lager .....		
27	VOE 11709101	1	1			Axle .....	Arbre .....	Welle .....	Eje .....	Axel .....		

1	11880339	<b>Kopplingsaxel fram/back</b> <b>Eje de embrague delante/detrás</b> <b>Kupplungswelle vorwärts/rückwärts</b> <b>Arbre d'accouplement AV/AR</b> <b>Clutch shaft forward/reverse</b>	Catalogue id	Group
2	11887379		<b>20004</b>	<b>421</b>
3			Illustr. No	Section
4			<b>1024209</b>	<b>260</b>
5			Issue	Page
		<b>11891224</b>	<b>VOE 63G9920004</b>	<b>271</b>

**VOLVO**

**BL70**



Volvo Construction  
Equipment  
1011566

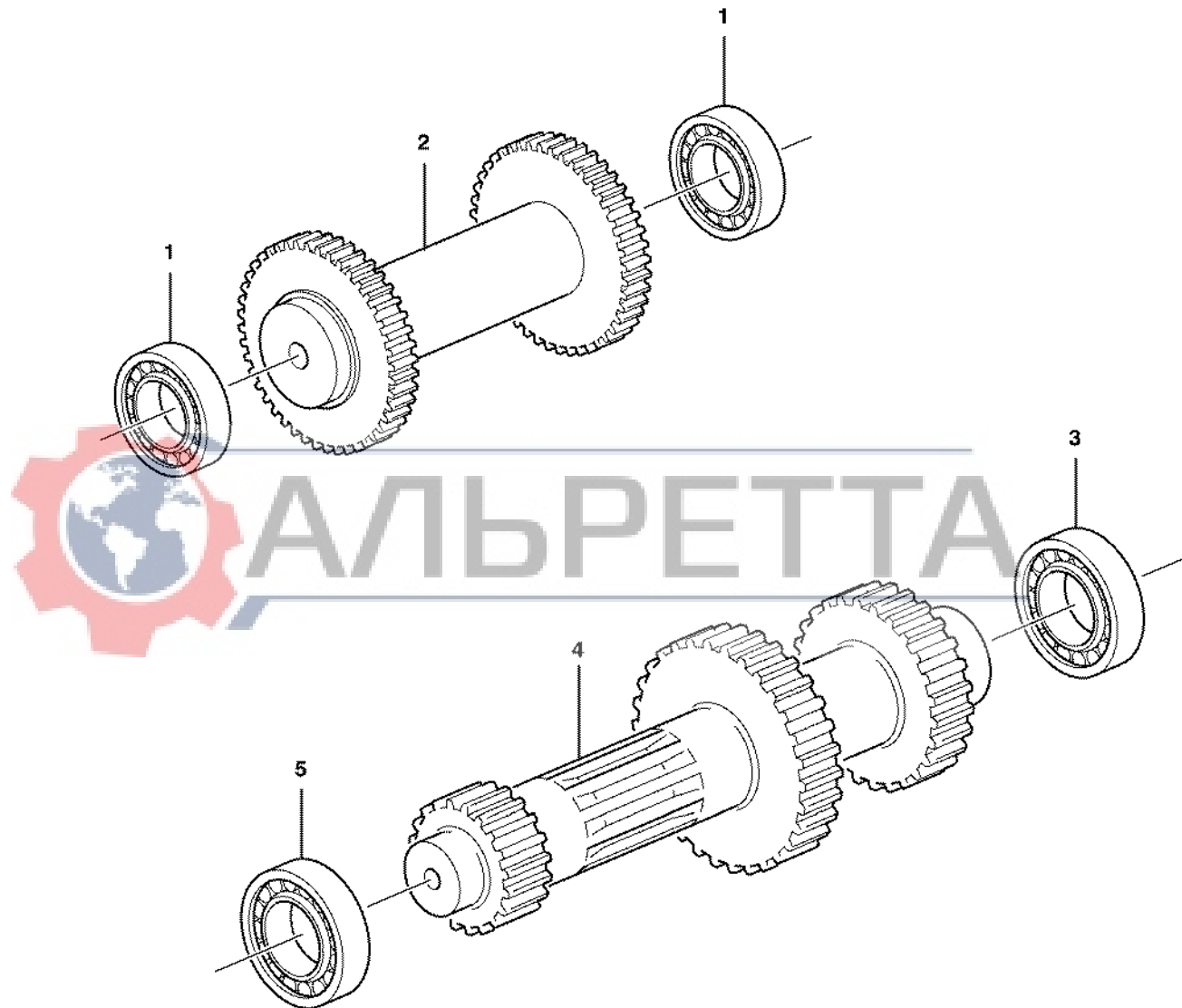


Fig.	Part No.	Quantity			P S	K I T	Description	Dénomination	Bezeichnung	Denominación	Benämning	Notes
		1	2	3								
1	VOE 11709076	2	2			Sealing ring .....	Bague d'étanchéité .....	Runddichtring .....	Anillo reten .....	Tätningsring .....		
2	VOE 11709077	1	1			Lock Ring .....	Anneau Verrouillage .....	Schlossring .....	Anillo Segurid .....	Låsring .....		
3	VOE 11709078	1	1			Bearing .....	Palier .....	Lager .....	Cojinete .....	Lager .....		
4	VOE 11709079	1	1			Spacer .....	Entretoise .....	Abstandkörper .....	Distanciador .....	Distans .....		
5	VOE 11709081	2	2			Needle Bearing .....	Roule.aiguilles .....	Nadellager .....	Cojinete Agujas .....	Nållager .....		
6	VOE 11712952	1	1			Gear .....	Pignon .....	Zahnradgetriebe .....	Engranaje .....	Kuggdrev .....		
7	VOE 11709083	2	2			Lock Ring .....	Anneau Verrouillage .....	Schlossring .....	Anillo Segurid .....	Låsring .....		
8	VOE 11709084	2	2			Clutch Ring .....	Manchon Acoup .....	Kupplungsring .....	Anillo Embrague .....	Kopplingsring .....		
9	VOE 11712953	2	2			Disc Kit .....	Jeu Disques .....	Lamellensatz .....	Juego Frenos .....	Lamellsats .....		
10	VOE 11709085	3	3			Spacer .....	Entretoise .....	Abstandkörper .....	Distanciador .....	Distans .....		
11	VOE 11709088	2	2			Lock Ring .....	Anneau Verrouillage .....	Schlossring .....	Anillo Segurid .....	Låsring .....		
12	VOE 11709089	2	2			Cover .....	Couvercle .....	Deckel .....	Tapa .....	Lock .....		
13	VOE 11709090	2	2			Lock Spring .....	Ressort Verrou .....	Sperrfeder .....	Resorte Bloqueo .....	Låsfjäder .....		
14	VOE 11709097	2	2			Flange .....	Bride .....	Flansch .....	Brida .....	Fläns .....		
15	VOE 11709091	2	2			Piston .....	Piston .....	Kolben .....	Piston .....	Kolv .....		
16	VOE 11709092	2	2			Seal .....	Joint .....	Dichtung .....	Reten .....	Tätning .....		
17	VOE 11709093	2	2			Seal .....	Joint .....	Dichtung .....	Reten .....	Tätning .....		
18	VOE 11712467	1				Shaft .....	Arbre .....	Welle .....	Arbol .....	Axel .....	S/N - 11144	
18	VOE 11716536		1			Shaft .....	Arbre .....	Welle .....	Arbol .....	Axel .....	S/N 11145 -	
19	VOE 11712469	4	4			•Rivet .....	•Rivet .....	•Niet .....	•Remache .....	•Nit .....		
20	VOE 11709095	2	2			Pin .....	Goupille .....	Stift .....	Pasador .....	Pinne .....		
21	VOE 11712954	1	1			Gear .....	Pignon .....	Zahnradgetriebe .....	Engranaje .....	Kuggdrev .....		
22	VOE 11712468	1	1			Bearing .....	Palier .....	Lager .....	Cojinete .....	Lager .....		
23	VOE 11709151	1	1			Snap Ring .....	Circlip .....	Nutring .....	Circlip .....	Spårring .....		
24	VOE 11712470	4	4			Sealing ring .....	Bague d'étanchéité .....	Runddichtring .....	Anillo reten .....	Tätningsring .....		
25	VOE 11709100	1	1			Snap Ring .....	Circlip .....	Nutring .....	Circlip .....	Spårring .....		
26	VOE 11709099	1	1			Bearing .....	Palier .....	Lager .....	Cojinete .....	Lager .....		
27	VOE 11709101	1	1			Axle .....	Arbre .....	Welle .....	Eje .....	Axel .....		

1	11884310, 11890341	<b>Kopplingsaxel fram/back</b> <b>Eje de embrague delante/detrás</b> <b>Kupplungswelle vorwärts/rückwärts</b> <b>Arbre d'accouplement AV/AR</b> <b>Clutch shaft forward/reverse</b>	Catalogue id	Group
2	11888337, 11887381		<b>20004</b>	<b>421</b>
3			Illustr. No	Section
4			<b>1011566</b>	<b>275</b>
5			Issue	Page
	11891255	<b>VOE 63G9920004</b>	<b>273</b>	

**VOLVO**

**BL70**



Volvo Construction  
Equipment  
1000789

Fig.	Part No.	Quantity			P S	K I T	Description	Dénomination	Bezeichnung	Denominación	Benämning	Notes
		1	2	3								
1	VOE 11709102	2				Bearing.....	Palier.....	Lager.....	Cojinete.....	Lager.....		
2	VOE 11709103	1				Reverse Shaft.....	Arbre Marche Ar.....	Rucklaufachse.....	Eje Marcha Atr.....	Backaxel.....	(REVERSE)	
3	VOE 11709104	1				Bearing.....	Palier.....	Lager.....	Cojinete.....	Lager.....		
4	VOE 11709105	1				Axle.....	Arbre.....	Welle.....	Eje.....	Axel.....	(PRIMARY)	
5	VOE 11709106	1				Bearing.....	Palier.....	Lager.....	Cojinete.....	Lager.....		



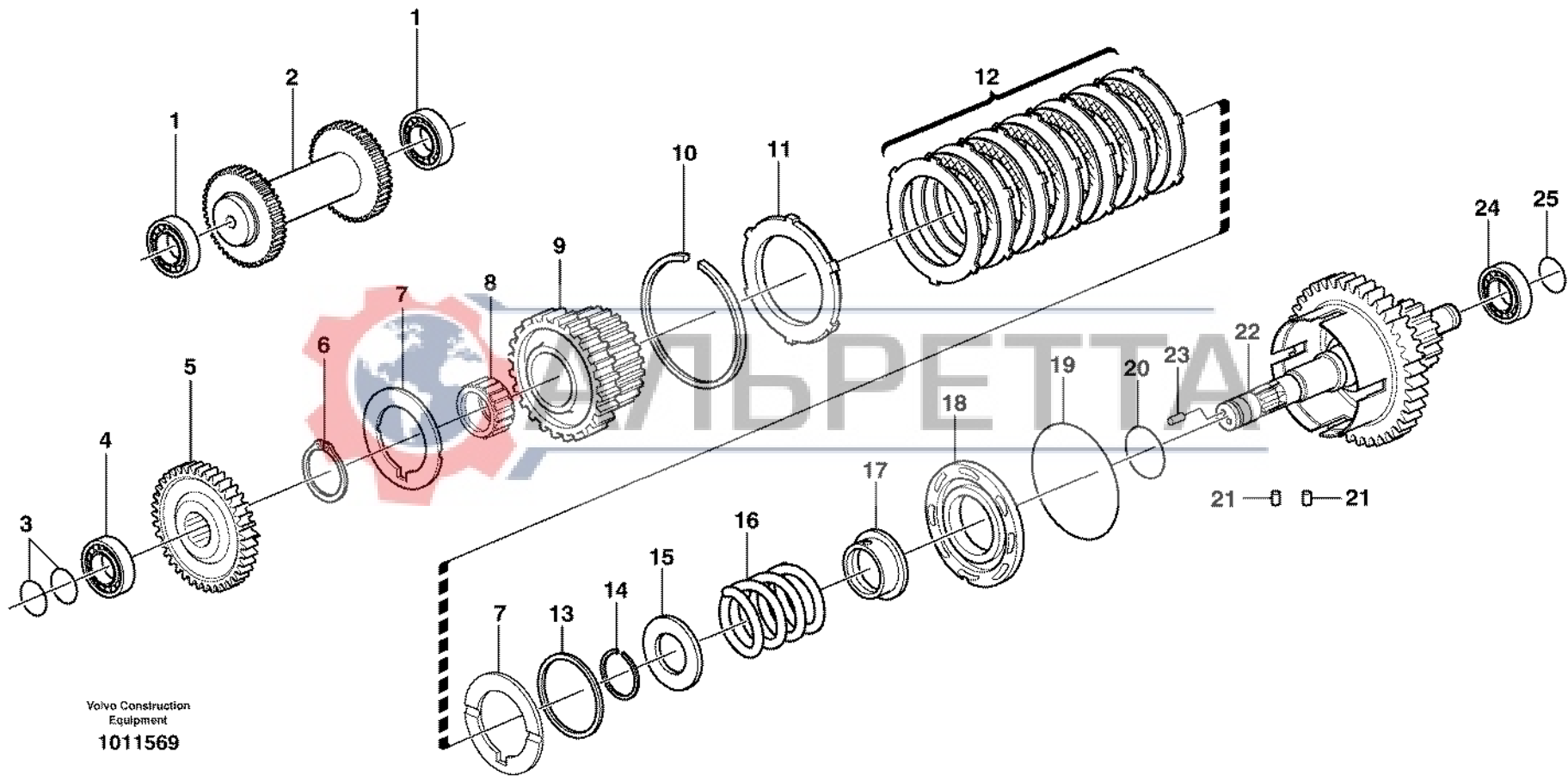
1		<b>Back och primäraxel</b> <b>Eje trasero y primario</b> <b>Rück- und Primärwelle</b> <b>Marche AR et arbre primaire</b> <b>Reverse and primary shaft</b>  <b>11891209, 11891224</b>	Catalogue id	Group
2			<b>20004</b>	<b>421</b>
3			Illustr. No	Section
4			<b>1000789</b>	<b>300</b>
5			Issue	Page
			<b>VOE 63G9920004</b>	<b>275</b>

**VOLVO**

**BL70**







Volvo Construction  
 Equipment  
 1011569

Fig.	Part No.	Quantity			P S	K I T	Description	Dénomination	Bezeichnung	Denominación	Benämning	Notes
		1	2	3								
1	VOE 11709102	2	2			Bearing.....	Palier.....	Lager.....	Cojinete.....	Lager.....		
2	VOE 11709103	1	1			Reverse Shaft.....	Arbre Marche Ar.....	Rucklaufachse.....	Eje Marcha Atr.....	Backaxel.....	(REVERSE)	
3	VOE 11712955	2	2			Seal.....	Joint.....	Dichtring.....	Junta.....	Tätning.....		
4	VOE 11709104	1	1			Bearing.....	Palier.....	Lager.....	Cojinete.....	Lager.....		
5	VOE 11712956	1	1			Gear.....	Pignon.....	Zahnradgetriebe.....	Engranaje.....	Kuggdrev.....		
6	VOE 11709151	1	1			Snap Ring.....	Circlip.....	Nutring.....	Circlip.....	Spårring.....		
7	VOE 11709085	2	2			Spacer.....	Entretoise.....	Abstandkörper.....	Distanciador.....	Distans.....		
8	VOE 11709081	1	1			Needle Bearing.....	Roule.aiguilles.....	Nadellager.....	Cojinete Agujas.....	Nållager.....		
9	VOE 11712957	1	1			Gear.....	Pignon.....	Zahnradgetriebe.....	Engranaje.....	Kuggdrev.....		
10	VOE 11709083	1	1			Lock Ring.....	Anneau Verrouillage ..	Schlossring.....	Anillo Segurid.....	Låsring.....		
11	VOE 11709084	1	1			Clutch Ring.....	Manchon Acoup.....	Kupplungsring.....	Anillo Embrague.....	Kopplingsring.....		
12	VOE 11712958	1	1			Disc Kit.....	Jeu Disques.....	Lamellensatz.....	Juego Frenos.....	Lamellsats.....		
13	VOE 11712959	1	1			Thrust Washer.....	Rondelle Butee.....	Druckscheibe.....	Arandela Presio.....	Tryckbricka.....		
14	VOE 11709088	1	1			Lock Ring.....	Anneau Verrouillage ..	Schlossring.....	Anillo Segurid.....	Låsring.....		
15	VOE 11709089	1	1			Cover.....	Couvercle.....	Deckel.....	Tapa.....	Lock.....		
16	VOE 11709090	1	1			Lock Spring.....	Ressort Verrou.....	Sperrfeder.....	Resorte Bloqueo.....	Låsfjäder.....		
17	VOE 11709097	1	1			Flange.....	Bride.....	Flansch.....	Brida.....	Fläns.....		
18	VOE 11709091	1	1			Piston.....	Piston.....	Kolben.....	Piston.....	Kolv.....		
19	VOE 11709092	1	1			Seal.....	Joint.....	Dichtung.....	Reten.....	Tätning.....		
20	VOE 11709093	1	1			Seal.....	Joint.....	Dichtung.....	Reten.....	Tätning.....		
21	VOE 11709095	2	2			Pin.....	Goupille.....	Stift.....	Pasador.....	Pinne.....		
22	VOE 11712961	1				Shaft.....	Arbre.....	Welle.....	Arbol.....	Axel.....	(PRIMARY)	
22	VOE 11716537		1			Shaft.....	Arbre.....	Welle.....	Arbol.....	Axel.....		
23	VOE 11712960	2	2			•Rivet.....	•Rivet.....	•Niet.....	•Remache.....	•Nit.....		
24	VOE 11709148	1	1			Bearing.....	Palier.....	Lager.....	Cojinete.....	Lager.....		
25	VOE 11709076	1	1			Sealing ring.....	Bague d'étanchéité ..	Runddichtring.....	Anillo reten.....	Tätningring.....		

1	11884310, 11890341	<b>Back och primärxel</b> <b>Eje trasero y primario</b> <b>Rück- und Primärwelle</b> <b>Marche AR et arbre primaire</b> <b>Reverse and primary shaft</b>	Catalogue id	Group
2	11888337, 11887381		<b>20004</b>	<b>421</b>
3			Illustr. No	Section
4			<b>1011569</b>	<b>325</b>
5			Issue	Page
	11891255	<b>VOE 63G9920004</b>	<b>277</b>	

**VOLVO**

**BL70**

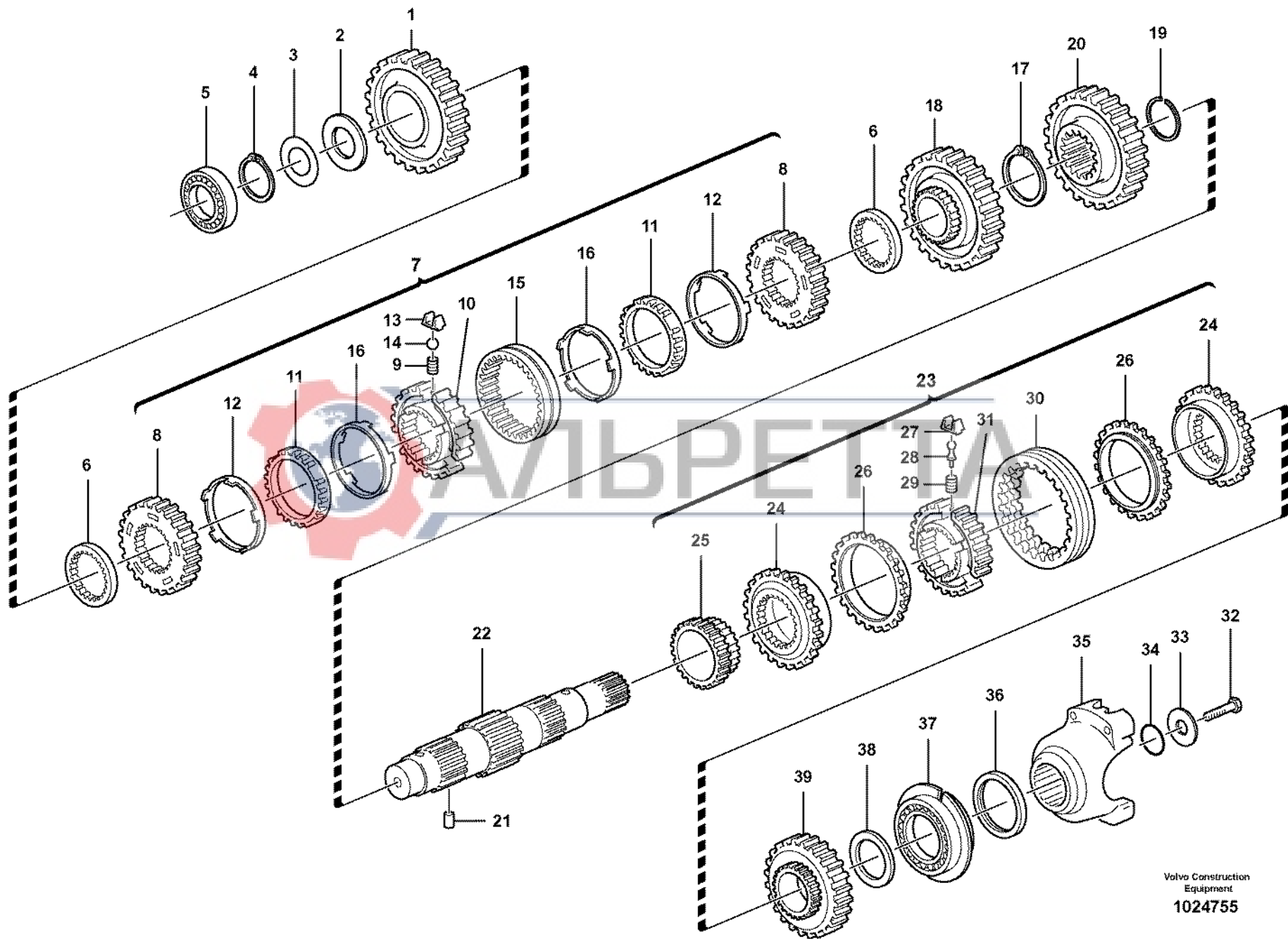


Fig.	Part No.	Quantity			P S	K I T	Description	Dénomination	Bezeichnung	Denominación	Benämning	Notes
		1	2	3								
1	VOE 11709107	1				Drive gear .....	Pignon.....	Triebrad.....	Pinon .....	Drev.....		
2	VOE 11709108	1				Thrust Washer .....	Rondelle Butee .....	Druckscheibe .....	Arandela Presio.....	Tryckbricka.....		
3	VOE 11709112	REQ				Adjuster washer .....	Rondelle ajust. ....	Passscheibe.....	Arandela ajust. ....	Justerbricka.....	THICK 0,05 MM	
	VOE 11709113	REQ				Adjuster washer .....	Rondelle ajust. ....	Passscheibe.....	Arandela ajust. ....	Justerbricka.....	THICK 0,10 MM	
	VOE 11709114	REQ				Adjuster washer .....	Rondelle ajust. ....	Passscheibe.....	Arandela ajust. ....	Justerbricka.....	THICK 0,30 MM	
	VOE 11709115	REQ				Adjuster washer .....	Rondelle ajust. ....	Passscheibe.....	Arandela ajust. ....	Justerbricka.....	THICK 0,50 MM	
4	VOE 11709116	1				Snap Ring .....	Circlip .....	Nutring.....	Circlip .....	Spårring.....		
5	VOE 11709106	1				Bearing.....	Palier.....	Lager .....	Cojinete .....	Lager.....		
6	VOE 11709118	2				Spacer.....	Entretoise.....	Abstandkörper.....	Distanciador .....	Distans.....		
7	VOE 11709128	1				Kit.....	Jeu .....	Bausatz .....	Juego .....	Sats.....		
8	VOE 11709120	2				•Sync Cone .....	•Cone Synchro.....	•Synchronkegel.....	•Cono Sincroniz.....	•Synk.kona.....		
9	VOE 11709121	3				•Spring .....	•Ressort .....	•Feder.....	•Muelle .....	•Fjäder.....		
10	VOE 11709122	1				•Hub .....	•Bossage .....	•Nabe .....	•Asiento .....	•Nav.....		
11	VOE 11709123	2				•Cone .....	•Bague Interieu. ....	•Innenring.....	•Anillo Interior .....	•Innerring.....		
12	VOE 11709124	2				•Ring .....	•Anneau .....	•Ring.....	•Anillo .....	•Ring.....		
13	VOE 11709125	3				•Spring Plate .....	•Plaque Ressort.....	•Fed Spannplatte.....	•Placa Resorte .....	•Fjäderplatta.....		
14	VOE 11709126	3				•Ball.....	•Bille .....	•Kugel.....	•Bola .....	•Kula.....		
15	VOE 11709127	1				•Sleeve.....	•Douille.....	•Hülse.....	•Manguito .....	•Hylsa.....		
16	VOE 11709119	2				•Cone .....	•Bague Interieu. ....	•Innenring.....	•Anillo Interior .....	•Innerring.....		
17	VOE 11709129	1				Snap Ring .....	Circlip .....	Nutring.....	Circlip .....	Spårring.....		
18	VOE 11709130	1				Drive gear .....	Pignon.....	Triebrad.....	Pinon .....	Drev.....		
19	VOE 11709131	1				Snap Ring .....	Circlip .....	Nutring.....	Circlip .....	Spårring.....		
20	VOE 11709132	1				Drive gear .....	Pignon.....	Triebrad.....	Pinon .....	Drev.....		
21	VOE 11709095	1				Pin.....	Goupille.....	Stift .....	Pasador .....	Pinne.....		
22	VOE 11709134	1				Secondary Shaft .....	Arbr.secondaire.....	Sekundärwelle.....	Eje Secundario .....	Sekundäraxel.....		
23	VOE 11709143	1				Kit.....	Jeu .....	Bausatz .....	Juego .....	Sats.....		
24	VOE 11709136	2				•Clutch Gear .....	•Pignon Embraya. ....	•Kuppl Treibsch.....	•Pinon Embrague .....	•Kopplingsdrev.....		
25	VOE 11709135	1				•Drive gear .....	•Pignon.....	•Triebrad.....	•Pinon.....	•Drev.....		
26	VOE 11709138	2				•Cone .....	•Bague Interieu. ....	•Innenring.....	•Anillo Interior .....	•Innerring.....		
27	VOE 11709139	3				•Spring Plate .....	•Plaque Ressort.....	•Fed Spannplatte.....	•Placa Resorte .....	•Fjäderplatta.....		

1		<b>Sekundär axel</b> <b>Eje secundario</b> <b>Sekundärachse</b> <b>Arbre secondaire</b> <b>Secondary shaft</b>  <b>11891209 S/N - 11144</b>	Catalogue id	Group
2			<b>20004</b>	<b>421</b>
3			Illustr. No	Section
4			<b>1024755</b>	<b>350</b>
5			Issue	Page
			<b>VOE 63G9920004</b>	<b>279</b>

**VOLVO**

**BL70**

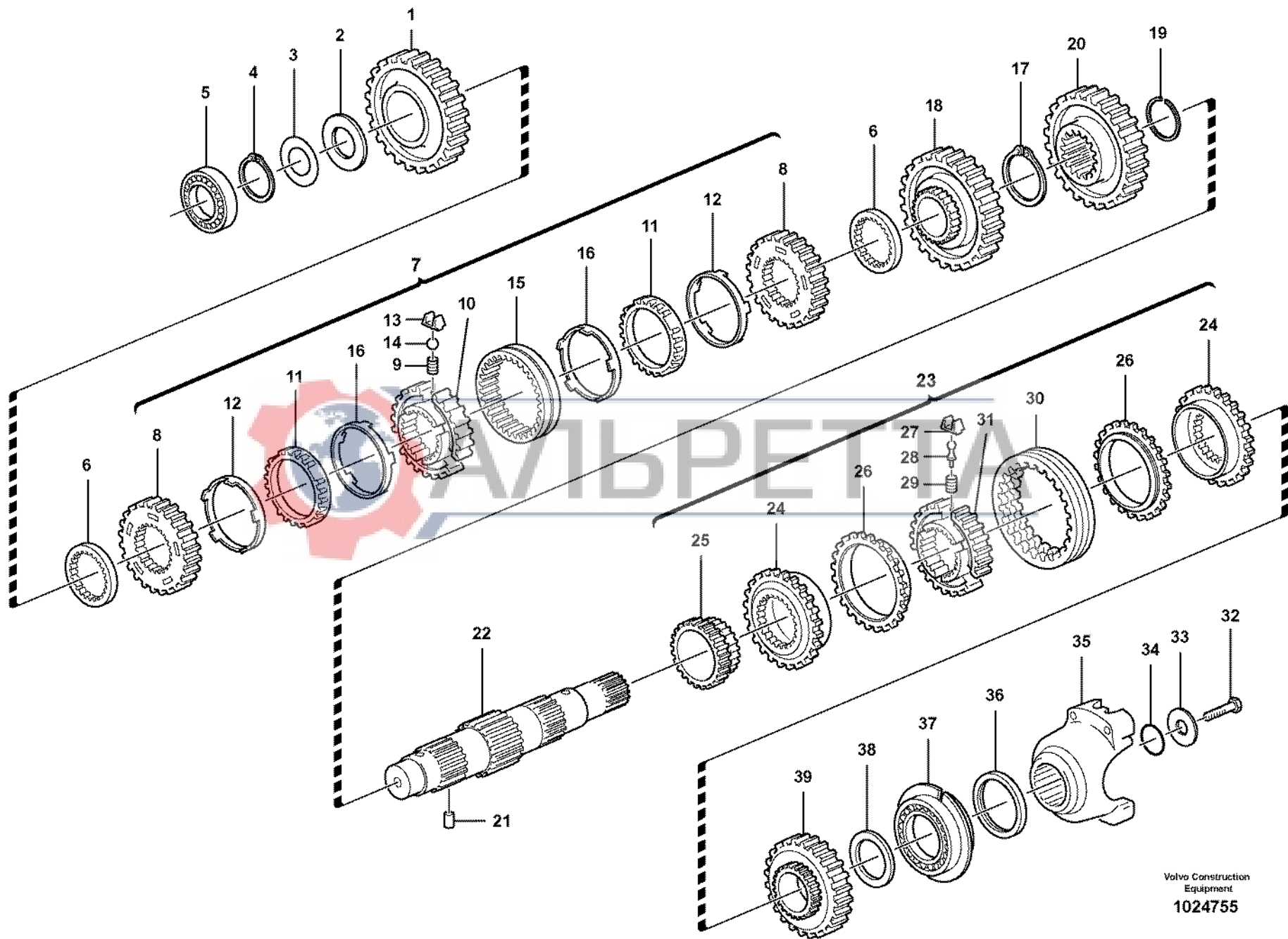


Fig.	Part No.	Quantity			P S	K I T	Description	Dénomination	Bezeichnung	Denominación	Benämning	Notes
		1	2	3								
28	VOE 11709140	3				•Pin .....	•Goupille.....	•Stift.....	•Pasador.....	•Pinne.....		
29	VOE 11709141	3				•Spring .....	•Ressort .....	•Feder.....	•Muelle .....	•Fjäder.....		
30	VOE 11709142	1				•Sleeve.....	•Douille.....	•Hülse.....	•Manguito .....	•Hylsa.....		
31	VOE 11709137	1				•Hub .....	•Bossage.....	•Nabe .....	•Asiento .....	•Nav.....		
32	VOE 970827	1				Hexagon screw .....	Vis a tête hexagonale	Sechskantschr.....	Tornillo hexago.....	Sexkantsskruv.....		
33	VOE 11709144	1				Washer.....	Rondelle.....	Scheibe .....	Arandela.....	Bricka.....		
34	VOE 11709145	1				O-ring .....	Joint Torique .....	O-Ring .....	Junta torica.....	O-ring.....		
35	VOE 11709146	1				Flange .....	Bride.....	Flansch.....	Brida.....	Fläns.....		
36	VOE 11709133	1				Seal.....	Joint .....	Dichtring .....	Junta .....	Tätning.....	(VOE 11709147)	
37	VOE 11709148	1				Bearing.....	Palier.....	Lager .....	Cojinete .....	Lager.....		
38	VOE 11709080	1				Spacer Washer .....	Rond.entretoise.....	Abstandscheibe.....	Arandela Dist.....	Distansbricka.....		
39	VOE 11709150	1				Drive gear .....	Pignon.....	Triebbad.....	Pinon .....	Drev.....		



1	<b>Sekundär axel</b> <b>Eje secundario</b> <b>Sekundärachse</b> <b>Arbre secondaire</b> <b>Secondary shaft</b>  <b>11891209 S/N - 11144</b>	Catalogue id	Group
2		<b>20004</b>	<b>421</b>
3		Illustr. No	Section
4		<b>1024755</b>	<b>350</b>
5		Issue	Page
		<b>VOE 63G9920004</b>	<b>281</b>

**VOLVO**

**BL70**



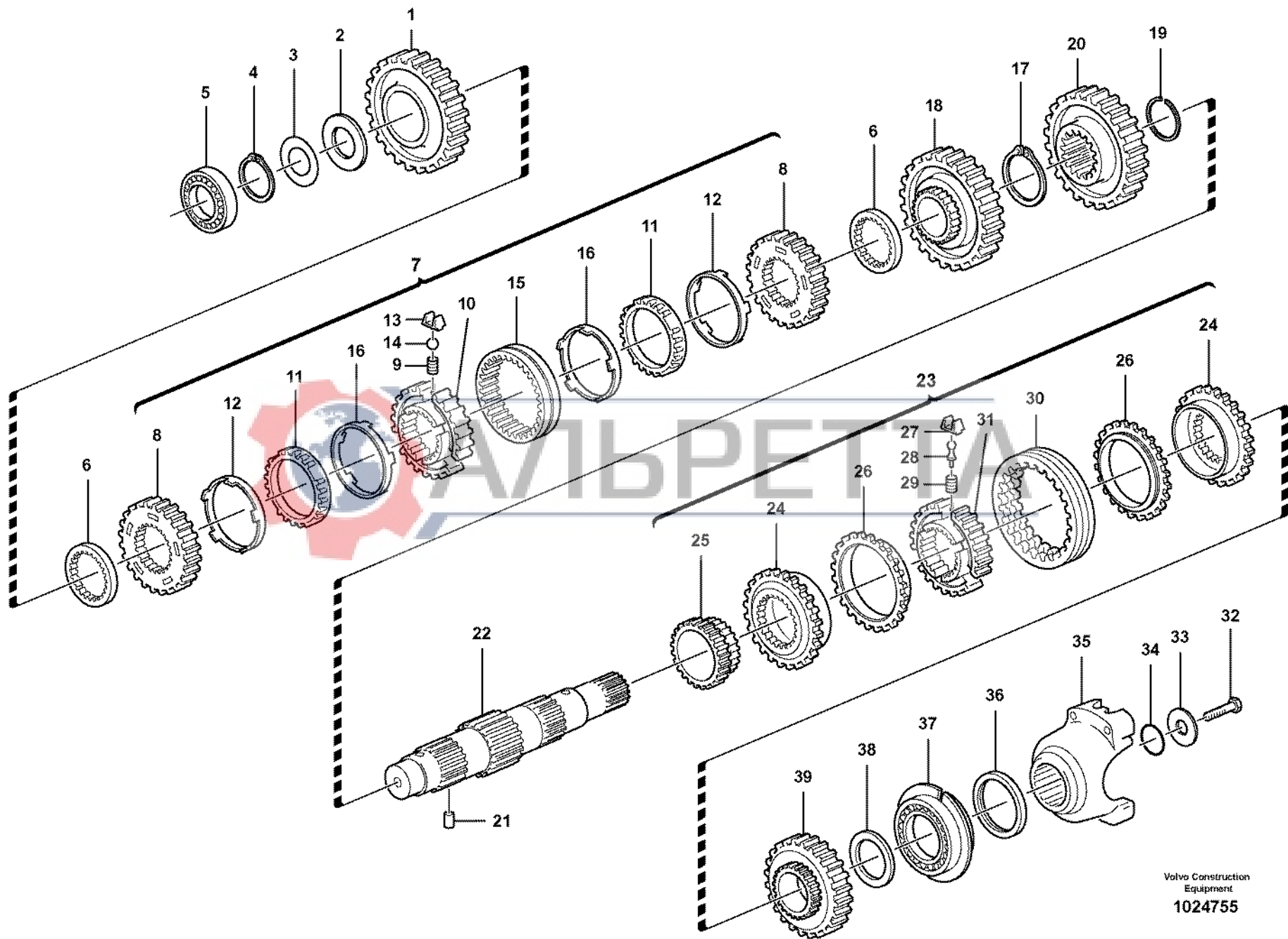


Fig.	Part No.	Quantity			P S	K I T	Description	Dénomination	Bezeichnung	Denominación	Benämning	Notes
		1	2	3								
1	VOE 11709107	1					Drive gear .....	Pignon.....	Triebrad.....	Pinon .....	Drev.....	
2	VOE 11709108	1					Thrust Washer .....	Rondelle Butee .....	Druckscheibe .....	Arandela Presio.....	Tryckbricka.....	
3	VOE 11709112	REQ					Adjuster washer .....	Rondelle ajust. ....	Passscheibe.....	Arandela ajust. ....	Justerbricka.....	THICK 0,05 MM
3	VOE 11709113	REQ					Adjuster washer .....	Rondelle ajust. ....	Passscheibe.....	Arandela ajust. ....	Justerbricka.....	THICK 0,10 MM
3	VOE 11709114	REQ					Adjuster washer .....	Rondelle ajust. ....	Passscheibe.....	Arandela ajust. ....	Justerbricka.....	THICK 0,30 MM
3	VOE 11709115	REQ					Adjuster washer .....	Rondelle ajust. ....	Passscheibe.....	Arandela ajust. ....	Justerbricka.....	THICK 0,50 MM
4	VOE 11709116	1					Snap Ring .....	Circlip .....	Nutring.....	Circlip .....	Spårring.....	
5	VOE 11709106	1					Bearing.....	Palier.....	Lager .....	Cojinete .....	Lager.....	
6	VOE 11709118	2					Spacer.....	Entretoise.....	Abstandkörper.....	Distanciador .....	Distans.....	
7	VOE 11709128	1					Kit.....	Jeu .....	Bausatz .....	Juego .....	Sats.....	
8	VOE 11709120	2					•Sync Cone .....	•Cone Synchro.....	•Synchronkegel.....	•Cono Sincroniz.....	•Synk.kona.....	
9	VOE 11709121	3					•Spring .....	•Ressort .....	•Feder.....	•Muelle .....	•Fjäder.....	
10	VOE 11709122	1					•Hub .....	•Bossage.....	•Nabe .....	•Asiento .....	•Nav.....	
11	VOE 11709123	2					•Cone .....	•Bague Interieu. ....	•Innenring.....	•Anillo Interior .....	•Innerring.....	
12	VOE 11709124	2					•Ring .....	•Anneau .....	•Ring.....	•Anillo .....	•Ring.....	
13	VOE 11709125	3					•Spring Plate .....	•Plaque Ressort.....	•Fed Spannplatte.....	•Placa Resorte .....	•Fjäderplatta.....	
14	VOE 11709126	3					•Ball.....	•Bille .....	•Kugel.....	•Bola .....	•Kula.....	
15	VOE 11709127	1					•Sleeve.....	•Douille.....	•Hülse.....	•Manguito .....	•Hylsa.....	
16	VOE 11709119	2					•Cone .....	•Bague Interieu. ....	•Innenring.....	•Anillo Interior .....	•Innerring.....	
17	VOE 11709131	1					Snap Ring .....	Circlip .....	Nutring.....	Circlip .....	Spårring.....	
18	VOE 11709130	1					Drive gear .....	Pignon.....	Triebrad.....	Pinon .....	Drev.....	
19	VOE 11709129	1					Snap Ring .....	Circlip .....	Nutring.....	Circlip .....	Spårring.....	
20	VOE 11716786	1					Drive Gear.....	Pignon.....	Triebrad.....	Pinon .....	Drivhjul.....	
21	VOE 11709095	1					Pin.....	Goupille.....	Stift .....	Pasador .....	Pinne.....	
22	VOE 11709134	1					Secondary Shaft .....	Arbr.secondaire.....	Sekundärwelle.....	Eje Secundario .....	Sekundäraxel.....	
23	VOE 11716672	1					Synchronizing Hub.....	Moyeu de synchronis. ....	Synchronisierungsna. ....	Cubo sincronizador .....	Synkroniseringsnav....	
24	VOE 11716666	2					•Clutch Ring .....	•Manchon Acoup.....	•Kupplungsring.....	•Anillo Embrague.....	•Kopplingsring.....	
25	VOE 11709135	1					•Drive gear .....	•Pignon.....	•Triebrad.....	•Pinon .....	•Drev.....	
26	VOE 11716668	2					•Synchronizing Cone ..	•Cone de synchronis. ..	•Synchronisierungsk..	•Cono sincronizador ..	•Synkroniseringskon..	
27	VOE 11709139	3					•Spring Plate .....	•Plaque Ressort.....	•Fed Spannplatte.....	•Placa Resorte .....	•Fjäderplatta.....	

1	11887380	<b>Sekundär axel</b> <b>Eje secundario</b> <b>Sekundärachse</b> <b>Arbre secondaire</b> <b>Secondary shaft</b>  <b>11891209 S/N 11145 -</b>	Catalogue id	Group
2			<b>20004</b>	<b>421</b>
3			Illustr. No	Section
4			<b>1024755</b>	<b>360</b>
5			Issue	Page
		<b>VOE 63G9920004</b>	<b>283</b>	

**VOLVO**

**BL70**



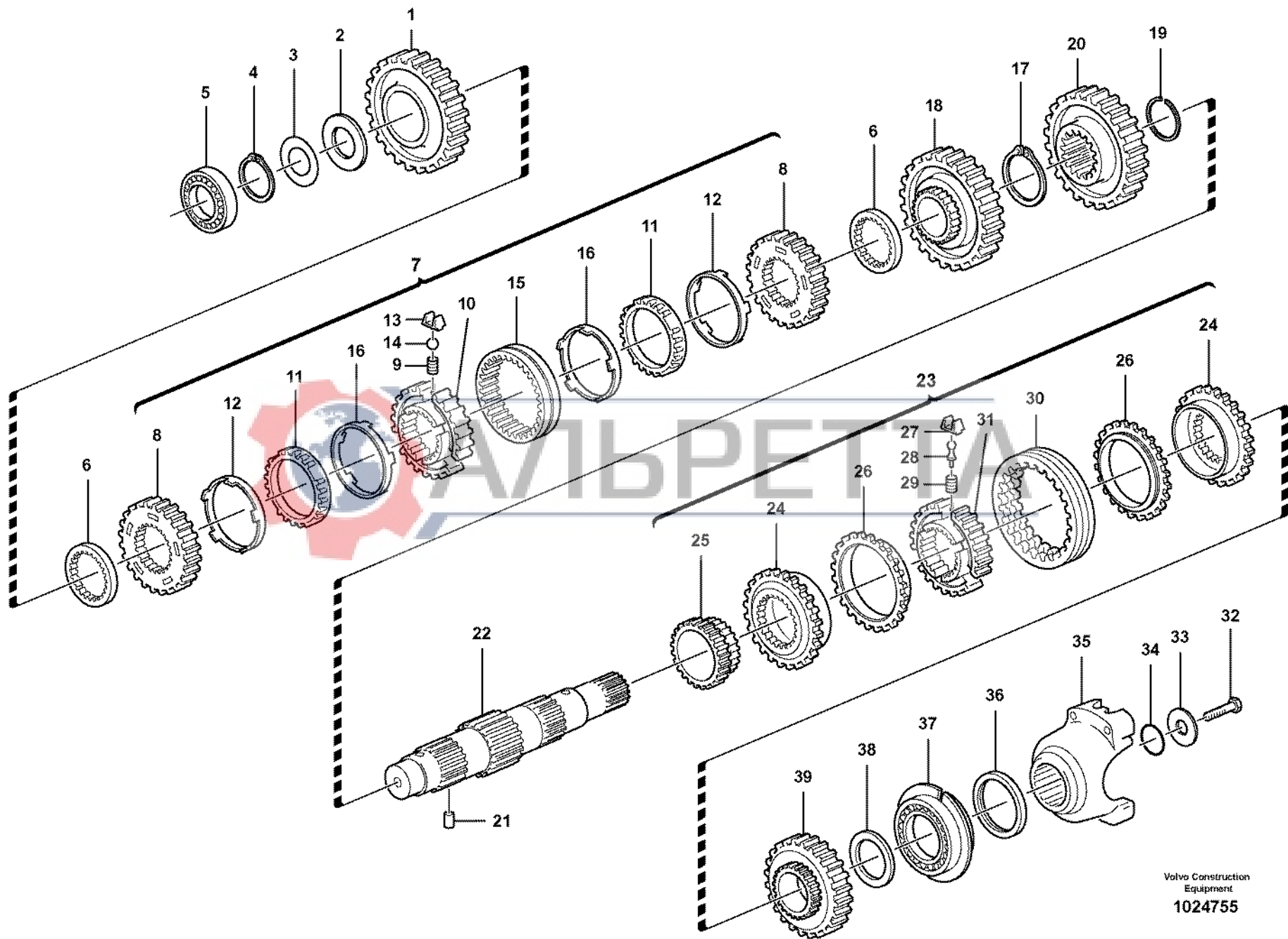


Fig.	Part No.	Quantity			P S	K I T	Description	Dénomination	Bezeichnung	Denominación	Benämning	Notes
		1	2	3								
28	VOE 11716669	3				•Ball.....	•Bille .....	•Kugel.....	•Bola .....	•Kula.....		
29	VOE 11716670	3				•Spring .....	•Ressort .....	•Feder.....	•Muelle .....	•Fjäder.....		
30	VOE 11716671	1				•Sleeve.....	•Manchon .....	•Muffe.....	•Manguito .....	•Muff.....		
31	VOE 11716667	1				•Hub .....	•Bossage.....	•Nabe .....	•Asiento .....	•Nav.....		
32	VOE 970827	1				Hexagon screw .....	Vis a tête hexagonale	Sechskantschr.....	Tornillo hexago.....	Sexkantsskruv.....		
33	VOE 11709144	1				Washer.....	Rondelle.....	Scheibe .....	Arandela.....	Bricka.....		
34	VOE 11709145	1				O-ring .....	Joint Torique .....	O-Ring .....	Junta torica.....	O-ring.....		
35	VOE 11709146	1				Flange .....	Bride.....	Flansch.....	Brida.....	Fläns.....		
36	VOE 11709133	1				Seal.....	Joint .....	Dichtring .....	Junta .....	Tätning.....	(VOE 11709147)	
37	VOE 11712472	1				Bearing.....	Palier.....	Lager .....	Cojinete .....	Lager.....		
38	VOE 11709080	1				Spacer Washer .....	Rond.entretoise.....	Abstandscheibe.....	Arandela Dist.....	Distansbricka.....		
39	VOE 11709150	1				Drive gear .....	Pignon.....	Triebrad.....	Pinon .....	Drev.....		



1	11887380	<b>Sekundär axel</b> <b>Eje secundario</b> <b>Sekundärachse</b> <b>Arbre secondaire</b> <b>Secondary shaft</b>	Catalogue id	Group
2			<b>20004</b>	<b>421</b>
3			Illustr. No	Section
4			<b>1024755</b>	<b>360</b>
5			Issue	Page
		<b>11891209 S/N 11145 -</b>	<b>VOE 63G9920004</b>	<b>285</b>

**VOLVO**

**BL70**

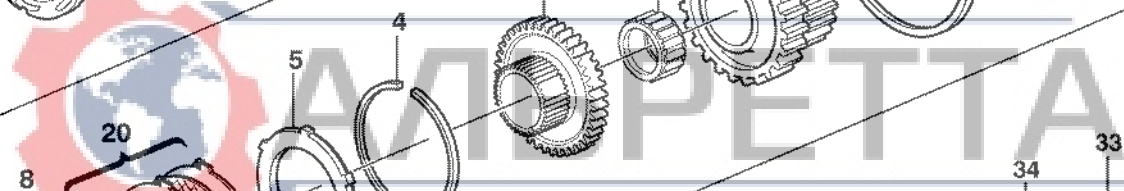
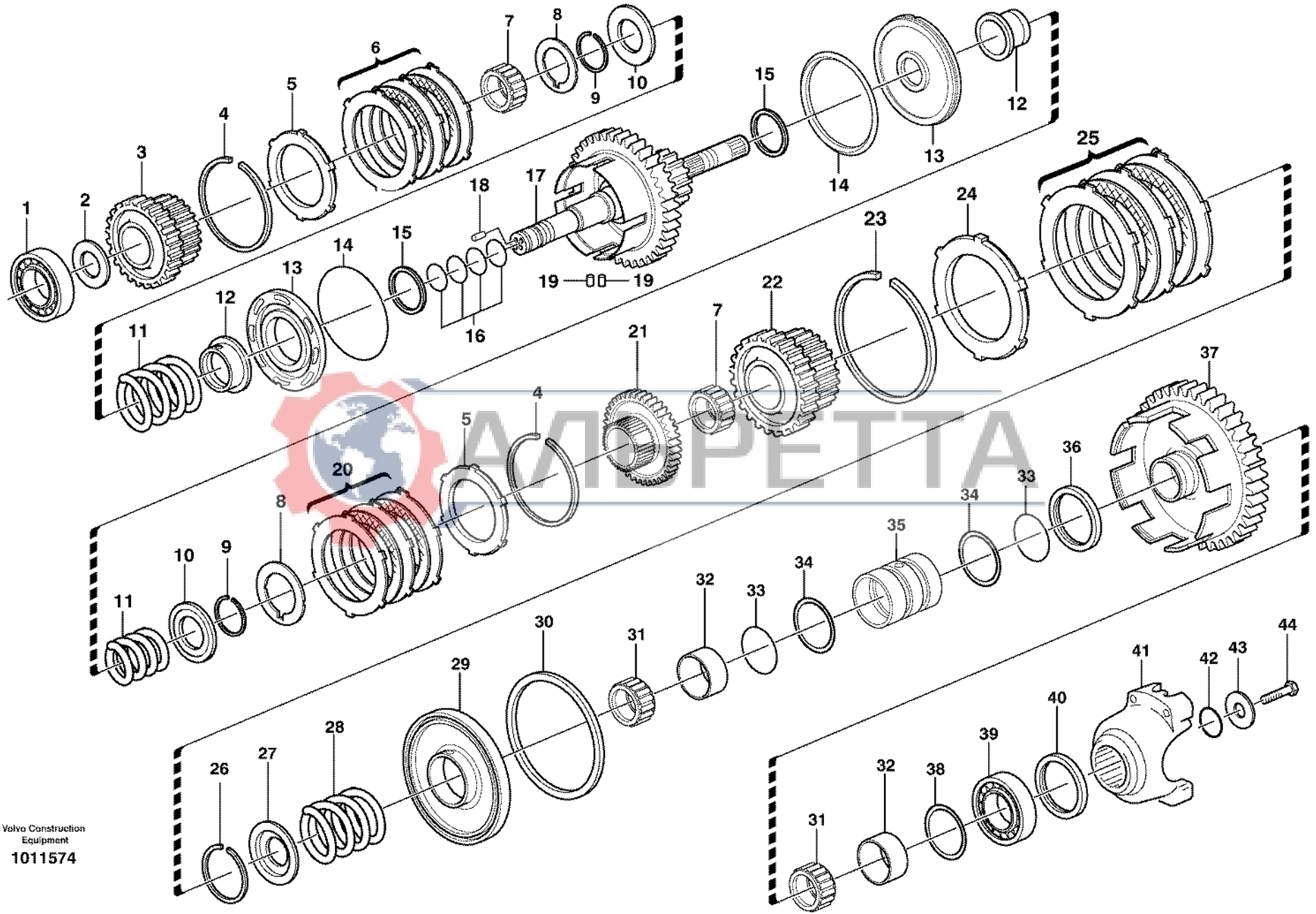


Fig.	Part No.	Quantity			P S	K I T	Description	Dénomination	Bezeichnung	Denominación	Benämning	Notes
		1	2	3								
1	VOE 11709098	1	1	1			Bearing.....	Palier.....	Lager.....	Cojinete.....	Lager.....	
2	VOE 11709080	1	1	1			Spacer Washer.....	Rond.entretoise.....	Abstandscheibe.....	Arandela Dist.....	Distansbricka.....	
3	VOE 11712962	1	1	1			Gear.....	Pignon.....	Zahnradgetriebe.....	Engranaje.....	Kuggdrev.....	
4	VOE 11709083	2	2	2			Lock Ring.....	Anneau Verrouillage ..	Schlossring.....	Anillo Segurid .....	Låsring.....	
5	VOE 11709084	2	2	2			Clutch Ring.....	Manchon Acoup.....	Kupplungsring.....	Anillo Embrague.....	Kopplingsring.....	
6	VOE 11712958	1	1	1			Disc Kit.....	Jeu Disques.....	Lamellensatz.....	Juego Frenos.....	Lamellsats.....	
7	VOE 11709081	2	2	2			Needle Bearing.....	Roule.aiguilles.....	Nadellager.....	Cojinete Agujas.....	Nållager.....	
8	VOE 11709085	2	2	2			Spacer.....	Entretoise.....	Abstandkörper.....	Distanciador.....	Distans.....	
9	VOE 11709088	2	2	2			Lock Ring.....	Anneau Verrouillage ..	Schlossring.....	Anillo Segurid .....	Låsring.....	
10	VOE 11709089	2	2	2			Cover.....	Couvercle.....	Deckel.....	Tapa.....	Lock.....	
11	VOE 11709090	2	2	2			Lock Spring.....	Ressort Verrou.....	Sperrfeder.....	Resorte Bloqueo .....	Låsfjäder.....	
12	VOE 11709097	2	2	2			Flange.....	Bride.....	Flansch.....	Brida.....	Fläns.....	
13	VOE 11709091	2	2	2			Piston.....	Piston.....	Kolben.....	Piston.....	Kolv.....	
14	VOE 11709092	2	2	2			Seal.....	Joint.....	Dichtung.....	Reten.....	Tätning.....	
15	VOE 11709093	2	2	2			Seal.....	Joint.....	Dichtung.....	Reten.....	Tätning.....	
16	VOE 11709076	4	4	4			Sealing ring.....	Bague d'étanchéité ..	Runddichtring.....	Anillo reten .....	Tätningsring.....	
17	VOE 11712964	1					Shaft.....	Arbre.....	Welle.....	Arbol.....	Axel.....	
17	VOE 11716538		1	1			Shaft.....	Arbre.....	Welle.....	Arbol.....	Axel.....	
18	VOE 11712960	3	3	3			•Rivet.....	•Rivet.....	•Niet.....	•Remache.....	•Nit.....	
19	VOE 11709095	2	2	2			Pin.....	Goupille.....	Stift.....	Pasador.....	Pinne.....	
20	VOE 11712966	1	1	1			Disc Kit.....	Jeu Disques.....	Lamellensatz.....	Juego Frenos.....	Lamellsats.....	
21	VOE 11712967	1	1	1			Gear.....	Pignon.....	Zahnradgetriebe.....	Engranaje.....	Kuggdrev.....	
22	VOE 11712968	1		1			Gear.....	Pignon.....	Zahnradgetriebe.....	Engranaje.....	Kuggdrev.....	
22	VOE 11716646		1				Drive Gear.....	Pignon.....	Triebrad.....	Pinon.....	Drivhjul.....	
23	VOE 11712969	1	1	1			Lock Ring.....	Anneau Verrouillage ..	Schlossring.....	Anillo Segurid .....	Låsring.....	
24	VOE 11712970	1	1	1			Lock Ring.....	Anneau Verrouillage ..	Schlossring.....	Anillo Segurid .....	Låsring.....	
25	VOE 11712971	1	1	1			Disc Kit.....	Jeu Disques.....	Lamellensatz.....	Juego Frenos.....	Lamellsats.....	
26	VOE 11712972	1	1	1			Lock Ring.....	Anneau Verrouillage ..	Schlossring.....	Anillo Segurid .....	Låsring.....	
27	VOE 11712973	1	1	1			Lock Cover.....	Couverc.blocage.....	Schlossdeckel.....	Tapa Cierre.....	Låslock.....	
28	VOE 11712974	1	1	1			Spring.....	Ressort.....	Feder.....	Muelle.....	Fjäder.....	

1	11884310, 11890341	<b>Sekundär axel</b> <b>Eje secundario</b> <b>Sekundärachse</b> <b>Arbre secondaire</b> <b>Secondary shaft</b>	Catalogue id	Group
2	11887381		<b>20004</b>	<b>421</b>
3	11888337		Illustr. No	Section
4			<b>1011574</b>	<b>375</b>
5			Issue	Page
	11891255	<b>VOE 63G9920004</b>	<b>287</b>	

**VOLVO**

**BL70**

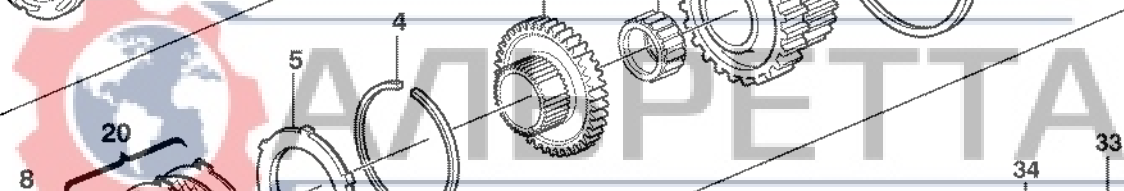
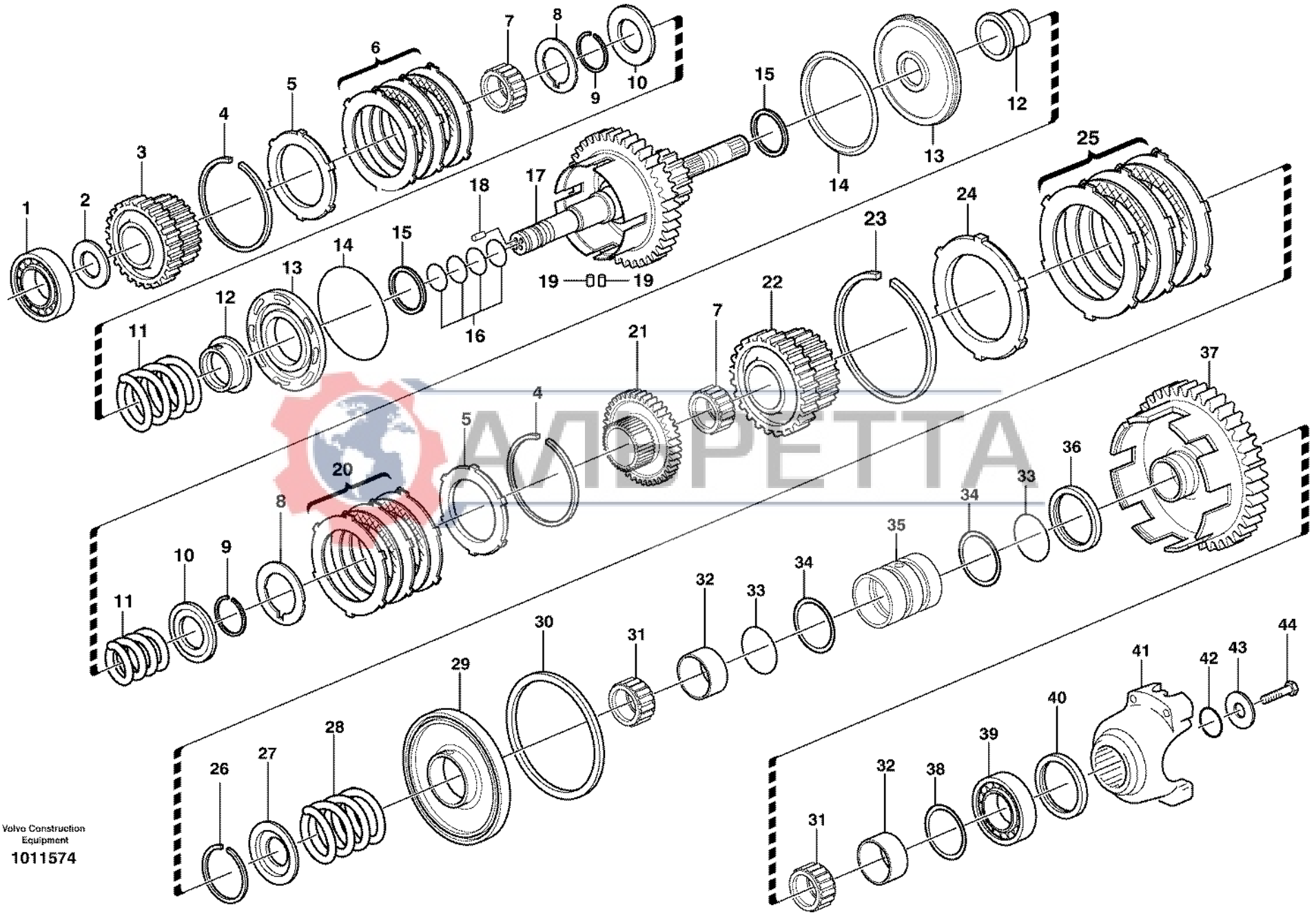


Fig.	Part No.	Quantity			P S	K I T	Description	Dénomination	Bezeichnung	Denominación	Benämning	Notes
		1	2	3								
29	VOE 11712975	1	1	1			Piston.....	Piston.....	Kolben.....	Piston.....	Kolv.....	
30	VOE 11712976	1	1	1			Seal.....	Joint.....	Dichtring.....	Junta.....	Tätning.....	
31	VOE 11712977	2	2	2			Bearing Bushing.....	Coussinet.....	Lagerbuchse.....	Casq Cojinete.....	Lagerbussning.....	
32	VOE 11712978	2	2	2			Bushing.....	Bague.....	Buchse.....	Casquillo.....	Bussning.....	
33	VOE 11712979	2	2	2			O-ring.....	Joint Torique.....	O-Ring.....	Junta torica.....	O-ring.....	
34	VOE 11712980	2	2	2			Seal.....	Joint.....	Dichtring.....	Junta.....	Tätning.....	
35	VOE 11712981	1	1	1			Spacer.....	Entretoise.....	Abstandkörper.....	Distanciador.....	Distans.....	
36	VOE 11712982	1	1	1			Seal.....	Joint.....	Dichtring.....	Junta.....	Tätning.....	
37	VOE 11712983	1	1	1			Gear.....	Pignon.....	Zahnradgetriebe.....	Engranaje.....	Kuggdrev.....	
38	VOE 11712984	1	1	1			Washer.....	Rondelle.....	Scheibe.....	Arandela.....	Bricka.....	
39	VOE 11709148	1	1	1			Bearing.....	Palier.....	Lager.....	Cojinete.....	Lager.....	
40	VOE 11709133	1	1	1			Seal.....	Joint.....	Dichtring.....	Junta.....	Tätning.....	
41	VOE 11712986	1	1	1			Companion flange.....	Flasque entrainemen.....	Antriebsflansch.....	Brida.....	Medbringare.....	
42	VOE 11709145	1	1	1			O-ring.....	Joint Torique.....	O-Ring.....	Junta torica.....	O-ring.....	
43	VOE 11709144	1	1	1			Washer.....	Rondelle.....	Scheibe.....	Arandela.....	Bricka.....	
44	VOE 970827	1	1	1			Hexagon screw.....	Vis a tête hexagonale.....	Sechskantschr.....	Tornillo hexago.....	Sexkantsskruv.....	



1	11884310, 11890341	<b>Sekundär axel</b> <b>Eje secundario</b> <b>Sekundärachse</b> <b>Arbre secondaire</b> <b>Secondary shaft</b>	Catalogue id	Group
2	11887381		<b>20004</b>	<b>421</b>
3	11888337		Illustr. No	Section
4			<b>1011574</b>	<b>375</b>
5			Issue	Page
	11891255	<b>VOE 63G9920004</b>	<b>289</b>	

**VOLVO**

**BL70**





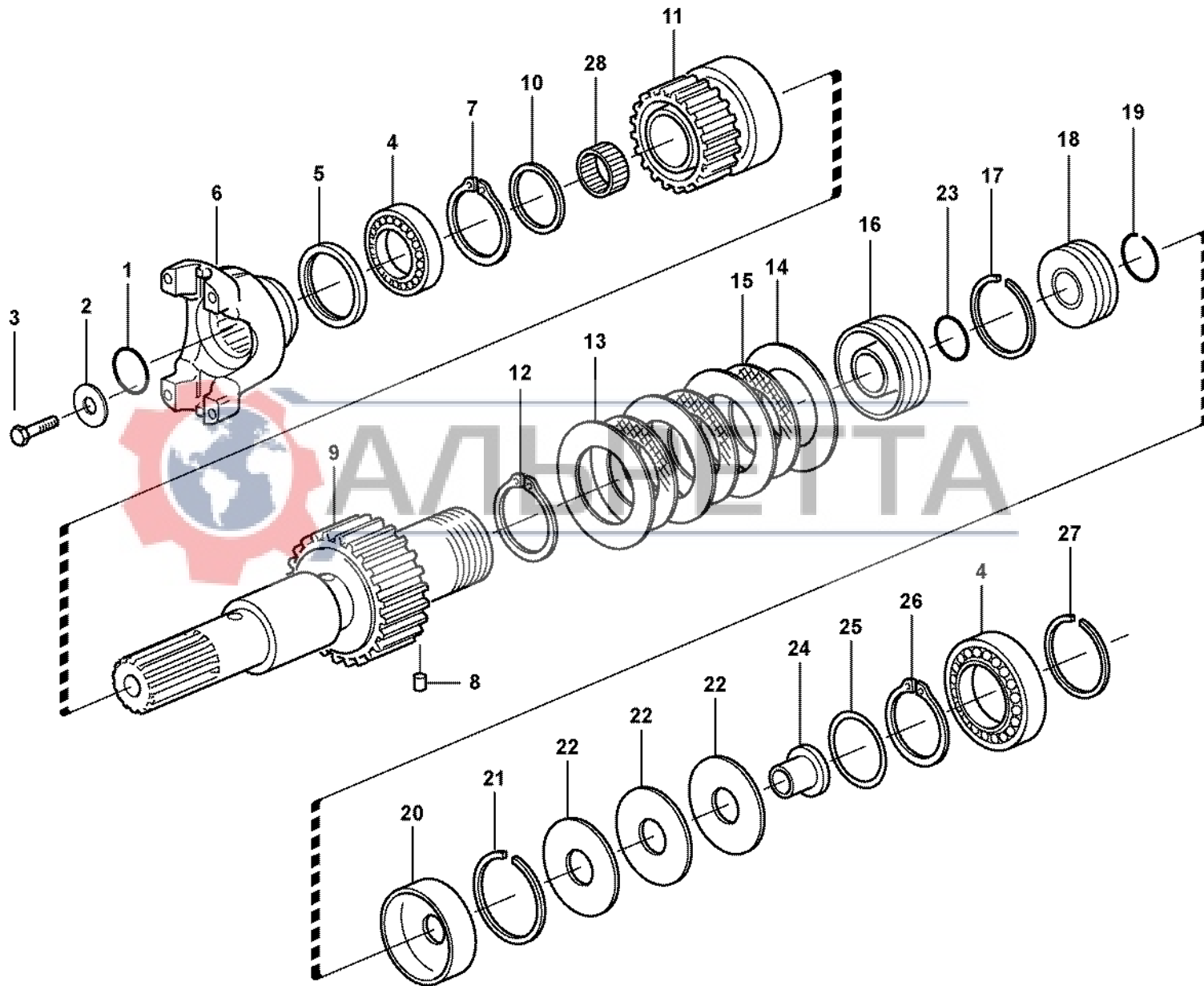


Fig.	Part No.	Quantity			P S	K I T	Description	Dénomination	Bezeichnung	Denominación	Benämning	Notes
		1	2	3								
1	VOE 11709145	1				O-ring	Joint Torique	O-Ring	Junta torica	O-ring		
2	VOE 11709144	1				Washer	Rondelle	Scheibe	Arandela	Bricka		
3	VOE 970827	1				Hexagon screw	Vis a tête hexagonale	Sechskantschr.	Tornillo hexago	Sexkantsskruv		
4	VOE 11709098	2				Bearing	Palier	Lager	Cojinete	Lager		
5	VOE 11709133	1				Seal	Joint	Dichtring	Junta	Tätning		
6	VOE 11709146	1				Flange	Bride	Flansch	Brida	Fläns		
7	VOE 11709151	1				Snap Ring	Circlip	Nutring	Circlip	Spårring		
8	VOE 11709095	1				Pin	Goupille	Stift	Pasador	Pinne		
9	VOE 11709152	1				Axle	Arbre	Welle	Eje	Axel		
10	VOE 11709085	1				Spacer	Entretoise	Abstandkörper	Distanciador	Distans		
11	VOE 11709153	1				Drive gear	Pignon	Triebad	Pinon	Drev		
12	VOE 11709154	1				Snap Ring	Circlip	Nutring	Circlip	Spårring		
13	VOE 11709155	1				Flange	Bride	Flansch	Brida	Fläns		
14	VOE 11709156	13				Clutch Drive	Bride Commande	Antriebsflansch	Brida Embrague	Drivfläns		
15	VOE 11709157	12				Disc	Disque	Lamelle	Disco embrague	Lamell		
16	VOE 11709158	1				Clutch Drive	Bride Commande	Antriebsflansch	Brida Embrague	Drivfläns		
17	VOE 11709159	1				Seal	Joint	Dichtung	Reten	Tätning		
18	VOE 11709160	1				Clutch Plate	Disque	Lamelle	Disco Embrague	Lamell		
19	VOE 11709161	1				Seal	Joint	Dichtung	Reten	Tätning		
20	VOE 11709162	1				Sleeve	Douille	Hülse	Manguito	Hylsa		
21	VOE 11709163	1				Disc	Disque	Scheibe	Disco	Skiva		
22	VOE 11709164	3				Disc spring	Ressort diaphragme	Tellerfeder	Resorte disco	Tallriksfjäder		
23	VOE 11709165	1				O-ring	Joint Torique	O-Ring	Junta torica	O-ring		
24	VOE 11709166	1				Guide	Guide	Führung	Guia	Styrning		
25	VOE 11709167	REQ				Shim	Cale réglage	Nachstellblech	Laminilla de ajuste	Justerbleck	THICK 2,00 MM	
	VOE 11709168	REQ				Shim	Cale réglage	Nachstellblech	Laminilla de ajuste	Justerbleck	THICK 0,10 MM	
	VOE 11709169	REQ				Shim	Cale réglage	Nachstellblech	Laminilla de ajuste	Justerbleck	THICK 0,30 MM	
	VOE 11709170	REQ				Shim	Cale réglage	Nachstellblech	Laminilla de ajuste	Justerbleck	THICK 0,50 MM	
26	VOE 11709171	1				Snap Ring	Circlip	Nutring	Circlip	Spårring		
27	VOE 11709076	2				Sealing ring	Bague d'étanchéité	Runddichtring	Anillo reten	Tätningsring		

1		<b>Hydraulkoppling, 4-hjulsdrift</b> <b>Embragues, tracción 4 ruedas</b> <b>Kupplungen, 4-Radantrieb</b> <b>Embrayages, 4 roues motrices</b> <b>Hydraulic clutch, 4wd</b>	Catalogue id	Group
2			<b>20004</b>	<b>421</b>
3			Illustr. No	Section
4			<b>1000806</b>	<b>400</b>
5			Issue	Page
		<b>11891209</b>	<b>VOE 63G9920004</b>	<b>291</b>

**VOLVO**

**BL70**



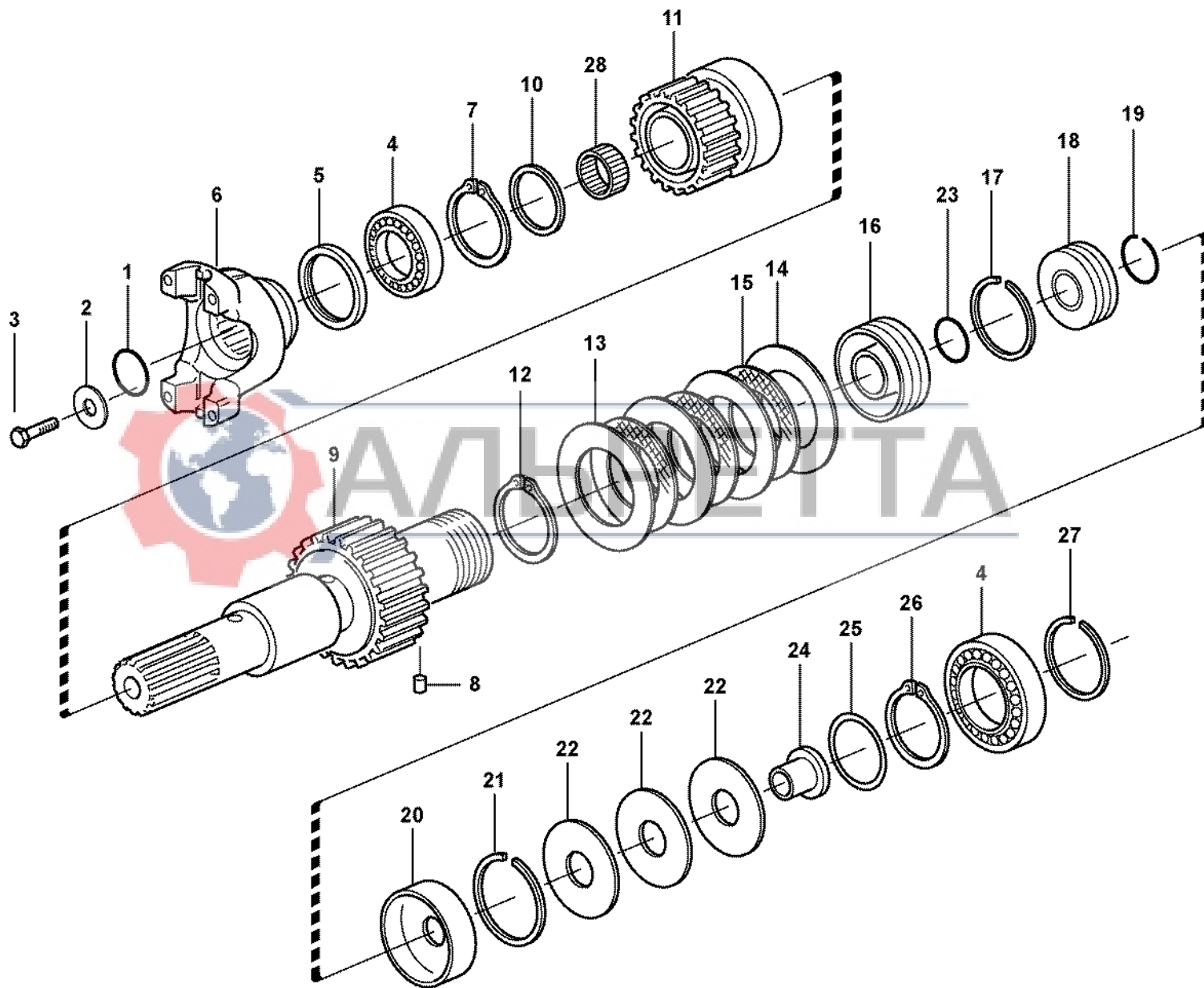


Fig.	Part No.	Quantity			P S	K I T	Description	Dénomination	Bezeichnung	Denominación	Benämning	Notes
		1	2	3								
28	VOE 11709081	1					Needle Bearing .....	Roule.aiguilles.....	Nadellager.....	Cojinete Agujas .....	Nållager.....	



1		<b>Hydraulkoppling, 4-hjulsdrift</b> <b>Embragues, tracción 4 ruedas</b> <b>Kupplungen, 4-Radantrieb</b> <b>Embrayages, 4 roues motrices</b> <b>Hydraulic clutch, 4wd</b>	Catalogue id	Group
2			<b>20004</b>	<b>421</b>
3			Illustr. No	Section
4			<b>1000806</b>	<b>400</b>
5			Issue	Page
		<b>11891209</b>	<b>VOE 63G9920004</b>	<b>293</b>

**VOLVO**

**BL70**



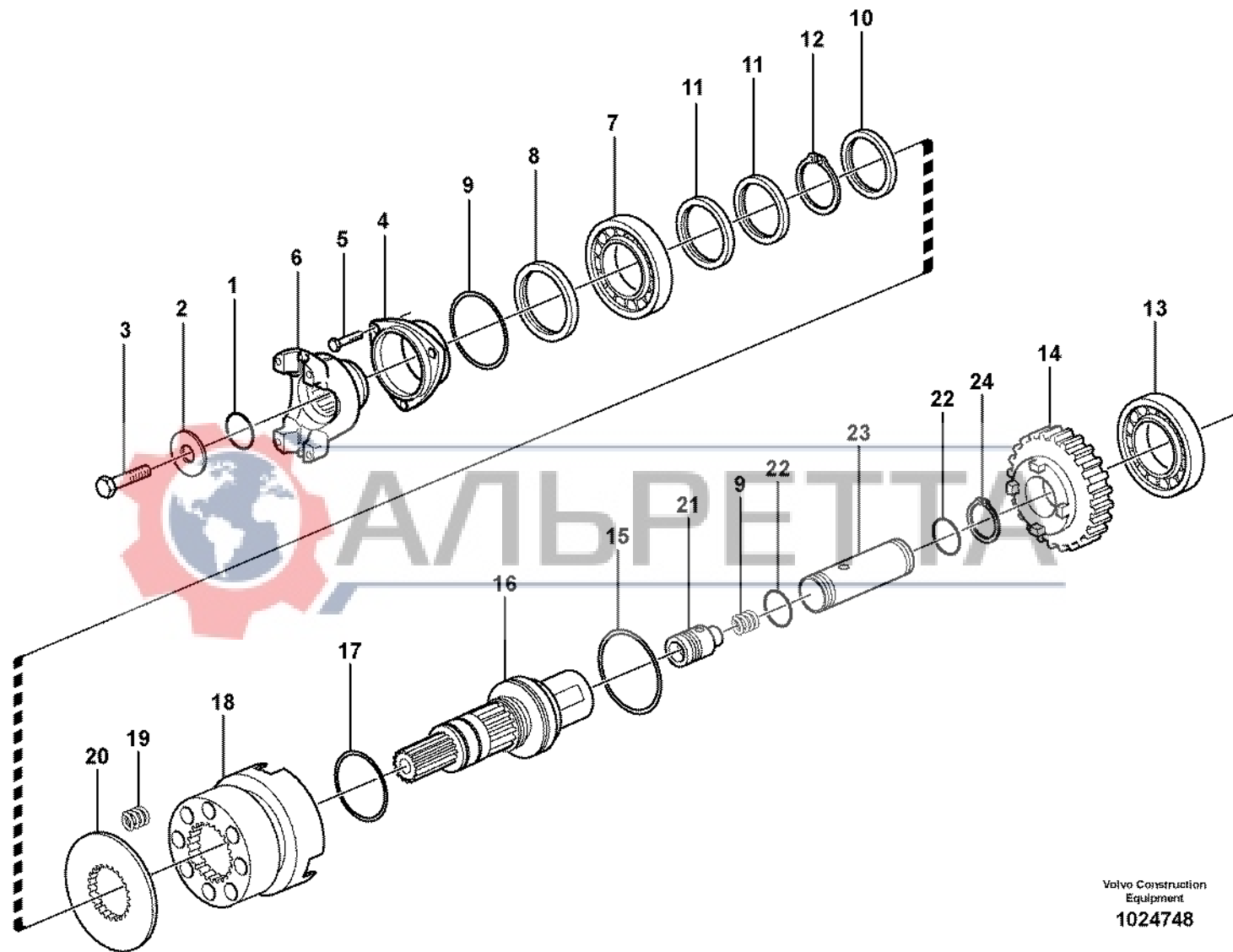
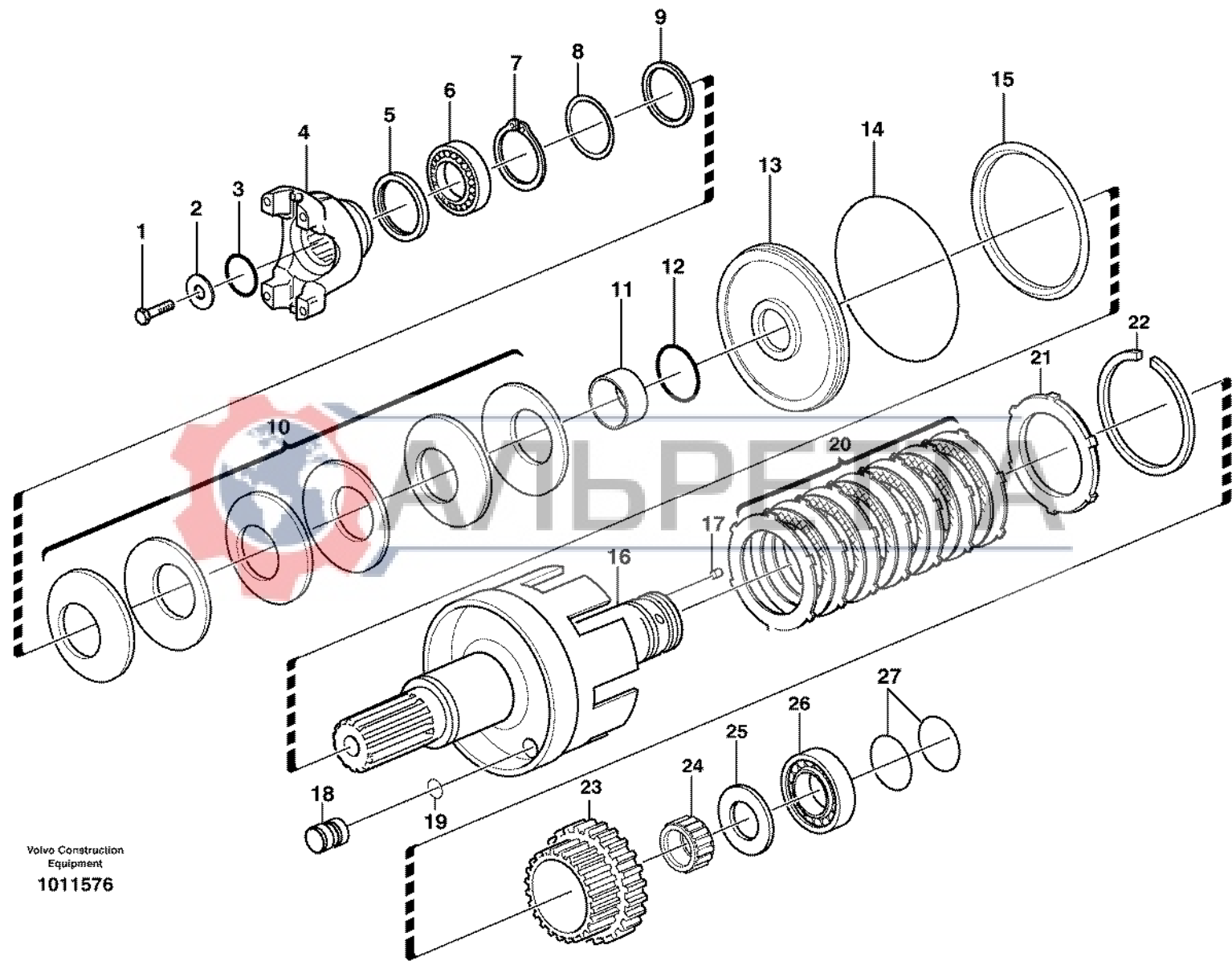


Fig.	Part No.	Quantity			P S	K I T	Description	Dénomination	Bezeichnung	Denominación	Benämning	Notes
		1	2	3								
1	VOE 11709321	1				O-ring	Joint Torique	O-Ring	Junta torica	O-ring		
2	VOE 11716787	1				Washer	Rondelle	Scheibe	Arandela	Bricka		
3	VOE 970827	1				Hexagon screw	Vis a tête hexagonale	Sechskantschr	Tornillo hexago	Sexkantsskruv		
4	VOE 11716788	1				End plate	Flasque	Stirnwand	Extremo	Gavel		
5	VOE 955296	3				Hexagon screw	Vis tête hexagonale	Sechskantschraube	Tornillo hexago	Sexkantsskruv		
6	VOE 11716789	1				Flange	Flasque	Flansch	Brida	Fläns		
7	VOE 11709102	1				Bearing	Palier	Lager	Cojinete	Lager		
8	VOE 11716790	1				Seal	Joint	Dichtring	Junta	Tätning		
9	VOE 11716791	1				O-ring	Joint Torique	O-Ring	Junta torica	O-ring		
10	VOE 11709167	1				Shim	Cale réglage	Nachstellblech	Laminilla de ajuste	Justerbleck		
11	VOE 11709076	2				Sealing ring	Bague d'étanchéité	Runddichtring	Anillo reten	Tätningsring		
12	VOE 11709171	1				Snap Ring	Circlip	Nutring	Circlip	Spårring		
13	VOE 11709098	1				Bearing	Palier	Lager	Cojinete	Lager		
14	VOE 11716792	1				Drive Gear	Pignon	Triebrad	Pinon	Drivhjul		
15	VOE 11716793	1				O-ring	Joint Torique	O-Ring	Junta torica	O-ring		
16	VOE 11716794	1				Shaft	Arbre	Welle	Arbol	Axel		
17	VOE 11716795	2				O-ring	Joint Torique	O-Ring	Junta torica	O-ring		
18	VOE 11716796	1				Sleeve	Manchon	Muffe	Manguito	Muff		
19	VOE 11716797	9				Spring	Ressort	Feder	Muelle	Fjäder		
20	VOE 11716798	1				Spacer Washer	Rond entretoise	Abstandscheibe	Arandela Dist	Distansbricka		
21	VOE 11716799	1				Valve	Soupape	Ventil	Valvula	Ventil		
22	VOE 11716800	2				O-ring	Joint Torique	O-Ring	Junta torica	O-ring		
23	VOE 11716801	1				Cylinder	Verin	Zylinder	Cilindro	Cylinder		
24	VOE 11716802	1				Lock Ring	Anneau Verrouillage	Schlossring	Anillo Segurid	Låsring		

1	11887380	Axel, fyrhjulsdrift	Catalogue id	Group
2			<b>20004</b>	<b>421</b>
3		Shaft, four wheel drive	Illustr. No	Section
4			<b>1024748</b>	<b>410</b>
5		11891209 S/N 11145 -	Issue	Page
			<b>VOE 63G9920004</b>	<b>295</b>

**VOLVO**

**BL70**



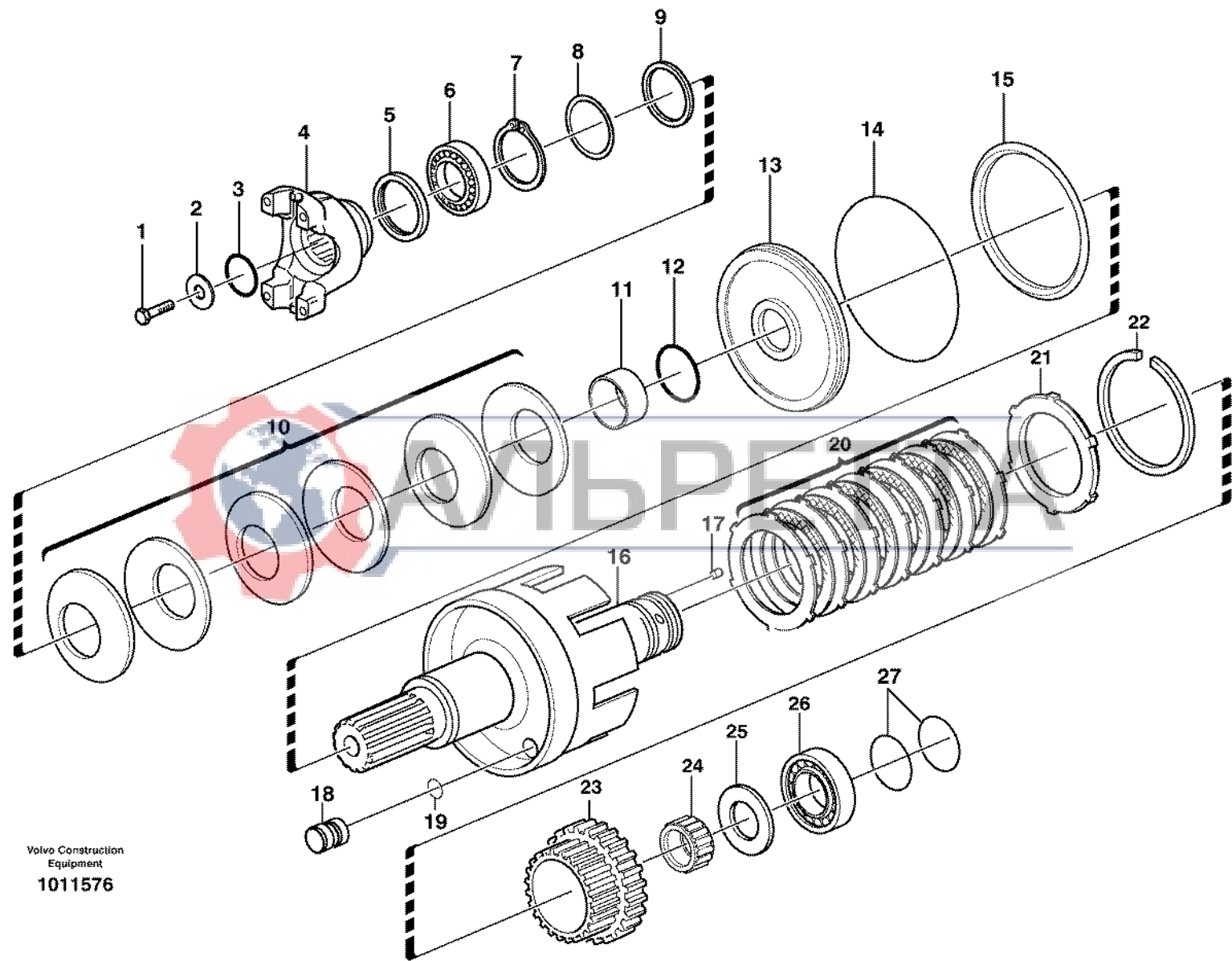
Volvo Construction  
Equipment  
1011576

Fig.	Part No.	Quantity			P S	K I T	Description	Dénomination	Bezeichnung	Denominación	Benämning	Notes
		1	2	3								
1	VOE 970827	1	1	1			Hexagon screw .....	Vis a tête hexagonale	Sechskantschr.....	Tornillo hexago.....	Sexkantsskruv.....	
2	VOE 11709144	1	1	1			Washer.....	Rondelle.....	Scheibe .....	Arandela.....	Bricka.....	
3	VOE 11709051	1	1	1			O-ring.....	Joint Torique .....	O-Ring.....	Junta torica.....	O-ring.....	
4	VOE 11713001	1		1			Companion flange.....	Flasque entrainemen	Antriebsflansch.....	Brida.....	Medbringare.....	
4	VOE 11716648		1				Companion flange.....	Flasque entrainemen	Antriebsflansch.....	Brida.....	Medbringare.....	
5	VOE 11709133	1	1	1			Seal.....	Joint .....	Dichtring .....	Junta .....	Tätning.....	
6	VOE 11712987	1	1	1			Bearing.....	Palier.....	Lager.....	Cojinete .....	Lager.....	
7	VOE 11709171	1	1	1			Snap Ring .....	Circlip .....	Nutring.....	Circlip .....	Spårring.....	
8	VOE 11709168	RQE	REQ	REQ			Shim.....	Cale réglage.....	Nachstellblech.....	Laminilla de ajuste .....	Justerbleck.....	THICK 0,1 MM
	VOE 11709169	REQ	REQ	REQ			Shim.....	Cale réglage.....	Nachstellblech.....	Laminilla de ajuste .....	Justerbleck.....	THICK 0,3 MM
	VOE 11709170	REQ	REQ	REQ			Shim.....	Cale réglage.....	Nachstellblech.....	Laminilla de ajuste .....	Justerbleck.....	THICK 0,5 MM
9	VOE 11712988	1	1	1			Thrust Washer .....	Rondelle Butee .....	Druckscheibe .....	Arandela Presio.....	Tryckbricka.....	
10	VOE 11712989	6	6	6			Washer.....	Rondelle.....	Scheibe .....	Arandela.....	Bricka.....	
11	VOE 11712990	1	1	1			Sleeve.....	Douille.....	Hülse .....	Manguito .....	Hylsa.....	
12	VOE 11712991	1	1	1			O-ring.....	Joint Torique .....	O-Ring.....	Junta torica.....	O-ring.....	
13	VOE 11712992	1	1	1			Piston.....	Piston.....	Kolben .....	Piston .....	Kolv.....	
14	VOE 11712993	1	1	1			O-ring.....	Joint Torique .....	O-Ring.....	Junta torica.....	O-ring.....	
15	VOE 11712994	1	1	1			Brake Plate.....	Plaque Frein.....	Bremsplatte .....	Placa De Freno .....	Bromsplatta.....	
16	VOE 11712995	1					Shaft.....	Arbre .....	Welle .....	Arbol.....	Axel.....	
16	VOE 11716539		1	1			Shaft.....	Arbre .....	Welle .....	Arbol.....	Axel.....	
17	VOE 11712469	1	1	1			•Rivet.....	•Rivet.....	•Niet.....	•Remache.....	•Nit.....	
18	VOE 11712996	3	3	3			Pin.....	Goupille.....	Zapfen.....	Pasador.....	Tapp.....	
19	VOE 11988593	3	3	3			O-ring.....	Joint Torique .....	O-Ring.....	Junta torica.....	O-ring.....	
20	VOE 11712997	1	1	1			Disc Kit.....	Jeu Disques .....	Lamellensatz .....	Juego Frenos .....	Lamellsats.....	
21	VOE 11712998	1	1	1			Lock Ring.....	Anneau Verrouillage ..	Schlossring.....	Anillo Segurid .....	Låsring.....	
22	VOE 11712999	1	1	1			Lock Ring.....	Anneau Verrouillage ..	Schlossring.....	Anillo Segurid .....	Låsring.....	
23	VOE 11713000	1		1			Gear.....	Pignon.....	Zahnradgetriebe.....	Engranaje.....	Kuggdrev.....	
23	VOE 11716647		1				Gear.....	Pignon.....	Zahnradgetriebe.....	Engranaje.....	Kuggdrev.....	
24	VOE 11709081	1	1	1			Needle Bearing .....	Roule aiguilles.....	Nadellager.....	Cojinete Agujas .....	Nållager.....	
25	VOE 11709079	1	1	1			Spacer.....	Entretoise.....	Abstandkörper.....	Distanciador .....	Distans.....	

1	11884310, 11890341	<b>Hydraulkoppling, 4-hjulsdrift</b> <b>Embragues, tracción 4 ruedas</b> <b>Kupplungen, 4-Radantrieb</b> <b>Embrayages, 4 roues motrices</b> <b>Hydraulic clutch, 4wd</b>	Catalogue id	Group
2	11887381		<b>20004</b>	<b>421</b>
3	11888337		Illustr. No	Section
4			<b>1011576</b>	<b>425</b>
5			Issue	Page
	11891255	<b>VOE 63G9920004</b>	<b>297</b>	

**VOLVO**

**BL70**



Volvo Construction  
Equipment  
1011576

Fig.	Part No.	Quantity			P S	K I T	Description	Dénomination	Bezeichnung	Denominación	Benämning	Notes
		1	2	3								
26	<b>VOE 11709098</b>	1	1	1			Bearing.....	Palier.....	Lager.....	Cojinete.....	Lager.....	
27	<b>VOE 11709076</b>	2	2	2			Sealing ring.....	Bague d'étanchéité....	Runddichtring.....	Anillo reten.....	Tättningsring.....	



1	<b>11884310, 11890341</b>	<b>Hydraulkoppling, 4-hjulsdrift Embragues, tracción 4 ruedas Kupplungen, 4-Radantrieb Embrayages, 4 roues motrices Hydraulic clutch, 4wd</b>	Catalogue id	Group
2	<b>11887381</b>		<b>20004</b>	<b>421</b>
3	<b>11888337</b>		Illustr. No	Section
4			<b>1011576</b>	<b>425</b>
5			Issue	Page
	<b>11891255</b>	<b>VOE 63G9920004</b>	<b>299</b>	

**VOLVO**

**BL70**





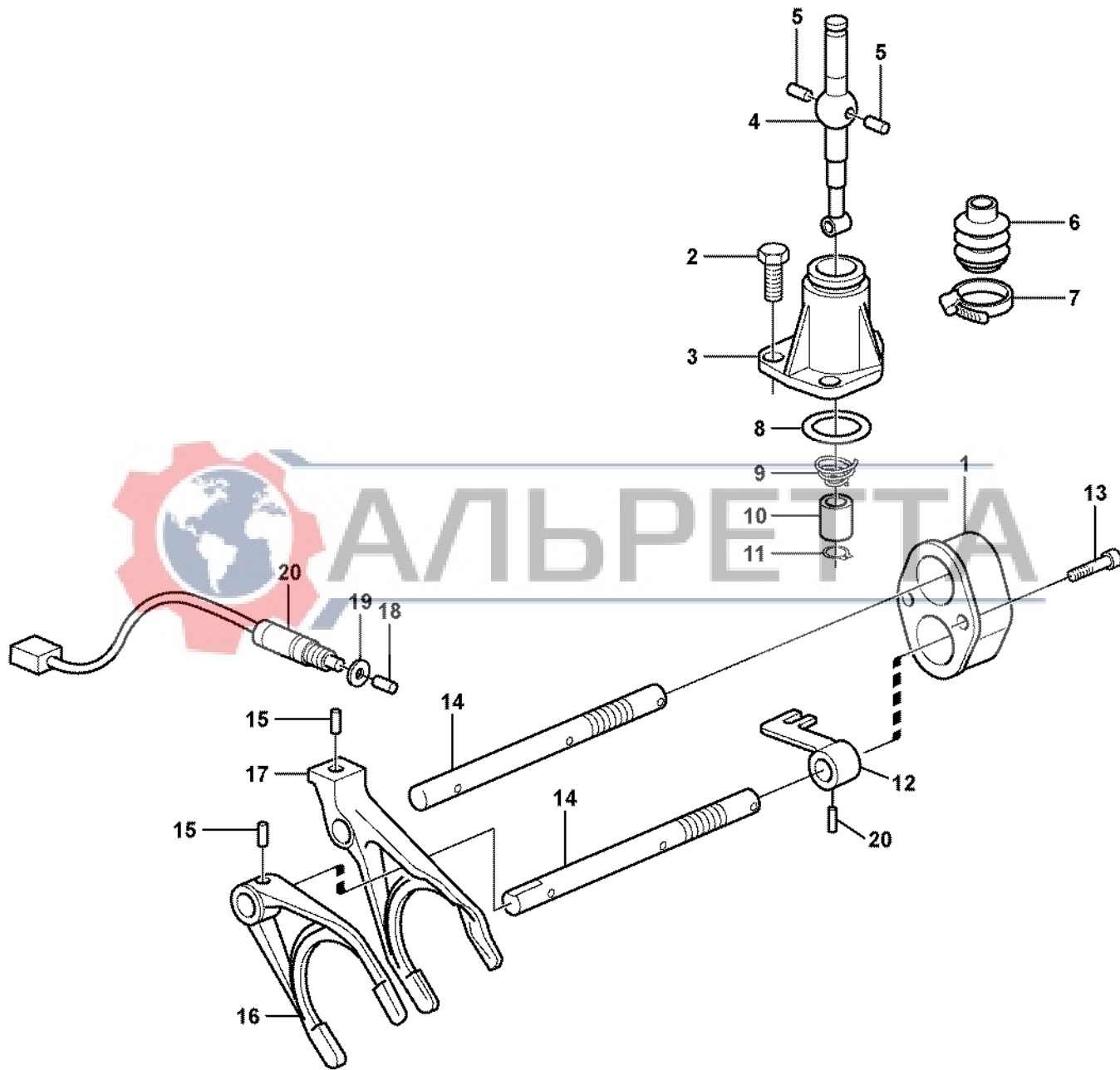


Fig.	Part No.	Quantity			P S	K I T	Description	Dénomination	Bezeichnung	Denominación	Benämning	Notes
		1	2	3								
1	VOE 11709173	1				Cover .....	Couvercle .....	Deckel .....	Tapa .....	Lock.....		
2	VOE 955297	3				Hexagon screw .....	Vis tête hexagonale ...	Sechskantschraube...	Tornillo hexago.....	Sexkantsskruv.....		
3	VOE 11709178	1				Gear Lvr Cover .....	Couv.levi.vite.....	Schaltdeckel .....	Tapa Pal Camb .....	Växelspakslock.....		
4	VOE 11709179	1				Shift Lever.....	Levier Vitesse .....	Schalthebel .....	Palanca Cambios .....	Växelspak.....		
5	VOE 11709180	2				Pin.....	Goupille.....	Stift .....	Pasador .....	Pinne.....		
6	VOE 11709181	1				Boot.....	Soufflet.....	Manschette.....	Proteccion .....	Damask.....		
7	VOE 11709182	1				Clamp.....	Collier serrage.....	Klemme .....	Abrazadera .....	Klamma.....		
8	VOE 11709165	1				O-ring .....	Joint Torique .....	O-Ring .....	Junta torica.....	O-ring.....		
9	VOE 11709183	1				Spring.....	Ressort.....	Feder .....	Muelle.....	Fjäder.....		
10	VOE 11709184	1				Bushing .....	Bague.....	Buchse .....	Casquillo .....	Bussning.....		
11	VOE 11709185	1				Snap Ring .....	Circlip .....	Nutring.....	Circlip .....	Spårring.....		
12	VOE 11709187	1				Gear Selector.....	Selecte.vitesse.....	Wählhebel .....	Select Velocid .....	Växelväljare.....		
13	VOE 970808	2				Hexagon screw .....	Vis a tête hexagonale	Sechskantschr.....	Tornillo hexago.....	Sexkantsskruv.....		
14	VOE 11709188	2				Gear Sel Rod .....	Tige Selec.vit. ....	Schaltstange .....	Varilla Select .....	Växelförarstång.....		
15	VOE 11709189	3				Pin.....	Goupille.....	Stift .....	Pasador .....	Pinne.....		
16	VOE 11709190	1				Shift Yoke.....	Fourchette.....	Schaltgabel .....	Horquill Cambio.....	Skiftgaffel.....		
17	VOE 11709191	1				Shift Yoke.....	Fourchette.....	Schaltgabel .....	Horquill Cambio.....	Skiftgaffel.....		
18	VOE 11709192	1				Pin.....	Goupille.....	Stift .....	Pasador .....	Pinne.....		
19	VOE 11715354	1				O-ring .....	Joint Torique .....	O-Ring .....	Junta torica.....	O-ring.....		
20	VOE 11712798	1				Sensor.....	Capteur .....	Geber .....	Captador .....	Givare.....	(VOE 11709194)	



1	<b>Växelmanövrering</b> <b>Maniobra de la caja de cambios</b> <b>Schaltbedienung</b> <b>Commande de changement de vitesse</b> <b>Gearshifting</b>	Catalogue id	Group
2		<b>20004</b>	<b>421</b>
3		Illustr. No	Section
4		<b>1000816</b>	<b>450</b>
5		Issue	Page
	<b>11891209</b>	<b>VOE 63G9920004</b>	<b>301</b>

**VOLVO**

**BL70**



# АЛЪРЕТТА

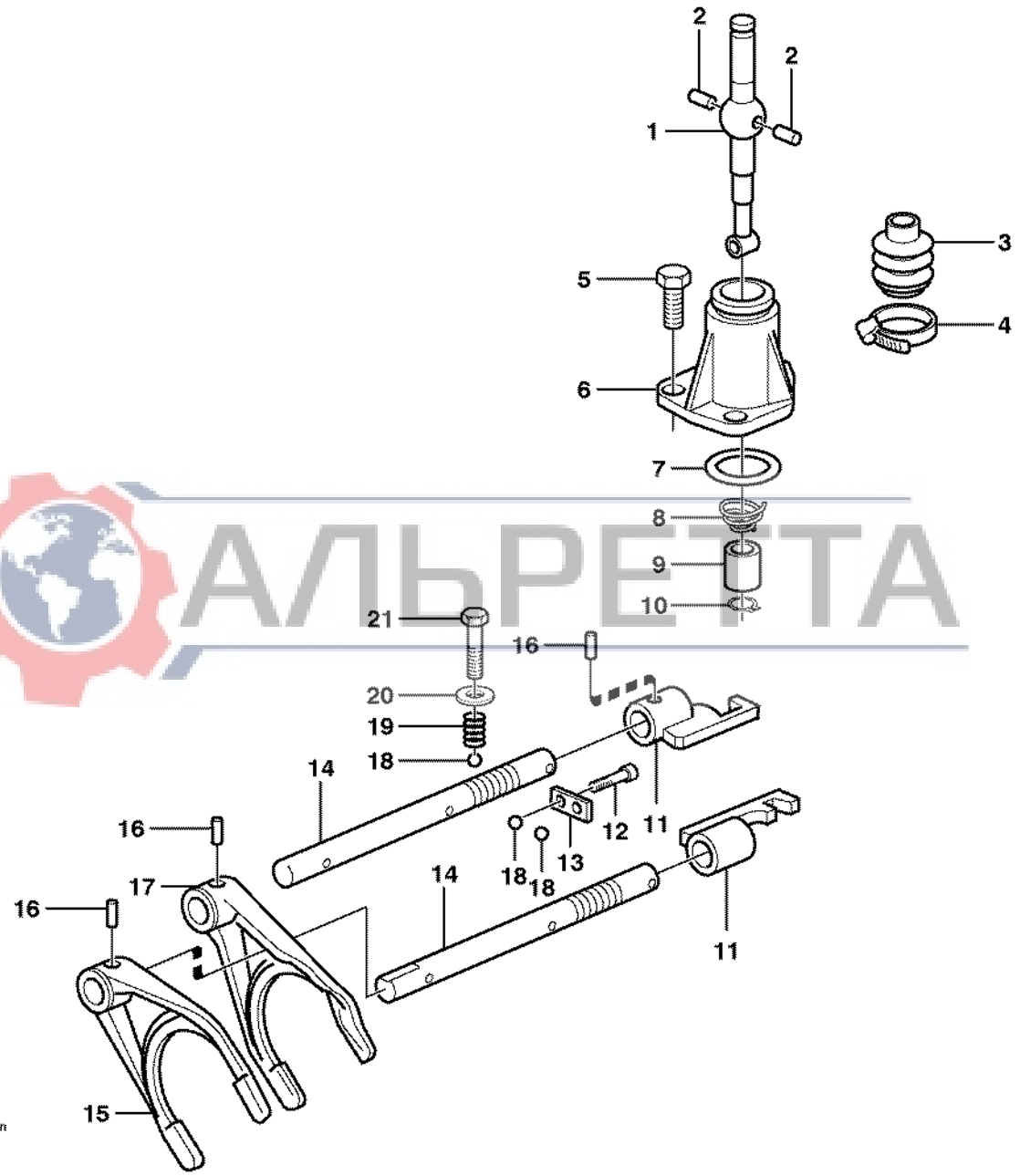


Fig.	Part No.	Quantity			P S	K I T	Description	Dénomination	Bezeichnung	Denominación	Benämning	Notes
		1	2	3								
1	VOE 11709179	1					Shift Lever.....	Levier Vitesse .....	Schalthebel .....	Palanca Cambios .....	Växelspak.....	
1	VOE 11716673		1				Control Lever .....	Levier Commande.....	Bedienungshebel .....	Palanca Mando .....	Manöverspak.....	
2	VOE 11709180	2	2				Pin.....	Goupille.....	Stift.....	Pasador.....	Pinne.....	
3	VOE 11709181	1	1				Boot.....	Soufflet.....	Manschette.....	Proteccion .....	Damask.....	
4	VOE 11709182	1	1				Clamp.....	Collier serrage.....	Klemme .....	Abrazadera.....	Klamma.....	
5	VOE 955297	3	3				Hexagon screw .....	Vis tête hexagonale ...	Sechskantschraube....	Tornillo hexago.....	Sexkantsskruv.....	
6	VOE 11712473	1	1				Cover .....	Capot .....	Haube.....	Capo.....	Huv.....	
7	VOE 11709165	1	1				O-ring .....	Joint Torique .....	O-Ring.....	Junta torica.....	O-ring.....	
8	VOE 11709183	1	1				Spring.....	Ressort.....	Feder.....	Muelle.....	Fjäder.....	
9	VOE 11709184	1	1				Bushing.....	Bague.....	Buchse .....	Casquillo .....	Bussning.....	
10	VOE 11709185	1	1				Snap Ring.....	Circlip .....	Nutring.....	Circlip .....	Spårring.....	
11	VOE 11712474	2	2				Shift Yoke.....	Fourchette.....	Schaltgabel .....	Horquill Cambio.....	Skiftgaffel.....	
12	VOE 970803	2	2				Hexagon screw .....	Vis tête hexagonale ...	Sechskantschraube....	Tornillo hexago.....	Sexkantsskruv.....	
13	VOE 11712475	1	1				Plate.....	Plaque.....	Platte .....	Placa .....	Platta.....	
14	VOE 11712476	2	2				Shift Rail.....	Coulisseau .....	Schaltschiene.....	Eje Cambio.....	Skiftaxel.....	
15	VOE 11712477	1	1				Shift Yoke.....	Fourchette.....	Schaltgabel .....	Horquill Cambio.....	Skiftgaffel.....	
16	VOE 11709189	4	4				Pin.....	Goupille.....	Stift.....	Pasador.....	Pinne.....	
17	VOE 11712478	1					Shift Yoke.....	Fourchette.....	Schaltgabel .....	Horquill Cambio.....	Skiftgaffel.....	
17	VOE 11716674		1				Fork.....	Fourche.....	Gabel.....	Horquilla.....	Gaffel.....	
18	VOE 11709177	4	4				Ball.....	Bille.....	Kugel.....	Bola .....	Kula.....	
19	VOE 11709176	2	2				Spring.....	Ressort.....	Feder.....	Muelle.....	Fjäder.....	
20	VOE 11709174	3	3				Washer.....	Rondelle.....	Scheibe .....	Arandela.....	Bricka.....	
21	VOE 11709175	3	3				Screw.....	Vis .....	Schraube.....	Tornillo .....	Skruv.....	

1	11890339	<b>Växelmanövrering</b> <b>Maniobra de la caja de cambios</b> <b>Schaltbedienung</b> <b>Commande de changement de vitesse</b> <b>Gearshifting</b>	Catalogue id	Group
2	11887379		<b>20004</b>	<b>421</b>
3			Illustr. No	Section
4			<b>1009247</b>	<b>460</b>
5			Issue	Page
		<b>11891224</b>	<b>VOE 63G9920004</b>	<b>303</b>

**VOLVO**

**BL70**

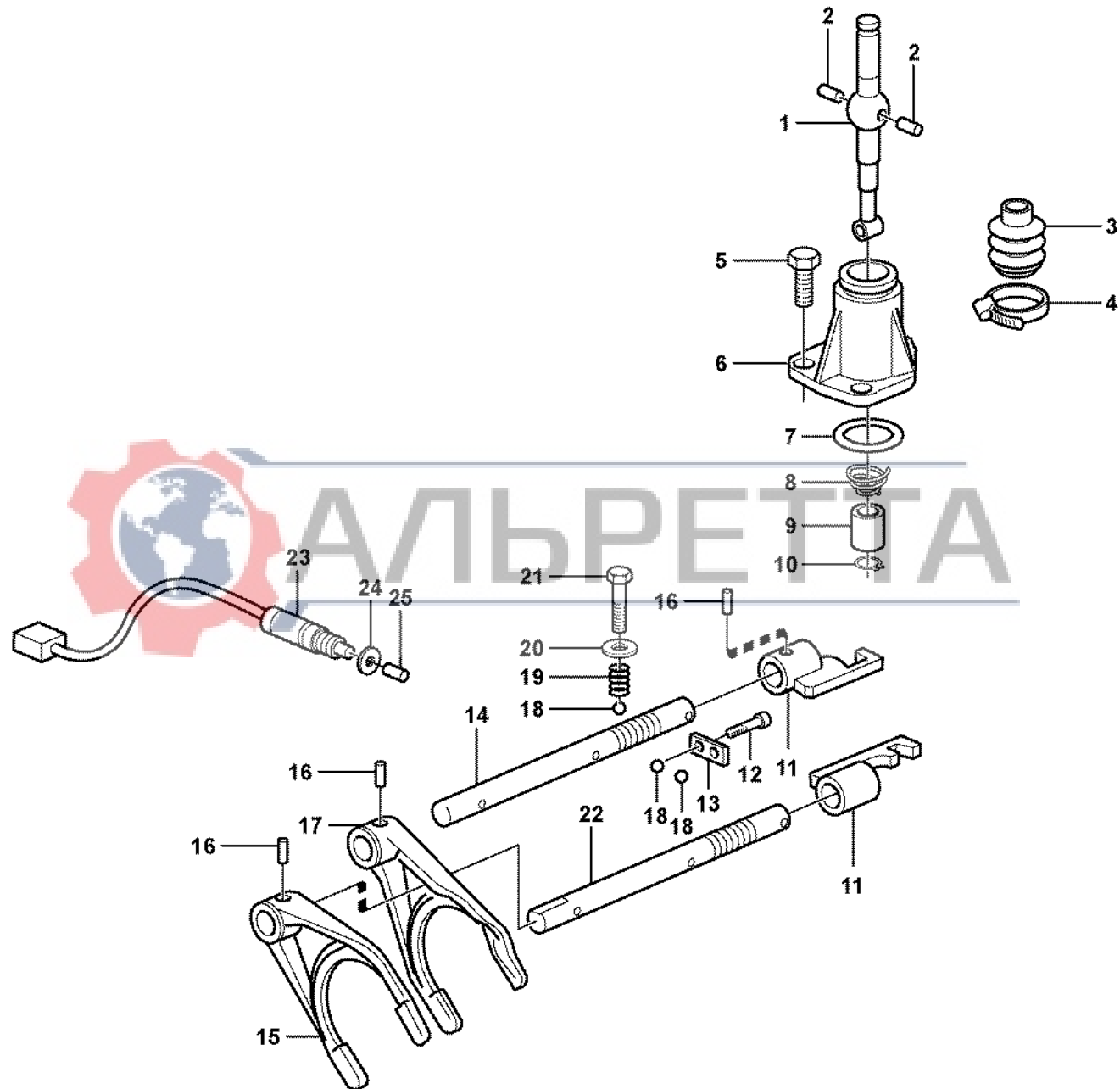
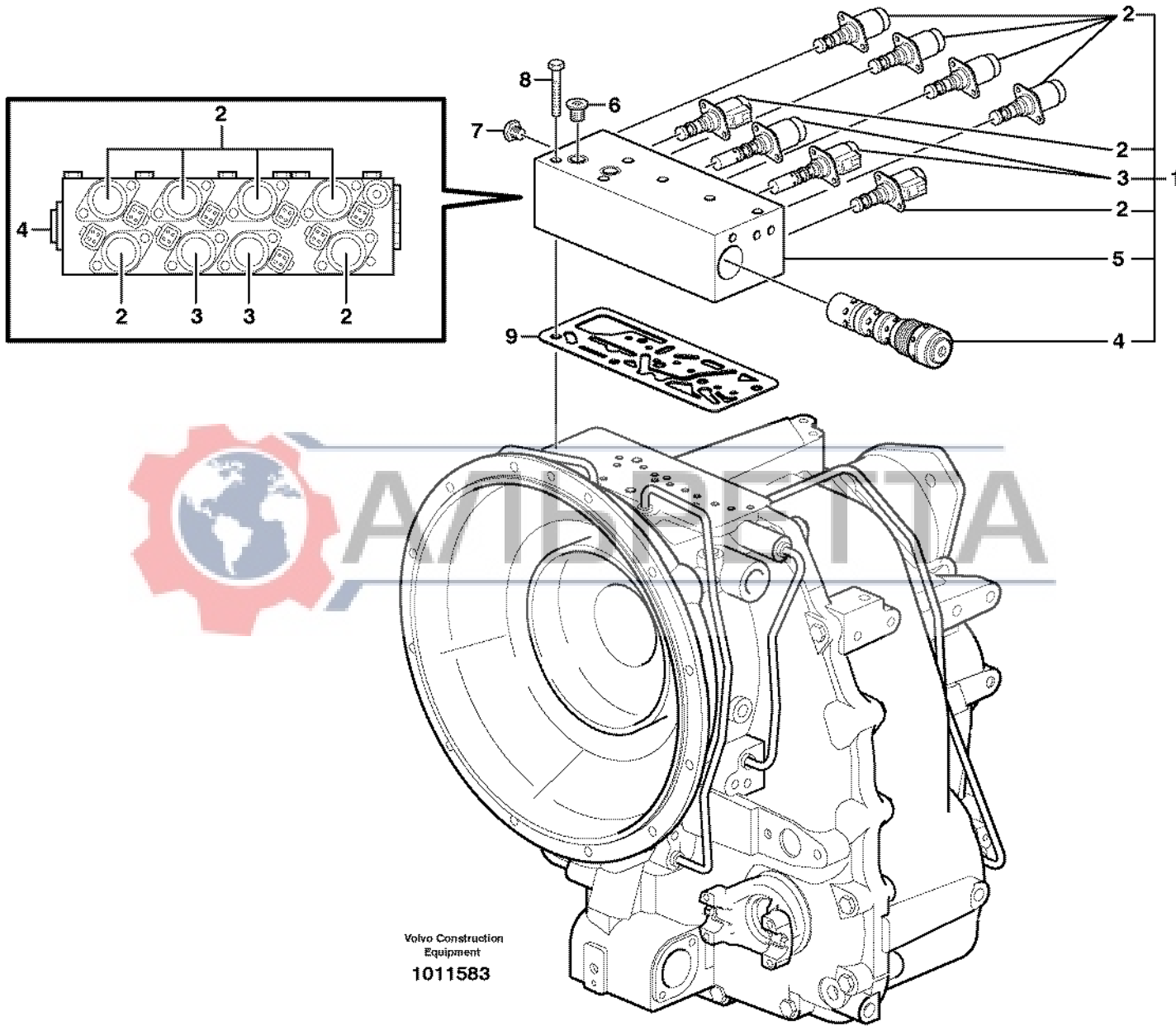


Fig.	Part No.	Quantity			P S	K I T	Description	Dénomination	Bezeichnung	Denominación	Benämning	Notes
		1	2	3								
1	VOE 11716673	1				Control Lever .....	Levier Commande.....	Bedienungshebel .....	Palanca Mando .....	Manöverspak .....		
2	VOE 11709180	2				Pin.....	Goupille.....	Stift.....	Pasador.....	Pinne.....		
3	VOE 11709181	1				Boot.....	Soufflet.....	Manschette.....	Proteccion .....	Damask.....		
4	VOE 11709182	1				Clamp.....	Collier serrage.....	Klemme .....	Abrazadera.....	Klamma.....		
5	VOE 955297	3				Hexagon screw .....	Vis tête hexagonale ...	Sechskantschraube....	Tornillo hexago.....	Sexkantsskruv.....		
6	VOE 11712473	1				Cover .....	Capot .....	Haube.....	Capo.....	Huv.....		
7	VOE 11709165	1				O-ring .....	Joint Torique .....	O-Ring .....	Junta torica.....	O-ring.....		
8	VOE 11709183	1				Spring.....	Ressort.....	Feder.....	Muelle.....	Fjäder.....		
9	VOE 11709184	1				Bushing .....	Bague.....	Buchse .....	Casquillo .....	Bussning.....		
10	VOE 11709185	1				Snap Ring .....	Circlip .....	Nutring.....	Circlip .....	Spårring.....		
11	VOE 11712474	2				Shift Yoke.....	Fourchette.....	Schaltgabel .....	Horquill Cambio.....	Skiftgaffel.....		
12	VOE 970803	2				Hexagon screw .....	Vis tête hexagonale ...	Sechskantschraube....	Tornillo hexago.....	Sexkantsskruv.....		
13	VOE 11712475	1				Plate.....	Plaque.....	Platte .....	Placa .....	Platta.....		
14	VOE 11716803	1				Shaft.....	Arbre .....	Welle .....	Arbol.....	Axel.....		
15	VOE 11712477	1				Shift Yoke.....	Fourchette.....	Schaltgabel .....	Horquill Cambio.....	Skiftgaffel.....		
16	VOE 11709189	4				Pin.....	Goupille.....	Stift.....	Pasador.....	Pinne.....		
17	VOE 11716674	1				Fork.....	Fourche.....	Gabel.....	Horquilla.....	Gaffel.....		
18	VOE 11709177	4				Ball.....	Bille .....	Kugel.....	Bola .....	Kula.....		
19	VOE 11709176	2				Spring.....	Ressort.....	Feder.....	Muelle.....	Fjäder.....		
20	VOE 11709174	3				Washer.....	Rondelle.....	Scheibe.....	Arandela.....	Bricka.....		
21	VOE 11709175	3				Screw.....	Vis.....	Schraube.....	Tornillo .....	Skruv.....		
22	VOE 11712476	1				Shift Rail.....	Coulisseau .....	Schaltchiene.....	Eje Cambio.....	Skiftaxel.....		
23	VOE 11712798	1				Sensor.....	Capteur .....	Geber .....	Captador .....	Givare.....		
24	VOE 11715354	1				O-ring.....	Joint Torique .....	O-Ring .....	Junta torica.....	O-ring.....		
25	VOE 11716804	1				Pin.....	Goupille.....	Zapfen.....	Pasador.....	Tapp.....		

1	11887380	<b>Växelmanövrering</b> <b>Maniobra de la caja de cambios</b> <b>Schaltbedienung</b> <b>Commande de changement de vitesse</b> <b>Gearshifting</b>	Catalogue id	Group
2			<b>20004</b>	<b>421</b>
3			Illustr. No	Section
4			<b>1024750</b>	<b>470</b>
5			Issue	Page
			<b>VOE 63G9920004</b>	<b>305</b>
			<b>11891209 S/N 11145 -</b>	

**VOLVO**

**BL70**



Volvo Construction  
Equipment  
1011583

Fig.	Part No.	Quantity			P S	K I T	Description	Dénomination	Bezeichnung	Denominación	Benämning	Notes
		1	2	3								
1	VOE 11713003	1	1	1		Control valve .....	Valve controle .....	Steuerventil .....	Válvula control .....	Kontrollventil .....		
2	VOE 11716540	6	6	6		•Valve .....	•Soupape .....	•Ventil .....	•Valvula .....	•Ventil .....		
3	VOE 11716541	2	2	2		•Valve .....	•Soupape .....	•Ventil .....	•Valvula .....	•Ventil .....	(VOE 11713028)	
4	VOE 11888307	1	1	1		•Valve .....	•Soupape .....	•Ventil .....	•Valvula .....	•Ventil .....	(VOE 11713029)	
5		1	1	1	NS	•Valve Housing .....	•Carter Soupape .....	•Ventilgehäuse .....	•Cuerpo Valvula .....	•Ventilhus .....		
6	VOE 11709075	2	2	2		Plug .....	Bouchon .....	Stopfen .....	Tapon .....	Plugg .....		
7	VOE 11709200	3	3	3		Plug .....	Bouchon .....	Stopfen .....	Tapon .....	Plugg .....		
8	VOE 11713005	6		3		Screw .....	Vis .....	Schraube .....	Tornillo .....	Skruv .....		
8	VOE 955306		6			Hexagon screw .....	Vis tête hexagonale .....	Sechskantschraube .....	Tornillo hexago .....	Sexkantsskruv .....		
9	VOE 11713004	1	1	1		Gasket .....	Joint .....	Dichtung .....	Junta .....	Packning .....		

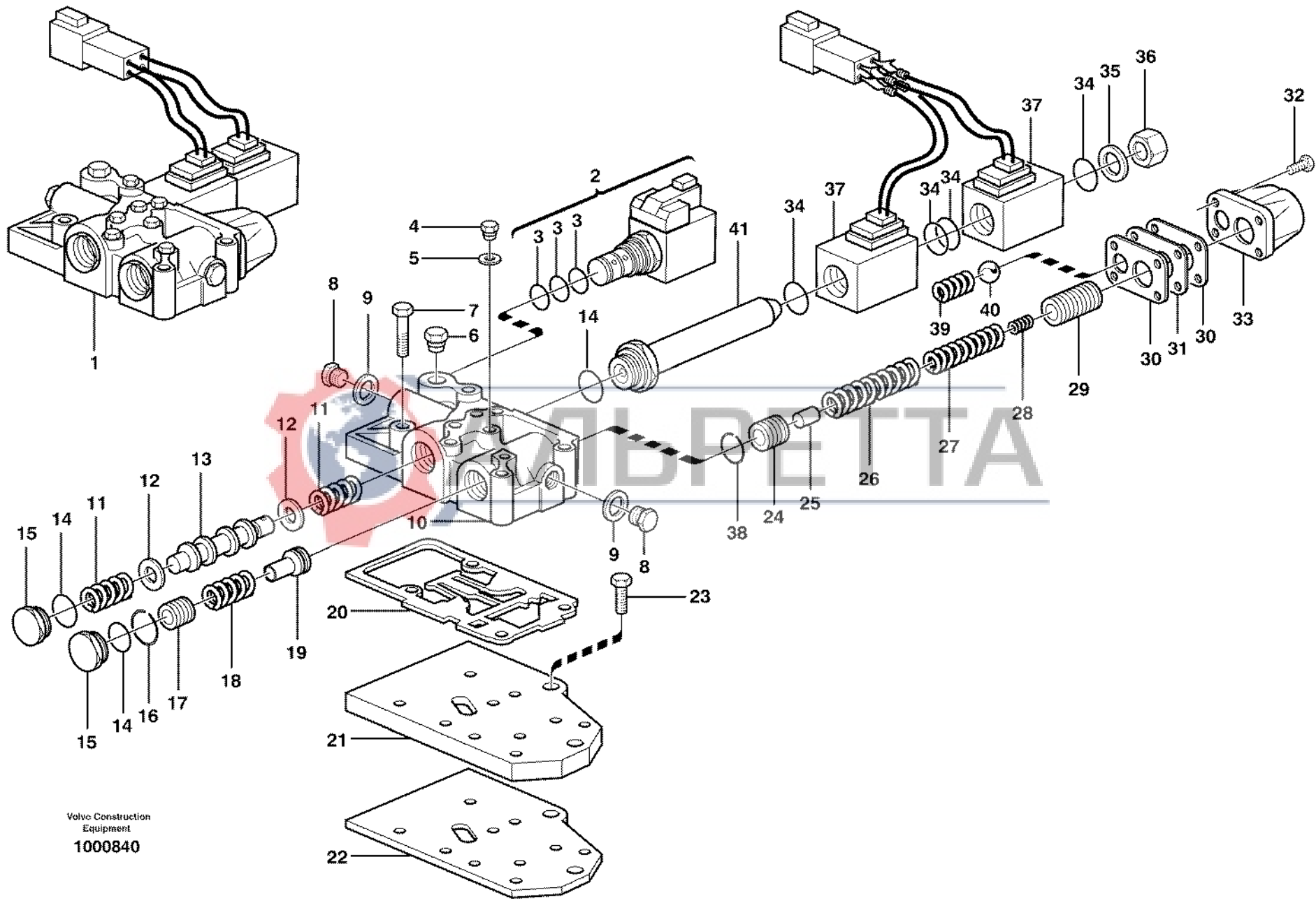


1	11884310, 11890341	<b>Kontrollventil</b> <b>Válvula de control</b> <b>Steuerventil</b> <b>Valve de contrôle</b> <b>Control valve</b>	Catalogue id	Group
2	11887381		<b>20004</b>	<b>421</b>
3	11888337		Illustr. No	Section
4			<b>1011583</b>	<b>475</b>
5			Issue	Page
	11891255	<b>VOE 63G9920004</b>	<b>307</b>	

**VOLVO**

**BL70**





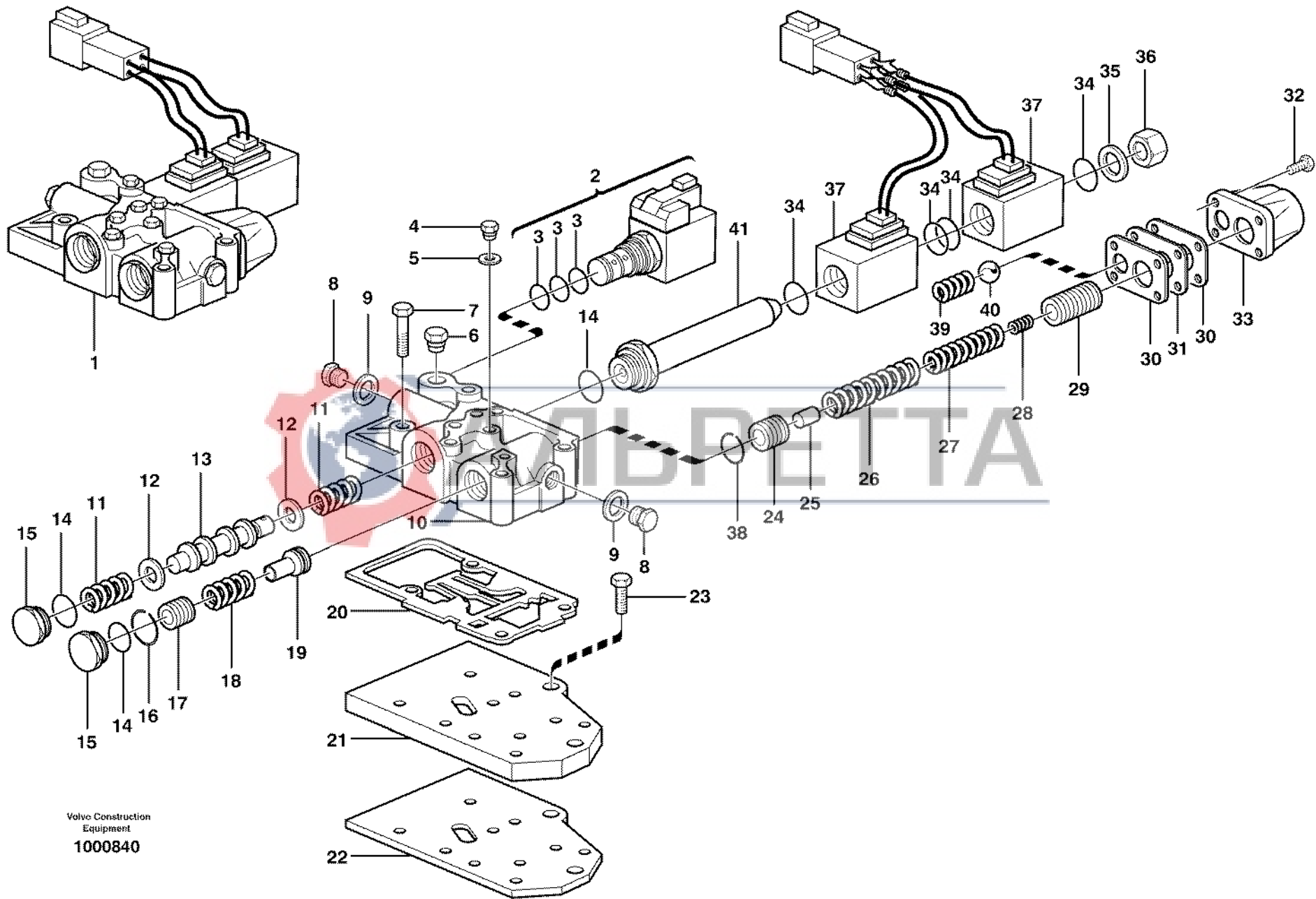
Volvo Construction  
 Equipment  
 1000840

Fig.	Part No.	Quantity			P S	K I T	Description	Dénomination	Bezeichnung	Denominación	Benämning	Notes
		1	2	3								
1	VOE 11709195	1				Distributor.....	Allumeur.....	Verteiler.....	Distribuidor.....	Fördelare.....		
2	VOE 11709196	1				•Valve.....	•Soupape.....	•Ventil.....	•Valvula.....	•Ventil.....		
3	VOE 11712480	1				••O-ring Kit.....	••Jeu Join.toriq.....	••O-ringsatz.....	••Jueg Anil Toric.....	••O-ringsats.....		
4	VOE 11709061	4				•Plug.....	•Bouchon.....	•Stopfen.....	•Tapon.....	•Plugg.....		
5	VOE 11709199	4				•Washer.....	•Rondelle.....	•Scheibe.....	•Arandela.....	•Bricka.....		
6	VOE 11709200	1				•Plug.....	•Bouchon.....	•Stopfen.....	•Tapon.....	•Plugg.....		
7	VOE 955302	6				•Hexagon screw.....	•Vis tête hexagonale..	•Sechskantschraube..	•Tornillo hexago.....	•Sexkantsskruv.....		
8	VOE 11709201	2				•Plug.....	•Bouchon.....	•Stopfen.....	•Tapon.....	•Plugg.....		
9	VOE 11709202	2				•Washer.....	•Rondelle.....	•Scheibe.....	•Arandela.....	•Bricka.....		
10		1			NS	•Valve housing.....	•Carter soupape.....	•Ventilgehäuse.....	•Cuerpo valvula.....	•Ventilhus.....		
11	VOE 11709203	2				•Spring.....	•Ressort.....	•Feder.....	•Muelle.....	•Fjäder.....		
12	VOE 11709204	2				•Washer.....	•Rondelle.....	•Scheibe.....	•Arandela.....	•Bricka.....		
13	VOE 11709205	1				•Piston.....	•Piston.....	•Kolben.....	•Piston.....	•Kolv.....		
14	VOE 11709206	3				•O-ring.....	•Joint Torique.....	•O-Ring.....	•Junta torica.....	•O-ring.....		
15	VOE 11709207	2				•Plug.....	•Bouchon.....	•Stopfen.....	•Tapon.....	•Plugg.....		
16	VOE 11709208	1				•Snap Ring.....	•Circlip.....	•Nutring.....	•Circlip.....	•Spårring.....		
17	VOE 11709209	1				•Piston.....	•Piston.....	•Kolben.....	•Piston.....	•Kolv.....		
18	VOE 11709210	1				•Spring.....	•Ressort.....	•Feder.....	•Muelle.....	•Fjäder.....		
19	VOE 11709211	1				•Bushing.....	•Bague.....	•Buchse.....	•Casquillo.....	•Bussning.....		
20	VOE 11709212	1				•Gasket.....	•Joint.....	•Dichtung.....	•Junta.....	•Packing.....		
21		1			NS	•Valve plate.....	•Plaque soupape.....	•Ventilplatte.....	•Placa valvula.....	•Ventilplatta.....		
22	VOE 11709213	1				•Gasket.....	•Joint.....	•Dichtung.....	•Junta.....	•Packing.....		
23	VOE 13955295	3				•Screw.....	•Vis.....	•Schraube.....	•Tornillo.....	•Skruv.....		
24	VOE 11709214	1				•Piston.....	•Piston.....	•Kolben.....	•Piston.....	•Kolv.....		
25	VOE 11709215	1				•Pin.....	•Goupille.....	•Stift.....	•Pasador.....	•Pinne.....		
26	VOE 11709216	1				•Spring.....	•Ressort.....	•Feder.....	•Muelle.....	•Fjäder.....		
27	VOE 11709217	1				•Spring.....	•Ressort.....	•Feder.....	•Muelle.....	•Fjäder.....		
28	VOE 11709218	1				•Spring.....	•Ressort.....	•Feder.....	•Muelle.....	•Fjäder.....		
29	VOE 11709219	1				•Piston.....	•Piston.....	•Kolben.....	•Piston.....	•Kolv.....		
30	VOE 11709220	2				•Gasket.....	•Joint.....	•Dichtung.....	•Junta.....	•Packing.....		

1	<b>Växelväljarventil</b> <b>Válvula selectora de gama</b> <b>Getriebewählerventil</b> <b>Soupape sélectrice vitesse</b> <b>Range selector valve</b>	Catalogue id	Group
2		<b>20004</b>	<b>421</b>
3		Illustr. No	Section
4		<b>1000840</b>	<b>500</b>
5		Issue	Page
	<b>11891209, 11891224 S/N - 11144</b>	<b>VOE 63G9920004</b>	<b>309</b>

**VOLVO**

**BL70**



Volvo Construction  
 Equipment  
 1000840

Fig.	Part No.	Quantity			P S	K I T	Description	Dénomination	Bezeichnung	Denominación	Benämning	Notes
		1	2	3								
31	VOE 11709221	1				•Plate .....	•Plaque.....	•Platte.....	•Placa .....	•Platta.....		
32	VOE 13948356	4				•Flange screw .....	•Vis à bride.....	•Flanschschraube.....	•Torn embridado.....	•Flänsskruv.....		
33	VOE 11709222	1				•Cover .....	•Couvercle.....	•Deckel .....	•Tapa .....	•Lock.....		
34	VOE 11709223	4				•O-ring.....	•Joint Torique .....	•O-Ring.....	•Junta torica .....	•O-ring.....		
35	VOE 11709224	1				•Washer .....	•Rondelle.....	•Scheibe .....	•Arandela.....	•Bricka.....		
36	VOE 11709225	1				•Plug .....	•Bouchon.....	•Stopfen .....	•Tapon.....	•Plugg.....		
37	VOE 11712481	2				•Solenoid valve .....	•Vanne electrom.....	•Magnetventil.....	•Electrovalvula.....	•Magnetventil.....		
38	VOE 11709228	1				•Snap Ring .....	•Circlip.....	•Nutring .....	•Circlip .....	•Spårring.....		
39	VOE 11709229	1				•Spring .....	•Ressort .....	•Feder.....	•Muelle .....	•Fjäder.....		
40	VOE 11709230	1				•Ball.....	•Bille .....	•Kugel.....	•Bola .....	•Kula.....		
41	VOE 11709231	1				•Pipe .....	•Canalisation .....	•Rohrleitung.....	•Canalizacion .....	•Rör.....		



1	<b>Växelväljarventil</b> <b>Válvula selectora de gama</b> <b>Getriebewählerventil</b> <b>Soupape sélectrice vitesse</b> <b>Range selector valve</b>	Catalogue id	Group
2		<b>20004</b>	<b>421</b>
3		Illustr. No	Section
4		<b>1000840</b>	<b>500</b>
5		Issue	Page
	<b>11891209, 11891224 S/N - 11144</b>	<b>VOE 63G9920004</b>	<b>311</b>

**VOLVO**

**BL70**

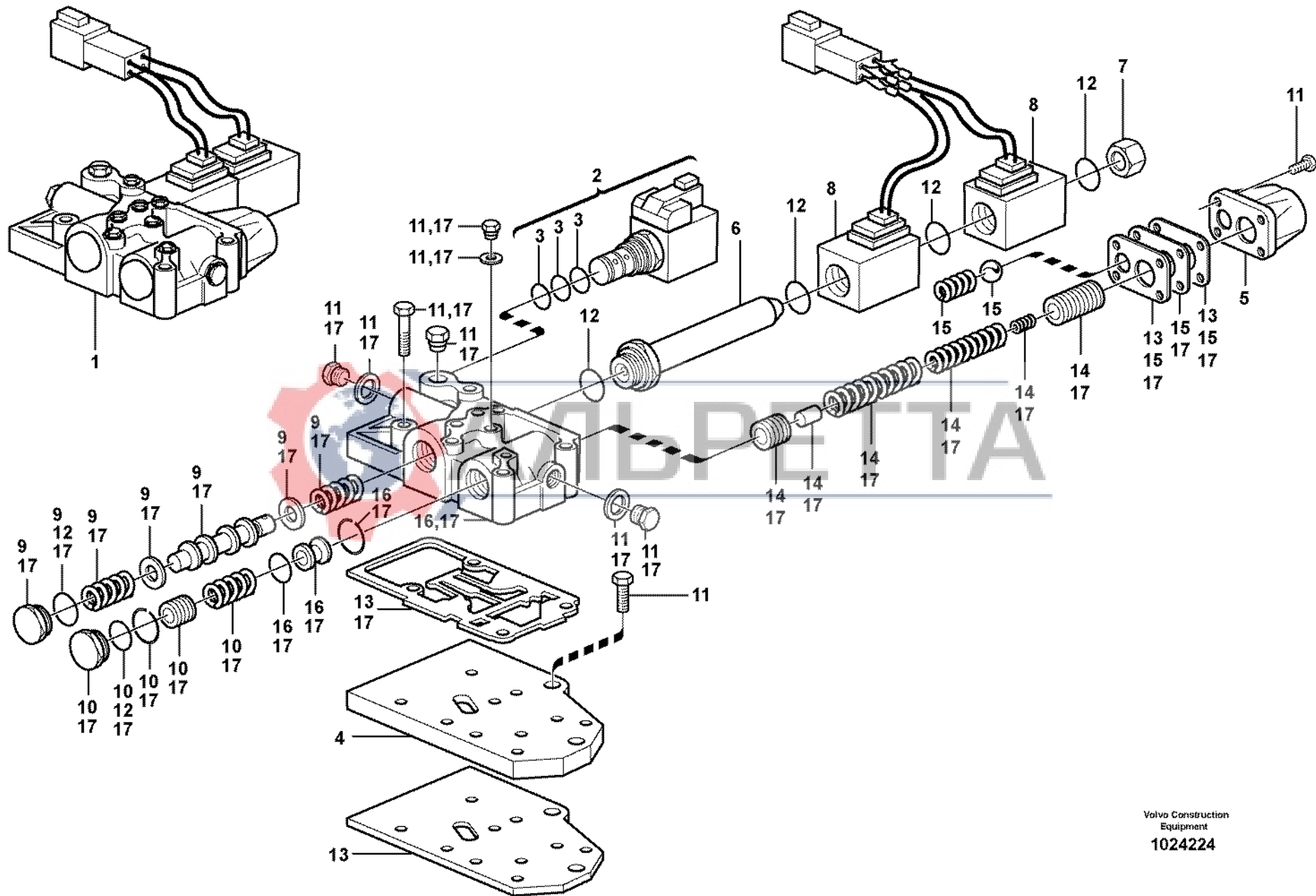


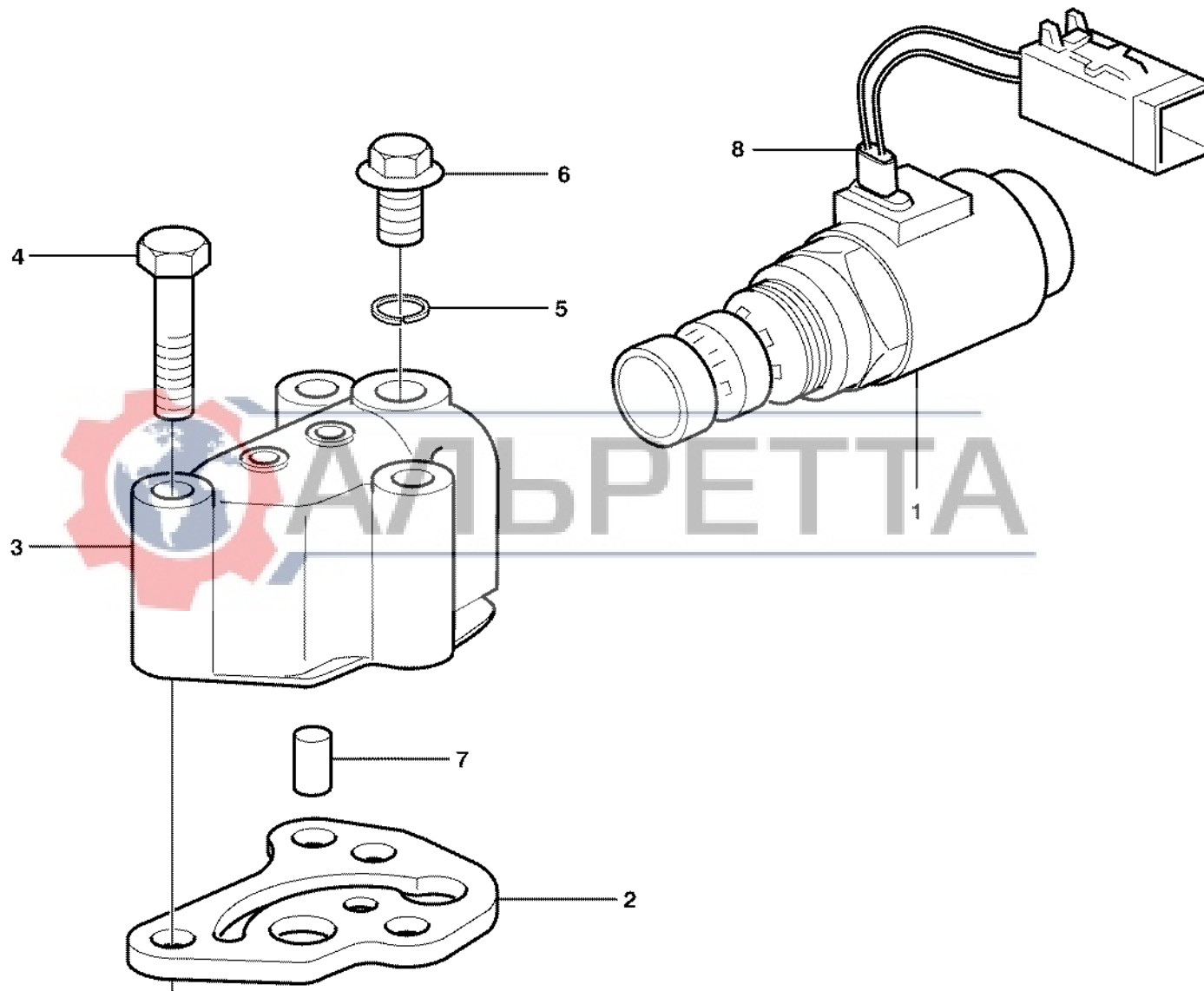
Fig.	Part No.	Quantity			P S	K I T	Description	Dénomination	Bezeichnung	Denominación	Benämning	Notes
		1	2	3								
1	VOE 11716675	1				Control valve .....	Valve controle .....	Steuerventil .....	Válvula control .....	Kontrollventil .....		
2	VOE 11709196	1				•Valve .....	•Soupape .....	•Ventil .....	•Valvula .....	•Ventil .....		
3	VOE 11709197	1				••O-ring Kit .....	••Jeu Join.toriq. ....	••O-ringsatz .....	••Jueg Anil Toric .....	••O-ringsats .....		
4	VOE 11716676	1				•Plate .....	•Plaque .....	•Platte .....	•Placa .....	•Platta .....		
5	VOE 11709222	1				•Cover .....	•Couvercle .....	•Deckel .....	•Tapa .....	•Lock .....		
6	VOE 11709231	1				•Pipe .....	•Canalisation .....	•Rohrleitung .....	•Canalización .....	•Rör .....		
7	VOE 11716677	1				•Plug .....	•Bouchon .....	•Stopfen .....	•Tapon .....	•Plugg .....		
8	VOE 11716678	2				•Valve .....	•Soupape .....	•Ventil .....	•Valvula .....	•Ventil .....		
9	VOE 11716679	1				•Slide .....	•Tiroir .....	•Schieber .....	•Corredera .....	•Slid .....		
10	VOE 11716680	1				•Piston Kit .....	•Jeu Pistons .....	•Kolbensatz .....	•Juego Piston .....	•Kolvsats .....		
11	VOE 11716681	1				•Screw Kit .....	•Kit Vis .....	•Schraubensatz .....	•Juego Tornillos .....	•Skruvsats .....		
12	VOE 11716682	1				•Sealing Kit .....	•Jeu Joints .....	•Dichtungssatz .....	•Juego Retenes .....	•Tätningssats .....		
13	VOE 11716683	1				•Gasket Kit .....	•Kit Joints .....	•Dichtungssatz .....	•Juego Juntas .....	•Packningsats .....		
14	VOE 11716684	1				•Valve Kit .....	•Kit valve .....	•Ventilsatz .....	•Juego Valvula .....	•Ventilsats .....		
15	VOE 11716685	1				•Plate .....	•Plaque .....	•Platte .....	•Placa .....	•Platta .....		
16	VOE 11716686	1				•Valve Kit .....	•Kit valve .....	•Ventilsatz .....	•Juego Valvula .....	•Ventilsats .....		
17	VOE 11716687	1				•Valve Kit .....	•Kit valve .....	•Ventilsatz .....	•Juego Valvula .....	•Ventilsats .....		



1	<b>Växelväljarventil</b> <b>Válvula selectora de gama</b> <b>Getriebewählerventil</b> <b>Soupape sélectrice vitesse</b> <b>Range selector valve</b>  <b>11891209, 11891224 S/N 11145 -</b>	Catalogue id	Group
2		<b>20004</b>	<b>421</b>
3		Illustr. No	Section
4		<b>1024224</b>	<b>525</b>
5		Issue	Page
		<b>VOE 63G9920004</b>	<b>313</b>

**VOLVO**

**BL70**



Volvo Construction  
Equipment  
1000817

Fig.	Part No.	Quantity			P S	K I T	Description	Dénomination	Bezeichnung	Denominación	Benämning	Notes
		1	2	3								
1	VOE 11709232	1					Solinoid valve.....	Vannr electrom.....	Magnetventil.....	Electrovalvula.....	Magnetventil.....	
2	VOE 11709233	1					Gasket.....	Joint.....	Dichtung.....	Junta.....	Packning.....	
3	VOE 11709234	1					Valve Housing.....	Carter Soupape.....	Ventilgehäuse.....	Cuerpo Valvula.....	Ventilhus.....	
4	VOE 955302	3					Hexagon screw.....	Vis tête hexagonale ...	Sechskantschraube...	Tornillo hexago.....	Sexkantsskruv.....	
5	VOE 11709199	1					Washer.....	Rondelle.....	Scheibe.....	Arandela.....	Bricka.....	
6	VOE 11709061	1					Plug.....	Bouchon.....	Stopfen.....	Tapon.....	Plugg.....	
7	VOE 11709235	1					Pin.....	Goupille.....	Zapfen.....	Pasador.....	Tapp.....	
8	VOE 11709236	1					Protective sleeve.....	Manchon de protectio	Schutzhülle.....	Manguito de protecci	Skyddshylsa.....	



1		<b>Magnetventil 4-hjulsdrift</b> <b>Válvula solenoide, tracción 4 ruedas</b> <b>Magnetventil 4-Radantrieb</b> <b>Electrovalve 4 roues motrices</b> <b>Solenoid valve 4wd</b>  <b>11891209</b>	Catalogue id	Group
2			<b>20004</b>	<b>421</b>
3			Illustr. No	Section
4			<b>1000817</b>	<b>550</b>
5			Issue	Page
			<b>VOE 63G9920004</b>	<b>315</b>

**VOLVO**

**BL70**



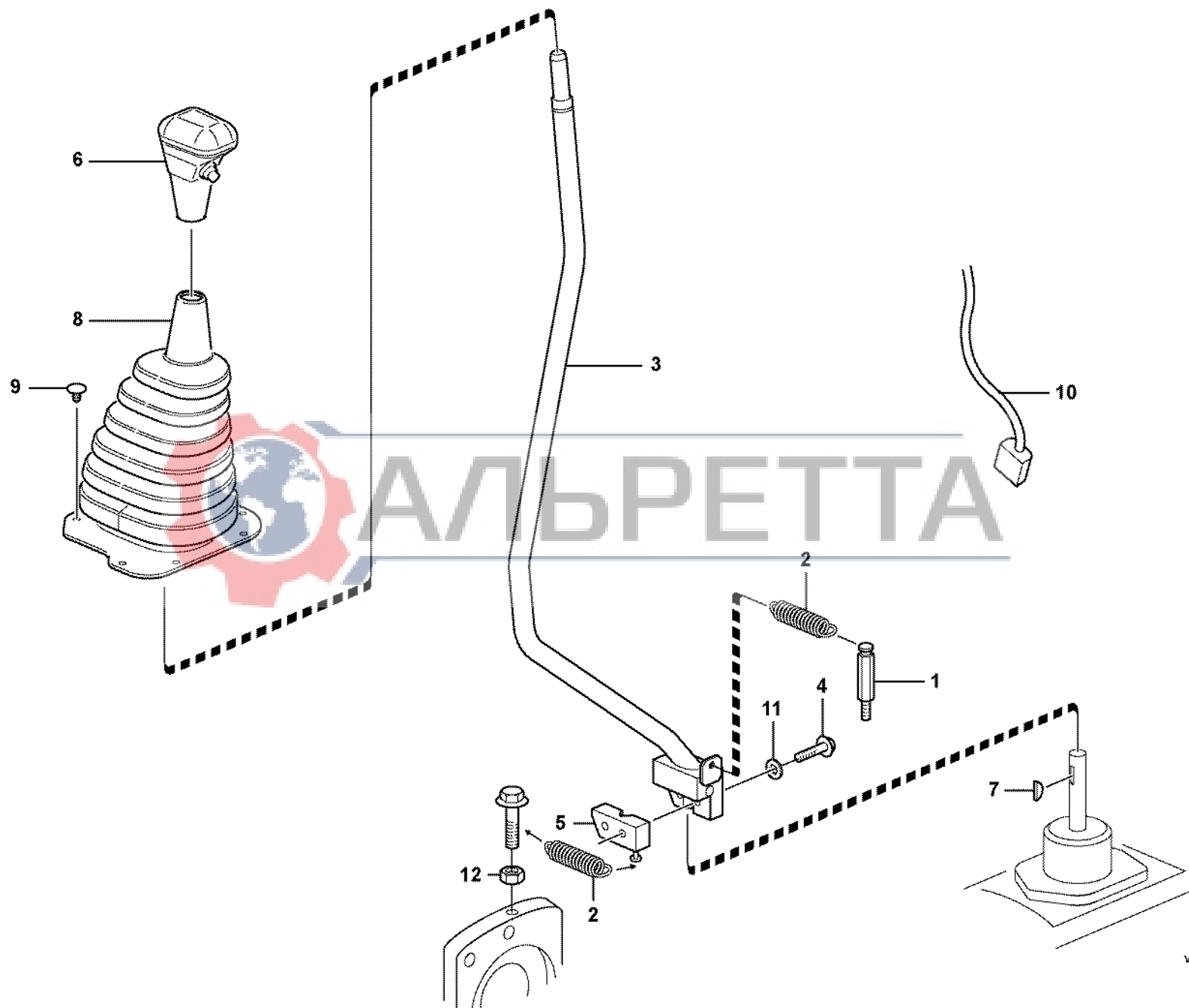


Fig.	Part No.	Quantity			P S	K I T	Description	Dénomination	Bezeichnung	Denominación	Benämning	Notes
		1	2	3								
1	VOE 11882559	1				Bracket.....	Console.....	Konsole.....	Consola.....	Konsol.....		
2	VOE 11882592	1	1			Spring.....	Ressort.....	Feder.....	Muelle.....	Fjäder.....		
3	VOE 11882560	1				Lever.....	Levier.....	Hebel.....	Palanca.....	Spak.....		
3	VOE 11888014		1			Lever.....	Levier.....	Hebel.....	Palanca.....	Spak.....		
4	VOE 13947760	2	3			Flange screw.....	Vis à bride.....	Flanschschraube.....	Torn embridado.....	Flänsskruv.....		
5	VOE 11882564	1				Clamp.....	Pince Serrage.....	Klemme.....	Abrazadera.....	Klämma.....		
5	VOE 11888694		1			Clamp.....	Pince Serrage.....	Klemme.....	Abrazadera.....	Klämma.....		
6	VOE 11881034	1	1			Knob.....	Bouton.....	Knauf.....	Boton.....	Knopp.....		
7	VOE 11881035	1				Key.....	Clavette.....	Keil.....	Llave (cuna).....	Kil.....		
8	VOE 11881432	1	1			Bellows.....	Soufflet.....	Balg.....	Fuelle.....	Bälg.....		
9	VOE 11881360	7	7			Retainer.....	Retenue.....	Halter.....	Soporte.....	Hållare.....		
10	VOE 11884022	1				Cable harness.....	Faisceau cables.....	Kabelbaum.....	Manejo cables.....	Ledningsmatta.....		
10	VOE 11884021		1			Cable harness.....	Faisceau cables.....	Kabelbaum.....	Manejo cables.....	Ledningsmatta.....		
11	VOE 942767	2				Toothed Washer.....	Rondelle Dentee.....	Zahnscheibe.....	Arandela Dentad.....	Tandbricka.....		
12	VOE 13945408		1			Nut.....	Ecrou.....	Mutter.....	Tuerca.....	Mutter.....		



1	S/N - 11144	<b>Växelväljare, 4-hjulsdrift</b> <b>Selector velocidad, tracción 4 ruedas</b> <b>Wählschalter, 4-Radantrieb</b> <b>Sélecteur de vitesse, 4 roues motrices</b> <b>Gear selector, 4-wheel drive</b>	Catalogue id	Group
2	S/N 11145 -		<b>20004</b>	<b>424</b>
3			Illustr. No	Section
4			<b>1024233</b>	<b>100</b>
5			Issue	Page
		<b>11891209</b>	<b>VOE 63G9920004</b>	<b>317</b>

**VOLVO**

**BL70**

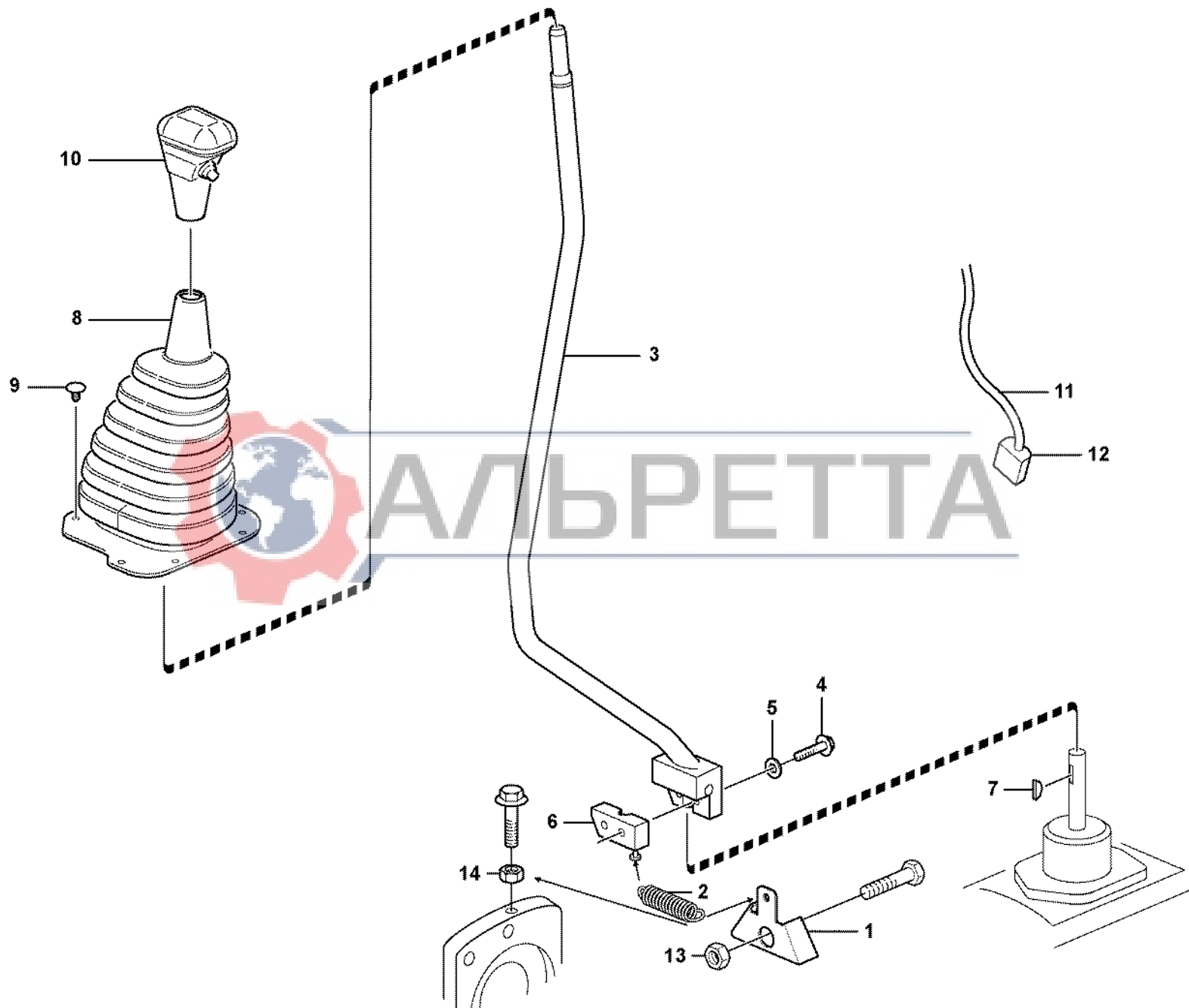


Fig.	Part No.	Quantity			P S	K I T	Description	Dénomination	Bezeichnung	Denominación	Benämning	Notes
		1	2	3								
1	VOE 11881126	1				Bracket.....	Console.....	Konsole .....	Ménsula.....	Konsol.....		
2	VOE 11881128	1				Spring.....	Ressort.....	Feder.....	Muelle.....	Fjäder.....		
2	VOE 11882592		1			Spring.....	Ressort.....	Feder.....	Muelle.....	Fjäder.....		
3	VOE 11881115	1				Lever.....	Levier .....	Hebel.....	Palanca .....	Spak.....		
3	VOE 11888014		1			Lever.....	Levier .....	Hebel.....	Palanca .....	Spak.....		
4	VOE 13947760	2	3			Flange screw.....	Vis à bride.....	Flanschschraube.....	Torn embridado .....	Flänsskruv.....		
5	VOE 942767	2				Toothed Washer .....	Rondelle Dentee .....	Zahnscheibe.....	Arandela Dentad .....	Tandbricka.....		
6	VOE 11881150	1				Clamp.....	Pince Serrage .....	Klemme .....	Abrazadera.....	Klämma.....		
6	VOE 11888694		1			Clamp.....	Pince Serrage .....	Klemme .....	Abrazadera.....	Klämma.....		
	VOE 11882564	1				•Clamp .....	•Pince Serrage .....	•Klemme.....	•Abrazadera .....	•Klämma.....		
		1			NS	•Bracket .....	•Console.....	•Konsole .....	•Ménsula .....	•Konsol.....		
7	VOE 11881035	1				Key.....	Clavette.....	Keil .....	Llave (cuna) .....	Kil.....		
8	VOE 11881432	1	1			Bellows.....	Soufflet.....	Balg.....	Fuelle .....	Bälg.....		
9	VOE 11884070	7				Screw.....	Vis .....	Schraube.....	Tornillo .....	Skruv.....		
9	VOE 11881360		7			Retainer .....	Retenue .....	Halter.....	Soporte.....	Hållare .....		
10	VOE 11881034	1	1			Knob.....	Bouton.....	Knauf.....	Boton.....	Knopp.....		
11	VOE 11884021	1	1			Cable harness.....	Faisceau cables .....	Kabelbaum.....	Manojo cables .....	Ledningsmatta.....		
12	VOE 874955	1	1			•Insulator.....	•Isolateur .....	•Isolator .....	•Aislador .....	•Isolator.....		
13	VOE 979021	1				Hexagon Nut.....	Ecrou Hexagonal .....	Sechskantmutter .....	Tuerca Hexagon.....	Sexkantmutter.....		
14	VOE 13945408		1			Nut.....	Ecrou.....	Mutter.....	Tuerca.....	Mutter.....		



1	S/N - 11144	<b>Växelväljare, 2-hjulsdrift</b> <b>Selector velocidad, tracción 2 ruedas</b> <b>Wählschalter, 2-Radantrieb</b> <b>Sélecteur de vitesse, 2 roues motrices</b> <b>Gear selector, 2-wheel drive</b>	Catalogue id	Group
2	S/N 11145 -		<b>20004</b>	<b>424</b>
3			Illustr. No	Section
4			<b>1024232</b>	<b>150</b>
5			Issue	Page
		<b>11891224</b>	<b>VOE 63G9920004</b>	<b>319</b>

**VOLVO**

**BL70**

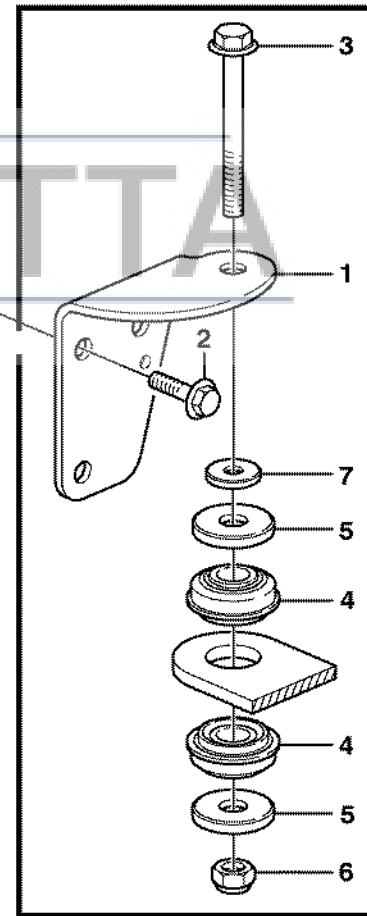
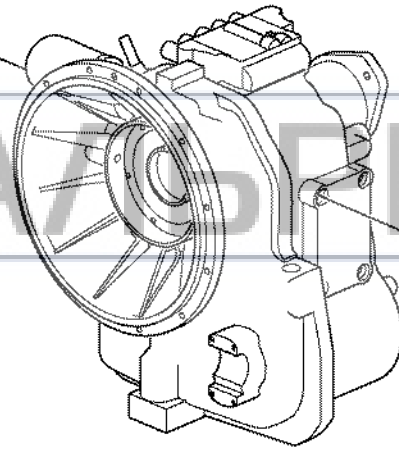
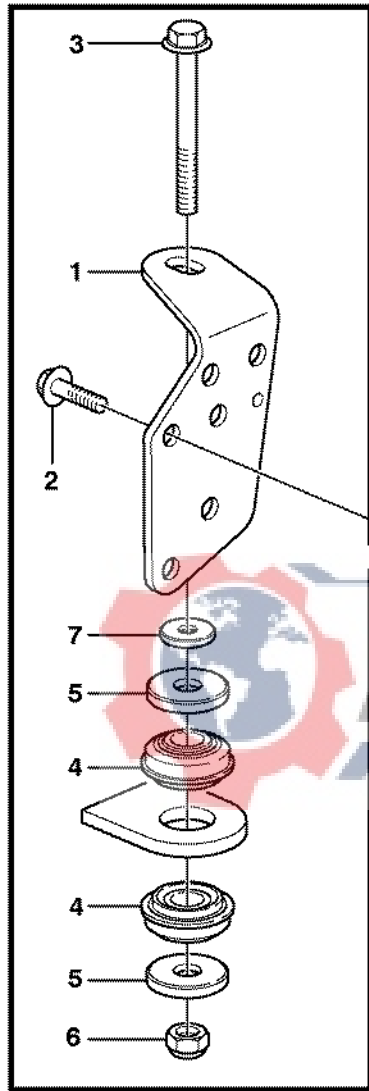


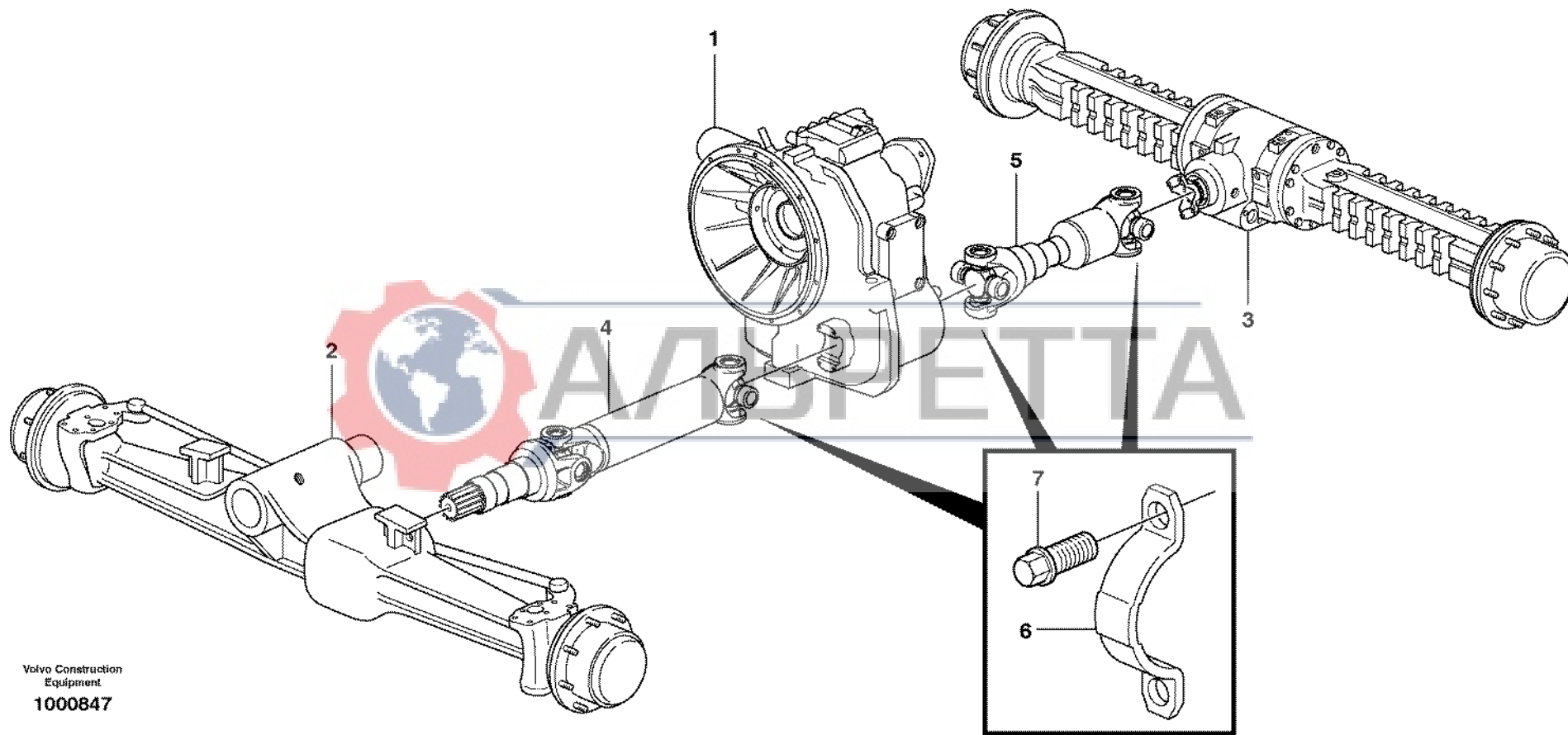
Fig.	Part No.	Quantity					P S	K I T	Description	Dénomination	Bezeichnung	Denominación	Benämning	Notes
		1	2	3	4	5								
1	VOE 11884722		1	1				Transmission Mou ..Montage de la tran . Getriebe Einbau .....	Soporte de la trans . Väckellådsfäste.....	LH				
1	VOE 11885976	1	1	1				Transmission Mou ..Montage de la tran . Getriebe Einbau .....	Soporte de la trans . Väckellådsfäste.....	RH				
2	VOE 13965191	6	6	6				Flange screw .....	Vis à bride .....	Flanschschraube .... Torn embridado .....	Flänsskruv.....			
3	VOE 968593	2	2	2				Flange screw .....	Vis à bride .....	Flanschschraube .... Torn embridado .....	Flänsskruv.....			
4	VOE 11884790	4	4	4				Vibration damper ....Amort.vibration .....	Schwingdämpfer ....Amortig vibrac .....	Svängningsdämpa.				
5	VOE 11884792	4	4	4				Washer .....	Rondelle .....	Scheibe .....	Arandela .....	Bricka.....		
6	VOE 13963110	2	2	2				Lock nut .....	Contre-ecrou .....	Sicherungsmutter.... Contratuerca.....	Låsmutter.....			
7	VOE 11884725	1	1					Washer .....	Rondelle .....	Scheibe .....	Arandela .....	Bricka.....	LH	
7	VOE 11884725			2				Washer .....	Rondelle .....	Scheibe .....	Arandela .....	Bricka.....		



1	11891209	<b>Väckellådsupphängning</b> <b>Suspensión de la caja de cambios</b> <b>Getriebeaufhängung</b> <b>Suspension boîte vitesses</b> <b>Gear box housing with fitting parts</b>	Catalogue id	Group
2	11891224		<b>20004</b>	<b>436</b>
3	11891255		Illustr. No	Section
4			<b>1007614</b>	<b>100</b>
5			Issue	Page
			<b>VOE 63G9920004</b>	<b>321</b>
			<b>11891209, 11891255, 11891224</b>	

**VOLVO**

**BL70**



Volvo Construction  
Equipment  
1000847

Fig.	Part No.	Quantity			P S	K I T	Description	Dénomination	Bezeichnung	Denominación	Benämning	Notes
		1	2	3								
1		1	1			Transmission.....	Transmission.....	Getriebe .....	Transmision.....	Transmission.....	See group 420, Page 233	
2		1				Front axle.....	Pont avant.....	Vorderachse.....	Eje delantero.....	Framaxel.....	See group 461, Page 331	
3		1	1			Rear axle.....	Essieu AR .....	Hinterachse .....	Eje posterior.....	Bakaxel.....	See group 463, Page 347	
4		1				Drive Shaft .....	Arbre transmission .....	Antriebswelle.....	Arbol de cde .....	Drivaxel.....	See group 451, Page 325	
5		1	1			Drive Shaft .....	Arbre transmission .....	Antriebswelle.....	Arbol de cde .....	Drivaxel.....	See group 451, Page 325	
6		6	4			Brace.....	Etrier .....	Bügel.....	Brida.....	Bygel.....	See group 451, Page 325	
7		12	8			Screw.....	Vis .....	Schraube.....	Tornillo .....	Skruv.....	See group 451, Page 325	



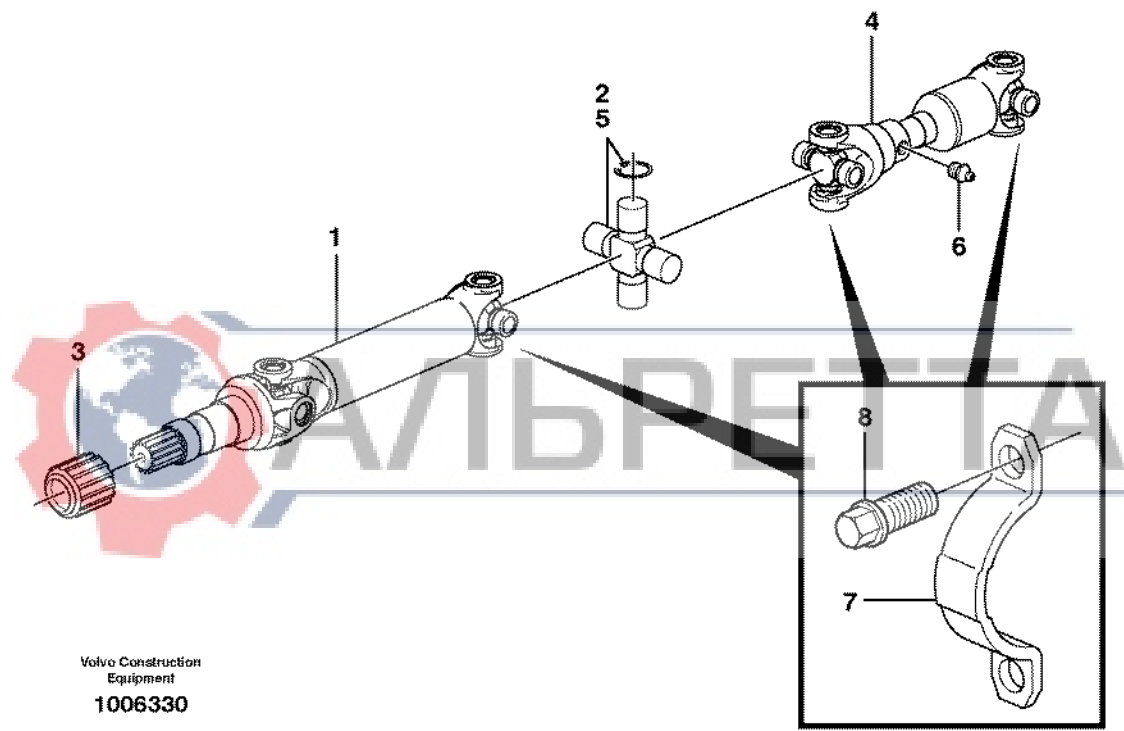
1	11891209, 11891255	<b>Kardanaxlar, montering</b> <b>Ejes cardán con accesorios de montaje</b> <b>Gelenkwellen mit Anbauteilen</b> <b>Arbres de transmission avec pièces de montage</b> <b>Propeller shaft, mounting</b>	Catalogue id	Group
2	11891224		<b>20004</b>	<b>451</b>
3			Illustr. No	Section
4			<b>1000847</b>	<b>100</b>
5			Issue	Page
			<b>VOE 63G9920004</b>	<b>323</b>
			<b>11891209, 11891255, 11891224</b>	

**VOLVO**

**BL70**







Volvo Construction  
Equipment  
1006330

Fig.	Part No.	Quantity					P S	K I T	Description	Dénomination	Bezeichnung	Denominación	Benämning	Notes
		1	2	3	4	5								
1	VOE 11883171	1						Drive Shaft.....	Arbre transmission	Antriebswelle	Arbol de cde	Drivaxel.....	FRONT S/N - 11144	
1	VOE 11886355		1					Drive Shaft.....	Arbre transmission	Antriebswelle	Arbol de cde	Drivaxel.....	FRONT S/N 11145 -	
2	VOE 11709833	2						•Spider.....	•Croisillon	•Kreuzstück	•Cruceta.....	•Kors.....		
2	VOE 11716650	2						•Spider.....	•Croisillon	•Kreuzstück	•Cruceta.....	•Kors.....		
3	VOE 11700105	1						•Dust Cap.....	•Cache poussiere...	•Staubkappe	•Guardapolvo.....	•Dammskydd.....		
4	VOE 11883170			1				Drive Shaft.....	Arbre transmission	Antriebswelle	Arbol de cde	Drivaxel.....	REAR S/N - 11144	
4	VOE 11888492				1	1		Driveshaft.....	Arbre Helice.....	Propellerwelle	Arbol Transm.....	Propelleraxel.....	REAR S/N 11145 -	
5	VOE 11709833		2					•Spider.....	•Croisillon	•Kreuzstück	•Cruceta.....	•Kors.....		
5	VOE 11716650			2	2			•Spider.....	•Croisillon	•Kreuzstück	•Cruceta.....	•Kors.....		
6	VOE 11988505			1	1	1		•Lub Nipple.....	•Graisseur	•Schmiernippel.....	•Engrasador.....	•Smörjnippel.....		
7	VOE 11003139			6	6	4		Brace.....	Etrier.....	Bügel.....	Brida.....	Bygel.....		
8	VOE 11003138			12	12	8		Screw.....	Vis.....	Schraube	Tornillo.....	Skruv.....		

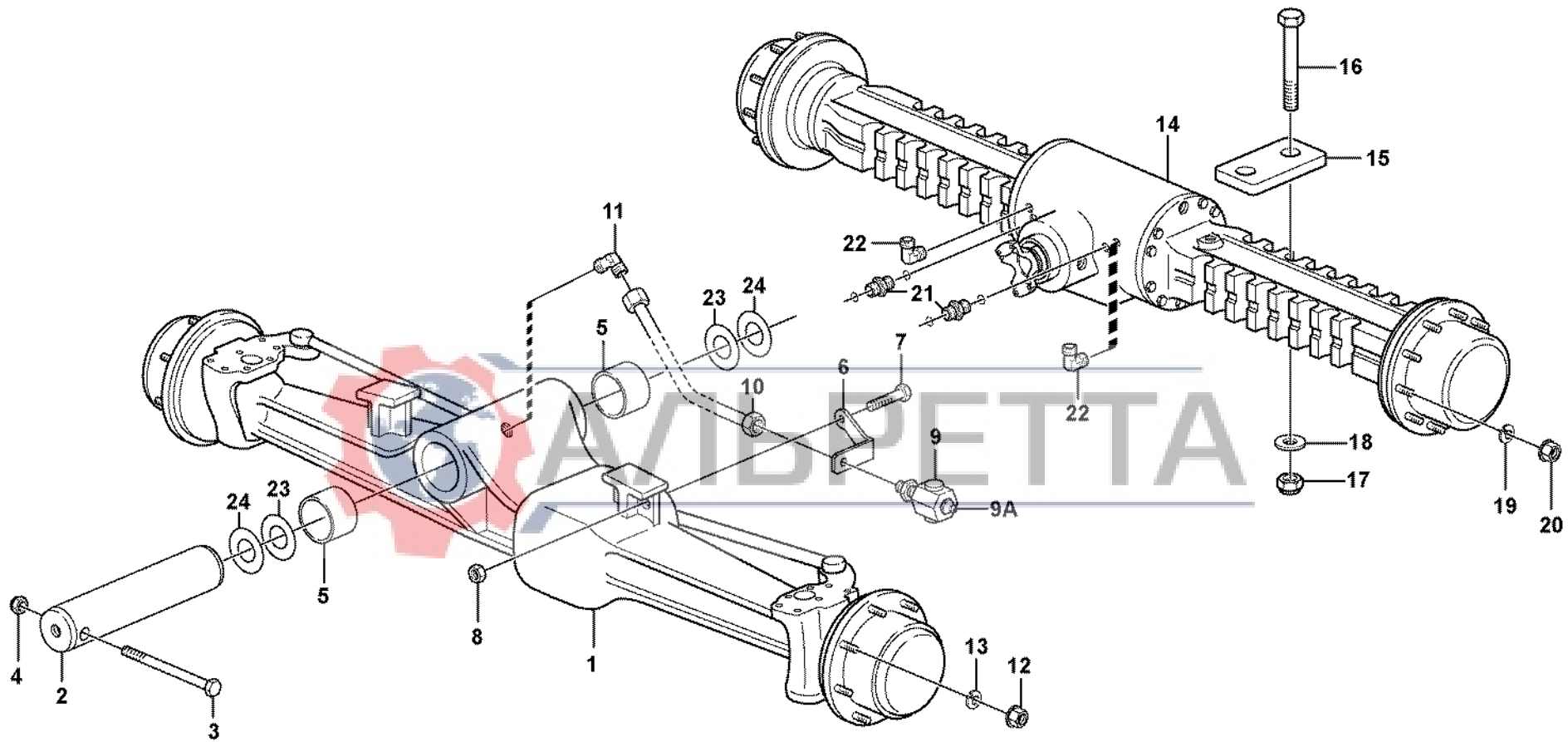


1	11883171	<b>Kardanaxel</b> <b>Ejes cardán</b> <b>Gelenkwelle</b> <b>Arbre à cardans</b> <b>Propeller shaft</b>	Catalogue id	Group
2	11886355		<b>20004</b>	<b>451</b>
3	11883170		Illustr. No	Section
4	11888492		<b>1006330</b>	<b>150</b>
5	11891224 2WD		Issue	Page
			<b>VOE 63G9920004</b>	<b>325</b>
			<b>11891209, 11891224, 11891255</b>	

**VOLVO**

**BL70**



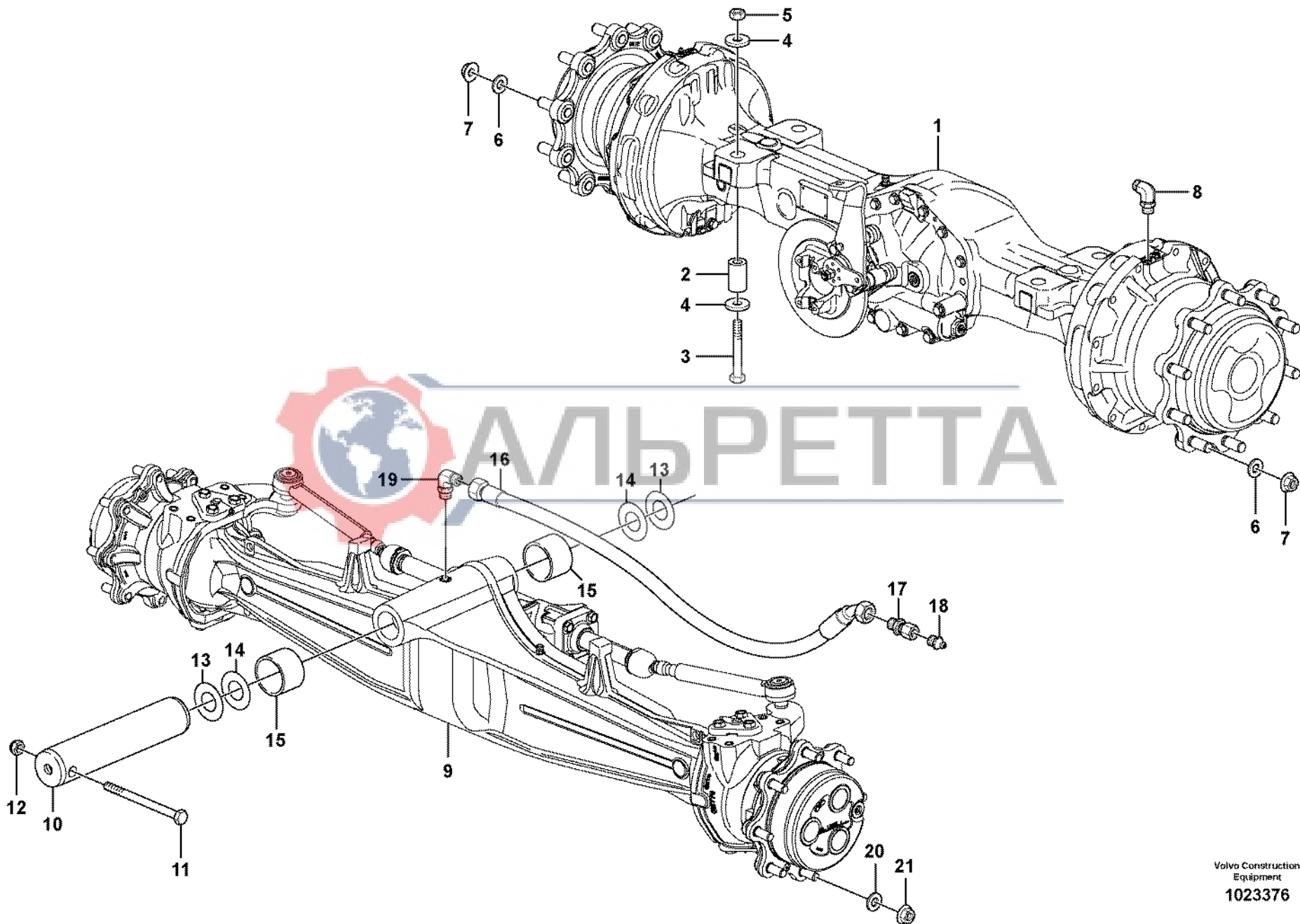


Volvo Construction  
Equipment  
1023205

Fig.	Part No.	Quantity					P S	K T	Description	Dénomination	Bezeichnung	Denominación	Benämning	Notes
		1	2	3	4	5								
1	VOE 11883883	1						Front axle.....	Pont avant .....	Vorderachse .....	Eje delantero .....	Framaxel.....	See group 461, Page 331	
1	VOE 11885275		1					Front axle.....	Pont avant .....	Vorderachse .....	Eje delantero .....	Framaxel.....		
2	VOE 11890146	1	1					Pin.....	Goupille .....	Stift.....	Pasador .....	Pinne.....		
3	VOE 970890	1	1					Hexagon screw .....	Vis a tête hexagona	Sechskantschr. ....	Tornillo hexago.....	Sexkantsskruv.....		
4	VOE 981314	1	1					Lock nut .....	Contre-ecrou .....	Sicherungsmutter....	Contratuerca.....	Låsmutter.....		
5		2	2					Bushing.....	Bague .....	Buchse.....	Casquillo.....	Bussning.....	See group 461, Page 331	
6	VOE 11882721	1	1					Support.....	Support.....	Stütze.....	Apoyo .....	Stöd.....		
7	VOE 13965185	1	1					Flange screw .....	Vis à bride .....	Flanschschraube ....	Torn embridado .....	Flänsskruv.....		
8	VOE 13971095	1	1					Flange nut.....	Ecrou accouple. ....	Bundmutter .....	Tuerca embridada ....	Flänsmutter.....		
9	VOE 11886461	1	1					Union .....	Teton Connexion ...	Anschlussnippel .....	Niple Conexcion ....	Anslutn.nippel.....		
9A	VOE 914167	1	1					Nipple.....	Raccord .....	Nippel.....	Niple .....	Nippel.....		
10	VOE 11882719	1	1					Tube.....	Tube .....	Rohr .....	Tube .....	Rör.....		
11	VOE 11882718	1	1					Elbow .....	Coude .....	Winkelstueck.....	Tube acodado .....	Vinkel.....		
12	VOE 11881211	16	16					Nut .....	Ecrou .....	Mutter.....	Tuerca .....	Mutter.....		
13	VOE 11881213	16	16					Washer .....	Rondelle .....	Scheibe .....	Arandela .....	Bricka .....		
14	VOE 11884150		1					Rear axle .....	Essieu AR .....	Hinterachse.....	Eje posterior .....	Bakaxel.....	See group 463, Page 347	
14	VOE 11885845			1				Rear axle .....	Essieu AR .....	Hinterachse.....	Eje posterior .....	Bakaxel.....	See group 463, Page 347	
15	VOE 11882674		2	2				Plate.....	Plaque .....	Platte.....	Placa .....	Platta.....		
16	VOE 968852		4	4				Hexagon screw .....	Vis tête hexagonale	Sechskantschraub ..	Tornillo hexago.....	Sexkantsskruv.....		
17	VOE 948836		4	4				Lock nut .....	Contre-ecrou .....	Sicherungsmutter....	Contratuerca.....	Låsmutter.....		
18	VOE 13955906		4	4				Washer .....	Rondelle .....	Scheibe .....	Arandela .....	Bricka .....		
19	VOE 11881212			20	20			Washer .....	Rondelle .....	Scheibe .....	Arandela .....	Bricka .....		
20	VOE 11881210			20	20			Nut .....	Ecrou .....	Mutter.....	Tuerca .....	Mutter.....		
21				2	2			Nipple.....	Raccord .....	Nippel.....	Niple .....	Nippel.....	See group 551, Page 389	
22	VOE 11883809			2	2			Nipple.....	Raccord .....	Nippel.....	Niple .....	Nippel.....		
23	VOE 11886398	2	2					Shim.....	Cale d'épaisseur....	Passscheibe .....	Arandela Ajuste .....	Passbricka.....	3 MM, S/N 10818 -	
24	VOE 11886947	2	2					Shim.....	Cale d'épaisseur....	Passscheibe .....	Arandela Ajuste .....	Passbricka.....	2 MM, S/N 10779	



1	11883883	<b>Planetaxlar med monteringsdetaljer</b> <b>Ejes planetarios con accesorios de montaje</b> <b>Planetenwellen mit Anbauteilen</b> <b>Train planétaire avec pièces de montage</b> <b>Planet axles with fitting parts</b>	Catalogue id	Group
2	11885275		<b>20004</b>	<b>460</b>
3	11884150		Illustr. No	Section
4	11885845		<b>1023205</b>	<b>100</b>
5			Issue	Page
			<b>VOE 63G9920004</b>	<b>327</b>
			<b>11891283, 11891289, 11891389, 11891390</b>	



ALPETTA

Fig.	Part No.	Quantity			P S	K I T	Description	Dénomination	Bezeichnung	Denominación	Benämning	Notes
		1	2	3								
1	VOE 11887363	1				Rear axle.....	Essieu AR .....	Hinterachse .....	Eje posterior .....	Bakaxel.....	See group 463, Page 349	
2	VOE 11887622	4				Spacer.....	Entretoise .....	Abstandstueck.....	Casquillo distanciad .....	Distans.....		
3	VOE 983695	4				Hexagon screw .....	Vis tête hexagonale .....	Sechskantschraube.....	Tornillo hexago.....	Sexkantsskruv.....		
5	VOE 980521	4				Nut .....	Ecrou.....	Mutter .....	Tuerca .....	Mutter.....		
4	VOE 14376982	4				Washer.....	Rondelle .....	Scheibe .....	Arandela.....	Bricka.....		
6	VOE 11881212	20				Washer.....	Rondelle .....	Scheibe .....	Arandela.....	Bricka.....		
7	VOE 11881210	20				Nut .....	Ecrou.....	Mutter .....	Tuerca .....	Mutter.....		
8	VOE 13933857	2				Elbow Nipple.....	Raccord angulaire.....	Winkelnippel.....	Niple Angular.....	V-nippel.....		
	VOE 990739	1				•O-ring.....	•Joint Torique .....	•O-Ring.....	•Junta torica .....	•O-ring.....		
	VOE 932039	1				•O-ring.....	•Joint Torique .....	•O-Ring.....	•Junta torica .....	•O-ring.....		
9	VOE 11887362	1				Front axle.....	Pont avant.....	Vorderachse.....	Eje delantero .....	Framaxel.....	See group 461, Page 331	
10	VOE 11888493	1				Pin.....	Goupille .....	Zapfen .....	Pasador .....	Tapp.....		
11	VOE 970890	1				Hexagon screw .....	Vis a tête hexagonale .....	Sechskantschr.....	Tornillo hexago.....	Sexkantsskruv.....		
12	VOE 981314	1				Lock nut .....	Contre-ecrou .....	Sicherungsmutter .....	Contratuerca .....	Låsmutter.....		
13	VOE 11888496	2				Shim.....	Cale d'épaisseur .....	Passscheibe.....	Arandela Ajuste .....	Passbricka.....	51X110X3 MM	
14	VOE 11886947	REQ				Shim.....	Cale d'épaisseur .....	Passscheibe.....	Arandela Ajuste .....	Passbricka.....	51X110X1 MM	
15		2				Bushing.....	Bague.....	Buchse .....	Casquillo .....	Bussning.....		
16	VOE 11888494	1				Hose.....	Durit .....	Schlauch .....	Tubo flexible.....	Slang.....		
17	VOE 11888495	1				Union.....	Teton Connexion.....	Anschlussnippel .....	Niple Conexcion .....	Anslutn.nippel.....		
18	VOE 914167	1				Nipple.....	Raccord.....	Nippel .....	Niple .....	Nippel.....		
19	VOE 935067	1				Elbow nipple.....	Raccord angulaire.....	Winkelnippel.....	Niple angular .....	Vinkelnippel.....		
	991618	1				•	•	•	•	•		
	VOE 990736	1				•O-ring.....	•Joint Torique .....	•O-Ring.....	•Junta torica .....	•O-ring.....		
20	VOE 11881213	16				Washer.....	Rondelle .....	Scheibe .....	Arandela.....	Bricka.....		
21	VOE 11881211	16				Nut .....	Ecrou.....	Mutter .....	Tuerca .....	Mutter.....		

1	11887363	<b>Planetaxlar med monteringsdetaljer</b> <b>Ejes planetarios con accesorios de montaje</b> <b>Planetenwellen mit Anbauteilen</b> <b>Train planétaire avec pièces de montage</b> <b>Planet axles with fitting parts</b>	Catalogue id	Group
2	11887362		<b>20004</b>	<b>460</b>
3			Illustr. No	Section
4			<b>1023376</b>	<b>150</b>
5			Issue	Page
		<b>S/N 11145 -</b>	<b>VOE 63G9920004</b>	<b>329</b>

**VOLVO**

**BL70**

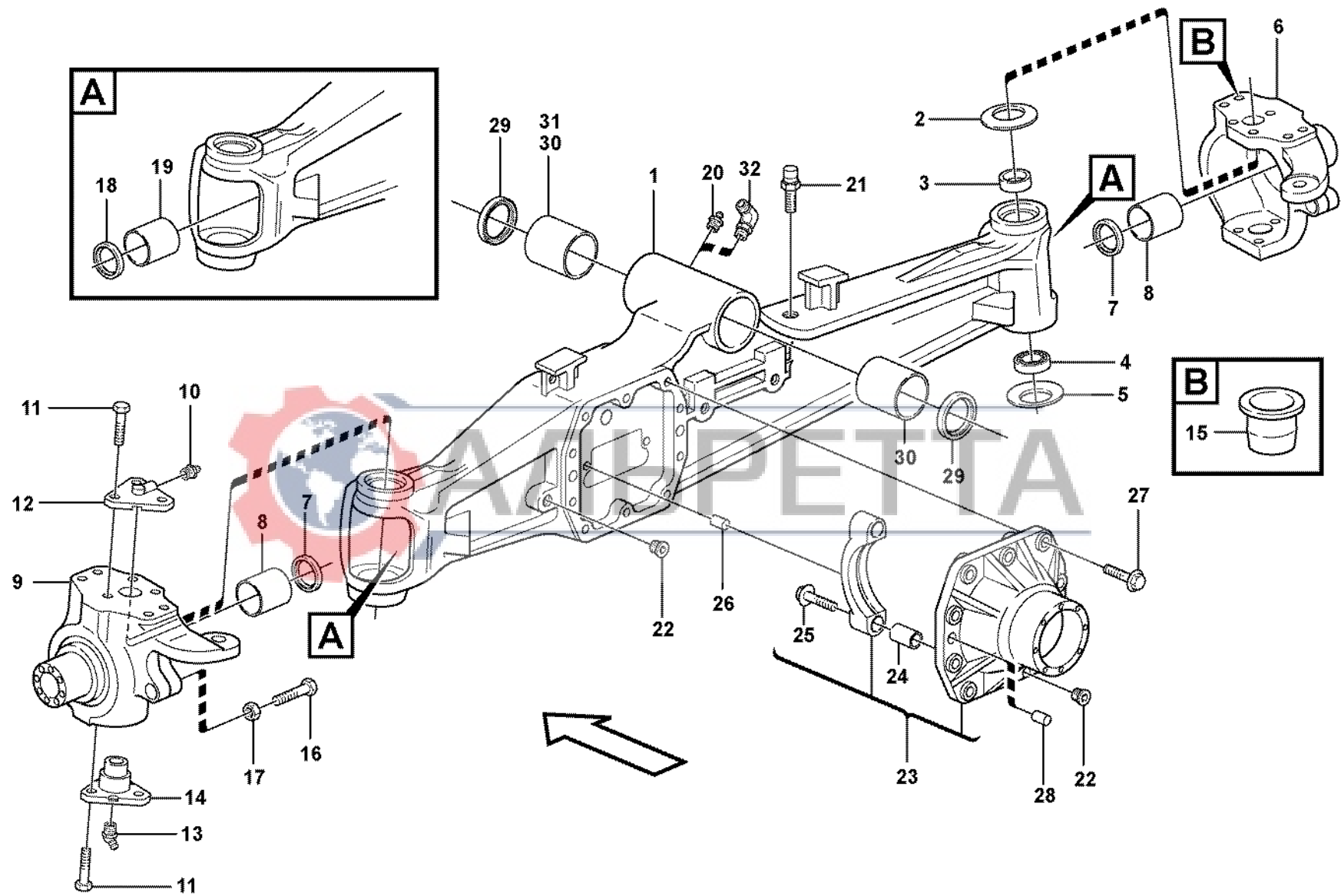




Fig.	Part No.	Quantity			P S	K I T	Description	Dénomination	Bezeichnung	Denominación	Benämning	Notes
		1	2	3								
	VOE 11883883	1				Front axle.....	Pont avant.....	Vorderachse.....	Eje delantero.....	Framaxel.....	See group 460, Page 327	
	VOE 11885275		1			Front axle.....	Pont avant.....	Vorderachse.....	Eje delantero.....	Framaxel.....	See group 460, Page 327	
	VOE 11887362			1		Front axle.....	Pont avant.....	Vorderachse.....	Eje delantero.....	Framaxel.....	See group 460, Page 327	
1	VOE 11709396	1	1			•Axle Casing.....	•Boite Essieu.....	•Achsgehäuse.....	•Carter Eje.....	•Axelkåpa.....		
1	VOE 11716617			1		•Axle Casing.....	•Boite Essieu.....	•Achsgehäuse.....	•Carter Eje.....	•Axelkåpa.....		
2	VOE 11709397	2	2	2		•Disc Spring.....	•Rondel Ressort.....	•Scheibenfeder.....	•Arandela Elast.....	•Brickfjäder.....		
3	VOE 11988148	2	2	2		•Bushing.....	•Bague.....	•Buchse.....	•Casquillo.....	•Bussning.....		
4	VOE 11709400	2	2	2		•Bearing.....	•Palier.....	•Lager.....	•Cojinete.....	•Lager.....		
5	VOE 11709401	2	2	2		•Disc Spring.....	•Rondel Ressort.....	•Scheibenfeder.....	•Arandela Elast.....	•Brickfjäder.....		
6	VOE 11709463	1	1	1		•Housing.....	•Carter.....	•Gehäuse.....	•Carter.....	•Hus.....	RH	
7	VOE 11715254	2	2	2		•Seal.....	•Joint.....	•Dichtring.....	•Junta.....	•Tätning.....	SEE SB BHL1K	
8	VOE 11709462	2	2	2		•Bushing.....	•Bague.....	•Buchse.....	•Casquillo.....	•Bussning.....		
9	VOE 11709446	1	1	1		•Housing.....	•Carter.....	•Gehäuse.....	•Carter.....	•Hus.....	LH	
10	VOE 11709410	2	2	2		•Lub Nipple.....	•Graisseur.....	•Schmiernippel.....	•Engrasador.....	•Smörjnippel.....		
11	VOE 13970923	12	12	12		•Hexagon screw.....	•Vis a tête hexagonal.....	•Sechskantschr.....	•Tornillo hexago.....	•Sextantsskruv.....		
12	VOE 11709445	2	2	2		•King Pin.....	•Pivot Fusee.....	•Achsschenkelbolzen.....	•Perno Mangueta.....	•Spindelbult.....		
13	VOE 11709464	2	2	2		•Lub Nipple.....	•Graisseur.....	•Schmiernippel.....	•Engrasador.....	•Smörjnippel.....		
14	VOE 11709450	2	2	2		•King Pin.....	•Pivot Fusee.....	•Achsschenkelbolzen.....	•Perno Mangueta.....	•Spindelbult.....		
15	VOE 11709449	8	8			•Plug.....	•Bouchon.....	•Stopfen.....	•Tapon.....	•Plugg.....		
16	VOE 11709452	2	2	2		•Screw.....	•Vis.....	•Schraube.....	•Tornillo.....	•Skruv.....		
17	VOE 11709453	2	2	2		•Nut.....	•Erou.....	•Mutter.....	•Tuerca.....	•Mutter.....		
18	VOE 11715253	2	2	2		•Seal.....	•Joint.....	•Dichtring.....	•Junta.....	•Tätning.....	SEE SB BHL1K	
19	VOE 11709409	2	2	2		•Bushing.....	•Bague.....	•Buchse.....	•Casquillo.....	•Bussning.....		
20	VOE 11988149	1				•Nipple.....	•Raccord.....	•Nippel.....	•Niple.....	•Nippel.....		
20	VOE 11709268		1			•Plug.....	•Bouchon.....	•Stopfen.....	•Tapon.....	•Plugg.....		
21	VOE 11709275	1	1	1		•Breather Cap.....	•Boucho.aeration.....	•Lüftungsdeckel.....	•Tapa Ventilac.....	•Ventil.lock.....		
22	VOE 11709403	2	2	2		•Plug.....	•Bouchon.....	•Stopfen.....	•Tapon.....	•Plugg.....		
23	VOE 11709405	1	1			•Diff Housing.....	•Carter différentiel.....	•Differentialgehäuse.....	•Carter diferencial.....	•Differentialhus.....		
23	VOE 11716621			1		•Differential Housing.....	•Carter de différentiel.....	•Differentialgehäuse.....	•Cárter de diferencial.....	•Differentialhus.....		
24	VOE 11709406	4	4	4		••Bushing.....	••Bague.....	••Buchse.....	••Casquillo.....	••Bussning.....		

1	11883883	Planetaxel, fram Eje planeta, delantera Planetenwelle, vorne Axe satellite, AV Planetary axle, front 11891283, 11891289, 11891389, 11891390	Catalogue id <b>20004</b>	Group <b>461</b>
2	11885275		Illustr. No <b>1023512</b>	Section <b>100</b>
3	11887362 S/N 11145 -			Issue VOE 63G9920004
4				
5				

**VOLVO**

**BL70**



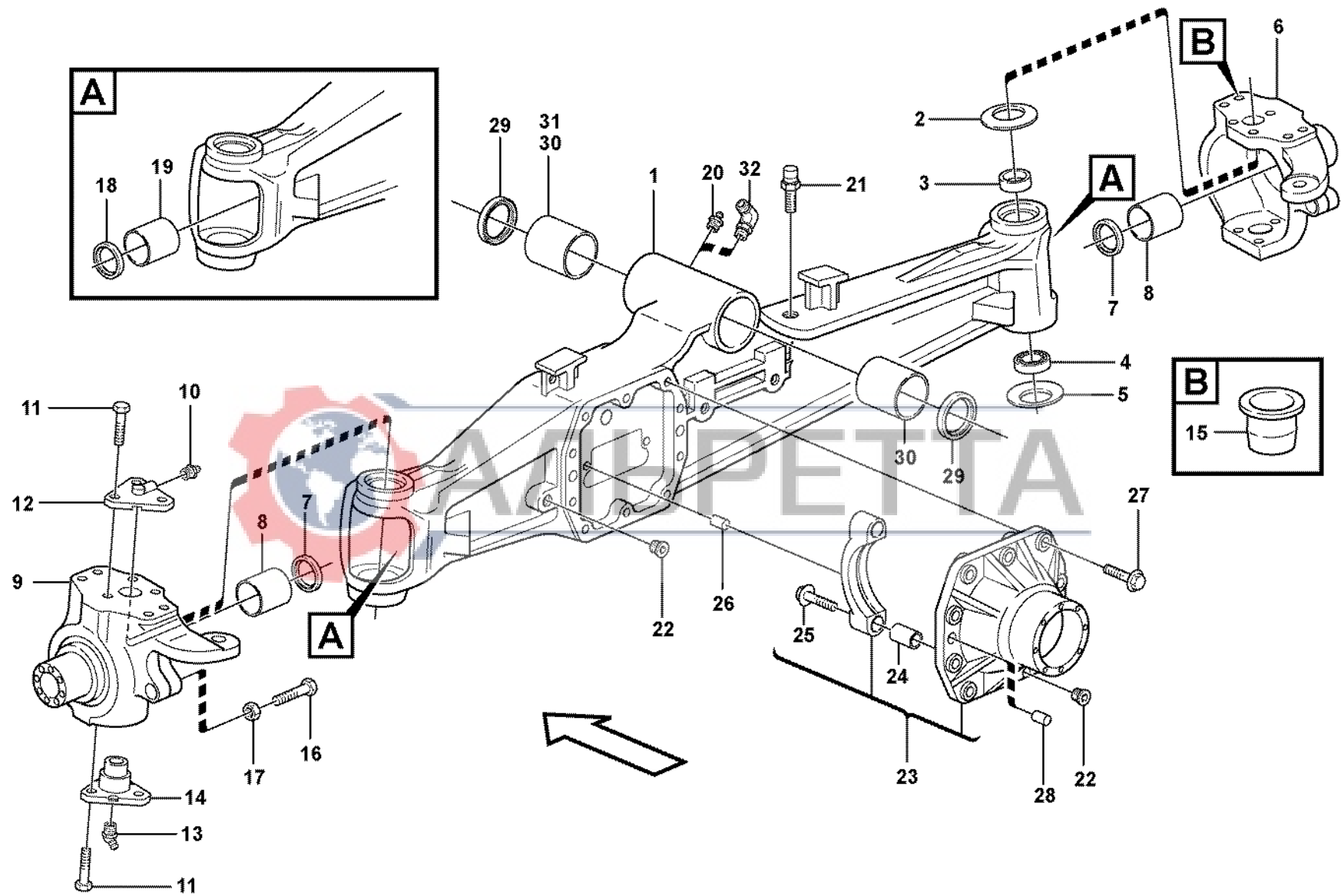


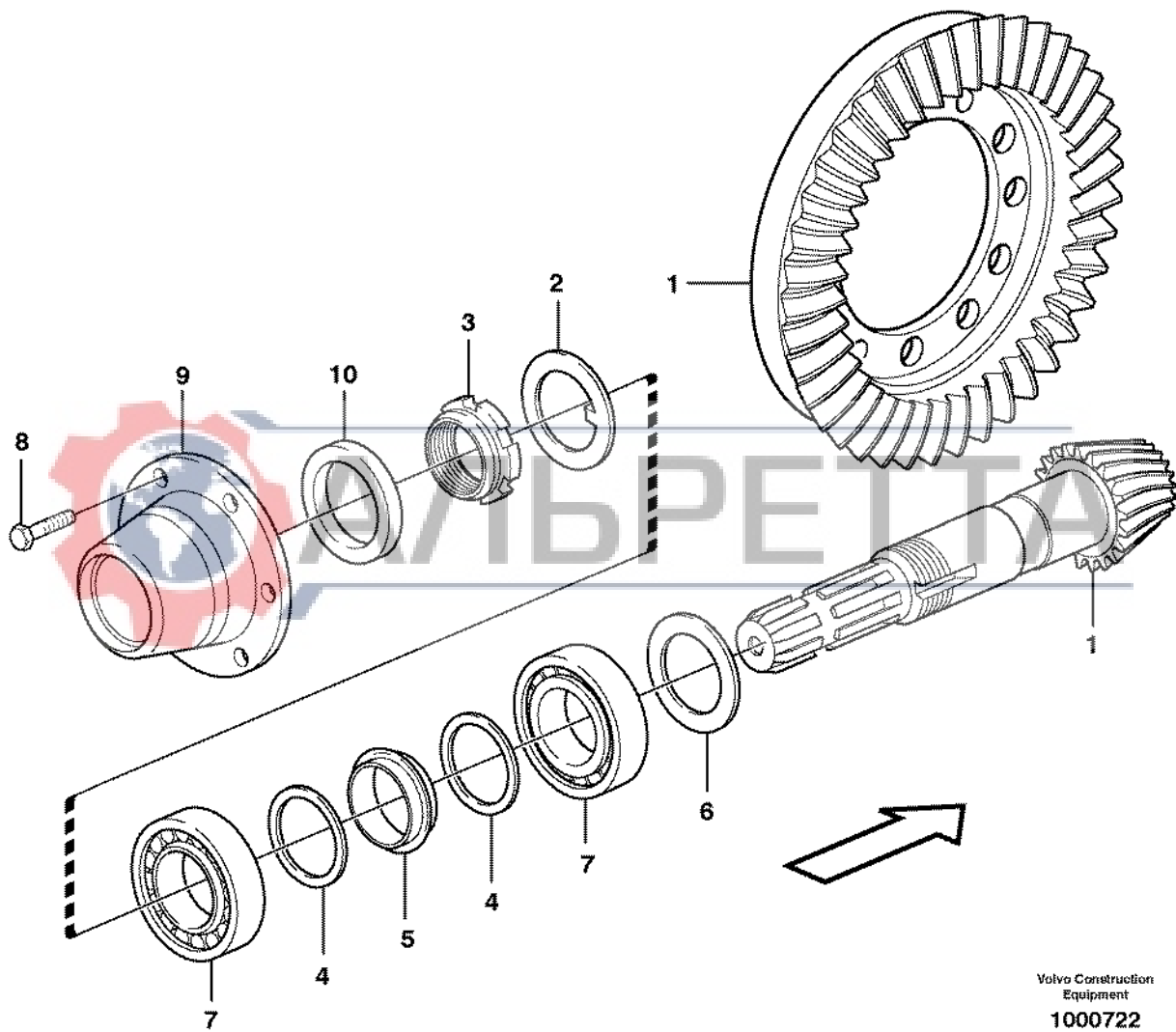
Fig.	Part No.	Quantity			P S	K I T	Description	Dénomination	Bezeichnung	Denominación	Benämning	Notes
		1	2	3								
25	VOE 11709407	4	4	4		•Screw .....	•Vis.....	•Schraube .....	•Tornillo .....	•Skruv.....		
26	VOE 11709413	1	1			•Pin .....	•Goupille.....	•Stift.....	•Pasador.....	•Pinne.....		
27	VOE 11709404	10	10	10		•Screw.....	•Vis.....	•Schraube.....	•Tornillo .....	•Skruv.....		
28	VOE 11709402	2	2	2		•Pin .....	•Goupille.....	•Stift.....	•Pasador.....	•Pinne.....		
29	VOE 11709412	2	2			•Seal .....	•Joint .....	•Dichtung.....	•Reten .....	•Tätning.....		
29	VOE 11716620			2		•Seal .....	•Joint .....	•Dichtring.....	•Junta .....	•Tätning.....		
30	VOE 11709411	2		1		•Bushing.....	•Bague .....	•Buchse .....	•Casquillo .....	•Bussning.....		
30	VOE 11715277		2			•Bushing.....	•Bague .....	•Buchse .....	•Casquillo .....	•Bussning.....		
31	VOE 11716618			1		•Bushing.....	•Bague .....	•Buchse .....	•Casquillo .....	•Bussning.....		
32	VOE 935067			1		•Elbow nipple .....	•Raccord angulaire.....	•Winkelnippel.....	•Niple angular.....	•Vinkelnippel.....	See group 461, Page 331	



1	11883883	Planetaxel, fram Eje planeta, delantera Planetenwelle, vorne Axe satellite, AV Planetary axle, front 11891283, 11891289, 11891389, 11891390	Catalogue id <b>20004</b>	Group <b>461</b>
2	11885275		Illustr. No <b>1023512</b>	Section <b>100</b>
3	11887362 S/N 11145 -			Issue VOE 63G9920004
4				
5				

**VOLVO**

**BL70**



Volvo Construction  
Equipment  
1000722

Fig.	Part No.	Quantity			P S	K I T	Description	Dénomination	Bezeichnung	Denominación	Benämning	Notes
		1	2	3								
1	VOE 11709465	1				Drive Gear Set .....	Kit Pignon.....	Triebsatz .....	Juego Pinon .....	Drevsats.....		
1	VOE 11715280		1			Drive Gear Set .....	Kit Pignon.....	Triebsatz .....	Juego Pinon .....	Drevsats.....		
2	VOE 11709288	1	1			•Lock Washer.....	•Rondel.verroui. ....	•Sicher Scheibe.....	•Arandel Segurid .....	•Låsbricka.....		
3	VOE 11709289	1	1			•Nut.....	•Ecrou .....	•Mutter.....	•Tuerca.....	•Mutter.....		
4	VOE 11709290	2	2			•Washer .....	•Rondelle.....	•Scheibe .....	•Arandela.....	•Bricka.....		
5	VOE 11709472	1	1			•Spacer .....	•Partie Intermédiaire ..	•Zwischenstück .....	•Espaciador .....	•Mellandel.....		
6	VOE 11709466	REQ	REQ			Adjuster washer .....	Rondelle ajust. ....	Passscheibe.....	Arandela ajust. ....	Justerbricka.....	THICK = 2,50 MM	
	VOE 11709467	REQ	REQ			Adjuster washer .....	Rondelle ajust. ....	Passscheibe.....	Arandela ajust. ....	Justerbricka.....	THICK = 2,60 MM	
	VOE 11709468	REQ	REQ			Adjuster washer .....	Rondelle ajust. ....	Passscheibe.....	Arandela ajust. ....	Justerbricka.....	THICK = 2,70 MM	
	VOE 11709469	REQ	REQ			Adjuster washer .....	Rondelle ajust. ....	Passscheibe.....	Arandela ajust. ....	Justerbricka.....	THICK = 2,80 MM	
	VOE 11709470	REQ	REQ			Adjuster washer .....	Rondelle ajust. ....	Passscheibe.....	Arandela ajust. ....	Justerbricka.....	THICK = 2,90 MM	
	VOE 11709471	REQ	REQ			Adjuster washer .....	Rondelle ajust. ....	Passscheibe.....	Arandela ajust. ....	Justerbricka.....	THICK = 3,00 MM	
7	VOE 11709299	2	2			Bearing.....	Palier.....	Lager.....	Cojinete .....	Lager.....		
8	VOE 11709473	6	6			Screw.....	Vis .....	Schraube.....	Tornillo .....	Skruv.....		
9	VOE 11988152	1	1			Flange.....	Flasque .....	Flansch.....	Brida.....	Fläns.....		
10	VOE 11715253	1	1			Seal.....	Joint .....	Dichtring.....	Junta .....	Tätning.....	(VOE 11709408)	



1	11883883	Pinjong Piñón de ataque Antriebskegelrad Pignon Pinion	Catalogue id	Group
2	11885275		<b>20004</b>	<b>461</b>
3			Illustr. No	Section
4			<b>1000722</b>	<b>150</b>
5			Issue	Page
		<b>11891283, 11891289, 11891389, 11891390</b>	<b>VOE 63G9920004</b>	<b>335</b>

**VOLVO**

**BL70**

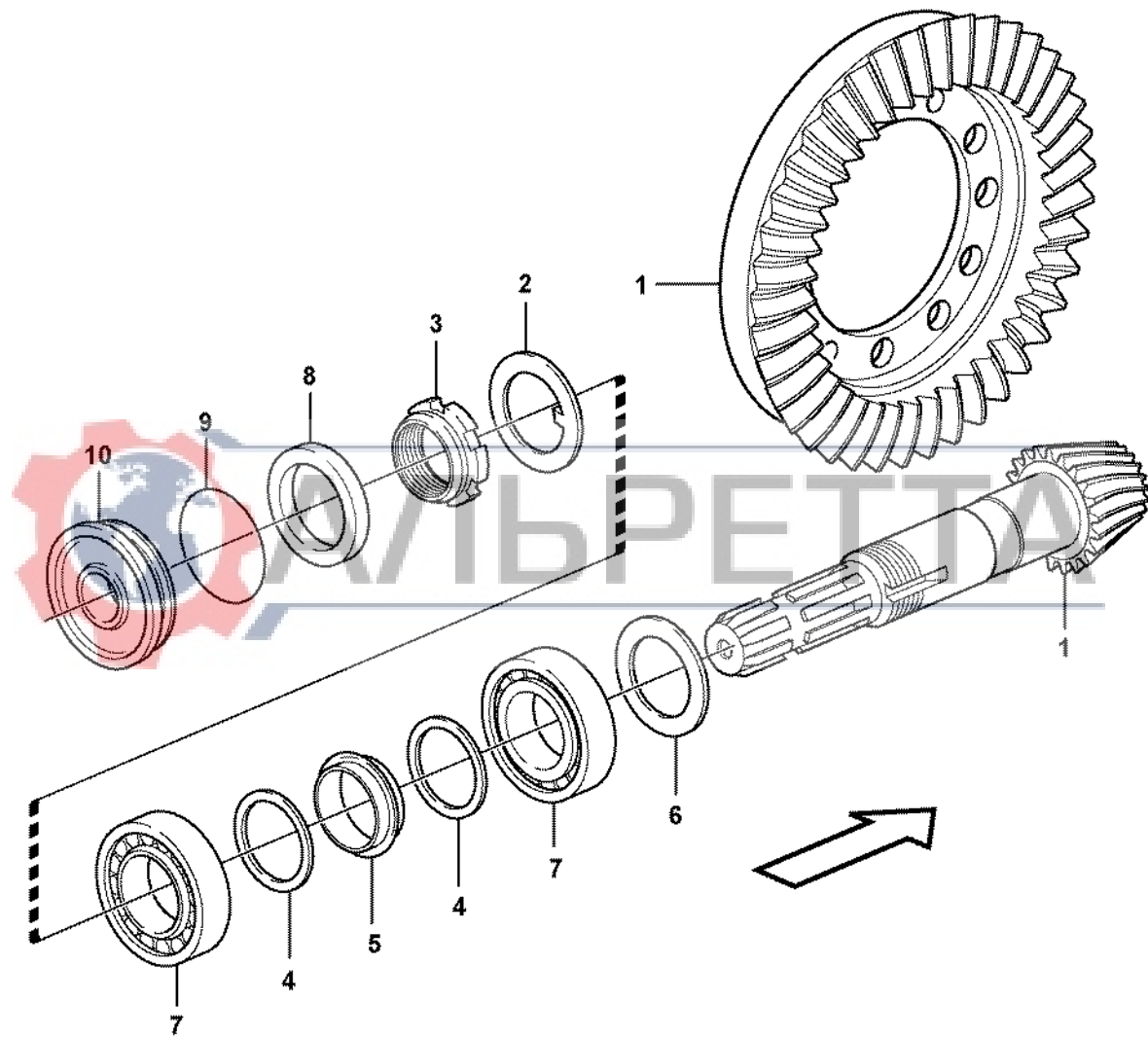


Fig.	Part No.	Quantity			P S	K I T	Description	Dénomination	Bezeichnung	Denominación	Benämning	Notes
		1	2	3								
1	VOE 11716626	1				Drive Gear Set .....	Kit Pignon.....	Triebsatz .....	Juego Pinon .....	Drevsats.....		
2	VOE 11709288	1				•Lock Washer.....	•Rondel.verroui .....	•Sicher Scheibe.....	•Arandel Segurid .....	•Låsbricka.....		
3	VOE 11709289	1				•Nut .....	•Ecrou .....	•Mutter.....	•Tuerca.....	•Mutter.....		
4	VOE 11709290	2				•Washer .....	•Rondelle.....	•Scheibe .....	•Arandela.....	•Bricka.....		
5	VOE 11709472	1				•Spacer .....	•Partie Intermédiaire ..	•Zwischenstück .....	•Espaciador .....	•Mellandel.....		
6	VOE 11709466	REQ				Adjuster washer .....	Rondelle ajust. ....	Passscheibe.....	Arandela ajust. ....	Justerbricka.....	THINCK = 2,50 MM	
	VOE 11709467	REQ				Adjuster washer .....	Rondelle ajust. ....	Passscheibe.....	Arandela ajust. ....	Justerbricka.....	THICK = 2,60 MM	
	VOE 11709468	REQ				Adjuster washer .....	Rondelle ajust. ....	Passscheibe.....	Arandela ajust. ....	Justerbricka.....	THICK = 2,70 MM	
	VOE 11709469	REQ				Adjuster washer .....	Rondelle ajust. ....	Passscheibe.....	Arandela ajust. ....	Justerbricka.....	THICK = 2,80 MM	
	VOE 11709470	REQ				Adjuster washer .....	Rondelle ajust. ....	Passscheibe.....	Arandela ajust. ....	Justerbricka.....	THICK = 2,90 MM	
	VOE 11709471	REQ				Adjuster washer .....	Rondelle ajust. ....	Passscheibe.....	Arandela ajust. ....	Justerbricka.....	THICK = 3,00 MM	
7	VOE 11709299	1				Bearing.....	Palier .....	Lager .....	Cojinete .....	Lager.....		
8	VOE 11715253	1				Seal.....	Joint .....	Dichtring .....	Junta .....	Tätning.....	(VOE 11709475)	
9	VOE 11716628	1				O-ring .....	Joint Torique .....	O-Ring .....	Junta torica.....	O-ring.....		
10	VOE 11716627	1				Cover .....	Capot .....	Haube.....	Capo.....	Huv.....		



1		<b>Pinjong</b> <b>Piñón de ataque</b> <b>Antriebskegelrad</b> <b>Pignon</b> <b>Pinion</b>  <b>S/N 11145 -</b>	Catalogue id	Group
2			<b>20004</b>	<b>461</b>
3			Illustr. No	Section
4			<b>1023520</b>	<b>160</b>
5			Issue	Page
			<b>VOE 63G9920004</b>	<b>337</b>

**VOLVO**

**BL70**

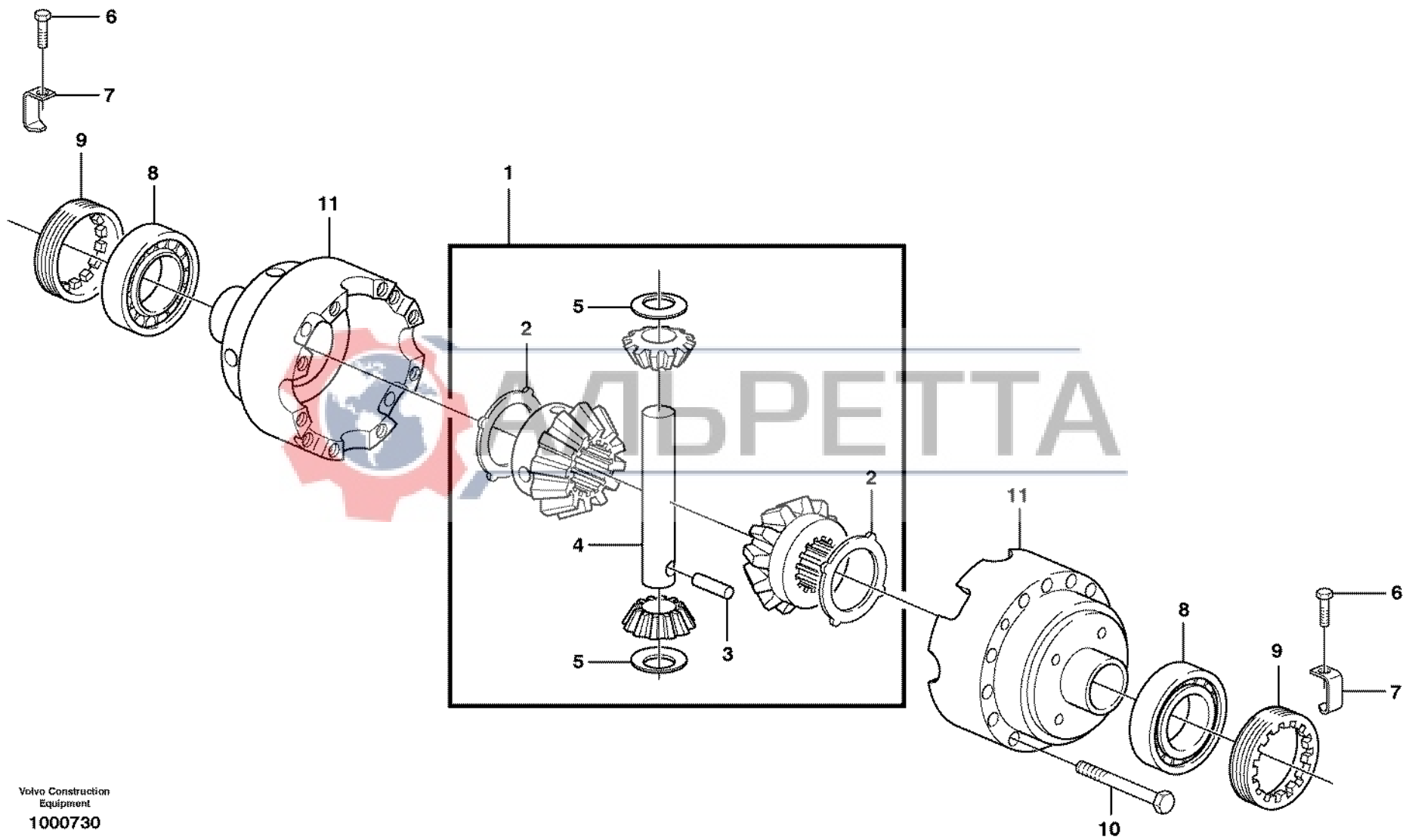


Fig.	Part No.	Quantity			P S	K I T	Description	Dénomination	Bezeichnung	Denominación	Benämning	Notes
		1	2	3								
1	VOE 11709476	1					Diff Pinion Set .....	Jeu Pign.diffe. ....	Ausgl Kegsatz .....	Kit Engran Dif .....	Diff.drevsats.....	
2	VOE 11709477	2					•Drive Plate .....	•Plaque Commande ...	•Treibscheibe .....	•Placa Motriz .....	•Drivplatta.....	
3	VOE 11709478	1					•Pin .....	•Goupille.....	•Stift.....	•Pasador.....	•Pinne.....	
4	VOE 11709479	1					•Axle.....	•Arbre.....	•Welle.....	•Eje.....	•Axel.....	
5	VOE 11709480	2					•Thrust Washer .....	•Rondelle Butee .....	•Druckscheibe .....	•Arandela Presio .....	•Tryckbricka.....	
6	VOE 11709312	2					Screw .....	Vis .....	Schraube.....	Tornillo .....	Skruv.....	
7	VOE 11709311	2					Locking Plate .....	Languette de verrouill	Sicherungsblech.....	Laminilla De Se .....	Vikbleck.....	
8	VOE 11709481	2					Bearing.....	Palier.....	Lager .....	Cojinete .....	Lager.....	
9	VOE 11709482	2					Ring.....	Anneau.....	Ring.....	Anillo .....	Ring.....	
10	VOE 11709483	12					Screw .....	Vis .....	Schraube.....	Tornillo .....	Skruv.....	
11	VOE 11709484	1					Diff Housing .....	Carter différentiel .....	Differentialgehäuse .....	Carter diferencial.....	Differentialhus.....	

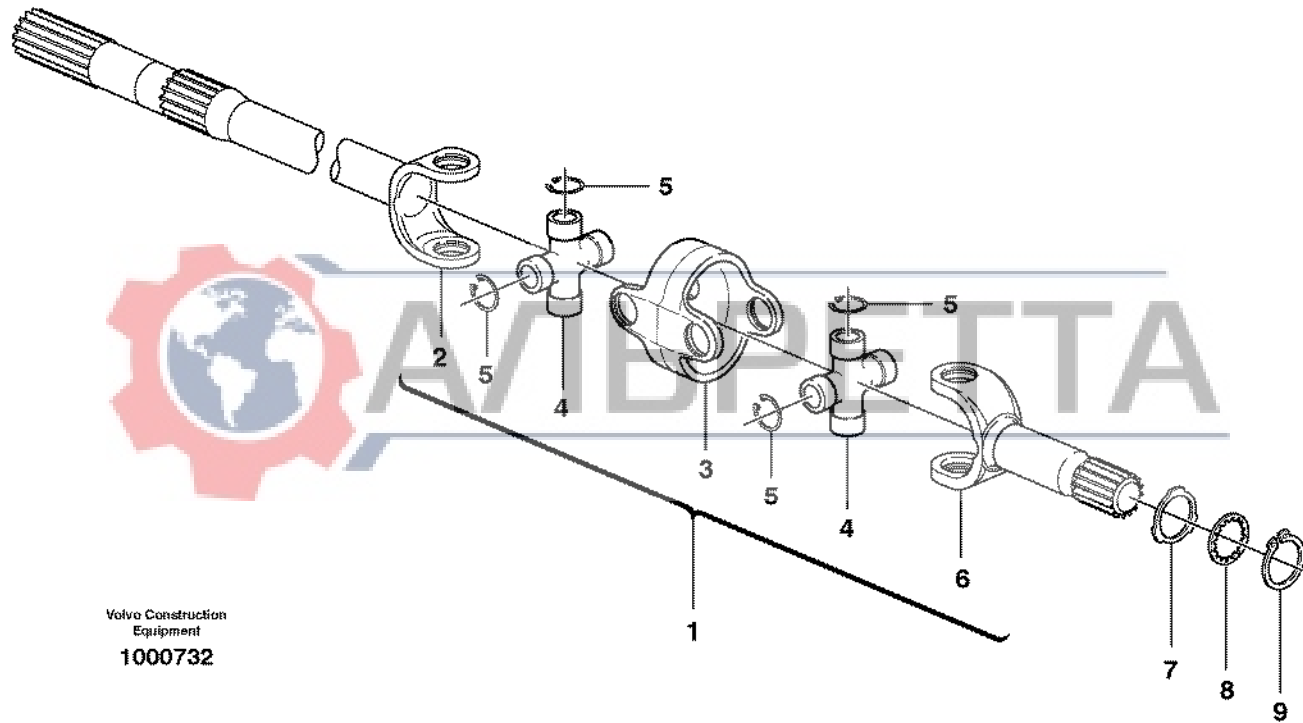


1	<b>Differential, framaxel</b> <b>Diferencial, eje planeta delantero</b> <b>Ausgleichgetriebe, Planetenwelle, vorne</b> <b>Différentiel, axe satellite, Av</b> <b>Differential , front axle</b>	Catalogue id	Group
2		<b>20004</b>	<b>461</b>
3		Illustr. No	Section
4		<b>1000730</b>	<b>200</b>
5		Issue	Page
	<b>11880002, 11891283, 11891289, 11891389, 11891390</b>	<b>VOE 63G9920004</b>	<b>339</b>

**VOLVO**

**BL70**





Volvo Construction  
Equipment  
1000732

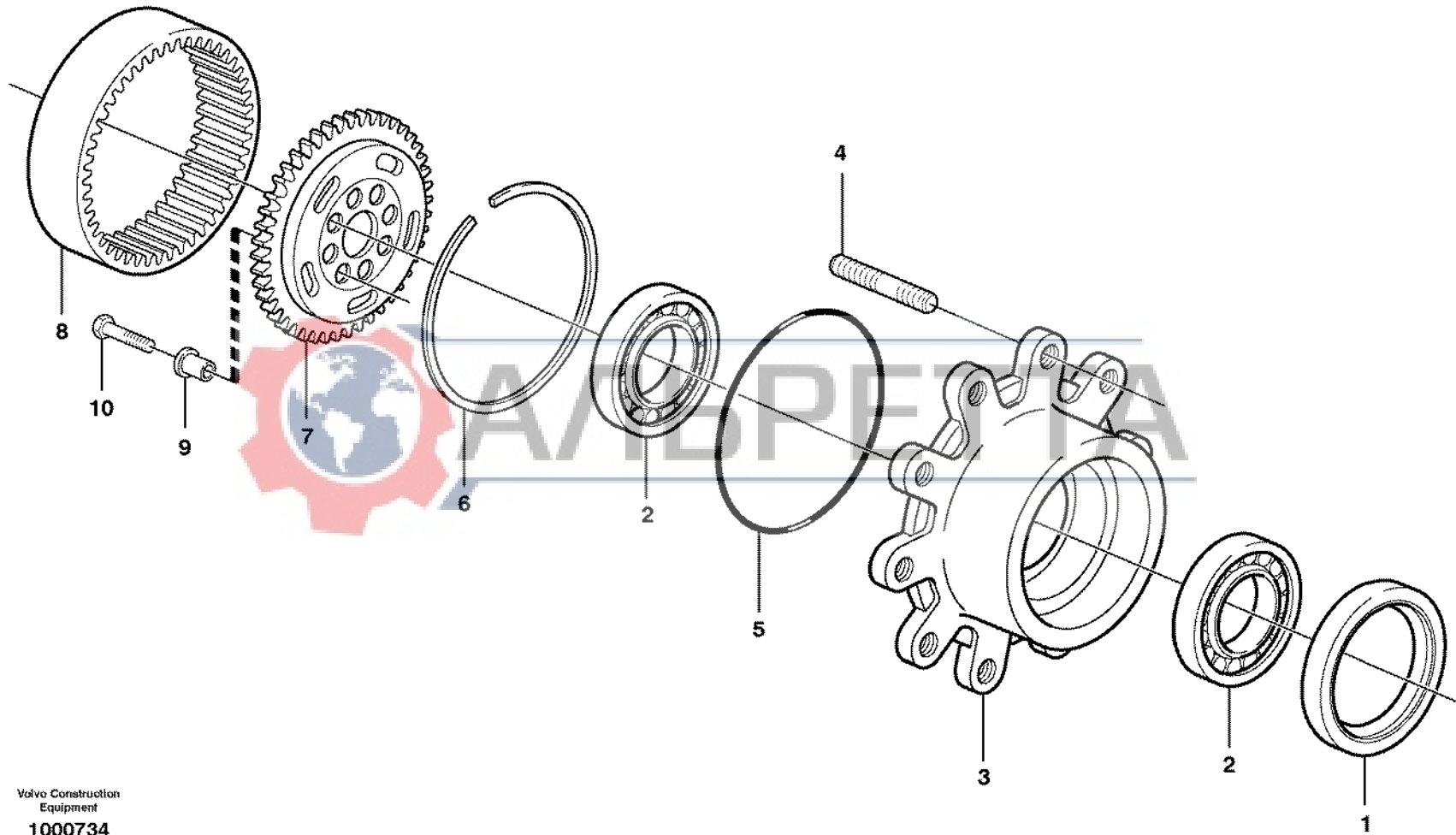
Fig.	Part No.	Quantity			P S	K I T	Description	Dénomination	Bezeichnung	Denominación	Benämning	Notes
		1	2	3								
1	VOE 11988153	1				Double Joint.....	Cardan Double .....	Doppelarmkreuz.....	Junta Doble .....	Dubbelknut.....	LH	
	VOE 11988154	1				Double Joint.....	Cardan Double .....	Doppelarmkreuz.....	Junta Doble .....	Dubbelknut.....	RH	
1	VOE 11716630		2			Axle Shaft.....	Arbre Commande.....	Antriebswelle.....	Eje Propulsor.....	Drivaxel.....		
2		1	2	NS		•Drive shaft .....	•Arbre commande .....	•Antriebswelle.....	•Eje propulsor.....	•Drivaxel.....	Differential side	
3		2	2	NS		•Companion flange .....	•Flasque entraineme .....	•Antriebsflansch .....	•Brida.....	•Medbringare.....		
4	VOE 11988155	4				•Spider .....	•Croisillon .....	•Kreuzstück .....	•Cruceta .....	•Kors.....		
4	VOE 11716631		4			•Spider .....	•Croisillon .....	•Kreuzstück .....	•Cruceta .....	•Kors.....		
5		16	16	NS		••Lock ring.....	••Anneau verrouillage.....	••Schlossring .....	••Anillo seguridad .....	••Låsring.....		
6		2	2	NS		•Drive shaft .....	•Arbre commande .....	•Antriebswelle.....	•Eje propulsor.....	•Drivaxel.....	Wheel side	
7	VOE 11709487	2	2			Washer.....	Rondelle.....	Scheibe .....	Arandela.....	Bricka.....		
8	VOE 11709488	2	2			Washer.....	Rondelle.....	Scheibe .....	Arandela.....	Bricka.....		
9	VOE 11709171	2	2			Snap Ring.....	Circlip .....	Nutring.....	Circlip .....	Spårring.....		



1	S/N - 11144	<b>Drivaxel</b> <b>Eje propulsor</b> <b>Antriebsachse</b> <b>Arbre de roue</b> <b>Drive axle</b>	Catalogue id	Group
2	S/N 11145 -		<b>20004</b>	<b>461</b>
3			Illustr. No	Section
4			<b>1000732</b>	<b>250</b>
5			Issue	Page
		<b>11891283, 11891289, 11891389, 11891390</b>	<b>VOE 63G9920004</b>	<b>341</b>

**VOLVO**

**BL70**



Volvo Construction  
Equipment  
1000734

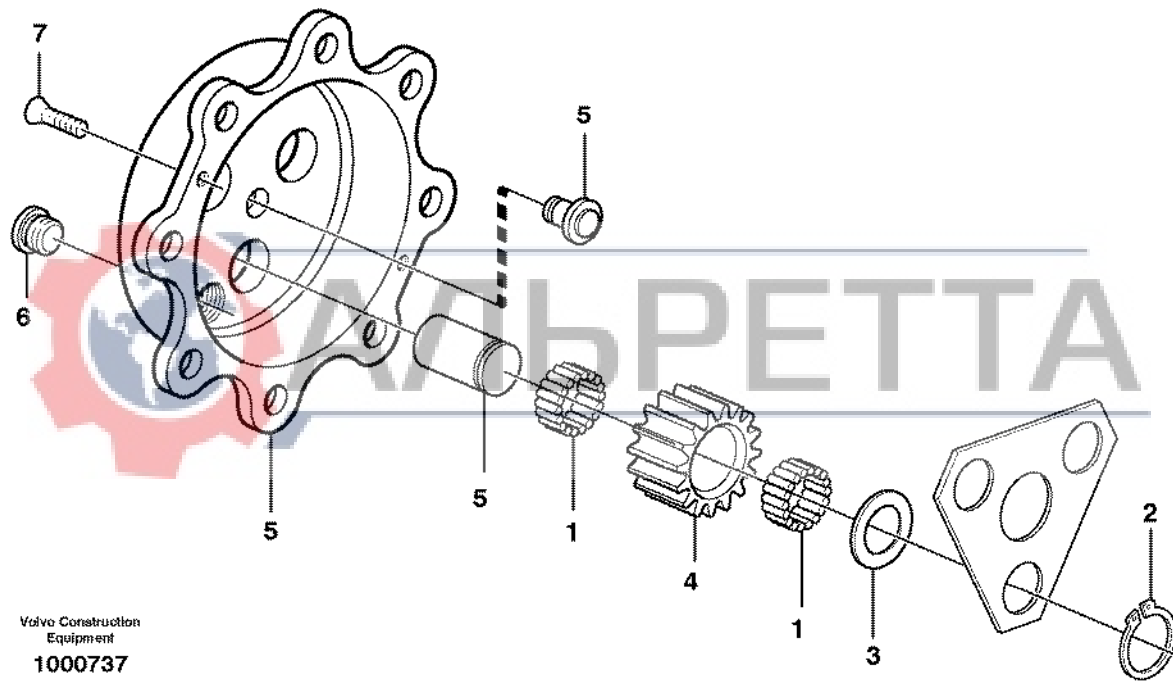
Fig.	Part No.	Quantity			P S	K I T	Description	Dénomination	Bezeichnung	Denominación	Benämning	Notes
		1	2	3								
1	VOE 11988156	2				Seal.....	Joint .....	Dichtung .....	Reten.....	Tätning.....		
2	VOE 11709360	4				Bearing.....	Palier .....	Lager .....	Cojinete .....	Lager.....		
3	VOE 11709489	2				Wheel Hub .....	Moyeu de roue .....	Radnabe.....	Cubo Rueda .....	Hjulnav.....		
4	VOE 11709490	16				•Stud .....	•Goujon .....	•Stiftschraube.....	•Esparrago .....	•Pinnskruv.....		
5	VOE 11709491	2				O-ring .....	Joint Torique .....	O-Ring .....	Junta torica.....	O-ring.....		
6	VOE 11709492	2				Ring.....	Anneau.....	Ring.....	Anillo .....	Ring.....		
7	VOE 11709493	2				Drive Gear.....	Pignon.....	Triebad .....	Pinon .....	Drivhjul.....		
8	VOE 11709494	2				Gear .....	Pignon.....	Zahnradgetriebe.....	Engranaje .....	Kuggdrev.....		
9	VOE 11709495	16				Bushing .....	Bague.....	Buchse .....	Casquillo .....	Bussning.....		
10	VOE 11709496	16				Screw .....	Vis .....	Schraube.....	Tornillo .....	Skruv.....		



1		Hjulnav	Catalogue id	Group
2		Cubo de rueda	<b>20004</b>	<b>461</b>
3		Radnabe	Illustr. No	Section
4		Moyeu de roue	<b>1000734</b>	<b>300</b>
5		Wheel hub	Issue	Page
		11880002, 11891283, 11891289, 11891389, 11891390	VOE 63G9920004	<b>343</b>

**VOLVO**

**BL70**



Volvo Construction  
Equipment  
1000737

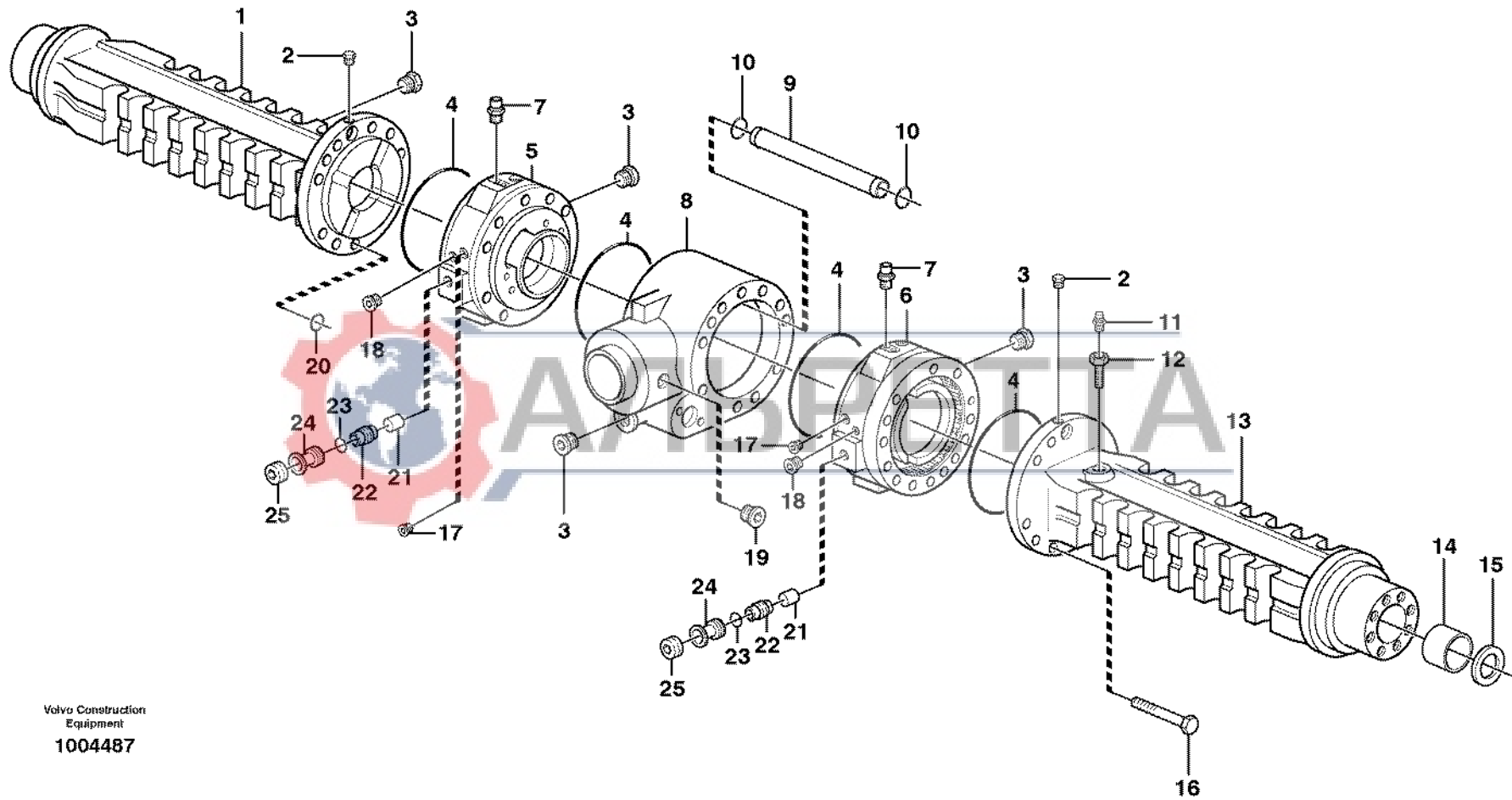
Fig.	Part No.	Quantity			P S	K I T	Description	Dénomination	Bezeichnung	Denominación	Benämning	Notes
		1	2	3								
1	VOE 11709374	34					Needle Bearing .....	Roule.aiguilles.....	Nadellager.....	Cojinete Agujas .....	Nållager.....	10pcs/Kit
2	VOE 11709497	6					Lock Ring .....	Anneau Verrouillage ..	Schlossring.....	Anillo Segurid .....	Låsring.....	
3	VOE 11709498	6					Washer.....	Rondelle .....	Scheibe .....	Arandela .....	Bricka.....	
4	VOE 11709499	6					Drive Gear.....	Pignon.....	Triebad.....	Pinon .....	Drivhjul.....	
5	VOE 11709500	2					Planet kit .....	Jeu planetaire .....	Planetenradsatz .....	Kit de planetas .....	Planetsats.....	
6	VOE 11709057	2					Plug.....	Bouchon.....	Stopfen.....	Tapon .....	Plugg.....	
7	VOE 11709370	2					Screw .....	Vis .....	Schraube.....	Tornillo .....	Skruv.....	



1		<b>Planetväxel</b> <b>Engranaje planetario</b> <b>Planetenradgetriebe</b> <b>Réducteur planétaire</b> <b>Planetary gear</b>	Catalogue id	Group
2			<b>20004</b>	<b>461</b>
3			Illustr. No	Section
4			<b>1000737</b>	<b>350</b>
5			Issue	Page
			<b>VOE 63G9920004</b>	<b>345</b>
			<b>11880002, 11891283, 11891289, 11891389, 11891390</b>	

**VOLVO**

**BL70**



Volvo Construction  
Equipment  
1004487

Fig.	Part No.	Quantity			P S	K I T	Description	Dénomination	Bezeichnung	Denominación	Benämning	Notes
		1	2	3								
	VOE 11884150	1				Rear axle.....	Essieu AR .....	Hinterachse .....	Eje posterior .....	Bakaxel.....		
	VOE 11885845		1			Rear axle.....	Essieu AR .....	Hinterachse .....	Eje posterior .....	Bakaxel.....	RH	
1	VOE 11988558	1				•Axle Casing .....	•Boite Essieu.....	•Achsgehäuse .....	•Carter Eje.....	•Axelkåpa.....	RH	
1	VOE 11712787		1			•Axle Casing .....	•Boite Essieu.....	•Achsgehäuse .....	•Carter Eje.....	•Axelkåpa.....		
2	VOE 11709268	2	2			•Plug .....	•Bouchon.....	•Stopfen .....	•Tapon.....	•Plugg.....		
3	VOE 11709057	4	4			•Plug .....	•Bouchon.....	•Stopfen .....	•Tapon.....	•Plugg.....		
4	VOE 11709269	4	4			•O-ring.....	•Joint Torique .....	•O-Ring.....	•Junta torica .....	•O-ring.....		
5	VOE 11988574	1	1			•Brake Cylinder .....	•Cylindre Frein .....	•Bremszylinder .....	•Cilindro Frenos.....	•Bromscylinder.....	RH	
6	VOE 11988583	1	1			•Brake Cylinder .....	•Cylindre Frein .....	•Bremszylinder .....	•Cilindro Frenos.....	•Bromscylinder.....	LH	
7	VOE 11709350	4	4			•Breather Pipe.....	•Reniflard .....	•Luftungsrohr.....	•Conduct Ventil.....	•Ventilationsrör.....		
8	VOE 11709273	1	1			•Axle Casing .....	•Boite Essieu.....	•Achsgehäuse .....	•Carter Eje.....	•Axelkåpa.....		
9	VOE 11709272	1	1			•Pipe .....	•Canalisation .....	•Rohrleitung.....	•Canalización .....	•Rör.....		
10	VOE 11709271	2	2			•O-ring.....	•Joint Torique .....	•O-Ring.....	•Junta torica .....	•O-ring.....		
11	VOE 11709275	1	1			•Breather Cap .....	•Boucho.aeration.....	•Lüftungsdeckel.....	•Tapa Ventilac.....	•Ventil.lock.....		
12	VOE 11709276	1	1			•Breather Pipe.....	•Reniflard .....	•Luftungsrohr.....	•Conduct Ventil.....	•Ventilationsrör.....		
13	VOE 11988589	1				•Axle Casing .....	•Boite Essieu.....	•Achsgehäuse .....	•Carter Eje.....	•Axelkåpa.....	LH	
13	VOE 11712788		1			•Axle Casing .....	•Boite Essieu.....	•Achsgehäuse .....	•Carter Eje.....	•Axelkåpa.....	LH	
14	VOE 11709278	2	2			•Bushing.....	•Bague .....	•Buchse .....	•Casquillo .....	•Bussning.....		
15	VOE 11709279	2	2			•Seal .....	•Joint .....	•Dichtung.....	•Reten .....	•Tätning.....		
16	VOE 11709280	22	22			•Screw.....	•Vis .....	•Schraube.....	•Tornillo .....	•Skruv.....		
17	VOE 11709075	2	2			•Plug .....	•Bouchon.....	•Stopfen .....	•Tapon.....	•Plugg.....		
18	VOE 11709282	2	2			•Plug .....	•Bouchon.....	•Stopfen .....	•Tapon.....	•Plugg.....		
19	VOE 11709286	1	1			•Plug .....	•Bouchon.....	•Stopfen .....	•Tapon.....	•Plugg.....		
20	VOE 11709285	8	8			•O-ring.....	•Joint Torique .....	•O-Ring.....	•Junta torica .....	•O-ring.....		
21	VOE 11988591	6	6			•Pin .....	•Goupille.....	•Stift.....	•Pasador.....	•Pinne.....		
22	VOE 11988592	6	6			•Screw.....	•Vis .....	•Schraube.....	•Tornillo .....	•Skruv.....		
23	VOE 11988593	6	6			•O-ring.....	•Joint Torique .....	•O-Ring.....	•Junta torica .....	•O-ring.....		
24	VOE 11988594	6	6			•Screw.....	•Vis .....	•Schraube.....	•Tornillo .....	•Skruv.....		
25	VOE 11988595	6	6			•Plug .....	•Bouchon.....	•Stopfen .....	•Tapon.....	•Plugg.....		

1	11884150	Planetaxel, bak Eje propulsor, trasero Planetenwelle, hintere Essieu moteur, arrière Planet shaft, rear	Catalogue id	Group
2	11885845		<b>20004</b>	<b>463</b>
3			Illustr. No	Section
4			<b>1004487</b>	<b>100</b>
5			Issue	Page
			<b>VOE 63G9920004</b>	<b>347</b>
			<b>11891283, 11891289, 11891389, 11891390</b>	

**VOLVO**

**BL70**



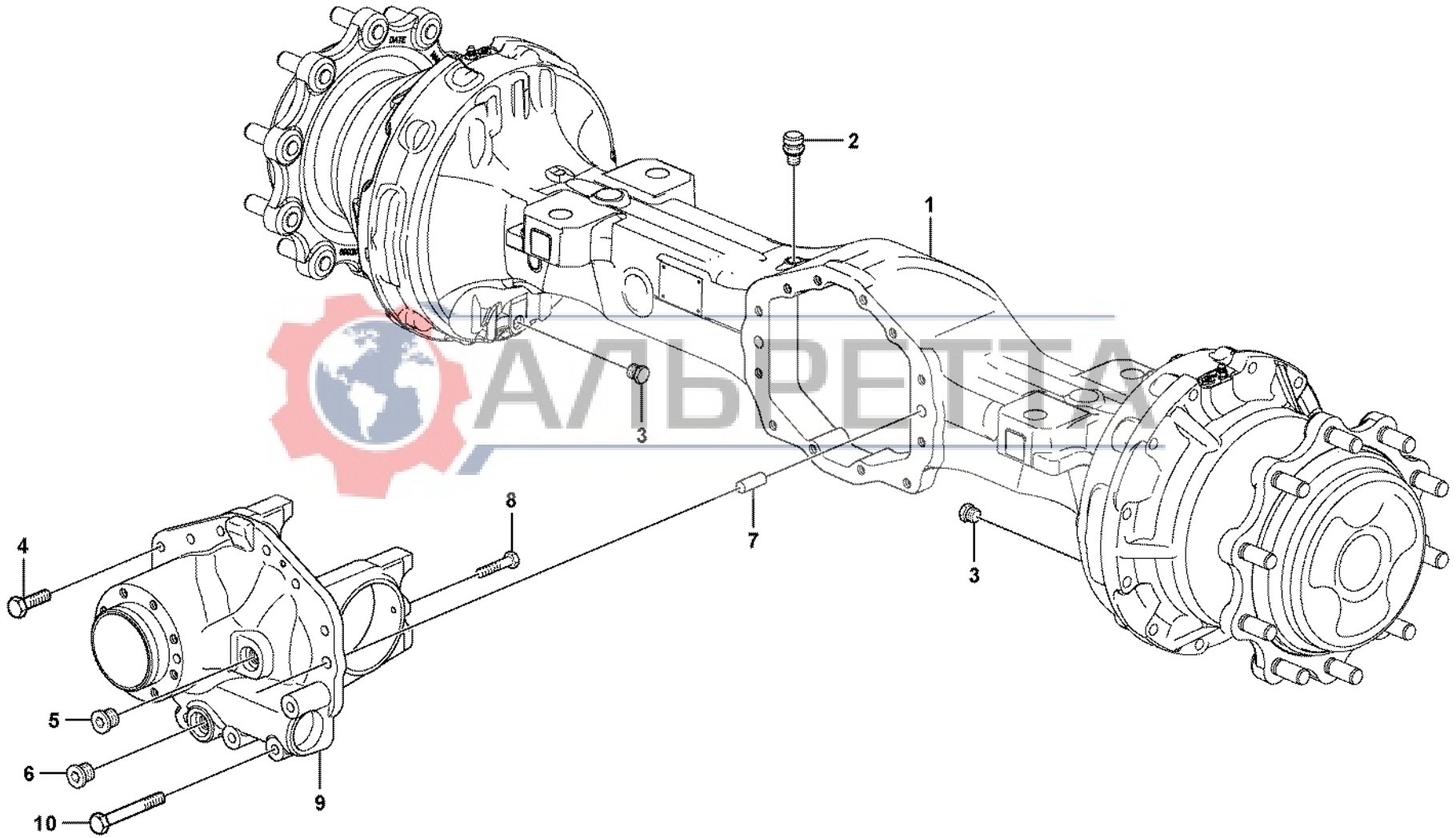


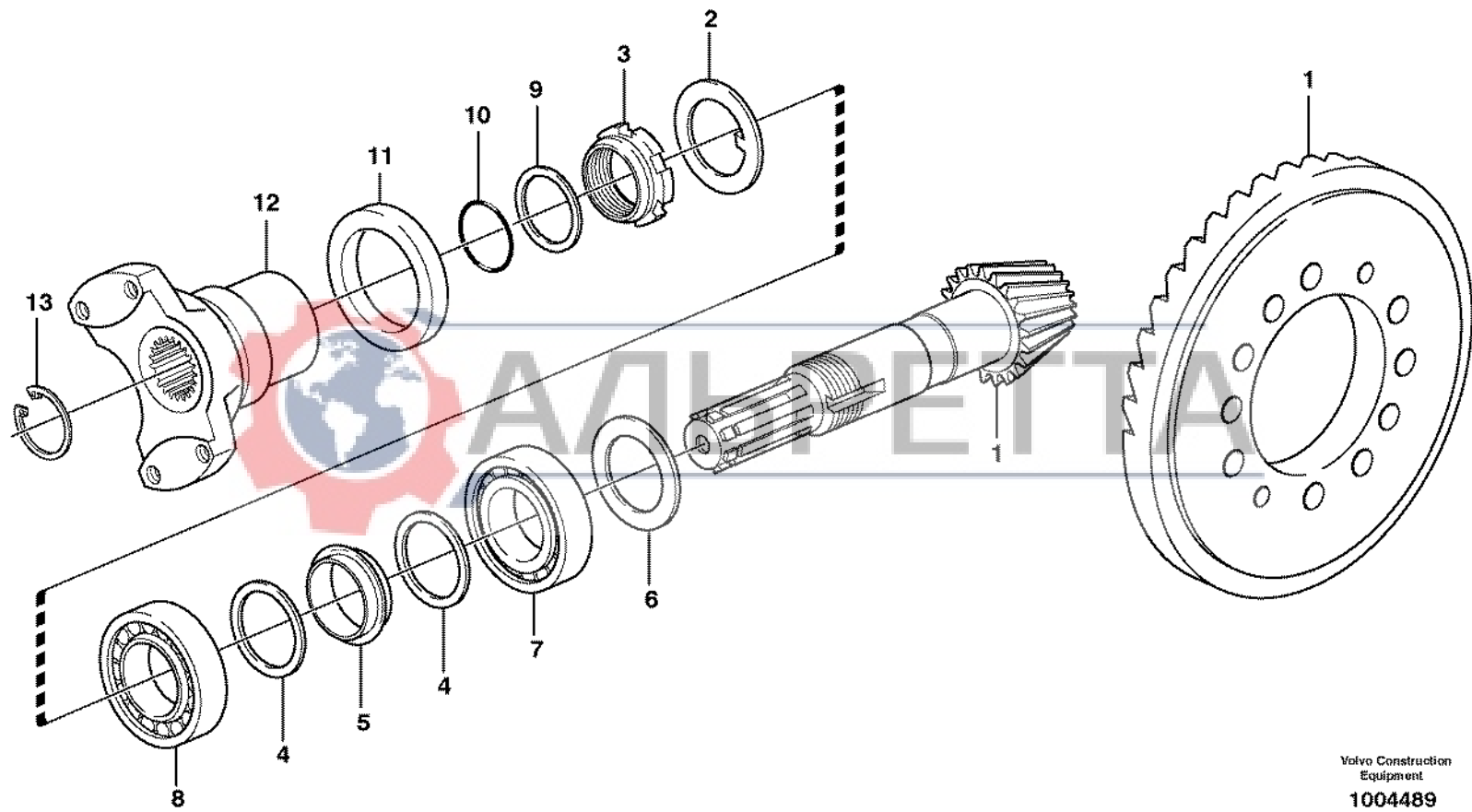
Fig.	Part No.	Quantity			P S	K I T	Description	Dénomination	Bezeichnung	Denominación	Benämning	Notes
		1	2	3								
	<b>VOE 11887363</b>	1				Rear axle.....	Essieu AR .....	Hinterachse .....	Eje posterior .....	Bakaxel.....	See group 460, Page 327	
1	<b>VOE 11716543</b>	1				•Axle Casing .....	•Boite Essieu.....	•Achsgehäuse .....	•Carter Eje.....	•Axelkåpa.....		
2	<b>VOE 11709275</b>	1				•Breather Cap .....	•Boucho.aeration.....	•Lüftungsdeckel.....	•Tapa Ventilac .....	•Ventil.lock.....		
3	<b>VOE 11709403</b>	2				•Plug .....	•Bouchon.....	•Stopfen .....	•Tapon.....	•Plugg.....		
4	<b>VOE 11709404</b>	8				•Screw.....	•Vis.....	•Schraube.....	•Tornillo .....	•Skruv.....		
5	<b>VOE 11716544</b>	1				•Plug .....	•Bouchon.....	•Stopfen .....	•Tapon.....	•Plugg.....		
6	<b>VOE 11709057</b>	1				•Plug .....	•Bouchon.....	•Stopfen .....	•Tapon.....	•Plugg.....		
7	<b>VOE 11709402</b>	2				•Pin .....	•Goupille.....	•Stift.....	•Pasador.....	•Pinne.....		
8	<b>VOE 11716545</b>	2				•Screw.....	•Vis.....	•Schraube.....	•Tornillo .....	•Skruv.....		
9	<b>VOE 11716546</b>	1				•Diff Housing .....	•Carter différentiel .....	•Differentialgehäuse...	•Carter diferencial.....	•Differentialhus.....		
10	<b>VOE 11716547</b>	4				•Screw.....	•Vis.....	•Schraube.....	•Tornillo .....	•Skruv.....		



1	<b>Planetaxel, bak</b> <b>Eje propulsor, trasero</b> <b>Planetenwelle, hintere</b> <b>Essieu moteur, arrière</b> <b>Planet shaft, rear</b> <b>S/N 11145 -</b>	Catalogue id	Group
2		<b>20004</b>	<b>463</b>
3		Illustr. No	Section
4		<b>1023386</b>	<b>110</b>
5		Issue	Page
		<b>VOE 63G9920004</b>	<b>349</b>

**VOLVO**

**BL70**



Volvo Construction  
Equipment  
1004489

Fig.	Part No.	Quantity			P S	K I T	Description	Dénomination	Bezeichnung	Denominación	Benämning	Notes
		1	2	3								
1	VOE 11709287	1				Drive Gear Set .....	Kit Pignon.....	Triebsatz .....	Juego Pinon .....	Drevsats.....		
2	VOE 11709288	1				•Lock Washer.....	•Rondel.verroui. ....	•Sicher Scheibe.....	•Arandel Segurid .....	•Låsbricka.....		
3	VOE 11709289	1				•Nut .....	•Ecrou .....	•Mutter.....	•Tuerca.....	•Mutter.....		
4	VOE 11709290	2				•Washer .....	•Rondelle.....	•Scheibe .....	•Arandela.....	•Bricka.....		
5	VOE 11709291	1				•Spacer .....	•Entretoise.....	•Abstandkörper.....	•Distanciador .....	•Distans.....		
6	VOE 11709292	REQ				Adjuster washer .....	Rondelle ajust. ....	Passscheibe.....	Arandela ajust. ....	Justerbricka.....	THICK 2,50 MM	
	VOE 11709293	REQ				Adjuster washer .....	Rondelle ajust. ....	Passscheibe.....	Arandela ajust. ....	Justerbricka.....	THICK 2,60 MM	
	VOE 11709294	REQ				Adjuster washer .....	Rondelle ajust. ....	Passscheibe.....	Arandela ajust. ....	Justerbricka.....	THICK 2,70 MM	
	VOE 11709295	REQ				Adjuster washer .....	Rondelle ajust. ....	Passscheibe.....	Arandela ajust. ....	Justerbricka.....	THICK 2,80 MM	
	VOE 11709296	REQ				Adjuster washer .....	Rondelle ajust. ....	Passscheibe.....	Arandela ajust. ....	Justerbricka.....	THICK 2,90 MM	
	VOE 11709297	REQ				Adjuster washer .....	Rondelle ajust. ....	Passscheibe.....	Arandela ajust. ....	Justerbricka.....	THICK 3,00 MM	
7	VOE 11709298	1				Bearing.....	Palier.....	Lager.....	Cojinete .....	Lager.....		
8	VOE 11709299	1				Bearing.....	Palier.....	Lager.....	Cojinete .....	Lager.....		
9	VOE 11709304	1				Washer.....	Rondelle.....	Scheibe .....	Arandela.....	Bricka.....		
10	VOE 11709303	1				O-ring.....	Joint Torique .....	O-Ring.....	Junta torica.....	O-ring.....		
11	VOE 11709302	1				Seal.....	Joint .....	Dichtung.....	Reten.....	Tätning.....		
12	VOE 11709301	1				Comp Flange .....	Flasque Entrai.....	Antriebsflansch.....	Brida.....	Medbringare.....		
13	VOE 11709300	1				Lock Ring.....	Anneau Verrouillage ..	Schlossring.....	Anillo Segurid .....	Låsring.....		



1		<b>Pinjong</b> <b>Piñón de ataque</b> <b>Antriebskegelrad</b> <b>Pignon</b> <b>Pinion</b>	Catalogue id	Group
2			<b>20004</b>	<b>463</b>
3			Illustr. No	Section
4			<b>1004489</b>	<b>150</b>
5			Issue	Page
			<b>VOE 63G9920004</b>	<b>351</b>
			<b>11891283, 11891289, 11891389, 11891389</b>	

**VOLVO**

**BL70**

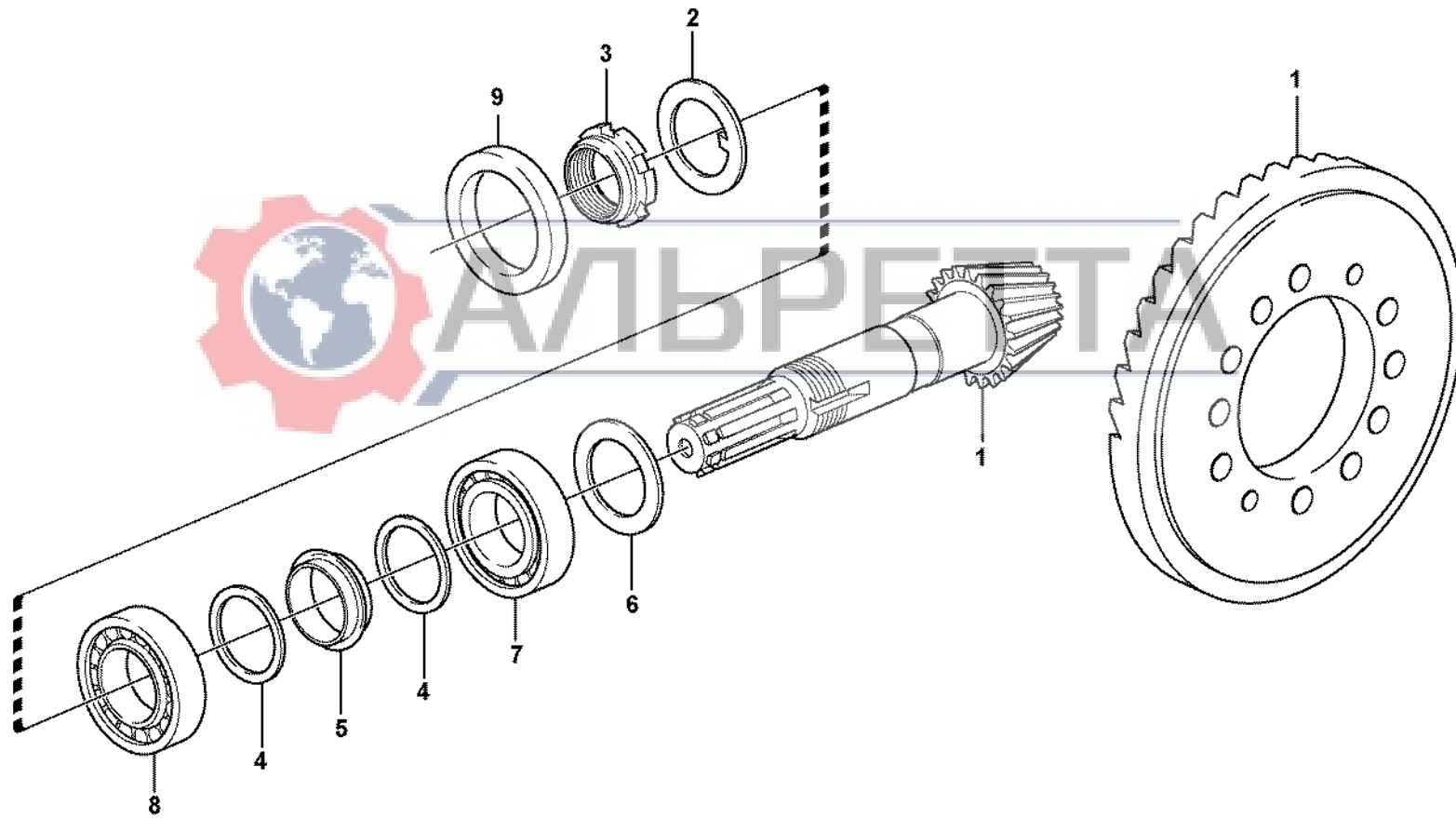


Fig.	Part No.	Quantity			P S	K I T	Description	Dénomination	Bezeichnung	Denominación	Benämning	Notes
		1	2	3								
1	VOE 11716550	1				Drive Gear Set .....	Kit Pignon.....	Triebsatz .....	Juego Pinon .....	Drevsats.....		
2	VOE 11709288	1				•Lock Washer.....	•Rondel.verroui .....	•Sicher Scheibe.....	•Arandel Segurid .....	•Låsbricka.....		
3	VOE 11709289	1				•Nut .....	•Ecrou .....	•Mutter.....	•Tuerca.....	•Mutter.....		
4	VOE 11709290	2				•Washer .....	•Rondelle.....	•Scheibe .....	•Arandela.....	•Bricka.....		
5	VOE 11716551	1				•Spacer .....	•Entretoise.....	•Abstandkörper.....	•Distanciador .....	•Distans.....		
6	VOE 11709292	REQ				Adjuster washer .....	Rondelle ajust. ....	Passscheibe.....	Arandela ajust. ....	Justerbricka.....	THICK 2,50 MM	
	VOE 11709293	REQ				Adjuster washer .....	Rondelle ajust. ....	Passscheibe.....	Arandela ajust. ....	Justerbricka.....	THICK 2,60 MM	
	VOE 11709294	REQ				Adjuster washer .....	Rondelle ajust. ....	Passscheibe.....	Arandela ajust. ....	Justerbricka.....	THICK 2,70 MM	
	VOE 11709295	REQ				Adjuster washer .....	Rondelle ajust. ....	Passscheibe.....	Arandela ajust. ....	Justerbricka.....	THICK 2,80 MM	
	VOE 11709296	REQ				Adjuster washer .....	Rondelle ajust. ....	Passscheibe.....	Arandela ajust. ....	Justerbricka.....	THICK 2,90 MM	
	VOE 11709297	REQ				Adjuster washer .....	Rondelle ajust. ....	Passscheibe.....	Arandela ajust. ....	Justerbricka.....	THICK 3,00 MM	
7	VOE 11716615	1				Bearing.....	Palier .....	Lager.....	Cojinete .....	Lager.....		
8	VOE 11709299	1				Bearing.....	Palier .....	Lager.....	Cojinete .....	Lager.....		
9	VOE 11709302	1				Seal.....	Joint .....	Dichtung.....	Reten.....	Tätning.....		



1	<b>Pinjong</b> <b>Piñón de ataque</b> <b>Antriebskegelrad</b> <b>Pignon</b> <b>Pinion</b>  <b>S/N 11145 -</b>	Catalogue id	Group
2		<b>20004</b>	<b>463</b>
3		Illustr. No	Section
4		<b>1023388</b>	<b>160</b>
5		Issue	Page
		<b>VOE 63G9920004</b>	<b>353</b>

**VOLVO**

**BL70**

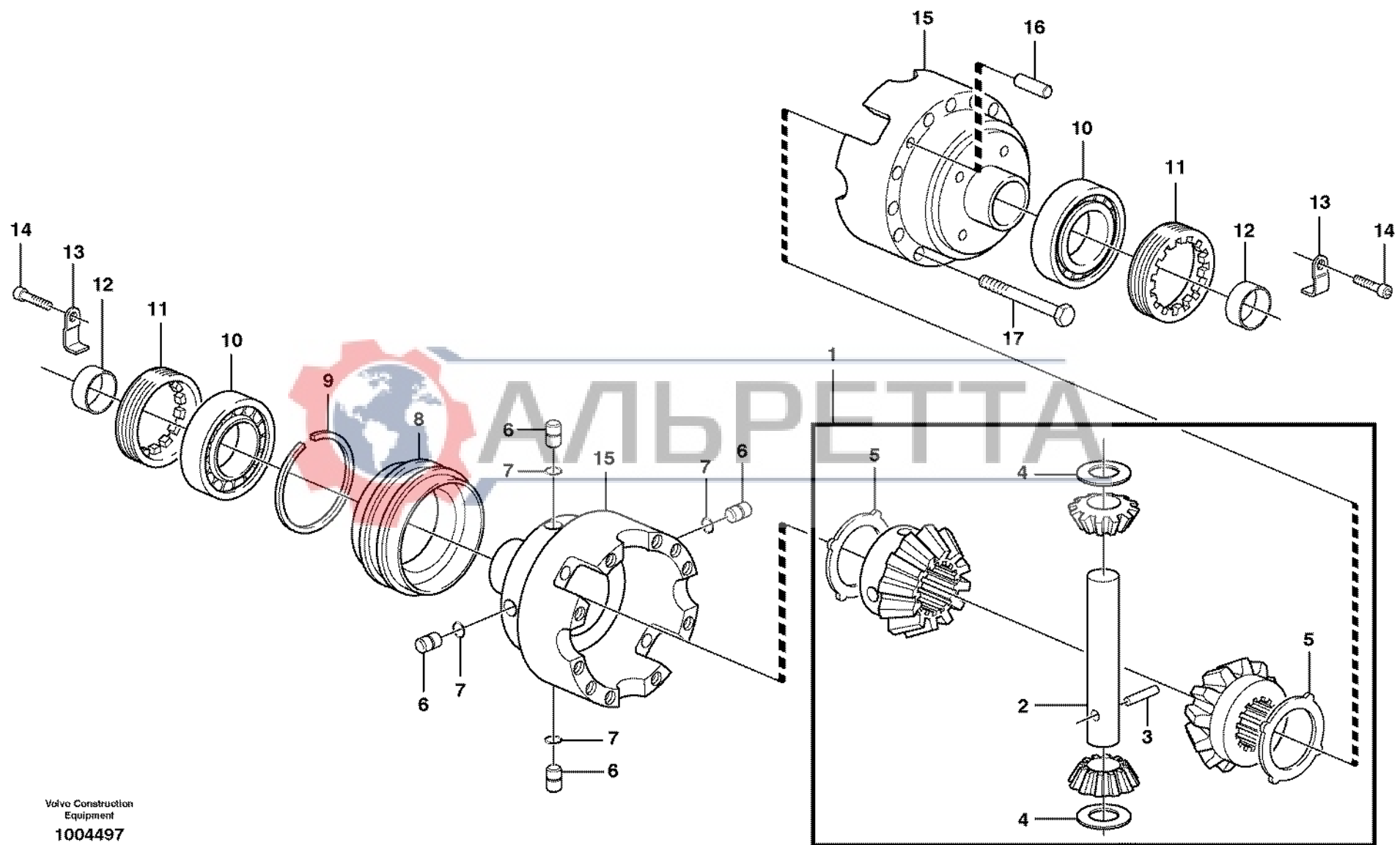
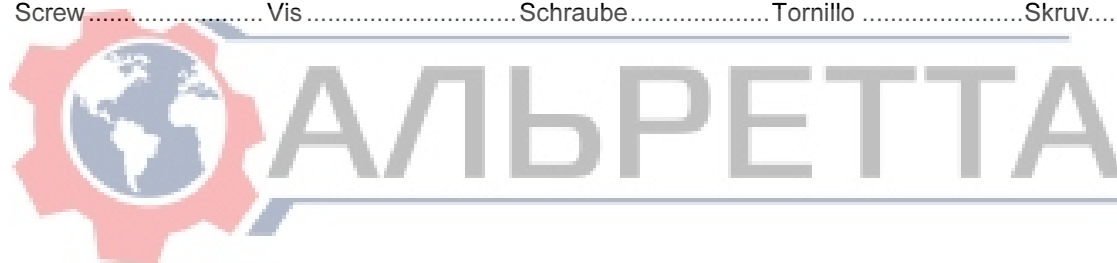


Fig.	Part No.	Quantity			P S	K I T	Description	Dénomination	Bezeichnung	Denominación	Benämning	Notes
		1	2	3								
1	VOE 11988596	1					Diff Pinion Set .....	Jeu Pign.diffe. ....	Ausgl Kegsatz .....	Kit Engran Dif .....	Diff.drevsats.....	
2	VOE 11988598	1					•Shaft .....	•Arbre .....	•Welle .....	•Arbol.....	•Axel.....	
3	VOE 11988597	1					•Pin .....	•Goupille.....	•Stift.....	•Pasador.....	•Pinne.....	
4	VOE 11988599	2					•Thrust Washer .....	•Rondelle Butee .....	•Druckscheibe .....	•Arandela Presio .....	•Tryckbricka.....	
5	VOE 11709307	2					•Drive Plate .....	•Plaque Commande .....	•Treibscheibe .....	•Placa Motriz .....	•Drivplatta.....	
6	VOE 11709308	4					Pin.....	Goupille.....	Stift.....	Pasador.....	Pinne.....	
7	VOE 11709309	4					O-ring .....	Joint Torique .....	O-Ring .....	Junta torica.....	O-ring.....	
8	VOE 11709310	1					Sleeve .....	Douille .....	Hülse .....	Manguito .....	Hylsa.....	
9	VOE 11988603	1					Ring.....	Anneau.....	Ring.....	Anillo .....	Ring.....	
10	VOE 11988600	2					Bearing.....	Palier .....	Lager .....	Cojinete .....	Lager.....	
11	VOE 11988601	2					Nut .....	Ecrou.....	Mutter .....	Tuerca .....	Mutter.....	
12	VOE 11709315	2					Bushing .....	Bague.....	Buchse .....	Casquillo .....	Bussning.....	
13	VOE 11988602	2					Lock Plate .....	Plaque Verroui. ....	Verschl Platte .....	Placa Seguridad .....	Låsplatta.....	
14	VOE 11709312	2					Screw .....	Vis .....	Schraube.....	Tornillo .....	Skruv.....	
15	VOE 11988604	1					Diff Housing .....	Carter différentiel .....	Differentialgehäuse .....	Carter diferencial.....	Differentialhus.....	
16	VOE 11709316	1					Pin.....	Goupille.....	Stift.....	Pasador.....	Pinne.....	
17	VOE 11709318	10					Screw.....	Vis .....	Schraube.....	Tornillo .....	Skruv.....	



1	<b>Differential. Bak</b> <b>Diferencial. Detrás</b> <b>Ausgleichgetriebe. Hinten</b> <b>Différentiel. Arrière</b> <b>Differential. Rear</b> <b>11891283,11891289, 11891389, 11891390</b>	Catalogue id	Group
2		<b>20004</b>	<b>463</b>
3		Illustr. No	Section
4		<b>1004497</b>	<b>200</b>
5		Issue	Page
		<b>VOE 63G9920004</b>	<b>355</b>

**VOLVO**

**BL70**



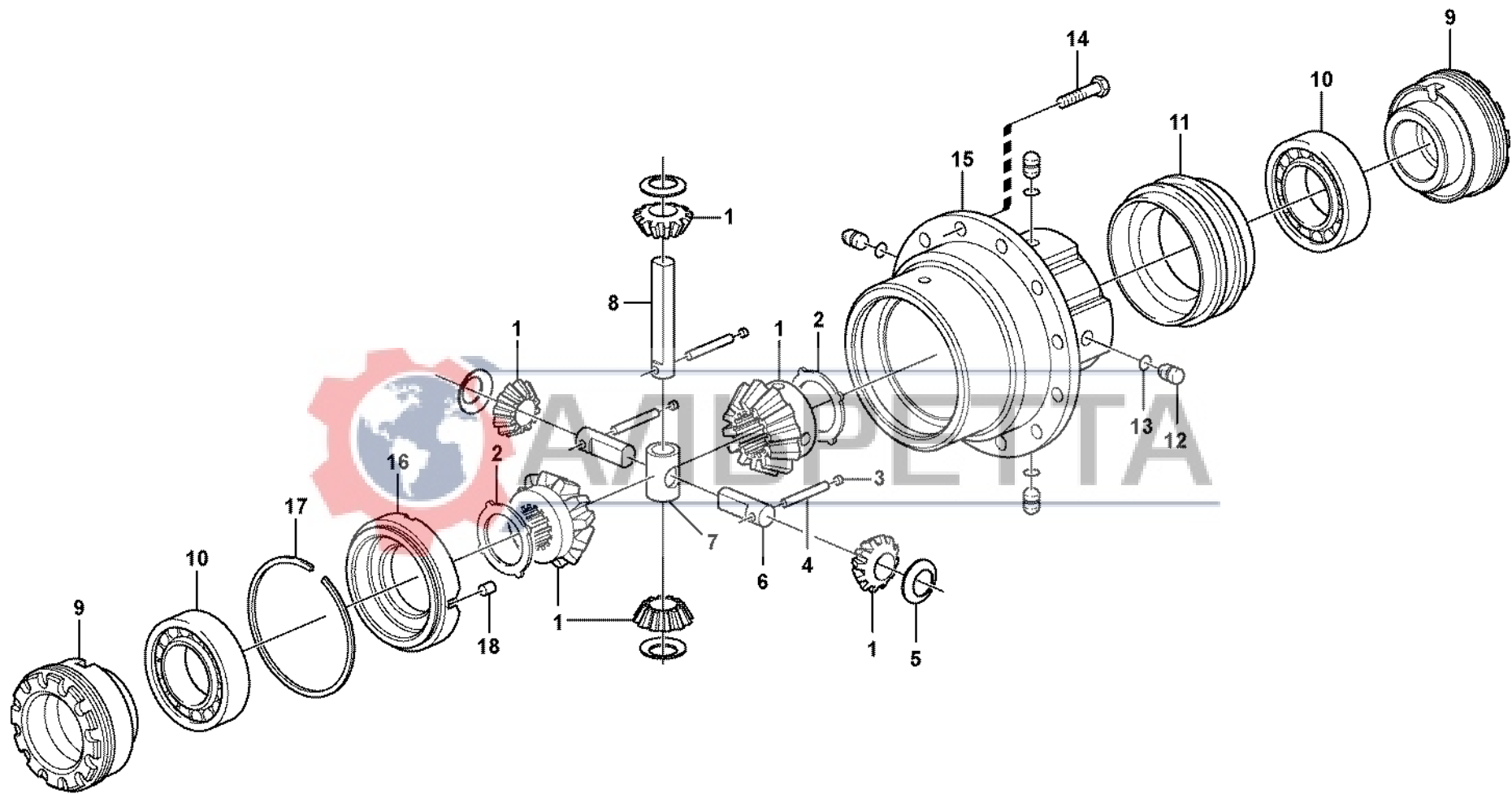


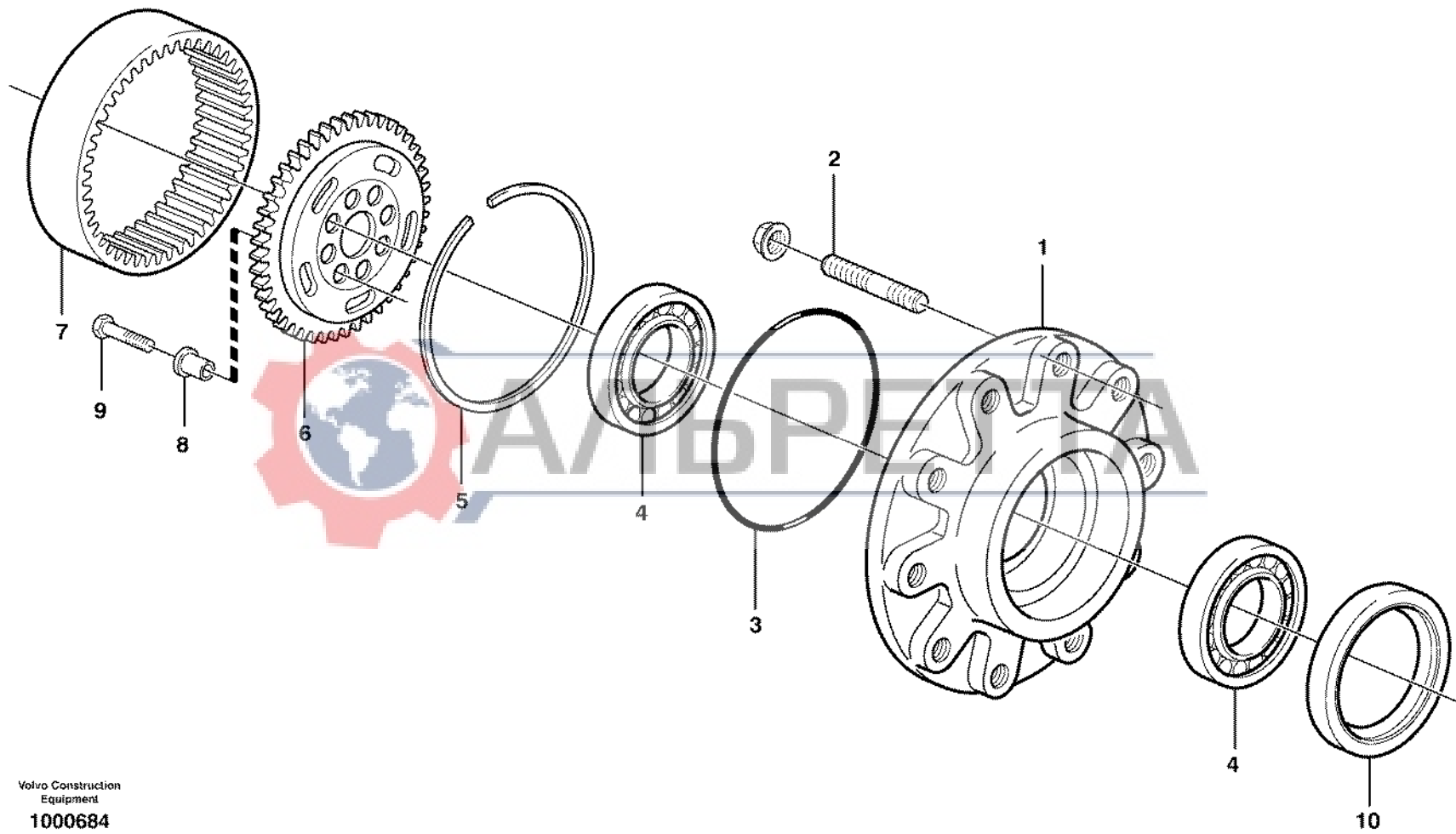
Fig.	Part No.	Quantity			P S	K I T	Description	Dénomination	Bezeichnung	Denominación	Benämning	Notes
		1	2	3								
1	VOE 11716556	1				Diff Pinion Set .....	Jeu Pign.diffe. ....	Ausgl Kegsatz .....	Kit Engran Dif .....	Diff.drevsats.....		
2	VOE 11716557	2				•Drive Plate .....	•Plaque Commande ...	•Treibscheibe .....	•Placa Motriz .....	•Drivplatta.....		
3	VOE 11709268	3				•Plug .....	•Bouchon.....	•Stopfen .....	•Tapon.....	•Plugg.....		
4	VOE 11716558	3				•Pin .....	•Goupille.....	•Zapfen.....	•Pasador.....	•Tapp.....		
5	VOE 11709306	4				Thrust Washer .....	Rondelle Butee .....	Druckscheibe .....	Arandela Presio.....	Tryckbricka.....		
6	VOE 11716559	2				Shaft.....	Arbre .....	Welle .....	Arbol.....	Axel.....		
7	VOE 11716560	1				Spider.....	Croisillon .....	Kreuzstück .....	Cruceta.....	Kors.....		
8	VOE 11988598	2				Shaft.....	Arbre .....	Welle .....	Arbol.....	Axel.....		
9	VOE 11716561	2				Ring.....	Anneau.....	Ring.....	Anillo .....	Ring.....		
10	VOE 11709314	2				Bearing.....	Palier.....	Lager.....	Cojinete .....	Lager.....		
11	VOE 11716562	1				Sleeve.....	Manchon .....	Muffe .....	Manguito .....	Muff.....		
12	VOE 11709308	2				Pin.....	Goupille.....	Stift.....	Pasador.....	Pinne.....		
13	VOE 11709309	4				O-ring.....	Joint Torique .....	O-Ring.....	Junta torica.....	O-ring.....		
14	VOE 11716563	1				Screw.....	Vis .....	Schraube.....	Tornillo .....	Skruv.....		
15	VOE 11716564	10				Diff Housing .....	Carter différentiel .....	Differentialgehäuse .....	Carter diferencial.....	Differentialhus.....		
16	VOE 11716565	1				Cover.....	Capot .....	Haube.....	Capo.....	Huv.....		
17	VOE 11716566	1				Lock Ring.....	Anneau Verrouillage .....	Schlossring.....	Anillo Segurid .....	Låsring.....		
18	VOE 11716567	1				Pin.....	Goupille.....	Zapfen.....	Pasador.....	Tapp.....		



1	<b>Differential. Bak</b> <b>Diferencial. Detrás</b> <b>Ausgleichgetriebe. Hinten</b> <b>Différentiel. Arrière</b> <b>Differential. Rear</b>	Catalogue id	Group
2		<b>20004</b>	<b>463</b>
3		Illustr. No	Section
4		<b>1023391</b>	<b>210</b>
5		Issue	Page
		<b>VOE 63G9920004</b>	<b>357</b>

**VOLVO**

**BL70**



Volvo Construction  
Equipment  
1000684

Fig.	Part No.	Quantity			P S	K I T	Description	Dénomination	Bezeichnung	Denominación	Benämning	Notes
		1	2	3								
1	VOE 11988622	2				Wheel Hub .....	Moyeu de roue .....	Radnabe.....	Cubo Rueda .....	Hjulnav.....		
2	VOE 11709357	20				•Stud .....	•Goujon .....	•Stiftschraube.....	•Esparrago .....	•Pinnskruv.....		
3	VOE 11709359	2				O-ring .....	Joint Torique .....	O-Ring .....	Junta torica.....	O-ring.....		
4	VOE 11709360	4				Bearing.....	Palier .....	Lager .....	Cojinete .....	Lager.....		
5	VOE 11709361	2				Lock Ring .....	Anneau Verrouillage ..	Schlossring.....	Anillo Segurid .....	Låsring.....		
6	VOE 11709362	2				Drive Gear.....	Pignon.....	Triebad.....	Pinon .....	Drivhjul.....		
7	VOE 11988623	2				Crown Wheel .....	Couronne .....	Tellerrad .....	Corona .....	Kronhjul.....		
8	VOE 11709364	16				Bushing .....	Bague.....	Buchse .....	Casquillo .....	Bussning.....		
9	VOE 11709365	16				Screw .....	Vis .....	Schraube.....	Tornillo .....	Skruv.....		
10	VOE 11988156	2				Seal.....	Joint .....	Dichtung .....	Reten.....	Tätning.....		



1		Hjulnav	Catalogue id	Group
2		Cubo de rueda	<b>20004</b>	<b>463</b>
3		Radnabe	Illustr. No	Section
4		Moyeu de roue	<b>1000684</b>	<b>250</b>
5		Wheel hub	Issue	Page
		<b>11891283, 11891289, 11891389, 11891390</b>	<b>VOE 63G9920004</b>	<b>359</b>

**VOLVO**

**BL70**

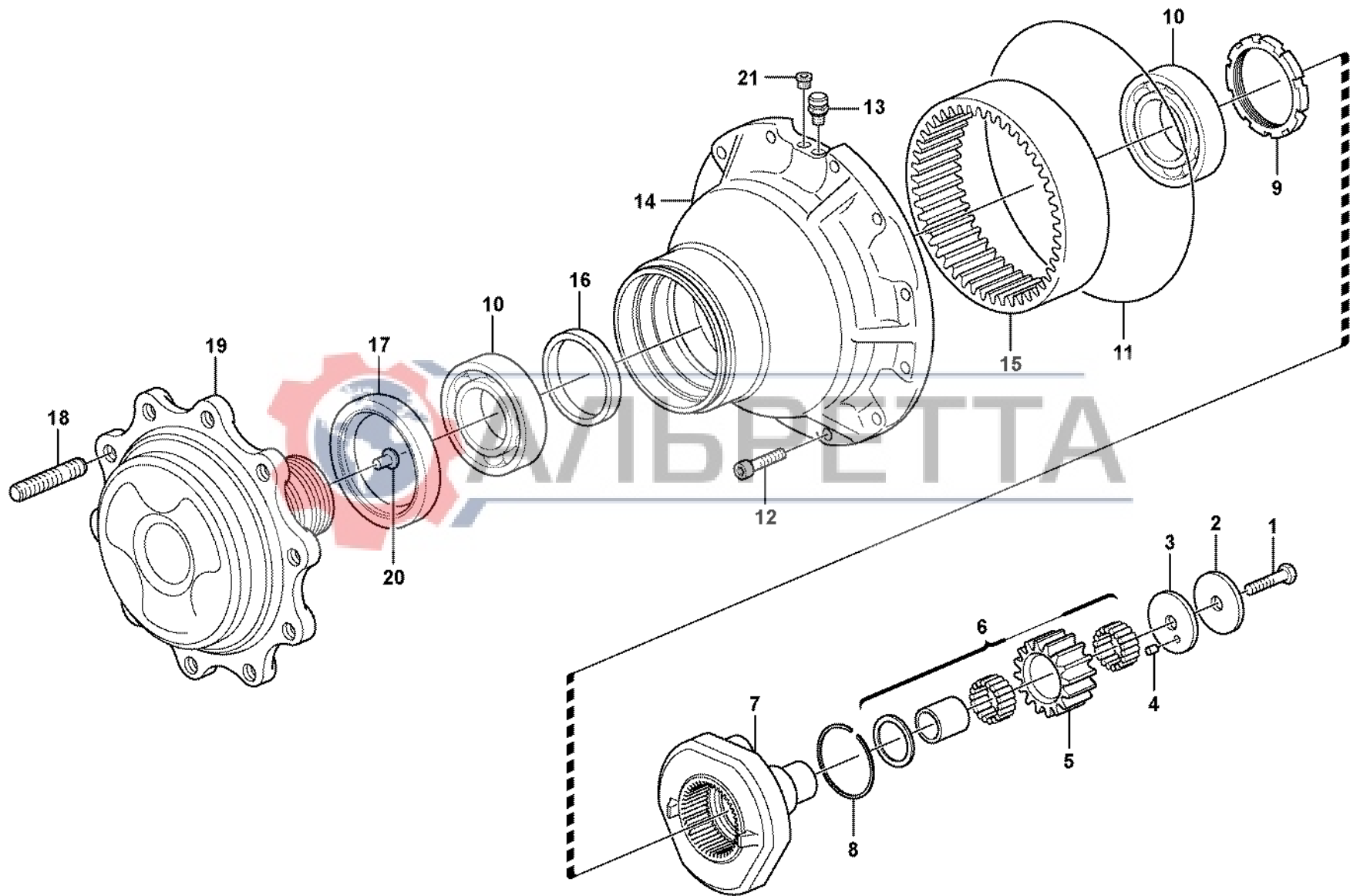


Fig.	Part No.	Quantity			P S	K I T	Description	Dénomination	Bezeichnung	Denominación	Benämning	Notes
		1	2	3								
1	VOE 11709377	6				Screw	Vis	Schraube	Tornillo	Skruv		
2	VOE 11716588	6				Thrust Washer	Rondelle Butee	Druckscheibe	Arandela Presio	Tryckbricka		
3	VOE 11716589	6				Thrust Washer	Rondelle Butee	Druckscheibe	Arandela Presio	Tryckbricka		
4	VOE 11716590	6				Pin	Goupille	Zapfen	Pasador	Tapp		
5	VOE 11716591	6				Drive Gear	Pignon	Triebrad	Pinon	Drivhjul		
6	VOE 11716592	6				Bearing Kit	Jeu Paliers	Lagersatz	Juego Cojinetes	Lagersats		
7	VOE 11716593	2				Planet kit	Jeu planetaire	Planetenradsatz	Kit de planetas	Planetsats		
8	VOE 11716594	2				Lock	Serrure	Schloß	Cierre	Låselement		
9	VOE 11716595	2				Nut	Ecrou	Mutter	Tuerca	Mutter		
10	VOE 11709360	4				Bearing	Palier	Lager	Cojinete	Lager		
11	VOE 11716597	2				O-ring	Joint Torique	O-Ring	Junta torica	O-ring		
12	VOE 11716596	24				Screw	Vis	Schraube	Tornillo	Skruv		
13	VOE 11709350	2				Breather Pipe	Reniflard	Luftungsrohr	Conduct Ventil	Ventilationsrör		
14	VOE 11716610	2				Hub	Bossage	Nabe	Asiento	Nav		
15	VOE 11716599	2				•Gear	•Pignon	•Zahnradgetriebe	•Engranaje	•Kuggdrev		
16	VOE 11716598	2				Spacer	Partie Intermédiaire	Zwischenstück	Espaciador	Mellandel		
17	VOE 11988156	2				Seal	Joint	Dichtung	Reten	Tätning		
18	VOE 11716612	20				Stud	Goujon	Stiftschraube	Esparrago	Pinnskruv		
19	VOE 11716611	2				Flange	Flasque	Flansch	Brida	Fläns		
20	VOE 11716613	2				Pad	Patin	Belag	Pastilla	Pad		
21	VOE 11709075	2				Plug	Bouchon	Stopfen	Tapon	Plugg		



1		<b>Navreduktion, bakaxel</b> <b>Reduccion cubo, eje planeta trasero</b> <b>Nabenvorgelege, Pflanzenwelle, hinten</b> <b>Reducteur moyeu, axe satellite, Ar</b> <b>Hub reduction, rear axle</b> <b>S/N 11145 -</b>	Catalogue id <b>20004</b>	Group <b>463</b>	
2			Illustr. No <b>1023393</b>	Section <b>260</b>	
3				Issue <b>VOE 63G9920004</b>	Page <b>361</b>
4					
5					

**VOLVO**

**BL70**

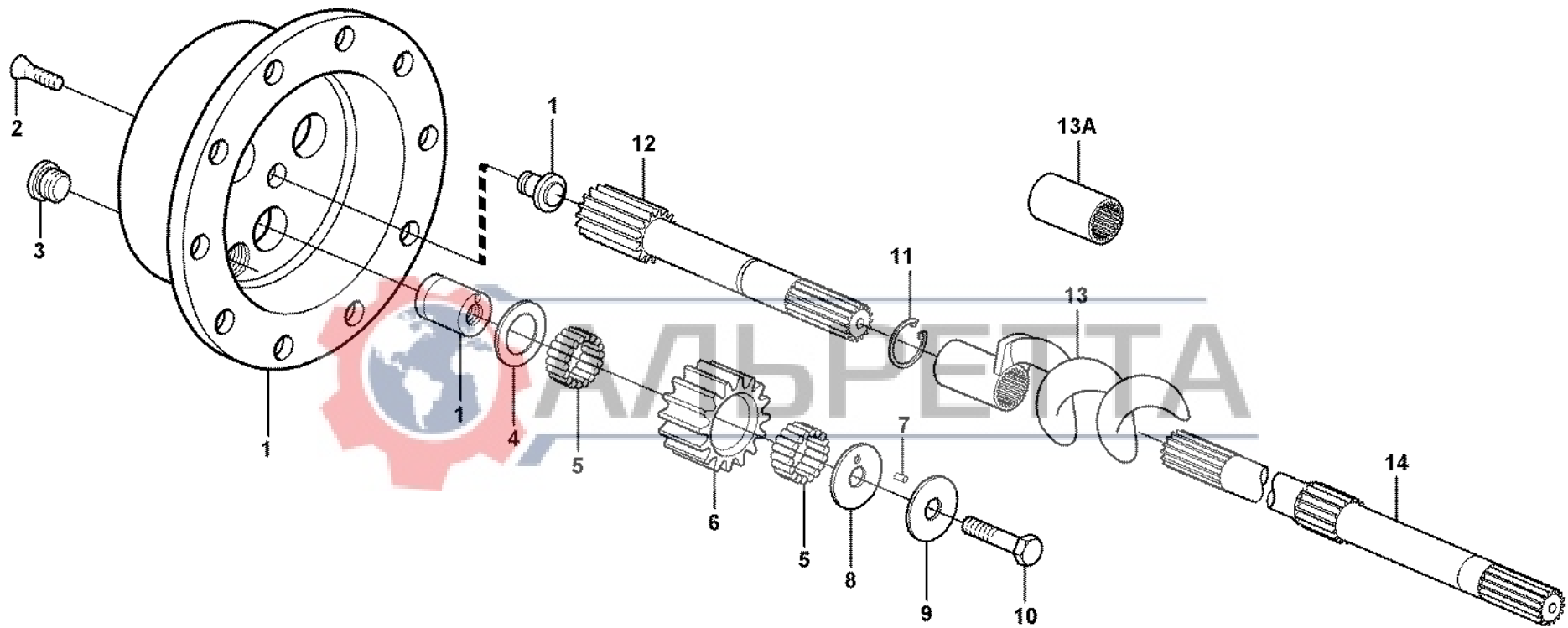
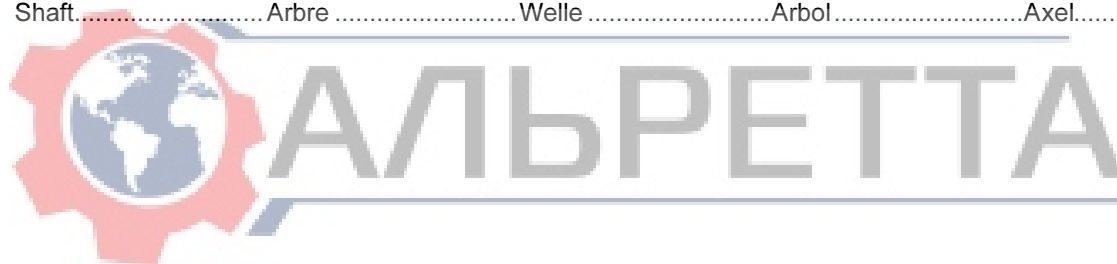


Fig.	Part No.	Quantity			P S	K I T	Description	Dénomination	Bezeichnung	Denominación	Benämning	Notes
		1	2	3								
1	VOE 11988624	2	2			Planet Gear.....	Planétaire.....	Planetenrad.....	Planetario.....	Planethjul.....		
2	VOE 11709370	4	4			Screw.....	Vis.....	Schraube.....	Tornillo.....	Skruv.....		
3	VOE 11709057	2	2			Plug.....	Bouchon.....	Stopfen.....	Tapon.....	Plugg.....		
4	VOE 11988626	6	6			Thrust Washer.....	Rondelle Butee.....	Druckscheibe.....	Arandela Presio.....	Tryckbricka.....		
5	VOE 11988625	168	168			Needle Bearing.....	Roule.aiguilles.....	Nadellager.....	Cojinete Agujas.....	Nållager.....	10pcs/Kit	
6	VOE 11988629	6	6			Drive Gear.....	Pignon.....	Triebrad.....	Pinon.....	Drivhjul.....		
7	VOE 11709374	6	REQ			Needle Bearing.....	Roule.aiguilles.....	Nadellager.....	Cojinete Agujas.....	Nållager.....	10pcs/Kit	
8	VOE 11988628	6	6			Thrust Washer.....	Rondelle Butee.....	Druckscheibe.....	Arandela Presio.....	Tryckbricka.....		
9	VOE 11988627	6	6			Thrust Washer.....	Rondelle Butee.....	Druckscheibe.....	Arandela Presio.....	Tryckbricka.....		
10	VOE 11709377	6	6			Screw.....	Vis.....	Schraube.....	Tornillo.....	Skruv.....		
11	VOE 11709378	2	2			Lock Ring.....	Anneau Verrouillage.....	Schlossring.....	Anillo Segurid.....	Låsring.....		
12	VOE 11988632	2	2			Shaft.....	Arbre.....	Welle.....	Arbol.....	Axel.....		
13	VOE 11988607	1				Axle.....	Axe Rotatif.....	Wellenzapfen.....	Eje.....	Axeltapp.....	LH	
13	VOE 11988606	1				Axle.....	Axe Rotatif.....	Wellenzapfen.....	Eje.....	Axeltapp.....	RH	
13A	VOE 11709380		2			Engaging Sleeve.....	Manchon Accoup.....	Kupplungsmuffe.....	Manguito Embrag.....	Kopplingshylsa.....		
14	VOE 11988605	2				Shaft.....	Arbre.....	Welle.....	Arbol.....	Axel.....		
14	VOE 11712789		2			Shaft.....	Arbre.....	Welle.....	Arbol.....	Axel.....		



1	11884150	<b>Planetväxel</b> <b>Engranaje planetario</b> <b>Planetenradgetriebe</b> <b>Réducteur planétaire</b> <b>Planetary gear</b>	Catalogue id	Group
2	11885845		<b>20004</b>	<b>463</b>
3			Illustr. No	Section
4			<b>1013610</b>	<b>300</b>
5			Issue	Page
			<b>VOE 63G9920004</b>	<b>363</b>
			<b>11891283, 11891289, 11891389, 11891390</b>	

**VOLVO**

**BL70**



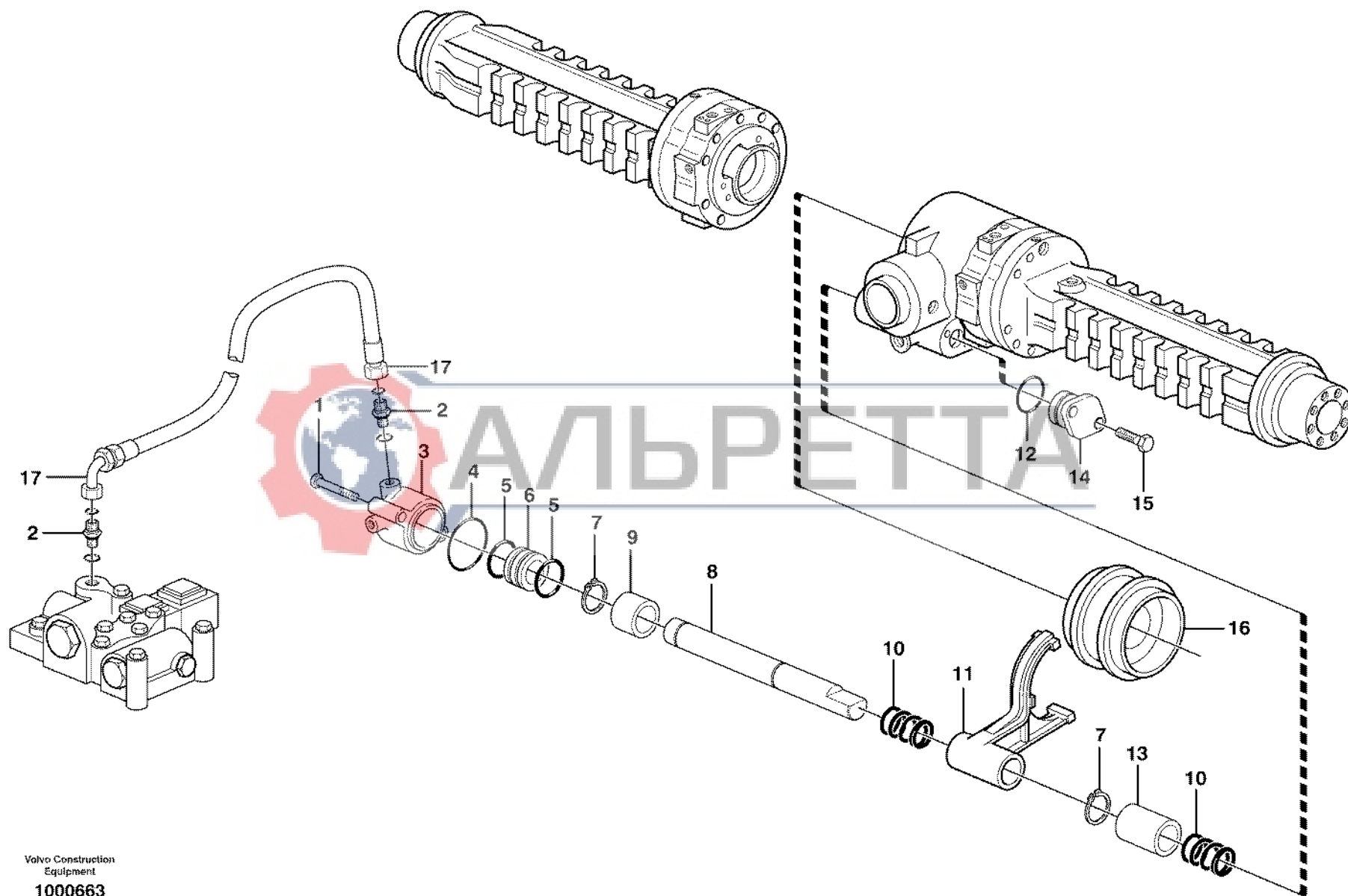
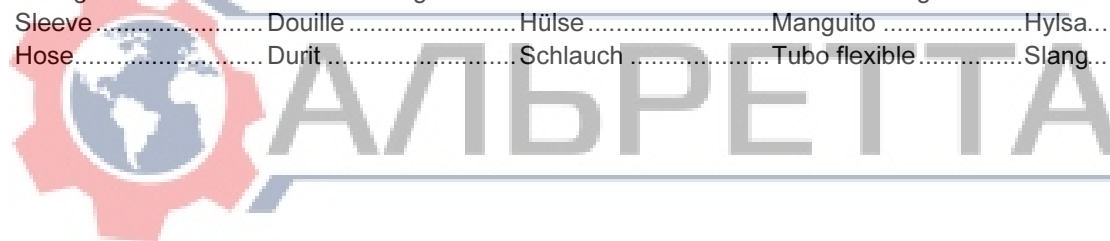


Fig.	Part No.	Quantity			P S	K I T	Description	Dénomination	Bezeichnung	Denominación	Benämning	Notes
		1	2	3								
1	VOE 955306	2				Hexagon screw .....	Vis tête hexagonale ...	Sechskantschraube....	Tornillo hexago.....	Sexkantsskruv.....		
2	VOE 935085	2				Nipple.....	Raccord.....	Nippel.....	Niple.....	Nippel.....	11880002	
	VOE 4880492	1				•O-ring.....	•Joint Torique .....	•O-Ring.....	•Junta torica .....	•O-ring.....	9,25 X 1,78 MM	
	VOE 932039	1				•O-ring.....	•Joint Torique .....	•O-Ring.....	•Junta torica .....	•O-ring.....	11,89 X 1,78 MM	
3	VOE 11709319	1				Housing.....	Carter.....	Gehäuse.....	Carter.....	Hus.....		
4	VOE 11709320	1				O-ring.....	Joint Torique .....	O-Ring.....	Junta torica.....	O-ring.....		
5	VOE 11709321	2				O-ring.....	Joint Torique .....	O-Ring.....	Junta torica.....	O-ring.....		
6	VOE 11709322	1				Piston.....	Piston.....	Kolben.....	Piston.....	Kolv.....		
7	VOE 11709323	2				Lock Ring.....	Anneau Verrouillage ..	Schlossring.....	Anillo Segurid .....	Låsring.....		
8	VOE 11709324	1				Axle.....	Arbre.....	Welle.....	Eje.....	Axel.....		
9	VOE 11709325	1				Bushing.....	Bague.....	Buchse.....	Casquillo .....	Bussning.....		
10	VOE 11709326	2				Spring.....	Ressort.....	Feder.....	Muelle.....	Fjäder.....		
11	VOE 11709327	1				Shift Yoke.....	Fourchette.....	Schaltgabel .....	Horquill Cambio.....	Skiftgaffel.....		
12	VOE 11709328	2				O-ring.....	Joint Torique .....	O-Ring.....	Junta torica.....	O-ring.....		
13	VOE 11709329	1				Spacer.....	Partie Intermédiaire ..	Zwischenstück.....	Espaciador .....	Mellandel.....		
14	VOE 11709330	1				Cover.....	Couvercle.....	Deckel.....	Tapa.....	Lock.....		
15	VOE 940142	2				Hexagon screw .....	Vis tête hexagonale ...	Sechskantschraube....	Tornillo hexago.....	Sexkantsskruv.....		
16	VOE 11885014	1				Sleeve.....	Douille.....	Hülse.....	Manguito .....	Hylsa.....	See group 463, Page 355	
17	VOE 11885014	1				Hose.....	Durit.....	Schlauch.....	Tubo flexible.....	Slang.....	11880002	



1	<b>Differentialspär</b> <b>Bloqueo del diferencial</b> <b>Ausgleichsperre</b> <b>Blocage différentiel</b> <b>Differential lock</b>  <b>11891283, 11891289, 11891389, 11891390</b>	Catalogue id	Group
2		<b>20004</b>	<b>468</b>
3		Illustr. No	Section
4		<b>1000663</b>	<b>100</b>
5		Issue	Page
		<b>VOE 63G9920004</b>	<b>365</b>

**VOLVO**

**BL70**

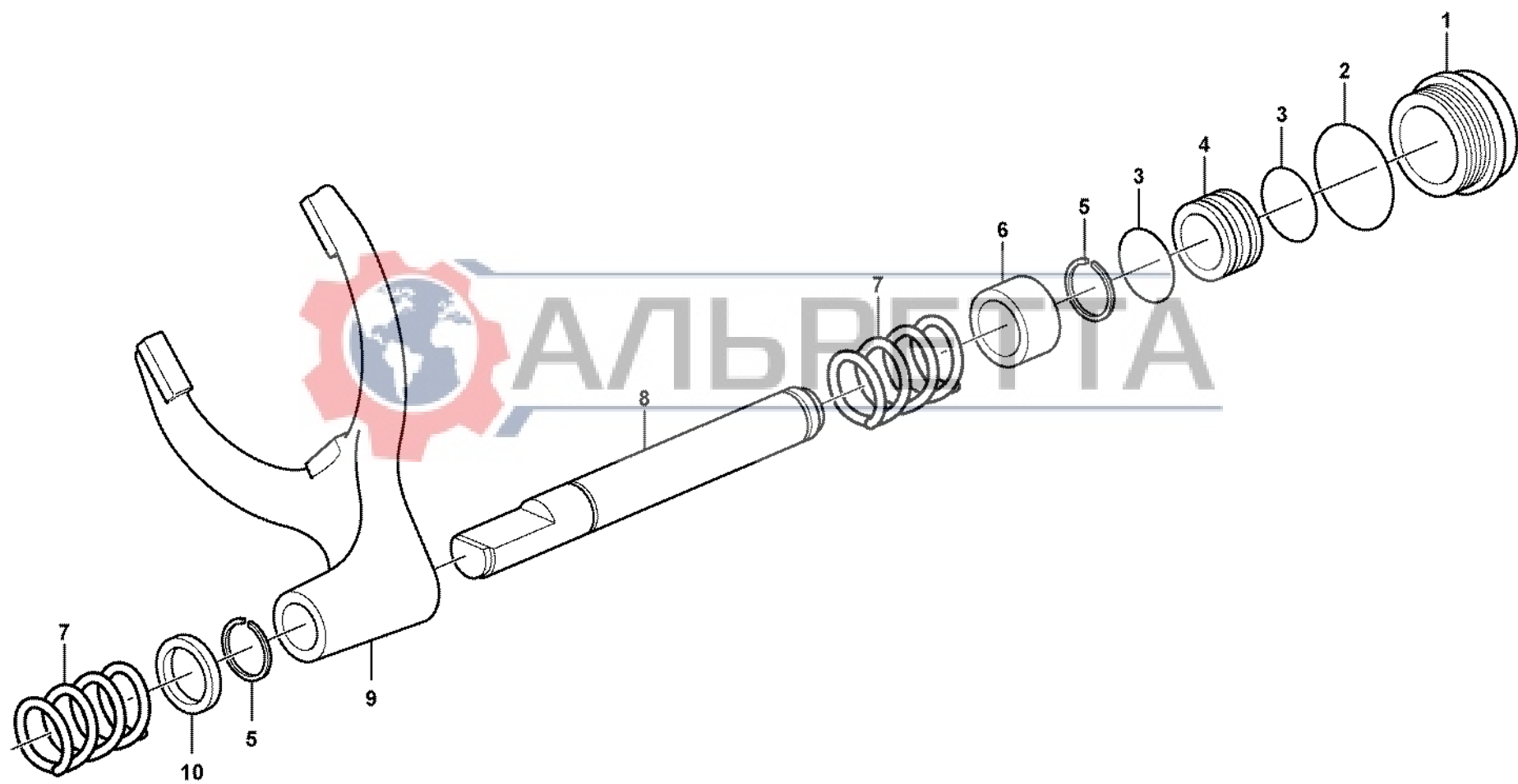


Fig.	Part No.	Quantity			P S	K I T	Description	Dénomination	Bezeichnung	Denominación	Benämning	Notes
		1	2	3								
1	VOE 11716578	1				Cover .....	Capot .....	Haube.....	Capo.....	Huv.....		
2	VOE 11716572	1				O-ring .....	Joint Torique .....	O-Ring.....	Junta torica.....	O-ring.....		
3	VOE 11709321	2				O-ring .....	Joint Torique .....	O-Ring.....	Junta torica.....	O-ring.....		
4	VOE 11709322	1				Piston .....	Piston .....	Kolben .....	Piston .....	Kolv.....		
5	VOE 11716573	2				Lock Ring .....	Anneau Verrouillage ..	Schlossring.....	Anillo Segurid .....	Låsring.....		
6	VOE 11716571	1				Bushing .....	Bague.....	Buchse .....	Casquillo .....	Bussning.....		
7	VOE 11709326	2				Spring.....	Ressort.....	Feder.....	Muelle.....	Fjäder.....		
8	VOE 11716570	1				Piston .....	Piston .....	Kolben .....	Piston .....	Kolv.....		
9	VOE 11716568	1				Shift Yoke.....	Fourchette.....	Schaltgabel .....	Horquill Cambio.....	Skiftgaffel.....		
10	VOE 11716569	1				Spacer Washer .....	Rond.entretoise.....	Abstandscheibe.....	Arandela Dist.....	Distansbricka.....		



1	<b>Differentialspär</b> <b>Bloqueo del diferencial</b> <b>Ausgleichsperre</b> <b>Blocage différentiel</b> <b>Differential lock</b>  <b>S/N 11145 -</b>	Catalogue id	Group
2		<b>20004</b>	<b>468</b>
3		Illustr. No	Section
4		<b>1023401</b>	<b>110</b>
5		Issue	Page
		<b>VOE 63G9920004</b>	<b>367</b>

**VOLVO**

**BL70**



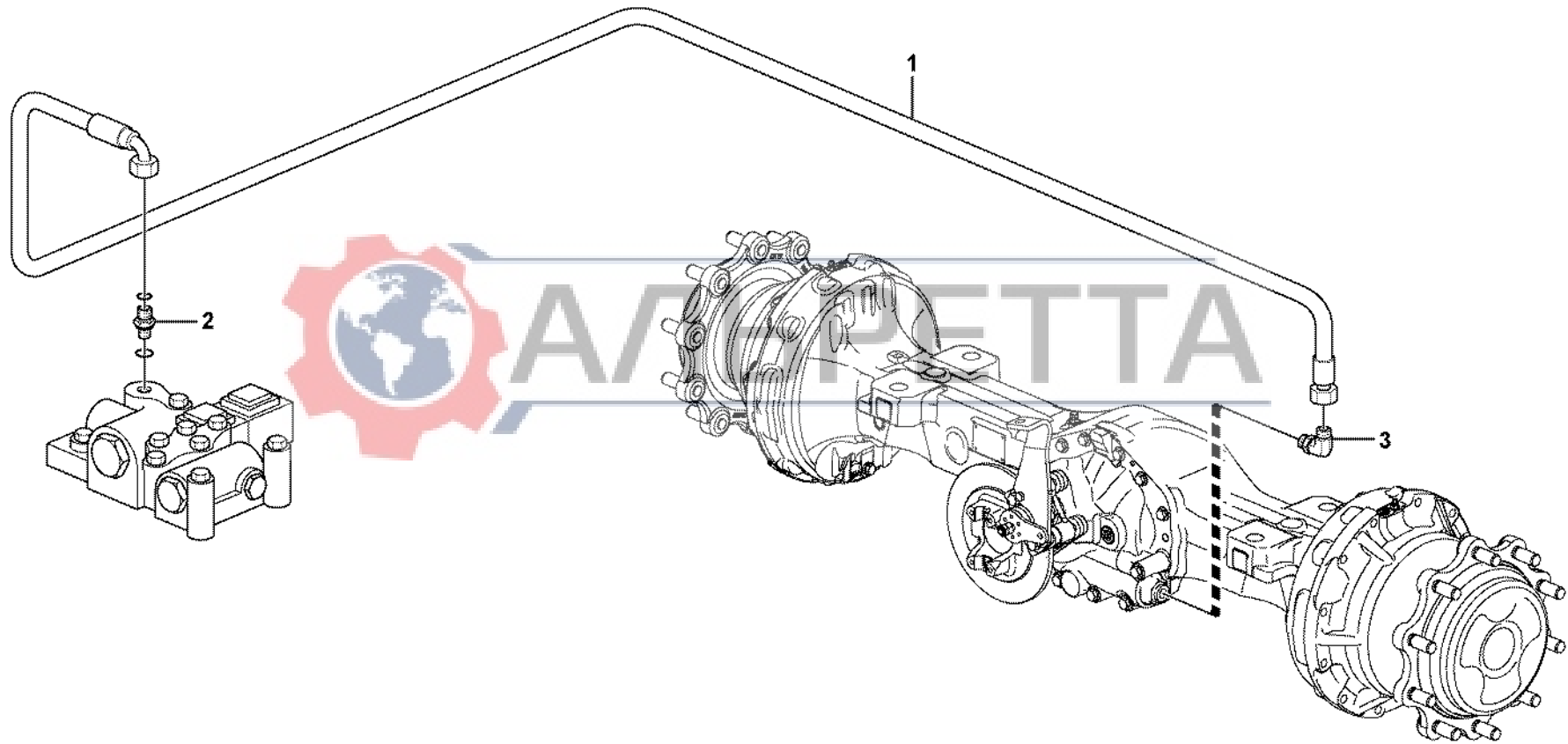


Fig.	Part No.	Quantity			P S	K I T	Description	Dénomination	Bezeichnung	Denominación	Benämning	Notes
		1	2	3								
1	VOE 11888607	1				Hose.....	Durit .....	Schlauch .....	Tubo flexible.....	Slang.....	L = 2700 MM	
2	VOE 935085	1				Nipple.....	Raccord.....	Nippel.....	Niple .....	Nippel.....		
3	VOE 13933857	1				Elbow Nipple.....	Raccord angulaire.....	Winkelnippel.....	Niple Angular.....	V-nippel.....		



1	<b>Differentialspär</b> <b>Bloqueo del diferencial</b> <b>Ausgleichsperre</b> <b>Blocage différentiel</b> <b>Differential lock</b>  <b>11880002 S/N 11145 -</b>	Catalogue id	Group
2		<b>20004</b>	<b>468</b>
3		Illustr. No	Section
4		<b>1023877</b>	<b>150</b>
5		Issue	Page
		<b>VOE 63G9920004</b>	<b>369</b>

**VOLVO**

**BL70**



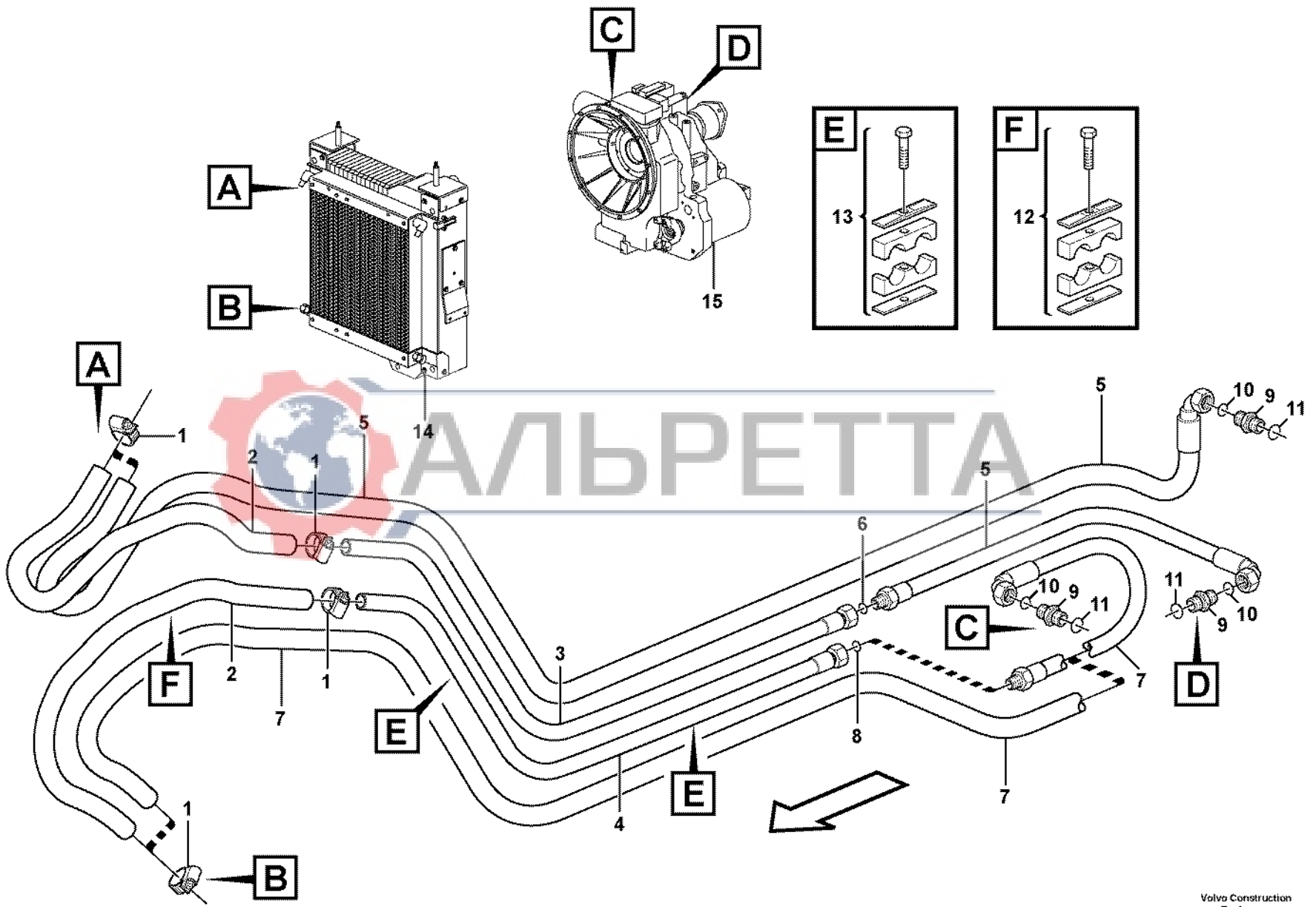


Fig.	Part No.	Quantity					P S	K I T	Description	Dénomination	Bezeichnung	Denominación	Benämning	Notes
		1	2	3	4	5								
1	VOE 943473	4			2	2			Hose Clamp	Collier Serrage	Schlauchschelle	Abraz Manguera	Slangklamma	
2	VOE 11882743	2							Hose	Durit	Schlauch	Tubo flexible	Slang	
3	VOE 11884818	1							Tube	Tube	Rohr	Tubo	Rör	
4	VOE 11884817	1							Tube	Tube	Rohr	Tubo	Rör	
5	VOE 11884251			1					Hose	Flexible	Schlauch	Manguera	Slang	(VOE 11884976)
5	VOE 11888469				1	1			Hose	Durit	Schlauch	Tubo flexible	Slang	L = 2250 MM
6	VOE 4880663			1					•O-ring	•Joint Torique	•O-Ring	•Junta torica	•O-ring	
7	VOE 11884251		1	1					Hose	Flexible	Schlauch	Manguera	Slang	OLD
7	VOE 11888469				1	1			Hose	Durit	Schlauch	Tubo flexible	Slang	L = 2250 MM
8	VOE 4880663		1	1					•O-ring	•Joint Torique	•O-Ring	•Junta torica	•O-ring	
9	VOE 935095		2	2					Nipple	Raccord	Nippel	Niple	Nippel	OLD
9	VOE 935097		2		2	2			Nipple	Raccord	Nippel	Niple	Nippel	NEW
10	VOE 4880663		2	2					•O-ring	•Joint Torique	•O-Ring	•Junta torica	•O-ring	
10	VOE 990740				2	2			•O-ring	•Joint Torique	•O-Ring	•Junta torica	•O-ring	
11	VOE 932041		2	2	2	2			•O-ring	•Joint Torique	•O-Ring	•Junta torica	•O-ring	
12	VOE 11885543	1		1	1	1			Clamp	Pince Serrage	Klemme	Abrazadera	Klämma	
13	VOE 11882855	2		2					Clamp	Pince Serrage	Klemme	Abrazadera	Klämma	
13	VOE 11888715				2	2			Clamp	Pince Serrage	Klemme	Abrazadera	Klämma	
14		1		1	1	1			Radiator	Radiateur	Kühler	Radiador	Kylare	See group 261, Page 105
15		1		1	1	1			Transmission	Transmission	Getriebe	Transmision	Transmission	See group 420, Page 233



1	11880002	<b>Oljekylare, transmission</b> <b>Enfriador aceite, transmision</b> <b>Ölkühler, getriebe</b> <b>Radiateur huile, transmission</b> <b>Oil cooler, transmission</b>	Catalogue id	Group
2	11891209, 11891224		<b>20004</b>	<b>491</b>
3	11891255 S/N - 11144		Illustr. No	Section
4	11891255 S/N 11145 -		<b>1023893</b>	<b>100</b>
5	11891224 S/N 11145 -		Issue	Page
			<b>VOE 63G9920004</b>	<b>371</b>

**VOLVO**

**BL70**





GROUP		Section	Page	GROUP	Section	Page
517	Multi-disc brake, rear 11891283, 11891289, 11891389, 11891390 ..	100	379			
517	Multi-disc brake, rear S/N 11145 - .....	110	381			
517	Wheel brake, rear S/N - 11144 .....	200	383			
517	Wheel brake, rear S/N 11145 - .....	250	385			
525	Dual brake pedals 11294005, 11298196, 11298198, 11880002 .....	100	387			
551	Hydraulic parking brake S/N - 11144 .....	100	389			
551	Parking brake S/N 11145 - .....	150	391			
551	Parking brake S/N 11145 - .....	250	393			



<b>INDEX OF CONTENTS</b>	Catalogue id <b>20004</b>	Group <b>500</b>
	Issue <b>VOE 63G9920004</b>	Page <b>373</b>

**VOLVO**

**BL70**



<b>TABLE DES MATIÈRES</b>				Catalogue id <b>20004</b>	Group <b>500</b>
				Issue <b>VOE 63G9920004</b>	Page <b>374</b>
GROUPE	Section	Page	GROUPE	Section	Page

517	Frein à disques, AR 11891283, 11891289, 11891389, 11891390 ....	100	379
517	Frein à disques, AR S/N 11145 - .....	110	381
517	Frein de roue, Ar S/N - 11144 .....	200	383
517	Frein de roue, Ar S/N 11145 - .....	250	385
525	Pédales de frein couplées 11294005, 11298196, 11298198, 11880002 .....	100	387
551	Système hydraulique frein stationnement S/N - 11144 .....	100	389
551	Frein parking S/N 11145 - .....	150	391
551	Frein parking S/N 11145 - .....	250	393



517	Lamellenbremse, hinten 11891283, 11891289, 11891389, 11891390 .....	100	379
517	Lamellenbremse, hinten S/N 11145 - .....	110	381
517	Radbremse, Hintere S/N - 11144 .....	200	383
517	Radbremse, Hintere S/N 11145 - .....	250	385
525	Doppelte Bremspedale 11294005, 11298196, 11298198, 11880002	100	387
551	Hydraulisch betätigte Feststellbremse S/N - 11144 .....	100	389
551	Feststellbremse S/N 11145 - .....	150	391
551	Feststellbremse S/N 11145 - .....	250	393



<b>INHALTSVERZEICHNIS</b>	Catalogue id <b>20004</b>	Group <b>500</b>
	Issue <b>VOE 63G9920004</b>	Page <b>375</b>



<b>INDICE</b>		Catalogue id <b>20004</b>	Group <b>500</b>		
		Issue <b>VOE 63G9920004</b>	Page <b>376</b>		
GRUPO	Sección	Página	GRUPO	Sección	Página

517	Freno de disco, trasero 11891283, 11891289, 11891389, 11891390	100	379
517	Freno de disco, trasero S/N 11145 - .....	110	381
517	Freno rueda, trasero S/N - 11144 .....	200	383
517	Freno rueda, trasero S/N 11145 - .....	250	385
525	Pedales de freno, dobles 11294005, 11298196, 11298198, 11880002 .....	100	387
551	Sistema hidráulico freno estacionamiento S/N - 11144 .....	100	389
551	Freno estacionamiento S/N 11145 - .....	150	391
551	Freno estacionamiento S/N 11145 - .....	250	393



GRUPP		Avsnitt	Sida	GRUPP	Avsnitt	Sida
517	Lamellbroms, bak 11891283, 11891289, 11891389, 11891390.....	100	379			
517	Lamellbroms, bak S/N 11145 - .....	110	381			
517	Hjulbroms, bakre S/N - 11144.....	200	383			
517	Hjulbroms, bakre S/N 11145 - .....	250	385			
525	Dubbla bromspedaler 11294005, 11298196, 11298198, 11880002..	100	387			
551	Hydraulisk parkeringsbroms S/N - 11144 .....	100	389			
551	Parkeringsbroms S/N 11145 - .....	150	391			
551	Parkeringsbroms S/N 11145 - .....	250	393			

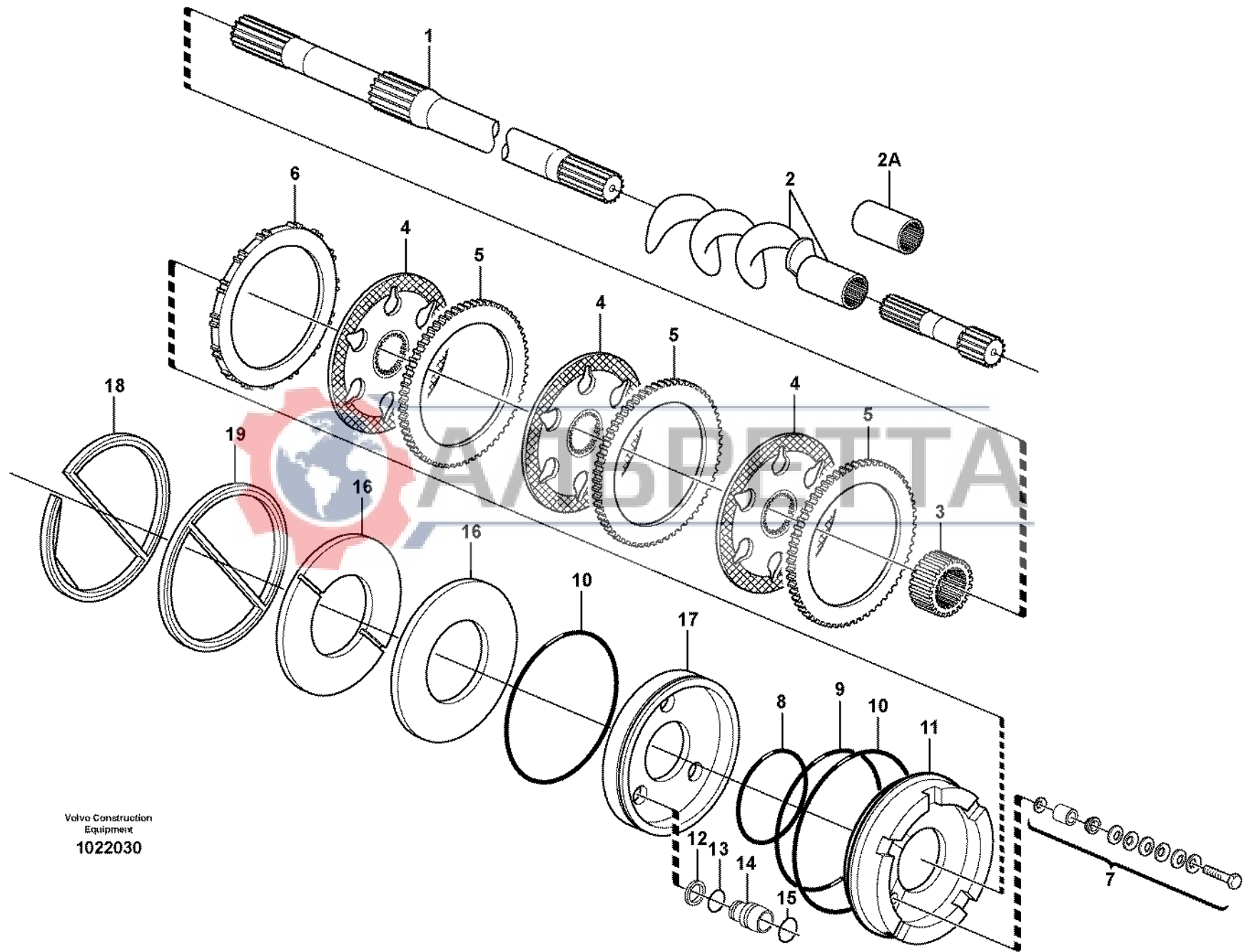


<b>INNEHÅLLSFÖRTECKNING</b>	Catalogue id <b>20004</b>	Group <b>500</b>
	Issue <b>VOE 63G9920004</b>	Page <b>377</b>

**VOLVO**

**BL70**





Valve Construction  
 Equipment  
 1022030

Fig.	Part No.	Quantity			P S	K I T	Description	Dénomination	Bezeichnung	Denominación	Benämning	Notes
		1	2	3								
1		2	2			Shaft.....	Arbre .....	Welle .....	Arbol.....	Axel.....	See group 463, Page 363	
2		2				Engaging Sleeve.....	Manchon Accoup. ....	Kupplungsmuffe .....	Manguito Embrag .....	Kopplingshylsa.....	See group 463, Page 363	
2A			2			Engaging Sleeve.....	Manchon Accoup. ....	Kupplungsmuffe .....	Manguito Embrag .....	Kopplingshylsa.....	See group 463, Page 363	
3	VOE 11709334	2	2			Hub .....	Bossage .....	Nabe.....	Asiento .....	Nav.....		
4	VOE 11709332	6	6			Brake Plate .....	Plaque Frein.....	Bremsplatte .....	Placa De Freno .....	Bromsplatta.....		
5	VOE 11709333	6	6			Drive Plate .....	Plaque Commande ....	Treibscheibe.....	Placa Motriz .....	Drivplatta.....		
6	VOE 11988608	2	2			Drive Plate .....	Plaque Commande ....	Treibscheibe.....	Placa Motriz .....	Drivplatta.....		
7	VOE 11988609	2	2			Adj Washer Kit .....	Jeu Cales .....	Passscheibensatz .....	Kit Arand Ajust .....	Justerbricksats.....		
8	VOE 11988610	2	2			O-ring.....	Joint Torique .....	O-Ring.....	Junta torica.....	O-ring.....		
9	VOE 11988611	2	2			O-ring.....	Joint Torique .....	O-Ring.....	Junta torica.....	O-ring.....		
10	VOE 11988612	2	2			O-ring.....	Joint Torique .....	O-Ring.....	Junta torica.....	O-ring.....		
11	VOE 11988613	2	2			Brake Piston.....	Piston Frein.....	Bremskolben .....	Piston Frenos .....	Bromskolv.....		
12	VOE 11988614	6	6			Washer.....	Rondelle .....	Scheibe .....	Arandela .....	Bricka.....		
13	VOE 11988615	6	6			O-ring.....	Joint Torique .....	O-Ring.....	Junta torica.....	O-ring.....		
14	VOE 11988616	6	6			Shaft.....	Arbre .....	Welle .....	Arbol.....	Axel.....		
15	VOE 11988617	6	6			O-ring.....	Joint Torique .....	O-Ring.....	Junta torica.....	O-ring.....		
16	VOE 11988618	4	4			Washer.....	Rondelle .....	Scheibe .....	Arandela .....	Bricka.....		
17	VOE 11988619	2	2			Brake Piston.....	Piston Frein.....	Bremskolben .....	Piston Frenos .....	Bromskolv.....		
18	VOE 11988620	2	2			Ring.....	Anneau.....	Ring.....	Anillo .....	Ring.....		
19	VOE 11988621	2	2			Sleeve.....	Douille.....	Hülse.....	Manguito .....	Hylsa.....		



1	11884150	<b>Lamellbroms, bak</b> <b>Freno de disco, trasero</b> <b>Lamellenbremse, hinten</b> <b>Frein à disques, AR</b> <b>Multi-disc brake, rear</b>  <b>11891283, 11891289, 11891389, 11891390</b>	Catalogue id	Group
2	11885845		<b>20004</b>	<b>517</b>
3			Illustr. No	Section
4			<b>1022030</b>	<b>100</b>
5			Issue	Page
		<b>VOE 63G9920004</b>	<b>379</b>	

**VOLVO**

**BL70**



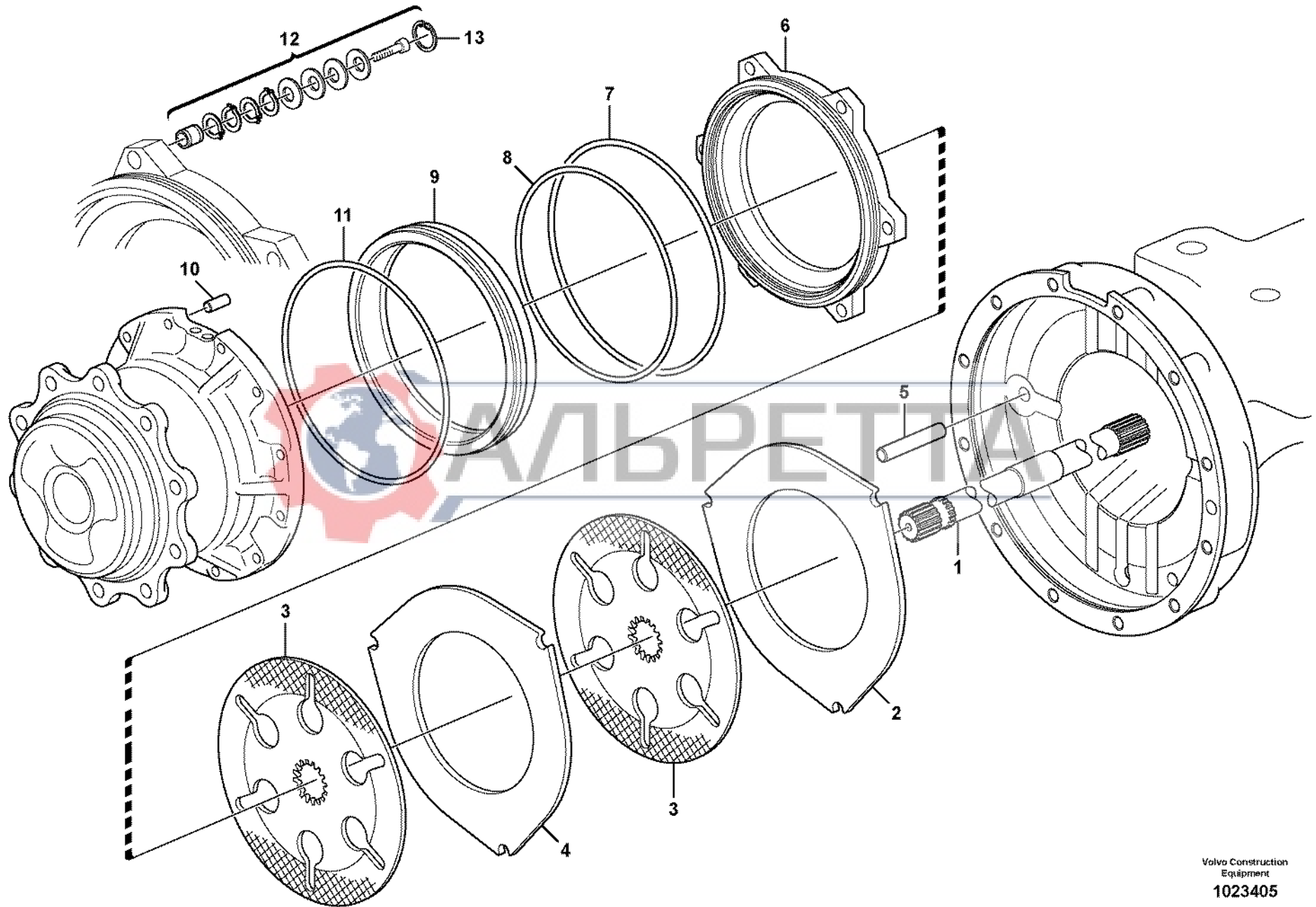


Fig.	Part No.	Quantity			P S	K I T	Description	Dénomination	Bezeichnung	Denominación	Benämning	Notes
		1	2	3								
1	VOE 11716574	1				Shaft.....	Arbre .....	Welle .....	Arbol.....	Axel.....	LH	
1	VOE 11716575	1				Shaft.....	Arbre .....	Welle .....	Arbol.....	Axel.....	RH	
2	VOE 11716580	2				Drive Plate .....	Plaque Commande .....	Treibscheibe.....	Placa Motriz .....	Drivplatta.....		
3	VOE 11716579	4				Brake Plate .....	Plaque Frein.....	Bremsplatte .....	Placa De Freno .....	Bromsplatta.....		
4	VOE 11716581	2				Drive Plate .....	Plaque Commande .....	Treibscheibe.....	Placa Motriz .....	Drivplatta.....		
5	VOE 11716582	6				Pin.....	Goupille.....	Zapfen .....	Pasador.....	Tapp.....		
6	VOE 11716583	2				Brake Piston.....	Piston Frein.....	Bremskolben .....	Piston Frenos .....	Bromskolv.....		
7	VOE 11716585	2				O-ring .....	Joint Torique .....	O-Ring .....	Junta torica.....	O-ring.....		
8	VOE 11716586	2				O-ring .....	Joint Torique .....	O-Ring .....	Junta torica.....	O-ring.....		
9	VOE 11716584	2				Brake Piston.....	Piston Frein.....	Bremskolben .....	Piston Frenos .....	Bromskolv.....		
10	VOE 11709413	2				Pin.....	Goupille.....	Stift .....	Pasador.....	Pinne.....		
11	VOE 11716587	2				O-ring .....	Joint Torique .....	O-Ring .....	Junta torica.....	O-ring.....		
12	VOE 11716577	6				Adjusting device.....	Dispositif reglage .....	Nachstellvorrichtung.....	Dispositivo de ajuste .....	Justeranordnung.....		
13	VOE 11716576	6				Lock .....	Serrure .....	Schloß .....	Cierre .....	Låselement.....		

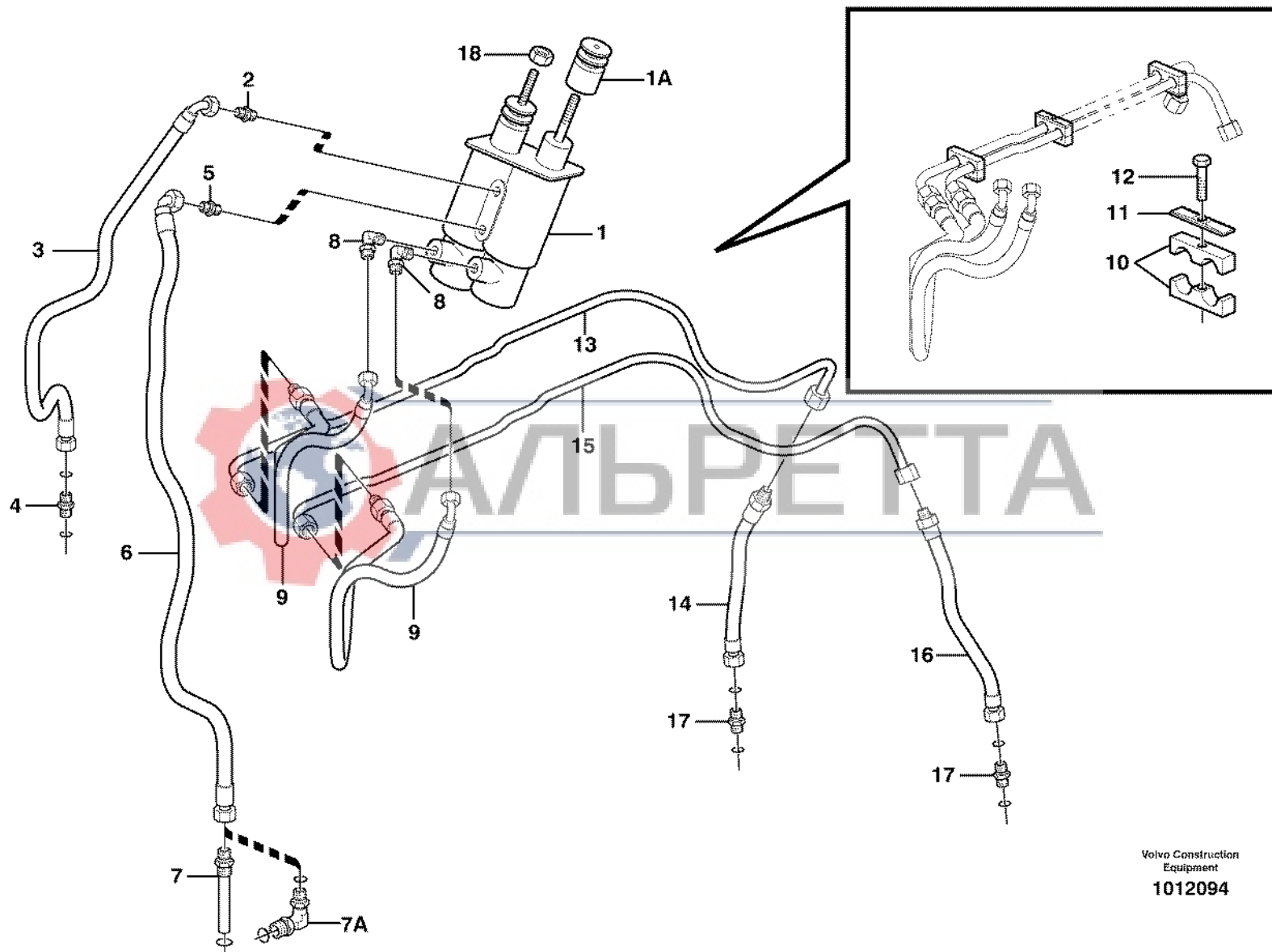


1	<b>Lamellbroms, bak</b> <b>Freno de disco, trasero</b> <b>Lamellenbremse, hinten</b> <b>Frein à disques, AR</b> <b>Multi-disc brake, rear</b> <b>S/N 11145 -</b>	Catalogue id	Group
2		<b>20004</b>	<b>517</b>
3		Illustr. No	Section
4		<b>1023405</b>	<b>110</b>
5		Issue	Page
		<b>VOE 63G9920004</b>	<b>381</b>

**VOLVO**

**BL70**





Volvo Construction  
 Equipment  
 1012094

Fig.	Part No.	Quantity			P S	K I T	Description	Dénomination	Bezeichnung	Denominación	Benämning	Notes
		1	2	3								
1	VOE 11886053	1				SS	Brake Servo .....	Servofrein .....	Bremsservo .....	Servofreno .....	Bromsservo .....	
1A	VOE 11709901	2					Dust Cover .....	Pare-poussiere .....	Staubschutz .....	Prot Polvo .....	Dammskydd .....	
2	VOE 11883022	1					Connector .....	Raccord .....	Anschluss .....	Union .....	Anslutning .....	
3	VOE 11882741	1					Hose .....	Durit .....	Schlauch .....	Tubo flexible .....	Slang .....	
4		1					Nipple .....	Raccord .....	Nippel .....	Niple .....	Nippel .....	See group 420, Page 233
5	VOE 11883021	1					Connector .....	Raccord .....	Anschluss .....	Union .....	Anslutning .....	
6	VOE 11883764		1				Hose .....	Durit .....	Schlauch .....	Tubo flexible .....	Slang .....	
6	VOE 11882192			1			Hose assembly .....	Conduit flexible .....	Schlauchleitung .....	Conducto .....	Slangledning .....	
7		1					Connector .....	Raccord .....	Anschluss .....	Union .....	Anslutning .....	11891209 See group 420, Page 233
7A		1					Elbow .....	Coude .....	Winkelstueck .....	Tubo acodado .....	Vinkel .....	11891255 See group 420, Page 245
8	VOE 11883020	2					Elbow .....	Coude .....	Winkelstueck .....	Tubo acodado .....	Vinkel .....	
9	VOE 11883019	2					Hose .....	Durit .....	Schlauch .....	Tubo flexible .....	Slang .....	
10	VOE 11883048	4					Clamp .....	Pince Serrage .....	Klemme .....	Abrazadera .....	Klämma .....	
11	VOE 11883049	2					Plate .....	Plaque .....	Platte .....	Placa .....	Platta .....	
12	VOE 963196	2					Hexagon screw .....	Vis tête hexagonale .....	Sechskantschraube .....	Tornillo hexago .....	Sexkantsskruv .....	
13	VOE 11882992	1					Pipe .....	Canalisation .....	Rohrleitung .....	Canalizacion .....	Rör .....	RH
14	VOE 11883018	1					Hose .....	Durit .....	Schlauch .....	Tubo flexible .....	Slang .....	
15	VOE 11882993	1					Pipe .....	Canalisation .....	Rohrleitung .....	Canalizacion .....	Rör .....	LH
16	VOE 11883018	1					Hose .....	Durit .....	Schlauch .....	Tubo flexible .....	Slang .....	
17		2					Nipple .....	Raccord .....	Nippel .....	Niple .....	Nippel .....	See group 463, Page 347
18	VOE 13971068	2					Hexagon Nut .....	Ecrou Hexagonal .....	Sechskantmutter .....	Tuerca Hexagon .....	Sexkantmutter .....	

1	11880002	<b>Hjulbroms, bakre</b> <b>Freno rueda, trasero</b> <b>Radbremse, Hintere</b> <b>Frein de roue, Ar</b> <b>Wheel brake, rear</b>  <b>S/N - 11144</b>	Catalogue id	Group
2	11891209		<b>20004</b>	<b>517</b>
3	11891224, 11891255		Illustr. No	Section
4			<b>1012094</b>	<b>200</b>
5			Issue	Page
			<b>VOE 63G9920004</b>	<b>383</b>

**VOLVO**

**BL70**

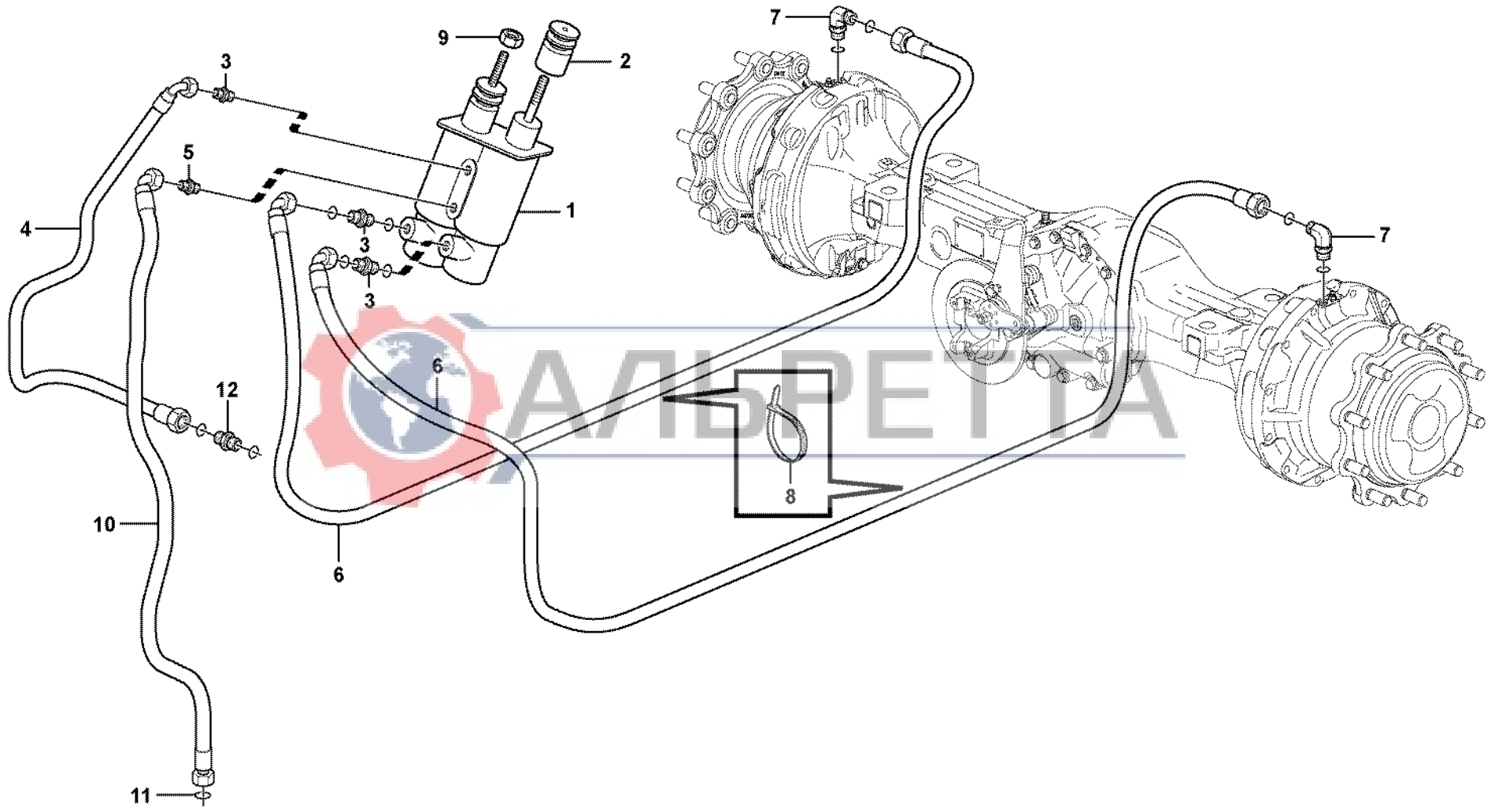
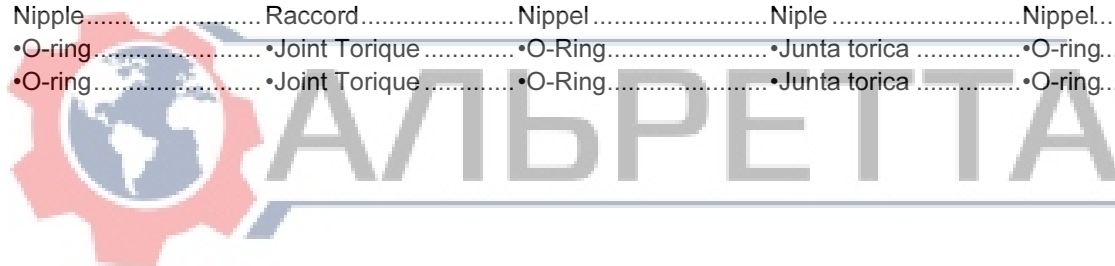


Fig.	Part No.	Quantity			P S	K I T	Description	Dénomination	Bezeichnung	Denominación	Benämning	Notes
		1	2	3								
1	VOE 11886865	1				Brake Servo .....	Servofrein .....	Bremsservo .....	Servofreno .....	Bromsservo .....		
2	VOE 11709901	2				Dust Cover .....	Pare-poussiere .....	Staubschutz .....	Prot Polvo .....	Dammskydd .....		
3	VOE 11883022	3				Connector .....	Raccord .....	Anschluss .....	Union .....	Anslutning .....		
	VOE 968207	3				•O-ring .....	•Joint Torique .....	•O-Ring .....	•Junta torica .....	•O-ring .....		
	VOE 990737	3				•O-ring .....	•Joint Torique .....	•O-Ring .....	•Junta torica .....	•O-ring .....		
4	VOE 11888671	1				Hose .....	Durit .....	Schlauch .....	Tubo flexible .....	Slang .....		
5	VOE 11883021	1				Connector .....	Raccord .....	Anschluss .....	Union .....	Anslutning .....		
6	VOE 11888669	2				Hose .....	Durit .....	Schlauch .....	Tubo flexible .....	Slang .....		
7	VOE 13933857	2				Elbow Nipple .....	Raccord angulaire .....	Winkelnippel .....	Niple Angular .....	V-nippel .....		
	VOE 990739	2				•O-ring .....	•Joint Torique .....	•O-Ring .....	•Junta torica .....	•O-ring .....		
	VOE 932039	2				•O-ring .....	•Joint Torique .....	•O-Ring .....	•Junta torica .....	•O-ring .....		
8	VOE 4821292	8				Strip Clamp .....	Ruban Serrage .....	Kabelbinder .....	Abraz Cinta .....	Bandklamma .....		
9	VOE 13971068	2				Hexagon Nut .....	Ecrou Hexagonal .....	Sechskantmutter .....	Tuerca Hexagon .....	Sexkantmutter .....		
10	VOE 11883764		1			Hose .....	Durit .....	Schlauch .....	Tubo flexible .....	Slang .....		
10	VOE 11882192			1		Hose assembly .....	Conduit flexible .....	Schlauchleitung .....	Conducto .....	Slangledning .....	See group 421, Page 255	
11	VOE 990737	1				O-ring .....	Joint Torique .....	O-Ring .....	Junta torica .....	O-ring .....		
12	VOE 935085	1				Nipple .....	Raccord .....	Nippel .....	Niple .....	Nippel .....	See group 420, Page 233	
	VOE 932039	1				•O-ring .....	•Joint Torique .....	•O-Ring .....	•Junta torica .....	•O-ring .....		
	VOE 990737	1				•O-ring .....	•Joint Torique .....	•O-Ring .....	•Junta torica .....	•O-ring .....		



1	11880002	<b>Hjulbroms, bakre</b> <b>Freno rueda, trasero</b> <b>Radbremse, Hintere</b> <b>Frein de roue, Ar</b> <b>Wheel brake, rear</b>  <b>S/N 11145 -</b>	Catalogue id	Group
2	11891209		<b>20004</b>	<b>517</b>
3	11891255		Illustr. No	Section
4			<b>1025978</b>	<b>250</b>
5			Issue	Page
			<b>VOE 63G9920004</b>	<b>385</b>

**VOLVO**

**BL70**

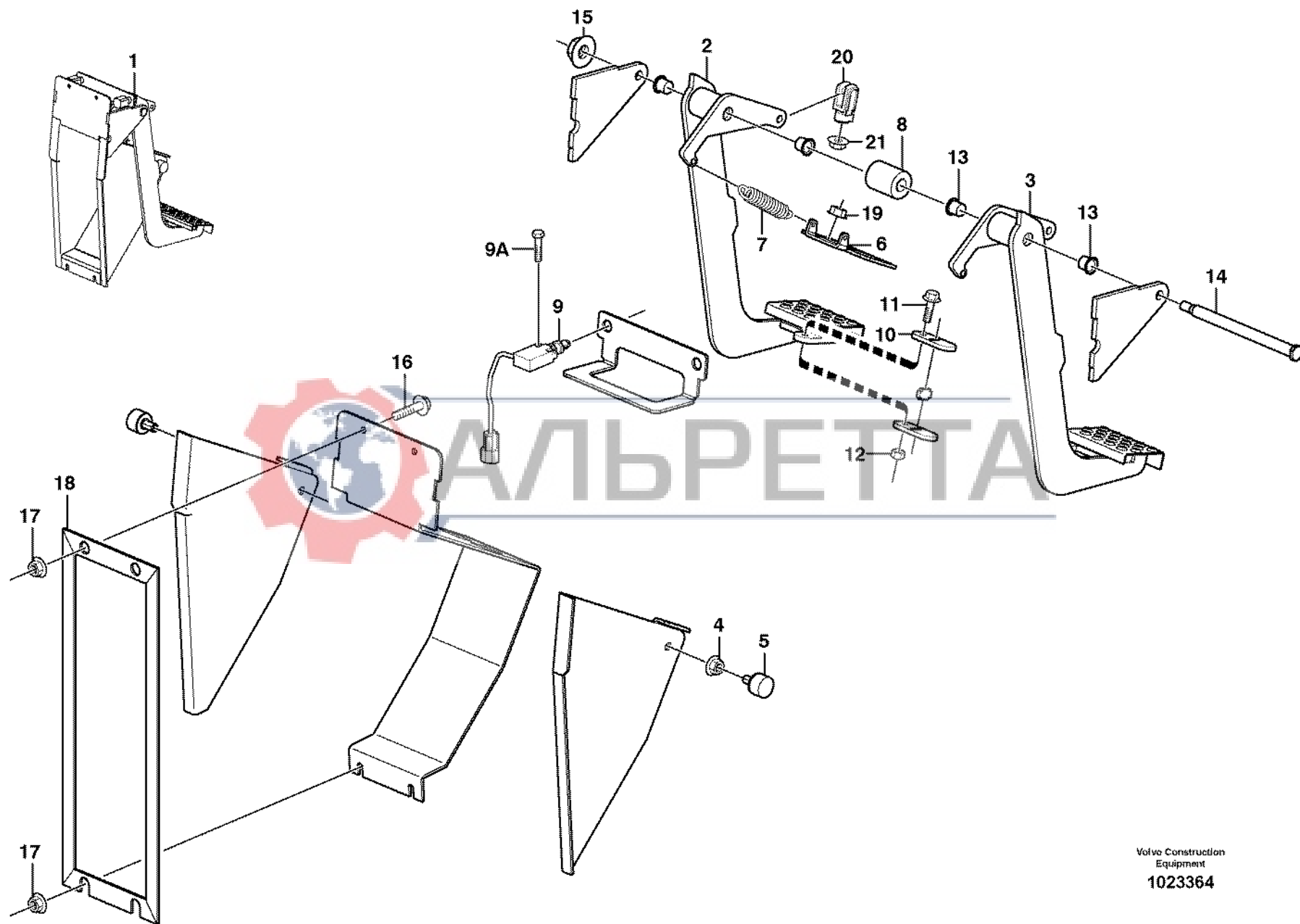


Fig.	Part No.	Quantity			P S	K I T	Description	Dénomination	Bezeichnung	Denominación	Benämning	Notes
		1	2	3								
		1			NS	Brake Unit .....	Ensemble Frein .....	Bremsanordnung .....	Unidad Freno .....	Bromsenhet .....		
1		1			NS	•Box .....	•Boîte .....	•Kasten .....	•Caja .....	•Låda .....		
2	VOE 11200877	1				•Brake Pedal .....	•Pedale Frein .....	•Bremspedal .....	•Pedal Frenos .....	•Bromspedal .....	RH	
3	VOE 11200878	1				•Brake Pedal .....	•Pedale Frein .....	•Bremspedal .....	•Pedal Frenos .....	•Bromspedal .....	LH	
4	VOE 981256	2				•Rivet Nut .....	•Ecrou Rivet .....	•Nietmutter .....	•Tuerca Remache .....	•Nitmutter .....		
5	VOE 11200579	2				•Absorber .....	•Amortisseur .....	•Dämpfer .....	•Amortiguador .....	•Dämpare .....		
6		1			NS	•Plate .....	•Tôle .....	•Blech .....	•Chapa .....	•Plåt .....		
7	VOE 11200429	2				•Tension Spring .....	•Ressort de traction .....	•Zugfeder .....	•Muelle traccion .....	•Dragfjäder .....		
8		1			NS	•Sleeve .....	•Douille .....	•Hülse .....	•Manguito .....	•Hylsa .....		
9	VOE 11887707	2				•Switch .....	•Commutateur .....	•Schalter .....	•Contactor .....	•Strömställare .....	X61, X62 S/N - 11144	
9	VOE 11888817	2				•Switch .....	•Commutateur .....	•Schalter .....	•Contactor .....	•Strömställare .....	11891209, 11891224 S/N 11145 -	
9A	VOE 969147	2				•Screw .....	•Vis .....	•Schraube .....	•Tornillo .....	•Skruv .....		
10	VOE 11200511	1				•Lock Arm .....	•Bras Verrouill. ....	•Sperrhebel .....	•Brazo Bloqueo .....	•Låsarm .....		
11	VOE 13946670	1				•Flange screw .....	•Vis à bride .....	•Flanschschraube .....	•Torn embridado .....	•Flänsskruv .....		
12	VOE 948645	1				•Flange Lock Nut .....	•Contre écrou bride .....	•Flanschmutter .....	•Contratuer Embr .....	•Flänslåsmutter .....		
13	VOE 11200610	4				•Flange Bearing .....	•Palier Bride .....	•Flanschlager .....	•Cojinete Brida .....	•Flänslager .....		
14	VOE 11149686	1				•Pedal Shaft .....	•Axe Pedale .....	•Pedalachse .....	•Eje Pedal .....	•Pedalaxel .....		
15	VOE 971099	1				•Flange Lock Nut .....	•Contre écrou bride .....	•Flanschmutter .....	•Contratuer Embr .....	•Flänslåsmutter .....	(VOE 13971099)	
16	VOE 13945444	3				Flange screw .....	Vis à bride .....	Flanschschraube .....	Torn embridado .....	Flänsskruv .....		
17	VOE 981256	3				Rivet Nut .....	Ecrou Rivet .....	Nietmutter .....	Tuerca Remache .....	Nitmutter .....		
18	VOE 11202448	1				Gasket .....	Joint .....	Dichtung .....	Junta .....	Packning .....		
19	VOE 948645	4				Flange Lock Nut .....	Contre écrou bride .....	Flanschmutter .....	Contratuer Embr .....	Flänslåsmutter .....		
20	VOE 11200397	2				Link .....	Articulation .....	Gelenk .....	Articulacion .....	Länk .....		
21	VOE 983304	2				Hexagon Nut .....	Ecrou Hexagonal .....	Sechskantmutter .....	Tuerca Hexagon .....	Sexkantmutter .....	See group 517, Page 383	

1		<b>Dubbla bromspedaler</b> <b>Pedales de freno, dobles</b> <b>Doppelte Bremspedale</b> <b>Pédales de frein couplées</b> <b>Dual brake pedals</b>	Catalogue id	Group
2			<b>20004</b>	<b>525</b>
3			Illustr. No	Section
4			<b>1023364</b>	<b>100</b>
5			Issue	Page
			<b>VOE 63G9920004</b>	<b>387</b>
			<b>11294005, 11298196, 11298198, 11880002</b>	

**VOLVO**

**BL70**



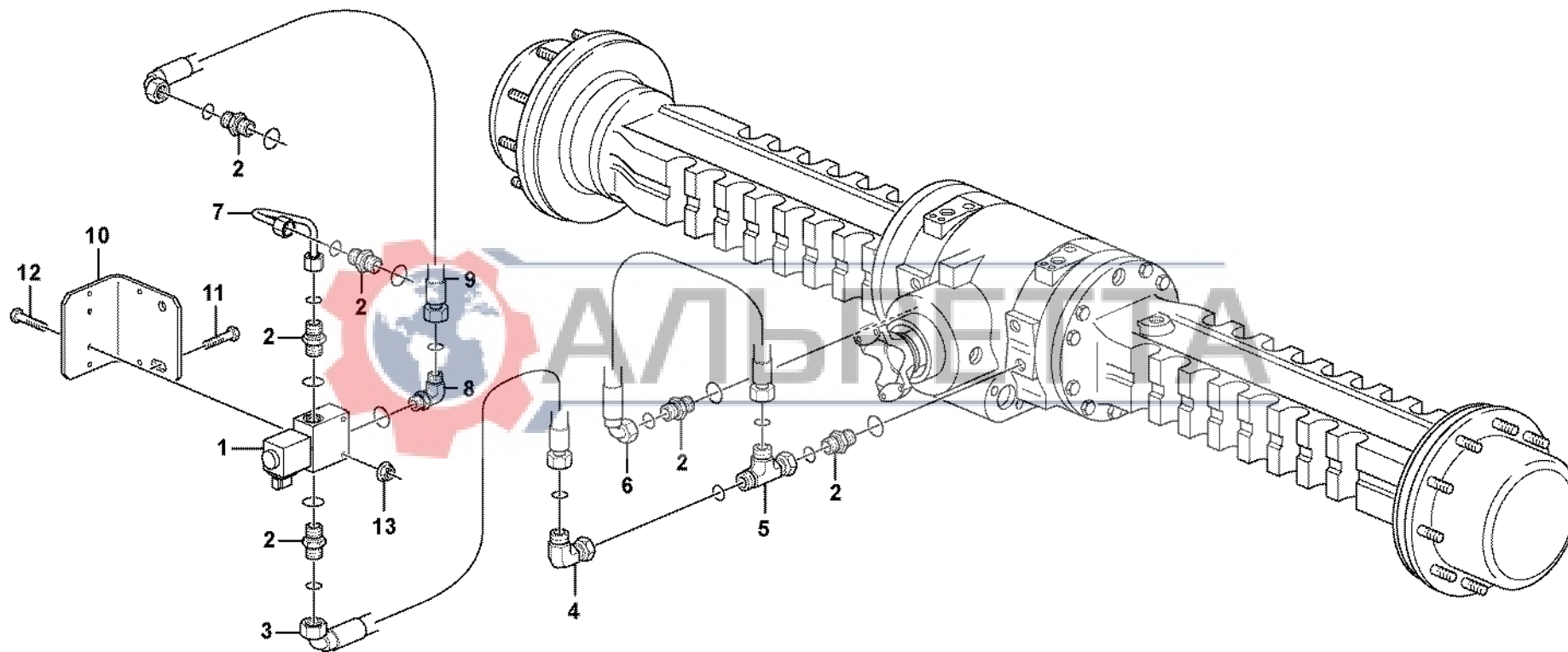


Fig.	Part No.	Quantity			P S	K I T	Description	Dénomination	Bezeichnung	Denominación	Benämning	Notes
		1	2	3								
1	VOE 11881356	1				Solenoid valve.....	Vanne electrom.....	Magnetventil.....	Electrovalvula.....	Magnetventil.....		
	VOE 11715259	1				•Solenoid.....	•Solénoide.....	•Magnet.....	•Solenioide.....	•Solenoid.....		
2	VOE 935085	6				Nipple.....	Raccord.....	Nippel.....	Niple.....	Nippel.....		
	VOE 990737	1				•O-ring.....	•Joint Torique.....	•O-Ring.....	•Junta torica.....	•O-ring.....		
	VOE 932039	1				•O-ring.....	•Joint Torique.....	•O-Ring.....	•Junta torica.....	•O-ring.....		
4	VOE 13933900	1				Elbow nipple.....	Raccord angulaire.....	Winkelnippel.....	Niple angular.....	Vinkelnippel.....		
	VOE 990737					O-ring.....	Joint Torique.....	O-Ring.....	Junta torica.....	O-ring.....		
5	VOE 13933936	2				T-nipple.....	Raccord-t.....	T-Nippel.....	Niple T.....	T-nippel.....		
	VOE 990737	2				•O-ring.....	•Joint Torique.....	•O-Ring.....	•Junta torica.....	•O-ring.....		
6	VOE 11885162	1				Brake Hose.....	Flexible frein.....	Bremsschlauch.....	Racor del tubo.....	Bromsslang.....		
7	VOE 11888135	1				Tube.....	Tube.....	Rohr.....	Tube.....	Rör.....		
8	VOE 935069	1				Elbow nipple.....	Raccord angulaire.....	Winkelnippel.....	Niple angular.....	Vinkelnippel.....		
	VOE 990736	1				•O-ring.....	•Joint Torique.....	•O-Ring.....	•Junta torica.....	•O-ring.....		
	VOE 990737	1				•O-ring.....	•Joint Torique.....	•O-Ring.....	•Junta torica.....	•O-ring.....		
9	VOE 11887053	1				Hose.....	Durit.....	Schlauch.....	Tube flexible.....	Slang.....		
10		1			NS	Plate.....	Plaque.....	Platte.....	Placa.....	Platta.....		
11	VOE 955560	2				Hexagon screw.....	Vis tête hexagonale.....	Sechskantschraube.....	Tornillo hexago.....	Sexkantsskruv.....		
12	VOE 969743	2				Six Point Socket Scre	Vis à six pans creux.....	Innensechskantschra	Tornillo de cabeza he	Sexkantsskruv.....		
13	VOE 13949278	2				Flange Lock Nut.....	Contre écrou bride.....	Flanschmutter.....	Contratuer Embr.....	Flänslåsmutter.....		



1		<b>Hydraulisk parkeringsbroms</b> <b>Sistema hidráulico freno estacionamiento</b> <b>Hydraulisch betätigte Feststellbremse</b> <b>Système hydraulique frein stationnement</b> <b>Hydraulic parking brake</b>  <b>S/N - 11144</b>	Catalogue id	Group
2			<b>20004</b>	<b>551</b>
3			Illustr. No	Section
4			<b>1023369</b>	<b>100</b>
5			Issue	Page
			<b>VOE 63G9920004</b>	<b>389</b>

**VOLVO**

**BL70**

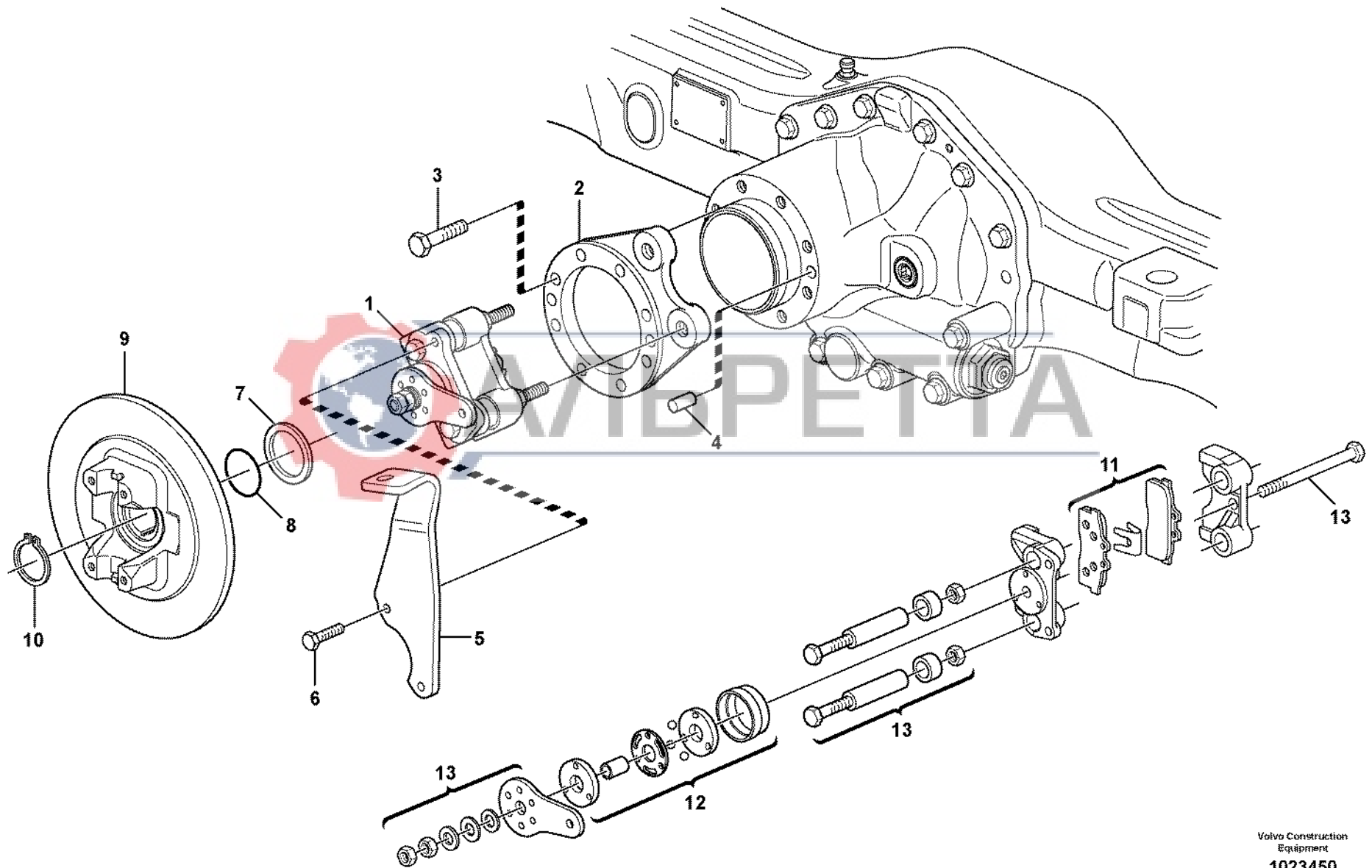


Fig.	Part No.	Quantity			P S	K I T	Description	Dénomination	Bezeichnung	Denominación	Benämning	Notes
		1	2	3								
1	VOE 11716606	1				Brake Disc.....	Disque Frein.....	Bremsscheibe .....	Disco De Freno .....	Bromsskiva.....		
2	VOE 11709300	1				Lock Ring.....	Anneau Verrouillage ..	Schlossring.....	Anillo Segurid .....	Låsring.....		
3	VOE 11709303	1				O-ring.....	Joint Torique .....	O-Ring.....	Junta torica.....	O-ring.....		
4	VOE 11709304	1				Washer.....	Rondelle .....	Scheibe .....	Arandela.....	Bricka.....		
5	VOE 11716602	8				Screw.....	Vis .....	Schraube.....	Tornillo .....	Skruv.....		
6	VOE 11716601	1				Anchorage.....	Fixation .....	Halterung.....	Fijacion.....	Fäste.....		
7	VOE 11716603	2				Pin.....	Goupille.....	Zapfen.....	Pasador.....	Tapp.....		
8	VOE 11716604	1				Bracket.....	Console.....	Konsole .....	Ménsula.....	Konsol.....		
9	VOE 11716605	2				Screw.....	Vis .....	Schraube.....	Tornillo .....	Skruv.....		
10	VOE 11716600	1				Brake Caliper .....	Etrier Frein .....	Bremssattel .....	Mordaza .....	Bromsok.....		
11	11716655	1				•	•	•	•	•		
12	11716654	1				•	•	•	•	•		
13	11716652	1				•	•	•	•	•		



1	<b>Parkeringsbroms</b> <b>Freno estacionamiento</b> <b>Feststellbremse</b> <b>Frein parking</b> <b>Parking brake</b> <b>S/N 11145 -</b>	Catalogue id	Group
2		<b>20004</b>	<b>551</b>
3		Illustr. No	Section
4		<b>1023450</b>	<b>150</b>
5		Issue	Page
		<b>VOE 63G9920004</b>	<b>391</b>

**VOLVO**

**BL70**

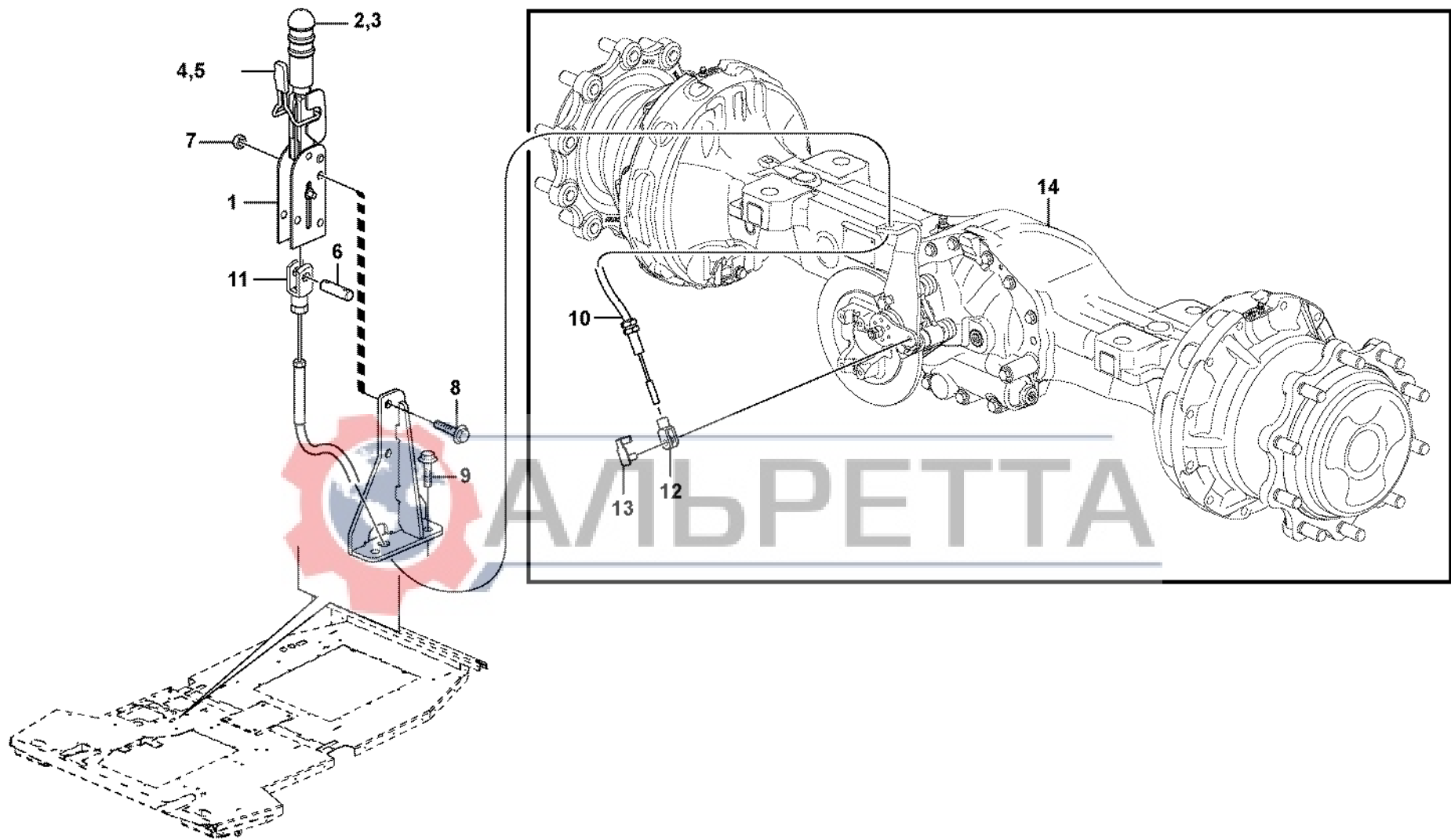


Fig.	Part No.	Quantity			P S	K I T	Description	Dénomination	Bezeichnung	Denominación	Benämning	Notes
		1	2	3								
1	VOE 11200803		1			Parking Brake .....	Frein Parking.....	Feststellbremse.....	Freno Estacion .....	Parkeringsbroms.....		
2	VOE 11709850		1			•Handle .....	•Poignee.....	•Handgriff .....	•Manilla.....	•Handgrepp.....		
3	VOE 11709851		1			•Spring .....	•Ressort .....	•Feder.....	•Muelle .....	•Fjäder.....		
4	VOE 11709852		1			•Leaf Spring .....	•Ressort plat.....	•Blattfeder.....	•Resorte plano.....	•Bladfjäder.....		
5	VOE 11709853		1			•Handle .....	•Poignee.....	•Handgriff .....	•Manilla.....	•Handgrepp.....		
6	VOE 11715435		1			Clevis Pin .....	Vis A Oeuillet .....	Zylinderbolzen.....	Espiga .....	Cyl.bult.....		
7	VOE 13971098		2			Flange nut.....	Ecrou accouple. ....	Bundmutter.....	Tuerca embridad .....	Flänsmutter.....	M10	
8	VOE 13965186		2			Flange screw.....	Vis à bride .....	Flanschschaube.....	Torn embridado .....	Flänsskruv.....	M10x50	
9	VOE 946329		2			Flange screw.....	Vis à bride .....	Flanschschaube.....	Torn embridado .....	Flänsskruv.....	M10x25	
10	VOE 11888468	1				Cable.....	Câble.....	Kabel.....	Cable .....	Kabel.....		
11	VOE 11882913	1				Fork.....	Fourche.....	Gabel.....	Horquilla .....	Gaffel.....		
12	VOE 11883319	1				Fork.....	Fourche.....	Gabel.....	Horquilla .....	Gaffel.....		
13	VOE 11883323	1				Clevis Pin .....	Vis A Oeuillet .....	Zylinderbolzen.....	Espiga .....	Cyl.bult.....		
14		1				Planetary shaft, rear...	Pont moteur, AR .....	Planetengetriebe, Ru ..	Puente motor, trasero	Planetaxel, bak.....	See group 460, Page 329	



1	11298159	<b>Parkeringsbroms</b> <b>Freno estacionamiento</b> <b>Feststellbremse</b> <b>Frein parking</b> <b>Parking brake</b>  <b>S/N 11145 -</b>	Catalogue id	Group
2	11880002		<b>20004</b>	<b>551</b>
3			Illustr. No	Section
4			<b>1023349</b>	<b>250</b>
5			Issue	Page
			<b>VOE 63G9920004</b>	<b>393</b>

**VOLVO**

**BL70**



**VOLVO**

АЛЬРЕТТА

Construction Equipment

641	Steering column with fitting parts 11298009, 11298010, 11880002, 11298021 .....	100	401
645	Steering system 11891283, 11891289, 11891390 .....	100	403
645	Steering system S/N 11145 - .....	150	405
645	Control valve .....	400	407



INDEX OF CONTENTS	Catalogue id <b>20004</b>	Group <b>600</b>
	Issue <b>VOE 63G9920004</b>	Page <b>395</b>





TABLE DES MATIÈRES				Catalogue id		Group	
				20004		600	
				Issue		Page	
				VOE 63G9920004		396	
GROUPE	Section	Page	GROUPE	Section	Page		

641	Colonne de direction avec pièces de montage 11298009, 11298010, 11880002, 11298021 .....	100	401
645	Systeme de direction 11891283, 11891289, 11891390 .....	100	403
645	Systeme de direction S/N 11145 - .....	150	405
645	Valve de contrôle .....	400	407



641	Lenksäule mit Montageteilen 11298009, 11298010, 11880002, 11298021 .....	100	401
645	Lenkungssystem 11891283, 11891289, 11891390 .....	100	403
645	Lenkungssystem S/N 11145 - .....	150	405
645	Steuerventil .....	400	407



<b>INHALTSVERZEICHNIS</b>	Catalogue id <b>20004</b>	Group <b>600</b>
	Issue <b>VOE 63G9920004</b>	Page <b>397</b>



<b>INDICE</b>		Catalogue id <b>20004</b>	Group <b>600</b>		
		Issue <b>VOE 63G9920004</b>	Page <b>398</b>		
GRUPO	Sección	Página	GRUPO	Sección	Página

641	Columna de dirección con accesorios de montaje 11298009, 11298010, 11880002, 11298021 .....	100	401
645	Sistema de direccion 11891283, 11891289, 11891390.....	100	403
645	Sistema de direccion S/N 11145 - .....	150	405
645	Válvula de control .....	400	407



641	Rattstam med monteringsdetaljer 11298009, 11298010, 11880002, 11298021 .....	100	401
645	Styrssystem 11891283, 11891289, 11891390 .....	100	403
645	Styrssystem S/N 11145 - .....	150	405
645	Kontrollventil .....	400	407



<b>INNEHÅLLSFÖRTECKNING</b>	Catalogue id <b>20004</b>	Group <b>600</b>
	Issue <b>VOE 63G9920004</b>	Page <b>399</b>



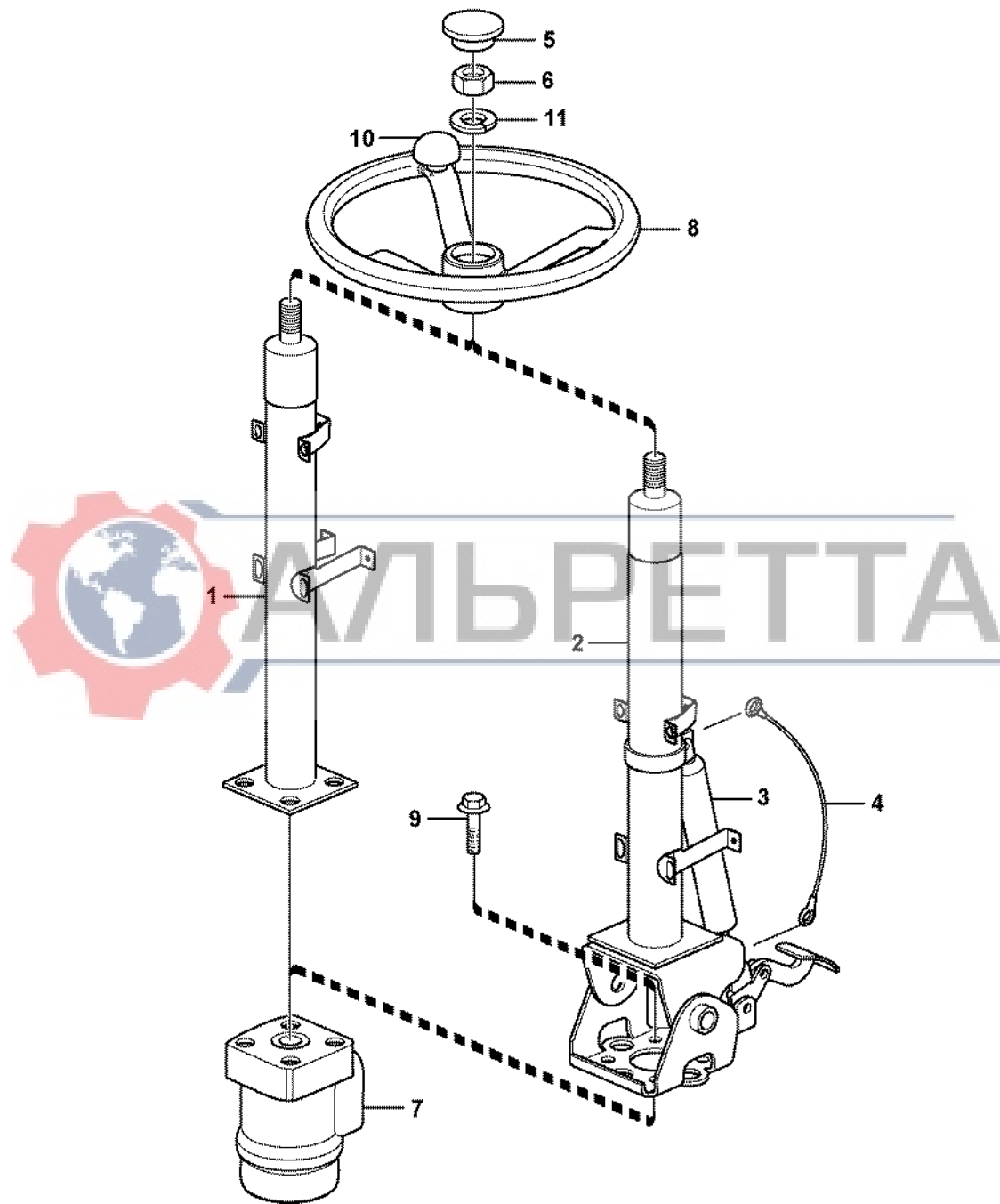


Fig.	Part No.	Quantity					P S	K T	Description	Dénomination	Bezeichnung	Denominación	Benämning	Notes
		1	2	3	4	5								
1	VOE 11200527	1						Steering Column.....	Colonne direction ...	Lenksäule .....	Columna direccion..	Rattstam.....		
2	VOE 11200587		1					Steering Column.....	Colonne direction ...	Lenksäule .....	Columna direccion..	Rattstam.....		
3	VOE 11715247		1					•Gas Spring .....	•Ressort Gaz .....	•Gasfeder.....	•Resorte A Gas.....	•Gasfjäder.....		
4	VOE 11715291		1					•Wire .....	•Fil .....	•Draht.....	•Alambre.....	•Tråd.....		
5	VOE 14371493	1	1					Cap .....	Chapeau.....	Verschlusskappe ....	Caperuza.....	Hatt.....		
6	VOE 955822	1	1					Hexagon Nut.....	Ecrou Hexagonal....	Sechskantmutter.....	Tuerca Hexagon.....	Sexkantsmutter.....		
7				1				Control valve.....	Valve controle .....	Steuerventil.....	Válvula control.....	Kontrollventil.....	See group 645, Page 407	
8	VOE 11200562	1	1					Steering Wheel .....	Volant direction .....	Lenkrad.....	Volante de direccio.	Ratt.....		
9	VOE 946329	4	4					Flange screw .....	Vis à bride .....	Flanschschraube ....	Torn embridado .....	Flänsskruv.....		
10	VOE 11200563				1			Knob .....	Bouton.....	Knauf .....	Boton.....	Knopp.....		
11	VOE 11104898	1	1					Lock Washer.....	Rondel.verroui.....	Sicher Scheibe.....	Arandel Segurid.....	Låsbricka.....		

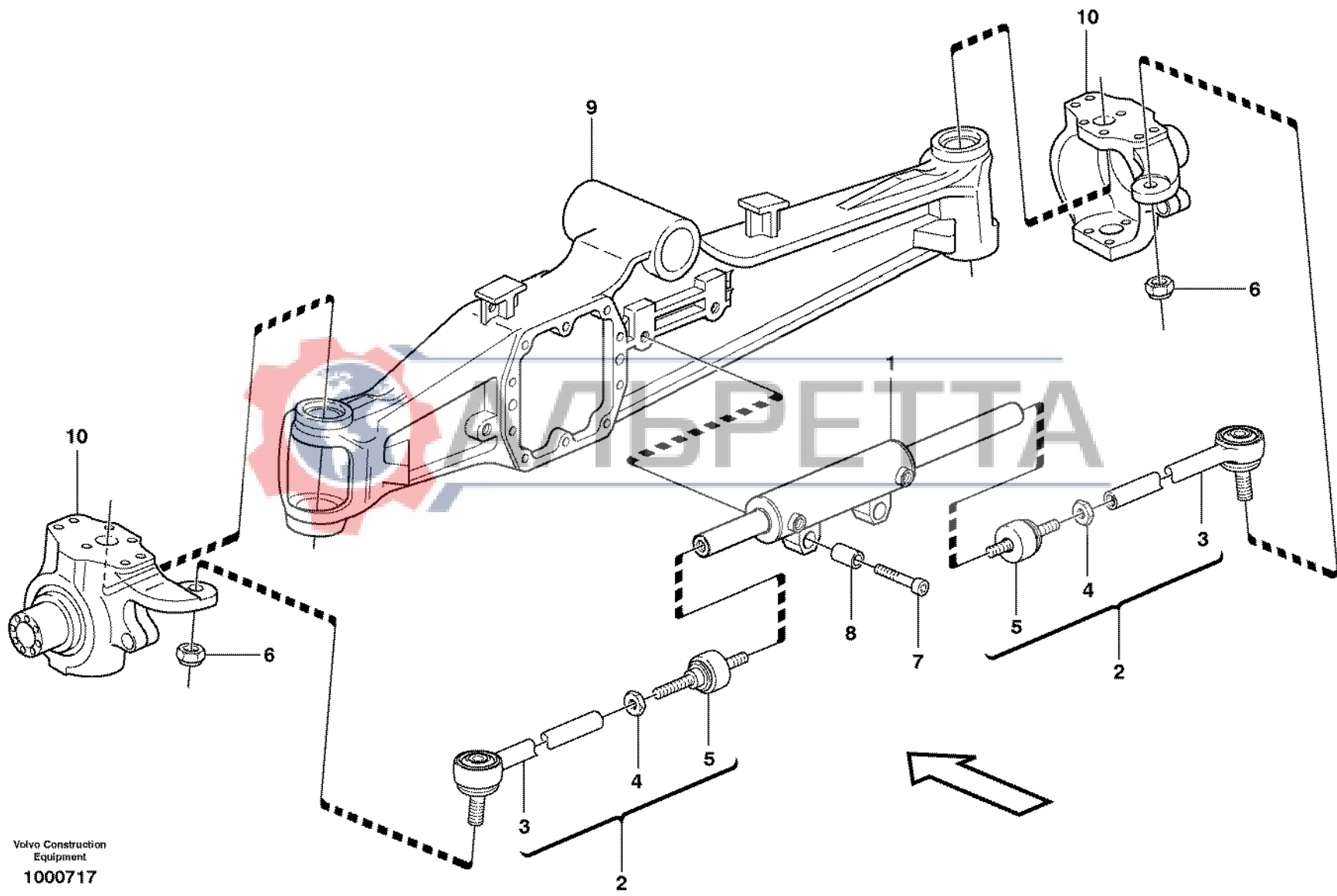


1	11298009	<b>Rattstam med monteringsdetaljer</b> <b>Columna de dirección con accesorios de montaje</b> <b>Lenksäule mit Montageteilen</b> <b>Colonne de direction avec pièces de montage</b> <b>Steering column with fitting parts</b>	Catalogue id	Group
2	11298010		<b>20004</b>	<b>641</b>
3	11880002		Illustr. No	Section
4	11298021		<b>1012000</b>	<b>100</b>
5			Issue	Page
			<b>VOE 63G9920004</b>	<b>401</b>
			<b>11298009, 11298010, 11880002, 11298021</b>	

**VOLVO**

**BL70**





Volvo Construction  
 Equipment  
 1000717

Fig.	Part No.	Quantity			P S	K I T	Description	Dénomination	Bezeichnung	Denominación	Benämning	Notes
		1	2	3								
1	VOE 11988151	1				Strg Cylinder .....	Verin Direction .....	Lenkzylinder .....	Cil Direccion .....	Styrcylinder.....		
	VOE 11709898	1				•Sealing Kit .....	•Jeu Joints.....	•Dichtungssatz .....	•Juego Retenes.....	•Tätningssats.....		
	VOE 11712479	2				•Seal .....	•Joint .....	•Dichtring.....	•Junta .....	•Tätning.....		
2	VOE 11988150	2				Steering Rod.....	Bielle direction.....	Lenkstange.....	Biela direccion.....	Styrstag.....		
3	VOE 11988157	2				•Ball joint.....	•Rotule articul.....	•Kugelgelenk .....	•Rotula.....	•Kulled.....		
4	VOE 11709457	2				•Nut.....	•Ecrou .....	•Mutter.....	•Tuerca.....	•Mutter.....		
5	VOE 11709456	2				•Tie Rod .....	•Barre Accouple.....	•Spurstange.....	•Barra Acoplam .....	•Parallellstag.....		
6	VOE 11709451	2				Nut .....	Ecrou.....	Mutter .....	Tuerca .....	Mutter.....		
7	VOE 11709454	2				Screw.....	Vis .....	Schraube.....	Tornillo .....	Skruv.....		
8	VOE 11709460	1				Bushing.....	Bague.....	Buchse .....	Casquillo .....	Bussning.....		
9		1				Front axle.....	Pont avant.....	Vorderachse.....	Eje delantero .....	Framaxel.....	See group 461, Page 331	
10		1				Housing.....	Carter .....	Gehäuse.....	Carter .....	Hus.....	See group 461, Page 331	



1	<b>Styrsystem</b> <b>Sistema de direccion</b> <b>Lenkungssystem</b> <b>Systeme de direction</b> <b>Steering system</b>	Catalogue id	Group
2		<b>20004</b>	<b>645</b>
3		Illustr. No	Section
4		<b>1000717</b>	<b>100</b>
5		Issue	Page
	<b>11891283, 11891289, 11891390</b>	<b>VOE 63G9920004</b>	<b>403</b>

**VOLVO**

**BL70**





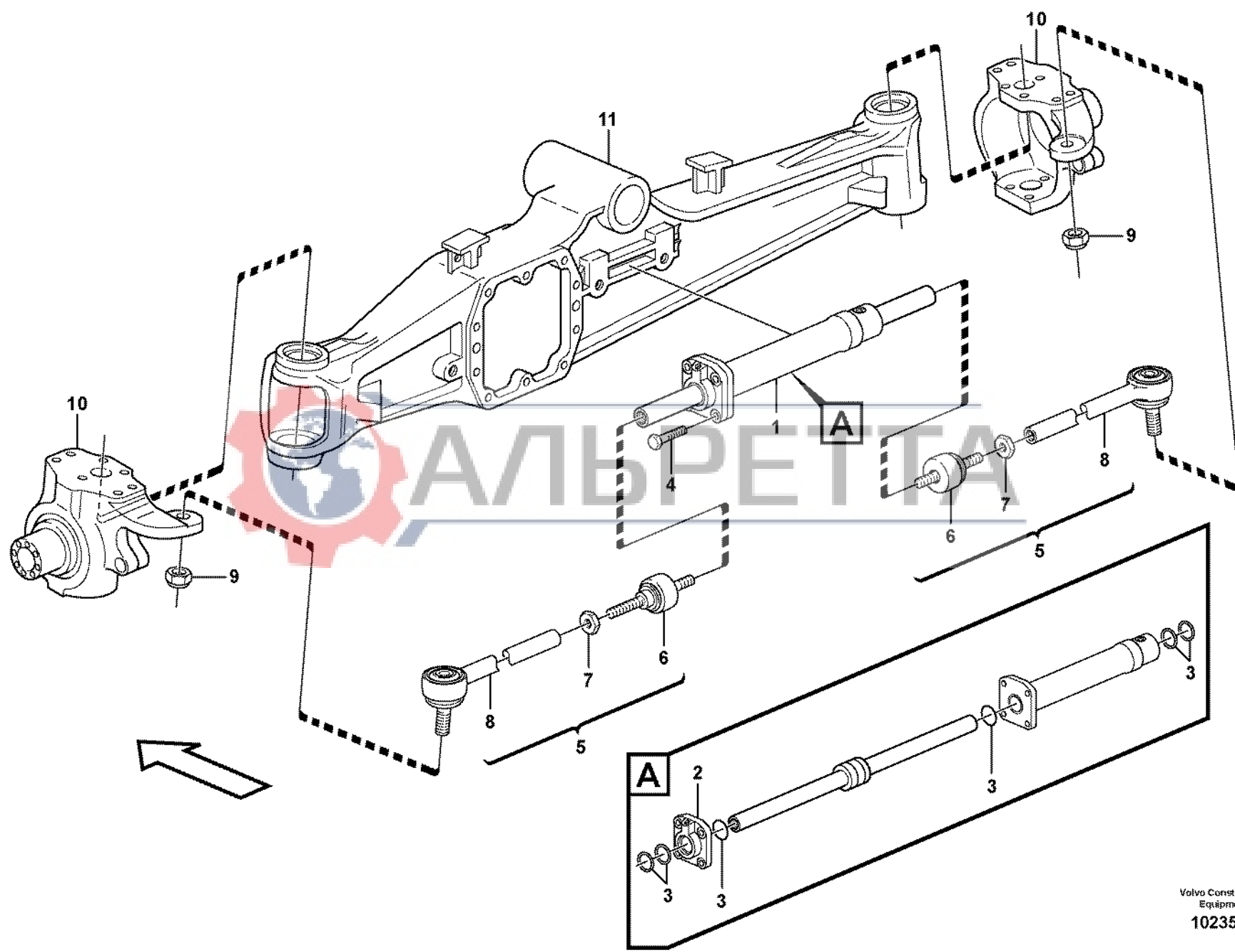


Fig.	Part No.	Quantity			P S	K I T	Description	Dénomination	Bezeichnung	Denominación	Benämning	Notes
		1	2	3								
1	VOE 11716622	1				Steering cylinder .....	Verin direction .....	Lenkzylinder .....	Cilindro direccion.....	Styrcylinder.....		
2	VOE 11716624	1				•Sealing Kit .....	•Jeu Joints.....	•Dichtungssatz .....	•Juego Retenes .....	•Tätningssats.....		
3	VOE 11716625	2				•Sealing Kit .....	•Jeu Joints.....	•Dichtungssatz .....	•Juego Retenes .....	•Tätningssats.....		
4	VOE 11716623	4				Screw .....	Vis .....	Schraube.....	Tornillo .....	Skruv.....		
5	VOE 11988150	2				Steering Rod .....	Bielle direction.....	Lenkstange.....	Biela direccion.....	Styrstag.....		
6	VOE 11709456	1				•Tie Rod .....	•Barre Accouple. ....	•Spurstange.....	•Barra Acoplam .....	•Parallellstag.....		
7	VOE 11709457	1				•Nut .....	•Ecrou .....	•Mutter.....	•Tuerca.....	•Mutter.....		
8	VOE 11988157	1				•Ball joint .....	•Rotule articul. ....	•Kugelgelenk .....	•Rotula.....	•Kulled.....		
9	VOE 11709451	2				Nut .....	Ecrou.....	Mutter.....	Tuerca .....	Mutter.....		
10		1				Housing.....	Carter .....	Gehäuse.....	Carter .....	Hus.....		
11		1				Front axle.....	Pont avant.....	Vorderachse.....	Eje delantero .....	Framaxel.....		



1	<b>Styrsystem</b> <b>Sistema de direccion</b> <b>Lenkungssystem</b> <b>Systeme de direction</b> <b>Steering system</b>  <b>S/N 11145 -</b>	Catalogue id <b>20004</b>	Group <b>645</b>	
2		Illustr. No <b>1023514</b>	Section <b>150</b>	
3			Issue <b>VOE 63G9920004</b>	Page <b>405</b>
4				
5				

**VOLVO**

**BL70**



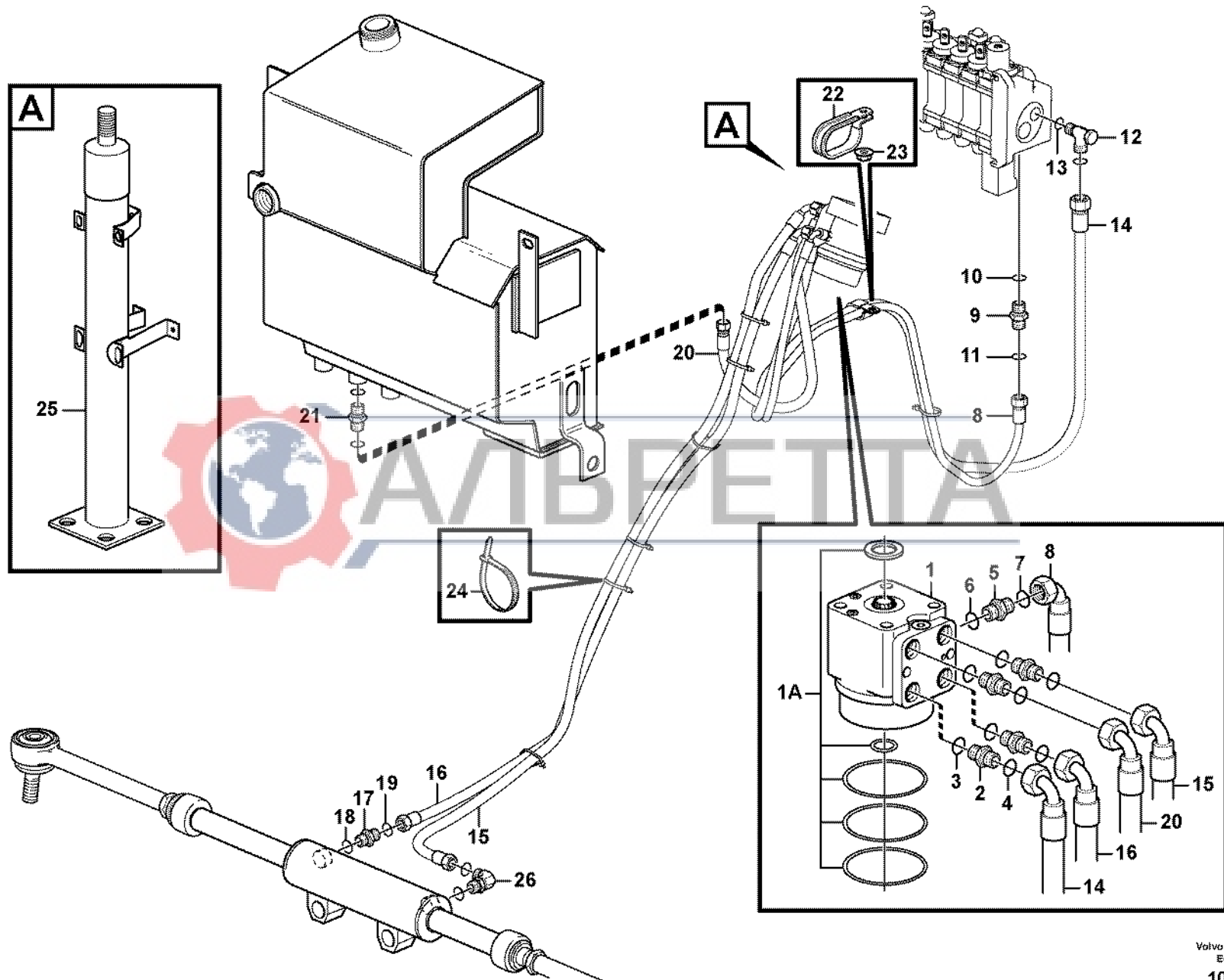


Fig.	Part No.	Quantity			P S	K I T	Description	Dénomination	Bezeichnung	Denominación	Benämning	Notes
		1	2	3								
1	VOE 11890016	1				Control valve .....	Valve controle .....	Steuerventil .....	Válvula control .....	Kontrollventil .....		
1A	VOE 11709888	1				Sealing Kit .....	Jeu Joints .....	Dichtungssatz .....	Juego Retenes .....	Tätningssats .....		
2	VOE 935089	4				Nipple .....	Raccord .....	Nippel .....	Niple .....	Nippel .....		
3	VOE 932040	1				•O-ring .....	•Joint Torique .....	•O-Ring .....	•Junta torica .....	•O-ring .....		
4	VOE 4880492	1				•O-ring .....	•Joint Torique .....	•O-Ring .....	•Junta torica .....	•O-ring .....		
5	VOE 935082	1				Nipple .....	Raccord .....	Nippel .....	Niple .....	Nippel .....		
6	VOE 932037	1				•O-ring .....	•Joint Torique .....	•O-Ring .....	•Junta torica .....	•O-ring .....		
7	VOE 4881722	1				•O-ring .....	•Joint Torique .....	•O-Ring .....	•Junta torica .....	•O-ring .....		
8	VOE 11882941	1				Hose .....	Durit .....	Schlauch .....	Tube flexible .....	Slang .....		
9	VOE 13933858	1				Union .....	Teton Connexion .....	Anschlussnippel .....	Niple Conexcion .....	Anslutn.nippel .....		
10	VOE 932039	1				•O-ring .....	•Joint Torique .....	•O-Ring .....	•Junta torica .....	•O-ring .....		
11	VOE 4881722	1				•O-ring .....	•Joint Torique .....	•O-Ring .....	•Junta torica .....	•O-ring .....		
12	VOE 11881390	1				Nipple .....	Raccord .....	Nippel .....	Niple .....	Nippel .....		
13	VOE 13960167	1				•O-ring .....	•Joint Torique .....	•O-Ring .....	•Junta torica .....	•O-ring .....		
	VOE 4880492	1				O-ring .....	Joint Torique .....	O-Ring .....	Junta torica .....	O-ring .....		
14	VOE 11882938	1				Hose assembly .....	Conduit flexible .....	Schlauchleitung .....	Conducto .....	Slangledning .....		
15	VOE 11882938	1				Hose assembly .....	Conduit flexible .....	Schlauchleitung .....	Conducto .....	Slangledning .....		
16	VOE 11882937	1				Hose assembly .....	Conduit flexible .....	Schlauchleitung .....	Conducto .....	Slangledning .....		
17	VOE 935085	2				Nipple .....	Raccord .....	Nippel .....	Niple .....	Nippel .....		
17	VOE 935085	1				Nipple .....	Raccord .....	Nippel .....	Niple .....	Nippel .....	S/N 11145 -	
18	VOE 932039	1				•O-ring .....	•Joint Torique .....	•O-Ring .....	•Junta torica .....	•O-ring .....		
19	VOE 1880492	1				•Elbow nipple .....	•Raccord angulaire .....	•Winkelnippel .....	•Niple angular .....	•Vinkelnippel .....		
20	VOE 1882940	1				Hose .....	Durit .....	Schlauch .....	Tube flexible .....	Slang .....		
21		1				Nipple .....	Raccord .....	Nippel .....	Niple .....	Nippel .....	See group 911, Page 539	
22	VOE 981665	2				Clamp .....	Pince Serrage .....	Klemme .....	Abrazadera .....	Klamma .....		
23	VOE 13945408	1				Nut .....	Ecrou .....	Mutter .....	Tuerca .....	Mutter .....		
24	VOE 4881438	16				Strip Clamp .....	Ruban Serrage .....	Kabelbinder .....	Abraz Cinta .....	Bandklamma .....		
25		1				Steering Column .....	Colonne direction .....	Lenksäule .....	Columna direccion .....	Rattstam .....	See group 641, Page 401	
26	VOE 935069	1				Elbow nipple .....	Raccord angulaire .....	Winkelnippel .....	Niple angular .....	Vinkelnippel .....	S/N 11145 -	
	VOE 932039	1				•O-ring .....	•Joint Torique .....	•O-Ring .....	•Junta torica .....	•O-ring .....		

1		<b>Kontrollventil</b> <b>Válvula de control</b> <b>Steuerventil</b> <b>Valve de contrôle</b> <b>Control valve</b>	Catalogue id	Group
2			<b>20004</b>	<b>645</b>
3			Illustr. No	Section
4			<b>1025987</b>	<b>400</b>
5			Issue	Page
			<b>VOE 63G9920004</b>	<b>407</b>

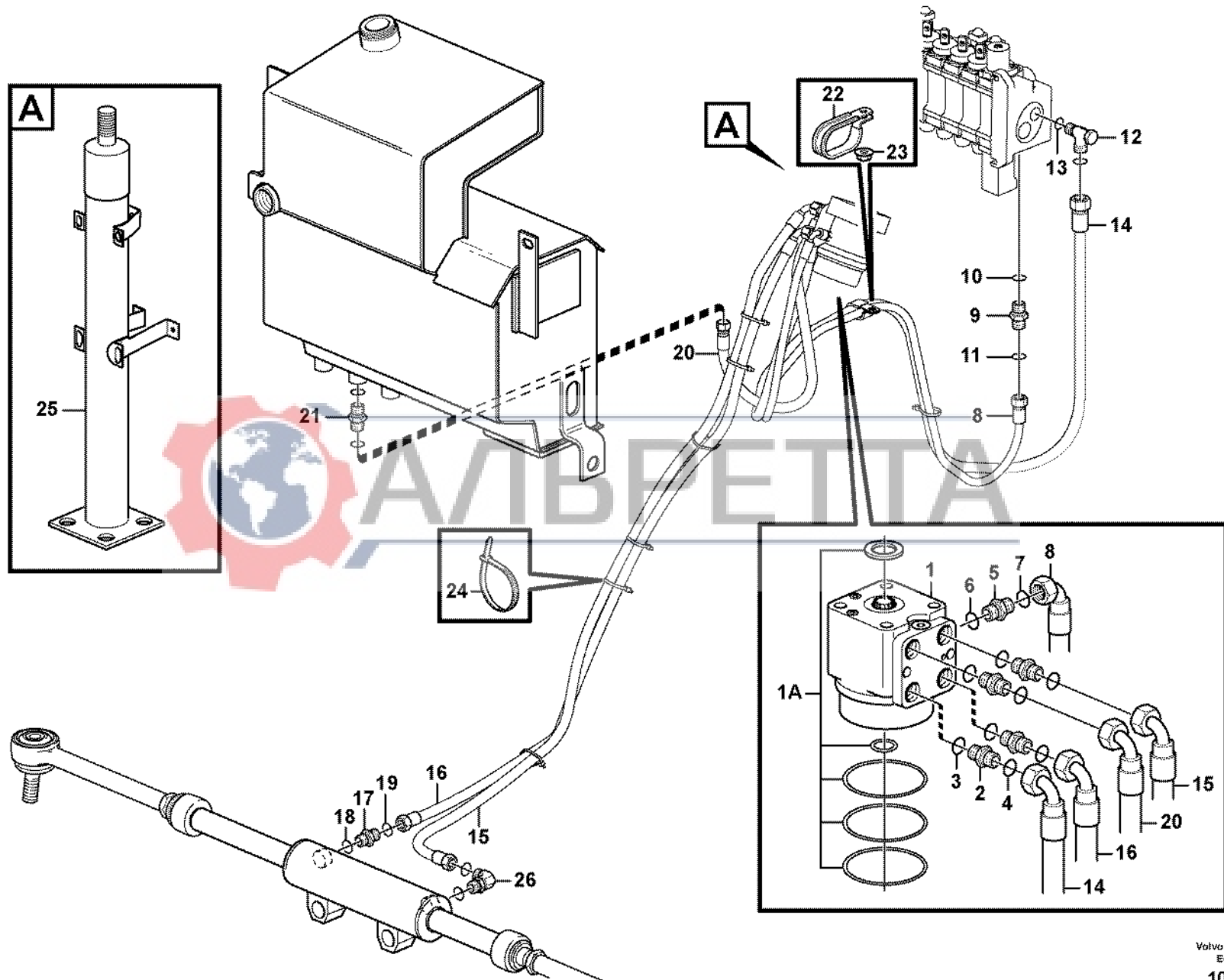


Fig.	Part No.	Quantity			P S	K I T	Description	Dénomination	Bezeichnung	Denominación	Benämning	Notes
		1	2	3								
	VOE 990737	1					•O-ring.....	•Joint Torique .....	•O-Ring.....	•Junta torica .....	•O-ring.....	



1		<b>Kontrollventil</b> <b>Válvula de control</b> <b>Steuerventil</b> <b>Valve de contrôle</b> <b>Control valve</b>	Catalogue id	Group
2			<b>20004</b>	<b>645</b>
3			Illustr. No	Section
4			<b>1025987</b>	<b>400</b>
5			Issue	Page
			<b>VOE 63G9920004</b>	<b>409</b>

**VOLVO**

**BL70**





**VOLVO**

АЛЬРЕТТА

Construction Equipment

GROUP	Section	Page	GROUP	Section	Page
711 Chassis .....	100	417			
716 Counterweight.....	100	419			
771 Wheel.....	100	421			
771 Wheel.....	150	423			



<b>INDEX OF CONTENTS</b>	Catalogue id <b>20004</b>	Group <b>700</b>
	Issue <b>VOE 63G9920004</b>	Page <b>411</b>

**VOLVO**

**BL70**





<b>TABLE DES MATIÈRES</b>				Catalogue id <b>20004</b>		Group <b>700</b>	
				Issue <b>VOE 63G9920004</b>		Page <b>412</b>	
GROUPE		Section	Page	GROUPE		Section	Page

711	Châssis .....	100	417
716	Contrepoids.....	100	419
771	Roue .....	100	421
771	Roue .....	150	423



GRUPPE	Abschnitt	Seite	GRUPPE	Abschnitt	Seite
711 Fahrgestell .....	100	417			
716 Gegengewicht .....	100	419			
771 Rad .....	100	421			
771 Rad .....	150	423			



<b>INHALTSVERZEICHNIS</b>	Catalogue id <b>20004</b>	Group <b>700</b>
	Issue <b>VOE 63G9920004</b>	Page <b>413</b>

**VOLVO**

**BL70**



<b>INDICE</b>		Catalogue id <b>20004</b>	Group <b>700</b>		
		Issue <b>VOE 63G9920004</b>	Page <b>414</b>		
<b>GRUPO</b>	<b>Sección</b>	<b>Página</b>	<b>GRUPO</b>	<b>Sección</b>	<b>Página</b>

711	Chasis .....	100	417
716	Contrapeso .....	100	419
771	Rueda .....	100	421
771	Rueda .....	150	423



GRUPP	Avsnitt	Sida	GRUPP	Avsnitt	Sida
711 Chassi.....	100	417			
716 Motvikt.....	100	419			
771 Hjul.....	100	421			
771 Hjul.....	150	423			



<b>INNEHÅLLSFÖRTECKNING</b>	Catalogue id <b>20004</b>	Group <b>700</b>
	Issue <b>VOE 63G9920004</b>	Page <b>415</b>

**VOLVO**

**BL70**



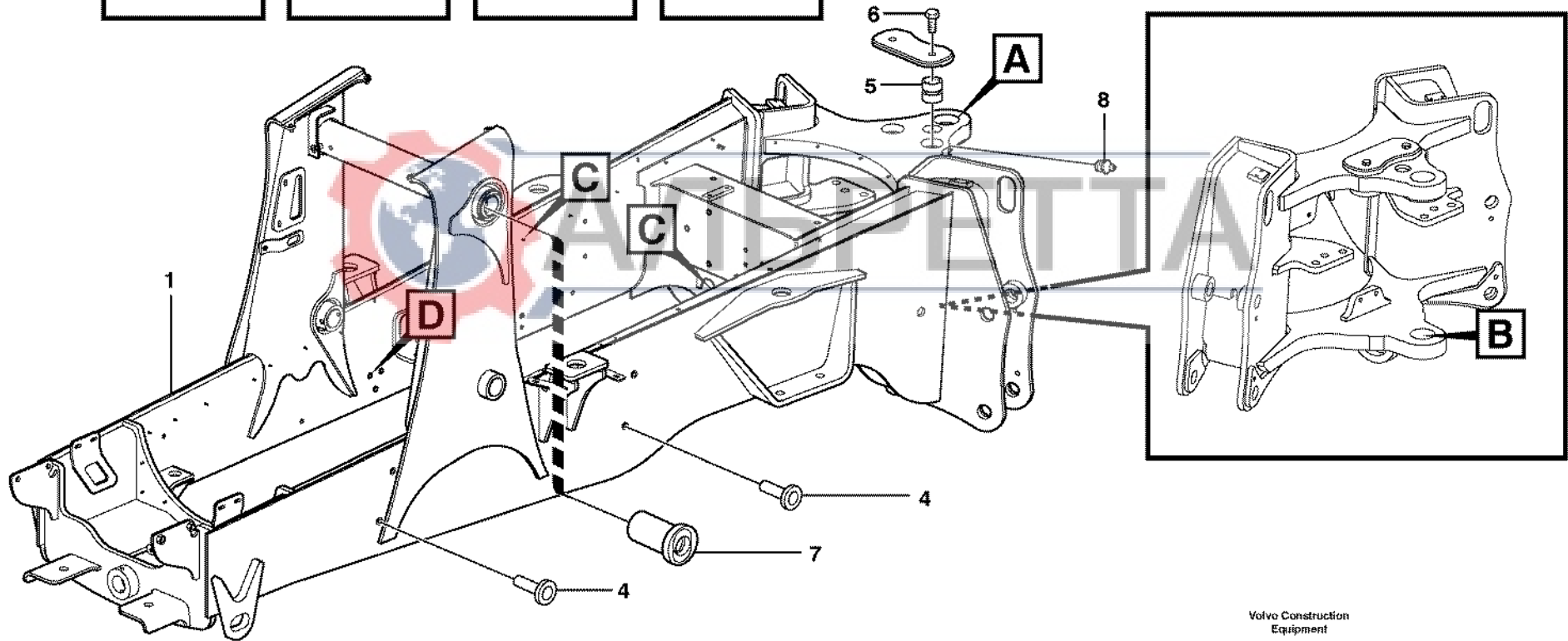
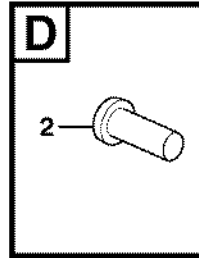
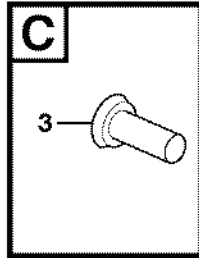
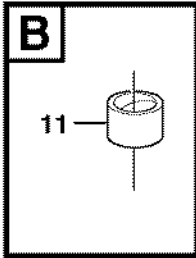
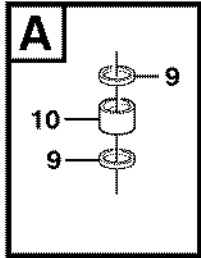


Fig.	Part No.	Quantity			P S	K I T	Description	Dénomination	Bezeichnung	Denominación	Benämning	Notes
		1	2	3								
1	VOE 11884658	1				Chassis .....	Chassis .....	Fahrgestell .....	Chasis .....	Chassi.....	SER NO -10682	
1	VOE 11885990	1				Chassis .....	Chassis .....	Fahrgestell .....	Chasis .....	Chassi.....	SER NO 10683-10817	
1	VOE 11886709	1				Frame.....	Chassis .....	Rahmen.....	Bastidor .....	Ram.....	SER NO 10818 - 11144	
1	VOE 11888296	1				Chassis .....	Chassis .....	Fahrgestell .....	Chasis .....	Chassi.....	S/N 11145 -	
2	VOE 11882680	3				•Rivet .....	•Rivet.....	•Niet.....	•Remache.....	•Nit.....		
3	VOE 11882026	7				•Rivet .....	•Rivet.....	•Niet.....	•Remache.....	•Nit.....		
4	VOE 11881792	11				•Blind Rivet .....	•Rivet Borgne .....	•Blindniet .....	•Remache Ciego .....	•Blindnit.....		
5	VOE 11884510	2				•Bushing.....	•Bague .....	•Buchse .....	•Casquillo .....	•Bussning.....		
6	VOE 191900	2				•Plug .....	•Bouchon.....	•Stopfen .....	•Tapon.....	•Plugg.....		
7	VOE 11883771	2				•Bushing.....	•Bague .....	•Buchse .....	•Casquillo .....	•Bussning.....		
8	VOE 914167	2				•Nipple .....	•Raccord .....	•Nippel.....	•Niple.....	•Nippel.....		
9	VOE 11881489	6				•Scraper .....	•Racloir.....	•Abstreicher.....	•Rascador.....	•Skrapa.....		
10	VOE 11884582	1				•Bushing.....	•Bague .....	•Buchse .....	•Casquillo .....	•Bussning.....		
11	VOE 11884714	1				•Bushing.....	•Bague .....	•Buchse .....	•Casquillo .....	•Bussning.....		



1	<b>Chassi</b> <b>Chasis</b> <b>Fahrgestell</b> <b>Châssis</b> <b>Chassis</b>	Catalogue id	Group
2		<b>20004</b>	<b>711</b>
3		Illustr. No	Section
4		<b>1003882</b>	<b>100</b>
5		Issue	Page
		<b>VOE 63G9920004</b>	<b>417</b>

**VOLVO**

**BL70**

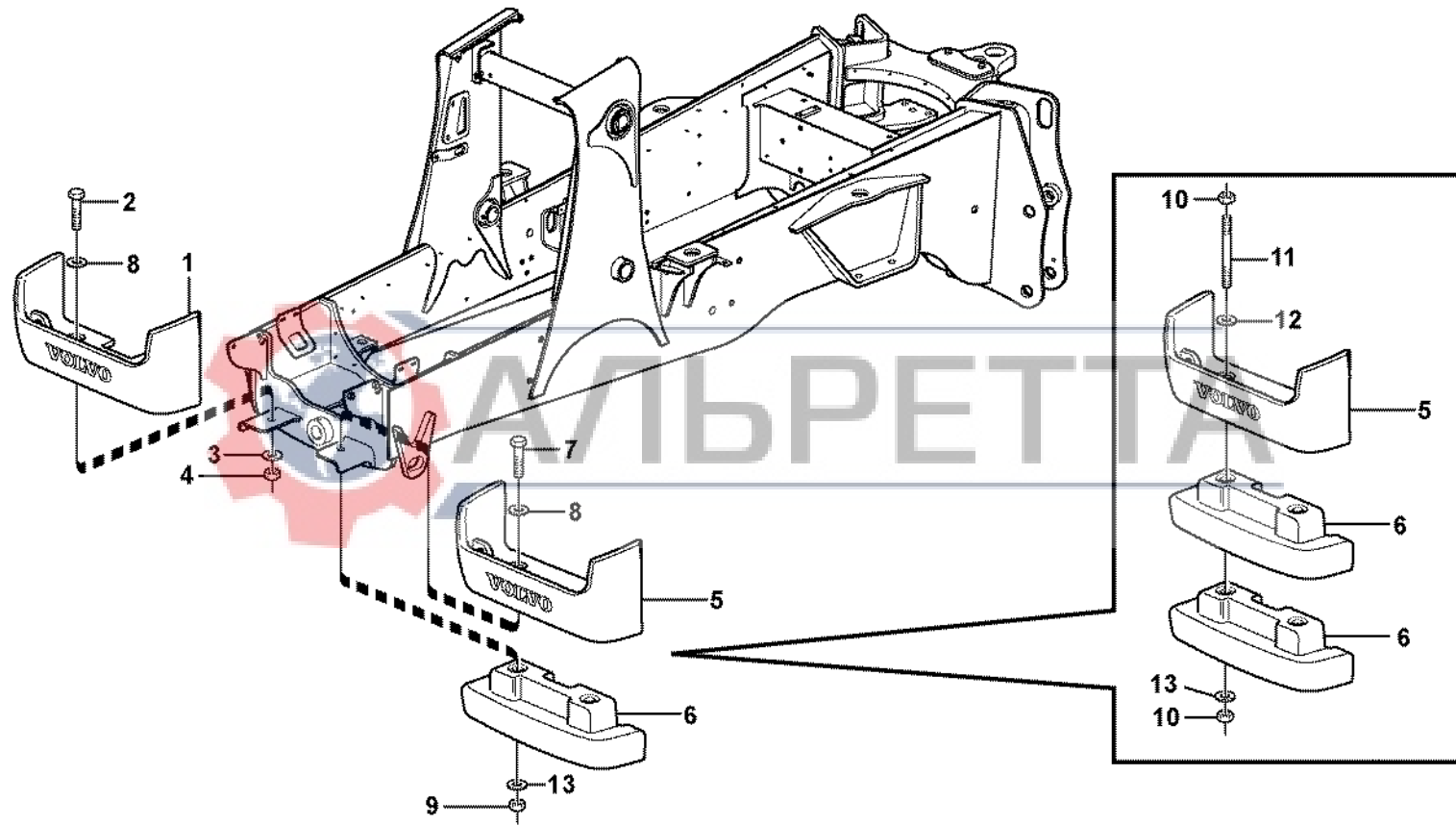
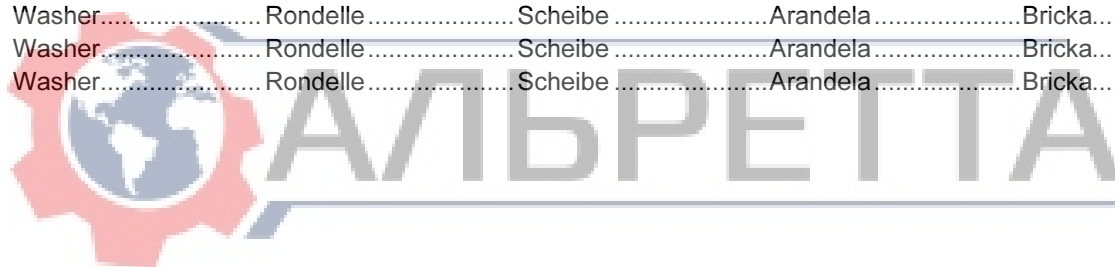


Fig.	Part No.	Quantity			P S	K I T	Description	Dénomination	Bezeichnung	Denominación	Benämning	Notes
		1	2	3								
1	VOE 11886741	1				Counterweight.....	Contrepoids.....	Gegengewicht .....	Contrapeso.....	Motvikt.....	105 kg	
2	VOE 979920	2				Hexagon screw .....	Vis tête hexagonale ...	Sechskantschraube....	Tornillo hexago.....	Sexkantsskruv.....	SER NO -10739	
2	VOE 13963362	2				Hexagon screw .....	Vis tête hexagonale ...	Sechskantschraube....	Tornillo hexago.....	Sexkantsskruv.....	SER NO 10740-	
3	VOE 955905	4				Washer.....	Rondelle .....	Scheibe .....	Arandela .....	Bricka.....	SER NO -10739	
3	VOE 955905	2				Washer.....	Rondelle .....	Scheibe .....	Arandela .....	Bricka.....	SER NO 10740-	
4	VOE 980521	2				Nut .....	Ecrou.....	Mutter .....	Tuerca .....	Mutter.....	SER NO -10739	
4	VOE 983377	2				Lock nut .....	Contre-ecrou .....	Sicherungsmutter .....	Contratuerca .....	Låsmutter.....	SER NO 10740-	
5	VOE 11886742		1	1		Counterweight.....	Contrepoids.....	Gegengewicht .....	Contrapeso.....	Motvikt.....	202 KG	
6	VOE 11886925		1	2		Counterweight.....	Contrepoids.....	Gegengewicht .....	Contrapeso.....	Motvikt.....	133 KG	
7	VOE 13980100	2				Hexagon screw .....	Vis tête hexagonale ...	Sechskantschraube....	Tornillo hexago.....	Sexkantsskruv.....		
8	VOE 983340	2				Washer.....	Rondelle .....	Scheibe .....	Arandela .....	Bricka.....	SER NO -10739	
8	VOE 14376982	2	2			Washer.....	Rondelle .....	Scheibe .....	Arandela .....	Bricka.....	SER NO 10740-	
9	VOE 980521	2				Nut .....	Ecrou.....	Mutter .....	Tuerca .....	Mutter.....	SER NO -10739	
9	VOE 983377	2				Lock nut .....	Contre-ecrou .....	Sicherungsmutter .....	Contratuerca .....	Låsmutter.....	SER NO 10740-	
10	VOE 983377		4			Lock nut .....	Contre-ecrou .....	Sicherungsmutter .....	Contratuerca .....	Låsmutter.....		
11	VOE 11887733	2				Rod .....	Monture.....	Fuhler .....	Varilla .....	Spröt.....		
12	VOE 983340	2				Washer.....	Rondelle .....	Scheibe .....	Arandela .....	Bricka.....	SER NO -10739	
12	VOE 14376982	2				Washer.....	Rondelle .....	Scheibe .....	Arandela .....	Bricka.....	SER NO 10740-	
13	VOE 11055610	2	2			Washer.....	Rondelle .....	Scheibe .....	Arandela .....	Bricka.....		

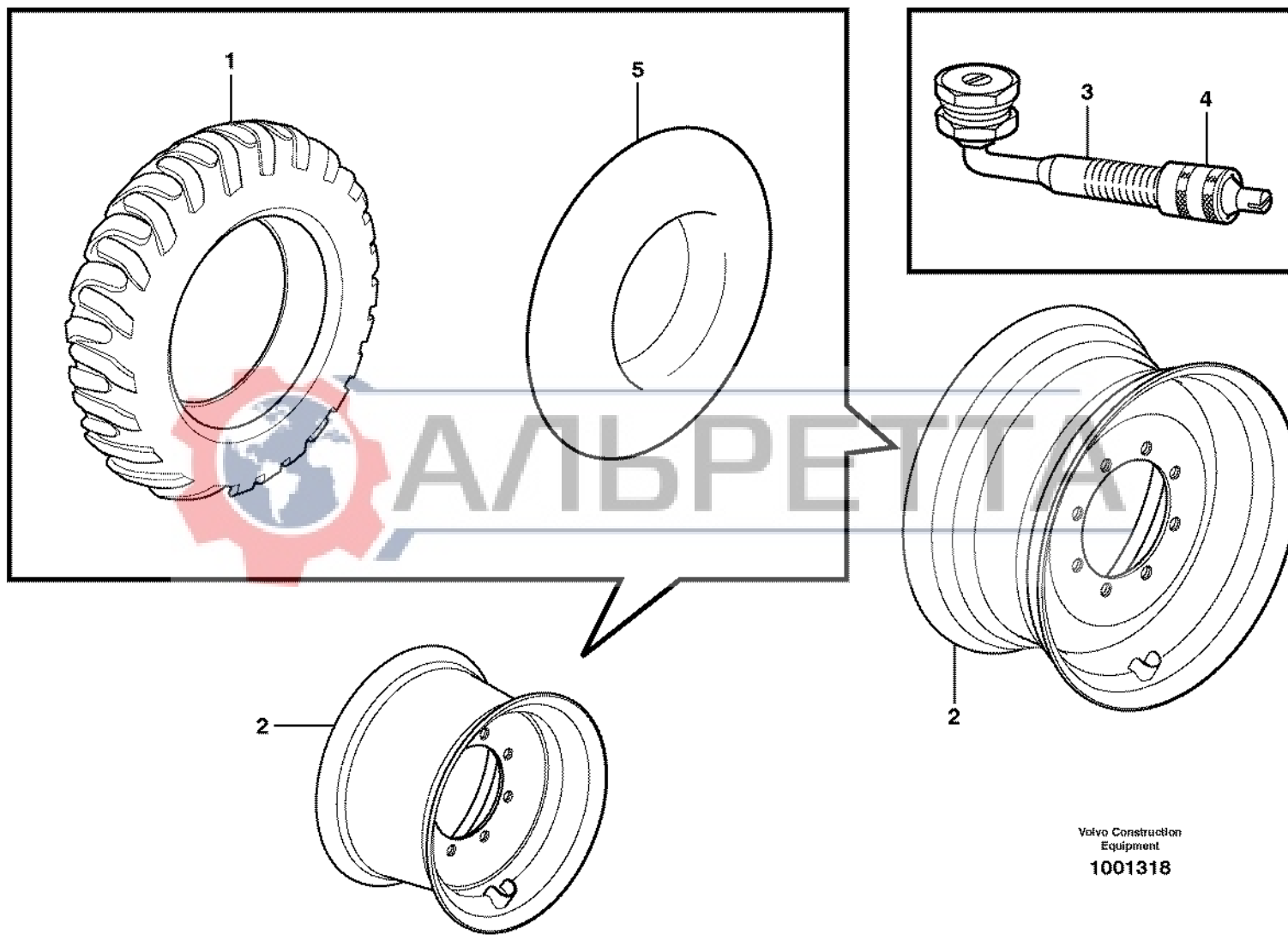


1	11891256 105 KG	<b>Motvikt</b> <b>Contrapeso</b> <b>Gegengewicht</b> <b>Contrepoids</b> <b>Counterweight</b>	Catalogue id	Group
2	11891315 202+133 KG		<b>20004</b>	<b>716</b>
3	11891316 202+2X133 KG		Illustr. No	Section
4			<b>1006660</b>	<b>100</b>
5			Issue	Page
			<b>VOE 63G9920004</b>	<b>419</b>

**VOLVO**

**BL70**





Volvo Construction  
Equipment  
1001318

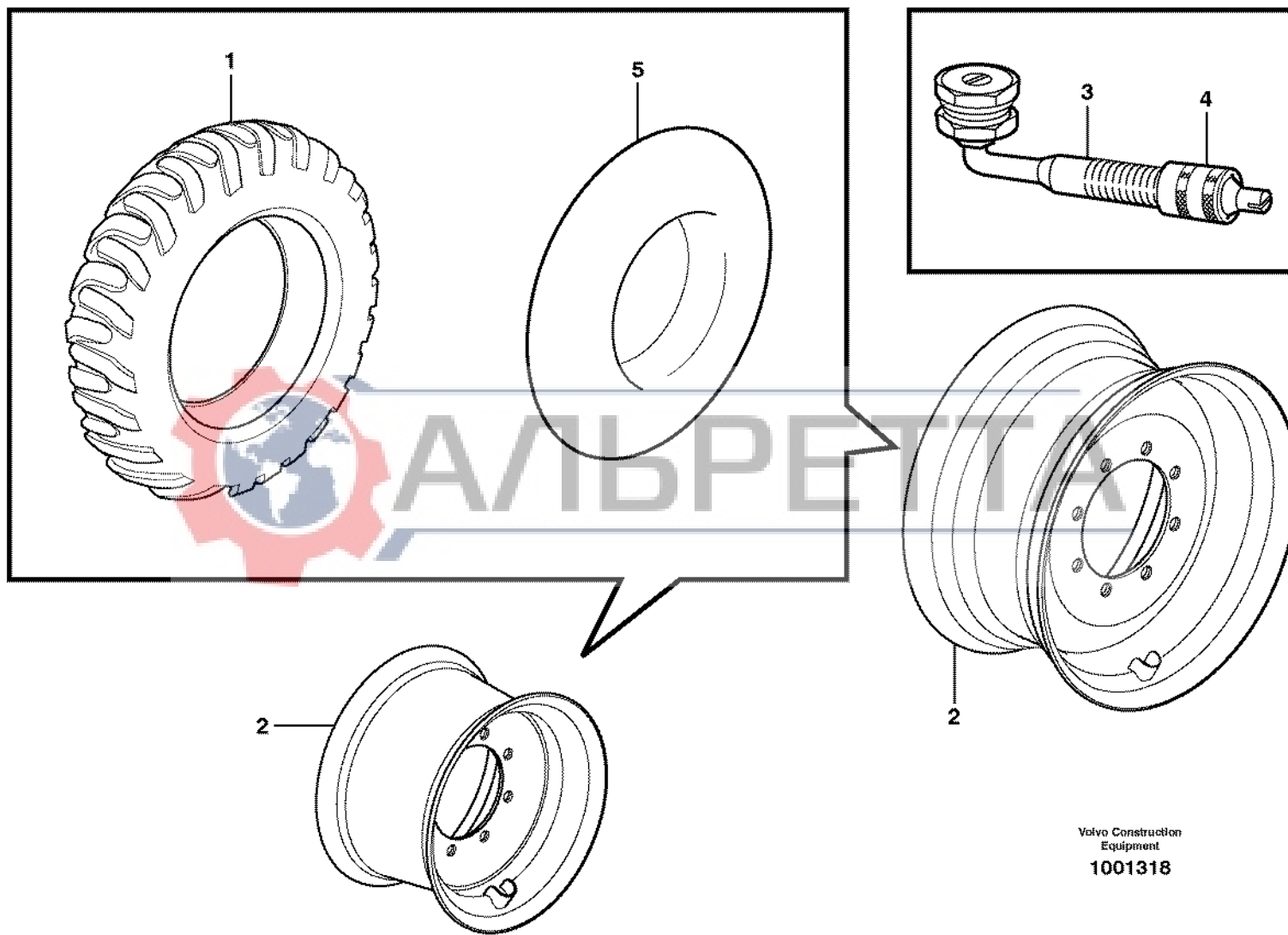
Fig.	Part No.	Quantity					P S	K T	Description	Dénomination	Bezeichnung	Denominación	Benämning	Notes
		1	2	3	4	5								
1	VOE 11881819	2		2				Tire.....	Pneu.....	Reifen.....	Neumatico.....	Däck.....	12,5/80X18	
	VOE 11881821		2					Tire.....	Pneu.....	Reifen.....	Neumatico.....	Däck.....	19,5X24	
	VOE 11881822				2			Tire.....	Pneu.....	Reifen.....	Neumatico.....	Däck.....	21LX24	
2	VOE 11884849	2		2				Rim.....	Jante.....	Radfelge.....	Llania.....	Fälg.....	18"	
	VOE 11881833		2					Rim.....	Jante.....	Radfelge.....	Llania.....	Fälg.....	24"	
	VOE 11885676		2					Rim.....	Jante.....	Radfelge.....	Llania.....	Fälg.....	24"	
	VOE 11881834				2			Rim.....	Jante.....	Radfelge.....	Llania.....	Fälg.....	24"	
	VOE 11885861				2			Rim.....	Jante.....	Radfelge.....	Llania.....	Fälg.....	24"	
3	VOE 784076	4	4	4	4			Valve.....	Soupape.....	Ventil.....	Valvula.....	Ventil.....		
4	VOE 4789869	4	4	4	4			Cap.....	Chapeau.....	Verschlusskappe.....	Caperuza.....	Hatt.....		



1	11891283 FRONT	Hjul Rueda Rad Roue Wheel	Catalogue id	Group
2	11891283 REAR		<b>20004</b>	<b>771</b>
3	11891289 FRONT		Illustr. No	Section
4	11891289 REAR		<b>1001318</b>	<b>100</b>
5			Issue	Page
		<b>VOE 63G9920004</b>	<b>421</b>	

**VOLVO**

**BL70**



Volvo Construction  
Equipment  
1001318

Fig.	Part No.	Quantity					P S	K T	Description	Dénomination	Bezeichnung	Denominación	Benämning	Notes
		1	2	3	4	5								
1	VOE 11881816	2		2				Tire.....	Pneu.....	Reifen.....	Neumatico.....	Däck.....	11LX16	
	VOE 11881821				2			Tire.....	Pneu.....	Reifen.....	Neumatico.....	Däck.....	19,5X24	
	VOE 11881822		2					Tire.....	Pneu.....	Reifen.....	Neumatico.....	Däck.....	21LX24	
2	VOE 11881828	2		2				Rim.....	Jante.....	Radfelge.....	Llania.....	Fälg.....	16"	
	VOE 11881833				2			Rim.....	Jante.....	Radfelge.....	Llania.....	Fälg.....	24"	
	VOE 11881834		2					Rim.....	Jante.....	Radfelge.....	Llania.....	Fälg.....	24"	
3	VOE 784076	4	4	4	4			Valve.....	Soupape.....	Ventil.....	Valvula.....	Ventil.....		
4	VOE 4789869	4	4	1	1			Cap.....	Chapeau.....	Verschlusskappe.....	Caperuza.....	Hatt.....		



1	11891267 FRONT	Hjul Rueda Rad Roue Wheel	Catalogue id	Group
2	11891267 REAR		<b>20004</b>	<b>771</b>
3	11891275 FRONT		Illustr. No	Section
4	11891275 REAR		<b>1001318</b>	<b>150</b>
5			Issue	Page
			<b>VOE 63G9920004</b>	<b>423</b>

**VOLVO**

**BL70**



**VOLVO**

АЛЬРЕТТА

Construction Equipment

GROUP	Section	Page	GROUP	Section	Page		
810	Cab body: roof and floor panel.....	150	431	882	Cover for servo valves 11880002 .....	300	509
818	Cab mounting block .....	100	435	882	Cover for Pilot Excavator Controls .....	400	511
821	Engine hood.....	100	437	896	Toolbox SER NO -10640, EXCL 10637 .....	100	515
823	Radiator casing.....	100	441	896	Toolbox SER NO 10641-, INCL 10637 .....	110	517
825	Mud guards 11298028, 11298029, 11298196, 11298198 .....	100	443	896	Tool 11891152 .....	150	519
825	Fender, front 11891325 .....	150	445	897	Sign plates and decals .....	100	521
827	Step handle canopy 11298029, 11298198 .....	100	447	897	Decals WARNING.....	150	525
827	Foot step .....	150	449				
831	Door with fitting parts 11298028, 11298196 .....	100	451				
841	Rear view mirror.....	100	457				
843	Glass panes .....	100	459				
843	Windows 11294005, 11298028, 11298196 .....	150	461				
851	Interior components 11298018, 11298028 .....	150	465				
852	Operator seat with fitting parts .....	100	467				
852	Operator's seat.....	110	469				
852	Operator's seat CLOTH SEATS FOR CABS .....	150	473				
852	Operator's seat ROPS .....	200	475				
852	Operator's seat, heated, air suspended, CABS.....	250	477				
872	Heating system 11298018, 11298028, 11298196 .....	100	479				
872	Air ducts 11298018 .....	200	481				
872	Air ducts 11298028, 11298196 .....	250	483				
873	Cab heater 11298028, 11298196 .....	100	487				
873	Radiator and control 11298028, 11298018.....	150	489				
873	Cab heater with connectors 11298028, 11298196 .....	200	491				
874	Air conditioning 11298018 .....	100	493				
874	Evaporator, assembly 11298018 .....	350	495				
874	Assembly hoses: Evaporator, receiver drier, condenser. 11298018 .....	450	497				
881	Instrument panel .....	100	499				
881	Radio bracket.....	150	501				
881	Vandalism kit 11298032.....	200	503				
882	Interior components .....	100	505				



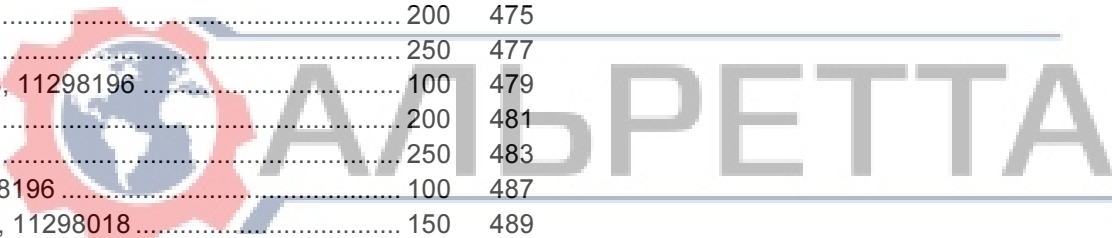
<b>INDEX OF CONTENTS</b>	Catalogue id <b>20004</b>	Group <b>800</b>
	Issue <b>VOE 63G9920004</b>	Page <b>425</b>



<b>TABLE DES MATIÈRES</b>				Catalogue id <b>20004</b>		Group <b>800</b>	
				Issue <b>VOE 63G9920004</b>		Page <b>426</b>	
GROUPE		Section	Page	GROUPE		Section	Page

810	Corps de cabine: toit et tôle plancher.....	150	431	882	Capot pour servovalve 11880002 .....	300	509
818	Suspension de cabine.....	100	435	882	Capotage, servocommande creusement .....	400	511
821	Capot moteur .....	100	437	896	Caisse outil SER NO -10640, EXCL 10637 .....	100	515
823	Boitier radiateur.....	100	441	896	Caisse outil SER NO 10641-, INCL 10637 .....	110	517
825	Garde-boue 11298028, 11298029, 11298196, 11298198.....	100	443	896	Outil 11891152.....	150	519
825	Aile, AV 11891325 .....	150	445	897	Enseignes et décalcomanies .....	100	521
827	Poignée d'accès, cabine ouverte 11298029, 11298198 .....	100	447	897	Calcomanies WARNING .....	150	525
827	Marche-pied .....	150	449				
831	Porte avec pièces de montage 11298028, 11298196 .....	100	451				
841	Retroviseur.....	100	457				
843	Vitres .....	100	459				
843	Fenêtres 11294005, 11298028, 11298196.....	150	461				
851	Pieces d'amenagement 11298018, 11298028.....	150	465				
852	Siège conducteur avec pièces de montage .....	100	467				
852	Siège du conucteur .....	110	469				
852	Siège du conucteur CLOTH SEATS FOR CABS.....	150	473				
852	Siège du conucteur ROPS.....	200	475				
852	Siège du conducteur suspension pneumatique. CABS .....	250	477				
872	Système du chauffage 11298018, 11298028, 11298196 .....	100	479				
872	Canalisation d'air 11298018.....	200	481				
872	Canalisation d'air 11298028, 11298196.....	250	483				
873	Chauffe-cabine 11298028, 11298196.....	100	487				
873	Radiateur et réglage 11298028, 11298018 .....	150	489				
873	Chauffe-cabine avec raccords 11298028, 11298196 .....	200	491				
874	Climatisation 11298018 .....	100	493				
874	Evaporateur, montage 11298018 .....	350	495				
874	Montage flexibles, evaporateur, deshydrateurcondenseur 11298018.....	450	497				
881	Tableau de bord.....	100	499				
881	Console radio.....	150	501				
881	Kit de protection antivandalisme 11298032 .....	200	503				
882	Pieces d'amenagement.....	100	505				

GRUPPE	Abschnitt	Seite	GRUPPE	Abschnitt	Seite		
810	Fahrerhausgerippe: Dach und Bodenblech.....	150	431	882	Haube für Servoventil 11880002.....	300	509
818	Kabinenaufhängung.....	100	435	882	Abdeckung für vorgesteuerte Bagger-Bedienelemente .....	400	511
821	Motorhaube.....	100	437	896	Werkzeugkasten SER NO -10640, EXCL 10637 .....	100	515
823	Kühlerhaube.....	100	441	896	Werkzeugkasten SER NO 10641-, INCL 10637 .....	110	517
825	Kotflügel 11298028, 11298029, 11298196, 11298198 .....	100	443	896	Werkzeug 11891152 .....	150	519
825	Kotflügel, vorn 11891325 .....	150	445	897	Schilder und aufklebeschild .....	100	521
827	Einstieg, Überrollbügel 11298029, 11298198.....	100	447	897	Aufklebeschild WARNING.....	150	525
827	Trittleiter .....	150	449				
831	Tür mit Anbauteilen 11298028, 11298196.....	100	451				
841	Rückspiegel .....	100	457				
843	Fensterscheibe .....	100	459				
843	Fenster 11294005, 11298028, 11298196.....	150	461				
851	Innenausstattung 11298018, 11298028 .....	150	465				
852	Fahrersitz mit Anbauteilen .....	100	467				
852	Fahrersitz .....	110	469				
852	Fahrersitz CLOTH SEATS FOR CABS.....	150	473				
852	Fahrersitz ROPS.....	200	475				
852	Fahrersitz, Luftfedert. CABS .....	250	477				
872	Heizsystem 11298018, 11298028, 11298196 .....	100	479				
872	Luftkanäle 11298018 .....	200	481				
872	Luftkanäle 11298028, 11298196 .....	250	483				
873	Kabinenheizung 11298028, 11298196 .....	100	487				
873	Heizkörper und Regler 11298028, 11298018 .....	150	489				
873	Fahrerhausheizung mit anschlusse 11298028, 11298196 .....	200	491				
874	Klimaanlage 11298018 .....	100	493				
874	Verdampfer, Anbauteilen 11298018 .....	350	495				
874	Anbauteilen schlauch, verdampfer, entfeuchter 11298018.....	450	497				
881	Instrumententafel .....	100	499				
881	Radioträger .....	150	501				
881	Vandalisierungschutz 11298032.....	200	503				
882	Innenausstattung .....	100	505				



<b>INHALTSVERZEICHNIS</b>	Catalogue id <b>20004</b>	Group <b>800</b>
	Issue <b>VOE 63G9920004</b>	Page <b>427</b>





<b>INDICE</b>	Catalogue id <b>20004</b>	Group <b>800</b>
	Issue <b>VOE 63G9920004</b>	Page <b>428</b>

GRUPO	Sección	Página	GRUPO	Sección	Página		
810	Cuerpo de cabina: techo y plancha de piso.....	150	431	882	Cubierta para servoválvula 11880002 .....	300	509
818	Suspensión de cabina.....	100	435	882	Tapa de mandos piloto de excavadora .....	400	511
821	Capo .....	100	437	896	Caja de herramientas SER NO -10640, EXCL 10637 .....	100	515
823	Cubierta del radiador .....	100	441	896	Caja de herramientas SER NO 10641-, INCL 10637.....	110	517
825	Guardabarros 11298028, 11298029, 11298196, 11298198.....	100	443	896	Herramienta 11891152 .....	150	519
825	Guardabarros, delantero 11891325.....	150	445	897	Muestras y decalcomanías.....	100	521
827	Asidero de entrada protección contra vuelcos 11298029, 11298198	100	447	897	Calcomanías WARNING.....	150	525
827	Escalón de acceso.....	150	449				
831	Puerta con accesorios de montaje 11298028, 11298196.....	100	451				
841	Retrovisor.....	100	457				
843	Ventanillas .....	100	459				
843	Ventanas 11294005, 11298028, 11298196 .....	150	461				
851	Detalles interiores 11298018, 11298028 .....	150	465				
852	Asiento del conductor con piezas de montaje .....	100	467				
852	Asiento del conductor .....	110	469				
852	Asiento del conductor CLOTH SEATS FOR CABS .....	150	473				
852	Asiento del conductor ROPS .....	200	475				
852	Asiento de conducción de suspensión neumática. CABS .....	250	477				
872	Sistema de calefacción 11298018, 11298028, 11298196 .....	100	479				
872	Conductos de aire 11298018 .....	200	481				
872	Conductos de aire 11298028, 11298196.....	250	483				
873	Calefactor de cabina 11298028, 11298196 .....	100	487				
873	Radiador y reglaje 11298028, 11298018.....	150	489				
873	Calefactor cabina con uniones 11298028, 11298196.....	200	491				
874	Acondicionador de aire 11298018 .....	100	493				
874	Evaporador, montaje 11298018.....	350	495				
874	Montaje mangueras, evaporador, secador, condensador 11298018	450	497				
881	Panel de instrumentos .....	100	499				
881	Panel de radio.....	150	501				
881	Protección contra vandalismo 11298032.....	200	503				
882	Detalles interiores .....	100	505				

GRUPP	Avsnitt	Sida	GRUPP	Avsnitt	Sida		
810	Hyttstomme: tak och golvplåt.....	150	431	882	Kåpa för servoventil 11880002 .....	300	509
818	Hyttupphängning.....	100	435	882	Lucka för pilotstyrda grävreglage .....	400	511
821	Motorhuv .....	100	437	896	Verktygslåda SER NO -10640, EXCL 10637 .....	100	515
823	Kylarkåpa .....	100	441	896	Verktygslåda SER NO 10641-, INCL 10637 .....	110	517
825	Stänkskärmar 11298028, 11298029, 11298196, 11298198.....	100	443	896	Verktyg 11891152 .....	150	519
825	Stänkskärm, fram 11891325.....	150	445	897	Skyltar och dekaler.....	100	521
827	Instegshandtag version med soltak 11298029, 11298198 .....	100	447	897	Dekaler WARNING .....	150	525
827	Fotsteg .....	150	449				
831	Dörr med monteringsdetaljer 11298028, 11298196 .....	100	451				
841	Backspeglar .....	100	457				
843	Rutor .....	100	459				
843	Fönster 11294005, 11298028, 11298196.....	150	461				
851	Inredningsdetaljer 11298018, 11298028 .....	150	465				
852	Förarstol med monteringsdetaljer .....	100	467				
852	Förarstol.....	110	469				
852	Förarstol CLOTH SEATS FOR CABS .....	150	473				
852	Förarstol ROPS.....	200	475				
852	Luftfjädrande förarstol, Eluppvärmd. CABS .....	250	477				
872	Värmesystem 11298018, 11298028, 11298196 .....	100	479				
872	Luftkanaler 11298018 .....	200	481				
872	Luftkanaler 11298028, 11298196 .....	250	483				
873	Hyttvärmare 11298028, 11298196 .....	100	487				
873	Radiator och reglage 11298028, 11298018.....	150	489				
873	Hyttvärmare med anslutningar 11298028, 11298196.....	200	491				
874	Luftkonditionering 11298018.....	100	493				
874	Evaporator, montering 11298018 .....	350	495				
874	Montering slangar: Evaporator, torkare, kondensor. 11298018.....	450	497				
881	Instrumentpanel .....	100	499				
881	Radiokonsol .....	150	501				
881	Vandalskydd 11298032 .....	200	503				
882	Inredningsdetaljer .....	100	505				

<b>INNEHÅLLSFÖRTECKNING</b>	Catalogue id <b>20004</b>	Group <b>800</b>
	Issue <b>VOE 63G9920004</b>	Page <b>429</b>



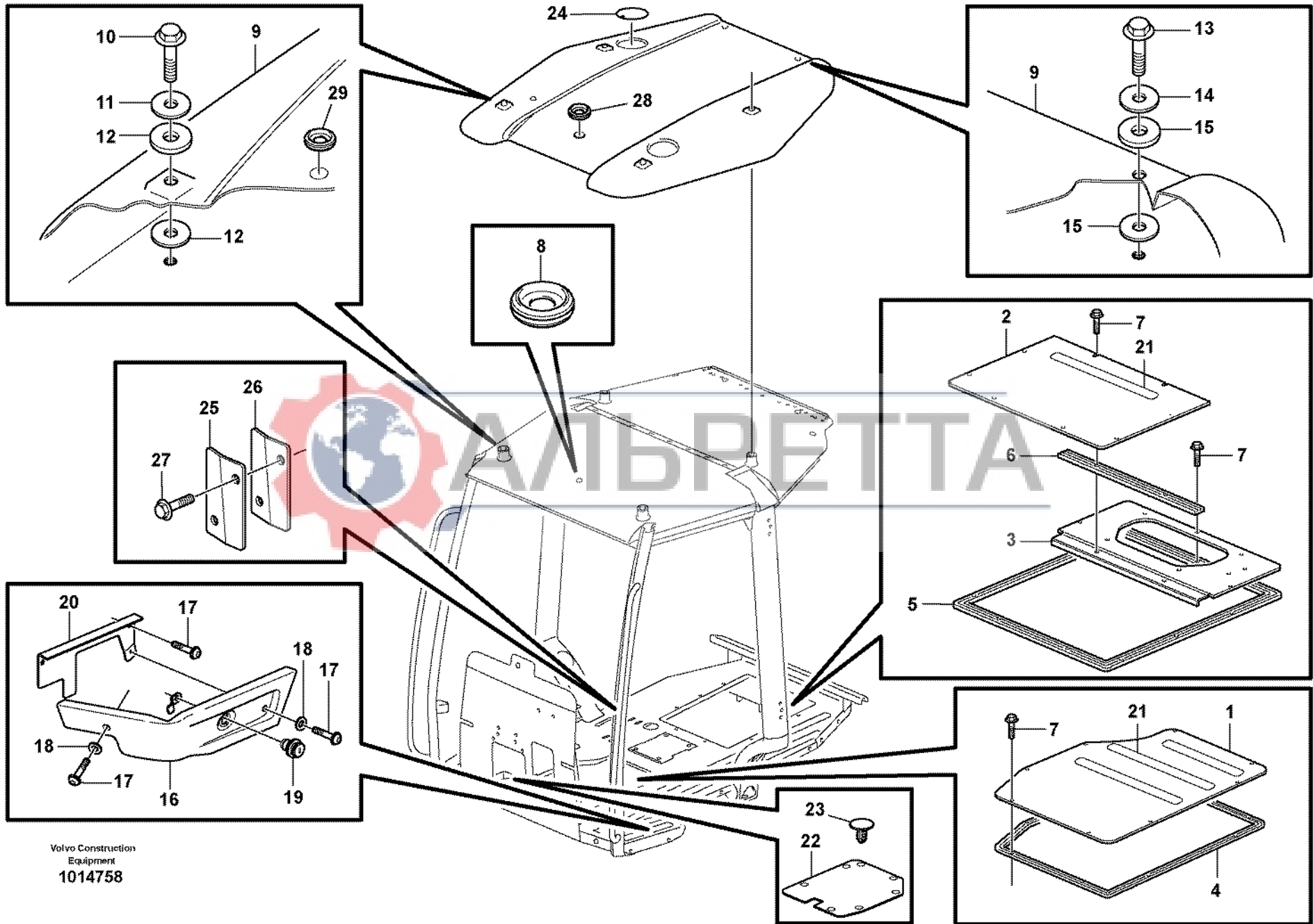
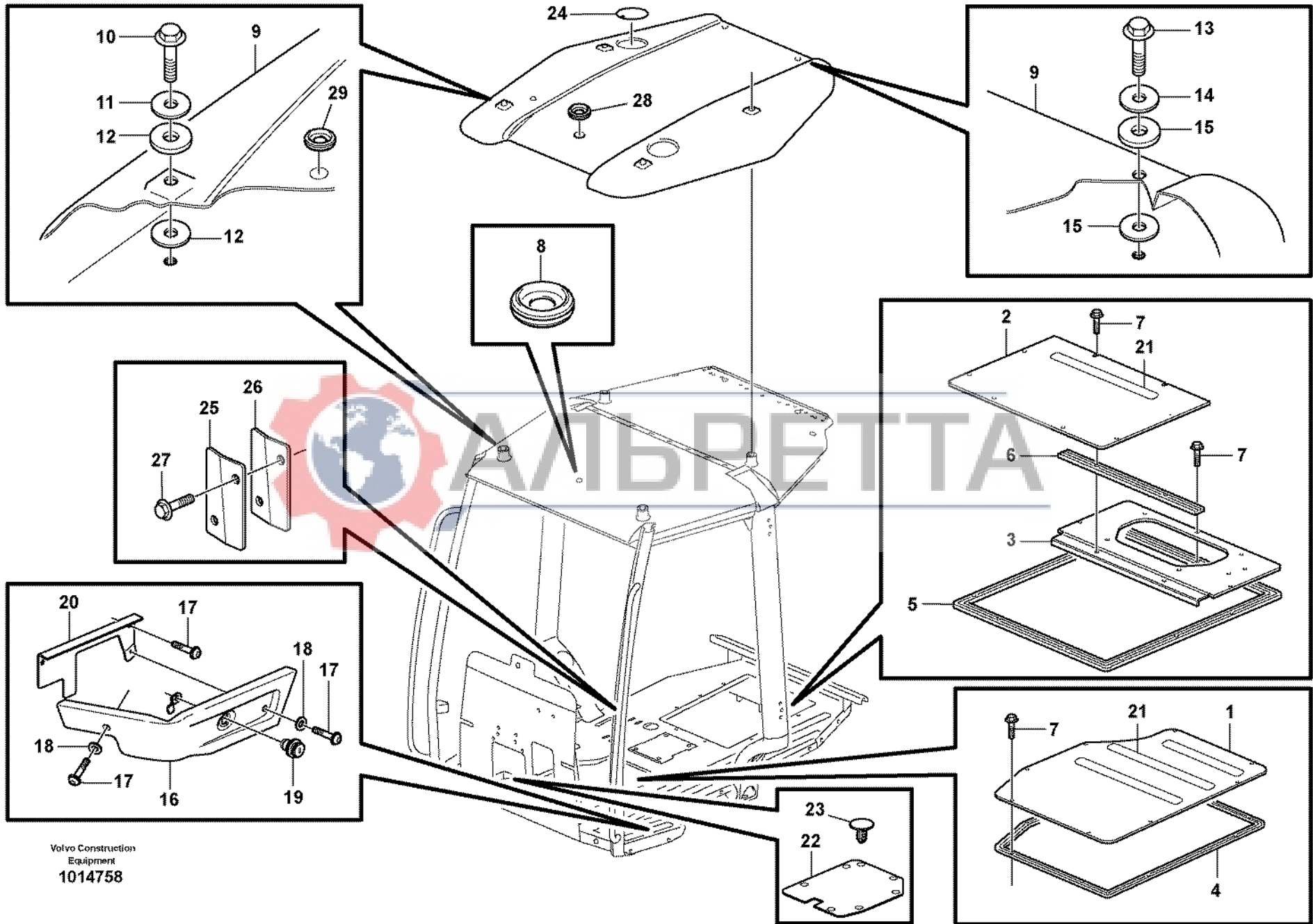


Fig.	Part No.	Quantity			P S	K I T	Description	Dénomination	Bezeichnung	Denominación	Benämning	Notes
		1	2	3								
	VOE 11203253	1					Cab framework.....	Carcasse cabine .....	FH-Gerippe .....	Armazon cabina .....	Hyttstomme.....	
	VOE 11202965		1				Cab framework.....	Carcasse cabine .....	FH-Gerippe .....	Armazon cabina .....	Hyttstomme.....	
1	VOE 11200797	1					Hatch.....	Trappe.....	Luke .....	Tapa .....	Lucka.....	SER NO -10638
1	VOE 11203487	1					Hatch.....	Trappe.....	Luke .....	Trampilla .....	Lucka.....	SER NO 10639-
1	VOE 11200797		1				Hatch.....	Trappe.....	Luke .....	Tapa .....	Lucka.....	
2	VOE 11201163	1					Hatch.....	Trappe.....	Luke .....	Trampilla .....	Lucka.....	SER NO -10638
2	VOE 11203491	1					Hatch.....	Trappe.....	Luke .....	Trampilla .....	Lucka.....	SER NO 10639-
2	VOE 11201163		1				Hatch.....	Trappe.....	Luke .....	Trampilla .....	Lucka.....	
3	VOE 11200851	1	1				Plate.....	Plaque.....	Platte.....	Placa .....	Platta.....	
4	VOE 11104947	REQ	REQ				Sealing strip .....	Lisse etancheite .....	Dichtleiste.....	Moldura reten .....	Tättningslist.....	L = 1800 MM
5	VOE 11104947	REQ	REQ				Sealing strip .....	Lisse etancheite .....	Dichtleiste.....	Moldura reten .....	Tättningslist.....	L = 2100 MM
6	VOE 11104947	REQ	REQ				Sealing strip .....	Lisse etancheite .....	Dichtleiste.....	Moldura reten .....	Tättningslist.....	L = 460 MM
7	VOE 13947542	19	19				Screw.....	Vis .....	Schraube.....	Tornillo .....	Skruv.....	
8	VOE 941267	1					Plug.....	Bouchon.....	Stopfen.....	Tapon .....	Plugg.....	
9	VOE 11200004	1					Roof.....	Toit.....	Dach.....	Techo .....	Tak.....	
10	VOE 975528	4	4				Flange screw.....	Vis à bride.....	Flanschschraube.....	Torn embridado.....	Flänsskruv.....	
11	VOE 955905	4					Washer.....	Rondelle.....	Scheibe .....	Arandela.....	Bricka.....	
12	VOE 11200002	8					Spacer.....	Entretoise.....	Abstandkörper.....	Distanciador.....	Distans.....	
13	VOE 946440	2	2				Flange screw.....	Vis à bride.....	Flanschschraube.....	Torn embridado.....	Flänsskruv.....	
14	VOE 13960143	2					Washer.....	Rondelle.....	Scheibe .....	Arandela.....	Bricka.....	
15	VOE 11149399	4					Seal.....	Joint.....	Dichtung.....	Reten.....	Tätning.....	
16	VOE 11200556	1					Side Panel.....	Panneau Lateral.....	Seit Verkl.....	Panel Lateral.....	Sidopanel.....	LH
16	VOE 11201171	1					Side Panel.....	Panneau Lateral.....	Seit Verkl.....	Panel Lateral.....	Sidopanel.....	RH
17	VOE 972421	9					Screw.....	Vis .....	Schraube.....	Tornillo .....	Skruv.....	
18	VOE 955892	5					Washer.....	Rondelle.....	Scheibe .....	Arandela.....	Bricka.....	
19		1					Lock Cylinder.....	Barille serrure.....	Schliesszyl .....	Cilindro Cierre .....	Låscylinder.....	See group 821, Page 437
20	VOE 11201172	1					Anchorage.....	Fixation .....	Halterung.....	Fijacion.....	Fäste.....	LH
20	VOE 11201036	1					Anchorage.....	Fixation .....	Halterung.....	Fijacion.....	Fäste.....	RH
21	VOE 11203449	REQ					Tape.....	Scotch.....	Klebeband.....	Cinta .....	Tape.....	
22	VOE 11886362		1				Plate.....	Plaque.....	Platte.....	Placa .....	Platta.....	

1	11294005, 11298196	<b>Hyttstomme: tak och golvplåt.</b> <b>Cuerpo de cabina: techo y plancha de piso.</b> <b>Fahrerhausgerippe: Dach und Bodenblech.</b> <b>Corps de cabine: toit et tôle plancher.</b> <b>Cab body: roof and floor panel.</b>	Catalogue id	Group
2	11298198		<b>20004</b>	<b>810</b>
3	11891255		Illustr. No	Section
4			<b>1014758</b>	<b>150</b>
5			Issue	Page
			<b>VOE 63G9920004</b>	<b>431</b>



Volvo Construction  
Equipment  
1014758

Fig.	Part No.	Quantity			P S	K I T	Description	Dénomination	Bezeichnung	Denominación	Benämning	Notes
		1	2	3								
23	VOE 11881360					7	Retainer .....	Retenue .....	Halter.....	Soporte.....	Hållare .....	
24	VOE 11200459	2					Attaching Plate.....	Fer Fixation .....	Befestigungslasche .....	Plato Fijacion.....	Fästjärn.....	
25	VOE 11201057		1				Cover .....	Capot .....	Haube.....	Capo.....	Huv.....	RH; SER NO 10844-
25	VOE 11201058		1				Cover .....	Capot .....	Haube.....	Capo.....	Huv.....	LH; SER NO 10844-
26	VOE 11203861		2				Gasket.....	Joint .....	Dichtung .....	Junta .....	Packning.....	SER NO 10844-
27	VOE 11201057		4				Cover .....	Capot .....	Haube.....	Capo.....	Huv.....	SER NO 10844-
28	VOE 13961965	1	1	1			Protecting Plug.....	Tampon Protect. ....	Sicher Stöpsel.....	Tapon Protecc.....	Skyddspropp.....	11880002 SER NO 10799-
29	VOE 941268	1	1	1			Plug.....	Bouchon.....	Stopfen.....	Tapon .....	Plugg.....	11880002 SER NO 10799-



1	11294005, 11298196	<b>Hyttstomme: tak och golvplåt.</b> <b>Cuerpo de cabina: techo y plancha de piso.</b> <b>Fahrerhausgerippe: Dach und Bodenblech.</b> <b>Corps de cabine: toit et tôle plancher.</b> <b>Cab body: roof and floor panel.</b>	Catalogue id	Group
2	11298198		<b>20004</b>	<b>810</b>
3	11891255		Illustr. No	Section
4			<b>1014758</b>	<b>150</b>
5			Issue	Page
			<b>VOE 63G9920004</b>	<b>433</b>

**VOLVO**

**BL70**



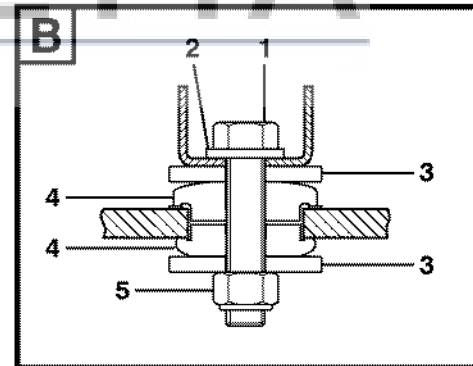
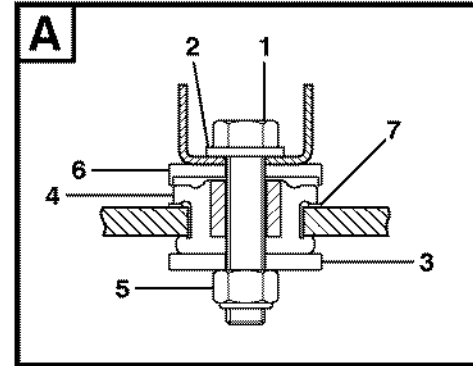
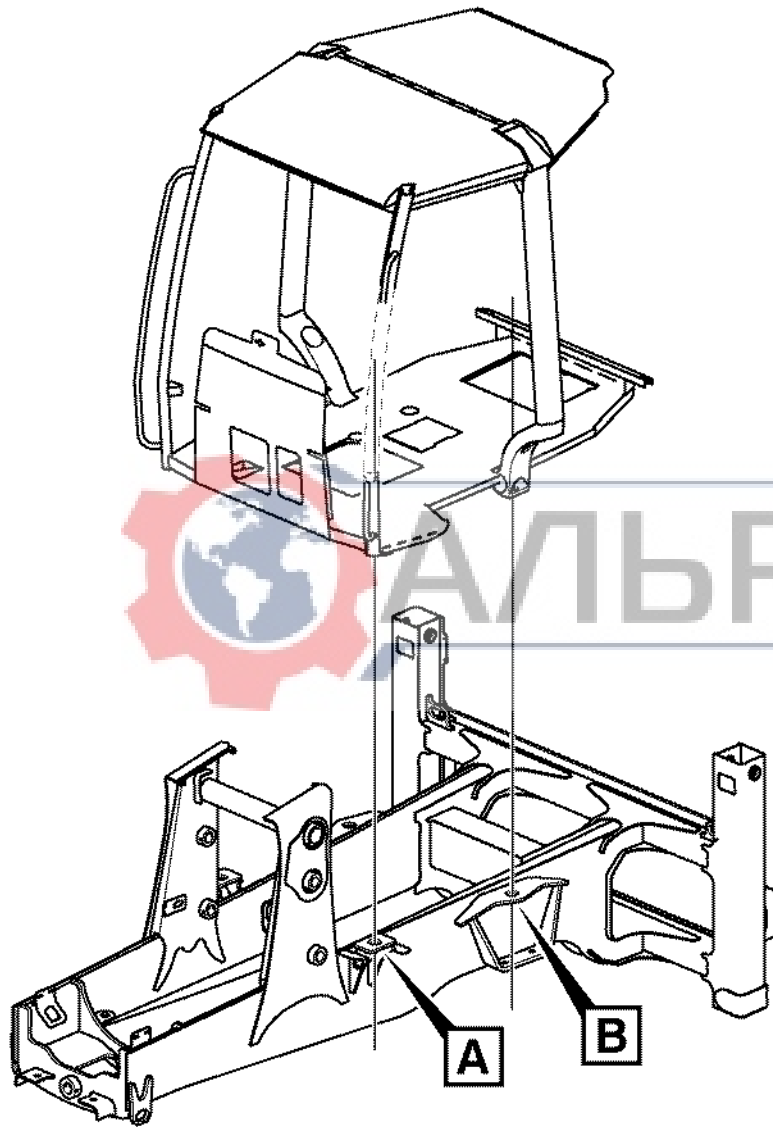




Fig.	Part No.	Quantity			P S	K I T	Description	Dénomination	Bezeichnung	Denominación	Benämning	Notes
		1	2	3								
1	VOE 978953	2				Screw .....	Vis .....	Schraube .....	Tornillo .....	Skruv .....		
	VOE 983299		2			Hexagon screw .....	Vis a tête hexagonale	Sechskantschr.....	Tornillo hexago.....	Sexkantsskruv.....		
2	VOE 11055616	2	2			Washer.....	Rondelle .....	Scheibe .....	Arandela.....	Bricka.....		
3	VOE 11881773	2				Washer.....	Rondelle .....	Scheibe .....	Arandela.....	Bricka.....		
	VOE 11886647		4			Washer.....	Rondelle .....	Scheibe .....	Arandela.....	Bricka.....		
4	VOE 11883856	2				Base.....	Pied.....	Fuss .....	Base .....	Fot.....		
	VOE 11884520		4			Base.....	Pied.....	Fuss .....	Base .....	Fot.....		
5	VOE 963111	2	2			Lock nut .....	Contre-ecrou .....	Sicherungsmutter .....	Contratuerca .....	Låsmutter.....		
6	VOE 11883939	2				Washer.....	Rondelle .....	Scheibe .....	Arandela.....	Bricka.....		
7	VOE 11885690	2				Washer.....	Rondelle .....	Scheibe .....	Arandela.....	Bricka.....	(VOE 11884195)	



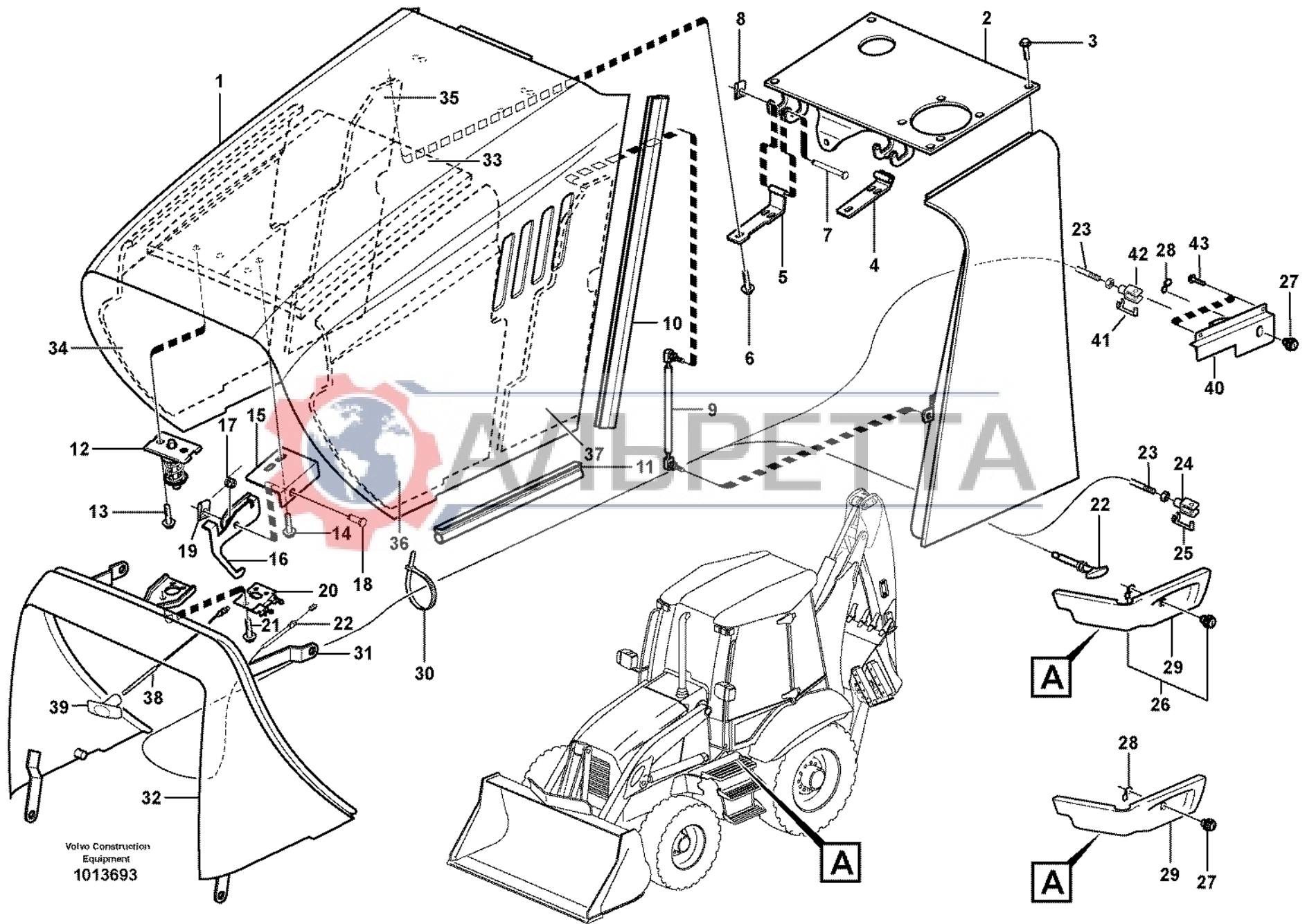
1	FRONT	<b>Hyttupphängning</b> <b>Suspensión de cabina</b> <b>Kabinenaufhängung</b> <b>Suspension de cabine</b> <b>Cab mounting block</b>	Catalogue id	Group
2	REAR		<b>20004</b>	<b>818</b>
3			Illustr. No	Section
4			<b>1006670</b>	<b>100</b>
5			Issue	Page
			<b>VOE 63G9920004</b>	<b>435</b>

**VOLVO**

**BL70**







Volvo Construction  
Equipment  
1013693

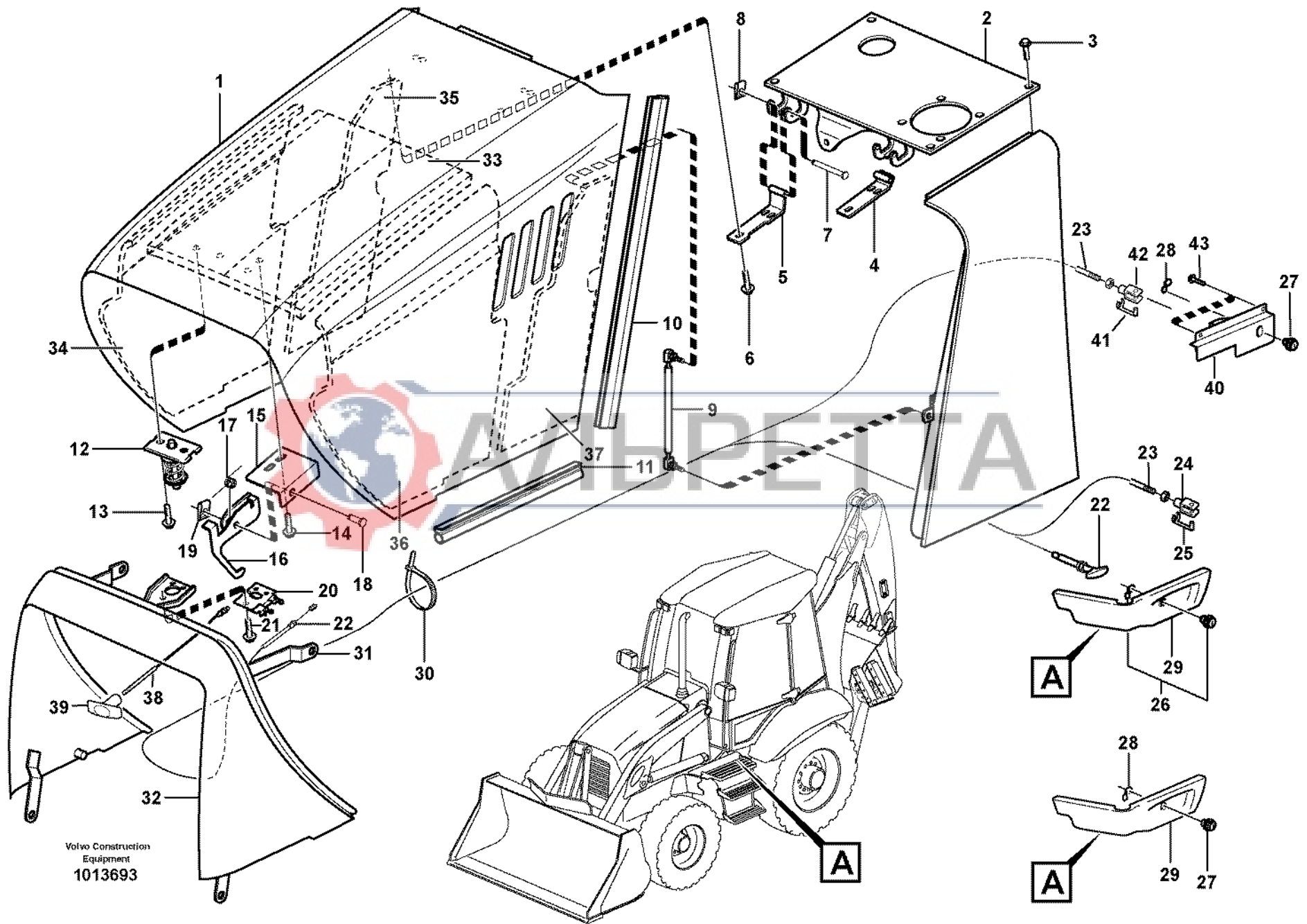
Fig.	Part No.	Quantity					P S	K T	Description	Dénomination	Bezeichnung	Denominación	Benämning	Notes
		1	2	3	4	5								
1	VOE 11882980	1						Hood .....	Capot Moteur .....	Motorhaube .....	Tapa motor .....	Motorhuv .....		
2	VOE 11882408	1						Top Plate .....	Tole Superieure .....	Deckblech .....	Placa Superior .....	Överplåt .....	SER NO -10682	
2	VOE 11886377	1						Top Plate .....	Tole Superieure .....	Deckblech .....	Placa Superior .....	Överplåt .....	SER NO 10683-	
	VOE 11887626	REQ						Shim .....	Cale d'épaisseur .....	Passscheibe .....	Arandela Ajuste .....	Passbricka .....		
3	VOE 13947760	4						Flange screw .....	Vis à bride .....	Flanschschraube .....	Torn embridado .....	Flänsskruv .....		
4	VOE 11881237	1						Hinge .....	Charniere .....	Scharnier .....	Bisagra .....	Gångjärn .....		
5	VOE 11882965	1						Hinge .....	Charniere .....	Scharnier .....	Bisagra .....	Gångjärn .....		
6	VOE 13945444	6						Flange screw .....	Vis à bride .....	Flanschschraube .....	Torn embridado .....	Flänsskruv .....		
7	VOE 11883052	2						Pin .....	Goupille .....	Zapfen .....	Pasador .....	Tapp .....		
8	VOE 943926	2						Lock brace .....	Etrier de verrouillag .....	Sperrklinke .....	Brazo Seguridad .....	Låsbygel .....		
9	VOE 11884653	2						Gas Spring .....	Ressort Gaz .....	Gasfeder .....	Resorte A Gas .....	Gasfjäder .....		
10	VOE 11881899	2						Seal .....	Joint .....	Dichtung .....	Reten .....	Tätning .....		
11	VOE 11881002	2						Seal .....	Joint .....	Dichtung .....	Reten .....	Tätning .....		
12	VOE 11114940	1						Lock Bolt .....	Boulon Verroui. ....	Sicher Bolzen .....	Perno Seguridad .....	Låsult .....		
13	VOE 13946173	2						Flange screw .....	Vis à bride .....	Flanschschraube .....	Torn embridado .....	Flänsskruv .....		
14	VOE 13946173	2						Flange screw .....	Vis à bride .....	Flanschschraube .....	Torn embridado .....	Flänsskruv .....		
15	VOE 11885233	1						Bracket .....	Console .....	Konsole .....	Ménsula .....	Konsol .....		
16	VOE 11885234	1						Hook .....	Crochet .....	Haken .....	Gancho .....	Krok .....		
17	VOE 11881351	1						Spring .....	Ressort .....	Feder .....	Muelle .....	Fjäder .....		
18	VOE 942290	1						Rtng Ring Bolt .....	Boulon Sill Bag .....	Sich.bolzen .....	Perno Circlip .....	Spåringsbult .....		
19	VOE 13942915	1						Safety Brace .....	Etrier Securite .....	Sicherungsbugel .....	Brida Seguridad .....	Säkringsbygel .....		
20	VOE 11882989	1						Catch .....	Disque Blocage .....	Sperrplatte .....	Disco Bloqueo .....	Spärrskiva .....		
21	VOE 13965175	3						Screw .....	Vis .....	Schraube .....	Tornillo .....	Skruv .....		
22	VOE 11883860	1						Cable .....	Câble .....	Seil .....	Cable .....	Lina .....	2156)	
23	VOE 11886250			1				Cable .....	Câble .....	Seil .....	Cable .....	Lina .....	SER NO 10639-	
23	VOE 11886789		1					Cable .....	Câble .....	Seil .....	Cable .....	Lina .....	SER NO 10790-	
24	VOE 11882487			1				Fork .....	Fourche .....	Gabel .....	Horquilla .....	Gaffel .....	SER NO 10639-	
25	VOE 11882489			1				Pin .....	Clavette .....	Splint .....	Pasador .....	Sprint .....	SER NO 10639-	

2156) GB: Cab: Ser.No. -10638; Canopy: Ser.No. -10602 FR: Cabine: No de série -10638. Cabine ouverte: No de série -10602 DE: Kabine: Fert.-Nr.-10638 Canopy: Fert.-Nr.-10602 ES: Cabina: Núm. de serie -10638; Cabina abierta: Núm. de serie -10602 SE: Hytt: Tillverkningsnr. -10638; Öppen hytt: Tillverkningsnr. -10602

1	11880002	<b>Motorhuv</b> <b>Capo</b> <b>Motorhaube</b> <b>Capot moteur</b> <b>Engine hood</b>	Catalogue id	Group
2	11298198		<b>20004</b>	<b>821</b>
3	11298196		Illustr. No	Section
4	11298239		<b>1013693</b>	<b>100</b>
5			Issue	Page
			<b>VOE 63G9920004</b>	<b>437</b>

**VOLVO**

**BL70**



Volvo Construction  
Equipment  
1013693

Fig.	Part No.	Quantity					P S	K T	Description	Dénomination	Bezeichnung	Denominación	Benämning	Notes
		1	2	3	4	5								
26	VOE 11881549	1						Lock Cylinder	Barille.serrure	Schliesszyl	Cilindro Cierre	Låscylinder	2156) ; CPL	
26	VOE 11881549			1				Lock Cylinder	Barille.serrure	Schliesszyl	Cilindro Cierre	Låscylinder	CPL; SER NO 10639-10654	
27	VOE 11886138			1				Lock	Serrure	Schloss	Cierre	Lås	SER NO 10655-	
27	VOE 11886138				1			Lock	Serrure	Schloss	Cierre	Lås		
28	VOE 11886474			1				Lock Plate	Plaque Verroui.	Verschl Platte	Placa Seguridad	Låsplatta	SER NO 10655-	
28	VOE 11886474				1			Lock Plate	Plaque Verroui.	Verschl Platte	Placa Seguridad	Låsplatta		
29		1						Side Panel	Panneau Lateral	Seit Verkl	Panel Lateral	Sidopanel	See group 810, Page 431	
30	VOE 4881438	2						Strip Clamp	Ruban Serrage	Kabelbinder	Abraz Cinta	Bandklamma	2156)	
30	VOE 4881438			2				Strip Clamp	Ruban Serrage	Kabelbinder	Abraz Cinta	Bandklamma	SER NO 10639-	
31		1						Bracket	Console	Konsole	Ménsula	Konsol	See group 261, Page 105	
32		1						Nose Part	Partie Nez	Frontgeschirr	Parte Delantera	Nosdel	See group 823, Page 441	
33	VOE 11883414	1				SS		Insulation	Isolant	Isolierung	Aislante	Isolering		
34	VOE 11883418	1						Insulation	Isolant	Isolierung	Aislante	Isolering		
35	VOE 11886546	1						Insulation	Isolant	Isolierung	Aislante	Isolering		
36	VOE 11886547	1						Insulation	Isolant	Isolierung	Aislante	Isolering		
37	VOE 11886545	1						Insulation	Isolant	Isolierung	Aislante	Isolering		
38	VOE 11886264	1						Cable	Câble	Seil	Cable	Lina	SER NO 10604-10789	
39	VOE 11886270	1						Handle	Poignee	Handgriff	Manilla	Handgrepp	SER NO 10604-10789	
40	VOE 11887014	1						Handle	Poignee	Handgriff	Manilla	Handgrepp	SER NO 10790-	
41	VOE 11882489	1						Pin	Clavette	Splint	Pasador	Sprint	SER NO 10790-	
42	VOE 11882487	1						Fork	Fourche	Gabel	Horquilla	Gaffel	SER NO 10790-	
43	VOE 13947949	1						Flange screw	Vis à bride	Flanschschraube	Torn embridado	Flänsskruv	SER NO 10790-	



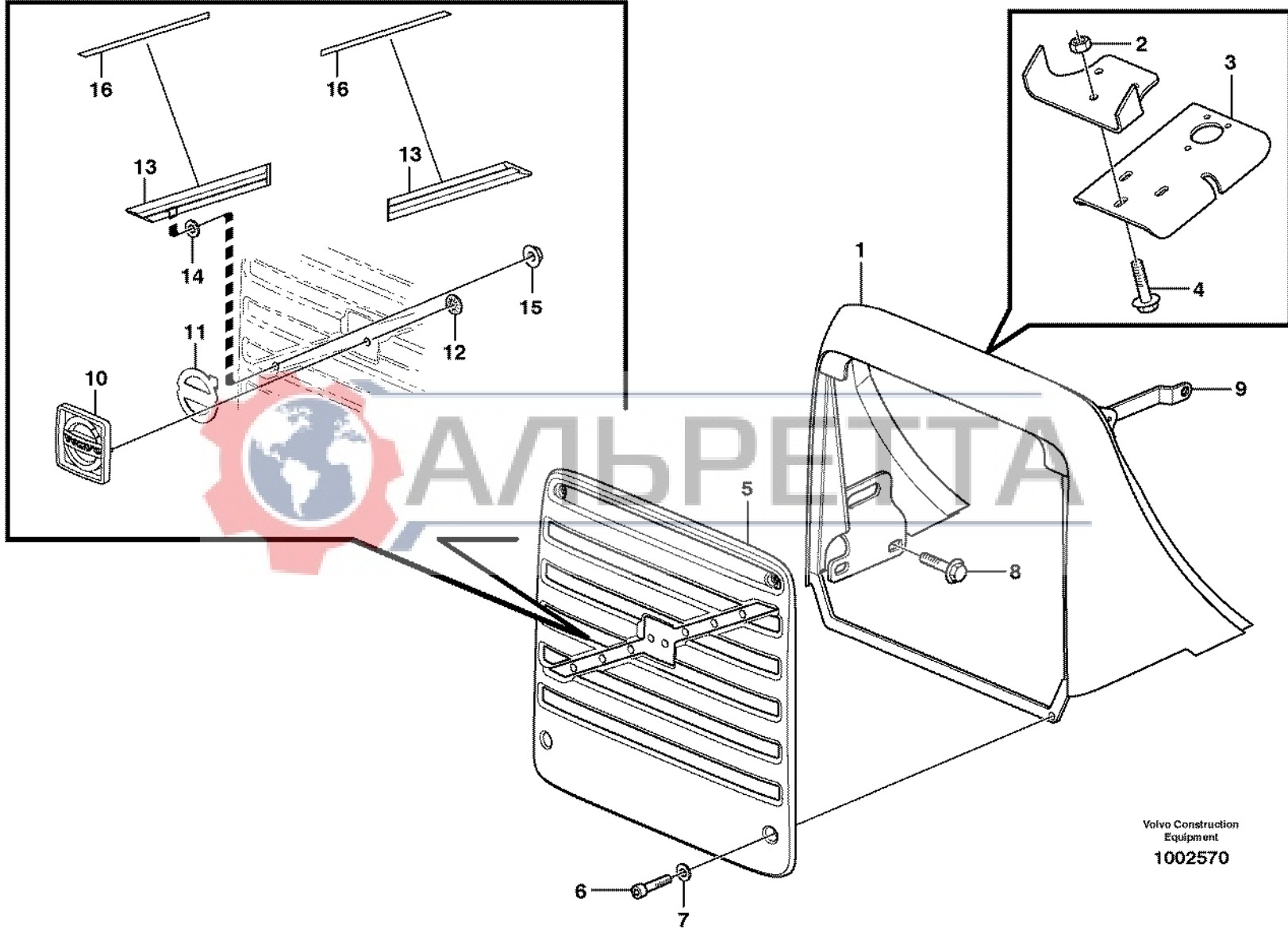
2156) GB: Cab: Ser.No. -10638; Canopy: Ser.No. -10602 FR: Cabine: No de série -10638. Cabine ouverte: No de série -10602 DE: Kabine: Fert.-Nr.-10638 Canopy: Fert.-Nr.-10602 ES: Cabina: Núm. de serie -10638; Cabina abierta: Núm. de serie -10602 SE: Hytt: Tillverkningsnr. -10638; Öppen hytt: Tillverkningsnr. -10602

1	11880002	<b>Motorhuv</b> <b>Capo</b> <b>Motorhaube</b> <b>Capot moteur</b> <b>Engine hood</b>	Catalogue id	Group
2	11298198		<b>20004</b>	<b>821</b>
3	11298196		Illustr. No	Section
4	11298239		<b>1013693</b>	<b>100</b>
5			Issue	Page
			<b>VOE 63G9920004</b>	<b>439</b>

**VOLVO**

**BL70**





Volvo Construction  
Equipment  
1002570

Fig.	Part No.	Quantity			P S	K I T	Description	Dénomination	Bezeichnung	Denominación	Benämning	Notes
		1	2	3								
1	VOE 11883132	1					Nose Part.....	Partie Nez .....	Frontgeschirr .....	Parte Delantera .....	Nosdel.....	
2	VOE 955782	3					•Hexagon Nut.....	•Ecrou Hexagonal .....	•Sechskantmutter .....	•Tuerca Hexagon .....	•Sexkantmutter.....	
3	VOE 11883678	1					Bracket.....	Console.....	Konsole .....	Ménsula.....	Konsol.....	
4	VOE 13946173	3					Flange screw.....	Vis à bride .....	Flanschschraube.....	Torn embridado .....	Flänsskruv.....	
5	VOE 11881191	1					Radiator grille.....	Calandre radia. ....	Kühlergrill .....	Rejilla radiad .....	Kylargrill.....	
6	VOE 13969599	4					Screw.....	Vis .....	Schraube.....	Tornillo .....	Skruv.....	
7	VOE 13955894	4					Washer.....	Rondelle.....	Scheibe .....	Arandela.....	Bricka.....	
8	VOE 968589	4					Flange screw.....	Vis à bride .....	Flanschschraube.....	Torn embridado .....	Flänsskruv.....	
9		2					Bracket.....	Console.....	Konsole .....	Ménsula.....	Konsol.....	See group 261, Page 105
10	VOE 11884163	1					Emblem.....	Monogramme .....	Emblem .....	Emblema .....	Emblem.....	
11	VOE 11884214	1					Adhesive .....	Adhesif .....	Klebstoff .....	Adhesivo .....	Lim.....	
12	VOE 945780	2					Retainer .....	Retenue .....	Halter.....	Soporte.....	Hållare.....	
13	VOE 11884154	2					Profile.....	Profile.....	Profil.....	Perfil.....	Profil.....	
14	VOE 949102	6					Washer.....	Rondelle.....	Scheibe .....	Arandela.....	Bricka.....	
15	VOE 13965483	6					Flange Lock Nut.....	Contre écrou bride .....	Flanschmutter .....	Contratuer Embr.....	Flänslåsmutter.....	
16	VOE 11884165	2					Strip.....	Bande.....	Streifen.....	Cinta.....	Band.....	



1		<b>Kylarkåpa</b> <b>Cubierta del radiador</b> <b>Kühlerhaube</b> <b>Boitier radiateur</b> <b>Radiator casing</b>	Catalogue id	Group
2			<b>20004</b>	<b>823</b>
3			Illustr. No	Section
4			<b>1002570</b>	<b>100</b>
5			Issue	Page
			<b>VOE 63G9920004</b>	<b>441</b>

**VOLVO**

**BL70**

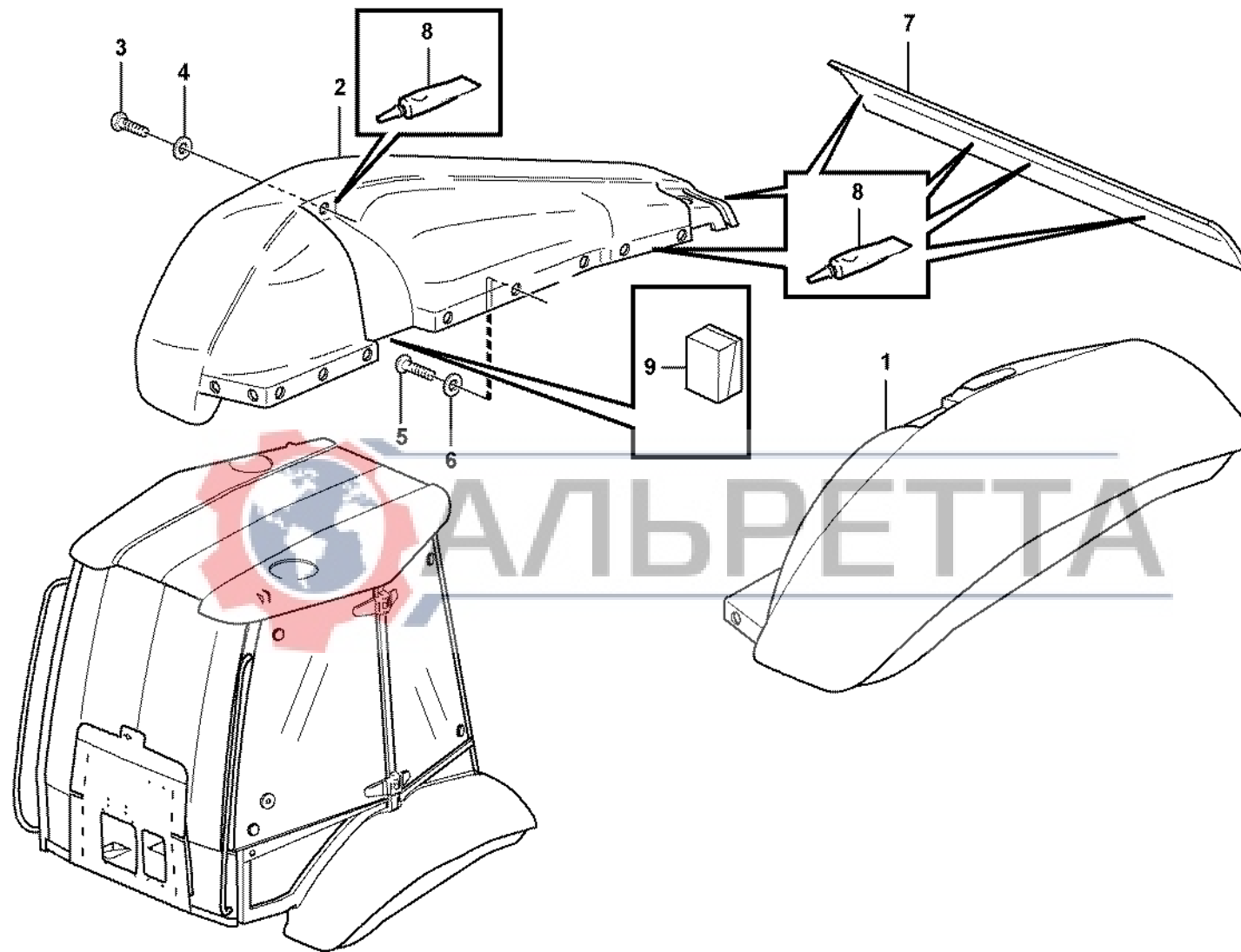




Fig.	Part No.	Quantity			P S	K I T	Description	Dénomination	Bezeichnung	Denominación	Benämning	Notes
		1	2	3								
1	VOE 11149785	1				Fender.....	Aile .....	Kotflügel .....	Guardabarro .....	Stänkskärm.....	LH	
2	VOE 11200890	1			SS	Fender.....	Aile .....	Kotflügel .....	Guardabarro .....	Stänkskärm.....	RH	
3	VOE 13945444	2				Flange screw.....	Vis à bride .....	Flanschschraube.....	Torn embridado .....	Flänsskruv.....		
4	VOE 13960141	2				Washer.....	Rondelle .....	Scheibe .....	Arandela .....	Bricka.....		
5	VOE 972421	24				Screw .....	Vis .....	Schraube.....	Tornillo .....	Skruv.....		
6	VOE 960139	24				Washer.....	Rondelle .....	Scheibe .....	Arandela .....	Bricka.....		
7	VOE 11200222	1				Panel.....	Panneau.....	Verkleidung .....	Plancha .....	Panel.....		
8	VOE 11708567	REQ				Adhesive .....	Adhesif .....	Klebstoff .....	Adhesivo .....	Lim.....		
9	VOE 11201553	REQ				Seal.....	Joint .....	Dichtung .....	Reten.....	Tätning.....	Cab only	



1	<b>Stänkskärmar</b> <b>Guardabarras</b> <b>Kotflügel</b> <b>Garde-boue</b> <b>Mud guards</b>	Catalogue id	Group
2		<b>20004</b>	<b>825</b>
3		Illustr. No	Section
4		<b>1013212</b>	<b>100</b>
5		Issue	Page
11298028, 11298029, 11298196, 11298198		<b>VOE 63G9920004</b>	<b>443</b>

**VOLVO**

**BL70**





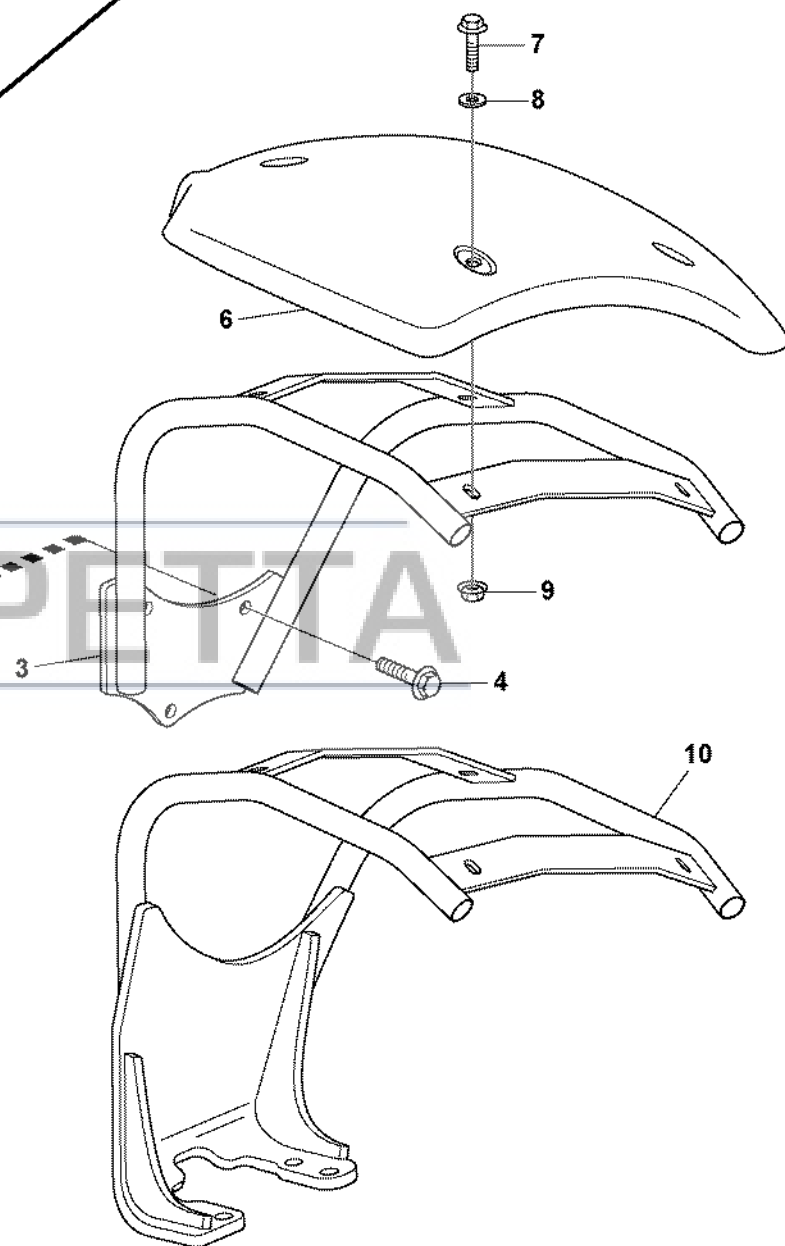
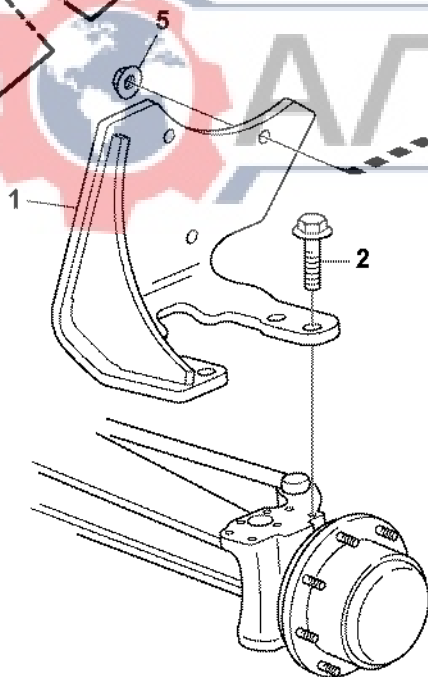
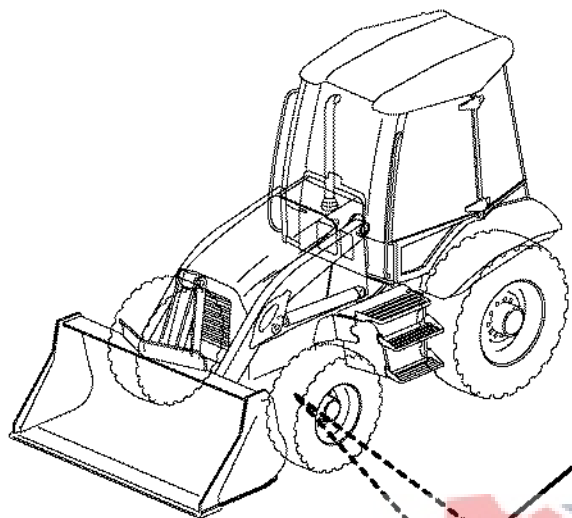


Fig.	Part No.	Quantity			P S	K I T	Description	Dénomination	Bezeichnung	Denominación	Benämning	Notes
		1	2	3								
1	VOE 11885350	1				Bracket.....	Console.....	Konsole .....	Ménsula.....	Konsol.....	LH; SER NO -10853	
1	VOE 11885351	1				Bracket.....	Console.....	Konsole .....	Ménsula.....	Konsol.....	RH; SER NO -10853	
2	VOE 968589	8				Flange screw.....	Vis à bride.....	Flanschschraube.....	Torn embridado.....	Flänsskruv.....		
3	VOE 11884365	2				Bracket.....	Console.....	Konsole .....	Ménsula.....	Konsol.....	SER NO -10853	
4	VOE 13965192	6				Flange screw.....	Vis à bride.....	Flanschschraube.....	Torn embridado.....	Flänsskruv.....	SER NO -10853	
5	VOE 13971096	6				Flange nut.....	Ecrou accouple.....	Bundmutter.....	Tuerca embridada.....	Flänsmutter.....	SER NO -10853	
6	VOE 11884361	2				Front fender .....	Aile AV .....	Vorderkotflügel.....	Guardabarro del.....	Framskärm.....		
7	VOE 946329	8				Flange screw.....	Vis à bride.....	Flanschschraube.....	Torn embridado.....	Flänsskruv.....		
8	VOE 13960143	8				Washer.....	Rondelle.....	Scheibe .....	Arandela.....	Bricka.....		
9	VOE 13971095	8				Flange nut.....	Ecrou accouple.....	Bundmutter.....	Tuerca embridada.....	Flänsmutter.....		
10	VOE 11887187	1				Fender.....	Aile.....	Kotflügel.....	Guardabarro.....	Stänkskärm.....	LH; SER NO 10854-	
10	VOE 11887192	1				Fender.....	Aile.....	Kotflügel.....	Guardabarro.....	Stänkskärm.....	RH; SER NO 10854-	

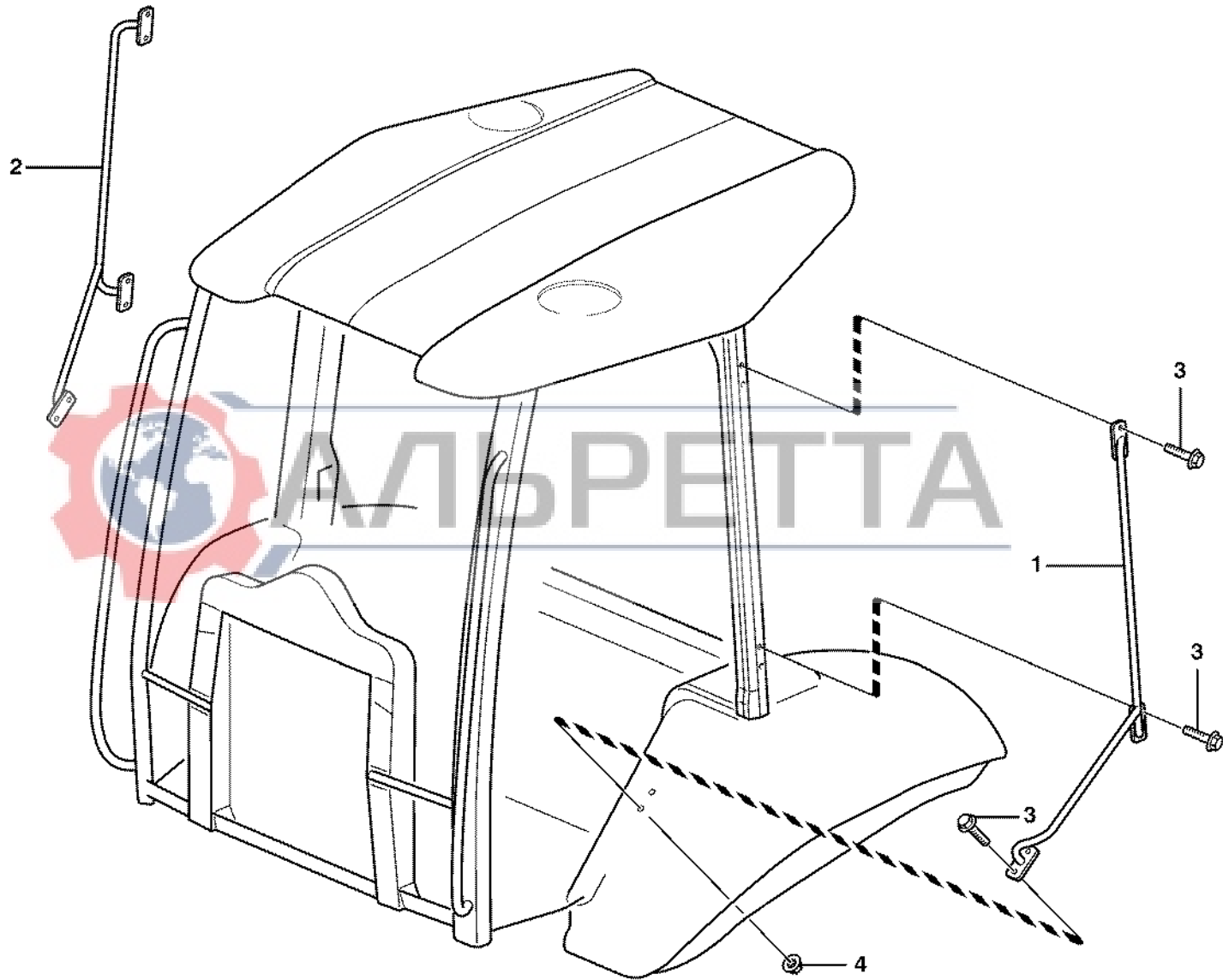


1		<b>Stänkskärm, fram</b> <b>Guardabarros, delantero</b> <b>Kotflügel, vorn</b> <b>Aile, AV</b> <b>Fender, front</b>	Catalogue id	Group
2			<b>20004</b>	<b>825</b>
3			Illustr. No	Section
4			<b>1008661</b>	<b>150</b>
5			Issue	Page
		<b>11891325</b>	<b>VOE 63G9920004</b>	<b>445</b>

**VOLVO**

**BL70**





Volvo Construction  
Equipment  
1001040

Fig.	Part No.	Quantity			P S	K I T	Description	Dénomination	Bezeichnung	Denominación	Benämning	Notes
		1	2	3								
1	VOE 11200658	1					Courtesy Handle .....	Poignee Entree .....	Einstieggriff .....	Manilla Acceso .....	Instegshandtag.....	LH
2	VOE 11200835	1					Courtesy Handle .....	Poignee Entree .....	Einstieggriff .....	Manilla Acceso .....	Instegshandtag.....	RH
3	VOE 946671	12					Flange screw.....	Vis à bride .....	Flanschschraube.....	Torn embridado .....	Flänsskruv.....	
4	VOE 948645	2					Flange Lock Nut.....	Contre écrou bride .....	Flanschmutter .....	Contratuer Embr.....	Flänslåsmutter.....	LH



1	<b>Instegshandtag version med soltak</b> <b>Asidero de entrada protección contra vuelcos</b> <b>Einstieg, Überrollbügel</b> <b>Poignée d'accès, cabine ouverte</b> <b>Step handle canopy</b> <b>11298029, 11298198</b>	Catalogue id	Group
2		<b>20004</b>	<b>827</b>
3		Illustr. No	Section
4		<b>1001040</b>	<b>100</b>
5		Issue	Page
		<b>VOE 63G9920004</b>	<b>447</b>

**VOLVO**

**BL70**



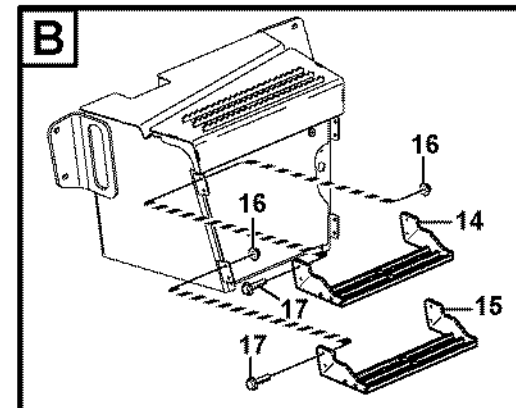
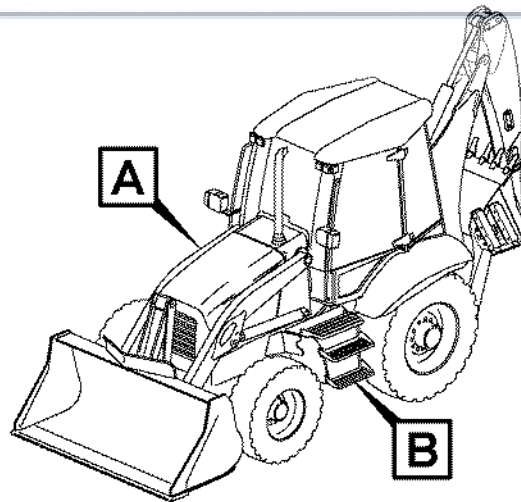
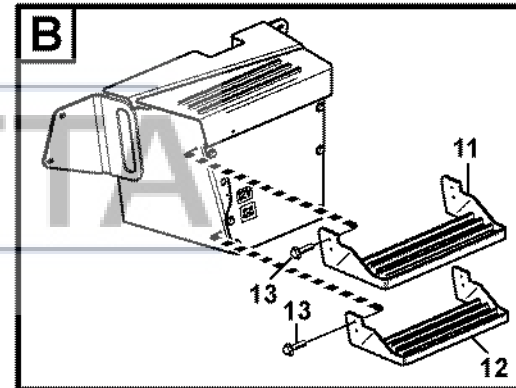
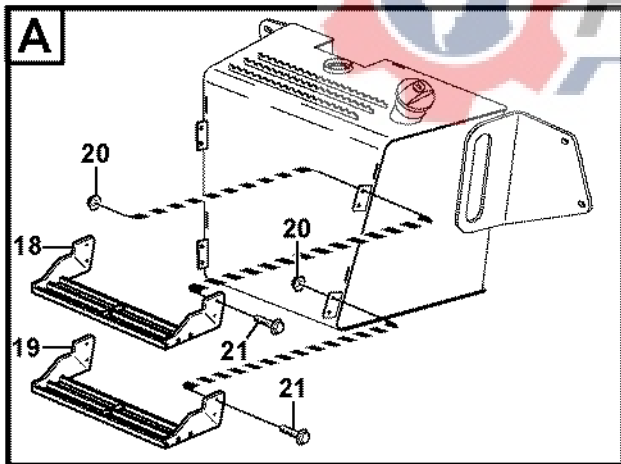
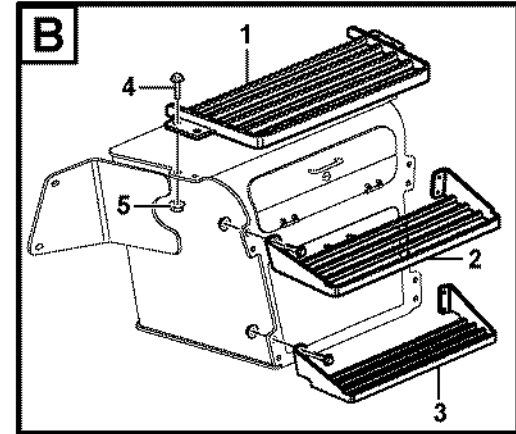
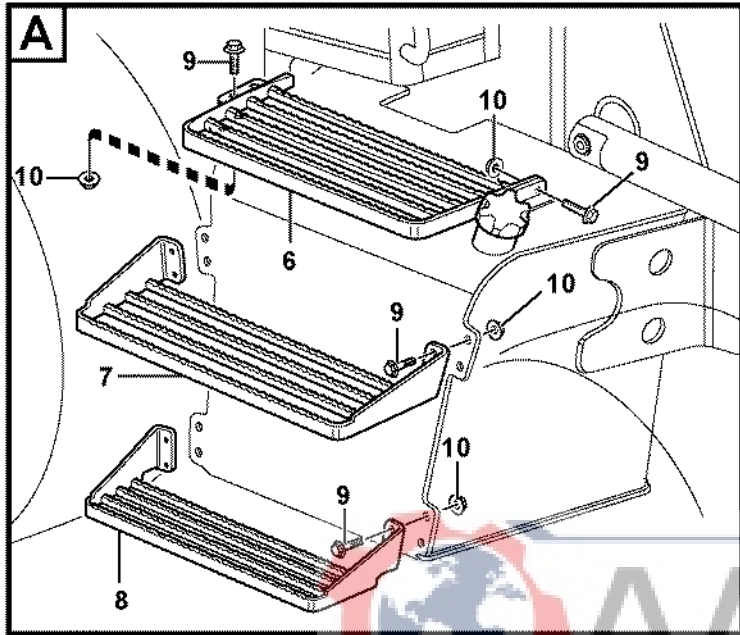


Fig.	Part No.	Quantity			P S	K I T	Description	Dénomination	Bezeichnung	Denominación	Benämning	Notes
		1	2	3								
1	VOE 11882107	1				Step.....	Marche Escalier .....	Treppenstufe .....	Escalon .....	Trappsteg.....	SER NO -10640; EXCL10637	
2	VOE 11883232	1				Step.....	Marche Escalier .....	Treppenstufe .....	Escalon .....	Trappsteg.....	SER NO -10640; EXCL10637	
3	VOE 11882104	1				Step.....	Marche Escalier .....	Treppenstufe .....	Escalon .....	Trappsteg.....	SER NO -10640; EXCL10637	
4	VOE 946329	12				Flange screw.....	Vis à bride .....	Flanschschraube.....	Torn embridado .....	Flänsskruv.....	SER NO -10640; EXCL10637	
5	VOE 13971098	12				Flange nut.....	Ecrou accouple. ....	Bundmutter.....	Tuerca embridad .....	Flänsmutter.....	SER NO -10640; EXCL10637	
6	VOE 11883479	1				Step.....	Marche Escalier .....	Treppenstufe .....	Escalon .....	Trappsteg.....	SER NO -10804	
7	VOE 11883232	1				Step.....	Marche Escalier .....	Treppenstufe .....	Escalon .....	Trappsteg.....	SER NO -10804	
8	VOE 11882104	1				Step.....	Marche Escalier .....	Treppenstufe .....	Escalon .....	Trappsteg.....	SER NO -10804	
9	VOE 946329	12				Flange screw.....	Vis à bride .....	Flanschschraube.....	Torn embridado .....	Flänsskruv.....	SER NO -10804	
10	VOE 13971098	12				Flange nut.....	Ecrou accouple. ....	Bundmutter.....	Tuerca embridad .....	Flänsmutter.....	SER NO -10804	
11	VOE 11886292	1				Step.....	Marche Escalier .....	Treppenstufe .....	Escalon .....	Trappsteg.....	SER NO 10641 - 10808; INCL 10637	
12	VOE 11886293	1				Step.....	Marche Escalier .....	Treppenstufe .....	Escalon .....	Trappsteg.....	SER NO 10641 - 10808; INCL 10637	
13	VOE 946329	8				Flange screw.....	Vis à bride .....	Flanschschraube.....	Torn embridado .....	Flänsskruv.....	SER NO 10641 - 10808; INCL 10637	
14	VOE 11886987	1				Step.....	Marche Escalier .....	Treppenstufe .....	Escalon .....	Trappsteg.....	SER NO 10809-	
15	VOE 11886992	1				Step.....	Marche Escalier .....	Treppenstufe .....	Escalon .....	Trappsteg.....	SER NO 10809-	
16	VOE 948645	8				Flange Lock Nut.....	Contre écrou bride .....	Flanschmutter .....	Contratuer Embr.....	Flänslåsmutter.....	SER NO 10809-	
17	VOE 13946173	8				Flange screw.....	Vis à bride .....	Flanschschraube.....	Torn embridado .....	Flänsskruv.....	SER NO 10809-	
18	VOE 11886987	1				Step.....	Marche Escalier .....	Treppenstufe .....	Escalon .....	Trappsteg.....	SER NO 10805-	
19	VOE 11886992	1				Step.....	Marche Escalier .....	Treppenstufe .....	Escalon .....	Trappsteg.....	SER NO 10805-	
20	VOE 948645	8				Flange Lock Nut.....	Contre écrou bride .....	Flanschmutter .....	Contratuer Embr.....	Flänslåsmutter.....	SER NO 10805-	
21	VOE 13946173	8				Flange screw.....	Vis à bride .....	Flanschschraube.....	Torn embridado .....	Flänsskruv.....	SER NO 10805-	

1	<b>Fotsteg</b> <b>Escalón de acceso</b> <b>Trittleiter</b> <b>Marche-pied</b> <b>Foot step</b>	Catalogue id	Group
2		<b>20004</b>	<b>827</b>
3		Illustr. No	Section
4		<b>1007525</b>	<b>150</b>
5		Issue	Page
		<b>VOE 63G9920004</b>	<b>449</b>

**VOLVO**

**BL70**



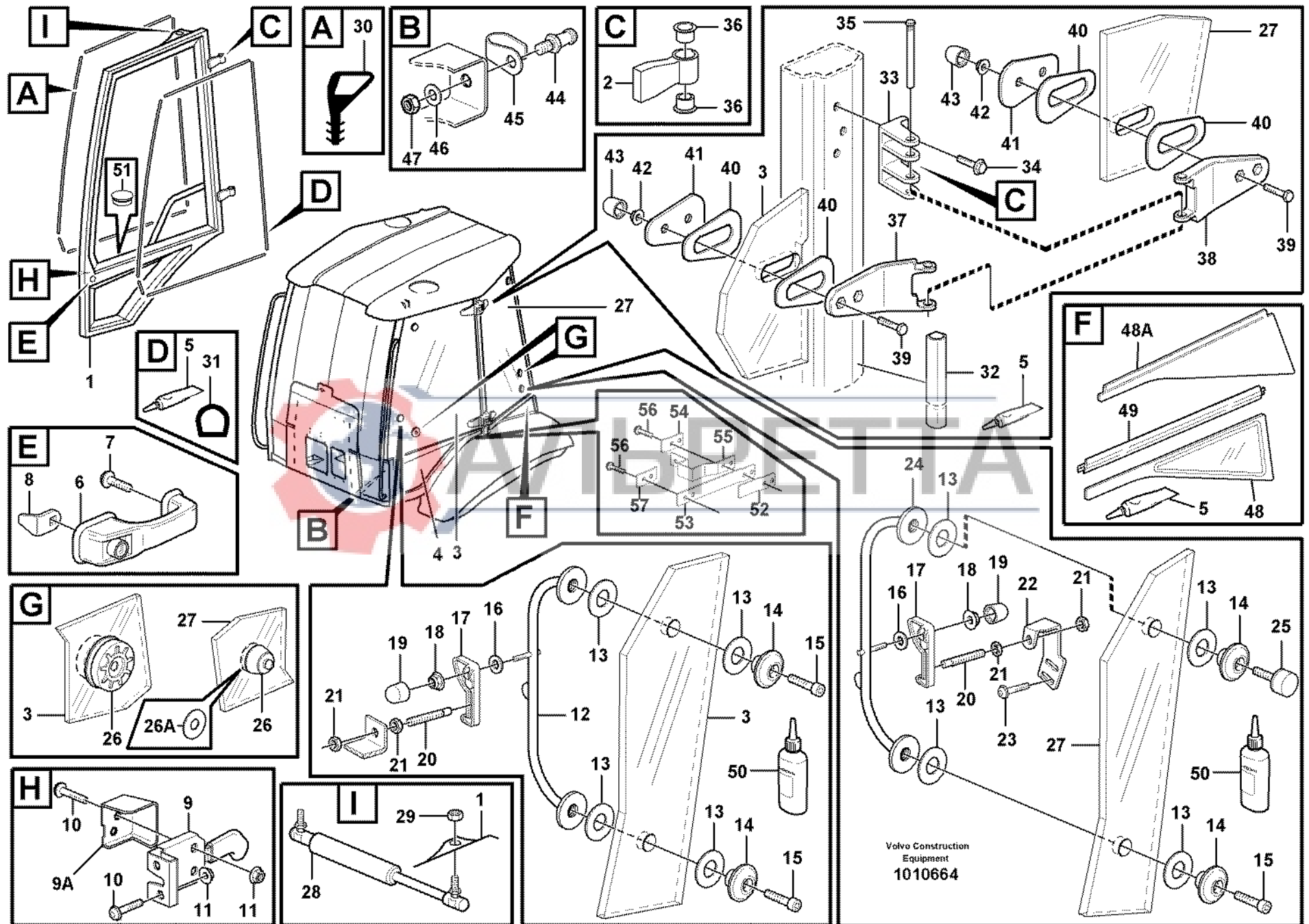


Fig.	Part No.	Quantity			P S	K I T	Description	Dénomination	Bezeichnung	Denominación	Benämning	Notes
		1	2	3								
1	VOE 11203022	1				Door .....	Porte .....	Tür .....	Puerta .....	Dörr .....	LH	
	VOE 11203032	1				Door .....	Porte .....	Tür .....	Puerta .....	Dörr .....	RH	
2	VOE 11203027	4				•Hinge .....	•Charniere .....	•Scharnier .....	•Bisagra .....	•Gångjärn .....		
3		1				Window .....	Vitre .....	Fensterscheibe .....	Ventana .....	Ruta .....	LH	
		1				Window .....	Vitre .....	Fensterscheibe .....	Ventana .....	Ruta .....	RH	
											See group 843, Page 459	
4		1				Window .....	Vitre .....	Fensterscheibe .....	Ventana .....	Ruta .....	LH	
		1				Window .....	Vitre .....	Fensterscheibe .....	Ventana .....	Ruta .....	RH	
											See group 843, Page 459	
5	VOE 11708567	REQ				•Adhesive .....	•Adhesif .....	•Klebstoff .....	•Adhesivo .....	•Lim .....		
6	VOE 11201846	2				Door Handle .....	Poignée de porte .....	Türdrücker .....	Empunadura de puer .....	Dörrhandtag .....		
7	VOE 969147	2				Screw .....	Vis .....	Schraube .....	Tornillo .....	Skruv .....		
8	VOE 11200464	2				Lock Lug .....	Talon Verrouil .....	Sperrzacken .....	Talon Cierre .....	Låsklack .....		
9	VOE 11202452	1				Door Lock .....	Serrure Porte .....	Türschloss .....	Cerradura Puert .....	Dörrlås .....	LH	
	VOE 11202453	1				Door Lock .....	Serrure Porte .....	Türschloss .....	Cerradura Puert .....	Dörrlås .....	RH	
9A	VOE 11202353	1				Protection .....	Protection .....	Schutz .....	Proteccion .....	Skydd .....	LH	
	VOE 11202354	1				Protection .....	Protection .....	Schutz .....	Proteccion .....	Skydd .....	RH	
10	VOE 969587	8				6-pt sct screw .....	Vis creuse de 6 .....	Hohlschraube .....	Racor 6-dientes .....	Sextandhålskruv .....		
11	VOE 13949278	8				Flange Lock Nut .....	Contre écrou bride .....	Flanschmutter .....	Contratuer Embr .....	Flänslåsmutter .....		
12	VOE 11202438	1				Handle .....	Poignée .....	Handgriff .....	Manilla .....	Handgrepp .....	LH	
	VOE 11202464	1				Handle .....	Poignée .....	Handgriff .....	Manilla .....	Handgrepp .....	RH	
13	VOE 11200244	16				Rubber Washer .....	Rondelle Caoutchouc .....	Gummischeibe .....	Arandela Goma .....	Gummibricka .....		
14	VOE 11200246	8				Clamping Plate .....	Plaque Serrage .....	Klemmplatte .....	Placa Apriete .....	Klämplatta .....		
15	VOE 959220	6				Allen Hd Screw .....	Vis A 6 Pans Cr .....	Inbusschraube .....	Tom Hex Embut .....	Insexskruv .....		
16	VOE 13955894	4				Washer .....	Rondelle .....	Scheibe .....	Arandela .....	Bricka .....		
17	VOE 11201071	4				Lock Handle .....	Poignée Verrou .....	Schliessgriff .....	Manilla .....	Låshandtag .....		
18	VOE 948645	4				Flange Lock Nut .....	Contre écrou bride .....	Flanschmutter .....	Contratuer Embr .....	Flänslåsmutter .....		
19	VOE 11006824	4				Protective cap .....	Capuchon de protecti .....	Schutzkappe .....	Cubierta de protecció .....	Skyddshatt .....		

1		<b>Dörr med monteringsdetaljer</b>	Catalogue id	Group
2		<b>Puerta con accesorios de montaje</b>	<b>20004</b>	<b>831</b>
3		<b>Tür mit Anbauteilen</b>	Illustr. No	Section
4		<b>Porte avec pièces de montage</b>	<b>1010664</b>	<b>100</b>
5		<b>Door with fitting parts</b>	Issue	Page
		<b>11298028, 11298196</b>	<b>VOE 63G9920004</b>	<b>451</b>



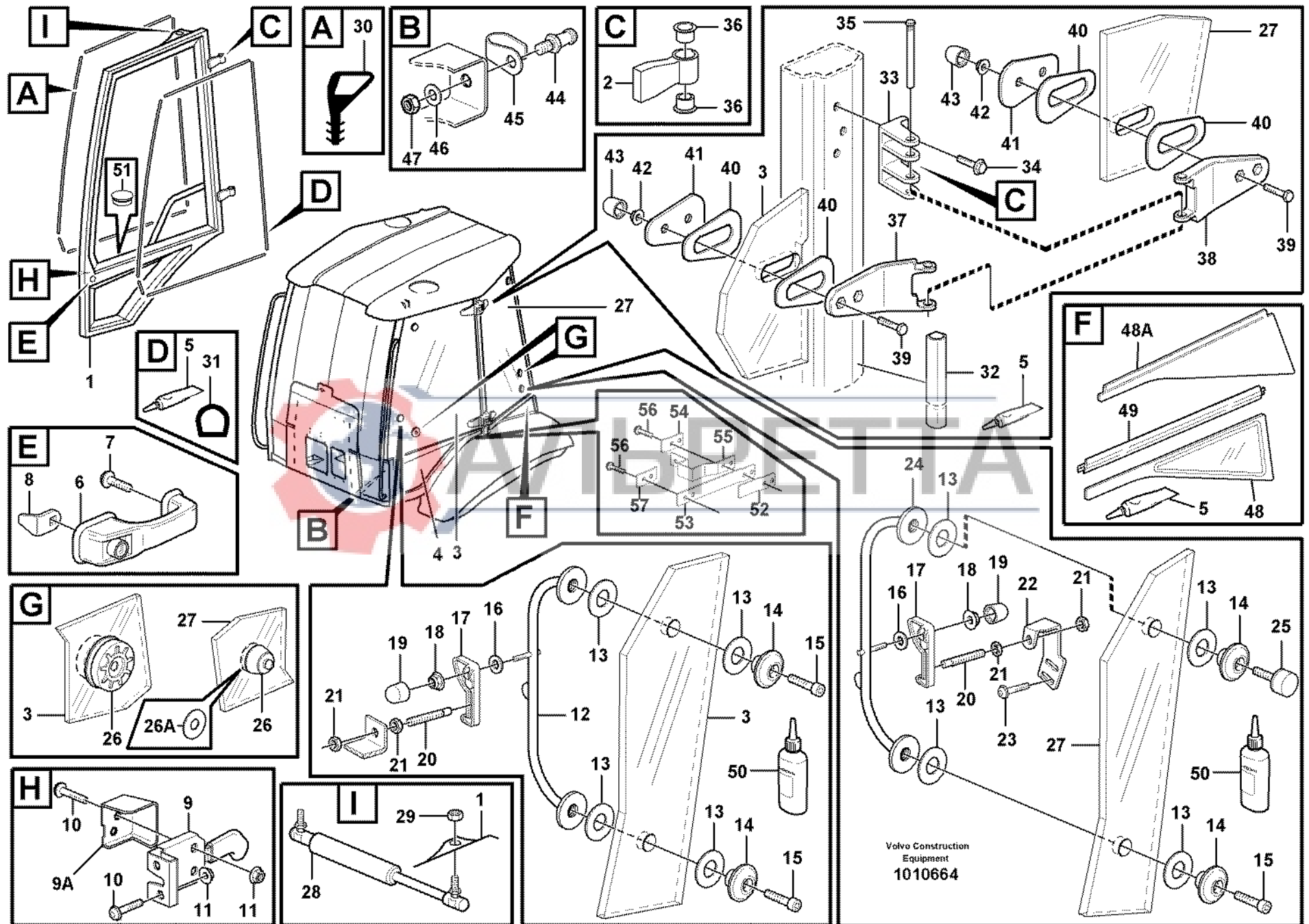


Fig.	Part No.	Quantity			P S	K I T	Description	Dénomination	Bezeichnung	Denominación	Benämning	Notes
		1	2	3								
20	VOE 11202722	4				Shaft.....	Arbre .....	Welle .....	Arbol.....	Axel.....		
21	VOE 983303	8				Nut .....	Ecrou.....	Mutter .....	Tuerca .....	Mutter.....		
22	VOE 11201053	1				Anchorage.....	Fixation .....	Halterung.....	Fijacion.....	Fäste.....		
	VOE 11201052	1				Anchorage.....	Fixation .....	Halterung.....	Fijacion.....	Fäste.....	RH	
23	VOE 969147	4				Screw .....	Vis .....	Schraube.....	Tornillo .....	Skruv.....		
24	VOE 11200060	1				Handle.....	Poignee.....	Handgriff.....	Manilla.....	Handgrepp.....	LH	
	VOE 11200061	1				Handle.....	Poignee.....	Handgriff.....	Manilla.....	Handgrepp.....	RH	
25	VOE 11200579	2				Absorber .....	Amortisseur.....	Dämpfer .....	Amortiguador.....	Dämpare.....		
26	VOE 11200239	2				Locking Device.....	Ens. verrouillage .....	Verriegelung .....	Dispos Cierre .....	Låsanordning.....		
26A	VOE 11200054	2				Spacer.....	Partie Intermédiaire.....	Zwischenstück.....	Espaciador .....	Mellandel.....		
27		1				Side Window .....	Fenetre Lat.....	Seitenfenster .....	Ventana Lateral.....	Sidofönster.....	LH	
		1				Side Window .....	Fenetre Lat.....	Seitenfenster .....	Ventana Lateral.....	Sidofönster.....	See group 843, Page 459	
											RH	
											See group 843, Page 459	
28	VOE 11200552	2				Gas Spring .....	Ressort Gaz .....	Gasfeder .....	Resorte A Gas.....	Gasfjäder.....		
29	VOE 983303	2				Nut .....	Ecrou.....	Mutter .....	Tuerca .....	Mutter.....		
30	VOE 11007421	REQ				Sealing strip .....	Lisse etancheite .....	Dichtleiste.....	Moldura reten .....	Tättningslist.....	2 X L = 4250 MM	
31	VOE 11200633	REQ				Seg moulding .....	Joint Etancheite .....	Dichtprofil .....	Liston reten .....	Tättningslist.....	2 X L = 3650 MM	
32	VOE 11200633	REQ				Seg moulding .....	Joint Etancheite .....	Dichtprofil .....	Liston reten .....	Tättningslist.....	2 X L = 3600 MM	
33	VOE 11200077	4				Hinge Anchorage .....	Fixat.charniere .....	Scharnierplatte.....	Fijac Bisagra .....	Gångjärnsfäste.....		
34	VOE 983244	12				Hexagon screw .....	Vis a tête hexagonale .....	Sechskantschr.....	Tornillo hexago.....	Sexkantsskruv.....		
35	VOE 11202349	4				Hinge Pin .....	Axe Charniere .....	Scharnierstift .....	Pasador Bisagra.....	Gångjärnspinne.....		
36	VOE 11200634	8				Slide Bearing.....	Palier Glissage .....	Gleitlager.....	Cojinete Fricci .....	Glidlager.....		
37	VOE 11200072	4				Hinge.....	Charniere .....	Scharnier.....	Bisagra .....	Gångjärn.....		
38	VOE 11200070	4				Hinge.....	Charniere .....	Scharnier.....	Bisagra .....	Gångjärn.....		
39	VOE 955297	16				Hexagon screw .....	Vis tête hexagonale .....	Sechskantschraube.....	Tornillo hexago.....	Sexkantsskruv.....		
40	VOE 11200059	16				Sealing ring .....	Bague d'étanchéité .....	Runddichtring .....	Anillo reten .....	Tättningsring.....		
41	VOE 11200081	8				Plate.....	Plaque.....	Platte.....	Placa .....	Platta.....		
42	VOE 948645	16				Flange Lock Nut.....	Contre écrou bride .....	Flanschmutter .....	Contratuer Embr.....	Flänslåsmutter.....		
43	VOE 11006824	16				Protective cap .....	Capuchon de protecti.....	Schutzkappe .....	Cubierta de protecció.....	Skyddshatt.....		

1		<b>Dörr med monteringsdetaljer</b>	Catalogue id	Group
2		<b>Puerta con accesorios de montaje</b>	<b>20004</b>	<b>831</b>
3		<b>Tür mit Anbauteilen</b>	Illustr. No	Section
4		<b>Porte avec pièces de montage</b>	<b>1010664</b>	<b>100</b>
5		<b>Door with fitting parts</b>	Issue	Page
		<b>11298028, 11298196</b>	<b>VOE 63G9920004</b>	<b>453</b>

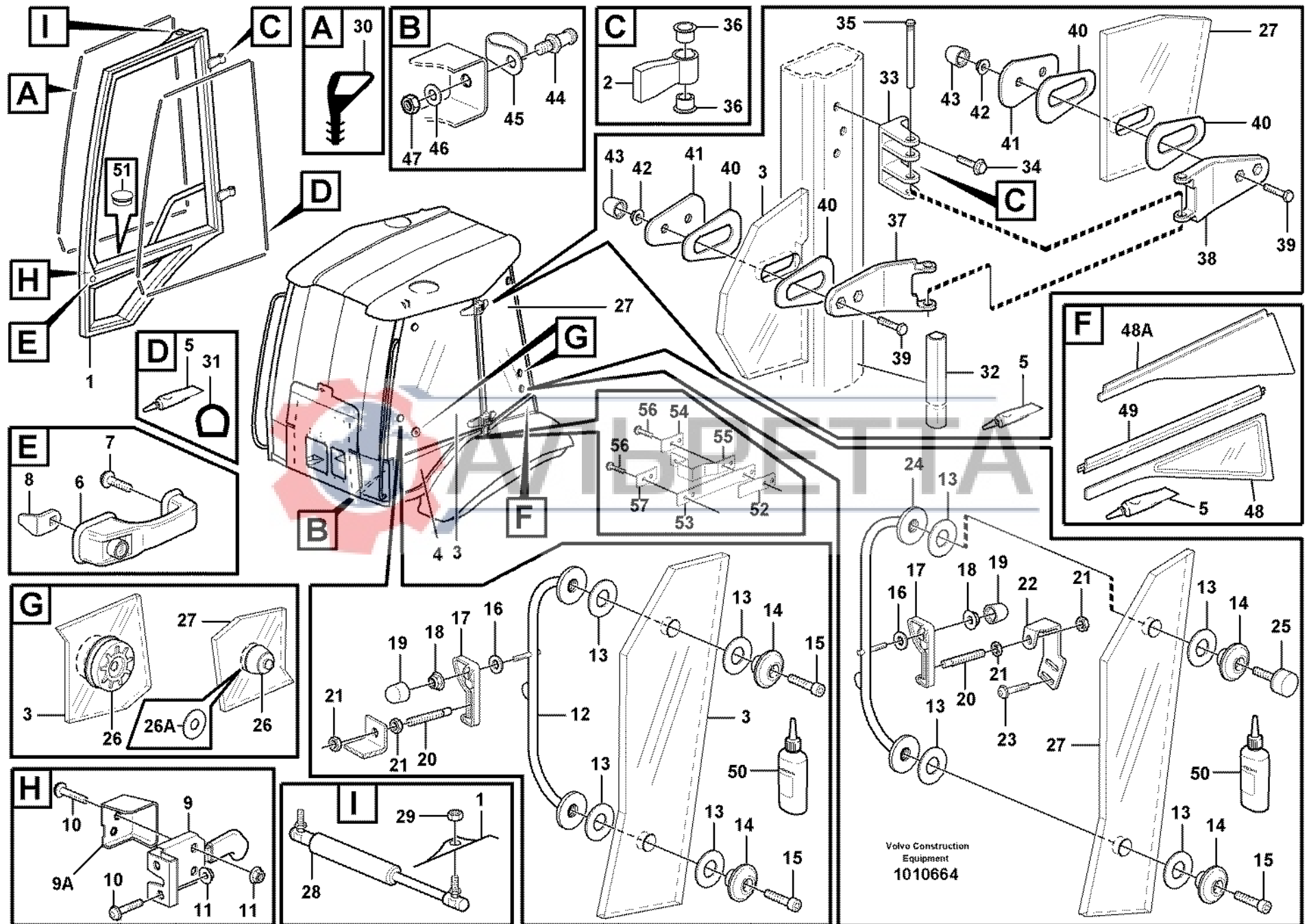


Fig.	Part No.	Quantity			P S	K I T	Description	Dénomination	Bezeichnung	Denominación	Benämning	Notes
		1	2	3								
44	VOE 14340282	2				Lock Bolt.....	Boulon Verroui.....	Sicher Bolzen.....	Perno Seguridad.....	Låsbult.....		
45	VOE 14344720	2				Brace.....	Etrier.....	Bügel.....	Brida.....	Bygel.....		
46	VOE 13955897	2				Washer.....	Rondelle.....	Scheibe.....	Arandela.....	Bricka.....		
47	VOE 946830	2				Hexagon Nut.....	Ecrou Hexagonal.....	Sechskantmutter.....	Tuerca Hexagon.....	Sexkantsmutter.....		
48	VOE 11200615	1				Window.....	Vitre.....	Fensterscheibe.....	Ventana.....	Ruta.....	SER NO -10616	
48A	VOE 11203345	1				Side Plate.....	Tole Laterale.....	Seitenwandblech.....	Placa Lateral.....	Sidoplåt.....	SER NO 10617-	
49	VOE 11200617	1				Edge Stiffening.....	Renfort Bord.....	Kant Absteifg.....	Estiram Canto.....	Kantförstyvning.....	SER NO -10616	
50	VOE 11200847	REQ			OP	Locking Fluid.....	Liquide Blocage.....	Sich.flussigk.....	Liquido Sellad.....	Låsvätska.....		
51	VOE 4881293	2				Protecting Plug.....	Tampon Protect.....	Sicher Stöpsel.....	Tapon Protecc.....	Skyddspropp.....		
52	VOE 11202062	2				Rubber Plate.....	Plaque Caoutchouc.....	Gummiplatte.....	Placa Goma.....	Gummiplatta.....		
53	VOE 11200580	2				Strip.....	Bande.....	Streifen.....	Cinta.....	Band.....		
54	VOE 11200611	1				Anchorage.....	Fixation.....	Halterung.....	Fijacion.....	Fäste.....	LH	
55	VOE 11200885	1				Anchorage.....	Fixation.....	Halterung.....	Fijacion.....	Fäste.....	RH	
56	VOE 972421	8				Screw.....	Vis.....	Schraube.....	Tornillo.....	Skruv.....		
57	VOE 11200611	2				Anchorage.....	Fixation.....	Halterung.....	Fijacion.....	Fäste.....		



1	<b>Dörr med monteringsdetaljer</b> <b>Puerta con accesorios de montaje</b> <b>Tür mit Anbauteilen</b> <b>Porte avec pièces de montage</b> <b>Door with fitting parts</b>	Catalogue id	Group
2		<b>20004</b>	<b>831</b>
3		Illustr. No	Section
4		<b>1010664</b>	<b>100</b>
5		Issue	Page
	<b>11298028, 11298196</b>	<b>VOE 63G9920004</b>	<b>455</b>

**VOLVO**

**BL70**



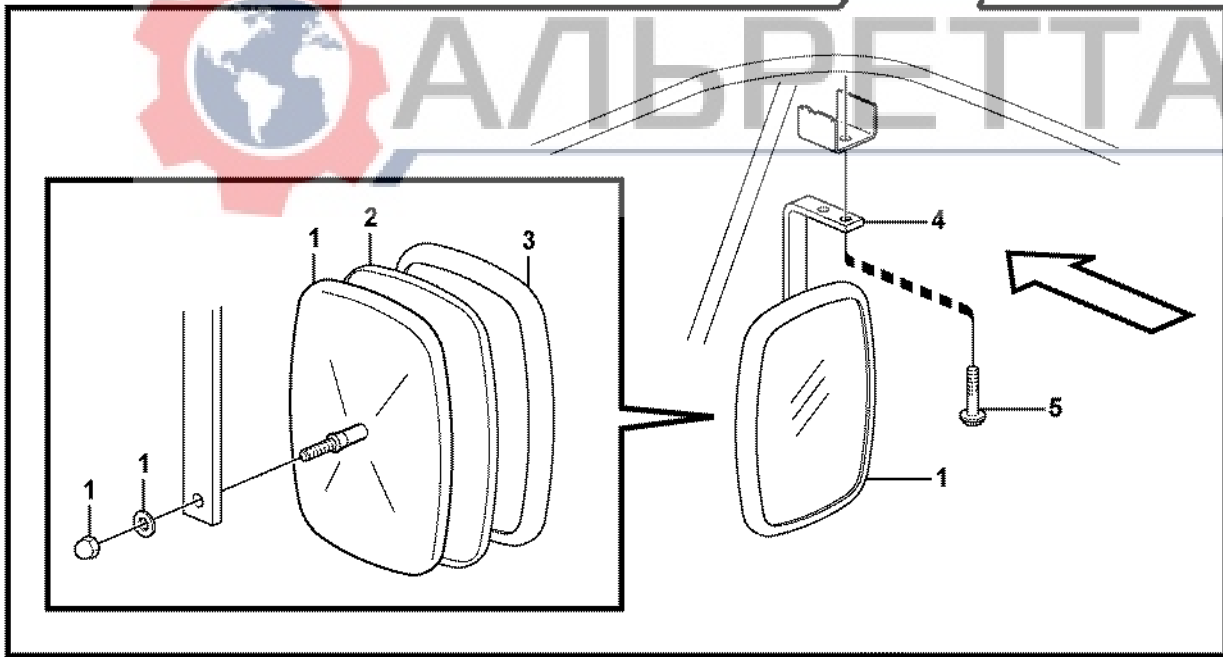
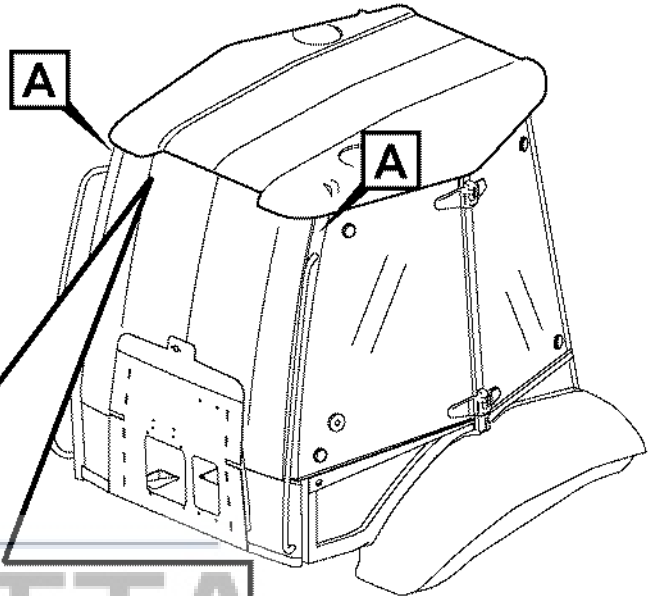
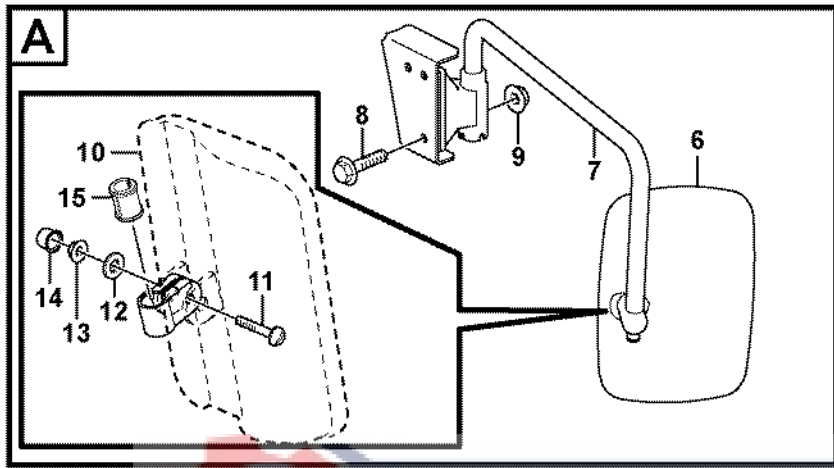




Fig.	Part No.	Quantity					P S	K I T	Description	Dénomination	Bezeichnung	Denominación	Benämning	Notes
		1	2	3	4	5								
1	VOE 11104778	1						Mirror .....	Miroir .....	Spiegel.....	Espejo .....	Spegel.....		
	VOE 11164488			1				Mirror .....	Miroir .....	Spiegel.....	Espejo .....	Spegel.....		
	VOE 13948356			1				Flange screw .....	Vis à bride .....	Flanschschraube .....	Torn embridado .....	Flänsskruv.....		
2	VOE 11707013	1						•Mirror Glass .....	•Verre Miroir .....	•Spiegelglas .....	•Cristal Espejo .....	•Spegelglas.....		
3	VOE 11707012	1						•Frame .....	•Chassis .....	•Rahmen .....	•Bastidor .....	•Ram.....		
4	VOE 11200896	1		1				Attachment.....	Fixation.....	Halterung .....	Fijacion .....	Fäste.....		
5	VOE 969587	2		2				6-pt skt screw.....	Vis creuse de 6 .....	Hohlschraube.....	Racor 6-dientes .....	Sextandhålskruv.....		
6	ZM 2907156		2					Mirror .....	Miroir .....	Spiegel.....	Espejo .....	Spegel.....		
7	ZM 2907157		1		1			Retaining rod, left....	Barre de retenue à .....	Haltestange, links .....	Barra de retención, Arm.....	LH		
	ZM 2907158		1		1			Retaining rod, right .	Barre de retenue à .....	Haltestange, rechts .....	Barra de retención, Spegelbygel.....	RH		
8	VOE 13946173		4		4			Flange screw .....	Vis à bride .....	Flanschschraube .....	Torn embridado .....	Flänsskruv.....		
9	VOE 948645		4		4			Flange Lock Nut.....	Contre écrou bride..	Flanschmutter .....	Contratuer Embr .....	Flänslåsmutter.....		
10	VOE 11121366				2			Kerb Obs Mirror .....	Miroir Vu.proc .....	Nahsichtspiegel .....	Retrovisor .....	Närsiktspegel.....		
11	VOE 955276				1			•Hexagon screw.....	•Vis tête hexagonal .....	•Sechskantschraub .....	•Tornillo hexago.....	•Sexkantsskruv.....	(VOE 11710604)	
12	VOE 960139				1			•Washer .....	•Rondelle .....	•Scheibe.....	•Arandela.....	•Bricka.....		
13	VOE 13963105	1			1			•Lock nut.....	•Contre-ecrou .....	•Sicherungsmutter .....	•Contratuerca .....	•Låsmutter.....		
14	VOE 11710605				1		OP	•Protective cap.....	•Capuchon de prot .....	•Schutzkappe.....	•Cubierta de protec .....	•Skyddshatt.....		
15	VOE 11203785				2			Sleeve.....	Manchon .....	Muffe .....	Manguito.....	Muff.....		

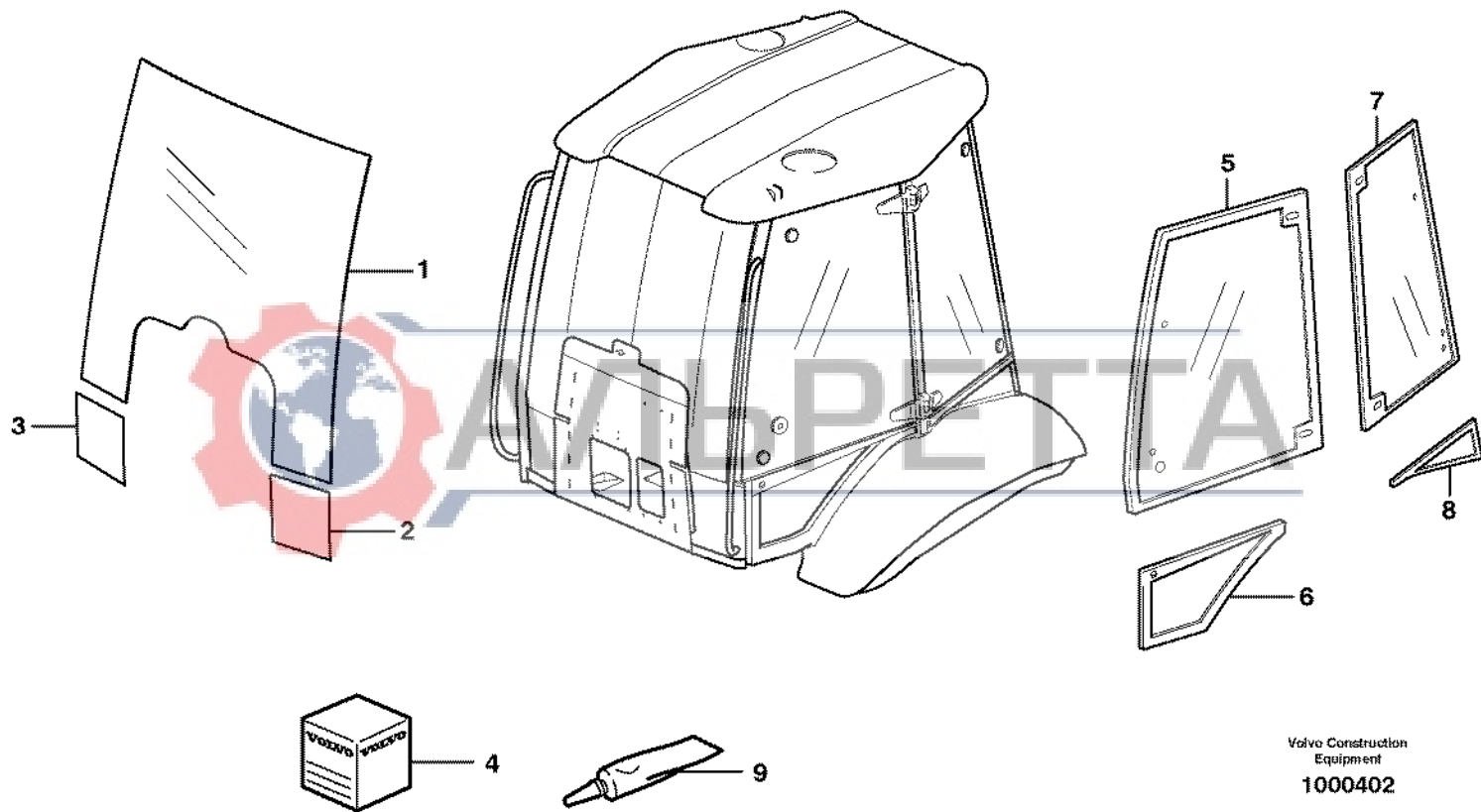


1	11294005	Backspeglar Retrovisor Rückspiegel Retroviseur Rear view mirror	Catalogue id	Group
2	11298013		<b>20004</b>	<b>841</b>
3	11298164		Illustr. No	Section
4	11298166		<b>1010113</b>	<b>100</b>
5			Issue	Page
			<b>VOE 63G9920004</b>	<b>457</b>

**VOLVO**

**BL70**





Volvo Construction  
Equipment  
1000402

Fig.	Part No.	Quantity			P S	K I T	Description	Dénomination	Bezeichnung	Denominación	Benämning	Notes
		1	2	3								
1	VOE 11200910	1	1	1		Windshield .....	Pare-brise .....	Frontscheibe .....	Parabrisas .....	Framruta .....		
2	VOE 11149730	1	1	1		Window .....	Vitre .....	Fensterscheibe .....	Ventana .....	Ruta .....	VOLVO	
3	VOE 11149731	1	1	1		Window .....	Vitre .....	Fensterscheibe .....	Ventana .....	Ruta .....		
4	VOE 11704359	REQ	REQ	REQ		Adhesive Kit .....	Kit Colle .....	Leimsatz .....	Juego Encolado .....	Limsats .....		
5	VOE 11202442		1			Window .....	Vitre .....	Fensterscheibe .....	Ventana .....	Ruta .....	LH	
	VOE 11202463		1			Window .....	Vitre .....	Fensterscheibe .....	Ventana .....	Ruta .....	RH	
6	VOE 11149772		1			Window .....	Vitre .....	Fensterscheibe .....	Ventana .....	Ruta .....	LH	
	VOE 11149774		1			Window .....	Vitre .....	Fensterscheibe .....	Ventana .....	Ruta .....	RH	
7	VOE 11149692		1			Side Window .....	Fenetre Lat .....	Seitenfenster .....	Ventana Lateral .....	Sidofönster .....	LH	
	VOE 11149693		1			Side Window .....	Fenetre Lat .....	Seitenfenster .....	Ventana Lateral .....	Sidofönster .....	RH	
8	VOE 11200615		1			Window .....	Vitre .....	Fensterscheibe .....	Ventana .....	Ruta .....	SER NO -10616	
9	VOE 11708567	REQ				Adhesive .....	Adhesif .....	Klebstoff .....	Adhesivo .....	Lim .....		



1	11294005	Rutor Ventanillas Fensterscheibe Vitres Glass panes	Catalogue id	Group
2	11298028, 11298196		<b>20004</b>	<b>843</b>
3	11298012, 11298203		Illustr. No	Section
4			<b>1000402</b>	<b>100</b>
5			Issue	Page
			<b>VOE 63G9920004</b>	<b>459</b>

**VOLVO**

**BL70**





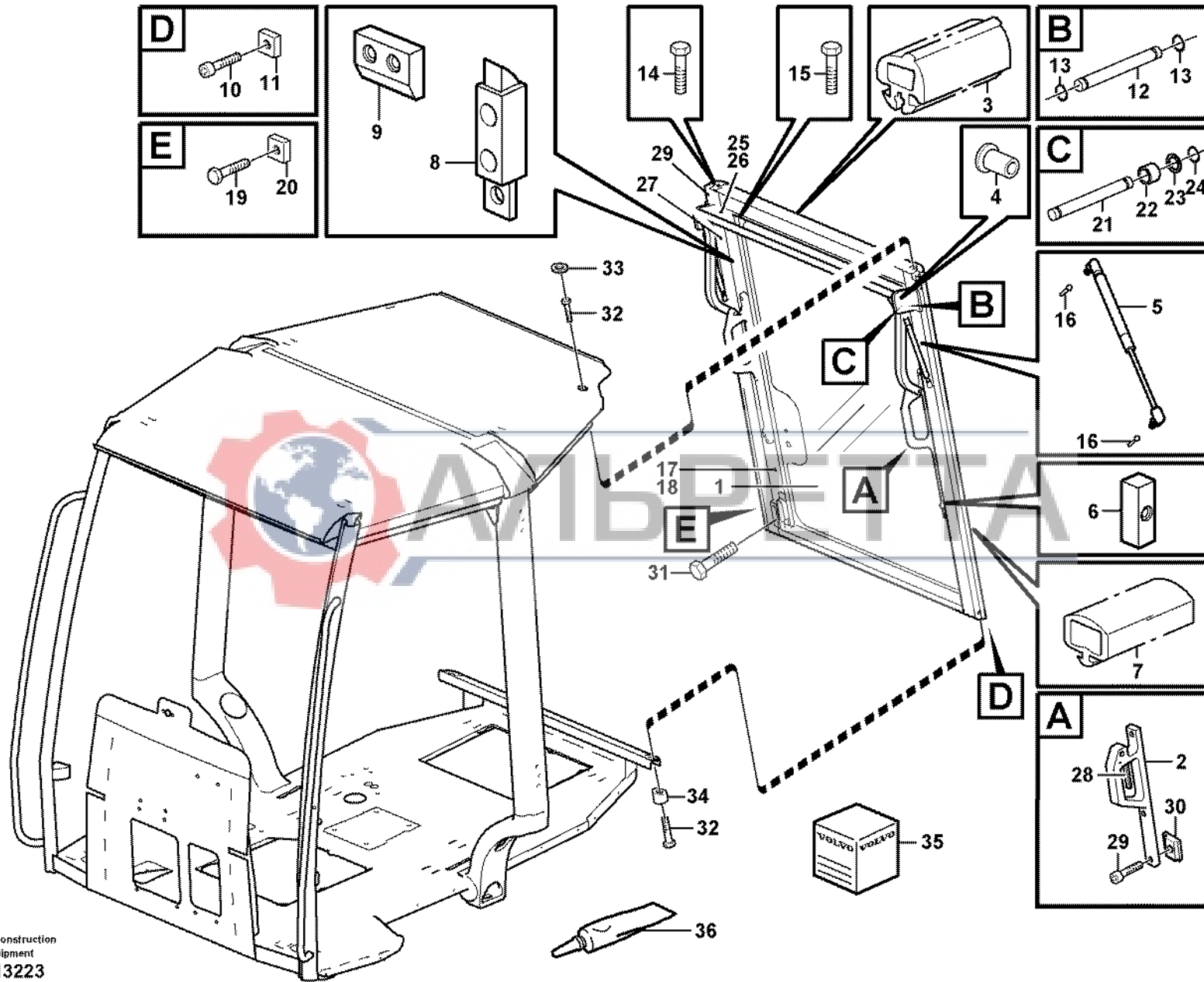


Fig.	Part No.	Quantity			P S	K I T	Description	Dénomination	Bezeichnung	Denominación	Benämning	Notes
		1	2	3								
	VOE 11203588	1				Rear Window .....	Lunette Ar .....	Heckfenster .....	Luneta Post .....	Bakruta .....		
1	VOE 11709834	1			SS	•Rear Window .....	•Lunette Ar .....	•Heckfenster .....	•Luneta Post .....	•Bakruta .....		
2	VOE 11712557	2				•Handle .....	•Poignee .....	•Handgriff .....	•Manilla .....	•Handgrepp .....		
3	VOE 11709845	REQ				•Rubber Moulding .....	•Joint Caoutchouc .....	•Gummileiste .....	•Liston Goma .....	•Gummilist .....	L = 1800 MM	
4	VOE 11709836	1				•Bushing .....	•Bague .....	•Buchse .....	•Casquillo .....	•Bussning .....		
5	VOE 11709843	2				•Gas Spring .....	•Ressort Gaz .....	•Gasfeder .....	•Resorte A Gas .....	•Gasfjäder .....		
6	VOE 11713153	2				•Bearing Roller .....	•Rouleau Palier .....	•Lagerrolle .....	•Rodillo Cojinet .....	•Lagerrulle .....	SEE SB BHL1K	
7	VOE 11709840	REQ				•Rubber Moulding .....	•Joint Caoutchouc .....	•Gummileiste .....	•Liston Goma .....	•Gummilist .....		
8	VOE 11709841	2				•Latch .....	•Poignee Blocage .....	•Knebel .....	•Mango Seguridad .....	•Låsvred .....		
9	VOE 11709844	2				•Locating Key .....	•Cle Localisati .....	•Führungsnocke .....	•Llave .....	•Medbringare .....		
10	VOE 11712854	2				•Screw .....	•Vis .....	•Schraube .....	•Tornillo .....	•Skruv .....		
11	VOE 11712663	2				•Nut .....	•Ecrou .....	•Mutter .....	•Tuerca .....	•Mutter .....		
12	VOE 11712866	2				•Shaft .....	•Arbre .....	•Welle .....	•Arbol .....	•Axel .....		
13	VOE 11712853	4				•Retaining ring .....	•Bague retenue .....	•Haltering .....	•Anillo de apoyo .....	•Hållarring .....		
14	VOE 11712855	8				•Screw .....	•Vis .....	•Schraube .....	•Tornillo .....	•Skruv .....		
15	VOE 11712856	4				•Screw .....	•Vis .....	•Schraube .....	•Tornillo .....	•Skruv .....		
16	VOE 11712857	4				•Ball Stud .....	•Axe Bille .....	•Kugelzapfen .....	•Gorron De Bola .....	•Kultapp .....		
17	VOE 11712858	1				•Locking Plate .....	•Plaque Verroui .....	•Sperrblech .....	•Placa Bloqueo .....	•Spärrplåt .....	RH	
18	VOE 11712859	1				•Locking Plate .....	•Plaque Verroui .....	•Sperrblech .....	•Placa Bloqueo .....	•Spärrplåt .....	LH	
19	VOE 11712860	4				•Allen Head Screw .....	•Vis à six pans creux .....	•Inbusschraube .....	•Tornillo tipo Allen .....	•Insexskruv .....		
20	VOE 11712663	4				•Nut .....	•Ecrou .....	•Mutter .....	•Tuerca .....	•Mutter .....		
21	VOE 11712876	2				•Pin .....	•Goupille .....	•Zapfen .....	•Pasador .....	•Tapp .....		
22	VOE 11712867	2				•Spacer .....	•Partie Intermédiaire .....	•Zwischenstück .....	•Espaciador .....	•Mellandel .....		
23	VOE 11712862	2				•Washer .....	•Rondelle .....	•Scheibe .....	•Arandela .....	•Bricka .....		
24	VOE 11712861	2				•Snap Ring .....	•Circlip .....	•Nutring .....	•Circlip .....	•Spårring .....		
25	VOE 11712864	1				•Ladder .....	•Echelle .....	•Leiter .....	•Escala .....	•Lejdare .....	RH	
26	VOE 11712865	1				•Ladder .....	•Echelle .....	•Leiter .....	•Escala .....	•Lejdare .....	LH	
27	VOE 11712868	2				•Slide Dog .....	•Talon Guidage .....	•Gleittrucken .....	•Talon Desliz .....	•Glidklack .....		
28	VOE 11712869	2				•Handle .....	•Poignee .....	•Handgriff .....	•Manilla .....	•Handgrepp .....		
29	VOE 11712662	12				•Screw .....	•Vis .....	•Schraube .....	•Tornillo .....	•Skruv .....		

1	<b>Fönster</b> <b>Ventanas</b> <b>Fenster</b> <b>Fenêtres</b> <b>Windows</b>	Catalogue id	Group
2		<b>20004</b>	<b>843</b>
3		Illustr. No	Section
4		<b>1013223</b>	<b>150</b>
5		Issue	Page
	<b>11294005, 11298028, 11298196</b>	<b>VOE 63G9920004</b>	<b>461</b>

**VOLVO**

**BL70**

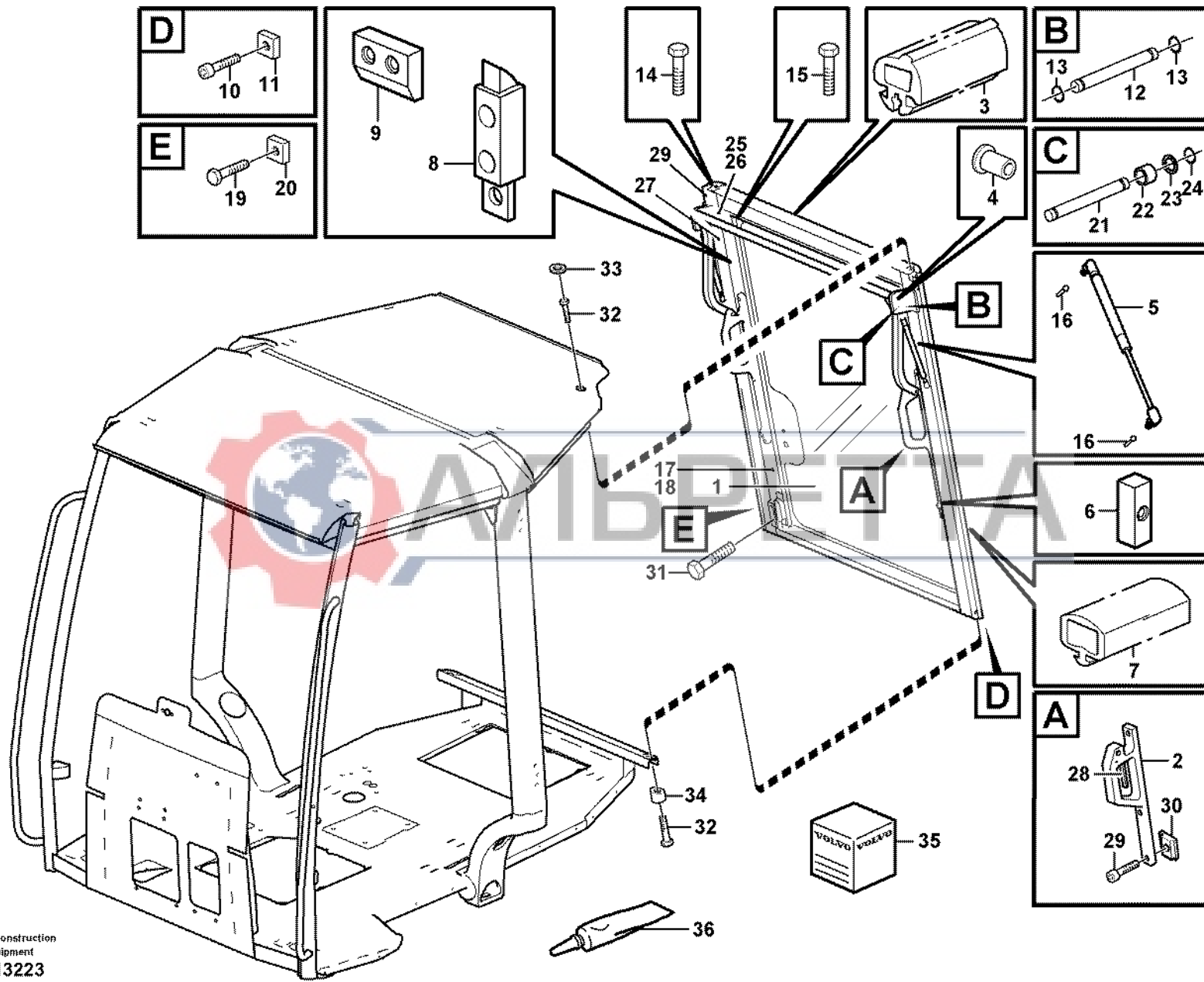


Fig.	Part No.	Quantity			P S	K I T	Description	Dénomination	Bezeichnung	Denominación	Benämning	Notes
		1	2	3								
30	VOE 11712663	6				•Nut .....	•Ecrou .....	•Mutter .....	•Tuerca .....	•Mutter .....		
31	VOE 11712174	6				•Screw .....	•Vis .....	•Schraube .....	•Tornillo .....	•Skruv .....		
32	VOE 13965186	4				Flange screw .....	Vis à bride .....	Flanschschraube .....	Torn embridado .....	Flänsskruv .....		
33	VOE 961970	2				Plug .....	Bouchon .....	Stopfen .....	Tapon .....	Plugg .....		
34	VOE 11200600	2				Spacer .....	Entretoise .....	Abstandstueck .....	Casquillo distanciad .....	Distans .....		
35	VOE 11704359	REQ				Adhesive Kit .....	Kit Colle .....	Leimsatz .....	Juego Encolado .....	Limsats .....		
36	VOE 11708567	REQ				Adhesive .....	Adhesif .....	Klebstoff .....	Adhesivo .....	Lim .....		

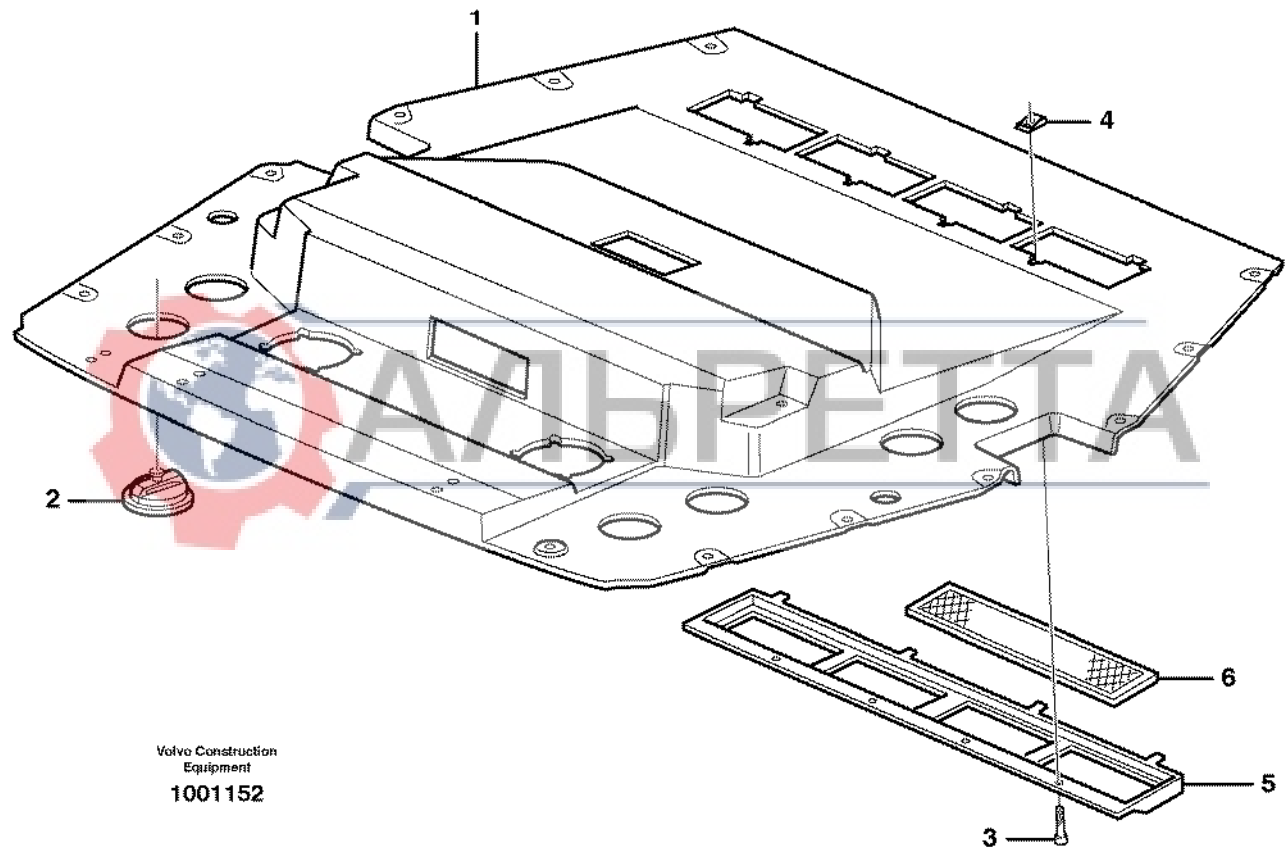


1	Fönster Ventanas Fenster Fenêtres Windows  11294005, 11298028, 11298196	Catalogue id	Group
2		<b>20004</b>	<b>843</b>
3		Illustr. No	Section
4		<b>1013223</b>	<b>150</b>
5		Issue	Page
		VOE 63G9920004	<b>463</b>

**VOLVO**

**BL70**





Volvo Construction  
Equipment  
1001152

Fig.	Part No.	Quantity			P S	K I T	Description	Dénomination	Bezeichnung	Denominación	Benämning	Notes
		1	2	3								
1	<b>VOE 11200549</b>	1				Headlining .....	Garnit.pavillon .....	Dachhimmel .....	Techo Interior .....	Innertak.....	S/N - 10986	
	<b>VOE 11204540</b>	1				Headlining .....	Garnit.pavillon .....	Dachhimmel .....	Techo Interior .....	Innertak.....	S/N 10987 -	
2	<b>VOE 11200838</b>	8				Air Outlet.....	Diffuseur d'air .....	Luftdüse .....	Difusor de aire .....	Luftmunstycke.....		
3		4				Screw .....	Vis .....	Schraube.....	Tornillo .....	Skruv.....	See group 872, Page 481	
4		4				Spring Nut.....	Ecrou Ressort .....	Fed. Schliessmutter ...	Tuerca Resorte .....	Fjädermutter.....	See group 872, Page 481	
5		1				Filter Retainer .....	Porte-filtre .....	Filtertopf .....	Soporte Filtro.....	Filterhållare.....	See group 872, Page 481	
6		2				Filter.....	Filtre .....	Filter .....	Filtro .....	Filter.....	See group 872, Page 481	

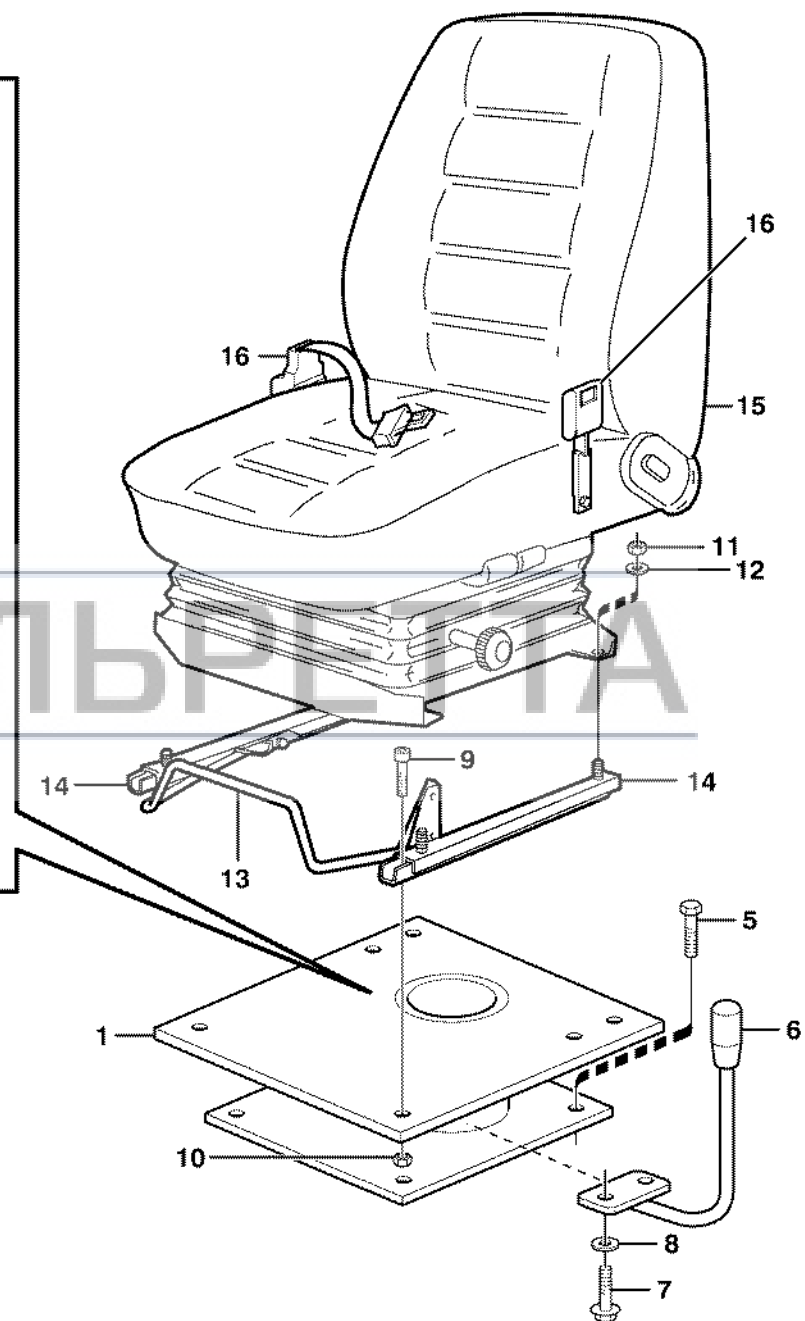
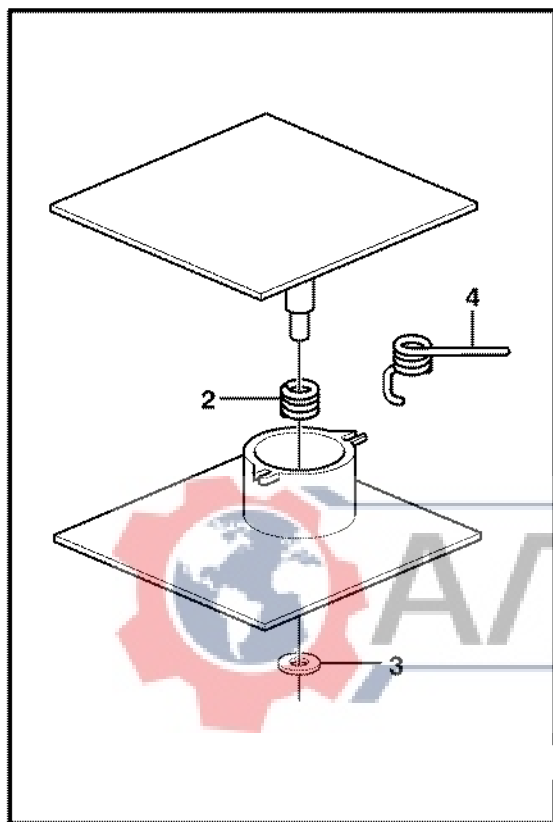


1	<b>Inredningsdetaljer</b> <b>Detalles interiores</b> <b>Innenausstattung</b> <b>Pieces d'aménagement</b> <b>Interior components</b>	Catalogue id	Group
2		<b>20004</b>	<b>851</b>
3		Illustr. No	Section
4		<b>1001152</b>	<b>150</b>
5		Issue	Page
	<b>11298018, 11298028</b>	<b>VOE 63G9920004</b>	<b>465</b>

**VOLVO**

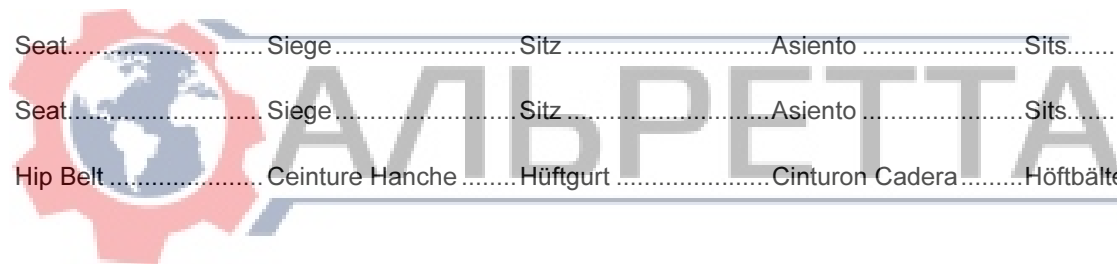
**BL70**





Volvo Construction  
Equipment  
1010420

Fig.	Part No.	Quantity			P S	K I T	Description	Dénomination	Bezeichnung	Denominación	Benämning	Notes
		1	2	3								
1	VOE 11715524	1				Swivel.....	Emerillon .....	Schwingel.....	Placa giratoria .....	Svivel.....	(VOE 11885153)	
2	VOE 11712757	1			OP	•Spring .....	•Ressort .....	•Feder.....	•Muelle .....	•Fjäder.....		
3	VOE 11712758	1			OP	•Bearing .....	•Palier.....	•Lager.....	•Cojinete.....	•Lager.....		
4	VOE 11712759	1			OP	•Plastic Washer.....	•Z.....	•Kunstst.scheibe.....	•Arandela Plast.....	•Plastbricka.....		
5	VOE 13965191	4				Flange screw.....	Vis à bride .....	Flanschschraube.....	Torn embridado .....	Flänsskruv.....		
6	VOE 11883774	1				Handle.....	Poignee.....	Handgriff.....	Manilla.....	Handgrepp.....		
7	VOE 947107	2				Flange screw.....	Vis à bride .....	Flanschschraube.....	Torn embridado .....	Flänsskruv.....		
8	VOE 955921	2				Spring Washer .....	Rondelle élastique .....	Federscheibe .....	Arandela flexible.....	Fjäderbricka.....		
9	VOE 959220	4				Allen Hd Screw .....	Vis A 6 Pans Cr.....	Inbusschraube.....	Torn Hex Embut .....	Insexskruv.....		
10	VOE 948645	4				Flange Lock Nut.....	Contre écrou bride .....	Flanschmutter .....	Contratuer Embr.....	Flänslåsmutter.....		
11	VOE 983403	4				Lock nut .....	Contre-ecrou .....	Sicherungsmutter .....	Contratuerca .....	Låsmutter.....		
12	VOE 13960141	4				Washer.....	Rondelle .....	Scheibe .....	Arandela .....	Bricka.....		
13	VOE 11883773	1				Handle.....	Poignee.....	Handgriff.....	Manilla.....	Handgrepp.....		
14	VOE 11104093	1				Slide Rail.....	Rail Guidage .....	Gleitschiene .....	Riel Deslizam .....	Glidskena.....	LH	
	VOE 11104092	1				Slide Rail.....	Rail Guidage .....	Gleitschiene .....	Riel Deslizam .....	Glidskena.....	RH	
15	VOE 11884651	1				Seat.....	Siege.....	Sitz .....	Asiento .....	Sits.....	11891100, 11891217 See group 852, Page 475	
	VOE 11884650	1				Seat.....	Siege.....	Sitz .....	Asiento .....	Sits.....	11891099, 11891216 See group 852, Page 473	
	VOE 11884652	1				Seat.....	Siege.....	Sitz .....	Asiento .....	Sits.....	11891110 See group 852, Page 477	
16	VOE 11104125	1				Hip Belt.....	Ceinture Hanche.....	Hüftgurt .....	Cinturon Cadera.....	Höftbälte.....	11891314	



2253) 11891099: S/N -10718, 11891100: S/N -10870, 11891110: S/N -10686, 11891216: S/N -10664, 11891217: S/N -10664

1	<b>Förarstol med monteringsdetaljer</b> <b>Asiento del conductor con piezas de montaje</b> <b>Fahrersitz mit Anbauteilen</b> <b>Siège conducteur avec pièces de montage</b> <b>Operator seat with fitting parts</b> <b>2253)</b>	Catalogue id	Group
2		<b>20004</b>	<b>852</b>
3		Illustr. No	Section
4		<b>1010420</b>	<b>100</b>
5		Issue	Page
		<b>VOE 63G9920004</b>	<b>467</b>

**VOLVO**

**BL70**



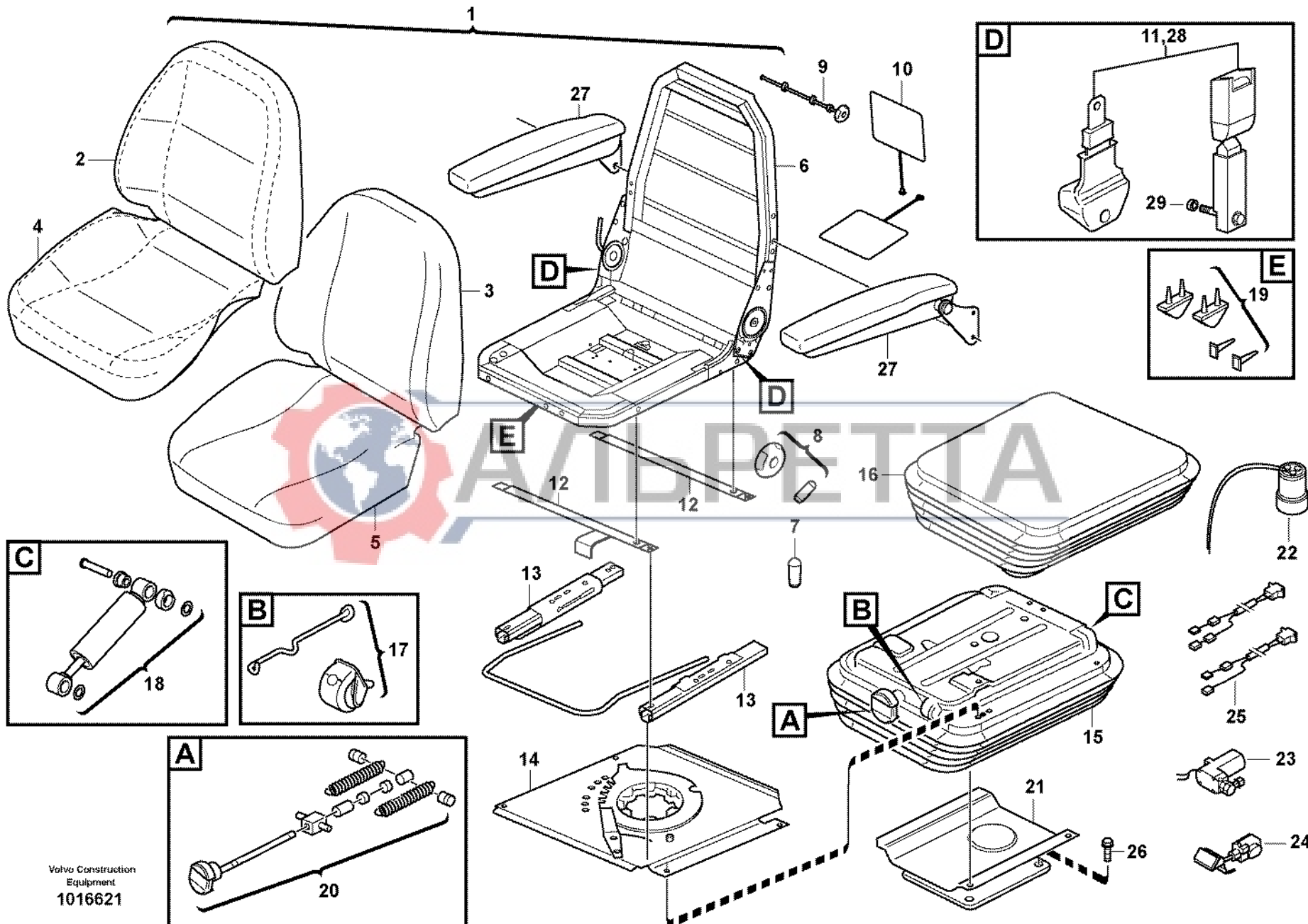
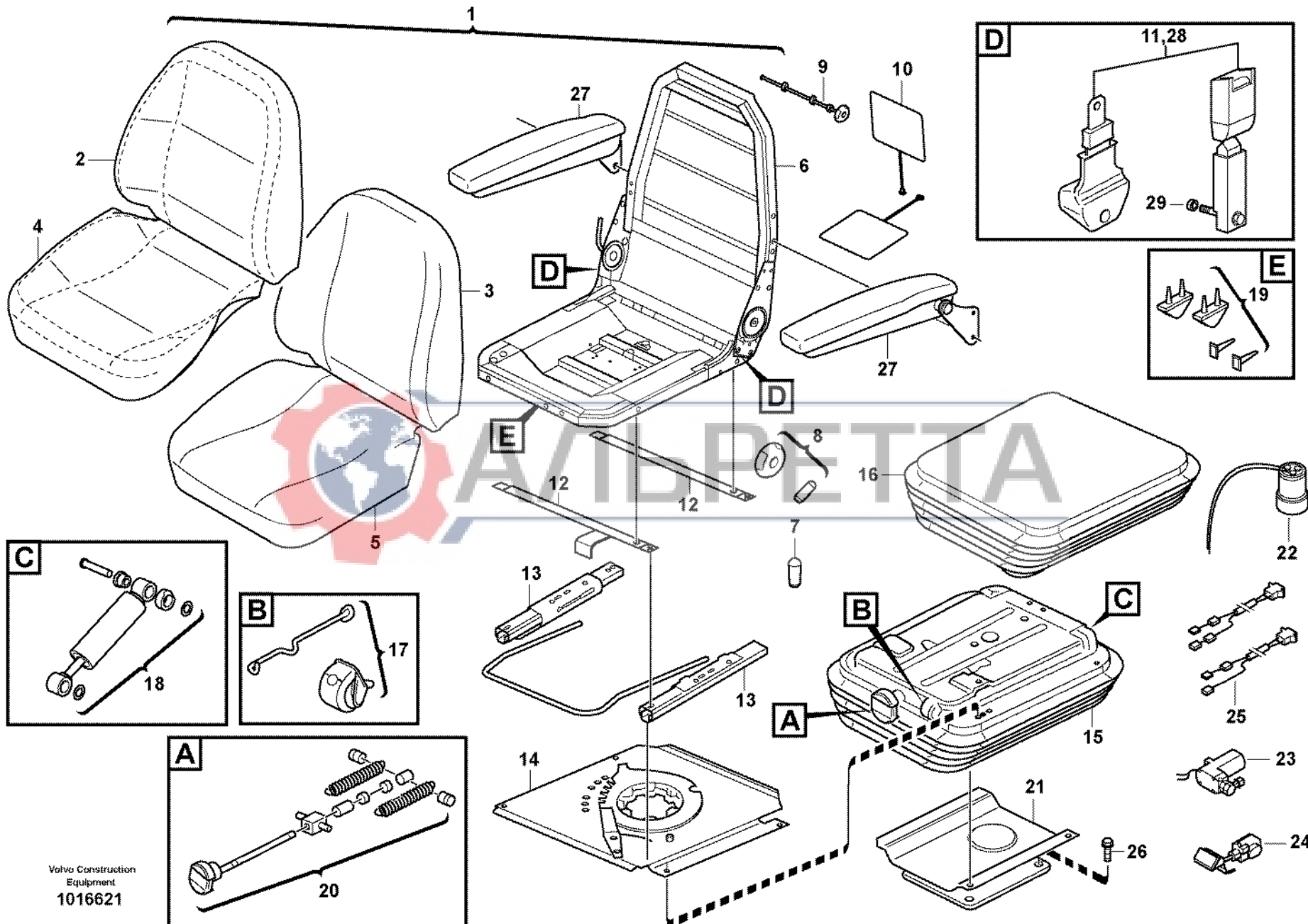


Fig.	Part No.	Quantity					P S	K I T	Description	Dénomination	Bezeichnung	Denominación	Benämning	Notes
		1	2	3	4	5								
1	VOE 11886222	1	1					Seat .....	Siege .....	Sitz .....	Asiento .....	Sits .....		
1	VOE 11886223			1	1			Seat .....	Siege .....	Sitz .....	Asiento .....	Sits .....		
1	VOE 11886193					1		Seat .....	Siege .....	Sitz .....	Asiento .....	Sits .....		
2	VOE 11715083	1	1			1		•Upholstery .....	•Garniture Habit.....	•Bezug .....	•Tapizado .....	•Klädsel.....		
2	VOE 11715081			1	1			•Upholstery .....	•Garniture Habit.....	•Bezug .....	•Tapizado .....	•Klädsel.....		
3	VOE 11715045	1	1	1	1	1		•Backrest Cushion ..	•Coussin de dossi...	•Rückenlehnenkiss ..	•Cojín del respaldo ..	•Ryggstödsdyna.....		
4	VOE 11715084	1	1			1		•Upholstery .....	•Garniture Habit.....	•Bezug .....	•Tapizado .....	•Klädsel.....		
4	VOE 11715082			1	1			•Upholstery .....	•Garniture Habit.....	•Bezug .....	•Tapizado .....	•Klädsel.....		
5	VOE 11715047	1	1	1	1	1		•Seat cushion.....	•Coussin siege .....	•Sitzkissen .....	•Cojin asiento .....	•Sittdyna.....		
6	VOE 11715057	1	1	1	1	1		•Seat frame .....	•cadre Siege .....	•Sitzrahmen .....	•Marco asiento.....	•Sitsram.....		
7	VOE 11715058	1	1	1	1			•Knob .....	•Bouton.....	•Knopf .....	•Boton.....	•Knapp.....		
8	VOE 11715068					1		•Knob .....	•Bouton.....	•Knopf .....	•Boton.....	•Knapp.....		
9	VOE 11715069					1		•Lumbar Support.....	•Repose-reins.....	•Kreuzstutze.....	•Placa Lumbar .....	•Svankplatta.....		
10	VOE 11715070					1		•Heater.....	•Elément de chauff ..	•Heizkörper .....	•Calefaccion .....	•Värmeelement.....		
11	VOE 11715053	1	1	1	1	1		•Hip Belt.....	•Ceinture Hanche ...	•Hüftgurt.....	•Cinturon Cadera....	•Höftbälte.....		
12	VOE 11715049	1	1	1	1	1		•Cross Stay .....	•Etai Transvers.....	•Querstrebe.....	•Barra Transver .....	•Tvärstag.....		
13	VOE 11715050	1	1	1	1	1		•Seat Rail .....	•Rail Siege.....	•Sitzschiene .....	•Riel Asiento .....	•Stolskena.....		
14	VOE 11715051	1	1	1	1			•Turntable .....	•Selle Attela.....	•Drehscheibe .....	•Mesa Giratoria.....	•Vändskiva.....		
14	VOE 11715071					1		•Turntable .....	•Selle Attela.....	•Drehscheibe .....	•Mesa Giratoria.....	•Vändskiva.....		
15	VOE 11715059	1	1	1	1			•Seat Spring Suspe ..	•Suspension Siege ..	•Sitzfeder .....	•Resorte Asiento....	•Sitsfjädring.....		
15	VOE 11715072					1		•Seat Spring Suspe ..	•Suspension Siege ..	•Sitzfeder .....	•Resorte Asiento....	•Sitsfjädring.....		
16	VOE 11715062	1	1	1	1	1		•Bellows .....	•Capot Caoutcho....	•Gummimantel .....	•Cubierta Goma.....	•Gummikåpa.....		
17	VOE 11715063	1	1	1	1	1		•Indicator .....	•Indicateur .....	•Indikator .....	•Indicador .....	•Indikator.....		
18	VOE 11715064	1	1	1	1			•Shock Absorber .....	•Amortis.confort.....	•Komf Stossdfr .....	•Amortiguador.....	•Stötdämpare.....		
18	VOE 11715074					1		•Shock Absorber .....	•Amortis.confort.....	•Komf Stossdfr .....	•Amortiguador.....	•Stötdämpare.....		
19	VOE 11715065	1	1	1	1	1		•Bump Stop.....	•Butee Suspensi....	•Anschlagpuffer.....	•Tope Pluma.....	•Bomningsanslag...		
20	VOE 11715066	1	1	1	1			•Height Adjuster .....	•Reglage Hauteur...	•Höhenversteller .....	•Ajuste Altura.....	•Höjdomställare.....		
21	VOE 11715067	1	1	1	1			•Seat Bracket.....	•Etrier De Siege.....	•Sitzkonsole .....	•Consola Asiento .....	•Sitskonsol.....		
22	VOE 11715076					1		•Air Spring.....	•Ressort Pneuma. ...	•Luftfeder .....	•Resorte Neumat ...	•Luftfjäder.....		
23	VOE 11715077					1		•Compressor.....	•Compresseur .....	•Kompressor .....	•Compresor .....	•Kompressor.....		

1	11891216 S/N 10665-	<b>Förarstol</b> <b>Asiento del conductor</b> <b>Fahrersitz</b> <b>Siège du concteur</b> <b>Operator's seat</b>	Catalogue id	Group
2	11891099 S/N 10719-		<b>20004</b>	<b>852</b>
3	11891217 S/N 10665-		Illustr. No	Section
4	11891100 S/N 10871-		<b>1016621</b>	<b>110</b>
5	11891110 S/N 10687-		Issue	Page
			<b>VOE 63G9920004</b>	<b>469</b>

**VOLVO**

**BL70**



Volvo Construction  
Equipment  
1016621

Fig.	Part No.	Quantity					P S	K I T	Description	Dénomination	Bezeichnung	Denominación	Benämning	Notes
		1	2	3	4	5								
24	VOE 11715078						1	•Valve .....	•Soupape.....	•Ventil.....	•Valvula .....	•Ventil.....		
25	VOE 11715079						1	•Cable harness .....	•Faisceau cables ....	•Kabelbaum .....	•Manojo cables .....	•Ledningsmatta.....		
26	VOE 13965191	4	4	4	4	4	4	Flange screw .....	Vis à bride .....	Flanschschraube ....	Torn embridado .....	Flänsskruv.....		
27	VOE 11191410		1				1	Arm Rest.....	Accoudoir .....	Armlehne .....	Reposabrazos .....	Armstöd.....		
28	VOE 11104125	1	1	1	1	1	1	Hip Belt .....	Ceinture Hanche ....	Hüftgurt .....	Cinturon Cadera .....	Höftbälte.....	11891314	
29	VOE 11886348	2	2	2	2	2	2	Spacer .....	Partie Intermédiair..	Zwischenstück .....	Espaciador .....	Mellandel.....	11891314	

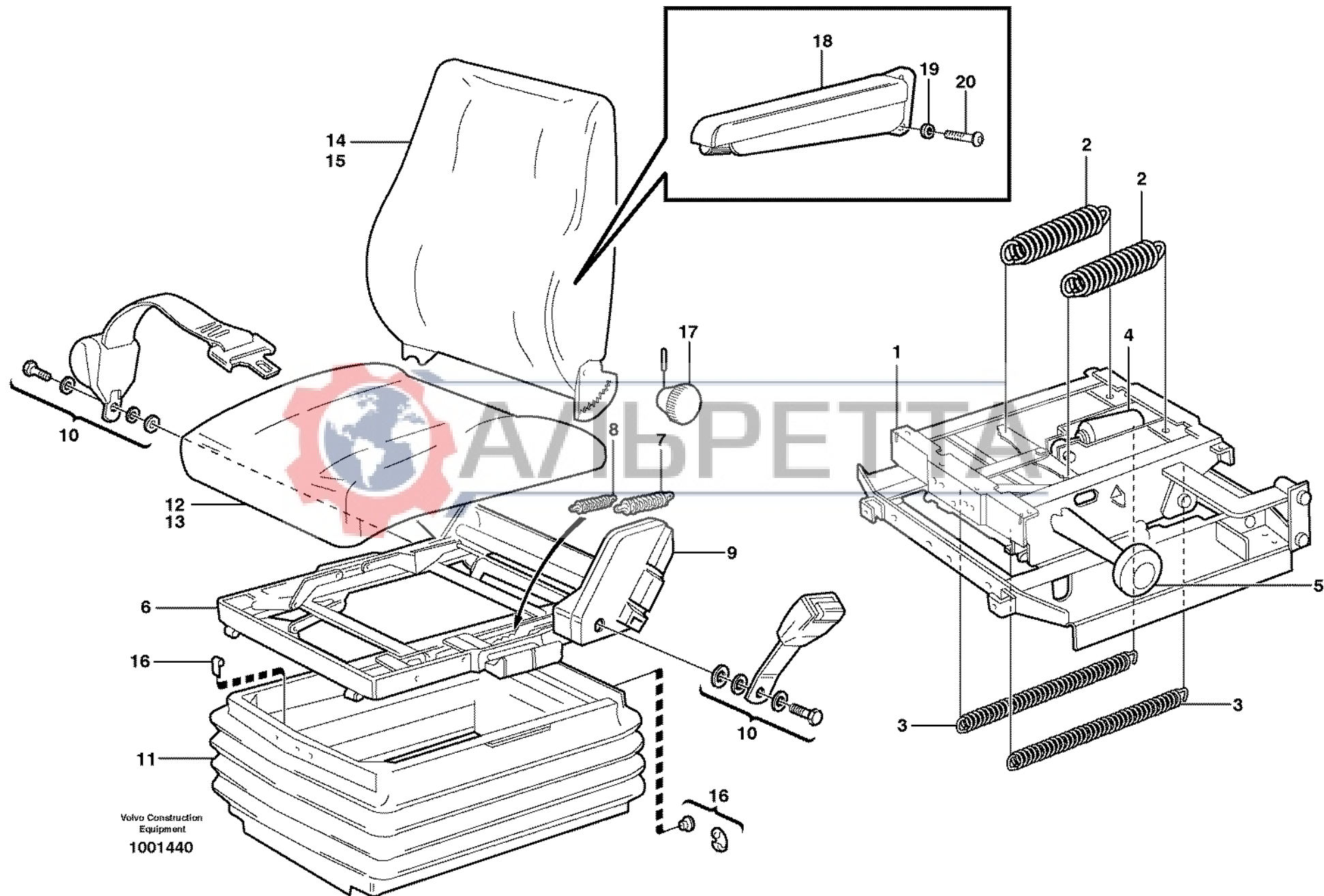


1	11891216 S/N 10665-	<b>Förarstol</b> <b>Asiento del conductor</b> <b>Fahrersitz</b> <b>Siège du conucteur</b> <b>Operator's seat</b>	Catalogue id	Group
2	11891099 S/N 10719-		<b>20004</b>	<b>852</b>
3	11891217 S/N 10665-		Illustr. No	Section
4	11891100 S/N 10871-		<b>1016621</b>	<b>110</b>
5	11891110 S/N 10687-		Issue	Page
			<b>VOE 63G9920004</b>	<b>471</b>

**VOLVO**

**BL70**





Volvo Construction  
Equipment  
1001440

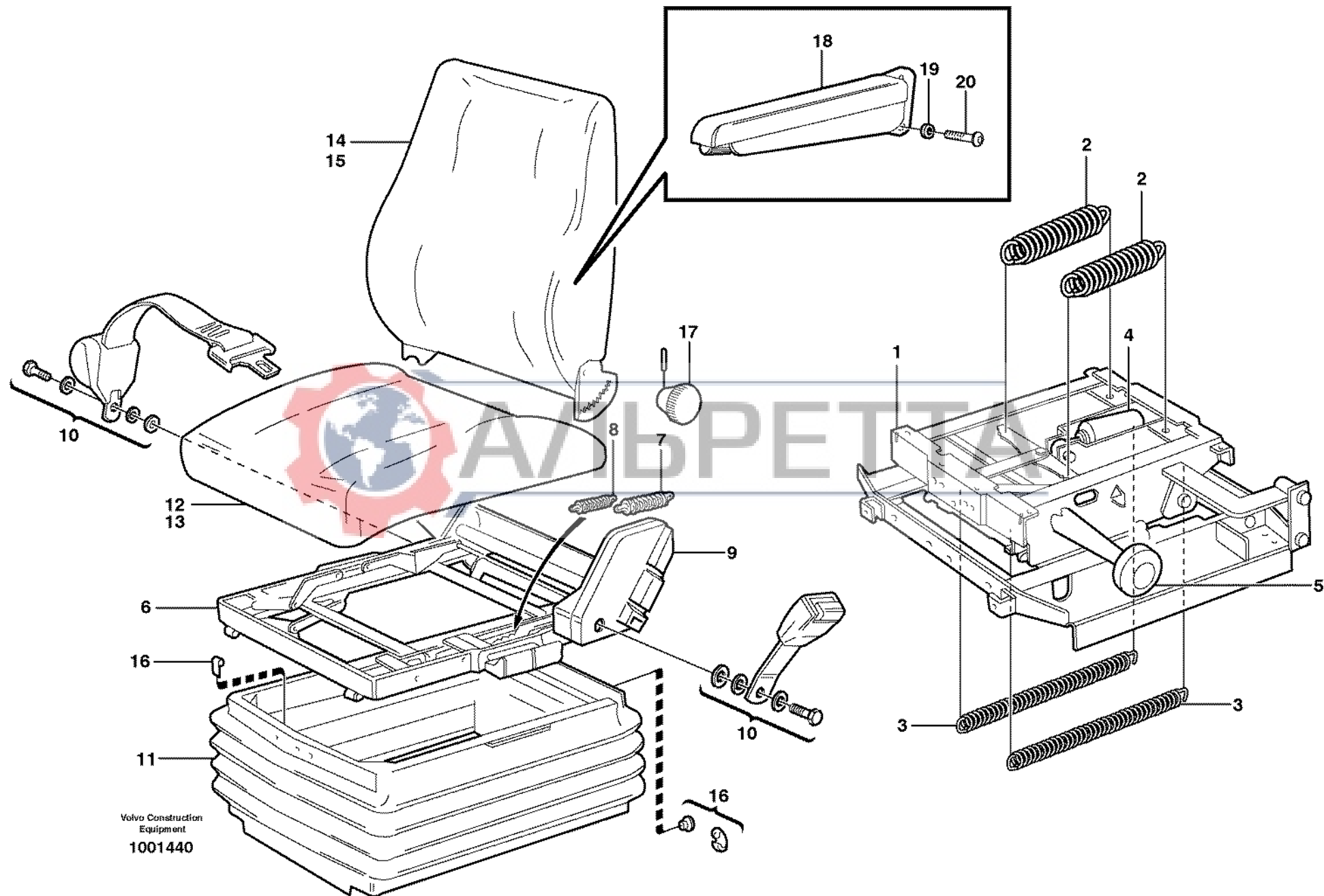
Fig.	Part No.	Quantity			P S	K I T	Description	Dénomination	Bezeichnung	Denominación	Benämning	Notes
		1	2	3								
	VOE 11884650	1	1			Seat.....	Siege.....	Sitz.....	Asiento.....	Sits.....		
1	VOE 11707355	1	1			•Spring Suspension ..	•Unite Suspension.....	•Federbündel.....	•Unidad Suspension...	•Fjädringsenhet.....		
2	VOE 6213261	2	2			••Spring.....	••Ressort.....	••Feder.....	••Muelle.....	••Fjäder.....		
3	VOE 11707356	2	2			••Spring.....	••Ressort.....	••Feder.....	••Muelle.....	••Fjäder.....		
4	VOE 11707351	1	1			••Shock absorber.....	••Amortisseur.....	••Stossdämpfer.....	••Amortiguador.....	••Stötdämpare.....		
5	VOE 3090569	1	1			••Knob.....	••Bouton.....	••Knauf.....	••Boton.....	••Knopp.....		
6	VOE 11709744	1	1			•Seat frame.....	•cadre Siege.....	•Sitzrahmen.....	•Marco asiento.....	•Sitsram.....		
7	VOE 1696529	2	2			••Spring.....	••Ressort.....	••Feder.....	••Muelle.....	••Fjäder.....		
8	VOE 1518748	1	1			••Spring.....	••Ressort.....	••Feder.....	••Muelle.....	••Fjäder.....		
9	VOE 11709389	1	1			••Cover.....	••Capot.....	••Haube.....	••Cubierta.....	••Kåpa.....	LH	
	VOE 11709390	1	1			••Cover.....	••Capot.....	••Haube.....	••Cubierta.....	••Kåpa.....	RH	
10	VOE 11707348	1	1			••Hip Belt.....	••Ceinture Hanche.....	••Hüftgurt.....	••Cinturon Cadera.....	••Höftbälte.....		
11	VOE 11709391	1	1			•Bellows.....	•Soufflet.....	•Balg.....	•Fuelle.....	•Bälg.....		
12	VOE 11709388	1	1			•Seat.....	•Siege.....	•Sitz.....	•Asiento.....	•Sits.....		
13	VOE 11996163	1	1			••Upholstery.....	••Garniture Habit.....	••Bezug.....	••Tapizado.....	••Klädsel.....		
14	VOE 11709385	1	1			•Backrest.....	•Dossier.....	•Rücken.....	•Respaldo.....	•Rygg.....		
15	VOE 11709386	1	1			••Upholstery.....	••Garniture Habit.....	••Bezug.....	••Tapizado.....	••Klädsel.....		
16	VOE 11709392	1	1			•Attachment kit.....	•Jeu de fixation.....	•Befestigungssatz.....	•Juego acoplamiento..	•Fästsats.....		
17	VOE 11709387	1	1			•Steering wheel.....	•Volant.....	•Lenkrad.....	•Volante.....	•Ratt.....		
18	VOE 11882471	1	1			Arm Rest.....	Accoudoir.....	Armlehne.....	Reposabrazos.....	Armstöd.....	LH	
	VOE 11882470	1	1			Arm Rest.....	Accoudoir.....	Armlehne.....	Reposabrazos.....	Armstöd.....	RH	
19	VOE 13955894	4	4			•Washer.....	•Rondelle.....	•Scheibe.....	•Arandela.....	•Bricka.....		
20	VOE 11709040	4	4			•Screw.....	•Vis.....	•Schraube.....	•Tornillo.....	•Skruv.....		

1	11891216 S/N -10664	Förarstol Asiento del conductor Fahrersitz Siège du concteur Operator's seat  CLOTH SEATS FOR CABS	Catalogue id	Group
2	11891099 S/N -10718		20004	852
3			Illustr. No	Section
4			1001440	150
5			Issue	Page
			VOE 63G9920004	473

**VOLVO**

**BL70**





Volvo Construction  
Equipment  
1001440

Fig.	Part No.	Quantity			P S	K I T	Description	Dénomination	Bezeichnung	Denominación	Benämning	Notes
		1	2	3								
	VOE 11884651	1	1			Seat.....	Siege.....	Sitz.....	Asiento.....	Sits.....		
1	VOE 11707355	1	1			•Spring Suspension ..	•Unite Suspension.....	•Federbündel.....	•Unidad Suspension...	•Fjädringsenhet.....		
2	VOE 6213261	2	2			••Spring.....	••Ressort.....	••Feder.....	••Muelle.....	••Fjäder.....		
3	VOE 11707356	2	2			••Spring.....	••Ressort.....	••Feder.....	••Muelle.....	••Fjäder.....		
4	VOE 11707351	1	1			••Shock absorber.....	••Amortisseur.....	••Stossdämpfer.....	••Amortiguador.....	••Stötdämpare.....		
5	VOE 3090569	1	1			••Knob.....	••Bouton.....	••Knauf.....	••Boton.....	••Knopp.....		
6	VOE 11709744	1	1			•Seat frame.....	•cadre Siege.....	•Sitzrahmen.....	•Marco asiento.....	•Sitsram.....		
7	VOE 1696529	2	2			••Spring.....	••Ressort.....	••Feder.....	••Muelle.....	••Fjäder.....		
8	VOE 1518748	1	1			••Spring.....	••Ressort.....	••Feder.....	••Muelle.....	••Fjäder.....		
9	VOE 11709389	1	1			••Cover.....	••Capot.....	••Haube.....	••Cubierta.....	••Kåpa.....	LH	
	VOE 11709390	1	1			••Cover.....	••Capot.....	••Haube.....	••Cubierta.....	••Kåpa.....	RH	
10	VOE 11707348	1	1			••Hip Belt.....	••Ceinture Hanche.....	••Hüftgurt.....	••Cinturon Cadera.....	••Höftbälte.....		
11	VOE 11709391	1	1			•Bellows.....	•Soufflet.....	•Balg.....	•Fuelle.....	•Bälg.....		
12	VOE 11704771	1	1			•Seat.....	•Siege.....	•Sitz.....	•Asiento.....	•Sits.....		
13	VOE 11704772	1	1			••Upholstery.....	••Garniture Habit.....	••Bezug.....	••Tapizado.....	••Klädsel.....		
14	VOE 11709393	1	1			•Backrest.....	•Repose-rein.....	•Rückenlehne.....	•Apoyo respaldo.....	•Ryggstöd.....		
15	VOE 11709394	1	1			••Upholstery.....	••Garniture Habit.....	••Bezug.....	••Tapizado.....	••Klädsel.....		
16	VOE 11709392	1	1			•Attachment kit.....	•Jeu de fixation.....	•Befestigungssatz.....	•Juego acoplamiento..	•Fästsats.....		
17	VOE 11709387	1	1			•Steering wheel.....	•Volant.....	•Lenkrad.....	•Volante.....	•Ratt.....		
18	VOE 11882471	1				Arm Rest.....	Accoudoir.....	Armlehne.....	Reposabrazos.....	Armstöd.....	LH	
	VOE 11882470	1				Arm Rest.....	Accoudoir.....	Armlehne.....	Reposabrazos.....	Armstöd.....	RH	
19	VOE 13955894	4				•Washer.....	•Rondelle.....	•Scheibe.....	•Arandela.....	•Bricka.....		
20	VOE 11709040	4				Screw.....	Vis.....	Schraube.....	Tornillo.....	Skruv.....		

1	11891217 S/N -10664	<b>Förarstol</b> <b>Asiento del conductor</b> <b>Fahrersitz</b> <b>Siège du concteur</b> <b>Operator's seat</b>  <b>ROPS</b>	Catalogue id	Group
2	11891100 S/N -10870		<b>20004</b>	<b>852</b>
3			Illustr. No	Section
4			<b>1001440</b>	<b>200</b>
5			Issue	Page
			<b>VOE 63G9920004</b>	<b>475</b>

**VOLVO**

**BL70**



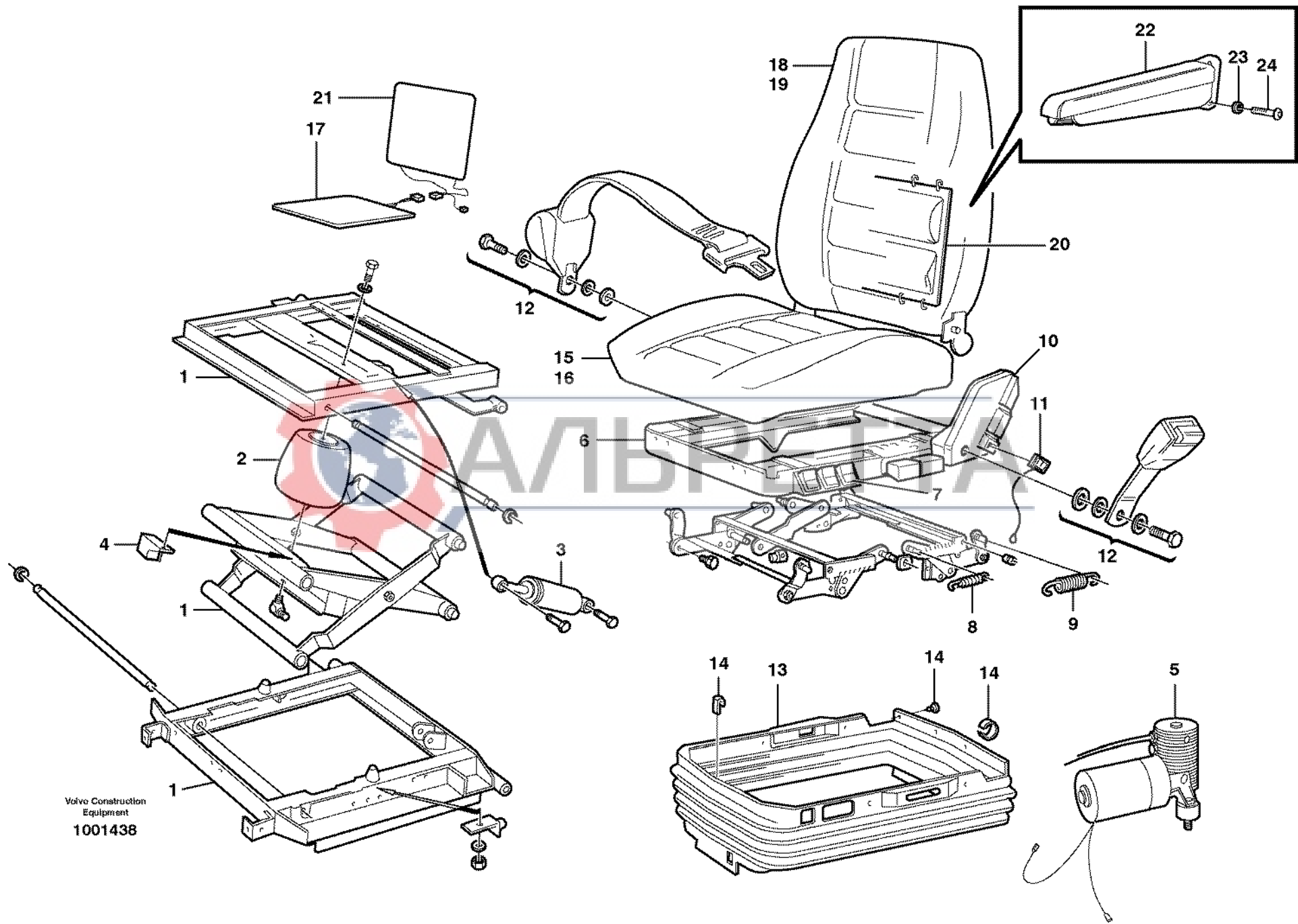


Fig.	Part No.	Quantity			P S	K I T	Description	Dénomination	Bezeichnung	Denominación	Benämning	Notes
		1	2	3								
	VOE 11884652	1				Seat.....	Siege.....	Sitz.....	Asiento.....	Sits.....		
1	VOE 11709420	1				•Suspension unit.....	•Ensemble suspensi...	•Federbündel.....	•Unidad de suspensi ..	•Fjäderupphängnings.		
1A	VOE 3091629	1				••Elbow nipple.....	••Raccord angulaire ..	••Winkelnippel.....	••Niple angular.....	••Vinkelnippel.....		
2	VOE 11707350	1				••Air Bellows.....	••Soufflet Air.....	••Luftbalg.....	••Fuelle Aire.....	••Luftbälq.....		
3	VOE 11707351	1				••Shock absorber.....	••Amortisseur.....	••Stossdämpfer.....	••Amortiguador.....	••Stötdämpare.....		
4	VOE 11709422	1				••Relay.....	••Relais.....	••Relais.....	••Rele.....	••Relä.....		
5	VOE 11709423	1				••Compressor.....	••Compresseur.....	••Kompressor.....	••Compresor.....	••Kompressor.....		
6	VOE 11709421	1				•Seat frame.....	•cadre Siege.....	•Sitzrahmen.....	•Marco asiento.....	•Sitsram.....		
7	VOE 11707347	1				•Control.....	•Commande.....	•Regelung.....	•Mando.....	•Reglage.....		
8	VOE 1518748	1				•Spring.....	•Ressort.....	•Feder.....	•Muelle.....	•Fjäder.....		
9	VOE 1696529	2				•Spring.....	•Ressort.....	•Feder.....	•Muelle.....	•Fjäder.....		
10	VOE 11709419	1				•Cover.....	•Capot.....	•Haube.....	•Cubierta.....	•Kåpa.....	LH	
	VOE 11709390	1				•Cover.....	•Capot.....	•Haube.....	•Cubierta.....	•Kåpa.....	RH	
11	VOE 11707346	1				•Switch.....	•Commutateur.....	•Schalter.....	•Contactor.....	•Strömställare.....		
12	VOE 11707348	1				•Hip Belt.....	•Ceinture Hanche.....	•Hüftgurt.....	•Cinturon Cadera.....	•Höftbälte.....		
13	VOE 11709391	1				•Bellows.....	•Soufflet.....	•Balg.....	•Fuelle.....	•Bälq.....		
14	VOE 11709392	1				•Attachment kit.....	•Jeu de fixation.....	•Befestigungssatz.....	•Juego acoplamiento..	•Fästsats.....		
15	VOE 11709418	1				•Seat.....	•Siege.....	•Sitz.....	•Asiento.....	•Sits.....		
16	VOE 11998561	1				•Upholstery.....	•Garniture Habit.....	•Bezug.....	•Tapizado.....	•Klädsel.....		
17	VOE 11706320	1				•Heater.....	•Elément de chauffa..	•Heizkörper.....	•Calefaccion.....	•Värmeelement.....		
18	VOE 11709417	1				•Backrest.....	•Repose-rein.....	•Rückenlehne.....	•Apoyo respaldo.....	•Ryggstöd.....		
19	VOE 11707344	1				•Upholstery.....	•Garniture Habit.....	•Bezug.....	•Tapizado.....	•Klädsel.....		
20	VOE 11997265	1				•Lumbar Support.....	•Repose-reins.....	•Kreuzstutze.....	•Placa Lumbar.....	•Svankplatta.....		
21	VOE 11706318	1				•Heater.....	•Elément de chauffa..	•Heizkörper.....	•Calefaccion.....	•Värmeelement.....		
22	VOE 11882471	1				Arm Rest.....	Accoudoir.....	Armlehne.....	Reposabrazos.....	Armstöd.....	LH	
	VOE 11882470	1				Arm Rest.....	Accoudoir.....	Armlehne.....	Reposabrazos.....	Armstöd.....	RH	
23	VOE 13955894	4				•Washer.....	•Rondelle.....	•Scheibe.....	•Arandela.....	•Bricka.....		
24	VOE 13946173	4				Flange screw.....	Vis à bride.....	Flanschschraube.....	Torn embridado.....	Flänsskruv.....		

1	11891110 S/N -10686	<b>Luftfjädrande förarstol, Eluppvärmd.</b> <b>Asiento de conducción de suspensión neumática.</b> <b>Fahrersitz, Luftfedert.</b> <b>Siège du conducteur suspension pneumatique.</b> <b>Operator's seat, heated, air suspended.</b> <b>CABS</b>	Catalogue id	Group
2			<b>20004</b>	<b>852</b>
3			Illustr. No	Section
4			<b>1001438</b>	<b>250</b>
5			Issue	Page
			<b>VOE 63G9920004</b>	<b>477</b>

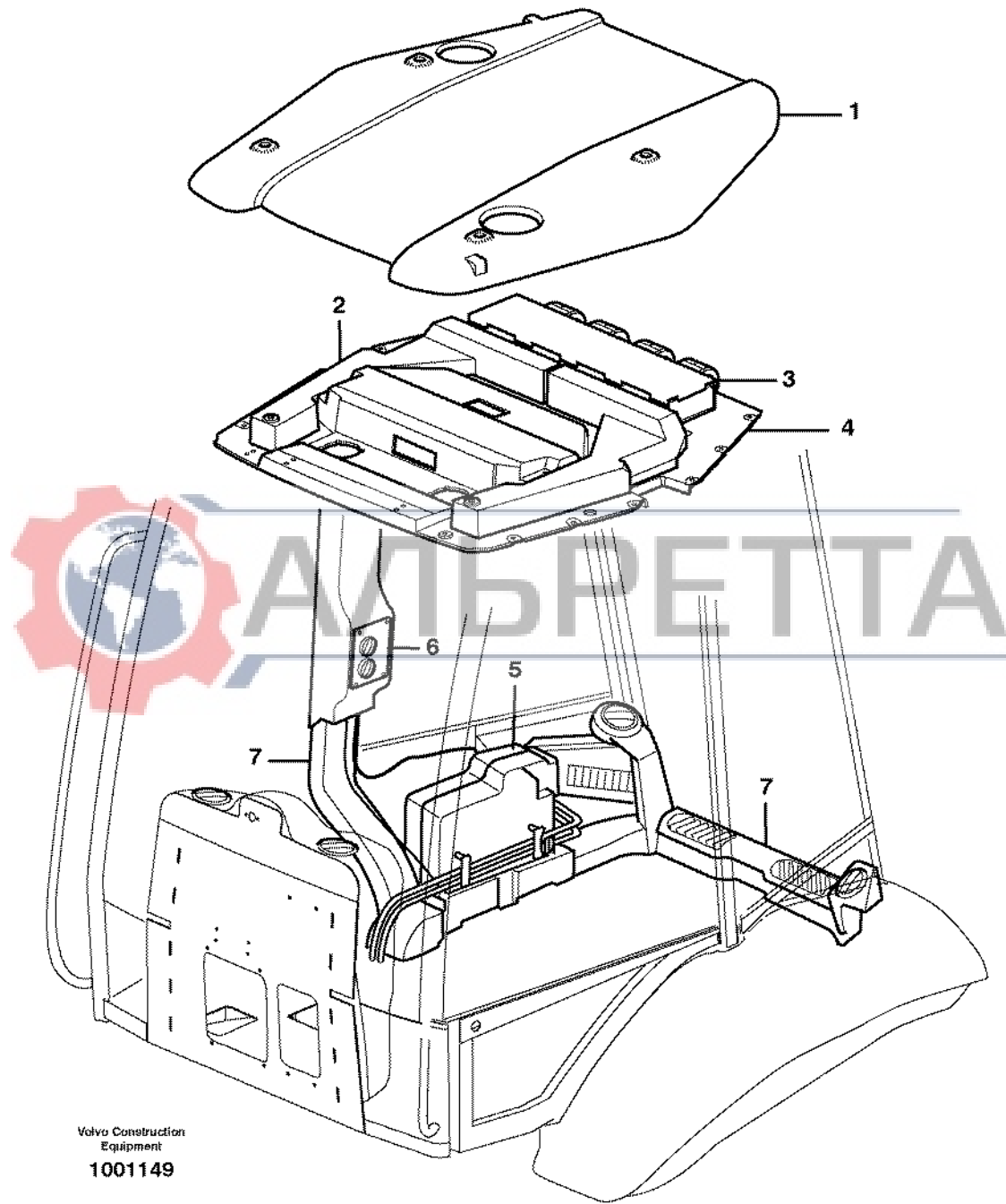


Fig.	Part No.	Quantity			P S	K I T	Description	Dénomination	Bezeichnung	Denominación	Benämning	Notes
		1	2	3								
1		1				Roof .....	Toit .....	Dach .....	Techo .....	Tak .....	See group 810, Page 431	
2		1				Air Duct .....	Tambour Air .....	Lufttrommel .....	Conducto Aire .....	Lufttrumma .....	See group 872, Page 481	
3		1				Air Cond .....	Climatisation .....	Klimaanlage .....	Acondicion Aire .....	Luftkond .....	See group 874, Page 493	
4		1			NS	Headlining .....	Garnit.pavillon .....	Dachhimmel .....	Techo Interior .....	Innertak .....	See group 851, Page 465	
5		1				Cab Heater .....	Chauffage cabine .....	Kabinenheizung .....	Calef Cabina .....	Hyttvärmare .....	See group 873, Page 487	
6		1				Control Panel .....	Panneau commande .....	Bedienungstafel .....	Panel Mando .....	Reglagepanel .....	See group 873, Page 489	
7		1				Air ducts .....	Canalisation d'air .....	Luftkanäle .....	Canales de aire .....	Luftkanaler .....	See group 872, Page 483	

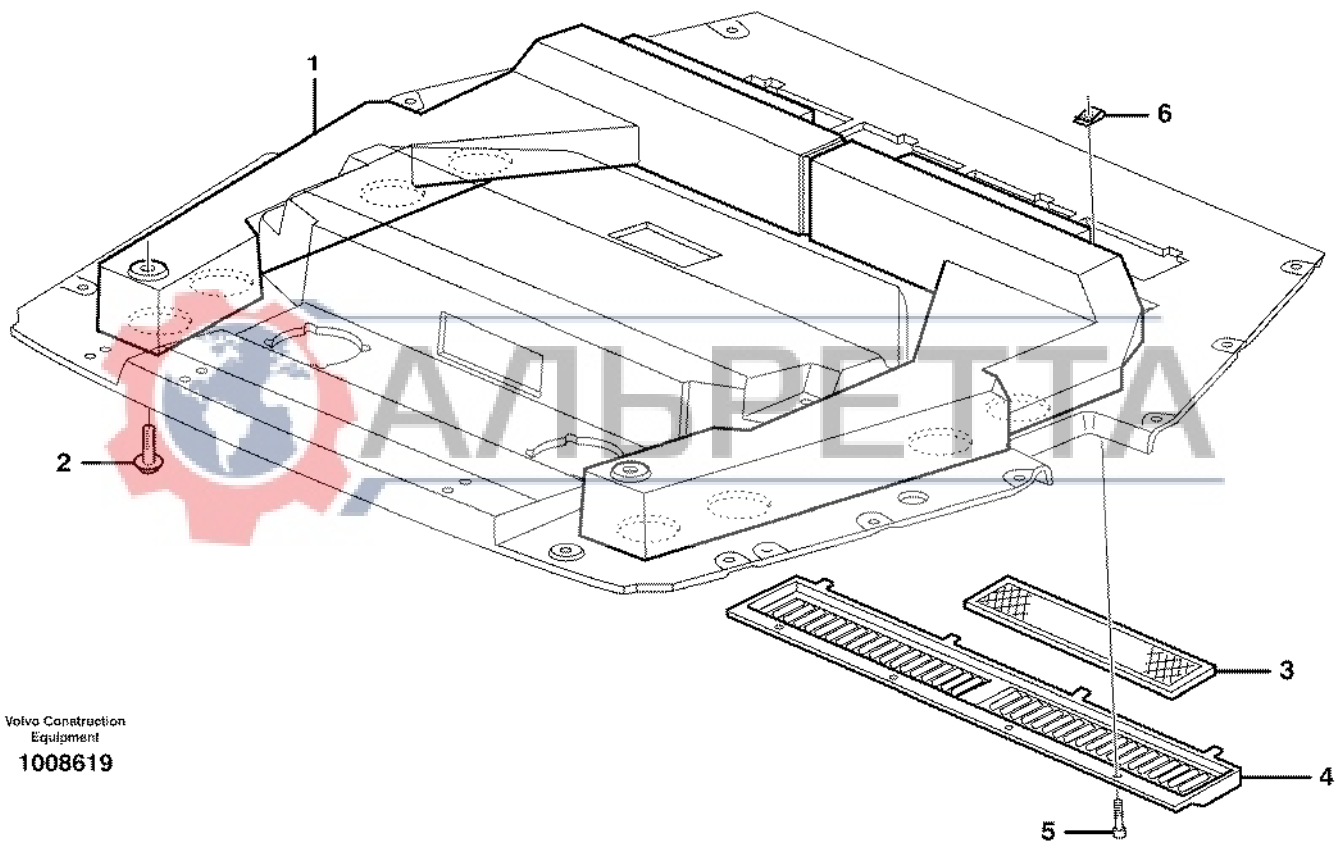


1	<b>Värmesystem</b> <b>Sistema de calefacción</b> <b>Heizsystem</b> <b>Système du chauffage</b> <b>Heating system</b>	Catalogue id	Group
2		<b>20004</b>	<b>872</b>
3		Illustr. No	Section
4		<b>1001149</b>	<b>100</b>
5		Issue	Page
	<b>11298018, 11298028, 11298196</b>	<b>VOE 63G9920004</b>	<b>479</b>

**VOLVO**

**BL70**





Volvo Construction  
Equipment  
1008619

Fig.	Part No.	Quantity			P S	K I T	Description	Dénomination	Bezeichnung	Denominación	Benämning	Notes
		1	2	3								
1	VOE 11200530	1				Air duct.....	Canal air.....	Luftkanal.....	Canal aire.....	Luftkanal.....		
2	VOE 13946173	2				Flange screw.....	Vis à bride.....	Flanschschraube.....	Torn embridado.....	Flänsskruv.....		
3	VOE 11200824	2				Filter.....	Filtre.....	Filter.....	Filtro.....	Filter.....		
4	VOE 11202426	1				Filter Retainer.....	Porte-filtre.....	Filtertopf.....	Soporte Filtro.....	Filterhållare.....		
5	VOE 969405	4				6-pt skt screw.....	Vis creuse de 6.....	Hohlschraube.....	Racor 6-dientes.....	Sextandhålskruv.....		
6	VOE 949937	4				Spring Nut.....	Ecrou Ressort.....	Fed. Schliessmutter.....	Tuerca Resorte.....	Fjädermutter.....		

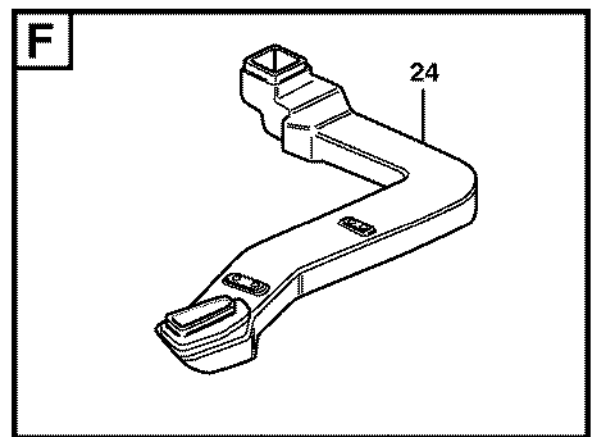
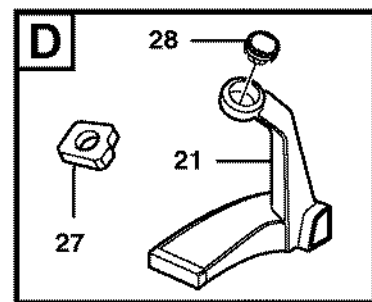
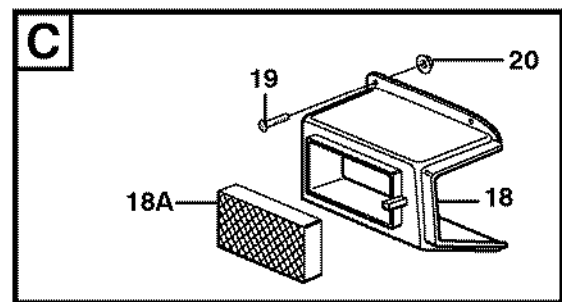
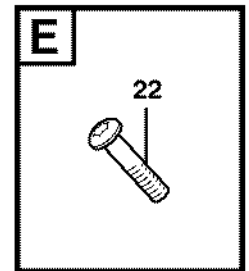
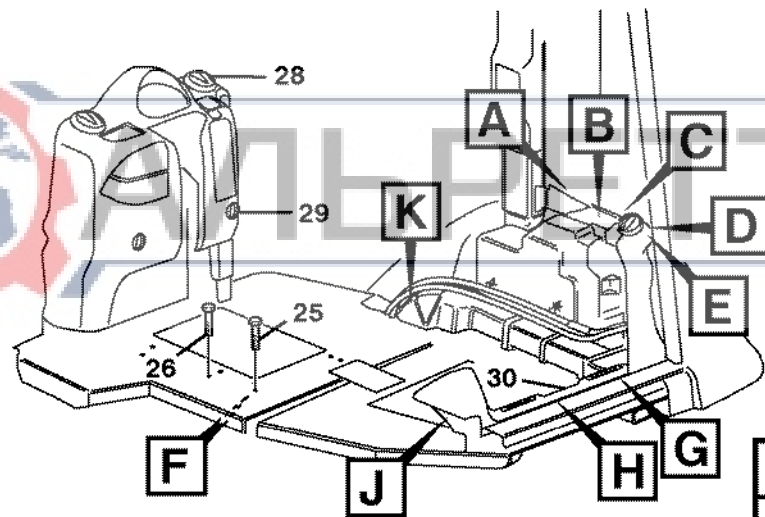
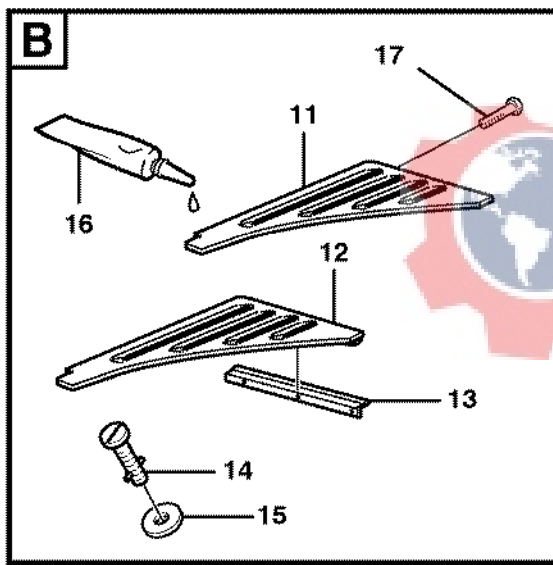
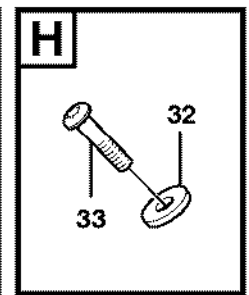
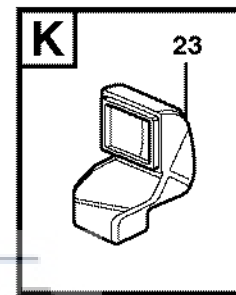
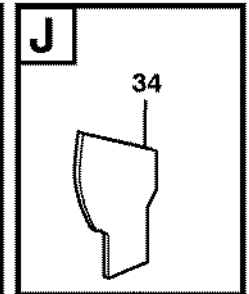
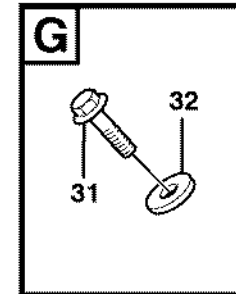
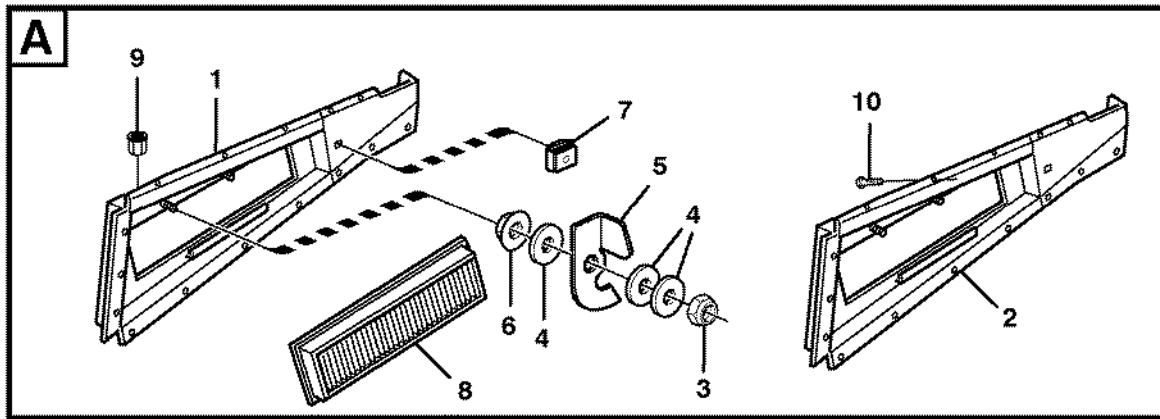


1		<b>Luftkanaler</b> <b>Conductos de aire</b> <b>Luftkanäle</b> <b>Canalisation d'air</b> <b>Air ducts</b>	Catalogue id	Group
2			<b>20004</b>	<b>872</b>
3			Illustr. No	Section
4			<b>1008619</b>	<b>200</b>
5			Issue	Page
		<b>11298018</b>	<b>VOE 63G9920004</b>	<b>481</b>

**VOLVO**

**BL70**





Volvo Construction  
Equipment  
1007868

Fig.	Part No.	Quantity			P S	K I T	Description	Dénomination	Bezeichnung	Denominación	Benämning	Notes
		1	2	3								
1		1				NS	Filter Retainer .....	Porte-filtre .....	Filtertopf .....	Soporte Filtro .....	Filterhållare .....	
2	VOE 11201308	1					•Filter Retainer .....	•Porte-filtre .....	•Filtertopf .....	•Soporte Filtro .....	•Filterhållare .....	
3	VOE 13965483	2					•Flange Lock Nut .....	•Contre écrou bride .....	•Flanschmutter .....	•Contratuer Embr .....	•Flänslåsmutter .....	
4	VOE 13940090	6					•Washer .....	•Rondelle .....	•Scheibe .....	•Arandela .....	•Bricka .....	
5	VOE 11200818	2					•Striker Plate .....	•Gache .....	•Schliesskeil .....	•Placa Bloqueo .....	•Låsbleck .....	
6	VOE 13963104	2					•Lock nut .....	•Contre-ecrou .....	•Sicherungsmutter .....	•Contratuerca .....	•Låsmutter .....	
7	VOE 11201055	1					•Buckle .....	•Boucle .....	•Schnalle .....	•Argolla .....	•Spänne .....	
8	VOE 11703979	1					•Primary Filter .....	•Prefiltre .....	•Vorfilter .....	•Prefiltro .....	•Förfilter .....	
9	VOE 977222	1					•Rivet Nut .....	•Ecrou Rivet .....	•Nietmutter .....	•Tuerca Remache .....	•Nitmutter .....	
10	VOE 976162	7					Screw .....	Vis .....	Schraube .....	Tornillo .....	Skruv .....	
11		1				NS	Air Inlet .....	Prise Air .....	Lufteinlass .....	Toma Aire .....	Luftintag .....	
12	VOE 11201291	1					•Air Inlet .....	•Prise Air .....	•Lufteinlass .....	•Toma Aire .....	•Luftintag .....	
13	VOE 11200794	1					•Hinge .....	•Charniere .....	•Scharnier .....	•Bisagra .....	•Gångjärn .....	
14	VOE 11201054	1					•Buckle .....	•Boucle .....	•Schnalle .....	•Argolla .....	•Spänne .....	
15	VOE 11201056	1					•Lock Washer .....	•Rondel.verroui .....	•Sicher Scheibe .....	•Arandel Segurid .....	•Låsbricka .....	
16	VOE 11708567	REQ					•Adhesive .....	•Adhesif .....	•Klebstoff .....	•Adhesivo .....	•Lim .....	
	VOE 762681	REQ					•Rubber Moulding .....	•Joint Caoutchouc .....	•Gummileiste .....	•Liston Goma .....	•Gummilist .....	L = 780 MM L = 925 MM
17	VOE 13946544	3					Flange screw .....	Vis à bride .....	Flanschschraube .....	Torn embridado .....	Flänsskruv .....	
18	VOE 11200836	1					Air Inlet .....	Prise Air .....	Lufteinlass .....	Toma Aire .....	Luftintag .....	
18A	VOE 11712164	1					•Filter .....	•Filtre .....	•Filter .....	•Filtro .....	•Filter .....	(Recirculation)
19	VOE 969422	4					6-pt skt screw .....	Vis creuse de 6 .....	Hohlschraube .....	Racor 6-dientes .....	Sextandhålskruv .....	(VOE 13969422)
20	VOE 13949278	4					Flange Lock Nut .....	Contre écrou bride .....	Flanschmutter .....	Contratuer Embr .....	Flänslåsmutter .....	
21	VOE 11200730	1					Air duct .....	Canal air .....	Luftkanal .....	Canal aire .....	Luftkanal .....	
22	VOE 969587	1					6-pt skt screw .....	Vis creuse de 6 .....	Hohlschraube .....	Racor 6-dientes .....	Sextandhålskruv .....	
23	VOE 11200727	1					Air duct .....	Canal air .....	Luftkanal .....	Canal aire .....	Luftkanal .....	
24	VOE 11200990	1					Air duct .....	Canal air .....	Luftkanal .....	Canal aire .....	Luftkanal .....	
25	VOE 13946544	5					Flange screw .....	Vis à bride .....	Flanschschraube .....	Torn embridado .....	Flänsskruv .....	
26	VOE 13946544	4					Flange screw .....	Vis à bride .....	Flanschschraube .....	Torn embridado .....	Flänsskruv .....	
27		1				NS	Insulation .....	Isolant .....	Isolierung .....	Aislante .....	Isolering .....	

1		<b>Luftkanaler</b>	Catalogue id	Group
2		<b>Conductos de aire</b>	<b>20004</b>	<b>872</b>
3		<b>Luftkanäle</b>	Illustr. No	Section
4		<b>Canalisation d'air</b>	<b>1007868</b>	<b>250</b>
4		<b>Air ducts</b>	Issue	Page
5		<b>11298028, 11298196</b>	<b>VOE 63G9920004</b>	<b>483</b>



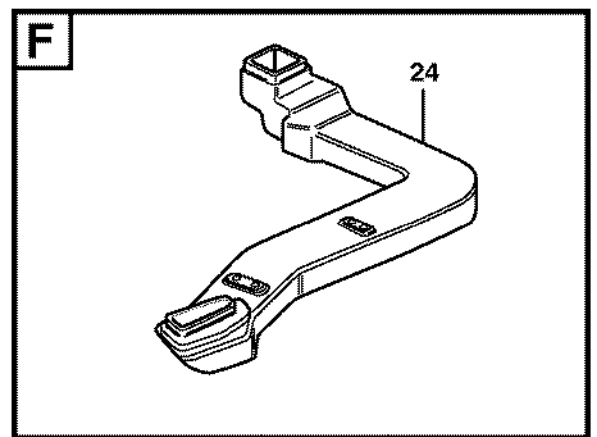
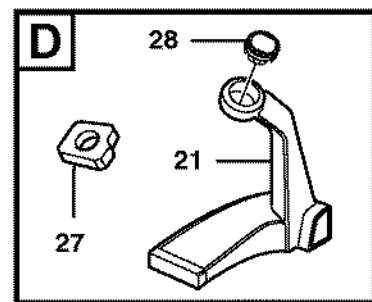
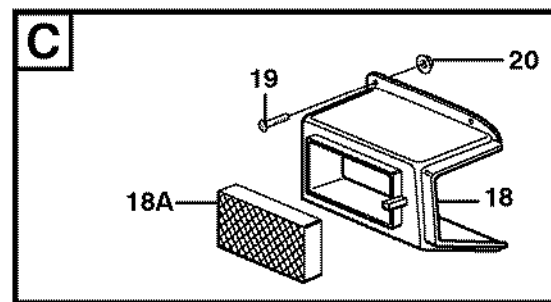
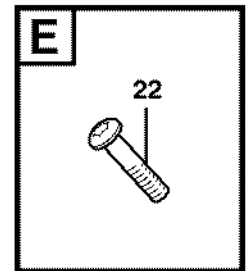
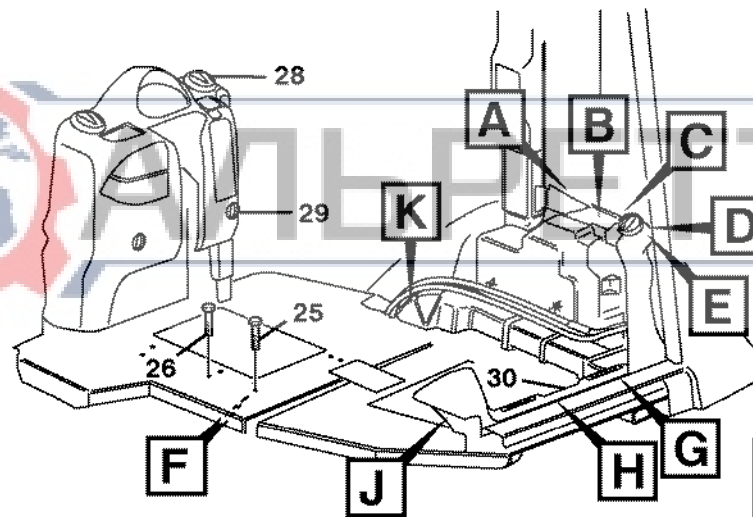
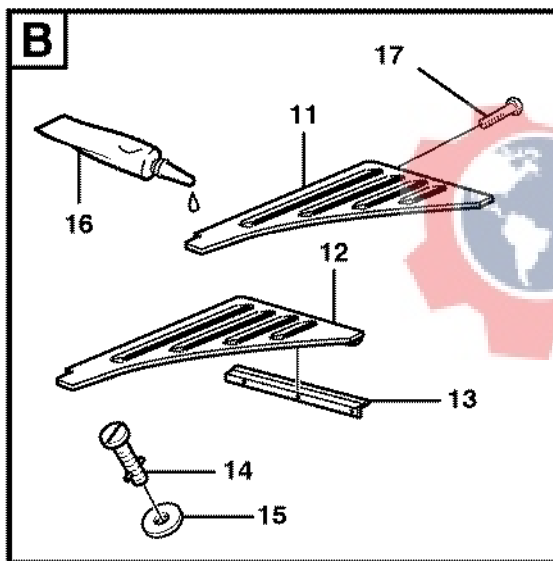
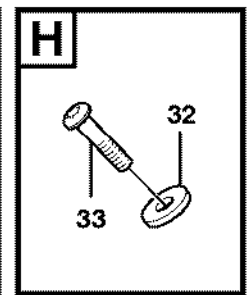
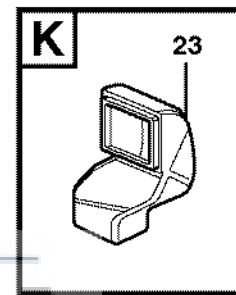
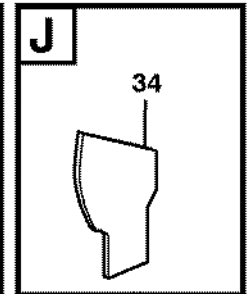
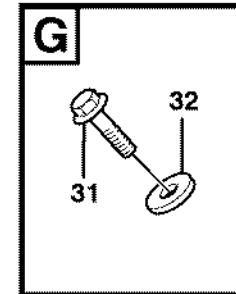
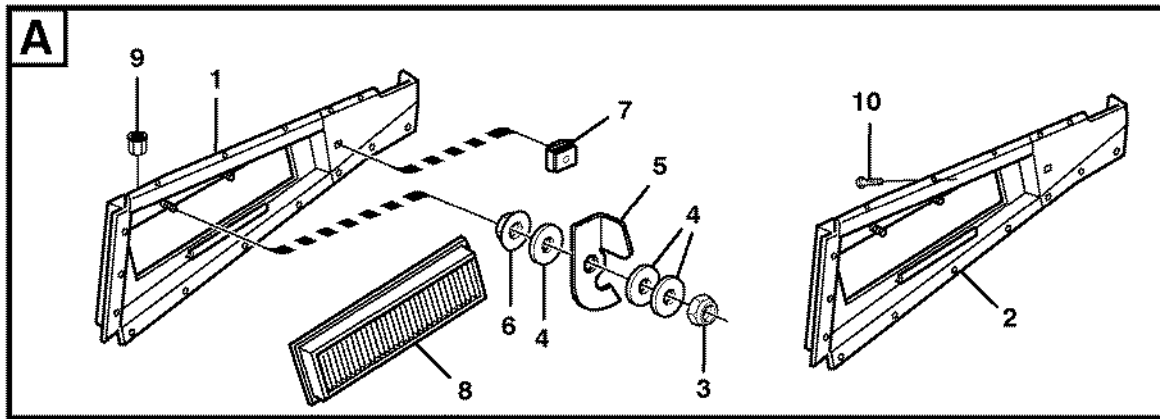


Fig.	Part No.	Quantity			P S	K I T	Description	Dénomination	Bezeichnung	Denominación	Benämning	Notes
		1	2	3								
28	VOE 11104372	4				Air Outlet.....	Diffuseur d'air .....	Luftdüse .....	Difusor de aire .....	Luftmunstycke.....		
29	VOE 11104371	2				Air Outlet.....	Diffuseur d'air .....	Luftdüse .....	Difusor de aire .....	Luftmunstycke.....		
30	VOE 11200543	1				Air duct.....	Canal air.....	Luftkanal.....	Canal aire .....	Luftkanal.....		
31	VOE 13947542	2				Screw .....	Vis .....	Schraube.....	Tornillo .....	Skruv.....		
32	VOE 13960138	1				Washer.....	Rondelle .....	Scheibe .....	Arandela .....	Bricka.....		
	VOE 960139	2				Washer.....	Rondelle .....	Scheibe .....	Arandela .....	Bricka.....		
33	VOE 972412	1				Screw .....	Vis .....	Schraube.....	Tornillo .....	Skruv.....		
34		REQ			NS	Insulation.....	Isolant .....	Isolierung.....	Aislante .....	Isolering.....		

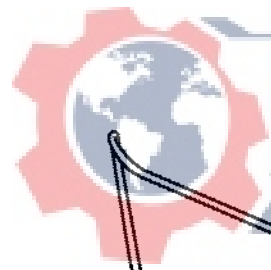


1		<b>Luftkanaler</b>	Catalogue id	Group
2		<b>Conductos de aire</b>	<b>20004</b>	<b>872</b>
3		<b>Luftkanäle</b>	Illustr. No	Section
4		<b>Canalisation d'air</b>	<b>1007868</b>	<b>250</b>
5		<b>Air ducts</b>	Issue	Page
		<b>11298028, 11298196</b>	<b>VOE 63G9920004</b>	<b>485</b>

**VOLVO**

**BL70**





АЛЬРЕТ

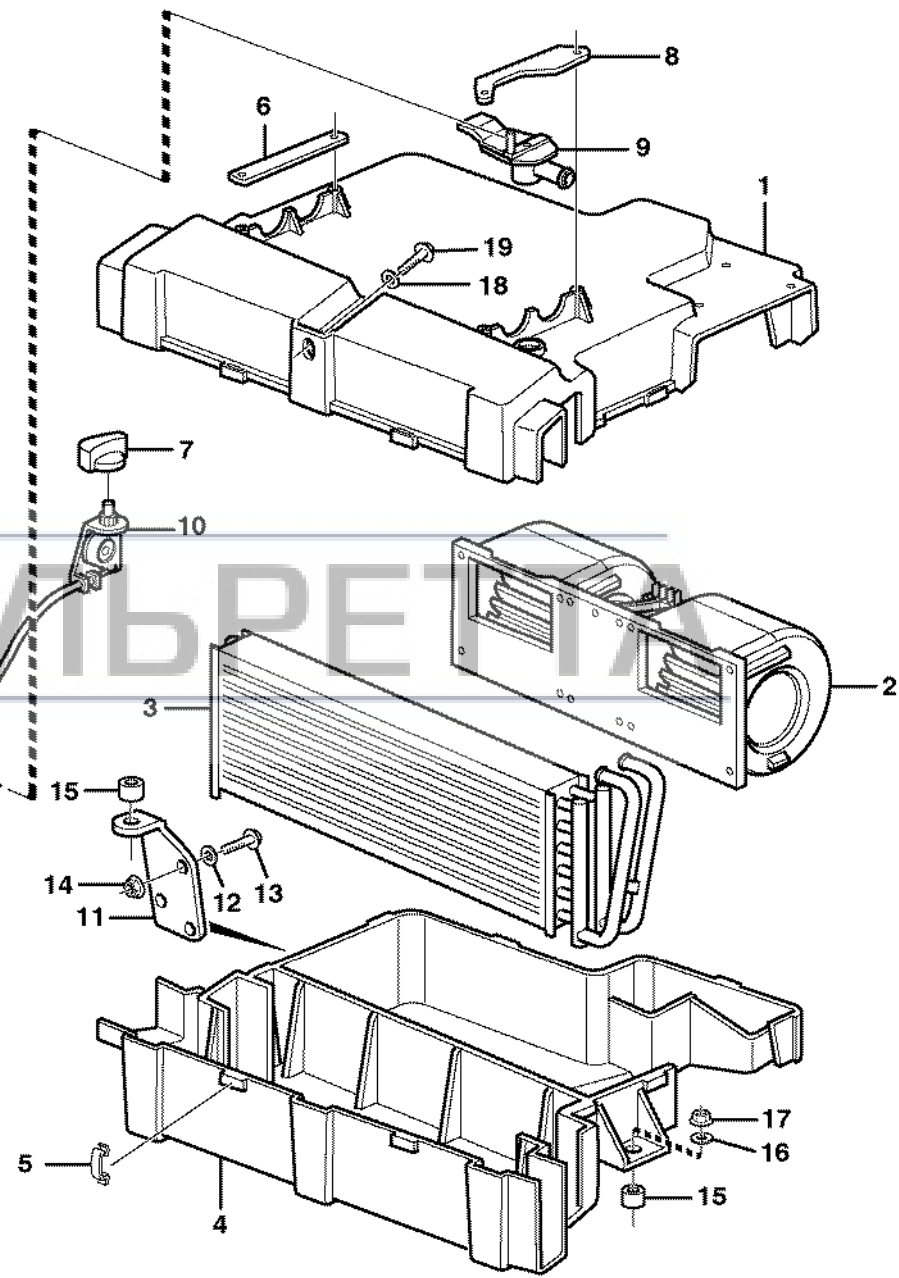
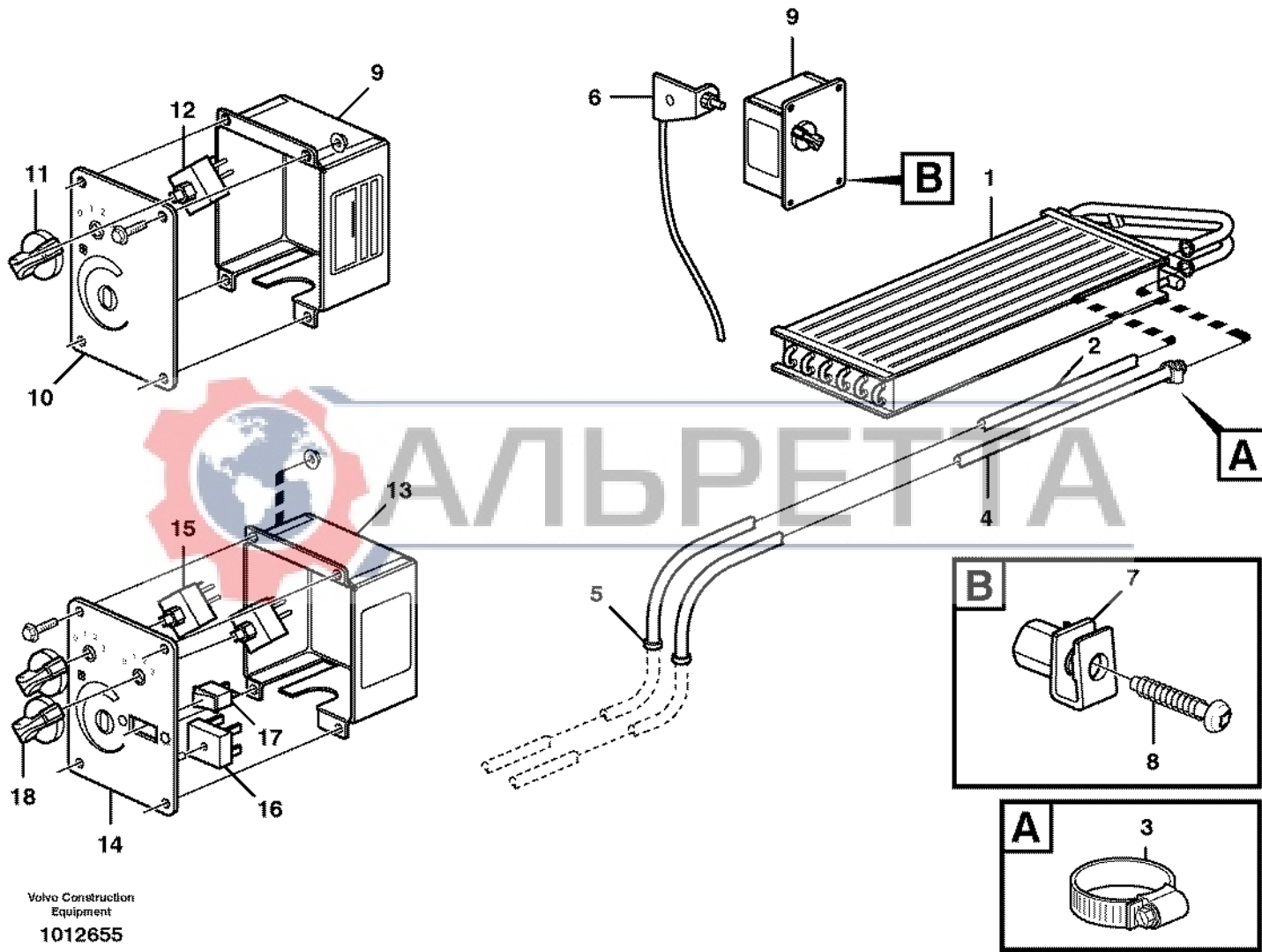


Fig.	Part No.	Quantity			P S	K I T	Description	Dénomination	Bezeichnung	Denominación	Benämning	Notes
		1	2	3								
	<b>VOE 11200528</b>	1				Cab Heater.....	Chauffage cabine.....	Kabinenheizung .....	Calef Cabina .....	Hyttvärmare.....		
1		1			NS	•Housing .....	•Carter.....	•Gehäuse .....	•Carter.....	•Hus.....		
2	<b>VOE 11709685</b>	1				•Motor .....	•Moteur.....	•Motor.....	•Motor.....	•Motor.....		
3		1				•Radiator.....	•Radiateur .....	•Radiator .....	•Radiador .....	•Radiator.....	See group 873, Page 489	
4		1			NS	•Housing .....	•Carter.....	•Gehäuse .....	•Carter.....	•Hus.....		
5	<b>VOE 11709691</b>	8				•Clip .....	•Clip.....	•Klemme.....	•Clip.....	•Clips.....		
6	<b>VOE 11709688</b>	1				•Bracket .....	•Console.....	•Konsole.....	•Consola.....	•Konsol.....		
7	<b>VOE 11709689</b>	1				•Handle .....	•Poignee.....	•Drehgriff .....	•Mango .....	•Vred.....		
8	<b>VOE 11709686</b>	1				•Bracket .....	•Console.....	•Konsole.....	•Consola.....	•Konsol.....		
9	<b>VOE 11709687</b>	1				•Valve.....	•Soupape .....	•Ventil.....	•Valvula .....	•Ventil.....		
10	<b>VOE 11709690</b>	1				•Converter.....	•Convertisseur.....	•Wandler.....	•Convertidor .....	•Omvandlare.....		
11		1			NS	Anchorage.....	Fixation .....	Halterung.....	Fijacion.....	Fäste.....		
12	<b>VOE 13960141</b>	3				Washer.....	Rondelle .....	Scheibe .....	Arandela.....	Bricka.....	(VOE 976944)	
13	<b>VOE 13945444</b>	3				Flange screw.....	Vis à bride .....	Flanschschraube .....	Torn embridado.....	Flänsskruv.....		
14	<b>VOE 948645</b>	3				Flange Lock Nut.....	Contre écrou bride .....	Flanschmutter .....	Contratuer Embr.....	Flänslåsmutter.....		
15	<b>VOE 11200746</b>	2				Vib Damper.....	Amort.vibration.....	Schwingdämpfer .....	Amortig Vibrac.....	Vibr.dämpare.....		
16	<b>VOE 13960141</b>	3				Washer.....	Rondelle .....	Scheibe .....	Arandela.....	Bricka.....	(VOE 976944)	
17	<b>VOE 948645</b>	4				Flange Lock Nut.....	Contre écrou bride .....	Flanschmutter .....	Contratuer Embr.....	Flänslåsmutter.....		
18	<b>VOE 13960141</b>	1				Washer.....	Rondelle .....	Scheibe .....	Arandela.....	Bricka.....	(VOE 976944)	
19	<b>VOE 13945444</b>	1				Flange screw.....	Vis à bride .....	Flanschschraube .....	Torn embridado.....	Flänsskruv.....		



1		<b>Hyttvärmare</b>	Catalogue id	Group
2		<b>Calefactor de cabina</b>	<b>20004</b>	<b>873</b>
3		<b>Kabinenheizung</b>	Illustr. No	Section
4		<b>Chauffe-cabine</b>	<b>1001153</b>	<b>100</b>
5		<b>Cab heater</b>	Issue	Page
		<b>11298028, 11298196</b>	<b>VOE 63G9920004</b>	<b>487</b>



Volvo Construction  
Equipment  
1012655

Fig.	Part No.	Quantity			P S	K I T	Description	Dénomination	Bezeichnung	Denominación	Benämning	Notes
		1	2	3								
1	VOE 11709684	1				Radiator .....	Radiateur .....	Radiator.....	Radiator.....	Radiator.....		
2	VOE 11204029	1				Hose.....	Durit .....	Schlauch .....	Tubo flexible.....	Slang.....	L = 2750MM NEW	
2	VOE 943368	REQ				Hose.....	Durit .....	Schlauch .....	Tubo flexible.....	Slang.....	L = 1675MM OLD	
3	VOE 13943472	4				Clamp.....	Pince Serrage .....	Klemme .....	Abrazadera.....	Klämna.....		
4	VOE 11204029	1				Hose.....	Durit .....	Schlauch .....	Tubo flexible.....	Slang.....	L = 2750MM NEW	
4	VOE 943368	REQ				Hose.....	Durit .....	Schlauch .....	Tubo flexible.....	Slang.....	L = 2300MM OLD	
5	VOE 961970	2				Plug.....	Bouchon.....	Stopfen.....	Tapon .....	Plugg.....		
6		1				Converter .....	Convertisseur .....	Wandler.....	Convertidor.....	Omvandlare.....	See group 873, Page 487	
7	VOE 977982	4				Spring Nut.....	Ecrou Ressort .....	Fed. Schliessmutter ...	Tuerca Resorte .....	Fjädermutter.....		
8	VOE 975380	4				Screw .....	Vis .....	Schraube.....	Tornillo .....	Skruv.....		
9	VOE 11200821	1				Control Panel .....	Tableau de bord.....	Steuerpult.....	Panel de control .....	Kontrollpanel.....		
10	VOE 11709696	1				•Cover .....	•Couvercle.....	•Deckel .....	•Tapa .....	•Lock.....		
11	VOE 11709689	1				•Handle .....	•Poignee.....	•Drehgriff .....	•Mango .....	•Vred.....		
12	VOE 11709697	1				•Switch .....	•Commutateur .....	•Schalter .....	•Contactor .....	•Strömställare.....		
13	VOE 11200533	1				Control Panel .....	Tableau de bord.....	Steuerpult.....	Panel de control .....	Kontrollpanel.....		
14	VOE 11709706	1				•Cover .....	•Couvercle.....	•Deckel .....	•Tapa .....	•Lock.....		
15	VOE 11709697	2				•Switch .....	•Commutateur .....	•Schalter .....	•Contactor .....	•Strömställare.....		
16	VOE 11709707	1				•Rectifier .....	•Redresseur .....	•Gleichrichter.....	•Rectificador .....	•Likriktare.....		
17	VOE 11709708	1				•Switch .....	•Interrupteur .....	•Trennschalter.....	•Interruptor .....	•Brytare.....		
18	VOE 11709689	1				•Handle .....	•Poignee.....	•Drehgriff .....	•Mango .....	•Vred.....		

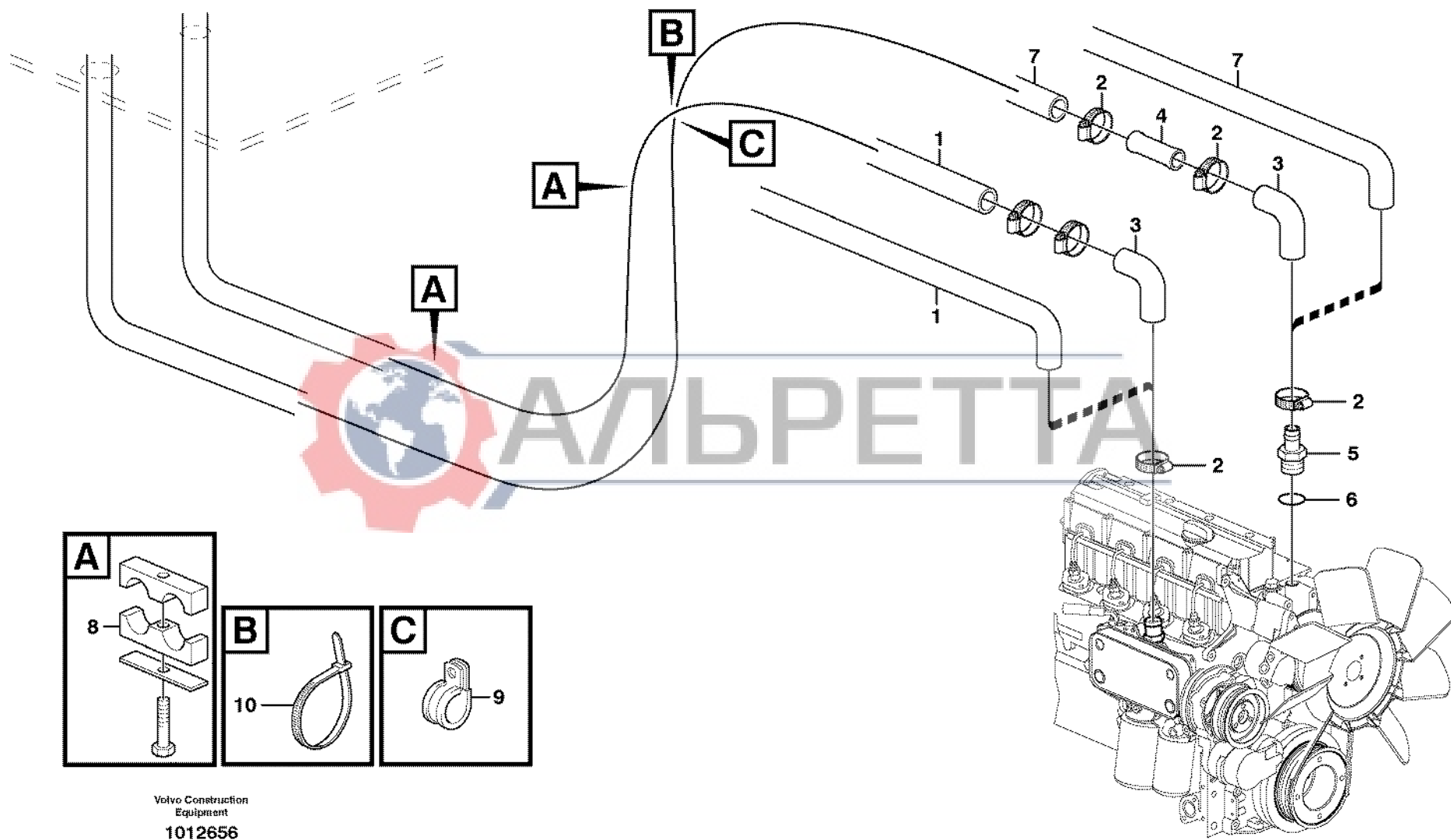


1	11298028, 11298196	<b>Radiator och reglage</b> <b>Radiador y reglaje</b> <b>Heizkörper und Regler</b> <b>Radiateur et réglage</b> <b>Radiator and control</b>	Catalogue id	Group
2	11298018		<b>20004</b>	<b>873</b>
3			Illustr. No	Section
4			<b>1012655</b>	<b>150</b>
5	11298028, 11298018		Issue	Page
		<b>VOE 63G9920004</b>	<b>489</b>	

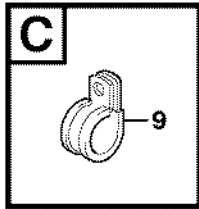
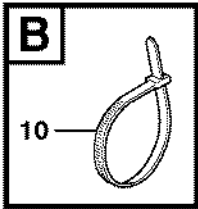
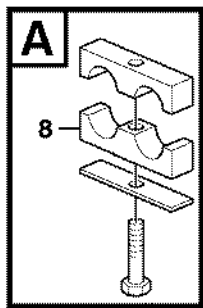
**VOLVO**

**BL70**





АЛЬРЕТТА



Volvo Construction  
Equipment  
1012656

Fig.	Part No.	Quantity			P S	K I T	Description	Dénomination	Bezeichnung	Denominación	Benämning	Notes
		1	2	3								
1	VOE 11204029	1				Hose.....	Durit .....	Schlauch .....	Tubo flexible .....	Slang.....		
1	VOE 943368		REQ			Hose.....	Durit .....	Schlauch .....	Tubo flexible .....	Slang.....		
2	VOE 968847	2	6			Hose Clamp .....	Collier Serrage .....	Schlauchschelle .....	Abraz Manguera.....	Slangklamma.....		
3	VOE 11881442		2			Elbow .....	Coude .....	Winkelstueck .....	Tubo acodado .....	Vinkel.....		
4	VOE 11006632		2			Tube.....	Tube.....	Rohr .....	Tubo .....	Rör.....		
5	VOE 11883933	2	2			Connector .....	Raccord.....	Anschluss.....	Union .....	Anslutning.....		
6	VOE 13947628	2	2			Plane Gasket .....	Joint Plan .....	Flachdichtung.....	Junta Plana .....	Planpackning.....		
7	VOE 11204029	1				Hose.....	Durit .....	Schlauch .....	Tubo flexible .....	Slang.....		
7	VOE 943368		REQ			Hose.....	Durit .....	Schlauch .....	Tubo flexible .....	Slang.....		
8	VOE 11881443	2	2			Clamp.....	Pince Serrage .....	Klemme .....	Abrazadera.....	Klämma.....		
9	VOE 13977600	1				Clamp.....	Pince Serrage .....	Klemme .....	Abrazadera.....	Klämma.....	(VOE 977600)	
10	VOE 4881440	1	2			Strip Clamp .....	Ruban Serrage.....	Kabelbinder .....	Abraz Cinta .....	Bandklamma.....		



1	NEW	<b>Hyttvärmare med anslutningar</b> <b>Calefactor cabina con uniones</b> <b>Fahrerhausheizung mit anschlusse</b> <b>Chauffe-cabine avec raccords</b> <b>Cab heater with connectors</b>	Catalogue id	Group
2	OLD		<b>20004</b>	<b>873</b>
3			Illustr. No	Section
4			<b>1012656</b>	<b>200</b>
5			Issue	Page
			<b>VOE 63G9920004</b>	<b>491</b>
			<b>11298028, 11298196</b>	

**VOLVO**

**BL70**





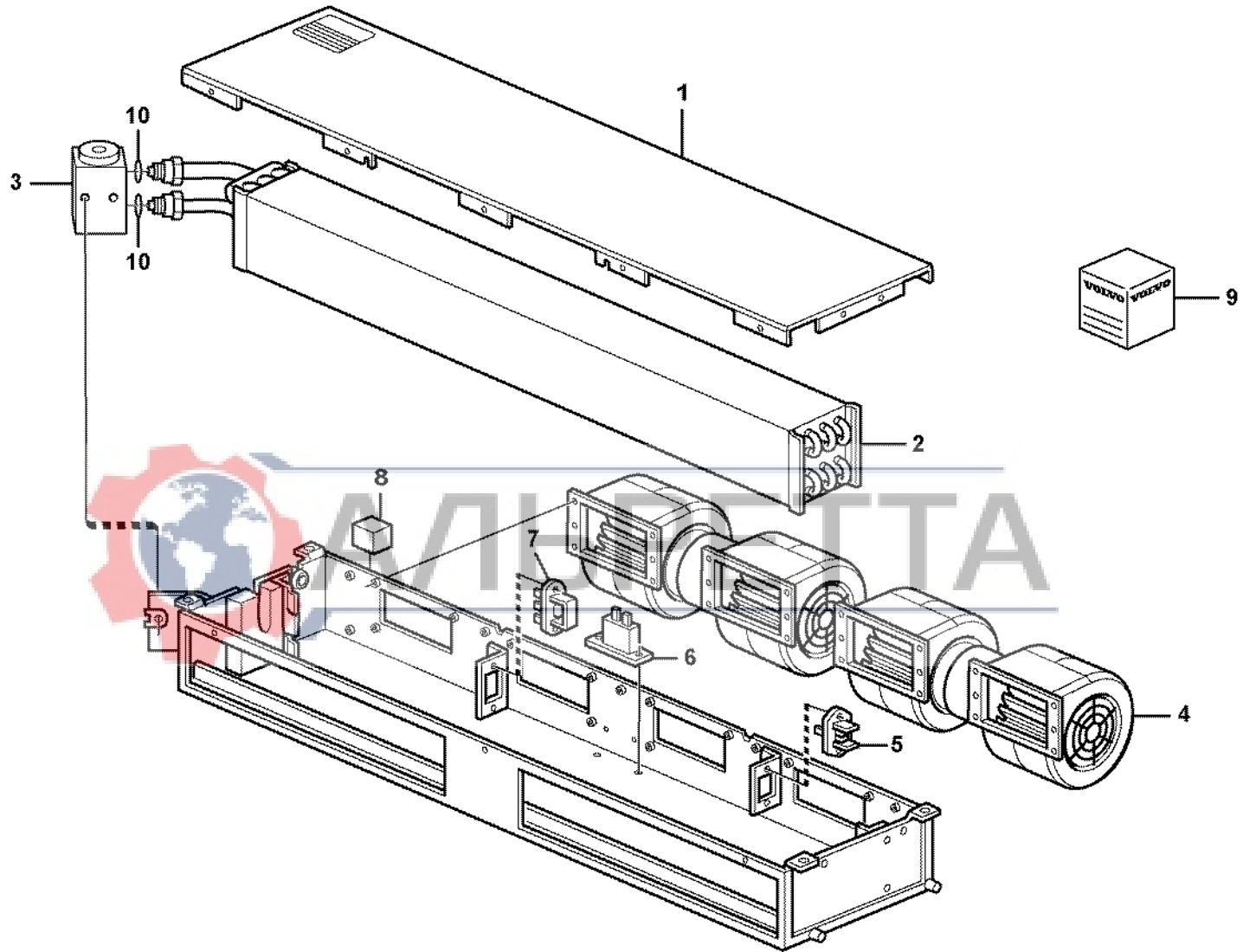


Fig.	Part No.	Quantity			P S	K I T	Description	Dénomination	Bezeichnung	Denominación	Benämning	Notes
		1	2	3								
	<b>VOE 11203150</b>	1				Air conditioning .....	Climatisation .....	Klimaanlage .....	Acondicion de aire.....	Luftkonditinerig.....		
1		1			NS	•Cap .....	•Chapeau .....	•Kappe .....	•Caperuza .....	•Lock.....		
2		1				•Evaporator .....	•Evaporateur .....	•Verdampfer .....	•Evaporador .....	•Förångare.....	See group 874, Page 495	
3		1				•Expansion Valve.....	•Robin.expansion .....	•Exp Vent .....	•Valv Expansion .....	•Expansionsvent.....	See group 874, Page 495	
4	<b>VOE 11709704</b>	1				•Motor .....	•Moteur.....	•Motor.....	•Motor.....	•Motor.....		
5	<b>VOE 11709700</b>	1				•Resistor .....	•Resistance .....	•Widerstand.....	•Resistencia .....	•Resistor.....		
6	<b>VOE 11709701</b>	1				•Thermostat .....	•Thermostat.....	•Thermostat.....	•Termostato.....	•Termostat.....		
7	<b>VOE 11709702</b>	1				•Resistor .....	•Resistance .....	•Widerstand.....	•Resistencia .....	•Resistor.....		
8	<b>VOE 11709703</b>	1				•Relay .....	•Relais.....	•Relais.....	•Rele.....	•Relä.....		
9	<b>VOE 11715018</b>	1				•Sealing Kit .....	•Jeu Joints.....	•Dichtungssatz .....	•Juego Retenes.....	•Tätningssats.....		
10	<b>VOE 11715021</b>	2				O-ring.....	Joint Torique .....	O-Ring.....	Junta torica.....	O-ring.....		



1		<b>Luftkonditionering</b> <b>Acondicionador de aire</b> <b>Klimaanlage</b> <b>Climatisation</b> <b>Air conditioning</b>	Catalogue id	Group
2			<b>20004</b>	<b>874</b>
3			Illustr. No	Section
4			<b>1001150</b>	<b>100</b>
5			Issue	Page
		<b>11298018</b>	<b>VOE 63G9920004</b>	<b>493</b>

**VOLVO**

**BL70**



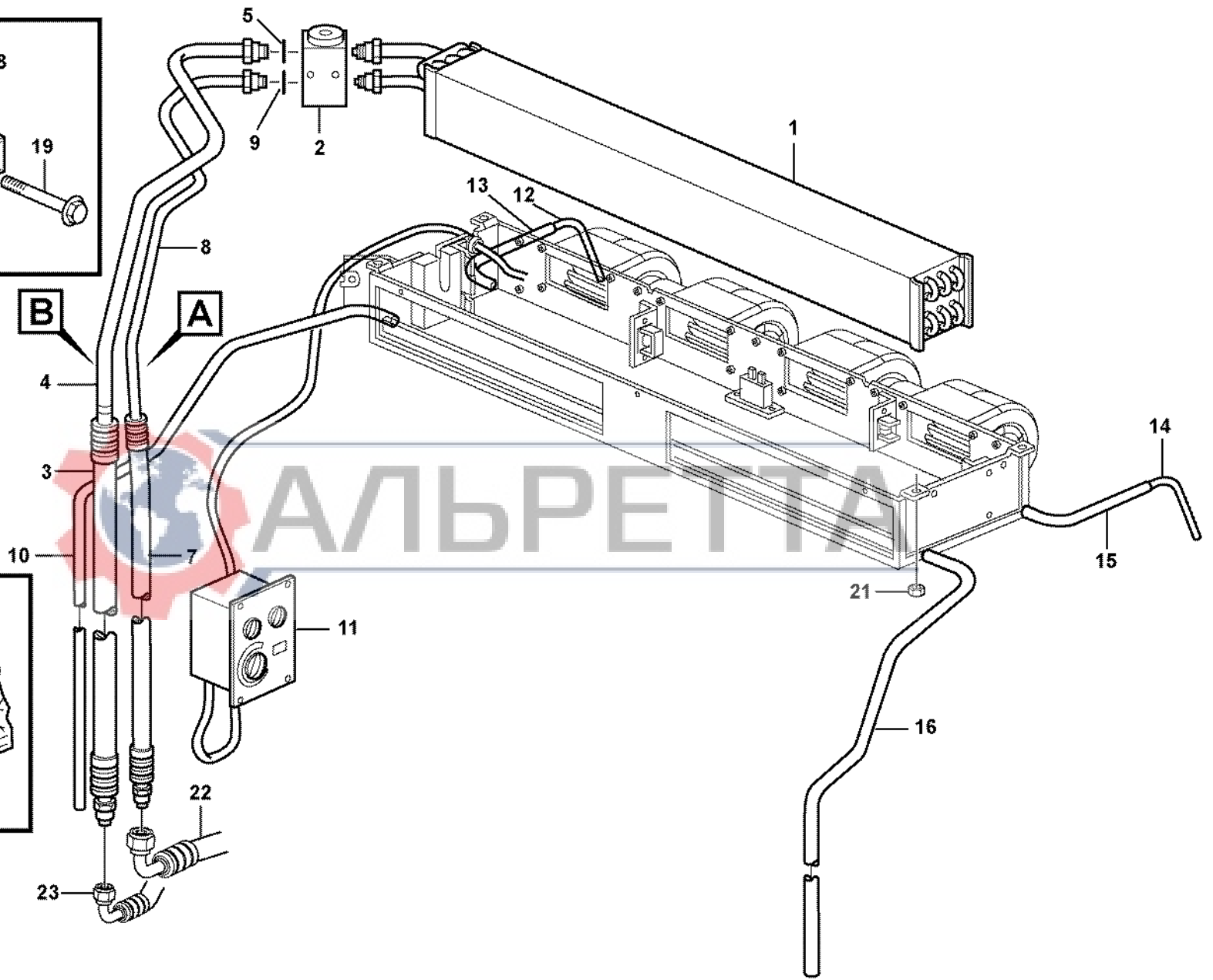
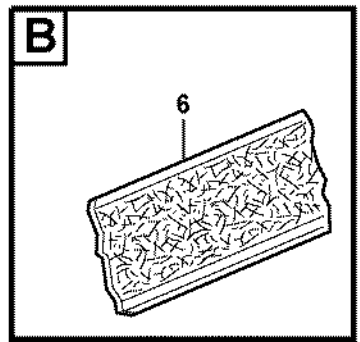
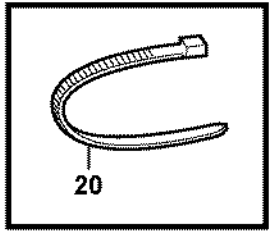
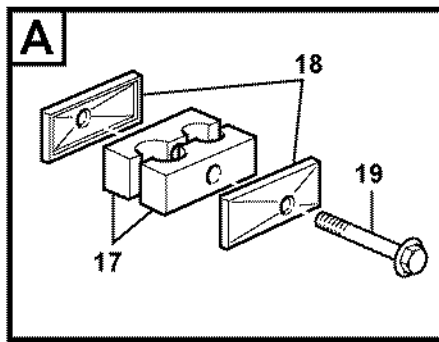
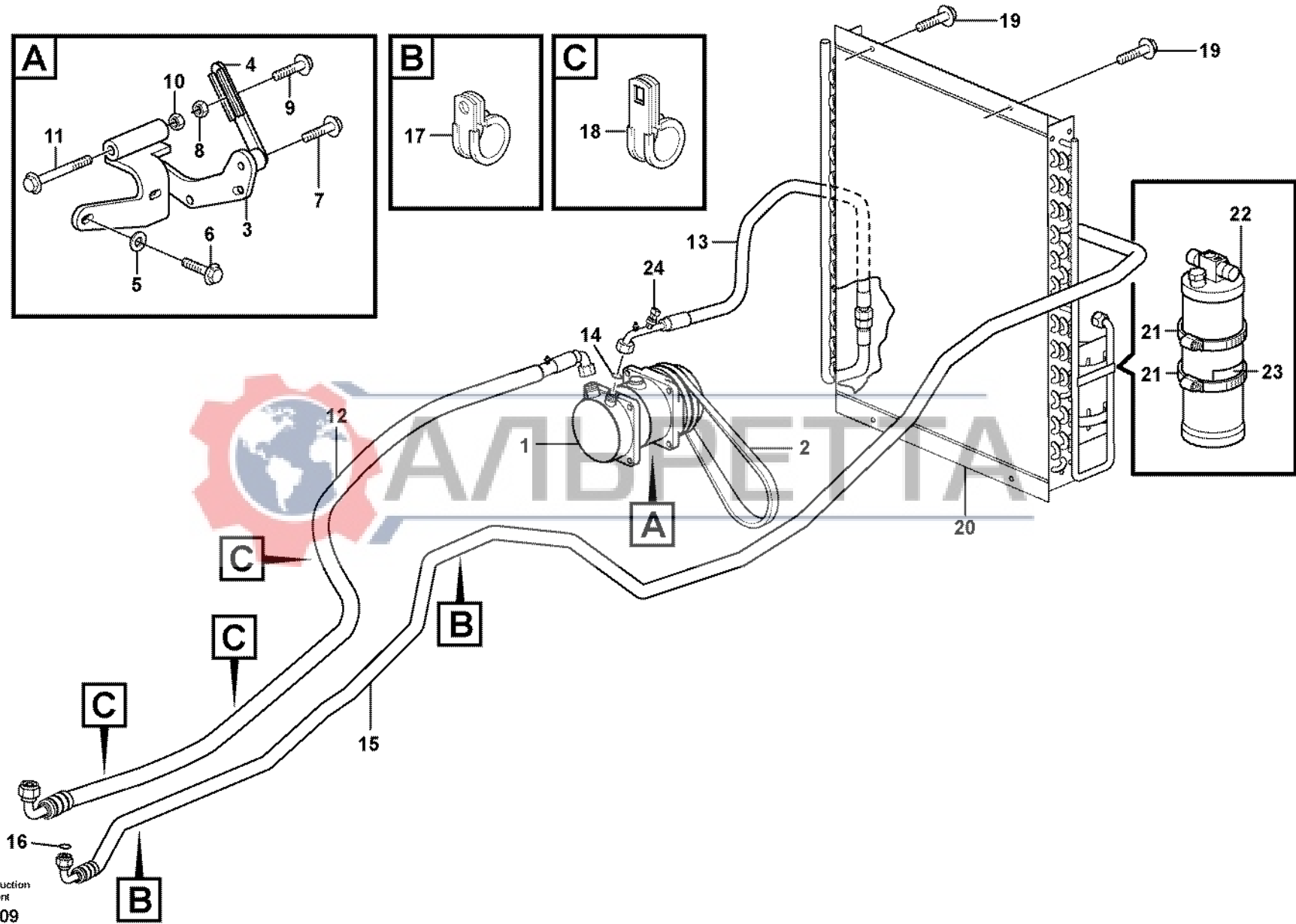
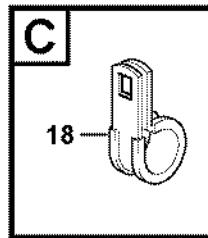
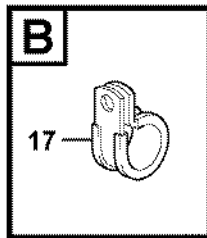
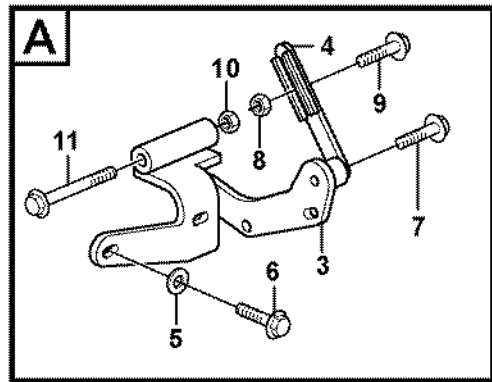


Fig.	Part No.	Quantity			P S	K I T	Description	Dénomination	Bezeichnung	Denominación	Benämning	Notes
		1	2	3								
1	VOE 11709698	1				Evaporator .....	Evaporateur .....	Verdampfer .....	Evaporador.....	Förångare.....		
2	VOE 11709699	1				•Expansion Valve .....	•Robin.expansion .....	•Exp Vent .....	•Valv Expansion .....	•Expansionsvent.....		
3	VOE 11201065	1				Hose.....	Durit .....	Schlauch .....	Tubo flexible.....	Slang.....		
4	VOE 11201063	1				Tube.....	Tube.....	Rohr .....	Tubo .....	Rör.....		
5	VOE 11715022	1				O-ring.....	Joint Torique .....	O-Ring.....	Junta torica.....	O-ring.....		
6	VOE 11003291	REQ				Tape.....	Scotch.....	Klebeband.....	Cinta.....	Tape.....	L=1000 MM	
7	VOE 11201064	1				Hose.....	Durit .....	Schlauch .....	Tubo flexible.....	Slang.....		
8	VOE 11201062	1				Tube.....	Tube.....	Rohr .....	Tubo .....	Rör.....		
9	VOE 11715020	1				O-ring.....	Joint Torique .....	O-Ring.....	Junta torica.....	O-ring.....		
10	VOE 941507	1				Hose.....	Durit .....	Schlauch .....	Tubo flexible.....	Slang.....	L = 2100MM	
11		1				Control Panel.....	Panneau commande.....	Bedienungstafel .....	Panel Mando .....	Reglagepanel.....		
12	VOE 11039491	1				Hose.....	Durit .....	Schlauch .....	Tubo flexible.....	Slang.....	L = 150MM	
13	VOE 941507	1				Hose.....	Durit .....	Schlauch .....	Tubo flexible.....	Slang.....	L = 300MM	
14	VOE 11039491	1				Hose.....	Durit .....	Schlauch .....	Tubo flexible.....	Slang.....	L = 150MM	
15	VOE 941507	1				Hose.....	Durit .....	Schlauch .....	Tubo flexible.....	Slang.....	L = 300MM	
16	VOE 941507	1				Hose.....	Durit .....	Schlauch .....	Tubo flexible.....	Slang.....	L = 2100MM	
17	VOE 11200928	2				Hose retainer.....	Porte-flexible .....	Schlauchhalter .....	Reten manguera .....	Slanghållare.....		
19	VOE 11881311	2				Plate.....	Plaqué .....	Platte .....	Placa .....	Platta.....		
19	VOE 946470	1				Flange screw.....	Vis à bride .....	Flanschschraube.....	Torn embridado .....	Flänsskruv.....		
20	VOE 4881440	10				Strip Clamp .....	Ruban Serrage.....	Kabelbinder.....	Abraz Cinta .....	Bandklamma.....		
21	VOE 948645	4				Flange Lock Nut.....	Contre écrou bride .....	Flanschmutter .....	Contratuer Embr.....	Flänslåsmutter.....		
22		1				Hose.....	Durit .....	Schlauch .....	Tubo flexible.....	Slang.....	See group 874, Page 497	
23		1				Hose.....	Durit .....	Schlauch .....	Tubo flexible.....	Slang.....	See group 874, Page 497	

1		Evaporator, montering	Catalogue id	Group
2		Evaporador, montaje	<b>20004</b>	<b>874</b>
3		Verdampfer, Anbauteilen	Illustr. No	Section
4		Evaporateur, montage	<b>1001188</b>	<b>350</b>
4		Evaporator, assembly	Issue	Page
5		<b>11298018</b>	<b>VOE 63G9920004</b>	<b>495</b>



Volvo Construction  
Equipment  
1012009

Fig.	Part No.	Quantity			P S	K I T	Description	Dénomination	Bezeichnung	Denominación	Benämning	Notes
		1	2	3								
1	VOE 11882069	1					Compressor .....	Compresseur .....	Kompressor .....	Compresor .....	Kompressor.....	
2	VOE 11883725	1					V-belt.....	Courroie Trape.....	Keilriemen .....	Correa Trapez .....	Kilrem.....	
3	VOE 11888237	1					Bracket.....	Console.....	Konsole .....	Ménsula.....	Konsol.....	
4	VOE 11884868	1					Bracket.....	Console.....	Konsole .....	Ménsula.....	Konsol.....	
5	VOE 11117464	4					Washer.....	Rondelle .....	Scheibe .....	Arandela.....	Bricka.....	
6	VOE 13967630	4					Allen Hd Screw .....	Vis A 6 Pans Cr.....	Inbusschraube.....	Torn Hex Embut.....	Insexskruv.....	
7	VOE 13945444	1					Flange screw.....	Vis à bride .....	Flanschschraube.....	Torn embridado .....	Flänsskruv.....	
8	VOE 961991	1					Hexagon Nut.....	Ecrou Hexagonal .....	Sechskantmutter .....	Tuerca Hexagon.....	Sexkantmutter.....	
9	VOE 946671	1					Flange screw.....	Vis à bride .....	Flanschschraube.....	Torn embridado .....	Flänsskruv.....	
10	VOE 981314	1					Lock nut .....	Contre-ecrou .....	Sicherungsmutter .....	Contratuerca .....	Låsmutter.....	
11	VOE 13970963	1					Hexagon screw .....	Vis a tête hexagonale	Sechskantschr.....	Tornillo hexago.....	Sexkantsskruv.....	
12	VOE 11883807	1					Hose.....	Durit .....	Schlauch .....	Tubo flexible.....	Slang.....	
13	VOE 11883805	1					Hose.....	Durit .....	Schlauch .....	Tubo flexible.....	Slang.....	
14	VOE 11715021	2					O-ring.....	Joint Torique .....	O-Ring .....	Junta torica.....	O-ring.....	
15	VOE 11883806	1					Hose.....	Durit .....	Schlauch .....	Tubo flexible.....	Slang.....	
16	VOE 11715020	2					O-ring.....	Joint Torique .....	O-Ring .....	Junta torica.....	O-ring.....	
17	VOE 967531	2					Clamp.....	Pince Serrage .....	Klemme .....	Abrazadera.....	Klämma.....	
18	VOE 947457	3					Clamp.....	Pince Serrage .....	Klemme .....	Abrazadera.....	Klämma.....	
	VOE 972421	1					Screw.....	Vis .....	Schraube.....	Tornillo .....	Skruv.....	
19	VOE 13946934	5					Screw.....	Vis .....	Schraube.....	Tornillo .....	Skruv.....	
20	VOE 11890334	1					Condenser .....	Condenseur .....	Kondensator.....	Condensador.....	Kondensor.....	
21	VOE 11709815	1					•Clamp .....	•Pince Serrage .....	•Klemme.....	•Abrazadera .....	•Klämma.....	
22	VOE 11709814	1					•Receiver Drier.....	•Deshydrateur .....	•Entfeuchter.....	•Secador.....	•Torkare.....	
23	VOE 13935003	1					Warning Decal .....	Decal.avertiss. ....	Warnaufkleber.....	Calcomania Adv .....	Varningsdekal.....	
24	VOE 11881763	1					Pressure Switch .....	Mano contact .....	Druckschalter .....	Manocontacto.....	Tryckkontakt.....	

1		<b>Montering slangar: Evaporator, torkare, kondensor.</b> <b>Montaje mangueras, evaporador, secador, condensador</b> <b>Anbauteilen schlauch, verdampfer, entfeuchter</b> <b>Montage flexibles, évaporateur, deshydrateurcondenseur</b> <b>Assembly hoses: Evaparator, receiver drier, condenser.</b>	Catalogue id	Group
2			<b>20004</b>	<b>874</b>
3			Illustr. No	Section
4			<b>1012009</b>	<b>450</b>
5			Issue	Page
		<b>11298018</b>	<b>VOE 63G9920004</b>	<b>497</b>

**VOLVO**

**BL70**

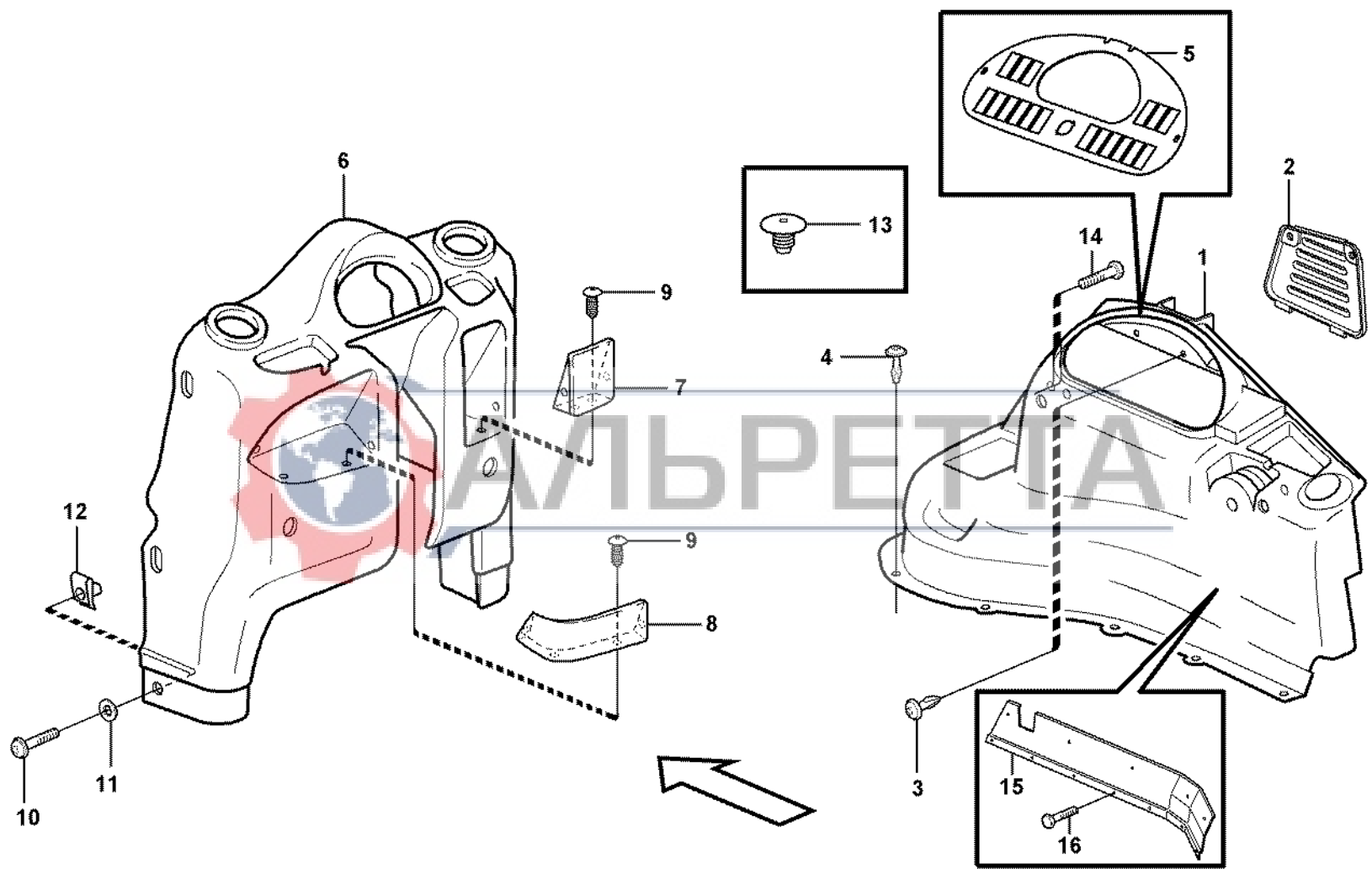


Fig.	Part No.	Quantity					P S	K I T	Description	Dénomination	Bezeichnung	Denominación	Benämning	Notes
		1	2	3	4	5								
1	VOE 11200739	1						Side Panel .....	Panneau Lateral .....	Seit Verkl .....	Panel Lateral .....	Sidopanel.....		
1	VOE 11200740				1			Side Panel .....	Panneau Lateral .....	Seit Verkl .....	Panel Lateral .....	Sidopanel.....	SER NO -10638	
1	VOE 11203561				1			Side Panel .....	Panneau Lateral .....	Seit Verkl .....	Panel Lateral .....	Sidopanel.....	SER NO 10639-	
1	VOE 11200744					1		Side Panel .....	Panneau Lateral .....	Seit Verkl .....	Panel Lateral .....	Sidopanel.....	SER NO -10638	
1	VOE 11203563					1		Side Panel .....	Panneau Lateral .....	Seit Verkl .....	Panel Lateral .....	Sidopanel.....	SER NO 10639-	
1	VOE 11200743	1						Side Panel .....	Panneau Lateral .....	Seit Verkl .....	Panel Lateral .....	Sidopanel.....	11298159	
2	VOE 11204407	1			1	1		Cover .....	Capot.....	Haube .....	Capo.....	Huv.....		
3	VOE 11201200	5	5		5	5		Plastic Rivet.....	Rivet Plastique .....	Kunststoffniet .....	Remache Plast.....	Plastnit.....		
4	VOE 11201200	7			7	7		Plastic Rivet.....	Rivet Plastique .....	Kunststoffniet .....	Remache Plast.....	Plastnit.....		
5	VOE 11884733			1				Panel.....	Panneau.....	Verkleidung .....	Plancha .....	Panel.....	11880002	
5	VOE 11201170			1				Panel.....	Panneau.....	Verkleidung .....	Plancha .....	Panel.....	11298032	
6	VOE 11204417	1			1			Front Panel .....	Panneau Av.....	Frontbekleidung .....	Panel Delantero.....	Frontpanel.....		
6	VOE 11204415					1		Front Panel .....	Panneau Av.....	Frontbekleidung .....	Panel Delantero.....	Frontpanel.....		
7			1		1	1 NS		Storage Tray.....	Case Rangement .....	Ablagefach .....	Espac Guardaobj.....	Förvaringsfack.....		
8			1		1	1 NS		Storage Tray.....	Case Rangement .....	Ablagefach .....	Espac Guardaobj.....	Förvaringsfack.....		
9	VOE 11200973		8		8	8		Plug.....	Bouchon .....	Stopfen .....	Tapon .....	Plugg.....		
10	VOE 969589	6			6	6		6-pt skt screw.....	Vis creuse de 6 .....	Hohlschraube.....	Racor 6-dientes .....	Sextandhålskruv.....		
11	VOE 960139	6			6	6		Washer .....	Rondelle .....	Scheibe .....	Arandela .....	Bricka.....		
12	VOE 949921	6			6	6		Spring Nut.....	Ecrou Ressort.....	Fed. Schliessmutter .....	Tuerca Resorte.....	Fjädermutter.....		
13	VOE 11057786	1			1	1		Plug.....	Bouchon .....	Stopfen .....	Tapon .....	Plugg.....		
14	VOE 13946173	2						Flange screw .....	Vis à bride .....	Flanschschraube .....	Torn embridado .....	Flänsskruv.....		
	VOE 13945444				2			Flange screw .....	Vis à bride .....	Flanschschraube .....	Torn embridado .....	Flänsskruv.....		
	VOE 13960141				2			Washer .....	Rondelle .....	Scheibe .....	Arandela .....	Bricka.....		
15	VOE 11202229					1		Attachment.....	Fixation.....	Halterung .....	Fijacion .....	Fäste.....		
16	VOE 975378					7		Screw.....	Vis .....	Schraube .....	Tornillo.....	Skruv.....		

1	11294005	Instrumentpanel Panel de instrumentos Instrumententafel Tableau de bord Instrument panel	Catalogue id	Group
2	11298028		<b>20004</b>	<b>881</b>
3	11880002, 11298032		Illustr. No	Section
4	11298196		<b>1013365</b>	<b>100</b>
5	11298198		Issue	Page
			<b>VOE 63G9920004</b>	<b>499</b>



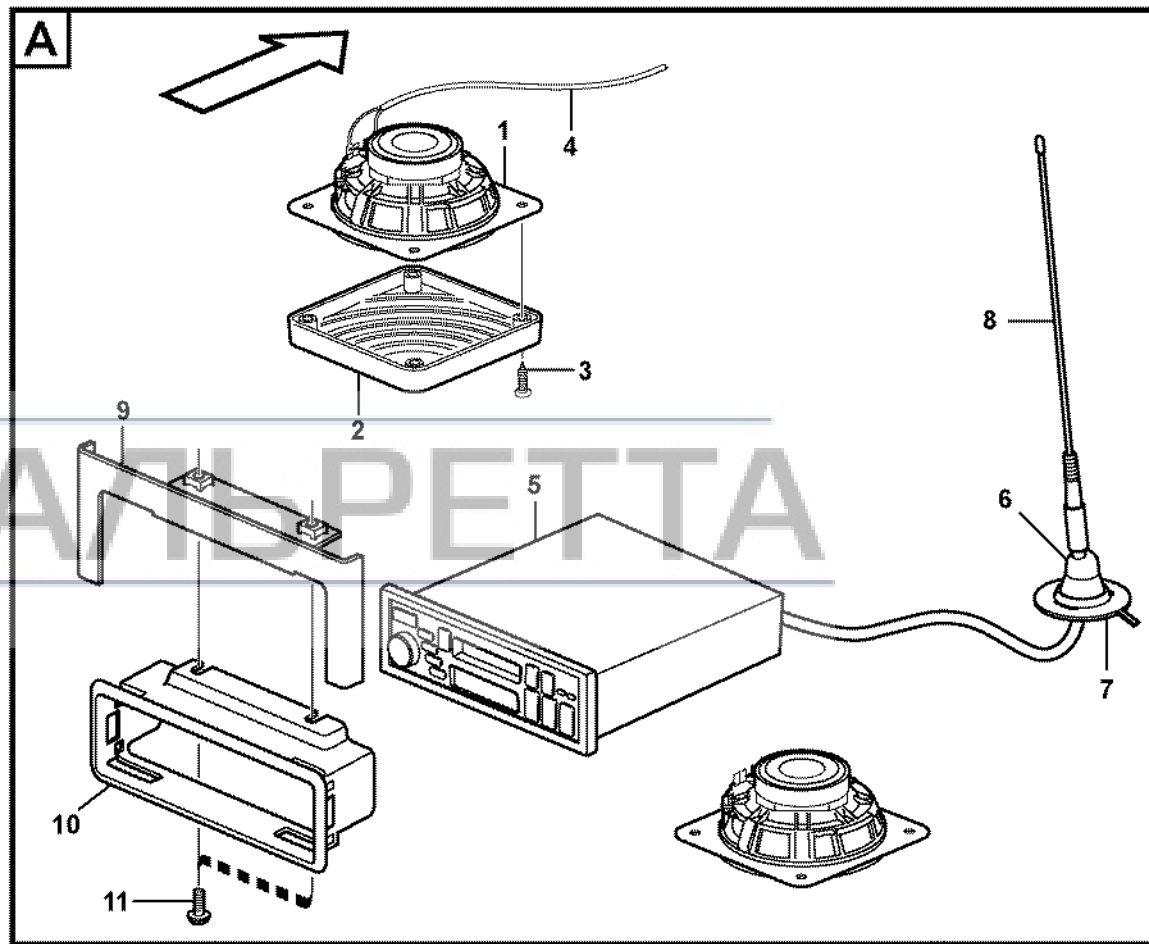
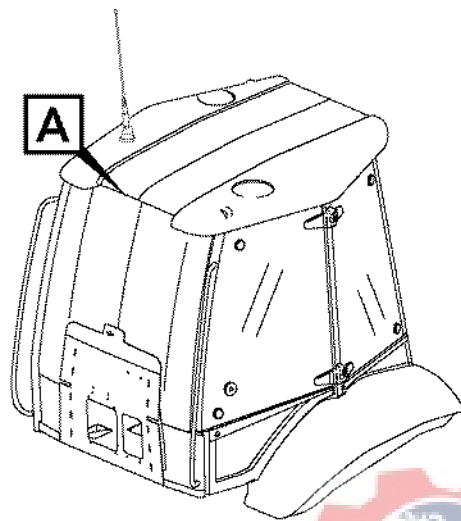


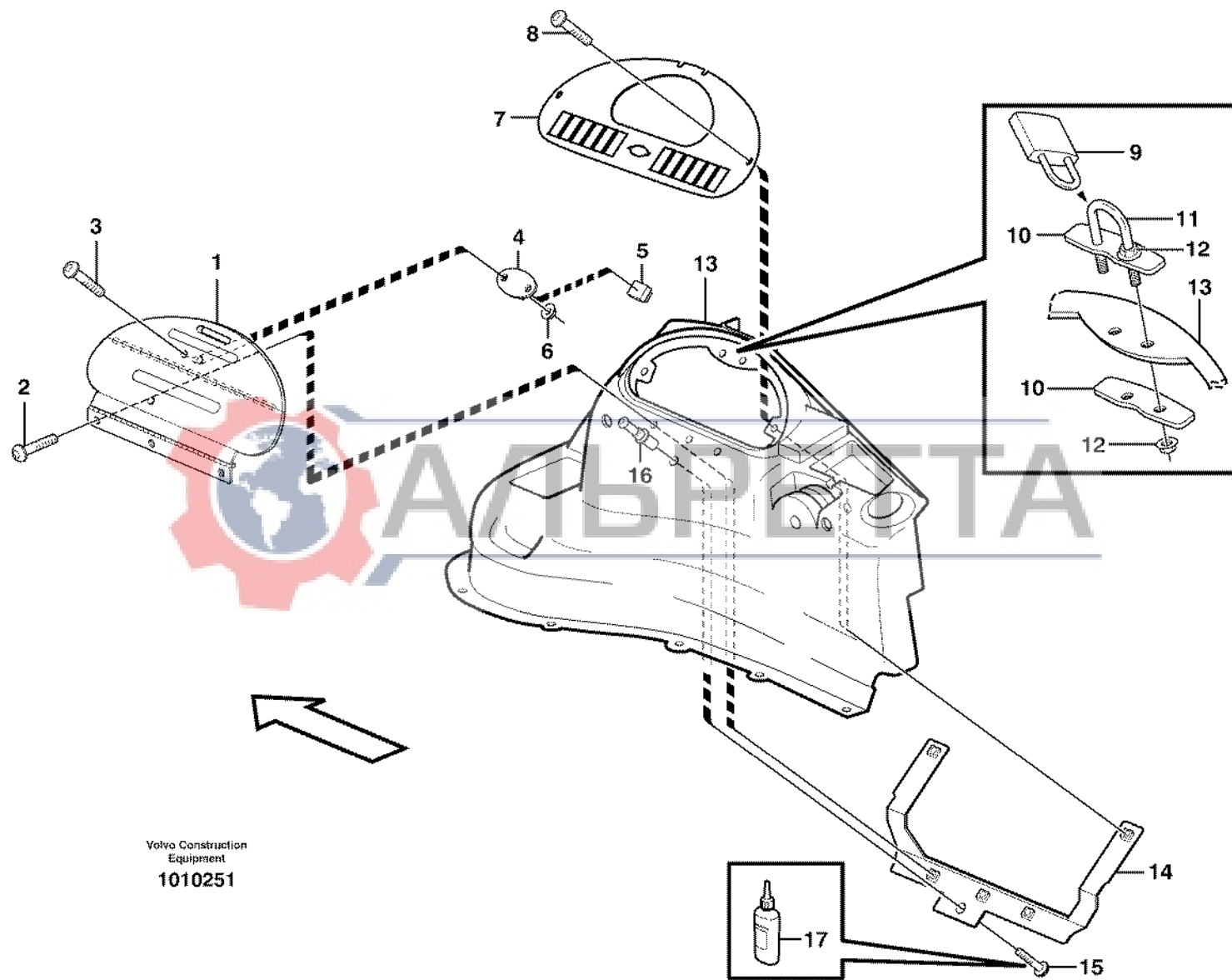
Fig.	Part No.	Quantity			P S	K I T	Description	Dénomination	Bezeichnung	Denominación	Benämning	Notes
		1	2	3								
1	VOE 11201898	2	2			Speaker.....	Haut-parleur .....	Lautsprecher .....	Altavoz .....	Högtalare.....		
2	VOE 11201899	2	2			Speaker Grille .....	Grille Haut-parleur.....	Lautsprechergitter .....	Rejilla Altavoz.....	Högtalargaller.....		
3	VOE 972007	8	8			Screw .....	Vis .....	Schraube.....	Tornillo .....	Skruv.....	S/N - 10986	
	VOE 969478	8	8			6-pt skt screw.....	Vis creuse de 6 .....	Hohlschraube.....	Racor 6-dientes .....	Sextandhålskruv.....	S/N 10987 -	
	VOE 11164693	8	8			Spring Nut.....	Ecrou Ressort .....	Fed. Schliessmutter .....	Tuerca Resorte .....	Fjädermutter.....	S/N 10987 -	
4	VOE 11170724	1	1			Cable harness.....	Faisceau cables .....	Kabelbaum.....	Manojo cables .....	Ledningsmatta.....		
5	VOE 11803635	1				Radio.....	Auto-radio .....	Radio.....	Radio .....	Radio.....	(VOE 11884631)	
6	VOE 1578603	1	1			Anchorage.....	Fixation .....	Halterung.....	Fijacion.....	Fäste.....		
7	VOE 11200607	1				Ground Conn .....	Liaison Masse .....	Masseanschluss.....	Conexion Tierra.....	Jordförbindning.....	SER NO -10798	
7	VOE 11204085	1				Ground Conn .....	Liaison Masse .....	Masseanschluss.....	Conexion Tierra.....	Jordförbindning.....	SER NO 10799-	
7	VOE 11204085		1			Ground Conn .....	Liaison Masse .....	Masseanschluss.....	Conexion Tierra.....	Jordförbindning.....		
8	VOE 1083597	1	1			Antenna.....	Antenne .....	Antenne.....	Antena .....	Antenn.....		
9	VOE 11203823		1			Anchorage.....	Fixation .....	Halterung.....	Fijacion.....	Fäste.....		
9	VOE 11203823	1				Anchorage.....	Fixation .....	Halterung.....	Fijacion.....	Fäste.....	SER NO 10871-	
10	VOE 11164554		1			Radio Bracket .....	Support Radio .....	Radioträger .....	Consola Radio.....	Radiokonsol.....		
10	VOE 11164554	1				Radio Bracket .....	Support Radio .....	Radioträger .....	Consola Radio.....	Radiokonsol.....	SER NO 10871-	
11	VOE 946440		2			Flange screw.....	Vis à bride .....	Flanschschrabe.....	Torn embridado .....	Flänsskruv.....		
11	VOE 946440	2				Flange screw.....	Vis à bride .....	Flanschschrabe.....	Torn embridado .....	Flänsskruv.....	SER NO 10871-	



1	11891303	Radiokonsol Panel de radio Radioträger Console radio Radio bracket	Catalogue id	Group
2	11891488		<b>20004</b>	<b>881</b>
3			Illustr. No	Section
4			<b>1012751</b>	<b>150</b>
5			Issue	Page
			<b>VOE 63G9920004</b>	<b>501</b>

**VOLVO**

**BL70**



Volvo Construction  
Equipment  
1010251

Fig.	Part No.	Quantity			P S	K I T	Description	Dénomination	Bezeichnung	Denominación	Benämning	Notes
		1	2	3								
1	VOE 11202166	1				Vandal Guard.....	Protection antivandali.	Wandal.schutz.....	Protec Antirobo .....	Vandalskydd.....		
2	VOE 972421	3				Screw.....	Vis.....	Schraube.....	Tornillo .....	Skruv.....	(VOE 13969422)	
3	VOE 969513	2				Screw.....	Vis.....	Schraube.....	Tornillo .....	Skruv.....		
4	VOE 11202423	1				Door Retainer.....	Support Porte.....	Türhalter.....	Reten Puerta.....	Dörrhållare.....		
5	VOE 11202422	1				Rubber Sleeve.....	Douille Caoutch.....	Gummimanschette.....	Manguito Goma.....	Gummihylsa.....		
6	VOE 13975237	2				Lock nut.....	Contre-ecrou.....	Sicherungsmutter.....	Contratuerca.....	Låsmutter.....		
7		1				Panel.....	Panneau.....	Verkleidung.....	Plancha.....	Panel.....	See group 881, Page 499	
8	VOE 969147	2				Screw.....	Vis.....	Schraube.....	Tornillo .....	Skruv.....		
	VOE 960139	2				Washer.....	Rondelle.....	Scheibe.....	Arandela.....	Bricka.....		
9	VOE 11885135	1				Padlock.....	Cadenas.....	Vorhängeschloss.....	Cerrojo .....	Hänglås.....		
10	VOE 11201422	2				Plate.....	Plaque.....	Platte.....	Placa.....	Platta.....		
11	VOE 11201421	1				Brace.....	Etrier.....	Bügel.....	Brida.....	Bygel.....		
12	VOE 13949278	4				Flange Lock Nut.....	Contre écrou bride.....	Flanschmutter.....	Contratuer Embr.....	Flänslåsmutter.....		
13		1				Side Panel.....	Panneau Lateral.....	Seit Verkl.....	Panel Lateral.....	Sidopanel.....	See group 881, Page 499	
14	VOE 11202424	1				Reinforcing plate.....	Tole renfort.....	Verstärkungsblech.....	Placa refuerzo.....	Förstärkningsplåt.....		
15	VOE 13965175	1				Screw.....	Vis.....	Schraube.....	Tornillo .....	Skruv.....		
16	VOE 11202421	1				Pin.....	Goupille.....	Zapfen.....	Pasador.....	Tapp.....		
17	VOE 11200847	1			OP	Locking Fluid.....	Liquide Blocage.....	Sich.flussigk.....	Liquido Sellad.....	Låsvätska.....		



1		<b>Vandalskydd</b>	Catalogue id	Group
2		<b>Protección contra vandalismo</b>	<b>20004</b>	<b>881</b>
3		<b>Vandalisierungschutz</b>	Illustr. No	Section
4		<b>Kit de protection antivandalisme</b>	<b>1010251</b>	<b>200</b>
5		<b>Vandalism kit</b>	Issue	Page
		<b>11298032</b>	<b>VOE 63G9920004</b>	<b>503</b>

**VOLVO**

**BL70**



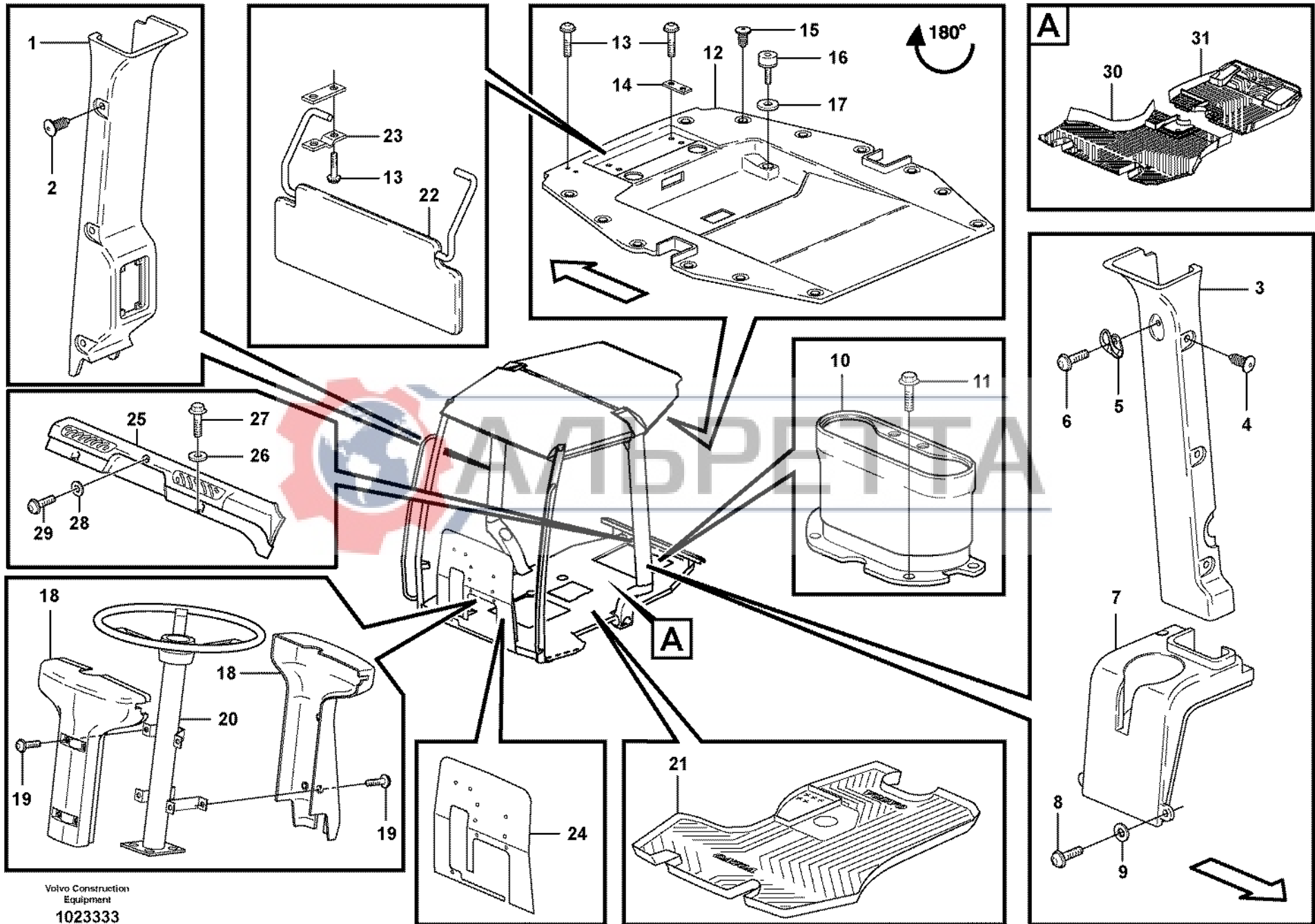


Fig.	Part No.	Quantity					P S	K T	Description	Dénomination	Bezeichnung	Denominación	Benämning	Notes
		1	2	3	4	5								
1	VOE 11200546		1				1	Cover .....	Capotage.....	Deckel.....	Cubierta.....	Täckkåpa.....		
2	VOE 1613068	6					6	Plug.....	Bouchon .....	Stopfen .....	Tapon .....	Plugg.....		
3	VOE 11200545		1					Cover .....	Capotage.....	Deckel.....	Cubierta.....	Täckkåpa.....		
3	VOE 11200545						1	Cover .....	Capotage.....	Deckel.....	Cubierta.....	Täckkåpa.....	SER NO -10638	
3	VOE 11203565						1	Cover .....	Capot.....	Haube .....	Cubierta.....	Kåpa.....	SER NO 10639-	
4	VOE 1613068	6					6	Plug.....	Bouchon .....	Stopfen .....	Tapon .....	Plugg.....		
5	VOE 11078015	1					1	Coat hanger.....	Porte manteau.....	Kleiderhaken.....	Percha .....	Klädkrok.....		
6	VOE 972401	2					2	Screw.....	Vis .....	Schraube .....	Tornillo.....	Skruv.....		
7	VOE 11204411	1					1	Side Panel .....	Panneau Lateral....	Seit Verkl .....	Panel Lateral .....	Sidopanel.....		
8	VOE 975378	4					4	Screw.....	Vis .....	Schraube .....	Tornillo.....	Skruv.....		
9	VOE 13940090	4					4	Washer .....	Rondelle .....	Scheibe.....	Arandela .....	Bricka.....		
10	VOE 11200735	1			1		1	Cover .....	Capot.....	Haube .....	Cubierta.....	Kåpa.....		
	VOE 11203356	1						Cover .....	Capot.....	Haube .....	Capo.....	Huv.....	11891112, 11891113	
11	VOE 13946934	4			4		4	Screw.....	Vis .....	Schraube .....	Tornillo.....	Skruv.....	11891112, 11891113	
12	VOE 11200944	1						Headlining.....	Garnit.pavillon .....	Dachhimmel.....	Techo Interior .....	Innertak.....		
	VOE 11200944						1	Headlining.....	Garnit.pavillon .....	Dachhimmel.....	Techo Interior .....	Innertak.....	S/N - 10986	
	VOE 11204962						1	Headlining.....	Garnit.pavillon .....	Dachhimmel.....	Techo Interior .....	Innertak.....	S/N 10987 -	
13	VOE 969587	6		4			6	6-pt skt screw.....	Vis creuse de 6 .....	Hohlschraube.....	Racor 6-dientes .....	Sextandhålskruv.....		
14	VOE 14343207	2			2		2	Spacer .....	Entretoise .....	Abstandstueck .....	Casquillo distancia .....	Distans.....		
15	VOE 1613068	13					13	Plug.....	Bouchon .....	Stopfen .....	Tapon .....	Plugg.....		
16	VOE 11200579		2				2	Absorber .....	Amortisseur .....	Dämpfer .....	Amortiguador .....	Dämpare.....		
17	VOE 13960141		REQ				REQ	Washer .....	Rondelle .....	Scheibe.....	Arandela .....	Bricka.....	(VOE 976944)	
18	VOE 11204410	1					1	Strg Col Cover .....	Capo.col.dir.ec .....	Lenkverkleidung.....	Cubierte Col Dir.....	Styrkolonnkåpa.....	CPL	
19	VOE 972410	7					7	Screw.....	Vis .....	Schraube .....	Tornillo.....	Skruv.....		
20		1					1	Steering Column .....	Colonne direction ...	Lenksäule .....	Columna direccion..	Rattstam.....	See group 641, Page 401	
21	VOE 11200547	1					1	Floor mat.....	Tapis sol.....	Bodenmatte .....	Alfombra piso .....	Golvmatte.....	11298165	
22	VOE 11006992			1				Sun Visor .....	Pare soleil .....	Sonnenblende.....	Pafasol .....	Solskydd.....		
23	VOE 14343206			2				Cap .....	Cavalier .....	Überwurf .....	Sombrete.....	Överfall.....		
24	VOE 11200882	1					1	Insulation .....	Isolant.....	Isolierung .....	Aislante.....	Isolering.....		
25	VOE 11201216				1			Foot Rest .....	Repose-pied.....	Fusstutze .....	Apoyo Pie .....	Fotstöd.....		

1	11294005	<b>Inredningsdetaljer</b> <b>Detalles interiores</b> <b>Innenausstattung</b> <b>Pieces d'amenagement</b> <b>Interior components</b>	Catalogue id	Group
2	11298028		<b>20004</b>	<b>882</b>
3	11298016		Illustr. No	Section
4	11298198		<b>1023333</b>	<b>100</b>
5	11298196		Issue	Page
			<b>VOE 63G9920004</b>	<b>505</b>

**VOLVO**

**BL70**



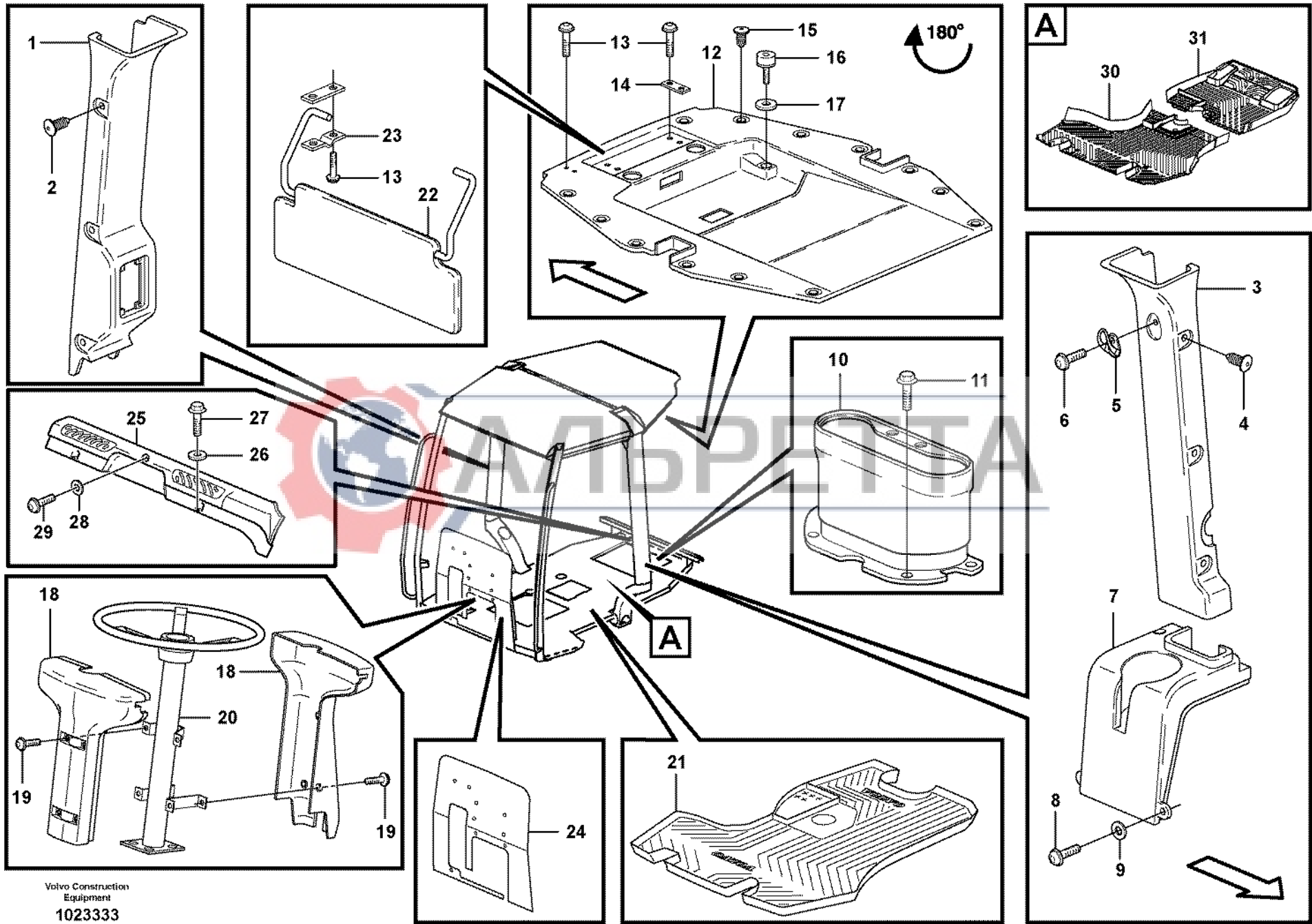


Fig.	Part No.	Quantity					P S	K I T	Description	Dénomination	Bezeichnung	Denominación	Benämning	Notes
		1	2	3	4	5								
26	VOE 960139					2		Washer .....	Rondelle .....	Scheibe .....	Arandela .....	Bricka .....		
27	VOE 13947542					2		Screw .....	Vis .....	Schraube .....	Tornillo .....	Skruv .....		
28	VOE 13960138					1		Washer .....	Rondelle .....	Scheibe .....	Arandela .....	Bricka .....		
29	VOE 972412					1		Screw .....	Vis .....	Schraube .....	Tornillo .....	Skruv .....		
30	11204605	1						Floor mat .....	Tapis sol .....	Bodenmatte .....	Alfombra piso .....	Golvmatte .....		
31	11204606	1						Floor mat .....	Tapis sol .....	Bodenmatte .....	Alfombra piso .....	Golvmatte .....	11298280	



1	11294005	Inredningsdetaljer Detalles interiores Innenausstattung Pieces d'aménagement Interior components	Catalogue id	Group
2	11298028		<b>20004</b>	<b>882</b>
3	11298016		Illustr. No	Section
4	11298198		<b>1023333</b>	<b>100</b>
5	11298196		Issue	Page
			<b>VOE 63G9920004</b>	<b>507</b>

**VOLVO**

**BL70**





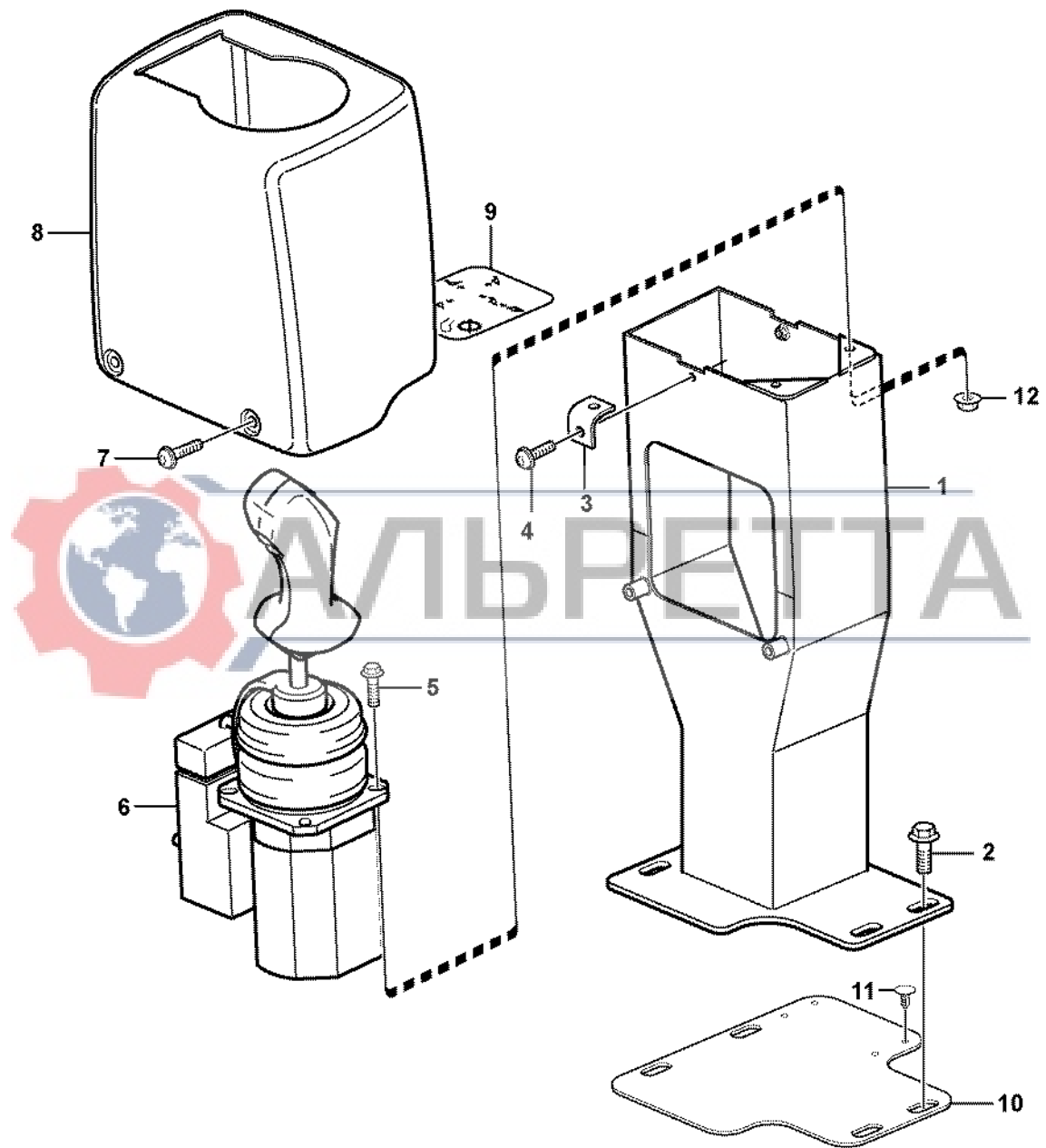


Fig.	Part No.	Quantity			P S	K I T	Description	Dénomination	Bezeichnung	Denominación	Benämning	Notes
		1	2	3								
1	VOE 11884012	1				Support .....	Support .....	Stütze .....	Apoyo .....	Stöd.....		
1	VOE 11888031		1			Support .....	Support .....	Stütze .....	Apoyo .....	Stöd.....		
2	VOE 946441	4	4			Flange screw.....	Vis à bride .....	Flanschschraube.....	Torn embridado .....	Flänsskruv.....		
3		2	2	NS		Fixation Plate .....	Plaque Fixation .....	Fixierplatte.....	Placa Fijacion .....	Fixerplatta.....		
4	VOE 969800	2	2			Screw .....	Vis .....	Schraube.....	Tornillo .....	Skruv.....		
5	VOE 13946934	4	4			Screw .....	Vis .....	Schraube.....	Tornillo .....	Skruv.....		
6		1	1			Control .....	Commande .....	Regelung.....	Mando .....	Reglage.....	See group 914, Page 659	
7	VOE 969423	3	3			6-pt skt screw.....	Vis creuse de 6 .....	Hohlschraube .....	Racor 6-dientes .....	Sextandhålskruv.....	(VOE 13969423)	
8	VOE 11884020	1	1			Casing.....	Boitier.....	Gehäuse.....	Cubierta.....	Kåpa.....		
9	VOE 11885424	1	1			Decal.....	Decalcomanie .....	Abziehbild.....	Decalcomania .....	Dekal.....		
10			1	NS		Gasket.....	Joint .....	Dichtung.....	Junta .....	Packning.....		
11	VOE 11881360		4			Retainer .....	Retenue .....	Halter.....	Soporte.....	Hållare.....		
12	VOE 13945407		4			Nut .....	Ecrou.....	Mutter .....	Tuerca .....	Mutter.....		

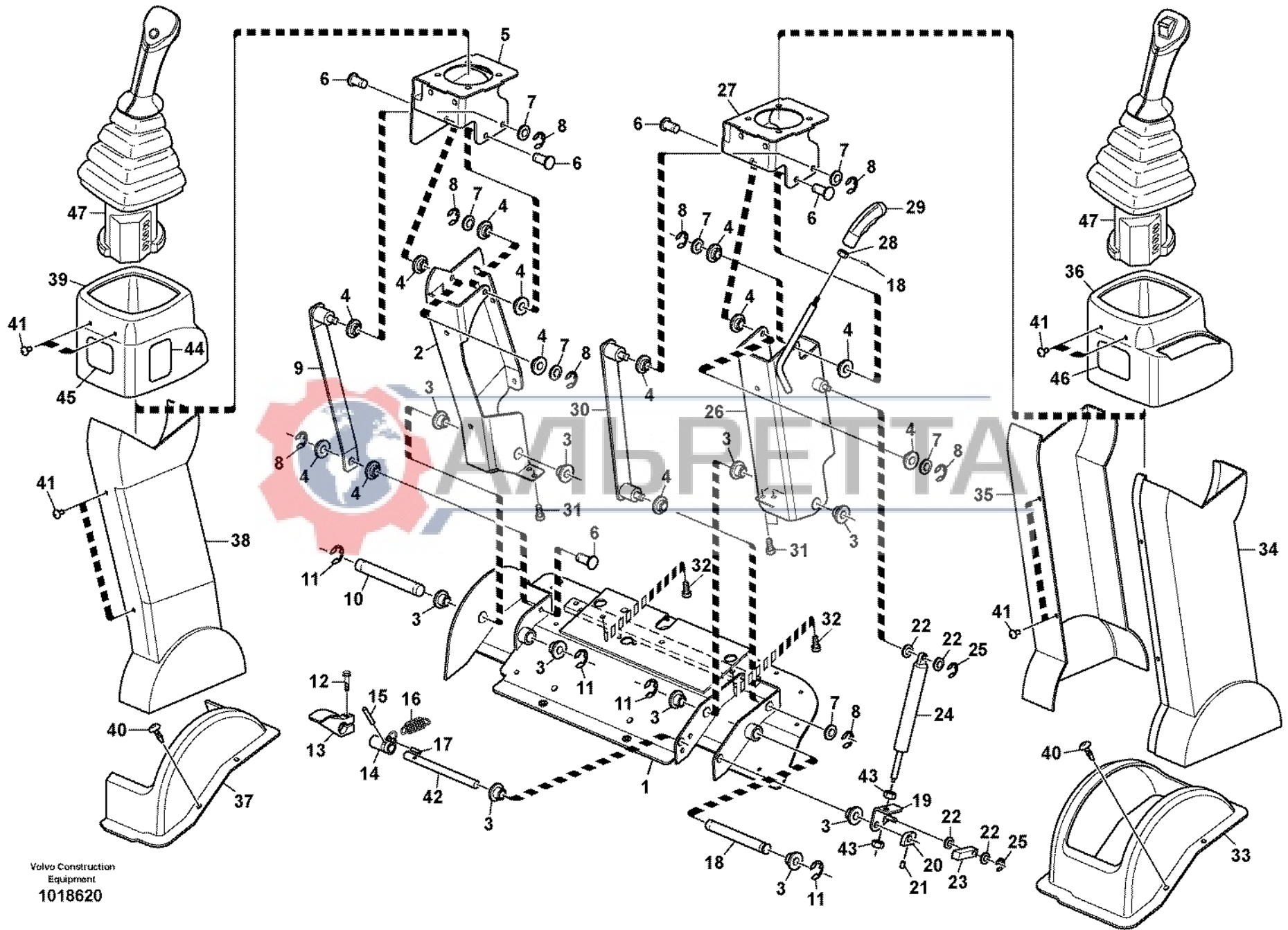


1	S/N - 11144	<b>Kåpa för servoventil</b> <b>Cubierta para servoválvula</b> <b>Haube für Servoventil</b> <b>Capot pour servovalve</b> <b>Cover for servo valves</b>	Catalogue id	Group
2	S/N 11145 -		<b>20004</b>	<b>882</b>
3			Illustr. No	Section
4			<b>1024712</b>	<b>300</b>
5			Issue	Page
		<b>11880002</b>	<b>VOE 63G9920004</b>	<b>509</b>

**VOLVO**

**BL70**

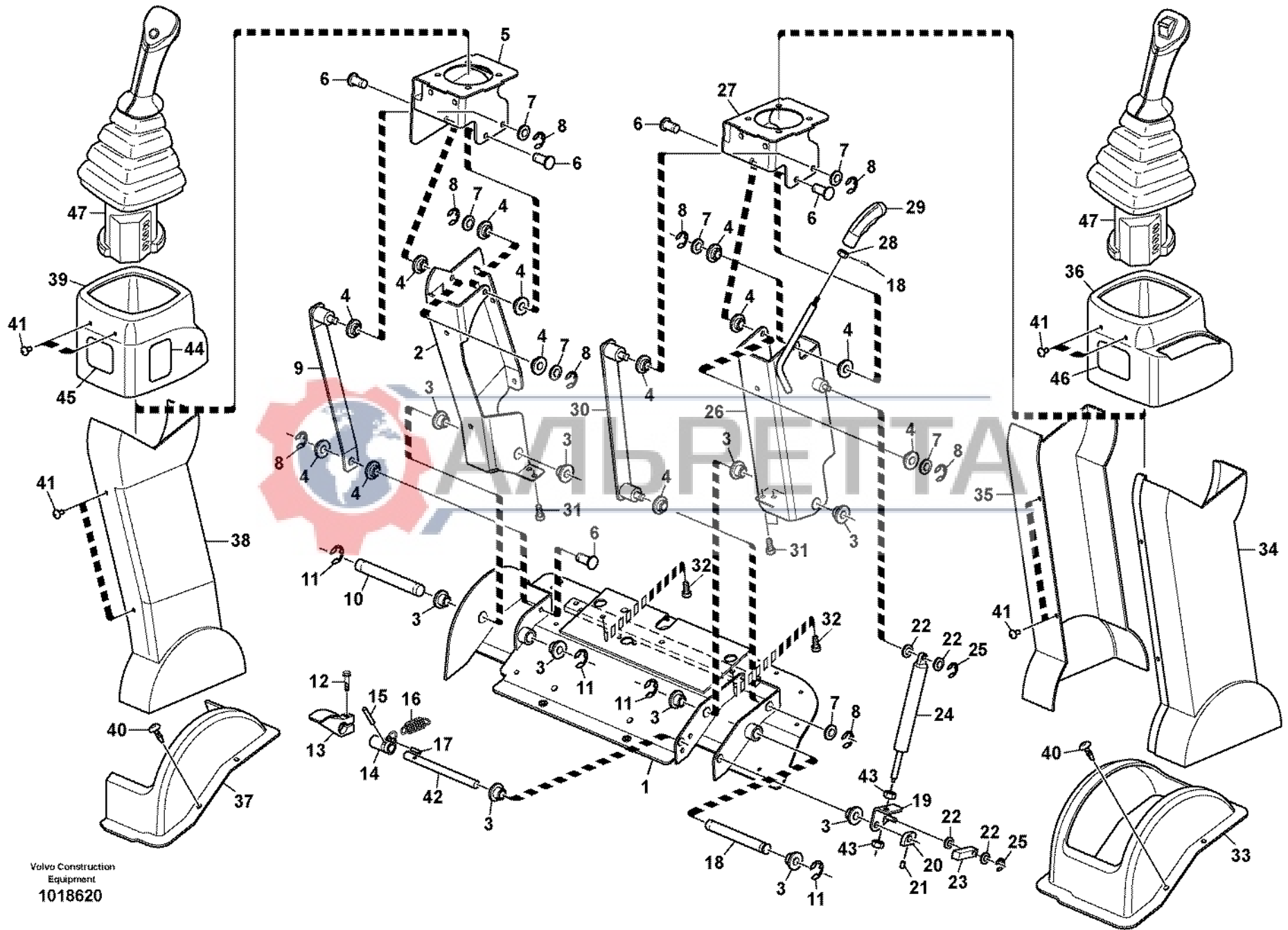




Volvo Construction  
 Equipment  
 1018620

Fig.	Part No.	Quantity			P S	K I T	Description	Dénomination	Bezeichnung	Denominación	Benämning	Notes
		1	2	3								
1	VOE 11887428	1	1	1			Floor Frame .....	Cadre Plancher .....	Bodenrahmen.....	Marco Piso .....	Golvram.....	
2	VOE 11887420	1	1	1			Support Leg .....	Jambe D'appui .....	Stützbein .....	Pata De Apoyo .....	Stödben.....	
3	VOE 11882115	10	10	10			Bushing .....	Bague.....	Buchse .....	Casquillo .....	Bussning.....	
4	VOE 11887440	13	13	13			Bushing .....	Bague.....	Buchse .....	Casquillo .....	Bussning.....	
5	VOE 11887437	1	1	1			Bracket.....	Console.....	Konsole .....	Ménsula.....	Konsol.....	
6	VOE 11887410	5	5	5			Pin.....	Goupille.....	Zapfen .....	Pasador.....	Tapp.....	
7	VOE 983335	7	7	7			Washer.....	Rondelle.....	Scheibe .....	Arandela.....	Bricka.....	
8	VOE 13966237	8	8	8	OP		Retaining ring.....	Bague retenue .....	Haltering.....	Anillo de apoyo.....	Hållarring.....	
9	VOE 11887673	1	1	1			Link .....	Articulation .....	Gelenk.....	Articulacion.....	Länk.....	
10	VOE 11887704	1	1	1			Pin.....	Goupille.....	Zapfen .....	Pasador.....	Tapp.....	
11	VOE 914446	4	4	4			Snap Ring .....	Circlip .....	Nutring.....	Circlip .....	Spärring.....	
12	VOE 13948356	1	1	1			Flange screw.....	Vis à bride .....	Flanschschraube .....	Torn embridado.....	Flänsskruv.....	
13	VOE 11887674	1	1	1			Pedal.....	Pedale .....	Pedal .....	Pedal .....	Pedal.....	
14	VOE 11887728	1	1	1			Hub .....	Moyeu .....	Nabe.....	Cubo.....	Nav.....	
15	VOE 13951972	1	1	1			Spring Pin .....	Axe de ressort.....	Federstift .....	Pasador Resorte .....	Fjäderpinne.....	
16	VOE 11882592	1	1	1			Spring.....	Ressort.....	Feder.....	Muelle.....	Fjäder.....	
17	VOE 951952	1	1	1			Spring Pin .....	Axe de ressort.....	Federstift .....	Pasador Resorte .....	Fjäderpinne.....	
18	VOE 11887705	1	1	1			Pin.....	Goupille.....	Zapfen .....	Pasador.....	Tapp.....	
19	VOE 11887686	1	1	1			Bracket.....	Console.....	Konsole .....	Ménsula.....	Konsol.....	
20	VOE 11887658	1	1	1			Cam .....	Came .....	Nocken .....	Leva .....	Kam.....	
21	VOE 963051	1	1	1			Set Screw.....	Vis Butee.....	Anschlagschraub.....	Tornillo Tope .....	Stoppskruv.....	
22	VOE 983334	4	4	4			Washer.....	Rondelle.....	Scheibe .....	Arandela.....	Bricka.....	
23	VOE 11887661	1	1	1			Pivot.....	Pivot .....	Lagerzapfen .....	Pivote .....	Pivot.....	
24	VOE 11887679	1	1	1			Gas Spring .....	Ressort Gaz .....	Gasfeder .....	Resorte A Gas .....	Gasfjäder.....	
25	VOE 13951669	2	2	2			Retaining ring.....	Bague retenue .....	Haltering.....	Anillo de apoyo.....	Hållarring.....	
26	VOE 11887653	1	1	1			Support Leg .....	Jambe D'appui .....	Stützbein .....	Pata De Apoyo .....	Stödben.....	
27	VOE 11887414	1	1	1			Bracket.....	Console.....	Konsole .....	Ménsula.....	Konsol.....	
28	VOE 961991	1	1	1			Hexagon Nut.....	Ecrou Hexagonal .....	Sechskantmutter .....	Tuerca Hexagon.....	Sexkantsmutter.....	
29	VOE 14520086	1	1	1			Knob.....	Bouton.....	Knopf.....	Boton .....	Knapp.....	
30	VOE 11887671	1	1	1			Link .....	Articulation .....	Gelenk.....	Articulacion.....	Länk.....	

1	11891506, 11891507	<b>Lucka för pilotstyrda grävreglage</b> <b>Tapa de mandos piloto de excavadora</b> <b>Abdeckung für vorgesteuerte Bagger-Bedienelemente</b> <b>Capotage, servocommande creusement</b> <b>Cover for Pilot Excavator Controls</b>	Catalogue id	Group
2	11891508, 11891509		<b>20004</b>	<b>882</b>
3	11891510, 11891511		Illustr. No	Section
4			<b>1018620</b>	<b>400</b>
5			Issue	Page
			<b>VOE 63G9920004</b>	<b>511</b>



Volvo Construction  
 Equipment  
 1018620

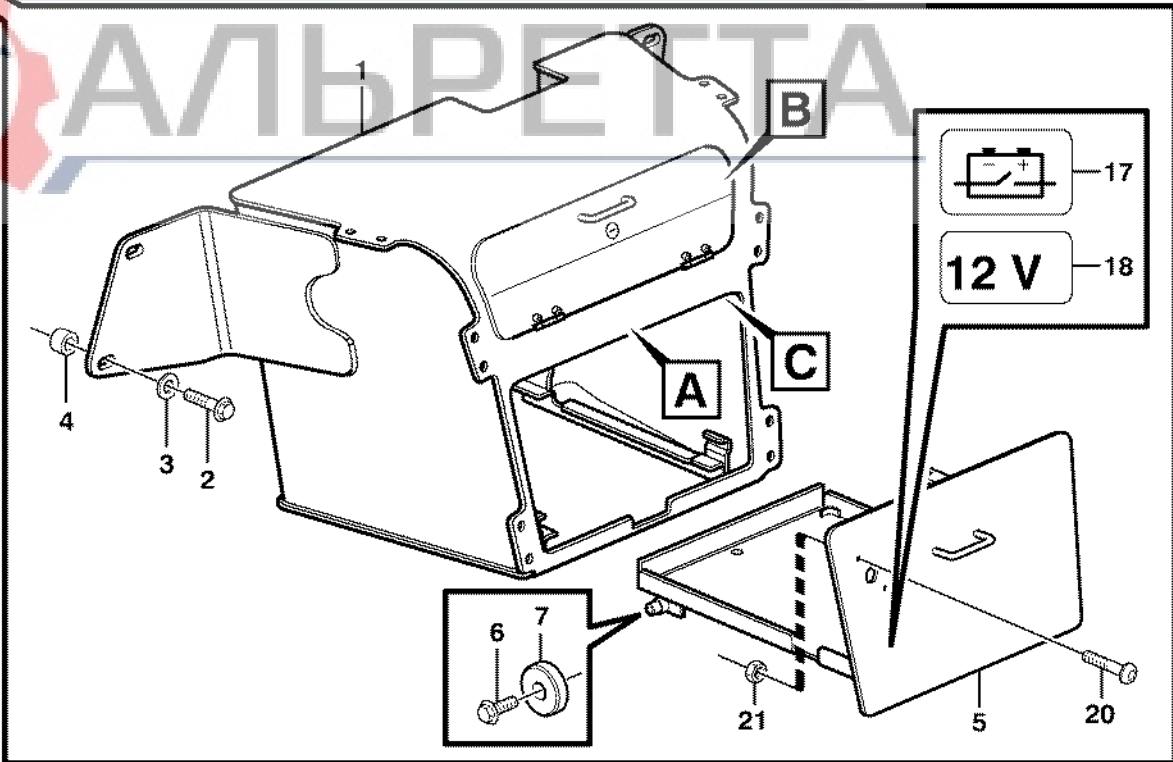
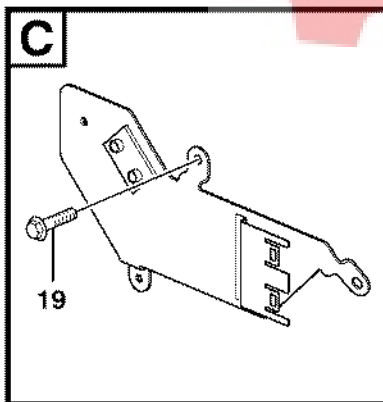
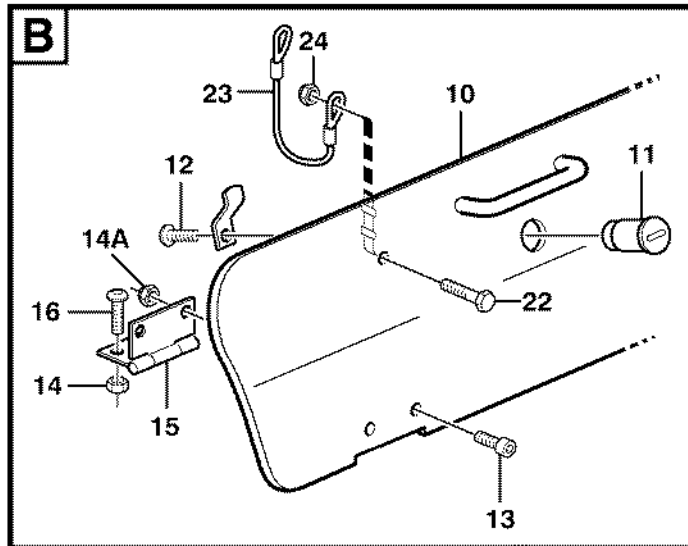
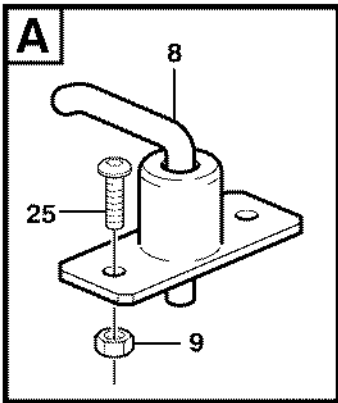
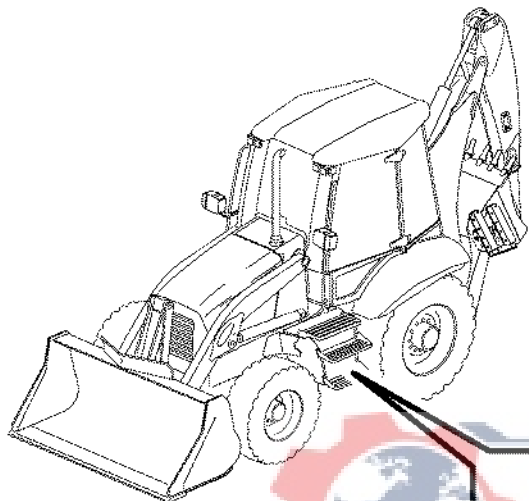
Fig.	Part No.	Quantity			P S	K I T	Description	Dénomination	Bezeichnung	Denominación	Benämning	Notes
		1	2	3								
31	VOE 13969599	4	4	4		Screw	Vis	Schraube	Tornillo	Skruv		
32	VOE 13946934	3	3	3		Screw	Vis	Schraube	Tornillo	Skruv		
33	VOE 11204653	1	1	1		Cover	Capot	Haube	Capo	Huv		
34	VOE 11204654	1	1	1		Cover	Capot	Haube	Capo	Huv		
35	VOE 11204655	1	1	1		Cover	Capot	Haube	Capo	Huv		
36	VOE 11204656	1	1	1		Cover	Capot	Haube	Capo	Huv		
37	VOE 11204659	1	1	1		Cover	Capot	Haube	Capo	Huv		
38	VOE 11204658	1	1	1		Cover	Capot	Haube	Capo	Huv		
39	VOE 11204657	1	1	1		Cover	Capot	Haube	Capo	Huv		
40	VOE 11201200	8	8	8		Plastic Rivet	Rivet Plastique	Kunststoffniet	Remache Plast	Plastnit		
41	VOE 1613068	16	16	16		Plug	Bouchon	Stopfen	Tapon	Plugg		
42	VOE 11887659	1	1	1		Pin	Goupille	Zapfen	Pasador	Tapp		
43	VOE 11802318	2	2	2		Nut	Ecrou	Mutter	Tuerca	Mutter		
44		1	1	1		Decal	Decalcomanie	Abziehbild	Decalcomania	Dekal	See group 897, Page 521	
45		1	1	1		Decal	Decalcomanie	Abziehbild	Decalcomania	Dekal	See group 897, Page 521	
46		1	1	1		Decal	Decalcomanie	Abziehbild	Decalcomania	Dekal	See group 897, Page 521	
47		2	2	2		Control Lever	Levier Commande	Bedienungshebel	Palanca Mando	Manöverspak	See group 914, Page 663	



1	11891506, 11891507	<b>Lucka för pilotstyrda grävreglage</b> <b>Tapa de mandos piloto de excavadora</b> <b>Abdeckung für vorgesteuerte Bagger-Bedienelemente</b> <b>Capotage, servocommande creusement</b> <b>Cover for Pilot Excavator Controls</b>	Catalogue id	Group
2	11891508, 11891509		<b>20004</b>	<b>882</b>
3	11891510, 11891511		Illustr. No	Section
4			<b>1018620</b>	<b>400</b>
5			Issue	Page
			<b>VOE 63G9920004</b>	<b>513</b>

**VOLVO**

**BL70**



Volvo Construction  
Equipment  
1012642



Fig.	Part No.	Quantity			P S	K I T	Description	Dénomination	Bezeichnung	Denominación	Benämning	Notes
		1	2	3								
		1				NS	Tool Box.....	Boite a outils .....	Werkzeugkasten .....	Caja herramientas .....	Verktygslåda.....	
1	VOE 11891117	1					•Tool Box .....	•Boite a outils .....	•Werkzeugkasten .....	•Caja herramientas.....	•Verktygslåda.....	
2	VOE 13965194	4					•Flange screw .....	•Vis à bride.....	•Flanschschraube.....	•Torn embridado.....	•Flänsskruv.....	
3	VOE 947558	6					•Washer .....	•Rondelle.....	•Scheibe .....	•Arandela.....	•Bricka.....	
4	VOE 11882457	2					•Spacer .....	•Entretoise.....	•Abstandkörper.....	•Distanciador .....	•Distans.....	
		1				NS	•Drawer .....	•Tireur .....	•Abzieher.....	•Remolcador.....	•Dragare.....	
5	VOE 11883283	1					••Drawer.....	••Tireur .....	••Abzieher .....	••Remolcador .....	••Dragare.....	
6	VOE 13965193	2					••Flange screw .....	••Vis à bride.....	••Flanschschraube .....	••Torn embridado .....	••Flänsskruv.....	
7	VOE 181798	2					••Ball Bearing .....	••Roulemen.billes .....	••Kugellager .....	••Cojinete Bolas.....	••Kullager.....	
8	VOE 11883585	1					•Lock .....	•Serrure.....	•Schloß.....	•Cierre .....	•Låselement.....	
9	VOE 13949874	2					•Flange Lock Nut .....	•Contre écrou bride .....	•Flanschmutter .....	•Contratuer Embr .....	•Flänslåsmutter.....	
		1				NS	•Door.....	•Porte .....	•Tür.....	•Puerta .....	•Dörr.....	
10	VOE 11885118	1					••Door.....	••Porte .....	••Tür .....	••Puerta .....	••Dörr.....	
11	VOE 11881549	1					••Lock Cylinder.....	••Barille.serrure .....	••Schliesszyl .....	••Cilindro Cierre.....	••Låscylinder.....	
12	VOE 969147	1					••Screw .....	••Vis .....	••Schraube .....	••Tornillo.....	••Skruv.....	
13	VOE 969422	4					••6-pt skt screw .....	••Vis creuse de 6.....	••Hohlschraube .....	••Racor 6-dientes .....	••Sextandhålskruv.....	(VOE 13969422)
14	VOE 983302	4					••Nut.....	••Ecrou .....	••Mutter .....	••Tuerca.....	••Mutter.....	M6 X 5,2
14A	VOE 13949278	4					••Flange Lock Nut .....	••Contre écrou bride.....	••Flanschmutter .....	••Contratuer Embr .....	••Flänslåsmutter.....	M6 X 7,3
15	VOE 11883315	2					••Hinge .....	••Charniere.....	••Scharnier .....	••Bisagra .....	••Gångjärn.....	
16	VOE 969147	4					••Screw .....	••Vis.....	••Schraube .....	••Tornillo .....	••Skruv.....	
17	VOE 14346537	1					•Sign .....	•Enseigne.....	•Schild .....	•Letrero.....	•Skylt.....	
18	VOE 11883632	1					•Decal .....	•Decalcomanie .....	•Abziehbild .....	•Decalcomania .....	•Dekal.....	
19	VOE 13965175	3					•Screw.....	•Vis.....	•Schraube.....	•Tornillo .....	•Skruv.....	
20	VOE 969420	2					•6-pt skt screw .....	•Vis creuse de 6 .....	•Hohlschraube.....	•Racor 6-dientes.....	•Sextandhålskruv.....	
21	VOE 983302	2					•Nut.....	•Ecrou .....	•Mutter.....	•Tuerca.....	•Mutter.....	
22	VOE 983263	1				SS	•Hexagon screw .....	•Vis tête hexagonale .....	•Sechskantschraube .....	•Tornillo hexago .....	•Sexkantsskruv.....	
23	VOE 11881557	1					•Steel Wire .....	•Fil Acier.....	•Stahldraht.....	•Alambre.....	•Ståltråd.....	
24	VOE 948645	1					•Flange Lock Nut .....	•Contre écrou bride .....	•Flanschmutter .....	•Contratuer Embr .....	•Flänslåsmutter.....	
25	VOE 969408	1					•6-pt skt screw .....	•Vis creuse de 6 .....	•Hohlschraube.....	•Racor 6-dientes.....	•Sextandhålskruv.....	

1		<b>Verktygslåda</b> <b>Caja de herramientas</b> <b>Werkzeugkasten</b> <b>Caisse outil</b> <b>Toolbox</b>  <b>SER NO -10640, EXCL 10637</b>	Catalogue id	Group
2			<b>20004</b>	<b>896</b>
3			Illustr. No	Section
4			<b>1012642</b>	<b>100</b>
5			Issue	Page
			<b>VOE 63G9920004</b>	<b>515</b>

**VOLVO**

**BL70**



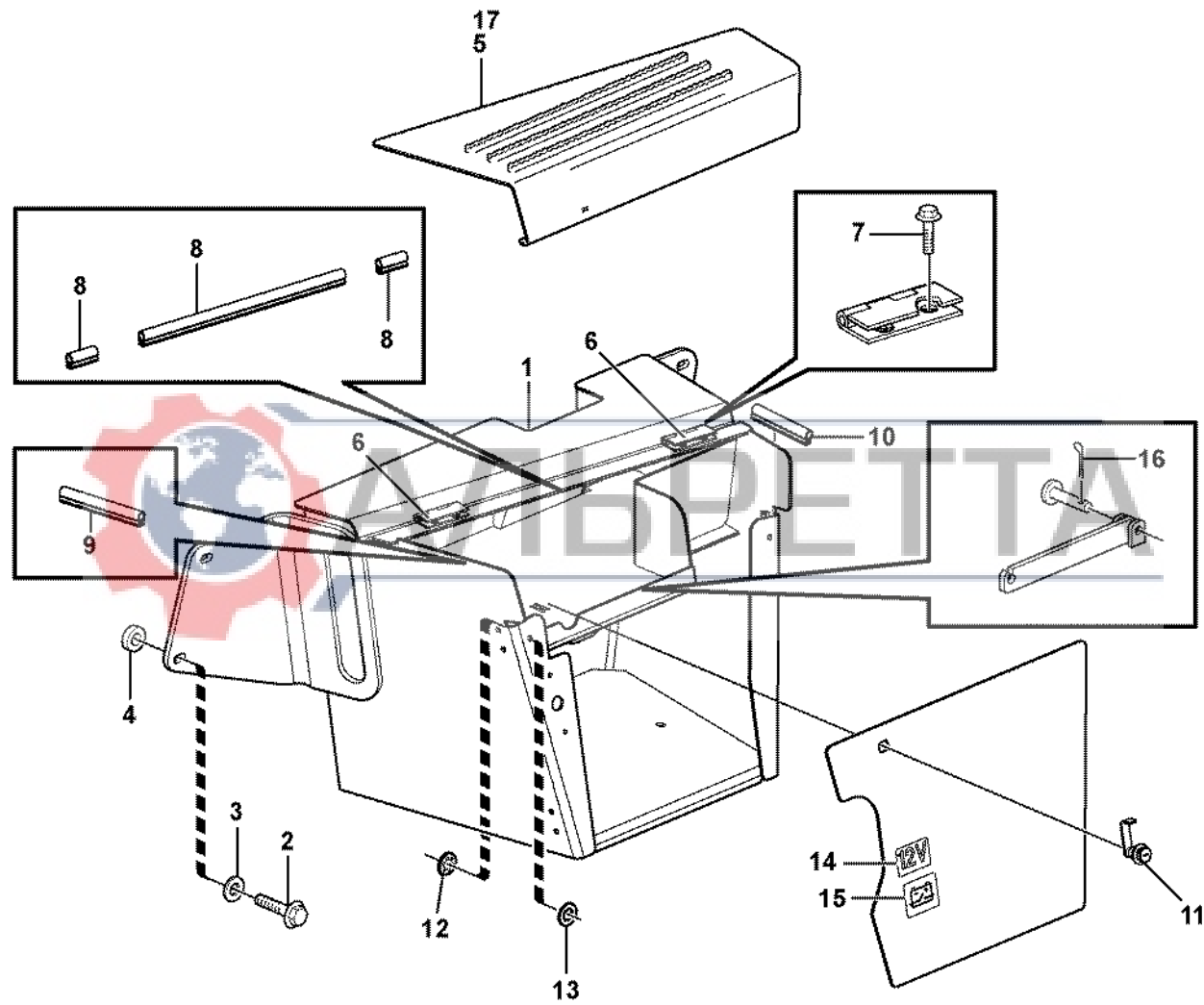


Fig.	Part No.	Quantity			P S	K I T	Description	Dénomination	Bezeichnung	Denominación	Benämning	Notes
		1	2	3								
1	VOE 11886506	1				Tool Box.....	Boite a outils .....	Werkzeugkasten .....	Caja herramientas .....	Verktygslåda.....	SER NO -10808	
1	VOE 11887066	1				Tool Box.....	Boite a outils .....	Werkzeugkasten .....	Caja herramientas .....	Verktygslåda.....	SER NO 10809-	
2	VOE 13965194	4				Flange screw.....	Vis à bride .....	Flanschschraube .....	Torn embridado .....	Flänsskruv.....		
3	VOE 947558	6				Washer.....	Rondelle .....	Scheibe .....	Arandela .....	Bricka.....		
4	VOE 11882457	2				Spacer.....	Entretoise .....	Abstandkörper.....	Distanciador .....	Distans.....		
5	VOE 11886530	1				Hatch.....	Trappe.....	Luke .....	Trampilla .....	Lucka.....	SER NO -10808	
6	VOE 11886132	2				•Hinge .....	•Charniere .....	•Scharnier.....	•Bisagra .....	•Gångjärn.....	SER NO -10808	
7	VOE 13946544	4				Flange screw.....	Vis à bride .....	Flanschschraube .....	Torn embridado .....	Flänsskruv.....		
8	VOE 11886149	REQ				Seal.....	Joint .....	Dichtring .....	Junta .....	Tätning.....		
9	VOE 11886133	1				Seal.....	Joint .....	Dichtring .....	Junta .....	Tätning.....	L = 200 MM;SER NO -10808	
10	VOE 11886134	1				Seal.....	Joint .....	Dichtring .....	Junta .....	Tätning.....	L = 98 MM; SER NO -10808	
11	VOE 11886138	1				Lock .....	Serrure .....	Schloss.....	Cierre .....	Lås.....		
12	VOE 13967580	2				Retainer .....	Retenue .....	Halter .....	Soporte .....	Hållare .....		
13	VOE 13960141	2				Washer.....	Rondelle .....	Scheibe .....	Arandela .....	Bricka.....		
14	VOE 11883632	1				Decal.....	Decalcomanie .....	Abziehbild.....	Decalcomania .....	Dekal.....		
15	VOE 14346537	1				Sign.....	Enseigne .....	Schild .....	Letrero .....	Skylt.....		
16	VOE 907825	1				Cotter Pin.....	Goupille Fendue.....	Splint .....	Pasador Hendido .....	Saxpinne.....		
17	VOE 11886999	1				Door.....	Porte .....	Tür.....	Puerta.....	Dörr.....	SER NO 10809-	

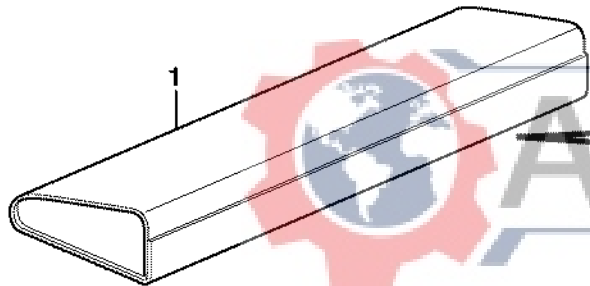


1	<b>Verktygslåda</b> <b>Caja de herramientas</b> <b>Werkzeugkasten</b> <b>Caisse outil</b> <b>Toolbox</b> <b>SER NO 10641-, INCL 10637</b>	Catalogue id	Group
2		<b>20004</b>	<b>896</b>
3		Illustr. No	Section
4		<b>1016152</b>	<b>110</b>
5		Issue	Page
		<b>VOE 63G9920004</b>	<b>517</b>

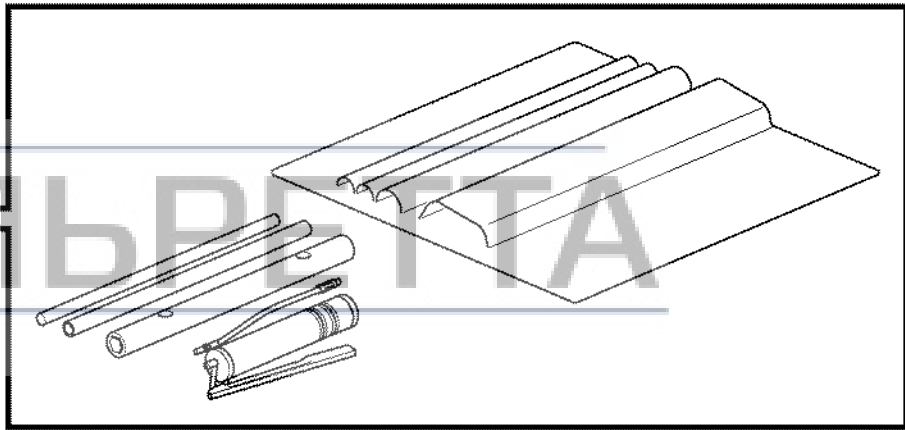
**VOLVO**

**BL70**





Volvo Construction  
Equipment  
1006672



АЛЬРЕТТА

Fig.	Part No.	Quantity			P S	K I T	Description	Dénomination	Bezeichnung	Denominación	Benämning	Notes
		1	2	3								
1	VOE 11885079	1					Tool kit .....	Kit outils .....	Werkzeugsatz .....	Juego herramien .....	Verktygssats.....	

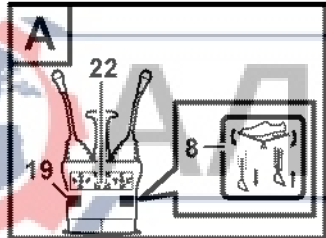
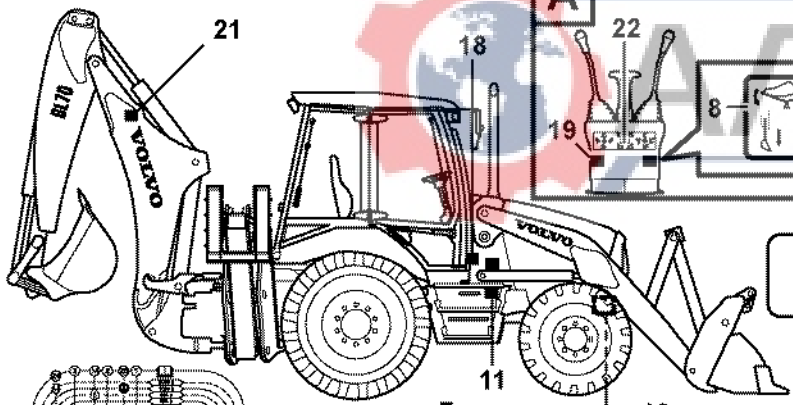
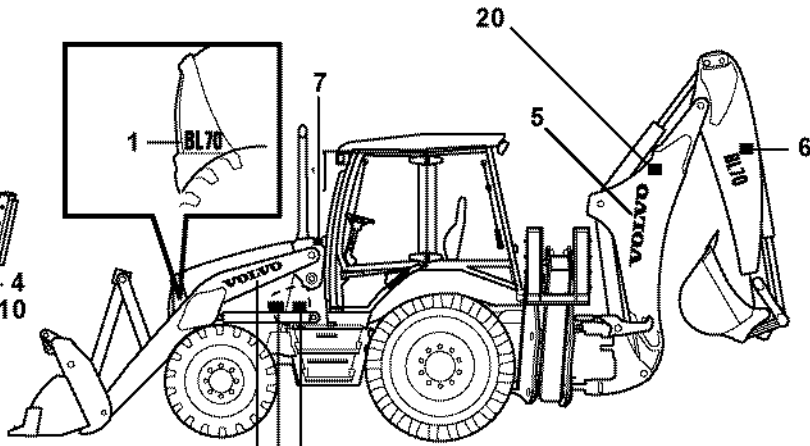
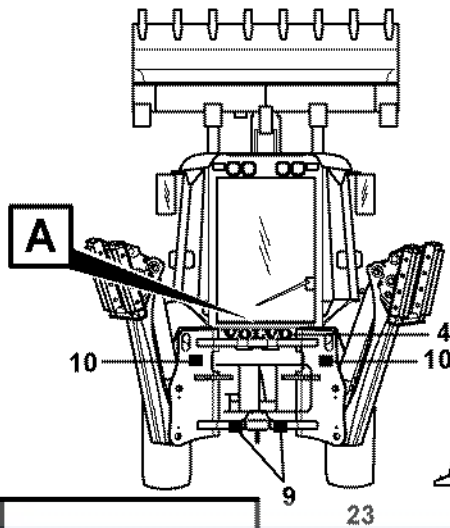
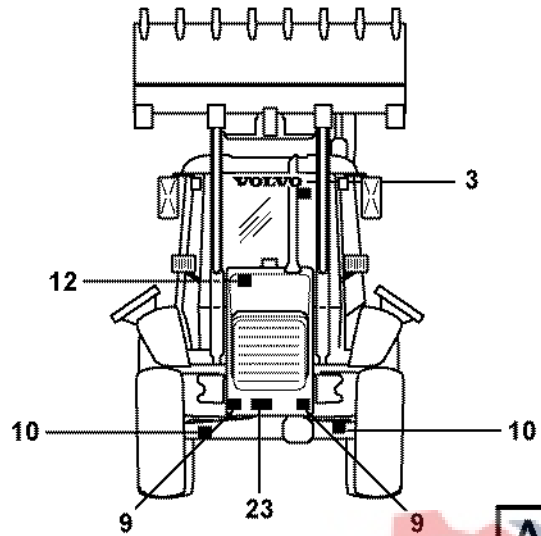


1		<b>Verktyg</b> <b>Herramienta</b> <b>Werkzeug</b> <b>Outil</b> <b>Tool</b>	Catalogue id	Group
2			<b>20004</b>	<b>896</b>
3			Illustr. No	Section
4			<b>1006672</b>	<b>150</b>
5			Issue	Page
		<b>11891152</b>	<b>VOE 63G9920004</b>	<b>519</b>

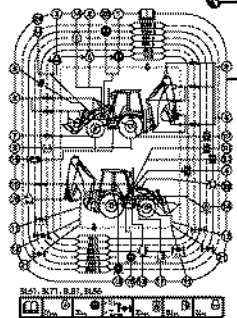
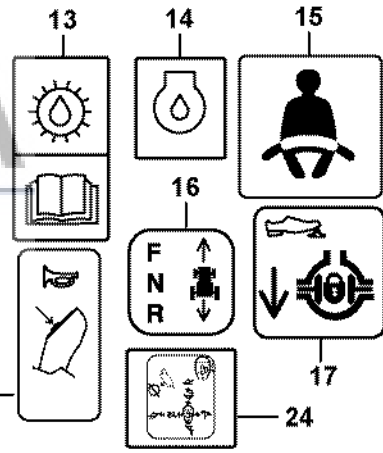
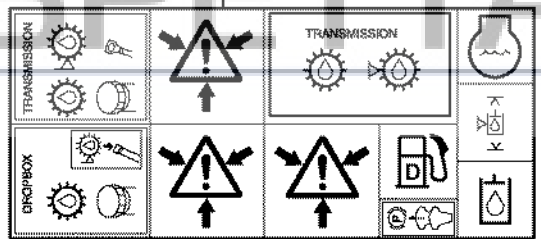
**VOLVO**

**BL70**





**POWERSHIFT**



**CALIFORNIA Proposition 65 Warning**  
 Diesel engine exhaust and some of its constituents are known to the state of California to cause cancer, birth defects and other reproductive harm

Volvo Construction Equipment  
 1011896

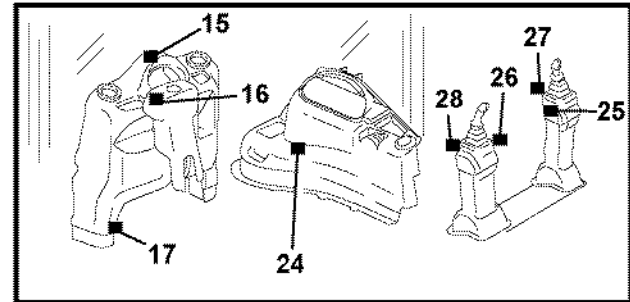
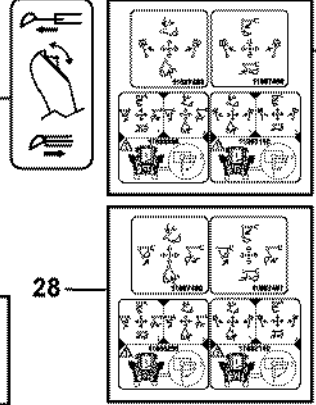
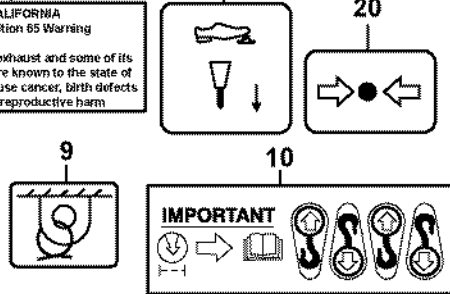
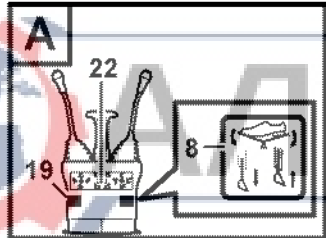
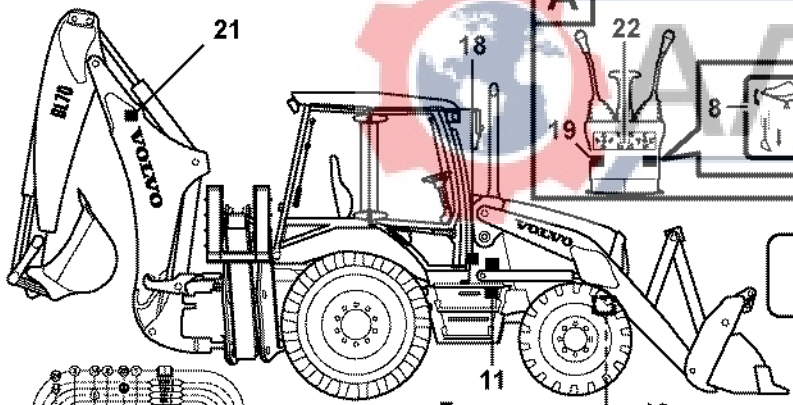
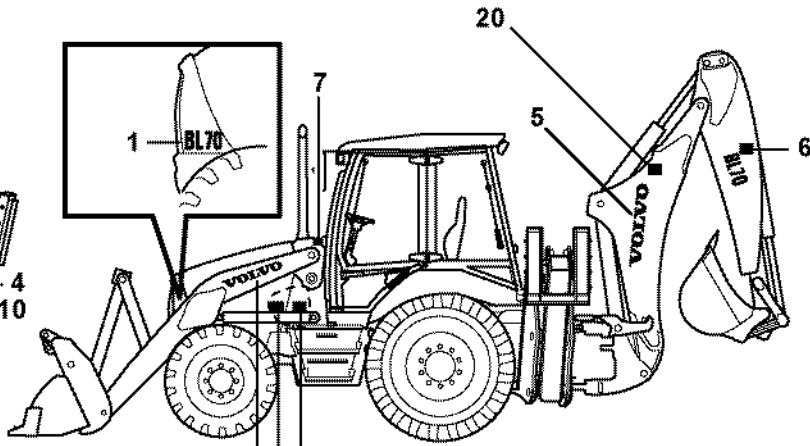
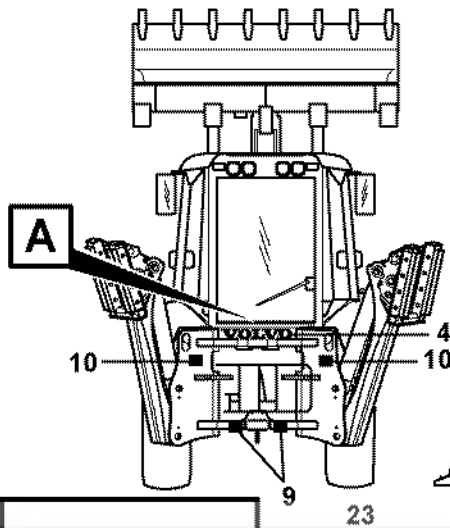
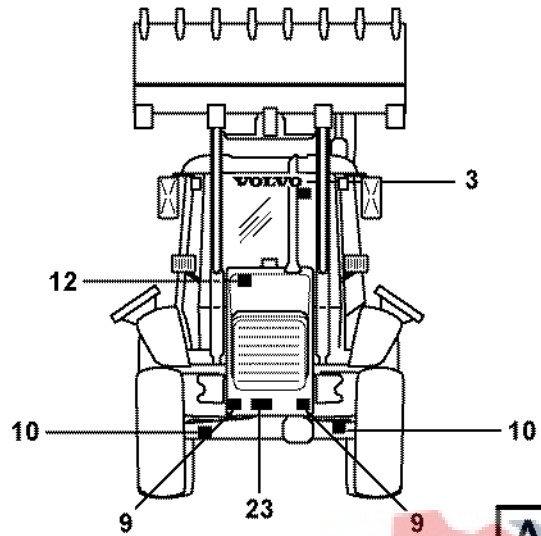
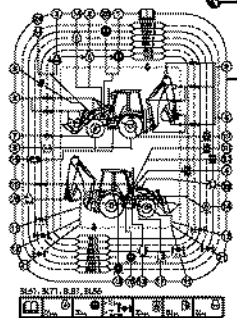
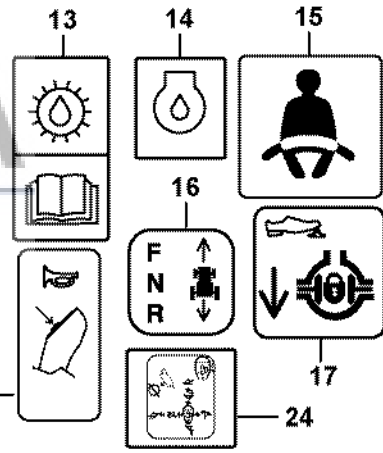
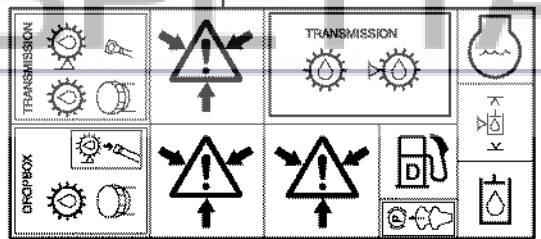


Fig.	Part No.	Quantity			P S	K I T	Description	Dénomination	Bezeichnung	Denominación	Benämning	Notes
		1	2	3								
1	VOE 11883722	2				Label .....	Etiquette .....	Etikett .....	Etiqueta .....	Etikett.....		
2	VOE 11883888	2				Label .....	Etiquette .....	Etikett .....	Etiqueta .....	Etikett.....		
3	VOE 11881585	1				Label .....	Etiquette .....	Etikett .....	Etiqueta .....	Etikett.....		
4	VOE 11883719	1				Label .....	Etiquette .....	Etikett .....	Etiqueta .....	Etikett.....		
5	VOE 11883720	2				Label .....	Etiquette .....	Etikett .....	Etiqueta .....	Etikett.....		
6	VOE 11883721	2				Label .....	Etiquette .....	Etikett .....	Etiqueta .....	Etikett.....		
7	VOE 11046865	1				Decal.....	Decalcomanie .....	Abziehbild.....	Decalcomania .....	Dekal.....		
8	VOE 11884333	1				Decal.....	Autocollant .....	Aufklebeschild .....	Calcomania .....	Dekal.....	11891022	
9	VOE 11026730	4				Decal.....	Decalcomanie .....	Abziehbild.....	Decalcomania .....	Dekal.....		
10	VOE 11004094	4				Decal.....	Decalcomanie .....	Abziehbild.....	Decalcomania .....	Dekal.....		
11	VOE 11003865	1				Decal.....	Decalcomanie .....	Abziehbild.....	Decalcomania .....	Dekal.....		
12	VOE 11003865	1				Decal.....	Decalcomanie .....	Abziehbild.....	Decalcomania .....	Dekal.....		
13	VOE 11883642	1				Decal.....	Decalcomanie .....	Abziehbild.....	Decalcomania .....	Dekal.....		
14	VOE 11180010	1				Decal.....	Decalcomanie .....	Abziehbild.....	Decalcomania .....	Dekal.....		
15	VOE 11883294	1				Decal.....	Decalcomanie .....	Abziehbild.....	Decalcomania .....	Dekal.....		
16	VOE 11883303	1				Decal.....	Decalcomanie .....	Abziehbild.....	Decalcomania .....	Dekal.....		
17	VOE 11883293	1				Decal.....	Decalcomanie .....	Abziehbild.....	Decalcomania .....	Dekal.....		
18	VOE 11883867	1				Decal.....	Decalcomanie .....	Abziehbild.....	Decalcomania .....	Dekal.....		
19	VOE 11883304	1				Decal.....	Decalcomanie .....	Abziehbild.....	Decalcomania .....	Dekal.....	11891090	
20	VOE 11884374	1				Decal.....	Decalcomanie .....	Abziehbild.....	Decalcomania .....	Dekal.....	11891090	
21	VOE 11884375	1			OP	Decal.....	Decalcomanie .....	Abziehbild.....	Decalcomania .....	Dekal.....	11891090 SER NO -10731	
22	VOE 11883299	1				Decal.....	Decalcomanie .....	Abziehbild.....	Decalcomania .....	Dekal.....	11891112	
	VOE 11883296	1				Decal.....	Decalcomanie .....	Abziehbild.....	Decalcomania .....	Dekal.....	11891113	
23	VOE 11886267	2				Decal.....	Decalcomanie .....	Abziehbild.....	Decalcomania .....	Dekal.....	11891255	
24	VOE 11886057	1				Decal.....	Decalcomanie .....	Abziehbild.....	Decalcomania .....	Dekal.....	11891065	
25	VOE 11887487	1				Decal.....	Decalcomanie .....	Abziehbild.....	Decalcomania .....	Dekal.....	11891506, 11891507 11891508, 11891509 11891510, 11891511	
26	VOE 11887113	1				Decal.....	Decalcomanie .....	Abziehbild.....	Decalcomania .....	Dekal.....	11891509, 11891510 11891511	

1	<b>Skyltar och dekaler</b> <b>Muestras y decalcomanias</b> <b>Schilder und aufklebeschild</b> <b>Enseignes et décalcomanies</b> <b>Sign plates and decals</b>	Catalogue id	Group
2		<b>20004</b>	<b>897</b>
3		Illustr. No	Section
4		<b>1011896</b>	<b>100</b>
5		Issue	Page
		<b>VOE 63G9920004</b>	<b>521</b>



**POWERSHIFT**



Volvo Construction Equipment  
1011896

**CALIFORNIA Proposition 65 Warning**  
Diesel engine exhaust and some of its constituents are known to the state of California to cause cancer, birth defects and other reproductive harm

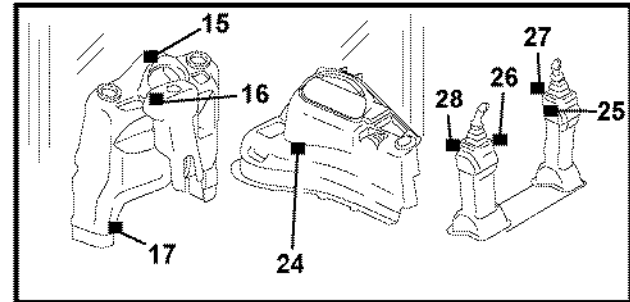
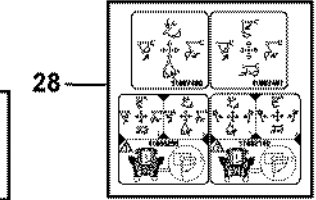
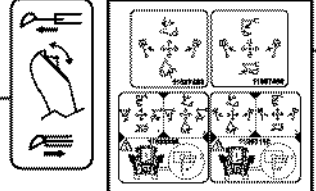
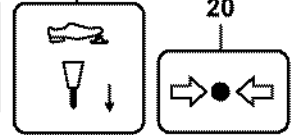




Fig.	Part No.	Quantity			P S	K I T	Description	Dénomination	Bezeichnung	Denominación	Benämning	Notes
		1	2	3								
27	VOE 11887489	1				Decal.....	Decalcomanie .....	Abziehbild.....	Decalcomania .....	Dekal.....	11891506, 11891509	
27	VOE 11887488	1				Decal.....	Decalcomanie .....	Abziehbild.....	Decalcomania .....	Dekal.....	11891507, 11891510	
27	VOE 11887110	1				Decal.....	Decalcomanie .....	Abziehbild.....	Decalcomania .....	Dekal.....	11891508	
27	VOE 11888256	1				Decal.....	Decalcomanie .....	Abziehbild.....	Decalcomania .....	Dekal.....	11891511	
28	VOE 11887490	1				Decal.....	Decalcomanie .....	Abziehbild.....	Decalcomania .....	Dekal.....	11891506, 11891509	
28	VOE 11887491	1				Decal.....	Decalcomanie .....	Abziehbild.....	Decalcomania .....	Dekal.....	11891507, 11891510	
28	VOE 11888256	1				Decal.....	Decalcomanie .....	Abziehbild.....	Decalcomania .....	Dekal.....	11891508	
28	VOE 11887110	1				Decal.....	Decalcomanie .....	Abziehbild.....	Decalcomania .....	Dekal.....	11891511	



1	<b>Skyltar och dekaler</b> <b>Muestras y decalcomanias</b> <b>Schilder und aufklebeschild</b> <b>Enseignes et décalcomanies</b> <b>Sign plates and decals</b>	Catalogue id	Group
2		<b>20004</b>	<b>897</b>
3		Illustr. No	Section
4		<b>1011896</b>	<b>100</b>
5		Issue	Page
		<b>VOE 63G9920004</b>	<b>523</b>

**VOLVO**

**BL70**





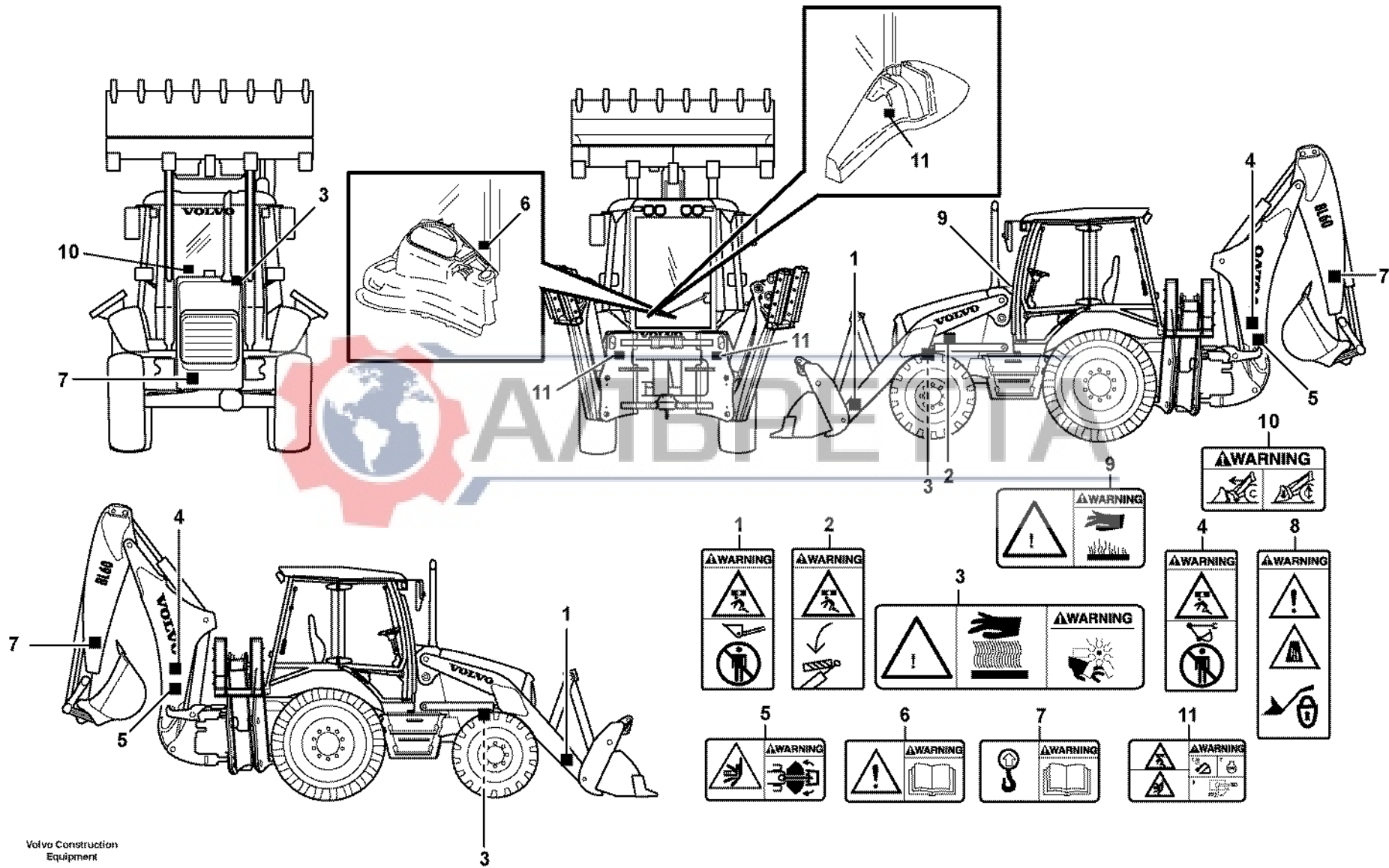


Fig.	Part No.	Quantity			P S	K I T	Description	Dénomination	Bezeichnung	Denominación	Benämning	Notes
		1	2	3								
1	VOE 11027566	2				Warning Decal .....	Decal.avertiss. ....	Warnaufkleber .....	Calcomania Adv .....	Varningsdekal.....		
2	VOE 13935008	1				Warning Decal .....	Decal.avertiss. ....	Warnaufkleber .....	Calcomania Adv .....	Varningsdekal.....		
3	VOE 11884027	3				Decal.....	Decalcomanie .....	Abziehbild.....	Decalcomania .....	Dekal.....		
4	VOE 11883289	2				Decal.....	Decalcomanie .....	Abziehbild.....	Decalcomania .....	Dekal.....		
5	VOE 11883290	2				Decal.....	Decalcomanie .....	Abziehbild.....	Decalcomania .....	Dekal.....		
6	VOE 11883617	1				Decal.....	Decalcomanie .....	Abziehbild.....	Decalcomania .....	Dekal.....		
7	VOE 11883533	3				Decal.....	Decalcomanie .....	Abziehbild.....	Decalcomania .....	Dekal.....		
8	VOE 11885038	1				Decal.....	Decalcomanie .....	Abziehbild.....	Decalcomania .....	Dekal.....		
9	VOE 14266041	1				Sign.....	Enseigne .....	Schild .....	Letrero .....	Skylt.....		
10	VOE 11111506	1				Warning Decal .....	Decal.avertiss. ....	Warnaufkleber .....	Calcomania Adv .....	Varningsdekal.....	11891238	
11	VOE 11888260	3				Decal.....	Decalcomanie .....	Abziehbild.....	Decalcomania .....	Dekal.....	11891506, 11891511	



1	<b>Dekaler</b> <b>Calcomanías</b> <b>Aufklebeschild</b> <b>Calcomanies</b> <b>Decals</b> <b>WARNING</b>	Catalogue id	Group
2		<b>20004</b>	<b>897</b>
3		Illustr. No	Section
4		<b>1021291</b>	<b>150</b>
5		Issue	Page
		<b>VOE 63G9920004</b>	<b>525</b>

**VOLVO**

**BL70**





**VOLVO**

АЛЬРЕТТА

Construction Equipment

GROUP	Section	Page	GROUP	Section	Page
911 Hydraulic oil tank.....	200	539	912 Excavator Controls SAE 11891507, 11891510.....	210	625
911 Hydraulic system, suction line, filter.....	250	543	912 Excavator Controls SAE/ISO 11891508, 11891511 .....	220	627
911 Hydraulic system, return line.....	300	545	912 Valve body .....	300	631
911 Hydraulic system, return line S/N 11145 - .....	310	549	912 Valve body .....	310	633
911 Hydraulic oil cooler S/N - 11144 .....	325	553	912 Inlet valve .....	350	635
911 Hydraulic oil cooler S/N 11145 - .....	330	555	912 Valve section.....	450	637
911 Hydraulic system, feed line .....	350	557	912 Valve section.....	500	639
911 Hydraulic system, feed line 11880002 S/N 11145 -.....	360	561	912 Valve section.....	510	641
911 Hydraulic system, hammer 11891090 .....	400	565	912 Valve section.....	550	643
911 Pipes for hammer attachment 11891375.....	450	569	912 Valve section.....	560	645
911 Hydraulics loader (lift & tilt) .....	550	571	912 Valve section.....	600	647
911 Hydraulic system extendible dipper arm 11891005, 11891065, 11891020 .....	600	575	912 Valve section.....	610	649
911 Hydraulic system, excavator .....	700	581	912 Pressure limiting valve .....	700	651
911 Hydraulic system, stabiliser legs.....	750	585	913 Hydraulic pump with fitting parts .....	100	653
911 Hydraulic system loader.....	800	589	913 Hydraulic pump SER NO -10657, EXCL 10656 .....	200	655
911 Hydraulic system, excavator beam 11891005, 11891041, 11891022, 11891441, S/N - 11144 .....	900	593	913 Hydraulic pump SER NO 10658-, INCL10656 .....	210	657
911 Hydraulic system, boom 11880002, S/N 11145 - .....	910	595	914 Servo valve .....	100	659
911 Hydraulic system dipper arm 11891005, 11891041, 11891022, 11891441, S/N - 11144.....	1000	597	914 Servo valve .....	200	661
911 Hydraulic system dipper arm 11880002, S/N 11145 - .....	1010	599	914 Servo valve .....	300	663
911 Hydraulic system, bucket 11891022 .....	1100	601	915 Controls.....	100	665
911 Hydraulic system, bucket 11891041, 11891441, S/N - 11144.....	1150	605	915 Pedal 11891005, 11891065 .....	200	671
911 Hydraulic system, bucket S/N 11145 -.....	1160	609	915 Pedal 11891005, 11891065.....	250	673
911 Hydraulic system extendible dipper arm .....	1200	611	916 Optional hydraulic equipment 11891333.....	200	675
911 Hydraulic system, lock cylinder .....	1300	613	916 Boom suspension system 11891293 S/N - 11144 .....	350	679
911 Hydraulic system, combi-bucket .....	1350	615	916 Boom suspension system 11891293 S/N - 11145 .....	360	681
911 Hydraulic system pilot excavator controls.....	1600	617	924 Attachment bracket, mechanical 11891299.....	100	683
912 Loader controls .....	100	621	924 Hydraulic attachment bracket digger 11891335, 11891352, 11891361, 11891363 .....	150	685
912 Excavator Controls ISO 11891506, 11891509 .....	200	623	924 Hydraulic attachment bracket digger (11891352, 11891363) .....	200	687
			924 Hydraulic attachment bracket digger (11891335, 11891361) .....	250	689
			924 Hydraulic attachment bracket 11891335, 11891363.....	300	691

<b>INDEX OF CONTENTS</b>	Catalogue id <b>20004</b>	Group <b>900</b>
	Issue <b>VOE 63G9920004</b>	Page <b>527</b>



## INDEX OF CONTENTS

Catalogue id <b>20004</b>	Group <b>900</b>
Issue <b>VOE 63G9920004</b>	Page <b>528</b>

GROUP	Section	Page	GROUP	Section	Page		
924	Hydraulic cylinder, quick attachment 11891335, 11891363 .....	350	693	972	Stabiliser cylinder .....	200	773
924	Hydraulic attachment bracket 11891238 .....	400	695	972	Foot plate .....	300	775
924	Hydraulic cylinder, quick attachment 11891238 .....	450	699	974	Excavator boom, extendible dipper arm 11891022.....	100	777
924	Hydraulic attachment bracket 11891238 .....	500	701	974	Boom and dipper arm 11891041, 11891441.....	150	781
925	Bucket, straight with teeth .....	100	705	974	Boom cylinder 11891005, 11891041, 11891022, 11891441 .....	200	785
925	Bucket, straight with teeth S/N 11145 -.....	125	707	975	Dipper arm cylinder 11891005, 11891041, 11891022, 11891441 .....	100	787
925	Bucket, straight with teeth S/N 11145 -.....	130	709	975	Bucket cylinder 11891022, 11891041, 11891441.....	200	789
925	Bucket, straight with teeth (BACKHOE).....	150	711	975	Extendible dipper cylinder 11891005, 11891022 .....	300	791
925	Bucket, straight with teeth (LOADER).....	200	713				
925	Bucket, straight lip without teeth 11891295, 11891296 .....	250	715				
925	Bucket, straight lip without teeth .....	260	717				
925	Multi-purpose bucket.....	300	719				
925	Multi-purpose bucket.....	310	723				
925	Multi-purpose bucket 11891541.....	320	727				
925	Hydraulic cylinder 11891018 (MULTI-PURPOSE BUCKET) .....	400	729				
925	Bucket, straight with teeth (BACKHOE).....	450	731				
925	Transport bracket without front bucket 11891350.....	500	733				
926	Fork arm.....	100	735				
926	Retainer for hammer .....	200	737				
926	Hammer 11891017 .....	250	739				
945	Lifting framework with assembly parts .....	150	741				
945	Pins for mounting bucket .....	160	747				
945	Lifting framework with assembly parts 11880002, S/N 11145 - .....	175	749				
945	Hydraulic cylinder lifting 11891005, 11891020, 11891065 .....	200	755				
945	Hydraulic cylinder Tilting 11891005, 11891020, 11891065, 11891208 .....	300	757				
971	Swing system .....	100	759				
971	Boom swing system .....	200	763				
971	Swing cylinder.....	300	767				
971	Lock cylinder .....	400	769				
972	Stabilisers .....	100	771				

GROUPE	Section	Page	GROUPE	Section	Page
911 Réservoir d'huile hydraulique.....	200	539	912 Commandes creusement ISO 11891506, 11891509.....	200	623
911 Système hydraulique, conduit d'aspiration, filtre.....	250	543	912 Commandes creusement SAE 11891507, 11891510.....	210	625
911 Système hydraulique, conduit retour .....	300	545	912 Commandes creusement SAE/ISO 11891508, 11891511.....	220	627
911 Système hydraulique, conduit retour S/N 11145 - .....	310	549	912 Bloc-soupapes .....	300	631
911 Radiateur huile S/N - 11144.....	325	553	912 Bloc-soupapes .....	310	633
911 Radiateur huile S/N 11145 -.....	330	555	912 Soupape d'admission .....	350	635
911 Systeme Hydr. conduit alimentation .....	350	557	912 Section de valve.....	450	637
911 Systeme Hydr. conduit alimentation 11880002 S/N 11145 - .....	360	561	912 Section de valve.....	500	639
911 Système hydraulique, marteau 11891090 .....	400	565	912 Section de valve.....	510	641
911 Conduits, marteau 11891375.....	450	569	912 Section de valve.....	550	643
911 Equipement chargeur à commande hydraulique (levage et basculement) .....	550	571	912 Section de valve.....	560	645
911 Système hydraulique bras de pelle telescope 11891005, 11891065, 11891020 .....	600	575	912 Section de valve.....	600	647
911 Système hydralique groupe pelle.....	700	581	912 Section de valve.....	610	649
911 Système hydraulique Bequilles .....	750	585	912 Limiteur de pression.....	700	651
911 Hydraulic system loader.....	800	589	913 Pompe hydraulique avec pièces de montage .....	100	653
911 Hydraulic system, excavator beam 11891005, 11891041, 11891022, 11891441, S/N - 11144.....	900	593	913 Pompe hydraulique SER NO -10657, EXCL 10656.....	200	655
911 Système hydraulique, flèche 11880002, S/N 11145 -.....	910	595	913 Pompe hydraulique SER NO 10658-, INCL10656 .....	210	657
911 Système hydraulique, balancier 11891005, 11891041, 11891022, 11891441, S/N - 11144.....	1000	597	914 Servo soupape .....	100	659
911 Système hydraulique, balancier 11880002, S/N 11145 -.....	1010	599	914 Servo soupape .....	200	661
911 Système hydraulique, godet 11891022 .....	1100	601	914 Servo soupape .....	300	663
911 Système hydraulique, godet 11891041, 11891441, S/N - 11144 ....	1150	605	915 Commandes .....	100	665
911 Système hydraulique, godet S/N 11145 - .....	1160	609	915 Pedale 11891005, 11891065.....	200	671
911 Système hydraulique bras de pelle telescope .....	1200	611	915 Pedale 11891005, 11891065 .....	250	673
911 Système hydraulique, vérin de verrouillage .....	1300	613	916 Equipement hydraulique optionnel 11891333.....	200	675
911 Système hydraulique, godet combiné.....	1350	615	916 Amortisseur vibrations 11891293 S/N - 11144 .....	350	679
911 Servocommande hydraulique creusement .....	1600	617	916 Amortisseur vibrations 11891293 S/N - 11145 .....	360	681
912 Commandes de l'équipement chargeur .....	100	621	924 Porte-outil, verrouillage mécanique 11891299.....	100	683
			924 Porte-outil à verrouillage hydraulique, balancier 11891335, 11891352, 11891361, 11891363 .....	150	685
			924 Porte-outil à verrouillage hydraulique, balancier (11891352, 11891363).....	200	687

<b>TABLE DES MATIÈRES</b>	Catalogue id <b>20004</b>	Group <b>900</b>
	Issue <b>VOE 63G9920004</b>	Page <b>529</b>

**VOLVO**

**BL70**

<b>TABLE DES MATIÈRES</b>				Catalogue id <b>20004</b>		Group <b>900</b>	
				Issue <b>VOE 63G9920004</b>		Page <b>530</b>	
GROUPE		Section	Page	GROUPE		Section	Page

924	Porte-outil à verrouillage hydraulique, balancier (11891335, 11891361).....	250	689	971	Vérin d'orientation .....	300	767
924	Plaques de fixation à commande hydraulique 11891335, 11891363 ..	300	691	971	Vérin de verrouillage .....	400	769
924	Verin hydraulique, fixation rapide 11891335, 11891363.....	350	693	972	Bequille .....	100	771
924	Plaques de fixation à commande hydraulique 11891238 .....	400	695	972	Vérin hydraulique pour jambe d'appui.....	200	773
924	Verin hydraulique, fixation rapide 11891238.....	450	699	972	Socle .....	300	775
924	Plaques de fixation à commande hydraulique 11891238 .....	500	701	974	Flèche d'équipement excavateur avec bras télescopique 11891022.	100	777
925	Godet, droit avec dents .....	100	705	974	Flèche et balancier 11891041, 11891441 .....	150	781
925	Godet, droit avec dents S/N 11145 - .....	125	707	974	Vérin de flèche 11891005, 11891041, 11891022, 11891441 .....	200	785
925	Godet, droit avec dents S/N 11145 .....	130	709	975	Vérin de bras 11891005, 11891041, 11891022, 11891441 .....	100	787
925	Godet, droit avec dents (BACKHOE).....	150	711	975	Vérin de godet 11891022, 11891041, 11891441 .....	200	789
925	Godet, droit avec dents (LOADER).....	200	713	975	Cylindre telescope. 11891005, 11891022.....	300	791
925	Godet, droit sans dents 11891295, 11891296.....	250	715				
925	Godet, droit sans dents .....	260	717				
925	Godet combiné.....	300	719				
925	Godet combiné.....	310	723				
925	Godet combiné 11891541.....	320	727				
925	Vérins hydrauliques 11891018 (MULTI-PURPOSE BUCKET).....	400	729				
925	Godet, droit avec dents (BACKHOE).....	450	731				
925	Fixation transport sans godet frontal 11891350.....	500	733				
926	Bras fourche.....	100	735				
926	Support de marteau .....	200	737				
926	Marteau 11891017 .....	250	739				
945	Chassis levage avec pièces de montage.....	150	741				
945	Pivots d'axe pour fixation de godet .....	160	747				
945	Chassis levage avec pièces de montage 11880002, S/N 11145 - ....	175	749				
945	Hydraulic cylinder lifting 11891005, 11891020, 11891065 .....	200	755				
945	Cylindre hydraulique, culbutage 11891005, 11891020, 11891065, 11891208 .....	300	757				
971	Système de pivotement .....	100	759				
971	Système hydraulique, orientation.....	200	763				



GRUPPE	Abschnitt	Seite	GRUPPE	Abschnitt	Seite		
911	Hydrauliköltank .....	200	539	912	Bagger Bedienelement SAE 11891507, 11891510 .....	210	625
911	Hydraulikanlage, Saugleitung, Filter .....	250	543	912	Bagger Bedienelemente SAE/ISO 11891508, 11891511 .....	220	627
911	Druckölsystem, Rücklaufleitung .....	300	545	912	Ventilgruppe .....	300	631
911	Druckölsystem, Rücklaufleitung S/N 11145 - .....	310	549	912	Ventilgruppe .....	310	633
911	Hydraulikölkühler S/N - 11144 .....	325	553	912	Einlassventil .....	350	635
911	Hydraulikölkühler S/N 11145 - .....	330	555	912	Ventil .....	450	637
911	Hydraulikanlage, Druckleitungen .....	350	557	912	Ventil .....	500	639
911	Hydraulikanlage, Druckleitungen 11880002 S/N 11145 - .....	360	561	912	Ventil .....	510	641
911	Hydraulikanlage, Hammer 11891090 .....	400	565	912	Ventil .....	550	643
911	Leitungen für Hammeranbau 11891375 .....	450	569	912	Ventil .....	560	645
911	Ladehydraulik (Heben und Kippen) .....	550	571	912	Ventil .....	600	647
911	Hydraulikanlage für teleskopische baggerarm 11891005, 11891065, 11891020 .....	600	575	912	Ventil .....	610	649
911	Hydraulikanlage ventil zum ausleger Baggeraggregat .....	700	581	912	Druckbegrenzungsventil.....	700	651
911	Hydraulikanlage Bodenstützen .....	750	585	913	Druckölpumpe mit Anbauteilen .....	100	653
911	Hydraulikanlage, Lader .....	800	589	913	Hydraulikpumpe SER NO -10657, EXCL 10656 .....	200	655
911	Hydraulic system, excavator beam 11891005, 11891041, 11891022, 11891441, S/N - 11144 .....	900	593	913	Hydraulikpumpe SER NO 10658-, INCL10656 .....	210	657
911	Hydraulikanlage, Baggerausleger 11880002, S/N 11145 - .....	910	595	914	Servoventil .....	100	659
911	Hydraulikanlage, Baggerstiel 11891005, 11891041, 11891022, 11891441, S/N - 11144 .....	1000	597	914	Servoventil .....	200	661
911	Hydraulikanlage, Baggerstiel 11880002, S/N 11145 - .....	1010	599	914	Servoventil .....	300	663
911	Hydraulikanlage, Löffel 11891022 .....	1100	601	915	Regler.....	100	665
911	Hydraulikanlage, Löffel 11891041, 11891441, S/N - 11144 .....	1150	605	915	Pedal 11891005, 11891065 .....	200	671
911	Hydraulikanlage, Löffel S/N 11145 - .....	1160	609	915	Pedal 11891005, 11891065 .....	250	673
911	Hydraulikanlage für teleskopische baggerarm .....	1200	611	916	Zusätzliche Hydraulikausrüstung 11891333 .....	200	675
911	Hydraulikanlage, Sperrzylinder .....	1300	613	916	Schwingungsdämpfer 11891293 S/N - 11144 .....	350	679
911	Hydraulikanlage, Kombilöffel .....	1350	615	916	Schwingungsdämpfer 11891293 S/N - 11145 .....	360	681
911	Hydraulikanlage vorgesteuerte Bagger-Bedienelemente .....	1600	617	924	Geräteträger, mechanisch 11891299.....	100	683
912	Loader controls .....	100	621	924	Hydraulik Geräteträger Baggerarm 11891335, 11891352, 11891361, 11891363 .....	150	685
912	Bagger-Bedienelement ISO 11891506, 11891509 .....	200	623	924	Hydraulik Geräteträger Baggerarm (11891352, 11891363).....	200	687
				924	Hydraulik Geräteträger Baggerarm (11891335, 11891361).....	250	689
				924	Hydraulisch betätigte Gerätebefestigung 11891335, 11891363 .....	300	691

<b>INHALTSVERZEICHNIS</b>	Catalogue id <b>20004</b>	Group <b>900</b>
	Issue <b>VOE 63G9920004</b>	Page <b>531</b>





<b>INHALTSVERZEICHNIS</b>		Catalogue id <b>20004</b>	Group <b>900</b>
		Issue <b>VOE 63G9920004</b>	Page <b>532</b>

GRUPPE	Abschnitt	Seite	GRUPPE	Abschnitt	Seite		
924	Hydraulikzylinder Schnellwechsler 11891335, 11891363.....	350	693	972	Hydraulzylinder für Pratzen.....	200	773
924	Hydraulisch betätigte Gerätebefestigung 11891238.....	400	695	972	Fußplatte.....	300	775
924	Hydraulikzylinder Schnellwechsler 11891238.....	450	699	974	Grabausleger mit Teleskopstiel 11891022.....	100	777
924	Hydraulisch betätigte Gerätebefestigung 11891238.....	500	701	974	Ausleger und Stiel 11891041, 11891441.....	150	781
925	Schaufel, gerade mit Zähnen.....	100	705	974	Auslegerzylinder 11891005, 11891041, 11891022, 11891441.....	200	785
925	Schaufel, gerade mit Zähnen S/N 11145 -.....	125	707	975	Stielzylinder 11891005, 11891041, 11891022, 11891441.....	100	787
925	Schaufel, gerade mit Zähnen S/N 11145 -.....	130	709	975	Schaufelzylinder 11891022, 11891041, 11891441.....	200	789
925	Schaufel, gerade mit Zähnen (BACKHOE).....	150	711	975	Teleskopzylinder. 11891005, 11891022.....	300	791
925	Schaufel, gerade mit Zähnen (LOADER).....	200	713				
925	Schaufel, gerade, ohne Zähne 11891295, 11891296.....	250	715				
925	Schaufel, gerade, ohne Zähne.....	260	717				
925	Kombilöffel.....	300	719				
925	Kombilöffel.....	310	723				
925	Kombilöffel 11891541.....	320	727				
925	Hydraulikzylinder 11891018 (MULTI-PURPOSE BUCKET).....	400	729				
925	Schaufel, gerade mit Zähnen (BACKHOE).....	450	731				
925	Transporthalterung ohne Schaufel 11891350.....	500	733				
926	Gabelzinke.....	100	735				
926	Halter für Hammer.....	200	737				
926	Hammer 11891017.....	250	739				
945	Hubgerüst mit Anbauteilen.....	150	741				
945	Bolzen zur Befestigung der Schaufel.....	160	747				
945	Hubgerüst mit Anbauteilen 11880002, S/N 11145 -.....	175	749				
945	Hydraulic cylinder lifting 11891005, 11891020, 11891065.....	200	755				
945	Druckölzylinder, Kipphydraulik 11891005, 11891020, 11891065, 11891208.....	300	757				
971	Schwenksystem.....	100	759				
971	Hydraulikkreis, Schwenken.....	200	763				
971	Schwenkzylinder.....	300	767				
971	Sperrzylinder.....	400	769				
972	Pratzen.....	100	771				

GRUPO	Sección	Página	GRUPO	Sección	Página		
911	Depósito de aceite hidráulico .....	200	539	912	Mandos de excavadora SAE 11891507, 11891510.....	210	625
911	Sistema hidráulico, conducto de aspiración, filtro .....	250	543	912	Mandos de excavadora SAE/ISO 11891508, 11891511 .....	220	627
911	Sistema hidráulico, conducto de retorno.....	300	545	912	Bloque de válvulas .....	300	631
911	Sistema hidráulico, conducto de retorno S/N 11145 - .....	310	549	912	Bloque de válvulas .....	310	633
911	Enfriador de aceite hidráulico S/N - 11144 .....	325	553	912	Válvula de admisión .....	350	635
911	Enfriador de aceite hidráulico S/N 11145 - .....	330	555	912	Sección de válvulas .....	450	637
911	Sistema hidráulico, conducto presion .....	350	557	912	Sección de válvulas .....	500	639
911	Sistema hidráulico, conducto presion 11880002 S/N 11145 - .....	360	561	912	Sección de válvulas .....	510	641
911	Sistema hidráulico, martillo 11891090 .....	400	565	912	Sección de válvulas .....	550	643
911	Tubería para fijación del martillo 11891375.....	450	569	912	Sección de válvulas .....	560	645
911	Sistema hidráulico de cargadora (elevación y volteo) .....	550	571	912	Sección de válvulas .....	600	647
911	Sistema hidráulico brazo excavador telescopico 11891005, 11891065, 11891020 .....	600	575	912	Sección de válvulas .....	610	649
911	Sistema hidráulico excavador .....	700	581	912	Válvula limitadora de presión .....	700	651
911	Sistema hidráulico patas de apoyo .....	750	585	913	Bomba hidráulica con accesorios de montaje.....	100	653
911	Hydraulic system loader.....	800	589	913	Bomba hidráulica SER NO -10657, EXCL 10656 .....	200	655
911	Hydraulic system, excavator beam 11891005, 11891041, 11891022, 11891441, S/N - 11144 .....	900	593	913	Bomba hidráulica SER NO 10658-, INCL10656 .....	210	657
911	Sistema hidráulico, pluma de excavación 11880002, S/N 11145 - .....	910	595	914	Servoválvula.....	100	659
911	Sistema hidráulico, balancín 11891005, 11891041, 11891022, 11891441, S/N - 11144.....	1000	597	914	Servoválvula.....	200	661
911	Sistema hidráulico, balancín 11880002, S/N 11145 - .....	1010	599	914	Servoválvula.....	300	663
911	Sistema hidráulico, cuchara 11891022.....	1100	601	915	Mandos .....	100	665
911	Sistema hidráulico, cuchara 11891041, 11891441, S/N - 11144.....	1150	605	915	Pedal 11891005, 11891065 .....	200	671
911	Sistema hidráulico, cuchara S/N 11145 - .....	1160	609	915	Pedal 11891005, 11891065.....	250	673
911	Sistema hidráulico brazo excavador telescopico .....	1200	611	916	Equipo hidráulico adicional 11891333 .....	200	675
911	Sistema hidráulico, cilindro de bloqueo .....	1300	613	916	Amortiguador de vibraciones 11891293 S/N - 11144 .....	350	679
911	Sistema hidráulico, cuchara combinada .....	1350	615	916	Amortiguador de vibraciones 11891293 S/N - 11145 .....	360	681
911	Sistema hidráulico mandos pilotos de excavadora.....	1600	617	924	Portaimplemento, mecánico 11891299.....	100	683
912	Mandos de la cargadora .....	100	621	924	Portaimplementos hidráulico, brazo 11891335, 11891352, 11891361, 11891363 .....	150	685
912	Mandos de excavadora ISO 11891506, 11891509 .....	200	623	924	Portaimplementos hidráulico, brazo (11891352, 11891363) .....	200	687
				924	Portaimplementos hidráulico, brazo (11891335, 11891361) .....	250	689
				924	Soporte de implemento hidráulico 11891335, 11891363.....	300	691

<b>INDICE</b>	Catalogue id <b>20004</b>	Group <b>900</b>
	Issue <b>VOE 63G9920004</b>	Page <b>533</b>

<b>INDICE</b>	Catalogue id <b>20004</b>	Group <b>900</b>
	Issue <b>VOE 63G9920004</b>	Page <b>534</b>

GRUPO	Sección	Página	GRUPO	Sección	Página	
924	Cilindro hidráulico, acoplamiento rapido 11891335, 11891363 .....	350	693	972	Cilindro hidraulico para pata de apoyo.....	200 773
924	Soporte de implemento hidráulico 11891238 .....	400	695	972	Placa de soporte .....	300 775
924	Cilindro hidráulico, acoplamiento rapido 11891238 .....	450	699	974	Pluma de excavación con brazo telescópico 11891022 .....	100 777
924	Soporte de implemento hidráulico 11891238 .....	500	701	974	Pluma y brazo 11891041, 11891441 .....	150 781
925	Cuchara, recta con dientes .....	100	705	974	Cilindro de pluma 11891005, 11891041, 11891022, 11891441 .....	200 785
925	Cuchara, recta con dientes S/N 11145 - .....	125	707	975	Cilindro de brazo 11891005, 11891041, 11891022, 11891441 .....	100 787
925	Cuchara, recta con dientes S/N 11145 - .....	130	709	975	Cilindro de cazo 11891022, 11891041, 11891441 .....	200 789
925	Cuchara, recta con dientes (BACKHOE) .....	150	711	975	Cilindro telescopico. 11891005, 11891022 .....	300 791
925	Cuchara, recta con dientes (LOADER) .....	200	713			
925	Cuchara recta sin dientes 11891295, 11891296 .....	250	715			
925	Cuchara recta sin dientes .....	260	717			
925	Cuchara multipropósitos .....	300	719			
925	Cuchara multipropósitos .....	310	723			
925	Cuchara multipropósitos 11891541 .....	320	727			
925	Cilindros hidráulicos 11891018 (MULTI-PURPOSE BUCKET) .....	400	729			
925	Cuchara, recta con dientes (BACKHOE) .....	450	731			
925	Fijaciones de transporte sin cuchara frontal 11891350 .....	500	733			
926	Brazo horquilla .....	100	735			
926	Soporte para martillo .....	200	737			
926	Martillo 11891017 .....	250	739			
945	Bastidor elevación con piezas de montaje .....	150	741			
945	Muñones para fijación de cuchara .....	160	747			
945	Bastidor elevación con piezas de montaje 11880002, S/N 11145 - ..	175	749			
945	Hydraulic cylinder lifting 11891005, 11891020, 11891065 .....	200	755			
945	Cilindro hidráulico, volcador 11891005, 11891020, 11891065, 11891208 .....	300	757			
971	Sistema de oscilación .....	100	759			
971	Sistema hidráulico, giro .....	200	763			
971	Cilindro de giro .....	300	767			
971	Cilindro de bloqueo .....	400	769			
972	Pata de apoyo .....	100	771			

GRUPP	Avsnitt	Sida	GRUPP	Avsnitt	Sida		
911	Hydrauloljetank .....	200	539	912	Grävreglage SAE 11891507, 11891510 .....	210	625
911	Hydraulsystem, sugledning, filter .....	250	543	912	Grävreglage SAE/ISO 11891508, 11891511 .....	220	627
911	Hydraulsystem, returledning .....	300	545	912	Ventilblock .....	300	631
911	Hydraulsystem, returledning S/N 11145 - .....	310	549	912	Ventilblock .....	310	633
911	Hydrauloljekylare S/N - 11144 .....	325	553	912	Inloppsventil .....	350	635
911	Hydrauloljekylare S/N 11145 - .....	330	555	912	Ventilsektion .....	450	637
911	Hydraulsystem, tryckledningar .....	350	557	912	Ventilsektion .....	500	639
911	Hydraulsystem, tryckledningar 11880002 S/N 11145 - .....	360	561	912	Ventilsektion .....	510	641
911	Hydraulsystem hammare 11891090 .....	400	565	912	Ventilsektion .....	550	643
911	Rör till hammarredskap 11891375 .....	450	569	912	Ventilsektion .....	560	645
911	Hydraulik lastare (lyft & tilt) .....	550	571	912	Ventilsektion .....	600	647
911	Hydraulsystem, grävvarm teleskopisk 11891005, 11891065, 11891020 .....	600	575	912	Ventilsektion .....	610	649
911	Hydraulsystem, grävare .....	700	581	912	Tryckbegränsningsventil .....	700	651
911	Hydraulsystem, stödben .....	750	585	913	Hydraulpump med monteringsdetaljer .....	100	653
911	Hydraulsystem, lastare .....	800	589	913	Hydraulpump SER NO -10657, EXCL 10656 .....	200	655
911	Hydraulsystem, grävbox 11891005, 11891041, 11891022, 11891441, S/N - 11144 .....	900	593	913	Hydraulpump SER NO 10658-, INCL10656 .....	210	657
911	Hydraulsystem, grävbox 11880002, S/N 11145 - .....	910	595	914	Servoventil .....	100	659
911	Hydraulsystem, grävvarm 11891005, 11891041, 11891022, 11891441, S/N - 11144 .....	1000	597	914	Servoventil .....	200	661
911	Hydraulsystem, grävvarm 11880002, S/N 11145 - .....	1010	599	914	Servoventil .....	300	663
911	Hydraulsystem, skopa 11891022 .....	1100	601	915	Reglage .....	100	665
911	Hydraulsystem, skopa 11891041, 11891441, S/N - 11144 .....	1150	605	915	Pedal 11891005, 11891065 .....	200	671
911	Hydraulsystem, skopa S/N 11145 - .....	1160	609	915	Pedal 11891005, 11891065 .....	250	673
911	Hydraulsystem, grävvarm teleskopisk .....	1200	611	916	Extra hydraulutrustning 11891333 .....	200	675
911	Hydraulsystem, spärrcylinder .....	1300	613	916	Svängningsdämpare 11891293 S/N - 11144 .....	350	679
911	Hydraulsystem, kombiskopa .....	1350	615	916	Svängningsdämpare 11891293 S/N - 11145 .....	360	681
911	Hydraulsystem pilotstyrda grävreglage .....	1600	617	924	Redskapsfäste, mekaniskt 11891299 .....	100	683
912	Lastarreglage .....	100	621	924	Hydraulik redskapsfäste grävvarm 11891335, 11891352, 11891361, 11891363 .....	150	685
912	Grävreglage ISO 11891506, 11891509 .....	200	623	924	Hydraulik redskapsfäste grävvarm (11891352, 11891363) .....	200	687
				924	Hydraulik redskapsfäste grävvarm (11891335, 11891361) .....	250	689
				924	Hydrauliskt redskapsfäste 11891335, 11891363 .....	300	691

## INNEHÅLLSFÖRTECKNING

Catalogue id <b>20004</b>	Group <b>900</b>
Issue <b>VOE 63G9920004</b>	Page <b>535</b>

**VOLVO**

**BL70**

<b>INNEHÅLLSFÖRTECKNING</b>				Catalogue id <b>20004</b>	Group <b>900</b>
				Issue <b>VOE 63G9920004</b>	Page <b>536</b>
GRUPP	Avsnitt	Sida	GRUPP	Avsnitt	Sida

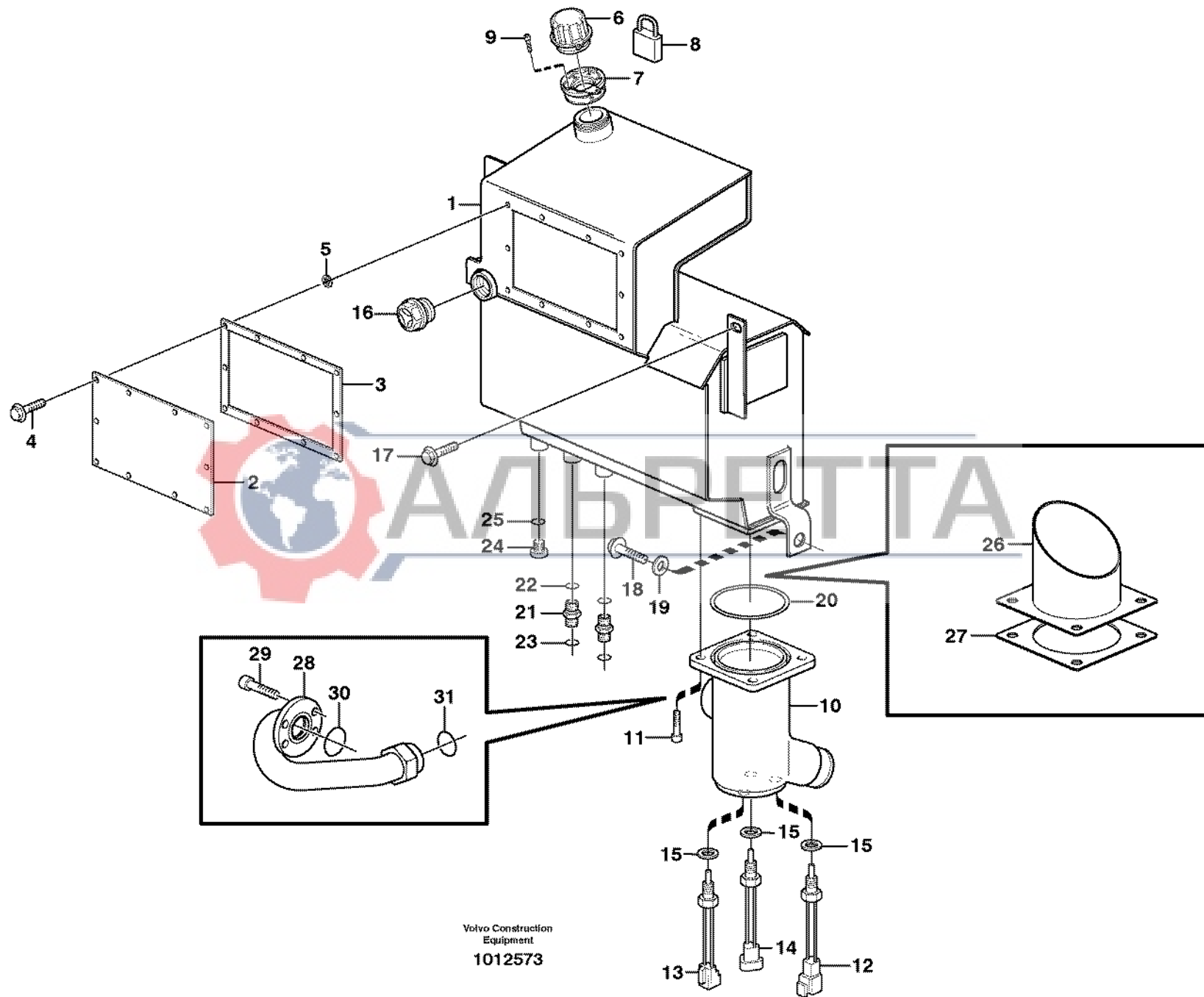
924	Hydraulcylinder, snabbfäste 11891335, 11891363.....	350	693	972	Fotplatta .....	300	775
924	Hydrauliskt redskapsfäste 11891238.....	400	695	974	Grävbom med teleskoparm 11891022.....	100	777
924	Hydraulcylinder, snabbfäste 11891238.....	450	699	974	Bom och skaft 11891041, 11891441 .....	150	781
924	Hydrauliskt redskapsfäste 11891238.....	500	701	974	Bomcylinder 11891005, 11891041, 11891022, 11891441 .....	200	785
925	Skopa, rak med tänder.....	100	705	975	Skaftcylinder 11891005, 11891041, 11891022, 11891441.....	100	787
925	Skopa, rak med tänder S/N 11145 - .....	125	707	975	Skopocylinder 11891022, 11891041, 11891441.....	200	789
925	Skopa, rak med tänder S/N 11145 - .....	130	709	975	Teleskopcylinder 11891005, 11891022 .....	300	791
925	Skopa, rak med tänder (BACKHOE).....	150	711				
925	Skopa, rak med tänder (LOADER) .....	200	713				
925	Skopa, rak utan tänder 11891295, 11891296.....	250	715				
925	Skopa, rak utan tänder.....	260	717				
925	Kombiskopa .....	300	719				
925	Kombiskopa .....	310	723				
925	Kombiskopa 11891541 .....	320	727				
925	Hydraulcylinder 11891018 (MULTI-PURPOSE BUCKET).....	400	729				
925	Skopa, rak med tänder (BACKHOE).....	450	731				
925	Transportfäste utan frontskopa 11891350 .....	500	733				
926	Gaffelarm .....	100	735				
926	Hållare för hammare .....	200	737				
926	Hammare 11891017 .....	250	739				
945	Lyftramverk med monteringsdetaljer.....	150	741				
945	Axeltappar för infästning av skopa.....	160	747				
945	Lyftramverk med monteringsdetaljer 11880002, S/N 11145 - .....	175	749				
945	Hydraulcylinder lyft 11891005, 11891020, 11891065.....	200	755				
945	Hydraulcylinder Tilt 11891005, 11891020, 11891065, 11891208 .....	300	757				
971	Svängsystem .....	100	759				
971	Hydraulsystem, sväng.....	200	763				
971	Svängcylinder .....	300	767				
971	Spärrcylinder.....	400	769				
972	Stödben.....	100	771				
972	Stödbenscylinder .....	200	773				



**VOLVO**

АЛЬРЕТТА

Construction Equipment



Volvo Construction  
 Equipment  
 1012573



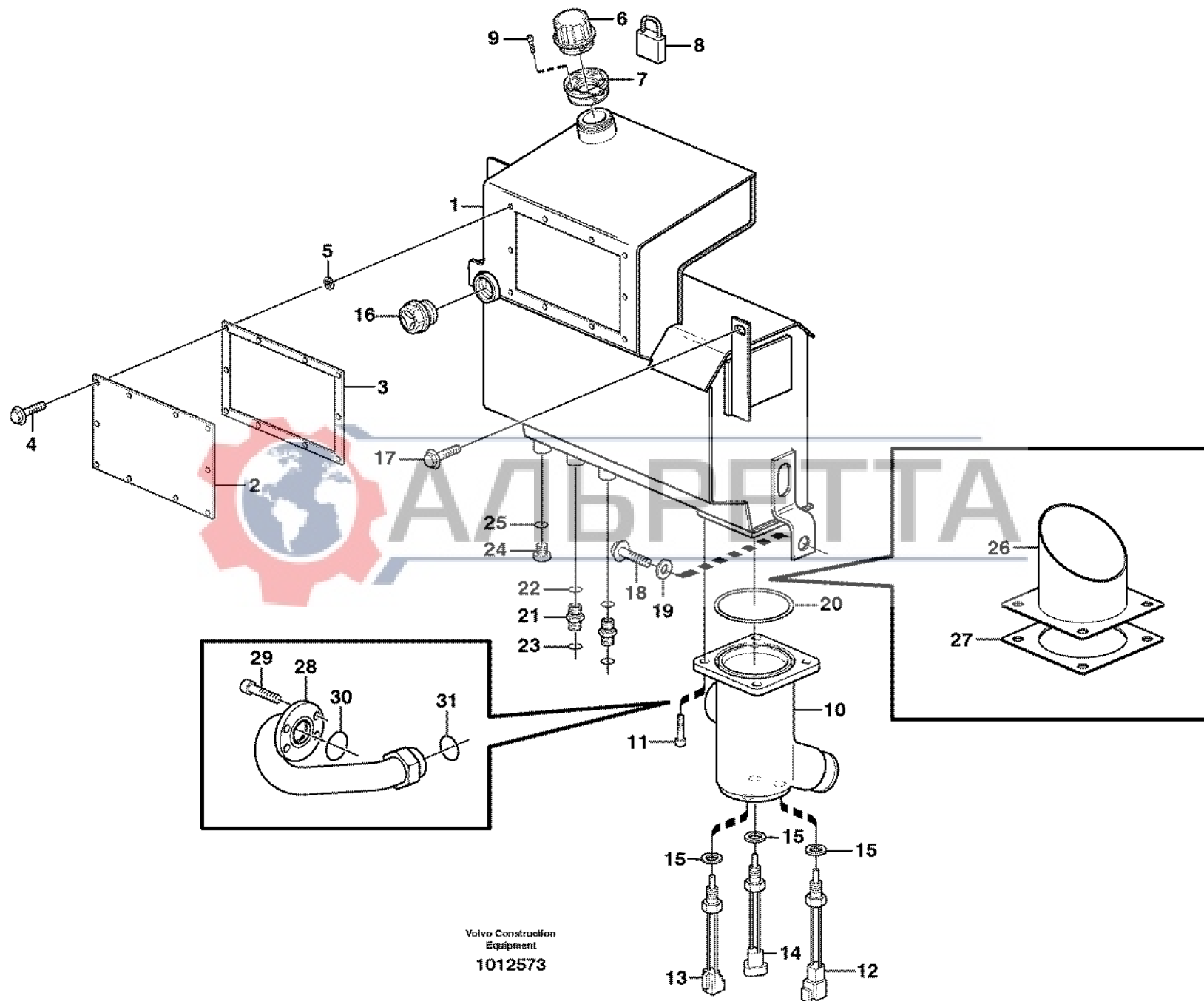
Fig.	Part No.	Quantity			P S	K I T	Description	Dénomination	Bezeichnung	Denominación	Benämning	Notes
		1	2	3								
1	VOE 11886273	1					Tank.....	Reservoir.....	Behälter.....	Depósito.....	Tank.....	
2	VOE 11886272	1					Plate.....	Plaque.....	Platte.....	Placa.....	Platta.....	
3	VOE 11886707	1					Gasket.....	Joint.....	Dichtung.....	Junta.....	Packning.....	
4	VOE 13946173	10					Flange screw.....	Vis à bride.....	Flanschschraube.....	Torn embridado.....	Flänsskruv.....	
5	VOE 978254	10					Gasket.....	Joint.....	Dichtung.....	Junta.....	Packning.....	
6	VOE 11882636		1	1			Cover.....	Couvercle.....	Deckel.....	Tapa.....	Lock.....	
7	VOE 11881028		1	1			Thread Plate.....	Plaque Taraudle.....	Gewindeplatte.....	Chapa Roscada.....	Gängplatta.....	
8	VOE 11885135			1			Padlock.....	Cadenas.....	Vorhängeschloss.....	Cerrojo.....	Hänglås.....	
9	VOE 941460		6	6			Screw.....	Vis.....	Schraube.....	Tornillo.....	Skruv.....	
10	VOE 11886154	1					Bowl.....	Coussinet.....	Schale.....	Taza.....	Skål.....	S/N 10603 - 10655 S/N 10657
	VOE 11886464	1			SS		Bowl.....	Coussinet.....	Schale.....	Taza.....	Skål.....	S/N 10656 S/N 10658 - 10870
	VOE 11887207	1					Bowl.....	Coussinet.....	Schale.....	Taza.....	Skål.....	S/N 10871 - 11045
	VOE 11888268	1					Bowl.....	Coussinet.....	Schale.....	Taza.....	Skål.....	S/N 11046 -
11	VOE 959238	4					Allen Hd Screw.....	Vis A 6 Pans Cr.....	Inbusschraube.....	Torn Hex Embut.....	Insexskruv.....	
	VOE 967635	4					Allen Hd Screw.....	Vis A 6 Pans Cr.....	Inbusschraube.....	Torn Hex Embut.....	Insexskruv.....	SER NO 10603 -
12	VOE 11881158	1					Temp Sensor.....	Decteur Temp.....	Temperaturgeber.....	Sensor Temperat.....	Temp Givare.....	10 DEG
13	VOE 11884069	1					Temp Sensor.....	Decteur Temp.....	Temperaturgeber.....	Sensor Temperat.....	Temp Givare.....	97 DEG
14	VOE 11884063	1					Temp Sensor.....	Decteur Temp.....	Temperaturgeber.....	Sensor Temperat.....	Temp Givare.....	90 DEG S/N - 11045
15	VOE 11883592	3					Seal.....	Joint.....	Dichtring.....	Junta.....	Tätning.....	S/N - 10870
	VOE 977934	3					Gasket.....	Joint.....	Dichtung.....	Junta.....	Packning.....	S/N 10871 - 11045
	VOE 977934	2					Gasket.....	Joint.....	Dichtung.....	Junta.....	Packning.....	S/N 11046 -
16	VOE 11882635	1					Level glass.....	Voyant de contrôle de.....	Schauglas.....	Mirilla de nivel.....	Nivåglas.....	
17	VOE 13965191	2					Flange screw.....	Vis à bride.....	Flanschschraube.....	Torn embridado.....	Flänsskruv.....	
18	VOE 13965192	1					Flange screw.....	Vis à bride.....	Flanschschraube.....	Torn embridado.....	Flänsskruv.....	
19	VOE 13947355	1					Washer.....	Rondelle.....	Scheibe.....	Arandela.....	Bricka.....	
20	VOE 11882675	1					O-ring.....	Joint Torique.....	O-Ring.....	Junta torica.....	O-ring.....	
21	VOE 935085	2					Nipple.....	Raccord.....	Nippel.....	Niple.....	Nippel.....	

1	STD	<b>Hydrauloljetank</b> <b>Depósito de aceite hidráulico</b> <b>Hydrauliköltank</b> <b>Réservoir d'huile hydraulique</b> <b>Hydraulic oil tank</b>	Catalogue id	Group
2	11891298		<b>20004</b>	<b>911</b>
3	11891324		Illustr. No	Section
4			<b>1012573</b>	<b>200</b>
5			Issue	Page
			<b>VOE 63G9920004</b>	<b>539</b>

**VOLVO**

**BL70**





Volvo Construction  
Equipment  
1012573

Fig.	Part No.	Quantity			P S	K I T	Description	Dénomination	Bezeichnung	Denominación	Benämning	Notes
		1	2	3								
22	VOE 932039	1				•O-ring.....	•Joint Torique .....	•O-Ring.....	•Junta torica .....	•O-ring.....		
23	VOE 4880492	1				•O-ring.....	•Joint Torique .....	•O-Ring.....	•Junta torica .....	•O-ring.....		
24	VOE 11881384	1				Fitting .....	Ecrou raccord.....	Verschraubung.....	Racor.....	Förskruvning.....		
25	VOE 932037	1				•O-ring.....	•Joint Torique .....	•O-Ring.....	•Junta torica .....	•O-ring.....		
26	VOE 11885999	1				Tube.....	Tube.....	Rohr .....	Tube .....	Rör.....	SER NO 10756 -	
27	VOE 11887625	2				Gasket.....	Joint .....	Dichtung .....	Junta .....	Packning.....		
28	VOE 11886155	1				Tube.....	Tube .....	Rohr .....	Tube .....	Rör.....	SER NO 10603 -	
29	VOE 959238	4				Allen Hd Screw .....	Vis A 6 Pans Cr.....	Inbusschraube.....	Torn Hex Embut .....	Insexskruv.....	SER NO 10603 -	
30	VOE 13949238	1				O-ring.....	Joint Torique .....	O-Ring.....	Junta torica.....	O-ring.....	SER NO 10603 -	
31	VOE 981291	1				O-ring.....	Joint Torique .....	O-Ring.....	Junta torica.....	O-ring.....	SER NO 10603 -	

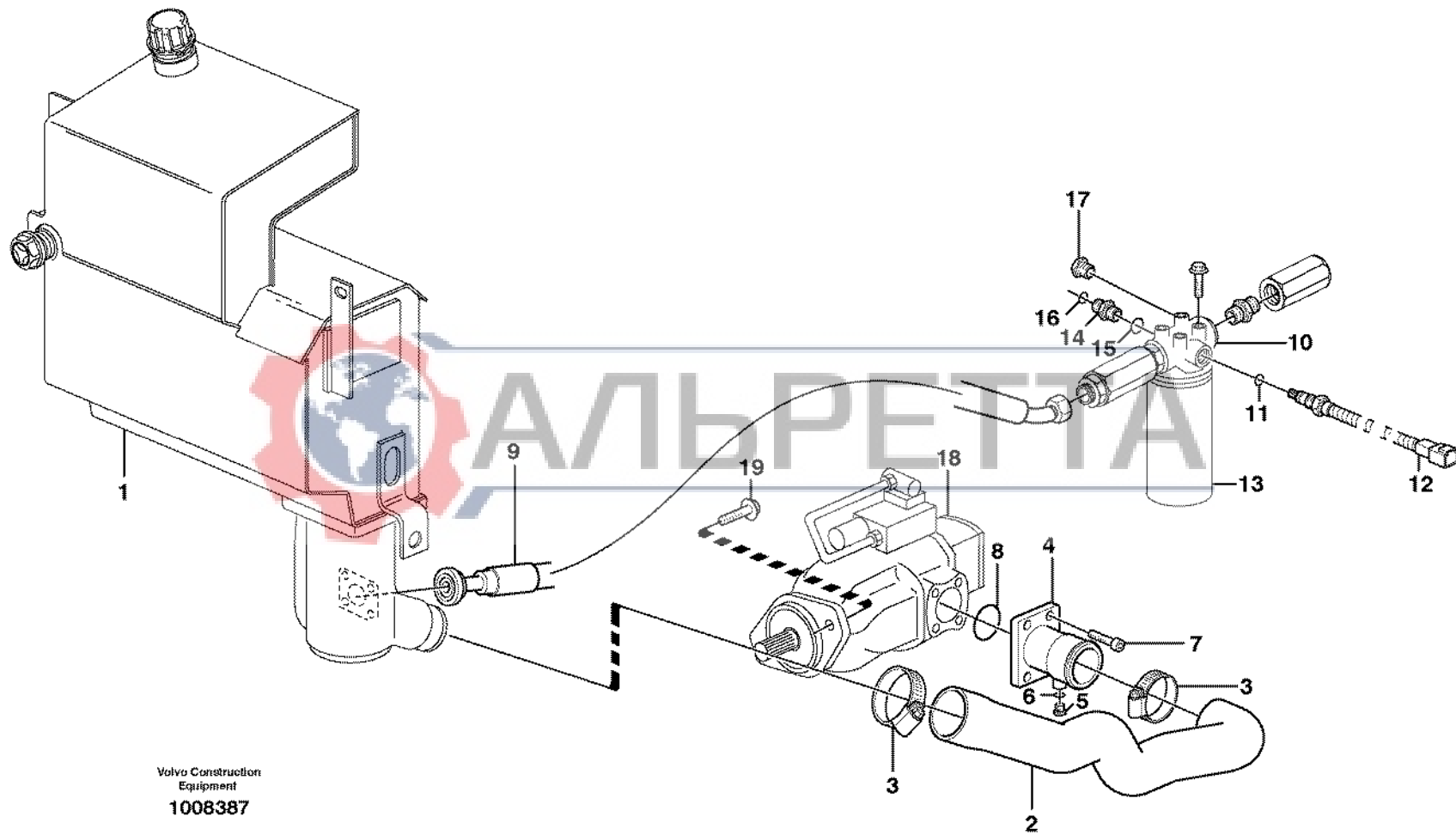


1	STD	<b>Hydrauloljetank</b> <b>Depósito de aceite hidráulico</b> <b>Hydrauliköltank</b> <b>Réservoir d'huile hydraulique</b> <b>Hydraulic oil tank</b>	Catalogue id	Group
2	11891298		<b>20004</b>	<b>911</b>
3	11891324		Illustr. No	Section
4			<b>1012573</b>	<b>200</b>
5			Issue	Page
			<b>VOE 63G9920004</b>	<b>541</b>

**VOLVO**

**BL70**





Volvo Construction  
Equipment  
1008387

Fig.	Part No.	Quantity			P S	K I T	Description	Dénomination	Bezeichnung	Denominación	Benämning	Notes
		1	2	3								
1		1				Hydr fluid tank .....	Reservoir fluid.hydr. ...	Druckölbehälter .....	Dep Aceit Hidr .....	Hydrauloljetank.....	See group 911, Page 539	
2	VOE 11886150	1				Hose.....	Durit .....	Schlauch .....	Tubo flexible .....	Slang.....		
3	VOE 11059299	2				Hose Clamp .....	Collier Serrage .....	Schlauchschelle .....	Abraz Manguera.....	Slangklamma.....	ID = 70 MM	
4	VOE 11885026	1				Clamp.....	Collier serrage.....	Klemme .....	Abrazadera.....	Klamma.....	(VOE 11884777)	
5	VOE 11883510	1				Plug.....	Bouchon .....	Stopfen.....	Tapon .....	Plugg.....		
6	VOE 932039	1				•O-ring.....	•Joint Torique .....	•O-Ring.....	•Junta torica .....	•O-ring.....		
7	VOE 977117	4				Allen Hd Screw .....	Vis A 6 Pans Cr.....	Inbusschraube.....	Torn Hex Embut.....	Insexskruv.....		
8	VOE 11884842	1				Seal.....	Joint .....	Dichtring .....	Junta .....	Tätning.....		
9		1				Hose assembly .....	Conduit flexible .....	Schlauchleitung.....	Conducto .....	Slangledning.....	See group 911, Page 545	
10	VOE 11881617	1				Filter.....	Filtre .....	Filter .....	Filtro .....	Filter.....		
11	VOE 11712309	1				•Sensor .....	•Capteur .....	•Geber .....	•Captador .....	•Givare.....		
12	VOE 932039	1				•O-ring.....	•Joint Torique .....	•O-Ring.....	•Junta torica .....	•O-ring.....		
13	VOE 11037868	1				•Filter Cartridge.....	•Element Filtre.....	•Filterpatrone.....	•Patron Filtrant .....	•Filterpatron.....		
14	VOE 13933862	1				Nipple.....	Raccord.....	Nippel.....	Niple .....	Nippel.....		
15	VOE 932042	1				•O-ring.....	•Joint Torique .....	•O-Ring.....	•Junta torica .....	•O-ring.....		
16	VOE 981289	1				•O-ring.....	•Joint Torique .....	•O-Ring.....	•Junta torica .....	•O-ring.....		
17	VOE 11882920	1				Plug.....	Bouchon .....	Stopfen.....	Tapon .....	Plugg.....		
18		1				Pump.....	Pompe .....	Pumpe .....	Bomba.....	Pump.....	See group 913, Page 655	
19	VOE 968589	2				Flange screw.....	Vis à bride .....	Flanschschraube.....	Torn embridado .....	Flänsskruv.....		

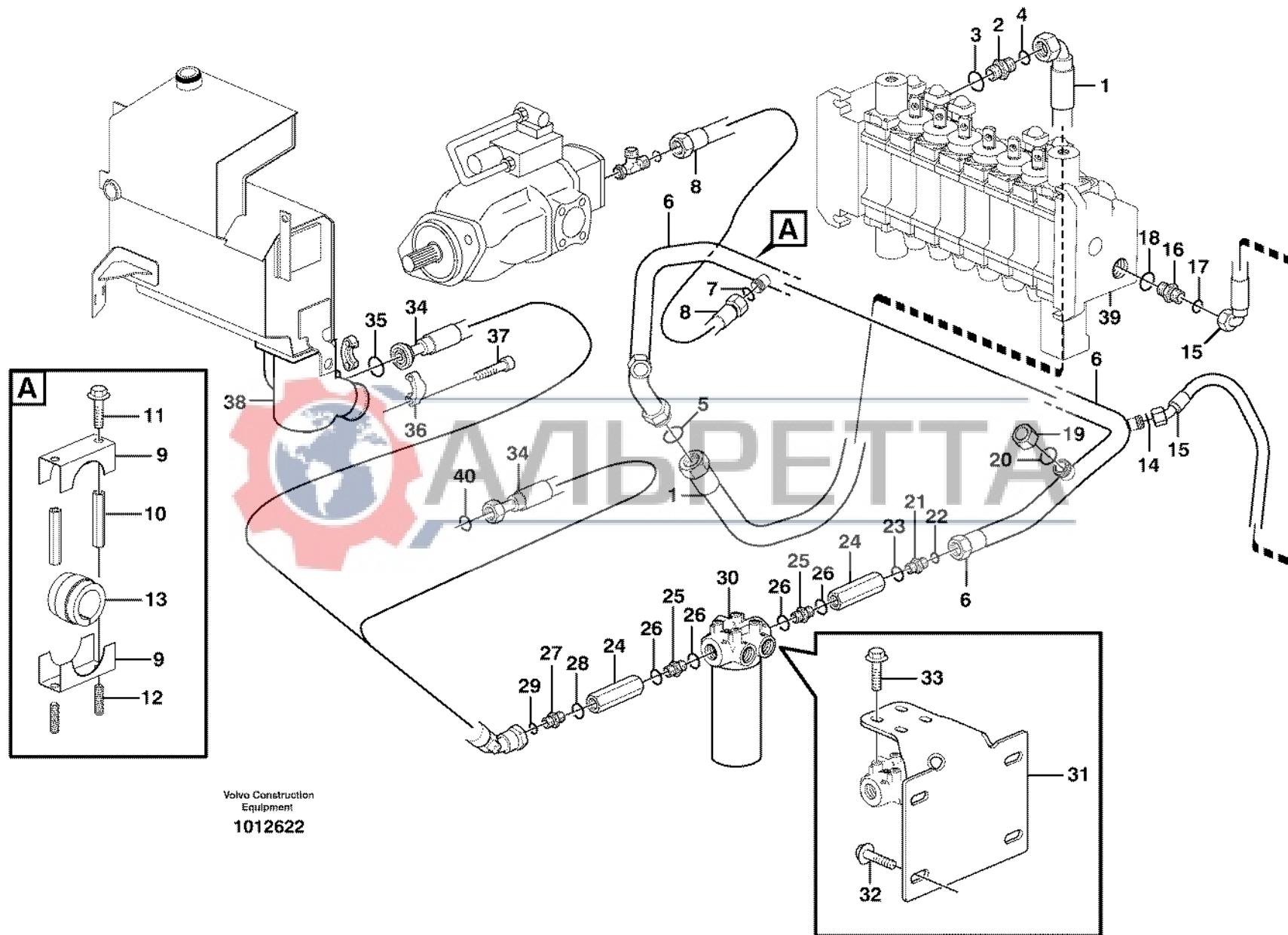


1	<b>Hydraulsystem, sugledning, filter</b> <b>Sistema hidráulico, conducto de aspiración, filtro</b> <b>Hydraulikanlage, Saugleitung, Filter</b> <b>Système hydraulique, conduit d'aspiration, filtre</b> <b>Hydraulic system, suction line, filter</b>	Catalogue id	Group
2		<b>20004</b>	<b>911</b>
3		Illustr. No	Section
4		<b>1008387</b>	<b>250</b>
5		Issue	Page
		<b>VOE 63G9920004</b>	<b>543</b>

**VOLVO**

**BL70**

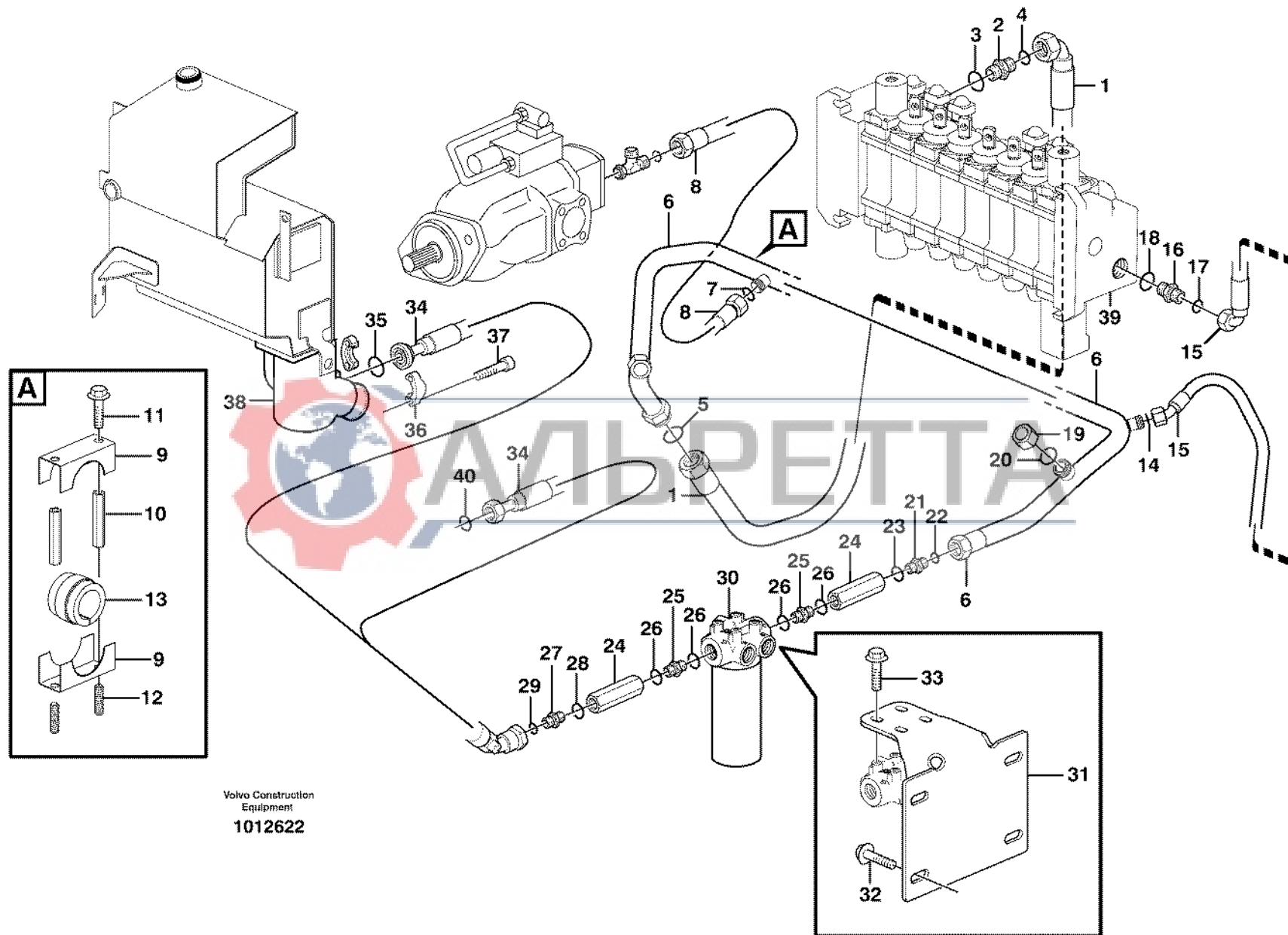




Volvo Construction  
Equipment  
1012622

Fig.	Part No.	Quantity			P S	K I T	Description	Dénomination	Bezeichnung	Denominación	Benämning	Notes
		1	2	3								
1	VOE 11884380	1	1			Hose.....	Durit .....	Schlauch .....	Tube flexible.....	Slang.....		
2	VOE 11881388	1	1			Nipple.....	Raccord.....	Nippel.....	Niple.....	Nippel.....		
3	VOE 981291	1	1			•O-ring.....	•Joint Torique.....	•O-Ring.....	•Junta torica.....	•O-ring.....		
4	VOE 932043	1	1			•O-ring.....	•Joint Torique.....	•O-Ring.....	•Junta torica.....	•O-ring.....		
5	VOE 981291	1	1			O-ring.....	Joint Torique.....	O-Ring.....	Junta torica.....	O-ring.....		
6	VOE 11884940	1	1			Tube.....	Tube.....	Rohr.....	Tube.....	Rör.....		
7	VOE 4880493	1	1			O-ring.....	Joint Torique.....	O-Ring.....	Junta torica.....	O-ring.....		
8	VOE 11884900	1	1			Hose.....	Durit .....	Schlauch .....	Tube flexible.....	Slang.....		
9	VOE 11884642	2	2			Support.....	Support.....	Stütze.....	Apoyo.....	Stöd.....		
10	VOE 11884640	2	2			Spacer.....	Partie Intermédiaire.....	Zwischenstück.....	Espaciador.....	Mellandel.....		
11	VOE 946329	2	2			Flange screw.....	Vis à bride.....	Flanschschraube.....	Torn embridado.....	Flänsskruv.....		
12	VOE 11884641	2	2			Stud.....	Goujon.....	Stiftschraube.....	Esparrago.....	Pinnskruv.....		
13	VOE 11884639	1	1			Bushing.....	Bague.....	Buchse.....	Casquillo.....	Bussning.....		
14	VOE 4880663	1	1			O-ring.....	Joint Torique.....	O-Ring.....	Junta torica.....	O-ring.....		
15	VOE 11885016	1	1			Hose.....	Flexible.....	Schlauch.....	Manguera.....	Slang.....		
16	VOE 11885437	1	1			Fitting.....	Ecrou raccord.....	Verschraubung.....	Racor.....	Förskruvning.....		
17	VOE 981289	1	1			O-ring.....	Joint Torique.....	O-Ring.....	Junta torica.....	O-ring.....		
18	VOE 932043	1	1			O-ring.....	Joint Torique.....	O-Ring.....	Junta torica.....	O-ring.....		
19	VOE 13933852	2	2			Plug.....	Bouchon.....	Stopfen.....	Tapon.....	Plugg.....		
20	VOE 981290	2	2			O-ring.....	Joint Torique.....	O-Ring.....	Junta torica.....	O-ring.....		
21	VOE 11884618	1	1			Nipple.....	Raccord.....	Nippel.....	Niple.....	Nippel.....		
22	VOE 984952	1	1			•O-ring.....	•Joint torique.....	•O-Ring.....	•Anillo torico.....	•O-ring.....		
23	VOE 14211861	1	1			•Sealing ring.....	•Bague d'étanchéité.....	•Runddichtring.....	•Anillo reten.....	•Tätningsring.....		
24	VOE 11882347	2	2			Check valve.....	Valve antiretour.....	Rückschlagventil.....	Válvula de retención.....	Backventil.....		
25	VOE 11883508	2	2			Nipple.....	Raccord.....	Nippel.....	Niple.....	Nippel.....		
26	VOE 11883682	4	4			Seal.....	Joint.....	Dichtring.....	Junta.....	Tätning.....		
27	VOE 936122	1	1			Nipple.....	Raccord.....	Nippel.....	Niple.....	Nippel.....		
28	VOE 14211861	1	1			•Sealing ring.....	•Bague d'étanchéité.....	•Runddichtring.....	•Anillo reten.....	•Tätningsring.....		
29	VOE 981291	1	1			•O-ring.....	•Joint Torique.....	•O-Ring.....	•Junta torica.....	•O-ring.....		
30		1				Filter.....	Filtre.....	Filter.....	Filtro.....	Filter.....	See group 911, Page 543	

1	S/N - 10602	<b>Hydraulsystem, returledning</b> <b>Sistema hidráulico, conducto de retorno</b> <b>Druckölsystem, Rücklaufleitung</b> <b>Système hydraulique, conduit retour</b> <b>Hydraulic system, return line</b>	Catalogue id	Group
2	S/N 10603 - 11144		<b>20004</b>	<b>911</b>
3			Illustr. No	Section
4			<b>1012622</b>	<b>300</b>
5			Issue	Page
		<b>VOE 63G9920004</b>	<b>545</b>	



Volvo Construction  
 Equipment  
 1012622

Fig.	Part No.	Quantity			P S	K I T	Description	Dénomination	Bezeichnung	Denominación	Benämning	Notes
		1	2	3								
31		1	1		NS	Bracket.....	Console.....	Konsole.....	Ménsula.....	Konsol.....	SER NO -10682	
32	VOE 965225	4	4			Flange screw.....	Vis à bride.....	Flanschschraube.....	Torn embridado.....	Flänsskruv.....	SER NO -10682	
33	VOE 946441	4				Flange screw.....	Vis à bride.....	Flanschschraube.....	Torn embridado.....	Flänsskruv.....		
34	VOE 11881378	1				Hose assembly.....	Conduit flexible.....	Schlauchleitung.....	Conducto.....	Slangedning.....		
	VOE 11886151		1			Hose.....	Durit.....	Schlauch.....	Tubo flexible.....	Slang.....		
35	VOE 944707	1				O-ring.....	Joint Torique.....	O-Ring.....	Junta torica.....	O-ring.....		
36	VOE 11881376	2				Flange.....	Flasque.....	Flansch.....	Brida.....	Fläns.....		
37	VOE 967635	4				Allen Hd Screw.....	Vis A 6 Pans Cr.....	Inbusschraube.....	Torn Hex Embut.....	Insexskruv.....		
38		1				Bowl.....	Coussinet.....	Schale.....	Taza.....	Skål.....	See group 911, Page 539	
			1			Bowl.....	Coussinet.....	Schale.....	Taza.....	Skål.....	See group 911, Page 539	
39		1	1			Valve.....	Soupape.....	Ventil.....	Valvula.....	Ventil.....	See group 912, Page 631	
40	VOE 981291		1			O-ring.....	Joint Torique.....	O-Ring.....	Junta torica.....	O-ring.....		



1	S/N - 10602	<b>Hydraulsystem, returledning</b> <b>Sistema hidráulico, conducto de retorno</b> <b>Druckölsystem, Rücklaufleitung</b> <b>Système hydraulique, conduit retour</b> <b>Hydraulic system, return line</b>	Catalogue id	Group
2	S/N 10603 - 11144		<b>20004</b>	<b>911</b>
3			Illustr. No	Section
4			<b>1012622</b>	<b>300</b>
5			Issue	Page
			<b>VOE 63G9920004</b>	<b>547</b>

**VOLVO**

**BL70**





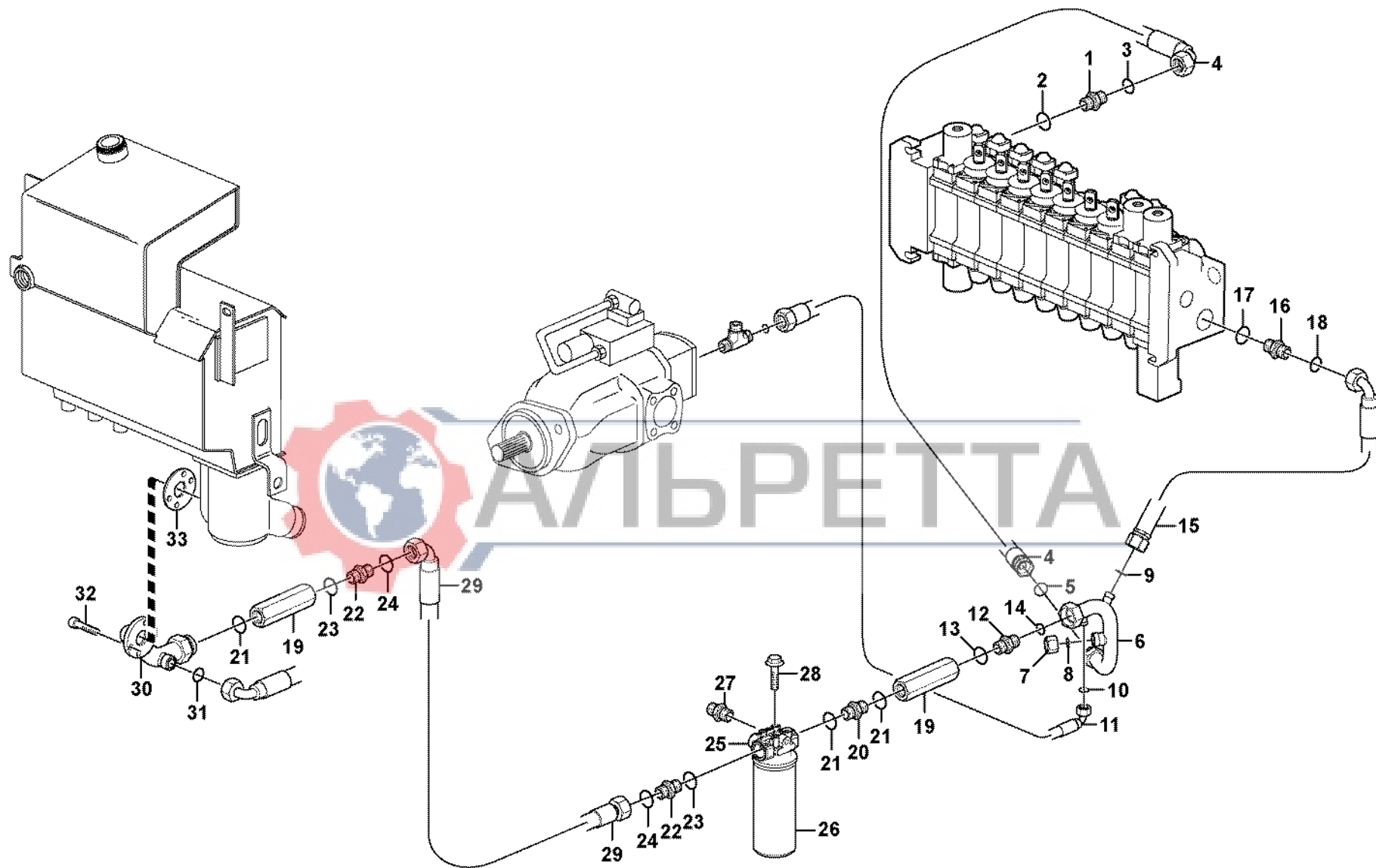


Fig.	Part No.	Quantity			P S	K I T	Description	Dénomination	Bezeichnung	Denominación	Benämning	Notes
		1	2	3								
1	VOE 11881388	1					Nipple.....	Raccord.....	Nippel.....	Niple.....	Nippel.....	
2	VOE 981291	1					•O-ring.....	•Joint Torique.....	•O-Ring.....	•Junta torica.....	•O-ring.....	
3	VOE 932043	1					•O-ring.....	•Joint Torique.....	•O-Ring.....	•Junta torica.....	•O-ring.....	
4	VOE 11888740	1					Hose assembly.....	Conduit flexible.....	Schlauchleitung.....	Conducto.....	Slangledning.....	
5	VOE 981291	1					O-ring.....	Joint Torique.....	O-Ring.....	Junta torica.....	O-ring.....	
6	VOE 11888527	1					Tube Assembly.....	Tuyauterie.....	Rohrleitung.....	Tuberia.....	Rörledning.....	
7	VOE 13933852	1					Plug.....	Bouchon.....	Stopfen.....	Tapon.....	Plugg.....	
8	VOE 981290	1					O-ring.....	Joint Torique.....	O-Ring.....	Junta torica.....	O-ring.....	
9	VOE 990739	1					O-ring.....	Joint Torique.....	O-Ring.....	Junta torica.....	O-ring.....	
10	VOE 990738	1					O-ring.....	Joint Torique.....	O-Ring.....	Junta torica.....	O-ring.....	
11	VOE 936757	1					Hose assembly.....	Conduit flexible.....	Schlauchleitung.....	Conducto.....	Slangledning.....	
12	VOE 11884618	1					Nipple.....	Raccord.....	Nippel.....	Niple.....	Nippel.....	
13	VOE 14211861	1					•Sealing ring.....	•Bague d'étanchéité.....	•Runddichtring.....	•Anillo reten.....	•Tätningsring.....	
14	VOE 984952	1					•O-ring.....	•Joint torique.....	•O-Ring.....	•Anillo torico.....	•O-ring.....	
15	VOE 11888741	1					Hose assembly.....	Conduit flexible.....	Schlauchleitung.....	Conducto.....	Slangledning.....	
16	VOE 935098	1					Nipple.....	Raccord.....	Nippel.....	Niple.....	Nippel.....	
17	VOE 990740	1					•O-ring.....	•Joint Torique.....	•O-Ring.....	•Junta torica.....	•O-ring.....	
18	VOE 932043	1					•O-ring.....	•Joint Torique.....	•O-Ring.....	•Junta torica.....	•O-ring.....	
19	VOE 11882347	2					Check valve.....	Valve antiretour.....	Rückschlagventil.....	Válvula de retención.....	Backventil.....	
20	VOE 11883508	1					Nipple.....	Raccord.....	Nippel.....	Niple.....	Nippel.....	
21	VOE 11883682	3					Seal.....	Joint.....	Dichtring.....	Junta.....	Tätning.....	
22	VOE 11888088	2					Fitting.....	Ecrou raccord.....	Verschraubung.....	Racor.....	Förskruvning.....	
23	VOE 14211861	1					•Sealing ring.....	•Bague d'étanchéité.....	•Runddichtring.....	•Anillo reten.....	•Tätningsring.....	
24	VOE 981290	1					•O-ring.....	•Joint Torique.....	•O-Ring.....	•Junta torica.....	•O-ring.....	
25	VOE 11881617	1					Filter.....	Filtre.....	Filter.....	Filtro.....	Filter.....	
	VOE 932039	1					•O-ring.....	•Joint Torique.....	•O-Ring.....	•Junta torica.....	•O-ring.....	
26	VOE 11037868	1					•Filter Cartridge.....	•Element Filtre.....	•Filterpatrone.....	•Patron Filtrant.....	•Filterpatron.....	
27	VOE 11712309	1					•Sensor.....	•Capteur.....	•Geber.....	•Captador.....	•Givare.....	
28	VOE 946441	4					Flange screw.....	Vis à bride.....	Flanschschraube.....	Torn embridado.....	Flänsskruv.....	
29	VOE 937966	1					Hose assembly.....	Conduit flexible.....	Schlauchleitung.....	Conducto.....	Slangledning.....	

1		<b>Hydraulsystem, returledning</b> <b>Sistema hidráulico, conducto de retorno</b> <b>Druckölsystem, Rücklaufleitung</b> <b>Système hydraulique, conduit retour</b> <b>Hydraulic system, return line</b> <b>S/N 11145 -</b>	Catalogue id	Group
2			<b>20004</b>	<b>911</b>
3			Illustr. No	Section
4			<b>1024725</b>	<b>310</b>
5			Issue	Page
			<b>VOE 63G9920004</b>	<b>549</b>

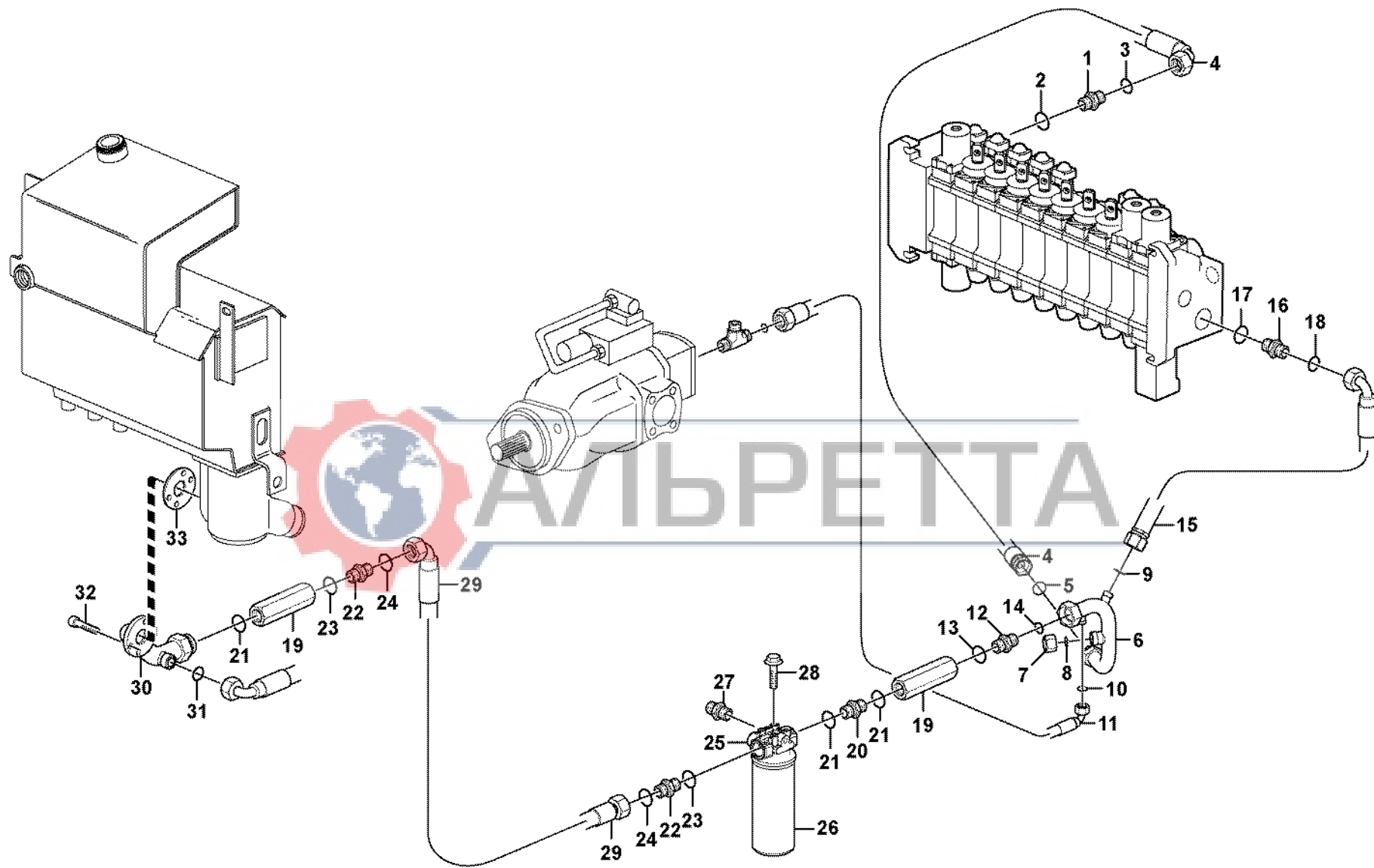


Fig.	Part No.	Quantity			P S	K I T	Description	Dénomination	Bezeichnung	Denominación	Benämning	Notes
		1	2	3								
30	VOE 11888080	1				Tube.....	Tube.....	Rohr.....	Tubo.....	Rör.....		
31	VOE 990740	1				O-ring.....	Joint Torique.....	O-Ring.....	Junta torica.....	O-ring.....		
32	VOE 959238	4				Allen Hd Screw.....	Vis A 6 Pans Cr.....	Inbusschraube.....	Torn Hex Embut.....	Insexskruv.....		
33	VOE 11886430	1				Gasket.....	Joint.....	Dichtung.....	Junta.....	Packning.....		

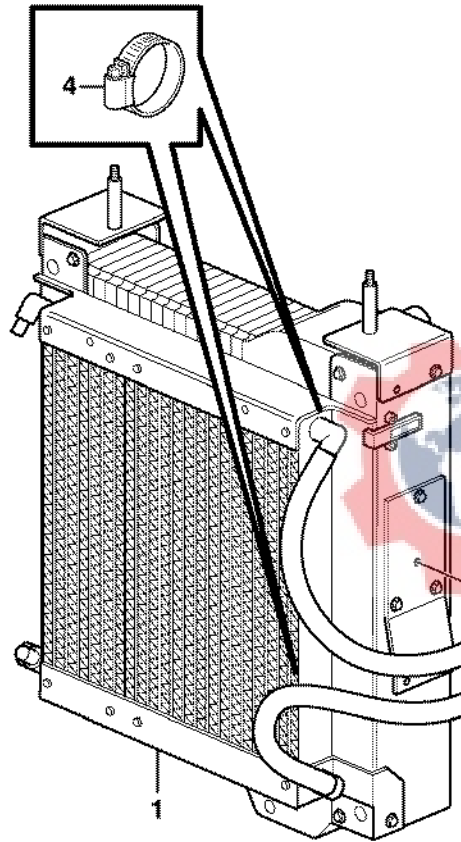


1	<b>Hydraulsystem, returledning</b> <b>Sistema hidráulico, conducto de retorno</b> <b>Druckölsystem, Rücklaufleitung</b> <b>Système hydraulique, conduit retour</b> <b>Hydraulic system, return line</b> <b>S/N 11145 -</b>	Catalogue id	Group
2		<b>20004</b>	<b>911</b>
3		Illustr. No	Section
4		<b>1024725</b>	<b>310</b>
5		Issue	Page
		<b>VOE 63G9920004</b>	<b>551</b>

**VOLVO**

**BL70**





Volvo Construction  
Equipment  
1006374

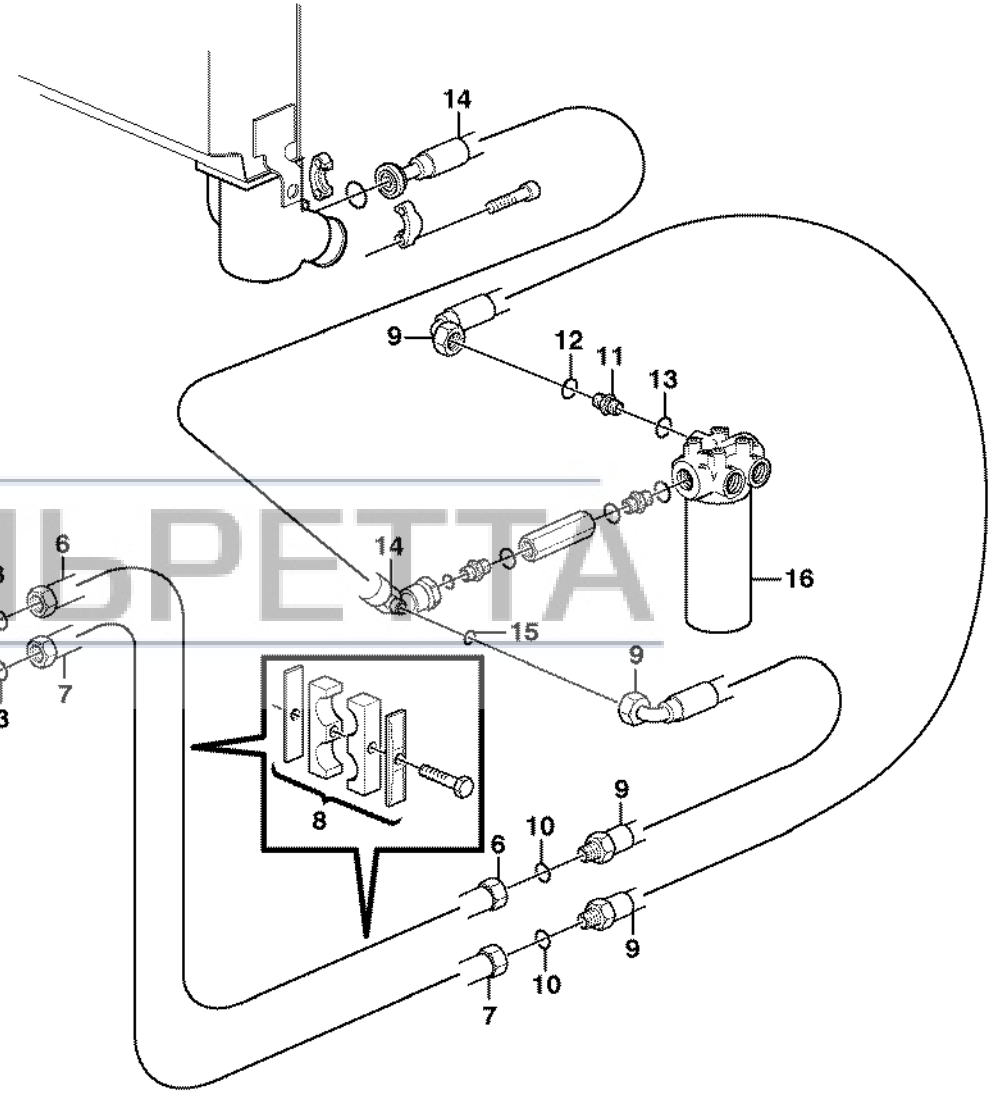
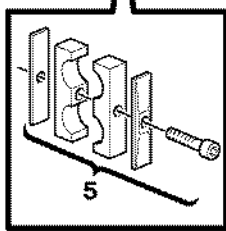


Fig.	Part No.	Quantity			P S	K I T	Description	Dénomination	Bezeichnung	Denominación	Benämning	Notes
		1	2	3								
1		1				Oil Cooler.....	Refroidisseur huile .....	Ölkühler.....	Enfriadores aceite .....	Oljekylare.....	See group 261, Page 105	
2	VOE 11882738	2				Hose.....	Durit .....	Schlauch .....	Tubo flexible.....	Slang.....		
3	VOE 981289	1				•O-ring.....	•Joint Torique .....	•O-Ring.....	•Junta torica .....	•O-ring.....		
4	VOE 943473	2				Hose Clamp .....	Collier Serrage .....	Schlauchschelle .....	Abraz Manguera.....	Slangklamma.....		
5	VOE 11885543	1				Clamp.....	Pince Serrage .....	Klemme .....	Abrazadera.....	Klämma.....		
6	VOE 11884808	1				Tube.....	Tube.....	Rohr .....	Tubo .....	Rör.....		
7	VOE 11882912	1				Tube.....	Tube.....	Rohr .....	Tubo .....	Rör.....		
8	VOE 11882856	2				Clamp.....	Pince Serrage .....	Klemme .....	Abrazadera.....	Klämma.....		
9	VOE 11882737	2				Hose.....	Durit .....	Schlauch .....	Tubo flexible.....	Slang.....		
10	VOE 981289	1				•O-ring.....	•Joint Torique .....	•O-Ring.....	•Junta torica .....	•O-ring.....		
11	VOE 13933862	1				Nipple.....	Raccord.....	Nippel.....	Niple.....	Nippel.....		
12	VOE 981289	1				•O-ring.....	•Joint Torique .....	•O-Ring.....	•Junta torica .....	•O-ring.....		
13	VOE 932042	1				•O-ring.....	•Joint Torique .....	•O-Ring.....	•Junta torica .....	•O-ring.....		
14		1				Hose assembly .....	Conduit flexible .....	Schlauchleitung.....	Conducto.....	Slangledning.....	See group 911, Page 545	
15	VOE 981289	1				•O-ring.....	•Joint Torique .....	•O-Ring.....	•Junta torica .....	•O-ring.....		
16		1				Filter.....	Filtre .....	Filter .....	Filtro .....	Filter.....	See group 911, Page 545	

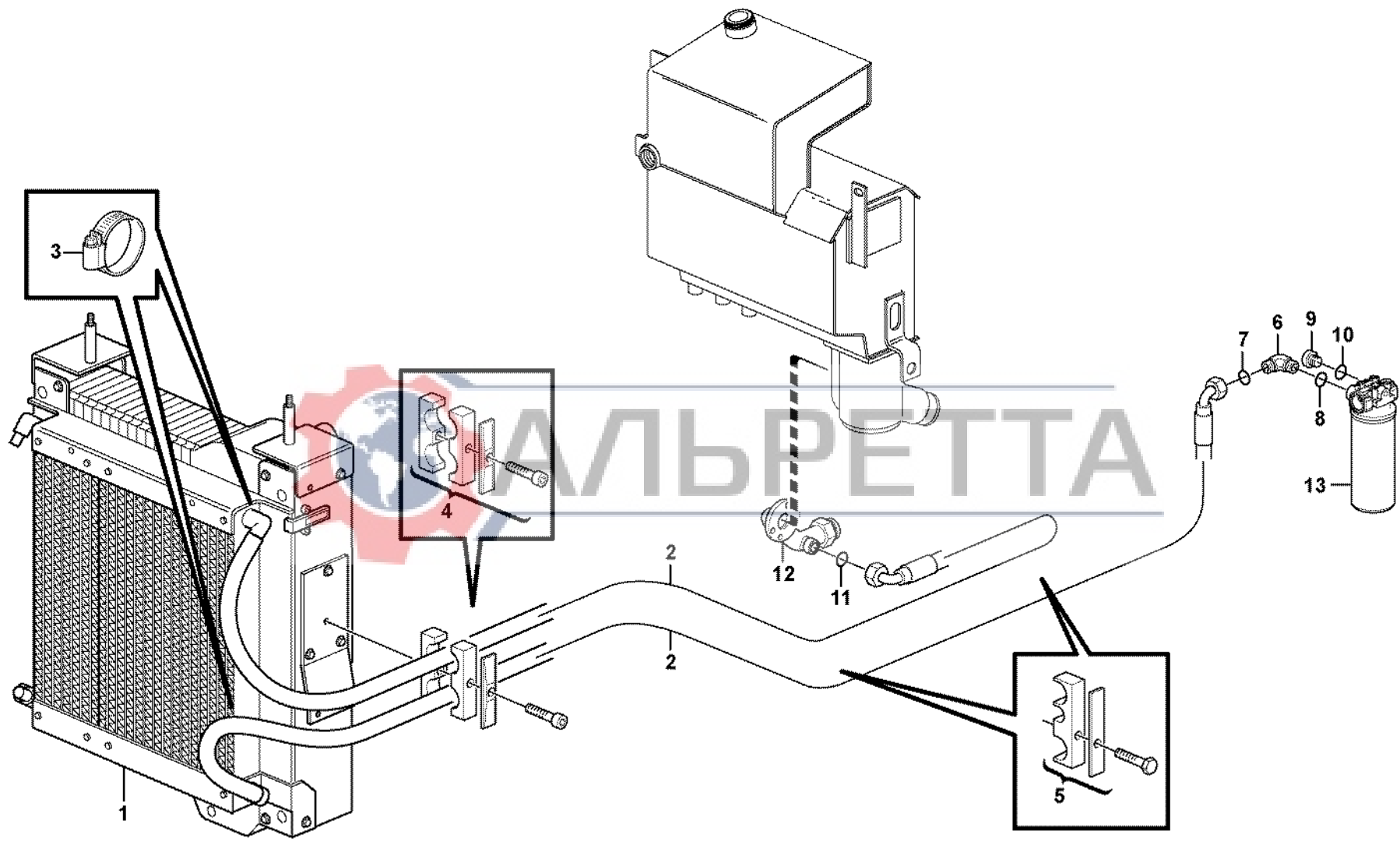


1		<b>Hydrauloljekylare</b> <b>Enfriador de aceite hidráulico</b> <b>Hydraulikölkühler</b> <b>Radiateur huile</b> <b>Hydraulic oil cooler</b>  <b>S/N - 11144</b>	Catalogue id	Group
2			<b>20004</b>	<b>911</b>
3			Illustr. No	Section
4			<b>1006374</b>	<b>325</b>
5			Issue	Page
			<b>VOE 63G9920004</b>	<b>553</b>

**VOLVO**

**BL70**





АЛЬРЕТТА

Fig.	Part No.	Quantity			P S	K I T	Description	Dénomination	Bezeichnung	Denominación	Benämning	Notes
		1	2	3								
1		1				Oil Cooler .....	Refroidisseur huile .....	Ölkühler .....	Enfriadores aceite .....	Oljekylare .....	See group 261, Page 105	
2	<b>VOE 11888461</b>	2				Hose assembly .....	Conduit flexible .....	Schlauchleitung .....	Conducto .....	Slangledning .....		
3	<b>VOE 943473</b>	2				Hose Clamp .....	Collier Serrage .....	Schlauchschelle .....	Abraz Manguera .....	Slangklamma .....		
4	<b>VOE 11885543</b>	1				Clamp .....	Pince Serrage .....	Klemme .....	Abrazadera .....	Klämma .....		
5	<b>VOE 11888715</b>	2				Clamp .....	Pince Serrage .....	Klemme .....	Abrazadera .....	Klämma .....		
6	<b>VOE 13933864</b>	1				Elbow nipple .....	Raccord angulaire .....	Winkelnippel .....	Niple angular .....	Vinkelnippel .....		
7	<b>VOE 990740</b>	1				•O-ring .....	•Joint Torique .....	•O-Ring .....	•Junta torica .....	•O-ring .....		
8	<b>VOE 932042</b>	1				•O-ring .....	•Joint Torique .....	•O-Ring .....	•Junta torica .....	•O-ring .....		
9	<b>VOE 11882920</b>	1				Plug .....	Bouchon .....	Stopfen .....	Tapon .....	Plugg .....		
10	<b>VOE 932042</b>	1				•O-ring .....	•Joint Torique .....	•O-Ring .....	•Junta torica .....	•O-ring .....		
11	<b>VOE 990740</b>	1				O-ring .....	Joint Torique .....	O-Ring .....	Junta torica .....	O-ring .....		
12		1				Tube .....	Tube .....	Rohr .....	Tube .....	Rör .....	See group 911, Page 549	
13		1				Filter .....	Filtre .....	Filter .....	Filtro .....	Filter .....	See group 911, Page 549	



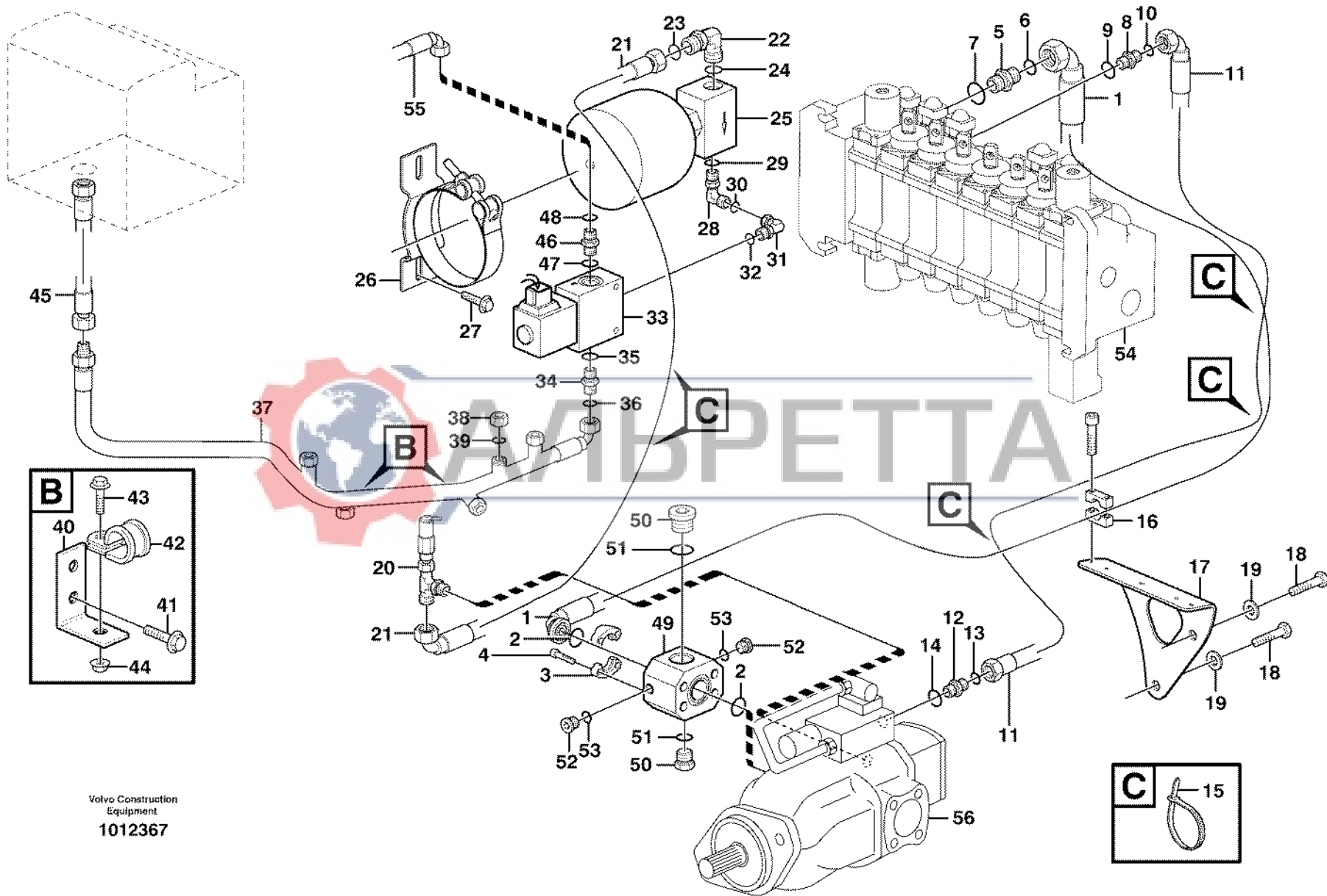
1		<b>Hydrauloljekylare</b> <b>Enfriador de aceite hidráulico</b> <b>Hydraulikölkühler</b> <b>Radiateur huile</b> <b>Hydraulic oil cooler</b>  <b>S/N 11145 -</b>	Catalogue id	Group
2			<b>20004</b>	<b>911</b>
3			Illustr. No	Section
4			<b>1024601</b>	<b>330</b>
5			Issue	Page
			<b>VOE 63G9920004</b>	<b>555</b>

**VOLVO**

**BL70**



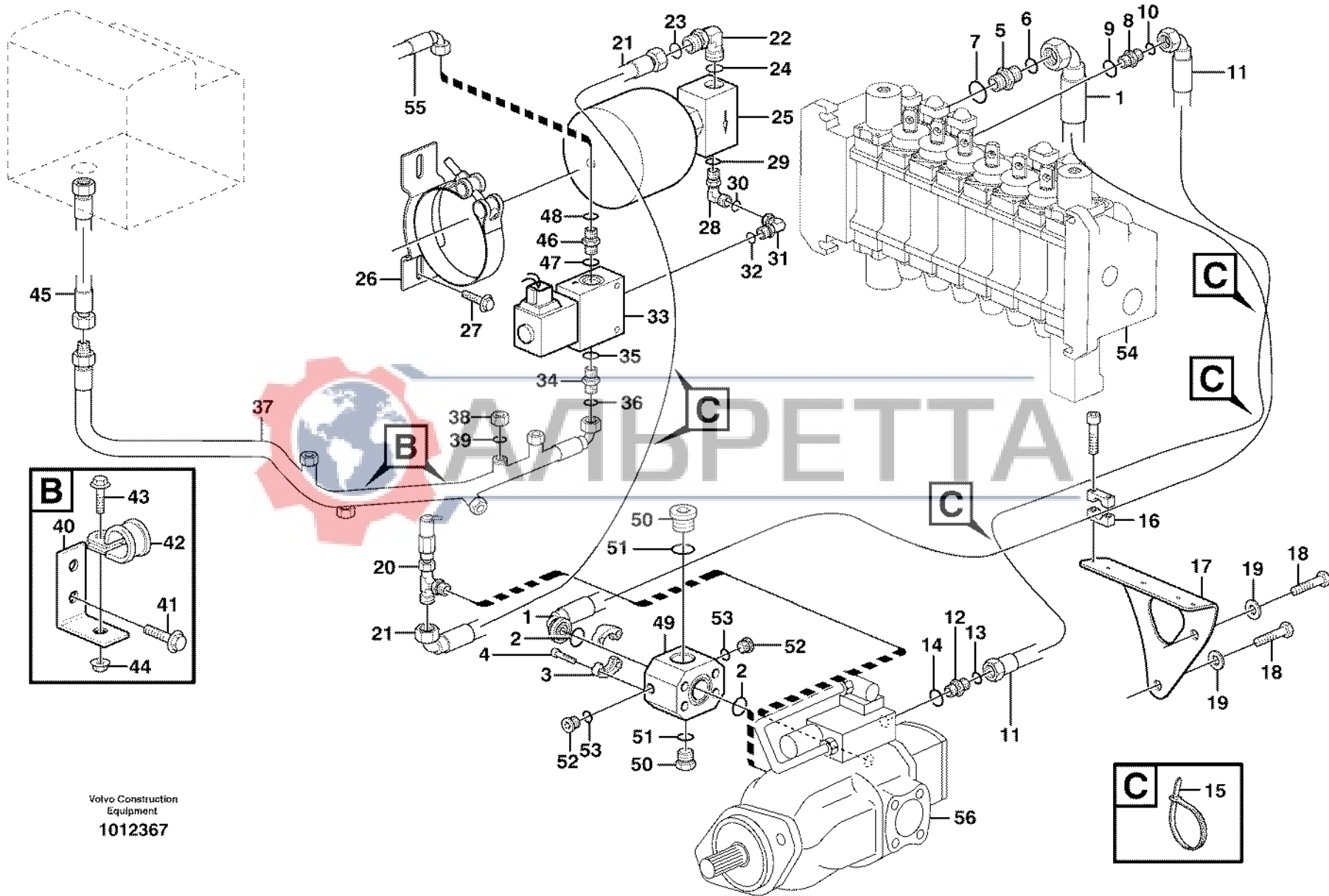




Volvo Construction  
Equipment  
1012367

Fig.	Part No.	Quantity			P S	K I T	Description	Dénomination	Bezeichnung	Denominación	Benämning	Notes
		1	2	3								
1	VOE 11884379	1				Hose.....	Flexible.....	Schlauch .....	Manguera .....	Slang.....		
2	VOE 13948700	2				O-ring .....	Joint Torique .....	O-Ring .....	Junta torica.....	O-ring.....		
3	VOE 11015455	2				Flange Half.....	Demi-bride .....	Flanschhälfte .....	Media brida .....	Flänshalva.....		
4	VOE 984392	4				Allen Head Screw .....	Vis à six pans creux .....	Inbusschraube.....	Tornillo tipo Allen.....	Insexskruv.....		
5	VOE 13933862	1				Nipple.....	Raccord.....	Nippel .....	Niple .....	Nippel.....		
6	VOE 981289	1				•O-ring.....	•Joint Torique .....	•O-Ring.....	•Junta torica .....	•O-ring.....		
7	VOE 932042	1				•O-ring.....	•Joint Torique .....	•O-Ring.....	•Junta torica .....	•O-ring.....		
8	VOE 13933858	1				Union.....	Teton Connexion.....	Anschlussnippel .....	Niple Conexcion .....	Anslutn.nippel.....		
9	VOE 932039	1				•O-ring.....	•Joint Torique .....	•O-Ring.....	•Junta torica .....	•O-ring.....		
10	VOE 4881722	1				•O-ring.....	•Joint Torique .....	•O-Ring.....	•Junta torica .....	•O-ring.....		
11	VOE 11884378	1				Hose.....	Flexible.....	Schlauch .....	Manguera .....	Slang.....		
12	VOE 935082	1				Nipple.....	Raccord.....	Nippel .....	Niple .....	Nippel.....		
13	VOE 4881722	1				•O-ring.....	•Joint Torique .....	•O-Ring.....	•Junta torica .....	•O-ring.....		
14	VOE 932037	1				•O-ring.....	•Joint Torique .....	•O-Ring.....	•Junta torica .....	•O-ring.....		
15	VOE 4881438	6				Strip Clamp .....	Ruban Serrage.....	Kabelbinder .....	Abraz Cinta .....	Bandklamma.....		
16	VOE 11884968	1				Clamp.....	Collier serrage.....	Klemme .....	Abrazadera.....	Klamma.....		
17		1			NS	Plate.....	Plaque.....	Platte .....	Placa .....	Platta.....	SER NO -10616	
17		1			NS	Plate.....	Plaque.....	Platte .....	Placa .....	Platta.....	SER NO 10617-	
18	VOE 945911	2				Hexagon screw .....	Vis tête hexagonale .....	Sechskantschraube.....	Tornillo hexago.....	Sexkantsskruv.....	SER NO -10616	
19	VOE 955901	2				Washer.....	Rondelle.....	Scheibe .....	Arandela .....	Bricka.....	SER NO -10616	
20		1				Testing Nipple.....	Raccord contrôle.....	Prufnippel .....	Niple Medicion.....	Mät-nippel.....	See group 913, Page 653	
21	VOE 11884884	1				Hose.....	Flexible.....	Schlauch .....	Manguera .....	Slang.....		
22	VOE 13933857	1				Elbow Nipple.....	Raccord angulaire.....	Winkelnippel.....	Niple Angular.....	V-nippel.....		
23	VOE 4881722	1				•O-ring.....	•Joint Torique .....	•O-Ring.....	•Junta torica .....	•O-ring.....		
24	VOE 932039	1				•O-ring.....	•Joint Torique .....	•O-Ring.....	•Junta torica .....	•O-ring.....		
25	VOE 11882313	1				Accumulator.....	Accumulateur .....	Speicher .....	Acumulador .....	Ackumulator.....		
26	VOE 11881397	1				Clamp.....	Pince Serrage .....	Klemme .....	Abrazadera.....	Klamma.....		
27	VOE 13945444	1				Flange screw.....	Vis à bride .....	Flanschschraube.....	Torn embridado.....	Flänsskruv.....		
28	VOE 935069	1				Elbow nipple.....	Raccord angulaire.....	Winkelnippel.....	Niple angular .....	Vinkelnippel.....		
29	VOE 4880492	1				•O-ring.....	•Joint Torique .....	•O-Ring.....	•Junta torica .....	•O-ring.....		

1		<b>Hydraulsystem, tryckledningar</b> <b>Sistema hidráulico, conducto presion</b> <b>Hydraulikanlage, Druckleitungen</b> <b>Systeme Hydr. conduit alimentation</b> <b>Hydraulic system, feed line</b>	Catalogue id	Group
2			<b>20004</b>	<b>911</b>
3			Illustr. No	Section
4			<b>1012367</b>	<b>350</b>
5			Issue	Page
			<b>VOE 63G9920004</b>	<b>557</b>



Volvo Construction  
Equipment  
1012367

Fig.	Part No.	Quantity			P S	K I T	Description	Dénomination	Bezeichnung	Denominación	Benämning	Notes
		1	2	3								
30	VOE 4881722	1				•O-ring.....	•Joint Torique.....	•O-Ring.....	•Junta torica.....	•O-ring.....		
31	VOE 11884238	1				Fitting.....	Raccord tuyau.....	Rohrkupplung.....	Acoplamiento Tubo.....	Rörkoppling.....		
32	VOE 932039	1				•O-ring.....	•Joint Torique.....	•O-Ring.....	•Junta torica.....	•O-ring.....		
33	VOE 11881356	1				Solenoid valve.....	Vanne electrom.....	Magnetventil.....	Electrovalvula.....	Magnetventil.....		
	VOE 11715259	1				•Solenoid.....	•Solénoide.....	•Magnet.....	•Solenoide.....	•Solenoid.....		
34	VOE 935091	1				Nipple.....	Raccord.....	Nippel.....	Niple.....	Nippel.....		
35	VOE 4880493	1				•O-ring.....	•Joint Torique.....	•O-Ring.....	•Junta torica.....	•O-ring.....		
36	VOE 932039	1				•O-ring.....	•Joint Torique.....	•O-Ring.....	•Junta torica.....	•O-ring.....		
37	VOE 11884864	1				Tube.....	Tuyau.....	Rohr.....	Tubo.....	Rör.....		
38	VOE 935756	5				Plug.....	Bouchon.....	Stopfen.....	Tapon.....	Plugg.....		
39	VOE 4881722	6				O-ring.....	Joint Torique.....	O-Ring.....	Junta torica.....	O-ring.....		
40		2			NS	Anchorage.....	Fixation.....	Halterung.....	Fijacion.....	Fäste.....		
41	VOE 946671	4				Flange screw.....	Vis à bride.....	Flanschschaube.....	Torn embridado.....	Flänsskruv.....		
42	VOE 978869	2				Clamp.....	Pince Serrage.....	Klemme.....	Abrazadera.....	Klämma.....		
43	VOE 13946173	2				Flange screw.....	Vis à bride.....	Flanschschaube.....	Torn embridado.....	Flänsskruv.....		
44	VOE 13945408	2				Nut.....	Ecrou.....	Mutter.....	Tuerca.....	Mutter.....		
45	VOE 11884388	1				Hose.....	Durit.....	Schlauch.....	Tubo flexible.....	Slang.....		
46	VOE 13933858	1				Union.....	Teton Connexion.....	Anschlussnippel.....	Niple Conexcion.....	Anslutn.nippel.....		
47	VOE 932039	1				•O-ring.....	•Joint Torique.....	•O-Ring.....	•Junta torica.....	•O-ring.....		
48	VOE 4881722	1				•O-ring.....	•Joint Torique.....	•O-Ring.....	•Junta torica.....	•O-ring.....		
49	VOE 11884962	1				Connection block.....	Bloc Raccord.....	Anschlusssockel.....	Bloque Conector.....	Anslutningsblock.....		
50	VOE 11882920	2				Plug.....	Bouchon.....	Stopfen.....	Tapon.....	Plugg.....		
51	VOE 932042	1				•O-ring.....	•Joint Torique.....	•O-Ring.....	•Junta torica.....	•O-ring.....		
52	VOE 11881384	2				Fitting.....	Ecrou raccord.....	Verschraubung.....	Racor.....	Förskruvning.....		
53	VOE 932037	2				•O-ring.....	•Joint Torique.....	•O-Ring.....	•Junta torica.....	•O-ring.....		
54		1				Valve assembly.....	Bloc-soupape.....	Ventilgruppe.....	Bloque de valvula.....	Ventilblock.....	See group 912, Page 631	
55		1				Hose assembly.....	Conduit flexible.....	Schlauchleitung.....	Conducto.....	Slangledning.....	See group 912, Page 621	
56		1				Pump.....	Pompe.....	Pumpe.....	Bomba.....	Pump.....	See group 913, Page 655	

1		<b>Hydraulsystem, tryckledningar</b> <b>Sistema hidráulico, conducto presion</b> <b>Hydraulikanlage, Druckleitungen</b> <b>Systeme Hydr. conduit alimentation</b> <b>Hydraulic system, feed line</b>	Catalogue id	Group
2			<b>20004</b>	<b>911</b>
3			Illustr. No	Section
4			<b>1012367</b>	<b>350</b>
5			Issue	Page
			<b>VOE 63G9920004</b>	<b>559</b>

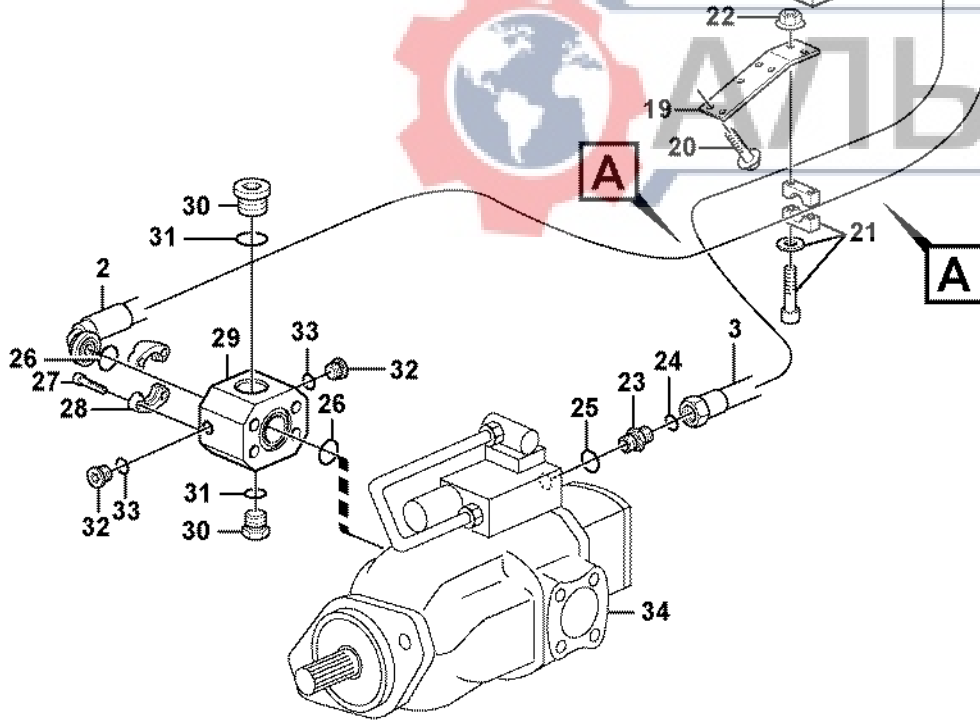
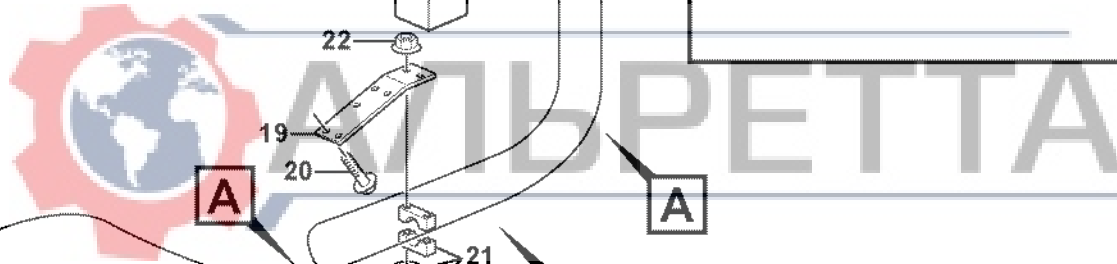
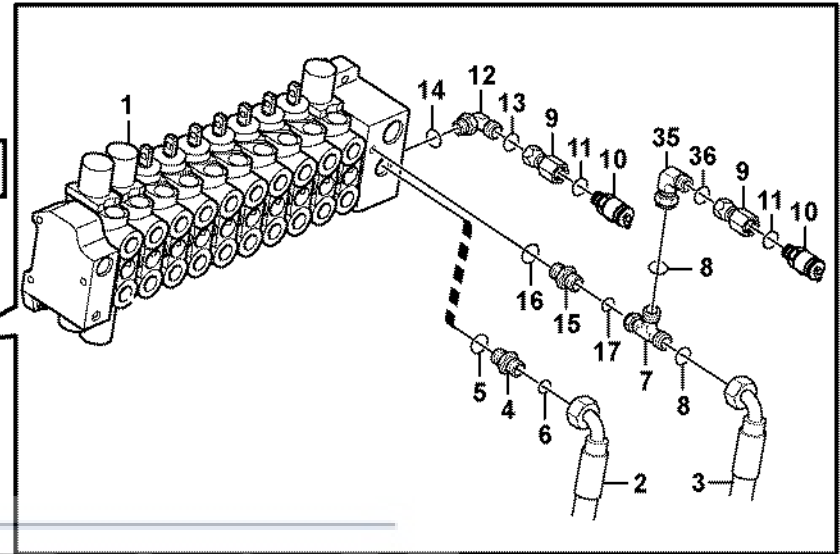
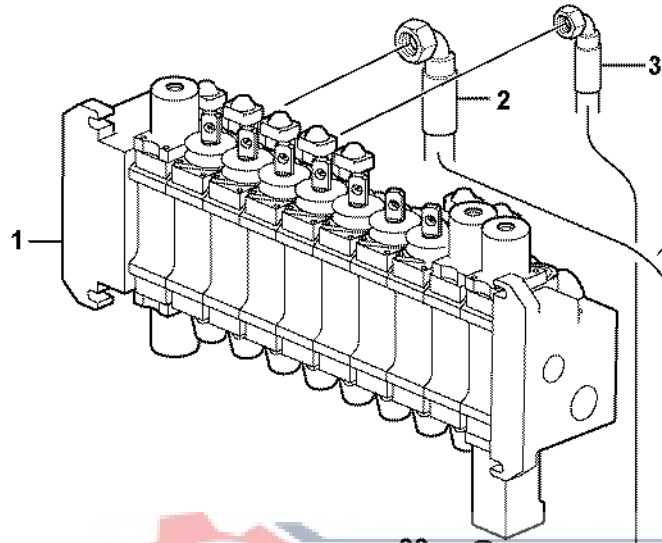
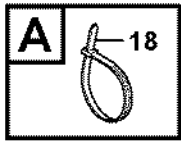


Fig.	Part No.	Quantity			P S	K I T	Description	Dénomination	Bezeichnung	Denominación	Benämning	Notes
		1	2	3								
1		1				Valve assembly.....	Bloc-soupape .....	Ventilgruppe .....	Bloque de valvula.....	Ventilblock.....	See group 912, Page 631	
2	VOE 11884379	1				Hose.....	Flexible.....	Schlauch .....	Manguera .....	Slang.....		
3	VOE 11884378	1				Hose.....	Flexible.....	Schlauch .....	Manguera .....	Slang.....		
4	VOE 13933862	1				Nipple.....	Raccord.....	Nippel .....	Niple .....	Nippel.....		
5	VOE 932042	1				O-ring.....	Joint Torique .....	O-Ring.....	Junta torica.....	O-ring.....		
6	VOE 990740	1				O-ring.....	Joint Torique .....	O-Ring.....	Junta torica.....	O-ring.....		
7	VOE 13933859	1				Nipple.....	Raccord.....	Nippel .....	Niple .....	Nippel.....		
8	VOE 990736	2				•O-ring.....	•Joint Torique .....	•O-Ring.....	•Junta torica .....	•O-ring.....		
9	VOE 11884794	2				Fitting.....	Ecrou raccord.....	Verschraubung.....	Racor.....	Förskruvning.....		
10	VOE 936439	2				Testing Nipple.....	Raccord contrôle.....	Prufnippel .....	Niple Medicion.....	Mätnippel.....		
11	VOE 14211856	2				•Sealing ring.....	•Bague d'étanchéité .....	•Runddichtring.....	•Anillo reten .....	•Tätningsring.....		
12	VOE 13933857	1				Elbow Nipple.....	Raccord angulaire.....	Winkelnippel.....	Niple Angular.....	V-nippel.....		
13	VOE 990736	1				•O-ring.....	•Joint Torique .....	•O-Ring.....	•Junta torica .....	•O-ring.....		
14	VOE 932039	1				•O-ring.....	•Joint Torique .....	•O-Ring.....	•Junta torica .....	•O-ring.....		
15	VOE 13933858	1				Union.....	Teton Connexion.....	Anschlussnippel .....	Niple Conexion .....	Anslutn.nippel.....		
16	VOE 932039	1				•O-ring.....	•Joint Torique .....	•O-Ring.....	•Junta torica .....	•O-ring.....		
17	VOE 990736	1				•O-ring.....	•Joint Torique .....	•O-Ring.....	•Junta torica .....	•O-ring.....		
18	VOE 4881438	4				Strip Clamp.....	Ruban Serrage.....	Kabelbinder .....	Abraz Cinta .....	Bandklamma.....		
19		1			NS	Bracket.....	Console.....	Konsole .....	Ménsula.....	Konsol.....		
20	VOE 946472	2				Flange screw.....	Vis à bride .....	Flanschschraube.....	Torn embridado.....	Flänsskruv.....		
21	VOE 11884968	1				Clamp.....	Collier serrage.....	Klemme .....	Abrazadera.....	Klamma.....		
22	VOE 13949278	2				Flange Lock Nut.....	Contre écrou bride .....	Flanschmutter .....	Contratuer Embr.....	Flänslåsmutter.....		
23	VOE 935082	1				Nipple.....	Raccord.....	Nippel .....	Niple .....	Nippel.....		
24	VOE 990740	1				•O-ring.....	•Joint Torique .....	•O-Ring.....	•Junta torica .....	•O-ring.....		
25	VOE 932037	1				•O-ring.....	•Joint Torique .....	•O-Ring.....	•Junta torica .....	•O-ring.....		
26	VOE 13948700	2				O-ring.....	Joint Torique .....	O-Ring.....	Junta torica.....	O-ring.....		
27	VOE 984392	4				Allen Head Screw .....	Vis à six pans creux .....	Inbusschraube.....	Tornillo tipo Allen.....	Insexskruv.....		
28	VOE 11015455	2				Flange Half.....	Demi-bride .....	Flanschhälfte.....	Media brida .....	Flänshalva.....		
29	VOE 11884962	1				Connection block .....	Bloc Raccord.....	Anschlusssockel .....	Bloque Conector .....	Anslutningsblock.....		
30	VOE 11882920	2				Plug.....	Bouchon.....	Stopfen.....	Tapon .....	Plugg.....		

1		<b>Hydraulsystem, tryckledningar</b> <b>Sistema hidráulico, conducto presion</b> <b>Hydraulikanlage, Druckleitungen</b> <b>Systeme Hydr. conduit alimentation</b> <b>Hydraulic system, feed line</b>	Catalogue id	Group
2			<b>20004</b>	<b>911</b>
3			Illustr. No	Section
4			<b>1024799</b>	<b>360</b>
5			Issue	Page
		<b>11880002 S/N 11145 -</b>	<b>VOE 63G9920004</b>	<b>561</b>



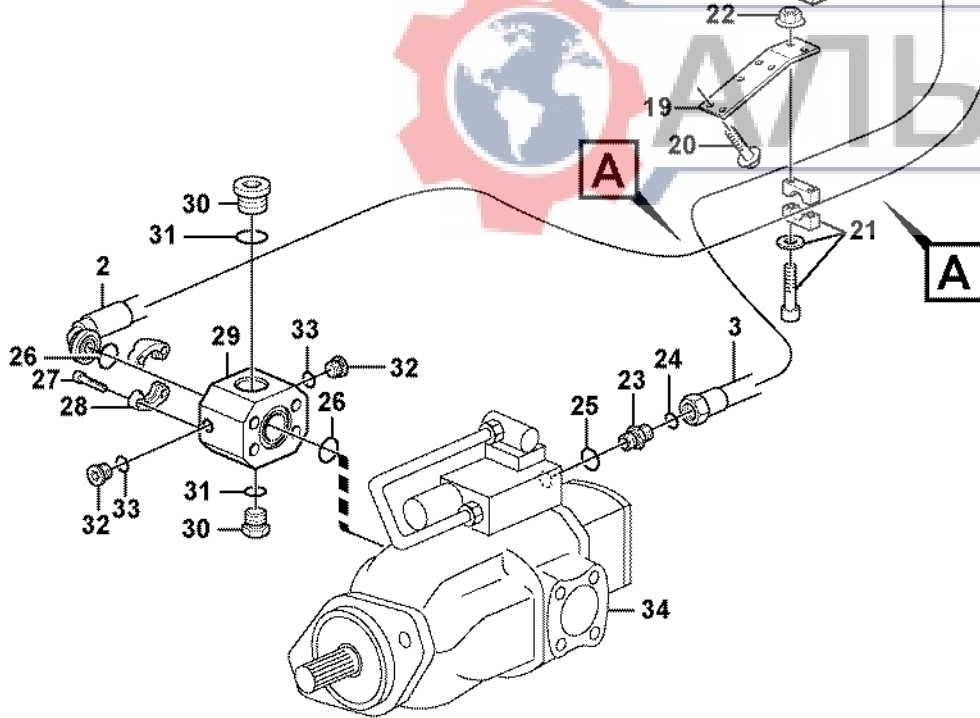
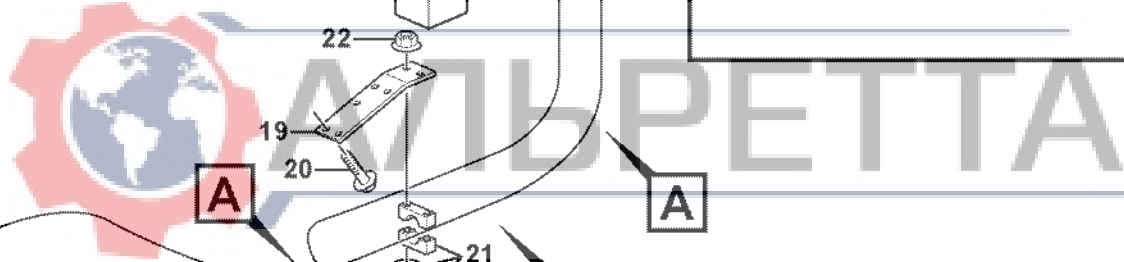
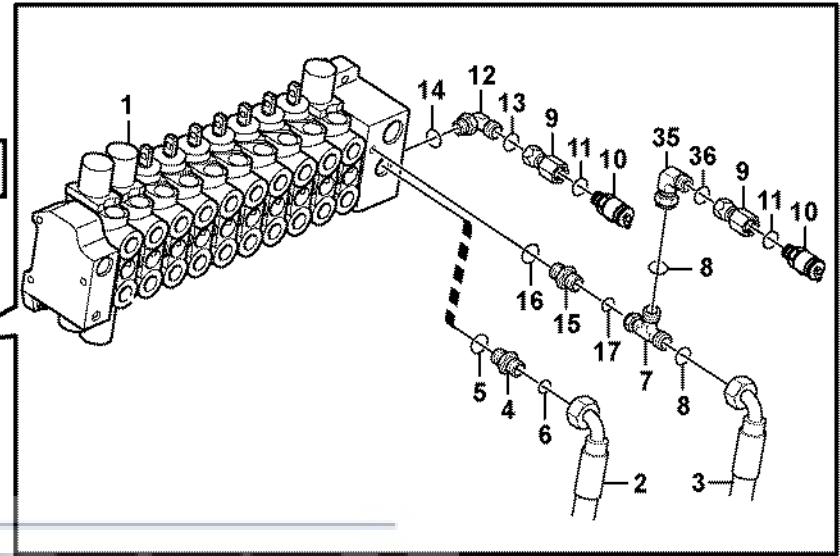
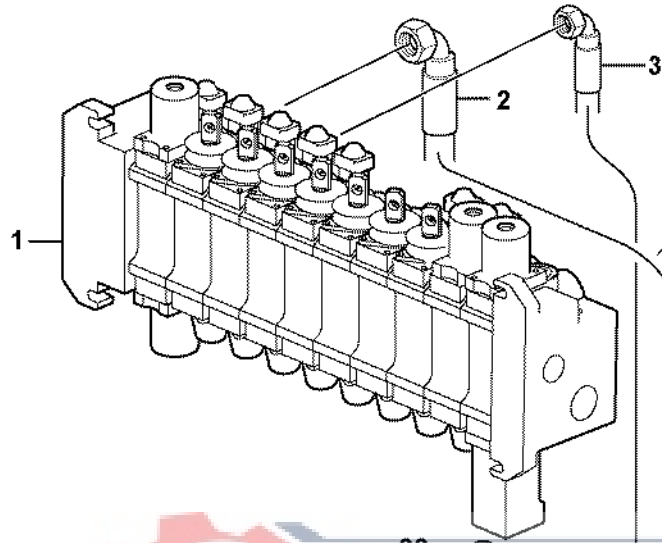
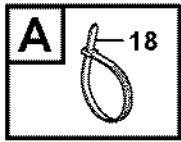


Fig.	Part No.	Quantity			P S	K I T	Description	Dénomination	Bezeichnung	Denominación	Benämning	Notes
		1	2	3								
31	VOE 932042	2				•O-ring.....	•Joint Torique .....	•O-Ring.....	•Junta torica .....	•O-ring.....		
32	VOE 11881384	2				Fitting .....	Ecrou raccord.....	Verschraubung.....	Racor.....	Förskruvning.....		
33	VOE 932037	2				•O-ring.....	•Joint Torique .....	•O-Ring.....	•Junta torica .....	•O-ring.....		
34		1				Pump.....	Pompe.....	Pumpe.....	Bomba.....	Pump.....	See group 913, Page 655	
35	VOE 13933905	1				Elbow nipple.....	Raccord angulaire.....	Winkelnippel.....	Niple angular .....	Vinkelnippel.....		
36	VOE 990736	1				•O-ring.....	•Joint Torique .....	•O-Ring.....	•Junta torica .....	•O-ring.....		



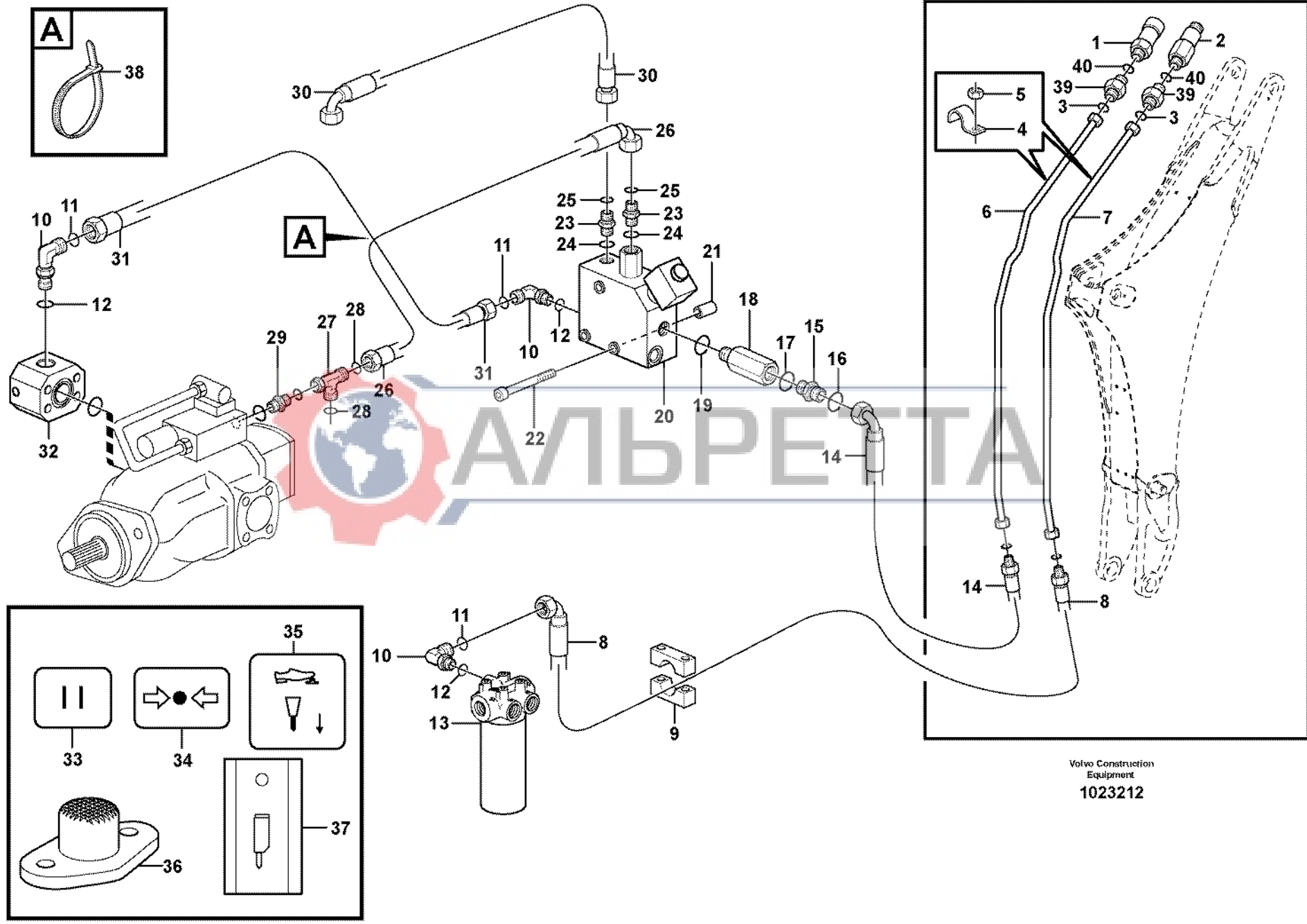
1		<b>Hydraulsystem, tryckledningar</b> <b>Sistema hidráulico, conducto presion</b> <b>Hydraulikanlage, Druckleitungen</b> <b>Systeme Hydr. conduit alimentation</b> <b>Hydraulic system, feed line</b>	Catalogue id	Group
2			<b>20004</b>	<b>911</b>
3			Illustr. No	Section
4			<b>1024799</b>	<b>360</b>
5			Issue	Page
		<b>11880002 S/N 11145 -</b>	<b>VOE 63G9920004</b>	<b>563</b>

**VOLVO**

**BL70**



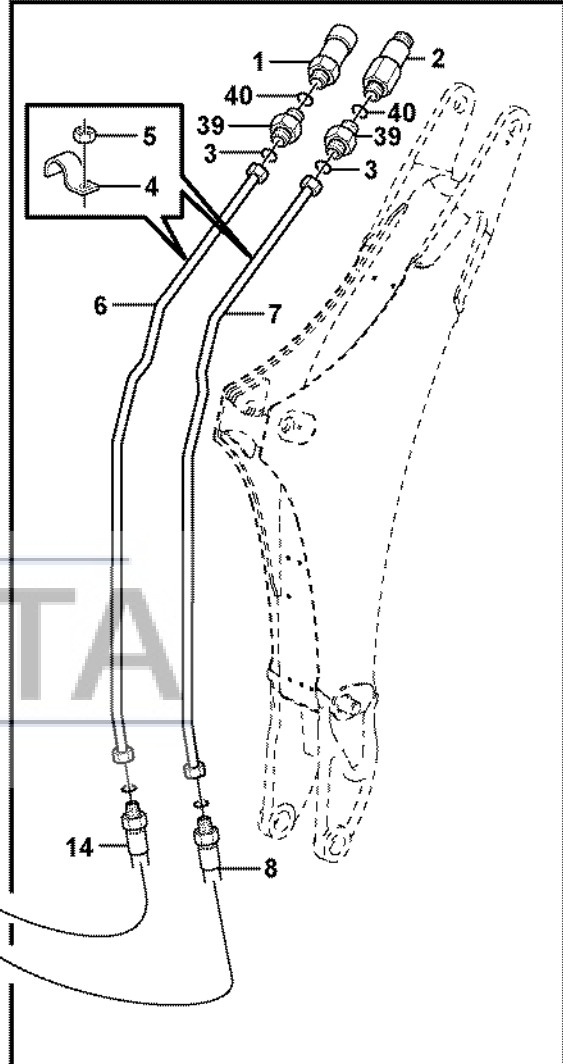
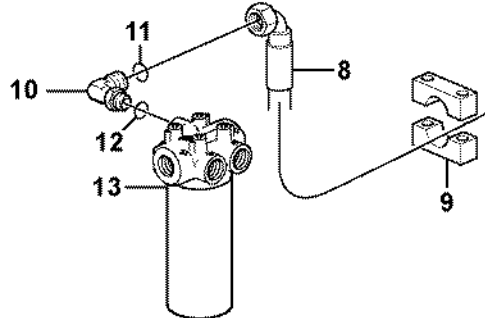
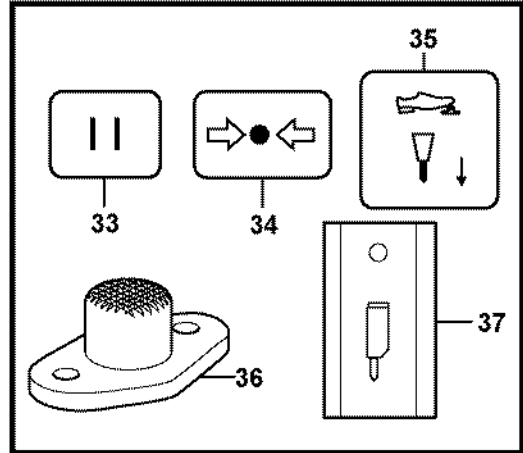
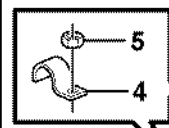
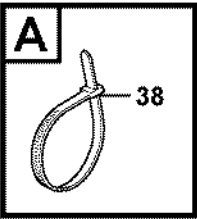
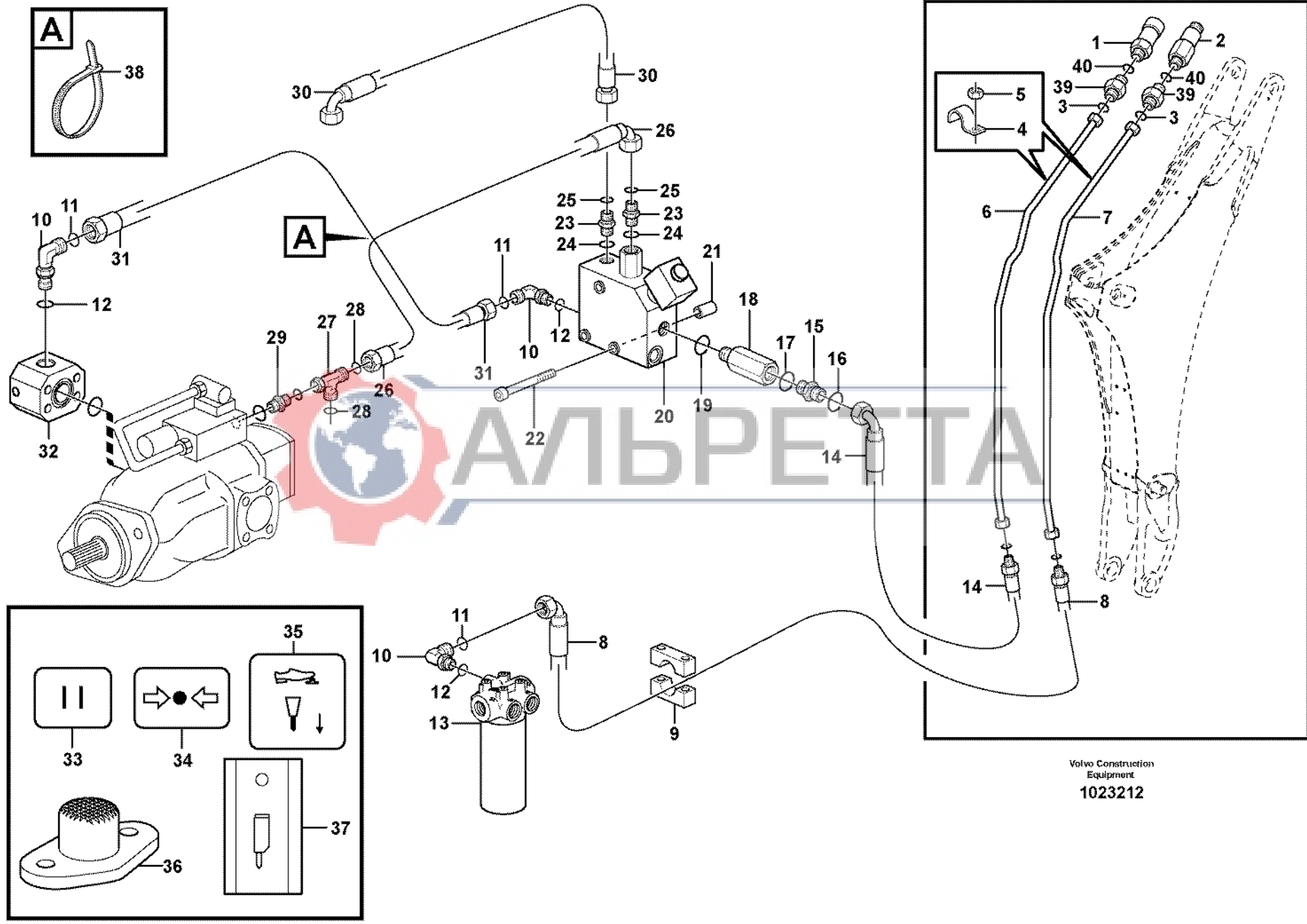




Volvo Construction  
Equipment  
1023212

Fig.	Part No.	Quantity			P S	K I T	Description	Dénomination	Bezeichnung	Denominación	Benämning	Notes
		1	2	3								
1	VOE 11882298	1				Fitting .....	Raccord tuyau .....	Rohrkupplung .....	Acoplam tubo .....	Rörkoppling.....		
2	VOE 11882299	1				Fitting .....	Raccord tuyau .....	Rohrkupplung .....	Acoplam tubo .....	Rörkoppling.....		
3	VOE 981290	2				O-ring .....	Joint Torique .....	O-Ring .....	Junta torica .....	O-ring.....		
4	VOE 11887319	2				Clamp.....	Pince Serrage .....	Klemme .....	Abrazadera.....	Klämma.....		
5	VOE 983306	2				Hexagon Nut.....	Ecrou Hexagonal .....	Sechskantmutter .....	Tuerca Hexagon.....	Sexkantsmutter.....		
6	VOE 11884833	1				Tube.....	Tube.....	Rohr .....	Tube .....	Rör.....		
7	VOE 11884832	1				Tube.....	Tube.....	Rohr .....	Tube .....	Rör.....		
8	VOE 11884629	1				Return Hose.....	Flexible Retour.....	Rucklaufschl.....	Mang Retorno .....	Returslang.....	S/N - 11144	
8	VOE 11888851	1				Hose assembly .....	Conduit flexible .....	Schlauchleitung.....	Conducto .....	Slangledning.....	S/N 11145 -	
9	VOE 11884968	1				Clamp.....	Collier serrage.....	Klemme .....	Abrazadera.....	Klamma.....	S/N - 11144	
10	VOE 13933864	3				Elbow nipple.....	Raccord angulaire.....	Winkelnippel.....	Niple angular .....	Vinkelnippel.....		
11	VOE 981289	1				•O-ring.....	•Joint Torique .....	•O-Ring.....	•Junta torica .....	•O-ring.....		
12	VOE 932042	1				•O-ring.....	•Joint Torique .....	•O-Ring.....	•Junta torica .....	•O-ring.....		
13		1				Filter.....	Filtre .....	Filter .....	Filtro .....	Filter.....	See group 911, Page 543	
14	VOE 11884415	1				Hose.....	Durit .....	Schlauch .....	Tube flexible.....	Slang.....		
15	VOE 13933862	1				Nipple.....	Raccord.....	Nippel.....	Niple .....	Nippel.....		
16	VOE 981289	1				•O-ring.....	•Joint Torique .....	•O-Ring.....	•Junta torica .....	•O-ring.....		
17	VOE 932042	1				•O-ring.....	•Joint Torique .....	•O-Ring.....	•Junta torica .....	•O-ring.....		
18	VOE 11885860	1				Check valve .....	Valve antiretour.....	Rückschlagventil .....	Válvula de retención.....	Backventil.....		
19	VOE 932042	1				•O-ring.....	•Joint Torique .....	•O-Ring.....	•Junta torica .....	•O-ring.....		
20	VOE 11881719	1				Valve.....	Soupape.....	Ventil.....	Valvula .....	Ventil.....		
	VOE 11716875	1				•Solenoid valve .....	•Vanne electrom.....	•Magnetventil.....	•Electrovalvula.....	•Magnetventil.....		
	VOE 11711130	1				•Coil .....	•Bobine.....	•Zündspule .....	•Bobina.....	•Spole.....		
21	VOE 11884291	3				Spacer Sleeve.....	Doui.entretoise .....	Distanzhülse.....	Manguito Dist .....	Distanshylsa.....		
22	VOE 13965183	3				Flange screw.....	Vis à bride .....	Flanschschraube .....	Torn embridado .....	Flänsskruv.....		
23	VOE 13933858	2				Union.....	Teton Connexion.....	Anschlussnippel .....	Niple Conexcion .....	Anslutn.nippel.....		
24	VOE 932039	1				•O-ring.....	•Joint Torique .....	•O-Ring.....	•Junta torica .....	•O-ring.....		
25	VOE 4881722	1				•O-ring.....	•Joint Torique .....	•O-Ring.....	•Junta torica .....	•O-ring.....		
26	VOE 11884284	1				Hose.....	Durit .....	Schlauch .....	Tube flexible.....	Slang.....		
27	VOE 13933859	1				Nipple.....	Raccord.....	Nippel.....	Niple .....	Nippel.....		

1		<b>Hydraulsystem hammare</b> <b>Sistema hidráulico, martillo</b> <b>Hydraulikanlage, Hammer</b> <b>Système hydraulique, marteau</b> <b>Hydraulic system, hammer</b>	Catalogue id	Group
2			<b>20004</b>	<b>911</b>
3			Illustr. No	Section
4			<b>1023212</b>	<b>400</b>
5			Issue	Page
		<b>11891090</b>	<b>VOE 63G9920004</b>	<b>565</b>



Volvo Construction  
Equipment  
1023212

Fig.	Part No.	Quantity			P S	K I T	Description	Dénomination	Bezeichnung	Denominación	Benämning	Notes
		1	2	3								
28	<b>VOE 4881722</b>	2				•O-ring.....	•Joint Torique .....	•O-Ring.....	•Junta torica .....	•O-ring.....		
29		1				Nipple.....	Raccord.....	Nippel.....	Niple .....	Nippel.....	See group 913, Page 653	
30	<b>VOE 11882208</b>	1				Hose assembly .....	Conduit flexible .....	Schlauchleitung.....	Conducto .....	Slangledning.....		
31	<b>VOE 11884285</b>	1				Hose.....	Durit .....	Schlauch .....	Tubo flexible.....	Slang.....		
32		1				Connection block .....	Bloc Raccord.....	Anschlusssockel .....	Bloque Conector .....	Anslutningsblock.....	See group 911, Page 557	
33		1				Decal.....	Decalcomanie .....	Abziehbild.....	Decalcomania .....	Dekal.....	See group 897, Page 521	
34		1				Decal.....	Decalcomanie .....	Abziehbild.....	Decalcomania .....	Dekal.....	See group 897, Page 521	
35		1				Decal.....	Decalcomanie .....	Abziehbild.....	Decalcomania .....	Dekal.....	See group 897, Page 521	
36		1				Foot Operated Switch	Contacteur Au Pied .....	Fusschalter.....	Contacto Freno .....	Fotkontakt.....	See group 380, Page 219	
37		1				Switch .....	Commutateur .....	Schalter .....	Contacto.....	Strömställare.....	See group 380, Page 213	
38	<b>VOE 4881438</b>	2				Strip Clamp .....	Ruban Serrage.....	Kabelbinder .....	Abraz Cinta .....	Bandklamma.....		
39	<b>VOE 11881382</b>	2				Nipple.....	Raccord.....	Nippel.....	Niple .....	Nippel.....		
40	<b>VOE 932040</b>	2				•O-ring.....	•Joint Torique .....	•O-Ring.....	•Junta torica .....	•O-ring.....		



1		<b>Hydraulsystem hammare</b> <b>Sistema hidráulico, martillo</b> <b>Hydraulikanlage, Hammer</b> <b>Système hydraulique, marteau</b> <b>Hydraulic system, hammer</b>	Catalogue id	Group
2			<b>20004</b>	<b>911</b>
3			Illustr. No	Section
4			<b>1023212</b>	<b>400</b>
5			Issue	Page
		<b>11891090</b>	<b>VOE 63G9920004</b>	<b>567</b>

**VOLVO**

**BL70**



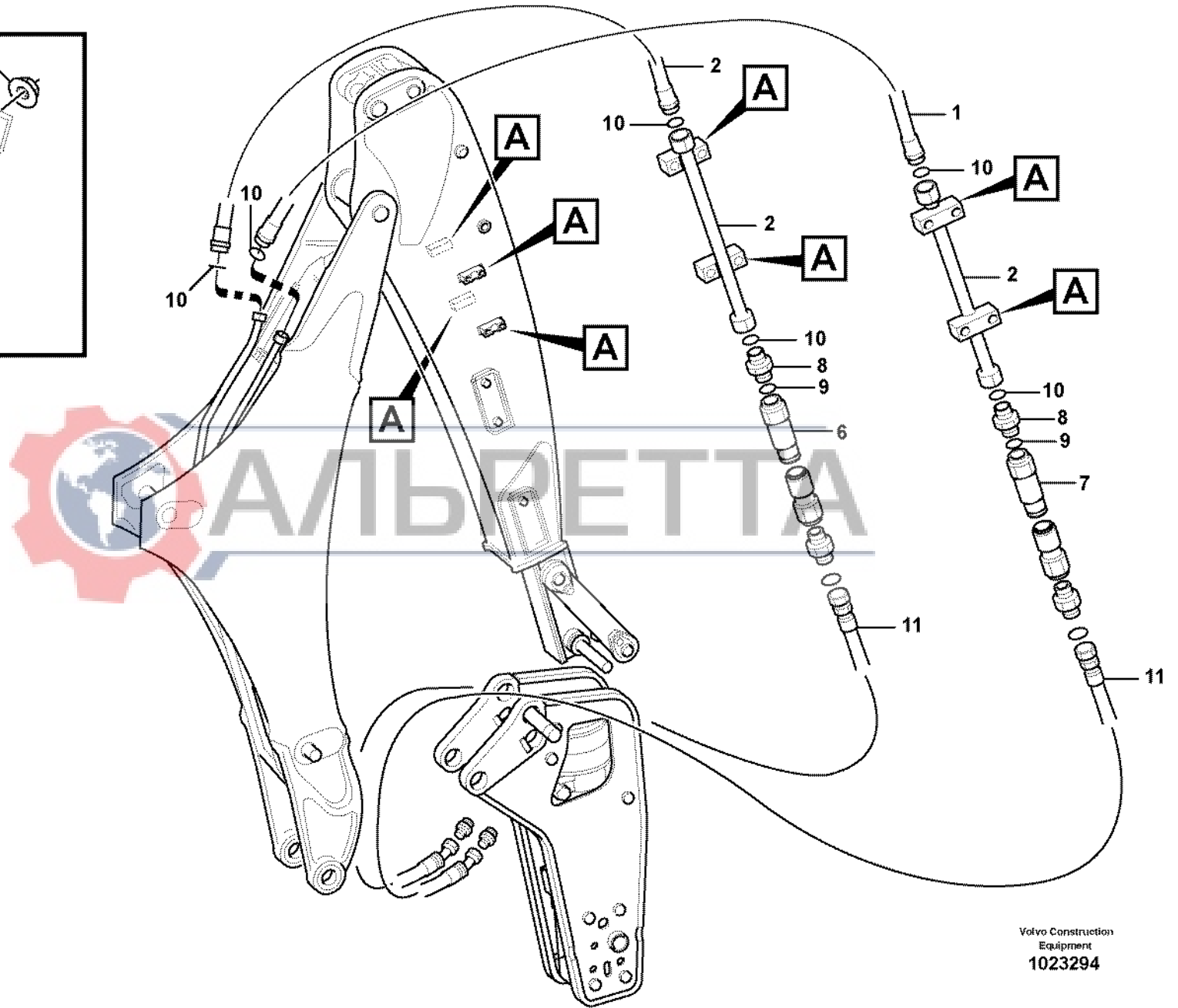
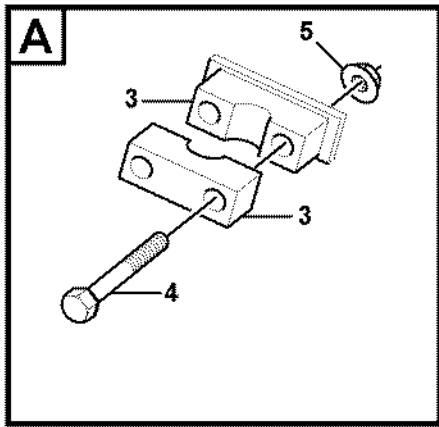


Fig.	Part No.	Quantity			P S	K I T	Description	Dénomination	Bezeichnung	Denominación	Benämning	Notes
		1	2	3								
1	VOE 11885790	2				Hose.....	Durit .....	Schlauch .....	Tubo flexible.....	Slang.....		
2	VOE 11885786	2				Tube.....	Tube.....	Rohr .....	Tubo .....	Rör.....		
3	VOE 11886452	4				Clamp.....	Pince Serrage .....	Klemme .....	Abrazadera.....	Klämna.....		
4	VOE 11886495	8				Screw.....	Vis .....	Schraube.....	Tornillo .....	Skruv.....		
5	VOE 13971098	8				Flange nut.....	Ecrou accouple. ....	Bundmutter.....	Tuerca embridad .....	Flänsmutter.....		
6	VOE 11882299	1				Fitting .....	Raccord tuyau .....	Rohrkupplung.....	Acoplam tubo .....	Rörkoppling.....		
7	VOE 11882298	1				Fitting .....	Raccord tuyau .....	Rohrkupplung.....	Acoplam tubo .....	Rörkoppling.....		
8	VOE 11881382	2				Nipple.....	Raccord.....	Nippel .....	Niple .....	Nippel.....		
9	VOE 932040	2				O-ring.....	Joint Torique .....	O-Ring.....	Junta torica.....	O-ring.....		
10	VOE 981290	4				O-ring.....	Joint Torique .....	O-Ring.....	Junta torica.....	O-ring.....		
11		2				Hose.....	Durit .....	Schlauch .....	Tubo flexible.....	Slang.....	See group 926, Page 737	



1		<b>Rör till hammarredskap</b> <b>Tubería para fijación del martillo</b> <b>Leitungen für Hammeranbau</b> <b>Conduits, marteau</b> <b>Pipes for hammer attachment</b>	Catalogue id	Group
2			<b>20004</b>	<b>911</b>
3			Illustr. No	Section
4			<b>1023294</b>	<b>450</b>
5			Issue	Page
		<b>11891375</b>	<b>VOE 63G9920004</b>	<b>569</b>

**VOLVO**

**BL70**



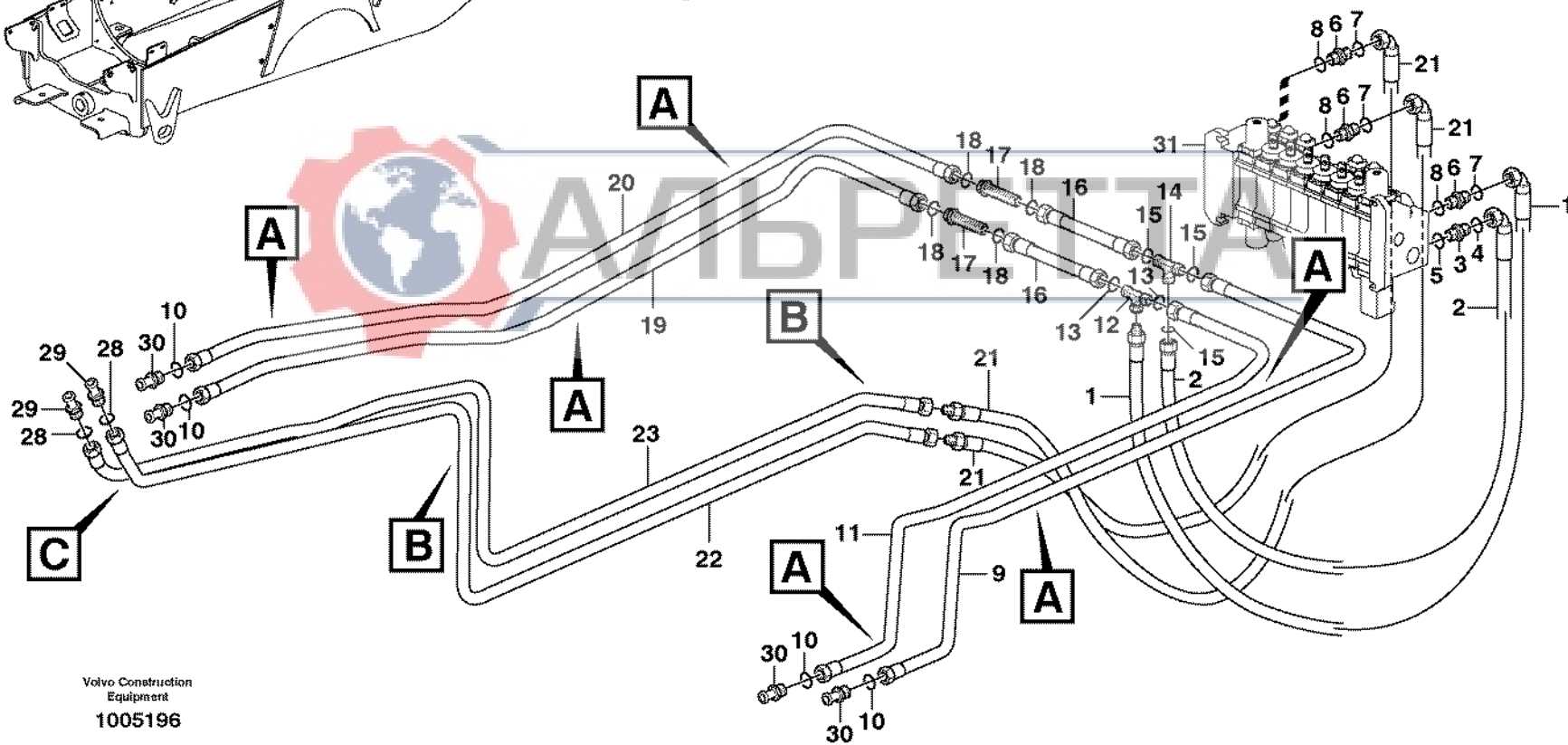
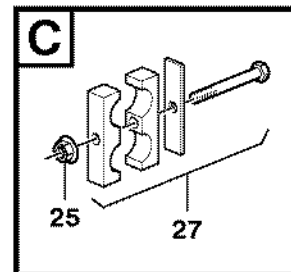
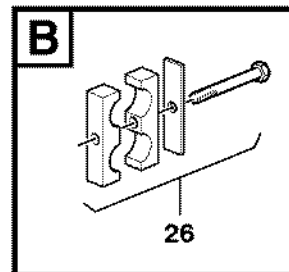
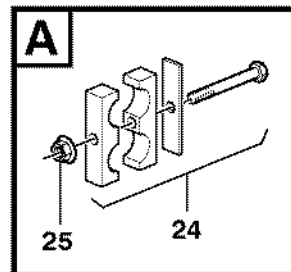
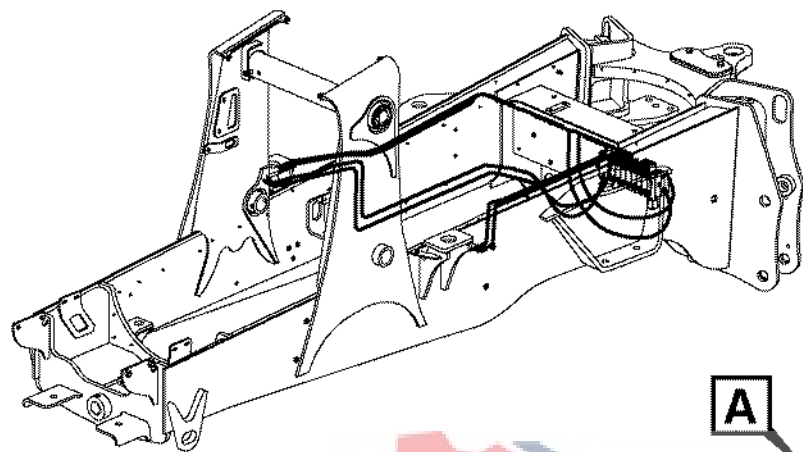




Fig.	Part No.	Quantity			P S	K I T	Description	Dénomination	Bezeichnung	Denominación	Benämning	Notes
		1	2	3								
1	VOE 11884391	1					Hose.....	Durit .....	Schlauch .....	Tube flexible .....	Slang.....	
2	VOE 11884392	1					Hose.....	Durit .....	Schlauch .....	Tube flexible .....	Slang.....	
3	VOE 935093	1					Union.....	Teton Connexion.....	Anschlussnippel .....	Niple Conexcion .....	Anslutn.nippel.....	
4	VOE 4880493	1					•O-ring.....	•Joint Torique .....	•O-Ring.....	•Junta torica .....	•O-ring.....	
5	VOE 932042	1					•O-ring.....	•Joint Torique .....	•O-Ring.....	•Junta torica .....	•O-ring.....	
6	VOE 935032	3					Nipple.....	Raccord.....	Nippel.....	Niple .....	Nippel.....	
7	VOE 4880663	1					•O-ring.....	•Joint Torique .....	•O-Ring.....	•Junta torica .....	•O-ring.....	
8	VOE 932042	1					•O-ring.....	•Joint Torique .....	•O-Ring.....	•Junta torica .....	•O-ring.....	
9	VOE 11882768	1					Tube.....	Tube.....	Rohr .....	Tube .....	Rör.....	
10	VOE 4880493	4					O-ring.....	Joint Torique .....	O-Ring.....	Junta torica.....	O-ring.....	
11	VOE 11882767	1					Tube.....	Tube.....	Rohr .....	Tube .....	Rör.....	
12	VOE 935877	1					Nipple.....	Raccord.....	Nippel.....	Niple .....	Nippel.....	
13	VOE 4880663	2					•O-ring.....	•Joint Torique .....	•O-Ring.....	•Junta torica .....	•O-ring.....	
14	VOE 11884287	1					Fitting.....	Ecrou raccord.....	Verschraubung.....	Racor.....	Förskruvning.....	
15	VOE 4880663	3					•O-ring.....	•Joint Torique .....	•O-Ring.....	•Junta torica .....	•O-ring.....	
16	VOE 11882763	2					Tube.....	Tube.....	Rohr .....	Tube .....	Rör.....	S/N - 11144
17	VOE 13933961	2					Nipple.....	Raccord.....	Nippel.....	Niple .....	Nippel.....	S/N - 11144
18	VOE 4880663	2					•O-ring.....	•Joint Torique .....	•O-Ring.....	•Junta torica .....	•O-ring.....	
19	VOE 11882765	1					Tube.....	Tube.....	Rohr .....	Tube .....	Rör.....	S/N - 11144
19	VOE 11888711	1					Tube.....	Tube.....	Rohr .....	Tube .....	Rör.....	S/N 11145 -
20	VOE 11882766	1					Tube.....	Tube.....	Rohr .....	Tube .....	Rör.....	S/N - 11144
20	VOE 11888712	1					Tube.....	Tube.....	Rohr .....	Tube .....	Rör.....	S/N 11145 -
21	VOE 11884394	2					Hose.....	Durit .....	Schlauch .....	Tube flexible .....	Slang.....	
22	VOE 11884828	1					Tube.....	Tube.....	Rohr .....	Tube .....	Rör.....	
23	VOE 11884829	1					Tube.....	Tube.....	Rohr .....	Tube .....	Rör.....	
24	VOE 11881340	6					Clamp.....	Pince Serrage .....	Klemme .....	Abrazadera.....	Klämma.....	
25	VOE 948645	3					Flange Lock Nut.....	Contre écrou bride .....	Flanschmutter .....	Contratuer Embr.....	Flänslåsmutter.....	
26	VOE 11881641	2					Clamp.....	Pince Serrage .....	Klemme .....	Abrazadera.....	Klämma.....	
27	VOE 11881372	1					Clamp.....	Pince Serrage .....	Klemme .....	Abrazadera.....	Klämma.....	
28	VOE 4880663	2					O-ring.....	Joint Torique .....	O-Ring.....	Junta torica.....	O-ring.....	

1		<b>Hydraulik lastare (lyft &amp; tilt)</b>	Catalogue id	Group
2		<b>Sistema hidráulico de cargadora (elevación y volteo)</b>	<b>20004</b>	<b>911</b>
3		<b>Ladehydraulik (Heben und Kippen)</b>	Illustr. No	Section
4		<b>Equipement chargeur à commande hydraulique (levage et basculement)</b>	<b>1005196</b>	<b>550</b>
5		<b>Hydraulics loader (lift &amp; tilt)</b>	Issue	Page
			<b>VOE 63G9920004</b>	<b>571</b>



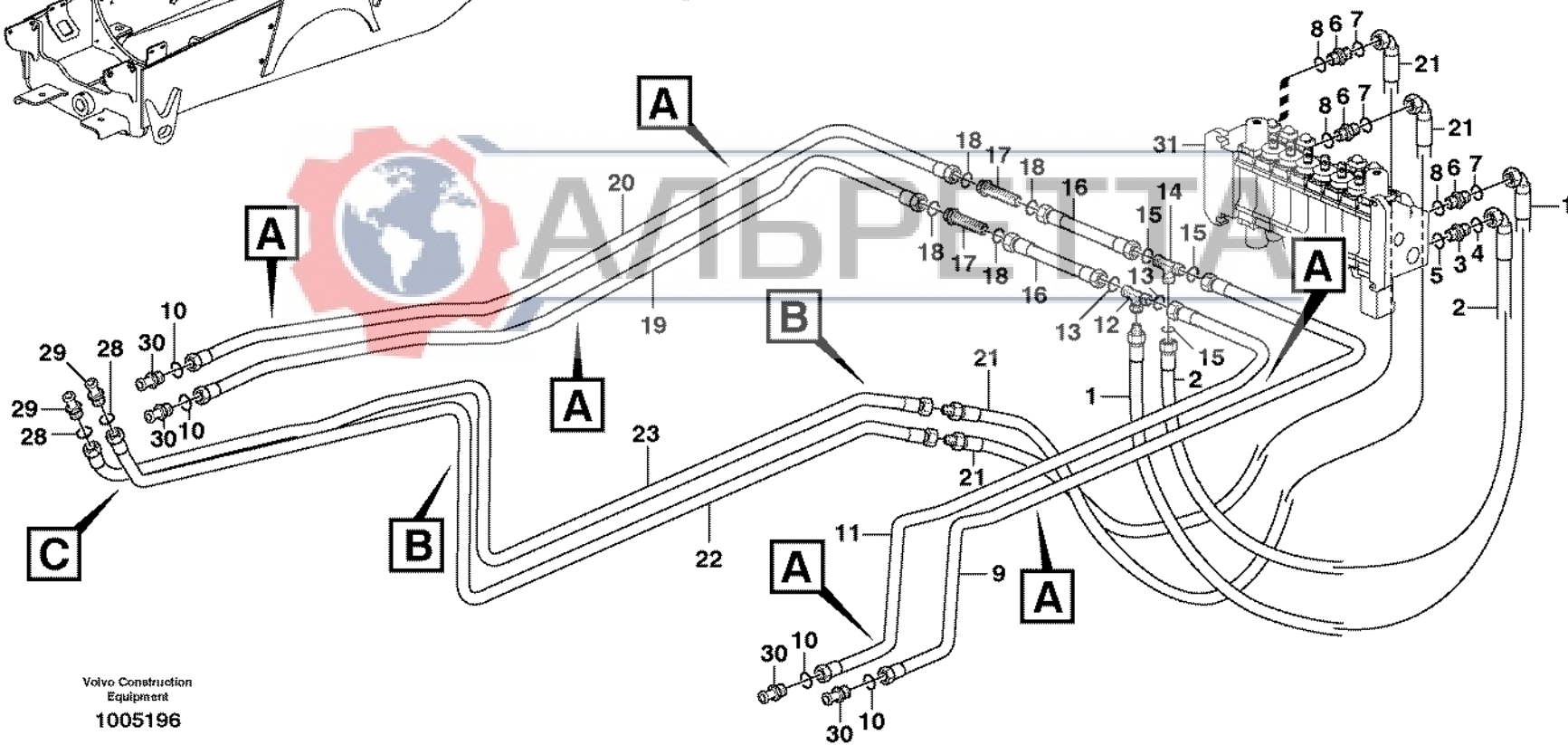
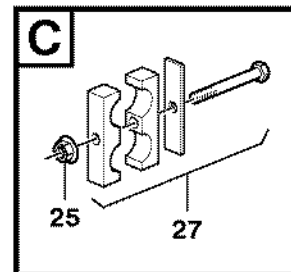
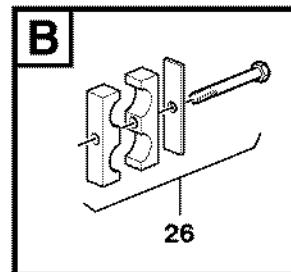
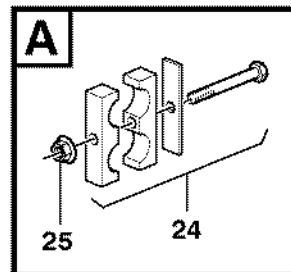
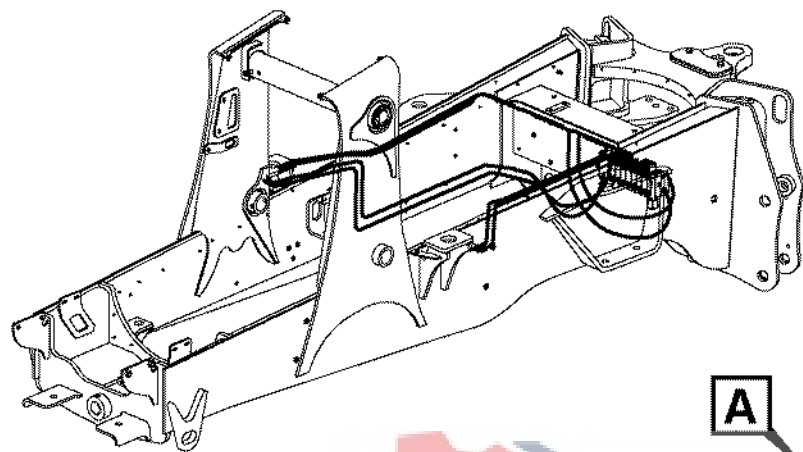


Fig.	Part No.	Quantity			P S	K I T	Description	Dénomination	Bezeichnung	Denominación	Benämning	Notes
		1	2	3								
29		2				Hose assembly .....	Conduit flexible .....	Schlauchleitung.....	Conducto .....	Slangledning.....	See group 911, Page 589	
30		4				Hose assembly .....	Conduit flexible .....	Schlauchleitung.....	Conducto .....	Slangledning.....	See group 911, Page 589	
31		1				Valve .....	Soupape.....	Ventil .....	Valvula .....	Ventil.....	See group 912, Page 631	

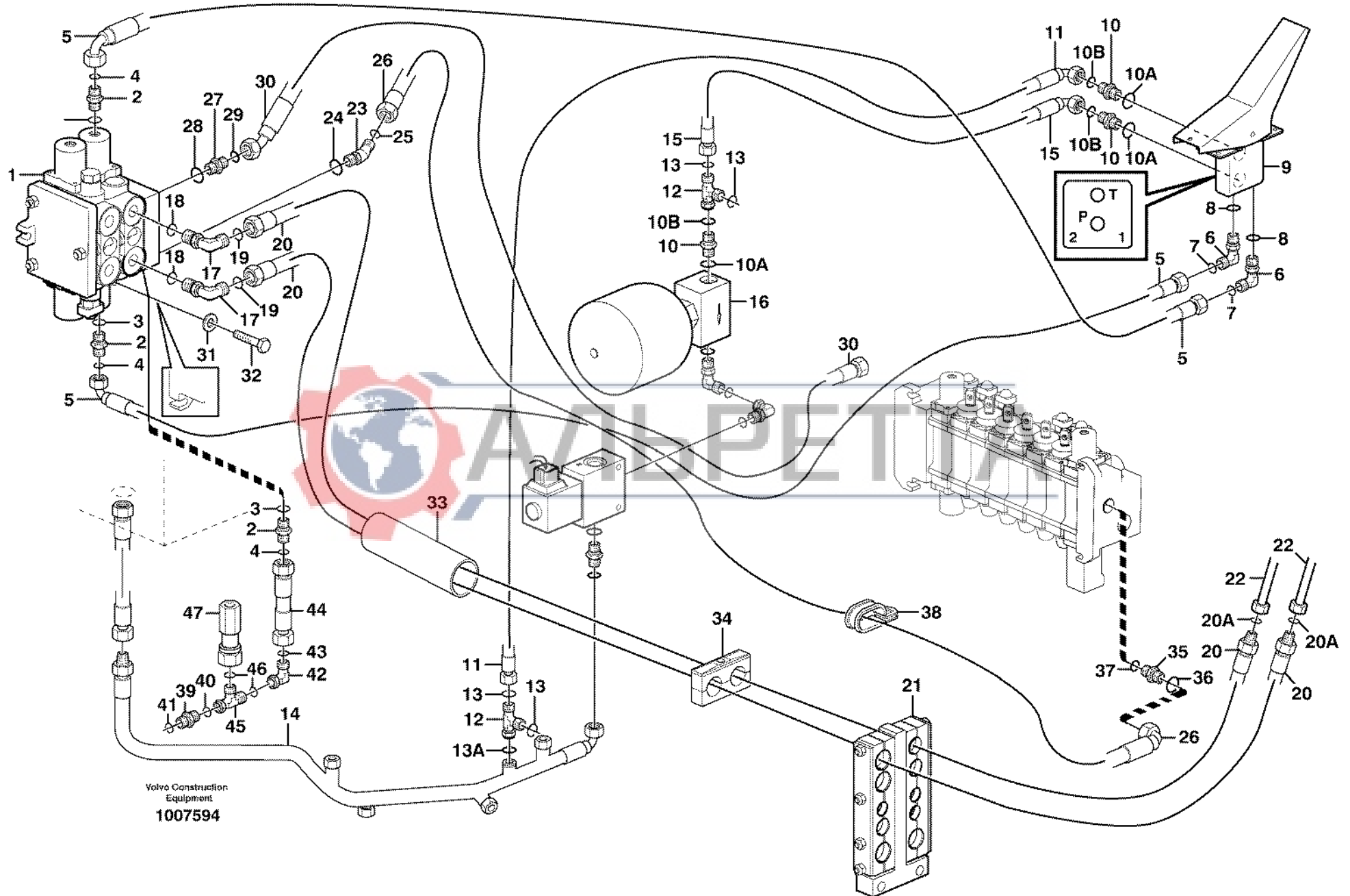


1		<b>Hydraulik lastare (lyft &amp; tilt)</b> <b>Sistema hidráulico de cargadora (elevación y volteo)</b> <b>Ladehydraulik (Heben und Kippen)</b> <b>Equipement chargeur à commande hydraulique (levage et basculement)</b> <b>Hydraulics loader (lift &amp; tilt)</b>	Catalogue id	Group
2			<b>20004</b>	<b>911</b>
3			Illustr. No	Section
4			<b>1005196</b>	<b>550</b>
5			Issue	Page
			<b>VOE 63G9920004</b>	<b>573</b>

**VOLVO**

**BL70**





Volvo Construction  
Equipment  
1007594

Fig.	Part No.	Quantity			P S	K I T	Description	Dénomination	Bezeichnung	Denominación	Benämning	Notes
		1	2	3								
1		1			SS	Valve.....	Soupape.....	Ventil.....	Valvula.....	Ventil.....	See group 911, Page 615	
			1			Valve.....	Soupape.....	Ventil.....	Valvula.....	Ventil.....	See group 911, Page 615	
				1		Valve.....	Soupape.....	Ventil.....	Valvula.....	Ventil.....	See group 911, Page 615	
2	VOE 13933858	3	3			Union.....	Teton Connexion.....	Anschlussnippel.....	Niple Conexcion.....	Anslutn.nippel.....		
3	VOE 4881722	1	1			•O-ring.....	•Joint Torique.....	•O-Ring.....	•Junta torica.....	•O-ring.....		
4	VOE 932039	1	1			•O-ring.....	•Joint Torique.....	•O-Ring.....	•Junta torica.....	•O-ring.....		
5	VOE 11882722	2	2			Hose.....	Durit.....	Schlauch.....	Tubo flexible.....	Slang.....		
6	VOE 13933857	2	2			Elbow Nipple.....	Raccord angulaire.....	Winkelnippel.....	Niple Angular.....	V-nippel.....		
7	VOE 4881722	1	1			•O-ring.....	•Joint Torique.....	•O-Ring.....	•Junta torica.....	•O-ring.....		
8	VOE 932039	1	1			•O-ring.....	•Joint Torique.....	•O-Ring.....	•Junta torica.....	•O-ring.....		
9	VOE 11883582	1	1		SS	Pedal.....	Pedale.....	Pedal.....	Pedal.....	Pedal.....	2126)	
	VOE 11885974	1	1			Valve.....	Soupape.....	Ventil.....	Valvula.....	Ventil.....	See group 915, Page 671 2125) See group 915, Page 673	
10	VOE 13933858	3	3			Union.....	Teton Connexion.....	Anschlussnippel.....	Niple Conexcion.....	Anslutn.nippel.....		
10A	VOE 932039	1	1			•O-ring.....	•Joint Torique.....	•O-Ring.....	•Junta torica.....	•O-ring.....		
10B	VOE 4881722	1	1			•O-ring.....	•Joint Torique.....	•O-Ring.....	•Junta torica.....	•O-ring.....		
11	VOE 11884385	1	1			Hose.....	Durit.....	Schlauch.....	Tubo flexible.....	Slang.....		
12	VOE 13933859	2	2			Nipple.....	Raccord.....	Nippel.....	Niple.....	Nippel.....		
13	VOE 4881722	2	2			•O-ring.....	•Joint Torique.....	•O-Ring.....	•Junta torica.....	•O-ring.....		
13A		1	1			O-ring.....	Joint Torique.....	O-Ring.....	Junta torica.....	O-ring.....	See group 911, Page 557	
14		1	1			Tube.....	Tuyau.....	Rohr.....	Tubo.....	Rör.....	See group 911, Page 557	
15	VOE 11884273	1	1			Hose.....	Flexible.....	Schlauch.....	Manguera.....	Slang.....		
16		1	1			Accumulator.....	Accumulateur.....	Speicher.....	Acumulador.....	Ackumulator.....	See group 911, Page 557	
17	VOE 935033	2	2			Elbow nipple.....	Raccord angulaire.....	Winkelnippel.....	Niple angular.....	Vinkelnippel.....		
18	VOE 932042	1	1			•O-ring.....	•Joint Torique.....	•O-Ring.....	•Junta torica.....	•O-ring.....		
19	VOE 4880663	1	1			•O-ring.....	•Joint Torique.....	•O-Ring.....	•Junta torica.....	•O-ring.....		
20	VOE 11884436	2	2			Hose.....	Durit.....	Schlauch.....	Tubo flexible.....	Slang.....		

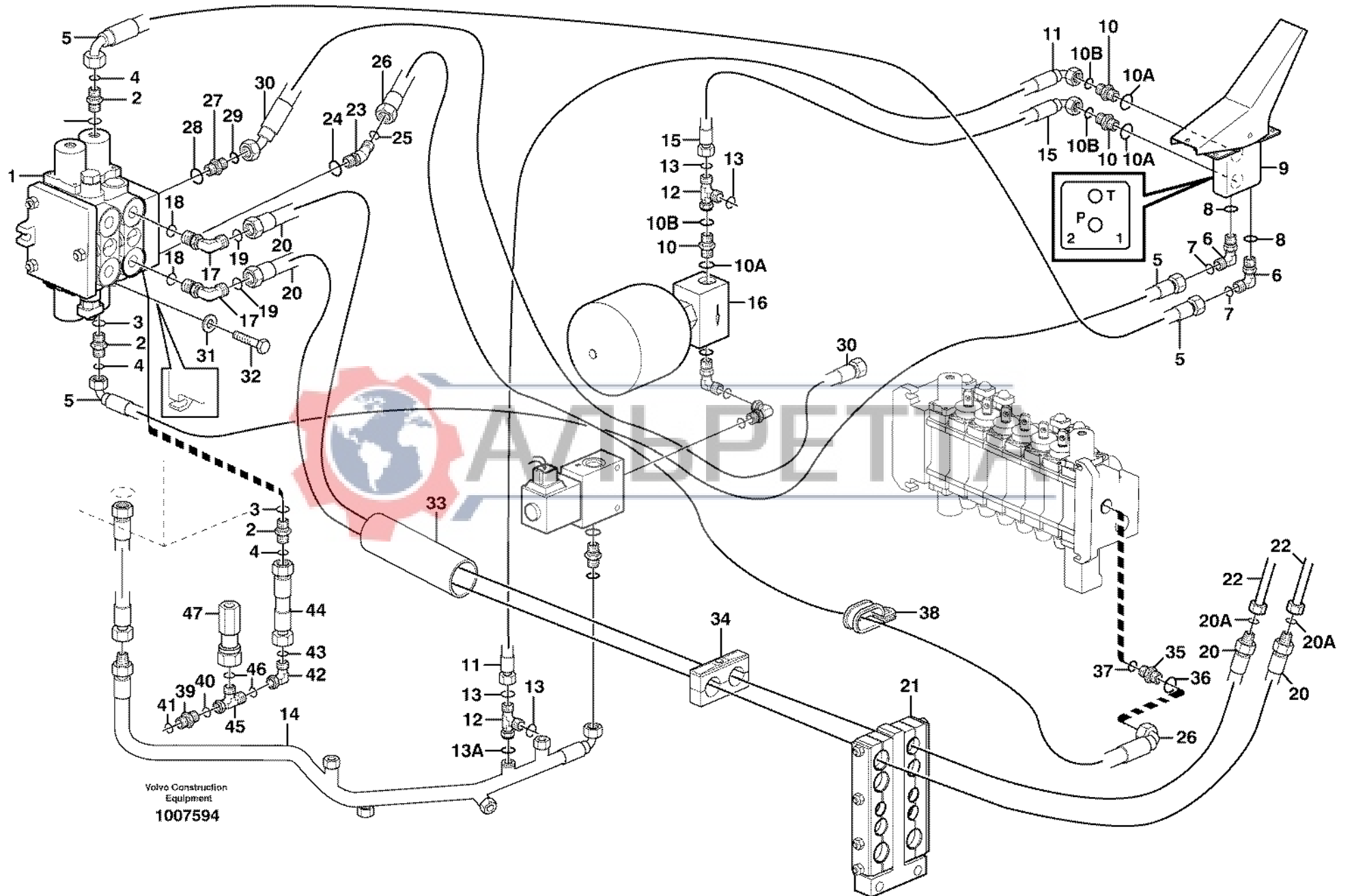
2125) SER NO 10477, 10499-10500, 10503-10510, 10513, 10517, 10523-10526, 10536-10538, 10544-10550, 10554-10561, 10563-10577, 10581-10584, 10603 -

2126) SER NO - 10476, 10478-10498, 10501-10502, 10511-10512, 10514-10516, 10518-10522, 10527-10535, 10539-10543, 10551-10553, 10562, 10578-10580, 10585-10602.

1	11891005	<b>Hydraulsystem, grävarm teleskopisk</b> <b>Sistema hidráulico brazo excavador telescópico</b> <b>Hydralkanlage für teleskopische baggerarm</b> <b>Système hydraulique bras de pelle telescope</b> <b>Hydraulic system extendible dipper arm</b>	Catalogue id	Group
2	11891065		<b>20004</b>	<b>911</b>
3	11891020		Illustr. No	Section
4			<b>1007594</b>	<b>600</b>
5			Issue	Page
			<b>VOE 63G9920004</b>	<b>575</b>
			<b>11891005, 11891065, 11891020</b>	

**VOLVO**

**BL70**

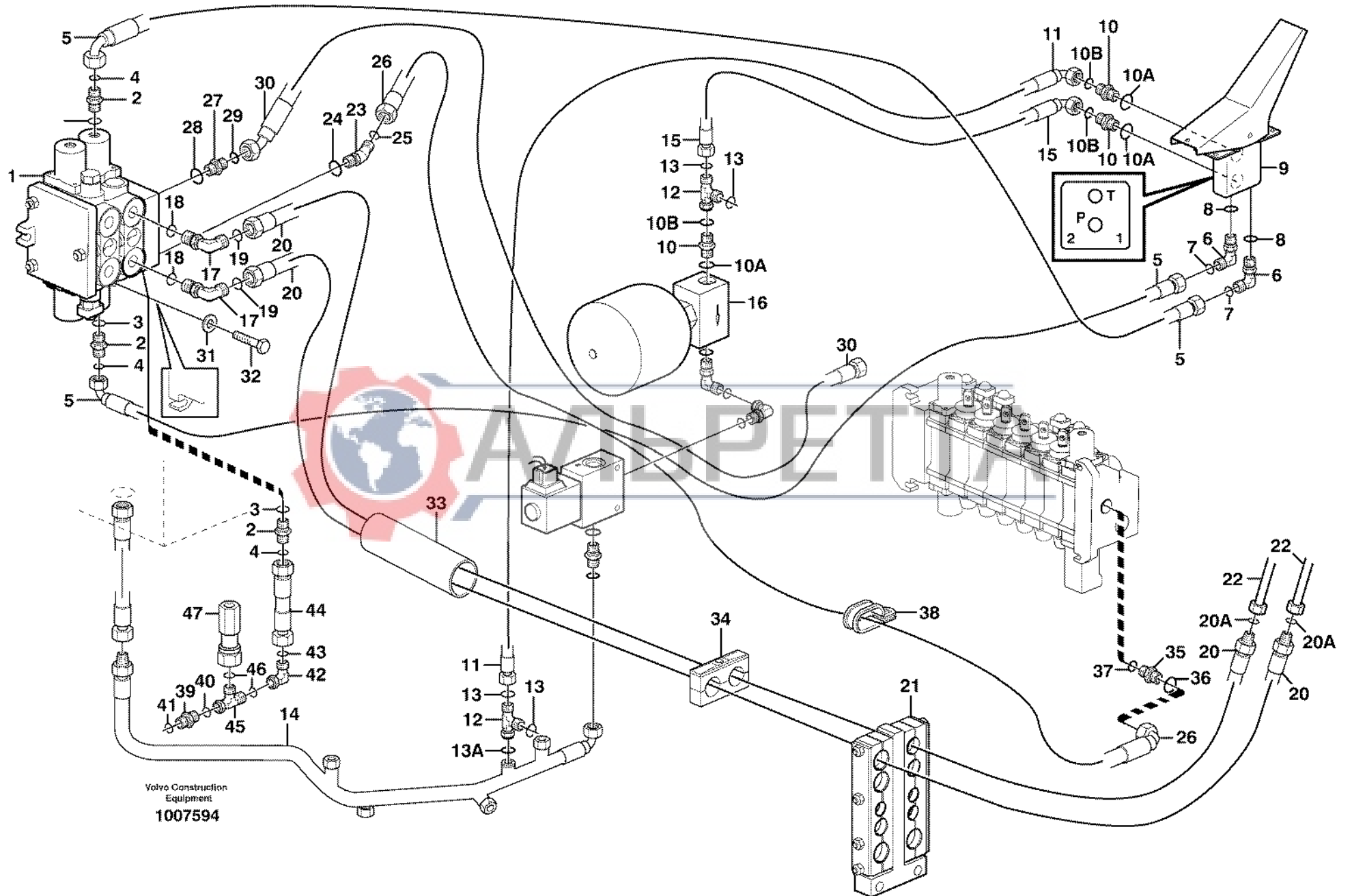


Volvo Construction  
Equipment  
1007594

Fig.	Part No.	Quantity			P S	K I T	Description	Dénomination	Bezeichnung	Denominación	Benämning	Notes
		1	2	3								
20A	VOE 4880663	1	1			•O-ring.....	•Joint Torique.....	•O-Ring.....	•Junta torica.....	•O-ring.....		
21		1	1			Clamp.....	Collier serrage.....	Klemme.....	Abrazadera.....	Klamma.....	See group 911, Page 581	
22		2	2			Pipe.....	Canalisation.....	Rohrleitung.....	Canalización.....	Rör.....	See group 911, Page 611	
23	VOE 11884438	1	1	1		Fitting.....	Ecrou raccord.....	Verschraubung.....	Racor.....	Förskruvning.....		
24	VOE 932042	1	1	1		•O-ring.....	•Joint Torique.....	•O-Ring.....	•Junta torica.....	•O-ring.....		
25	VOE 4880663	1	1	1		•O-ring.....	•Joint Torique.....	•O-Ring.....	•Junta torica.....	•O-ring.....		
26	VOE 11885530	1		1		Hose.....	Durit.....	Schlauch.....	Tubo flexible.....	Slang.....		
26	VOE 11884389		1			Hose.....	Durit.....	Schlauch.....	Tubo flexible.....	Slang.....		
27	VOE 935229	1	1	1		Nipple.....	Raccord.....	Nippel.....	Niple.....	Nippel.....		
28	VOE 932043	1	1	1		•O-ring.....	•Joint Torique.....	•O-Ring.....	•Junta torica.....	•O-ring.....		
29	VOE 981290	1	1	1		•O-ring.....	•Joint Torique.....	•O-Ring.....	•Junta torica.....	•O-ring.....		
30	VOE 11884390		1			Hose.....	Durit.....	Schlauch.....	Tubo flexible.....	Slang.....		
30	VOE 11884390	1		1		Hose.....	Durit.....	Schlauch.....	Tubo flexible.....	Slang.....	S/N - 11144	
30	VOE 937992	1		1		Hose assembly.....	Conduit flexible.....	Schlauchleitung.....	Conducto.....	Slangledning.....	S/N 11145 - L = 850 MM	
31	VOE 13930842	3	3	3		Washer.....	Rondelle.....	Scheibe.....	Arandela.....	Bricka.....		
32	VOE 970880	3				Hexagon screw.....	Vis a tête hexagonale.....	Sechskantschr.....	Tornillo hexago.....	Sexkantsskruv.....		
32	VOE 983274		3	3		Hexagon screw.....	Vis tête hexagonale.....	Sechskantschraube.....	Tornillo hexago.....	Sexkantsskruv.....		
33	VOE 11885134	2				Protection.....	Protection.....	Schutz.....	Proteccion.....	Skydd.....	S/N - 11144	
33	VOE 11885134		2			Protection.....	Protection.....	Schutz.....	Proteccion.....	Skydd.....	SER NO -10766	
34	VOE 11881641		1			Clamp.....	Pince Serrage.....	Klemme.....	Abrazadera.....	Klämma.....		
34	VOE 11881641	1				Clamp.....	Pince Serrage.....	Klemme.....	Abrazadera.....	Klämma.....	S/N - 11144	
34	VOE 13949386	1				Clamp.....	Pince Serrage.....	Klemme.....	Abrazadera.....	Klämma.....	S/N 11145 -	
35	VOE 935093		1	1		Union.....	Teton Connexion.....	Anschlussnippel.....	Niple Conexcion.....	Anslutn.nippel.....		
36	VOE 4881722		1	1		O-ring.....	Joint Torique.....	O-Ring.....	Junta torica.....	O-ring.....		
37	VOE 932042		1	1		O-ring.....	Joint Torique.....	O-Ring.....	Junta torica.....	O-ring.....		
38	VOE 981666		1	1		Clamp.....	Pince Serrage.....	Klemme.....	Abrazadera.....	Klämma.....		
39	VOE 935082		1	1		Nipple.....	Raccord.....	Nippel.....	Niple.....	Nippel.....		
40	VOE 4881722		1	1		•O-ring.....	•Joint Torique.....	•O-Ring.....	•Junta torica.....	•O-ring.....		
41	VOE 932037		1	1		•O-ring.....	•Joint Torique.....	•O-Ring.....	•Junta torica.....	•O-ring.....		

1	11891005	<b>Hydraulsystem, grävarm teleskopisk</b> <b>Sistema hidráulico brazo excavador telescópico</b> <b>Hydralikanlage für teleskopische baggerarm</b> <b>Système hydraulique bras de pelle telescope</b> <b>Hydraulic system extendible dipper arm</b>	Catalogue id	Group
2	11891065		<b>20004</b>	<b>911</b>
3	11891020		Illustr. No	Section
4			<b>1007594</b>	<b>600</b>
5			Issue	Page
			<b>VOE 63G9920004</b>	<b>577</b>





Volvo Construction  
Equipment  
1007594

Fig.	Part No.	Quantity			P S	K I T	Description	Dénomination	Bezeichnung	Denominación	Benämning	Notes
		1	2	3								
42	VOE 13933905		1	1			Elbow nipple.....	Raccord angulaire.....	Winkelnippel.....	Niple angular.....	Vinkelnippel.....	
43	VOE 4881722		1	1			•O-ring.....	•Joint Torique.....	•O-Ring.....	•Junta torica.....	•O-ring.....	
44	VOE 11884437		1	1			Hose.....	Durit.....	Schlauch.....	Tubo flexible.....	Slang.....	
45	VOE 13933859			1			Nipple.....	Raccord.....	Nippel.....	Niple.....	Nippel.....	
46	VOE 4881722			2			•O-ring.....	•Joint Torique.....	•O-Ring.....	•Junta torica.....	•O-ring.....	
47	VOE 11884794			1			Fitting.....	Ecrou raccord.....	Verschraubung.....	Racor.....	Förskruvning.....	



1	11891005	<b>Hydraulsystem, grävarm teleskopisk</b> <b>Sistema hidráulico brazo excavador telescopico</b> <b>Hydralikanlage für teleskopische baggerarm</b> <b>Système hydraulique bras de pelle telescope</b> <b>Hydraulic system extendible dipper arm</b>	Catalogue id	Group
2	11891065		<b>20004</b>	<b>911</b>
3	11891020		Illustr. No	Section
4			<b>1007594</b>	<b>600</b>
5			Issue	Page
			<b>VOE 63G9920004</b>	<b>579</b>
			<b>11891005, 11891065, 11891020</b>	

**VOLVO**

**BL70**





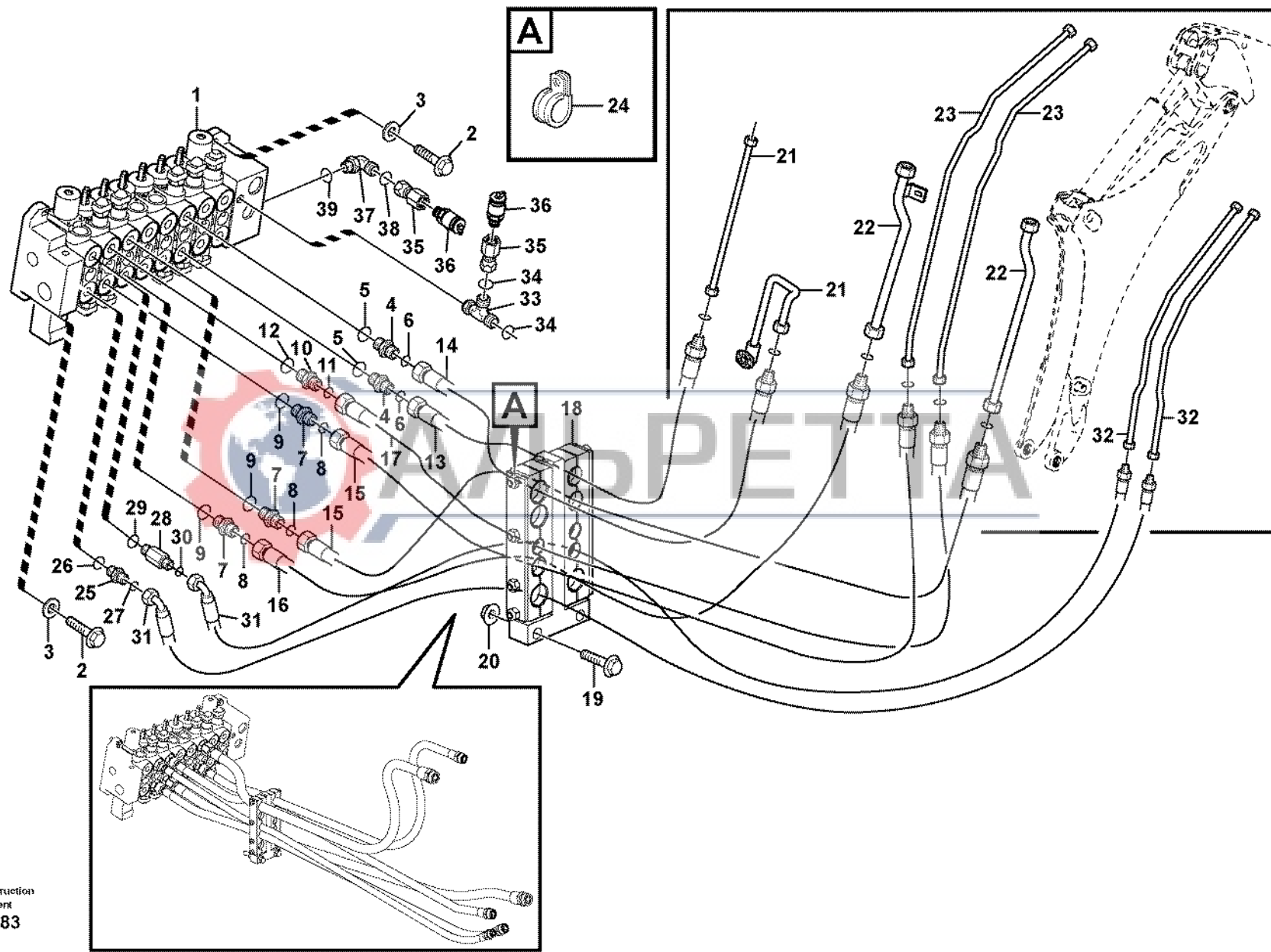


Fig.	Part No.	Quantity			P S	K I T	Description	Dénomination	Bezeichnung	Denominación	Benämning	Notes
		1	2	3								
1		1				Valve	Soupape	Ventil	Valvula	Ventil	See group 912, Page 631	
2	VOE 983253	3				Hexagon screw	Vis tête hexagonale	Sechskantschraube	Tornillo hexago	Sexkantsskruv		
3	VOE 13930842	3				Washer	Rondelle	Scheibe	Arandela	Bricka		
4	VOE 13933862	2				Nipple	Raccord	Nippel	Niple	Nippel		
5	VOE 932042	1				•O-ring	•Joint Torique	•O-Ring	•Junta torica	•O-ring		
6	VOE 981289	1				•O-ring	•Joint Torique	•O-Ring	•Junta torica	•O-ring		
7	VOE 935032	3				Nipple	Raccord	Nippel	Niple	Nippel		
8	VOE 4880663	1				•O-ring	•Joint Torique	•O-Ring	•Junta torica	•O-ring		
9	VOE 932042	1				•O-ring	•Joint Torique	•O-Ring	•Junta torica	•O-ring		
10	VOE 935093	1				Union	Teton Connexion	Anschlussnippel	Niple Conexcion	Anslutn.nippel		
11	VOE 4880493	1				•O-ring	•Joint Torique	•O-Ring	•Junta torica	•O-ring		
12	VOE 932042	1				•O-ring	•Joint Torique	•O-Ring	•Junta torica	•O-ring		
13	VOE 11883889	1				Hose	Durit	Schlauch	Tubo flexible	Slang		
	VOE 981290	1				•O-ring	•Joint Torique	•O-Ring	•Junta torica	•O-ring		
14	VOE 11883890	1				Hose	Durit	Schlauch	Tubo flexible	Slang		
	VOE 981289	1				•O-ring	•Joint Torique	•O-Ring	•Junta torica	•O-ring		
15	VOE 11883892	2				Hose	Durit	Schlauch	Tubo flexible	Slang		
	VOE 981289	1				•O-ring	•Joint Torique	•O-Ring	•Junta torica	•O-ring		
16	VOE 11883891	1				Hose	Durit	Schlauch	Tubo flexible	Slang		
	VOE 981289	1				•O-ring	•Joint Torique	•O-Ring	•Junta torica	•O-ring		
17	VOE 11883894	1				Hose	Durit	Schlauch	Tubo flexible	Slang		
	VOE 4880663	1				•O-ring	•Joint Torique	•O-Ring	•Junta torica	•O-ring		
18	VOE 11884965	1				Clamp	Pince Serrage	Klemme	Abrazadera	Klämma		
19	VOE 965195	2				Flange screw	Vis à bride	Flanschschraube	Torn embridado	Flänsskruv		
20	VOE 13971096	2				Flange nut	Ecrou accouple	Bundmutter	Tuerca embridad	Flänsmutter		
21		2				Pipe	Canalisation	Rohrleitung	Canalizacion	Rör	See group 911, Page 593	
22		2				Pipe	Canalisation	Rohrleitung	Canalizacion	Rör	See group 911, Page 597	
23		2				Pipe	Canalisation	Rohrleitung	Canalizacion	Rör	See group 911, Page 601	
24	VOE 13949746	1				Clamp	Pince Serrage	Klemme	Abrazadera	Klämma		
25	VOE 935093	1				Union	Teton Connexion	Anschlussnippel	Niple Conexcion	Anslutn.nippel	11891441	

1		<b>Hydraulsystem, grävare</b> <b>Sistema hidrlico excavador</b> <b>Hydraulikanlage ventil zum ausleger Baggeraggregat</b> <b>Système hydalique groupe pelle</b> <b>Hydraulic system, excavator</b>	Catalogue id	Group
2			<b>20004</b>	<b>911</b>
3			Illustr. No	Section
4			<b>1012083</b>	<b>700</b>
5			Issue	Page
			<b>VOE 63G9920004</b>	<b>581</b>

**VOLVO**

**BL70**

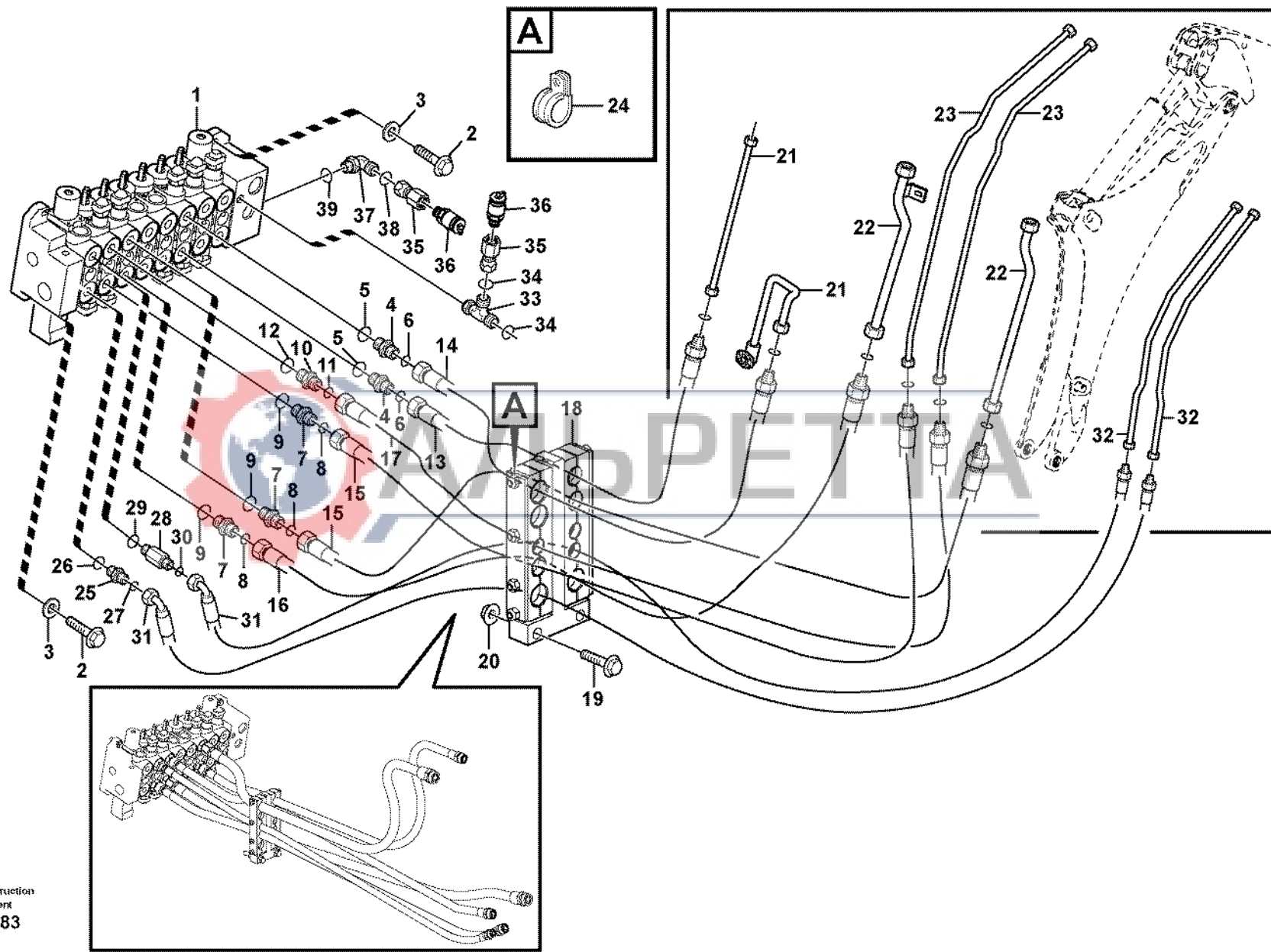


Fig.	Part No.	Quantity			P S	K I T	Description	Dénomination	Bezeichnung	Denominación	Benämning	Notes
		1	2	3								
26	VOE 932042	1				•O-ring.....	•Joint Torique.....	•O-Ring.....	•Junta torica.....	•O-ring.....	11891441	
27	VOE 4880493	1				•O-ring.....	•Joint Torique.....	•O-Ring.....	•Junta torica.....	•O-ring.....	11891441	
28	VOE 11883712	1				Fitting.....	Ecrou raccord.....	Verschraubung.....	Racor.....	Förskruvning.....	11891441	
29	VOE 932042	1				•O-ring.....	•Joint Torique.....	•O-Ring.....	•Junta torica.....	•O-ring.....	11891441	
30	VOE 4880493	1				•O-ring.....	•Joint Torique.....	•O-Ring.....	•Junta torica.....	•O-ring.....	11891441	
31	VOE 11882207	2				Hose.....	Flexible.....	Schlauch.....	Manguera.....	Slang.....	11891441	
32		2				Pipe.....	Canalisation.....	Rohrleitung.....	Canalización.....	Rör.....	See group 911, Page 611	
33	VOE 13933859	1				Nipple.....	Raccord.....	Nippel.....	Niple.....	Nippel.....	2212)	
34	VOE 4881722	2				•O-ring.....	•Joint Torique.....	•O-Ring.....	•Junta torica.....	•O-ring.....	2212)	
35	VOE 11884794	2				Fitting.....	Ecrou raccord.....	Verschraubung.....	Racor.....	Förskruvning.....	2212)	
36	VOE 936439	2				Testing Nipple.....	Raccord contrôle.....	Prufnippel.....	Niple Medicion.....	Mätnippel.....	2212)	
37	VOE 13933857	1				Elbow Nipple.....	Raccord angulaire.....	Winkelnippel.....	Niple Angular.....	V-nippel.....	2212)	
38	VOE 4881722	1				•O-ring.....	•Joint Torique.....	•O-Ring.....	•Junta torica.....	•O-ring.....	2212)	
39	VOE 932039	1				•O-ring.....	•Joint Torique.....	•O-Ring.....	•Junta torica.....	•O-ring.....	2212)	



2212) SER NO 10658-, INCL 10656

1	<b>Hydraulsystem, grävare</b> <b>Sistema hidrlico excavador</b> <b>Hydraulikanlage ventil zum ausleger Baggeraggregat</b> <b>Système hydalrique groupe pelle</b> <b>Hydraulic system, excavator</b>	Catalogue id	Group
2		<b>20004</b>	<b>911</b>
3		Illustr. No	Section
4		<b>1012083</b>	<b>700</b>
5		Issue	Page
		<b>VOE 63G9920004</b>	<b>583</b>

**VOLVO**

**BL70**



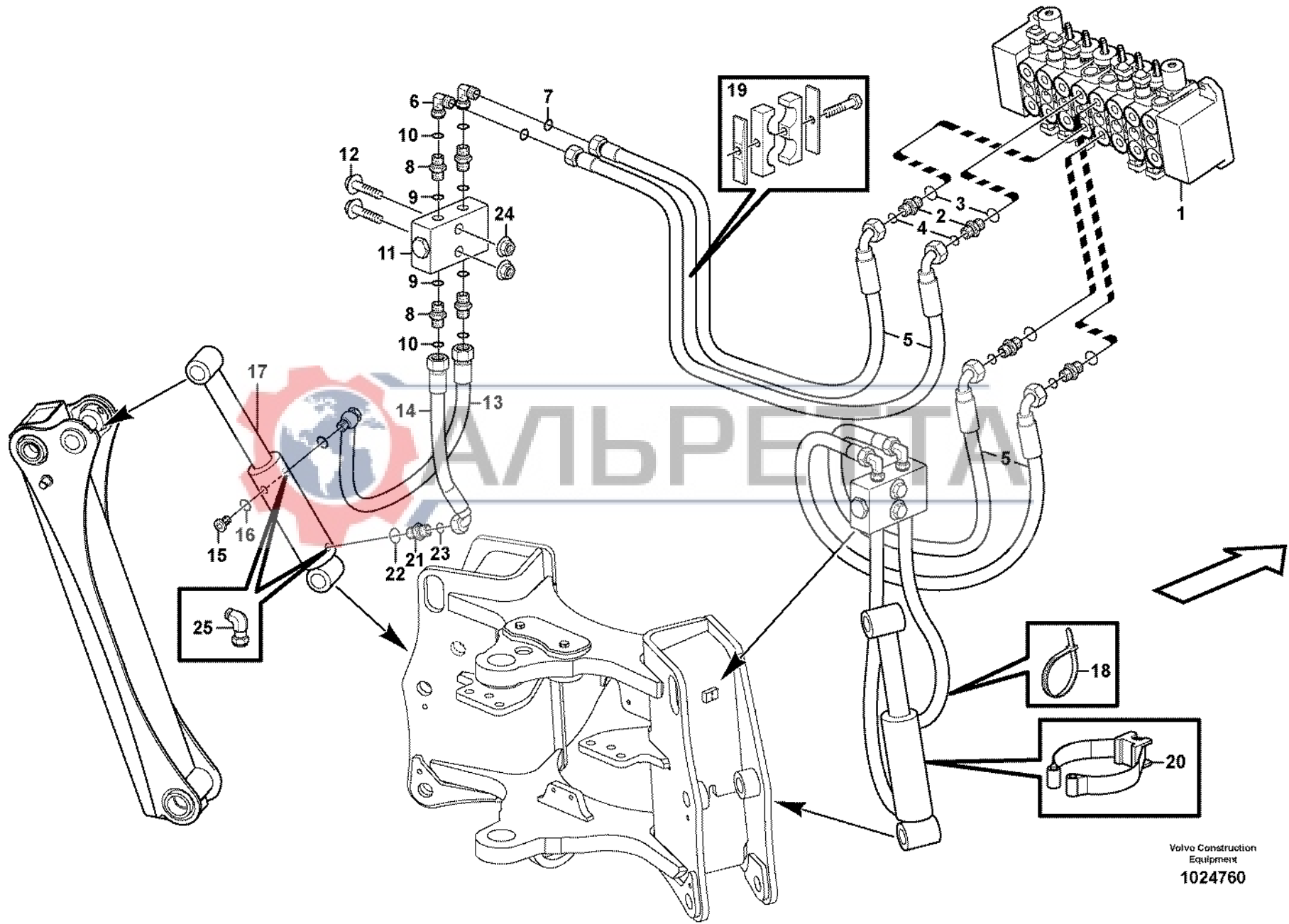


Fig.	Part No.	Quantity			P S	K I T	Description	Dénomination	Bezeichnung	Denominación	Benämning	Notes
		1	2	3								
1		1				Valve .....	Soupape.....	Ventil .....	Valvula .....	Ventil.....	See group 912, Page 631	
2	VOE 11882258	4				Nipple.....	Raccord.....	Nippel .....	Niple .....	Nippel.....		
3	VOE 932042	1				•O-ring.....	•Joint Torique .....	•O-Ring.....	•Junta torica .....	•O-ring.....		
4	VOE 4880492	1				•O-ring.....	•Joint Torique .....	•O-Ring.....	•Junta torica .....	•O-ring.....		
5	VOE 11885037	4				Hose.....	Durit .....	Schlauch .....	Tubo flexible.....	Slang.....	S/N - 11144	
5	VOE 11888650	4				Hose assembly .....	Conduit flexible .....	Schlauchleitung.....	Conducto.....	Slangledning.....	S/N 11145 -	
6	VOE 13933900	4				Elbow nipple.....	Raccord angulaire.....	Winkelnippel.....	Niple angular .....	Vinkelnippel.....		
7	VOE 4880492	1				•O-ring.....	•Joint Torique .....	•O-Ring.....	•Junta torica .....	•O-ring.....		
8	VOE 935085	8				Nipple.....	Raccord.....	Nippel .....	Niple .....	Nippel.....	SER NO -10830	
8	VOE 935089	8				Nipple.....	Raccord.....	Nippel .....	Niple .....	Nippel.....	SER NO 10831-	
9	VOE 932039	1				•O-ring.....	•Joint Torique .....	•O-Ring.....	•Junta torica .....	•O-ring.....	SER NO -10830	
9	VOE 932040	1				•O-ring.....	•Joint Torique .....	•O-Ring.....	•Junta torica .....	•O-ring.....	SER NO 10831-	
10	VOE 4880492	1				•O-ring.....	•Joint Torique .....	•O-Ring.....	•Junta torica .....	•O-ring.....		
11	VOE 11881880	2				Check valve .....	Valve antiretour.....	Rückschlagventil .....	Válvula de retención.....	Backventil.....	SER NO -10830	
11	VOE 11885315	2				Valve.....	Soupape.....	Ventil .....	Valvula .....	Ventil.....	SER NO 10831-	
12	VOE 975903	4				Flange screw.....	Vis à bride .....	Flanschschraube.....	Torn embridado.....	Flänsskruv.....	S/N - 11144	
12	VOE 13965179	4				Flange screw.....	Vis à bride .....	Flanschschraube.....	Torn embridado.....	Flänsskruv.....	S/N 11145 -	
13	VOE 11885056	2				Hose.....	Durit .....	Schlauch .....	Tubo flexible.....	Slang.....	S/N - 11144	
	VOE 13947621	1				•Plane Gasket .....	•Joint Plan .....	•Flachdichtung.....	•Junta Plana .....	•Planpackning.....		
	VOE 964113	1				•O-ring.....	•Joint Torique .....	•O-Ring.....	•Junta torica .....	•O-ring.....		
	VOE 11370560	1				•Sealing washer.....	•Rond.etancheite.....	•Dichtscheibe .....	•Arandela reten .....	•Tättningsbricka.....		
	VOE 11370589	1				•Screw.....	•Vis .....	•Schraube.....	•Tornillo .....	•Skruv.....		
13	VOE 11888600	2				Hose assembly .....	Conduit flexible .....	Schlauchleitung.....	Conducto.....	Slangledning.....	S/N 11145 -	
14	VOE 11885165	2				Hose.....	Durit .....	Schlauch .....	Tubo flexible.....	Slang.....	S/N - 11144	
14	VOE 11888600	2				Hose assembly .....	Conduit flexible .....	Schlauchleitung.....	Conducto.....	Slangledning.....	S/N 11145 -	
15	VOE 11883510	2				Plug.....	Bouchon.....	Stopfen.....	Tapon .....	Plugg.....		
16	VOE 932039	1				•O-ring.....	•Joint Torique .....	•O-Ring.....	•Junta torica .....	•O-ring.....		
17		2				Cylinder.....	Verin.....	Zylinder .....	Cilindro .....	Cylinder.....	See group 972, Page 773	
18	VOE 4881438	2				Strip Clamp .....	Ruban Serrage.....	Kabelbinder .....	Abraz Cinta .....	Bandklamma.....		
19	VOE 11883635	2				Clamp.....	Collier serrage.....	Klemme .....	Abrazadera.....	Klamma.....	S/N - 11144	

1		<b>Hydraulsystem, stödben</b> <b>Sistema hidráulico patas de apoyo</b> <b>Hydraulikanlage Bodenstützen</b> <b>Système hydraulique Bequilles</b> <b>Hydraulic system, stabiliser legs</b>	Catalogue id	Group
2			<b>20004</b>	<b>911</b>
3			Illustr. No	Section
4			<b>1024760</b>	<b>750</b>
5			Issue	Page
			<b>VOE 63G9920004</b>	<b>585</b>



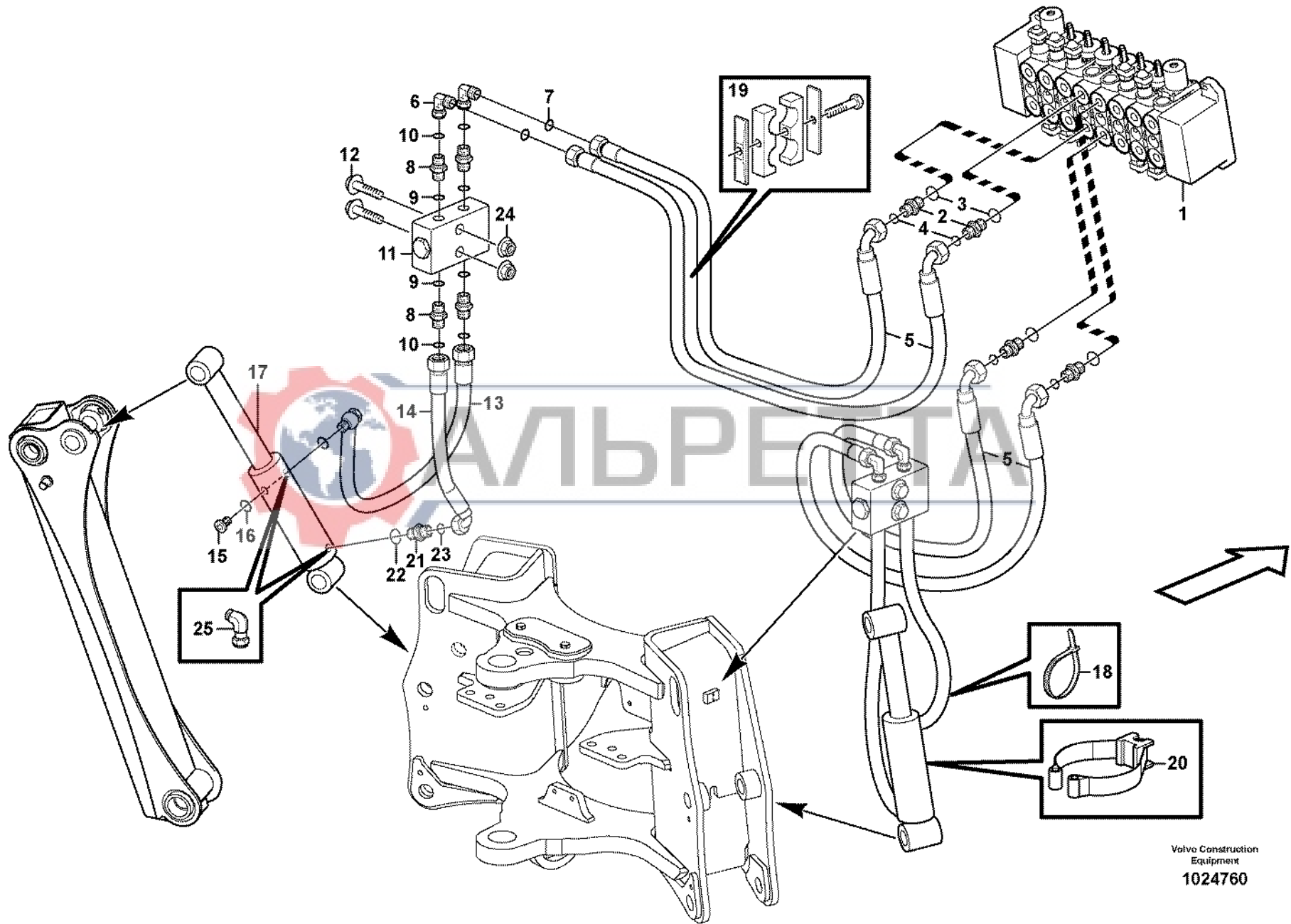


Fig.	Part No.	Quantity			P S	K I T	Description	Dénomination	Bezeichnung	Denominación	Benämning	Notes
		1	2	3								
19	VOE 1188578	2				Clamp.....	Pince Serrage .....	Klemme .....	Abrazadera.....	Klämma.....	S/N 11145 -	
20	VOE 11885704	2				Clamp.....	Pince Serrage .....	Klemme .....	Abrazadera.....	Klämma.....	S/N - 10881	
20	VOE 11887112	2				Clamp.....	Pince Serrage .....	Klemme .....	Abrazadera.....	Klämma.....	S/N 10882 -	
21	VOE 935085	2				Nipple.....	Raccord.....	Nippel.....	Niple .....	Nippel.....	S/N - 11144	
22	VOE 932039	1				•O-ring.....	•Joint Torique .....	•O-Ring.....	•Junta torica .....	•O-ring.....		
23	VOE 4880492	1				•O-ring.....	•Joint Torique .....	•O-Ring.....	•Junta torica .....	•O-ring.....		
24	VOE 948645	4				Flange Lock Nut.....	Contre écrou bride .....	Flanschmutter .....	Contratuer Embr.....	Flänslåsmutter.....	S/N 11145 -	
25	VOE 935096	4				Nipple.....	Raccord.....	Nippel.....	Niple .....	Nippel.....	S/N 11145 -	



1	<b>Hydraulsystem, stödben</b> <b>Sistema hidráulico patas de apoyo</b> <b>Hydraulikanlage Bodenstützen</b> <b>Système hydraulique Bequilles</b> <b>Hydraulic system, stabiliser legs</b>	Catalogue id	Group
2		<b>20004</b>	<b>911</b>
3		Illustr. No	Section
4		<b>1024760</b>	<b>750</b>
5		Issue	Page
		<b>VOE 63G9920004</b>	<b>587</b>

**VOLVO**

**BL70**





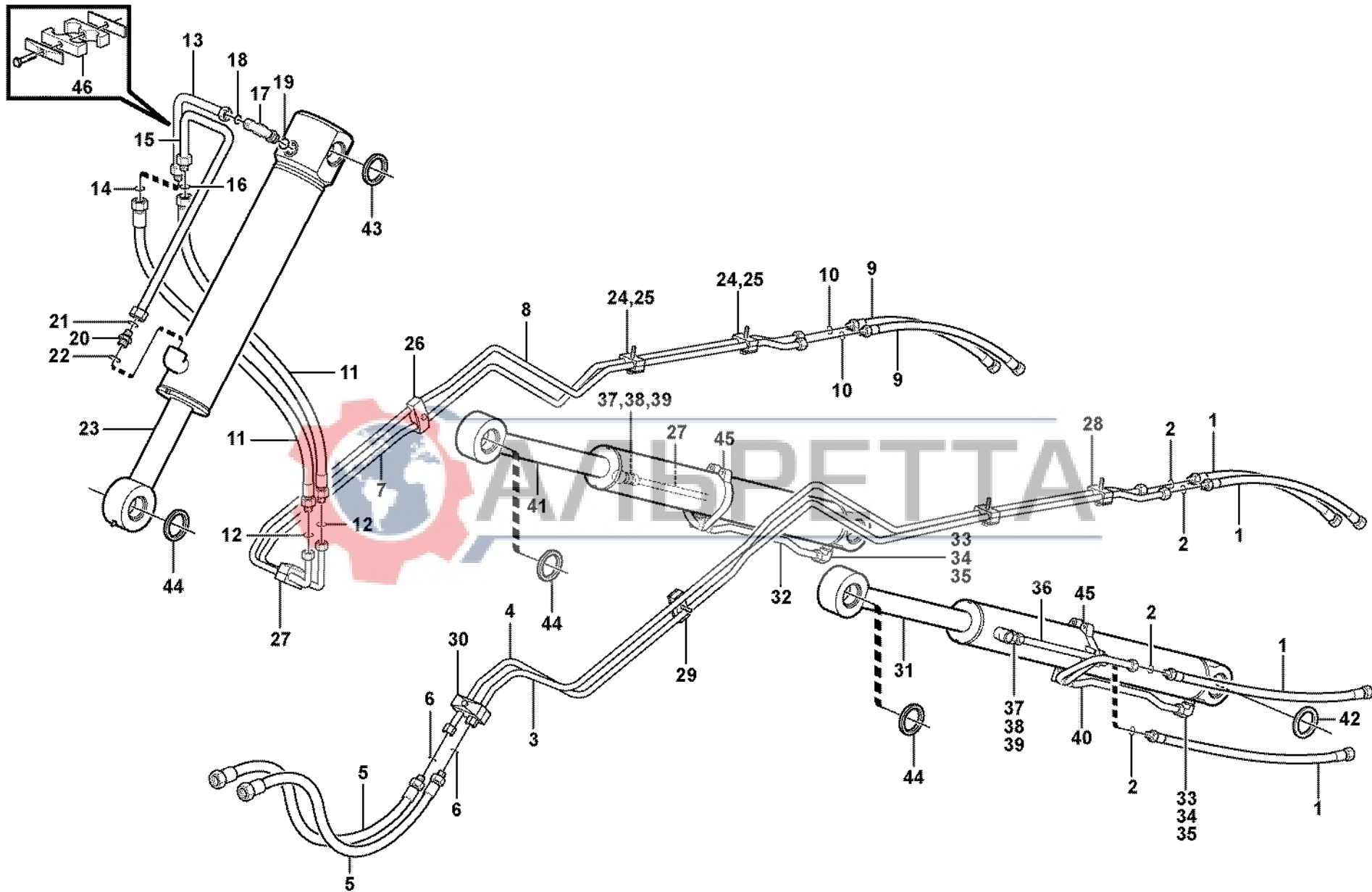
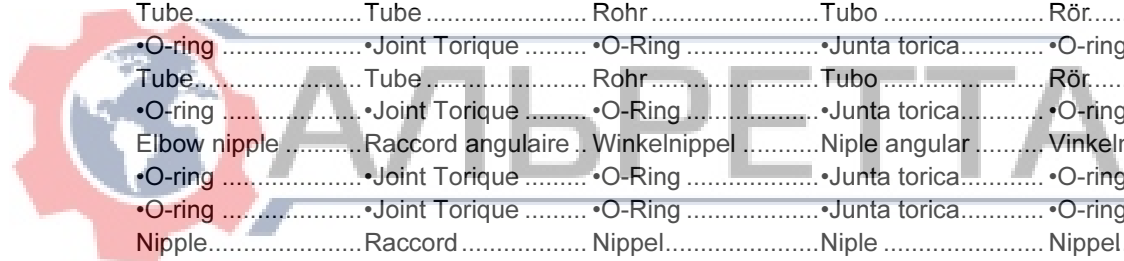


Fig.	Part No.	Quantity					P S	K T	Description	Dénomination	Bezeichnung	Denominación	Benämning	Notes
		1	2	3	4	5								
1	VOE 11882204	2	6		4			Hose .....	Durit.....	Schlauch .....	Tubo flexible .....	Slang.....		
2	VOE 4880663		1					•O-ring .....	•Joint Torique .....	•O-Ring .....	•Junta torica.....	•O-ring.....		
3	VOE 11885164	1			1			Tube.....	Tube .....	Rohr .....	Tubo .....	Rör.....	S/N - 11144	
3	VOE 11888398	1						Tube.....	Tube .....	Rohr .....	Tubo .....	Rör.....	S/N 11145 -	
4	VOE 11885163	1			1			Tube.....	Tube .....	Rohr .....	Tubo .....	Rör.....	S/N - 11144	
4	VOE 11888399	1						Tube.....	Tube .....	Rohr .....	Tubo .....	Rör.....	S/N 11145 -	
5	VOE 11881060	2			2			Hose assembly .....	Conduit flexible.....	Schlauchleitung .....	Conducto .....	Slangledning.....		
6	VOE 4880663	1			1			•O-ring .....	•Joint Torique .....	•O-Ring .....	•Junta torica.....	•O-ring.....		
7	VOE 11885151	1		1				Tube.....	Tube .....	Rohr .....	Tubo .....	Rör.....		
7	VOE 11888397				1			Tube.....	Tube .....	Rohr .....	Tubo .....	Rör.....		
8	VOE 11885150	1		1				Tube.....	Tube .....	Rohr .....	Tubo .....	Rör.....		
8	VOE 11888396				1			Tube.....	Tube .....	Rohr .....	Tubo .....	Rör.....		
9	VOE 11882649		2		2			Hose assembly .....	Conduit flexible.....	Schlauchleitung .....	Conducto .....	Slangledning.....		
10	VOE 990740		2		2			•O-ring .....	•Joint Torique .....	•O-Ring .....	•Junta torica.....	•O-ring.....		
11	VOE 11884228		2		2			Hose .....	Durit.....	Schlauch .....	Tubo flexible .....	Slang.....		
12	VOE 990740		2		2			•O-ring .....	•Joint Torique .....	•O-Ring .....	•Junta torica.....	•O-ring.....		
13	VOE 11882801		1		1			Tube.....	Tube .....	Rohr .....	Tubo .....	Rör.....		
14	VOE 990739		1		1			•O-ring .....	•Joint Torique .....	•O-Ring .....	•Junta torica.....	•O-ring.....		
15	VOE 11882800		1		1			Tube.....	Tube .....	Rohr .....	Tubo .....	Rör.....		
16	VOE 990739		1		1			•O-ring .....	•Joint Torique .....	•O-Ring .....	•Junta torica.....	•O-ring.....		
17	VOE 935079	1		1	1			Elbow nipple .....	Raccord angulaire .....	Winkelnippel .....	Niple angular .....	Vinkelnippel.....		
18	VOE 981289	1		1	1			•O-ring .....	•Joint Torique .....	•O-Ring .....	•Junta torica.....	•O-ring.....		
19	VOE 932041	1		1	1			•O-ring .....	•Joint Torique .....	•O-Ring .....	•Junta torica.....	•O-ring.....		
20	VOE 13933862	1		1	1			Nipple .....	Raccord .....	Nippel.....	Niple .....	Nippel.....		
21	VOE 990740	1		1	1			•O-ring .....	•Joint Torique .....	•O-Ring .....	•Junta torica.....	•O-ring.....		
22	VOE 932042	1		1	1			•O-ring .....	•Joint Torique .....	•O-Ring .....	•Junta torica.....	•O-ring.....		
23		1		1				Cylinder.....	Verin .....	Zylinder.....	Cilindro .....	Cylinder.....	See group 945, Page 757	
24	VOE 11881093	2		2	2			Clamp .....	Pince Serrage .....	Klemme.....	Abrazadera .....	Klämma.....		
25	VOE 983267	2		2	2			•Hexagon screw.....	•Vis a tête hexagon .....	•Sechskantschr. ....	•Tornillo hexago.....	•Sexkantsskruv.....		
26	VOE 11883229	1		1	1			Clamp .....	Pince Serrage .....	Klemme.....	Abrazadera .....	Klämma.....		



1	11891005, 11891020	<b>Hydraulsystem, lastare Hydraulic system loader Hydraulikanlage, Lader Hydraulic system loader Hydraulic system loader</b>	Catalogue id	Group
2	11880002 S/N - 11144		<b>20004</b>	<b>911</b>
3	11891208, 11891065		Illustr. No	Section
4	11880002 S/N 11145 -		<b>1024589</b>	<b>800</b>
5			Issue	Page
		<b>VOE 63G9920004</b>	<b>589</b>	



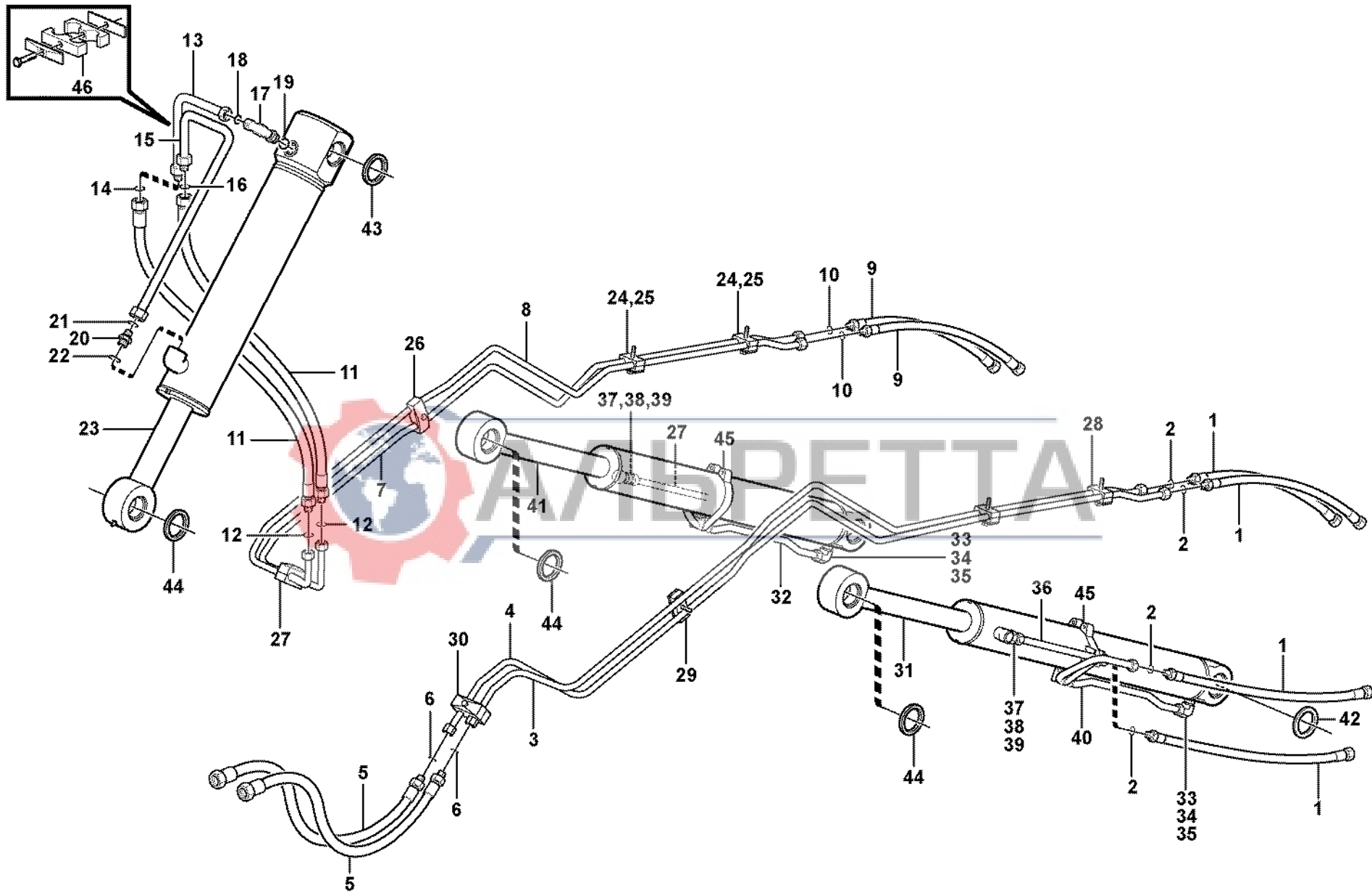


Fig.	Part No.	Quantity					P S	K I T	Description	Dénomination	Bezeichnung	Denominación	Benämning	Notes
		1	2	3	4	5								
27	VOE 11881372	1		1	1			Clamp .....	Pince Serrage .....	Klemme.....	Abrazadera .....	Klämma.....		
28	VOE 11881340	2						Clamp .....	Pince Serrage .....	Klemme.....	Abrazadera .....	Klämma.....		
29	VOE 11881054	1						Clamp .....	Pince Serrage .....	Klemme.....	Abrazadera .....	Klämma.....		
30	VOE 11882854	1						Clamp .....	Pince Serrage .....	Klemme.....	Abrazadera .....	Klämma.....		
31		1		1	1			Cylinder.....	Verin.....	Zylinder .....	Cilindro .....	Cylinder.....	See group 945, Page 755	
32	VOE 11882798		1		1			Tube.....	Tube .....	Rohr .....	Tube .....	Rör.....		
33	VOE 935076	2		2	2			Elbow Nipple.....	Raccord angulaire..	Winkelnippel .....	Niple Angular.....	V-nippel.....		
34	VOE 935076	2		2	2			•Elbow Nipple .....	•Raccord angulaire..	•Winkelnippel .....	•Niple Angular.....	•V-nippel.....		
35	VOE 932040	2		2	2			•O-ring .....	•Joint Torique .....	•O-Ring .....	•Junta torica.....	•O-ring.....		
36	VOE 11882799	2		2	2			Tube.....	Tube .....	Rohr .....	Tube .....	Rör.....		
37	VOE 935094	2		2	2			Nipple.....	Raccord.....	Nippel.....	Niple .....	Nippel.....		
38	VOE 4880663	2		2	2			•O-ring .....	•Joint Torique .....	•O-Ring .....	•Junta torica.....	•O-ring.....		
39	VOE 932040	2		2	2			•O-ring .....	•Joint Torique .....	•O-Ring .....	•Junta torica.....	•O-ring.....		
40	VOE 11881499		1		1			Tube.....	Tube .....	Rohr .....	Tube .....	Rör.....		
41		1		1	1			Cylinder.....	Verin.....	Zylinder .....	Cilindro .....	Cylinder.....	See group 945, Page 755	
42	VOE 11890069	4		4	4			Seal.....	Joint.....	Dichtung.....	Reten.....	Tätning.....		
43	VOE 11883937	2		2	2			Scraper.....	Racloir .....	Abstreicher.....	Rascador .....	Skrapa.....		
44	VOE 11883675	6		6	6			Scraper.....	Racloir .....	Abstreicher.....	Rascador .....	Skrapa.....		
45	VOE 11885203				2			Clamp .....	Pince Serrage .....	Klemme.....	Abrazadera .....	Klämma.....		
46	VOE 11881092				1			Clamp .....	Pince Serrage .....	Klemme.....	Abrazadera .....	Klämma.....		

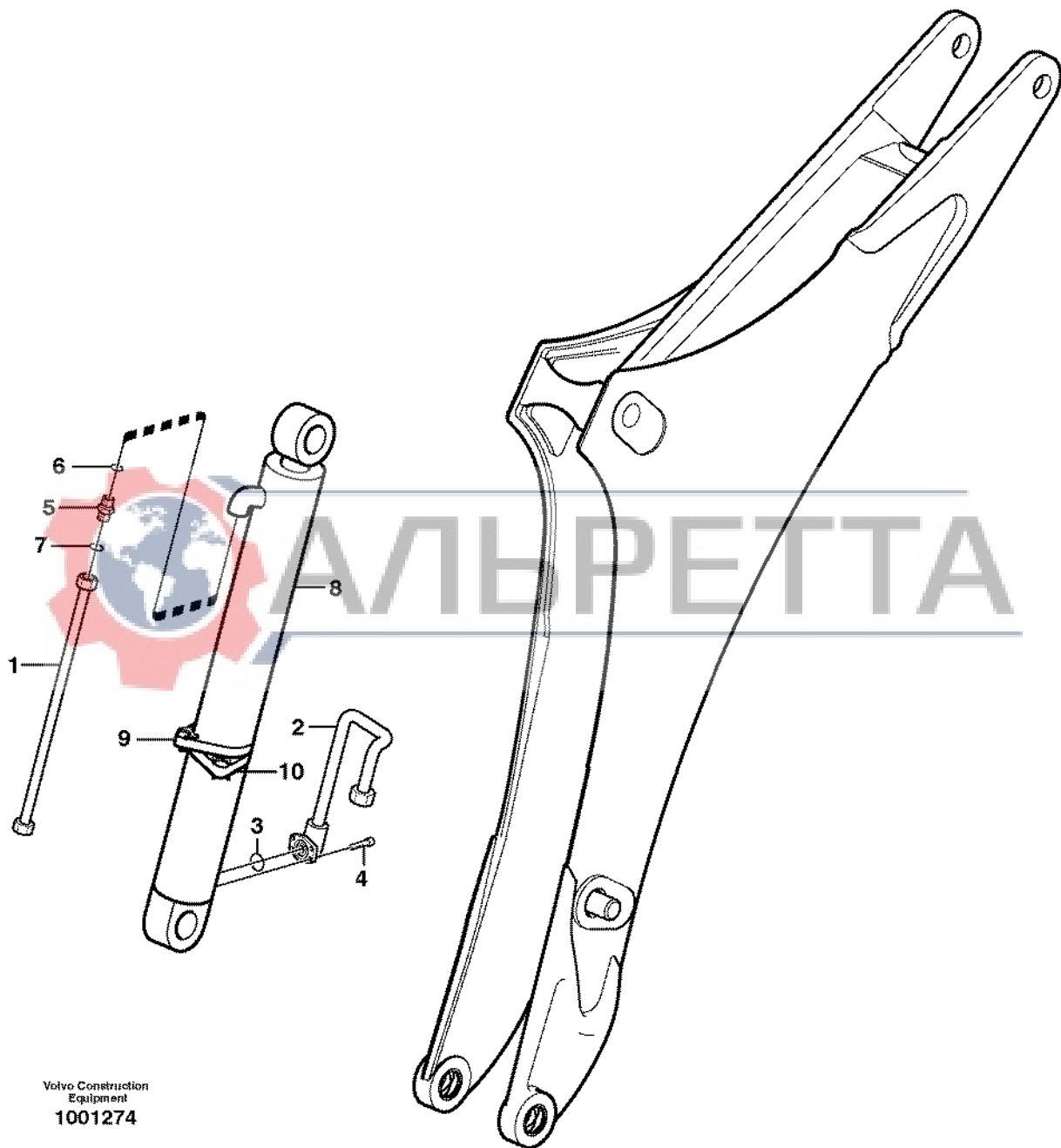


1	11891005, 11891020	Hydraulsystem, lastare Hydraulic system loader Hydraulikanlage, Lader Hydraulic system loader Hydraulic system loader	Catalogue id <b>20004</b>	Group <b>911</b>
2	11880002 S/N - 11144		Illustr. No <b>1024589</b>	Section <b>800</b>
3	11891208, 11891065			
4	11880002 S/N 11145 -		Issue VOE 63G9920004	Page <b>591</b>
5				

**VOLVO**

**BL70**





Volvo Construction  
Equipment  
1001274

Fig.	Part No.	Quantity			P S	K I T	Description	Dénomination	Bezeichnung	Denominación	Benämning	Notes
		1	2	3								
1	VOE 11891063	1				Pipe.....	Canalisation .....	Rohrleitung.....	Canalización.....	Rör.....		
2	VOE 11891064	1				Pipe.....	Canalisation .....	Rohrleitung.....	Canalización.....	Rör.....		
3	VOE 13948699	1				O-ring.....	Joint Torique .....	O-Ring.....	Junta torica.....	O-ring.....		
4	VOE 967635	4				Allen Hd Screw .....	Vis A 6 Pans Cr.....	Inbusschraube.....	Torn Hex Embut.....	Insexskruv.....		
5	VOE 13933862	1				Nipple.....	Raccord.....	Nippel.....	Niple.....	Nippel.....		
6	VOE 981289	1				•O-ring.....	•Joint Torique .....	•O-Ring.....	•Junta torica .....	•O-ring.....		
7	VOE 932042	1				•O-ring.....	•Joint Torique .....	•O-Ring.....	•Junta torica .....	•O-ring.....		
8		1				Boom Cylinder .....	Verin Fleche.....	Auslegerzyl.....	Cilindro Pluma .....	Bomcylinder.....	See group 974, Page 785	
9	VOE 11881289	1				Clamp.....	Pince Serrage .....	Klemme .....	Abrazadera.....	Klämma.....		
10	VOE 11881101	1				Clamp.....	Pince Serrage .....	Klemme .....	Abrazadera.....	Klämma.....		

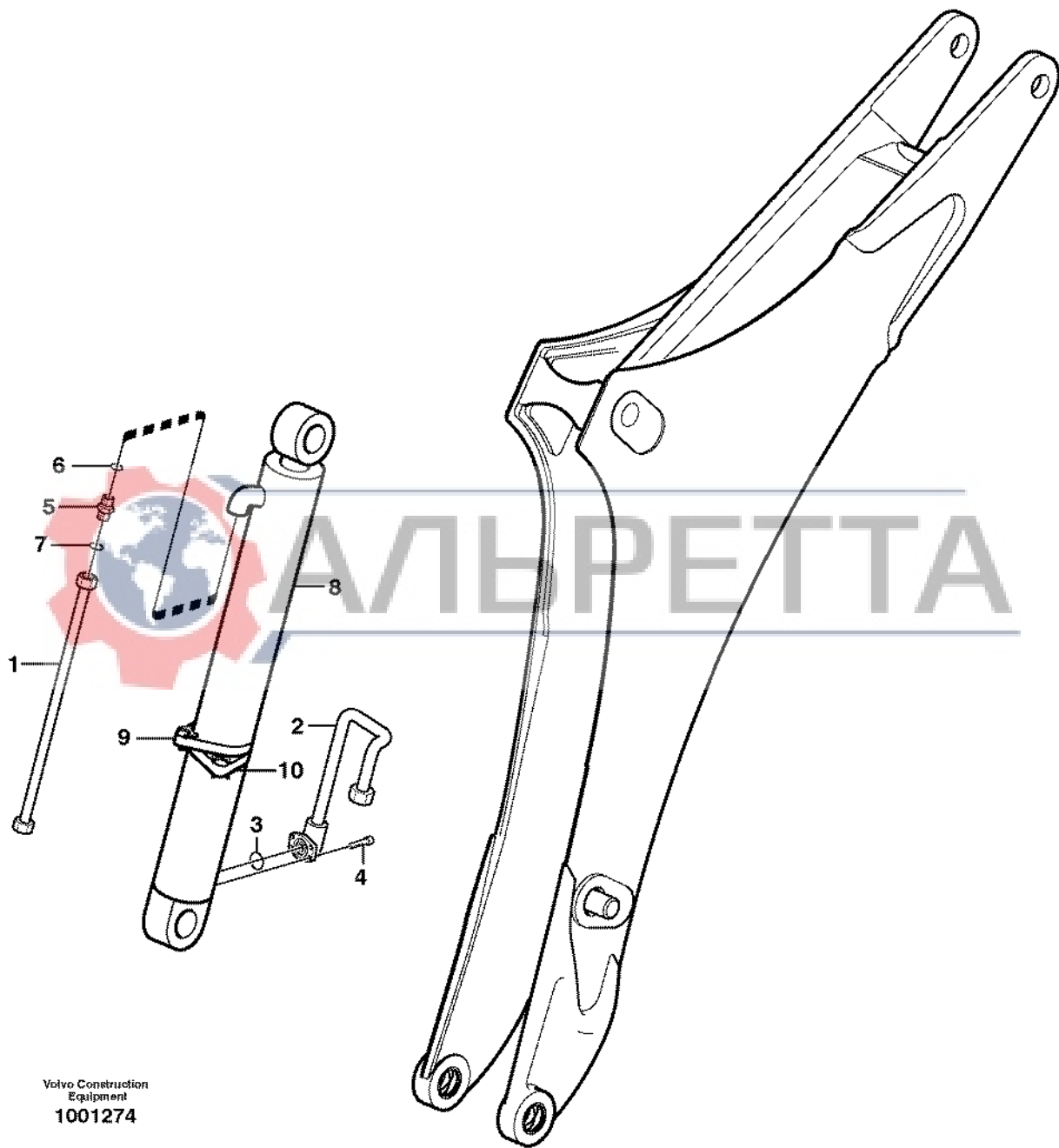


1		Hydraulsystem, grävboom	Catalogue id	Group
2		Hydraulic system, excavator beam	<b>20004</b>	<b>911</b>
3		Hydraulic system, excavator beam	Illustr. No	Section
4		Hydraulic system, excavator beam	<b>1001274</b>	<b>900</b>
5		Hydraulic system, excavator beam	Issue	Page
		<b>11891005, 11891041, 11891022, 11891441, S/N - 11144</b>	<b>VOE 63G9920004</b>	<b>593</b>

**VOLVO**

**BL70**





Volvo Construction  
Equipment  
1001274

Fig.	Part No.	Quantity			P S	K I T	Description	Dénomination	Bezeichnung	Denominación	Benämning	Notes
		1	2	3								
1	VOE 11891063	1				Pipe.....	Canalisation .....	Rohrleitung.....	Canalización.....	Rör.....		
2	VOE 11891064	1				Pipe.....	Canalisation .....	Rohrleitung.....	Canalización.....	Rör.....		
3	VOE 13948699	1				O-ring.....	Joint Torique .....	O-Ring.....	Junta torica.....	O-ring.....		
4	VOE 967635	4				Allen Hd Screw .....	Vis A 6 Pans Cr.....	Inbusschraube.....	Torn Hex Embut.....	Insexskruv.....		
5	VOE 13933862	1				Nipple.....	Raccord.....	Nippel.....	Niple.....	Nippel.....		
6	VOE 981289	1				•O-ring.....	•Joint Torique .....	•O-Ring.....	•Junta torica .....	•O-ring.....		
7	VOE 932042	1				•O-ring.....	•Joint Torique .....	•O-Ring.....	•Junta torica .....	•O-ring.....		
8	VOE 11881459	1				Boom Cylinder .....	Verin de fleche .....	Auslegerzylinder.....	Maquina de flecha.....	Bomcylinder.....	See group 974, Page 785	
9	VOE 11881289	1				Clamp.....	Pince Serrage .....	Klemme .....	Abrazadera.....	Klämma.....		
10	VOE 11881101	1				Clamp.....	Pince Serrage .....	Klemme .....	Abrazadera.....	Klämma.....		



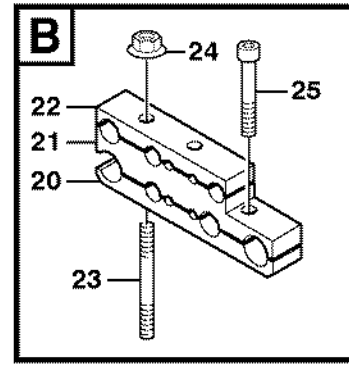
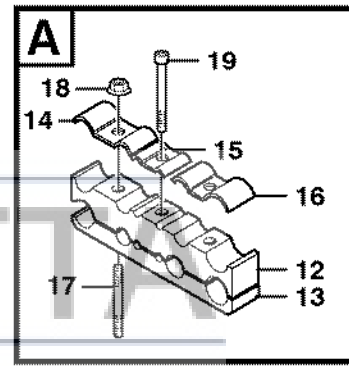
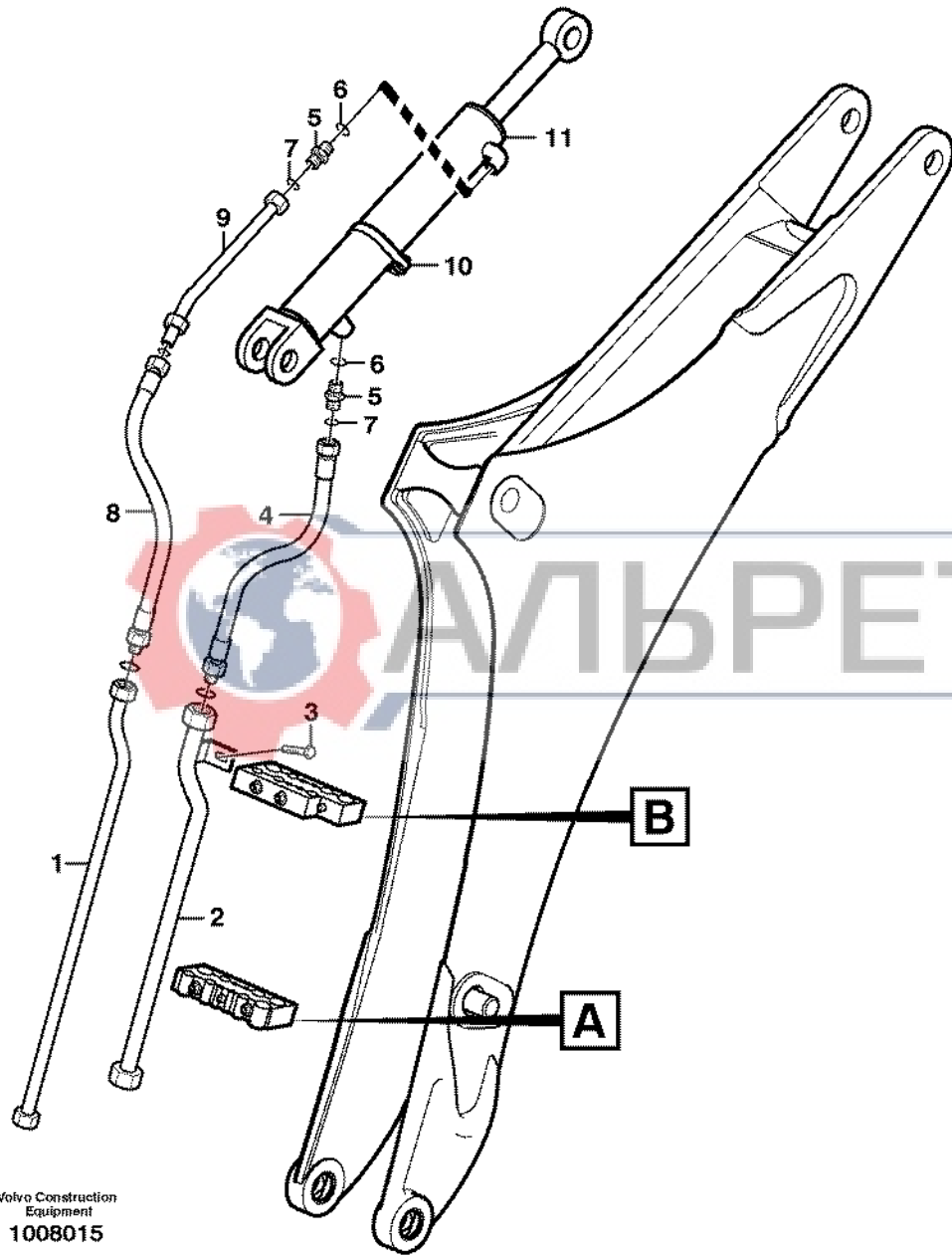
1	<b>Hydraulsystem, grävboom</b> <b>Sistema hidráulico, pluma de excavación</b> <b>Hydraulikanlage, Baggerausleger</b> <b>Système hydraulique, flèche</b> <b>Hydraulic system, boom</b> <b>11880002, S/N 11145 -</b>	Catalogue id <b>20004</b>	Group <b>911</b>	
2		Illustr. No <b>1001274</b>	Section <b>910</b>	
3			Issue <b>VOE 63G9920004</b>	Page <b>595</b>
4				
5				

**VOLVO**

**BL70**







Volvo Construction  
Equipment  
1008015

Fig.	Part No.	Quantity			P S	K I T	Description	Dénomination	Bezeichnung	Denominación	Benämning	Notes
		1	2	3								
1	VOE 11891058	1				Pipe.....	Canalisation .....	Rohrleitung.....	Canalización.....	Rör.....		
2	VOE 11891062	1				Pipe.....	Canalisation .....	Rohrleitung.....	Canalización.....	Rör.....		
3	VOE 13967630	1				Allen Hd Screw .....	Vis A 6 Pans Cr.....	Inbusschraube.....	Torn Hex Embut.....	Insexskruv.....	SER NO -10757	
3	VOE 13945444	1				Flange screw.....	Vis à bride .....	Flanschschraube.....	Torn embridado.....	Flänsskruv.....	SER NO 10758-	
4	VOE 11882200	1				Hose assembly .....	Conduit flexible .....	Schlauchleitung.....	Conducto.....	Slangledning.....		
	VOE 981290	1				•O-ring.....	•Joint Torique .....	•O-Ring.....	•Junta torica .....	•O-ring.....		
5	VOE 13933862	2				Nipple.....	Raccord.....	Nippel.....	Niple .....	Nippel.....		
6	VOE 981289	2				•O-ring.....	•Joint Torique .....	•O-Ring.....	•Junta torica .....	•O-ring.....		
7	VOE 932042	2				•O-ring.....	•Joint Torique .....	•O-Ring.....	•Junta torica .....	•O-ring.....		
8	VOE 11882201	1				Hose assembly .....	Conduit flexible .....	Schlauchleitung.....	Conducto.....	Slangledning.....		
	VOE 981289	1				•O-ring.....	•Joint Torique .....	•O-Ring.....	•Junta torica .....	•O-ring.....		
9	VOE 11881937	1				Tube.....	Tube.....	Rohr.....	Tube.....	Rör.....		
	VOE 981289	1				•O-ring.....	•Joint Torique .....	•O-Ring.....	•Junta torica .....	•O-ring.....		
10	VOE 11881101	1				Clamp.....	Pince Serrage .....	Klemme.....	Abrazadera.....	Klämma.....		
11		1				Backhoe cylinder.....	Cylindre bras.....	Baggerarmzylinder.....	Cilindro brazo.....	Skaftcylinder.....	See group 975, Page 787	
12	VOE 11881346	1				Clamp.....	Pince Serrage .....	Klemme.....	Abrazadera.....	Klämma.....		
13	VOE 11881345	1				Clamp.....	Pince Serrage .....	Klemme.....	Abrazadera.....	Klämma.....		
14	VOE 11881048	1				Clamp.....	Pince Serrage .....	Klemme.....	Abrazadera.....	Klämma.....		
15	VOE 11881049	1				Clamp.....	Pince Serrage .....	Klemme.....	Abrazadera.....	Klämma.....		
16	VOE 11882857	1				Clamp.....	Pince Serrage .....	Klemme.....	Abrazadera.....	Klämma.....		
17	VOE 953059	2				Stud.....	Goujon .....	Stiftschraube .....	Esparrago.....	Pinnskruv.....		
18	VOE 948645	1				Flange Lock Nut.....	Contre écrou bride.....	Flanschmutter .....	Contratuer Embr.....	Flänslåsmutter.....		
	VOE 961991	1				Hexagon Nut.....	Ecrou Hexagonal .....	Sechskantmutter .....	Tuerca Hexagon.....	Sexkantmutter.....		
19	VOE 967633	1				Allen Hd Screw .....	Vis A 6 Pans Cr.....	Inbusschraube.....	Torn Hex Embut.....	Insexskruv.....		
20	VOE 11886105	1				Band.....	Etrier Serrage.....	Schelle .....	Cinta.....	Klamma.....	(VOE 11881347)	
21	VOE 11881348	1				Clamp.....	Pince Serrage .....	Klemme.....	Abrazadera.....	Klämma.....		
22	VOE 11881349	1				Clamp.....	Pince Serrage .....	Klemme.....	Abrazadera.....	Klämma.....		
23	VOE 953062	2				Stud.....	Goujon .....	Stiftschraube .....	Esparrago.....	Pinnskruv.....		
24	VOE 948645	2				Flange Lock Nut.....	Contre écrou bride.....	Flanschmutter .....	Contratuer Embr.....	Flänslåsmutter.....		
25	VOE 13949927	1				Allen Hd Screw .....	Vis A 6 Pans Cr.....	Inbusschraube.....	Torn Hex Embut.....	Insexskruv.....		

1		<b>Hydraulsystem, grävarm</b> <b>Sistema hidráulico, balancín</b> <b>Hydraulikanlage, Baggerstiel</b> <b>Système hydraulique, balancier</b> <b>Hydraulic system dipper arm</b>	Catalogue id	Group
2			<b>20004</b>	<b>911</b>
3			Illustr. No	Section
4			<b>1008015</b>	<b>1000</b>
5			Issue	Page
			<b>VOE 63G9920004</b>	<b>597</b>
			<b>11891005, 11891041, 11891022, 11891441, S/N - 11144</b>	

**VOLVO**

**BL70**

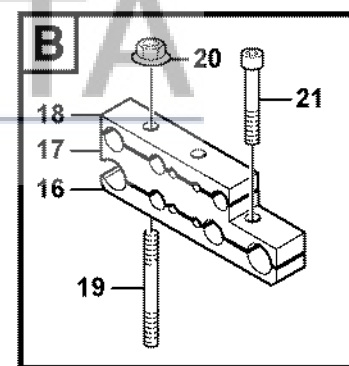
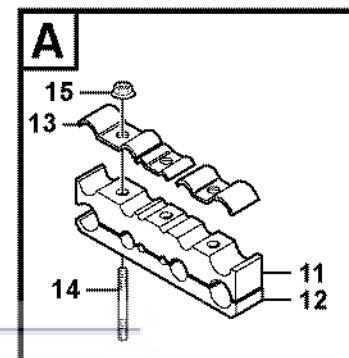
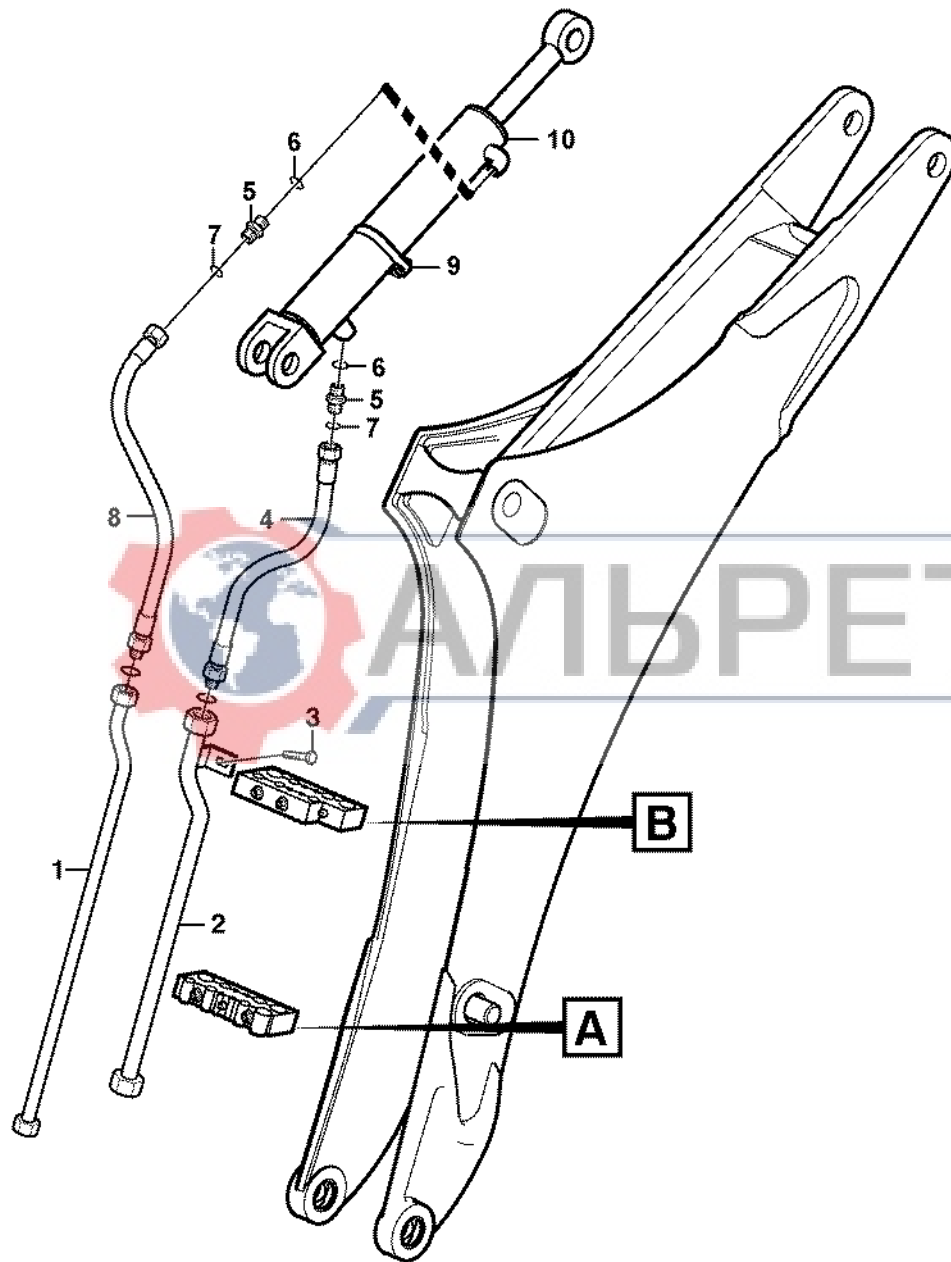


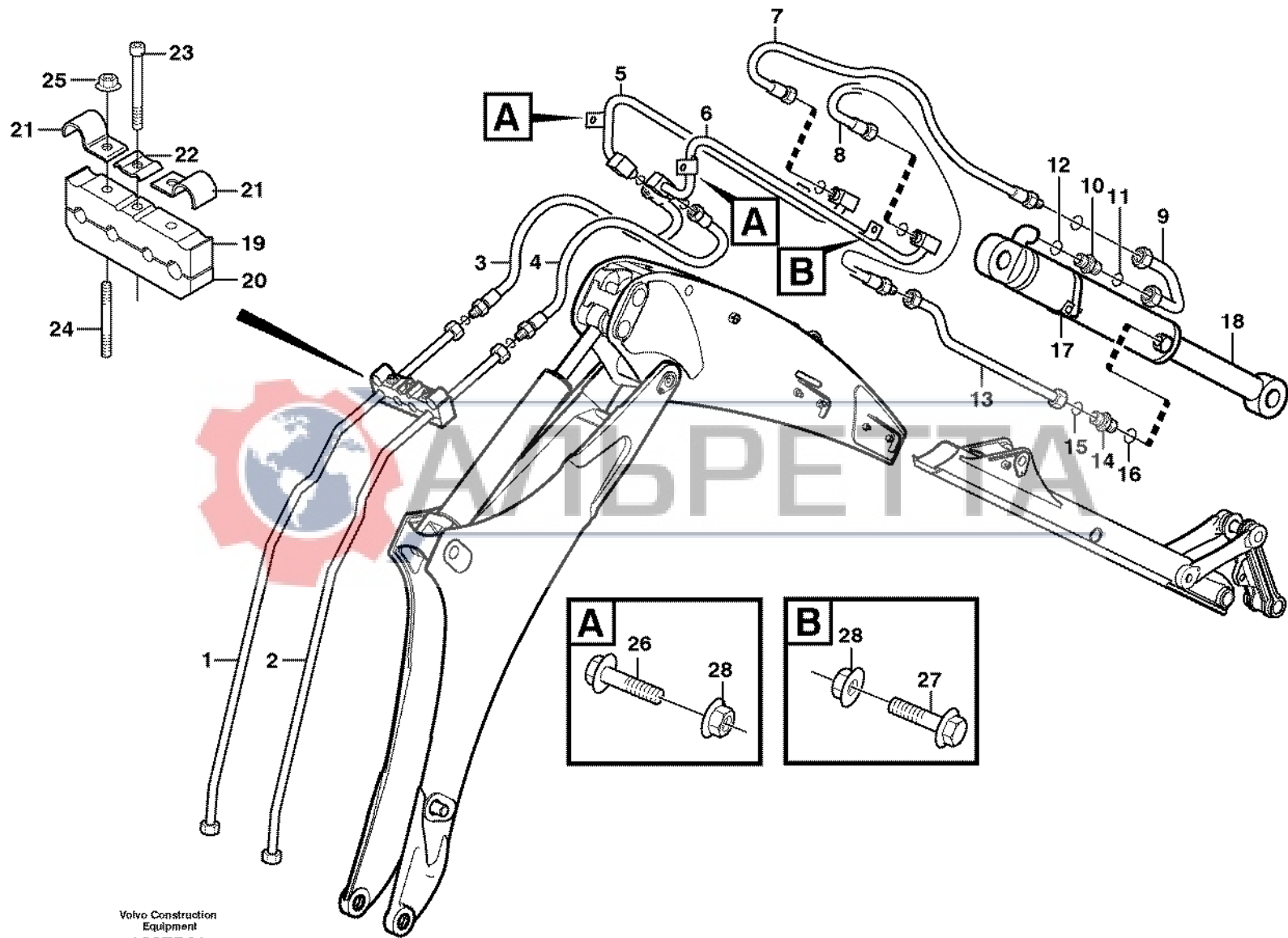
Fig.	Part No.	Quantity			P S	K I T	Description	Dénomination	Bezeichnung	Denominación	Benämning	Notes
		1	2	3								
1	VOE 11891058	1				Pipe.....	Canalisation .....	Rohrleitung.....	Canalización.....	Rör.....		
2	VOE 11891062	1				Pipe.....	Canalisation .....	Rohrleitung.....	Canalización.....	Rör.....		
3	VOE 13967630	1				Allen Hd Screw .....	Vis A 6 Pans Cr.....	Inbusschraube.....	Torn Hex Embut.....	Insexskruv.....	SER NO -12189	
3	VOE 13945444	1				Flange screw.....	Vis à bride .....	Flanschschraube.....	Torn embridado .....	Flänsskruv.....	SER NO 12190-	
4	VOE 11882200	1				Hose assembly .....	Conduit flexible .....	Schlauchleitung.....	Conducto.....	Slangledning.....		
	VOE 981290	1				•O-ring.....	•Joint Torique .....	•O-Ring.....	•Junta torica .....	•O-ring.....		
5	VOE 13933862	2				Nipple.....	Raccord.....	Nippel.....	Niple .....	Nippel.....		
6	VOE 990740	2				•O-ring.....	•Joint Torique .....	•O-Ring.....	•Junta torica .....	•O-ring.....		
7	VOE 932042	2				•O-ring.....	•Joint Torique .....	•O-Ring.....	•Junta torica .....	•O-ring.....		
8	VOE 11888543	1				Hose assembly .....	Conduit flexible .....	Schlauchleitung.....	Conducto.....	Slangledning.....		
9	VOE 11881101	1				Clamp.....	Pince Serrage .....	Klemme .....	Abrazadera.....	Klämma.....		
10	VOE 11881460	1				Dipper Arm Cylinder...	Vérin de bras.....	Stielzylinder.....	Cilindro de brazo .....	Skaftcylinder.....	See group 975, Page 787	
11	VOE 11881346	1				Clamp.....	Pince Serrage .....	Klemme .....	Abrazadera.....	Klämma.....		
12	VOE 11886105	1				Band.....	Etrier Serrage .....	Schelle .....	Cinta .....	Klamma.....		
13	VOE 11887870	1				Clamp.....	Pince Serrage .....	Klemme .....	Abrazadera.....	Klämma.....		
14	VOE 953059	2				Stud.....	Goujon .....	Stiftschraube .....	Esparrago.....	Pinnskruv.....		
15	VOE 961991	2				Hexagon Nut.....	Ecrou Hexagonal .....	Sechskantmutter .....	Tuerca Hexagon.....	Sexkantsmutter.....		
16	VOE 11886105	1				Band.....	Etrier Serrage .....	Schelle .....	Cinta .....	Klamma.....	(VOE 11881347)	
17	VOE 11881348	1				Clamp.....	Pince Serrage .....	Klemme .....	Abrazadera.....	Klämma.....		
18	VOE 11881349	1				Clamp.....	Pince Serrage .....	Klemme .....	Abrazadera.....	Klämma.....		
19	VOE 11885982	2				Stud.....	Goujon .....	Stiftschraube .....	Esparrago.....	Pinnskruv.....		
20	VOE 961991	2				Hexagon Nut.....	Ecrou Hexagonal .....	Sechskantmutter .....	Tuerca Hexagon.....	Sexkantsmutter.....		
21	VOE 13949927	1				Allen Hd Screw .....	Vis A 6 Pans Cr.....	Inbusschraube.....	Torn Hex Embut.....	Insexskruv.....		

1		<b>Hydraulsystem, grävarm</b> <b>Sistema hidráulico, balancín</b> <b>Hydraulikanlage, Baggerstiel</b> <b>Système hydraulique, balancier</b> <b>Hydraulic system dipper arm</b>	Catalogue id	Group
2			<b>20004</b>	<b>911</b>
3			Illustr. No	Section
4			<b>1024672</b>	<b>1010</b>
5			Issue	Page
		<b>11880002, S/N 11145 -</b>	<b>VOE 63G9920004</b>	<b>599</b>

**VOLVO**

**BL70**

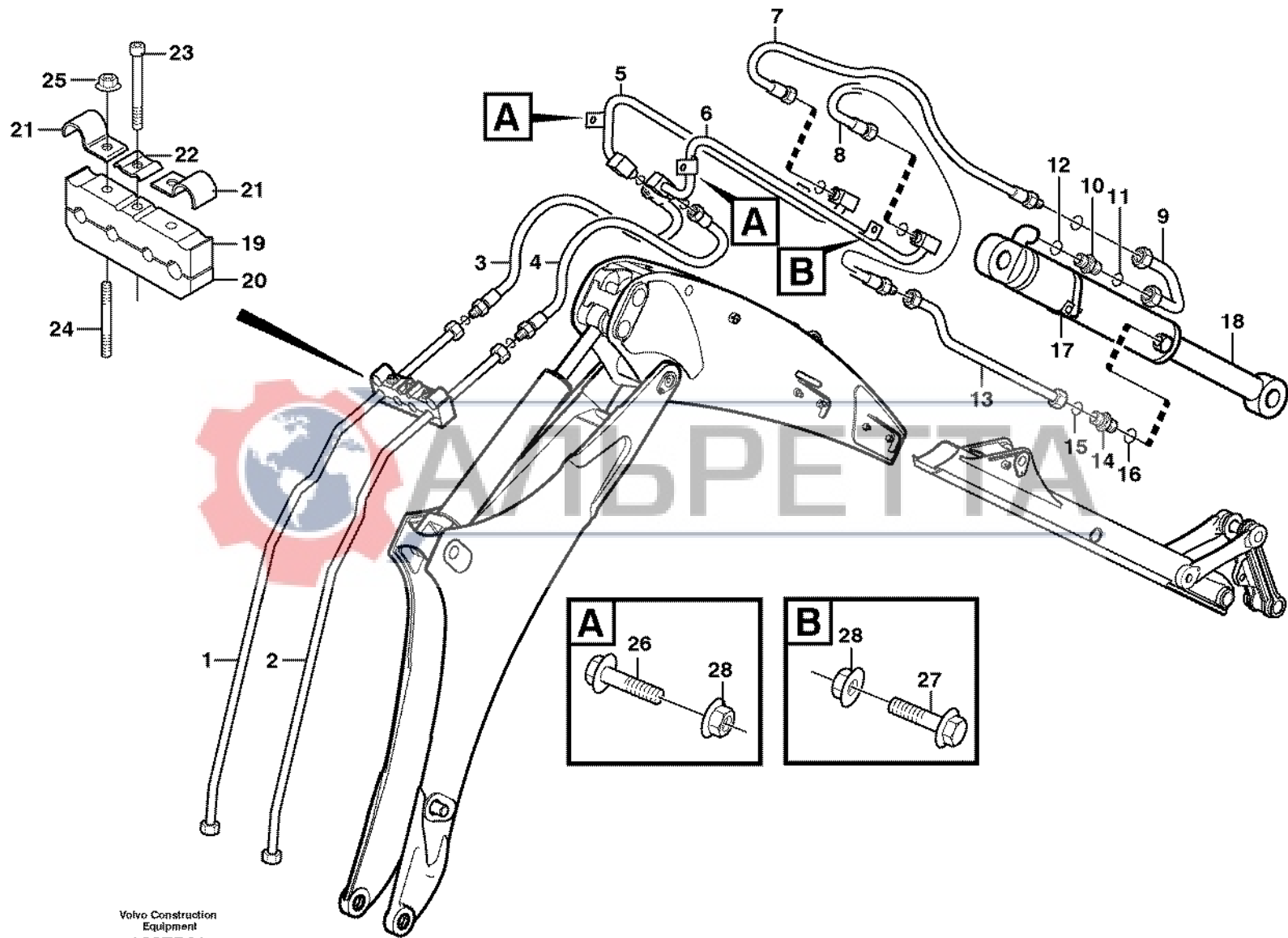




Volvo Construction  
Equipment  
1007541

Fig.	Part No.	Quantity			P S	K I T	Description	Dénomination	Bezeichnung	Denominación	Benämning	Notes
		1	2	3								
1	VOE 11891056	1				Pipe.....	Canalisation .....	Rohrleitung.....	Canalizacion.....	Rör.....		
2	VOE 11891054	1				Pipe.....	Canalisation .....	Rohrleitung.....	Canalizacion.....	Rör.....		
3	VOE 11882203	1				Hose assembly .....	Conduit flexible .....	Schlauchleitung.....	Conducto.....	Slangledning.....		
	VOE 4880663	1				•O-ring.....	•Joint Torique .....	•O-Ring.....	•Junta torica .....	•O-ring.....		
4	VOE 11881638	1				Hose assembly .....	Conduit flexible .....	Schlauchleitung.....	Conducto.....	Slangledning.....		
	VOE 4880493	1				•O-ring.....	•Joint Torique .....	•O-Ring.....	•Junta torica .....	•O-ring.....		
5	VOE 11886476	1				Feed Pipe.....	Conduit Entree .....	Einlaufrohr.....	Tubo Entrada .....	Tillopsrör.....		
	VOE 4880663	2				O-ring.....	Joint Torique .....	O-Ring.....	Junta torica.....	O-ring.....		
6	VOE 11886480	1				Feed Pipe.....	Conduit Entree .....	Einlaufrohr.....	Tubo Entrada .....	Tillopsrör.....		
	VOE 4880493	2				O-ring.....	Joint Torique .....	O-Ring.....	Junta torica.....	O-ring.....		
7	VOE 11882205	1				Hose assembly .....	Conduit flexible .....	Schlauchleitung.....	Conducto.....	Slangledning.....	S/N - 10848	
	VOE 981289	1				•O-ring.....	•Joint Torique .....	•O-Ring.....	•Junta torica .....	•O-ring.....		
	VOE 11887018	1				Hose.....	Durit .....	Schlauch .....	Tubo flexible.....	Slang.....	S/N 10849 -	
8	VOE 11882206	1				Hose assembly .....	Conduit flexible .....	Schlauchleitung.....	Conducto.....	Slangledning.....	S/N - 10848	
	VOE 4880663	1				•O-ring.....	•Joint Torique .....	•O-Ring.....	•Junta torica .....	•O-ring.....		
	VOE 11887019	1				Hose.....	Durit .....	Schlauch .....	Tubo flexible.....	Slang.....	S/N 10849 -	
9	VOE 11891088	1				Pipe.....	Canalisation .....	Rohrleitung.....	Canalizacion.....	Rör.....		
10	VOE 13933862	1				Nipple.....	Raccord.....	Nippel.....	Niple.....	Nippel.....		
11	VOE 981289	1				•O-ring.....	•Joint Torique .....	•O-Ring.....	•Junta torica .....	•O-ring.....		
12	VOE 932042	1				•O-ring.....	•Joint Torique .....	•O-Ring.....	•Junta torica .....	•O-ring.....		
13	VOE 11891089	1			SS	Pipe.....	Canalisation .....	Rohrleitung.....	Canalizacion.....	Rör.....		
14	VOE 935094	1				Nipple.....	Raccord.....	Nippel.....	Niple.....	Nippel.....		
15	VOE 4880663	1				•O-ring.....	•Joint Torique .....	•O-Ring.....	•Junta torica .....	•O-ring.....		
16	VOE 932040	1				•O-ring.....	•Joint Torique .....	•O-Ring.....	•Junta torica .....	•O-ring.....		
17	VOE 11881292	1				Clamp.....	Pince Serrage .....	Klemme.....	Abrazadera.....	Klämma.....		
18		1				Bucket Cylinder.....	Verin de godet.....	Löffelzylinder.....	Maquina de copa.....	Skopcyylinder.....	See group 975, Page 789	
19	VOE 11881344	1				Clamp.....	Pince Serrage .....	Klemme.....	Abrazadera.....	Klämma.....		
20	VOE 11881343	1				Clamp.....	Pince Serrage .....	Klemme.....	Abrazadera.....	Klämma.....		
21	VOE 11881053	2				Clamp.....	Pince Serrage .....	Klemme.....	Abrazadera.....	Klämma.....		
22	VOE 11881049	1				Clamp.....	Pince Serrage .....	Klemme.....	Abrazadera.....	Klämma.....		

1		<b>Hydraulsystem, skopa</b> <b>Sistema hidráulico, cuchara</b> <b>Hydraulikanlage, Löffel</b> <b>Système hydraulique, godet</b> <b>Hydraulic system, bucket</b>	Catalogue id	Group
2			<b>20004</b>	<b>911</b>
3			Illustr. No	Section
4			<b>1007541</b>	<b>1100</b>
5			Issue	Page
	<b>11891022</b>		<b>VOE 63G9920004</b>	<b>601</b>



Volvo Construction  
Equipment  
1007541

Fig.	Part No.	Quantity			P S	K I T	Description	Dénomination	Bezeichnung	Denominación	Benämning	Notes
		1	2	3								
23	VOE 967631	1					Allen Hd Screw .....	Vis A 6 Pans Cr.....	Inbusschraube.....	Torn Hex Embut .....	Insexskruv.....	
24	VOE 953062	2					Stud.....	Goujon .....	Stiftschraube .....	Esparrago.....	Pinnskruv.....	
25	VOE 948645	2					Flange Lock Nut.....	Contre écrou bride .....	Flanschmutter .....	Contratuer Embr.....	Flänslåsmutter.....	
26	VOE 13947760	2					Flange screw.....	Vis à bride .....	Flanschschraube.....	Torn embridado .....	Flänsskruv.....	
27	VOE 13945444	2					Flange screw.....	Vis à bride .....	Flanschschraube.....	Torn embridado .....	Flänsskruv.....	
28	VOE 945408	4			SS		Flange Lock Nut.....	Contre écrou bride .....	Flanschmutter .....	Contratuer Embr.....	Flänslåsmutter.....	



1		<b>Hydraulsystem, skopa</b> <b>Sistema hidráulico, cuchara</b> <b>Hydraulikanlage, Löffel</b> <b>Système hydraulique, godet</b> <b>Hydraulic system, bucket</b>	Catalogue id	Group
2			<b>20004</b>	<b>911</b>
3			Illustr. No	Section
4			<b>1007541</b>	<b>1100</b>
5			Issue	Page
		<b>11891022</b>	<b>VOE 63G9920004</b>	<b>603</b>

**VOLVO**

**BL70**





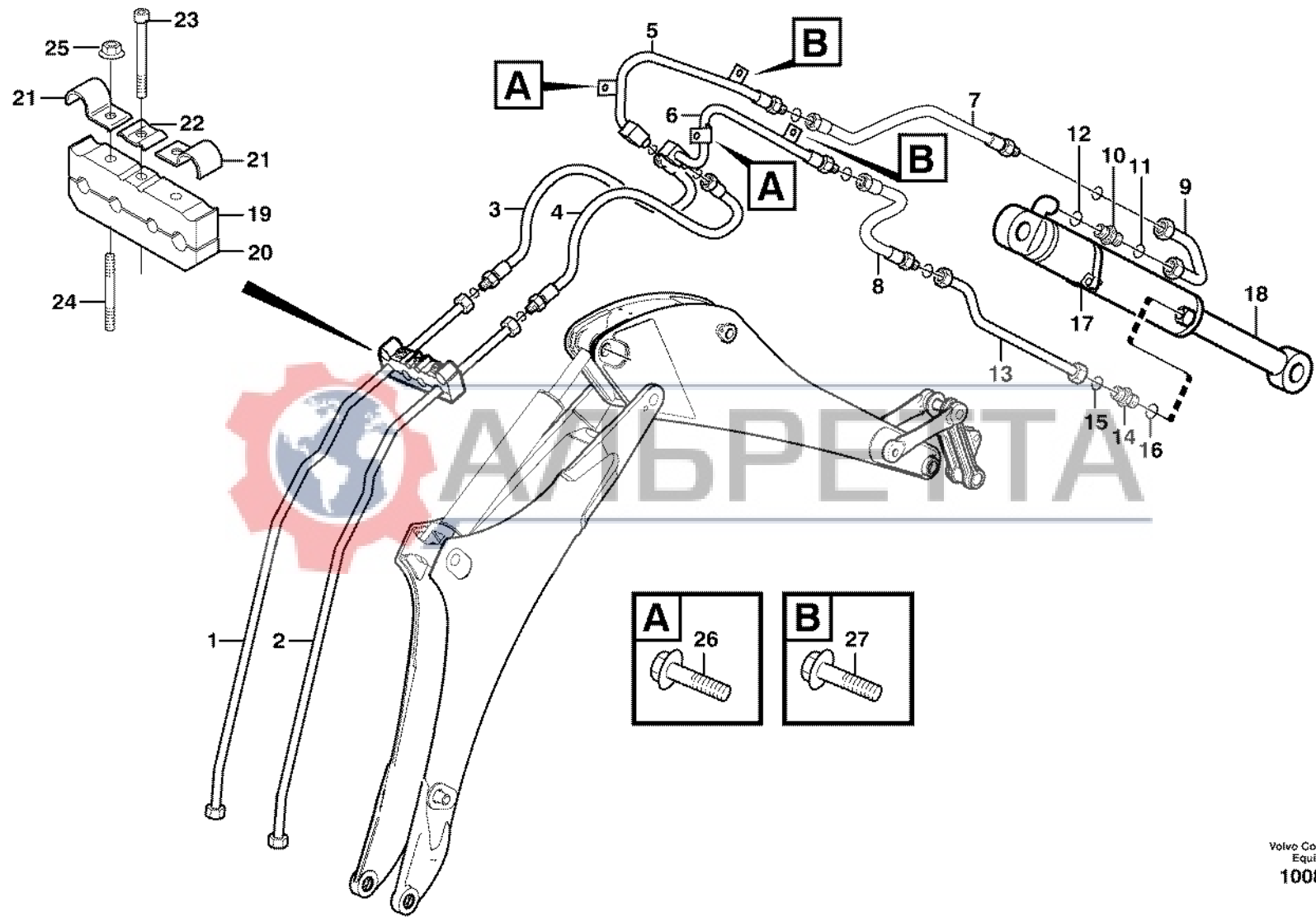


Fig.	Part No.	Quantity			P S	K I T	Description	Dénomination	Bezeichnung	Denominación	Benämning	Notes
		1	2	3								
1	VOE 11891056	1				Pipe.....	Canalisation .....	Rohrleitung.....	Canalización.....	Rör.....		
2	VOE 11891054	1				Pipe.....	Canalisation .....	Rohrleitung.....	Canalización.....	Rör.....		
3	VOE 11882203	1				Hose assembly .....	Conduit flexible .....	Schlauchleitung.....	Conducto.....	Slangledning.....		
	VOE 981289	1				•O-ring.....	•Joint Torique .....	•O-Ring.....	•Junta torica .....	•O-ring.....		
4	VOE 11881638	1				Hose assembly .....	Conduit flexible .....	Schlauchleitung.....	Conducto.....	Slangledning.....		
	VOE 4880663	1				•O-ring.....	•Joint Torique .....	•O-Ring.....	•Junta torica .....	•O-ring.....		
5	VOE 11885243	1				Pipe.....	Canalisation .....	Rohrleitung.....	Canalización.....	Rör.....		
	VOE 4880493	2				O-ring.....	Joint Torique .....	O-Ring.....	Junta torica.....	O-ring.....		
6	VOE 11885242	1				Pipe.....	Canalisation .....	Rohrleitung.....	Canalización.....	Rör.....		
	VOE 4880663	2				O-ring.....	Joint Torique .....	O-Ring.....	Junta torica.....	O-ring.....		
7	VOE 11882203	1				Hose assembly .....	Conduit flexible .....	Schlauchleitung.....	Conducto.....	Slangledning.....		
	VOE 981289	1				•O-ring.....	•Joint Torique .....	•O-Ring.....	•Junta torica .....	•O-ring.....		
8	VOE 11881638	1				Hose assembly .....	Conduit flexible .....	Schlauchleitung.....	Conducto.....	Slangledning.....		
	VOE 4880663	1				O-ring.....	Joint Torique .....	O-Ring.....	Junta torica.....	O-ring.....		
9	VOE 11891088	1				Pipe.....	Canalisation .....	Rohrleitung.....	Canalización.....	Rör.....		
10	VOE 13933862	1				Nipple.....	Raccord.....	Nippel.....	Niple.....	Nippel.....		
11	VOE 981289	1				•O-ring.....	•Joint Torique .....	•O-Ring.....	•Junta torica .....	•O-ring.....		
12	VOE 932042	1				•O-ring.....	•Joint Torique .....	•O-Ring.....	•Junta torica .....	•O-ring.....		
13	VOE 11885152	1				Tube.....	Tube.....	Rohr.....	Tube.....	Rör.....		
14	VOE 935094	1				Nipple.....	Raccord.....	Nippel.....	Niple.....	Nippel.....		
15	VOE 4880663	1				•O-ring.....	•Joint Torique .....	•O-Ring.....	•Junta torica .....	•O-ring.....		
16	VOE 932040	1				•O-ring.....	•Joint Torique .....	•O-Ring.....	•Junta torica .....	•O-ring.....		
17	VOE 11881292	1				Clamp.....	Pince Serrage .....	Klemme.....	Abrazadera.....	Klämma.....		
18		1				Bucket Cylinder.....	Verin de godet.....	Löffelzylinder.....	Maquina de copa.....	Skopcyylinder.....	See group 975, Page 789	
19	VOE 11881344	1				Clamp.....	Pince Serrage .....	Klemme.....	Abrazadera.....	Klämma.....		
20	VOE 11881343	1				Clamp.....	Pince Serrage .....	Klemme.....	Abrazadera.....	Klämma.....		
21	VOE 11881053	2				Clamp.....	Pince Serrage .....	Klemme.....	Abrazadera.....	Klämma.....		
22	VOE 11881049	1				Clamp.....	Pince Serrage .....	Klemme.....	Abrazadera.....	Klämma.....		
23	VOE 967631	1				Allen Hd Screw .....	Vis A 6 Pans Cr.....	Inbusschraube.....	Torn Hex Embut.....	Insexskruv.....		
24	VOE 953062	2				Stud.....	Goujon .....	Stiftschraube.....	Esparrago.....	Pinnskruv.....		

1		<b>Hydraulsystem, skopa</b> <b>Sistema hidráulico, cuchara</b> <b>Hydraulikanlage, Löffel</b> <b>Système hydraulique, godet</b> <b>Hydraulic system, bucket</b>	Catalogue id	Group
2			<b>20004</b>	<b>911</b>
3			Illustr. No	Section
4			<b>1008784</b>	<b>1150</b>
5			Issue	Page
		<b>11891041, 11891441, S/N - 11144</b>	<b>VOE 63G9920004</b>	<b>605</b>

**VOLVO**

**BL70**

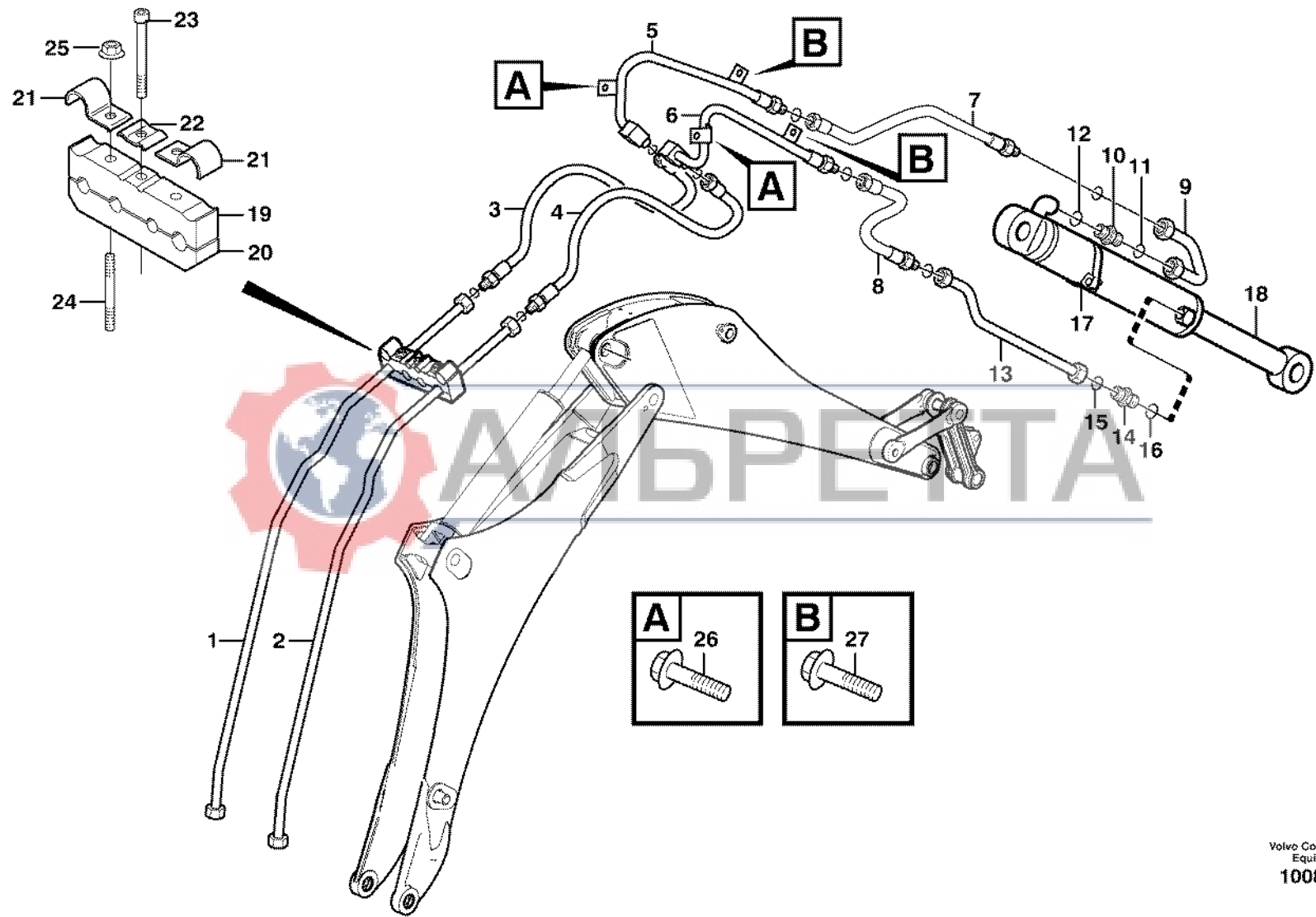


Fig.	Part No.	Quantity			P S	K I T	Description	Dénomination	Bezeichnung	Denominación	Benämning	Notes
		1	2	3								
25	<b>VOE 948645</b>	2				Flange Lock Nut.....	Contre écrou bride .....	Flanschmutter .....	Contratuer Embr.....	Flänslåsmutter.....		
26	<b>VOE 13965175</b>	2				Screw .....	Vis .....	Schraube.....	Tornillo .....	Skruv.....		
27	<b>VOE 13945444</b>	2				Flange screw.....	Vis à bride .....	Flanschschraube.....	Torn embridado .....	Flänsskruv.....		



1		<b>Hydraulsystem, skopa</b> <b>Sistema hidráulico, cuchara</b> <b>Hydraulikanlage, Löffel</b> <b>Système hydraulique, godet</b> <b>Hydraulic system, bucket</b>	Catalogue id	Group
2			<b>20004</b>	<b>911</b>
3			Illustr. No	Section
4			<b>1008784</b>	<b>1150</b>
5			Issue	Page
		<b>11891041, 11891441, S/N - 11144</b>	<b>VOE 63G9920004</b>	<b>607</b>

**VOLVO**

**BL70**



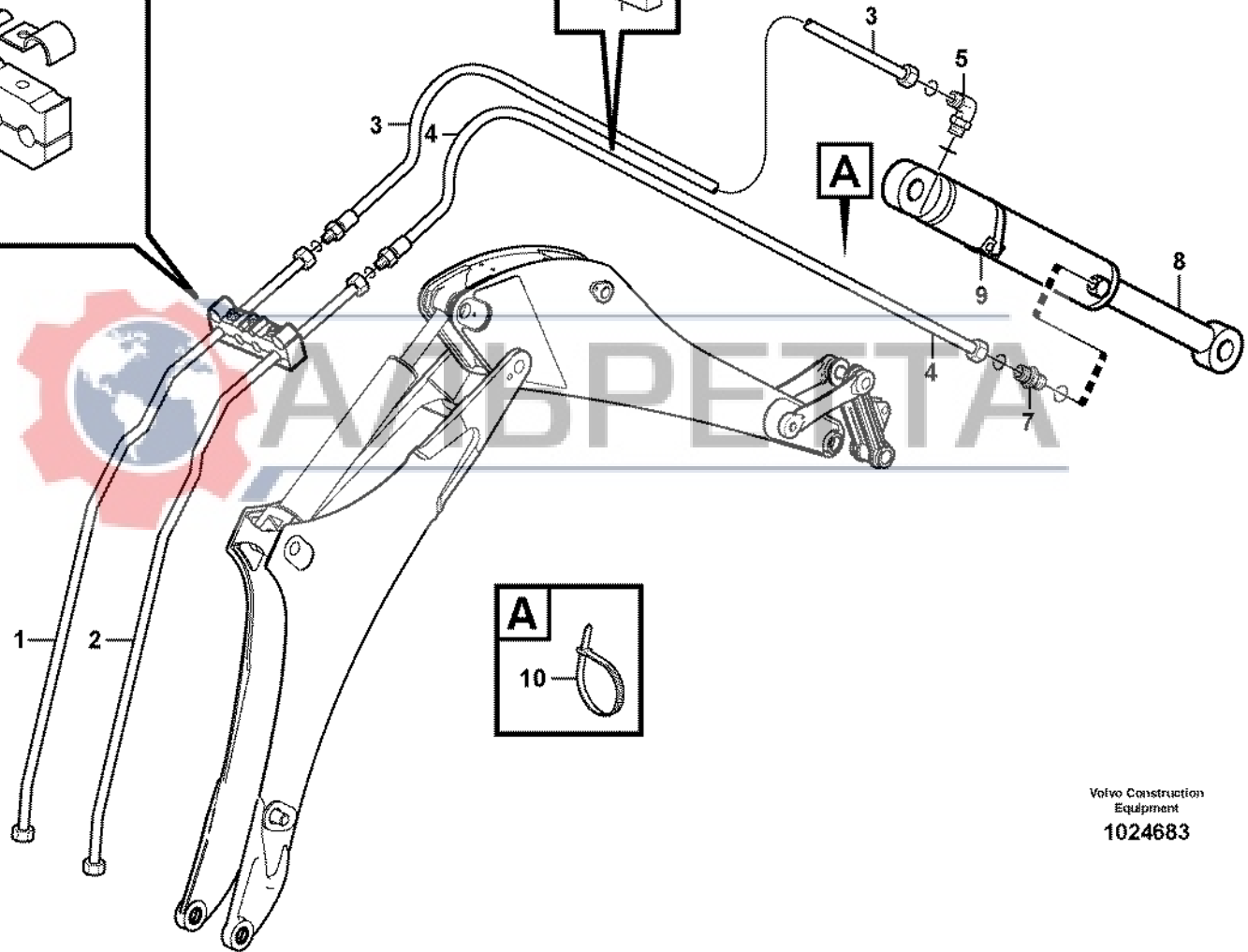
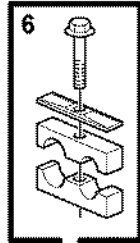
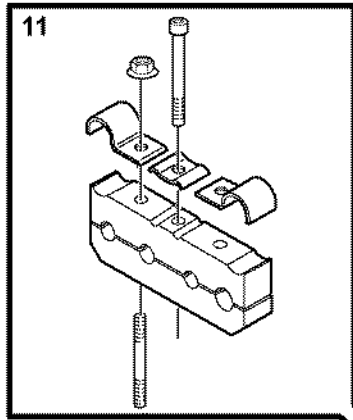


Fig.	Part No.	Quantity			P S	K I T	Description	Dénomination	Bezeichnung	Denominación	Benämning	Notes
		1	2	3								
1	VOE 11891056	1				Pipe.....	Canalisation .....	Rohrleitung.....	Canalización.....	Rör.....		
2	VOE 11891054	1				Pipe.....	Canalisation .....	Rohrleitung.....	Canalización.....	Rör.....		
3	VOE 11888545		1	1		Hose assembly .....	Conduit flexible .....	Schlauchleitung.....	Conducto.....	Slangedning.....		
	VOE 990740		1	1		•O-ring.....	•Joint Torique .....	•O-Ring.....	•Junta torica .....	•O-ring.....		
4	VOE 11888544		1	1		Hose assembly .....	Conduit flexible .....	Schlauchleitung.....	Conducto.....	Slangedning.....		
	VOE 990739		1	1		•O-ring.....	•Joint Torique .....	•O-Ring.....	•Junta torica .....	•O-ring.....		
5	VOE 13933864	1				Elbow nipple.....	Raccord angulaire.....	Winkelnippel.....	Niple angular.....	Vinkelnippel.....		
	VOE 990740	1				•O-ring.....	•Joint Torique .....	•O-Ring.....	•Junta torica .....	•O-ring.....		
	VOE 932042	1				•O-ring.....	•Joint Torique .....	•O-Ring.....	•Junta torica .....	•O-ring.....		
6	VOE 11888547	1				Clamp.....	Pince Serrage .....	Klemme .....	Abrazadera.....	Klämma.....		
7	VOE 935094	1				Nipple.....	Raccord.....	Nippel.....	Niple.....	Nippel.....		
	VOE 990739	1				•O-ring.....	•Joint Torique .....	•O-Ring.....	•Junta torica .....	•O-ring.....		
	VOE 932040	1				•O-ring.....	•Joint Torique .....	•O-Ring.....	•Junta torica .....	•O-ring.....		
8	VOE 11888094	1				Cylinder.....	Verin.....	Zylinder.....	Cilindro.....	Cylinder.....		
9	VOE 11881292	1				Clamp.....	Pince Serrage .....	Klemme .....	Abrazadera.....	Klämma.....		
10	VOE 4881440		1	1		Strip Clamp .....	Ruban Serrage.....	Kabelbinder.....	Abraz Cinta .....	Bandklamma.....		
11	VOE 11888547		1	1		Clamp.....	Pince Serrage .....	Klemme .....	Abrazadera.....	Klämma.....		

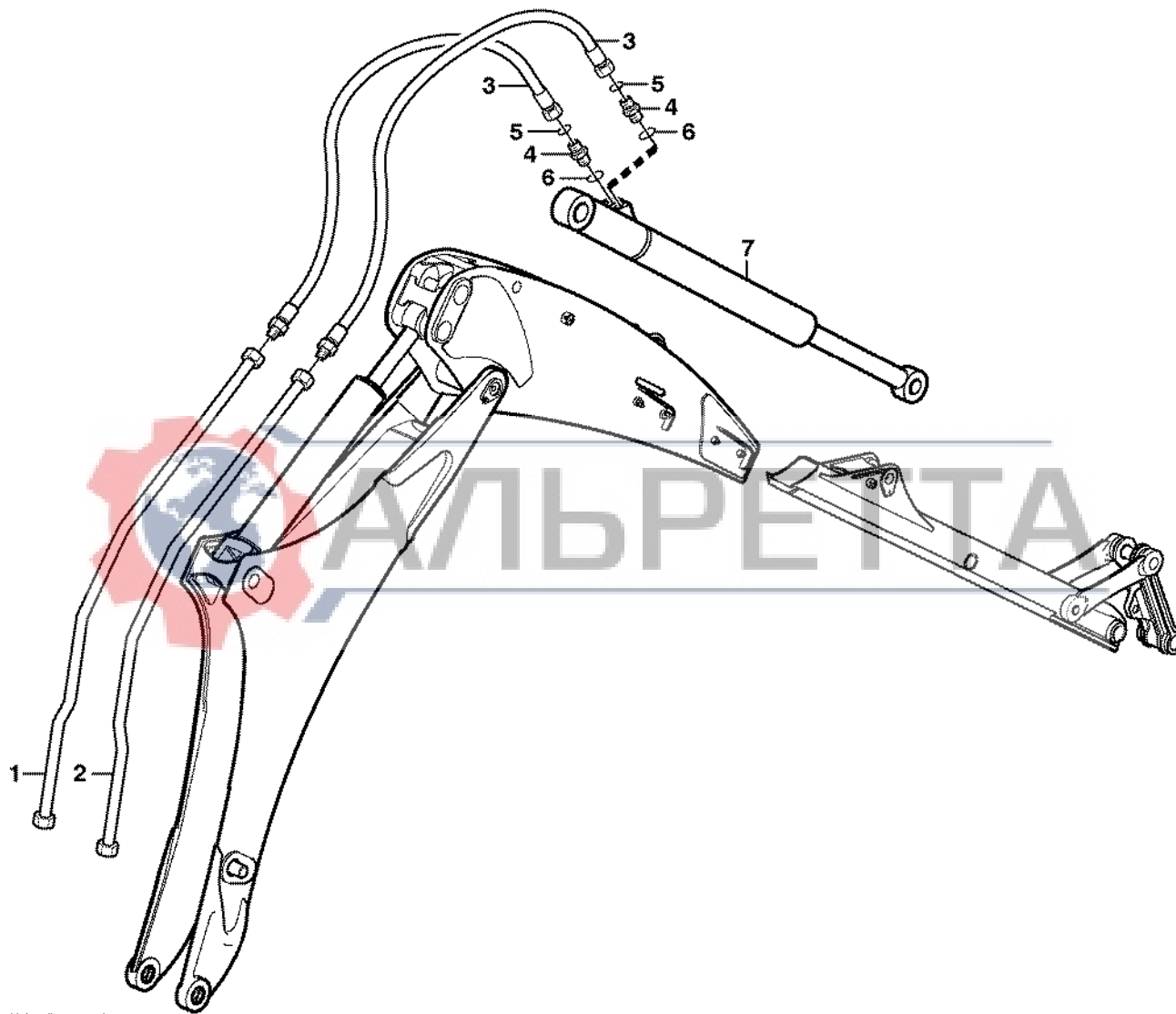


1	11880002	<b>Hydraulsystem, skopa</b> <b>Sistema hidráulico, cuchara</b> <b>Hydraulikanlage, Löffel</b> <b>Système hydraulique, godet</b> <b>Hydraulic system, bucket</b>	Catalogue id	Group
2	11891041		<b>20004</b>	<b>911</b>
3	11891441		Illustr. No	Section
4			<b>1024683</b>	<b>1160</b>
5			Issue	Page
		S/N 11145 -	<b>VOE 63G9920004</b>	<b>609</b>

**VOLVO**

**BL70**





Volvo Construction  
Equipment  
1001300

Fig.	Part No.	Quantity			P S	K I T	Description	Dénomination	Bezeichnung	Denominación	Benämning	Notes
		1	2	3								
1	VOE 11891060	1	1			Pipe.....	Canalisation .....	Rohrleitung.....	Canalización.....	Rör.....		
2	VOE 11891059	1	1			Pipe.....	Canalisation .....	Rohrleitung.....	Canalización.....	Rör.....		
3	VOE 11881638	2				Hose assembly .....	Conduit flexible .....	Schlauchleitung.....	Conducto.....	Slangedning.....		
4	VOE 13933923	2				Nipple.....	Raccord.....	Nippel.....	Niple.....	Nippel.....		
5	VOE 4880493	2				•O-ring.....	•Joint Torique.....	•O-Ring.....	•Junta torica .....	•O-ring.....		
6	VOE 932040	2				•O-ring.....	•Joint Torique.....	•O-Ring.....	•Junta torica .....	•O-ring.....		
7		1				Extendible dipper Cyli Verin Telescope .....	Teleskopzyl .....	Cilin Telescop.....	Telesk.cylinder.....		See group 975, Page 791	



1	11891005, 11891022	<b>Hydraulsystem, grävarm teleskopisk</b> <b>Sistema hidráulico brazo excavador telescópico</b> <b>Hydralikanlage für teleskopische baggerarm</b> <b>Système hydraulique bras de pelle telescope</b> <b>Hydraulic system extendible dipper arm</b>	Catalogue id <b>20004</b>	Group <b>911</b>
2	11891441		Illustr. No <b>1001300</b>	Section <b>1200</b>
3				
4			Issue <b>VOE 63G9920004</b>	Page <b>611</b>
5				

**VOLVO**

**BL70**





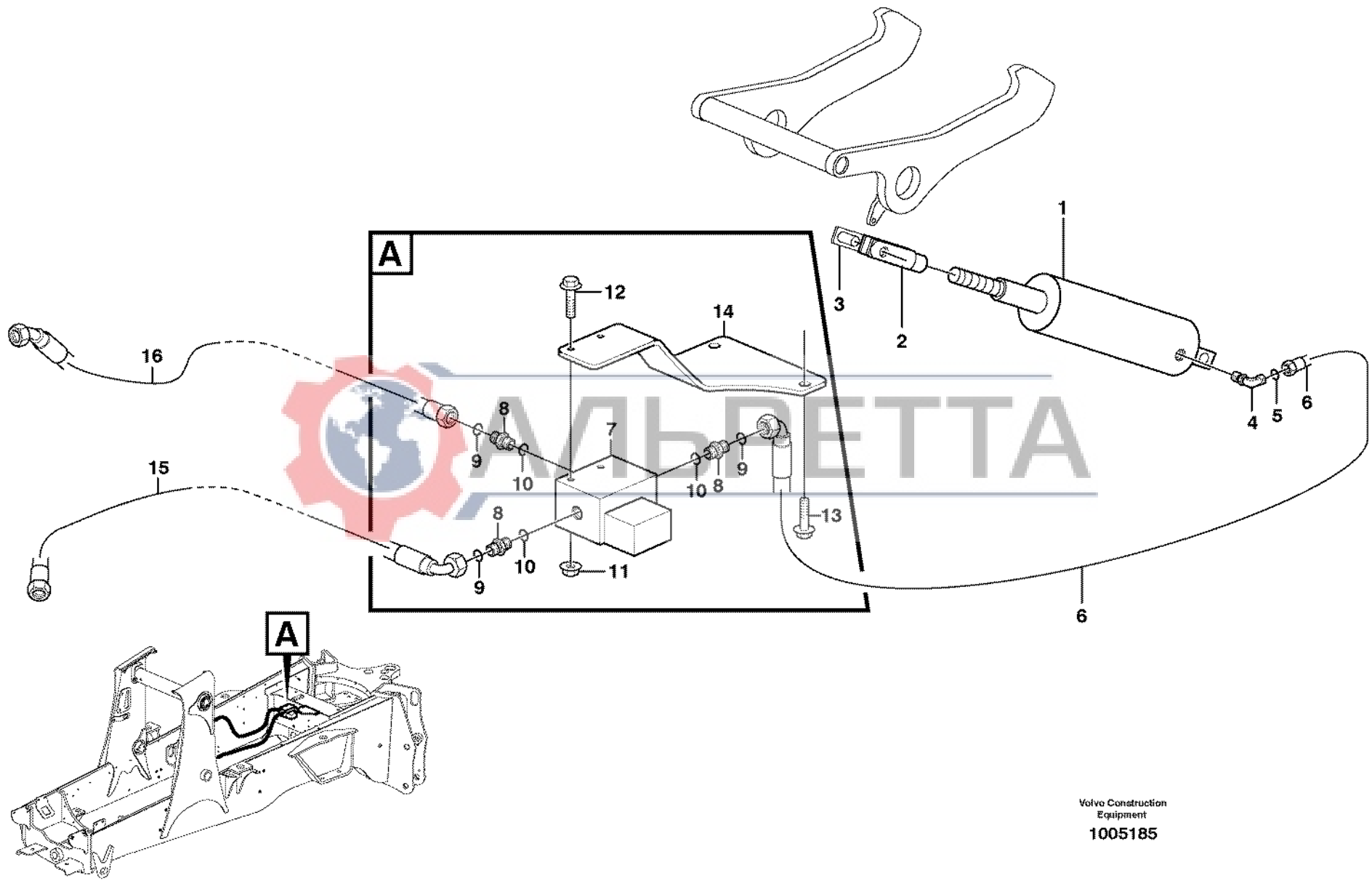
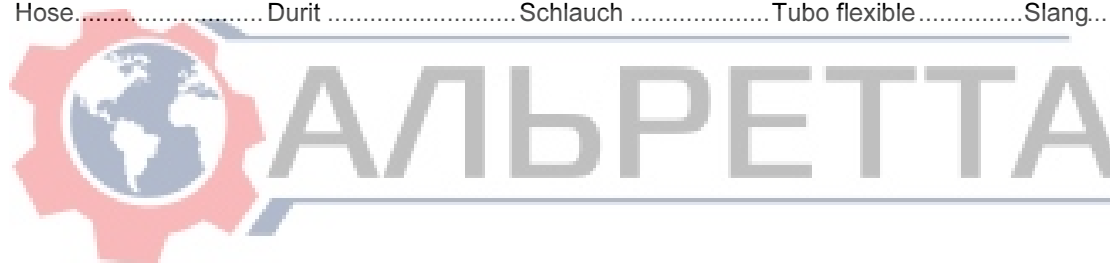


Fig.	Part No.	Quantity			P S	K I T	Description	Dénomination	Bezeichnung	Denominación	Benämning	Notes
		1	2	3								
1		1				Locking Cyl .....	Cyl Verrouil .....	Sperrzylinder .....	Cil Bloqueo .....	Spärrcylinder.....	See group 971, Page 769	
2	VOE 11883319	1				Fork.....	Fourche.....	Gabel.....	Horquilla .....	Gaffel.....		
3	VOE 11883323	1				Clevis Pin .....	Vis A Oeuillet .....	Zylinderbolzen.....	Espiga .....	Cyl.bult.....		
4	VOE 935538	1				Elbow nipple.....	Raccord angulaire.....	Winkelnippel.....	Niple angular .....	Vinkelnippel.....		
5	VOE 4881722	1				•O-ring.....	•Joint Torique .....	•O-Ring.....	•Junta torica .....	•O-ring.....		
6	VOE 11884381	1				Hose.....	Durit .....	Schlauch .....	Tubo flexible.....	Slang.....		
7	VOE 11881356	1				Solenoid valve.....	Vanne electrom.....	Magnetventil.....	Electrovalvula .....	Magnetventil.....		
	VOE 11715259	1				•Solenoid.....	•Solénoide.....	•Magnet .....	•Solenoid .....	•Solenoid.....		
8	VOE 13933858	3				Union.....	Teton Connexion.....	Anschlussnippel .....	Niple Conexcion .....	Anslutn.nippel.....		
9	VOE 4881722	3				•O-ring.....	•Joint Torique .....	•O-Ring.....	•Junta torica .....	•O-ring.....		
10	VOE 932039	3				•O-ring.....	•Joint Torique .....	•O-Ring.....	•Junta torica .....	•O-ring.....		
11	VOE 13965177	2				Flange screw.....	Vis à bride .....	Flanschschaube.....	Torn embridado.....	Flänsskruv.....		
12	VOE 13949278	2				Flange Lock Nut.....	Contre écrou bride .....	Flanschmutter .....	Contratuer Embr.....	Flänslåsmutter.....		
13	VOE 946472	2				Flange screw.....	Vis à bride .....	Flanschschaube.....	Torn embridado.....	Flänsskruv.....		
14	VOE 11884950	1				Bracket.....	Console.....	Konsole .....	Ménsula.....	Konsol.....		
15	VOE 11884546	1				Hose.....	Durit .....	Schlauch .....	Tubo flexible.....	Slang.....		
16	VOE 11884547	1				Hose.....	Durit .....	Schlauch .....	Tubo flexible.....	Slang.....		



1	<b>Hydraulsystem, spärrcylinder</b> <b>Sistema hidráulico, cilindro de bloqueo</b> <b>Hydraulikanlage, Sperrzylinder</b> <b>Système hydraulique, vérin de verrouillage</b> <b>Hydraulic system, lock cylinder</b>	Catalogue id	Group
2		<b>20004</b>	<b>911</b>
3		Illustr. No	Section
4		<b>1005185</b>	<b>1300</b>
5		Issue	Page
		<b>VOE 63G9920004</b>	<b>613</b>

**VOLVO**

**BL70**



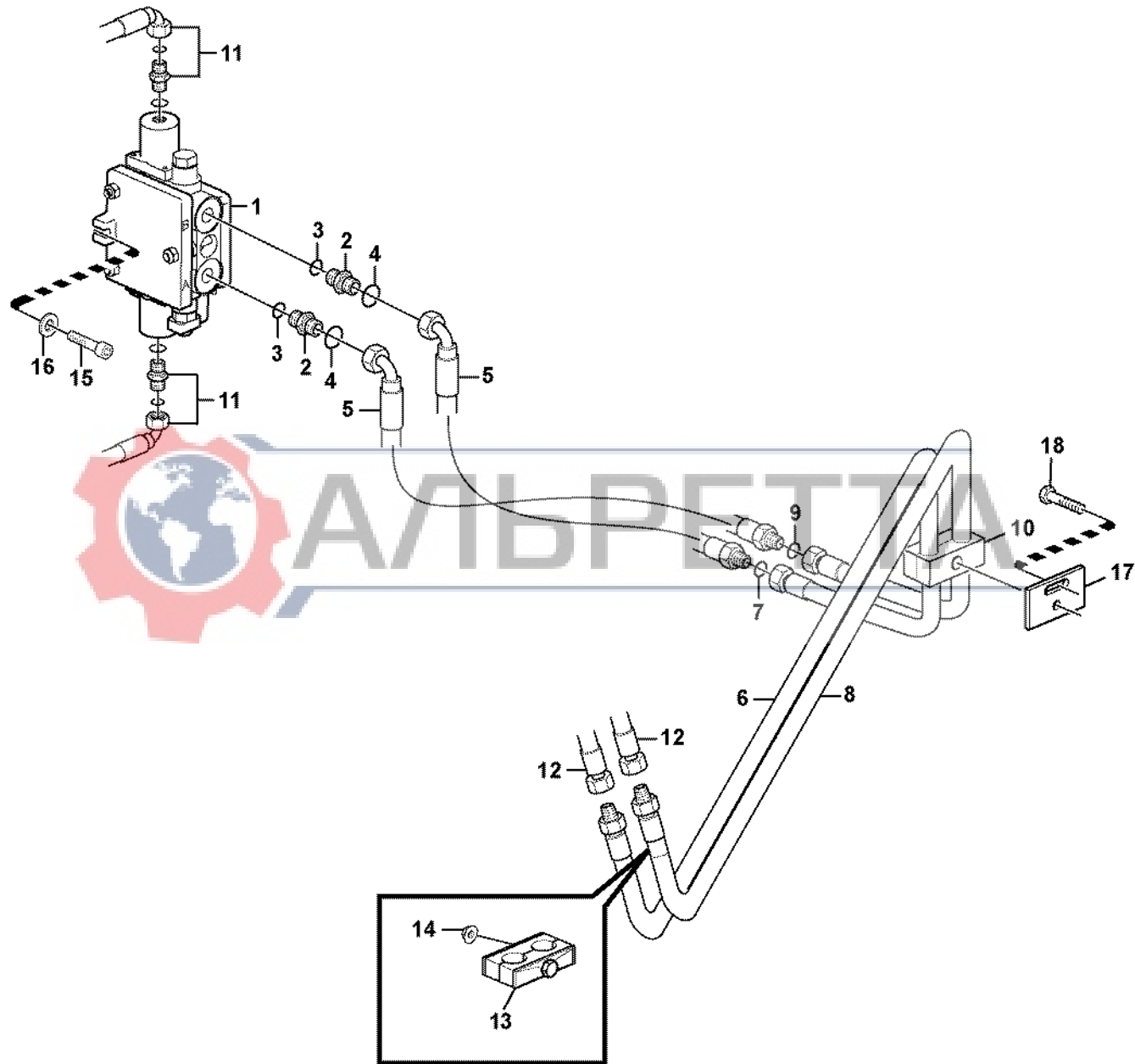
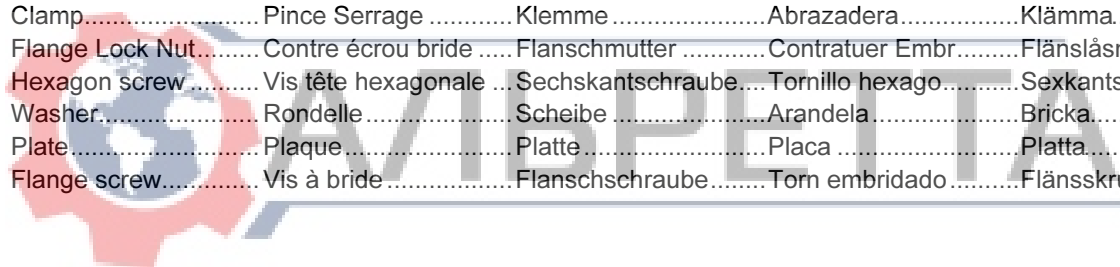
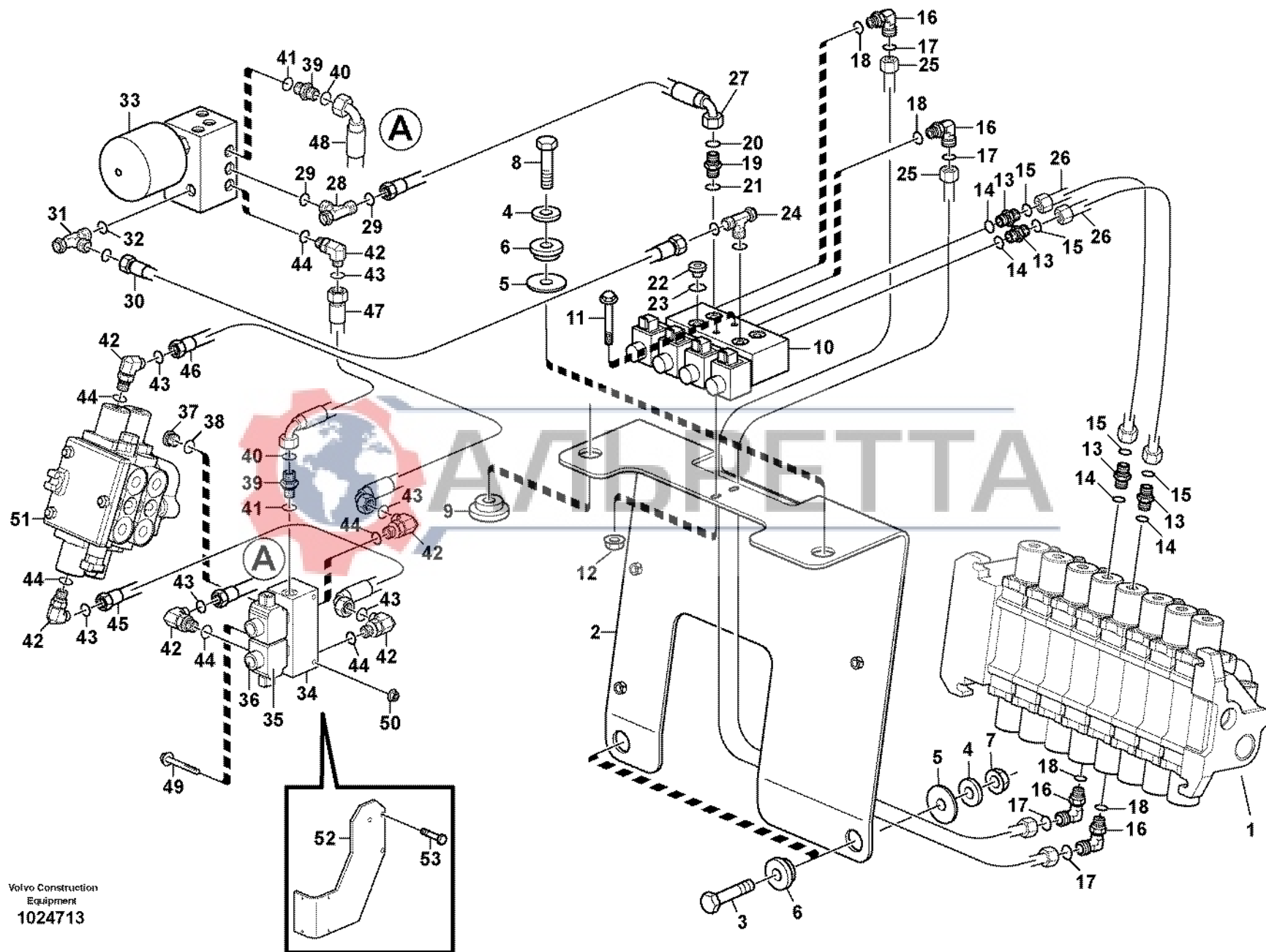


Fig.	Part No.	Quantity			P S	K I T	Description	Dénomination	Bezeichnung	Denominación	Benämning	Notes
		1	2	3								
1	VOE 11884433	1			SS	Valve .....	Soupape .....	Ventil .....	Valvula .....	Ventil .....		
1	VOE 11884432		1			Valve .....	Soupape .....	Ventil .....	Valvula .....	Ventil .....		
1	VOE 11881607			1	SS	Valve .....	Soupape .....	Ventil .....	Valvula .....	Ventil .....	S/N -10905,10908-10915.	
1	VOE 11887290			1		Valve .....	Soupape .....	Ventil .....	Valvula .....	Ventil .....	S/N 10906-10907,10916 -	
2	VOE 935093	2	2	2		Union .....	Teton Connexion .....	Anschlussnippel .....	Niple Conexcion .....	Anslutn.nippel .....		
3	VOE 932042	1	1	1		•O-ring .....	•Joint Torique .....	•O-Ring .....	•Junta torica .....	•O-ring .....		
4	VOE 4880493	1	1	1		•O-ring .....	•Joint Torique .....	•O-Ring .....	•Junta torica .....	•O-ring .....		
5	VOE 11884393	2	2	2		Hose .....	Durit .....	Schlauch .....	Tubo flexible .....	Slang .....		
6	VOE 11884948	1	1	1		Tube .....	Tube .....	Rohr .....	Tubo .....	Rör .....		
7	VOE 4880493	1	1	1		•O-ring .....	•Joint Torique .....	•O-Ring .....	•Junta torica .....	•O-ring .....		
8	VOE 11884947	1	1	1		Tube .....	Tube .....	Rohr .....	Tubo .....	Rör .....		
9	VOE 4880493	1	1	1		•O-ring .....	•Joint Torique .....	•O-Ring .....	•Junta torica .....	•O-ring .....		
10	VOE 11882854	1	1	1		Clamp .....	Pince Serrage .....	Klemme .....	Abrazadera .....	Klämma .....	SER NO -10766	
10	VOE 11886618	1	1	1		Clamp .....	Pince Serrage .....	Klemme .....	Abrazadera .....	Klämma .....	SER NO 10767-	
11		1	1	1		Hose .....	Durit .....	Schlauch .....	Tubo flexible .....	Slang .....	See group 912, Page 621	
12		1	1	1		Hose .....	Durit .....	Schlauch .....	Tubo flexible .....	Slang .....	See group 911, Page 589	
13	VOE 11881340	1	1			Clamp .....	Pince Serrage .....	Klemme .....	Abrazadera .....	Klämma .....		
14	VOE 948645	1	1			Flange Lock Nut .....	Contre écrou bride .....	Flanschmutter .....	Contratuer Embr .....	Flänslåsmutter .....		
15	VOE 983274	3	3			Hexagon screw .....	Vis tête hexagonale .....	Sechskantschraube .....	Tornillo hexago .....	Sexkantsskruv .....		
16	VOE 13930842	3	3			Washer .....	Rondelle .....	Scheibe .....	Arandela .....	Bricka .....		
17	VOE 11885758	1	1			Plate .....	Plaque .....	Platte .....	Placa .....	Platta .....		
18	VOE 946671	1	1			Flange screw .....	Vis à bride .....	Flanschschraube .....	Torn embridado .....	Flänsskruv .....		



1	11891065	<b>Hydraulsystem, kombiskopa</b> <b>Sistema hidráulico, cuchara combinada</b> <b>Hydraulikanlage, Kombilöffel</b> <b>Système hydraulique, godet combiné</b> <b>Hydraulic system, combi-bucket</b>	Catalogue id	Group
2	11891020		<b>20004</b>	<b>911</b>
3	11891005		Illustr. No	Section
4			<b>1007690</b>	<b>1350</b>
5			Issue	Page
			<b>VOE 63G9920004</b>	<b>615</b>





Volvo Construction  
Equipment  
1024713

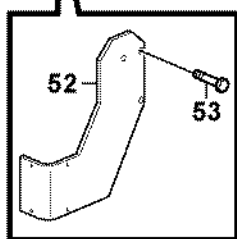
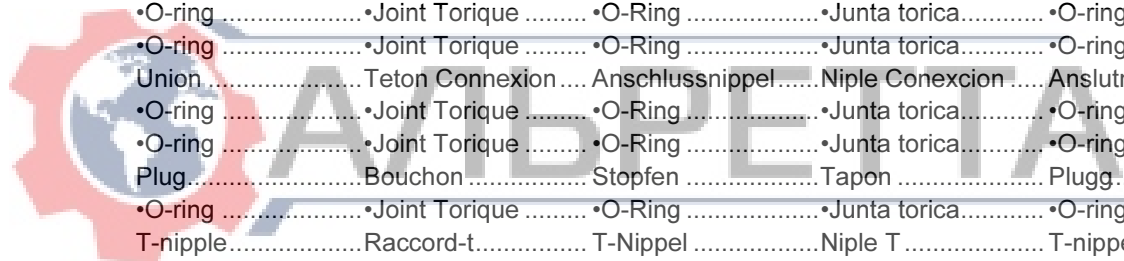
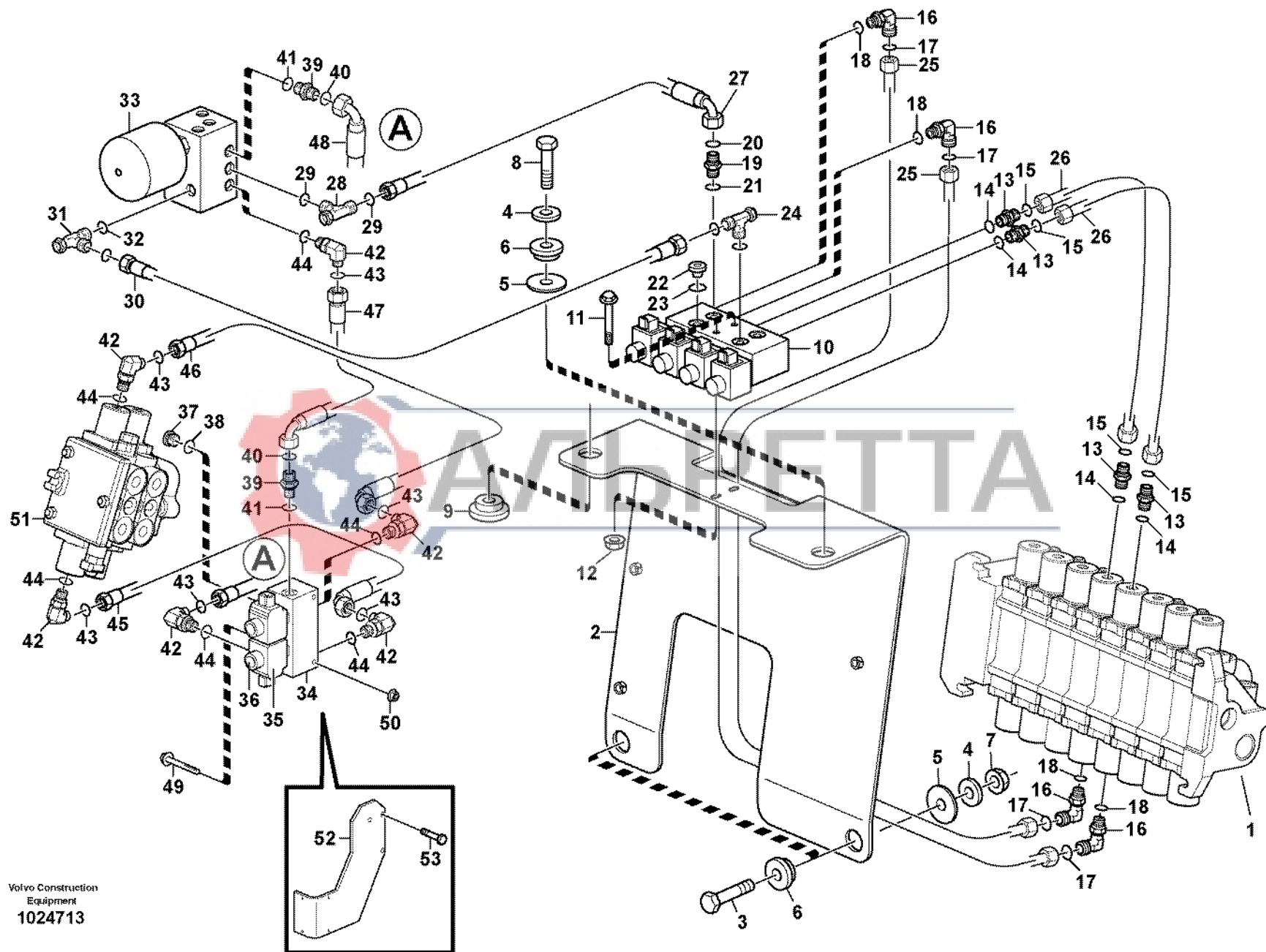


Fig.	Part No.	Quantity					P S	K I T	Description	Dénomination	Bezeichnung	Denominación	Benämning	Notes
		1	2	3	4	5								
1		1	1	1	1			Valve.....	Soupape.....	Ventil.....	Valvula.....	Ventil.....	See group 912, Page 633	
2	VOE 11887687	1	1	1	1			Bracket.....	Console.....	Konsole.....	Ménsula.....	Konsol.....		
3	VOE 13965194	2	2	2	2			Flange screw.....	Vis à bride.....	Flanschschraube.....	Torn embridado.....	Flänsskruv.....		
4	VOE 13947355	4	4	4	4			Washer.....	Rondelle.....	Scheibe.....	Arandela.....	Bricka.....		
5	VOE 955908	4	4	4	4			Washer.....	Rondelle.....	Scheibe.....	Arandela.....	Bricka.....		
6	VOE 11881720	4	4	4	4			Rubber element.....	Element caoutch.....	Gummielement.....	Elemento goma.....	Gummielement.....		
7	VOE 971099	2	2	2	2			Flange Lock Nut.....	Contre écrou bride..	Flanschmutter.....	Contraouer Embr.....	Flänslåsmutter.....		
8	VOE 965195	2	2	2	2			Flange screw.....	Vis à bride.....	Flanschschraube.....	Torn embridado.....	Flänsskruv.....		
9	VOE 11884217	2	2	2	2			Spacer.....	Entretoise.....	Abstandkörper.....	Distanciador.....	Distans.....		
10	VOE 11886762	1	1	1	1			Valve.....	Soupape.....	Ventil.....	Valvula.....	Ventil.....		
11	VOE 13965177	2	2	2	2			Flange screw.....	Vis à bride.....	Flanschschraube.....	Torn embridado.....	Flänsskruv.....		
12	VOE 949278	2	2	2	2	SS		Nut.....	Ecrou.....	Mutter.....	Tuerca.....	Mutter.....		
13	VOE 935085	4	4	4	4			Nipple.....	Raccord.....	Nippel.....	Niple.....	Nippel.....		
14	VOE 4880492	1	1	1	1			•O-ring.....	•Joint Torique.....	•O-Ring.....	•Junta torica.....	•O-ring.....		
15	VOE 932039	1	1	1	1			•O-ring.....	•Joint Torique.....	•O-Ring.....	•Junta torica.....	•O-ring.....		
16	VOE 935069	4	4	4	4			Elbow nipple.....	Raccord angulaire..	Winkelnippel.....	Niple angular.....	Vinkelnippel.....		
17	VOE 4881722	1	1	1	1			•O-ring.....	•Joint Torique.....	•O-Ring.....	•Junta torica.....	•O-ring.....		
18	VOE 4880492	1	1	1	1			•O-ring.....	•Joint Torique.....	•O-Ring.....	•Junta torica.....	•O-ring.....		
19	VOE 13933858	1	1	1	1			Union.....	Teton Connexion.....	Anschlussnippel.....	Niple Conexcion.....	Anslutn.nippel.....		
20	VOE 4881722	1	1	1	1			•O-ring.....	•Joint Torique.....	•O-Ring.....	•Junta torica.....	•O-ring.....		
21	VOE 932039	1	1	1	1			•O-ring.....	•Joint Torique.....	•O-Ring.....	•Junta torica.....	•O-ring.....		
22	VOE 11883510	2	2	2	2			Plug.....	Bouchon.....	Stopfen.....	Tapon.....	Plugg.....		
23	VOE 932039	1	1	1	1			•O-ring.....	•Joint Torique.....	•O-Ring.....	•Junta torica.....	•O-ring.....		
24	VOE 936606	1	1	1	1			T-nipple.....	Raccord-t.....	T-Nippel.....	Niple T.....	T-nippel.....		
25	VOE 11887001	2	2	2	2			Tube.....	Tube.....	Rohr.....	Tubo.....	Rör.....		
26	VOE 11887000	2	2	2	2			Tube.....	Tube.....	Rohr.....	Tubo.....	Rör.....		
27	VOE 11884906	1	1	1	1			Hose.....	Durit.....	Schlauch.....	Tubo flexible.....	Slang.....		
28	VOE 13933859	1	1	1	1			Nipple.....	Raccord.....	Nippel.....	Niple.....	Nippel.....		
29	VOE 4881722	2	2	2	2			•O-ring.....	•Joint Torique.....	•O-Ring.....	•Junta torica.....	•O-ring.....		
30	VOE 11887043	1	1	1	1			Hose assembly.....	Conduit flexible.....	Schlauchleitung.....	Conducto.....	Slangledning.....		



1	11891506, 11891507	<b>Hydraulsystem pilotstyrda grävreglage</b> <b>Sistema hidráulico mandos pilotos de excavadora</b> <b>Hydraulikanlage vorgesteuerte Bagger-Bedienelemente</b> <b>Servocommande hydraulique creusement</b> <b>Hydraulic system pilot excavator controls</b>	Catalogue id	Group
2	11891508		<b>20004</b>	<b>911</b>
3	11891509, 11891510		Illustr. No	Section
4	11891511		<b>1024713</b>	<b>1600</b>
5			Issue	Page
			<b>VOE 63G9920004</b>	<b>617</b>





Volvo Construction  
Equipment  
1024713

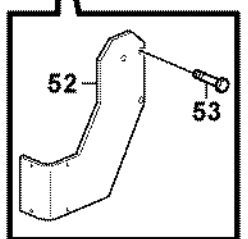
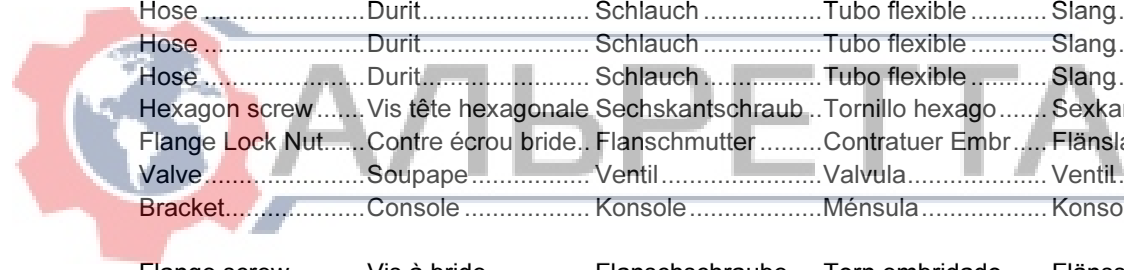




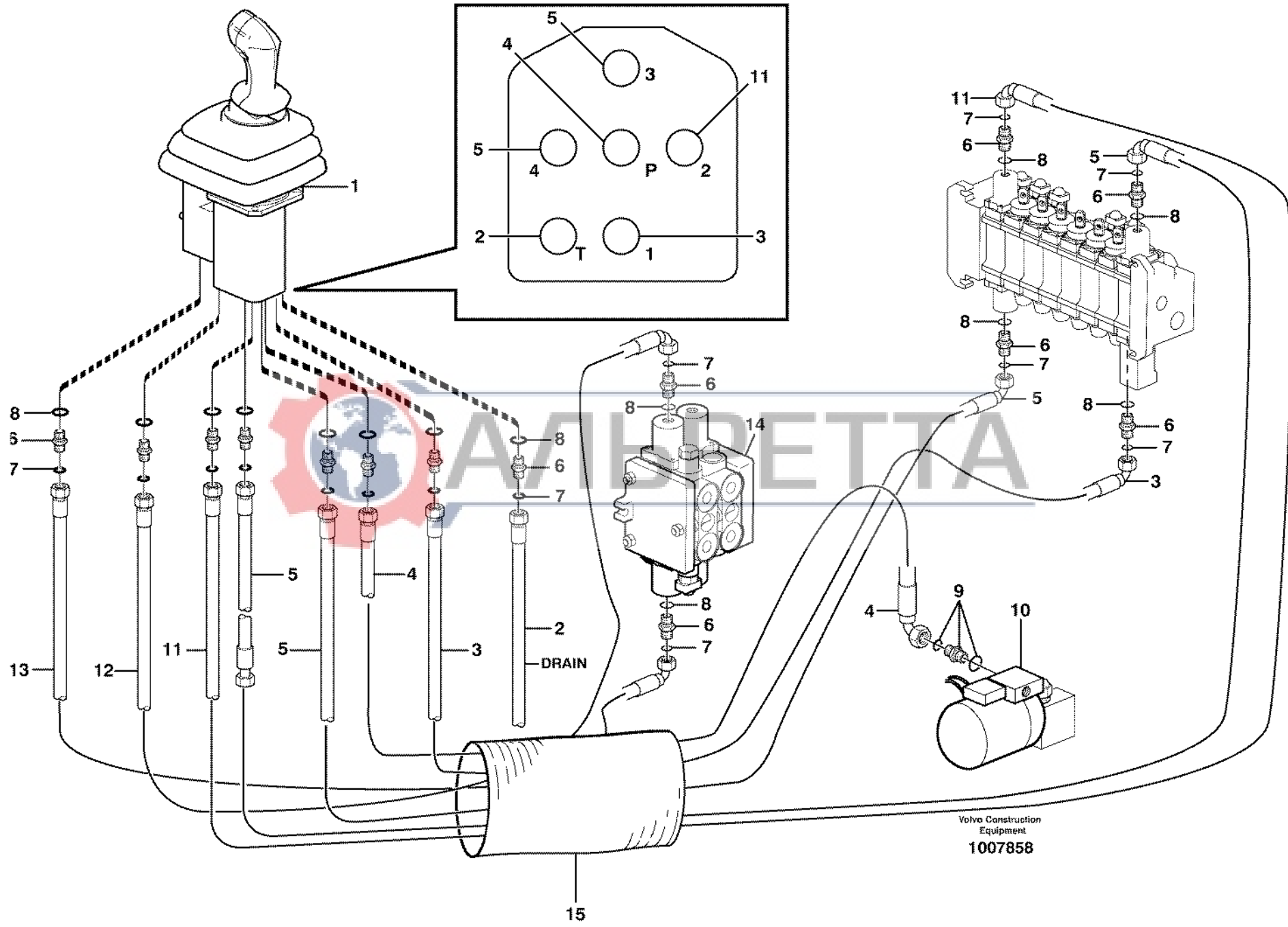
Fig.	Part No.	Quantity					P S	K T	Description	Dénomination	Bezeichnung	Denominación	Benämning	Notes
		1	2	3	4	5								
31	VOE 13933936	1	1	1	1			T-nipple.....	Raccord-t.....	T-Nippel .....	Niple T .....	T-nippel.....		
32	VOE 4880492	2	2	2	2			•O-ring .....	•Joint Torique .....	•O-Ring .....	•Junta torica.....	•O-ring.....		
33		1	1	1	1			Accumulator.....	Accumulateur .....	Speicher.....	Acumulador .....	Ackumulator.....	See group 911, Page 557	
34	VOE 11807523			1	1			Valve.....	Soupape .....	Ventil.....	Valvula.....	Ventil.....		
	VOE 14527754			1	1			•Sealing Kit .....	•Jeu Joints .....	•Dichtungssatz .....	•Juego Retenes .....	•Tätningssats.....		
35	VOE 11715569			2	2			•Solenoid valve .....	•Vanne electrom. ....	•Magnetventil .....	•Electrovalvula.....	•Magnetventil.....		
36	VOE 11713203			2	2			•Solenoid .....	•Solénoide .....	•Magnet.....	•Solenoide .....	•Solenoid.....		
37	VOE 11883510			3	3			Plug.....	Bouchon .....	Stopfen .....	Tapon .....	Plugg.....		
38	VOE 932039			1	1			•O-ring .....	•Joint Torique .....	•O-Ring .....	•Junta torica.....	•O-ring.....		
39	VOE 13933858			2	2			Union .....	Teton Connexion .....	Anschlussnippel .....	Niple Conexcion .....	Anslutn.nippel.....		
40	VOE 4881722			1	1			•O-ring .....	•Joint Torique .....	•O-Ring .....	•Junta torica.....	•O-ring.....		
41	VOE 932039			1	1			•O-ring .....	•Joint Torique .....	•O-Ring .....	•Junta torica.....	•O-ring.....		
42	VOE 13933857			6	6			Elbow Nipple.....	Raccord angulaire .....	Winkelnippel .....	Niple Angular.....	V-nippel.....		
43	VOE 4881722			1	1			•O-ring .....	•Joint Torique .....	•O-Ring .....	•Junta torica.....	•O-ring.....		
44	VOE 932039			1	1			•O-ring .....	•Joint Torique .....	•O-Ring .....	•Junta torica.....	•O-ring.....		
45	VOE 11886690			1	1			Hose .....	Durit.....	Schlauch .....	Tubo flexible .....	Slang.....		
46	VOE 11884276			1	1			Hose .....	Durit.....	Schlauch .....	Tubo flexible .....	Slang.....		
47	VOE 11884274			1	1			Hose .....	Durit.....	Schlauch .....	Tubo flexible .....	Slang.....		
48	VOE 11886625			1	1			Hose .....	Durit.....	Schlauch .....	Tubo flexible .....	Slang.....		
49	VOE 955282			2	2			Hexagon screw .....	Vis tête hexagonale .....	Sechskantschraub .....	Tornillo hexago .....	Sexkantsskruv.....		
50	VOE 13949278			2	2			Flange Lock Nut.....	Contre écrou bride.....	Flanschmutter .....	Contratuer Embr.....	Flänslåsmutter.....		
51				1	1			Valve.....	Soupape .....	Ventil.....	Valvula.....	Ventil.....	See group 911, Page 615	
52	VOE 11888979	1						Bracket.....	Console .....	Konsole.....	Ménsula.....	Konsol.....	11891005, 11891020 S/N 11145 -	
53	VOE 965225	3						Flange screw .....	Vis à bride .....	Flanschschraube .....	Torn embridado .....	Flänsskruv.....	11891005, 11891020 S/N 11145 -	



1	11891506, 11891507	<b>Hydraulsystem pilotstyrda grävreglage</b> <b>Sistema hidráulico mandos pilotos de excavadora</b> <b>Hydraulikanlage vorgesteuerte Bagger-Bedienelemente</b> <b>Servocommande hydraulique creusement</b> <b>Hydraulic system pilot excavator controls</b>	Catalogue id	Group
2	11891508		<b>20004</b>	<b>911</b>
3	11891509, 11891510		Illustr. No	Section
4	11891511		<b>1024713</b>	<b>1600</b>
5			Issue	Page
			<b>VOE 63G9920004</b>	<b>619</b>







Volvo Construction  
 Equipment  
 1007858

Fig.	Part No.	Quantity					P S	K T	Description	Dénomination	Bezeichnung	Denominación	Benämning	Notes
		1	2	3	4	5								
1		1	1	1				Lever.....	Levier .....	Hebel .....	Palanca .....	Spak.....	See group 914, Page 659	
1					1			Lever.....	Levier .....	Hebel .....	Palanca .....	Spak.....	See group 914, Page 661	
2	VOE 11884385	1	1		1			Hose .....	Durit.....	Schlauch .....	Tubo flexible .....	Slang.....	L = 1450 MM	
3	VOE 11884411	1	1		1			Hose .....	Durit.....	Schlauch .....	Tubo flexible .....	Slang.....	L = 3160 MM	
4	VOE 11882722	1	2		1			Hose .....	Durit.....	Schlauch .....	Tubo flexible .....	Slang.....	L = 2000 MM	
5	VOE 11884272	2	1		2			Hose .....	Flexible.....	Schlauch .....	Manguera .....	Slang.....	L = 2650 MM	
6	VOE 13933858	6	14		6			Union .....	Teton Connexion .....	Anschlussnippel .....	Niple Conexcion .....	Anslutn.nippel.....		
7	VOE 4881722	1	1		1			•O-ring .....	•Joint Torique .....	•O-Ring .....	•Junta torica.....	•O-ring.....		
8	VOE 932039	1	1		1			•O-ring .....	•Joint Torique .....	•O-Ring .....	•Junta torica.....	•O-ring.....		
9		1			1			Nipple.....	Raccord .....	Nippel.....	Niple .....	Nippel.....	See group 911, Page 557	
10		1			1			Solenoid valve .....	Vanne electrom. ....	Magnetventil .....	Electrovalvula .....	Magnetventil.....	See group 911, Page 557	
11	VOE 11884272	1			1			Hose .....	Flexible.....	Schlauch .....	Manguera .....	Slang.....	L = 2650 MM	
12	VOE 11884414				1			Hose .....	Durit.....	Schlauch .....	Tubo flexible .....	Slang.....	L = 1550 MM	
13	VOE 11882722				1			Hose .....	Durit.....	Schlauch .....	Tubo flexible .....	Slang.....	L = 2000 MM	
14			1		1			Valve.....	Soupape .....	Ventil.....	Valvula.....	Ventil.....	See group 911, Page 615	
		1			1			Valve.....	Soupape .....	Ventil.....	Valvula.....	Ventil.....	See group 911, Page 575	
15	VOE 11885133	1	1		1			Protection.....	Protection .....	Schutz.....	Proteccion .....	Skydd.....		



1	11891208	<b>Lastarreglage</b> <b>Mandos de la cargadora</b> <b>Loader controls</b> <b>Commandes de l'équipement chargeur</b> <b>Loader controls</b>	Catalogue id	Group
2	11891020		<b>20004</b>	<b>912</b>
3	11891005		Illustr. No	Section
4	11891065		<b>1007858</b>	<b>100</b>
5			Issue	Page
			<b>VOE 63G9920004</b>	<b>621</b>

**VOLVO**

**BL70**



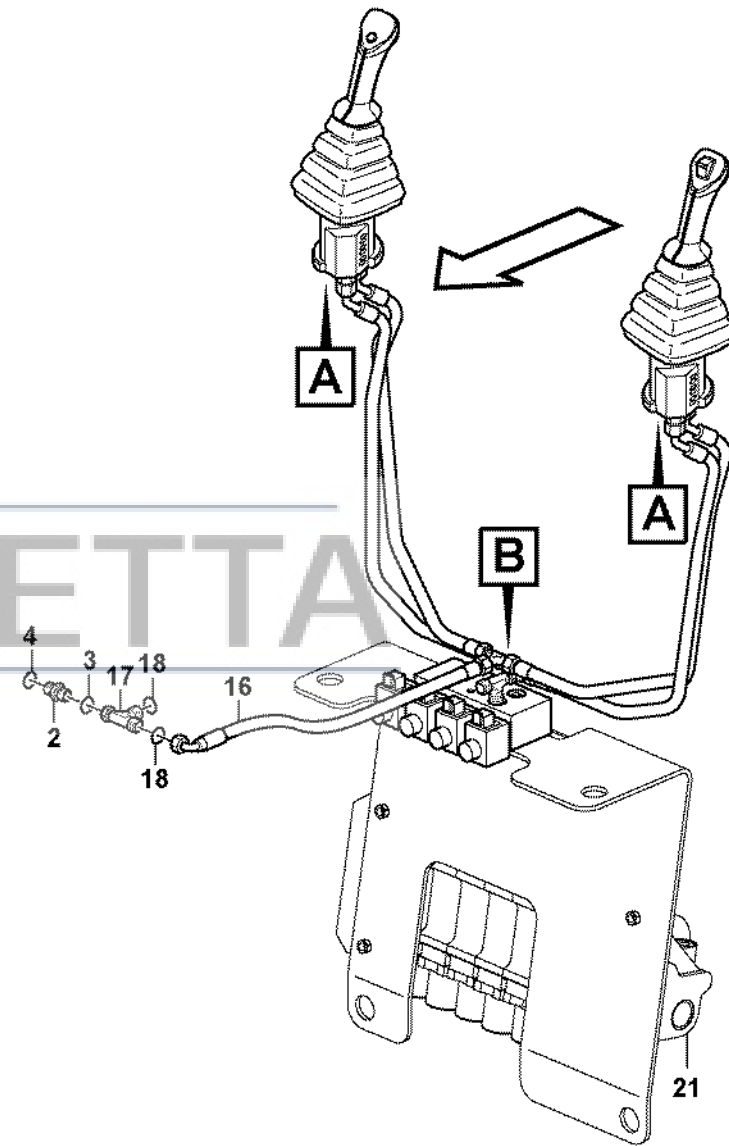
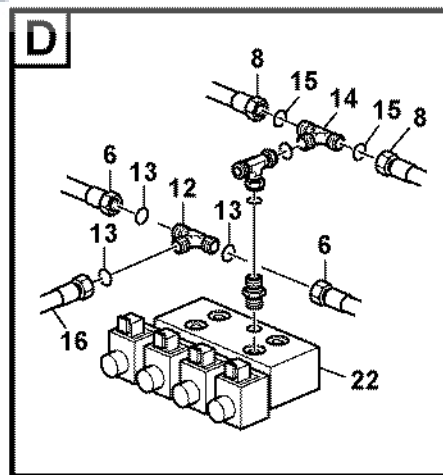
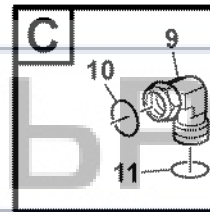
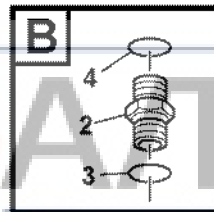
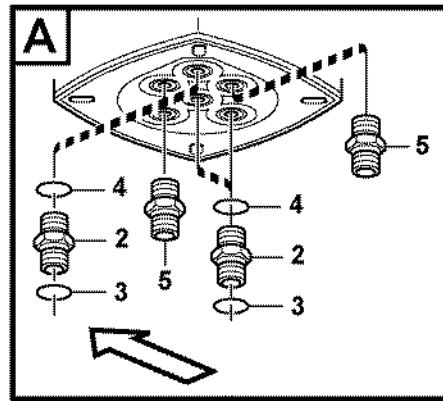
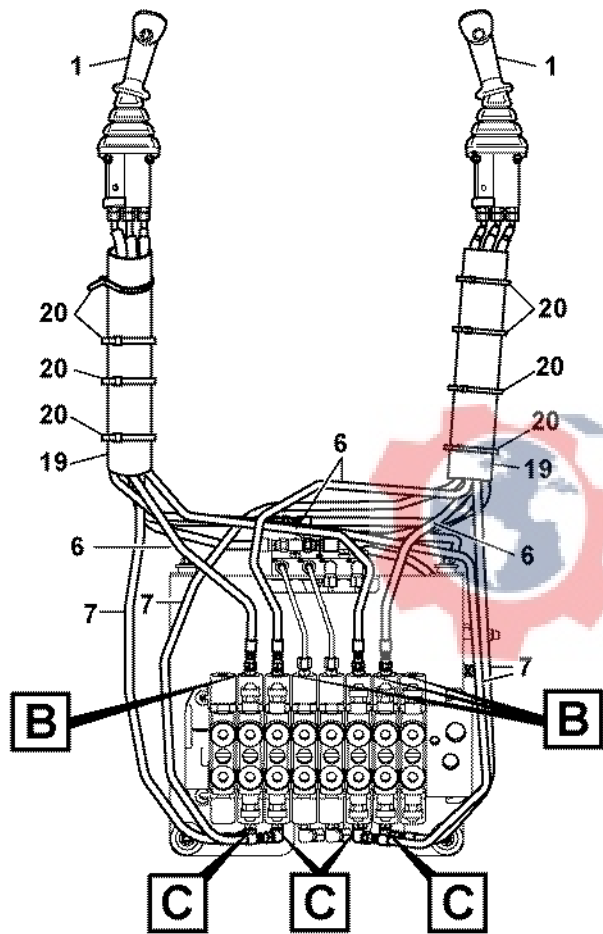
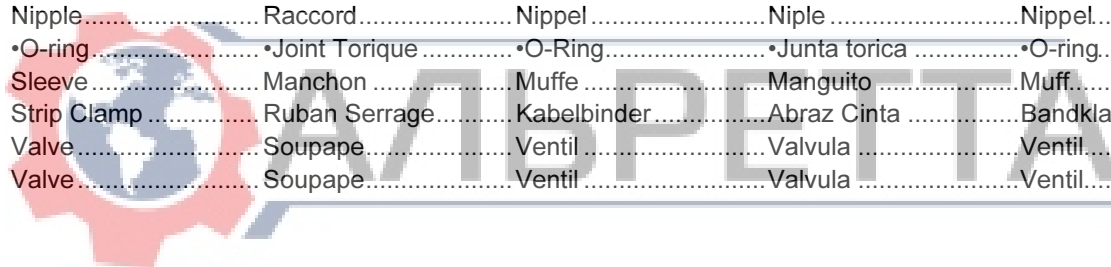


Fig.	Part No.	Quantity			P S	K I T	Description	Dénomination	Bezeichnung	Denominación	Benämning	Notes
		1	2	3								
1		2				Lever .....	Levier .....	Hebel .....	Palanca .....	Spak .....	See group 912, Page 631	
2	<b>VOE 13933858</b>	13				Union .....	Teton Connexion .....	Anschlussnippel .....	Niple Conexcion .....	Anslutn.nippel .....		
3	<b>VOE 4881722</b>	1				•O-ring .....	•Joint Torique .....	•O-Ring .....	•Junta torica .....	•O-ring .....		
4	<b>VOE 932039</b>	1				•O-ring .....	•Joint Torique .....	•O-Ring .....	•Junta torica .....	•O-ring .....		
5	<b>VOE 11802772</b>	4				Restrictor .....	Etrangleur .....	Drosselung .....	Estrangulacion .....	Strypning .....		
6	<b>VOE 11887467</b>	6				Hose .....	Durit .....	Schlauch .....	Tubo flexible .....	Slang .....		
7	<b>VOE 11887473</b>	4				Hose .....	Durit .....	Schlauch .....	Tubo flexible .....	Slang .....		
8	<b>VOE 11887472</b>	2				Hose .....	Durit .....	Schlauch .....	Tubo flexible .....	Slang .....		
9	<b>VOE 13933857</b>	4				Elbow Nipple .....	Raccord angulaire .....	Winkelnippel .....	Niple Angular .....	V-nippel .....		
10	<b>VOE 4881722</b>	1				•O-ring .....	•Joint Torique .....	•O-Ring .....	•Junta torica .....	•O-ring .....		
11	<b>VOE 932039</b>	1				•O-ring .....	•Joint Torique .....	•O-Ring .....	•Junta torica .....	•O-ring .....		
12	<b>VOE 936798</b>	1				T-nipple .....	Raccord-t .....	T-Nippel .....	Niple T .....	T-nippel .....		
13	<b>VOE 4881722</b>	3				•O-ring .....	•Joint Torique .....	•O-Ring .....	•Junta torica .....	•O-ring .....		
14	<b>VOE 13933912</b>	1				T-nipple .....	Raccord-t .....	T-Nippel .....	Niple T .....	T-nippel .....		
15	<b>VOE 4880492</b>	2				•O-ring .....	•Joint Torique .....	•O-Ring .....	•Junta torica .....	•O-ring .....		
16	<b>VOE 11884906</b>	1				Hose .....	Durit .....	Schlauch .....	Tubo flexible .....	Slang .....		
17	<b>VOE 13933859</b>	1				Nipple .....	Raccord .....	Nippel .....	Niple .....	Nippel .....		
18	<b>VOE 4881722</b>	2				•O-ring .....	•Joint Torique .....	•O-Ring .....	•Junta torica .....	•O-ring .....		
19		2			NS	Sleeve .....	Manchon .....	Muffe .....	Manguito .....	Muff .....		
20	<b>VOE 4881440</b>	8				Strip Clamp .....	Ruban Serrage .....	Kabelbinder .....	Abraz Cinta .....	Bandklamma .....		
21		1				Valve .....	Soupape .....	Ventil .....	Valvula .....	Ventil .....	See group 912, Page 633	
22		1				Valve .....	Soupape .....	Ventil .....	Valvula .....	Ventil .....	See group 911, Page 617	



1	<b>Grävreglage ISO</b> <b>Mandos de excavadora ISO</b> <b>Bagger-Bedienungselement ISO</b> <b>Commandes creusement ISO</b> <b>Excavator Controls ISO</b> <b>11891506, 11891509</b>	Catalogue id	Group
2		<b>20004</b>	<b>912</b>
3		Illustr. No	Section
4		<b>1021133</b>	<b>200</b>
5		Issue	Page
		<b>VOE 63G9920004</b>	<b>623</b>

**VOLVO**

**BL70**



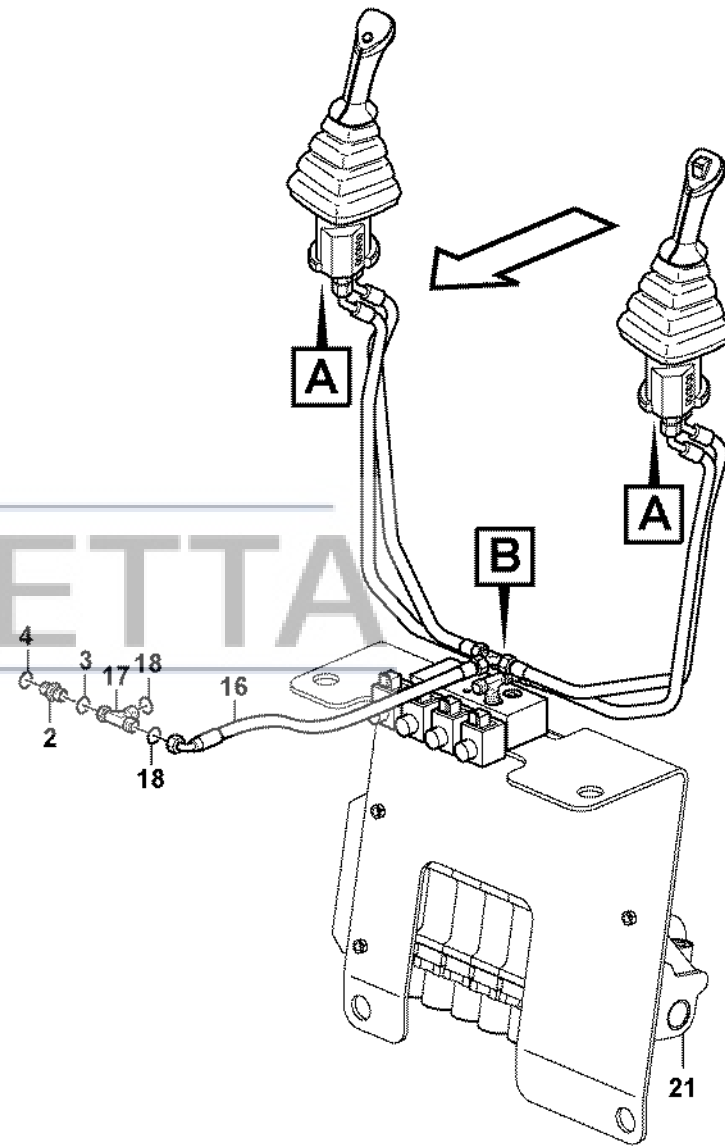
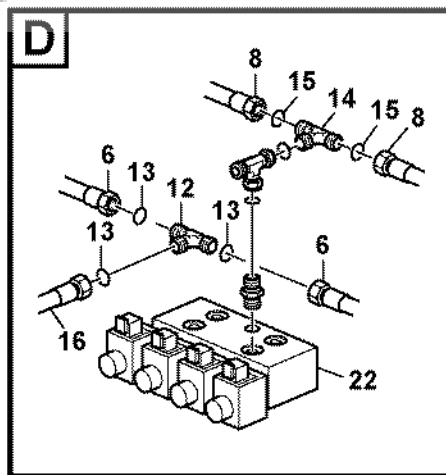
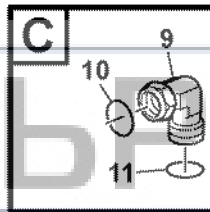
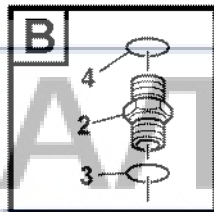
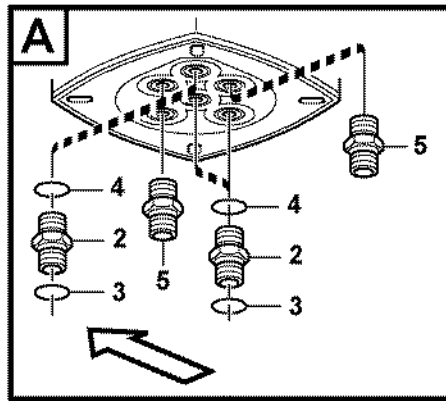
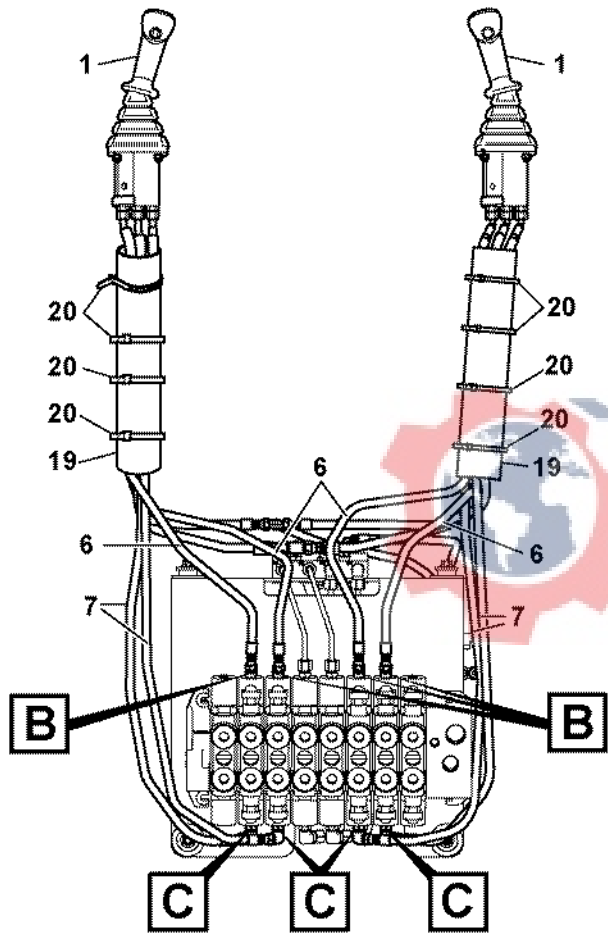


Fig.	Part No.	Quantity			P S	K I T	Description	Dénomination	Bezeichnung	Denominación	Benämning	Notes
		1	2	3								
1		2				Lever .....	Levier .....	Hebel .....	Palanca .....	Spak .....	See group 914, Page 663	
2	<b>VOE 13933858</b>	13				Union .....	Teton Connexion .....	Anschlussnippel .....	Niple Conexcion .....	Anslutn.nippel .....		
3	<b>VOE 4881722</b>	1				•O-ring .....	•Joint Torique .....	•O-Ring .....	•Junta torica .....	•O-ring .....		
4	<b>VOE 932039</b>	1				•O-ring .....	•Joint Torique .....	•O-Ring .....	•Junta torica .....	•O-ring .....		
5	<b>VOE 11802772</b>	4				Restrictor .....	Etrangleur .....	Drosselung .....	Estrangulacion .....	Strypning .....		
6	<b>VOE 11887467</b>	6				Hose .....	Durit .....	Schlauch .....	Tubo flexible .....	Slang .....		
7	<b>VOE 11887473</b>	4				Hose .....	Durit .....	Schlauch .....	Tubo flexible .....	Slang .....		
8	<b>VOE 11887472</b>	2				Hose .....	Durit .....	Schlauch .....	Tubo flexible .....	Slang .....		
9	<b>VOE 13933857</b>	4				Elbow Nipple .....	Raccord angulaire .....	Winkelnippel .....	Niple Angular .....	V-nippel .....		
10	<b>VOE 4881722</b>	1				•O-ring .....	•Joint Torique .....	•O-Ring .....	•Junta torica .....	•O-ring .....		
11	<b>VOE 932039</b>	1				•O-ring .....	•Joint Torique .....	•O-Ring .....	•Junta torica .....	•O-ring .....		
12	<b>VOE 936798</b>	1				T-nipple .....	Raccord-t .....	T-Nippel .....	Niple T .....	T-nippel .....		
13	<b>VOE 4881722</b>	3				•O-ring .....	•Joint Torique .....	•O-Ring .....	•Junta torica .....	•O-ring .....		
14	<b>VOE 13933912</b>	1				T-nipple .....	Raccord-t .....	T-Nippel .....	Niple T .....	T-nippel .....		
15	<b>VOE 4880492</b>	2				•O-ring .....	•Joint Torique .....	•O-Ring .....	•Junta torica .....	•O-ring .....		
16	<b>VOE 11884906</b>	1				Hose .....	Durit .....	Schlauch .....	Tubo flexible .....	Slang .....		
17	<b>VOE 13933859</b>	1				Nipple .....	Raccord .....	Nippel .....	Niple .....	Nippel .....		
18	<b>VOE 4881722</b>	2				•O-ring .....	•Joint Torique .....	•O-Ring .....	•Junta torica .....	•O-ring .....		
19		2			NS	Sleeve .....	Manchon .....	Muffe .....	Manguito .....	Muff .....		
20	<b>VOE 4881440</b>	8				Strip Clamp .....	Ruban Serrage .....	Kabelbinder .....	Abraz Cinta .....	Bandklamma .....		
21		1				Valve .....	Soupape .....	Ventil .....	Valvula .....	Ventil .....	See group 912, Page 633	
22		1				Valve .....	Soupape .....	Ventil .....	Valvula .....	Ventil .....	See group 911, Page 617	



1	<b>Grävreglage SAE</b> <b>Mandos de excavadora SAE</b> <b>Bagger Bedienelement SAE</b> <b>Commandes creusement SAE</b> <b>Excavator Controls SAE</b> <b>11891507, 11891510</b>	Catalogue id	Group
2		<b>20004</b>	<b>912</b>
3		Illustr. No	Section
4		<b>1021140</b>	<b>210</b>
5		Issue	Page
		<b>VOE 63G9920004</b>	<b>625</b>





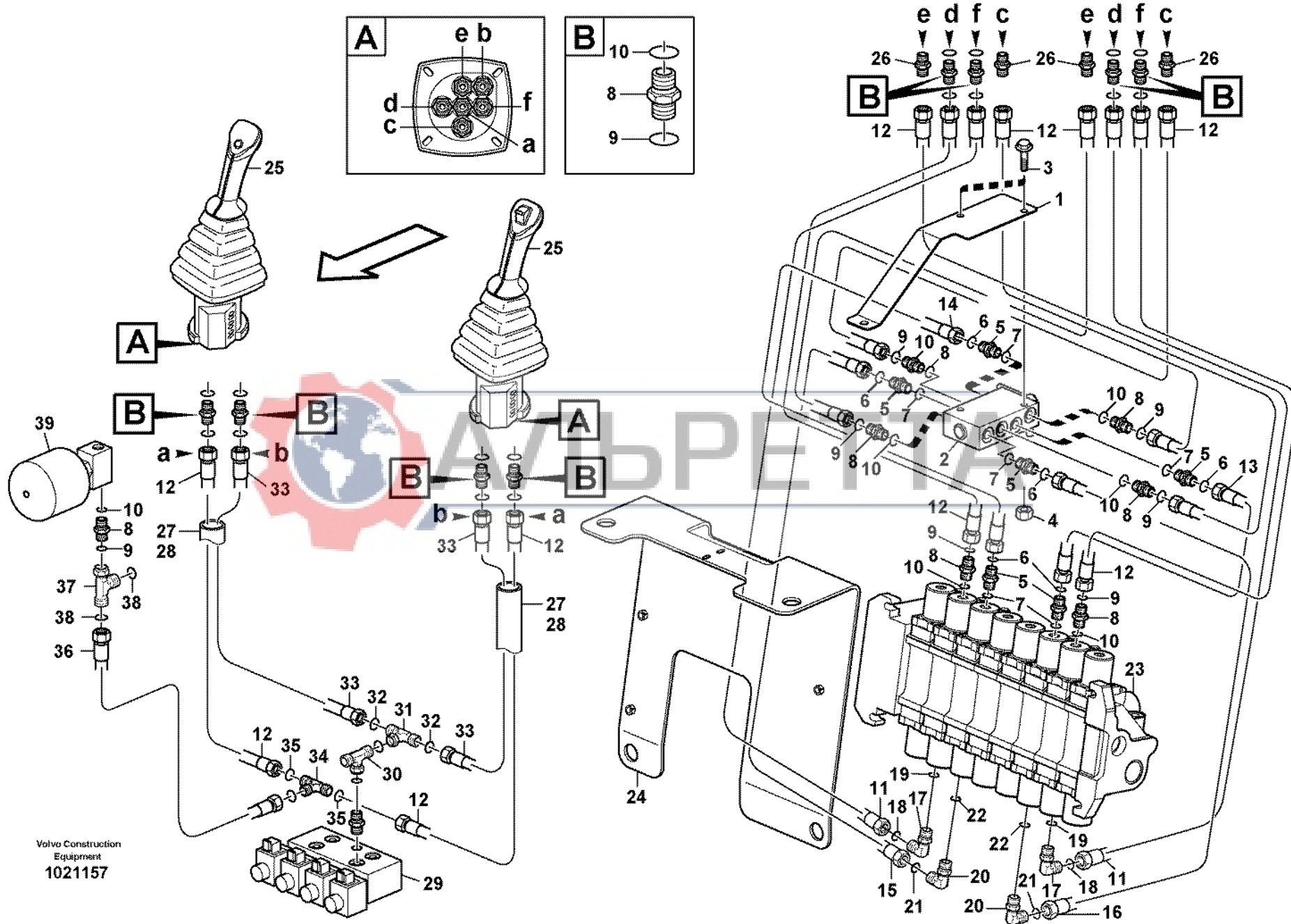


Fig.	Part No.	Quantity			P S	K I T	Description	Dénomination	Bezeichnung	Denominación	Benämning	Notes
		1	2	3								
1	VOE 11887423	1					Bracket.....	Console.....	Konsole.....	Ménsula.....	Konsol.....	
2	VOE 11806517	1					Valve.....	Soupape.....	Ventil.....	Valvula.....	Ventil.....	
3	VOE 13965177	2					Flange screw.....	Vis à bride.....	Flanschschraube.....	Torn embridado.....	Flänsskruv.....	
4	VOE 13945407	2					Nut.....	Ecrou.....	Mutter.....	Tuerca.....	Mutter.....	
5	VOE 935085	6					Nipple.....	Raccord.....	Nippel.....	Niple.....	Nippel.....	
6	VOE 4880492	1					•O-ring.....	•Joint Torique.....	•O-Ring.....	•Junta torica.....	•O-ring.....	
7	VOE 932039	1					•O-ring.....	•Joint Torique.....	•O-Ring.....	•Junta torica.....	•O-ring.....	
8	VOE 13933858	15					Union.....	Teton Connexion.....	Anschlussnippel.....	Niple Conexcion.....	Anslutn.nippel.....	
9	VOE 4881722	1					•O-ring.....	•Joint Torique.....	•O-Ring.....	•Junta torica.....	•O-ring.....	
10	VOE 932039	1					•O-ring.....	•Joint Torique.....	•O-Ring.....	•Junta torica.....	•O-ring.....	
11	VOE 11887473	2					Hose.....	Durit.....	Schlauch.....	Tube flexible.....	Slang.....	
12	VOE 11887467	8					Hose.....	Durit.....	Schlauch.....	Tube flexible.....	Slang.....	
13	VOE 11887003	1					Tube.....	Tube.....	Rohr.....	Tube.....	Rör.....	
14	VOE 11887002	1					Tube.....	Tube.....	Rohr.....	Tube.....	Rör.....	
15	VOE 11887004	1					Tube.....	Tube.....	Rohr.....	Tube.....	Rör.....	
16	VOE 11887005	1					Tube.....	Tube.....	Rohr.....	Tube.....	Rör.....	
17	VOE 13933857	2					Elbow Nipple.....	Raccord angulaire.....	Winkelnippel.....	Niple Angular.....	V-nippel.....	
18	VOE 4881722	1					•O-ring.....	•Joint Torique.....	•O-Ring.....	•Junta torica.....	•O-ring.....	
19	VOE 932039	1					•O-ring.....	•Joint Torique.....	•O-Ring.....	•Junta torica.....	•O-ring.....	
20	VOE 935069	2					Elbow nipple.....	Raccord angulaire.....	Winkelnippel.....	Niple angular.....	Vinkelnippel.....	
21	VOE 4881722	1					•O-ring.....	•Joint Torique.....	•O-Ring.....	•Junta torica.....	•O-ring.....	
22	VOE 4880492	1					•O-ring.....	•Joint Torique.....	•O-Ring.....	•Junta torica.....	•O-ring.....	
23		1					Valve.....	Soupape.....	Ventil.....	Valvula.....	Ventil.....	See group 912, Page 633
24		1					Bracket.....	Console.....	Konsole.....	Ménsula.....	Konsol.....	See group 911, Page 617
25		1					Control Lever.....	Levier Commande.....	Bedienungshebel.....	Palanca Mando.....	Manöverspak.....	See group 914, Page 663
26	VOE 11802772	4					Restrictor.....	Etrangleur.....	Drosselung.....	Estrangulacion.....	Strypning.....	
27	VOE 4881440	8					Strip Clamp.....	Ruban Serrage.....	Kabelbinder.....	Abraz Cinta.....	Bandklamma.....	
28		2			NS		Sleeve.....	Manchon.....	Muffe.....	Manguito.....	Muff.....	
29		1					Valve.....	Soupape.....	Ventil.....	Valvula.....	Ventil.....	See group 911, Page 617
30		1					T-nipple.....	Raccord-t.....	T-Nippel.....	Niple T.....	T-nippel.....	See group 911, Page 617

1		<b>Grävreglage SAE/ISO</b> <b>Mandos de excavadora SAE/ISO</b> <b>Bagger Bedienelemente SAE/ISO</b> <b>Commandes creusement SAE/ISO</b> <b>Excavator Controls SAE/ISO</b>	Catalogue id	Group
2			<b>20004</b>	<b>912</b>
3			Illustr. No	Section
4			<b>1021157</b>	<b>220</b>
5			Issue	Page
	<b>11891508, 11891511</b>		<b>VOE 63G9920004</b>	<b>627</b>

**VOLVO**

**BL70**





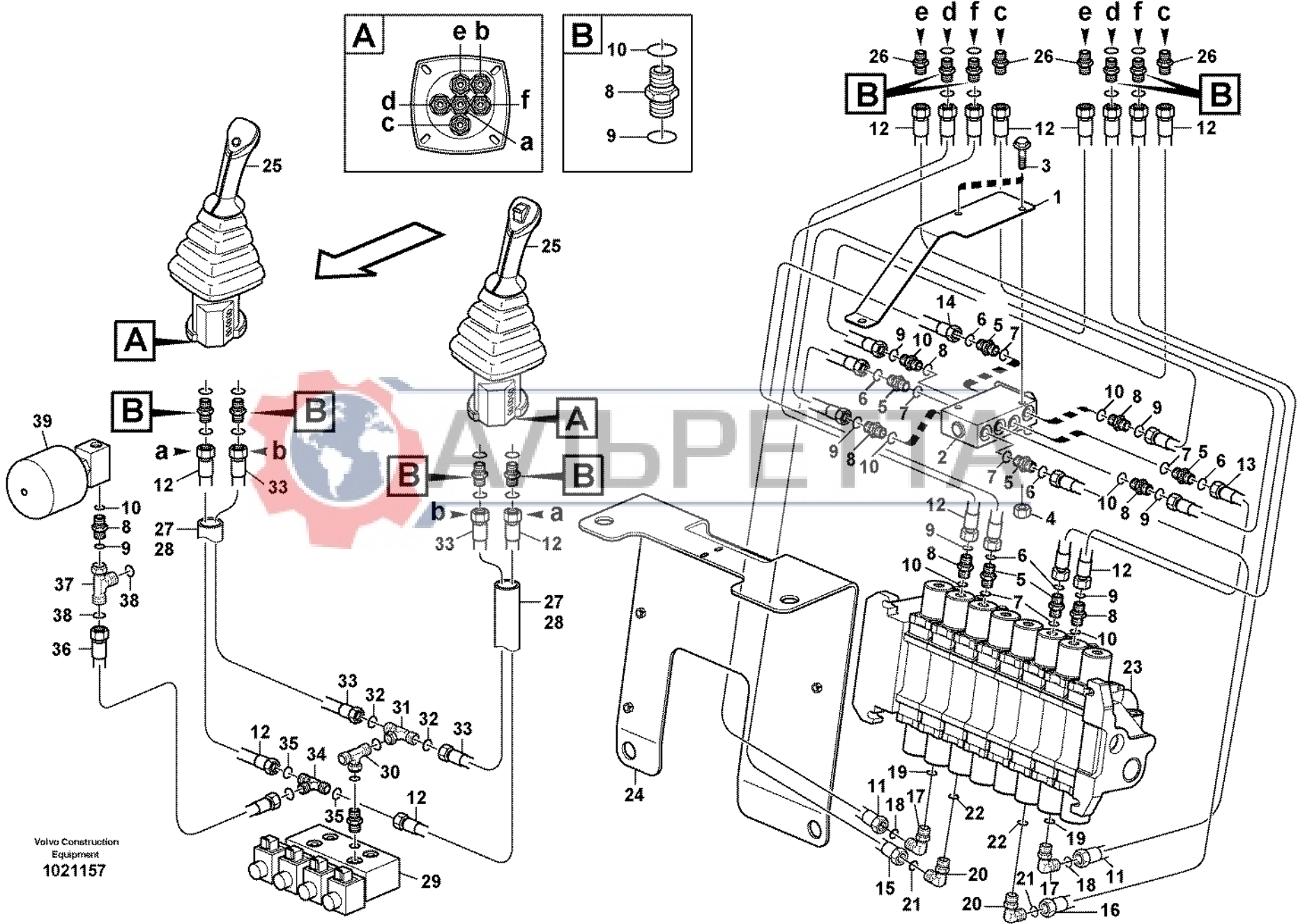


Fig.	Part No.	Quantity			P S	K I T	Description	Dénomination	Bezeichnung	Denominación	Benämning	Notes
		1	2	3								
31	VOE 13933912	1				T-nipple.....	Raccord-t.....	T-Nippel.....	Niple T.....	T-nippel.....		
32	VOE 4880492	2				•O-ring.....	•Joint Torique.....	•O-Ring.....	•Junta torica.....	•O-ring.....		
33	VOE 11887472	2				Hose.....	Durit.....	Schlauch.....	Tubo flexible.....	Slang.....		
34	VOE 936798	1				T-nipple.....	Raccord-t.....	T-Nippel.....	Niple T.....	T-nippel.....		
35	VOE 4881722	2				•O-ring.....	•Joint Torique.....	•O-Ring.....	•Junta torica.....	•O-ring.....		
36	VOE 11884906	1				Hose.....	Durit.....	Schlauch.....	Tubo flexible.....	Slang.....		
37	VOE 13933859	1				Nipple.....	Raccord.....	Nippel.....	Niple.....	Nippel.....		
38	VOE 4881722	2				•O-ring.....	•Joint Torique.....	•O-Ring.....	•Junta torica.....	•O-ring.....		
39		1				Accumulator.....	Accumulateur.....	Speicher.....	Acumulador.....	Ackumulator.....	See group 911, Page 557	

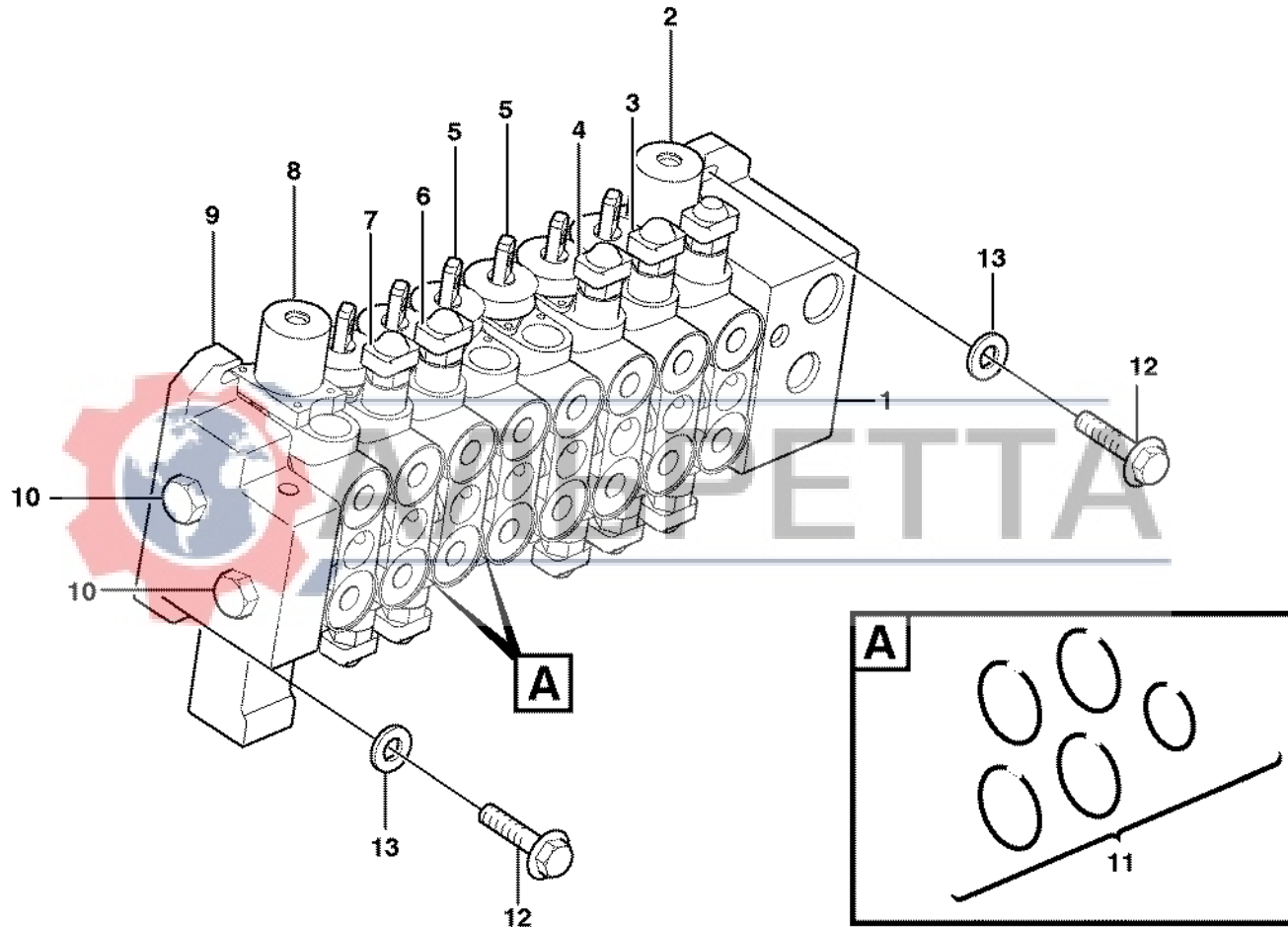


1	<b>Grävreglage SAE/ISO</b> <b>Mandos de excavadora SAE/ISO</b> <b>Bagger Bedienelemente SAE/ISO</b> <b>Commandes creusement SAE/ISO</b> <b>Excavator Controls SAE/ISO</b>	Catalogue id	Group
2		<b>20004</b>	<b>912</b>
3		Illustr. No	Section
4		<b>1021157</b>	<b>220</b>
5		Issue	Page
	<b>11891508, 11891511</b>	<b>VOE 63G9920004</b>	<b>629</b>

**VOLVO**

**BL70**





Volvo Construction  
Equipment  
1005326

Fig.	Part No.	Quantity			P S	K I T	Description	Dénomination	Bezeichnung	Denominación	Benämning	Notes
		1	2	3								
	<b>VOE 11881606</b>	1				SS	Valve .....	Soupape.....	Ventil .....	Valvula .....	Ventil.....	
1	<b>VOE 11988512</b>	1					•Inlet valve .....	•Soupape d'entrée .....	•Einlassventil.....	•Valvula de entrada....	•Inloppsventil.....	See group 912, Page 635
2	<b>VOE 11988513</b>	1					•Direction Valve .....	•Valve Direction.....	•Wegeventil .....	•Valvula Orient .....	•Riktningssventil.....	See group 912, Page 637
							••Valve, Tilt.....	••Valve, basculement ..	••Ventil, Kippzylinder ..	••Válvula, volteo .....	••Ventil, Tilt.....	
3	<b>VOE 11988514</b>	1					•Direction Valve .....	•Valve Direction.....	•Wegeventil .....	•Valvula Orient .....	•Riktningssventil.....	See group 912, Page 639
							••Valve, Slew.....	••Valve, orientation.....	••Ventil, Schwenk .....	••Válvula, giro .....	••Ventil, Sväng.....	
4	<b>VOE 11988515</b>	1					•Direction Valve .....	•Valve Direction.....	•Wegeventil .....	•Valvula Orient .....	•Riktningssventil.....	See group 912, Page 639
							••Valve, Boom cylind	••Valve, vérin de flèch	••Ventil, Auslegerzylind	••Válvula, cilindro de ..	••Ventil, Bomcylinder..	
5	<b>VOE 11988516</b>	2					•Direction Valve .....	•Valve Direction.....	•Wegeventil .....	•Valvula Orient .....	•Riktningssventil.....	See group 912, Page 643
							••Valve, Stabilisers.....	••Valve, stabilisateur ..	••Ventil, Stützbeine.....	••Válvula, patas de ap	••Ventil, Stödben.....	
6	<b>VOE 11988517</b>	1					•Direction Valve .....	•Valve Direction.....	•Wegeventil .....	•Valvula Orient .....	•Riktningssventil.....	See group 912, Page 639
							••Valve, Dipper arm cy	••Valve, vérin de bala.	••Ventil, Schaftzylinder	••Válvula, cilindro del .	••Ventil, Skaftcylinder.	
7	<b>VOE 11988518</b>	1					•Direction Valve .....	•Valve Direction.....	•Wegeventil .....	•Valvula Orient .....	•Riktningssventil.....	See group 912, Page 639
							••Valve, Bucket cylind	••Valve, vérin de gode	••Ventil, Schaufelzylind	••Válvula, cilindro de c	••Ventil, Skopcylinder.	
8	<b>VOE 11988520</b>	1					•Direction Valve .....	•Valve Direction.....	•Wegeventil .....	•Valvula Orient .....	•Riktningssventil.....	See group 912, Page 647
							••Valve, Lift cylinder ...	••Valve, vérin de levag	••Ventil, Hubzylinder...	••Válvula, cilindro de ..	••Ventil, Lyftcylinder...	
9	<b>VOE 11710811</b>	1					•Direction Valve .....	•Valve Direction.....	•Wegeventil .....	•Valvula Orient .....	•Riktningssventil.....	
							••Exhaust valve .....	••Soupape d'échappe.	••Auslassventil.....	••Válvula de escape ...	••Utloppsventil.....	
10	<b>VOE 11710812</b>	1					•Screw Kit .....	•Kit Vis.....	•Schraubensatz.....	•Juego Tornillos.....	•Skrivsats.....	
11	<b>VOE 11988537</b>	9					•Sealing Kit .....	•Jeu Joints.....	•Dichtungssatz .....	•Juego Retenes.....	•Tätningssats.....	
12	<b>VOE 983253</b>	3					Hexagon screw .....	Vis tête hexagonale ...	Sechskantschraube....	Tornillo hexago.....	Sexkantsskruv.....	
13	<b>VOE 13930842</b>	3					Washer.....	Rondelle.....	Scheibe .....	Arandela.....	Bricka.....	

1		<b>Ventilblock</b> <b>Bloque de válvulas</b> <b>Ventilgruppe</b> <b>Bloc-soupapes</b> <b>Valve body</b>	Catalogue id	Group
2			<b>20004</b>	<b>912</b>
3			Illustr. No	Section
4			<b>1005326</b>	<b>300</b>
5			Issue	Page
			<b>VOE 63G9920004</b>	<b>631</b>

**VOLVO**

**BL70**



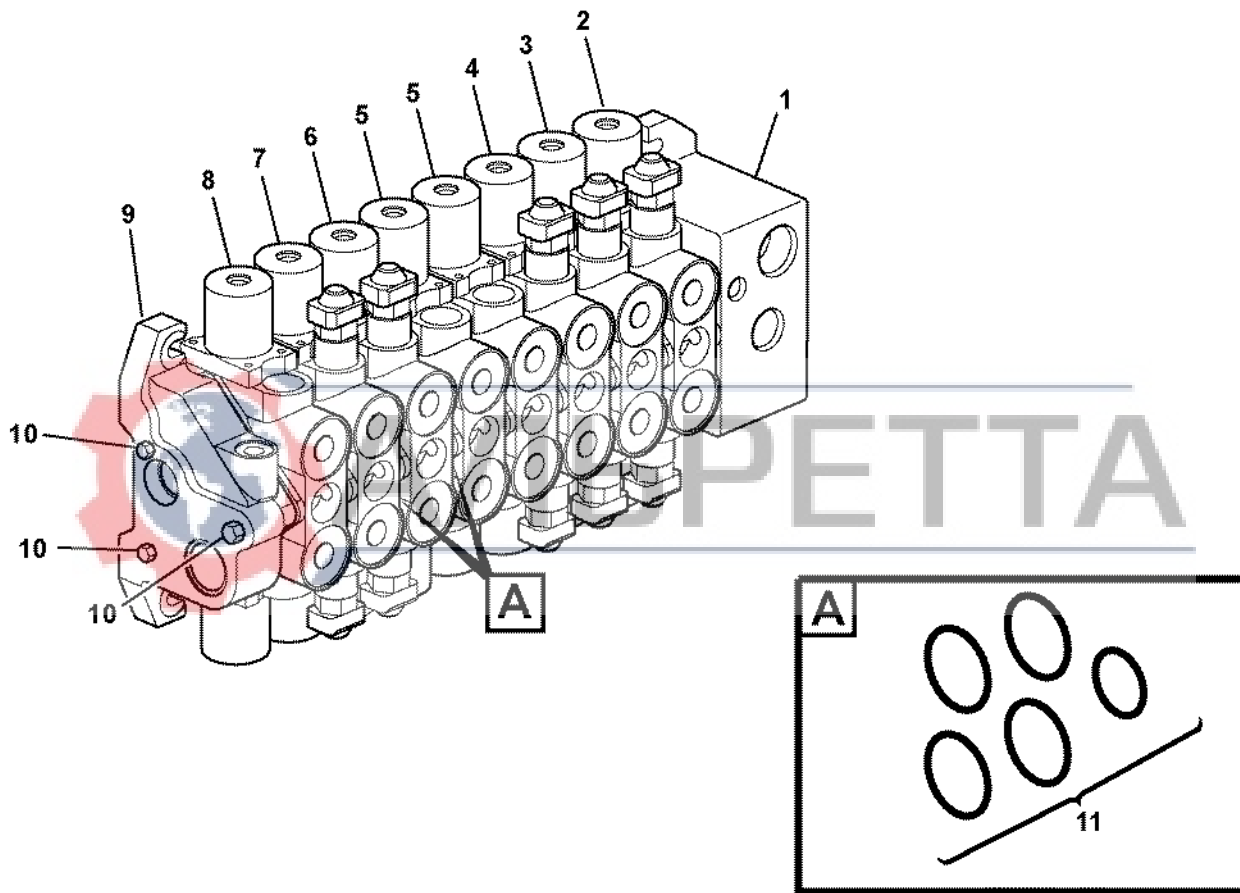


Fig.	Part No.	Quantity			P S	K I T	Description	Dénomination	Bezeichnung	Denominación	Benämning	Notes
		1	2	3								
	<b>VOE 11886146</b>	1				Valve .....	Soupape.....	Ventil .....	Valvula .....	Ventil.....		
1	<b>VOE 11988512</b>	1				•Inlet valve .....	•Soupape d'entrée .....	•Einlassventil.....	•Valvula de entrada....	•Inloppsventil.....	See group 912, Page 635	
2	<b>VOE 11988513</b>	1				•Direction Valve .....	•Valve Direction.....	•Wegeventil .....	•Valvula Orient .....	•Rikttningsventil.....	See group 912, Page 637	
						••Valve, Tilt.....	••Valve, basculement ..	••Ventil, Kippzylinder ..	••Válvula, volteo .....	••Ventil, Tilt.....		
3	<b>VOE 11715626</b>	1				•Direction Valve .....	•Valve Direction.....	•Wegeventil .....	•Valvula Orient .....	•Rikttningsventil.....	See group 912, Page 641	
						••Valve, Slew.....	••Valve, orientation.....	••Ventil, Schwenk .....	••Válvula, giro .....	••Ventil, Sväng.....		
4	<b>VOE 11715627</b>	1				•Direction Valve .....	•Valve Direction.....	•Wegeventil .....	•Valvula Orient .....	•Rikttningsventil.....	See group 912, Page 641	
						••Valve, Boom cylind	••Valve, vérin de flèch	••Ventil, Auslegerzylin	••Válvula, cilindro de ..	••Ventil, Bomcylinder..		
5	<b>VOE 11715628</b>	2				•Direction Valve .....	•Valve Direction.....	•Wegeventil .....	•Valvula Orient .....	•Rikttningsventil.....	See group 912, Page 645	
						••Valve, Stabilisers.....	••Valve, stabilisateur ..	••Ventil, Stützbeine.....	••Válvula, patas de ap	••Ventil, Stödben.....		
6	<b>VOE 11715629</b>	1				•Direction Valve .....	•Valve Direction.....	•Wegeventil .....	•Valvula Orient .....	•Rikttningsventil.....	See group 912, Page 641	
						••Valve, Dipper arm cy	••Valve, vérin de bala.	••Ventil, Schaftzylinder	••Válvula, cilindro del .	••Ventil, Skaftcylinder.		
7	<b>VOE 11715630</b>	1				•Direction Valve .....	•Valve Direction.....	•Wegeventil .....	•Valvula Orient .....	•Rikttningsventil.....	See group 912, Page 641	
						••Valve, Bucket cylind	••Valve, vérin de gode	••Ventil, Schaufelzylin	••Válvula, cilindro de c	••Ventil, Skopcylinder.		
8	<b>VOE 11715632</b>	1				•Direction Valve .....	•Valve Direction.....	•Wegeventil .....	•Valvula Orient .....	•Rikttningsventil.....	See group 912, Page 649	
						••Valve, Lift cylinder ...	••Valve, vérin de levag	••Ventil, Hubzylinder...	••Válvula, cilindro de ..	••Ventil, Lyftcylinder...		
9	<b>VOE 11710811</b>	1				•Direction Valve .....	•Valve Direction.....	•Wegeventil .....	•Valvula Orient .....	•Rikttningsventil.....		
						••Exhaust valve .....	••Soupape d'échappe.	••Auslassventil.....	••Válvula de escape ...	••Utloppsventil.....		
10	<b>VOE 11710812</b>	1				•Screw Kit .....	•Kit Vis.....	•Schraubensatz .....	•Juego Tornillos.....	•Skrivsats.....		
11	<b>VOE 11712623</b>	9				•Sealing Kit .....	•Jeu Joints.....	•Dichtungssatz .....	•Juego Retenes.....	•Tätningssats.....		



1	11886146	<b>Ventilblock</b> <b>Bloque de válvulas</b> <b>Ventilgruppe</b> <b>Bloc-soupapes</b> <b>Valve body</b>	Catalogue id	Group
2			<b>20004</b>	<b>912</b>
3			Illustr. No	Section
4			<b>1021047</b>	<b>310</b>
5			Issue	Page
			<b>VOE 63G9920004</b>	<b>633</b>

**VOLVO**

**BL70**



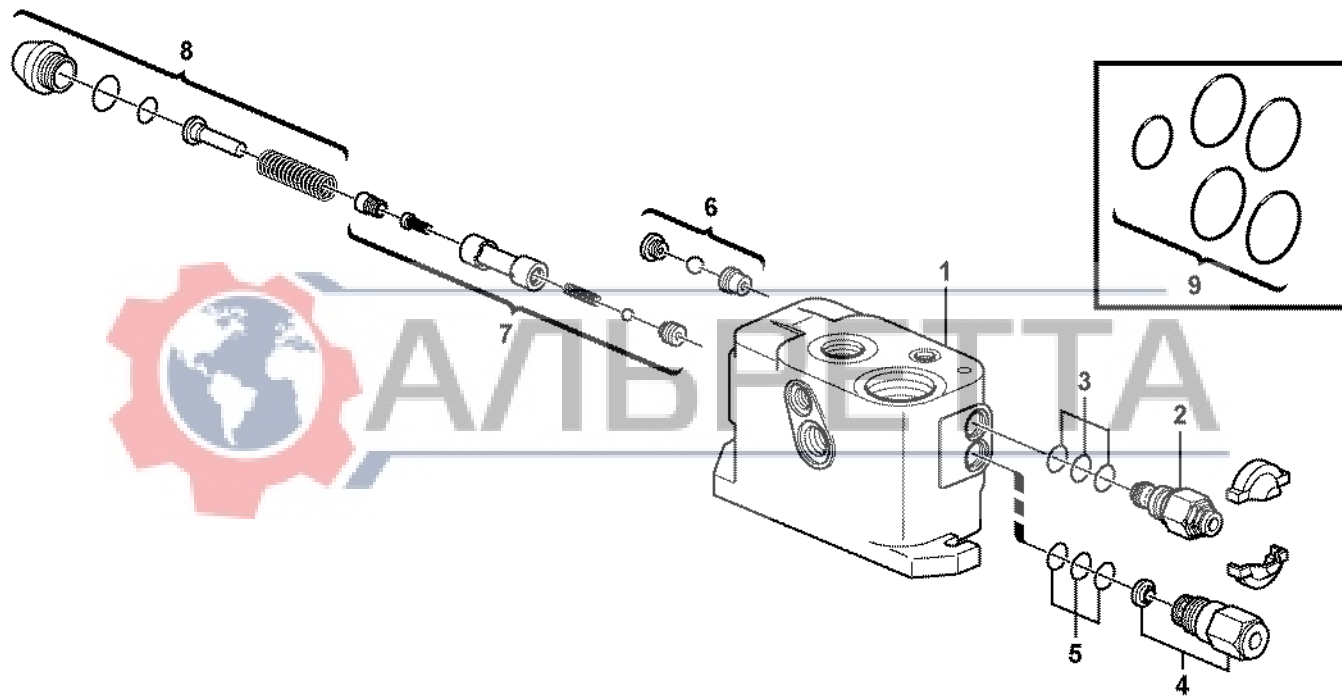


Fig.	Part No.	Quantity			P S	K I T	Description	Dénomination	Bezeichnung	Denominación	Benämning	Notes
		1	2	3								
1	VOE 11988512						Inlet valve.....	Soupape d'entrée.....	Einlassventil .....	Valvula de entrada .....	Inloppsventil.....	
2	VOE 11988524	1					•Relief valve .....	•Limiteur - pression .....	•Druckbegrenzer .....	•Limitador presion .....	•Avlastningsventil.....	
3	VOE 11988540	1					•Sealing Kit .....	•Jeu Joints .....	•Dichtungssatz .....	•Juego Retenes.....	•Tätningssats.....	
4	VOE 11988525	1					•Flow Adj Valve.....	•Valve Reg.debit .....	•Flussregelvent.....	•Valv Ajust Caud .....	•Flödesregl.vent.....	
	VOE 11710925	1					•Filter .....	•Filtre.....	•Filter.....	•Filtro.....	•Filter.....	
5	VOE 11988539	1					•Sealing Kit .....	•Jeu Joints .....	•Dichtungssatz .....	•Juego Retenes.....	•Tätningssats.....	
6	VOE 11712902	1					•Shuttle Valve .....	•Valve Navette .....	•Wechselventil.....	•Valv Lanzadera .....	•Skyttelventil.....	
7	VOE 11712900	1					•Spool .....	•Bobine.....	•Schieber.....	•Bobina.....	•Slid.....	
8	VOE 11712899	1					•Plug Kit .....	•Kit Tampon .....	•Stopfensatz .....	•Kit Tapones.....	•Pluggsats.....	
9	VOE 11988537	1					•Sealing Kit .....	•Jeu Joints.....	•Dichtungssatz .....	•Juego Retenes.....	•Tätningssats.....	



1	11988512	<b>Inloppsventil</b> <b>Válvula de admisión</b> <b>Einlassventil</b> <b>Soupape d'admission</b> <b>Inlet valve</b>	Catalogue id	Group
2			<b>20004</b>	<b>912</b>
3			Illustr. No	Section
4			<b>1023199</b>	<b>350</b>
5			Issue	Page
			<b>VOE 63G9920004</b>	<b>635</b>

**VOLVO**

**BL70**





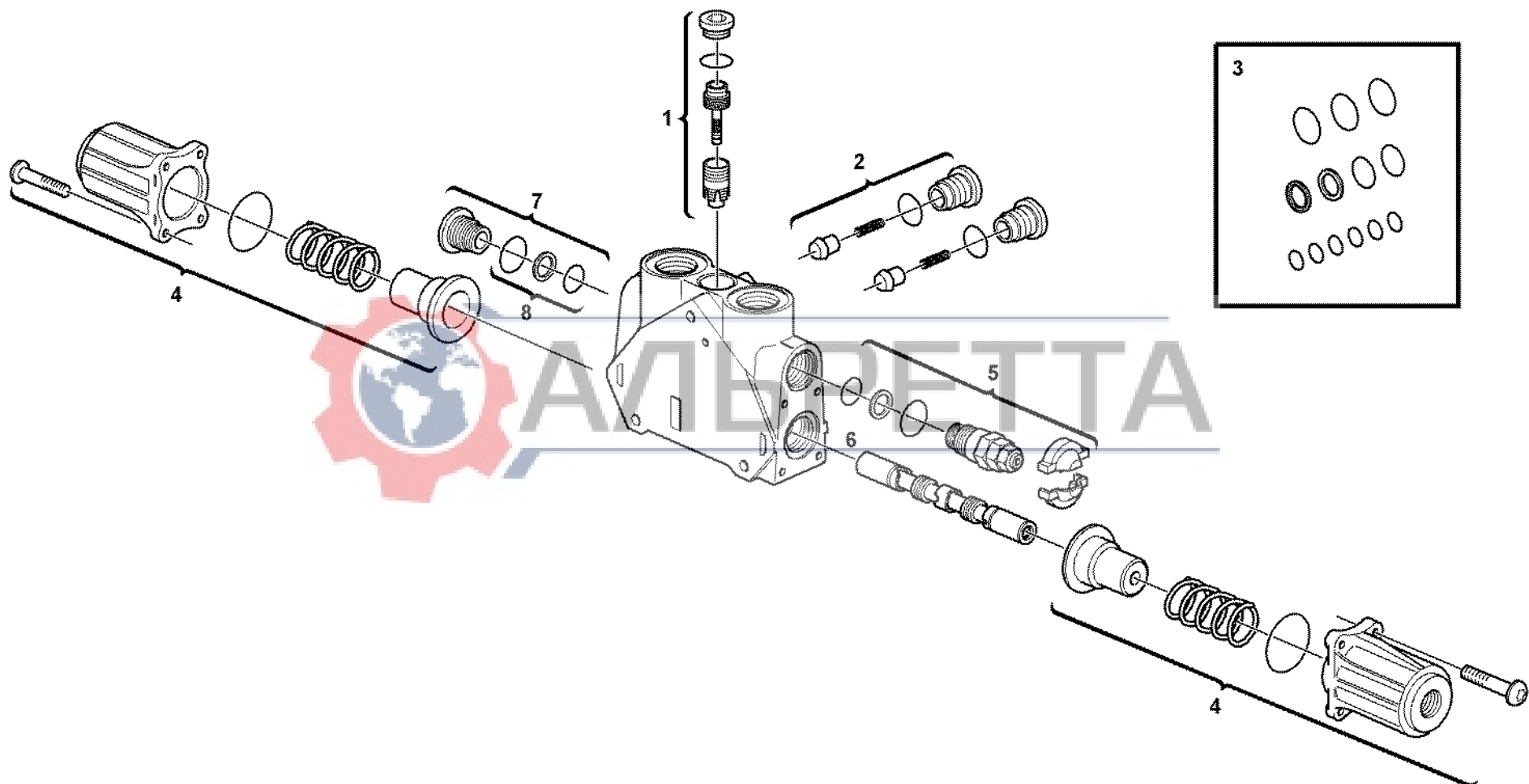


Fig.	Part No.	Quantity			P S	K I T	Description	Dénomination	Bezeichnung	Denominación	Benämning	Notes
		1	2	3								
	<b>VOE 11988513</b>	1					Direction Valve.....	Valve Direction.....	Wegeventil .....	Valvula Orient.....	Riktningventil.....	
							•Valve, Tilt.....	•Valve, basculement ..	•Ventil, Kippzylinder ...	•Válvula, volteo.....	•Ventil, Tilt.....	
1	<b>VOE 11988526</b>	1					•Press Regulator.....	•Regulateu Press .....	•Druckregler .....	•Regul Presion .....	•Tryckregulator.....	
2	<b>VOE 11988527</b>	1					•Check valve .....	•Valve antiretour.....	•Rückschlagventil .....	•Válvula de retención .	•Backventil.....	
3	<b>VOE 11988538</b>	1			SS		•Sealing Kit .....	•Jeu Joints.....	•Dichtungssatz .....	•Juego Retenes.....	•Tätningssats.....	
4	<b>VOE 11988530</b>	1					•Control .....	•Commande .....	•Regelung.....	•Mando .....	•Reglage.....	
5	<b>VOE 11988532</b>	1					•Relief valve .....	•Limiteur - pression ....	•Druckbegrenzer .....	•Limitador presion .....	•Avlastningsventil.....	
6	<b>VOE 11988541</b>	1					••Sealing Kit .....	••Jeu Joints .....	••Dichtungssatz .....	••Juego Retenes.....	••Tätningssats.....	
7	<b>VOE 11712886</b>	1					•Plug .....	•Bouchon.....	•Stopfen .....	•Tapon.....	•Plugg.....	
8	<b>VOE 11988541</b>	1					••Sealing Kit .....	••Jeu Joints .....	••Dichtungssatz .....	••Juego Retenes.....	••Tätningssats.....	

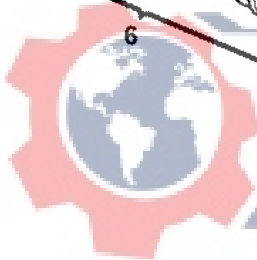
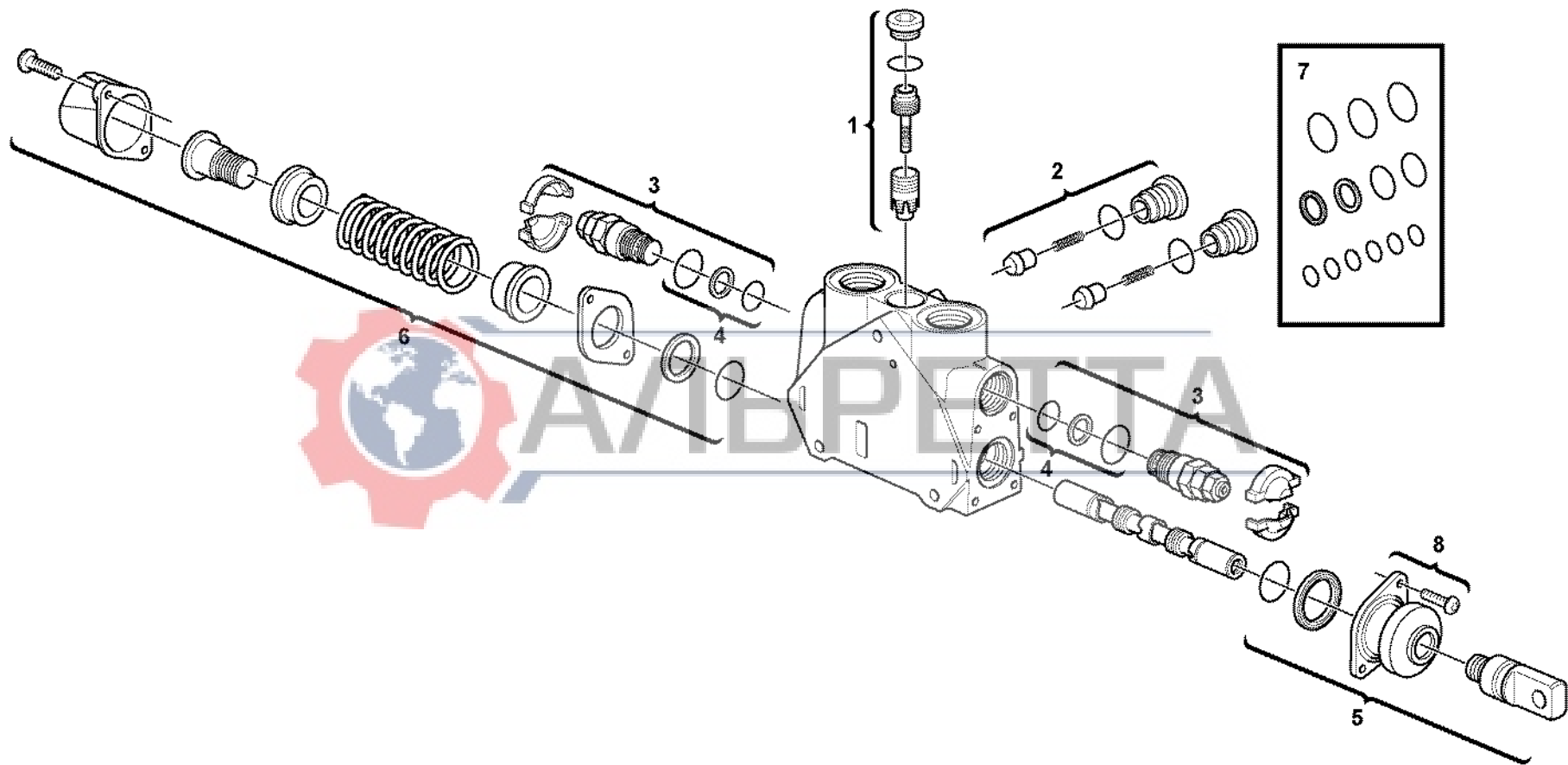


1	11988513	<b>Ventilsektion</b> <b>Sección de válvulas</b> <b>Ventil</b> <b>Section de valve</b> <b>Valve section</b>	Catalogue id	Group
2			<b>20004</b>	<b>912</b>
3			Illustr. No	Section
4			<b>1006461</b>	<b>450</b>
5			Issue	Page
			<b>VOE 63G9920004</b>	<b>637</b>

**VOLVO**

**BL70**





АЛЪРЕТА

Fig.	Part No.	Quantity					P S	K T	Description	Dénomination	Bezeichnung	Denominación	Benämning	Notes
		1	2	3	4	5								
	VOE 11988514	1							Direction Valve.....	Valve Direction .....	Wegeventil .....	Valvula Orient.....	Riktningventil.....	
	VOE 11988515		1						•Valve, Slew.....	•Valve, orientation ..	•Ventil, Schwenk .....	•Válvula, giro .....	•Ventil, Sväng.....	
	VOE 11988517			1					Direction Valve.....	Valve Direction .....	Wegeventil .....	Valvula Orient.....	Riktningventil.....	
	VOE 11988518				1				Direction Valve.....	Valve Direction .....	Wegeventil .....	Valvula Orient.....	Riktningventil.....	
1	VOE 11988526	1	1	1	1				•Valve, Bucket cylin	•Valve, vérin de god	•Ventil, Schaufelzyli	•Válvula, cilindro de	•Ventil, Skopcylinde	
2	VOE 11988527	1	1	1	1				•Press Regulator.....	•Regulateu Press ...	•Druckregler .....	•Regul Presion.....	•Tryckregulator.....	
3	VOE 11988532	2	2	2	2				•Check valve.....	•Valve antiretour .....	•Rückschlagventil....	•Válvula de retenció	•Backventil.....	
4	VOE 11988541	1	1	1	1				•Relief valve.....	•Limiteur - pressio ..	•Druckbegrenzer .....	•Limitador presion...	•Avlastningsventil...	
5	VOE 11715275	1	1	1	1				••Sealing Kit.....	••Jeu Joints.....	••Dichtungssatz.....	••Juego Retenes.....	••Tätningssats.....	
6	VOE 11988529	1	1	1	1				•Control.....	•Commande .....	•Regelung .....	•Mando .....	•Reglage.....	(VOE 11988528)
7	VOE 11715251	1	1	1	1				•Control.....	•Commande .....	•Regelung .....	•Mando .....	•Reglage.....	
	VOE 11715252	1	1	1	1				•Sealing Kit .....	•Jeu Joints .....	•Dichtungssatz .....	•Juego Retenes .....	•Tätningssats.....	
	VOE 11715252	1	1	1	1				•Sealing Kit .....	•Jeu Joints .....	•Dichtungssatz .....	•Juego Retenes .....	•Tätningssats.....	
8	VOE 11712580	1	1	1	1				•Bellows Kit.....	•Kit soufflet .....	•Balgatz.....	•Juego fuelle.....	•Bälgsatz.....	



1	11988514	<b>Ventilsektion</b> <b>Sección de válvulas</b> <b>Ventil</b> <b>Section de valve</b> <b>Valve section</b>	Catalogue id	Group
2	11988515		<b>20004</b>	<b>912</b>
3	11988517		Illustr. No	Section
4	11988518		<b>1023157</b>	<b>500</b>
5			Issue	Page
			<b>VOE 63G9920004</b>	<b>639</b>

**VOLVO**

**BL70**



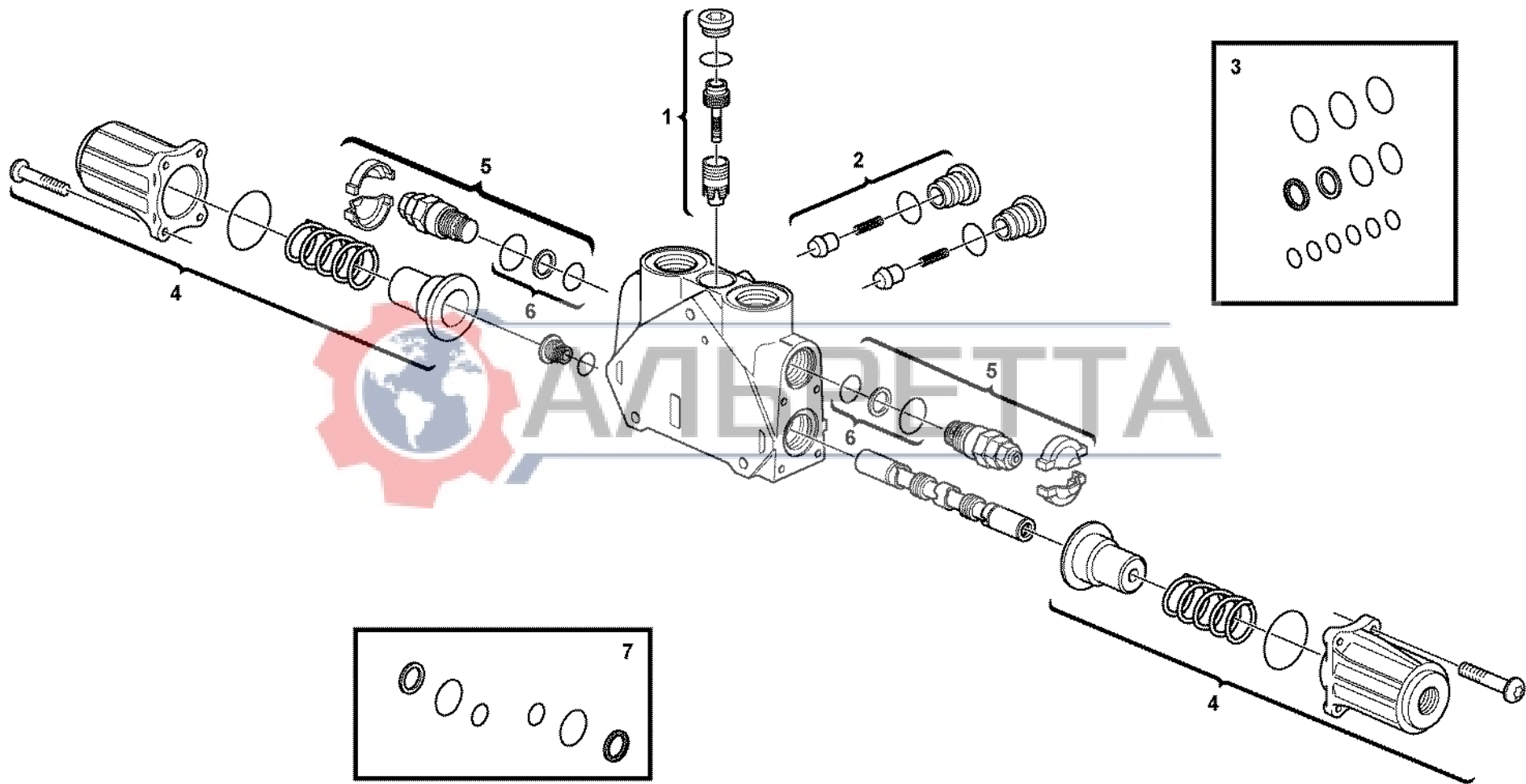


Fig.	Part No.	Quantity					P S	K T	Description	Dénomination	Bezeichnung	Denominación	Benämning	Notes
		1	2	3	4	5								
	VOE 11715626	1							Direction Valve.....	Valve Direction .....	Wegeventil .....	Valvula Orient.....	Riktningventil.....	
	VOE 11715627		1						••Valve, Slew .....	••Valve, orientation .	••Ventil, Schwenk....	••Válvula, giro .....	••Ventil, Sväng.....	
	VOE 11715629			1					Direction Valve.....	Valve Direction .....	Wegeventil .....	Valvula Orient.....	Riktningventil.....	
	VOE 11715630				1				Direction Valve.....	Valve Direction .....	Wegeventil .....	Valvula Orient.....	Riktningventil.....	
1	VOE 11988526	1	1	1	1				•Press Regulator.....	•Regulateu Press ...	•Druckregler .....	•Regul Presion.....	•Tryckregulator.....	
2	VOE 11988527	1	1	1	1				•Check valve .....	•Valve antiretour .....	•Rückschlagventil....	•Válvula de retenció	•Backventil.....	
3	VOE 11715251	1	1	1	1				•Sealing Kit .....	•Jeu Joints .....	•Dichtungssatz .....	•Juego Retenes .....	•Tätningssats.....	
4	VOE 11988530	1	1	1	1				•Control .....	•Commande .....	•Regelung .....	•Mando .....	•Reglage.....	
5	VOE 11988532	1	1	1	1				•Relief valve .....	•Limiteur - pressio ..	•Druckbegrenzer .....	•Limitador presion...	•Avlastningsventil... (VOE 11988528)	
6	VOE 11988541	1	1	1	1				••Sealing Kit .....	••Jeu Joints.....	••Dichtungssatz.....	••Juego Retenes.....	••Tätningssats.....	
7	VOE 11715252	1		1	1				•Sealing Kit .....	•Jeu Joints .....	•Dichtungssatz .....	•Juego Retenes .....	•Tätningssats.....	



1	11715626	Ventilsektion Sección de válvulas Ventil Section de valve Valve section	Catalogue id	Group
2	11715627		<b>20004</b>	<b>912</b>
3	11715629		Illustr. No	Section
4	11715630		<b>1020427</b>	<b>510</b>
5			Issue	Page
			<b>VOE 63G9920004</b>	<b>641</b>

**VOLVO**

**BL70**



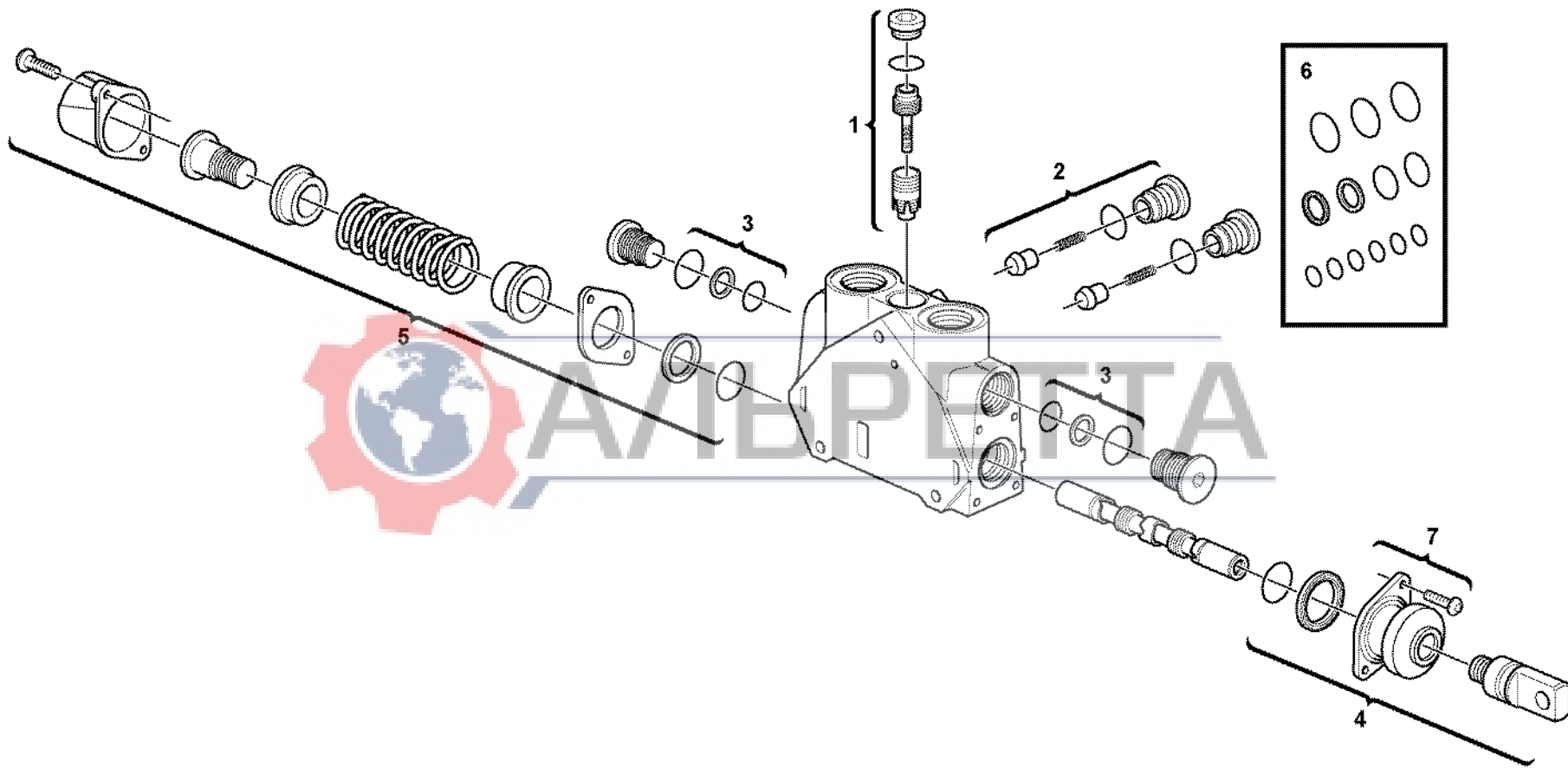


Fig.	Part No.	Quantity			P S	K I T	Description	Dénomination	Bezeichnung	Denominación	Benämning	Notes
		1	2	3								
	<b>VOE 11988516</b>	1					Direction Valve.....	Valve Direction.....	Wegeventil .....	Valvula Orient.....	Riktningventil.....	
							•Valve, Stabilisers.....	•Valve, stabilisateur ..	•Ventil, Stützbeine.....	•Válvula, patas de ap	•Ventil, Stödben.....	
1	<b>VOE 11988526</b>	1					•Press Regulator.....	•Regulateu Press .....	•Druckregler .....	•Regul Presion .....	•Tryckregulator.....	
2	<b>VOE 11988527</b>	1					•Check valve .....	•Valve antiretour.....	•Rückschlagventil.....	•Válvula de retención .	•Backventil.....	
3	<b>VOE 11988541</b>	1					•Sealing Kit .....	•Jeu Joints.....	•Dichtungssatz .....	•Juego Retenes.....	•Tätningssats.....	
4	<b>VOE 11715275</b>	1					•Control .....	•Commande .....	•Regelung.....	•Mando .....	•Reglage.....	(VOE 11988528)
5	<b>VOE 11988529</b>	1					•Control .....	•Commande .....	•Regelung.....	•Mando .....	•Reglage.....	
6	<b>VOE 11988538</b>	1			SS		•Sealing Kit .....	•Jeu Joints.....	•Dichtungssatz .....	•Juego Retenes.....	•Tätningssats.....	
7	<b>VOE 11712580</b>	1					•Bellows Kit .....	•Kit soufflet .....	•Balgatz .....	•Juego fuelle.....	•Bälgatz.....	



1	11988516	<b>Ventilsektion</b> <b>Sección de válvulas</b> <b>Ventil</b> <b>Section de valve</b> <b>Valve section</b>	Catalogue id	Group
2			<b>20004</b>	<b>912</b>
3			Illustr. No	Section
4			<b>1023183</b>	<b>550</b>
5			Issue	Page
			<b>VOE 63G9920004</b>	<b>643</b>

**VOLVO**

**BL70**





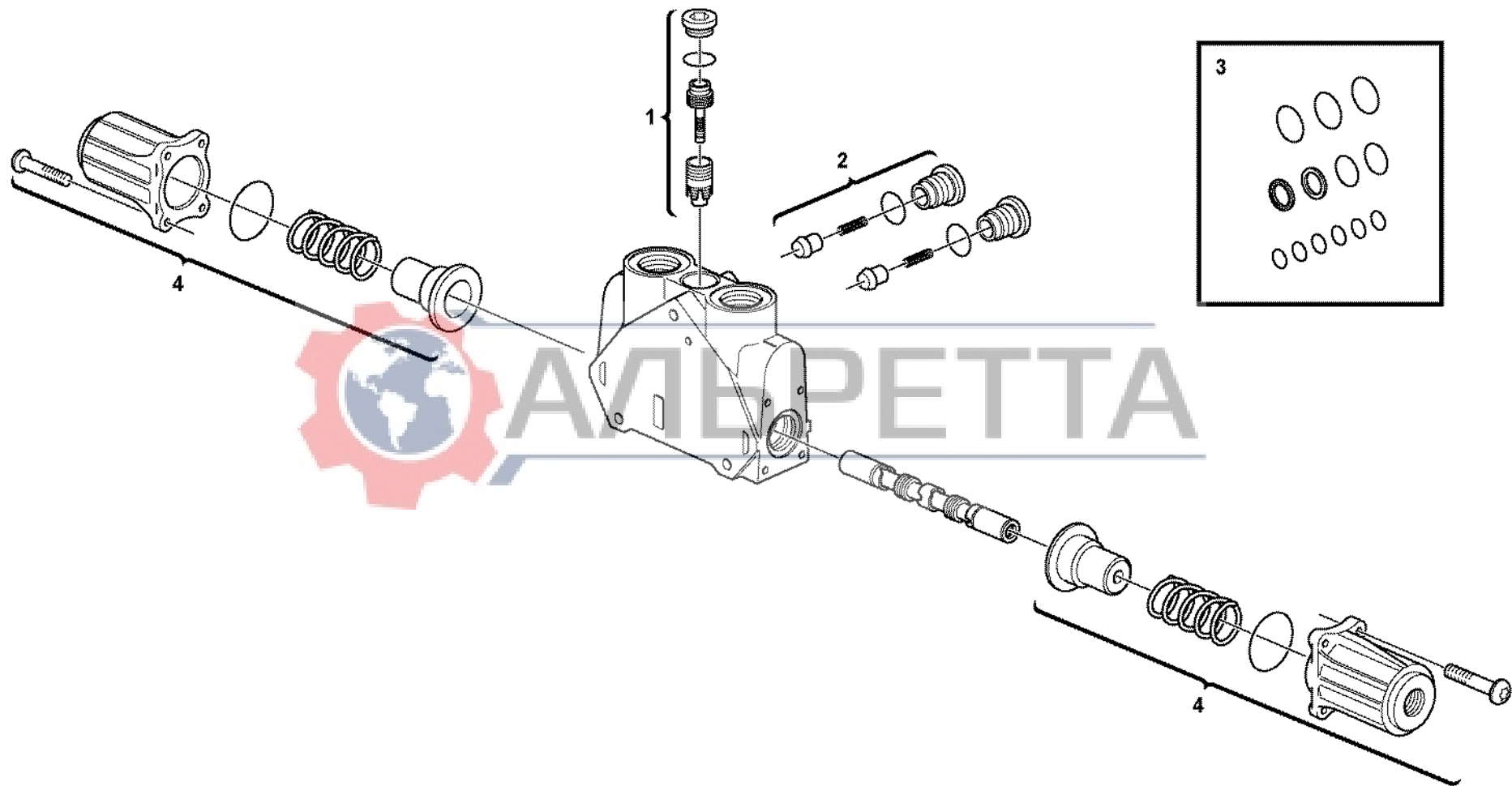


Fig.	Part No.	Quantity			P S	K I T	Description	Dénomination	Bezeichnung	Denominación	Benämning	Notes
		1	2	3								
	<b>VOE 11715628</b>	1					Direction Valve.....	Valve Direction.....	Wegeventil .....	Valvula Orient.....	Riktningventil.....	
							•Valve, Stabilisers.....	•Valve, stabilisateur ..	•Ventil, Stützbeine.....	•Válvula, patas de ap	•Ventil, Stödben.....	
1	<b>VOE 11988526</b>	1					•Press Regulator.....	•Regulateu Press .....	•Druckregler .....	•Regul Presion .....	•Tryckregulator.....	
2	<b>VOE 11988527</b>	1					•Check valve.....	•Valve antiretour.....	•Rückschlagventil.....	•Válvula de retención .	•Backventil.....	
3	<b>VOE 11715251</b>	1					•Sealing Kit .....	•Jeu Joints.....	•Dichtungssatz .....	•Juego Retenes.....	•Tätningssats.....	
4	<b>VOE 11988530</b>	1					•Control.....	•Commande .....	•Regelung.....	•Mando.....	•Reglage.....	(VOE 11988528)

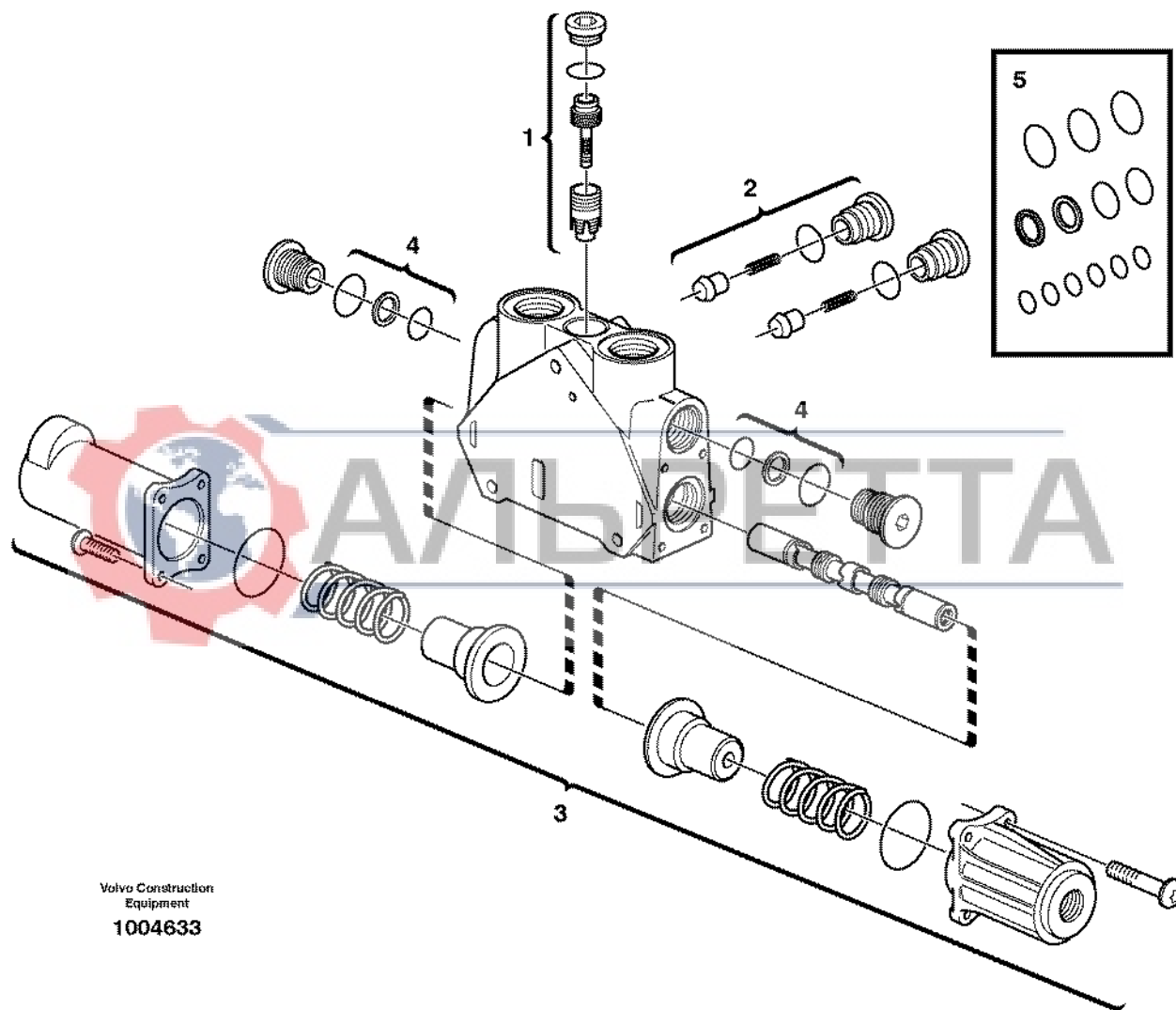


1	11715628	<b>Ventilsektion</b> <b>Sección de válvulas</b> <b>Ventil</b> <b>Section de valve</b> <b>Valve section</b>	Catalogue id	Group
2			<b>20004</b>	<b>912</b>
3			Illustr. No	Section
4			<b>1020587</b>	<b>560</b>
5			Issue	Page
			<b>VOE 63G9920004</b>	<b>645</b>

**VOLVO**

**BL70**





Volvo Construction  
Equipment  
1004633

Fig.	Part No.	Quantity			P S	K I T	Description	Dénomination	Bezeichnung	Denominación	Benämning	Notes
		1	2	3								
	<b>VOE 11988520</b>						Direction Valve.....	Valve Direction.....	Wegeventil .....	Valvula Orient.....	Riktningventil.....	
							Valve, Lift cylinder.....	Valve, vérin de levage	Ventil, Hubzylinder .....	Válvula, cilindro de el.	Ventil, Lyftcylinder.....	
1	<b>VOE 11988526</b>	1					•Press Regulator.....	•Regulateu Press .....	•Druckregler .....	•Regul Presion .....	•Tryckregulator.....	
2	<b>VOE 11988527</b>	1					•Check valve.....	•Valve antiretour.....	•Rückschlagventil .....	•Válvula de retención .	•Backventil.....	
3	<b>VOE 11988531</b>	1					•Control .....	•Commande .....	•Regelung.....	•Mando .....	•Reglage.....	
4	<b>VOE 11988541</b>	1					•Sealing Kit .....	•Jeu Joints.....	•Dichtungssatz .....	•Juego Retenes.....	•Tätningssats.....	
5	<b>VOE 11988538</b>	1			SS		•Sealing Kit .....	•Jeu Joints.....	•Dichtungssatz .....	•Juego Retenes.....	•Tätningssats.....	



1	11988520	<b>Ventilsektion</b> <b>Sección de válvulas</b> <b>Ventil</b> <b>Section de valve</b> <b>Valve section</b>	Catalogue id	Group
2			<b>20004</b>	<b>912</b>
3			Illustr. No	Section
4			<b>1004633</b>	<b>600</b>
5			Issue	Page
			<b>VOE 63G9920004</b>	<b>647</b>

**VOLVO**

**BL70**



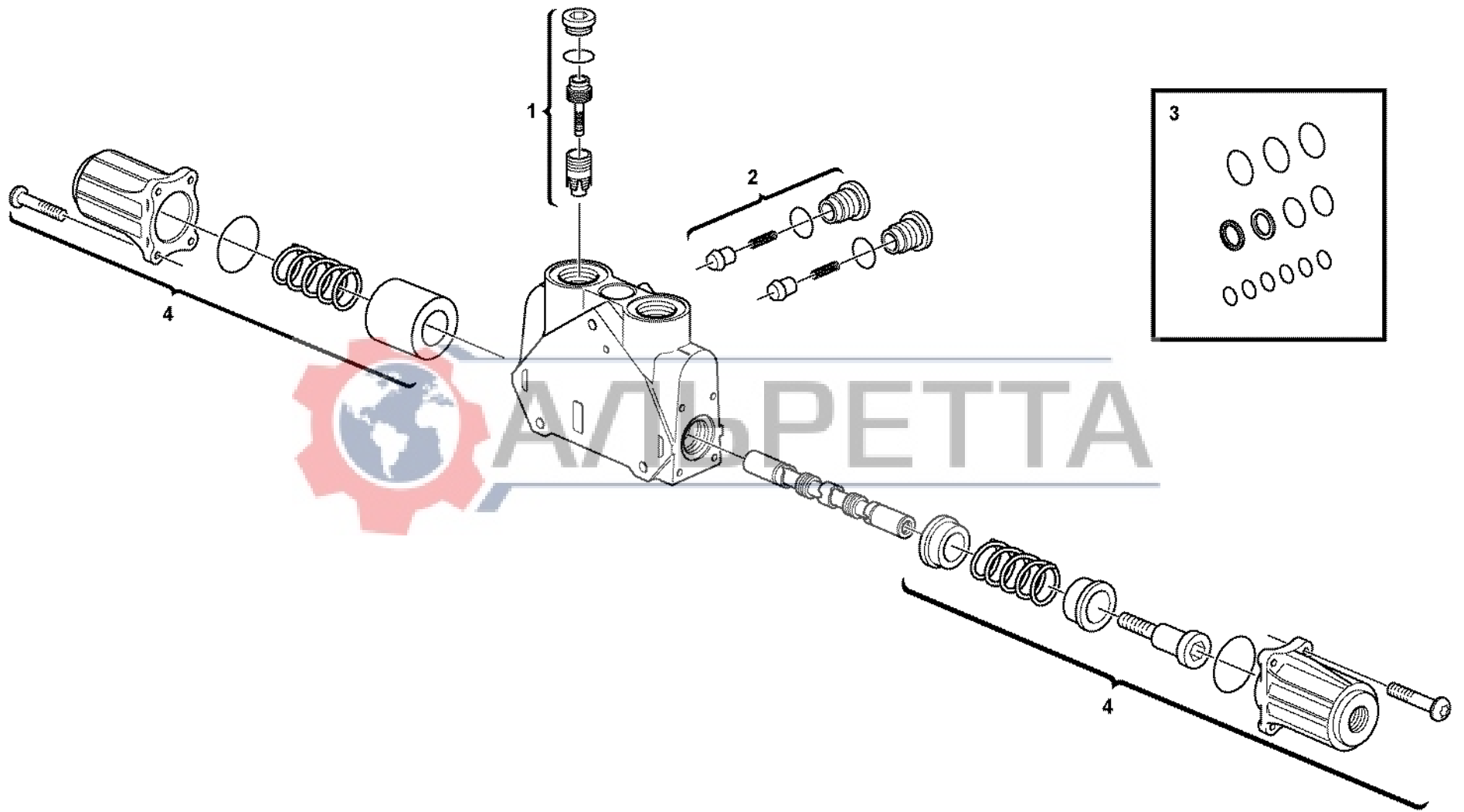


Fig.	Part No.	Quantity			P S	K I T	Description	Dénomination	Bezeichnung	Denominación	Benämning	Notes
		1	2	3								
	<b>VOE 11715632</b>						Direction Valve.....	Valve Direction.....	Wegeventil .....	Valvula Orient.....	Riktningventil.....	
							Valve, Lift cylinder.....	Valve, vérin de levage	Ventil, Hubzylinder .....	Válvula, cilindro de el.	Ventil, Lyftcylinder.....	
1	<b>VOE 11715686</b>	1					•Pressure Regulator...	•Régulateur de press .	•Druckregler .....	•Regulador de presió..	•Tryckregulator.....	
2	<b>VOE 11988527</b>	1					•Check valve .....	•Valve antiretour.....	•Rückschlagventil .....	•Válvula de retención .	•Backventil.....	
3	<b>VOE 11715251</b>	1					•Sealing Kit .....	•Jeu Joints.....	•Dichtungssatz .....	•Juego Retenes.....	•Tätningssats.....	
4	<b>VOE 11715641</b>	1					•Control .....	•Commande .....	•Regelung.....	•Mando .....	•Reglage.....	



1	11715632	<b>Ventilsektion</b> <b>Sección de válvulas</b> <b>Ventil</b> <b>Section de valve</b> <b>Valve section</b>	Catalogue id	Group
2			<b>20004</b>	<b>912</b>
3			Illustr. No	Section
4			<b>1020600</b>	<b>610</b>
5			Issue	Page
			<b>VOE 63G9920004</b>	<b>649</b>

**VOLVO**

**BL70**



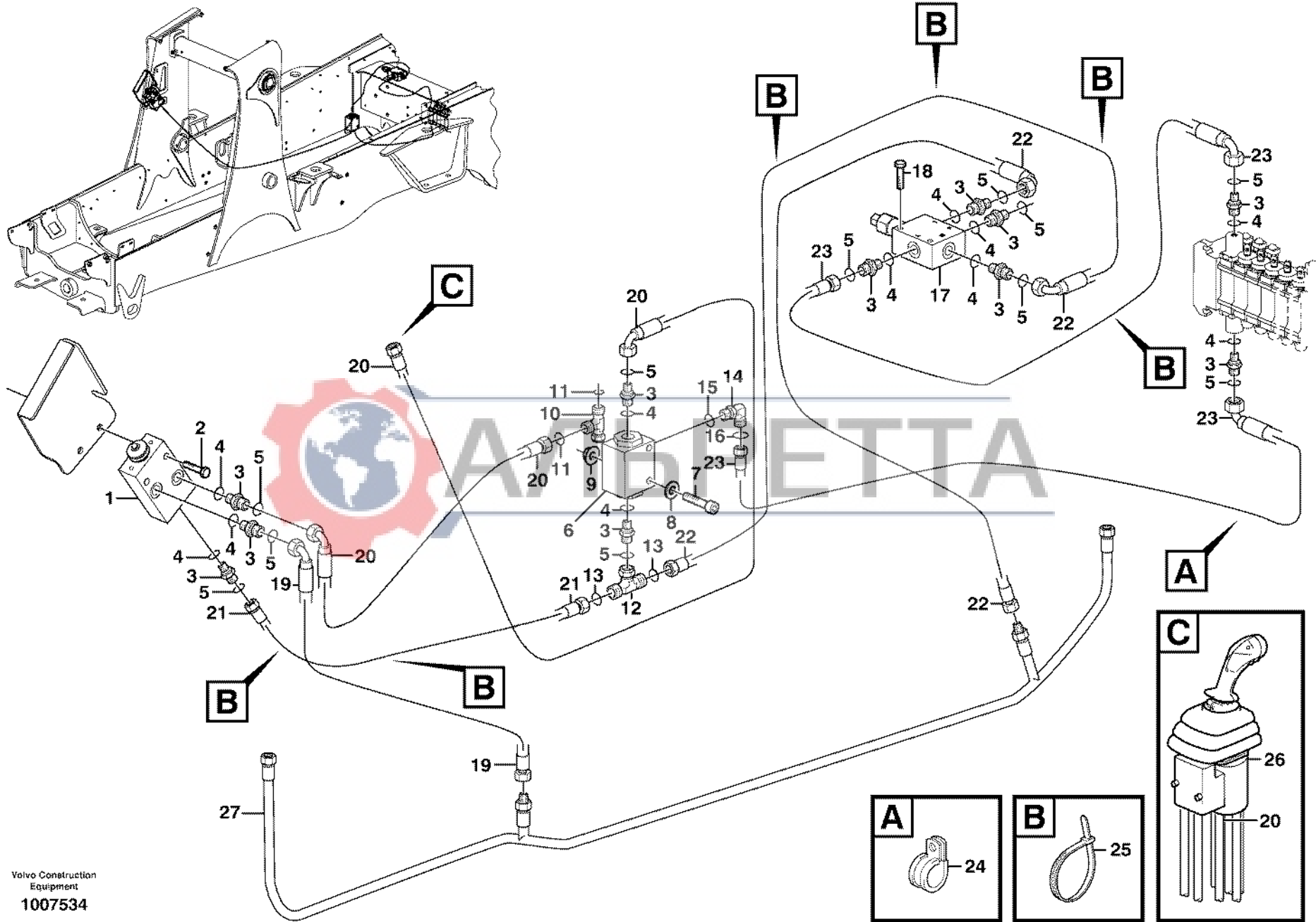


Fig.	Part No.	Quantity			P S	K I T	Description	Dénomination	Bezeichnung	Denominación	Benämning	Notes
		1	2	3								
1	VOE 11885531	1				Valve .....	Soupape.....	Ventil .....	Valvula .....	Ventil.....		
2	VOE 13965180	2				Flange screw.....	Vis à bride .....	Flanschschraube.....	Torn embridado .....	Flänsskruv.....		
	VOE 948645	2				Flange Lock Nut.....	Contre écrou bride .....	Flanschmutter .....	Contratuer Embr.....	Flänslåsmutter.....		
3	VOE 13933858	12				Union.....	Teton Connexion.....	Anschlussnippel .....	Niple Conexcion .....	Anslutn.nippel.....		
4	VOE 932039	1				•O-ring.....	•Joint Torique .....	•O-Ring.....	•Junta torica .....	•O-ring.....		
5	VOE 4881722	1				•O-ring.....	•Joint Torique .....	•O-Ring.....	•Junta torica .....	•O-ring.....		
6	VOE 11882458	1				Operating Valve .....	Valve Commutat. ....	Umschaltventil.....	Valv Accionam .....	Omkoppl.ventil.....		
7	VOE 966727	1				Allen Hd Screw .....	Vis A 6 Pans Cr.....	Inbusschraube.....	Torn Hex Embut .....	Insexskruv.....		
8	VOE 955892	1				Washer.....	Rondelle .....	Scheibe .....	Arandela .....	Bricka.....		
9	VOE 13949278	1				Flange Lock Nut.....	Contre écrou bride .....	Flanschmutter .....	Contratuer Embr.....	Flänslåsmutter.....		
10	VOE 13933860	1				T-nipple.....	Raccord-t .....	T-Nippel.....	Niple T .....	T-nippel.....		
11	VOE 4881722	2				•O-ring.....	•Joint Torique .....	•O-Ring.....	•Junta torica .....	•O-ring.....		
12	VOE 13933859	1				Nipple.....	Raccord.....	Nippel.....	Niple .....	Nippel.....		
13	VOE 4881722	2				•O-ring.....	•Joint Torique .....	•O-Ring.....	•Junta torica .....	•O-ring.....		
14	VOE 13933857	1				Elbow Nipple.....	Raccord angulaire.....	Winkelnippel.....	Niple Angular.....	V-nippel.....		
15	VOE 932039	1				•O-ring.....	•Joint Torique .....	•O-Ring.....	•Junta torica .....	•O-ring.....		
16	VOE 4881722	1				•O-ring.....	•Joint Torique .....	•O-Ring.....	•Junta torica .....	•O-ring.....		
17	VOE 11884875	1				Valve.....	Soupape.....	Ventil .....	Valvula .....	Ventil.....		
18	VOE 13965177	1				Flange screw.....	Vis à bride .....	Flanschschraube.....	Torn embridado .....	Flänsskruv.....		
19	VOE 11884273	1				Hose.....	Flexible.....	Schlauch .....	Manguera .....	Slang.....		
20	VOE 11882722	2				Hose.....	Durit .....	Schlauch .....	Tubo flexible.....	Slang.....		
21	VOE 11885438	1				Hose.....	Durit .....	Schlauch .....	Tubo flexible.....	Slang.....		
22	VOE 11884274	2				Hose.....	Durit .....	Schlauch .....	Tubo flexible .....	Slang.....		
23	VOE 11884277	2				Hose.....	Durit .....	Schlauch .....	Tubo flexible .....	Slang.....		
24	VOE 13977600	1				Clamp.....	Pince Serrage .....	Klemme .....	Abrazadera.....	Klämna.....		
25	VOE 4881438	6				Strip Clamp .....	Ruban Serrage.....	Kabelbinder.....	Abraz Cinta .....	Bandklamma.....		
26		1				Lever.....	Levier .....	Hebel.....	Palanca .....	Spak.....	See group 914, Page 659	
27		1				Tube.....	Tuyau .....	Rohr .....	Tubo .....	Rör.....	See group 911, Page 557	

1	<b>Tryckbegränsningsventil</b> <b>Válvula limitadora de presión</b> <b>Druckbegrenzungsventil</b> <b>Limiteur de pression</b> <b>Pressure limiting valve</b>	Catalogue id	Group
2		<b>20004</b>	<b>912</b>
3		Illustr. No	Section
4		<b>1007534</b>	<b>700</b>
5		Issue	Page
		<b>VOE 63G9920004</b>	<b>651</b>

**VOLVO**

**BL70**





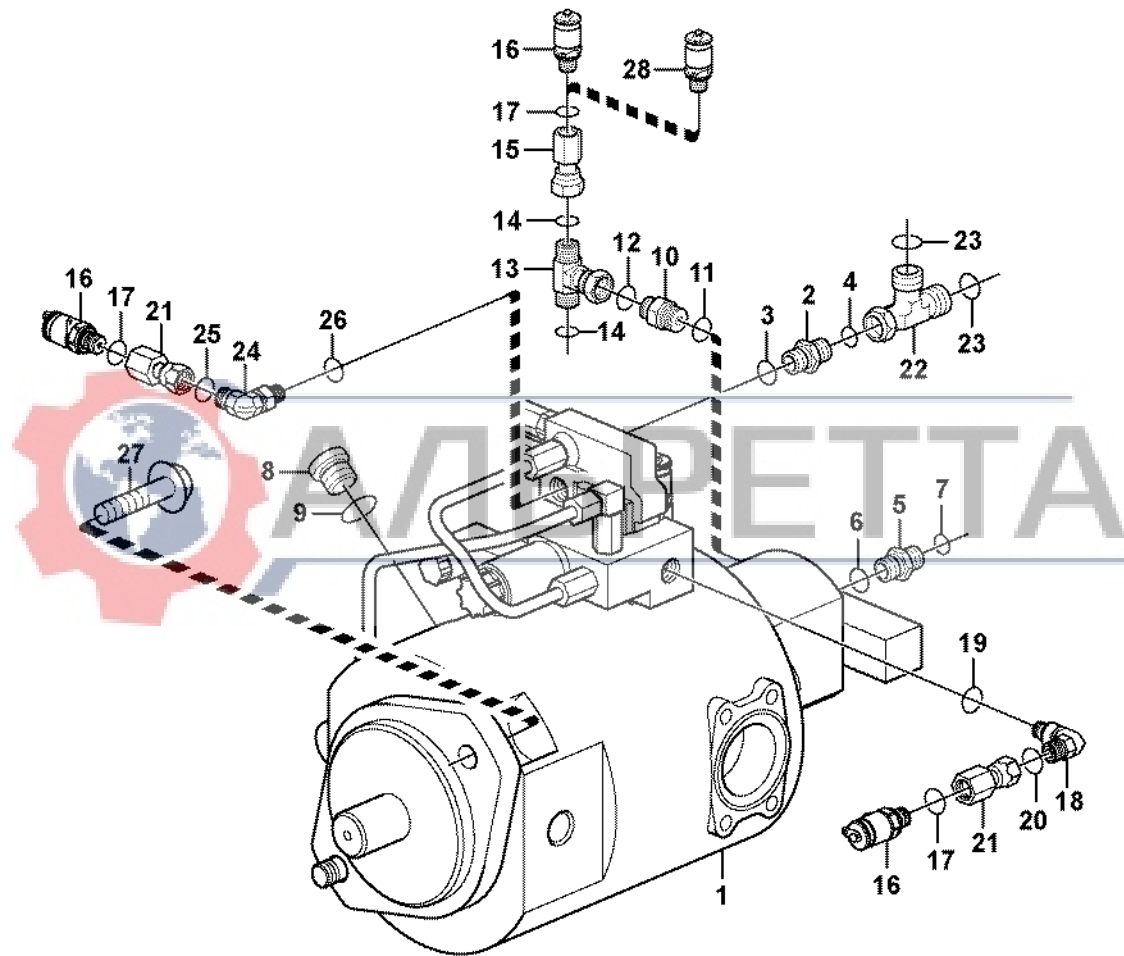


Fig.	Part No.	Quantity			P S	K I T	Description	Dénomination	Bezeichnung	Denominación	Benämning	Notes
		1	2	3								
1		1				Pump.....	Pompe.....	Pumpe.....	Bomba.....	Pump.....	See group 913, Page 655	
2	VOE 935082	1				Nipple.....	Raccord.....	Nippel.....	Niple.....	Nippel.....		
3	VOE 932037	1				•O-ring.....	•Joint Torique.....	•O-Ring.....	•Junta torica.....	•O-ring.....		
4	VOE 4881722	1				•O-ring.....	•Joint Torique.....	•O-Ring.....	•Junta torica.....	•O-ring.....		
5	VOE 935091	1				Nipple.....	Raccord.....	Nippel.....	Niple.....	Nippel.....		
6	VOE 932039	1				•O-ring.....	•Joint Torique.....	•O-Ring.....	•Junta torica.....	•O-ring.....		
7	VOE 4880493	1				•O-ring.....	•Joint Torique.....	•O-Ring.....	•Junta torica.....	•O-ring.....		
8	VOE 11884574	1				Fitting.....	Ecrou raccord.....	Verschraubung.....	Racor.....	Förskruvning.....		
9	VOE 932041	1				•O-ring.....	•Joint Torique.....	•O-Ring.....	•Junta torica.....	•O-ring.....		
10	VOE 935089	1				Nipple.....	Raccord.....	Nippel.....	Niple.....	Nippel.....		
11	VOE 932040	1				•O-ring.....	•Joint Torique.....	•O-Ring.....	•Junta torica.....	•O-ring.....		
12	VOE 4880492	1				•O-ring.....	•Joint Torique.....	•O-Ring.....	•Junta torica.....	•O-ring.....		
13	VOE 13933912	1				T-nipple.....	Raccord-t.....	T-Nippel.....	Niple T.....	T-nippel.....		
14	VOE 4880492	2				•O-ring.....	•Joint Torique.....	•O-Ring.....	•Junta torica.....	•O-ring.....		
15	VOE 935027	1				Test Nipple.....	Raccord Test.....	Prufnippel.....	Niple Prueba.....	Testnippel.....	(VOE 11883655)	
16	VOE 11881392	3				Testing Nipple.....	Raccord contrôle.....	Prufnippel.....	Niple Medicion.....	Mät-nippel.....	2213)	
17	VOE 14211856	1				•Sealing ring.....	•Bague d'étanchéité.....	•Runddichtring.....	•Anillo reten.....	•Tät-ningsring.....		
18	VOE 935067	1				Elbow nipple.....	Raccord angulaire.....	Winkelnippel.....	Niple angular.....	Vinkelnippel.....	2213)	
19	VOE 4881722	1				•O-ring.....	•Joint Torique.....	•O-Ring.....	•Junta torica.....	•O-ring.....		
20	VOE 932037	1				•O-ring.....	•Joint Torique.....	•O-Ring.....	•Junta torica.....	•O-ring.....		
21	VOE 11884794	2				Fitting.....	Ecrou raccord.....	Verschraubung.....	Racor.....	Förskruvning.....	2213)	
22	VOE 13933859	1				Nipple.....	Raccord.....	Nippel.....	Niple.....	Nippel.....		
23	VOE 4881722	2				•O-ring.....	•Joint Torique.....	•O-Ring.....	•Junta torica.....	•O-ring.....		
24	VOE 13933905	1				Elbow nipple.....	Raccord angulaire.....	Winkelnippel.....	Niple angular.....	Vinkelnippel.....	2213)	
25	VOE 4881722	1				•O-ring.....	•Joint Torique.....	•O-Ring.....	•Junta torica.....	•O-ring.....		
26	VOE 4881722	1				•O-ring.....	•Joint Torique.....	•O-Ring.....	•Junta torica.....	•O-ring.....		
27		2				Flange screw.....	Vis à bride.....	Flanschschraube.....	Torn embridado.....	Flänsskruv.....	See group 911, Page 543	
28	VOE 936439	1				Testing Nipple.....	Raccord contrôle.....	Prufnippel.....	Niple Medicion.....	Mät-nippel.....	2212)	

2212) SER NO 10658-, INCL 10656

2213) SER NO -10657, EXCL 10656

1		<b>Hydraulpump med monteringsdetaljer</b> <b>Bomba hidráulica con accesorios de montaje</b> <b>Druckölpumpe mit Anbauteilen</b> <b>Pompe hydraulique avec pièces de montage</b> <b>Hydraulic pump with fitting parts</b>	Catalogue id	Group
2			<b>20004</b>	<b>913</b>
3			Illustr. No	Section
4			<b>1012087</b>	<b>100</b>
5			Issue	Page
			<b>VOE 63G9920004</b>	<b>653</b>

**VOLVO**

**BL70**

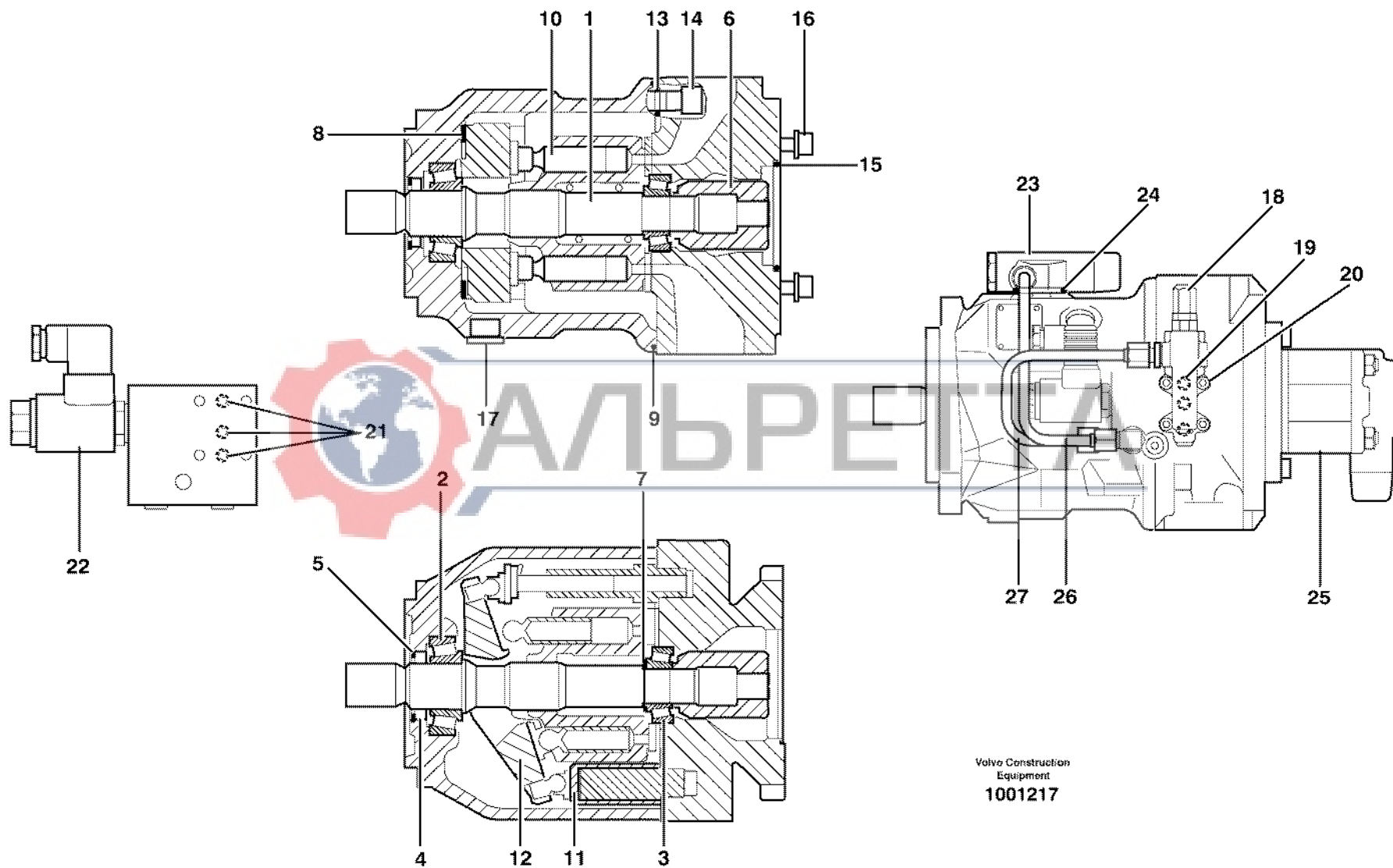


Fig.	Part No.	Quantity			P S	K I T	Description	Dénomination	Bezeichnung	Denominación	Benämning	Notes
		1	2	3								
	<b>VOE 11884583</b>	1				SS	Pump.....	Pompe.....	Pumpe.....	Bomba.....	Pump.....	
1	<b>VOE 11709734</b>	1					•Drive Shaft.....	•Arbre transmission....	•Antriebswelle.....	•Arbol de cde.....	•Drivaxel.....	
2	<b>VOE 11707572</b>	1					•Roller Bearing.....	•Roulement rouleaux..	•Rollenlager.....	•Cojinet Rodillo.....	•Rullager.....	
3	<b>VOE 11708413</b>	1					•Roller Bearing.....	•Roulement rouleaux..	•Rollenlager.....	•Cojinet Rodillo.....	•Rullager.....	
4	<b>VOE 11704552</b>	1					•Sealing ring.....	•Bague d'étanchéité ...	•Runddichtring.....	•Anillo reten.....	•Tätningsring.....	
5	<b>VOE 11708113</b>	1					•Lock Ring.....	•Anneau Verrouillage .	•Schlossring.....	•Anillo Segurid.....	•Låsring.....	
6	<b>VOE 11707571</b>	1					•Engaging Sleeve.....	•Manchon Accoup.....	•Kupplungsmuffe.....	•Manguito Embrag.....	•Kopplingshylsa.....	
7	<b>VOE 11708412</b>	1					•Shim.....	•Cale Reglage.....	•Nachstellblech.....	•Cuna de calzar.....	•Justerbleck.....	
8	<b>VOE 11708414</b>	2					•Bearing.....	•Palier.....	•Lager.....	•Cojinete.....	•Lager.....	
9	<b>VOE 11709735</b>	1					•O-ring.....	•Joint Torique.....	•O-Ring.....	•Junta torica.....	•O-ring.....	
10	<b>VOE 11709731</b>	1					•Pump Unit.....	•Unite Pompe.....	•Pumpwerk.....	•Unidad Bomba.....	•Pumpenhet.....	
11	<b>VOE 11709732</b>	1					•Control Unit.....	•Unité de commande..	•Steuereinheit.....	•Unidad de mando.....	•Reglerenhet.....	
12	<b>VOE 11709733</b>	1					•Yoke.....	•Chape.....	•Joch.....	•Horquilla.....	•Gaffel.....	
13	<b>VOE 11709736</b>	4					•O-ring.....	•Joint Torique.....	•O-Ring.....	•Junta torica.....	•O-ring.....	
14	<b>VOE 974003</b>	4					•Allen Hd Screw.....	•Vis A 6 Pans Cr.....	•Inbusschraube.....	•Torn Hex Embut.....	•Insexskruv.....	
15	<b>VOE 11709737</b>	1					•O-ring.....	•Joint Torique.....	•O-Ring.....	•Junta torica.....	•O-ring.....	
16	<b>VOE 959238</b>	2					•Allen Hd Screw.....	•Vis A 6 Pans Cr.....	•Inbusschraube.....	•Torn Hex Embut.....	•Insexskruv.....	
17	<b>VOE 11708233</b>	1					•Plug.....	•Bouchon.....	•Stopfen.....	•Tapon.....	•Plugg.....	
18	<b>VOE 11709727</b>	1					•Control Valve.....	•Valve Commande.....	•Steuerventil.....	•Valvula Mando.....	•Manöverventil.....	
19	<b>VOE 982994</b>	3					•O-ring.....	•Joint Torique.....	•O-Ring.....	•Junta torica.....	•O-ring.....	
20	<b>VOE 959216</b>	4					•Allen Hd Screw.....	•Vis A 6 Pans Cr.....	•Inbusschraube.....	•Torn Hex Embut.....	•Insexskruv.....	
21	<b>VOE 982994</b>	3					•O-ring.....	•Joint Torique.....	•O-Ring.....	•Junta torica.....	•O-ring.....	
22	<b>VOE 11709740</b>	1					•Solenoid valve.....	•Vanne electrom.....	•Magnetventil.....	•Electrovalvula.....	•Magnetventil.....	
23	<b>VOE 11709729</b>	1					•Control Valve.....	•Valve Commande.....	•Steuerventil.....	•Valvula Mando.....	•Manöverventil.....	
24	<b>VOE 11709741</b>	1					•O-ring.....	•Joint Torique.....	•O-Ring.....	•Junta torica.....	•O-ring.....	
25	<b>VOE 11709730</b>	1					•Gear Pump.....	•Pomp.engrenages.....	•Zahnradpumpe.....	•Bomba Engranaje.....	•Kugghjulspump.....	
26	<b>VOE 11709738</b>	1					•Pipe.....	•Canalisation.....	•Rohrleitung.....	•Canalización.....	•Rör.....	
27	<b>VOE 11709739</b>	1					•Pipe.....	•Canalisation.....	•Rohrleitung.....	•Canalización.....	•Rör.....	

1		<b>Hydraulpump</b> <b>Bomba hidráulica</b> <b>Hydraulikpumpe</b> <b>Pompe hydraulique</b> <b>Hydraulic pump</b> <b>SER NO -10657, EXCL 10656</b>	Catalogue id	Group
2			<b>20004</b>	<b>913</b>
3			Illustr. No	Section
4			<b>1001217</b>	<b>200</b>
5			Issue	Page
			<b>VOE 63G9920004</b>	<b>655</b>

**VOLVO**

**BL70**

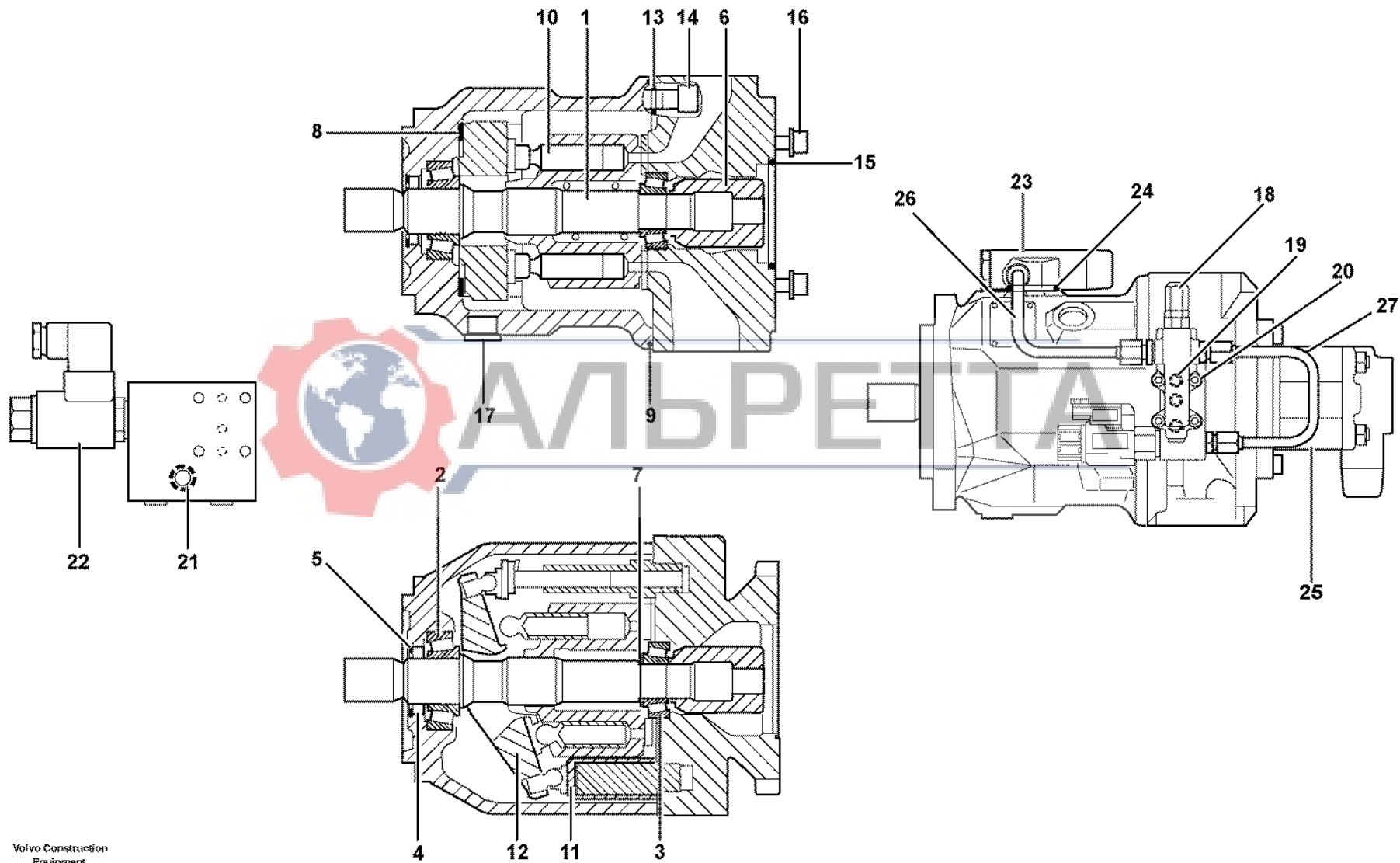


Fig.	Part No.	Quantity			P S	K I T	Description	Dénomination	Bezeichnung	Denominación	Benämning	Notes
		1	2	3								
	<b>VOE 11886357</b>	1				Pump.....	Pompe.....	Pumpe.....	Bomba.....	Pump.....		
1	<b>VOE 11709734</b>	1				•Drive Shaft.....	•Arbre transmission....	•Antriebswelle.....	•Arbol de cde.....	•Drivaxel.....		
2	<b>VOE 11707572</b>	1				•Roller Bearing.....	•Roulement rouleaux..	•Rollenlager.....	•Cojinet Rodillo.....	•Rullager.....		
3	<b>VOE 11708413</b>	1				•Roller Bearing.....	•Roulement rouleaux..	•Rollenlager.....	•Cojinet Rodillo.....	•Rullager.....		
4	<b>VOE 11704552</b>	1				•Sealing ring.....	•Bague d'étanchéité ...	•Runddichtring.....	•Anillo reten .....	•Tätningsring.....		
5	<b>VOE 11708113</b>	1				•Lock Ring.....	•Anneau Verrouillage .	•Schlossring .....	•Anillo Segurid.....	•Låsring.....		
6	<b>VOE 11707571</b>	1				•Engaging Sleeve .....	•Manchon Accoup. ....	•Kupplungsmuffe.....	•Manguito Embrag.....	•Kopplingshylsa.....		
7	<b>VOE 11708412</b>	1				•Shim .....	•Cale Reglage .....	•Nachstellblech.....	•Cuna de calzar.....	•Justerbleck.....		
8	<b>VOE 11708414</b>	2				•Bearing .....	•Palier.....	•Lager.....	•Cojinete.....	•Lager.....		
9	<b>VOE 11709735</b>	1				•O-ring.....	•Joint Torique .....	•O-Ring.....	•Junta torica .....	•O-ring.....		
10	<b>VOE 11709731</b>	1				•Pump Unit.....	•Unite Pompe .....	•Pumpwerk.....	•Unidad Bomba .....	•Pumpenhet.....		
11	<b>VOE 11709732</b>	1				•Control Unit.....	•Unité de commande..	•Steuereinheit.....	•Unidad de mando.....	•Reglerenhet.....		
12	<b>VOE 11709733</b>	1				•Yoke .....	•Chape .....	•Joch .....	•Horquilla .....	•Gaffel.....		
13	<b>VOE 11709736</b>	4				•O-ring.....	•Joint Torique .....	•O-Ring.....	•Junta torica .....	•O-ring.....		
14	<b>VOE 974003</b>	4				•Allen Hd Screw .....	•Vis A 6 Pans Cr .....	•Inbusschraube .....	•Torn Hex Embut.....	•Insexskruv.....		
15	<b>VOE 11709737</b>	1				•O-ring.....	•Joint Torique .....	•O-Ring.....	•Junta torica .....	•O-ring.....		
16	<b>VOE 959238</b>	2				•Allen Hd Screw .....	•Vis A 6 Pans Cr .....	•Inbusschraube .....	•Torn Hex Embut.....	•Insexskruv.....		
17	<b>VOE 11708233</b>	1				•Plug .....	•Bouchon.....	•Stopfen .....	•Tapon.....	•Plugg.....		
18	<b>VOE 11709727</b>	1				•Control Valve .....	•Valve Commande .....	•Steuerventil.....	•Valvula Mando .....	•Manöverventil.....		
19	<b>VOE 982994</b>	3				•O-ring.....	•Joint Torique.....	•O-Ring.....	•Junta torica .....	•O-ring.....		
20	<b>VOE 959216</b>	4				•Allen Hd Screw.....	•Vis A 6 Pans Cr.....	•Inbusschraube.....	•Torn Hex Embut.....	•Insexskruv.....		
21	<b>VOE 11715266</b>	1				•Gasket.....	•Joint .....	•Dichtung.....	•Junta .....	•Packning.....		
22	<b>VOE 11715261</b>	1				•Solenoid.....	•Solénoide.....	•Magnet .....	•Solenoid .....	•Solenoid.....		
23	<b>VOE 11709729</b>	1				•Control Valve .....	•Valve Commande .....	•Steuerventil.....	•Valvula Mando .....	•Manöverventil.....		
24	<b>VOE 11709741</b>	1				•O-ring.....	•Joint Torique.....	•O-Ring.....	•Junta torica .....	•O-ring.....		
25	<b>VOE 11709730</b>	1				•Gear Pump .....	•Pomp.engrenages .....	•Zahnradpumpe.....	•Bomba Engranaje .....	•Kugghjulpump.....		
26	<b>VOE 11715255</b>	1				•Pipe .....	•Canalisation .....	•Rohrleitung.....	•Canalización .....	•Rör.....		
27	<b>VOE 11715256</b>	1				•Pipe .....	•Canalisation .....	•Rohrleitung.....	•Canalización .....	•Rör.....		

1		<b>Hydraulpump</b> <b>Bomba hidráulica</b> <b>Hydraulikpumpe</b> <b>Pompe hydraulique</b> <b>Hydraulic pump</b>	Catalogue id	Group
2			<b>20004</b>	<b>913</b>
3			Illustr. No	Section
4			<b>1016482</b>	<b>210</b>
5			Issue	Page
			<b>VOE 63G9920004</b>	<b>657</b>
			<b>SER NO 10658-, INCL10656</b>	

**VOLVO**

**BL70**



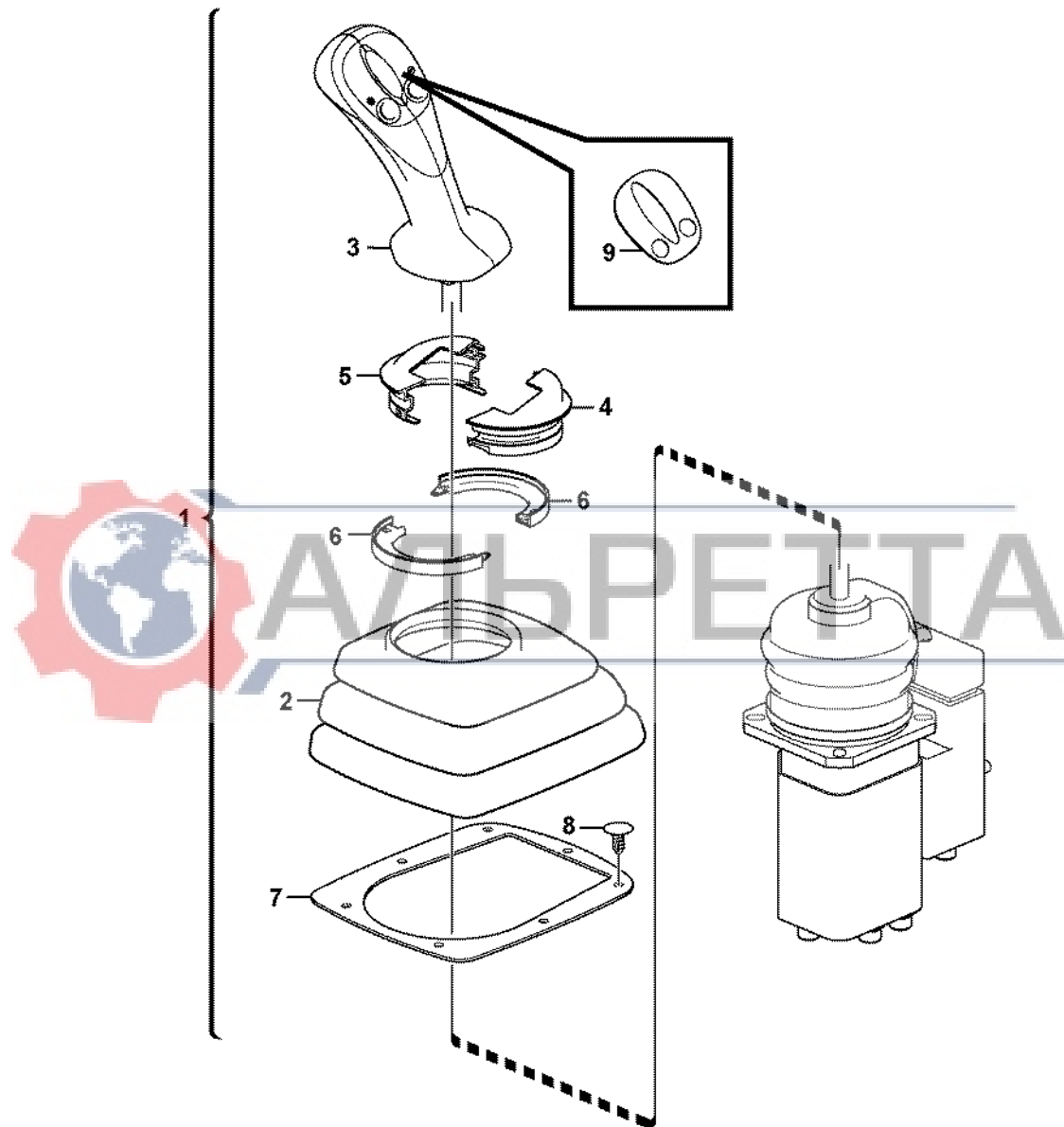


Fig.	Part No.	Quantity			P S	K I T	Description	Dénomination	Bezeichnung	Denominación	Benämning	Notes
		1	2	3								
1	VOE 11884328	1				Lever .....	Levier .....	Hebel .....	Palanca .....	Spak .....		
1	VOE 11884329		1		SS	Lever .....	Levier .....	Hebel .....	Palanca .....	Spak .....		
1	VOE 11885594			1		Lever .....	Levier .....	Hebel .....	Palanca .....	Spak .....		
2	VOE 11883717	1	1			•Rubber Bellows .....	•Soufflet Caout. ....	•Gummibalg .....	•Fuelle Goma .....	•Gummibälg .....		
3	VOE 11715211	1	1			•Handle .....	•Poignee .....	•Handgriff .....	•Manilla .....	•Handgrepp .....		
4	VOE 11883762	1	1			•Ptct Bellows .....	•Soufflet Prote. ....	•Schutzbalg .....	•Fuelle Protecc .....	•Skydds bälg .....		
5	VOE 11883761	1	1			•Ptct Bellows .....	•Soufflet Prote. ....	•Schutzbalg .....	•Fuelle Protecc .....	•Skydds bälg .....		
6	VOE 11883759	2	2			•Bellows .....	•Soufflet .....	•Balg .....	•Fuelle .....	•Bälg .....		
7	VOE 11883763	1	1			•Support .....	•Support .....	•Stutze .....	•Apoyo .....	•Stöd .....		
8	VOE 11884070	7	7			Screw .....	Vis .....	Schraube .....	Tornillo .....	Skruv .....		
9	VOE 11883598	1	1			Decal .....	Autocollant .....	Aufklebeschild .....	Calcomania .....	Dekal .....		



2221) Ser No -10766

2329) GB: Serial no. 10906-10906, 10916 - FR: S/n 10906-10906, 10916 - DE: SE- Fert.nr. 10906-10906, 10916 - ES: Nº de fabr. 10906-10906, 10916 - SE: S/n 10906-10906, 10916 -

1	11891005, 11891020	Servoventil Servoválvula Servoventil Servo soupape Servo valve	Catalogue id	Group
2	2221) 11891208, 11891065		<b>20004</b>	<b>914</b>
3	2329) 11891005		Illustr. No	Section
4			<b>1003664</b>	<b>100</b>
5			Issue	Page
			<b>VOE 63G9920004</b>	<b>659</b>

**VOLVO**

**BL70**





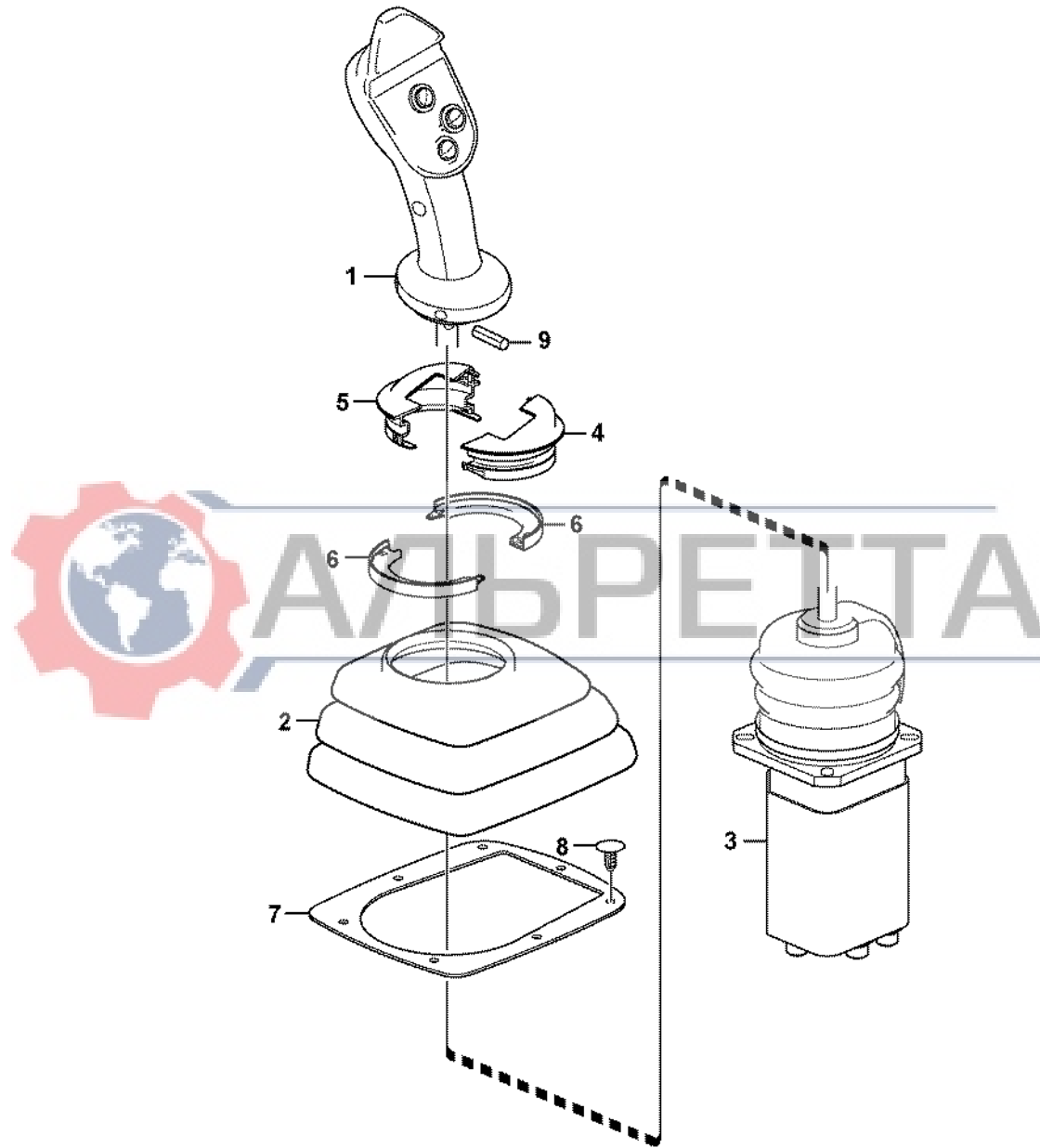


Fig.	Part No.	Quantity			P S	K I T	Description	Dénomination	Bezeichnung	Denominación	Benämning	Notes
		1	2	3								
1	VOE 11885709	1				Lever .....	Levier .....	Hebel .....	Palanca .....	Spak .....		
2	VOE 11883717	1	1			Rubber Bellows .....	Soufflet Caout. ....	Gummibalg .....	Fuelle Goma .....	Gummibälg .....		
3	VOE 11885642	1				Hydraulic control .....	Commande hydrauliq. ....	Hydr. Steuerung .....	Mando hidráulico .....	Hydraulisk manövreri. ....		
3	VOE 11888006		1			Valve .....	Soupape .....	Ventil .....	Valvula .....	Ventil .....		
4	VOE 11883762	1	1			Ptct Bellows .....	Soufflet Prote. ....	Schutzbalg .....	Fuelle Protecc .....	Skyddsbalg .....		
5	VOE 11883761	1	1			Ptct Bellows .....	Soufflet Prote. ....	Schutzbalg .....	Fuelle Protecc .....	Skyddsbalg .....		
6	VOE 11883759	2	2			Bellows .....	Soufflet .....	Balg .....	Fuelle .....	Bälg .....		
7	VOE 11883763	1	1			Support .....	Support .....	Stutze .....	Apoyo .....	Stöd .....		
8	VOE 11884070	7	7			Screw .....	Vis .....	Schraube .....	Tornillo .....	Skruv .....		
9	VOE 13951967	1				Spring Pin .....	Axe de ressort .....	Federstift .....	Pasador Resorte .....	Fjäderpinne .....	SER NO -10766	



2220) Ser No 10767-

1	2220) 11891208, 11891065	Servoventil Servoválvula Servoventil Servo soupape Servo valve	Catalogue id	Group
2	11880002 S/N 11145 -		<b>20004</b>	<b>914</b>
3			Illustr. No	Section
4			<b>1018609</b>	<b>200</b>
5			Issue	Page
			<b>VOE 63G9920004</b>	<b>661</b>

**VOLVO**

**BL70**



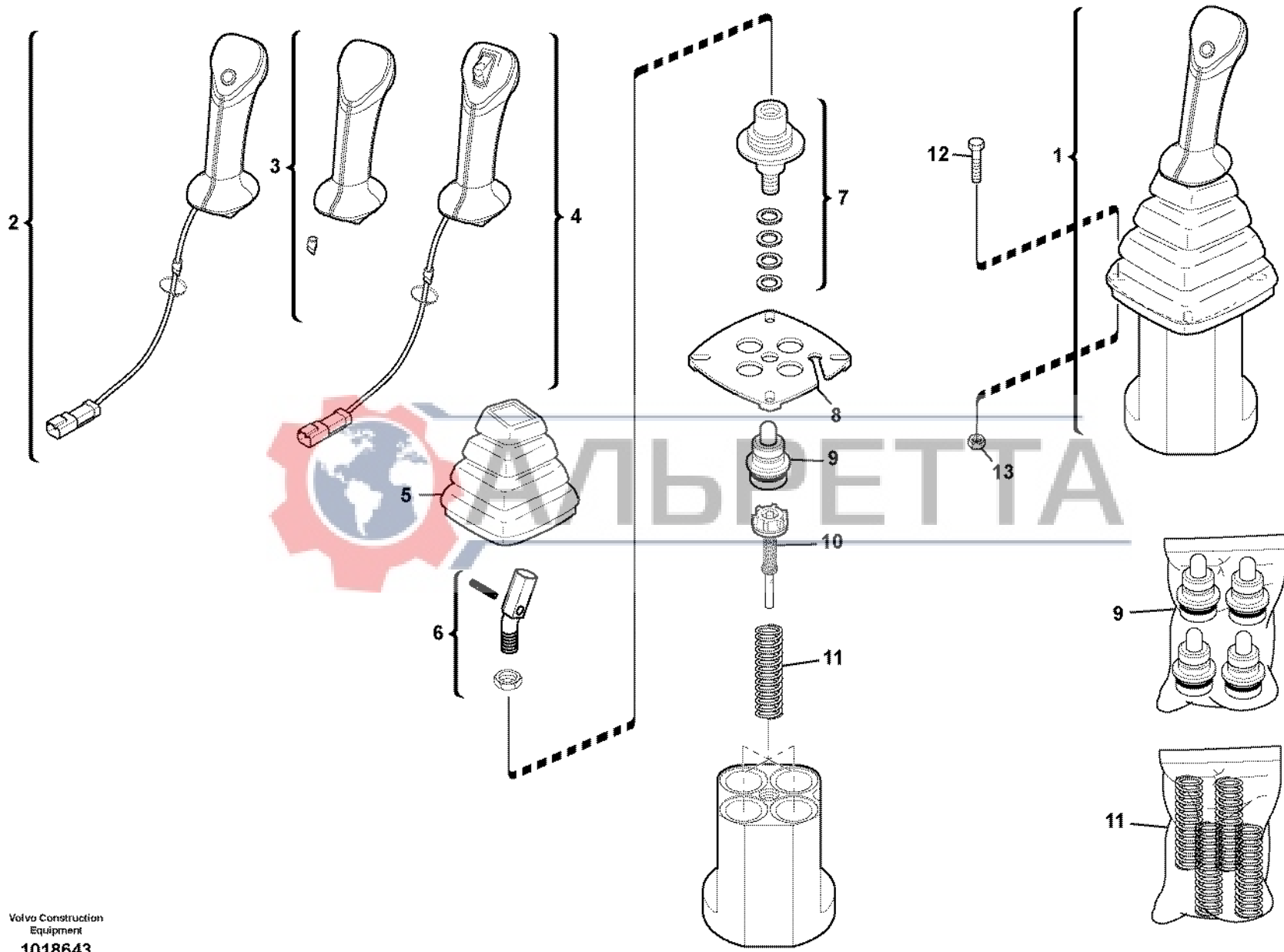


Fig.	Part No.	Quantity					P S	K T	Description	Dénomination	Bezeichnung	Denominación	Benämning	Notes
		1	2	3	4	5								
1	VOE 11886631	1						Control Lever .....	Levier Commande..	Bedienungshebel....	Palanca Mando .....	Manöverspak.....		
1	VOE 11886632		1					Control Lever .....	Levier Commande..	Bedienungshebel....	Palanca Mando .....	Manöverspak.....		
1	VOE 11886633			1				Control Lever .....	Levier Commande..	Bedienungshebel....	Palanca Mando .....	Manöverspak.....		
2	VOE 11713018	1						•Handle .....	•Poignee.....	•Handgriff.....	•Manilla.....	•Handgrepp.....		
3	VOE 11851327		1					•Control Handle .....	•Poignee Comm .....	•Bedienungsgriff.....	•Mango Maniobra ...	•Manöverhandtag...		
4	VOE 11715682			1				•Control Handle .....	•Poignee Comm .....	•Bedienungsgriff.....	•Mango Maniobra ...	•Manöverhandtag...		
5	VOE 11714728	1	1	1				•Bellow.....	•Soufflet.....	•Faltenbalg.....	•Fuelle .....	•Bälg.....		
6	VOE 11370672	1	1	1				•Adapter.....	•Adaptateur .....	•Adapter.....	•Adaptador.....	•Adapter.....		
7	VOE 11714730	1	1	1				•Propeller shafts .....	•Arbre A Cardans ...	•Gelenkwellen .....	•Arbol Transmision .	•Kardanaxlar.....		
8	VOE 11714731	1	1	1				•Plate .....	•Plaque.....	•Platte .....	•Placa .....	•Platta.....		
9	VOE 11712323	1	1	1				•Plunger guide ( kit	•Guide de piston ( j.	•Kolbenführung (Sa.	•Guía de pistón (kit)	•Kolvskena (sats)...		
10	VOE 11715681	1	1	1				•Regulator.....	•Regulateur .....	•Regler.....	•Regulador.....	•Regulator.....		
11	VOE 11713017	1	1	1				•Springs (kit) .....	•Ressorts (jeu).....	•Federn (Satz).....	•Muelles ( juego )...	•Fjädrar (sats).....		
12	VOE 13946934	4	4	4				Screw.....	Vis .....	Schraube .....	Tornillo.....	Skruv.....		
13	VOE 13949278	4	4	4				Flange Lock Nut.....	Contre écrou bride..	Flanschmutter .....	Contratuer Embr.....	Flänslåsmutter.....		

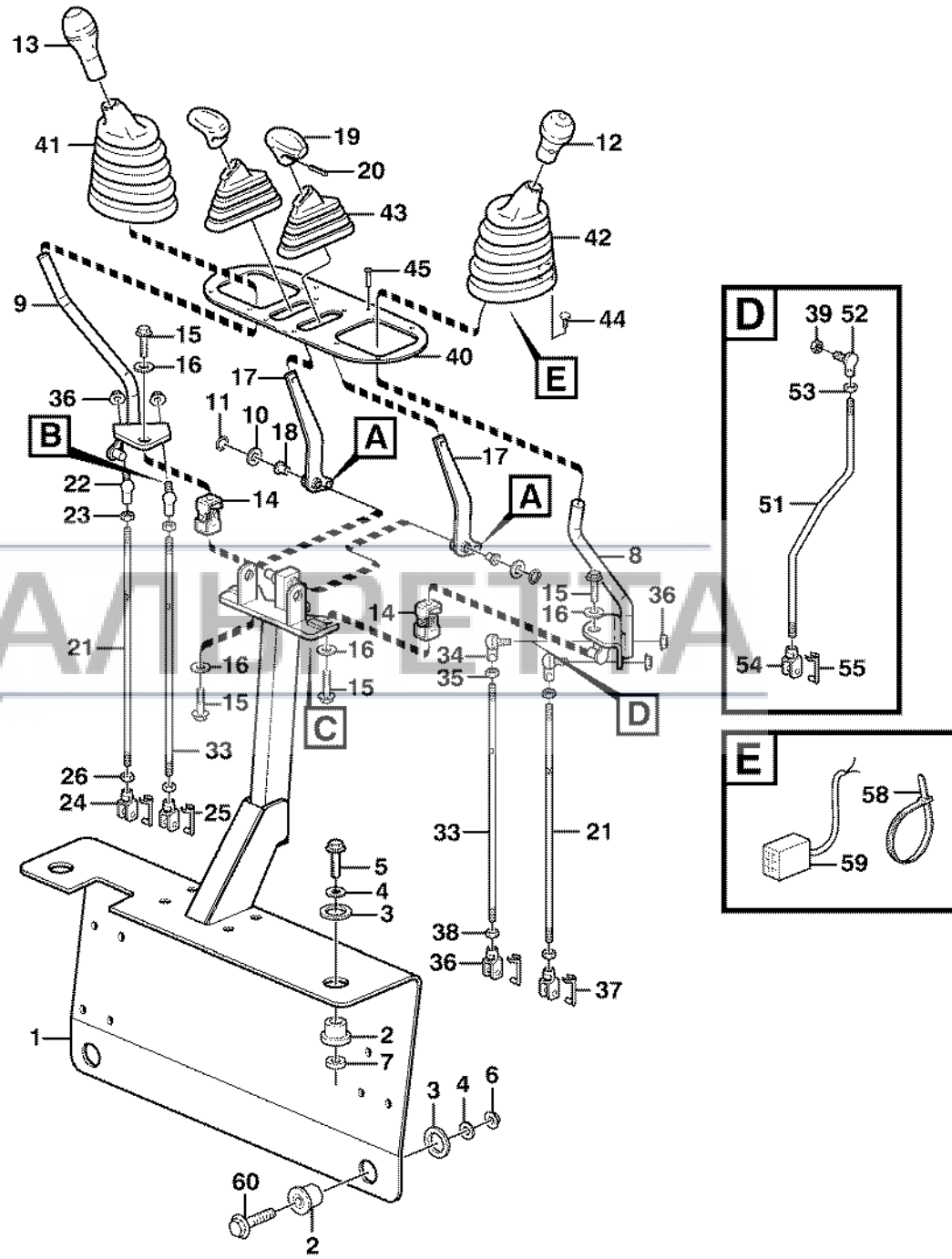
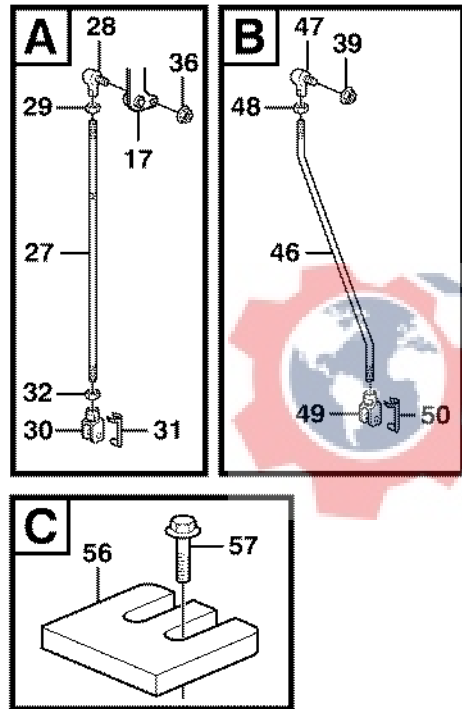


1	11886631	Servoventil Servoválvula Servoventil Servo soupape Servo valve	Catalogue id	Group
2	11886632		<b>20004</b>	<b>914</b>
3	11886633		Illustr. No	Section
4			<b>1018643</b>	<b>300</b>
5			Issue	Page
			<b>VOE 63G9920004</b>	<b>663</b>

**VOLVO**

**BL70**





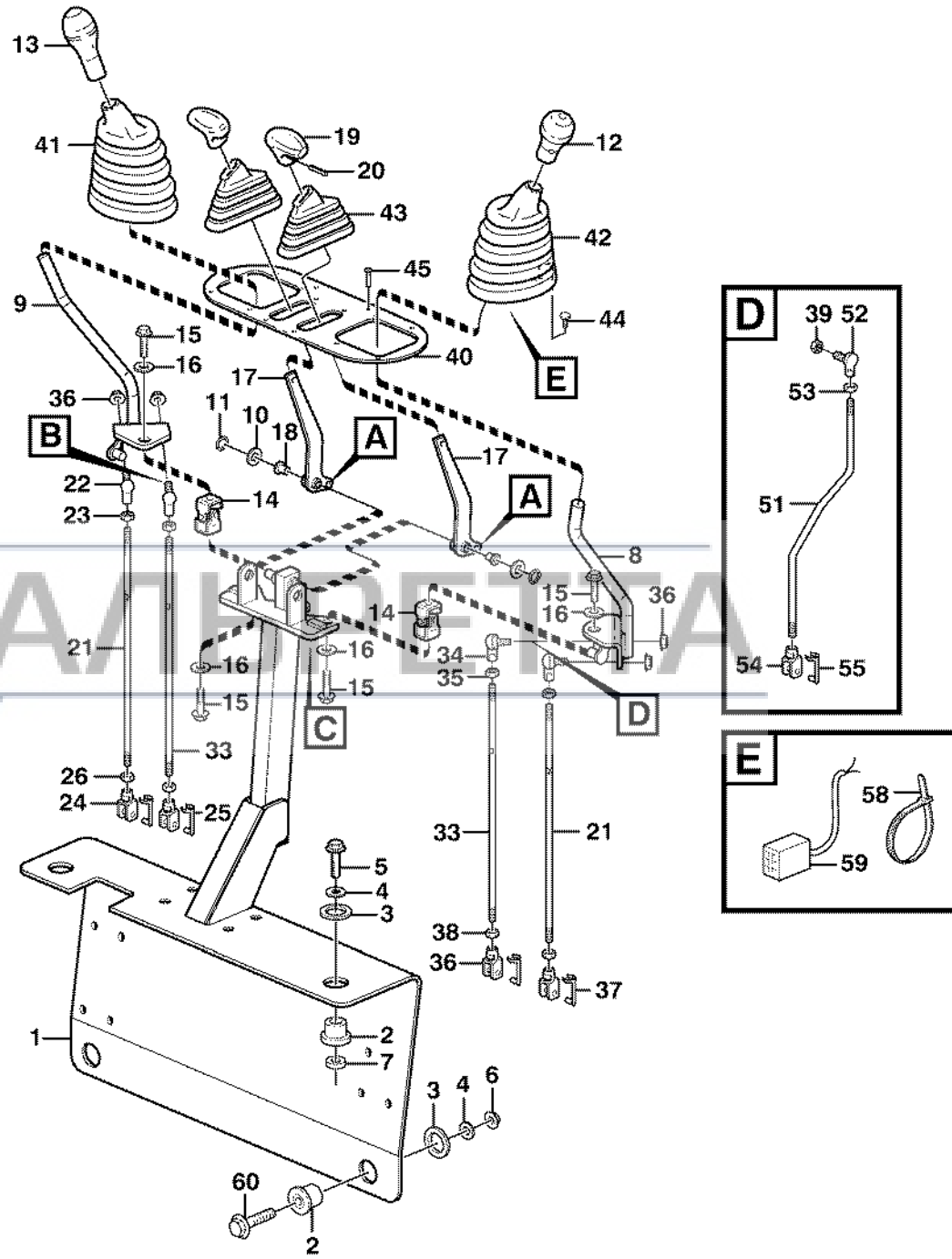
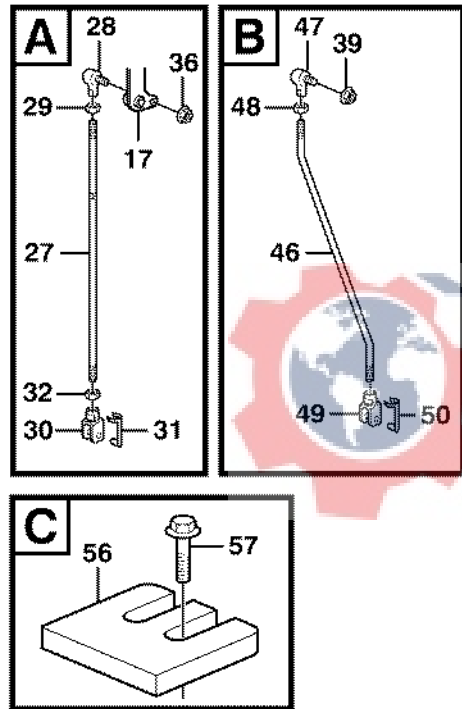
Volvo Construction  
Equipment  
1008653

Fig.	Part No.	Quantity			P S	K I T	Description	Dénomination	Bezeichnung	Denominación	Benämning	Notes
		1	2	3								
1	VOE 11885169	1	1			Bracket.....	Console.....	Konsole .....	Ménsula.....	Konsol.....		
2	VOE 11881720	4	4			Rubber element .....	Element caoutch .....	Gummielement.....	Elemento goma .....	Gummielement.....		
3	VOE 955908	4	4			Washer.....	Rondelle.....	Scheibe .....	Arandela.....	Bricka.....		
4	VOE 13947355	4	4			Washer.....	Rondelle.....	Scheibe .....	Arandela.....	Bricka.....		
5	VOE 965195	2	2			Flange screw.....	Vis à bride .....	Flanschschraube.....	Torn embridado .....	Flänsskruv.....		
6	VOE 971099	2	2			Flange Lock Nut.....	Contre écrou bride .....	Flanschmutter .....	Contratuer Embr.....	Flänslåsmutter.....	(VOE 13971099)	
7	VOE 11884217	2	2			Spacer.....	Entretoise.....	Abstandkörper.....	Distanciador .....	Distans.....		
8	VOE 11881708	1	1			Lever.....	Levier .....	Hebel.....	Palanca .....	Spak.....	LH	
9	VOE 11881717	1	1			Lever.....	Levier .....	Hebel.....	Palanca .....	Spak.....	RH	
10	VOE 11884269	2	2			Plastic Washer.....	Rondelle Plastique .....	Kunstst.scheibe.....	Arandela de plástico..	Plastbricka.....		
11	VOE 914446	2	2			Snap Ring.....	Circlip .....	Nutring.....	Circlip .....	Spärring.....		
12	VOE 11882526	1	1			Lever Knob.....	Boule de levier .....	Hebelknopf.....	Bola de palanca .....	Spakknopp.....	LH	
	VOE 11305749	1	1			Switch.....	Commutateur .....	Schalter.....	Contacteur.....	Strömställare.....	(VOE 11711582)	
13	VOE 11882525	1	1			Lever Knob.....	Boule de levier .....	Hebelknopf.....	Bola de palanca .....	Spakknopp.....	RH	
14	VOE 11881721	2	2			Ball joint .....	Rotule articul. ....	Kugelgelenk .....	Rotula .....	Kulled.....		
15	VOE 946502	4	4			Flange screw.....	Vis à bride .....	Flanschschraube.....	Torn embridado .....	Flänsskruv.....		
16	VOE 967600	4	4			Lock Washer.....	Rondel.verroui.....	Sicher Scheibe .....	Arandel Segurid.....	Låsbricka.....		
17	VOE 11884431	2	2			Lever.....	Levier .....	Hebel.....	Palanca .....	Spak.....		
	VOE 11882182	1	1			•Bushing.....	•Bague .....	•Buchse .....	•Casquillo .....	•Bussning.....		
18	VOE 11882115	2	2			Bushing.....	Bague.....	Buchse .....	Casquillo .....	Bussning.....		
19	VOE 11882604	2	2			Knob.....	Bouton.....	Knauf.....	Boton.....	Knopp.....		
20	VOE 951952	2	2			Spring Pin.....	Axe de ressort.....	Federstift.....	Pasador Resorte .....	Fjäderpinne.....		
21	VOE 11882925	2	2			Bar.....	Barre .....	Stab.....	Barra .....	Stång.....		
22	VOE 959080	1	1			•Anl Ball Joint.....	•Rotul.angulaire.....	•Winkelgelenk.....	•Rotula Angular .....	•Vinkelkulled.....		
23	VOE 961991	1	1			•Hexagon Nut.....	•Ecroû Hexagonal .....	•Sechskantmutter.....	•Tuerca Hexagon .....	•Sexkantsmutter.....		
24	VOE 11881742	1	1			•Fork.....	•Fourche.....	•Gabel .....	•Horquilla .....	•Gaffel.....		
25	VOE 945634	1	1			••Yoke Bolt.....	••Boulon Etrier.....	••Gabelbolzen .....	••Perno Horquilla .....	••Gaffelbult.....		
26	VOE 949847	1	1			•Hexagon Nut.....	•Ecroû Hexagonal .....	•Sechskantmutter.....	•Tuerca Hexagon .....	•Sexkantsmutter.....		
27	VOE 11882923	2	2			Bar.....	Barre .....	Stab.....	Barra .....	Stång.....		
28	VOE 959080	1	1			•Anl Ball Joint.....	•Rotul.angulaire.....	•Winkelgelenk.....	•Rotula Angular .....	•Vinkelkulled.....		

1	11891113	<b>Reglage</b> <b>Mandos</b> <b>Regler</b> <b>Commandes</b> <b>Controls</b>	Catalogue id	Group
2	11891112		<b>20004</b>	<b>915</b>
3			Illustr. No	Section
4			<b>1008653</b>	<b>100</b>
5			Issue	Page
			<b>VOE 63G9920004</b>	<b>665</b>

**VOLVO**

**BL70**



Volvo Construction  
Equipment  
1008653

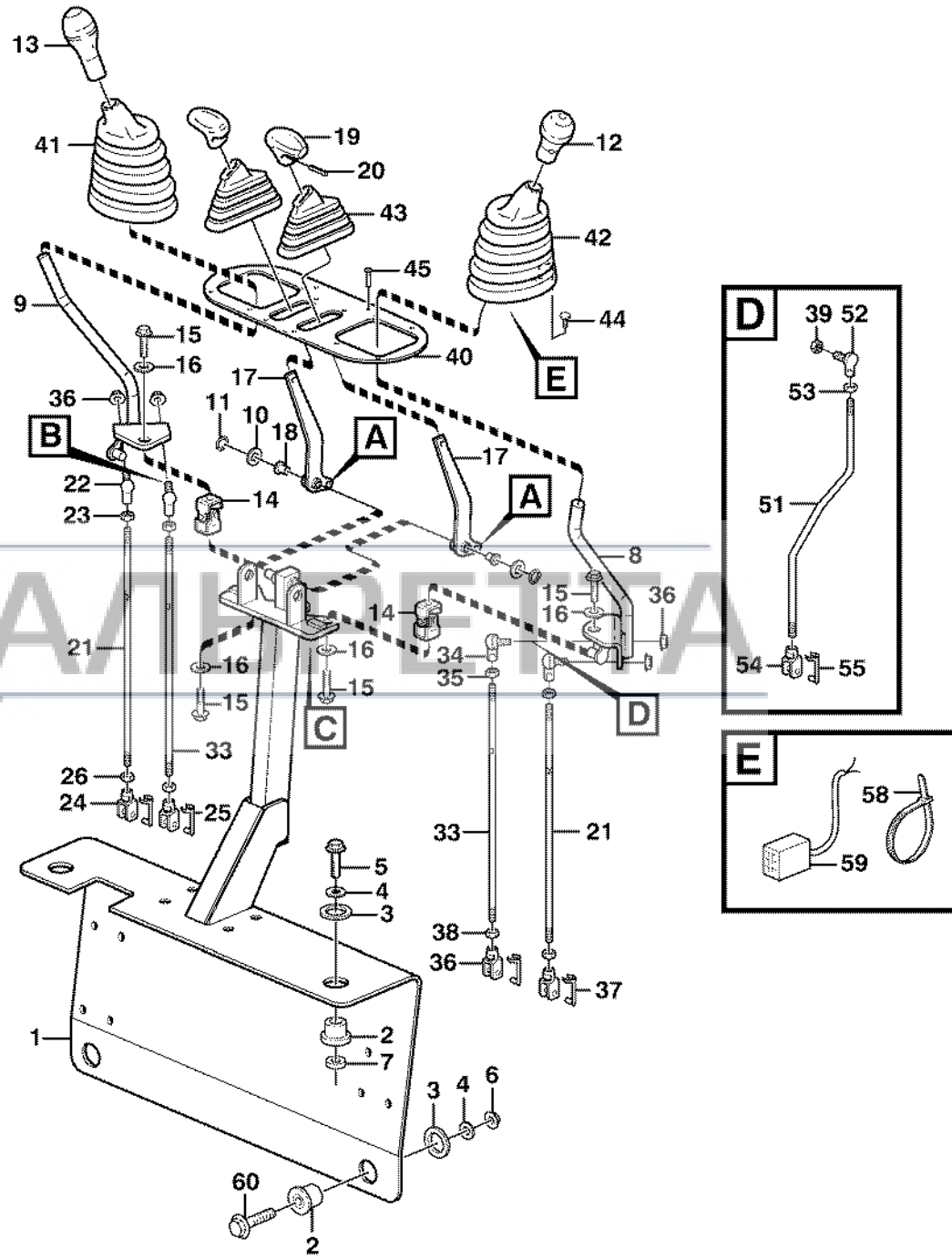
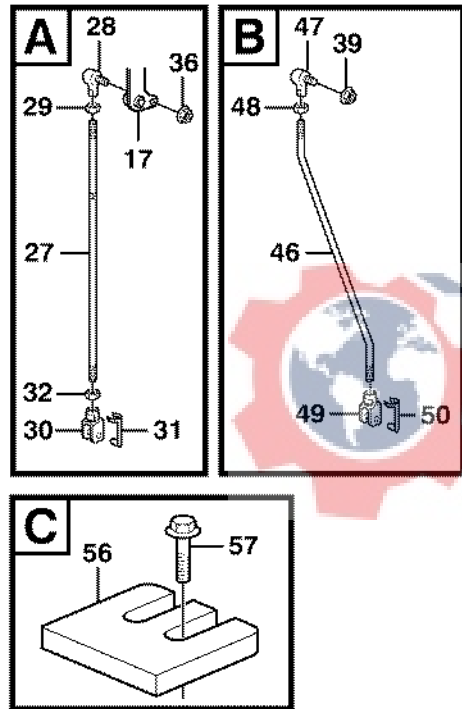
Fig.	Part No.	Quantity			P S	K I T	Description	Dénomination	Bezeichnung	Denominación	Benämning	Notes
		1	2	3								
29	VOE 961991	1	1			•Hexagon Nut.....	•Ecrou Hexagonal .....	•Sechskantmutter .....	•Tuerca Hexagon .....	•Sexkantsmutter.....		
30	VOE 11881742	1	1			•Fork .....	•Fourche.....	•Gabel .....	•Horquilla .....	•Gaffel.....		
31	VOE 945634	1	1			••Yoke Bolt .....	••Boulon Etrier.....	••Gabelbolzen .....	••Perno Horquilla .....	••Gaffelbult.....		
32	VOE 949847	1	1			•Hexagon Nut.....	•Ecrou Hexagonal .....	•Sechskantmutter .....	•Tuerca Hexagon .....	•Sexkantsmutter.....		
33	VOE 11882925	2				Bar .....	Barre .....	Stab.....	Barra .....	Stång.....		
34	VOE 959080	1				•Anl Ball Joint.....	•Rotul.angulaire.....	•Winkelgelenk.....	•Rotula Angular .....	•Vinkelkulled.....		
35	VOE 961991	1				•Hexagon Nut.....	•Ecrou Hexagonal .....	•Sechskantmutter .....	•Tuerca Hexagon .....	•Sexkantsmutter.....		
36	VOE 11881742	1				•Fork .....	•Fourche.....	•Gabel .....	•Horquilla .....	•Gaffel.....		
37	VOE 945634	1				••Yoke Bolt .....	••Boulon Etrier.....	••Gabelbolzen .....	••Perno Horquilla .....	••Gaffelbult.....		
38	VOE 949847	1				•Hexagon Nut.....	•Ecrou Hexagonal .....	•Sechskantmutter .....	•Tuerca Hexagon .....	•Sexkantsmutter.....		
39	VOE 948645	6	6			Flange Lock Nut.....	Contre écrou bride .....	Flanschmutter .....	Contratuer Embr.....	Flänslåsmutter.....		
40		1	1	NS		Plate.....	Tôle .....	Blech .....	Chapa .....	Plåt.....		
41	VOE 11881338	1	1			Bellows.....	Soufflet.....	Balg .....	Fuelle .....	Bälg.....	LH	
42	VOE 11881339	1	1			Bellows.....	Soufflet.....	Balg .....	Fuelle .....	Bälg.....	RH	
43	VOE 11881341	2	2			Bellows.....	Soufflet.....	Balg .....	Fuelle .....	Bälg.....		
44	VOE 11884070	12	12			Screw .....	Vis .....	Schraube.....	Tornillo .....	Skruv.....		
45	VOE 13971307	3	3			Screw .....	Vis .....	Schraube.....	Tornillo .....	Skruv.....		
46	VOE 11885188	1				Control rod .....	Tige réglage .....	Regelstange .....	Varilla regul .....	Reglerstång.....		
47	VOE 11885184	1				•Ball joint .....	•Rotule articul.....	•Kugelgelenk .....	•Rotula .....	•Kulled.....		
48	VOE 13971068	1				•Hexagon Nut.....	•Ecrou Hexagonal .....	•Sechskantmutter .....	•Tuerca Hexagon .....	•Sexkantsmutter.....		
49	VOE 11885182	1				•Clevis .....	•Fourche.....	•Gabel .....	•Horquilla .....	•Gaffel.....		
50	VOE 945634	1				•Yoke Bolt .....	•Boulon Etrier .....	•Gabelbolzen.....	•Perno Horquilla .....	•Gaffelbult.....		
51	VOE 11885189	1				Rod .....	Tringle .....	Stange .....	Tirante .....	Stång.....		
52	VOE 11885184	1				•Ball joint .....	•Rotule articul.....	•Kugelgelenk .....	•Rotula .....	•Kulled.....		
53	VOE 13971068	1				•Hexagon Nut.....	•Ecrou Hexagonal .....	•Sechskantmutter .....	•Tuerca Hexagon .....	•Sexkantsmutter.....		
54	VOE 11885182	1				•Clevis .....	•Fourche.....	•Gabel .....	•Horquilla .....	•Gaffel.....		
55	VOE 945634	1				•Yoke Bolt .....	•Boulon Etrier .....	•Gabelbolzen.....	•Perno Horquilla .....	•Gaffelbult.....		
56	VOE 11885168	2	2			Plate.....	Plaque.....	Platte .....	Placa .....	Platta.....		
57	VOE 13946544	4	4			Flange screw.....	Vis à bride .....	Flanschschraube .....	Torn embridado .....	Flänsskruv.....		
58	VOE 4881440	2	2			Strip Clamp .....	Ruban Serrage.....	Kabelbinder .....	Abraz Cinta .....	Bandklamma.....		

1	11891113	<b>Reglage</b> <b>Mandos</b> <b>Regler</b> <b>Commandes</b> <b>Controls</b>	Catalogue id	Group
2	11891112		<b>20004</b>	<b>915</b>
3			Illustr. No	Section
4			<b>1008653</b>	<b>100</b>
5			Issue	Page
			<b>VOE 63G9920004</b>	<b>667</b>

**VOLVO**

**BL70**





Volvo Construction  
Equipment  
1008653

Fig.	Part No.	Quantity			P S	K I T	Description	Dénomination	Bezeichnung	Denominación	Benämning	Notes
		1	2	3								
59	<b>VOE 11884023</b>	1	1			Wire Harness .....	Faisceau de câbles ....	Kabelbaum .....	Manejo Cables .....	Ledningsmatta .....	X89, W2P - X326, X327	
	<b>VOE 874954</b>	1	1			•Connector .....	•Raccord .....	•Anschluss.....	•Union.....	•Anslutning.....		
60	<b>VOE 13965194</b>	2	2			Flange screw.....	Vis à bride .....	Flanschschraube.....	Torn embridado .....	Flänsskruv.....		

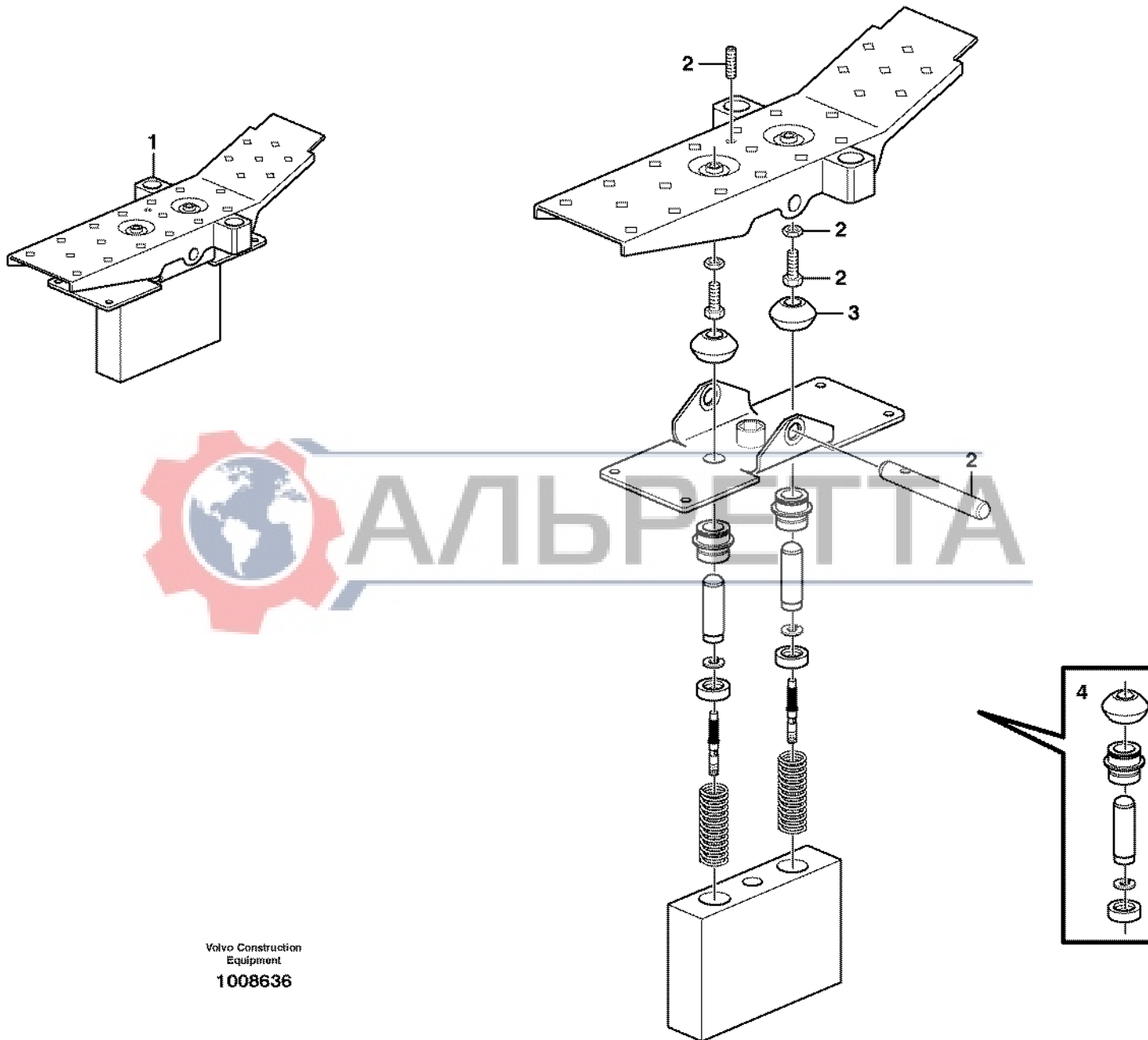


1	11891113	<b>Reglage</b> <b>Mandos</b> <b>Regler</b> <b>Commandes</b> <b>Controls</b>	Catalogue id	Group
2	11891112		<b>20004</b>	<b>915</b>
3			Illustr. No	Section
4			<b>1008653</b>	<b>100</b>
5			Issue	Page
			<b>VOE 63G9920004</b>	<b>669</b>

**VOLVO**

**BL70**





Volvo Construction  
Equipment  
1008636

Fig.	Part No.	Quantity			P S	K I T	Description	Dénomination	Bezeichnung	Denominación	Benämning	Notes
		1	2	3								
	<b>VOE 11883582</b>	1				SS	Pedal.....	Pedale.....	Pedal.....	Pedal.....	Pedal.....	
1	<b>VOE 11712375</b>	1					•Pedal.....	•Pedale.....	•Pedal.....	•Pedal.....	•Pedal.....	
2	<b>VOE 11712376</b>	1					•Pedal.....	•Pedale.....	•Pedal.....	•Pedal.....	•Pedal.....	
3	<b>VOE 11712377</b>	2					•Rubber Bellows.....	•Soufflet Caout.....	•Gummibalg.....	•Fuelle Goma.....	•Gummibälg.....	
4	<b>VOE 11712378</b>	1					•Plunger.....	•Plongeur.....	•Tauchkolben.....	•Embolo-buzo.....	•Plunge.....	



2126) SER NO - 10476, 10478-10498, 10501-10502, 10511-10512, 10514-10516, 10518-10522, 10527-10535, 10539-10543, 10551-10553, 10562, 10578-10580, 10585-10602.

1	Pedal	Catalogue id <b>20004</b>	Group <b>915</b>		
2	Pedal				
3	Pedal				
4	Pedale			Illustr. No <b>1008636</b>	Section <b>200</b>
5	Pedal			Issue <b>VOE 63G9920004</b>	Page <b>671</b>
2126) 11891005, 11891065					

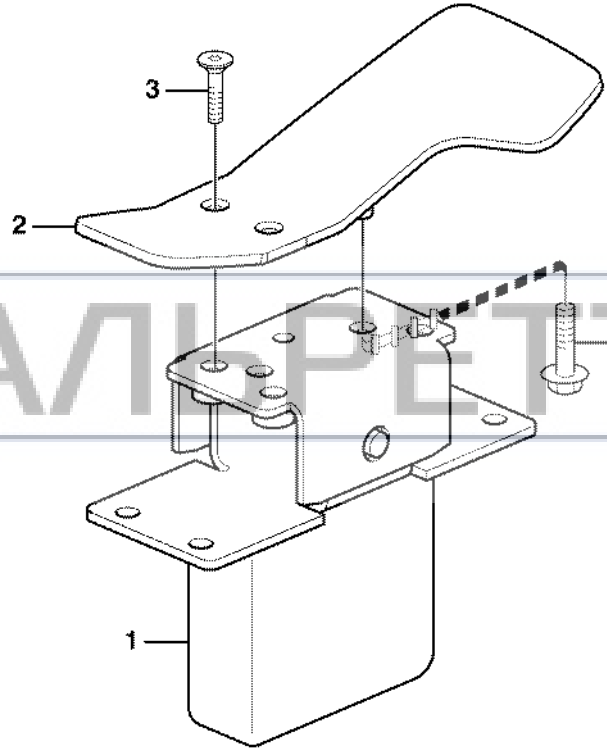
**VOLVO**

**BL70**





АЛПРЕТА



Volvo Construction  
Equipment  
1012579

Fig.	Part No.	Quantity			P S	K I T	Description	Dénomination	Bezeichnung	Denominación	Benämning	Notes
		1	2	3								
1	<b>VOE 11885974</b>	1				Valve .....	Soupape.....	Ventil .....	Valvula .....	Ventil.....		
	<b>VOE 11716366</b>	1				•Sealing Kit .....	•Jeu Joints.....	•Dichtungssatz .....	•Juego Retenes .....	•Tätningssats.....		
2	<b>VOE 11885930</b>	1				Pedal.....	Pedale.....	Pedal .....	Pedal .....	Pedal.....		
3	<b>VOE 969842</b>	2				Screw .....	Vis .....	Schraube.....	Tornillo .....	Skruv.....		
4	<b>VOE 946440</b>	1				Flange screw.....	Vis à bride .....	Flanschschraube.....	Torn embridado .....	Flänsskruv.....		



2125) SER NO 10477, 10499-10500, 10503-10510, 10513, 10517, 10523-10526, 10536-10538, 10544-10550, 10554-10561, 10563-10577, 10581-10584, 10603 -

1		<b>Pedal</b>	Catalogue id	Group
2			<b>20004</b>	<b>915</b>
3			Illustr. No	Section
4			<b>1012579</b>	<b>250</b>
5			Issue	Page
		<b>2125) 11891005, 11891065</b>	<b>VOE 63G9920004</b>	<b>673</b>

**VOLVO**

**BL70**



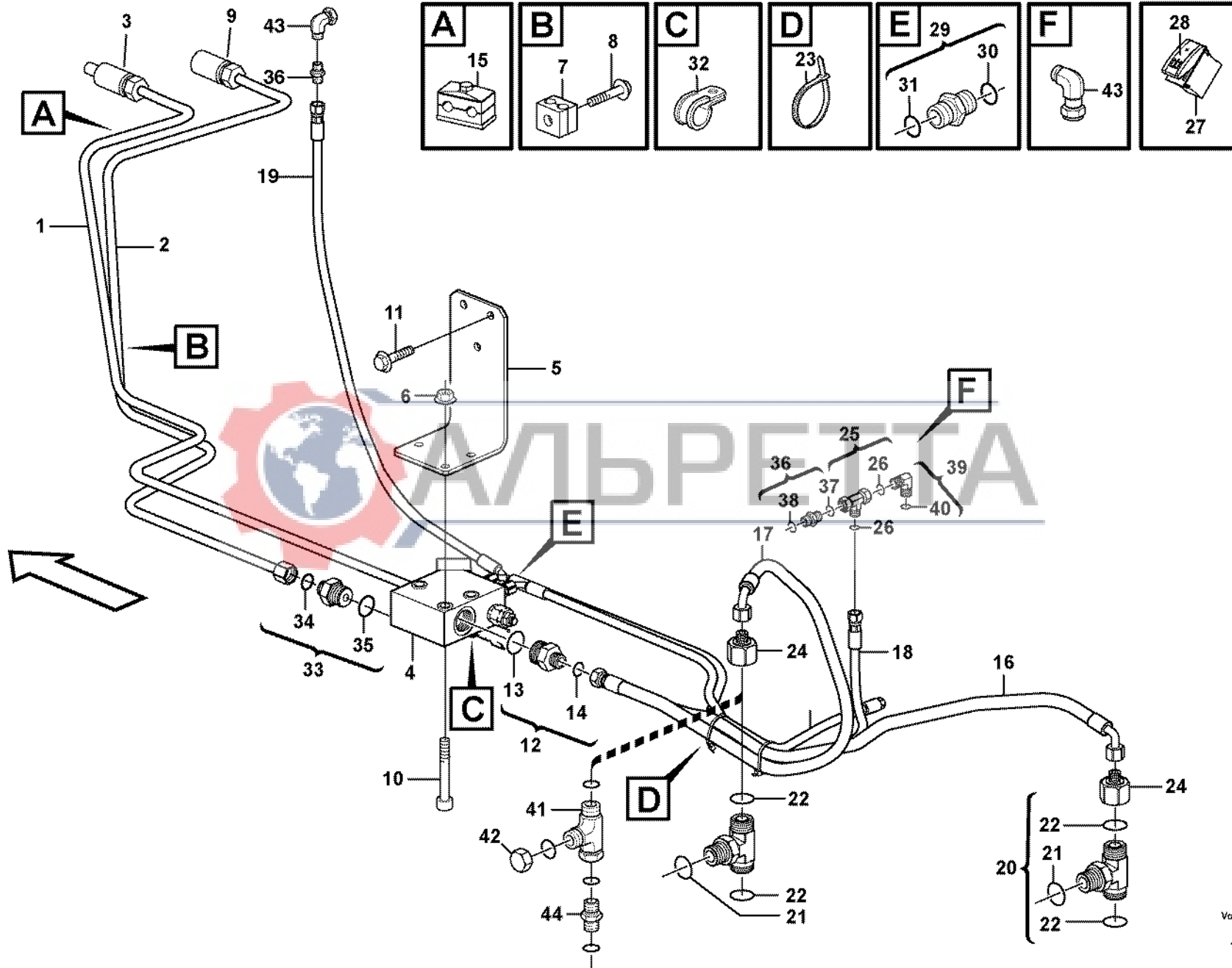


Fig.	Part No.	Quantity			P S	K I T	Description	Dénomination	Bezeichnung	Denominación	Benämning	Notes
		1	2	3								
1	VOE 11885240	1				Tube.....	Tube.....	Rohr.....	Tube.....	Rör.....		
2	VOE 11885241	1				Tube.....	Tube.....	Rohr.....	Tube.....	Rör.....		
3	VOE 11885281	1				Hydraulic clutch.....	Accouplement hydrau	Hydraulikkupplung.....	Acoplamiento hidrauli	Hydraulkoppling.....		
4	VOE 11885274	1				Valve.....	Soupape.....	Ventil.....	Valvula.....	Ventil.....		
	VOE 11716875	1				•Solenoid valve.....	•Vanne electrom.....	•Magnetventil.....	•Electrovalvula.....	•Magnetventil.....		
	VOE 11711130	1				•Coil.....	•Bobine.....	•Zündspule.....	•Bobina.....	•Spole.....		
5	VOE 11885273	1				Plate.....	Plaque.....	Platte.....	Placa.....	Platta.....		
6	VOE 948645	3				Flange Lock Nut.....	Contre écrou bride.....	Flanschmutter.....	Contratuer Embr.....	Flänslåsmutter.....		
7	VOE 11884039	1				Clamp.....	Pince Serrage.....	Klemme.....	Abrazadera.....	Klämma.....		
8	VOE 13965177	1				Flange screw.....	Vis à bride.....	Flanschschraube.....	Torn embridado.....	Flänsskruv.....		
9	VOE 11885282	1				Hydraulic clutch.....	Accouplement hydrau	Hydraulikkupplung.....	Acoplamiento hidrauli	Hydraulkoppling.....		
10	VOE 967633	3				Allen Hd Screw.....	Vis A 6 Pans Cr.....	Inbusschraube.....	Torn Hex Embut.....	Insexskruv.....		
11	VOE 946441	3				Flange screw.....	Vis à bride.....	Flanschschraube.....	Torn embridado.....	Flänsskruv.....		
12	VOE 11882258	1				Nipple.....	Raccord.....	Nippel.....	Niple.....	Nippel.....		
13	VOE 932042	1				•O-ring.....	•Joint Torique.....	•O-Ring.....	•Junta torica.....	•O-ring.....		
14	VOE 4880492	1				•O-ring.....	•Joint Torique.....	•O-Ring.....	•Junta torica.....	•O-ring.....		
15	VOE 11885701	1				Clamp.....	Pince Serrage.....	Klemme.....	Abrazadera.....	Klämma.....		
16	VOE 11885272	1				Hose.....	Durit.....	Schlauch.....	Tubo flexible.....	Slang.....		
17	VOE 11885269	1				Flexible Hose.....	Flexi.accordeon.....	Faltenbalg.....	Manguera Fuelle.....	Bälgslang.....		
18	VOE 11885270	1				Hose.....	Durit.....	Schlauch.....	Tubo flexible.....	Slang.....		
19	VOE 11884279	1				Hose.....	Durit.....	Schlauch.....	Tubo flexible.....	Slang.....	S/N - 10884	
	VOE 11885959	1				Hose.....	Durit.....	Schlauch.....	Tubo flexible.....	Slang.....	S/N 10885 - 11144	
	VOE 938074	1				Hose assembly.....	Conduit flexible.....	Schlauchleitung.....	Conducto.....	Slangledning.....	S/N 11145 -	
20	VOE 11884783	2				Fitting.....	Ecrou raccord.....	Verschraubung.....	Racor.....	Förskruvning.....	S/N - 11144	
	VOE 11884783	1				Fitting.....	Ecrou raccord.....	Verschraubung.....	Racor.....	Förskruvning.....	S/N 11145 -	
21	VOE 932042	1				•O-ring.....	•Joint Torique.....	•O-Ring.....	•Junta torica.....	•O-ring.....		
22	VOE 981289	2				•O-ring.....	•Joint Torique.....	•O-Ring.....	•Junta torica.....	•O-ring.....		
23	VOE 4881440	4				Strip Clamp.....	Ruban Serrage.....	Kabelbinder.....	Abraz Cinta.....	Bandklamma.....		
24	VOE 11885276	2				Reduction.....	Reduction.....	Reduzierung.....	Reduccion.....	Reducering.....		
25	VOE 13933859	1				Nipple.....	Raccord.....	Nippel.....	Niple.....	Nippel.....	S/N - 11144	

1	<b>Extra hydraulutrustning</b> <b>Equipo hidráulico adicional</b> <b>Zusätzliche Hydraulikausrüstung</b> <b>Equipement hydraulique optionnel</b> <b>Optional hydraulic equipment</b>	Catalogue id	Group
2		<b>20004</b>	<b>916</b>
3		Illustr. No	Section
4		<b>1024735</b>	<b>200</b>
5		Issue	Page
	<b>11891333</b>	<b>VOE 63G9920004</b>	<b>675</b>

**VOLVO**

**BL70**



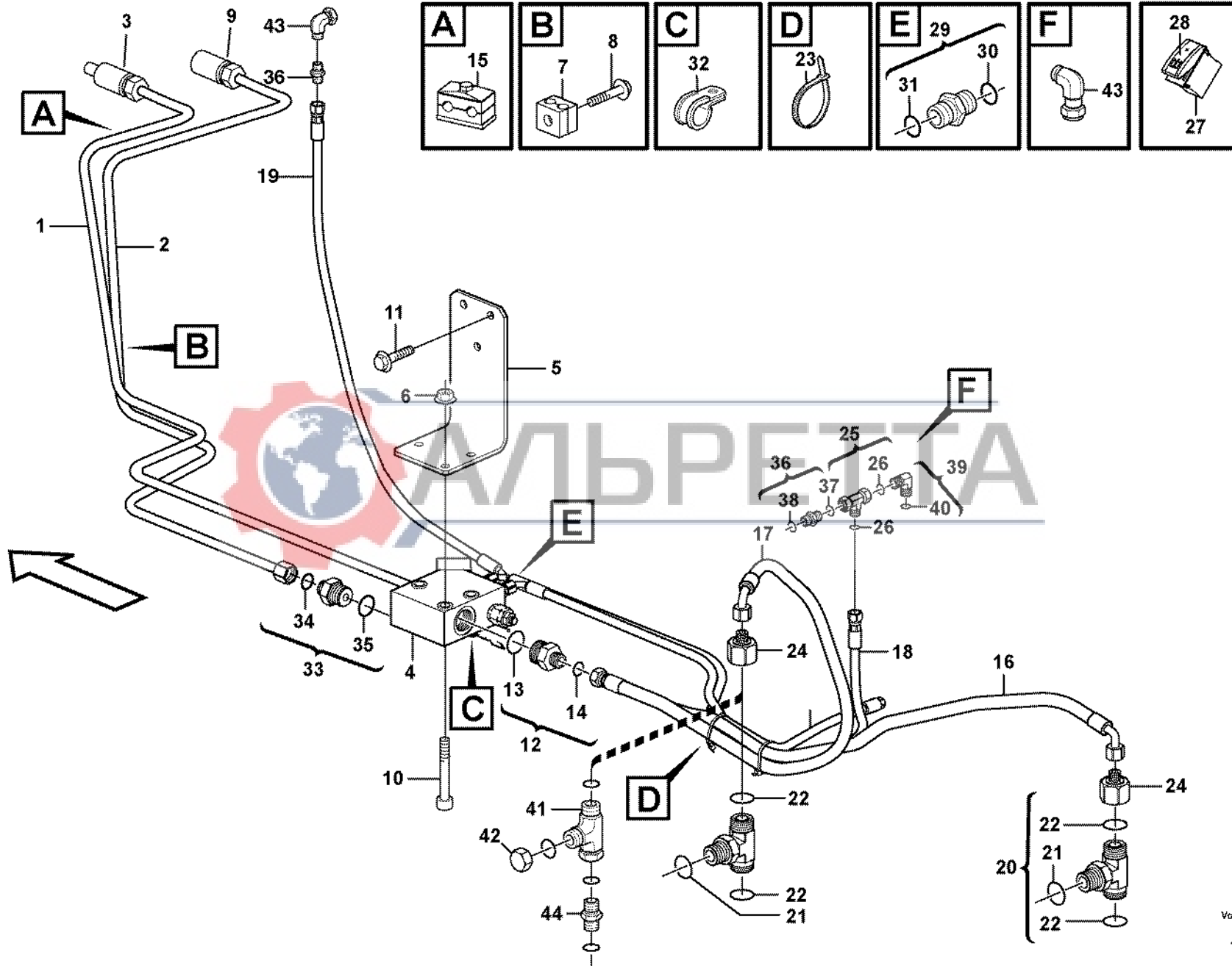


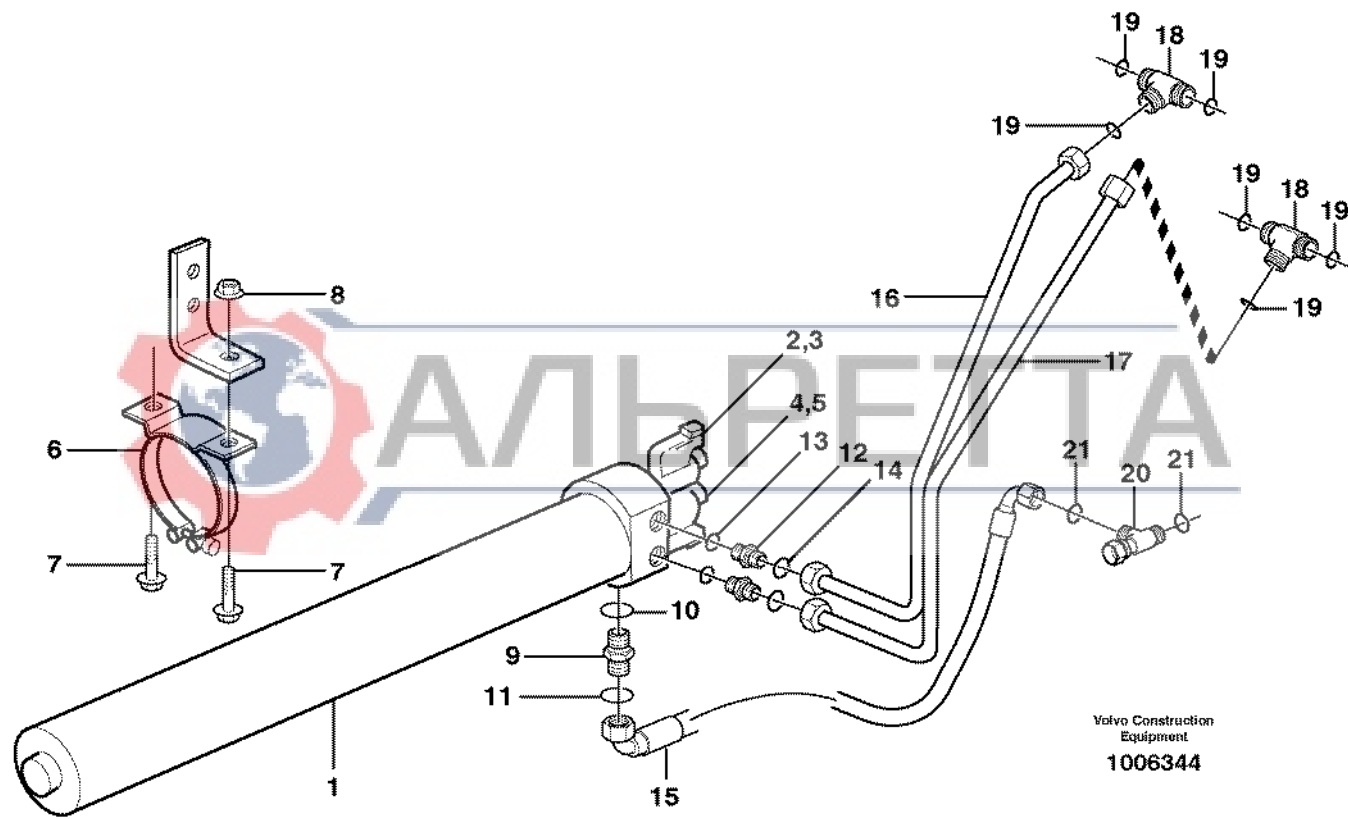
Fig.	Part No.	Quantity			P S	K I T	Description	Dénomination	Bezeichnung	Denominación	Benämning	Notes
		1	2	3								
25	VOE 13933859	2				Nipple.....	Raccord.....	Nippel.....	Niple.....	Nippel.....	S/N 11145 -	
26	VOE 4881722	2				•O-ring.....	•Joint Torique.....	•O-Ring.....	•Junta torica.....	•O-ring.....		
27	VOE 11882865	1				Rocker Switch.....	Commutateur à basc..	Wippschalter.....	Interruptor oscilante...	Vaggomkopplare.....	See group 380, Page 213	
28	VOE 11885734	1				Symbol.....	Symbole.....	Symbol.....	Simbolo.....	Symbol.....	See group 380, Page 213	
29	VOE 13933858	2				Union.....	Teton Connexion.....	Anschlussnippel.....	Niple Conexcion.....	Anslutn.nippel.....		
30	VOE 4881722	1				•O-ring.....	•Joint Torique.....	•O-Ring.....	•Junta torica.....	•O-ring.....		
31	VOE 932039	1				•O-ring.....	•Joint Torique.....	•O-Ring.....	•Junta torica.....	•O-ring.....		
32	VOE 978869	1				Clamp.....	Pince Serrage.....	Klemme.....	Abrazadera.....	Klämma.....		
33	VOE 935093	1				Union.....	Teton Connexion.....	Anschlussnippel.....	Niple Conexcion.....	Anslutn.nippel.....		
34	VOE 4880493	1				•O-ring.....	•Joint Torique.....	•O-Ring.....	•Junta torica.....	•O-ring.....		
35	VOE 932042	1				•O-ring.....	•Joint Torique.....	•O-Ring.....	•Junta torica.....	•O-ring.....		
36	VOE 935082	1				Nipple.....	Raccord.....	Nippel.....	Niple.....	Nippel.....	S/N - 10884	
	VOE 935082	2				Nipple.....	Raccord.....	Nippel.....	Niple.....	Nippel.....	S/N 10885 -	
37	VOE 4881722	1				•O-ring.....	•Joint Torique.....	•O-Ring.....	•Junta torica.....	•O-ring.....		
	VOE 4881722	2				•O-ring.....	•Joint Torique.....	•O-Ring.....	•Junta torica.....	•O-ring.....		
38	VOE 932037	1				•O-ring.....	•Joint Torique.....	•O-Ring.....	•Junta torica.....	•O-ring.....		
	VOE 932037	2				•O-ring.....	•Joint Torique.....	•O-Ring.....	•Junta torica.....	•O-ring.....		
39	VOE 13933905	1				Elbow nipple.....	Raccord angulaire.....	Winkelnippel.....	Niple angular.....	Vinkelnippel.....		
40	VOE 4881722	1				•O-ring.....	•Joint Torique.....	•O-Ring.....	•Junta torica.....	•O-ring.....		
41	VOE 13933874	1				Nipple.....	Raccord.....	Nippel.....	Niple.....	Nippel.....	S/N 11145 -	
	VOE 990740	2				•O-ring.....	•Joint Torique.....	•O-Ring.....	•Junta torica.....	•O-ring.....		
42	VOE 935576	1				Plug.....	Bouchon.....	Stopfen.....	Tapon.....	Plugg.....	S/N 11145 -	
43	VOE 13933905	1				Elbow nipple.....	Raccord angulaire.....	Winkelnippel.....	Niple angular.....	Vinkelnippel.....	S/N 11145 -	
	VOE 4881722	1				•O-ring.....	•Joint Torique.....	•O-Ring.....	•Junta torica.....	•O-ring.....		
44	VOE 13933862	1				Nipple.....	Raccord.....	Nippel.....	Niple.....	Nippel.....	S/N 11145 -	
	VOE 990740	1				•O-ring.....	•Joint Torique.....	•O-Ring.....	•Junta torica.....	•O-ring.....		
	VOE 932042	1				•O-ring.....	•Joint Torique.....	•O-Ring.....	•Junta torica.....	•O-ring.....		

1	<b>Extra hydraulutrustning</b> <b>Equipo hidráulico adicional</b> <b>Zusätzliche Hydraulikausrüstung</b> <b>Equipement hydraulique optionnel</b> <b>Optional hydraulic equipment</b>	Catalogue id	Group
2		<b>20004</b>	<b>916</b>
3		Illustr. No	Section
4		<b>1024735</b>	<b>200</b>
5		Issue	Page
	<b>11891333</b>	<b>VOE 63G9920004</b>	<b>677</b>

**VOLVO**

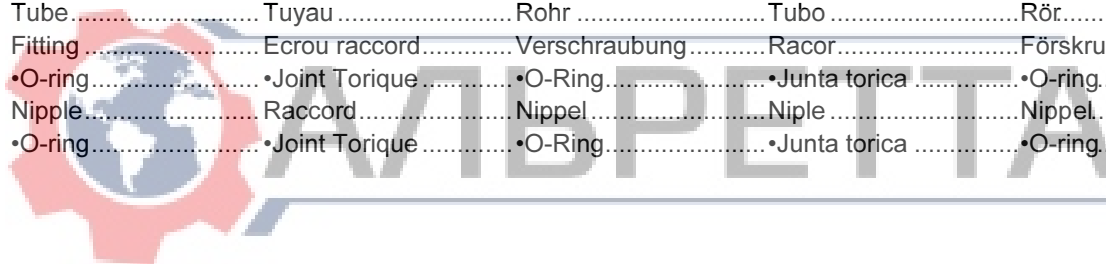
**BL70**





Volvo Construction  
Equipment  
1006344

Fig.	Part No.	Quantity			P S	K I T	Description	Dénomination	Bezeichnung	Denominación	Benämning	Notes
		1	2	3								
1	VOE 11709780	1				Accumulator .....	Accumulateur .....	Speicher .....	Acumulador .....	Accumulador .....		
2	VOE 11709782	1				•Solenoid valve .....	•Vanne electrom.....	•Magnetventil.....	•Electrovalvula.....	•Magnetventil.....		
3	VOE 11709783	1				•Coil .....	•Bobine.....	•Wickel .....	•Bobina.....	•Spole.....		
4	VOE 11709781	1				•Solenoid valve .....	•Vanne electrom.....	•Magnetventil.....	•Electrovalvula.....	•Magnetventil.....		
5	VOE 11709783	1				•Coil .....	•Bobine.....	•Wickel .....	•Bobina.....	•Spole.....		
6	VOE 11882885	2				Clamp.....	Pince Serrage .....	Klemme .....	Abrazadera.....	Klämma.....		
7	VOE 13965179	4				Flange screw.....	Vis à bride .....	Flanschschraube.....	Torn embridado .....	Flänsskruv.....		
8	VOE 948645	2				Flange Lock Nut.....	Contre écrou bride .....	Flanschmutter .....	Contratuer Embr.....	Flänslåsmutter.....		
9	VOE 13933923	1				Nipple.....	Raccord.....	Nippel .....	Niple .....	Nippel.....		
10	VOE 932040	1				•O-ring.....	•Joint Torique .....	•O-Ring.....	•Junta torica .....	•O-ring.....		
11	VOE 4880493	1				•O-ring.....	•Joint Torique .....	•O-Ring.....	•Junta torica .....	•O-ring.....		
12	VOE 935094	2				Nipple.....	Raccord.....	Nippel .....	Niple .....	Nippel.....		
13	VOE 932040	2				•O-ring.....	•Joint Torique .....	•O-Ring.....	•Junta torica .....	•O-ring.....		
14	VOE 4880663	2				•O-ring.....	•Joint Torique .....	•O-Ring.....	•Junta torica .....	•O-ring.....		
15	VOE 11884290	1				Hose.....	Flexible.....	Schlauch .....	Manguera .....	Slang.....		
16	VOE 11884869	1				Tube.....	Tuyau .....	Rohr .....	Tube .....	Rör.....		
17	VOE 11884870	1				Tube.....	Tuyau .....	Rohr .....	Tube .....	Rör.....		
18	VOE 11884287	2				Fitting.....	Ecrou raccord.....	Verschraubung.....	Racor.....	Förskruvning.....		
19	VOE 4880663	6				•O-ring.....	•Joint Torique .....	•O-Ring.....	•Junta torica .....	•O-ring.....		
20	VOE 13933878	1				Nipple.....	Raccord.....	Nippel .....	Niple .....	Nippel.....		
21	VOE 4880493	2				•O-ring.....	•Joint Torique .....	•O-Ring.....	•Junta torica .....	•O-ring.....		



1		<b>Svängningsdämpare</b> <b>Amortiguador de vibraciones</b> <b>Schwingungsdämpfer</b> <b>Amortisseur vibrations</b> <b>Boom suspension system</b>	Catalogue id	Group
2			<b>20004</b>	<b>916</b>
3			Illustr. No	Section
4			<b>1006344</b>	<b>350</b>
5			Issue	Page
		<b>11891293 S/N - 11144</b>	<b>VOE 63G9920004</b>	<b>679</b>

**VOLVO**

**BL70**



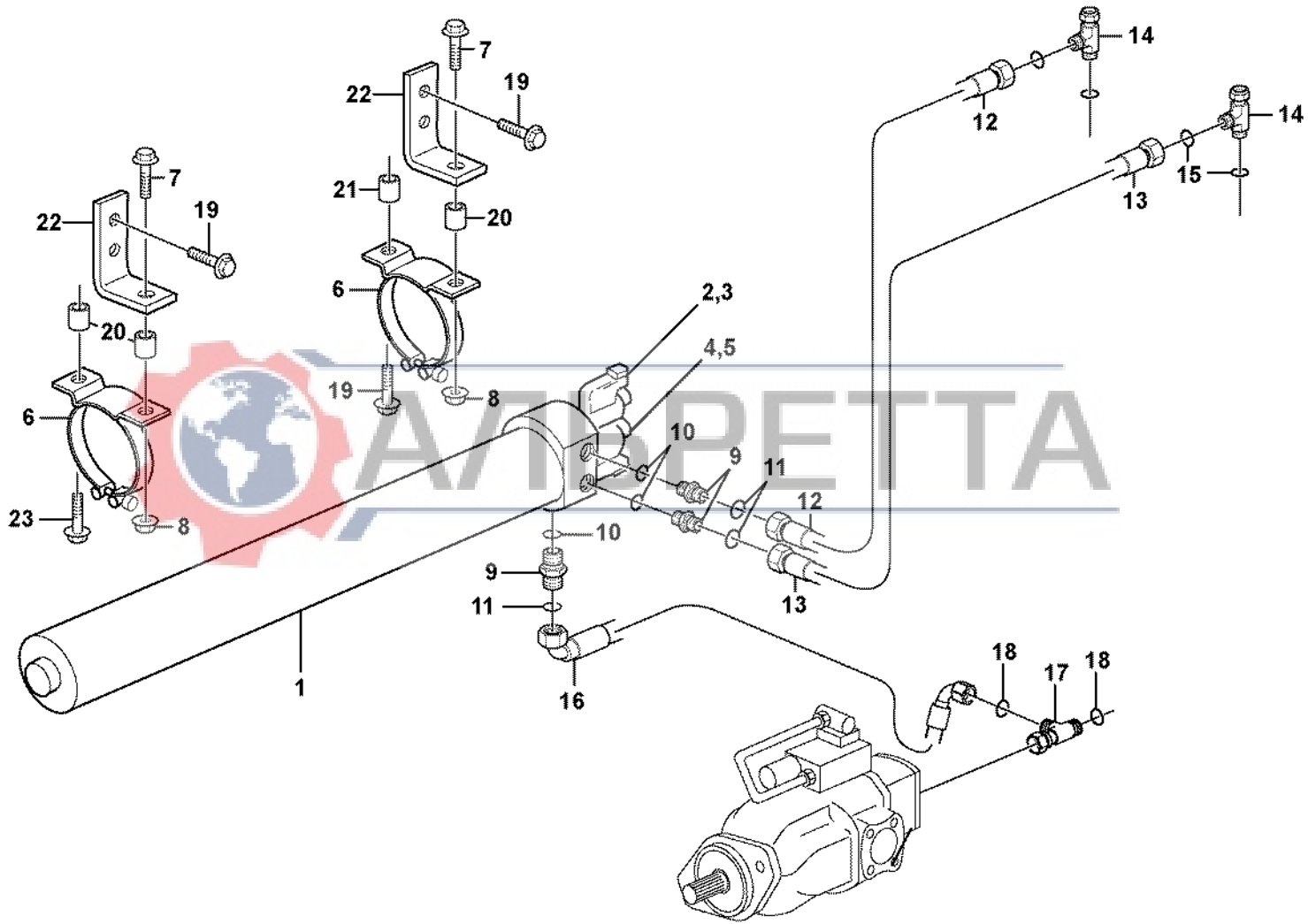


Fig.	Part No.	Quantity			P S	K I T	Description	Dénomination	Bezeichnung	Denominación	Benämning	Notes
		1	2	3								
1	VOE 11709780	1				Accumulator .....	Accumulateur .....	Speicher .....	Acumulador .....	Accumulator.....		
2	VOE 11709782	1				•Solenoid valve .....	•Vanne electrom.....	•Magnetventil.....	•Electrovalvula.....	•Magnetventil.....		
3	VOE 11709783	1				•Coil .....	•Bobine.....	•Wickel .....	•Bobina.....	•Spole.....		
4	VOE 11709781	1				•Solenoid valve .....	•Vanne electrom.....	•Magnetventil.....	•Electrovalvula.....	•Magnetventil.....		
5	VOE 11709783	1				•Coil .....	•Bobine.....	•Wickel .....	•Bobina.....	•Spole.....		
6	VOE 11888757	2				Clamp.....	Pince Serrage .....	Klemme .....	Abrazadera.....	Klämma.....		
7	VOE 13965179	2				Flange screw.....	Vis à bride .....	Flanschschraube.....	Torn embridado .....	Flänsskruv.....		
8	VOE 948645	2				Flange Lock Nut.....	Contre écrou bride .....	Flanschmutter .....	Contratuer Embr.....	Flänslåsmutter.....		
9	VOE 13933923	3				Nipple.....	Raccord.....	Nippel .....	Niple .....	Nippel.....		
10	VOE 932040	1				•O-ring.....	•Joint Torique .....	•O-Ring.....	•Junta torica .....	•O-ring.....		
11	VOE 990738	1				•O-ring.....	•Joint Torique .....	•O-Ring.....	•Junta torica .....	•O-ring.....		
12	VOE 11888754	1				Hose assembly .....	Conduit flexible .....	Schlauchleitung.....	Conducto .....	Slangledning.....		
13	VOE 11888625	1				Hose assembly .....	Conduit flexible .....	Schlauchleitung.....	Conducto .....	Slangledning.....		
14	VOE 935028	2				Nipple.....	Raccord.....	Nippel .....	Niple .....	Nippel.....		
15	VOE 990739	4				•O-ring.....	•Joint Torique .....	•O-Ring.....	•Junta torica .....	•O-ring.....		
16	VOE 936757	1				Hose assembly .....	Conduit flexible .....	Schlauchleitung.....	Conducto .....	Slangledning.....		
17	VOE 13933878	1				Nipple.....	Raccord.....	Nippel .....	Niple .....	Nippel.....		
18	VOE 990738	2				•O-ring.....	•Joint Torique .....	•O-Ring.....	•Junta torica .....	•O-ring.....		
19	VOE 946671	5				Flange screw.....	Vis à bride .....	Flanschschraube.....	Torn embridado .....	Flänsskruv.....		
20	VOE 930438	3				Spacer Ring .....	Bagu.entretoise .....	Abstandring .....	Anillo Dist .....	Distansring.....		
21	VOE 930430	1				Spacer Ring .....	Bagu.entretoise .....	Abstandring .....	Anillo Dist .....	Distansring.....		
22	VOE 11888756	2				Bracket.....	Console.....	Konsole .....	Ménsula.....	Konsol.....		
23	VOE 13965180	1				Flange screw.....	Vis à bride .....	Flanschschraube.....	Torn embridado .....	Flänsskruv.....		

1	<b>Svängningsdämpare</b> <b>Amortiguador de vibraciones</b> <b>Schwingungsdämpfer</b> <b>Amortisseur vibrations</b> <b>Boom suspension system</b>	Catalogue id	Group
2		<b>20004</b>	<b>916</b>
3		Illustr. No	Section
4		<b>1024702</b>	<b>360</b>
5		Issue	Page
	<b>11891293 S/N - 11145</b>	<b>VOE 63G9920004</b>	<b>681</b>

**VOLVO**

**BL70**

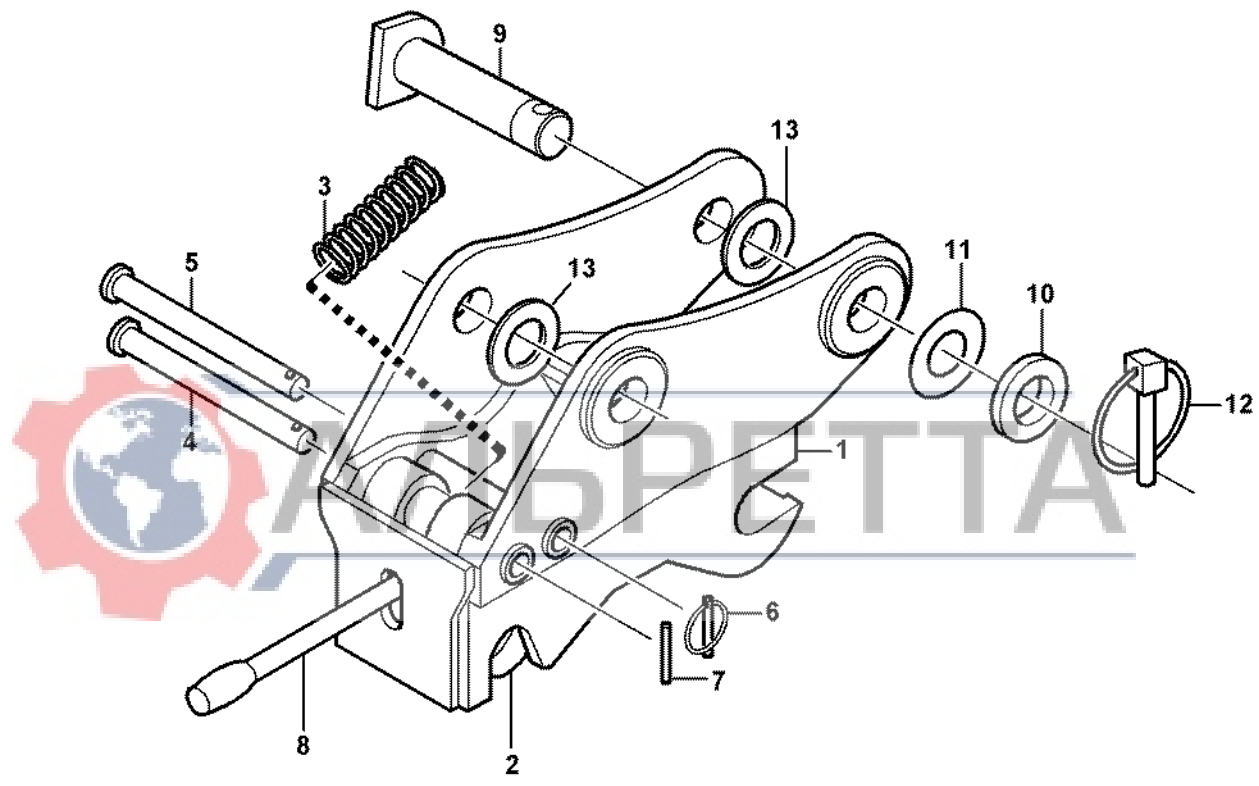


Fig.	Part No.	Quantity			P S	K I T	Description	Dénomination	Bezeichnung	Denominación	Benämning	Notes
		1	2	3								
1	VOE 11884311	1				Quick Coupling.....	Accouplement Ra.....	Schnellkupplung.....	Acoplamiento Ra.....	Snabbkoppling.....		
2	VOE 11712602	1				•Hook .....	•Crochet .....	•Haken.....	•Gancho .....	•Krok.....		
3	VOE 11712603	1				•Spring .....	•Ressort .....	•Feder.....	•Muelle .....	•Fjäder.....		
4	VOE 11712604	1				•Pin .....	•Goupille.....	•Zapfen.....	•Pasador.....	•Tapp.....		
5	VOE 11712605	1				•Pin .....	•Goupille.....	•Zapfen.....	•Pasador.....	•Tapp.....		
6	VOE 11712606	1				•Pin .....	•Goupille.....	•Zapfen.....	•Pasador.....	•Tapp.....		
7	VOE 11712607	1				•Pin .....	•Goupille.....	•Zapfen.....	•Pasador.....	•Tapp.....		
8	VOE 11886254	1				•Handle .....	•Poignee.....	•Handgriff .....	•Manilla.....	•Handgrepp.....		
9	VOE 11883624	2				Pin.....	Clavette.....	Splint .....	Pasador.....	Sprint.....		
10	VOE 955912	2				Washer.....	Rondelle.....	Scheibe .....	Arandela.....	Bricka.....		
11	VOE 403078	6				Shim.....	Cale Reglage .....	Nachstellblech.....	Laminill Ajuste .....	Justerbleck.....		
12	VOE 11881622	2				Locking pin.....	Goupille d'arrêt.....	Schliessbolzen .....	Pasador de cierre.....	Låspinne.....		
13	VOE 11885220	6				Spacer.....	Entretoise.....	Abstandkörper.....	Distanciador .....	Distans.....		



1	<b>Redskapsfäste, mekaniskt</b> <b>Portaimplemento, mecánico</b> <b>Geräteträger, mechanisch</b> <b>Porte-outil, verrouillage mécanique</b> <b>Attachment bracket, mechanical</b>	Catalogue id	Group
2		<b>20004</b>	<b>924</b>
3		Illustr. No	Section
4		<b>1013366</b>	<b>100</b>
5		Issue	Page
	<b>11891299</b>	<b>VOE 63G9920004</b>	<b>683</b>

**VOLVO**

**BL70**





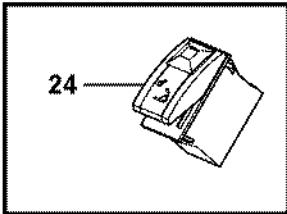
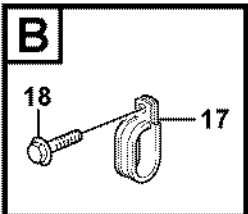
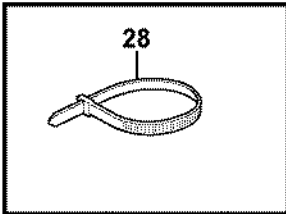
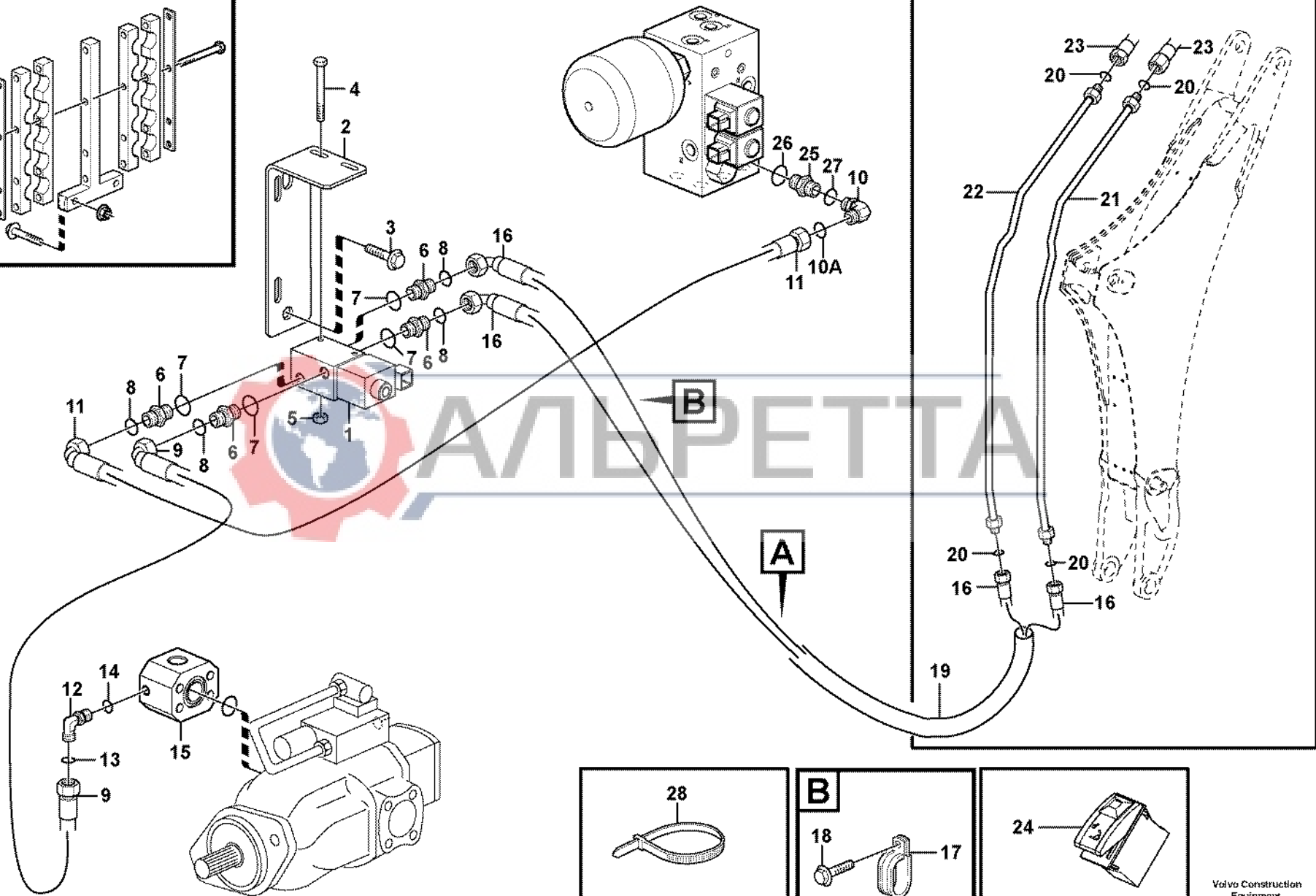
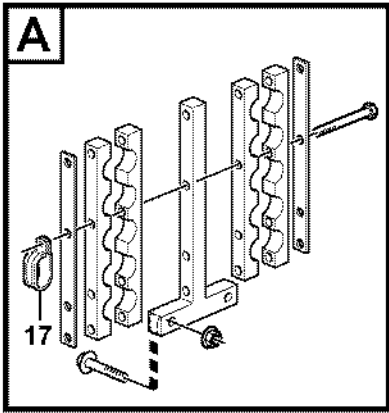


Fig.	Part No.	Quantity			P S	K I T	Description	Dénomination	Bezeichnung	Denominación	Benämning	Notes
		1	2	3								
1	VOE 11800853	1				Valve .....	Soupape.....	Ventil .....	Valvula .....	Ventil.....		
2	VOE 11887392	1				Bracket.....	Console.....	Konsole .....	Ménsula.....	Konsol.....		
3	VOE 13965192	2				Flange screw.....	Vis à bride .....	Flanschschraube.....	Torn embridado .....	Flänsskruv.....		
4	VOE 13965210	2				Flange screw.....	Vis à bride .....	Flanschschraube.....	Torn embridado .....	Flänsskruv.....		
5	VOE 13965483	2				Flange Lock Nut.....	Contre écrou bride .....	Flanschmutter .....	Contratuer Embr.....	Flänslåsmutter.....		
6	VOE 935082	4				Nipple.....	Raccord.....	Nippel .....	Niple .....	Nippel.....		
7	VOE 932037	1				•O-ring.....	•Joint Torique .....	•O-Ring.....	•Junta torica .....	•O-ring.....		
8	VOE 990736	1				•O-ring.....	•Joint Torique .....	•O-Ring.....	•Junta torica .....	•O-ring.....		
9	VOE 936339	1				Hose assembly .....	Condui.flexible .....	Schlauchleitung.....	Conducto .....	Slangledning.....		
10	VOE 13933905	1				Elbow nipple.....	Raccord angulaire.....	Winkelnippel.....	Niple angular .....	Vinkelnippel.....		
	VOE 990736	1				•O-ring.....	•Joint Torique .....	•O-Ring.....	•Junta torica .....	•O-ring.....		
11	VOE 11884275	1				Hose.....	Durit .....	Schlauch .....	Tube flexible.....	Slang.....		
12	VOE 935067	1				Elbow nipple.....	Raccord angulaire.....	Winkelnippel.....	Niple angular .....	Vinkelnippel.....		
13	VOE 990736	1				•O-ring.....	•Joint Torique .....	•O-Ring.....	•Junta torica .....	•O-ring.....		
14	VOE 932037	1				•O-ring.....	•Joint Torique .....	•O-Ring.....	•Junta torica .....	•O-ring.....		
15		1				Connection block .....	Bloc Raccord.....	Anschlusssockel .....	Bloque Conector .....	Anslutningsblock.....	See group 911, Page 557	
16	VOE 11884275	2				Hose.....	Durit .....	Schlauch .....	Tube flexible.....	Slang.....		
17	VOE 981661	3				Clamp.....	Pince Serrage .....	Klemme .....	Abrazadera.....	Klämma.....	S/N - 11144	
17	VOE 981661	2				Clamp.....	Pince Serrage .....	Klemme .....	Abrazadera.....	Klämma.....	S/N 11145 -	
18	VOE 13946173	1				Flange screw.....	Vis à bride .....	Flanschschraube.....	Torn embridado .....	Flänsskruv.....	S/N - 11144	
19	VOE 11885208	1				Protection.....	Protection .....	Schutz .....	Proteccion .....	Skydd.....		
20	VOE 4881722	4				O-ring.....	Joint Torique .....	O-Ring.....	Junta torica .....	O-ring.....		
21	VOE 11885218	1				Tube.....	Tube .....	Rohr .....	Tube .....	Rör.....		
22	VOE 11885219	1				Tube.....	Tube .....	Rohr .....	Tube .....	Rör.....		
23	VOE 11885427	2				Hose.....	Durit .....	Schlauch .....	Tube flexible.....	Slang.....		
24		1				Switch .....	Commutateur .....	Schalter .....	Contacteur.....	Strömställare.....	See group 380, Page 213	
25	VOE 13933858	1				Union.....	Teton Connexion.....	Anschlussnippel .....	Niple Conexcion .....	Anslutn.nippel.....		
26	VOE 932039	1				•O-ring.....	•Joint Torique .....	•O-Ring.....	•Junta torica .....	•O-ring.....		
27	VOE 990736	1				•O-ring.....	•Joint Torique .....	•O-Ring.....	•Junta torica .....	•O-ring.....		
28	VOE 4881440	3				Strip Clamp .....	Ruban Serrage.....	Kabelbinder .....	Abraz Cinta .....	Bandklamma.....		

1		<b>Hydraulik redskapsfäste grävarm</b> <b>Portaimplementos hidráulico, brazo</b> <b>Hydraulik Geräteträger Baggerarm</b> <b>Porte-outil à verrouillage hydraulique, balancier</b> <b>Hydraulic attachment bracket digger</b>	Catalogue id	Group
2			<b>20004</b>	<b>924</b>
3			Illustr. No	Section
4			<b>1026189</b>	<b>150</b>
5			Issue	Page
		<b>11891335, 11891352, 11891361, 11891363</b>	<b>VOE 63G9920004</b>	<b>685</b>

**VOLVO**

**BL70**

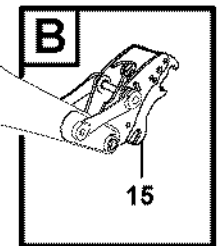
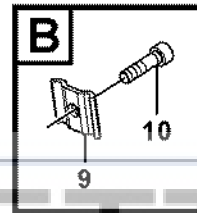
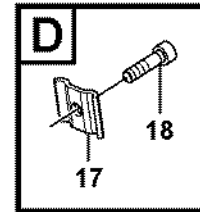
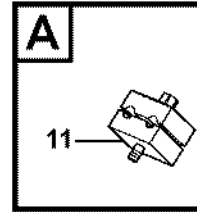
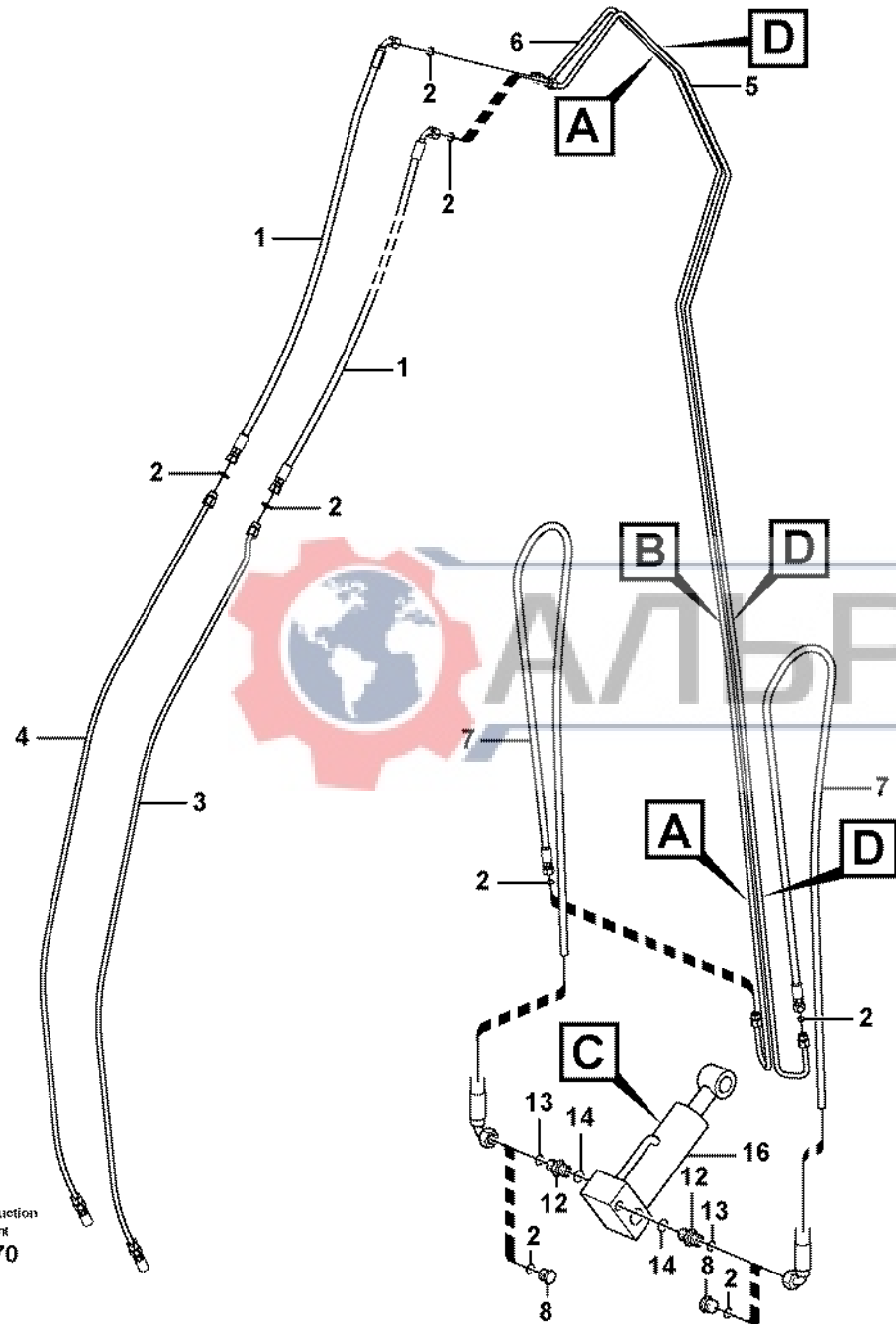


Fig.	Part No.	Quantity			P S	K I T	Description	Dénomination	Bezeichnung	Denominación	Benämning	Notes
		1	2	3								
1	VOE 11885427	2	2			Hose.....	Durit .....	Schlauch .....	Tube flexible.....	Slang.....		
2	VOE 4881722	8	8			O-ring.....	Joint Torique .....	O-Ring.....	Junta torica.....	O-ring.....		
3		1	1			Tube.....	Tube.....	Rohr .....	Tube .....	Rör.....	See group 924, Page 685	
4		1	1			Tube.....	Tube.....	Rohr .....	Tube .....	Rör.....	See group 924, Page 685	
5	VOE 11885442	1	1			Pipe.....	Canalisation .....	Rohrleitung.....	Canalizacion.....	Rör.....		
6	VOE 11885441	1	1			Pipe.....	Canalisation .....	Rohrleitung.....	Canalizacion.....	Rör.....		
7	VOE 11885347	2	2			Hose.....	Durit .....	Schlauch .....	Tube flexible.....	Slang.....		
8		2		NS		Plug.....	Bouchon.....	Stopfen.....	Tapon .....	Plugg.....		
9	VOE 11881049	1	1			Clamp.....	Pince Serrage .....	Klemme .....	Abrazadera.....	Klämma.....	SER NO -10731	
10	VOE 967631	1	1			Allen Hd Screw .....	Vis A 6 Pans Cr.....	Inbusschraube.....	Torn Hex Embut .....	Insexskruv.....	SER NO -10731	
11	VOE 11885371	2	2			Clamp.....	Pince Serrage .....	Klemme .....	Abrazadera.....	Klämma.....	SER NO -10731	
12	VOE 13933905	1	1			Elbow nipple.....	Raccord angulaire.....	Winkelnippel.....	Niple angular .....	Vinkelnippel.....		
12	VOE 13933858	2	2			Union.....	Teton Connexion.....	Anschlussnippel .....	Niple Conexion .....	Anslutn.nippel.....		
13	VOE 4881722	1	1			•O-ring.....	•Joint Torique .....	•O-Ring.....	•Junta torica .....	•O-ring.....		
14	VOE 932039	1	1			•O-ring.....	•Joint Torique .....	•O-Ring.....	•Junta torica .....	•O-ring.....		
15	VOE 11885374	1	1			Attachment.....	Fixation .....	Halterung.....	Fijacion.....	Fäste.....	See group 924, Page 691	
16	VOE 11712673	1	1			Cylinder.....	Verin.....	Zylinder .....	Cilindro .....	Cylinder.....		
17	VOE 11885371	5	5			Clamp.....	Pince Serrage .....	Klemme .....	Abrazadera.....	Klämma.....	SER NO 10732-	
18	VOE 967631	5	5			Allen Hd Screw .....	Vis A 6 Pans Cr.....	Inbusschraube.....	Torn Hex Embut .....	Insexskruv.....	SER NO 10732-	

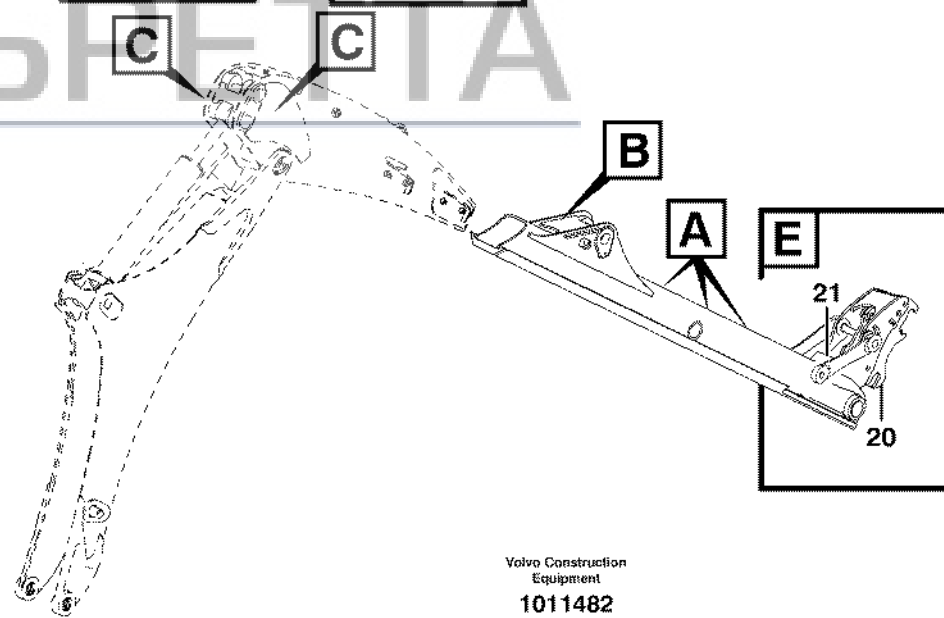
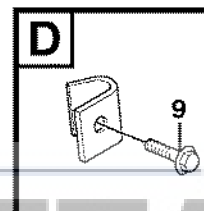
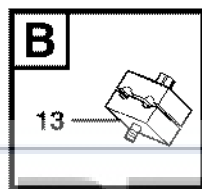
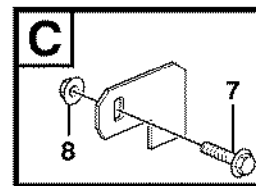
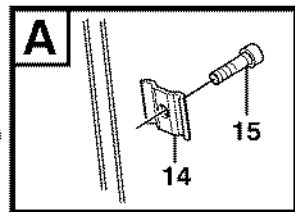
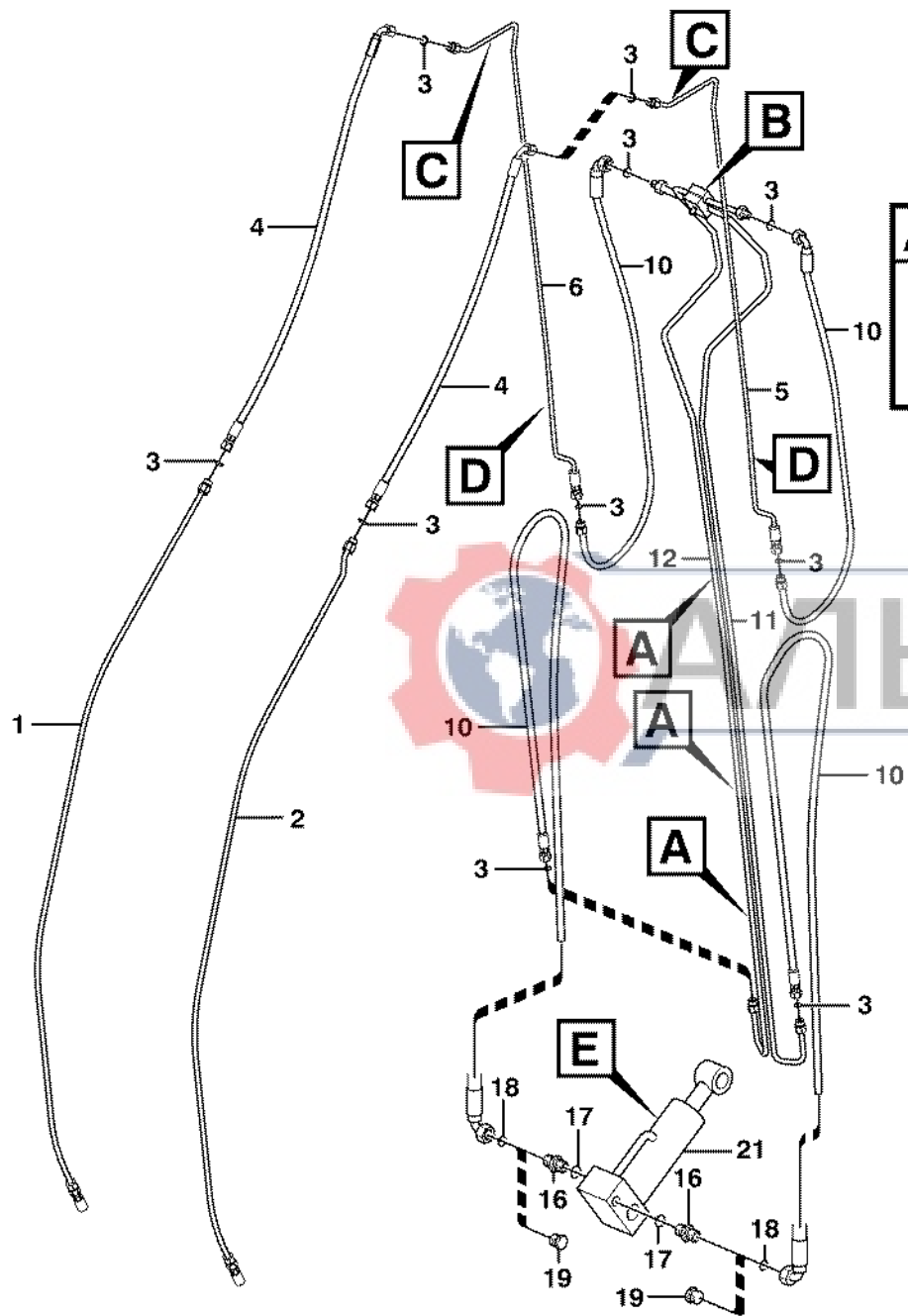


1	11891352	<b>Hydraulik redskapsfäste grävarm (11891352, 11891363)</b> <b>Portaimplementos hidráulico, brazo (11891352, 11891363)</b> <b>Hydraulik Geräteträger Baggerarm (11891352, 11891363)</b> <b>Porte-outil à verrouillage hydraulique, balancier (11891352, 11891363)</b> <b>Hydraulic attachment bracket digger (11891352, 11891363)</b>	Catalogue id	Group
2	11891363		<b>20004</b>	<b>924</b>
3			Illustr. No	Section
4			<b>1011470</b>	<b>200</b>
5			Issue	Page
			<b>VOE 63G9920004</b>	<b>687</b>

**VOLVO**

**BL70**





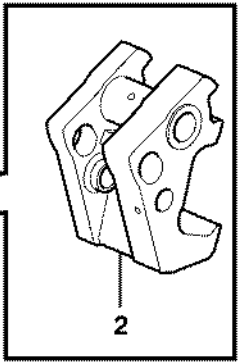
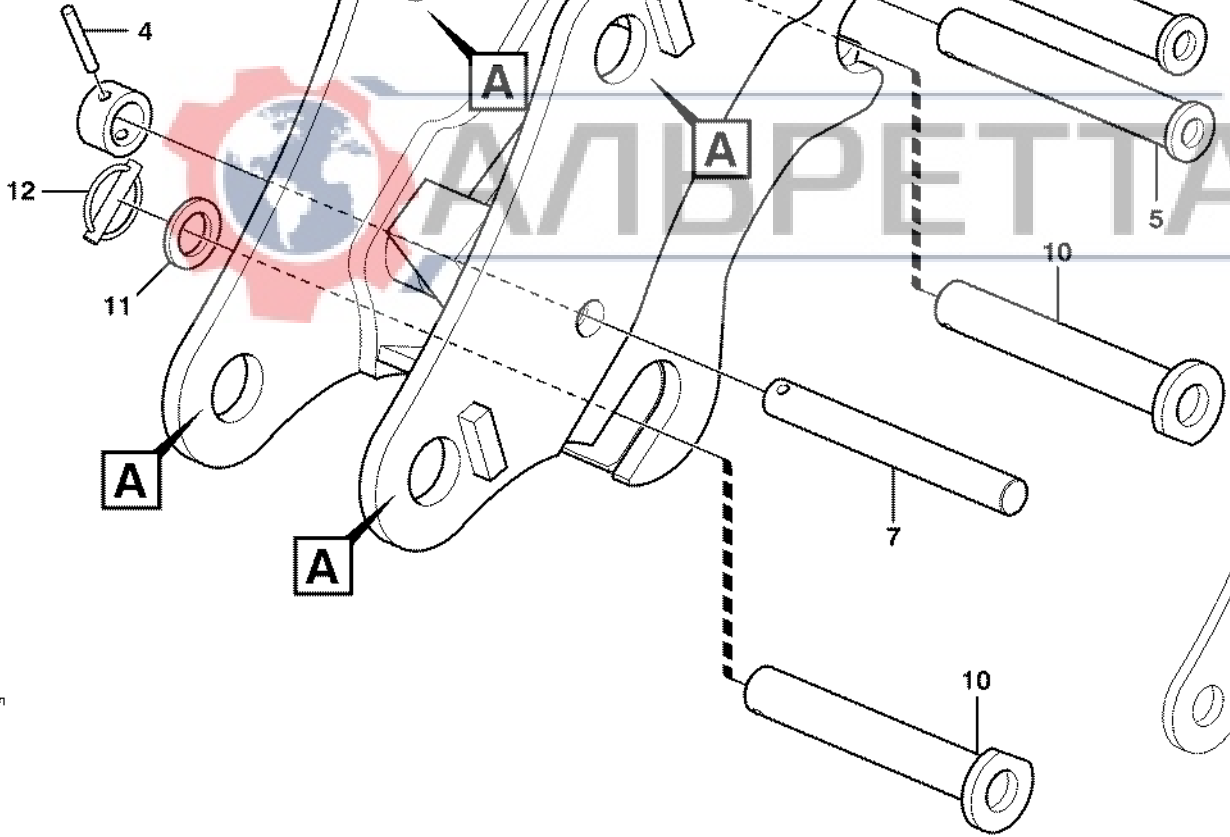
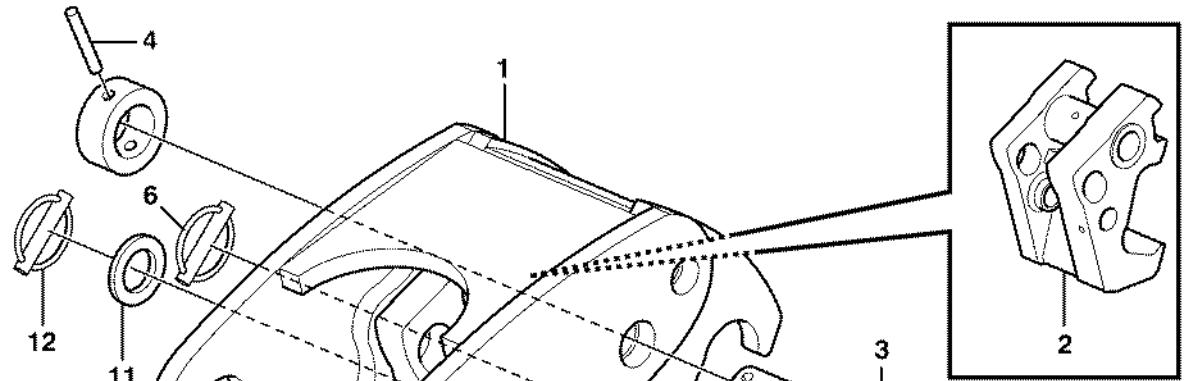
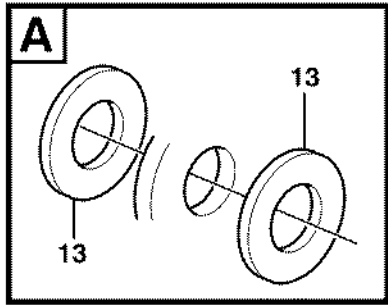
Volvo Construction  
Equipment  
1011482

Fig.	Part No.	Quantity			P S	K I T	Description	Dénomination	Bezeichnung	Denominación	Benämning	Notes
		1	2	3								
1		1	1			Tube.....	Tube.....	Rohr.....	Tubo.....	Rör.....	See group 924, Page 685	
2		1	1			Tube.....	Tube.....	Rohr.....	Tubo.....	Rör.....	See group 924, Page 685	
3	<b>VOE 4881722</b>	10	10			O-ring.....	Joint Torique.....	O-Ring.....	Junta torica.....	O-ring.....		
4	<b>VOE 11885427</b>	2	2			Hose.....	Durit.....	Schlauch.....	Tubo flexible.....	Slang.....		
5	<b>VOE 11885230</b>	1	1			Tube Assembly.....	Tuyauterie.....	Rohrleitung.....	Tuberia.....	Rörledning.....		
6	<b>VOE 11885229</b>	1	1			Tube Assembly.....	Tuyauterie.....	Rohrleitung.....	Tuberia.....	Rörledning.....		
7	<b>VOE 13947760</b>	2	2			Flange screw.....	Vis à bride.....	Flanschschraube.....	Torn embridado.....	Flänsskruv.....		
8	<b>VOE 13945408</b>	2	2			Nut.....	Ecrou.....	Mutter.....	Tuerca.....	Mutter.....		
9	<b>VOE 965210</b>	2	2			Flange screw.....	Vis à bride.....	Flanschschraube.....	Torn embridado.....	Flänsskruv.....		
10	<b>VOE 11885347</b>	4	4			Hose.....	Durit.....	Schlauch.....	Tubo flexible.....	Slang.....		
11	<b>VOE 11885230</b>	1	1			Tube Assembly.....	Tuyauterie.....	Rohrleitung.....	Tuberia.....	Rörledning.....		
12	<b>VOE 11885344</b>	1	1			Tube.....	Tube.....	Rohr.....	Tubo.....	Rör.....		
13	<b>VOE 11885371</b>	1	1			Clamp.....	Pince Serrage.....	Klemme.....	Abrazadera.....	Klämma.....		
14	<b>VOE 11881049</b>	3	3			Clamp.....	Pince Serrage.....	Klemme.....	Abrazadera.....	Klämma.....		
15	<b>VOE 967631</b>	3	3			Allen Hd Screw.....	Vis A 6 Pans Cr.....	Inbusschraube.....	Torn Hex Embut.....	Insexskruv.....		
16	<b>VOE 13933905</b>	1	1			Elbow nipple.....	Raccord angulaire.....	Winkelnippel.....	Niple angular.....	Vinkelnippel.....		
16	<b>VOE 13933858</b>	2	2			Union.....	Teton Connexion.....	Anschlussnippel.....	Niple Conexcion.....	Anslutn.nippel.....		
17	<b>VOE 932039</b>	1	1			•O-ring.....	•Joint Torique.....	•O-Ring.....	•Junta torica.....	•O-ring.....		
18	<b>VOE 4881722</b>	1	1			•O-ring.....	•Joint Torique.....	•O-Ring.....	•Junta torica.....	•O-ring.....		
	<b>VOE 4881722</b>	2	2			O-ring.....	Joint Torique.....	O-Ring.....	Junta torica.....	O-ring.....		
19		2	2	NS		Plug.....	Bouchon.....	Stopfen.....	Tapon.....	Plugg.....		
20	<b>VOE 11885374</b>	1	1			Attachment.....	Fixation.....	Halterung.....	Fijacion.....	Fäste.....	See group 924, Page 691	
21	<b>VOE 11712673</b>	1	1			•Cylinder.....	•Verin.....	•Zylinder.....	•Cilindro.....	•Cylinder.....		
	<b>VOE 11713154</b>	1	1			•••Sealing Kit.....	•••Jeu Joints.....	•••Dichtungssatz.....	•••Juego Retenes.....	•••Tätningssats.....		

1	<b>11891335</b>	<b>Hydraulik redskapsfäste grävarm (11891335, 11891361)</b> <b>Portaimplementos hidráulico, brazo (11891335, 11891361)</b> <b>Hydraulik Geräteträger Baggerarm (11891335, 11891361)</b> <b>Porte-outil à verrouillage hydraulique, balancier (11891335, 11891361)</b> <b>Hydraulic attachment bracket digger (11891335, 11891361)</b>	Catalogue id	Group
2	<b>11891361</b>		<b>20004</b>	<b>924</b>
3			Illustr. No	Section
4			<b>1011482</b>	<b>250</b>
5			Issue	Page
		<b>VOE 63G9920004</b>	<b>689</b>	

**VOLVO**

**BL70**



Volvo Construction  
Equipment  
1011489



Fig.	Part No.	Quantity			P S	K I T	Description	Dénomination	Bezeichnung	Denominación	Benämning	Notes
		1	2	3								
1	VOE 11886515	1					Quick attachment.....	Fixation rapide .....	Schnellkupplung.....	Acoplamiento rapido ..	Snabbfäste.....	
1	VOE 11887349		1				Quick attachment.....	Fixation rapide .....	Schnellkupplung.....	Acoplamiento rapido ..	Snabbfäste.....	
2	VOE 11712672	1					•Hook .....	•Crochet .....	•Haken.....	•Gancho .....	•Krok.....	
2	VOE 11715541		1				•Hook .....	•Crochet .....	•Haken.....	•Gancho .....	•Krok.....	
	VOE 11715545		1				•Pin .....	•Goupille.....	•Zapfen.....	•Pasador.....	•Tapp.....	
	VOE 11715548		1				Retaining ring.....	Bague retenue .....	Haltering.....	Anillo de apoyo.....	Hållarring.....	
3	VOE 11712675	1					•Pin .....	•Goupille.....	•Zapfen.....	•Pasador.....	•Tapp.....	
3	VOE 11715542		1				•Pin .....	•Goupille.....	•Zapfen.....	•Pasador.....	•Tapp.....	
4	VOE 11712678	2					•Lock Pin.....	•Goupille Verro.....	•Sicherungsstift .....	•Pasador Segurid .....	•Låspinne.....	
4	VOE 11715544		2				•Retaining ring .....	•Bague retenue .....	•Haltering.....	•Anillo de apoyo .....	•Hållarring.....	
5	VOE 11712674	1					•Pin .....	•Goupille.....	•Zapfen.....	•Pasador.....	•Tapp.....	
5	VOE 11715549		1				•Pin .....	•Goupille.....	•Zapfen.....	•Pasador.....	•Tapp.....	
6	VOE 11712677	1	1				•Lock Ring.....	•Anneau Verrouillage .....	•Schlossring .....	•Anillo Segurid .....	•Låsring.....	
7	VOE 11712679	1					•Shaft .....	•Arbre .....	•Welle .....	•Arbol.....	•Axel.....	
7	VOE 11715547		1				•Pin .....	•Goupille.....	•Zapfen.....	•Pasador.....	•Tapp.....	
8	VOE 11712673	1					•Cylinder .....	•Verin .....	•Zylinder .....	•Cilindro.....	•Cylinder.....	See group 924, Page 693
8	VOE 11715546		1				•Cylinder .....	•Verin .....	•Zylinder .....	•Cilindro.....	•Cylinder.....	
	VOE 11713154	1					•Sealing Kit .....	•Jeu Joints .....	•Dichtungssatz .....	•Juego Retenes.....	•Tätningssats.....	
9	VOE 11712676	1	1				Lubricating nipple.....	Graisseur .....	Schmiernippel .....	Engrasador.....	Smörjnippel.....	
10	VOE 11883624	2	2				Pin.....	Clavette.....	Splint.....	Pasador.....	Sprint.....	
11	VOE 955912	2	2				Washer.....	Rondelle.....	Scheibe.....	Arandela.....	Bricka.....	
12	VOE 11881622	2	2				Locking pin.....	Goupille d'arrêt.....	Schliessbolzen .....	Pasador de cierre.....	Låspinne.....	
13	VOE 11885220	8	8				Spacer.....	Entretoise.....	Abstandkörper.....	Distanciador .....	Distans.....	

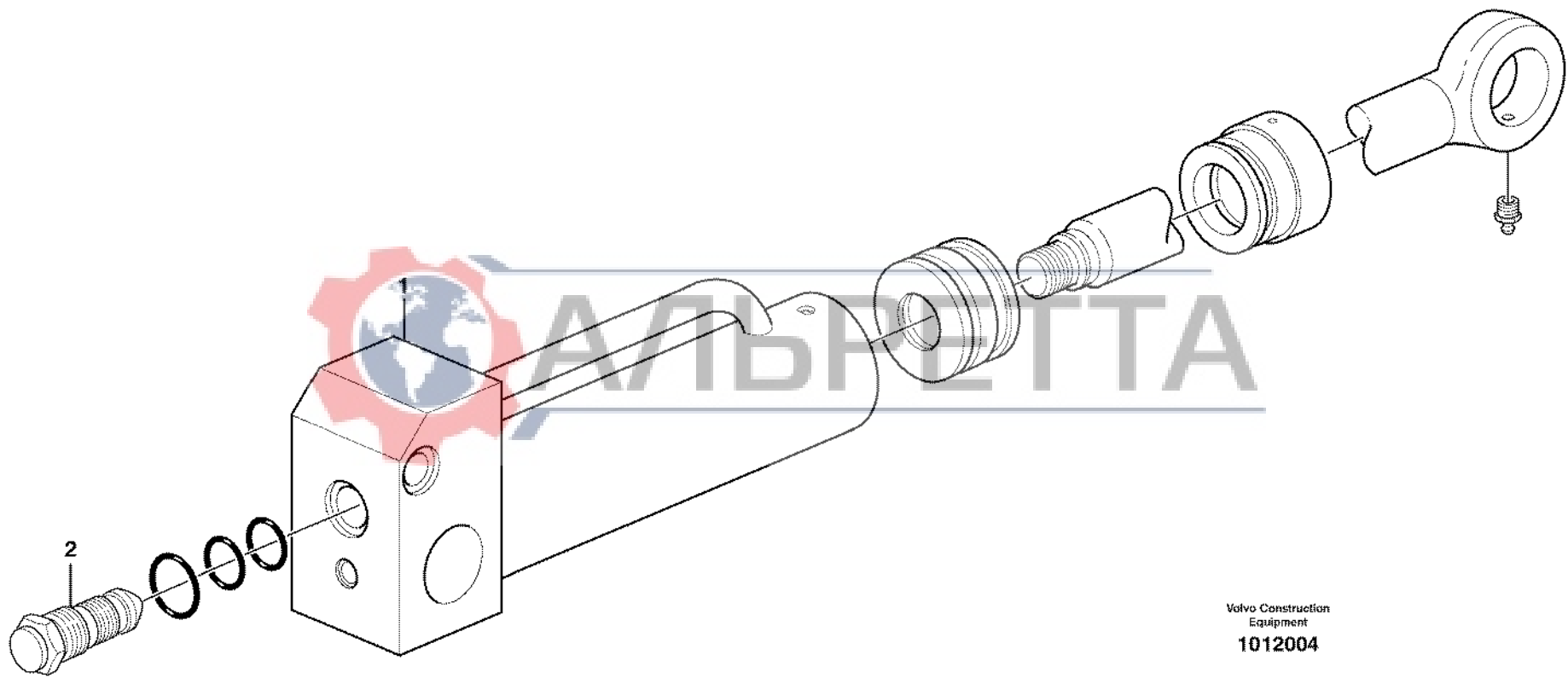
1	11886515	<b>Hydrauliskt redskapsfäste</b> <b>Soporte de implemento hidráulico</b> <b>Hydraulisch betätigte Gerätebefestigung</b> <b>Plaque de fixation à commande hydraulique</b> <b>Hydraulic attachment bracket</b>	Catalogue id	Group
2	11887349		<b>20004</b>	<b>924</b>
3			Illustr. No	Section
4			<b>1011489</b>	<b>300</b>
5			Issue	Page
		<b>11891335, 11891363</b>	<b>VOE 63G9920004</b>	<b>691</b>

**VOLVO**

**BL70**







Volvo Construction  
Equipment  
1012004

Fig.	Part No.	Quantity			P S	K I T	Description	Dénomination	Bezeichnung	Denominación	Benämning	Notes
		1	2	3								
1	VOE 11712673	1					Cylinder.....	Verin.....	Zylinder .....	Cilindro .....	Cylinder.....	
	VOE 11713154	1					••Sealing Kit .....	••Jeu Joints .....	••Dichtungssatz .....	••Juego Retenes.....	••Tätningssats.....	
2	VOE 11713136	1					•Check valve .....	•Valve antiretour.....	•Rückschlagventil .....	•Válvula de retención ..	•Backventil.....	
	VOE 11713137	1					••Sealing Kit .....	••Jeu Joints .....	••Dichtungssatz .....	••Juego Retenes.....	••Tätningssats.....	

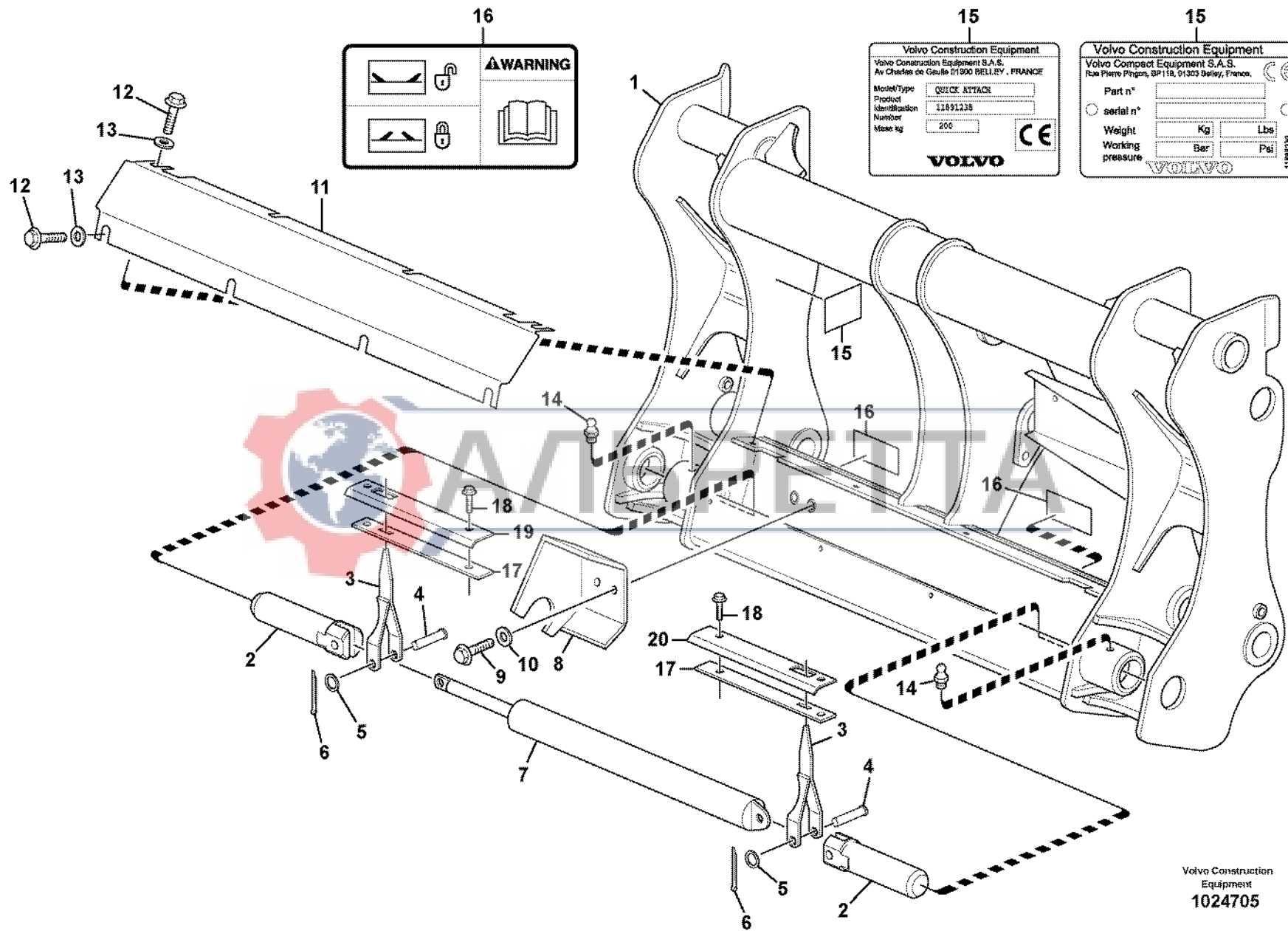


1		<b>Hydraulicylinder, snabbfäste</b> <b>Cilindro hidráulico, acoplamiento rapido</b> <b>Hydraulikzylinder Schnellwechsler</b> <b>Verin hydraulique, fixation rapide</b> <b>Hydraulic cylinder, quick attachment</b> <b>11891335, 11891363</b>	Catalogue id	Group
2			<b>20004</b>	<b>924</b>
3			Illustr. No	Section
4			<b>1012004</b>	<b>350</b>
5			Issue	Page
			<b>VOE 63G9920004</b>	<b>693</b>

**VOLVO**

**BL70**





16

		<b>WARNING</b>	

15

Volvo Construction Equipment		
Volvo Construction Equipment S.A.S. Av. Charles de Gaulle 97190 BELLEVY - FRANCE		
Model/Type	QUICK ATTACH	
Product Identification Number	11891235	
Mass kg	200	
<b>VOLVO</b>		

15

Volvo Construction Equipment		
Volvo Compact Equipment S.A.S. Rue Pierre Pflieger, BP118, 01305 Soley, France.		
Part n°		
serial n°		
Weight	Kg Lbs	
Working pressure	Bar Psi	
<b>VOLVO</b>		11891235

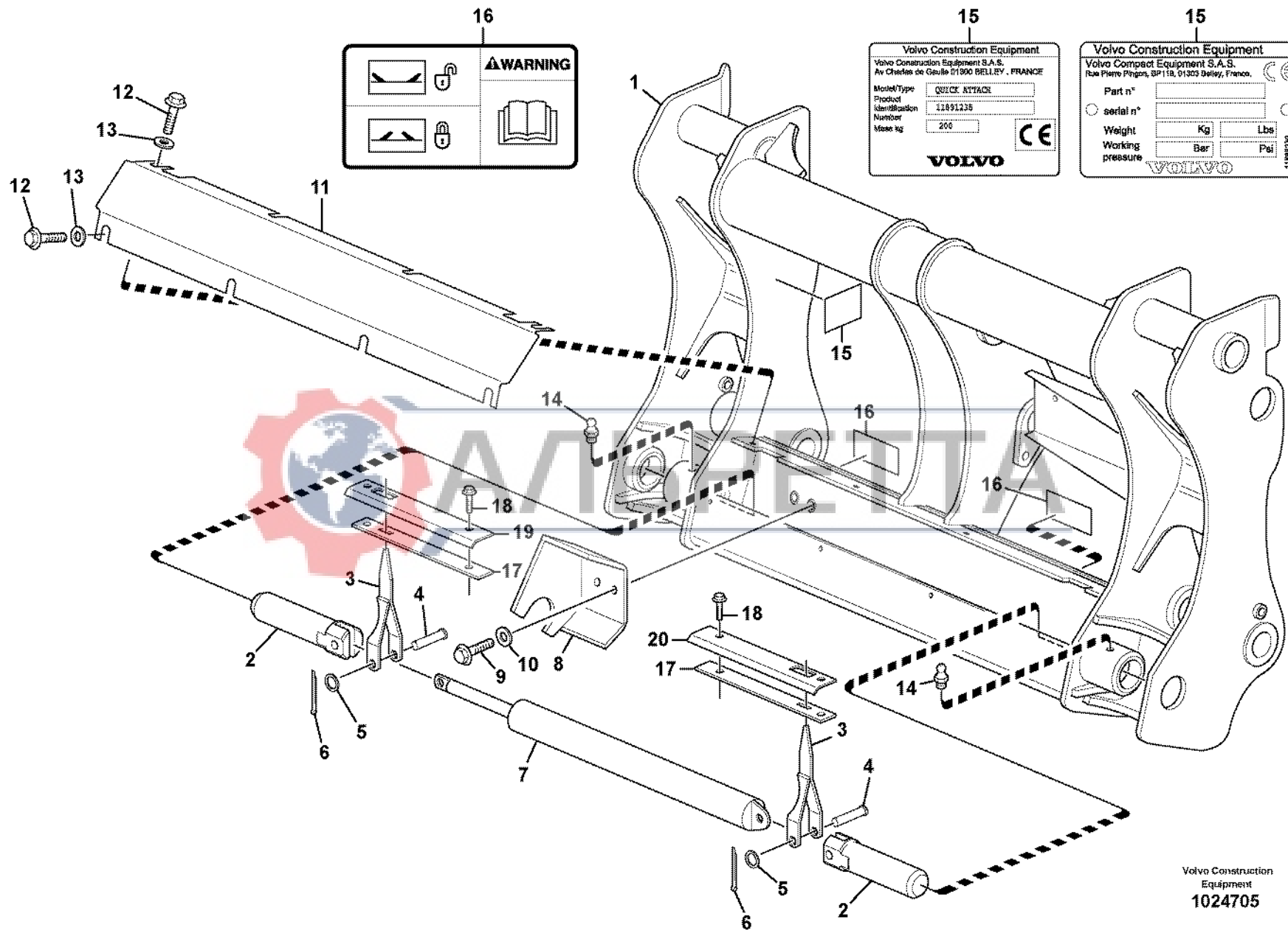
Volvo Construction Equipment  
1024705

Fig.	Part No.	Quantity			P S	K I T	Description	Dénomination	Bezeichnung	Denominación	Benämning	Notes
		1	2	3								
1	VOE 11887081	1				Quick attachment.....	Fixation rapide .....	Schnellkupplung.....	Acoplamiento rapido ..	Snabbfäste.....		
2	VOE 11886445	2				Pin.....	Goupille.....	Zapfen.....	Pasador.....	Tapp.....		
3	VOE 11886427	2				Indication Arm.....	Bras Indicateur.....	Anzeigefinger.....	Brazo Indicac.....	Indikeringsarm.....	S/N - 11070	
	VOE 11887077	2				Indicator.....	Indicateur.....	Indikator.....	Indicador.....	Indikator.....	S/N 11066, 11067 S/N 11071 -	
4	VOE 13964908	2				Bolt.....	Boulon.....	Bolzen.....	Perno.....	Bult.....		
5	VOE 13955900	2				Washer.....	Rondelle.....	Scheibe.....	Arandela.....	Bricka.....		
6	VOE 13907859	2				Cotter Pin.....	Goupille Fendue.....	Splint.....	Pasador Hendido.....	Saxpinne.....		
7		1				Hydraulic cylinder.....	Vérin hydraulique.....	Hydraulzylinder.....	Cilindro hidráulico.....	Hydraulcylinder.....	See group 924, Page 699	
8	VOE 11011654	1				Stop.....	Arrêt.....	Anschlag.....	Parada.....	Stopp.....		
9	VOE 978932	2				Screw.....	Vis.....	Schraube.....	Tornillo.....	Skruv.....	S/N - 11070	
	VOE 13965191	2				Flange screw.....	Vis à bride.....	Flanschschaube.....	Torn embridado.....	Flänsskruv.....	S/N 11066, 11067 S/N 11071 -	
10	VOE 13955897	2				Washer.....	Rondelle.....	Scheibe.....	Arandela.....	Bricka.....	S/N - 11070	
11	VOE 11885997	1				Cover.....	Capot.....	Haube.....	Capo.....	Huv.....	S/N - 11070	
	VOE 11888226	1				Cover.....	Capot.....	Haube.....	Capo.....	Huv.....	S/N 11066, 11067 S/N 11071 -	
12	VOE 947107	8				Flange screw.....	Vis à bride.....	Flanschschaube.....	Torn embridado.....	Flänsskruv.....	S/N - 11070	
	VOE 946440	4				Flange screw.....	Vis à bride.....	Flanschschaube.....	Torn embridado.....	Flänsskruv.....	S/N 11066, 11067 S/N 11071 -	
13	VOE 13960141	8				Washer.....	Rondelle.....	Scheibe.....	Arandela.....	Bricka.....		
14	VOE 914167	2				Nipple.....	Raccord.....	Nippel.....	Niple.....	Nippel.....		
15	VOE 11886434	1				Decal.....	Decalcomanie.....	Abziehbild.....	Decalcomania.....	Dekal.....	S/N - 11070	
	VOE 11888230	1				Decal.....	Decalcomanie.....	Abziehbild.....	Decalcomania.....	Dekal.....	S/N 11066, 11067 S/N 11071 -	
16	VOE 11886634	2				Decal.....	Decalcomanie.....	Abziehbild.....	Decalcomania.....	Dekal.....		
17	VOE 11887654	2				Seal.....	Joint.....	Dichtring.....	Junta.....	Tätning.....	S/N 11066, 11067 S/N 11071 -	
18	VOE 13945444	4				Flange screw.....	Vis à bride.....	Flanschschaube.....	Torn embridado.....	Flänsskruv.....	S/N 11066, 11067 S/N 11071 -	

1		<b>Hydrauliskt redskapsfäste</b> <b>Soporte de implemento hidráulico</b> <b>Hydraulisch betätigte Gerätebefestigung</b> <b>Plaque de fixation à commande hydraulique</b> <b>Hydraulic attachment bracket</b>	Catalogue id	Group
2			<b>20004</b>	<b>924</b>
3			Illustr. No	Section
4			<b>1024705</b>	<b>400</b>
5			Issue	Page
		<b>11891238</b>	<b>VOE 63G9920004</b>	<b>695</b>

**VOLVO**

**BL70**



16

	<b>WARNING</b>

15

Volvo Construction Equipment	
Volvo Construction Equipment S.A.S. Av. Charles de Gaulle 97190 BELLEVY - FRANCE	
Model/Type	QUICK ATTACH
Product Identification Number	11891235
Mass kg	200
<b>CE</b>	
<b>VOLVO</b>	

15

Volvo Construction Equipment	
Volvo Compact Equipment S.A.S. Rue Pierre Pflieger, BP118, 01305 Soley, France.	
Part n°	
serial n°	
Weight	Kg Lbs
Working pressure	Bar Psi
<b>VOLVO</b>	
11891235	

Volvo Construction  
Equipment  
1024705

Fig.	Part No.	Quantity			P S	K I T	Description	Dénomination	Bezeichnung	Denominación	Benämning	Notes
		1	2	3								
19	VOE 11888032	1					Plate.....	Plaque.....	Platte.....	Placa .....	Platta.....	S/N 11066, 11067 S/N 11071 -
20	VOE 11888033	1					Plate.....	Plaque.....	Platte.....	Placa .....	Platta.....	S/N 11066, 11067 S/N 11071 -



1		<b>Hydrauliskt redskapsfäste</b> <b>Soporte de implemento hidráulico</b> <b>Hydraulisch betätigte Gerätebefestigung</b> <b>Plaque de fixation à commande hydraulique</b> <b>Hydraulic attachment bracket</b>	Catalogue id	Group
2			<b>20004</b>	<b>924</b>
3			Illustr. No	Section
4			<b>1024705</b>	<b>400</b>
5			Issue	Page
		<b>11891238</b>	<b>VOE 63G9920004</b>	<b>697</b>

**VOLVO**

**BL70**



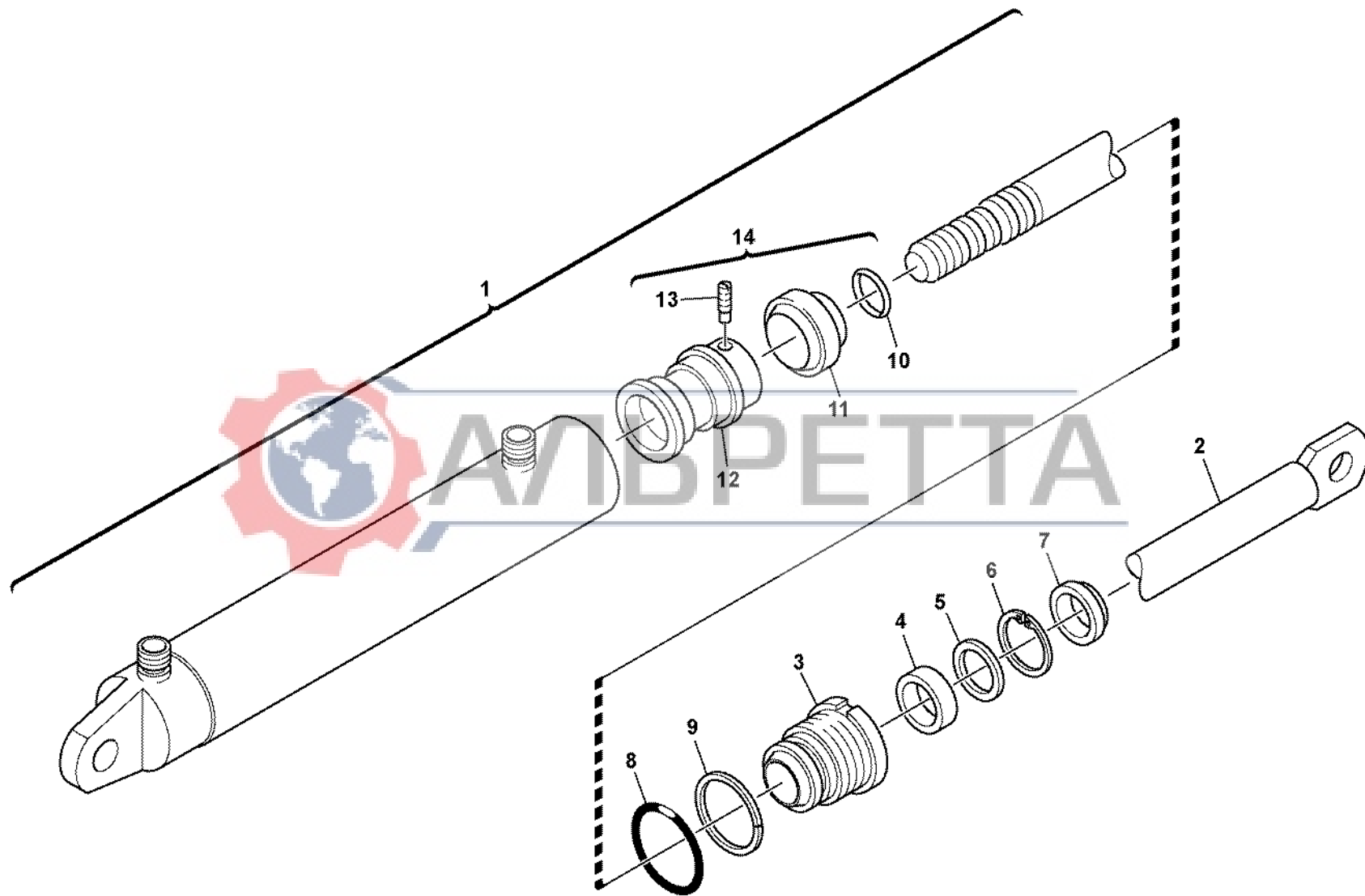


Fig.	Part No.	Quantity			P S	K I T	Description	Dénomination	Bezeichnung	Denominación	Benämning	Notes
		1	2	3								
1	VOE 11157115	1				Hydraulic cylinder.....	Vérin hydraulique .....	Hydraulzylinder .....	Cilindro hidráulico.....	Hydraulcylinder.....		
2	VOE 11999364	1				•Piston rod .....	•Bielle de piston .....	•Kolbenstange .....	•Biela de piston .....	•Kolvstång.....		
3	VOE 11999363	1			OP	•Pstn Rod Guide .....	•Gui.tige Piston .....	•Ko-stang Fuhrg .....	•Guia Var Piston.....	•Kolvst.styrning.....		
4	VOE 4784040	1				•Seal .....	•Joint .....	•Dichtring.....	•Junta .....	•Tätning.....		
5	VOE 11708612	1				•Spacer .....	•Entretoise.....	•Abstandstueck .....	•Casquillo distanciad ..	•Distans.....		
6	VOE 914519	1				•Snap Ring.....	•Circlip.....	•Nutring .....	•Circlip .....	•Spårring.....		
7	VOE 11999360	1				•Scraper.....	•Racleur .....	•Abstreifring.....	•Aro rascador .....	•Avstrykare.....		
8	VOE 925067	1				•O-ring.....	•Joint Torique .....	•O-Ring.....	•Junta torica .....	•O-ring.....		
9	VOE 13962550	1				•Back-up ring .....	•Rondelle anti-extrusi.	•Stützring.....	•Anillo Apoyo .....	•Stödtring.....		
10	VOE 13960215	1				•O-ring.....	•Joint Torique .....	•O-Ring.....	•Junta torica .....	•O-ring.....		
11	VOE 11999361	1				•Piston seal .....	•Etanchei.piston .....	•Kolbendichtung .....	•Reten piston.....	•Kolv tätning.....		
12	VOE 11999365	1				•Piston.....	•Piston.....	•Kolben.....	•Piston .....	•Kolv.....		
13	VOE 13962970	1				•Screw.....	•Vis .....	•Schraube.....	•Tornillo .....	•Skruv.....		
14	VOE 11999362	1				•Sealing Kit .....	•Jeu Joints.....	•Dichtungssatz .....	•Juego Retenes.....	•Tätningssats.....		



1	<b>Hydraulic cylinder, snabbfäste</b> <b>Cilindro hidráulico, acoplamiento rapido</b> <b>Hydraulikzylinder Schnellwechsler</b> <b>Verin hydraulique, fixation rapide</b> <b>Hydraulic cylinder, quick attachment</b>	Catalogue id	Group
2		<b>20004</b>	<b>924</b>
3		Illustr. No	Section
4		<b>1013175</b>	<b>450</b>
5		Issue	Page
	<b>11891238</b>	<b>VOE 63G9920004</b>	<b>699</b>

**VOLVO**

**BL70**





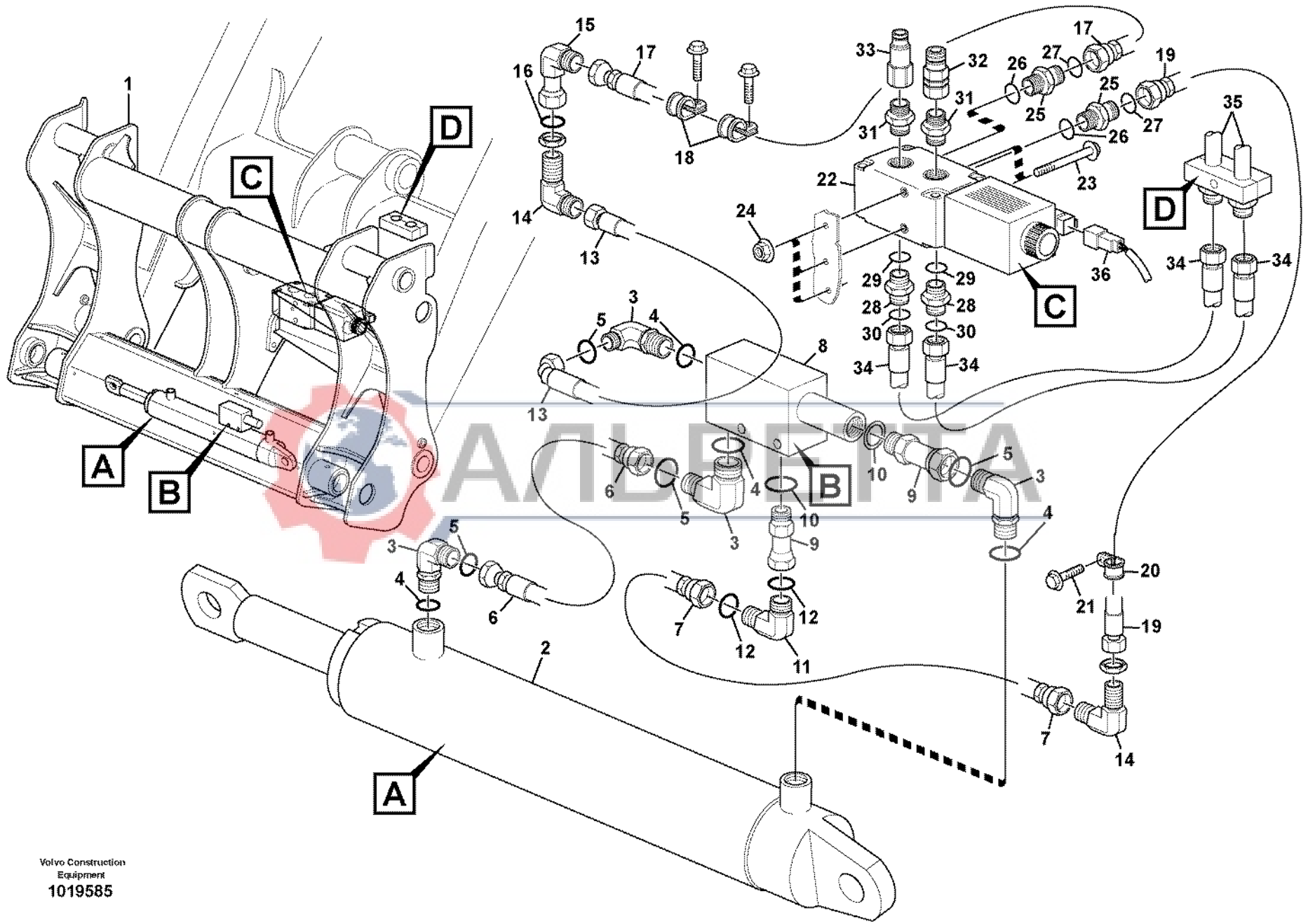


Fig.	Part No.	Quantity			P S	K I T	Description	Dénomination	Bezeichnung	Denominación	Benämning	Notes
		1	2	3								
1		1				Quick attachment.....	Fixation rapide .....	Schnellkupplung.....	Acoplamiento rapido ..	Snabbfäste.....	See group 924, Page 695	
2		1				Hydraulic cylinder.....	Vérin hydraulique .....	Hydraulzylinder .....	Cilindro hidráulico.....	Hydraulcylinder.....	See group 924, Page 699	
3	VOE 13933925	4				Elbow nipple.....	Raccord angulaire.....	Winkelnippel.....	Niple angular .....	Vinkelnippel.....		
4	VOE 4881722	1				•O-ring.....	•Joint Torique .....	•O-Ring.....	•Junta torica .....	•O-ring.....		
5	VOE 931209	1				•O-ring.....	•Joint Torique .....	•O-Ring.....	•Junta torica .....	•O-ring.....		
6	VOE 11886441	1				Hose assembly .....	Conduit flexible .....	Schlauchleitung.....	Conducto.....	Slangledning.....		
7	VOE 11886443	1				Hose assembly .....	Conduit flexible .....	Schlauchleitung.....	Conducto.....	Slangledning.....		
8	VOE 11886439	1				Check valve .....	Valve antiretour.....	Rückschlagventil .....	Válvula de retención...	Backventil.....		
9	VOE 13933843	2				Adapter .....	Raccord Reduct. ....	Verbind Stutzen.....	Adaptador.....	Adapter.....		
10	VOE 14211856	1				•Sealing ring.....	•Bague d'étanchéité ...	•Runddichtring.....	•Anillo reten .....	•Tätningssring.....		
11	VOE 936911	1				Nipple.....	Raccord.....	Nippel.....	Niple .....	Nippel.....		
12	VOE 4881722	2				•O-ring.....	•Joint Torique .....	•O-Ring.....	•Junta torica .....	•O-ring.....		
13	VOE 11886442	1				Hose assembly .....	Conduit flexible .....	Schlauchleitung.....	Conducto.....	Slangledning.....		
14	VOE 935426	2				Elbow nipple.....	Raccord angulaire.....	Winkelnippel.....	Niple angular .....	Vinkelnippel.....		
15	VOE 13933905	1				Elbow nipple.....	Raccord angulaire.....	Winkelnippel.....	Niple angular .....	Vinkelnippel.....		
16	VOE 4881722	1				•O-ring.....	•Joint Torique .....	•O-Ring.....	•Junta torica .....	•O-ring.....		
17	VOE 11886447	1				Hose assembly .....	Conduit flexible .....	Schlauchleitung.....	Conducto.....	Slangledning.....		
18	VOE 978869	2				Clamp.....	Pince Serrage .....	Klemme .....	Abrazadera.....	Klämma.....		
19	VOE 11886444	1				Hose assembly .....	Conduit flexible .....	Schlauchleitung.....	Conducto.....	Slangledning.....		
20	VOE 981661	1				Clamp.....	Pince Serrage .....	Klemme .....	Abrazadera.....	Klämma.....		
21	VOE 13946173	1				Flange screw.....	Vis à bride.....	Flanschschraube.....	Torn embridado.....	Flänsskruv.....		
22	VOE 11886438	1				Diverter Valve .....	Valve Diversion .....	Abzweigventil .....	Valv. Camb Sent.....	Divterterventil.....		
	VOE 11716489	1				•Coil .....	•Bobine.....	•Wickel .....	•Bobina.....	•Spole.....		
	VOE 11716490	1				•Sealing Kit .....	•Jeu Joints.....	•Dichtungssatz .....	•Juego Retenes.....	•Tätningssats.....		
	VOE 11716491	1				•Plug .....	•Bouchon.....	•Stopfen .....	•Tapon.....	•Plugg.....		
23	VOE 13965182	2				Flange screw.....	Vis à bride.....	Flanschschraube.....	Torn embridado.....	Flänsskruv.....		
24	VOE 948645	3				Flange Lock Nut.....	Contre écrou bride .....	Flanschmutter .....	Contratuer Embr.....	Flänslåsmutter.....		
25	VOE 935090	2				Nipple.....	Raccord.....	Nippel.....	Niple .....	Nippel.....		
26	VOE 4880492	1				•O-ring.....	•Joint Torique .....	•O-Ring.....	•Junta torica .....	•O-ring.....		
27	VOE 932041	1				•O-ring.....	•Joint Torique .....	•O-Ring.....	•Junta torica .....	•O-ring.....		

1		<b>Hydrauliskt redskapsfäste</b> <b>Soporte de implemento hidráulico</b> <b>Hydraulisch betätigte Gerätebefestigung</b> <b>Plaque de fixation à commande hydraulique</b> <b>Hydraulic attachment bracket</b>	Catalogue id	Group
2			<b>20004</b>	<b>924</b>
3			Illustr. No	Section
4			<b>1019585</b>	<b>500</b>
5			Issue	Page
		<b>11891238</b>	<b>VOE 63G9920004</b>	<b>701</b>

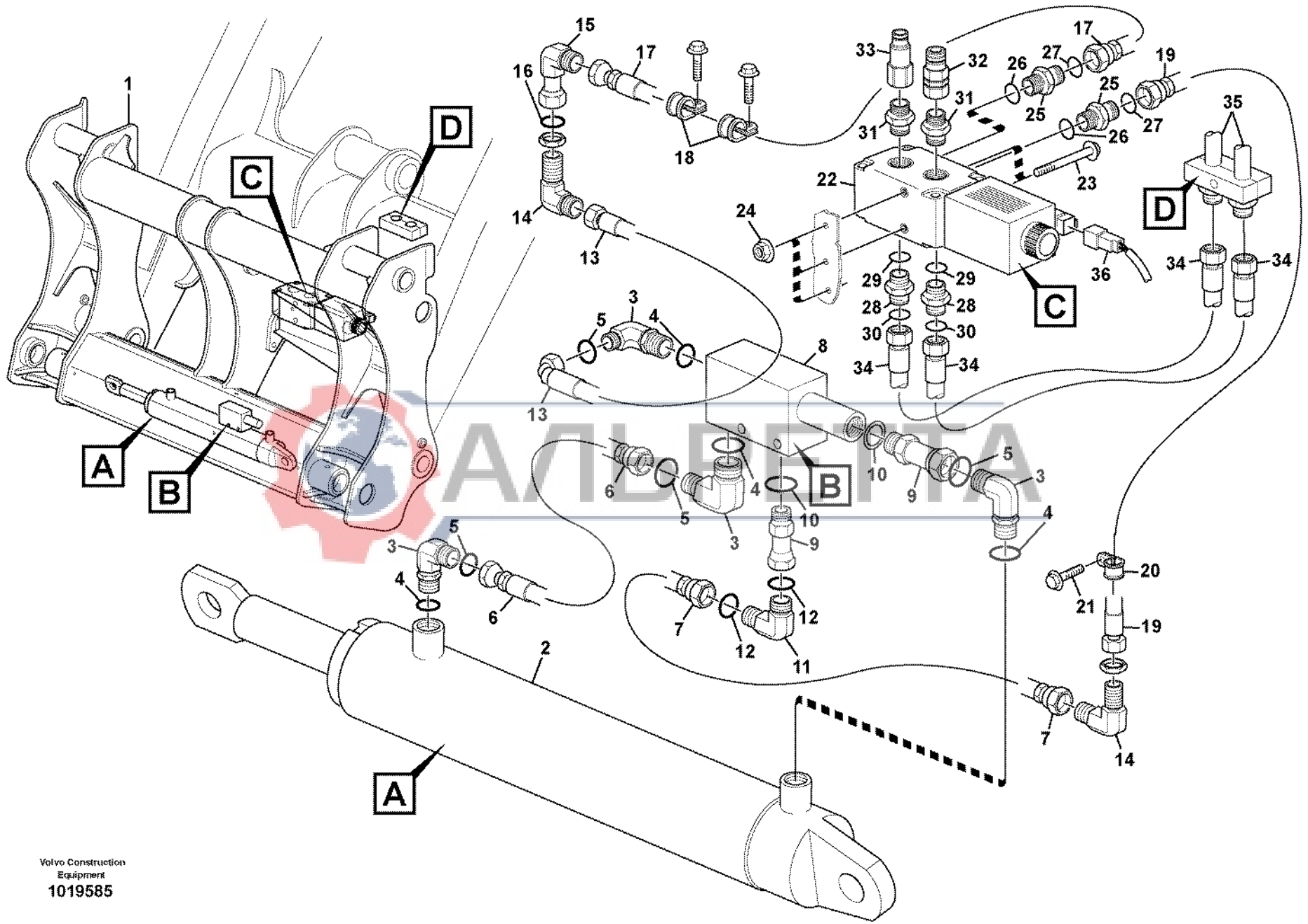


Fig.	Part No.	Quantity			P S	K I T	Description	Dénomination	Bezeichnung	Denominación	Benämning	Notes
		1	2	3								
28	VOE 935092	2				Nipple.....	Raccord.....	Nippel.....	Niple.....	Nippel.....		
29	VOE 4880493	1				•O-ring.....	•Joint Torique.....	•O-Ring.....	•Junta torica.....	•O-ring.....		
30	VOE 932041	1				•O-ring.....	•Joint Torique.....	•O-Ring.....	•Junta torica.....	•O-ring.....		
31	VOE 11886465	2				Fitting.....	Ecrou raccord.....	Verschraubung.....	Racor.....	Förskruvning.....		
32	VOE 11842117	1				Coupling.....	Accouplement.....	Kupplung.....	Acoplamiento.....	Koppling.....		
33	VOE 11886466	1				Quick Coupling.....	Accouple.rapide.....	Schnellkupplung.....	Acoplam Rapido.....	Snabbkoppling.....		
34		2				Hose assembly.....	Conduit flexible.....	Schlauchleitung.....	Conducto.....	Slangledning.....	See group 911, Page 589	
35		2				Tube.....	Tube.....	Rohr.....	Tube.....	Rör.....	See group 911, Page 589	
36		1				Wire harness.....	Faisceau électrique....	Kabelbaum.....	Manojo cables.....	Ledningsmatta.....	See group 371, Page 207	

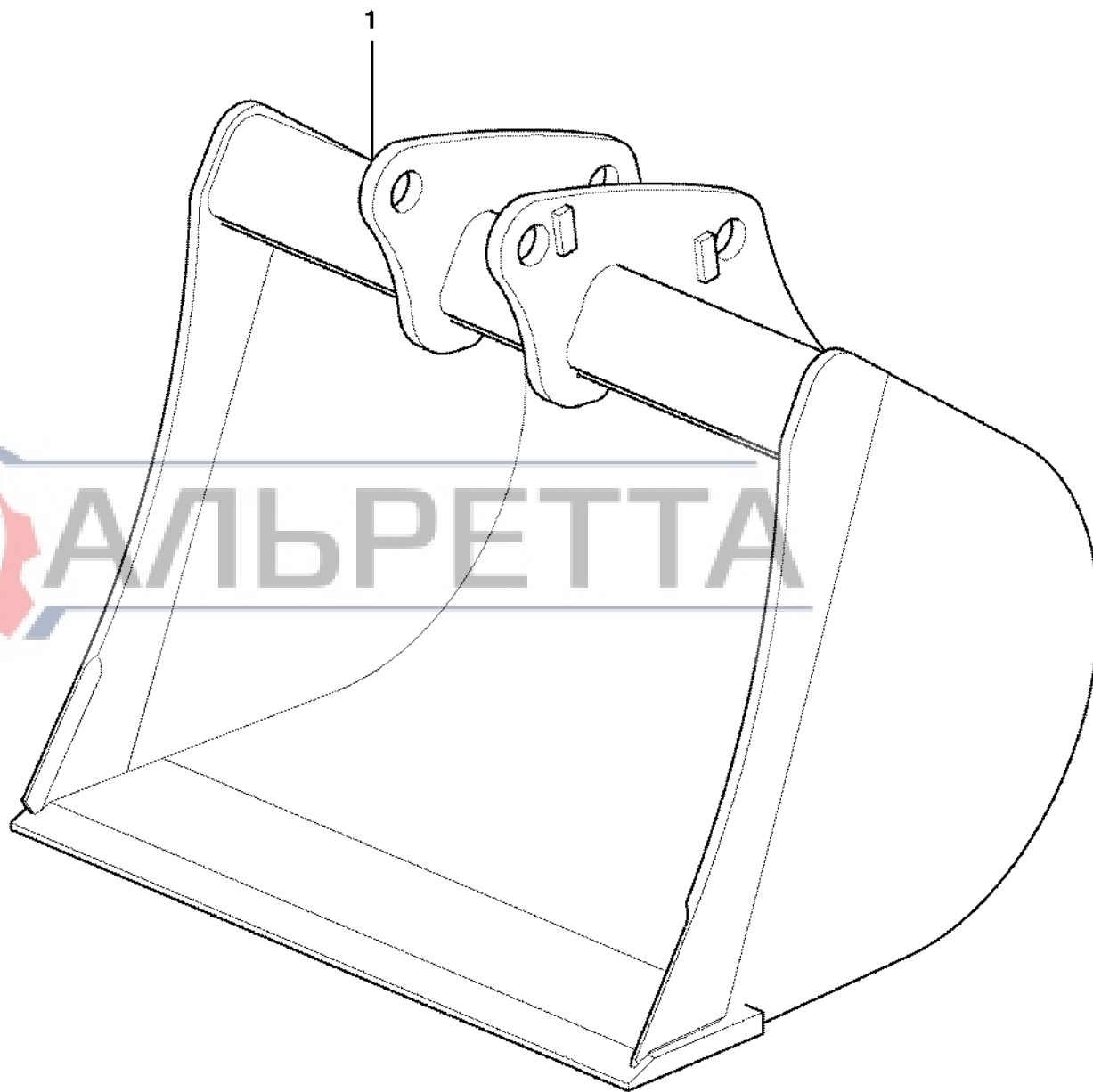
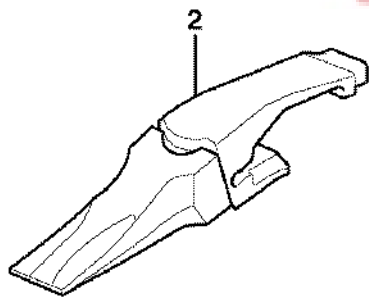
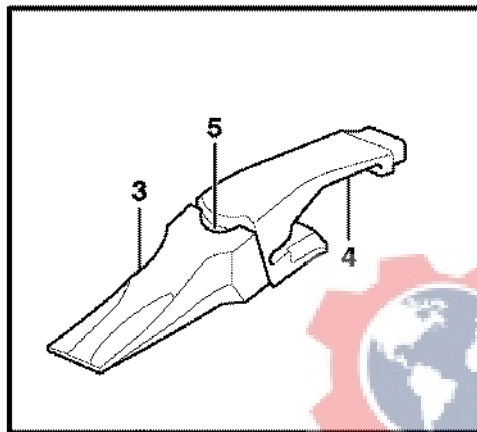


1		<b>Hydrauliskt redskapsfäste</b> <b>Soporte de implemento hidráulico</b> <b>Hydraulisch betätigte Gerätebefestigung</b> <b>Plaque de fixation à commande hydraulique</b> <b>Hydraulic attachment bracket</b>	Catalogue id	Group
2			<b>20004</b>	<b>924</b>
3			Illustr. No	Section
4			<b>1019585</b>	<b>500</b>
5			Issue	Page
		<b>11891238</b>	<b>VOE 63G9920004</b>	<b>703</b>

**VOLVO**

**BL70**





Volvo Construction  
Equipment  
1003947

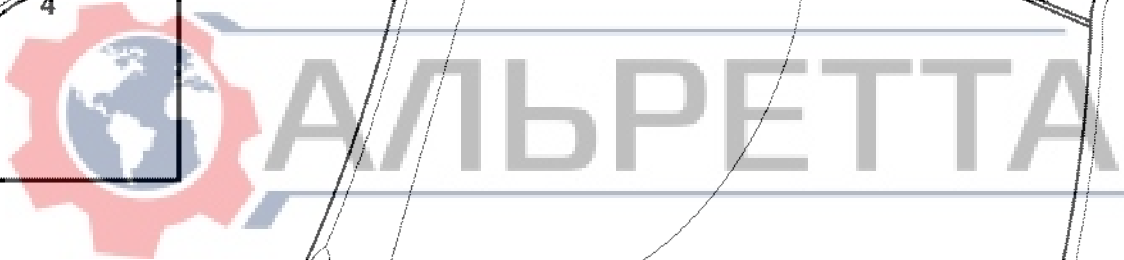


Fig.	Part No.	Quantity					P S	K T	Description	Dénomination	Bezeichnung	Denominación	Benämning	Notes
		1	2	3	4	5								
1	VOE 11884487	1						Bucket.....	Godet .....	Löffel .....	Cuchara .....	Skopa.....	WID = 36"	
1	VOE 11884479		1					Bucket.....	Godet .....	Löffel .....	Cuchara .....	Skopa.....	WID = 30"	
1	VOE 11888440			1				Bucket.....	Godet .....	Löffel .....	Cuchara .....	Skopa.....		
1	VOE 11888170				1			Bucket.....	Godet .....	Löffel .....	Cuchara .....	Skopa.....		
2	VOE 11881712	6	6			SS		•Tooth .....	•Dent .....	•Zahn .....	•Diente.....	•Tand.....		
2				6	5	NS		•Tooth Assembly.....	•.....	•.....	•.....	•Tand.....		
3	VOE 11884312	6	6					••Bucket Tooth .....	••Dent de godet .....	••Löffelzahn.....	••Diente Cuchara .....	••Skoptand.....	(VOE 11988296)	
3	VOE 11884312			6	5			••Bucket Tooth .....	••Dent de godet .....	••Löffelzahn.....	••Diente Cuchara .....	••Skoptand.....		
4	VOE 11988403	6	6					••Adapter.....	••Raccord Reduct. ...	••Verbind Stutzen....	••Adaptador .....	••Adapter.....		
4	VOE 11801591			6	5			••Tooth Holder .....	••Porte dent .....	••Zahnhalter .....	••Porta-diente .....	••Holktand.....		
5	VOE 11988297	6	6					••Lock Pin .....	••Goupille Verro.....	••Sicherungsstift.....	••Pasador Segurid ..	••Låspinne.....		
5	VOE 11884314			6	5			••Key .....	••Clavette.....	••Keil .....	••Llave (cuna) .....	••Kil.....		

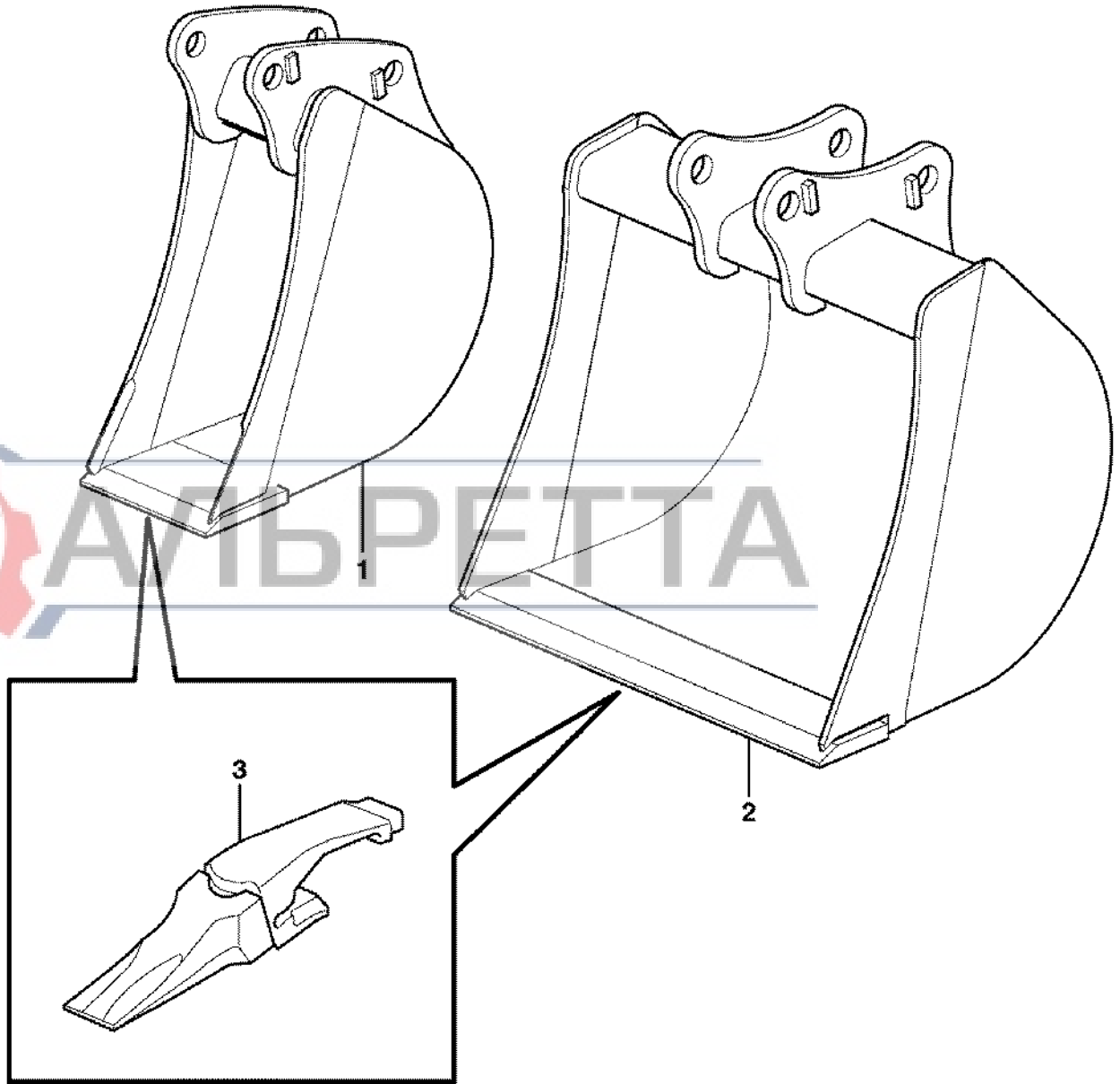
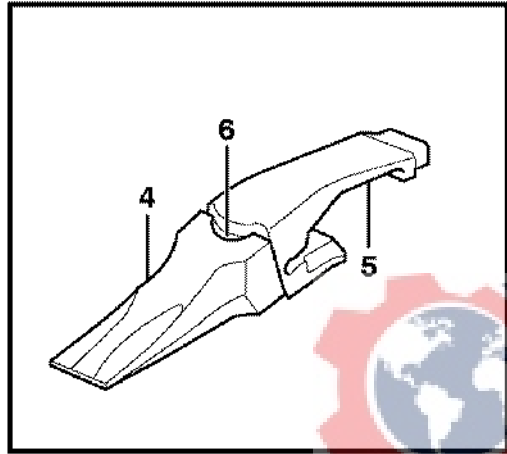


1	11891318 S/N - 11144	<b>Skopa, rak med tänder</b> <b>Cuchara, recta con dientes</b> <b>Schaufel, gerade mit Zähnen</b> <b>Godet, droit avec dents</b> <b>Bucket, straight with teeth</b>	Catalogue id	Group
2	11891319		<b>20004</b>	<b>925</b>
3	11891318 S/N 11145 -		Illustr. No	Section
4	11891320 S/N 11145 -		<b>1003947</b>	<b>100</b>
5			Issue	Page
			<b>VOE 63G9920004</b>	<b>705</b>

**VOLVO**

**BL70**





Volvo Construction  
Equipment  
1003948

Fig.	Part No.	Quantity					P S	K T	Description	Dénomination	Bezeichnung	Denominación	Benämning	Notes
		1	2	3	4	5								
1	VOE 11888420	1						Bucket.....	Godet .....	Löffel .....	Cuchara .....	Skopa.....	WID = 300 MM	
1	VOE 11888421		1					Bucket.....	Godet .....	Löffel .....	Cuchara .....	Skopa.....	WID = 400 MM	
1	VOE 11888437				1			Bucket.....	Godet .....	Löffel .....	Cuchara .....	Skopa.....	WID = 12" (300 MM)	
2	VOE 11888422			1				Bucket.....	Godet .....	Löffel .....	Cuchara .....	Skopa.....	WID = 450 MM	
2	VOE 11888438					1		Bucket.....	Godet .....	Löffel .....	Cuchara .....	Skopa.....		
3	VOE 11987752	3	3	4	3	4		•Bucket Tooth .....	•Dent de godet .....	•Löffelzahn .....	•Diente Cuchara .....	•Skoptand.....		
4	VOE 11884312	3	3	4	3	4		••Bucket Tooth .....	••Dent de godet .....	••Löffelzahn.....	••Diente Cuchara .....	••Skoptand.....		
5	VOE 11801591	3	3	4	3	4		••Tooth Holder .....	••Porte dent .....	••Zahnhalter .....	••Porta-diente .....	••Holktand.....		
6	VOE 11884314	3	3	4	3	4		••Key .....	••Clavette.....	••Keil .....	••Llave (cuna) .....	••Kil.....		



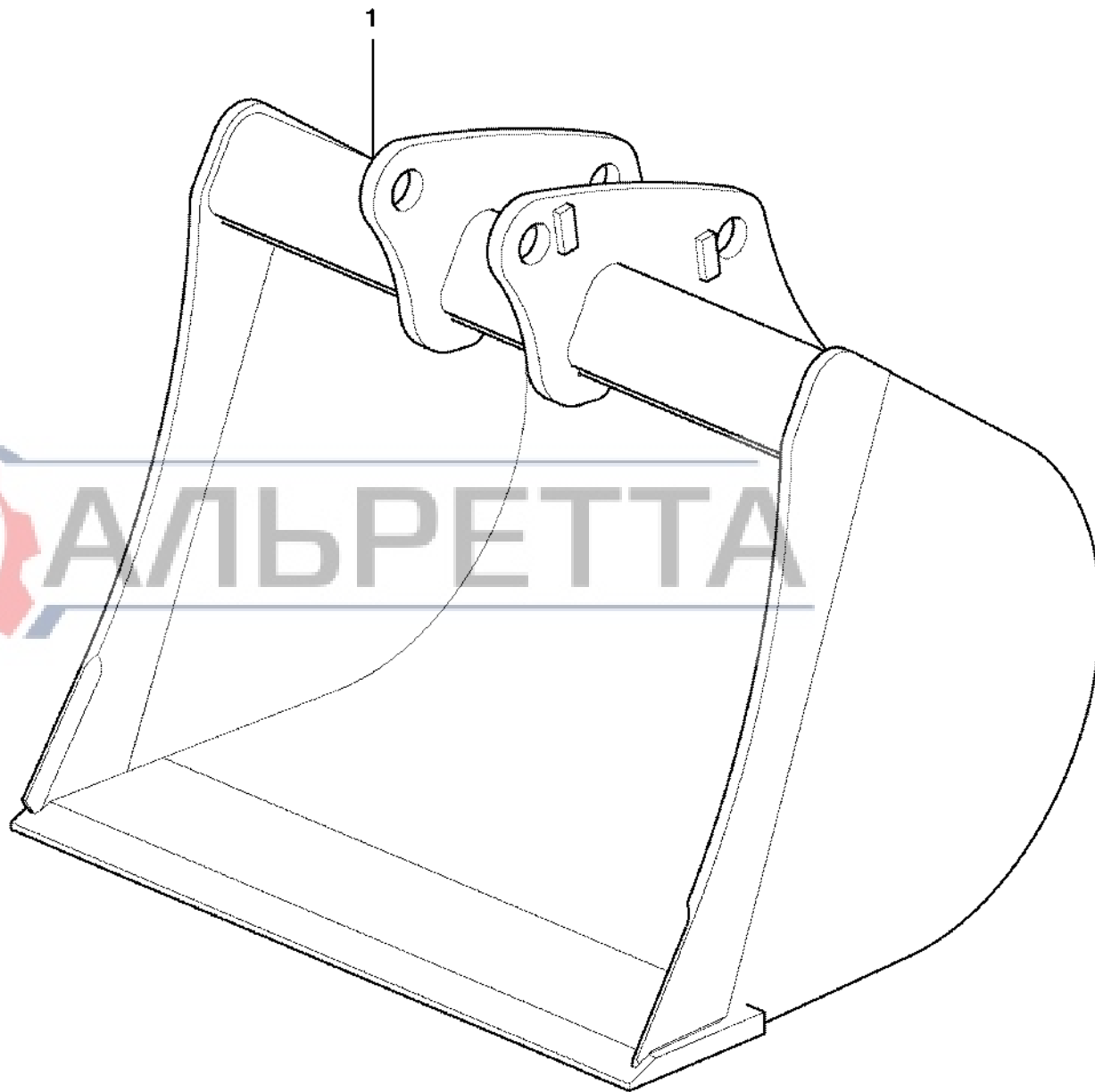
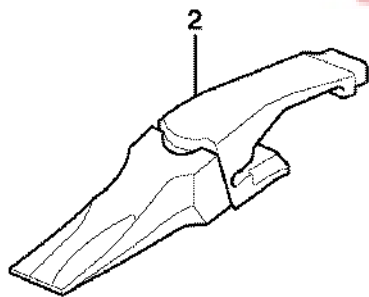
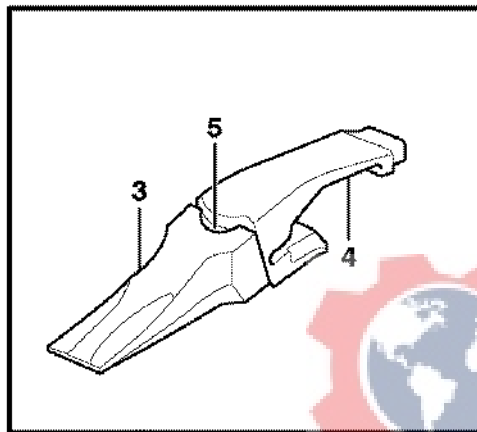
1	11891202	<b>Skopa, rak med tänder</b> <b>Cuchara, recta con dientes</b> <b>Schaufel, gerade mit Zähnen</b> <b>Godet, droit avec dents</b> <b>Bucket, straight with teeth</b> <b>S/N 11145 -</b>	Catalogue id	Group
2	11891091		<b>20004</b>	<b>925</b>
3	11891092		Illustr. No	Section
4	11891321		<b>1003948</b>	<b>125</b>
5	11891043		Issue	Page
			<b>VOE 63G9920004</b>	<b>707</b>

**VOLVO**

**BL70**







Volvo Construction  
Equipment  
1003947

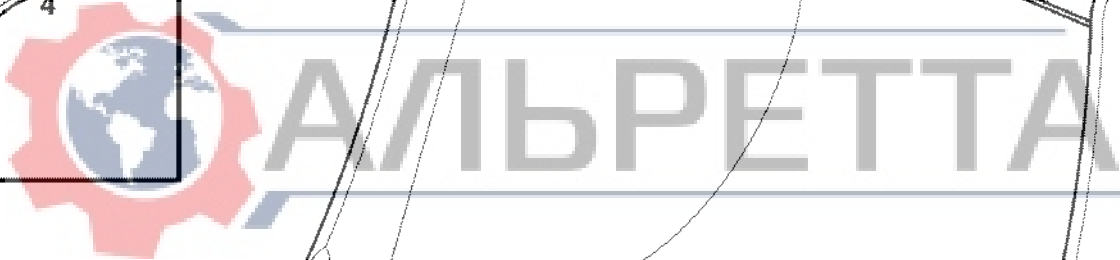


Fig.	Part No.	Quantity			P S	K I T	Description	Dénomination	Bezeichnung	Denominación	Benämning	Notes
		1	2	3								
1	VOE 11888423	1				Bucket.....	Godet .....	Löffel .....	Cuchara.....	Skopa.....	WID = 36"	
	VOE 11888161		1			Bucket.....	Godet .....	Löffel .....	Cuchara.....	Skopa.....	WID = 30"	
2		6	4	NS		•Tooth Assembly .....	•.....	•.....	•.....	•Tand.....		
3	VOE 11884312	6	4			••Bucket Tooth .....	••Dent de godet.....	••Löffelzahn .....	••Diente Cuchara.....	••Skoptand.....		
4	VOE 11801591	6	4			••Tooth Holder.....	••Porte dent.....	••Zahnhalter .....	••Porta-diente .....	••Holktand.....		
5	VOE 11884314	6	4			••Key .....	••Clavette .....	••Keil.....	••Llave (cuna).....	••Kil.....		

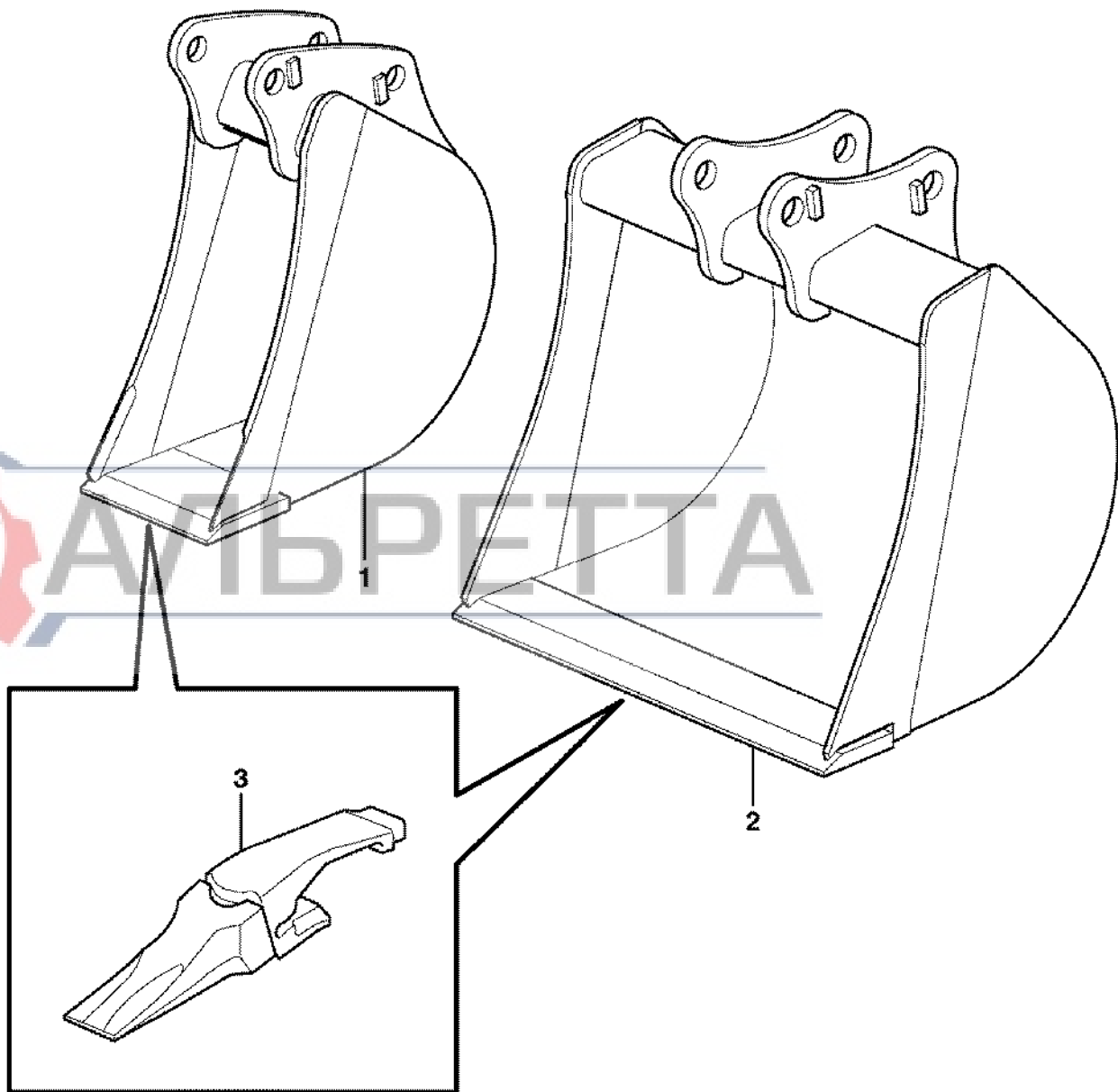
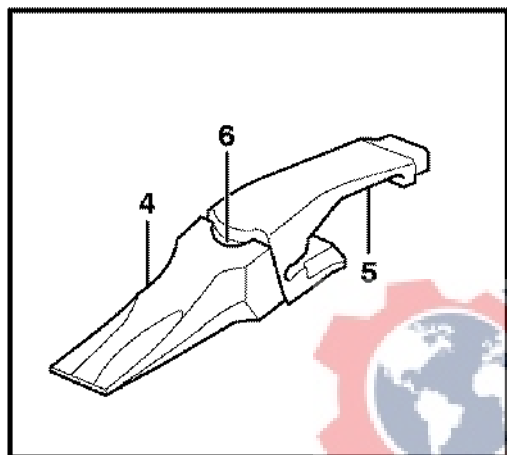


1	11891093	<b>Skopa, rak med tänder</b> <b>Cuchara, recta con dientes</b> <b>Schaufel, gerade mit Zähnen</b> <b>Godet, droit avec dents</b> <b>Bucket, straight with teeth</b>  <b>S/N 11145 -</b>	Catalogue id	Group
2	11891192		<b>20004</b>	<b>925</b>
3			Illustr. No	Section
4			<b>1003947</b>	<b>130</b>
5			Issue	Page
		<b>VOE 63G9920004</b>	<b>709</b>	

**VOLVO**

**BL70**





Volvo Construction  
Equipment  
**1003948**

Fig.	Part No.	Quantity					P S	K I T	Description	Dénomination	Bezeichnung	Denominación	Benämning	Notes
		1	2	3	4	5								
1	VOE 11884454	1						Bucket.....	Godet .....	Löffel .....	Cuchara .....	Skopa.....	WIDE = 12"	
2	VOE 11884471		1					Bucket.....	Godet .....	Löffel .....	Cuchara .....	Skopa.....	WIDE = 24"	
	VOE 11884463			1				Bucket.....	Godet .....	Löffel .....	Cuchara .....	Skopa.....	WIDE = 18"	
3	VOE 11881712	3	5	4		SS		•Tooth .....	•Dent .....	•Zahn .....	•Diente.....	•Tand.....		
4	VOE 11884312	3	3	4				••Bucket Tooth .....	••Dent de godet .....	••Löffelzahn.....	••Diente Cuchara .....	••Skoptand.....	(VOE 11988296)	
5	VOE 11988403	3	3	4				••Adapter.....	••Raccord Reduct. ....	••Verbind Stutzen....	••Adaptador .....	••Adapter.....		
6	VOE 11988297	3	3	4				••Lock Pin .....	••Goupille Verro. ....	••Sicherungsstift.....	••Pasador Segurid ..	••Låspinne.....		

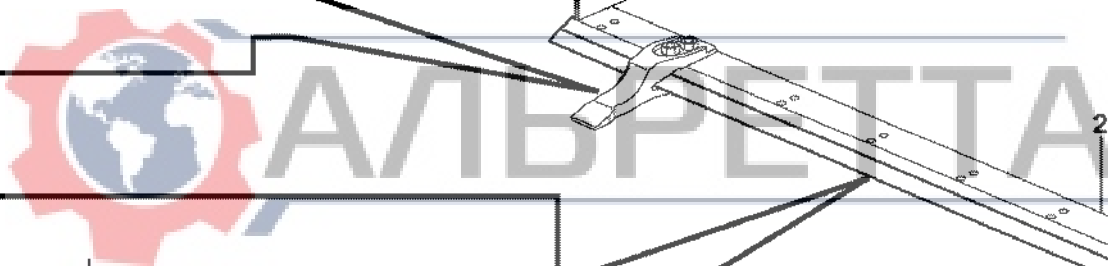
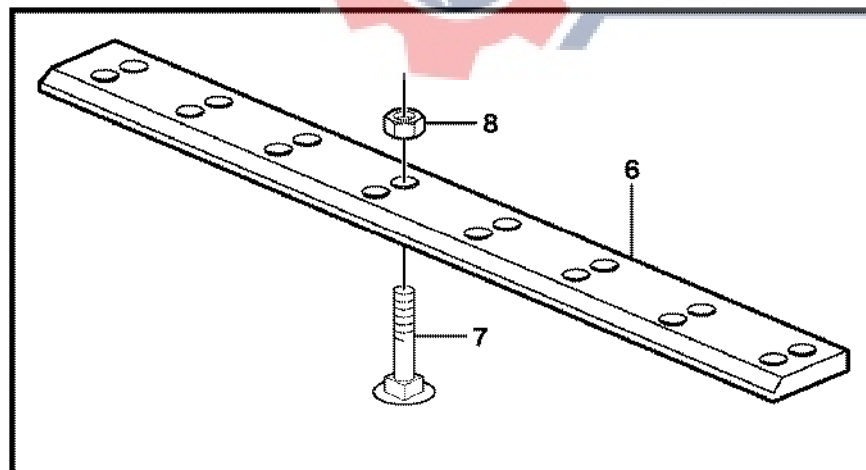
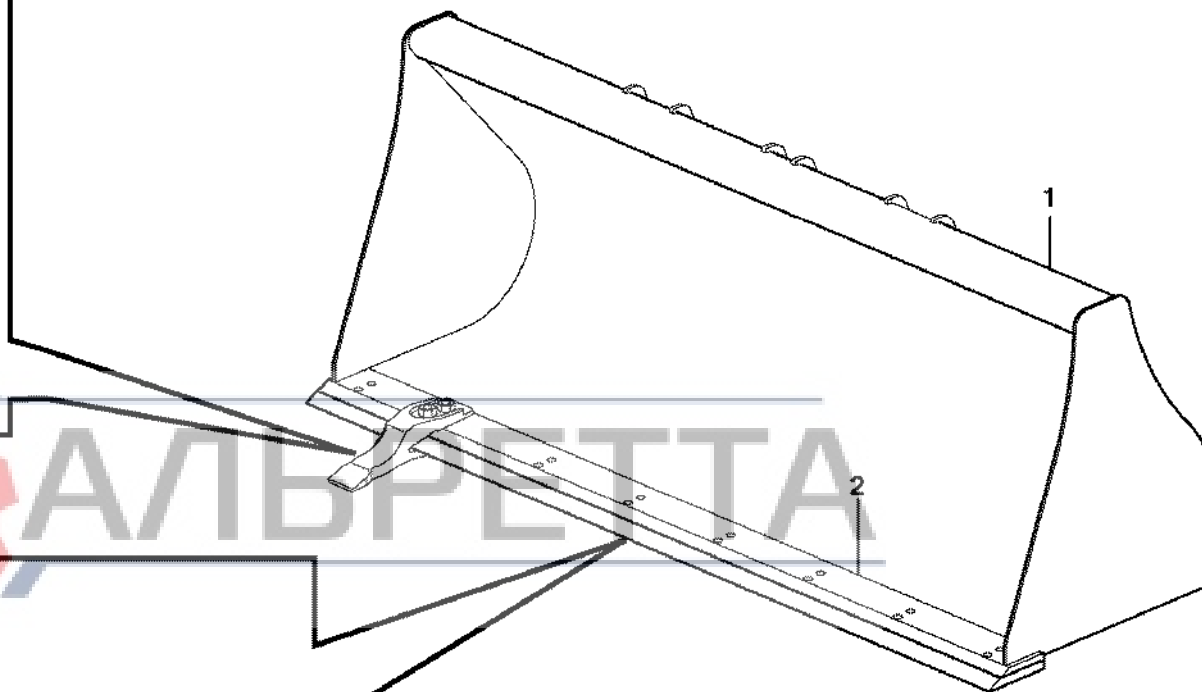
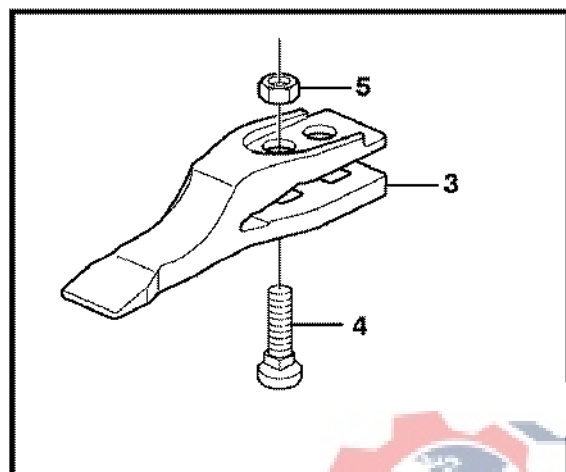


1	11891321 S/N - 11144	<b>Skopa, rak med tänder</b> <b>Cuchara, recta con dientes</b> <b>Schaufel, gerade mit Zähnen</b> <b>Godet, droit avec dents</b> <b>Bucket, straight with teeth</b>  <b>(BACKHOE)</b>	Catalogue id <b>20004</b>	Group <b>925</b>
2	11891320 S/N - 11144		Illustr. No <b>1003948</b>	Section <b>150</b>
3	11891043 S/N - 11144			Issue VOE 63G9920004
4				
5				

**VOLVO**

**BL70**





Volvo Construction  
Equipment  
1003969

Fig.	Part No.	Quantity			P S	K I T	Description	Dénomination	Bezeichnung	Denominación	Benämning	Notes
		1	2	3								
1	VOE 11886653	1				Bucket.....	Godet .....	Löffel .....	Cuchara.....	Skopa.....	(VOE 11884026) WIDE = 2350 MM	
2	VOE 11881240	1				•Blade .....	•Tôle usure .....	•Verschl Klinge .....	•Hoja.....	•Slitstål.....		
3	VOE 11881047		8			•Tooth .....	•Dent .....	•Zahn.....	•Diente.....	•Tand.....		
4	VOE 11081028		16			•Sq Neck Screw .....	•Vis Tete Bombee .....	•Schr. M. 4-kant.....	•Tornillo Rotula .....	•Kullerskruv.....		
5	VOE 979022		16			•Nut .....	•Ecrou .....	•Mutter.....	•Tuerca.....	•Mutter.....		
6	VOE 11883780			1		Blade.....	Tôle usure .....	Verschl Klinge .....	Hoja .....	Slitstål.....		
7	VOE 11081026			16		Sq Neck Screw .....	Vis Tete Bombee .....	Schr. M. 4-kant.....	Tornillo Rotula .....	Kullerskruv.....		
8	VOE 979022			16		Nut .....	Ecrou.....	Mutter.....	Tuerca .....	Mutter.....		



1	11891194	<b>Skopa, rak med tänder</b> <b>Cuchara, recta con dientes</b> <b>Schaufel, gerade mit Zähnen</b> <b>Godet, droit avec dents</b> <b>Bucket, straight with teeth</b> <b>(LOADER)</b>	Catalogue id	Group
2	11891265		<b>20004</b>	<b>925</b>
3	11891264		Illustr. No	Section
4			<b>1003969</b>	<b>200</b>
5			Issue	Page
			<b>VOE 63G9920004</b>	<b>713</b>

**VOLVO**

**BL70**



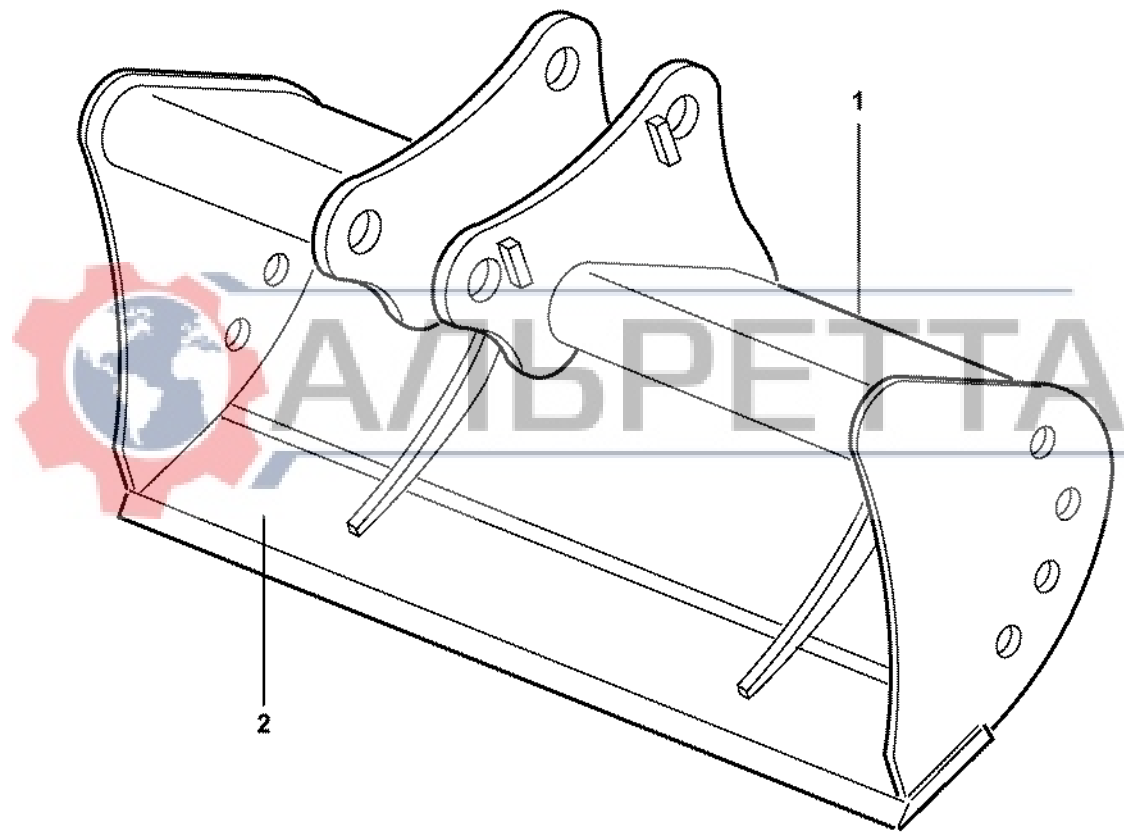


Fig.	Part No.	Quantity			P S	K I T	Description	Dénomination	Bezeichnung	Denominación	Benämning	Notes
		1	2	3								
1	VOE 11886418	1				Bucket.....	Godet .....	Löffel .....	Cuchara.....	Skopa.....	Wide = 1500MM	
1	VOE 11886424		1			Bucket.....	Godet .....	Löffel .....	Cuchara.....	Skopa.....	Wide = 1200MM	
2	VOE 11886425		1			•Plate .....	•Plaque.....	•Platte.....	•Placa .....	•Platta.....		



1	11891295	<b>Skopa, rak utan tänder</b> <b>Cuchara recta sin dientes</b> <b>Schaufel, gerade, ohne Zähne</b> <b>Godet, droit sans dents</b> <b>Bucket, straight lip without teeth</b>	Catalogue id	Group
2	11891296		<b>20004</b>	<b>925</b>
3			Illustr. No	Section
4			<b>1002364</b>	<b>250</b>
5			Issue	Page
		<b>11891295, 11891296</b>	<b>VOE 63G9920004</b>	<b>715</b>

**VOLVO**

**BL70**





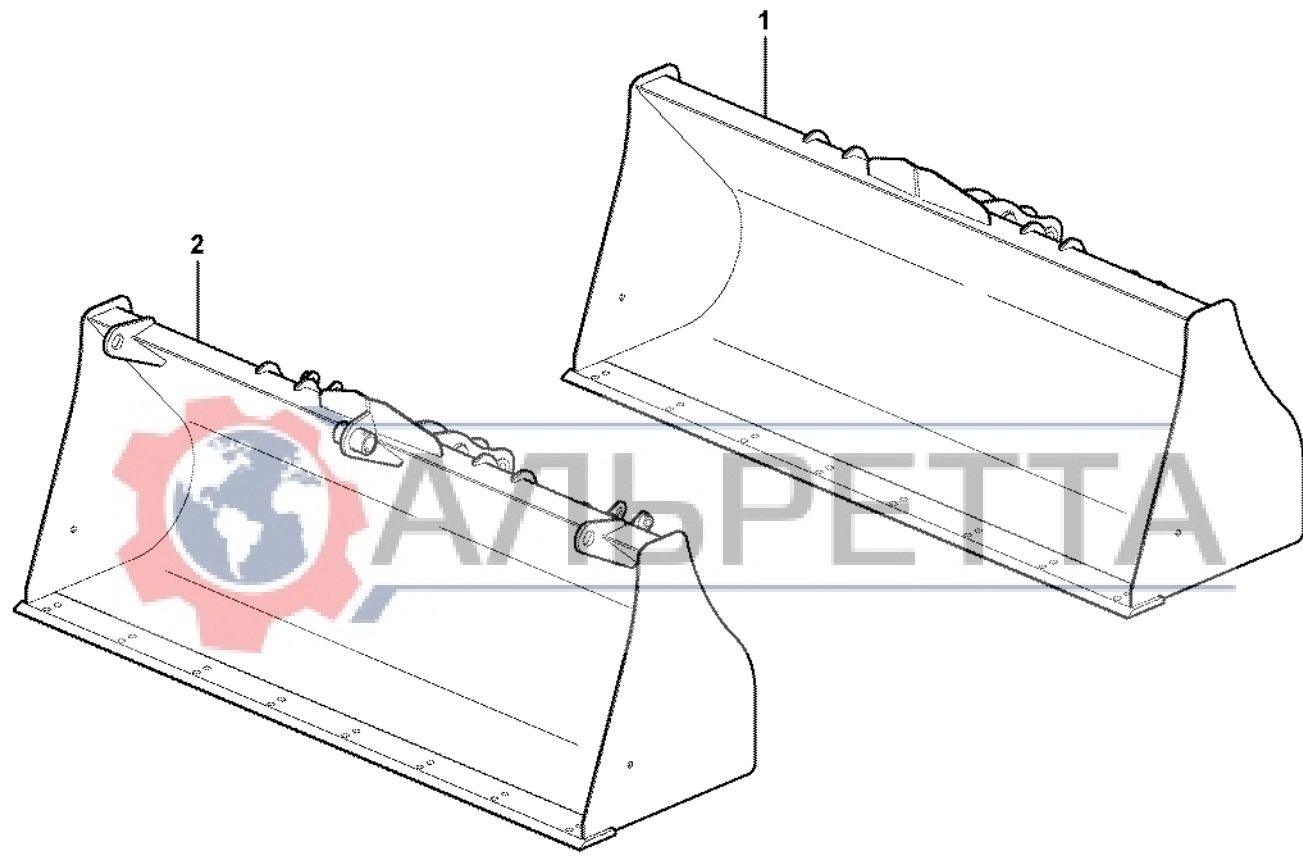


Fig.	Part No.	Quantity			P S	K I T	Description	Dénomination	Bezeichnung	Denominación	Benämning	Notes
		1	2	3								
1	VOE 11888238	1					Bucket.....	Godet .....	Löffel .....	Cuchara.....	Skopa.....	
2	VOE 11888809		1				Bucket.....	Godet .....	Löffel .....	Cuchara.....	Skopa.....	

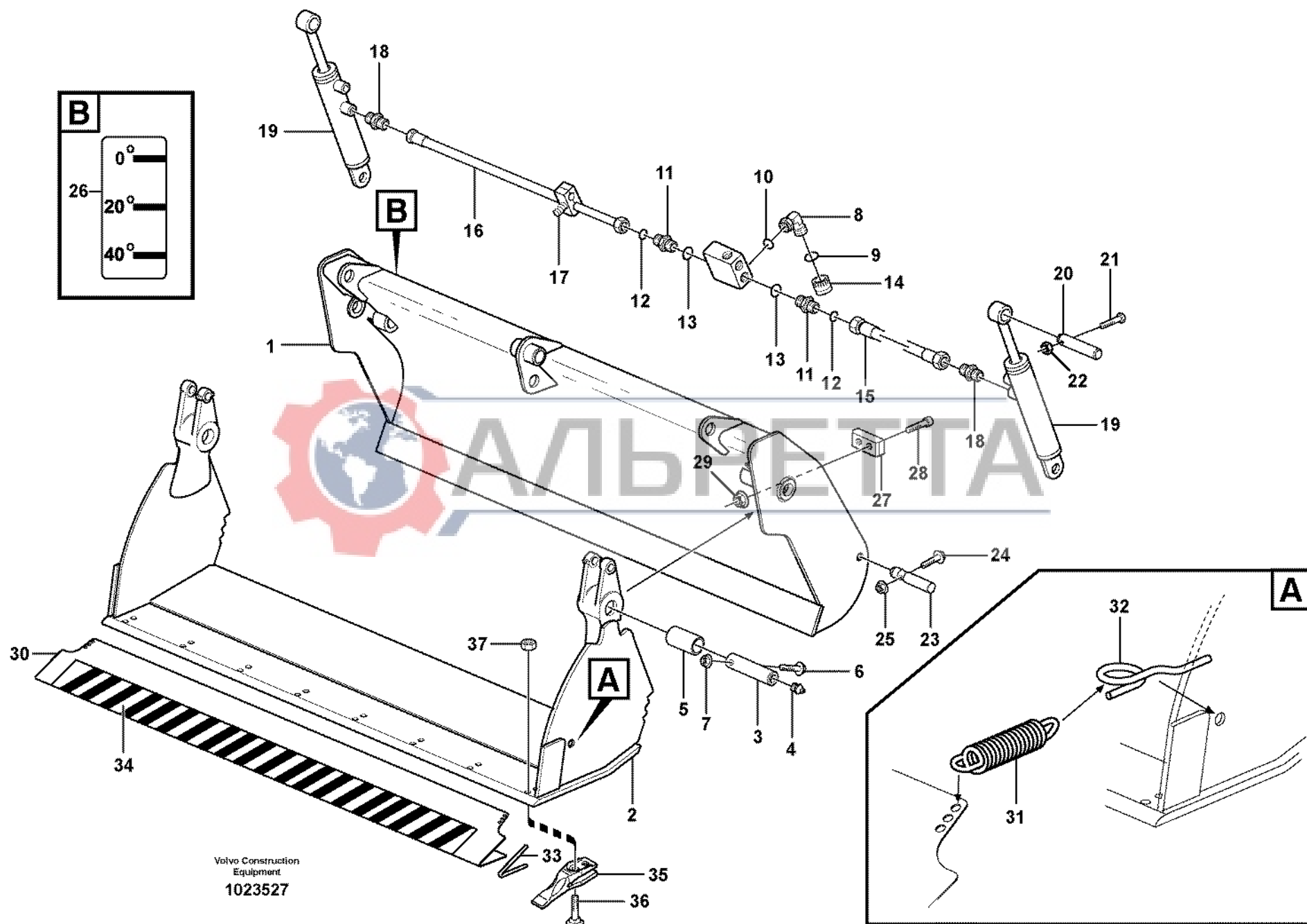


1	11891540	<b>Skopa, rak utan tänder</b> <b>Cuchara recta sin dientes</b> <b>Schaufel, gerade, ohne Zähne</b> <b>Godet, droit sans dents</b> <b>Bucket, straight lip without teeth</b>	Catalogue id	Group
2	11891565		<b>20004</b>	<b>925</b>
3			Illustr. No	Section
4			<b>1025967</b>	<b>260</b>
5			Issue	Page
			<b>VOE 63G9920004</b>	<b>717</b>

**VOLVO**

**BL70**





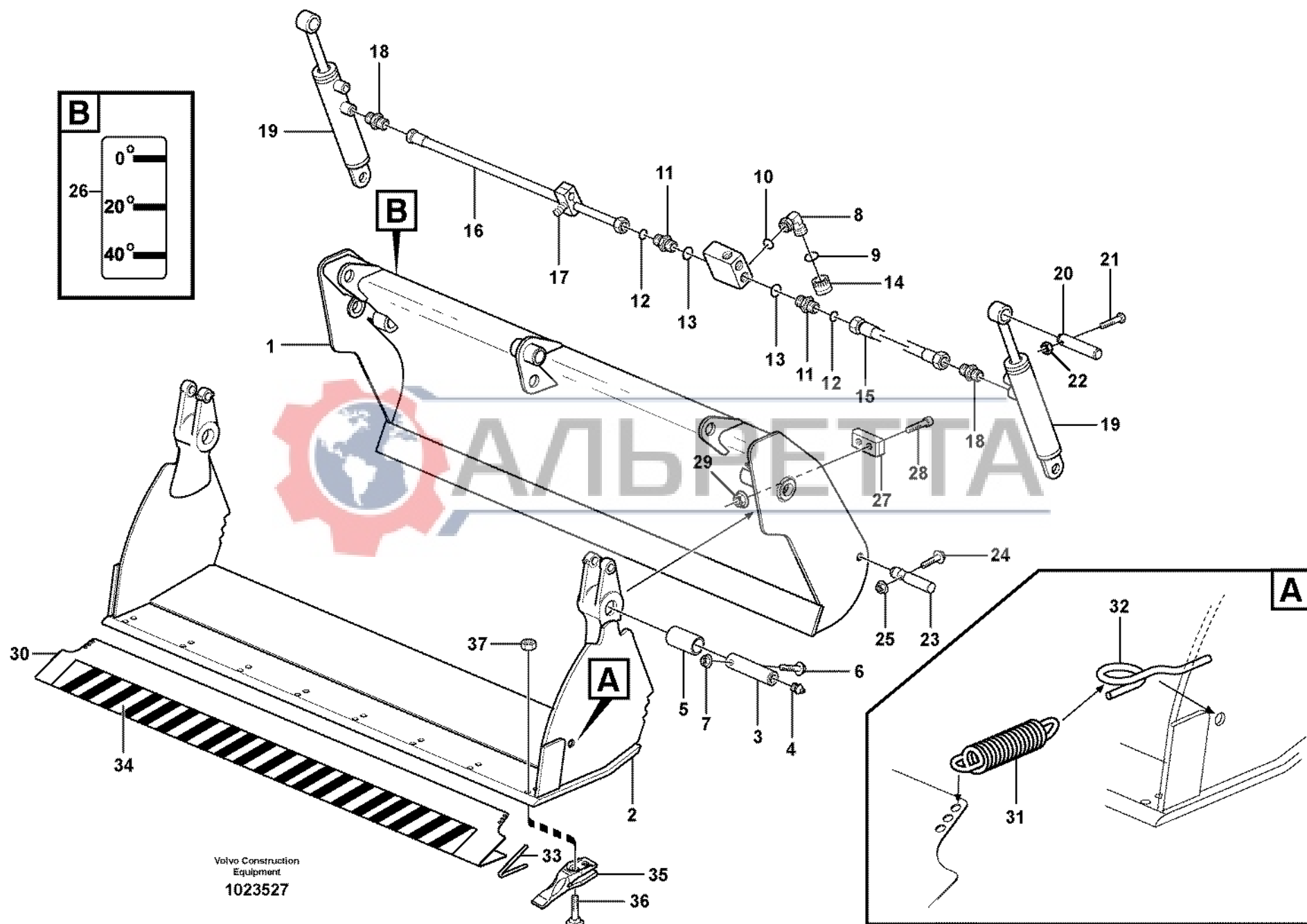
Volvo Construction  
Equipment  
1023527

Fig.	Part No.	Quantity					P S	K I T	Description	Dénomination	Bezeichnung	Denominación	Benämning	Notes
		1	2	3	4	5								
	<b>VOE 11884921</b>	1					SS	Bucket.....	Godet .....	Löffel .....	Cuchara .....	Skopa .....	SER NO - 10603	
1		1					NS	•Backrest Frame .....	•Cadre Dossier .....	•Rückenlehngest.....	•Marco Respaldo .....	•Ryggram.....		
2		1					NS	•Plate .....	•Plaque.....	•Platte .....	•Placa .....	•Platta.....		
3	<b>VOE 11881091</b>	2						•Pin .....	•Goupille.....	•Zapfen .....	•Pasador.....	•Tapp.....		
4	<b>VOE 914167</b>	2						•Nipple .....	•Raccord.....	•Nippel .....	•Niple .....	•Nippel.....		
5	<b>VOE 11881154</b>	2						•Bushing .....	•Bague.....	•Buchse.....	•Casquillo .....	•Bussning.....		
6	<b>VOE 13965190</b>	2						•Screw .....	•Vis .....	•Schraube .....	•Tornillo .....	•Skruv.....		
7	<b>VOE 13971095</b>	2						•Flange nut .....	•Ecrou accouple. ....	•Bundmutter .....	•Tuerca embridad... ..	•Flänsmutter.....		
8	<b>VOE 935073</b>	2						•Elbow nipple .....	•Raccord angulaire. ....	•Winkelnippel .....	•Niple angular .....	•Winkelnippel.....		
9	<b>VOE 990738</b>	1						•O-ring .....	•Joint Torique .....	•O-Ring .....	•Junta torica.....	•O-ring.....		
10	<b>VOE 932041</b>	1						•O-ring .....	•Joint Torique .....	•O-Ring .....	•Junta torica.....	•O-ring.....		
11	<b>VOE 935092</b>	4						•Nipple .....	•Raccord.....	•Nippel .....	•Niple .....	•Nippel.....		
12	<b>VOE 990739</b>	1						•O-ring .....	•Joint Torique .....	•O-Ring .....	•Junta torica.....	•O-ring.....		
13	<b>VOE 932041</b>	1						•O-ring .....	•Joint Torique .....	•O-Ring .....	•Junta torica.....	•O-ring.....		
14		2					NS	•Cap Plug.....	•Boucho.capuchon .....	•Bundschraube .....	•Tapon .....	•Hattplugg.....		
15	<b>VOE 11885738</b>	2						•Hose assembly .....	•Conduit flexible .....	•Schlauchleitung .....	•Conducto.....	•Slangledning.....	L = 750 MM	
16	<b>VOE 11885736</b>	2						•Hose assembly .....	•Conduit flexible .....	•Schlauchleitung .....	•Conducto.....	•Slangledning.....	L = 750 MM	
17	<b>VOE 11881641</b>	1						•Clamp .....	•Pince Serrage .....	•Klemme .....	•Abrazadera.....	•Klänna.....		
18	<b>VOE 11883196</b>	4						•Fitting.....	•Ecrou raccord.....	•Verschraubung .....	•Racor.....	•Förskruvning.....	SER NO - 10977	
	<b>VOE 990738</b>	1						•O-ring .....	•Joint Torique .....	•O-Ring .....	•Junta torica.....	•O-ring.....		
	<b>VOE 932039</b>	1						•O-ring .....	•Joint Torique .....	•O-Ring .....	•Junta torica.....	•O-ring.....		
19		2						•Cylinder .....	•Verin.....	•Zylinder.....	•Cilindro .....	•Cylinder.....	See group 925, Page 729	
20	<b>VOE 11881149</b>	2						•Pin .....	•Goupille.....	•Zapfen .....	•Pasador.....	•Tapp.....		
21	<b>VOE 13965182</b>	2						•Flange screw .....	•Vis à bride .....	•Flansschraube .....	•Torn embridado .....	•Flänsskruv.....		
22	<b>VOE 13945408</b>	2						•Nut.....	•Ecrou.....	•Mutter .....	•Tuerca .....	•Mutter.....		
23	<b>VOE 11881153</b>	2						•Pin .....	•Goupille.....	•Zapfen .....	•Pasador.....	•Tapp.....		
24	<b>VOE 13965187</b>	2						•Flange screw .....	•Vis à bride .....	•Flansschraube .....	•Torn embridado .....	•Flänsskruv.....		
25	<b>VOE 13971095</b>	2						•Flange nut .....	•Ecrou accouple. ....	•Bundmutter .....	•Tuerca embridad... ..	•Flänsmutter.....		
37	<b>VOE 11883252</b>	1						•Decal .....	•Decalcomanie .....	•Abziehbild .....	•Decalcomania .....	•Dekal.....		
27	<b>VOE 11881583</b>		2					Rubber Block .....	Bloc Caoutchouc .....	Gummiblock.....	Bloque Goma .....	Gummikuts.....	11891282	



1	<b>11891018 EARLY PROD</b>	<b>Kombiskopa</b> <b>Cuchara multipropósitos</b> <b>Kombilöffel</b> <b>Godet combiné</b> <b>Multi-purpose bucket</b>	Catalogue id	Group
2	<b>11891265</b>		<b>20004</b>	<b>925</b>
3	<b>11891282</b>		Illustr. No	Section
4	<b>11891015</b>		<b>1023527</b>	<b>300</b>
5			Issue	Page
			<b>VOE 63G9920004</b>	<b>719</b>





Volvo Construction  
Equipment  
1023527

Fig.	Part No.	Quantity					P S	K T	Description	Dénomination	Bezeichnung	Denominación	Benämning	Notes
		1	2	3	4	5								
28	VOE 969846			4				Screw .....	Vis .....	Schraube .....	Tornillo.....	Skruv.....	11891282	
29	VOE 948645			4				Flange Lock Nut.....	Contre écrou bride..	Flanschmutter .....	Contratuer Embr.....	Flänslåsmutter.....	11891282	
30	VOE 11884094				1			Guard.....	Protection .....	Schutz.....	Protección .....	Skydd.....	11891015	
31	VOE 11315002				1			Tension spring .....	Ressort traction .....	Zugfeder .....	Resorte tension .....	Dragfjäder.....	11891015	
32	ZM 2801364				2			Lug.....	Oreille.....	Öse .....	Oreja.....	Öra.....	11891015	
33	VOE 11305168				1			Edge protection.....	Renfort bord .....	Kantbeschlag .....	Guarnic canto .....	Kantskoning.....	11891015 L = 300 MM	
34	VOE 11884095				1			Decal.....	Decalcomanie.....	Abziehbild .....	Decalcomania.....	Dekal.....	DELETED	
35	VOE 11881047		8					Tooth.....	Dent.....	Zahn.....	Diente .....	Tand.....	11891265	
36	VOE 11081028		16					Sq Neck Screw .....	Vis Tete Bombe.....	Schr. M. 4-kant .....	Tornillo Rotula .....	Kullerskruv.....	11891265	
37	VOE 979022		16					Nut .....	Ecrou .....	Mutter.....	Tuerca .....	Mutter.....	11891265	

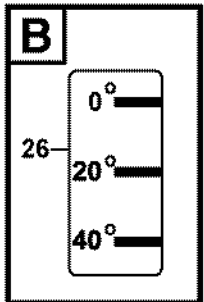
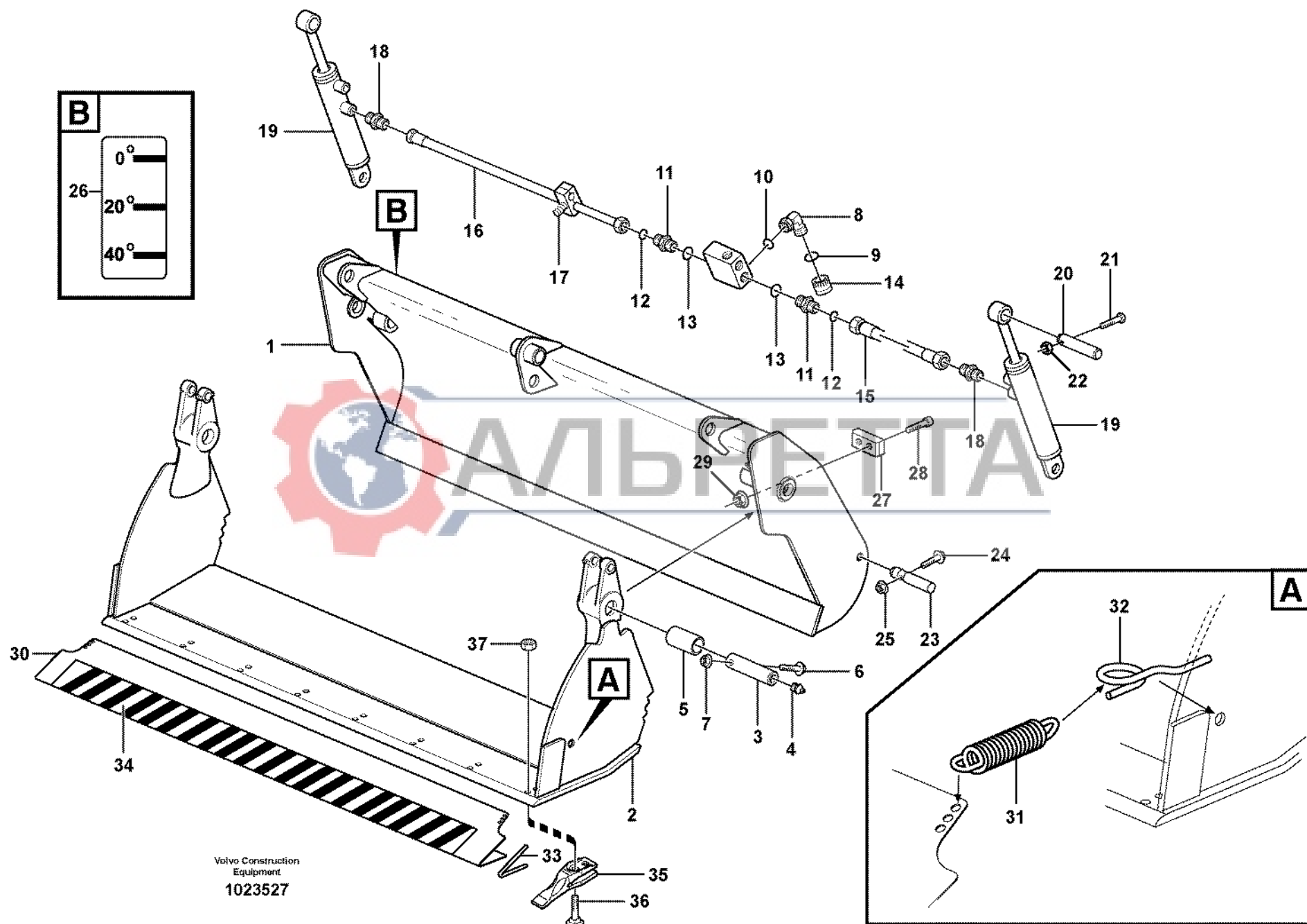


1	11891018 EARLY PROD	<b>Kombiskopa</b> <b>Cuchara multipropósitos</b> <b>Kombilöffel</b> <b>Godet combiné</b> <b>Multi-purpose bucket</b>	Catalogue id	Group
2	11891265		<b>20004</b>	<b>925</b>
3	11891282		Illustr. No	Section
4	11891015		<b>1023527</b>	<b>300</b>
5			Issue	Page
			<b>VOE 63G9920004</b>	<b>721</b>

**VOLVO**

**BL70**





Volvo Construction  
Equipment  
1023527

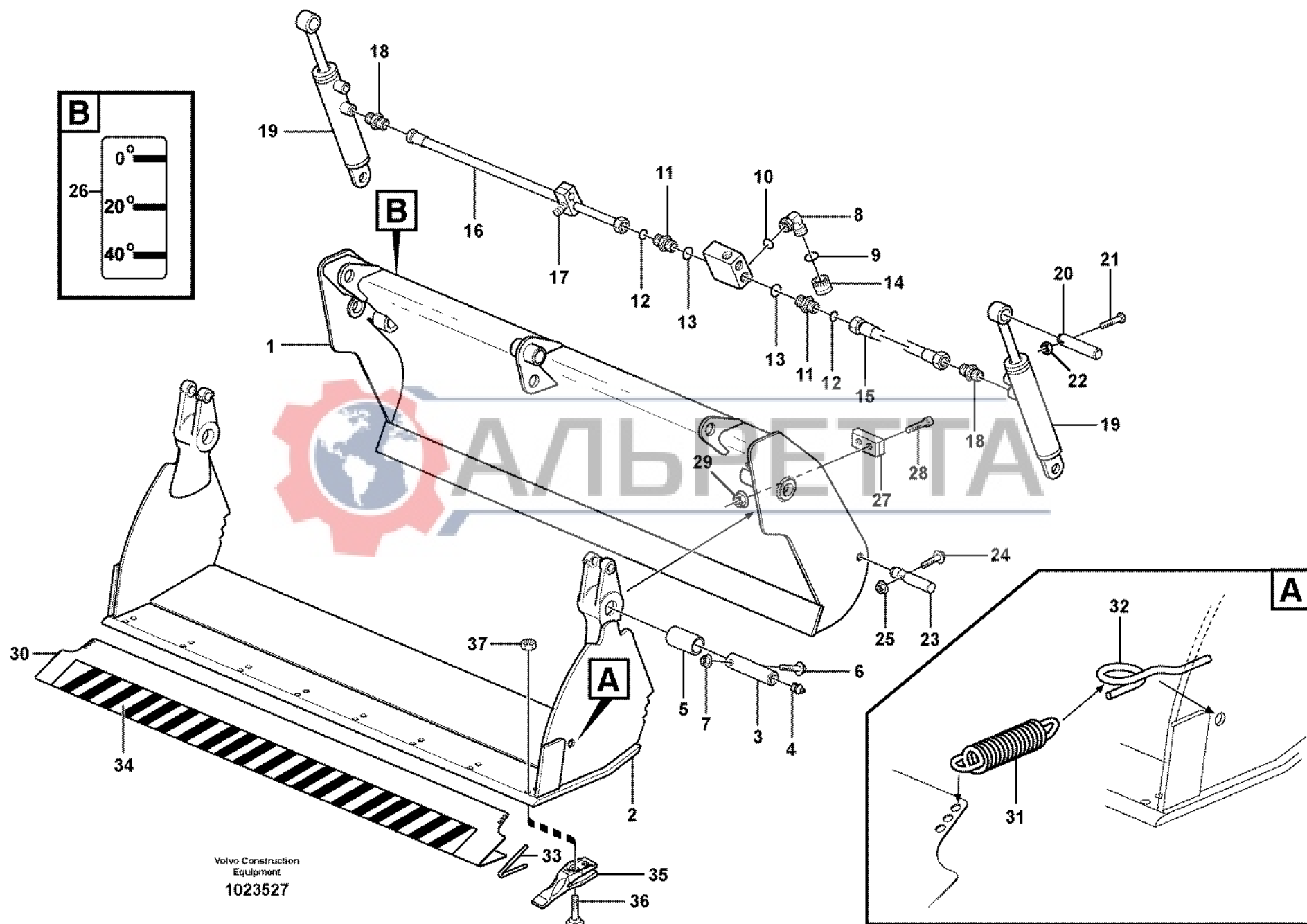
Fig.	Part No.	Quantity					P S	K I T	Description	Dénomination	Bezeichnung	Denominación	Benämning	Notes
		1	2	3	4	5								
	VOE 11885876	1						Bucket.....	Godet .....	Löffel .....	Cuchara .....	Skopa.....	SER NO 10604 - 10977	
	VOE 11887209	1						Bucket.....	Godet .....	Löffel .....	Cuchara .....	Skopa.....	SER NO 10978 -	
1		1				NS		•Backrest Frame .....	•Cadre Dossier .....	•Rückenlehngest.....	•Marco Respaldo .....	•Ryggram.....		
2		1				NS		•Plate .....	•Plaque.....	•Platte .....	•Placa .....	•Platta.....		
3	VOE 11881091	2						•Pin .....	•Goupille.....	•Zapfen .....	•Pasador.....	•Tapp.....		
4	VOE 914167	2						•Nipple .....	•Raccord.....	•Nippel .....	•Niple .....	•Nippel.....		
5	VOE 11881154	2						•Bushing .....	•Bague.....	•Buchse.....	•Casquillo .....	•Bussning.....		
6	VOE 13965190	2						•Screw .....	•Vis .....	•Schraube .....	•Tornillo .....	•Skruv.....		
7	VOE 13971095	2						•Flange nut .....	•Ecrou accouple. ....	•Bundmutter .....	•Tuerca embridad .....	•Flänsmutter.....		
8	VOE 935073	2						Elbow nipple .....	Raccord angulaire ..	Winkelnippel .....	Niple angular .....	Vinkelnippel.....		
9	VOE 990738	1						•O-ring .....	•Joint Torique .....	•O-Ring .....	•Junta torica.....	•O-ring.....		
10	VOE 932041	1						•O-ring .....	•Joint Torique .....	•O-Ring .....	•Junta torica.....	•O-ring.....		
11	VOE 935092	4						Nipple.....	Raccord.....	Nippel.....	Niple .....	Nippel.....		
12	VOE 990739	1						•O-ring .....	•Joint Torique .....	•O-Ring .....	•Junta torica.....	•O-ring.....		
13	VOE 932041	1						•O-ring .....	•Joint Torique .....	•O-Ring .....	•Junta torica.....	•O-ring.....		
14		2				NS		Cap Plug .....	Boucho.capuchon ..	Bundschraube.....	Tapon .....	Hattplugg.....		
15	VOE 11885738	2						Hose assembly .....	Conduit flexible.....	Schlauchleitung .....	Conducto .....	Slangledning.....	L = 750 MM	
16	VOE 11885736	2						Hose assembly .....	Conduit flexible.....	Schlauchleitung .....	Conducto .....	Slangledning.....	L = 750 MM	
17	VOE 11886153	1						Clamp .....	Pince Serrage .....	Klemme .....	Abrazadera .....	Klämma.....		
18	VOE 935091	4						Nipple.....	Raccord.....	Nippel.....	Niple .....	Nippel.....	SER NO 10978 -	
	VOE 990738	1						•O-ring .....	•Joint Torique .....	•O-Ring .....	•Junta torica.....	•O-ring.....		
	VOE 932041	1						•O-ring .....	•Joint Torique .....	•O-Ring .....	•Junta torica.....	•O-ring.....		
19		2						Cylinder.....	Verin .....	Zylinder .....	Cilindro .....	Cylinder.....	See group 925, Page 729	
20	VOE 11881149	2						Pin.....	Goupille .....	Zapfen.....	Pasador .....	Tapp.....		
21	VOE 13965182	2						Flange screw .....	Vis à bride .....	Flanschschraube .....	Torn embridado .....	Flänsskruv.....		
22	VOE 13945408	2						Nut .....	Ecrou .....	Mutter.....	Tuerca .....	Mutter.....		
23	VOE 11881153	2						Pin.....	Goupille .....	Zapfen.....	Pasador .....	Tapp.....		
24	VOE 13965188	2						Flange screw .....	Vis à bride .....	Flanschschraube .....	Torn embridado .....	Flänsskruv.....		
25	VOE 13971095	2						Flange nut.....	Ecrou accouple. ....	Bundmutter .....	Tuerca embridad .....	Flänsmutter.....		
26	VOE 11883252	1						Decal.....	Decalcomanie.....	Abziehbild .....	Decalcomania.....	Dekal.....		



1	11891018 LATE PROD	<b>Kombiskopa</b> <b>Cuchara multipropósitos</b> <b>Kombilöffel</b> <b>Godet combiné</b> <b>Multi-purpose bucket</b>	Catalogue id	Group
2	11891265		<b>20004</b>	<b>925</b>
3	11891282		Illustr. No	Section
4	11891015		<b>1023527</b>	<b>310</b>
5			Issue	Page
			<b>VOE 63G9920004</b>	<b>723</b>







Volvo Construction  
Equipment  
1023527

Fig.	Part No.	Quantity					P S	K T	Description	Dénomination	Bezeichnung	Denominación	Benämning	Notes
		1	2	3	4	5								
27	VOE 11881583			2				Rubber Block .....	Bloc Caoutchouc ....	Gummiblock .....	Bloque Goma .....	Gummikuts .....	11891282	
28	VOE 969846			4				Screw .....	Vis .....	Schraube .....	Tornillo .....	Skruv .....	11891282	
29	VOE 948645			4				Flange Lock Nut .....	Contre écrou bride ..	Flanschmutter .....	Contratuer Embr .....	Flänslåsmutter .....	11891282	
30	VOE 11884094				1			Guard .....	Protection .....	Schutz .....	Protección .....	Skydd .....	11891015	
31	VOE 11315002				2			Tension spring .....	Ressort traction .....	Zugfeder .....	Resorte tension .....	Dragfjäder .....	11891015	
32	ZM 2801364				2			Lug .....	Oreille .....	Öse .....	Oreja .....	Öra .....	11891015	
33	VOE 11305168				1			Edge protection .....	Renfort bord .....	Kantbeschlag .....	Guarnic canto .....	Kantskoning .....	11891015 L = 300 MM	
34	VOE 11884095				1			Decal .....	Decalcomanie .....	Abziehbild .....	Decalcomania .....	Dekal .....	DELETED (ITALY)	
35	VOE 11881047		8					Tooth .....	Dent .....	Zahn .....	Diente .....	Tand .....	11891265	
35	VOE 11081028		16					Sq Neck Screw .....	Vis Tete Bombée .....	Schr. M. 4-kant .....	Tornillo Rotula .....	Kullerskruv .....	11891265	
37	VOE 979022		16					Nut .....	Ecrou .....	Mutter .....	Tuerca .....	Mutter .....	11891265	

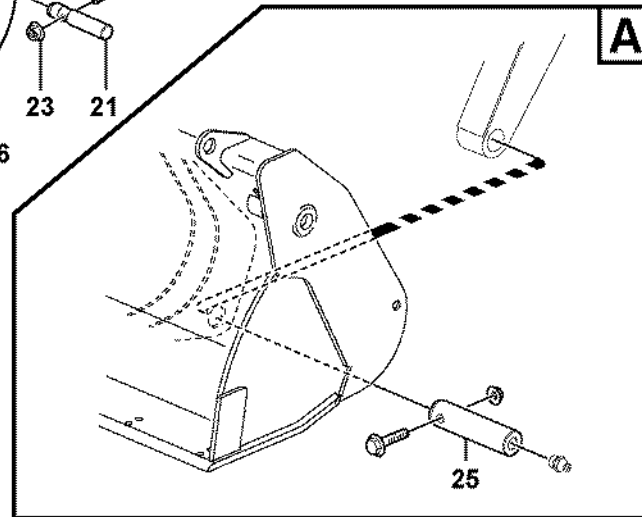
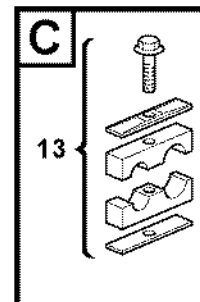
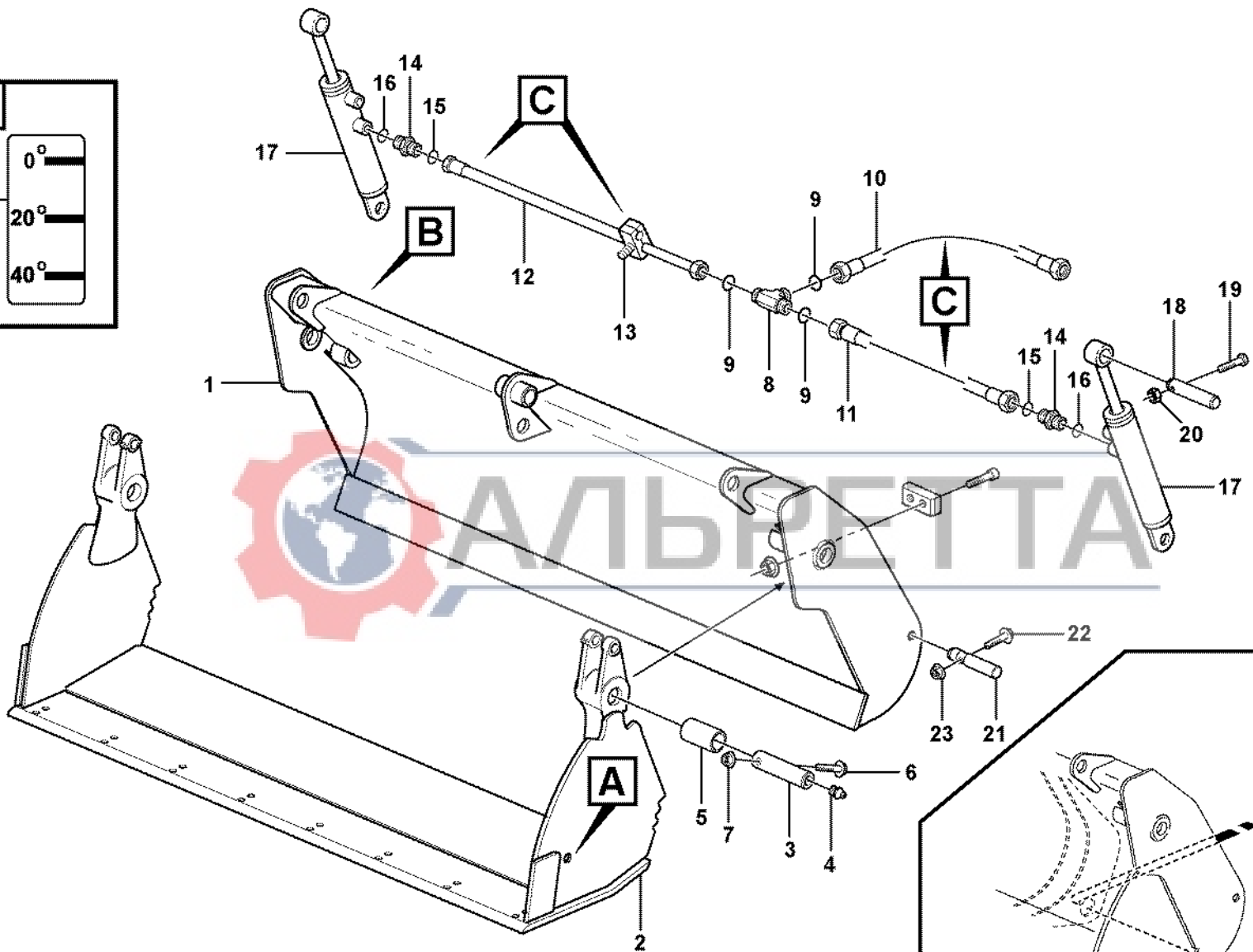
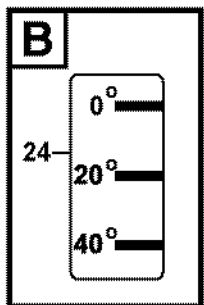


1	11891018 LATE PROD	<b>Kombiskopa</b> <b>Cuchara multipropósitos</b> <b>Kombilöffel</b> <b>Godet combiné</b> <b>Multi-purpose bucket</b>	Catalogue id	Group
2	11891265		<b>20004</b>	<b>925</b>
3	11891282		Illustr. No	Section
4	11891015		<b>1023527</b>	<b>310</b>
5			Issue	Page
			<b>VOE 63G9920004</b>	<b>725</b>

**VOLVO**

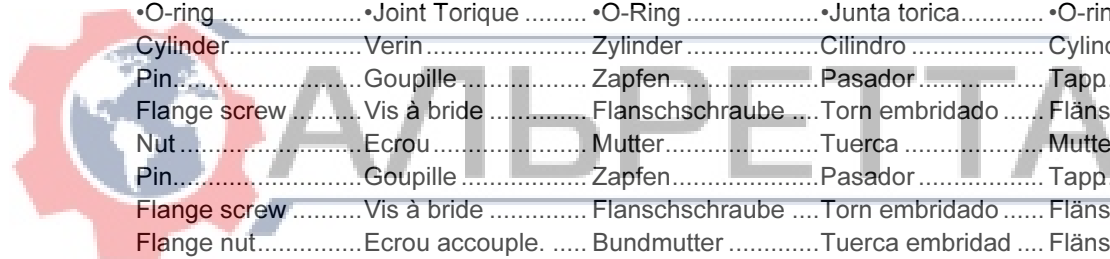
**BL70**





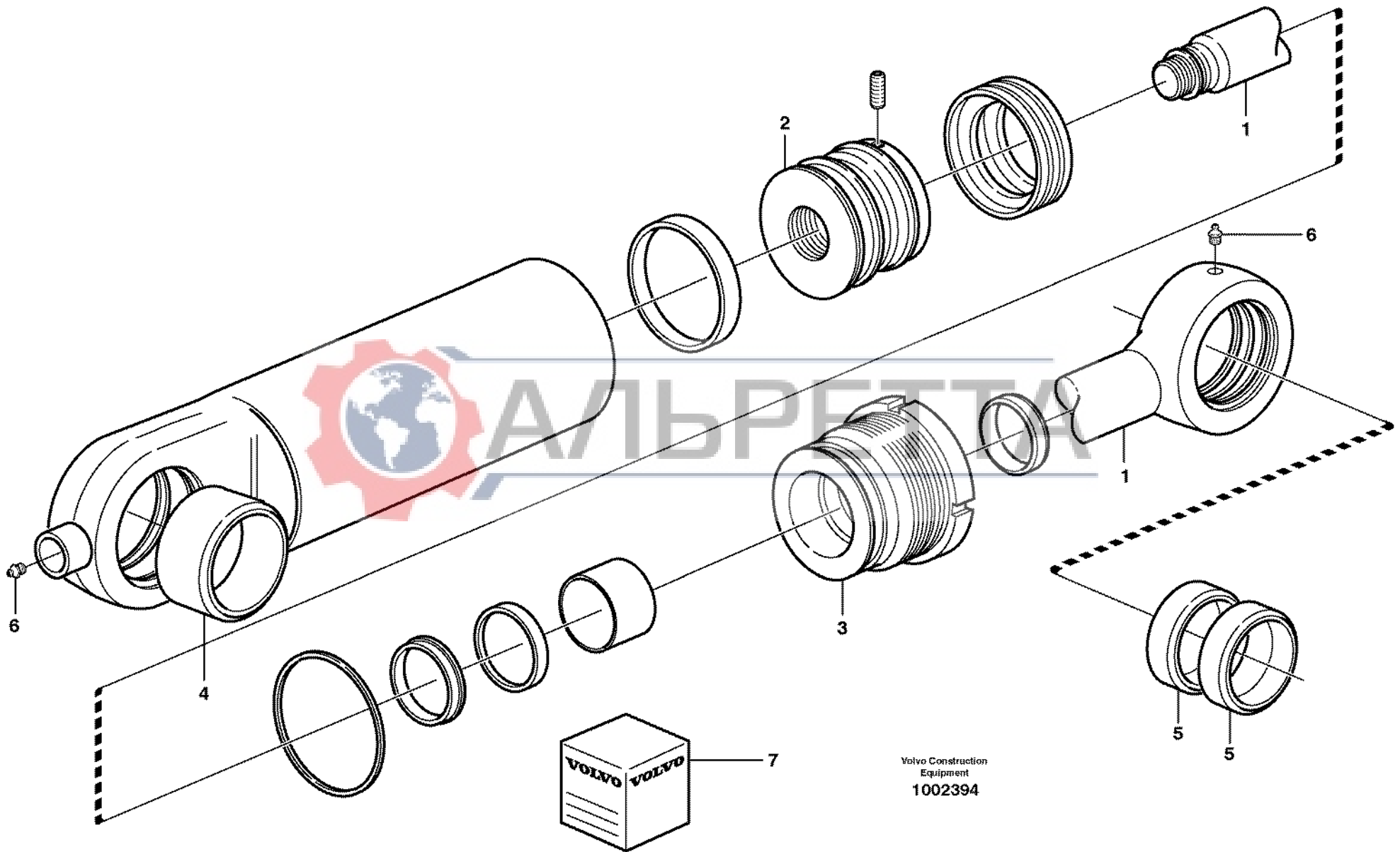
Volvo Construction  
Equipment  
1025969

Fig.	Part No.	Quantity					P S	K I T	Description	Dénomination	Bezeichnung	Denominación	Benämning	Notes
		1	2	3	4	5								
	<b>VOE 11887763</b>	1						Bucket.....	Godet .....	Löffel .....	Cuchara .....	Skopa.....		
1		1					NS	•Backrest Frame .....	•Cadre Dossier .....	•Rückenlehngest.....	•Marco Respaldo .....	•Ryggram.....		
2		1					NS	•Plate .....	•Plaque.....	•Platte .....	•Placa .....	•Platta.....		
3	<b>VOE 11881091</b>	2						•Pin .....	•Goupille.....	•Zapfen .....	•Pasador.....	•Tapp.....		
4	<b>VOE 914167</b>	2						•Nipple .....	•Raccord.....	•Nippel .....	•Niple .....	•Nippel.....		
5	<b>VOE 11881154</b>	2						•Bushing .....	•Bague.....	•Buchse.....	•Casquillo .....	•Bussning.....		
6	<b>VOE 13965190</b>	2						•Screw .....	•Vis .....	•Schraube .....	•Tornillo .....	•Skruv.....		
7	<b>VOE 13971095</b>	2						•Flange nut .....	•Ecrou accouple. ....	•Bundmutter .....	•Tuerca embridad ...	•Flänsmutter.....		
8	<b>VOE 935453</b>	2						T-nipple.....	Raccord-t.....	T-Nippel .....	Niple T .....	T-nippel.....		
9	<b>VOE 990738</b>	6						•O-ring .....	•Joint Torique .....	•O-Ring .....	•Junta torica.....	•O-ring.....		
10	<b>VOE 11888254</b>	2						Hose .....	Durit.....	Schlauch .....	Tubo flexible .....	Slang.....		
11	<b>VOE 11886567</b>	2						Hose assembly .....	Conduit flexible.....	Schlauchleitung .....	Conducto .....	Slangledning.....		
12	<b>VOE 937950</b>	1						Hose assembly .....	Conduit flexible.....	Schlauchleitung .....	Conducto .....	Slangledning.....		
13	<b>VOE 11886153</b>	4						Clamp .....	Pince Serrage .....	Klemme.....	Abrazadera.....	Klämma.....		
14	<b>VOE 935091</b>	4						Nipple.....	Raccord.....	Nippel.....	Niple .....	Nippel.....		
15	<b>VOE 990738</b>	4						•O-ring .....	•Joint Torique .....	•O-Ring .....	•Junta torica.....	•O-ring.....		
16	<b>VOE 932039</b>	4						•O-ring .....	•Joint Torique .....	•O-Ring .....	•Junta torica.....	•O-ring.....		
17	<b>VOE 11887168</b>	2						Cylinder.....	Verin .....	Zylinder .....	Cilindro .....	Cylinder.....		
18	<b>VOE 11881149</b>	2						Pin.....	Goupille .....	Zapfen.....	Pasador .....	Tapp.....		
19	<b>VOE 13965182</b>	2						Flange screw .....	Vis à bride .....	Flanschschraube .....	Torn embridado .....	Flänsskruv.....		
20	<b>VOE 13945408</b>	2						Nut .....	Ecrou .....	Mutter.....	Tuerca .....	Mutter.....		
21	<b>VOE 11888216</b>	2						Pin.....	Goupille .....	Zapfen.....	Pasador .....	Tapp.....		
22	<b>VOE 13965188</b>	2						Flange screw .....	Vis à bride .....	Flanschschraube .....	Torn embridado .....	Flänsskruv.....		
23	<b>VOE 13971095</b>	2						Flange nut.....	Ecrou accouple. ....	Bundmutter .....	Tuerca embridad ...	Flänsmutter.....		
24	<b>VOE 11883252</b>	1						Decal.....	Decalcomanie.....	Abziehbild .....	Decalcomania.....	Dekal.....		
25		1						Attaching kit.....	Kit de fixation.....	Befestigungssatz .....	Juego de fijación ...	Fästsats.....	See group 945, Page 747	



1	<b>Kombiskopa</b> <b>Cuchara multipropósitos</b> <b>Kombilöffel</b> <b>Godet combiné</b> <b>Multi-purpose bucket</b>	Catalogue id	Group
2		<b>20004</b>	<b>925</b>
3		Illustr. No	Section
4		<b>1025969</b>	<b>320</b>
5		Issue	Page
	<b>11891541</b>	<b>VOE 63G9920004</b>	<b>727</b>





Volvo Construction  
Equipment  
1002394

Fig.	Part No.	Quantity			P S	K I T	Description	Dénomination	Bezeichnung	Denominación	Benämning	Notes
		1	2	3								
	<b>VOE 11882886</b>	1					Cylinder.....	Verin.....	Zylinder .....	Cilindro .....	Cylinder.....	
1	<b>VOE 11709909</b>	1					•Piston rod .....	•Bielle de piston .....	•Kolbenstange .....	•Biela de piston .....	•Kolvstång.....	
2	<b>VOE 11709912</b>	1					•Piston.....	•Piston.....	•Kolben.....	•Piston .....	•Kolv.....	
3	<b>VOE 11709911</b>	1					•Pstn Rod Guide .....	•Gui.tige Piston .....	•Ko-stang Fuhrg .....	•Guia Var Piston .....	•Kolvst.styrning.....	
4	<b>VOE 11709908</b>	1					•Bushing.....	•Bague .....	•Buchse .....	•Casquillo .....	•Bussning.....	
5	<b>VOE 11709910</b>	2					•Bushing.....	•Bague .....	•Buchse .....	•Casquillo .....	•Bussning.....	
6	<b>VOE 11709664</b>	2					•Lub Nipple .....	•Graisseur .....	•Schmiernippel .....	•Engrasador .....	•Smörjnippel.....	
7	<b>VOE 11709913</b>	1					•Sealing Kit .....	•Jeu Joints.....	•Dichtungssatz .....	•Juego Retenes.....	•Tätningssats.....	

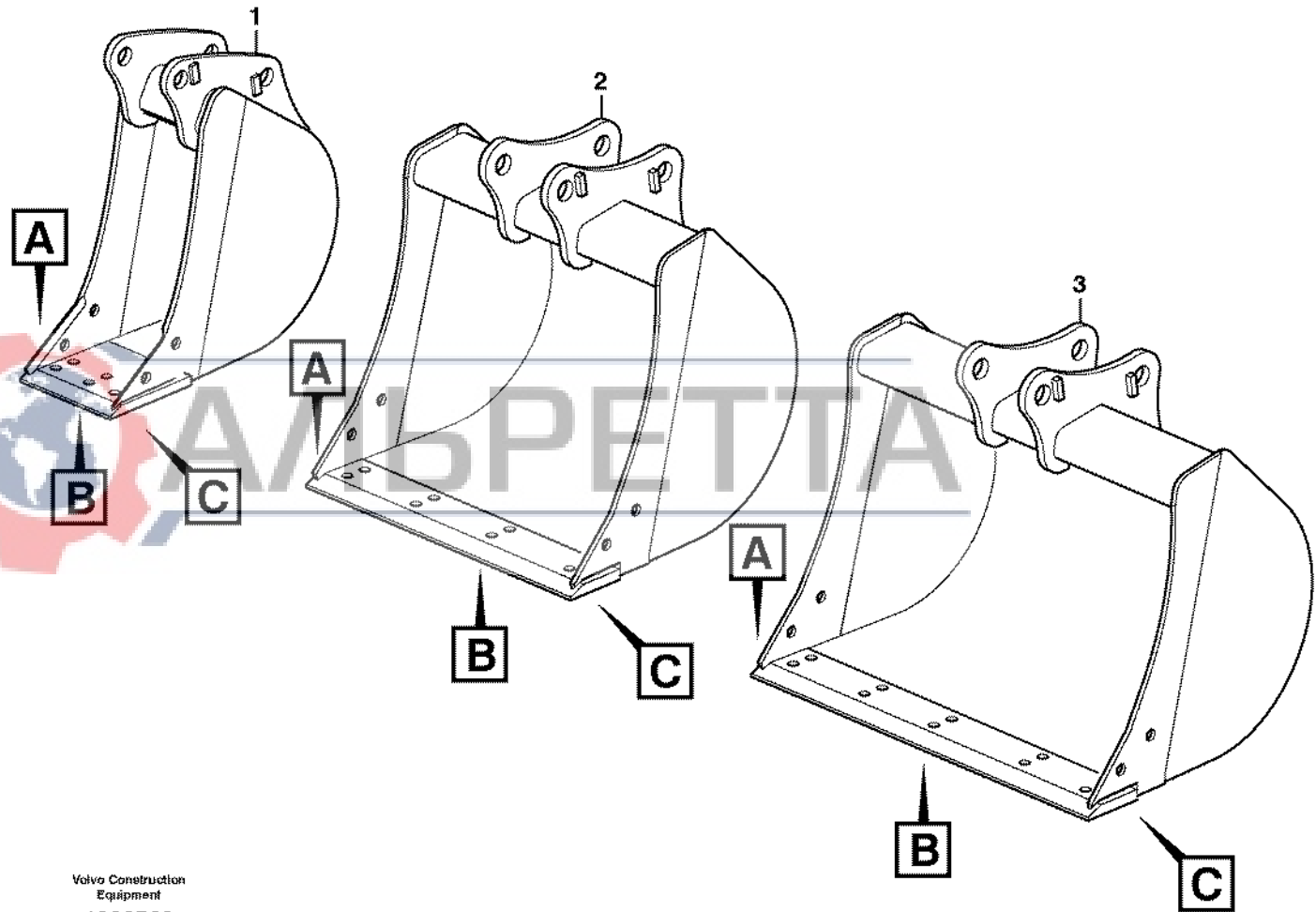
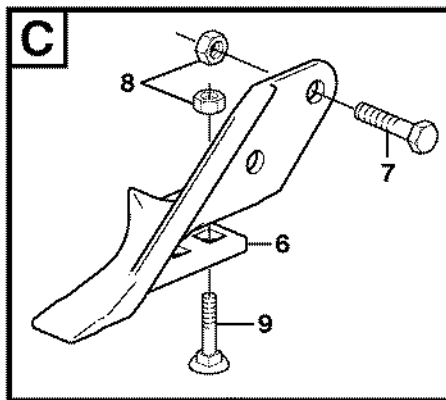
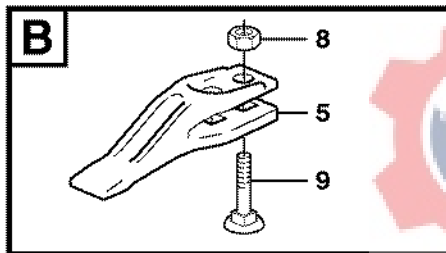
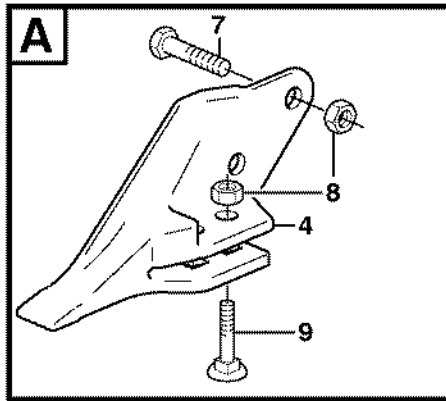


1		<b>Hydraulicylinder</b> <b>Cilindros hidráulicos</b> <b>Hydraulikzylinder</b> <b>Vérins hydrauliques</b> <b>Hydraulic cylinder</b>	Catalogue id	Group
2			<b>20004</b>	<b>925</b>
3			Illustr. No	Section
4			<b>1002394</b>	<b>400</b>
5			Issue	Page
		<b>11891018 (MULTI-PURPOSE BUCKET)</b>	<b>VOE 63G9920004</b>	<b>729</b>

**VOLVO**

**BL70**





Volvo Construction  
Equipment  
1009569

Fig.	Part No.	Quantity			P S	K I T	Description	Dénomination	Bezeichnung	Denominación	Benämning	Notes
		1	2	3								
1	VOE 11884871	1				Bucket.....	Godet .....	Löffel .....	Cuchara.....	Skopa.....	WIDE = 300 MM	
2	VOE 11884872		1			Bucket.....	Godet .....	Löffel .....	Cuchara.....	Skopa.....	WIDE = 610 MM	
3	VOE 11884873			1		Bucket.....	Godet .....	Löffel .....	Cuchara.....	Skopa.....	WIDE = 900 MM	
4	VOE 11884861	1	1	1	OP	•Tooth .....	•Dent .....	•Zahn.....	•Diente.....	•Tand.....		
5	VOE 11884862	1	2	3	SS	•Tooth .....	•Dent .....	•Zahn.....	•Diente.....	•Tand.....		
6	VOE 11884860	1	1	1	OP	•Tooth .....	•Dent .....	•Zahn.....	•Diente.....	•Tand.....		
7	VOE 11884874	4	4	4	OP	•Bolt .....	•Boulon.....	•Bolzen .....	•Perno .....	•Bult.....		
8	VOE 11884867	10	12	14		•Nut.....	•Ecrou .....	•Mutter.....	•Tuerca.....	•Mutter.....		
9	VOE 11884866	6	8	10		•Bolt .....	•Boulon.....	•Bolzen .....	•Perno .....	•Bult.....		



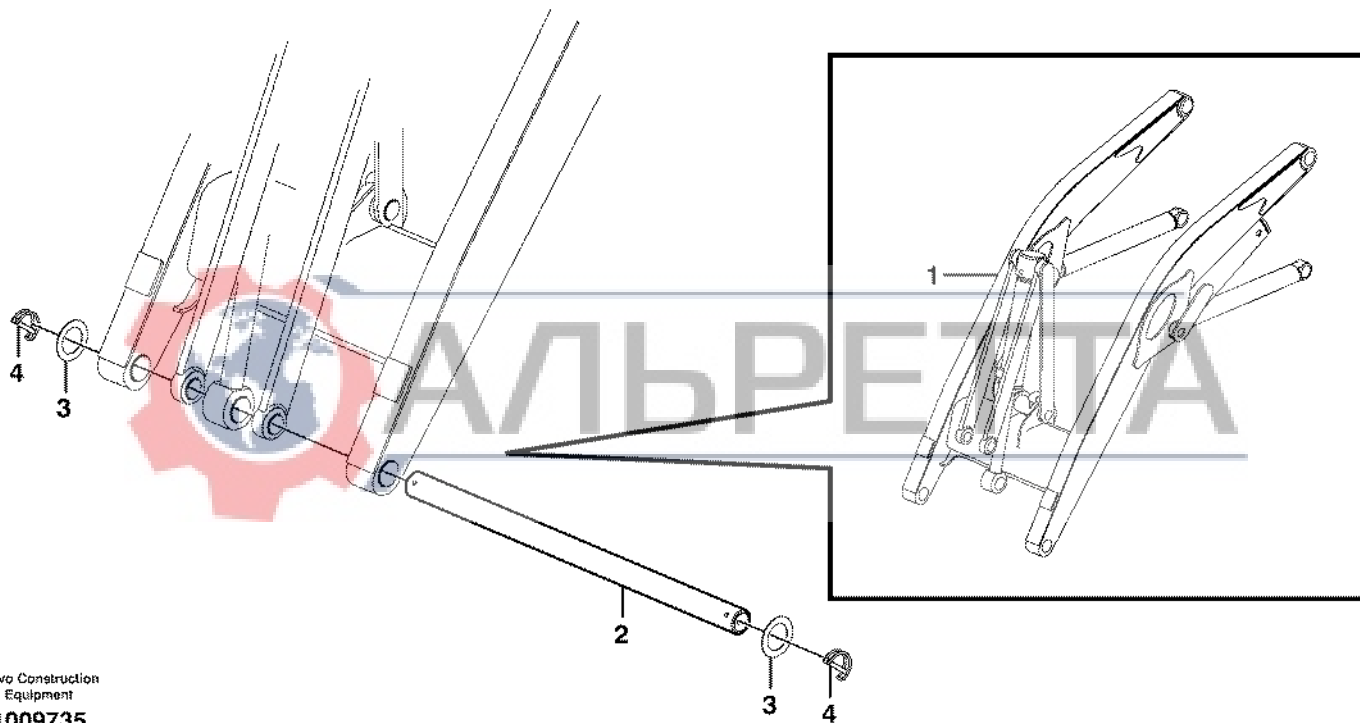
1	11891355	<b>Skopa, rak med tänder</b> <b>Cuchara, recta con dientes</b> <b>Schaufel, gerade mit Zähnen</b> <b>Godet, droit avec dents</b> <b>Bucket, straight with teeth</b> <b>(BACKHOE)</b>	Catalogue id	Group
2	11891356		<b>20004</b>	<b>925</b>
3	11891357		Illustr. No	Section
4			<b>1009569</b>	<b>450</b>
5			Issue	Page
			<b>VOE 63G9920004</b>	<b>731</b>

**VOLVO**

**BL70**







Volvo Construction  
Equipment  
1009735

Fig.	Part No.	Quantity			P S	K I T	Description	Dénomination	Bezeichnung	Denominación	Benämning	Notes
		1	2	3								
1		1				Loader arm.....	Bras de chargeur .....	Laderhübarm.....	Brazo de cargador.....	Lastarm.....	See group 945, Page 741	
2	VOE 11885595	1				Pin.....	Goupille.....	Zapfen.....	Pasador.....	Tapp.....		
3	VOE 11890115	2				Washer.....	Rondelle.....	Scheibe.....	Arandela.....	Bricka.....		
4	VOE 11885596	2				Clip.....	Clip.....	Klemme.....	Clip.....	Clips.....		



1	<b>Transportfäste utan frontskopa</b> <b>Fijaciones de transporte sin cuchara frontal</b> <b>Transporthalterung ohne Schaufel</b> <b>Fixation transport sans godet frontal</b> <b>Transport bracket without front bucket</b>	Catalogue id	Group
2		<b>20004</b>	<b>925</b>
3		Illustr. No	Section
4		<b>1009735</b>	<b>500</b>
5		Issue	Page
	<b>11891350</b>	<b>VOE 63G9920004</b>	<b>733</b>

**VOLVO**

**BL70**



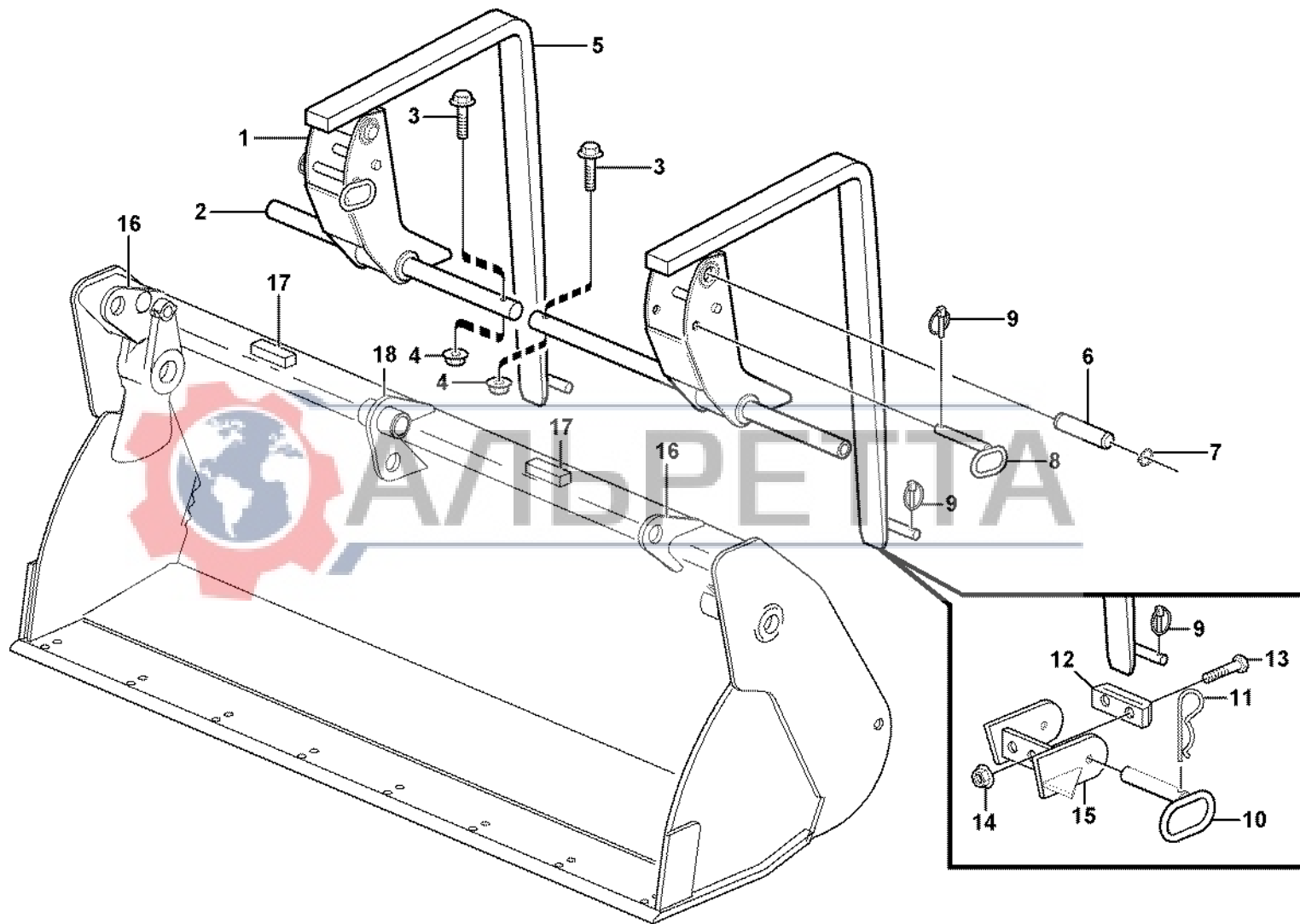
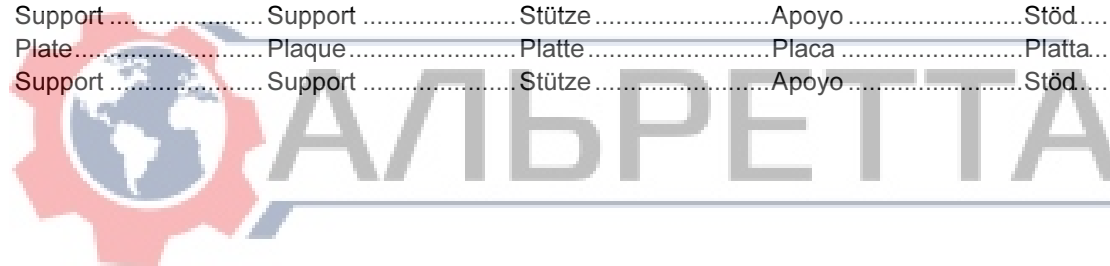


Fig.	Part No.	Quantity			P S	K I T	Description	Dénomination	Bezeichnung	Denominación	Benämning	Notes
		1	2	3								
1	VOE 11884125	2	2			Bracket.....	Console.....	Konsole .....	Ménsula.....	Konsol.....	(VOE 11881578)	
2	VOE 11881580	2	2			Fork Attachment.....	Fixatio.fourche .....	Gabelbefestig. ....	Fij Horquilla .....	Gaffelfäste.....		
3	VOE 13965189	2	2			Flange screw.....	Vis a bride .....	Flanschschraube .....	Torn embridado .....	Flänsskruv.....		
4	VOE 13971095	2	2			Flange nut.....	Ecrou accouple. ....	Bundmutter.....	Tuerca embridad .....	Flänsmutter.....		
5	VOE 11881579	2	2			Fork.....	Fourche.....	Gabel.....	Horquilla .....	Gaffel.....		
6	VOE 11881582	2	2			Pin.....	Goupille.....	Zapfen .....	Pasador.....	Tapp.....		
7	VOE 13914468	4	4			Snap Ring .....	Circlip .....	Nutring.....	Circlip .....	Spårring.....		
8	VOE 11881581	2	2			Pin.....	Clavette.....	Splint .....	Pasador.....	Sprint.....		
9	VOE 11881622	2	2			Locking pin.....	Goupille d'arrêt.....	Schliessbolzen .....	Pasador de cierre .....	Låspinne.....		
10	VOE 11884099	2	2			Pin.....	Clavette.....	Splint .....	Pasador.....	Sprint.....	(VOE 11883382)	
11	VOE 978997	2	2			Retaining pin.....	Goupille elast .....	Federsplint .....	Pasador resorte.....	Fjädersprint.....		
12	VOE 11881583	2	2			Rubber Block .....	Bloc Caoutchouc.....	Gummiblock .....	Bloque Goma .....	Gummikuts.....		
13	VOE 947760	4	4	SS		Flange screw.....	Vis à bride .....	Flanschschraube .....	Torn embridado .....	Flänsskruv.....		
14	VOE 948645	4	4			Flange Lock Nut.....	Contre écrou bride .....	Flanschmutter .....	Contratuer Embr.....	Flänslåsmutter.....		
15	VOE 11884972	1				Bracket.....	Console.....	Konsole .....	Ménsula.....	Konsol.....	LH	
	VOE 11884973	1				Fork Attachment.....	Fixatio.fourche .....	Gabelbefestig. ....	Fij Horquilla .....	Gaffelfäste.....	RH	
16	VOE 11884971	2				Support.....	Support .....	Stütze .....	Apoyo .....	Stöd.....		
17	VOE 11884928	2				Plate.....	Plaque .....	Platte .....	Placa .....	Platta.....		
18	VOE 11885010	1				Support.....	Support .....	Stütze .....	Apoyo .....	Stöd.....		

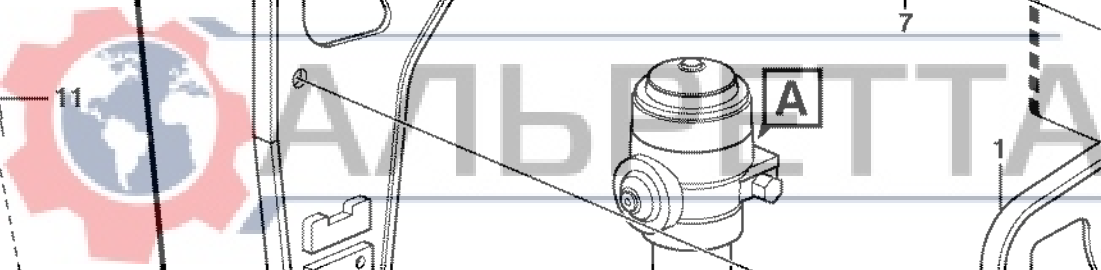
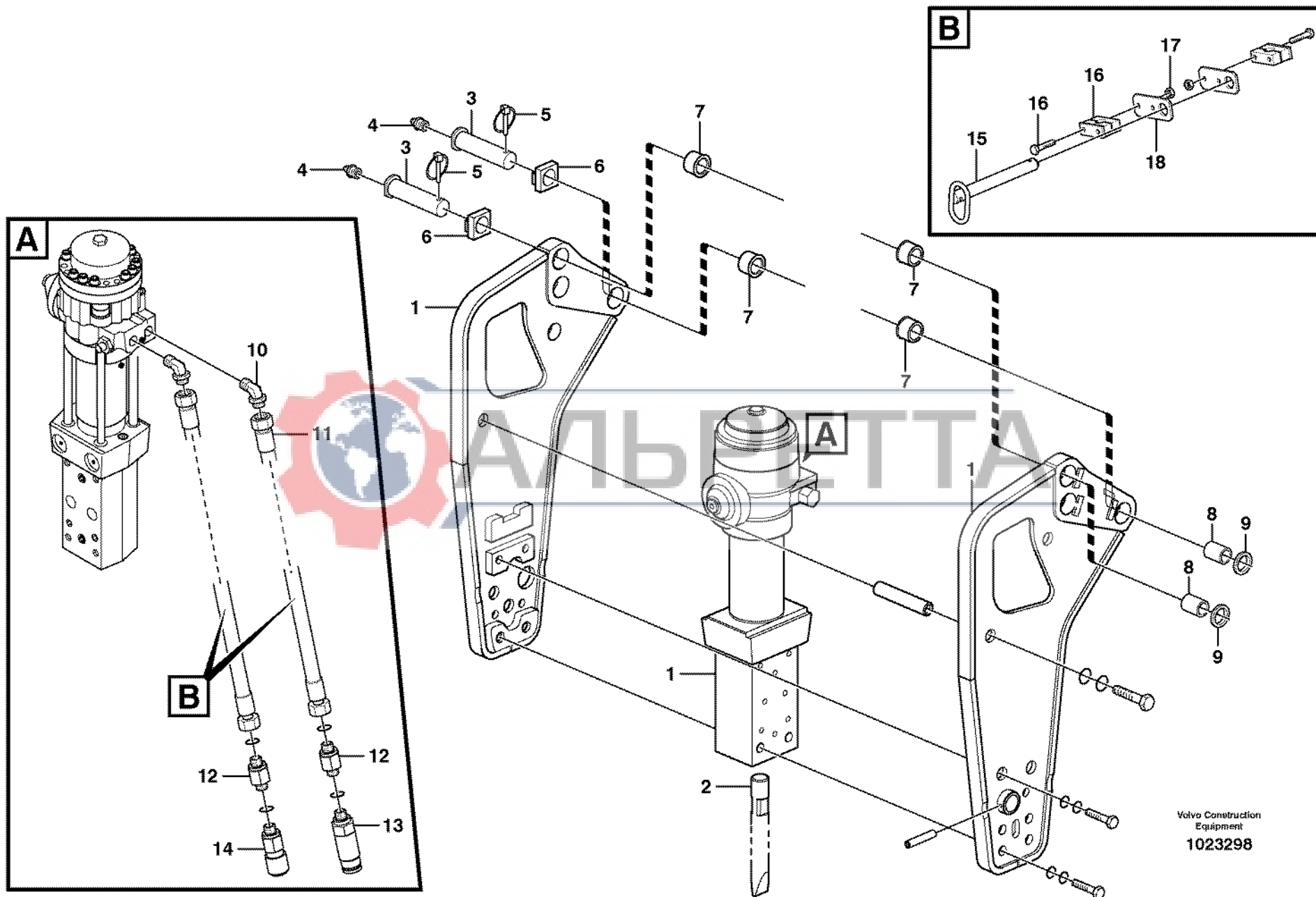


1	11891282	<b>Gaffelarm</b> <b>Brazo horquilla</b> <b>Gabelzinke</b> <b>Bras fourche</b> <b>Fork arm</b>	Catalogue id	Group
2	11891176		<b>20004</b>	<b>926</b>
3			Illustr. No	Section
4			<b>1012596</b>	<b>100</b>
5			Issue	Page
			<b>VOE 63G9920004</b>	<b>735</b>

**VOLVO**

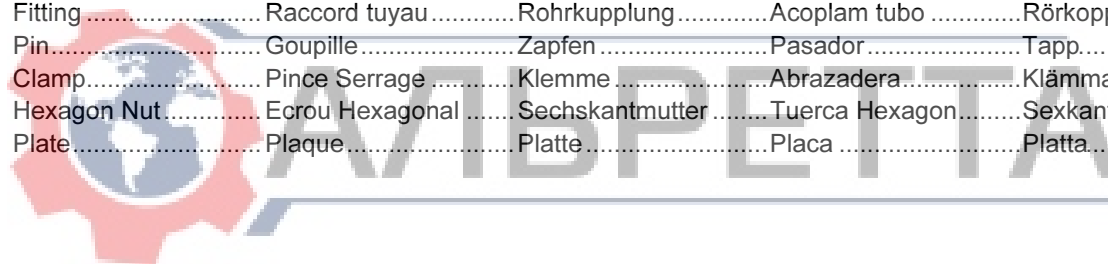
**BL70**





Volvo Construction  
Equipment  
1023298

Fig.	Part No.	Quantity			P S	K I T	Description	Dénomination	Bezeichnung	Denominación	Benämning	Notes
		1	2	3								
1	VOE 11885267	1					Hammer .....	Marteau .....	Hammer .....	Martillo .....	Hammare .....	
2	VOE 11884071	1					Tool .....	Outil .....	Gerät .....	Aparejo .....	Redskap .....	
3	VOE 11884032	2					Pin .....	Goupille .....	Zapfen .....	Pasador .....	Tapp .....	
4	VOE 914167	2					Nipple .....	Raccord .....	Nippel .....	Niple .....	Nippel .....	
5	VOE 11881622	2					Locking pin .....	Goupille d'arrêt .....	Schliessbolzen .....	Pasador de cierre .....	Låspinne .....	
6		2			NS		Spacer .....	Partie Intermédiaire .....	Zwischenstück .....	Espaciador .....	Mellandel .....	
7	VOE 11883969	4					Bushing .....	Bague .....	Buchse .....	Casquillo .....	Bussning .....	
8	VOE 11884028	2			OP		Spacer .....	Partie Intermédiaire .....	Zwischenstück .....	Espaciador .....	Mellandel .....	
9	VOE 955912	2					Washer .....	Rondelle .....	Scheibe .....	Arandela .....	Bricka .....	
10	VOE 11885306		2				Fitting .....	Ecrou raccord .....	Verschraubung .....	Racor .....	Förskruvning .....	
11	VOE 11885789		2				Hose .....	Durit .....	Schlauch .....	Tubo flexible .....	Slang .....	
11	VOE 11885307	2					Hose .....	Durit .....	Schlauch .....	Tubo flexible .....	Slang .....	
12	VOE 11881382		2				Nipple .....	Raccord .....	Nippel .....	Niple .....	Nippel .....	
	VOE 981290	2	2				O-ring .....	Joint Torique .....	O-Ring .....	Junta torica .....	O-ring .....	
	VOE 932040	2	2				O-ring .....	Joint Torique .....	O-Ring .....	Junta torica .....	O-ring .....	
13	VOE 11882299	1	1				Fitting .....	Raccord tuyau .....	Rohrkupplung .....	Acoplam tubo .....	Rörkoppling .....	See group 911, Page 565
14	VOE 11882298	1	1				Fitting .....	Raccord tuyau .....	Rohrkupplung .....	Acoplam tubo .....	Rörkoppling .....	See group 911, Page 565
15	VOE 11885264	1					Pin .....	Goupille .....	Zapfen .....	Pasador .....	Tapp .....	
16	VOE 11885216	2					Clamp .....	Pince Serrage .....	Klemme .....	Abrazadera .....	Klämma .....	
17	VOE 13971068	4					Hexagon Nut .....	Ecrou Hexagonal .....	Sechskantmutter .....	Tuerca Hexagon .....	Sexkantsmutter .....	
18	VOE 11885266	2					Plate .....	Plaque .....	Platte .....	Placa .....	Platta .....	

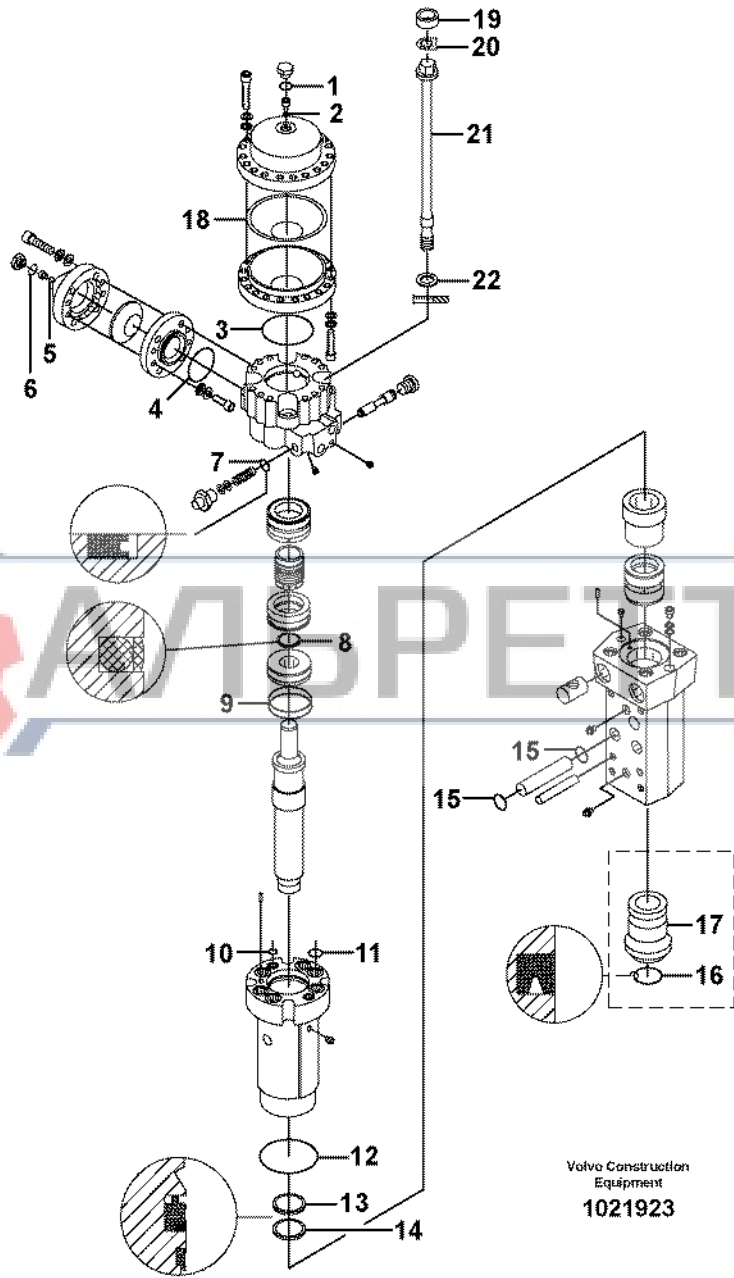


1	11891017	<b>Hållare för hammare</b> <b>Soporte para martillo</b> <b>Halter für Hammer</b> <b>Support de marteau</b> <b>Retainer for hammer</b>	Catalogue id	Group
2	11891331		<b>20004</b>	<b>926</b>
3	11891546		Illustr. No	Section
4			<b>1023298</b>	<b>200</b>
5			Issue	Page
			<b>VOE 63G9920004</b>	<b>737</b>

**VOLVO**

**BL70**





Volvo Construction  
Equipment  
1021923

Fig.	Part No.	Quantity			P S	K I T	Description	Dénomination	Bezeichnung	Denominación	Benämning	Notes
		1	2	3								
	<b>VOE 11885267</b>	1				Hammer .....	Marteau .....	Hammer .....	Martillo .....	Hammare .....		
	<b>VOE 11988196</b>	1				•Sealing Kit .....	•Jeu Joints .....	•Dichtungssatz .....	•Juego Retenes .....	•Tätningssats .....		
1		1			NS	•O-ring .....	•Joint Torique .....	•O-Ring .....	•Junta torica .....	•O-ring .....		
2		1			NS	•Ring .....	•Anneau .....	•Ring .....	•Anillo .....	•Ring .....		
3		1			NS	•O-ring .....	•Joint Torique .....	•O-Ring .....	•Junta torica .....	•O-ring .....		
4		1			NS	•O-ring .....	•Joint Torique .....	•O-Ring .....	•Junta torica .....	•O-ring .....		
5		1			NS	•Ring .....	•Anneau .....	•Ring .....	•Anillo .....	•Ring .....		
6		1			NS	•O-ring .....	•Joint Torique .....	•O-Ring .....	•Junta torica .....	•O-ring .....		
7		1			NS	•Seal .....	•Joint .....	•Dichtring .....	•Junta .....	•Tätning .....		
8		1			NS	•Seal .....	•Joint .....	•Dichtring .....	•Junta .....	•Tätning .....		
9		2			NS	•O-ring .....	•Joint Torique .....	•O-Ring .....	•Junta torica .....	•O-ring .....		
10		2			NS	•O-ring .....	•Joint Torique .....	•O-Ring .....	•Junta torica .....	•O-ring .....		
11		6			NS	•O-ring .....	•Joint Torique .....	•O-Ring .....	•Junta torica .....	•O-ring .....		
12		1			NS	•O-ring .....	•Joint Torique .....	•O-Ring .....	•Junta torica .....	•O-ring .....		
13		1			NS	•Seal .....	•Joint .....	•Dichtring .....	•Junta .....	•Tätning .....		
14		1			NS	•Wiper .....	•Essuie-glace .....	•Wischer .....	•Limpiaparabrisa .....	•Torkare .....		
15		4			NS	•O-ring .....	•Joint Torique .....	•O-Ring .....	•Junta torica .....	•O-ring .....		
16		1			NS	•Seal .....	•Joint .....	•Dichtring .....	•Junta .....	•Tätning .....		
17	<b>VOE 11710932</b>	1				•Bushing .....	•Bague .....	•Buchse .....	•Casquillo .....	•Bussning .....		
18	<b>VOE 11710933</b>	1				•Diaphragm .....	•Diaphragme .....	•Membrane .....	•Diafragma .....	•Membran .....		
19	<b>VOE 11716349</b>	4				•Rubber Ring .....	•Bague Caoutcho .....	•Gummiring .....	•Aro Goma .....	•Gummiring .....		
20	<b>VOE 11716348</b>	4				•Lock Plate .....	•Plaque Verroui .....	•Verschl Platte .....	•Placa Seguridad .....	•Låsplatta .....		
21	<b>VOE 11716347</b>	4				•Tie Rod .....	•Barre Accouple .....	•Spurstange .....	•Barra Acoplam .....	•Parallellstag .....		
22	<b>VOE 11716350</b>	4				•Washer .....	•Rondelle .....	•Scheibe .....	•Arandela .....	•Bricka .....		

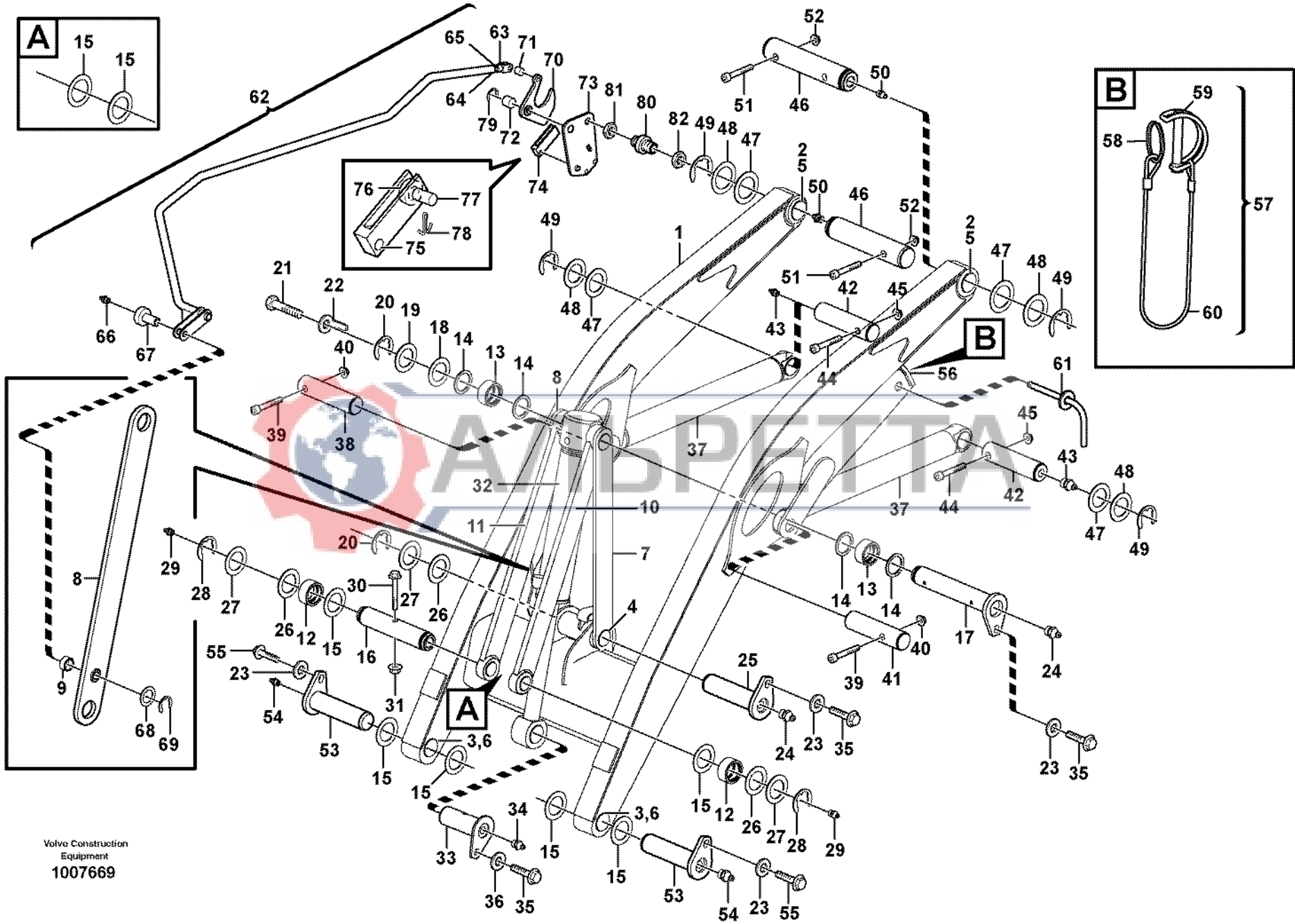
1		<b>Hammare</b> <b>Martillo</b> <b>Hammer</b> <b>Marteau</b> <b>Hammer</b>  <b>11891017</b>	Catalogue id	Group
2			<b>20004</b>	<b>926</b>
3			Illustr. No	Section
4			<b>1021923</b>	<b>250</b>
5			Issue	Page
			<b>VOE 63G9920004</b>	<b>739</b>

**VOLVO**

**BL70**

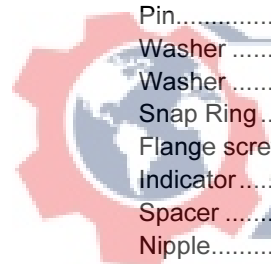






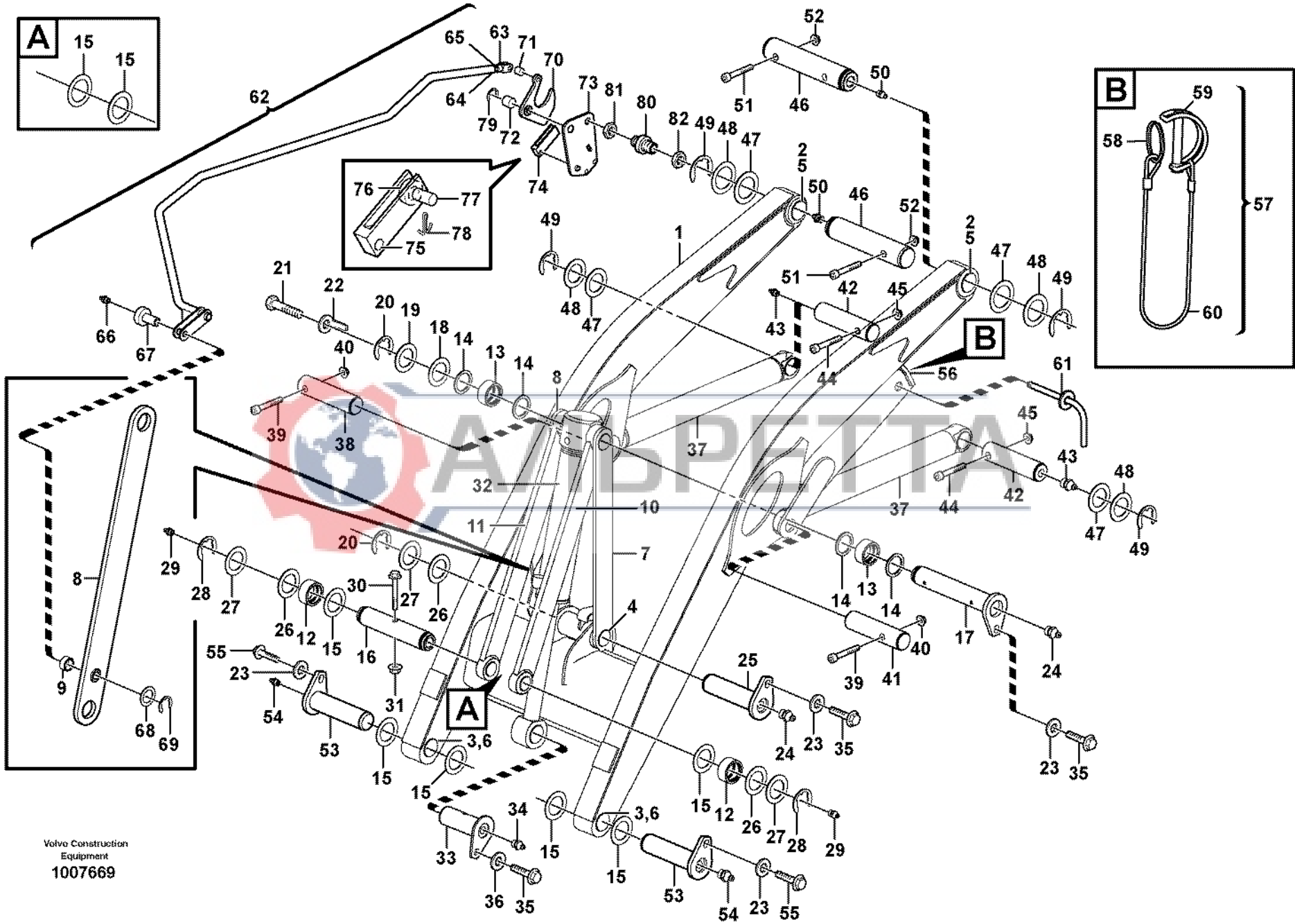
Valve Construction  
 Equipment  
 1007669

Fig.	Part No.	Quantity					P S	K T	Description	Dénomination	Bezeichnung	Denominación	Benämning	Notes
		1	2	3	4	5								
1	VOE 11885375	1						Loader arm .....	Bras de chargeur....	Laderhübarm .....	Brazo de cargador..	Lastarm.....		
2	VOE 11883772	2						•Bushing .....	•Bague.....	•Buchse.....	•Casquillo .....	•Bussning.....		
3	VOE 11883802	2						•Bushing .....	•Bague.....	•Buchse.....	•Casquillo .....	•Bussning.....		
4	VOE 11883803	2						•Bushing .....	•Bague.....	•Buchse.....	•Casquillo .....	•Bussning.....		
5	VOE 11890069	2						Seal.....	Joint.....	Dichtung.....	Reten .....	Tätning.....		
6	VOE 11882456	2						Seal.....	Joint.....	Dichtung.....	Reten .....	Tätning.....		
7	VOE 11884638	1						Link .....	Articulation .....	Gelenk .....	Articulacion .....	Länk.....	LH	
8	VOE 11884637	1						Link .....	Articulation .....	Gelenk .....	Articulacion .....	Länk.....	RH	
9	VOE 11883447	1						•Bushing .....	•Bague.....	•Buchse.....	•Casquillo .....	•Bussning.....		
10	VOE 11884822	1						Link .....	Articulation .....	Gelenk .....	Articulacion .....	Länk.....	LH	
11	VOE 11884815	1						Link .....	Articulation .....	Gelenk .....	Articulacion .....	Länk.....	RH	
12	VOE 11883801	2						•Bushing .....	•Bague.....	•Buchse.....	•Casquillo .....	•Bussning.....		
13	VOE 11883857	2						•Bushing .....	•Bague.....	•Buchse.....	•Casquillo .....	•Bussning.....		
14	VOE 11883937	4						Scraper .....	Racloir .....	Abstreicher.....	Rascador .....	Skrapa.....		
15	VOE 11882456	8						Seal.....	Joint.....	Dichtung.....	Reten .....	Tätning.....		
16	VOE 11882932	1						Pin.....	Goupille .....	Zapfen.....	Pasador .....	Tapp.....		
17	VOE 11884823	1						Pin.....	Goupille .....	Zapfen.....	Pasador .....	Tapp.....		
18	VOE 11883929	1						Washer .....	Rondelle .....	Scheibe .....	Arandela .....	Bricka.....	THICK = 2 MM	
19	VOE 11883930	1						Washer .....	Rondelle .....	Scheibe .....	Arandela .....	Bricka.....	THICK = 3 MM	
20	VOE 11890110	2						Snap Ring .....	Circlip .....	Nutring .....	Circlip .....	Spårring.....		
21	VOE 13965191	1						Flange screw .....	Vis à bride .....	Flanschschraube .....	Torn embridado .....	Flänsskruv.....		
22	VOE 11884117	1						indicator .....	Indicateur .....	Indikator .....	Indicador.....	Indikator.....		
23	VOE 11884168	4						Spacer .....	Entretoise .....	Abstandstueck .....	Casquillo distancia .....	Distans.....		
24	VOE 914167	2						Nipple .....	Raccord .....	Nippel.....	Niple .....	Nippel.....		
25	VOE 11883032	1						Pin.....	Goupille .....	Zapfen.....	Pasador .....	Tapp.....		
26	VOE 11890115	3						Washer .....	Rondelle .....	Scheibe .....	Arandela .....	Bricka.....	THICK = 2 MM	
27	VOE 11890116	3						Washer .....	Rondelle .....	Scheibe .....	Arandela .....	Bricka.....	THICK = 3 MM	
28	VOE 11890110	2						Snap Ring .....	Circlip .....	Nutring .....	Circlip .....	Spårring.....		
29	VOE 914167	2						Nipple.....	Raccord .....	Nippel.....	Niple .....	Nippel.....		
30	VOE 969313	1						Flange screw .....	Vis à bride .....	Flanschschraube .....	Torn embridado .....	Flänsskruv.....		



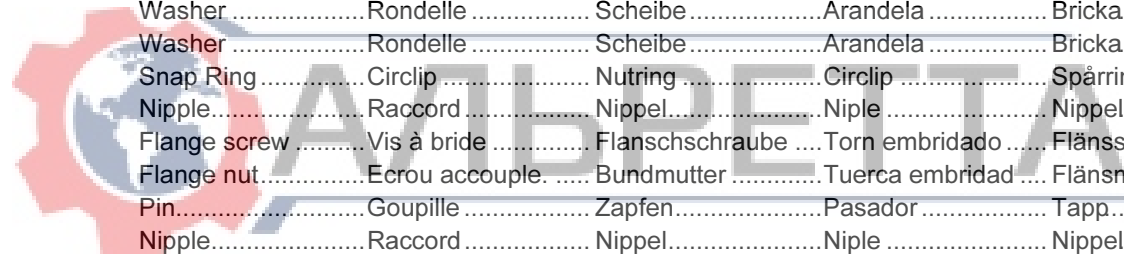
1	11880002 S/N - 11144	<b>Lyftramverk med monteringsdetaljer</b> <b>Bastidor elevación con piezas de montaje</b> <b>Hubgerüst mit Anbauteilen</b> <b>Chassis levage avec pièces de montage</b> <b>Lifting framework with assembly parts</b>	Catalogue id	Group
2	11891005 S/N - 11144		<b>20004</b>	<b>945</b>
3	11891020 S/N - 11144		Illustr. No	Section
4	11891065 S/N - 11144		<b>1007669</b>	<b>150</b>
5			Issue	Page
		<b>VOE 63G9920004</b>	<b>741</b>	





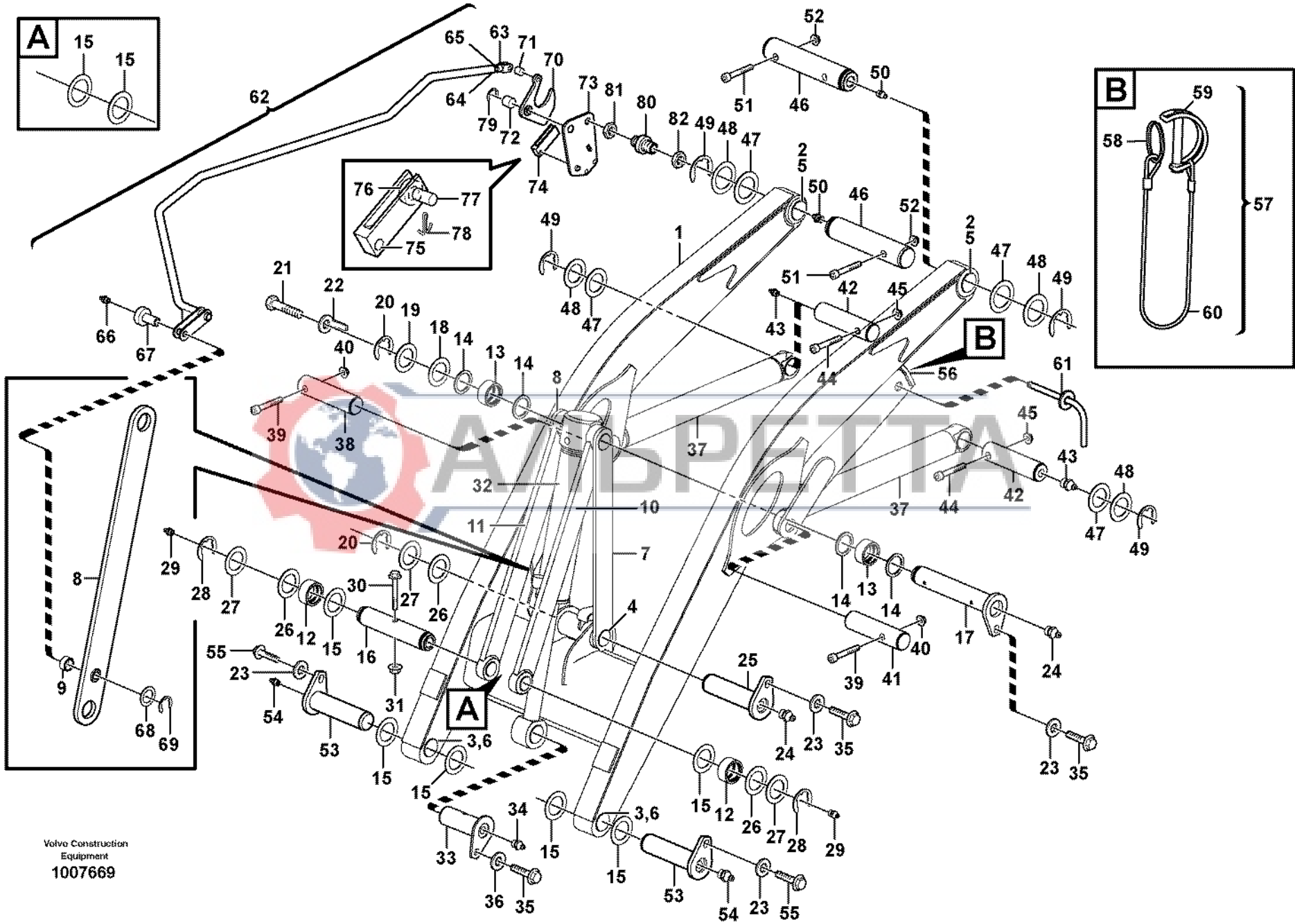
Valve Construction  
 Equipment  
 1007669

Fig.	Part No.	Quantity					P S	K T	Description	Dénomination	Bezeichnung	Denominación	Benämning	Notes
		1	2	3	4	5								
31	VOE 13971098	1						Flange nut.....	Ecrou accouple. ....	Bundmutter .....	Tuerca embridad ....	Flänsmutter.....		
32		1						Tilt Cylinder.....	Verin inclinaison .....	Neigungszylinderr .....	Maquina inclinacio..	Tiltcylinder.....	See group 945, Page 757	
33	VOE 11884182	1						Pin.....	Goupille .....	Zapfen.....	Pasador .....	Tapp.....		
34	VOE 914167	1						Nipple.....	Raccord .....	Nippel.....	Niple .....	Nippel.....		
35	VOE 974428	3						Flange screw .....	Vis à bride .....	Flanschschraube ....	Torn embridado .....	Flänsskruv.....		
36	VOE 11884170	1						Spacer .....	Entretoise .....	Abstandstueck .....	Casquillo distancia .	Distans.....		
37		2						Lifting cylinder.....	Verin levage .....	Hubzylinder .....	Cilindro elevacion ...	Lyftcylinder.....	See group 945, Page 755	
38	VOE 11883381	1						Pin.....	Goupille .....	Zapfen.....	Pasador .....	Tapp.....		
39	VOE 967640	2						Screw.....	Vis .....	Schraube .....	Tornillo.....	Skruv.....		
40	VOE 13971068	2						Hexagon Nut.....	Ecrou Hexagonal....	Sechskantmutter .....	Tuerca Hexagon.....	Sexkantsmutter.....		
41	VOE 11882477	1						Pin.....	Goupille .....	Zapfen.....	Pasador .....	Tapp.....	(VOE 11882421)	
42	VOE 11883858	2						Pin.....	Goupille .....	Zapfen.....	Pasador .....	Tapp.....		
43	VOE 914167	2						Nipple.....	Raccord .....	Nippel.....	Niple .....	Nippel.....		
44	VOE 13965190	2						Screw.....	Vis .....	Schraube .....	Tornillo.....	Skruv.....		
45	VOE 13971098	2						Flange nut.....	Ecrou accouple. ....	Bundmutter .....	Tuerca embridad ....	Flänsmutter.....		
46	VOE 11883029	2						Pin.....	Goupille .....	Zapfen.....	Pasador .....	Tapp.....		
47	VOE 11890117	4						Washer .....	Rondelle .....	Scheibe .....	Arandela .....	Bricka.....	THICK = 2 MM	
48	VOE 11890118	4						Washer .....	Rondelle .....	Scheibe .....	Arandela .....	Bricka.....	THICK = 3 MM	
49	VOE 11890109	4						Snap Ring .....	Circlip .....	Nutring .....	Circlip .....	Spårring.....		
50	VOE 914167	2						Nipple.....	Raccord .....	Nippel.....	Niple .....	Nippel.....		
51	VOE 968237	2						Flange screw .....	Vis à bride .....	Flanschschraube ....	Torn embridado .....	Flänsskruv.....		
52	VOE 13971098	2						Flange nut.....	Ecrou accouple. ....	Bundmutter .....	Tuerca embridad ....	Flänsmutter.....		
53	VOE 11882428	2						Pin.....	Goupille .....	Zapfen.....	Pasador .....	Tapp.....		
54	VOE 914167	2						Nipple.....	Raccord .....	Nippel.....	Niple .....	Nippel.....		
55	VOE 968589	2						Flange screw .....	Vis à bride .....	Flanschschraube ....	Torn embridado .....	Flänsskruv.....		
56	VOE 11884758	1						Saf Catch Kit.....	Kit Bloc.secur. ....	Sichriegelsatz .....	Jueg Bloq Segur....	Säkerhetspårsats....		
57	VOE 11883476	1						•Safety Strap.....	•Elingu.securite .....	•Zurband .....	•Estrobo Segurid ....	•Säkerhetsstropp....		
58	VOE 11884616	1						••Ring.....	••Anneau .....	••Ring .....	••Anillo .....	••Ring.....		
59	VOE 11884614	1				OP		••Spring Pin.....	••Axe de ressort.....	••Federstift .....	••Pasador Resorte..	••Fjäderpinne.....		
60	VOE 11881557	1						••Steel Wire.....	••Fil Acier.....	••Stahldraht .....	••Alambre .....	••Ståltråd.....		



1	11880002 S/N - 11144	<b>Lyftramverk med monteringsdetaljer</b> <b>Bastidor elevación con piezas de montaje</b> <b>Hubgerüst mit Anbauteilen</b> <b>Chassis levage avec pièces de montage</b> <b>Lifting framework with assembly parts</b>	Catalogue id	Group
2	11891005 S/N - 11144		<b>20004</b>	<b>945</b>
3	11891020 S/N - 11144		Illustr. No	Section
4	11891065 S/N - 11144		<b>1007669</b>	<b>150</b>
5			Issue	Page
		<b>VOE 63G9920004</b>	<b>743</b>	





Valve Construction  
 Equipment  
 1007669



Fig.	Part No.	Quantity					P S	K T	Description	Dénomination	Bezeichnung	Denominación	Benämning	Notes
		1	2	3	4	5								
61	VOE 11882476	1						Pin.....	Goupille.....	Zapfen.....	Pasador.....	Tapp.....		
62	VOE 11884793		1	1	1			Linkage.....	Syst.articulat.....	Gelenksystem.....	Sistem Articul.....	Länksystem.....		
63	VOE 11881413		1	1	1			•Fork.....	•Fourche.....	•Gabel.....	•Horquilla.....	•Gaffel.....		
64	VOE 13971072		1	1	1			•Hexagon Nut.....	•Ecrou Hexagonal..	•Sechskantmutter....	•Tuerca Hexagon....	•Sexkantsmutter....		
65	VOE 11885207		1	1	1			•Pin.....	•Goupille.....	•Zapfen.....	•Pasador.....	•Tapp.....		
66	VOE 914167		1	1	1			•Nipple.....	•Raccord.....	•Nippel.....	•Niple.....	•Nippel.....		
67	VOE 11885429		1	1	1			•Axle.....	•Axe Rotatif.....	•Wellenzapfen.....	•Eje.....	•Axeltapp.....		
68	VOE 13955900		1	1	1			•Washer.....	•Rondelle.....	•Scheibe.....	•Arandela.....	•Bricka.....		
69	VOE 914450		1	1	1			•Snap Ring.....	•Circlip.....	•Nutring.....	•Circlip.....	•Spårring.....		
70	VOE 11887039		1	1	1			Cam.....	Came.....	Nocken.....	Leva.....	Kam.....		
71	VOE 968942		1	1	1			•Bearing Bushing....	•Coussinet.....	•Lagerbuchse.....	•Casq Cojinete.....	•Lagerbussning.....		
72	VOE 966722		1	1	1			•Bearing Bushing....	•Coussinet.....	•Lagerbuchse.....	•Casq Cojinete.....	•Lagerbussning.....		
73	VOE 11883004		1	1	1			Support.....	Support.....	Stütze.....	Apoyo.....	Stöd.....		
74	VOE 11883130		1	1	1			Lever.....	Levier.....	Hebel.....	Palanca.....	Hävarm.....		
75	VOE 942594		1	1	1			•Bearing Bushing....	•Coussinet.....	•Lagerbuchse.....	•Casq Cojinete.....	•Lagerbussning.....		
76	VOE 11882999		1	1	1			•Roller.....	•Galet.....	•Rolle.....	•Rodillo.....	•Rulle.....		
77	VOE 11883000		1	1	1			•Pin.....	•Goupille.....	•Zapfen.....	•Pasador.....	•Tapp.....		
78	VOE 907838		3	3	3			•Cotter Pin.....	•Goupille Fendue....	•Splint.....	•Pasador Hendido..	•Saxpinne.....		
79	VOE 914450		1	1	1			Snap Ring.....	Circlip.....	Nutring.....	Circlip.....	Spårring.....		
80	VOE 11881050		1	1	1			Pin.....	Goupille.....	Zapfen.....	Pasador.....	Tapp.....		
81	VOE 11883692		1	1	1			Nut.....	Ecrou.....	Mutter.....	Tuerca.....	Mutter.....		
82	VOE 11881654		1	1	1			Nut.....	Ecrou.....	Mutter.....	Tuerca.....	Mutter.....		

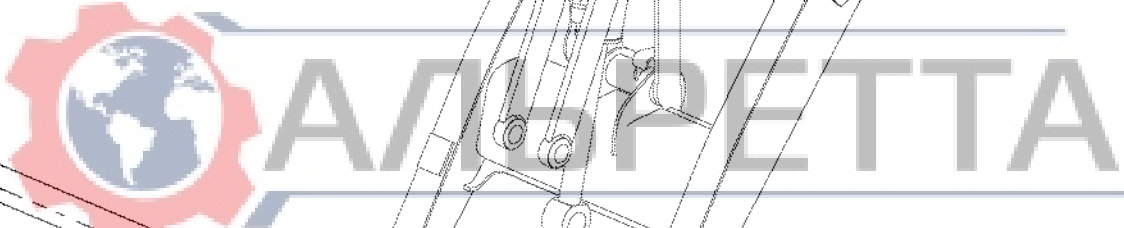
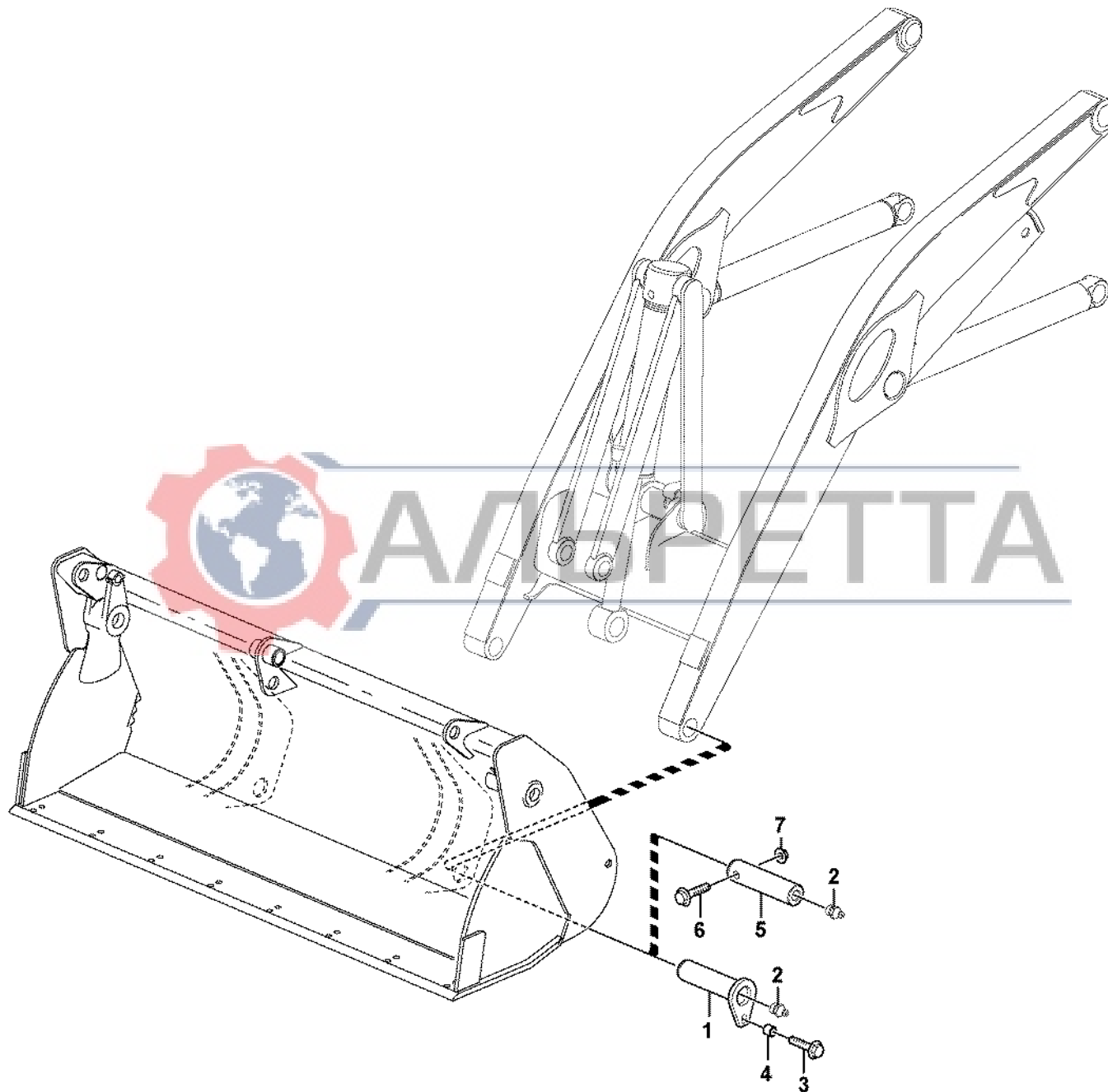


1	11880002 S/N - 11144	<b>Lyftramverk med monteringsdetaljer</b> <b>Bastidor elevación con piezas de montaje</b> <b>Hubgerüst mit Anbauteilen</b> <b>Chassis levage avec pièces de montage</b> <b>Lifting framework with assembly parts</b>	Catalogue id	Group
2	11891005 S/N - 11144		<b>20004</b>	<b>945</b>
3	11891020 S/N - 11144		Illustr. No	Section
4	11891065 S/N - 11144		<b>1007669</b>	<b>150</b>
5			Issue	Page
			<b>VOE 63G9920004</b>	<b>745</b>

**VOLVO**

**BL70**





Volvo Construction  
Equipment  
1023838

Fig.	Part No.	Quantity			P S	K I T	Description	Dénomination	Bezeichnung	Denominación	Benämning	Notes
		1	2	3								
1	VOE 11882428	2				Pin.....	Goupille.....	Zapfen.....	Pasador.....	Tapp.....		
2	VOE 914167	2	2			Nipple.....	Raccord.....	Nippel.....	Niple.....	Nippel.....		
3	VOE 968589	2				Flange screw.....	Vis à bride.....	Flanschschraube.....	Torn embridado.....	Flänsskruv.....		
4	VOE 11884168	2				Spacer.....	Entretoise.....	Abstandstueck.....	Casquillo distanciad ..	Distans.....		
5	VOE 11888037		2			Pin.....	Goupille.....	Zapfen.....	Pasador.....	Tapp.....		
6	VOE 13965190		2			Screw.....	Vis.....	Schraube.....	Tornillo.....	Skruv.....		
7	VOE 13971098		2			Flange nut.....	Ecrou accouple.....	Bundmutter.....	Tuerca embridad .....	Flänsmutter.....		



1	11891561	<b>Axeltappar för infästning av skopa</b> <b>Muñones para fijación de cuchara</b> <b>Bolzen zur Befestigung der Schaufel</b> <b>Pivots d'axe pour fixation de godet</b> <b>Pins for mounting bucket</b>	Catalogue id	Group
2	11891539		<b>20004</b>	<b>945</b>
3			Illustr. No	Section
4			<b>1023838</b>	<b>160</b>
5			Issue	Page
			<b>VOE 63G9920004</b>	<b>747</b>

**VOLVO**

**BL70**





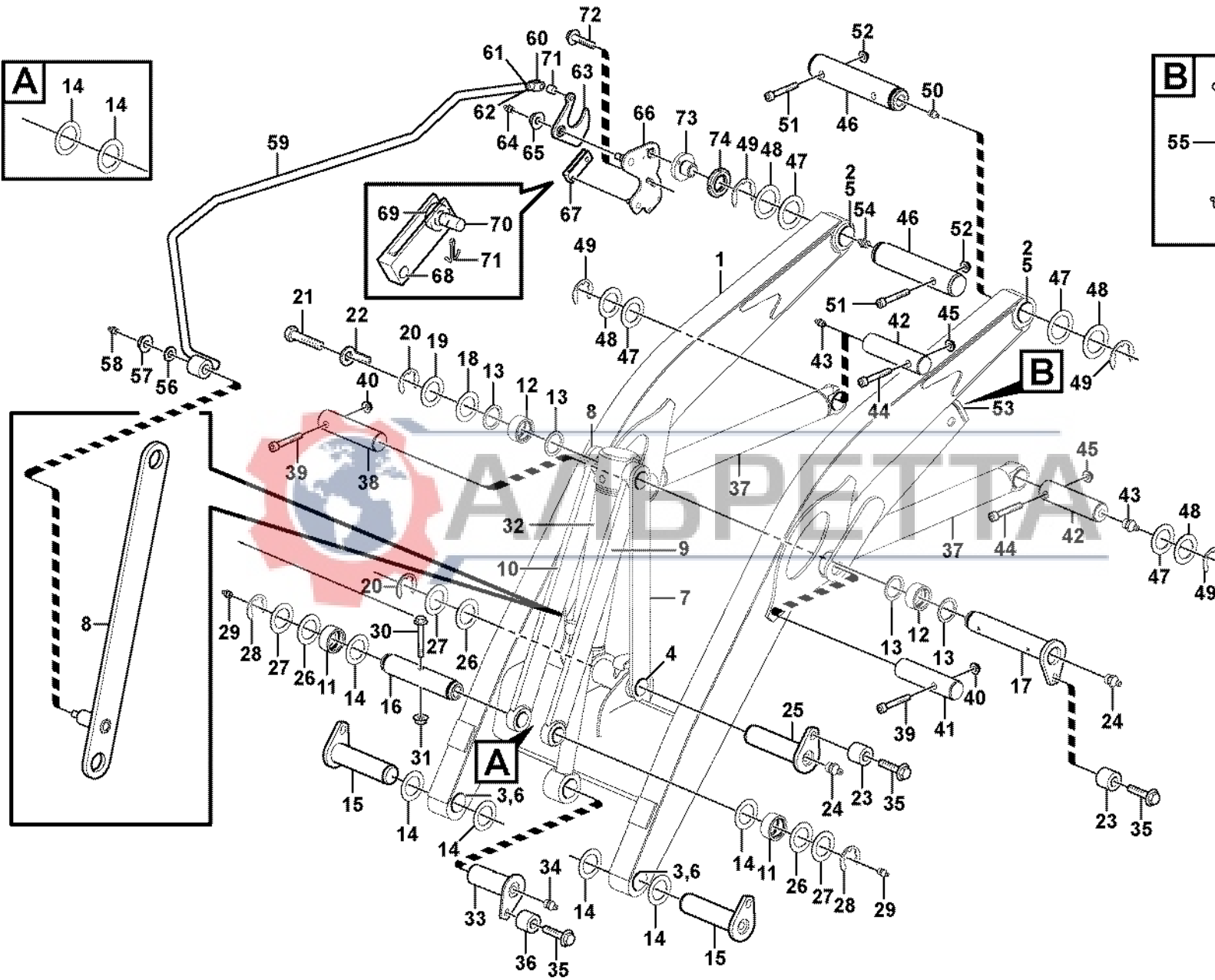
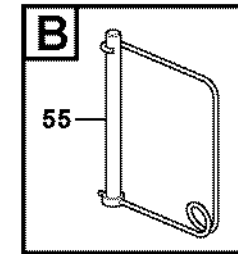
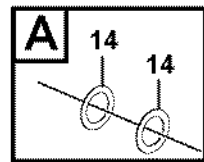


Fig.	Part No.	Quantity			P S	K I T	Description	Dénomination	Bezeichnung	Denominación	Benämning	Notes
		1	2	3								
1	VOE 11889130	1				Loader arm.....	Bras de chargeur .....	Laderhübarm.....	Brazo de cargador.....	Lastarm.....		
2	VOE 11883772	2				•Bushing.....	•Bague .....	•Buchse .....	•Casquillo .....	•Bussning.....		
3	VOE 11883802	2				•Bushing.....	•Bague .....	•Buchse .....	•Casquillo .....	•Bussning.....		
4	VOE 11883803	2				•Bushing.....	•Bague .....	•Buchse .....	•Casquillo .....	•Bussning.....		
5	VOE 11890069	2				Seal.....	Joint .....	Dichtung .....	Reten.....	Tätning.....		
6	VOE 11882456	2				Seal.....	Joint .....	Dichtung .....	Reten.....	Tätning.....		
7	VOE 11884638	1				Link .....	Articulation .....	Gelenk.....	Articulacion.....	Länk.....	LH	
8	VOE 11887308	1				Arm .....	Bras.....	Arm.....	Brazo.....	Arm.....	RH	
9	VOE 11884822	1				Link .....	Articulation .....	Gelenk.....	Articulacion.....	Länk.....	LH	
10	VOE 11884815	1				Link .....	Articulation .....	Gelenk.....	Articulacion.....	Länk.....	RH	
11	VOE 11883801	2				•Bushing.....	•Bague .....	•Buchse .....	•Casquillo .....	•Bussning.....		
12	VOE 11883857	2				•Bushing.....	•Bague .....	•Buchse .....	•Casquillo .....	•Bussning.....		
13	VOE 11883937	4				Scraper .....	Racloir.....	Abstreicher.....	Rascador.....	Skrapa.....		
14	VOE 11882456	8				Seal.....	Joint .....	Dichtung .....	Reten.....	Tätning.....		
15		2				Pin.....	Goupille.....	Zapfen.....	Pasador.....	Tapp.....	See group 945, Page 747	
16	VOE 11882932	1				Pin.....	Goupille.....	Zapfen.....	Pasador.....	Tapp.....		
17	VOE 11888280	1				Pin.....	Goupille.....	Zapfen.....	Pasador.....	Tapp.....		
18	VOE 11883929	1				Washer.....	Rondelle.....	Scheibe.....	Arandela.....	Bricka.....	THICK = 2 MM	
19	VOE 11883930	1				Washer.....	Rondelle.....	Scheibe.....	Arandela.....	Bricka.....	THICK = 3 MM	
20	VOE 11890110	2				Snap Ring.....	Circlip.....	Nutring.....	Circlip.....	Spårring.....		
21	VOE 13965191	1				Flange screw.....	Vis à bride.....	Flanschschraube.....	Torn embridado.....	Flänsskruv.....		
22	VOE 11884117	1				Indicator.....	Indicateur.....	Indikator.....	Indicador.....	Indikator.....		
23	VOE 11884168	2				Spacer.....	Entretoise.....	Abstandstueck.....	Casquillo distanciad.....	Distans.....		
24	VOE 914167	2				Nipple.....	Raccord.....	Nippel.....	Niple.....	Nippel.....		
25	VOE 11883032	1				Pin.....	Goupille.....	Zapfen.....	Pasador.....	Tapp.....		
26	VOE 11890115	REQ				Washer.....	Rondelle.....	Scheibe.....	Arandela.....	Bricka.....	THICK = 2 MM	
27	VOE 11890116	REQ				Washer.....	Rondelle.....	Scheibe.....	Arandela.....	Bricka.....	THICK = 3 MM	
28	VOE 11890110	2				Snap Ring.....	Circlip.....	Nutring.....	Circlip.....	Spårring.....		
29	VOE 914167	2				Nipple.....	Raccord.....	Nippel.....	Niple.....	Nippel.....		
30	VOE 969313	1				Flange screw.....	Vis à bride.....	Flanschschraube.....	Torn embridado.....	Flänsskruv.....		

1		<b>Lyftramverk med monteringsdetaljer</b>	Catalogue id	Group
2		<b>Bastidor elevación con piezas de montaje</b>	<b>20004</b>	<b>945</b>
3		<b>Hubgerüst mit Anbauteilen</b>	Illustr. No	Section
4		<b>Chassis levage avec pièces de montage</b>	<b>1024718</b>	<b>175</b>
5		<b>Lifting framework with assembly parts</b>	Issue	Page
		<b>11880002, S/N 11145 -</b>	<b>VOE 63G9920004</b>	<b>749</b>

**VOLVO**

**BL70**

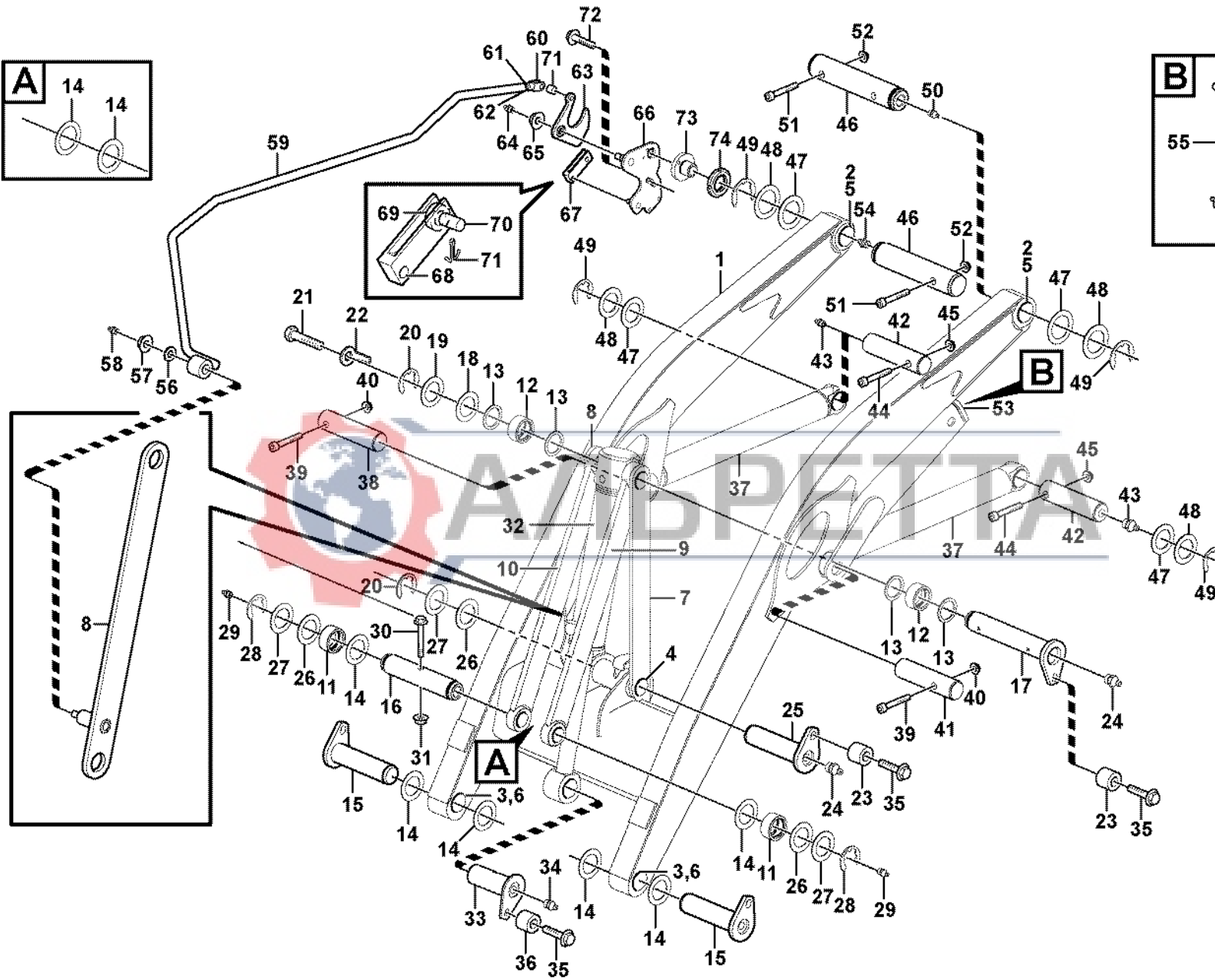
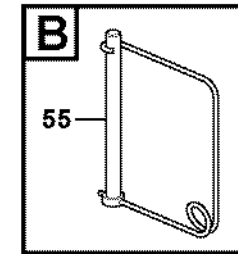
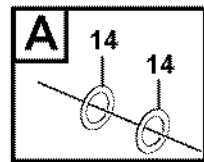


Fig.	Part No.	Quantity			P S	K I T	Description	Dénomination	Bezeichnung	Denominación	Benämning	Notes
		1	2	3								
31	VOE 13971098	1				Flange nut.....	Ecrou accouple.....	Bundmutter.....	Tuerca embridad.....	Flänsmutter.....		
32		1				Tilt Cylinder.....	Verin inclinaison.....	Neigungszylinderr.....	Maquina inclinacion.....	Tiltcylinder.....	See group 945, Page 757	
33	VOE 11884182	1				Pin.....	Goupille.....	Zapfen.....	Pasador.....	Tapp.....		
34	VOE 914167	1				Nipple.....	Raccord.....	Nippel.....	Niple.....	Nippel.....		
35	VOE 974428	3				Flange screw.....	Vis à bride.....	Flanschschrabe.....	Torn embridado.....	Flänsskruv.....		
36	VOE 11884170	1				Spacer.....	Entretoise.....	Abstandstueck.....	Casquillo distanciad.....	Distans.....		
37		2				Lifting cylinder.....	Verin levage.....	Hubzylinder.....	Cilindro elevacion.....	Lyftcylinder.....	See group 945, Page 755	
38	VOE 11888366	1				Pin.....	Goupille.....	Zapfen.....	Pasador.....	Tapp.....		
39	VOE 967640	2				Screw.....	Vis.....	Schraube.....	Tornillo.....	Skruv.....		
40	VOE 983304	2				Hexagon Nut.....	Ecrou Hexagonal.....	Sechskantmutter.....	Tuerca Hexagon.....	Sexkantsmutter.....		
41	VOE 11883381	1				Pin.....	Goupille.....	Zapfen.....	Pasador.....	Tapp.....	(VOE 11882421)	
42	VOE 11883858	2				Pin.....	Goupille.....	Zapfen.....	Pasador.....	Tapp.....		
43	VOE 914167	2				Nipple.....	Raccord.....	Nippel.....	Niple.....	Nippel.....		
44	VOE 967640	2				Screw.....	Vis.....	Schraube.....	Tornillo.....	Skruv.....		
45	VOE 13971098	2				Flange nut.....	Ecrou accouple.....	Bundmutter.....	Tuerca embridad.....	Flänsmutter.....		
46	VOE 11883029	2				Pin.....	Goupille.....	Zapfen.....	Pasador.....	Tapp.....		
47	VOE 11890117	REQ				Washer.....	Rondelle.....	Scheibe.....	Arandela.....	Bricka.....	THICK = 2 MM	
48	VOE 11890118	REQ				Washer.....	Rondelle.....	Scheibe.....	Arandela.....	Bricka.....	THICK = 3 MM	
49	VOE 11890109	4				Snap Ring.....	Circlip.....	Nutring.....	Circlip.....	Spärring.....		
50	VOE 914167	1				Nipple.....	Raccord.....	Nippel.....	Niple.....	Nippel.....		
51	VOE 968237	2				Flange screw.....	Vis à bride.....	Flanschschrabe.....	Torn embridado.....	Flänsskruv.....		
52	VOE 13971098	2				Flange nut.....	Ecrou accouple.....	Bundmutter.....	Tuerca embridad.....	Flänsmutter.....		
53	VOE 11888616	2				Safety Brace.....	Etrier Securite.....	Sicherungsbugel.....	Brida Seguridad.....	Säkringsbygel.....		
54	VOE 11887317	1				Lubricating nipple.....	Graisseur.....	Schmiernippel.....	Engrasador.....	Smörjnippel.....		
55	VOE 11888737	1				•Lock brace.....	•Etrier de verrouillage.....	•Sperrklinke.....	•Brazo Seguridad.....	•Låsbygel.....		
56	VOE 983338	1				Washer.....	Rondelle.....	Scheibe.....	Arandela.....	Bricka.....		
57	VOE 13967934	1				Flange Lock Nut.....	Contre écrou bride.....	Flanschmutter.....	Contratuer Embr.....	Flänslåsmutter.....		
58	VOE 914167	1				Nipple.....	Raccord.....	Nippel.....	Niple.....	Nippel.....		
59	VOE 11887325	1				Tube.....	Tube.....	Rohr.....	Tube.....	Rör.....		
60	VOE 11881413	1				Fork.....	Fourche.....	Gabel.....	Horquilla.....	Gaffel.....		

1		<b>Lyftframverk med monteringsdetaljer</b> <b>Bastidor elevación con piezas de montaje</b> <b>Hubgerüst mit Anbauteilen</b> <b>Chassis levage avec pièces de montage</b> <b>Lifting framework with assembly parts</b>	Catalogue id	Group
2			<b>20004</b>	<b>945</b>
3			Illustr. No	Section
4			<b>1024718</b>	<b>175</b>
5			Issue	Page
		<b>11880002, S/N 11145 -</b>	<b>VOE 63G9920004</b>	<b>751</b>

**VOLVO**

**BL70**

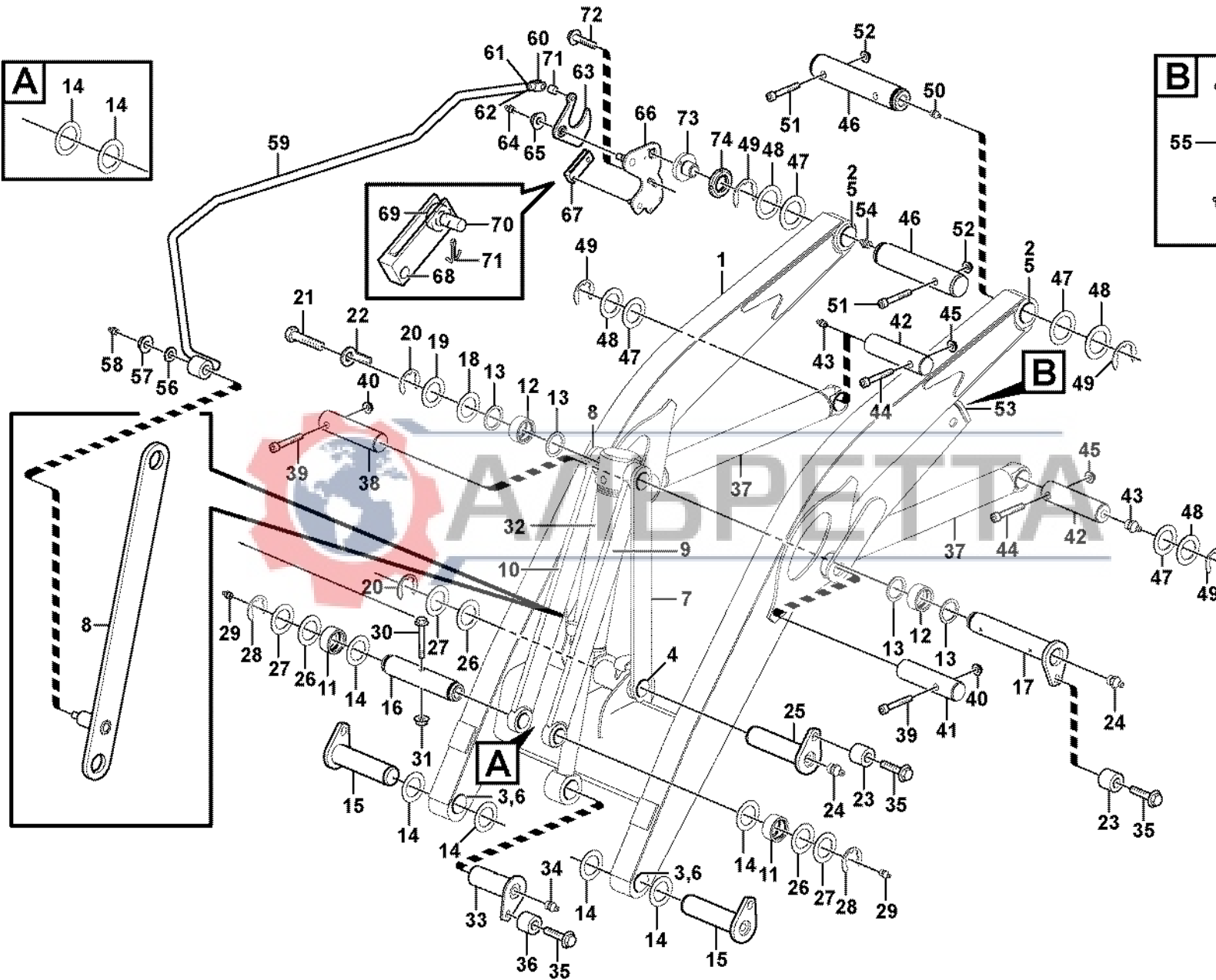
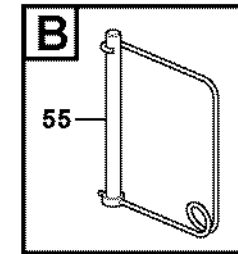
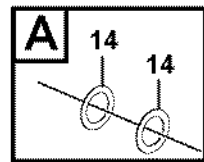


Fig.	Part No.	Quantity			P S	K I T	Description	Dénomination	Bezeichnung	Denominación	Benämning	Notes
		1	2	3								
61	VOE 971081	1				Hexagon Nut.....	Ecrou Hexagonal .....	Sechskantmutter .....	Tuerca Hexagon.....	Sexkantsmutter.....		
62	VOE 11888748	1				Rod .....	Tringle.....	Stange.....	Tirante .....	Stång.....		
63	VOE 11887303	1				Cam .....	Came .....	Nocken .....	Leva .....	Kam.....		
64	VOE 914167	1				Nipple.....	Raccord.....	Nippel.....	Niple .....	Nippel.....		
65	VOE 13967934	1				Flange Lock Nut.....	Contre écrou bride .....	Flanschmutter .....	Contratuer Embr.....	Flänslåsmutter.....		
66	VOE 11887302	1				Support .....	Support .....	Stütze .....	Apoyo .....	Stöd.....		
67	VOE 11888274	1				Bracket.....	Console.....	Konsole .....	Ménsula.....	Konsol.....		
68	VOE 11887440	1				Bushing.....	Bague.....	Buchse .....	Casquillo .....	Bussning.....		
68	VOE 11882999	1				Roller.....	Galet .....	Rolle .....	Rodillo .....	Rulle.....		
70	VOE 11883000	1				Pin.....	Goupille.....	Zapfen .....	Pasador.....	Tapp.....		
71	VOE 907838	3				Cotter Pin.....	Goupille Fendue.....	Splint .....	Pasador Hendido .....	Saxpinne.....		
72	VOE 946440	2				Flange screw.....	Vis à bride .....	Flanschschraube.....	Torn embridado.....	Flänsskruv.....		
73	VOE 11887329	1				Support Pin .....	Goupille Appui.....	Stützapfen .....	Pasador Apoyo.....	Stödtapp.....		
74	VOE 11881654	1				Nut .....	Ecrou.....	Mutter .....	Tuerca .....	Mutter.....		



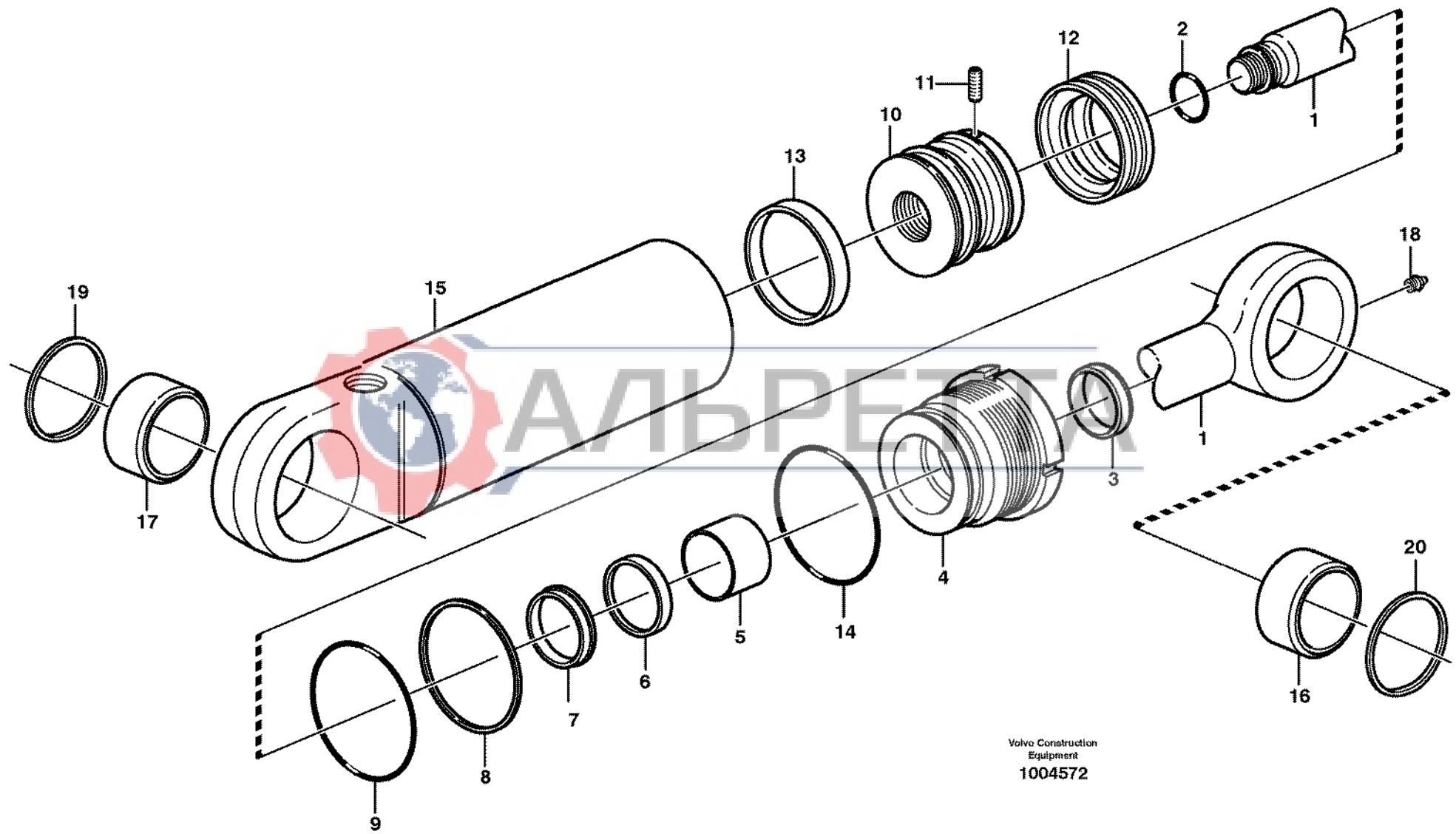
1	<b>Lyftramverk med monteringsdetaljer</b> <b>Bastidor elevación con piezas de montaje</b> <b>Hubgerüst mit Anbauteilen</b> <b>Chassis levage avec pièces de montage</b> <b>Lifting framework with assembly parts</b> <b>11880002, S/N 11145 -</b>	Catalogue id	Group
2		<b>20004</b>	<b>945</b>
3		Illustr. No	Section
4		<b>1024718</b>	<b>175</b>
5		Issue	Page
		<b>VOE 63G9920004</b>	<b>753</b>

**VOLVO**

**BL70**







Volvo Construction  
Equipment  
1004572

Fig.	Part No.	Quantity			P S	K I T	Description	Dénomination	Bezeichnung	Denominación	Benämning	Notes
		1	2	3								
	<b>VOE 11883975</b>	1				Cylinder.....	Cylindre.....	Zylinder.....	Cilindro.....	Cylinder.....	LH See group 945, Page 741	
	<b>VOE 11883976</b>	1				Cylinder.....	Cylindre.....	Zylinder.....	Cilindro.....	Cylinder.....	RH See group 945, Page 741	
1	<b>VOE 11988262</b>	1	1			•Piston rod.....	•Bielle de piston.....	•Kolbenstange.....	•Biela de piston.....	•Kolvstång.....		
2		1	1	NS K		•O-ring.....	•Joint Torique.....	•O-Ring.....	•Junta torica.....	•O-ring.....		
3		1	1	NS K		•Scraper.....	•Racleur.....	•Abstreifring.....	•Aro rascador.....	•Avstrykare.....		
4	<b>VOE 11709613</b>	1	1	OP		•Pstn Rod Guide.....	•Gui.tige Piston.....	•Ko-stang Fuhrg.....	•Guia Var Piston.....	•Kolvst.styrning.....		
5		1	1	NS K		•Guide Ring.....	•Bague Guide.....	•Führungsring.....	•Anillo Guia.....	•Styrring.....		
6		1	1	NS K		•Piston Rod Seal.....	•Eta.tige Piston.....	•Ko-stang Dichtg.....	•Reten Var Pist.....	•Kolvstångstätt.....		
7		1	1	NS K		•Lock Ring.....	•Anneau Verrouillage.....	•Schlossring.....	•Anillo Segurid.....	•Låsring.....		
8		1	1	NS K		•Back-up ring.....	•Rondelle anti-extrusi.....	•Stützring.....	•Anillo Apoyo.....	•Stödring.....		
9		1	1	NS K		•O-ring.....	•Joint Torique.....	•O-Ring.....	•Junta torica.....	•O-ring.....		
10	<b>VOE 11709614</b>	1	1	OP		•Piston.....	•Piston.....	•Kolben.....	•Piston.....	•Kolv.....		
11		1	1	NS K		•Screw.....	•Vis.....	•Schraube.....	•Tornillo.....	•Skruv.....		
12		1	1	NS K		•Piston seal.....	•Etanchei.piston.....	•Kolbendichtung.....	•Reten piston.....	•Kolvtätning.....		
13		1	1	NS K		•Guide Ring.....	•Bague Guide.....	•Führungsring.....	•Anillo Guia.....	•Styrring.....		
14		1	1	NS K		•O-ring.....	•Joint Torique.....	•O-Ring.....	•Junta torica.....	•O-ring.....		
15		1	1	NS		•Cylinder tube.....	•Tube cylindre.....	•Zylinderrohr.....	•Tubo cilindro.....	•Cylinderrör.....		
16	<b>VOE 11711136</b>	1	1			•Bushing.....	•Bague.....	•Buchse.....	•Casquillo.....	•Bussning.....	(VOE 11709615)	
17	<b>VOE 11988263</b>	1	1			•Bushing.....	•Bague.....	•Buchse.....	•Casquillo.....	•Bussning.....		
18	<b>VOE 11709664</b>	1	1			•Lub Nipple.....	•Graisseur.....	•Schmiernippel.....	•Engrasador.....	•Smörjnippel.....		
19	<b>VOE 11709602</b>	2	2			Scraper.....	Racloir.....	Abstreicher.....	Rascador.....	Skrapa.....		
20	<b>VOE 11709616</b>	2	2			Scraper.....	Racloir.....	Abstreicher.....	Rascador.....	Skrapa.....		
	<b>VOE 11709617</b>	1	1			Sealing Kit.....	Jeu Joints.....	Dichtungssatz.....	Juego Retenes.....	Tätningssats.....		

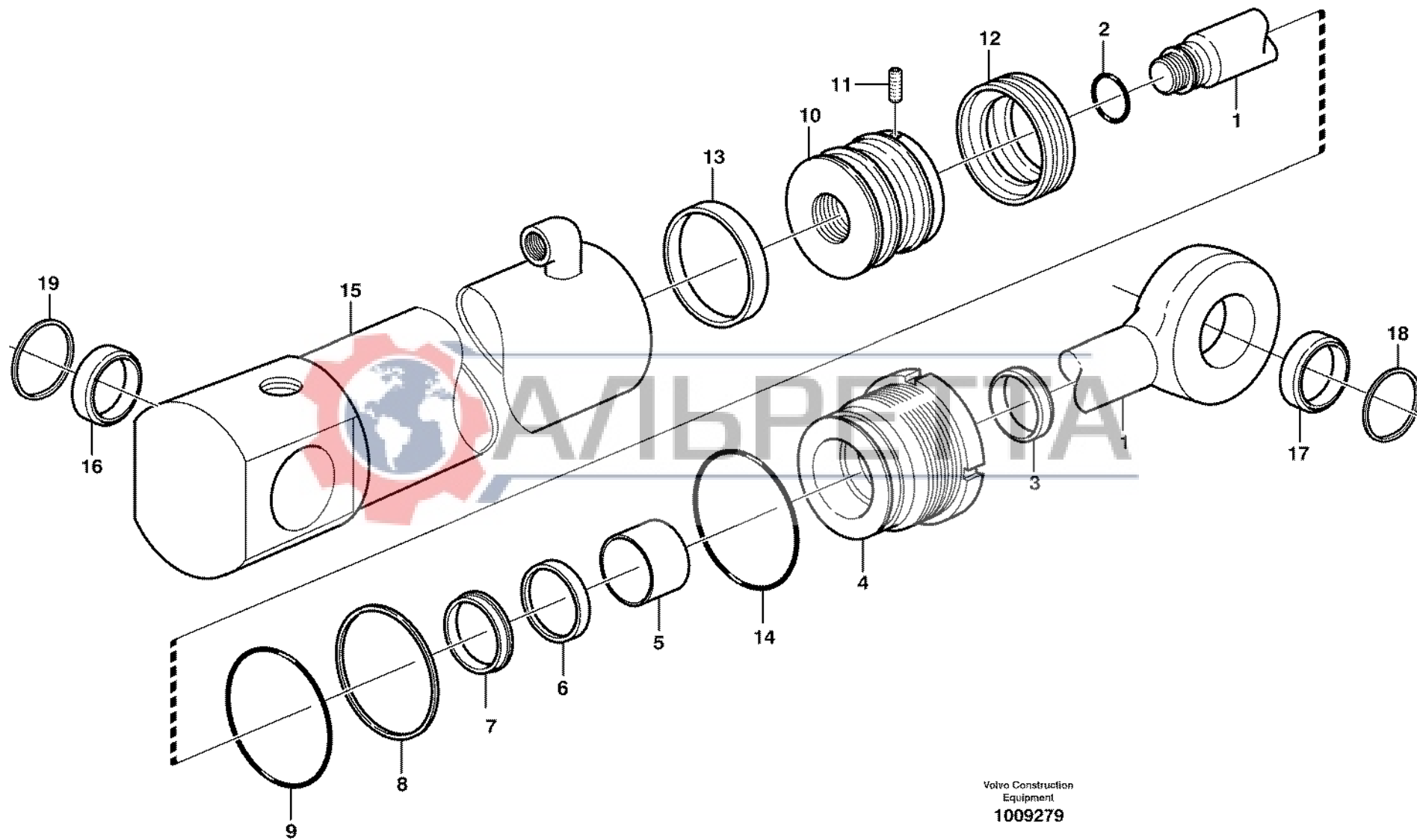
1	11883975	Hydraulic cylinder lyft Hydraulic cylinder lifting Hydraulic cylinder lifting Hydraulic cylinder lifting Hydraulic cylinder lifting	Catalogue id	Group
2	11883976		<b>20004</b>	<b>945</b>
3			Illustr. No	Section
4			<b>1004572</b>	<b>200</b>
5			Issue	Page
			<b>VOE 63G9920004</b>	<b>755</b>
			<b>11891005, 11891020, 11891065</b>	

**VOLVO**

**BL70**







Volvo Construction  
Equipment  
1009279

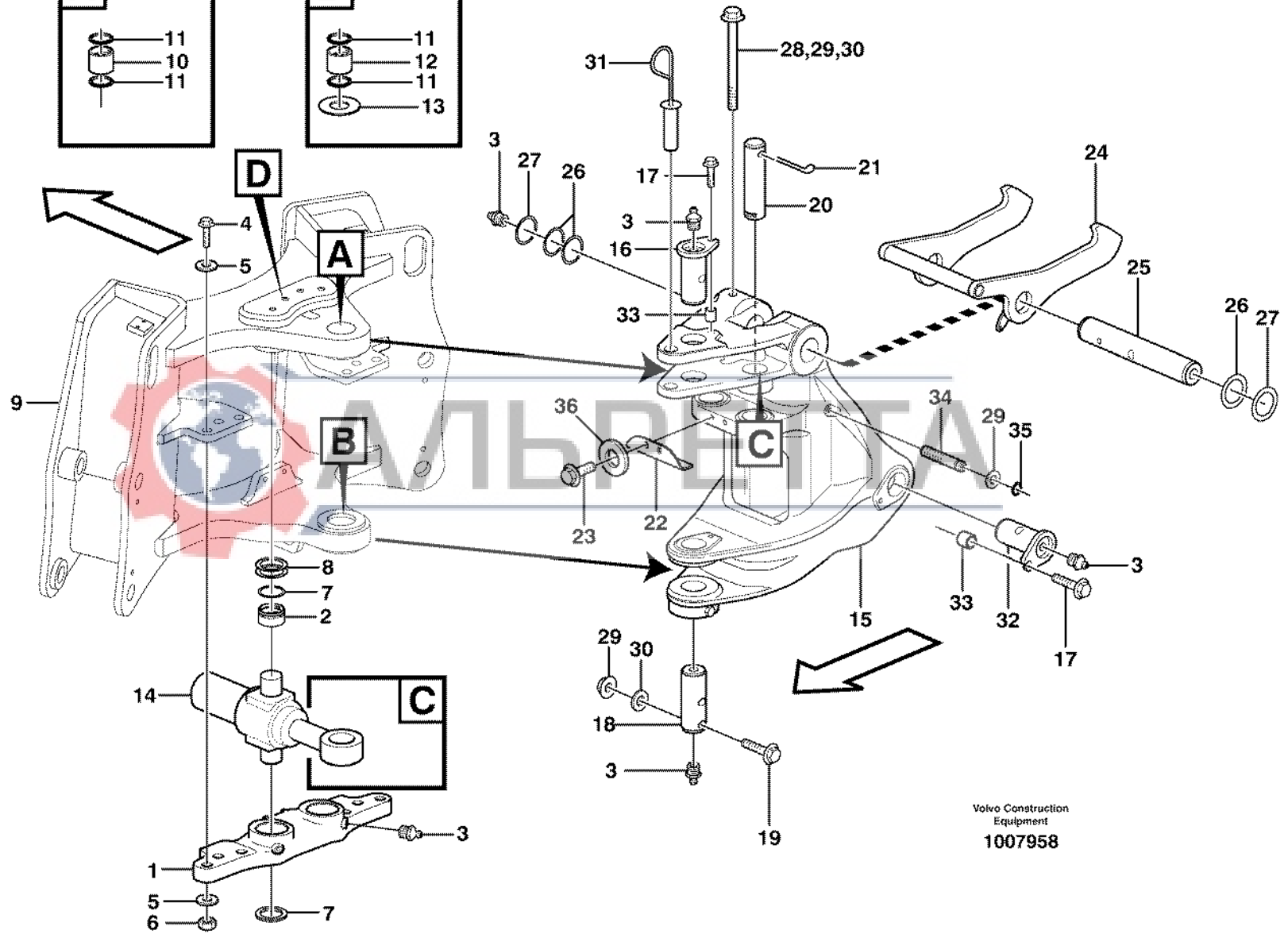
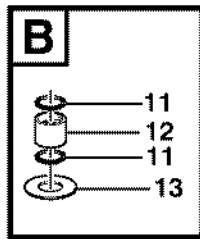
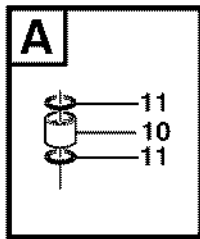
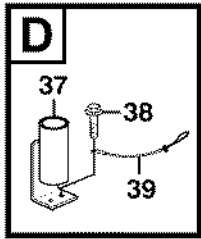
Fig.	Part No.	Quantity			P S	K I T	Description	Dénomination	Bezeichnung	Denominación	Benämning	Notes
		1	2	3								
	<b>VOE 11885484</b>	1				Cylinder.....	Verin.....	Zylinder .....	Cilindro .....	Cylinder.....		
	<b>VOE 11883977</b>		1			Hydraulic cylinder.....	Vérin hydraulique .....	Hydraulzylinder .....	Cilindro hidráulico.....	Hydraulcylinder.....		
1	<b>VOE 11988259</b>	1	1			•Piston rod .....	•Bielle de piston .....	•Kolbenstange .....	•Biela de piston .....	•Kolvstång.....		
2		1	1	NS K		•O-ring.....	•Joint Torique .....	•O-Ring.....	•Junta torica .....	•O-ring.....		
3		1	1	NS K		•Scraper .....	•Racleur .....	•Abstreifring.....	•Aro rascador .....	•Avstrykare.....		
4	<b>VOE 11709619</b>	1	1	OP		•Pstn Rod Guide .....	•Gui.tige Piston .....	•Ko-stang Fuhrg .....	•Guia Var Piston.....	•Kolvst.styrning.....		
5		1	1	NS K		•Guide Ring.....	•Bague Guide.....	•Führungsring.....	•Anillo Guia.....	•Styrring.....		
6		1	1	NS K		•Piston Rod Seal.....	•Eta.tige Piston.....	•Ko-stang Dichtg .....	•Reten Var Pist.....	•Kolvstångstättn.....		
7		1	1	NS K		•Lock Ring.....	•Anneau Verrouillage .....	•Schlossring .....	•Anillo Segurid.....	•Låsring.....		
8		1	1	NS K		•Back-up ring .....	•Rondelle anti-extrusi .....	•Stützring.....	•Anillo Apoyo .....	•Stödring.....		
9		1	1	NS K		•O-ring.....	•Joint Torique .....	•O-Ring.....	•Junta torica .....	•O-ring.....		
10	<b>VOE 11709620</b>	1	1	OP		•Piston.....	•Piston.....	•Kolben.....	•Piston .....	•Kolv.....		
11		1	1	NS K		•Screw.....	•Vis .....	•Schraube.....	•Tornillo .....	•Skruv.....		
12		1	1	NS K		•Piston seal .....	•Etanchei.piston .....	•Kolbendichtung .....	•Reten piston.....	•Kolvtätning.....		
13		1	1	NS K		•Guide Ring.....	•Bague Guide.....	•Führungsring.....	•Anillo Guia.....	•Styrring.....		
14		1	1	NS K		•O-ring.....	•Joint Torique .....	•O-Ring.....	•Junta torica .....	•O-ring.....		
15		1	1	NS		•Cylinder tube .....	•Tube cylindre .....	•Zylinderrohr.....	•Tubo cilindro .....	•Cylinderrör.....		
16	<b>VOE 11988260</b>	2	2			•Bushing.....	•Bague .....	•Buchse .....	•Casquillo .....	•Bussning.....		
17	<b>VOE 11711134</b>	1	1			•Bushing.....	•Bague .....	•Buchse .....	•Casquillo .....	•Bussning.....		
18	<b>VOE 11709616</b>	2				Scraper.....	Racloir.....	Abstreicher.....	Rascador.....	Skrapa.....		
19	<b>VOE 11712559</b>	2				Scraper.....	Racloir.....	Abstreicher.....	Rascador.....	Skrapa.....		
	<b>VOE 11709624</b>	1	1			Sealing Kit.....	Jeu Joints.....	Dichtungssatz.....	Juego Retenes .....	Tätningssats.....		

1	11885484	<b>Hydrauliccylinder Tilt</b> <b>Cilindro hidráulico, volcador</b> <b>Druckölzylinder, Kipphydraulik</b> <b>Cylindre hydraulique, culbutage</b> <b>Hydraulic cylinder Tilting</b>	Catalogue id	Group
2	11883977		<b>20004</b>	<b>945</b>
3			Illustr. No	Section
4			<b>1009279</b>	<b>300</b>
5			Issue	Page
			<b>VOE 63G9920004</b>	<b>757</b>
			<b>11891005, 11891020, 11891065, 11891208</b>	

**VOLVO**

**BL70**





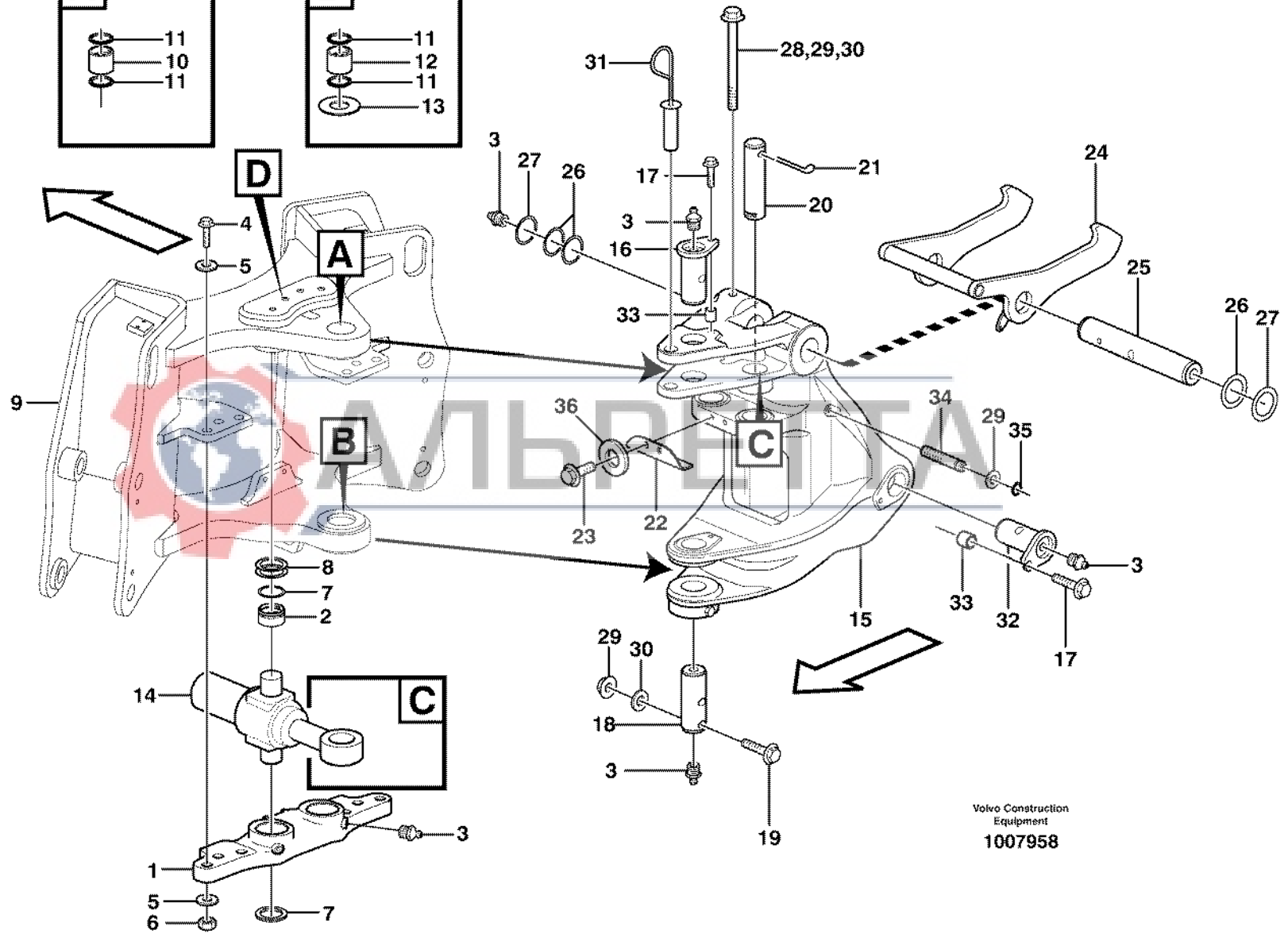
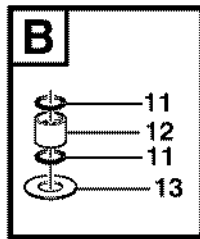
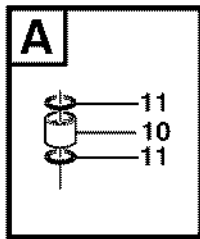
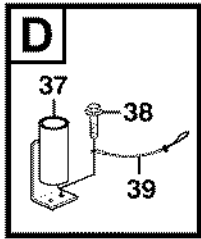
Volvo Construction  
Equipment  
1007958

Fig.	Part No.	Quantity			P S	K I T	Description	Dénomination	Bezeichnung	Denominación	Benämning	Notes
		1	2	3								
1	VOE 11883439	1				Center Plate .....	Plaque Centrale .....	Mittenblech .....	Placa Central .....	Centrumplåt .....	S/N - 10905	
	VOE 11887300	1				Center Plate .....	Plaque Centrale .....	Mittenblech .....	Placa Central .....	Centrumplåt .....	S/N 10906 -	
2	VOE 11883757	2				•Bushing .....	•Bague .....	•Buchse .....	•Casquillo .....	•Bussning .....		
3	VOE 914167	7				Nipple .....	Raccord .....	Nippel .....	Niple .....	Nippel .....		
4	VOE 13963362	6				Hexagon screw .....	Vis tête hexagonale .....	Sechskantschraube .....	Tornillo hexago .....	Sexkantsskruv .....		
5	VOE 955905	12				Washer .....	Rondelle .....	Scheibe .....	Arandela .....	Bricka .....		
6	VOE 983312	6				Hexagon Nut .....	Ecrou Hexagonal .....	Sechskantmutter .....	Tuerca Hexagon .....	Sexkantsmutter .....		
7	VOE 11881489	6				Scraper .....	Racloir .....	Abstreicher .....	Rascador .....	Skrapa .....		
8	VOE 11882660	6				Shim .....	Cale d'épaisseur .....	Ausgleichscheibe .....	Suplementos de ajus .....	Mellanlägg .....		
9		1				Frame .....	Chassis .....	Rahmen .....	Bastidor .....	Ram .....	See group 711, Page 417	
10		1				Bushing .....	Bague .....	Buchse .....	Casquillo .....	Bussning .....	See group 711, Page 417	
11		6				Scraper .....	Racloir .....	Abstreicher .....	Rascador .....	Skrapa .....	See group 711, Page 417	
12		1				Bushing .....	Bague .....	Buchse .....	Casquillo .....	Bussning .....	See group 711, Page 417	
13	VOE 11883751	2				Spacer .....	Partie Intermédiaire .....	Zwischenstück .....	Espaciador .....	Mellandel .....		
14		2				Swing cylinder .....	Vérin d'orientation .....	Schwenkzylinder .....	Cilindro de giro .....	Svängcylinder .....	See group 971, Page 767	
15	VOE 11883729	1			SS	Swing Post .....	Support de rotation .....	Drehstütze .....	Apoyo de giro .....	Svängpelare .....	S/N - 10888	
	VOE 11887295	1				Swing Post .....	Support de rotation .....	Drehstütze .....	Apoyo de giro .....	Svängpelare .....	S/N 10889 -	
16	VOE 11883727	1				Pin .....	Goupille .....	Zapfen .....	Pasador .....	Tapp .....		
17	VOE 968435	3				Flange screw .....	Vis à bride .....	Flanschschaube .....	Torn embridado .....	Flänsskruv .....		
18	VOE 11883728	1				Pin .....	Goupille .....	Zapfen .....	Pasador .....	Tapp .....		
19	VOE 968237	1				Flange screw .....	Vis à bride .....	Flanschschaube .....	Torn embridado .....	Flänsskruv .....		
20	VOE 11888681	2				Pin .....	Goupille .....	Zapfen .....	Pasador .....	Tapp .....		
21	VOE 907903	1				Cotter Pin .....	Goupille Fendue .....	Splint .....	Pasador Hendido .....	Saxpinne .....	When required	
22	VOE 11883733	1				Stop .....	Arrêt .....	Anschlag .....	Parada .....	Stopp .....		
23	VOE 974428	2				Flange screw .....	Vis à bride .....	Flanschschaube .....	Torn embridado .....	Flänsskruv .....		
24	VOE 11888656	1				Lock .....	Serrure .....	Schloß .....	Cierre .....	Låselement .....		
25	VOE 11883732	1				Pin .....	Goupille .....	Zapfen .....	Pasador .....	Tapp .....		
26	VOE 11885224	3				Shim .....	Cale d'épaisseur .....	Passscheibe .....	Arandela Ajuste .....	Passbricka .....	THICK 1,0 MM	
27	VOE 11885225	4				Shim .....	Cale d'épaisseur .....	Passscheibe .....	Arandela Ajuste .....	Passbricka .....	THICK 2,5 MM	
28	VOE 949824	1				Flange screw .....	Vis à bride .....	Flanschschaube .....	Torn embridado .....	Flänsskruv .....		

1		<b>Svängsystem</b> <b>Sistema de oscilación</b> <b>Schwenksystem</b> <b>Système de pivotement</b> <b>Swing system</b>	Catalogue id	Group
2			<b>20004</b>	<b>971</b>
3			Illustr. No	Section
4			<b>1007958</b>	<b>100</b>
5			Issue	Page
			<b>VOE 63G9920004</b>	<b>759</b>

**VOLVO**

**BL70**



Volvo Construction  
Equipment  
1007958

Fig.	Part No.	Quantity			P S	K I T	Description	Dénomination	Bezeichnung	Denominación	Benämning	Notes
		1	2	3								
29	VOE 13983307	2				Hexagon Nut.....	Ecrou Hexagonal .....	Sechskantmutter .....	Tuerca Hexagon.....	Sexkantsmutter.....		
30	VOE 13960143	3				Washer.....	Rondelle .....	Scheibe .....	Arandela.....	Bricka.....		
31	VOE 11884569	1				Lock .....	Serrure .....	Schloß .....	Cierre .....	Låselement.....		
32	VOE 11883753	2				Pin.....	Goupille.....	Zapfen .....	Pasador .....	Tapp.....		
33	VOE 11884168	3				Spacer.....	Entretoise .....	Abstandstueck.....	Casquillo distanciad .....	Distans.....		
34	VOE 11886468	1				Stud.....	Goujon .....	Stiftschraube .....	Esparrago.....	Pinnskruv.....		
35	VOE 14025792	1				Retaining ring.....	Bague retenue .....	Haltering.....	Anillo de apoyo.....	Hållarring.....		
36	VOE 983338	2				Washer.....	Rondelle .....	Scheibe .....	Arandela.....	Bricka.....		
37	VOE 11885074	1				Pin.....	Goupille.....	Zapfen .....	Pasador.....	Tapp.....		
38	VOE 13946173	2				Flange screw.....	Vis à bride .....	Flanschschraube .....	Torn embridado .....	Flänsskruv.....		
39	VOE 11883651	1				Cable.....	Câble.....	Seil .....	Cable.....	Lina.....		

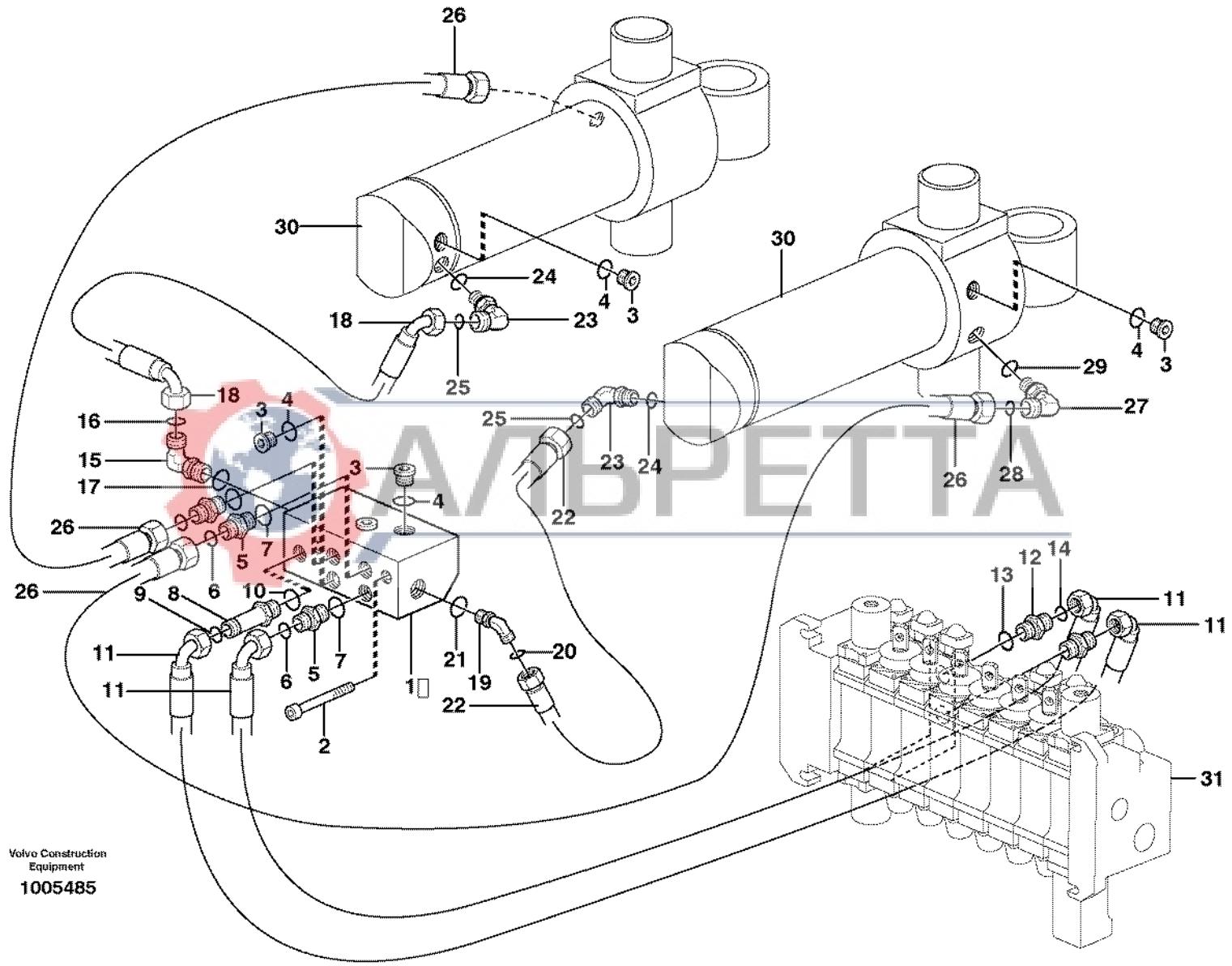


1		<b>Svängsystem</b> <b>Sistema de oscilación</b> <b>Schwenksystem</b> <b>Système de pivotement</b> <b>Swing system</b>	Catalogue id	Group
2			<b>20004</b>	<b>971</b>
3			Illustr. No	Section
4			<b>1007958</b>	<b>100</b>
5			Issue	Page
			<b>VOE 63G9920004</b>	<b>761</b>

**VOLVO**

**BL70**





Volvo Construction  
 Equipment  
 1005485



Fig.	Part No.	Quantity			P S	K I T	Description	Dénomination	Bezeichnung	Denominación	Benämning	Notes
		1	2	3								
1	VOE 11882500	1				Valve Body.....	Corps Valve .....	Ventilkörper .....	Cuerpo Valvula.....	Ventilkropp.....		
2	VOE 967632	2				Allen Hd Screw .....	Vis A 6 Pans Cr.....	Inbusschraube.....	Torn Hex Embut.....	Insexskruv.....		
3	VOE 11883510	7				Plug.....	Bouchon.....	Stopfen.....	Tapon.....	Plugg.....		
4	VOE 932039	1				•O-ring.....	•Joint Torique.....	•O-Ring.....	•Junta torica .....	•O-ring.....		
5	VOE 13933858	3				Union.....	Teton Connexion.....	Anschlussnippel .....	Niple Conexcion .....	Anslutn.nippel.....		
6	VOE 4881722	1				•O-ring.....	•Joint Torique.....	•O-Ring.....	•Junta torica .....	•O-ring.....		
7	VOE 932039	1				•O-ring.....	•Joint Torique.....	•O-Ring.....	•Junta torica .....	•O-ring.....		
8	VOE 11881379	1				Nipple.....	Raccord.....	Nippel.....	Niple.....	Nippel.....		
9	VOE 4880492	1				•O-ring.....	•Joint Torique.....	•O-Ring.....	•Junta torica .....	•O-ring.....		
10	VOE 932039	1				•O-ring.....	•Joint Torique.....	•O-Ring.....	•Junta torica .....	•O-ring.....		
11	VOE 11884542	2				Hose.....	Flexible.....	Schlauch .....	Manguera .....	Slang.....		
12	VOE 11882258	2				Nipple.....	Raccord.....	Nippel.....	Niple.....	Nippel.....		
13	VOE 932042	1				•O-ring.....	•Joint Torique.....	•O-Ring.....	•Junta torica .....	•O-ring.....		
14	VOE 4880492	1				•O-ring.....	•Joint Torique.....	•O-Ring.....	•Junta torica .....	•O-ring.....		
15	VOE 935069	1				Elbow nipple.....	Raccord angulaire.....	Winkelnippel.....	Niple angular .....	Vinkelnippel.....		
16	VOE 4881722	1				•O-ring.....	•Joint Torique.....	•O-Ring.....	•Junta torica .....	•O-ring.....		
17	VOE 4880492	1				•O-ring.....	•Joint Torique.....	•O-Ring.....	•Junta torica .....	•O-ring.....		
18	VOE 11882803	1				Hose assembly .....	Conduit flexible .....	Schlauchleitung.....	Conducto.....	Slangledning.....		
19	VOE 935640	1				Nipple.....	Raccord.....	Nippel.....	Niple.....	Nippel.....		
20	VOE 4880492	1				•O-ring.....	•Joint Torique.....	•O-Ring.....	•Junta torica .....	•O-ring.....		
21	VOE 932039	1				•O-ring.....	•Joint Torique.....	•O-Ring.....	•Junta torica .....	•O-ring.....		
22	VOE 11882192	1				Hose assembly .....	Conduit flexible .....	Schlauchleitung.....	Conducto.....	Slangledning.....		
23	VOE 11884787	2				Nipple.....	Raccord.....	Nippel.....	Niple.....	Nippel.....		
24	VOE 932040	1				•O-ring.....	•Joint Torique.....	•O-Ring.....	•Junta torica .....	•O-ring.....		
25	VOE 4880492	1				•O-ring.....	•Joint Torique.....	•O-Ring.....	•Junta torica .....	•O-ring.....		
26	VOE 11882194	2				Hose.....	Flexible.....	Schlauch .....	Manguera .....	Slang.....		
27	VOE 935069	2				Elbow nipple.....	Raccord angulaire.....	Winkelnippel.....	Niple angular .....	Vinkelnippel.....		
28	VOE 4881722	1				•O-ring.....	•Joint Torique.....	•O-Ring.....	•Junta torica .....	•O-ring.....		
29	VOE 4880492	1				•O-ring.....	•Joint Torique.....	•O-Ring.....	•Junta torica .....	•O-ring.....		
30		2				Swing cylinder.....	Vérin d'orientation .....	Schwenkzylinder .....	Cilindro de giro .....	Svängcylinder.....	See group 971, Page 767	

1	<b>Hydraulsystem, sväng</b> <b>Sistema hidráulico, giro</b> <b>Hydraulikkreis, Schwenken</b> <b>Système hydraulique, orientation</b> <b>Boom swing system</b>	Catalogue id	Group
2		<b>20004</b>	<b>971</b>
3		Illustr. No	Section
4		<b>1005485</b>	<b>200</b>
5		Issue	Page
		<b>VOE 63G9920004</b>	<b>763</b>



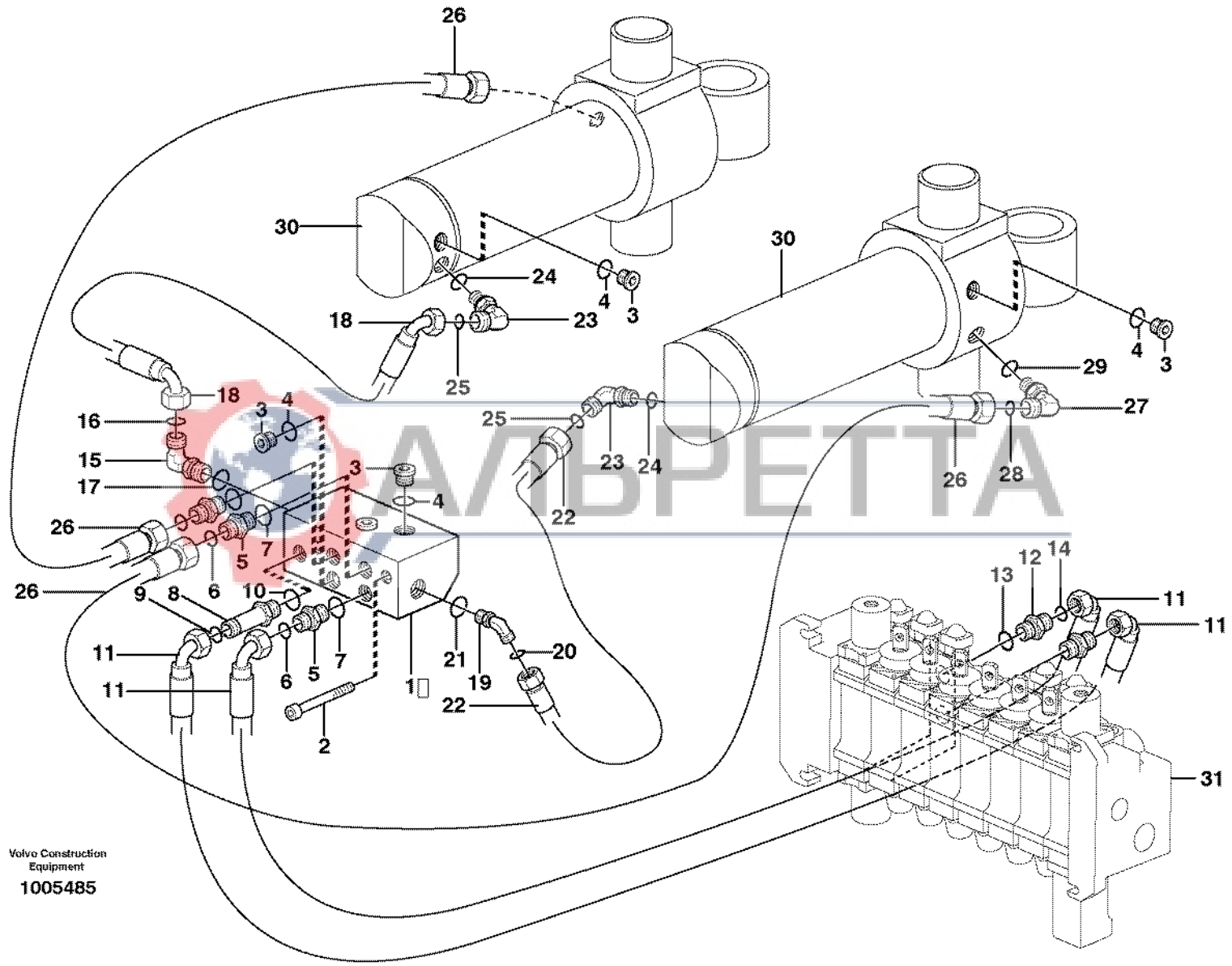


Fig.	Part No.	Quantity			P S	K I T	Description	Dénomination	Bezeichnung	Denominación	Benämning	Notes
		1	2	3								
31		1					Valve .....	Soupape.....	Ventil .....	Valvula .....	Ventil.....	See group 912, Page 631

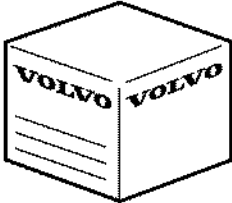
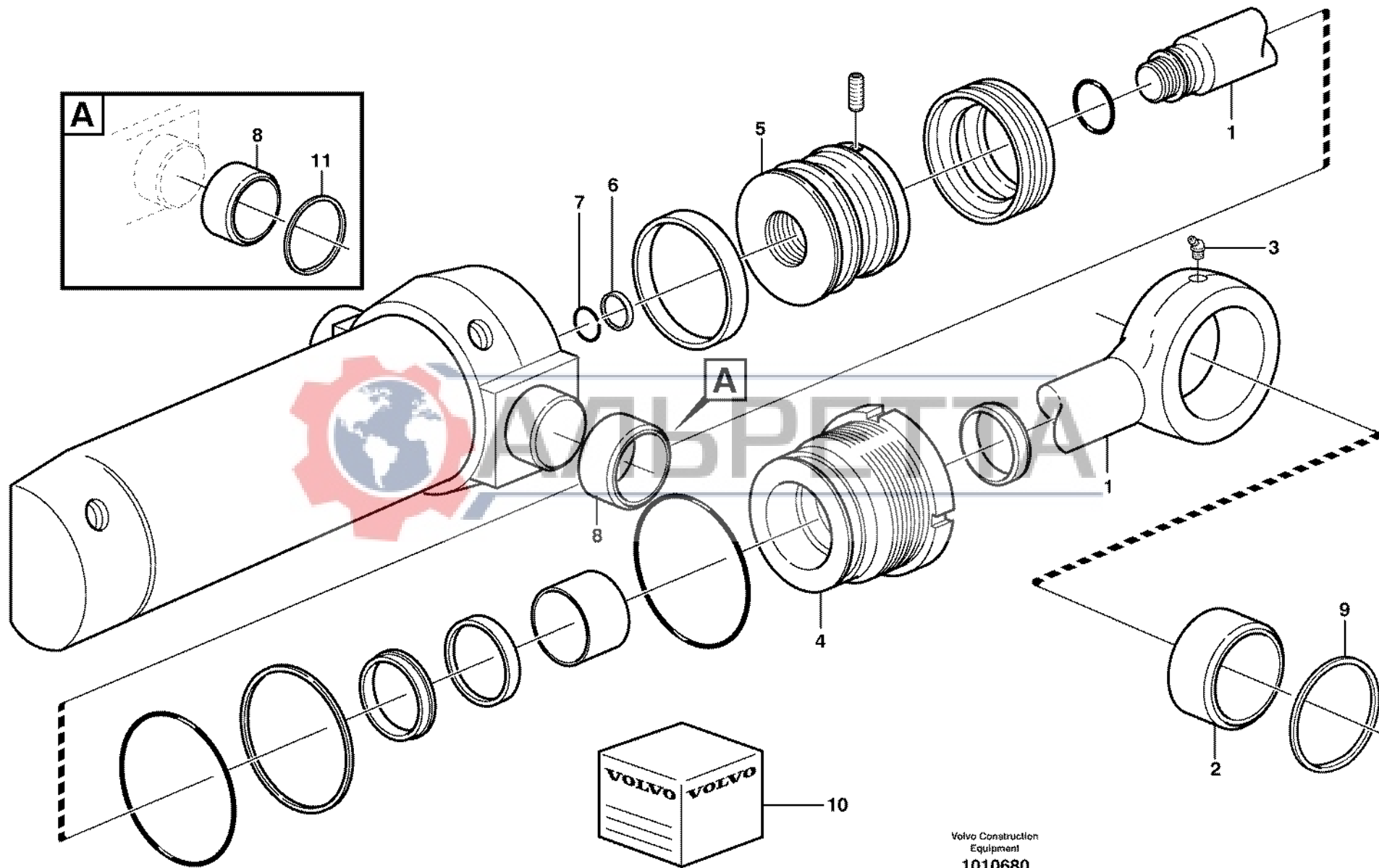


1		<b>Hydraulsystem, sväng</b> <b>Sistema hidráulico, giro</b> <b>Hydraulikkreis, Schwenken</b> <b>Système hydraulique, orientation</b> <b>Boom swing system</b>	Catalogue id	Group
2			<b>20004</b>	<b>971</b>
3			Illustr. No	Section
4			<b>1005485</b>	<b>200</b>
5			Issue	Page
			<b>VOE 63G9920004</b>	<b>765</b>

**VOLVO**

**BL70**





10

Volvo Construction  
Equipment  
1010680

Fig.	Part No.	Quantity			P S	K I T	Description	Dénomination	Bezeichnung	Denominación	Benämning	Notes
		1	2	3								
	<b>VOE 11884052</b>	1					Swing cylinder.....	Vérin d'orientation .....	Schwenkzylinder .....	Cilindro de giro .....	Svängcylinder.....	
1	<b>VOE 11988249</b>	1					•Piston rod .....	•Bielle de piston .....	•Kolbenstange .....	•Biela de piston .....	•Kolvstång.....	
2	<b>VOE 11988255</b>	1					•Bushing.....	•Bague .....	•Buchse .....	•Casquillo .....	•Bussning.....	
3	<b>VOE 11988251</b>	1					•Lub Nipple .....	•Graisseur .....	•Schmiernippel .....	•Engrasador .....	•Smörjnippel.....	
4	<b>VOE 11988250</b>	1					•Pstn Rod Guide .....	•Gui.tige Piston .....	•Ko-stang Fuhrg .....	•Guia Var Piston.....	•Kolvst.styrning.....	
5	<b>VOE 11709676</b>	1					•Piston.....	•Piston.....	•Kolben.....	•Piston .....	•Kolv.....	
6	<b>VOE 11709526</b>	1					•Cushion Ring .....	•Douille amortisseurs ..	•Dämpfhülse.....	•Manguito Amorti.....	•Dämpfylsa.....	
7	<b>VOE 11709527</b>	1					•Lock Ring.....	•Anneau Verrouillage ..	•Schlossring .....	•Anillo Segurid.....	•Låsring.....	
8	<b>VOE 11709672</b>	2					•Bushing.....	•Bague .....	•Buchse .....	•Casquillo .....	•Bussning.....	
9	<b>VOE 11883937</b>	2					Scraper .....	Racloir.....	Abstreicher .....	Rascador.....	Skrapa.....	
10	<b>VOE 11709677</b>	1					Sealing Kit.....	Jeu Joints.....	Dichtungssatz.....	Juego Retenes .....	Tätningssats.....	
11	<b>VOE 11709616</b>	2					Scraper .....	Racloir.....	Abstreicher .....	Rascador.....	Skrapa.....	

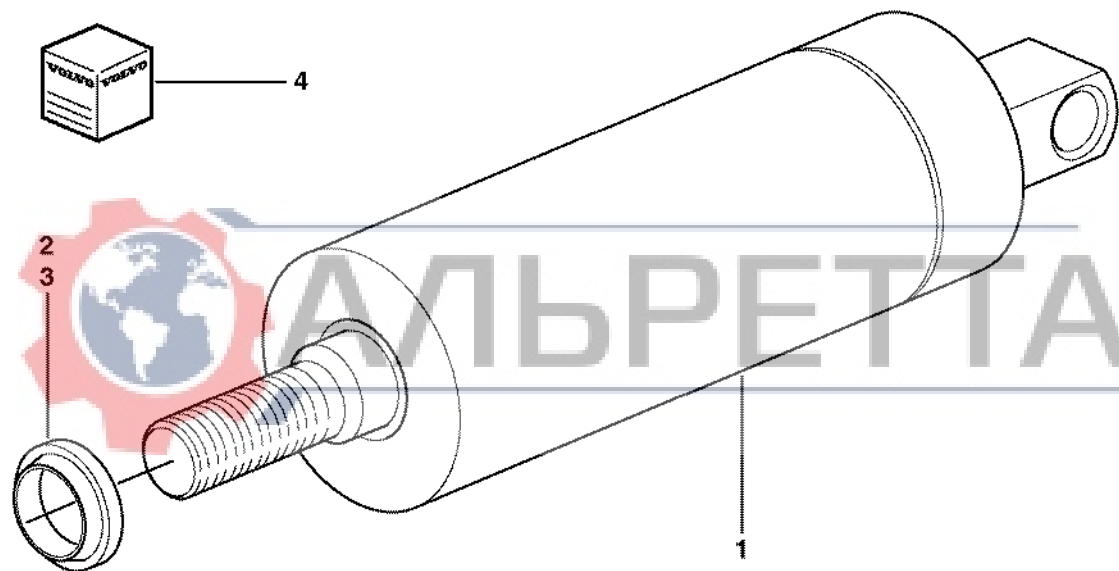


1	<b>Svängcylinder</b> <b>Cilindro de giro</b> <b>Schwenkzylinder</b> <b>Vérin d'orientation</b> <b>Swing cylinder</b>	Catalogue id	Group
2		<b>20004</b>	<b>971</b>
3		Illustr. No	Section
4		<b>1010680</b>	<b>300</b>
5		Issue	Page
		<b>VOE 63G9920004</b>	<b>767</b>

**VOLVO**

**BL70**





Volvo Construction  
Equipment  
1003011

Fig.	Part No.	Quantity			P S	K I T	Description	Dénomination	Bezeichnung	Denominación	Benämning	Notes
		1	2	3								
1	VOE 11884579	1				Locking Cyl .....	Cyl Verrouil .....	Sperrzylinder .....	Cil Bloqueo .....	Spärrcylinder.....		
1	VOE 11888096		1			Cylinder.....	Verin.....	Zylinder .....	Cilindro .....	Cylinder.....		
2	VOE 11709679	1				•Scraper .....	•Racloir.....	•Abstreicher.....	•Rascador.....	•Skrapa.....		
3	VOE 11709680	1				•Filter.....	•Filtre.....	•Filter.....	•Filtro .....	•Filter.....		
4	VOE 11710606	1				•Sealing Kit .....	•Jeu Joints.....	•Dichtungssatz .....	•Juego Retenes.....	•Tätningssats.....		



1	11884579	<b>Spärrcylinder</b> <b>Cilindro de bloqueo</b> <b>Sperrzylinder</b> <b>Vérin de verrouillage</b> <b>Lock cylinder</b>	Catalogue id	Group
2	11888096 S/N 11145 -		<b>20004</b>	<b>971</b>
3			Illustr. No	Section
4			<b>1003011</b>	<b>400</b>
5			Issue	Page
			<b>VOE 63G9920004</b>	<b>769</b>

**VOLVO**

**BL70**



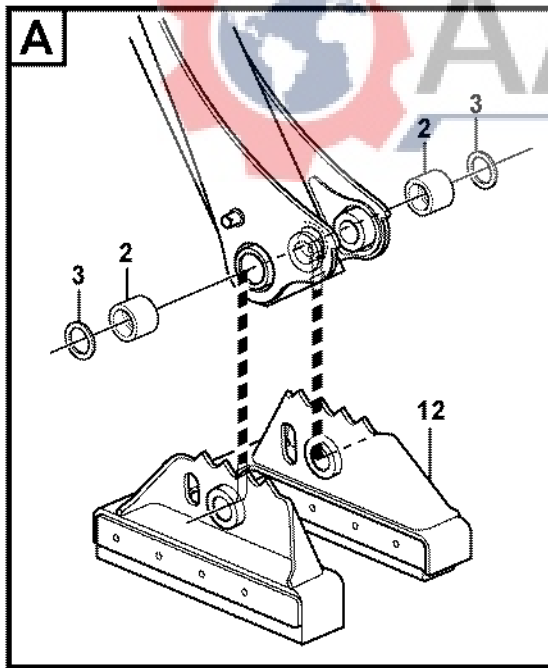
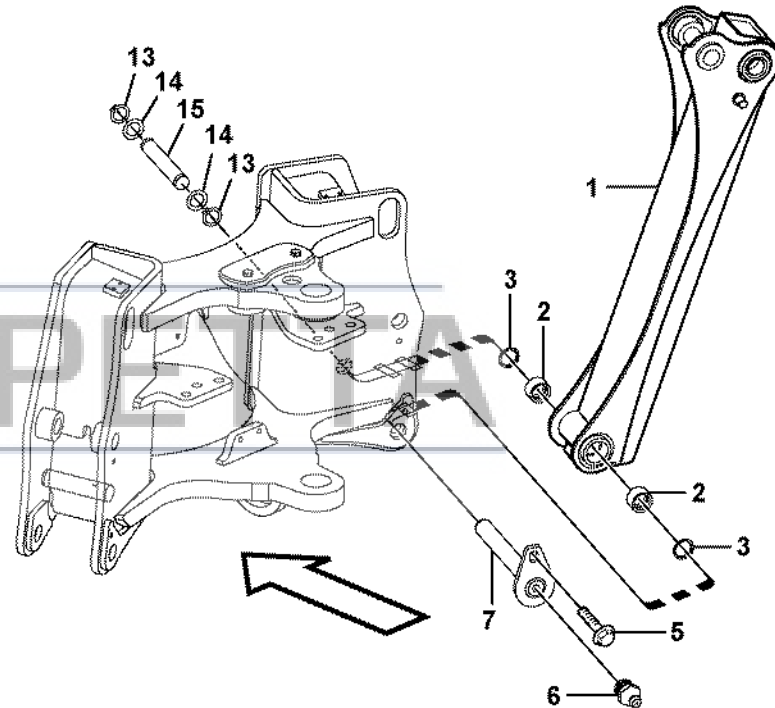
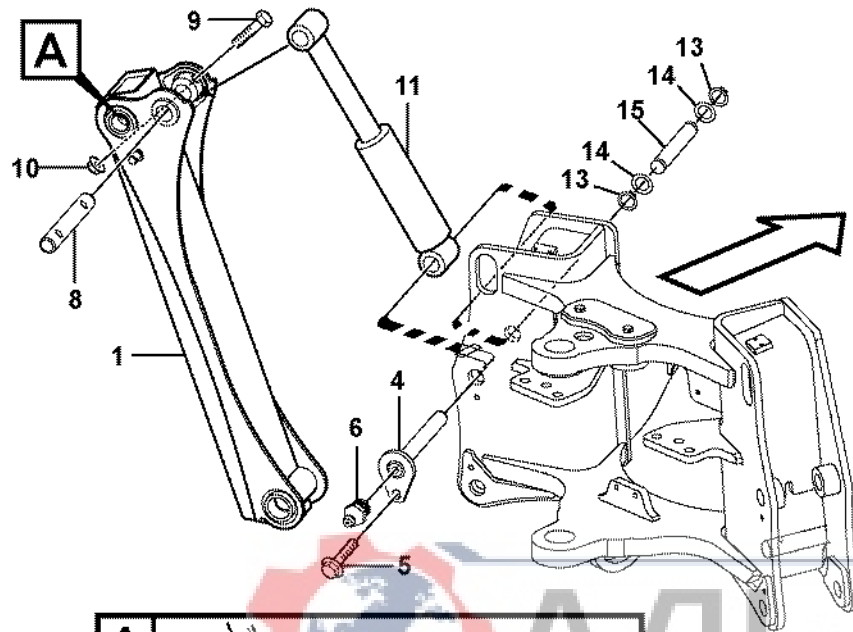


Fig.	Part No.	Quantity			P S	K I T	Description	Dénomination	Bezeichnung	Denominación	Benämning	Notes
		1	2	3								
1	VOE 11883560	1				Plate.....	Plaque.....	Platte.....	Placa.....	Platta.....	LH	
	VOE 11888361		1			Stabilizer Bar.....	Stabilisatrice.....	Querstabilisat.....	Estabilizador.....	Krängn.hämmare.....		
	VOE 11883572	1				Plate.....	Plaque.....	Platte.....	Placa.....	Platta.....	RH	
	VOE 11888360		1			Plate.....	Plaque.....	Platte.....	Placa.....	Platta.....		
2	VOE 11883768	8	8			•Bushing.....	•Bague.....	•Buchse.....	•Casquillo.....	•Bussning.....		
3	VOE 11890048	8	8			Seal.....	Joint.....	Dichtring.....	Junta.....	Tätning.....		
4	VOE 11883502	2	2			Pin.....	Goupille.....	Zapfen.....	Pasador.....	Tapp.....	SER NO -10682	
5	VOE 968589	4	4			Flange screw.....	Vis à bride.....	Flanschschraube.....	Torn embridado.....	Flänsskruv.....	SER NO -10682	
6	VOE 914167	4	4			Nipple.....	Raccord.....	Nippel.....	Niple.....	Nippel.....		
7	VOE 11882537	2	2			Pin.....	Goupille.....	Zapfen.....	Pasador.....	Tapp.....	SER NO -10682	
8	VOE 11881266	2	2			Pin.....	Goupille.....	Zapfen.....	Pasador.....	Tapp.....		
9	VOE 967640	2	2			Screw.....	Vis.....	Schraube.....	Tornillo.....	Skruv.....		
10	VOE 13971098	2	2			Flange nut.....	Ecrou accouple.....	Bundmutter.....	Tuerca embridad.....	Flänsmutter.....		
11		2	2			Cylinder.....	Verin.....	Zylinder.....	Cilindro.....	Cylinder.....	See group 972, Page 773	
12		2	2			Foot Plate.....	Plaque Pedale.....	Fussplatte.....	Placa Pie.....	Fotplatta.....	See group 972, Page 775	
13	VOE 914470	8	8			Snap Ring.....	Circlip.....	Nutring.....	Circlip.....	Spårring.....	SER NO 10683-	
14	VOE 11840898	8	8			Shim.....	Cale d'épaisseur.....	Passscheibe.....	Arandela Ajuste.....	Passbricka.....	SER NO 10683-10872	
14	VOE 403078	12	12			Shim.....	Cale Reglage.....	Nachstellblech.....	Laminill Ajuste.....	Justerbleck.....	SER NO 10873-	
15	VOE 11887208	4	4			Pin.....	Goupille.....	Zapfen.....	Pasador.....	Tapp.....	SER NO 10683-	



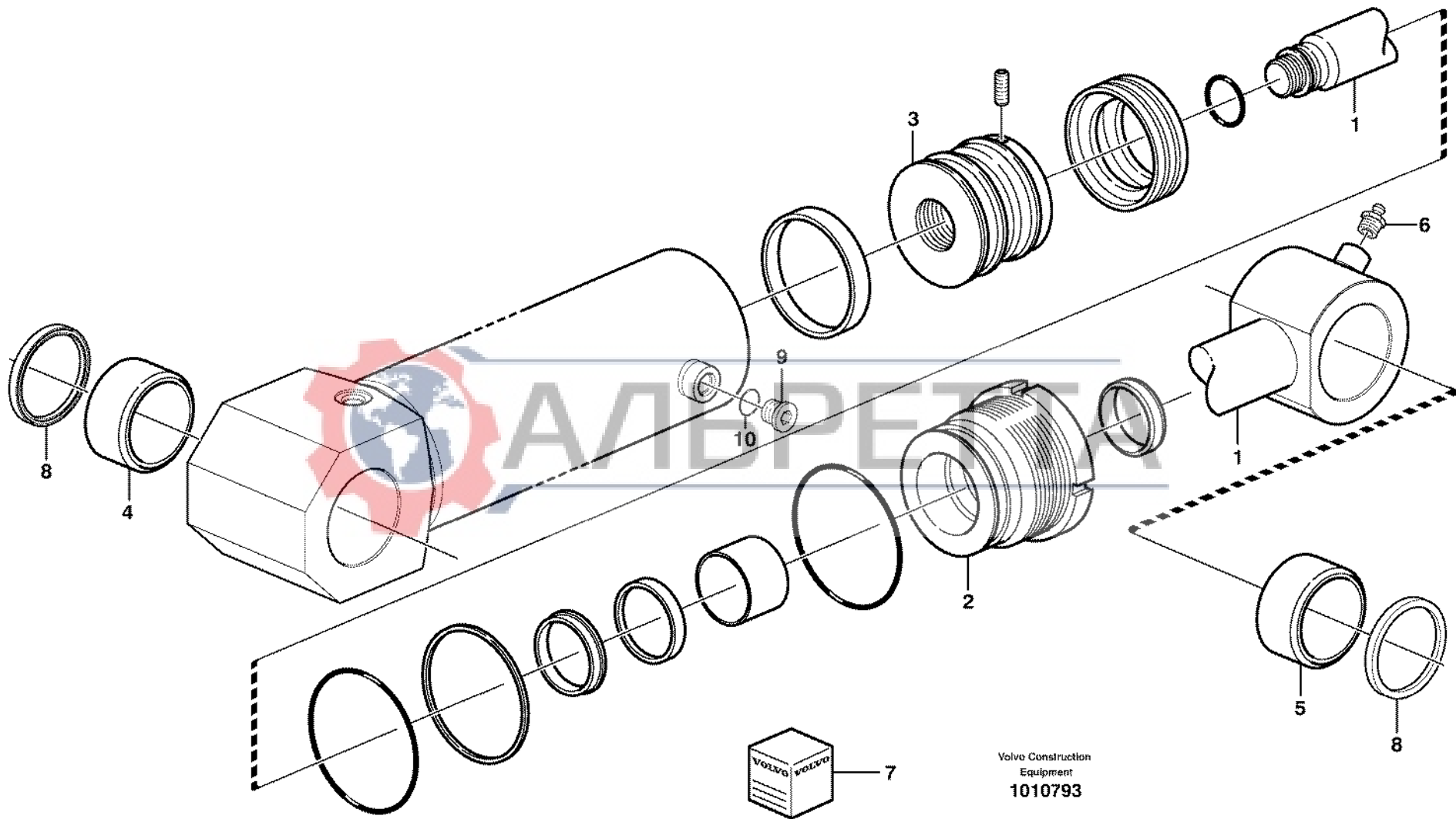
1	S/N - 11144	<b>Stödben</b> <b>Pata de apoyo</b> <b>Pratzen</b> <b>Bequille</b> <b>Stabilisers</b>	Catalogue id	Group
2	S/N 11145 -		<b>20004</b>	<b>972</b>
3			Illustr. No	Section
4			<b>1007940</b>	<b>100</b>
5			Issue	Page
			<b>VOE 63G9920004</b>	<b>771</b>

**VOLVO**

**BL70**







Volvo Construction  
Equipment  
1010793

Fig.	Part No.	Quantity			P S	K I T	Description	Dénomination	Bezeichnung	Denominación	Benämning	Notes
		1	2	3								
	VOE 11885749	2				Cylinder.....	Verin.....	Zylinder .....	Cilindro .....	Cylinder.....		
	VOE 11886367		2			Cylinder.....	Verin.....	Zylinder .....	Cilindro .....	Cylinder.....		
1	VOE 11712922	1				•Piston rod .....	•Bielle de piston .....	•Kolbenstange .....	•Biela de piston .....	•Kolvstång.....		
	VOE 11715302		1			•Piston rod .....	•Bielle de piston .....	•Kolbenstange .....	•Biela de piston .....	•Kolvstång.....		
2	VOE 11710945	1				•Pstn Rod Guide .....	•Gui.tige Piston .....	•Ko-stang Fuhrg .....	•Guia Var Piston .....	•Kolvst.styrning.....		
	VOE 11715303		1			•Piston rod guide.....	•Guide tige piston.....	•Kolbenstangenführu..	•Guia varilla piston .....	•Kolvst.styrning.....		
3	VOE 11710946	1				•Piston.....	•Piston.....	•Kolben.....	•Piston .....	•Kolv.....		
	VOE 11715304		1			•Piston.....	•Piston.....	•Kolben.....	•Piston .....	•Kolv.....		
4	VOE 11710942	2	2			•Bushing.....	•Bague .....	•Buchse .....	•Casquillo .....	•Bussning.....		
5	VOE 11710944	1	1			•Bushing.....	•Bague .....	•Buchse .....	•Casquillo .....	•Bussning.....		
6	VOE 11710947	1	1			•Lub Nipple .....	•Graisseur .....	•Schmiernippel .....	•Engrasador .....	•Smörjnippel.....		
7	VOE 11710948	2				Sealing Kit.....	Jeu Joints.....	Dichtungssatz.....	Juego Retenes .....	Tätningssats.....		
	VOE 11715295		1			Sealing Kit.....	Jeu Joints.....	Dichtungssatz.....	Juego Retenes .....	Tätningssats.....		
8	VOE 11883674	8				Sealing ring .....	Bague d'étanchéité .....	Runddichtring .....	Anillo reten .....	Tätningsring.....		
9	VOE 11883510	2				Plug.....	Bouchon .....	Stopfen.....	Tapon .....	Plugg.....		
10	VOE 932039	1				•O-ring.....	•Joint Torique .....	•O-Ring.....	•Junta torica .....	•O-ring.....		



1	S/N - 10881	<b>Stödbenscyylinder</b> <b>Cilindro hidraulico para pata de apoyo</b> <b>Hydraulzylinder für Pratzen</b> <b>Vérin hydraulique pour jambe d'appui</b> <b>Stabiliser cylinder</b>	Catalogue id	Group
2	S/N 10882 -		<b>20004</b>	<b>972</b>
3			Illustr. No	Section
4			<b>1010793</b>	<b>200</b>
5			Issue	Page
			<b>VOE 63G9920004</b>	<b>773</b>

**VOLVO**

**BL70**



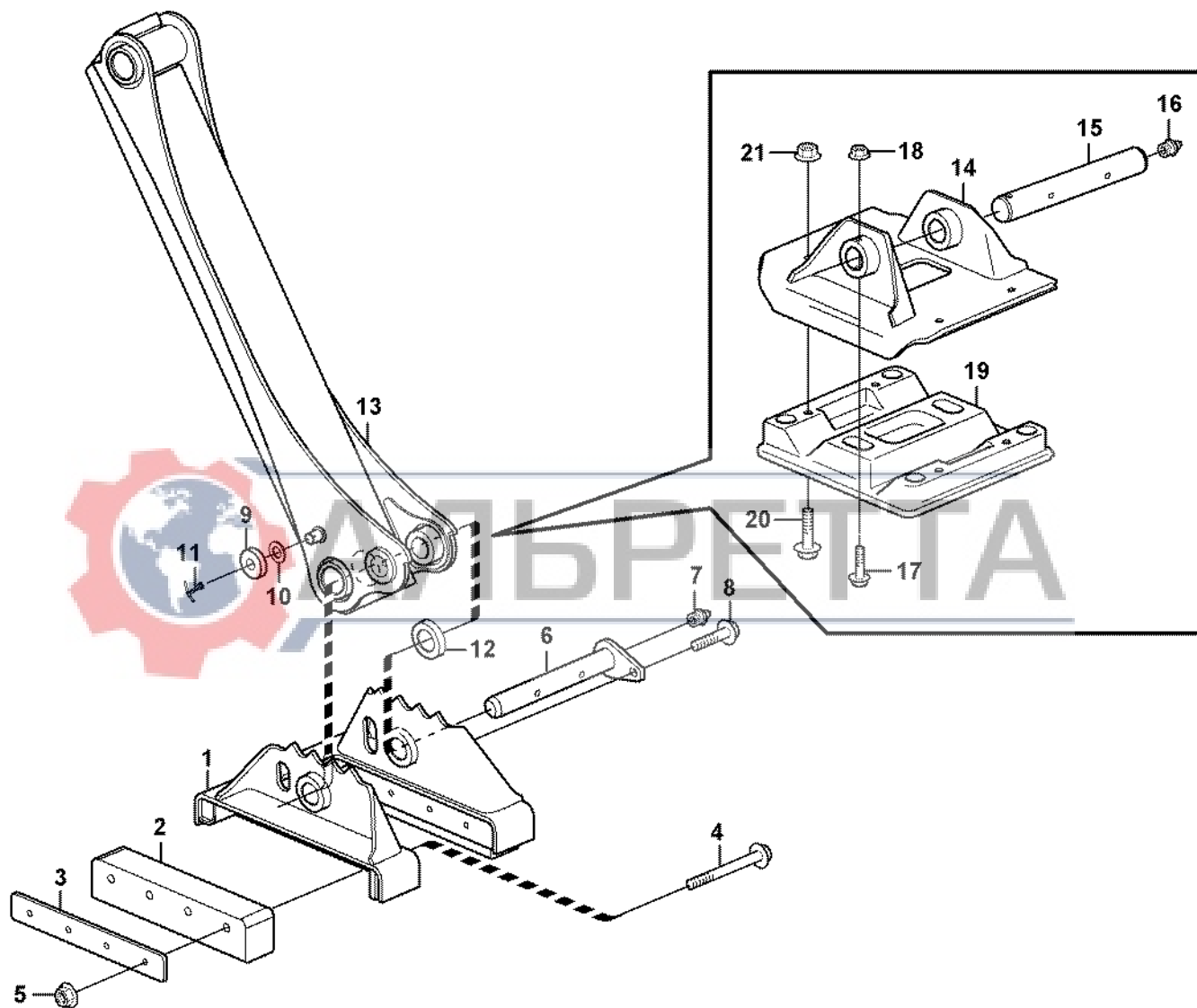


Fig.	Part No.	Quantity			P S	K I T	Description	Dénomination	Bezeichnung	Denominación	Benämning	Notes
		1	2	3								
1	VOE 11883545	1				Foot Plate.....	Plaque Pedale.....	Fussplatte.....	Placa Pie .....	Fotplatta.....	LH	
	VOE 11883556	1				Pad.....	Patin.....	Belag.....	Pastilla.....	Pad.....	RH	
	VOE 11888747					Foot Plate.....	Plaque Pedale.....	Fussplatte.....	Placa Pie .....	Fotplatta.....		
2	VOE 11885784	4				Pad.....	Patin.....	Belag.....	Pastilla.....	Pad.....	(VOE 11884292)	
3	VOE 11883544	4				Plate.....	Plaque.....	Platte.....	Placa .....	Platta.....		
4	VOE 11885271	16				Screw.....	Vis.....	Schraube.....	Tornillo .....	Skruv.....		
5	VOE 971099	16				Flange Lock Nut.....	Contre écrou bride .....	Flanschmutter .....	Contratuer Embr.....	Flänslåsmutter.....	(VOE 13971099)	
6	VOE 11884382	2				Pin.....	Goupille.....	Zapfen.....	Pasador.....	Tapp.....		
7	VOE 914167	2				Nipple.....	Raccord.....	Nippel.....	Niple .....	Nippel.....		
8	VOE 974428	2				Flange screw.....	Vis à bride .....	Flanschschraube .....	Torn embridado .....	Flänsskruv.....		
9	VOE 11885295	2				Washer.....	Rondelle.....	Scheibe .....	Arandela.....	Bricka.....	S/N - 10769	
	VOE 11888232	2				Wheel.....	Roue .....	Rad.....	Rueda.....	Hjul.....	S/N 10770 -	
10	VOE 930853	2				Washer.....	Rondelle.....	Scheibe .....	Arandela.....	Bricka.....	S/N - 10769	
	VOE 11888020	2				Washer.....	Rondelle.....	Scheibe .....	Arandela.....	Bricka.....	S/N 10770 -	
11	VOE 907864	2				Cotter Pin.....	Goupille Fendue.....	Splint.....	Pasador Hendido .....	Saxpinne.....		
12	VOE 11890115	REQ				Washer.....	Rondelle.....	Scheibe .....	Arandela.....	Bricka.....		
13		2				Support.....	Support .....	Stütze.....	Apoyo .....	Stöd.....		
14	VOE 11884102		2			Pad.....	Patin.....	Belag.....	Pastilla.....	Pad.....		
15	VOE 11885002		2			Pin.....	Goupille.....	Zapfen.....	Pasador.....	Tapp.....		
16	VOE 914167		2			Nipple.....	Raccord.....	Nippel.....	Niple .....	Nippel.....		
17	VOE 967640		2			Screw.....	Vis.....	Schraube.....	Tornillo .....	Skruv.....		
18	VOE 13971098		2			Flange nut.....	Ecrou accouple.....	Bundmutter.....	Tuerca embridad .....	Flänsmutter.....		
19	VOE 11885747		2			Pad.....	Patin.....	Belag.....	Pastilla.....	Pad.....		
20	VOE 13965196		8			Screw.....	Vis.....	Schraube.....	Tornillo .....	Skruv.....		
21	VOE 971099		8			Flange Lock Nut.....	Contre écrou bride .....	Flanschmutter .....	Contratuer Embr.....	Flänslåsmutter.....		

1	11891329 S/N - 11144	<b>Fotplatta</b> <b>Placa de soporte</b> <b>Fußplatte</b> <b>Socle</b> <b>Foot plate</b>	Catalogue id	Group
2	11891364		<b>20004</b>	<b>972</b>
3	11891365		Illustr. No	Section
4			<b>1013660</b>	<b>300</b>
5			Issue	Page
			<b>VOE 63G9920004</b>	<b>775</b>

**VOLVO**

**BL70**



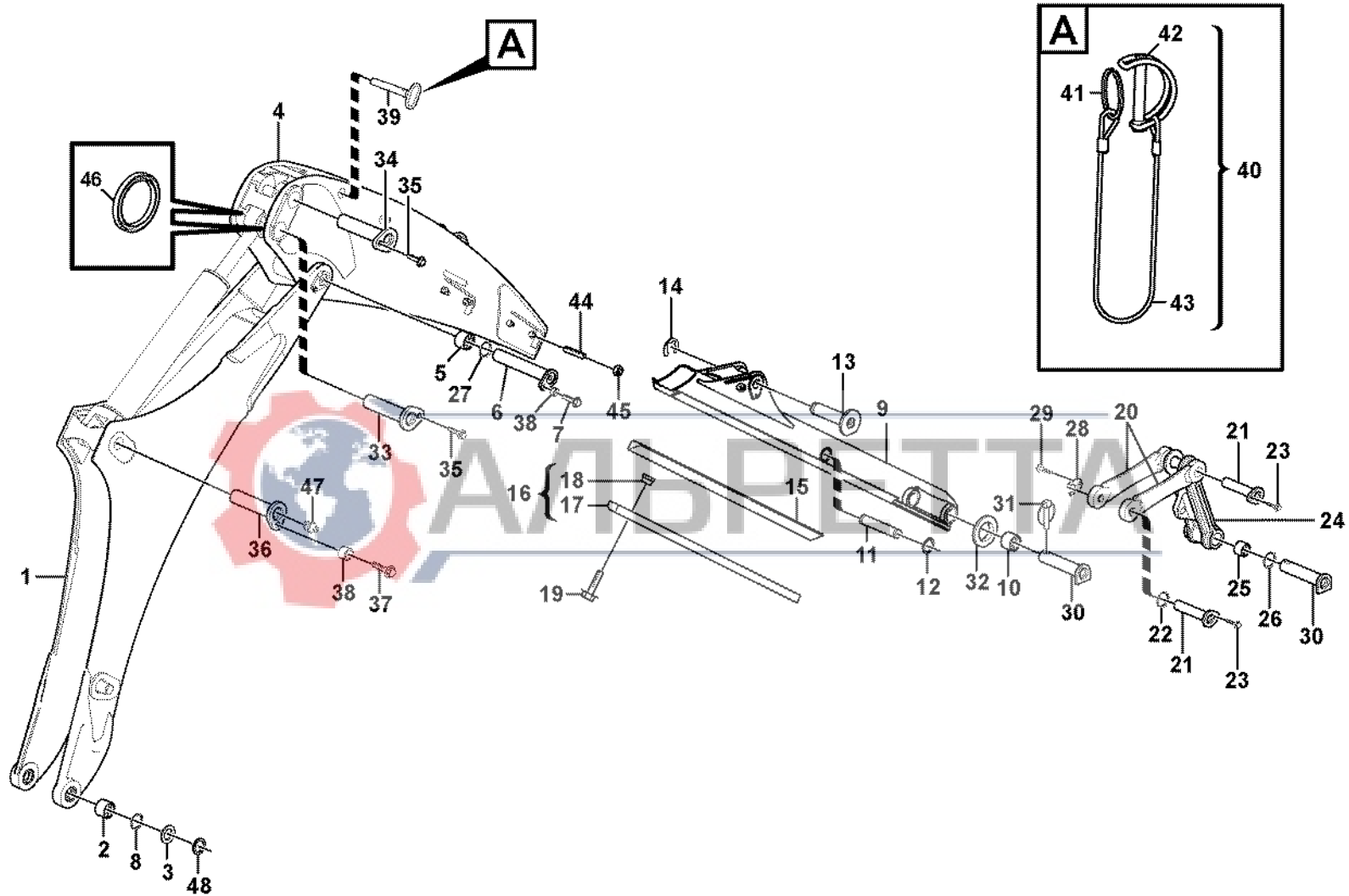


Fig.	Part No.	Quantity			P S	K I T	Description	Dénomination	Bezeichnung	Denominación	Benämning	Notes
		1	2	3								
1	VOE 11884737	1				SS	Boom.....	Fleche.....	Ausleger.....	Pluma.....	Bom.....	SER NO - 10373
	VOE 11886266		1				Boom.....	Fleche.....	Ausleger.....	Pluma.....	Bom.....	SER NO 10374 -
	VOE 11888239			1			Boom.....	Fleche.....	Ausleger.....	Pluma.....	Bom.....	
2	VOE 11885426	2	2	2			•Bushing.....	•Bague.....	•Buchse.....	•Casquillo.....	•Bussning.....	
3	VOE 11885225		REQ	REQ			Shim.....	Cale d'épaisseur.....	Passscheibe.....	Arandela Ajuste.....	Passbricka.....	
4	VOE 11886499	1	1	1			Arm.....	Bras.....	Arm.....	Brazo.....	Arm.....	(VOE 11884262)
5	VOE 11883769	2	2	2			•Bushing.....	•Bague.....	•Buchse.....	•Casquillo.....	•Bussning.....	
6	VOE 11886255	1	1				Pin.....	Goupille.....	Zapfen.....	Pasador.....	Tapp.....	
	VOE 11887962			1			Pin.....	Goupille.....	Zapfen.....	Pasador.....	Tapp.....	
7	VOE 968589	1	1	1			Flange screw.....	Vis à bride.....	Flanschschraube.....	Torn embridado.....	Flänsskruv.....	
8	VOE 11890069	6	6	6			Seal.....	Joint.....	Dichtung.....	Reten.....	Tätning.....	
9	VOE 11884248	1	1	1			Arm.....	Bras.....	Arm.....	Brazo.....	Arm.....	
10	VOE 11883770	4	4	4			•Bushing.....	•Bague.....	•Buchse.....	•Casquillo.....	•Bussning.....	
11	VOE 11883897	1	1	1			Pin.....	Goupille.....	Zapfen.....	Pasador.....	Tapp.....	
12	VOE 914465	2	2	2			Snap Ring.....	Circlip.....	Nutring.....	Circlip.....	Spårring.....	
13	VOE 11884259	1	1	1			Pin.....	Goupille.....	Zapfen.....	Pasador.....	Tapp.....	
14	VOE 967562	1	1	1			Snap ring.....	Circlip.....	Nutring.....	Circlip.....	Spårring.....	
15	VOE 11885340	1	1	1			Wear Part.....	Piece Usure.....	Verschleissteil.....	Secc Desgaste.....	Slitdel.....	
	VOE 11885339	1	1	1			Wear Part.....	Piece Usure.....	Verschleissteil.....	Secc Desgaste.....	Slitdel.....	
16	VOE 11883863	2	2	2			Strip.....	Bande.....	Streifen.....	Cinta.....	Band.....	S/N - 11025
17	VOE 11883862	1	1	1		SS	•Strip.....	•Bande.....	•Streifen.....	•Cinta.....	•Band.....	S/N - 11025
18	VOE 11883865	5	5	5			•Square Nut.....	•Erou Carre.....	•Vierkantmutter.....	•Tuerca Cuadrada.....	•Fyrkantmutter.....	S/N 11026 -
19	VOE 946329	10	10	10			Flange screw.....	Vis à bride.....	Flanschschraube.....	Torn embridado.....	Flänsskruv.....	
20	VOE 11886174	2	2	2			Link.....	Articulation.....	Gelenk.....	Articulacion.....	Länk.....	
21	VOE 11882533	2	2	2			Pin.....	Goupille.....	Zapfen.....	Pasador.....	Tapp.....	
22	VOE 11890048	4	4	4			Seal.....	Joint.....	Dichtring.....	Junta.....	Tätning.....	
23	VOE 968589	1	1	1			Flange screw.....	Vis à bride.....	Flanschschraube.....	Torn embridado.....	Flänsskruv.....	
24	VOE 11881575	1	1	1			Link.....	Articulation.....	Gelenk.....	Articulacion.....	Länk.....	
25	VOE 11883768	4	4	4			•Bushing.....	•Bague.....	•Buchse.....	•Casquillo.....	•Bussning.....	
26	VOE 11890048	4					Seal.....	Joint.....	Dichtring.....	Junta.....	Tätning.....	

1	11884737	<b>Grävbom med teleskoparm</b> <b>Pluma de excavación con brazo telescópico</b> <b>Grabausleger mit Teleskopstiel</b> <b>Flèche d'équipement excavateur avec bras télescopique</b> <b>Excavator boom, extendible dipper arm</b>	Catalogue id	Group
2	11886266 S/N - 11144		<b>20004</b>	<b>974</b>
3	11888239 S/N 11145 -		Illustr. No	Section
4			<b>1009345</b>	<b>100</b>
5			Issue	Page
		<b>11891022</b>	<b>VOE 63G9920004</b>	<b>777</b>

**VOLVO**

**BL70**

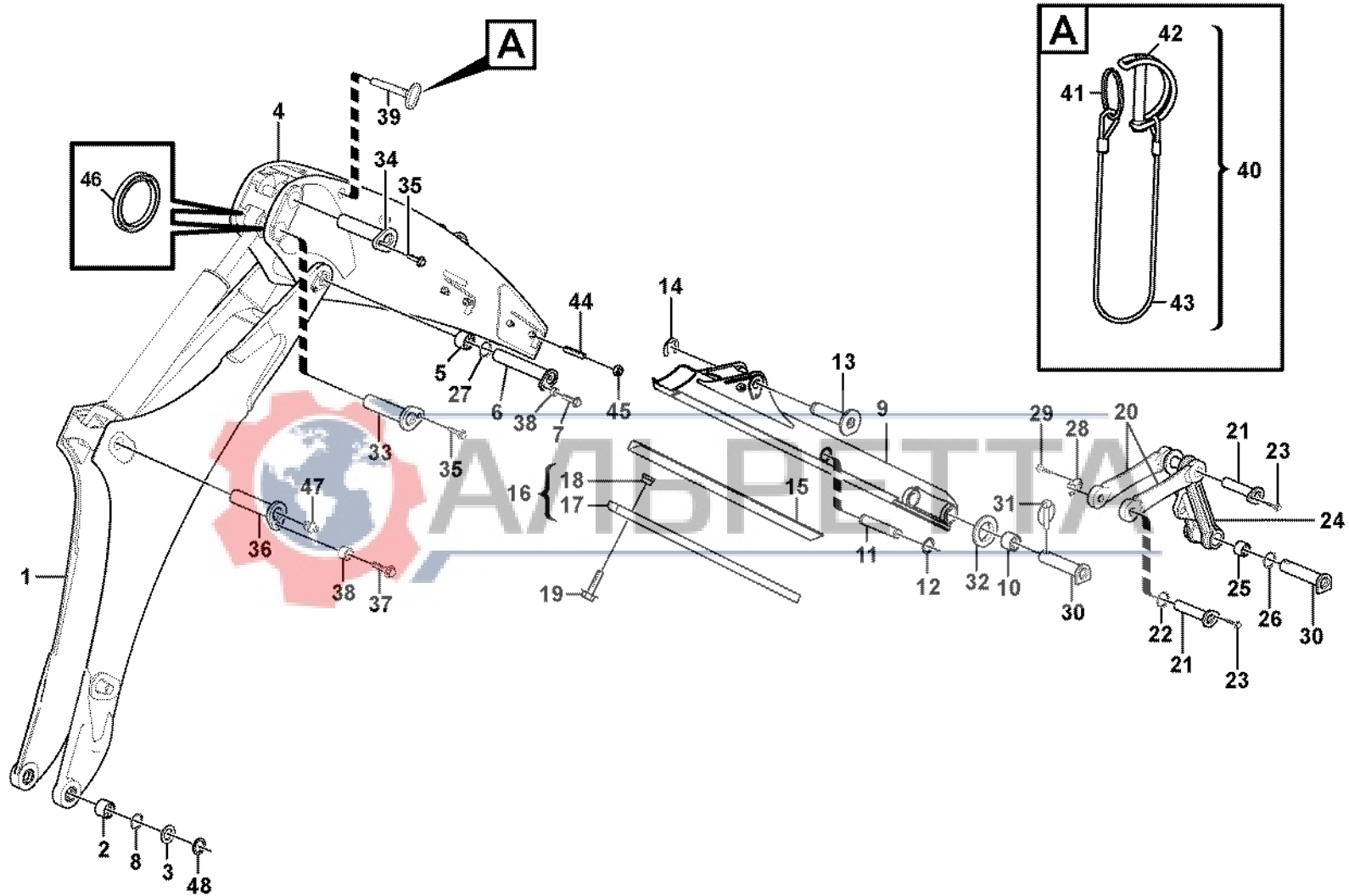


Fig.	Part No.	Quantity			P S	K I T	Description	Dénomination	Bezeichnung	Denominación	Benämning	Notes
		1	2	3								
27	VOE 11890117		4	4			Washer.....	Rondelle.....	Scheibe.....	Arandela.....	Bricka.....	
28	VOE 11881629	2	2	2			Clip.....	Clip.....	Klemme.....	Clip.....	Clips.....	
29	VOE 968589	2	2	2			Flange screw.....	Vis à bride.....	Flanschschraube.....	Torn embridado.....	Flänsskruv.....	
30	VOE 11883275	2	2	2			Pin.....	Goupille.....	Zapfen.....	Pasador.....	Tapp.....	11891061
31	VOE 11881622	2	2	2			Locking pin.....	Goupille d'arrêt.....	Schliessbolzen.....	Pasador de cierre.....	Låspinne.....	11891061
32	VOE 955912	2	2	2			Washer.....	Rondelle.....	Scheibe.....	Arandela.....	Bricka.....	11891061
33	VOE 11882677	1	1	1			Pin.....	Goupille.....	Zapfen.....	Pasador.....	Tapp.....	
34	VOE 11882537	1	1	1			Pin.....	Goupille.....	Zapfen.....	Pasador.....	Tapp.....	
35	VOE 968589	2	2	2			Flange screw.....	Vis à bride.....	Flanschschraube.....	Torn embridado.....	Flänsskruv.....	
36	VOE 11884607	1	1				Pin.....	Goupille.....	Zapfen.....	Pasador.....	Tapp.....	
	VOE 11887958			1			Pin.....	Goupille.....	Zapfen.....	Pasador.....	Tapp.....	
37	VOE 968435	1	1	1			Flange screw.....	Vis à bride.....	Flanschschraube.....	Torn embridado.....	Flänsskruv.....	
38	VOE 11884168	1	2	2			Spacer.....	Entretoise.....	Abstandstueck.....	Casquillo distanciad.....	Distans.....	
39	VOE 11882540	1	1	1			Pin.....	Goupille.....	Zapfen.....	Pasador.....	Tapp.....	
40	VOE 11883476	1	1	1			Safety Strap.....	Elingu.securite.....	Zurband.....	Estrobo Segurid.....	Säkerhetsstropp.....	
41	VOE 11884616	1	1	1			•Ring.....	•Anneau.....	•Ring.....	•Anillo.....	•Ring.....	
42	VOE 11884614	1	1	1 OP			•Spring Pin.....	•Axe de ressort.....	•Federstift.....	•Pasador Resorte.....	•Fjäderpinne.....	
43	VOE 11881557	1	1	1			•Steel Wire.....	•Fil Acier.....	•Stahldraht.....	•Alambre.....	•Ståltråd.....	
44	VOE 11882667	8	8	8			Set Screw.....	Vis Butee.....	Anschlagschraub.....	Tornillo Tope.....	Stoppskruv.....	
45	VOE 979021	8	8	8			Hexagon Nut.....	Ecrou Hexagonal.....	Sechskantmutter.....	Tuerca Hexagon.....	Sexkantsmutter.....	
46	VOE 11883936	2	2	2			Seal.....	Joint.....	Dichtung.....	Junta.....	Tätning.....	
47	VOE 914167	11	11	10			Nipple.....	Raccord.....	Nippel.....	Niple.....	Nippel.....	
48	VOE 11885224	REQ	REQ	REQ			Shim.....	Cale d'épaisseur.....	Passscheibe.....	Arandela Ajuste.....	Passbricka.....	

1	11884737	<b>Grävbom med teleskoparm</b> <b>Pluma de excavación con brazo telescópico</b> <b>Grabausleger mit Teleskopstiel</b> <b>Flèche d'équipement excavateur avec bras télescopique</b> <b>Excavator boom, extendible dipper arm</b>	Catalogue id	Group
2	11886266 S/N - 11144		<b>20004</b>	<b>974</b>
3	11888239 S/N 11145 -		Illustr. No	Section
4			<b>1009345</b>	<b>100</b>
5			Issue	Page
		<b>11891022</b>	<b>VOE 63G9920004</b>	<b>779</b>

**VOLVO**

**BL70**





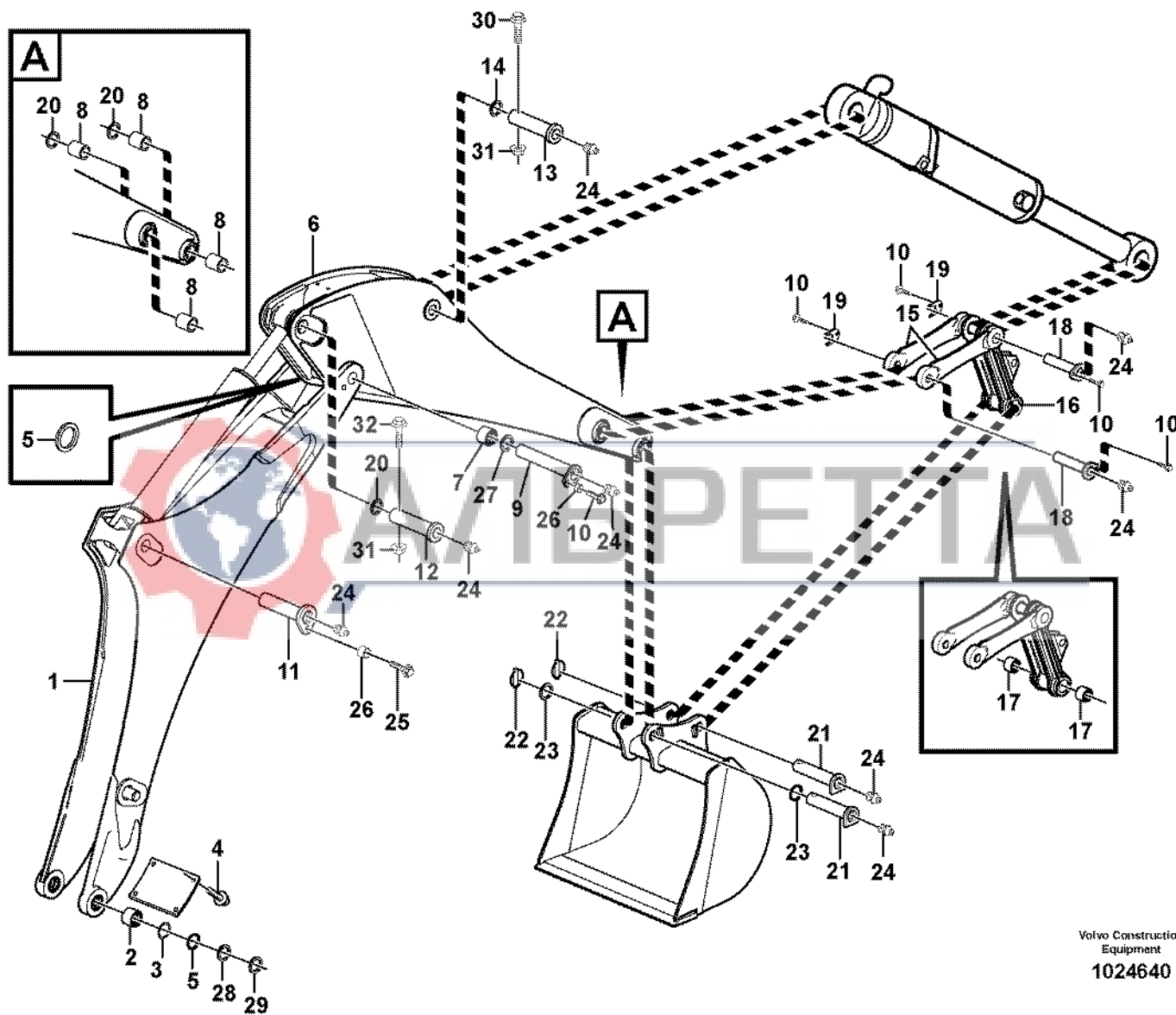


Fig.	Part No.	Quantity			P S	K I T	Description	Dénomination	Bezeichnung	Denominación	Benämning	Notes
		1	2	3								
1	VOE 11886266	1				Boom.....	Fleche .....	Ausleger .....	Pluma .....	Bom.....		
	VOE 11888239		1			Boom.....	Fleche .....	Ausleger .....	Pluma .....	Bom.....		
2	VOE 11885426	2	2			•Bushing.....	•Bague .....	•Buchse .....	•Casquillo .....	•Bussning.....	(VOE 11884713)	
3	VOE 11885225	REQ	REQ			Shim.....	Cale d'épaisseur .....	Passscheibe.....	Arandela Ajuste .....	Passbricka.....		
4	VOE 946440	4	4			Flange screw.....	Vis à bride .....	Flanschschraube.....	Torn embridado .....	Flänsskruv.....		
5	VOE 11890069	6	6			Seal.....	Joint .....	Dichtung .....	Reten.....	Tätning.....		
6	VOE 11885329	1				Dipper Arm.....	Balancier .....	Stiel .....	Brazo Cuchara .....	Skaft.....	S/N - 11144	
6	VOE 11888559		1			Dipper Arm.....	Balancier .....	Stiel .....	Brazo Cuchara .....	Skaft.....	S/N 11145 -	
7	VOE 11883769	2	2			•Bushing.....	•Bague .....	•Buchse .....	•Casquillo .....	•Bussning.....		
8	VOE 11883770	4	4			•Bushing.....	•Bague .....	•Buchse .....	•Casquillo .....	•Bussning.....		
9	VOE 11886255	1				Pin.....	Goupille.....	Zapfen .....	Pasador.....	Tapp.....		
	VOE 11887962		1			Pin.....	Goupille.....	Zapfen .....	Pasador.....	Tapp.....		
10	VOE 968589	7	5			Flange screw.....	Vis à bride .....	Flanschschraube.....	Torn embridado .....	Flänsskruv.....		
11	VOE 11884607	1				Pin.....	Goupille.....	Zapfen .....	Pasador.....	Tapp.....		
	VOE 11887958		1			Pin.....	Goupille.....	Zapfen .....	Pasador.....	Tapp.....		
12	VOE 11884016	1				Pin.....	Goupille.....	Zapfen .....	Pasador.....	Tapp.....		
	VOE 11887964		1			Pin.....	Goupille.....	Zapfen .....	Pasador.....	Tapp.....		
13	VOE 11884573	1				Pin.....	Goupille.....	Zapfen .....	Pasador.....	Tapp.....		
	VOE 11887965		1			Pin.....	Goupille.....	Zapfen .....	Pasador.....	Tapp.....		
14	VOE 11890117	REQ	REQ			Washer.....	Rondelle.....	Scheibe .....	Arandela .....	Bricka.....		
15	VOE 11886174	2	2			Link.....	Articulation.....	Gelenk.....	Articulacion.....	Länk.....		
16	VOE 11885940	1	1			Link.....	Articulation.....	Gelenk.....	Articulacion.....	Länk.....		
17	VOE 11883768	4	4			•Bushing.....	•Bague .....	•Buchse .....	•Casquillo .....	•Bussning.....		
18	VOE 11882533	2	2			Pin.....	Goupille.....	Zapfen .....	Pasador.....	Tapp.....		
19	VOE 11881629	2	2			Clip.....	Clip.....	Klemme .....	Clip .....	Clips.....		
20	VOE 11890048	4	4			Seal.....	Joint .....	Dichtring .....	Junta .....	Tätning.....		
21	VOE 11883275	2	2			Pin.....	Goupille.....	Zapfen .....	Pasador.....	Tapp.....	11891061	
22	VOE 11881622	2	2			Locking pin.....	Goupille d'arrêt.....	Schliessbolzen .....	Pasador de cierre.....	Låspinne.....	11891061	
23	VOE 955912	2	2			Washer.....	Rondelle.....	Scheibe .....	Arandela.....	Bricka.....	11891061	
24	VOE 914167	9				Nipple.....	Raccord.....	Nippel .....	Niple .....	Nippel.....		

1	S/N - 11144	<b>Bom och skaft</b> <b>Pluma y brazo</b> <b>Ausleger und Stiel</b> <b>Flèche et balancier</b> <b>Boom and dipper arm</b>  <b>11891041, 11891441</b>	Catalogue id	Group
2	S/N 11145 -		<b>20004</b>	<b>974</b>
3			Illustr. No	Section
4			<b>1024640</b>	<b>150</b>
5			Issue	Page
		<b>VOE 63G9920004</b>	<b>781</b>	

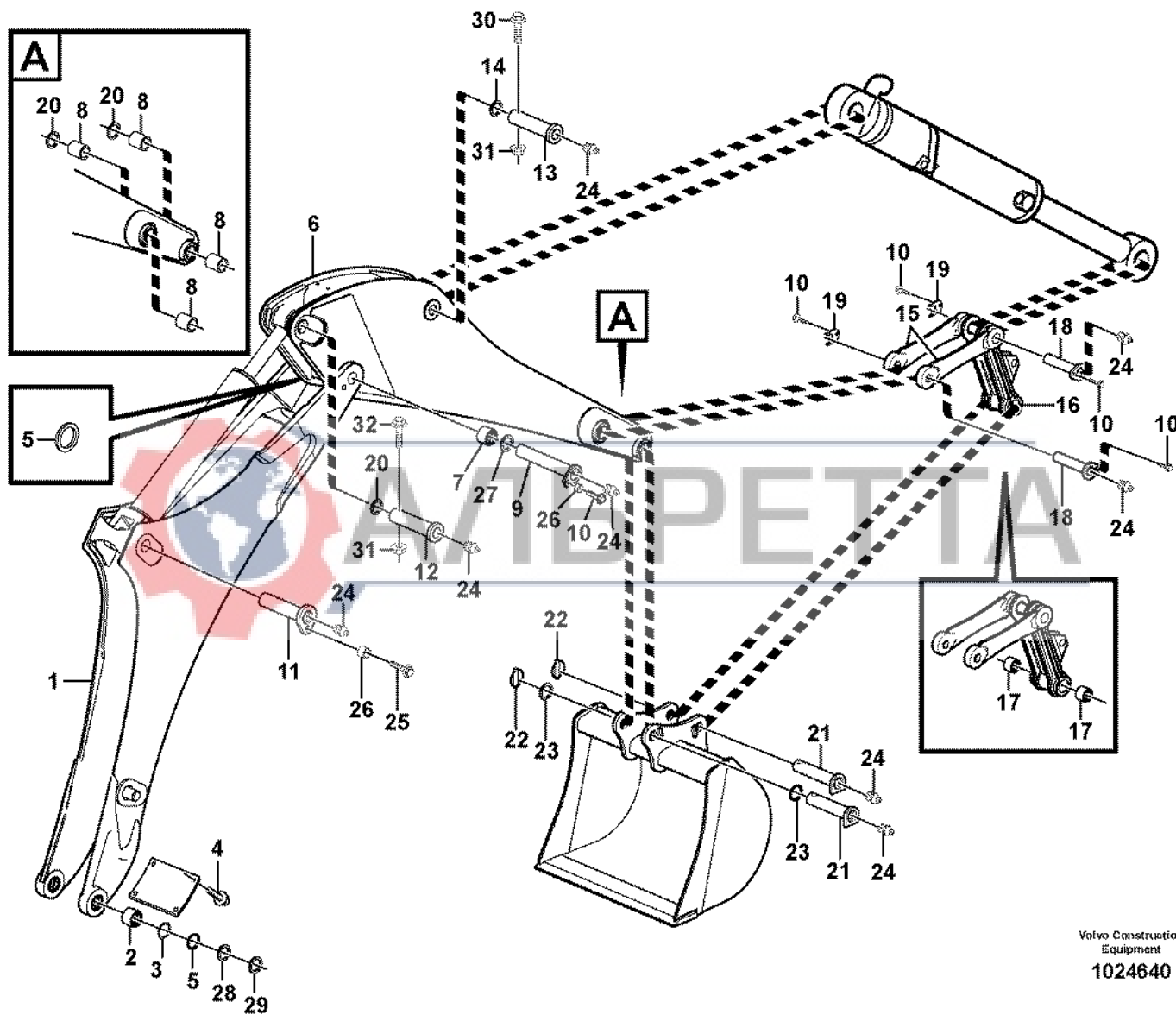


Fig.	Part No.	Quantity			P S	K I T	Description	Dénomination	Bezeichnung	Denominación	Benämning	Notes
		1	2	3								
	<b>VOE 914167</b>		8			Nipple.....	Raccord.....	Nippel.....	Niple.....	Nippel.....		
25	<b>VOE 968435</b>	1	1			Flange screw.....	Vis à bride.....	Flanschschraube.....	Torn embridado.....	Flänsskruv.....		
26	<b>VOE 11884168</b>	2	2			Spacer.....	Entretoise.....	Abstandstueck.....	Casquillo distanciad ..	Distans.....		
27	<b>VOE 11890117</b>	REQ	REQ			Washer.....	Rondelle.....	Scheibe.....	Arandela.....	Bricka.....		
28	<b>VOE 11885224</b>	REQ	REQ			Shim.....	Cale d'épaisseur.....	Passscheibe.....	Arandela Ajuste.....	Passbricka.....		
29	<b>VOE 11890048</b>		2			Seal.....	Joint.....	Dichtring.....	Junta.....	Tätning.....		
30	<b>VOE 965197</b>		1			Screw.....	Vis.....	Schraube.....	Tornillo.....	Skruv.....		
31	<b>VOE 971099</b>		2			Flange Lock Nut.....	Contre écrou bride.....	Flanschmutter.....	Contratuer Embr.....	Flänslåsmutter.....		
32	<b>VOE 13965229</b>		1			Flange screw.....	Vis à bride.....	Flanschschraube.....	Torn embridado.....	Flänsskruv.....		

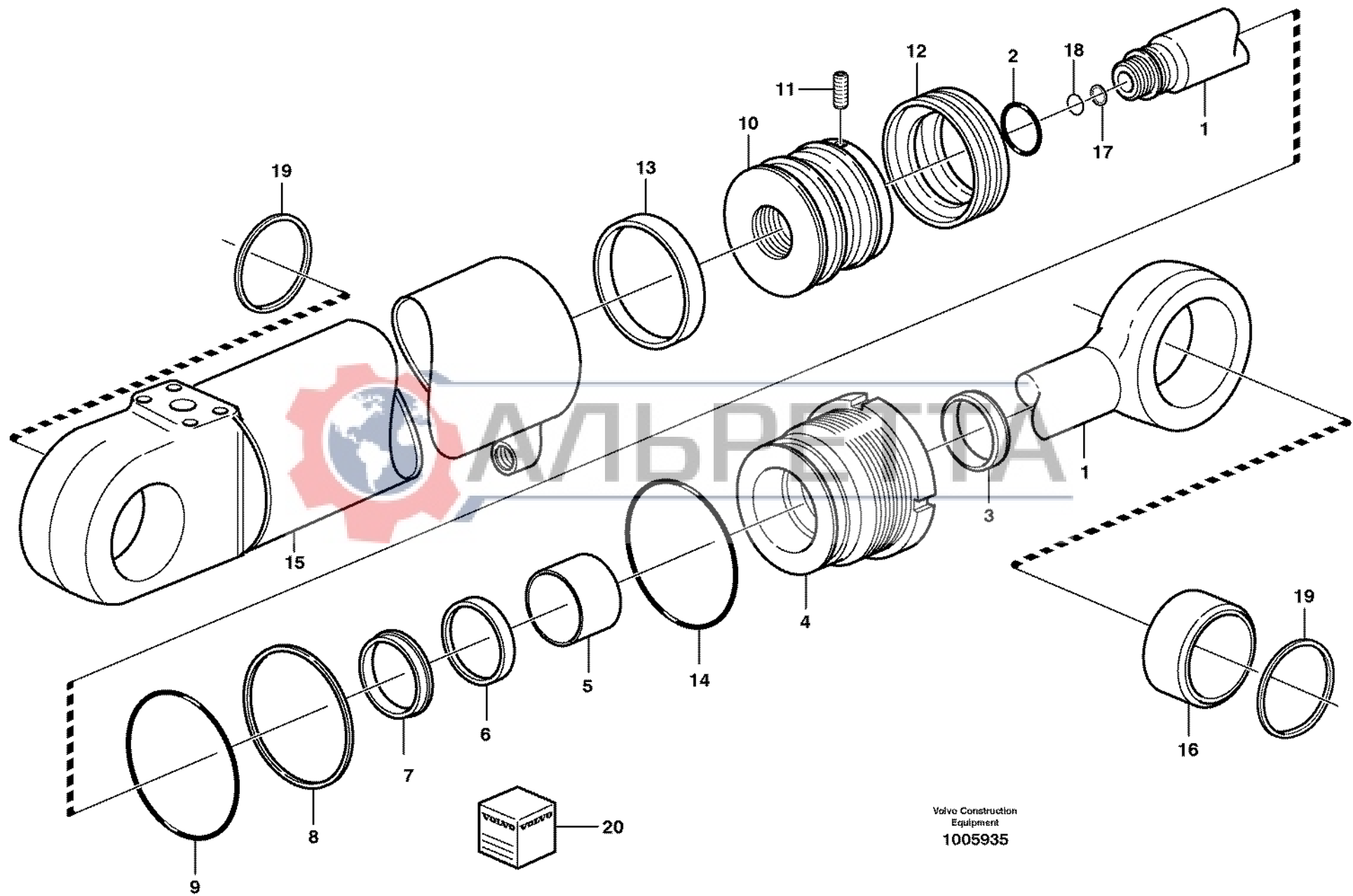


1	<b>S/N - 11144</b>	<b>Bom och skaft Pluma y brazo Ausleger und Stiel Flèche et balancier Boom and dipper arm 11891041, 11891441</b>	Catalogue id <b>20004</b>	Group <b>974</b>
2	<b>S/N 11145 -</b>		Illustr. No <b>1024640</b>	Section <b>150</b>
3			Issue <b>VOE 63G9920004</b>	Page <b>783</b>
4				
5				

**VOLVO**

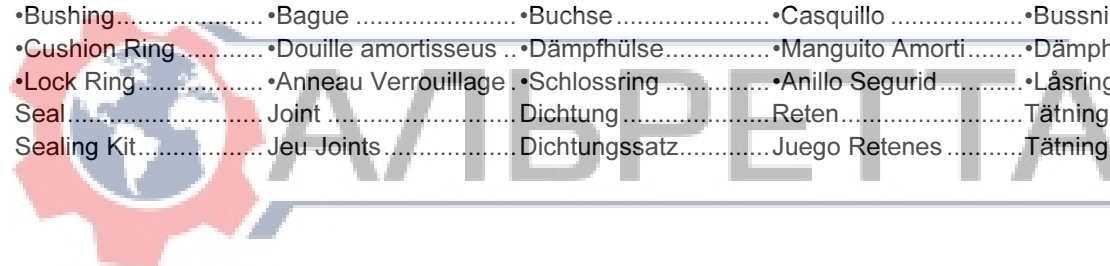
**BL70**





Volvo Construction  
Equipment  
1005935

Fig.	Part No.	Quantity			P S	K I T	Description	Dénomination	Bezeichnung	Denominación	Benämning	Notes
		1	2	3								
	<b>VOE 11881459</b>	1				Boom Cylinder .....	Verin de fleche .....	Auslegerzylinder.....	Maquina de flecha .....	Bomcylinder.....		
1	<b>VOE 11712451</b>	1				•Piston rod .....	•Bielle de piston .....	•Kolbenstange .....	•Biela de piston .....	•Kolvstång.....		
2		1			NS K	•O-ring.....	•Joint Torique .....	•O-Ring.....	•Junta torica .....	•O-ring.....		
3		1			NS K	•Scraper .....	•Racleur .....	•Abstreifring.....	•Aro rascador .....	•Avstrykare.....		
4	<b>VOE 11709524</b>	1			OP	•Pstn Rod Guide .....	•Gui.tige Piston .....	•Ko-stang Fuhrg .....	•Guia Var Piston.....	•Kolvst.styrning.....		
5		1			NS K	•Guide Ring.....	•Bague Guide.....	•Führungsring.....	•Anillo Guia.....	•Styrring.....		
6		1			NS K	•Piston Rod Seal .....	•Eta.tige Piston.....	•Ko-stang Dichtg .....	•Reten Var Pist.....	•Kolvstångstättn.....		
7		1			NS K	•Lock Ring.....	•Anneau Verrouillage ..	•Schlossring .....	•Anillo Segurid .....	•Låsring.....		
8		1			NS K	•Back-up ring .....	•Rondelle anti-extrusi ..	•Stützring.....	•Anillo Apoyo .....	•Stödtring.....		
9		1			NS K	•O-ring.....	•Joint Torique .....	•O-Ring.....	•Junta torica .....	•O-ring.....		
10	<b>VOE 11709525</b>	1			OP	•Piston.....	•Piston.....	•Kolben.....	•Piston .....	•Kolv.....		
11		1			NS K	•Screw.....	•Vis .....	•Schraube.....	•Tornillo .....	•Skruv.....		
12		1			NS K	•Piston seal .....	•Etanchei.piston .....	•Kolbendichtung .....	•Reten piston.....	•Kolvtätning.....		
13		1			NS K	•Guide Ring.....	•Bague Guide.....	•Führungsring.....	•Anillo Guia.....	•Styrring.....		
14		1			NS K	•O-ring.....	•Joint Torique .....	•O-Ring.....	•Junta torica .....	•O-ring.....		
15		1			NS	•Cylinder tube .....	•Tube cylindre .....	•Zylinderrohr.....	•Tubo cilindro .....	•Cylinderrör.....		
16	<b>VOE 11711135</b>	2				•Bushing.....	•Bague .....	•Buchse .....	•Casquillo .....	•Bussning.....	(VOE 11709599)	
17	<b>VOE 11709526</b>	1				•Cushion Ring .....	•Douille amortisseurs ..	•Dämpfhülse.....	•Manguito Amorti.....	•Dämpfhylsa.....		
18	<b>VOE 11709527</b>	1				•Lock Ring.....	•Anneau Verrouillage ..	•Schlossring .....	•Anillo Segurid .....	•Låsring.....		
19	<b>VOE 11890069</b>	6				Seal.....	Joint .....	Dichtung .....	Reten.....	Tätning.....		
20	<b>VOE 11709528</b>	1				Sealing Kit.....	Jeu Joints.....	Dichtungssatz.....	Juego Retenes .....	Tätningssats.....		

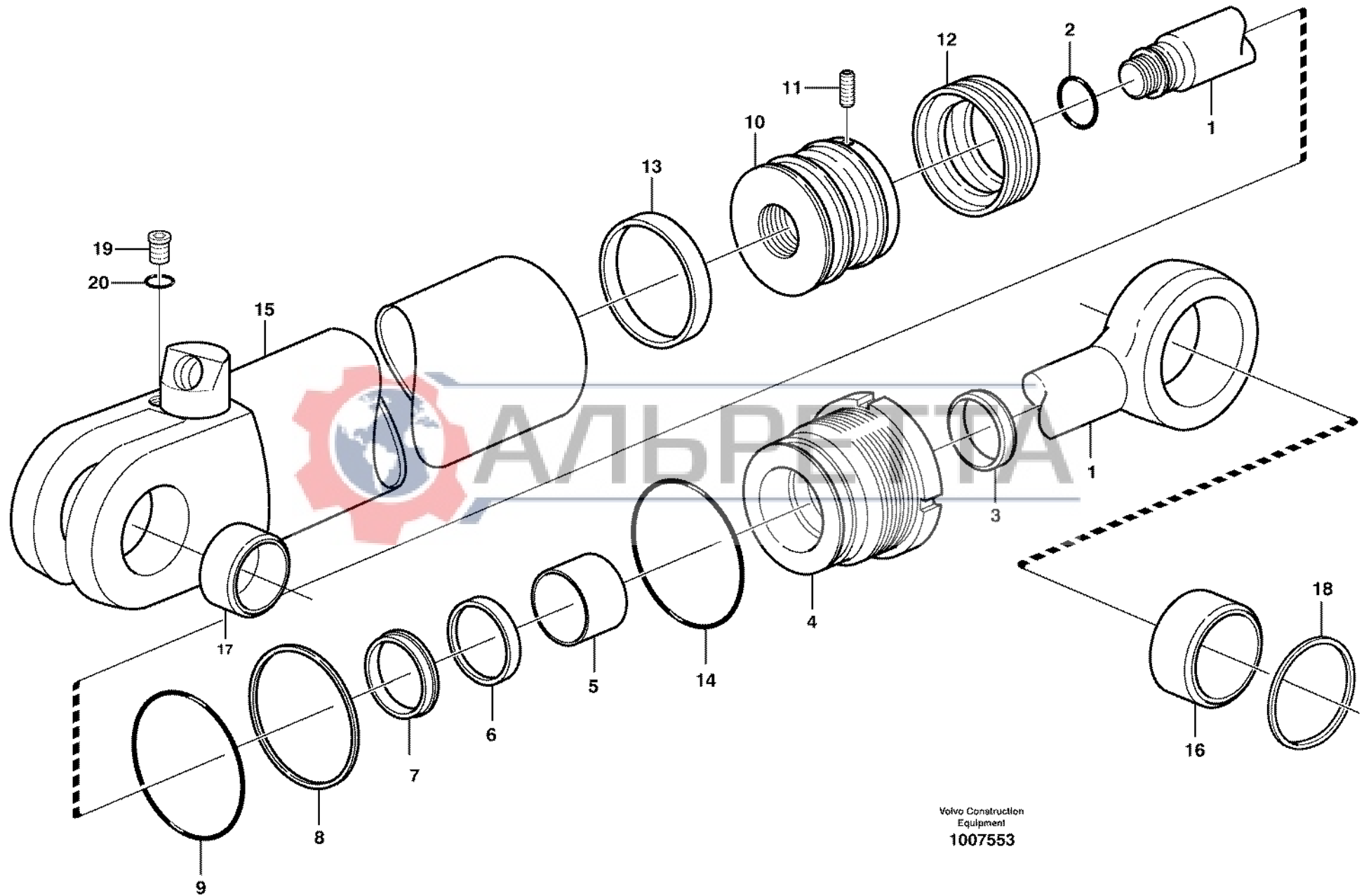


1		<b>Bomcylinder</b>	Catalogue id	Group
2		<b>Cilindro de pluma</b>	<b>20004</b>	<b>974</b>
3		<b>Auslegerzylinder</b>	Illustr. No	Section
4		<b>Vérin de flèche</b>	<b>1005935</b>	<b>200</b>
5		<b>Boom cylinder</b>	Issue	Page
		<b>11891005, 11891041, 11891022, 11891441</b>	<b>VOE 63G9920004</b>	<b>785</b>

**VOLVO**

**BL70**





Volvo Construction  
Equipment  
1007553

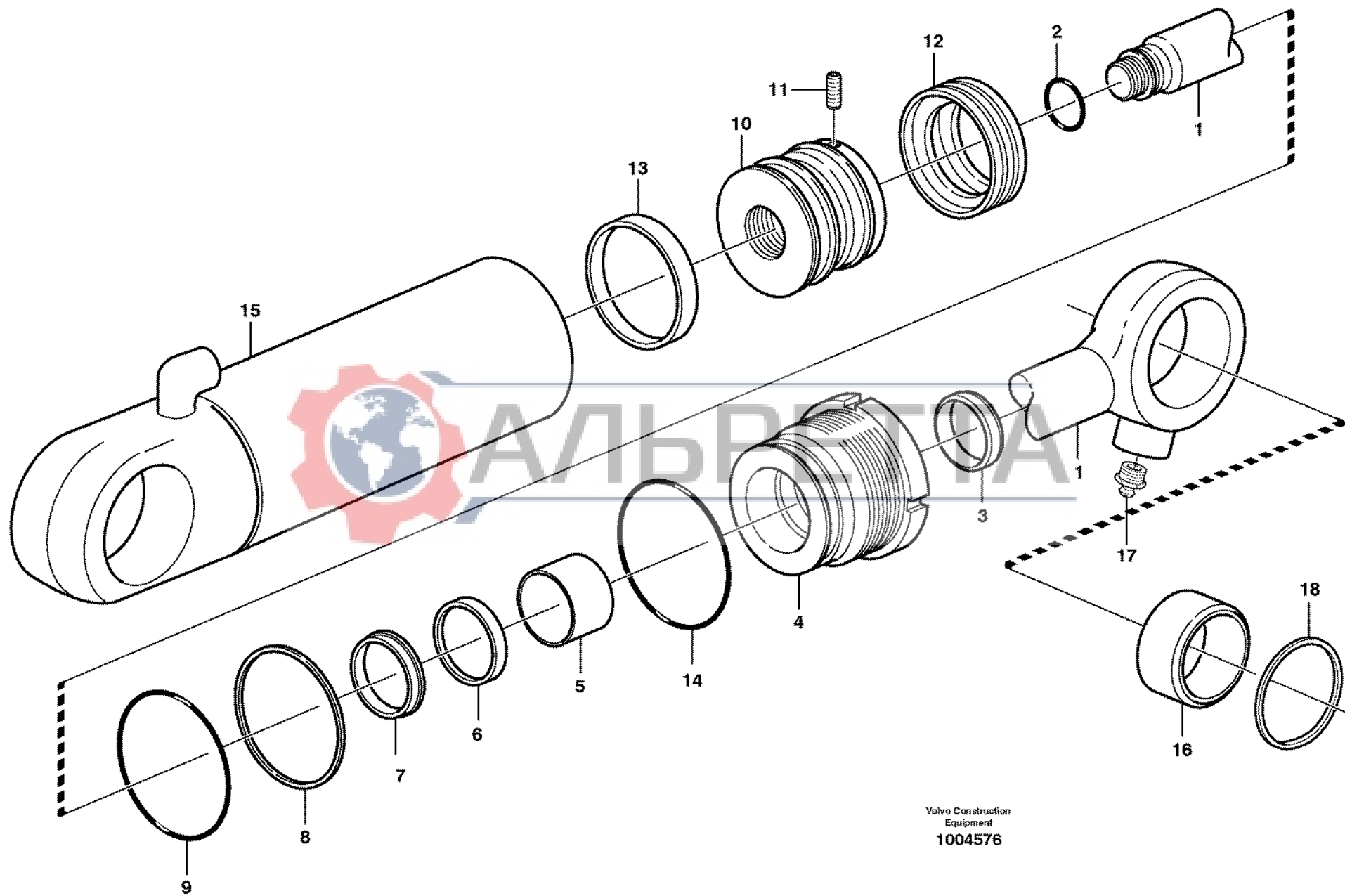
Fig.	Part No.	Quantity			P S	K I T	Description	Dénomination	Bezeichnung	Denominación	Benämning	Notes
		1	2	3								
	<b>VOE 11881460</b>	1				Dipper Arm Cylinder...	Vérin de bras.....	Stielzylinder.....	Cilindro de brazo.....	Skaftcylinder.....		
1	<b>VOE 11712444</b>	1				•Piston rod .....	•Bielle de piston .....	•Kolbenstange.....	•Biela de piston .....	•Kolvstång.....		
2		1			NS K	•O-ring.....	•Joint Torique .....	•O-Ring.....	•Junta torica .....	•O-ring.....		
3		1			NS K	•Scraper.....	•Racleur .....	•Abstreifring.....	•Aro rascador .....	•Avstrykare.....		
4	<b>VOE 11709541</b>	1			OP	•Pstn Rod Guide .....	•Gui.tige Piston .....	•Ko-stang Fuhrg .....	•Guia Var Piston.....	•Kolvst.styrning.....		
5		1			NS K	•Guide Ring.....	•Bague Guide.....	•Führungsring.....	•Anillo Guia.....	•Styrring.....		
6		1			NS K	•Piston Rod Seal.....	•Eta.tige Piston.....	•Ko-stang Dichtg .....	•Reten Var Pist.....	•Kolvstångstättn.....		
7		1			NS K	•Lock Ring.....	•Anneau Verrouillage .....	•Schlossring .....	•Anillo Segurid.....	•Låsring.....		
8		1			NS K	•Back-up ring .....	•Rondelle anti-extrusi .....	•Stützring.....	•Anillo Apoyo .....	•Stödring.....		
9		1			NS K	•O-ring.....	•Joint Torique .....	•O-Ring.....	•Junta torica .....	•O-ring.....		
10	<b>VOE 11709542</b>	1			OP	•Piston.....	•Piston.....	•Kolben.....	•Piston .....	•Kolv.....		
11		1			NS K	•Screw.....	•Vis.....	•Schraube.....	•Tornillo .....	•Skruv.....		
12		1			NS K	•Piston seal .....	•Etanchei.piston .....	•Kolbendichtung .....	•Reten piston.....	•Kolvtätning.....		
13		1			NS K	•Guide Ring.....	•Bague Guide.....	•Führungsring.....	•Anillo Guia.....	•Styrring.....		
14		1			NS K	•O-ring.....	•Joint Torique .....	•O-Ring.....	•Junta torica .....	•O-ring.....		
15		1			NS	•Cylinder tube .....	•Tube cylindre .....	•Zylinderrohr.....	•Tubo cilindro .....	•Cylinderrör.....		
16	<b>VOE 11711135</b>	1				•Bushing.....	•Bague .....	•Buchse .....	•Casquillo .....	•Bussning.....	(VOE 11709599)	
17	<b>VOE 11711974</b>	2				•Bushing.....	•Bague .....	•Buchse .....	•Casquillo .....	•Bussning.....	(VOE 11709601)	
18	<b>VOE 11883676</b>	2				Seal.....	Joint.....	Dichtring.....	Junta.....	Tätning.....		
	<b>VOE 11709543</b>	1				Sealing Kit.....	Jeu Joints.....	Dichtungssatz.....	Juego Retenes .....	Tätningssats.....		
19	<b>VOE 11883510</b>	1				Plug.....	Bouchon.....	Stopfen.....	Tapon .....	Plugg.....		
20	<b>VOE 932039</b>	1				•O-ring.....	•Joint Torique .....	•O-Ring.....	•Junta torica .....	•O-ring.....		

1		<b>Skaftcylinder</b>	Catalogue id	Group
2		<b>Cilindro de brazo</b>	<b>20004</b>	<b>975</b>
3		<b>Stielzylinder</b>	Illustr. No	Section
4		<b>Vérin de bras</b>	<b>1007553</b>	<b>100</b>
5		<b>Dipper arm cylinder</b>	Issue	Page
		<b>11891005, 11891041, 11891022, 11891441</b>	<b>VOE 63G9920004</b>	<b>787</b>

**VOLVO**

**BL70**





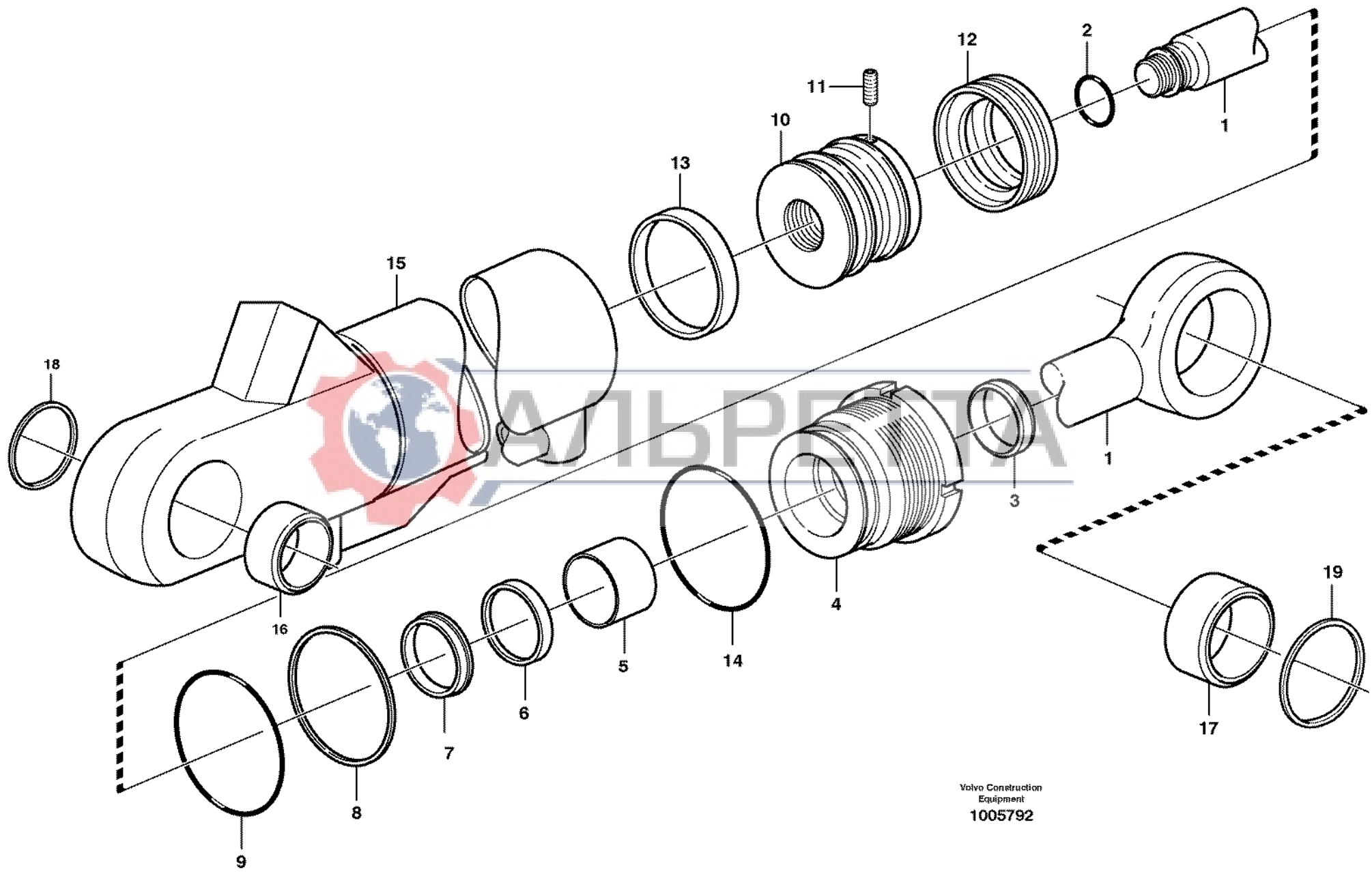
Volvo Construction  
Equipment  
1004576

Fig.	Part No.	Quantity			P S	K I T	Description	Dénomination	Bezeichnung	Denominación	Benämning	Notes
		1	2	3								
	<b>VOE 11886251</b>	1				Bucket Cylinder.....	Verin de godet.....	Löffelzylinder.....	Maquina de copa.....	Skoppcylinder.....		
	<b>VOE 11886251</b>		1			Bucket Cylinder.....	Verin de godet.....	Löffelzylinder.....	Maquina de copa.....	Skoppcylinder.....		
1	<b>VOE 11711462</b>	1	1			•Piston rod.....	•Bielle de piston.....	•Kolbenstange.....	•Biela de piston.....	•Kolvstång.....		
2		1	1	NS	K	•O-ring.....	•Joint Torique.....	•O-Ring.....	•Junta torica.....	•O-ring.....		
3		1	1	NS	K	•Scraper.....	•Racleur.....	•Abstreifring.....	•Aro rascador.....	•Avstrykare.....		
4	<b>VOE 11709545</b>	1	1	OP		•Pstn Rod Guide.....	•Gui.tige Piston.....	•Ko-stang Fuhrg.....	•Guia Var Piston.....	•Kolvst.styrning.....		
5		1	1	NS	K	•Guide Ring.....	•Bague Guide.....	•Führungsring.....	•Anillo Guia.....	•Styrring.....		
6		1	1	NS	K	•Piston Rod Seal.....	•Eta.tige Piston.....	•Ko-stang Dichtg.....	•Reten Var Pist.....	•Kolvstångstätt.....		
7		1	1	NS	K	•Lock Ring.....	•Anneau Verrouillage.....	•Schlossring.....	•Anillo Segurid.....	•Låsring.....		
8		1	1	NS	K	•Back-up ring.....	•Rondelle anti-extrusi.....	•Stützring.....	•Anillo Apoyo.....	•Stödring.....		
9		1	1	NS	K	•O-ring.....	•Joint Torique.....	•O-Ring.....	•Junta torica.....	•O-ring.....		
10	<b>VOE 11709546</b>	1	1	OP		•Piston.....	•Piston.....	•Kolben.....	•Piston.....	•Kolv.....		
11		1	1	NS	K	•Screw.....	•Vis.....	•Schraube.....	•Tornillo.....	•Skruv.....		
12		1	1	NS	K	•Piston seal.....	•Etanchei.piston.....	•Kolbendichtung.....	•Reten piston.....	•Kolvtätning.....		
13		1	1	NS	K	•Guide Ring.....	•Bague Guide.....	•Führungsring.....	•Anillo Guia.....	•Styrring.....		
14		1	1	NS	K	•O-ring.....	•Joint Torique.....	•O-Ring.....	•Junta torica.....	•O-ring.....		
15		1	1	NS		•Cylinder tube.....	•Tube cylindre.....	•Zylinderrohr.....	•Tubo cilindro.....	•Cylinderrör.....		
16	<b>VOE 11710944</b>	2	2			•Bushing.....	•Bague.....	•Buchse.....	•Casquillo.....	•Bussning.....		
17	<b>VOE 11709664</b>	1	1			•Lub Nipple.....	•Graisseur.....	•Schmiernippel.....	•Engrasador.....	•Smörjnippel.....		
18	<b>VOE 11883674</b>	4				Sealing ring.....	Bague d'étanchéité.....	Runddichtbrg.....	Anillo reten.....	Tätningsring.....		
18	<b>VOE 11709605</b>		4			Scraper.....	Racleur.....	Abstreicher.....	Rascador.....	Avstrykare.....		
	<b>VOE 11709547</b>	1	1			Sealing Kit.....	Jeu Joints.....	Dichtungssatz.....	Juego Retenes.....	Tätningssats.....		

1	<b>SER NO -10643</b>	<b>Skoppcylinder</b> <b>Cilindro de cazo</b> <b>Schaufelzylinder</b> <b>Vérin de godet</b> <b>Bucket cylinder</b>  <b>11891022, 11891041, 11891441</b>	Catalogue id	Group
2	<b>SER NO 10644-</b>		<b>20004</b>	<b>975</b>
3			Illustr. No	Section
4			<b>1004576</b>	<b>200</b>
5			Issue	Page
			<b>VOE 63G9920004</b>	<b>789</b>

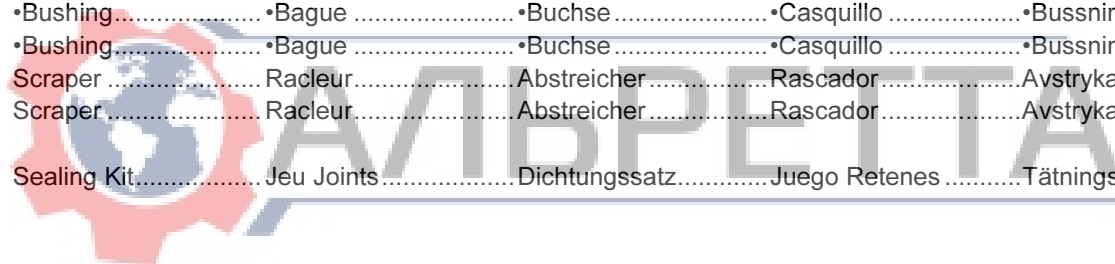
**VOLVO**

**BL70**



Volvo Construction  
Equipment  
1005792

Fig.	Part No.	Quantity			P S	K I T	Description	Dénomination	Bezeichnung	Denominación	Benämning	Notes
		1	2	3								
	<b>VOE 11886994</b>	1				Cylinder.....	Cylindre.....	Zylinder.....	Cilindro.....	Cylinder.....	(VOE 11885626)	
1	<b>VOE 11988253</b>	1				•Piston Rod.....	•Tige de piston.....	•Kolbenstange.....	•Varilla Piston.....	•Kolvstång.....		
2		1			NS K	•O-ring.....	•Joint Torique.....	•O-Ring.....	•Junta torica.....	•O-ring.....		
3		1			NS K	•Scraper.....	•Racleur.....	•Abstreifring.....	•Aro rascador.....	•Avstrykare.....		
4	<b>VOE 11709536</b>	1				•Pstn Rod Guide.....	•Gui.tige Piston.....	•Ko-stang Fuhrg.....	•Guia Var Piston.....	•Kolvst.styrning.....		
5		1			NS K	•Guide Ring.....	•Bague Guide.....	•Führungsring.....	•Anillo Guia.....	•Styrning.....		
6		1			NS K	•Piston Rod Seal.....	•Eta.tige Piston.....	•Ko-stang Dichtg.....	•Reten Var Pist.....	•Kolvstångstättn.....		
7		1			NS K	•Lock Ring.....	•Anneau Verrouillage.....	•Schlossring.....	•Anillo Segurid.....	•Låsring.....		
8		1			NS K	•Back-up ring.....	•Rondelle anti-extrusi.....	•Stützring.....	•Anillo Apoyo.....	•Stödtring.....		
9		1			NS K	•O-ring.....	•Joint Torique.....	•O-Ring.....	•Junta torica.....	•O-ring.....		
10	<b>VOE 11709537</b>	1				•Piston.....	•Piston.....	•Kolben.....	•Piston.....	•Kolv.....		
11		1			NS K	•Screw.....	•Vis.....	•Schraube.....	•Tornillo.....	•Skruv.....		
12		1			NS K	•Piston seal.....	•Etanchei.piston.....	•Kolbendichtung.....	•Reten piston.....	•Kolvtätning.....		
13		1			NS K	•Guide Ring.....	•Bague Guide.....	•Führungsring.....	•Anillo Guia.....	•Styrning.....		
14		1			NS K	•O-ring.....	•Joint Torique.....	•O-Ring.....	•Junta torica.....	•O-ring.....		
15		1			NS	•Cylinder tube.....	•Tube cylindre.....	•Zylinderrohr.....	•Tubo cilindro.....	•Cylinderrör.....		
16	<b>VOE 11711485</b>	1				•Bushing.....	•Bague.....	•Buchse.....	•Casquillo.....	•Bussning.....		
17	<b>VOE 11988256</b>	1				•Bushing.....	•Bague.....	•Buchse.....	•Casquillo.....	•Bussning.....		
18	<b>VOE 11709605</b>	2				Scraper.....	Racleur.....	Abstreicher.....	Rascador.....	Avstrykare.....		
19	<b>VOE 11988257</b>	2				Scraper.....	Racleur.....	Abstreicher.....	Rascador.....	Avstrykare.....		
	<b>VOE 11709538</b>	1				Sealing Kit.....	Jeu Joints.....	Dichtungssatz.....	Juego Retenes.....	Tätningssats.....		



1	<b>Teleskopcyliner</b> <b>Cilindro telescopico.</b> <b>Teleskopzylinder.</b> <b>Cylindre telescope.</b> <b>Extendible dipper cylinder</b> <b>11891005, 11891022</b>	Catalogue id	Group
2		<b>20004</b>	<b>975</b>
3		Illustr. No	Section
4		<b>1005792</b>	<b>300</b>
5		Issue	Page
		<b>VOE 63G9920004</b>	<b>791</b>

**VOLVO**

**BL70**



REPLACED PARTS			PIEZAS SUBSTITUDAS			Catalogue id <b>20004</b>		Group <b>1000</b>			
PIÈCES PÉRIMÉES ET REMPLACÉES			ERSATTA ARTIKLAR			Issue <b>VOE 63G9920004</b>		Page <b>1</b>			
ERSETZTE ARTIKEL											
Part No	Replaced by	Quantity	Part No	Replaced by	Quantity	Part No	Replaced by	Quantity	Part No	Replaced by	Quantity
VOE 11110471	*** USE		VOE 11886347	SS							
	VOE 11110670	SS	VOE 11884862	*** USE							
VOE 11110474	*** USE		VOE 11988296	SS							
VOE 11200890	*** USE		VOE 11988403	1.00							
	VOE 11149786	1.00	VOE 11988297	1.00							
VOE 11201418	*** USE		VOE 11884921	*** USE							
	VOE 11202201	SS	VOE 11715299	SS							
VOE 11709834	*** USE		VOE 11886053	*** USE							
	VOE 11715218	1.00	VOE 11886865	SS							
VOE 11881606	*** USE		VOE 11886464	*** USE							
	VOE 11886724	1.00	VOE 11887207	1.00							
VOE 11881607	*** USE		VOE 11887022	*** USE							
	VOE 11886784	1.00	VOE 11887637	SS							
VOE 11881712	*** USE		VOE 11890341	*** USE							
VOE 11883246	*** USE		VOE 11888337	1.00							
	VOE 11885148	1.00	VOE 11891089	*** USE							
VOE 11883414	*** USE		VOE 11885152	1.00							
	VOE 11886544	1.00	VOE 11988538	*** USE							
VOE 11883424	*** USE		VOE 11715251	1.00							
	VOE 11887818	1.00	VOE 20518337	*** USE							
VOE 11883582	*** USE		VOE 20524154	SS							
	VOE 11885974	1.00	VOE 20527040	SS							
	VOE 11885930	1.00	VOE 20542740	*** USE							
VOE 11883729	*** USE		VOE 20550117	*** USE							
	VOE 11887295	1.00	VOE 20739051	SS							
VOE 11883862	*** USE		VOE 24425842	*** USE							
	VOE 11883863	1.00	VOE 20791246	SS							
VOE 11884151	*** USE		VOE 945408	*** USE							
	VOE 11887447	1.00	VOE 13945408	1.00							
VOE 11884329	*** USE		VOE 947760	*** USE							
VOE 11884433	*** USE		FÖR VOLVO BM								
	VOE 11886785	1.00	VOE 13947760	SS							
VOE 11884583	*** USE		FÖR MICHIGAN								
	VOE 11886357	SS	VOE 12000579	SS							
VOE 11884737	*** USE		VOE 949278	*** USE							
	VOE 11885653	SS	VOE 983263	*** USE							
VOE 11884775	*** USE		VOE 983243	1.00							

Part No	Group	Sect	Page	Part No	Group	Sect	Page	Part No	Group	Sect	Page	Part No	Group	Sect	Page	Part No	Group	Sect	Page
11204605	882	100	507	VOE 11081026	925	200	713	VOE 11157115	924	450	699	VOE 11200533	873	150	489	VOE 11200709	363	100	147
11204606	882	100	507	VOE 11081028	925	200	713	VOE 11164488	841	100	457	VOE 11200543	872	250	485	VOE 11200710	363	100	147
11716652	551	150	391	VOE 11081028	925	300	721	VOE 11164554	881	150	501	VOE 11200545	882	100	505	VOE 11200713	363	100	147
11716654	551	150	391	VOE 11081028	925	310	725	VOE 11164693	881	150	501	VOE 11200546	882	100	505	VOE 11200713	363	200	151
11716655	551	150	391	VOE 11104092	852	100	467	VOE 11170006	371	100	155	VOE 11200547	882	100	505	VOE 11200727	872	250	483
991618	460	150	329	VOE 11104093	852	100	467	VOE 11170006	371	250	161	VOE 11200549	851	150	465	VOE 11200730	872	250	483
VOE 1083597	881	150	501	VOE 11104125	852	100	467	VOE 11170006	371	400	171	VOE 11200552	831	100	453	VOE 11200735	882	100	505
VOE 1096614	371	700	191	VOE 11104125	852	110	471	VOE 11170006	371	450	175	VOE 11200555	354	100	141	VOE 11200739	881	100	499
VOE 11003138	451	150	325	VOE 11104371	872	250	485	VOE 11170724	881	150	501	VOE 11200556	810	150	431	VOE 11200740	881	100	499
VOE 11003139	451	150	325	VOE 11104372	872	250	485	VOE 11180010	897	100	521	VOE 11200562	641	100	401	VOE 11200743	881	100	499
VOE 11003291	874	350	495	VOE 11104606	363	200	151	VOE 11191410	852	110	471	VOE 11200563	641	100	401	VOE 11200744	881	100	499
VOE 11003865	897	100	521	VOE 11104778	841	100	457	VOE 11200002	810	150	431	VOE 11200579	271	100	117	VOE 11200746	873	100	487
VOE 11004094	897	100	521	VOE 11104898	641	100	401	VOE 11200004	810	150	431	VOE 11200579	525	100	387	VOE 11200787	363	100	147
VOE 11006632	873	200	491	VOE 11104947	810	150	431	VOE 11200054	831	100	453	VOE 11200579	831	100	453	VOE 11200794	872	250	483
VOE 11006824	831	100	451	VOE 11109685	269	100	115	VOE 11200059	831	100	453	VOE 11200579	882	100	505	VOE 11200797	810	150	431
VOE 11006824	831	100	453	VOE 11110471	234	100	77	VOE 11200060	831	100	453	VOE 11200580	831	100	455	VOE 11200803	551	250	393
VOE 11006992	882	100	505	VOE 11110474	234	100	77	VOE 11200061	831	100	453	VOE 11200587	641	100	401	VOE 11200818	872	250	483
VOE 11007421	831	100	453	VOE 11110668	234	100	77	VOE 11200070	831	100	453	VOE 11200600	843	150	463	VOE 11200821	873	150	489
VOE 11011654	924	400	695	VOE 11110670	234	100	77	VOE 11200072	831	100	453	VOE 11200607	881	150	501	VOE 11200824	872	200	481
VOE 11015455	911	350	557	VOE 11111506	897	150	525	VOE 11200077	831	100	453	VOE 11200610	525	100	387	VOE 11200835	827	100	447
VOE 11015455	911	360	561	VOE 11114940	821	100	437	VOE 11200081	831	100	453	VOE 11200611	831	100	455	VOE 11200836	872	250	483
VOE 11026730	897	100	521	VOE 11117464	261	100	105	VOE 11200222	825	100	443	VOE 11200615	831	100	455	VOE 11200838	851	150	465
VOE 11027566	897	150	525	VOE 11117464	874	450	497	VOE 11200231	353	200	139	VOE 11200615	843	100	459	VOE 11200847	831	100	455
VOE 11037868	911	250	543	VOE 11121366	841	100	457	VOE 11200232	353	200	139	VOE 11200617	831	100	455	VOE 11200847	881	200	503
VOE 11037868	911	310	549	VOE 11141656	269	100	115	VOE 11200239	831	100	453	VOE 11200633	831	100	453	VOE 11200851	810	150	431
VOE 11039491	874	350	495	VOE 11141657	269	100	115	VOE 11200244	831	100	451	VOE 11200634	831	100	453	VOE 11200877	525	100	387
VOE 11039689	272	100	121	VOE 11149399	810	150	431	VOE 11200246	831	100	451	VOE 11200653	271	100	117	VOE 11200878	525	100	387
VOE 11039750	380	350	219	VOE 11149686	525	100	387	VOE 11200397	525	100	387	VOE 11200658	827	100	447	VOE 11200882	882	100	505
VOE 11039856	352	200	137	VOE 11149692	843	100	459	VOE 11200429	525	100	387	VOE 11200669	363	100	147	VOE 11200885	372	100	209
VOE 11046865	897	100	521	VOE 11149693	843	100	459	VOE 11200459	810	150	433	VOE 11200674	363	150	149	VOE 11200885	831	100	455
VOE 11055610	716	100	419	VOE 11149730	843	100	459	VOE 11200464	831	100	451	VOE 11200675	271	100	117	VOE 11200890	825	100	443
VOE 11055616	818	100	435	VOE 11149731	843	100	459	VOE 11200511	525	100	387	VOE 11200698	363	100	147	VOE 11200896	841	100	457
VOE 11057786	881	100	499	VOE 11149772	843	100	459	VOE 11200527	641	100	401	VOE 11200699	363	100	147	VOE 11200910	843	100	459
VOE 11059299	911	250	543	VOE 11149774	843	100	459	VOE 11200528	873	100	487	VOE 11200705	363	150	149	VOE 11200915	354	100	141
VOE 11078015	882	100	505	VOE 11149785	825	100	443	VOE 11200530	872	200	481	VOE 11200706	363	150	149	VOE 11200928	874	350	495

<b>NUMERICAL INDEX</b> <b>RÉPERTOIRE DE NUMÉROS</b> <b>NUMMERNREGISTER</b>	<b>INDICE DE NÚMERO</b> <b>NUMMERREGISTER</b>	Catalogue id	Group
		<b>20004</b>	<b>1000</b>
		Issue	Page
		<b>VOE 63G9920004</b>	<b>1</b>

**VOLVO**

**BL70**



NUMERICAL INDEX				INDICE DE NÚMERO				Catalogue id				Group			
RÉPERTOIRE DE NUMÉROS				NUMMERREGISTER				20004				1000			
NUMMERNREGISTER								Issue				Page			
VOE 63G9920004								VOE 63G9920004				2			
Part No	Group	Sect	Page	Part No	Group	Sect	Page	Part No	Group	Sect	Page	Part No	Group	Sect	Page
VOE 11200936	271	100	117	VOE 11201422	881	200	503	VOE 11203032	831	100	451	VOE 11204659	882	400	513
VOE 11200937	271	100	117	VOE 11201553	825	100	443	VOE 11203061	353	200	139	VOE 11204962	882	100	505
VOE 11200940	271	100	117	VOE 11201846	831	100	451	VOE 11203078	363	200	151	VOE 11294005	271	100	117
VOE 11200944	882	100	505	VOE 11201898	881	150	501	VOE 11203079	363	200	151	VOE 11294005	272	100	121
VOE 11200973	881	100	499	VOE 11201899	881	150	501	VOE 11203150	874	100	493	VOE 11294005	525	100	387
VOE 11200982	271	100	117	VOE 11202062	831	100	455	VOE 11203253	810	150	431	VOE 11294005	810	150	431
VOE 11200990	872	250	483	VOE 11202166	881	200	503	VOE 11203345	831	100	455	VOE 11294005	841	100	457
VOE 11201033	353	200	139	VOE 11202201	363	150	149	VOE 11203356	882	100	505	VOE 11294005	843	100	459
VOE 11201034	353	200	139	VOE 11202229	881	100	499	VOE 11203449	810	150	431	VOE 11294005	843	150	461
VOE 11201036	810	150	431	VOE 11202231	271	100	117	VOE 11203487	810	150	431	VOE 11294005	881	100	499
VOE 11201052	831	100	453	VOE 11202248	271	100	117	VOE 11203491	810	150	431	VOE 11294005	882	100	505
VOE 11201053	831	100	453	VOE 11202250	271	100	117	VOE 11203561	881	100	499	VOE 11298009	641	100	401
VOE 11201054	872	250	483	VOE 11202254	271	100	117	VOE 11203563	881	100	499	VOE 11298010	641	100	401
VOE 11201055	872	250	483	VOE 11202349	831	100	453	VOE 11203565	882	100	505	VOE 11298012	363	100	147
VOE 11201056	872	250	483	VOE 11202353	831	100	451	VOE 11203588	843	150	461	VOE 11298012	363	200	151
VOE 11201057	353	200	139	VOE 11202354	831	100	451	VOE 11203785	841	100	457	VOE 11298012	843	100	459
VOE 11201057	810	150	433	VOE 11202421	881	200	503	VOE 11203823	881	150	501	VOE 11298013	841	100	457
VOE 11201058	353	200	139	VOE 11202422	881	200	503	VOE 11203861	353	200	139	VOE 11298016	882	100	505
VOE 11201058	810	150	433	VOE 11202423	881	200	503	VOE 11203861	810	150	433	VOE 11298018	851	150	465
VOE 11201062	874	350	495	VOE 11202424	881	200	503	VOE 11204029	873	150	489	VOE 11298018	872	100	479
VOE 11201063	874	350	495	VOE 11202426	872	200	481	VOE 11204029	873	200	491	VOE 11298018	872	200	481
VOE 11201064	874	350	495	VOE 11202435	271	100	117	VOE 11204085	881	150	501	VOE 11298018	873	150	489
VOE 11201065	874	350	495	VOE 11202437	271	100	117	VOE 11204407	881	100	499	VOE 11298018	874	100	493
VOE 11201071	831	100	451	VOE 11202438	831	100	451	VOE 11204410	882	100	505	VOE 11298018	874	350	495
VOE 11201163	810	150	431	VOE 11202442	843	100	459	VOE 11204411	882	100	505	VOE 11298018	874	450	497
VOE 11201170	881	100	499	VOE 11202448	525	100	387	VOE 11204415	881	100	499	VOE 11298021	641	100	401
VOE 11201171	810	150	431	VOE 11202452	831	100	451	VOE 11204417	881	100	499	VOE 11298028	363	100	147
VOE 11201172	810	150	431	VOE 11202453	831	100	451	VOE 11204468	272	100	121	VOE 11298028	363	150	149
VOE 11201200	881	100	499	VOE 11202463	843	100	459	VOE 11204540	851	150	465	VOE 11298028	363	200	151
VOE 11201200	882	400	513	VOE 11202464	831	100	451	VOE 11204653	882	400	513	VOE 11298028	371	750	197
VOE 11201216	882	100	505	VOE 11202722	831	100	453	VOE 11204654	882	400	513	VOE 11298028	825	100	443
VOE 11201291	872	250	483	VOE 11202931	272	100	121	VOE 11204655	882	400	513	VOE 11298028	831	100	451
VOE 11201308	872	250	483	VOE 11202965	810	150	431	VOE 11204656	882	400	513	VOE 11298028	843	100	459
VOE 11201418	363	150	149	VOE 11203022	831	100	451	VOE 11204657	882	400	513	VOE 11298028	843	150	461
VOE 11201421	881	200	503	VOE 11203027	831	100	451	VOE 11204658	882	400	513	VOE 11298028	851	150	465

Part No	Group	Sect	Page	Part No	Group	Sect	Page	Part No	Group	Sect	Page	Part No	Group	Sect	Page	Part No	Group	Sect	Page
VOE 11298196	873	200	491	VOE 11700105	451	150	325	VOE 11700422	236	100	81	VOE 11707571	913	210	657	VOE 11709048	421	210	261
VOE 11298196	881	100	499	VOE 11700269	273	100	123	VOE 11700424	237	100	87	VOE 11707572	913	200	655	VOE 11709048	421	225	263
VOE 11298196	882	100	505	VOE 11700288	212	100	47	VOE 11700426	237	100	87	VOE 11707572	913	210	657	VOE 11709049	421	200	257
VOE 11298198	271	100	117	VOE 11700341	211	100	45	VOE 11700487	237	100	87	VOE 11708113	913	200	655	VOE 11709049	421	205	259
VOE 11298198	272	100	121	VOE 11700373	214	100	53	VOE 11700504	236	150	85	VOE 11708113	913	210	657	VOE 11709049	421	210	261
VOE 11298198	353	200	139	VOE 11700375	222	100	71	VOE 11700543	251	100	89	VOE 11708233	913	200	655	VOE 11709050	420	160	249
VOE 11298198	371	360	169	VOE 11700391	221	100	69	VOE 11700609	223	100	73	VOE 11708233	913	210	657	VOE 11709050	421	200	257
VOE 11298198	525	100	387	VOE 11700392	236	100	79	VOE 11701764	236	100	79	VOE 11708412	913	200	655	VOE 11709050	421	205	259
VOE 11298198	810	150	431	VOE 11700395	236	100	81	VOE 11703979	872	250	483	VOE 11708412	913	210	657	VOE 11709050	421	210	261
VOE 11298198	821	100	437	VOE 11700396	236	100	81	VOE 11704359	843	100	459	VOE 11708413	913	200	655	VOE 11709050	421	225	263
VOE 11298198	825	100	443	VOE 11700397	236	100	79	VOE 11704359	843	150	463	VOE 11708413	913	210	657	VOE 11709051	420	160	249
VOE 11298198	827	100	447	VOE 11700398	236	100	79	VOE 11704362	237	100	87	VOE 11708414	913	200	655	VOE 11709051	421	200	257
VOE 11298198	881	100	499	VOE 11700399	236	100	79	VOE 11704552	913	200	655	VOE 11708414	913	210	657	VOE 11709051	421	205	259
VOE 11298198	882	100	505	VOE 11700400	236	100	79	VOE 11704552	913	210	657	VOE 11708555	233	100	75	VOE 11709051	421	210	261
VOE 11298203	363	100	147	VOE 11700401	236	100	79	VOE 11704771	852	200	475	VOE 11708567	363	150	149	VOE 11709051	421	225	263
VOE 11298203	363	200	151	VOE 11700402	236	100	79	VOE 11704772	852	200	475	VOE 11708567	363	200	151	VOE 11709051	421	425	297
VOE 11298203	843	100	459	VOE 11700403	236	100	79	VOE 11706318	852	250	477	VOE 11708567	825	100	443	VOE 11709052	420	160	249
VOE 11298239	821	100	437	VOE 11700404	236	100	79	VOE 11706320	852	250	477	VOE 11708567	831	100	451	VOE 11709052	421	200	257
VOE 11298280	882	100	507	VOE 11700405	236	100	79	VOE 11707012	841	100	457	VOE 11708567	843	100	459	VOE 11709052	421	205	259
VOE 11302220	269	100	115	VOE 11700406	236	100	79	VOE 11707013	841	100	457	VOE 11708567	843	150	463	VOE 11709052	421	210	261
VOE 11302230	269	100	115	VOE 11700407	236	100	79	VOE 11707344	852	250	477	VOE 11708567	872	250	483	VOE 11709052	421	225	263
VOE 11305113	362	100	143	VOE 11700408	236	100	79	VOE 11707346	852	250	477	VOE 11708612	924	450	699	VOE 11709053	420	160	249
VOE 11305168	925	300	721	VOE 11700409	236	100	79	VOE 11707347	852	250	477	VOE 11709040	852	150	473	VOE 11709053	421	200	257
VOE 11305168	925	310	725	VOE 11700410	236	100	79	VOE 11707348	852	150	473	VOE 11709040	852	200	475	VOE 11709053	421	205	259
VOE 11305263	371	100	153	VOE 11700411	236	100	79	VOE 11707348	852	200	475	VOE 11709045	420	100	233	VOE 11709053	421	210	261
VOE 11305263	371	500	177	VOE 11700412	236	100	79	VOE 11707348	852	250	477	VOE 11709045	421	200	257	VOE 11709053	421	225	263
VOE 11305263	372	100	209	VOE 11700413	236	100	79	VOE 11707350	852	250	477	VOE 11709045	421	210	261	VOE 11709054	420	100	233
VOE 11305263	380	350	219	VOE 11700414	236	100	79	VOE 11707351	852	150	473	VOE 11709045	421	225	263	VOE 11709055	420	100	233
VOE 11305749	915	100	665	VOE 11700415	236	100	79	VOE 11707351	852	200	475	VOE 11709047	421	200	257	VOE 11709055	420	110	237
VOE 11306919	380	200	213	VOE 11700416	236	100	79	VOE 11707351	852	250	477	VOE 11709047	421	205	259	VOE 11709055	420	125	241
VOE 11315002	925	300	721	VOE 11700417	236	100	79	VOE 11707355	852	150	473	VOE 11709047	421	210	261	VOE 11709055	420	160	251
VOE 11315002	925	310	725	VOE 11700418	236	100	81	VOE 11707355	852	200	475	VOE 11709047	421	225	263	VOE 11709056	420	100	233
VOE 11370560	911	750	585	VOE 11700419	236	100	81	VOE 11707356	852	150	473	VOE 11709047	421	230	265	VOE 11709056	420	110	237
VOE 11370589	911	750	585	VOE 11700420	236	100	81	VOE 11707356	852	200	475	VOE 11709048	420	160	249	VOE 11709057	420	100	233
VOE 11370672	914	300	663	VOE 11700421	236	100	81	VOE 11707571	913	200	655	VOE 11709048	421	200	257	VOE 11709057	420	110	237

<b>NUMERICAL INDEX</b>  <b>RÉPERTOIRE DE NUMÉROS</b>  <b>NUMMERNREGISTER</b>	<b>INDICE DE NÚMERO</b>  <b>NUMMERREGISTER</b>		Catalogue id <b>20004</b>	Group <b>1000</b>
			Issue <b>VOE 63G9920004</b>	Page <b>3</b>

**VOLVO**

**BL70**



NUMERICAL INDEX				INDICE DE NÚMERO				Catalogue id				Group			
RÉPERTOIRE DE NUMÉROS				NUMMERREGISTER				20004				1000			
NUMMERNREGISTER								Issue				Page			
								VOE 63G9920004				4			
Part No	Group	Sect	Page	Part No	Group	Sect	Page	Part No	Group	Sect	Page	Part No	Group	Sect	Page
VOE 11709057	420	125	241	VOE 11709068	420	100	233	VOE 11709077	421	275	273	VOE 11709084	421	325	277
VOE 11709057	420	160	249	VOE 11709068	420	110	237	VOE 11709078	421	250	267	VOE 11709084	421	375	287
VOE 11709057	421	225	263	VOE 11709068	420	125	241	VOE 11709078	421	255	269	VOE 11709085	421	250	267
VOE 11709057	461	350	345	VOE 11709068	420	160	249	VOE 11709078	421	260	271	VOE 11709085	421	255	269
VOE 11709057	463	100	347	VOE 11709069	420	100	233	VOE 11709078	421	275	273	VOE 11709085	421	260	271
VOE 11709057	463	110	349	VOE 11709070	420	100	233	VOE 11709079	421	250	267	VOE 11709085	421	275	273
VOE 11709057	463	300	363	VOE 11709070	420	110	237	VOE 11709079	421	255	269	VOE 11709085	421	325	277
VOE 11709058	420	100	233	VOE 11709071	420	100	235	VOE 11709079	421	260	271	VOE 11709085	421	375	287
VOE 11709059	420	100	233	VOE 11709071	420	110	237	VOE 11709079	421	275	273	VOE 11709085	421	400	291
VOE 11709060	420	100	233	VOE 11709071	420	150	245	VOE 11709079	421	425	297	VOE 11709086	421	250	267
VOE 11709060	420	110	237	VOE 11709074	420	100	233	VOE 11709080	421	250	267	VOE 11709086	421	260	271
VOE 11709060	420	125	241	VOE 11709074	420	110	239	VOE 11709080	421	350	281	VOE 11709087	421	250	267
VOE 11709060	420	160	251	VOE 11709074	420	125	241	VOE 11709080	421	360	285	VOE 11709087	421	255	269
VOE 11709060	421	225	263	VOE 11709074	420	150	245	VOE 11709080	421	375	287	VOE 11709087	421	260	271
VOE 11709061	420	100	233	VOE 11709074	420	160	251	VOE 11709081	421	250	267	VOE 11709088	421	250	267
VOE 11709061	420	110	237	VOE 11709075	420	100	233	VOE 11709081	421	255	269	VOE 11709088	421	255	269
VOE 11709061	420	125	241	VOE 11709075	420	125	243	VOE 11709081	421	260	271	VOE 11709088	421	260	271
VOE 11709061	420	160	249	VOE 11709075	420	160	249	VOE 11709081	421	275	273	VOE 11709088	421	275	273
VOE 11709061	421	225	263	VOE 11709075	420	160	251	VOE 11709081	421	325	277	VOE 11709088	421	325	277
VOE 11709061	421	500	309	VOE 11709075	421	225	263	VOE 11709081	421	375	287	VOE 11709088	421	375	287
VOE 11709061	421	550	315	VOE 11709075	421	475	307	VOE 11709081	421	400	293	VOE 11709089	421	250	267
VOE 11709062	420	100	233	VOE 11709075	463	100	347	VOE 11709081	421	425	297	VOE 11709089	421	255	269
VOE 11709062	420	150	245	VOE 11709075	463	260	361	VOE 11709082	421	250	267	VOE 11709089	421	260	271
VOE 11709063	420	100	233	VOE 11709076	421	250	267	VOE 11709082	421	255	269	VOE 11709089	421	275	273
VOE 11709063	420	110	237	VOE 11709076	421	255	269	VOE 11709082	421	260	271	VOE 11709089	421	325	277
VOE 11709063	420	125	241	VOE 11709076	421	260	271	VOE 11709083	421	250	267	VOE 11709089	421	375	287
VOE 11709063	420	160	251	VOE 11709076	421	275	273	VOE 11709083	421	255	269	VOE 11709090	421	250	267
VOE 11709064	420	100	233	VOE 11709076	421	325	277	VOE 11709083	421	260	271	VOE 11709090	421	255	269
VOE 11709065	420	100	235	VOE 11709076	421	375	287	VOE 11709083	421	275	273	VOE 11709090	421	260	271
VOE 11709065	420	110	237	VOE 11709076	421	400	291	VOE 11709083	421	325	277	VOE 11709090	421	275	273
VOE 11709065	420	125	241	VOE 11709076	421	410	295	VOE 11709083	421	375	287	VOE 11709090	421	325	277
VOE 11709066	420	100	235	VOE 11709076	421	425	299	VOE 11709084	421	250	267	VOE 11709090	421	375	287
VOE 11709066	420	110	237	VOE 11709077	421	250	267	VOE 11709084	421	255	269	VOE 11709091	421	250	267
VOE 11709066	420	125	241	VOE 11709077	421	255	269	VOE 11709084	421	260	271	VOE 11709091	421	255	269
VOE 11709066	420	110	237	VOE 11709077	421	250	267	VOE 11709084	421	255	269	VOE 11709091	421	250	267
VOE 11709067	420	100	235	VOE 11709077	421	260	271	VOE 11709084	421	275	273	VOE 11709091	421	260	271

Part No	Group	Sect	Page	Part No	Group	Sect	Page	Part No	Group	Sect	Page	Part No	Group	Sect	Page	Part No	Group	Sect	Page
VOE 11709098	421	375	287	VOE 11709112	421	360	283	VOE 11709131	421	350	279	VOE 11709148	421	325	277	VOE 11709170	421	400	291
VOE 11709098	421	400	291	VOE 11709113	421	350	279	VOE 11709131	421	360	283	VOE 11709148	421	350	281	VOE 11709170	421	425	297
VOE 11709098	421	410	295	VOE 11709113	421	360	283	VOE 11709132	421	350	279	VOE 11709148	421	375	289	VOE 11709171	421	400	291
VOE 11709098	421	425	299	VOE 11709114	421	350	279	VOE 11709133	420	110	239	VOE 11709150	421	350	281	VOE 11709171	421	410	295
VOE 11709099	421	250	267	VOE 11709114	421	360	283	VOE 11709133	421	350	281	VOE 11709150	421	360	285	VOE 11709171	421	425	297
VOE 11709099	421	255	269	VOE 11709115	421	350	279	VOE 11709133	421	360	285	VOE 11709151	421	255	269	VOE 11709171	461	250	341
VOE 11709099	421	260	271	VOE 11709115	421	360	283	VOE 11709133	421	375	289	VOE 11709151	421	260	271	VOE 11709173	421	450	301
VOE 11709099	421	275	273	VOE 11709116	421	350	279	VOE 11709133	421	400	291	VOE 11709151	421	275	273	VOE 11709174	420	100	235
VOE 11709100	421	250	267	VOE 11709116	421	360	283	VOE 11709133	421	425	297	VOE 11709151	421	325	277	VOE 11709174	421	460	303
VOE 11709100	421	260	271	VOE 11709118	421	350	279	VOE 11709134	420	100	233	VOE 11709151	421	400	291	VOE 11709174	421	470	305
VOE 11709100	421	275	273	VOE 11709118	421	360	283	VOE 11709134	421	350	279	VOE 11709152	420	100	233	VOE 11709175	420	100	235
VOE 11709101	421	250	267	VOE 11709119	421	350	279	VOE 11709134	421	360	283	VOE 11709152	421	400	291	VOE 11709175	421	460	303
VOE 11709101	421	255	269	VOE 11709119	421	360	283	VOE 11709135	421	350	279	VOE 11709153	421	400	291	VOE 11709175	421	470	305
VOE 11709101	421	260	271	VOE 11709120	421	350	279	VOE 11709135	421	360	283	VOE 11709154	421	400	291	VOE 11709176	420	100	235
VOE 11709101	421	275	273	VOE 11709120	421	360	283	VOE 11709136	421	350	279	VOE 11709155	421	400	291	VOE 11709176	421	460	303
VOE 11709102	421	300	275	VOE 11709121	421	350	279	VOE 11709137	421	350	281	VOE 11709156	421	400	291	VOE 11709176	421	470	305
VOE 11709102	421	325	277	VOE 11709121	421	360	283	VOE 11709138	421	350	279	VOE 11709157	421	400	291	VOE 11709177	420	100	235
VOE 11709102	421	410	295	VOE 11709122	421	350	279	VOE 11709139	421	350	279	VOE 11709158	421	400	291	VOE 11709177	421	460	303
VOE 11709103	420	100	233	VOE 11709122	421	360	283	VOE 11709139	421	360	283	VOE 11709159	421	400	291	VOE 11709177	421	470	305
VOE 11709103	420	125	241	VOE 11709123	421	350	279	VOE 11709140	421	350	281	VOE 11709160	421	400	291	VOE 11709178	421	450	301
VOE 11709103	421	300	275	VOE 11709123	421	360	283	VOE 11709141	421	350	281	VOE 11709161	421	400	291	VOE 11709179	421	450	301
VOE 11709103	421	325	277	VOE 11709124	421	350	279	VOE 11709142	421	350	281	VOE 11709162	421	400	291	VOE 11709179	421	460	303
VOE 11709104	421	300	275	VOE 11709124	421	360	283	VOE 11709143	421	350	279	VOE 11709163	421	400	291	VOE 11709180	421	450	301
VOE 11709104	421	325	277	VOE 11709125	421	350	279	VOE 11709144	421	350	281	VOE 11709164	421	400	291	VOE 11709180	421	460	303
VOE 11709105	420	100	233	VOE 11709125	421	360	283	VOE 11709144	421	360	285	VOE 11709165	421	400	291	VOE 11709180	421	470	305
VOE 11709105	420	125	241	VOE 11709126	421	350	279	VOE 11709144	421	375	289	VOE 11709165	421	450	301	VOE 11709181	421	450	301
VOE 11709105	421	300	275	VOE 11709126	421	360	283	VOE 11709144	421	400	291	VOE 11709165	421	460	303	VOE 11709181	421	460	303
VOE 11709106	421	300	275	VOE 11709127	421	350	279	VOE 11709144	421	425	297	VOE 11709165	421	470	305	VOE 11709181	421	470	305
VOE 11709106	421	350	279	VOE 11709127	421	360	283	VOE 11709145	421	350	281	VOE 11709166	421	400	291	VOE 11709182	421	450	301
VOE 11709106	421	360	283	VOE 11709128	421	350	279	VOE 11709145	421	360	285	VOE 11709167	421	400	291	VOE 11709182	421	460	303
VOE 11709107	421	350	279	VOE 11709128	421	360	283	VOE 11709145	421	375	289	VOE 11709167	421	410	295	VOE 11709182	421	470	305
VOE 11709107	421	360	283	VOE 11709129	421	350	279	VOE 11709145	421	400	291	VOE 11709168	421	400	291	VOE 11709183	421	450	301
VOE 11709108	421	350	279	VOE 11709129	421	360	283	VOE 11709146	421	350	281	VOE 11709168	421	425	297	VOE 11709183	421	460	303
VOE 11709108	421	360	283	VOE 11709130	421	350	279	VOE 11709146	421	360	285	VOE 11709169	421	400	291	VOE 11709183	421	470	305
VOE 11709112	421	350	279	VOE 11709130	421	360	283	VOE 11709146	421	400	291	VOE 11709169	421	425	297	VOE 11709184	421	450	301

<b>NUMERICAL INDEX</b> <b>RÉPERTOIRE DE NUMÉROS</b> <b>NUMMERNREGISTER</b>	<b>INDICE DE NÚMERO</b> <b>NUMMERREGISTER</b>	Catalogue id	Group
		<b>20004</b>	<b>1000</b>
		Issue	Page
		<b>VOE 63G9920004</b>	<b>5</b>

**VOLVO**

**BL70**

NUMERICAL INDEX				INDICE DE NÚMERO				Catalogue id				Group			
RÉPERTOIRE DE NUMÉROS				NUMMERREGISTER				20004				1000			
NUMMERNREGISTER								Issue				Page			
NUMMERNREGISTER								VOE 63G9920004				6			
Part No	Group	Sect	Page	Part No	Group	Sect	Page	Part No	Group	Sect	Page	Part No	Group	Sect	Page
VOE 11709184	421	460	303	VOE 11709209	421	500	309	VOE 11709275	461	100	331	VOE 11709297	463	160	353
VOE 11709184	421	470	305	VOE 11709210	421	500	309	VOE 11709275	463	100	347	VOE 11709298	463	150	351
VOE 11709185	421	450	301	VOE 11709211	421	500	309	VOE 11709275	463	110	349	VOE 11709299	461	150	335
VOE 11709185	421	460	303	VOE 11709212	421	500	309	VOE 11709276	463	100	347	VOE 11709299	461	160	337
VOE 11709185	421	470	305	VOE 11709213	421	500	309	VOE 11709278	463	100	347	VOE 11709299	463	150	351
VOE 11709187	421	450	301	VOE 11709214	421	500	309	VOE 11709279	463	100	347	VOE 11709299	463	160	353
VOE 11709188	421	450	301	VOE 11709215	421	500	309	VOE 11709280	463	100	347	VOE 11709300	463	150	351
VOE 11709189	421	450	301	VOE 11709216	421	500	309	VOE 11709282	463	100	347	VOE 11709300	551	150	391
VOE 11709189	421	460	303	VOE 11709217	421	500	309	VOE 11709285	463	100	347	VOE 11709301	463	150	351
VOE 11709189	421	470	305	VOE 11709218	421	500	309	VOE 11709286	463	100	347	VOE 11709302	463	150	351
VOE 11709190	421	450	301	VOE 11709219	421	500	309	VOE 11709287	463	150	351	VOE 11709302	463	160	353
VOE 11709191	421	450	301	VOE 11709220	421	500	309	VOE 11709288	461	150	335	VOE 11709303	463	150	351
VOE 11709192	421	450	301	VOE 11709221	421	500	311	VOE 11709288	461	160	337	VOE 11709303	551	150	391
VOE 11709195	421	500	309	VOE 11709222	421	500	311	VOE 11709288	463	150	351	VOE 11709304	463	150	351
VOE 11709196	421	500	309	VOE 11709222	421	525	313	VOE 11709288	463	160	353	VOE 11709304	551	150	391
VOE 11709196	421	525	313	VOE 11709223	421	500	311	VOE 11709289	461	150	335	VOE 11709306	463	210	357
VOE 11709197	421	525	313	VOE 11709224	421	500	311	VOE 11709289	461	160	337	VOE 11709307	463	200	355
VOE 11709199	420	110	237	VOE 11709225	421	500	311	VOE 11709289	463	150	351	VOE 11709308	463	200	355
VOE 11709199	420	125	241	VOE 11709228	421	500	311	VOE 11709289	463	160	353	VOE 11709308	463	210	357
VOE 11709199	420	160	249	VOE 11709229	421	500	311	VOE 11709290	461	150	335	VOE 11709309	463	200	355
VOE 11709199	421	225	263	VOE 11709230	421	500	311	VOE 11709290	461	160	337	VOE 11709309	463	210	357
VOE 11709199	421	500	309	VOE 11709231	421	500	311	VOE 11709290	463	150	351	VOE 11709310	463	200	355
VOE 11709199	421	550	315	VOE 11709231	421	525	313	VOE 11709290	463	160	353	VOE 11709311	461	200	339
VOE 11709200	420	110	237	VOE 11709232	421	550	315	VOE 11709291	463	150	351	VOE 11709312	461	200	339
VOE 11709200	421	205	259	VOE 11709233	421	550	315	VOE 11709292	463	150	351	VOE 11709312	463	200	355
VOE 11709200	421	475	307	VOE 11709234	421	550	315	VOE 11709292	463	160	353	VOE 11709314	463	210	357
VOE 11709200	421	500	309	VOE 11709235	421	550	315	VOE 11709293	463	150	351	VOE 11709315	463	200	355
VOE 11709201	421	500	309	VOE 11709236	421	550	315	VOE 11709293	463	160	353	VOE 11709316	463	200	355
VOE 11709202	421	500	309	VOE 11709268	461	100	331	VOE 11709294	463	150	351	VOE 11709318	463	200	355
VOE 11709203	421	500	309	VOE 11709268	463	100	347	VOE 11709294	463	160	353	VOE 11709319	468	100	365
VOE 11709204	421	500	309	VOE 11709268	463	210	357	VOE 11709295	463	150	351	VOE 11709320	468	100	365
VOE 11709205	421	500	309	VOE 11709269	463	100	347	VOE 11709295	463	160	353	VOE 11709321	421	410	295
VOE 11709206	421	500	309	VOE 11709271	463	100	347	VOE 11709296	463	150	351	VOE 11709321	468	100	365
VOE 11709207	421	500	309	VOE 11709272	463	100	347	VOE 11709296	463	160	353	VOE 11709321	468	110	367
VOE 11709208	421	500	309	VOE 11709273	463	100	347	VOE 11709297	463	150	351	VOE 11709322	468	100	365
												VOE 11709322	468	100	365
												VOE 11709322	468	110	367
												VOE 11709323	468	100	365
												VOE 11709324	468	100	365
												VOE 11709325	468	100	365
												VOE 11709326	468	100	365
												VOE 11709326	468	110	367
												VOE 11709327	468	100	365
												VOE 11709328	468	100	365
												VOE 11709329	468	100	365
												VOE 11709330	468	100	365
												VOE 11709332	517	100	379
												VOE 11709333	517	100	379
												VOE 11709334	517	100	379
												VOE 11709350	463	100	347
												VOE 11709350	463	260	361
												VOE 11709357	463	250	359
												VOE 11709359	463	250	359
												VOE 11709360	461	300	343
												VOE 11709360	463	250	359
												VOE 11709360	463	260	361
												VOE 11709361	463	250	359
												VOE 11709362	463	250	359
												VOE 11709364	463	250	359
												VOE 11709365	463	250	359
												VOE 11709370	461	350	345
												VOE 11709370	463	300	363
												VOE 11709374	461	350	345
												VOE 11709374	463	300	363
												VOE 11709377	463	260	361
												VOE 11709377	463	300	363
												VOE 11709378	463	300	363
												VOE 11709380	463	300	363
												VOE 11709385	852	150	473
												VOE 11709386	852	150	473
												VOE 11709387	852	150	473

Part No	Group	Sect	Page	Part No	Group	Sect	Page	Part No	Group	Sect	Page	Part No	Group	Sect	Page	Part No	Group	Sect	Page
VOE 11709387	852	200	475	VOE 11709418	852	250	477	VOE 11709471	461	160	337	VOE 11709537	975	300	791	VOE 11709689	873	150	489
VOE 11709388	852	150	473	VOE 11709419	852	250	477	VOE 11709472	461	150	335	VOE 11709538	975	300	791	VOE 11709690	873	100	487
VOE 11709389	852	150	473	VOE 11709420	852	250	477	VOE 11709472	461	160	337	VOE 11709541	975	100	787	VOE 11709691	873	100	487
VOE 11709389	852	200	475	VOE 11709421	852	250	477	VOE 11709473	461	150	335	VOE 11709542	975	100	787	VOE 11709696	873	150	489
VOE 11709390	852	150	473	VOE 11709422	852	250	477	VOE 11709476	461	200	339	VOE 11709543	975	100	787	VOE 11709697	873	150	489
VOE 11709390	852	200	475	VOE 11709423	852	250	477	VOE 11709477	461	200	339	VOE 11709545	975	200	789	VOE 11709698	874	350	495
VOE 11709390	852	250	477	VOE 11709445	461	100	331	VOE 11709478	461	200	339	VOE 11709546	975	200	789	VOE 11709699	874	350	495
VOE 11709391	852	150	473	VOE 11709446	461	100	331	VOE 11709479	461	200	339	VOE 11709547	975	200	789	VOE 11709700	874	100	493
VOE 11709391	852	200	475	VOE 11709449	461	100	331	VOE 11709480	461	200	339	VOE 11709602	945	200	755	VOE 11709701	874	100	493
VOE 11709391	852	250	477	VOE 11709450	461	100	331	VOE 11709481	461	200	339	VOE 11709605	975	200	789	VOE 11709702	874	100	493
VOE 11709392	852	150	473	VOE 11709451	645	100	403	VOE 11709482	461	200	339	VOE 11709605	975	300	791	VOE 11709703	874	100	493
VOE 11709392	852	200	475	VOE 11709451	645	150	405	VOE 11709483	461	200	339	VOE 11709613	945	200	755	VOE 11709704	874	100	493
VOE 11709392	852	250	477	VOE 11709452	461	100	331	VOE 11709484	461	200	339	VOE 11709614	945	200	755	VOE 11709706	873	150	489
VOE 11709393	852	200	475	VOE 11709453	461	100	331	VOE 11709487	461	250	341	VOE 11709616	945	200	755	VOE 11709707	873	150	489
VOE 11709394	852	200	475	VOE 11709454	645	100	403	VOE 11709488	461	250	341	VOE 11709616	945	300	757	VOE 11709708	873	150	489
VOE 11709396	461	100	331	VOE 11709456	645	100	403	VOE 11709489	461	300	343	VOE 11709616	971	300	767	VOE 11709727	913	200	655
VOE 11709397	461	100	331	VOE 11709456	645	150	405	VOE 11709490	461	300	343	VOE 11709617	945	200	755	VOE 11709727	913	210	657
VOE 11709400	461	100	331	VOE 11709457	645	100	403	VOE 11709491	461	300	343	VOE 11709619	945	300	757	VOE 11709729	913	200	655
VOE 11709401	461	100	331	VOE 11709457	645	150	405	VOE 11709492	461	300	343	VOE 11709620	945	300	757	VOE 11709729	913	210	657
VOE 11709402	461	100	333	VOE 11709460	645	100	403	VOE 11709493	461	300	343	VOE 11709624	945	300	757	VOE 11709730	913	200	655
VOE 11709402	463	110	349	VOE 11709462	461	100	331	VOE 11709494	461	300	343	VOE 11709636	263	150	113	VOE 11709730	913	210	657
VOE 11709403	461	100	331	VOE 11709463	461	100	331	VOE 11709495	461	300	343	VOE 11709664	925	400	729	VOE 11709731	913	200	655
VOE 11709403	463	110	349	VOE 11709464	461	100	331	VOE 11709496	461	300	343	VOE 11709664	945	200	755	VOE 11709731	913	210	657
VOE 11709404	461	100	333	VOE 11709465	461	150	335	VOE 11709497	461	350	345	VOE 11709664	975	200	789	VOE 11709732	913	200	655
VOE 11709404	463	110	349	VOE 11709466	461	150	335	VOE 11709498	461	350	345	VOE 11709672	971	300	767	VOE 11709732	913	210	657
VOE 11709405	461	100	331	VOE 11709466	461	160	337	VOE 11709499	461	350	345	VOE 11709676	971	300	767	VOE 11709733	913	200	655
VOE 11709406	461	100	331	VOE 11709467	461	150	335	VOE 11709500	461	350	345	VOE 11709677	971	300	767	VOE 11709733	913	210	657
VOE 11709407	461	100	333	VOE 11709467	461	160	337	VOE 11709524	974	200	785	VOE 11709679	971	400	769	VOE 11709734	913	200	655
VOE 11709409	461	100	331	VOE 11709468	461	150	335	VOE 11709525	974	200	785	VOE 11709680	971	400	769	VOE 11709734	913	210	657
VOE 11709410	461	100	331	VOE 11709468	461	160	337	VOE 11709526	971	300	767	VOE 11709684	873	150	489	VOE 11709735	913	200	655
VOE 11709411	461	100	333	VOE 11709469	461	150	335	VOE 11709526	974	200	785	VOE 11709685	873	100	487	VOE 11709735	913	210	657
VOE 11709412	461	100	333	VOE 11709469	461	160	337	VOE 11709527	971	300	767	VOE 11709686	873	100	487	VOE 11709736	913	200	655
VOE 11709413	461	100	333	VOE 11709470	461	150	335	VOE 11709527	974	200	785	VOE 11709687	873	100	487	VOE 11709736	913	210	657
VOE 11709413	517	110	381	VOE 11709470	461	160	337	VOE 11709528	974	200	785	VOE 11709688	873	100	487	VOE 11709737	913	200	655
VOE 11709417	852	250	477	VOE 11709471	461	150	335	VOE 11709536	975	300	791	VOE 11709689	873	100	487	VOE 11709737	913	210	657

**NUMERICAL INDEX**

**RÉPERTOIRE DE NUMÉROS**

**NUMMERNREGISTER**

**INDICE DE NÚMERO**

**NUMMERREGISTER**

Catalogue id	Group
<b>20004</b>	<b>1000</b>
Issue	Page
<b>VOE 63G9920004</b>	<b>7</b>

**VOLVO**

**BL70**





Part No	Group	Sect	Page	Part No	Group	Sect	Page	Part No	Group	Sect	Page	Part No	Group	Sect	Page	Part No	Group	Sect	Page
VOE 11712787	463	100	347	VOE 11712945	420	150	245	VOE 11712976	421	375	289	VOE 11713154	924	300	691	VOE 11715076	852	110	469
VOE 11712788	463	100	347	VOE 11712946	420	150	245	VOE 11712977	421	375	289	VOE 11713154	924	350	693	VOE 11715077	852	110	469
VOE 11712789	463	300	363	VOE 11712947	420	150	245	VOE 11712978	421	375	289	VOE 11713203	911	1600	619	VOE 11715078	852	110	471
VOE 11712798	421	450	301	VOE 11712948	420	150	245	VOE 11712979	421	375	289	VOE 11714728	914	300	663	VOE 11715079	852	110	471
VOE 11712798	421	470	305	VOE 11712949	420	150	245	VOE 11712980	421	375	289	VOE 11714730	914	300	663	VOE 11715081	852	110	469
VOE 11712853	843	150	461	VOE 11712950	420	150	245	VOE 11712981	421	375	289	VOE 11714731	914	300	663	VOE 11715082	852	110	469
VOE 11712854	843	150	461	VOE 11712950	420	160	251	VOE 11712982	421	375	289	VOE 11715018	874	100	493	VOE 11715083	852	110	469
VOE 11712855	843	150	461	VOE 11712951	420	160	249	VOE 11712983	421	375	289	VOE 11715020	874	350	495	VOE 11715084	852	110	469
VOE 11712856	843	150	461	VOE 11712951	421	225	263	VOE 11712984	421	375	289	VOE 11715020	874	450	497	VOE 11715202	272	100	121
VOE 11712857	843	150	461	VOE 11712952	421	275	273	VOE 11712986	421	375	289	VOE 11715021	874	100	493	VOE 11715211	914	100	659
VOE 11712858	843	150	461	VOE 11712953	421	260	271	VOE 11712987	421	425	297	VOE 11715021	874	450	497	VOE 11715247	641	100	401
VOE 11712859	843	150	461	VOE 11712953	421	275	273	VOE 11712988	421	425	297	VOE 11715022	874	350	495	VOE 11715251	912	500	639
VOE 11712860	843	150	461	VOE 11712954	421	275	273	VOE 11712989	421	425	297	VOE 11715039	421	210	261	VOE 11715251	912	510	641
VOE 11712861	843	150	461	VOE 11712955	421	325	277	VOE 11712990	421	425	297	VOE 11715039	421	230	265	VOE 11715251	912	560	645
VOE 11712862	843	150	461	VOE 11712956	421	325	277	VOE 11712991	421	425	297	VOE 11715045	852	110	469	VOE 11715251	912	610	649
VOE 11712864	843	150	461	VOE 11712957	421	325	277	VOE 11712992	421	425	297	VOE 11715047	852	110	469	VOE 11715252	912	500	639
VOE 11712865	843	150	461	VOE 11712958	421	325	277	VOE 11712993	421	425	297	VOE 11715049	852	110	469	VOE 11715252	912	510	641
VOE 11712866	843	150	461	VOE 11712958	421	375	287	VOE 11712994	421	425	297	VOE 11715050	852	110	469	VOE 11715253	461	100	331
VOE 11712867	843	150	461	VOE 11712959	421	325	277	VOE 11712995	421	425	297	VOE 11715051	852	110	469	VOE 11715253	461	150	335
VOE 11712868	843	150	461	VOE 11712960	420	110	237	VOE 11712996	421	425	297	VOE 11715053	852	110	469	VOE 11715253	461	160	337
VOE 11712869	843	150	461	VOE 11712960	421	325	277	VOE 11712997	421	425	297	VOE 11715057	852	110	469	VOE 11715254	461	100	331
VOE 11712876	843	150	461	VOE 11712960	421	375	287	VOE 11712998	421	425	297	VOE 11715058	852	110	469	VOE 11715255	913	210	657
VOE 11712886	912	450	637	VOE 11712961	421	325	277	VOE 11712999	421	425	297	VOE 11715059	852	110	469	VOE 11715256	913	210	657
VOE 11712899	912	350	635	VOE 11712962	421	375	287	VOE 11713000	421	425	297	VOE 11715062	852	110	469	VOE 11715259	551	100	389
VOE 11712900	912	350	635	VOE 11712964	421	375	287	VOE 11713001	421	425	297	VOE 11715063	852	110	469	VOE 11715259	911	350	559
VOE 11712902	912	350	635	VOE 11712966	421	375	287	VOE 11713003	421	475	307	VOE 11715064	852	110	469	VOE 11715259	911	1300	613
VOE 11712922	972	200	773	VOE 11712967	421	375	287	VOE 11713004	421	475	307	VOE 11715065	852	110	469	VOE 11715261	913	210	657
VOE 11712940	421	200	257	VOE 11712968	421	375	287	VOE 11713005	421	475	307	VOE 11715066	852	110	469	VOE 11715266	913	210	657
VOE 11712940	421	210	261	VOE 11712969	421	375	287	VOE 11713017	914	300	663	VOE 11715067	852	110	469	VOE 11715275	912	500	639
VOE 11712940	421	225	263	VOE 11712970	421	375	287	VOE 11713018	914	300	663	VOE 11715068	852	110	469	VOE 11715275	912	550	643
VOE 11712941	421	200	257	VOE 11712971	421	375	287	VOE 11713136	924	350	693	VOE 11715069	852	110	469	VOE 11715277	461	100	333
VOE 11712941	421	210	261	VOE 11712972	421	375	287	VOE 11713137	924	350	693	VOE 11715070	852	110	469	VOE 11715280	461	150	335
VOE 11712941	421	225	263	VOE 11712973	421	375	287	VOE 11713138	234	100	77	VOE 11715071	852	110	469	VOE 11715291	641	100	401
VOE 11712943	420	150	245	VOE 11712974	421	375	287	VOE 11713153	843	150	461	VOE 11715072	852	110	469	VOE 11715295	972	200	773
VOE 11712944	420	150	245	VOE 11712975	421	375	289	VOE 11713154	924	250	689	VOE 11715074	852	110	469	VOE 11715302	972	200	773

<b>NUMERICAL INDEX</b> <b>RÉPERTOIRE DE NUMÉROS</b> <b>NUMMERNREGISTER</b>	<b>INDICE DE NÚMERO</b>		Catalogue id	Group
	<b>NUMMERREGISTER</b>		<b>20004</b>	<b>1000</b>
			Issue	Page
		<b>VOE 63G9920004</b>	<b>9</b>	

**VOLVO**

**BL70**

NUMERICAL INDEX				INDICE DE NÚMERO				Catalogue id				Group			
RÉPERTOIRE DE NUMÉROS				NUMMERREGISTER				20004				1000			
NUMMERNREGISTER								Issue				Page			
								VOE 63G9920004				10			
Part No	Group	Sect	Page	Part No	Group	Sect	Page	Part No	Group	Sect	Page	Part No	Group	Sect	Page
VOE 11715303	972	200	773	VOE 11716350	926	250	739	VOE 11716572	468	110	367	VOE 11716610	463	260	361
VOE 11715304	972	200	773	VOE 11716366	915	250	673	VOE 11716573	468	110	367	VOE 11716611	463	260	361
VOE 11715354	421	450	301	VOE 11716489	924	500	701	VOE 11716574	517	110	381	VOE 11716612	463	260	361
VOE 11715354	421	470	305	VOE 11716490	924	500	701	VOE 11716575	517	110	381	VOE 11716613	463	260	361
VOE 11715435	551	250	393	VOE 11716491	924	500	701	VOE 11716576	517	110	381	VOE 11716615	463	160	353
VOE 11715524	852	100	467	VOE 11716536	421	260	271	VOE 11716577	517	110	381	VOE 11716617	461	100	331
VOE 11715541	924	300	691	VOE 11716536	421	275	273	VOE 11716578	468	110	367	VOE 11716618	461	100	333
VOE 11715542	924	300	691	VOE 11716537	421	325	277	VOE 11716579	517	110	381	VOE 11716620	461	100	333
VOE 11715544	924	300	691	VOE 11716538	421	375	287	VOE 11716580	517	110	381	VOE 11716621	461	100	331
VOE 11715545	924	300	691	VOE 11716539	421	425	297	VOE 11716581	517	110	381	VOE 11716622	645	150	405
VOE 11715546	924	300	691	VOE 11716540	421	475	307	VOE 11716582	517	110	381	VOE 11716623	645	150	405
VOE 11715547	924	300	691	VOE 11716541	421	475	307	VOE 11716583	517	110	381	VOE 11716624	645	150	405
VOE 11715548	924	300	691	VOE 11716543	463	110	349	VOE 11716584	517	110	381	VOE 11716625	645	150	405
VOE 11715549	924	300	691	VOE 11716544	463	110	349	VOE 11716585	517	110	381	VOE 11716626	461	160	337
VOE 11715569	911	1600	619	VOE 11716545	463	110	349	VOE 11716586	517	110	381	VOE 11716627	461	160	337
VOE 11715626	912	310	633	VOE 11716546	463	110	349	VOE 11716587	517	110	381	VOE 11716628	461	160	337
VOE 11715626	912	510	641	VOE 11716547	463	110	349	VOE 11716588	463	260	361	VOE 11716630	461	250	341
VOE 11715627	912	310	633	VOE 11716550	463	160	353	VOE 11716589	463	260	361	VOE 11716631	461	250	341
VOE 11715627	912	510	641	VOE 11716551	463	160	353	VOE 11716590	463	260	361	VOE 11716632	420	160	249
VOE 11715628	912	310	633	VOE 11716556	463	210	357	VOE 11716591	463	260	361	VOE 11716633	420	160	249
VOE 11715628	912	560	645	VOE 11716557	463	210	357	VOE 11716592	463	260	361	VOE 11716634	420	160	249
VOE 11715629	912	310	633	VOE 11716558	463	210	357	VOE 11716593	463	260	361	VOE 11716635	420	160	249
VOE 11715629	912	510	641	VOE 11716559	463	210	357	VOE 11716594	463	260	361	VOE 11716636	420	160	249
VOE 11715630	912	310	633	VOE 11716560	463	210	357	VOE 11716595	463	260	361	VOE 11716637	420	160	249
VOE 11715630	912	510	641	VOE 11716561	463	210	357	VOE 11716596	463	260	361	VOE 11716638	420	160	249
VOE 11715632	912	310	633	VOE 11716562	463	210	357	VOE 11716597	463	260	361	VOE 11716639	420	110	237
VOE 11715632	912	610	649	VOE 11716563	463	210	357	VOE 11716598	463	260	361	VOE 11716639	420	125	243
VOE 11715641	912	610	649	VOE 11716564	463	210	357	VOE 11716599	463	260	361	VOE 11716639	420	160	251
VOE 11715681	914	300	663	VOE 11716565	463	210	357	VOE 11716600	551	150	391	VOE 11716640	420	160	251
VOE 11715682	914	300	663	VOE 11716566	463	210	357	VOE 11716601	551	150	391	VOE 11716641	420	160	251
VOE 11715686	912	610	649	VOE 11716567	463	210	357	VOE 11716602	551	150	391	VOE 11716642	420	160	251
VOE 11715917	380	100	211	VOE 11716568	468	110	367	VOE 11716603	551	150	391	VOE 11716643	420	160	251
VOE 11716347	926	250	739	VOE 11716569	468	110	367	VOE 11716604	551	150	391	VOE 11716644	420	160	251
VOE 11716348	926	250	739	VOE 11716570	468	110	367	VOE 11716605	551	150	391	VOE 11716645	420	160	249
VOE 11716349	926	250	739	VOE 11716571	468	110	367	VOE 11716606	551	150	391	VOE 11716646	421	375	287
VOE 11716647	421	425	297									VOE 11716647	421	425	297
VOE 11716648	421	425	297									VOE 11716648	421	425	297
VOE 11716650	451	150	325									VOE 11716650	451	150	325
VOE 11716665	420	125	241									VOE 11716665	420	125	241
VOE 11716666	421	360	283									VOE 11716666	421	360	283
VOE 11716667	421	360	285									VOE 11716667	421	360	285
VOE 11716668	421	360	283									VOE 11716668	421	360	283
VOE 11716669	421	360	285									VOE 11716669	421	360	285
VOE 11716670	421	360	285									VOE 11716670	421	360	285
VOE 11716671	421	360	285									VOE 11716671	421	360	285
VOE 11716672	421	360	283									VOE 11716672	421	360	283
VOE 11716673	421	460	303									VOE 11716673	421	460	303
VOE 11716673	421	470	305									VOE 11716673	421	470	305
VOE 11716674	421	460	303									VOE 11716674	421	460	303
VOE 11716674	421	470	305									VOE 11716674	421	470	305
VOE 11716675	421	525	313									VOE 11716675	421	525	313
VOE 11716676	421	525	313									VOE 11716676	421	525	313
VOE 11716677	421	525	313									VOE 11716677	421	525	313
VOE 11716678	421	525	313									VOE 11716678	421	525	313
VOE 11716679	421	525	313									VOE 11716679	421	525	313
VOE 11716680	421	525	313									VOE 11716680	421	525	313
VOE 11716681	421	525	313									VOE 11716681	421	525	313
VOE 11716682	421	525	313									VOE 11716682	421	525	313
VOE 11716683	421	525	313									VOE 11716683	421	525	313
VOE 11716684	421	525	313									VOE 11716684	421	525	313
VOE 11716685	421	525	313									VOE 11716685	421	525	313
VOE 11716686	421	525	313									VOE 11716686	421	525	313
VOE 11716687	421	525	313									VOE 11716687	421	525	313
VOE 11716780	421	205	259									VOE 11716780	421	205	259
VOE 11716781	421	205	259									VOE 11716781	421	205	259
VOE 11716782	420	110	237									VOE 11716782	420	110	237
VOE 11716783	420	110	237									VOE 11716783	420	110	237
VOE 11716784	420	110	237									VOE 11716784	420	110	237
VOE 11716785	421	255	269									VOE 11716785	421	255	269
VOE 11716786	421	360	283									VOE 11716786	421	360	283

Part No	Group	Sect	Page	Part No	Group	Sect	Page	Part No	Group	Sect	Page	Part No	Group	Sect	Page	Part No	Group	Sect	Page
VOE 11716787	421	410	295	VOE 11870026	372	100	209	VOE 11880002	971	100	759	VOE 11881126	424	150	319	VOE 11881289	911	910	595
VOE 11716788	421	410	295	VOE 11870440	371	100	155	VOE 11881002	821	100	437	VOE 11881128	424	150	319	VOE 11881292	911	1100	601
VOE 11716789	421	410	295	VOE 11870441	371	100	155	VOE 11881020	371	700	191	VOE 11881130	260	100	101	VOE 11881292	911	1150	605
VOE 11716790	421	410	295	VOE 11880002	271	100	117	VOE 11881020	371	710	193	VOE 11881131	260	100	101	VOE 11881292	911	1160	609
VOE 11716791	421	410	295	VOE 11880002	353	200	139	VOE 11881020	371	725	195	VOE 11881139	252	100	93	VOE 11881311	234	100	77
VOE 11716792	421	410	295	VOE 11880002	362	100	143	VOE 11881020	371	800	199	VOE 11881149	925	300	719	VOE 11881311	874	350	495
VOE 11716793	421	410	295	VOE 11880002	372	100	209	VOE 11881028	911	200	539	VOE 11881149	925	310	723	VOE 11881338	915	100	667
VOE 11716794	421	410	295	VOE 11880002	380	100	211	VOE 11881034	424	100	317	VOE 11881149	925	320	727	VOE 11881339	915	100	667
VOE 11716795	421	410	295	VOE 11880002	461	100	331	VOE 11881034	424	150	319	VOE 11881150	424	150	319	VOE 11881340	911	550	571
VOE 11716796	421	410	295	VOE 11880002	461	160	337	VOE 11881035	424	100	317	VOE 11881153	925	300	719	VOE 11881340	911	800	591
VOE 11716797	421	410	295	VOE 11880002	461	200	339	VOE 11881035	424	150	319	VOE 11881153	925	310	723	VOE 11881340	911	1350	615
VOE 11716798	421	410	295	VOE 11880002	461	300	343	VOE 11881047	925	200	713	VOE 11881154	925	300	719	VOE 11881341	915	100	667
VOE 11716799	421	410	295	VOE 11880002	461	350	345	VOE 11881047	925	300	721	VOE 11881154	925	310	723	VOE 11881343	911	1100	601
VOE 11716800	421	410	295	VOE 11880002	463	110	349	VOE 11881047	925	310	725	VOE 11881154	925	320	727	VOE 11881343	911	1150	605
VOE 11716801	421	410	295	VOE 11880002	468	100	365	VOE 11881048	911	1000	597	VOE 11881158	911	200	539	VOE 11881344	911	1100	601
VOE 11716802	421	410	295	VOE 11880002	468	150	369	VOE 11881049	911	1000	597	VOE 11881160	420	100	235	VOE 11881344	911	1150	605
VOE 11716803	421	470	305	VOE 11880002	491	100	371	VOE 11881049	911	1100	601	VOE 11881160	420	125	243	VOE 11881345	911	1000	597
VOE 11716804	421	470	305	VOE 11880002	517	200	383	VOE 11881049	911	1150	605	VOE 11881160	420	150	245	VOE 11881346	911	1000	597
VOE 11716875	911	400	565	VOE 11880002	517	250	385	VOE 11881049	924	200	687	VOE 11881164	256	100	97	VOE 11881346	911	1010	599
VOE 11716875	916	200	675	VOE 11880002	525	100	387	VOE 11881049	924	250	689	VOE 11881176	414	100	231	VOE 11881348	911	1000	597
VOE 11800853	924	150	685	VOE 11880002	551	250	393	VOE 11881050	945	150	745	VOE 11881177	414	100	231	VOE 11881348	911	1010	599
VOE 11801591	925	100	705	VOE 11880002	645	150	405	VOE 11881053	911	1100	601	VOE 11881191	823	100	441	VOE 11881349	911	1000	597
VOE 11801591	925	125	707	VOE 11880002	645	400	407	VOE 11881053	911	1150	605	VOE 11881207	371	500	177	VOE 11881349	911	1010	599
VOE 11801591	925	130	709	VOE 11880002	810	150	433	VOE 11881054	911	800	591	VOE 11881210	460	100	327	VOE 11881351	821	100	437
VOE 11802318	882	400	513	VOE 11880002	821	100	437	VOE 11881060	911	800	589	VOE 11881210	460	150	329	VOE 11881356	551	100	389
VOE 11802772	912	200	623	VOE 11880002	881	100	499	VOE 11881091	925	300	719	VOE 11881211	460	100	327	VOE 11881356	911	350	559
VOE 11802772	912	210	625	VOE 11880002	882	300	509	VOE 11881091	925	310	723	VOE 11881211	460	150	329	VOE 11881356	911	1300	613
VOE 11802772	912	220	627	VOE 11880002	911	360	561	VOE 11881091	925	320	727	VOE 11881212	460	100	327	VOE 11881360	424	100	317
VOE 11803635	881	150	501	VOE 11880002	911	800	589	VOE 11881092	911	800	591	VOE 11881212	460	150	329	VOE 11881360	424	150	319
VOE 11806517	912	220	627	VOE 11880002	911	910	595	VOE 11881093	911	800	589	VOE 11881213	460	100	327	VOE 11881360	810	150	433
VOE 11807523	911	1600	619	VOE 11880002	911	1010	599	VOE 11881101	911	900	593	VOE 11881213	460	150	329	VOE 11881360	882	300	509
VOE 11809186	420	100	235	VOE 11880002	911	1160	609	VOE 11881101	911	910	595	VOE 11881237	821	100	437	VOE 11881365	380	200	213
VOE 11840898	972	100	771	VOE 11880002	914	200	661	VOE 11881101	911	1000	597	VOE 11881240	925	200	713	VOE 11881372	911	550	571
VOE 11842117	924	500	703	VOE 11880002	945	150	741	VOE 11881101	911	1010	599	VOE 11881266	972	100	771	VOE 11881372	911	800	591
VOE 11851327	914	300	663	VOE 11880002	945	175	749	VOE 11881115	424	150	319	VOE 11881289	911	900	593	VOE 11881376	911	300	547

<b>NUMERICAL INDEX</b> <b>RÉPERTOIRE DE NUMÉROS</b> <b>NUMMERNREGISTER</b>	<b>INDICE DE NÚMERO</b> <b>NUMMERREGISTER</b>		Catalogue id <b>20004</b>	Group <b>1000</b>
			Issue <b>VOE 63G9920004</b>	Page <b>11</b>

**VOLVO**

**BL70**





Part No	Group	Sect	Page	Part No	Group	Sect	Page	Part No	Group	Sect	Page	Part No	Group	Sect	Page	Part No	Group	Sect	Page
VOE 11882592	424	100	317	VOE 11882766	911	550	571	VOE 11882965	821	100	437	VOE 11883103	380	200	213	VOE 11883252	925	310	723
VOE 11882592	424	150	319	VOE 11882767	911	550	571	VOE 11882980	821	100	437	VOE 11883130	945	150	745	VOE 11883252	925	320	727
VOE 11882592	882	400	511	VOE 11882768	911	550	571	VOE 11882985	353	200	139	VOE 11883132	823	100	441	VOE 11883275	974	100	779
VOE 11882593	313	100	131	VOE 11882798	911	800	591	VOE 11882989	821	100	437	VOE 11883145	256	100	97	VOE 11883275	974	150	781
VOE 11882593	371	100	153	VOE 11882799	911	800	591	VOE 11882992	517	200	383	VOE 11883170	451	150	325	VOE 11883278	371	100	155
VOE 11882594	313	100	131	VOE 11882800	911	800	589	VOE 11882993	517	200	383	VOE 11883171	451	150	325	VOE 11883283	896	100	515
VOE 11882594	371	100	153	VOE 11882801	911	800	589	VOE 11882999	945	150	745	VOE 11883196	925	300	719	VOE 11883289	897	150	525
VOE 11882604	915	100	665	VOE 11882803	971	200	763	VOE 11882999	945	175	753	VOE 11883221	380	200	213	VOE 11883290	897	150	525
VOE 11882635	911	200	539	VOE 11882854	911	800	591	VOE 11883000	945	150	745	VOE 11883229	911	800	589	VOE 11883293	897	100	521
VOE 11882636	911	200	539	VOE 11882854	911	1350	615	VOE 11883000	945	175	753	VOE 11883232	827	150	449	VOE 11883294	897	100	521
VOE 11882649	911	800	589	VOE 11882855	491	100	371	VOE 11883004	945	150	745	VOE 11883246	210	100	43	VOE 11883296	897	100	521
VOE 11882659	260	200	103	VOE 11882856	911	325	553	VOE 11883018	517	200	383	VOE 11883246	211	100	45	VOE 11883299	897	100	521
VOE 11882660	971	100	759	VOE 11882857	911	1000	597	VOE 11883019	517	200	383	VOE 11883246	212	100	47	VOE 11883303	897	100	521
VOE 11882667	974	100	779	VOE 11882865	380	200	213	VOE 11883020	517	200	383	VOE 11883246	212	150	49	VOE 11883304	897	100	521
VOE 11882674	460	100	327	VOE 11882865	380	200	215	VOE 11883021	517	200	383	VOE 11883246	213	100	51	VOE 11883315	896	100	515
VOE 11882675	911	200	539	VOE 11882865	916	200	677	VOE 11883021	517	250	385	VOE 11883246	214	100	53	VOE 11883319	551	250	393
VOE 11882677	974	100	779	VOE 11882868	380	200	213	VOE 11883022	517	200	383	VOE 11883246	215	100	55	VOE 11883319	911	1300	613
VOE 11882680	711	100	417	VOE 11882885	916	350	679	VOE 11883022	517	250	385	VOE 11883246	216	100	57	VOE 11883320	313	100	131
VOE 11882695	421	150	253	VOE 11882886	925	400	729	VOE 11883029	945	150	743	VOE 11883246	216	150	61	VOE 11883321	313	100	131
VOE 11882696	421	150	253	VOE 11882900	234	100	77	VOE 11883029	945	175	751	VOE 11883246	217	100	63	VOE 11883323	551	250	393
VOE 11882698	421	150	253	VOE 11882912	911	325	553	VOE 11883032	945	150	741	VOE 11883246	218	100	65	VOE 11883323	911	1300	613
VOE 11882718	460	100	327	VOE 11882913	551	250	393	VOE 11883032	945	175	749	VOE 11883246	221	100	69	VOE 11883346	234	100	77
VOE 11882719	460	100	327	VOE 11882920	234	100	77	VOE 11883048	517	200	383	VOE 11883246	222	100	71	VOE 11883381	945	150	743
VOE 11882721	460	100	327	VOE 11882920	911	250	543	VOE 11883049	517	200	383	VOE 11883246	223	100	73	VOE 11883381	945	175	751
VOE 11882722	911	600	575	VOE 11882920	911	330	555	VOE 11883051	380	100	211	VOE 11883246	233	100	75	VOE 11883409	380	250	217
VOE 11882722	912	100	621	VOE 11882920	911	350	559	VOE 11883052	821	100	437	VOE 11883246	236	100	79	VOE 11883414	821	100	439
VOE 11882722	912	700	651	VOE 11882920	911	360	561	VOE 11883060	380	200	213	VOE 11883246	236	150	85	VOE 11883418	821	100	439
VOE 11882737	911	325	553	VOE 11882923	915	100	665	VOE 11883061	380	200	213	VOE 11883246	237	100	87	VOE 11883424	252	100	93
VOE 11882738	911	325	553	VOE 11882925	915	100	665	VOE 11883062	380	200	213	VOE 11883246	251	100	89	VOE 11883439	971	100	759
VOE 11882741	517	200	383	VOE 11882925	915	100	667	VOE 11883063	380	200	215	VOE 11883246	255	100	95	VOE 11883447	945	150	741
VOE 11882743	491	100	371	VOE 11882932	945	150	741	VOE 11883064	380	200	215	VOE 11883246	262	100	107	VOE 11883476	945	150	743
VOE 11882756	260	200	103	VOE 11882932	945	175	749	VOE 11883065	380	200	213	VOE 11883246	263	150	113	VOE 11883476	974	100	779
VOE 11882757	260	200	103	VOE 11882937	645	400	407	VOE 11883066	380	200	213	VOE 11883246	273	100	123	VOE 11883479	827	150	449
VOE 11882763	911	550	571	VOE 11882938	645	400	407	VOE 11883067	380	200	213	VOE 11883251	252	100	93	VOE 11883502	972	100	771
VOE 11882765	911	550	571	VOE 11882941	645	400	407	VOE 11883068	380	200	213	VOE 11883252	925	300	719	VOE 11883508	911	300	545

<b>NUMERICAL INDEX</b> <b>RÉPERTOIRE DE NUMÉROS</b> <b>NUMMERNREGISTER</b>	<b>INDICE DE NÚMERO</b> <b>NUMMERREGISTER</b>		Catalogue id <b>20004</b>	Group <b>1000</b>
			Issue <b>VOE 63G9920004</b>	Page <b>13</b>

**VOLVO**

**BL70**

NUMERICAL INDEX				INDICE DE NÚMERO				Catalogue id				Group							
RÉPERTOIRE DE NUMÉROS				NUMMERREGISTER				20004				1000							
NUMMERNREGISTER								Issue				Page							
NUMMERNREGISTER								VOE 63G9920004				14							
Part No	Group	Sect	Page	Part No	Group	Sect	Page	Part No	Group	Sect	Page	Part No	Group	Sect	Page	Part No	Group	Sect	Page
VOE 11883508	911	310	549	VOE 11883641	363	200	151	VOE 11883761	914	200	661	VOE 11883860	821	100	437	VOE 11884016	974	150	781
VOE 11883510	420	100	235	VOE 11883642	897	100	521	VOE 11883762	914	100	659	VOE 11883862	974	100	777	VOE 11884020	882	300	509
VOE 11883510	421	150	253	VOE 11883646	363	200	151	VOE 11883762	914	200	661	VOE 11883863	974	100	777	VOE 11884021	424	100	317
VOE 11883510	911	250	543	VOE 11883648	363	200	151	VOE 11883763	914	100	659	VOE 11883865	974	100	777	VOE 11884021	424	150	319
VOE 11883510	911	750	585	VOE 11883650	363	200	151	VOE 11883763	914	200	661	VOE 11883867	897	100	521	VOE 11884022	424	100	317
VOE 11883510	911	1600	617	VOE 11883651	971	100	761	VOE 11883764	517	200	383	VOE 11883883	460	100	327	VOE 11884023	915	100	669
VOE 11883510	911	1600	619	VOE 11883674	972	200	773	VOE 11883764	517	250	385	VOE 11883883	461	100	331	VOE 11884027	897	150	525
VOE 11883510	971	200	763	VOE 11883674	975	200	789	VOE 11883768	972	100	771	VOE 11883888	897	100	521	VOE 11884028	926	200	737
VOE 11883510	972	200	773	VOE 11883675	911	800	591	VOE 11883768	974	100	777	VOE 11883889	911	700	581	VOE 11884032	926	200	737
VOE 11883510	975	100	787	VOE 11883676	975	100	787	VOE 11883768	974	150	781	VOE 11883890	911	700	581	VOE 11884039	916	200	675
VOE 11883533	897	150	525	VOE 11883678	823	100	441	VOE 11883769	974	100	777	VOE 11883891	911	700	581	VOE 11884052	971	300	767
VOE 11883544	972	300	775	VOE 11883682	911	300	545	VOE 11883769	974	150	781	VOE 11883892	911	700	581	VOE 11884059	421	150	253
VOE 11883545	972	300	775	VOE 11883682	911	310	549	VOE 11883770	974	100	777	VOE 11883894	911	700	581	VOE 11884063	911	200	539
VOE 11883556	972	300	775	VOE 11883691	420	100	235	VOE 11883770	974	150	781	VOE 11883897	974	100	777	VOE 11884069	911	200	539
VOE 11883560	972	100	771	VOE 11883692	945	150	745	VOE 11883771	711	100	417	VOE 11883929	945	150	741	VOE 11884070	424	150	319
VOE 11883572	972	100	771	VOE 11883711	371	100	157	VOE 11883772	945	150	741	VOE 11883929	945	175	749	VOE 11884070	914	100	659
VOE 11883582	911	600	575	VOE 11883712	911	700	583	VOE 11883772	945	175	749	VOE 11883930	945	150	741	VOE 11884070	914	200	661
VOE 11883582	915	200	671	VOE 11883717	914	100	659	VOE 11883773	852	100	467	VOE 11883930	945	175	749	VOE 11884070	915	100	667
VOE 11883583	380	100	211	VOE 11883717	914	200	661	VOE 11883774	852	100	467	VOE 11883933	873	200	491	VOE 11884071	926	200	737
VOE 11883584	313	100	131	VOE 11883719	897	100	521	VOE 11883780	925	200	713	VOE 11883936	974	100	779	VOE 11884081	371	100	153
VOE 11883585	896	100	515	VOE 11883720	897	100	521	VOE 11883801	945	150	741	VOE 11883937	911	800	591	VOE 11884086	371	500	177
VOE 11883592	911	200	539	VOE 11883721	897	100	521	VOE 11883801	945	175	749	VOE 11883937	945	150	741	VOE 11884089	371	250	161
VOE 11883593	371	750	197	VOE 11883722	897	100	521	VOE 11883802	945	150	741	VOE 11883937	945	175	749	VOE 11884094	925	300	721
VOE 11883598	914	100	659	VOE 11883725	874	450	497	VOE 11883802	945	175	749	VOE 11883937	971	300	767	VOE 11884094	925	310	725
VOE 11883599	313	100	131	VOE 11883727	971	100	759	VOE 11883803	945	150	741	VOE 11883939	818	100	435	VOE 11884095	925	300	721
VOE 11883608	371	100	153	VOE 11883728	971	100	759	VOE 11883803	945	175	749	VOE 11883969	926	200	737	VOE 11884095	925	310	725
VOE 11883617	897	150	525	VOE 11883729	971	100	759	VOE 11883805	874	450	497	VOE 11883973	234	100	77	VOE 11884099	926	100	735
VOE 11883618	256	150	99	VOE 11883732	971	100	759	VOE 11883806	874	450	497	VOE 11883974	234	100	77	VOE 11884102	972	300	775
VOE 11883619	256	150	99	VOE 11883733	971	100	759	VOE 11883807	874	450	497	VOE 11883975	945	200	755	VOE 11884117	945	150	741
VOE 11883624	924	100	683	VOE 11883751	971	100	759	VOE 11883809	460	100	327	VOE 11883976	945	200	755	VOE 11884117	945	175	749
VOE 11883624	924	300	691	VOE 11883753	971	100	761	VOE 11883856	818	100	435	VOE 11883977	945	300	757	VOE 11884119	261	100	105
VOE 11883632	896	100	515	VOE 11883757	971	100	759	VOE 11883857	945	150	741	VOE 11884001	252	100	93	VOE 11884125	926	100	735
VOE 11883632	896	110	517	VOE 11883759	914	100	659	VOE 11883857	945	175	749	VOE 11884006	252	100	93	VOE 11884150	460	100	327
VOE 11883635	911	750	585	VOE 11883759	914	200	661	VOE 11883858	945	150	743	VOE 11884007	252	100	93	VOE 11884150	463	100	347
VOE 11883640	363	200	151	VOE 11883761	914	100	659	VOE 11883858	945	175	751	VOE 11884012	882	300	509	VOE 11884151	380	100	211

Part No	Group	Sect	Page	Part No	Group	Sect	Page	Part No	Group	Sect	Page	Part No	Group	Sect	Page	Part No	Group	Sect	Page
VOE 11884152	371	500	177	VOE 11884284	911	400	565	VOE 11884391	911	550	571	VOE 11884613	234	100	77	VOE 11884787	971	200	763
VOE 11884154	823	100	441	VOE 11884285	911	400	567	VOE 11884392	911	550	571	VOE 11884614	945	150	743	VOE 11884790	218	100	65
VOE 11884163	823	100	441	VOE 11884287	911	550	571	VOE 11884393	911	1350	615	VOE 11884614	974	100	779	VOE 11884790	436	100	321
VOE 11884165	823	100	441	VOE 11884287	916	350	679	VOE 11884394	911	550	571	VOE 11884616	945	150	743	VOE 11884792	218	100	65
VOE 11884168	945	150	741	VOE 11884290	916	350	679	VOE 11884411	912	100	621	VOE 11884616	974	100	779	VOE 11884792	436	100	321
VOE 11884168	945	160	747	VOE 11884291	911	400	565	VOE 11884414	912	100	621	VOE 11884618	911	300	545	VOE 11884793	945	150	745
VOE 11884168	945	175	749	VOE 11884310	420	100	233	VOE 11884415	911	400	565	VOE 11884618	911	310	549	VOE 11884794	911	360	561
VOE 11884168	971	100	761	VOE 11884310	421	150	253	VOE 11884428	362	100	143	VOE 11884629	911	400	565	VOE 11884794	911	600	579
VOE 11884168	974	100	779	VOE 11884311	924	100	683	VOE 11884431	915	100	665	VOE 11884637	945	150	741	VOE 11884794	911	700	583
VOE 11884168	974	150	783	VOE 11884312	925	100	705	VOE 11884432	911	1350	615	VOE 11884638	945	150	741	VOE 11884794	913	100	653
VOE 11884170	945	150	743	VOE 11884312	925	125	707	VOE 11884433	911	1350	615	VOE 11884638	945	175	749	VOE 11884799	371	400	171
VOE 11884170	945	175	751	VOE 11884312	925	130	709	VOE 11884436	911	600	575	VOE 11884639	911	300	545	VOE 11884808	911	325	553
VOE 11884176	421	150	253	VOE 11884312	925	150	711	VOE 11884437	911	600	579	VOE 11884640	911	300	545	VOE 11884815	945	150	741
VOE 11884182	945	150	743	VOE 11884314	925	100	705	VOE 11884438	911	600	577	VOE 11884641	911	300	545	VOE 11884815	945	175	749
VOE 11884182	945	175	751	VOE 11884314	925	125	707	VOE 11884454	925	150	711	VOE 11884642	911	300	545	VOE 11884817	491	100	371
VOE 11884200	234	100	77	VOE 11884314	925	130	709	VOE 11884463	925	150	711	VOE 11884650	852	100	467	VOE 11884818	491	100	371
VOE 11884214	823	100	441	VOE 11884328	914	100	659	VOE 11884471	925	150	711	VOE 11884650	852	150	473	VOE 11884822	945	150	741
VOE 11884215	371	500	177	VOE 11884329	914	100	659	VOE 11884479	925	100	705	VOE 11884651	852	100	467	VOE 11884822	945	175	749
VOE 11884217	911	1600	617	VOE 11884333	897	100	521	VOE 11884487	925	100	705	VOE 11884651	852	200	475	VOE 11884823	945	150	741
VOE 11884217	915	100	665	VOE 11884361	825	150	445	VOE 11884504	371	200	159	VOE 11884652	852	100	467	VOE 11884828	911	550	571
VOE 11884228	911	800	589	VOE 11884365	825	150	445	VOE 11884510	711	100	417	VOE 11884652	852	250	477	VOE 11884829	911	550	571
VOE 11884238	911	350	559	VOE 11884374	897	100	521	VOE 11884511	371	700	191	VOE 11884653	821	100	437	VOE 11884832	911	400	565
VOE 11884248	974	100	777	VOE 11884375	897	100	521	VOE 11884514	371	300	165	VOE 11884654	371	350	167	VOE 11884833	911	400	565
VOE 11884251	491	100	371	VOE 11884378	911	350	557	VOE 11884520	818	100	435	VOE 11884658	711	100	417	VOE 11884842	911	250	543
VOE 11884259	974	100	777	VOE 11884378	911	360	561	VOE 11884542	971	200	763	VOE 11884714	711	100	417	VOE 11884849	771	100	421
VOE 11884269	915	100	665	VOE 11884379	911	350	557	VOE 11884546	911	1300	613	VOE 11884716	218	100	65	VOE 11884860	925	450	731
VOE 11884272	912	100	621	VOE 11884379	911	360	561	VOE 11884547	911	1300	613	VOE 11884719	218	100	65	VOE 11884861	925	450	731
VOE 11884273	911	600	575	VOE 11884380	911	300	545	VOE 11884569	971	100	761	VOE 11884722	436	100	321	VOE 11884862	925	450	731
VOE 11884273	912	700	651	VOE 11884381	911	1300	613	VOE 11884573	974	150	781	VOE 11884725	436	100	321	VOE 11884864	911	350	559
VOE 11884274	911	1600	619	VOE 11884382	972	300	775	VOE 11884574	913	100	653	VOE 11884733	881	100	499	VOE 11884866	925	450	731
VOE 11884274	912	700	651	VOE 11884385	911	600	575	VOE 11884579	971	400	769	VOE 11884737	974	100	777	VOE 11884867	925	450	731
VOE 11884275	924	150	685	VOE 11884385	912	100	621	VOE 11884582	711	100	417	VOE 11884758	945	150	743	VOE 11884868	874	450	497
VOE 11884276	911	1600	619	VOE 11884388	911	350	559	VOE 11884583	913	200	655	VOE 11884768	371	100	153	VOE 11884869	916	350	679
VOE 11884277	912	700	651	VOE 11884389	911	600	577	VOE 11884607	974	100	779	VOE 11884775	372	100	209	VOE 11884870	916	350	679
VOE 11884279	916	200	675	VOE 11884390	911	600	577	VOE 11884607	974	150	781	VOE 11884783	916	200	675	VOE 11884871	925	450	731

NUMERICAL INDEX

RÉPERTOIRE DE NUMÉROS

NUMMERNREGISTER

INDICE DE NÚMERO

NUMMERREGISTER

Catalogue id	Group
<b>20004</b>	<b>1000</b>
Issue	Page
<b>VOE 63G9920004</b>	<b>15</b>

**VOLVO**

**BL70**





Part No	Group	Sect	Page	Part No	Group	Sect	Page	Part No	Group	Sect	Page	Part No	Group	Sect	Page	Part No	Group	Sect	Page
VOE 11885758	911	1350	615	VOE 11886123	371	100	153	VOE 11886292	827	150	449	VOE 11886468	971	100	761	VOE 11886789	821	100	437
VOE 11885784	972	300	775	VOE 11886124	371	100	153	VOE 11886293	827	150	449	VOE 11886474	821	100	439	VOE 11886865	517	250	385
VOE 11885786	911	450	569	VOE 11886126	371	100	153	VOE 11886348	852	110	471	VOE 11886476	911	1100	601	VOE 11886925	716	100	419
VOE 11885789	926	200	737	VOE 11886132	896	110	517	VOE 11886355	451	150	325	VOE 11886480	911	1100	601	VOE 11886947	460	100	327
VOE 11885790	911	450	569	VOE 11886133	896	110	517	VOE 11886357	913	210	657	VOE 11886495	911	450	569	VOE 11886947	460	150	329
VOE 11885802	261	100	105	VOE 11886134	896	110	517	VOE 11886362	810	150	431	VOE 11886499	974	100	777	VOE 11886973	234	100	77
VOE 11885803	261	100	105	VOE 11886138	821	100	439	VOE 11886367	972	200	773	VOE 11886506	896	110	517	VOE 11886974	371	900	201
VOE 11885808	371	360	169	VOE 11886138	896	110	517	VOE 11886368	371	950	207	VOE 11886515	924	300	691	VOE 11886987	827	150	449
VOE 11885812	371	500	177	VOE 11886146	912	310	633	VOE 11886377	821	100	437	VOE 11886530	896	110	517	VOE 11886992	827	150	449
VOE 11885845	460	100	327	VOE 11886149	896	110	517	VOE 11886387	252	100	93	VOE 11886545	821	100	439	VOE 11886994	975	300	791
VOE 11885845	463	100	347	VOE 11886150	911	250	543	VOE 11886391	252	100	93	VOE 11886546	821	100	439	VOE 11886999	896	110	517
VOE 11885860	911	400	565	VOE 11886151	911	300	547	VOE 11886392	252	100	93	VOE 11886547	821	100	439	VOE 11887000	911	1600	617
VOE 11885861	771	100	421	VOE 11886153	925	310	723	VOE 11886393	252	100	93	VOE 11886557	371	100	155	VOE 11887001	911	1600	617
VOE 11885876	925	310	723	VOE 11886153	925	320	727	VOE 11886398	460	100	327	VOE 11886567	925	320	727	VOE 11887002	912	220	627
VOE 11885930	915	250	673	VOE 11886154	911	200	539	VOE 11886418	925	250	715	VOE 11886587	371	100	153	VOE 11887003	912	220	627
VOE 11885934	353	200	139	VOE 11886155	911	200	541	VOE 11886424	925	250	715	VOE 11886618	911	1350	615	VOE 11887004	912	220	627
VOE 11885940	974	150	781	VOE 11886174	974	100	777	VOE 11886425	925	250	715	VOE 11886625	911	1600	619	VOE 11887005	912	220	627
VOE 11885959	916	200	675	VOE 11886174	974	150	781	VOE 11886427	924	400	695	VOE 11886626	371	800	199	VOE 11887014	821	100	439
VOE 11885974	911	600	575	VOE 11886193	852	110	469	VOE 11886430	911	310	551	VOE 11886627	371	800	199	VOE 11887018	911	1100	601
VOE 11885974	915	250	673	VOE 11886215	362	100	143	VOE 11886434	924	400	695	VOE 11886629	269	100	115	VOE 11887019	911	1100	601
VOE 11885976	436	100	321	VOE 11886222	852	110	469	VOE 11886438	924	500	701	VOE 11886630	269	100	115	VOE 11887021	371	675	187
VOE 11885982	911	1010	599	VOE 11886223	852	110	469	VOE 11886439	924	500	701	VOE 11886631	914	300	663	VOE 11887022	371	655	183
VOE 11885990	711	100	417	VOE 11886250	821	100	437	VOE 11886441	924	500	701	VOE 11886632	914	300	663	VOE 11887039	945	150	745
VOE 11885991	372	100	209	VOE 11886251	975	200	789	VOE 11886442	924	500	701	VOE 11886633	914	300	663	VOE 11887043	911	1600	617
VOE 11885997	924	400	695	VOE 11886254	924	100	683	VOE 11886443	924	500	701	VOE 11886634	924	400	695	VOE 11887053	551	100	389
VOE 11885999	911	200	541	VOE 11886255	974	100	777	VOE 11886444	924	500	701	VOE 11886638	371	725	195	VOE 11887066	896	110	517
VOE 11886047	372	100	209	VOE 11886255	974	150	781	VOE 11886445	924	400	695	VOE 11886647	818	100	435	VOE 11887077	924	400	695
VOE 11886053	517	200	383	VOE 11886264	821	100	439	VOE 11886447	924	500	701	VOE 11886653	925	200	713	VOE 11887081	924	400	695
VOE 11886057	897	100	521	VOE 11886266	974	100	777	VOE 11886448	371	950	207	VOE 11886690	911	1600	619	VOE 11887110	897	100	523
VOE 11886084	380	100	211	VOE 11886266	974	150	781	VOE 11886452	911	450	569	VOE 11886707	911	200	539	VOE 11887112	911	750	587
VOE 11886105	911	1000	597	VOE 11886267	897	100	521	VOE 11886455	260	200	103	VOE 11886709	711	100	417	VOE 11887113	897	100	521
VOE 11886105	911	1010	599	VOE 11886270	821	100	439	VOE 11886461	460	100	327	VOE 11886740	371	450	173	VOE 11887149	363	200	151
VOE 11886119	371	100	155	VOE 11886272	911	200	539	VOE 11886464	911	200	539	VOE 11886741	716	100	419	VOE 11887150	363	200	151
VOE 11886120	371	500	177	VOE 11886273	911	200	539	VOE 11886465	924	500	703	VOE 11886742	716	100	419	VOE 11887168	925	320	727
VOE 11886121	371	100	153	VOE 11886286	371	100	157	VOE 11886466	924	500	703	VOE 11886762	911	1600	617	VOE 11887187	825	150	445

**NUMERICAL INDEX**

**RÉPERTOIRE DE NUMÉROS**

**NUMMERNREGISTER**

**INDICE DE NÚMERO**

**NUMMERREGISTER**

Catalogue id	Group
<b>20004</b>	<b>1000</b>
Issue	Page
<b>VOE 63G9920004</b>	<b>17</b>

**VOLVO**

**BL70**



Part No	Group	Sect	Page	Part No	Group	Sect	Page	Part No	Group	Sect	Page	Part No	Group	Sect	Page	Part No	Group	Sect	Page
VOE 11888467	421	150	253	VOE 11888715	911	330	555	VOE 11890109	945	175	751	VOE 11891005	911	900	593	VOE 11891020	945	200	755
VOE 11888468	551	250	393	VOE 11888737	945	175	751	VOE 11890110	945	150	741	VOE 11891005	911	1000	597	VOE 11891020	945	300	757
VOE 11888469	491	100	371	VOE 11888740	911	310	549	VOE 11890110	945	175	749	VOE 11891005	911	1200	611	VOE 11891022	897	100	521
VOE 11888492	451	150	325	VOE 11888741	911	310	549	VOE 11890115	925	500	733	VOE 11891005	911	1350	615	VOE 11891022	911	900	593
VOE 11888493	460	150	329	VOE 11888747	972	300	775	VOE 11890115	945	150	741	VOE 11891005	911	1600	619	VOE 11891022	911	1000	597
VOE 11888494	460	150	329	VOE 11888748	945	175	753	VOE 11890115	945	175	749	VOE 11891005	912	100	621	VOE 11891022	911	1100	601
VOE 11888495	460	150	329	VOE 11888754	916	360	681	VOE 11890115	972	300	775	VOE 11891005	914	100	659	VOE 11891022	911	1200	611
VOE 11888496	460	150	329	VOE 11888756	916	360	681	VOE 11890116	945	150	741	VOE 11891005	915	200	671	VOE 11891022	974	100	777
VOE 11888527	911	310	549	VOE 11888757	916	360	681	VOE 11890116	945	175	749	VOE 11891005	915	250	673	VOE 11891022	974	200	785
VOE 11888534	380	100	211	VOE 11888769	380	100	211	VOE 11890117	945	150	743	VOE 11891005	945	150	741	VOE 11891022	975	100	787
VOE 11888536	371	450	173	VOE 11888809	925	260	717	VOE 11890117	945	175	751	VOE 11891005	945	200	755	VOE 11891022	975	200	789
VOE 11888539	371	725	195	VOE 11888815	371	675	187	VOE 11890117	974	100	779	VOE 11891005	945	300	757	VOE 11891022	975	300	791
VOE 11888540	371	710	193	VOE 11888816	371	655	183	VOE 11890117	974	150	781	VOE 11891005	974	200	785	VOE 11891041	911	900	593
VOE 11888543	911	1010	599	VOE 11888817	525	100	387	VOE 11890117	974	150	783	VOE 11891005	975	100	787	VOE 11891041	911	1000	597
VOE 11888544	911	1160	609	VOE 11888851	911	400	565	VOE 11890118	945	150	743	VOE 11891005	975	300	791	VOE 11891041	911	1150	605
VOE 11888545	911	1160	609	VOE 11888852	372	100	209	VOE 11890118	945	175	751	VOE 11891014	353	200	139	VOE 11891041	911	1160	609
VOE 11888547	911	1160	609	VOE 11888979	911	1600	619	VOE 11890146	460	100	327	VOE 11891014	362	100	143	VOE 11891041	974	150	781
VOE 11888559	974	150	781	VOE 11889090	421	150	253	VOE 11890160	252	100	93	VOE 11891014	897	100	521	VOE 11891041	974	200	785
VOE 11888578	911	750	587	VOE 11889090	421	175	255	VOE 11890297	380	200	213	VOE 11891014	897	150	525	VOE 11891041	975	100	787
VOE 11888600	911	750	585	VOE 11889130	945	175	749	VOE 11890298	371	500	177	VOE 11891015	925	300	719	VOE 11891041	975	200	789
VOE 11888607	468	150	369	VOE 11890016	645	400	407	VOE 11890298	380	200	213	VOE 11891015	925	300	721	VOE 11891043	925	125	707
VOE 11888616	945	175	751	VOE 11890048	972	100	771	VOE 11890327	414	100	231	VOE 11891015	925	310	723	VOE 11891043	925	150	711
VOE 11888625	916	360	681	VOE 11890048	974	100	777	VOE 11890331	261	100	105	VOE 11891015	925	310	725	VOE 11891054	911	1100	601
VOE 11888650	911	750	585	VOE 11890048	974	150	781	VOE 11890332	261	100	105	VOE 11891017	926	200	737	VOE 11891054	911	1150	605
VOE 11888656	971	100	759	VOE 11890048	974	150	783	VOE 11890334	874	450	497	VOE 11891017	926	250	739	VOE 11891054	911	1160	609
VOE 11888669	517	250	385	VOE 11890069	911	800	591	VOE 11890335	256	150	99	VOE 11891018	925	300	719	VOE 11891056	911	1100	601
VOE 11888671	517	250	385	VOE 11890069	945	150	741	VOE 11890338	252	100	93	VOE 11891018	925	310	723	VOE 11891056	911	1150	605
VOE 11888681	971	100	759	VOE 11890069	945	175	749	VOE 11890339	420	125	241	VOE 11891018	925	400	729	VOE 11891056	911	1160	609
VOE 11888687	261	100	105	VOE 11890069	974	100	777	VOE 11890339	421	175	255	VOE 11891020	911	600	575	VOE 11891058	911	1000	597
VOE 11888694	424	100	317	VOE 11890069	974	150	781	VOE 11890341	420	150	245	VOE 11891020	911	800	589	VOE 11891058	911	1010	599
VOE 11888694	424	150	319	VOE 11890069	974	200	785	VOE 11890341	421	150	253	VOE 11891020	911	1350	615	VOE 11891059	911	1200	611
VOE 11888695	260	100	101	VOE 11890070	380	200	213	VOE 11890341	421	225	263	VOE 11891020	911	1600	619	VOE 11891060	911	1200	611
VOE 11888711	911	550	571	VOE 11890074	380	200	213	VOE 11890349	420	100	235	VOE 11891020	912	100	621	VOE 11891061	974	100	779
VOE 11888712	911	550	571	VOE 11890076	380	200	213	VOE 11891005	911	600	575	VOE 11891020	914	100	659	VOE 11891061	974	150	781
VOE 11888715	491	100	371	VOE 11890109	945	150	743	VOE 11891005	911	800	589	VOE 11891020	945	150	741	VOE 11891062	911	1000	597

<b>NUMERICAL INDEX</b> <b>RÉPERTOIRE DE NUMÉROS</b> <b>NUMMERNREGISTER</b>	<b>INDICE DE NÚMERO</b> <b>NUMMERREGISTER</b>	Catalogue id	Group
		<b>20004</b>	<b>1000</b>
		Issue	Page
		<b>VOE 63G9920004</b>	<b>19</b>

**VOLVO**

**BL70**



NUMERICAL INDEX				INDICE DE NÚMERO				Catalogue id				Group							
RÉPERTOIRE DE NUMÉROS				NUMMERREGISTER				20004				1000							
NUMMERNREGISTER								Issue				Page							
NUMMERNREGISTER								VOE 63G9920004				20							
Part No	Group	Sect	Page	Part No	Group	Sect	Page	Part No	Group	Sect	Page	Part No	Group	Sect	Page	Part No	Group	Sect	Page
VOE 11891062	911	1010	599	VOE 11891110	852	250	477	VOE 11891209	421	410	295	VOE 11891224	451	100	323	VOE 11891256	716	100	419
VOE 11891063	911	900	593	VOE 11891112	882	100	505	VOE 11891209	421	450	301	VOE 11891224	451	150	325	VOE 11891261	362	150	145
VOE 11891063	911	910	595	VOE 11891112	897	100	521	VOE 11891209	421	470	305	VOE 11891224	491	100	371	VOE 11891262	362	150	145
VOE 11891064	911	900	593	VOE 11891112	915	100	665	VOE 11891209	421	500	309	VOE 11891224	517	200	383	VOE 11891264	925	200	713
VOE 11891064	911	910	595	VOE 11891113	882	100	505	VOE 11891209	421	525	313	VOE 11891224	525	100	387	VOE 11891265	925	200	713
VOE 11891065	897	100	521	VOE 11891113	897	100	521	VOE 11891209	421	550	315	VOE 11891238	371	950	207	VOE 11891265	925	300	719
VOE 11891065	911	600	575	VOE 11891113	915	100	665	VOE 11891209	424	100	317	VOE 11891238	380	200	215	VOE 11891265	925	300	721
VOE 11891065	911	800	589	VOE 11891117	896	100	515	VOE 11891209	436	100	321	VOE 11891238	897	150	525	VOE 11891265	925	310	723
VOE 11891065	911	1350	615	VOE 11891152	896	150	519	VOE 11891209	451	100	323	VOE 11891238	924	400	695	VOE 11891265	925	310	725
VOE 11891065	912	100	621	VOE 11891176	926	100	735	VOE 11891209	451	150	325	VOE 11891238	924	450	699	VOE 11891267	771	150	423
VOE 11891065	914	100	659	VOE 11891192	925	130	709	VOE 11891209	491	100	371	VOE 11891238	924	500	701	VOE 11891275	771	150	423
VOE 11891065	914	200	661	VOE 11891194	925	200	713	VOE 11891209	517	200	383	VOE 11891255	371	275	163	VOE 11891278	380	100	211
VOE 11891065	915	200	671	VOE 11891202	925	125	707	VOE 11891209	517	250	385	VOE 11891255	371	675	187	VOE 11891279	380	100	211
VOE 11891065	915	250	673	VOE 11891208	911	800	589	VOE 11891209	525	100	387	VOE 11891255	371	725	195	VOE 11891280	380	100	211
VOE 11891065	945	150	741	VOE 11891208	912	100	621	VOE 11891216	852	100	467	VOE 11891255	372	100	209	VOE 11891282	925	300	719
VOE 11891065	945	200	755	VOE 11891208	914	100	659	VOE 11891216	852	110	469	VOE 11891255	380	100	211	VOE 11891282	925	300	721
VOE 11891065	945	300	757	VOE 11891208	914	200	661	VOE 11891216	852	150	473	VOE 11891255	380	350	219	VOE 11891282	925	310	723
VOE 11891088	911	1100	601	VOE 11891208	945	300	757	VOE 11891217	852	100	467	VOE 11891255	420	150	245	VOE 11891282	925	310	725
VOE 11891088	911	1150	605	VOE 11891209	371	250	161	VOE 11891217	852	110	469	VOE 11891255	420	160	249	VOE 11891282	926	100	735
VOE 11891089	911	1100	601	VOE 11891209	371	655	183	VOE 11891217	852	200	475	VOE 11891255	421	150	253	VOE 11891283	460	100	327
VOE 11891090	380	200	215	VOE 11891209	371	710	193	VOE 11891224	371	250	161	VOE 11891255	421	225	263	VOE 11891283	461	100	331
VOE 11891090	380	350	219	VOE 11891209	372	100	209	VOE 11891224	371	655	183	VOE 11891255	421	230	265	VOE 11891283	461	150	335
VOE 11891090	897	100	521	VOE 11891209	380	100	211	VOE 11891224	371	710	193	VOE 11891255	421	275	273	VOE 11891283	461	200	339
VOE 11891090	911	400	565	VOE 11891209	380	350	219	VOE 11891224	380	100	211	VOE 11891255	421	325	277	VOE 11891283	461	250	341
VOE 11891091	925	125	707	VOE 11891209	420	100	233	VOE 11891224	380	350	219	VOE 11891255	421	375	287	VOE 11891283	461	300	343
VOE 11891092	925	125	707	VOE 11891209	420	110	237	VOE 11891224	420	125	241	VOE 11891255	421	425	297	VOE 11891283	461	350	345
VOE 11891093	925	130	709	VOE 11891209	421	150	253	VOE 11891224	421	175	255	VOE 11891255	421	475	307	VOE 11891283	463	100	347
VOE 11891099	852	100	467	VOE 11891209	421	200	257	VOE 11891224	421	210	261	VOE 11891255	436	100	321	VOE 11891283	463	150	351
VOE 11891099	852	110	469	VOE 11891209	421	205	259	VOE 11891224	421	260	271	VOE 11891255	451	100	323	VOE 11891283	463	200	355
VOE 11891099	852	150	473	VOE 11891209	421	250	267	VOE 11891224	421	300	275	VOE 11891255	451	150	325	VOE 11891283	463	250	359
VOE 11891100	852	100	467	VOE 11891209	421	255	269	VOE 11891224	421	460	303	VOE 11891255	491	100	371	VOE 11891283	463	300	363
VOE 11891100	852	110	469	VOE 11891209	421	300	275	VOE 11891224	421	500	309	VOE 11891255	517	200	383	VOE 11891283	468	100	365
VOE 11891100	852	200	475	VOE 11891209	421	350	279	VOE 11891224	421	525	313	VOE 11891255	517	250	385	VOE 11891283	517	100	379
VOE 11891110	852	100	467	VOE 11891209	421	360	283	VOE 11891224	424	150	319	VOE 11891255	810	150	431	VOE 11891283	771	100	421
VOE 11891110	852	110	469	VOE 11891209	421	400	291	VOE 11891224	436	100	321	VOE 11891255	897	100	521	VOE 11891289	460	100	327

Part No	Group	Sect	Page	Part No	Group	Sect	Page	Part No	Group	Sect	Page	Part No	Group	Sect	Page	Part No	Group	Sect	Page
VOE 11891289	461	100	331	VOE 11891325	825	150	445	VOE 11891389	461	250	341	VOE 11891441	911	1160	609	VOE 11891509	371	900	201
VOE 11891289	461	150	335	VOE 11891329	972	300	775	VOE 11891389	461	300	343	VOE 11891441	911	1200	611	VOE 11891509	372	100	209
VOE 11891289	461	200	339	VOE 11891331	926	200	737	VOE 11891389	461	350	345	VOE 11891441	974	150	781	VOE 11891509	882	400	511
VOE 11891289	461	250	341	VOE 11891332	380	250	217	VOE 11891389	463	100	347	VOE 11891441	974	200	785	VOE 11891509	897	100	521
VOE 11891289	461	300	343	VOE 11891333	371	800	199	VOE 11891389	463	150	351	VOE 11891441	975	100	787	VOE 11891509	897	100	523
VOE 11891289	461	350	345	VOE 11891333	380	200	215	VOE 11891389	463	200	355	VOE 11891441	975	200	789	VOE 11891509	911	1600	617
VOE 11891289	463	100	347	VOE 11891333	916	200	675	VOE 11891389	463	250	359	VOE 11891488	881	150	501	VOE 11891509	912	200	623
VOE 11891289	463	150	351	VOE 11891335	380	200	215	VOE 11891389	463	300	363	VOE 11891506	371	900	201	VOE 11891509	912	310	633
VOE 11891289	463	200	355	VOE 11891335	924	150	685	VOE 11891389	468	100	365	VOE 11891506	372	100	209	VOE 11891509	914	300	663
VOE 11891289	463	250	359	VOE 11891335	924	250	689	VOE 11891389	517	100	379	VOE 11891506	882	400	511	VOE 11891510	371	900	201
VOE 11891289	463	300	363	VOE 11891335	924	300	691	VOE 11891390	460	100	327	VOE 11891506	897	100	521	VOE 11891510	372	100	209
VOE 11891289	468	100	365	VOE 11891335	924	350	693	VOE 11891390	461	100	331	VOE 11891506	897	100	523	VOE 11891510	882	400	511
VOE 11891289	517	100	379	VOE 11891350	925	500	733	VOE 11891390	461	150	335	VOE 11891506	897	150	525	VOE 11891510	897	100	521
VOE 11891289	771	100	421	VOE 11891352	380	200	215	VOE 11891390	461	200	339	VOE 11891506	911	1600	617	VOE 11891510	897	100	523
VOE 11891291	352	200	137	VOE 11891352	924	150	685	VOE 11891390	461	250	341	VOE 11891506	912	200	623	VOE 11891510	911	1600	617
VOE 11891292	352	200	137	VOE 11891352	924	200	687	VOE 11891390	461	300	343	VOE 11891506	912	310	633	VOE 11891510	912	210	625
VOE 11891293	380	200	213	VOE 11891355	925	450	731	VOE 11891390	461	350	345	VOE 11891506	914	300	663	VOE 11891510	912	310	633
VOE 11891293	916	350	679	VOE 11891356	925	450	731	VOE 11891390	463	100	347	VOE 11891507	371	900	201	VOE 11891510	914	300	663
VOE 11891293	916	360	681	VOE 11891357	925	450	731	VOE 11891390	463	150	351	VOE 11891507	372	100	209	VOE 11891511	371	900	201
VOE 11891295	925	250	715	VOE 11891361	380	200	215	VOE 11891390	463	200	355	VOE 11891507	882	400	511	VOE 11891511	372	100	209
VOE 11891296	925	250	715	VOE 11891361	924	150	685	VOE 11891390	463	250	359	VOE 11891507	897	100	521	VOE 11891511	882	400	511
VOE 11891298	911	200	539	VOE 11891361	924	250	689	VOE 11891390	463	300	363	VOE 11891507	897	100	523	VOE 11891511	897	100	521
VOE 11891299	924	100	683	VOE 11891363	380	200	215	VOE 11891390	468	100	365	VOE 11891507	911	1600	617	VOE 11891511	897	100	523
VOE 11891303	881	150	501	VOE 11891363	924	150	685	VOE 11891390	517	100	379	VOE 11891507	912	210	625	VOE 11891511	897	150	525
VOE 11891314	852	100	467	VOE 11891363	924	200	687	VOE 11891391	313	100	131	VOE 11891507	912	310	633	VOE 11891511	911	1600	617
VOE 11891314	852	110	471	VOE 11891363	924	300	691	VOE 11891391	371	100	153	VOE 11891507	914	300	663	VOE 11891511	912	220	627
VOE 11891315	716	100	419	VOE 11891363	924	350	693	VOE 11891392	313	100	131	VOE 11891508	371	900	201	VOE 11891511	912	310	633
VOE 11891316	716	100	419	VOE 11891364	972	300	775	VOE 11891392	371	100	153	VOE 11891508	372	100	209	VOE 11891511	914	300	663
VOE 11891318	925	100	705	VOE 11891365	972	300	775	VOE 11891429	269	100	115	VOE 11891508	882	400	511	VOE 11891539	945	160	747
VOE 11891319	925	100	705	VOE 11891375	911	450	569	VOE 11891430	269	100	115	VOE 11891508	897	100	521	VOE 11891540	925	260	717
VOE 11891320	925	100	705	VOE 11891377	362	100	143	VOE 11891441	911	700	581	VOE 11891508	897	100	523	VOE 11891541	925	320	727
VOE 11891320	925	150	711	VOE 11891389	460	100	327	VOE 11891441	911	700	583	VOE 11891508	911	1600	617	VOE 11891546	926	200	737
VOE 11891321	925	125	707	VOE 11891389	461	100	331	VOE 11891441	911	900	593	VOE 11891508	912	220	627	VOE 11891561	945	160	747
VOE 11891321	925	150	711	VOE 11891389	461	150	335	VOE 11891441	911	1000	597	VOE 11891508	912	310	633	VOE 11891565	925	260	717
VOE 11891324	911	200	539	VOE 11891389	461	200	339	VOE 11891441	911	1150	605	VOE 11891508	914	300	663	VOE 11891572	925	125	707

<b>NUMERICAL INDEX</b> <b>RÉPERTOIRE DE NUMÉROS</b> <b>NUMMERNREGISTER</b>	<b>INDICE DE NÚMERO</b>		Catalogue id	Group
	<b>NUMMERREGISTER</b>		<b>20004</b>	<b>1000</b>
			Issue	Page
			<b>VOE 63G9920004</b>	<b>21</b>

**VOLVO**

**BL70**



Part No	Group	Sect	Page	Part No	Group	Sect	Page	Part No	Group	Sect	Page	Part No	Group	Sect	Page	Part No	Group	Sect	Page
VOE 13933858	911	1600	617	VOE 13933862	911	1000	597	VOE 13940090	371	500	177	VOE 13945444	911	1150	607	VOE 13946934	882	400	513
VOE 13933858	911	1600	619	VOE 13933862	911	1010	599	VOE 13940090	872	250	483	VOE 13945444	924	400	695	VOE 13946934	914	300	663
VOE 13933858	912	100	621	VOE 13933862	911	1100	601	VOE 13940090	882	100	505	VOE 13946173	256	100	97	VOE 13947281	212	100	47
VOE 13933858	912	200	623	VOE 13933862	911	1150	605	VOE 13942915	821	100	437	VOE 13946173	261	100	105	VOE 13947281	223	100	73
VOE 13933858	912	210	625	VOE 13933862	916	200	677	VOE 13943472	873	150	489	VOE 13946173	271	100	117	VOE 13947281	236	150	85
VOE 13933858	912	220	627	VOE 13933864	911	330	555	VOE 13945407	362	100	143	VOE 13946173	271	100	119	VOE 13947281	262	100	107
VOE 13933858	912	700	651	VOE 13933864	911	400	565	VOE 13945407	371	100	155	VOE 13946173	272	100	121	VOE 13947281	420	100	233
VOE 13933858	916	200	677	VOE 13933864	911	1160	609	VOE 13945407	372	100	209	VOE 13946173	352	200	137	VOE 13947355	911	200	539
VOE 13933858	924	150	685	VOE 13933874	916	200	677	VOE 13945407	882	300	509	VOE 13946173	353	200	139	VOE 13947355	911	1600	617
VOE 13933858	924	200	687	VOE 13933878	916	350	679	VOE 13945407	912	220	627	VOE 13946173	362	100	143	VOE 13947355	915	100	665
VOE 13933858	924	250	689	VOE 13933878	916	360	681	VOE 13945408	261	100	105	VOE 13946173	363	200	151	VOE 13947459	371	100	155
VOE 13933858	971	200	763	VOE 13933900	551	100	389	VOE 13945408	272	100	121	VOE 13946173	371	100	157	VOE 13947542	271	100	117
VOE 13933859	911	360	561	VOE 13933900	911	750	585	VOE 13945408	363	200	151	VOE 13946173	821	100	437	VOE 13947542	421	200	257
VOE 13933859	911	400	565	VOE 13933905	911	360	563	VOE 13945408	371	100	157	VOE 13946173	823	100	441	VOE 13947542	421	210	261
VOE 13933859	911	600	575	VOE 13933905	911	600	579	VOE 13945408	424	100	317	VOE 13946173	827	150	449	VOE 13947542	421	225	263
VOE 13933859	911	600	579	VOE 13933905	913	100	653	VOE 13945408	424	150	319	VOE 13946173	841	100	457	VOE 13947542	810	150	431
VOE 13933859	911	700	583	VOE 13933905	916	200	677	VOE 13945408	645	400	407	VOE 13946173	852	250	477	VOE 13947542	872	250	485
VOE 13933859	911	1600	617	VOE 13933905	924	150	685	VOE 13945408	911	350	559	VOE 13946173	872	200	481	VOE 13947542	882	100	507
VOE 13933859	912	200	623	VOE 13933905	924	200	687	VOE 13945408	924	250	689	VOE 13946173	881	100	499	VOE 13947621	211	100	45
VOE 13933859	912	210	625	VOE 13933905	924	250	689	VOE 13945408	925	300	719	VOE 13946173	911	200	539	VOE 13947621	212	100	47
VOE 13933859	912	220	629	VOE 13933905	924	500	701	VOE 13945408	925	310	723	VOE 13946173	911	350	559	VOE 13947621	215	100	55
VOE 13933859	912	700	651	VOE 13933912	912	200	623	VOE 13945408	925	320	727	VOE 13946173	924	150	685	VOE 13947621	251	100	89
VOE 13933859	913	100	653	VOE 13933912	912	210	625	VOE 13945444	261	100	105	VOE 13946173	924	500	701	VOE 13947621	255	100	95
VOE 13933859	916	200	675	VOE 13933912	912	220	629	VOE 13945444	271	100	117	VOE 13946173	971	100	761	VOE 13947621	911	750	585
VOE 13933859	916	200	677	VOE 13933912	913	100	653	VOE 13945444	272	100	121	VOE 13946501	272	100	121	VOE 13947622	233	100	75
VOE 13933860	912	700	651	VOE 13933923	911	1200	611	VOE 13945444	525	100	387	VOE 13946544	872	250	483	VOE 13947628	211	100	45
VOE 13933862	911	250	543	VOE 13933923	916	350	679	VOE 13945444	821	100	437	VOE 13946544	896	110	517	VOE 13947628	223	100	73
VOE 13933862	911	325	553	VOE 13933923	916	360	681	VOE 13945444	825	100	443	VOE 13946544	915	100	667	VOE 13947628	873	200	491
VOE 13933862	911	350	557	VOE 13933925	924	500	701	VOE 13945444	873	100	487	VOE 13946670	525	100	387	VOE 13947760	424	100	317
VOE 13933862	911	360	561	VOE 13933936	551	100	389	VOE 13945444	874	450	497	VOE 13946934	271	100	117	VOE 13947760	424	150	319
VOE 13933862	911	400	565	VOE 13933936	911	1600	619	VOE 13945444	881	100	499	VOE 13946934	362	100	143	VOE 13947760	821	100	437
VOE 13933862	911	700	581	VOE 13933961	911	550	571	VOE 13945444	911	350	557	VOE 13946934	371	100	155	VOE 13947760	911	1100	603
VOE 13933862	911	800	589	VOE 13935003	874	450	497	VOE 13945444	911	1000	597	VOE 13946934	874	450	497	VOE 13947760	924	250	689
VOE 13933862	911	900	593	VOE 13935008	897	150	525	VOE 13945444	911	1010	599	VOE 13946934	882	100	505	VOE 13947949	821	100	439
VOE 13933862	911	910	595	VOE 13940090	272	100	121	VOE 13945444	911	1100	603	VOE 13946934	882	300	509	VOE 13948356	372	100	209

<b>NUMERICAL INDEX</b> <b>RÉPERTOIRE DE NUMÉROS</b> <b>NUMMERNREGISTER</b>	<b>INDICE DE NÚMERO</b> <b>NUMMERREGISTER</b>		Catalogue id <b>20004</b>	Group <b>1000</b>
			Issue <b>VOE 63G9920004</b>	Page <b>23</b>

**VOLVO**

**BL70**



NUMERICAL INDEX				INDICE DE NÚMERO				Catalogue id <b>20004</b>				Group <b>1000</b>							
RÉPERTOIRE DE NUMÉROS				NUMMERREGISTER				Issue <b>VOE 63G9920004</b>				Page <b>24</b>							
NUMMERNREGISTER																			
Part No	Group	Sect	Page	Part No	Group	Sect	Page	Part No	Group	Sect	Page	Part No	Group	Sect	Page	Part No	Group	Sect	Page
VOE 13948356	421	500	311	VOE 13955295	421	500	309	VOE 13963110	436	100	321	VOE 13965190	925	310	723	VOE 13967934	945	175	751
VOE 13948356	841	100	457	VOE 13955781	271	100	119	VOE 13963362	716	100	419	VOE 13965190	925	320	727	VOE 13967934	945	175	753
VOE 13948356	882	400	511	VOE 13955894	823	100	441	VOE 13963362	971	100	759	VOE 13965190	945	150	743	VOE 13969011	212	100	47
VOE 13948699	911	900	593	VOE 13955894	831	100	451	VOE 13964908	924	400	695	VOE 13965190	945	160	747	VOE 13969011	233	100	75
VOE 13948699	911	910	595	VOE 13955894	852	150	473	VOE 13965175	821	100	437	VOE 13965191	371	100	153	VOE 13969516	269	100	115
VOE 13948700	911	350	557	VOE 13955894	852	200	475	VOE 13965175	881	200	503	VOE 13965191	436	100	321	VOE 13969599	823	100	441
VOE 13948700	911	360	561	VOE 13955894	852	250	477	VOE 13965175	896	100	515	VOE 13965191	852	100	467	VOE 13969599	882	400	513
VOE 13949238	911	200	541	VOE 13955897	831	100	455	VOE 13965175	911	1150	607	VOE 13965191	852	110	471	VOE 13970876	414	100	231
VOE 13949278	551	100	389	VOE 13955897	924	400	695	VOE 13965177	911	1300	613	VOE 13965191	911	200	539	VOE 13970923	461	100	331
VOE 13949278	831	100	451	VOE 13955900	215	100	55	VOE 13965177	911	1600	617	VOE 13965191	924	400	695	VOE 13970944	414	100	231
VOE 13949278	872	250	483	VOE 13955900	924	400	695	VOE 13965177	912	220	627	VOE 13965191	945	150	741	VOE 13970947	420	100	233
VOE 13949278	881	200	503	VOE 13955900	945	150	745	VOE 13965177	912	700	651	VOE 13965191	945	175	749	VOE 13970947	420	150	245
VOE 13949278	896	100	515	VOE 13955906	460	100	327	VOE 13965177	916	200	675	VOE 13965192	825	150	445	VOE 13970947	420	160	251
VOE 13949278	911	360	561	VOE 13960138	872	250	485	VOE 13965179	234	100	77	VOE 13965192	911	200	539	VOE 13970948	420	110	237
VOE 13949278	911	1300	613	VOE 13960138	882	100	507	VOE 13965179	911	750	585	VOE 13965192	924	150	685	VOE 13970948	420	125	241
VOE 13949278	911	1600	619	VOE 13960141	272	100	121	VOE 13965179	916	350	679	VOE 13965193	896	100	515	VOE 13970948	420	150	245
VOE 13949278	912	700	651	VOE 13960141	825	100	443	VOE 13965179	916	360	681	VOE 13965194	234	100	77	VOE 13970949	420	100	233
VOE 13949278	914	300	663	VOE 13960141	852	100	467	VOE 13965180	912	700	651	VOE 13965194	896	100	515	VOE 13970949	420	160	249
VOE 13949386	911	600	577	VOE 13960141	873	100	487	VOE 13965180	916	360	681	VOE 13965194	896	110	517	VOE 13970951	420	110	239
VOE 13949578	217	100	63	VOE 13960141	881	100	499	VOE 13965182	924	500	701	VOE 13965194	911	1600	617	VOE 13970963	874	450	497
VOE 13949578	221	100	69	VOE 13960141	882	100	505	VOE 13965182	925	300	719	VOE 13965194	915	100	669	VOE 13971068	517	200	383
VOE 13949578	273	100	123	VOE 13960141	896	110	517	VOE 13965182	925	310	723	VOE 13965196	972	300	775	VOE 13971068	517	250	385
VOE 13949746	911	700	581	VOE 13960141	924	400	695	VOE 13965182	925	320	727	VOE 13965210	924	150	685	VOE 13971068	915	100	667
VOE 13949874	353	200	139	VOE 13960143	272	100	121	VOE 13965183	911	400	565	VOE 13965229	974	150	783	VOE 13971068	926	200	737
VOE 13949874	896	100	515	VOE 13960143	810	150	431	VOE 13965185	234	100	77	VOE 13965483	823	100	441	VOE 13971068	945	150	743
VOE 13949927	911	1000	597	VOE 13960143	825	150	445	VOE 13965185	252	100	93	VOE 13965483	872	250	483	VOE 13971072	945	150	745
VOE 13949927	911	1010	599	VOE 13960143	971	100	761	VOE 13965185	460	100	327	VOE 13965483	924	150	685	VOE 13971095	234	100	77
VOE 13951669	882	400	511	VOE 13960167	645	400	407	VOE 13965186	551	250	393	VOE 13965558	362	100	143	VOE 13971095	252	100	93
VOE 13951967	914	200	661	VOE 13960215	924	450	699	VOE 13965186	843	150	463	VOE 13966237	882	400	511	VOE 13971095	256	100	97
VOE 13951972	882	400	511	VOE 13961965	810	150	433	VOE 13965187	925	300	719	VOE 13967580	896	110	517	VOE 13971095	260	200	103
VOE 13955294	420	160	249	VOE 13962550	924	450	699	VOE 13965188	252	100	93	VOE 13967630	421	150	253	VOE 13971095	460	100	327
VOE 13955294	421	200	257	VOE 13962970	924	450	699	VOE 13965188	925	310	723	VOE 13967630	421	175	255	VOE 13971095	825	150	445
VOE 13955294	421	205	259	VOE 13963104	872	250	483	VOE 13965188	925	320	727	VOE 13967630	874	450	497	VOE 13971095	925	300	719
VOE 13955294	421	210	261	VOE 13963105	841	100	457	VOE 13965189	926	100	735	VOE 13967630	911	1000	597	VOE 13971095	925	310	723
VOE 13955294	421	225	263	VOE 13963110	218	100	65	VOE 13965190	925	300	719	VOE 13967630	911	1010	599	VOE 13971095	925	320	727

Part No	Group	Sect	Page	Part No	Group	Sect	Page	Part No	Group	Sect	Page	Part No	Group	Sect	Page	Part No	Group	Sect	Page
VOE 13971095	926	100	735	VOE 14344720	831	100	455	VOE 1880492	645	400	407	VOE 20405724	216	100	59	VOE 20441521	321	100	133
VOE 13971096	825	150	445	VOE 14346537	896	100	515	VOE 1882940	645	400	407	VOE 20405728	273	100	123	VOE 20441859	212	100	47
VOE 13971096	911	700	581	VOE 14346537	896	110	517	VOE 191900	711	100	417	VOE 20405729	216	150	61	VOE 20450694	251	100	89
VOE 13971098	271	100	117	VOE 14370881	371	800	199	VOE 20393421	371	100	153	VOE 20405729	233	100	75	VOE 20450728	212	150	49
VOE 13971098	313	100	131	VOE 14370881	371	900	201	VOE 20405504	263	150	113	VOE 20405729	236	150	85	VOE 20450735	262	100	107
VOE 13971098	551	250	393	VOE 14370881	371	900	203	VOE 20405506	217	100	63	VOE 20405730	236	150	85	VOE 20450736	262	100	107
VOE 13971098	827	150	449	VOE 14370883	371	655	185	VOE 20405509	236	150	85	VOE 20405789	255	100	95	VOE 20450745	262	100	107
VOE 13971098	911	450	569	VOE 14370883	371	675	187	VOE 20405524	214	100	53	VOE 20405792	217	100	63	VOE 20450749	263	150	113
VOE 13971098	945	150	743	VOE 14370883	371	710	193	VOE 20405536	251	100	89	VOE 20405792	221	100	69	VOE 20450750	263	150	113
VOE 13971098	945	160	747	VOE 14370883	371	800	199	VOE 20405538	236	150	85	VOE 20405792	255	100	95	VOE 20450754	263	150	113
VOE 13971098	945	175	751	VOE 14370883	371	900	201	VOE 20405543	236	100	79	VOE 20405792	262	100	107	VOE 20450756	218	200	67
VOE 13971098	972	100	771	VOE 14370887	371	650	179	VOE 20405553	215	100	55	VOE 20405822	255	100	95	VOE 20450778	212	100	47
VOE 13971098	972	300	775	VOE 14370887	371	900	203	VOE 20405559	237	100	87	VOE 20405825	217	100	63	VOE 20450795	215	100	55
VOE 13971307	915	100	667	VOE 14370889	371	200	159	VOE 20405560	236	150	85	VOE 20405828	331	100	135	VOE 20450801	215	100	55
VOE 13975237	272	100	121	VOE 14370889	371	650	179	VOE 20405561	221	100	69	VOE 20405885	223	100	73	VOE 20450867	255	100	95
VOE 13975237	371	500	177	VOE 14371054	371	300	165	VOE 20405565	236	100	79	VOE 20405885	262	100	107	VOE 20450890	223	100	73
VOE 13975237	881	200	503	VOE 14371054	371	360	169	VOE 20405587	251	100	89	VOE 20405885	263	100	111	VOE 20450997	251	100	89
VOE 13977600	873	200	491	VOE 14371493	641	100	401	VOE 20405599	223	100	73	VOE 20405885	263	150	113	VOE 20451012	215	100	55
VOE 13977600	912	700	651	VOE 14376982	460	150	329	VOE 20405603	221	100	69	VOE 20405895	211	100	45	VOE 20451012	251	100	89
VOE 13980100	716	100	419	VOE 14376982	716	100	419	VOE 20405605	215	100	55	VOE 20405898	251	100	89	VOE 20451738	221	100	69
VOE 13983307	971	100	761	VOE 14520086	882	400	511	VOE 20405606	218	200	67	VOE 20405898	262	100	107	VOE 20459025	263	150	113
VOE 14016673	269	100	115	VOE 14527754	911	1600	619	VOE 20405616	251	100	89	VOE 20405917	223	100	73	VOE 20459061	331	100	135
VOE 14016673	371	950	207	VOE 1518748	852	150	473	VOE 20405626	212	150	49	VOE 20405938	212	150	49	VOE 20459115	215	100	55
VOE 14025792	971	100	761	VOE 1518748	852	200	475	VOE 20405627	212	150	49	VOE 20405988	263	150	113	VOE 20459115	216	100	57
VOE 14211856	911	360	561	VOE 1518748	852	250	477	VOE 20405634	216	100	59	VOE 20412313	262	100	107	VOE 20459124	216	100	57
VOE 14211856	913	100	653	VOE 1542591	260	200	103	VOE 20405653	215	100	55	VOE 20412318	255	100	95	VOE 20459133	216	100	57
VOE 14211856	924	500	701	VOE 1578603	881	150	501	VOE 20405654	216	100	59	VOE 20412324	215	100	55	VOE 20459134	216	100	57
VOE 14211861	911	300	545	VOE 1582293	371	100	157	VOE 20405672	223	100	73	VOE 20412324	221	100	69	VOE 20459139	216	100	57
VOE 14211861	911	310	549	VOE 1589502	380	350	219	VOE 20405672	262	100	107	VOE 20412359	212	100	47	VOE 20459140	216	100	57
VOE 14213026	363	200	151	VOE 1613068	882	100	505	VOE 20405706	215	100	55	VOE 20412596	233	100	75	VOE 20459143	216	100	57
VOE 14213026	371	300	165	VOE 1613068	882	400	513	VOE 20405716	212	100	47	VOE 20412601	251	100	89	VOE 20459144	216	100	57
VOE 14266041	897	150	525	VOE 1696529	852	150	473	VOE 20405717	212	100	47	VOE 20412733	211	100	45	VOE 20459148	216	100	57
VOE 14340282	831	100	455	VOE 1696529	852	200	475	VOE 20405719	212	100	47	VOE 20412745	211	100	45	VOE 20459149	216	100	57
VOE 14343206	882	100	505	VOE 1696529	852	250	477	VOE 20405721	212	100	47	VOE 20412745	212	100	47	VOE 20459168	221	100	69
VOE 14343207	882	100	505	VOE 181798	896	100	515	VOE 20405723	262	100	107	VOE 20412751	331	100	135	VOE 20459171	255	100	95

<b>NUMERICAL INDEX</b> <b>RÉPERTOIRE DE NUMÉROS</b> <b>NUMMERNREGISTER</b>	<b>INDICE DE NÚMERO</b> <b>NUMMERREGISTER</b>		Catalogue id <b>20004</b>	Group <b>1000</b>
			Issue <b>VOE 63G9920004</b>	Page <b>25</b>

**VOLVO**

**BL70**

NUMERICAL INDEX				INDICE DE NÚMERO				Catalogue id				Group			
RÉPERTOIRE DE NUMÉROS				NUMMERREGISTER				20004				1000			
NUMMERNREGISTER								Issue				Page			
								VOE 63G9920004				26			
Part No	Group	Sect	Page	Part No	Group	Sect	Page	Part No	Group	Sect	Page	Part No	Group	Sect	Page
VOE 20459172	255	100	95	VOE 20459864	263	150	113	VOE 20460045	233	100	75	VOE 20481768	233	100	75
VOE 20459181	255	100	95	VOE 20459898	212	100	47	VOE 20460045	255	100	95	VOE 20481769	233	100	75
VOE 20459183	215	100	55	VOE 20459899	212	100	47	VOE 20460055	255	100	95	VOE 20481785	233	100	75
VOE 20459183	233	100	75	VOE 20459900	212	100	47	VOE 20460061	255	100	95	VOE 20482006	217	100	63
VOE 20459195	223	100	73	VOE 20459900	262	100	109	VOE 20460061	262	100	107	VOE 20482010	217	100	63
VOE 20459197	223	100	73	VOE 20459904	215	100	55	VOE 20460064	236	150	85	VOE 20482027	217	100	63
VOE 20459200	223	100	73	VOE 20459906	237	100	87	VOE 20460067	236	150	85	VOE 20482736	217	100	63
VOE 20459201	223	100	73	VOE 20459909	251	100	89	VOE 20460069	236	150	85	VOE 20482739	213	100	51
VOE 20459202	223	100	73	VOE 20459910	251	100	89	VOE 20460070	236	150	85	VOE 20496548	223	100	73
VOE 20459203	223	100	73	VOE 20459933	251	100	89	VOE 20460071	236	100	79	VOE 20498498	251	100	91
VOE 20459204	223	100	73	VOE 20459935	251	100	89	VOE 20460072	236	100	79	VOE 20498524	251	100	91
VOE 20459205	223	100	73	VOE 20459941	223	100	73	VOE 20460082	236	150	85	VOE 20502245	223	100	73
VOE 20459235	255	100	95	VOE 20459942	223	100	73	VOE 20460095	237	100	87	VOE 20502535	262	100	107
VOE 20459236	255	100	95	VOE 20459949	262	100	107	VOE 20460098	237	100	87	VOE 20502536	262	100	107
VOE 20459246	233	100	75	VOE 20459952	262	100	107	VOE 20460102	321	100	133	VOE 20504812	236	150	85
VOE 20459263	263	150	113	VOE 20459953	262	100	107	VOE 20460106	321	100	133	VOE 20505959	251	100	89
VOE 20459264	263	150	113	VOE 20459954	262	100	107	VOE 20460115	331	100	135	VOE 20508600	212	100	47
VOE 20459265	263	150	113	VOE 20459955	262	100	107	VOE 20460116	331	100	135	VOE 20508605	212	100	47
VOE 20459830	211	100	45	VOE 20459961	262	100	107	VOE 20460117	331	100	135	VOE 20508630	255	100	95
VOE 20459830	251	100	89	VOE 20459972	237	100	87	VOE 20460118	331	100	135	VOE 20509446	321	100	133
VOE 20459835	211	100	45	VOE 20459989	216	150	61	VOE 20460119	331	100	135	VOE 20509482	321	100	133
VOE 20459836	211	100	45	VOE 20459990	216	150	61	VOE 20460120	331	100	135	VOE 20517048	255	100	95
VOE 20459837	214	100	53	VOE 20459995	216	150	61	VOE 20460123	251	100	89	VOE 20518337	233	100	75
VOE 20459838	211	100	45	VOE 20459996	216	150	61	VOE 20460127	251	100	89	VOE 20521558	251	100	91
VOE 20459839	211	100	45	VOE 20459998	212	100	47	VOE 20460231	255	100	95	VOE 20522433	216	100	57
VOE 20459847	214	100	53	VOE 20459999	212	100	47	VOE 20460239	223	100	73	VOE 20523284	216	100	57
VOE 20459848	214	100	53	VOE 20460000	212	100	47	VOE 20460289	236	150	85	VOE 20524154	233	100	75
VOE 20459849	214	100	53	VOE 20460001	212	100	47	VOE 20460459	211	100	45	VOE 20524626	233	100	75
VOE 20459850	214	100	53	VOE 20460006	212	100	47	VOE 20460936	255	100	95	VOE 20528339	255	100	95
VOE 20459851	211	100	45	VOE 20460007	214	100	53	VOE 20460936	262	100	107	VOE 20531832	251	100	89
VOE 20459852	211	100	45	VOE 20460008	214	100	53	VOE 20460939	255	100	95	VOE 20532254	251	100	89
VOE 20459853	214	100	53	VOE 20460009	213	100	51	VOE 20460945	255	100	95	VOE 20532396	223	100	73
VOE 20459854	211	100	45	VOE 20460010	213	100	51	VOE 20464451	211	100	45	VOE 20535027	218	200	67
VOE 20459855	211	100	45	VOE 20460013	213	100	51	VOE 20480536	216	100	57	VOE 20535037	211	100	45
VOE 20459857	211	100	45	VOE 20460021	217	100	63	VOE 20481754	221	100	69	VOE 20537029	221	100	69
												VOE 20542740	217	100	63
												VOE 20547288	216	150	61
												VOE 20549383	237	100	87
												VOE 20549886	321	100	133
												VOE 20549894	223	100	73
												VOE 20549894	255	100	95
												VOE 20549894	262	100	107
												VOE 20549905	236	100	79
												VOE 20550117	262	100	107
												VOE 20550336	251	100	91
												VOE 20550356	251	100	91
												VOE 20551429	262	100	107
												VOE 20554253	263	150	113
												VOE 20555065	263	150	113
												VOE 20555084	321	100	133
												VOE 20555189	211	100	45
												VOE 20555385	222	100	71
												VOE 20555403	216	100	57
												VOE 20555491	214	100	53
												VOE 20555494	255	100	95
												VOE 20555502	215	100	55
												VOE 20555503	236	150	85
												VOE 20555515	251	100	89
												VOE 20557208	251	100	89
												VOE 20558924	211	100	45
												VOE 20558934	211	100	45
												VOE 20559834	255	100	95
												VOE 20560564	321	100	133
												VOE 20562765	273	100	123
												VOE 20565870	251	100	89
												VOE 20567447	233	100	75
												VOE 20567447	321	100	133
												VOE 20572787	251	100	91
												VOE 20581867	221	100	69
												VOE 20585825	251	100	89

Part No	Group	Sect	Page	Part No	Group	Sect	Page	Part No	Group	Sect	Page	Part No	Group	Sect	Page	Part No	Group	Sect	Page
VOE 20585971	215	100	55	VOE 24425919	237	100	87	VOE 24426020	236	100	83	VOE 4803751	371	200	159	VOE 4880493	911	550	571
VOE 20585971	216	150	61	VOE 24425954	236	100	79	VOE 24426021	236	100	83	VOE 4803751	371	400	171	VOE 4880493	911	700	581
VOE 20590555	236	150	85	VOE 24425958	236	100	81	VOE 24426022	236	100	83	VOE 4803751	371	650	181	VOE 4880493	911	700	583
VOE 20590582	236	150	85	VOE 24425969	236	100	81	VOE 24426216	216	100	59	VOE 4803751	371	655	185	VOE 4880493	911	1100	601
VOE 20590598	211	100	45	VOE 24425970	236	100	79	VOE 24426230	251	100	89	VOE 4803751	371	675	189	VOE 4880493	911	1150	605
VOE 20592820	215	100	55	VOE 24425972	236	100	81	VOE 3090569	852	150	473	VOE 4803752	371	200	159	VOE 4880493	911	1200	611
VOE 20593357	331	100	135	VOE 24425973	236	100	81	VOE 3090569	852	200	475	VOE 4803752	371	400	171	VOE 4880493	911	1350	615
VOE 20706915	216	100	57	VOE 24425974	236	100	81	VOE 3091629	852	250	477	VOE 4803752	371	450	175	VOE 4880493	913	100	653
VOE 20715643	371	100	155	VOE 24425982	236	100	81	VOE 3943382	234	100	77	VOE 4803752	371	650	181	VOE 4880493	916	200	677
VOE 20715795	263	150	113	VOE 24425983	236	100	81	VOE 3987034	371	100	153	VOE 4803752	371	655	185	VOE 4880493	916	350	679
VOE 20723978	218	200	67	VOE 24425984	236	100	81	VOE 3987417	354	100	141	VOE 4803752	371	675	189	VOE 4880493	924	500	703
VOE 20723984	218	200	67	VOE 24425985	236	100	81	VOE 403078	924	100	683	VOE 4821292	363	200	151	VOE 4880663	420	150	247
VOE 20726057	251	100	89	VOE 24425986	236	100	81	VOE 403078	972	100	771	VOE 4821292	517	250	385	VOE 4880663	491	100	371
VOE 20726062	251	100	89	VOE 24425987	236	100	81	VOE 4784040	924	450	699	VOE 4880492	420	100	235	VOE 4880663	911	300	545
VOE 20726092	262	100	107	VOE 24425989	236	100	81	VOE 4789869	771	100	421	VOE 4880492	420	125	243	VOE 4880663	911	550	571
VOE 20729184	216	100	57	VOE 24425991	236	100	81	VOE 4789869	771	150	423	VOE 4880492	420	150	247	VOE 4880663	911	600	575
VOE 20729310	263	150	113	VOE 24425992	236	100	81	VOE 4803745	371	100	155	VOE 4880492	421	150	253	VOE 4880663	911	600	577
VOE 20739051	262	100	107	VOE 24425994	236	100	81	VOE 4803745	371	650	181	VOE 4880492	468	100	365	VOE 4880663	911	700	581
VOE 20758272	236	150	85	VOE 24425996	236	100	81	VOE 4803745	371	655	185	VOE 4880492	645	400	407	VOE 4880663	911	800	589
VOE 20758403	251	100	89	VOE 24425998	236	100	81	VOE 4803745	371	675	189	VOE 4880492	911	200	541	VOE 4880663	911	800	591
VOE 20791246	212	100	47	VOE 24426002	236	100	81	VOE 4803746	371	100	155	VOE 4880492	911	350	557	VOE 4880663	911	1100	601
VOE 20791405	211	100	45	VOE 24426004	236	100	81	VOE 4803746	371	200	159	VOE 4880492	911	750	585	VOE 4880663	911	1150	605
VOE 20791406	262	100	107	VOE 24426005	236	100	81	VOE 4803746	371	250	161	VOE 4880492	911	750	587	VOE 4880663	916	350	679
VOE 20791517	211	100	45	VOE 24426006	236	100	81	VOE 4803746	371	450	175	VOE 4880492	911	1600	617	VOE 4880804	380	100	211
VOE 20799838	262	100	107	VOE 24426007	236	100	81	VOE 4803746	371	650	181	VOE 4880492	911	1600	619	VOE 4881293	831	100	455
VOE 20882838	211	100	45	VOE 24426010	236	100	81	VOE 4803746	371	655	185	VOE 4880492	912	200	623	VOE 4881438	234	100	77
VOE 20882839	211	100	45	VOE 24426011	236	100	83	VOE 4803746	371	675	189	VOE 4880492	912	210	625	VOE 4881438	260	200	103
VOE 20882841	211	100	45	VOE 24426012	236	100	83	VOE 4803746	371	800	199	VOE 4880492	912	220	627	VOE 4881438	371	100	155
VOE 20882905	216	100	57	VOE 24426013	236	100	83	VOE 4803748	371	200	159	VOE 4880492	912	220	629	VOE 4881438	371	300	165
VOE 20891184	216	100	57	VOE 24426014	236	100	83	VOE 4803748	371	250	161	VOE 4880492	913	100	653	VOE 4881438	645	400	407
VOE 20909227	263	150	113	VOE 24426015	236	100	83	VOE 4803748	371	400	171	VOE 4880492	916	200	675	VOE 4881438	821	100	439
VOE 20924084	211	100	45	VOE 24426016	236	100	83	VOE 4803748	371	450	175	VOE 4880492	924	500	701	VOE 4881438	911	350	557
VOE 20944091	223	100	73	VOE 24426017	236	100	83	VOE 4803748	371	650	181	VOE 4880492	971	200	763	VOE 4881438	911	360	561
VOE 24425842	212	100	47	VOE 24426018	236	100	83	VOE 4803748	371	655	185	VOE 4880493	911	300	545	VOE 4881438	911	400	567
VOE 24425916	237	100	87	VOE 24426019	236	100	83	VOE 4803748	371	675	189	VOE 4880493	911	350	559	VOE 4881438	911	750	585

<b>NUMERICAL INDEX</b> <b>RÉPERTOIRE DE NUMÉROS</b> <b>NUMMERNREGISTER</b>	<b>INDICE DE NÚMERO</b> <b>NUMMERREGISTER</b>		Catalogue id <b>20004</b>	Group <b>1000</b>
			Issue <b>VOE 63G9920004</b>	Page <b>27</b>

**VOLVO**

**BL70**



NUMERICAL INDEX				INDICE DE NÚMERO				Catalogue id				Group							
RÉPERTOIRE DE NUMÉROS				NUMMERREGISTER				20004				1000							
NUMMERNREGISTER								Issue				Page							
NUMMERNREGISTER								VOE 63G9920004				28							
Part No	Group	Sect	Page	Part No	Group	Sect	Page	Part No	Group	Sect	Page	Part No	Group	Sect	Page				
VOE 4881438	912	700	651	VOE 4881722	924	150	685	VOE 874954	371	800	199	VOE 874958	371	900	201	VOE 914167	945	150	743
VOE 4881440	251	100	89	VOE 4881722	924	200	687	VOE 874954	371	900	201	VOE 874958	371	900	205	VOE 914167	945	150	745
VOE 4881440	256	100	97	VOE 4881722	924	250	689	VOE 874954	371	900	203	VOE 874959	371	400	171	VOE 914167	945	160	747
VOE 4881440	371	100	155	VOE 4881722	924	500	701	VOE 874954	915	100	669	VOE 874959	371	750	197	VOE 914167	945	175	749
VOE 4881440	873	200	491	VOE 4881722	971	200	763	VOE 874955	371	250	161	VOE 874960	371	300	165	VOE 914167	945	175	751
VOE 4881440	874	350	495	VOE 4881772	420	150	245	VOE 874955	371	300	165	VOE 874960	371	400	171	VOE 914167	945	175	753
VOE 4881440	911	1160	609	VOE 6213261	852	150	473	VOE 874955	371	360	169	VOE 874960	371	450	173	VOE 914167	971	100	759
VOE 4881440	912	200	623	VOE 6213261	852	200	475	VOE 874955	371	400	171	VOE 874960	371	650	179	VOE 914167	972	100	771
VOE 4881440	912	210	625	VOE 7025167	233	100	75	VOE 874955	371	450	173	VOE 874960	371	655	183	VOE 914167	972	300	775
VOE 4881440	912	220	627	VOE 762681	872	250	483	VOE 874955	371	650	179	VOE 874960	371	675	187	VOE 914167	974	100	779
VOE 4881440	915	100	667	VOE 784076	771	100	421	VOE 874955	371	655	183	VOE 874965	371	200	159	VOE 914167	974	150	781
VOE 4881440	916	200	675	VOE 784076	771	150	423	VOE 874955	371	675	187	VOE 874965	371	400	171	VOE 914167	974	150	783
VOE 4881440	924	150	685	VOE 8157766	371	100	153	VOE 874955	371	700	191	VOE 874965	371	650	179	VOE 914446	882	400	511
VOE 4881722	420	125	243	VOE 8159013	371	450	173	VOE 874955	371	710	193	VOE 874965	371	700	191	VOE 914446	915	100	665
VOE 4881722	420	150	247	VOE 81709100	421	255	269	VOE 874955	371	725	195	VOE 874967	371	655	183	VOE 914450	945	150	745
VOE 4881722	645	400	407	VOE 874114	371	650	179	VOE 874955	371	900	201	VOE 874967	371	675	187	VOE 914465	974	100	777
VOE 4881722	911	350	557	VOE 874114	371	900	203	VOE 874955	371	900	203	VOE 874967	371	710	193	VOE 914470	972	100	771
VOE 4881722	911	350	559	VOE 874654	371	100	155	VOE 874955	371	900	205	VOE 881503	371	100	155	VOE 914519	924	450	699
VOE 4881722	911	400	565	VOE 874654	371	400	171	VOE 874955	424	150	319	VOE 881508	371	900	203	VOE 925067	924	450	699
VOE 4881722	911	400	567	VOE 874654	371	450	175	VOE 874957	371	250	161	VOE 888760	236	150	85	VOE 925739	261	100	105
VOE 4881722	911	600	575	VOE 874654	371	650	179	VOE 874957	371	300	165	VOE 888774	262	100	107	VOE 930430	916	360	681
VOE 4881722	911	600	577	VOE 874654	371	655	185	VOE 874957	371	350	167	VOE 907825	896	110	517	VOE 930438	916	360	681
VOE 4881722	911	600	579	VOE 874654	371	675	189	VOE 874957	371	360	169	VOE 907838	945	150	745	VOE 930853	972	300	775
VOE 4881722	911	700	583	VOE 874654	371	900	201	VOE 874957	371	655	183	VOE 907838	945	175	753	VOE 931209	924	500	701
VOE 4881722	911	1300	613	VOE 874802	371	500	177	VOE 874957	371	675	189	VOE 907864	972	300	775	VOE 932037	645	400	407
VOE 4881722	911	1600	617	VOE 874802	371	655	183	VOE 874957	371	700	191	VOE 907903	971	100	759	VOE 932037	911	200	541
VOE 4881722	911	1600	619	VOE 874802	371	675	187	VOE 874957	371	710	193	VOE 914167	460	100	327	VOE 932037	911	350	557
VOE 4881722	912	100	621	VOE 874802	371	700	191	VOE 874957	371	725	195	VOE 914167	460	150	329	VOE 932037	911	350	559
VOE 4881722	912	200	623	VOE 874802	371	710	193	VOE 874957	371	800	199	VOE 914167	711	100	417	VOE 932037	911	360	561
VOE 4881722	912	210	625	VOE 874802	371	725	195	VOE 874957	371	900	201	VOE 914167	924	400	695	VOE 932037	911	360	563
VOE 4881722	912	220	627	VOE 874802	371	750	197	VOE 874957	371	900	205	VOE 914167	925	300	719	VOE 932037	911	600	577
VOE 4881722	912	220	629	VOE 874802	371	800	199	VOE 874958	371	655	183	VOE 914167	925	310	723	VOE 932037	913	100	653
VOE 4881722	912	700	651	VOE 874802	371	900	201	VOE 874958	371	675	189	VOE 914167	925	320	727	VOE 932037	916	200	677
VOE 4881722	913	100	653	VOE 874954	371	450	175	VOE 874958	371	710	193	VOE 914167	926	200	737	VOE 932037	924	150	685
VOE 4881722	916	200	677	VOE 874954	371	750	197	VOE 874958	371	800	199	VOE 914167	945	150	741	VOE 932039	420	100	235

Part No	Group	Sect	Page	Part No	Group	Sect	Page	Part No	Group	Sect	Page	Part No	Group	Sect	Page	Part No	Group	Sect	Page
VOE 932039	420	150	245	VOE 932039	971	200	763	VOE 932042	911	550	571	VOE 935069	911	350	557	VOE 935091	925	320	727
VOE 932039	420	150	247	VOE 932039	972	200	773	VOE 932042	911	600	575	VOE 935069	911	1600	617	VOE 935092	924	500	703
VOE 932039	420	160	251	VOE 932039	975	100	787	VOE 932042	911	600	577	VOE 935069	912	220	627	VOE 935092	925	300	719
VOE 932039	421	150	253	VOE 932040	645	400	407	VOE 932042	911	700	581	VOE 935069	971	200	763	VOE 935092	925	310	723
VOE 932039	460	150	329	VOE 932040	911	400	567	VOE 932042	911	700	583	VOE 935073	925	300	719	VOE 935093	911	550	571
VOE 932039	468	100	365	VOE 932040	911	450	569	VOE 932042	911	750	585	VOE 935073	925	310	723	VOE 935093	911	600	577
VOE 932039	517	250	385	VOE 932040	911	750	585	VOE 932042	911	800	589	VOE 935076	911	800	591	VOE 935093	911	700	581
VOE 932039	551	100	389	VOE 932040	911	800	591	VOE 932042	911	900	593	VOE 935079	911	800	589	VOE 935093	911	1350	615
VOE 932039	645	400	407	VOE 932040	911	1100	601	VOE 932042	911	910	595	VOE 935082	645	400	407	VOE 935093	916	200	677
VOE 932039	911	200	541	VOE 932040	911	1150	605	VOE 932042	911	1000	597	VOE 935082	911	350	557	VOE 935094	911	800	591
VOE 932039	911	250	543	VOE 932040	911	1160	609	VOE 932042	911	1010	599	VOE 935082	911	360	561	VOE 935094	911	1100	601
VOE 932039	911	310	549	VOE 932040	911	1200	611	VOE 932042	911	1100	601	VOE 935082	911	600	577	VOE 935094	911	1150	605
VOE 932039	911	350	557	VOE 932040	913	100	653	VOE 932042	911	1150	605	VOE 935082	913	100	653	VOE 935094	911	1160	609
VOE 932039	911	350	559	VOE 932040	916	350	679	VOE 932042	911	1160	609	VOE 935082	916	200	677	VOE 935094	916	350	679
VOE 932039	911	360	561	VOE 932040	916	360	681	VOE 932042	911	1350	615	VOE 935082	924	150	685	VOE 935095	420	150	247
VOE 932039	911	400	565	VOE 932040	926	200	737	VOE 932042	916	200	675	VOE 935085	420	100	235	VOE 935095	491	100	371
VOE 932039	911	600	575	VOE 932040	971	200	763	VOE 932042	916	200	677	VOE 935085	420	125	243	VOE 935096	911	750	587
VOE 932039	911	700	583	VOE 932041	420	100	235	VOE 932042	971	200	763	VOE 935085	420	150	247	VOE 935097	491	100	371
VOE 932039	911	750	585	VOE 932041	420	150	247	VOE 932043	911	300	545	VOE 935085	468	100	365	VOE 935098	911	310	549
VOE 932039	911	750	587	VOE 932041	491	100	371	VOE 932043	911	310	549	VOE 935085	468	150	369	VOE 935229	911	600	577
VOE 932039	911	1300	613	VOE 932041	911	800	589	VOE 932043	911	600	577	VOE 935085	517	250	385	VOE 935426	924	500	701
VOE 932039	911	1600	617	VOE 932041	913	100	653	VOE 935027	913	100	653	VOE 935085	551	100	389	VOE 935453	925	320	727
VOE 932039	911	1600	619	VOE 932041	924	500	701	VOE 935028	916	360	681	VOE 935085	645	400	407	VOE 935538	911	1300	613
VOE 932039	912	100	621	VOE 932041	924	500	703	VOE 935032	911	550	571	VOE 935085	911	200	539	VOE 935576	916	200	677
VOE 932039	912	200	623	VOE 932041	925	300	719	VOE 935032	911	700	581	VOE 935085	911	750	585	VOE 935640	420	150	247
VOE 932039	912	210	625	VOE 932041	925	310	723	VOE 935033	911	600	575	VOE 935085	911	750	587	VOE 935640	421	150	253
VOE 932039	912	220	627	VOE 932042	234	100	77	VOE 935067	460	150	329	VOE 935085	911	1600	617	VOE 935640	971	200	763
VOE 932039	912	700	651	VOE 932042	911	250	543	VOE 935067	461	100	333	VOE 935085	912	220	627	VOE 935756	911	350	559
VOE 932039	913	100	653	VOE 932042	911	325	553	VOE 935067	913	100	653	VOE 935089	645	400	407	VOE 935877	911	550	571
VOE 932039	916	200	677	VOE 932042	911	330	555	VOE 935067	924	150	685	VOE 935089	911	750	585	VOE 936122	911	300	545
VOE 932039	924	150	685	VOE 932042	911	350	557	VOE 935069	420	125	243	VOE 935089	913	100	653	VOE 936339	924	150	685
VOE 932039	924	200	687	VOE 932042	911	350	559	VOE 935069	420	150	247	VOE 935090	924	500	701	VOE 936439	911	360	561
VOE 932039	924	250	689	VOE 932042	911	360	561	VOE 935069	421	150	253	VOE 935091	911	350	559	VOE 936439	911	700	583
VOE 932039	925	300	719	VOE 932042	911	360	563	VOE 935069	551	100	389	VOE 935091	913	100	653	VOE 936439	913	100	653
VOE 932039	925	320	727	VOE 932042	911	400	565	VOE 935069	645	400	407	VOE 935091	925	310	723	VOE 936606	911	1600	617

<b>NUMERICAL INDEX</b> <b>RÉPERTOIRE DE NUMÉROS</b> <b>NUMMERNREGISTER</b>	<b>INDICE DE NÚMERO</b> <b>NUMMERREGISTER</b>		Catalogue id <b>20004</b>	Group <b>1000</b>
			Issue <b>VOE 63G9920004</b>	Page <b>29</b>

**VOLVO**

**BL70**



Part No	Group	Sect	Page	Part No	Group	Sect	Page	Part No	Group	Sect	Page	Part No	Group	Sect	Page	Part No	Group	Sect	Page
VOE 955912	926	200	737	VOE 961991	915	100	665	VOE 967640	972	100	771	VOE 969278	380	350	219	VOE 970809	420	125	241
VOE 955912	974	100	779	VOE 961991	915	100	667	VOE 967640	972	300	775	VOE 969313	945	150	741	VOE 970811	420	150	245
VOE 955912	974	150	781	VOE 963051	882	400	511	VOE 968207	517	250	385	VOE 969313	945	175	749	VOE 970812	420	100	235
VOE 955920	371	100	157	VOE 963106	421	150	253	VOE 968237	945	150	743	VOE 969404	363	200	151	VOE 970823	420	125	241
VOE 955921	371	100	157	VOE 963111	818	100	435	VOE 968237	945	175	751	VOE 969405	371	100	153	VOE 970827	421	350	281
VOE 955921	852	100	467	VOE 963196	517	200	383	VOE 968237	971	100	759	VOE 969405	872	200	481	VOE 970827	421	360	285
VOE 956926	371	200	159	VOE 963218	421	150	253	VOE 968435	218	100	65	VOE 969407	353	200	139	VOE 970827	421	375	289
VOE 959080	915	100	665	VOE 964113	911	750	585	VOE 968435	971	100	759	VOE 969407	371	100	153	VOE 970827	421	400	291
VOE 959080	915	100	667	VOE 965195	911	700	581	VOE 968435	974	100	779	VOE 969408	353	200	139	VOE 970827	421	410	295
VOE 959216	913	200	655	VOE 965195	911	1600	617	VOE 968435	974	150	783	VOE 969408	896	100	515	VOE 970827	421	425	297
VOE 959216	913	210	657	VOE 965195	915	100	665	VOE 968589	823	100	441	VOE 969410	353	200	139	VOE 970880	911	600	577
VOE 959220	831	100	451	VOE 965197	974	150	783	VOE 968589	825	150	445	VOE 969420	896	100	515	VOE 970890	460	100	327
VOE 959220	852	100	467	VOE 965210	924	250	689	VOE 968589	911	250	543	VOE 969422	872	250	483	VOE 970890	460	150	329
VOE 959238	420	100	235	VOE 965225	911	300	547	VOE 968589	945	150	743	VOE 969422	896	100	515	VOE 971081	945	175	753
VOE 959238	420	125	243	VOE 965225	911	1600	619	VOE 968589	945	160	747	VOE 969423	882	300	509	VOE 971099	525	100	387
VOE 959238	420	160	251	VOE 965826	353	200	139	VOE 968589	972	100	771	VOE 969439	353	200	139	VOE 971099	911	1600	617
VOE 959238	911	200	539	VOE 965891	371	100	153	VOE 968589	974	100	777	VOE 969478	881	150	501	VOE 971099	915	100	665
VOE 959238	911	200	541	VOE 966722	945	150	745	VOE 968589	974	100	779	VOE 969513	881	200	503	VOE 971099	972	300	775
VOE 959238	911	310	551	VOE 966727	912	700	651	VOE 968589	974	150	781	VOE 969557	371	500	177	VOE 971099	974	150	783
VOE 959238	913	200	655	VOE 967531	874	450	497	VOE 968593	218	100	65	VOE 969557	371	900	201	VOE 972007	881	150	501
VOE 959238	913	210	657	VOE 967562	974	100	777	VOE 968593	436	100	321	VOE 969587	371	100	157	VOE 972401	882	100	505
VOE 960139	363	100	147	VOE 967600	915	100	665	VOE 968847	873	200	491	VOE 969587	831	100	451	VOE 972410	882	100	505
VOE 960139	380	200	215	VOE 967631	911	1100	603	VOE 968852	460	100	327	VOE 969587	841	100	457	VOE 972412	872	250	485
VOE 960139	825	100	443	VOE 967631	911	1150	605	VOE 968942	945	150	745	VOE 969587	872	250	483	VOE 972412	882	100	507
VOE 960139	841	100	457	VOE 967631	924	200	687	VOE 969147	354	100	141	VOE 969587	882	100	505	VOE 972421	272	100	121
VOE 960139	872	250	485	VOE 967631	924	250	689	VOE 969147	363	100	147	VOE 969589	881	100	499	VOE 972421	354	100	141
VOE 960139	881	100	499	VOE 967632	971	200	763	VOE 969147	380	200	215	VOE 969743	551	100	389	VOE 972421	810	150	431
VOE 960139	881	200	503	VOE 967633	911	1000	597	VOE 969147	525	100	387	VOE 969793	272	100	121	VOE 972421	825	100	443
VOE 960139	882	100	507	VOE 967633	916	200	675	VOE 969147	831	100	451	VOE 969800	882	300	509	VOE 972421	831	100	455
VOE 961970	843	150	463	VOE 967635	911	200	539	VOE 969147	831	100	453	VOE 969842	915	250	673	VOE 972421	874	450	497
VOE 961970	873	150	489	VOE 967635	911	300	547	VOE 969147	881	200	503	VOE 969846	925	300	721	VOE 972421	881	200	503
VOE 961991	874	450	497	VOE 967635	911	900	593	VOE 969147	896	100	515	VOE 969846	925	310	725	VOE 973119	371	200	159
VOE 961991	882	400	511	VOE 967635	911	910	595	VOE 969161	372	100	209	VOE 970803	421	460	303	VOE 973119	371	300	165
VOE 961991	911	1000	597	VOE 967640	945	150	743	VOE 969278	371	900	201	VOE 970803	421	470	305	VOE 973119	371	350	167
VOE 961991	911	1010	599	VOE 967640	945	175	751	VOE 969278	372	100	209	VOE 970808	421	450	301	VOE 973119	371	450	173

<b>NUMERICAL INDEX</b>  <b>RÉPERTOIRE DE NUMÉROS</b>  <b>NUMMERNREGISTER</b>	<b>INDICE DE NÚMERO</b>  <b>NUMMERREGISTER</b>		Catalogue id <b>20004</b>	Group <b>1000</b>
			Issue <b>VOE 63G9920004</b>	Page <b>31</b>

**VOLVO**

**BL70**



NUMERICAL INDEX				INDICE DE NÚMERO				Catalogue id				Group			
RÉPERTOIRE DE NUMÉROS				NUMMERREGISTER				20004				1000			
NUMMERNREGISTER								Issue				Page			
VOE 63G9920004								VOE 63G9920004				32			
Part No	Group	Sect	Page	Part No	Group	Sect	Page	Part No	Group	Sect	Page	Part No	Group	Sect	Page
VOE 973120	371	300	165	VOE 979021	424	150	319	VOE 981291	911	310	549	VOE 983340	716	100	419
VOE 973120	371	350	167	VOE 979021	974	100	779	VOE 981314	460	100	327	VOE 983377	716	100	419
VOE 973120	371	360	169	VOE 979022	925	200	713	VOE 981314	460	150	329	VOE 983403	852	100	467
VOE 973120	371	450	173	VOE 979022	925	300	721	VOE 981314	874	450	497	VOE 983695	460	150	329
VOE 973126	371	350	167	VOE 979022	925	310	725	VOE 981604	260	100	101	VOE 984392	911	350	557
VOE 974003	913	200	655	VOE 979920	716	100	419	VOE 981661	924	150	685	VOE 984392	911	360	561
VOE 974003	913	210	657	VOE 980521	460	150	329	VOE 981661	924	500	701	VOE 984952	911	300	545
VOE 974428	945	150	743	VOE 980521	716	100	419	VOE 981665	645	400	407	VOE 984952	911	310	549
VOE 974428	945	175	751	VOE 980883	371	500	177	VOE 981666	911	600	577	VOE 990736	420	160	251
VOE 974428	971	100	759	VOE 981256	525	100	387	VOE 981705	260	200	103	VOE 990736	460	150	329
VOE 974428	972	300	775	VOE 981289	911	250	543	VOE 981708	260	200	103	VOE 990736	551	100	389
VOE 975237	269	100	115	VOE 981289	911	300	545	VOE 982021	256	100	97	VOE 990736	911	360	561
VOE 975237	371	900	201	VOE 981289	911	325	553	VOE 982176	371	900	201	VOE 990736	911	360	563
VOE 975358	371	500	177	VOE 981289	911	350	557	VOE 982994	913	200	655	VOE 990736	924	150	685
VOE 975378	881	100	499	VOE 981289	911	400	565	VOE 982994	913	210	657	VOE 990737	517	250	385
VOE 975378	882	100	505	VOE 981289	911	700	581	VOE 983244	831	100	453	VOE 990737	551	100	389
VOE 975380	873	150	489	VOE 981289	911	800	589	VOE 983253	911	700	581	VOE 990737	645	400	409
VOE 975528	810	150	431	VOE 981289	911	900	593	VOE 983253	912	300	631	VOE 990738	911	310	549
VOE 975903	911	750	585	VOE 981289	911	910	595	VOE 983263	896	100	515	VOE 990738	916	360	681
VOE 976162	872	250	483	VOE 981289	911	1000	597	VOE 983267	911	800	589	VOE 990738	925	300	719
VOE 976256	371	200	159	VOE 981289	911	1100	601	VOE 983274	911	600	577	VOE 990738	925	310	723
VOE 976256	371	450	173	VOE 981289	911	1150	605	VOE 983274	911	1350	615	VOE 990738	925	320	727
VOE 977117	911	250	543	VOE 981289	916	200	675	VOE 983299	818	100	435	VOE 990739	460	150	329
VOE 977222	872	250	483	VOE 981290	911	300	545	VOE 983302	371	100	153	VOE 990739	517	250	385
VOE 977934	911	200	539	VOE 981290	911	310	549	VOE 983302	896	100	515	VOE 990739	911	310	549
VOE 977982	873	150	489	VOE 981290	911	400	565	VOE 983303	371	100	157	VOE 990739	911	800	589
VOE 978254	911	200	539	VOE 981290	911	450	569	VOE 983303	831	100	453	VOE 990739	911	1160	609
VOE 978392	363	100	147	VOE 981290	911	600	577	VOE 983304	525	100	387	VOE 990739	916	360	681
VOE 978869	911	350	559	VOE 981290	911	700	581	VOE 983304	945	175	751	VOE 990739	925	300	719
VOE 978869	916	200	677	VOE 981290	911	1000	597	VOE 983306	911	400	565	VOE 990739	925	310	723
VOE 978869	924	500	701	VOE 981290	911	1010	599	VOE 983312	971	100	759	VOE 990740	491	100	371
VOE 978932	924	400	695	VOE 981290	926	200	737	VOE 983334	882	400	511	VOE 990740	911	310	549
VOE 978953	818	100	435	VOE 981291	911	200	541	VOE 983335	882	400	511	VOE 990740	911	310	551
VOE 978997	926	100	735	VOE 981291	911	300	545	VOE 983338	945	175	751	VOE 990740	911	330	555
VOE 978999	372	100	209	VOE 981291	911	300	547	VOE 983338	971	100	761	VOE 990740	911	360	561