

RECYCLABLE PAPER



Construction Equipment

**VOLVO**

Ref. No. VOE 63A9920124

LABEL FOR STEELBINDER

**VOLVO**

**BL61PLUS**

**PARTS CATALOG**

CUT HERE



PARTS CATALOG VOLVO BL61PLUS

**VOLVO**

**PARTS CATALOG**

# BL61PLUS



**VOLVO**

PARTS CATALOG

# BL61PLUS



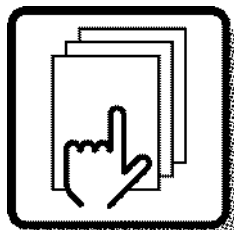
Publ. No. VOE 63A9920124



**VOLVO**

АЛЬРЕТТА

Construction Equipment

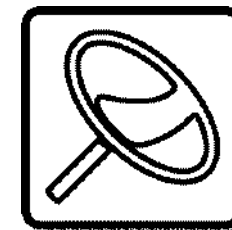


**1**

Preface and instructions  
Préface et instructions  
Vorwort und Anweisungen  
Prefacio e instrucciones  
Förord och anvisningar

Steering system  
Système de direction  
Lenksystem  
Sistema de dirección  
Styrssystem

**6**

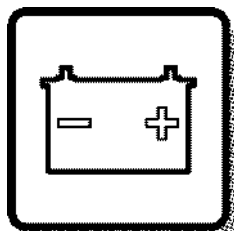
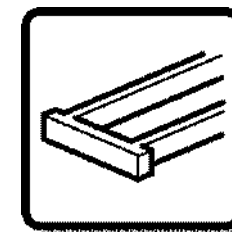


**2**

Engine  
Moteur  
Motor  
Motor  
Motor

Frame and wheels  
Bâti et roues  
Rahmen und räder  
Bastidor y ruedas  
Ram och hjul

**7**

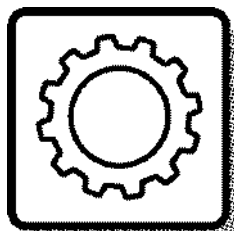
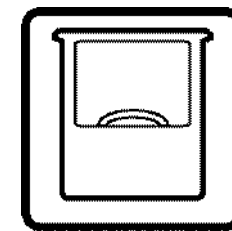


**3**

Electrical systems and instruments  
Système électrique et instruments  
Elektrisches System und Instrumente  
Sistema eléctrico e instrumentos  
Esystem och instrument

Body with associated parts  
Carrosserie avec détails  
Aufbau mit Zubehörteilen  
Carrocería con detalles  
Karosseri

**8**

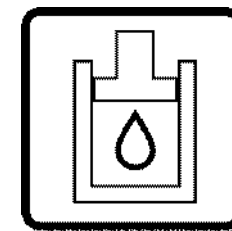


**4**

Power transmission  
Transmission de force  
Kraftübertragung  
Transmisión de fuerza  
Kraftöverföring

Miscellaneous equipment  
Equipments divers  
Übrige Ausrüstung  
Equipo diverso  
Övrig utrustning

**9**

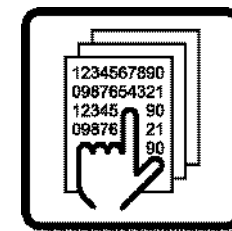


**5**

Brakes  
Freins  
Bremsen  
Frenos  
Bromsar

Numerical index  
Répertoire numérique  
Nummernverzeichnis  
Índice numérico  
Nummerregister

**10**



**1**

**2**

**3**

**4**

**5**

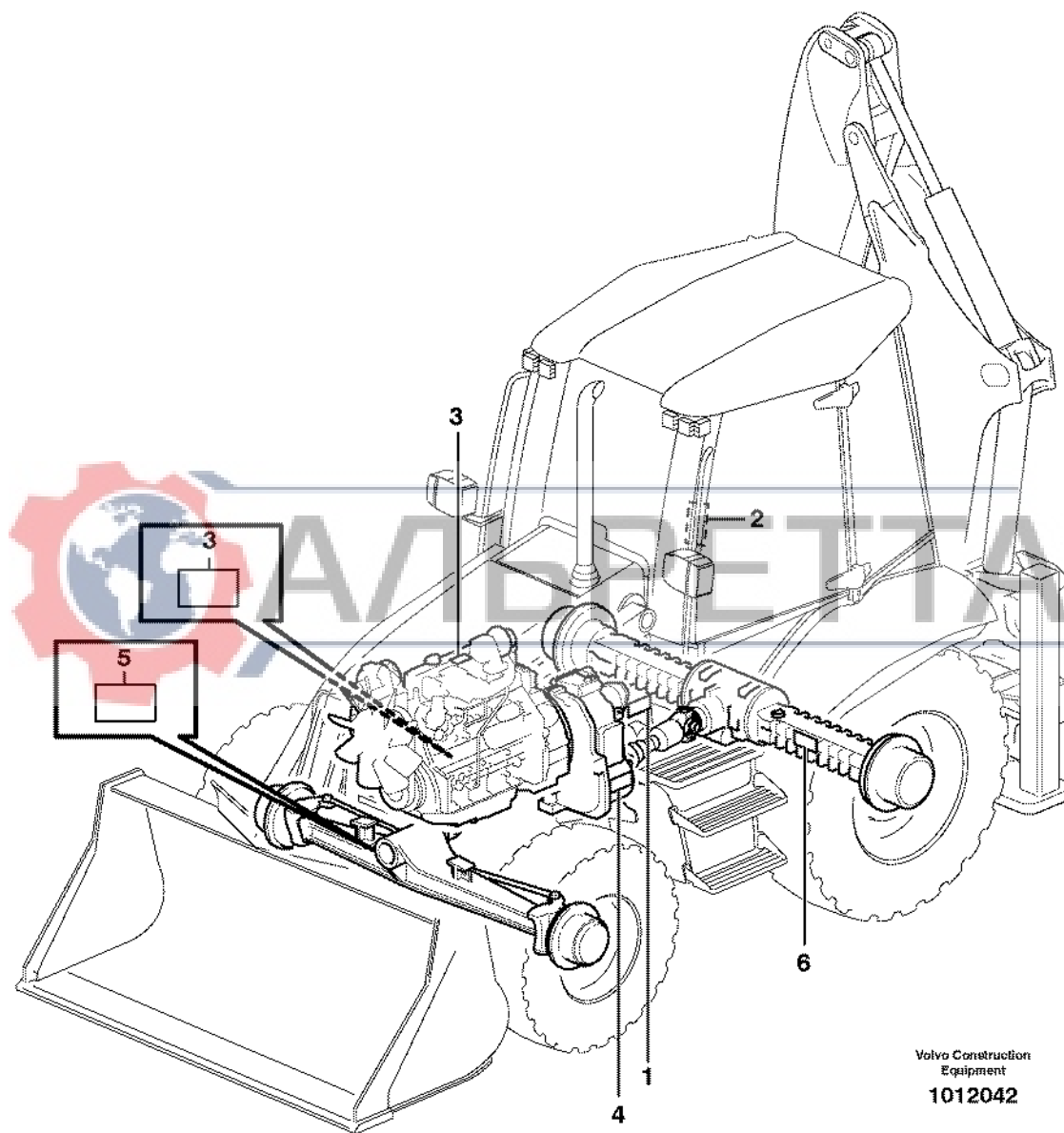
**6**

**7**

**8**

**9**

**10**



Volvo Construction  
Equipment  
1012042

GBR	FRA	DEU	ESP	SWE
1 Product sign plate	1 Enseigne de produit	1 Produktschild	1 Muestra del producto	1 Produktskyt
2 Driver's cab	2 Cabine du conducteur	2 Schutzfahrerhaus	2 Cabina de proteccion	2 Skyddshytt
3 Engine sign plate	3 Enseigne de moteur	3 Motorschild	3 Muestra de motor	3 Motorskyt
4 Power Transmission	4 Transmission De Force	4 Kraftubertragung	4 Transmision De Fuerza	4 Transmission
5 Drive axle front sign plate	5 Enseigne du pont, AV	5 Vorderachsenschild	5 Muestra del puente, delantero	5 Framaxelskyt
6 Drive axle rear sign plate	6 Enseigne du pont, AR	6 Hinterachsenschild	6 Muestra Del Puente, Tra	6 Bakaxelskyt



PRODUCT SIGN PLATE	MUESTRA DEL PRODUCTO	Catalogue id	Group
ENSEIGNE DE PRODUIT	PRODUKSKYLT	<b>20124</b>	<b>1</b>
PRODUKTSCHILD		Issue	Page
		VOE 63A9920124	<b>5</b>

**VOLVO**

**BL61PLUS**

<b>FOREWORD</b>		Catalogue id <b>20124</b>	Group <b>1</b>
		Issue <b>VOE 63A9920124</b>	Page <b>6</b>
GBR	GBR		

Only genuine parts are presented in this catalogue. These parts have been subjected to the necessary function and endurance tests, and they comply with the high quality and safety requirements that have been set for Volvo Construction Equipment. You should note that warranties do not cover damages that are caused or aggravated by the fact that a non-genuine part was fitted.

The illustrations shown in the catalogues should not be used as assembly or workshop instructions. Separate literature for the various specific subject areas is available for that purpose.

The owner of the machine or equipment should state the model designation, manufacturing number, part number, quantity, and the name, or description, of the part when ordering parts.

For location of the model and engine designation plates, etc, see page 4-5.

Market-adapted equipment entered in catalogue, can be seen on page 26.

See page 13 for a "Catalogue Guide" on how to use the parts catalogue.

See page 22 for table of abbreviations.

This catalogue has been produced by Volvo Construction Equipment AB, Customer Support Division.

If you have any point of views regarding the catalogue, or if you detect any errors in the catalogue, please take a copy of the page in question, indicate the error(s), and send it to us at the following adress:

Volvo Construction Equipment AB  
Customer Support Division  
Catalogue Department  
S-631 85 Eskilstuna.....Telefax: +46 16 15 29 15  
E-mail: vce.parts.catalogue@volvo.com

## BACKHOE LOADER BL61 PLUS

### BASIC MACHINE

11880101, SER NO 10001 -

### CAB

11298204, Cab  
11298208, Canopy

### TRANSMISSION

11887380, 4WD

### DRIVING AXLE

11887361, Front, 4WD  
11887363, Rear

### ENGINE

11887322, Type D4DCBE2



Seules les pièces d'origine sont présentées dans les catalogues des pièces de rechange. Toutes ces pièces ont été soumises à des tests de fonctionnement et de longévité pour être conformes aux exigences sévères de qualité et de sécurité posées par Volvo Construction Equipment. Notez que les garanties ne couvrent pas les dégâts et les dommages causés par le montage de pièces autres que des pièces d'origine.

Les illustrations dans le catalogue ne doivent pas être utilisées comme notice de montage ni comme instructions d'atelier. Pour ceci, nous vous renvoyons à la documentation spécifiquement éditée dans ce but.

Pour toute commande de pièces de rechange, indiquez la désignation du modèle, le numéro de fabrication, le numéro de référence, la quantité ainsi que la désignation de la pièce.

Le placement des plaques de désignation de modèle et de moteur etc. ressort de la figure ci-contre 4-5.

Equipment adapté au marché et indiqué dans la catalogue, prière de voir la liste en page 26.

Guide pour l'utilisation de catalogues de pièces de rechange, voir page 15.  
Pour la liste des abréviations employées, prière de voir en page 22.

Ce catalogue est édité par Volvo Construction Equipment AB, Customer Support Division. Si vous avez des commentaires ou si vous découvrez des erreurs dans ce catalogue, nous vous serions reconnaissants de bien vouloir photocopier cette page, de la remplir et de nous la renvoyer.

Volvo Construction Equipment AB  
Customer Support Division  
Catalogue Department  
S-631 85 Eskilstuna.....Telefax: +46 16 15 29 15  
E-mail: vce.parts.catalog@volvo.com

## LA PELLECHARGEUSEILL BL61 PLUS

### MACHINE DE BASE

11880101, SER NO 10001 -

### CABINE DU CONDUCTEUR

11298204, Cab  
11298208, Canopy

### TRANSMISSION

11887380, 4WD

### ESSIEU MOTEUR

11887361, AV, 4WD

11887363, AR

### MOTEUR

11887322, Type D4DCBE2



AVANT-PROPOS

Catalogue id	Group
<b>20124</b>	<b>1</b>
Issue	Page
<b>VOE 63A9920124</b>	<b>7</b>



<b>VORWORT</b>	Catalogue id <b>20124</b>	Group <b>1</b>
	Issue <b>VOE 63A9920124</b>	Page <b>8</b>
DEU	DEU	

In den Ersatzteilkatalogen sind nur Originalteile verzeichnet. Diese Teile haben die notwendigen Funktions- und Lebensdauertests durchlaufen und erfüllen die hohen Qualitäts- und Sicherheitsanforderungen von Volvo Construction Equipment. Beachten Sie bitte, dass die Garantien keine Schäden umfassen, die durch die Montage eines fremden Teils verursacht oder verschlimmert wurden.

Die Abbildungen in dem Katalog dürfen nicht als Montageanweisungen oder Werkstattanleitungen verwendet werden. Wir verweisen statt dessen auf die separate Literatur für diesen Zweck.

Der Maschinenbesitzer muss bei der Bestellung von Ersatzteilen die Modellbezeichnung, Fabriknummer, Artikelnummer sowie Anzahl und Bezeichnung des Teils angeben.

Die Anbringung der Schilder für Modell- und Motorbezeichnung usw. geht aus dem Bild auf Seite 4-5 hervor.

Für den Markt angepasste Ausrüstung wurde in den Katalog aufgenommen, Seite 26.

Die Anweisung auf Seite 17 hilft Ihnen sich im Ersatzteilkatalog zurechtzufinden.

Abkürzungsverzeichnis, siehe Seite 22.

Dieser Katalog wurde von Volvo Construction Equipment AB, Customer Support Division herausgegeben. Wenn Sie Kommentare zu diesem Katalog haben oder Fehler darin finden, kopieren Sie bitte die entsprechende Seite, machen Sie eine Notiz und schicken Sie diese ein an:

Volvo Construction Equipment AB  
Customer Support Division  
Catalogue Department  
S-631 85 Eskilstuna, Schweden....Telefax: +46 16 15 29 15  
E-mail: vce.parts.catalog@volvo.com

## **BAGGERLADER BL61 PLUS**

### **GRUNDMASCHINE**

11880101, SER NO 10001 -

### **FAHRERHAUS**

11298204, Cab  
11298208, Canopy

### **GETRIEBE**

11887380, 4WD

### **PLANETENWELLE**

11887361, Vordere, 4WD  
11887363, Hintere

### **MOTOR**

11887322, Typ D4DCBE2

En los catálogos de repuestos se presentan únicamente piezas originales que han sido sometidas a las necesarias pruebas de funcionamiento y duración y que cumplen las elevadas exigencias de seguridad y calidad de Volvo Construction Equipment.

Recuerde que las garantías no cubren los daños ocasionados o agravados por no haber montado una pieza original.

Las ilustraciones del catálogo no deben utilizarse como base para el montaje ni como instrucciones de taller. Para ello recomendamos utilizar los manuales de taller editados a propósito.

Al hacer el pedido de repuestos, el propietario de la máquina debe indicar el modelo de la misma, su número de fabricación, la referencia de la pieza, la cantidad y la denominación.

La ubicación de letreros con las denominaciones de modelo y motor etc., puede verse en la página 4-5.

La lista de equipos de adaptación según mercado, introducidos en el catálogo, puede verse en la página 26.

Guía para el uso del catálogo, puede verse en la página 19.

La tabla de abreviaturas puede verse en la página 22.

Esté catálogo ha sido editado por Volvo Construction Equipment AB, Customer Support Division. Si tiene algún comentario que hacer sobre el catálogo, o detecta algún error, le rogamos que haga una copia de la página en cuestión y nos la remita junto con sus comentarios a:

Volvo Construction Equipment AB  
Customer Support Division  
Catalogue Department  
S-631 85 Eskilstuna.....Telefax: +46 16 15 29 15  
E-mail: vce.parts.catalog@volvo.com

## RETROCARGADORA BL61 PLUS

### MÁQUINA BÁSICA

11880101, SER NO 10001 -

### CABINA DEL CONDUCTOR

11298204, Cab  
11298208, Canopy

### TRANSMISIÓN

11887380, 4WD

### EJE PROPULSOR

11887361, Delantero, 4WD

11887363, Trasero

### MOTOR

11887322, Type D4DCBE2



## PROLOGO

Catalogue id	Group
<b>20124</b>	<b>1</b>
Issue	Page
<b>VOE 63A9920124</b>	<b>9</b>

<b>FÖRORD</b>		Catalogue id <b>20124</b>	Group <b>1</b>
		Issue <b>VOE 63A9920124</b>	Page <b>10</b>
SWE	SWE		

I denna reservdelskatalog presenteras endast originaldelar. De har genomgått nödvändiga funktions- och livslängdsprov samt uppfyller Volvo Construction Equipments höga kvalitets- och säkerhetskrav. Observera att garantin ej täcker skador som orsakats eller förvärrats av att en icke originaldel monterats.

Illustrationerna i katalogen skall ej användas som monteringsanvisningar eller verkstadsinstruktioner. Vi hänvisar istället till separat litteratur för ändamålet.

Maskinägaren ska vid beställning av reservdelar ange, modellbeteckning, tillverkningsnummer, artikelnummer, antal samt delens benämning.

Placering av skyltar för modell- och motorbeteckning etc., framgår av bild på sidan 4-5.

Marknadsanpassade utrustningar som är införda i denna katalog framgår av förteckningen på sidan 26.

Katalogguide för hur man använder reservdelskatalogen; se sidan 21.

Förkortningstabell, se sidan 22.

Denna katalog är producerad av Volvo Construction Equipment AB, Customer Support Division. Om ni har synpunkter eller upptäcker något fel i katalogen, var vänlig tag en kopia på sidan, gör en notering och sänd detta till:

Volvo Construction Equipment AB  
Customer Support Division  
Catalogue Department  
S-631 85 Eskilstuna.....Telefax: +46 16 15 29  
E-mail: vce.parts.catalog@volvo.com

### Grävlastare BL61 PLUS

#### BASMASKIN

11880101, SER NO 10001 -

#### HYTT

11298204, Cab  
11298208, Canopy

#### TRANSMISSION

11887380, 4WD

#### DRIVAXLAR

11887361, Fram 4WD  
11887363, Bak

#### MOTOR

11887322, Typ D4DCBE2

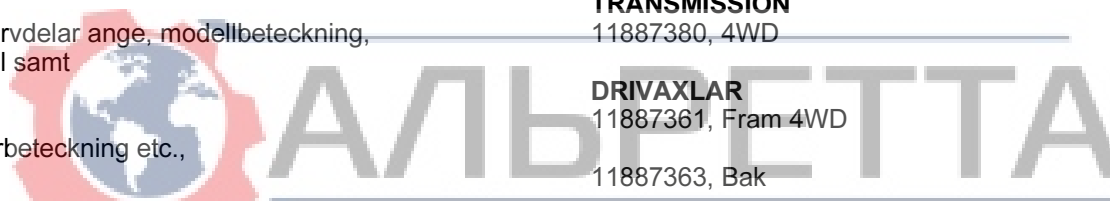
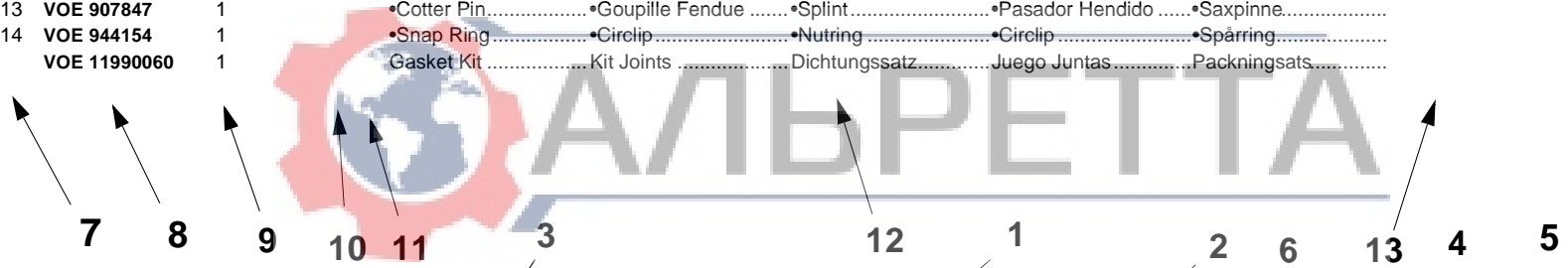




Fig.	Part No.	Quantity			P	K	Description	Dénomination	Bezeichnung	Denominación	Benämning	Notes
		1	2	3								
	<b>VOE 4833424</b>	1			SS	Hydr.cylinder.....	Verin Hydraul. ....	Druckölzylinder.....	Cilin Hidraul.....	Hydraulcyl.....	963)	
		1				Hydraulic cylinder.....	Verin Hydraulique .....	Hydraulzylinder .....	Cilindro Hidraulico .....	Hydraulcylinder.....	L PROD See group 94, avsn 250	
1	<b>VOE 4833425</b>	1				•Cylinder Tube .....	•Tube Cylindre .....	•Zylinderrohr.....	•Tubo Cilindro.....	•Cylinderrör.....		
2	<b>VOE 4741303</b>	1				•Piston Rod .....	•Tige Piston .....	•Kolbenstange .....	•Varilla Piston .....	•Kolvstång.....		
3	<b>VOE 4833432</b>	1				•Pstn Rod Guide .....	•Gui.tige Piston .....	•Ko-stang Fuhrg .....	•Guia Var Piston .....	•Kolvst.styrning.....		
4	<b>VOE 4784039</b>	1			K	•Piston Rod Seal.....	•Eta.tige Piston.....	•Ko-stang Dichtg .....	•Reten Var Pist.....	•Kolvstångståtn.....		
5	<b>VOE 4833433</b>	1				•Spacer Ring .....	•Bagu.entretoise.....	•Abstandring.....	•Anillo Dist .....	•Distansring.....		
6	<b>VOE 914516</b>	1				•Snap Ring .....	•Circlip .....	•Nutring .....	•Circlip .....	•Spårring.....		
7	<b>VOE 4784999</b>	1			K	•Scraper .....	•Racleur .....	•Abstreicher.....	•Rascador.....	•Avstrykare.....		
8	<b>VOE 4741302</b>	1				•Piston.....	•Piston.....	•Kolben.....	•Piston.....	•Kolv.....		
9	<b>VOE 925067</b>	2			K	•O-ring.....	•Joint Torique.....	•O-ring.....	•Anillo Torico .....	•O-ring.....		
10	<b>VOE 4881024</b>	3			K	•Back-up Ring .....	•Bague Support.....	•Stützring.....	•Anillo Apoyo .....	•Stödtring.....		
11	<b>VOE 955898</b>	1				•Washer .....	•Rondelle.....	•Scheibe.....	•Arandela.....	•Bricka.....		
12	<b>VOE 13955884</b>	1				•Castle Nut.....	•Ecrou Crenele•Kronenmutter•Tuerca Corona•Kronmutter.....				(VOE 955884)	
13	<b>VOE 907847</b>	1				•Cotter Pin.....	•Goupille Fendue .....	•Splint.....	•Pasador Hendido .....	•Saxpinne.....		
14	<b>VOE 944154</b>	1				•Snap Ring .....	•Circlip .....	•Nutring .....	•Circlip .....	•Spårring.....		
	<b>VOE 11990060</b>	1				Gasket Kit .....	Kit Joints .....	Dichtungssatz.....	Juego Juntas.....	Packningsats.....		



963) **GB:** Cylinder tube is marked "424". See illustration fig. A. **FR:** Tube cylindre marquer "424". Voir illustration fig. A. **DE:** Das Zylinderrohr ist gekennzeichnet mit "424". Siehe Illustration fig. A. **ES:** Tubo cilindro marcado "424". Véase ilustración fig. A. **SE:** Cylinderrör är märkt "424". Se bild pos. A.

1	<b>Hydraulcylinder E Prod</b>	Catalogue id	<b>90691</b>	Group	<b>924</b>
2	<b>Cilindro hidráulico E Prod</b>	Illustr. No	<b>AC290A</b>	Section	<b>200</b>
3	<b>Druckölzylinder E Prod</b>	Issue	<b>VOE 63D9990691</b>	Page	<b>623</b>
4	<b>Cylindre hydraulique E Prod</b>				
5	<b>Hydraulic cylinder E Prod</b>				
	<b>90271, 91357, STD USA</b>				



In addition to part numbers, the Parts Catalogue also includes a vast amount of essential information which you, the operator, should be acquainted with.

With the "Catalogue Guide", we want to show clearly how the catalogues are arranged and what sort of information is presented therein.

### Group 1 Preface and Instructions

Here you can find the following information:

- Title page and publication number
- Group index
- Product signs
- Preface
- List of items of equipment adapted to market requirements that have been introduced
- Catalogue Guide
- Table of abbreviations

### Group 2 - 9 Text and illustration pages

- The table of contents shows the division of the main groups into sub-groups, with reference to page number and section.
- Illustration page. The position number of the illustration refers to the text page.
- Text page
  1. Heading.
  2. Additional text which limits the validity of the section. An example is information relating to manufacturing numbers and equipment adapted to market requirements.
  3. Designation for quantity columns.
  4. Illustrations.
  5. Group, section, page, which you should use when you search for information in the catalogue.
  6. Catalogue identification and issue designation.
  7. Position number of the part on the associated drawing.
  8. Part number
  9. Quantity. The column designation indicates the version which is shown in each column. The quantity stated refers to the quantity for each machine or, where appropriate, for each complete unit.  
"REQ" refers to the required amount. See also "Notes" column.
- 10. PS (Parts Status) indicates the status code of the part.  
"NS" means that the part is not kept in stock.

"OP" means that the part is no longer in stock.

"SE" means that an alternative part shall be used.

"SS" means that the part has been replaced.

Refer to Group 10 Replaced parts for further information.

11. KIT. Parts that are marked with a "K" are included in a kit. The number of the kit is often indicated after other part numbers.
12. Description. The indentations indicate if one or more parts are included in the assembled unit described above. The parts are included when a complete unit is ordered.
13. Notes. Other information relating to a particular part is given here.
  - Footnote number (963 for example) is given at the bottom of the page.
  - Replaced parts (955884, for example).
  - Product or manufacturing number.
  - Abbreviations and technical information.
  - Reference to page and group.

### Group 10 Replaced parts / Number index

- Replaced parts. The part numbers of parts marked with "SS" (in the PS column) are indicated here, together with their replacement numbers.  
The replacement parts may in turn be also replaced, and so on.
- Number index. All parts included in the catalogue are indicated here, together with a reference to group, section and page.

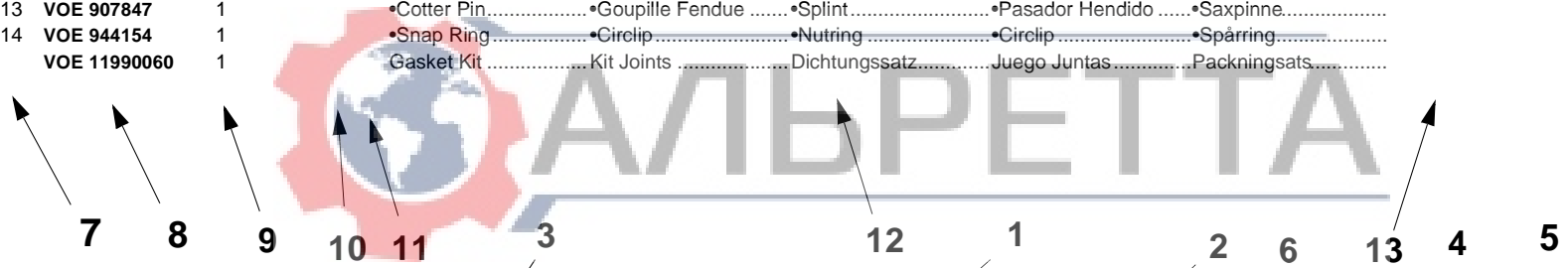
Continued improvements and successes in design could result in modifications to your equipment which are not covered by this publication. Each publication is revised when required to include these modifications in later issues.

*Any unauthorized reproduction of any part of this document would be in violation of Volvo Construction Equipment AB, Customer Support Division's rights and will be prosecuted to the fullest extent allowed by law. We reserve the right to make changes without prior notice.*

## PARTS CATALOGUE INSTRUCTIONS

Catalogue id	Group
<b>20124</b>	<b>1</b>
Issue	Page
<b>VOE 63A9920124</b>	<b>13</b>

Fig.	Part No.	Quantity			P	K	Description	Dénomination	Bezeichnung	Denominación	Benämning	Notes
		1	2	3								
	<b>VOE 4833424</b>	1			SS	Hydr.cylinder.....	Verin Hydraul. ....	Druckölzylinder.....	Cilin Hidraul.....	Hydraulcyl.....	963)	
		1				Hydraulic cylinder.....	Verin Hydraulique .....	Hydraulzylinder .....	Cilindro Hidraulico .....	Hydraulcylinder.....	L PROD See group 94, avsn 250	
1	<b>VOE 4833425</b>	1				•Cylinder Tube .....	•Tube Cylindre .....	•Zylinderrohr.....	•Tubo Cilindro.....	•Cylinderrör.....		
2	<b>VOE 4741303</b>	1				•Piston Rod .....	•Tige Piston .....	•Kolbenstange .....	•Varilla Piston .....	•Kolvstång.....		
3	<b>VOE 4833432</b>	1				•Pstn Rod Guide .....	•Gui.tige Piston .....	•Ko-stang Fuhrg .....	•Guia Var Piston .....	•Kolvst.styrning.....		
4	<b>VOE 4784039</b>	1			K	•Piston Rod Seal.....	•Eta.tige Piston.....	•Ko-stang Dichtg .....	•Reten Var Pist.....	•Kolvstångståtn.....		
5	<b>VOE 4833433</b>	1				•Spacer Ring .....	•Bagu.entretoise.....	•Abstandring.....	•Anillo Dist .....	•Distansring.....		
6	<b>VOE 914516</b>	1				•Snap Ring .....	•Circlip .....	•Nutring .....	•Circlip .....	•Spårring.....		
7	<b>VOE 4784999</b>	1			K	•Scraper .....	•Racleur .....	•Abstreicher.....	•Rascador.....	•Avstrykare.....		
8	<b>VOE 4741302</b>	1				•Piston.....	•Piston.....	•Kolben.....	•Piston.....	•Kolv.....		
9	<b>VOE 925067</b>	2			K	•O-ring.....	•Joint Torique.....	•O-ring.....	•Anillo Torico .....	•O-ring.....		
10	<b>VOE 4881024</b>	3			K	•Back-up Ring .....	•Bague Support.....	•Stützring.....	•Anillo Apoyo .....	•Stödtring.....		
11	<b>VOE 955898</b>	1				•Washer .....	•Rondelle.....	•Scheibe.....	•Arandela.....	•Bricka.....		
12	<b>VOE 13955884</b>	1				•Castle Nut.....	•Ecrou Crenele•Kronenmutter•Tuerca Corona•Kronmutter.....				(VOE 955884)	
13	<b>VOE 907847</b>	1				•Cotter Pin.....	•Goupille Fendue .....	•Splint.....	•Pasador Hendido .....	•Saxpinne.....		
14	<b>VOE 944154</b>	1				•Snap Ring .....	•Circlip .....	•Nutring .....	•Circlip .....	•Spårring.....		
	<b>VOE 11990060</b>	1				Gasket Kit .....	Kit Joints .....	Dichtungssatz.....	Juego Juntas.....	Packningsats.....		



963) **GB:** Cylinder tube is marked "424". See illustration fig. A. **FR:** Tube cylindre marquer "424". Voir illustration fig. A. **DE:** Das Zylinderrohr ist gekennzeichnet mit "424". Siehe Illustration fig. A. **ES:** Tubo cilindro marcado "424". Véase ilustración fig. A. **SE:** Cylinderrör är märkt "424". Se bild pos. A.

1	<b>Hydraulcylinder E Prod</b>	Catalogue id	<b>90691</b>	Group	<b>924</b>
2	<b>Cilindro hidráulico E Prod</b>	Illustr. No	<b>AC290A</b>	Section	<b>200</b>
3	<b>Druckölzylinder E Prod</b>	Issue	<b>VOE 63D9990691</b>	Page	<b>623</b>
4	<b>Cylindre hydraulique E Prod</b>				
5	<b>Hydraulic cylinder E Prod</b>				
	<b>90271, 91357, STD USA</b>				



Le catalogue de pièces de rechange présente, non seulement les numéros de référence, mais également d'autres informations qu'un opérateur se doit de connaître. Ce guide de catalogue vous indique, d'une façon générale, comment sont conçus nos catalogues et quelles informations ils vous apportent.

### Groupe 1 Avant-propos et instructions

Sous ce groupe, vous trouvez :

- La page de titre avec le numéro de publication
- Le registre des groupes
- Les plaques de produit
- Un avant-propos
- Une liste des équipements introduits suivant les pays
- Un guide de catalogue
- Un tableau des abréviations

### Groupes 2 - 9 Pages de texte et d'illustration

- Le sommaire indique la division des groupes principaux en sous-groupes avec des renvois aux pages et aux sections.
- La page d'illustration. L'illustration donne les numéros de position qui renvoient à la page de texte.
- La page de texte
  1. Rubrique
  2. Texte supplémentaire qui limite la validité de la section, par exemple numéro de série et équipements adaptés aux pays
  3. Désignation des modèles pour les différentes colonnes
  4. Illustrations
  5. Groupe, section, page utilisés pour la recherche dans le catalogue
  6. Identification du catalogue et de l'édition
  7. Numéro de position de la pièce sur l'illustration afférente
  8. Numéro de référence
  9. Quantité. La désignation des colonnes indique le modèle qui se réfère à chaque colonne. La quantité indiquée correspond à la quantité par engin ou, suivant les cas, par unité complète. "REQ" signifie quantité nécessaire, voir la colonne Notes
  10. PS (Parts Status) indique le code d'état de la pièce.
    - "NS" signifie que la pièce n'existe pas en magasin.
    - "OP" signifie que la pièce n'est plus en magasin.
    - "SE" signifie qu'une autre pièce devrait être employée.
    - "SS" signifie que la pièce a été remplacée.

Voir le groupe 10, pièces remplacées, pour de plus amples informations.

11. KIT. Les pièces marquées "K" font partie d'un kit. Le numéro du kit est le plus souvent indiqué après les autres numéros de référence.
12. Description. Le décalage indique si une ou plusieurs pièces font partie de l'unité complète indiquée au-dessus. Ces pièces sont envoyées pour une commande d'une unité complète.
13. Notes (Remarques). Diverses informations relatives à une pièce sont notées ici.
  - Un numéro de note de bas de page (par exemple 963) est donné au bas de la page.
  - Pièces remplacées (par exemple 955884).
  - Numéro de produit ou numéro de fabrication.
  - Abréviations et explications techniques.
  - Renvoi aux pages et aux groupes.

### Groupe 10 Pièces remplacées/Registre des numéros

- Pièces remplacées. Les numéros de référence marqués "SS" (dans la colonne PS) sont repris ici avec leur numéro de remplacement. Ces pièces remplacées peuvent, à leur tour, être remplacées par d'autres, etc.
- Registre des numéros. Tous les numéros de référence du catalogue se retrouvent ici avec un renvoi au groupe, à la section et à la page.

Les perfectionnements continus et les progrès réalisés dans la conception peuvent entraîner, sur votre engin, des modifications qui ne sont pas prises en compte dans cette publication. Chaque publication est remise à jour suivant les besoins pour inclure toutes ces modifications dans les dernières éditions.

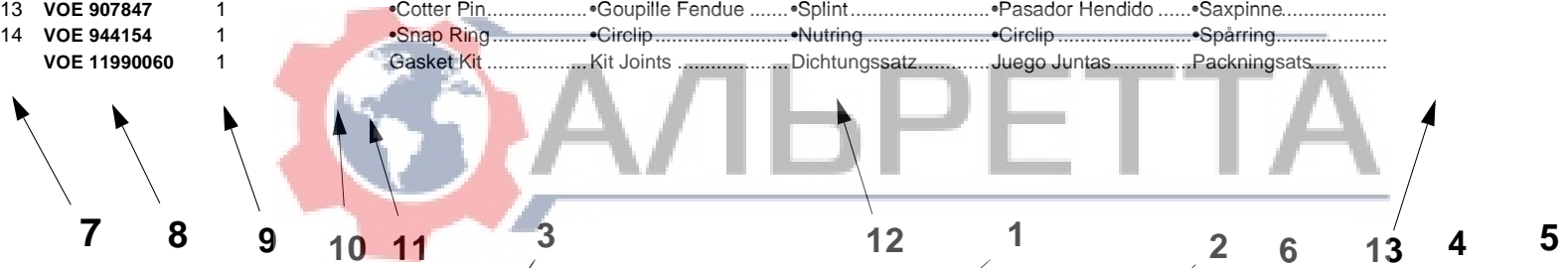
*La reproduction non autorisée de toute partie de ce document constitue une violation des droits d'auteur de Volvo Construction Equipment AB, Customer Support Division et entraînera des poursuites aux termes de la loi. Nous nous réservons le droit d'apporter des modifications sans préavis.*

## CATALOGUE DE PIÈCES INSTRUCTIONS

Catalogue id	Group
<b>20124</b>	<b>1</b>
Issue	Page
<b>VOE 63A9920124</b>	<b>15</b>



Fig.	Part No.	Quantity			P	K	Description	Dénomination	Bezeichnung	Denominación	Benämning	Notes
		1	2	3								
	<b>VOE 4833424</b>	1			SS	Hydr.cylinder.....	Verin Hydraul. ....	Druckölzylinder.....	Cilin Hidraul.....	Hydraulcyl.....	963)	
		1				Hydraulic cylinder.....	Verin Hydraulique .....	Hydraulzylinder .....	Cilindro Hidraulico .....	Hydraulcylinder.....	L PROD See group 94, avsn 250	
1	<b>VOE 4833425</b>	1				•Cylinder Tube .....	•Tube Cylindre .....	•Zylinderrohr.....	•Tubo Cilindro.....	•Cylinderrör.....		
2	<b>VOE 4741303</b>	1				•Piston Rod .....	•Tige Piston .....	•Kolbenstange .....	•Varilla Piston .....	•Kolvstång.....		
3	<b>VOE 4833432</b>	1				•Pstn Rod Guide .....	•Gui.tige Piston .....	•Ko-stang Fuhrg .....	•Guia Var Piston .....	•Kolvst.styrning.....		
4	<b>VOE 4784039</b>	1			K	•Piston Rod Seal.....	•Eta.tige Piston.....	•Ko-stang Dichtg .....	•Reten Var Pist.....	•Kolvstångståtn.....		
5	<b>VOE 4833433</b>	1				•Spacer Ring .....	•Bagu.entretoise.....	•Abstandring.....	•Anillo Dist .....	•Distansring.....		
6	<b>VOE 914516</b>	1				•Snap Ring .....	•Circlip .....	•Nutring .....	•Circlip .....	•Spårring.....		
7	<b>VOE 4784999</b>	1			K	•Scraper .....	•Racleur .....	•Abstreicher.....	•Rascador.....	•Avstrykare.....		
8	<b>VOE 4741302</b>	1				•Piston.....	•Piston.....	•Kolben.....	•Piston.....	•Kolv.....		
9	<b>VOE 925067</b>	2			K	•O-ring.....	•Joint Torique.....	•O-ring.....	•Anillo Torico .....	•O-ring.....		
10	<b>VOE 4881024</b>	3			K	•Back-up Ring .....	•Bague Support.....	•Stützring.....	•Anillo Apoyo .....	•Stödtring.....		
11	<b>VOE 955898</b>	1				•Washer .....	•Rondelle.....	•Scheibe.....	•Arandela.....	•Bricka.....		
12	<b>VOE 13955884</b>	1				•Castle Nut.....	•Ecrou Crenele•Kronenmutter•Tuerca Corona•Kronmutter.....				(VOE 955884)	
13	<b>VOE 907847</b>	1				•Cotter Pin.....	•Goupille Fendue .....	•Splint.....	•Pasador Hendido .....	•Saxpinne.....		
14	<b>VOE 944154</b>	1				•Snap Ring .....	•Circlip .....	•Nutring .....	•Circlip .....	•Spårring.....		
	<b>VOE 11990060</b>	1				Gasket Kit .....	Kit Joints .....	Dichtungssatz.....	Juego Juntas.....	Packningsats.....		



963) **GB:** Cylinder tube is marked "424". See illustration fig. A. **FR:** Tube cylindre marquer "424". Voir illustration fig. A. **DE:** Das Zylinderrohr ist gekennzeichnet mit "424". Siehe Illustration fig. A. **ES:** Tubo cilindro marcado "424". Véase ilustración fig. A. **SE:** Cylinderrör är märkt "424". Se bild pos. A.

1	<b>Hydraulcylinder E Prod</b>	Catalogue id	<b>90691</b>	Group	<b>924</b>
2	<b>Cilindro hidráulico E Prod</b>	Illustr. No	<b>AC290A</b>	Section	<b>200</b>
3	<b>Druckölzylinder E Prod</b>	Issue	<b>VOE 63D9990691</b>	Page	<b>623</b>
4	<b>Cylindre hydraulique E Prod</b>				
5	<b>Hydraulic cylinder E Prod</b>				
	<b>90271, 91357, STD USA</b>				



Im Ersatzteilkatalog sind außer den Artikelnummern auch eine Reihe von wesentlichen Informationen aufgeführt, die man unbedingt kennen sollte. Mit der Kataloganweisung wollen wir auf eine überschaubare Art und Weise zeigen, wie unsere Kataloge aufgebaut und welche Informationen hier enthalten sind.

### Gruppe 1 Vorwort und Anweisungen

Hier findet man folgendes:

- Titelseite mit Publikationsnummer
- Gruppenregister
- Produktschilder
- Vorwort
- Verzeichnis über eingeführte marktangepasste Ausrüstungen
- Kataloganweisung
- Abkürzungstabelle

### Gruppe 2 - 9 Text- und Bildseiten

- Das Inhaltsverzeichnis zeigt die Einteilung der Hauptgruppe in Untergruppen mit Hinweis auf Seite und Abschnitt.
- Bildseite. Die Positionsnummer der Abbildung weist auf die Textseite hin.
- Textseite.
  1. Überschrift
  2. Zusatztext, der die Gültigkeit des Abschnitts begrenzt, z.B. Information über Herstellungsnummer und marktangepasste Ausrüstungen.
  3. Bezeichnung für die Anzahl-Spalten
  4. Abbildungen
  5. Gruppe, Abschnitt, Seite, die bei der Suche im Katalog verwendet werden.
  6. Katalogkennung und Ausgabebezeichnung
  7. Positionsnummer des Artikels mit dazugehöriger Abbildung.
  8. Artikelnummer
  9. Anzahl. Die Spaltenbezeichnung zeigt, welche Ausführung per Spalte aufgeführt ist. Die angegebene Anzahl betrifft Anzahl pro Maschine oder ggf. pro komplette Einheit. "REQ" bezeichnet die erforderliche Menge, siehe Anmerkungsspalte.
  10. PS (Parts Status) zeigt den Statuscode des Artikels.
    - "NS" bedeutet, dass der Artikel nicht mehr auf Lager gehalten wird.
    - "OP" bedeutet, dass das Teil nicht mehr geführt wird.
    - "SE" bedeutet, dass ein alternatives Teil zu verwenden ist.
    - "SS" bedeutet, dass der Artikel ersetzt wurde.

Siehe Gruppe 10, Ersetzte Artikel, für weitere Information.

11. KIT. Artikel, die mit einem "K" gekennzeichnet sind, gehören zu einem Satz. Die Nummer des Satzes wird in den meisten Fällen nach den übrigen Artikelnummern angegeben.
12. Bezeichnung. Die Einrückung zeigt, dass ein oder mehrere Artikel in einer oben aufgeführten zusammengesetzten Einheit enthalten sind. Die Artikel sind in der Bestellung der kompletten Einheit enthalten.
13. Notes (Anmerkungen). Hier werden übrige Informationen für einen Artikel aufgeführt:
  - Fußnotenummer, (beispielsweise 963), wird ganz unten auf der Seite angegeben.
  - Ersetzte Artikel, (beispielsweise 955884)
  - Produkt- oder Herstellungsnummer
  - Abkürzungen oder technische Informationen
  - Seiten- und Gruppenhinweis

### Gruppe 10 Ersetzte Artikel / Nummernregister

- Ersetzte Artikel. Hier sind die mit "SS" markierten (in der PS-Spalte) Artikelnummern mit ihrem Ersatz aufgeführt. Die ersetzten Artikel können wiederum ersetzt worden sein usw.
- Nummernregister. Hier sind alle im Katalog vorkommenden Artikel aufgeführt, und zwar mit Hinweis auf Gruppe, Abschnitt und Seite.

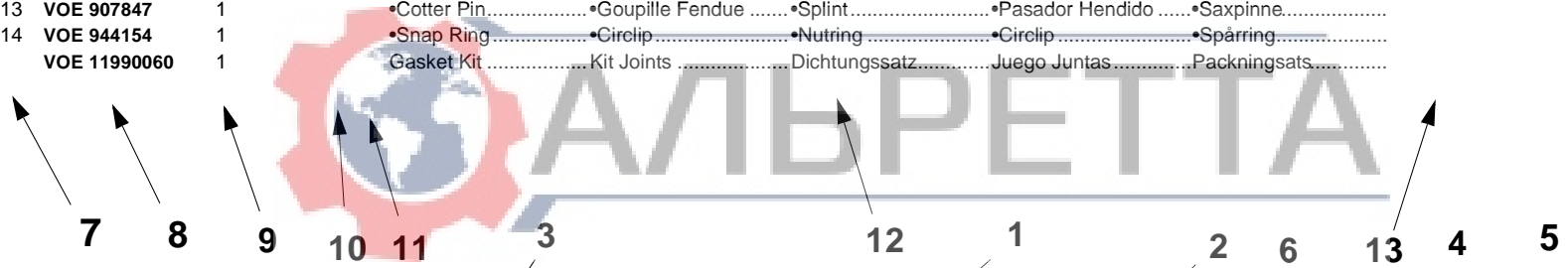
Fortlaufende Verbesserungen und Fortschritte in der Konstruktion können auch bei Ihrer Maschine zu Änderungen führen, die nicht von dieser Schrift umfasst werden. Jede Ausgabe wird bei Bedarf überarbeitet, um diese Veränderungen bei späteren Ausgaben mit zu berücksichtigen.

*Jegliche Reproduktion dieses Dokumentes in Auszügen oder in vollem Umfang stellt eine Verletzung der Rechte von Volvo Construction Equipment AB, Customer Support dar und wird unter voller Ausschöpfung der gesetzlichen Möglichkeiten strafrechtlich verfolgt. Wir behalten uns das Recht auf Änderungen ohne vorherige Ankündigung vor.*

## ERSATZTEILEKATALOGBESTELLANWEISUNGEN

Catalogue id	Group
<b>20124</b>	<b>1</b>
Issue	Page
<b>VOE 63A9920124</b>	<b>17</b>

Fig.	Part No.	Quantity			P	K	Description	Dénomination	Bezeichnung	Denominación	Benämning	Notes
		1	2	3								
	<b>VOE 4833424</b>	1			SS	Hydr.cylinder.....	Verin Hydraul. ....	Druckölzylinder.....	Cilin Hidraul.....	Hydraulcyl.....	963)	
		1				Hydraulic cylinder.....	Verin Hydraulique .....	Hydraulzylinder .....	Cilindro Hidraulico .....	Hydraulcylinder.....	L PROD See group 94, avsn 250	
1	<b>VOE 4833425</b>	1				•Cylinder Tube .....	•Tube Cylindre .....	•Zylinderrohr.....	•Tubo Cilindro.....	•Cylinderrör.....		
2	<b>VOE 4741303</b>	1				•Piston Rod .....	•Tige Piston .....	•Kolbenstange .....	•Varilla Piston .....	•Kolvstång.....		
3	<b>VOE 4833432</b>	1				•Pstn Rod Guide .....	•Gui.tige Piston .....	•Ko-stang Fuhrg .....	•Guia Var Piston .....	•Kolvst.styrning.....		
4	<b>VOE 4784039</b>	1			K	•Piston Rod Seal.....	•Eta.tige Piston.....	•Ko-stang Dichtg .....	•Reten Var Pist.....	•Kolvstångståtn.....		
5	<b>VOE 4833433</b>	1				•Spacer Ring .....	•Bagu.entretoise.....	•Abstandring.....	•Anillo Dist .....	•Distansring.....		
6	<b>VOE 914516</b>	1				•Snap Ring .....	•Circlip .....	•Nutring .....	•Circlip .....	•Spårring.....		
7	<b>VOE 4784999</b>	1			K	•Scraper .....	•Racleur .....	•Abstreicher.....	•Rascador.....	•Avstrykare.....		
8	<b>VOE 4741302</b>	1				•Piston.....	•Piston.....	•Kolben.....	•Piston.....	•Kolv.....		
9	<b>VOE 925067</b>	2			K	•O-ring.....	•Joint Torique.....	•O-ring.....	•Anillo Torico .....	•O-ring.....		
10	<b>VOE 4881024</b>	3			K	•Back-up Ring .....	•Bague Support.....	•Stützring.....	•Anillo Apoyo .....	•Stödtring.....		
11	<b>VOE 955898</b>	1				•Washer .....	•Rondelle.....	•Scheibe.....	•Arandela.....	•Bricka.....		
12	<b>VOE 13955884</b>	1				•Castle Nut.....	•Ecrou Crenele•Kronenmutter•Tuerca Corona•Kronmutter.....				(VOE 955884)	
13	<b>VOE 907847</b>	1				•Cotter Pin.....	•Goupille Fendue .....	•Splint.....	•Pasador Hendido .....	•Saxpinne.....		
14	<b>VOE 944154</b>	1				•Snap Ring .....	•Circlip .....	•Nutring .....	•Circlip .....	•Spårring.....		
	<b>VOE 11990060</b>	1				Gasket Kit .....	Kit Joints .....	Dichtungssatz.....	Juego Juntas .....	Packningsats.....		



963) **GB:** Cylinder tube is marked "424". See illustration fig. A. **FR:** Tube cylindre marquer "424". Voir illustration fig. A. **DE:** Das Zylinderrohr ist gekennzeichnet mit "424". Siehe Illustration fig. A. **ES:** Tubo cilindro marcado "424". Véase ilustración fig. A. **SE:** Cylinderrör är märkt "424". Se bild pos. A.

1	<b>Hydraulcylinder E Prod</b>	Catalogue id	<b>90691</b>	Group	<b>924</b>
2	<b>Cilindro hidráulico E Prod</b>	Illustr. No	<b>AC290A</b>	Section	<b>200</b>
3	<b>Druckölzylinder E Prod</b>	Issue	<b>VOE 63D9990691</b>	Page	<b>623</b>
4	<b>Cylindre hydraulique E Prod</b>				
5	<b>Hydraulic cylinder E Prod</b>				
	<b>90271, 91357, STD USA</b>				



En el catálogo de repuestos se incluye, además de los números de artículo, numerosa información muy útil.  
El propósito de la guía es explicar la estructura de los catálogos y la información que se ofrece en los mismos.

### Grupo 1 Prefacio e instrucciones

Se encontrará aquí:

- El título y el número de publicación
- El índice de grupos
- Los letreros de producto
- El prefacio
- Una lista sobre los equipos adaptados a los mercados
- La guía al catálogo
- Una tabla de abreviaturas

### Grupo 2 - 9 páginas con texto e ilustraciones

- El índice muestra la clasificación de los grupos principales en subgrupos con remisiones a páginas y secciones.
- Página de ilustraciones. Los números de posición de las ilustraciones. Remisiones a páginas de texto.
- Páginas de texto
  1. Rúbrica
  2. Texto adicional que delimita la validez de la sección, por ejemplo, información sobre números de fabricación y equipos según mercado.
  3. Designación para columnas de cantidades.
  4. Número de ilustración.
  5. Grupo, sección, página. Se utilizan al manejar el catálogo
  6. Identificación e indicación de la edición del catálogo.
  7. Números de posición en la ilustración correspondiente.
  8. Números de artículo
  9. Cantidad. Se indica en esta columna la ejecución. El número indicado se refiere a la cantidad por máquina o, si procede, por unidad completa. "REQ" significa la cantidad necesaria, véase la columna de las notas.
- 10. PS (Parts Status) indica el código de estado del artículo.
  - "NS" indica que el artículo no se tiene en stock.
  - "OP" significa que ya no se mantiene la pieza en stock.

"SE" significa que se puede usar una pieza alternativa.

- "SS" indica que el artículo ha sido sustituido.

Para más información, véase el grupo 10, artículos sustituidos.

11. KIT. Los artículos marcados con una "K" forman parte de un juego. El número de juego suele indicarse detrás de los demás números de artículo.
12. Denominación. El desplazamiento indica que en la unidad indicada se incluyen uno o varios artículos. Estos se incluyen en la unidad completa pedida.
13. Notas. Aparecen aquí diversas informaciones relativas a los artículos:
  - Números de notas de pie de página; ej. 963) aparece al final de la página.
  - Artículos sustituidos. Ej. (955884)
  - Números de producto o fabricación.
  - Abreviaturas e información técnica.
  - Remisiones a páginas y grupos.

### Grupo 10 Artículos sustituidos/Índice de números

- Artículos sustituidos. Se marcan aquí con "SS" (en la columna PS) los números de artículo con sus sustituciones. Los artículos sustituidos, a su vez, pueden haber sido sustituidos, etc.
- Índice de números. Aparecen aquí todos los artículos existentes en el catálogo con remisión a grupo, sección y página.

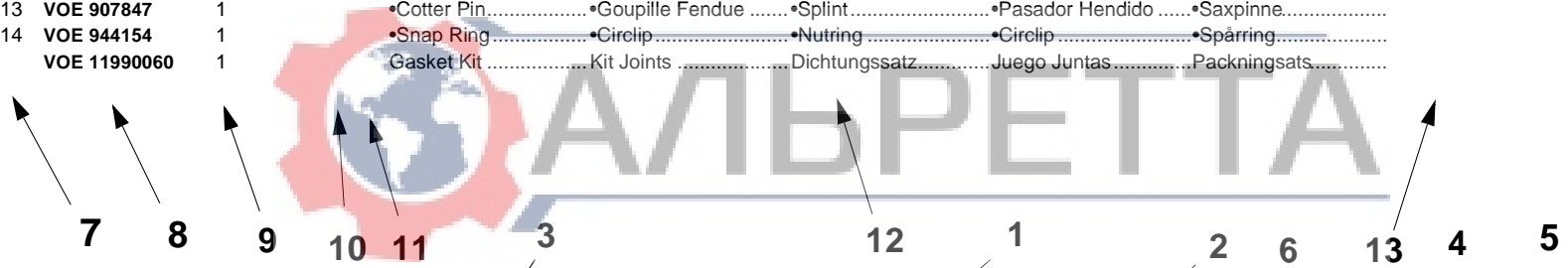
En su modelo de máquina pueden haberse introducido mejoras que no aparecen en esta publicación. Las publicaciones son revisadas para incluir las mejoras en ediciones posteriores.

*Este documento está protegido por los derechos de autor y por lo tanto está prohibida su copia, impresión o cualquier otro tipo de reproducción indebida. La infracción de esta prohibición será penalizada. Reservado el derecho a introducir modificaciones.*

## CATALOGO DE PIEZAS INSTRUCCIONES

Catalogue id	Group
<b>20124</b>	<b>1</b>
Issue	Page
<b>VOE 63A9920124</b>	<b>19</b>

Fig.	Part No.	Quantity			P	K	Description	Dénomination	Bezeichnung	Denominación	Benämning	Notes
		1	2	3								
	<b>VOE 4833424</b>	1			SS	Hydr.cylinder.....	Verin Hydraul. ....	Druckölzylinder.....	Cilin Hidraul.....	Hydraulcyl.....	963)	
		1				Hydraulic cylinder.....	Verin Hydraulique .....	Hydraulzylinder .....	Cilindro Hidraulico .....	Hydraulcylinder.....	L PROD See group 94, avsn 250	
1	<b>VOE 4833425</b>	1				•Cylinder Tube .....	•Tube Cylindre .....	•Zylinderrohr.....	•Tubo Cilindro.....	•Cylinderrör.....		
2	<b>VOE 4741303</b>	1				•Piston Rod .....	•Tige Piston .....	•Kolbenstange .....	•Varilla Piston .....	•Kolvstång.....		
3	<b>VOE 4833432</b>	1				•Pstn Rod Guide .....	•Gui.tige Piston .....	•Ko-stang Fuhrg .....	•Guia Var Piston .....	•Kolvst.styrning.....		
4	<b>VOE 4784039</b>	1			K	•Piston Rod Seal.....	•Eta.tige Piston.....	•Ko-stang Dichtg .....	•Reten Var Pist.....	•Kolvstångståtn.....		
5	<b>VOE 4833433</b>	1				•Spacer Ring .....	•Bagu.entretoise.....	•Abstandring.....	•Anillo Dist .....	•Distansring.....		
6	<b>VOE 914516</b>	1				•Snap Ring .....	•Circlip .....	•Nutring .....	•Circlip .....	•Spårring.....		
7	<b>VOE 4784999</b>	1			K	•Scraper .....	•Racleur .....	•Abstreicher.....	•Rascador.....	•Avstrykare.....		
8	<b>VOE 4741302</b>	1				•Piston.....	•Piston.....	•Kolben.....	•Piston.....	•Kolv.....		
9	<b>VOE 925067</b>	2			K	•O-ring.....	•Joint Torique.....	•O-ring.....	•Anillo Torico .....	•O-ring.....		
10	<b>VOE 4881024</b>	3			K	•Back-up Ring .....	•Bague Support.....	•Stützring.....	•Anillo Apoyo .....	•Stödtring.....		
11	<b>VOE 955898</b>	1				•Washer .....	•Rondelle.....	•Scheibe.....	•Arandela.....	•Bricka.....		
12	<b>VOE 13955884</b>	1				•Castle Nut.....	•Ecrou Crenele•Kronenmutter•Tuerca Corona•Kronmutter.....				(VOE 955884)	
13	<b>VOE 907847</b>	1				•Cotter Pin.....	•Goupille Fendue .....	•Splint.....	•Pasador Hendido .....	•Saxpinne.....		
14	<b>VOE 944154</b>	1				•Snap Ring .....	•Circlip .....	•Nutring .....	•Circlip .....	•Spårring.....		
	<b>VOE 11990060</b>	1				Gasket Kit .....	Kit Joints .....	Dichtungssatz.....	Juego Juntas.....	Packningsats.....		



963) **GB:** Cylinder tube is marked "424". See illustration fig. A. **FR:** Tube cylindre marquer "424". Voir illustration fig. A. **DE:** Das Zylinderrohr ist gekennzeichnet mit "424". Siehe Illustration fig. A. **ES:** Tubo cilindro marcado "424". Véase ilustración fig. A. **SE:** Cylinderrör är märkt "424". Se bild pos. A.

1	<b>Hydraulcylinder E Prod</b>	Catalogue id	<b>90691</b>	Group	<b>924</b>
2	<b>Cilindro hidráulico E Prod</b>	Illustr. No	<b>AC290A</b>	Section	<b>200</b>
3	<b>Druckölzylinder E Prod</b>	Issue	<b>VOE 63D9990691</b>	Page	<b>623</b>
4	<b>Cylindre hydraulique E Prod</b>				
5	<b>Hydraulic cylinder E Prod</b>				
	<b>90271, 91357, STD USA</b>				



I reservdelskatalogen presenteras förutom artikelnummer också en mängd information som är viktig att känna till.  
Med katalogguiden vill vi på ett överskådligt sätt visa hur våra kataloger är uppbyggda och vad det är för information som presenteras.

### Grupp 1 Förord och anvisningar

Här finner man följande:

- Titelsida med publikationsnummer
- Gruppregister
- Produktskyltar
- Förord
- Förteckning över införda marknadsanpassade utrustningar
- Katalogguiden
- Förkortningstabell

### Grupp 2 - 9 Text- och bildsidor

- Innehållsförteckningen visar huvudgruppens indelning i undergrupper med hänvisning till sida och avsnitt.
- Bildsida. Illustrationens positionsnr. hänvisar till textsidan
- Textsida
  1. Rubrik
  2. Tilläggstext som begränsar avsnittets giltighet t.ex information om tillverkningsnummer och marknadsanpassade utrustningar.
  3. Beteckning för antalskolumner
  4. Illustrationsnr.
  5. Grupp, avsnitt, sida, användes då man söker i katalogen
  6. Katalogid. och utgåvebeteckning
  7. Artikelns positionsnummer på tillhörande illustration
  8. Artikelnummer
  9. Antal. Kolumnbeteckningen visar vilket utförande som redovisas per kolumn.  
Angivet antal avser, antal per maskin eller i förekommande fall, per komplettenhet.  
"REQ" avser erforderlig mängd, se Notes- kolumn.
  10. PS (Parts Status) visar artikelns statuskod.
    - "NS" betyder att artikeln inte lagerföres.
    - "OP" betyder att artikeln har utgått och lagerföres inte längre.
    - "SE" betyder att alternativ artikel ska användas.
    - "SS" Betyder att artikeln är ersatt.

Se grupp 10, ersatta artiklar för vidare information.

11. KIT. Artiklar som är markerade med ett "K" ingår i en sats.  
Satsens nummer redovisas oftast efter övriga artikelnummer.
12. Benämning. Stegförskjutning visar om en eller flera artiklar ingår i en ovanför redovisad sammansatt enhet. Artiklarna medföljer vid beställning av den kompletta enheten.
13. Notes (Anmärkning). Här redovisas övrig information för en artikel;
  - Fotnotsnr, Ex. 963 återges längst ned på sidan.
  - Ersatta artiklar. Ex. (955884)
  - Produkt- eller tillverkningsnummer
  - Förkortningar och tekniska upplysningar
  - Sid- och grupphänvisning.

### Grupp 10 Ersatta artiklar / Nummerregister

- Ersatta artiklar. Här återfinns de med "SS" markerade (i PS -kolumn) artikelnumren med sina ersättningar. De ersättande artiklarna kan i sin tur vara ersatta osv.
- Nummerregister. Här finns alla i katalogen förekommande artiklar med hänvisning till grupp, avsnitt, sida.

Fortsatta förbättringar och framsteg vad det gäller konstruktion kan förorsaka förändringar på din maskin som inte omfattas av denna publikation. Varje publikation revideras vid behov för att inkludera dessa förändringar i senare utgåvor.

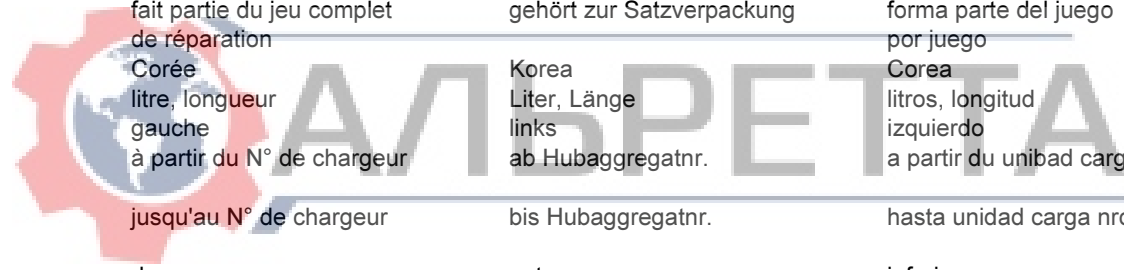
*Detta dokument är upphovsrättsligt skyddat och åtnjuter därför skydd mot otillbörlig kopiering, eftertryck eller annan avbildning. Överträdelse mot detta förbud är förenat med straffansvar. Rätt till ändringar förbehålles.*

## RESERVEDELSKATALOG ANVISNINGAR

Catalogue id <b>20124</b>	Group <b>1</b>
Issue <b>VOE 63A9920124</b>	Page <b>21</b>

TABLE OF ABBREVIATION		PABLO DE ABBREVIATIONS			Catalogue id	Group
POUR LA LISTE DES ABRÉVIATIONS EMPLOYÉES		FÖRKORTNINGSTABELL			20124	1
ABKÜRZUNGSVERZEICHNIS					Issue	Page
					VOE 63A9920124	22
ABBREVIATION	ENGLISH	FRANÇAIS	DEUTSCH	ESPAÑOL	SVENSKA	
A	ampere	ampère	Ampere	amperio	ampere	
ALT	alternative	alternative	wahlweise	alternativa	alternativ	
AWD	All Wheel Drive	Toutes roues motrices	Allradantrieb	Tracción en las todas las ruedas	Allhjulsdrift	
AX ####-	as from axle No.	à partir du N° d'essieu	ab Achsennr.	a partir del eje nro	fr o m axel nr	
AX - ####	up to and incl. axle No.	jusqu'au N° d'essieu	bis Achsennr.	hasta el eje nro	t o m axel nr	
BL	black	noir	schwarz	negro	svart	
BLUE	blue	bleu	blau	azul	blå	
BR	brown	brun	braun	marrón	brun	
BRA	Brazil	Brésil	Brasilien	Brasil	Brasilien	
CAB #### -	as from cab No.	à partir du N° de cabine	ab Kabinen-herstellnr.	a partir de la cabina	fr o m hytt nr	
CAB - ####	up to and incl. cab No.	jusqu'au N° de cabine	bis Kabinen-herstellnr.	hasta la cabina nro	t o m hytt nr	
CAN	Canada	Canada	Kanada	Canadá	Kanada	
CENT	centre	au milieu	Mittlere	central	mittre	
CHN	China	Chine	China	China	Kina	
CIN	component identification number	Numéro de référence de sous-ensemble	Bauteil-Identifizierungsnummer	Número de identificación del componente	komponentidentifikationsnummer	
CPL	complete	complet	komplett	completo	komplett	
CU M	cubic metre	mètre cube	Kubikmeter	metro cúbico	kubikmeter	
DEG	numbers of degrees, C°	nombres de degré de chaleur, C°	Anzahl in Graden C°	numero de grado de calor, C°	antal grader, C°	
DELETED	deleted	supprimé	Nicht mehr lieferbar	Retirado	utgått	
DEU	Germany	Allemagne	Deutschland	Alemania	Tyskland	
DNK	Denmark	Danemark	Dänemark	Dinamarca	Danmark	
EEC	European Economic Community (EEC)	pays du marche commun (EEC)	EU-Markt (EEC)	el mercado común (EEC)	EU-marknad (EEC)	
ENG	Engine	moteur	Motor	motor	motor	
ENG #### -	as from engine No.	à partir du N° de moteur	ab Motornr.	a partir del motor nro	fr o m motor nr	
ENG - ####	up to and incl. engine No.	jusqu'au N° de moteur	bis Motornr.	hasta el motor nro	t o m motor nr	
E PROD	early production	production antérieure	Frühere Ausführung	producción anterior	tidigare utförande	
ESP	Spain	Espagne	Spanien	España	Spanien	
EU	European Union	Union Européenne	Europäische Union	Unión Europea	Europeiska unionen	
EXC ### -	as from excavator unit No.	à partir du N° d'excavateur	Ab Bagger-Aggregatnr.	a partir de agregado excavador nro	fr o m grävaggregat nr	
EXC - ###	up to and incl. excavator unit No.	jusqu'au N° d'excavateur	bis Bagger-Aggregatnr	hasta el agregado excavador nro	t o m grävaggregat nr	
EXCL	excluding	exclus	ausschliesslich	exclusivo	exklusive	
FIN	Finland	Finlande	Finnland	Finlandia	Finland	

ABBREVIATION	ENGLISH	FRANÇAIS	DEUTSCH	ESPAÑOL	SVENSKA
FORW	forward	avant	vordere	delante	främre
FRA	France	France	Frankreich	Francia	Frankrike
GBR	Great Britain	Angleterre	England	Inglaterra	Storbritannien
GRAM	gram	gramme	Gramm	gramo	gram
GREEN	green	vert	grün	verde	grön
GREY	grey	gris	grau	gris	grå
HT #### -	as from hydraulic transmission No.	à partir du transmission hydraulique N°	ab Hydraulikgetriebe	a partir de transmisión hidráulico nro	fr o m hydraultransmission nr
HT - ####	up to and incl. hydraulic transmission No.	jusqu'au transmission hydraulique N°	bis Hydraulikgetriebe	hasta el transmisión hidráulico nro	t o m hydraultransmission nr
ID	diameter, inner	diamètre, intérieur	Innendurchmesser	diámetro, interior	diameter, inre
IN	inch(es)	pouce	Zoll	pulgada	tum
INCL	inclusive	inclus	einschliesslich	inclusive	inklusive
INCL IN	included in	inclus dans	gehört zur	forma parte de	ingår i
INLET	inlet	entrée	Einlass	entrada	inlopp
INNER	inner	intérieur	innen	interior	inre
IRN	Iran	Iran	Iran	Iran	Iran
ITA	Italy	Italie	Italien	Italia	Italien
ITEM NO	see item No.	voir position	siehe Position Nr.	véase posición	se positionsnummer
K	included in parts kits	fait partie du jeu complet de réparation	gehört zur Satzverpackung	forma parte del juego por juego	ingår i satsförpackning
KOR	Korea	Corée	Korea	Corea	Korea
L	litre, length	litre, longueur	Liter, Länge	litros, longitud	liter, längd
LH	left	gauche	links	izquierdo	vänster
LOAD #### -	as from loading unit No.	à partir du N° de chargeur	ab Hubaggregatnr.	a partir du unibad carga nro	t o m lastaggregat nr
LOAD - ####	up to and incl. loading unit No.	jusqu'au N° de chargeur	bis Hubaggregatnr.	hasta unidad carga nro	t o m lastaggregat nr
LOW	lower	dessous	unten	inferior	undre
L PROD	late production	production postérieure	jetzige Ausführung	producción posterior	senare utförande
MARKED	marked	marque de	gekennzeichnet mit	marcado	märkt med
MODEL	model designation	Désignation de modèle	Modellbezeichnung	Designación de modelo	modellbeteckning
ML	millilitre	millilitre	Milliliter	mililitro	milliliter
MM	millimetre	millimètre	Millimeter	milímetros	millimeter
NLD	Netherlands	Pays-Bas	Holland	Holanda	Nederländerna
NO	number	numéro	Nummer	número	nummer
NOR	Norway	Norvège	Norwegen	Noruega	Norge



<b>TABLE OF ABBREVIATION</b> <b>POUR LA LISTE DES ABRÉVIATIONS EMPLOYÉES</b> <b>ABKÜRZUNGSVERZEICHNIS</b>	<b>PABLO DE ABBREVIATIONS</b> <b>FÖRKORTNINGSTABELL</b>	Catalogue id	Group
		<b>20124</b>	<b>1</b>
		Issue	Page
		<b>VOE 63A9920124</b>	<b>23</b>



TABLE OF ABBREVIATION		PABLO DE ABBREVIATIONS			Catalogue id	Group
POUR LA LISTE DES ABRÉVIATIONS EMPLOYÉES		FÖRKORTNINGSTABELL			20124	1
ABKÜRZUNGSVERZEICHNIS					Issue	Page
					VOE 63A9920124	24
ABBREVIATION	ENGLISH	FRANÇAIS	DEUTSCH	ESPAÑOL	SVENSKA	
NS	part not stocked as spare part	n'est pas stocké comme pièce de rechange	nicht als Ersatzteil vorrätig	no disponible como repuesto	detaljen lagerföres ej som reservdel	
OP	The part is no longer in stock	La pièce n'est plus en stock	Der Artikel wird nicht länger geführt	El artículo no se mantiene ya en stock	Artikeln lagerföres ej längre	
O SZ	over size	côte supérieur	Übergrösse	sobredimensión	överdimension	
OD	diameter, outer	diamètre extérieur	Aussendurchmesser	diámetro, exterior	diameter, yttre	
OR	orange	orange	orange	naranja	orange	
ORDER	order	commander	bestellen	hacer un pedido	beställ	
OUTER	outer	extérieur	aussen	exterior	yttre	
OUTLET	outlet	échappement	Auslass	escape	utlopp	
PAGE	see page	voir page	siehe Seite	véase página	se sida	
PAIR	pair	paire	Paar	par	par	
PCS	piece(s)	pièce	Stück	cada uno	styck	
PIN	product identification number	Numéro d'identification de produit	Produktidentifizierungs-Nummer	Número de identificación del producto	produktidentifikationsnummer	
PINK	pink	rose	rosa	rosa	rosa	
PROD NO	product No.	N° de produit	Produktnr.	nro de producto	produktnummer	
PRT	Portugal	Portugal	Portugal	Portugal	Portugal	
Q	Quantity l/min	Quantité l/min	Quantität l/min	Cantidad l/min	Kvantitet l/min	
REAR	rear	arrière	hinten	detrás	bakre	
RED	red	rouge	rot	rojo	röd	
REPL BY -	replaced by	remplacé par	ersetzt durch	substituido por	ersättes av	
REQ#	order as required,	quantité nécessaire,	erforderliche Anzahl	cantidad necesaria,	erforderligt antal,	
RH	right	droite	rechts	derecha	höger	
SE	alternative spare part version exists	une version pièce de rechange existe également	Alternative Ersatzteilausführung lieferbar	Existen otras versiones de las piezas de repuesto	alternativt reservdelsutförande finns	
SEE GROUP	see group	voir groupe	siehe Gruppe	véase grupo	se grupp	
SEE SB	see Service Bulletin	voir bulletin de service	siehe Kundendienstmitteilung	ver boletín de servicio	se servicemeddelande	
SER NO # -	as from serial No.	à partir du N° de fabrication	ab Fabrikationsnr.	a partir de fabric. nro	fr o m tillverkningsnr	
SER NO - #	up to and incl. serial No.	jusqu'au N° de fabrication	bis Fabrikationsnr.	hasta el fabric. nro	t o m tillverkningsnr	
S/N ##### -	as from serial No.	à partir du N° de série	ab Fabrikationsnr.	a partir de fabricación nro.	fr o m tillverkningsnr	
S/N - #####	up to and incl. serial No.	jusqu'au N° de série	bis Fabrikationsnr.	hasta el fabricación nro.	t o m tillverkningsnr	
SUPPL	supplementary details, no spare part	indication compléter	zusätzliche Angaben	parte completar	kompletterande uppgift, ej reservdel	
SPECIAL	special model	construction spéciale	Sonderausführung	modelo especial	specialutförande	
SQ MM	square millimeters	millimètre carré	Quadratmillimeter	milímetros cuadrados	kvadratmillimeter	
SS	superseded part	pièce remplacée	ersetztes Teil	pieza substituida	ersatt artikel	

ABBREVIATION	ENGLISH	FRANÇAIS	DEUTSCH	ESPAÑOL	SVENSKA
STD SZ	standard size	dimension standard	Standardabmessung	dimensión standard	standarddimension
SWE	Sweden	Suède	Schweden	Suecia	Sverige
THICK	thickness	épaisseur	Dicke	espesor	tjocklek
TM NO # -	as from transmission No.	à partir du N° de transmission	ab Getriebe nr.	a partir de transmisión nro	fr o m transmission nr
TM NO - #	up to and incl. transmission No.	jusqu'au N° de transmission	bis Getriebe nr.	hasta el de transmisión nro	t o m transmission nr
UPPER	upper	supérieur	oben	superior	övre
USA	United States of America	États-Unis	Vereinigte Staaten	Estados Unidos	USA
U SZ	under size	côte intérieur	Untergrösse	subdimensión	underdimension
V	volt	volt	Volt	voltio	volt
VIOL	violet	violet	violett	violeta	violett
W	Watt	watt	Watt	watio	watt
WHITE	white	blanc	weiss	blanco	vit
WID	width	largeur	Breite	ancho	bredd
YELL	yellow	jaune	gelb	amarillo	gul
ZAF	South Africa	Afrique du Sud	Südafrika	Sudáfrica	Sydafrika



TABLE OF ABBREVIATION	PABLO DE ABBREVIATIONS	Catalogue id	Group
POUR LA LISTE DES ABRÉVIATIONS EMPLOYÉES	FÖRKORTNINGSTABELL	<b>20124</b>	<b>1</b>
ABKÜRZUNGSVERZEICHNIS		Issue	Page
		VOE 63A9920124	<b>25</b>

**VOLVO**

**BL61PLUS**

<b>PRODUCT AND EQUIPMENT VARIANTS</b>			<b>VARIANTES DE PRODUCTOS Y EQUIPAMIENTOS</b>			Catalogue id <b>20124</b>	Group <b>1</b>
<b>VARIANTES DE PRODUITS ET D'EQUIPMENTS</b>			<b>PRODUKT- OCH UTRUSTNINGSVARIANTER</b>			Issue <b>VOE 63A9920124</b>	Page <b>26</b>
<b>PRODUKT- UND AUSRÜSTUNGSVARIANTEN</b>							
Equipment	Kit No	Description	Equipment	Kit No	Description		

11298009		Fixed steering column Colonne de direction fixe Feste Lenksäule Columna de dirección fija Fast rattstam	11298160		Plastic roof cover Toit plastique Kunststoff-Dachabdeckung Cubierta de plástico del techo Taktäckning av plast
11298010		Adjustable steering column Colonne de direction réglable Verstellbare Lenksäule Columna de dirección ajustable Inställningsbar rattstam	11298164		Rear view mirror Rétroiseur Rückspiegel Retrovisor Bakspegel
11298016	VOE 11712382	Sun shield Pare-soleil Sonnenblende Visera Solskydd	11298165		Floor mat mechanical exc control Tapis de sol Bodenmatte Alfombra Golvmatta
11298021		Steering Wheel Knob Boule pour volant Lenkradknopf Botón del volante Rattknopp	11298166		External mirrors Rétroiseurs extérieurs Äußere Rückspiegel Retrovisores exteriores Yttre backspeglar
11298032	VOE 11712693	Anti-vandalism kit Kit de protection antivandalisme Vandalisierungsschutz Protección contra vandalismo Vandalskydd	11298167		
11298034		Licence plate Eclairage de plaque Nummernschild Chapa de matrícula Registreringsskylt	11298168		Cup holder Porte-gobelet Becherhalter Portavasos Kopphållare

Equipment	Kit No	Description	Equipment	Kit No	Description
11298203		Front window Pare-brise Windschutzscheibe Parabrisas Vindruta	11298278		Floor mat mechanical exc control Tapis de sol Bodenmatte Alfombra Golvmatta
11298204		Cab Cabine Fahrerhaus Cabina Hytt BL61, BL61 PLUS	11845236		Hydr. Hammer equipment Hydr. Marteau equipment Hydr. Hammer ausrüstung Hidr. Martillo equipo Hydr. Hammer ausrüstung HAMMER HB450 TOOLS
11298208		Canopy Cabine ouverte Canopy Techo Canopy BL61, BL61 PLUS	11845237		Hydr. Hammer equipment Hydr. Marteau equipment Hydr. Hammer ausrüstung Hidr. Martillo equipo Hydr. Hammer ausrüstung HAMMER HB450 TOOLS
11298233		Air conditioning climatisation Klimaanlage acondicionador de air luftkonditionering	11845238		Hydr. Hammer equipment Hydr. Marteau equipment Hydr. Hammer ausrüstung Hidr. Martillo equipo Hydr. Hammer ausrüstung HAMMER HB450 TOOLS
11298239		Lock For hood Release Serrure d'ouverture de capot Motorhaubenverriegelung Bloqueo para soltar el capó Lås för huvöppning	11845239		Hydr. Hammer equipment Hydr. Marteau equipment Hydr. Hammer ausrüstung Hidr. Martillo equipo Hydr. Hammer ausrüstung HAMMER HB450 TOOLS

<b>PRODUCT AND EQUIPMENT VARIANTS</b>	<b>VARIANTES DE PRODUCTOS Y EQUIPAMIENTOS</b>	Catalogue id <b>20124</b>	Group <b>1</b>
<b>VARIANTES DE PRODUITS ET D'EQUIPMENTS</b>	<b>PRODUKT- OCH UTRUSTNINGSVARIANTER</b>	Issue VOE 63A9920124	Page <b>27</b>
<b>PRODUKT- UND AUSRÜSTUNGSVARIANTEN</b>			

**VOLVO**

**BL61PLUS**

PRODUCT AND EQUIPMENT VARIANTS			VARIANTES DE PRODUCTOS Y EQUIPAMIENTOS			Catalogue id	Group
VARIANTES DE PRODUITS ET D'EQUIPMENTS			PRODUKT- OCH UTRUSTNINGSVARIANTER			<b>20124</b>	<b>1</b>
PRODUKT- UND AUSRÜSTUNGSVARIANTEN						Issue	Page
						<b>VOE 63A9920124</b>	<b>28</b>
Equipment	Kit No	Description	Equipment	Kit No	Description		

11845240  
Hydr. Hammer equipment  
Hydr. Marteau equipment  
Hydr. Hammer ausrüstung  
Hidr. Martillo equipo  
Hydr. Hammer ausrüstung  
*HAMMER HB450 TOOLS*

11887362  
Driving axle  
Essiue moteur  
Planetenwelle  
Eje motriz  
Drivaxel  
*FRONT AXLE*

11880001  
BL60 Backhoe Loader Basic Machine  
Chargeuse-pelleteuse BL60 , machine de base  
BL60 Baggerlader Grundmaschine  
Cargadora retroexcavadora, máquina básica  
BL60 Grävlastare basmaskin  
*BL60*

11887363  
Driving axle  
Essiue moteur  
Planetenwelle  
Eje motriz  
Drivaxel  
*REAR AXLE*

11880101  
Backhoe loader  
Chargeuse-pelleteuse  
Baggerlader  
Cargadora retroexcavadora  
Grävlastare  
*BL61 PLUS*

11888868  
Operator's seat, with suspension  
Siège conducteur, avec suspension  
Fahrsitz, Sitzfederung  
Asiento del conductor, suspensión  
Förarstol, fjädrad  
*HEAVY DUTY*

11887322  
Engine  
Moteur  
Motor  
Motor  
Motor

11890349  
Lock kit  
Kit serrure  
Sperrsatz  
Kit de cerradura  
Låssats

11887361  
Driving axle  
Essiue moteur  
Planetenwelle  
Eje motriz  
Drivaxel  
*FRONT AXLE*

11891000  
40 Kph Leg Germany  
40 km/h - vitesse limite en Allemagne  
40 km/h gesetzlich vorgeschrieben in Deutschland  
Versión alemana, 4 km/h  
40 km/h lagkrav Tyskland

Equipment	Kit No	Description	Equipment	Kit No	Description
11891001		Rear Number Plate Plaque d'immatriculation AR Hinteres Nummernschild Placa de número trasera Nummerplåt bak	11891041		Digger 4.5m Standard Equipement excavateur 4,5 m std Stiel 4,5 m Standard Excavadora 4,5 m tipo estándar Grävaggregat 4,5 m Standard
11891002		Legals Italy Législation italienne Gesetzliche Vorschriften, Italien Normativa Italia Lagkrav Italien	11891043		Backhoe bucket Godet rétro Tiefräumlöffel Cuchara de retroexcavadora Djupgrävningsskopa 18"
11891015		Tooth Guard Europe Protection de dent, Europe Zahnschutz Europa Protección de dientes Europa Tandskydd Europa	11891050		25 km/h legal requirement Germany 25 km/h - vitesse limite en Allemagne 25 km/h gesetzlich vorgeschrieben in Deutschland Límite de velocidad de 25km/h Alemania 25 km/h lagkrav Tyskland
11891016		Tooth Guard Italy Protection de dent, Italie Zahnschutz Italien Protección de dientes Italia Tandskydd Italien	11891061	VOE 11710775	PinKit - bucket Kit pour le montage direct du godet Satz direktbefestigte Schaufel Kit de cuchara de montaje directo Sats direktinfäst skopa
11891017	VOE 11712669	Hammer HB 440 Marteau HB 440 Hammer HB 440 Martillo HB 440 Hammare HB 440	11891077		Transmission 4wd powershuttle Valve navette, transmission 4 roues motrices Getriebe 4-Radantrieb Power Shuttle Transmisión 4a corredera de potencia Kraftöverföring 4-hjulsdrift
11891018	VOE 11715299	Multi Purpose Bucket 1m3 Multi Purpose Bucket 1m3 Multi Purpose Bucket 1m3 Multi Purpose Bucket 1m3 Multi Purpose Bucket 1m3	11891091		400 mm Gp Bucket Godet universel 400 mm 400 mm Allzwecklöffel Cuchara 400mm Gp 400 mm GP Skopa

**PRODUCT AND EQUIPMENT VARIANTS**
**VARIANTES DE PRODUITS ET D'EQUIPMENTS**
**PRODUKT- UND AUSRÜSTUNGSVARIANTEN**
**VARIANTES DE PRODUCTOS Y EQUIPAMIENTOS**
**PRODUKT- OCH UTRUSTNINGSVARIANTER**

Catalogue id

**20124**

Group

**1**

Issue

**VOE 63A9920124**

Page

**29**
**VOLVO**
**BL61PLUS**

<b>PRODUCT AND EQUIPMENT VARIANTS</b>	<b>VARIANTES DE PRODUCTOS Y EQUIPAMIENTOS</b>	Catalogue id <b>20124</b>	Group <b>1</b>
<b>VARIANTES DE PRODUITS ET D'EQUIPMENTS</b>	<b>PRODUKT- OCH UTRUSTNINGSVARIANTER</b>	Issue <b>VOE 63A9920124</b>	Page <b>30</b>
<b>PRODUKT- UND AUSRÜSTUNGSVARIANTEN</b>			

Equipment	Kit No	Description	Equipment	Kit No	Description
11891092		European Bucket 450 wide Godet européen, largeur 450 Europäische Schaufel, Breite 450 mm Cuchara europea 450 de ancho Europeisk skopa 450 bred	11891110		Operator's seat, electrically heated, air suspension Siège conducteur, chauffage électrique, suspension pn Fahrsitz, beheizt, luftgefedert, Armlehne Asiento del conductor, térmico, suspensión neumática, Förarstol, eluppvärmd, luftfjädrad, armstöd
11891093		European bucket 900 wide Godet européen, largeur 900 mm Europäische Schaufel, Breite 900 mm Cuchara europea 900 de ancho Europeisk skopa 900 bred	11891150	VOE 11715248	Boom&dipper Safety Valves Valves de sécurité, flèche et balancier Ausleger- und Stielsicherheitsventile Pluma y brazo, válvulas de seguridad Bom & skaft, säkerhetsventiler
11891094		Wheel blocks Cale Unterlegkeil Cna de parar Stopplöts	11891151		Loader safety valves Valves de sécurité, équipement chargeur Lader Sicherheitsventile Válvulas de seguridad de la cargadora Lastaggregat säkerhetsventiler
11891099		Operator's seat, imitation leather Siège conducteur, accoudoir Fahrsitz, Armlehne Asiento de conductor, apoyabrazos Förarstol, armstöd	11891152	VOE 11885079	Tool Kit Jeu d'outillage Werkzeugsatz Kit de herramientas Verktygssats
11891100		Operator's seat, imitation leather, armrest Siège conducteur, cuir synthétique, accoudoir Fahrsitz, Kunstleder, Armlehne Asiento de conductor, cuero artificial, apoyabrazos Förarstol, konstläder, armstöd	11891162	VOE 11711206	Excavator control assembly Commande de creusement Baggersteuerausüstung Unidad de control de excavación Grävmaskin manöverenhät
11891109		Double Digger Pin Kit Kit double goupille pour équipement excavateur Doppelter Grabbolzensatz Kit de pasador de excavación doble Dubbel tappatsats för grävskopa	11891167	VOE 11711202	Excavator control Iso assembly Commande de creusement ISO Baggersteuerung Iso Einbau Unidad de aislamiento del control de excavación Grävmaskin manöverenhät ISO

Equipment	Kit No	Description	Equipment	Kit No	Description
11891176	VOE 11712670	GP Fork Kit Kit fourche universelle Gabelzinkensatz, GP Kit de horquilla Allround (GP) Gaffelsats	11891238		Hydraulic Loader Quick Attach Porte-outil à verrouillage hydraulique sur équipement c Hydraulischer Schnellwechsler für Lader Eganche rápido de cargadora hidráulica Lastaggregat, hydr. snabbfäste
11891192		European bucket 610 wide Godet européen, largeur 610 mm Europäische Schaufel, Breite 610 mm Cuchara europea 610 de ancho Europeisk skopa 610 bred	11891248		Lighting (legal requirement) UK Eire Eclairage (obligatoire) Royaume-Uni/Irlande Beleuchtung (Mindestanforderungen) UK Eire Alumbrado (legislación) UK Eire Belysning (lagkrav) UK Eire
11891194		General purpose bucket 2350 wide Godet universel, largeur 2 350 mm Allzweckschaufel, Breite 2350 mm Cuchara para aplicaciones generales 2350 de ancho General purpose skopa 2350 bred	11891249		Legals Europe Législation européenne Gesetzliche Bestimmungen, Europa Normativa Europa Lagkrav Europa
11891202		European Bucket 305 wide Godet européen, largeur 305 Europäische Schaufel, Breite 305 mm Cuchara europea 305 de ancho Europeisk skopa 305 bred	11891261	VOE 11712424	One rotating beacon Un seul gyrophare Eine rotierende Warnleuchte Una luz giratoria de advertencia Ett roterande varningsljus
11891216		Operator seat Siège de conducteur Fahrsitz Asiento de conductor Förrastol, låg rygg	11891262	VOE 11712425	Two rotating beacons Deux gyrophares Zwei rotierende Warnleuchten Dos luces giratorias de advertencia Två roterande varningsljus
11891217		Operator's seat, imitation leather Siège conducteur, cuir synthétique Fahrsitz, Kunstleder Asiento de conductor, cuero artificial Förrastol, konstläder	11891264		European Blade Kit 2350mm Lame européenne 2 350 mm Europäischer Scharsatz, 2350 mm Kit de hojas europeas 2350mm Europeisk bladsats 2350 mm

<b>PRODUCT AND EQUIPMENT VARIANTS</b>	<b>VARIANTES DE PRODUCTOS Y EQUIPAMIENTOS</b>	Catalogue id <b>20124</b>	Group <b>1</b>
<b>VARIANTES DE PRODUITS ET D'EQUIPMENTS</b>	<b>PRODUKT- OCH UTRUSTNINGSVARIANTER</b>	Issue <b>VOE 63A9920124</b>	Page <b>31</b>
<b>PRODUKT- UND AUSRÜSTUNGSVARIANTEN</b>			

**VOLVO**

**BL61PLUS**



PRODUCT AND EQUIPMENT VARIANTS			VARIANTES DE PRODUCTOS Y EQUIPAMIENTOS			Catalogue id	Group
VARIANTES DE PRODUITS ET D'EQUIPMENTS			PRODUKT- OCH UTRUSTNINGSVARIANTER			20124	1
PRODUKT- UND AUSRÜSTUNGSVARIANTEN						Issue	Page
						VOE 63A9920124	32

Equipment	Kit No	Description	Equipment	Kit No	Description
11891265		Tooth Kit Jeu de dents Zahnsatz Kit de dientes Tandsats	11891291		Work lamp, rear Lampe travail, aari`re Arbeitslampe, hinter Lampara de trabajo, trasero Arbetslampa, bakre
11891269		Street Pad Patin pour chaussées Straßenstützplatte Street Pad Bromskloss för vanlig körning	11891292		Work lights front Phare travail Arbeitsscheinwerfer Faro de trabajo Arbetsstrålkastare, främre FRONT LIGHT USE KIT NO 11988243. REAR LIGHT USE KIT NO 11988244.
11891273		Excavator 4.5m extendible Équipement excavateur 4,5 m, télescopique Grabarm 4,5 m verlängerbar Excavadora 4,5 m extensible Skaft 4,5 m förlängningsbart	11891295		Grading bucket 1500mm Godet niveleur, largeur 1 500 mm Böschungslöffel 1500 mm Cuchara niveladora 1500 mm Planeringsskopa 1500 mm
11891278		Instrument panel, Km/h Tableau de bord, km/h Instrumententafel, km/h Tablero de instrumentos, Km/h Instrumentpanel, km/h	11891296		Grading bucket 1200mm Godet niveleur, largeur 1 200 mm Böschungslöffel 1200 mm Cuchara niveladora 1200 mm Planeringsskopa 1200 mm
11891280		Instrument panel, without speedometer Tableau de bord sans tachymètre Instrumententafel, ohne Geschwindigkeitsmesser Tablero de instrumentos, sin velocímetro Instrumentpanel utan hastighetsmätare	11891298		Hydraulic cap without key Bouchon hydraulique sans clé Hydraulische Kappe ohne Schlüssel Cubierta hidráulica sin llave Hydraulisk kåpa utan nyckel
11891282	VOE 11988242	MP lifting fork kit Kit fourche de levage MP Hebegabel-Kit Juego de horquilla de elevación Multifunktionslyftgaffel sats			

Equipment	Kit No	Description	Equipment	Kit No	Description
11891299	VOE 11710951	Attachment bracket, mechanical Fixation outil Geräteträger Fijacion herramientas Redskapsfäste, mekaniskt	11891319		Backhoe bucket Godet rétro Tiefräumlöffel Cuchara de retroexcavadora Djupgrävningsskopa 30"
11891303	VOE 11988246	Radio with tape recorder Radio avec magnétophone Radio mit Tonbandgerät Radiocassette Radio med bandspelare	11891320		Backhoe bucket Godet rétro Tiefräumlöffel Cuchara de retroexcavadora Djupgrävningsskopa 24"
11891305		Wheels and tyres 12.5/80x18 - 16.9x28 Roues et pneus 12.5/80x18 - 16.9x28 Räder und Reifen 12,5/80x18 - 16,9x28 Ruedas y neumáticos, 12.5/80x18 - 16.9x28 Hjul och däck 12,5/80x18 - 16,9x28	11891321		Backhoe bucket Godet rétro Tiefräumlöffel Cuchara de retroexcavadora Djupgrävningsskopa 12"
11891314		Seat belt Wide Ceinture de sécurité, large Sicherheitsgurt, breit Cinturón de seguridad, ancho Brett säkerhetsbälte	11891322	VOE 11711201	Excavator Controls X Commandes pelles X Bagger Bedienorgane X Mandos de la excavadora X Grävmaskin Reglage X
11891317		Counterweight Italy Contrepoids pour l'Italie Gegengewicht Italien Contrapeso, Italia Motvikt Italien	11891324		Hydraulic Tank Lock Cap Bouchon de verrouillage du réservoir hydraulique Hydrauliktankverschluss Tapa de cierre del depósito hidráulico Hydraultankslock
11891318		Backhoe bucket Godet rétro Tiefräumlöffel Cuchara de retroexcavadora Djupgrävningsskopa 36"			

**PRODUCT AND EQUIPMENT VARIANTS**
**VARIANTES DE PRODUCTOS Y EQUIPAMIENTOS**
**VARIANTES DE PRODUITS ET D'EQUIPMENTS**
**PRODUKT- OCH UTRUSTNINGSVARIANTER**
**PRODUKT- UND AUSRÜSTUNGSVARIANTEN**
**VARIANTES DE PRODUCTOS Y EQUIPAMIENTOS**
**PRODUKT- OCH UTRUSTNINGSVARIANTER**

Catalogue id

**20124**

Group

**1**

Issue

**VOE 63A9920124**

Page

**33**
**VOLVO**
**BL61PLUS**

<b>PRODUCT AND EQUIPMENT VARIANTS</b>			<b>VARIANTES DE PRODUCTOS Y EQUIPAMIENTOS</b>			Catalogue id <b>20124</b>	Group <b>1</b>
<b>VARIANTES DE PRODUITS ET D'EQUIPMENTS</b>			<b>PRODUKT- OCH UTRUSTNINGSVARIANTER</b>			Issue <b>VOE 63A9920124</b>	Page <b>34</b>
<b>PRODUKT- UND AUSRÜSTUNGSVARIANTEN</b>							
Equipment	Kit No	Description	Equipment	Kit No	Description		

11891325	VOE 11712419	Front Fenders Gardeboue AV Vordere Stoßstange Guardabarros delanteros Främre Avbärare	11891369		Hand Held Hydraulic Commande hydraulique manuelle Handhydraulik Hidráulica manual Extra hydrauluttag för handverktyg
11891332	VOE 11712415	Anti-theft kit Kit alarme antivol Diebstahlalarm-Kit Dispositivo antirrobo Stöldlarmsats	11891375	VOE 11715009	Pipe kit for hammer attachment Kit conduits, marteau Leitungssatz für Hammeranbau Kit de tubería para fijación del martillo Rörsats för hammarredskap
11891345	VOE 11712723	Boom Suspension System Système de suspension des bras de levage, BSS Hubgerüst Sistema de suspensión de la pluma Lastarmsfjädring	11891376		Non-suspended Vinyl Seat Siège avec habillage vinyle, sans suspension Ungefederter Vinylsitz Asiento de vinilo sin suspensión Ofjädrad Vinylstol
11891350		Without Front Bucket Sans godet frontal Ohne Frontschaufel Sin cuchara frontal Utan frontskopa	11891377		Back up alarm Avertisseur de renversement Rückfahrwarner Alarma de retrocero Backalarm
11891358		Counterweight 335 kg Contrepoids 335 kg Gegengewicht 335 kg Contrapeso, 335 kg. Motvikt 335 kg	11891379		Linkage with craning hook Articulation avec crochet de levage Gestänge mit Lasthaken Articulación con un gancho de grúa Länkage med lyftkrok
11891359		Counterweight 202 kg Contrepoids 202 kg Gegengewicht 202 kg Contrapeso 202 kg Motvikt 202 kg	11891380		Linkage without craning hook Articulation sans crochet de levage Gestänge ohne Lasthaken Articulación sin un gancho de grúa Länkage utan lyftkrok

Equipment	Kit No	Description	Equipment	Kit No	Description
11891391		Double Battery Deux batteries Doppelbatterie Batería doble Dubbelbatteri	11891415		Hydraulic Loader Std Bucket Godet chargeur à commande hydraulique Hydraulik, Standardschaufel Hidráulica de cuchara estándar de cargadora Lastaggregatshydraulik för standardskopa
11891392		Single Battery Une seule batterie Einfachbatterie Batería simple Enkelbatteri	11891416		Rear Valve Distributeur AR Hinteres Ventil Válvula trasera Bakre ventil
11891393		Hydraulic oil filter Filtre à huile hydraulique Hydraulikölfilter Filtro de aceite hidráulico Hydraulöljefilter	11891417		Excavator 4.5m extendible Équipement excavateur 4,5 m, télescopique Grabarm 4,5 m verlängerbar Excavadora 4,5 m extensible Skaft 4,5 m förlängningsbart
11891412		Hydraulic fluid Fluide hydraulique Hydrauliköl Aceite hidráulico Hydraulolja OIL ISO VG68	11891418		Digger 4.5m Standard Équipement excavateur 4,5 m std Stiel 4,5 m Standard Excavadora 4,5 m tipo estándar Grävaggregat 4,5 m Standard
11891413		Hydraulic fluid Fluide hydraulique Hydrauliköl Aceite hidráulico Hydraulolja OIL ISO VG46	11891423		Combi-bucket pin-on Godet combiné à montage direct Direkt befestigte Kombischaufel Cuchara combinada de fijación directa Direktinfäst kombiskopa
			11891424		
			11891425		
			11891426		Wheel Op 23

<b>PRODUCT AND EQUIPMENT VARIANTS</b>	<b>VARIANTES DE PRODUCTOS Y EQUIPAMIENTOS</b>	Catalogue id <b>20124</b>	Group <b>1</b>
<b>VARIANTES DE PRODUITS ET D'EQUIPMENTS</b>	<b>PRODUKT- OCH UTRUSTNINGSVARIANTER</b>	Issue <b>VOE 63A9920124</b>	Page <b>35</b>
<b>PRODUKT- UND AUSRÜSTUNGSVARIANTEN</b>			

**VOLVO**

**BL61PLUS**

PRODUCT AND EQUIPMENT VARIANTS			VARIANTES DE PRODUCTOS Y EQUIPAMIENTOS			Catalogue id	Group
VARIANTES DE PRODUITS ET D'EQUIPMENTS			PRODUKT- OCH UTRUSTNINGSVARIANTER			20124	1
PRODUKT- UND AUSRÜSTUNGSVARIANTEN						Issue	Page
						VOE 63A9920124	36

Equipment	Kit No	Description	Equipment	Kit No	Description
11891427		Wheel Op 24	11891451		Hydraulic Quick Attach Std Tubing Without Tool Conduits porte-outil verrouill. hydr. standard, sans outil Hydraulischer Schnellwechsler, Standardrohr ohne We Enganche rápido hidráulico, tubería estándar sin herra Hydrauliskt snabbfäste för teleskoparm, utan verktyg
11891429		Engine Preheater Réchauffeur de moteur Motorvorwärmer Precalentador de motor Motor förvärmare 120 V	11891455		Hammer Hydraulic Circuit Circuit hydraulique marteau Hammerhydraulik Circuito hidráulico para martillo Hydraulutrustning för hammare
11891430		Engine Preheater Réchauffeur de moteur Motorvorwärmer Precalentador de motor Motor förvärmare 240 V	11891478		Cooling system for tropical Système de refroidissement pour climat tropical Kühlanlage für Tropik Sistema de refrigeración tropical Kylsystem för tropiskt klimat
11891448		Hydraulic Quick Attach Extendo Tubing With Tool Conduits porte-outil verrouill. hydr. Extendo, avec outil Hydraulischer Schnellwechsler, Teleskoprohr mit Werk Enganche rápido hidráulico, prolongación tubería con Hydrauliskt snabbfäste för teleskoparm, med verktyg	11891488		Radio Pre-installation Pré-installation autoradio Radio Vorbereitung Preinstalación de radio Radio förinstallation
11891449		Hydraulic Quick Attach Extendo Tubing Without Tool Conduits porte-outil verrouill. hydr. Extendo, sans outil Hydraulischer Schnellwechsler, Teleskoprohr ohne We Enganche rápido hidráulico, prolongación tubería sin h Hydrauliskt snabbfäste för teleskoparm, utan verktyg	11891497		Digger 4.5 Std/extending tubing Balancier standard 4,5 m/extension Bagger 4,5 Std./Verlängerungsrohr Excavador 4. 5 estándar/tubería de prolongación Grävare 4.5 Std/förlängda rörledninggar
11891450		Hydraulic Quick Attach Std Tubing With Tool Conduits porte-outil verrouill. hydr. standard, avec outil Hydraulischer Schnellwechsler, Standardrohr mit Werk Enganche rápido hidráulico, tubería estándar con herra Hydrauliskt snabbfäste för teleskoparm, med verktyg	11891498		Fork Gafflar L = 1000 MM

Equipment	Kit No	Description	Equipment	Kit No	Description
11891504		Fork Gafflar L = 1200 MM	11891541		Combi-bucket pin-on Godet combiné à montage direct Direkt befestigte Kombischaufel Cuchara combinada de fijación directa Direktinfäst kombiskopa
11891514		Small rear fender Aile Ar, petit Kotflügel, klein Guardabarro posterior, pequeño Liten bakskärm	11891561		Pin kit for bucket Kit de pivot d'axe pour godet Schaufelbolzensatz Juego de muñones para cuchara Axeltappsats för skopa
11891529		Fuel filter Filtre à carburant Kraftstofffilter Filtro de combustible Bränslefilter	11891565		Bucket GP 1m3 with fork mounts Godet universel 1 m3 avec fixations pour fourches Direkt befestigte Schaufel mit Gabelträger Cuchara Gp 1 m3 con soportes para horquilla Universalskopa med gaffelfästen
11891531		Tire Pneu Reifen Neumatico Däck 400/70R20 + 440/80 R28	11891566		Fuel pump Pompe carburant Kraftstoffpumpe Bomba de combustible Bränslepump
11891539		Pin kit for bucket Kit de pivot d'axe pour godet Schaufelbolzensatz Juego de muñones para cuchara Axeltappsats för skopa	11891568		Protection under king post Protection sous la colonne Schlauchschutz unter Schwenksäule Protección bajo montante Skydd under Kingpost
11891540		Bucket GP 1m3 without fork mounts Godet universel 1 m3 sans fixations pour fourches Direkt befestigte Schaufel ohne Gabelträger Cuchara Gp 1 m3 sin soportes para horquilla Universalskopa utan gaffelfästen	11891580		Drive Shaft Guard Skydd drivaxel

<b>PRODUCT AND EQUIPMENT VARIANTS</b>	<b>VARIANTES DE PRODUCTOS Y EQUIPAMIENTOS</b>	Catalogue id <b>20124</b>	Group <b>1</b>
<b>VARIANTES DE PRODUITS ET D'EQUIPMENTS</b>	<b>PRODUKT- OCH UTRUSTNINGSVARIANTER</b>	Issue <b>VOE 63A9920124</b>	Page <b>37</b>
<b>PRODUKT- UND AUSRÜSTUNGSVARIANTEN</b>			

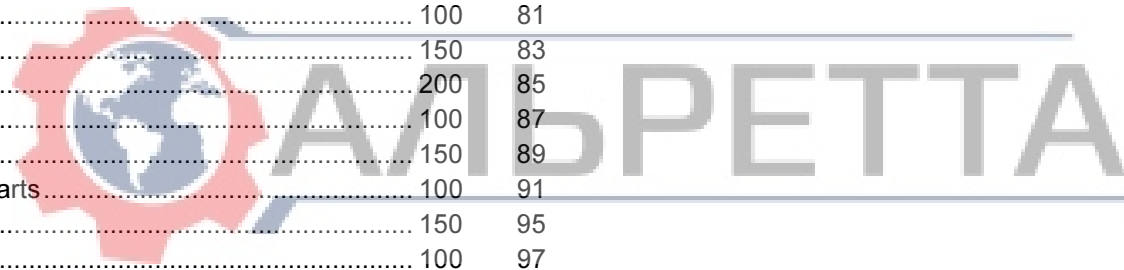
**VOLVO**

**BL61PLUS**

<b>PRODUCT AND EQUIPMENT VARIANTS</b>			<b>VARIANTES DE PRODUCTOS Y EQUIPAMIENTOS</b>			Catalogue id <b>20124</b>	Group <b>1</b>
<b>VARIANTES DE PRODUITS ET D'EQUIPMENTS</b>			<b>PRODUKT- OCH UTRUSTNINGSVARIANTER</b>			Issue <b>VOE 63A9920124</b>	Page <b>38</b>
<b>PRODUKT- UND AUSRÜSTUNGSVARIANTEN</b>							
Equipment	Kit No	Description	Equipment	Kit No	Description		

11891584		Tool box Caisse outil Werkzeugkasten Caja herramientas Verktygslåda	11895020		Two levers and extending dipper pedal <i>X PATTERN</i>		
11891594		Hydraulics for GP loader bucket Commande hydraulique de godet universel (GP) Hydraulik für Mehrzweckschaufel Hidráulica de cuchara multipropósitos de cargadora Hydraulik för allround (gp) lastskopa	2805036		Transmission 4wd powershuttle Valve navette, transmission 4 roues motrices Getriebe 4-Radantrieb Power Shuttle Transmisión 4a corredera de potencia Kraftöverföring 4-hjulsdrift		
11891595		Transmission 4wd powershift Valve Power-Shift, transmission 4 roues motrices Getriebe 4-Radantrieb Power Shuttle Transmisión 4a marcha de potencia Kraftöverföring 4-hjulsdrift powershift			Fork Gafflar <i>L = 1450MM, TPV FEM3</i>		
11895000		Hydraulics for GP loader bucket Commande hydraulique de godet universel (GP) Hydraulik für Mehrzweckschaufel Hidráulica de cuchara multipropósitos de cargadora Hydraulik för allround (gp) lastskopa					
11895001		Hydraulics for Mp Loader Bucket (with std dipper) Equipement hydraulique pour godet chargeur MP (avec Hydraulik für Mehrzweckschaufel (mit Standardstiel) Hidráulica para cuchara de cargadora Mp (con brazo ex Hydraulik för allround (GP) lastskopa (med std. skaft)					
11895018		Two levers and extending dipper pedal <i>ISO</i>					
11895019		Two levers and extending dipper pedal <i>SAE</i>					

GROUP	Section	Page	GROUP	Section	Page		
210	Repair kits for engine .....	50	45	261	Expansion tank with fitting parts.....	200	113
210	Engine.....	100	51	261	Cooling system.....	250	115
211	Cylinder head .....	100	53	262	Water pump and thermostat housing .....	100	117
212	Cylinder block .....	100	55	263	Fan .....	100	119
212	Crankcase ventilation.....	150	57	263	Belt transmission.....	150	121
213	Pistons .....	100	59	269	Engine heater. 11891429, 11891430.....	100	123
214	Valve mechanism.....	100	61	271	Regulator control 11880101, 11298204, 11298208.....	100	125
215	Timing gear casing and gears.....	100	63	272	Hand throttle.....	100	127
216	Crankshaft and related parts.....	100	65	273	Shutdown device.....	100	129
216	Flywheel housing .....	150	67				
217	Oil sump.....	100	69				
218	Engine mounting .....	100	71				
218	Engine suspension. 11891077, 11891595, 11895023.....	150	73				
221	Lubricating oil system .....	100	75				
222	Oil filter.....	100	77				
223	Oil cooler .....	100	79				
234	Fuel tank with fitting parts .....	100	81				
234	Fuel pump 11891566 .....	150	83				
234	Box 11891566.....	200	85				
235	Fuel system.....	100	87				
235	Fuel pump .....	150	89				
236	Fuel injection pump with fitting parts.....	100	91				
236	Regulator .....	150	95				
237	Fuel lines and injectors .....	100	97				
251	Inlet manifold and exhaust manifold .....	100	99				
252	Exhaust system, silencer .....	100	101				
255	Turbocharger with fitting parts .....	100	103				
256	Air filter with fitting parts.....	100	105				
256	Air filter.....	150	107				
256	Air filter 11891529.....	200	109				
261	Radiator with fitting parts .....	100	111				



<b>INDEX OF CONTENTS</b>	Catalogue id <b>20124</b>	Group <b>2</b>
	Issue <b>VOE 63A9920124</b>	Page <b>39</b>

**VOLVO**



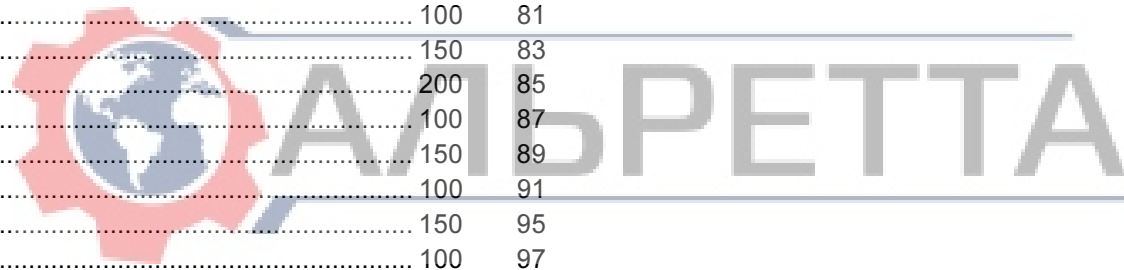
**BL61PLUS**



<b>TABLE DES MATIÈRES</b>		Catalogue id <b>20124</b>	Group <b>2</b>
		Issue <b>VOE 63A9920124</b>	Page <b>40</b>

GROUPE	Section	Page	GROUPE	Section	Page		
210	Jeu pour moteur.....	50	45	261	Recipient d'expansion avec pièces de montage.....	200	113
210	Moteur.....	100	51	261	Système de refroidissement.....	250	115
211	Culasse.....	100	53	262	Pompe à eau et boîtier thermostat.....	100	117
212	Bloc-cylindres.....	100	55	263	Ventilateur.....	100	119
212	Ventilation de carter.....	150	57	263	Transmission courrouie.....	150	121
213	Pistons.....	100	59	269	Chaufferette de moteur. 11891429, 11891430.....	100	123
214	Commande des soupapes.....	100	61	271	Commande du régulateur 11880101, 11298204, 11298208.....	100	125
215	Carter de distribution et engrenage.....	100	63	272	Accelérateur manual.....	100	127
216	Axe à vilebrequintas.....	100	65	273	Arret de moteur.....	100	129
216	Carter de volant.....	150	67				
217	Carter d'huile.....	100	69				
218	Suspension du moteur.....	100	71				
218	Suspension du moteur. 11891077, 11891595, 11895023.....	150	73				
221	Système de graissage.....	100	75				
222	Filtre à huile.....	100	77				
223	Radiateur d 'huile.....	100	79				
234	Réservoir de carburant avec pièces de montage.....	100	81				
234	Pompe carburant 11891566.....	150	83				
234	Boîte 11891566.....	200	85				
235	Système d'alimentation.....	100	87				
235	Pompe carburant.....	150	89				
236	Pompe d'injection de combustible avec pièces de montage.....	100	91				
236	Régulateur.....	150	95				
237	Canalisation à combustible, injecteur.....	100	97				
251	Tubulure admission et tubulure echappement.....	100	99				
252	Système d'aspiration, silencieux.....	100	101				
255	Turbocompresseur avec pièces de montage.....	100	103				
256	Filtre à air avec pièces de montage.....	100	105				
256	Purificateur d'air.....	150	107				
256	Filtre à air 11891529.....	200	109				
261	Radiateur avec pièces de montage.....	100	111				

GRUPPE	Abschnitt	Seite	GRUPPE	Abschnitt	Seite		
210	Motorsätze .....	50	45	261	Ausgleichbehälter mit Anbauteilen .....	200	113
210	Motor .....	100	51	261	Kühlanlage .....	250	115
211	Zylinderkopf .....	100	53	262	Wasserpumpe und Thermostatgehäuse .....	100	117
212	Zylinderblock .....	100	55	263	Gebälse .....	100	119
212	Kurbelgehäusebelüftung .....	150	57	263	Riemenantrieb .....	150	121
213	Kolben .....	100	59	269	Motorwärmer. 11891429, 11891430 .....	100	123
214	Ventilmechanismus .....	100	61	271	Reglersteuerung 11880101, 11298204, 11298208 .....	100	125
215	Stirnradgehäuse und Nabenvorgelege .....	100	63	272	Handgas .....	100	127
216	Kurbelbewegung .....	100	65	273	Motorabstellung .....	100	129
216	Schwungradgehäuse .....	150	67				
217	Ölwanne .....	100	69				
218	Motorbefestigung .....	100	71				
218	Motoraufhängung. 11891077, 11891595, 11895023 .....	150	73				
221	Schmierölsystem .....	100	75				
222	Ölfilter .....	100	77				
223	Ölkühler .....	100	79				
234	Kraftstofftank mit Anbauteilen .....	100	81				
234	Kraftstoffpumpe 11891566 .....	150	83				
234	Kasten 11891566 .....	200	85				
235	Kraftstoffsystem .....	100	87				
235	Kraftstoffpumpe .....	150	89				
236	Einspritzpumpe mit Anbauteilen .....	100	91				
236	Regler .....	150	95				
237	Brennstoffrohre .....	100	97				
251	Ansaugrohr und Auspuffkrümmer .....	100	99				
252	Auspuffsystem, Schalldämpfer .....	100	101				
255	Torbolader mit Anbauteilen .....	100	103				
256	Luftfilter mit Anbauteilen .....	100	105				
256	Luftfilter .....	150	107				
256	Luftfilter 11891529 .....	200	109				
261	Kühler mit Anbauteilen .....	100	111				



<b>INHALTSVERZEICHNIS</b>	Catalogue id <b>20124</b>	Group <b>2</b>
	Issue <b>VOE 63A9920124</b>	Page <b>41</b>

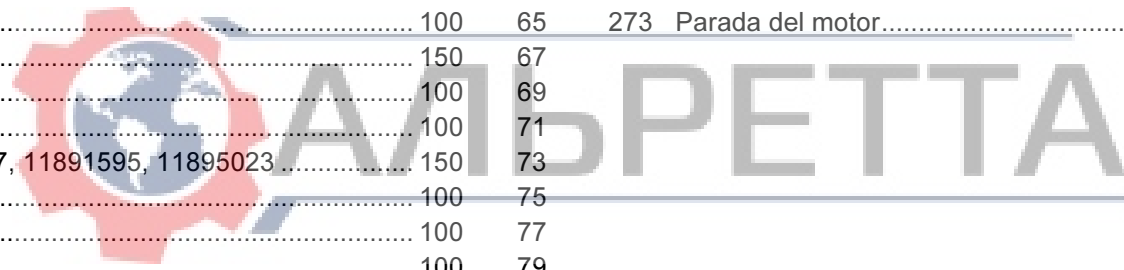
**VOLVO**



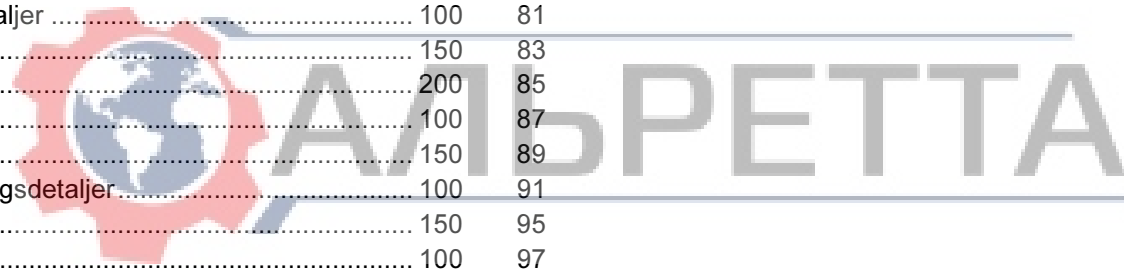
**BL61PLUS**

<b>INDICE</b>		Catalogue id <b>20124</b>	Group <b>2</b>		
		Issue <b>VOE 63A9920124</b>	Page <b>42</b>		
GRUPO	Sección	Página	GRUPO	Sección	Página

210	Juegos para el motor .....	50	45	261	Depósito de expansion con accesorios de montaje .....	200	113
210	Motor .....	100	51	261	Sistema de refrigeración .....	250	115
211	Culata.....	100	53	262	Bomba de agua y caja de termostato .....	100	117
212	Bloque de cilindros.....	100	55	263	Ventilador .....	100	119
212	Ventilación del cárter .....	150	57	263	Correa distribución .....	150	121
213	Pistones .....	100	59	269	Calentador del motor. 11891429, 11891430.....	100	123
214	Mecanismo de válvulas .....	100	61	271	Mando del regulador 11880101, 11298204, 11298208 .....	100	125
215	Caja de distribución y engranajes .....	100	63	272	Acelerador manual .....	100	127
216	Cigüeñal.....	100	65	273	Parada del motor.....	100	129
216	Carcasa del volante .....	150	67				
217	Cárter .....	100	69				
218	Suspensión del motor .....	100	71				
218	Suspension del motor. 11891077, 11891595, 11895023 .....	150	73				
221	Sistema de lubricación.....	100	75				
222	Filtro de aceite .....	100	77				
223	Enfriador de aceite.....	100	79				
234	Depósito de combustible con accesorios de montaje .....	100	81				
234	Bomba de combustible 11891566 .....	150	83				
234	Caja 11891566.....	200	85				
235	Sistema de combustible.....	100	87				
235	Bomba de combustible .....	150	89				
236	Bomba de inyección de accesorisde montaje.....	100	91				
236	Regulador .....	150	95				
237	Tuberías de combustible, inyector .....	100	97				
251	Tubo admisión y múltiple escape.....	100	99				
252	Sistema de escape, silenciador .....	100	101				
255	Turboalimentador con accesorios de montaje .....	100	103				
256	Filtro de aire con accesoris de montaje .....	100	105				
256	Filtro de aire .....	150	107				
256	Filtro de aire 11891529 .....	200	109				
261	Radiador con accesorios de montaje.....	100	111				



GRUPP		Avsnitt	Sida	GRUPP		Avsnitt	Sida
210	Satser för motor .....	50	45	261	Expansionstank med monteringsdetaljer .....	200	113
210	Motor .....	100	51	261	Kylsystem .....	250	115
211	Cylinderhuvud .....	100	53	262	Vattenpump och termostathus .....	100	117
212	Cylinderblock .....	100	55	263	Fläkt .....	100	119
212	Vevhusventilation .....	150	57	263	Remtransmission .....	150	121
213	Kolvar .....	100	59	269	Motorvärmare. 11891429, 11891430 .....	100	123
214	Ventilmekanism .....	100	61	271	Regulatorreglage 11880101, 11298204, 11298208 .....	100	125
215	Transmissionskåpa och drev .....	100	63	272	Handgasreglage .....	100	127
216	Vevrörelse .....	100	65	273	Stoppmagnet .....	100	129
216	Svänghjulsåpa .....	150	67				
217	Oljesump .....	100	69				
218	Motorupphängning .....	100	71				
218	Motorupphängning. 11891077, 11891595, 11895023 .....	150	73				
221	Smörjsystem .....	100	75				
222	Oljefilter .....	100	77				
223	Oljekylare .....	100	79				
234	Bränsletank med monteringsdetaljer .....	100	81				
234	Bränslepump 11891566 .....	150	83				
234	Låda 11891566 .....	200	85				
235	Bränslesystem .....	100	87				
235	Bränslepump .....	150	89				
236	Insprutningspump med monteringsdetaljer .....	100	91				
236	Regulator .....	150	95				
237	Bränslerör och insprutare .....	100	97				
251	Insugningsrör och avgasgrenrör .....	100	99				
252	Avgassystem, ljuddämpare .....	100	101				
255	Turbokompressor med monteringsdetaljer .....	100	103				
256	Luftrenare med monteringsdetaljer .....	100	105				
256	Luftrenare .....	150	107				
256	Luftfilter 11891529 .....	200	109				
261	Kylare med monteringsdetaljer .....	100	111				

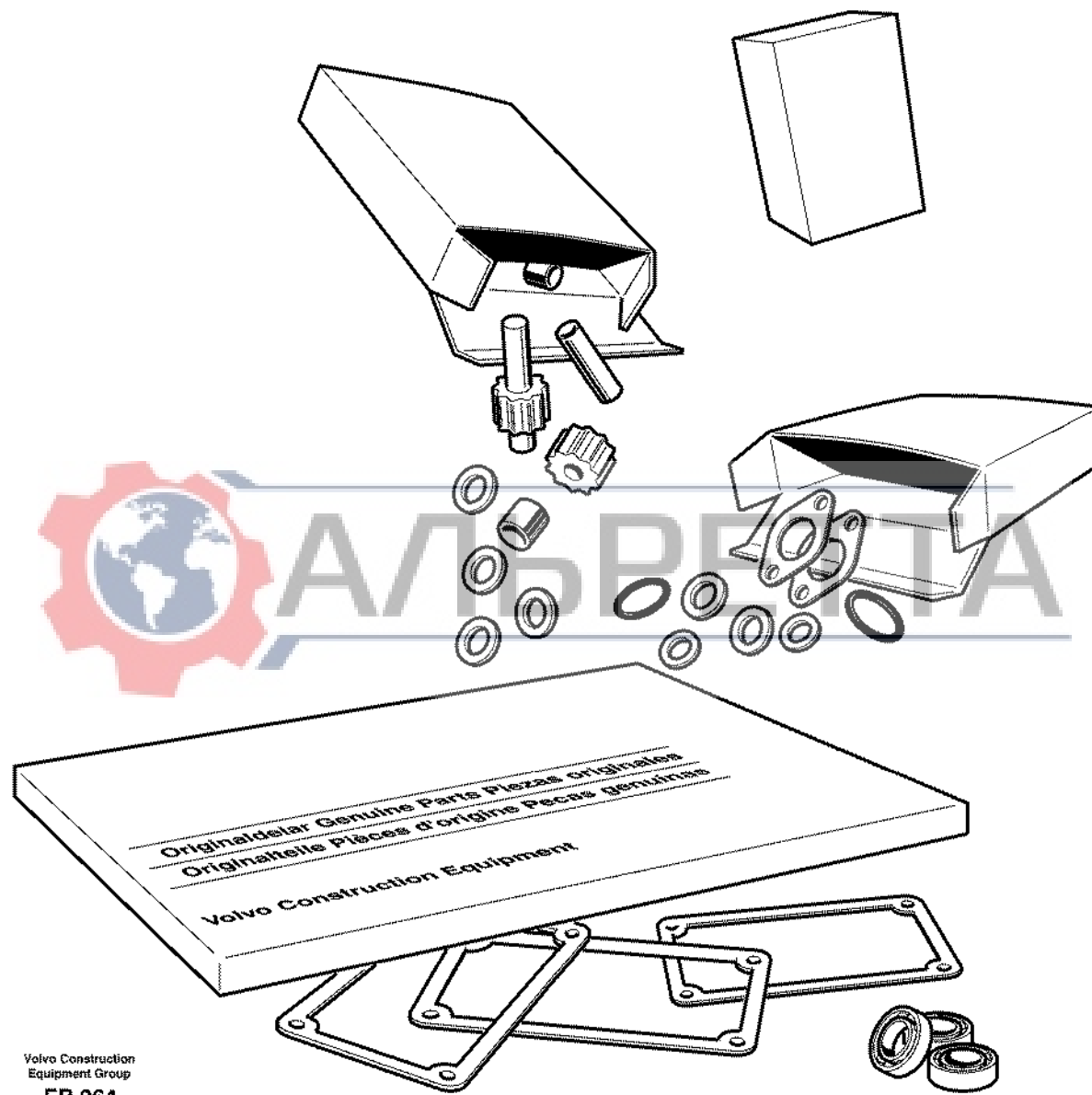


<b>INNEHÅLLSFÖRTECKNING</b>	Catalogue id <b>20124</b>	Group <b>2</b>
	Issue <b>VOE 63A9920124</b>	Page <b>43</b>

**VOLVO**



**BL61PLUS**



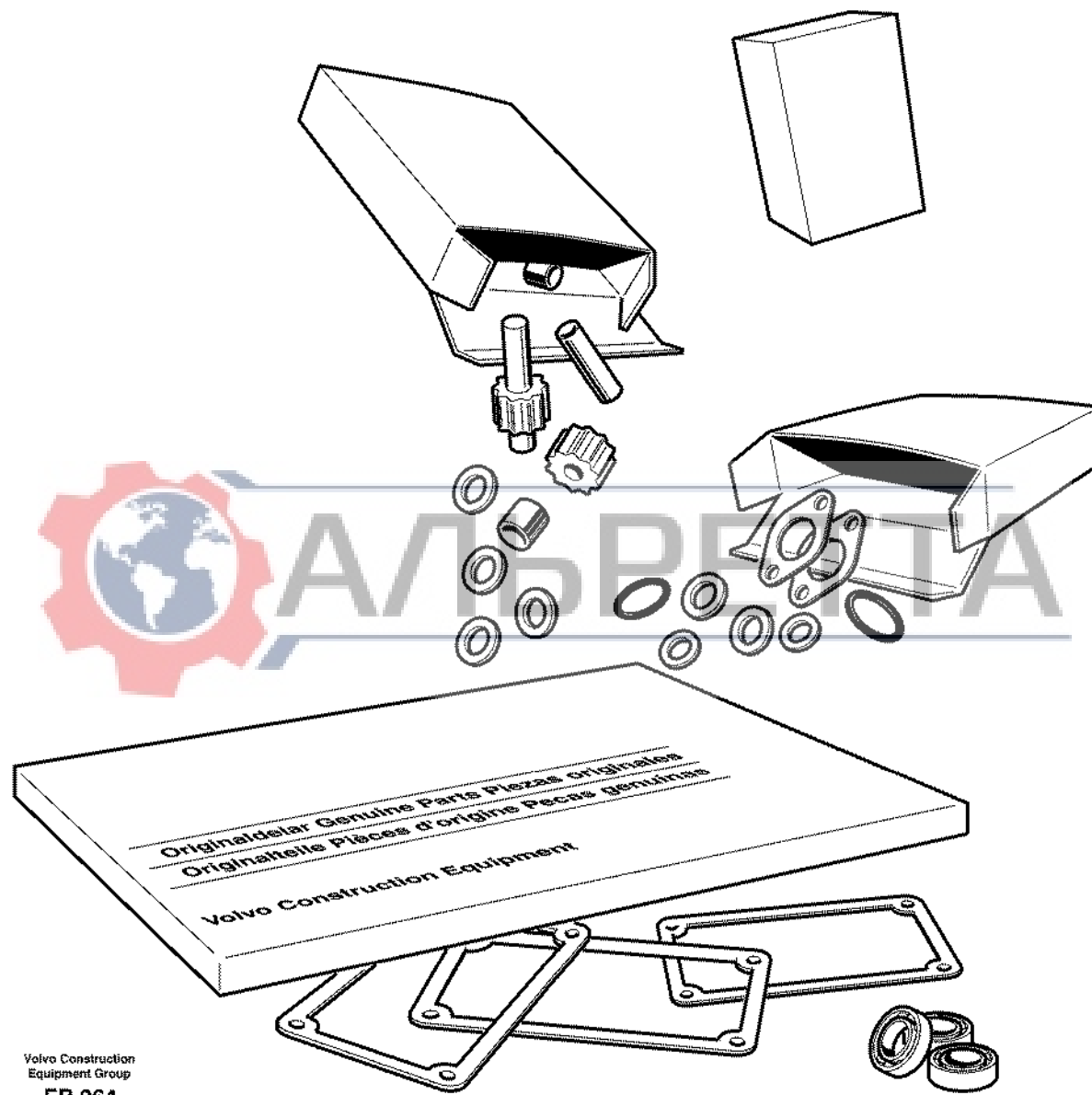
Volvo Construction  
Equipment Group  
EB 264

Fig.	Part No.	Quantity			P S	K I T	Description	Dénomination	Bezeichnung	Denominación	Benämning	Notes
		1	2	3								
VOE 11716555	1					Overhaul Kit .....	Kit Renovation .....	Überholungssatz .....	Juego Reacondic .....	Renoveringsssats .....		
VOE 11700391	1					•Gasket .....	•Joint .....	•Dichtung .....	•Junta .....	•Packning .....		
VOE 11700397	4					•Shim .....	•Cale Reglage .....	•Nachstellblech .....	•Cuna de calzar .....	•Justerbleck .....		
VOE 11701764	12					•O-ring .....	•Joint Torique .....	•O-Ring .....	•Junta torica .....	•O-ring .....		
VOE 13947281	4					•Gasket .....	•Joint .....	•Dichtung .....	•Junta .....	•Packning .....		
VOE 13947282	2					•Gasket .....	•Joint .....	•Dichtung .....	•Junta .....	•Packning .....		
VOE 13947621	2					•Plane Gasket .....	•Joint Plan .....	•Flachdichtung .....	•Junta Plana .....	•Planpackning .....		
VOE 13947622	2					•Plane Gasket .....	•Joint Plan .....	•Flachdichtung .....	•Junta Plana .....	•Planpackning .....		
VOE 20405536	2					•Sealing ring .....	•Bague d'étanchéité .....	•Runddichtring .....	•Anillo reten .....	•Tätningsring .....		
VOE 20405543	8					•Shim .....	•Cale d'épaisseur .....	•Passscheibe .....	•Arandela Ajuste .....	•Passbricka .....		
VOE 20405590	1					•Gasket .....	•Joint .....	•Dichtung .....	•Junta .....	•Packning .....		
VOE 20405627	1					•Gasket .....	•Joint .....	•Dichtung .....	•Junta .....	•Packning .....		
VOE 20405728	1					•Sealing ring .....	•Bague d'étanchéité .....	•Runddichtring .....	•Anillo reten .....	•Tätningsring .....		
VOE 20405825	1					•Gasket .....	•Joint .....	•Dichtung .....	•Junta .....	•Packning .....		
VOE 20405938	1					•Connector .....	•Raccord .....	•Anschluss .....	•Union .....	•Anslutning .....		
VOE 20412318	4					•Stud .....	•Goujon .....	•Stiftschraube .....	•Esparrago .....	•Pinnskruv .....		
VOE 20412359	1					•Sealing ring .....	•Bague d'étanchéité .....	•Runddichtring .....	•Anillo reten .....	•Tätningsring .....		
VOE 20450736	2					•Thermostat .....	•Thermostat .....	•Thermostat .....	•Termostato .....	•Termostat .....		
VOE 20459115	1					•Crankshaft Seal .....	•Joint Vilebreq .....	•Kurbelw Dichtg .....	•Reten Ciguenal .....	•Vevoxeltätning .....		
VOE 20459140	5					•Main Bearing .....	•Pal.vilebrequin .....	•Hauptlager .....	•Cojin Bancada .....	•Ramlager .....		
VOE 20459149	2					•Thrust Washer .....	•Rondelle Butee .....	•Druckscheibe .....	•Arandela Presio .....	•Tryckbricka .....		
VOE 20459168	1					•Crankshaft Seal .....	•Joint Vilebreq .....	•Kurbelw Dichtg .....	•Reten Ciguenal .....	•Vevoxeltätning .....		
VOE 20459171	1					•Nipple .....	•Raccord .....	•Nippel .....	•Niple .....	•Nippel .....		
VOE 20459172	1					•Sealing ring .....	•Bague d'étanchéité .....	•Runddichtring .....	•Anillo reten .....	•Tätningsring .....		
VOE 20459203	1					•Gasket .....	•Joint .....	•Dichtung .....	•Junta .....	•Packning .....		
VOE 20459222	4					•Gasket .....	•Joint .....	•Dichtung .....	•Junta .....	•Packning .....		
VOE 20459236	1					•Gasket .....	•Joint .....	•Dichtung .....	•Junta .....	•Packning .....		
VOE 20459833	1					•Gasket .....	•Joint .....	•Dichtung .....	•Junta .....	•Packning .....		
VOE 20459839	2					•Bushing .....	•Bague .....	•Buchse .....	•Casquillo .....	•Bussning .....		
VOE 20882841	1					•Cyl Head Gasket .....	•Joint Culasse .....	•Zyl Kopfdichtfg .....	•Junta Culata .....	•Cyl.huvud Packn .....		

1	<b>Satser för motor</b> <b>Juegos para el motor</b> <b>Motorsätze</b> <b>Jeu pour moteur</b> <b>Repair kits for engine</b>	Catalogue id	Group
2		<b>20124</b>	<b>210</b>
3		Illustr. No	Section
4		<b>EB264</b>	<b>50</b>
5		Issue	Page
		<b>VOE 63A9920124</b>	<b>45</b>

**VOLVO**

**BL61PLUS**



Volvo Construction  
Equipment Group  
EB 264

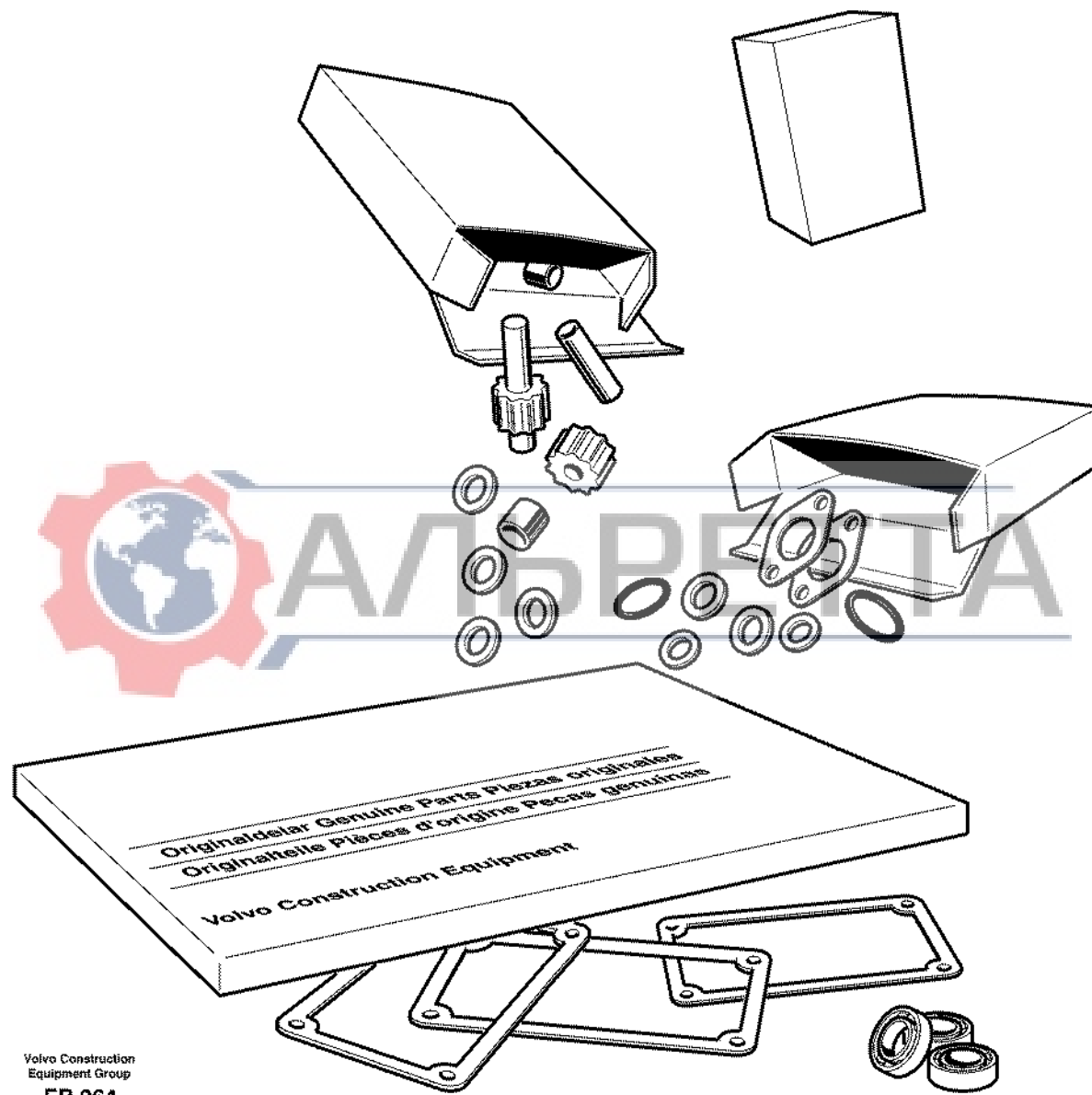
Fig.	Part No.	Quantity			P S	K I T	Description	Dénomination	Bezeichnung	Denominación	Benämning	Notes
		1	2	3								
VOE 20882839		1				•Cyl Head Gasket .....	•Joint Culasse .....	•Zyl Kopfdichtfg .....	•Junta Culata .....	•Cyl.huvud Packn.....		
VOE 20459855		8				•Valve Seal .....	•Joint Soupape .....	•Ventildichtung .....	•Reten Valvula .....	•Ventiltätning.....		
VOE 20459904		1				•Sealing ring.....	•Bague d'étanchéité ..	•Runddichtring .....	•Anillo reten .....	•Tätningsring.....		
VOE 20459953		1				•Sealing ring.....	•Bague d'étanchéité ..	•Runddichtring .....	•Anillo reten .....	•Tätningsring.....		
VOE 20459954		1				•Sealing ring.....	•Bague d'étanchéité ..	•Runddichtring .....	•Anillo reten .....	•Tätningsring.....		
VOE 20459955		1				•Sealing ring.....	•Bague d'étanchéité ..	•Runddichtring .....	•Anillo reten .....	•Tätningsring.....		
VOE 20459961		2				•Sealing ring.....	•Bague d'étanchéité ..	•Runddichtring .....	•Anillo reten .....	•Tätningsring.....		
VOE 20459998		1				•Cmshtf Bushing .....	•Bag.arbre Cames.....	•Nockenw Buchse .....	•Casqui Arb Lev .....	•Kamaxelbussning.....		
VOE 20459999		4				•Cmshtf Bushing .....	•Bag.arbre Cames.....	•Nockenw Buchse .....	•Casqui Arb Lev .....	•Kamaxelbussning.....		
VOE 20460009		4				•Piston Pin .....	•Axe Piston.....	•Kolbenbolzen .....	•Bulon .....	•Kolv tapp.....		
VOE 20460010		8				•Clip .....	•Clip.....	•Klemme .....	•Clip .....	•Clips.....		
VOE 20460013		4				•Piston.....	•Piston.....	•Kolben.....	•Piston .....	•Kolv.....		
VOE 20460021		1				•Gasket .....	•Joint .....	•Dichtung.....	•Junta .....	•Packning.....		
VOE 20460095		4				•Fuel pipe.....	•Conduit carbura .....	•Kraftstoffleitung .....	•Tubo combustib .....	•Bränslerör.....		
VOE 20482739		4				•Piston Ring Kit.....	•Jeu Segm.piston .....	•Kolbenringsatz .....	•Jg Segm Piston .....	•Kolv ringsats.....		
VOE 20517048		4				•Hexagon Nut.....	•Ecrou Hexagonal .....	•Sechskantmutter .....	•Tuerca Hexagon .....	•Sexkantsmutter.....		
VOE 20531832		2				•Gasket .....	•Joint .....	•Dichtung.....	•Junta .....	•Packning.....		
VOE 20537029		1				•Gasket .....	•Joint .....	•Dichtung.....	•Junta .....	•Packning.....		
VOE 20555403		4				•Bearing .....	•Palier.....	•Lager .....	•Cojinete .....	•Lager.....		
VOE 20557208		4				•Gasket .....	•Joint .....	•Dichtung.....	•Junta .....	•Packning.....		
VOE 20882838		1				•Cyl Head Gasket .....	•Joint Culasse .....	•Zyl Kopfdichtfg .....	•Junta Culata .....	•Cyl.huvud Packn.....		
VOE 13947624		1				•Plane Gasket.....	•Joint Plan .....	•Flachdichtung.....	•Junta Plana .....	•Planpackning.....		
VOE 976929		12				•Gasket .....	•Joint .....	•Dichtung.....	•Junta .....	•Packning.....		
VOE 11712336		1				Cyl Head Kit.....	Jeu De Culasse.....	Zyl.kopfsats .....	Juego De Culata .....	Cyl.huvudsats.....		
VOE 13947281		2				•Gasket .....	•Joint .....	•Dichtung.....	•Junta .....	•Packning.....		
VOE 13947282		2				•Gasket .....	•Joint .....	•Dichtung.....	•Junta .....	•Packning.....		
VOE 13947621		1				•Plane Gasket.....	•Joint Plan .....	•Flachdichtung.....	•Junta Plana .....	•Planpackning.....		
VOE 13947622		1				•Plane Gasket.....	•Joint Plan .....	•Flachdichtung.....	•Junta Plana .....	•Planpackning.....		
VOE 20405536		2				•Sealing ring.....	•Bague d'étanchéité ..	•Runddichtring .....	•Anillo reten .....	•Tätningsring.....		

1	<b>Satser för motor</b> <b>Juegos para el motor</b> <b>Motorsätze</b> <b>Jeu pour moteur</b> <b>Repair kits for engine</b>	Catalogue id	Group
2		<b>20124</b>	<b>210</b>
3		Illustr. No	Section
4		<b>EB264</b>	<b>50</b>
5		Issue	Page
		<b>VOE 63A9920124</b>	<b>47</b>

**VOLVO**

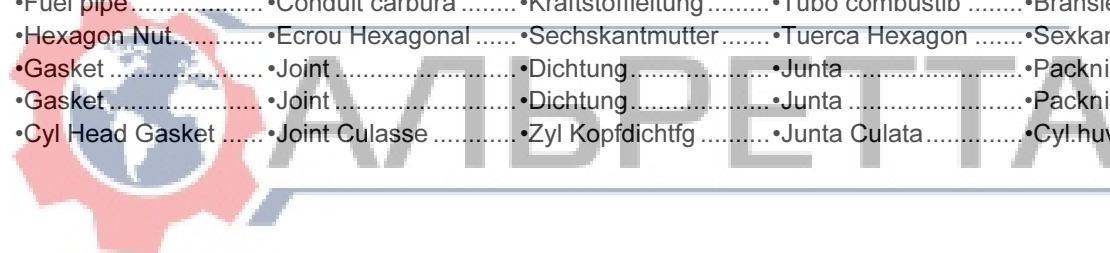
**BL61PLUS**





Volvo Construction  
Equipment Group  
EB 264

Fig.	Part No.	Quantity			P S	K I T	Description	Dénomination	Bezeichnung	Denominación	Benämning	Notes
		1	2	3								
VOE 20405590	1					•Gasket .....	•Joint .....	•Dichtung.....	•Junta .....	•Packning.....		
VOE 20405627	1					•Gasket .....	•Joint .....	•Dichtung.....	•Junta .....	•Packning.....		
VOE 20405728	1					•Sealing ring.....	•Bague d'étanchéité ..	•Runddichtring.....	•Anillo reten .....	•Tätningring.....		
VOE 20405938	1					•Connector .....	•Raccord .....	•Anschluss.....	•Union.....	•Anslutning.....		
VOE 20412318	4					•Stud .....	•Goujon .....	•Stiftschraube.....	•Esparrago .....	•Pinnskruv.....		
VOE 20459171	1					•Nipple .....	•Raccord .....	•Nippel.....	•Niple.....	•Nippel.....		
VOE 20459172	1					•Sealing ring.....	•Bague d'étanchéité ..	•Runddichtring.....	•Anillo reten .....	•Tätningring.....		
VOE 20459222	4					•Gasket .....	•Joint .....	•Dichtung.....	•Junta .....	•Packning.....		
VOE 20459236	1					•Gasket .....	•Joint .....	•Dichtung.....	•Junta .....	•Packning.....		
VOE 20459833	1					•Gasket .....	•Joint .....	•Dichtung.....	•Junta .....	•Packning.....		
VOE 20459839	2					•Bushing.....	•Bague .....	•Buchse.....	•Casquillo .....	•Bussning.....		
VOE 20882841	1					•Cyl Head Gasket .....	•Joint Culasse .....	•Zyl Kopfdichtfg .....	•Junta Culata.....	•Cyl.huvud Packn.....		
VOE 20882839	1					•Cyl Head Gasket .....	•Joint Culasse .....	•Zyl Kopfdichtfg .....	•Junta Culata.....	•Cyl.huvud Packn.....		
VOE 20459855	8					•Valve Seal .....	•Joint Soupape.....	•Ventildichtung .....	•Reten Valvula.....	•Ventiltätning.....		
VOE 20459953	1					•Sealing ring.....	•Bague d'étanchéité ..	•Runddichtring.....	•Anillo reten .....	•Tätningring.....		
VOE 20459955	1					•Sealing ring.....	•Bague d'étanchéité ..	•Runddichtring.....	•Anillo reten .....	•Tätningring.....		
VOE 20460095	4					•Fuel pipe.....	•Conduit carbura .....	•Kraftstoffleitung .....	•Tubo combustib .....	•Bränslerör.....		
VOE 20517048	4					•Hexagon Nut.....	•Ecrou Hexagonal .....	•Sechskantmutter .....	•Tuerca Hexagon .....	•Sexkantsmutter.....		
VOE 20531832	2					•Gasket .....	•Joint .....	•Dichtung.....	•Junta .....	•Packning.....		
VOE 20557208	4					•Gasket .....	•Joint .....	•Dichtung.....	•Junta .....	•Packning.....		
VOE 20882838	1					•Cyl Head Gasket .....	•Joint Culasse .....	•Zyl Kopfdichtfg .....	•Junta Culata.....	•Cyl.huvud Packn.....		



1	<b>Satser för motor</b> <b>Juegos para el motor</b> <b>Motorsätze</b> <b>Jeu pour moteur</b> <b>Repair kits for engine</b>	Catalogue id	Group
2		<b>20124</b>	<b>210</b>
3		Illustr. No	Section
4		<b>EB264</b>	<b>50</b>
5		Issue	Page
		<b>VOE 63A9920124</b>	<b>49</b>

**VOLVO**

**BL61PLUS**

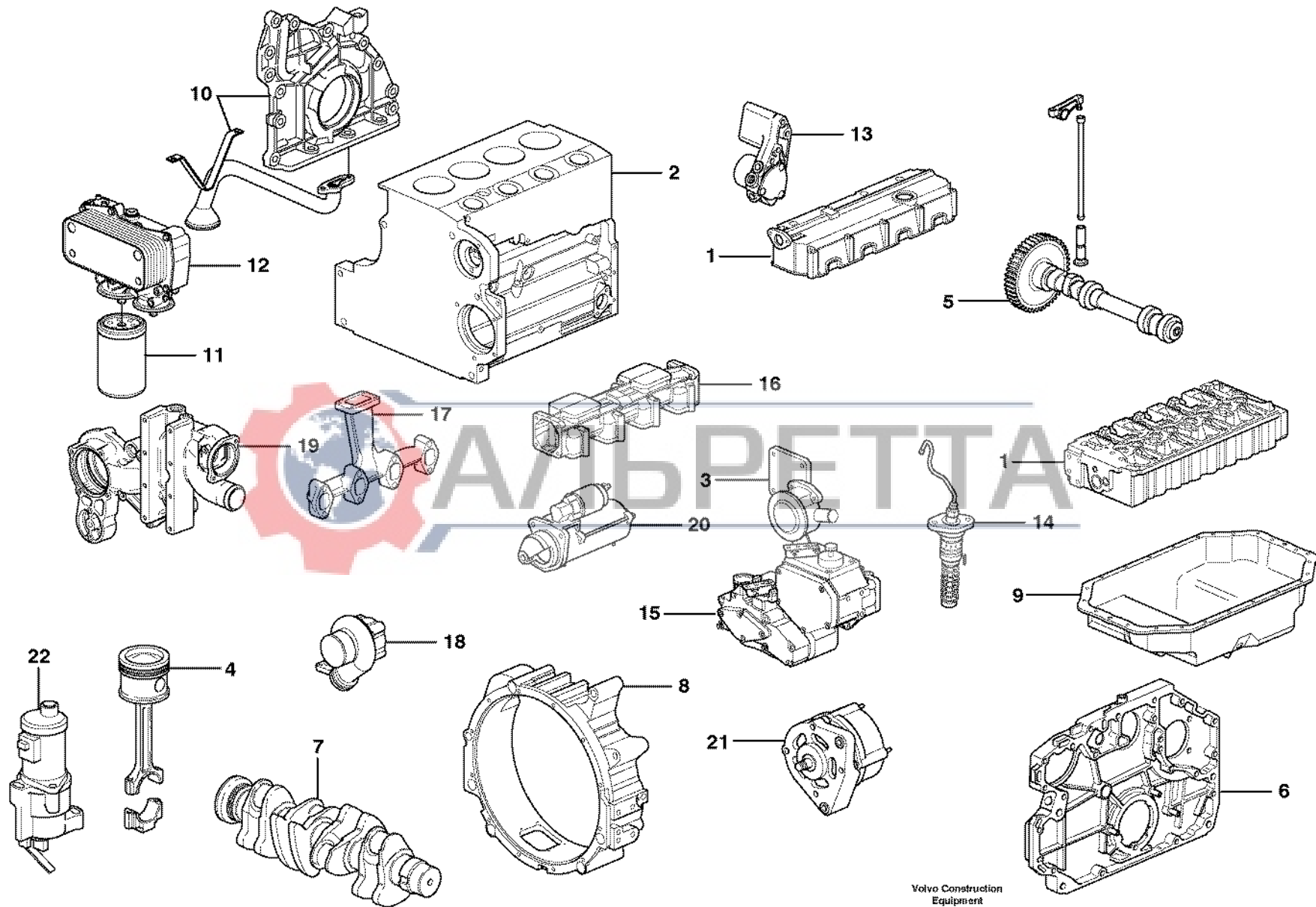


Fig.	Part No.	Quantity			P S	K I T	Description	Dénomination	Bezeichnung	Denominación	Benämning	Notes
		1	2	3								
	<b>VOE 11887322</b>					Engine	Moteur	Verbrenn Motor	Motor	Motor	D4D CBE2	
1		1				•Cylinder head	•Culasse	•Zylinderkopf	•Culata	•Cylinderhuvud	See group 211, Page 53	
2		1				•Cylinder block	•Bloc-cylindres	•Zylinderblock	•Bloque cilindro	•Cylinderblock	See group 212, Page 55	
3		1				•Crankcase ventilatio	•Aération de carter	•Kurbelgehäuse,entlü	•Ventilación del ca	•Vevhusventilation	See group 212, Page 57	
4		4				•Piston	•Piston	•Kolben	•Piston	•Kolv	See group 213, Page 59	
5		1				•Valve mechanism	•Commande des sou	•Ventilmechanismus	•Mecanismo de valvul	•Ventilmekanism	See group 214, Page 61	
6		1				•Timing gear casing	•Carter distribution	•Steuergehäuse	•Cubierta distribucion	•Transmissionskåpa	See group 215, Page 63	
7		1				•Crankshaft	•Vilebrequin	•Räderkasten Kubelw	•Cigüeñal	•Vevrörelse	See group 216, Page 65	
8		1				•Flywheel Hsg	•Carter Volant	•Schwungradgeh	•Cubiert Volante	•Svånghjulsåpa	See group 216, Page 67	
9		1				•Oil sump	•Carter d'huile	•Ölsumpf	•Carter de aceite	•Oljesump	See group 217, Page 69	
10		1				•Lubricating system	•Syst.de graissage	•Schmierölsystem	•Sist.lubrificante	•Smörjssystem	See group 221, Page 75	
11		1				•Oil filter	•Filtre huile	•Ölfilter	•Filtro aceite	•Oljefilter	See group 222, Page 77	
12		1				•Oil cooler	•Radiateur huile	•Ölkühler	•Enfriador aceite	•Oljekylare	See group 223, Page 79	
13		1				•Fuel pump	•Pompe Carburant	•Kraftstoffpumpe	•Bomba Combustib	•Bränslepump	See group 235, Page 89	
14		4				•Injection pump	•Pompe injection	•Einspritzpumpe	•Bomba inyeccion	•Insprutningspump	See group 236, Page 91	
15		1				•Regulator	•Regulateur	•Regler	•Regulador	•Regulator	See group 236, Page 95	
16		1				•Inlet pipe	•Tubulure	•Einlassrohr	•Tubo admision	•Inloppsör	See group 251, Page 99	
17		1				•Exhaust pipe	•Tuyau echappem	•Abgasschlauch	•Tubo escape	•Avgasrör	See group 251, Page 99	
18		1				•Turbocharger	•Turbocompresse	•Abgasturbolader	•Turbocompresor	•Turbokompressor	See group 255, Page 103	
19		1				•Water pump and ther	•Pompe a eau et boiti	•Wasserpumpe und	•Bomba de agua y caj	•Vattenpump och ter	See group 262, Page 117	
20		1				•Starter motor	•Demarreur	•Anlasser	•Motor arranque	•Startmotor	See group 331, Page 141	
21		1				•Alternator with fitti	•Dynamo avec pièces	•Lichtmaschine mit A	•Alternador con acces	•Generator med mont	See group 321, Page 139	
22		1				•Stop solenoid	•Aimant d'arret	•Haltemagnet	•Solenoid parad	•Stoppmagnet	See group 273, Page 129	

1		<b>Motor</b> <b>Motor</b> <b>Motor</b> <b>Moteur</b> <b>Engine</b>	Catalogue id	Group
2			<b>20124</b>	<b>210</b>
3			Illustr. No	Section
4			<b>1004517</b>	<b>100</b>
5			Issue	Page
			<b>VOE 63A9920124</b>	<b>51</b>

**VOLVO**

**BL61PLUS**

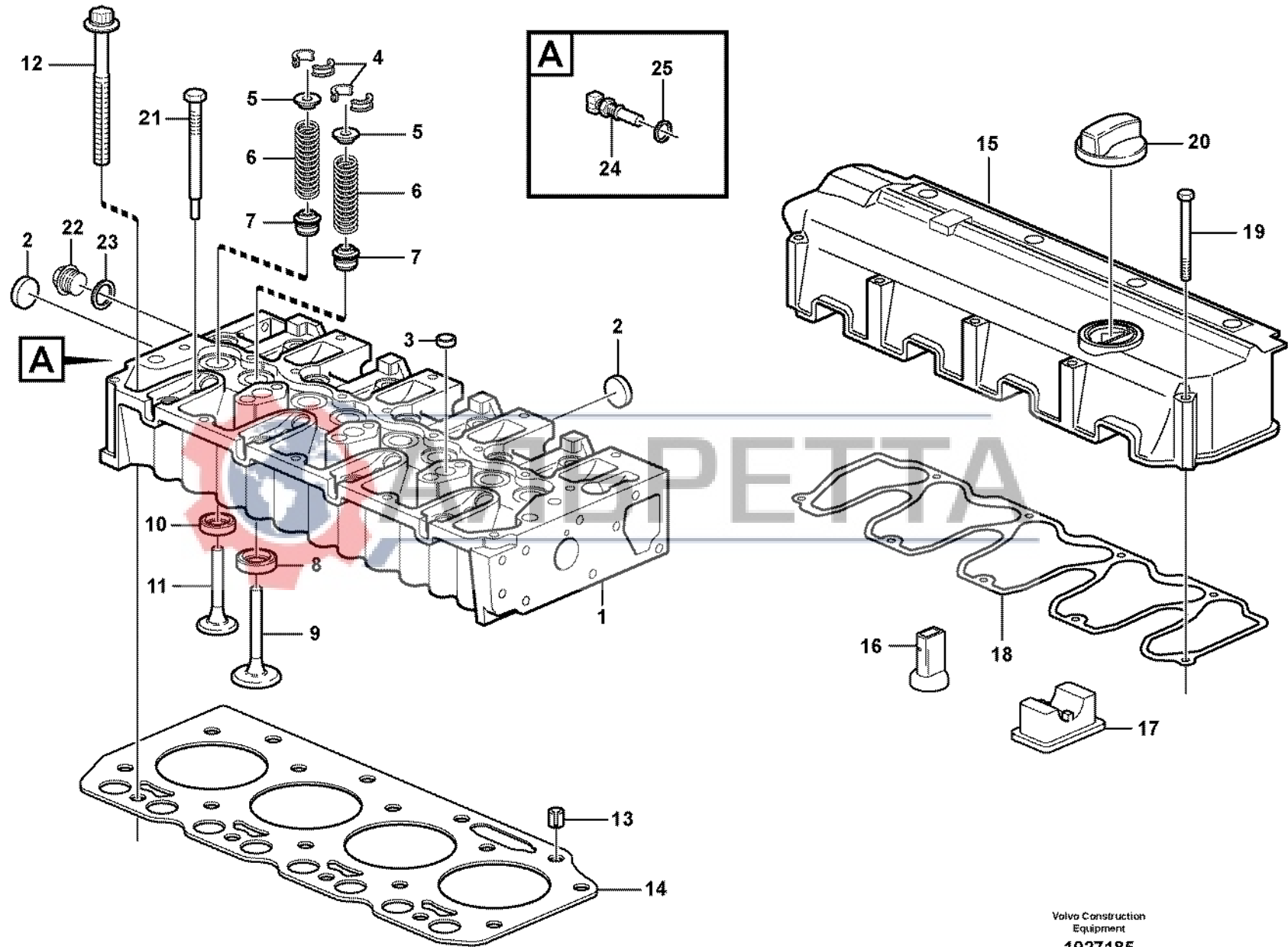


Fig.	Part No.	Quantity			P S	K I T	Description	Dénomination	Bezeichnung	Denominación	Benämning	Notes
		1	2	3								
1	VOE 20590598	1				Cylinder head.....	Culasse.....	Zylinderkopf.....	Culata.....	Cylinderhuvud.....		
2	VOE 20412745	3				•Core Plug.....	•Ronde fermeture.....	•Fullscheibe.....	•Tapon.....	•Täppbricka.....		
3	VOE 20412733	3				•Core Plug.....	•Ronde fermeture.....	•Fullscheibe.....	•Tapon.....	•Täppbricka.....		
4	VOE 20459857	16				•Valve Cone.....	•Taquet.....	•Ventilkegelst.....	•Valvula Cono.....	•Knaster.....		
5	VOE 20535037	8				•Washer.....	•Rondelle.....	•Scheibe.....	•Arandela.....	•Bricka.....		
6	VOE 20459851	8				•Valve Spring.....	•Ressort Soupape.....	•Ventilfeder.....	•Resorte Valvula.....	•Ventilfjäder.....		
7	VOE 20459855	8				•Valve Seal.....	•Joint Soupape.....	•Ventildichtung.....	•Reten Valvula.....	•Ventiltätning.....		
8	VOE 20459852	4				•Valve seat.....	•Siege de soupape.....	•Ventilsitz.....	•Asiento de valvula.....	•Ventilsäte.....		
9	VOE 20791517	4				•Inlet valve.....	•Soupape d'entrée.....	•Einlassventil.....	•Valvula de entrada.....	•Inloppsventil.....		
10	VOE 20459854	4				•Valve seat.....	•Siege de soupape.....	•Ventilsitz.....	•Asiento de valvula.....	•Ventilsäte.....		
11	VOE 20791405	4				•Exhaust Valve.....	•Soupape Echappem.....	•Auslassventil.....	•Valvula Escape.....	•Avgasventil.....		
12	VOE 20459838	13				Bolt.....	Boulon.....	Bolzen.....	Perno.....	Bult.....		
13	VOE 20459839	2				Bushing.....	Bague.....	Buchse.....	Casquillo.....	Bussning.....		
14	VOE 20882841	1				Cyl Head Gasket.....	Joint Culasse.....	Zyl Kopfdichtfg.....	Junta Culata.....	Cyl.huvud Packn.....	1 BORE THICK = 1,2 MM	
14	VOE 20882839	1				Cyl Head Gasket.....	Joint Culasse.....	Zyl Kopfdichtfg.....	Junta Culata.....	Cyl.huvud Packn.....	2 BORES THICK = 1,3 MM	
14	VOE 20882838	1				Cyl Head Gasket.....	Joint Culasse.....	Zyl Kopfdichtfg.....	Junta Culata.....	Cyl.huvud Packn.....	3 BORES THICK = 1,4 MM	
15	VOE 20558934	1				Valve Cover.....	Cache-soupapes.....	Zylkopfhabe.....	Cubier Valvula.....	Ventilkåpa.....		
16	VOE 20459836	1				•Nozzle.....	•Gicleur.....	•Düse.....	•Difusor.....	•Munstycke.....		
17	VOE 20459835	1				•Cover.....	•Capot.....	•Haube.....	•Cubierta.....	•Kåpa.....		
18	VOE 20558924	1				Gasket.....	Joint.....	Dichtung.....	Junta.....	Packning.....		
19	VOE 20459830	9				Screw.....	Vis.....	Schraube.....	Tornillo.....	Skruv.....		
20	VOE 20412589	1				Filler cap.....	Bouchon Remplissa.....	Tankverschluss.....	Tapa Llenado.....	Påfyllningslock.....		
21	VOE 20924080	1				Glow plug.....	Bougie de préchauffe.....	Glühkerze.....	Bujia.....	Glödstift.....		
22	VOE 20464451	1				Plug.....	Bouchon.....	Stopfen.....	Tapon.....	Plugg.....		
23	VOE 13947628	1				Plane Gasket.....	Joint Plan.....	Flachdichtung.....	Junta Plana.....	Planpackning.....		
24	VOE 20924084	1				Sensor.....	Capteur.....	Geber.....	Captador.....	Givare.....		
25	VOE 13947621	1				•Plane Gasket.....	•Joint Plan.....	•Flachdichtung.....	•Junta Plana.....	•Planpackning.....		

1		<b>Cylinderhuvud</b> <b>Culata</b> <b>Zylinderkopf</b> <b>Culasse</b> <b>Cylinder head</b>	Catalogue id	Group
2			<b>20124</b>	<b>211</b>
3			Illustr. No	Section
4			<b>1027185</b>	<b>100</b>
5			Issue	Page
			<b>VOE 63A9920124</b>	<b>53</b>

**VOLVO**

**BL61PLUS**

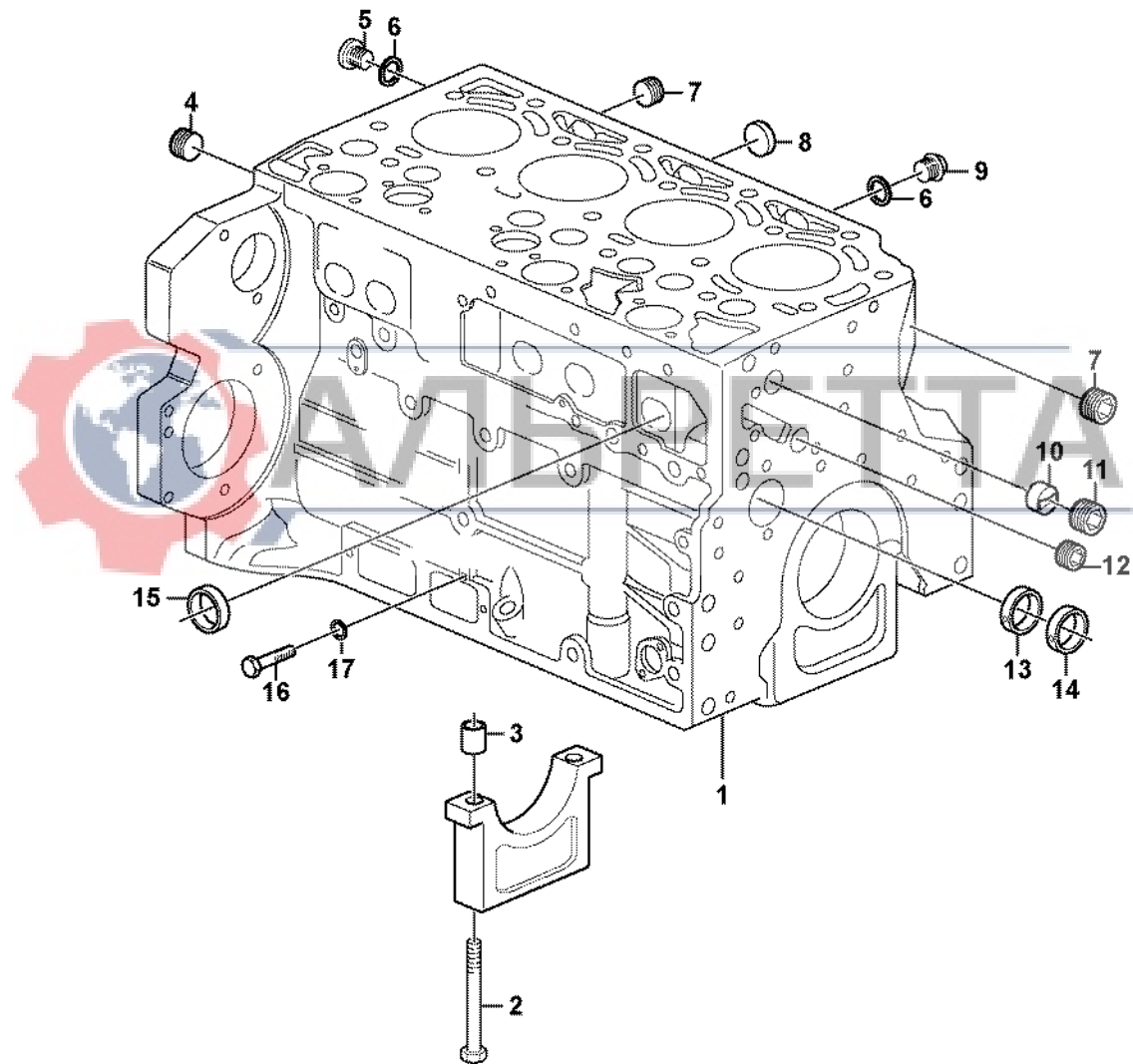


Fig.	Part No.	Quantity			P S	K I T	Description	Dénomination	Bezeichnung	Denominación	Benämning	Notes
		1	2	3								
1	VOE 21009706	1				Cylinder Block .....	Bloc-cylindres .....	Zylinderblock .....	Bloque Cilindro .....	Cylinderblock .....		
2	VOE 20460006	10				•Screw .....	•Vis .....	•Schraube .....	•Tornillo .....	•Skruv .....		
3	VOE 20460001	10				•Bushing .....	•Bague .....	•Buchse .....	•Casquillo .....	•Bussning .....		
4	VOE 20785813	1				•Plug .....	•Bouchon .....	•Stopfen .....	•Tapon .....	•Plugg .....		
5	VOE 945065	1				•Plug .....	•Bouchon .....	•Stopfen .....	•Tapon .....	•Plugg .....		
6	VOE 13969011	3				•Gasket .....	•Joint .....	•Dichtung .....	•Junta .....	•Packning .....		
7	VOE 20508600	2				•Plug .....	•Bouchon .....	•Stopfen .....	•Tapon .....	•Plugg .....		
8	VOE 20412745	4				•Core Plug .....	•Ronde.fermeture .....	•Fullscheibe .....	•Tapon .....	•Täppbricka .....		
9	VOE 20405716	2				•Plug .....	•Bouchon .....	•Stopfen .....	•Tapon .....	•Plugg .....		
10	VOE 20405584	1				•Guide Sleeve .....	•Manchon guide .....	•Führungshülse .....	•Manguito guia .....	•Styrhylsa .....		
11	VOE 20405717	1				•Plug .....	•Bouchon .....	•Stopfen .....	•Tapon .....	•Plugg .....		
12	VOE 20405719	1				•Plug .....	•Bouchon .....	•Stopfen .....	•Tapon .....	•Plugg .....		
13	VOE 20459998	1				•Cmshtf Bushing .....	•Bag.arbre Cames .....	•Nockenw Buchse .....	•Casqiu Arb Lev .....	•Kamaxelbussning .....		
14	VOE 20459999	4				•Cmshtf Bushing .....	•Bag.arbre Cames .....	•Nockenw Buchse .....	•Casqiu Arb Lev .....	•Kamaxelbussning .....		
15	VOE 20405721	6				•Hood .....	•Capuchon .....	•Verschlussdeckel .....	•Cubierta de tapón .....	•Huv .....		
16	VOE 20459899	2				Screw .....	Vis .....	Schraube .....	Tornillo .....	Skruv .....		
17	VOE 20459900	2				Sealing ring .....	Bague d'étanchéité .....	Runddichtring .....	Anillo reten .....	Tättningsring .....		

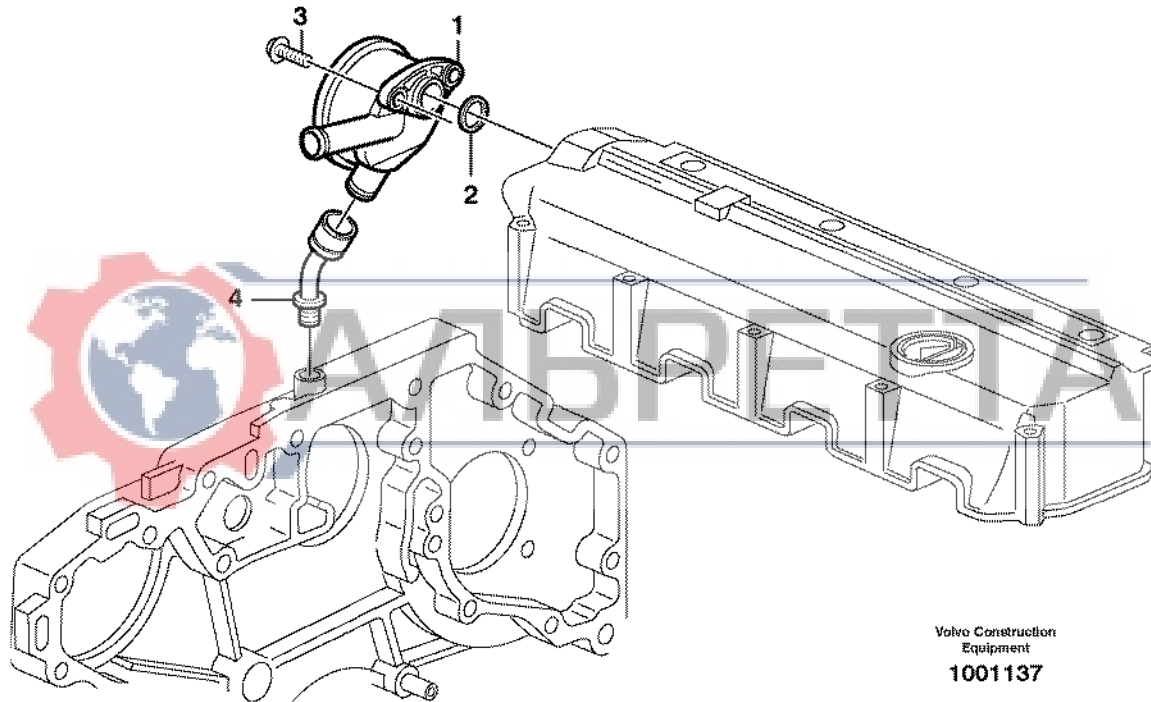


1		<b>Cylinderblock</b> <b>Bloque de cilindros</b> <b>Zylinderblock</b> <b>Bloc-cylindres</b> <b>Cylinder block</b>	Catalogue id	Group
2			<b>20124</b>	<b>212</b>
3			Illustr. No	Section
4			<b>1027186</b>	<b>100</b>
5			Issue	Page
			<b>VOE 63A9920124</b>	<b>55</b>

**VOLVO**

**BL61PLUS**





Volvo Construction  
Equipment  
**1001137**

Fig.	Part No.	Quantity			P S	K I T	Description	Dénomination	Bezeichnung	Denominación	Benämning	Notes
		1	2	3								
1	VOE 20405626	1				Regulator .....	Regulateur .....	Regler.....	Regulador.....	Regulator.....		
2	VOE 20405627	1				•Gasket .....	•Joint .....	•Dichtung.....	•Junta .....	•Packning.....		
3	VOE 20450728	2				Bolt.....	Boulon.....	Bolzen .....	Perno.....	Bult.....		
4	VOE 20405938	1				Connector .....	Raccord.....	Anschluss.....	Union .....	Anslutning.....		

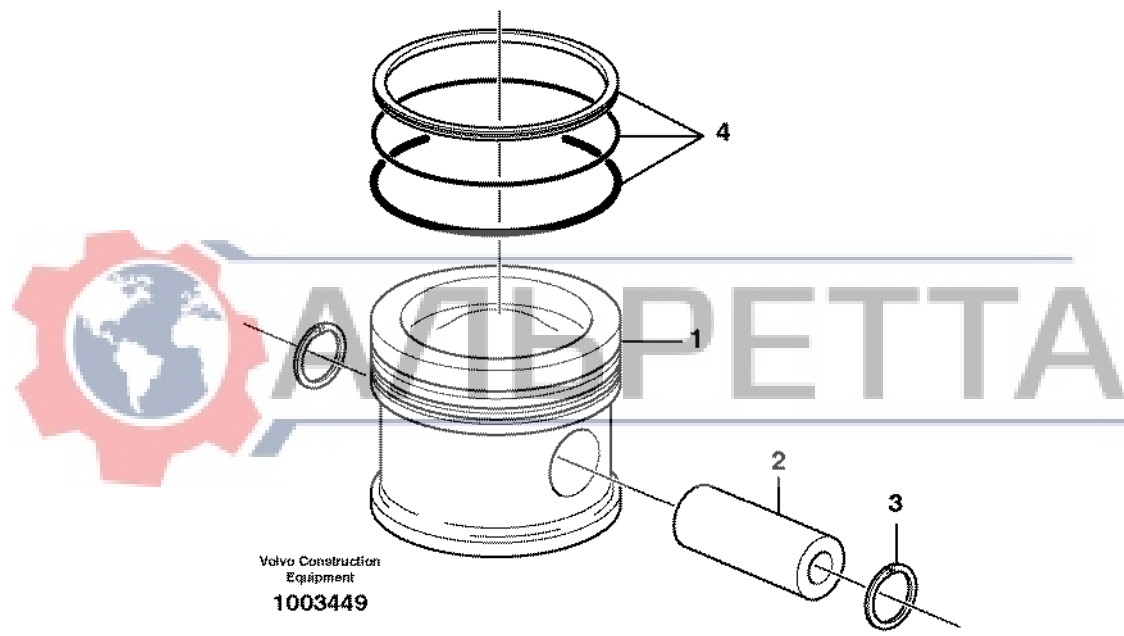


1	<b>Vevhusventilation</b> <b>Ventilación del cárter</b> <b>Kurbelgehäusebelüftung</b> <b>Ventilation de carter</b> <b>Crankcase ventilation</b>	Catalogue id	Group
2		<b>20124</b>	<b>212</b>
3		Illustr. No	Section
4		<b>1001137</b>	<b>150</b>
5		Issue	Page
		<b>VOE 63A9920124</b>	<b>57</b>

**VOLVO**

**BL61PLUS**





Volvo Construction  
Equipment  
1003449

Fig.	Part No.	Quantity			P S	K I T	Description	Dénomination	Bezeichnung	Denominación	Benämning	Notes
		1	2	3								
1	VOE 20460013	4				Piston .....	Piston .....	Kolben .....	Piston .....	Kolv.....		
2	VOE 20460009	4				•Piston Pin .....	•Axe Piston.....	•Kolbenbolzen .....	•Bulon .....	•Kolv tapp.....		
3	VOE 20460010	8				•Clip .....	•Clip.....	•Klemme.....	•Clip.....	•Clips.....		
4	VOE 20482739	4				•Piston Ring Kit .....	•Jeu Segm.piston .....	•Kolbenringsatz .....	•Jg Segm Piston .....	•Kolvringsats.....		



1	Kolvar Pistones Kolben Pistons Pistons	Catalogue id	Group
2		<b>20124</b>	<b>213</b>
3		Illustr. No	Section
4		<b>1003449</b>	<b>100</b>
5		Issue	Page
		VOE 63A9920124	<b>59</b>

**VOLVO**

**BL61PLUS**



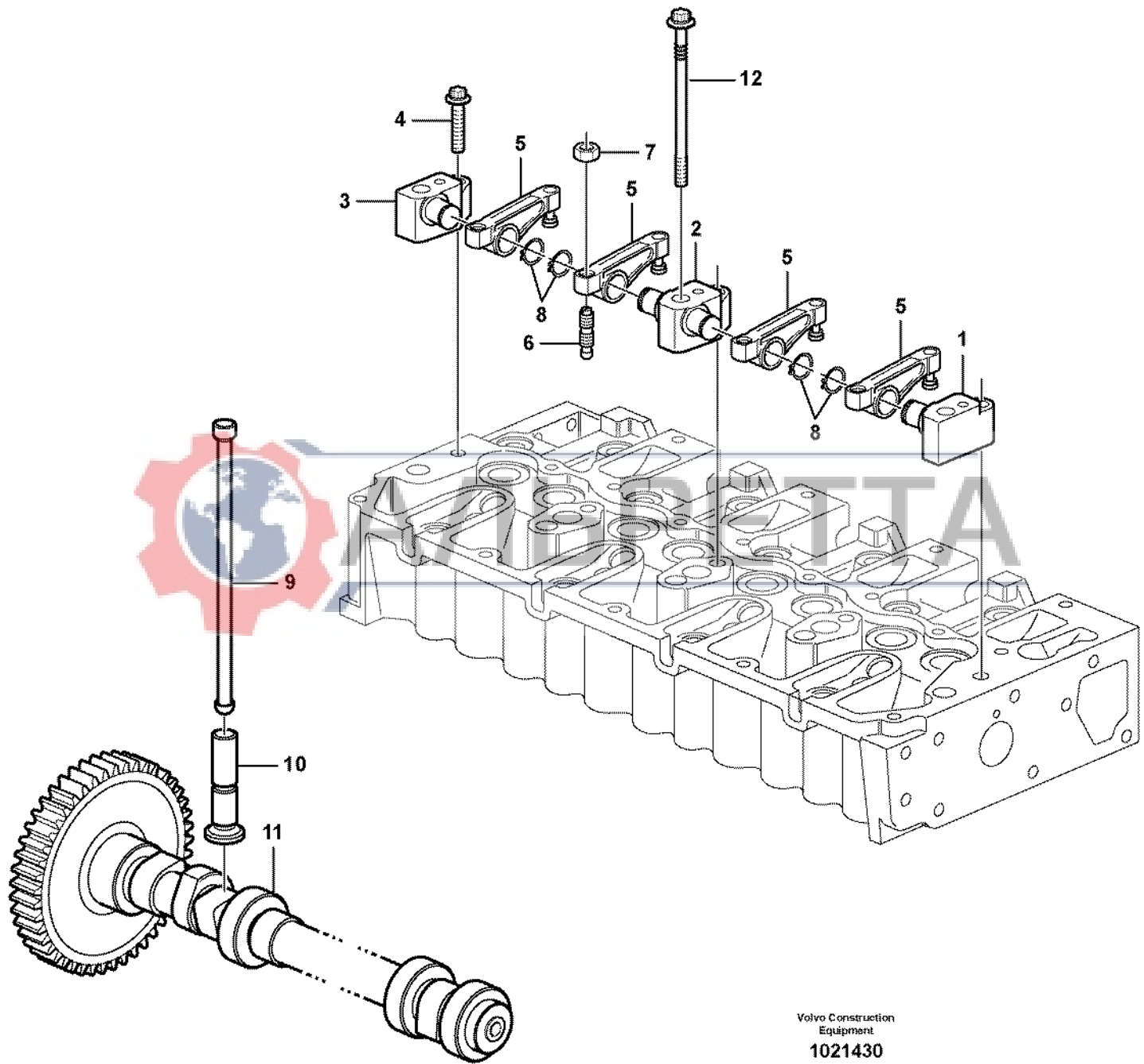


Fig.	Part No.	Quantity			P S	K I T	Description	Dénomination	Bezeichnung	Denominación	Benämning	Notes
		1	2	3								
1	VOE 20459848	1				Bracket.....	Console.....	Konsole .....	Consola .....	Konsol.....		
2	VOE 20459847	3				Bracket.....	Console.....	Konsole .....	Consola .....	Konsol.....		
3	VOE 20459849	1				Bracket.....	Console.....	Konsole .....	Consola .....	Konsol.....		
4	VOE 20459853	5				Screw .....	Vis .....	Schraube.....	Tornillo .....	Skruv.....		
5	VOE 20459850	8				Rocker Arm .....	Culbuteur .....	Kipphebel .....	Balancin .....	Vipparm.....		
6	VOE 20405524	8				Screw .....	Vis .....	Schraube.....	Tornillo .....	Skruv.....		
7	VOE 11700373	8				Nut .....	Ecrou.....	Mutter .....	Tuerca .....	Mutter.....		
8	VOE 945495	8				Snap Ring .....	Circlip .....	Nutring.....	Circlip .....	Spårring.....		
9	VOE 20460008	8				Push Rod .....	Tige-poussoir .....	Druckstange .....	Varilla Presion .....	Tryckstång.....		
10	VOE 20460007	8				Tappet.....	Poussoir Pompe.....	Pumpdrucker.....	Balancin .....	Lyftare.....		
11	VOE 21019449	1				Camshaft.....	Arbre cames.....	Nockenwelle.....	Arbol levas .....	Kamaxel.....		
12	VOE 20459837	5				Bolt.....	Boulon.....	Bolzen .....	Perno.....	Bult.....		



1	<b>Ventilmekanism</b> <b>Mecanismo de válvulas</b> <b>Ventilmechanismus</b> <b>Commande des soupapes</b> <b>Valve mechanism</b>	Catalogue id	Group
2		<b>20124</b>	<b>214</b>
3		Illustr. No	Section
4		<b>1021430</b>	<b>100</b>
5		Issue	Page
		<b>VOE 63A9920124</b>	<b>61</b>

**VOLVO**

**BL61PLUS**

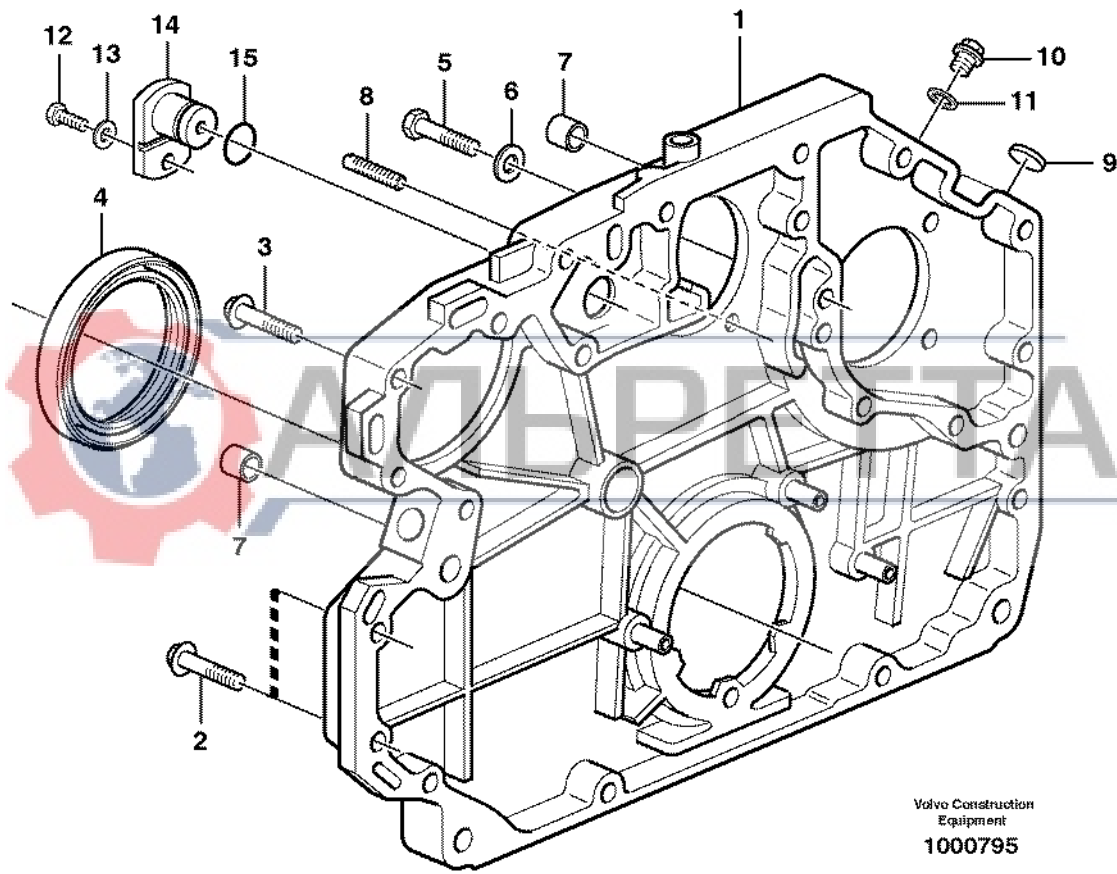


Fig.	Part No.	Quantity			P S	K I T	Description	Dénomination	Bezeichnung	Denominación	Benämning	Notes
		1	2	3								
1	VOE 21026959	1				Timing gear cover .....	Couvercle distributi. ....	Steuergehäusedecke	Tapa distribucion .....	Transmissionslock .....		
2	VOE 20412324	12				Screw .....	Vis .....	Schraube .....	Tornillo .....	Skruv .....		
3	VOE 20450801	3				Screw .....	Vis .....	Schraube .....	Tornillo .....	Skruv .....		
4	VOE 20459115	1				Crankshaft Seal .....	Joint Vilebreq. ....	Kurbelw Dichtg .....	Reten Ciguenal .....	Vevaxeltätning .....		
5	VOE 20405653	2				Screw .....	Vis .....	Schraube .....	Tornillo .....	Skruv .....		
6	VOE 13955900	2				Washer .....	Rondelle .....	Scheibe .....	Arandela .....	Bricka .....		
7	VOE 20585971	2				Bushing .....	Bague .....	Buchse .....	Casquillo .....	Bussning .....		
8	VOE 20450795	1				Set Screw .....	Vis Butee .....	Anschlagschraub .....	Tornillo Tope .....	Stoppskruv .....		
9	VOE 20405605	1				Cover .....	Capot .....	Haube .....	Capo .....	Lock .....		
10	VOE 20451012	1				Plug .....	Bouchon .....	Stopfen .....	Tapon .....	Plugg .....		
11	VOE 13947621	1				Plane Gasket .....	Joint Plan .....	Flachdichtung .....	Junta Plana .....	Planpackning .....		
12	VOE 20405706	1				Screw .....	Vis .....	Schraube .....	Tornillo .....	Skruv .....		
13	VOE 973494	1				Washer .....	Rondelle .....	Scheibe .....	Arandela .....	Bricka .....		
14	VOE 20405553	1				Cover .....	Capot .....	Haube .....	Capo .....	Lock .....		
15	VOE 20459904	1				Sealing ring .....	Bague d'étanchéité ...	Runddichtring .....	Anillo reten .....	Tättningsring .....		

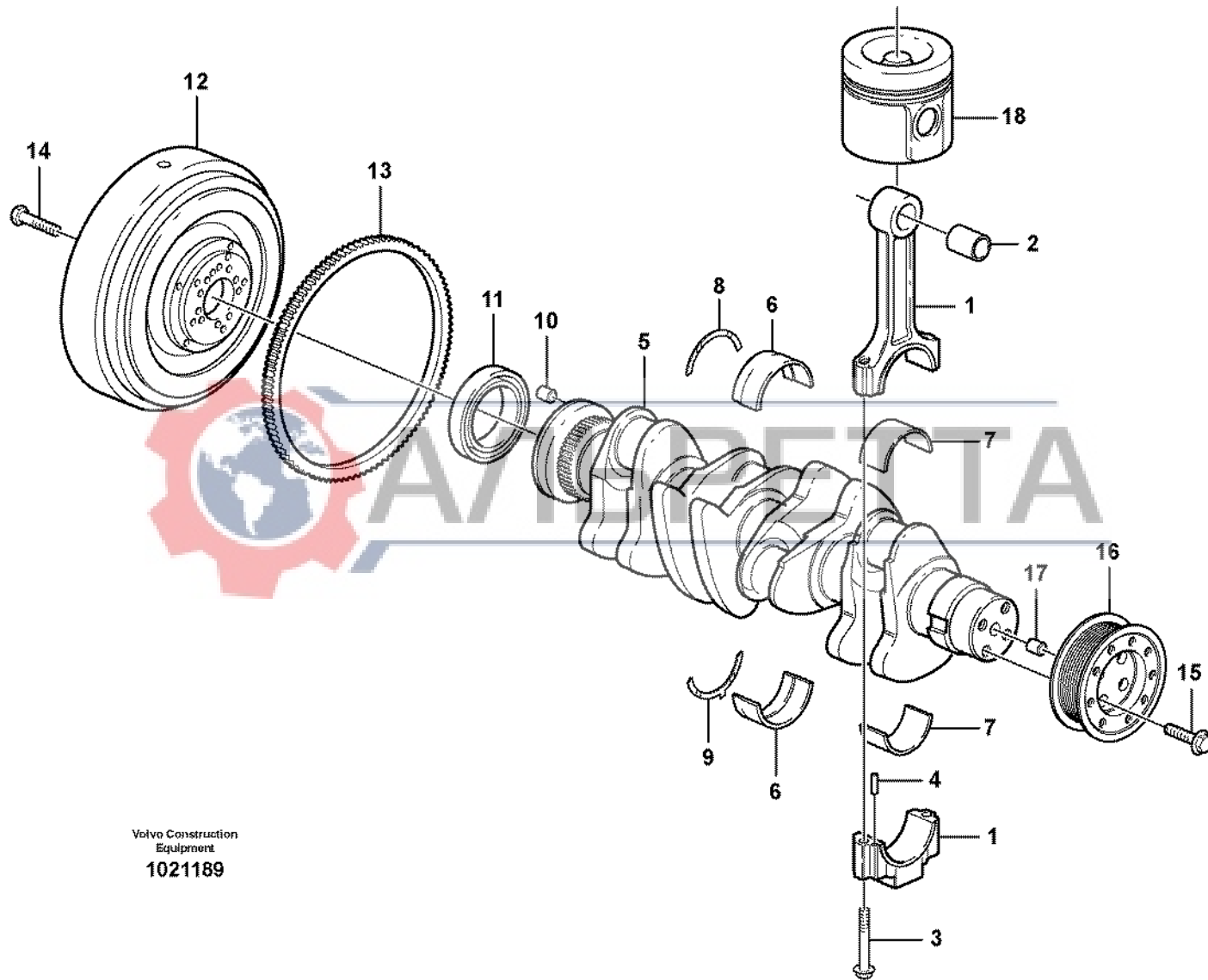


1	<b>Transmissionskåpa och drev</b> <b>Caja de distribución y engranajes</b> <b>Stirnradgehäuse und Nabenvorgelege</b> <b>Carter de distribution et engrenage</b> <b>Timing gear casing and gears</b>	Catalogue id	Group
2		<b>20124</b>	<b>215</b>
3		Illustr. No	Section
4		<b>1000795</b>	<b>100</b>
5		Issue	Page
		<b>VOE 63A9920124</b>	<b>63</b>

**VOLVO**

**BL61PLUS**





Volvo Construction  
Equipment  
1021189

Fig.	Part No.	Quantity			P S	K I T	Description	Dénomination	Bezeichnung	Denominación	Benämning	Notes
		1	2	3								
1	VOE 20882905	4				Connecting Rod .....	Bielle .....	Pleuel .....	Biela .....	Tapp.....		
2	VOE 20523284	4				•Bushing.....	•Bague .....	•Buchse .....	•Casquillo .....	•Bussning.....		
3	VOE 20459133	8				•Bolt .....	•Boulon.....	•Bolzen .....	•Perno .....	•Bult.....		
4	VOE 20459134	8				•Pin .....	•Goupille.....	•Zapfen.....	•Pasador.....	•Tapp.....		
5	VOE 20891184	1				Crankshaft.....	Vilebrequin .....	Kurbelwelle.....	Ciguenal .....	Vevaxel.....		
6	VOE 20459140	5				Main Bearing.....	Pal.vilebrequin .....	Hauptlager.....	Cojin Bancada.....	Ramlager.....	STD = 84,00 MM	
	VOE 20459139	5				Main Bearing.....	Pal.vilebrequin .....	Hauptlager.....	Cojin Bancada.....	Ramlager.....	U SZ = 83,75 MM	
7	VOE 20480536	4				Bearing.....	Palier .....	Lager .....	Cojinete .....	Lager.....	STD = 63,00 MM	
	VOE 20522433	4				Bearing.....	Palier .....	Lager .....	Cojinete .....	Lager.....	U SZ = 62,75 MM	
8	VOE 20459149	2				Thrust Washer .....	Rondelle Butee .....	Druckscheibe .....	Arandela Presio.....	Tryckbricka.....	STD	
											WID = 14 MM	
											THICK = 2,0 MM	
	VOE 20459148	2				Thrust Washer .....	Rondelle Butee .....	Druckscheibe .....	Arandela Presio.....	Tryckbricka.....	WID = 14 MM	
											THICK = 2,2 MM	
9	VOE 20459143	2				Thrust Washer .....	Rondelle Butee .....	Druckscheibe .....	Arandela Presio.....	Tryckbricka.....	STD	
											WID = 10 MM	
											THICK = 2,0 MM	
		2			NS	Thrust Washer .....	Rondelle Butee .....	Druckscheibe .....	Arandela Presio.....	Tryckbricka.....	WID = 10 MM	
											THICK = 2,2 MM	
10	VOE 20459144	10				Pin.....	Goupille.....	Zapfen .....	Pasador.....	Tapp.....		
11	VOE 20459115	1				Crankshaft Seal .....	Joint Vilebreq.....	Kurbelw Dichtg .....	Reten Ciguenal .....	Vevaxeltätning.....		
12	VOE 20459124	1				Flywheel.....	Volant.....	Schwungrad .....	Volante .....	Svänghjul.....		
13	VOE 21033328	1				•Gear Ring .....	•Couronne dentee .....	•Zahnkranz .....	•Corona Dentada.....	•Kuggkrans.....		
14	VOE 20405654	10				Bolt.....	Boulon.....	Bolzen .....	Perno.....	Bult.....		
15	VOE 20405724	4				Screw .....	Vis .....	Schraube.....	Tornillo .....	Skruv.....		
16	VOE 24426216	1				Pulley .....	Poulie.....	Z-riemenscheibe .....	Polea Corr Dent .....	Kuggremhjul.....		
17	VOE 20405634	1				Spring Pin .....	Axe de ressort.....	Federstift .....	Pasador Resorte .....	Fjäderpinne.....		
18		1				Piston .....	Piston .....	Kolben .....	Piston .....	Kolv.....	See group 213, Page 59	

1		<b>Vevrörelse</b> <b>Cigüeñal</b> <b>Kurbelbewegung</b> <b>Axe à vilebreguintas</b> <b>Crankshaft and related parts</b>	Catalogue id	Group
2			<b>20124</b>	<b>216</b>
3			Illustr. No	Section
4			<b>1021189</b>	<b>100</b>
5			Issue	Page
			<b>VOE 63A9920124</b>	<b>65</b>

**VOLVO**

**BL61PLUS**

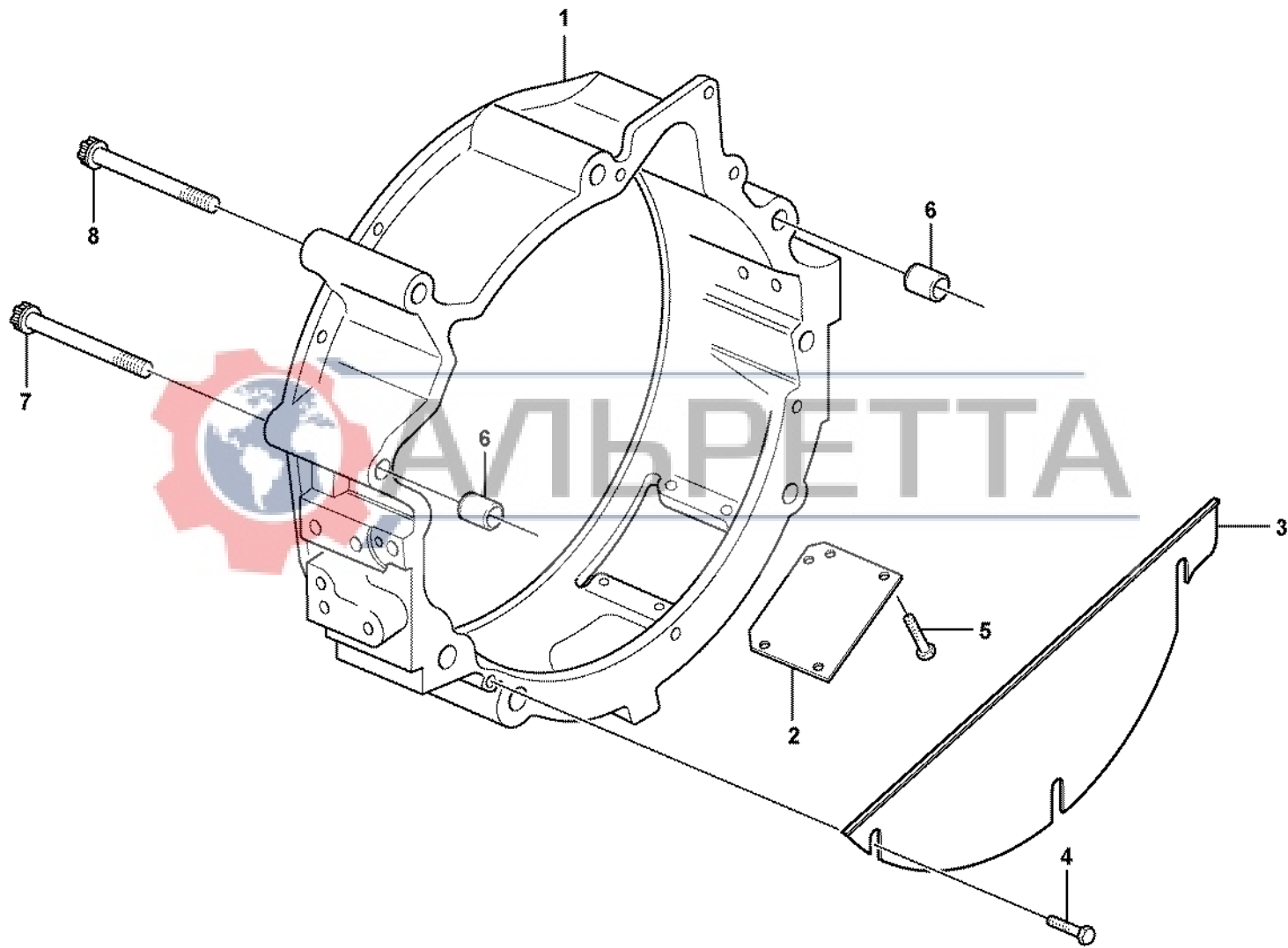


Fig.	Part No.	Quantity			P S	K I T	Description	Dénomination	Bezeichnung	Denominación	Benämning	Notes
		1	2	3								
1	VOE 21044436	1				Flywheel Hsg .....	Carter Volant .....	Schwungradgeh .....	Cubiert Volante .....	Svänghjulsåpa .....		
2	VOE 20547288	1				•Cover Plate .....	•Protection en tole .....	•Schutzblech .....	•Placa Tapa .....	•Täckplatta .....		
3	VOE 20459989	1				•Cover .....	•Capot .....	•Haube .....	•Capo .....	•Lock .....		
4	VOE 20405729	3				•Screw .....	•Vis .....	•Schraube .....	•Tornillo .....	•Skruv .....		
5	VOE 20405729	4				•Screw .....	•Vis .....	•Schraube .....	•Tornillo .....	•Skruv .....		
6	VOE 20585971	2				Bushing .....	Bague .....	Buchse .....	Casquillo .....	Bussning .....		
7	VOE 20459996	2				Screw .....	Vis .....	Schraube .....	Tornillo .....	Skruv .....		
8	VOE 20459995	4				Screw .....	Vis .....	Schraube .....	Tornillo .....	Skruv .....		

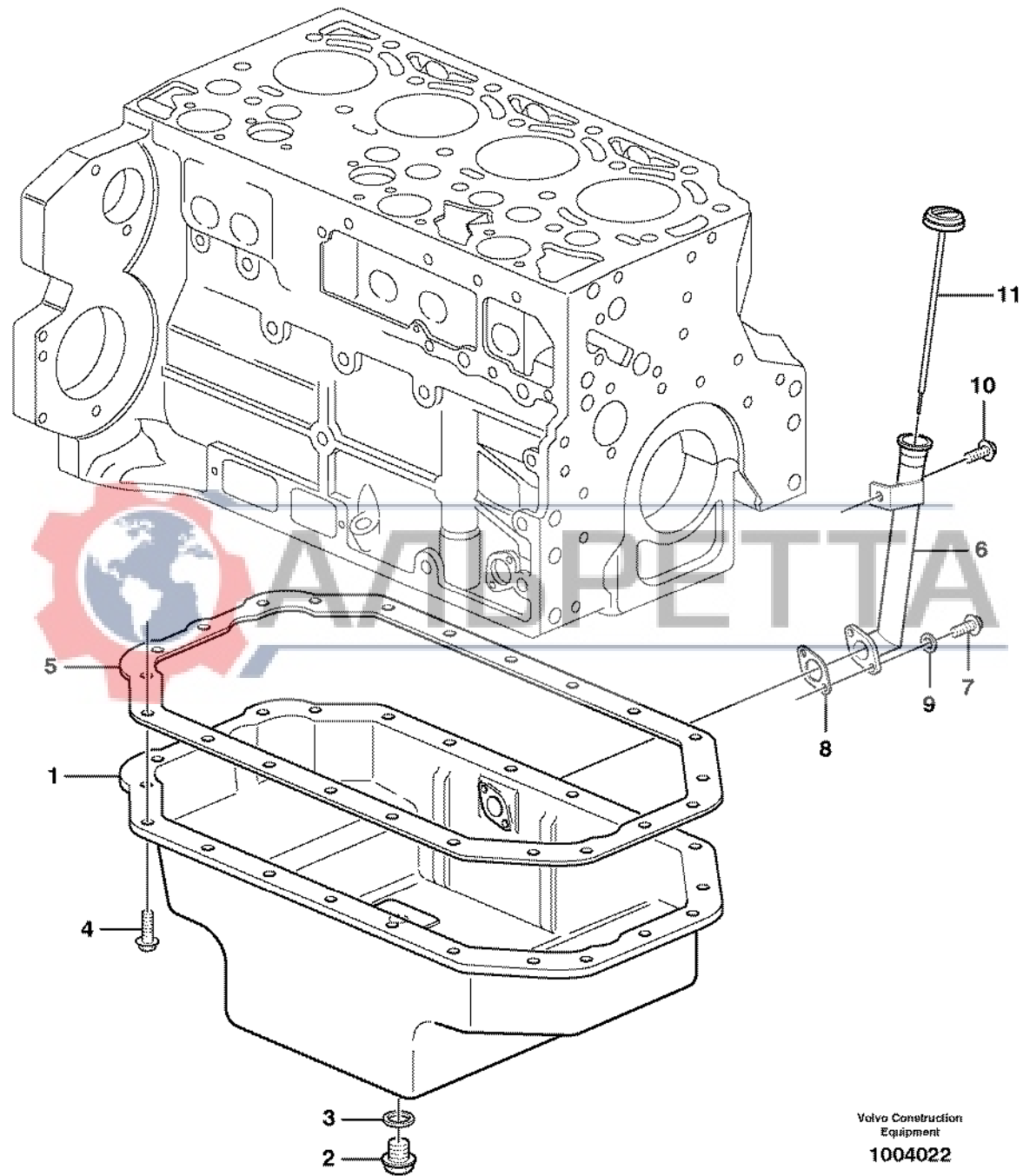


1		<b>Svänghjulsåpa</b> <b>Carcasa del volante</b> <b>Schwungradgehäuse</b> <b>Carter de volant</b> <b>Flywheel housing</b>	Catalogue id	Group
2			<b>20124</b>	<b>216</b>
3			Illustr. No	Section
4			<b>1027113</b>	<b>150</b>
5			Issue	Page
			<b>VOE 63A9920124</b>	<b>67</b>

**VOLVO**



**BL61PLUS**



Volvo Construction  
Equipment  
1004022

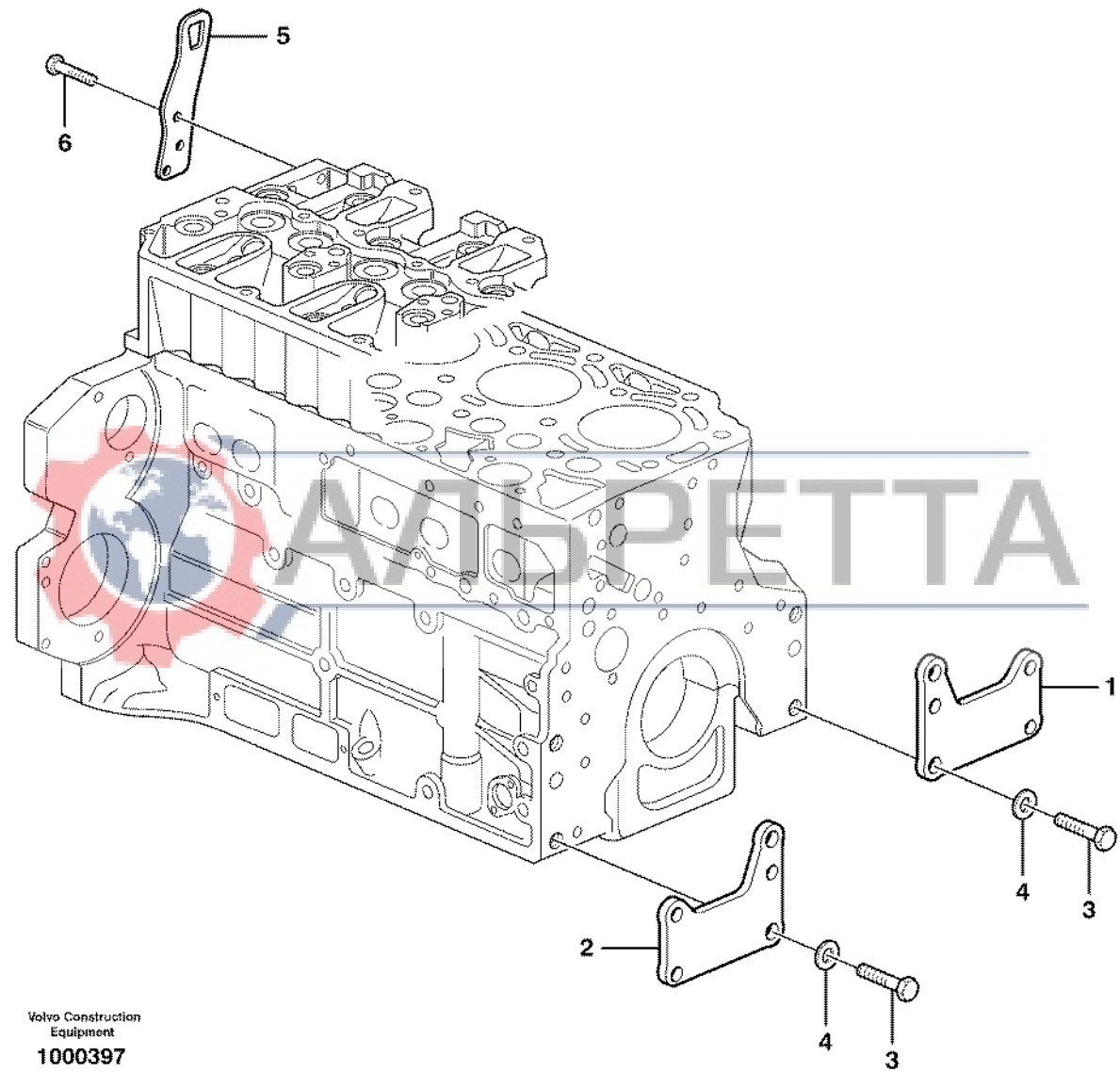
Fig.	Part No.	Quantity			P S	K I T	Description	Dénomination	Bezeichnung	Denominación	Benämning	Notes
		1	2	3								
1	VOE 20482006	1				Oil Pan .....	Carter Huile .....	Ölwanne .....	Carter Aceite .....	Oljesump.....		
2	VOE 20405506	1				Screw plug .....	Bouchon à vis .....	Verschlusschraube...	Tornillo de cierre .....	Skruvplugg.....		
3	VOE 13947624	1				Plane Gasket .....	Joint Plan .....	Flachdichtung.....	Junta Plana .....	Planpackning.....		
4	VOE 20405792	22				Screw .....	Vis .....	Schraube.....	Tornillo .....	Skruv.....		
5	VOE 20460021	1				Gasket.....	Joint .....	Dichtung .....	Junta .....	Packning.....		
6	VOE 20482010	1				Filler neck.....	Tuyau rempliss.....	Einfüllstutzen.....	Cuello Llenado .....	Påfyllningshals.....		
7	VOE 13949578	2				Screw .....	Vis .....	Schraube.....	Tornillo .....	Skruv.....		
8	VOE 20405825	1				Gasket.....	Joint .....	Dichtung .....	Junta .....	Packning.....		
9	VOE 20482349	2				Sealing ring .....	Bague d'étanchéité .....	Runddichtring .....	Anillo reten .....	Tätningring.....		
10	VOE 20405792	1				Screw .....	Vis .....	Schraube.....	Tornillo .....	Skruv.....		
11	VOE 20482027	1				Filler cap .....	Bouch.reservoir .....	Tankverschluss .....	Tapa deposito .....	Tanklock.....		



1		<b>Oljesump</b> <b>Cárter</b> <b>Ölwanne</b> <b>Carter d'huile</b> <b>Oil sump</b>	Catalogue id	Group
2			<b>20124</b>	<b>217</b>
3			Illustr. No	Section
4			<b>1004022</b>	<b>100</b>
5			Issue	Page
			<b>VOE 63A9920124</b>	<b>69</b>

**VOLVO**

**BL61PLUS**



Volvo Construction  
Equipment  
1000397

Fig.	Part No.	Quantity			P S	K I T	Description	Dénomination	Bezeichnung	Denominación	Benämning	Notes
		1	2	3								
1	VOE 20723978	1				Bracket.....	Console.....	Konsole .....	Ménsula.....	Konsol.....		
2	VOE 20723984	1				Bracket.....	Console.....	Konsole .....	Ménsula.....	Konsol.....		
3	VOE 20535027	2				Screw .....	Vis .....	Schraube.....	Tornillo .....	Skruv.....		
4	VOE 20405606	2				Washer.....	Rondelle.....	Scheibe .....	Arandela.....	Bricka.....		
5		1			NS	Lifting eye.....	Oeillet levage .....	Hebeöse.....	Argoll elev .....	Lyftögla.....		
6	VOE 20450756	3				Screw .....	Vis .....	Schraube.....	Tornillo .....	Skruv.....		



1	<b>Motorupphängning</b> <b>Suspensión del motor</b> <b>Motorbefestigung</b> <b>Suspension du moteur</b> <b>Engine mounting</b>	Catalogue id	Group
2		<b>20124</b>	<b>218</b>
3		Illustr. No	Section
4		<b>1000397</b>	<b>100</b>
5		Issue	Page
		<b>VOE 63A9920124</b>	<b>71</b>

**VOLVO**

**BL61PLUS**





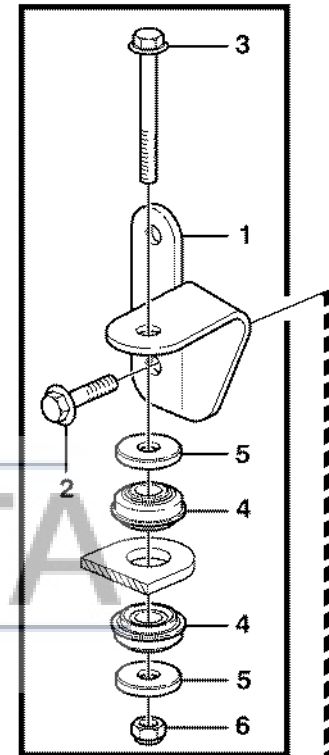
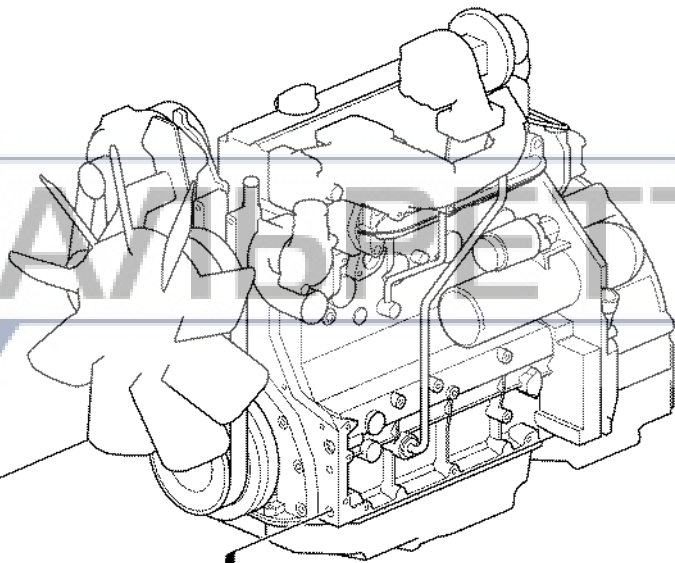
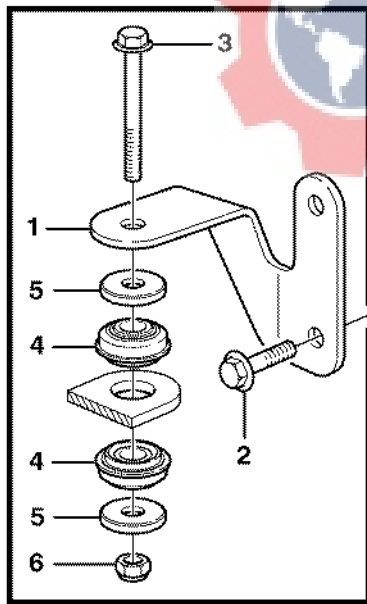


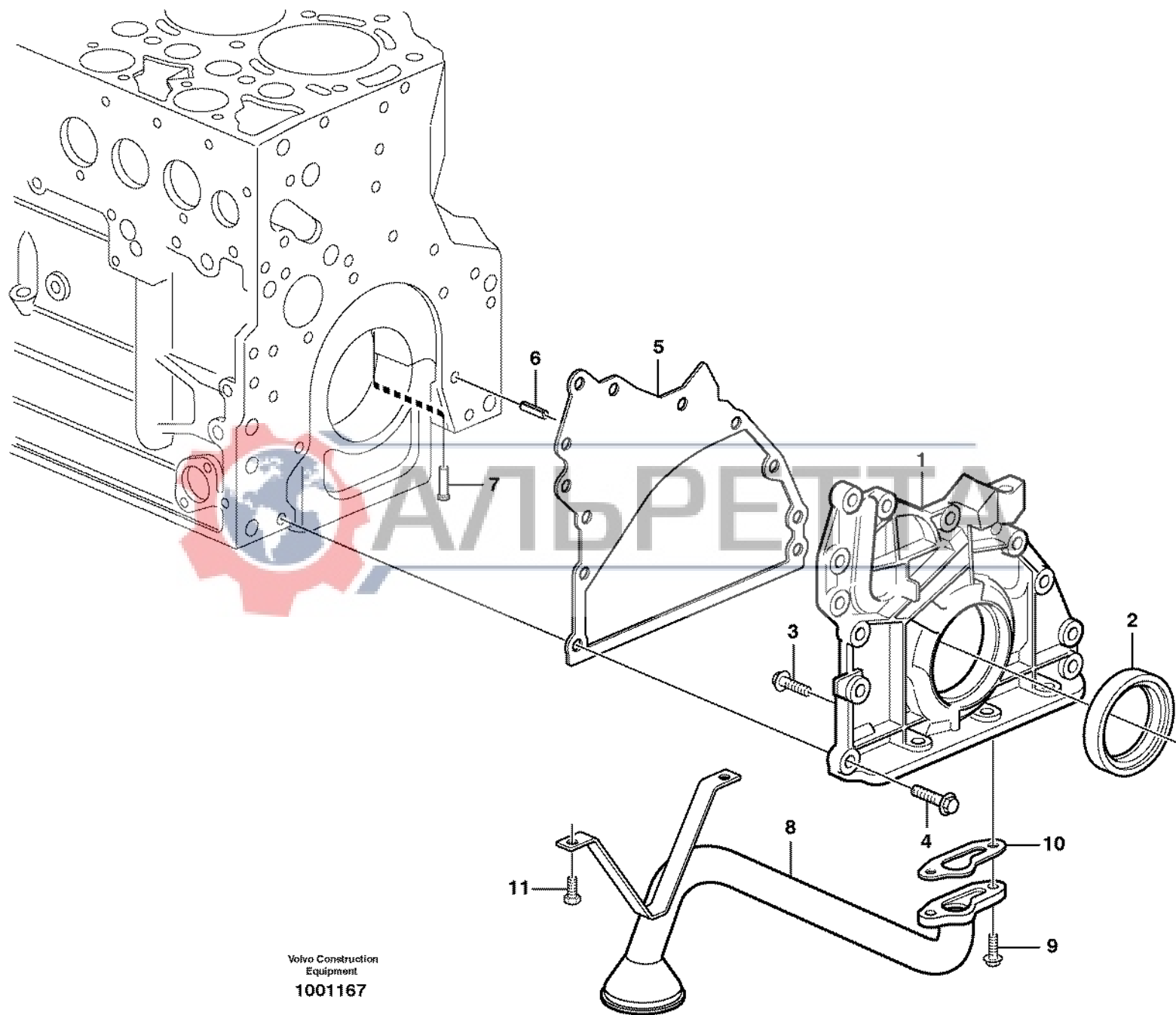
Fig.	Part No.	Quantity			P S	K I T	Description	Dénomination	Bezeichnung	Denominación	Benämning	Notes
		1	2	3								
1	VOE 11884716	1				Engine Mounting .....	Silentbl.moteur .....	Motorbefestg .....	Fijacion Motor.....	Motorfäste.....	LH	
	VOE 11884719	1				Engine Mounting .....	Silentbl.moteur .....	Motorbefestg .....	Fijacion Motor.....	Motorfäste.....	RH	
2	VOE 968435	4				Flange screw.....	Vis à bride .....	Flanschschraube.....	Torn embridado .....	Flänsskruv.....		
3	VOE 968593	2				Flange screw.....	Vis à bride .....	Flanschschraube.....	Torn embridado .....	Flänsskruv.....		
4	VOE 11884790	4				Vibration damper.....	Amort.vibration.....	Schwingdämpfer .....	Amortig vibrac .....	Svängningsdämpare..		
5	VOE 11884792	4				Washer.....	Rondelle .....	Scheibe .....	Arandela .....	Bricka.....		
6	VOE 13963110	2				Lock nut .....	Contre-ecrou .....	Sicherungsmutter .....	Contratuerca .....	Låsmutter.....		



1	<b>Motorupphängning.</b> <b>Suspension del motor.</b> <b>Motoraufhängung.</b> <b>Suspension du moteur.</b> <b>Engine suspension.</b>	Catalogue id	Group
2		<b>20124</b>	<b>218</b>
3		Illustr. No	Section
4		<b>1000563</b>	<b>150</b>
5		Issue	Page
	<b>11891077, 11891595, 11895023</b>	<b>VOE 63A9920124</b>	<b>73</b>

**VOLVO**

**BL61PLUS**



Volvo Construction  
Equipment  
1001167

Fig.	Part No.	Quantity			P S	K I T	Description	Dénomination	Bezeichnung	Denominación	Benämning	Notes
		1	2	3								
1	VOE 20726088	1					Lub Oil Pump .....	Pompe Huile .....	Schmierölpumpe .....	Bomba Lubricac .....	Smörjoljepump.....	
2	VOE 20459168	1					•Crankshaft Seal .....	•Joint Vilebreq .....	•Kurbelw Dichtg.....	•Reten Ciguenal .....	•Vevaxeltätning.....	
3	VOE 20451738	8					•Screw.....	•Vis.....	•Schraube.....	•Tornillo .....	•Skruv.....	
4	VOE 20412324	10					Screw .....	Vis .....	Schraube.....	Tornillo .....	Skruv.....	
5	VOE 20537029	1					Gasket.....	Joint .....	Dichtung .....	Junta .....	Packning.....	
6	VOE 20405603	1					Spring Pin .....	Axe de ressort.....	Federstift .....	Pasador Resorte .....	Fjäderpinne.....	
7	VOE 20405561	4					Pstn Cool Jet.....	Buse Refr.pist. ....	Kolbenkühlöse.....	Boq.enfr Piston.....	Kolvkyln.munst.....	
8	VOE 20977068	1					Oil Pipe .....	Conduit Huile .....	Ölrohr .....	Tubo Aceite .....	Oljerör.....	
9	VOE 13949578	2					Screw .....	Vis .....	Schraube.....	Tornillo .....	Skruv.....	
10	VOE 20405888	1					Gasket.....	Joint .....	Dichtung .....	Junta .....	Packning.....	
11	VOE 20405792	2					Screw .....	Vis .....	Schraube.....	Tornillo .....	Skruv.....	



1	<b>Smörjsystem</b> <b>Sistema de lubricación</b> <b>Schmierölsystem</b> <b>Système de graissage</b> <b>Lubricating oil system</b>	Catalogue id	Group
2		<b>20124</b>	<b>221</b>
3		Illustr. No	Section
4		<b>1001167</b>	<b>100</b>
5		Issue	Page
		<b>VOE 63A9920124</b>	<b>75</b>

**VOLVO**

**BL61PLUS**

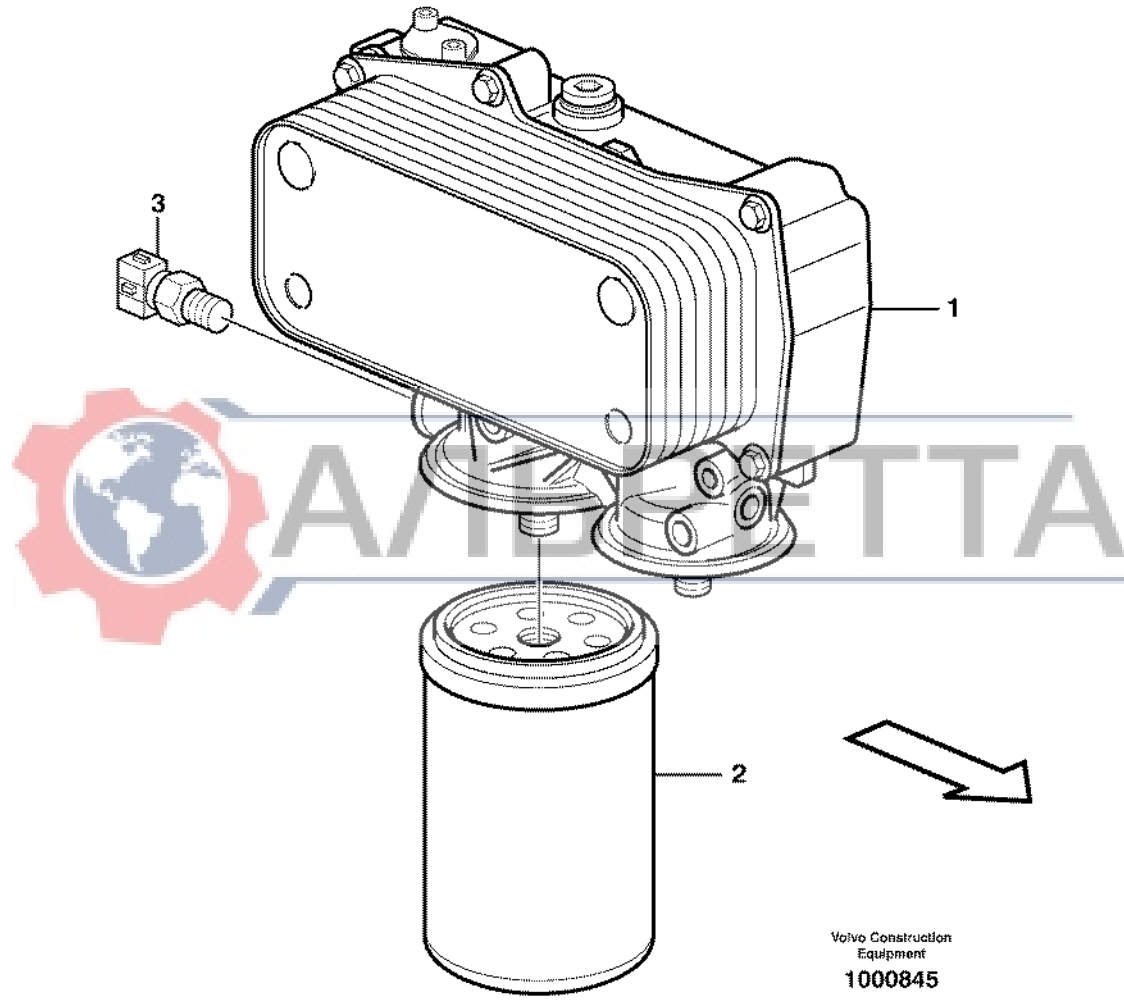


Fig.	Part No.	Quantity			P S	K I T	Description	Dénomination	Bezeichnung	Denominación	Benämning	Notes
		1	2	3								
1		1				Oil Cooler .....	Refroidisseur huile .....	Ölkühler .....	Enfriadores aceite .....	Öljekylare .....	See group 223, Page 79	
2	<b>VOE 11700375</b>	1				Oil Filter .....	Filtre Huile .....	Ölfiler .....	Filtro Aceite .....	Öljefilter .....		
3	<b>VOE 20943001</b>	1				Pressure Switch .....	Mano contact .....	Druckschalter .....	Manocontacto .....	Tryckkontakt .....		

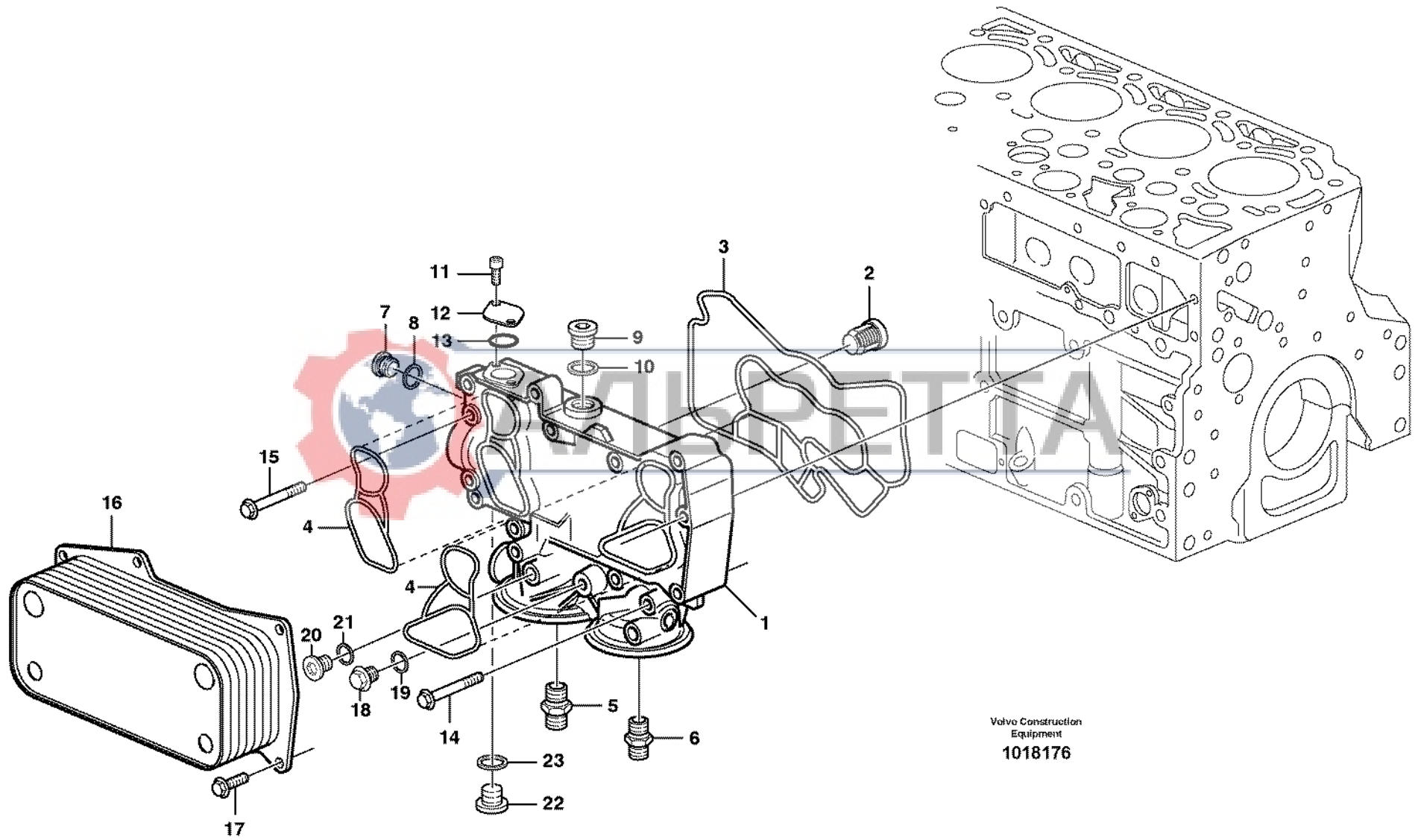


1		<b>Oljefilter</b> <b>Filtro de aceite</b> <b>Ölfiler</b> <b>Filtre à huile</b> <b>Oil filter</b>	Catalogue id	Group
2			<b>20124</b>	<b>222</b>
3			Illustr. No	Section
4			<b>1000845</b>	<b>100</b>
5			Issue	Page
			<b>VOE 63A9920124</b>	<b>77</b>

**VOLVO**

**BL61PLUS**





Volvo Construction  
Equipment  
1018176

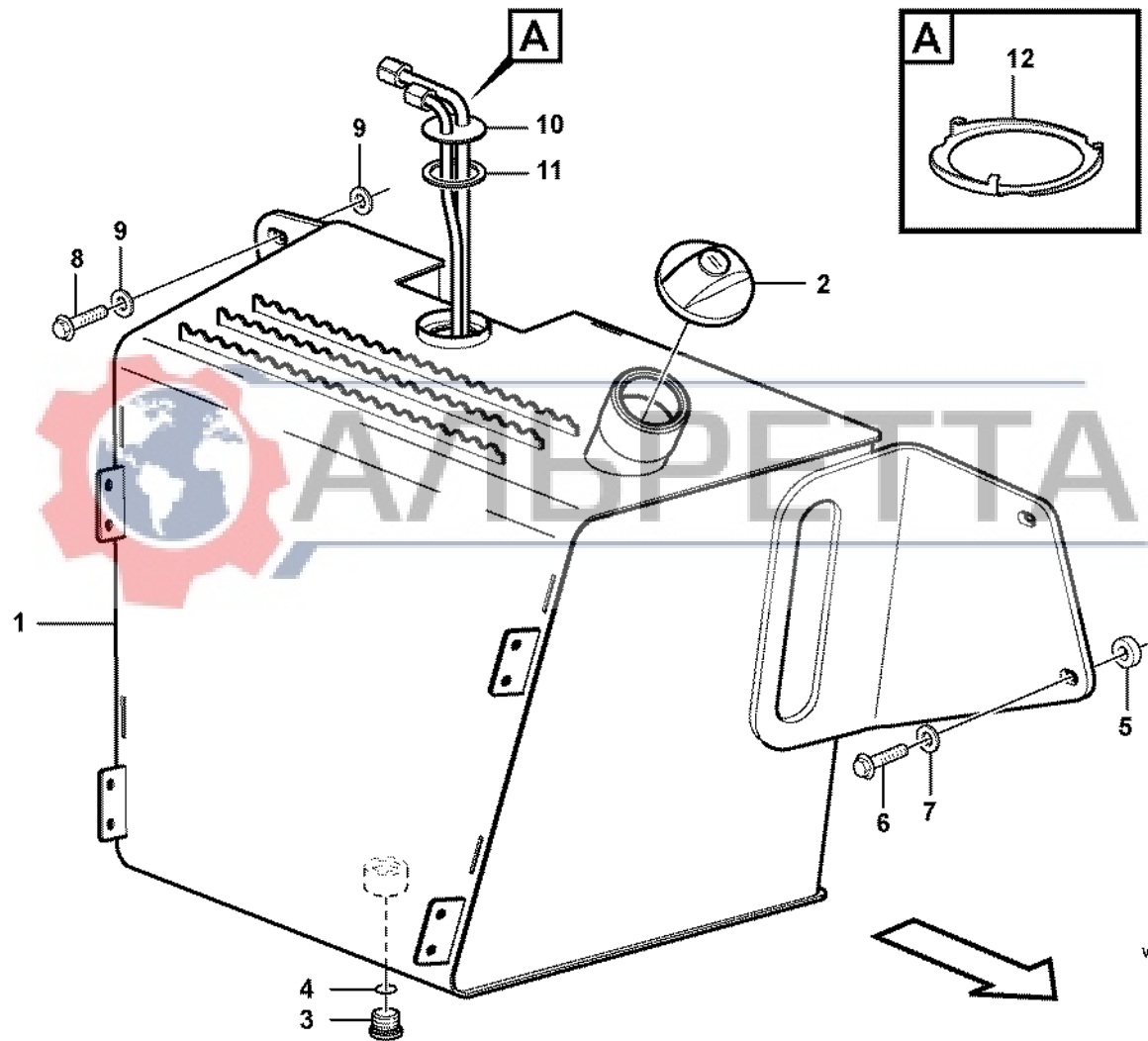
Fig.	Part No.	Quantity			P S	K I T	Description	Dénomination	Bezeichnung	Denominación	Benämning	Notes
		1	2	3								
1	VOE 20944091	1				Oil Filter Hsg .....	Boitier Filt Hu .....	Ölfiltergehäuse .....	Caja Filt Aceit .....	Oljefilterhus.....		
2	VOE 20459204	1				•Valve .....	•Soupape .....	•Ventil .....	•Valvula .....	•Ventil.....		
3	VOE 20459203	1				•Gasket .....	•Joint .....	•Dichtung.....	•Junta .....	•Packning.....		
4	VOE 20459202	2				•Gasket .....	•Joint .....	•Dichtung.....	•Junta .....	•Packning.....		
5	VOE 20459201	1				•Nipple .....	•Raccord .....	•Nippel.....	•Niple .....	•Nippel.....		
6	VOE 20459200	1				•Nipple .....	•Raccord .....	•Nippel.....	•Niple .....	•Nippel.....		
7	VOE 20502245	1				•Screw plug .....	•Bouchon à vis .....	•Schraube.....	•Tapón roscado .....	•Skruvplugg.....		
8	VOE 13947622	1				•Plane Gasket .....	•Joint Plan .....	•Flachdichtung.....	•Junta Plana .....	•Planpackning.....		
9	VOE 20459195	1				•Plug .....	•Bouchon.....	•Stopfen .....	•Tapon.....	•Plugg.....		
10	VOE 13947628	1				•Plane Gasket .....	•Joint Plan .....	•Flachdichtung.....	•Junta Plana .....	•Planpackning.....		
11	VOE 20459197	2				•Screw.....	•Vis.....	•Schraube.....	•Tornillo .....	•Skruv.....		
12	VOE 11700609	1				•Cap .....	•Chapeau .....	•Kappe .....	•Caperuza .....	•Lock.....		
13	VOE 20405599	1				•Sealing ring.....	•Bague d'étanchéité .....	•Runddichtring.....	•Anillo reten .....	•Tätningsring.....		
14	VOE 20405917	3				Screw .....	Vis .....	Schraube.....	Tornillo .....	Skruv.....		
15	VOE 20405672	5				Screw .....	Vis .....	Schraube.....	Tornillo .....	Skruv.....		
16	VOE 20532396	1				Oil Cooler.....	Refroidisseur huile .....	Ölkühler.....	Enfriadores aceite .....	Oljekylare.....		
17	VOE 20405885	7				Screw .....	Vis .....	Schraube.....	Tornillo .....	Skruv.....		
18	VOE 20459941	1				Screw plug .....	Bouchon à vis .....	Verschlusschraube.....	Tornillo de cierre .....	Skruvplugg.....		
19	VOE 20459942	1				Sealing ring .....	Bague d'étanchéité .....	Runddichtring .....	Anillo reten .....	Tätningsring.....		
20	VOE 20460239	1				Plug .....	Bouchon .....	Stopfen .....	Tapon .....	Plugg.....		
21	VOE 13947281	1				Gasket.....	Joint .....	Dichtung .....	Junta .....	Packning.....		
22	VOE 20496548	1				Plug.....	Tampon .....	Stopfen .....	Tapon .....	Plugg.....		
23	VOE 20450890	1				Sealing ring .....	Bague d'étanchéité .....	Runddichtring .....	Anillo reten .....	Tätningsring.....		

1		<b>Oljekylare</b> <b>Enfriador de aceite</b> <b>Ölkühler</b> <b>Radiateur d 'huile</b> <b>Oil cooler</b>	Catalogue id	Group
2			<b>20124</b>	<b>223</b>
3			Illustr. No	Section
4			<b>1018176</b>	<b>100</b>
5			Issue	Page
			<b>VOE 63A9920124</b>	<b>79</b>

**VOLVO**

**BL61PLUS**





Volvo Construction  
Equipment  
1027086

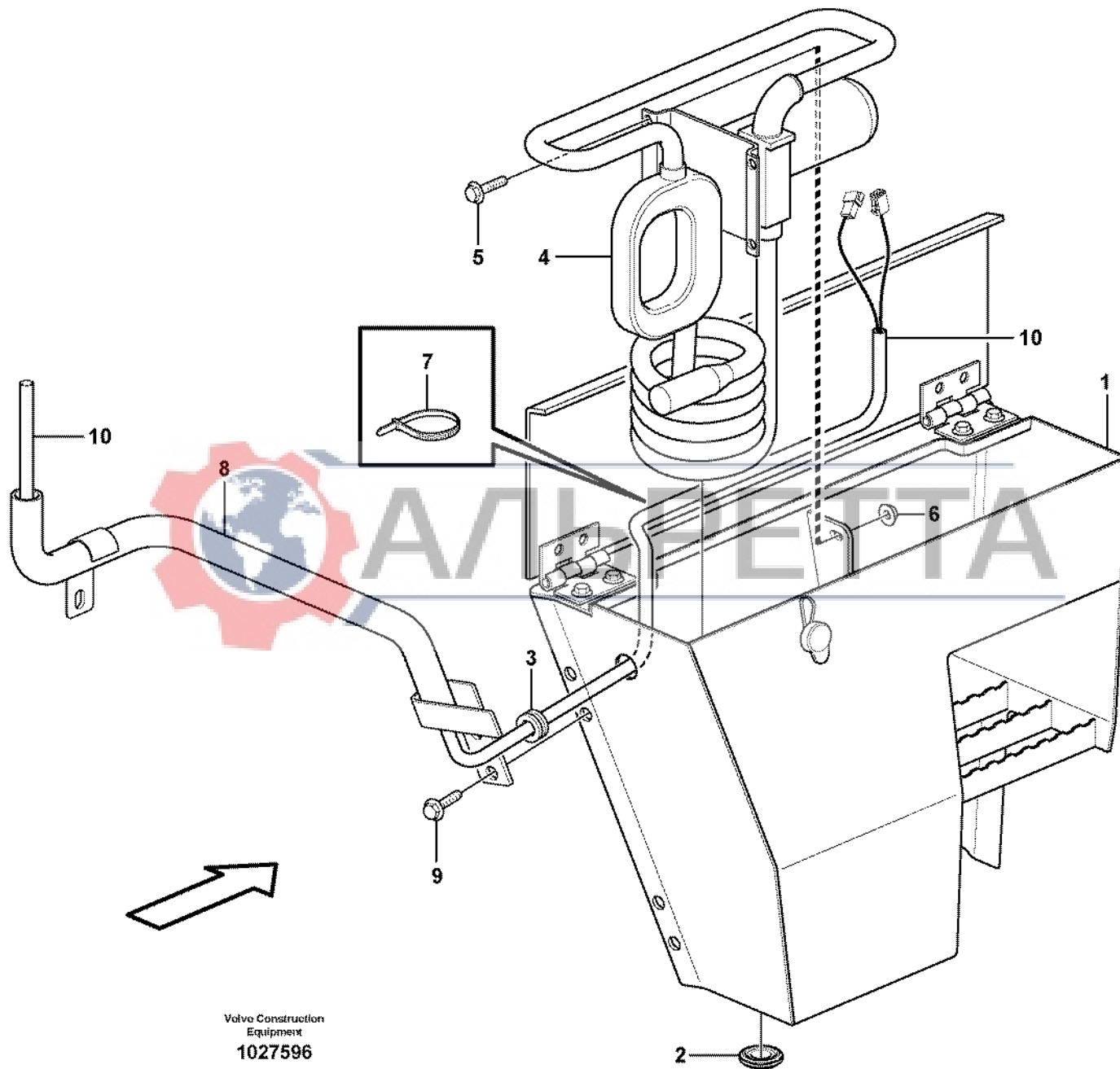
Fig.	Part No.	Quantity			P S	K I T	Description	Dénomination	Bezeichnung	Denominación	Benämning	Notes
		1	2	3								
1	VOE 11886973	1					Fuel tank .....	Réservoir carburant ...	Kraftstofftank .....	Deposit combust .....	Bränsletank.....	
2	VOE 11887988	1					•Cap .....	•Chapeau .....	•Kappe .....	•Caperuza .....	•Lock.....	
3	VOE 11882920	1					Plug.....	Bouchon .....	Stopfen.....	Tapon .....	Plugg.....	
4	VOE 932042	1					•O-ring.....	•Joint Torique .....	•O-Ring.....	•Junta torica .....	•O-ring.....	
5	VOE 11882457	2					Spacer.....	Entretoise .....	Abstandkörper.....	Distanciador .....	Distans.....	
6	VOE 13965194	2					Flange screw.....	Vis à bride .....	Flanschschraube.....	Torn embridado .....	Flänsskruv.....	
7	VOE 947558	2					Washer.....	Rondelle .....	Scheibe .....	Arandela .....	Bricka.....	
8	VOE 13965194	2					Flange screw.....	Vis à bride .....	Flanschschraube.....	Torn embridado .....	Flänsskruv.....	
9	VOE 947558	4					Washer.....	Rondelle .....	Scheibe .....	Arandela .....	Bricka.....	
10	VOE 11881914	1					Fuel Lvl Sensor .....	Ind.niv.carbur. ....	Kraftst V-geber .....	Sensor Niv Comb .....	Bränslenivågiv.....	
11	VOE 11881915	1					Rubber Seal .....	Lèvre Caoutchouc.....	Gummilippe .....	Labio Goma.....	Gummiläpp.....	
12	VOE 11881916	1					Lock Ring .....	Anneau Verrouillage ..	Schlossring.....	Anillo Segurid .....	Låsring.....	



1	<b>Bränsletank med monteringsdetaljer</b> <b>Depósito de combustible con accesorios de montaje</b> <b>Kraftstofftank mit Anbauteilen</b> <b>Réservoir de carburant avec pièces de montage</b> <b>Fuel tank with fitting parts</b>	Catalogue id	Group
2		<b>20124</b>	<b>234</b>
3		Illustr. No	Section
4		<b>1027086</b>	<b>100</b>
5		Issue	Page
		<b>VOE 63A9920124</b>	<b>81</b>

**VOLVO**

**BL61PLUS**



Volvo Construction  
Equipment  
1027596

Fig.	Part No.	Quantity			P S	K I T	Description	Dénomination	Bezeichnung	Denominación	Benämning	Notes
		1	2	3								
1		1				Box.....	Boîte.....	Kasten.....	Caja.....	Låda.....	See group 234, Page 85	
2	<b>VOE 13961965</b>	3				Protecting Plug.....	Tampon Protect.....	Sicher Stöpsel.....	Tapon Protecc.....	Skyddspropp.....		
3	<b>VOE 4780802</b>	1				Ptct Bushing.....	Bague Protection.....	Schutzhülse.....	Buje Proteccion.....	Skyddsbussning.....		
4		1		NS		Pump kit.....	Kit pompe.....	Pumpensatz.....	Juego bomba.....	Pumpsats.....		
5	<b>VOE 13946934</b>	4				Screw.....	Vis.....	Schraube.....	Tornillo.....	Skruv.....		
6	<b>VOE 13945407</b>	4				Nut.....	Ecrou.....	Mutter.....	Tuerca.....	Mutter.....		
7	<b>VOE 980883</b>	2				Strip Clamp.....	Ruban Serrage.....	Kabelbinder.....	Abraz Cinta.....	Bandklamma.....		
8		1		NS		Guard.....	Protection.....	Schutz.....	Protección.....	Skydd.....		
9	<b>VOE 13945444</b>	2				Flange screw.....	Vis à bride.....	Flanschschraube.....	Torn embridado.....	Flänsskruv.....		
10		1		NS		Cable harness.....	Faisceau cables.....	Kabelbaum.....	Manojo cables.....	Ledningsmatta.....		



1		<b>Bränslepump</b> <b>Bomba de combustible</b> <b>Kraftstoffpumpe</b> <b>Pompe carburant</b> <b>Fuel pump</b>	Catalogue id	Group
2			<b>20124</b>	<b>234</b>
3			Illustr. No	Section
4			<b>1027596</b>	<b>150</b>
5			Issue	Page
			<b>VOE 63A9920124</b>	<b>83</b>

**VOLVO**

**BL61PLUS**

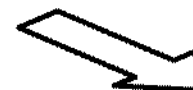
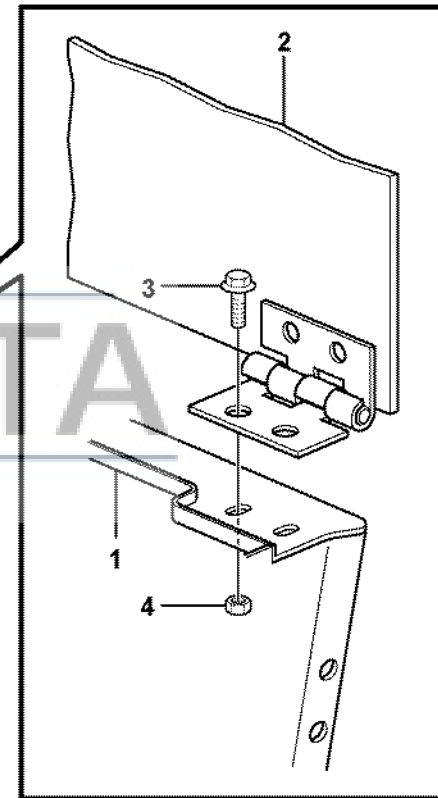
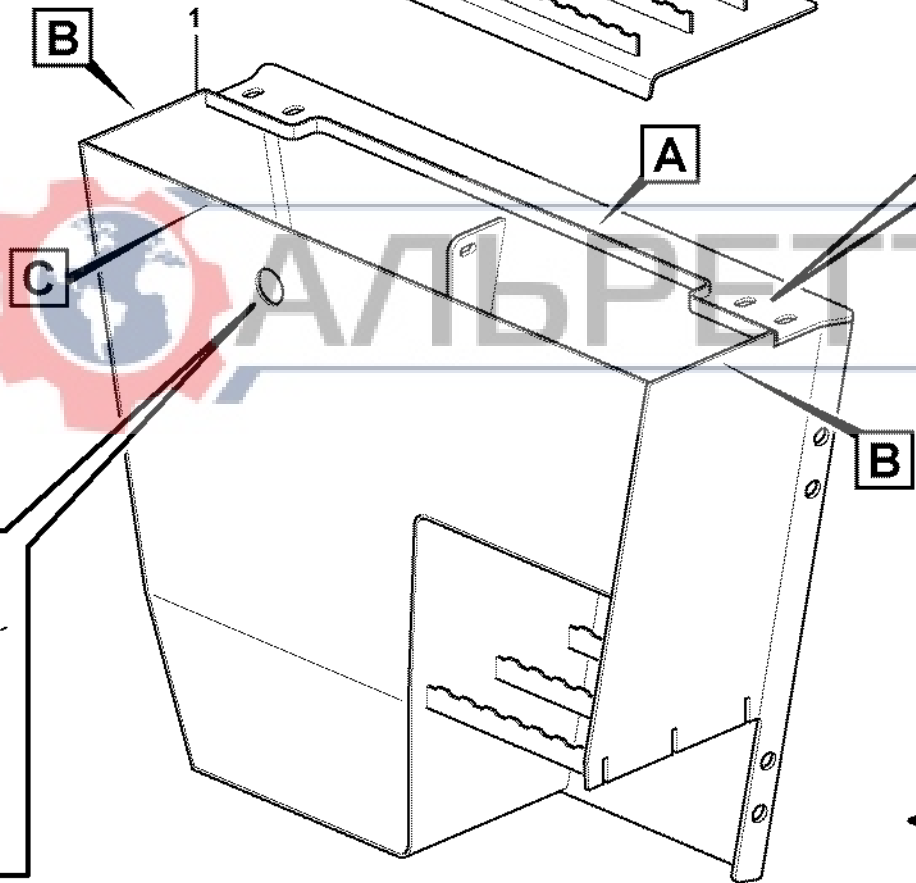
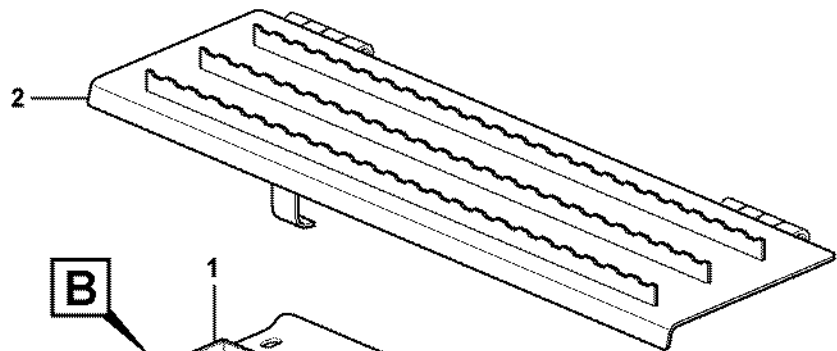
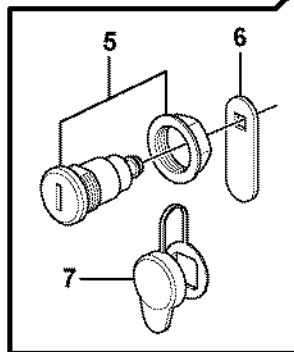
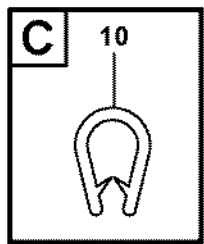
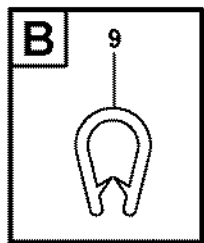
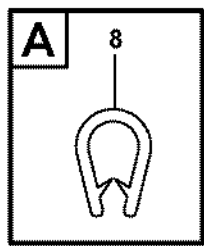


Fig.	Part No.	Quantity			P S	K I T	Description	Dénomination	Bezeichnung	Denominación	Benämning	Notes
		1	2	3								
	VOE 1188821	1				OP	Box.....	Boîte.....	Kasten.....	Caja.....	Låda.....	
1	VOE 1188822	1					•Box.....	•Boîte.....	•Kasten.....	•Caja.....	•Låda.....	
2	VOE 1188823	1					•Door.....	•Porte.....	•Tür.....	•Puerta.....	•Dörr.....	
3	VOE 13946544	4					•Flange screw.....	•Vis à bride.....	•Flanschschraube.....	•Torn embridado.....	•Flänsskruv.....	
4	VOE 13945407	4					•Nut.....	•Erou.....	•Mutter.....	•Tuerca.....	•Mutter.....	
5	VOE 11886138	1					•Lock.....	•Serrure.....	•Schloss.....	•Cierre.....	•Lås.....	
6	VOE 11888831	1					•Plate.....	•Tole.....	•Blech.....	•Chapa.....	•Plåt.....	
7		1				NS	•Cover.....	•Capot.....	•Haube.....	•Capo.....	•Lock.....	
8	VOE 11888918	1					•Gasket.....	•Joint.....	•Dichtung.....	•Junta.....	•Packning.....	L = 638 MM
9		2				NS	•Gasket.....	•Joint.....	•Dichtung.....	•Junta.....	•Packning.....	L = 2 x 125 MM
10		1				NS	•Gasket.....	•Joint.....	•Dichtung.....	•Junta.....	•Packning.....	L = 586 MM



1		<b>Låda</b> <b>Caja</b> <b>Kasten</b> <b>Boîte</b> <b>Box</b>  <b>11891566</b>	Catalogue id	Group
2			<b>20124</b>	<b>234</b>
3			Illustr. No	Section
4			<b>1027593</b>	<b>200</b>
5			Issue	Page
			<b>VOE 63A9920124</b>	<b>85</b>

**VOLVO**

**BL61PLUS**

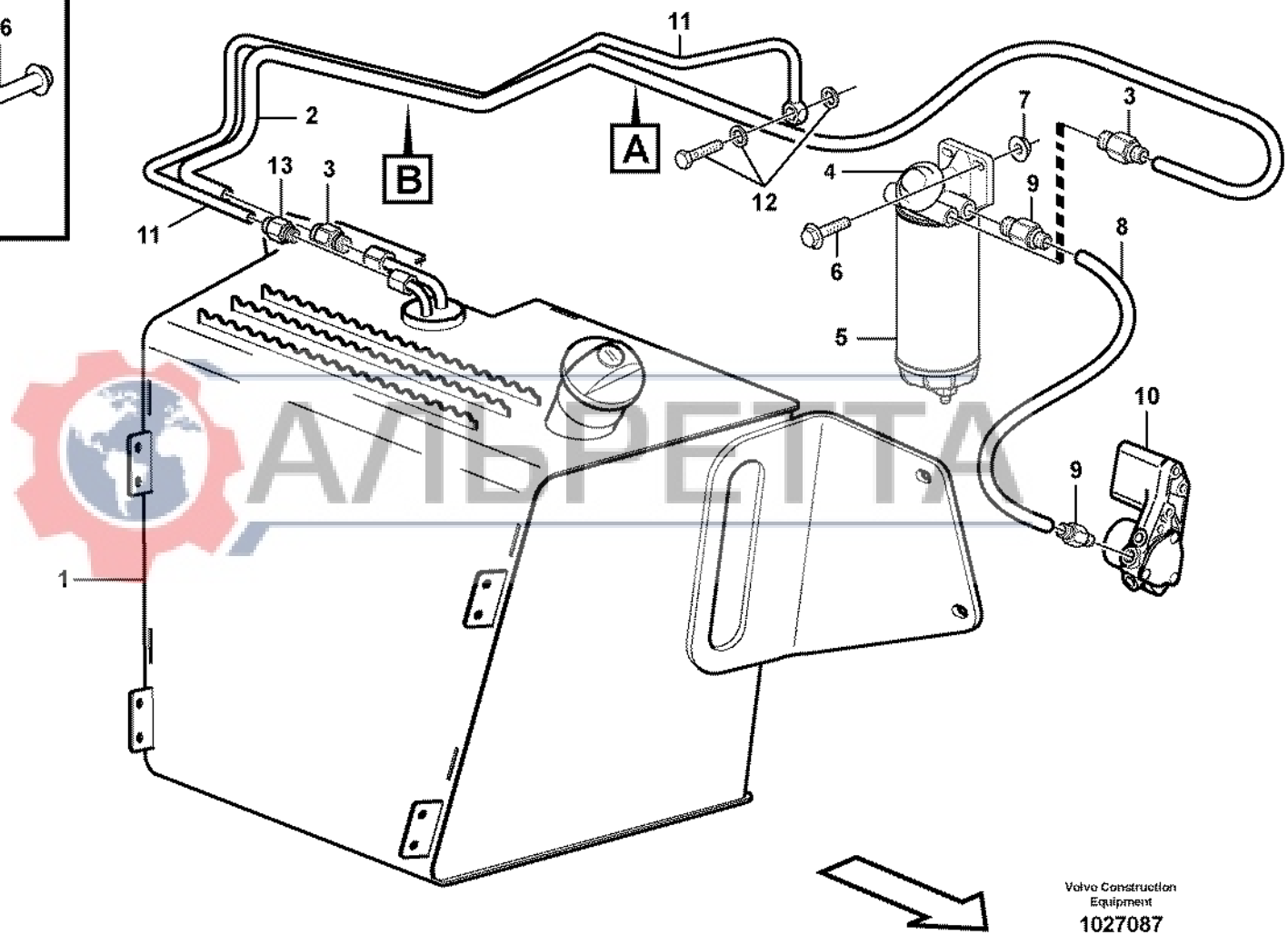
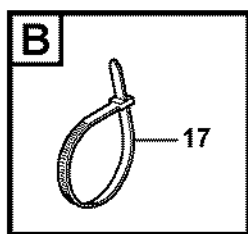
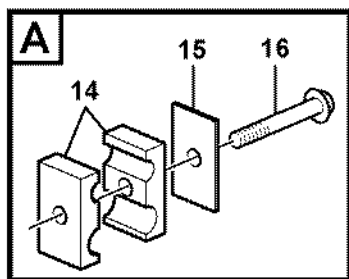


Fig.	Part No.	Quantity			P S	K I T	Description	Dénomination	Bezeichnung	Denominación	Benämning	Notes
		1	2	3								
1		1				Fuel tank .....	Réservoir carburant ...	Kraftstofftank .....	Deposit combust .....	Bränsletank.....	See group 234, Page 81	
2	VOE 11884613	1				Fuel hose .....	Flexi.carburant .....	Kraftstoffschlauch.....	Manguera comb .....	Bränsleslang.....		
3	VOE 11883346	2				Union.....	Teton Connexion.....	Anschlussnippel .....	Niple Conexcion .....	Anslutn.nippel.....		
4	VOE 11110670	1				Water Separator.....	Separateur Eau.....	Wasserabscheidr .....	Separador Agua .....	Vattenavskiljare.....		
5	VOE 11110668	1				•Filter.....	•Filtre .....	•Filter .....	•Filtro .....	•Filter.....		
6	VOE 13965185	2				Flange screw.....	Vis à bride.....	Flanschschraube.....	Torn embridado .....	Flänsskruv.....		
7	VOE 13971095	2				Flange nut.....	Ecrou accouple. ....	Bundmutter.....	Tuerca embridad .....	Flänsmutter.....		
8	VOE 11883973	1				Fuel hose .....	Flexi.carburant .....	Kraftstoffschlauch.....	Manguera comb .....	Bränsleslang.....		
9	VOE 11883346	2				Union.....	Teton Connexion.....	Anschlussnippel .....	Niple Conexcion .....	Anslutn.nippel.....		
10		1				Fuel pump .....	Pompe Carburant.....	Kraftstoffpumpe.....	Bomba Combustib.....	Bränslepump.....	See group 235, Page 89	
11	VOE 11883974	1				Fuel hose .....	Flexi.carburant .....	Kraftstoffschlauch.....	Manguera comb .....	Bränsleslang.....		
12		1				Hollow Screw .....	Vis Creuse .....	Hohlschraube .....	Tornillo hueco.....	Hålskruv.....	See group 235, Page 89	
13	VOE 11882900	1				Union.....	Teton Connexion.....	Anschlussnippel .....	Niple Conexcion .....	Anslutn.nippel.....		
14		2			NS	Bracket.....	Console .....	Konsole .....	Consola .....	Konsol.....		
15	VOE 11881311	1				Plate.....	Plaque.....	Platte .....	Placa .....	Platta.....		
16	VOE 13965179	1				Flange screw.....	Vis à bride .....	Flanschschraube .....	Torn embridado .....	Flänsskruv.....		
17	VOE 4881438	2				Strip Clamp .....	Ruban Serrage.....	Kabelbinder .....	Abraz Cinta .....	Bandklamma.....		



1	<b>Bränslesystem</b> <b>Sistema de combustible</b> <b>Kraftstoffsystem</b> <b>Système d'alimentation</b> <b>Fuel system</b>	Catalogue id	Group
2		<b>20124</b>	<b>235</b>
3		Illustr. No	Section
4		<b>1027087</b>	<b>100</b>
5		Issue	Page
		<b>VOE 63A9920124</b>	<b>87</b>

**VOLVO**

**BL61PLUS**



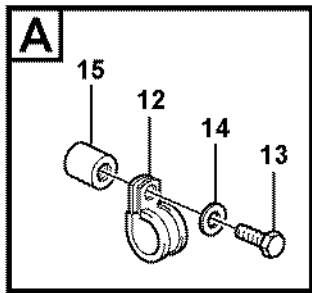
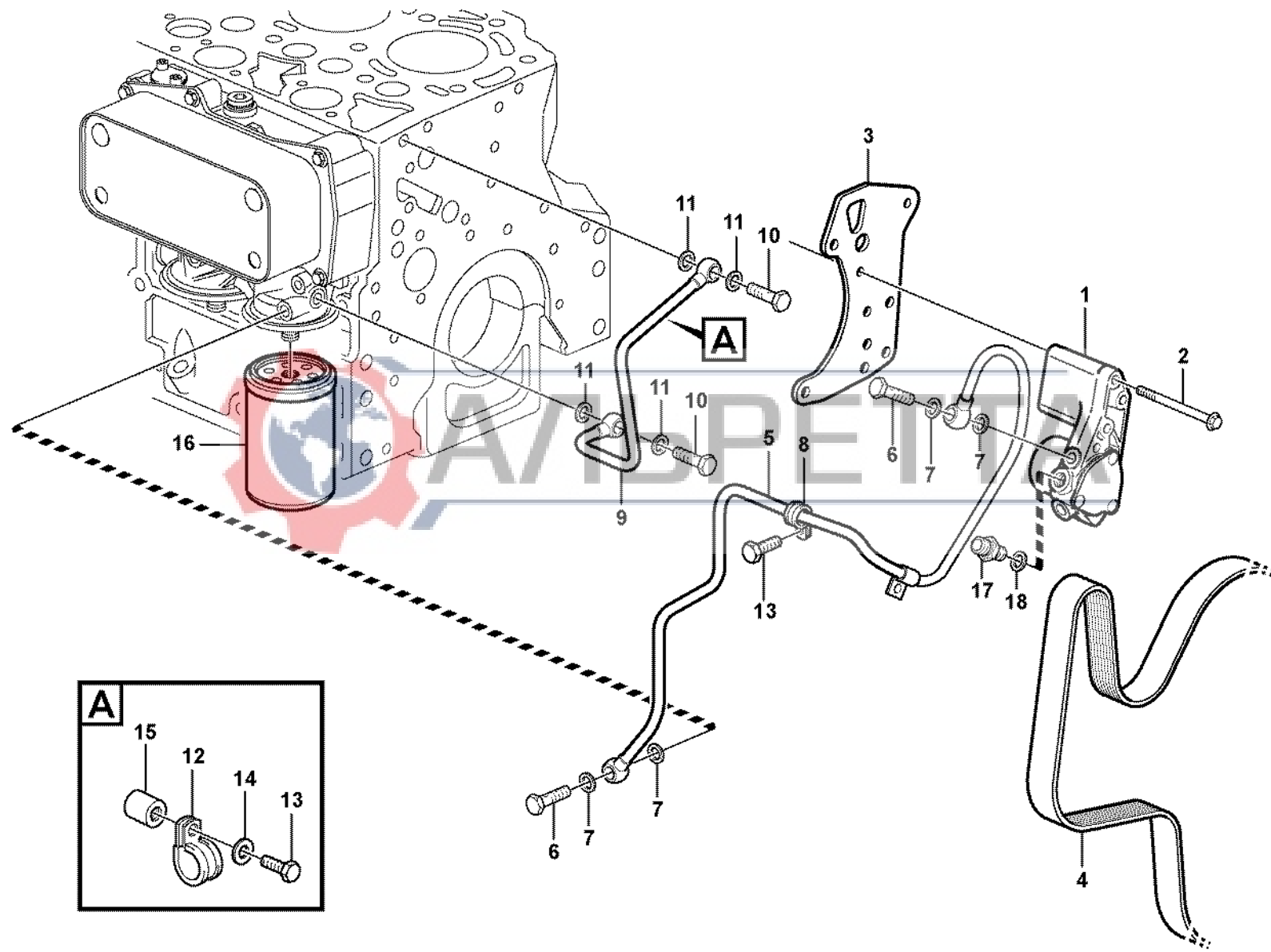


Fig.	Part No.	Quantity			P S	K I T	Description	Dénomination	Bezeichnung	Denominación	Benämning	Notes
		1	2	3								
1	VOE 20917999	1				Fuel pump .....	Pompe Carburant.....	Kraftstoffpumpe.....	Bomba Combustib.....	Bränslepump.....		
2	VOE 20459246	3				Screw .....	Vis .....	Schraube.....	Tornillo .....	Skruv.....		
3	VOE 20567447	1				Plate.....	Plaque.....	Platte.....	Placa .....	Platta.....		
4		1				V-belt.....	Courroie Trape.....	Keilriemen .....	Correa Trapez .....	Kilrem.....	See group 263, Page 121	
5	VOE 20524626	1				Fuel line .....	Flexible carburant .....	Kraftstoffschlauch.....	Manguera combustib.....	Bränsleledning.....		
6	VOE 7025167	2				•Hollow Screw.....	•Vis Creuse .....	•Hohlschraube.....	•Tornillo hueco .....	•Hålskruv.....		
7	VOE 13969011	4				•Gasket .....	•Joint .....	•Dichtung.....	•Junta .....	•Packning.....		
8	VOE 20460045	1				•Clamp .....	•Pince Serrage .....	•Klemme.....	•Abrazadera .....	•Klämna.....		
9	VOE 20481768	1				Fuel pipe .....	Conduit carbura .....	Kraftstoffleitung .....	Tube combustib.....	Bränslerör.....		
10	VOE 7025167	2				•Hollow Screw.....	•Vis Creuse .....	•Hohlschraube.....	•Tornillo hueco .....	•Hålskruv.....		
11	VOE 13969011	4				•Gasket .....	•Joint .....	•Dichtung.....	•Junta .....	•Packning.....		
12	VOE 20460045	1				•Clamp .....	•Pince Serrage .....	•Klemme.....	•Abrazadera .....	•Klämna.....		
13	VOE 20405729	2				Screw .....	Vis .....	Schraube.....	Tornillo .....	Skruv.....		
14	VOE 20459183	1				Washer.....	Rondelle .....	Scheibe .....	Arandela .....	Bricka.....		
15	VOE 20481769	1				Bushing.....	Bague.....	Buchse .....	Casquillo .....	Bussning.....		
16	VOE 11708555	1				Fuel filter .....	Filtre à carburant.....	Kraftstofffilter .....	Filtro de combustible ..	Bränslefilter.....		
17	VOE 20412596	1				Connector.....	Raccord.....	Anschluss.....	Union .....	Anslutning.....		
18	VOE 13947622	1				Plane Gasket .....	Joint Plan .....	Flachdichtung.....	Junta Plana .....	Planpackning.....		



1	<b>Bränslepump</b> <b>Bomba de combustible</b> <b>Kraftstoffpumpe</b> <b>Pompe carburant</b> <b>Fuel pump</b>	Catalogue id	Group
2		<b>20124</b>	<b>235</b>
3		Illustr. No	Section
4		<b>1027190</b>	<b>150</b>
5		Issue	Page
		<b>VOE 63A9920124</b>	<b>89</b>

**VOLVO**

**BL61PLUS**

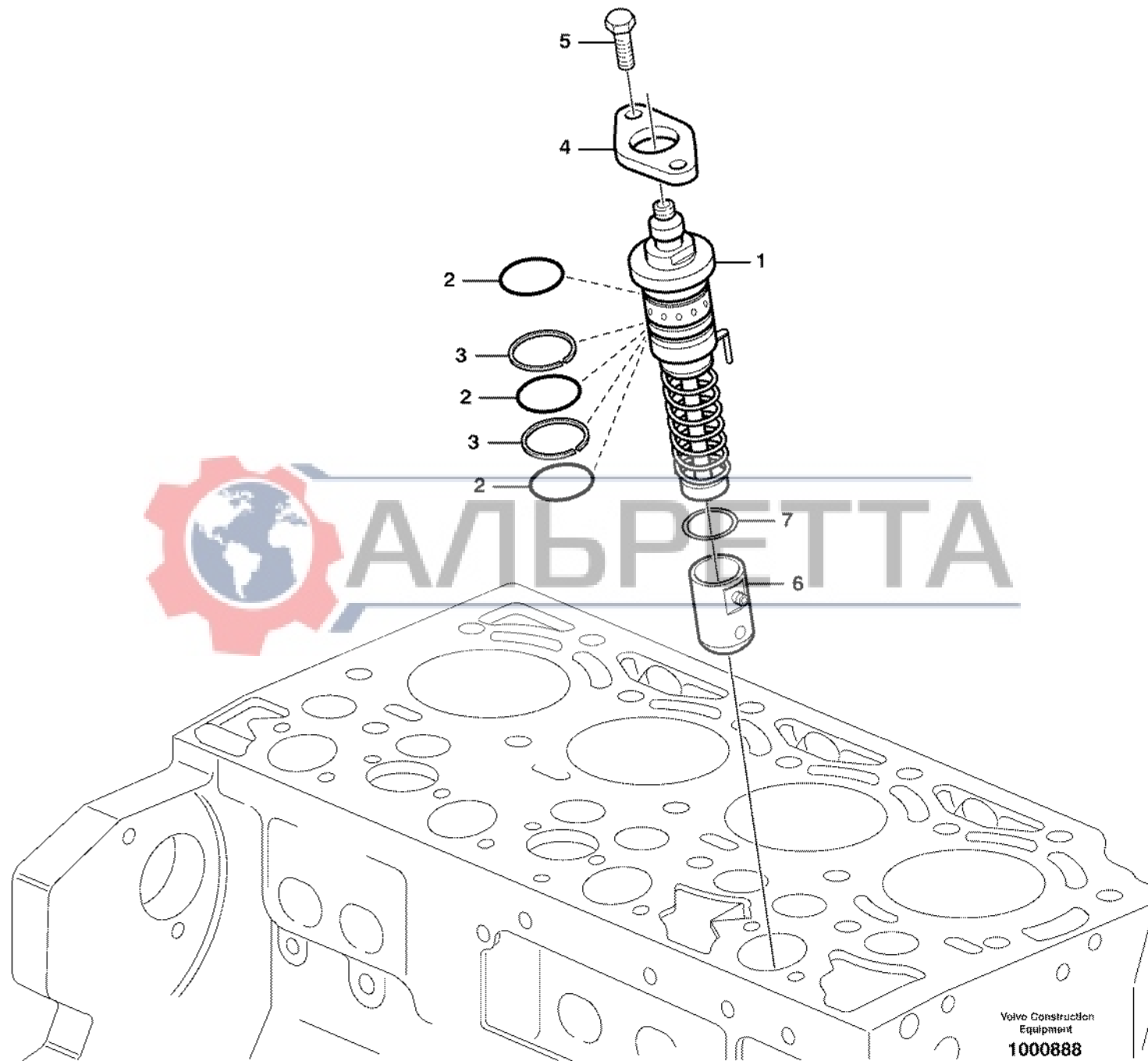


Fig.	Part No.	Quantity			P S	K I T	Description	Dénomination	Bezeichnung	Denominación	Benämning	Notes
		1	2	3								
1	VOE 20460072	4				Injection Pump .....	Pompe Injection .....	Einspritzpumpe .....	Bomba Inyeccion .....	Insprutn.pump.....		
2	VOE 20405907	12				•Sealing ring.....	•Bague d'étanchéité ..	•Runddichtring.....	•Anillo reten .....	•Tätningsring.....		
3	VOE 20405543	8				•Shim .....	•Cale d'épaisseur .....	•Passscheibe .....	•Arandela Ajuste.....	•Passbricka.....		
4	VOE 20405565	4				Flange .....	Flasque .....	Flansch.....	Brida .....	Fläns.....		
5	VOE 20460071	8				Screw .....	Vis .....	Schraube.....	Tornillo .....	Skruv.....		
6	VOE 11700392	4				Roller.....	Galet .....	Rolle.....	Rodillo .....	Rulle.....		
7	VOE 20881345	4				Shim.....	Cale d'épaisseur .....	Passscheibe.....	Arandela Ajuste .....	Passbricka.....	STD	
	VOE 20881359	REQ				Shim.....	Cale d'épaisseur .....	Passscheibe.....	Arandela Ajuste .....	Passbricka.....	THICK = 1,0 MM	
	VOE 20881364	REQ				Shim.....	Cale d'épaisseur .....	Passscheibe.....	Arandela Ajuste .....	Passbricka.....	THICK = 1,1 MM	
	VOE 20881368	REQ				Shim.....	Cale d'épaisseur .....	Passscheibe.....	Arandela Ajuste .....	Passbricka.....	THICK = 1,2 MM	
	VOE 20881372	REQ				Shim.....	Cale d'épaisseur .....	Passscheibe.....	Arandela Ajuste .....	Passbricka.....	THICK = 1,3 MM	
	VOE 20881376	REQ				Shim.....	Cale d'épaisseur .....	Passscheibe.....	Arandela Ajuste .....	Passbricka.....	THICK = 1,4 MM	
	VOE 20881379	REQ				Shim.....	Cale d'épaisseur .....	Passscheibe.....	Arandela Ajuste .....	Passbricka.....	THICK = 1,5 MM	
	VOE 20881381	REQ				Shim.....	Cale d'épaisseur .....	Passscheibe.....	Arandela Ajuste .....	Passbricka.....	THICK = 1,6 MM	
	VOE 20881386	REQ				Shim.....	Cale d'épaisseur .....	Passscheibe.....	Arandela Ajuste .....	Passbricka.....	THICK = 1,7 MM	
	VOE 20881388	REQ				Shim.....	Cale d'épaisseur .....	Passscheibe.....	Arandela Ajuste .....	Passbricka.....	THICK = 1,8 MM	
	VOE 20881388	REQ				Shim.....	Cale d'épaisseur .....	Passscheibe.....	Arandela Ajuste .....	Passbricka.....	THICK = 1,9 MM	
	VOE 20881390	REQ				Shim.....	Cale d'épaisseur .....	Passscheibe.....	Arandela Ajuste .....	Passbricka.....	THICK = 2,0 MM	
	VOE 20881393	REQ				Shim.....	Cale d'épaisseur .....	Passscheibe.....	Arandela Ajuste .....	Passbricka.....	THICK = 2,1 MM	
	VOE 20881395	REQ				Shim.....	Cale d'épaisseur .....	Passscheibe.....	Arandela Ajuste .....	Passbricka.....	THICK = 2,2 MM	
	VOE 20881396	REQ				Shim.....	Cale d'épaisseur .....	Passscheibe.....	Arandela Ajuste .....	Passbricka.....	THICK = 2,3 MM	
	VOE 20881400	REQ				Shim.....	Cale d'épaisseur .....	Passscheibe.....	Arandela Ajuste .....	Passbricka.....	THICK = 2,4 MM	
	VOE 20881405	REQ				Shim.....	Cale d'épaisseur .....	Passscheibe.....	Arandela Ajuste .....	Passbricka.....	THICK = 2,5 MM	
	VOE 20881406	REQ				Shim.....	Cale d'épaisseur .....	Passscheibe.....	Arandela Ajuste .....	Passbricka.....	THICK = 2,6 MM	
	VOE 20881408	REQ				Shim.....	Cale d'épaisseur .....	Passscheibe.....	Arandela Ajuste .....	Passbricka.....	THICK = 2,7 MM	
	VOE 20881411	REQ				Shim.....	Cale d'épaisseur .....	Passscheibe.....	Arandela Ajuste .....	Passbricka.....	THICK = 2,8 MM	
	VOE 20881413	REQ				Shim.....	Cale d'épaisseur .....	Passscheibe.....	Arandela Ajuste .....	Passbricka.....	THICK = 2,9 MM	
	VOE 20881415	REQ				Shim.....	Cale d'épaisseur .....	Passscheibe.....	Arandela Ajuste .....	Passbricka.....	THICK = 3,0 MM	
	VOE 20881419	REQ				Shim.....	Cale d'épaisseur .....	Passscheibe.....	Arandela Ajuste .....	Passbricka.....	THICK = 3,1 MM	
	VOE 20881420	REQ				Shim.....	Cale d'épaisseur .....	Passscheibe.....	Arandela Ajuste .....	Passbricka.....	THICK = 3,2 MM	

1	<b>Insprutningspump med monteringsdetaljer</b> <b>Bomba de inyección de accesoris de montaje</b> <b>Einspritzpumpe mit Anbauteilen</b> <b>Pompe d'injection de combustible avec pièces de montage</b> <b>Fuel injection pump with fitting parts</b>	Catalogue id	Group
2		<b>20124</b>	<b>236</b>
3		Illustr. No	Section
4		<b>1000888</b>	<b>100</b>
5		Issue	Page
		<b>VOE 63A9920124</b>	<b>91</b>

**VOLVO**

**BL61PLUS**

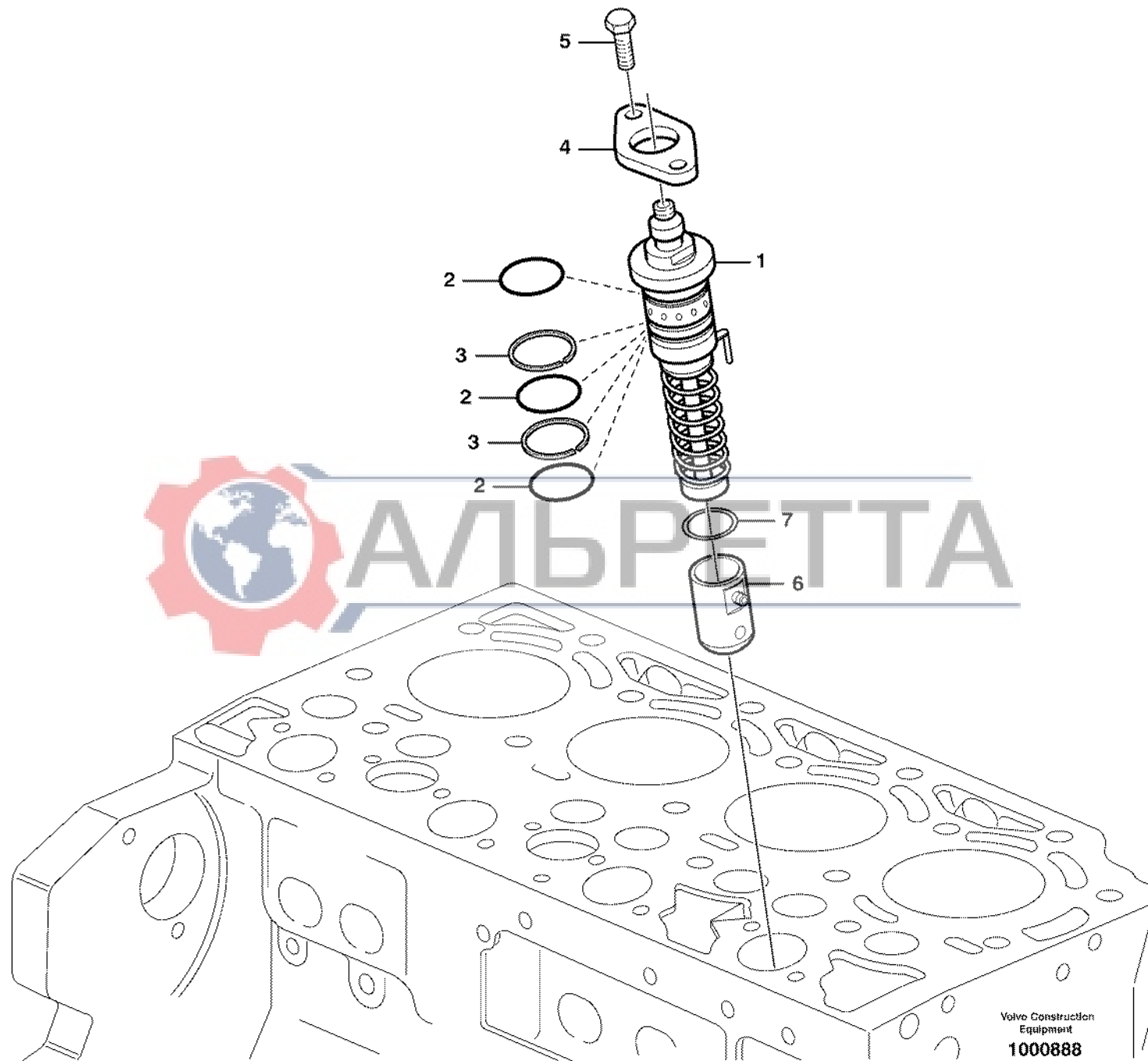


Fig.	Part No.	Quantity			P S	K I T	Description	Dénomination	Bezeichnung	Denominación	Benämning	Notes
		1	2	3								
	VOE 20881424	REQ					Shim.....	Cale d'épaisseur .....	Passscheibe.....	Arandela Ajuste .....	Passbricka.....	THICK = 3,3 MM
	VOE 20881435	REQ					Shim.....	Cale d'épaisseur .....	Passscheibe.....	Arandela Ajuste .....	Passbricka.....	THICK = 3,4 MM
	VOE 20881441	REQ					Shim.....	Cale d'épaisseur .....	Passscheibe.....	Arandela Ajuste .....	Passbricka.....	THICK = 3,5 MM
	VOE 20881451	REQ					Shim.....	Cale d'épaisseur .....	Passscheibe.....	Arandela Ajuste .....	Passbricka.....	THICK = 3,6 MM
	VOE 20881454	REQ					Shim.....	Cale d'épaisseur .....	Passscheibe.....	Arandela Ajuste .....	Passbricka.....	THICK = 3,7 MM
	VOE 21035471	REQ					Shim.....	Cale Reglage .....	Nachstellblech.....	Laminill Ajuste .....	Justerbleck.....	THICK = 3,8 MM
	VOE 21035472	REQ					Shim.....	Cale Reglage .....	Nachstellblech.....	Laminill Ajuste .....	Justerbleck.....	THICK = 3,9 MM
	VOE 21035474	REQ					Shim.....	Cale Reglage .....	Nachstellblech.....	Laminill Ajuste .....	Justerbleck.....	THICK = 4,0 MM
	VOE 21035475	REQ					Shim.....	Cale Reglage .....	Nachstellblech.....	Laminill Ajuste .....	Justerbleck.....	THICK = 4,1 MM
	VOE 21035477	REQ					Shim.....	Cale Reglage .....	Nachstellblech.....	Laminill Ajuste .....	Justerbleck.....	THICK = 4,2 MM
	VOE 21035480	REQ					Shim.....	Cale Reglage .....	Nachstellblech.....	Laminill Ajuste .....	Justerbleck.....	THICK = 4,3 MM
	VOE 21035481	REQ					Shim.....	Cale Reglage .....	Nachstellblech.....	Laminill Ajuste .....	Justerbleck.....	THICK = 4,4 MM



1	<b>Insprutningspump med monteringsdetaljer</b> <b>Bomba de inyección de accesorisde montaje</b> <b>Einspritzpumpe mit Anbauteilen</b> <b>Pompe d'injection de combustible avec pièces de montage</b> <b>Fuel injection pump with fitting parts</b>	Catalogue id	Group
2		<b>20124</b>	<b>236</b>
3		Illustr. No	Section
4		<b>1000888</b>	<b>100</b>
5		Issue	Page
		<b>VOE 63A9920124</b>	<b>93</b>

**VOLVO**

**BL61PLUS**

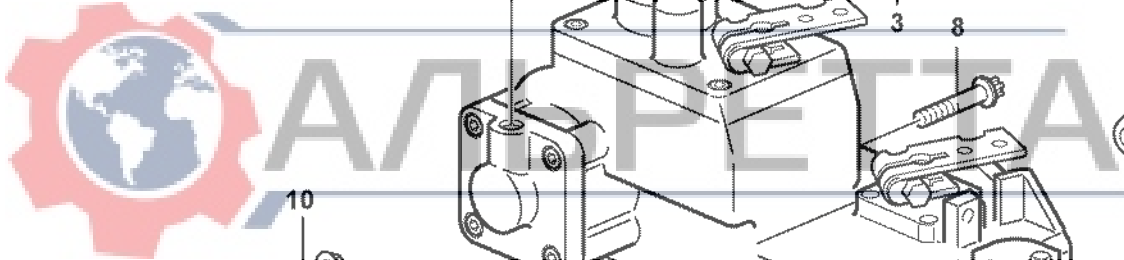
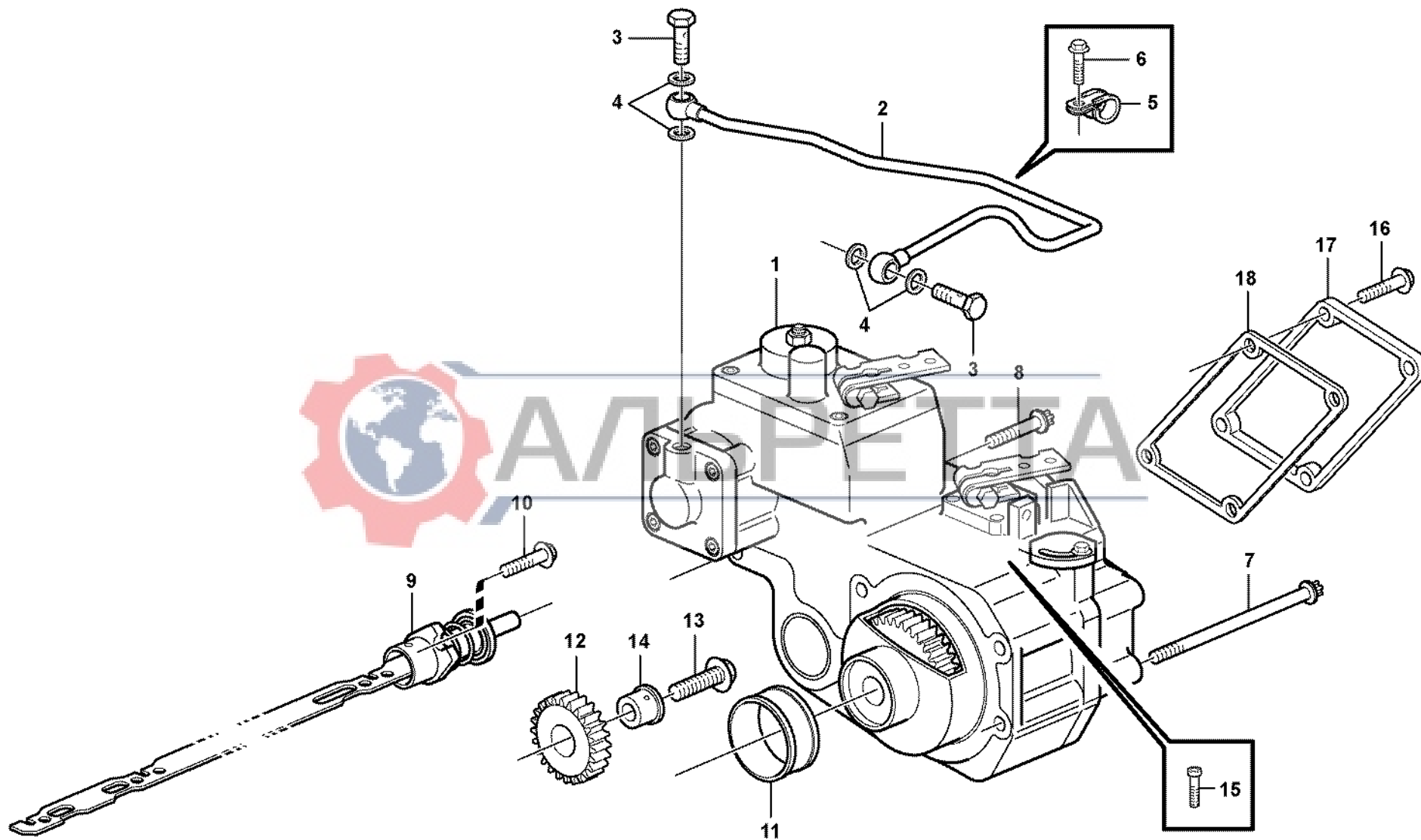


Fig.	Part No.	Quantity			P S	K I T	Description	Dénomination	Bezeichnung	Denominación	Benämning	Notes
		1	2	3								
1	VOE 20590582	1				Regulator .....	Regulateur .....	Regler.....	Regulador.....	Regulator.....		
2	VOE 20504812	1				Pipe.....	Canalisation .....	Rohrleitung.....	Canalización.....	Rör.....		
3	VOE 20460289	2				•Hollow screw .....	•Vis creuse .....	•Hohlschraube.....	•Racor-surtidor .....	•Hålskruv.....		
4	VOE 13947281	4				•Gasket .....	•Joint .....	•Dichtung.....	•Junta .....	•Packning.....		
5	VOE 20405730	1				•Clamp .....	•Pince Serrage .....	•Klemme .....	•Abrazadera .....	•Klämna.....		
6	VOE 20405729	1				Screw .....	Vis .....	Schraube.....	Tornillo .....	Skruv.....		
7	VOE 20460064	4				Screw .....	Vis .....	Schraube.....	Tornillo .....	Skruv.....	L = 150 MM	
8	VOE 888760	1				Screw .....	Vis .....	Schraube.....	Tornillo .....	Skruv.....		
9	VOE 20460069	1				Control Rod.....	Tige Commande .....	Schaltstange .....	Barra De Mando.....	Manöverstång.....		
10	VOE 20405538	1				Screw .....	Vis .....	Schraube.....	Tornillo .....	Skruv.....		
11	VOE 20460070	1				Bushing.....	Bague.....	Buchse .....	Casquillo .....	Bussning.....		
12	VOE 20555503	1				Gear .....	Pignon.....	Zahnradgetriebe.....	Engranaje.....	Kuggdrev.....		
13	VOE 20405560	1				Screw .....	Vis .....	Schraube.....	Tornillo .....	Skruv.....		
14	VOE 20758272	1				Pin.....	Goupille.....	Zapfen .....	Pasador.....	Tapp.....		
15	VOE 20460067	1				Screw .....	Vis .....	Schraube.....	Tornillo .....	Skruv.....		
16	VOE 20460082	4				Screw .....	Vis .....	Schraube.....	Tornillo .....	Skruv.....		
17		1			NS	Hood .....	Capot Moteur .....	Motorhaube .....	Tapa motor.....	Motorhuv.....		
18	VOE 20405509	1				Gasket.....	Joint .....	Dichtung .....	Junta .....	Packning.....		



1	Regulator Regulador Regler Régulateur Regulator	Catalogue id	Group
2		<b>20124</b>	<b>236</b>
3		Illustr. No	Section
4		<b>1021192</b>	<b>150</b>
5		Issue	Page
		<b>VOE 63A9920124</b>	<b>95</b>

**VOLVO**

**BL61PLUS**



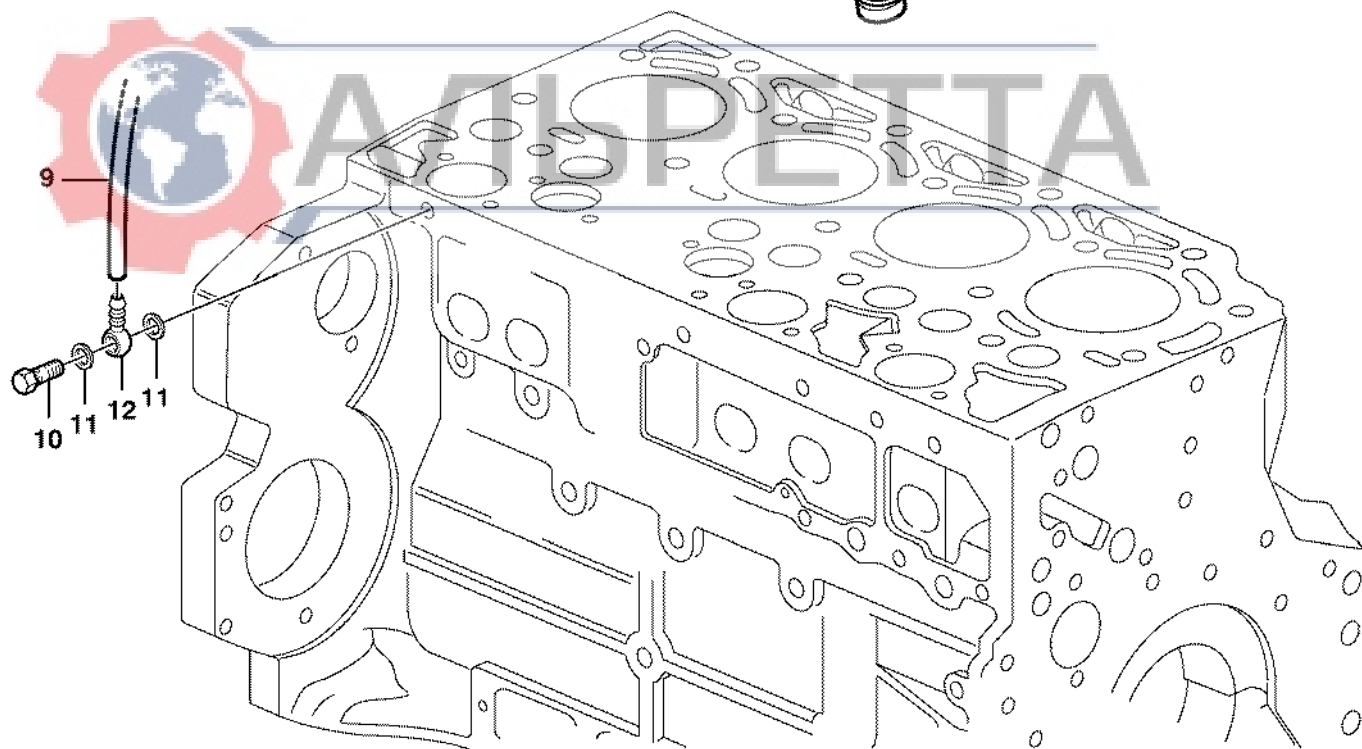
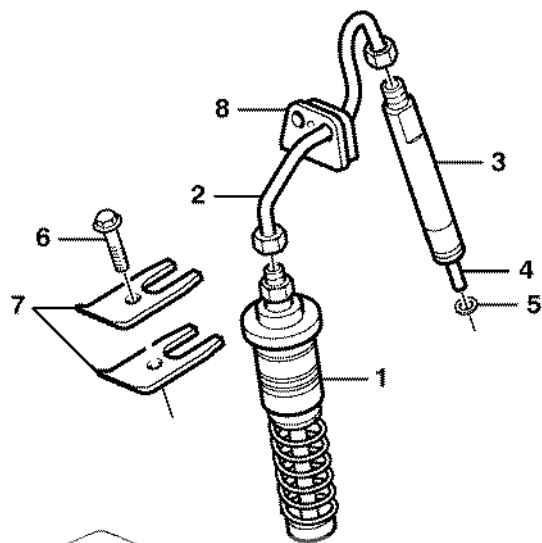


Fig.	Part No.	Quantity			P S	K I T	Description	Dénomination	Bezeichnung	Denominación	Benämning	Notes
		1	2	3								
1		4				Injection pump.....	Pompe injection .....	Einspritzpumpe .....	Bomba inyeccion .....	Insprutn.pump.....	See group 236, Page 91	
2	VOE 20460095	4				Fuel pipe .....	Conduit carbura .....	Kraftstoffleitung .....	Tubo combustib.....	Bränslerör.....		
3	VOE 24425916	4				Injector .....	Injecteur .....	Einspritzdüse.....	Inyector .....	Insprutare.....		
	VOE 20729227	4				•Sealing ring.....	•Bague d'étanchéité ..	•Runddichtring.....	•Anillo reten .....	•Tätningsring.....		
4	VOE 24425919	4				•Nozzle.....	•Nez D'injecteur.....	•Einspritzduse .....	•Tobera.....	•Spridare.....		
5	VOE 11700426	4				Seal.....	Joint .....	Dichtring .....	Junta .....	Tätning.....		
6	VOE 20405559	4				Screw .....	Vis .....	Schraube.....	Tornillo .....	Skruv.....		
7	VOE 11700424	8				Retainer .....	Retenue .....	Halter.....	Soporte.....	Hållare.....		
8	VOE 11700487	4				Rubber Seal.....	Lèvre Caoutchouc.....	Gummilippe .....	Labio Goma.....	Gummiläpp.....		
9		1				Fuel hose .....	Flexi.carburant .....	Kraftstoffschlauch.....	Manguera comb .....	Bränsleslang.....	See group 235, Page 87	
10	VOE 20405847	1				Valve .....	Soupape.....	Ventil .....	Valvula .....	Ventil.....		
11	VOE 13969011	2				Gasket.....	Joint .....	Dichtung .....	Junta .....	Packning.....		
12	VOE 20459906	1				Nipple.....	Raccord.....	Nippel .....	Niple .....	Nippel.....		



1	<b>Bränslerör och insprutare</b> <b>Tuberias de combustible, inyector</b> <b>Brennstoffrohre</b> <b>Canalisation à combustible, injecteur</b> <b>Fuel lines and injectors</b>	Catalogue id	Group
2		<b>20124</b>	<b>237</b>
3		Illustr. No	Section
4		<b>1009992</b>	<b>100</b>
5		Issue	Page
		<b>VOE 63A9920124</b>	<b>97</b>

**VOLVO**

**BL61PLUS**

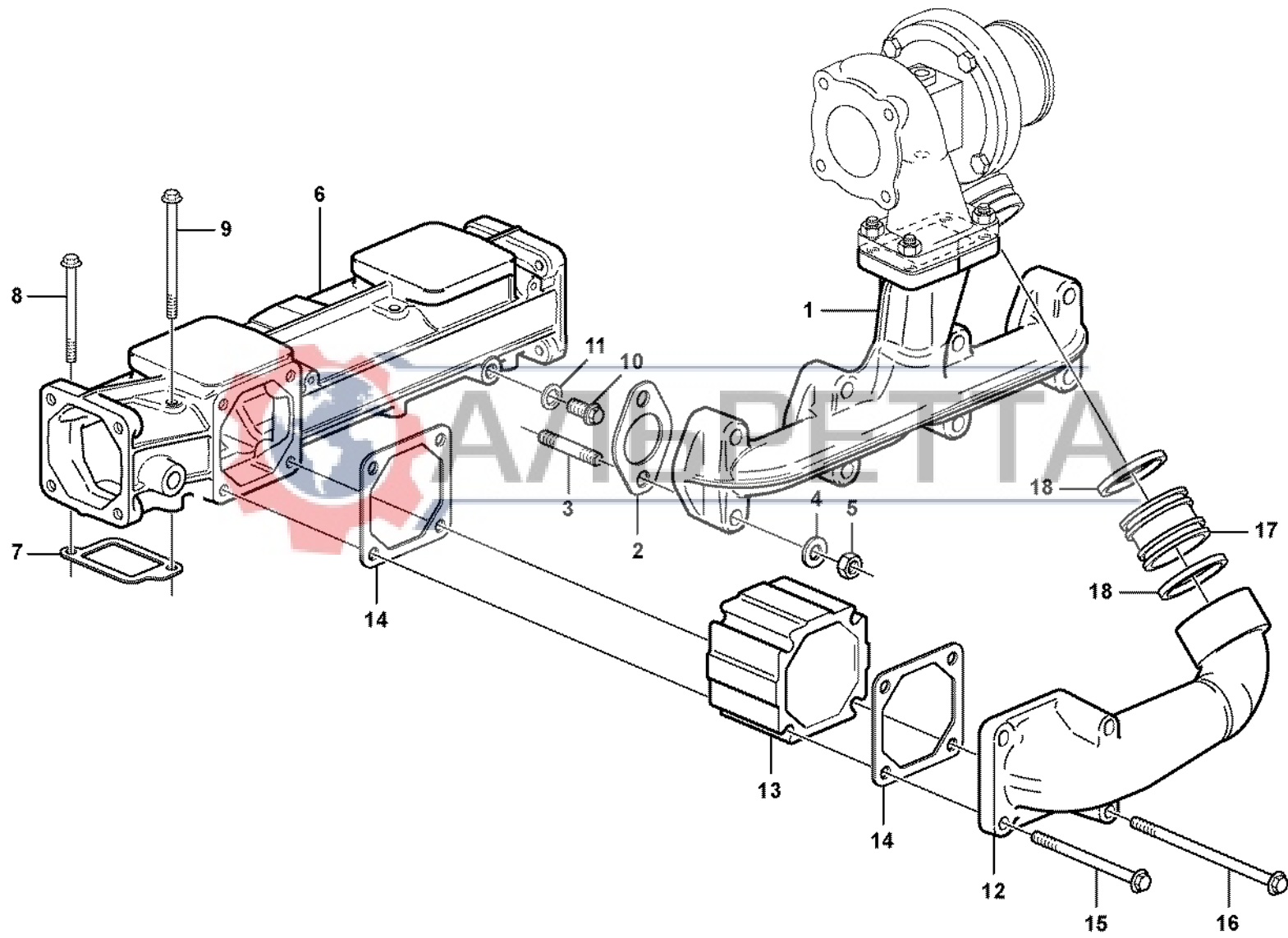


Fig.	Part No.	Quantity			P S	K I T	Description	Dénomination	Bezeichnung	Denominación	Benämning	Notes
		1	2	3								
1	VOE 24426230	1				Exhaust Pipe.....	Tuyau d'échappemen.....	Auspuffrohr.....	Tubo Escape.....	Avgasrör.....		
2	VOE 20557208	4				Gasket.....	Joint.....	Dichtung.....	Junta.....	Packning.....		
3	VOE 20405587	8				Stud.....	Goujon.....	Stiftschraube.....	Esparrago.....	Pinnskruv.....		
4	VOE 20405588	8				Washer.....	Rondelle.....	Scheibe.....	Arandela.....	Bricka.....		
5	VOE 20505959	8				Hexagon Nut.....	Ecrou Hexagonal.....	Sechskantmutter.....	Tuerca Hexagon.....	Sexkantsmutter.....		
6	VOE 21026475	1				Charge Air Pipe.....	Tuyau Suralimen.....	Ladeluftrohr.....	Tubo Admis Aire.....	Laddluftör.....		
7	VOE 20555515	4				Gasket.....	Joint.....	Dichtung.....	Junta.....	Packning.....		
8	VOE 20459830	4				Screw.....	Vis.....	Schraube.....	Tornillo.....	Skruv.....		
9	VOE 20412601	4				Screw.....	Vis.....	Schraube.....	Tornillo.....	Skruv.....		
10	VOE 20451012	1				Plug.....	Bouchon.....	Stopfen.....	Tapon.....	Plugg.....		
11	VOE 13947621	1				Plane Gasket.....	Joint Plan.....	Flachdichtung.....	Junta Plana.....	Planpackning.....		
12	VOE 20726057	1				Elbow.....	Coude.....	Winkelstueck.....	Tubo acodado.....	Vinkel.....		
13	VOE 20585825	1				Flange.....	Flasque.....	Flansch.....	Brida.....	Fläns.....		
14	VOE 20531832	2				Gasket.....	Joint.....	Dichtung.....	Junta.....	Packning.....		
15	VOE 13965184	2				Flange screw.....	Vis a bride.....	Flanschschraube.....	Torn embridado.....	Flänsskruv.....	M8 x 100 MM	
16	VOE 20459933	2				Screw.....	Vis.....	Schraube.....	Tornillo.....	Skruv.....		
17	VOE 20405616	1				Adapter.....	Raccord Reduct.....	Verbind Stutzen.....	Adaptador.....	Adapter.....		
18	VOE 20405536	2				Sealing ring.....	Bague d'étanchéité.....	Runddichtring.....	Anillo reten.....	Tättningsring.....		



1	<b>Insigningsrör och avgasgrenrör</b> <b>Tubo admisión y múltiple escape</b> <b>Ansaugrohr und Auspuffkrümmer</b> <b>Tubulure admission et tubulure echappement</b> <b>Inlet manifold and exhaust manifold</b>	Catalogue id	Group
2		<b>20124</b>	<b>251</b>
3		Illustr. No	Section
4		<b>1027206</b>	<b>100</b>
5		Issue	Page
		<b>VOE 63A9920124</b>	<b>99</b>

**VOLVO**

**BL61PLUS**

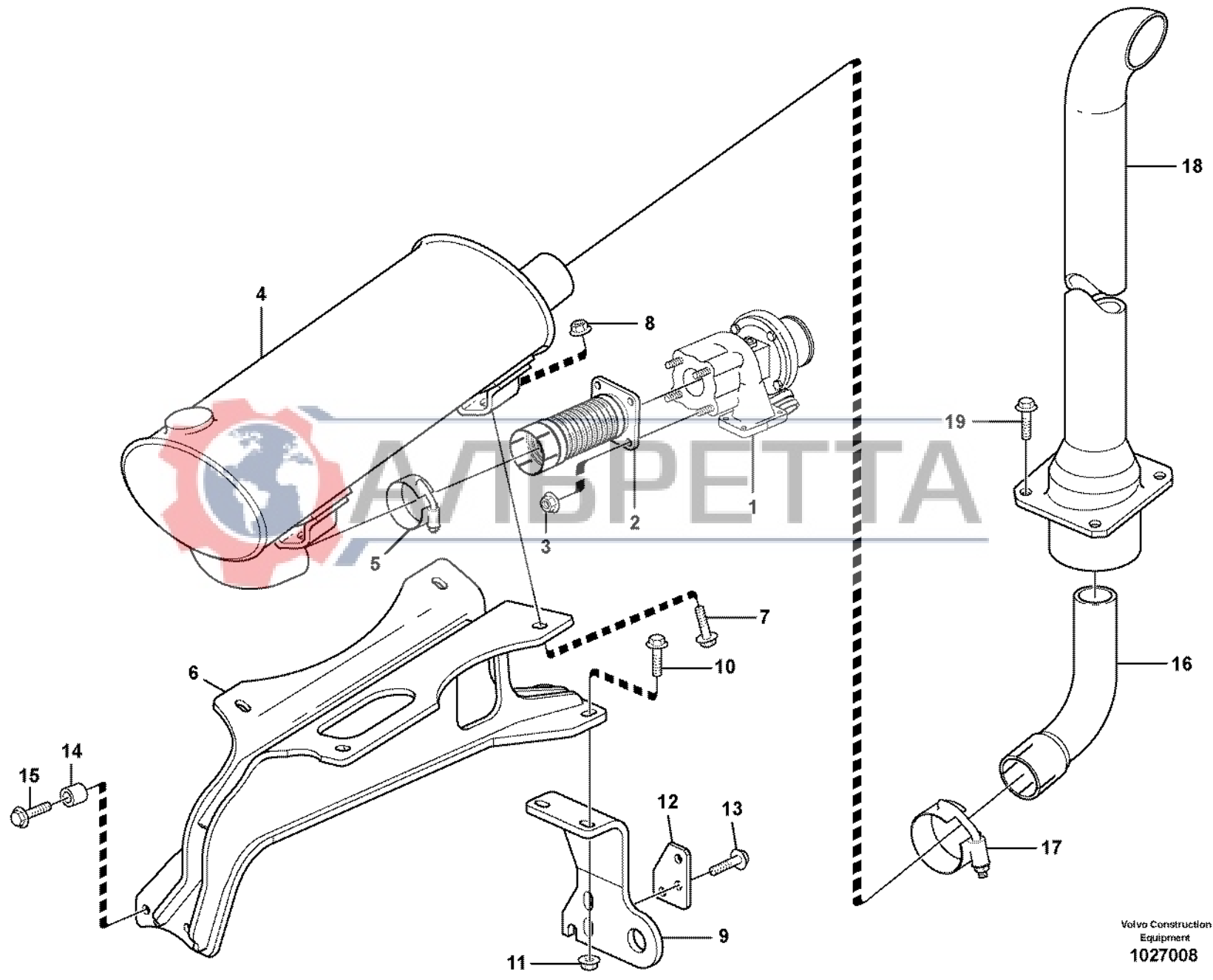
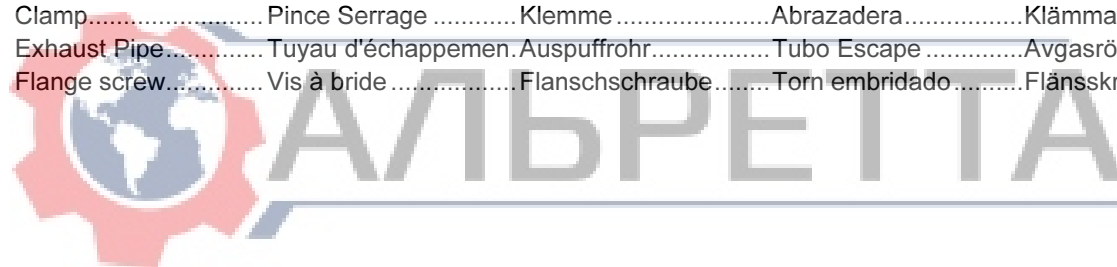


Fig.	Part No.	Quantity			P S	K I T	Description	Dénomination	Bezeichnung	Denominación	Benämning	Notes
		1	2	3								
1		1				Turbo.....	Turbo.....	Turbo.....	Turbo.....	Turbo.....	See group 255, Page 103	
2	VOE 11887818	1				Tube.....	Tube.....	Rohr.....	Tubo.....	Rör.....		
3	VOE 948645	4				Flange Lock Nut.....	Contre écrou bride.....	Flanschmutter.....	Contratuer Embr.....	Flänslåsmutter.....		
4	VOE 11890338	1				Muffler.....	Silencieux.....	Schalldämpfer.....	Silencioso.....	Ljuddämpare.....		
5	VOE 11883251	1				Clamp.....	Pince Serrage.....	Klemme.....	Abrazadera.....	Klämma.....		
6	VOE 11886387	1				Bracket.....	Console.....	Konsole.....	Ménsula.....	Konsol.....		
7	VOE 946329	4				Flange screw.....	Vis à bride.....	Flanschschaube.....	Torn embridado.....	Flänsskruv.....		
8	VOE 13971095	4				Flange nut.....	Ecrou accouple.....	Bundmutter.....	Tuerca embridad.....	Flänsmutter.....		
9	VOE 11886391	1				Bracket.....	Console.....	Konsole.....	Ménsula.....	Konsol.....		
10	VOE 13965185	2				Flange screw.....	Vis à bride.....	Flanschschaube.....	Torn embridado.....	Flänsskruv.....		
11	VOE 13971095	2				Flange nut.....	Ecrou accouple.....	Bundmutter.....	Tuerca embridad.....	Flänsmutter.....		
12	VOE 11886392	1				Plate.....	Plaque.....	Platte.....	Placa.....	Platta.....		
13	VOE 946472	3				Flange screw.....	Vis à bride.....	Flanschschaube.....	Torn embridado.....	Flänsskruv.....		
14	VOE 11886393	2				Spacer.....	Partie Intermédiaire.....	Zwischenstück.....	Espaciador.....	Mellandel.....		
15	VOE 13965188	2				Flange screw.....	Vis à bride.....	Flanschschaube.....	Torn embridado.....	Flänsskruv.....		
16	VOE 11881139	1				Pipe.....	Canalisation.....	Rohrleitung.....	Canalizacion.....	Rör.....		
17	VOE 11883251	1				Clamp.....	Pince Serrage.....	Klemme.....	Abrazadera.....	Klämma.....		
18	VOE 11890160	1				Exhaust Pipe.....	Tuyau d'échappemen.....	Auspuffrohr.....	Tubo Escape.....	Avgasrör.....		
19	VOE 946329	4				Flange screw.....	Vis à bride.....	Flanschschaube.....	Torn embridado.....	Flänsskruv.....		



1		<b>Avgassystem, ljuddämpare</b> <b>Sistema de escape, silenciador</b> <b>Auspuffsystem, Schalldämpfer</b> <b>Système d'aspiration, silencieux</b> <b>Exhaust system, silencer</b>	Catalogue id	Group
2			<b>20124</b>	<b>252</b>
3			Illustr. No	Section
4			<b>1027008</b>	<b>100</b>
5			Issue	Page
			<b>VOE 63A9920124</b>	<b>101</b>

**VOLVO**

**BL61PLUS**

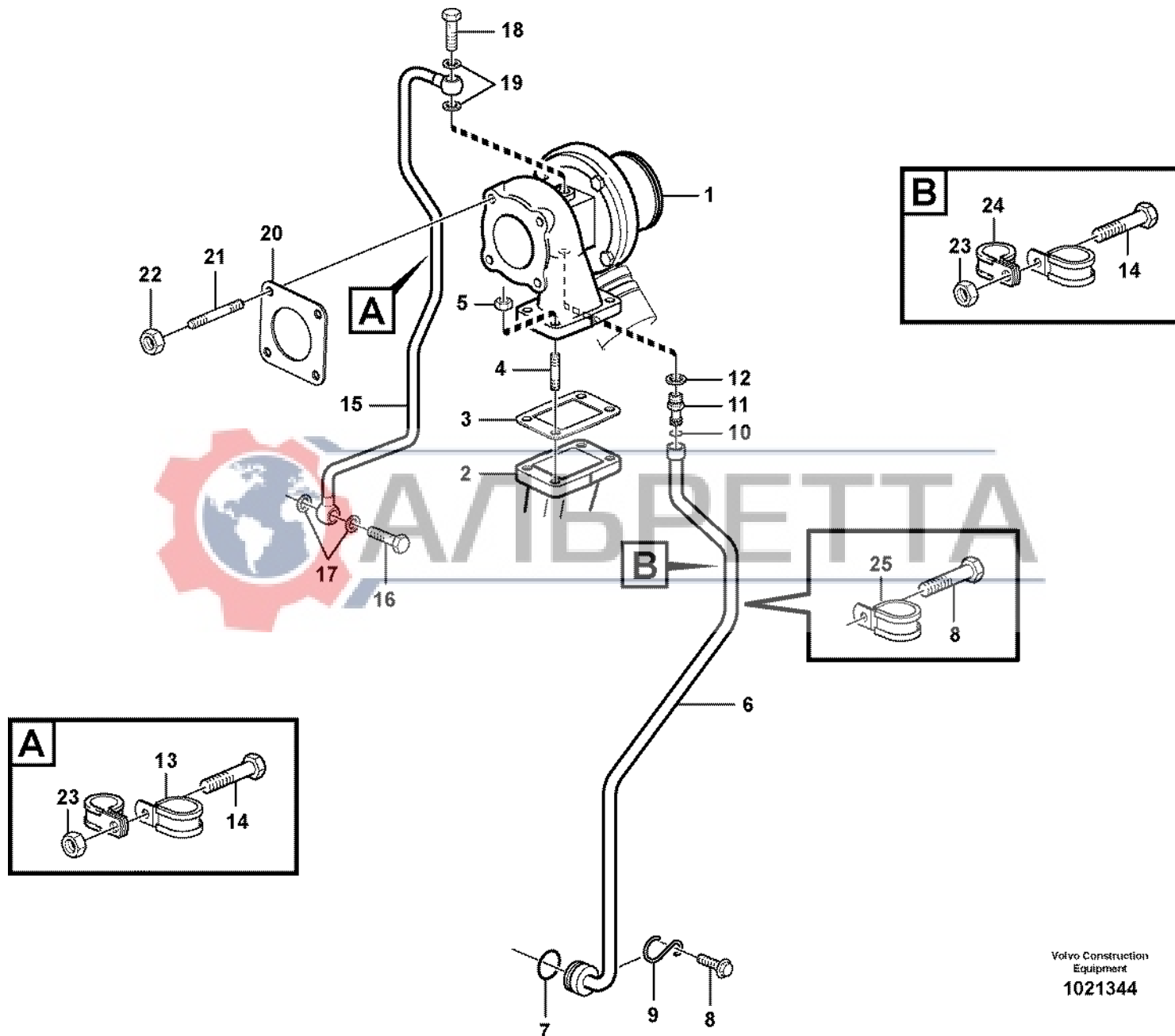


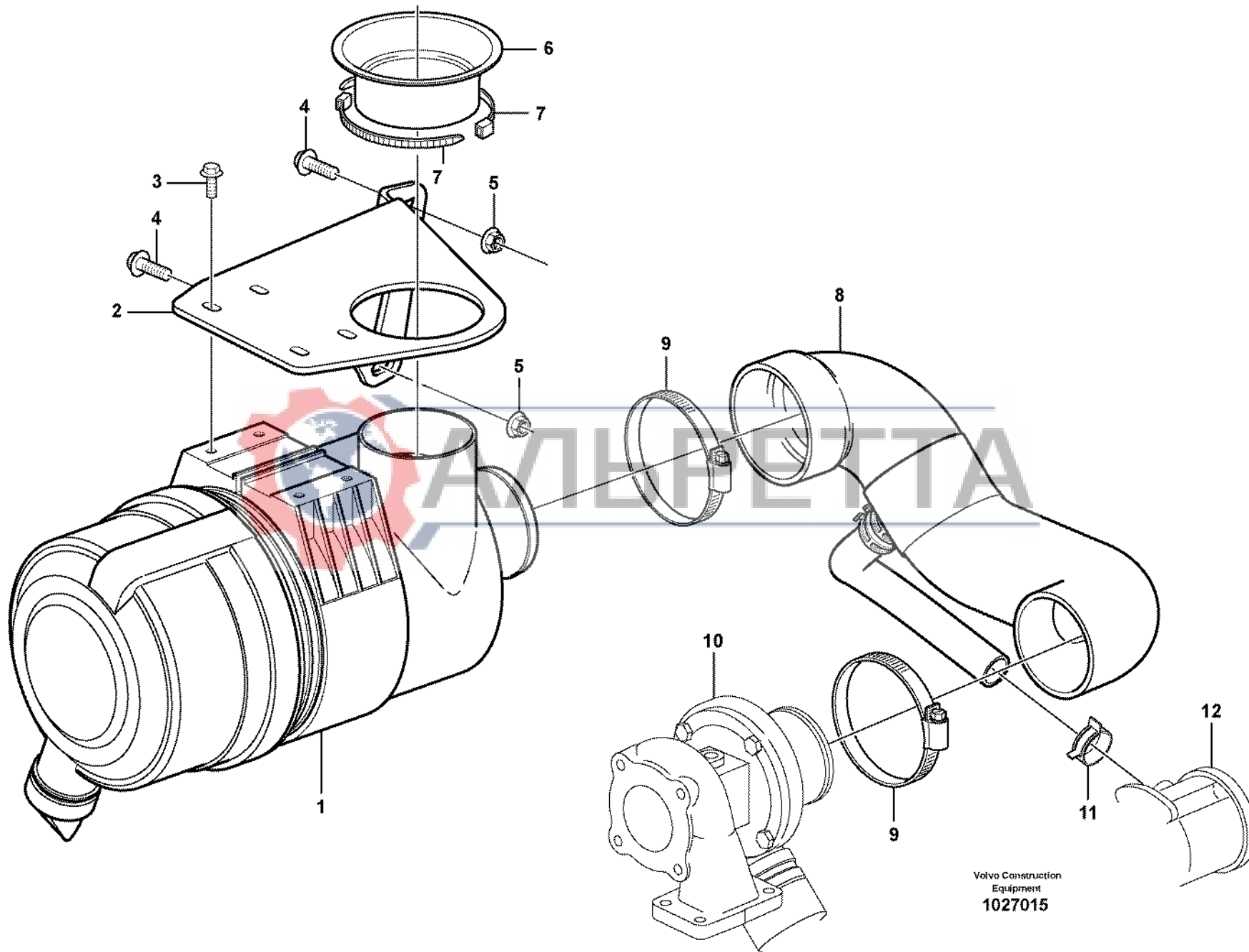
Fig.	Part No.	Quantity			P S	K I T	Description	Dénomination	Bezeichnung	Denominación	Benämning	Notes
		1	2	3								
1	VOE 20460945	1				Turbocharger .....	Turbocompresse .....	Abgasturbolader .....	Turbocompresor .....	Turbokompressor.....		
	VOE 20508630	1			OP	•Repair Kit .....	•Kit Réparation .....	•Reparatursatz .....	•Kit Reparacion .....	•Reparationsssats.....		
2		1				Exhaust Pipe.....	Tuyau d'échappemen.....	Auspuffrohr.....	Tube Escape .....	Avgasrör.....	See group 251, Page 99	
3	VOE 20405590	1				Gasket.....	Joint .....	Dichtung .....	Junta .....	Packning.....		
4	VOE 20412318	4				Stud.....	Goujon .....	Stiftschraube .....	Esparrago.....	Pinnskruv.....		
5	VOE 20517048	4				Hexagon Nut.....	Ecrou Hexagonal .....	Sechskantmutter .....	Tuerca Hexagon.....	Sexkantsmutter.....		
6	VOE 20528339	1				Return Line .....	Conduit Retour.....	Rückaufleitung .....	Conduct Return .....	Returledning.....		
7	VOE 20405822	1				Sealing ring .....	Bague d'étanchéité .....	Runddichtring .....	Anillo reten .....	Tätningsring.....		
8	VOE 20405792	2				Screw .....	Vis .....	Schraube .....	Tornillo .....	Skruv.....		
9	VOE 20405789	1				Retainer .....	Retenue .....	Halter.....	Soporte.....	Hållare.....		
10	VOE 20459172	1				Sealing ring .....	Bague d'étanchéité .....	Runddichtring .....	Anillo reten .....	Tätningsring.....		
11	VOE 20459171	1				Nipple.....	Raccord .....	Nippel .....	Niple .....	Nippel.....		
12	VOE 13947622	1				Plane Gasket .....	Joint Plan .....	Flachdichtung .....	Junta Plana .....	Planpackning.....		
13	VOE 20460045	1				Clamp.....	Pince Serrage .....	Klemme .....	Abrazadera.....	Klämma.....		
14	VOE 20460055	1				Screw.....	Vis .....	Schraube.....	Tornillo .....	Skruv.....		
15	VOE 20555494	1				Feed Line .....	Cond.alimentat.....	Druckleitung .....	Conduct Presion.....	Tryckledning.....		
16	VOE 7025167	1				Hollow Screw .....	Vis Creuse .....	Hohlschraube .....	Tornillo hueco.....	Hålskruv.....		
17	VOE 13947621	2				Plane Gasket .....	Joint Plan .....	Flachdichtung .....	Junta Plana .....	Planpackning.....		
18	VOE 20460936	1				Hollow screw.....	Vis creuse .....	Hohlschraube .....	Racor-surtidor .....	Hålskruv.....		
19	VOE 20460061	2				Seal.....	Joint .....	Dichtring .....	Junta .....	Tätning.....		
20	VOE 20459236	1				Gasket.....	Joint .....	Dichtung .....	Junta .....	Packning.....		
21	VOE 20459235	4				Stud.....	Goujon .....	Stiftschraube .....	Esparrago.....	Pinnskruv.....		
22	VOE 20517048	4				Hexagon Nut.....	Ecrou Hexagonal .....	Sechskantmutter .....	Tuerca Hexagon.....	Sexkantsmutter.....		
23	VOE 20460939	1				Hexagon Nut.....	Ecrou Hexagonal .....	Sechskantmutter .....	Tuerca Hexagon.....	Sexkantsmutter.....		
24	VOE 20459181	1				Clamp.....	Pince Serrage .....	Klemme .....	Abrazadera.....	Klämma.....		
25	VOE 20450867	1				Clamp.....	Pince Serrage .....	Klemme .....	Abrazadera.....	Klämma.....		

1	<b>Turbokompressor med monteringsdetaljer</b> <b>Turboalimentador con accesorios de montaje</b> <b>Torbolader mit Anbauteilen</b> <b>Turbocompresseur avec pièces de montage</b> <b>Turbocharger with fitting parts</b>	Catalogue id	Group
2		<b>20124</b>	<b>255</b>
3		Illustr. No	Section
4		<b>1021344</b>	<b>100</b>
5		Issue	Page
		<b>VOE 63A9920124</b>	<b>103</b>

**VOLVO**

**BL61PLUS**





Volvo Construction  
Equipment  
1027015

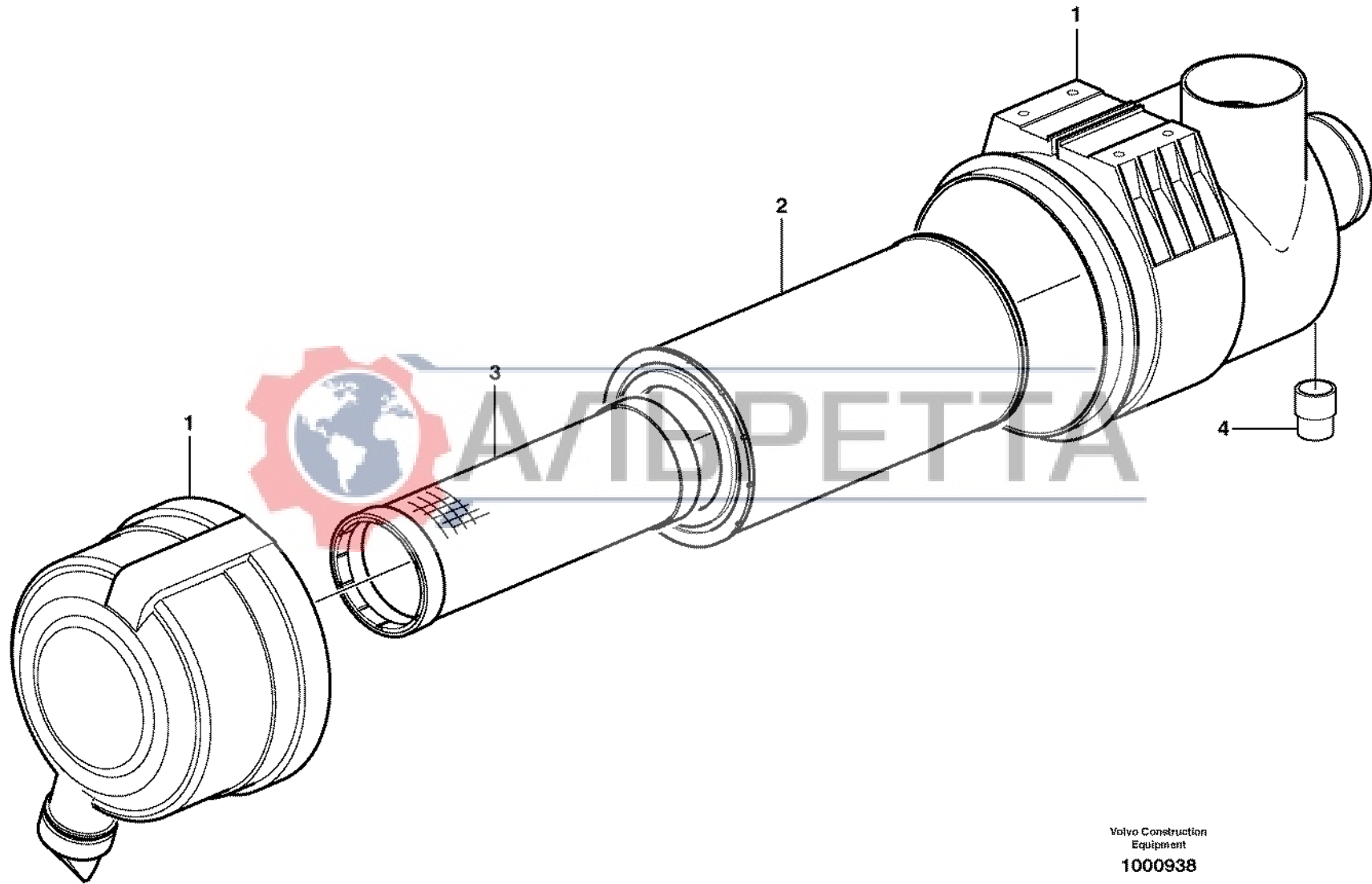
Fig.	Part No.	Quantity			P S	K I T	Description	Dénomination	Bezeichnung	Denominación	Benämning	Notes
		1	2	3								
1		1				Air Cleaner .....	Filtre Air.....	Luftfilter .....	Filtro Aire .....	Luftrenare.....	See group 256, Page 107	
2		1			NS	Bracket.....	Console.....	Konsole .....	Ménsula.....	Konsole.....		
3	<b>VOE 13946173</b>	4				Flange screw.....	Vis à bride .....	Flanschschraube.....	Torn embridado .....	Flänsskruv.....		
4	<b>VOE 946472</b>	2				Flange screw.....	Vis à bride .....	Flanschschraube.....	Torn embridado .....	Flänsskruv.....		
5	<b>VOE 13971095</b>	2				Flange nut.....	Ecrou accouple. ....	Bundmutter.....	Tuerca embridada .....	Flänsmutter.....		
6	<b>VOE 11883145</b>	1				Sealing ring .....	Bague d'étanchéité .....	Runddichtring .....	Anillo reten .....	Tättningsring.....		
7	<b>VOE 4881440</b>	2				Strip Clamp .....	Ruban Serrage.....	Kabelbinder .....	Abraz Cinta .....	Bandklamma.....		
8	<b>VOE 11888782</b>	1				Air filter.....	Filtre air .....	Luftfilter .....	Filtro aire .....	Luftfilter.....		
9	<b>VOE 943483</b>	2				Hose Clamp .....	Collier Serrage .....	Schlauchschelle .....	Abraz Manguera.....	Slangklamma.....		
10		1				Turbo.....	Turbo.....	Turbo.....	Turbo.....	Turbo.....	See group 255, Page 103	
11	<b>VOE 982021</b>	1				Hose Clamp .....	Collier Serrage .....	Schlauchschelle .....	Abraz Manguera.....	Slangklamma.....		
12		1				Crankcase ventilation. Aération de carter .....	Kurbelgehäuse,entlü .....	Ventilación del ca .....	Vevhusventilation.....		See group 212, Page 57	



1		<b>Luftrenare med monteringsdetaljer</b> <b>Filtro de aire con accesoris de montaje</b> <b>Luftfilter mit Anbauteilen</b> <b>Filtre à air avec pièces de montage</b> <b>Air filter with fitting parts</b>	Catalogue id	Group
2			<b>20124</b>	<b>256</b>
3			Illustr. No	Section
4			<b>1027015</b>	<b>100</b>
5			Issue	Page
			<b>VOE 63A9920124</b>	<b>105</b>

**VOLVO**

**BL61PLUS**



Volvo Construction  
Equipment  
1000938

Fig.	Part No.	Quantity			P S	K I T	Description	Dénomination	Bezeichnung	Denominación	Benämning	Notes
		1	2	3								
1	VOE 11890335	1				Air Cleaner .....	Filtre Air.....	Luftfilter .....	Filtro Aire .....	Luftrenare.....		
2	VOE 11883618	1				•Primary Filter .....	•Prefiltre .....	•Vorfilter.....	•Prefiltro.....	•Förfilter.....		
3	VOE 11883619	1				•Safety filter.....	•Filtre de sécurité .....	•Sicherheitsfilter .....	•Filtro de seguridad .....	•Säkerhetsfilter.....		
4	VOE 11709746	1				•Indicator.....	•Indicateur .....	•Indikator .....	•Indicador .....	•Indikator.....		

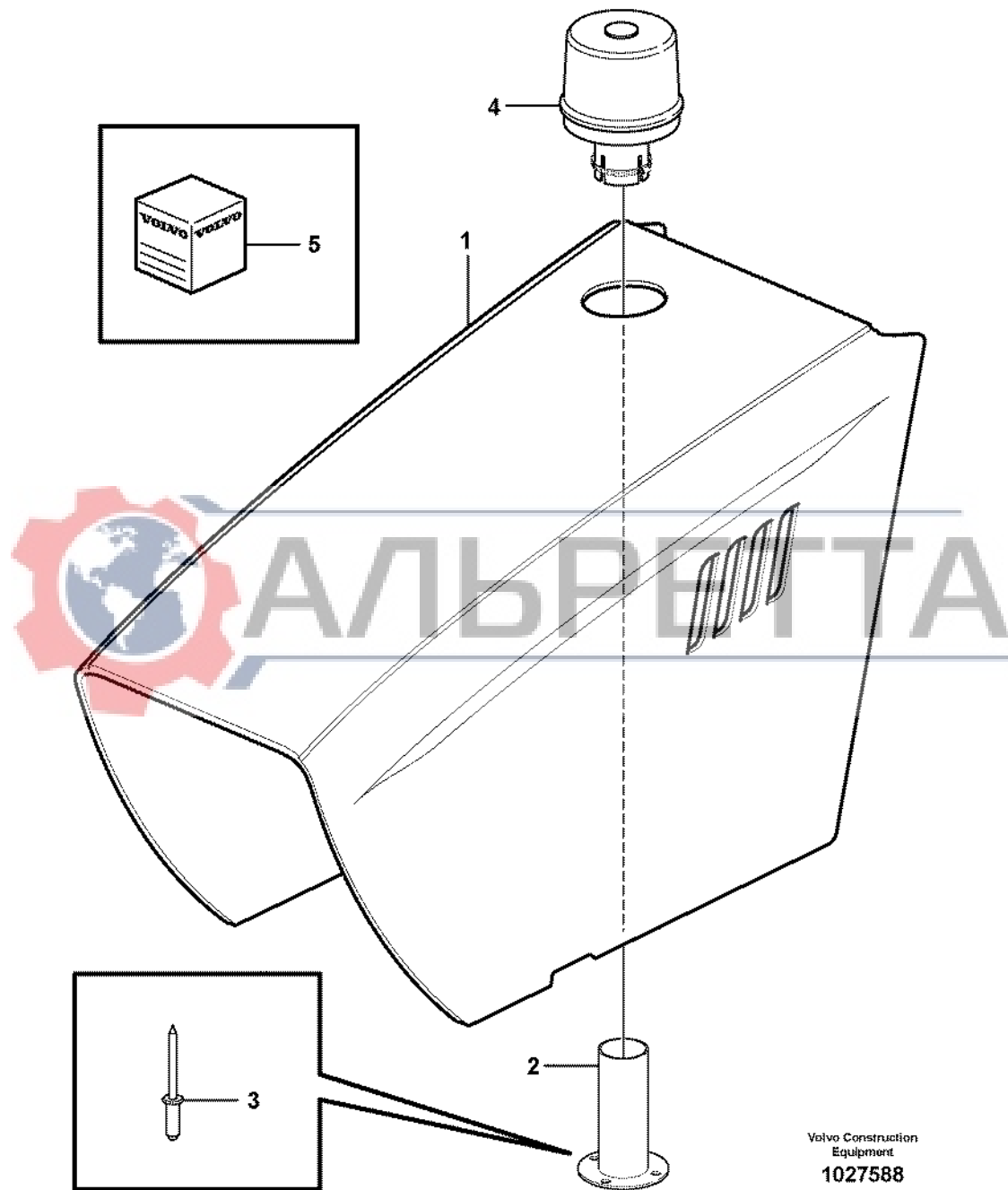


1		<b>Luftrenare</b> <b>Filtro de aire</b> <b>Luftfilter</b> <b>Purificateur d'air</b> <b>Air filter</b>	Catalogue id	Group
2			<b>20124</b>	<b>256</b>
3			Illustr. No	Section
4			<b>1000938</b>	<b>150</b>
5			Issue	Page
			<b>VOE 63A9920124</b>	<b>107</b>

**VOLVO**

**BL61PLUS**





Volvo Construction  
Equipment  
1027588

Fig.	Part No.	Quantity			P S	K I T	Description	Dénomination	Bezeichnung	Denominación	Benämning	Notes
		1	2	3								
1		1				Hood .....	Capot Moteur .....	Motorhaube .....	Tapa motor .....	Motorhuv.....	See group 821, Page 375	
2	VOE 11888312	1				Bracket.....	Console.....	Konsole .....	Ménsula.....	Konsol.....		
3		4			NS	Blind Rivet.....	Rivet Borgne .....	Blindniet .....	Remache Ciego .....	Blindnit.....		
4	VOE 11888212	1				Filter.....	Filtre .....	Filter .....	Filtro .....	Filter.....		
5	VOE 11704359	REQ				Adhesive Kit.....	Kit Colle.....	Leimsatz.....	Juego Encolado .....	Limsats.....		



1		Lufffilter	Catalogue id	Group
2		Filtro de aire	<b>20124</b>	<b>256</b>
3		Lufffilter	Illustr. No	Section
4		Filtre à air	<b>1027588</b>	<b>200</b>
5		Air filter	Issue	Page
		11891529	VOE 63A9920124	<b>109</b>

**VOLVO**

**BL61PLUS**



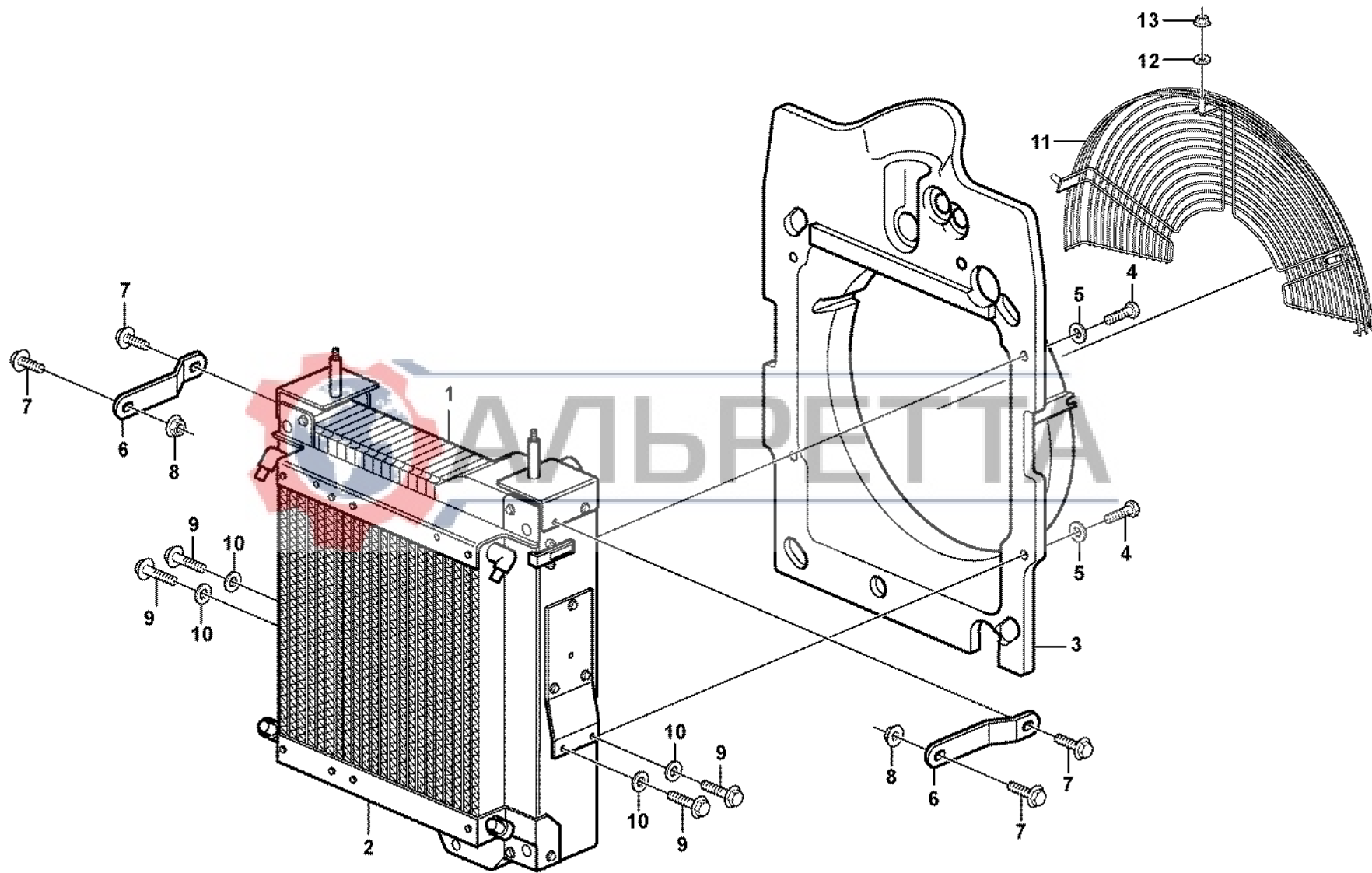


Fig.	Part No.	Quantity			P S	K I T	Description	Dénomination	Bezeichnung	Denominación	Benämning	Notes
		1	2	3								
	<b>VOE 11886551</b>	1					Cooling Package.....	Ensemble de refroidi..	Kühlerpaket.....	Paquete de refrigerac.	Kylpaket.....	
1	<b>VOE 11886549</b>	1					•Radiator.....	•Radiateur.....	•Radiador.....	•Radiador.....	•Radiador.....	
2	<b>VOE 11886550</b>	1					•Oil Cooler.....	•Refroidisseur huile....	•Ölkühler.....	•Enfriadores aceite.....	•Oljekylare.....	
3	<b>VOE 11888687</b>	1					Fan Shroud.....	Boitier Ventilateur.....	Lufferhaube.....	Cubierta Ventilador.....	Fläktkåpa.....	
4	<b>VOE 13946173</b>	4					Flange screw.....	Vis à bride.....	Flanschschraube.....	Torn embridado.....	Flänsskruv.....	
5	<b>VOE 925739</b>	4					Washer.....	Rondelle.....	Scheibe.....	Arandela.....	Bricka.....	
6	<b>VOE 11884119</b>	2					Plate.....	Plaque.....	Platte.....	Placa.....	Platta.....	
7	<b>VOE 13946173</b>	4					Flange screw.....	Vis à bride.....	Flanschschraube.....	Torn embridado.....	Flänsskruv.....	
8	<b>VOE 13945408</b>	2					Nut.....	Ecrou.....	Mutter.....	Tuerca.....	Mutter.....	
9	<b>VOE 13945444</b>	4					Flange screw.....	Vis à bride.....	Flanschschraube.....	Torn embridado.....	Flänsskruv.....	
10	<b>VOE 11117464</b>	4					Washer.....	Rondelle.....	Scheibe.....	Arandela.....	Bricka.....	
11	<b>VOE 11887369</b>	1					Grille.....	Grille.....	Kühlergrill.....	Calandra.....	Grill.....	
12	<b>VOE 925739</b>	3					Washer.....	Rondelle.....	Scheibe.....	Arandela.....	Bricka.....	
13	<b>VOE 948645</b>	3					Flange Lock Nut.....	Contre écrou bride.....	Flanschmutter.....	Contratuer Embr.....	Flänslåsmutter.....	



1	<b>Kylare med monteringsdetaljer</b> <b>Radiador con accesorios de montaje</b> <b>Kühler mit Anbauteilen</b> <b>Radiateur avec pièces de montage</b> <b>Radiator with fitting parts</b>	Catalogue id	Group
2		<b>20124</b>	<b>261</b>
3		Illustr. No	Section
4		<b>1027022</b>	<b>100</b>
5		Issue	Page
		<b>VOE 63A9920124</b>	<b>111</b>

**VOLVO**

**BL61PLUS**



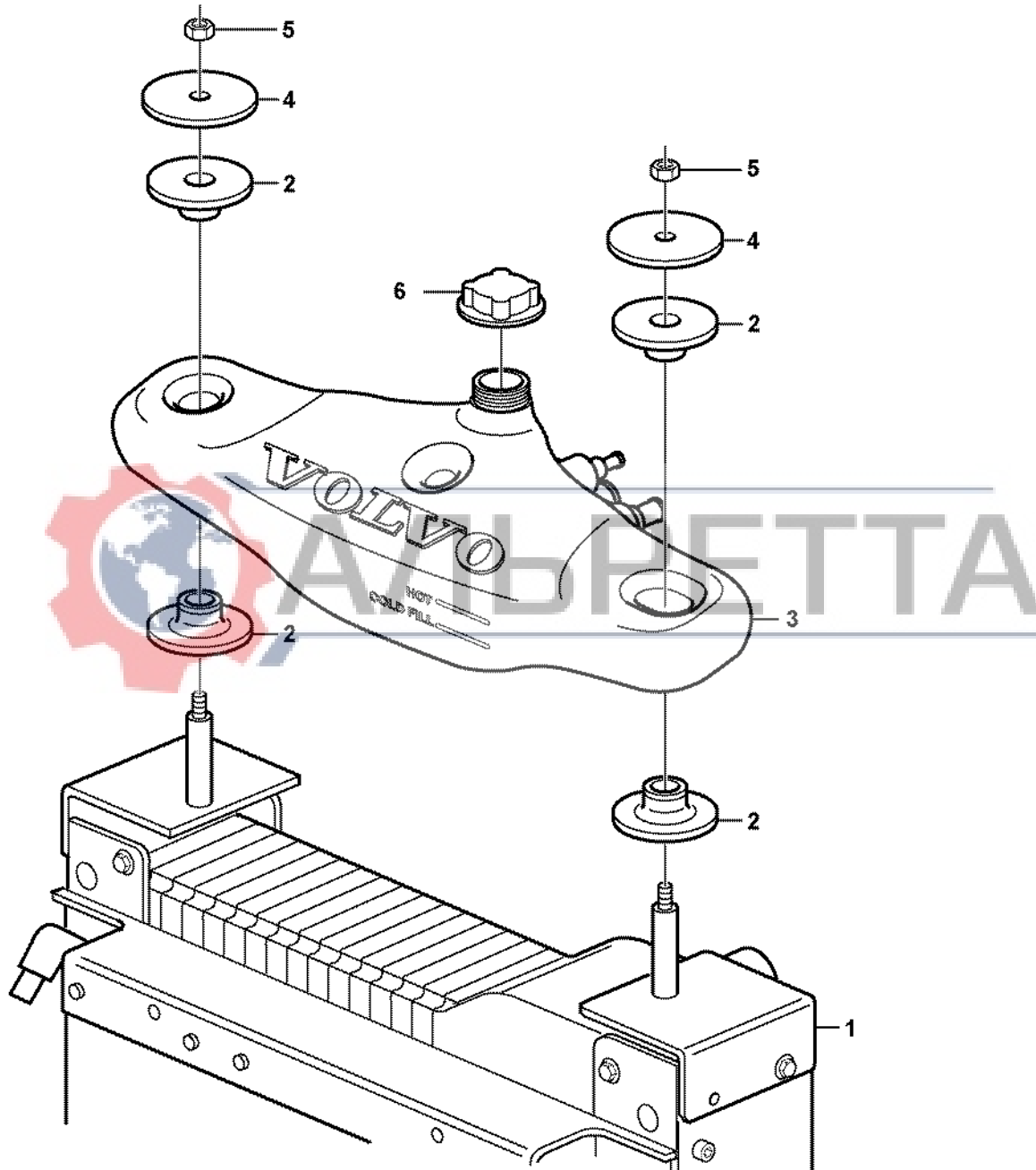


Fig.	Part No.	Quantity			P S	K I T	Description	Dénomination	Bezeichnung	Denominación	Benämning	Notes
		1	2	3								
1		1				Cooling Package.....	Ensemble de refroidi..	Kühlerpaket.....	Paquete de refrigerac.	Kylpaket.....	See group 261, Page 111	
2		4			NS	Spacer.....	Entretoise.....	Abstandstueck.....	Casquillo distanciad ...	Distans.....		
3	<b>VOE 11887983</b>	1				Expansion Tank.....	Vase Expansion.....	Dehngefäss.....	Tanque Expansio.....	Expansionskärl.....		
4		2			NS	Washer.....	Rondelle.....	Scheibe.....	Arandela.....	Bricka.....		
5	<b>VOE 13971095</b>	2				Flange nut.....	Ecrou accouple.....	Bundmutter.....	Tuerca embridad.....	Flänsmutter.....		
6	<b>VOE 1542591</b>	1				Pressure Cap.....	Boucho.pression.....	Druckverschluss.....	Tapa Presion.....	Trycklock.....		



1	<b>Expansionstank med monteringsdetaljer</b> <b>Depósito de expansion con accesorios de montaje</b> <b>Ausgleichbehälter mit Anbauteilen</b> <b>Recipient d'expansion avec pièces de montage</b> <b>Expansion tank with fitting parts</b>	Catalogue id	Group
2		<b>20124</b>	<b>261</b>
3		Illustr. No	Section
4		<b>1027036</b>	<b>200</b>
5		Issue	Page
		<b>VOE 63A9920124</b>	<b>113</b>

**VOLVO**

**BL61PLUS**

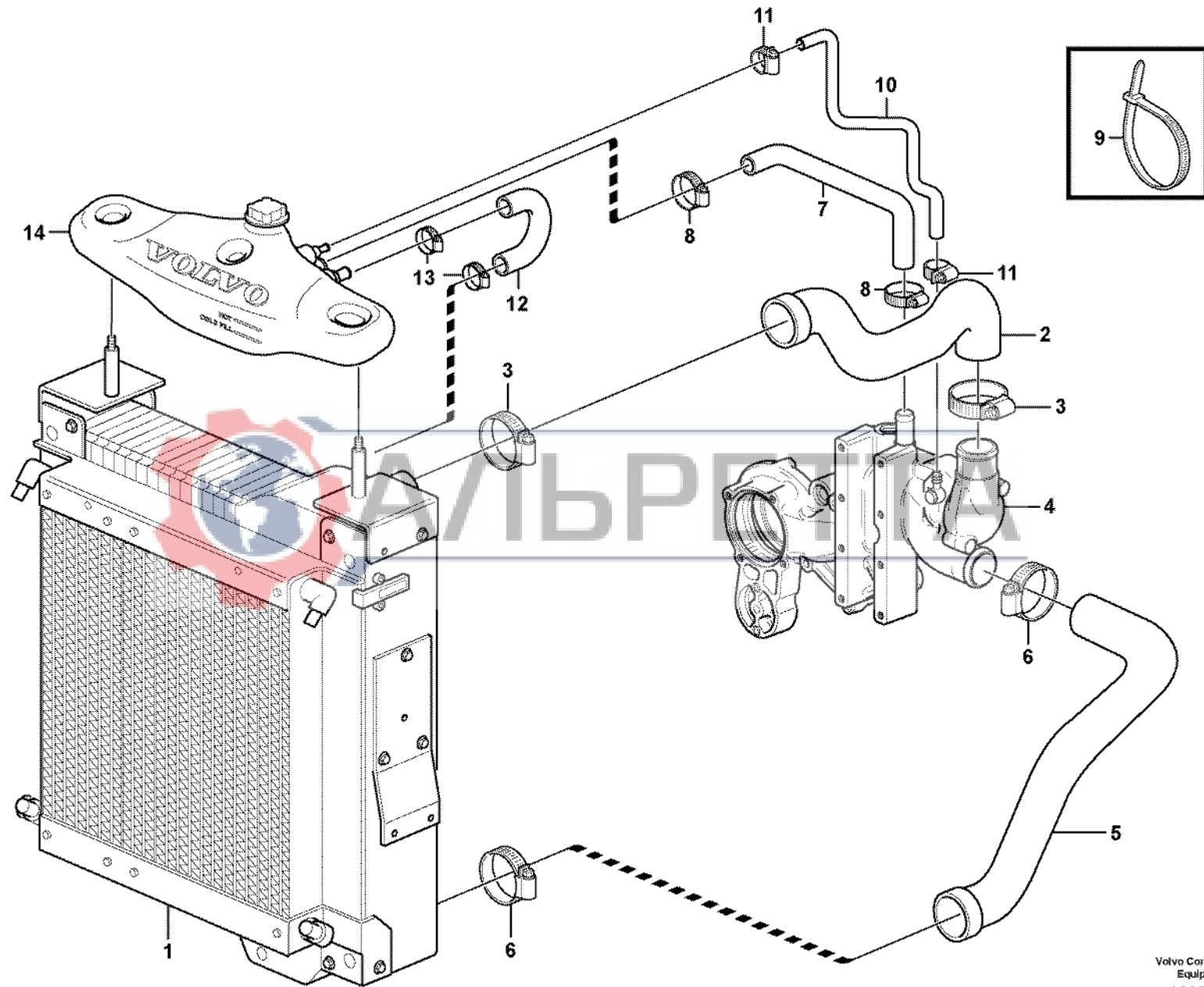


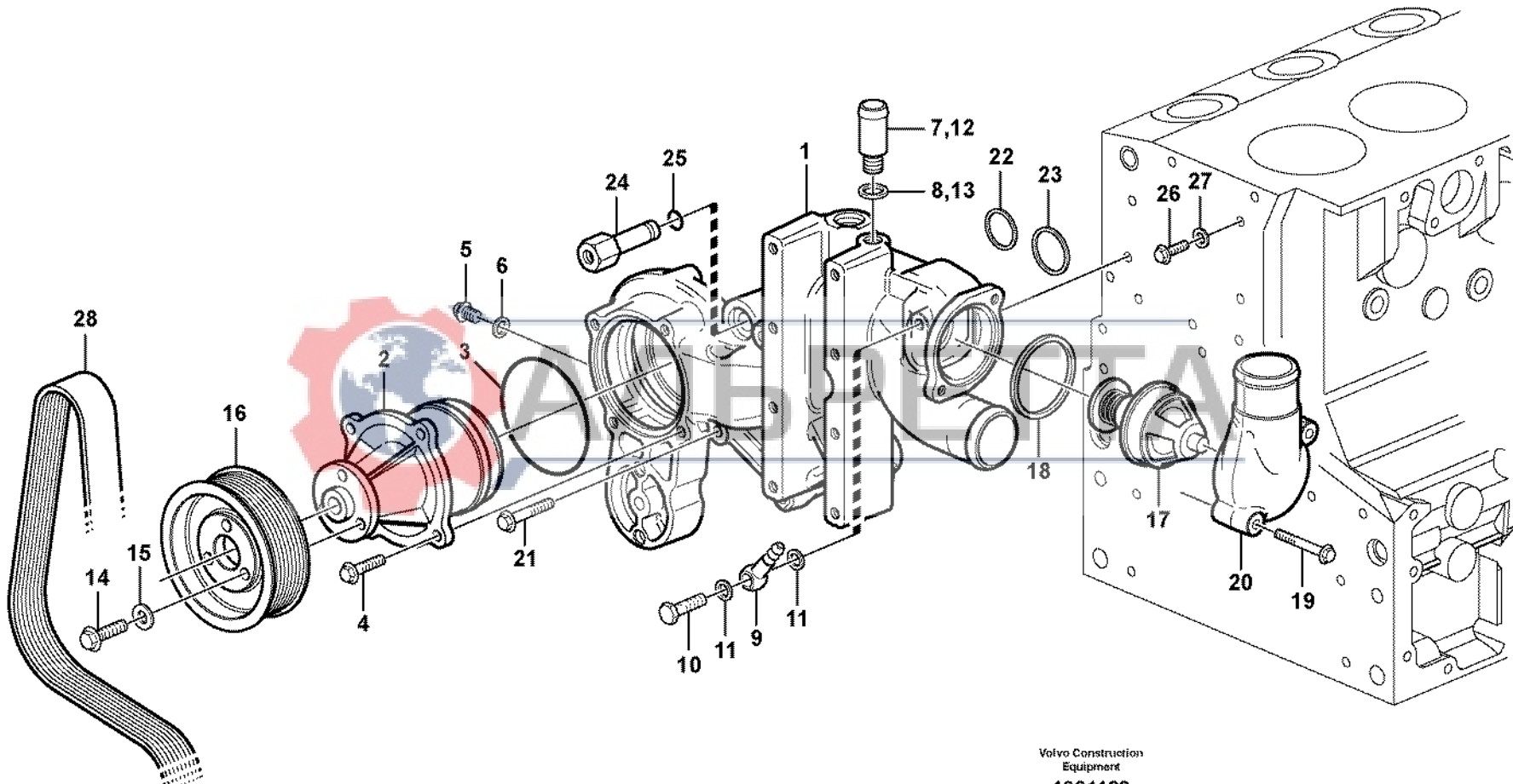
Fig.	Part No.	Quantity			P S	K I T	Description	Dénomination	Bezeichnung	Denominación	Benämning	Notes
		1	2	3								
1		1				Radiator .....	Radiateur .....	Kühler .....	Radiador .....	Kylare .....	See group 261, Page 111	
2	<b>VOE 11881130</b>	1				Radiator Hose .....	Durit Radiateur .....	Kuhlerschlauch .....	Manguera Radiad .....	Kylarslang .....		
3	<b>VOE 981604</b>	2				Hose Clamp .....	Collier Serrage .....	Schlauchselle .....	Abraz Manguera .....	Slangklamma .....		
4		1				Water Pump .....	Pompe a eau .....	Wasserpumpe .....	Bomba de agua .....	Vattenpump .....	See group 262, Page 117	
5	<b>VOE 11888695</b>	1				Hose .....	Durit .....	Schlauch .....	Tubo flexible .....	Slang .....		
6	<b>VOE 981604</b>	2				Hose Clamp .....	Collier Serrage .....	Schlauchselle .....	Abraz Manguera .....	Slangklamma .....		
7	<b>VOE 11882659</b>	1				Hose .....	Durit .....	Schlauch .....	Tubo flexible .....	Slang .....		
8	<b>VOE 981708</b>	2				Hose Clamp .....	Collier Serrage .....	Schlauchselle .....	Abraz Manguera .....	Slangklamma .....		
9	<b>VOE 14016673</b>	1				Strip Clamp .....	Ruban Serrage .....	Kabelbinder .....	Abraz Cinta .....	Bandklamma .....		
10	<b>VOE 11882757</b>	1				Hose .....	Durit .....	Schlauch .....	Tubo flexible .....	Slang .....		
11	<b>VOE 943469</b>	2				Hose Clamp .....	Collier Serrage .....	Schlauchselle .....	Abraz Manguera .....	Slangklamma .....		
12	<b>VOE 11882756</b>	1				Hose .....	Durit .....	Schlauch .....	Tubo flexible .....	Slang .....		
13	<b>VOE 981705</b>	2				Hose Clamp .....	Collier Serrage .....	Schlauchselle .....	Abraz Manguera .....	Slangklamma .....		
14		1				Expansion Tank .....	Vase Expansion .....	Dehngefäss .....	Tanque Expansio .....	Expansionskärl .....	See group 261, Page 113	



1		<b>Kylsystem</b> <b>Sistema de refrigeración</b> <b>Kühlanlage</b> <b>Système de refroidissement</b> <b>Cooling system</b>	Catalogue id	Group
2			<b>20124</b>	<b>261</b>
3			Illustr. No	Section
4			<b>1027052</b>	<b>250</b>
5			Issue	Page
			<b>VOE 63A9920124</b>	<b>115</b>

**VOLVO**

**BL61PLUS**



Volvo Construction  
Equipment  
1021128

Fig.	Part No.	Quantity			P S	K I T	Description	Dénomination	Bezeichnung	Denominación	Benämning	Notes
		1	2	3								
1	VOE 20791406	1				Bracket.....	Console.....	Konsole .....	Ménsula.....	Konsol.....		
2	VOE 20726092	1				•Coolant Pump.....	•Pompe a eau .....	•Kühlwasserpumpe .....	•Bomba Ag.refr.....	•Kylvätskepump.....		
3	VOE 20502536	1				•Sealing ring.....	•Bague d'étanchéité .....	•Runddichtring.....	•Anillo reten .....	•Tätningarring.....		
4	VOE 20405885	4				•Screw.....	•Vis.....	•Schraube.....	•Tornillo .....	•Skruv.....		
5	VOE 888774	1				•Plug .....	•Bouchon.....	•Stopfen .....	•Tapon.....	•Plugg.....		
6	VOE 13947281	1				•Gasket .....	•Joint .....	•Dichtung.....	•Junta .....	•Packning.....		
7		1			NS	•Plug .....	•Bouchon.....	•Stopfen .....	•Tapon.....	•Plugg.....		
8	VOE 13947622	1				•Plane Gasket.....	•Joint Plan.....	•Flachdichtung.....	•Junta Plana .....	•Planpackning.....		
9	VOE 20551429	1				•Fitting.....	•Ecrou raccord .....	•Verschraubung.....	•Racor .....	•Förskruvning.....		
10	VOE 20460936	1				•Hollow screw .....	•Vis creuse .....	•Hohlschraube.....	•Racor-surtidor .....	•Hålskruv.....		
11	VOE 20460061	2				•Seal .....	•Joint .....	•Dichtring.....	•Junta .....	•Tätning.....		
12	VOE 20412313	1				Hose Connection .....	Racco.flexible.....	Schlauchanschl.....	Conex Manguera.....	Slanganslutning.....		
13	VOE 13947622	1				Plane Gasket.....	Joint Plan.....	Flachdichtung.....	Junta Plana .....	Planpackning.....		
14	VOE 20405792	3				Screw.....	Vis.....	Schraube.....	Tornillo .....	Skruv.....		
15	VOE 20450745	3				Washer.....	Rondelle.....	Scheibe .....	Arandela .....	Bricka.....		
16	VOE 20459949	1				Pulley.....	Poulie.....	Z-riemenscheibe .....	Polea Corr Dent .....	Kuggremhjul.....		
17	VOE 20450736	1				Thermostat.....	Thermostat.....	Thermostat.....	Termostato .....	Termostat.....		
18	VOE 20459961	1				Sealing ring.....	Bague d'étanchéité .....	Runddichtring.....	Anillo reten .....	Tätningarring.....		
19	VOE 20405672	2				Screw.....	Vis.....	Schraube.....	Tornillo .....	Skruv.....		
20	VOE 20450735	1				Outlet.....	Sortie.....	Auslass.....	Salida .....	Utlopp.....		
21	VOE 20405723	5				Screw.....	Vis.....	Schraube.....	Tornillo .....	Skruv.....		
22	VOE 20799838	1				Rubber Seal.....	Lèvre Caoutchouc.....	Gummilippe .....	Labio Goma.....	Gummiläpp.....		
23	VOE 20459953	1				Sealing ring.....	Bague d'étanchéité .....	Runddichtring.....	Anillo reten .....	Tätningarring.....		
24	VOE 20459952	1				Connector.....	Raccord.....	Anschluss.....	Union .....	Anslutning.....		
25	VOE 20459954	1				•Sealing ring.....	•Bague d'étanchéité .....	•Runddichtring.....	•Anillo reten .....	•Tätningarring.....		
26	VOE 20405898	1				Screw.....	Vis.....	Schraube.....	Tornillo .....	Skruv.....		
27	VOE 20459900	1				Sealing ring.....	Bague d'étanchéité .....	Runddichtring.....	Anillo reten .....	Tätningarring.....		
28		1				V-belt.....	Courroie Trape.....	Keilriemen .....	Correa Trapez .....	Kilrem.....	See group 263, Page 121	

1		<b>Vattenspump och termostathus</b>	Catalogue id	Group
2		<b>Bomba de agua y caja de termostato</b>	<b>20124</b>	<b>262</b>
3		<b>Wasserpumpe und Thermostatgehäuse</b>	Illustr. No	Section
4		<b>Pompe à eau et boîtier thermostat</b>	<b>1021128</b>	<b>100</b>
5		<b>Water pump and thermostat housing</b>	Issue	Page
			<b>VOE 63A9920124</b>	<b>117</b>

**VOLVO**

**BL61PLUS**

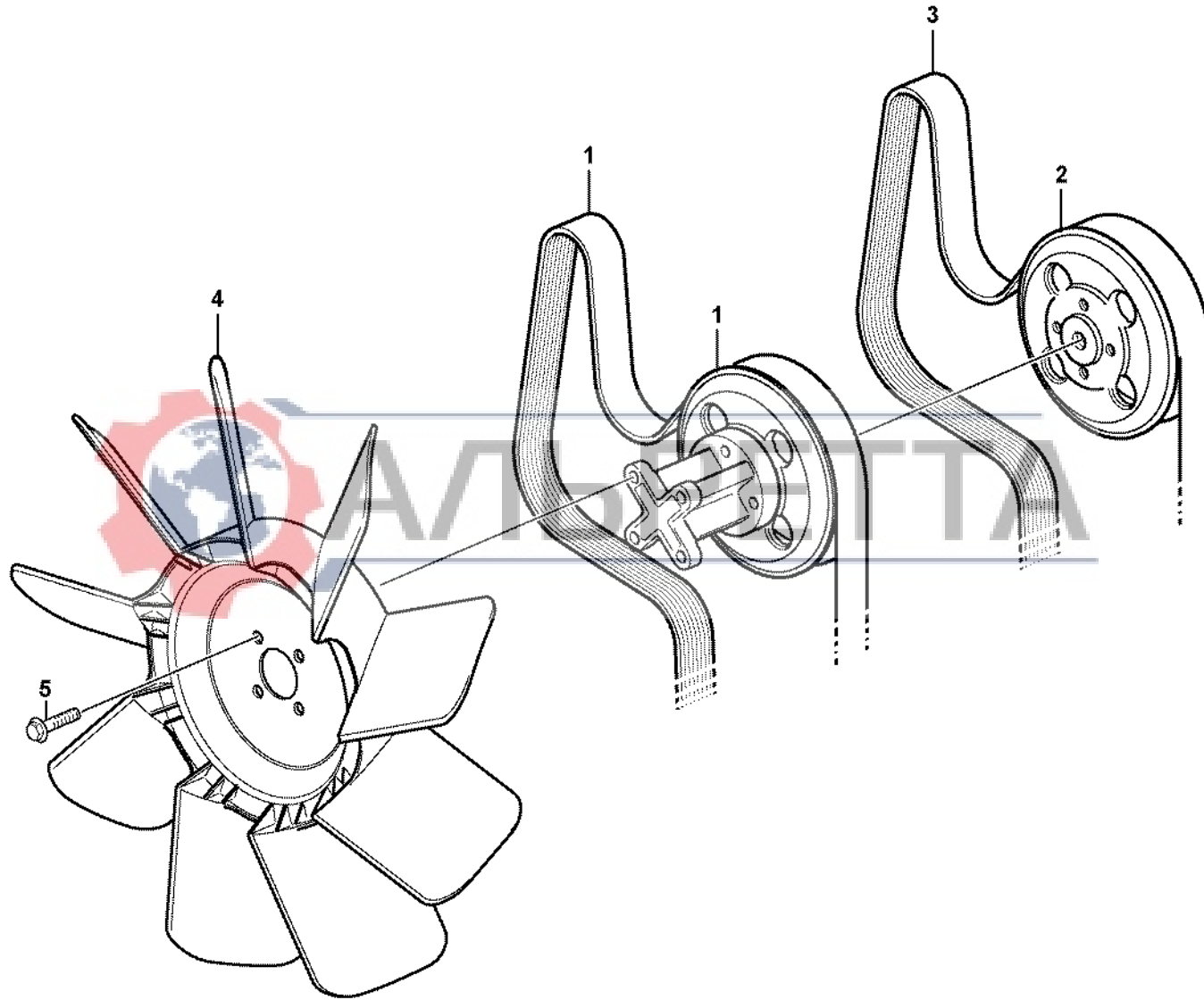


Fig.	Part No.	Quantity			P S	K I T	Description	Dénomination	Bezeichnung	Denominación	Benämning	Notes
		1	2	3								
1		1				Belt transmission.....	Transm. courrouie.....	Riemenantrieb.....	Correa distribución.....	Remtransmission.....	See group 263, Page 121	
2	VOE 20498714		1			Pulley .....	Poulie .....	Z-riemenscheibe .....	Polea Corr Dent .....	Kuggremhjul.....		
3	VOE 11714203		1			Belt.....	Courroie .....	Riemen.....	Correa .....	Rem.....		
4	VOE 11882519		1			Fan.....	Ventilateur.....	Ventilator.....	Ventilador.....	Fläkt.....		
5	VOE 13946173		4			Flange screw.....	Vis à bride.....	Flanschschraube.....	Torn embridado.....	Flänsskruv.....		



1	11880101	<b>Fläkt</b> <b>Ventilador</b> <b>Gebläse</b> <b>Ventilateur</b> <b>Fan</b>	Catalogue id	Group
2	11891478		<b>20124</b>	<b>263</b>
3			Illustr. No	Section
4			<b>1027097</b>	<b>100</b>
5			Issue	Page
			<b>VOE 63A9920124</b>	<b>119</b>

**VOLVO**

**BL61PLUS**



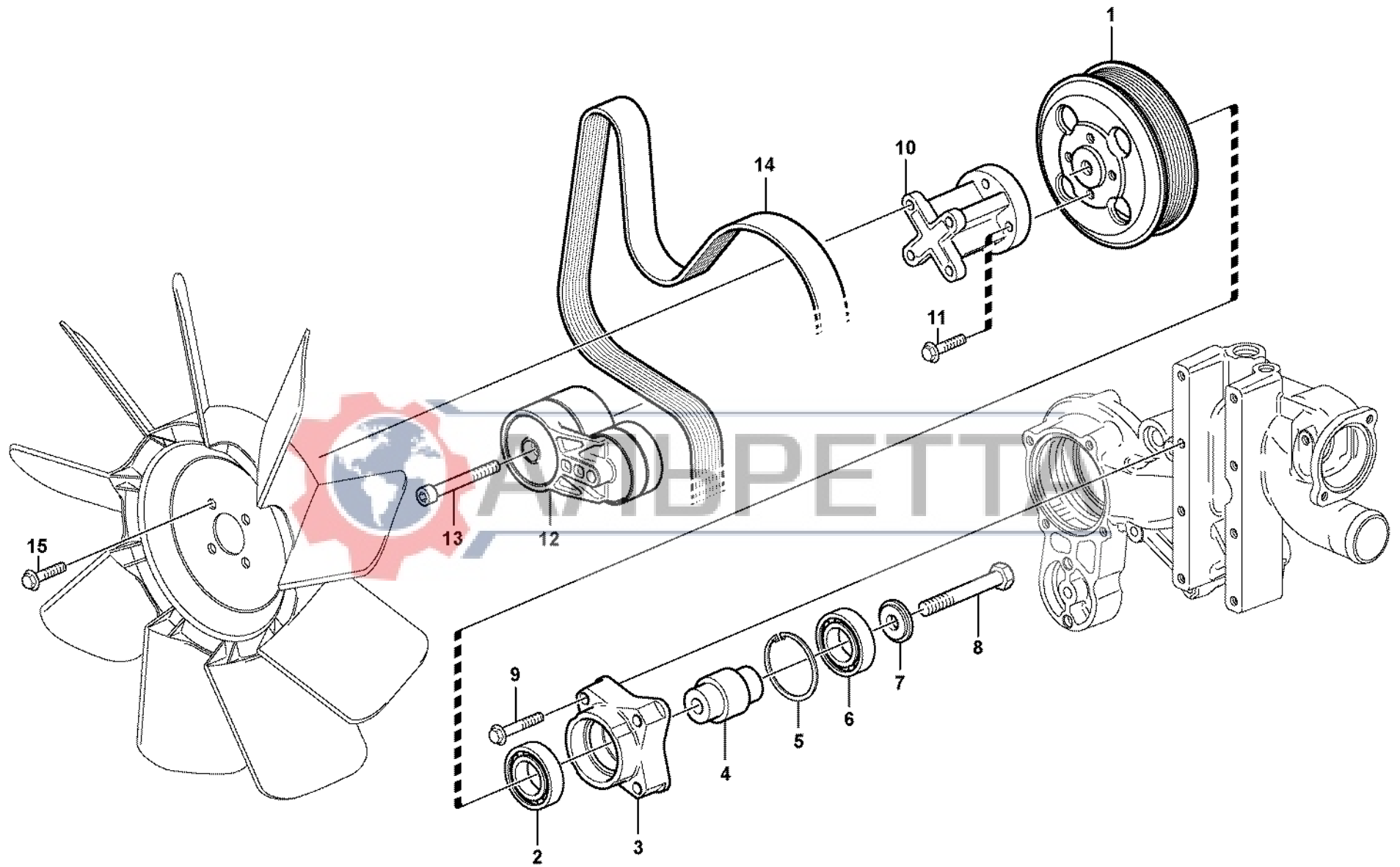


Fig.	Part No.	Quantity			P S	K I T	Description	Dénomination	Bezeichnung	Denominación	Benämning	Notes
		1	2	3								
	VOE 21018766	1					Fan bracket.....	Console Ventilateur....	Gebläsekonsole .....	Consola Ventilador....	Fläktkonsol.....	
1	VOE 20459864	1			K		•Pulley.....	•Poulie.....	•Z-riemenscheibe .....	•Polea Corr Dent .....	•Kuggremhjul.....	
2	VOE 20450749	1			K		•Ball Bearing .....	•Roulemen.billes .....	•Kugellager.....	•Cojinete Bolas.....	•Kullager.....	
3	VOE 21009704	1			K		•Bearing Bracket.....	•Porte-palier .....	•Lagerbock.....	•Soporte Cojin .....	•Lagerbock.....	
4	VOE 21009699	1			K		•Shaft .....	•Arbre.....	•Welle.....	•Arbol.....	•Axel.....	
5	VOE 20459025	1			K		•Retaining ring .....	•Bague retenue .....	•Haltering.....	•Anillo de apoyo .....	•Hållarring.....	
6	VOE 20450750	1			K		•Ball Bearing .....	•Roulemen.billes .....	•Kugellager.....	•Cojinete Bolas.....	•Kullager.....	
7	VOE 20999732	1			K		•Washer .....	•Rondelle.....	•Scheibe.....	•Arandela.....	•Bricka.....	
8	VOE 20450754	1			K		•Screw.....	•Vis.....	•Schraube.....	•Tornillo .....	•Skruv.....	
9	VOE 20459263	4					Screw.....	Vis.....	Schraube.....	Tornillo .....	Skruv.....	
10	VOE 20405988	1					Adapter .....	Raccord Reduct. ....	Verbind Stutzen.....	Adaptador.....	Adapter.....	
11	VOE 20405504	4					Screw.....	Vis.....	Schraube.....	Tornillo .....	Skruv.....	
12	VOE 20909227	1					Belt Tensioner.....	Tendeu.courroie.....	Riemenspanner.....	Tensor Correa .....	Remspännare.....	
13	VOE 20555065	1					Screw.....	Vis.....	Schraube.....	Tornillo .....	Skruv.....	
14	VOE 11709636	1					V-belt.....	Courroie Trapez.....	Keilriemen .....	Correa Trapez .....	Kilrem.....	
15	VOE 20405885	4					Screw.....	Vis.....	Schraube.....	Tornillo .....	Skruv.....	



1	<b>Remtransmission</b> <b>Correa distribución</b> <b>Riemenantrieb</b> <b>Transmission courroie</b> <b>Belt transmission</b>	Catalogue id	Group
2		<b>20124</b>	<b>263</b>
3		Illustr. No	Section
4		<b>1027209</b>	<b>150</b>
5		Issue	Page
		<b>VOE 63A9920124</b>	<b>121</b>

**VOLVO**

**BL61PLUS**

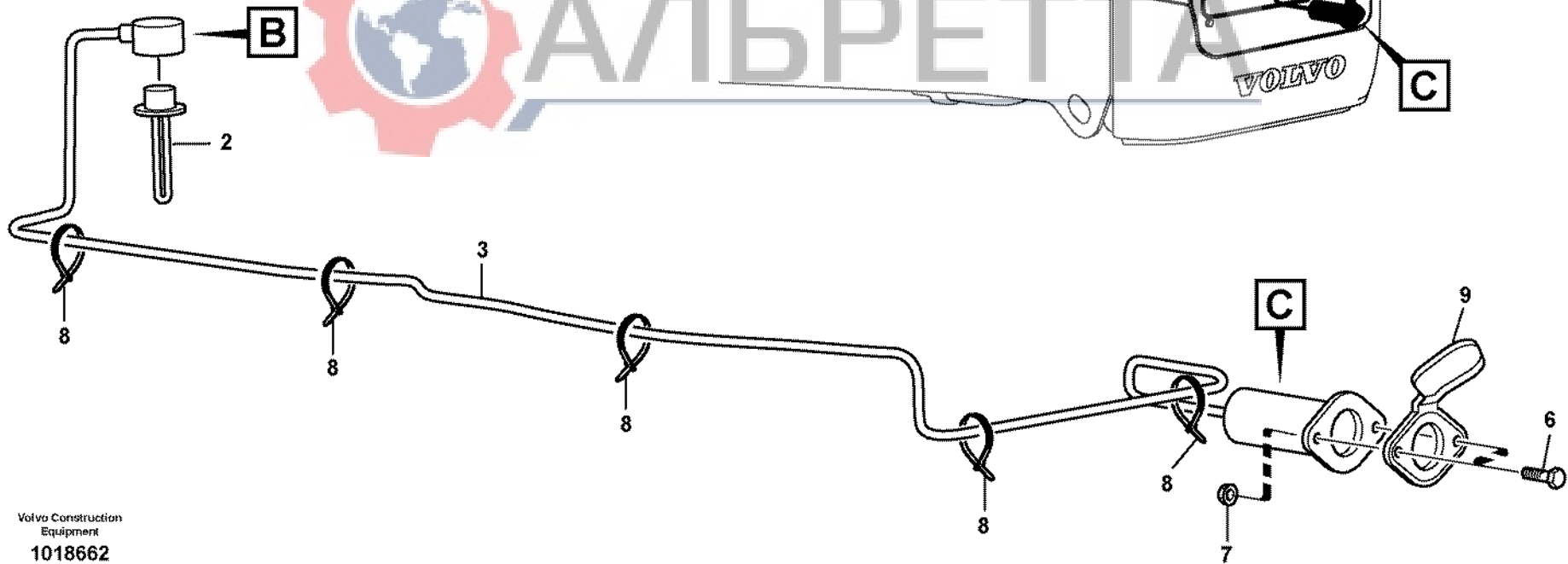
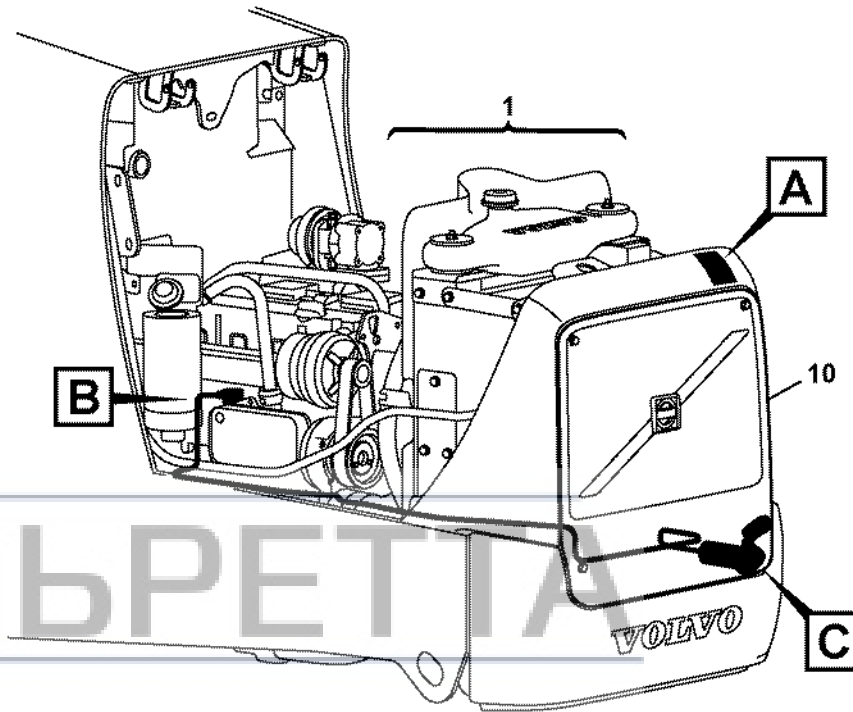
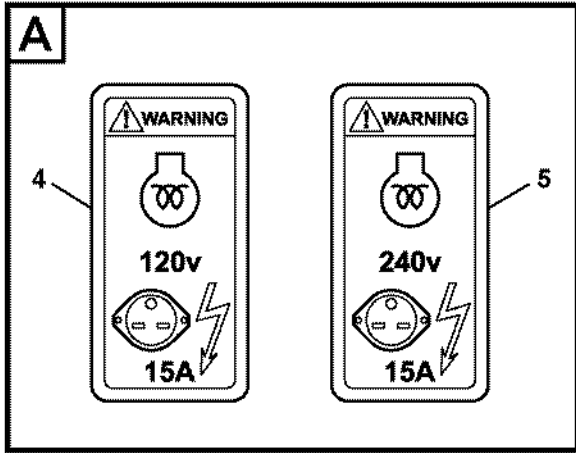


Fig.	Part No.	Quantity			P S	K I T	Description	Dénomination	Bezeichnung	Denominación	Benämning	Notes
		1	2	3								
1		1	1			Engine.....	Moteur.....	Verbrenn Motor.....	Motor.....	Motor.....	See group 210, Page 51	
2	<b>VOE 11886629</b>	1				Pre-heater.....	Prechauffeur.....	Vorwärmer.....	Precalentador.....	Förvärmare.....	120V	
2	<b>VOE 11886630</b>		1			Pre-heater.....	Prechauffeur.....	Vorwärmer.....	Precalentador.....	Förvärmare.....	240V	
3	<b>VOE 11141656</b>	1				Cable.....	Câble.....	Kabel.....	Cable.....	Kabel.....		
3	<b>VOE 11141657</b>		1			Cable.....	Câble.....	Kabel.....	Cable.....	Kabel.....		
4	<b>VOE 11302220</b>	1				Decal.....	Autocollant.....	Aufklebeschild.....	Calcomania.....	Dekal.....		
5	<b>VOE 11302230</b>		1			Decal.....	Decalcomanie.....	Abziehbild.....	Decalcomania.....	Dekal.....		
6	<b>VOE 13969516</b>	2	2			Screw.....	Vis.....	Schraube.....	Tornillo.....	Skruv.....		
7	<b>VOE 975237</b>	2	2			Lock nut.....	Contre-ecrou.....	Sicherungsmutter.....	Contratuerca.....	Låsmutter.....		
8	<b>VOE 14016673</b>	5	5			Strip Clamp.....	Ruban Serrage.....	Kabelbinder.....	Abraz Cinta.....	Bandklamma.....		
9	<b>VOE 11109685</b>	1	1			Cover.....	Couvercle.....	Deckel.....	Tapa.....	Lock.....		
10		1	1			Radiator grille.....	Calandre radia.....	Kühlergrill.....	Rejilla radiad.....	Kylargrill.....	See group 823, Page 379	



1	<b>11891429</b>	<b>Motorvärmare.</b> <b>Calentador del motor.</b> <b>Motorwärmer.</b> <b>Chaufferette de moteur.</b> <b>Engine heater.</b>	Catalogue id	Group
2	<b>11891430</b>		<b>20124</b>	<b>269</b>
3			Illustr. No	Section
4			<b>1018662</b>	<b>100</b>
5			Issue	Page
			<b>VOE 63A9920124</b>	<b>123</b>
			<b>11891429, 11891430</b>	

**VOLVO**

**BL61PLUS**

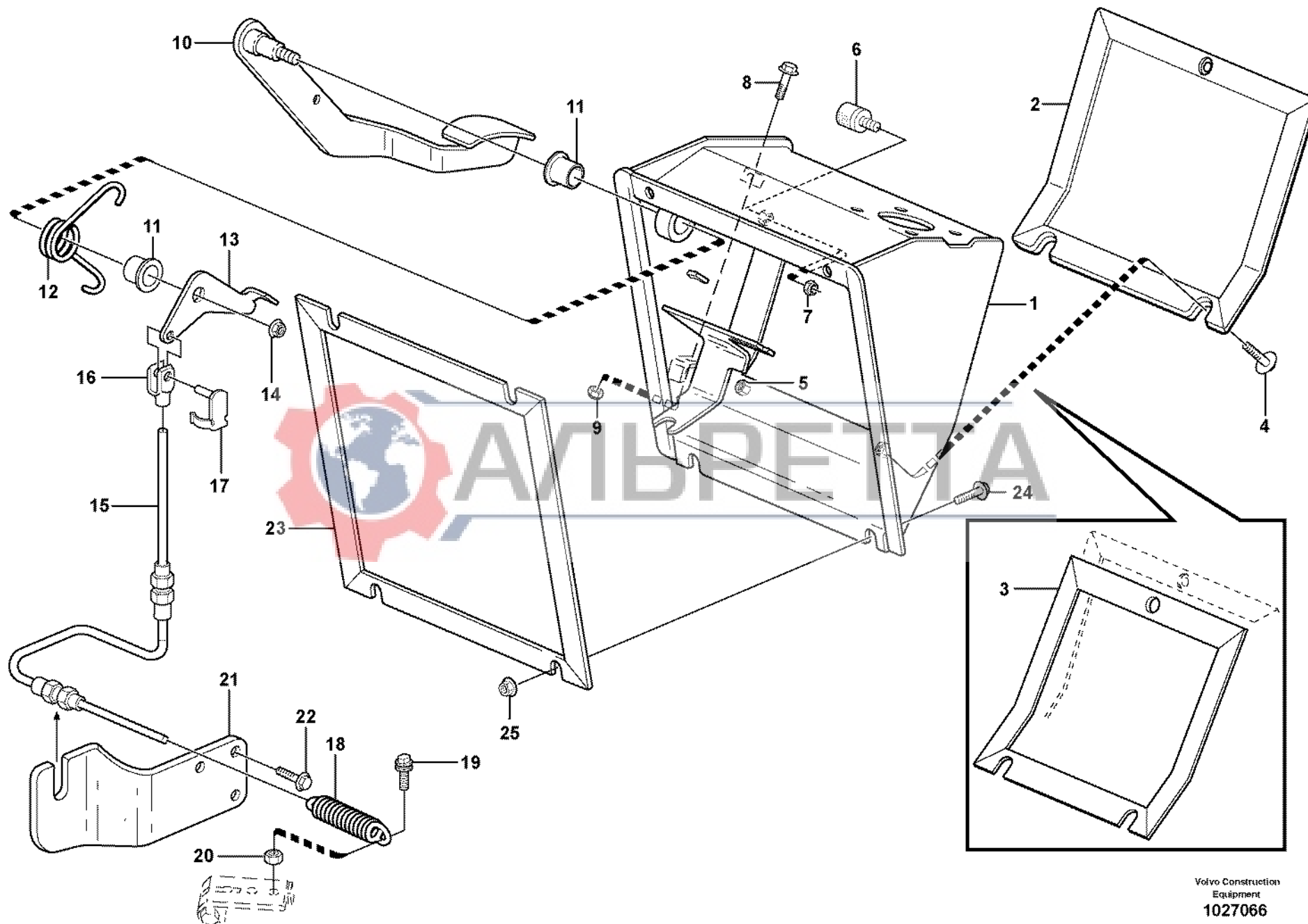


Fig.	Part No.	Quantity			P S	K I T	Description	Dénomination	Bezeichnung	Denominación	Benämning	Notes
		1	2	3								
		1			NS	Throttle control .....	Comm. accélérateur...	Gasregler .....	Mando acelerado .....	Gasreglage.....		
1	VOE 11202250	1				•Box .....	•Boîte .....	•Kasten.....	•Caja.....	•Låda.....		
2		1			NS	•Cover .....	•Capot .....	•Haube .....	•Capo .....	•Lock.....		
3	VOE 11202254	1				••Gasket.....	••Joint.....	••Dichtung .....	••Junta .....	••Packning.....		
4	VOE 13947542	3				•Screw.....	•Vis.....	•Schraube.....	•Tornillo .....	•Skruv.....		
5	VOE 981269	3				•Rivet Nut.....	•Ecrou Rivet .....	•Nietmutter .....	•Tuerca Remache .....	•Nitmutter.....		
6	VOE 11200579	1				•Absorber.....	•Amortisseur.....	•Dämpfer .....	•Amortiguador .....	•Dämpare.....		
7	VOE 946036	1				•Lock nut.....	•Contre-ecrou.....	•Sicherungsmutter.....	•Contratuerca .....	•Låsmutter.....		
8	VOE 13946173	1				•Flange screw .....	•Vis à bride.....	•Flanschschraube.....	•Torn embridado.....	•Flänsskruv.....		
9	VOE 946036	1				•Lock nut.....	•Contre-ecrou.....	•Sicherungsmutter.....	•Contratuerca .....	•Låsmutter.....		
10	VOE 11202248	1				•Accelerator Pedal .....	•Pédale d'accélérateu	•Gaspedal.....	•Pedal de acelerador..	•Gaspedal.....		
11	VOE 11200936	2				•Flange Bearing .....	•Palier Bride .....	•Flanschlager .....	•Cojinete Brida .....	•Flänslager.....		
12	VOE 11202231	1				•Torsion Spring .....	•Ressort Torsion .....	•Drehstabfeder .....	•Resorte Torsion .....	•Vridfjäder.....		
13	VOE 11202437	1				•Link Arm .....	•Bras Commande.....	•Gelenkhebel.....	•Brazo Artic .....	•Länkarm.....		
14	VOE 13971098	1				•Flange nut.....	•Ecrou accouple.....	•Bundmutter .....	•Tuerca embridad.....	•Flänsmutter.....		
15	VOE 11888222	1				Throt Cont Ca .....	Câble d'accélération...	Gasregelzug .....	Cable Acelerad.....	Gasreglagewire.....		
16	VOE 11882487	1				Fork.....	Fourche .....	Gabel.....	Horquilla .....	Gaffel.....		
17	VOE 11882489	1				Pin.....	Clavette .....	Splint.....	Pasador.....	Sprint.....		
18	VOE 11882485	1				Spring.....	Ressort.....	Feder.....	Muelle.....	Fjäder.....		
19	VOE 11882478	1				Cage.....	Support.....	Halter.....	Soporte.....	Hållare.....		
20	VOE 13955781	1				Nut.....	Ecrou.....	Mutter.....	Tuerca.....	Mutter.....		
21	VOE 11882482	1				Bracket.....	Console.....	Konsole .....	Consola.....	Konsole.....		
22	VOE 13946173	3				Flange screw.....	Vis à bride .....	Flanschschraube.....	Torn embridado .....	Flänsskruv.....		
23	VOE 11205982	1				Gasket.....	Joint .....	Dichtung .....	Junta .....	Packning.....		
24	VOE 13945444	3				Flange screw.....	Vis à bride .....	Flanschschraube.....	Torn embridado .....	Flänsskruv.....		
25	VOE 948645	2				Flange Lock Nut.....	Contre écrou bride .....	Flanschmutter .....	Contratuer Embr.....	Flänslåsmutter.....		

1	11880101	<b>Regulatorreglage</b> <b>Mando del regulador</b> <b>Reglersteuerung</b> <b>Commande du régulateur</b> <b>Regulator control</b>	Catalogue id	Group
2	11298204, 11298208		<b>20124</b>	<b>271</b>
3			Illustr. No	Section
4			<b>1027066</b>	<b>100</b>
5			Issue	Page
			<b>VOE 63A9920124</b>	<b>125</b>

**VOLVO**

**BL61PLUS**

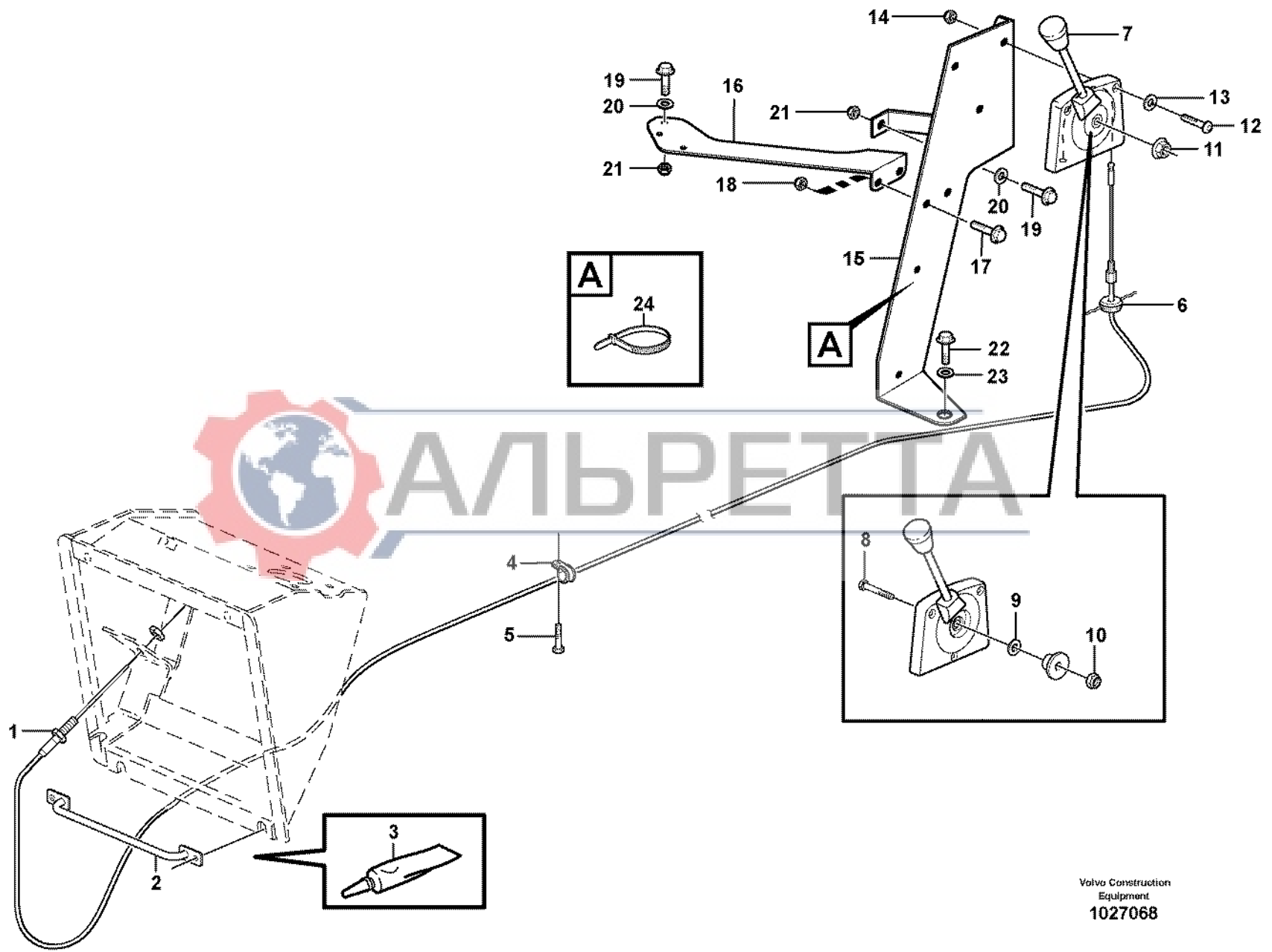


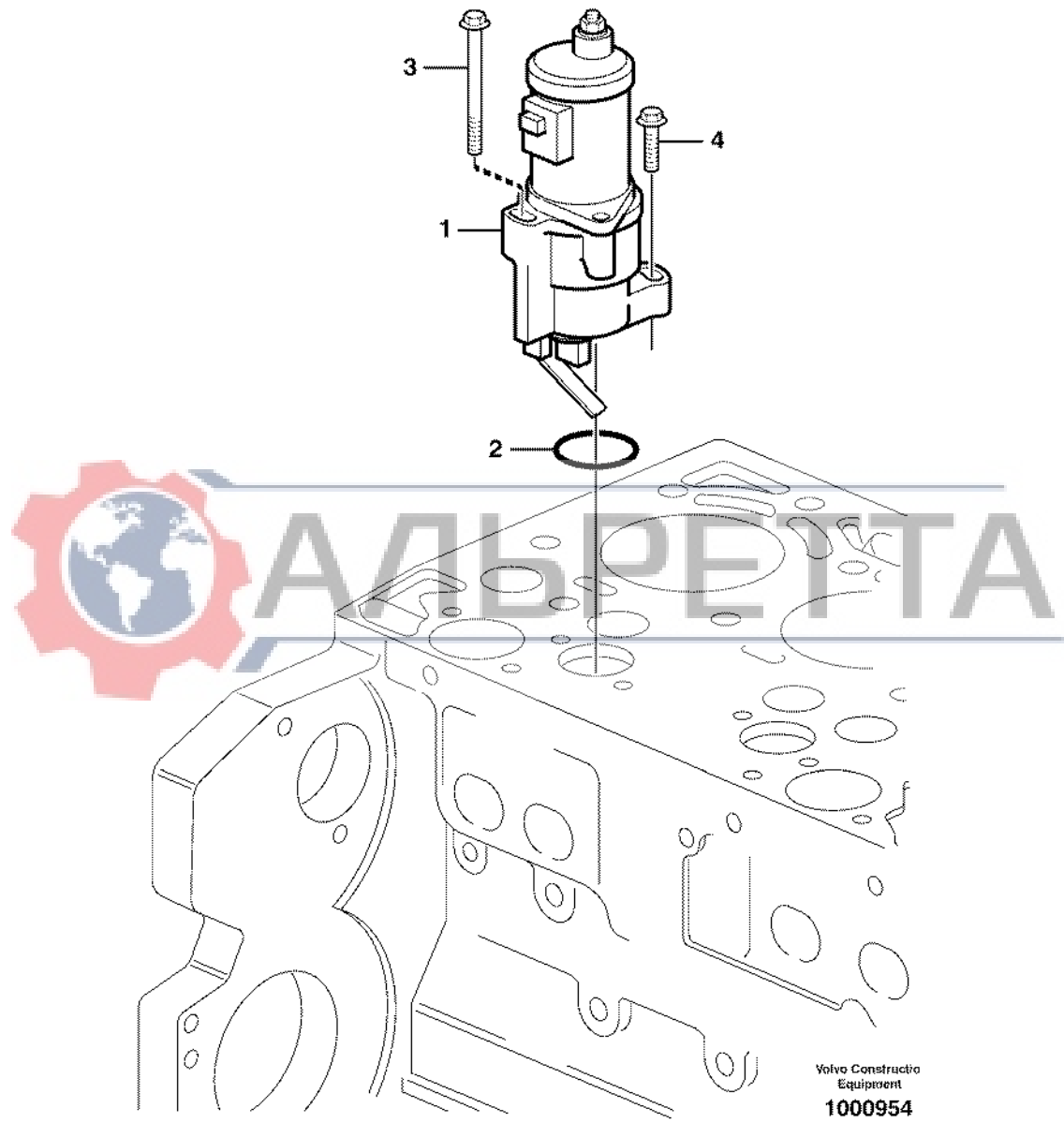
Fig.	Part No.	Quantity			P S	K I T	Description	Dénomination	Bezeichnung	Denominación	Benämning	Notes
		1	2	3								
1	VOE 11204468	1	1			Throt Cont Ca .....	Câble d'accélération...	Gasregelzug .....	Cable Acelerad .....	Gasreglagewire .....		
2		1	1	NS		Hose retainer .....	Porte-flexible .....	Schlauchhalter .....	Reten manguera .....	Slanghållare .....		
3		1	1	NS		Sealant .....	Prod.etancheite .....	Dichtmittel .....	Product Estanq .....	Tättningsmedel .....		
4	VOE 952623	1	1			Clamp .....	Pince Serrage .....	Klemme .....	Abrazadera .....	Klämma .....		
5	VOE 972421	1	1			Screw .....	Vis .....	Schraube .....	Tornillo .....	Skruv .....		
6	VOE 941269	1	1			Plug .....	Bouchon .....	Stopfen .....	Tapon .....	Plugg .....		
7	VOE 11202931	1	1			Hand throttle control...	Accélérateur a main ...	Handgasregler .....	Mando manual aceler.	Handgasreglage .....		
8	VOE 11715202	1	1			•Screw .....	•Vis .....	•Schraube .....	•Tornillo .....	•Skruv .....		
9	VOE 11712696	1	1			•Washer .....	•Rondelle .....	•Scheibe .....	•Arandela .....	•Bricka .....		
10	VOE 946035	1	1			•Lock nut .....	•Contre-ecrou .....	•Sicherungsmutter .....	•Contratuerca .....	•Låsmutter .....		
11	VOE 13949278	1	1			Flange Lock Nut .....	Contre écrou bride .....	Flanschmutter .....	Contratuer Embr .....	Flänslåsmutter .....		
12	VOE 969793	3	3			Screw .....	Vis .....	Schraube .....	Tornillo .....	Skruv .....		
13	VOE 13940090	3	3			Washer .....	Rondelle .....	Scheibe .....	Arandela .....	Bricka .....		
14	VOE 975237	3	3			Lock nut .....	Contre-ecrou .....	Sicherungsmutter .....	Contratuerca .....	Låsmutter .....		
15		1	1	NS		Anchorage .....	Fixation .....	Halterung .....	Fijacion .....	Fäste .....		
16		1	1	NS		•Anchorage .....	•Fixation .....	•Halterung .....	•Fijacion .....	•Fäste .....		
17	VOE 946440	2	2			Flange screw .....	Vis à bride .....	Flanschschaube .....	Torn embridado .....	Flänsskruv .....		
18	VOE 13945408	2	2			Nut .....	Ecrou .....	Mutter .....	Tuerca .....	Mutter .....		
19	VOE 13945444	4	4			Flange screw .....	Vis à bride .....	Flanschschaube .....	Torn embridado .....	Flänsskruv .....		
20	VOE 13960143	4	4			Washer .....	Rondelle .....	Scheibe .....	Arandela .....	Bricka .....		
21	VOE 13945408	4	4			Nut .....	Ecrou .....	Mutter .....	Tuerca .....	Mutter .....		
22	VOE 13946173	1	1			Flange screw .....	Vis à bride .....	Flanschschaube .....	Torn embridado .....	Flänsskruv .....		
23	VOE 13960141	1	1			Washer .....	Rondelle .....	Scheibe .....	Arandela .....	Bricka .....		
24	VOE 11039689	1	1			Strip Clamp .....	Ruban Serrage .....	Kabelbinder .....	Abraz Cinta .....	Bandklamma .....		

1	11298204	<b>Handgasreglage</b> <b>Acelerador manual</b> <b>Handgas</b> <b>Accelérateur manual</b> <b>Hand throttle</b>	Catalogue id	Group
2	11298208		<b>20124</b>	<b>272</b>
3			Illustr. No	Section
4			<b>1027068</b>	<b>100</b>
5			Issue	Page
			<b>VOE 63A9920124</b>	<b>127</b>

**VOLVO**

**BL61PLUS**





Volvo Constructo  
Equipment  
1000954

Fig.	Part No.	Quantity			P S	K I T	Description	Dénomination	Bezeichnung	Denominación	Benämning	Notes
		1	2	3								
1	VOE 20562765	1					Stop solenoid .....	Aimant d'arrêt.....	Haltemagnet.....	Solenoido parad .....	Stoppmagnet.....	
2	VOE 20405728	1					•Sealing ring.....	•Bague d'étanchéité ..	•Runddichtring.....	•Anillo reten .....	•Tätningring.....	
3	VOE 11700269	1					Screw .....	Vis .....	Schraube.....	Tornillo .....	Skruv.....	
4	VOE 13949578	1					Screw .....	Vis .....	Schraube.....	Tornillo .....	Skruv.....	



1	<b>Stoppmagnet</b> <b>Parada del motor</b> <b>Motorabstellung</b> <b>Arret de moteur</b> <b>Shutdown device</b>	Catalogue id	Group
2		<b>20124</b>	<b>273</b>
3		Illustr. No	Section
4		<b>1000954</b>	<b>100</b>
5		Issue	Page
		VOE 63A9920124	<b>129</b>

**VOLVO**

**BL61PLUS**



GROUP	Section	Page	GROUP	Section	Page		
313	Battery box with fitting parts .....	100	137	372	Electrical distribut.unit and control unit.....	100	205
321	Alternator with assembling details .....	100	139	380	Instrument panel .....	100	207
331	Starter motor with assembling details .....	100	141	380	Switch.....	200	209
352	Lighting .....	100	143	380	Anti-theft Kit 11891332.....	250	213
352	Work lights .....	200	145	380	Foot switch and electric power outlet .....	350	215
353	Lighting, rear .....	100	147				
353	License plate lamp 11891001 .....	150	149				
353	Position pointer and anchorage, license plate 11298034 .....	200	151				
354	Inner lamp .....	100	153				
362	Horn .....	100	155				
362	Rotating beacon.....	150	157				
363	Windshield wiper, front 11298203, 11298204.....	100	159				
363	Windshield wiper, rear 11298204, 11298203 .....	150	161				
363	Windshield washer.....	200	163				
371	Battery cable and main switch .....	100	165				
371	Cable harness, engine .....	200	169				
371	Cable harness, transmission. 11891077, 11895023.....	250	171				
371	Cable harness, transmission. 11891595.....	275	173				
371	Cable Harness Lighting Cab Ext. 11298204, 11298208 .....	300	175				
371	Cable Harness cab int. roof 11298204 .....	350	177				
371	Cable harness chassis.....	400	179				
371	Cable harness rear valve block.....	450	183				
371	Other cables.....	500	185				
371	Cable harness, tail light 11891000, 11891002, 11891050, 11891248, 11891249 .....	630	187				
371	Cable harness, panel .....	655	189				
371	Cable harness, panel 11891595 .....	675	193				
371	Cable harness, control panel right .....	710	197				
371	Cable harness, control panel right 11891595 .....	725	199				
371	Cable harness heater and air conditioning 11298204 .....	750	201				
371	Cable harness, Loader Quick Attach 11891238 .....	950	203				

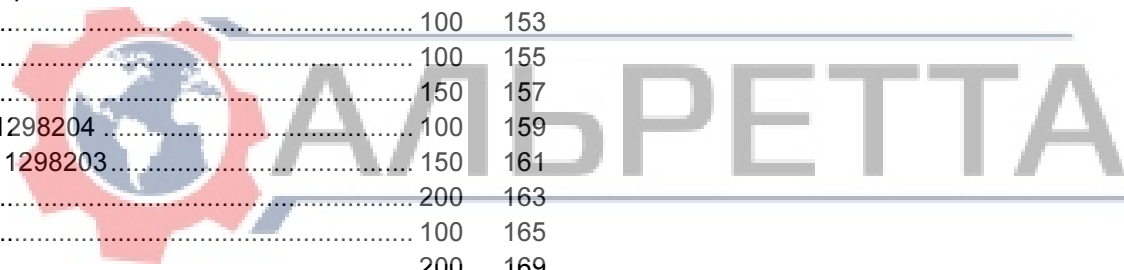
<b>INDEX OF CONTENTS</b>	Catalogue id <b>20124</b>	Group <b>3</b>
	Issue <b>VOE 63A9920124</b>	Page <b>131</b>

**VOLVO**

**BL61PLUS**

<b>TABLE DES MATIÈRES</b>				Catalogue id <b>20124</b>	Group <b>3</b>
				Issue <b>VOE 63A9920124</b>	Page <b>132</b>
GROUPE	Section	Page	GROUPE	Section	Page

313	Cage batterie avec pièces de montage .....	100	137	372	Centrale de électrique .....	100	205
321	Alternateur avec pieces de montage .....	100	139	380	Tableau de bord .....	100	207
331	Démarrreur avec pieces de montage .....	100	141	380	Interrupteur.....	200	209
352	Eclairage .....	100	143	380	Kit alarme antivol 11891332.....	250	213
352	Phare de travail.....	200	145	380	Commutateur au pied et prise d'alimentation.....	350	215
353	Eclairage, arrière.....	100	147				
353	Eclairage de plaque 11891001 .....	150	149				
353	Indicateur position et fixation, plaque numéro 11298034 .....	200	151				
354	Interieure lampe .....	100	153				
362	Avertisseur sonore .....	100	155				
362	Gyrophare .....	150	157				
363	Essuie-vitre, avant 11298203, 11298204 .....	100	159				
363	Essuie-vitre, arrière 11298204, 11298203.....	150	161				
363	Lave - glace .....	200	163				
371	Cable batterie et robinet batterie.....	100	165				
371	Faisceau de câbles, moteur .....	200	169				
371	Faisceau de câles, transmission. 11891077, 11895023 .....	250	171				
371	Faisceau de câles, transmission. 11891595.....	275	173				
371	Câblage, éclairage extérieur cabine 11298204, 11298208 .....	300	175				
371	Câblage, pavillon cabine 11298204.....	350	177				
371	Faisceau de câbles, châssis .....	400	179				
371	Faisceau de câbles, bloc-distributeur arrière .....	450	183				
371	Autres câbles électriques.....	500	185				
371	Faisceau câbles, eclairage, arrière 11891000, 11891002, 11891050, 11891248, 11891249 .....	630	187				
371	Faisceau de câbles, pupitre central .....	655	189				
371	Faisceau de câbles, pupitre central 11891595 .....	675	193				
371	Faisceau de câbles, tableau de bord côté droit .....	710	197				
371	Faisceau de câbles, tableau de bord côté droit 11891595 .....	725	199				
371	Faisceau de câbles, chauffage et refroidissement 11298204.....	750	201				
371	Faisceau de câbles, porte-outil à accouplement rapide 11891238....	950	203				



GRUPPE	Abschnitt	Seite	GRUPPE	Abschnitt	Seite		
313	Batteriekasten mit Anbauteilen .....	100	137	372	Elektrozentrale .....	100	205
321	Generator mit Anbauteilen .....	100	139	380	Armaturen Brett .....	100	207
331	Anlasser mit Anbauteilen .....	100	141	380	Schalter .....	200	209
352	Beleuchtung .....	100	143	380	Diebstahlalarm-Kit 11891332 .....	250	213
352	Arbeitsscheinwerfer .....	200	145	380	Fußschalter und Stromanschluss .....	350	215
353	Beleuchtung, hinter .....	100	147				
353	Nummernschildbeleuchtung 11891001 .....	150	149				
353	Positionszeiger und Halterung, Kennzeichentafel 11298034 .....	200	151				
354	Innenlampe .....	100	153				
362	Signalhorn .....	100	155				
362	Rundum-kennleuchte .....	150	157				
363	Scheibenwischer, vorne 11298203, 11298204 .....	100	159				
363	Scheibenwischer, hinten 11298204, 11298203 .....	150	161				
363	Scheibenwaschanlage .....	200	163				
371	Batterieleitung und Batterietrennschalter .....	100	165				
371	Kabelbündel, Motor .....	200	169				
371	Kabelbaum, Getriebe. 11891077, 11895023 .....	250	171				
371	Kabelbaum, Getriebe. 11891595 .....	275	173				
371	Leitung mit Kabinenbeleuchtung außen 11298204, 11298208 .....	300	175				
371	Leitung mit Kabine innen Decke 11298204 .....	350	177				
371	Kabelbaum, Fahrgestell .....	400	179				
371	Kabelbaum hinterer Ventilblock .....	450	183				
371	Übrige Leitungen .....	500	185				
371	Kabelbaum, Beleuchtung, hinten 11891000, 11891002, 11891050, 11891248, 11891249 .....	630	187				
371	Kabelbäume, Mitteltafel .....	655	189				
371	Kabelbäume, Mitteltafel 11891595 .....	675	193				
371	Kabelbaum, rechte Bedientafel .....	710	197				
371	Kabelbaum, rechte Bedientafel 11891595 .....	725	199				
371	Kabelbaum, Heizung und Kühlung 11298204 .....	750	201				
371	Kabelbäume, Lader Schnellwechsler 11891238 .....	950	203				

<b>INHALTSVERZEICHNIS</b>	Catalogue id <b>20124</b>	Group <b>3</b>
	Issue <b>VOE 63A9920124</b>	Page <b>133</b>

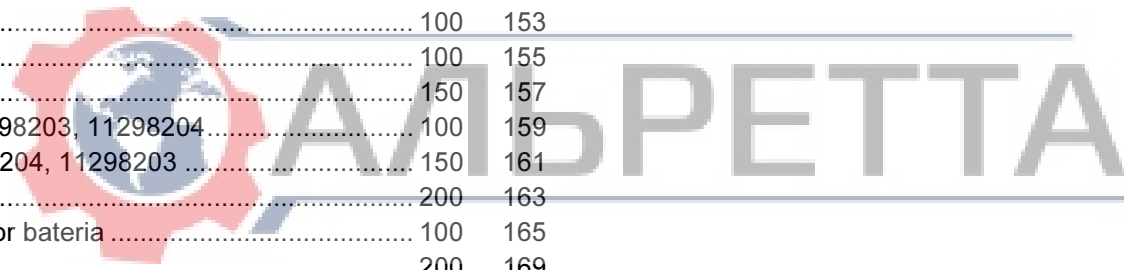
**VOLVO**



**BL61PLUS**

<b>INDICE</b>		Catalogue id <b>20124</b>	Group <b>3</b>		
		Issue <b>VOE 63A9920124</b>	Page <b>134</b>		
GRUPO	Sección	Página	GRUPO	Sección	Página

313	Caja de batería con accesorios de montaje.....	100	137	371	Mazo de cables, enganche rápido cargadora 11891238 .....	950	203
321	Alternador con asesorios de montage .....	100	139	372	Central eléctrica .....	100	205
331	Motor de arranque con asesorios de montaje.....	100	141	380	Panel de instrumentos .....	100	207
352	Alumbrado.....	100	143	380	Interruptor.....	200	209
352	Alumbrado de trabajo.....	200	145	380	Antirrobo 11891332.....	250	213
353	Alumbrado, trasero .....	100	147	380	Interruptor de pie y toma de corriente .....	350	215
353	Alumbrado de matrícula 11891001 .....	150	149				
353	Indicador de posición y fijación, matrícula 11298034 .....	200	151				
354	Interior lampare .....	100	153				
362	Bocina .....	100	155				
362	Faro de advertencia giratorio .....	150	157				
363	Limpiaparabrisas, delantero 11298203, 11298204.....	100	159				
363	Limpiaparabrisas, trasero 11298204, 11298203 .....	150	161				
363	Lavaparabrisas .....	200	163				
371	Cable de batería y desconector batería .....	100	165				
371	Haz de cables, motor .....	200	169				
371	Manojo de cable, transmisión. 11891077, 11895023 .....	250	171				
371	Manojo de cable, transmisión. 11891595 .....	275	173				
371	Haz de cables de alumbrado exterior de la cabina 11298204, 11298208 .....	300	175				
371	Haz de cables en el techo interior de la cabina 11298204 .....	350	177				
371	Haz de cables chasis .....	400	179				
371	Haz de cables del bloque de ventiladores traseros .....	450	183				
371	Otros cables .....	500	185				
371	Manojo cables, trasero 11891000, 11891002, 11891050, 11891248, 11891249 .....	630	187				
371	Haz de cables, panel central.....	655	189				
371	Haz de cables, panel central 11891595.....	675	193				
371	Haz de cables, panel de mandos derecho.....	710	197				
371	Haz de cables, panel de mandos derecho 11891595.....	725	199				
371	Cableado de equipo de calefacción y refrigeración 11298204 .....	750	201				



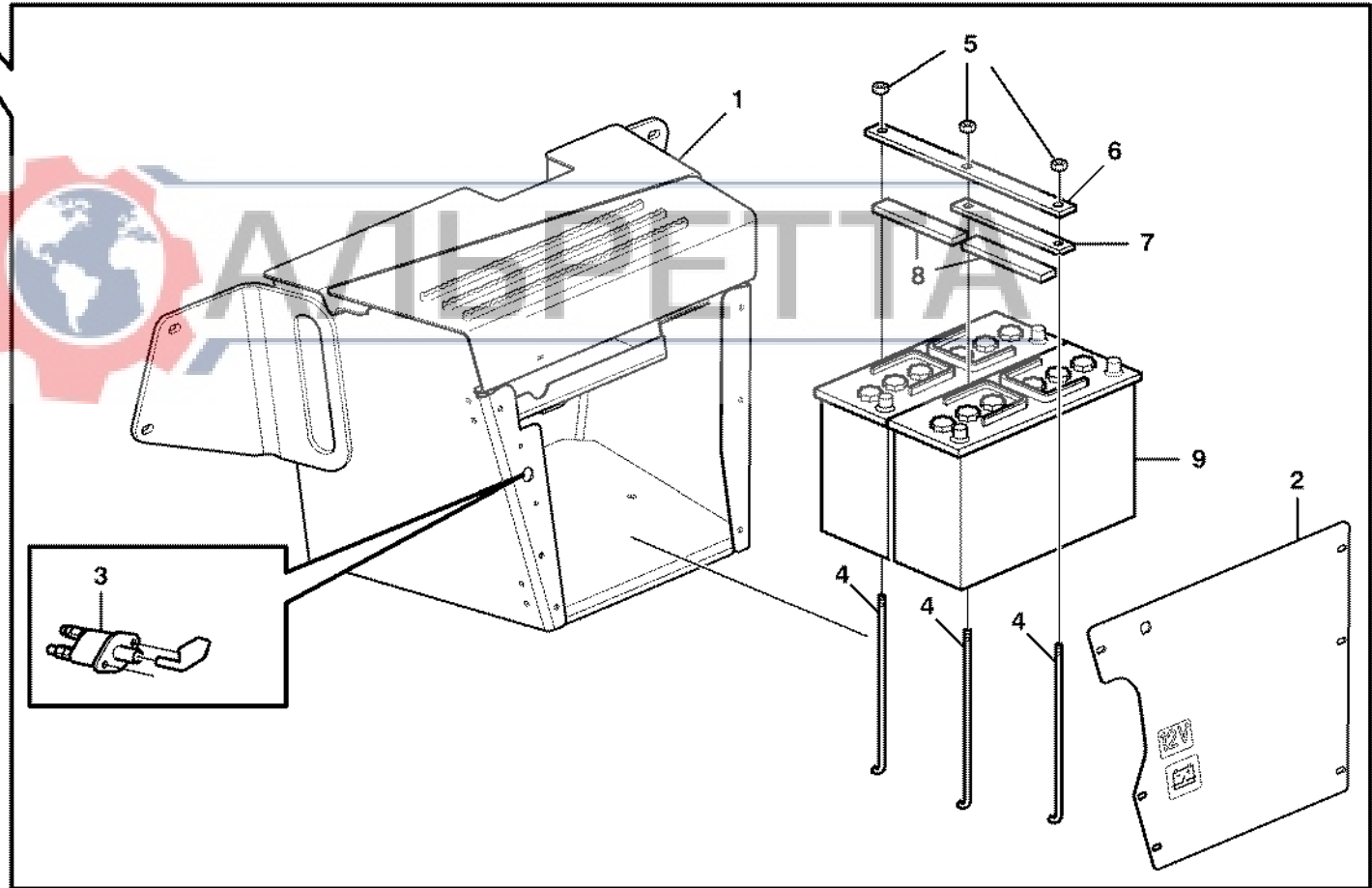
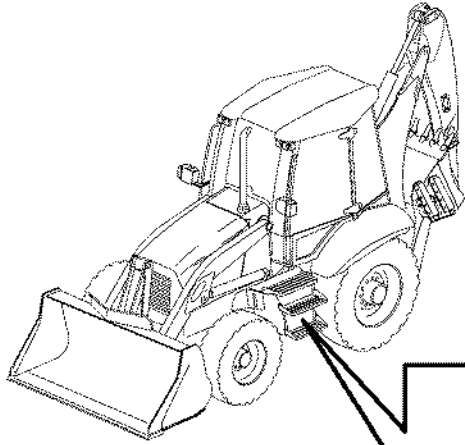
GRUPP		Avsnitt	Sida	GRUPP		Avsnitt	Sida
313	Batterilåda med monteringsdetaljer .....	100	137	372	Elcentral och styrenhet.....	100	205
321	Generator med monteringsdetaljer .....	100	139	380	Instrumentpanel .....	100	207
331	Startmotor med monteringsdetaljer.....	100	141	380	Strömställare .....	200	209
352	Belysning .....	100	143	380	Stöldlarmsats 11891332 .....	250	213
352	Arbetsbelysning .....	200	145	380	Fotströmställare och strömuttag.....	350	215
353	Belysning, bakre .....	100	147				
353	Nummerskyltsbelysning 11891001 .....	150	149				
353	Lägesvisare och fäste, nummerskylt 11298034.....	200	151				
354	Innerbelysning.....	100	153				
362	Signalhorn.....	100	155				
362	Roterande varningsljus .....	150	157				
363	Vindrutetorkare, fram 11298203, 11298204 .....	100	159				
363	Vindrutetorkare, bak 11298204, 11298203.....	150	161				
363	Vindrutespolare.....	200	163				
371	Batteriledning och batterifrånskiljare.....	100	165				
371	Ledningsmatta, motor .....	200	169				
371	Ledningsmatta transmission 11891077, 11895023 .....	250	171				
371	Ledningsmatta transmission 11891595 .....	275	173				
371	Ledn.m Belysn Hytt Utv 11298204, 11298208 .....	300	175				
371	Ledn.m hytt inv tak 11298204 .....	350	177				
371	Ledningsmatta chassi .....	400	179				
371	Ledningsmatta bakre ventilblock.....	450	183				
371	Övriga ledningar.....	500	185				
371	Ledningsmatta, belysning,bakre 11891000, 11891002, 11891050, 11891248, 11891249 .....	630	187				
371	Ledningsmatta, mittpanel.....	655	189				
371	Ledningsmatta, mittpanel 11891595 .....	675	193				
371	Ledningsmatta, manöverpanel höger .....	710	197				
371	Ledningsmatta, manöverpanel höger 11891595 .....	725	199				
371	Ledningsmatta värme och kylanläggning 11298204.....	750	201				
371	Ledningsmatta, lastaggregat snabbfäste 11891238 .....	950	203				



<b>INNEHÅLLSFÖRTECKNING</b>	Catalogue id <b>20124</b>	Group <b>3</b>
	Issue <b>VOE 63A9920124</b>	Page <b>135</b>







Volvo Construction  
Equipment  
1012028

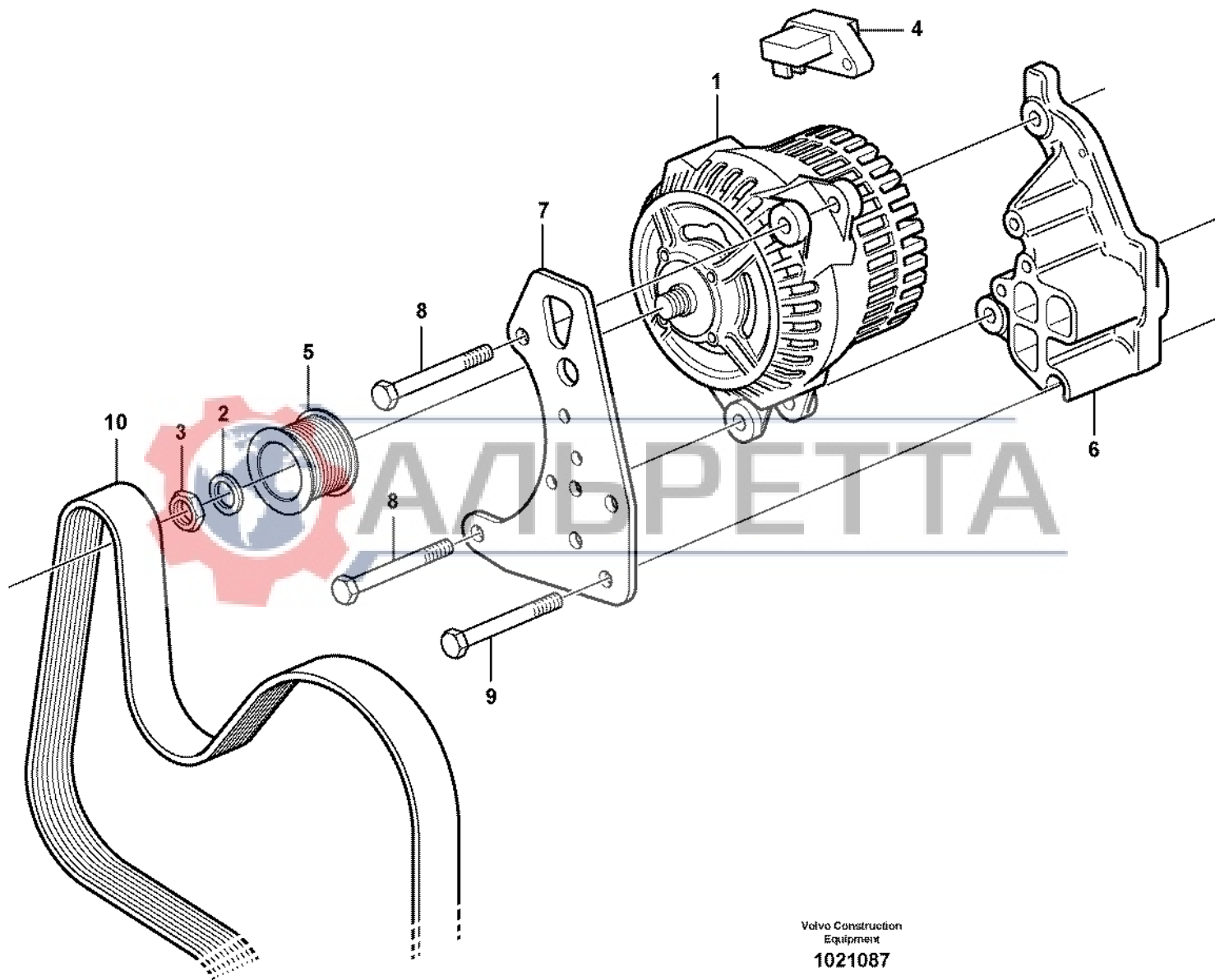
Fig.	Part No.	Quantity			P S	K I T	Description	Dénomination	Bezeichnung	Denominación	Benämning	Notes
		1	2	3								
1		1	1			Tool Box.....	Boite a outils .....	Werkzeugkasten .....	Caja herramientas .....	Verktyglåda.....	See group 896, Page 447	
2		1	1			Hatch.....	Trappe.....	Luke .....	Trampilla .....	Lucka.....	See group 896, Page 447	
3		1	1			Main Switch.....	Coupe-circuit pri.....	Hauptschalter .....	Interr Maestro .....	Huvudströmst.....	See group 371, Page 165	
4	<b>VOE 11883321</b>	2	3			Stay.....	Tirant.....	Strebe.....	Barra .....	Stag.....		
5	<b>VOE 13971098</b>	2	3			Flange nut.....	Ecrou accouple. ....	Bundmutter.....	Tuerca embridad .....	Flänsmutter.....		
6	<b>VOE 11883320</b>		1			Reinforcement.....	Renfort .....	Verstärkung.....	Refuerzo.....	Förstärkning.....		
7	<b>VOE 11883584</b>	1				Reinforcement.....	Renfort .....	Verstärkung.....	Refuerzo.....	Förstärkning.....		
8	<b>VOE 11883599</b>	1	2			Rubber Block .....	Bloc Caoutchouc.....	Gummiblock .....	Bloque Goma .....	Gummikuts.....		
9		1	2			Battery.....	Batterie.....	Batterie.....	Bateria.....	Batteri.....	See group 371, Page 165	



1	<b>11891392</b>	<b>Batterilåda med monteringsdetaljer</b> <b>Caja de batería con accesorios de montaje</b> <b>Batteriekasten mit Anbauteilen</b> <b>Cage batterie avec pièces de montage</b> <b>Battery box with fitting parts</b>	Catalogue id	Group
2	<b>11891391</b>		<b>20124</b>	<b>313</b>
3			Illustr. No	Section
4			<b>1012028</b>	<b>100</b>
5			Issue	Page
			<b>VOE 63A9920124</b>	<b>137</b>

**VOLVO**

**BL61PLUS**



Volvo Construction  
Equipment  
1021087

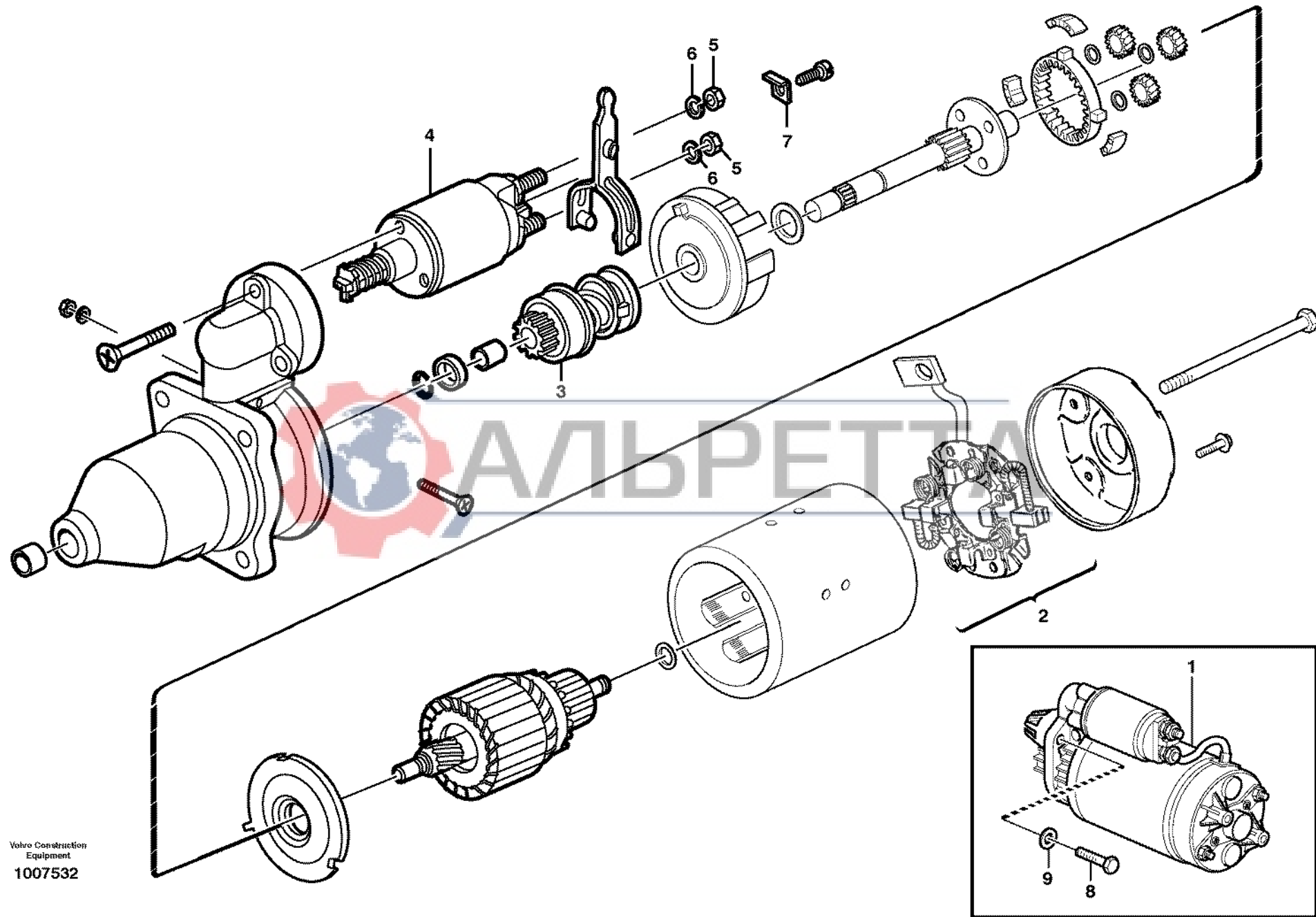
Fig.	Part No.	Quantity			P S	K I T	Description	Dénomination	Bezeichnung	Denominación	Benämning	Notes
		1	2	3								
1	VOE 20509446	1					Alternator .....	Alternateur .....	Lichtmaschine .....	Alternador .....	Generator.....	
2	VOE 20549886	1					•Spring Washer .....	•Rondelle élastique .....	•Federscheibe .....	•Arandela flexible .....	•Fjäderbricka.....	
3	VOE 20441521	1					•Nut .....	•Ecrou .....	•Mutter .....	•Tuerca .....	•Mutter.....	
4	VOE 20509482	1					•Voltage regulator .....	•Regulateur,tension....	•Spannungregler .....	•Regulador tension....	•Spänningsregulator..	
5	VOE 20460102	1					Pulley .....	Poulie .....	Z-riemenscheibe .....	Polea Corr Dent .....	Kuggremhjul.....	
6	VOE 20560564	1					Bracket.....	Console.....	Konsole .....	Ménsula.....	Konsol.....	
7	VOE 20567447	1					Plate.....	Plaque.....	Platte.....	Placa .....	Platta.....	
8	VOE 20460106	2					Screw .....	Vis .....	Schraube.....	Tornillo .....	Skruv.....	
9	VOE 20555084	4					Screw .....	Vis .....	Schraube.....	Tornillo .....	Skruv.....	
10		1					V-belt.....	Courroie Trape.....	Keilriemen .....	Correa Trapez .....	Kilrem.....	See group 263, Page 121



1	<b>Generator med monteringsdetaljer</b> <b>Alternador con asesorios de montage</b> <b>Generator mit Anbauteilen</b> <b>Alternateur avec pieces de montage</b> <b>Alternator with assembling details</b>	Catalogue id	Group
2		<b>20124</b>	<b>321</b>
3		Illustr. No	Section
4		<b>1021087</b>	<b>100</b>
5		Issue	Page
		<b>VOE 63A9920124</b>	<b>139</b>

**VOLVO**

**BL61PLUS**



Volvo Construction  
Equipment  
1007532

Fig.	Part No.	Quantity			P S	K I T	Description	Dénomination	Bezeichnung	Denominación	Benämning	Notes
		1	2	3								
1	VOE 20405828	1					Starter Motor .....	Demarreur .....	Anlasser .....	Motor de arranque .....	Startmotor .....	
2	VOE 20460117	1					•Brush Retainer .....	•Porte-balai .....	•Bürstenhalter .....	•Portaescobilla .....	•Borstållare .....	
3	VOE 20460116	1					•Starter Pinion .....	•Pigno.demarreur .....	•Anlasserritzel .....	•Pinon Motor Arr .....	•Startmotordrev .....	
4	VOE 20460115	1					Relay .....	Relais .....	Relais .....	Rele .....	Relä .....	
5	VOE 20460118	2					Hexagon Nut .....	Ecrou Hexagonal .....	Sechskantmutter .....	Tuerca Hexagon .....	Sexkantsmutter .....	
6	VOE 20460119	2					Lock Washer .....	Rondel.verroui .....	Sicher Scheibe .....	Arandel Segurid .....	Låsbricka .....	
7	VOE 20460120	1					Clamp .....	Pince Serrage .....	Klemme .....	Abrazadera .....	Klämma .....	
8	VOE 20593357	3					Hexagon screw .....	Vis tête hexagonale .....	Sechskantschraube .....	Tornillo hexago .....	Sexkantsskruv .....	
9	VOE 20459061	3					Washer .....	Rondelle .....	Scheibe .....	Arandela .....	Bricka .....	



1	<b>Startmotor med monteringsdetaljer</b> <b>Motor de arranque con asesorios de montaje</b> <b>Anlasser mit Anbauteilen</b> <b>Démarrreur avec pieces de montage</b> <b>Starter motor with assembling details</b>	Catalogue id	Group
2		<b>20124</b>	<b>331</b>
3		Illustr. No	Section
4		<b>1007532</b>	<b>100</b>
5		Issue	Page
		<b>VOE 63A9920124</b>	<b>141</b>

**VOLVO**

**BL61PLUS**

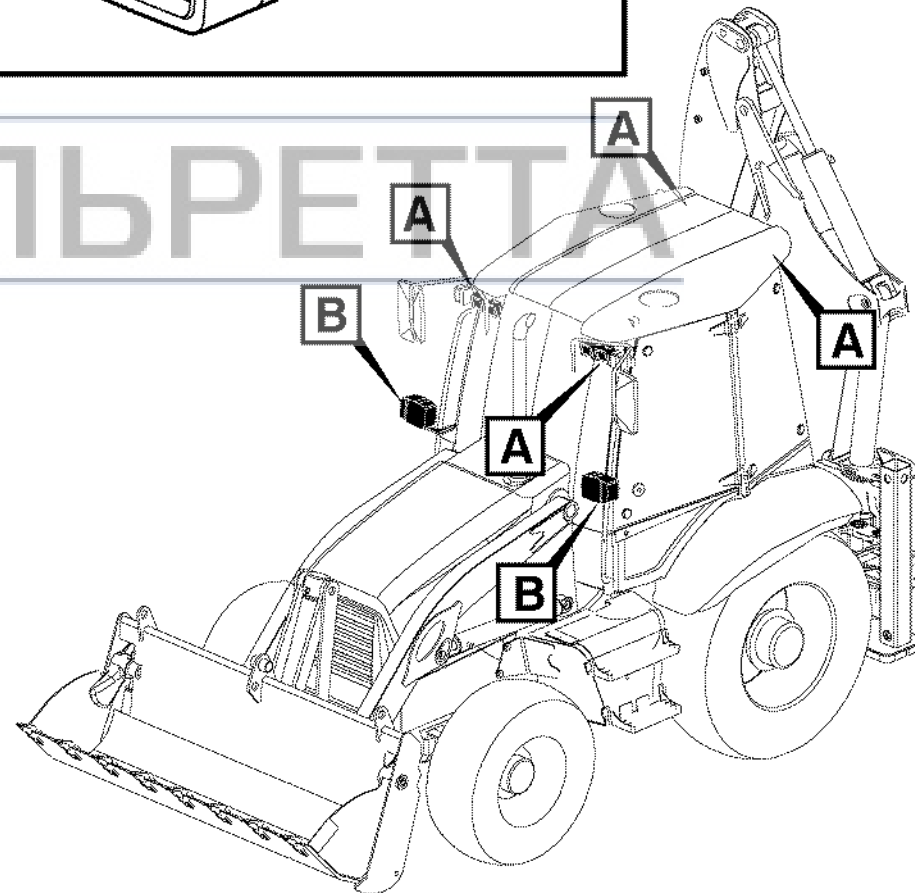
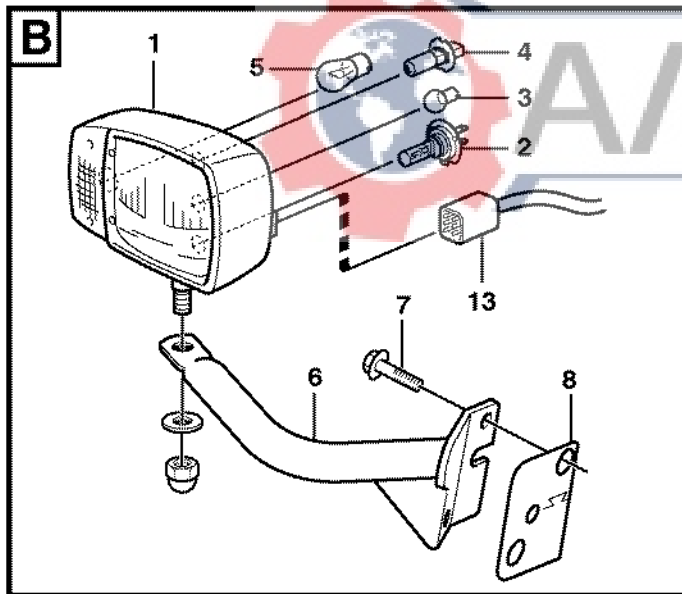
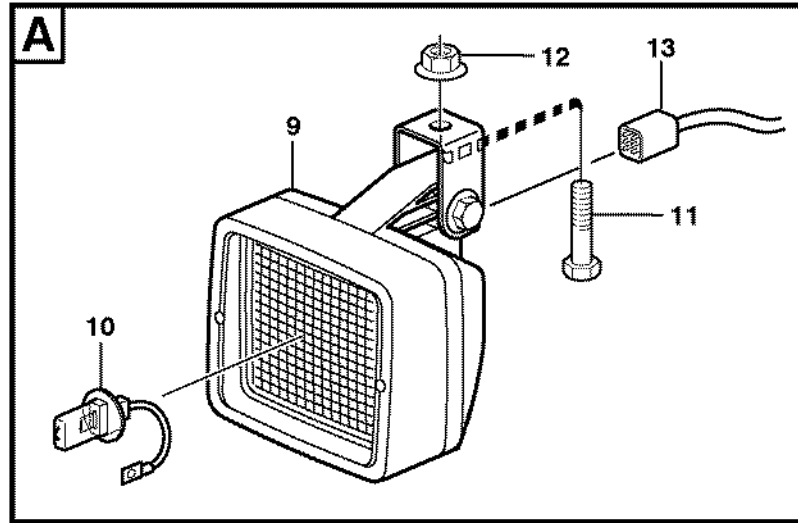


Fig.	Part No.	Quantity					P S	K I T	Description	Dénomination	Bezeichnung	Denominación	Benämning	Notes
		1	2	3	4	5								
1	VOE 11881088	1		1				Headlamp .....	Phare.....	Scheinwerfer.....	Faro.....	Strålkastare.....	LH	
1	VOE 11882263	1		1				Headlamp .....	Phare.....	Scheinwerfer.....	Faro.....	Strålkastare.....	RH	
1	VOE 11882265		1					Headlamp .....	Phare.....	Scheinwerfer.....	Faro.....	Strålkastare.....	LH	
1	VOE 11882266		1					Headlamp .....	Phare.....	Scheinwerfer.....	Faro.....	Strålkastare.....	RH	
2	VOE 981465	1	1	1				•Bulb .....	•Ampoule.....	•Glühlampe .....	•Bombilla .....	•Glödlampa.....	55W	
3	VOE 965830	1	1	1				•Bulb .....	•Ampoule.....	•Glühlampe .....	•Ampolla .....	•Glödlampa.....	4W	
4	VOE 944265	1	1	1				•Bulb .....	•Ampoule.....	•Glühlampe .....	•Bombilla .....	•Glödlampa.....	55W	
5	VOE 965826	1	1	1				•Bulb .....	•Ampoule.....	•Glühlampe .....	•Bombilla .....	•Glödlampa.....	(VOE 11709717) 21W	
6	VOE 11204561	1	1	1				Anchorage .....	Fixation.....	Halterung .....	Fijacion .....	Fäste.....	LH	
6	VOE 11204560	1	1	1				Anchorage .....	Fixation.....	Halterung .....	Fijacion .....	Fäste.....	RH	
7	VOE 13946173	4	4	4				Flange screw .....	Vis à bride .....	Flanschschraube .....	Torn embridado .....	Flänsskruv.....		
8	VOE 11203861	2	2	2				Gasket .....	Joint.....	Dichtung.....	Junta.....	Packning.....		
9	VOE 11039856							Work Lamp .....	Lampe Travail.....	Arbeitslampe .....	Lampara Trabajo .....	Arbetslampan.....		
10	VOE 944265							•Bulb .....	•Ampoule.....	•Glühlampe .....	•Bombilla .....	•Glödlampa.....		
11	VOE 946440							Flange screw .....	Vis à bride .....	Flanschschraube .....	Torn embridado .....	Flänsskruv.....		
12	VOE 948645							Flange Lock Nut.....	Contre écrou bride..	Flanschmutter .....	Contratuer Embr .....	Flänslåsmutter.....		
13		1	1	1				Wire harness.....	Faisceau electriqu..	Kabelbaum.....	Manejo cables .....	Ledningsmatta.....	See group 371, Page 187	
	VOE 4881438	6	6	6				Strip Clamp .....	Ruban Serrage .....	Kabelbinder.....	Abraz Cinta.....	Bandklamma.....		



1	11891002	Belysning Alumbrado Beleuchtung Eclairage Lighting	Catalogue id	Group
2	11891248		<b>20124</b>	<b>352</b>
3	11891249		Illustr. No	Section
4	11891000, 11891050		<b>1000407</b>	<b>100</b>
5	11880101		Issue	Page
			<b>VOE 63A9920124</b>	<b>143</b>

**VOLVO**

**BL61PLUS**



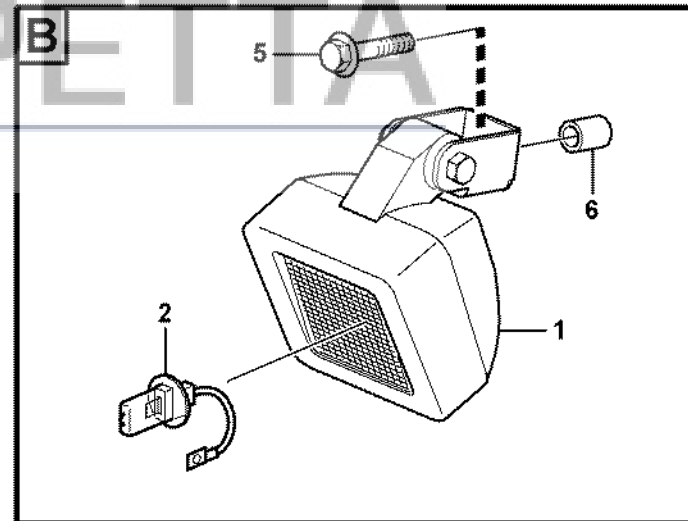
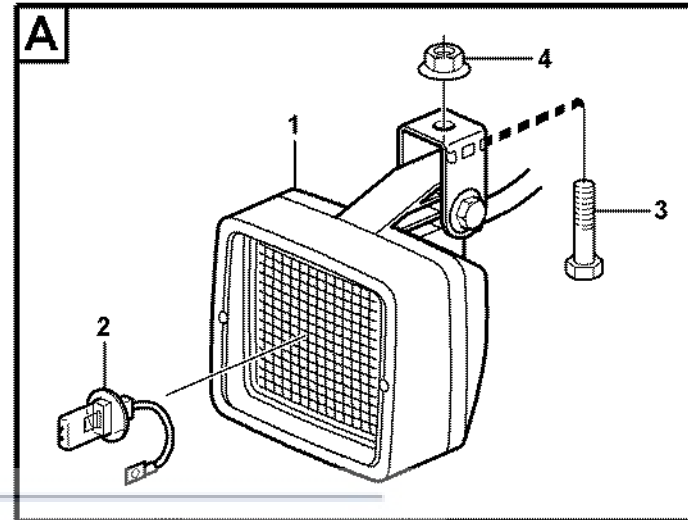
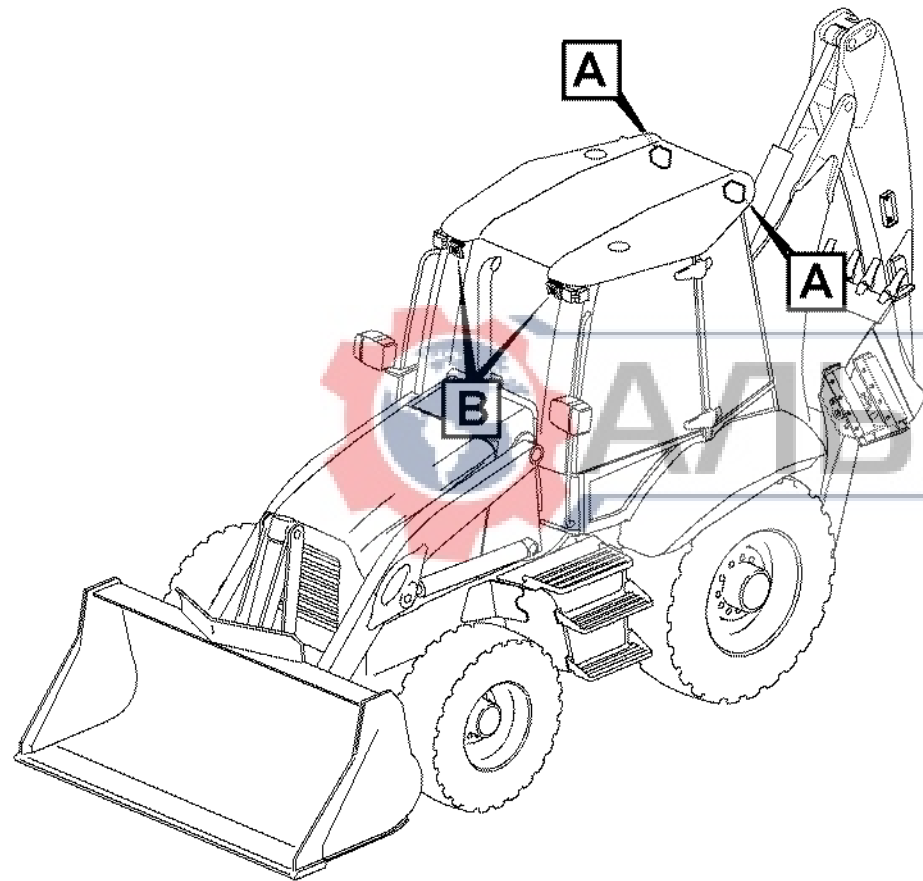


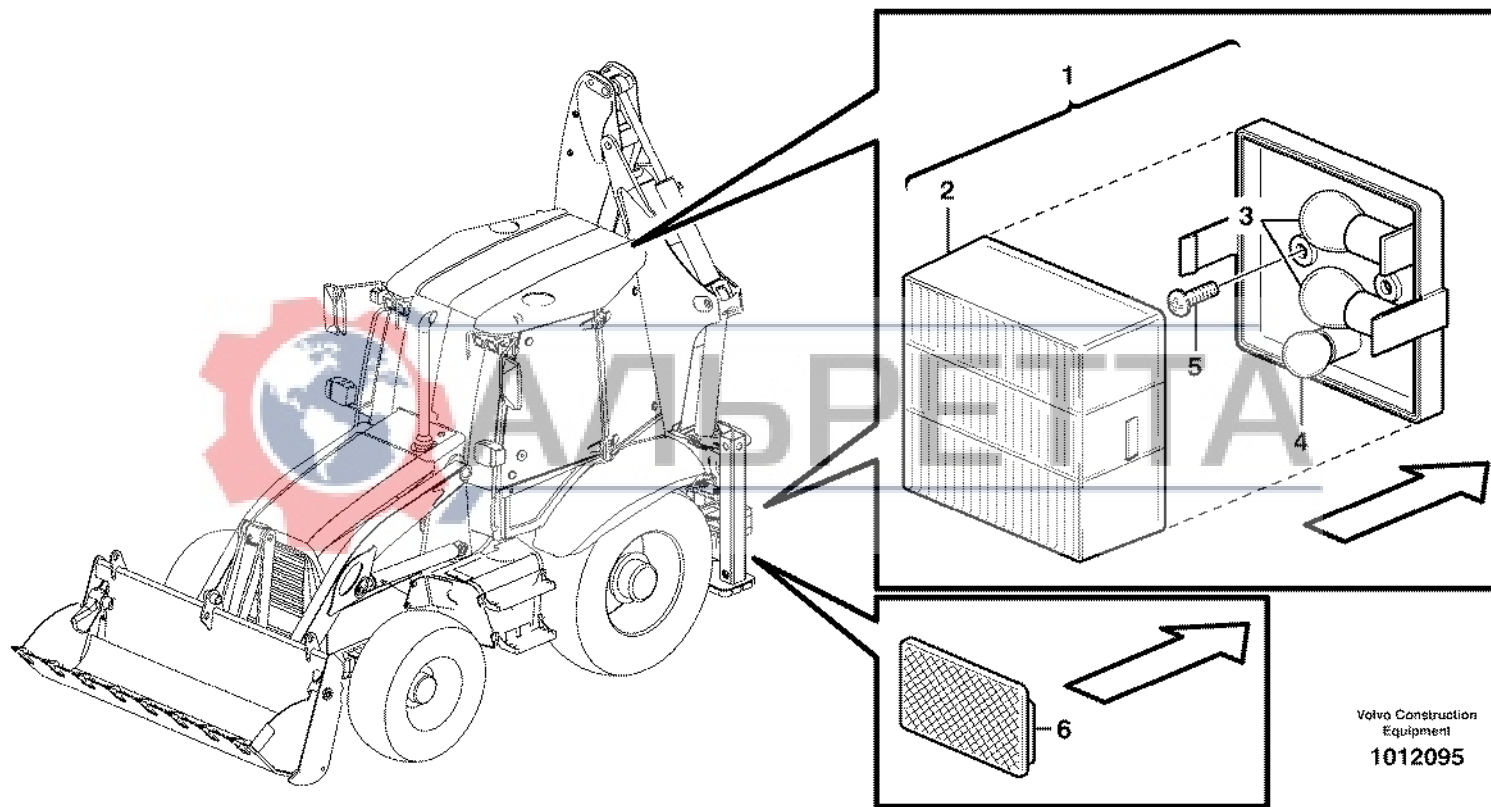
Fig.	Part No.	Quantity			P S	K I T	Description	Dénomination	Bezeichnung	Denominación	Benämning	Notes
		1	2	3								
1	VOE 11039856	2	2			Work Lamp.....	Lampe Travail .....	Arbeitslampe .....	Lampara Trabajo .....	Arbetslampan.....		
2	VOE 944265	1	1			•Bulb .....	•Ampoule.....	•Glühlampe.....	•Bombilla .....	•Glödlampa.....	55W	
3	VOE 13946173	2	2			Flange screw.....	Vis à bride .....	Flanschschraube.....	Torn embridado .....	Flänsskruv.....		
4	VOE 948645	2	2			Flange Lock Nut.....	Contre écrou bride .....	Flanschmutter .....	Contratuer Embr.....	Flänslåsmutter.....		
5	VOE 13947760		2			Flange screw.....	Vis à bride .....	Flanschschraube.....	Torn embridado .....	Flänsskruv.....	11298208	
6	VOE 930434		2			Spacer Ring .....	Bagu.entretoise.....	Abstandring .....	Anillo Dist .....	Distansring.....	11298208	



1	11891291(REAR)	<b>Arbetsbelysning</b> <b>Alumbrado de trabajo</b> <b>Arbeitsscheinwerfer</b> <b>Phare de travail</b> <b>Work lights</b>	Catalogue id	Group
2	11891292(FORW)		<b>20124</b>	<b>352</b>
3			Illustr. No	Section
4			<b>1013359</b>	<b>200</b>
5			Issue	Page
			<b>VOE 63A9920124</b>	<b>145</b>

**VOLVO**

**BL61PLUS**



Volvo Construction  
Equipment  
1012095

Fig.	Part No.	Quantity					P S	K I T	Description	Dénomination	Bezeichnung	Denominación	Benämning	Notes
		1	2	3	4	5								
1	VOE 11885934					2		Tail Light .....	Feu Ar .....	Heckleuchte .....	Piloto Trasero .....	Baklykta.....		
2	VOE 11988186	1	1	1	1			•Lens.....	•Verre .....	•Lichtscheibe.....	•Lente .....	•Glas.....		
3	VOE 965826	2	2	2	2			•Bulb .....	•Ampoule.....	•Glühlampe .....	•Bombilla .....	•Glödlampa.....	21W	
4	VOE 946777	1	1	1	1			•Bulb .....	•Ampoule.....	•Glühlampe .....	•Bombilla .....	•Glödlampa.....	10W	
5	VOE 969408	4	4	4				6-pt skt screw.....	Vis creuse de 6 .....	Hohlschraube.....	Racor 6-dientes .....	Sextandhålskruv.....		
6	VOE 11883216	2	2	2				Reflector .....	Catadioptr.....	Reflektor .....	Reflector .....	Reflektor.....		



1	11891000, 11891002	Belysning, bakre Alumbrado, trasero Beleuchtung, hinter Eclairage, arrière Lighting, rear	Catalogue id	Group
2	11891248, 11891249		<b>20124</b>	<b>353</b>
3	11891050		Illustr. No	Section
4	11298204, 11298208		<b>1012095</b>	<b>100</b>
5			Issue	Page
			<b>VOE 63A9920124</b>	<b>147</b>

**VOLVO**

**BL61PLUS**

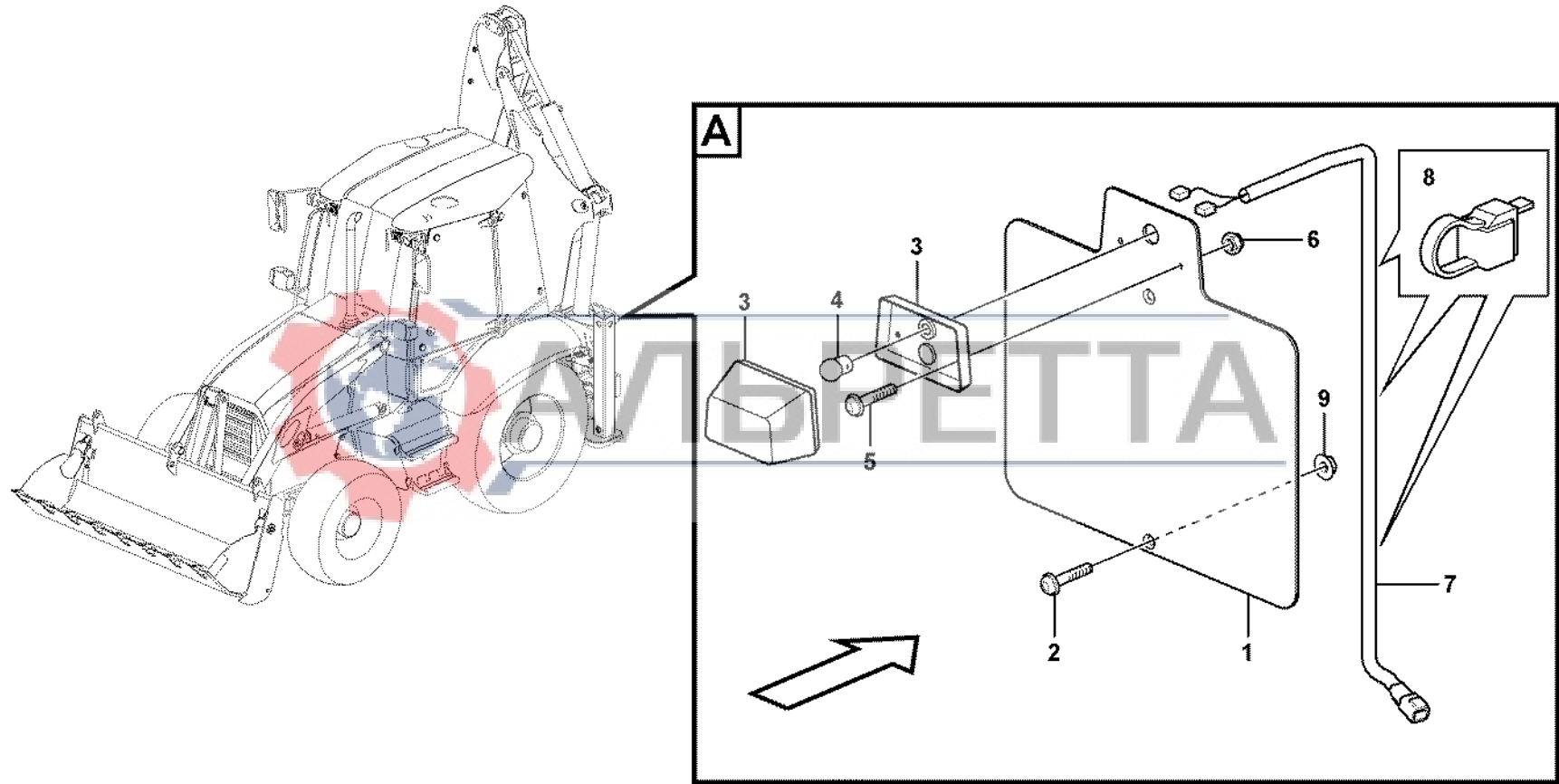


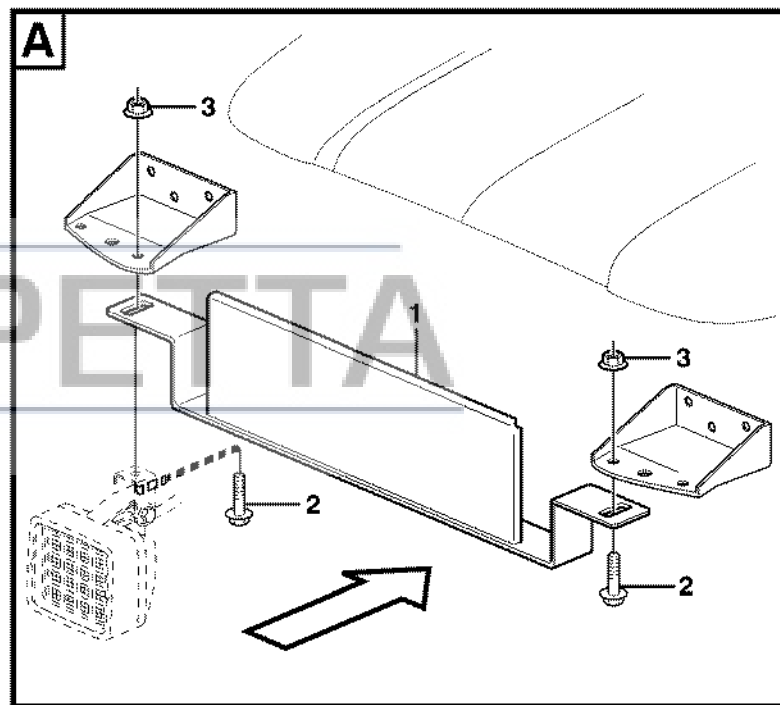
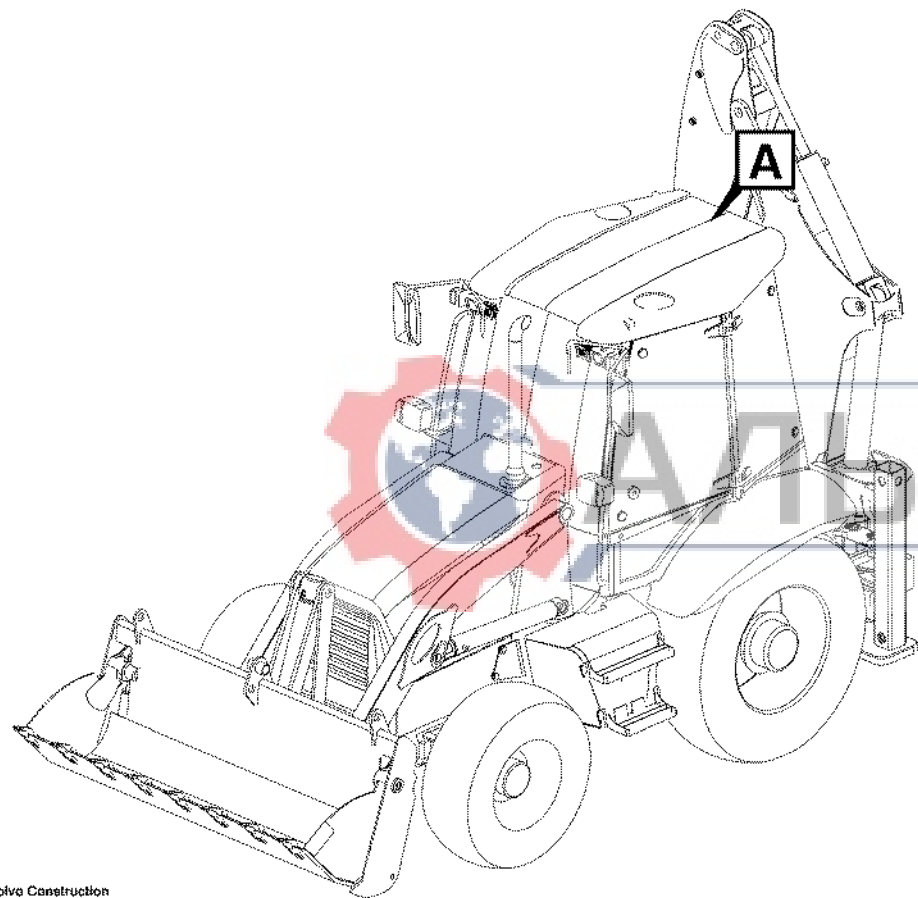
Fig.	Part No.	Quantity			P S	K I T	Description	Dénomination	Bezeichnung	Denominación	Benämning	Notes
		1	2	3								
1	VOE 11883322	1				Bracket.....	Console.....	Konsole.....	Consola.....	Konsol.....		
2	VOE 969817	2				Screw.....	Vis.....	Schraube.....	Tornillo.....	Skruv.....		
3	VOE 11147756	1				Sign Lamp.....	Eclairag.plaque.....	Kennzeichenleuchte.....	Lampara Letrero.....	Skyttykta.....	(VOE 11883342)	
4	VOE 946777	1				Bulb.....	Ampoule.....	Glühlampe.....	Bombilla.....	Glödlampa.....		
5	VOE 969513	2				Screw.....	Vis.....	Schraube.....	Tornillo.....	Skruv.....		
6	VOE 975237	2				Lock nut.....	Contre-ecrou.....	Sicherungsmutter.....	Contratuerca.....	Låsmutter.....	(VOE 13975237)	
7	VOE 11883351	1				Wire harness.....	Faisceau électrique.....	Kabelbaum.....	Manojo cables.....	Ledningsmatta.....		
8	VOE 980883	3				Strip Clamp.....	Ruban Serrage.....	Kabelbinder.....	Abraz Cinta.....	Bandklamma.....		
9	VOE 13949278	2				Flange Lock Nut.....	Contre écrou bride.....	Flanschmutter.....	Contratuer Embr.....	Flänslåsmutter.....		



1	<b>Nummerskyltsbelysning</b> <b>Alumbrado de matrícula</b> <b>Nummernschildbeleuchtung</b> <b>Eclairage de plaque</b> <b>License plate lamp</b>	Catalogue id	Group
2		<b>20124</b>	<b>353</b>
3		Illustr. No	Section
4		<b>1012595</b>	<b>150</b>
5		Issue	Page
	<b>11891001</b>	<b>VOE 63A9920124</b>	<b>149</b>

**VOLVO**

**BL61PLUS**



Volvo Construction  
Equipment  
1012625

Fig.	Part No.	Quantity			P S	K I T	Description	Dénomination	Bezeichnung	Denominación	Benämning	Notes
		1	2	3								
1	VOE 11202709	1					Sign Retainer .....	Porte-plaque .....	Dachschildhalt.....	Soporte Letrero .....	Skythållare.....	
2	VOE 13946173	2					Flange screw.....	Vis à bride .....	Flanschschraube.....	Torn embridado .....	Flänsskruv.....	
3	VOE 948645	2					Flange Lock Nut.....	Contre écrou bride .....	Flanschmutter .....	Contratuer Embr.....	Flänslåsmutter.....	



1	<b>Lägesvisare och fäste, nummerskylt</b> <b>Indicador de posición y fijación, matrícula</b> <b>Positionszeiger und Halterung, Kennzeichentafel</b> <b>Indicateur position et fixation, plaque numéro</b> <b>Position pointer and anchorage, license plate</b>	Catalogue id	Group
2		<b>20124</b>	<b>353</b>
3		Illustr. No	Section
4		<b>1012625</b>	<b>200</b>
5		Issue	Page
	<b>11298034</b>	<b>VOE 63A9920124</b>	<b>151</b>

**VOLVO**

**BL61PLUS**



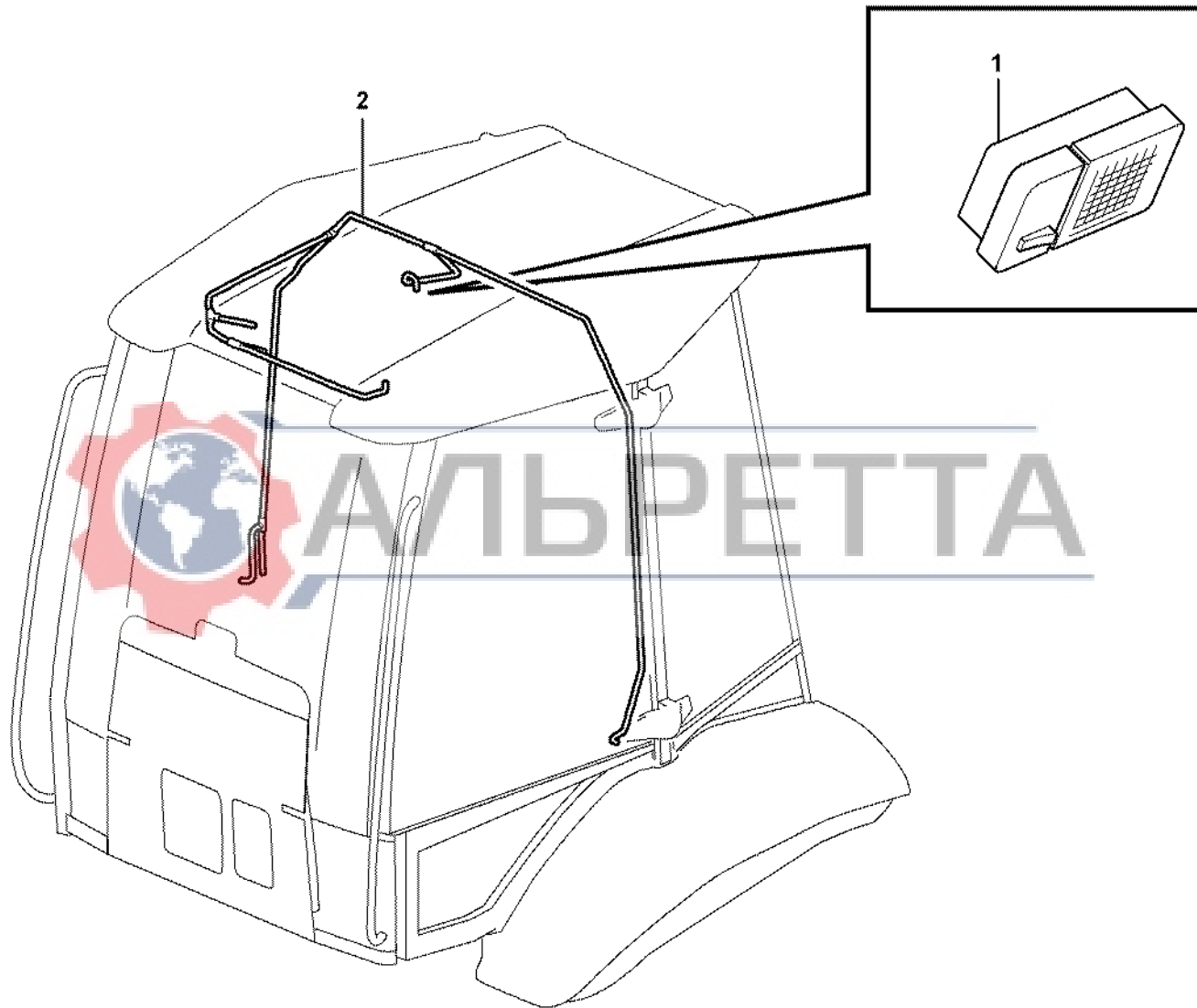


Fig.	Part No.	Quantity			P S	K I T	Description	Dénomination	Bezeichnung	Denominación	Benämning	Notes
		1	2	3								
1	<b>VOE 11200915</b>	1				Interior Lamp.....	Lampe Inter.....	Innenleuchte.....	Lamp Interior .....	Innerlampa.....		
	<b>VOE 11709768</b>	1				•Bulb .....	•Ampoule.....	•Glühlampe.....	•Ampolla .....	•Glödlampa.....		
2		1				Wire harness.....	Faisceau électrique....	Kabelbaum .....	Manejo cables .....	Ledningsmatta.....	See group 371, Page 177	



1	<b>Innerbelysning</b> <b>Interior lampare</b> <b>Innen lampe</b> <b>Interieure lampe</b> <b>Inner lamp</b>	Catalogue id	Group
2		<b>20124</b>	<b>354</b>
3		Illustr. No	Section
4		<b>1013286</b>	<b>100</b>
5		Issue	Page
		<b>VOE 63A9920124</b>	<b>153</b>

**VOLVO**

**BL61PLUS**

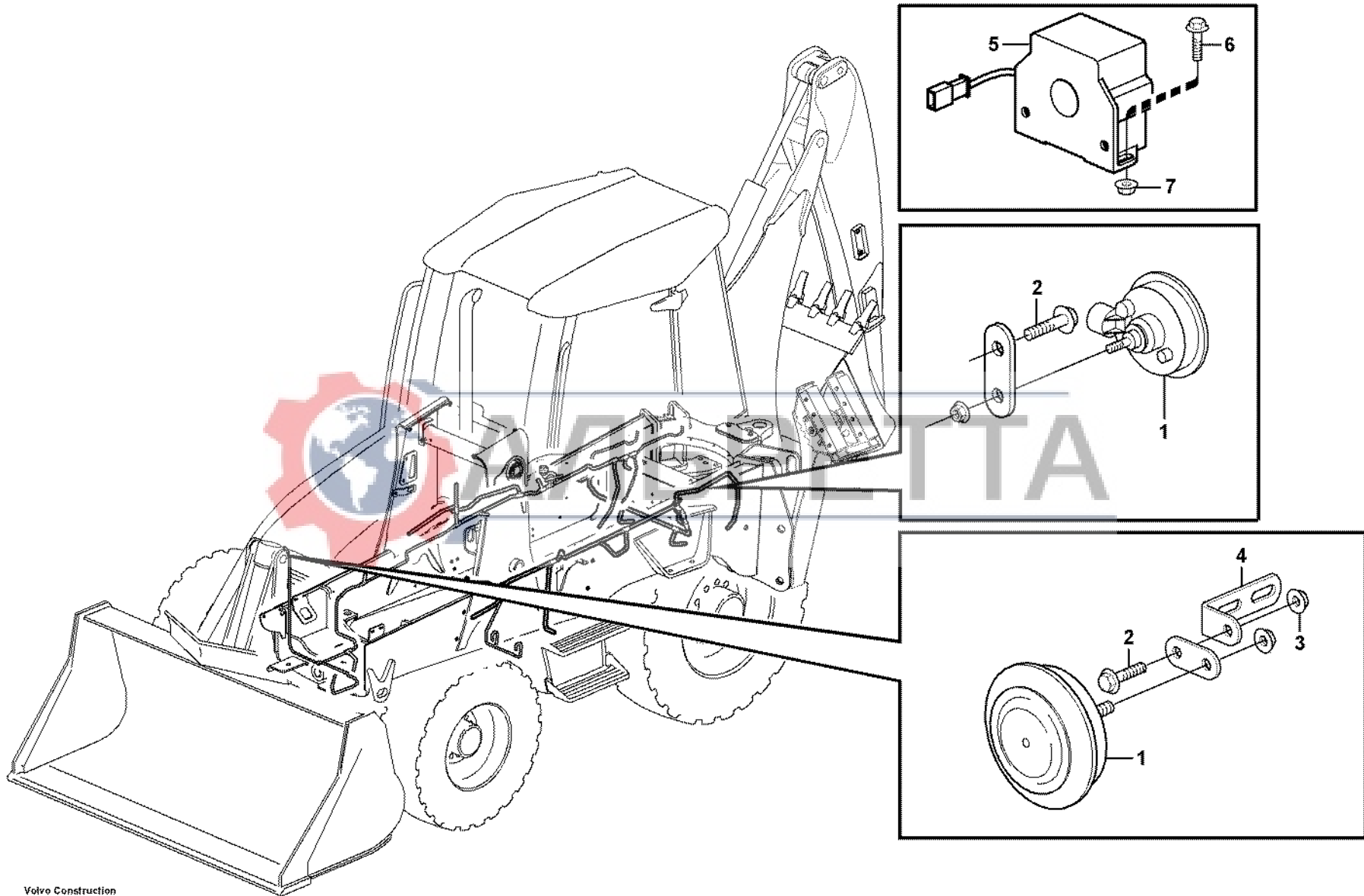


Fig.	Part No.	Quantity			P S	K I T	Description	Dénomination	Bezeichnung	Denominación	Benämning	Notes
		1	2	3								
1	VOE 11305113	2				Horn .....	Avertisseur .....	Signalhorn .....	Bocina .....	Signalhorn.....		
2	VOE 13946173	2				Flange screw.....	Vis à bride .....	Flanschschraube.....	Torn embridado .....	Flänsskruv.....		
3	VOE 948645	2				Flange Lock Nut.....	Contre écrou bride .....	Flanschmutter .....	Contratuer Embr.....	Flänslåsmutter.....		
4	VOE 13965558	1				Bracket.....	Console.....	Konsole .....	Consola .....	Konsol.....		
5	VOE 11886215		1			Alarm.....	Alarme.....	Alarm Richtung.....	Alarma .....	Varnare.....		
6	VOE 13946934		2			Screw .....	Vis .....	Schraube.....	Tornillo .....	Skruv.....		
7	VOE 13945407		2			Nut .....	Ecrou.....	Mutter .....	Tuerca .....	Mutter.....		



1	11880101	Signalhorn Bocina Signalhorn Avertisseur sonore Horn	Catalogue id	Group
2	11891377		<b>20124</b>	<b>362</b>
3			Illustr. No	Section
4			<b>1013288</b>	<b>100</b>
5			Issue	Page
			VOE 63A9920124	<b>155</b>

**VOLVO**

**BL61PLUS**

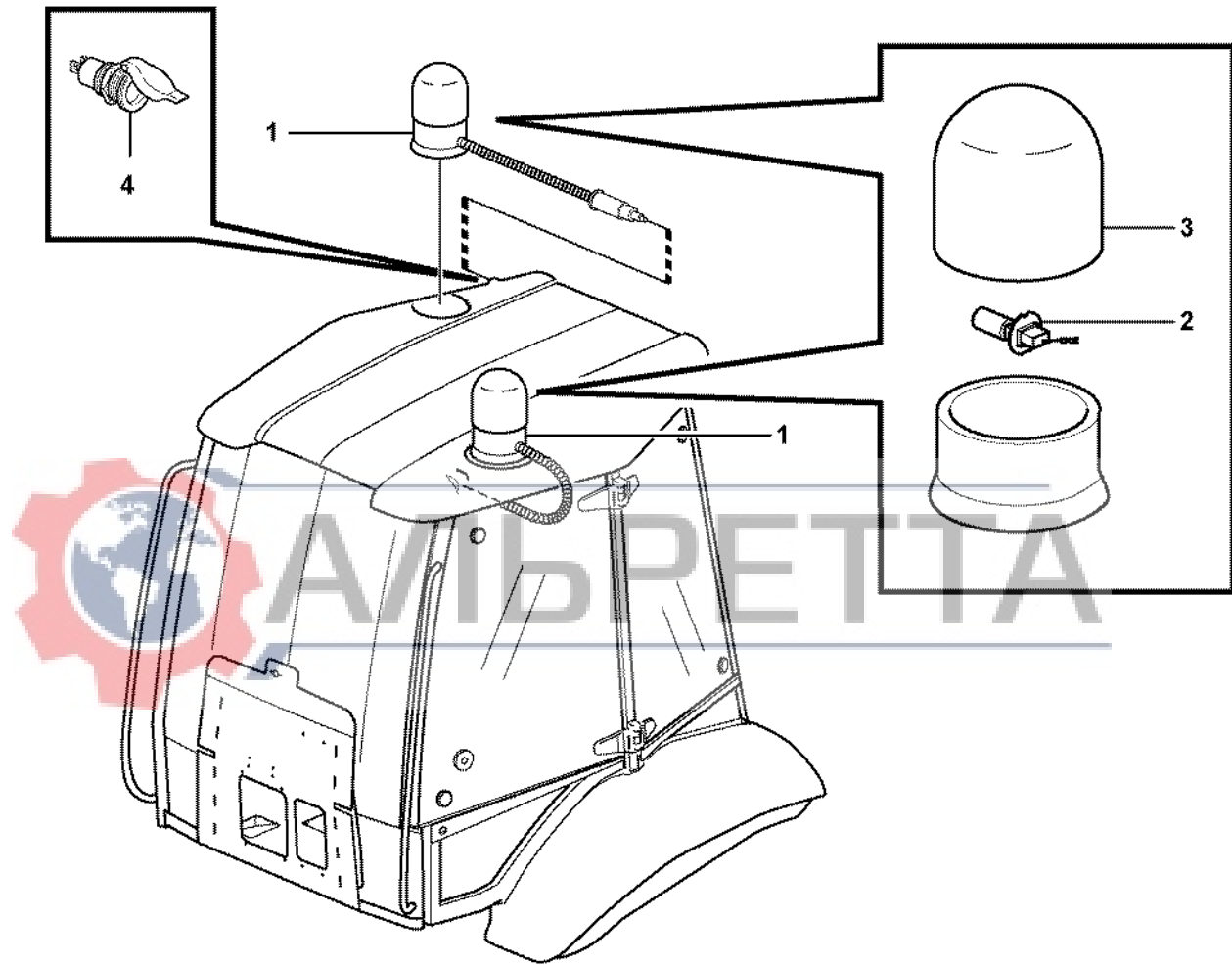


Fig.	Part No.	Quantity			P S	K I T	Description	Dénomination	Bezeichnung	Denominación	Benämning	Notes
		1	2	3								
1	VOE 11882303	1	2			Rotating Beacon .....	Gyrophare .....	Rundumkennleuchte ..	Luz Rotativa Emerge..	Roterande Varningslj.		
2	VOE 944265	1	1			•Bulb .....	•Ampoule.....	•Glühlampe.....	•Bombilla .....	•Glödlampa.....	55W	
3	VOE 11712340	1	1			•Lens .....	•Verre .....	•Lichtscheibe .....	•Lente .....	•Glas.....		
4	VOE 11888465		1			Socket.....	Socle .....	Socket .....	Zocalo .....	Socket.....		



1	11891261	<b>Roterande varningsljus</b> <b>Faro de advertencia giratorio</b> <b>Rundum-kennleuchte</b> <b>Gyrophare</b> <b>Rotating beacon</b>	Catalogue id	Group
2	11891262		<b>20124</b>	<b>362</b>
3			Illustr. No	Section
4			<b>1027297</b>	<b>150</b>
5			Issue	Page
			<b>VOE 63A9920124</b>	<b>157</b>

**VOLVO**

**BL61PLUS**

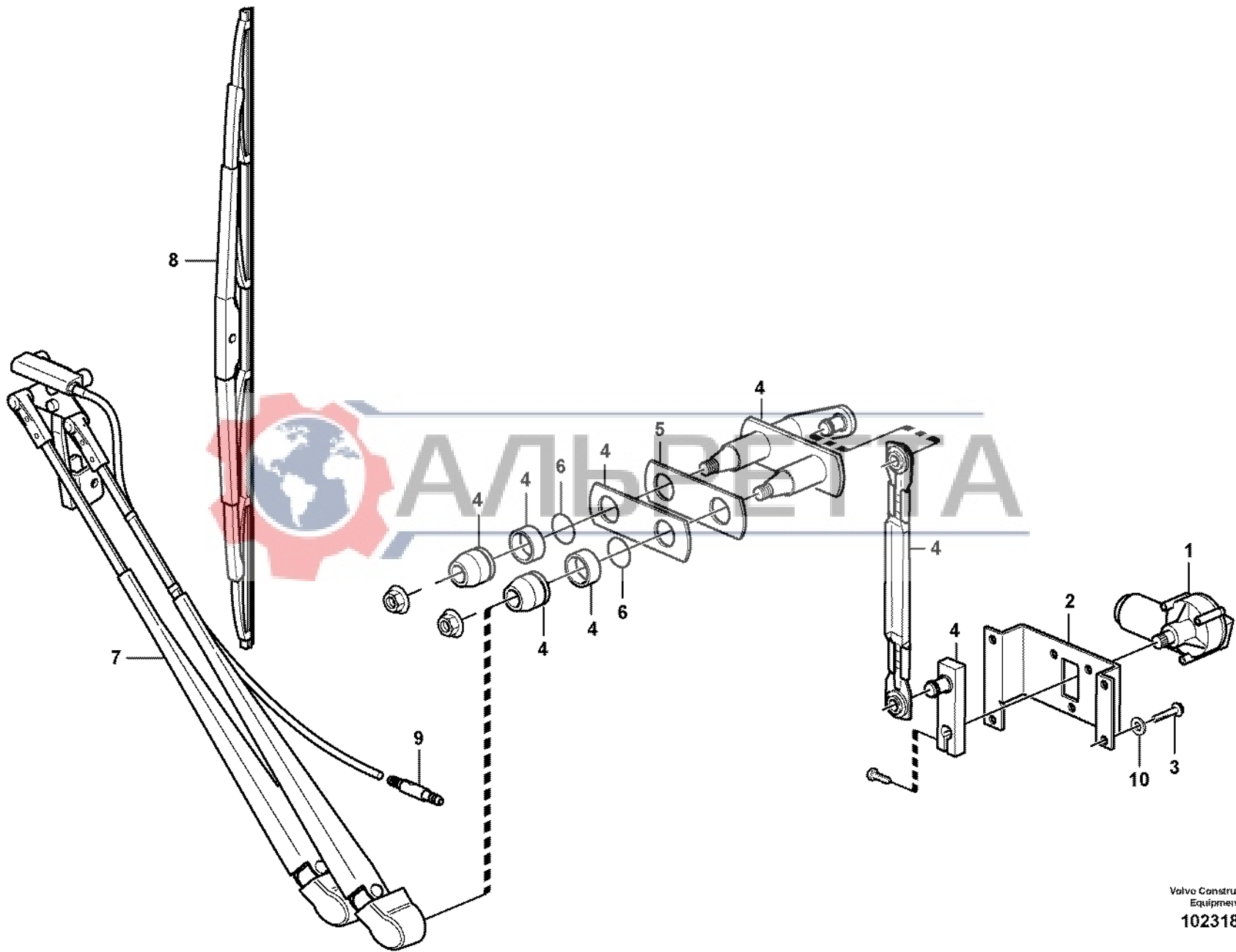


Fig.	Part No.	Quantity			P S	K I T	Description	Dénomination	Bezeichnung	Denominación	Benämning	Notes
		1	2	3								
1	VOE 11200669	1				Wiper Motor .....	Moteur essuie glace...	Wischermotor .....	Motor l.p. ....	Torkarmotor.....		
2	VOE 11200709	1				Anchorage.....	Fixation .....	Halterung.....	Fijacion.....	Fäste.....		
3	VOE 969147	4				Screw .....	Vis .....	Schraube.....	Tornillo .....	Skruv.....		
4	VOE 11200710	1				Linkage .....	Articulation .....	Gestänge.....	Varillado .....	Länkage.....		
5	VOE 11200787	1				Gasket.....	Joint .....	Dichtung .....	Junta .....	Packning.....		
6	VOE 978392	2				O-ring .....	Joint Torique .....	O-Ring .....	Junta torica.....	O-ring.....		
7	VOE 11200699	1				Wiper Arm.....	Bras Essu.glac. ....	Wischerarm .....	Brazo Limpiapar .....	Torkararm.....		
8	VOE 11200698	1				Wiper blade.....	Balai essuie glace .....	Wischerblatt .....	Escobilla l.p. ....	Torkarblad.....		
9	VOE 11200713	1				Check valve .....	Valve antiretour.....	Rückschlagventil .....	Válvula de retención...	Backventil.....		
10	VOE 960139	4				Washer.....	Rondelle .....	Scheibe .....	Arandela .....	Bricka.....		



1		<b>Vindrutetorkare, fram</b> <b>Limpiaparabrisas, delantero</b> <b>Scheibenwischer, vorne</b> <b>Essuie-vitre, avant</b> <b>Windshield wiper, front</b>	Catalogue id	Group
2			<b>20124</b>	<b>363</b>
3			Illustr. No	Section
4			<b>1023186</b>	<b>100</b>
5			Issue	Page
		<b>11298203, 11298204</b>	<b>VOE 63A9920124</b>	<b>159</b>

**VOLVO**

**BL61PLUS**



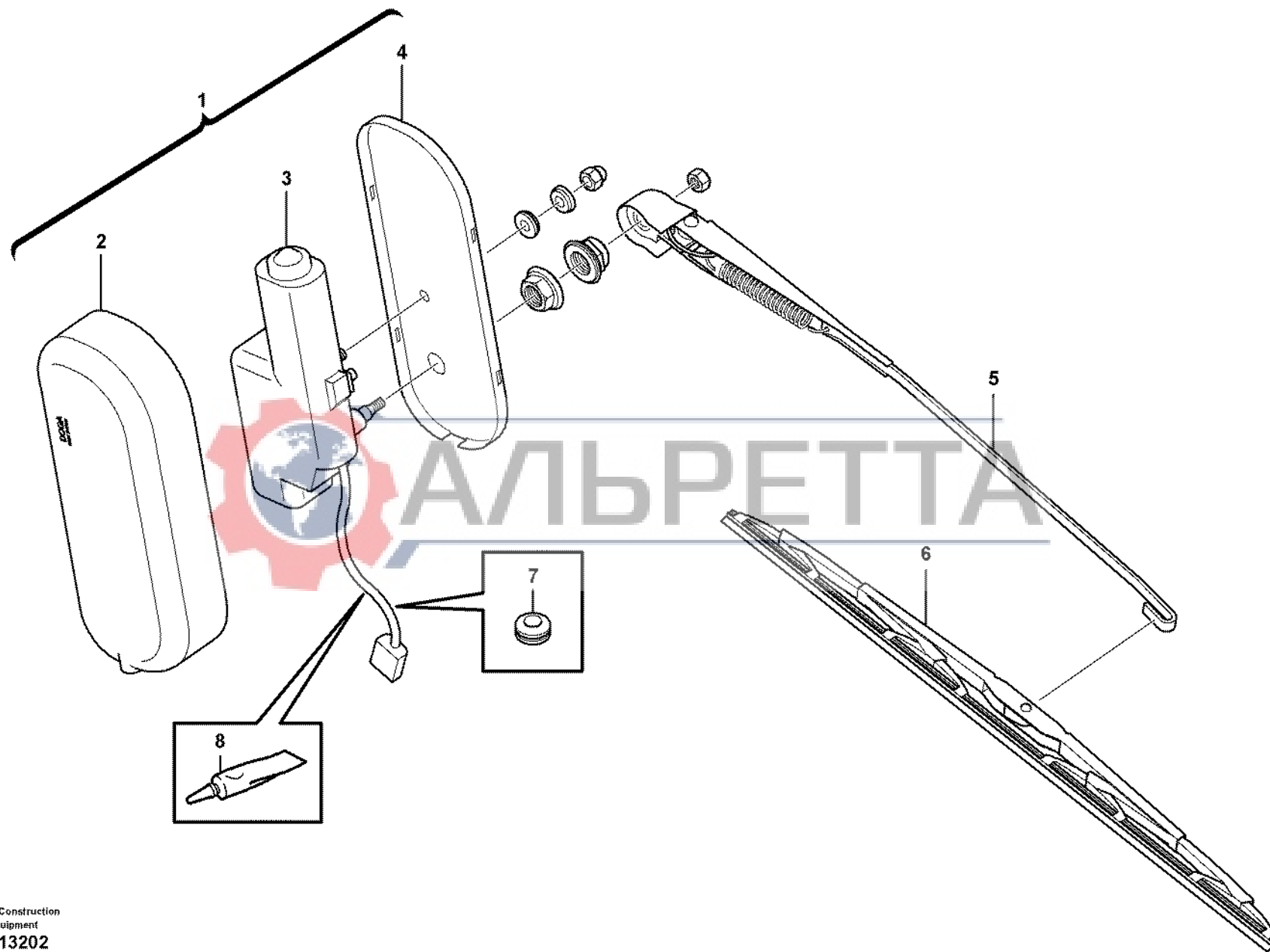


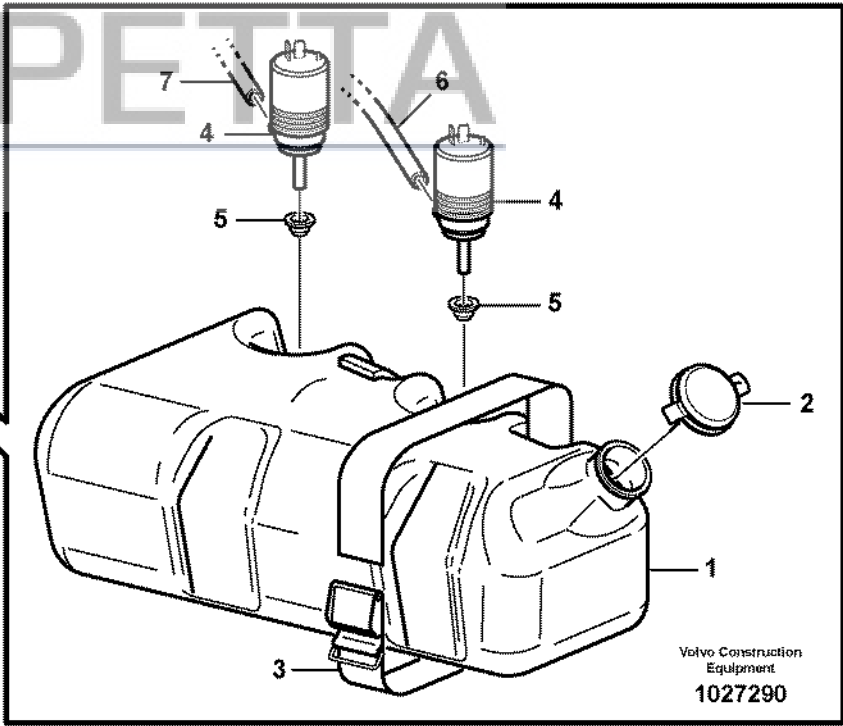
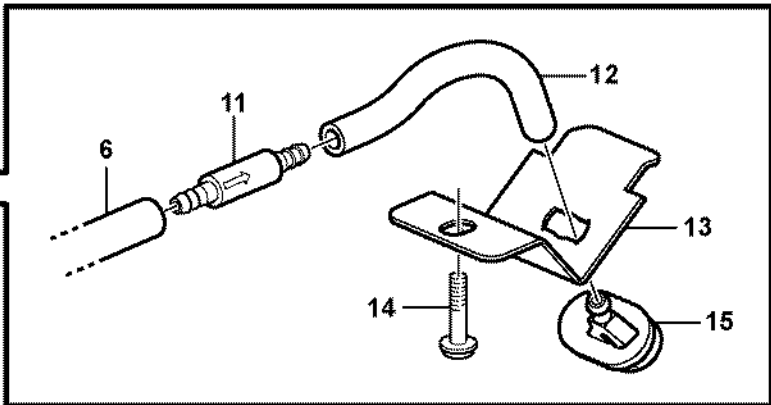
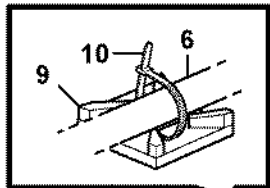
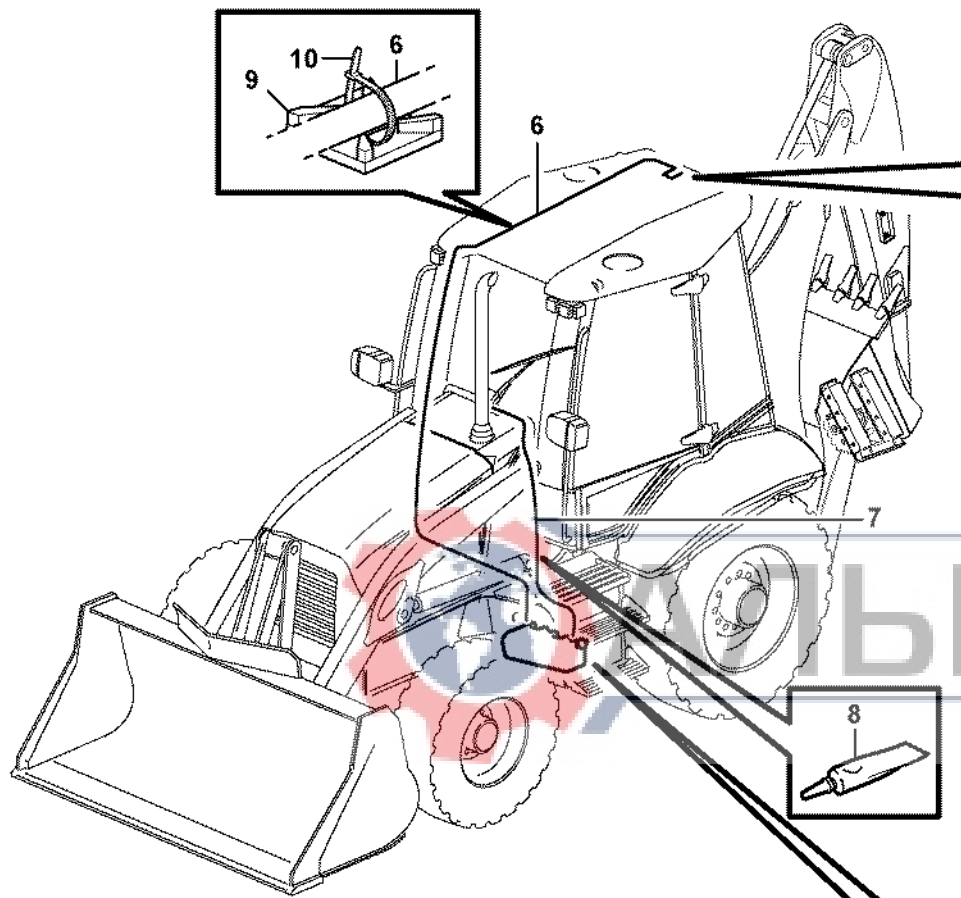
Fig.	Part No.	Quantity			P S	K I T	Description	Dénomination	Bezeichnung	Denominación	Benämning	Notes
		1	2	3								
1	VOE 11202201	1					Wiper Mechanism .....	Mec.essui.glace .....	Wischermechanis .....	Mecanismo Limp .....	Torkarmekanism.....	
2	VOE 11200674	1					•Cover .....	•Capot .....	•Haube .....	•Capo .....	•Lock.....	
3	VOE 11201418	1			SS		•Wiper Motor .....	•Moteur essuie glace..	•Wischermotor.....	•Motor l.p. ....	•Torkarmotor.....	
4		1			NS		•Anchorage .....	•Fixation .....	•Halterung .....	•Fijacion.....	•Fäste.....	
5	VOE 11200706	1					Wiper Arm .....	Bras Essu.glac. ....	Wischerarm .....	Brazo Limpiapar .....	Torkararm.....	
6	VOE 11200705	1					Wiper blade.....	Balai essuie glace .....	Wischerblatt .....	Escobilla l.p. ....	Torkarblad.....	
7	VOE 941262	1					Grommet.....	Passe fil .....	Durchführung .....	Aislador pasapanel.....	Genomföring.....	
8	VOE 11708567 REQ						Adhesive .....	Adhesif .....	Klebstoff .....	Adhesivo .....	Lim.....	



1		Vindrutetorkare, bak	Catalogue id	Group
2		Limpiaparabrisas, trasero	<b>20124</b>	<b>363</b>
3		Scheibenwischer, hinten	Illustr. No	Section
4		Essuie-vitre, arrière	<b>1013202</b>	<b>150</b>
5		Windshield wiper, rear	Issue	Page
		11298204, 11298203	VOE 63A9920124	<b>161</b>

**VOLVO**

**BL61PLUS**



Volvo Construction  
Equipment  
1027290

Fig.	Part No.	Quantity					P S	K I T	Description	Dénomination	Bezeichnung	Denominación	Benämning	Notes
		1	2	3	4	5								
1	VOE 11887149	1						Tank.....	Reservoir.....	Behälter .....	Depósito .....	Tank.....		
1	VOE 11887150		1					Tank.....	Reservoir.....	Behälter .....	Depósito .....	Tank.....		
2	VOE 11883650	1	1					Cap .....	Chapeau.....	Kappe .....	Caperuza.....	Lock.....		
3	VOE 11104606	2	2					Retaining Strap.....	Courroi serrage .....	Halteriemen .....	Correa Tensora .....	Spännrem.....		
4	VOE 11883646	1	2					Pump .....	Pompe.....	Pumpe .....	Bomba .....	Pump.....		
5	VOE 11883648	1	2					Rubber Spacer.....	Cale Caoutchouc....	Gummieinlage.....	Suplemento Goma ..	Gummimellanlägg..		
6	VOE 1304841		REQ					Hose .....	Durit.....	Schlauch .....	Tubo flexible .....	Slang.....	L = 5060 MM	
7	VOE 1304841	REQ	REQ					Hose .....	Durit.....	Schlauch .....	Tubo flexible .....	Slang.....	L = 1600 MM	
8	VOE 11708567	REQ	REQ					Adhesive .....	Adhesif .....	Klebstoff.....	Adhesivo.....	Lim.....		
9	VOE 14213026		4					Attachment.....	Fixation.....	Halterung .....	Fijacion .....	Fäste.....		
10	VOE 4821292		4					Strip Clamp .....	Ruban Serrage .....	Kabelbinder.....	Abraz Cinta.....	Bandklamma.....		
11	VOE 11200713		1					Check valve .....	Valve antiretour .....	Rückschlagventil....	Válvula de retenció.	Backventil.....		
12	VOE 1304841		REQ					Hose .....	Durit.....	Schlauch .....	Tubo flexible .....	Slang.....	L = 50 MM	
13	VOE 11203078		1					Anchorage .....	Fixation.....	Halterung .....	Fijacion .....	Fäste.....		
14	VOE 972410		1					Screw .....	Vis .....	Schraube .....	Tornillo.....	Skruv.....		
15	VOE 11203079		1					Washer Jet.....	Gicl.lave-glace.....	Sprühdüse .....	Boquill Rociad .....	Spolarmunstycke...		



1	11298203	<b>Vindrutespolare</b> <b>Lavaparabrisas</b> <b>Scheibenwaschanlage</b> <b>Lave - glace</b> <b>Windshield washer</b>	Catalogue id	Group
2	11298204		<b>20124</b>	<b>363</b>
3			Illustr. No	Section
4			<b>1027290</b>	<b>200</b>
5			Issue	Page
			<b>VOE 63A9920124</b>	<b>163</b>

**VOLVO**

**BL61PLUS**

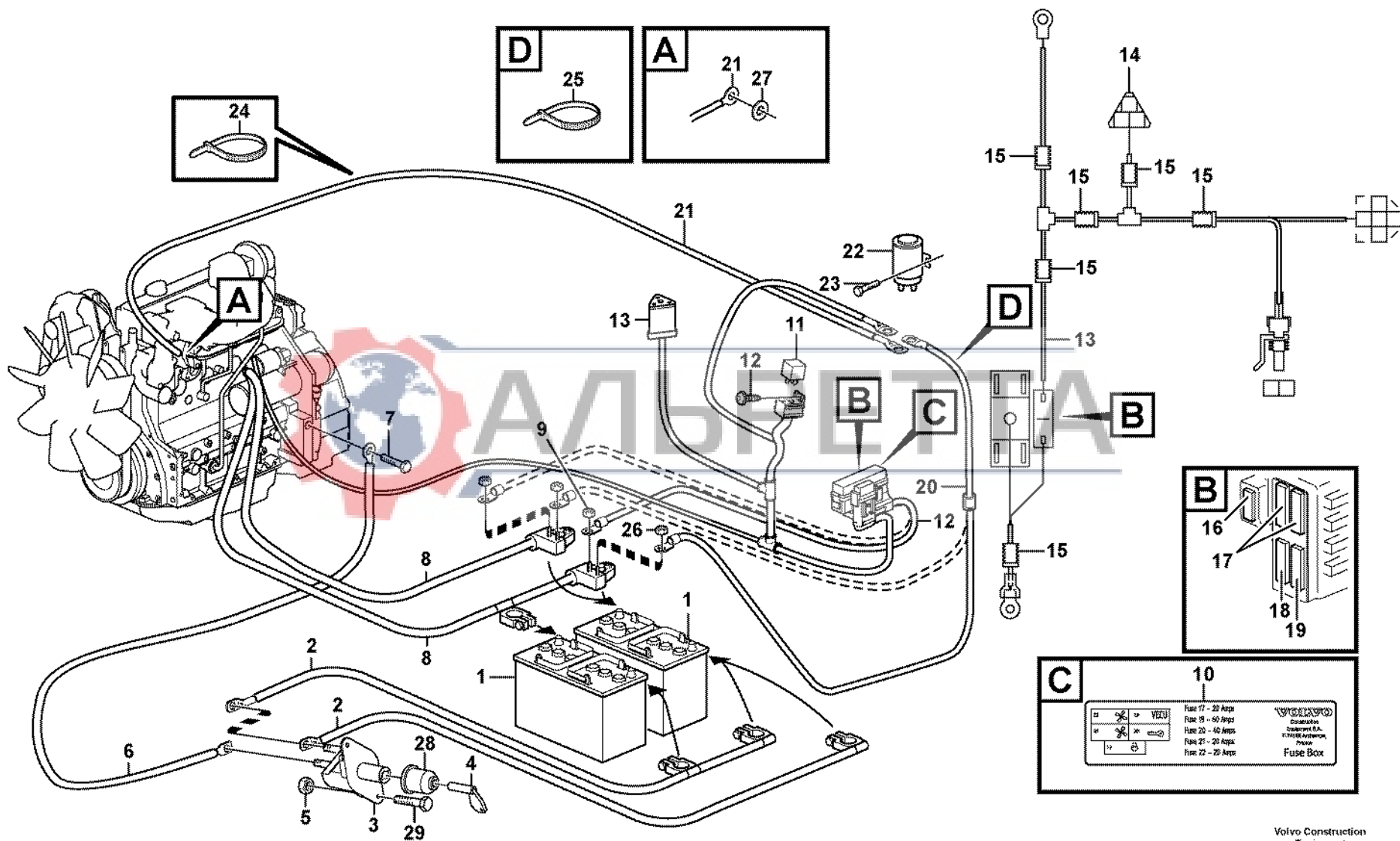


Fig.	Part No.	Quantity			P S	K I T	Description	Dénomination	Bezeichnung	Denominación	Benämning	Notes
		1	2	3								
1	VOE 20393420	1	2			Battery.....	Batterie.....	Batterie.....	Bateria.....	Batteri.....		
2	VOE 11886121	1				Battery Cable.....	Câble batterie.....	Batterieleitung.....	Cable Bateria.....	Batteriledning.....		
2	VOE 11886126		1			Battery Cable.....	Câble batterie.....	Batterieleitung.....	Cable Bateria.....	Batteriledning.....		
	VOE 977781	1	1			•Cable terminal.....	•Cosse cable.....	•Flachsteckhülse.....	•Terminal cable.....	•Ledningssko.....		
	VOE 13948794		1			•Nut.....	•Ecrou.....	•Mutter.....	•Tuerca.....	•Mutter.....		
	VOE 13948795		1			•Screw.....	•Vis.....	•Schraube.....	•Tornillo.....	•Skruv.....		
3	VOE 3987034	1	1			Battery main switch....	Robinet batterie.....	Batterietrennschalter..	Desconectador bateri.	Batterifrånskiljare.....		
4	VOE 8157766	1	1			•Handle.....	•Poignee.....	•Drehgriff.....	•Mango.....	•Vred.....		
5	VOE 983302	2	2			Nut.....	Ecrou.....	Mutter.....	Tuerca.....	Mutter.....		
6	VOE 11886124	1	1			Battery Cable.....	Câble batterie.....	Batterieleitung.....	Cable Bateria.....	Batteriledning.....		
	VOE 965891	1	1			•Cable terminal.....	•Cosse cable.....	•Flachsteckhülse.....	•Terminal cable.....	•Ledningssko.....		
7	VOE 13965191	1	1			Flange screw.....	Vis à bride.....	Flanschschrabe.....	Torn embridado.....	Flänsskruv.....		
8	VOE 11887721	1				Cable.....	Câble.....	Kabel.....	Cable.....	Kabel.....		
8	VOE 11887722		1			Cable.....	Câble.....	Kabel.....	Cable.....	Kabel.....		
	VOE 13948795		1			•Screw.....	•Vis.....	•Schraube.....	•Tornillo.....	•Skruv.....		
	VOE 13948794		1			•Nut.....	•Ecrou.....	•Mutter.....	•Tuerca.....	•Mutter.....		
9	VOE 13945408	1	1			Nut.....	Ecrou.....	Mutter.....	Tuerca.....	Mutter.....		
	VOE 946440	1	1			Flange screw.....	Vis à bride.....	Flanschschrabe.....	Torn embridado.....	Flänsskruv.....		
10	VOE 11886286	1	1			Decal.....	Decalcomanie.....	Abziehbild.....	Decalcomania.....	Dekal.....		
11	VOE 11305263	1	1			Relay.....	Relais.....	Relais.....	Rele.....	Relä.....	RE1	
12	VOE 969407	1	1			6-pt skt screw.....	Vis creuse de 6.....	Hohlschraube.....	Racor 6-dientes.....	Sextandhålskruv.....		
13	VOE 11886587	1	1			Wire harness.....	Faisceau électrique....	Kabelbaum.....	Manojo cables.....	Ledningsmatta.....		
						•CONNECTED TO:.....	•CONNECTÉ A:.....	•ANGESCHLOSSEN:.....	•CONECTADO A:.....	•ANSLUTER TILL:.....		
						•Cable harness Rea..	•Faisceau de câbles..	•Hinterer Kabelbaum..	•Haz de cables trase..	•Ledningsmatta Bakr.	X60	
						•Starter Relay.....	•Relais Demarra.....	•Anlassrelais.....	•Rele Arranque.....	•Startrelä.....	RE1 (X209)	
						•Relay,starter eleme..	•Relais,elem.demarr..	•Relais,kaltstartelem..	•Rele,calentador arr..	•Relä,startelement....	RE2 (X99)	
						•Starter Motor.....	•Demarreur.....	•Anlasser.....	•Motor de arranque...	•Startmotor.....	MO1 (X367)	
						•Battery.....	•Batterie.....	•Batterie.....	•Bateria.....	•Batteri.....	BA1 (X168)	
14	VOE 874654	1	1			Rcpt Housing.....	Douille Isolan.....	Steckbuchse.....	Aislador Mangui.....	Hylsisolator.....	X60	
15	VOE 11170006	REQ	REQ			Hose.....	Durit.....	Schlauch.....	Tube flexible.....	Slang.....		

1	11891392 (SINGLE)	<b>Batteriledning och batterifrånskiljare</b> <b>Cable de bateria y desconectador bateria</b> <b>Batterieleitung und Batterietrennschalter</b> <b>Cable batterie et robinet batterie</b> <b>Battery cable and main switch</b>	Catalogue id	Group
2	11891391 (DOUBLE)		<b>20124</b>	<b>371</b>
3	11880101		Illustr. No	Section
4			<b>1027316</b>	<b>100</b>
5			Issue	Page
			<b>VOE 63A9920124</b>	<b>165</b>

**VOLVO**

**BL61PLUS**

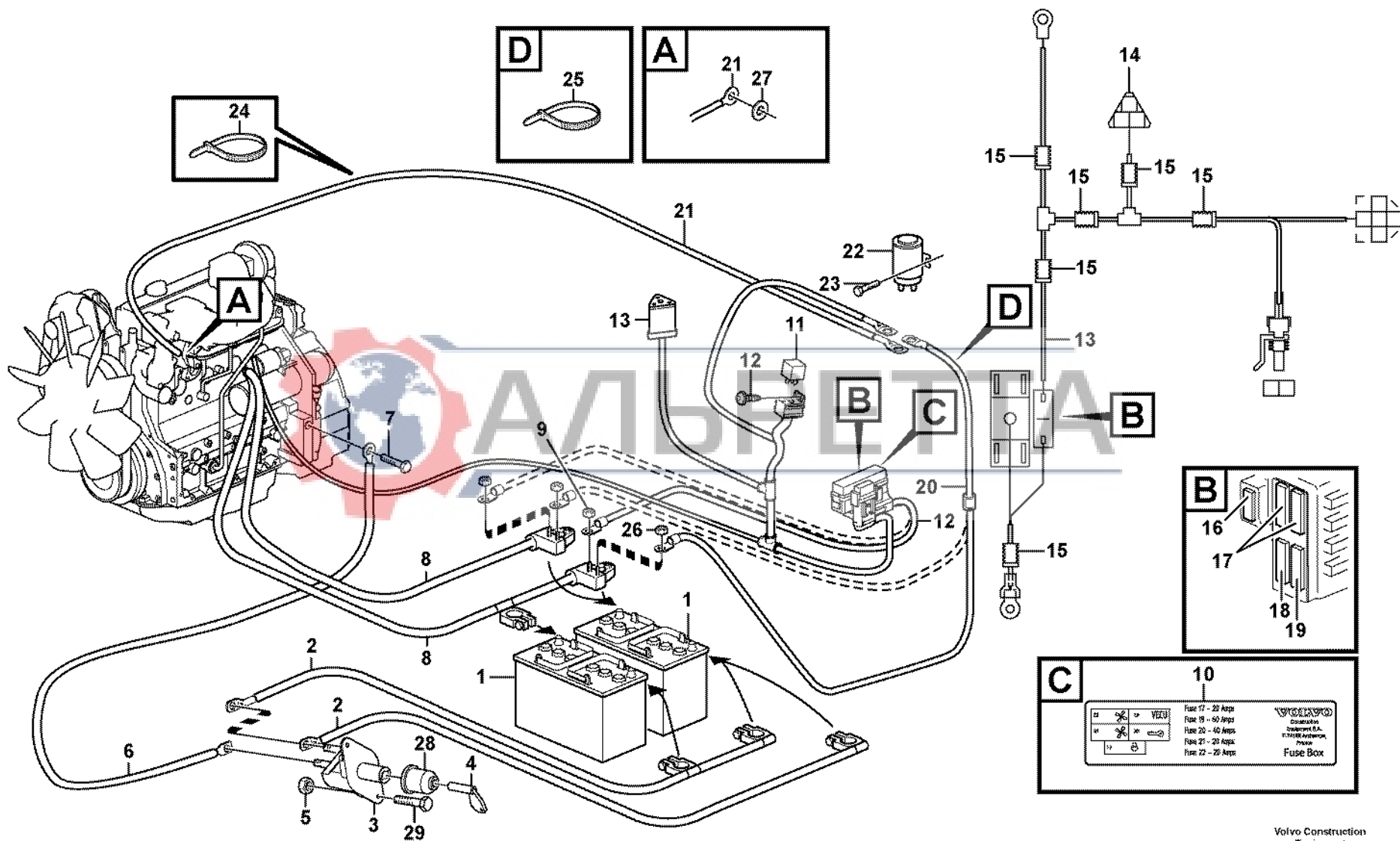
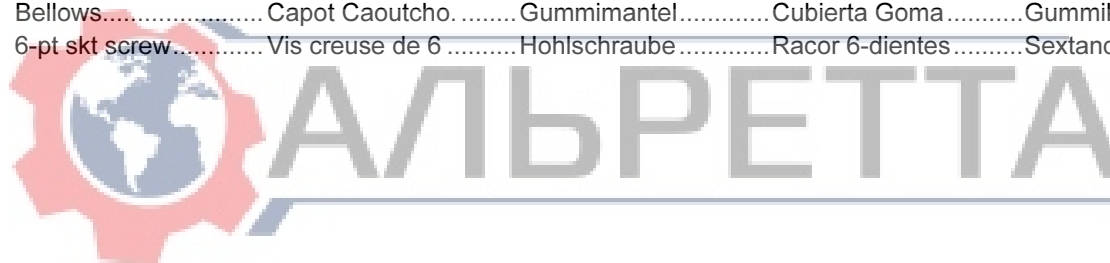


Fig.	Part No.	Quantity			P S	K I T	Description	Dénomination	Bezeichnung	Denominación	Benämning	Notes
		1	2	3								
16	VOE 11882444	1	1			•Fuse.....	•Fusible .....	•Schmelzsicherung.....	•Fusible .....	•Smältsäkring.....	20A	
17	VOE 11882444	2	2			•Fuse.....	•Fusible .....	•Schmelzsicherung.....	•Fusible .....	•Smältsäkring.....	20A	
18	VOE 11882446	1	1			•Fuse.....	•Fusible .....	•Schmelzsicherung.....	•Fusible .....	•Smältsäkring.....	40A	
19	VOE 11882512	1	1			•Fuse.....	•Fusible .....	•Schmelzsicherung.....	•Fusible .....	•Smältsäkring.....	60A	
20	VOE 11886557			1		Cable.....	Câble.....	Kabel.....	Cable.....	Kabel.....		
	VOE 13965886			2		•Cable terminal .....	•Cosse cable .....	•Flachsteckhülse .....	•Terminal cable .....	•Ledningssko.....		
	VOE 11870441			1		•Fuse Holder .....	•Porte fusible.....	•Sicherungshalter.....	•Porta-fusible.....	•Säkringshållare.....		
	VOE 11886558			1		•Fuse.....	•Fusible .....	•Schmelzsicherung.....	•Fusible .....	•Smältsäkring.....	175A	
	VOE 4803746		REQ			•Hose .....	•Durit .....	•Schlauch .....	•Tubo flexible.....	•Slang.....		
21	VOE 11887633			1		Cable.....	Câble.....	Kabel.....	Cable.....	Kabel.....	(VOE 11886555)	
22	VOE 20715643			1		Relay.....	Relais .....	Relais .....	Rele.....	Relä.....	(VOE 20552405)	
23	VOE 13946934			2		Screw.....	Vis .....	Schraube.....	Tornillo .....	Skruv.....		
24	VOE 14016673			14		Strip Clamp .....	Ruban Serrage.....	Kabelbinder.....	Abraz Cinta .....	Bandklamma.....		
25	VOE 4881440			1		Strip Clamp .....	Ruban Serrage.....	Kabelbinder.....	Abraz Cinta .....	Bandklamma.....		
26	VOE 13945407			1		Nut .....	Ecrou.....	Mutter.....	Tuerca .....	Mutter.....		
27	VOE 955920			1		Spring Washer .....	Rondelle élastique .....	Federscheibe .....	Arandela flexible.....	Fjäderbricka.....		
28	VOE 1582293	1	1			Bellows.....	Capot Caoutcho.....	Gummimantel.....	Cubierta Goma .....	Gummikåpa.....		
29	VOE 969587	2	2			6-pt skt screw.....	Vis creuse de 6 .....	Hohlschraube.....	Racor 6-dientes .....	Sextandhålskruv.....		

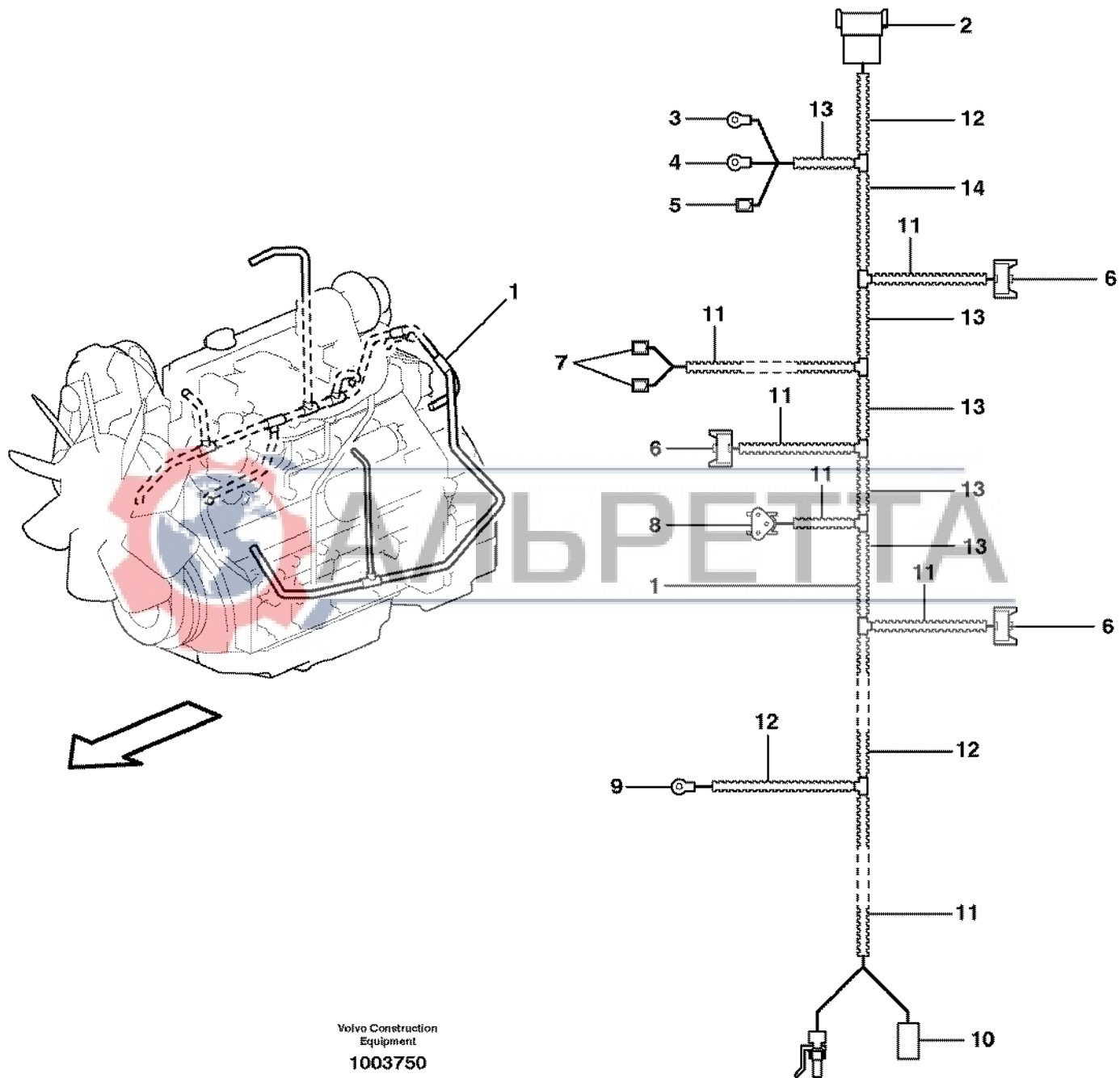


1	11891392 (SINGLE)	<b>Batteriledning och batterifrånskiljare</b> <b>Cable de bateria y desconectador bateria</b> <b>Batterieleitung und Batterietrennschalter</b> <b>Cable batterie et robinet batterie</b> <b>Battery cable and main switch</b>	Catalogue id	Group
2	11891391 (DOUBLE)		<b>20124</b>	<b>371</b>
3	11880101		Illustr. No	Section
4			<b>1027316</b>	<b>100</b>
5			Issue	Page
		<b>VOE 63A9920124</b>	<b>167</b>	

**VOLVO**

**BL61PLUS**





Volvo Construction  
Equipment  
1003750

Fig.	Part No.	Quantity			P S	K I T	Description	Dénomination	Bezeichnung	Denominación	Benämning	Notes
		1	2	3								
1	VOE 11884504	1					Cable harness..... Faisceau cables ..... Kabelbaum ..... Manojos cables ..... Ledningsmatta..... ••CONNECTED TO:.... ••CONNECTÉ A: ..... ••ANGESCHLOSSEN:••CONECTADO A: ..... ••ANSLUTER TILL:.... ••Cable harness Cha.. ••Faisceau de câbles.. ••Kabelbaum Fahrge .. ••Haz de cables, chas ••Ledningsmatta Cha. X13 ••Alternator ..... ••Alternateur ..... ••Lichtmaschine ..... ••Alternador ..... ••Generator..... AL1 ••Oil press., engine .... ••Pression huile mote. ••Öldruck, Motor ..... ••Presión de aceite, ... ••Oljetryck, motor..... SE6 ••Air filter ..... ••Filtre air..... ••Luftfilter ..... ••Filtro aire ..... ••Lufffilter..... SE7 ••Key turn engine sto . ••Commande stop ..... ••Abstellvorrichtung .... ••Mando pare..... ••Nyckelstopp..... MA7 ••Regulator ..... ••Regulateur ..... ••Regler ..... ••Regulador ..... ••Regulator..... MA1 ••Temp.sensor, engin. ••Detecteur temp,mot. ••Temperatargeber,m. ••Sensor temperat,m .. ••Temp.givare, motor. SE2 ••Starter motor ..... ••Demarreur ..... ••Anlasser..... ••Motor arranque ..... ••Startmotor..... MO1 ••AC Compressor ..... ••Compresseur AC ..... ••AC-Kompressor ..... ••Compresor de A/C ... ••A/c Kompressor..... MO10					
2	VOE 874965	1					•Connector ..... •Raccord ..... •Anschluss..... •Union..... •Anslutning..... X13					
2	VOE 14370889	1					•Spacer ..... •Partie Intermédiaire .. •Zwischenstück ..... •Espaciador ..... •Mellandel.....					
3		1			NS		•Cable terminal ..... •Cosse cable ..... •Flachsteckhülse ..... •Terminal cable ..... •Ledningssko..... AL1					
4	VOE 956926	1					•Cable terminal ..... •Cosse cable ..... •Flachsteckhülse ..... •Terminal cable ..... •Ledningssko..... AL1					
5	VOE 973119	1					•Cable terminal ..... •Cosse cable ..... •Flachsteckhülse ..... •Terminal cable ..... •Ledningssko..... AL1					
6	VOE 976256	3					•Insulator..... •Isolateur ..... •Isolator ..... •Aislador ..... •Isolator..... SE2, SE6, MA7					
7		2			NS		•Cable terminal ..... •Cosse cable ..... •Flachsteckhülse ..... •Terminal cable ..... •Ledningssko..... SE7					
8		1			NS		•Switch Housing ..... •Boitier Contact ..... •Kontaktgehäuse ..... •Caja Contacto ..... •Kontaktus..... MA1					
9	VOE 949587	1					•Cable terminal ..... •Cosse cable ..... •Flachsteckhülse ..... •Terminal cable ..... •Ledningssko..... MO1					
10		1			NS		•Housing ..... •Carter ..... •Gehäuse ..... •Carter ..... •Hus..... MO10					
11	VOE 4803746	REQ					•Hose ..... •Durit ..... •Schlauch ..... •Tubo flexible..... •Slang.....					
12	VOE 4803748	REQ					•Hose ..... •Durit ..... •Schlauch ..... •Tubo flexible..... •Slang.....					
13	VOE 4803751	REQ					•Hose ..... •Durit ..... •Schlauch ..... •Tubo flexible..... •Slang.....					
14	VOE 4803752	REQ					•Hose ..... •Durit ..... •Schlauch ..... •Tubo flexible..... •Slang.....					

1		Ledningsmatta, motor	Catalogue id	Group
2		Haz de cables, motor	20124	371
3		Kabelbündel, Motor	Illustr. No	Section
4		Faisceau de câbles, moteur	1003750	200
5		Cable harness, engine	Issue	Page
			VOE 63A9920124	169

**VOLVO**

**BL61PLUS**

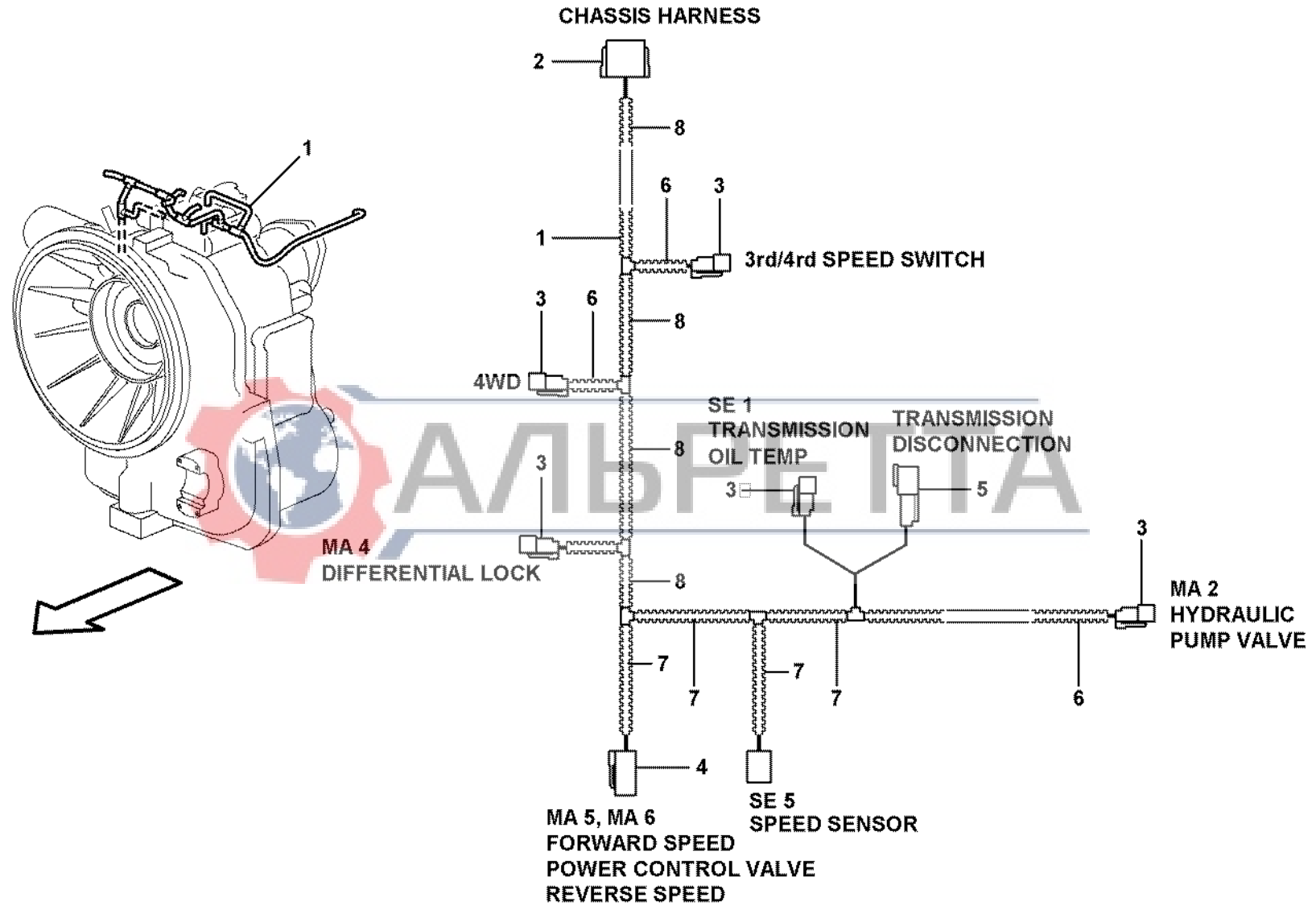
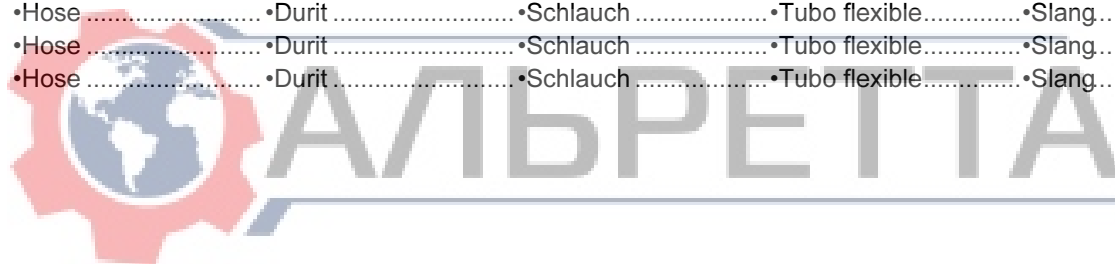


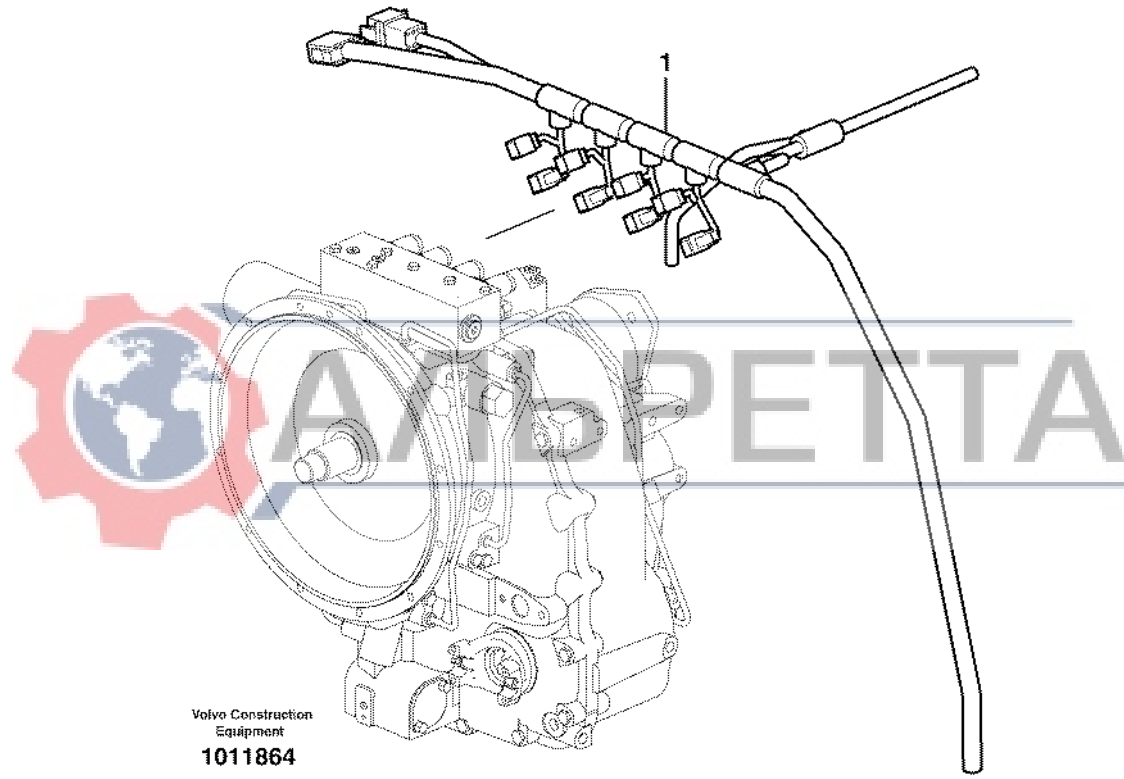
Fig.	Part No.	Quantity			P S	K I T	Description	Dénomination	Bezeichnung	Denominación	Benämning	Notes
		1	2	3								
1	VOE 11888412	1				Wire harness.....	Faisceau électrique....	Kabelbaum.....	Manojo cables.....	Ledningsmatta.....		
						•CONNECTED TO:	•CONNECTÉ A:	•ANGESCHLOSSEN:	•CONECTADO A:	•ANSLUTER TILL:		
						•Switch 3rd/4th gear	•Contact 3ème/4èm	•Schalter 3./4. Gang	•Contacto marcha 3a	•Kontakt 3:e/4:e växel		
						•Four-wheel drive	•Traction sur 4 roues	•Vierradantrieb	•Tracción en cuatro r	•Fyrhjulsdrivning	SE1	
						•Diff.lock switch	•Comm.bloca.differe	•Ausgleichsperrscha	•Reglaje diferencial	•Diffspärrkontakt	MA4	
						•Gear selector forwar	•Sélecteur de march	•Gangwähler vorwärt	•Selector de marcha	•Växelvälj.fram/back	MA5, MA6	
						•Speed sensor	•Commande tachym	•Drehzahlshalter	•Sensor tacometro	•Varvtalsgivare	SE5	
						•Hydraulic pump valv	•Valve de pompe hyd	•Hydraulikpumpenve	•Válvula de la bomba	•Hydraulpumpventil	MA2	
						•Disconnecter trans	•Coupe-circuit, trans	•Getriebeausrückun	•Disyuntor transmisi	•Frånskiljare transmi		
						•Transmission Tem	•Temp. De Transm.	•Getriebetemp.	•Temp. Transmisión	•Transmissions Te	SE1	
2	VOE 11709766	1				•Connector.....	•Raccord.....	•Anschluss.....	•Union.....	•Anslutning.....		
2	VOE 874967	1				•Key.....	•Clavette.....	•Keil.....	•Llave (cuna).....	•Kil.....		
3	VOE 874955	5				•Insulator.....	•Isolateur.....	•Isolator.....	•Aislador.....	•Isolator.....		
4	VOE 874957	1				•Housing.....	•Isolant.....	•Isolator.....	•Aislador.....	•Isolator.....		
4	VOE 874958	1				•Key.....	•Clavette.....	•Keil.....	•Llave (cuna).....	•Kil.....		
5	VOE 874954	1				•Connector.....	•Raccord.....	•Anschluss.....	•Union.....	•Anslutning.....		
6	VOE 11170006	REQ				•Hose.....	•Durit.....	•Schlauch.....	•Tubo flexible.....	•Slang.....		
7	VOE 4803746	REQ				•Hose.....	•Durit.....	•Schlauch.....	•Tubo flexible.....	•Slang.....		
8	VOE 4803748	REQ				•Hose.....	•Durit.....	•Schlauch.....	•Tubo flexible.....	•Slang.....		



1		<b>Ledningsmatta transmission</b> <b>Manojo de cable, transmisión.</b> <b>Kabelbaum, Getriebe.</b> <b>Faisceau de câles, transmission.</b> <b>Cable harness, transmission.</b> <b>11891077, 11895023</b>	Catalogue id	Group
2			<b>20124</b>	<b>371</b>
3			Illustr. No	Section
4			<b>1013297</b>	<b>250</b>
5			Issue	Page
			<b>VOE 63A9920124</b>	<b>171</b>

**VOLVO**

**BL61PLUS**



Volvo Construction  
Equipment  
1011864

Fig.	Part No.	Quantity			P S	K I T	Description	Dénomination	Bezeichnung	Denominación	Benämning	Notes
		1	2	3								
1	VOE 11885622	1					Wire harness.....	Faisceau électrique....	Kabelbaum.....	Manojo cables.....	Ledningsmatta.....	
							•CONNECTED TO:	•CONNECTÉ A:	•ANGESCHLOSSEN:	•CONECTADO A:	•ANSLUTER TILL:	
							•Wire harness	•Faisceau électrique	•Kabelbaum	•Manojo cables	•Ledningsmatta	X12 CHASSIS HARNESS
							•Wire harness	•Faisceau électrique	•Kabelbaum	•Manojo cables	•Ledningsmatta	X36 RH SIDE DASHBOARD
							•Diff. lock	•Blocage différentiel	•Ausgleichsperre	•Bloqueo diferencial	•Diffspärr	X94
							•Gear valve	•Soupape	•Ventil	•Valvula	•Växelventil	X114, X115, X118, X119
							•Four-wheel drive	•Traction sur 4 roues	•Vierradantrieb	•Tracción en cuatro r	•Fyrhjulsdrivning	X93
							•Gear selector forwar	•Sélecteur de march	•Gangwähler vorwärt	•Selector de marcha	•Växelvälj.fram/back	X116, X117
							•Speed sensor	•Commande tachym	•Drehzahlshalter	•Sensor tacometro	•Varvtalsgivare	X207
							•Temp.gauge, trans	•Indicat.temp. trans	•Temp.anzeiger,getri	•Termometro, trans	•Transm.oljetemp.m	X96
							•Hydraulic pump valv	•Valve de pompe hyd	•Hydraulikpumpenve	•Válvula de la bomba	•Hydraulpumpventil	X97



1		<b>Ledningsmatta transmission</b> <b>Manojo de cable, transmisión.</b> <b>Kabelbaum, Getriebe.</b> <b>Faisceau de câles, transmission.</b> <b>Cable harness, transmission.</b>	Catalogue id	Group
2			<b>20124</b>	<b>371</b>
3			Illustr. No	Section
4			<b>1011864</b>	<b>275</b>
5			Issue	Page
		<b>11891595</b>	<b>VOE 63A9920124</b>	<b>173</b>

**VOLVO**

**BL61PLUS**

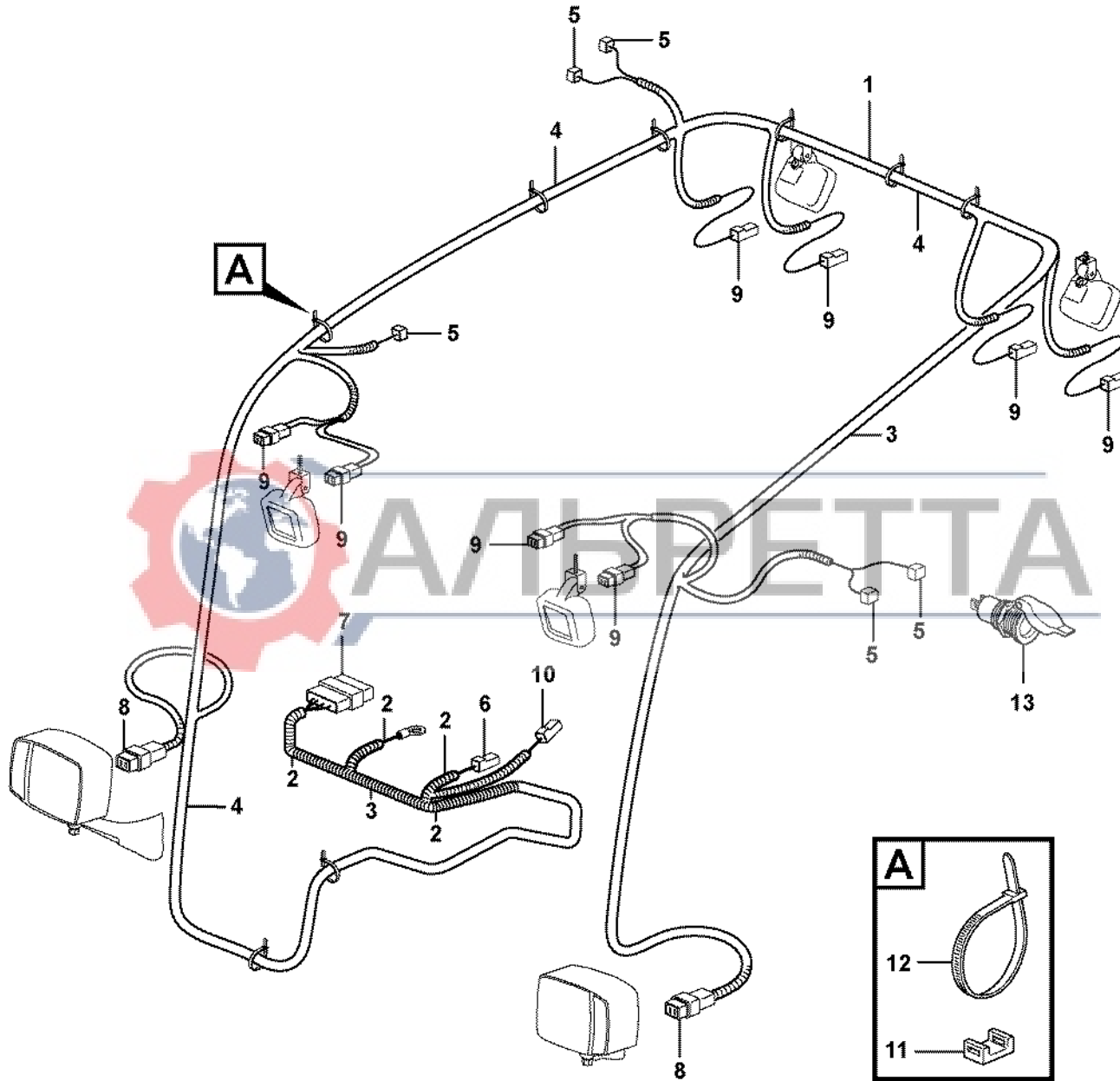


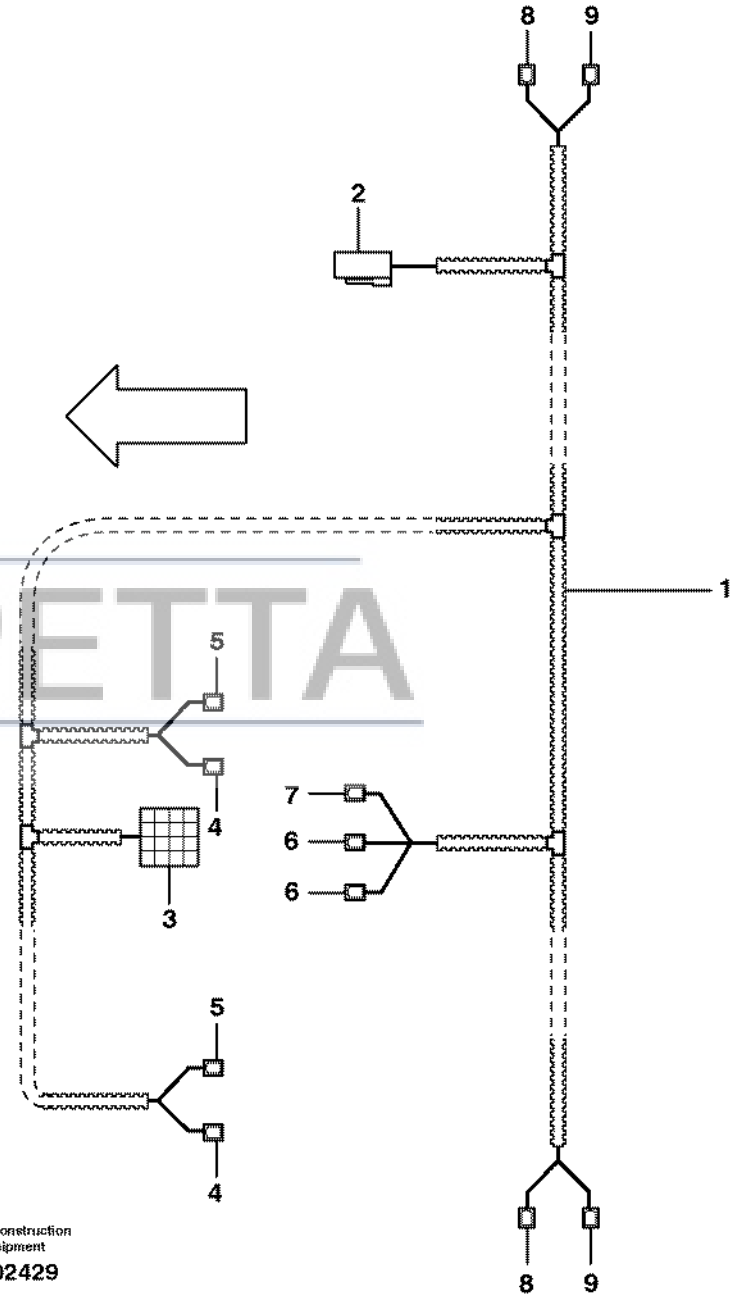
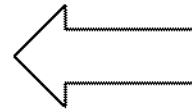
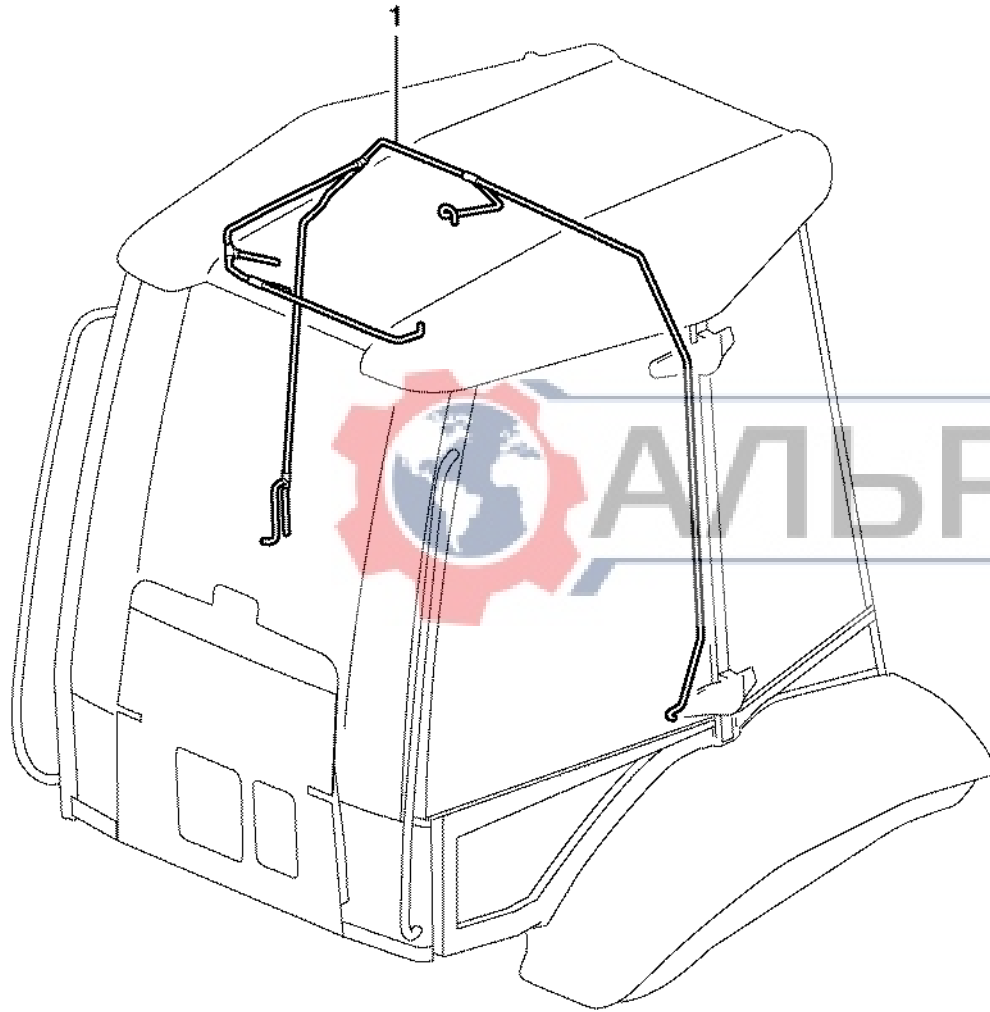
Fig.	Part No.	Quantity			P S	K I T	Description	Dénomination	Bezeichnung	Denominación	Benämning	Notes
		1	2	3								
1	VOE 11886189	1					Wire harness..... Faisceau électrique .... Kabelbaum ..... Manojos cables ..... Ledningsmatta..... •CONNECTED TO:..... •CONNECTÉ A: ..... •ANGESCHLOSSEN: •CONECTADO A:..... •ANSLUTER TILL:..... •Headlamp ..... •Phare ..... •Scheinwerfer ..... •Faro ..... •Strålkastare..... X42, X43 •Rear lighting ..... •Illuminat.arriere..... •Hintere Beleuchtun. •Luz detras ..... •Bakre belysning..... X88, X89, X90, X91 •Work lights..... •Eclairage de travail.. •Arbeitsbeleuchtung.. •Alumbrado de trabaj •Arbetsbelysning..... X84, X85, X86, X87 •Antenna ..... •Antenne ..... •Antenne ..... •Antena ..... •Antenn..... X247 •Rotating Beacon..... •Gyrophare..... •Rundumkennleucht.. •Luz Rotativa Emerg. •Roterande Varnings X245, X246, X248, X249 •Cable Harness Instr. •Câblage, tableau de •Leitung mit Armatur. •Haz cables tablero i. •Ledn.m Instrum.br F X36, X37 •Earth..... •Terre ..... •Erde ..... •Tierra ..... •Jord..... X165 •Control unit, V-ECU. •Unite commande, V. •Steuergerät, V-ECU. •Unidad mando, V-E. •Styrenhet, V-ECU... X1					
2	VOE 11170006	3					•Hose ..... •Durit ..... •Schlauch ..... •Tubo flexible..... •Slang.....					
3	VOE 4803746	2					•Hose ..... •Durit ..... •Schlauch ..... •Tubo flexible..... •Slang.....					
4	VOE 4803748	3					•Hose ..... •Durit ..... •Schlauch ..... •Tubo flexible..... •Slang.....					
5	VOE 973119	5					•Cable terminal ..... •Cosse cable ..... •Flachsteckhülse ..... •Terminal cable ..... •Ledningssko..... X245-X249					
6	VOE 874957	1					•Housing ..... •Isolant ..... •Isolator ..... •Aislador ..... •Isolator..... X36					
6	VOE 874958	1					•Key ..... •Clavette..... •Keil..... •Llave (cuna) ..... •Kil..... X36					
7	VOE 11709767	1					•Connector ..... •Raccord ..... •Anschluss..... •Union..... •Anslutning..... X1					
8	VOE 874960	2					•Housing ..... •Isolant ..... •Isolator ..... •Aislador ..... •Isolator..... X42, X43					
9	VOE 874955	8					•Insulator ..... •Isolateur ..... •Isolator ..... •Aislador ..... •Isolator..... X84-X91					
10	VOE 874802	1					•Housing ..... •Isolant ..... •Isolator ..... •Aislador ..... •Isolator..... X37					
10	VOE 14370883	1					•Spacer ..... •Partie Intermédiaire. •Zwischenstück ..... •Espaciador ..... •Mellandel..... X37					
11	VOE 14016673	8					Strip Clamp ..... Ruban Serrage..... Kabelbinder ..... Abraz Cinta ..... Bandklamma.....					
12	VOE 14213026	8					Attachment..... Fixation ..... Halterung..... Fijacion ..... Fäste.....					
13	VOE 11888465	1					Socket..... Socle ..... Sockel ..... Zocalo ..... Sockel..... Deleted					

1	11298204, 11298208	<b>Ledn.m Belysn Hytt Utv</b> <b>Haz de cables de alumbrado exterior de la cabina</b> <b>Leitung mit Kabinenbeleuchtung außen</b> <b>Câblage, éclairage extérieur cabine</b> <b>Cable Harness Lighting Cab Ext.</b>	Catalogue id	Group
2	11880101		<b>20124</b>	<b>371</b>
3			Illustr. No	Section
4			<b>1013292</b>	<b>300</b>
5			Issue	Page
	11298204, 11298208	<b>VOE 63A9920124</b>	<b>175</b>	

**VOLVO**

**BL61PLUS**





Volvo Construction  
Equipment  
1002429

Fig.	Part No.	Quantity			P S	K I T	Description	Dénomination	Bezeichnung	Denominación	Benämning	Notes
		1	2	3								
1	VOE 11888374	1					Wire harness..... Faisceau électrique .... Kabelbaum ..... Manajo cables ..... Ledningsmatta..... •CONNECTED TO:..... •CONNECTÉ A: ..... •ANGESCHLOSSEN: •CONECTADO A:..... •ANSLUTER TILL:..... •Cable harness, right . •Faisceau cables, dr .. •Kabelbaum, rechts... •Manajo cables, dere . •Ledningsmatta, hög.. X51 •Radio ..... •Auto-radio ..... •Radio ..... •Radio ..... •Radio..... RA1 (X200) •Speaker ..... •Haut-parleur..... •Lautsprecher..... •Altavoz ..... •Högtalare..... LH RH •Interior light..... •Lampe interieure..... •Innenleuchte ..... •Lampara interior..... •Innerbelysning..... X308 - 310 •Door Switch..... •Contact Porte..... •Turschalter..... •Contacto Puerta..... •Dörrkontakt..... LH SW28, RH SW27					
2	VOE 874957	1					•Housing ..... •Isolant ..... •Isolator ..... •Aislador ..... •Isolator..... X51					
3		1			NS		•Insulator..... •Isolateur ..... •Isolator ..... •Aislador ..... •Isolator..... RA1 X200					
4	VOE 973126	2					•Cable terminal ..... •Cosse cable ..... •Flachsteckhülse ..... •Terminal cable ..... •Ledningssko..... X155, X156					
5	VOE 946787	2					•Cable terminal ..... •Cosse cable ..... •Flachsteckhülse ..... •Terminal cable ..... •Ledningssko..... X150, X151					
6	VOE 973119	2					•Cable terminal ..... •Cosse cable ..... •Flachsteckhülse ..... •Terminal cable ..... •Ledningssko..... X308, X309					
7	VOE 973120	1					•Cable terminal ..... •Cosse cable ..... •Flachsteckhülse ..... •Terminal cable ..... •Ledningssko..... X310					
8		2			NS		•Cable terminal ..... •Cosse cable ..... •Flachsteckhülse ..... •Terminal cable ..... •Ledningssko..... X305, X307					
9		2			NS		•Cable terminal ..... •Cosse cable ..... •Flachsteckhülse ..... •Terminal cable ..... •Ledningssko..... X304, X306					



1		Ledn.m hytt inv tak	Catalogue id	Group
2		Haz de cables en el techo interior de la cabina	20124	371
3		Leitung mit Kabine innen Decke	Illustr. No	Section
4		Câblage, pavillon cabine	1002429	350
5		Cable Harness cab int. roof	Issue	Page
		11298204	VOE 63A9920124	177

**VOLVO**

**BL61PLUS**

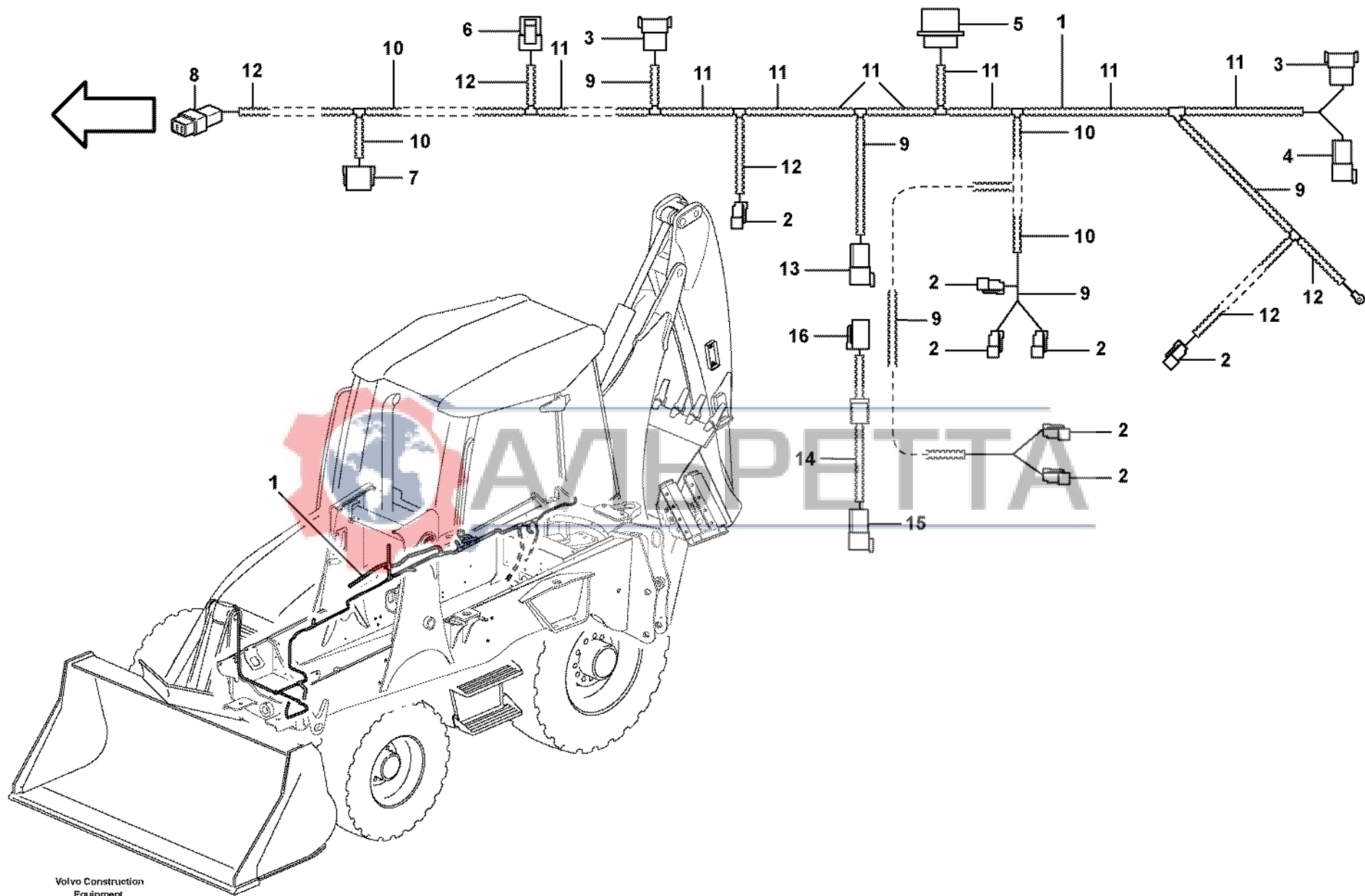


Fig.	Part No.	Quantity			P S	K I T	Description	Dénomination	Bezeichnung	Denominación	Benämning	Notes
		1	2	3								
1	VOE 11887382	1					Wire harness..... Faisceau électrique .... Kabelbaum ..... Manojos cables ..... Ledningsmatta..... ••CONNECTED TO:.... ••CONNECTÉ A:..... ••ANGESCHLOSSEN:••CONECTADO A: ..... ••ANSLUTER TILL:..... ••Float Position Valve. ••Soupape Pos.flottan ••Schwimmventil..... ••Valvula Pos Flotacio ••Flytlägesventil..... X81 ••Valve block..... ••Bloc-soupape..... ••Ventilblock ..... ••Bloque de valvula .... ••Ventilblock..... X11, X40 ••Valve Hydr. attachm ••Valve, porte-outil à v ••Ventil hydr. Gerätetr ••Válvula, portaimple .. ••Ventil Hydr.reds.fäst X77 ••Valve Hydr. attachm ••Valve, porte-outil à v ••Ventil hydr. Gerätetr ••Válvula, portaimple .. ••Ventil Hydr.reds.fäst X76 ••Hand brake..... ••Frein à main..... ••Handbremse ..... ••Freno de mano ..... ••Handbroms..... X80 ••Valve Boom Suspen ••Valve, suspension d ••Ventil Hubgerüstdä .. ••Válvula, suspensión. ••Ventil Lastarmsfjädr. X78, X79 ••Instrument panel Ri .. ••Tableau de bord côt. ••Armaturen Brett recht ••Tablero de instrume. ••Instrumentbräda Hö X8 ••Valve Automatic Tilt. ••Valve, basculement ••Ventil Kippautomi. ••Válvula, automatism ••Ventil Tiltautomi. X41 ••Fuel Gauge..... ••Jauge Carburant..... ••Kraftst Messer ..... ••Indic Combust..... ••Bränslemätare..... X82 ••Cable harness,tran .. ••Faisceau cables,tra .. ••Kabelbaum, Getrieb. ••Manojos cables,trans. ••Ledningsmatta,tran. X12 ••Switch Automatic Til ••Contacteur, bascule. ••Schalter Kippautomi. ••Contacto, automatis. ••Kontakt Tiltautomi. X83 ••Cable Harness, En .. ••Faisceau De Câble .. ••Kabelbündel, Motor ••Haz De Cables, Mot. ••Ledningsmatta, Mot. X13 ••Horn..... ••Avertisseur sonore... ••Signalhorn ..... ••Avisador sonoro..... ••Signalhorn..... X202 2 VOE 874955 7 3 VOE 874965 2 3 VOE 14370889 2 4 VOE 874959 1 4 VOE 14370885 1 5 VOE 11709788 1 6 VOE 874654 1 7 VOE 11709766 1 8 1 9 VOE 4803748 REQ 10 VOE 4803751 REQ 11 VOE 4803752 REQ 12 VOE 11170006 REQ 13 VOE 874960 1 14 VOE 11886560 1	NS	••Insulator..... ••Isolateur ..... ••Isolator ..... ••Aislador ..... ••Isolator..... X76-X82 ••Connector..... ••Raccord ..... ••Anschluss..... ••Union..... ••Anslutning..... X11, X12 ••Spacer..... ••Partie Intermédiaire .. ••Zwischenstück ..... ••Espaciador ..... ••Mellandel..... ••Housing..... ••Isolant ..... ••Isolator ..... ••Aislador ..... ••Isolator..... X40 ••Spacer..... ••Partie Intermédiaire .. ••Zwischenstück ..... ••Espaciador ..... ••Mellandel..... ••Connector..... ••Raccord ..... ••Anschluss..... ••Union..... ••Anslutning..... X8 ••Rcpt Housing..... ••Douille Isolant. .... ••Steckbuchse ..... ••Aislador Mangui ..... ••Hylisolator..... X83 ••Connector..... ••Raccord ..... ••Anschluss..... ••Union..... ••Anslutning..... X13 ••Insulator..... ••Isolateur ..... ••Isolator ..... ••Aislador ..... ••Isolator..... X202 ••Hose ..... ••Durit ..... ••Schlauch ..... ••Tubo flexible..... ••Slang..... ••Hose ..... ••Durit ..... ••Schlauch ..... ••Tubo flexible..... ••Slang..... ••Hose ..... ••Durit ..... ••Schlauch ..... ••Tubo flexible..... ••Slang..... ••Hose ..... ••Durit ..... ••Schlauch ..... ••Tubo flexible..... ••Slang..... ••Housing..... ••Isolant ..... ••Isolator ..... ••Aislador ..... ••Isolator..... X41 Cable..... Câble..... Kabel..... Cable..... Kabel..... X331 EXTANSION HARNESS			

1		<b>Ledningsmatta chassi</b> <b>Haz de cables chasis</b> <b>Kabelbaum, Fahrgestell</b> <b>Faisceau de câbles, châssis</b> <b>Cable harness chassis</b>	Catalogue id	Group
2			<b>20124</b>	<b>371</b>
3			Illustr. No	Section
4			<b>1013573</b>	<b>400</b>
5			Issue	Page
			<b>VOE 63A9920124</b>	<b>179</b>

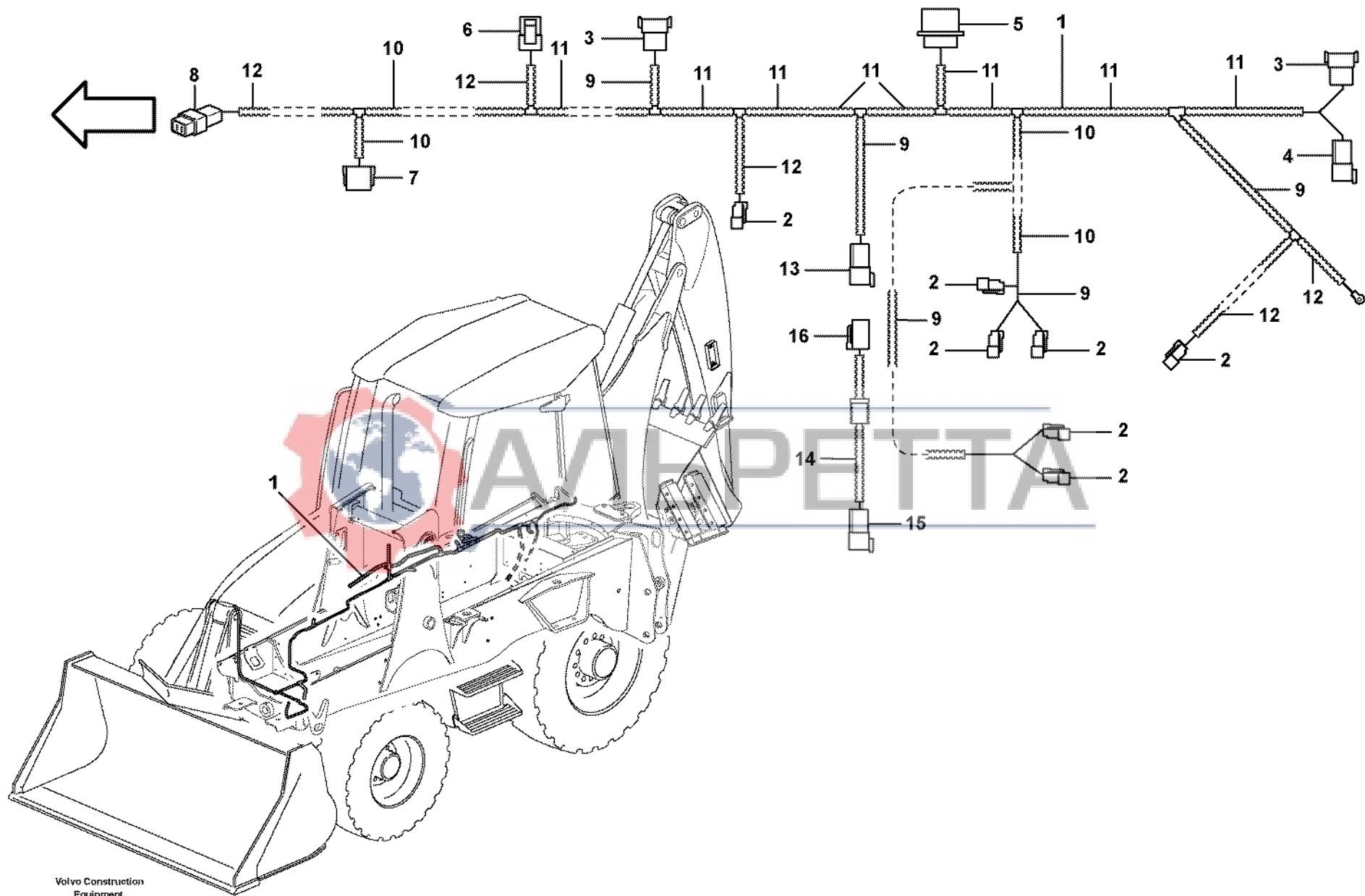


Fig.	Part No.	Quantity			P S	K I T	Description	Dénomination	Bezeichnung	Denominación	Benämning	Notes
		1	2	3								
15	VOE 874959	1				•Housing .....	•Isolant .....	•Isolator .....	•Aislador .....	•Isolator.....		
15	VOE 14370885	1				•Spacer .....	•Partie Intermédiaire ..	•Zwischenstück .....	•Espaciador .....	•Mellandel.....		
16	VOE 874955	1				•Insulator.....	•Isolateur .....	•Isolator .....	•Aislador .....	•Isolator.....		



1	<b>Ledningsmatta chassi</b> <b>Haz de cables chasis</b> <b>Kabelbaum, Fahrgestell</b> <b>Faisceau de câbles, châssis</b> <b>Cable harness chassis</b>	Catalogue id	Group
2		<b>20124</b>	<b>371</b>
3		Illustr. No	Section
4		<b>1013573</b>	<b>400</b>
5		Issue	Page
		VOE 63A9920124	<b>181</b>

**VOLVO**

**BL61PLUS**

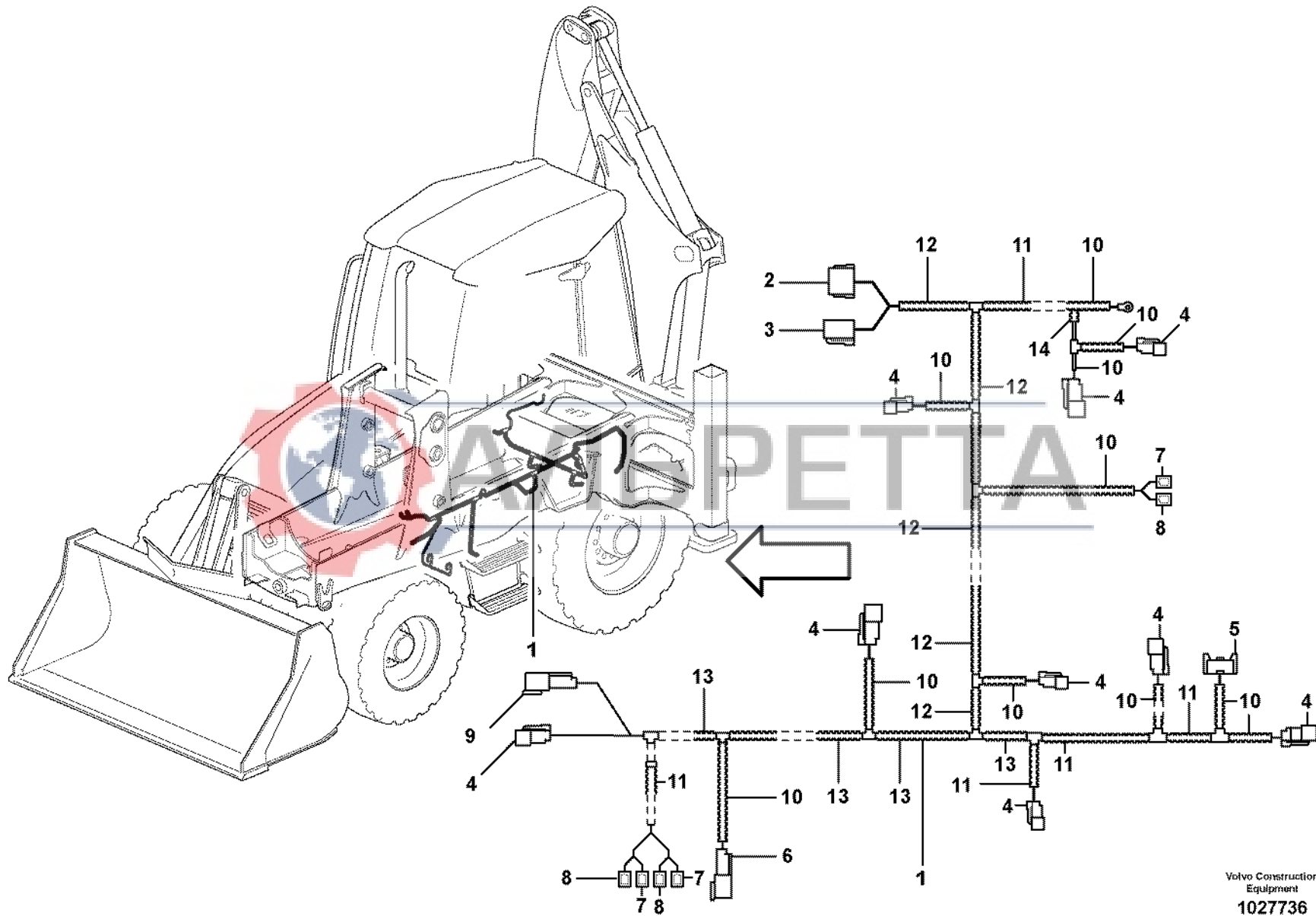


Fig.	Part No.	Quantity			P S	K I T	Description	Dénomination	Bezeichnung	Denominación	Benämning	Notes
		1	2	3								
1	VOE 1188536	1					Wire harness..... Faisceau électrique .... Kabelbaum ..... Manojó cables ..... Ledningsmatta..... •CONNECTED TO:.... •CONNECTÉ A: ..... •ANGESCHLOSSEN: •CONECTADO A:..... •ANSLUTER TILL:..... •Cable harness Cha. •Faisceau de câbles, •Kabelbaum Fahrge. •Haz de cables, chas •Ledningsmatta Cha. X11, X40 •Float Position Valve. •Soupape Pos.flottan •Schwimmventil..... •Valvula Pos Flotacio •Flytlägesventil..... X112 •Earth ..... •Terre ..... •Erde ..... •Tierra ..... •Jord..... X163 •Horn..... •Avertisseur sonore... •Signalhorn ..... •Avisador sonoro..... •Signalhorn..... X398, X397 •Boom lock..... •Verrouillage de flèc.. •Auslegersperre ..... •Bloqueo de la plum. •Bomlåsning..... X74 •Hammer..... •Marteau ..... •Hammer ..... •Martillo ..... •Hammare..... X73 •Sideshift digging eq. •Equipement excavat •Seitenversch. Bagg. •Desplazamiento lat. •Sidoförskjutn.gräva. X72 •Overload warning .... •Avertisseur de surc.. •Überlastwarnung ..... •Advertencia de sobr. •Överlastvarning..... X109 •Reverse-motion ala. •Avertisseur de recul. •Ruckfahrwarner ..... •Senal acustica de ... •Backalarm..... X561 •Valve Boom Suspen •Valve, suspension d •Ventil Hubgerüstdä. •Válvula, suspensión. •Ventil Lastarmsfjädr. X98, X346 •Hydraulic oil filter ..... •Filtre hydraulique ..... •Filter hydraulik ..... •Filtro hidraulico ..... •Hydrauloljefilter..... X170 •Starter Relay ..... •Relais Demarra..... •Anlassrelais ..... •Rele Arranque..... •Startrelä..... X60 •Wshld Washer ..... •Lave-glace ..... •Frontsch.spuler ..... •Lavaparabrisas ..... •Vindrutespolare..... X311-X314 •Temp. sensor Hydr. •Décteur de tempé. •Temp.-Geber Hydra. •Sensor de temperat. •Temp.givare Hydrau X70, X71 •Connector ..... •Raccord ..... •Anschluss..... •Union..... •Anslutning..... X11 •Housing ..... •Isolant ..... •Isolator ..... •Aislador ..... •Isolator..... X40 •Insulator..... •Isolateur..... •Isolator ..... •Aislador ..... •Isolator..... X70, X73, X74, X98, X109 X112, X170, X346, X561 •Insulator..... •Isolateur..... •Isolator ..... •Aislador ..... •Isolator..... X72 •Connector ..... •Raccord ..... •Anschluss..... •Union..... •Anslutning..... X98 •Cable terminal ..... •Cosse cable ..... •Flachsteckhülse ..... •Terminal cable ..... •Ledningssko..... X312, X314 •Cable terminal ..... •Cosse cable ..... •Flachsteckhülse ..... •Terminal cable ..... •Ledningssko..... X311, X313 •Connector ..... •Raccord ..... •Anschluss..... •Union..... •Anslutning..... X71 •Hose ..... •Durit ..... •Schlauch ..... •Tubo flexible..... •Slang..... •Hose ..... •Durit ..... •Schlauch ..... •Tubo flexible..... •Slang..... •Hose ..... •Durit ..... •Schlauch ..... •Tubo flexible..... •Slang..... •Hose ..... •Durit ..... •Schlauch ..... •Tubo flexible..... •Slang.....					
2	VOE 11709766	1										
3	VOE 874960	1										
4	VOE 874955	9										
5	VOE 976256	1										
6	VOE 11709787	1										
7	VOE 973119	3										
8	VOE 973120	3										
9	VOE 874954	1										
10	VOE 11170006	REQ										
11	VOE 4803746	REQ										
12	VOE 4803752	REQ										
13	VOE 4803748	REQ										

1		<b>Ledningsmatta bakre ventilblock</b>	Catalogue id	Group
2		<b>Haz de cables del bloque de ventiladores traseros</b>	<b>20124</b>	<b>371</b>
3		<b>Kabelbaum hinterer Ventilblock</b>	Illustr. No	Section
4		<b>Faisceau de câbles, bloc-distributeur arrière</b>	<b>1027736</b>	<b>450</b>
5		<b>Cable harness rear valve block</b>	Issue	Page
			<b>VOE 63A9920124</b>	<b>183</b>

**VOLVO**

**BL61PLUS**



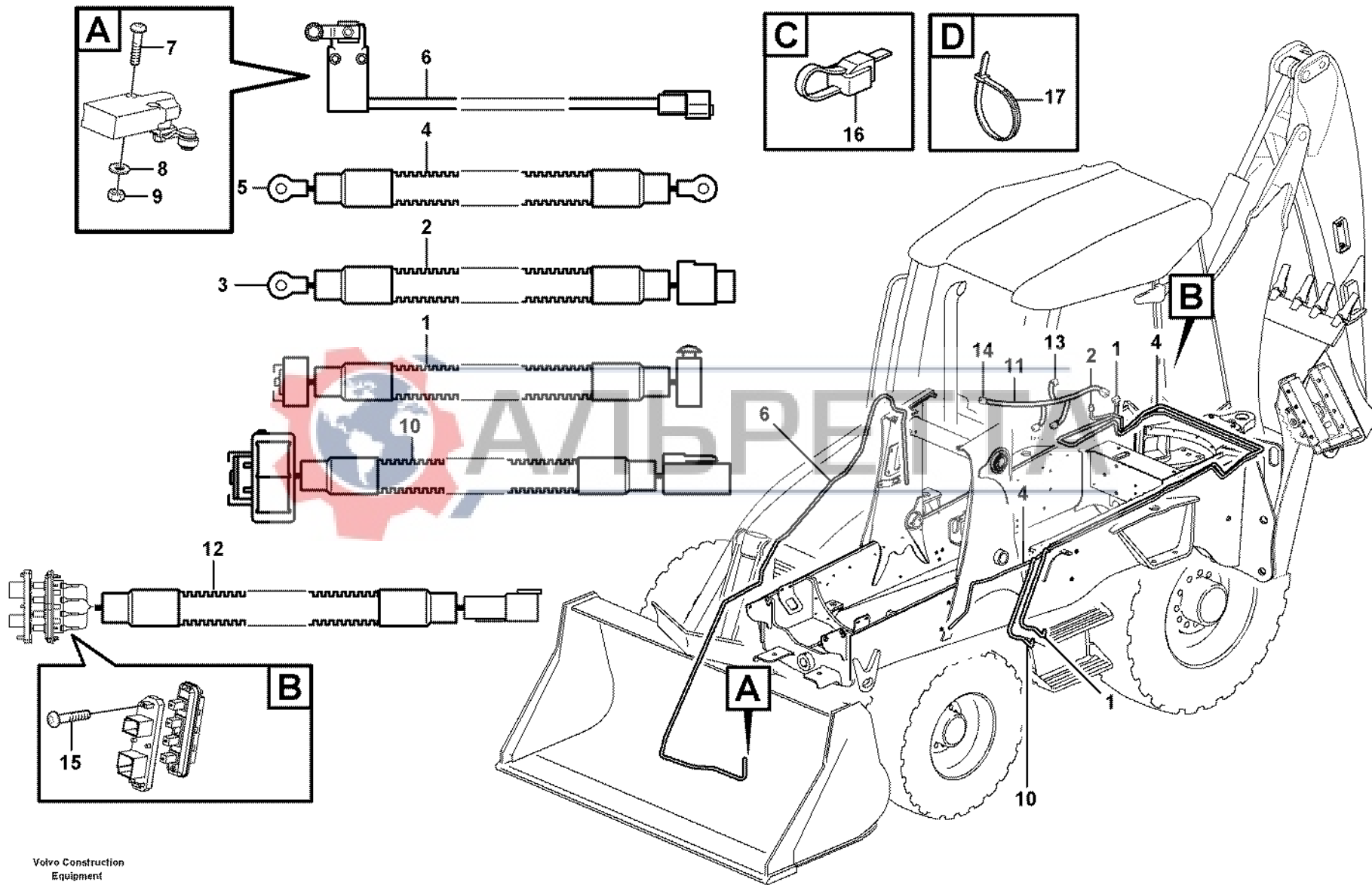
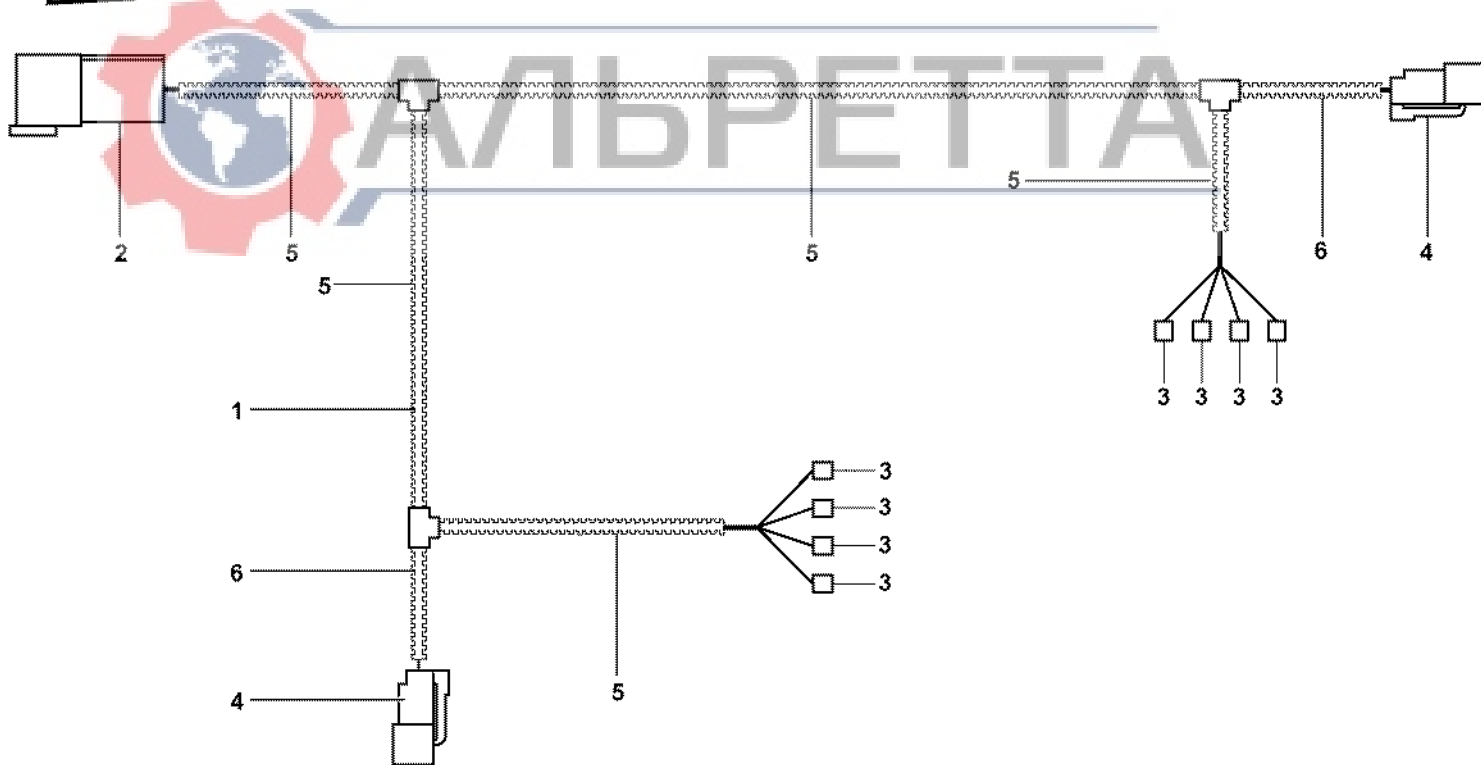
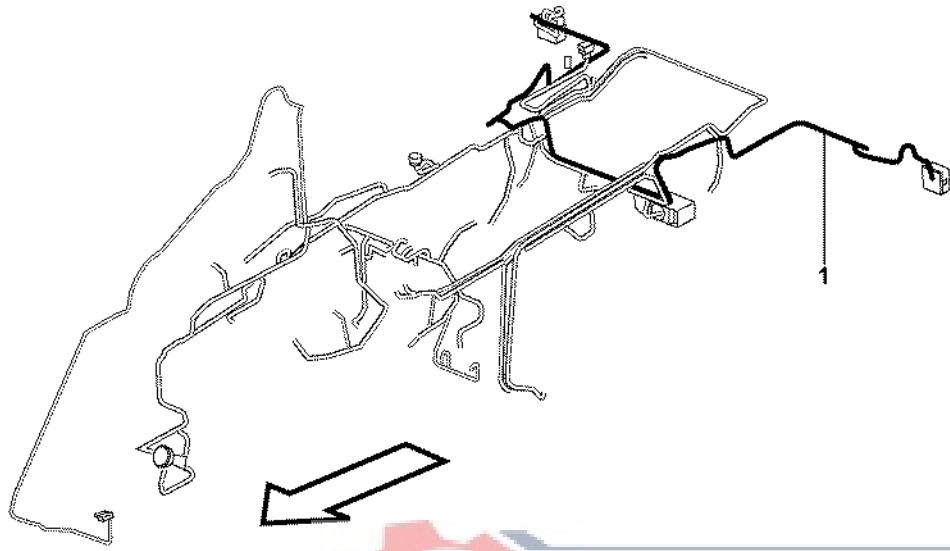


Fig.	Part No.	Quantity			P S	K I T	Description	Dénomination	Bezeichnung	Denominación	Benämning	Notes
		1	2	3								
1	VOE 11886120	1				Wire harness.....	Faisceau électrique....	Kabelbaum.....	Manejo cables.....	Ledningsmatta.....	MAIN FUSE TO CAB FLOOR HARNESS	
2	VOE 11885812	1				Wire Assembly.....	Câble.....	Leitung.....	Cable.....	Ledning.....	CABLE CHASSIS GROUND T CAB	
3	VOE 11882336	1				•Connector.....	•Raccord.....	•Anschluss.....	•Union.....	•Anslutning.....		
4	VOE 11884215	1				Wire Assembly.....	Câble.....	Leitung.....	Cable.....	Ledning.....	ENGINE GROUND TO CHAS GROUND CABLE	
	VOE 4803746	REQ				•Hose.....	•Durit.....	•Schlauch.....	•Tubo flexible.....	•Slang.....		
5	VOE 944158	1				•Cable terminal.....	•Cosse cable.....	•Flachsteckhülse.....	•Terminal cable.....	•Ledningssko.....		
6	VOE 11881207	1				Switch.....	Commutateur.....	Schalter.....	Contacteur.....	Strömställare.....		
7	VOE 969557	2				6-pt skt screw.....	Vis creuse de 6.....	Hohlschraube.....	Racor 6-dientes.....	Sextandhålskruv.....		
8	VOE 13940090	2				Washer.....	Rondelle.....	Scheibe.....	Arandela.....	Bricka.....		
9	VOE 975237	2				Lock nut.....	Contre-ecrou.....	Sicherungsmutter.....	Contratuerca.....	Låsmutter.....	(VOE 13975237)	
10	VOE 11886139	1				Wire harness.....	Faisceau électrique....	Kabelbaum.....	Manejo cables.....	Ledningsmatta.....	WIRE HARNESS A/C SUPPL	
11		1				Cable harness.....	Faisceau cables.....	Kabelbaum.....	Manejo cables.....	Ledningsmatta.....	WIRE HARNESS CAB HEATE See group 371, Page 201	
12	VOE 11884152	1				Cable harness.....	Faisceau cables.....	Kabelbaum.....	Manejo cables.....	Ledningsmatta.....	WINDOW SWITCH	
	VOE 874802	1				•Housing.....	•Isolant.....	•Isolator.....	•Aislador.....	•Isolator.....		
13	VOE 11890298	1				Switch.....	Interrupteur.....	Trennschalter.....	Interruptor.....	Brytare.....		
14	VOE 11305263	2				Relay.....	Relais.....	Relais.....	Rele.....	Relä.....		
15	VOE 975358	2				Screw.....	Vis.....	Schraube.....	Tornillo.....	Skruv.....		
16	VOE 980883	51				Strip Clamp.....	Ruban Serrage.....	Kabelbinder.....	Abraz Cinta.....	Bandklamma.....		
17	VOE 4881438	12				Strip Clamp.....	Ruban Serrage.....	Kabelbinder.....	Abraz Cinta.....	Bandklamma.....		

1	11880101	<b>Övriga ledningar</b> <b>Otros cables</b> <b>Übrige Leitungen</b> <b>Autres câbles électriques</b> <b>Other cables</b>	Catalogue id	Group
2	11298204		<b>20124</b>	<b>371</b>
3			Illustr. No	Section
4			<b>1013285</b>	<b>500</b>
5			Issue	Page
			<b>VOE 63A9920124</b>	<b>185</b>

**VOLVO**

**BL61PLUS**



Volvo Construction  
Equipment  
1017002

Fig.	Part No.	Quantity			P S	K I T	Description	Dénomination	Bezeichnung	Denominación	Benämning	Notes
		1	2	3								
1	VOE 11886386	1				Wire harness.....	Faisceau électrique....	Kabelbaum.....	Manojo cables.....	Ledningsmatta.....		
						••CONNECTED TO:	••CONNECTÉ A:	••ANGESCHLOSSEN:	••CONECTADO A:	••ANSLUTER TILL:		
						••Cable harness	••Faisceau cables	••Kabelbaum	••Manojo cables	••Ledningsmatta	X42	
						••Tail light	••Feu ar	••Heckleuchte	••Piloto trasero	••Baklykta	LH X53, RHX52	
						••No.plate lamp	••Eclairage plaque	••Kennzeichenleuchte	••Lampara letrero	••Skyltbelysning	X90, X91	
2	VOE 874959	1				•Housing.....	•Isolant.....	•Isolator.....	•Aislador.....	•Isolator.....	X42	
3	VOE 973119	8				•Cable terminal.....	•Cosse cable.....	•Flachsteckhülse.....	•Terminal cable.....	•Ledningssko.....	X52, X53	
4	VOE 874955	2				•Insulator.....	•Isolateur.....	•Isolator.....	•Aislador.....	•Isolator.....	X90, X91	
5	VOE 4803746	5				•Hose.....	•Durit.....	•Schlauch.....	•Tubo flexible.....	•Slang.....		
6	VOE 11170006	2				•Hose.....	•Durit.....	•Schlauch.....	•Tubo flexible.....	•Slang.....		
	VOE 11883263	20				Cable Tie.....	Serre-cable.....	Kabelbinder.....	Abrazadera.....	Bandklämma.....		



1		<b>Ledningsmatta, belysning,bakre</b> <b>Manojo cables, trasero</b> <b>Kabelbaum, Beleuchtung, hinten</b> <b>Faisceau câbles, éclairage, arrière</b> <b>Cable harness, tail light</b>	Catalogue id	Group
2			<b>20124</b>	<b>371</b>
3			Illustr. No	Section
4			<b>1017002</b>	<b>630</b>
5			Issue	Page
			VOE 63A9920124	<b>187</b>

**VOLVO**

**BL61PLUS**

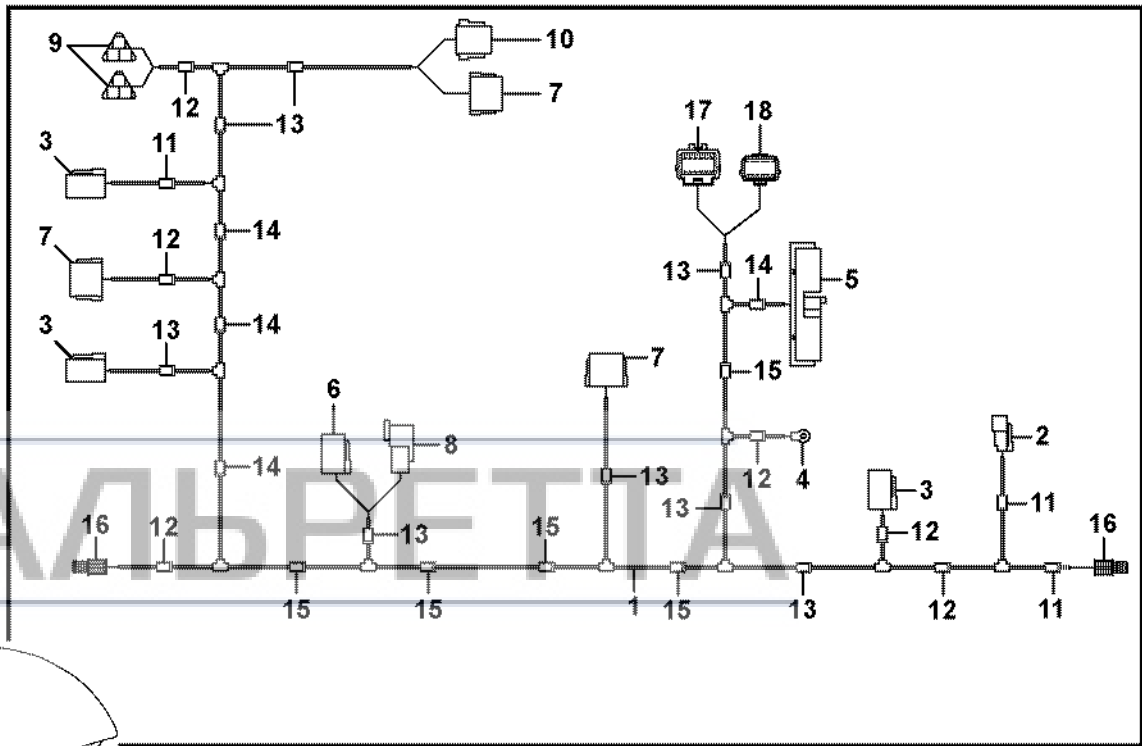
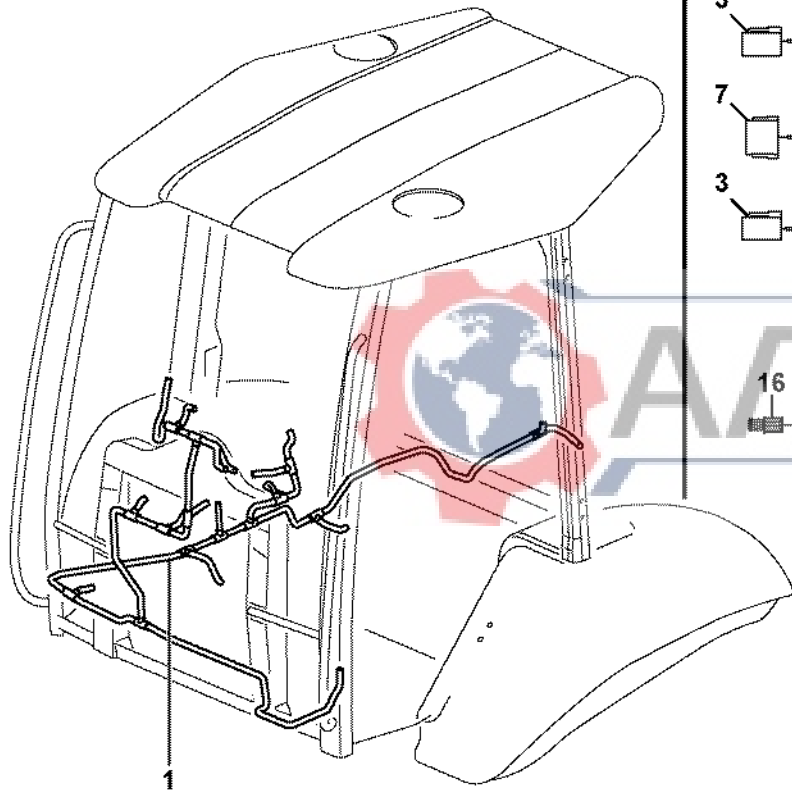


Fig.	Part No.	Quantity			P S	K I T	Description	Dénomination	Bezeichnung	Denominación	Benämning	Notes
		1	2	3								
1	VOE 1188816	1					Wire harness..... Faisceau électrique.... Kabelbaum..... Manojos cables..... Ledningsmatta..... ••CONNECTED TO:.... ••CONNECTÉ A:..... ••ANGESCHLOSSEN:••CONECTADO A:..... ••ANSLUTER TILL:..... ••Switch..... ••Commutateur..... ••Schalter..... ••Contactor..... ••Strömställare..... X103 HORN SWITCH ••Cable harness..... ••Faisceau cables..... ••Kabelbaum..... ••Manojos cables..... ••Ledningsmatta..... X46 REAR LAMPS ••Earth..... ••Terre..... ••Erde..... ••Tierra..... ••Jord..... X177 ••Control Unit..... ••Unite Commande..... ••Steuergerät..... ••Unidad Mando..... ••Styrenhet..... X4 VECU ••Cable harness..... ••Faisceau cables..... ••Kabelbaum..... ••Manojos cables..... ••Ledningsmatta..... X34, X48 RH SIDE DASHBOARD ••Switch..... ••Commutateur..... ••Schalter..... ••Contactor..... ••Strömställare..... X14 HYDRAULIC LEVER SWITCHES ••Cable harness..... ••Faisceau cables..... ••Kabelbaum..... ••Manojos cables..... ••Ledningsmatta..... X36, X37 CAB.EXTERIOR ••Windshield wiper Fr. ••Essuie-glace, pare-... ••Scheibenwischer vo. ••Limpiaparabrisas d... ••Vindrutetorkare Fra. X44 ••Switch..... ••Commutateur..... ••Schalter..... ••Commutador..... ••Omkopplare..... X47, X16 LH, RH COMBI SWITCH ••Stop Lt Switch..... ••Contacteur Stop..... ••Br Lichtschalt..... ••Cont Luz Freno..... ••Bromsljuskont..... X61, X62 ••Instr Panel..... ••Planche de bord..... ••Instr Tafel..... ••Panel Instrum..... ••Instrumentpanel..... X15, X33, FRONT ••Switch..... ••Commutateur..... ••Schalter..... ••Contactor..... ••Strömställare..... X203 HAMMER SWITCH ••Switch..... ••Commutateur..... ••Schalter..... ••Contactor..... ••Strömställare..... X204 DIFF LOCK					
2	VOE 874955	1					••Insulator..... ••Isolateur..... ••Isolator..... ••Aislador..... ••Isolator..... X103					
3	VOE 874960	3					••Housing..... ••Isolant..... ••Isolator..... ••Aislador..... ••Isolator..... X46, X44, X47					
4		1			NS		••Cable terminal..... ••Cosse cable..... ••Flachsteckhülse..... ••Terminal cable..... ••Ledningssko..... X177					
5		1			NS		••Connector..... ••Raccord..... ••Anschluss..... ••Union..... ••Anslutning..... X4					
6	VOE 874957	1					••Housing..... ••Isolant..... ••Isolator..... ••Aislador..... ••Isolator..... X36					
6	VOE 874958	1					••Key..... ••Clavette..... ••Keil..... ••Llave (cuna)..... ••Kil.....					
7	VOE 11709766	3					••Connector..... ••Raccord..... ••Anschluss..... ••Union..... ••Anslutning..... X14, X15, X16					
7	VOE 874967	1					••Key..... ••Clavette..... ••Keil..... ••Llave (cuna)..... ••Kil.....					
8	VOE 874802	1					••Housing..... ••Isolant..... ••Isolator..... ••Aislador..... ••Isolator..... X37					
8	VOE 14370883	1					••Spacer..... ••Partie Intermédiaire..... ••Zwischenstück..... ••Espaciador..... ••Mellandel.....					
9	VOE 874654	2					••Rcpt Housing..... ••Douille Isolan..... ••Steckbuchse..... ••Aislador Mangui..... ••Hylisolator..... X61, X62					
10	VOE 11709767	1					••Connector..... ••Raccord..... ••Anschluss..... ••Union..... ••Anslutning..... X33					

1	11891077, 11895023	Ledningsmatta, mittpanel	Catalogue id	Group
2		Haz de cables, panel central	20124	371
3		Kabelbäume, Mitteltafel	Illustr. No	Section
4		Faisceau de câbles, pupitre central	1017414	655
5		Cable harness, panel	Issue	Page
			VOE 63A9920124	189

**VOLVO**

**BL61PLUS**

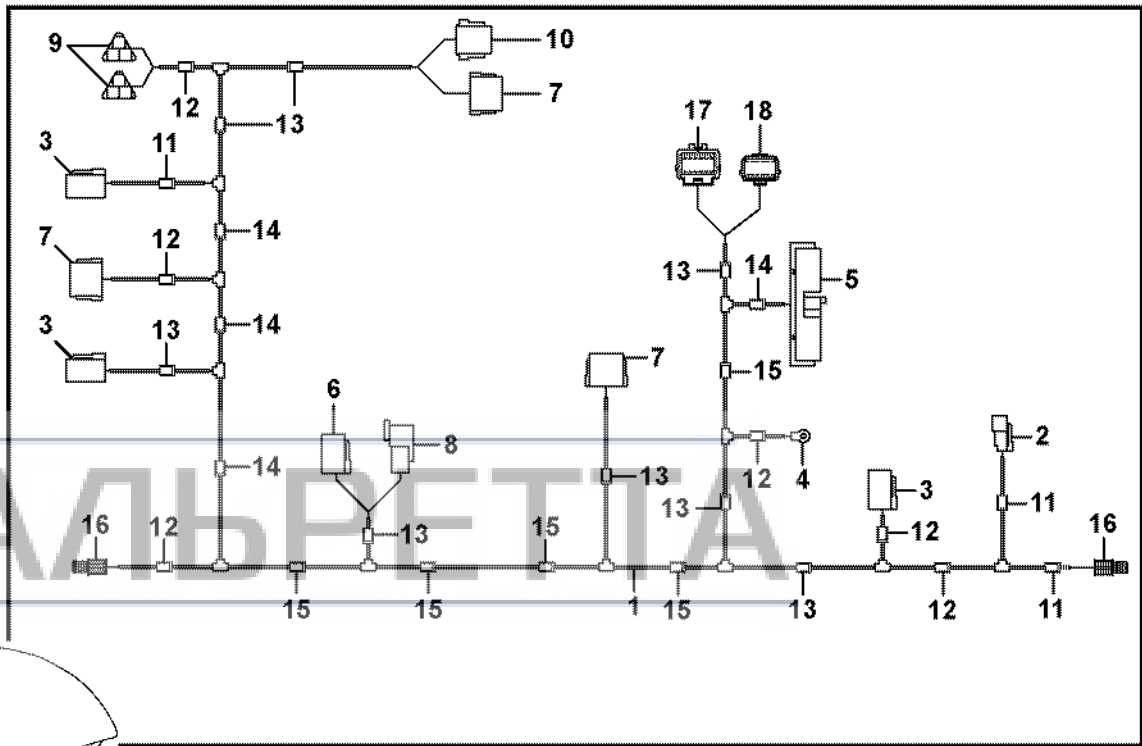
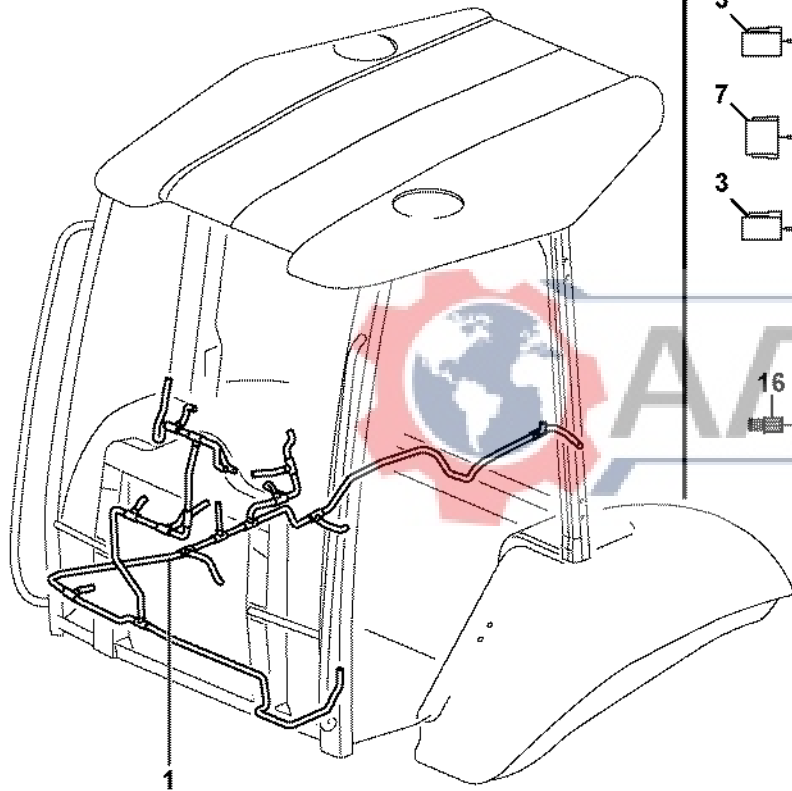


Fig.	Part No.	Quantity			P S	K I T	Description	Dénomination	Bezeichnung	Denominación	Benämning	Notes
		1	2	3								
11	<b>VOE 4803745</b>	REQ					•Hose .....	•Durit .....	•Schlauch .....	•Tubo flexible.....	•Slang.....	
12	<b>VOE 4803746</b>	REQ					•Hose .....	•Durit .....	•Schlauch .....	•Tubo flexible.....	•Slang.....	
13	<b>VOE 4803748</b>	REQ					•Hose .....	•Durit .....	•Schlauch .....	•Tubo flexible.....	•Slang.....	
14	<b>VOE 4803751</b>	REQ					•Hose .....	•Durit .....	•Schlauch .....	•Tubo flexible.....	•Slang.....	
15	<b>VOE 4803752</b>	REQ					•Hose .....	•Durit .....	•Schlauch .....	•Tubo flexible.....	•Slang.....	
16	<b>VOE 949005</b>	2					•Rcpt Housing .....	•Douille Isolan. ....	•Steckbuchse .....	•Aislador Mangui .....	•Hylisolator.....	X203,X204
17		1			NS		•Connector .....	•Raccord .....	•Anschluss.....	•Union.....	•Anslutning.....	X34
18		1			NS		•Connector .....	•Raccord .....	•Anschluss.....	•Union.....	•Anslutning.....	X48



1	11891077, 11895023	Ledningsmatta, mittpanel	Catalogue id	Group
2		Haz de cables, panel central	<b>20124</b>	<b>371</b>
3		Kabelbäume, Mitteltafel	Illustr. No	Section
4		Faisceau de câbles, pupitre central	<b>1017414</b>	<b>655</b>
5		Cable harness, panel	Issue	Page
			<b>VOE 63A9920124</b>	<b>191</b>

**VOLVO**

**BL61PLUS**



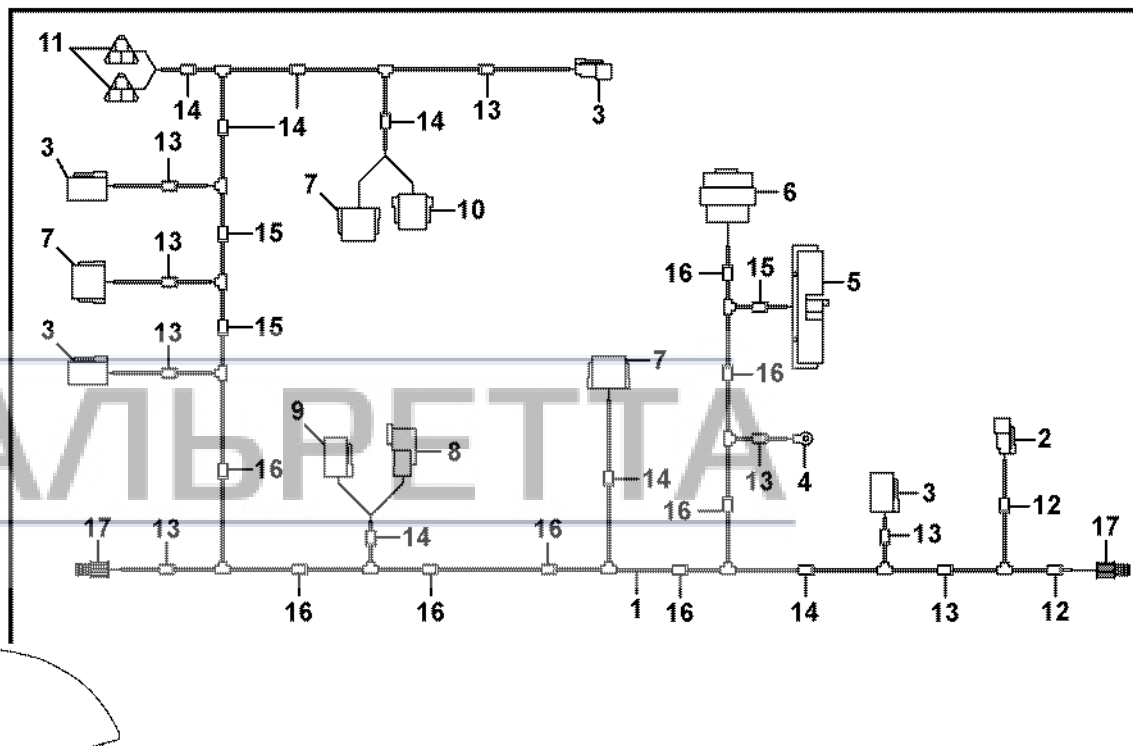
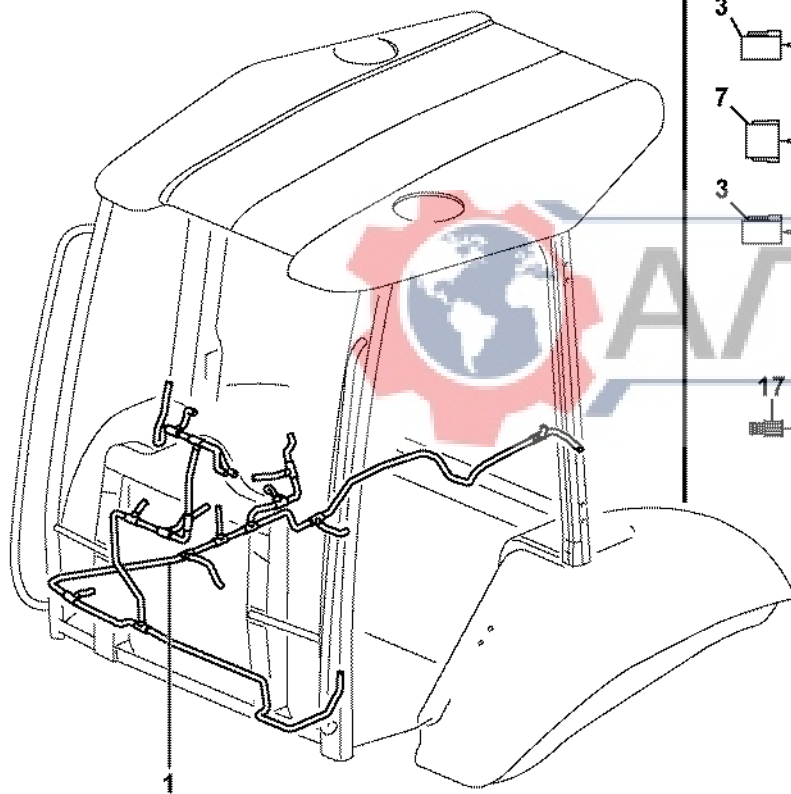


Fig.	Part No.	Quantity			P S	K I T	Description	Dénomination	Bezeichnung	Denominación	Benämning	Notes
		1	2	3								
1	VOE 1188815	1					Wire harness..... Faisceau électrique.... Kabelbaum..... Manojó cables..... Ledningsmatta..... ••CONNECTED TO:••CONNECTÉ A:.....••ANGESCHLOSSEN:••CONECTADO A:.....••ANSLUTER TILL:..... ••Switch.....••Commutateur.....••Schalter.....••Contactor.....••Strömställare..... X89 HORN SWITCH ••Cable harness.....••Faisceau cables.....••Kabelbaum.....••Manojó cables.....••Ledningsmatta..... X46 REAR LAMPS ••Earth.....••Terre.....••Erde.....••Tierra.....••Jord..... X177 ••Control Unit.....••Unite Commande.....••Steuergerät.....••Unidad Mando.....••Styrenhet..... X4 VECU ••Cable harness.....••Faisceau cables.....••Kabelbaum.....••Manojó cables.....••Ledningsmatta..... X330 RH SIDE DASHBOARD ••Switch.....••Commutateur.....••Schalter.....••Contactor.....••Strömställare..... X14 HYDRAULIC LEVER SWITCHES ••Cable harness.....••Faisceau cables.....••Kabelbaum.....••Manojó cables.....••Ledningsmatta..... X36, X37 CAB.EXTERIOR ••Windshield wiper Fr. ••Essuie-glace, pare-.. ••Scheibenwischer vo. ••Limpiaparabrisas d .. ••Vindrutetorkare Fra. X44 ••Switch.....••Commutateur.....••Schalter.....••Commutador.....••Omkopplare..... X47, X16 LH, RH COMBI SWITCH ••Stop Lt Switch.....••Contacteur Stop.....••Br Lichtschalt.....••Cont Luz Freno.....••Bromsljuskont..... X61, X62 ••Instr Panel.....••Planche de bord.....••Instr Tafel.....••Panel Instrum.....••Instrumentpanel..... X15, X33, FRONT ••Four-wheel steering. ••Quatre roues directr. ••Vierradlenkung.....••Dirección en cuatro ..••Fyrhjulstyrning..... X102 ••Switch.....••Commutateur.....••Schalter.....••Contactor.....••Strömställare..... X203 HAMMER SWITCH ••Switch.....••Commutateur.....••Schalter.....••Contactor.....••Strömställare..... X204 DIFF LOCK 2 VOE 874955 1 3 VOE 874960 4 4 1 NS 5 1 NS 6 1 NS 7 VOE 11709766 3 7 VOE 874967 3 8 VOE 874802 1 8 VOE 14370883 1 9 VOE 874957 1 9 VOE 874958 1 10 VOE 11709767 1	••Insulator.....••Isolateur.....••Isolator.....••Aislador.....••Isolator..... X89 ••Housing.....••Isolant.....••Isolator.....••Aislador.....••Isolator..... X46, X44, X102 ••Cable terminal.....••Cosse cable.....••Flachsteckhülse.....••Terminal cable.....••Ledningssko..... X177 ••Connector.....••Raccord.....••Anschluss.....••Union.....••Anslutning..... X4 ••Connector.....••Raccord.....••Anschluss.....••Union.....••Anslutning..... X330 ••Connector.....••Raccord.....••Anschluss.....••Union.....••Anslutning..... X14, X15, X16 ••Key.....••Clavette.....••Keil.....••Llave (cuna).....••Kil..... ••Housing.....••Isolant.....••Isolator.....••Aislador.....••Isolator..... X36 ••Spacer.....••Partie Intermédiaire ..••Zwischenstück.....••Espaciador.....••Mellandel..... ••Housing.....••Isolant.....••Isolator.....••Aislador.....••Isolator..... X37 ••Key.....••Clavette.....••Keil.....••Llave (cuna).....••Kil..... ••Connector.....••Raccord.....••Anschluss.....••Union.....••Anslutning..... X33, X47				

1		<b>Ledningsmatta, mittpanel</b>	Catalogue id	Group
2		<b>Haz de cables, panel central</b>	<b>20124</b>	<b>371</b>
3		<b>Kabelbäume, Mitteltafel</b>	Illustr. No	Section
4		<b>Faisceau de câbles, pupitre central</b>	<b>1011883</b>	<b>675</b>
5		<b>Cable harness, panel</b>	Issue	Page
		<b>11891595</b>	<b>VOE 63A9920124</b>	<b>193</b>

**VOLVO**

**BL61PLUS**

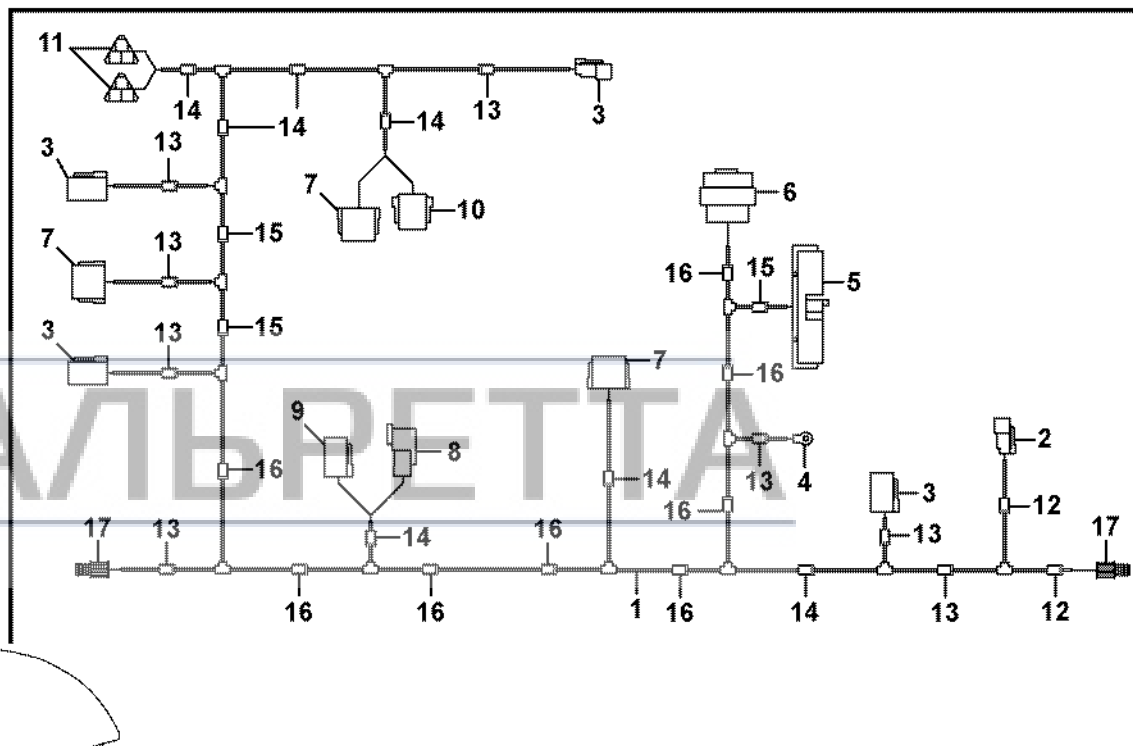
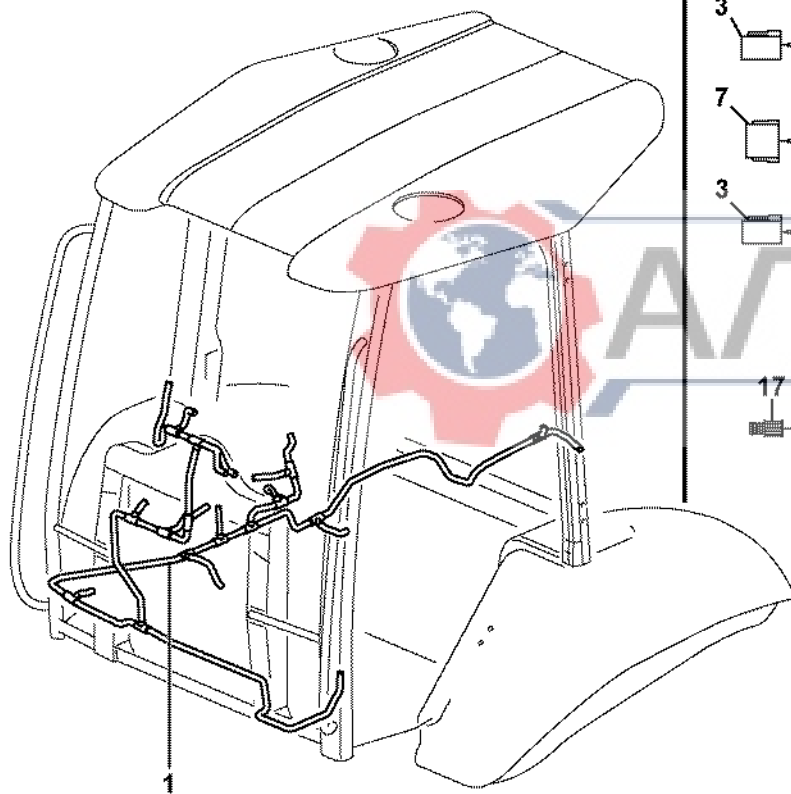


Fig.	Part No.	Quantity			P S	K I T	Description	Dénomination	Bezeichnung	Denominación	Benämning	Notes
		1	2	3								
11	VOE 874654		2			•Rcpt Housing .....	•Douille Isolan. ....	•Steckbuchse .....	•Aislador Mangui .....	•Hylisolator.....	X61, X62	
12	VOE 4803745	REQ				•Hose .....	•Durit .....	•Schlauch .....	•Tubo flexible.....	•Slang.....		
13	VOE 4803746	REQ				•Hose .....	•Durit .....	•Schlauch .....	•Tubo flexible.....	•Slang.....		
14	VOE 4803748	REQ				•Hose .....	•Durit .....	•Schlauch .....	•Tubo flexible.....	•Slang.....		
15	VOE 4803751	REQ				•Hose .....	•Durit .....	•Schlauch .....	•Tubo flexible.....	•Slang.....		
16	VOE 4803752	REQ				•Hose .....	•Durit .....	•Schlauch .....	•Tubo flexible.....	•Slang.....		
17	VOE 949005		2			•Rcpt Housing .....	•Douille Isolan. ....	•Steckbuchse .....	•Aislador Mangui .....	•Hylisolator.....	X203,X204	



1		Ledningsmatta, mittpanel	Catalogue id	Group
2		Haz de cables, panel central	<b>20124</b>	<b>371</b>
3		Kabelbäume, Mitteltafel	Illustr. No	Section
4		Faisceau de câbles, pupitre central	<b>1011883</b>	<b>675</b>
5		Cable harness, panel	Issue	Page
		<b>11891595</b>	VOE 63A9920124	<b>195</b>

**VOLVO**

**BL61PLUS**

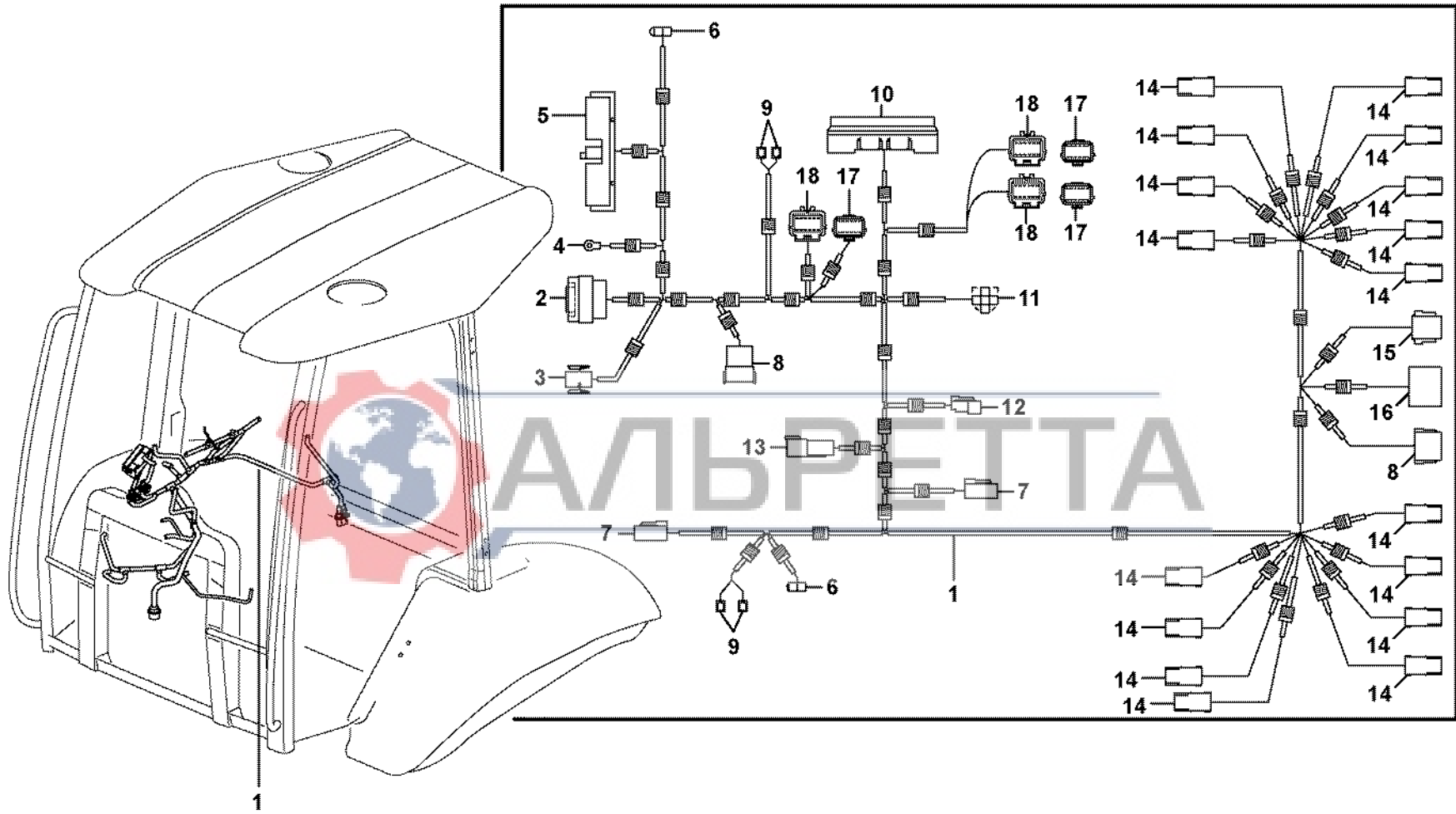
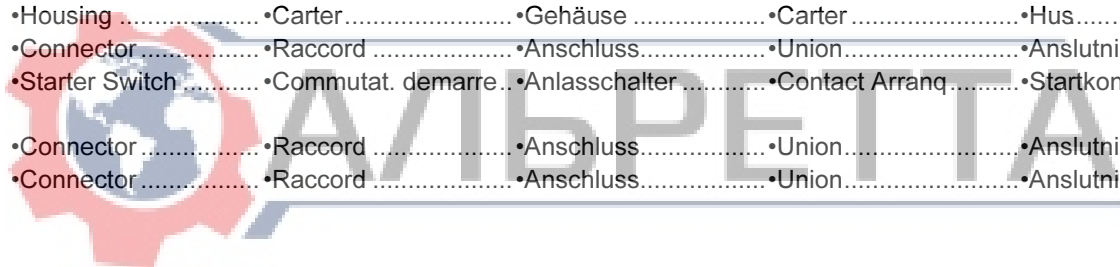


Fig.	Part No.	Quantity			P S	K I T	Description	Dénomination	Bezeichnung	Denominación	Benämning	Notes
		1	2	3								
1	<b>VOE 1188540</b>	1	1			Wire harness.....	Faisceau électrique ...	Kabelbaum.....	Manejo cables.....	Ledningsmatta.....		
2		1	1	NS		•Connector.....	•Raccord.....	•Anschluss.....	•Union.....	•Anslutning.....	X7	
3		1	1	NS		•Connector.....	•Raccord.....	•Anschluss.....	•Union.....	•Anslutning.....	X140	
4		1	1	NS		•Cable terminal.....	•Cosse cable.....	•Flachsteckhülse.....	•Terminal cable.....	•Ledningssko.....	X160	
5		1	1	NS		•Connector.....	•Raccord.....	•Anschluss.....	•Union.....	•Anslutning.....	X2	
6		2	2	NS		•Housing.....	•Carter.....	•Gehäuse.....	•Carter.....	•Hus.....	X6, X208	
7	<b>VOE 874957</b>	2	2			•Housing.....	•Isolant.....	•Isolator.....	•Aislador.....	•Isolator.....	X58, X50	
7	<b>VOE 874958</b>	2	2			•Key.....	•Clavette.....	•Keil.....	•Llave (cuna).....	•Kil.....		
8	<b>VOE 11709766</b>	2	2			•Connector.....	•Raccord.....	•Anschluss.....	•Union.....	•Anslutning.....	X3,X9	
8	<b>VOE 874967</b>	2	2			•Key.....	•Clavette.....	•Keil.....	•Llave (cuna).....	•Kil.....		
9		4	4	NS		•Insulator.....	•Isolateur.....	•Isolator.....	•Aislador.....	•Isolator.....	X300,X301,X302,X303	
10		1	1	NS		•Fuse box.....	•Boite a fusibles.....	•Sicherungsdose.....	•Caja de fusibles.....	•Säkringsdosa.....	See group 372, Page 205	
11		2	2	NS		•Housing.....	•Carter.....	•Gehäuse.....	•Carter.....	•Hus.....	X221	
12	<b>VOE 874955</b>	1	1			•Insulator.....	•Isolateur.....	•Isolator.....	•Aislador.....	•Isolator.....	X139	
13	<b>VOE 874802</b>	1	1			•Housing.....	•Isolant.....	•Isolator.....	•Aislador.....	•Isolator.....	X51	
13	<b>VOE 14370883</b>	1	1			•Spacer.....	•Partie Intermédiaire ..	•Zwischenstück.....	•Espaciador.....	•Mellandel.....		
14	<b>VOE 11881020</b>	17	17			•Housing.....	•Carter.....	•Gehäuse.....	•Carter.....	•Hus.....	X120 - 136	
15	<b>VOE 11709767</b>	1	1			•Connector.....	•Raccord.....	•Anschluss.....	•Union.....	•Anslutning.....	X30	
16		1	1			•Starter Switch.....	•Commutat. démarre..	•Anlasschalter.....	•Contact Arranq.....	•Startkontakt.....	X8 See group 380, Page 209	
17		3	3	NS		•Connector.....	•Raccord.....	•Anschluss.....	•Union.....	•Anslutning.....	X19,X20,X48	
18		3	3	NS		•Connector.....	•Raccord.....	•Anschluss.....	•Union.....	•Anslutning.....	X17,X18,X34	



1	<b>11298204, 11895023</b>	<b>Ledningsmatta, manöverpanel höger</b> <b>Haz de cables, panel de mandos derecho</b> <b>Kabelbaum, rechte Bedientafel</b> <b>Faisceau de câbles, tableau de bord côté droit</b> <b>Cable harness, control panel right</b>	Catalogue id	Group
2	<b>11298208</b>		<b>20124</b>	<b>371</b>
3			Illustr. No	Section
4			<b>1017432</b>	<b>710</b>
5			Issue	Page
			<b>VOE 63A9920124</b>	<b>197</b>

**VOLVO**

**BL61PLUS**

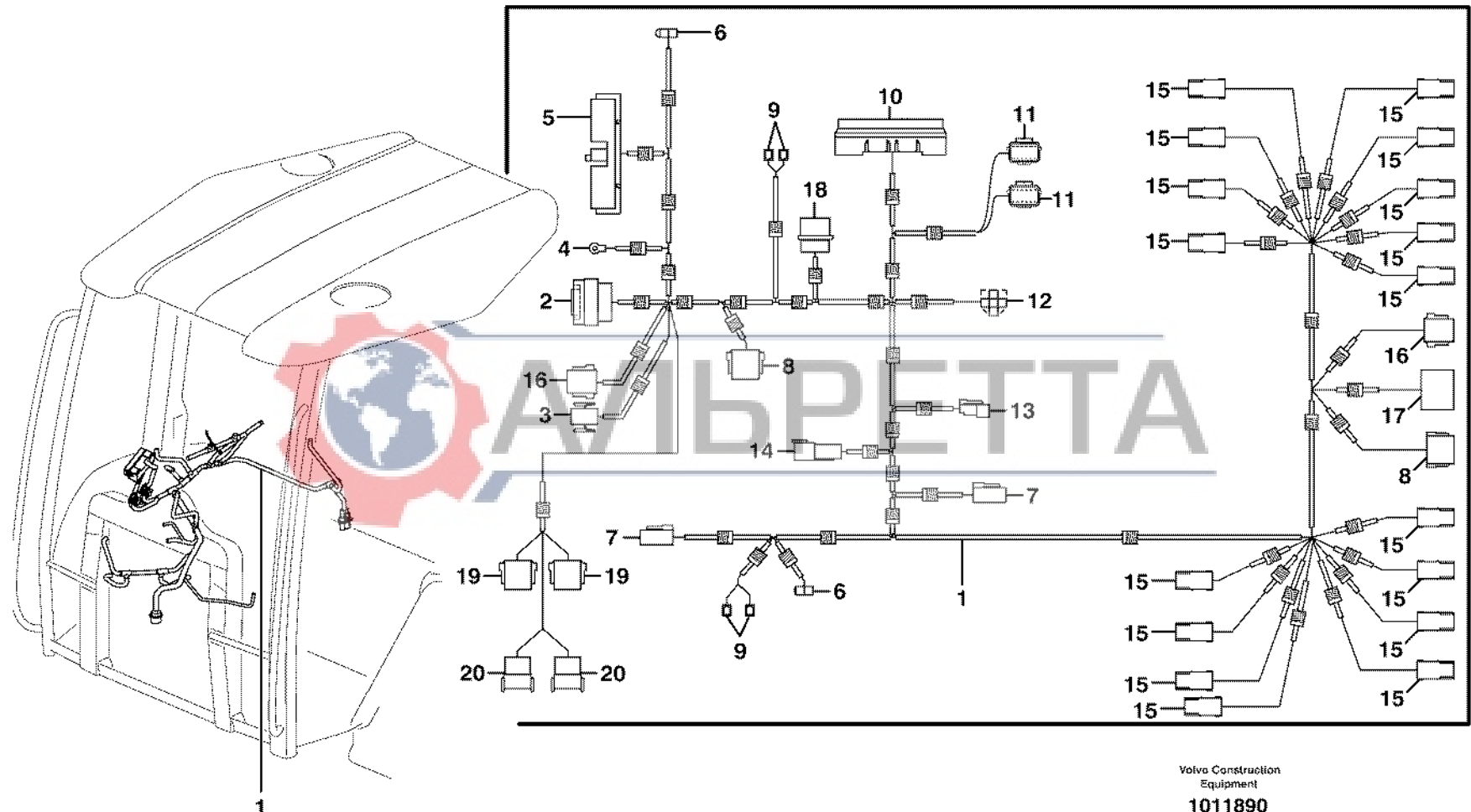
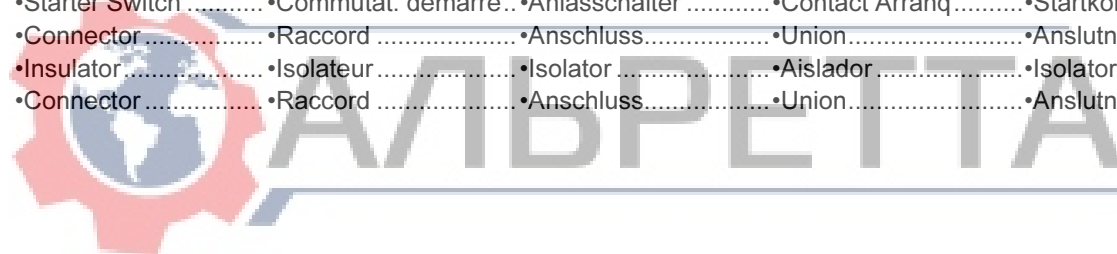


Fig.	Part No.	Quantity			P S	K I T	Description	Dénomination	Bezeichnung	Denominación	Benämning	Notes
		1	2	3								
1	<b>VOE 11888539</b>	1				Wire harness.....	Faisceau électrique....	Kabelbaum.....	Manejo cables.....	Ledningsmatta.....		
2		1			NS	•Connector.....	•Raccord.....	•Anschluss.....	•Union.....	•Anslutning.....	X7	
3		1			NS	•Connector.....	•Raccord.....	•Anschluss.....	•Union.....	•Anslutning.....	X140	
4		1			NS	•Cable terminal.....	•Cosse cable.....	•Flachsteckhülse.....	•Terminal cable.....	•Ledningssko.....	X160	
5		1			NS	•Connector.....	•Raccord.....	•Anschluss.....	•Union.....	•Anslutning.....	X2	
6		2			NS	•Housing.....	•Carter.....	•Gehäuse.....	•Carter.....	•Hus.....	X6, X208	
7	<b>VOE 874957</b>	2				•Housing.....	•Isolant.....	•Isolator.....	•Aislador.....	•Isolator.....	X58, X50	
8	<b>VOE 11709766</b>	2				•Connector.....	•Raccord.....	•Anschluss.....	•Union.....	•Anslutning.....	X3,X9	
9		4			NS	•Insulator.....	•Isolateur.....	•Isolator.....	•Aislador.....	•Isolator.....	X300,X301	
10		1			NS	•Fuse box.....	•Boite a fusibles.....	•Sicherungsdose.....	•Caja de fusibles.....	•Säkringsdosa.....		
11		2			NS	•Connector.....	•Raccord.....	•Anschluss.....	•Union.....	•Anslutning.....	X17, X18	
12		2			NS	•Housing.....	•Carter.....	•Gehäuse.....	•Carter.....	•Hus.....	X221	
13	<b>VOE 874955</b>	1				•Insulator.....	•Isolateur.....	•Isolator.....	•Aislador.....	•Isolator.....	X139	
14	<b>VOE 874802</b>	1				•Housing.....	•Isolant.....	•Isolator.....	•Aislador.....	•Isolator.....	X51	
15	<b>VOE 11881020</b>	17				•Housing.....	•Carter.....	•Gehäuse.....	•Carter.....	•Hus.....	X120 - 136	
16	<b>VOE 11709767</b>	1				•Connector.....	•Raccord.....	•Anschluss.....	•Union.....	•Anslutning.....	X30	
17		1				•Starter Switch.....	•Commutat. demarre..	•Anlassschalter.....	•Contact Arranq.....	•Startkontakt.....	X8	
18		1			NS	•Connector.....	•Raccord.....	•Anschluss.....	•Union.....	•Anslutning.....	X48	
19		2			NS	•Insulator.....	•Isolateur.....	•Isolator.....	•Aislador.....	•Isolator.....	X21, X22	
20		2			NS	•Connector.....	•Raccord.....	•Anschluss.....	•Union.....	•Anslutning.....	X25, X26	



1		<b>Ledningsmatta, manöverpanel höger</b>	Catalogue id	Group
2		<b>Haz de cables, panel de mandos derecho</b>	<b>20124</b>	<b>371</b>
3		<b>Kabelbaum, rechte Bedientafel</b>	Illustr. No	Section
4		<b>Faisceau de câbles, tableau de bord côté droit</b>	<b>1011890</b>	<b>725</b>
5		<b>Cable harness, control panel right</b>	Issue	Page
		<b>11891595</b>	<b>VOE 63A9920124</b>	<b>199</b>

**VOLVO**

**BL61PLUS**





Fig.	Part No.	Quantity			P S	K I T	Description	Dénomination	Bezeichnung	Denominación	Benämning	Notes
		1	2	3								
1	VOE 11883593	1				Cable harness.....	Faisceau cables .....	Kabelbaum .....	Manojo cables .....	Ledningsmatta.....		
2	VOE 874802	1				•Housing .....	•Isolant .....	•Isolator .....	•Aislador .....	•Isolator.....		
2	VOE 14370883	1				•Spacer .....	•Partie Intermédiaire ..	•Zwischenstück .....	•Espaciador .....	•Mellandel.....		
3	VOE 874954	1				•Connector .....	•Raccord .....	•Anschluss.....	•Union.....	•Anslutning.....		
3	VOE 14370881	1				•Spacer .....	•Partie Intermédiaire ..	•Zwischenstück .....	•Espaciador .....	•Mellandel.....		
4	VOE 874959	1				•Housing .....	•Isolant .....	•Isolator .....	•Aislador .....	•Isolator.....		
4	VOE 14370885	1				•Spacer .....	•Partie Intermédiaire ..	•Zwischenstück .....	•Espaciador .....	•Mellandel.....		
5		2			NS	•Relay Socket .....	•Socle Relais.....	•Relaissockel.....	•Zocalo Rele.....	•Reläsocket.....		
6	VOE 970795	1				•Cable terminal .....	•Cosse cable .....	•Flachsteckhülse .....	•Terminal cable .....	•Ledningssko.....		



1		<b>Ledningsmatta värme och kylanläggning</b> <b>Cableado de equipo de calefacción y refrigeración</b> <b>Kabelbaum, Heizung und Kühlung</b> <b>Faisceau de câbles, chauffage et refroidissement</b> <b>Cable harness heater and air conditioning</b>	Catalogue id	Group
2			<b>20124</b>	<b>371</b>
3			Illustr. No	Section
4			<b>1013209</b>	<b>750</b>
5			Issue	Page
			VOE 63A9920124	<b>201</b>

**VOLVO**

**BL61PLUS**

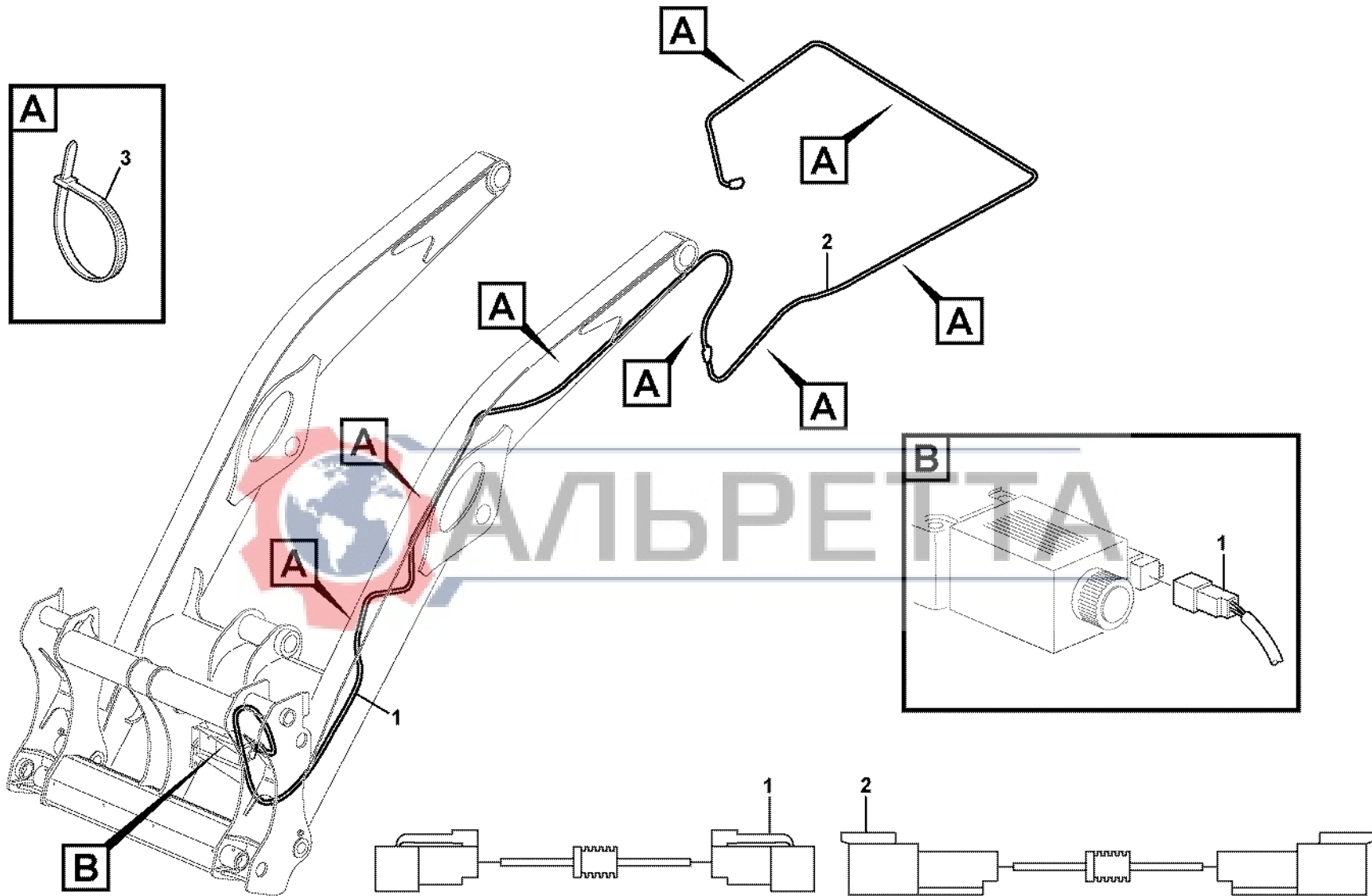


Fig.	Part No.	Quantity			P S	K I T	Description	Dénomination	Bezeichnung	Denominación	Benämning	Notes
		1	2	3								
1	VOE 11886448	1					Wire harness..... Faisceau électrique .... Kabelbaum ..... Manojos cables ..... Ledningsmatta..... •CONNECTED TO:..... •CONNECTÉ A: ..... •ANGESCHLOSSEN: •CONECTADO A:..... •ANSLUTER TILL:..... •Quick Attach Loader •Chargeuse avec por •Schnellwechsler La.. •Enganche rápido ca. •Snabbfäste lastaggr. X 141					
2	VOE 11886368	1					Wire harness..... Faisceau électrique .... Kabelbaum ..... Manojos cables ..... Ledningsmatta..... •CONNECTED TO:..... •CONNECTÉ A: ..... •ANGESCHLOSSEN: •CONECTADO A:..... •ANSLUTER TILL:..... •Quick Attach chassi. •Châssis avec porte- •Schnellwechsler Fa . •Enganche rápido ch. •Snabbfäste ram..... X140					
3	VOE 14016673	36					Strip Clamp ..... Ruban Serrage..... Kabelbinder ..... Abraz Cinta ..... Bandklamma..... •Quick Attach valve... •Distributeur, porte-o. •Schnellwechsler Ve . •Enganche rápido vá. •Snabbfäste ventil..... X77					



1		<b>Ledningsmatta, lastaggregat snabbfäste</b> <b>Mazo de cables, enganche rápido cargadora</b> <b>Kabelbäume, Lader Schnellwechsler</b> <b>Faisceau de câbles, porte-outil à accouplement rapide</b> <b>Cable harness, Loader Quick Attach</b>	Catalogue id	Group
2			<b>20124</b>	<b>371</b>
3			Illustr. No	Section
4			<b>1019574</b>	<b>950</b>
5			Issue	Page
		<b>11891238</b>	<b>VOE 63A9920124</b>	<b>203</b>

**VOLVO**

**BL61PLUS**

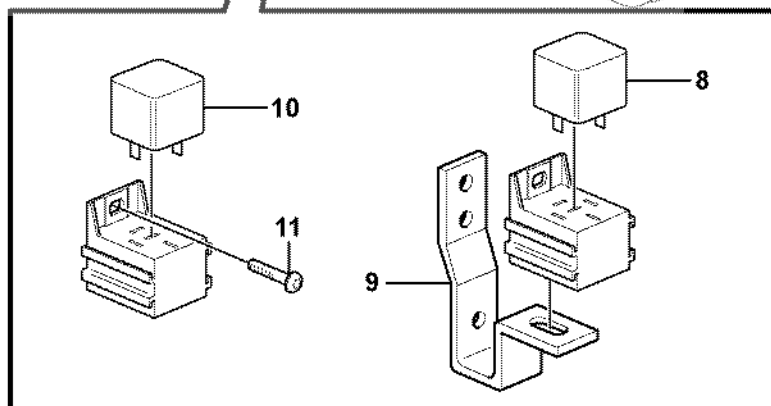
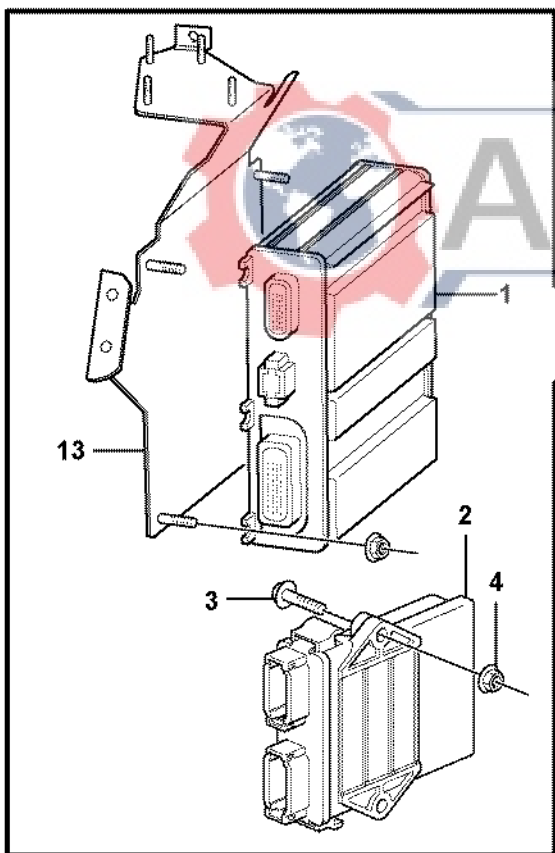
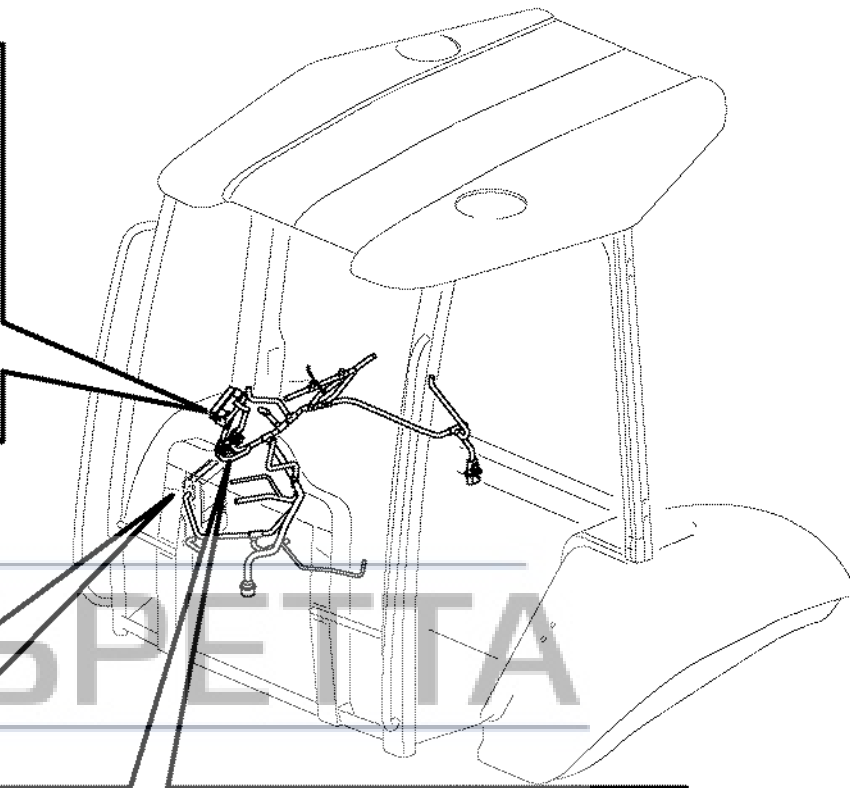
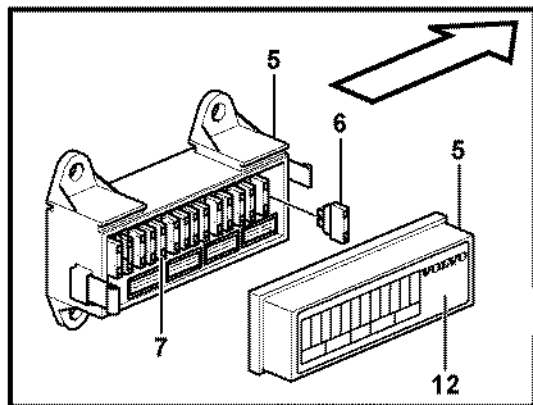


Fig.	Part No.	Quantity			P S	K I T	Description	Dénomination	Bezeichnung	Denominación	Benämning	Notes
		1	2	3								
1	VOE 11886347	1				ECU .....	ECU .....	ECU.....	ECU.....	ECU.....	(VOE 11884008)	
2	VOE 11888852		1			ECU .....	ECU .....	ECU.....	ECU.....	ECU.....		
3	VOE 13948356		2			Flange screw.....	Vis à bride.....	Flanschschraube.....	Torn embridado.....	Flänsskruv.....		
4	VOE 13945407		2			Nut .....	Ecrou.....	Mutter.....	Tuerca.....	Mutter.....		
5	VOE 11870026	1				Fuse box .....	Boite a fusibles.....	Sicherungsdose .....	Caja de fusibles.....	Säkringsdosa.....		
6	VOE 969161	15				•Fuse.....	•Fusible .....	•Schmelzsicherung.....	•Fusible .....	•Smältsäkring.....	10A	
7	VOE 978999	1				•Fuse.....	•Fusible .....	•Schmelzsicherung.....	•Fusible .....	•Smältsäkring.....	20A	
8	VOE 11305263	1				Relay.....	Relais .....	Relais .....	Rele.....	Relä.....		
9	VOE 11200885	1				Anchorage.....	Fixation .....	Halterung.....	Fijacion.....	Fäste.....		
10	VOE 11305263	2				Relay.....	Relais .....	Relais .....	Rele.....	Relä.....		
11	VOE 969278	2				Six Point Socket Scre	Vis à six pans creux ...	Innensechskantschra	Tornillo de cabeza he	Sexkantsskruv.....	(VOE 13969278)	
12	VOE 11883693	1				Decal.....	Decalcomanie .....	Abziehbild.....	Decalcomania .....	Dekal.....		
13	VOE 11885992	1				Bracket.....	Console.....	Konsole .....	Ménsula.....	Konsol.....		



1	11880101	<b>Elcentral och styrenhet</b> <b>Central eléctrica</b> <b>Elektrozentrale</b> <b>Centrale de électricue</b> <b>Electrical distribut.unit and control unit</b>	Catalogue id	Group
2	11891595		<b>20124</b>	<b>372</b>
3			Illustr. No	Section
4			<b>1027832</b>	<b>100</b>
5			Issue	Page
			<b>VOE 63A9920124</b>	<b>205</b>

**VOLVO**

**BL61PLUS**

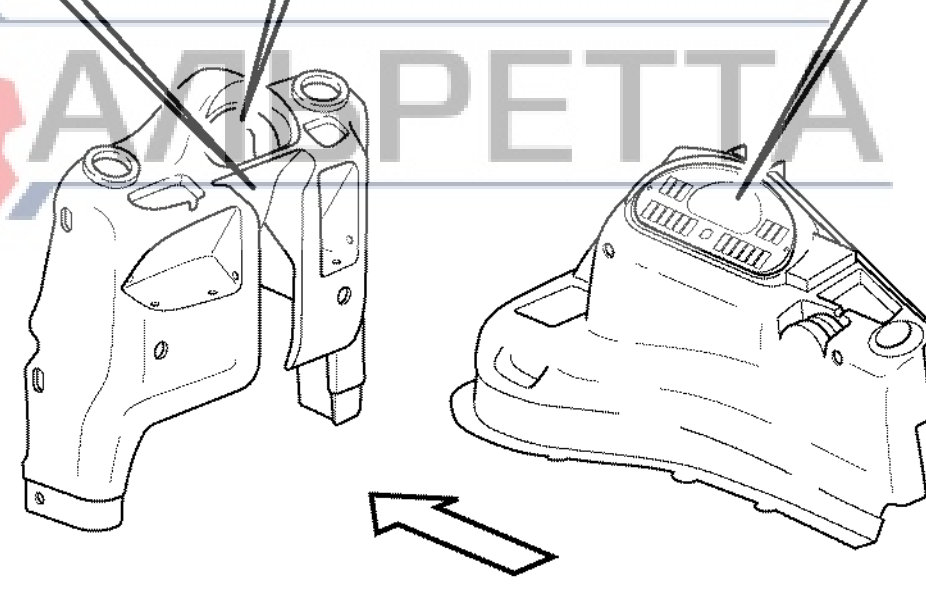
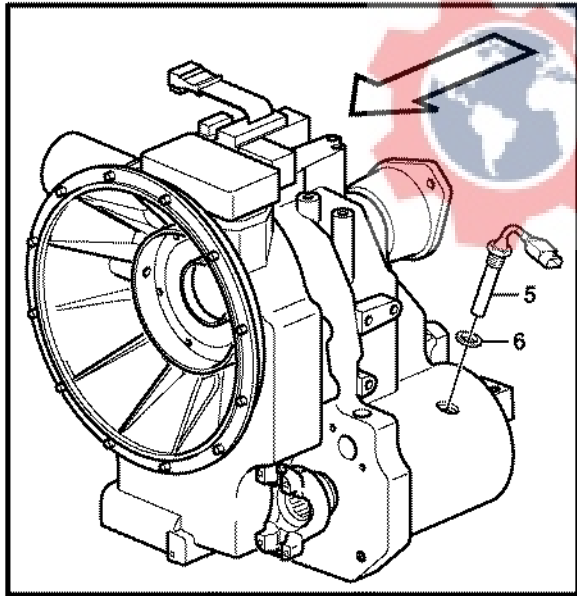
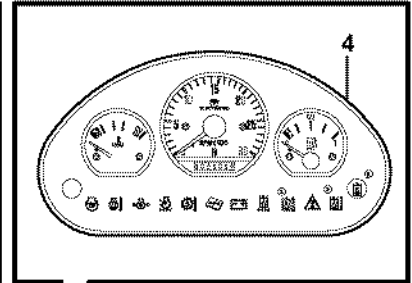
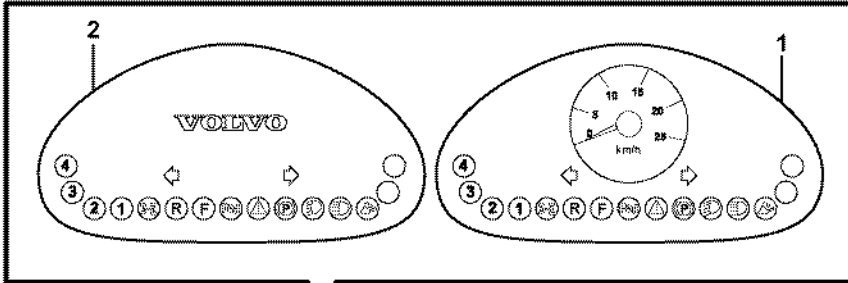
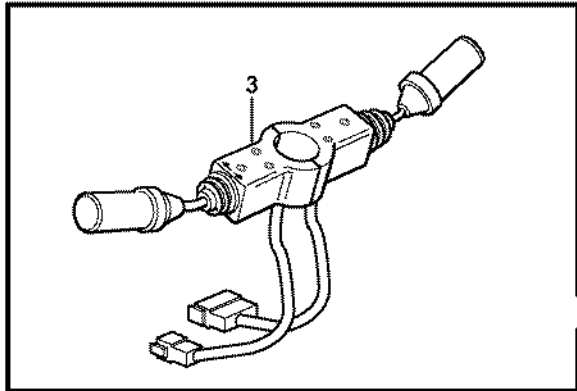


Fig.	Part No.	Quantity					P S	K I T	Description	Dénomination	Bezeichnung	Denominación	Benämning	Notes
		1	2	3	4	5								
1	VOE 11888769	1						Instrument panel.....	Tableau de bord .....	Instrumententafel.....	Tablero de instrum .	Instrumentpanel.....		
2	VOE 11882535		1					Instr Panel.....	Planche de bord .....	Instr Tafel.....	Panel Instrum .....	Instrumentpanel.....	Without speedometer	
3	VOE 11882493				1			Switch .....	Commutateur.....	Schalter.....	Contactactor .....	Strömställare.....		
3	VOE 11886084					1		Switch .....	Commutateur.....	Schalter.....	Contactactor .....	Strömställare.....		
	VOE 11709756					1		•Switch.....	•Commutateur .....	•Schalter .....	•Contactactor.....	•Strömställare.....	LH	
	VOE 11715917					1		•Switch.....	•Commutateur .....	•Schalter .....	•Contactactor.....	•Strömställare.....		
	VOE 11709757				1	1		•Switch.....	•Commutateur .....	•Schalter .....	•Contactactor.....	•Strömställare.....	RH	
	VOE 955245					1	1	•Hexagon screw.....	•Vis tête hexagonal .....	•Sechskantschraub.....	•Tornillo hexago.....	•Sexkantsskruv.....		
4	VOE 11887447			1				Instrument panel.....	Tableau de bord .....	Instrumententafel.....	Tablero de instrum .	Instrumentpanel.....		
5	VOE 11888534	1						Induction sensor .....	Commande tachy ...	Drehzahlschalter.....	Sensor tacometro ...	Induktionsgivare.....		
6	15010489	1						Gasket .....	Joint.....	Dichtung.....	Junta.....	Packning.....		

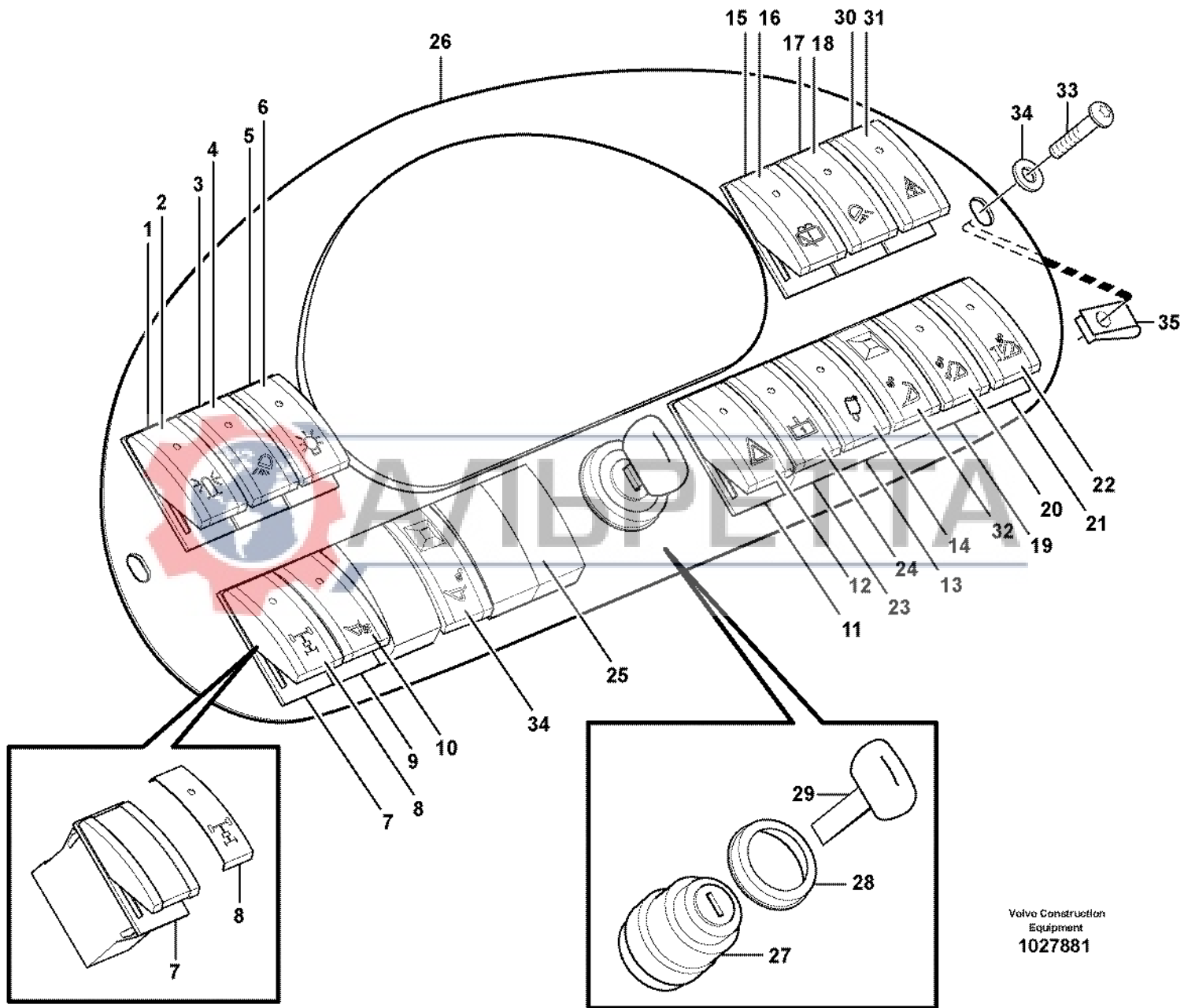


1	11891278	Instrumentpanel Panel de instrumentos Armaturenbrett Tableau de bord Instrument panel	Catalogue id	Group
2	11891280		<b>20124</b>	<b>380</b>
3	11880101		Illustr. No	Section
4	11891077, 11895023		<b>1027790</b>	<b>100</b>
5	11891595		Issue	Page
			<b>VOE 63A9920124</b>	<b>207</b>

**VOLVO**

**BL61PLUS**





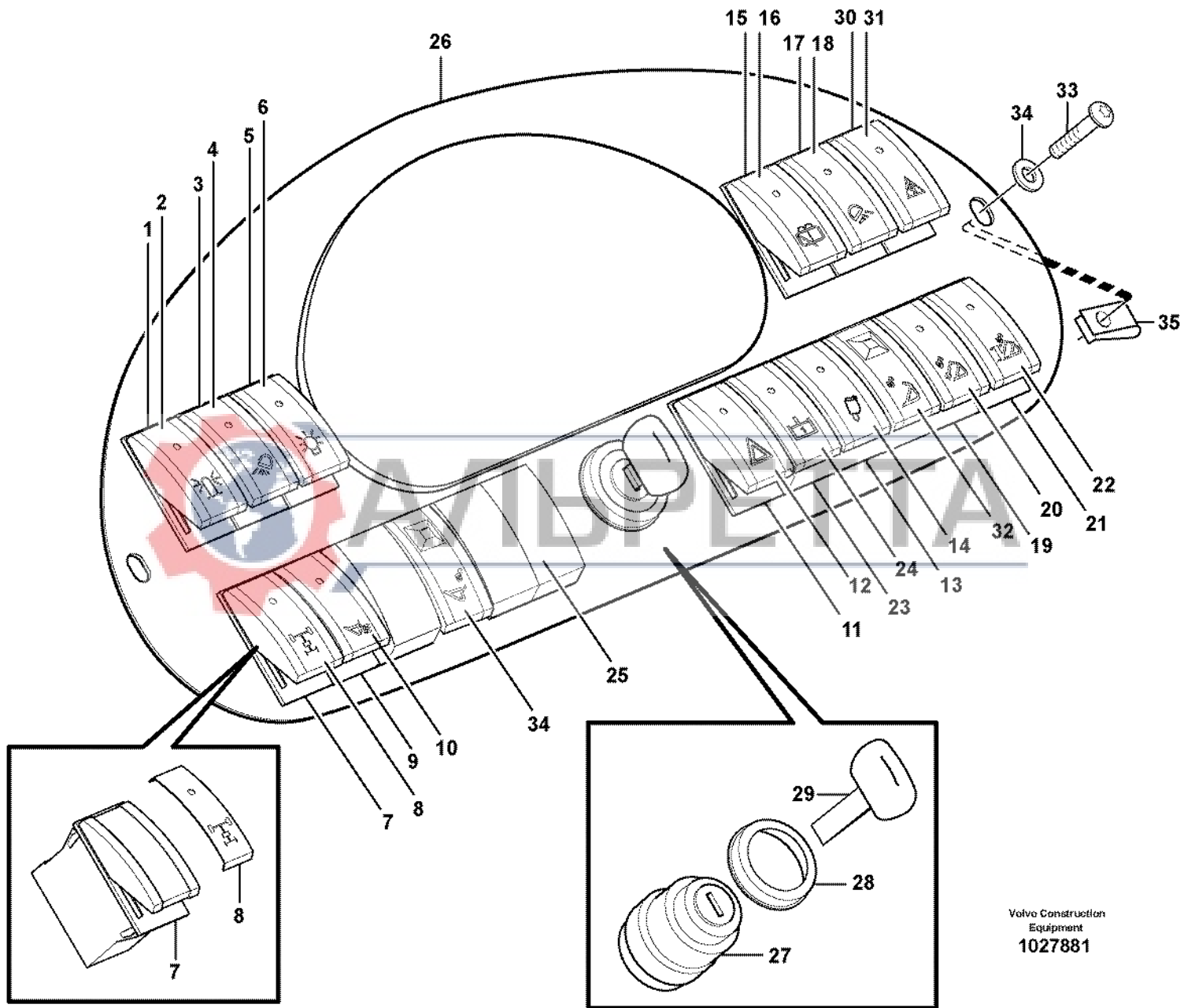
Volvo Construction  
Equipment  
1027881

Fig.	Part No.	Quantity			P S	K I T	Description	Dénomination	Bezeichnung	Denominación	Benämning	Notes
		1	2	3								
1	VOE 11882865	1				Rocker Switch .....	Commutateur à basc..	Wippschalter .....	Interruptor oscilante ..	Vaggomkopplare.....	11891455	
2	VOE 11890076	1				Symbol .....	Symbole .....	Symbol .....	Simbolo .....	Symbol.....		
3	VOE 11882275	1				Switch .....	Commutateur .....	Schalter .....	Contactador .....	Strömställare.....		
4	VOE 11883103	1				Symbol .....	Symbole .....	Symbol .....	Simbolo .....	Symbol.....		
5	VOE 11882275	1				Switch .....	Commutateur .....	Schalter .....	Contactador .....	Strömställare.....		
6	VOE 11883065	1				Symbol .....	Symbole .....	Symbol .....	Simbolo .....	Symbol.....		
7	VOE 11882865	1				Rocker Switch .....	Commutateur à basc..	Wippschalter .....	Interruptor oscilante ..	Vaggomkopplare.....	11891077, 11891595 11895023	
8	VOE 11883061	1				Symbol .....	Symbole .....	Symbol .....	Simbolo .....	Symbol.....	11891077, 11891595 11895023	
9	VOE 11882275	1				Switch .....	Commutateur .....	Schalter .....	Contactador .....	Strömställare.....	11891345	
10	VOE 11883062	1				Symbol .....	Symbole .....	Symbol .....	Simbolo .....	Symbol.....	11891345	
11	VOE 11890297	1				Switch .....	Commutateur .....	Schalter .....	Contactador .....	Strömställare.....		
12	VOE 11883067	1				Symbol .....	Symbole .....	Symbol .....	Simbolo .....	Symbol.....		
13	VOE 11882865	1				Rocker Switch .....	Commutateur à basc..	Wippschalter .....	Interruptor oscilante ..	Vaggomkopplare.....	11891455	
14	VOE 11884960	1				Symbol .....	Symbole .....	Symbol .....	Simbolo .....	Symbol.....	11891455	
15	VOE 11890298	1				Switch .....	Interrupteur .....	Trennschalter .....	Interruptor .....	Brytare.....	11298204	
16	VOE 11883066	1				Symbol .....	Symbole .....	Symbol .....	Simbolo .....	Symbol.....	11298204	
17	VOE 11882275	1				Switch .....	Commutateur .....	Schalter .....	Contactador .....	Strömställare.....		
18	VOE 11890070	1				Symbol .....	Symbole .....	Symbol .....	Simbolo .....	Symbol.....		
19	VOE 11882865	1				Rocker Switch .....	Commutateur à basc..	Wippschalter .....	Interruptor oscilante ..	Vaggomkopplare.....		
20	VOE 11890074	1				Symbol .....	Symbole .....	Symbol .....	Simbolo .....	Symbol.....		
21	VOE 11882865	1				Rocker Switch .....	Commutateur à basc..	Wippschalter .....	Interruptor oscilante ..	Vaggomkopplare.....		
22	VOE 11890073	1				Symbol .....	Symbole .....	Symbol .....	Simbolo .....	Symbol.....		
23	VOE 11882865	1				Rocker Switch .....	Commutateur à basc..	Wippschalter .....	Interruptor oscilante ..	Vaggomkopplare.....	11891369	
24	VOE 11885734	1				Symbol .....	Symbole .....	Symbol .....	Simbolo .....	Symbol.....	11891369	
25	VOE 11883058	REQ				Cover .....	Capot .....	Haube.....	Capo.....	Lock.....		
26		1				Panel.....	Panneau.....	Verkleidung .....	Plancha .....	Panel.....	See group 881, Page 435	
27	VOE 11881365	1				Starter Switch.....	Commutat. demarreu.	Anlasschalter.....	Contact Arranq .....	Startkontakt.....	X8	
28		1			NS	•Symbol strip.....	•Ruban symbole.....	•Symbolreihe .....	•Disco simbolos.....	•Symbolskiva.....		

1	<b>Strömställare</b> <b>Interruptor</b> <b>Schalter</b> <b>Interrupteur</b> <b>Switch</b>	Catalogue id	Group
2		<b>20124</b>	<b>380</b>
3		Illustr. No	Section
4		<b>1027881</b>	<b>200</b>
5		Issue	Page
		<b>VOE 63A9920124</b>	<b>209</b>

**VOLVO**

**BL61PLUS**



Volvo Construction  
 Equipment  
 1027881

Fig.	Part No.	Quantity			P S	K I T	Description	Dénomination	Bezeichnung	Denominación	Benämning	Notes
		1	2	3								
29	VOE 11306919	REQ				K	•Key .....	•Cle .....	•Schlüssel.....	•Llave .....	•Nyckel.....	2338)
30	VOE 11884079	1					Switch .....	Commutateur .....	Schalter .....	Contactador.....	Strömställare.....	11891150
31	VOE 11890075	1					Symbol.....	Symbole .....	Symbol .....	Simbolo .....	Symbol.....	11891150
32	VOE 11883064	1					Switch .....	Commutateur .....	Schalter .....	Contactador.....	Strömställare.....	
33	VOE 969147	2					Screw .....	Vis .....	Schraube.....	Tornillo .....	Skruv.....	
34	VOE 960139	2					Washer.....	Rondelle .....	Scheibe .....	Arandela.....	Bricka.....	
35	VOE 949921	2					Spring Nut.....	Ecrou Ressort .....	Fed. Schliessmutter ...	Tuerca Resorte .....	Fjädermutter.....	
36	VOE 11883063	1					Switch .....	Commutateur .....	Schalter .....	Contactador.....	Strömställare.....	11891238



2338) **GB:** Keys, only to be sold in pairs. **FR:** Clés, vendues uniquement par paires **DE:** Schlüssel, werden nur paarweise verkauft. **ES:** Llaves, sólo se venden por pares. **SE:** Nycklar, säljes endast parvis.

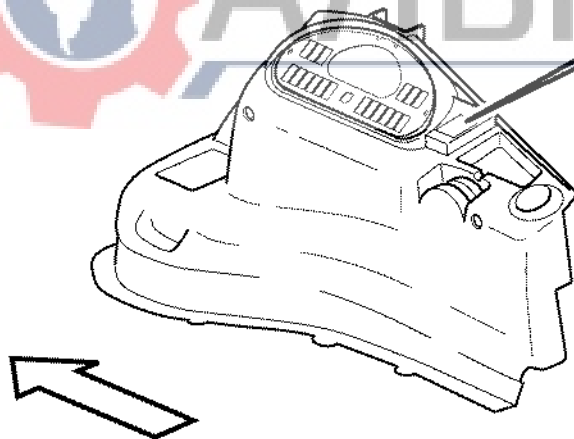
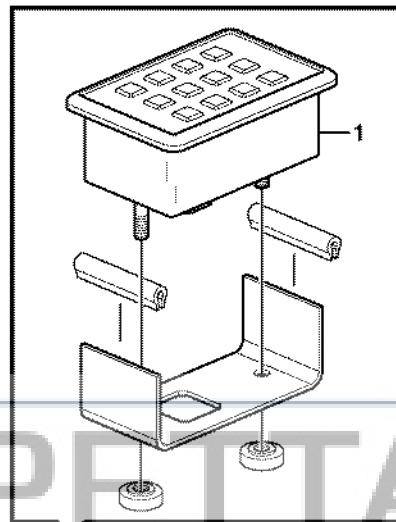
1	<b>Strömställare</b> <b>Interruptor</b> <b>Schalter</b> <b>Interrupteur</b> <b>Switch</b>	Catalogue id	Group
2		<b>20124</b>	<b>380</b>
3		Illustr. No	Section
4		<b>1027881</b>	<b>200</b>
5		Issue	Page
		<b>VOE 63A9920124</b>	<b>211</b>

**VOLVO**

**BL61PLUS**



АДЪРЕТТА



Valvo Construction  
Equipment  
1010396

Fig.	Part No.	Quantity			P S	K I T	Description	Dénomination	Bezeichnung	Denominación	Benämning	Notes
		1	2	3								
1	VOE 11883409	1					Keypad.....	Clavier.....	Tastatur.....	Teclado .....	Knappsats.....	



1		<b>Stöldlarmsats</b> <b>Antirrobo</b> <b>Diebstahlalarm-Kit</b> <b>Kit alarme antivol</b> <b>Anti-theft Kit</b>	Catalogue id	Group
2			<b>20124</b>	<b>380</b>
3			Illustr. No	Section
4			<b>1010396</b>	<b>250</b>
5			Issue	Page
		<b>11891332</b>	<b>VOE 63A9920124</b>	<b>213</b>

**VOLVO**



**BL61PLUS**

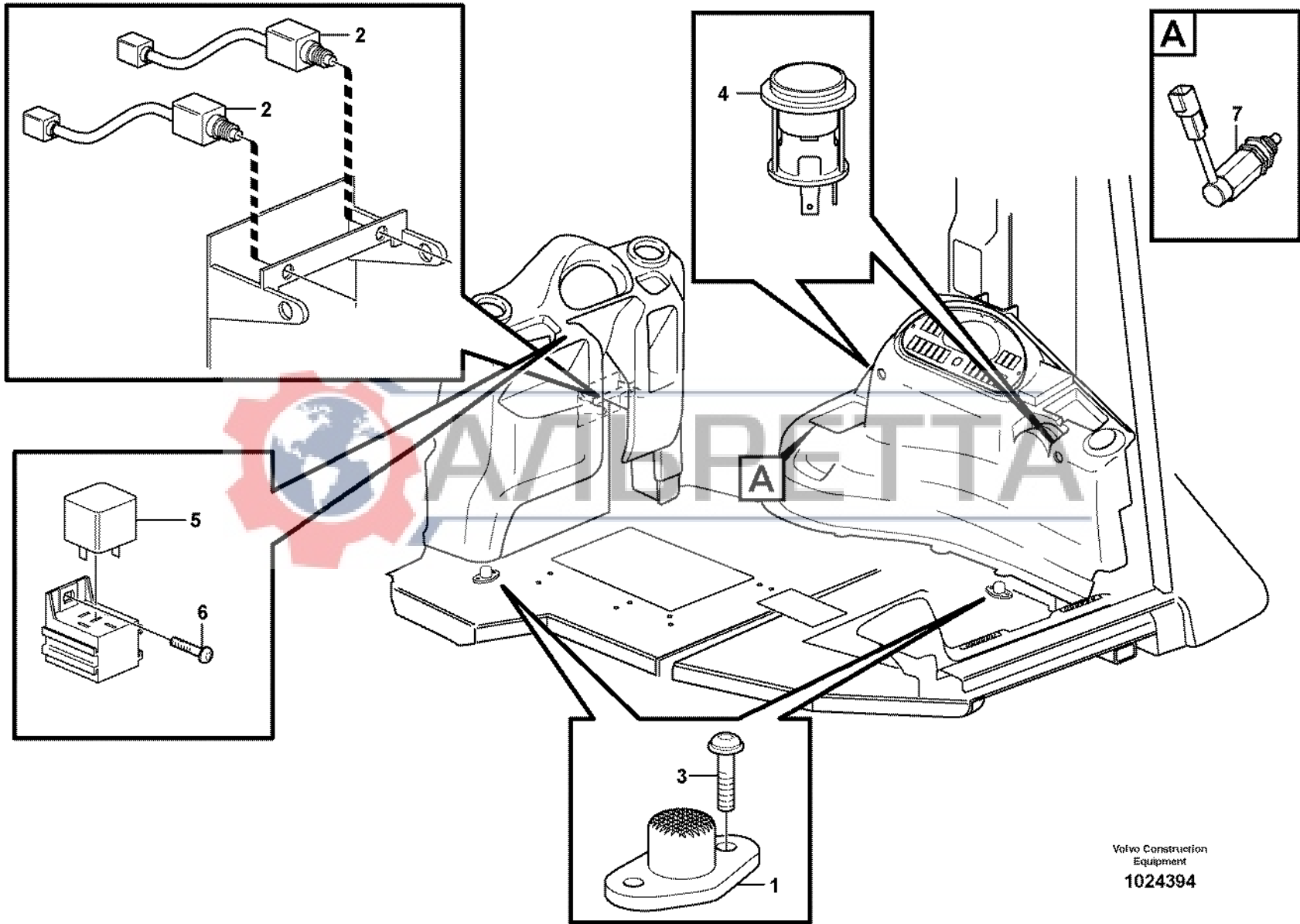


Fig.	Part No.	Quantity			P S	K I T	Description	Dénomination	Bezeichnung	Denominación	Benämning	Notes
		1	2	3								
1	<b>VOE 1589502</b>	1				Foot Operated Switch	Contacteur Au Pied ...	Fusschalter.....	Contacto Freno .....	Fotkontakt.....		
2		2				Stop Lt Switch .....	Contacteur Stop .....	Br Lichtschalt.....	Cont Luz Freno .....	Bromsljuskont.....	X61, X62 See group 525, Page 325	
3	<b>VOE 969278</b>	2				Six Point Socket Scre	Vis à six pans creux ...	Innensechskantschra .	Tornillo de cabeza he.	Sexkantsskruv.....	(VOE 13969278)	
4	<b>VOE 11888638</b>	2				Power Outlet .....	Prise Courant .....	Stromentnahme.....	Corriente .....	Strömuttag.....		
5	<b>VOE 11305263</b>	1				Relay .....	Relais .....	Relais .....	Rele .....	Relä.....	11891077, 11895023	
6	<b>VOE 969278</b>	1				Six Point Socket Scre	Vis à six pans creux ...	Innensechskantschra .	Tornillo de cabeza he.	Sexkantsskruv.....	11891077, 11895023	
7		1				Switch .....	Commutateur .....	Schalter .....	Contactador.....	Strömställare.....	See group 551, Page 329	



1		<b>Fotströmställare och strömuttag</b> <b>Interruptor de pie y toma de corriente</b> <b>Fußschalter und Stromanschluss</b> <b>Commutateur au pied et prise d'alimentation</b> <b>Foot switch and electric power outlet</b>	Catalogue id	Group
2			<b>20124</b>	<b>380</b>
3			Illustr. No	Section
4			<b>1024394</b>	<b>350</b>
5			Issue	Page
			<b>VOE 63A9920124</b>	<b>215</b>

**VOLVO**

**BL61PLUS**





GROUP	Section	Page	GROUP	Section	Page
414 Torque converter with fitting parts.....	100	223	461 Drive axle 11887362 .....	260	293
420 Hydraulic transmission with fitting parts 11891595.....	150	225	461 Wheel hub .....	300	295
420 Hydraulic transmission with fitting parts 11891077, 11895023.....	200	229	461 Wheel hub 11887362 .....	310	297
421 Oil filler and dipstick .....	150	233	461 Planetary gear 11887362.....	350	299
421 Oil filler and dipstick 11891077, 11895023 .....	160	235	463 Planet shaft, rear 11887363.....	110	301
421 Oil pump 11891595.....	200	237	463 Pinion 11887363 .....	160	303
421 Oil pump 11891077, 11895023.....	230	239	463 Differential. Rear 11887363 .....	210	305
421 Clutch shaft forward/reverse 11891595 .....	250	241	463 Hub reduction, rear axle 11887363.....	260	307
421 Clutch shaft forward/reverse 11891077, 11895023 .....	260	243	468 Differential lock.....	110	309
421 Reverse and primary shaft 11891077, 11895023.....	300	245	468 Differential lock.....	150	311
421 Reverse and primary shaft.....	320	247	491 Oil cooler, transmission.....	100	313
421 Secondary shaft 11891595.....	350	249			
421 Secondary shaft 11891077, 11895023 .....	360	253			
421 Hydraulic clutch, 4wd 11891595.....	400	257			
421 Axle, four-wheel drive 11891077, 11895023 .....	410	259			
421 Control valve 11891595 .....	450	261			
421 Gearshifting 11891077, 11895023.....	460	263			
421 Range selector valve 11891077, 11895023 .....	525	265			
421 Solenoid valve 4wd 11891077, 11895023 .....	550	267			
424 Gear selector, 4-wheel drive 11891077, 11895023 .....	100	269			
436 Gear box housing with fitting parts.....	100	271			
451 Propeller shaft, mounting 11891077, 11891595, 11895023.....	100	273			
451 Propeller shaft 11891077, 11891595, 11895023.....	150	275			
460 Planet axles with fitting parts .....	150	277			
461 Front axle 11887361 .....	100	279			
461 Planetary axle, front 11891531 .....	110	281			
461 Pinion 11891531 .....	150	283			
461 Pinion 11887361 .....	160	285			
461 Differential , front axle 11887362 .....	200	287			
461 Differential , front axle 11887361 .....	210	289			
461 Drive axle 11887361 .....	250	291			

<b>INDEX OF CONTENTS</b>	Catalogue id <b>20124</b>	Group <b>4</b>
	Issue <b>VOE 63A9920124</b>	Page <b>217</b>

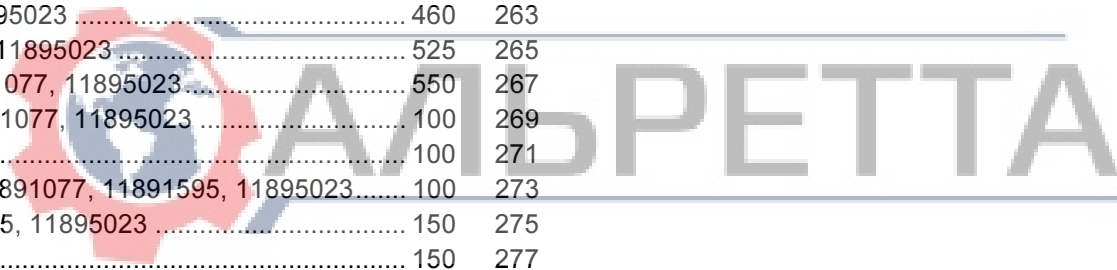
**VOLVO**

**BL61PLUS**

<b>TABLE DES MATIÈRES</b>				Catalogue id <b>20124</b>	Group <b>4</b>
				Issue <b>VOE 63A9920124</b>	Page <b>218</b>
GROUPE	Section	Page	GROUPE	Section	Page

414	Convertisseur de couple avec pièces de montage .....	100	223	461	Arbre de roue 11887361 .....	250	291
420	Transmission avec pièces de montage 11891595.....	150	225	461	Arbre de roue 11887362 .....	260	293
420	Transmission avec pièces de montage 11891077, 11895023.....	200	229	461	Moyeu de roue .....	300	295
421	Remplissage d'huile et indicateur de niveau.....	150	233	461	Moyeu de roue 11887362 .....	310	297
421	Remplissage d'huile et indicateur de niveau 11891077, 11895023...	160	235	461	Réducteur planétaire 11887362.....	350	299
421	Pompe à huile 11891595 .....	200	237	463	Essieu moteur, arrière 11887363.....	110	301
421	Pompe à huile 11891077, 11895023 .....	230	239	463	Pignon 11887363 .....	160	303
421	Arbre d'accouplement AV/AR 11891595 .....	250	241	463	Differential. Arrière 11887363 .....	210	305
421	Arbre d'accouplement AV/AR 11891077, 11895023 .....	260	243	463	Reducteur moyeu, axe satellite, Ar 11887363 .....	260	307
421	Marche AR et arbre primaire 11891077, 11895023.....	300	245	468	Blocage différentiel.....	110	309
421	Marche AR et arbre primaire.....	320	247	468	Blocage différentiel.....	150	311
421	Arbre secondaire 11891595.....	350	249	491	Radiateur huile, transmission.....	100	313
421	Arbre secondaire 11891077, 11895023.....	360	253				
421	Embrayages, 4 roues motrices 11891595 .....	400	257				
421	Arbre, traction sur 4 roues 11891077, 11895023 .....	410	259				
421	Valve de contrôle 11891595 .....	450	261				
421	Commande de changement de vitesse 11891077, 11895023 .....	460	263				
421	Soupape sélectrice vitesse 11891077, 11895023 .....	525	265				
421	Electrovalve 4 roues motrices 11891077, 11895023.....	550	267				
424	Sélecteur de vitesse, 4 roues motrices 11891077, 11895023 .....	100	269				
436	Suspension boîte vitesses .....	100	271				
451	Arbres de transmission avec pièces de montage 11891077, 11891595, 11895023 .....	100	273				
451	Arbre à cardans 11891077, 11891595, 11895023 .....	150	275				
460	Train planétaire avec pièces de montage .....	150	277				
461	Essieu Av 11887361 .....	100	279				
461	Axe satellite, AV 11891531 .....	110	281				
461	Pignon 11891531 .....	150	283				
461	Pignon 11887361 .....	160	285				
461	Differential, axe satellite, Av 11887362.....	200	287				
461	Differential, axe satellite, Av 11887361.....	210	289				

GRUPPE	Abschnitt	Seite	GRUPPE	Abschnitt	Seite
414 Drehmomentwandler mit Anbauteilen.....	100	223	461 Antriebsachse 11887362 .....	260	293
420 Transmission mit Anbauteilen 11891595.....	150	225	461 Radnabe.....	300	295
420 Transmission mit Anbauteilen 11891077, 11895023.....	200	229	461 Radnabe 11887362.....	310	297
421 Öleinfüllung und Ölmeßstab .....	150	233	461 Planetenradgetriebe 11887362.....	350	299
421 Öleinfüllung und Ölmeßstab 11891077, 11895023 .....	160	235	463 Planetenwelle, hintere 11887363.....	110	301
421 Ölpumpe 11891595 .....	200	237	463 Antriebskegelrad 11887363 .....	160	303
421 Ölpumpe 11891077, 11895023 .....	230	239	463 Ausgleichgetriebe. Hinten 11887363 .....	210	305
421 Kupplungswelle vorwärts/rückwärts 11891595.....	250	241	463 Nabenvorgelege, Planetenwelle, hinten 11887363.....	260	307
421 Kupplungswelle vorwärts/rückwärts 11891077, 11895023.....	260	243	468 Ausgleichsperre .....	110	309
421 Rück- und Primärwelle 11891077, 11895023.....	300	245	468 Ausgleichsperre .....	150	311
421 Rück- und Primärwelle.....	320	247	491 Ölkühler, getriebe.....	100	313
421 Sekundärachse 11891595 .....	350	249			
421 Sekundärachse 11891077, 11895023 .....	360	253			
421 Kupplungen, 4-Radantrieb 11891595 .....	400	257			
421 Achse, Vierradantrieb 11891077, 11895023 .....	410	259			
421 Steuerventil 11891595 .....	450	261			
421 Schaltbedienung 11891077, 11895023 .....	460	263			
421 Getriebewählerventil 11891077, 11895023 .....	525	265			
421 Magnetventil 4-Radantrieb 11891077, 11895023.....	550	267			
424 Wählschalter, 4-Radantrieb 11891077, 11895023 .....	100	269			
436 Getriebeaufhängung .....	100	271			
451 Gelenkwellen mit Anbauteilen 11891077, 11891595, 11895023.....	100	273			
451 Gelenkwelle 11891077, 11891595, 11895023 .....	150	275			
460 Planetenwellen mit Anbauteilen.....	150	277			
461 Vorederachse 11887361.....	100	279			
461 Planetenwelle, vorne 11891531.....	110	281			
461 Antriebskegelrad 11891531 .....	150	283			
461 Antriebskegelrad 11887361 .....	160	285			
461 Ausgleichgetriebe, Planetenwelle, vorne 11887362 .....	200	287			
461 Ausgleichgetriebe, Planetenwelle, vorne 11887361 .....	210	289			
461 Antriebsachse 11887361 .....	250	291			



<b>INHALTSVERZEICHNIS</b>	Catalogue id <b>20124</b>	Group <b>4</b>
	Issue <b>VOE 63A9920124</b>	Page <b>219</b>



<b>INDICE</b>	Catalogue id <b>20124</b>	Group <b>4</b>
	Issue <b>VOE 63A9920124</b>	Page <b>220</b>

GRUPO	Sección	Página	GRUPO	Sección	Página		
414	Convertidor de par con accesorios de montaje .....	100	223	461	Eje propulsor 11887361 .....	250	291
420	Transmisión con accesorios de montaje 11891595.....	150	225	461	Eje propulsor 11887362 .....	260	293
420	Transmisión con accesorios de montaje 11891077, 11895023.....	200	229	461	Cubo de rueda .....	300	295
421	Boca de llenado de aceitey varilla de nivel .....	150	233	461	Cubo de rueda 11887362 .....	310	297
421	Boca de llenado de aceitey varilla de nivel 11891077, 11895023 .....	160	235	461	Engranaje planetario 11887362 .....	350	299
421	Bomba de aceite 11891595 .....	200	237	463	Eje propulsor, trasero 11887363 .....	110	301
421	Bomba de aceite 11891077, 11895023 .....	230	239	463	Piñón de ataque 11887363 .....	160	303
421	Eje de embrague delante/detrás 11891595 .....	250	241	463	Diferencial. Detrás 11887363.....	210	305
421	Eje de embrague delante/detrás 11891077, 11895023 .....	260	243	463	Reduccion cubo, eje planeta trasero 11887363.....	260	307
421	Eje trasero y primario 11891077, 11895023 .....	300	245	468	Bloqueo del diferencial.....	110	309
421	Eje trasero y primario .....	320	247	468	Bloqueo del diferencial .....	150	311
421	Eje secundario 11891595 .....	350	249	491	Enfriador aceite, transmision.....	100	313
421	Eje secundario 11891077, 11895023 .....	360	253				
421	Embragues, tracción 4 ruedas 11891595 .....	400	257				
421	Eje, tracción en cuatro ruedas 11891077, 11895023 .....	410	259				
421	Válvula de control 11891595 .....	450	261				
421	Maniobra de la caja de cambios 11891077, 11895023 .....	460	263				
421	Válvula selectora de gama 11891077, 11895023.....	525	265				
421	Válvula solenoide, tracción 4 ruedas 11891077, 11895023 .....	550	267				
424	Selector velocidad, tracción 4 ruedas 11891077, 11895023 .....	100	269				
436	Suspensión de la caja de cambios .....	100	271				
451	Ejes cardán con accesorios de montaje 11891077, 11891595, 11895023 .....	100	273				
451	Ejes cardán 11891077, 11891595, 11895023 .....	150	275				
460	Ejes planetarios con accesorios de montaje.....	150	277				
461	Eje delantero 11887361 .....	100	279				
461	Eje planeta, delantera 11891531 .....	110	281				
461	Piñón de ataque 11891531 .....	150	283				
461	Piñón de ataque 11887361 .....	160	285				
461	Diferencial, eje planeta delantero 11887362 .....	200	287				
461	Diferencial, eje planeta delantero 11887361 .....	210	289				

GRUPP		Avsnitt	Sida	GRUPP		Avsnitt	Sida
414	Momentomvandlare med monteringsdetaljer	100	223	461	Drivaxel 11887362	260	293
420	Transmission med monteringsdetaljer 11891595	150	225	461	Hjulnav	300	295
420	Transmission med monteringsdetaljer 11891077, 11895023	200	229	461	Hjulnav 11887362	310	297
421	Oljepåfyllning och mätsticka	150	233	461	Planetväxel 11887362	350	299
421	Oljepåfyllning och mätsticka 11891077, 11895023	160	235	463	Planetaxel, bak 11887363	110	301
421	Oljepump 11891595	200	237	463	Pinjong 11887363	160	303
421	Oljepump 11891077, 11895023	230	239	463	Differential. Bak 11887363	210	305
421	Kopplingsaxel fram/back 11891595	250	241	463	Navreduktion, bakaxel 11887363	260	307
421	Kopplingsaxel fram/back 11891077, 11895023	260	243	468	Differentialspärr	110	309
421	Back och primäraxel 11891077, 11895023	300	245	468	Differentialspärr	150	311
421	Back och primäraxel	320	247	491	Oljekylare, transmission	100	313
421	Sekundär axel 11891595	350	249				
421	Sekundär axel 11891077, 11895023	360	253				
421	Hydraulkoppling, 4-hjulsdrift 11891595	400	257				
421	Axel, fyrhjulsdrift 11891077, 11895023	410	259				
421	Kontrollventil 11891595	450	261				
421	Växelmanövrering 11891077, 11895023	460	263				
421	Växelväljarventil 11891077, 11895023	525	265				
421	Magnetventil 4-hjulsdrift 11891077, 11895023	550	267				
424	Växelväljare, 4-hjulsdrift 11891077, 11895023	100	269				
436	Växellådsupphängning	100	271				
451	Kardanaxlar, montering 11891077, 11891595, 11895023	100	273				
451	Kardanaxel 11891077, 11891595, 11895023	150	275				
460	Planetaxlar med monteringsdetaljer	150	277				
461	Framaxel 11887361	100	279				
461	Planetaxel, fram 11891531	110	281				
461	Pinjong 11891531	150	283				
461	Pinjong 11887361	160	285				
461	Differential, framaxel 11887362	200	287				
461	Differential, framaxel 11887361	210	289				
461	Drivaxel 11887361	250	291				

## INNEHÅLLSFÖRTECKNING

Catalogue id	Group
<b>20124</b>	<b>4</b>
Issue	Page
<b>VOE 63A9920124</b>	<b>221</b>

**VOLVO**

**BL61PLUS**

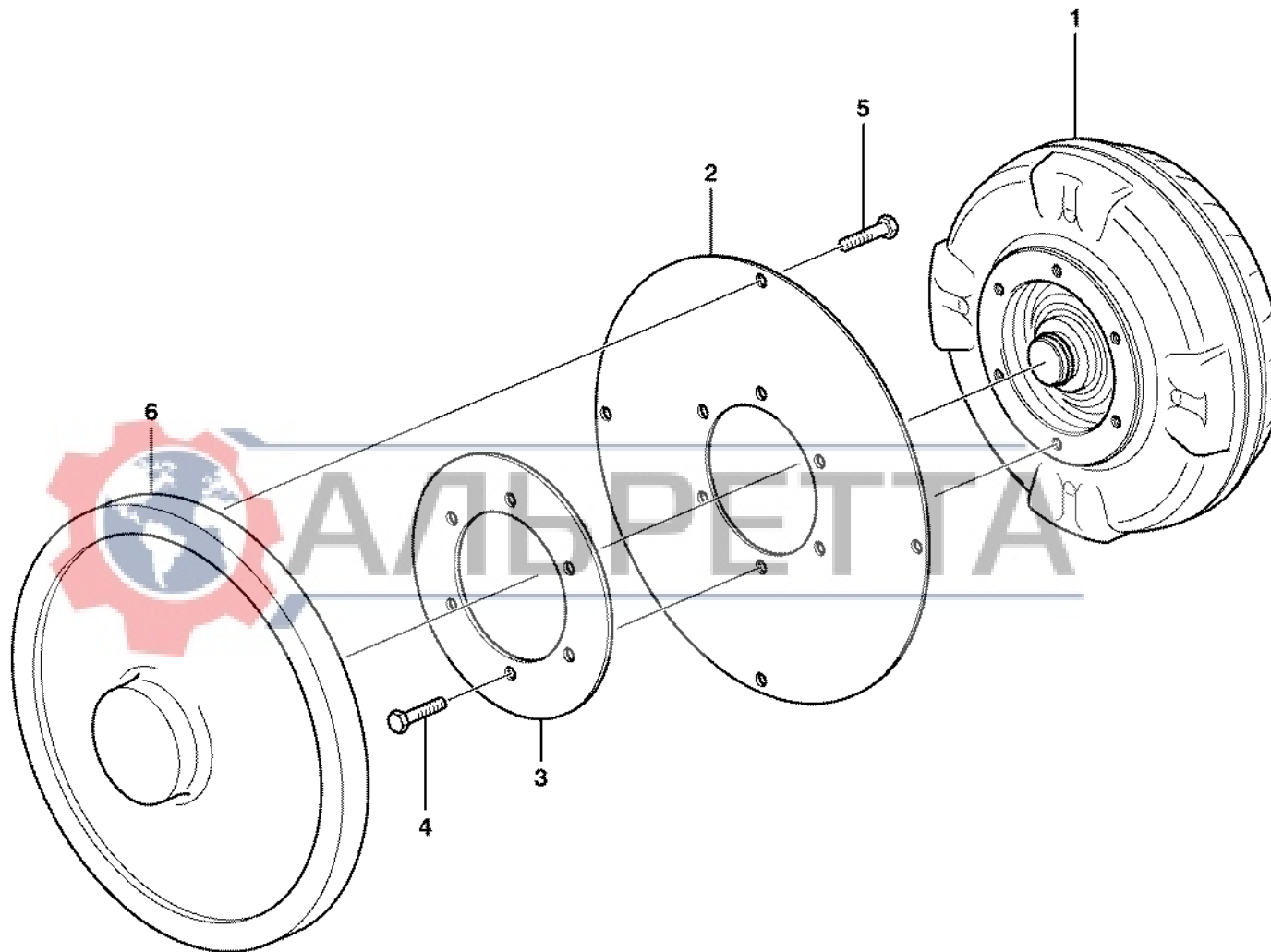


Fig.	Part No.	Quantity			P S	K I T	Description	Dénomination	Bezeichnung	Denominación	Benämning	Notes
		1	2	3								
1	VOE 11890327	1					Trq Converter.....	Converti.couple .....	Drehm Wandler .....	Convertidor Par .....	Momentomvandl.....	
2	VOE 11881176	1					Flexplate .....	Tole Entrainem.....	Mitnehmerblech.....	Placa De Brida .....	Medbringarplåt.....	
3	VOE 11881177	1					Flexplate .....	Tole Entrainem.....	Mitnehmerblech.....	Placa De Brida .....	Medbringarplåt.....	
4	VOE 13970944	6					Hexagon screw .....	Vis a tête hexagonale	Sechskantschr.....	Tornillo hexago.....	Sexkantsskruv.....	M10x16
5	VOE 13970876	4					Hexagon screw .....	Vis a tête hexagonale	Sechskantschr.....	Tornillo hexago.....	Sexkantsskruv.....	M10x30
6		1					Flywheel.....	Volant.....	Schwungrad .....	Volante .....	Svänghjul.....	See group 216, Page 65



1	<b>Momentomvandlare med monteringsdetaljer</b> <b>Convertidor de par con accesorios de montaje</b> <b>Drehmomentwandler mit Anbauteilen</b> <b>Convertisseur de couple avec pièces de montage</b> <b>Torque converter with fitting parts</b>	Catalogue id	Group
2		<b>20124</b>	<b>414</b>
3		Illustr. No	Section
4		<b>1000854</b>	<b>100</b>
5		Issue	Page
		VOE 63A9920124	<b>223</b>

**VOLVO**

**BL61PLUS**



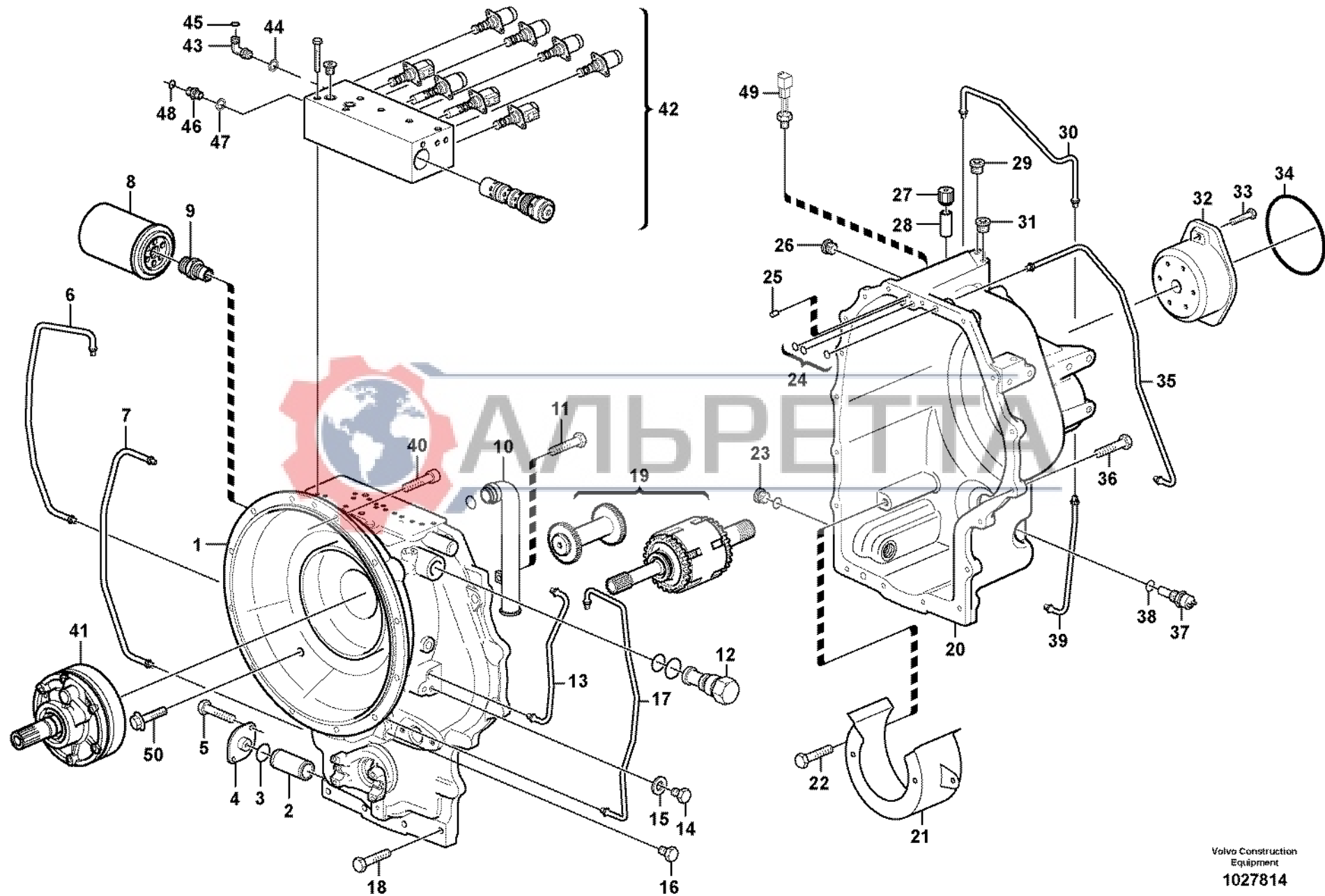


Fig.	Part No.	Quantity			P S	K I T	Description	Dénomination	Bezeichnung	Denominación	Benämning	Notes
		1	2	3								
	VOE 11887381	1				Transmission.....	Transmission.....	Getriebe .....	Transmision.....	Transmission.....		
1	VOE 11716634	1				Housing.....	Carter.....	Gehäuse.....	Carter.....	Hus.....		
2	VOE 11709050	1				Oil Filter.....	Filtre Huile.....	ÖlfILTER.....	Filtro Aceite .....	Oljefilter.....		
3	VOE 11709051	1				O-ring.....	Joint Torique .....	O-Ring.....	Junta torica.....	O-ring.....		
4	VOE 11709052	1				Cover.....	Couvercle.....	Deckel.....	Tapa.....	Lock.....		
5	VOE 13955294	2				Screw.....	Vis.....	Schraube.....	Tornillo .....	Skruv.....		
6	VOE 11716632	1				Tube.....	Tube.....	Rohr .....	Tube.....	Rör.....		
7	VOE 11716633	1				Tube.....	Tube.....	Rohr .....	Tube.....	Rör.....		
8	VOE 11709048	1				Oil Filter.....	Filtre Huile.....	ÖlfILTER.....	Filtro Aceite .....	Oljefilter.....		
9	VOE 11709053	1				Nipple.....	Raccord.....	Nippel.....	Niple.....	Nippel.....		
10	VOE 11716635	1				Tube.....	Tube.....	Rohr .....	Tube.....	Rör.....		
11	VOE 946441	1				Flange screw.....	Vis à bride.....	Flanschschrabe.....	Torn embridado.....	Flänsskruv.....		
12	VOE 11712951	1				Valve.....	Soupape.....	Ventil.....	Valvula .....	Ventil.....		
13	VOE 11716636	1				Tube.....	Tube.....	Rohr .....	Tube.....	Rör.....		
14	VOE 11709061	5				Plug.....	Bouchon.....	Stopfen.....	Tapon.....	Plugg.....		
15	VOE 11709199	5				Washer.....	Rondelle.....	Scheibe.....	Arandela.....	Bricka.....		
16	VOE 11709075	3				Plug.....	Bouchon.....	Stopfen.....	Tapon.....	Plugg.....		
17	VOE 11716637	1				Tube.....	Tube.....	Rohr .....	Tube.....	Rör.....		
18	VOE 13970949	5				Hexagon screw.....	Vis a tête hexagonale.....	Sechskantschr.....	Tornillo hexago.....	Sexkantsskruv.....		
19		1				Input Shaft.....	Arbre Primaire.....	Antriebswelle.....	Eje Primario.....	Ingående Axel.....	See group 421, Page 241	
19		1				Reverse Shaft.....	Arbre Marche Ar.....	Rucklaufachse.....	Eje Marcha Atr.....	Backaxel.....	See group 421, Page 247	
19		1				Primary shaft.....	Arbre primaire .....	Primärachse .....	Eje primario .....	Primäraxel.....	See group 421, Page 247	
19		1				Secondary Shaft.....	Arbr.secondaire.....	Sekundärwelle.....	Eje Secundario.....	Sekundäraxel.....	See group 421, Page 249	
19		1				Output shaft.....	Arbre secondaire.....	Abtriebswelle.....	Eje secundario .....	Utgående axel.....	See group 421, Page 257	
20	VOE 11716645	1				Housing.....	Carter.....	Gehäuse.....	Carter.....	Hus.....		
21	VOE 11716638	1				Protection.....	Protection.....	Schutz.....	Proteccion .....	Skydd.....		
22	VOE 946441	2				Flange screw.....	Vis à bride.....	Flanschschrabe.....	Torn embridado.....	Flänsskruv.....		
23	VOE 11709057	1				Plug.....	Bouchon.....	Stopfen.....	Tapon.....	Plugg.....		
24	VOE 11709068	3				O-ring.....	Joint Torique .....	O-Ring.....	Junta torica.....	O-ring.....		
25	VOE 950588	2				Pin.....	Goupille.....	Stift.....	Pasador.....	Pinne.....		

1		<b>Transmission med monteringsdetaljer</b> <b>Transmisión con accesorios de montaje</b> <b>Transmission mit Anbauteilen</b> <b>Transmission avec pièces de montage</b> <b>Hydraulic transmission with fitting parts</b>	Catalogue id	Group
2			<b>20124</b>	<b>420</b>
3			Illustr. No	Section
4			<b>1027814</b>	<b>150</b>
5			Issue	Page
		<b>11891595</b>	<b>VOE 63A9920124</b>	<b>225</b>

**VOLVO**

**BL61PLUS**

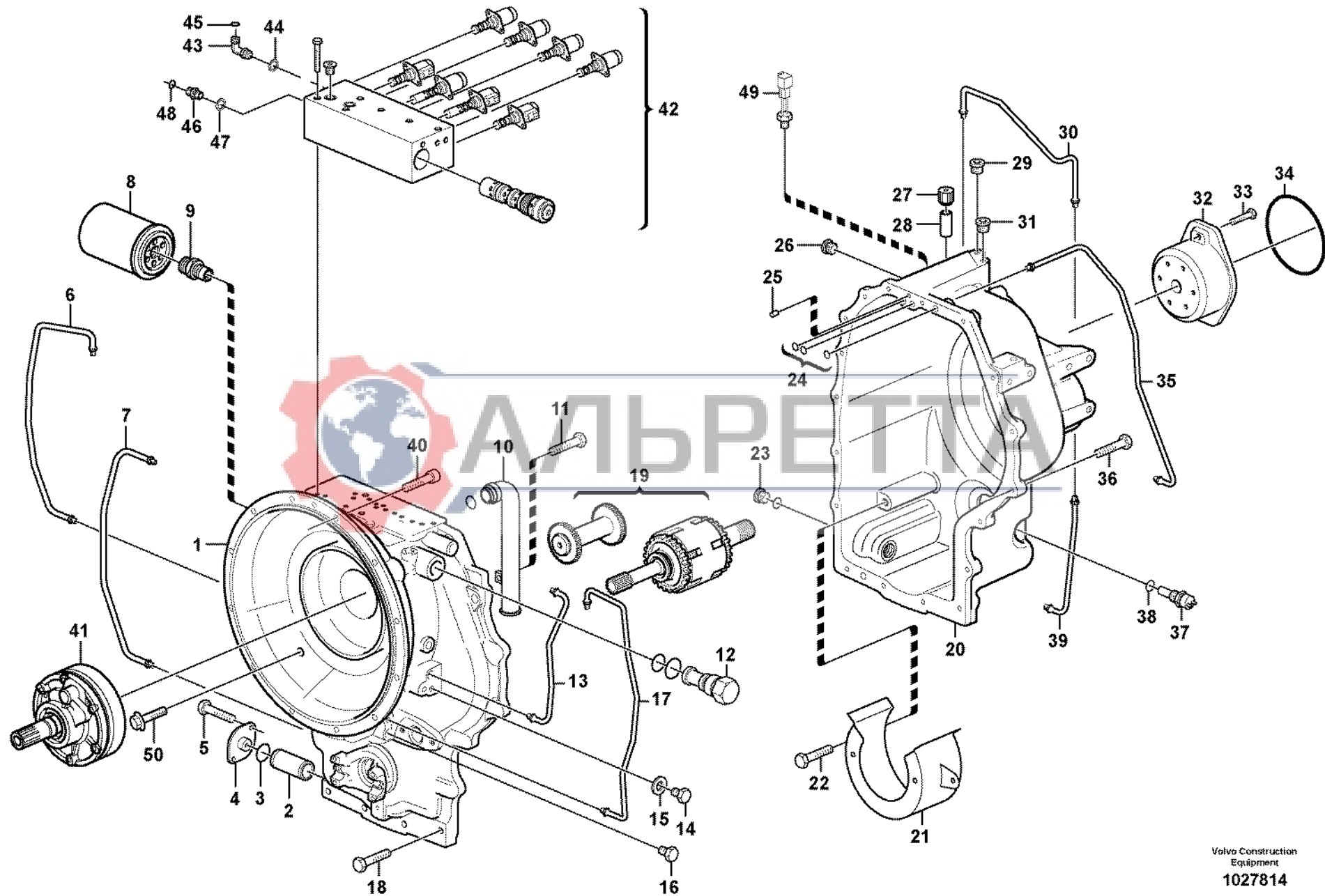


Fig.	Part No.	Quantity			P S	K I T	Description	Dénomination	Bezeichnung	Denominación	Benämning	Notes
		1	2	3								
26	VOE 11709055	2				Plug.....	Bouchon.....	Stopfen.....	Tapon.....	Plugg.....		
27	VOE 11709060	1				Breather Cap.....	Boucho.aeration.....	Lüftungsdeckel.....	Tapa Ventilac.....	Ventil.lock.....		
28	VOE 11709063	1				Breather Pipe.....	Reniflard.....	Luftungsrohr.....	Conduct Ventil.....	Ventilationsrör.....		
29	VOE 11709075	2				Plug.....	Bouchon.....	Stopfen.....	Tapon.....	Plugg.....		
30	VOE 11712950	1				Pipe.....	Canalisation.....	Rohrleitung.....	Canalizacion.....	Rör.....		
31	VOE 11716639	1				Plug.....	Bouchon.....	Stopfen.....	Tapon.....	Plugg.....		
32	VOE 11716640	1				Flange.....	Flasque.....	Flansch.....	Brida.....	Fläns.....		
33	VOE 13970947	6				Hexagon screw.....	Vis a tête hexagonale.....	Sechskantschr.....	Tornillo hexago.....	Sexkantsskruv.....		
34	VOE 11709074	1				O-ring.....	Joint Torique.....	O-Ring.....	Junta torica.....	O-ring.....		
35	VOE 11716641	1				Tube.....	Tube.....	Rohr.....	Tube.....	Rör.....		
36	VOE 13970949	13				Hexagon screw.....	Vis a tête hexagonale.....	Sechskantschr.....	Tornillo hexago.....	Sexkantsskruv.....		
37	VOE 11716642	1				Sensor.....	Capteur.....	Geber.....	Captador.....	Givare.....		
38	VOE 11716643	1				Washer.....	Rondelle.....	Scheibe.....	Arandela.....	Bricka.....		
39	VOE 11716644	1				Tube.....	Tube.....	Rohr.....	Tube.....	Rör.....		
40	VOE 13970947	12				Hexagon screw.....	Vis a tête hexagonale.....	Sechskantschr.....	Tornillo hexago.....	Sexkantsskruv.....		
41		1				Oil pump.....	Pompe huile.....	Ölpumpe.....	Bomba aceite.....	Oljepump.....	See group 421, Page 237	
42		1				Control valve.....	Valve controle.....	Steuerventil.....	Válvula control.....	Kontrollventil.....	See group 421, Page 261	
43	VOE 13933857	1				Elbow Nipple.....	Raccord angulaire.....	Winkelnippel.....	Niple Angular.....	V-nippel.....		
44	VOE 932039	1				•O-ring.....	•Joint Torique.....	•O-Ring.....	•Junta torica.....	•O-ring.....		
45	VOE 990736	1				•O-ring.....	•Joint Torique.....	•O-Ring.....	•Junta torica.....	•O-ring.....		
46	VOE 13933858	1				Union.....	Teton Connexion.....	Anschlussnippel.....	Niple Conexcion.....	Anslutn.nippel.....		
47	VOE 932039	1				•O-ring.....	•Joint Torique.....	•O-Ring.....	•Junta torica.....	•O-ring.....		
48	VOE 990736	1				•O-ring.....	•Joint Torique.....	•O-Ring.....	•Junta torica.....	•O-ring.....		
49	VOE 11881160	1				Temp Sensor.....	Detecteur Temp.....	Temperaturgeber.....	Sensor Temperat.....	Temp Givare.....		
50	VOE 965225	1				Flange screw.....	Vis à bride.....	Flanschschraube.....	Torn embridado.....	Flänsskruv.....	11890349, 11891050	

1	<b>Transmission med monteringsdetaljer</b> <b>Transmisión con accesorios de montaje</b> <b>Transmission mit Anbauteilen</b> <b>Transmission avec pièces de montage</b> <b>Hydraulic transmission with fitting parts</b> <b>11891595</b>	Catalogue id	Group
2		<b>20124</b>	<b>420</b>
3		Illustr. No	Section
4		<b>1027814</b>	<b>150</b>
5		Issue	Page
		<b>VOE 63A9920124</b>	<b>227</b>

**VOLVO**

**BL61PLUS**

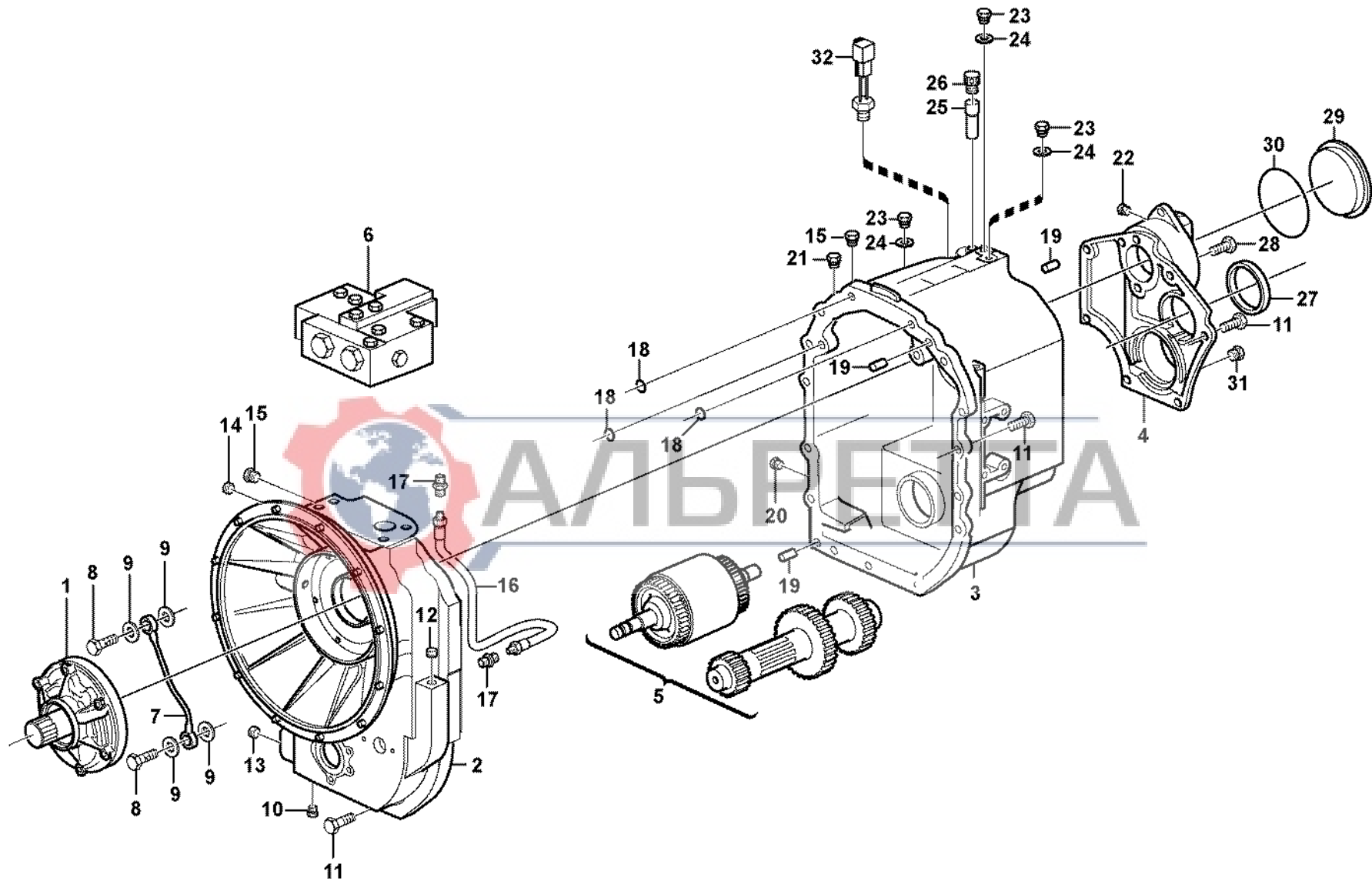


Fig.	Part No.	Quantity			P S	K I T	Description	Dénomination	Bezeichnung	Denominación	Benämning	Notes
		1	2	3								
	<b>VOE 11887380</b>					Transmission.....	Transmission.....	Getriebe .....	Transmision.....	Transmission.....		
1		1				•Oil pump .....	•Pompe huile.....	•Ölpumpe .....	•Bomba aceite .....	•Oljepump.....	See group 421, Page 239	
2	<b>VOE 11716782</b>	1				•Housing .....	•Carter.....	•Gehäuse .....	•Carter .....	•Hus.....		
3	<b>VOE 11716783</b>	1				•Housing .....	•Carter.....	•Gehäuse .....	•Carter .....	•Hus.....		
4	<b>VOE 11712463</b>	1				•End plate .....	•Flasque .....	•Stirnwand .....	•Extremo.....	•Gavel.....		
5		1				•Shaft with clutch .....	•Accouplement hydra .....	•Hydraulikkupplung .....	•Acoplamiento hidrau .....	•Axel med koppling....	See group 421, Page 243	
		1				•Reverse Shaft.....	•Arbre Marche Ar .....	•Rucklaufachse .....	•Eje Marcha Atr .....	•Backaxel.....	See group 421, Page 245	
		1				•Axle.....	•Arbre .....	•Welle .....	•Eje .....	•Axel.....	See group 421, Page 259	
		1				•Secondary Shaft .....	•Arbr.secondaire .....	•Sekundärwelle .....	•Eje Secundario.....	•Sekundäraxel.....	See group 421, Page 253	
6		1				•Gear selector valve...	•Valve selectr.vitesse .....	•Umsteuerventil .....	•valvula select.veloci .....	•Växelväljarventil.....	See group 421, Page 265	
7	<b>VOE 11712465</b>	1				•Oil Pipe .....	•Conduit Huile .....	•Ölrohr .....	•Tubo Aceite.....	•Oljerör.....		
8	<b>VOE 11709066</b>	2				•Hollow screw .....	•Vis creuse .....	•Hohlschraube.....	•Racor-surtidor .....	•Hålskruv.....		
9	<b>VOE 11709065</b>	4				•Copper Washer .....	•Rondelle en cuivre .....	•Kupferscheibe .....	•Arandela Cobre.....	•Kopparbricka.....		
10	<b>VOE 11709071</b>	1				•Plug .....	•Bouchon.....	•Stopfen .....	•Tapon.....	•Plugg.....		
11	<b>VOE 13970948</b>	22				•Hexagon screw .....	•Vis a tête hexagonal .....	•Sechskantschr. ....	•Tornillo hexago .....	•Sexkantsskruv.....		
12	<b>VOE 11709200</b>	1				•Plug .....	•Bouchon.....	•Stopfen .....	•Tapon.....	•Plugg.....		
13	<b>VOE 11712960</b>	1				•Rivet .....	•Rivet.....	•Niet.....	•Remache .....	•Nit.....		
14	<b>VOE 11709070</b>	1				•Plug .....	•Bouchon.....	•Stopfen .....	•Tapon.....	•Plugg.....		
15	<b>VOE 11709055</b>	2				•Plug .....	•Bouchon.....	•Stopfen .....	•Tapon.....	•Plugg.....		
16	<b>VOE 11716784</b>	1				•Lubrication pipe .....	•Conduit de graissag .....	•Schmierrohr .....	•Tubo de lubricación...	•Smörjrör.....		
17	<b>VOE 11709056</b>	2				•Nipple .....	•Raccord .....	•Nippel.....	•Niple .....	•Nippel.....		
18	<b>VOE 11709068</b>	3				•O-ring.....	•Joint Torique .....	•O-Ring.....	•Junta torica .....	•O-ring.....		
19	<b>VOE 950588</b>	3				•Pin .....	•Goupille.....	•Stift.....	•Pasador.....	•Pinne.....		
20	<b>VOE 11709057</b>	1				•Plug .....	•Bouchon.....	•Stopfen .....	•Tapon.....	•Plugg.....		
21	<b>VOE 11716639</b>	1				•Plug .....	•Bouchon.....	•Stopfen .....	•Tapon.....	•Plugg.....		
22	<b>VOE 11709200</b>	1				•Plug .....	•Bouchon.....	•Stopfen .....	•Tapon.....	•Plugg.....		
23	<b>VOE 11709061</b>	3				•Plug .....	•Bouchon.....	•Stopfen .....	•Tapon.....	•Plugg.....		
24	<b>VOE 11709199</b>	3				•Washer .....	•Rondelle.....	•Scheibe .....	•Arandela.....	•Bricka.....		
25	<b>VOE 11709063</b>	1				•Breather Pipe.....	•Reniflard .....	•Luftungsrohr.....	•Conduct Ventil.....	•Ventilationsrör.....		
26	<b>VOE 11709060</b>	1				•Breather Cap .....	•Boucho.aeration.....	•Lüftungsdeckel.....	•Tapa Ventilac .....	•Ventil.lock.....		

1	11887380	<b>Transmission med monteringsdetaljer</b> <b>Transmisión con accesorios de montaje</b> <b>Transmission mit Anbauteilen</b> <b>Transmission avec pièces de montage</b> <b>Hydraulic transmission with fitting parts</b>  <b>11891077, 11895023</b>	Catalogue id	Group
2			<b>20124</b>	<b>420</b>
3			Illustr. No	Section
4			<b>1027115</b>	<b>200</b>
5			Issue	Page
			<b>VOE 63A9920124</b>	<b>229</b>

**VOLVO**

**BL61PLUS**

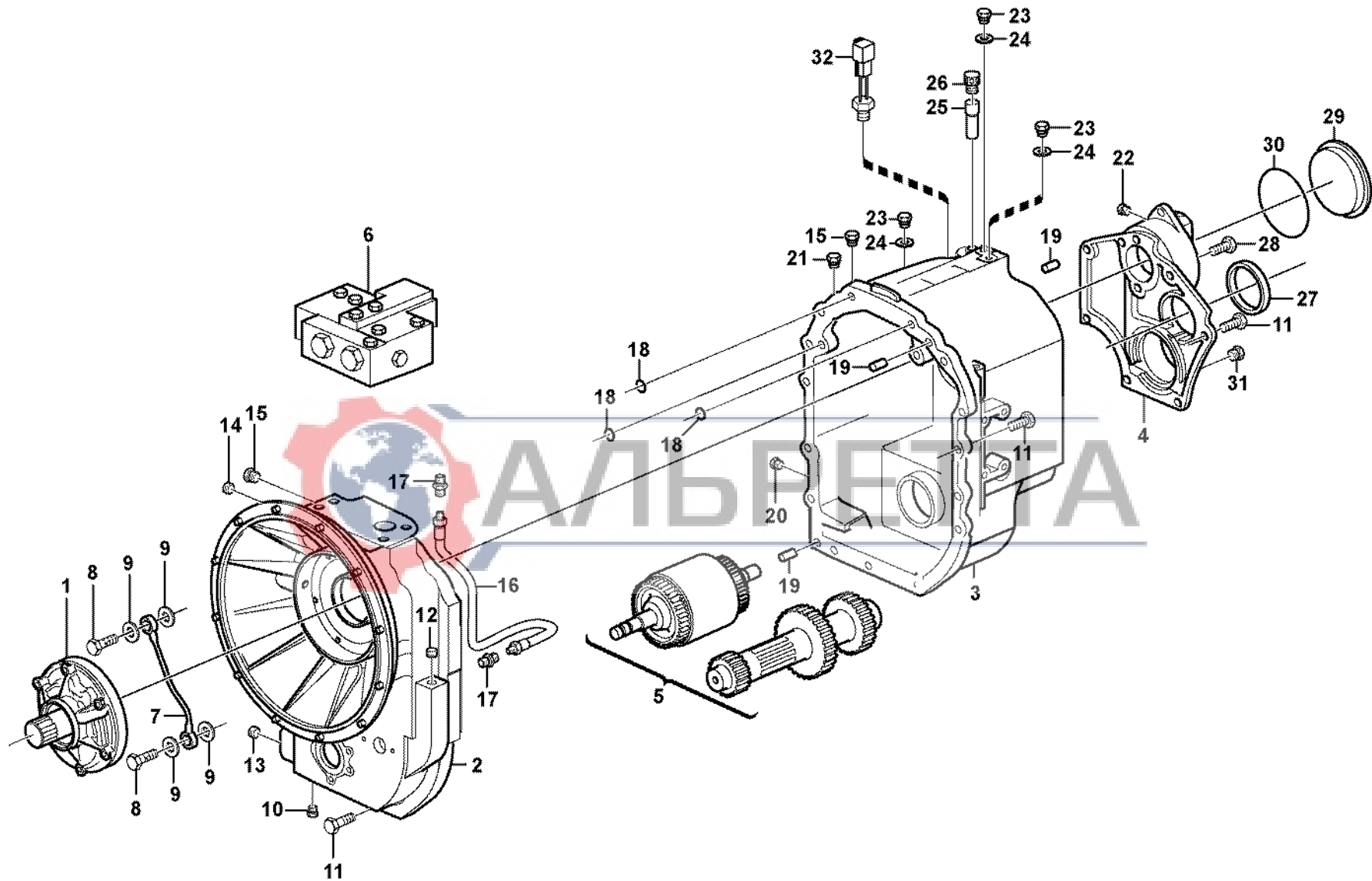


Fig.	Part No.	Quantity			P S	K I T	Description	Dénomination	Bezeichnung	Denominación	Benämning	Notes
		1	2	3								
27	VOE 11709133	1					•Seal .....	•Joint .....	•Dichtring .....	•Junta .....	•Tätning.....	
28	VOE 13970951	2					•Hexagon screw .....	•Vis a tête hexagonal .....	•Sechskantschr. ....	•Tornillo hexago .....	•Sexkantsskruv.....	
29	VOE 11712462	1					•Plug .....	•Bouchon.....	•Stopfen .....	•Tapon.....	•Plugg.....	
30	VOE 11709074	1					•O-ring.....	•Joint Torique .....	•O-Ring.....	•Junta torica .....	•O-ring.....	
31	VOE 11709075	1					•Plug .....	•Bouchon.....	•Stopfen .....	•Tapon.....	•Plugg.....	
32	VOE 11881160	1					•Temp Sensor .....	•Detecteur Temp. ....	•Temperaturgeber .....	•Sensor Temperat .....	•Temp Givare.....	



1	11887380	<b>Transmission med monteringsdetaljer</b> <b>Transmisión con accesorios de montaje</b> <b>Transmission mit Anbauteilen</b> <b>Transmission avec pièces de montage</b> <b>Hydraulic transmission with fitting parts</b>	Catalogue id	Group
2			<b>20124</b>	<b>420</b>
3			Illustr. No	Section
4			<b>1027115</b>	<b>200</b>
5			Issue	Page
		<b>11891077, 11895023</b>	<b>VOE 63A9920124</b>	<b>231</b>

**VOLVO**

**BL61PLUS**





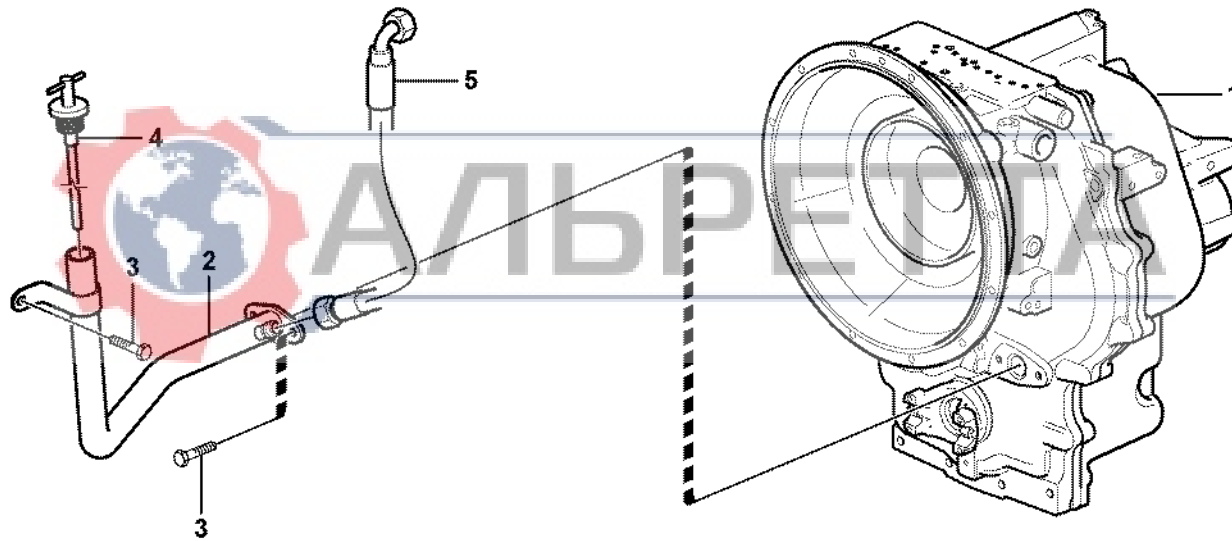


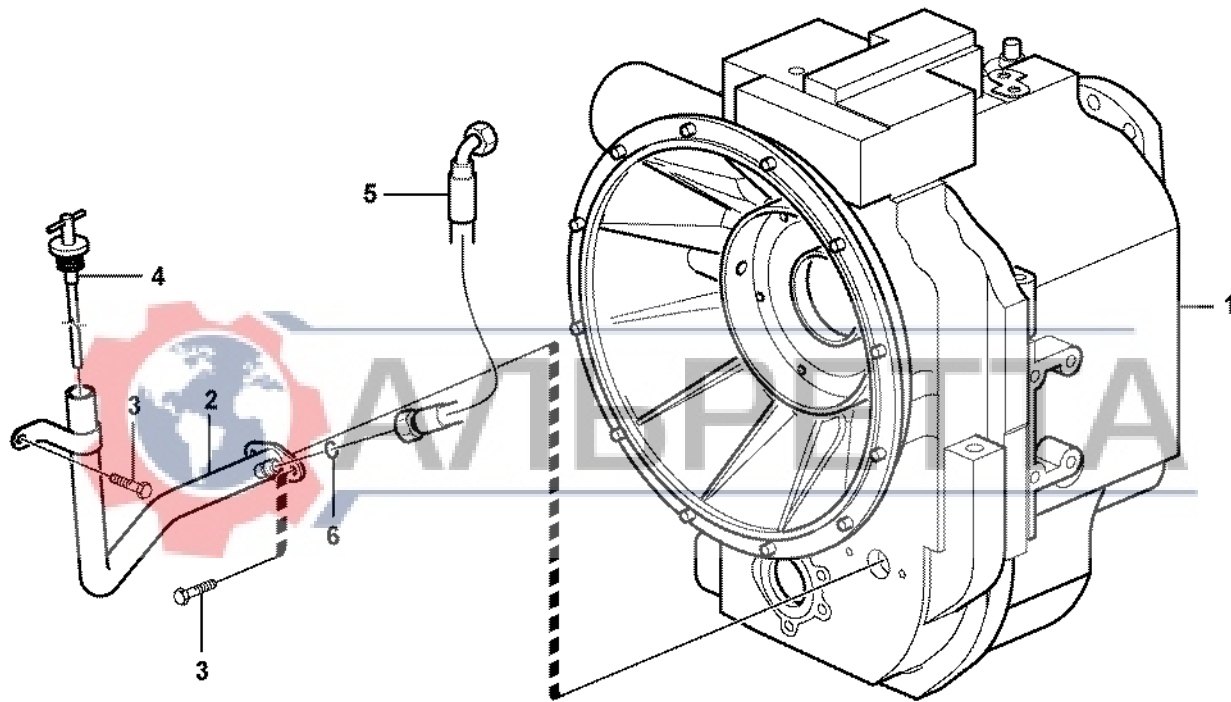
Fig.	Part No.	Quantity					P S	K I T	Description	Dénomination	Bezeichnung	Denominación	Benämning	Notes
		1	2	3	4	5								
1	VOE 11887381	1						Transmission .....	Transmission .....	Getriebe .....	Transmision .....	Transmission.....	Powershift	
2	VOE 11888392	1						Filler pipe .....	Tube remplissa.....	Fullrohr.....	Tubo Llenado .....	Påfyllningsrör.....		
3	VOE 13967630	3						Allen Hd Screw .....	Vis A 6 Pans Cr.....	Inbusschraube .....	Torn Hex Embut .....	Insexskruv.....		
4	VOE 11888467	1						Dipstick .....	Jauge .....	Messtab .....	Varill Medic.....	Mätsticka.....		
5	VOE 11882192	1						Hose assembly .....	Conduit flexible.....	Schlauchleitung .....	Conducto .....	Slangledning.....		



1	11887381	<b>Oljepåfyllning och mätsticka</b> <b>Boca de llenado de aceitey varilla de nivel</b> <b>Öleinfüllung und Ölmeßtab</b> <b>Remplissage d'huile et indicateur de niveau</b> <b>Oil filler and dipstick</b>	Catalogue id <b>20124</b>	Group <b>421</b>
2			Illustr. No <b>1027810</b>	Section <b>150</b>
3				Issue VOE 63A9920124
4				
5				

**VOLVO**

**BL61PLUS**



Volvo Construction  
Equipment  
1024697

Fig.	Part No.	Quantity			P S	K I T	Description	Dénomination	Bezeichnung	Denominación	Benämning	Notes
		1	2	3								
1		1				Transmission.....	Transmission.....	Getriebe .....	Transmision.....	Transmission.....	See group 420, Page 229	
2	VOE 11888393	1				Filler pipe .....	Tube remplissa. ....	Fullrohr .....	Tubo Llenado .....	Påfyllningsrör.....		
3	VOE 13967630	3				Allen Hd Screw .....	Vis A 6 Pans Cr.....	Inbusschraube.....	Torn Hex Embut .....	Insexskruv.....		
4	VOE 11889090	1				Dipstick .....	Jauge .....	Messtab.....	Varill Medic.....	Mätsticka.....		
5	VOE 11882192	1				Hose assembly .....	Conduit flexible .....	Schlauchleitung.....	Conducto.....	Slangedning.....		
6	VOE 990737	1				O-ring .....	Joint Torique .....	O-Ring.....	Junta torica.....	O-ring.....		



1		<b>Oljepåfyllning och mätsticka</b> <b>Boca de llenado de aceitey varilla de nivel</b> <b>Öleinfüllung und Ölmeßtab</b> <b>Remplissage d'huile et indicateur de niveau</b> <b>Oil filler and dipstick</b> <b>11891077, 11895023</b>	Catalogue id	Group
2			<b>20124</b>	<b>421</b>
3			Illustr. No	Section
4			<b>1024697</b>	<b>160</b>
5			Issue	Page
			<b>VOE 63A9920124</b>	<b>235</b>

**VOLVO**

**BL61PLUS**



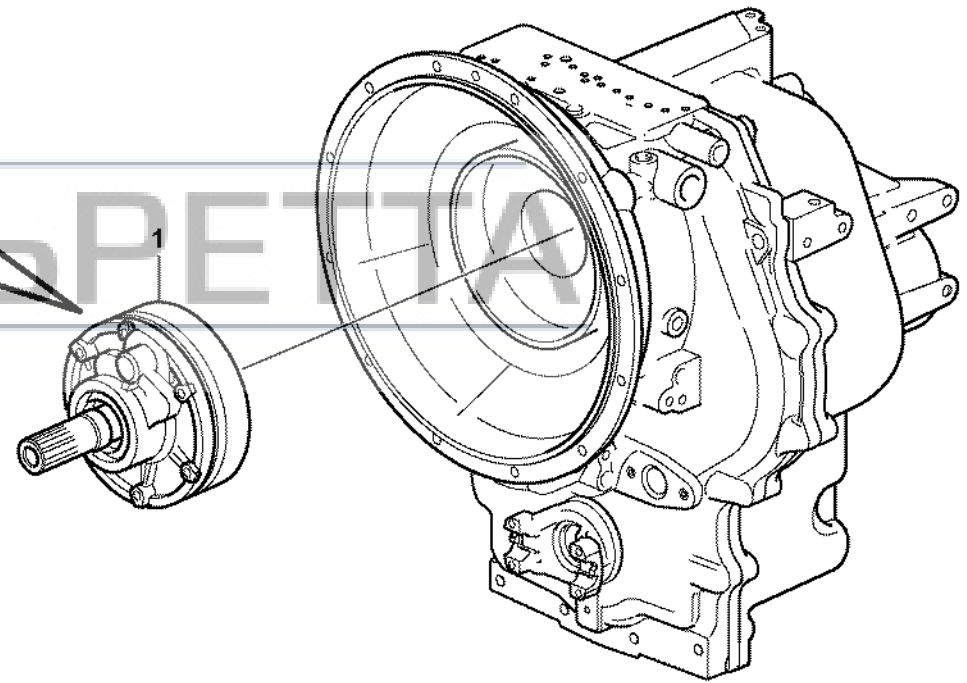
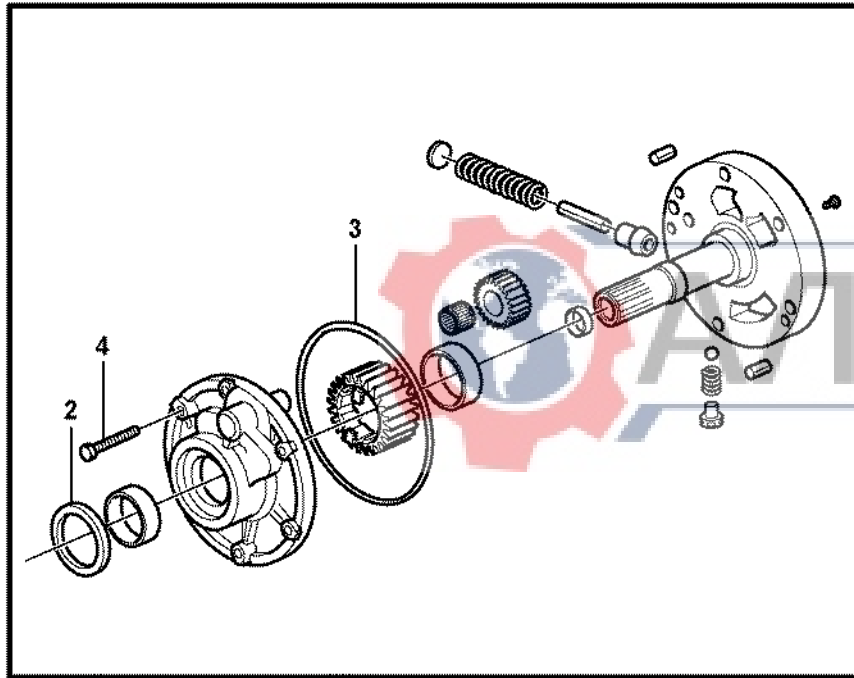


Fig.	Part No.	Quantity			P S	K I T	Description	Dénomination	Bezeichnung	Denominación	Benämning	Notes
		1	2	3								
1	VOE 11715039	1					Oil Pump .....	Pompe a huile .....	Ölpumpe.....	Bomba de aceite .....	Oljepump.....	
2	VOE 11712659	1					•Seal .....	•Joint .....	•Dichtring.....	•Junta .....	•Tätning.....	
3	VOE 11709047	1					•O-ring.....	•Joint Torique .....	•O-Ring.....	•Junta torica .....	•O-ring.....	
4	VOE 955302	9					Hexagon screw .....	Vis tête hexagonale ...	Sechskantschraube....	Tornillo hexago.....	Sexkantsskruv.....	

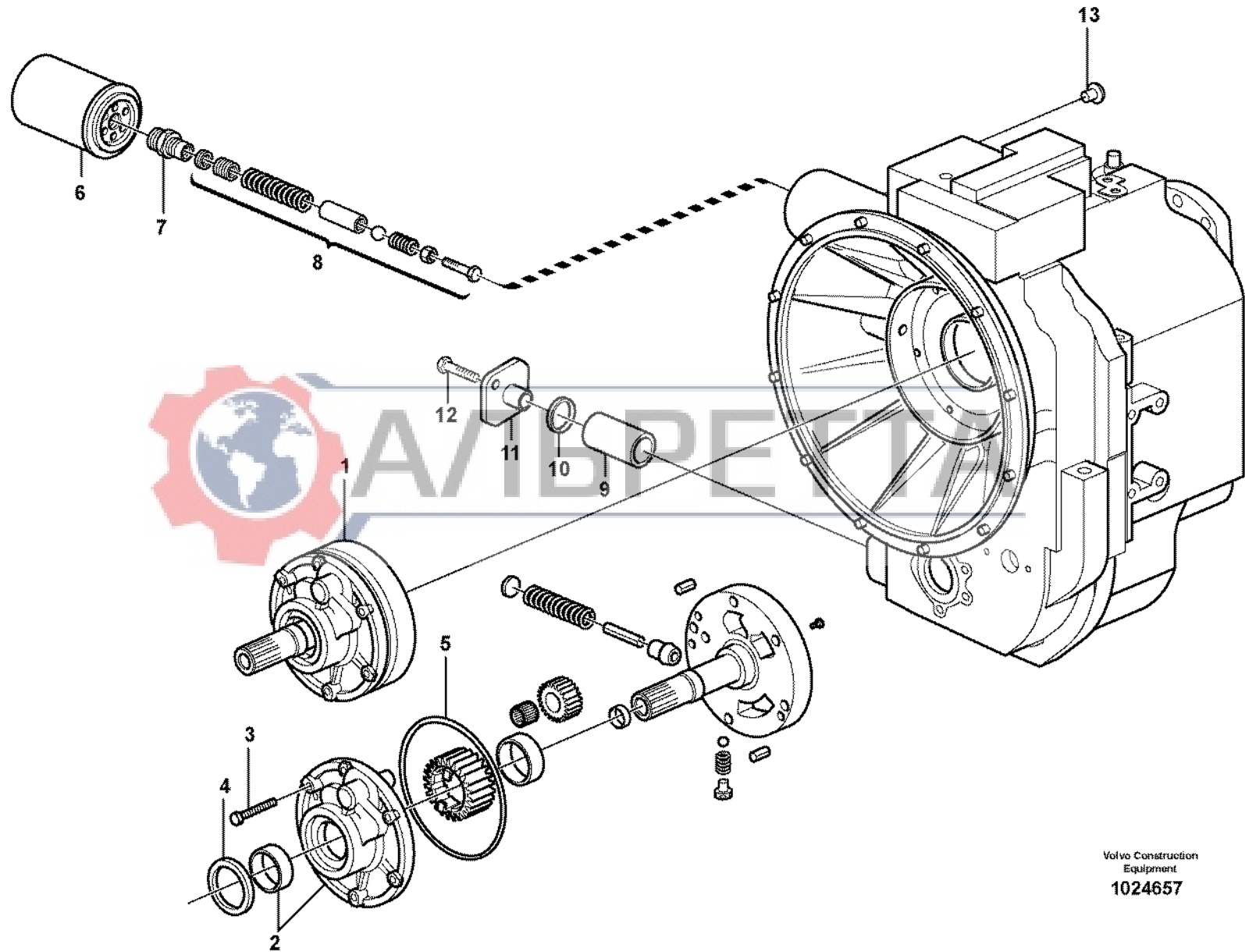


1		<b>Oljepump</b> <b>Bomba de aceite</b> <b>Ölpumpe</b> <b>Pompe à huile</b> <b>Oil pump</b>	Catalogue id	Group
2			<b>20124</b>	<b>421</b>
3			Illustr. No	Section
4			<b>1023885</b>	<b>200</b>
5		<b>11891595</b>	Issue	Page
			<b>VOE 63A9920124</b>	<b>237</b>

**VOLVO**

**BL61PLUS**





Volvo Construction  
Equipment  
1024657

Fig.	Part No.	Quantity			P S	K I T	Description	Dénomination	Bezeichnung	Denominación	Benämning	Notes
		1	2	3								
1	VOE 11716780	1				Oil Pump .....	Pompe a huile .....	Ölpumpe.....	Bomba de aceite .....	Oljepump.....		
2		1			NS	•Pump Body .....	•Corps de pompe .....	•Pumpengehäuse.....	•Cuerpo Bomba .....	•Pumpkropp.....		
3	VOE 955302	6				•Hexagon screw .....	•Vis tête hexagonale ..	•Sechskantschraube ..	•Tornillo hexago .....	•Sexkantsskruv.....		
4	VOE 11712659	1				•Seal .....	•Joint .....	•Dichtring.....	•Junta .....	•Tätning.....		
5	VOE 11709047	1				•O-ring.....	•Joint Torique .....	•O-Ring.....	•Junta torica .....	•O-ring.....		
6	VOE 11716781	1				Oil Filter.....	Filtre Huile.....	Ölfilter.....	Filtro Aceite .....	Oljefilter.....		
7	VOE 11709053	1				Nipple.....	Raccord.....	Nippel .....	Niple .....	Nippel.....		
8	VOE 11709049	1				Valve Kit.....	Kit valve .....	Ventilsatz.....	Juego Valvula.....	Ventilsats.....		
9	VOE 11709050	1				Oil Filter.....	Filtre Huile.....	Ölfilter.....	Filtro Aceite .....	Oljefilter.....		
10	VOE 11709051	1				O-ring.....	Joint Torique .....	O-Ring.....	Junta torica.....	O-ring.....		
11	VOE 11709052	1				Cover .....	Couvercle.....	Deckel .....	Tapa .....	Lock.....		
12	VOE 13955294	2				Screw.....	Vis .....	Schraube.....	Tornillo .....	Skruv.....		
13	VOE 11709200	1				Plug.....	Bouchon .....	Stopfen.....	Tapon .....	Plugg.....		

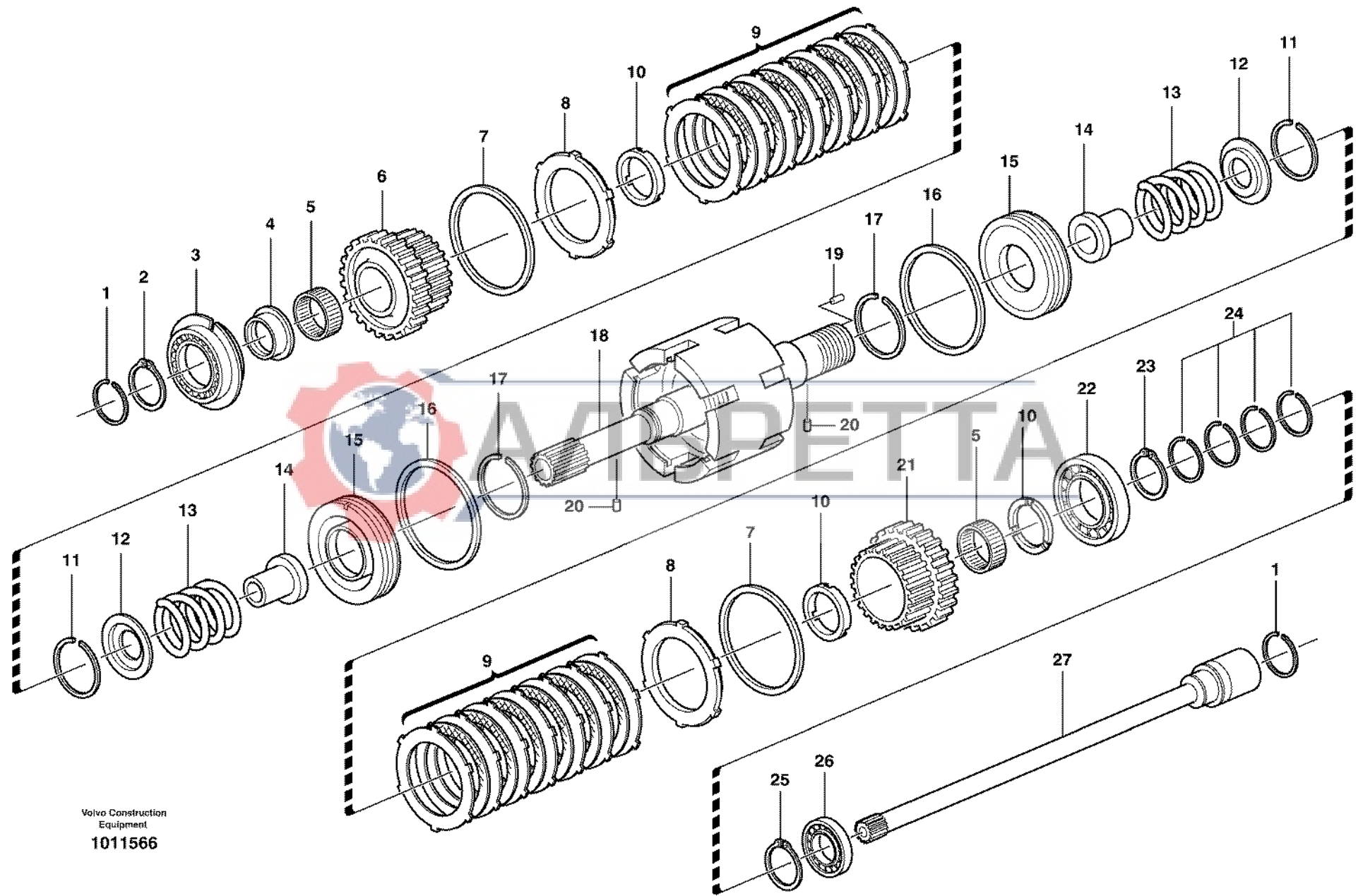


1	11887380	<b>Oljepump</b> <b>Bomba de aceite</b> <b>Ölpumpe</b> <b>Pompe à huile</b> <b>Oil pump</b>	Catalogue id	Group
2			<b>20124</b>	<b>421</b>
3			Illustr. No	Section
4			<b>1024657</b>	<b>230</b>
5			Issue	Page
			<b>VOE 63A9920124</b>	<b>239</b>
			<b>11891077, 11895023</b>	

**VOLVO**

**BL61PLUS**





Volvo Construction  
Equipment  
1011566

Fig.	Part No.	Quantity			P S	K I T	Description	Dénomination	Bezeichnung	Denominación	Benämning	Notes
		1	2	3								
1	VOE 11709076	2					Sealing ring .....	Bague d'étanchéité .....	Runddichtring .....	Anillo reten .....	Tätningsring .....	
2	VOE 11709077	1					Lock Ring .....	Anneau Verrouillage ..	Schlossring .....	Anillo Segurid .....	Låsring .....	
3	VOE 11709078	1					Bearing .....	Palier .....	Lager .....	Cojinete .....	Lager .....	
4	VOE 11709079	1					Spacer .....	Entretoise .....	Abstandkörper .....	Distanciador .....	Distans .....	
5	VOE 11709081	2					Needle Bearing .....	Roule.aiguilles .....	Nadellager .....	Cojinete Agujas .....	Nållager .....	
6	VOE 11712952	1					Gear .....	Pignon .....	Zahradgetriebe .....	Engranaje .....	Kuggdrev .....	
7	VOE 11709083	2					Lock Ring .....	Anneau Verrouillage ..	Schlossring .....	Anillo Segurid .....	Låsring .....	
8	VOE 11709084	2					Clutch Ring .....	Manchon Acoup .....	Kupplungsring .....	Anillo Embrague .....	Kopplingsring .....	
9	VOE 11712953	2					Disc Kit .....	Jeu Disques .....	Lamellensatz .....	Juego Frenos .....	Lamellsats .....	
10	VOE 11709085	3					Spacer .....	Entretoise .....	Abstandkörper .....	Distanciador .....	Distans .....	
11	VOE 11709088	2					Lock Ring .....	Anneau Verrouillage ..	Schlossring .....	Anillo Segurid .....	Låsring .....	
12	VOE 11709089	2					Cover .....	Couvercle .....	Deckel .....	Tapa .....	Lock .....	
13	VOE 11709090	2					Lock Spring .....	Ressort Verrou .....	Sperrfeder .....	Resorte Bloqueo .....	Låsfjäder .....	
14	VOE 11709097	2					Flange .....	Bride .....	Flansch .....	Brida .....	Fläns .....	
15	VOE 11709091	2					Piston .....	Piston .....	Kolben .....	Piston .....	Kolv .....	
16	VOE 11709092	2					Seal .....	Joint .....	Dichtung .....	Reten .....	Tätning .....	
17	VOE 11709093	2					Seal .....	Joint .....	Dichtung .....	Reten .....	Tätning .....	
18	VOE 11716536	1					Shaft .....	Arbre .....	Welle .....	Arbol .....	Axel .....	
19	VOE 11712469	4					•Rivet .....	•Rivet .....	•Niet .....	•Remache .....	•Nit .....	
20	VOE 11709095	2					Pin .....	Goupille .....	Stift .....	Pasador .....	Pinne .....	
21	VOE 11712954	1					Gear .....	Pignon .....	Zahradgetriebe .....	Engranaje .....	Kuggdrev .....	
22	VOE 11712468	1					Bearing .....	Palier .....	Lager .....	Cojinete .....	Lager .....	
23	VOE 11709151	1					Snap Ring .....	Circlip .....	Nutring .....	Circlip .....	Spårring .....	
24	VOE 11712470	4					Sealing ring .....	Bague d'étanchéité .....	Runddichtring .....	Anillo reten .....	Tätningsring .....	
25	VOE 11709100	1					Snap Ring .....	Circlip .....	Nutring .....	Circlip .....	Spårring .....	
26	VOE 11709099	1					Bearing .....	Palier .....	Lager .....	Cojinete .....	Lager .....	
27	VOE 11709101	1					Axle .....	Arbre .....	Welle .....	Eje .....	Axel .....	

1	11887381	<b>Kopplingsaxel fram/back</b> <b>Eje de embrague delante/detrás</b> <b>Kupplungswelle vorwärts/rückwärts</b> <b>Arbre d'accouplement AV/AR</b> <b>Clutch shaft forward/reverse</b>	Catalogue id	Group
2			<b>20124</b>	<b>421</b>
3			Illustr. No	Section
4			<b>1011566</b>	<b>250</b>
5			Issue	Page
		<b>11891595</b>	<b>VOE 63A9920124</b>	<b>241</b>

**VOLVO**

**BL61PLUS**

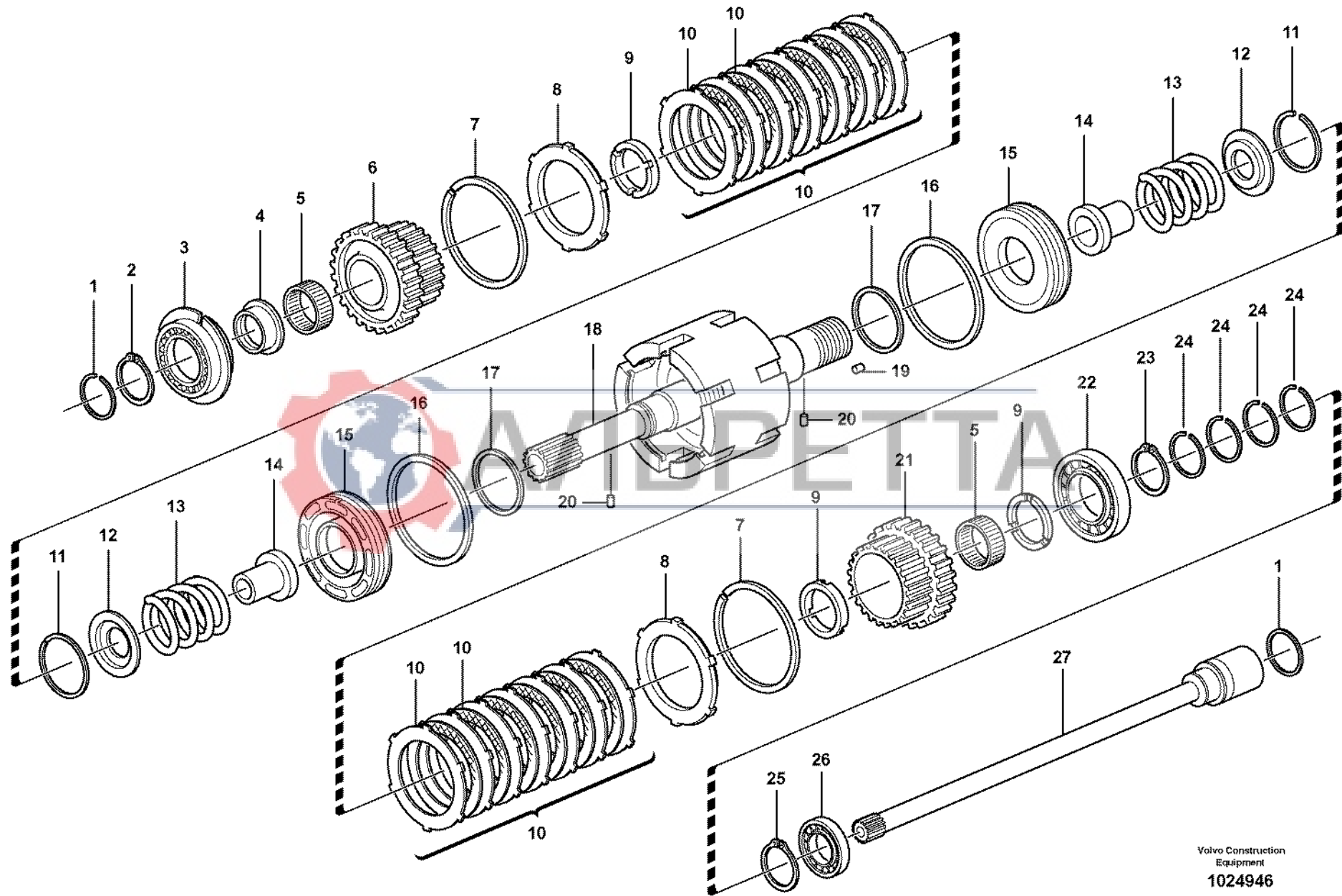
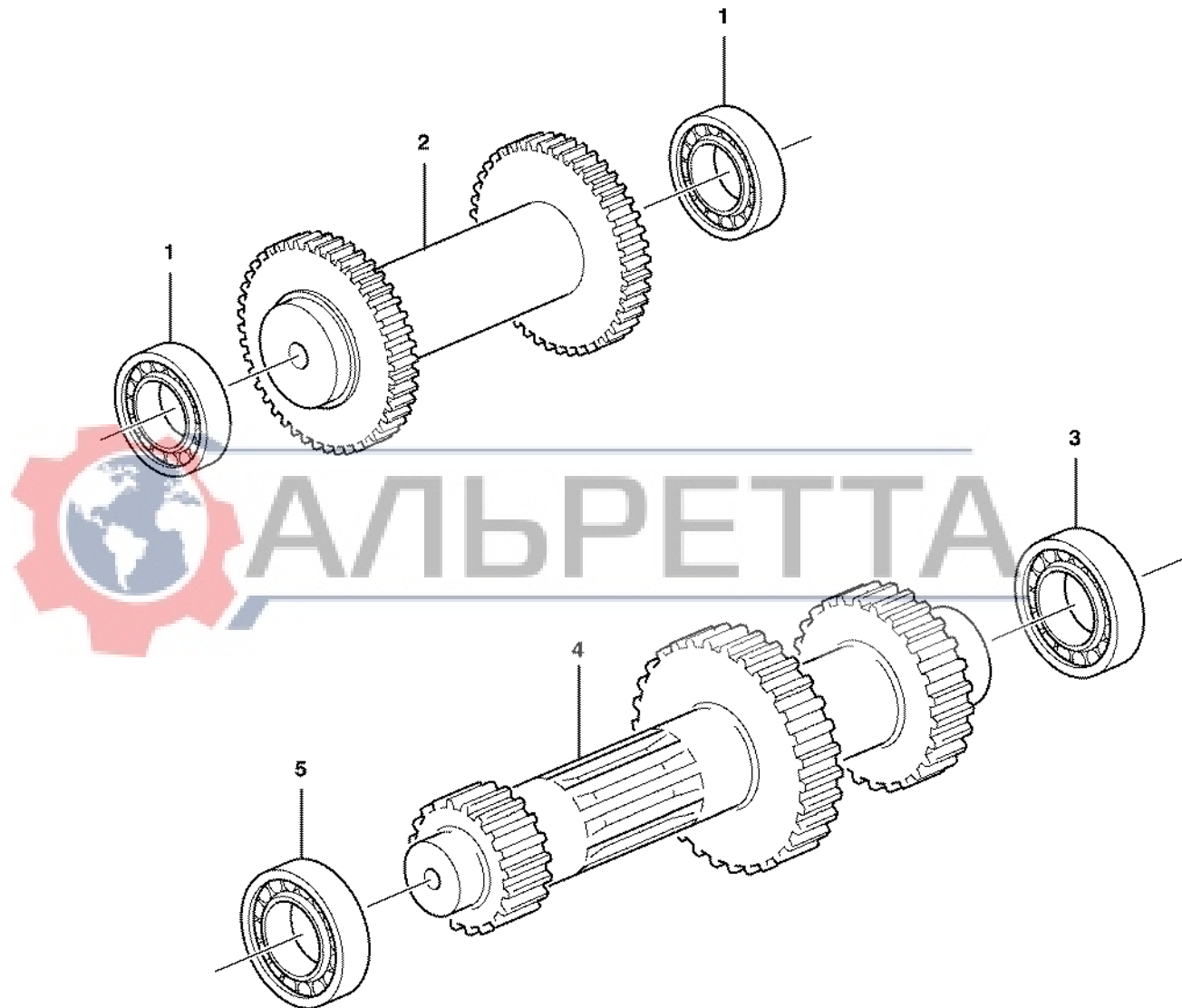


Fig.	Part No.	Quantity			P S	K I T	Description	Dénomination	Bezeichnung	Denominación	Benämning	Notes
		1	2	3								
1	VOE 11709076	2					Sealing ring .....	Bague d'étanchéité .....	Runddichtring .....	Anillo reten .....	Tätningring .....	
2	VOE 11709077	1					Lock Ring .....	Anneau Verrouillage .....	Schlossring .....	Anillo Segurid .....	Låsring .....	
3	VOE 11709078	1					Bearing .....	Palier .....	Lager .....	Cojinete .....	Lager .....	
4	VOE 11709079	1					Spacer .....	Entretoise .....	Abstandkörper .....	Distanciador .....	Distans .....	
5	VOE 11709081	2					Needle Bearing .....	Roule.aiguilles .....	Nadellager .....	Cojinete Agujas .....	Nållager .....	
6	VOE 11709082	1					Drive gear .....	Pignon .....	Triebrad .....	Pinon .....	Drev .....	
7	VOE 11709083	2					Lock Ring .....	Anneau Verrouillage .....	Schlossring .....	Anillo Segurid .....	Låsring .....	
8	VOE 11709084	2					Clutch Ring .....	Manchon Acoup .....	Kupplungsring .....	Anillo Embrague .....	Kopplingsring .....	
9	VOE 11709085	3					Spacer .....	Entretoise .....	Abstandkörper .....	Distanciador .....	Distans .....	
10	VOE 11712953	2					Disc Kit .....	Jeu Disques .....	Lamellensatz .....	Juego Frenos .....	Lamellsats .....	
11	VOE 11709088	2					Lock Ring .....	Anneau Verrouillage .....	Schlossring .....	Anillo Segurid .....	Låsring .....	
12	VOE 11709089	2					Cover .....	Couvercle .....	Deckel .....	Tapa .....	Lock .....	
13	VOE 11709090	2					Lock Spring .....	Ressort Verrou .....	Sperrfeder .....	Resorte Bloqueo .....	Låsfjäder .....	
14	VOE 11709097	2					Flange .....	Bride .....	Flansch .....	Brida .....	Fläns .....	
15	VOE 11709091	2					Piston .....	Piston .....	Kolben .....	Piston .....	Kolv .....	
16	VOE 11709092	2					Seal .....	Joint .....	Dichtung .....	Reten .....	Tätning .....	
17	VOE 11709093	2					Seal .....	Joint .....	Dichtung .....	Reten .....	Tätning .....	
18	VOE 11716785	1					Shaft .....	Arbre .....	Welle .....	Arbol .....	Axel .....	
19	VOE 11712469	4					•Rivet .....	•Rivet .....	•Niet .....	•Remache .....	•Nit .....	
20	VOE 11709095	2					Pin .....	Goupille .....	Stift .....	Pasador .....	Pinne .....	
21	VOE 11709096	1					Drive gear .....	Pignon .....	Triebrad .....	Pinon .....	Drev .....	
22	VOE 11712468	1					Bearing .....	Palier .....	Lager .....	Cojinete .....	Lager .....	
23	VOE 11709151	1					Snap Ring .....	Circlip .....	Nutring .....	Circlip .....	Spårring .....	
24	VOE 11712470	4					Sealing ring .....	Bague d'étanchéité .....	Runddichtring .....	Anillo reten .....	Tätningring .....	
25	VOE 81709100	1					Snap Ring .....	Circlip .....	Nutring .....	Circlip .....	Spårring .....	
26	VOE 11709099	1					Bearing .....	Palier .....	Lager .....	Cojinete .....	Lager .....	
27	VOE 11709101	1					Axle .....	Arbre .....	Welle .....	Eje .....	Axel .....	

1	11897380	<b>Kopplingsaxel fram/back</b> <b>Eje de embrague delante/detrás</b> <b>Kupplungswelle vorwärts/rückwärts</b> <b>Arbre d'accouplement AV/AR</b> <b>Clutch shaft forward/reverse</b>	Catalogue id	Group
2			<b>20124</b>	<b>421</b>
3			Illustr. No	Section
4			<b>1024946</b>	<b>260</b>
5			Issue	Page
		<b>11891077, 11895023</b>	<b>VOE 63A9920124</b>	<b>243</b>

**VOLVO**

**BL61PLUS**



Volvo Construction  
Equipment  
1000789

Fig.	Part No.	Quantity			P S	K I T	Description	Dénomination	Bezeichnung	Denominación	Benämning	Notes
		1	2	3								
1	VOE 11709102	2				Bearing.....	Palier.....	Lager.....	Cojinete.....	Lager.....		
2	VOE 11709103	1				Reverse Shaft.....	Arbre Marche Ar.....	Rucklaufachse.....	Eje Marcha Atr.....	Backaxel.....	(REVERSE)	
3	VOE 11709104	1				Bearing.....	Palier.....	Lager.....	Cojinete.....	Lager.....		
4	VOE 11709105	1				Axle.....	Arbre.....	Welle.....	Eje.....	Axel.....	(PRIMARY)	
5	VOE 11709106	1				Bearing.....	Palier.....	Lager.....	Cojinete.....	Lager.....		

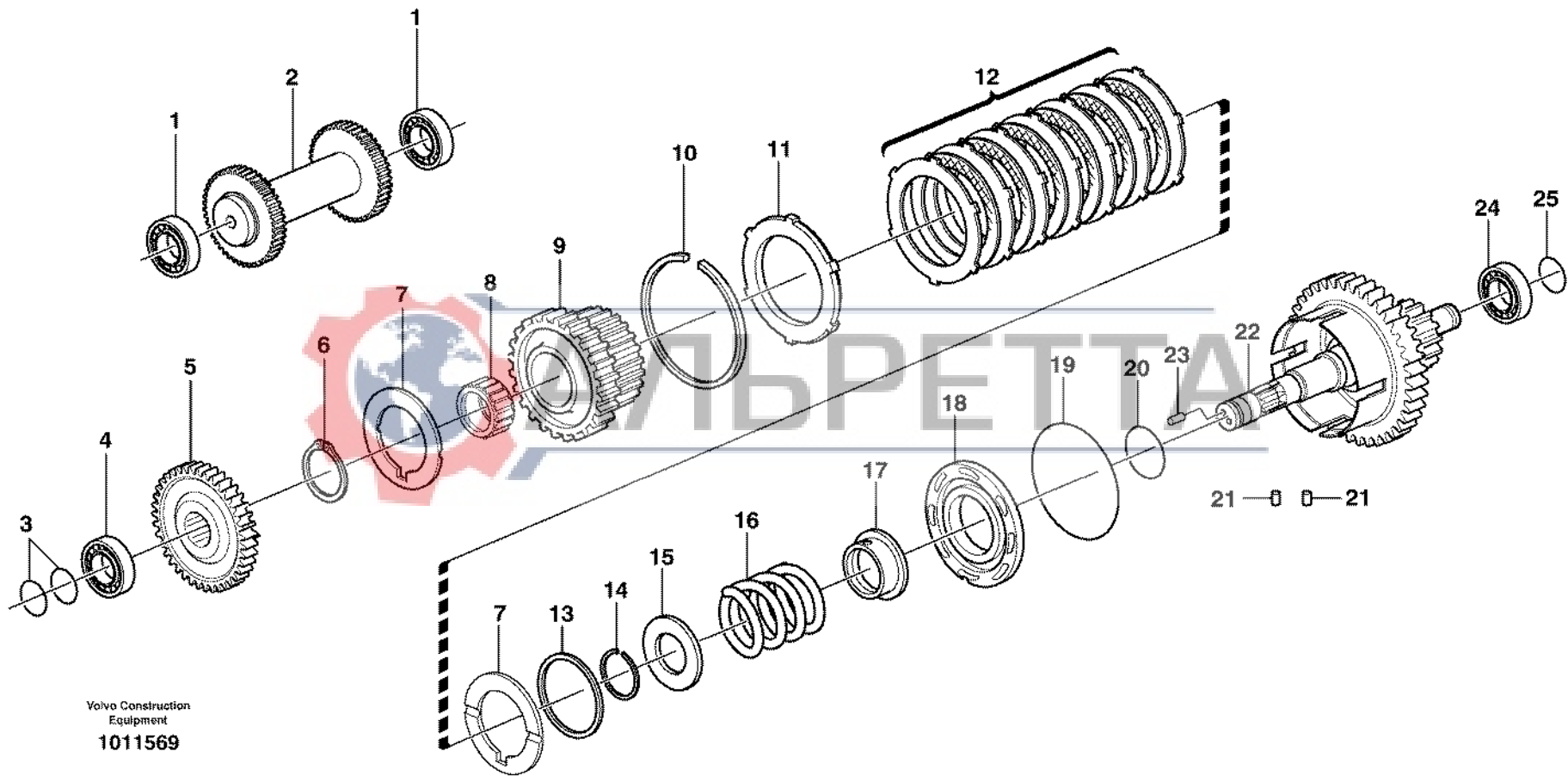


1	11897380	<b>Back och primärxel</b> <b>Eje trasero y primario</b> <b>Rück- und Primärwelle</b> <b>Marche AR et arbre primaire</b> <b>Reverse and primary shaft</b>	Catalogue id	Group
2			<b>20124</b>	<b>421</b>
3			Illustr. No	Section
4			<b>1000789</b>	<b>300</b>
5			Issue	Page
		<b>11891077, 11895023</b>	<b>VOE 63A9920124</b>	<b>245</b>

**VOLVO**

**BL61PLUS**





Volvo Construction  
 Equipment  
 1011569

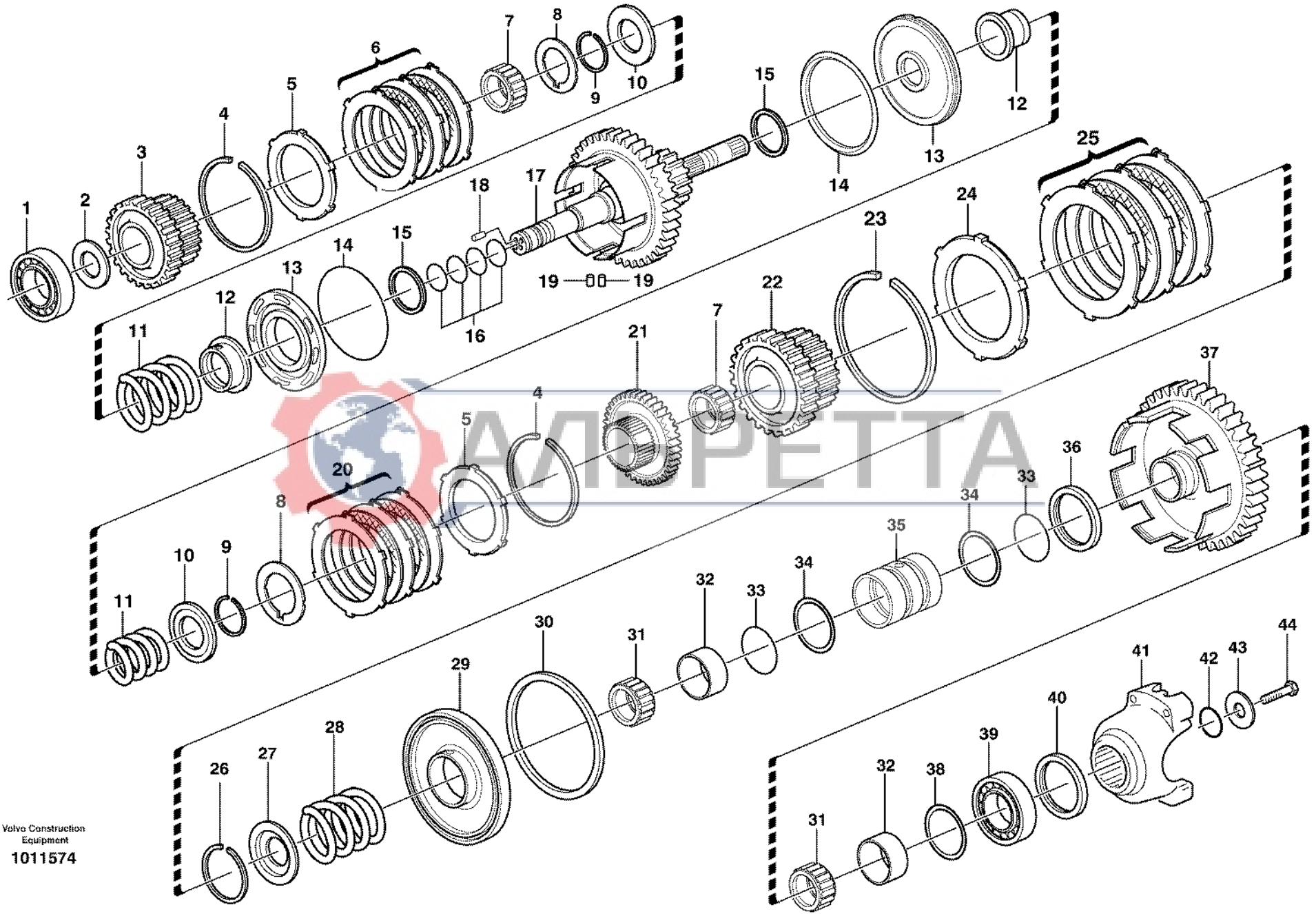
Fig.	Part No.	Quantity			P S	K I T	Description	Dénomination	Bezeichnung	Denominación	Benämning	Notes
		1	2	3								
1	VOE 11709102	2				Bearing.....	Palier.....	Lager.....	Cojinete.....	Lager.....		
2	VOE 11709103	1				Reverse Shaft.....	Arbre Marche Ar.....	Rucklaufachse.....	Eje Marcha Atr.....	Backaxel.....	(REVERSE)	
3	VOE 11712955	2				Seal.....	Joint.....	Dichtring.....	Junta.....	Tätning.....		
4	VOE 11709104	1				Bearing.....	Palier.....	Lager.....	Cojinete.....	Lager.....		
5	VOE 11712956	1				Gear.....	Pignon.....	Zahnradgetriebe.....	Engranaje.....	Kuggdrev.....	(PRIMARY)	
6	VOE 11709151	1				Snap Ring.....	Circlip.....	Nutring.....	Circlip.....	Spårring.....		
7	VOE 11709085	2				Spacer.....	Entretoise.....	Abstandkörper.....	Distanciadador.....	Distans.....		
8	VOE 11709081	1				Needle Bearing.....	Roule.aiguilles.....	Nadellager.....	Cojinete Agujas.....	Nållager.....		
9	VOE 11712957	1				Gear.....	Pignon.....	Zahnradgetriebe.....	Engranaje.....	Kuggdrev.....		
10	VOE 11709083	1				Lock Ring.....	Anneau Verrouillage ..	Schlossring.....	Anillo Segurid.....	Låsring.....		
11	VOE 11709084	1				Clutch Ring.....	Manchon Acoup.....	Kupplungsring.....	Anillo Embrague.....	Kopplingsring.....		
12	VOE 11712958	1				Disc Kit.....	Jeu Disques.....	Lamellensatz.....	Juego Frenos.....	Lamellsats.....		
13	VOE 11712959	1				Thrust Washer.....	Rondelle Butee.....	Druckscheibe.....	Arandela Presio.....	Tryckbricka.....		
14	VOE 11709088	1				Lock Ring.....	Anneau Verrouillage ..	Schlossring.....	Anillo Segurid.....	Låsring.....		
15	VOE 11709089	1				Cover.....	Couvercle.....	Deckel.....	Tapa.....	Lock.....		
16	VOE 11709090	1				Lock Spring.....	Ressort Verrou.....	Sperrfeder.....	Resorte Bloqueo.....	Låsfjäder.....		
17	VOE 11709097	1				Flange.....	Bride.....	Flansch.....	Brida.....	Fläns.....		
18	VOE 11709091	1				Piston.....	Piston.....	Kolben.....	Piston.....	Kolv.....		
19	VOE 11709092	1				Seal.....	Joint.....	Dichtung.....	Reten.....	Tätning.....		
20	VOE 11709093	1				Seal.....	Joint.....	Dichtung.....	Reten.....	Tätning.....		
21	VOE 11709095	2				Pin.....	Goupille.....	Stift.....	Pasador.....	Pinne.....		
22	VOE 11716537	1				Shaft.....	Arbre.....	Welle.....	Arbol.....	Axel.....	(PRIMARY)	
23	VOE 11712960	2				•Rivet.....	•Rivet.....	•Niet.....	•Remache.....	•Nit.....		
24	VOE 11709148	1				Bearing.....	Palier.....	Lager.....	Cojinete.....	Lager.....		
25	VOE 11709076	1				Sealing ring.....	Bague d'étanchéité ..	Runddichtring.....	Anillo reten.....	Tätningring.....		

1	11897381	<b>Back och primärxel</b> <b>Eje trasero y primario</b> <b>Rück- und Primärwelle</b> <b>Marche AR et arbre primaire</b> <b>Reverse and primary shaft</b>	Catalogue id	Group
2			<b>20124</b>	<b>421</b>
3			Illustr. No	Section
4			<b>1011569</b>	<b>320</b>
5			Issue	Page
			<b>VOE 63A9920124</b>	<b>247</b>

**VOLVO**

**BL61PLUS**





Volvo Construction  
Equipment  
1011574

Fig.	Part No.	Quantity			P S	K I T	Description	Dénomination	Bezeichnung	Denominación	Benämning	Notes
		1	2	3								
1	VOE 11709098	1					Bearing.....	Palier.....	Lager.....	Cojinete.....	Lager.....	
2	VOE 11709080	1					Spacer Washer.....	Rond.entretoise.....	Abstandscheibe.....	Arandela Dist.....	Distansbricka.....	
3	VOE 11712962	1					Gear.....	Pignon.....	Zahnradgetriebe.....	Engranaje.....	Kuggdrev.....	
4	VOE 11709083	2					Lock Ring.....	Anneau Verrouillage ..	Schlossring.....	Anillo Segurid .....	Låsring.....	
5	VOE 11709084	2					Clutch Ring.....	Manchon Acoup.....	Kupplungsring.....	Anillo Embrague.....	Kopplingsring.....	
6	VOE 11712958	1					Disc Kit.....	Jeu Disques.....	Lamellensatz.....	Juego Frenos.....	Lamellsats.....	
7	VOE 11709081	2					Needle Bearing.....	Roule.aiguilles.....	Nadellager.....	Cojinete Agujas.....	Nållager.....	
8	VOE 11709085	2					Spacer.....	Entretoise.....	Abstandkörper.....	Distanciador.....	Distans.....	
9	VOE 11709088	2					Lock Ring.....	Anneau Verrouillage ..	Schlossring.....	Anillo Segurid .....	Låsring.....	
10	VOE 11709089	2					Cover.....	Couvercle.....	Deckel.....	Tapa.....	Lock.....	
11	VOE 11709090	2					Lock Spring.....	Ressort Verrou.....	Sperrfeder.....	Resorte Bloqueo.....	Låsfjäder.....	
12	VOE 11709097	2					Flange.....	Bride.....	Flansch.....	Brida.....	Fläns.....	
13	VOE 11709091	2					Piston.....	Piston.....	Kolben.....	Piston.....	Kolv.....	
14	VOE 11709092	2					Seal.....	Joint.....	Dichtung.....	Reten.....	Tätning.....	
15	VOE 11709093	2					Seal.....	Joint.....	Dichtung.....	Reten.....	Tätning.....	
16	VOE 11709076	4					Sealing ring.....	Bague d'étanchéité ..	Runddichtring.....	Anillo reten.....	Tätningsring.....	
17	VOE 11716538	1					Shaft.....	Arbre.....	Welle.....	Arbol.....	Axel.....	
18	VOE 11712960	3					•Rivet.....	•Rivet.....	•Niet.....	•Remache.....	•Nit.....	
19	VOE 11709095	2					Pin.....	Goupille.....	Stift.....	Pasador.....	Pinne.....	
20	VOE 11712966	1					Disc Kit.....	Jeu Disques.....	Lamellensatz.....	Juego Frenos.....	Lamellsats.....	
21	VOE 11712967	1					Gear.....	Pignon.....	Zahnradgetriebe.....	Engranaje.....	Kuggdrev.....	
22	VOE 11716646	1					Drive Gear.....	Pignon.....	Triebrad.....	Pinon.....	Drivhjul.....	
23	VOE 11712969	1					Lock Ring.....	Anneau Verrouillage ..	Schlossring.....	Anillo Segurid .....	Låsring.....	
24	VOE 11712970	1					Lock Ring.....	Anneau Verrouillage ..	Schlossring.....	Anillo Segurid .....	Låsring.....	
25	VOE 11712971	1					Disc Kit.....	Jeu Disques.....	Lamellensatz.....	Juego Frenos.....	Lamellsats.....	
26	VOE 11712972	1					Lock Ring.....	Anneau Verrouillage ..	Schlossring.....	Anillo Segurid .....	Låsring.....	
27	VOE 11712973	1					Lock Cover.....	Couverc.blocage.....	Schlossdeckel.....	Tapa Cierre.....	Låslock.....	
28	VOE 11712974	1					Spring.....	Ressort.....	Feder.....	Muelle.....	Fjäder.....	
29	VOE 11712975	1					Piston.....	Piston.....	Kolben.....	Piston.....	Kolv.....	
30	VOE 11712976	1					Seal.....	Joint.....	Dichtring.....	Junta.....	Tätning.....	

1	11887381	<b>Sekundär axel</b> <b>Eje secundario</b> <b>Sekundärachse</b> <b>Arbre secondaire</b> <b>Secondary shaft</b>	Catalogue id	Group
2			<b>20124</b>	<b>421</b>
3			Illustr. No	Section
4			<b>1011574</b>	<b>350</b>
5			Issue	Page
		<b>11891595</b>	<b>VOE 63A9920124</b>	<b>249</b>

**VOLVO**

**BL61PLUS**

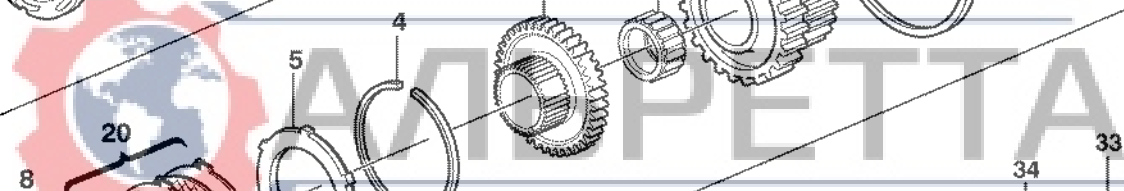
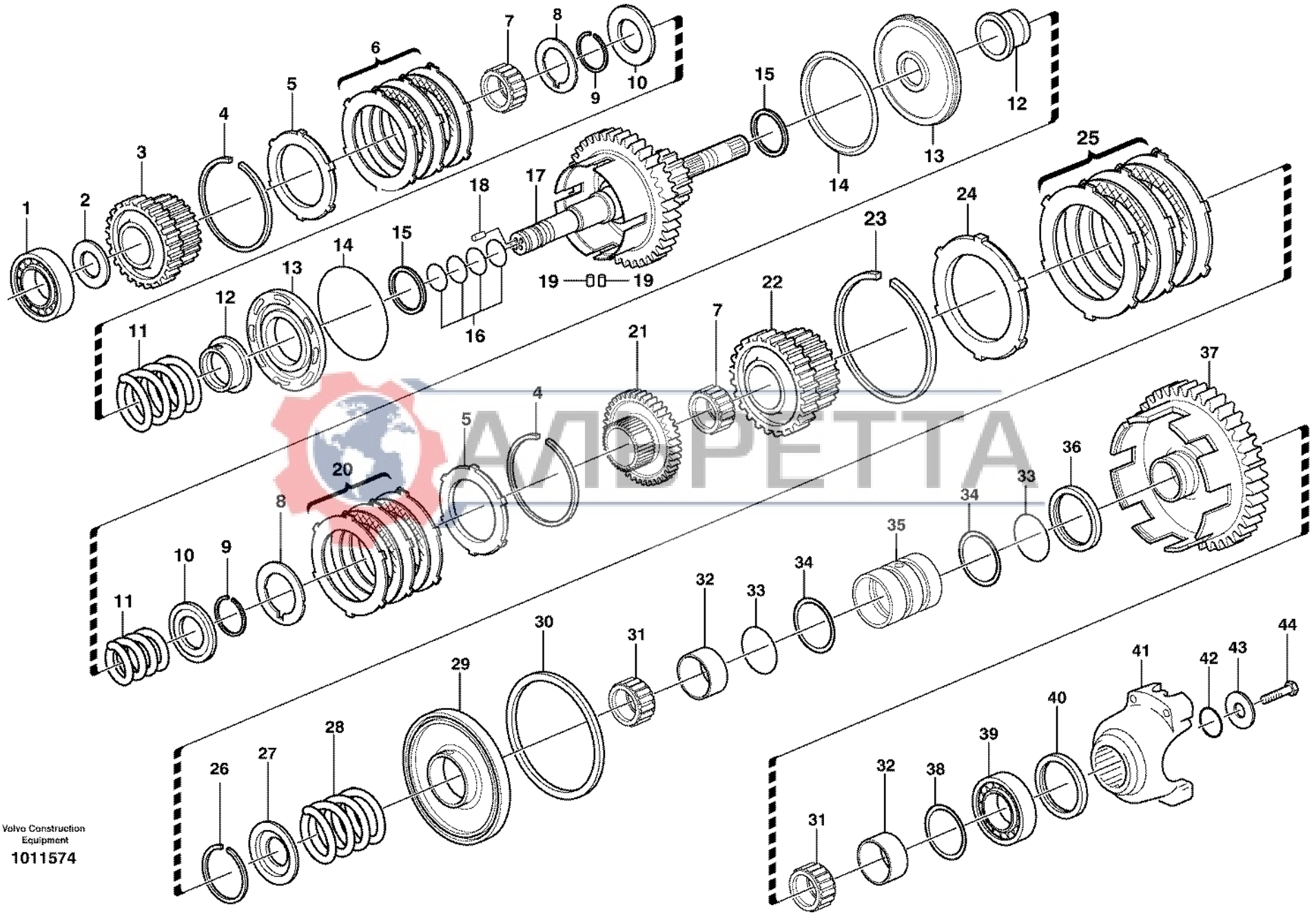


Fig.	Part No.	Quantity			P S	K I T	Description	Dénomination	Bezeichnung	Denominación	Benämning	Notes
		1	2	3								
31	VOE 11712977	2				Bearing Bushing.....	Coussinet.....	Lagerbuchse.....	Casq Cojinete.....	Lagerbussning.....		
32	VOE 11712978	2				Bushing.....	Bague.....	Buchse.....	Casquillo.....	Bussning.....		
33	VOE 11712979	2				O-ring.....	Joint Torique.....	O-Ring.....	Junta torica.....	O-ring.....		
34	VOE 11712980	2				Seal.....	Joint.....	Dichtring.....	Junta.....	Tätning.....		
35	VOE 11712981	1				Spacer.....	Entretoise.....	Abstandkörper.....	Distanciador.....	Distans.....		
36	VOE 11712982	1				Seal.....	Joint.....	Dichtring.....	Junta.....	Tätning.....		
37	VOE 11712983	1				Gear.....	Pignon.....	Zahnradgetriebe.....	Engranaje.....	Kuggdrev.....		
38	VOE 11712984	1				Washer.....	Rondelle.....	Scheibe.....	Arandela.....	Bricka.....		
39	VOE 11709148	1				Bearing.....	Palier.....	Lager.....	Cojinete.....	Lager.....		
40	VOE 11709133	1				Seal.....	Joint.....	Dichtring.....	Junta.....	Tätning.....		
41	VOE 11712986	1				Companion flange.....	Flasque entrainemen.....	Antriebsflansch.....	Brida.....	Medbringare.....		
42	VOE 11709145	1				O-ring.....	Joint Torique.....	O-Ring.....	Junta torica.....	O-ring.....		
43	VOE 11709144	1				Washer.....	Rondelle.....	Scheibe.....	Arandela.....	Bricka.....		
44	VOE 970827	1				Hexagon screw.....	Vis a tête hexagonale.....	Sechskantschr.....	Tornillo hexago.....	Sexkantsskruv.....		



1	11887381	<b>Sekundär axel</b> <b>Eje secundario</b> <b>Sekundärachse</b> <b>Arbre secondaire</b> <b>Secondary shaft</b>	Catalogue id	Group
2			<b>20124</b>	<b>421</b>
3			Illustr. No	Section
4			<b>1011574</b>	<b>350</b>
5			Issue	Page
	11891595		<b>VOE 63A9920124</b>	<b>251</b>

**VOLVO**

**BL61PLUS**

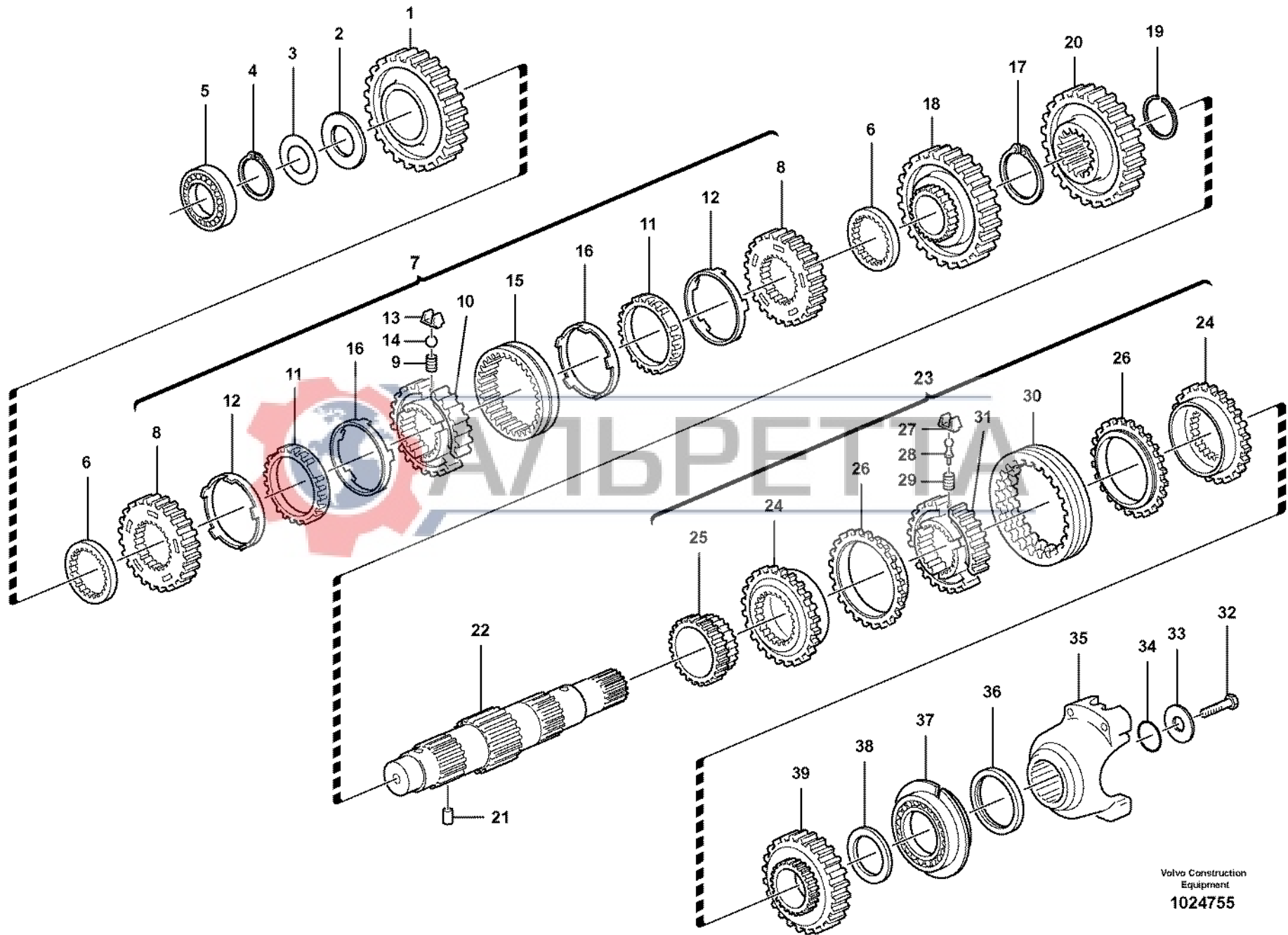


Fig.	Part No.	Quantity			P S	K I T	Description	Dénomination	Bezeichnung	Denominación	Benämning	Notes
		1	2	3								
1	VOE 11709107	1				Drive gear .....	Pignon.....	Triebrad.....	Pinon .....	Drev.....		
2	VOE 11709108	1				Thrust Washer .....	Rondelle Butee .....	Druckscheibe .....	Arandela Presio.....	Tryckbricka.....		
3	VOE 11709112	REQ				Adjuster washer .....	Rondelle ajust. ....	Passscheibe.....	Arandela ajust. ....	Justerbricka.....	THICK 0,05 MM	
3	VOE 11709113	REQ				Adjuster washer .....	Rondelle ajust. ....	Passscheibe.....	Arandela ajust. ....	Justerbricka.....	THICK 0,10 MM	
3	VOE 11709114	REQ				Adjuster washer .....	Rondelle ajust. ....	Passscheibe.....	Arandela ajust. ....	Justerbricka.....	THICK 0,30 MM	
3	VOE 11709115	REQ				Adjuster washer .....	Rondelle ajust. ....	Passscheibe.....	Arandela ajust. ....	Justerbricka.....	THICK 0,50 MM	
4	VOE 11709116	1				Snap Ring .....	Circlip .....	Nutring.....	Circlip .....	Spårring.....		
5	VOE 11709106	1				Bearing.....	Palier.....	Lager .....	Cojinete .....	Lager.....		
6	VOE 11709118	2				Spacer.....	Entretoise.....	Abstandkörper.....	Distanciador .....	Distans.....		
7	VOE 11709128	1				Kit.....	Jeu .....	Bausatz .....	Juego .....	Sats.....		
8	VOE 11709120	2				•Sync Cone .....	•Cone Synchro.....	•Synchronkegel.....	•Cono Sincroniz.....	•Synk.kona.....		
9	VOE 11709121	3				•Spring .....	•Ressort .....	•Feder.....	•Muelle .....	•Fjäder.....		
10	VOE 11709122	1				•Hub .....	•Bossage.....	•Nabe .....	•Asiento .....	•Nav.....		
11	VOE 11709123	2				•Cone .....	•Bague Interieu. ....	•Innenring.....	•Anillo Interior .....	•Innerring.....		
12	VOE 11709124	2				•Ring .....	•Anneau .....	•Ring.....	•Anillo .....	•Ring.....		
13	VOE 11709125	3				•Spring Plate.....	•Plaque Ressort.....	•Fed Spannplatte.....	•Placa Resorte .....	•Fjäderplatta.....		
14	VOE 11709126	3				•Ball.....	•Bille .....	•Kugel.....	•Bola .....	•Kula.....		
15	VOE 11709127	1				•Sleeve.....	•Douille.....	•Hülse.....	•Manguito .....	•Hylsa.....		
16	VOE 11709119	2				•Cone .....	•Bague Interieu. ....	•Innenring.....	•Anillo Interior .....	•Innerring.....		
17	VOE 11709131	1				Snap Ring .....	Circlip .....	Nutring.....	Circlip .....	Spårring.....		
18	VOE 11709130	1				Drive gear .....	Pignon.....	Triebrad.....	Pinon .....	Drev.....		
19	VOE 11709129	1				Snap Ring .....	Circlip .....	Nutring.....	Circlip .....	Spårring.....		
20	VOE 11716786	1				Drive Gear.....	Pignon.....	Triebrad.....	Pinon .....	Drivhjul.....		
21	VOE 11709095	1				Pin.....	Goupille.....	Stift .....	Pasador .....	Pinne.....		
22	VOE 11709134	1				Secondary Shaft .....	Arbr.secondaire.....	Sekundärwelle.....	Eje Secundario .....	Sekundäraxel.....		
23	VOE 11716672	1				Synchronizing Hub.....	Moyeu de synchronis. ....	Synchronisierungsk... ..	Cubo sincronizador .....	Synkroniseringsnav... ..		
24	VOE 11716666	2				•Clutch Ring .....	•Manchon Acoup.....	•Kupplungsring.....	•Anillo Embrague.....	•Kopplingsring.....		
25	VOE 11709135	1				•Drive gear .....	•Pignon.....	•Triebrad.....	•Pinon .....	•Drev.....		
26	VOE 11716668	2				•Synchronizing Cone ..	•Cone de synchronis. ..	•Synchronisierungsk... ..	•Cono sincronizador ...	•Synkroniseringskon... ..		
27	VOE 11709139	3				•Spring Plate.....	•Plaque Ressort.....	•Fed Spannplatte.....	•Placa Resorte .....	•Fjäderplatta.....		

1	11887380	<b>Sekundär axel</b> <b>Eje secundario</b> <b>Sekundärachse</b> <b>Arbre secondaire</b> <b>Secondary shaft</b>  <b>11891077, 11895023</b>	Catalogue id	Group
2			<b>20124</b>	<b>421</b>
3			Illustr. No	Section
4			<b>1024755</b>	<b>360</b>
5			Issue	Page
			<b>VOE 63A9920124</b>	<b>253</b>

**VOLVO**

**BL61PLUS**

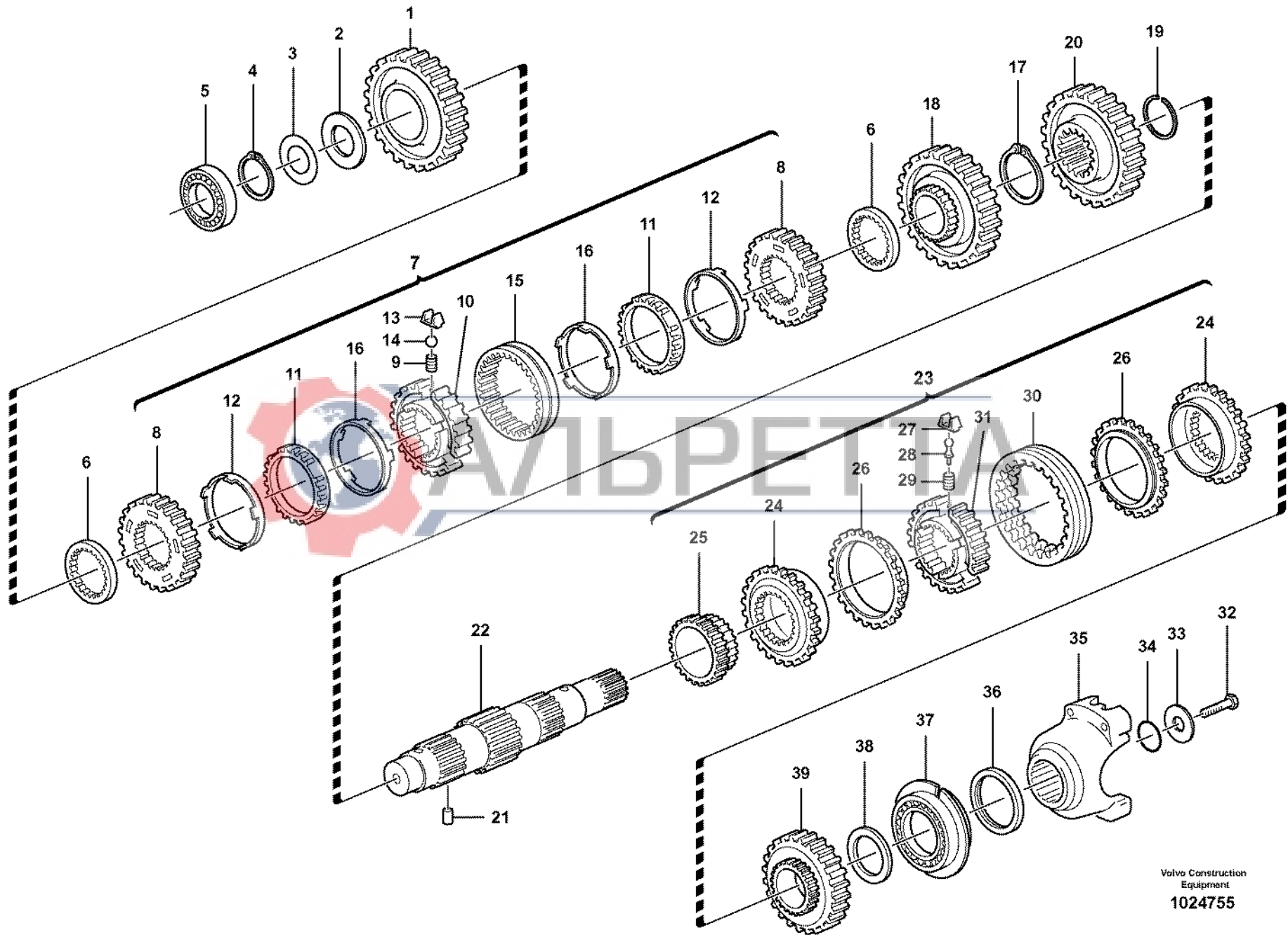


Fig.	Part No.	Quantity			P S	K I T	Description	Dénomination	Bezeichnung	Denominación	Benämning	Notes
		1	2	3								
28	VOE 11716669	3				•Ball.....	•Bille .....	•Kugel.....	•Bola .....	•Kula.....		
29	VOE 11716670	3				•Spring .....	•Ressort .....	•Feder.....	•Muelle .....	•Fjäder.....		
30	VOE 11716671	1				•Sleeve.....	•Manchon .....	•Muffe.....	•Manguito .....	•Muff.....		
31	VOE 11716667	1				•Hub .....	•Bossage.....	•Nabe .....	•Asiento .....	•Nav.....		
32	VOE 970827	1				Hexagon screw .....	Vis a tête hexagonale	Sechskantschr.....	Tornillo hexago.....	Sexkantsskruv.....		
33	VOE 11709144	1				Washer.....	Rondelle.....	Scheibe .....	Arandela.....	Bricka.....		
34	VOE 11709145	1				O-ring .....	Joint Torique .....	O-Ring .....	Junta torica.....	O-ring.....		
35	VOE 11709146	1				Flange .....	Bride.....	Flansch.....	Brida.....	Fläns.....		
36	VOE 11709133	1				Seal.....	Joint .....	Dichtring .....	Junta .....	Tätning.....		
37	VOE 11712472	1				Bearing.....	Palier.....	Lager .....	Cojinete .....	Lager.....		
38	VOE 11709080	1				Spacer Washer .....	Rond.entretoise.....	Abstandscheibe.....	Arandela Dist.....	Distansbricka.....		
39	VOE 11709150	1				Drive gear .....	Pignon.....	Triebrad.....	Pinon .....	Drev.....		

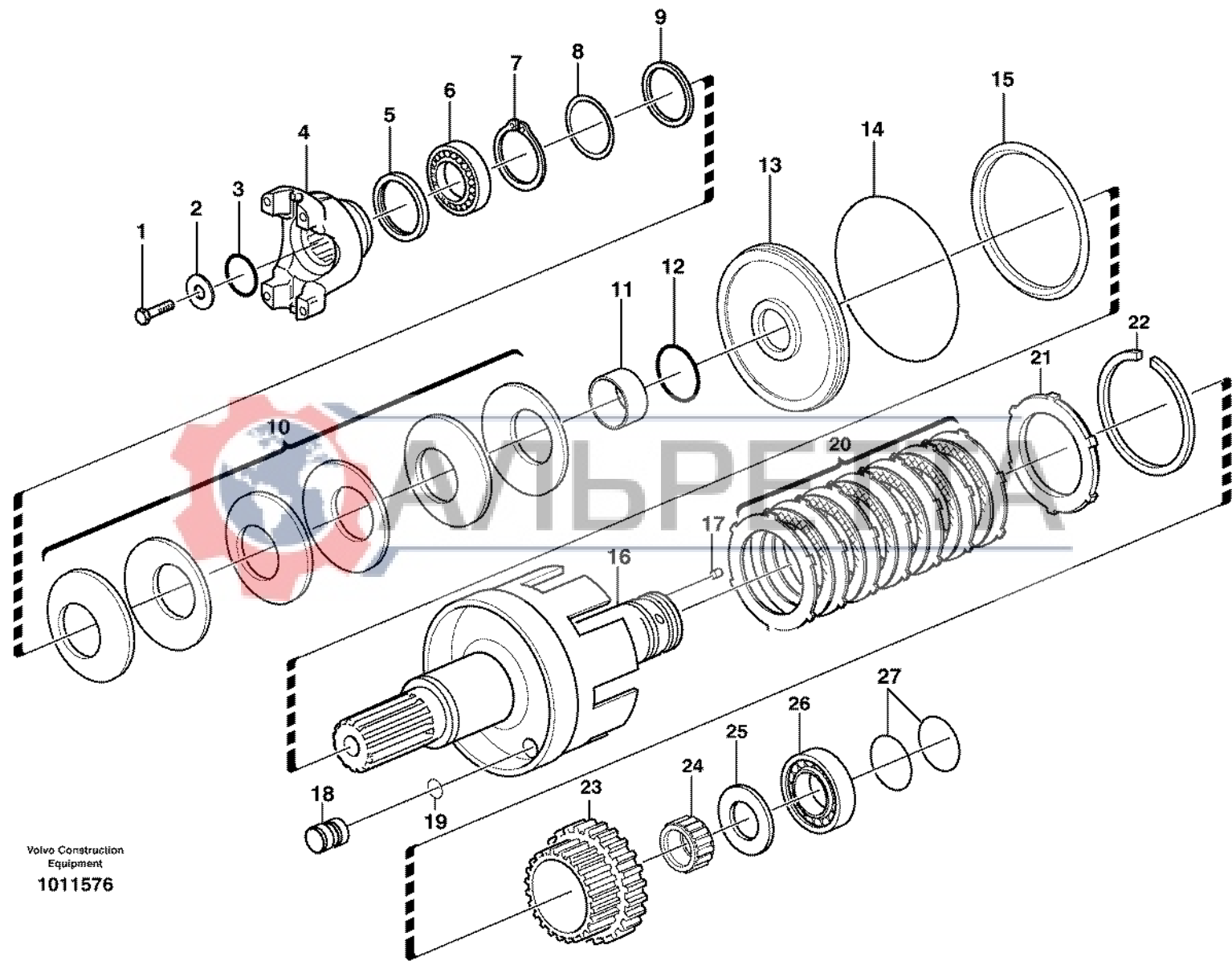


1	11887380	<b>Sekundär axel</b> <b>Eje secundario</b> <b>Sekundärachse</b> <b>Arbre secondaire</b> <b>Secondary shaft</b>	Catalogue id	Group
2			<b>20124</b>	<b>421</b>
3			Illustr. No	Section
4			<b>1024755</b>	<b>360</b>
5			Issue	Page
		<b>11891077, 11895023</b>	<b>VOE 63A9920124</b>	<b>255</b>

**VOLVO**

**BL61PLUS**





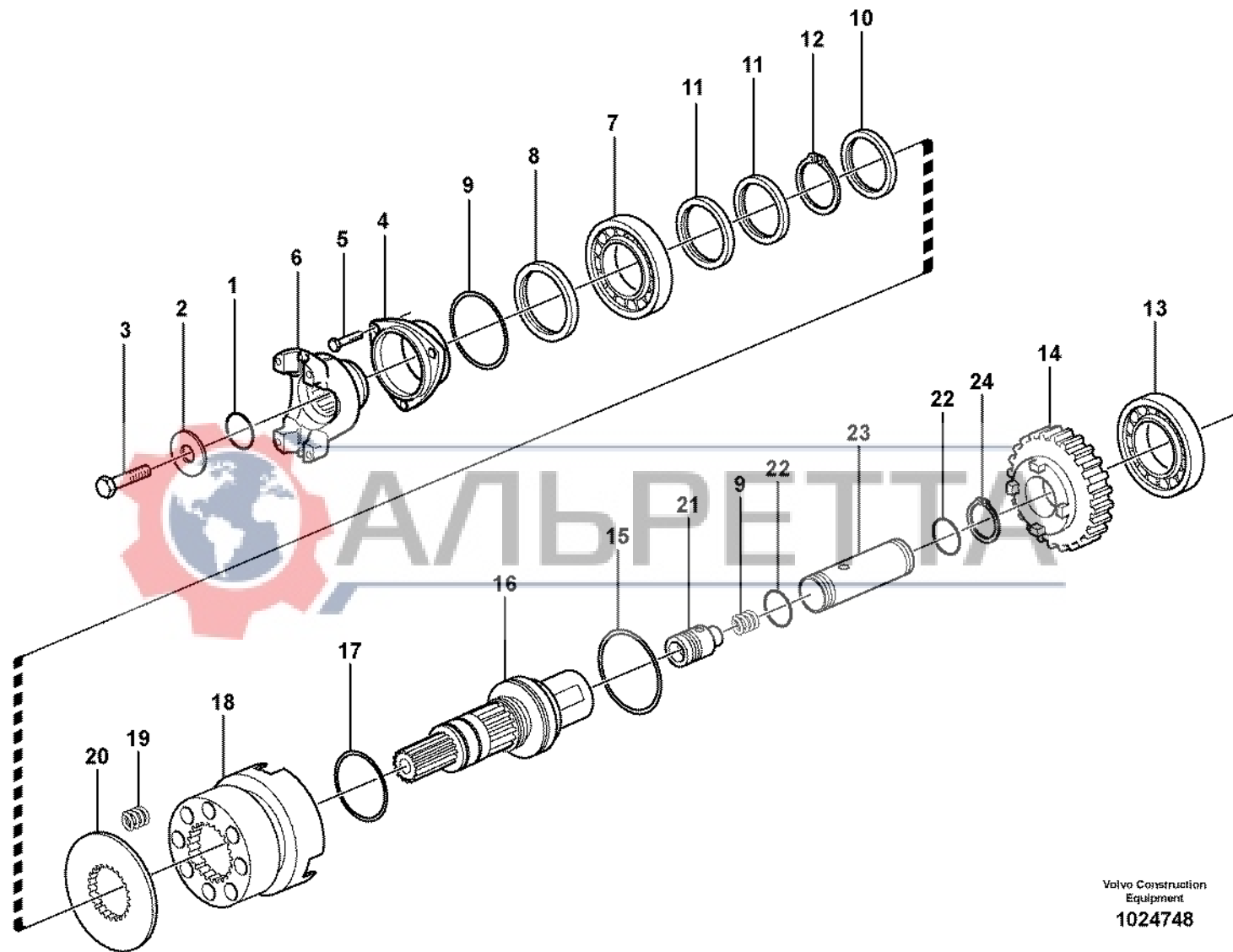
Volvo Construction  
Equipment  
1011576

Fig.	Part No.	Quantity			P S	K I T	Description	Dénomination	Bezeichnung	Denominación	Benämning	Notes
		1	2	3								
1	VOE 970827	1				Hexagon screw .....	Vis a tête hexagonale	Sechskantschr.....	Tornillo hexago.....	Sexkantsskruv.....		
2	VOE 11709144	1				Washer.....	Rondelle.....	Scheibe .....	Arandela.....	Bricka.....		
3	VOE 11709051	1				O-ring.....	Joint Torique .....	O-Ring.....	Junta torica.....	O-ring.....		
4	VOE 11716648	1				Companion flange.....	Flasque entrainemen	Antriebsflansch.....	Brida.....	Medbringare.....		
5	VOE 11709133	1				Seal.....	Joint .....	Dichtring .....	Junta .....	Tätning.....		
6	VOE 11712987	1				Bearing.....	Palier.....	Lager.....	Cojinete .....	Lager.....		
7	VOE 11709171	1				Snap Ring .....	Circlip .....	Nutring.....	Circlip .....	Spårring.....		
8	VOE 11709168 RQE					Shim.....	Cale réglage.....	Nachstellblech.....	Laminilla de ajuste .....	Justerbleck.....	THICK 0,1 MM	
	VOE 11709169 REQ					Shim.....	Cale réglage.....	Nachstellblech.....	Laminilla de ajuste .....	Justerbleck.....	THICK 0,3 MM	
	VOE 11709170 REQ					Shim.....	Cale réglage.....	Nachstellblech.....	Laminilla de ajuste .....	Justerbleck.....	THICK 0,5 MM	
9	VOE 11712988	1				Thrust Washer .....	Rondelle Butee .....	Druckscheibe .....	Arandela Presio.....	Tryckbricka.....		
10	VOE 11712989	6				Washer.....	Rondelle.....	Scheibe .....	Arandela.....	Bricka.....		
11	VOE 11712990	1				Sleeve.....	Douille.....	Hülse.....	Manguito .....	Hylsa.....		
12	VOE 11712991	1				O-ring.....	Joint Torique .....	O-Ring.....	Junta torica.....	O-ring.....		
13	VOE 11712992	1				Piston.....	Piston.....	Kolben.....	Piston .....	Kolv.....		
14	VOE 11712993	1				O-ring.....	Joint Torique .....	O-Ring.....	Junta torica.....	O-ring.....		
15	VOE 11712994	1				Brake Plate.....	Plaque Frein.....	Bremsplatte .....	Placa De Freno .....	Bromsplatta.....		
16	VOE 11716539	1				Shaft.....	Arbre.....	Welle.....	Arbol.....	Axel.....		
17	VOE 11712469	1				•Rivet.....	•Rivet.....	•Niet.....	•Remache.....	•Nit.....		
18	VOE 11712996	3				Pin.....	Goupille.....	Zapfen.....	Pasador.....	Tapp.....		
19	VOE 11988593	3				O-ring.....	Joint Torique .....	O-Ring.....	Junta torica.....	O-ring.....		
20	VOE 11712997	1				Disc Kit.....	Jeu Disques .....	Lamellensatz .....	Juego Frenos .....	Lamellsats.....		
21	VOE 11712998	1				Lock Ring.....	Anneau Verrouillage ..	Schlossring.....	Anillo Segurid .....	Låsring.....		
22	VOE 11712999	1				Lock Ring.....	Anneau Verrouillage ..	Schlossring.....	Anillo Segurid .....	Låsring.....		
23	VOE 11716647	1				Gear.....	Pignon.....	Zahnradgetriebe.....	Engranaje .....	Kuggdrev.....		
24	VOE 11709081	1				Needle Bearing .....	Roule.aiguilles.....	Nadellager.....	Cojinete Agujas .....	Nållager.....		
25	VOE 11709079	1				Spacer.....	Entretoise.....	Abstandkörper.....	Distanciador .....	Distans.....		
26	VOE 11709098	1				Bearing.....	Palier.....	Lager.....	Cojinete .....	Lager.....		
27	VOE 11709076	2				Sealing ring.....	Bague d'étanchéité .....	Runddichtring.....	Anillo reten .....	Tätningsring.....		

1	11887381	<b>Hydraulkoppling, 4-hjulsdrift</b> <b>Embragues, tracción 4 ruedas</b> <b>Kupplungen, 4-Radantrieb</b> <b>Embrayages, 4 roues motrices</b> <b>Hydraulic clutch, 4wd</b>	Catalogue id	Group
2			<b>20124</b>	<b>421</b>
3			Illustr. No	Section
4			<b>1011576</b>	<b>400</b>
5			Issue	Page
		<b>11891595</b>	<b>VOE 63A9920124</b>	<b>257</b>

**VOLVO**

**BL61PLUS**



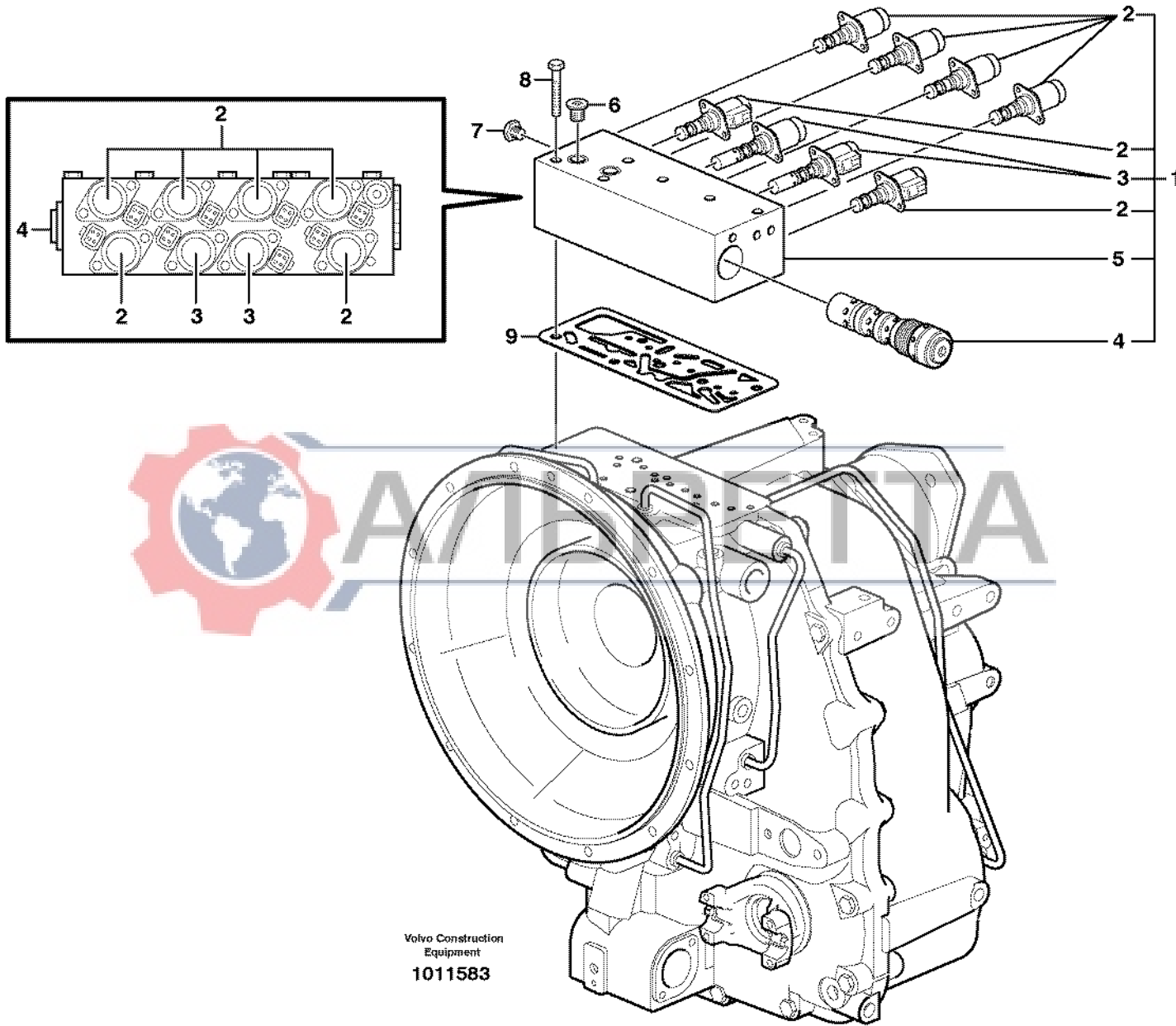
Volvo Construction  
Equipment  
1024748

Fig.	Part No.	Quantity			P S	K I T	Description	Dénomination	Bezeichnung	Denominación	Benämning	Notes
		1	2	3								
1	VOE 11709321	1				O-ring	Joint Torique	O-Ring	Junta torica	O-ring		
2	VOE 11716787	1				Washer	Rondelle	Scheibe	Arandela	Bricka		
3	VOE 970827	1				Hexagon screw	Vis a tête hexagonale	Sechskantschr	Tornillo hexago	Sexkantsskruv		
4	VOE 11716788	1				End plate	Flasque	Stirnwand	Extremo	Gavel		
5	VOE 955296	3				Hexagon screw	Vis tête hexagonale	Sechskantschraube	Tornillo hexago	Sexkantsskruv		
6	VOE 11716789	1				Flange	Flasque	Flansch	Brida	Fläns		
7	VOE 11709102	1				Bearing	Palier	Lager	Cojinete	Lager		
8	VOE 11716790	1				Seal	Joint	Dichtring	Junta	Tätning		
9	VOE 11716791	1				O-ring	Joint Torique	O-Ring	Junta torica	O-ring		
10	VOE 11709167	1				Shim	Cale réglage	Nachstellblech	Laminilla de ajuste	Justerbleck		
11	VOE 11709076	2				Sealing ring	Bague d'étanchéité	Runddichtring	Anillo reten	Tätningsring		
12	VOE 11709171	1				Snap Ring	Circlip	Nutring	Circlip	Spårring		
13	VOE 11709098	1				Bearing	Palier	Lager	Cojinete	Lager		
14	VOE 11716792	1				Drive Gear	Pignon	Triebrad	Pinon	Drivhjul		
15	VOE 11716793	1				O-ring	Joint Torique	O-Ring	Junta torica	O-ring		
16	VOE 11716794	1				Shaft	Arbre	Welle	Arbol	Axel		
17	VOE 11716795	2				O-ring	Joint Torique	O-Ring	Junta torica	O-ring		
18	VOE 11716796	1				Sleeve	Manchon	Muffe	Manguito	Muff		
19	VOE 11716797	9				Spring	Ressort	Feder	Muelle	Fjäder		
20	VOE 11716798	1				Spacer Washer	Rond entretoise	Abstandscheibe	Arandela Dist	Distansbricka		
21	VOE 11716799	1				Valve	Soupape	Ventil	Valvula	Ventil		
22	VOE 11716800	2				O-ring	Joint Torique	O-Ring	Junta torica	O-ring		
23	VOE 11716801	1				Cylinder	Verin	Zylinder	Cilindro	Cylinder		
24	VOE 11716802	1				Lock Ring	Anneau Verrouillage	Schlossring	Anillo Segurid	Låsring		

1	11887380	<b>Axel, fyrhjulsdrift</b> <b>Eje, tracción en cuatro ruedas</b> <b>Achse, Vierradantrieb</b> <b>Arbre, traction sur 4 roues</b> <b>Axle, four-wheel drive</b>	Catalogue id	Group
2			<b>20124</b>	<b>421</b>
3			Illustr. No	Section
4			<b>1024748</b>	<b>410</b>
5			Issue	Page
			<b>VOE 63A9920124</b>	<b>259</b>

**VOLVO**

**BL61PLUS**



Volvo Construction  
Equipment  
1011583

Fig.	Part No.	Quantity			P S	K I T	Description	Dénomination	Bezeichnung	Denominación	Benämning	Notes
		1	2	3								
1	VOE 11713003	1				Control valve .....	Valve controle .....	Steuerventil .....	Válvula control .....	Kontrollventil .....		
2	VOE 11716540	6				•Valve .....	•Soupape .....	•Ventil .....	•Valvula .....	•Ventil .....		
3	VOE 11716541	2				•Valve .....	•Soupape .....	•Ventil .....	•Valvula .....	•Ventil .....	(VOE 11713028)	
4	VOE 11888307	1				•Valve .....	•Soupape .....	•Ventil .....	•Valvula .....	•Ventil .....	(VOE 11713029)	
5		1			NS	•Valve Housing .....	•Carter Soupape .....	•Ventilgehäuse .....	•Cuerpo Valvula .....	•Ventilhus .....		
6	VOE 11709075	2				Plug .....	Bouchon .....	Stopfen .....	Tapon .....	Plugg .....		
7	VOE 11709200	3				Plug .....	Bouchon .....	Stopfen .....	Tapon .....	Plugg .....		
8	VOE 955306	6				Hexagon screw .....	Vis tête hexagonale ...	Sechskantschraube .....	Tornillo hexago .....	Sexkantsskruv .....		
9	VOE 11713004	1				Gasket .....	Joint .....	Dichtung .....	Junta .....	Packning .....		



1	11887381	<b>Kontrollventil</b> <b>Válvula de control</b> <b>Steuerventil</b> <b>Valve de contrôle</b> <b>Control valve</b>	Catalogue id	Group
2			<b>20124</b>	<b>421</b>
3			Illustr. No	Section
4			<b>1011583</b>	<b>450</b>
5		11891595	Issue	Page
			VOE 63A9920124	<b>261</b>

**VOLVO**

**BL61PLUS**

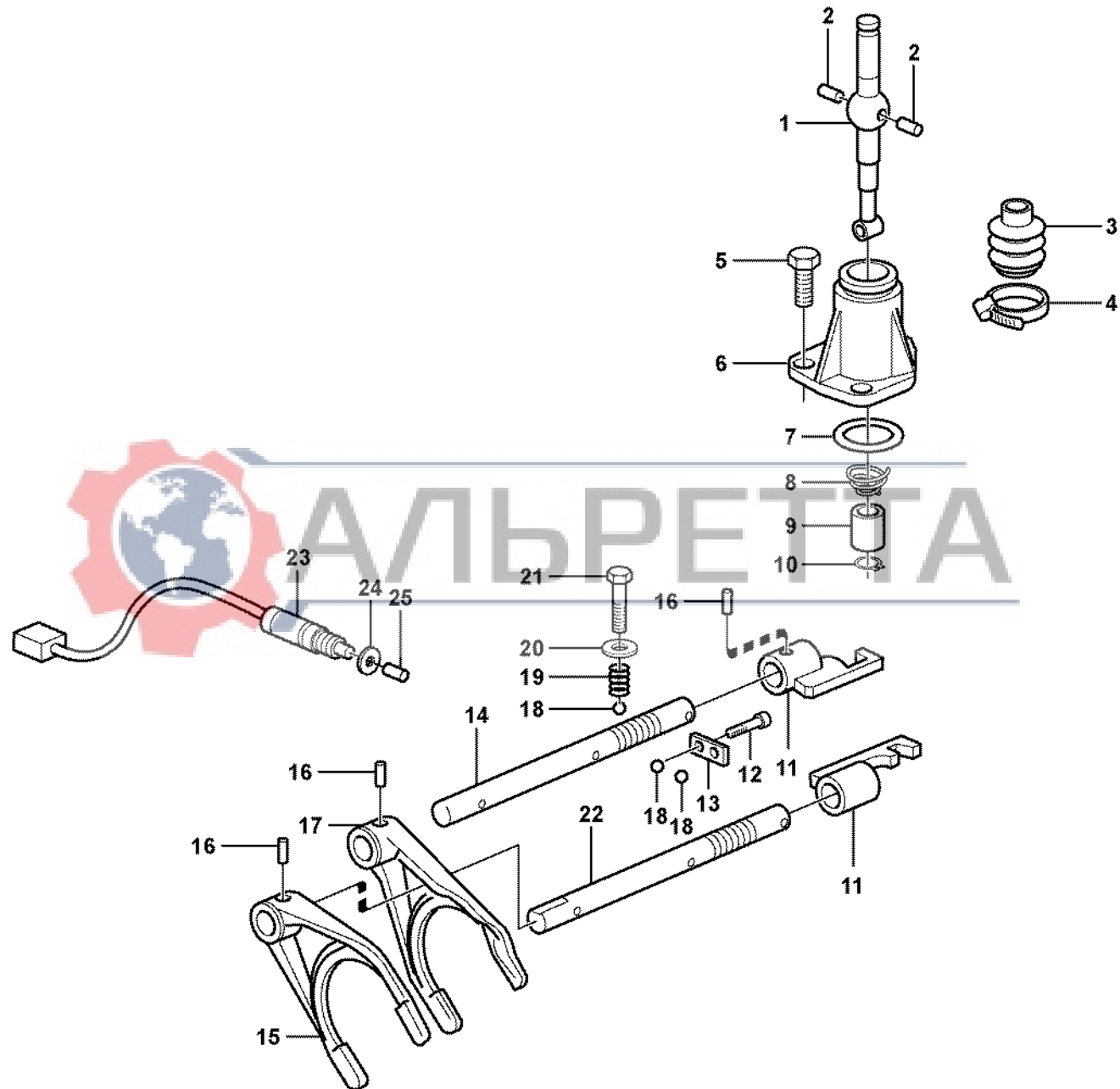


Fig.	Part No.	Quantity			P S	K I T	Description	Dénomination	Bezeichnung	Denominación	Benämning	Notes
		1	2	3								
1	VOE 11716673	1				Control Lever .....	Levier Commande.....	Bedienungshebel .....	Palanca Mando .....	Manöverspak .....		
2	VOE 11709180	2				Pin.....	Goupille.....	Stift.....	Pasador.....	Pinne.....		
3	VOE 11709181	1				Boot.....	Soufflet.....	Manschette.....	Proteccion .....	Damask.....		
4	VOE 11709182	1				Clamp.....	Collier serrage.....	Klemme .....	Abrazadera.....	Klamma.....		
5	VOE 955297	3				Hexagon screw .....	Vis tête hexagonale ...	Sechskantschraube....	Tornillo hexago.....	Sexkantsskruv.....		
6	VOE 11712473	1				Cover .....	Capot .....	Haube.....	Capo.....	Lock.....		
7	VOE 11709165	1				O-ring .....	Joint Torique .....	O-Ring .....	Junta torica.....	O-ring.....		
8	VOE 11709183	1				Spring.....	Ressort.....	Feder.....	Muelle.....	Fjäder.....		
9	VOE 11709184	1				Bushing .....	Bague.....	Buchse .....	Casquillo .....	Bussning.....		
10	VOE 11709185	1				Snap Ring .....	Circlip .....	Nutring.....	Circlip .....	Spårring.....		
11	VOE 11712474	2				Shift Yoke.....	Fourchette.....	Schaltgabel .....	Horquill Cambio.....	Skiftgaffel.....		
12	VOE 970803	2				Hexagon screw .....	Vis tête hexagonale ...	Sechskantschraube....	Tornillo hexago.....	Sexkantsskruv.....		
13	VOE 11712475	1				Plate.....	Plaque .....	Platte .....	Placa .....	Platta.....		
14	VOE 11716803	1				Shaft.....	Arbre .....	Welle .....	Arbol.....	Axel.....		
15	VOE 11712477	1				Shift Yoke.....	Fourchette.....	Schaltgabel .....	Horquill Cambio.....	Skiftgaffel.....		
16	VOE 11709189	4				Pin.....	Goupille.....	Stift.....	Pasador.....	Pinne.....		
17	VOE 11716674	1				Fork.....	Fourche .....	Gabel.....	Horquilla .....	Gaffel.....		
18	VOE 11709177	4				Ball.....	Bille .....	Kugel.....	Bola .....	Kula.....		
19	VOE 11709176	2				Spring.....	Ressort.....	Feder.....	Muelle.....	Fjäder.....		
20	VOE 11709174	3				Washer.....	Rondelle .....	Scheibe .....	Arandela .....	Bricka.....		
21	VOE 11709175	3				Screw.....	Vis .....	Schraube.....	Tornillo .....	Skruv.....		
22	VOE 11712476	1				Shift Rail.....	Coulisseau .....	Schaltchiene.....	Eje Cambio.....	Skiftaxel.....		
23	VOE 11712798	1				Sensor.....	Capteur .....	Geber .....	Captador .....	Givare.....		
24	VOE 11715354	1				O-ring .....	Joint Torique .....	O-Ring .....	Junta torica.....	O-ring.....		
25	VOE 11716804	1				Pin.....	Goupille.....	Zapfen .....	Pasador.....	Tapp.....		

1	11887380	<b>Växelmanövrering</b> <b>Maniobra de la caja de cambios</b> <b>Schaltbedienung</b> <b>Commande de changement de vitesse</b> <b>Gearshifting</b>	Catalogue id	Group
2			<b>20124</b>	<b>421</b>
3			Illustr. No	Section
4			<b>1024750</b>	<b>460</b>
5			Issue	Page
			<b>VOE 63A9920124</b>	<b>263</b>
			<b>11891077, 11895023</b>	

**VOLVO**

**BL61PLUS**



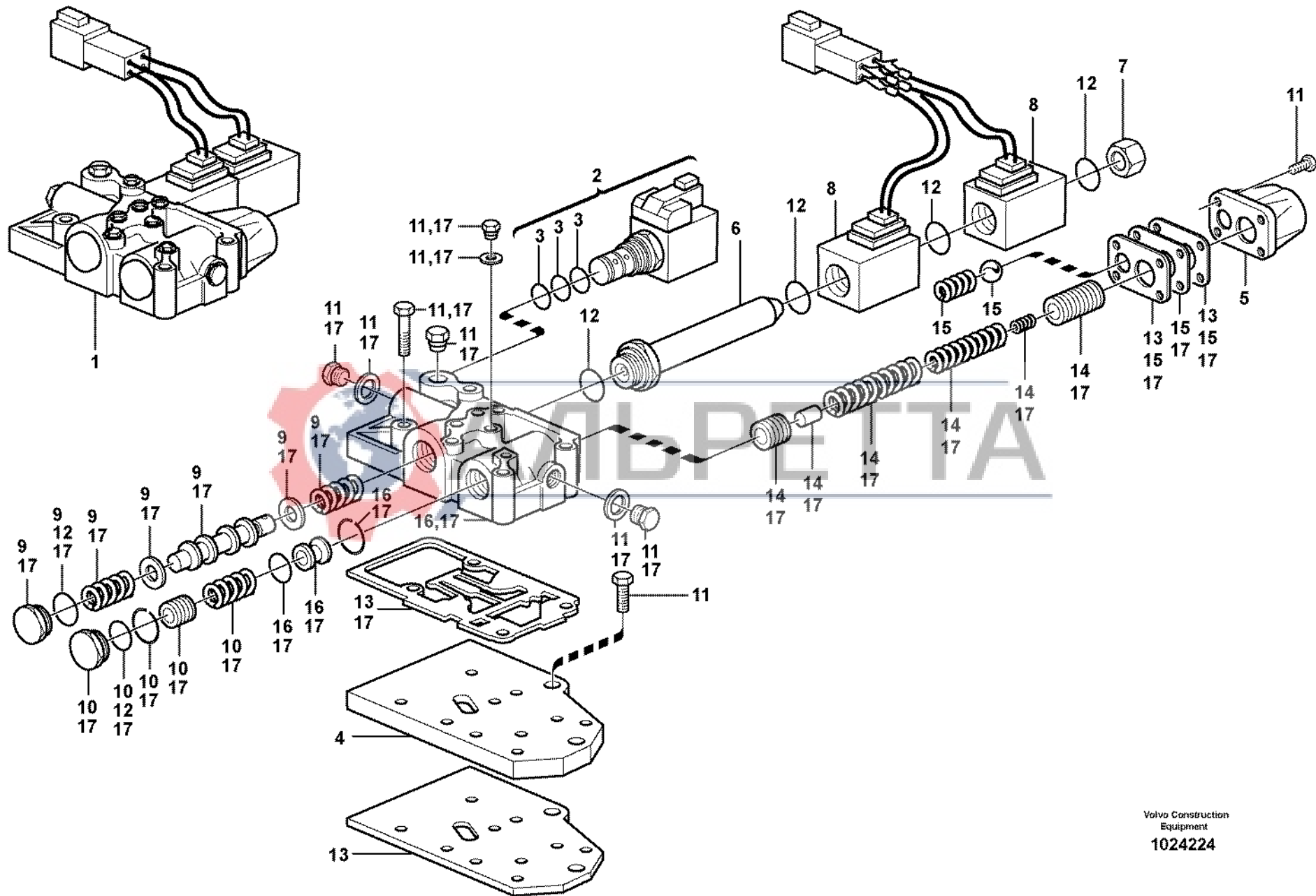


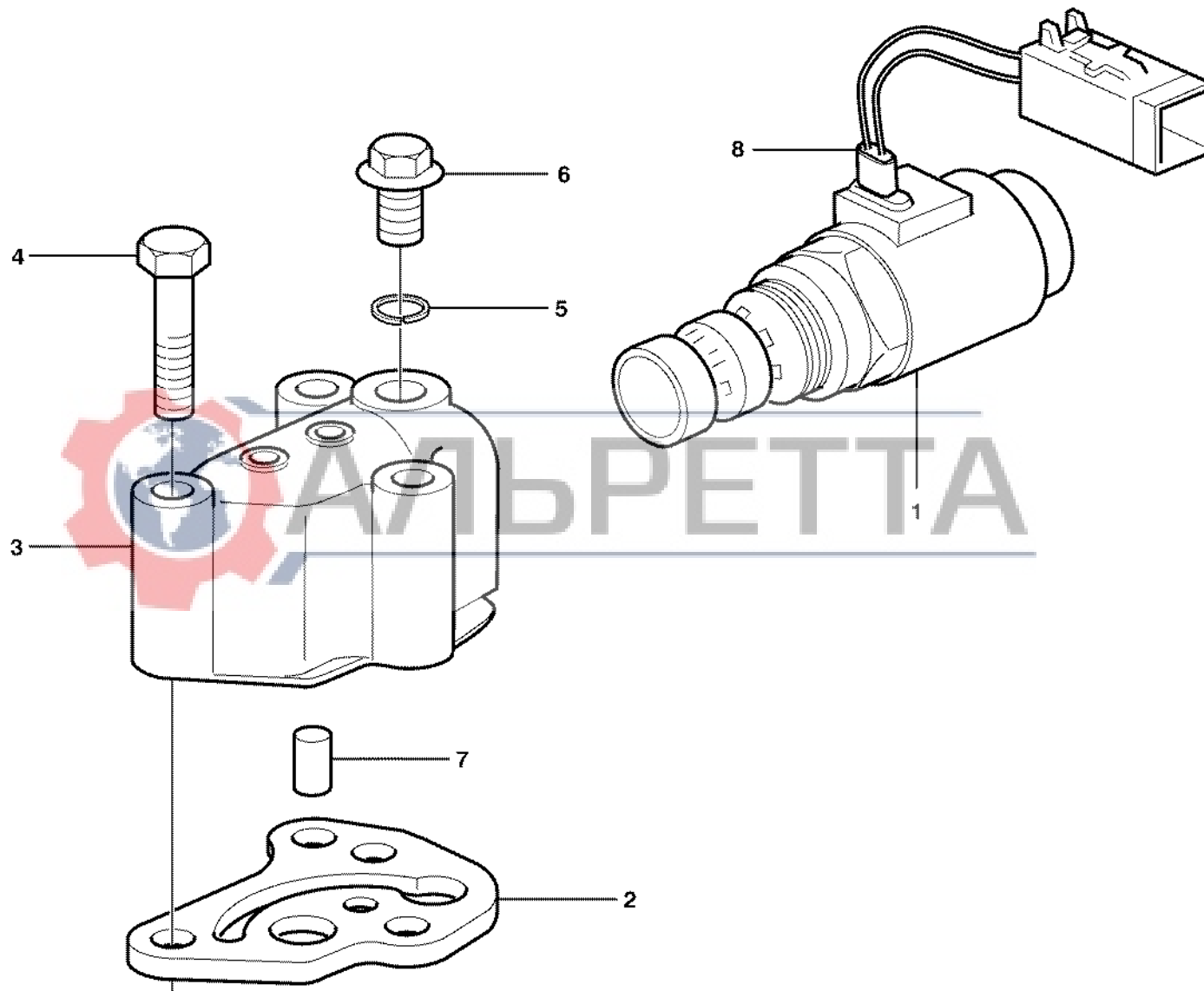
Fig.	Part No.	Quantity			P S	K I T	Description	Dénomination	Bezeichnung	Denominación	Benämning	Notes
		1	2	3								
1	VOE 11716675	1				Control valve .....	Valve controle .....	Steuerventil .....	Válvula control .....	Kontrollventil .....		
2	VOE 11709196	1				•Valve .....	•Soupape .....	•Ventil .....	•Valvula .....	•Ventil .....		
3	VOE 11709197	1				••O-ring Kit .....	••Jeu Join.toriq. ....	••O-ringsatz .....	••Jueg Anil Toric .....	••O-ringsats .....		
4	VOE 11716676	1				•Plate .....	•Plaque .....	•Platte .....	•Placa .....	•Platta .....		
5	VOE 11709222	1				•Cover .....	•Couvercle .....	•Deckel .....	•Tapa .....	•Lock .....		
6	VOE 11709231	1				•Pipe .....	•Canalisation .....	•Rohrleitung .....	•Canalizacion .....	•Rör .....		
7	VOE 11716677	1				•Plug .....	•Bouchon .....	•Stopfen .....	•Tapon .....	•Plugg .....		
8	VOE 11716678	2				•Valve .....	•Soupape .....	•Ventil .....	•Valvula .....	•Ventil .....		
9	VOE 11716679	1				•Slide .....	•Tiroir .....	•Schieber .....	•Corredera .....	•Slid .....		
10	VOE 11716680	1				•Piston Kit .....	•Jeu Pistons .....	•Kolbensatz .....	•Juego Piston .....	•Kolvsats .....		
11	VOE 11716681	1				•Screw Kit .....	•Kit Vis .....	•Schraubensatz .....	•Juego Tornillos .....	•Skruvsats .....		
12	VOE 11716682	1				•Sealing Kit .....	•Jeu Joints .....	•Dichtungssatz .....	•Juego Retenes .....	•Tätningssats .....		
13	VOE 11716683	1				•Gasket Kit .....	•Kit Joints .....	•Dichtungssatz .....	•Juego Juntas .....	•Packningsats .....		
14	VOE 11716684	1				•Valve Kit .....	•Kit valve .....	•Ventilsatz .....	•Juego Valvula .....	•Ventilsats .....		
15	VOE 11716685	1				•Plate .....	•Plaque .....	•Platte .....	•Placa .....	•Platta .....		
16	VOE 11716686	1				•Valve Kit .....	•Kit valve .....	•Ventilsatz .....	•Juego Valvula .....	•Ventilsats .....		
17	VOE 11716687	1				•Valve Kit .....	•Kit valve .....	•Ventilsatz .....	•Juego Valvula .....	•Ventilsats .....		



1	11897380	<b>Växelväljarventil</b> <b>Válvula selectora de gama</b> <b>Getriebewählerventil</b> <b>Soupape sélectrice vitesse</b> <b>Range selector valve</b>	Catalogue id	Group
2			<b>20124</b>	<b>421</b>
3			Illustr. No	Section
4			<b>1024224</b>	<b>525</b>
5			Issue	Page
			<b>VOE 63A9920124</b>	<b>265</b>
			<b>11891077, 11895023</b>	

**VOLVO**

**BL61PLUS**



Volvo Construction  
Equipment  
1000817

Fig.	Part No.	Quantity			P S	K I T	Description	Dénomination	Bezeichnung	Denominación	Benämning	Notes
		1	2	3								
1	VOE 11709232	1					Solinoid valve.....	Vannr electrom.....	Magnetventil.....	Electrovalvula.....	Magnetventil.....	
2	VOE 11709233	1					Gasket.....	Joint.....	Dichtung.....	Junta.....	Packning.....	
3	VOE 11709234	1					Valve Housing.....	Carter Soupape.....	Ventilgehäuse.....	Cuerpo Valvula.....	Ventilhus.....	
4	VOE 955302	3					Hexagon screw.....	Vis tête hexagonale ...	Sechskantschraube....	Tornillo hexago.....	Sexkantsskruv.....	
5	VOE 11709199	1					Washer.....	Rondelle.....	Scheibe.....	Arandela.....	Bricka.....	
6	VOE 11709061	1					Plug.....	Bouchon.....	Stopfen.....	Tapon.....	Plugg.....	
7	VOE 11709235	1					Pin.....	Goupille.....	Zapfen.....	Pasador.....	Tapp.....	
8	VOE 11709236	1					Protective sleeve.....	Manchon de protectio	Schutzhülle.....	Manguito de protecci..	Skyddshylsa.....	



1	11897380	<b>Magnetventil 4-hjulsdrift</b> <b>Válvula solenoide, tracción 4 ruedas</b> <b>Magnetventil 4-Radantrieb</b> <b>Electrovalve 4 roues motrices</b> <b>Solenoid valve 4wd</b>	Catalogue id	Group
2			<b>20124</b>	<b>421</b>
3			Illustr. No	Section
4			<b>1000817</b>	<b>550</b>
5			Issue	Page
			<b>VOE 63A9920124</b>	<b>267</b>
			<b>11891077, 11895023</b>	

**VOLVO**

**BL61PLUS**

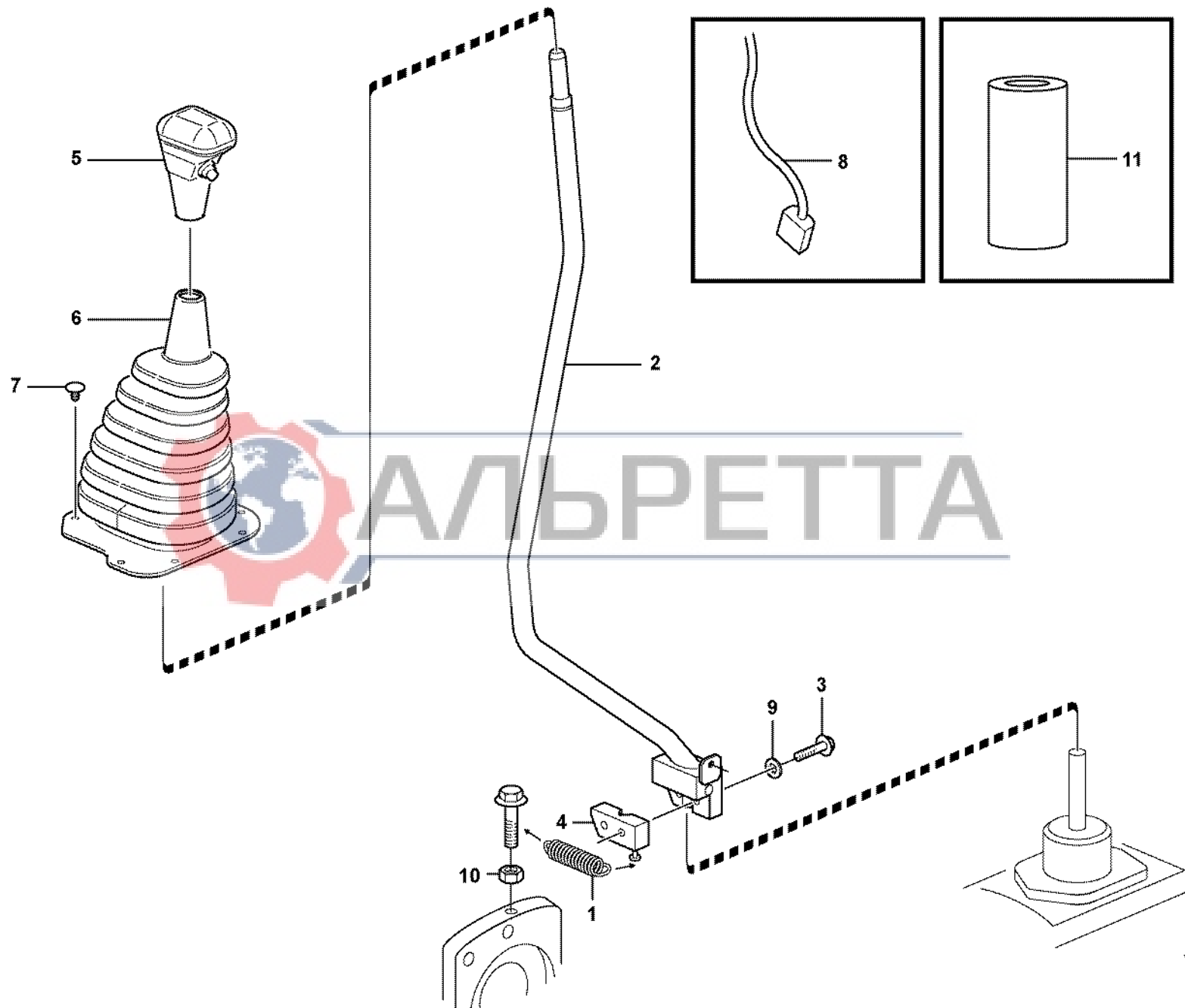


Fig.	Part No.	Quantity			P S	K I T	Description	Dénomination	Bezeichnung	Denominación	Benämning	Notes
		1	2	3								
1	VOE 11882592	1					Spring.....	Ressort.....	Feder.....	Muelle.....	Fjäder.....	
2	VOE 11888014	1					Lever.....	Levier.....	Hebel.....	Palanca.....	Spak.....	
3	VOE 13947760	3					Flange screw.....	Vis à bride.....	Flanschschraube.....	Torn embridado.....	Flänsskruv.....	
4	VOE 11888694	1					Clamp.....	Pince Serrage.....	Klemme.....	Abrazadera.....	Klämna.....	
5	VOE 11881034	1					Knob.....	Bouton.....	Knauf.....	Boton.....	Knopp.....	
6	VOE 11881432	1					Bellows.....	Soufflet.....	Balg.....	Fuelle.....	Bälg.....	
7	VOE 11881360	7					Retainer.....	Retenue.....	Halter.....	Soporte.....	Hållare.....	
8	VOE 11884021	1					Cable harness.....	Faisceau cables.....	Kabelbaum.....	Manejo cables.....	Ledningsmatta.....	
9	VOE 942767	2					Toothed Washer.....	Rondelle Dentee.....	Zahnscheibe.....	Arandela Dentad.....	Tandbricka.....	
10	VOE 13945408	1					Nut.....	Ecrou.....	Mutter.....	Tuerca.....	Mutter.....	
11	VOE 11888693	1					Bushing.....	Bague.....	Buchse.....	Casquillo.....	Bussning.....	



1	<b>Växelväljare, 4-hjulsdrift</b> <b>Selector velocidad, tracción 4 ruedas</b> <b>Wählschalter, 4-Radantrieb</b> <b>Sélecteur de vitesse, 4 roues motrices</b> <b>Gear selector, 4-wheel drive</b>	Catalogue id	Group
2		<b>20124</b>	<b>424</b>
3		Illustr. No	Section
4		<b>1026993</b>	<b>100</b>
5		Issue	Page
	<b>11891077, 11895023</b>	<b>VOE 63A9920124</b>	<b>269</b>

**VOLVO**

**BL61PLUS**

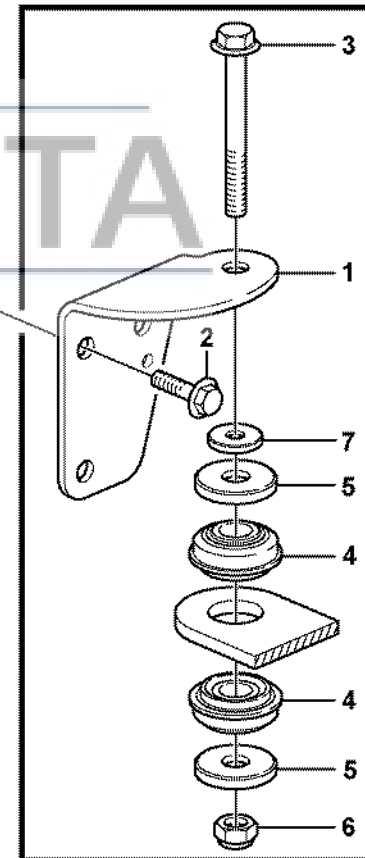
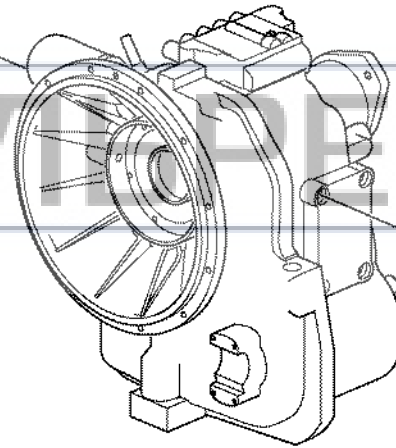
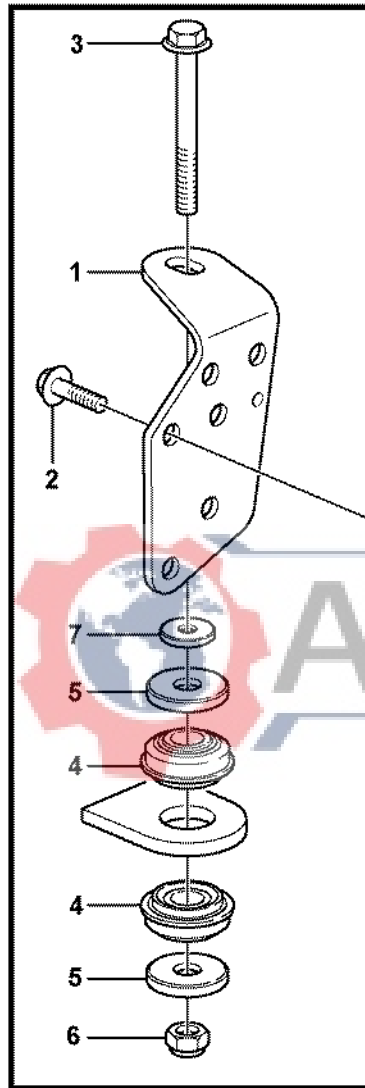


Fig.	Part No.	Quantity			P S	K I T	Description	Dénomination	Bezeichnung	Denominación	Benämning	Notes
		1	2	3								
1	VOE 11884722	1					Transmission Mounti.. Montage de la transm	Getriebe Einbau .....	Soporte de la transmi.	Växellådsfäste.....	LH	
1	VOE 11885976	1					Transmission Mounti.. Montage de la transm	Getriebe Einbau .....	Soporte de la transmi.	Växellådsfäste.....	RH	
1	VOE 11885976		2				Transmission Mounti.. Montage de la transm	Getriebe Einbau .....	Soporte de la transmi.	Växellådsfäste.....		
2	VOE 13965191	6	6				Flange screw..... Vis à bride .....	Flanschschraube.....	Torn embridado .....	Flänsskruv.....		
3	VOE 968593	2	2				Flange screw..... Vis à bride .....	Flanschschraube.....	Torn embridado .....	Flänsskruv.....		
4	VOE 11884790	4	4				Vibration damper..... Amort.vibration .....	Schwingdämpfer .....	Amortig vibrac .....	Svängningsdämpare..		
5	VOE 11884792	4	4				Washer..... Rondelle .....	Scheibe .....	Arandela .....	Bricka.....		
6	VOE 13963110	2	2				Lock nut .....	Contre-ecrou .....	Sicherungsmutter .....	Contratuerca .....	Låsmutter.....	
7	VOE 11884725	1	2				Washer..... Rondelle .....	Scheibe .....	Arandela .....	Bricka.....	RH	

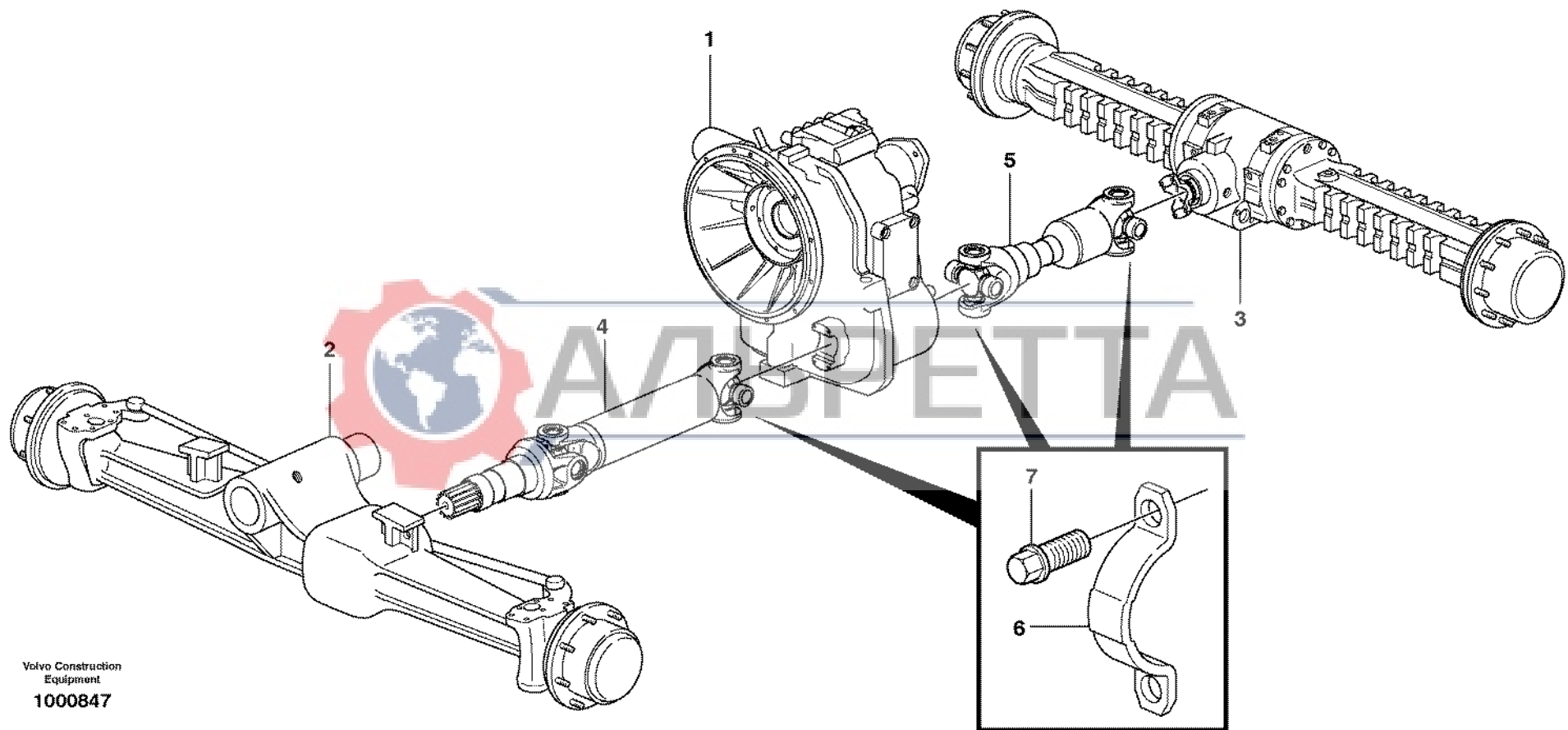


1	11891077, 11895023	<b>Växellådsupphängning</b> <b>Suspensión de la caja de cambios</b> <b>Getriebeaufhängung</b> <b>Suspension boîte vitesses</b> <b>Gear box housing with fitting parts</b>	Catalogue id	Group
2	11891595		<b>20124</b>	<b>436</b>
3			Illustr. No	Section
4			<b>1027859</b>	<b>100</b>
5			Issue	Page
			VOE 63A9920124	<b>271</b>

**VOLVO**

**BL61PLUS**





Volvo Construction  
Equipment  
1000847

Fig.	Part No.	Quantity			P S	K I T	Description	Dénomination	Bezeichnung	Denominación	Benämning	Notes
		1	2	3								
1		1				Transmission.....	Transmission.....	Getriebe .....	Transmision.....	Transmission.....	See group 420, Page 225	
2		1				Front axle.....	Pont avant.....	Vorderachse.....	Eje delantero.....	Framaxel.....	See group 460, Page 277	
3		1				Rear axle.....	Essieu AR .....	Hinterachse .....	Eje posterior .....	Bakaxel.....	See group 460, Page 277	
4		1				Drive Shaft .....	Arbre transmission .....	Antriebswelle .....	Arbol de cde .....	Drivaxel.....	See group 451, Page 275	
5		1				Drive Shaft .....	Arbre transmission .....	Antriebswelle .....	Arbol de cde .....	Drivaxel.....	See group 451, Page 275	
6		6				Brace.....	Etrier .....	Bügel.....	Brida.....	Bygel.....	See group 451, Page 275	
7		12				Screw.....	Vis .....	Schraube.....	Tornillo .....	Skruv.....	See group 451, Page 275	

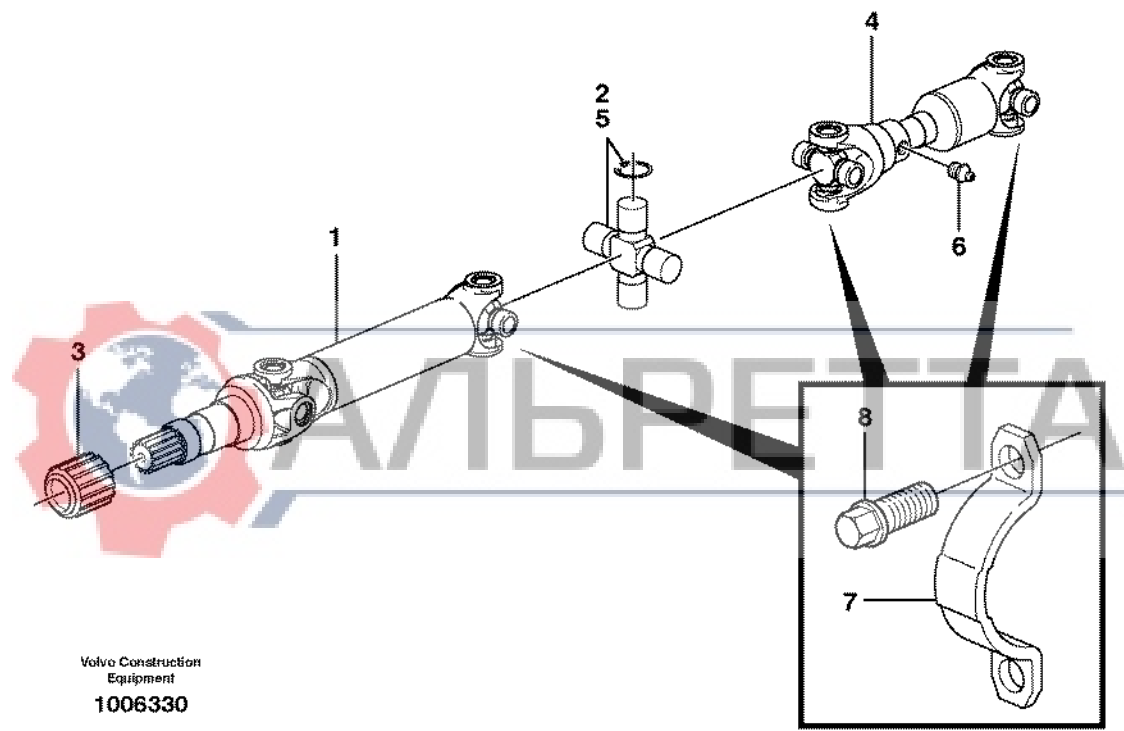


1		<b>Kardanaxlar, montering</b> <b>Ejes cardán con accesorios de montaje</b> <b>Gelenkwellen mit Anbauteilen</b> <b>Arbres de transmission avec pièces de montage</b> <b>Propeller shaft, mounting</b>	Catalogue id	Group
2			<b>20124</b>	<b>451</b>
3			Illustr. No	Section
4			<b>1000847</b>	<b>100</b>
5			Issue	Page
			<b>VOE 63A9920124</b>	<b>273</b>

**VOLVO**

**BL61PLUS**





Volvo Construction  
Equipment  
1006330

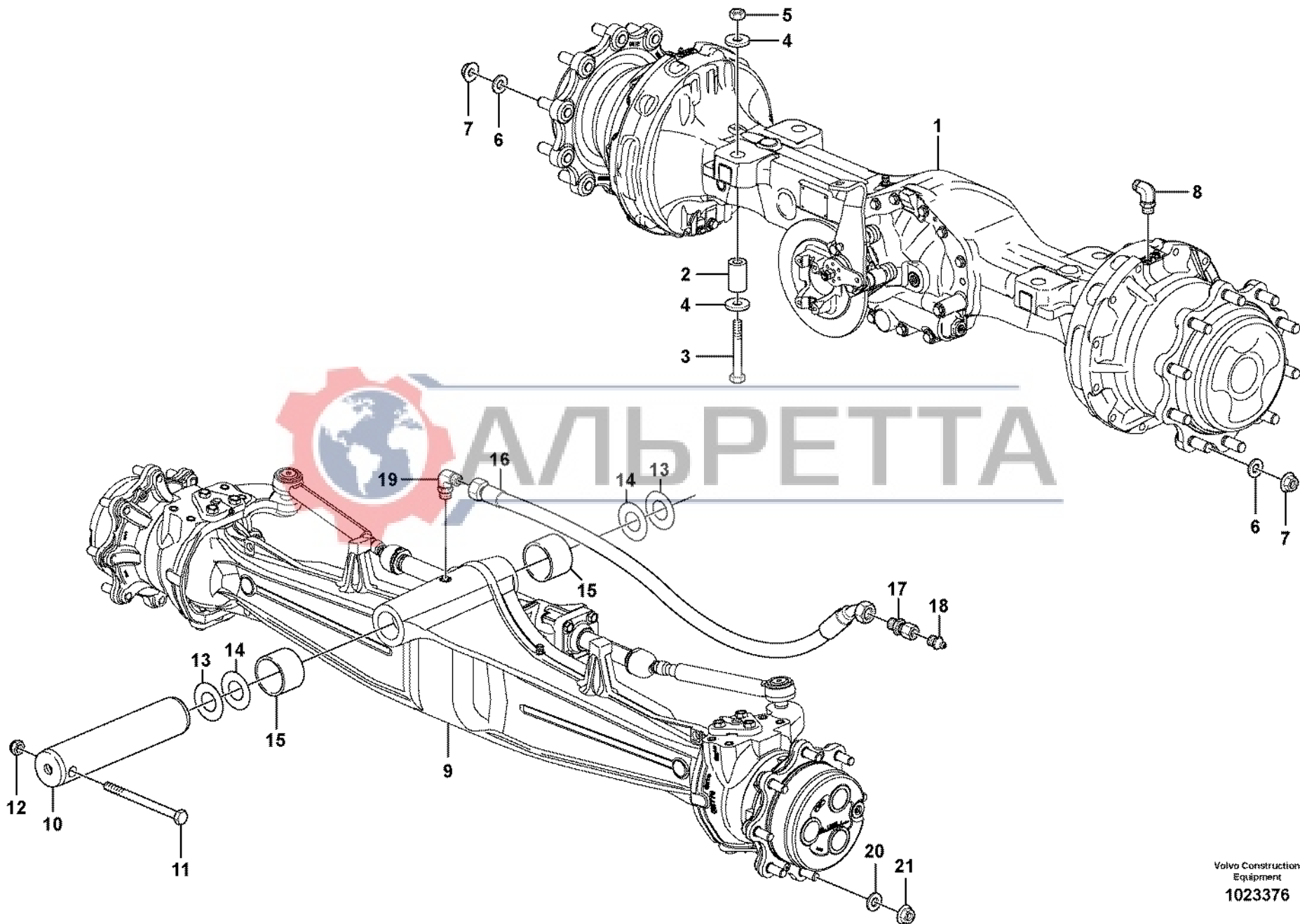
Fig.	Part No.	Quantity			P S	K I T	Description	Dénomination	Bezeichnung	Denominación	Benämning	Notes
		1	2	3								
1	VOE 11886355	1				Drive Shaft .....	Arbre transmission .....	Antriebswelle .....	Arbol de cde .....	Drivaxel.....	FRONT	
2	VOE 11716650	2				•Spider .....	•Croisillon .....	•Kreuzstück .....	•Cruceta .....	•Kors.....		
3		1			NS	•Dust Cap.....	•Cache poussiere.....	•Staubkappe.....	•Guardapolvo .....	•Dammskydd.....		
4	VOE 11888492	1				Driveshaft.....	Arbre Helice .....	Propellerwelle.....	Arbol Transm.....	Propelleraxel.....	REAR	
5	VOE 11716650	2				•Spider .....	•Croisillon .....	•Kreuzstück .....	•Cruceta .....	•Kors.....		
6	VOE 11988505	1				•Lub Nipple .....	•Graisseur .....	•Schmiernippel .....	•Engrasador .....	•Smörjnippel.....		
7	VOE 11003139	6				Brace.....	Etrier .....	Bügel.....	Brida.....	Bygel.....		
8	VOE 11003138	12				Screw.....	Vis .....	Schraube.....	Tornillo .....	Skruv.....		



1	<b>Kardanaxel</b> <b>Ejes cardán</b> <b>Gelenkwelle</b> <b>Arbre à cardans</b> <b>Propeller shaft</b>	Catalogue id	Group
2		<b>20124</b>	<b>451</b>
3		Illustr. No	Section
4		<b>1006330</b>	<b>150</b>
5		Issue	Page
		<b>VOE 63A9920124</b>	<b>275</b>
		<b>11891077, 11891595, 11895023</b>	

**VOLVO**

**BL61PLUS**



АЛЬРЕТТА

Fig.	Part No.	Quantity			P S	K T	Description	Dénomination	Bezeichnung	Denominación	Benämning	Notes
		1	2	3								
1	VOE 11887363	1					Rear axle.....	Essieu AR .....	Hinterachse .....	Eje posterior .....	Bakaxel.....	See group 463, Page 301
2	VOE 11887622	4					Spacer.....	Entretoise .....	Abstandstueck.....	Casquillo distanciad .....	Distans.....	
3	VOE 983695	4					Hexagon screw .....	Vis tête hexagonale .....	Sechskantschraube.....	Tornillo hexago.....	Sexkantsskruv.....	
5	VOE 980521	4					Nut .....	Ecrou.....	Mutter .....	Tuerca .....	Mutter.....	
4	VOE 14376982	4					Washer.....	Rondelle .....	Scheibe .....	Arandela.....	Bricka.....	
6	VOE 11881212	20					Washer.....	Rondelle .....	Scheibe .....	Arandela.....	Bricka.....	
7	VOE 11881210	20					Nut .....	Ecrou.....	Mutter .....	Tuerca .....	Mutter.....	
8	VOE 13933857	2					Elbow Nipple.....	Raccord angulaire.....	Winkelnippel.....	Niple Angular.....	V-nippel.....	
	VOE 990739	1					•O-ring.....	•Joint Torique .....	•O-Ring.....	•Junta torica .....	•O-ring.....	
	VOE 932039	1					•O-ring.....	•Joint Torique .....	•O-Ring.....	•Junta torica .....	•O-ring.....	
9	VOE 11887361	1					Front axle.....	Pont avant.....	Vorderachse.....	Eje delantero .....	Framaxel.....	See group 461, Page 279
9	VOE 11887362		1				Front axle.....	Pont avant.....	Vorderachse.....	Eje delantero .....	Framaxel.....	See group 461, Page 281
10	VOE 11888936		1	1			Pin.....	Goupille.....	Zapfen.....	Pasador.....	Tapp.....	
11	VOE 970890		1	1			Hexagon screw .....	Vis a tête hexagonale .....	Sechskantschr.....	Tornillo hexago.....	Sexkantsskruv.....	
12	VOE 981314		1	1			Lock nut .....	Contre-ecrou .....	Sicherungsmutter .....	Contratuerca .....	Låsmutter.....	
13	VOE 11888496		2	2			Shim.....	Cale d'épaisseur .....	Passscheibe.....	Arandela Ajuste .....	Passbricka.....	51X110X3 MM
14	VOE 11888497	REQ	REQ				Shim.....	Cale d'épaisseur .....	Passscheibe.....	Arandela Ajuste .....	Passbricka.....	51X110X1 MM
15			2	2			Bushing.....	Bague.....	Buchse .....	Casquillo .....	Bussning.....	See group 461, Page
			2	2			Bushing.....	Bague.....	Buchse .....	Casquillo .....	Bussning.....	See group 461, Page 281
16	VOE 11888494		1	1			Hose.....	Durit .....	Schlauch .....	Tube flexible .....	Slang.....	
17	VOE 11888495		1	1			Union.....	Teton Connexion.....	Anschlussnippel .....	Niple Conexcion.....	Anslutn.nippel.....	
18	VOE 914167		1	1			Nipple.....	Raccord.....	Nippel.....	Niple .....	Nippel.....	
19	VOE 935067		1	1			Elbow nipple.....	Raccord angulaire.....	Winkelnippel.....	Niple angular .....	Vinkelnippel.....	
	VOE 991618		1	1			•O-ring.....	•Joint Torique .....	•O-Ring.....	•Junta torica .....	•O-ring.....	
	VOE 990736		1	1			•O-ring.....	•Joint Torique .....	•O-Ring.....	•Junta torica .....	•O-ring.....	
20	VOE 11881213		16	16			Washer.....	Rondelle .....	Scheibe .....	Arandela.....	Bricka.....	
21	VOE 11881211		16	16			Nut .....	Ecrou.....	Mutter .....	Tuerca .....	Mutter.....	

1	11887363	<b>Planetaxlar med monteringsdetaljer</b> <b>Ejes planetarios con accesorios de montaje</b> <b>Planetenwellen mit Anbauteilen</b> <b>Train planétaire avec pièces de montage</b> <b>Planet axles with fitting parts</b>	Catalogue id	Group
2	11887361		<b>20124</b>	<b>460</b>
3	11887362		Illustr. No	Section
4			<b>1023376</b>	<b>150</b>
5			Issue	Page
			<b>VOE 63A9920124</b>	<b>277</b>

**VOLVO**

**BL61PLUS**

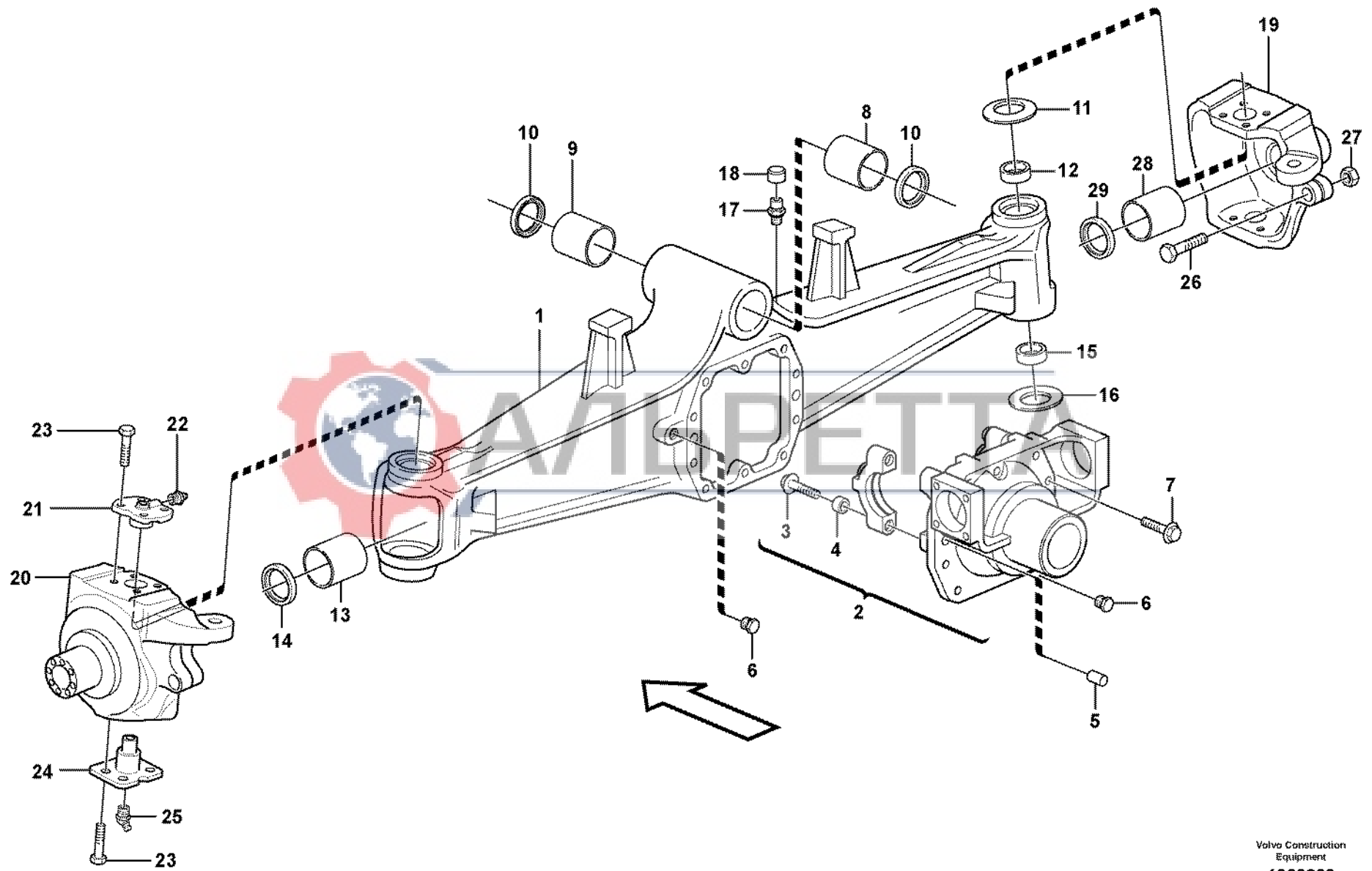


Fig.	Part No.	Quantity			P S	K I T	Description	Dénomination	Bezeichnung	Denominación	Benämning	Notes
		1	2	3								
	VOE 11887361	1					Front axle.....	Pont avant.....	Vorderachse.....	Eje delantero.....	Framaxel.....	
1	VOE 11716715	1					•Axle Casing.....	•Boite Essieu.....	•Achsgehäuse.....	•Carter Eje.....	•Axelkåpa.....	
2	VOE 11716712	1					••Differential Housing.....	••Carter de différentiel.....	••Differentialgehäuse.....	••Cárter de diferencial.....	••Differentialhus.....	
3	VOE 11709407	4					••Screw.....	••Vis.....	••Schraube.....	••Tornillo.....	••Skruv.....	
4	VOE 11709406	2					•Bushing.....	•Bague.....	•Buchse.....	•Casquillo.....	•Bussning.....	
5	VOE 11709402	2					•Pin.....	•Goupille.....	•Stift.....	•Pasador.....	•Pinne.....	
6	VOE 11709403	2					•Plug.....	•Bouchon.....	•Stopfen.....	•Tapon.....	•Plugg.....	
7	VOE 11709404	10					•Screw.....	•Vis.....	•Schraube.....	•Tornillo.....	•Skruv.....	
8	VOE 11716619	1					•Bushing.....	•Bague.....	•Buchse.....	•Casquillo.....	•Bussning.....	
9	VOE 11716618	1					•Bushing.....	•Bague.....	•Buchse.....	•Casquillo.....	•Bussning.....	
10	VOE 11716620	2					•Seal.....	•Joint.....	•Dichtring.....	•Junta.....	•Tätning.....	
11	VOE 11988552	2					•Disc Spring.....	•Rondel Ressort.....	•Scheibenfeder.....	•Arandela Elast.....	•Brickfjäder.....	
12	VOE 11988553	2					•Bushing.....	•Bague.....	•Buchse.....	•Casquillo.....	•Bussning.....	
13	VOE 11988557	2					•Bushing.....	•Bague.....	•Buchse.....	•Casquillo.....	•Bussning.....	
14	VOE 11716714	2					•Sealing ring.....	•Bague d'étanchéité.....	•Runddichtring.....	•Anillo reten.....	•Tätningring.....	
15	VOE 11988554	2					•Bearing.....	•Palier.....	•Lager.....	•Cojinete.....	•Lager.....	
16	VOE 11988555	2					•Disc Spring.....	•Rondel Ressort.....	•Scheibenfeder.....	•Arandela Elast.....	•Brickfjäder.....	
17	VOE 11709275	1					•Breather Cap.....	•Boucho.aeration.....	•Lüftungsdeckel.....	•Tapa Ventilac.....	•Ventil.lock.....	
18	VOE 11716713	1					•Cover.....	•Capot.....	•Haube.....	•Capo.....	•Lock.....	
19	VOE 11716718	1					•Housing.....	•Carter.....	•Gehäuse.....	•Carter.....	•Hus.....	
20	VOE 11716716	1					Housing.....	Carter.....	Gehäuse.....	Carter.....	Hus.....	
21	VOE 11988560	2					•King Pin.....	•Pivot Fusee.....	•Achsschenkelbolzen.....	•Perno Mangueta.....	•Spindelbult.....	
22	VOE 11709410	2					•Lub Nipple.....	•Graisseur.....	•Schmiernippel.....	•Engrasador.....	•Smörjnippel.....	
23	VOE 11988559	16					•Screw.....	•Vis.....	•Schraube.....	•Tornillo.....	•Skruv.....	
24	VOE 11988562	2					•King Pin.....	•Pivot Fusee.....	•Achsschenkelbolzen.....	•Perno Mangueta.....	•Spindelbult.....	
25	VOE 11709464	2					•Lub Nipple.....	•Graisseur.....	•Schmiernippel.....	•Engrasador.....	•Smörjnippel.....	
26	VOE 11709452	2					•Screw.....	•Vis.....	•Schraube.....	•Tornillo.....	•Skruv.....	
27	VOE 11709453	2					•Nut.....	•Ecrou.....	•Mutter.....	•Tuerca.....	•Mutter.....	
28	VOE 11709462	2					•Bushing.....	•Bague.....	•Buchse.....	•Casquillo.....	•Bussning.....	
29	VOE 11715254	2					•Seal.....	•Joint.....	•Dichtring.....	•Junta.....	•Tätning.....	

1		<b>Framaxel</b> <b>Eje delantero</b> <b>Vorederachse</b> <b>Essieu Av</b> <b>Front axle</b>  <b>11887361</b>	Catalogue id	Group
2			<b>20124</b>	<b>461</b>
3			Illustr. No	Section
4			<b>1023828</b>	<b>100</b>
5			Issue	Page
			<b>VOE 63A9920124</b>	<b>279</b>

**VOLVO**

**BL61PLUS**



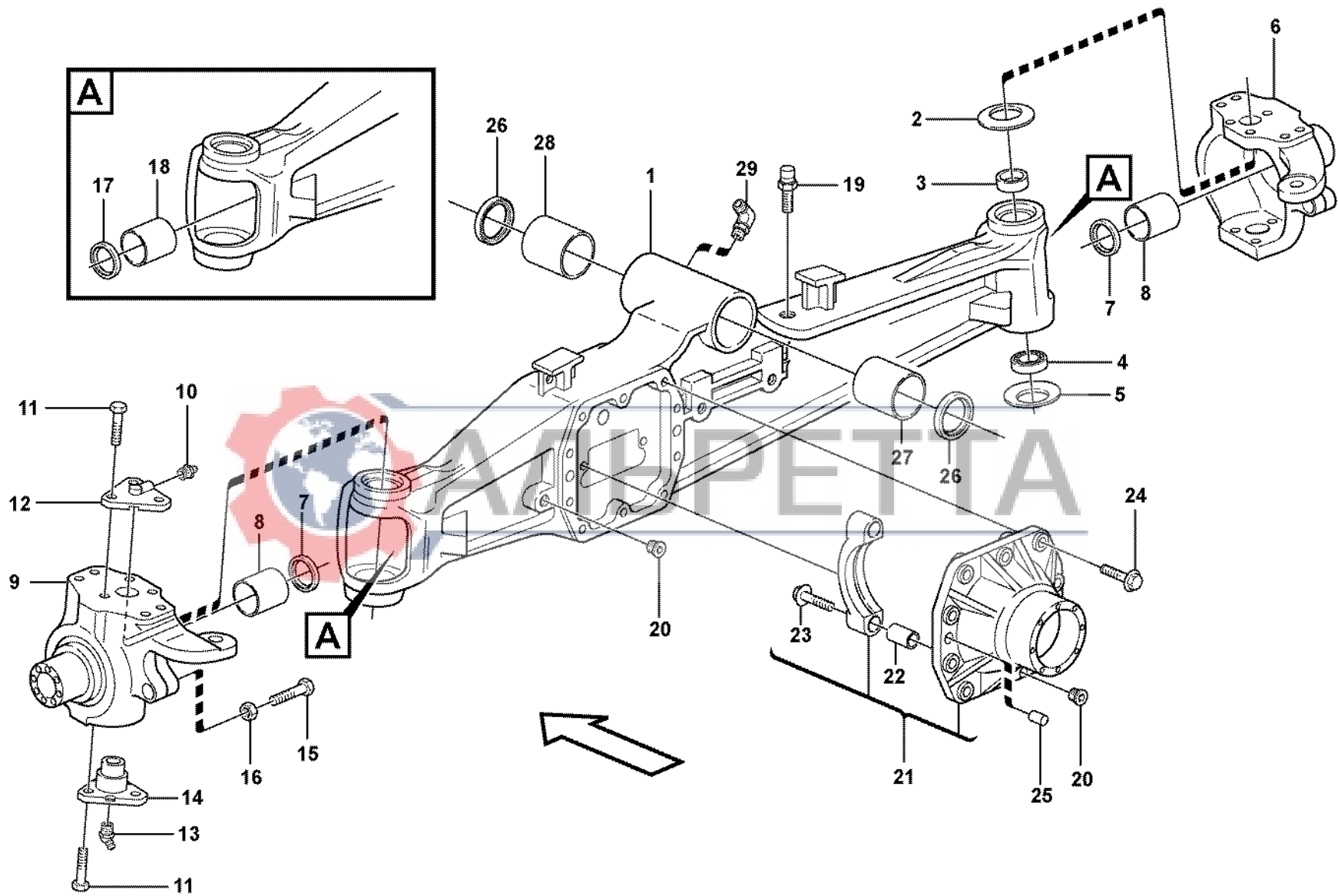


Fig.	Part No.	Quantity			P S	K I T	Description	Dénomination	Bezeichnung	Denominación	Benämning	Notes
		1	2	3								
	VOE 11887362	1				Front axle.....	Pont avant.....	Vorderachse.....	Eje delantero.....	Framaxel.....		
1	VOE 11716617	1				•Axle Casing.....	•Boite Essieu.....	•Achsgehäuse.....	•Carter Eje.....	•Axelkåpa.....		
2	VOE 11709397	2				•Disc Spring.....	•Rondel Ressort.....	•Scheibenfeder.....	•Arandela Elast.....	•Brickfjäder.....		
3	VOE 11988148	2				•Bushing.....	•Bague.....	•Buchse.....	•Casquillo.....	•Bussning.....		
4	VOE 11709400	2				•Bearing.....	•Palier.....	•Lager.....	•Cojinete.....	•Lager.....		
5	VOE 11709401	2				•Disc Spring.....	•Rondel Ressort.....	•Scheibenfeder.....	•Arandela Elast.....	•Brickfjäder.....		
6	VOE 11709463	1				•Housing.....	•Carter.....	•Gehäuse.....	•Carter.....	•Hus.....	RH	
7	VOE 11715254	2				•Seal.....	•Joint.....	•Dichtring.....	•Junta.....	•Tätning.....	SEE SB BHL1K	
8	VOE 11709462	2				•Bushing.....	•Bague.....	•Buchse.....	•Casquillo.....	•Bussning.....		
9	VOE 11709446	1				•Housing.....	•Carter.....	•Gehäuse.....	•Carter.....	•Hus.....	LH	
10	VOE 11709410	2				•Lub Nipple.....	•Graisseur.....	•Schmiernippel.....	•Engrasador.....	•Smörjnippel.....		
11	VOE 11712527	12				•Bolt.....	•Boulon.....	•Bolzen.....	•Perno.....	•Bult.....		
12	VOE 11709445	2				•King Pin.....	•Pivot Fusee.....	•Achsschenkelbolzen.....	•Perno Mangueta.....	•Spindelbult.....		
13	VOE 11709464	2				•Lub Nipple.....	•Graisseur.....	•Schmiernippel.....	•Engrasador.....	•Smörjnippel.....		
14	VOE 11709450	2				•King Pin.....	•Pivot Fusee.....	•Achsschenkelbolzen.....	•Perno Mangueta.....	•Spindelbult.....		
15	VOE 11709452	2				•Screw.....	•Vis.....	•Schraube.....	•Tornillo.....	•Skruv.....		
16	VOE 11709453	2				•Nut.....	•Ecrou.....	•Mutter.....	•Tuerca.....	•Mutter.....		
17	VOE 11715253	2				•Seal.....	•Joint.....	•Dichtring.....	•Junta.....	•Tätning.....	SEE SB BHL1K	
18	VOE 11709409	2				•Bushing.....	•Bague.....	•Buchse.....	•Casquillo.....	•Bussning.....		
19	VOE 11709275	1				•Breather Cap.....	•Boucho.aeration.....	•Lüftungsdeckel.....	•Tapa Ventilac.....	•Ventil.lock.....		
20	VOE 11709403	2				•Plug.....	•Bouchon.....	•Stopfen.....	•Tapon.....	•Plugg.....		
21	VOE 11716621	1				•Differential Housing.....	•Carter de différentiel.....	•Differentialgehäuse.....	•Cárter de diferencial.....	•Differentialhus.....		
22	VOE 11709406	4				•Bushing.....	•Bague.....	•Buchse.....	•Casquillo.....	•Bussning.....		
23	VOE 11709407	4				•Screw.....	•Vis.....	•Schraube.....	•Tornillo.....	•Skruv.....		
24	VOE 11709404	10				•Screw.....	•Vis.....	•Schraube.....	•Tornillo.....	•Skruv.....		
25	VOE 11709402	2				•Pin.....	•Goupille.....	•Stift.....	•Pasador.....	•Pinne.....		
26	VOE 11716620	2				•Seal.....	•Joint.....	•Dichtring.....	•Junta.....	•Tätning.....		
27	VOE 11716619	1				•Bushing.....	•Bague.....	•Buchse.....	•Casquillo.....	•Bussning.....		
28	VOE 11716618	1				•Bushing.....	•Bague.....	•Buchse.....	•Casquillo.....	•Bussning.....		
29	VOE 935067	1				•Elbow nipple.....	•Raccord angulaire.....	•Winkelnippel.....	•Niple angular.....	•Vinkelnippel.....		

1	11887362	<b>Planetaxel, fram</b> <b>Eje planeta, delantera</b> <b>Planetenwelle, vorne</b> <b>Axe satellite, AV</b> <b>Planetary axle, front</b>	Catalogue id	Group
2			<b>20124</b>	<b>461</b>
3			Illustr. No	Section
4			<b>1027095</b>	<b>110</b>
5			Issue	Page
		<b>11891531</b>	<b>VOE 63A9920124</b>	<b>281</b>

**VOLVO**

**BL61PLUS**

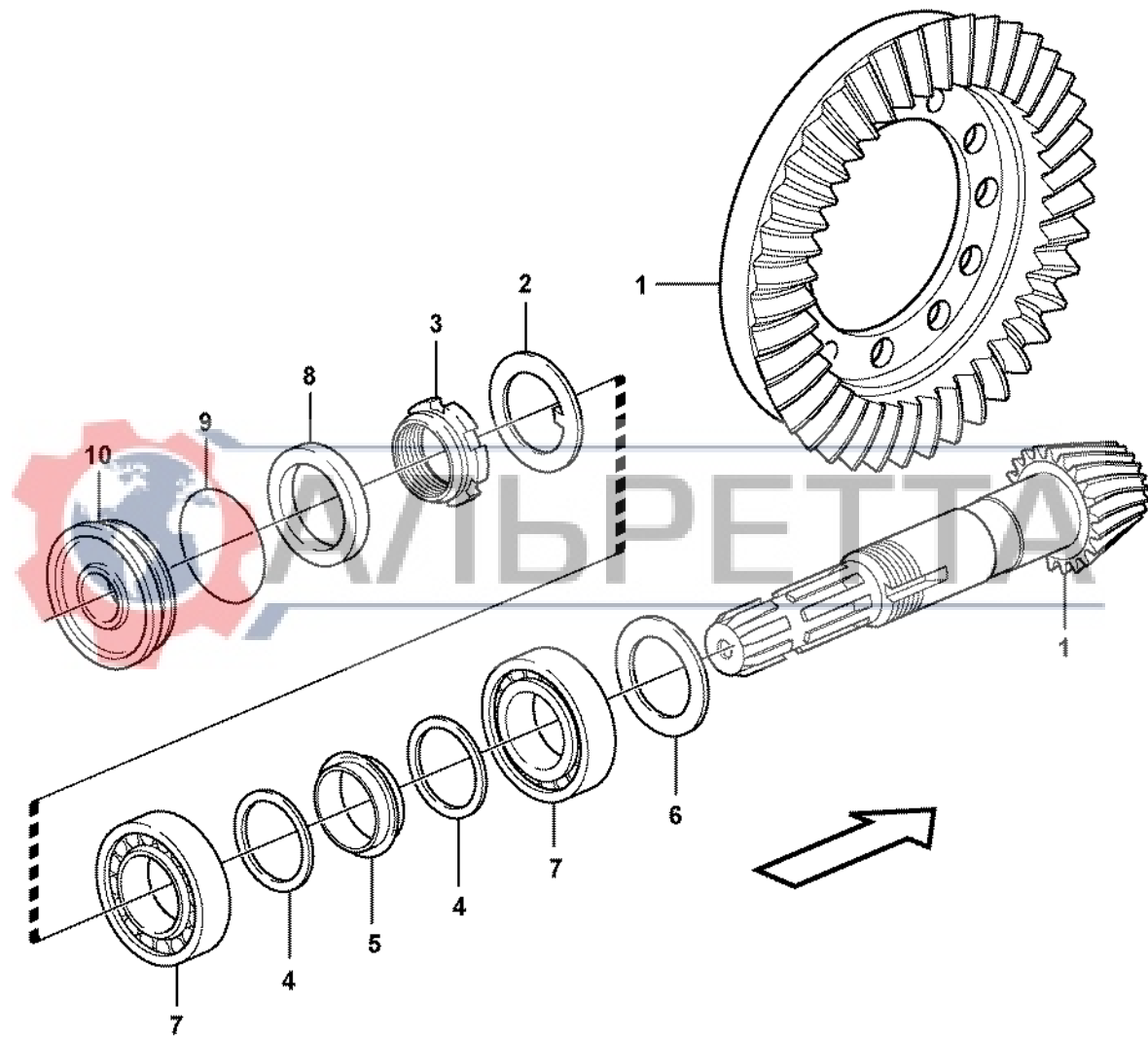


Fig.	Part No.	Quantity			P S	K I T	Description	Dénomination	Bezeichnung	Denominación	Benämning	Notes
		1	2	3								
1	VOE 11716626	1					Drive Gear Set .....	Kit Pignon.....	Triebsatz .....	Juego Pinon .....	Drevsats.....	
2	VOE 11709288	1					•Lock Washer.....	•Rondel.verroui .....	•Sicher Scheibe.....	•Arandel Segurid .....	•Låsbricka.....	
3	VOE 11709289	1					•Nut .....	•Ecrou .....	•Mutter.....	•Tuerca.....	•Mutter.....	
4	VOE 11709290	2					•Washer .....	•Rondelle.....	•Scheibe .....	•Arandela.....	•Bricka.....	
5	VOE 11709472	1					•Spacer .....	•Partie Intermédiaire ..	•Zwischenstück .....	•Espaciador .....	•Mellandel.....	
6	VOE 11709466	REQ					Adjuster washer .....	Rondelle ajust. ....	Passscheibe.....	Arandela ajust. ....	Justerbricka.....	THINCK = 2,50 MM
	VOE 11709467	REQ					Adjuster washer .....	Rondelle ajust. ....	Passscheibe.....	Arandela ajust. ....	Justerbricka.....	THICK = 2,60 MM
	VOE 11709468	REQ					Adjuster washer .....	Rondelle ajust. ....	Passscheibe.....	Arandela ajust. ....	Justerbricka.....	THICK = 2,70 MM
	VOE 11709469	REQ					Adjuster washer .....	Rondelle ajust. ....	Passscheibe.....	Arandela ajust. ....	Justerbricka.....	THICK = 2,80 MM
	VOE 11709470	REQ					Adjuster washer .....	Rondelle ajust. ....	Passscheibe.....	Arandela ajust. ....	Justerbricka.....	THICK = 2,90 MM
	VOE 11709471	REQ					Adjuster washer .....	Rondelle ajust. ....	Passscheibe.....	Arandela ajust. ....	Justerbricka.....	THICK = 3,00 MM
7	VOE 11709299	1					Bearing.....	Palier.....	Lager.....	Cojinete .....	Lager.....	
8	VOE 11715253	1					Seal.....	Joint .....	Dichtring.....	Junta .....	Tätning.....	(VOE 11709475)
9	VOE 11716628	1					O-ring.....	Joint Torique .....	O-Ring.....	Junta torica.....	O-ring.....	
10	VOE 11716627	1					Cover .....	Capot .....	Haube.....	Capo.....	Lock.....	



1	11887362	<b>Pinjong</b> <b>Piñón de ataque</b> <b>Antriebskegelrad</b> <b>Pignon</b> <b>Pinion</b>	Catalogue id	Group
2			<b>20124</b>	<b>461</b>
3			Illustr. No	Section
4			<b>1023520</b>	<b>150</b>
5	11891531		Issue	Page
		<b>VOE 63A9920124</b>	<b>283</b>	

**VOLVO**

**BL61PLUS**

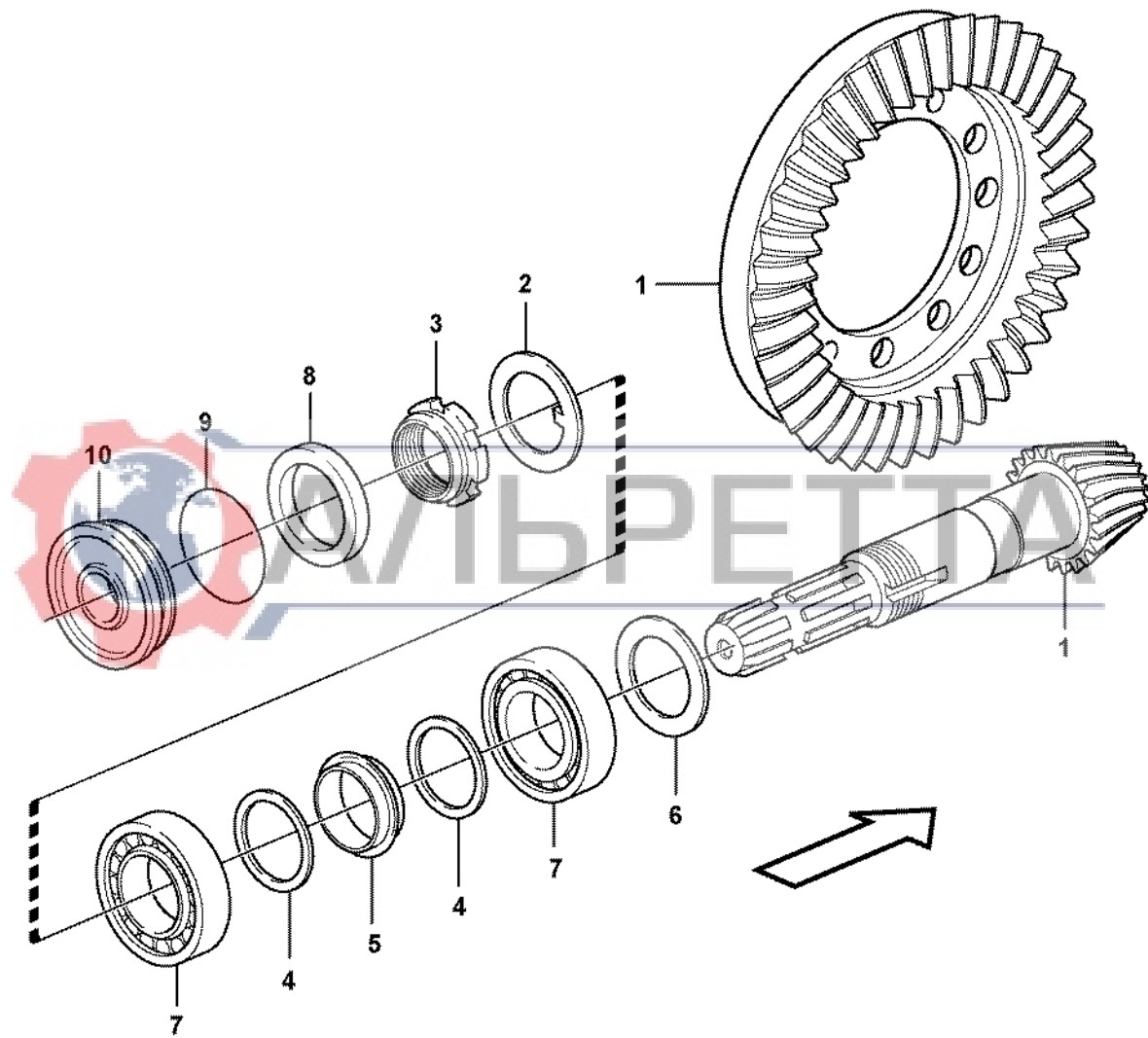


Fig.	Part No.	Quantity			P S	K I T	Description	Dénomination	Bezeichnung	Denominación	Benämning	Notes
		1	2	3								
1	VOE 11716728	1				Drive Gear Set .....	Kit Pignon.....	Triebsatz .....	Juego Pinon .....	Drevsats.....		
2	VOE 11709288	1				•Lock Washer.....	•Rondel.verroui .....	•Sicher Scheibe.....	•Arandel Segurid .....	•Låsbricka.....		
3	VOE 11709289	1				•Nut .....	•Ecrou .....	•Mutter.....	•Tuerca.....	•Mutter.....		
4	VOE 11709290	2				•Washer .....	•Rondelle.....	•Scheibe .....	•Arandela.....	•Bricka.....		
5	VOE 11709472	1				•Spacer .....	•Partie Intermédiaire ..	•Zwischenstück .....	•Espaciador .....	•Mellandel.....		
6	VOE 11709466	REQ				Adjuster washer .....	Rondelle ajust. ....	Passscheibe.....	Arandela ajust. ....	Justerbricka.....	THINCK = 2,50 MM	
	VOE 11709467	REQ				Adjuster washer .....	Rondelle ajust. ....	Passscheibe.....	Arandela ajust. ....	Justerbricka.....	THICK = 2,60 MM	
	VOE 11709468	REQ				Adjuster washer .....	Rondelle ajust. ....	Passscheibe.....	Arandela ajust. ....	Justerbricka.....	THICK = 2,70 MM	
	VOE 11709469	REQ				Adjuster washer .....	Rondelle ajust. ....	Passscheibe.....	Arandela ajust. ....	Justerbricka.....	THICK = 2,80 MM	
	VOE 11709470	REQ				Adjuster washer .....	Rondelle ajust. ....	Passscheibe.....	Arandela ajust. ....	Justerbricka.....	THICK = 2,90 MM	
	VOE 11709471	REQ				Adjuster washer .....	Rondelle ajust. ....	Passscheibe.....	Arandela ajust. ....	Justerbricka.....	THICK = 3,00 MM	
7	VOE 11709299	2				Bearing.....	Palier .....	Lager .....	Cojinete .....	Lager.....		
8	VOE 11715253	1				Seal.....	Joint .....	Dichtring .....	Junta .....	Tätning.....	(VOE 11709475)	
9	VOE 11716628	1				O-ring .....	Joint Torique .....	O-Ring .....	Junta torica.....	O-ring.....		
10	VOE 11716627	1				Cover .....	Capot .....	Haube.....	Capo.....	Lock.....		



1	11887361	<b>Pinjong</b> <b>Piñón de ataque</b> <b>Antriebskegelrad</b> <b>Pignon</b> <b>Pinion</b>	Catalogue id	Group
2			<b>20124</b>	<b>461</b>
3			Illustr. No	Section
4			<b>1023520</b>	<b>160</b>
5	11887361		Issue	Page
		VOE 63A9920124	<b>285</b>	

**VOLVO**

**BL61PLUS**

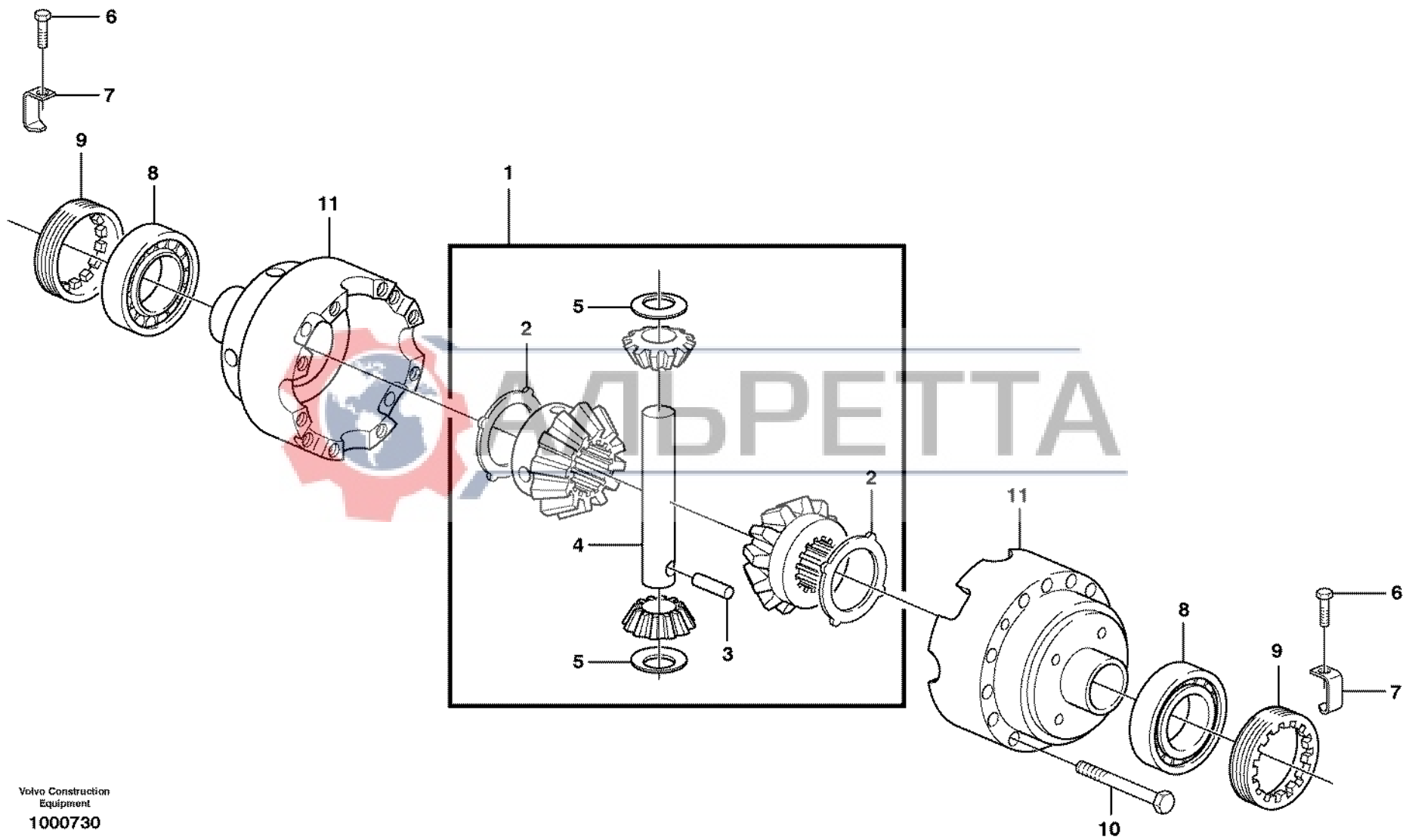


Fig.	Part No.	Quantity			P S	K I T	Description	Dénomination	Bezeichnung	Denominación	Benämning	Notes
		1	2	3								
1	VOE 11709476	1					Diff Pinion Set .....	Jeu Pign.diffe. ....	Ausgl Kegsatz .....	Kit Engran Dif .....	Diff.drevsats.....	
2	VOE 11709477	2					•Drive Plate .....	•Plaque Commande ...	•Treibscheibe .....	•Placa Motriz .....	•Drivplatta.....	
3	VOE 11709478	1					•Pin .....	•Goupille.....	•Stift.....	•Pasador.....	•Pinne.....	
4	VOE 11709479	1					•Axle.....	•Arbre.....	•Welle.....	•Eje.....	•Axel.....	
5	VOE 11709480	2					•Thrust Washer .....	•Rondelle Butee .....	•Druckscheibe .....	•Arandela Presio .....	•Tryckbricka.....	
6	VOE 11709312	2					Screw .....	Vis .....	Schraube.....	Tornillo .....	Skruv.....	
7	VOE 11709311	2					Locking Plate .....	Languette de verrouill	Sicherungsblech.....	Laminilla De Se .....	Vikbleck.....	
8	VOE 11709481	2					Bearing.....	Palier.....	Lager .....	Cojinete .....	Lager.....	
9	VOE 11709482	2					Ring.....	Anneau.....	Ring.....	Anillo .....	Ring.....	
10	VOE 11709483	12					Screw .....	Vis .....	Schraube.....	Tornillo .....	Skruv.....	
11	VOE 11709484	1					Diff Housing .....	Carter différentiel .....	Differentialgehäuse .....	Carter diferencial.....	Differentialhus.....	

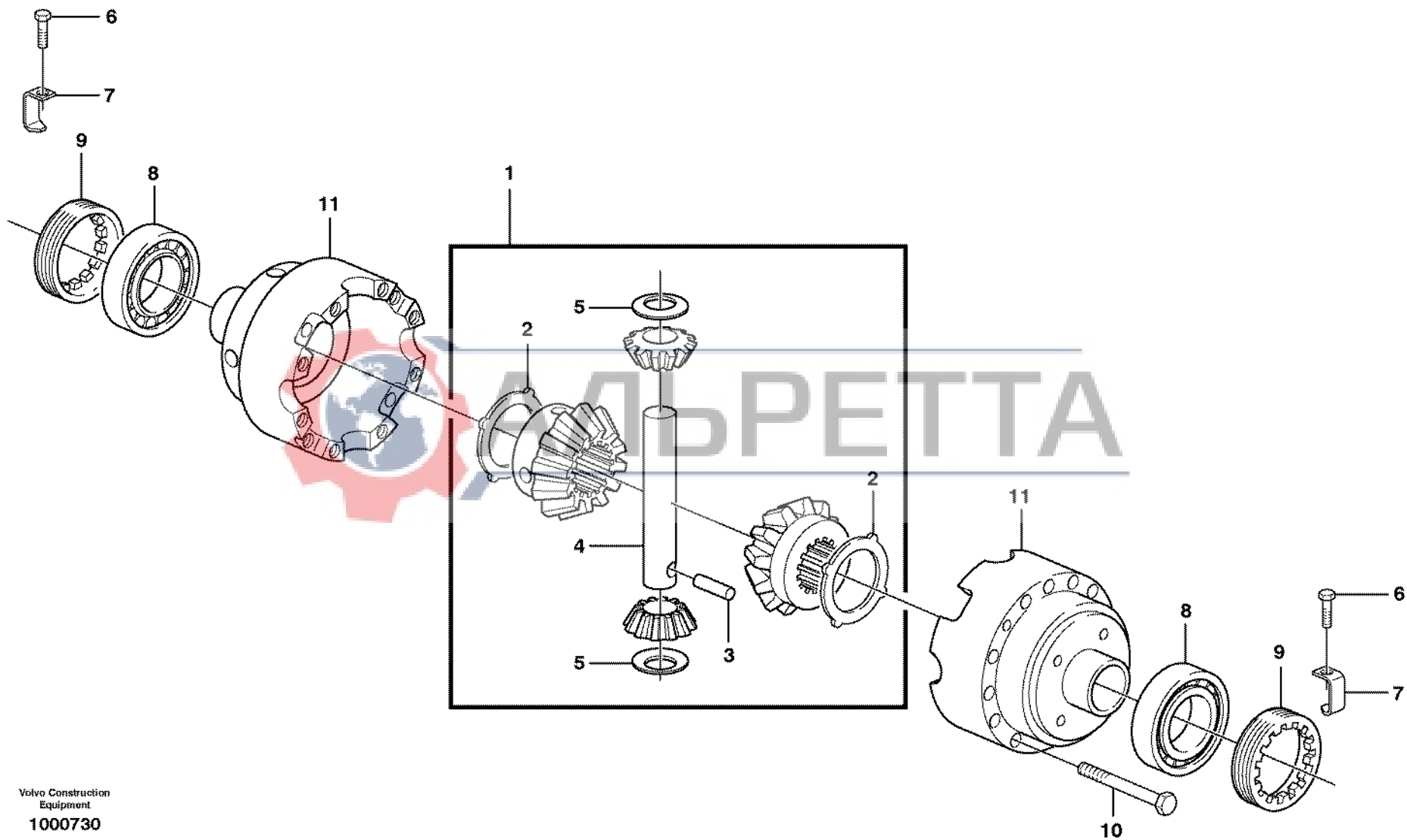


1	<b>Differential, framaxel</b> <b>Diferencial, eje planeta delantero</b> <b>Ausgleichgetriebe, Planetenwelle, vorne</b> <b>Différentiel, axe satellite, Av</b> <b>Differential , front axle</b> <b>11887362</b>	Catalogue id	Group
2		<b>20124</b>	<b>461</b>
3		Illustr. No	Section
4		<b>1000730</b>	<b>200</b>
5		Issue	Page
		<b>VOE 63A9920124</b>	<b>287</b>

**VOLVO**

**BL61PLUS**





Volvo Construction  
 Equipment  
 1000730

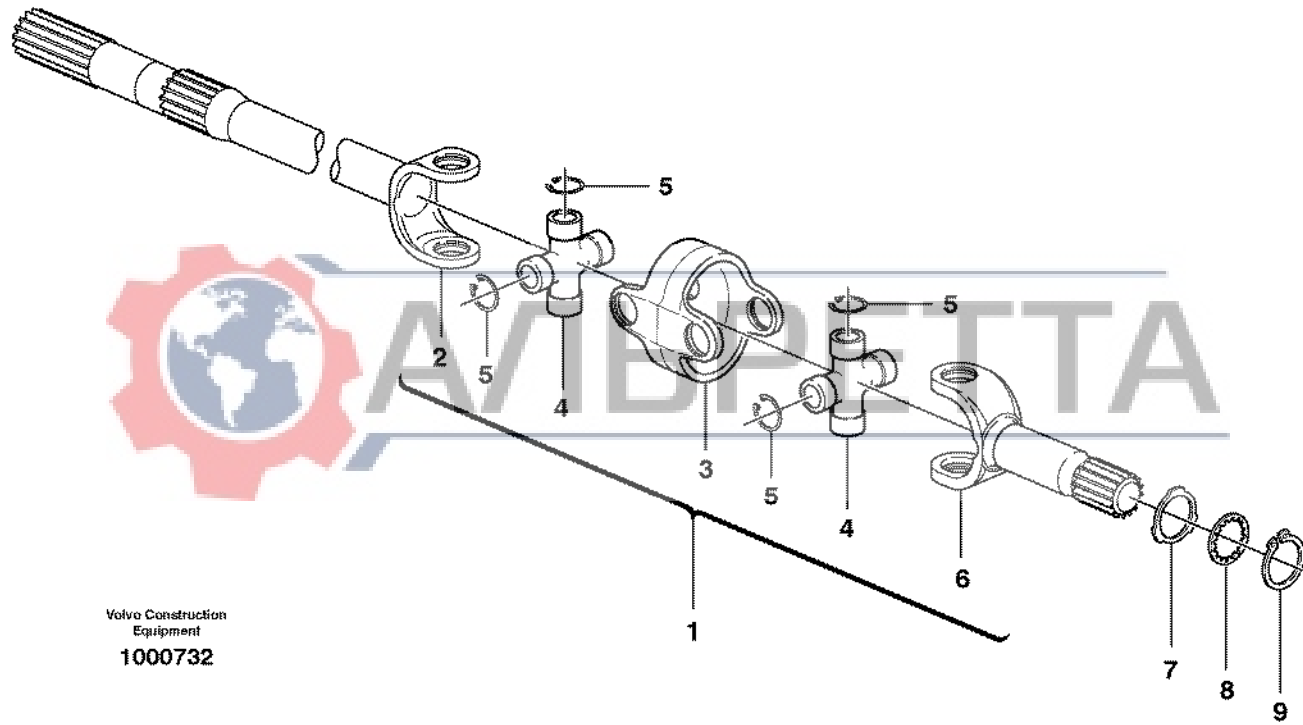
Fig.	Part No.	Quantity			P S	K I T	Description	Dénomination	Bezeichnung	Denominación	Benämning	Notes
		1	2	3								
1	VOE 11709476	1					Diff Pinion Set .....	Jeu Pign.diffe. ....	Ausgl Kegsatz .....	Kit Engran Dif .....	Diff.drevsats.....	
2	VOE 11709477	2					•Drive Plate .....	•Plaque Commande ...	•Treibscheibe .....	•Placa Motriz .....	•Drivplatta.....	
3	VOE 11709478	1					•Pin .....	•Goupille.....	•Stift.....	•Pasador.....	•Pinne.....	
4	VOE 11709479	1					•Axle.....	•Arbre.....	•Welle.....	•Eje.....	•Axel.....	
5	VOE 11709480	2					•Thrust Washer .....	•Rondelle Butee .....	•Druckscheibe .....	•Arandela Presio .....	•Tryckbricka.....	
6	VOE 11709312	2					Screw .....	Vis .....	Schraube.....	Tornillo .....	Skruv.....	
7	VOE 11716629	2					Locking Plate .....	Plaque Verroui. ....	Sperrblech.....	Placa Bloqueo .....	Spärrplåt.....	
8	VOE 11709481	2					Bearing.....	Palier.....	Lager .....	Cojinete .....	Lager.....	
9	VOE 11709482	2					Ring.....	Anneau.....	Ring.....	Anillo .....	Ring.....	
10	VOE 11709483	12					Screw .....	Vis .....	Schraube.....	Tornillo .....	Skruv.....	
11	VOE 11709484	1					Diff Housing .....	Carter différentiel .....	Differentialgehäuse .....	Carter diferencial.....	Differentialhus.....	



1	11887361	<b>Differential, framaxel</b> <b>Diferencial, eje planeta delantero</b> <b>Ausgleichgetriebe, Planetenwelle, vorne</b> <b>Différentiel, axe satellite, Av</b> <b>Differential , front axle</b>	Catalogue id	Group
2			<b>20124</b>	<b>461</b>
3			Illustr. No	Section
4			<b>1000730</b>	<b>210</b>
5			Issue	Page
	11887361		<b>VOE 63A9920124</b>	<b>289</b>

**VOLVO**

**BL61PLUS**



Volvo Construction  
Equipment  
1000732

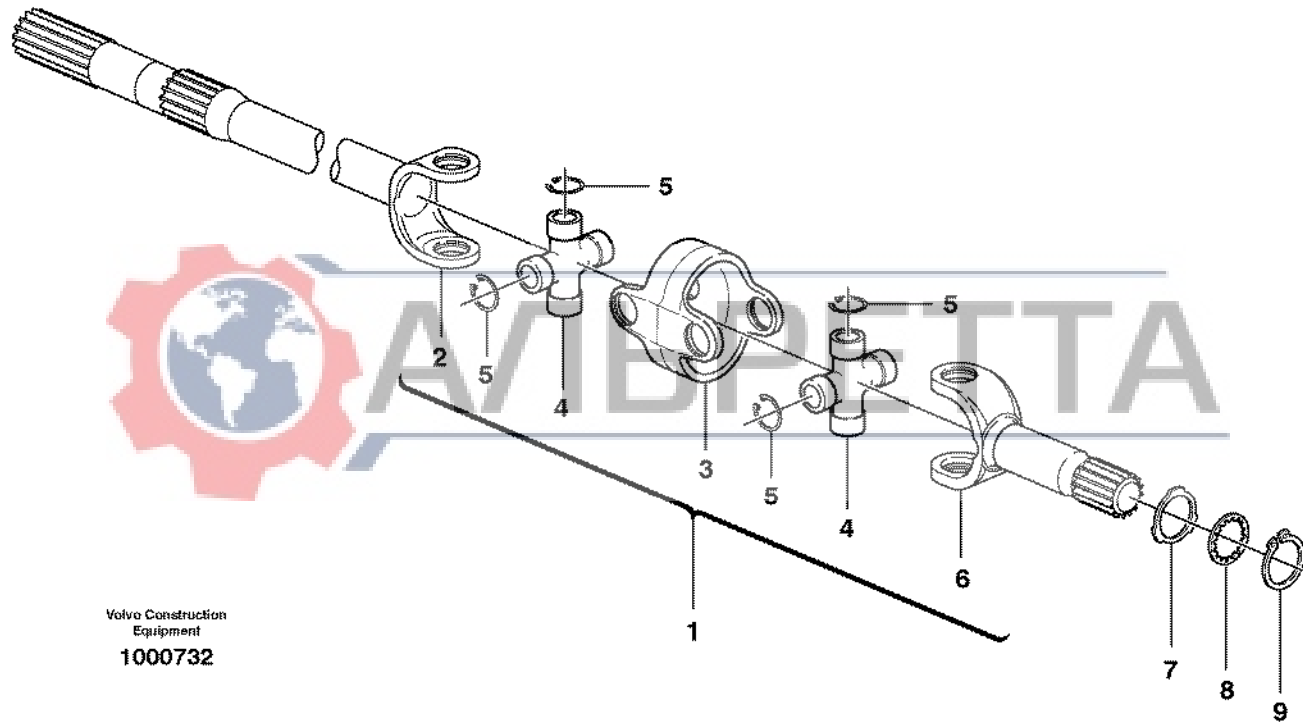
Fig.	Part No.	Quantity			P S	K I T	Description	Dénomination	Bezeichnung	Denominación	Benämning	Notes
		1	2	3								
1	VOE 11716724	1				Axle Shaft.....	Arbre Commande.....	Antriebswelle.....	Eje Propulsor.....	Drivaxel.....		
2		1			NS	•Drive shaft .....	•Arbre commande .....	•Antriebswelle.....	•Eje propulsor.....	•Drivaxel.....	Differential side	
3		2			NS	•Companion flange ....	•Flasque entraineme ..	•Antriebsflansch .....	•Brida.....	•Medbringare.....		
4	VOE 11988571	4				•Spider .....	•Croisillon .....	•Kreuzstück .....	•Cruceta .....	•Kors.....		
5		16				Lock ring .....	Anneau verrouillage ...	Schlossring.....	Anillo seguridad.....	Låsring.....		
6		2				Drive shaft.....	Arbre commande .....	Antriebswelle.....	Eje propulsor .....	Drivaxel.....	Wheel side	
7	VOE 11716725	2				Washer.....	Rondelle.....	Scheibe .....	Arandela.....	Bricka.....		
8	VOE 11988573	2				Washer.....	Rondelle.....	Scheibe .....	Arandela.....	Bricka.....		
9	VOE 11709077	2				Lock Ring.....	Anneau Verrouillage ..	Schlossring.....	Anillo Segurid .....	Låsring.....		



1		Drivaxel	Catalogue id	Group
2		Eje propulsor	<b>20124</b>	<b>461</b>
3		Antriebsachse	Illustr. No	Section
4		Arbre de roue	<b>1000732</b>	<b>250</b>
5		Drive axle	Issue	Page
		11887361	VOE 63A9920124	<b>291</b>

**VOLVO**

**BL61PLUS**



Volvo Construction  
Equipment  
1000732

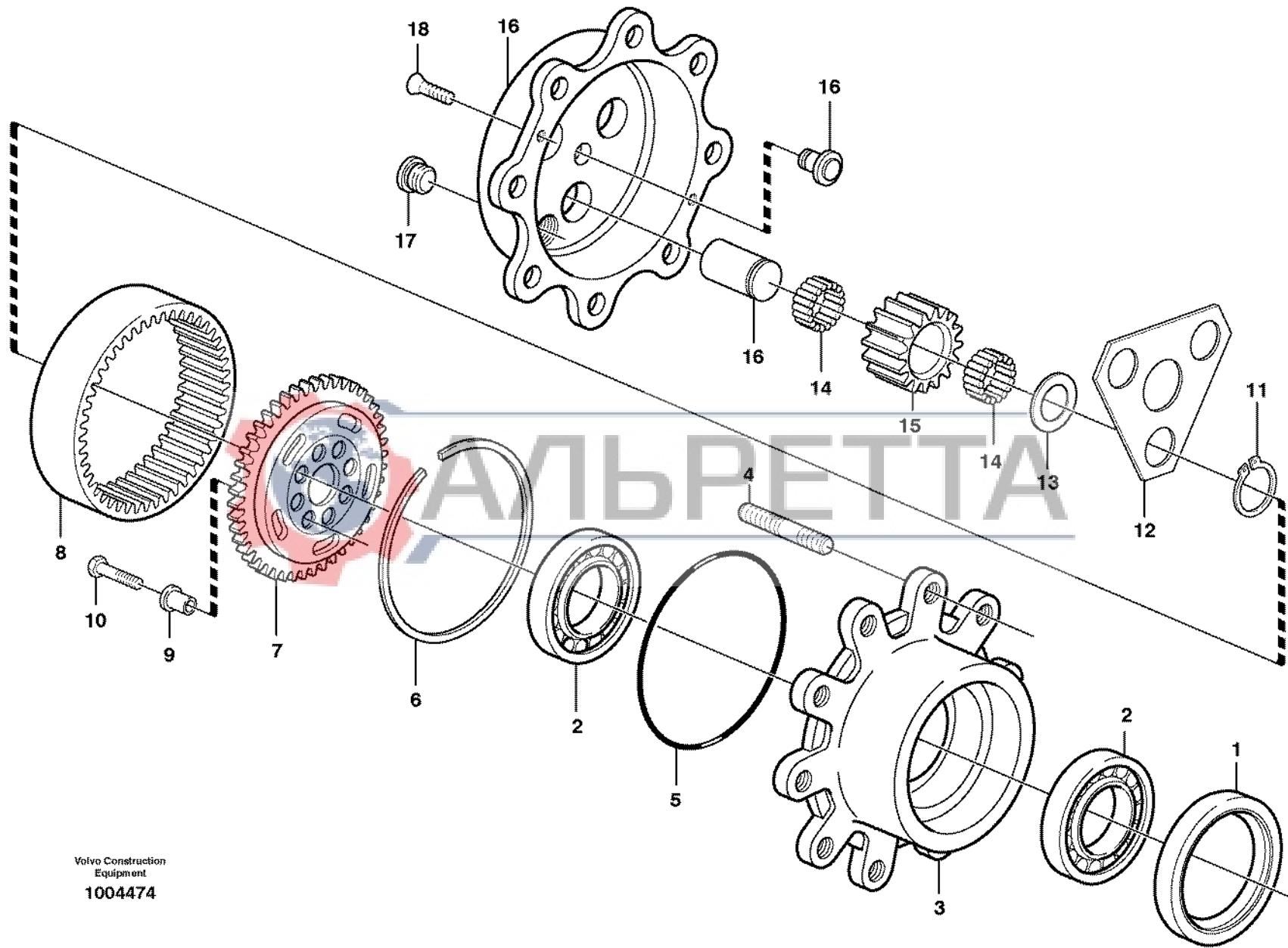
Fig.	Part No.	Quantity			P S	K I T	Description	Dénomination	Bezeichnung	Denominación	Benämning	Notes
		1	2	3								
1	<b>VOE 11716630</b>	2				Axle Shaft.....	Arbre Commande.....	Antriebswelle.....	Eje Propulsor.....	Drivaxel.....		
2		2			NS	•Drive shaft .....	•Arbre commande .....	•Antriebswelle.....	•Eje propulsor.....	•Drivaxel.....	Differential side	
3		2			NS	•Companion flange ....	•Flasque entraineme ..	•Antriebsflansch .....	•Brida.....	•Medbringare.....		
4	<b>VOE 11716631</b>	4				•Spider .....	•Croisillon .....	•Kreuzstück .....	•Cruceta .....	•Kors.....		
5		16			NS	••Lock ring.....	••Anneau verrouillage. ••	Schlossring .....	••Anillo seguridad .....	••Låsring.....		
6		2			NS	•Drive shaft .....	•Arbre commande .....	•Antriebswelle.....	•Eje propulsor.....	•Drivaxel.....	Wheel side	
7	<b>VOE 11709487</b>	2				Washer.....	Rondelle.....	Scheibe .....	Arandela.....	Bricka.....		
8	<b>VOE 11709488</b>	2				Washer.....	Rondelle.....	Scheibe .....	Arandela.....	Bricka.....		
9	<b>VOE 11709171</b>	2				Snap Ring .....	Circlip .....	Nutring.....	Circlip .....	Spårring.....		



1		Drivaxel	Catalogue id	Group
2		Eje propulsor	<b>20124</b>	<b>461</b>
3		Antriebsachse	Illustr. No	Section
4		Arbre de roue	<b>1000732</b>	<b>260</b>
5		Drive axle	Issue	Page
		<b>11887362</b>	<b>VOE 63A9920124</b>	<b>293</b>

**VOLVO**

**BL61PLUS**



Volvo Construction  
 Equipment  
 1004474

Fig.	Part No.	Quantity			P S	K I T	Description	Dénomination	Bezeichnung	Denominación	Benämning	Notes
		1	2	3								
1	VOE 11988582	2				Seal.....	Joint .....	Dichtring .....	Junta .....	Tätning.....		
2	VOE 11715279	4				Bearing.....	Palier .....	Lager .....	Cojinete .....	Lager.....		
3	VOE 11712505	2				Hub .....	Bossage .....	Nabe.....	Asiento .....	Nav.....		
4	VOE 11988575	16				•Stud .....	•Goujon .....	•Stiftschraube.....	•Esparrago .....	•Pinnskruv.....		
5	VOE 11709491	2				O-ring .....	Joint Torique .....	O-Ring .....	Junta torica.....	O-ring.....		
6	VOE 11709492	2				Ring.....	Anneau.....	Ring.....	Anillo .....	Ring.....		
7	VOE 11716726	2				Drive Gear.....	Pignon.....	Triebrad .....	Pinon .....	Drivhjul.....		
8	VOE 11988580	2				Gear .....	Pignon.....	Zahnradgetriebe.....	Engranaje .....	Kuggdrev.....		
9	VOE 11988578	12				Bushing .....	Bague.....	Buchse .....	Casquillo .....	Bussning.....		
10	VOE 11988579	12				Screw .....	Vis .....	Schraube.....	Tornillo .....	Skruv.....		
11	VOE 11709300	6				Lock Ring.....	Anneau Verrouillage ..	Schlossring.....	Anillo Segurid .....	Låsring.....		
12	VOE 11988584	2				Thrust Washer .....	Rondelle Butee .....	Druckscheibe .....	Arandela Presio.....	Tryckbricka.....		
13	VOE 11988587	6				Thrust Washer .....	Rondelle Butee .....	Druckscheibe .....	Arandela Presio.....	Tryckbricka.....		
14	VOE 11988586	18				Needle Bearing .....	Roule aiguilles.....	Nadellager.....	Cojinete Agujas .....	Nållager.....	10pcs/Kit	
15	VOE 11988585	6				Drive Gear.....	Pignon.....	Triebrad .....	Pinon .....	Drivhjul.....		
16	VOE 11988588	2				Planet kit .....	Jeu planetaire .....	Planetenradsatz .....	Kit de planetas .....	Planetsats.....		
17	VOE 11709057	2				Plug.....	Bouchon .....	Stopfen.....	Tapon .....	Plugg.....		
18	VOE 11709370	4				Screw .....	Vis .....	Schraube.....	Tornillo .....	Skruv.....		

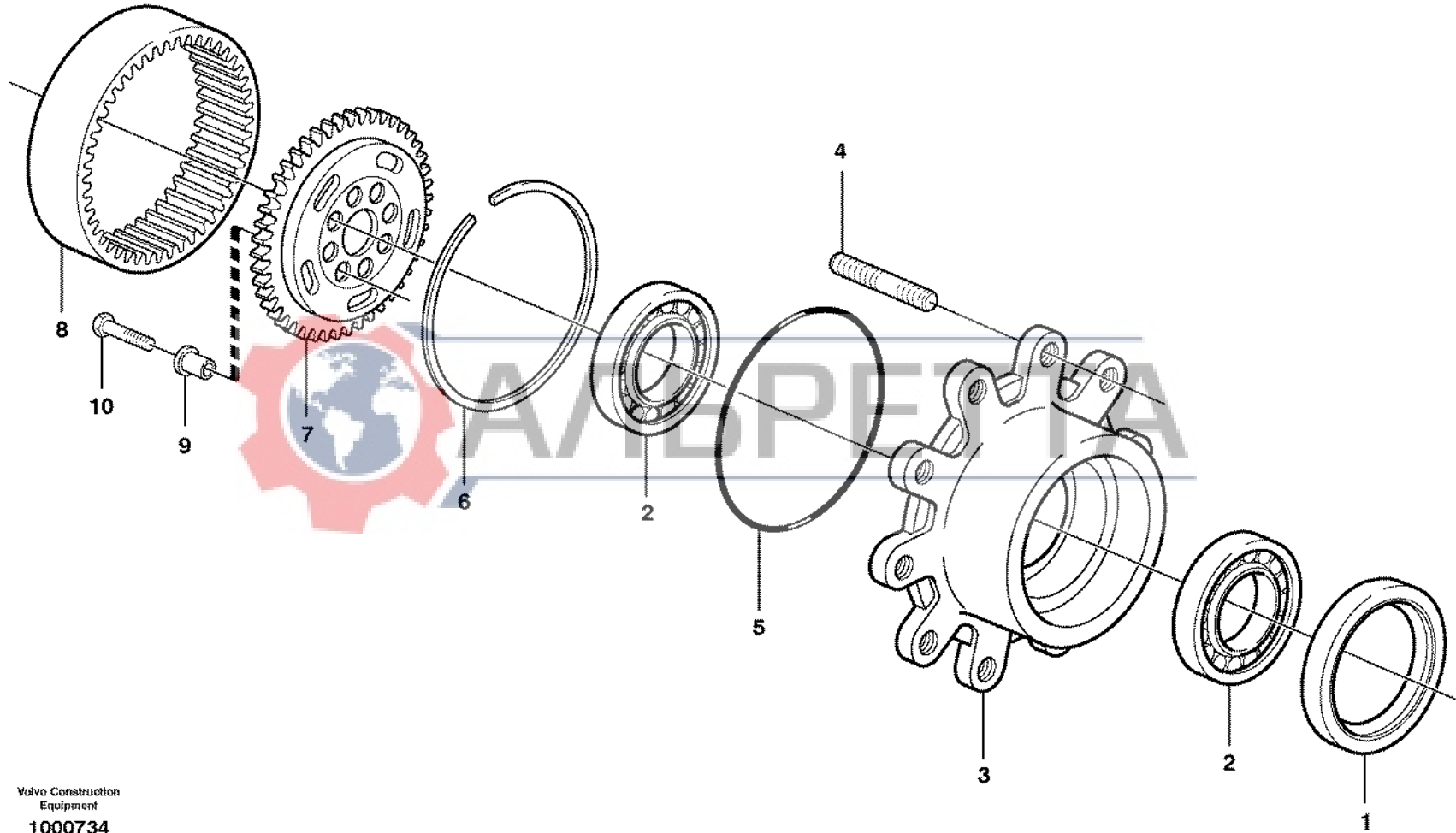


1	11887361	<b>Hjulnav</b> <b>Cubo de rueda</b> <b>Radnabe</b> <b>Moyeu de roue</b> <b>Wheel hub</b>	Catalogue id	Group
2			<b>20124</b>	<b>461</b>
3			Illustr. No	Section
4			<b>1004474</b>	<b>300</b>
5			Issue	Page
			<b>VOE 63A9920124</b>	<b>295</b>

**VOLVO**

**BL61PLUS**





Volvo Construction  
Equipment  
1000734

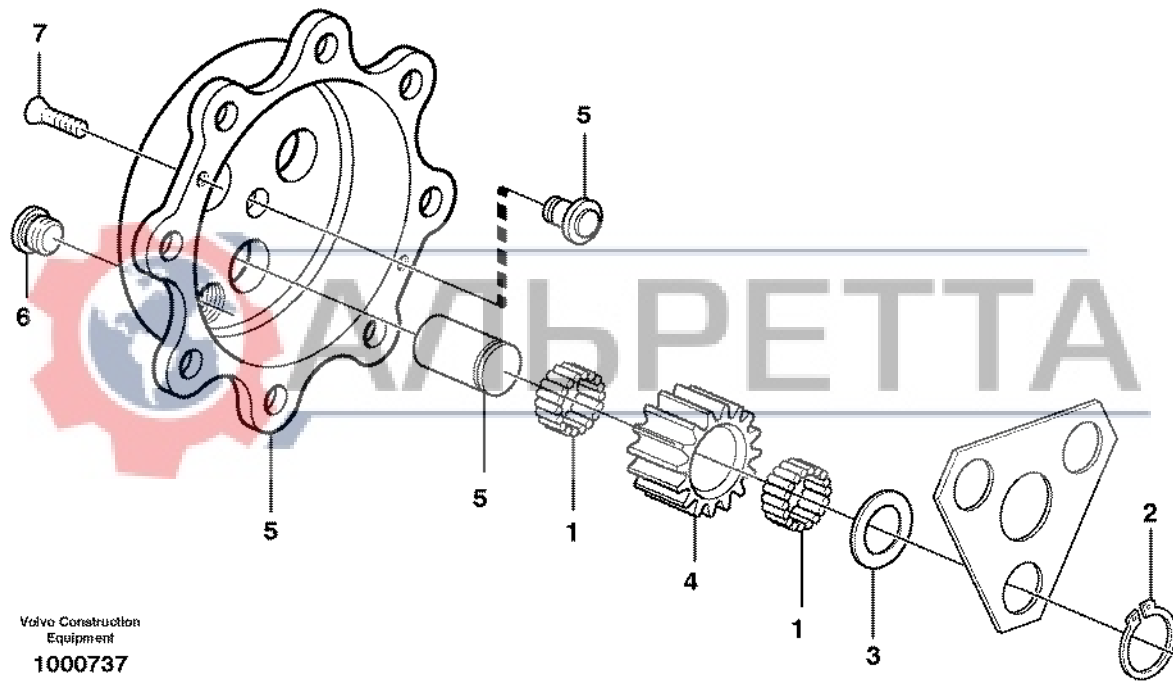
Fig.	Part No.	Quantity			P S	K I T	Description	Dénomination	Bezeichnung	Denominación	Benämning	Notes
		1	2	3								
1	VOE 11988156	2				Seal.....	Joint .....	Dichtung .....	Reten.....	Tätning.....		
2	VOE 11709360	4				Bearing.....	Palier .....	Lager.....	Cojinete .....	Lager.....		
3	VOE 11709489	2				Wheel Hub .....	Moyeu de roue .....	Radnabe.....	Cubo Rueda .....	Hjulnav.....		
4	VOE 11709490	16				•Stud .....	•Goujon .....	•Stiftschraube.....	•Esparrago .....	•Pinnskruv.....		
5	VOE 11709491	2				O-ring .....	Joint Torique .....	O-Ring.....	Junta torica.....	O-ring.....		
6	VOE 11709492	2				Ring.....	Anneau.....	Ring.....	Anillo .....	Ring.....		
7	VOE 11709493	2				Drive Gear.....	Pignon.....	Triebrad.....	Pinon .....	Drivhjul.....		
8	VOE 11709494	2				Gear.....	Pignon.....	Zahnradgetriebe.....	Engranaje .....	Kuggdrev.....		
9	VOE 11709495	16				Bushing.....	Bague.....	Buchse .....	Casquillo .....	Bussning.....		
10	VOE 11709496	16				Screw.....	Vis .....	Schraube.....	Tornillo .....	Skruv.....		



1		Hjulnav	Catalogue id	Group
2		Cubo de rueda	<b>20124</b>	<b>461</b>
3		Radnabe	Illustr. No	Section
4		Moyeu de roue	<b>1000734</b>	<b>310</b>
5		Wheel hub	Issue	Page
		11887362	VOE 63A9920124	<b>297</b>

**VOLVO**

**BL61PLUS**



Volvo Construction  
Equipment  
1000737

Fig.	Part No.	Quantity			P S	K I T	Description	Dénomination	Bezeichnung	Denominación	Benämning	Notes
		1	2	3								
1	VOE 11709374	34					Needle Bearing .....	Roule.aiguilles.....	Nadellager.....	Cojinete Agujas .....	Nållager.....	10pcs/Kit
2	VOE 11709497	6					Lock Ring .....	Anneau Verrouillage ..	Schlossring.....	Anillo Segurid .....	Låsring.....	
3	VOE 11709498	6					Washer.....	Rondelle .....	Scheibe .....	Arandela .....	Bricka.....	
4	VOE 11709499	6					Drive Gear.....	Pignon.....	Triebad.....	Pinon .....	Drivhjul.....	
5	VOE 11709500	2					Planet kit .....	Jeu planetaire .....	Planetenradsatz .....	Kit de planetas .....	Planetsats.....	
6	VOE 11709057	2					Plug.....	Bouchon.....	Stopfen.....	Tapon .....	Plugg.....	
7	VOE 11709370	2					Screw .....	Vis .....	Schraube.....	Tornillo .....	Skruv.....	



1		<b>Planetväxel</b> <b>Engranaje planetario</b> <b>Planetenradgetriebe</b> <b>Réducteur planétaire</b> <b>Planetary gear</b>	Catalogue id	Group
2			<b>20124</b>	<b>461</b>
3			Illustr. No	Section
4			<b>1000737</b>	<b>350</b>
5			Issue	Page
		<b>11887362</b>	<b>VOE 63A9920124</b>	<b>299</b>

**VOLVO**

**BL61PLUS**

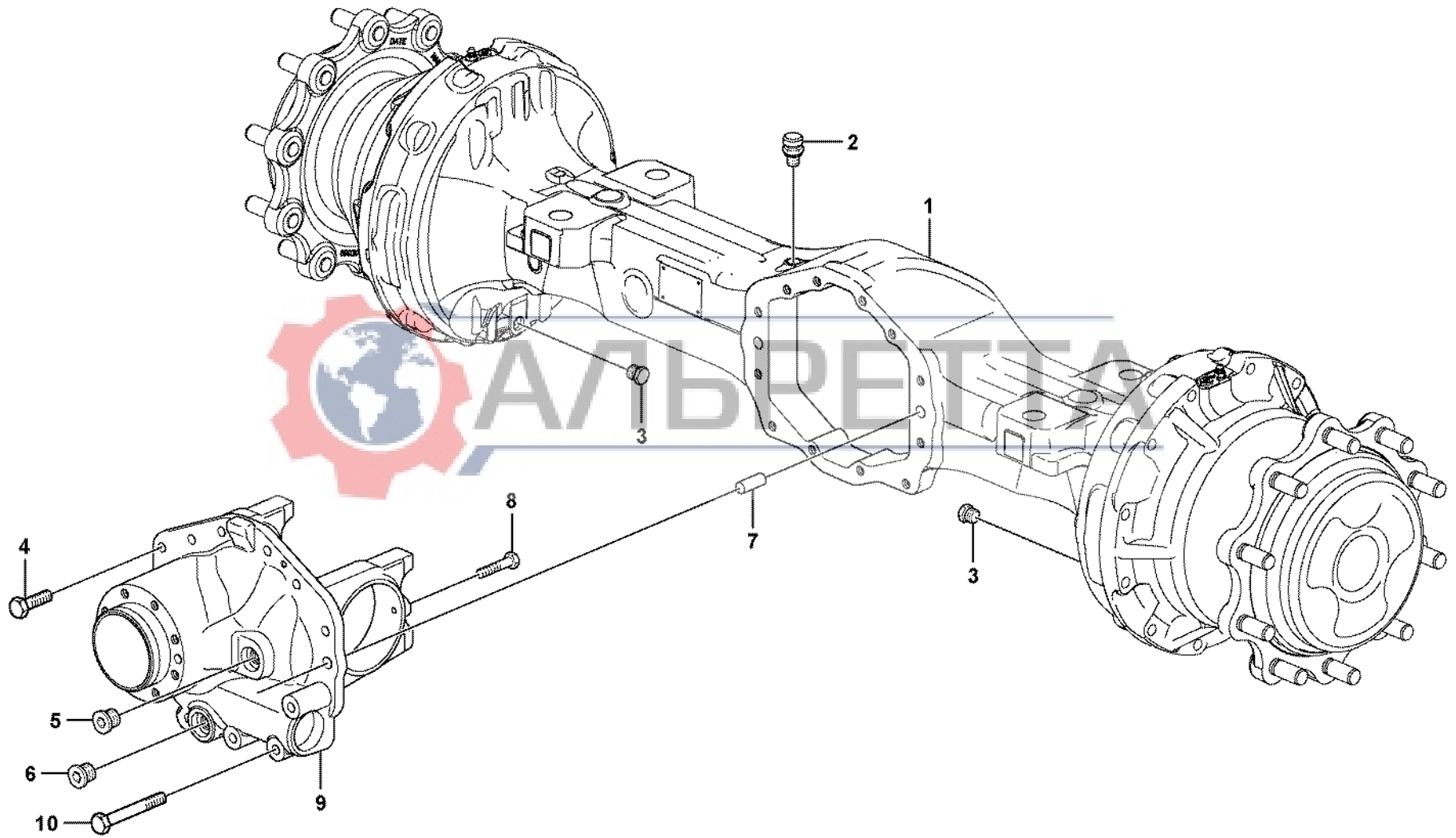


Fig.	Part No.	Quantity			P S	K I T	Description	Dénomination	Bezeichnung	Denominación	Benämning	Notes
		1	2	3								
	<b>VOE 11887363</b>	1					Rear axle.....	Essieu AR .....	Hinterachse .....	Eje posterior .....	Bakaxel.....	
1	<b>VOE 11716543</b>	1					•Axle Casing .....	•Boite Essieu.....	•Achsgehäuse .....	•Carter Eje.....	•Axelkåpa.....	
2	<b>VOE 11709275</b>	1					•Breather Cap .....	•Boucho.aeration.....	•Lüftungsdeckel.....	•Tapa Ventilac .....	•Ventil.lock.....	
3	<b>VOE 11709403</b>	2					•Plug .....	•Bouchon.....	•Stopfen .....	•Tapon.....	•Plugg.....	
4	<b>VOE 11709404</b>	8					•Screw.....	•Vis.....	•Schraube.....	•Tornillo .....	•Skruv.....	
5	<b>VOE 11716544</b>	1					•Plug .....	•Bouchon.....	•Stopfen .....	•Tapon.....	•Plugg.....	
6	<b>VOE 11709057</b>	1					•Plug .....	•Bouchon.....	•Stopfen .....	•Tapon.....	•Plugg.....	
7	<b>VOE 11709402</b>	2					•Pin .....	•Goupille.....	•Stift.....	•Pasador.....	•Pinne.....	
8	<b>VOE 11716545</b>	2					•Screw.....	•Vis.....	•Schraube.....	•Tornillo .....	•Skruv.....	
9	<b>VOE 11716546</b>	1					•Diff Housing .....	•Carter différentiel .....	•Differentialgehäuse.....	•Carter diferencial.....	•Differentialhus.....	
10	<b>VOE 11716547</b>	4					•Screw.....	•Vis.....	•Schraube.....	•Tornillo .....	•Skruv.....	



1		<b>Planetaxel, bak</b> <b>Eje propulsor, trasero</b> <b>Planetenwelle, hintere</b> <b>Essieu moteur, arrière</b> <b>Planet shaft, rear</b>	Catalogue id	Group
2			<b>20124</b>	<b>463</b>
3			Illustr. No	Section
4			<b>1023386</b>	<b>110</b>
5			Issue	Page
	<b>11887363</b>		<b>VOE 63A9920124</b>	<b>301</b>

**VOLVO**

**BL61PLUS**

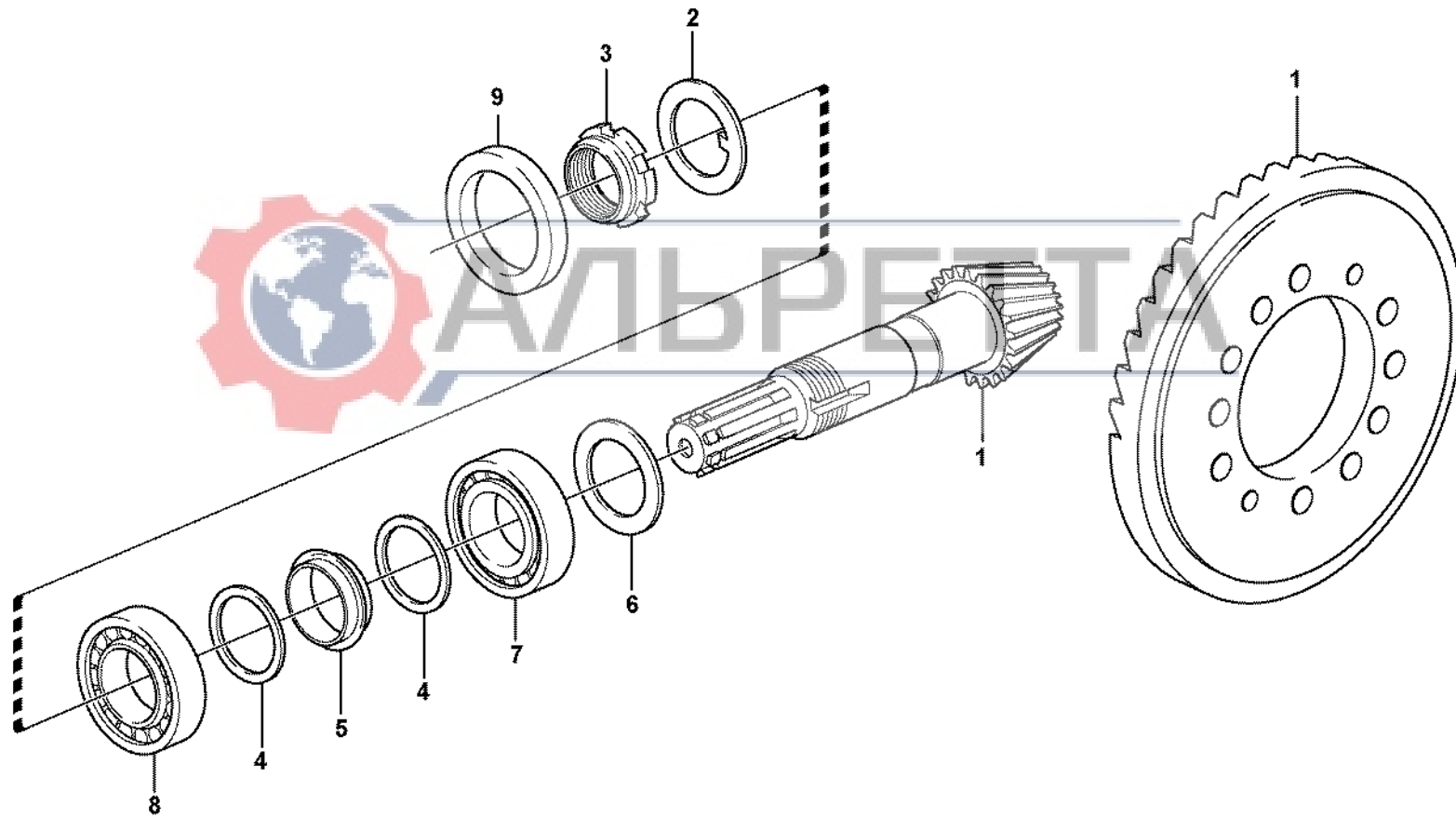


Fig.	Part No.	Quantity			P S	K I T	Description	Dénomination	Bezeichnung	Denominación	Benämning	Notes
		1	2	3								
1	VOE 11716550	1					Drive Gear Set .....	Kit Pignon.....	Triebsatz .....	Juego Pinon .....	Drevsats.....	
2	VOE 11709288	1					•Lock Washer.....	•Rondel.verroui .....	•Sicher Scheibe.....	•Arandel Segurid .....	•Låsbricka.....	
3	VOE 11709289	1					•Nut .....	•Ecrou .....	•Mutter.....	•Tuerca.....	•Mutter.....	
4	VOE 11709290	2					•Washer .....	•Rondelle.....	•Scheibe .....	•Arandela.....	•Bricka.....	
5	VOE 11716551	1					•Spacer .....	•Entretoise.....	•Abstandkörper.....	•Distancidor .....	•Distans.....	
6	VOE 11709292	REQ					Adjuster washer .....	Rondelle ajust. ....	Passscheibe.....	Arandela ajust. ....	Justerbricka.....	THICK 2,50 MM
	VOE 11709293	REQ					Adjuster washer .....	Rondelle ajust. ....	Passscheibe.....	Arandela ajust. ....	Justerbricka.....	THICK 2,60 MM
	VOE 11709294	REQ					Adjuster washer .....	Rondelle ajust. ....	Passscheibe.....	Arandela ajust. ....	Justerbricka.....	THICK 2,70 MM
	VOE 11709295	REQ					Adjuster washer .....	Rondelle ajust. ....	Passscheibe.....	Arandela ajust. ....	Justerbricka.....	THICK 2,80 MM
	VOE 11709296	REQ					Adjuster washer .....	Rondelle ajust. ....	Passscheibe.....	Arandela ajust. ....	Justerbricka.....	THICK 2,90 MM
	VOE 11709297	REQ					Adjuster washer .....	Rondelle ajust. ....	Passscheibe.....	Arandela ajust. ....	Justerbricka.....	THICK 3,00 MM
7	VOE 11716615	1					Bearing.....	Palier .....	Lager.....	Cojinete .....	Lager.....	
8	VOE 11709299	1					Bearing.....	Palier .....	Lager.....	Cojinete .....	Lager.....	
9	VOE 11709302	1					Seal.....	Joint .....	Dichtung.....	Reten.....	Tätning.....	



1		<b>Pinjong</b> <b>Piñón de ataque</b> <b>Antriebskegelrad</b> <b>Pignon</b> <b>Pinion</b>	Catalogue id	Group
2			<b>20124</b>	<b>463</b>
3			Illustr. No	Section
4			<b>1023388</b>	<b>160</b>
5			Issue	Page
		<b>11887363</b>	<b>VOE 63A9920124</b>	<b>303</b>

**VOLVO**

**BL61PLUS**



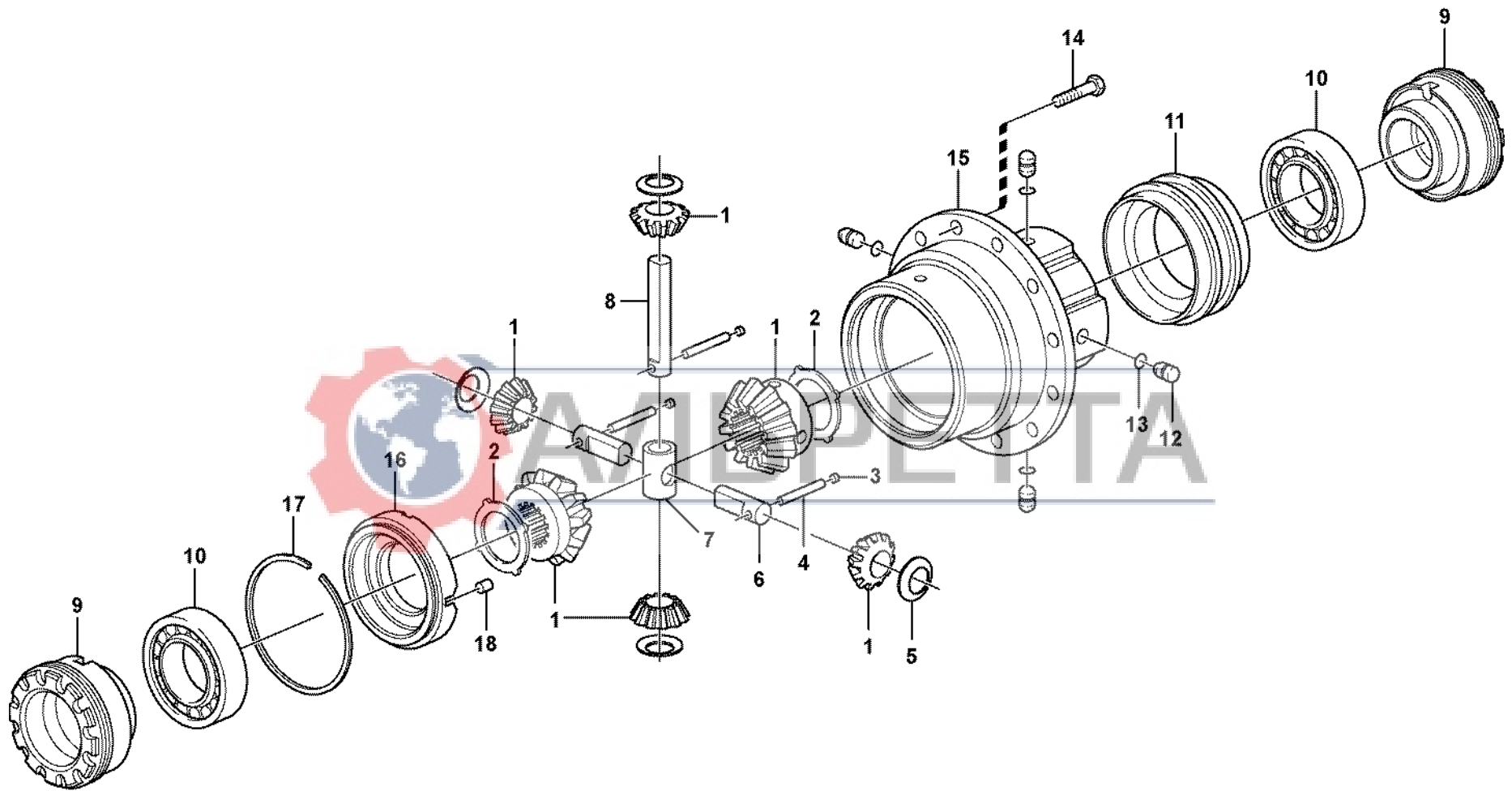


Fig.	Part No.	Quantity			P S	K I T	Description	Dénomination	Bezeichnung	Denominación	Benämning	Notes
		1	2	3								
1	VOE 11716556	1					Diff Pinion Set .....	Jeu Pign.diffe. ....	Ausgl Kegsatz .....	Kit Engran Dif .....	Diff.drevsats.....	
2	VOE 11716557	2					•Drive Plate .....	•Plaque Commande ...	•Treibscheibe .....	•Placa Motriz .....	•Drivplatta.....	
3	VOE 11709268	3					•Plug .....	•Bouchon.....	•Stopfen .....	•Tapon.....	•Plugg.....	
4	VOE 11716558	3					•Pin .....	•Goupille.....	•Zapfen.....	•Pasador.....	•Tapp.....	
5	VOE 11709306	4					Thrust Washer .....	Rondelle Butee .....	Druckscheibe .....	Arandela Presio.....	Tryckbricka.....	
6	VOE 11716559	2					Shaft.....	Arbre .....	Welle .....	Arbol.....	Axel.....	
7	VOE 11716560	1					Spider.....	Croisillon .....	Kreuzstück .....	Cruceta.....	Kors.....	
8	VOE 11988598	2					Shaft.....	Arbre .....	Welle .....	Arbol.....	Axel.....	
9	VOE 11716561	2					Ring.....	Anneau.....	Ring.....	Anillo .....	Ring.....	
10	VOE 11709314	2					Bearing.....	Palier.....	Lager.....	Cojinete .....	Lager.....	
11	VOE 11716562	1					Sleeve.....	Manchon .....	Muffe .....	Manguito .....	Muff.....	
12	VOE 11709308	2					Pin.....	Goupille.....	Stift.....	Pasador.....	Pinne.....	
13	VOE 11709309	4					O-ring.....	Joint Torique .....	O-Ring.....	Junta torica.....	O-ring.....	
14	VOE 11716563	1					Screw.....	Vis .....	Schraube.....	Tornillo .....	Skruv.....	
15	VOE 11716564	10					Diff Housing .....	Carter différentiel .....	Differentialgehäuse .....	Carter diferencial.....	Differentialhus.....	
16	VOE 11716565	1					Cover.....	Capot .....	Haube.....	Capo.....	Lock.....	
17	VOE 11716566	1					Lock Ring.....	Anneau Verrouillage .....	Schlossring.....	Anillo Segurid .....	Låsring.....	
18	VOE 11716567	1					Pin.....	Goupille.....	Zapfen.....	Pasador.....	Tapp.....	



1		<b>Differential. Bak</b> <b>Diferencial. Detrás</b> <b>Ausgleichgetriebe. Hinten</b> <b>Différentiel. Arrière</b> <b>Differential. Rear</b>	Catalogue id	Group
2			<b>20124</b>	<b>463</b>
3			Illustr. No	Section
4			<b>1023391</b>	<b>210</b>
5			Issue	Page
	<b>11887363</b>		<b>VOE 63A9920124</b>	<b>305</b>

**VOLVO**

**BL61PLUS**

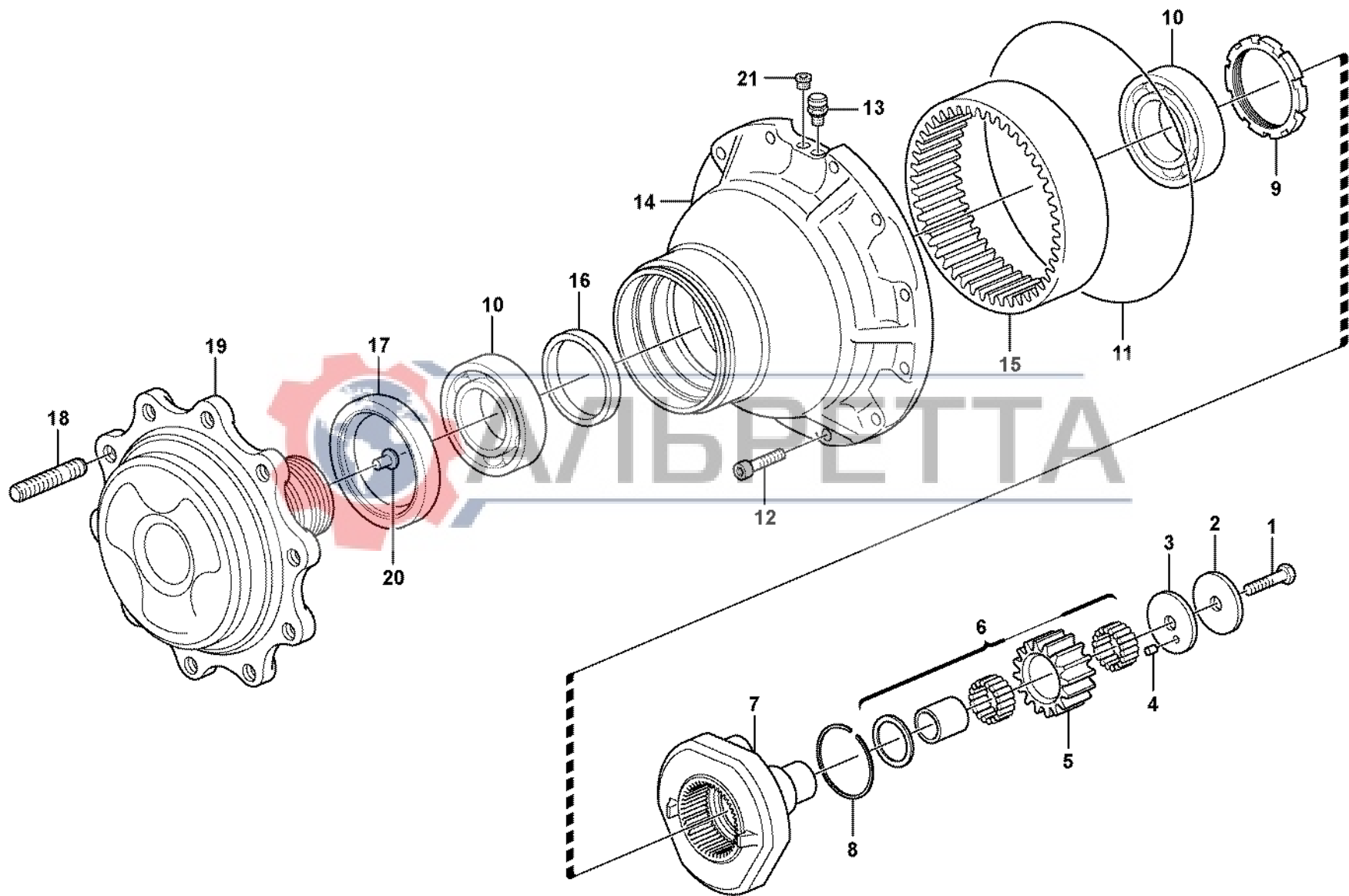


Fig.	Part No.	Quantity			P S	K I T	Description	Dénomination	Bezeichnung	Denominación	Benämning	Notes
		1	2	3								
1	VOE 11709377	6				Screw	Vis	Schraube	Tornillo	Skruv		
2	VOE 11716588	6				Thrust Washer	Rondelle Butee	Druckscheibe	Arandela Presio	Tryckbricka		
3	VOE 11716589	6				Thrust Washer	Rondelle Butee	Druckscheibe	Arandela Presio	Tryckbricka		
4	VOE 11716590	6				Pin	Goupille	Zapfen	Pasador	Tapp		
5	VOE 11716591	6				Drive Gear	Pignon	Triebrad	Pinon	Drivhjul		
6	VOE 11716592	6				Bearing Kit	Jeu Paliers	Lagersatz	Juego Cojinetes	Lagersats		
7	VOE 11716593	2				Planet kit	Jeu planetaire	Planetenradsatz	Kit de planetas	Planetsats		
8	VOE 11716594	2				Lock	Serrure	Schloß	Cierre	Låselement		
9	VOE 11716595	2				Nut	Ecrou	Mutter	Tuerca	Mutter		
10	VOE 11709360	4				Bearing	Palier	Lager	Cojinete	Lager		
11	VOE 11716597	2				O-ring	Joint Torique	O-Ring	Junta torica	O-ring		
12	VOE 11716596	24				Screw	Vis	Schraube	Tornillo	Skruv		
13	VOE 11709350	2				Breather Pipe	Reniflard	Luftungsrohr	Conduct Ventil	Ventilationsrör		
14	VOE 11716610	2				Hub	Bossage	Nabe	Asiento	Nav		
15	VOE 11716599	2				•Gear	•Pignon	•Zahnradgetriebe	•Engranaje	•Kuggdrev		
16	VOE 11716598	2				Spacer	Partie Intermédiaire	Zwischenstück	Espaciador	Mellandel		
17	VOE 11988156	2				Seal	Joint	Dichtung	Reten	Tätning		
18	VOE 11716612	20				Stud	Goujon	Stiftschraube	Esparrago	Pinnskruv		
19	VOE 11716611	2				Flange	Flasque	Flansch	Brida	Fläns		
20	VOE 11716613	2				Pad	Patin	Belag	Pastilla	Pad		
21	VOE 11709075	2				Plug	Bouchon	Stopfen	Tapon	Plugg		



1		<b>Navreduktion, bakaxel</b> <b>Reduccion cubo, eje planeta trasero</b> <b>Nabenvorgelege, Pflanzenwelle, hinten</b> <b>Reducteur moyeu, axe satellite, Ar</b> <b>Hub reduction, rear axle</b>	Catalogue id	Group
2			<b>20124</b>	<b>463</b>
3			Illustr. No	Section
4			<b>1023393</b>	<b>260</b>
5			Issue	Page
		<b>11887363</b>	<b>VOE 63A9920124</b>	<b>307</b>

**VOLVO**

**BL61PLUS**

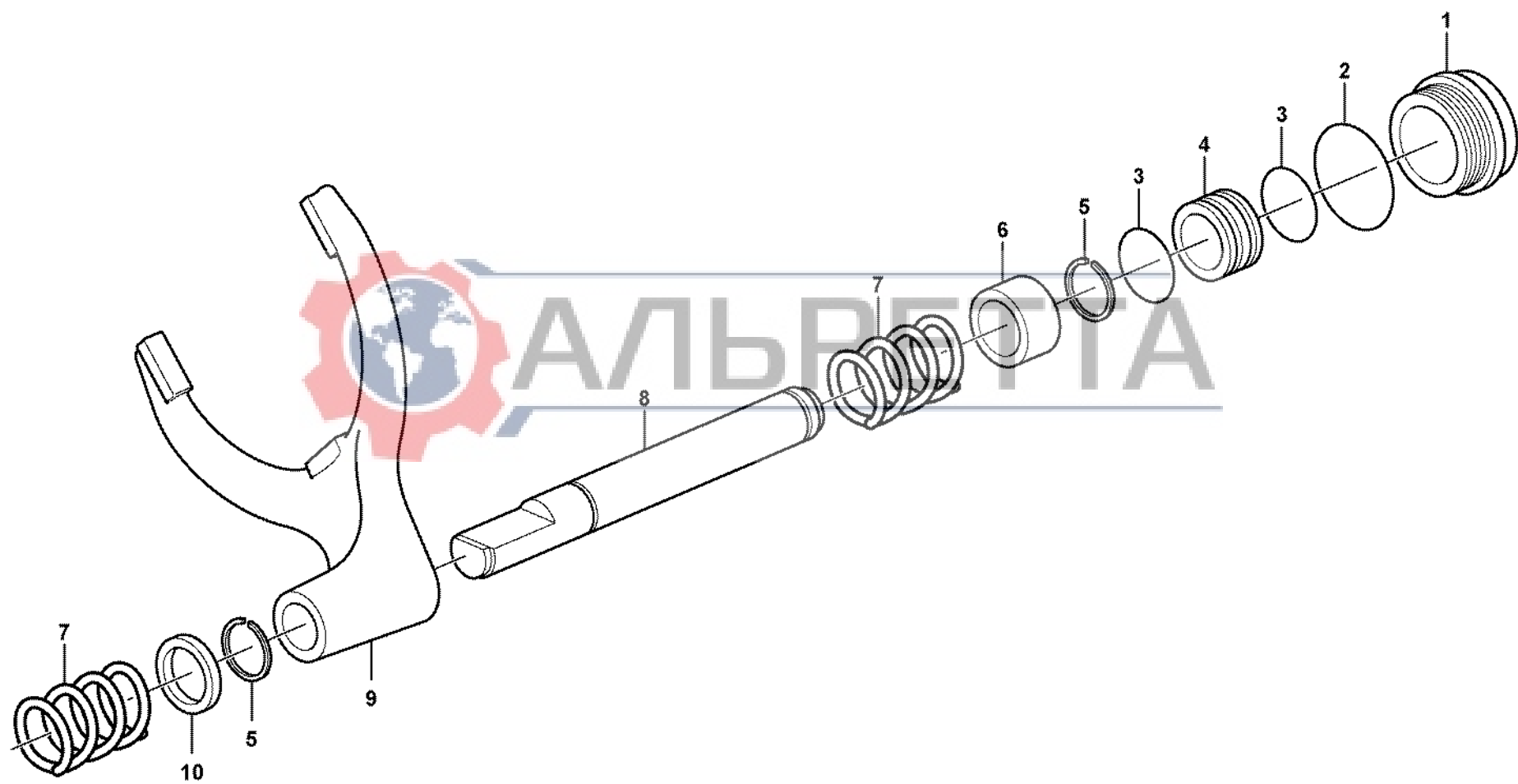


Fig.	Part No.	Quantity			P S	K I T	Description	Dénomination	Bezeichnung	Denominación	Benämning	Notes
		1	2	3								
1	VOE 11716578	1				Cover .....	Capot .....	Haube.....	Capo.....	Lock.....		
2	VOE 11716572	1				O-ring .....	Joint Torique .....	O-Ring.....	Junta torica.....	O-ring.....		
3	VOE 11709321	2				O-ring .....	Joint Torique .....	O-Ring.....	Junta torica.....	O-ring.....		
4	VOE 11709322	1				Piston .....	Piston .....	Kolben .....	Piston .....	Kolv.....		
5	VOE 11716573	2				Lock Ring .....	Anneau Verrouillage ..	Schlossring.....	Anillo Segurid .....	Låsring.....		
6	VOE 11716571	1				Bushing .....	Bague.....	Buchse .....	Casquillo .....	Bussning.....		
7	VOE 11709326	2				Spring.....	Ressort.....	Feder.....	Muelle.....	Fjäder.....		
8	VOE 11716570	1				Piston .....	Piston .....	Kolben .....	Piston .....	Kolv.....		
9	VOE 11716568	1				Shift Yoke.....	Fourchette.....	Schaltgabel .....	Horquill Cambio.....	Skiftgaffel.....		
10	VOE 11716569	1				Spacer Washer .....	Rond.entretoise.....	Abstandscheibe.....	Arandela Dist.....	Distansbricka.....		



1	<b>Differentialspär</b> <b>Bloqueo del diferencial</b> <b>Ausgleichsperre</b> <b>Blocage différentiel</b> <b>Differential lock</b>	Catalogue id	Group
2		<b>20124</b>	<b>468</b>
3		Illustr. No	Section
4		<b>1023401</b>	<b>110</b>
5		Issue	Page
		<b>VOE 63A9920124</b>	<b>309</b>

**VOLVO**

**BL61PLUS**

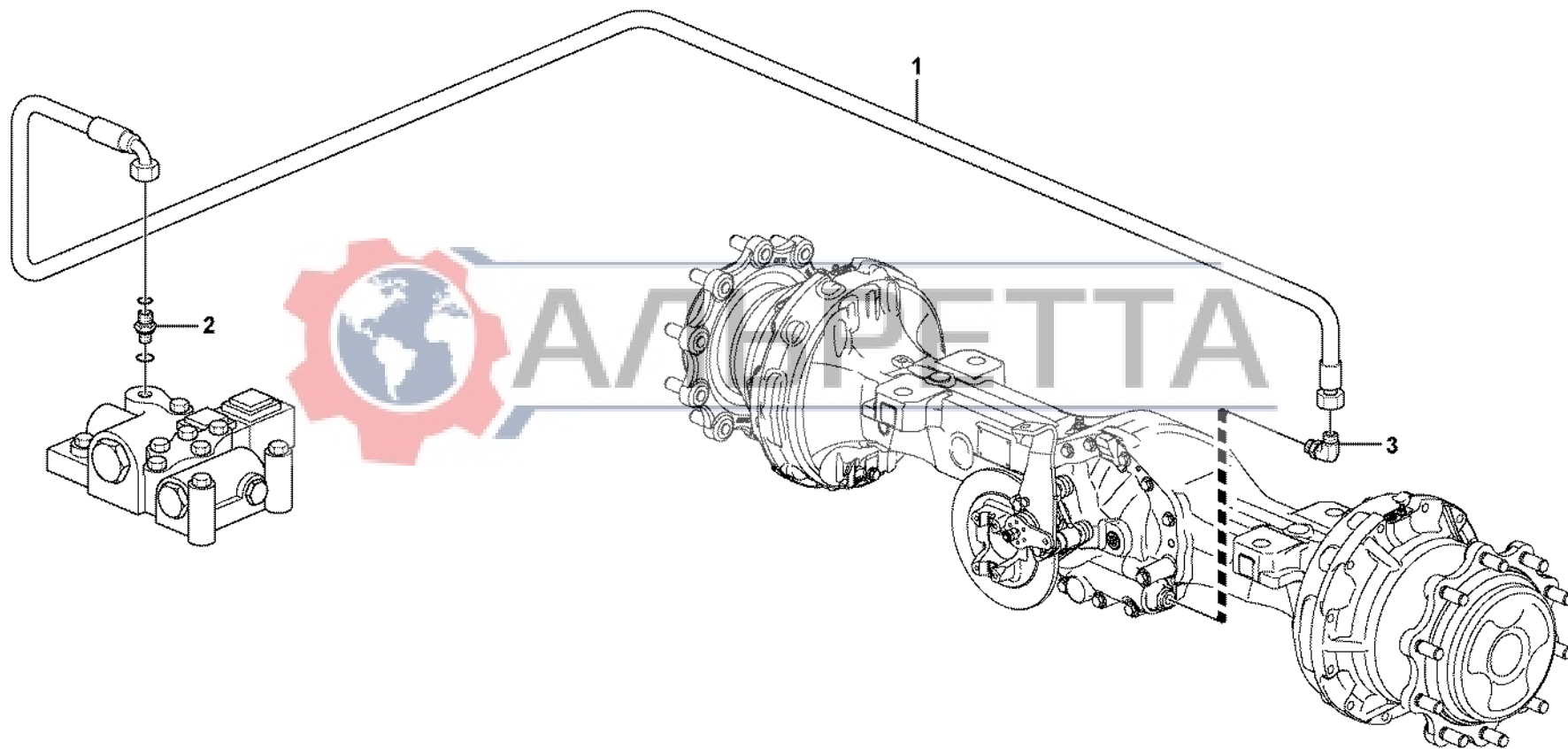


Fig.	Part No.	Quantity			P S	K I T	Description	Dénomination	Bezeichnung	Denominación	Benämning	Notes
		1	2	3								
1	VOE 11888607	1					Hose.....	Durit .....	Schlauch .....	Tubo flexible.....	Slang.....	L = 2700 MM
2	VOE 935085	1					Nipple.....	Raccord.....	Nippel.....	Niple.....	Nippel.....	
	VOE 990737	1					•O-ring.....	•Joint Torique.....	•O-Ring.....	•Junta torica .....	•O-ring.....	
	VOE 932039	1					•O-ring.....	•Joint Torique.....	•O-Ring.....	•Junta torica .....	•O-ring.....	
3	VOE 13933857	1					Elbow Nipple.....	Raccord angulaire.....	Winkelnippel.....	Niple Angular.....	V-nippel.....	



1	<b>Differentialspär</b> <b>Bloqueo del diferencial</b> <b>Ausgleichsperre</b> <b>Blocage différentiel</b> <b>Differential lock</b>	Catalogue id	Group
2		<b>20124</b>	<b>468</b>
3		Illustr. No	Section
4		<b>1023877</b>	<b>150</b>
5		Issue	Page
		<b>VOE 63A9920124</b>	<b>311</b>

**VOLVO**

**BL61PLUS**





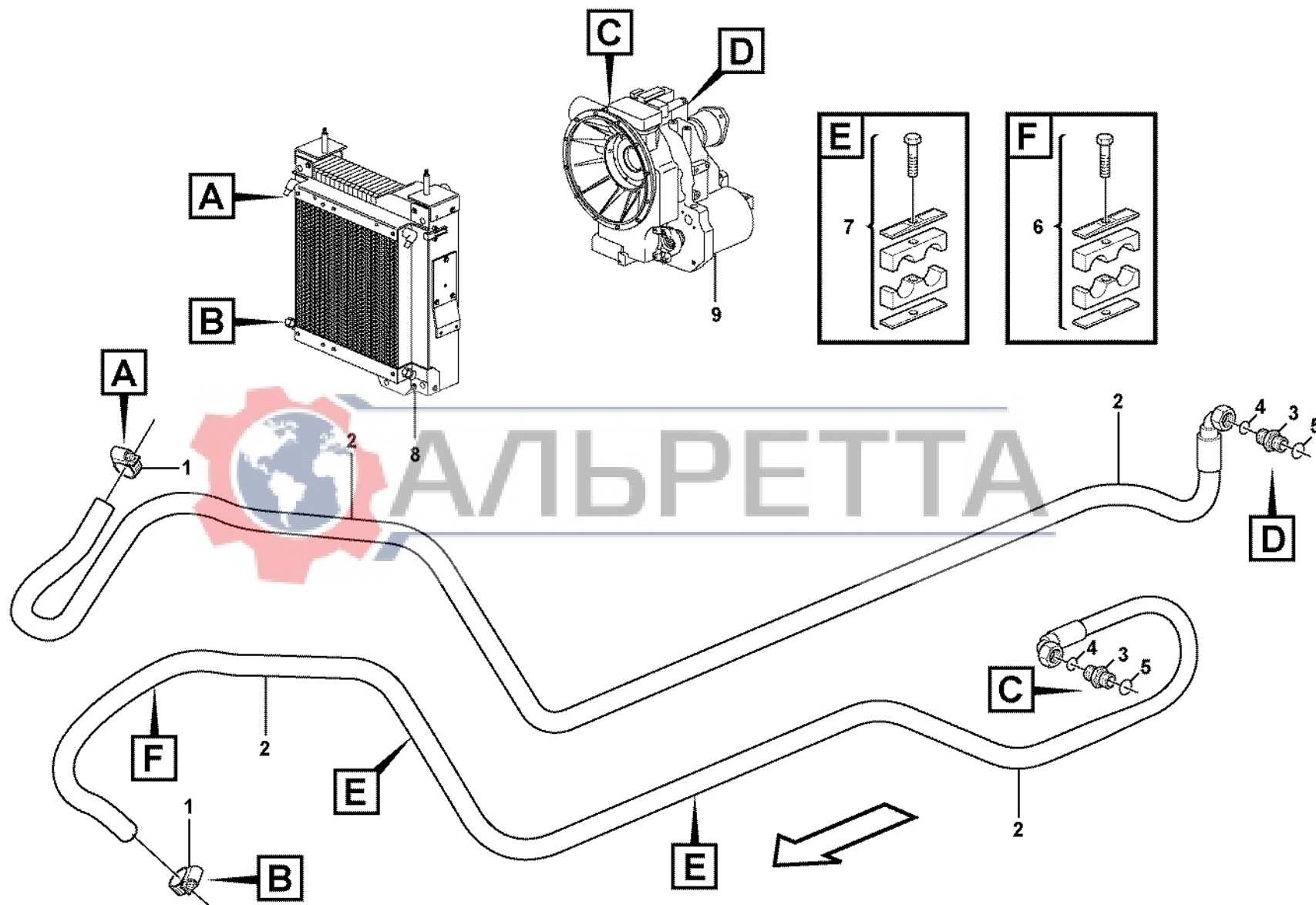


Fig.	Part No.	Quantity			P S	K I T	Description	Dénomination	Bezeichnung	Denominación	Benämning	Notes
		1	2	3								
1	VOE 943473	2	2			Hose Clamp .....	Collier Serrage .....	Schlauchschelle .....	Abraz Manguera.....	Slangklamma.....		
2	VOE 11888469	2	2			Hose.....	Durit .....	Schlauch .....	Tubo flexible.....	Slang.....		
3	VOE 935097	2	2			Nipple.....	Raccord.....	Nippel.....	Niple.....	Nippel.....		
4	VOE 990739	2	2			•O-ring.....	•Joint Torique.....	•O-Ring.....	•Junta torica .....	•O-ring.....		
5	VOE 932041	2	2			•O-ring.....	•Joint Torique.....	•O-Ring.....	•Junta torica .....	•O-ring.....		
6	VOE 11885543	1	1			Clamp.....	Pince Serrage .....	Klemme.....	Abrazadera.....	Klämma.....		
7	VOE 11888715	2	2			Clamp.....	Pince Serrage .....	Klemme.....	Abrazadera.....	Klämma.....		
8		1	1			Radiator .....	Radiateur .....	Kühler.....	Radiador.....	Kylare.....		
9		1				Transmission.....	Transmission.....	Getriebe .....	Transmision.....	Transmission.....	See group 420, Page 229	
9		1				Transmission.....	Transmission.....	Getriebe .....	Transmision.....	Transmission.....	See group 420, Page 225	



1	11891077, 11895023	<b>Oljekylare, transmission</b> <b>Enfriador aceite, transmision</b> <b>Ölkühler, getriebe</b> <b>Radiateur huile, transmission</b> <b>Oil cooler, transmission</b>	Catalogue id	Group
2	11891595		<b>20124</b>	<b>491</b>
3			Illustr. No	Section
4			<b>1027114</b>	<b>100</b>
5			Issue	Page
			<b>VOE 63A9920124</b>	<b>313</b>

**VOLVO**

**BL61PLUS**



**VOLVO**

АЛЬРЕТТА

Construction Equipment

GROUP	Section	Page	GROUP	Section	Page
517	Multi-disc brake, rear 11887363 .....	100			321
517	Wheel brake, rear .....	200			323
525	Brake system 11298204, 11298208 .....	100			325
551	Parking brake.....	100			327
551	Parking brake.....	200			329



INDEX OF CONTENTS	Catalogue id <b>20124</b>	Group <b>5</b>
	Issue <b>VOE 63A9920124</b>	Page <b>315</b>

**VOLVO**

**BL61PLUS**



<b>TABLE DES MATIÈRES</b>				Catalogue id <b>20124</b>		Group <b>5</b>	
				Issue <b>VOE 63A9920124</b>		Page <b>316</b>	
GROUPE		Section	Page	GROUPE		Section	Page

517	Frein à disques, AR 11887363 .....	100	321
517	Frein de roue, Ar .....	200	323
525	Système de freinage 11298204, 11298208 .....	100	325
551	Frein parking .....	100	327
551	Frein parking .....	200	329



GRUPPE	Abschnitt	Seite	GRUPPE	Abschnitt	Seite
517	Lamellenbremse, hinten 11887363.....	100			321
517	Radbremse, Hintere.....	200			323
525	Bremssystem 11298204, 11298208 .....	100			325
551	Feststellbremse.....	100			327
551	Feststellbremse.....	200			329



<b>INHALTSVERZEICHNIS</b>	Catalogue id <b>20124</b>	Group <b>5</b>
	Issue <b>VOE 63A9920124</b>	Page <b>317</b>

**VOLVO**

**BL61PLUS**



<b>INDICE</b>	Catalogue id <b>20124</b>	Group <b>5</b>
	Issue <b>VOE 63A9920124</b>	Page <b>318</b>

GRUPO	Sección	Página	GRUPO	Sección	Página
517	Freno de disco, trasero	11887363	100	321	
517	Freno rueda, trasero		200	323	
525	Sistema de frenos	11298204, 11298208	100	325	
551	Freno estacionamiento		100	327	
551	Freno estacionamiento		200	329	



GRUPP	Avsnitt	Sida	GRUPP	Avsnitt	Sida
517	Lamellbroms, bak 11887363.....	100			321
517	Hjulbroms, bakre.....	200			323
525	Bromssystem 11298204, 11298208 .....	100			325
551	Parkeringsbroms.....	100			327
551	Parkeringsbroms.....	200			329



<b>INNEHÅLLSFÖRTECKNING</b>	Catalogue id <b>20124</b>	Group <b>5</b>
	Issue <b>VOE 63A9920124</b>	Page <b>319</b>

**VOLVO**

**BL61PLUS**





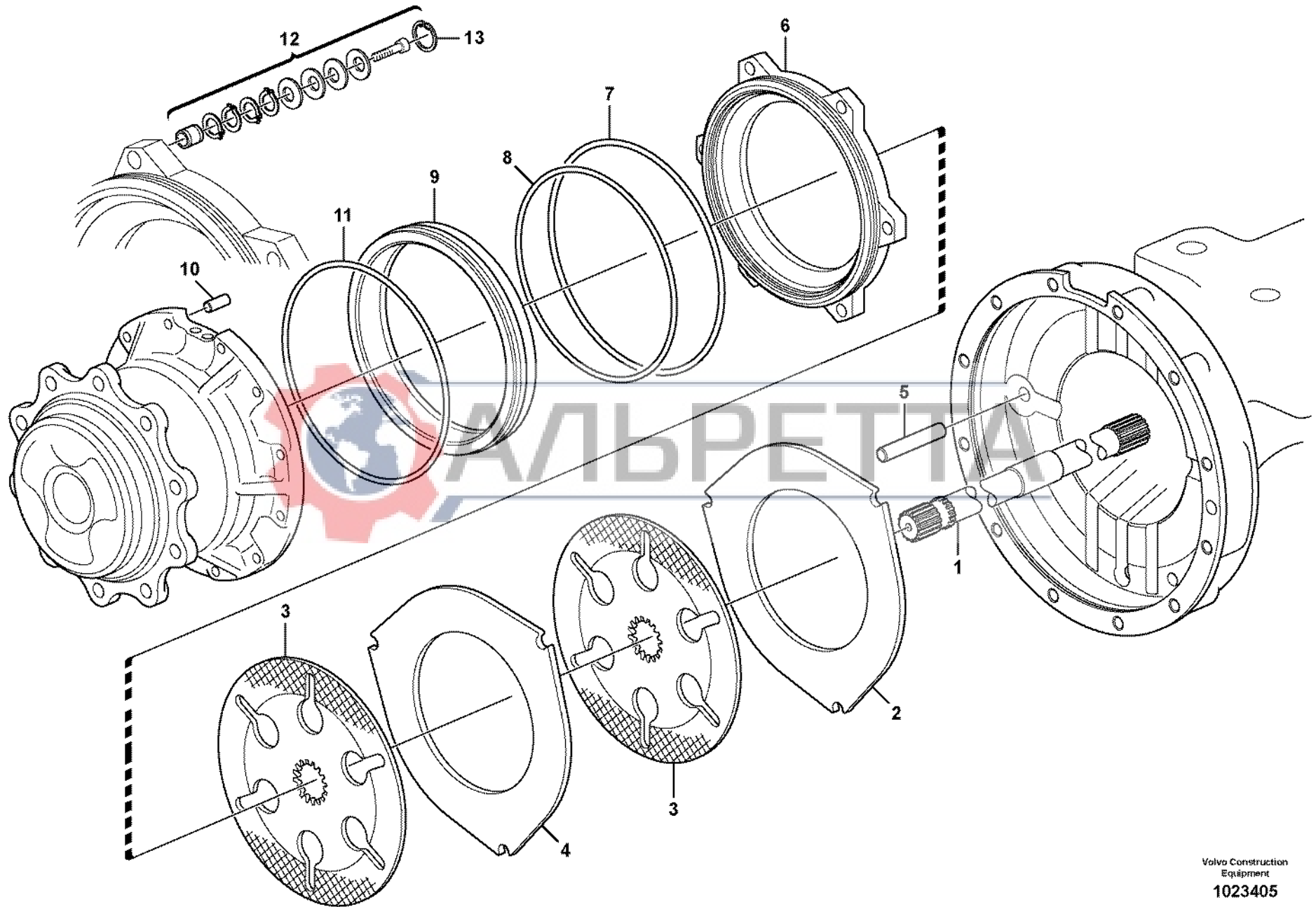


Fig.	Part No.	Quantity			P S	K I T	Description	Dénomination	Bezeichnung	Denominación	Benämning	Notes
		1	2	3								
1	VOE 11716574	1				Shaft.....	Arbre .....	Welle .....	Arbol.....	Axel.....	LH	
1	VOE 11716575	1				Shaft.....	Arbre .....	Welle .....	Arbol.....	Axel.....	RH	
2	VOE 11716580	2				Drive Plate .....	Plaque Commande .....	Treibscheibe.....	Placa Motriz .....	Drivplatta.....		
3	VOE 11716579	4				Brake Plate .....	Plaque Frein.....	Bremsplatte .....	Placa De Freno .....	Bromsplatta.....		
4	VOE 11716581	2				Drive Plate .....	Plaque Commande .....	Treibscheibe.....	Placa Motriz .....	Drivplatta.....		
5	VOE 11716582	6				Pin.....	Goupille.....	Zapfen .....	Pasador.....	Tapp.....		
6	VOE 11716583	2				Brake Piston.....	Piston Frein.....	Bremskolben .....	Piston Frenos .....	Bromskolv.....		
7	VOE 11716585	2				O-ring .....	Joint Torique .....	O-Ring .....	Junta torica.....	O-ring.....		
8	VOE 11716586	2				O-ring .....	Joint Torique .....	O-Ring .....	Junta torica.....	O-ring.....		
9	VOE 11716584	2				Brake Piston.....	Piston Frein.....	Bremskolben .....	Piston Frenos .....	Bromskolv.....		
10	VOE 11709413	2				Pin.....	Goupille.....	Stift .....	Pasador.....	Pinne.....		
11	VOE 11716587	2				O-ring .....	Joint Torique .....	O-Ring .....	Junta torica.....	O-ring.....		
12	VOE 11716577	6				Adjusting device.....	Dispositif reglage .....	Nachstellvorrichtung.....	Dispositivo de ajuste .....	Justeranordnung.....		
13	VOE 11716576	6				Lock .....	Serrure .....	Schloß .....	Cierre .....	Låselement.....		



1	<b>Lamellbroms, bak</b> <b>Freno de disco, trasero</b> <b>Lamellenbremse, hinten</b> <b>Frein à disques, AR</b> <b>Multi-disc brake, rear</b>  <b>11887363</b>	Catalogue id	Group
2		<b>20124</b>	<b>517</b>
3		Illustr. No	Section
4		<b>1023405</b>	<b>100</b>
5		Issue	Page
		<b>VOE 63A9920124</b>	<b>321</b>

**VOLVO**

**BL61PLUS**



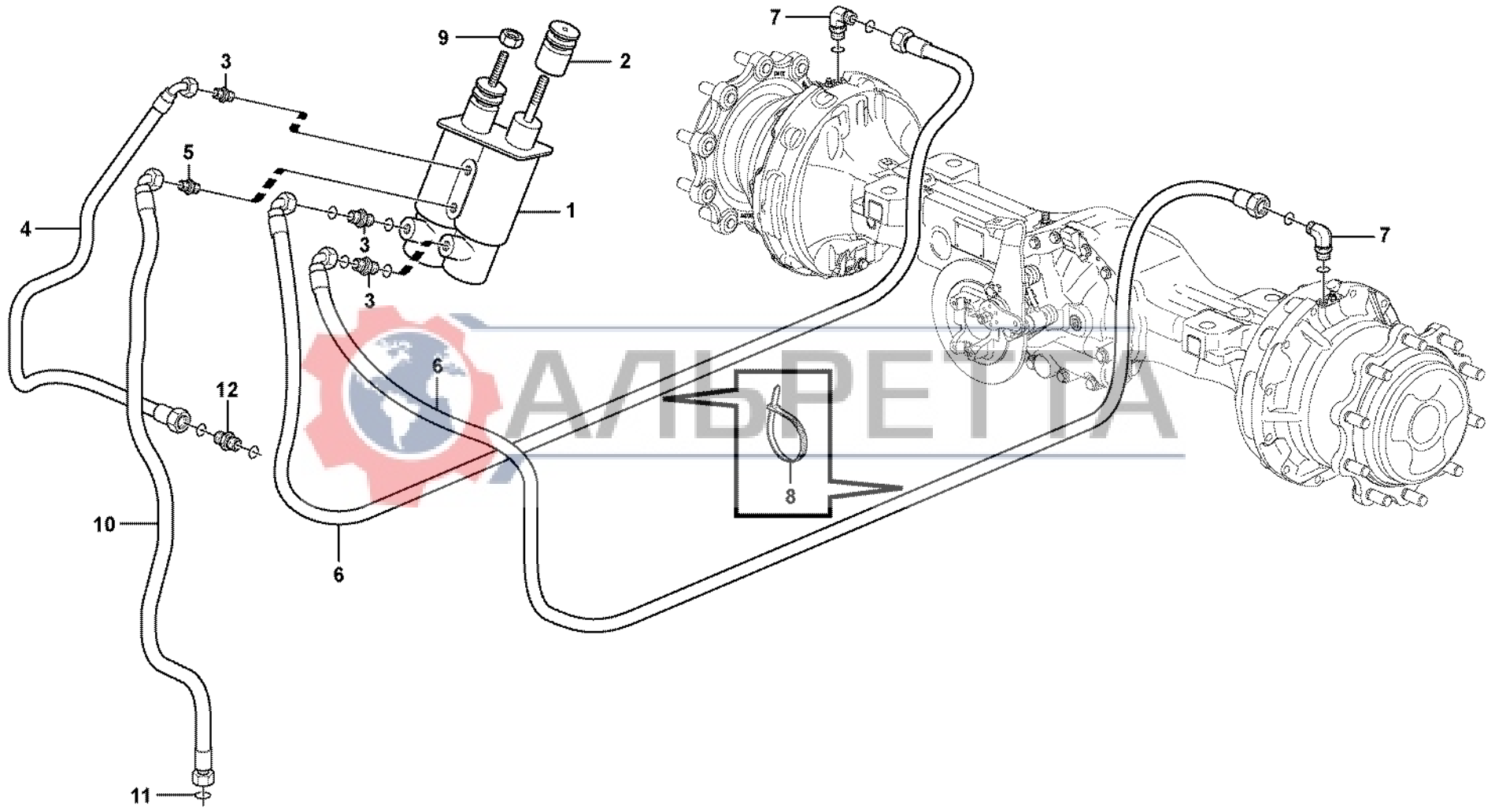


Fig.	Part No.	Quantity			P S	K I T	Description	Dénomination	Bezeichnung	Denominación	Benämning	Notes
		1	2	3								
1	VOE 11886865	1				Brake Servo .....	Servofrein .....	Bremsservo .....	Servofreno .....	Bromsservo .....		
2	VOE 11709901	2				Dust Cover .....	Pare-poussiere .....	Staubschutz .....	Prot Polvo .....	Dammskydd .....		
3	VOE 11883022	3				Connector .....	Raccord .....	Anschluss .....	Union .....	Anslutning .....		
	VOE 968207	3				•O-ring .....	•Joint Torique .....	•O-Ring .....	•Junta torica .....	•O-ring .....		
	VOE 990737	3				•O-ring .....	•Joint Torique .....	•O-Ring .....	•Junta torica .....	•O-ring .....		
4	VOE 11888671	1				Hose .....	Durit .....	Schlauch .....	Tubo flexible .....	Slang .....		
5	VOE 11883021	1				Connector .....	Raccord .....	Anschluss .....	Union .....	Anslutning .....		
6	VOE 11888969	2				Hose .....	Durit .....	Schlauch .....	Tubo flexible .....	Slang .....		
7	VOE 13933857	2				Elbow Nipple .....	Raccord angulaire .....	Winkelnippel .....	Niple Angular .....	V-nippel .....		
	VOE 990739	2				•O-ring .....	•Joint Torique .....	•O-Ring .....	•Junta torica .....	•O-ring .....		
	VOE 932039	2				•O-ring .....	•Joint Torique .....	•O-Ring .....	•Junta torica .....	•O-ring .....		
8	VOE 4821292	REQ				Strip Clamp .....	Ruban Serrage .....	Kabelbinder .....	Abraz Cinta .....	Bandklamma .....		
9	VOE 13971068	2				Hexagon Nut .....	Ecrou Hexagonal .....	Sechskantmutter .....	Tuerca Hexagon .....	Sexkantmutter .....		
10	VOE 11882192		1	1		Hose assembly .....	Conduit flexible .....	Schlauchleitung .....	Conducto .....	Slangledning .....	See group 421, Page 235	
11	VOE 990737	1				O-ring .....	Joint Torique .....	O-Ring .....	Junta torica .....	O-ring .....		
12	VOE 935085	1				Nipple .....	Raccord .....	Nippel .....	Niple .....	Nippel .....	See group 468, Page 311	
	VOE 932039	1				•O-ring .....	•Joint Torique .....	•O-Ring .....	•Junta torica .....	•O-ring .....		
	VOE 990737	1				•O-ring .....	•Joint Torique .....	•O-Ring .....	•Junta torica .....	•O-ring .....		



1	11880101	<b>Hjulbroms, bakre</b> <b>Freno rueda, trasero</b> <b>Radbremse, Hintere</b> <b>Frein de roue, Ar</b> <b>Wheel brake, rear</b>	Catalogue id	Group
2	11891077, 11891595		<b>20124</b>	<b>517</b>
3	11895023		Illustr. No	Section
4			<b>1025978</b>	<b>200</b>
5			Issue	Page
			<b>VOE 63A9920124</b>	<b>323</b>

**VOLVO**

**BL61PLUS**

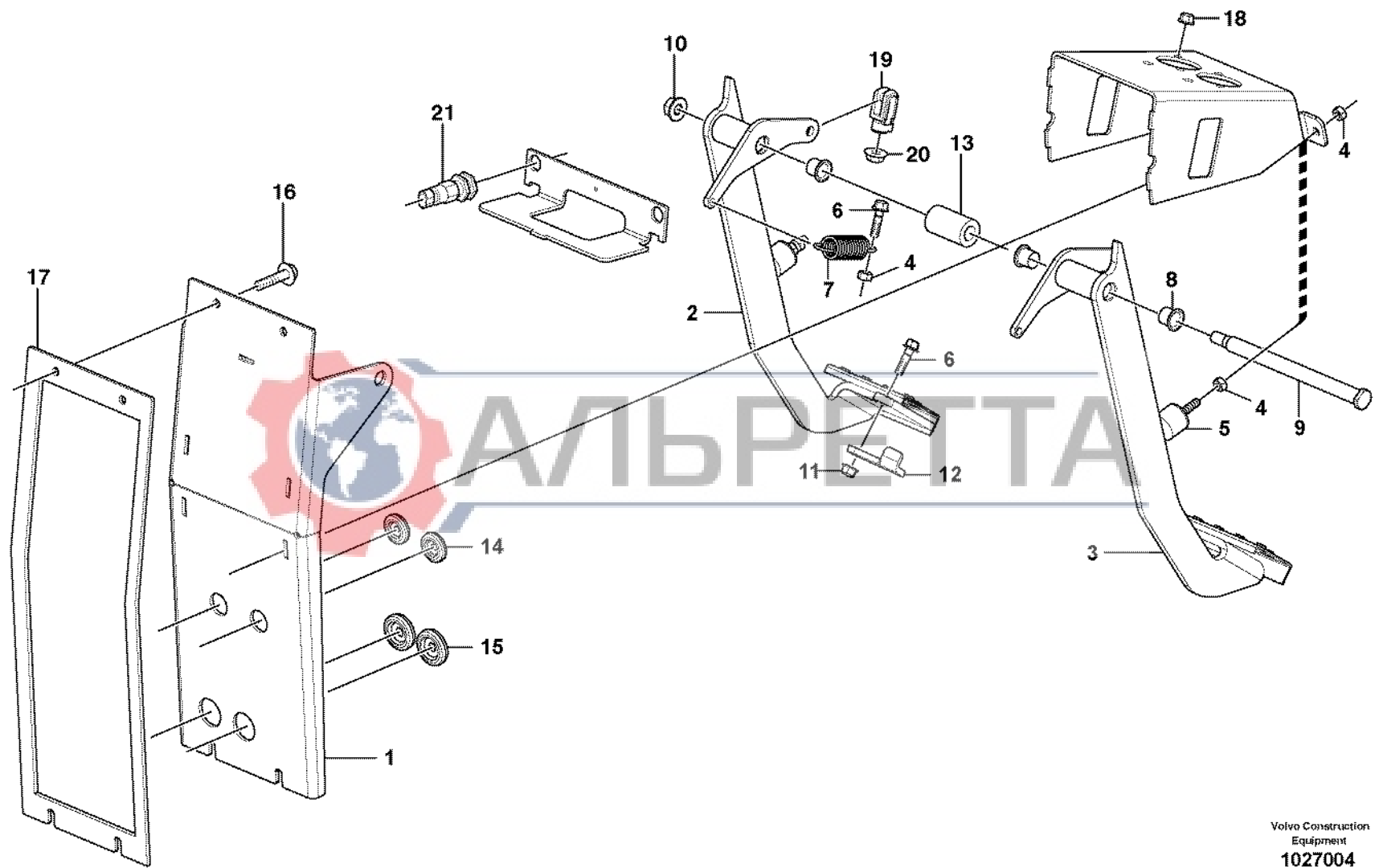


Fig.	Part No.	Quantity			P S	K I T	Description	Dénomination	Bezeichnung	Denominación	Benämning	Notes
		1	2	3								
		1			NS	Brake Unit .....	Ensemble Frein .....	Bremsanordnung .....	Unidad Freno .....	Bromsenhet .....		
1		1			NS	•Box .....	•Boîte .....	•Kasten .....	•Caja .....	•Låda .....		
2	VOE 11205776	1				•Brake Pedal .....	•Pedale Frein .....	•Bremspedal .....	•Pedal Frenos .....	•Bromspedal .....	RH	
3	VOE 11205775	1				•Brake Pedal .....	•Pedale Frein .....	•Bremspedal .....	•Pedal Frenos .....	•Bromspedal .....	LH	
4	VOE 983303	6				•Nut .....	•Ecrou .....	•Mutter .....	•Tuerca .....	•Mutter .....		
5	VOE 11200579	2				•Absorber .....	•Amortisseur .....	•Dämpfer .....	•Amortiguador .....	•Dämpare .....		
6	VOE 946671	3				•Flange screw .....	•Vis à bride .....	•Flanschschraube .....	•Torn embridado .....	•Flänsskruv .....		
7	VOE 11205848	2				•Tension Spring .....	•Ressort de traction .....	•Zugfeder .....	•Muelle traccion .....	•Dragfjäder .....		
8	VOE 11200610	4				•Flange Bearing .....	•Palier Bride .....	•Flanschlager .....	•Cojinete Brida .....	•Flänslager .....		
9	VOE 11149686	1				•Pedal Shaft .....	•Axe Pedale .....	•Pedalachse .....	•Eje Pedal .....	•Pedalaxel .....	X61, X62	
10	VOE 971099	1				•Flange Lock Nut .....	•Contre écrou bride .....	•Flanschmutter .....	•Contratuer Embr .....	•Flänslåsmutter .....		
11	VOE 948645	1				•Flange Lock Nut .....	•Contre écrou bride .....	•Flanschmutter .....	•Contratuer Embr .....	•Flänslåsmutter .....		
12		1			NS	•Lock Plate .....	•Plaque Verroui .....	•Verschl Platte .....	•Placa Seguridad .....	•Låsplatta .....		
13		1			NS	•Sleeve .....	•Manchon .....	•Muffe .....	•Manguito .....	•Muff .....		
14	VOE 941269	2				•Plug .....	•Bouchon .....	•Stopfen .....	•Tapon .....	•Plugg .....		
15	VOE 961970	2				•Plug .....	•Bouchon .....	•Stopfen .....	•Tapon .....	•Plugg .....	(VOE 13971099)	
16	VOE 13945444	3				Flange screw .....	Vis à bride .....	Flanschschraube .....	Torn embridado .....	Flänsskruv .....		
17	VOE 11202448	1				Gasket .....	Joint .....	Dichtung .....	Junta .....	Packning .....		
18	VOE 948645	4				Flange Lock Nut .....	Contre écrou bride .....	Flanschmutter .....	Contratuer Embr .....	Flänslåsmutter .....		
19	VOE 11200397	4				Link .....	Articulation .....	Gelenk .....	Articulacion .....	Länk .....		
20	VOE 13971068	2				Hexagon Nut .....	Ecrou Hexagonal .....	Sechskantmutter .....	Tuerca Hexagon .....	Sexkantsmutter .....		
21	VOE 11888817	2				Switch .....	Commutateur .....	Schalter .....	Contacteur .....	Strömställare .....	11891077, 11891595 11895023	

1		<b>Bromssystem</b>	Catalogue id	Group
2		<b>Sistema de frenos</b>	<b>20124</b>	<b>525</b>
3		<b>Bremssystem</b>	Illustr. No	Section
4		<b>Système de freinage</b>	<b>1027004</b>	<b>100</b>
5		<b>Brake system</b>	Issue	Page
		<b>11298204, 11298208</b>	<b>VOE 63A9920124</b>	<b>325</b>

**VOLVO**

**BL61PLUS**

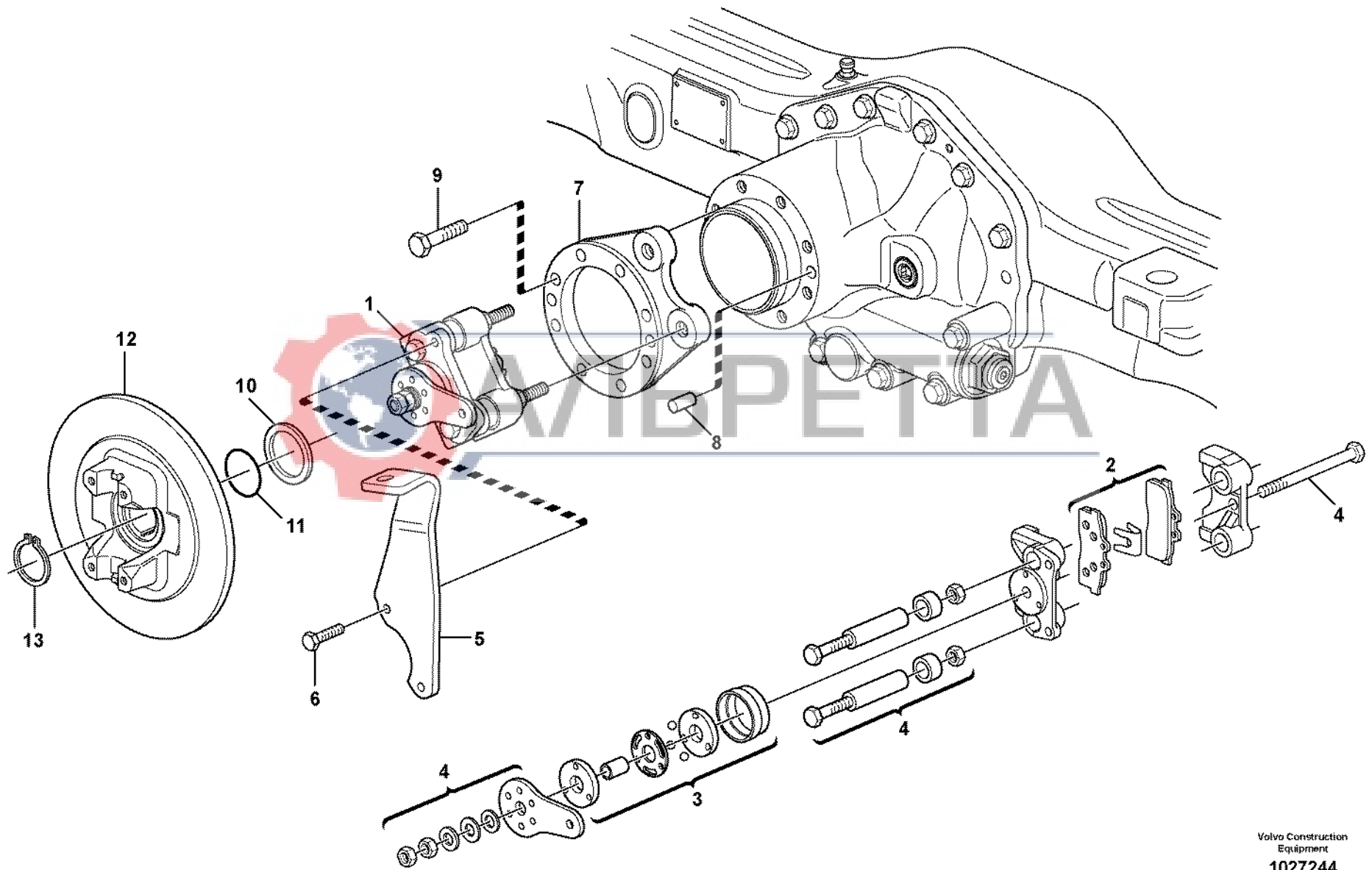


Fig.	Part No.	Quantity			P S	K I T	Description	Dénomination	Bezeichnung	Denominación	Benämning	Notes
		1	2	3								
1	VOE 11716600	1					Brake Caliper .....	Etrier Frein .....	Bremssattel .....	Mordaza .....	Bromsok.....	
2	VOE 11716655	1					•Repair Kit .....	•Kit Réparation .....	•Reparatursatz .....	•Kit Reparacion .....	•Reparationssats.....	
3	VOE 11716654	1					•Repair Kit .....	•Kit Réparation .....	•Reparatursatz .....	•Kit Reparacion .....	•Reparationssats.....	
4	VOE 11716652	1					•Repair Kit .....	•Kit Réparation .....	•Reparatursatz .....	•Kit Reparacion .....	•Reparationssats.....	
5	VOE 11716604	1					Bracket.....	Console.....	Konsole .....	Ménsula.....	Konsol.....	
6	VOE 11716605	2					Screw .....	Vis .....	Schraube.....	Tornillo .....	Skruv.....	
7	VOE 11716601	1					Anchorage.....	Fixation .....	Halterung.....	Fijacion.....	Fäste.....	
8	VOE 11716603	2					Pin.....	Goupille.....	Zapfen .....	Pasador.....	Tapp.....	
9	VOE 11716602	8					Screw .....	Vis .....	Schraube.....	Tornillo .....	Skruv.....	
10	VOE 11709304	1					Washer.....	Rondelle .....	Scheibe .....	Arandela .....	Bricka.....	
11	VOE 11709303	1					O-ring.....	Joint Torique .....	O-Ring.....	Junta torica.....	O-ring.....	
12	VOE 11716606	1					Brake Disc.....	Disque Frein.....	Bremsscheibe .....	Disco De Freno .....	Bromsskiva.....	
13	VOE 11709300	1					Lock Ring.....	Anneau Verrouillage ..	Schlossring.....	Anillo Segurid .....	Låsring.....	



1	<b>Parkeringsbroms</b> <b>Freno estacionamiento</b> <b>Feststellbremse</b> <b>Frein parking</b> <b>Parking brake</b>	Catalogue id	Group
2		<b>20124</b>	<b>551</b>
3		Illustr. No	Section
4		<b>1027244</b>	<b>100</b>
5		Issue	Page
		<b>VOE 63A9920124</b>	<b>327</b>

**VOLVO**

**BL61PLUS**



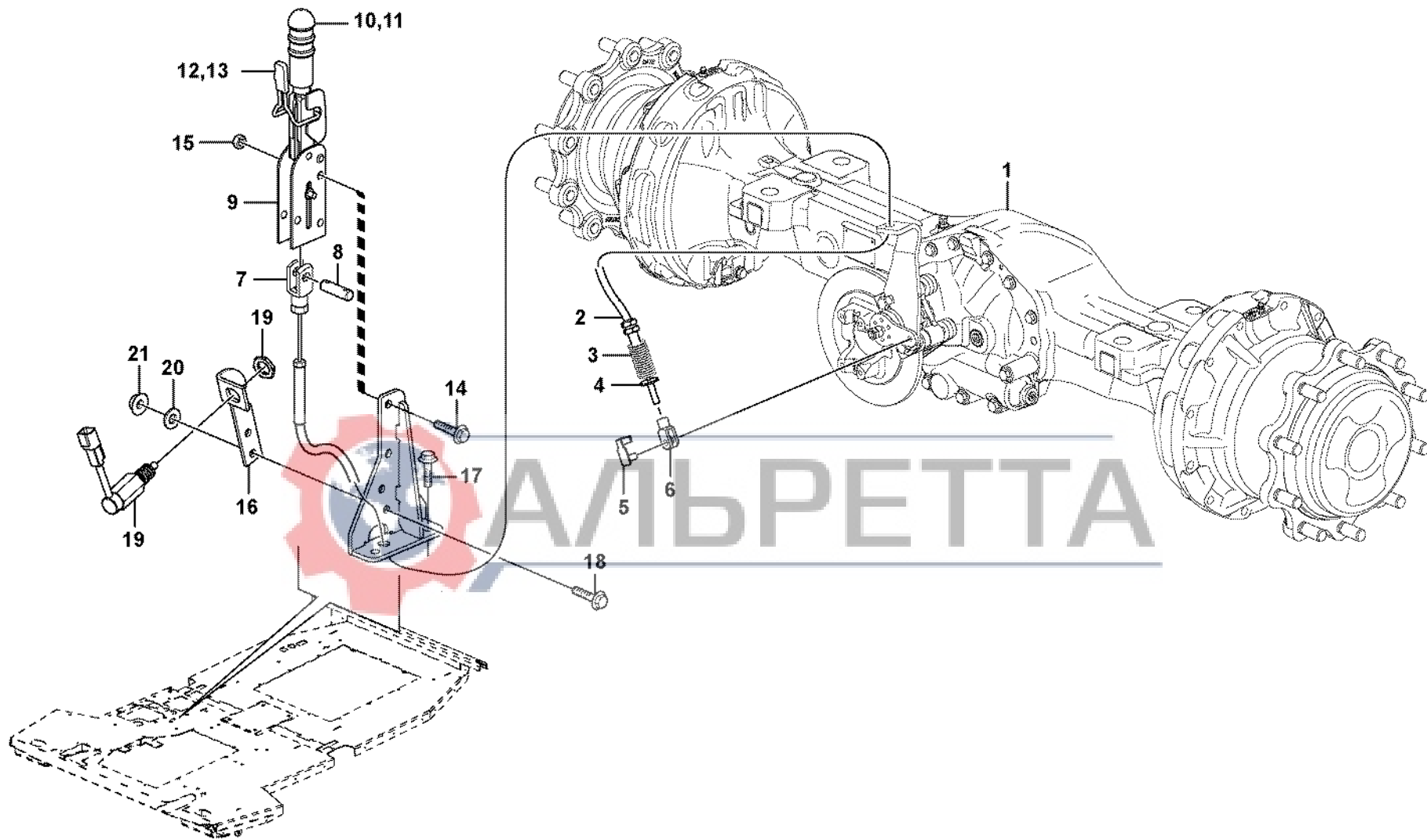
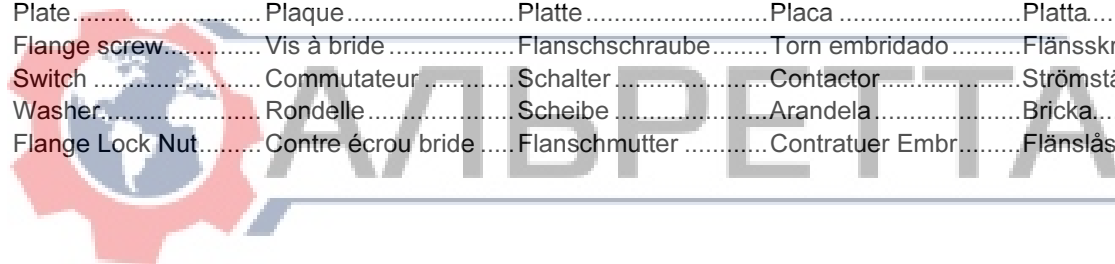


Fig.	Part No.	Quantity			P S	K I T	Description	Dénomination	Bezeichnung	Denominación	Benämning	Notes
		1	2	3								
1		1				Planetary shaft, rear...	Pont moteur, AR .....	Planetengetriebe, Ru	Puente motor, trasero	Planetaxel, bak.....	See group 460, Page 277	
2	VOE 11888468	1				Cable.....	Câble.....	Kabel.....	Cable.....	Kabel.....		
3	VOE 11888926	1				Spring Support.....	Support Ressort.....	Federstutze .....	Apoyo Resorte .....	Fjäderstöd.....		
4	VOE 983336	1				Washer.....	Rondelle.....	Scheibe .....	Arandela.....	Bricka.....		
5	VOE 11883323	1				Clevis Pin .....	Vis A Oeuillet .....	Zylinderbolzen.....	Espiga .....	Cyl.bult.....		
6	VOE 11883319	1				Fork.....	Fourche.....	Gabel.....	Horquilla .....	Gaffel.....		
7	VOE 11882913	1				Fork.....	Fourche.....	Gabel.....	Horquilla .....	Gaffel.....		
9	VOE 11200803	1				Parking Brake .....	Frein Parking.....	Feststellbremse.....	Freno Estacion .....	Parkeringsbroms.....		
8	VOE 11715435	1				Clevis Pin .....	Vis A Oeuillet .....	Zylinderbolzen.....	Espiga .....	Cyl.bult.....		
10	VOE 11709850	1				•Handle .....	•Poignee.....	•Handgriff .....	•Manilla.....	•Handgrepp.....		
11	VOE 11709851	1				•Spring .....	•Ressort .....	•Feder.....	•Muelle .....	•Fjäder.....		
12	VOE 11709852	1				•Leaf Spring .....	•Ressort plat.....	•Blattfeder.....	•Resorte plano.....	•Bladfjäder.....		
13	VOE 11709853	1				•Handle .....	•Poignee.....	•Handgriff .....	•Manilla.....	•Handgrepp.....		
14	VOE 13965186	2				Flange screw.....	Vis à bride .....	Flanschschraube.....	Torn embridado.....	Flänsskruv.....	M10x50	
15	VOE 13971098	2				Flange nut.....	Ecrou accouple .....	Bundmutter.....	Tuerca embridad .....	Flänsmutter.....	M10	
17	VOE 946329	2				Flange screw.....	Vis à bride .....	Flanschschraube.....	Torn embridado.....	Flänsskruv.....	M10x25	
16	VOE 11205674	1				Plate.....	Plaque.....	Platte .....	Placa .....	Platta.....		
18	VOE 13945444	2				Flange screw.....	Vis à bride .....	Flanschschraube.....	Torn embridado.....	Flänsskruv.....		
19	VOE 11888649	1				Switch .....	Commutateur.....	Schalter .....	Contacteur.....	Strömställare.....		
20	VOE 983334	4				Washer.....	Rondelle.....	Scheibe .....	Arandela.....	Bricka.....		
21	VOE 948645	2				Flange Lock Nut.....	Contre écrou bride .....	Flanschmutter .....	Contratuer Embr.....	Flänslåsmutter.....		



1	11880101	<b>Parkeringsbroms</b> <b>Freno estacionamiento</b> <b>Feststellbremse</b> <b>Frein parking</b> <b>Parking brake</b>	Catalogue id	Group
2	11298204, 11298208		<b>20124</b>	<b>551</b>
3			Illustr. No	Section
4			<b>1027006</b>	<b>200</b>
5			Issue	Page
			<b>VOE 63A9920124</b>	<b>329</b>

**VOLVO**

**BL61PLUS**



GROUP	Section	Page	GROUP	Section	Page
641	Steering column with fitting parts .....	100			337
645	Steering system 11880101 (AX 11887361) .....	100			339
645	Steering system 11891531 (AX 11887362) .....	150			341
645	Control valve .....	400			343



<b>INDEX OF CONTENTS</b>	Catalogue id <b>20124</b>	Group <b>6</b>
	Issue <b>VOE 63A9920124</b>	Page <b>331</b>

**VOLVO**

**BL61PLUS**



<b>TABLE DES MATIÈRES</b>				Catalogue id <b>20124</b>	Group <b>6</b>
				Issue <b>VOE 63A9920124</b>	Page <b>332</b>
GROUPE	Section	Page	GROUPE	Section	Page

641	Colonne de direction avec pièces de montage .....	100	337
645	Systeme de direction 11880101 (AX 11887361) .....	100	339
645	Systeme de direction 11891531 (AX 11887362) .....	150	341
645	Valve de contrôle .....	400	343



GRUPPE	Abschnitt	Seite	GRUPPE	Abschnitt	Seite
641	Lenksäule mit Montageteilen .....	100			337
645	Lenkungssystem 11880101 (AX 11887361).....	100			339
645	Lenkungssystem 11891531 (AX 11887362).....	150			341
645	Steuerventil .....	400			343



<b>INHALTSVERZEICHNIS</b>	Catalogue id <b>20124</b>	Group <b>6</b>
	Issue <b>VOE 63A9920124</b>	Page <b>333</b>

**VOLVO**

**BL61PLUS**



INDICE		Catalogue id <b>20124</b>	Group <b>6</b>
		Issue <b>VOE 63A9920124</b>	Page <b>334</b>
GRUPO	Sección Página	GRUPO	Sección Página

641	Columna de dirección con accesorios de montaje .....	100	337
645	Sistema de direccion 11880101 (AX 11887361) .....	100	339
645	Sistema de direccion 11891531 (AX 11887362) .....	150	341
645	Válvula de control .....	400	343



GRUPP	Avsnitt	Sida	GRUPP	Avsnitt	Sida
641	Rattstam med monteringsdetaljer .....	100			337
645	Styrsystem 11880101 (AX 11887361) .....	100			339
645	Styrsystem 11891531 (AX 11887362) .....	150			341
645	Kontrollventil .....	400			343



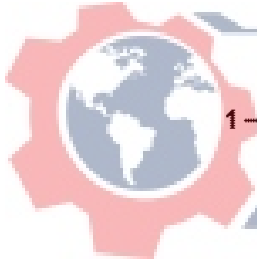
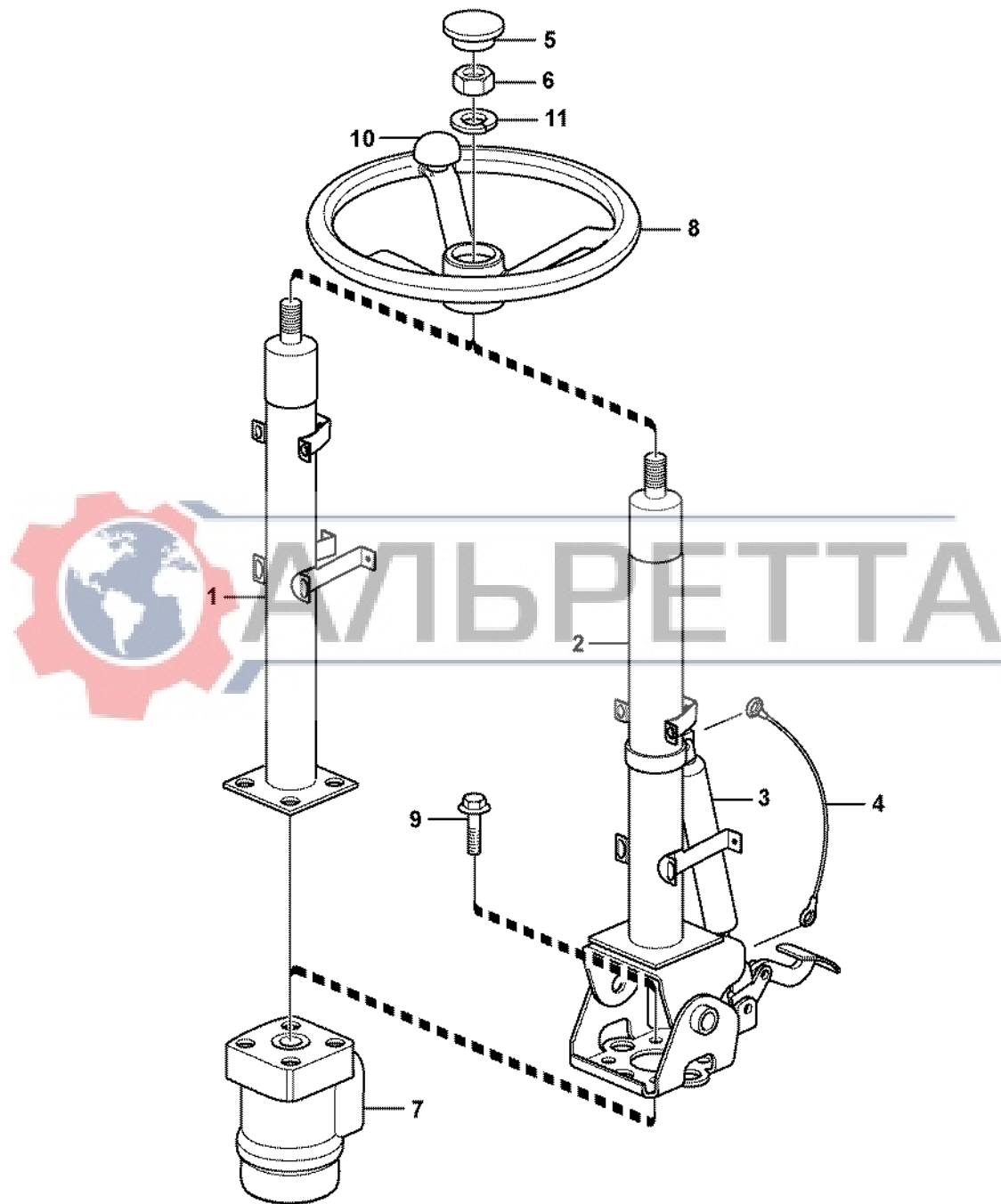
<b>INNEHÅLLSFÖRTECKNING</b>	Catalogue id <b>20124</b>	Group <b>6</b>
	Issue <b>VOE 63A9920124</b>	Page <b>335</b>

**VOLVO**

**BL61PLUS**







АЛЬРЕТТА

Fig.	Part No.	Quantity					P S	K T	Description	Dénomination	Bezeichnung	Denominación	Benämning	Notes
		1	2	3	4	5								
1	VOE 11200527	1						Steering Column.....	Colonne direction ...	Lenksäule .....	Columna direccion..	Rattstam.....		
2	VOE 11200587		1					Steering Column.....	Colonne direction ...	Lenksäule .....	Columna direccion..	Rattstam.....		
3	VOE 11715247		1					•Gas Spring .....	•Ressort Gaz .....	•Gasfeder.....	•Resorte A Gas.....	•Gasfjäder.....		
4	VOE 11715291		1					•Wire .....	•Fil .....	•Draht.....	•Alambre.....	•Tråd.....		
5	VOE 14371493	1	1					Cap .....	Chapeau.....	Verschlusskappe ....	Caperuza.....	Hatt.....		
6	VOE 955822	1	1					Hexagon Nut.....	Ecrou Hexagonal....	Sechskantmutter.....	Tuerca Hexagon.....	Sexkantsmutter.....		
7		1	1					Control valve.....	Valve controle .....	Steuerventil.....	Válvula control.....	Kontrollventil.....	11880101 See group 645, Page 343	
8	VOE 11200562	1	1					Steering Wheel .....	Volant direction .....	Lenkrad.....	Volante de direccio.	Ratt.....		
9	VOE 946329	4	4					Flange screw .....	Vis à bride .....	Flanschschraube ....	Torn embridado .....	Flänsskruv.....		
10	VOE 11200563			1				Knob .....	Bouton .....	Knauf .....	Boton .....	Knopp.....		
11	VOE 11104898	1	1					Lock Washer.....	Rondel.verroui.....	Sicher Scheibe.....	Arandel Segurid.....	Låsbricka.....		



1	11298009	<b>Rattstam med monteringsdetaljer</b> <b>Columna de dirección con accesorios de montaje</b> <b>Lenksäule mit Montageteilen</b> <b>Colonne de direction avec pièces de montage</b> <b>Steering column with fitting parts</b>	Catalogue id	Group
2	11298010		<b>20124</b>	<b>641</b>
3	11298021		Illustr. No	Section
4			<b>1012000</b>	<b>100</b>
5			Issue	Page
			<b>VOE 63A9920124</b>	<b>337</b>

**VOLVO**

**BL61PLUS**



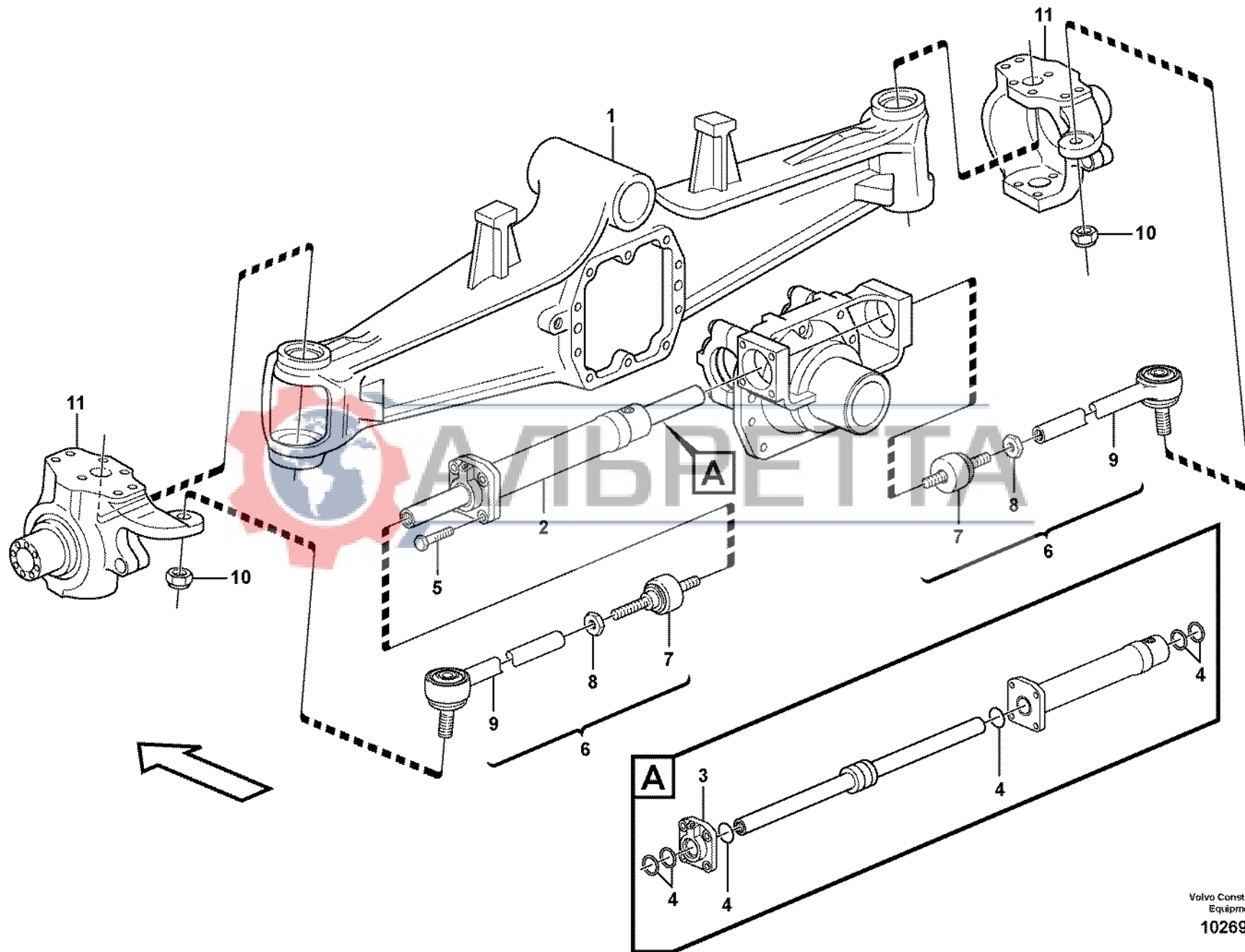


Fig.	Part No.	Quantity			P S	K I T	Description	Dénomination	Bezeichnung	Denominación	Benämning	Notes
		1	2	3								
1		1				Front axle.....	Pont avant.....	Vorderachse.....	Eje delantero.....	Framaxel.....	See group 461, Page	
2	VOE 11716717	1				•Steering cylinder.....	•Verin direction.....	•Lenkzylinder.....	•Cilindro direccion.....	•Styrcylinder.....		
3	VOE 11716719	1				••Cylinder head.....	••Culasse.....	••Zylinderkopf.....	••Culata.....	••Cylinderhuvud.....		
4	VOE 11716720	1				••Sealing Kit.....	••Jeu Joints.....	••Dichtungssatz.....	••Juego Retenes.....	••Tätningssats.....		
5	VOE 11716623	4				•Screw.....	•Vis.....	•Schraube.....	•Tornillo.....	•Skruv.....		
6	VOE 11988564	2				•Steering Rod.....	•Bielle direction.....	•Lenkstange.....	•Biela direccion.....	•Styrstag.....		
7	VOE 11988567	2				••Ball joint.....	••Rotule articul.....	••Kugelgelenk.....	••Rotula.....	••Kulled.....		
8	VOE 11988566	2				••Nut.....	••Ecrou.....	••Mutter.....	••Tuerca.....	••Mutter.....		
9	VOE 11988565	2				••Tie Rod.....	••Barre Accouple.....	••Spurstange.....	••Barra Acoplam.....	••Parallellstag.....		
10	VOE 11988563	2				•Nut.....	•Ecrou.....	•Mutter.....	•Tuerca.....	•Mutter.....		
11		2				•Housing.....	•Carter.....	•Gehäuse.....	•Carter.....	•Hus.....		



1	<b>Styrsystem</b> <b>Sistema de direccion</b> <b>Lenkungssystem</b> <b>Systeme de direction</b> <b>Steering system</b>	Catalogue id	Group
2		<b>20124</b>	<b>645</b>
3		Illustr. No	Section
4		<b>1026981</b>	<b>100</b>
5		Issue	Page
	<b>11880101 (AX 11887361)</b>	<b>VOE 63A9920124</b>	<b>339</b>

**VOLVO**

**BL61PLUS**



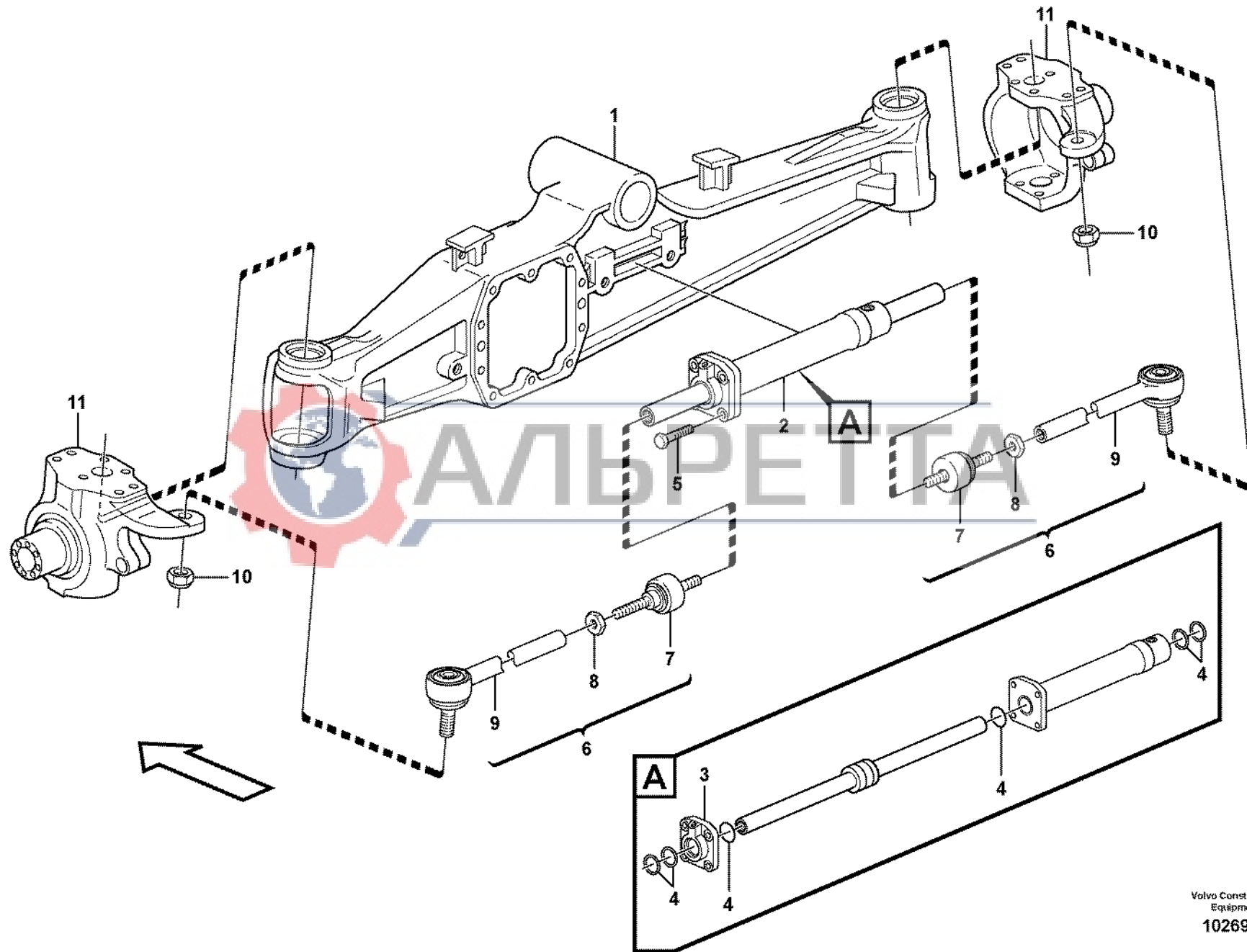


Fig.	Part No.	Quantity			P S	K I T	Description	Dénomination	Bezeichnung	Denominación	Benämning	Notes
		1	2	3								
1		1				Front axle.....	Pont avant.....	Vorderachse.....	Eje delantero.....	Framaxel.....	See group 461, Page 281	
2	VOE 11716622	1				•Steering cylinder.....	•Verin direction.....	•Lenkzylinder.....	•Cilindro direccion.....	•Styrcylinder.....		
3	VOE 11716624	1				••Sealing Kit.....	••Jeu Joints.....	••Dichtungssatz.....	••Juego Retenes.....	••Tätningssats.....		
4	VOE 11716625	1				••Sealing Kit.....	••Jeu Joints.....	••Dichtungssatz.....	••Juego Retenes.....	••Tätningssats.....		
5	VOE 11716623	4				•Screw.....	•Vis.....	•Schraube.....	•Tornillo.....	•Skruv.....		
6	VOE 11988150	2				•Steering Rod.....	•Bielle direction.....	•Lenkstange.....	•Biela direccion.....	•Styrstag.....		
7	VOE 11709456	2				••Tie Rod.....	••Barre Accouple.....	••Spurstange.....	••Barra Acoplam.....	••Parallelstag.....		
8	VOE 11709457	2				••Nut.....	••Ecrou.....	••Mutter.....	••Tuerca.....	••Mutter.....		
9	VOE 11988157	2				••Ball joint.....	••Rotule articul.....	••Kugelgelenk.....	••Rotula.....	••Kulled.....		
10	VOE 11709451	2				•Nut.....	•Ecrou.....	•Mutter.....	•Tuerca.....	•Mutter.....		
11		2				•Housing.....	•Carter.....	•Gehäuse.....	•Carter.....	•Hus.....	See group 461, Page 281	



1	<b>Styrsystem</b> <b>Sistema de direccion</b> <b>Lenkungssystem</b> <b>Systeme de direction</b> <b>Steering system</b>	Catalogue id	Group
2		<b>20124</b>	<b>645</b>
3		Illustr. No	Section
4		<b>1026983</b>	<b>150</b>
5		Issue	Page
	<b>11891531 (AX 11887362)</b>	<b>VOE 63A9920124</b>	<b>341</b>

**VOLVO**

**BL61PLUS**



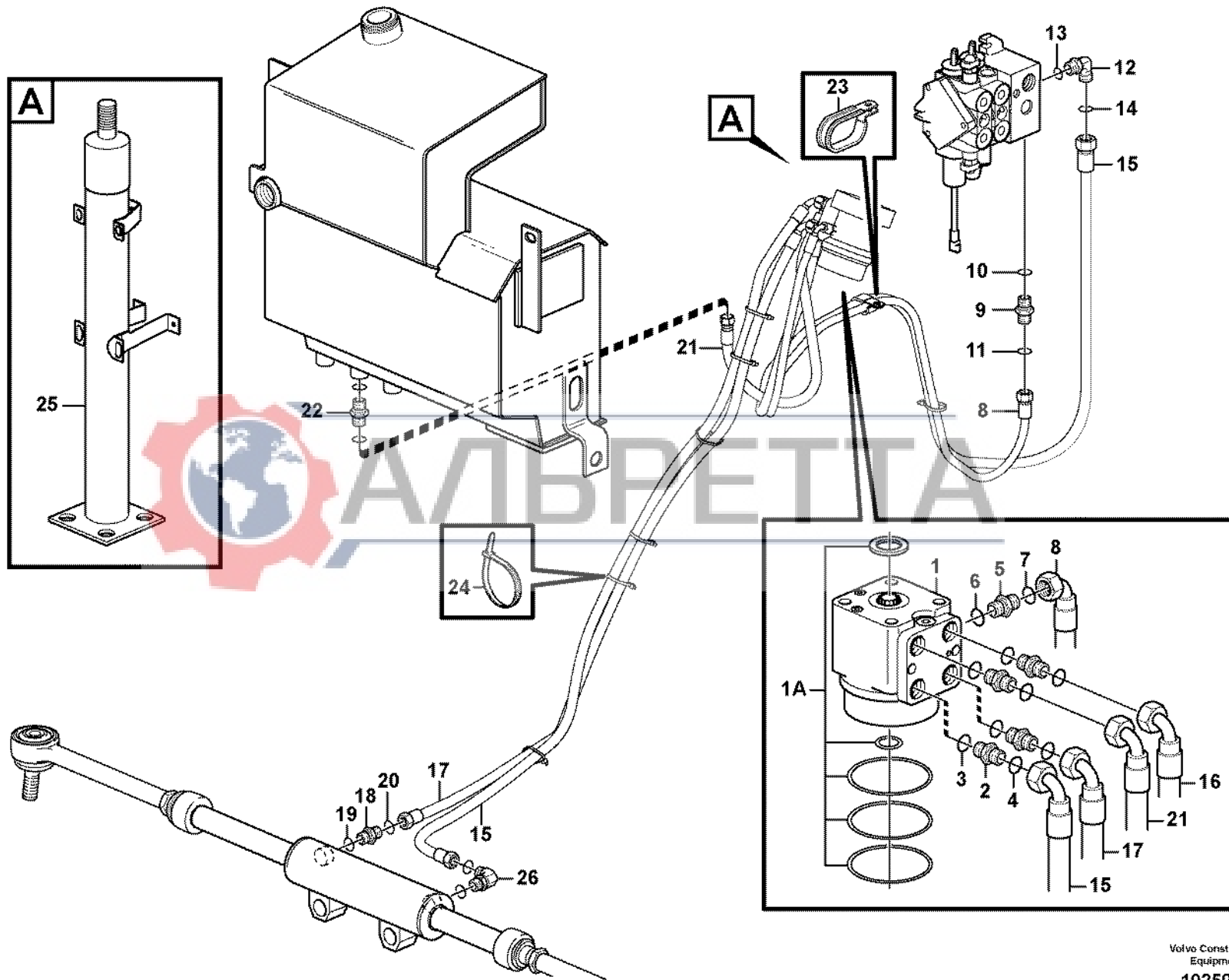


Fig.	Part No.	Quantity			P S	K I T	Description	Dénomination	Bezeichnung	Denominación	Benämning	Notes
		1	2	3								
1	VOE 11890016	1				Control valve .....	Valve controle .....	Steuerventil .....	Válvula control .....	Kontrollventil .....		
1A	VOE 11709888	1				•Sealing Kit .....	•Jeu Joints .....	•Dichtungssatz .....	•Juego Retenes .....	•Tätningssats .....		
2	VOE 935089	4				Nipple .....	Raccord .....	Nippel .....	Niple .....	Nippel .....		
3	VOE 932040	1				•O-ring .....	•Joint Torique .....	•O-Ring .....	•Junta torica .....	•O-ring .....		
4	VOE 990737	1				•O-ring .....	•Joint Torique .....	•O-Ring .....	•Junta torica .....	•O-ring .....		
5	VOE 935082	1				Nipple .....	Raccord .....	Nippel .....	Niple .....	Nippel .....		
6	VOE 932037	1				•O-ring .....	•Joint Torique .....	•O-Ring .....	•Junta torica .....	•O-ring .....		
7	VOE 990736	1				•O-ring .....	•Joint Torique .....	•O-Ring .....	•Junta torica .....	•O-ring .....		
8	VOE 11885684	1				Hose assembly .....	Conduit flexible .....	Schlauchleitung .....	Conducto .....	Slangledning .....		
9	VOE 13933858	1				Union .....	Teton Connexion .....	Anschlussnippel .....	Niple Conexcion .....	Anslutn.nippel .....		
10	VOE 932039	1				•O-ring .....	•Joint Torique .....	•O-Ring .....	•Junta torica .....	•O-ring .....		
11	VOE 990736	1				•O-ring .....	•Joint Torique .....	•O-Ring .....	•Junta torica .....	•O-ring .....		
12	VOE 935070	1				Elbow nipple .....	Raccord angulaire .....	Winkelnippel .....	Niple angular .....	Vinkelnippel .....		
13		1			NS	•O-ring .....	•Joint Torique .....	•O-Ring .....	•Junta torica .....	•O-ring .....		
14		1			NS	•O-ring .....	•Joint Torique .....	•O-Ring .....	•Junta torica .....	•O-ring .....		
15	VOE 11885685	1				Hose assembly .....	Conduit flexible .....	Schlauchleitung .....	Conducto .....	Slangledning .....		
16	VOE 11882938	1				Hose assembly .....	Conduit flexible .....	Schlauchleitung .....	Conducto .....	Slangledning .....		
17	VOE 11882937	1				Hose assembly .....	Conduit flexible .....	Schlauchleitung .....	Conducto .....	Slangledning .....		
18	VOE 935085	1				Nipple .....	Raccord .....	Nippel .....	Niple .....	Nippel .....		
19	VOE 932039	1				•O-ring .....	•Joint Torique .....	•O-Ring .....	•Junta torica .....	•O-ring .....		
20	VOE 990737	1				•O-ring .....	•Joint Torique .....	•O-Ring .....	•Junta torica .....	•O-ring .....		
21	VOE 11882940	1				Hose .....	Durit .....	Schlauch .....	Tubo flexible .....	Slang .....		
22		1				Nipple .....	Raccord .....	Nippel .....	Niple .....	Nippel .....	See group 911, Page 473	
23	VOE 981665	1				Clamp .....	Pince Serrage .....	Klemme .....	Abrazadera .....	Klämma .....		
24	VOE 14016673	7				Strip Clamp .....	Ruban Serrage .....	Kabelbinder .....	Abraz Cinta .....	Bandklamma .....		
25		1				Steering Column .....	Colonne direction .....	Lenksäule .....	Columna direccion .....	Rattstam .....	See group 641, Page 337	
26	VOE 935069	1				Elbow nipple .....	Raccord angulaire .....	Winkelnippel .....	Niple angular .....	Vinkelnippel .....		
	VOE 990736	1				•O-ring .....	•Joint Torique .....	•O-Ring .....	•Junta torica .....	•O-ring .....		
	VOE 990737	1				•O-ring .....	•Joint Torique .....	•O-Ring .....	•Junta torica .....	•O-ring .....		

1	<b>Kontrollventil</b> <b>Válvula de control</b> <b>Steuerventil</b> <b>Valve de contrôle</b> <b>Control valve</b>	Catalogue id	Group
2		<b>20124</b>	<b>645</b>
3		Illustr. No	Section
4		<b>1025981</b>	<b>400</b>
5		Issue	Page
		<b>VOE 63A9920124</b>	<b>343</b>

**VOLVO**

**BL61PLUS**







GROUP	Section	Page	GROUP	Section	Page
711	Frame.....	100			351
715	Protecting plates 11891580 .....	100			353
716	Counterweight.....	100			355
771	Wheel 11891531.....	100			357
771	Wheel 11891305.....	150			359
771	Wheel.....	200			361
771	Wheel.....	250			363



INDEX OF CONTENTS	Catalogue id <b>20124</b>	Group <b>7</b>
	Issue <b>VOE 63A9920124</b>	Page <b>345</b>

**VOLVO**

**BL61PLUS**



<b>TABLE DES MATIÈRES</b>				Catalogue id <b>20124</b>		Group <b>7</b>	
				Issue <b>VOE 63A9920124</b>		Page <b>346</b>	
GROUPE		Section	Page	GROUPE		Section	Page

711	Chassis .....	100	351
715	Tole protection 11891580 .....	100	353
716	Contrepoids.....	100	355
771	Roue 11891531 .....	100	357
771	Roue 11891305 .....	150	359
771	Roue .....	200	361
771	Roue .....	250	363



GRUPPE	Abschnitt	Seite	GRUPPE	Abschnitt	Seite
711	Rahmen .....	100			351
715	Schutzblechen 11891580 .....	100			353
716	Gegengewicht .....	100			355
771	Rad 11891531 .....	100			357
771	Rad 11891305 .....	150			359
771	Rad .....	200			361
771	Rad .....	250			363



<b>INHALTSVERZEICHNIS</b>	Catalogue id <b>20124</b>	Group <b>7</b>
	Issue <b>VOE 63A9920124</b>	Page <b>347</b>

**VOLVO**

**BL61PLUS**



<b>INDICE</b>		Catalogue id <b>20124</b>	Group <b>7</b>		
		Issue <b>VOE 63A9920124</b>	Page <b>348</b>		
<b>GRUPO</b>	<b>Sección</b>	<b>Página</b>	<b>GRUPO</b>	<b>Sección</b>	<b>Página</b>

711	Bastidor.....	100	351
715	Placas de proteccion 11891580.....	100	353
716	Contrapeso .....	100	355
771	Rueda 11891531 .....	100	357
771	Rueda 11891305 .....	150	359
771	Rueda .....	200	361
771	Rueda .....	250	363



GRUPP	Avsnitt	Sida	GRUPP	Avsnitt	Sida
711 Ram .....	100	351			
715 Skyddsplåtar 11891580 .....	100	353			
716 Motvikt.....	100	355			
771 Hjul 11891531.....	100	357			
771 Hjul 11891305.....	150	359			
771 Hjul.....	200	361			
771 Hjul.....	250	363			



<b>INNEHÅLLSFÖRTECKNING</b>	Catalogue id <b>20124</b>	Group <b>7</b>
	Issue <b>VOE 63A9920124</b>	Page <b>349</b>

**VOLVO**

**BL61PLUS**



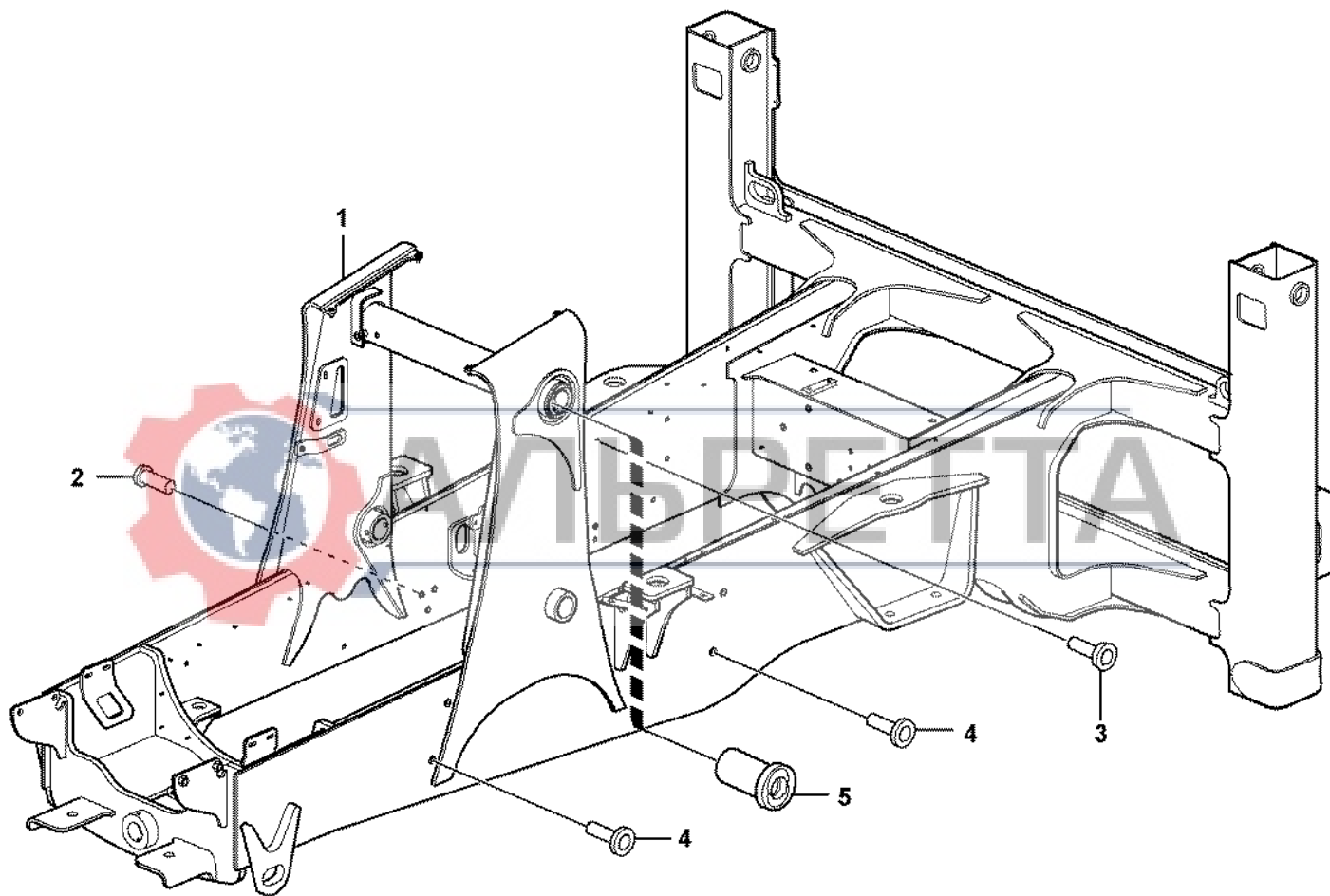


Fig.	Part No.	Quantity			P S	K I T	Description	Dénomination	Bezeichnung	Denominación	Benämning	Notes
		1	2	3								
1	VOE 11888306	1				Chassis .....	Chassis .....	Fahrgestell .....	Chasis .....	Chassi.....		
2	VOE 11882680	3				•Rivet .....	•Rivet.....	•Niet.....	•Remache.....	•Nit.....		
3	VOE 11882026	6				•Rivet .....	•Rivet.....	•Niet.....	•Remache.....	•Nit.....		
4	VOE 11881792	11				•Blind Rivet .....	•Rivet Borgne.....	•Blindniet.....	•Remache Ciego .....	•Blindnit.....		
5	VOE 11883771	2				•Bushing.....	•Bague .....	•Buchse.....	•Casquillo .....	•Bussning.....		



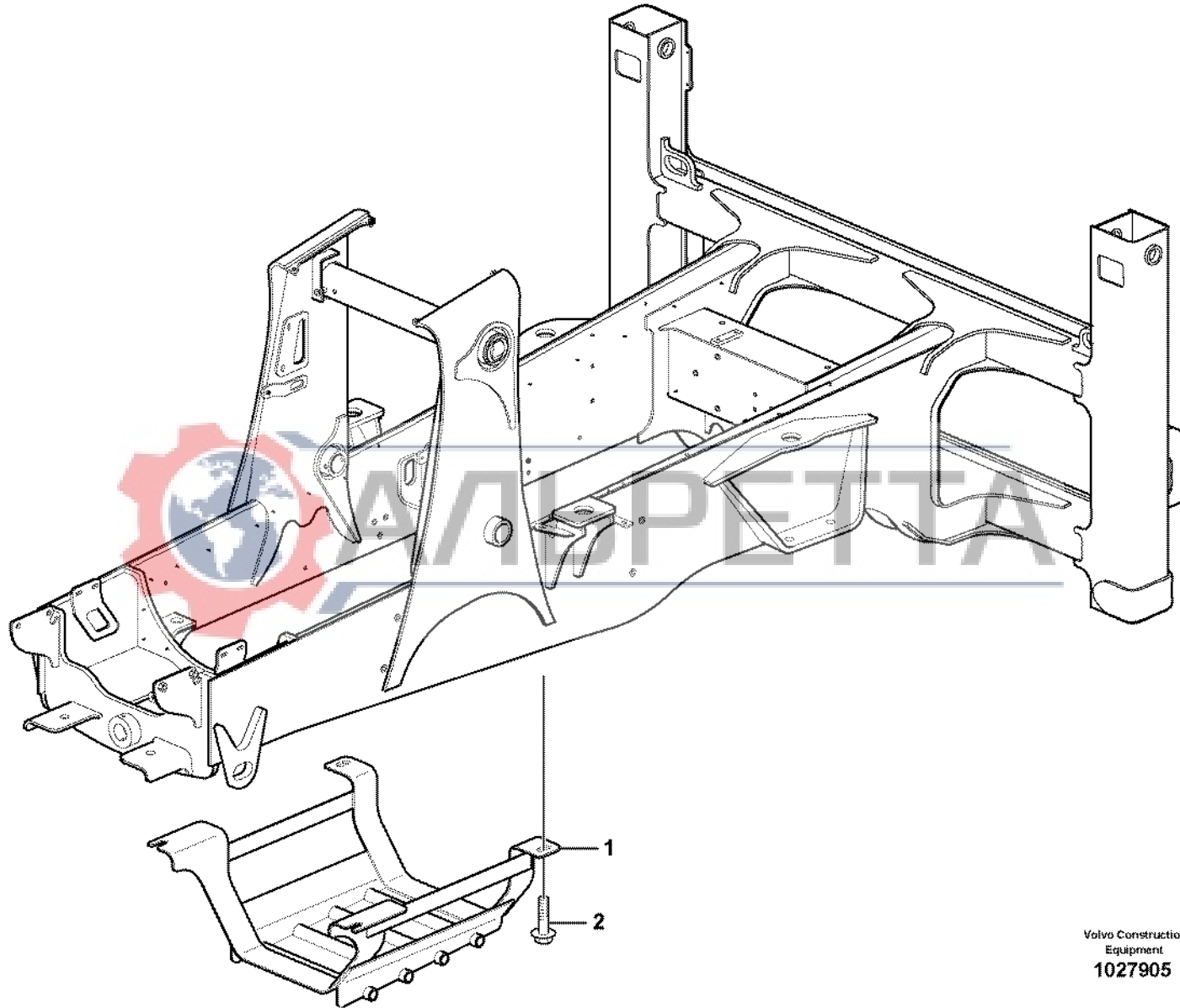
1		<b>Ram</b> <b>Bastidor</b> <b>Rahmen</b> <b>Chassis</b> <b>Frame</b>	Catalogue id	Group
2			<b>20124</b>	<b>711</b>
3			Illustr. No	Section
4			<b>1012416</b>	<b>100</b>
5			Issue	Page
			<b>VOE 63A9920124</b>	<b>351</b>

**VOLVO**

**BL61PLUS**







Volvo Construction  
Equipment  
1027905

Fig.	Part No.	Quantity			P S	K I T	Description	Dénomination	Bezeichnung	Denominación	Benämning	Notes
		1	2	3								
1	<b>VOE 15011534</b>	1				Protection.....	Protection .....	Schutz .....	Proteccion .....	Skydd.....		
2	<b>VOE 968589</b>	4				Flange screw.....	Vis à bride .....	Flanschschraube.....	Torn embridado .....	Flänsskruv.....		



1		<b>Skyddsplåtar</b> <b>Placas de proteccion</b> <b>Schutzblechen</b> <b>Tole protection</b> <b>Protecting plates</b>	Catalogue id	Group
2			<b>20124</b>	<b>715</b>
3			Illustr. No	Section
4			<b>1027905</b>	<b>100</b>
5		<b>11891580</b>	Issue	Page
			<b>VOE 63A9920124</b>	<b>353</b>

**VOLVO**

**BL61PLUS**



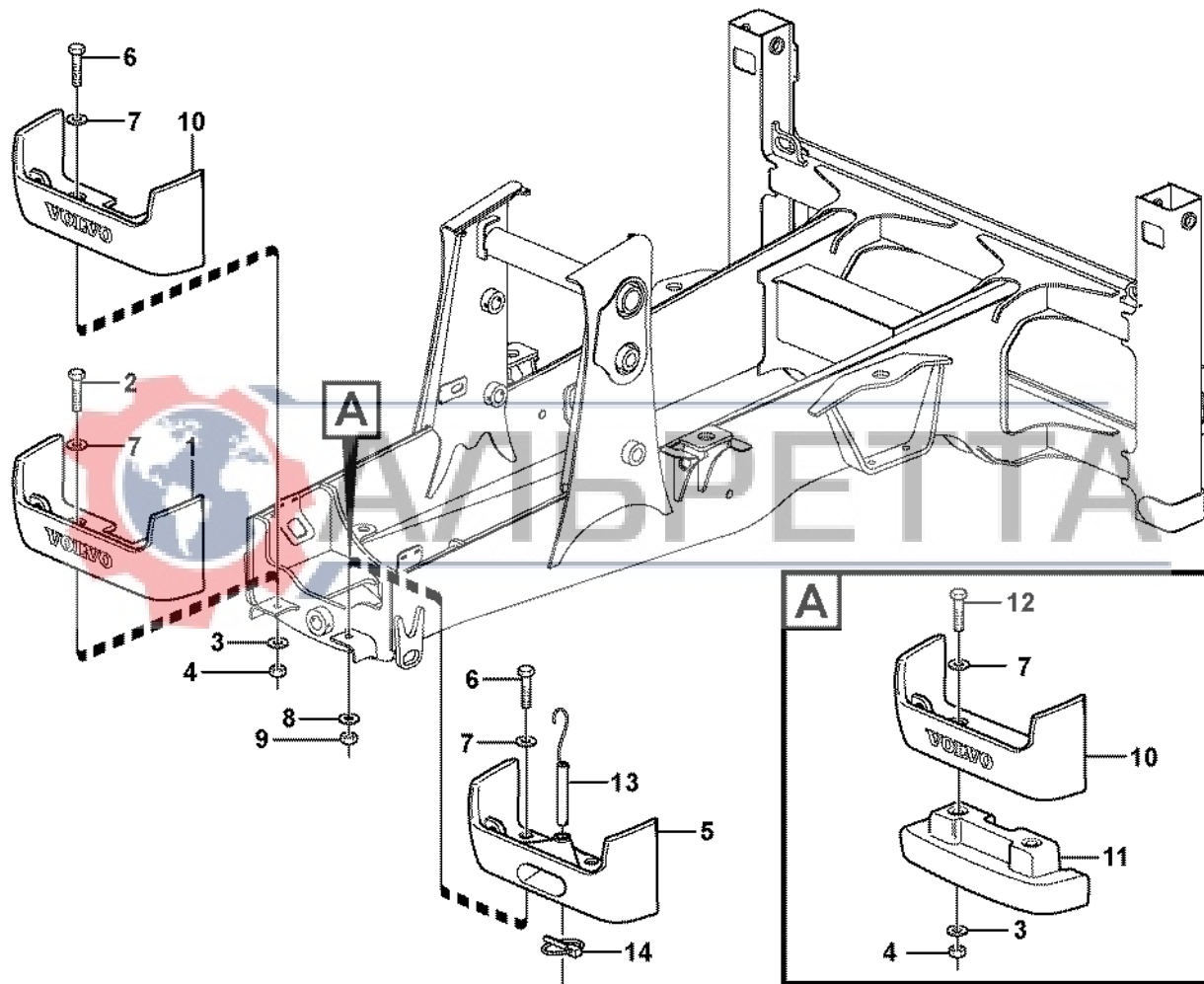


Fig.	Part No.	Quantity					P S	K T	Description	Dénomination	Bezeichnung	Denominación	Benämning	Notes
		1	2	3	4	5								
1	VOE 11886741	1						Counterweight.....	Contrepoids.....	Gegengewicht.....	Contrapeso.....	Motvikt.....	105 kg	
2	VOE 13963362	2						Hexagon screw.....	Vis tête hexagonale	Sechskantschraub ..	Tornillo hexago.....	Sexkantsskruv.....		
3	VOE 11055610	2			2			Washer .....	Rondelle .....	Scheibe .....	Arandela .....	Bricka.....		
4	VOE 983377	2		2	2			Lock nut .....	Contre-ecrou .....	Sicherungsmutter....	Contratuerca.....	Låsmutter.....		
5	VOE 11886743		1					Counterweight.....	Contrepoids.....	Gegengewicht.....	Contrapeso.....	Motvikt.....	196 kg	
6	VOE 13963365		2		2			Hexagon screw.....	Vis tête hexagonale	Sechskantschraub ..	Tornillo hexago.....	Sexkantsskruv.....		
7	VOE 14376982	2	2	2	2			Washer .....	Rondelle .....	Scheibe .....	Arandela .....	Bricka.....		
8	VOE 11055610		2					Washer .....	Rondelle .....	Scheibe .....	Arandela .....	Bricka.....		
9	VOE 983377		2					Lock nut .....	Contre-ecrou .....	Sicherungsmutter....	Contratuerca.....	Låsmutter.....		
10	VOE 11886742			1	1			Counterweight.....	Contrepoids.....	Gegengewicht.....	Contrapeso.....	Motvikt.....	202 kg	
11	VOE 11886925			1				Counterweight.....	Contrepoids.....	Gegengewicht.....	Contrapeso.....	Motvikt.....	133 kg	
12	VOE 13980100			2				Hexagon screw.....	Vis tête hexagonale	Sechskantschraub ..	Tornillo hexago.....	Sexkantsskruv.....		
13	VOE 11885588		1					Pin.....	Goupille .....	Zapfen.....	Pasador .....	Tapp.....		
14	VOE 11881622		1					Locking pin.....	Goupille d'arrêt.....	Schliessbolzen.....	Pasador de cierre...	Låspinne.....		



1	11880101	<b>Motvikt</b> <b>Contrapeso</b> <b>Gegengewicht</b> <b>Contrepoids</b> <b>Counterweight</b>	Catalogue id	Group
2	11891317		<b>20124</b>	<b>716</b>
3	11891358		Illustr. No	Section
4	11891359		<b>1012413</b>	<b>100</b>
5			Issue	Page
			<b>VOE 63A9920124</b>	<b>355</b>

**VOLVO**

**BL61PLUS**



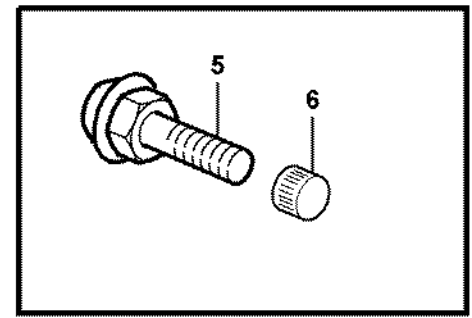
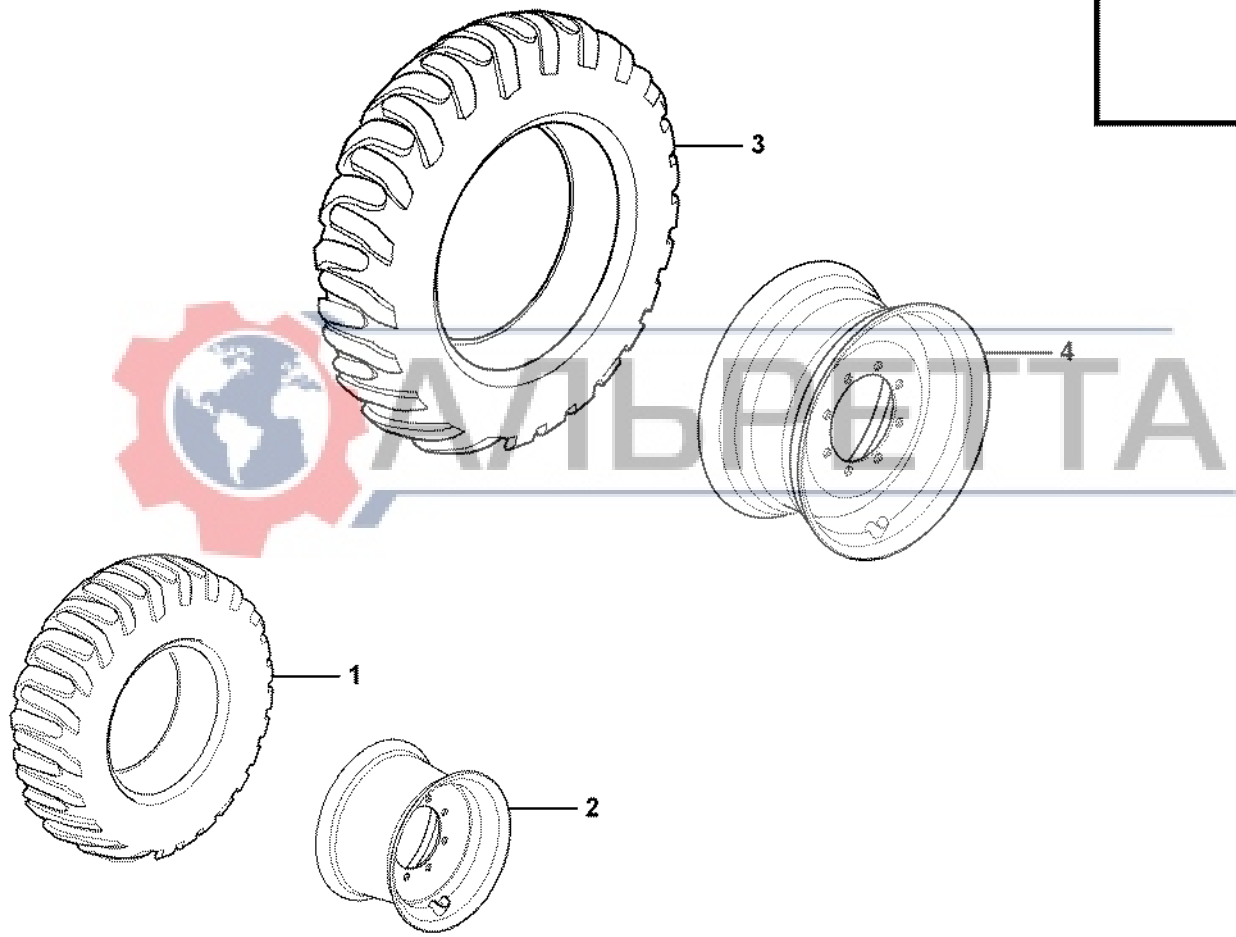


Fig.	Part No.	Quantity			P S	K I T	Description	Dénomination	Bezeichnung	Denominación	Benämning	Notes
		1	2	3								
	VOE 11886837	1				Wheel.....	Roue .....	Rad.....	Rueda.....	Hjul.....	RH	
	VOE 11886838	1				Wheel.....	Roue .....	Rad.....	Rueda.....	Hjul.....	LH	
			1		NS	Wheel.....	Roue .....	Rad.....	Rueda.....	Hjul.....	RH	
			1		NS	Wheel.....	Roue .....	Rad.....	Rueda.....	Hjul.....	LH	
1	VOE 11886833	2				Tire.....	Pneu.....	Reifen.....	Neumatico .....	Däck.....		
2	VOE 11881832	2				Rim.....	Jante .....	Radfelge.....	Llania.....	Fälg.....		
3	VOE 11886599		2			Tire.....	Pneu.....	Reifen.....	Neumatico .....	Däck.....		
4	VOE 11885862		2			Rim.....	Jante .....	Radfelge.....	Llania.....	Fälg.....		
5	VOE 784076	2	2			Valve.....	Soupape.....	Ventil .....	Valvula .....	Ventil.....		
6	VOE 4789869	2	2			Cap .....	Chapeau .....	Verschlusskappe .....	Caperuza.....	Hatt.....		



1	11891531 FRONT	Hjul Rueda Rad Roue Wheel  11891531	Catalogue id	Group
2	11891531 REAR		<b>20124</b>	<b>771</b>
3			Illustr. No	Section
4			<b>1012700</b>	<b>100</b>
5			Issue	Page
			<b>VOE 63A9920124</b>	<b>357</b>

**VOLVO**

**BL61PLUS**

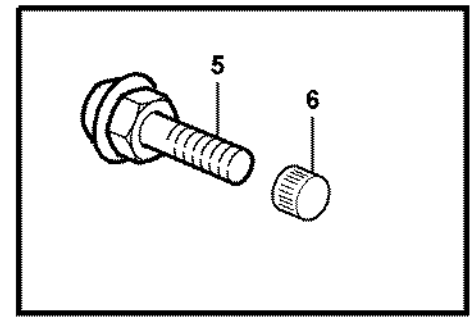
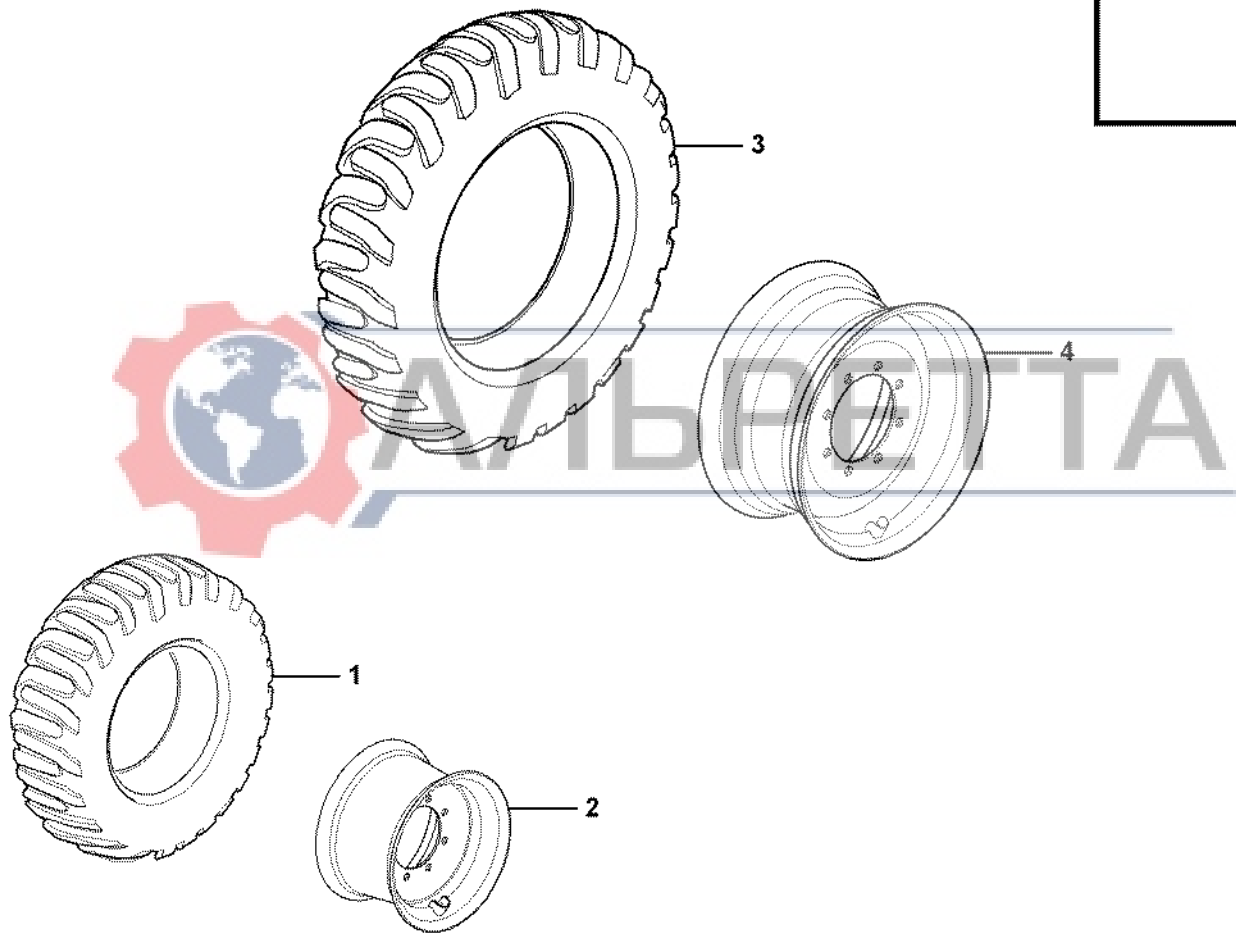


Fig.	Part No.	Quantity					P S	K T	Description	Dénomination	Bezeichnung	Denominación	Benämning	Notes
		1	2	3	4	5								
1	VOE 11881819	2						Tire.....	Pneu .....	Reifen .....	Neumatico .....	Däck.....	12,5/80X18"	
2	VOE 11884849	2						Rim .....	Jante .....	Radfelge .....	Llania .....	Fälg.....	18"	
3	VOE 11881824		2					Tire.....	Pneu .....	Reifen .....	Neumatico .....	Däck.....	16,5X28"	
4	VOE 11885862		2					Rim .....	Jante .....	Radfelge .....	Llania .....	Fälg.....	28"	
5	VOE 784076	2	2					Valve.....	Soupape .....	Ventil.....	Valvula.....	Ventil.....		
6	VOE 4789869	2	2					Cap .....	Chapeau.....	Verschlusskappe .....	Caperuza.....	Hatt.....		



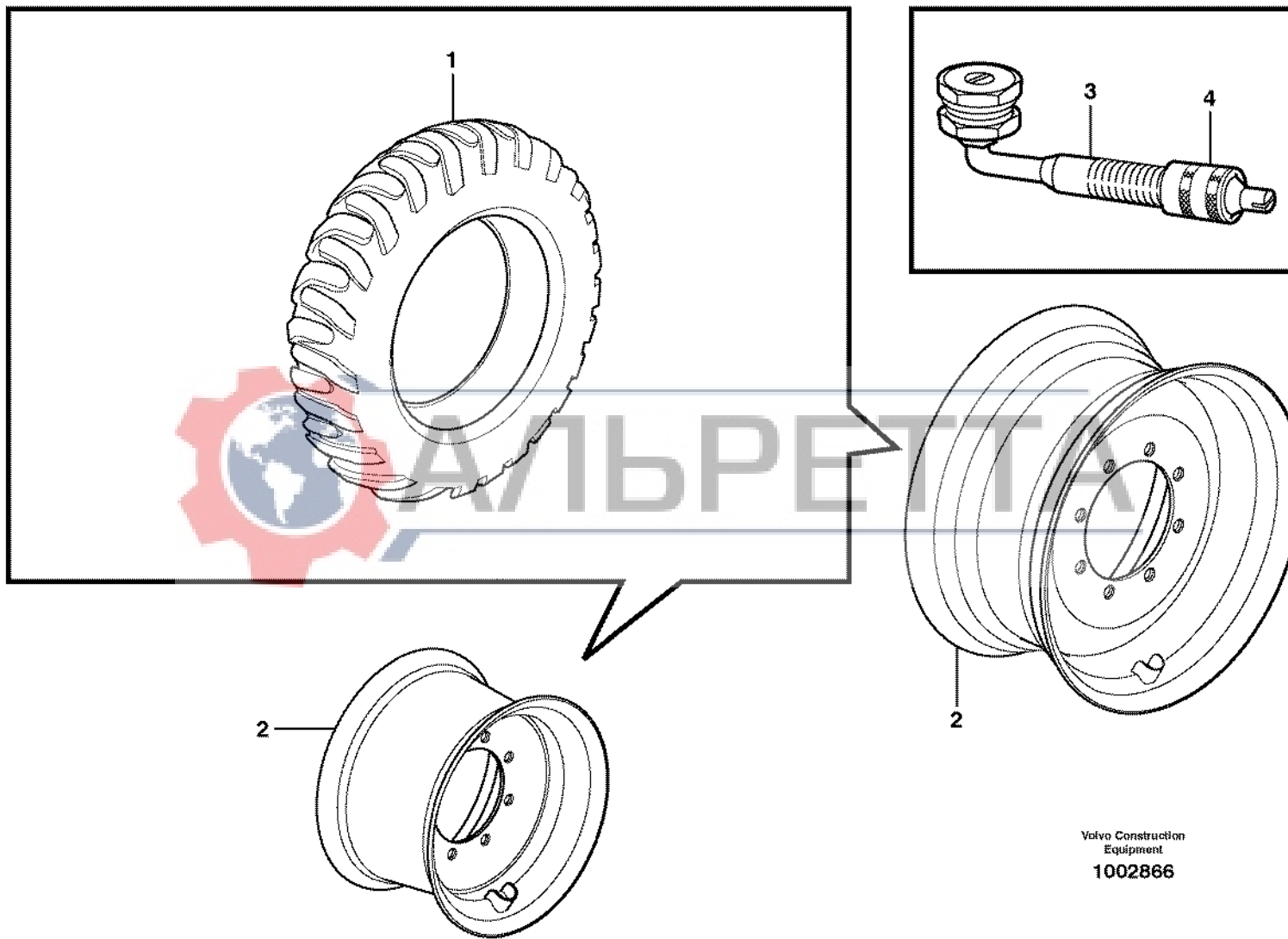
1	11891305 FRONT	Hjul Rueda Rad Roue Wheel  11891305	Catalogue id	Group
2	11891305 REAR		<b>20124</b>	<b>771</b>
3			Illustr. No	Section
4			<b>1012700</b>	<b>150</b>
5			Issue	Page
			<b>VOE 63A9920124</b>	<b>359</b>

**VOLVO**

**BL61PLUS**







Volvo Construction  
Equipment  
1002866

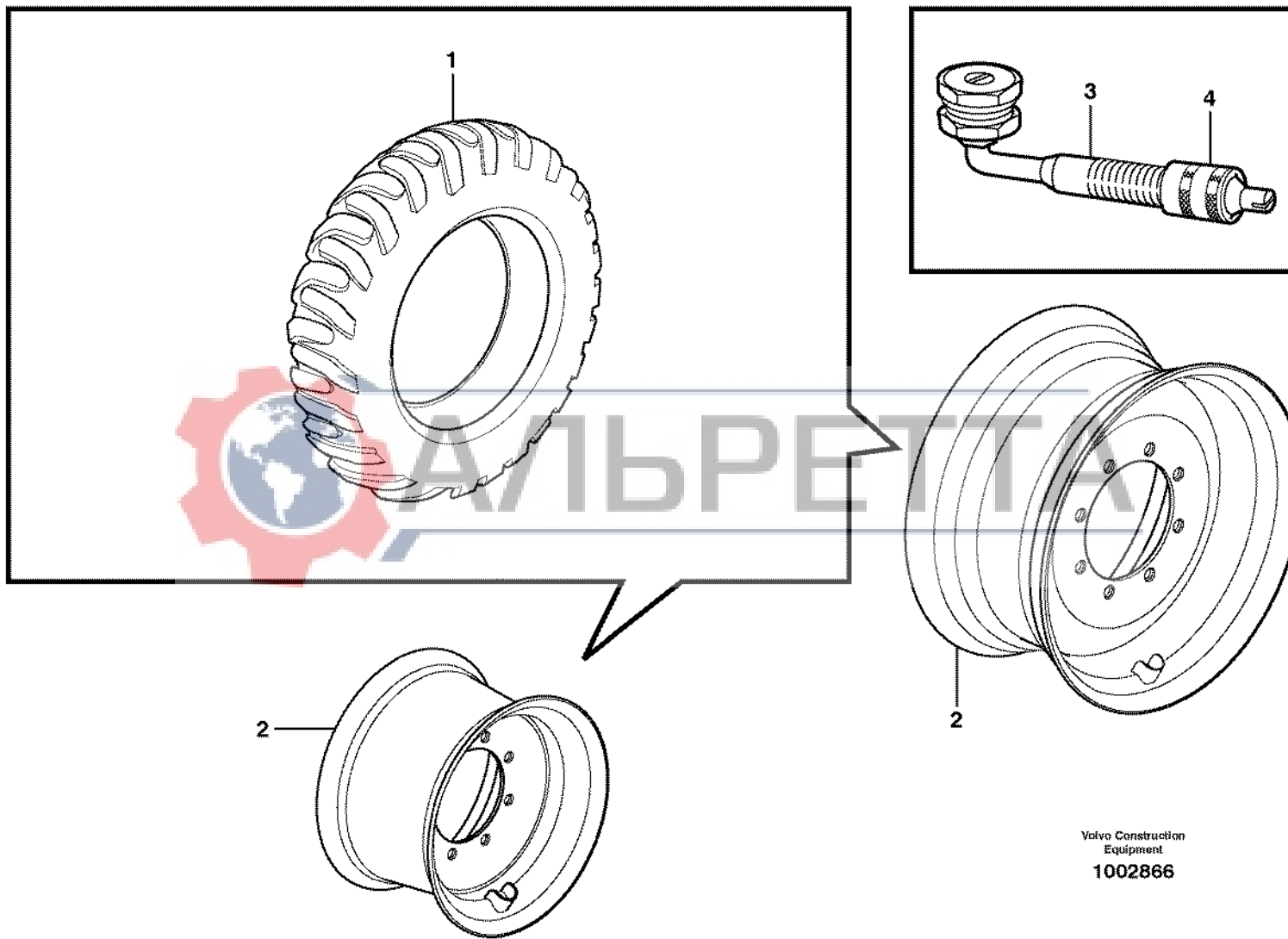
Fig.	Part No.	Quantity					P S	K I T	Description	Dénomination	Bezeichnung	Denominación	Benämning	Notes
		1	2	3	4	5								
	VOE 11886606	1		1				Wheel.....	Roue.....	Rad .....	Rueda.....	Hjul.....	LH	
	VOE 11886607	1		1				Wheel.....	Roue.....	Rad .....	Rueda.....	Hjul.....	RH	
			1		1	NS		Wheel.....	Roue.....	Rad .....	Rueda.....	Hjul.....	LH	
			1		1	NS		Wheel.....	Roue.....	Rad .....	Rueda.....	Hjul.....	RH	
1	VOE 11886595	1		1				•Tire .....	•Pneu.....	•Reifen .....	•Neumatico .....	•Däck.....		
	VOE 11886596		1					•Tire .....	•Pneu.....	•Reifen .....	•Neumatico .....	•Däck.....		
1	VOE 11886597				1			•Tire .....	•Pneu.....	•Reifen .....	•Neumatico .....	•Däck.....		
2	VOE 11884849	1		1				•Rim .....	•Jante .....	•Radfelge .....	•Llania.....	•Fälg.....		
2	VOE 11885862		1		1			•Rim .....	•Jante .....	•Radfelge .....	•Llania.....	•Fälg.....		
3	VOE 784076	1	1	1	1			•Valve .....	•Soupape.....	•Ventil.....	•Valvula .....	•Ventil.....		
4	VOE 4789869	1	1	1	1			•Cap .....	•Chapeau .....	•Verschlusskappe .....	•Caperuza.....	•Hatt.....		



1	11891425 FRONT	Hjul Rueda Rad Roue Wheel	Catalogue id	Group
2	11891425 REAR		<b>20124</b>	<b>771</b>
3	11891426 FRONT		Illustr. No	Section
4	11891426 REAR		<b>1002866</b>	<b>200</b>
5			Issue	Page
			<b>VOE 63A9920124</b>	<b>361</b>

**VOLVO**

**BL61PLUS**



Volvo Construction  
Equipment  
1002866

Fig.	Part No.	Quantity			P S	K I T	Description	Dénomination	Bezeichnung	Denominación	Benämning	Notes
		1	2	3								
		1			NS	Wheel.....	Roue .....	Rad.....	Rueda.....	Hjul.....	FRONT	
			1		NS	Wheel.....	Roue .....	Rad.....	Rueda.....	Hjul.....	REAR	
1	VOE 11886599					•Tire .....	•Pneu .....	•Reifen.....	•Neumatico.....	•Däck.....		
2	VOE 11884849	1				•Rim .....	•Jante .....	•Radfelge.....	•Llania .....	•Fälg.....		
2	VOE 11885862		1			•Rim .....	•Jante .....	•Radfelge.....	•Llania .....	•Fälg.....		
3	VOE 784076	1	1	1		•Valve.....	•Soupape .....	•Ventil.....	•Valvula .....	•Ventil.....		
4	VOE 4789869	1	1	1		•Cap.....	•Chapeau .....	•Verschlusskappe.....	•Caperuza .....	•Hatt.....		



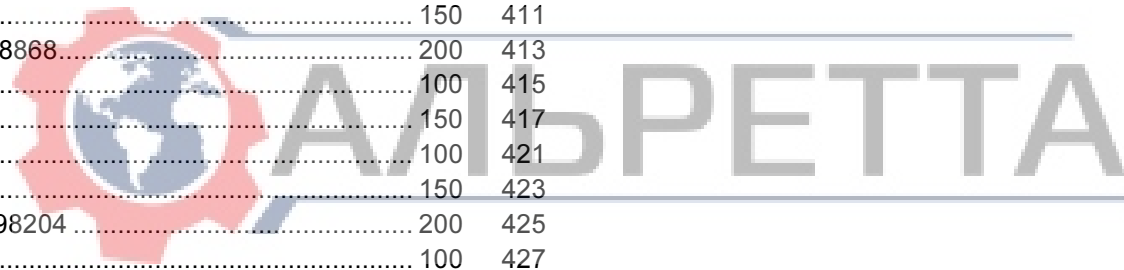
1	11891424 FRONT	Hjul Rueda Rad Roue Wheel	Catalogue id	Group
2	11891424 REAR		20124	771
3	11891427 FRONT		Illustr. No	Section
4			1002866	250
5			Issue	Page
			VOE 63A9920124	363

**VOLVO**

**BL61PLUS**



GROUP	Section	Page	GROUP	Section	Page		
810	Cab body: roof and floor panel.....	100	371	896	Toolbox .....	100	447
818	Cab mounting block .....	100	373	896	Tool 11891152 .....	150	449
821	Engine hood.....	100	375	896	Stop block holder 11891000, 11891050, 11891094 .....	200	451
823	Radiator casing.....	100	379	896	Toolbox 11891584 .....	250	453
825	Splashguards, protective plates.....	100	381	897	Sign plates and decals .....	100	455
825	Fender, front .....	150	383	897	Decals WARNING.....	150	459
825	Fenders 11298204, 11298208.....	200	385				
826	Small rear fender. 11891514 .....	100	387				
827	Foot step .....	100	389				
827	Step handle canopy 11298208 .....	150	391				
831	Door with fitting parts 11298204 .....	100	393				
841	Rear view mirror.....	100	399				
843	Glass panes .....	100	401				
843	Windows 11298204 .....	150	403				
851	Interior components 11298233 .....	100	407				
852	Operator seat with fitting parts .....	100	409				
852	Operator's seat.....	150	411				
852	Operator's seat 11891110, 11888868.....	200	413				
872	Air ducts 11298233 .....	100	415				
872	Air ducts 11298204 .....	150	417				
873	Cab heater 11298204 .....	100	421				
873	Radiator and control.....	150	423				
873	Cab heater with connectors 11298204 .....	200	425				
874	Air conditioning 11298233 .....	100	427				
874	Evaporator, assembly 11298233 .....	350	429				
874	Assembly hoses: Evaporator, receiver drier, condenser. 11298233 .....	450	431				
881	Instrument panel .....	100	435				
881	Radio bracket.....	150	437				
881	Vandalism kit 11298032.....	200	439				
882	Interior components .....	100	441				
882	Casing loader controls 11891415, 11895001, 11895000 .....	200	445				



<b>INDEX OF CONTENTS</b>	Catalogue id <b>20124</b>	Group <b>8</b>
	Issue <b>VOE 63A9920124</b>	Page <b>365</b>

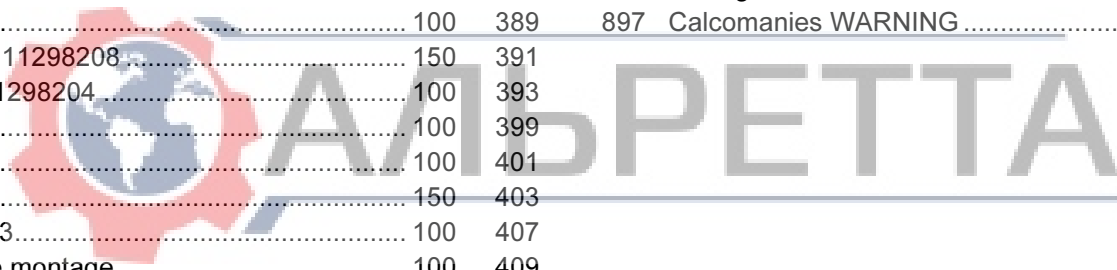
**VOLVO**

**BL61PLUS**

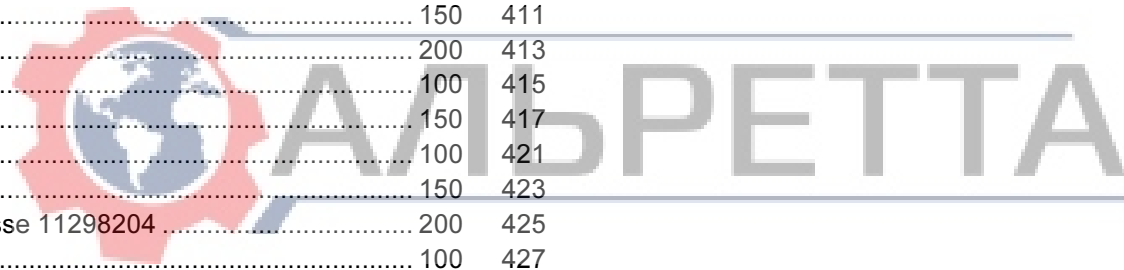


<b>TABLE DES MATIÈRES</b>				Catalogue id <b>20124</b>	Group <b>8</b>
				Issue <b>VOE 63A9920124</b>	Page <b>366</b>
GROUPE	Section	Page	GROUPE	Section	Page

810	Corps de cabine: toit et tôle plancher.....	100	371	882	Capotage, commandes de l'équipement chargeur 11891415, 11895001, 11895000 .....	200	445
818	Suspension de cabine.....	100	373	896	Caisse outil.....	100	447
821	Capot moteur.....	100	375	896	Outil 11891152.....	150	449
823	Boîtier radiateur.....	100	379	896	Support de rangement pour cales de blocage des roues 11891000, 11891050, 11891094 .....	200	451
825	Pare-boue, tôles de protection.....	100	381	896	Caisse outil 11891584.....	250	453
825	Aile, AV .....	150	383	897	Enseignes et décalcomanies .....	100	455
825	Garde - boue 11298204, 11298208.....	200	385	897	Calcomanies WARNING .....	150	459
826	Aile AR, petit. 11891514 .....	100	387				
827	Marche-pied .....	100	389				
827	Poignée d'accès, cabine ouverte 11298208.....	150	391				
831	Porte avec pièces de montage 11298204.....	100	393				
841	Retroviseur.....	100	399				
843	Vitres.....	100	401				
843	Fenêtres 11298204.....	150	403				
851	Pieces d'amenagement 11298233.....	100	407				
852	Siège conducteur avec pièces de montage.....	100	409				
852	Siège du conducteur.....	150	411				
852	Siège du conducteur 11891110, 11888868.....	200	413				
872	Canalisation d'air 11298233.....	100	415				
872	Canalisation d'air 11298204.....	150	417				
873	Chauffe-cabine 11298204.....	100	421				
873	Radiateur et réglage .....	150	423				
873	Chauffe-cabine avec raccords 11298204 .....	200	425				
874	Climatisation 11298233 .....	100	427				
874	Evaporateur, montage 11298233 .....	350	429				
874	Montage flexibles, evaporateur, deshydrateurcondenseur 11298233.....	450	431				
881	Tableau de bord.....	100	435				
881	Console radio.....	150	437				
881	Kit de protection antivandalisme 11298032 .....	200	439				
882	Pieces d'amenagement.....	100	441				



GRUPPE	Abschnitt	Seite	GRUPPE	Abschnitt	Seite		
810	Fahrerhausgerippe: Dach und Bodenblech.....	100	371	896	Werkzeugkasten.....	100	447
818	Kabinenaufhängung.....	100	373	896	Werkzeug 11891152.....	150	449
821	Motorhaube.....	100	375	896	Stoppklotzhalter 11891000, 11891050, 11891094.....	200	451
823	Kühlerhaube.....	100	379	896	Werkzeugkasten 11891584.....	250	453
825	Spritzschutz, Schutzbleche.....	100	381	897	Schilder und aufklebeschild.....	100	455
825	Kotflügel, vorn.....	150	383	897	Aufklebeschild WARNING.....	150	459
825	Kotflügel 11298204, 11298208.....	200	385				
826	Hinterkotflügel, klein. 11891514.....	100	387				
827	Trittleiter.....	100	389				
827	Einstieg, Überrollbügel 11298208.....	150	391				
831	Tür mit Anbauteilen 11298204.....	100	393				
841	Rückspiegel.....	100	399				
843	Fensterscheibe.....	100	401				
843	Fenster 11298204.....	150	403				
851	Innenausstattung 11298233.....	100	407				
852	Fahrersitz mit Anbauteilen.....	100	409				
852	Fahrersitz.....	150	411				
852	Fahrersitz 11891110, 11888868.....	200	413				
872	Luftkanäle 11298233.....	100	415				
872	Luftkanäle 11298204.....	150	417				
873	Kabinenheizung 11298204.....	100	421				
873	Heizkörper und Regler.....	150	423				
873	Fahrerhausheizung mit anschlusse 11298204.....	200	425				
874	Klimaanlage 11298233.....	100	427				
874	Verdampfer, Anbauteilen 11298233.....	350	429				
874	Anbauteilen schlauch, verdampfer, entfeuchter 11298233.....	450	431				
881	Instrumententafel.....	100	435				
881	Radioträger.....	150	437				
881	Vandalisierungschutz 11298032.....	200	439				
882	Innenausstattung.....	100	441				
882	Abdeckung Ladereglage 11891415, 11895001, 11895000.....	200	445				



<b>INHALTSVERZEICHNIS</b>	Catalogue id <b>20124</b>	Group <b>8</b>
	Issue <b>VOE 63A9920124</b>	Page <b>367</b>

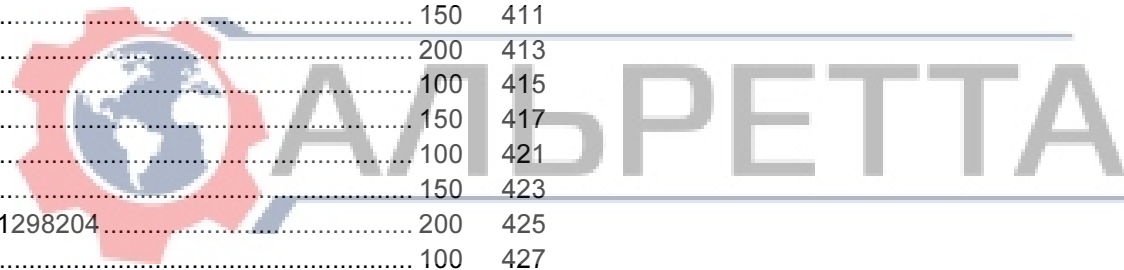




<b>INDICE</b>	Catalogue id <b>20124</b>	Group <b>8</b>
	Issue <b>VOE 63A9920124</b>	Page <b>368</b>

GRUPO	Sección	Página	GRUPO	Sección	Página		
810	Cuerpo de cabina: techo y plancha de piso.....	100	371	896	Caja de herramientas.....	100	447
818	Suspensión de cabina.....	100	373	896	Herramienta 11891152.....	150	449
821	Capo.....	100	375	896	Soporte de calzos 11891000, 11891050, 11891094.....	200	451
823	Cubierta del radiador.....	100	379	896	Caja de herramientas 11891584.....	250	453
825	Parabarros, chapas de protección.....	100	381	897	Muestras y decalcomanías.....	100	455
825	Guardabarros, delantero.....	150	383	897	Calcomanías WARNING.....	150	459
825	Guardabarros 11298204, 11298208.....	200	385				
826	Guardabarro posterior, pequeño. 11891514.....	100	387				
827	Escalón de acceso.....	100	389				
827	Asidero de entrada protección contra vuelcos 11298208.....	150	391				
831	Puerta con accesorios de montaje 11298204.....	100	393				
841	Retrovisor.....	100	399				
843	Ventanillas.....	100	401				
843	Ventanas 11298204.....	150	403				
851	Detalles interiores 11298233.....	100	407				
852	Asiento del conductor con piezas de montaje.....	100	409				
852	Asiento del conductor.....	150	411				
852	Asiento del conductor 11891110, 11888868.....	200	413				
872	Conductos de aire 11298233.....	100	415				
872	Conductos de aire 11298204.....	150	417				
873	Calefactor de cabina 11298204.....	100	421				
873	Radiador y reglaje.....	150	423				
873	Calefactor cabina con uniones 11298204.....	200	425				
874	Acondicionador de aire 11298233.....	100	427				
874	Evaporador, montaje 11298233.....	350	429				
874	Montaje mangueras, evaporador, secador, condensador 11298233.....	450	431				
881	Panel de instrumentos.....	100	435				
881	Panel de radio.....	150	437				
881	Protección contra vandalismo 11298032.....	200	439				
882	Detalles interiores.....	100	441				
882	Cubierta, control de cargadora 11891415, 11895001, 11895000.....	200	445				

GRUPP	Avsnitt	Sida	GRUPP	Avsnitt	Sida		
810	Hyttstomme: tak och golvplåt.....	100	371	896	Verktygslåda .....	100	447
818	Hyttupphängning.....	100	373	896	Verktyg 11891152.....	150	449
821	Motorhuv.....	100	375	896	Stoppklosshållare 11891000, 11891050, 11891094.....	200	451
823	Kylarkåpa.....	100	379	896	Verktygslåda 11891584 .....	250	453
825	Stänkskydd, skyddsplåtar .....	100	381	897	Skyltar och dekaler.....	100	455
825	Stänkskärm, fram.....	150	383	897	Dekaler WARNING .....	150	459
825	Stänkskärmar 11298204, 11298208.....	200	385				
826	Liten bakskärm. 11891514.....	100	387				
827	Fotsteg.....	100	389				
827	Instegshandtag version med soltak 11298208 .....	150	391				
831	Dörr med monteringsdetaljer 11298204 .....	100	393				
841	Backspeglar .....	100	399				
843	Rutor .....	100	401				
843	Fönster 11298204.....	150	403				
851	Inredningsdetaljer 11298233 .....	100	407				
852	Förarstol med monteringsdetaljer .....	100	409				
852	Förarstol, ISRI.....	150	411				
852	Förarstol 11891110, 11888868.....	200	413				
872	Luftkanaler 11298233 .....	100	415				
872	Luftkanaler 11298204 .....	150	417				
873	Hyttvärmare 11298204 .....	100	421				
873	Radiator och reglage.....	150	423				
873	Hyttvärmare med anslutningar 11298204.....	200	425				
874	Luftkonditionering 11298233.....	100	427				
874	Evaporator, montering 11298233 .....	350	429				
874	Montering slangar: Evaporator, torkare, kondensor. 11298233.....	450	431				
881	Instrumentpanel .....	100	435				
881	Radiokonsol .....	150	437				
881	Vandalskydd 11298032 .....	200	439				
882	Inredningsdetaljer .....	100	441				
882	Kåpa lastarreglage 11891415, 11895001, 11895000.....	200	445				



<b>INNEHÅLLSFÖRTECKNING</b>	Catalogue id <b>20124</b>	Group <b>8</b>
	Issue <b>VOE 63A9920124</b>	Page <b>369</b>



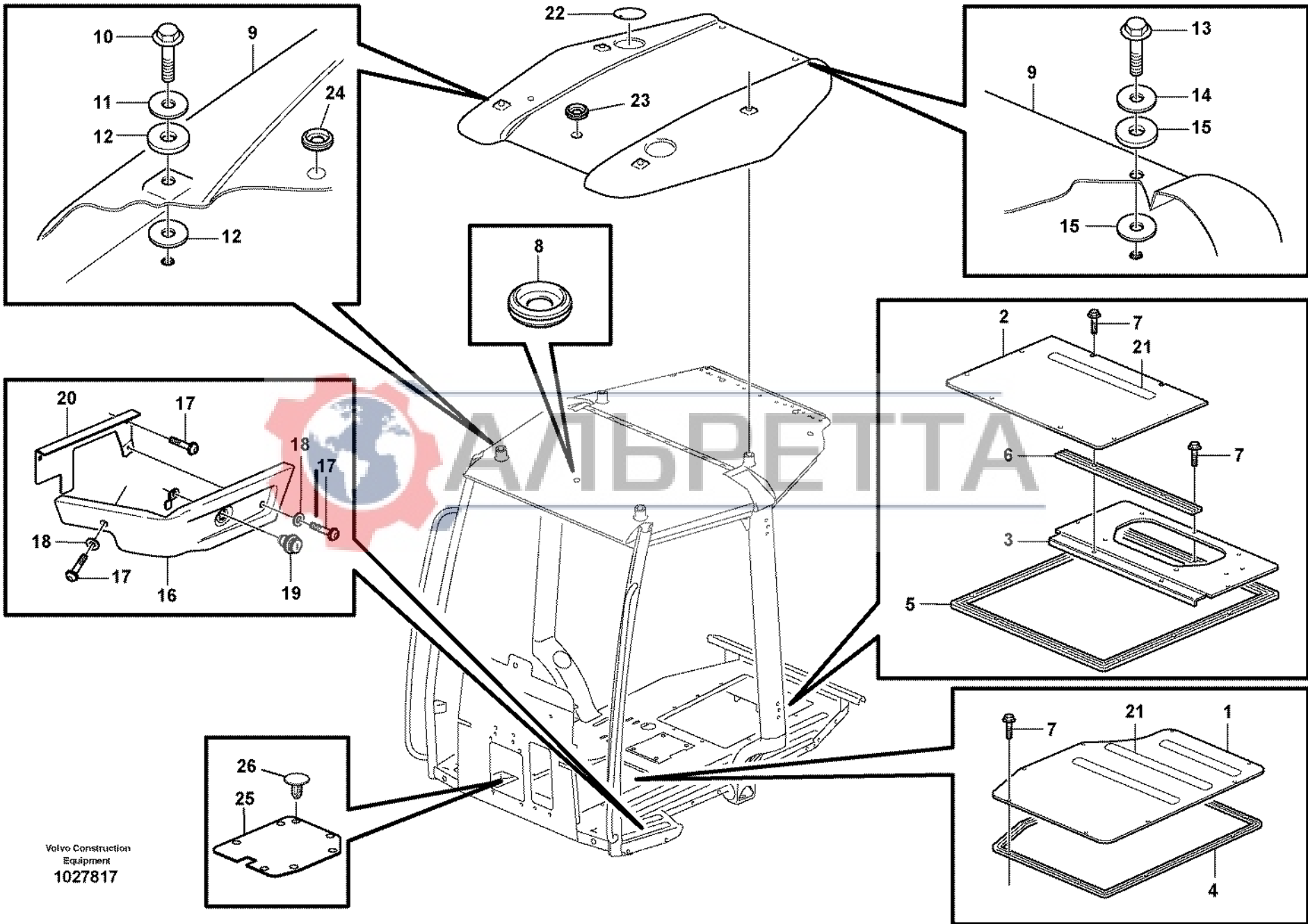


Fig.	Part No.	Quantity			P S	K I T	Description	Dénomination	Bezeichnung	Denominación	Benämning	Notes
		1	2	3								
	VOE 11203253	1					Cab framework.....	Carcasse cabine .....	FH-Gerippe .....	Armazon cabina .....	Hyttstomme.....	
	VOE 11203683		1				Cab framework.....	Carcasse cabine .....	FH-Gerippe .....	Armazon cabina .....	Hyttstomme.....	
1	VOE 11203487	1	1				Hatch.....	Trappe.....	Luke .....	Trampilla .....	Lucka .....	
2	VOE 11203491	1	1				Hatch.....	Trappe.....	Luke .....	Trampilla .....	Lucka .....	
3		1	1		NS		Hatch.....	Trappe.....	Luke .....	Trampilla .....	Lucka .....	
4	VOE 11104947	REQ	REQ				Sealing strip .....	Lisse etancheite .....	Dichtleiste.....	Moldura reten .....	Tättningslist.....	L = 1800 MM
5	VOE 11104947	REQ	REQ				Sealing strip .....	Lisse etancheite .....	Dichtleiste.....	Moldura reten .....	Tättningslist.....	L = 2100 MM
6	VOE 11104947	REQ	REQ				Sealing strip .....	Lisse etancheite .....	Dichtleiste.....	Moldura reten .....	Tättningslist.....	L = 460 MM
7	VOE 13947542	19	19				Screw.....	Vis .....	Schraube.....	Tornillo .....	Skruv.....	
8	VOE 941267	1					Plug.....	Bouchon.....	Stopfen.....	Tapon .....	Plugg.....	
9	VOE 11204091	1		1			Roof .....	Toit.....	Dach.....	Techo .....	Tak.....	
10	VOE 974428	4	4				Flange screw.....	Vis à bride.....	Flanschschraube.....	Torn embridado.....	Flänsskruv.....	
11	VOE 955905	4		4			Washer.....	Rondelle.....	Scheibe .....	Arandela.....	Bricka.....	
12	VOE 11200002	8		8			Spacer.....	Entretoise.....	Abstandkörper.....	Distanciador .....	Distans.....	
13	VOE 946440	2	2				Flange screw.....	Vis à bride.....	Flanschschraube.....	Torn embridado.....	Flänsskruv.....	
14	VOE 13960143	2		2			Washer.....	Rondelle.....	Scheibe .....	Arandela.....	Bricka.....	
15	VOE 11149399	4		4			Seal.....	Joint .....	Dichtung .....	Reten.....	Tätning.....	
16	VOE 11200556	1					Side Panel.....	Panneau Lateral.....	Seit Verkl.....	Panel Lateral .....	Sidopanel.....	LH
16	VOE 11201171	1					Side Panel.....	Panneau Lateral.....	Seit Verkl.....	Panel Lateral .....	Sidopanel.....	RH
17	VOE 972421	9					Screw.....	Vis .....	Schraube.....	Tornillo .....	Skruv.....	
18	VOE 955892	5					Washer.....	Rondelle.....	Scheibe .....	Arandela.....	Bricka.....	
19		1					Lock Cylinder .....	Barille serrure.....	Schliesszyl .....	Cilindro Cierre .....	Låscylinder.....	See group 821, Page 375
20	VOE 11201172	1					Anchorage.....	Fixation .....	Halterung.....	Fijacion .....	Fäste.....	LH
20	VOE 11201036	1					Anchorage.....	Fixation .....	Halterung.....	Fijacion .....	Fäste.....	RH
21	VOE 11203449		REQ				Tape.....	Scotch.....	Klebeband .....	Cinta .....	Tape.....	
22	VOE 11205272	2		2			Plate.....	Plaque.....	Platte .....	Placa .....	Platta.....	
23	VOE 13961965						Protecting Plug.....	Tampon Protect. ....	Sicher Stöpsel.....	Tapon Protecc.....	Skyddspropp.....	
24	VOE 941268						Plug.....	Bouchon.....	Stopfen.....	Tapon .....	Plugg.....	
25	VOE 11886362	1					Plate.....	Plaque.....	Platte .....	Placa .....	Platta.....	11891595
26	VOE 11881360	7					Retainer .....	Retenue .....	Halter.....	Soporte.....	Hållare.....	11891595

1	11298204	<b>Hyttstomme: tak och golvplåt.</b> <b>Cuerpo de cabina: techo y plancha de piso.</b> <b>Fahrerhausgerippe: Dach und Bodenblech.</b> <b>Corps de cabine: toit et tôle plancher.</b> <b>Cab body: roof and floor panel.</b>	Catalogue id	Group
2	11298208		<b>20124</b>	<b>810</b>
3	11298160		Illustr. No	Section
4			<b>1027817</b>	<b>100</b>
5			Issue	Page
			<b>VOE 63A9920124</b>	<b>371</b>

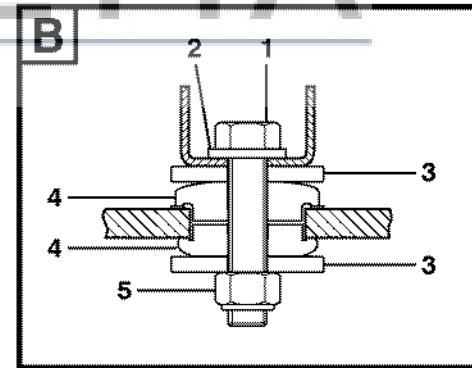
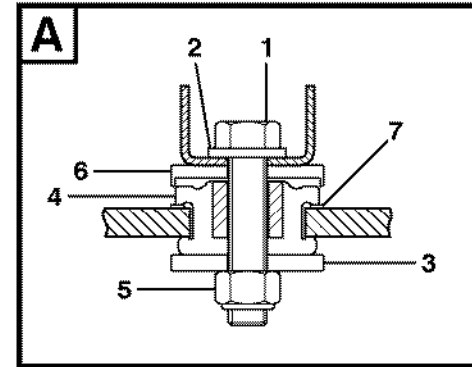
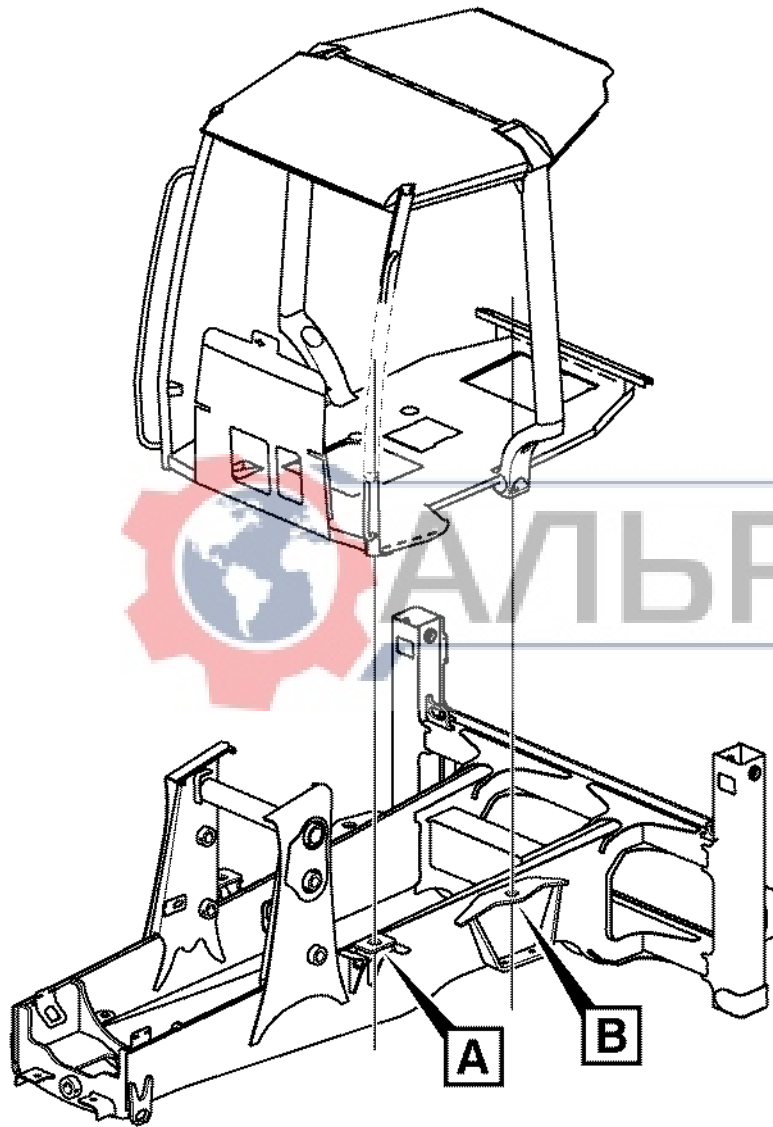


Fig.	Part No.	Quantity			P S	K I T	Description	Dénomination	Bezeichnung	Denominación	Benämning	Notes
		1	2	3								
1	VOE 978953		2			Screw .....	Vis .....	Schraube .....	Tornillo .....	Skruv .....		
1	VOE 983299			2		Hexagon screw .....	Vis a tête hexagonale .....	Sechskantschr .....	Tornillo hexago .....	Sexkantsskruv .....		
2	VOE 11055616	2	2			Washer .....	Rondelle .....	Scheibe .....	Arandela .....	Bricka .....		
3	VOE 11881773	2				Washer .....	Rondelle .....	Scheibe .....	Arandela .....	Bricka .....		
3	VOE 11886647		4			Washer .....	Rondelle .....	Scheibe .....	Arandela .....	Bricka .....		
4	VOE 11883856	2				Base .....	Pied .....	Fuss .....	Base .....	Fot .....		
4	VOE 11884520		4			Base .....	Pied .....	Fuss .....	Base .....	Fot .....		
5	VOE 963111	2	2			Lock nut .....	Contre-ecrou .....	Sicherungsmutter .....	Contratuerca .....	Låsmutter .....		
6	VOE 11886708	2				Washer .....	Rondelle .....	Scheibe .....	Arandela .....	Bricka .....		
7	VOE 11885690	2				Washer .....	Rondelle .....	Scheibe .....	Arandela .....	Bricka .....		

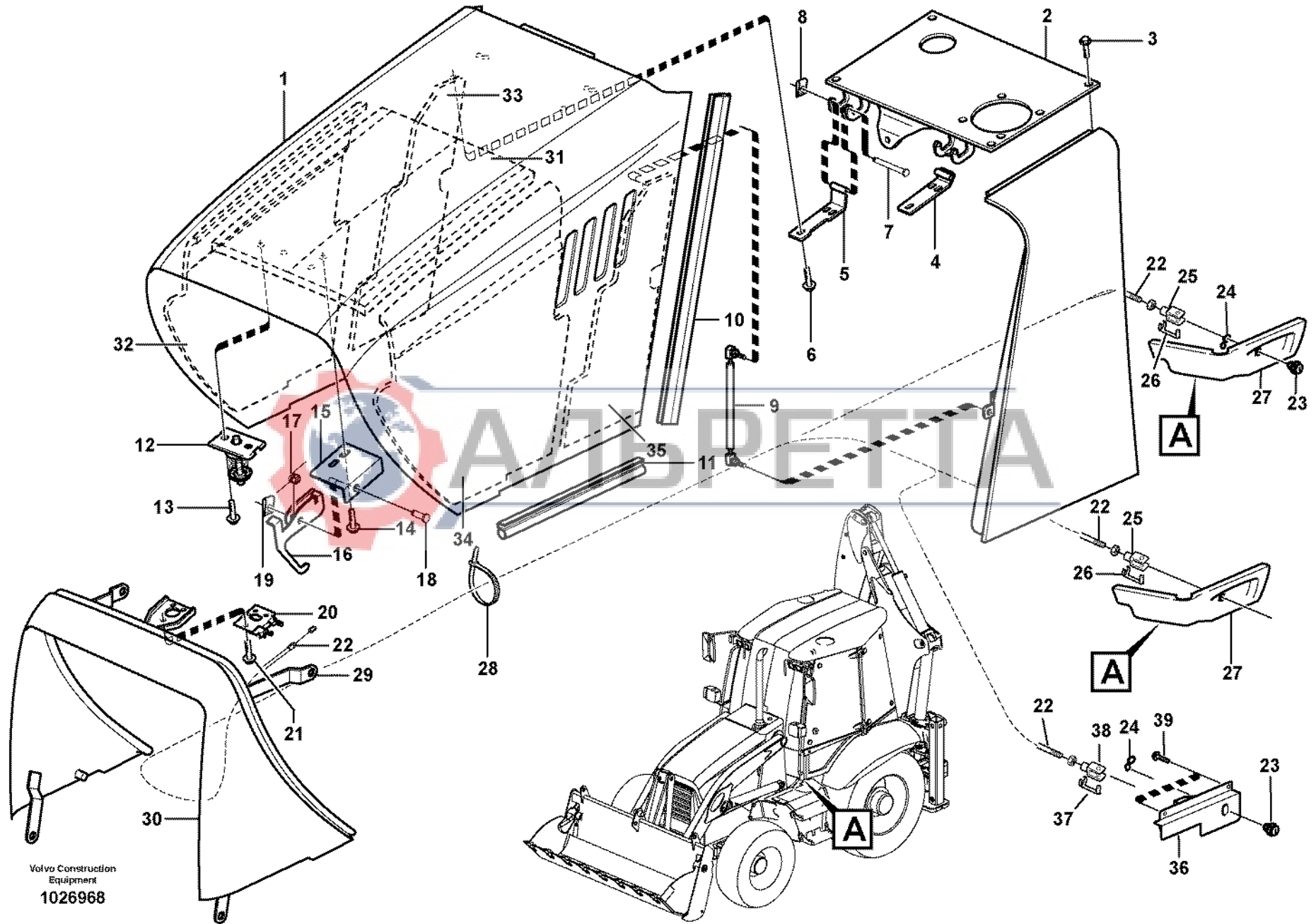


1	FRONT	<b>Hyttupphängning</b> <b>Suspensión de cabina</b> <b>Kabinenaufhängung</b> <b>Suspension de cabine</b> <b>Cab mounting block</b>	Catalogue id	Group
2	REAR		<b>20124</b>	<b>818</b>
3			Illustr. No	Section
4			<b>1006670</b>	<b>100</b>
5			Issue	Page
			<b>VOE 63A9920124</b>	<b>373</b>

**VOLVO**

**BL61PLUS**





Volvo Construction  
 Equipment  
 1026968

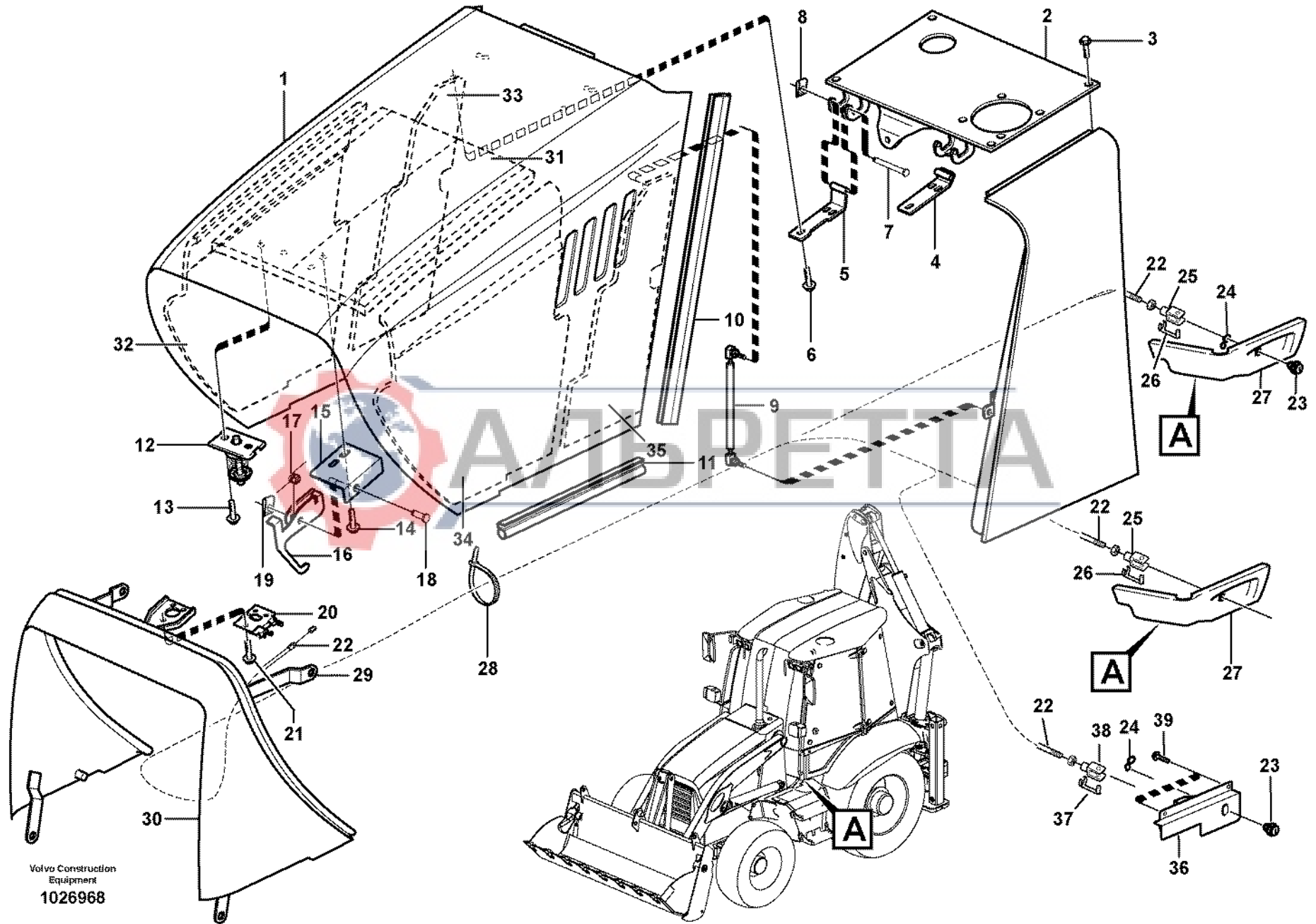
Fig.	Part No.	Quantity					P S	K T	Description	Dénomination	Bezeichnung	Denominación	Benämning	Notes
		1	2	3	4	5								
1	VOE 11882980	1						Hood .....	Capot Moteur .....	Motorhaube .....	Tapa motor .....	Motorhuv .....		
	VOE 11888981					1		Hood .....	Capot Moteur .....	Motorhaube .....	Tapa motor .....	Motorhuv .....		
2	VOE 11886377	1						Top Plate .....	Tole Superieure .....	Deckblech .....	Placa Superior .....	Överplåt .....		
	VOE 11887626	REQ						Shim .....	Cale d'épaisseur .....	Passscheibe .....	Arandela Ajuste .....	Passbricka .....		
3	VOE 13947760	4						Flange screw .....	Vis à bride .....	Flanschschraube .....	Torn embridado .....	Flänsskruv .....		
4	VOE 11881237	1						Hinge .....	Charniere .....	Scharnier .....	Bisagra .....	Gångjärn .....		
5	VOE 11882965	1						Hinge .....	Charniere .....	Scharnier .....	Bisagra .....	Gångjärn .....		
6	VOE 13945444	6						Flange screw .....	Vis à bride .....	Flanschschraube .....	Torn embridado .....	Flänsskruv .....		
7	VOE 11883052	2						Pin .....	Goupille .....	Zapfen .....	Pasador .....	Tapp .....		
8	VOE 943926	2						Lock brace .....	Etrier de verrouillag .....	Sperrklinke .....	Brazo Seguridad .....	Låsbygel .....		
9	VOE 11884653	2						Gas Spring .....	Ressort Gaz .....	Gasfeder .....	Resorte A Gas .....	Gasfjäder .....		
10	VOE 11881899	2						Seal .....	Joint .....	Dichtung .....	Reten .....	Tätning .....		
11	VOE 11881002	2						Seal .....	Joint .....	Dichtung .....	Reten .....	Tätning .....		
12	VOE 11114940	1						Lock Bolt .....	Boulon Verroui. ....	Sicher Bolzen .....	Perno Seguridad .....	Låsbulst .....		
13	VOE 13946173	2						Flange screw .....	Vis à bride .....	Flanschschraube .....	Torn embridado .....	Flänsskruv .....		
14	VOE 13946173	2						Flange screw .....	Vis à bride .....	Flanschschraube .....	Torn embridado .....	Flänsskruv .....		
15	VOE 11885233	1						Bracket .....	Console .....	Konsole .....	Ménsula .....	Konsol .....	(VOE 11884632)	
16	VOE 11885234	1						Hook .....	Crochet .....	Haken .....	Gancho .....	Krok .....		
17	VOE 11881351	1						Spring .....	Ressort .....	Feder .....	Muelle .....	Fjäder .....		
18	VOE 942290	1						Rtng Ring Bolt .....	Boulon Sill Bag .....	Sich.bolzen .....	Perno Circlip .....	Spåringsbulst .....		
19	VOE 13942915	1						Safety Brace .....	Etrier Securite .....	Sicherungsbugel .....	Brida Seguridad .....	Säkringsbygel .....		
20	VOE 11882989	1						Catch .....	Disque Blocage .....	Sperrplatte .....	Disco Bloqueo .....	Spärrskiva .....		
21	VOE 13965175	3						Screw .....	Vis .....	Schraube .....	Tornillo .....	Skruv .....		
22	VOE 11886789		1	1				Cable .....	Câble .....	Seil .....	Cable .....	Lina .....		
23	VOE 11886138		1		1			Lock .....	Serrure .....	Schloss .....	Cierre .....	Lås .....		
24	VOE 11886474		1		1			Lock Plate .....	Plaque Verroui. ....	Verschl Platte .....	Placa Seguridad .....	Låsplatta .....		
25	VOE 11882487		1					Fork .....	Fourche .....	Gabel .....	Horquilla .....	Gaffel .....		
26	VOE 11882489		1					Pin .....	Clavette .....	Splint .....	Pasador .....	Sprint .....		
27		1						Side Panel .....	Panneau Lateral .....	Seit Verkl .....	Panel Lateral .....	Sidopanel .....	See group 810, Page 371	
28	VOE 14016673		2					Strip Clamp .....	Ruban Serrage .....	Kabelbinder .....	Abraz Cinta .....	Bandklamma .....		



1	11880101	<b>Motorhuv</b> <b>Capo</b> <b>Motorhaube</b> <b>Capot moteur</b> <b>Engine hood</b>	Catalogue id	Group
2	11298204		<b>20124</b>	<b>821</b>
3	11298208		Illustr. No	Section
4	11298239		<b>1026968</b>	<b>100</b>
5	11891529		Issue	Page
			<b>VOE 63A9920124</b>	<b>375</b>







Volvo Construction  
 Equipment  
 1026968

Fig.	Part No.	Quantity					P S	K I T	Description	Dénomination	Bezeichnung	Denominación	Benämning	Notes
		1	2	3	4	5								
29		1						Bracket.....	Console .....	Konsole .....	Ménsula .....	Konsol.....	See group 261, Page 111	
30		1						Nose Part.....	Partie Nez .....	Frontgeschirr.....	Parte Delantera .....	Nosdel.....	See group 823, Page 379	
31	VOE 11886544	1						Insulation .....	Isolant.....	Isolierung .....	Aislante.....	Isolering.....		
32	VOE 11886548	1						Insulation .....	Isolant.....	Isolierung .....	Aislante.....	Isolering.....		
33	VOE 11886546	1						Insulation .....	Isolant.....	Isolierung .....	Aislante.....	Isolering.....		
34	VOE 11886547	1						Insulation .....	Isolant.....	Isolierung .....	Aislante.....	Isolering.....		
35	VOE 11886545	1						Insulation .....	Isolant.....	Isolierung .....	Aislante.....	Isolering.....		
36	VOE 11887014			1				Handle .....	Poignee .....	Handgriff .....	Manilla .....	Handgrepp.....		
37	VOE 11882489			1				Pin.....	Clavette .....	Splint.....	Pasador .....	Sprint.....		
38	VOE 11882487			1				Fork.....	Fourche .....	Gabel .....	Horquilla .....	Gaffel.....		
39	VOE 13947949			2				Flange screw .....	Vis à bride .....	Flanschschraube .....	Torn embridado .....	Flänsskruv.....		

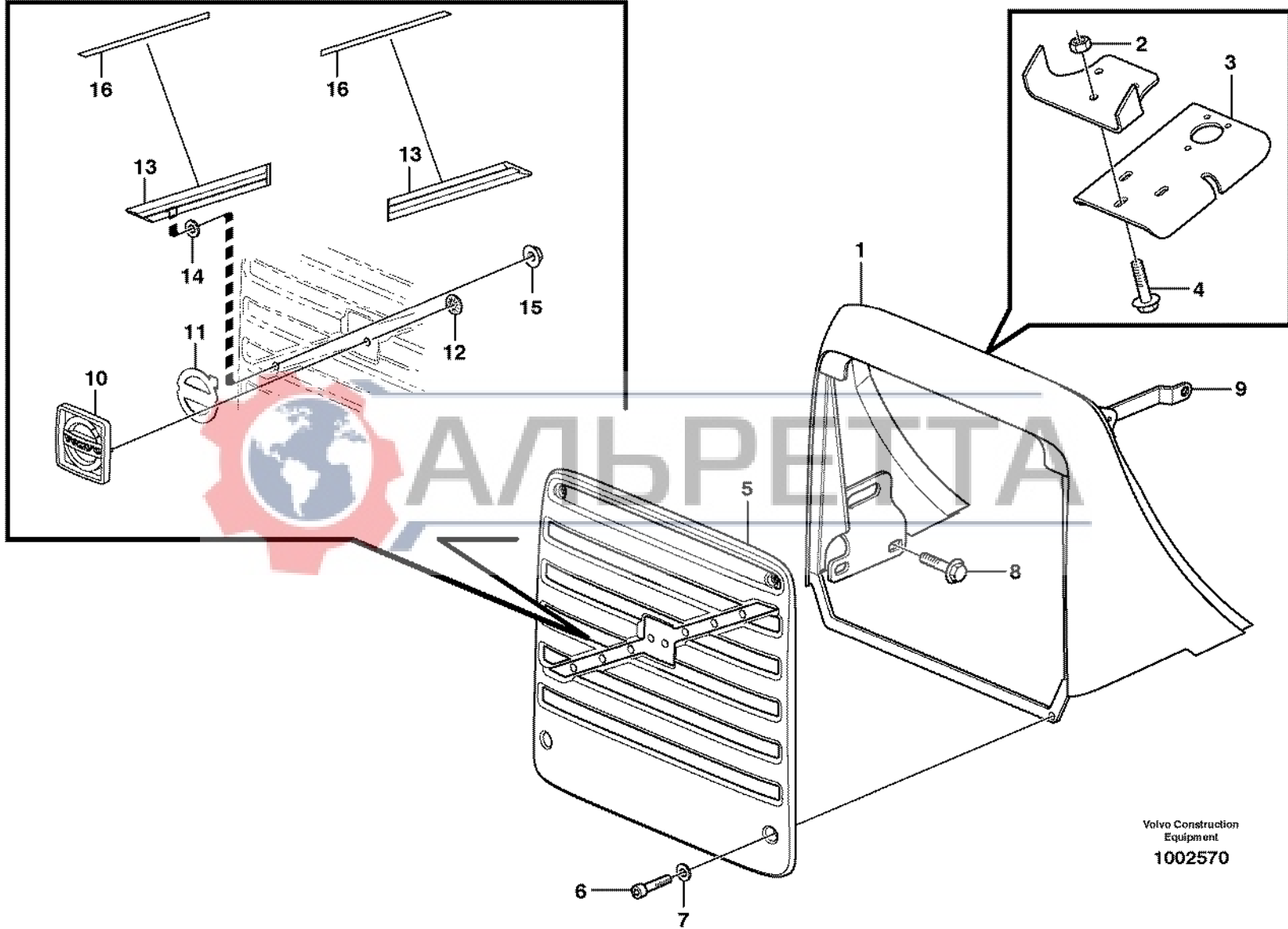


1	11880101	<b>Motorhuv</b> <b>Capo</b> <b>Motorhaube</b> <b>Capot moteur</b> <b>Engine hood</b>	Catalogue id	Group
2	11298204		<b>20124</b>	<b>821</b>
3	11298208		Illustr. No	Section
4	11298239		<b>1026968</b>	<b>100</b>
5	11891529		Issue	Page
			<b>VOE 63A9920124</b>	<b>377</b>

**VOLVO**

**BL61PLUS**





Volvo Construction  
Equipment  
1002570

Fig.	Part No.	Quantity			P S	K I T	Description	Dénomination	Bezeichnung	Denominación	Benämning	Notes
		1	2	3								
1	VOE 11883132	1				Nose Part.....	Partie Nez .....	Frontgeschirr .....	Parte Delantera .....	Nosdel.....		
2	VOE 955782	3				•Hexagon Nut.....	•Ecrou Hexagonal .....	•Sechskantmutter .....	•Tuerca Hexagon .....	•Sexkantmutter.....		
3	VOE 11883678	1				Bracket.....	Console.....	Konsole .....	Ménsula.....	Konsol.....		
4	VOE 13946173	3				Flange screw.....	Vis à bride .....	Flanschschaube.....	Torn embridado .....	Flänsskruv.....		
5	VOE 11881191	1				Radiator grille.....	Calandre radia. ....	Kühlergrill .....	Rejilla radiad .....	Kylargrill.....		
6	VOE 13969599	4				Screw.....	Vis .....	Schraube.....	Tornillo .....	Skruv.....		
7	VOE 13955894	4				Washer.....	Rondelle.....	Scheibe .....	Arandela.....	Bricka.....		
8	VOE 968589	4				Flange screw.....	Vis à bride .....	Flanschschaube.....	Torn embridado .....	Flänsskruv.....		
9		2				Bracket.....	Console.....	Konsole .....	Ménsula.....	Konsol.....	See group 261, Page 111	
10	VOE 11884163	1				Emblem.....	Monogramme .....	Emblem .....	Emblema .....	Emblem.....		
11	VOE 11884214	1				Adhesive .....	Adhesif .....	Klebstoff .....	Adhesivo .....	Lim.....		
12	VOE 945780	2				Retainer .....	Retenue .....	Halter.....	Soporte.....	Hållare.....		
13	VOE 11884154	2				Profile.....	Profile.....	Profil.....	Perfil .....	Profil.....		
14	VOE 949102	6				Washer.....	Rondelle.....	Scheibe .....	Arandela.....	Bricka.....		
15	VOE 13965483	6				Flange Lock Nut.....	Contre écrou bride .....	Flanscmutter .....	Contratuer Embr.....	Flänslåsmutter.....		
16	VOE 11884165	2				Strip.....	Bande.....	Streifen.....	Cinta.....	Band.....		



1	<b>Kylarkåpa</b> <b>Cubierta del radiador</b> <b>Kühlerhaube</b> <b>Boitier radiateur</b> <b>Radiator casing</b>	Catalogue id	Group
2		<b>20124</b>	<b>823</b>
3		Illustr. No	Section
4		<b>1002570</b>	<b>100</b>
5		Issue	Page
		<b>VOE 63A9920124</b>	<b>379</b>

**VOLVO**

**BL61PLUS**

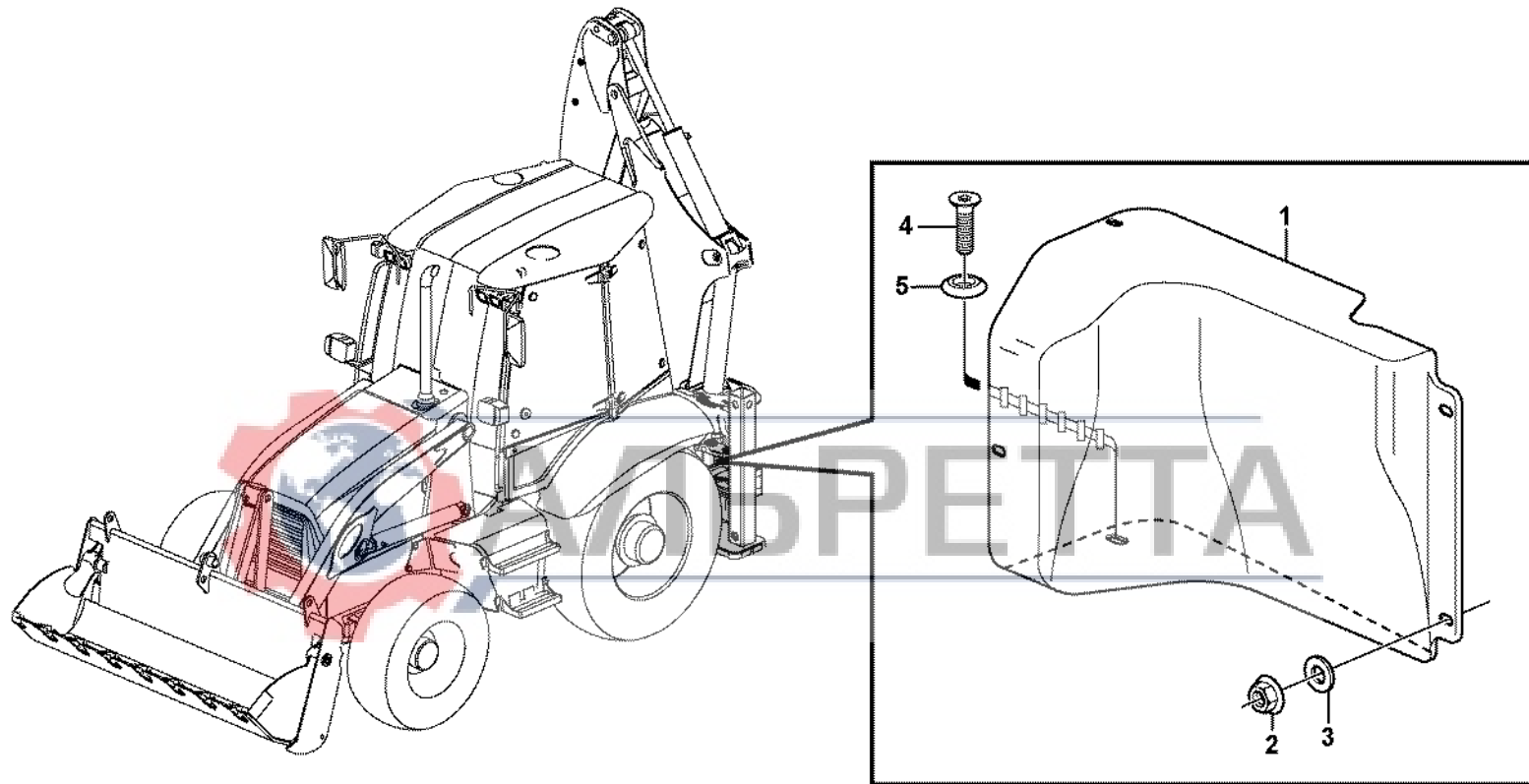


Fig.	Part No.	Quantity			P S	K I T	Description	Dénomination	Bezeichnung	Denominación	Benämning	Notes
		1	2	3								
1	<b>VOE 11889100</b>	1					Fender.....	Aile .....	Kotflügel .....	Guardabarro .....	Stänkskärm.....	RH
	<b>VOE 11889103</b>	1					Fender.....	Aile .....	Kotflügel .....	Guardabarro .....	Stänkskärm.....	LH
2	<b>VOE 948645</b>	8					Flange Lock Nut.....	Contre écrou bride .....	Flanschmutter .....	Contratuer Embr.....	Flänslåsmutter.....	
3	<b>VOE 13960141</b>	8					Washer.....	Rondelle .....	Scheibe .....	Arandela .....	Bricka.....	
4	<b>VOE 969373</b>	2					6-pt skt screw.....	Vis creuse de 6 .....	Hohlschraube .....	Racor 6-dientes.....	Sextandhålskruv.....	
5	<b>VOE 959061</b>	2			OP		Body Washer .....	Rond.carrosser. ....	Kaross Scheibe .....	Arandela Carroc .....	Karosseribricka.....	



1		<b>Stänkskydd, skyddsplåtar</b> <b>Parabarro, chapas de protección</b> <b>Spritzschutz, Schutzbleche</b> <b>Pare-boue, tôles de protection</b> <b>Splashguards, protective plates</b>	Catalogue id	Group
2			<b>20124</b>	<b>825</b>
3			Illustr. No	Section
4			<b>1005974</b>	<b>100</b>
5			Issue	Page
			<b>VOE 63A9920124</b>	<b>381</b>

**VOLVO**

**BL61PLUS**



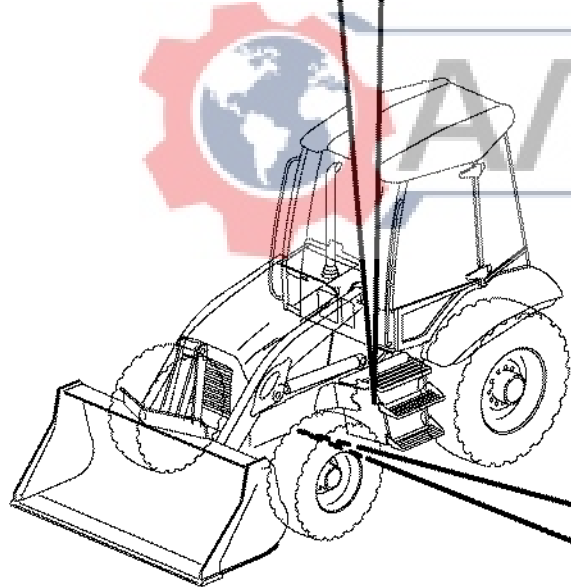
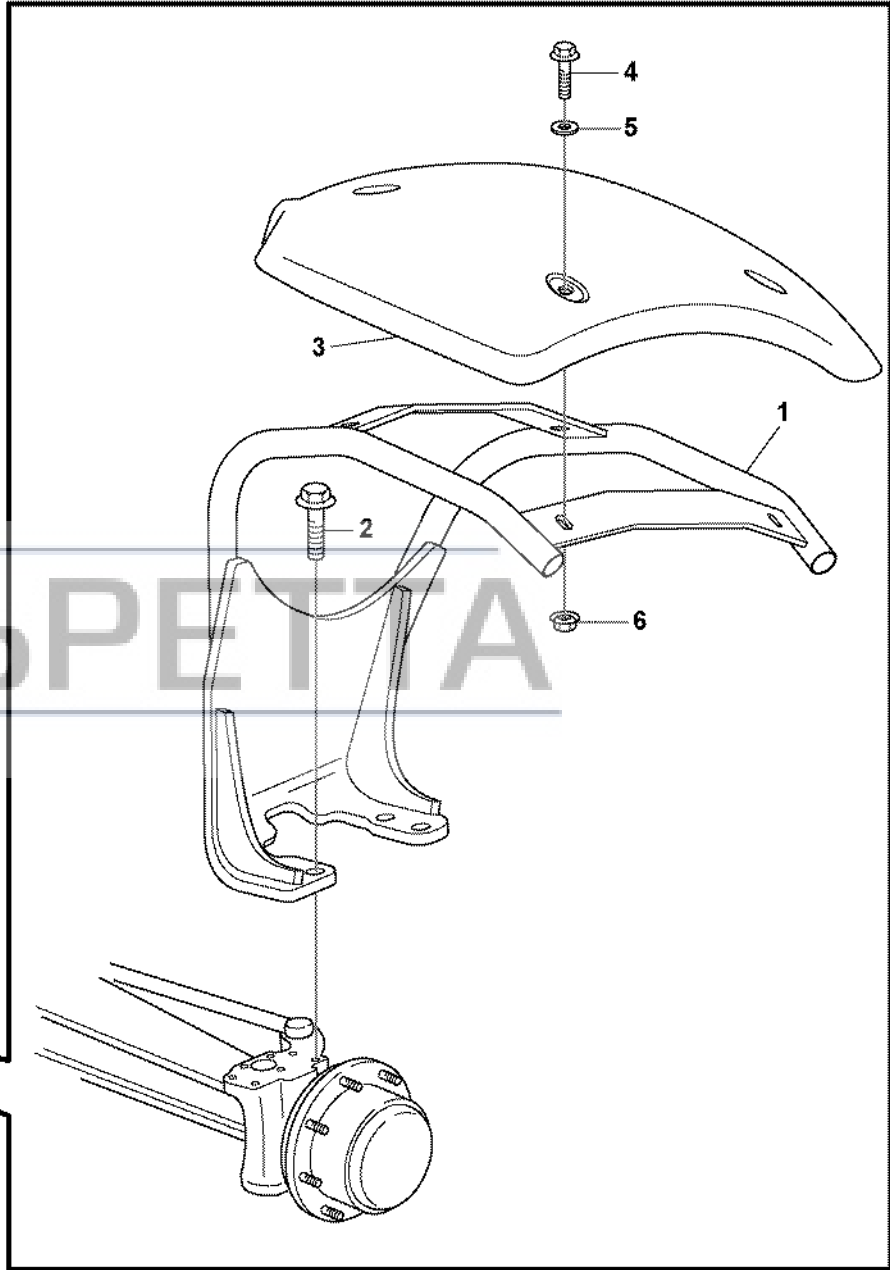
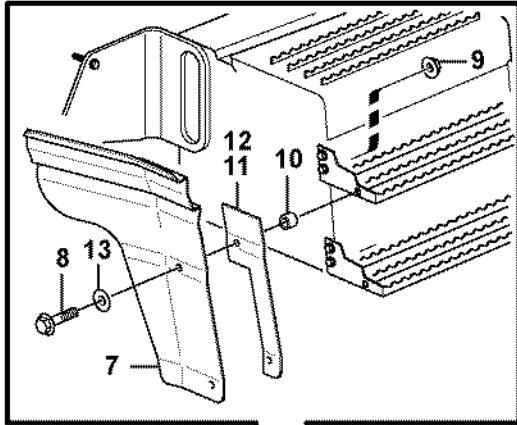


Fig.	Part No.	Quantity			P S	K I T	Description	Dénomination	Bezeichnung	Denominación	Benämning	Notes
		1	2	3								
1	VOE 11888904	1	1			Fender.....	Aile .....	Kotflügel .....	Guardabarro .....	Stänkskärm.....	LH	
1	VOE 11888907	1	1			Fender.....	Aile .....	Kotflügel .....	Guardabarro .....	Stänkskärm.....	RH	
2	VOE 968589	8	8			Flange screw.....	Vis à bride .....	Flanschschraube .....	Torn embridado .....	Flänsskruv.....		
3	VOE 11884361	2	2			Front fender .....	Aile AV .....	Vorderkotflügel .....	Guardabarro del .....	Framskaärm.....		
4	VOE 13965186	8	8			Flange screw.....	Vis à bride .....	Flanschschraube .....	Torn embridado .....	Flänsskruv.....		
5	VOE 13960143	8	8			Washer.....	Rondelle .....	Scheibe .....	Arandela .....	Bricka.....		
6	VOE 13971098	8	8			Flange nut.....	Ecrou accouple. ....	Bundmutter.....	Tuerca embridada .....	Flänsmutter.....		
7	VOE 11887735	1				Fender.....	Aile .....	Kotflügel .....	Guardabarro .....	Stänkskärm.....	LH	
7	VOE 11887736	1				Fender.....	Aile .....	Kotflügel .....	Guardabarro .....	Stänkskärm.....	RH	
8	VOE 946329	8				Flange screw.....	Vis à bride .....	Flanschschraube .....	Torn embridado .....	Flänsskruv.....		
9	VOE 13971095	8				Flange nut.....	Ecrou accouple. ....	Bundmutter.....	Tuerca embridada .....	Flänsmutter.....		
10	VOE 11887737	4				Bushing.....	Bague.....	Buchse .....	Casquillo .....	Bussning.....		
11	VOE 11888153	1				Plate.....	Plaque.....	Platte .....	Placa .....	Platta.....		
12	VOE 11888154	1				Plate.....	Plaque.....	Platte .....	Placa .....	Platta.....		
13	VOE 942366	4				Shim.....	Cale d'épaisseur .....	Passscheibe.....	Arandela Ajuste .....	Passbricka.....		



1	11891000	<b>Stänkskärm, fram</b> <b>Guardabarro, delantero</b> <b>Kotflügel, vorn</b> <b>Aile, AV</b> <b>Fender, front</b>	Catalogue id	Group
2	11891325		<b>20124</b>	<b>825</b>
3			Illustr. No	Section
4			<b>1027424</b>	<b>150</b>
5			Issue	Page
			<b>VOE 63A9920124</b>	<b>383</b>

**VOLVO**

**BL61PLUS**





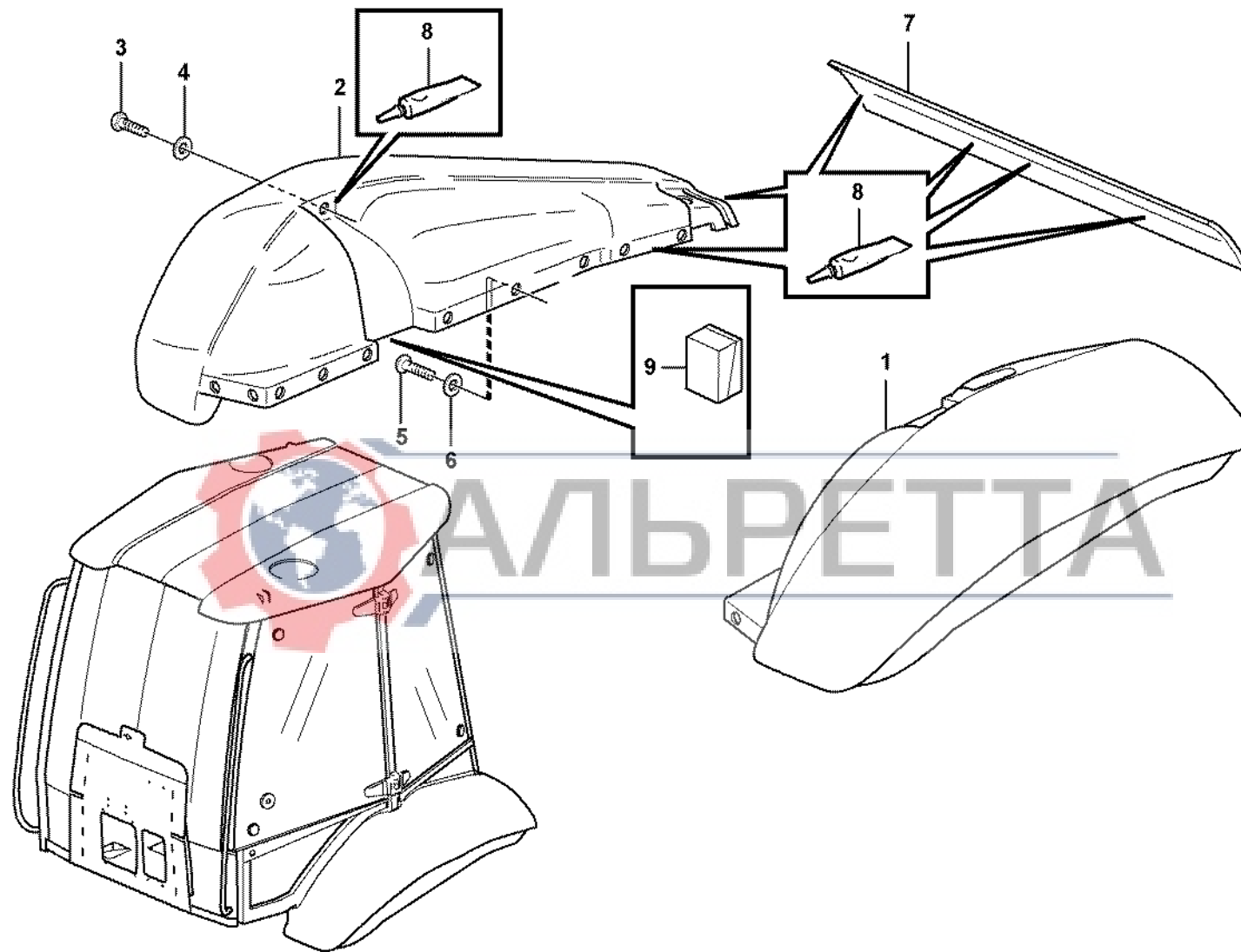


Fig.	Part No.	Quantity			P S	K I T	Description	Dénomination	Bezeichnung	Denominación	Benämning	Notes
		1	2	3								
1	VOE 11149785	1				Fender.....	Aile .....	Kotflügel .....	Guardabarro .....	Stänkskärm.....	LH	
2	VOE 11149786	1				Rear fender.....	Aile AR .....	Hinterkotflügel .....	Guardabarro pos .....	Bakskärm.....	RH	
3	VOE 13945444	2				Flange screw.....	Vis à bride .....	Flanschschraube.....	Torn embridado .....	Flänsskruv.....		
4	VOE 13960141	2				Washer.....	Rondelle .....	Scheibe .....	Arandela .....	Bricka.....	(VOE 976944)	
5	VOE 972421	24				Screw .....	Vis .....	Schraube.....	Tornillo .....	Skruv.....		
6	VOE 960139	24				Washer.....	Rondelle .....	Scheibe .....	Arandela .....	Bricka.....		
7	VOE 11200222	1				Panel.....	Panneau.....	Verkleidung .....	Plancha .....	Panel.....		
8	VOE 11708567	REQ				Adhesive .....	Adhesif .....	Klebstoff .....	Adhesivo .....	Lim.....		
9	VOE 11201553	REQ				Seal.....	Joint .....	Dichtung .....	Reten.....	Tätning.....	11298204	

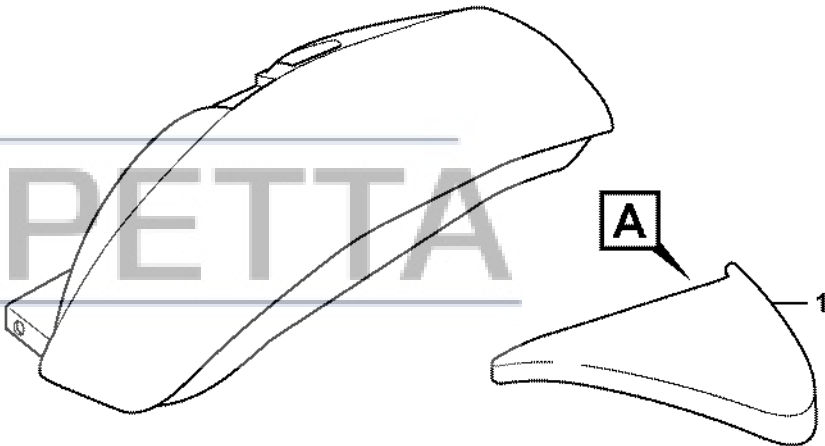
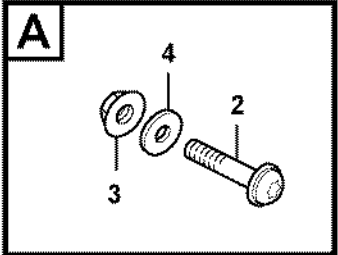
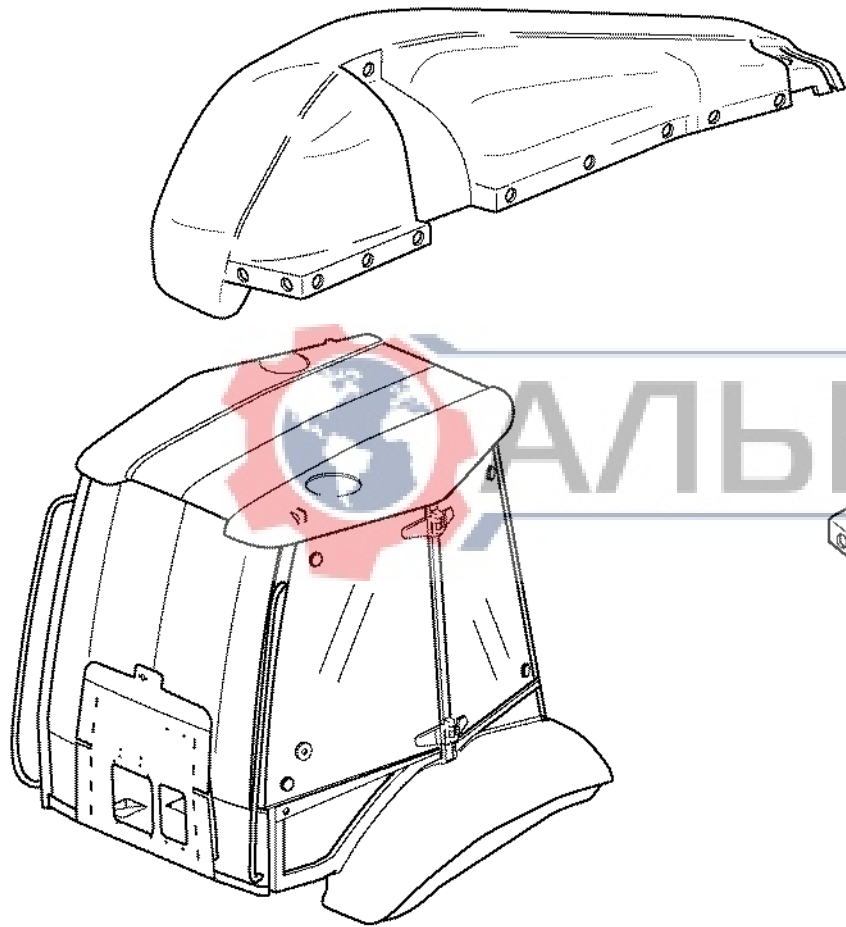


1		<b>Stänkskärmar</b> <b>Guardabarros</b> <b>Kotflügel</b> <b>Garde - boue</b> <b>Fenders</b>	Catalogue id	Group
2			<b>20124</b>	<b>825</b>
3			Illustr. No	Section
4			<b>1013212</b>	<b>200</b>
5		11298204, 11298208	Issue	Page
			VOE 63A9920124	<b>385</b>

**VOLVO**

**BL61PLUS**





Volvo Construction  
Equipment  
1027430

Fig.	Part No.	Quantity			P S	K I T	Description	Dénomination	Bezeichnung	Denominación	Benämning	Notes
		1	2	3								
1	<b>VOE 11888128</b>	1				Fender.....	Aile .....	Kotflügel .....	Guardabarro .....	Stänkskärm.....	LH	
	<b>VOE 11888127</b>	1				Fender.....	Aile .....	Kotflügel .....	Guardabarro .....	Stänkskärm.....	RH	
2	<b>VOE 971309</b>	10				Screw .....	Vis .....	Schraube.....	Tornillo .....	Skruv.....		
3	<b>VOE 949874</b>	10				Lock nut .....	Contre-ecrou .....	Sicherungsmutter .....	Contratuerca .....	Låsmutter.....		
4	<b>VOE 13960138</b>	10				Washer.....	Rondelle .....	Scheibe .....	Arandela.....	Bricka.....		



1	<b>Liten bakskärm.  Guardabarro posterior, pequeño.  Hinterkotflügel, klein.  Aile AR, petit.  Small rear fender.</b>	Catalogue id	Group
2		<b>20124</b>	<b>826</b>
3		Illustr. No	Section
4		<b>1027430</b>	<b>100</b>
5		Issue	Page
	<b>11891514</b>	<b>VOE 63A9920124</b>	<b>387</b>

**VOLVO**

**BL61PLUS**



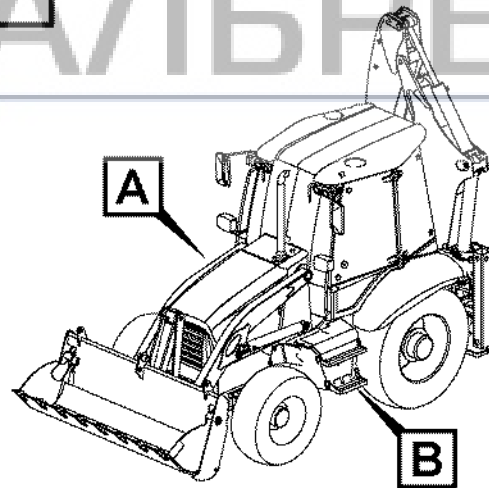
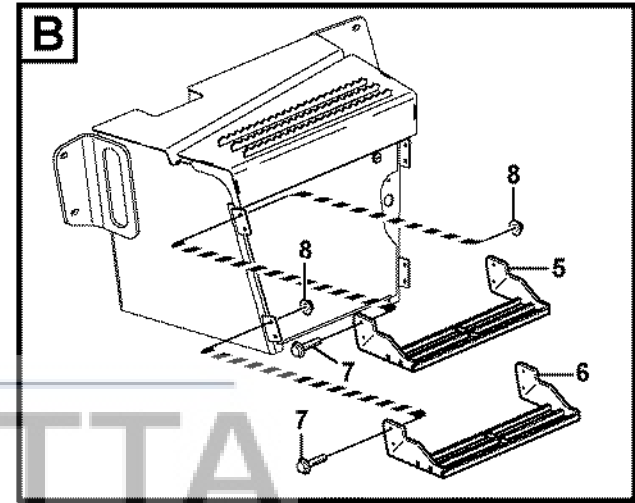
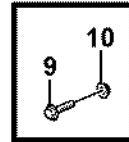
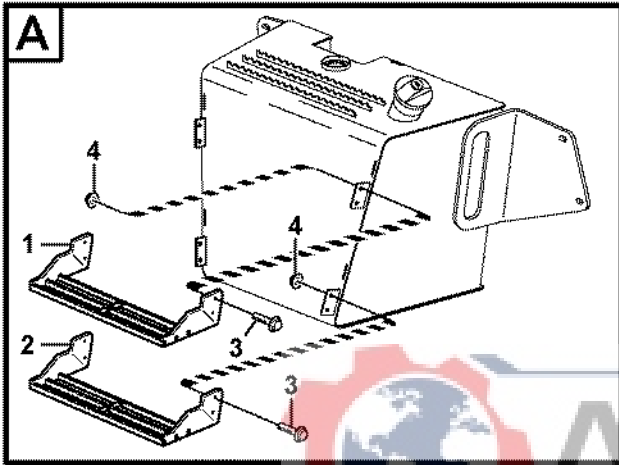


Fig.	Part No.	Quantity			P S	K I T	Description	Dénomination	Bezeichnung	Denominación	Benämning	Notes
		1	2	3								
1	VOE 11886987	1				Step.....	Marche Escalier .....	Treppenstufe .....	Escalon .....	Trappsteg.....		
2	VOE 11886992	1				Step.....	Marche Escalier .....	Treppenstufe .....	Escalon .....	Trappsteg.....		
3	VOE 13946173	8				Flange screw.....	Vis à bride .....	Flanschschraube.....	Torn embridado .....	Flänsskruv.....		
4	VOE 948645	8				Flange Lock Nut.....	Contre écrou bride .....	Flanschmutter .....	Contratuer Embr.....	Flänslåsmutter.....		
5	VOE 11886987	1				Step.....	Marche Escalier .....	Treppenstufe .....	Escalon .....	Trappsteg.....		
6	VOE 11886992	1				Step.....	Marche Escalier .....	Treppenstufe .....	Escalon .....	Trappsteg.....		
7	VOE 13946173	8				Flange screw.....	Vis à bride .....	Flanschschraube.....	Torn embridado .....	Flänsskruv.....		
8	VOE 948645	8				Flange Lock Nut.....	Contre écrou bride .....	Flanschmutter .....	Contratuer Embr.....	Flänslåsmutter.....		
9	VOE 946329	20				Flange screw.....	Vis à bride .....	Flanschschraube.....	Torn embridado .....	Flänsskruv.....		
10	VOE 13971098	12				Flange nut.....	Ecrou accouple. ....	Bundmutter.....	Tuerca embridad .....	Flänsmutter.....		

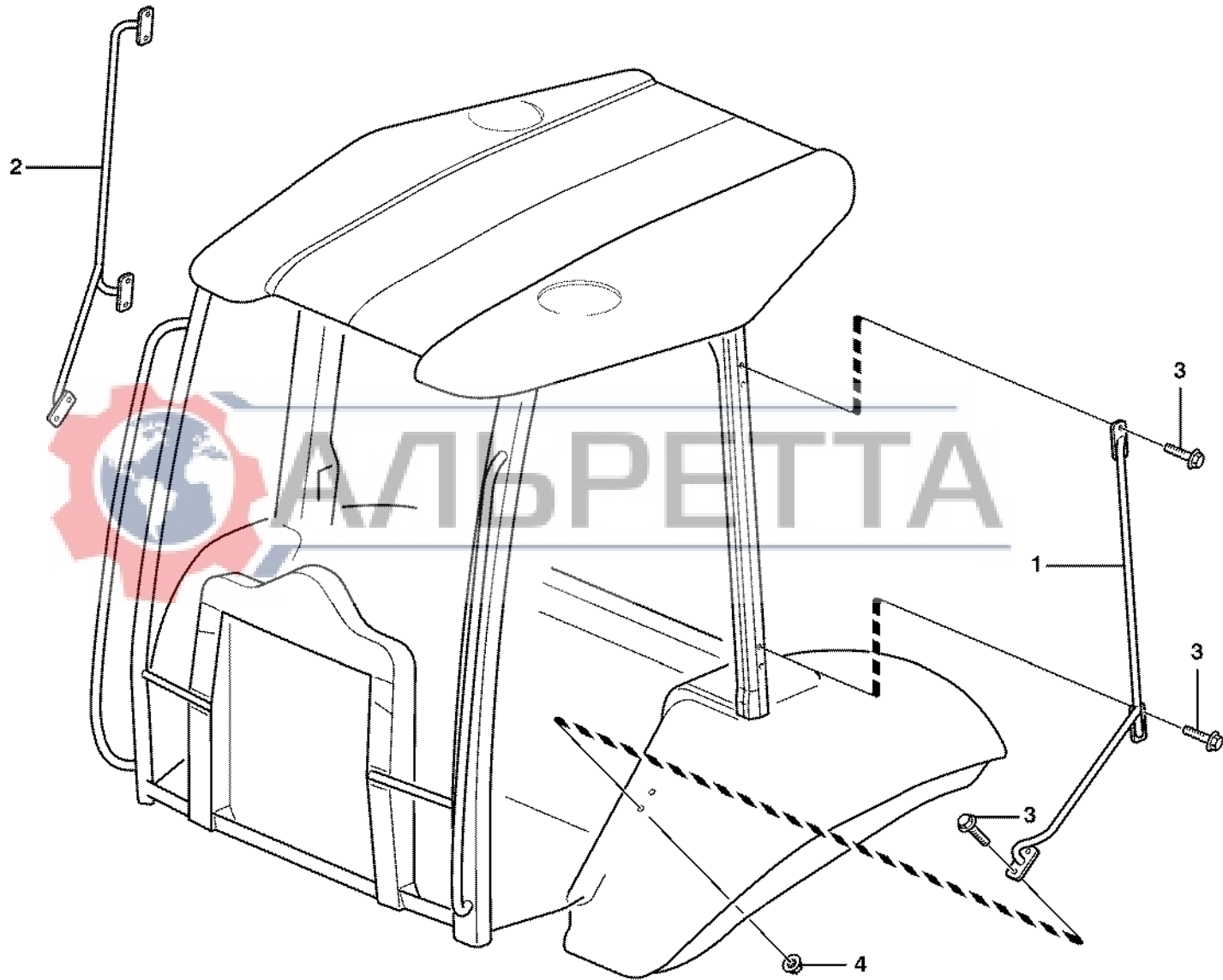


1	<b>Fotsteg</b> <b>Escalón de acceso</b> <b>Trittleiter</b> <b>Marche-pied</b> <b>Foot step</b>	Catalogue id	Group
2		<b>20124</b>	<b>827</b>
3		Illustr. No	Section
4		<b>1026975</b>	<b>100</b>
5		Issue	Page
		<b>VOE 63A9920124</b>	<b>389</b>

**VOLVO**

**BL61PLUS**





Volvo Construction  
Equipment  
1001040

Fig.	Part No.	Quantity			P S	K I T	Description	Dénomination	Bezeichnung	Denominación	Benämning	Notes
		1	2	3								
1	VOE 11203704	1				Hand-hold .....	Poignee Soutien.....	Einstieggriff .....	Asa Acceso .....	Instegshandtag.....	LH	
2	VOE 11200835	1				Courtesy Handle .....	Poignee Entree .....	Einstieggriff .....	Manilla Acceso .....	Instegshandtag.....	RH	
3	VOE 946671	12				Flange screw.....	Vis à bride .....	Flanschschraube.....	Torn embridado .....	Flänsskruv.....		
4	VOE 948645	2				Flange Lock Nut.....	Contre écrou bride .....	Flanschmutter .....	Contratuer Embr.....	Flänslåsmutter.....	LH	



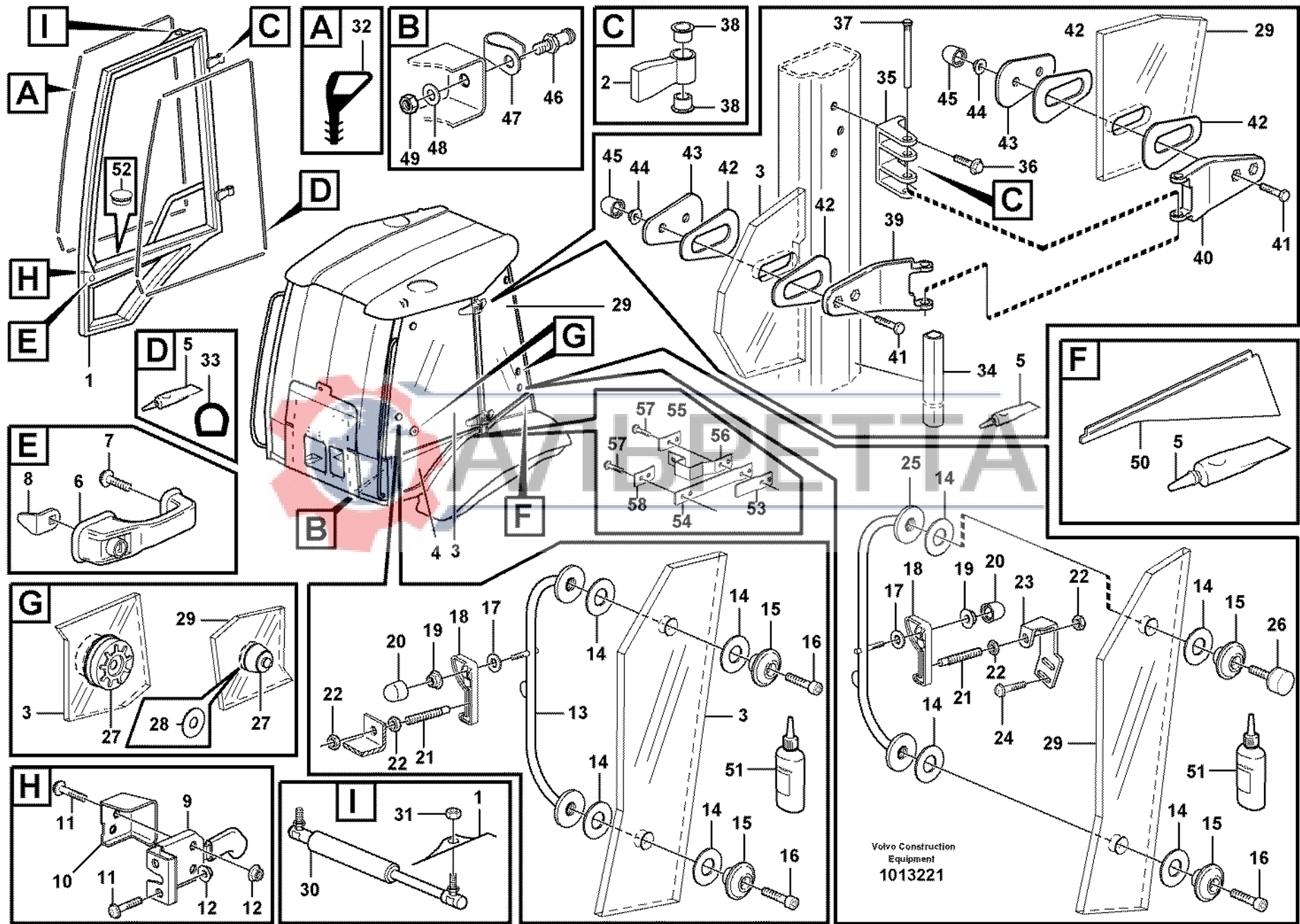
1	<b>Instegshandtag version med soltak</b> <b>Asidero de entrada protección contra vuelcos</b> <b>Einstieg, Überrollbügel</b> <b>Poignée d'accès, cabine ouverte</b> <b>Step handle canopy</b>	Catalogue id	Group
2		<b>20124</b>	<b>827</b>
3		Illustr. No	Section
4		<b>1001040</b>	<b>150</b>
5		Issue	Page
	<b>11298208</b>	<b>VOE 63A9920124</b>	<b>391</b>

**VOLVO**

**BL61PLUS**







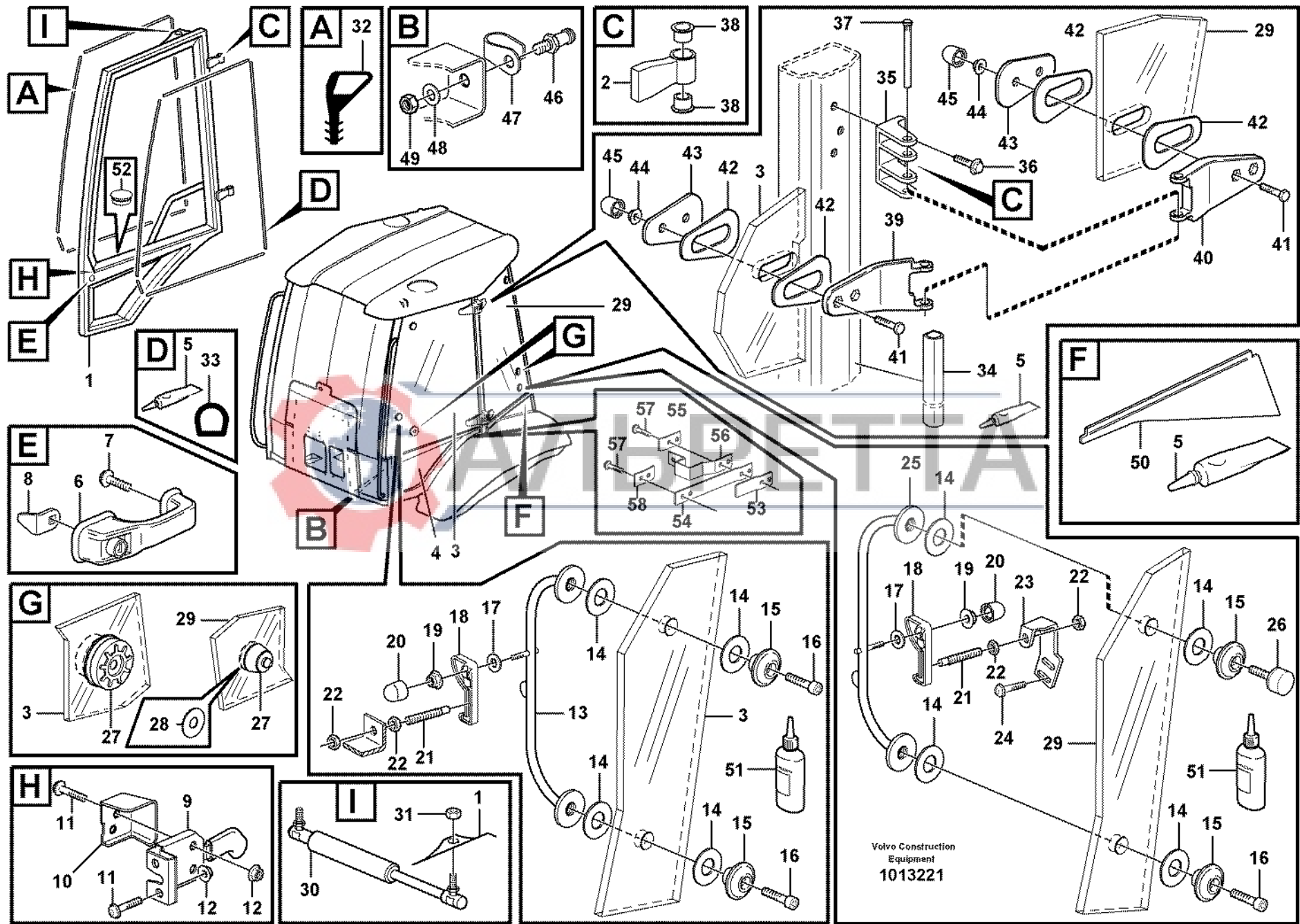
Volvo Construction  
Equipment  
1013221

Fig.	Part No.	Quantity			P S	K I T	Description	Dénomination	Bezeichnung	Denominación	Benämning	Notes
		1	2	3								
1	VOE 11203022	1				Door .....	Porte .....	Tür .....	Puerta .....	Dörr .....	LH	
1	VOE 11203032	1				Door .....	Porte .....	Tür .....	Puerta .....	Dörr .....	RH	
2	VOE 11203027	4				•Hinge .....	•Charniere .....	•Scharnier .....	•Bisagra .....	•Gångjärn .....		
3		1				Window .....	Vitre .....	Fensterscheibe .....	Ventana .....	Ruta .....	LH	
											See group 843, Page 401	
3		1				Window .....	Vitre .....	Fensterscheibe .....	Ventana .....	Ruta .....	RH	
											See group 843, Page 401	
4		1				Window .....	Vitre .....	Fensterscheibe .....	Ventana .....	Ruta .....	LH	
											See group 843, Page 401	
4		1				Window .....	Vitre .....	Fensterscheibe .....	Ventana .....	Ruta .....	RH	
											See group 843, Page 401	
5	VOE 11708567	REQ				•Adhesive .....	•Adhesif .....	•Klebstoff .....	•Adhesivo .....	•Lim .....		
6	VOE 11201846	2				Door Handle .....	Poignee de porte .....	Türdrücker .....	Empunadura de puer .....	Dörrhandtag .....		
7	VOE 969147	2				Screw .....	Vis .....	Schraube .....	Tornillo .....	Skruv .....		
8	VOE 11200464	2				Lock Lug .....	Talon Verrouil .....	Sperrzacken .....	Talon Cierre .....	Låsklack .....		
9	VOE 11202452	1				Door Lock .....	Serrure Porte .....	Türschloss .....	Cerradura Puert .....	Dörrlås .....	LH	
9	VOE 11202453	1				Door Lock .....	Serrure Porte .....	Türschloss .....	Cerradura Puert .....	Dörrlås .....	RH	
10	VOE 11202353	1				Protection .....	Protection .....	Schutz .....	Proteccion .....	Skydd .....	LH	
10	VOE 11202354	1				Protection .....	Protection .....	Schutz .....	Proteccion .....	Skydd .....	RH	
11	VOE 969587	8				6-pt sct screw .....	Vis creuse de 6 .....	Hohlschraube .....	Racor 6-dientes .....	Sextandhålskruv .....		
12	VOE 13949278	8				Flange Lock Nut .....	Contre écrou bride .....	Flanschmutter .....	Contratuer Embr .....	Flänslåsmutter .....		
13	VOE 11202438	1				Handle .....	Poignee .....	Handgriff .....	Manilla .....	Handgrepp .....	LH	
13	VOE 11202464	1				Handle .....	Poignee .....	Handgriff .....	Manilla .....	Handgrepp .....	RH	
14	VOE 11200244	16				Rubber Washer .....	Rondelle Caoutchouc .....	Gummischeibe .....	Arandela Goma .....	Gummibricka .....		
15	VOE 11200246	8				Clamping Plate .....	Plaque Serrage .....	Klemmplatte .....	Placa Apriete .....	Klämplatta .....		
16	VOE 959220	6				Allen Hd Screw .....	Vis A 6 Pans Cr .....	Inbusschraube .....	Tom Hex Embut .....	Insexskruv .....		
17	VOE 13955894	4				Washer .....	Rondelle .....	Scheibe .....	Arandela .....	Bricka .....		
18	VOE 11201071	4				Lock Handle .....	Poignee Verrou .....	Schliessgriff .....	Manilla .....	Låshandtag .....		
19	VOE 948645	4				Flange Lock Nut .....	Contre écrou bride .....	Flanschmutter .....	Contratuer Embr .....	Flänslåsmutter .....		
20	VOE 11006824	4				Protective cap .....	Capuchon de protecti .....	Schutzkappe .....	Cubierta de protecció .....	Skyddshatt .....		

1		<b>Dörr med monteringsdetaljer</b>	Catalogue id	Group
2		<b>Puerta con accesorios de montaje</b>	<b>20124</b>	<b>831</b>
3		<b>Tür mit Anbauteilen</b>	Illustr. No	Section
4		<b>Porte avec pièces de montage</b>	<b>1013221</b>	<b>100</b>
4		<b>Door with fitting parts</b>	Issue	Page
5		<b>11298204</b>	<b>VOE 63A9920124</b>	<b>393</b>

**VOLVO**

**BL61PLUS**



Volvo Construction  
Equipment  
1013221

Fig.	Part No.	Quantity			P S	K I T	Description	Dénomination	Bezeichnung	Denominación	Benämning	Notes
		1	2	3								
21	VOE 11202722	4				Shaft.....	Arbre .....	Welle .....	Arbol .....	Axel.....		
22	VOE 983303	8				Nut .....	Ecrou.....	Mutter .....	Tuerca .....	Mutter.....		
23	VOE 11201053	1				Anchorage.....	Fixation .....	Halterung.....	Fijacion .....	Fäste.....	LH	
23	VOE 11201052	1				Anchorage.....	Fixation .....	Halterung.....	Fijacion .....	Fäste.....	RH	
24	VOE 969147	4				Screw .....	Vis .....	Schraube.....	Tornillo .....	Skruv.....		
25	VOE 11200060	1				Handle.....	Poignee.....	Handgriff.....	Manilla.....	Handgrepp.....	LH	
25	VOE 11200061	1				Handle.....	Poignee.....	Handgriff.....	Manilla.....	Handgrepp.....	RH	
26	VOE 11200579	2				Absorber .....	Amortisseur.....	Dämpfer .....	Amortiguador.....	Dämpare.....		
27	VOE 11200239	2				Locking Device.....	Ens. verrouillage .....	Verriegelung .....	Dispos Cierre .....	Låsanordning.....		
28	VOE 11200054	2				Spacer.....	Partie Intermédiaire.....	Zwischenstück.....	Espaciador .....	Mellandel.....		
29		1				Side Window .....	Fenetre Lat.....	Seitenfenster .....	Ventana Lateral.....	Sidofönster.....	LH	
29		1				Side Window .....	Fenetre Lat.....	Seitenfenster .....	Ventana Lateral.....	Sidofönster.....	RH	
											See group 843, Page 401	
											See group 843, Page 401	
30	VOE 11200552	2				Gas Spring .....	Ressort Gaz .....	Gasfeder .....	Resorte A Gas .....	Gasfjäder.....		
31	VOE 983303	2				Nut .....	Ecrou.....	Mutter .....	Tuerca .....	Mutter.....		
32	VOE 11007421	REQ				Sealing strip .....	Lisse etancheite .....	Dichtleiste.....	Moldura reten .....	Tättningslist.....	L = 2 x 4250 MM	
33	VOE 11200633	REQ				Seg moulding .....	Joint Etancheite .....	Dichtprofil .....	Liston reten .....	Tättningslist.....	L = 2 x 3650 MM	
34	VOE 11200633	REQ				Seg moulding .....	Joint Etancheite .....	Dichtprofil .....	Liston reten .....	Tättningslist.....	L = 2 x 3600 MM	
35	VOE 11200077	4				Hinge Anchorage .....	Fixat.charniere .....	Scharnierplatte.....	Fijac Bisagra .....	Gångjärnsfäste.....		
36	VOE 983244	12				Hexagon screw .....	Vis a tête hexagonale .....	Sechskantschr.....	Tornillo hexago.....	Sexkantsskruv.....		
37	VOE 11202349	4				Hinge Pin .....	Axe Charniere .....	Scharnierstift .....	Pasador Bisagra.....	Gångjärnspinne.....		
38	VOE 11200634	8				Slide Bearing.....	Palier Glissage .....	Gleitlager.....	Cojinete Fricci .....	Glidlager.....		
39	VOE 11200072	4				Hinge.....	Charniere .....	Scharnier.....	Bisagra .....	Gångjärn.....		
40	VOE 11200070	4				Hinge.....	Charniere .....	Scharnier.....	Bisagra .....	Gångjärn.....		
41	VOE 955297	16				Hexagon screw .....	Vis tête hexagonale .....	Sechskantschraube.....	Tornillo hexago.....	Sexkantsskruv.....		
42	VOE 11200059	16				Sealing ring .....	Bague d'étanchéité .....	Runddichtring .....	Anillo reten .....	Tättningsring.....		
43	VOE 11200081	8				Plate.....	Plaque.....	Platte.....	Placa .....	Platta.....		
44	VOE 948645	16				Flange Lock Nut.....	Contre écrou bride .....	Flanschmutter .....	Contratuer Embr.....	Flänslåsmutter.....		
45	VOE 11006824	16				Protective cap .....	Capuchon de protecti.....	Schutzkappe .....	Cubierta de protecció.....	Skyddshatt.....		

1		<b>Dörr med monteringsdetaljer</b>	Catalogue id	Group
2		<b>Puerta con accesorios de montaje</b>	<b>20124</b>	<b>831</b>
3		<b>Tür mit Anbauteilen</b>	Illustr. No	Section
4		<b>Porte avec pièces de montage</b>	<b>1013221</b>	<b>100</b>
5		<b>Door with fitting parts</b>	Issue	Page
		<b>11298204</b>	<b>VOE 63A9920124</b>	<b>395</b>

**VOLVO**

**BL61PLUS**

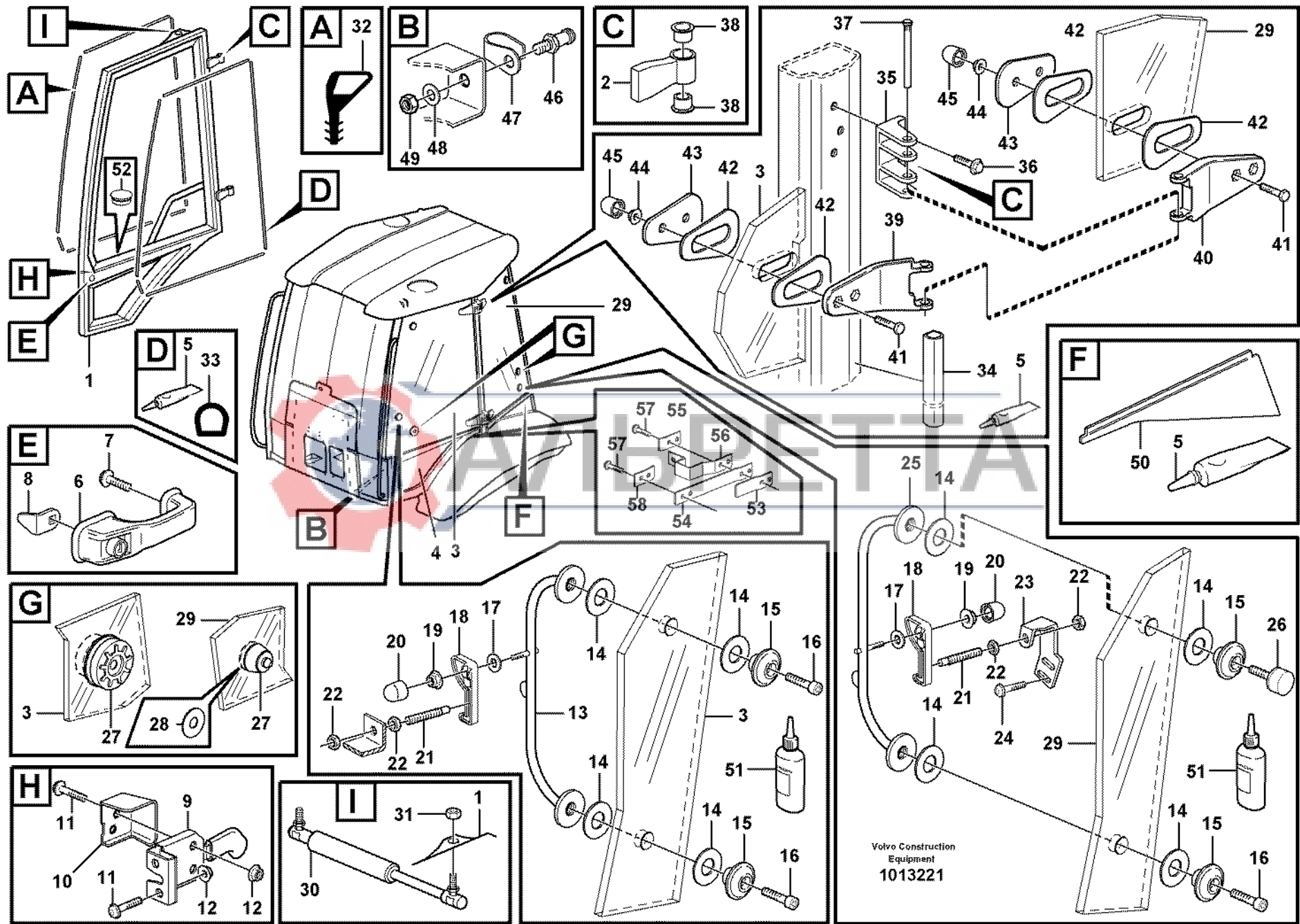


Fig.	Part No.	Quantity			P S	K I T	Description	Dénomination	Bezeichnung	Denominación	Benämning	Notes
		1	2	3								
46	VOE 14340282	2				Lock Bolt.....	Boulon Verroui.....	Sicher Bolzen.....	Perno Seguridad.....	Låsbult.....		
47	VOE 14344720	2				Brace.....	Etrier.....	Bügel.....	Brida.....	Bygel.....		
48	VOE 13955897	2				Washer.....	Rondelle.....	Scheibe.....	Arandela.....	Bricka.....		
49	VOE 946830	2				Hexagon Nut.....	Ecrou Hexagonal.....	Sechskantmutter.....	Tuerca Hexagon.....	Sexkantsmutter.....		
50	VOE 11203345	1				Side Plate.....	Tole Laterale.....	Seitenwandblech.....	Placa Lateral.....	Sidoplåt.....		
51	VOE 11200847	REQ			OP	Locking Fluid.....	Liquide Blocage.....	Sich.flussigk.....	Liquido Sellad.....	Låsvätska.....		
52	VOE 4881293	2				Protecting Plug.....	Tampon Protect.....	Sicher Stöpsel.....	Tapon Protecc.....	Skyddspropp.....		
53	VOE 11202062	2				Rubber Plate.....	Plaque Caoutchouc....	Gummiplatte.....	Placa Goma.....	Gummiplatta.....		
54	VOE 11200580	2				Strip.....	Bande.....	Streifen.....	Cinta.....	Band.....		
55	VOE 11200611	1				Anchorage.....	Fixation.....	Halterung.....	Fijacion.....	Fäste.....		
56	VOE 11200885	1				Anchorage.....	Fixation.....	Halterung.....	Fijacion.....	Fäste.....		
57	VOE 972421	8				Screw.....	Vis.....	Schraube.....	Tornillo.....	Skruv.....		
58	VOE 11200611	2				Anchorage.....	Fixation.....	Halterung.....	Fijacion.....	Fäste.....		



1	<b>Dörr med monteringsdetaljer</b> <b>Puerta con accesorios de montaje</b> <b>Tür mit Anbauteilen</b> <b>Porte avec pièces de montage</b> <b>Door with fitting parts</b>	Catalogue id	Group
2		<b>20124</b>	<b>831</b>
3		Illustr. No	Section
4		<b>1013221</b>	<b>100</b>
5		Issue	Page
	<b>11298204</b>	<b>VOE 63A9920124</b>	<b>397</b>

**VOLVO**

**BL61PLUS**



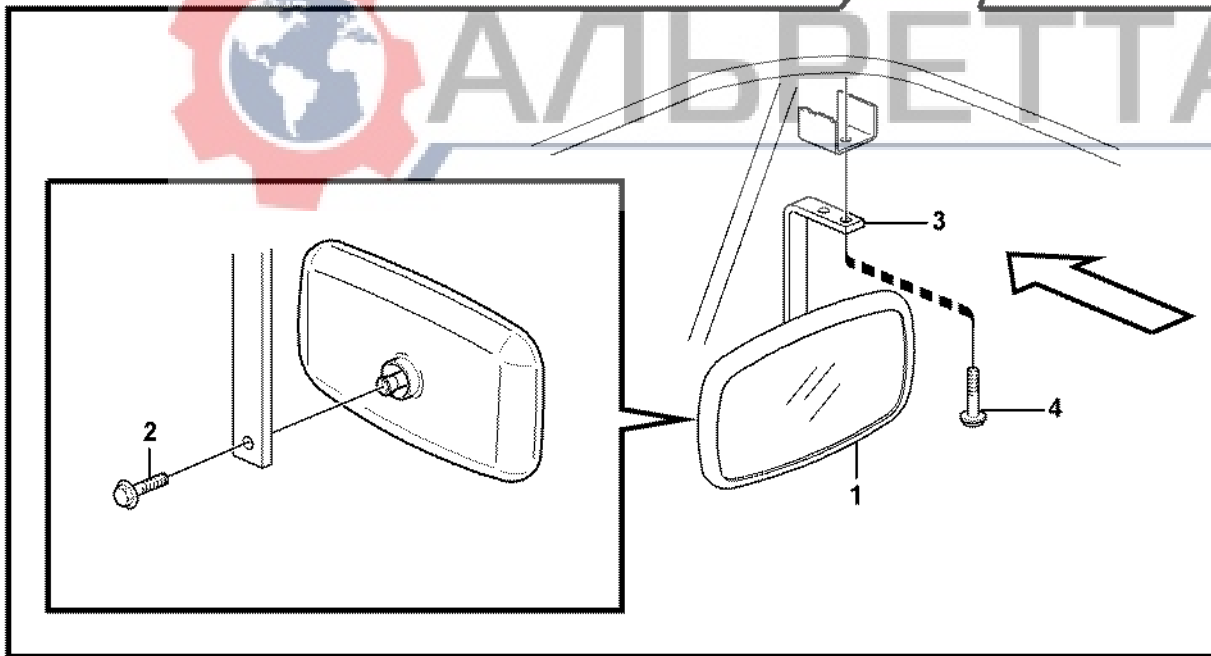
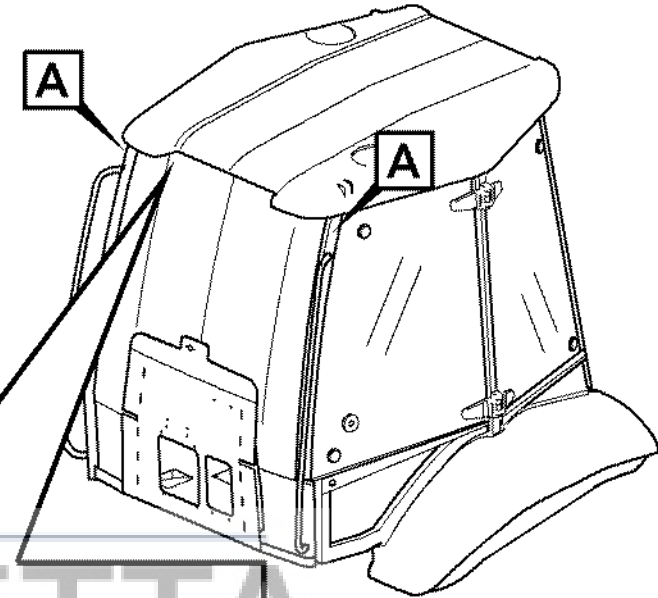
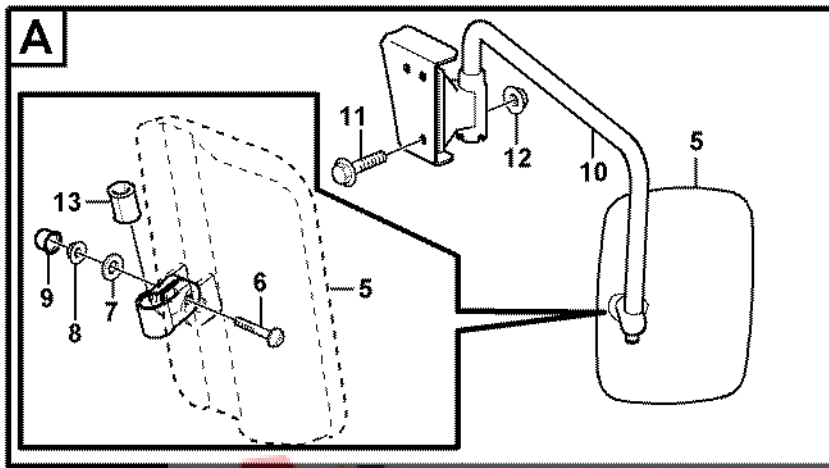


Fig.	Part No.	Quantity					P S	K T	Description	Dénomination	Bezeichnung	Denominación	Benämning	Notes
		1	2	3	4	5								
1	VOE 11164488	1						Mirror .....	Miroir .....	Spiegel.....	Espejo .....	Spegel.....		
2	VOE 13948356	1						Flange screw .....	Vis à bride .....	Flanschschraube .....	Torn embridado .....	Flänsskruv.....		
3	VOE 11200896	1						Attachment.....	Fixation.....	Halterung .....	Fijacion .....	Fäste.....		
4	VOE 969587	2						6-pt skt screw.....	Vis creuse de 6 .....	Hohlschraube.....	Racor 6-dientes .....	Sextandhålskruv.....		
5	VOE 11121366		2	2	2	2		Kerb Obs Mirror .....	Miroir Vu.proc. ....	Nahsichtspiegel .....	Retrovisor .....	Närsiktspegel.....		
6	VOE 955276		1	1	2	1		•Hexagon screw.....	•Vis tête hexagonal .....	•Sechskantschraub. ....	•Tornillo hexago.....	•Sexkantsskruv.....	(VOE 11710604)	
7	VOE 960139		1	1	1	1		•Washer .....	•Rondelle.....	•Scheibe.....	•Arandela .....	•Bricka .....		
8	VOE 13963105		1	1	1	1		•Lock nut.....	•Contre-ecrou .....	•Sicherungsmutter .....	•Contratuerca .....	•Låsmutter.....		
9	VOE 11710605		1	1	1	1	OP	•Protective cap.....	•Capuchon de prot .....	•Schutzkappe.....	•Cubierta de protec. ....	•Skyddshatt.....		
10	ZM 2907157		1	1	1	1		Retaining rod, left....	Barre de retenue à .....	Haltestange, links ...	Barra de retención, Arm.....		LH	
10	ZM 2907158		1	1	1	1		Retaining rod, right .	Barre de retenue à .....	Haltestange, rechts..	Barra de retención, Spegelbygel.....		RH	
11	VOE 13946173		4	4	4	4		Flange screw .....	Vis à bride .....	Flanschschraube .....	Torn embridado .....	Flänsskruv.....		
12	VOE 948645		4	4	4	4		Flange Lock Nut.....	Contre écrou bride..	Flanschmutter .....	Contratuer Embr.....	Flänslåsmutter.....		
13	VOE 11203785		2	2	2	2		Sleeve.....	Manchon .....	Muffe .....	Manguito.....	Muff.....		



1	11298164	<b>Backspeglar</b> <b>Retrovisor</b> <b>Rückspiegel</b> <b>Retroviseur</b> <b>Rear view mirror</b>	Catalogue id	Group
2	11298166, 11891000		<b>20124</b>	<b>841</b>
3	11891050,11891249		Illustr. No	Section
4	11891249		<b>1013217</b>	<b>100</b>
5	11891002		Issue	Page
			<b>VOE 63A9920124</b>	<b>399</b>

**VOLVO**

**BL61PLUS**





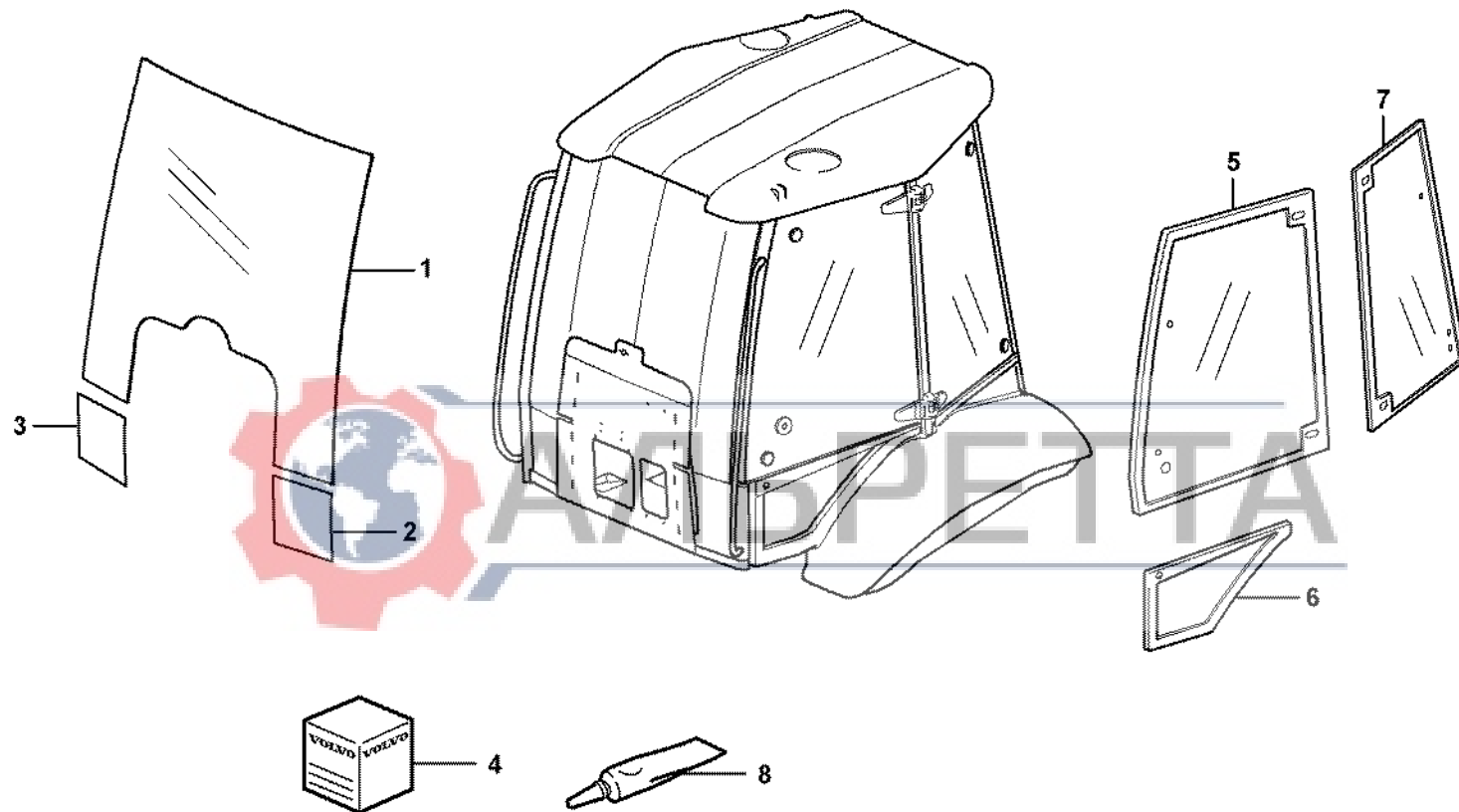


Fig.	Part No.	Quantity			P S	K I T	Description	Dénomination	Bezeichnung	Denominación	Benämning	Notes
		1	2	3								
1	VOE 11200910	1	1			Windshield .....	Pare-brise .....	Frontscheibe .....	Parabrisas .....	Framruta .....		
2	VOE 11149730	1	1			Window .....	Vitre .....	Fensterscheibe .....	Ventana .....	Ruta .....		
3	VOE 11149731	1	1			Window .....	Vitre .....	Fensterscheibe .....	Ventana .....	Ruta .....		
4	VOE 11704359	REQ	REQ			Adhesive Kit .....	Kit Colle .....	Leimsatz .....	Juego Encolado .....	Limsats .....		
5	VOE 11202442	1				Window .....	Vitre .....	Fensterscheibe .....	Ventana .....	Ruta .....	LH	
5	VOE 11202463	1				Window .....	Vitre .....	Fensterscheibe .....	Ventana .....	Ruta .....	RH	
6	VOE 11149772	1				Window .....	Vitre .....	Fensterscheibe .....	Ventana .....	Ruta .....	LH	
6	VOE 11149774	1				Window .....	Vitre .....	Fensterscheibe .....	Ventana .....	Ruta .....	RH	
7	VOE 11149692	1				Side Window .....	Fenetre Lat .....	Seitenfenster .....	Ventana Lateral .....	Sidofönster .....	LH	
7	VOE 11149693	1				Side Window .....	Fenetre Lat .....	Seitenfenster .....	Ventana Lateral .....	Sidofönster .....	RH	
8	VOE 11708567	REQ	REQ			Adhesive .....	Adhesif .....	Klebstoff .....	Adhesivo .....	Lim .....		



1	11298204	Rutor Ventanillas Fensterscheibe Vitres Glass panes	Catalogue id	Group
2	11298203		<b>20124</b>	<b>843</b>
3			Illustr. No	Section
4			<b>1013220</b>	<b>100</b>
5			Issue	Page
			<b>VOE 63A9920124</b>	<b>401</b>

**VOLVO**

**BL61PLUS**





Fig.	Part No.	Quantity			P S	K I T	Description	Dénomination	Bezeichnung	Denominación	Benämning	Notes
		1	2	3								
	VOE 11203728	1				Rear Window .....	Lunette Ar .....	Heckfenster .....	Luneta Post .....	Bakruta .....		
1	VOE 11715218	1				•Window .....	•Vitre .....	•Fensterscheibe .....	•Ventana .....	•Ruta .....		
2	VOE 11712557	2				•Handle .....	•Poignee .....	•Handgriff .....	•Manilla .....	•Handgrepp .....		
3	VOE 11709845	REQ				•Rubber Moulding .....	•Joint Caoutchouc .....	•Gummileiste .....	•Liston Goma .....	•Gummilist .....	L = 1800 MM	
4	VOE 11709836	1				•Bushing .....	•Bague .....	•Buchse .....	•Casquillo .....	•Bussning .....		
5	VOE 11709843	2				•Gas Spring .....	•Ressort Gaz .....	•Gasfeder .....	•Resorte A Gas .....	•Gasfjäder .....		
6	VOE 11715241	2				•Bearing Roller .....	•Rouleau Palier .....	•Lagerrolle .....	•Rodillo Cojinet .....	•Lagerrulle .....		
7	VOE 11709840	REQ				•Rubber Moulding .....	•Joint Caoutchouc .....	•Gummileiste .....	•Liston Goma .....	•Gummilist .....		
8	VOE 11709841	2				•Latch .....	•Poignee Blocage .....	•Knebel .....	•Mango Seguridad .....	•Låsvred .....		
9	VOE 11709844	2				•Locating Key .....	•Cle Localisati .....	•Führungsnocke .....	•Llave .....	•Medbringare .....		
10	VOE 11712854	2				•Screw .....	•Vis .....	•Schraube .....	•Tornillo .....	•Skruv .....		
11	VOE 11712663	2				•Nut .....	•Ecrou .....	•Mutter .....	•Tuerca .....	•Mutter .....		
12	VOE 11712866	2				•Shaft .....	•Arbre .....	•Welle .....	•Arbol .....	•Axel .....		
13	VOE 11712853	4				•Retaining ring .....	•Bague retenue .....	•Haltering .....	•Anillo de apoyo .....	•Hållarring .....		
14	VOE 11712855	8				•Screw .....	•Vis .....	•Schraube .....	•Tornillo .....	•Skruv .....		
15	VOE 11712856	4				•Screw .....	•Vis .....	•Schraube .....	•Tornillo .....	•Skruv .....		
16	VOE 11712857	4				•Ball Stud .....	•Axe Bille .....	•Kugelzapfen .....	•Gorron De Bola .....	•Kultapp .....		
17	VOE 11712858	1				•Locking Plate .....	•Plaque Verroui .....	•Sperrblech .....	•Placa Bloqueo .....	•Spärrplåt .....	RH	
18	VOE 11712859	1				•Locking Plate .....	•Plaque Verroui .....	•Sperrblech .....	•Placa Bloqueo .....	•Spärrplåt .....	LH	
19	VOE 11712860	4				•Allen Head Screw .....	•Vis à six pans creux .....	•Inbussschraube .....	•Tornillo tipo Allen .....	•Insexskruv .....		
20	VOE 11712663	4				•Nut .....	•Ecrou .....	•Mutter .....	•Tuerca .....	•Mutter .....		
21	VOE 11712876	2				•Pin .....	•Goupille .....	•Zapfen .....	•Pasador .....	•Tapp .....		
22	VOE 11712867	2				•Spacer .....	•Partie Intermédiaire .....	•Zwischenstück .....	•Espaciador .....	•Mellandel .....		
23	VOE 11712862	2				•Washer .....	•Rondelle .....	•Scheibe .....	•Arandela .....	•Bricka .....		
24	VOE 11712861	2				•Snap Ring .....	•Circlip .....	•Nutring .....	•Circlip .....	•Spärring .....		
25	VOE 11712864	1				•Ladder .....	•Echelle .....	•Leiter .....	•Escala .....	•Lejdare .....	RH	
26	VOE 11712865	1				•Ladder .....	•Echelle .....	•Leiter .....	•Escala .....	•Lejdare .....	LH	
27	VOE 11712868	2				•Slide Dog .....	•Talon Guidage .....	•Gleittrucken .....	•Talon Desliz .....	•Glidklack .....		
28	VOE 11712869	2				•Handle .....	•Poignee .....	•Handgriff .....	•Manilla .....	•Handgrepp .....		
29	VOE 11712662	12				•Screw .....	•Vis .....	•Schraube .....	•Tornillo .....	•Skruv .....		

1	<b>Fönster</b> <b>Ventanas</b> <b>Fenster</b> <b>Fenêtres</b> <b>Windows</b>	Catalogue id	Group
2		<b>20124</b>	<b>843</b>
3		Illustr. No	Section
4		<b>1013223</b>	<b>150</b>
5		Issue	Page
	<b>11298204</b>	<b>VOE 63A9920124</b>	<b>403</b>

**VOLVO**

**BL61PLUS**

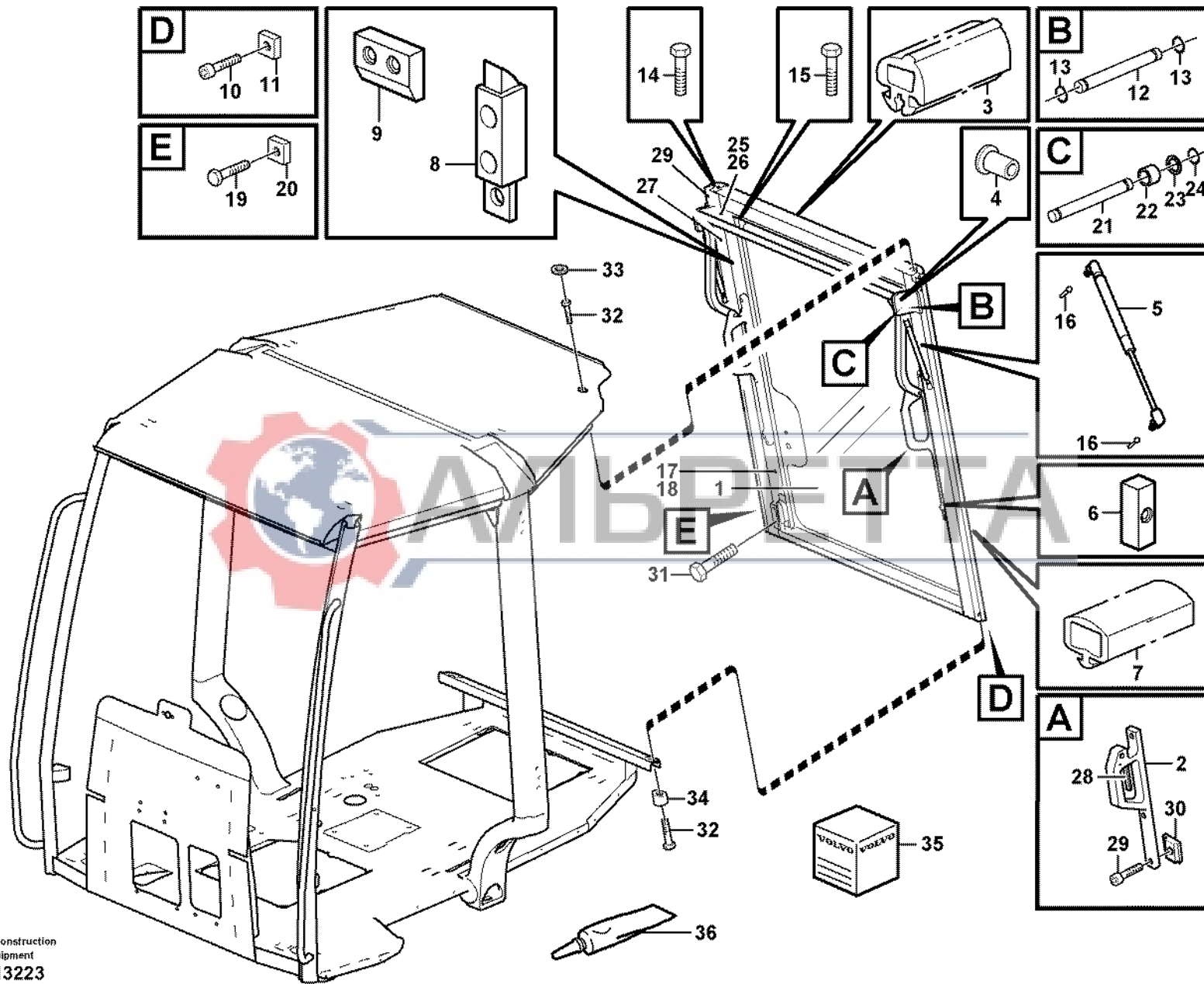


Fig.	Part No.	Quantity			P S	K I T	Description	Dénomination	Bezeichnung	Denominación	Benämning	Notes
		1	2	3								
30	VOE 11712663	6				•Nut .....	•Ecrou .....	•Mutter .....	•Tuerca .....	•Mutter .....		
31	VOE 11712174	6				•Screw .....	•Vis .....	•Schraube .....	•Tornillo .....	•Skruv .....		
32	VOE 13965186	4				Flange screw .....	Vis à bride .....	Flanschschraube .....	Torn embridado .....	Flänsskruv .....		
33	VOE 961970	2				Plug .....	Bouchon .....	Stopfen .....	Tapon .....	Plugg .....		
34	VOE 11200600	2				Spacer .....	Entretoise .....	Abstandstueck .....	Casquillo distanciad .....	Distans .....		
35	VOE 11704359	REQ				Adhesive Kit .....	Kit Colle .....	Leimsatz .....	Juego Encolado .....	Limsats .....		
36	VOE 11708567	REQ				Adhesive .....	Adhesif .....	Klebstoff .....	Adhesivo .....	Lim .....		



1		Fönster Ventanas Fenster Fenêtres Windows 11298204	Catalogue id	Group
2			<b>20124</b>	<b>843</b>
3			Illustr. No	Section
4			<b>1013223</b>	<b>150</b>
5			Issue	Page
			<b>VOE 63A9920124</b>	<b>405</b>

**VOLVO**

**BL61PLUS**



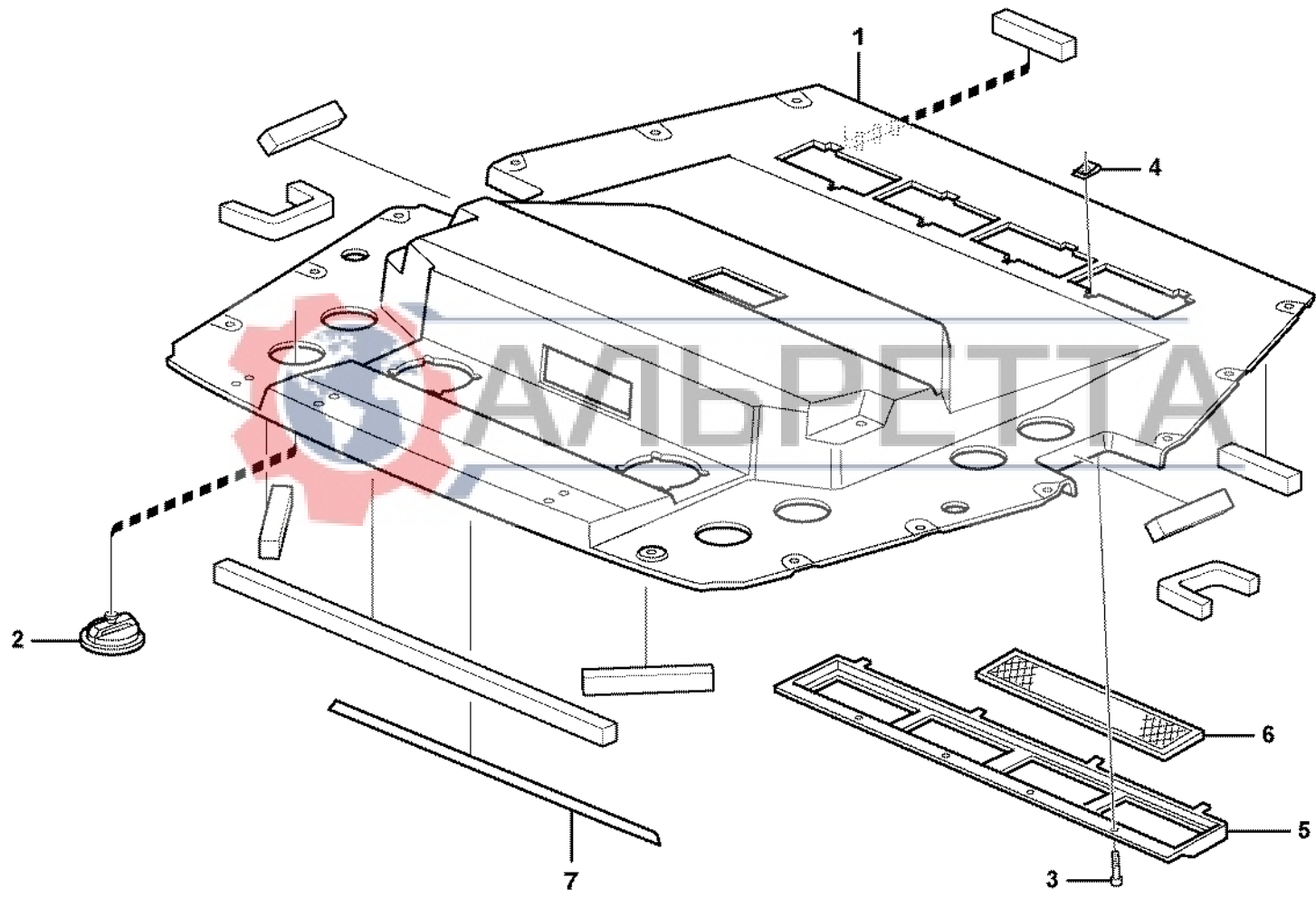


Fig.	Part No.	Quantity			P S	K I T	Description	Dénomination	Bezeichnung	Denominación	Benämning	Notes
		1	2	3								
1	VOE 11205516	1				Headlining.....	Garnit.pavillon .....	Dachhimmel .....	Techo Interior .....	Innertak.....		
2	VOE 11200838	8				Air Outlet.....	Diffuseur d'air .....	Luftdüse .....	Difusor de aire .....	Luftmunstycke.....		
3		4				Screw .....	Vis .....	Schraube.....	Tornillo .....	Skruv.....	See group 872, Page 415	
4		4				Spring Nut.....	Ecrou Ressort .....	Fed. Schliessmutter .....	Tuerca Resorte .....	Fjädermutter.....	See group 872, Page 415	
5		1				Filter Retainer .....	Porte-filtre .....	Filtertopf .....	Soporte Filtro.....	Filterhållare.....	See group 872, Page 415	
6		2				Filter.....	Filtre .....	Filter .....	Filtro .....	Filter.....	See group 872, Page 415	
7	VOE 11003291 REQ					Tape.....	Scotch.....	Klebeband .....	Cinta .....	Tape.....	L = 1000MM	
8	VOE 11205701	2				Gasket.....	Joint .....	Dichtung .....	Junta .....	Packning.....		
9	VOE 11205702	4				Gasket.....	Joint .....	Dichtung .....	Junta .....	Packning.....		
10	VOE 11205703	2				Gasket.....	Joint .....	Dichtung .....	Junta .....	Packning.....		
11	VOE 11205704	1				Gasket.....	Joint .....	Dichtung .....	Junta .....	Packning.....		
	VOE 11205717 REQ					Tape.....	Scotch.....	Klebeband .....	Cinta .....	Tape.....	L=3770 mm	



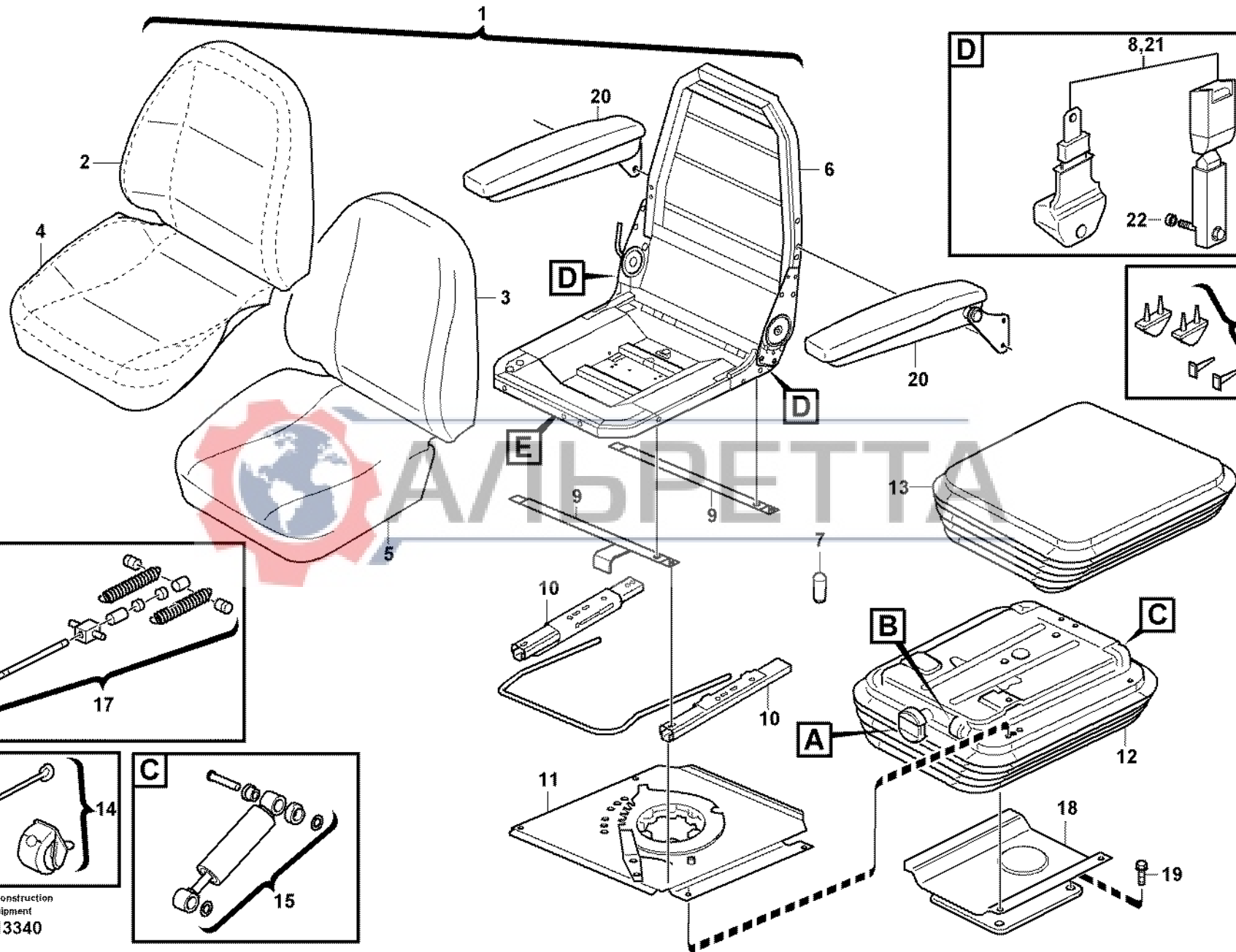
1	<b>Inredningsdetaljer</b> <b>Detalles interiores</b> <b>Innenausstattung</b> <b>Pieces d'amenagement</b> <b>Interior components</b>	Catalogue id	Group
2		<b>20124</b>	<b>851</b>
3		Illustr. No	Section
4		<b>1027447</b>	<b>100</b>
5		Issue	Page
	<b>11298233</b>	<b>VOE 63A9920124</b>	<b>407</b>

**VOLVO**

**BL61PLUS**







Volvo Construction  
 Equipment  
 1013340

Fig.	Part No.	Quantity					P S	K I T	Description	Dénomination	Bezeichnung	Denominación	Benämning	Notes
		1	2	3	4	5								
1	VOE 11886222	1	1					Seat .....	Siege .....	Sitz.....	Asiento .....	Sits.....		
1	VOE 11886223			1	1			Seat .....	Siege .....	Sitz.....	Asiento .....	Sits.....		
2	VOE 11715083	1	1					•Upholstery .....	•Garniture Habit.....	•Bezug .....	•Tapizado .....	•Klädsel.....		
2	VOE 11715081			1	1			•Upholstery .....	•Garniture Habit.....	•Bezug .....	•Tapizado .....	•Klädsel.....		
3	VOE 11715045	1	1	1	1			•Backrest Cushion ..	•Coussin de dossi...	•Rückenlehnenkiss ..	•Cojín del respaldo ..	•Ryggstödsdyna.....		
4	VOE 11715084	1	1					•Upholstery .....	•Garniture Habit.....	•Bezug .....	•Tapizado .....	•Klädsel.....		
4	VOE 11715082			1	1			•Upholstery .....	•Garniture Habit.....	•Bezug .....	•Tapizado .....	•Klädsel.....		
5	VOE 11715047	1	1	1	1			•Seat cushion.....	•Coussin siege .....	•Sitzkissen .....	•Cojin asiento .....	•Sittdyna.....		
6	VOE 11715057	1	1	1	1			•Seat frame .....	•cadre Siege .....	•Sitzrahmen .....	•Marco asiento.....	•Sitsram.....		
7	VOE 11715058	1	1	1	1			•Knob .....	•Bouton.....	•Knopf .....	•Boton.....	•Knapp.....		
8	VOE 11715053	1	1	1	1			•Hip Belt .....	•Ceinture Hanche ...	•Hüftgurt.....	•Cinturon Cadera....	•Höftbälte.....		
9	VOE 11715049	1	1	1	1			•Cross Stay .....	•Etaí Transvers.....	•Querstrebe.....	•Barra Transver .....	•Tvärstag.....		
10	VOE 11715050	1	1	1	1			•Seat Rail .....	•Rail Siege.....	•Sitzschiene .....	•Riel Asiento .....	•Stolskena.....		
11	VOE 11715051	1	1	1	1			•Turntable .....	•Sellette Attela.....	•Drehscheibe .....	•Mesa Giratoria.....	•Vändskiva.....		
12	VOE 11715059	1	1	1	1			•Seat Spring Suspe	•Suspension Siege ..	•Sitzfederung .....	•Resorte Asiento.....	•Sitsfjädring.....		
13	VOE 11715062	1	1	1	1			•Bellows .....	•Capot Caoutcho....	•Gummimantel .....	•Cubierta Goma.....	•Gummikåpa.....		
14	VOE 11715063	1	1	1	1			•Indicator .....	•Indicateur .....	•Indikator.....	•Indicador .....	•Indikator.....		
15	VOE 11715064	1	1	1	1			•Shock Absorber .....	•Amortis.confort.....	•Komf Stossdfr .....	•Amortiguador.....	•Stötdämpare.....		
16	VOE 11715065	1	1	1	1			•Bump Stop .....	•Butee Suspensi.....	•Anschlagpuffer.....	•Tope Pluma.....	•Bomningsanslag...		
17	VOE 11715066	1	1	1	1			•Height Adjuster .....	•Reglage Hauteur...	•Höhenversteller .....	•Ajuste Altura.....	•Höjdomställare.....		
18	VOE 11715067	1	1	1	1			•Seat Bracket .....	•Etrier De Siege.....	•Sitzkonsole .....	•Consola Asiento .....	•Sitskonsol.....		
19	VOE 13965191	4	4	4	4			Flange screw .....	Vis à bride .....	Flanschschraube .....	Torn embridado .....	Flänsskruv.....		
20	VOE 11191410		1		1			Arm Rest.....	Accoudoir .....	Armlehne .....	Reposabrazos .....	Armstöd.....		
21						1		Hip Belt .....	Ceinture Hanche ...	Hüftgurt .....	Cinturon Cadera .....	Höftbälte.....	See group 852, Page 411	
22						2		Spacer .....	Partie Intermédiair ..	Zwischenstück .....	Espaciador .....	Mellandel.....	See group 852, Page 411	



1	11891216	<b>Förarstol med monteringsdetaljer</b> <b>Asiento del conductor con piezas de montaje</b> <b>Fahrersitz mit Anbauteilen</b> <b>Siège conducteur avec pièces de montage</b> <b>Operator seat with fitting parts</b>	Catalogue id	Group
2	11891099		<b>20124</b>	<b>852</b>
3	11891217		Illustr. No	Section
4	11891100		<b>1013340</b>	<b>100</b>
5	11891314		Issue	Page
			<b>VOE 63A9920124</b>	<b>409</b>

**VOLVO**

**BL61PLUS**



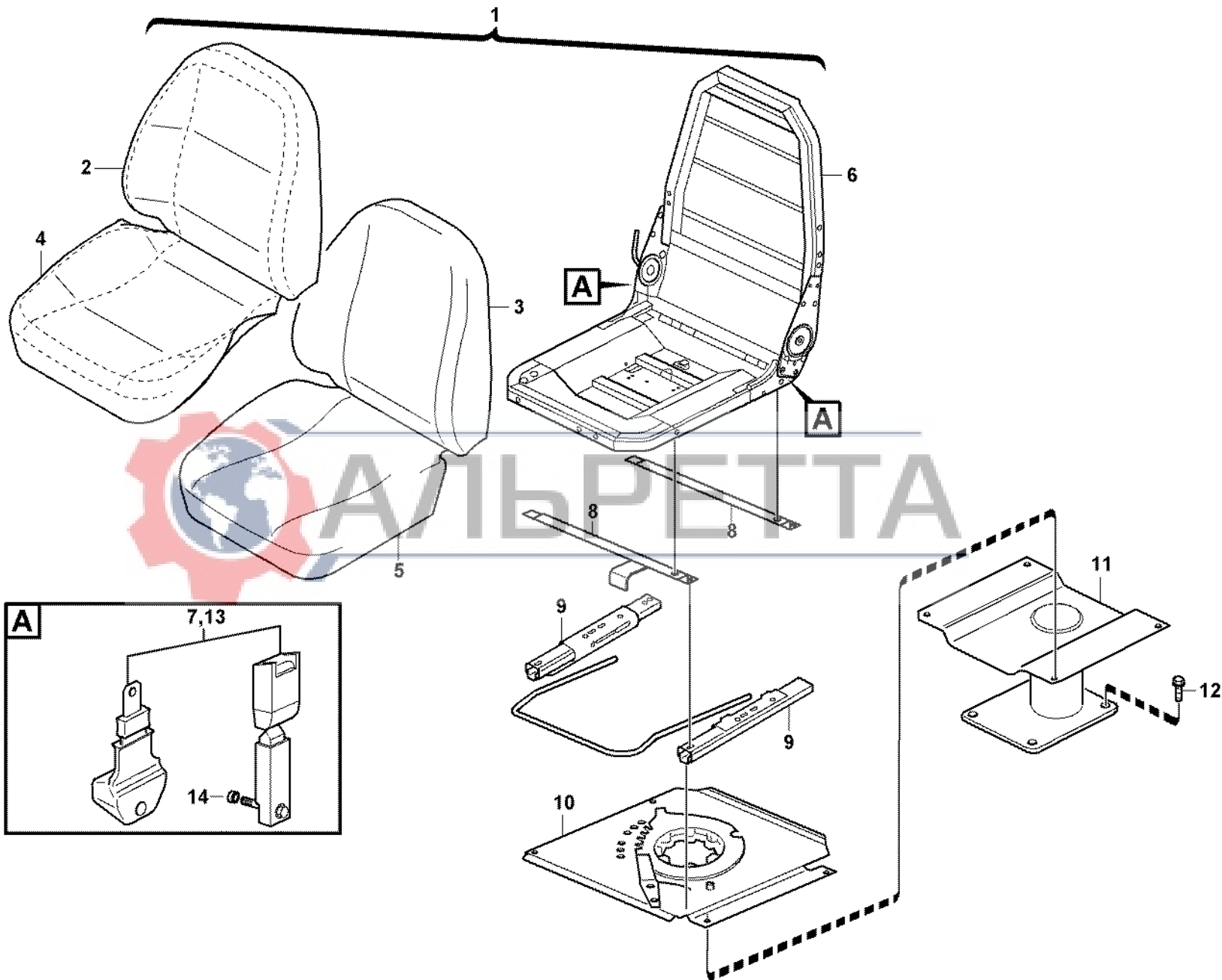


Fig.	Part No.	Quantity			P S	K I T	Description	Dénomination	Bezeichnung	Denominación	Benämning	Notes
		1	2	3								
1	VOE 11886065	1				Seat.....	Siege .....	Sitz .....	Asiento .....	Sits.....		
2	VOE 11715044	1				•Upholstery .....	•Garniture Habit .....	•Bezug .....	•Tapizado .....	•Klädsel.....		
3	VOE 11715045	1				•Backrest Cushion .....	•Coussin de dossier .....	•Rückenlehnenkisse.....	•Cojín del respaldo .....	•Ryggstödsdyna.....		
4	VOE 11715046	1				•Upholstery .....	•Garniture Habit .....	•Bezug .....	•Tapizado .....	•Klädsel.....		
5	VOE 11715047	1				•Seat cushion .....	•Coussin siege .....	•Sitzkissen.....	•Cojin asiento .....	•Sittdyna.....		
6	VOE 11715048	1				•Seat frame .....	•cadre Siege.....	•Sitzrahmen.....	•Marco asiento .....	•Sitsram.....		
7	VOE 11715053	1				•Hip Belt .....	•Ceinture Hanche.....	•Hüftgurt .....	•Cinturon Cadera.....	•Höftbälte.....		
8	VOE 11715049	1				•Cross Stay .....	•Etai Transvers.....	•Querstrebe .....	•Barra Transver .....	•Tvärstag.....		
9	VOE 11715050	1				•Seat Rail .....	•Rail Siege .....	•Sitzschiene.....	•Riel Asiento.....	•Stolskena.....		
10	VOE 11715051	1				•Turntable .....	•Sellette Attela.....	•Drehscheibe.....	•Mesa Giratoria .....	•Vändskiva.....		
11	VOE 11715052	1				•Seat Bracket .....	•Etrier De Siege .....	•Sitzkonsole.....	•Consola Asiento.....	•Sitskonsol.....		
12	VOE 13965191	4				Flange screw.....	Vis à bride .....	Flanschschraube.....	Torn embridado.....	Flänsskruv.....		
13	VOE 11104125		1			Hip Belt .....	Ceinture Hanche .....	Hüftgurt .....	Cinturon Cadera.....	Höftbälte.....		
14	VOE 11886348		2			Spacer.....	Partie Intermédiaire.....	Zwischenstück.....	Espaciador .....	Mellandel.....		



1	11891376	<b>Förarstol, ISRI.</b> <b>Asiento del conductor.</b> <b>Fahrersitz.</b> <b>Siège du conducteur.</b> <b>Operator's seat.</b>	Catalogue id	Group
2	11891314		<b>20124</b>	<b>852</b>
3			Illustr. No	Section
4			<b>1013341</b>	<b>150</b>
5			Issue	Page
			<b>VOE 63A9920124</b>	<b>411</b>

**VOLVO**

**BL61PLUS**



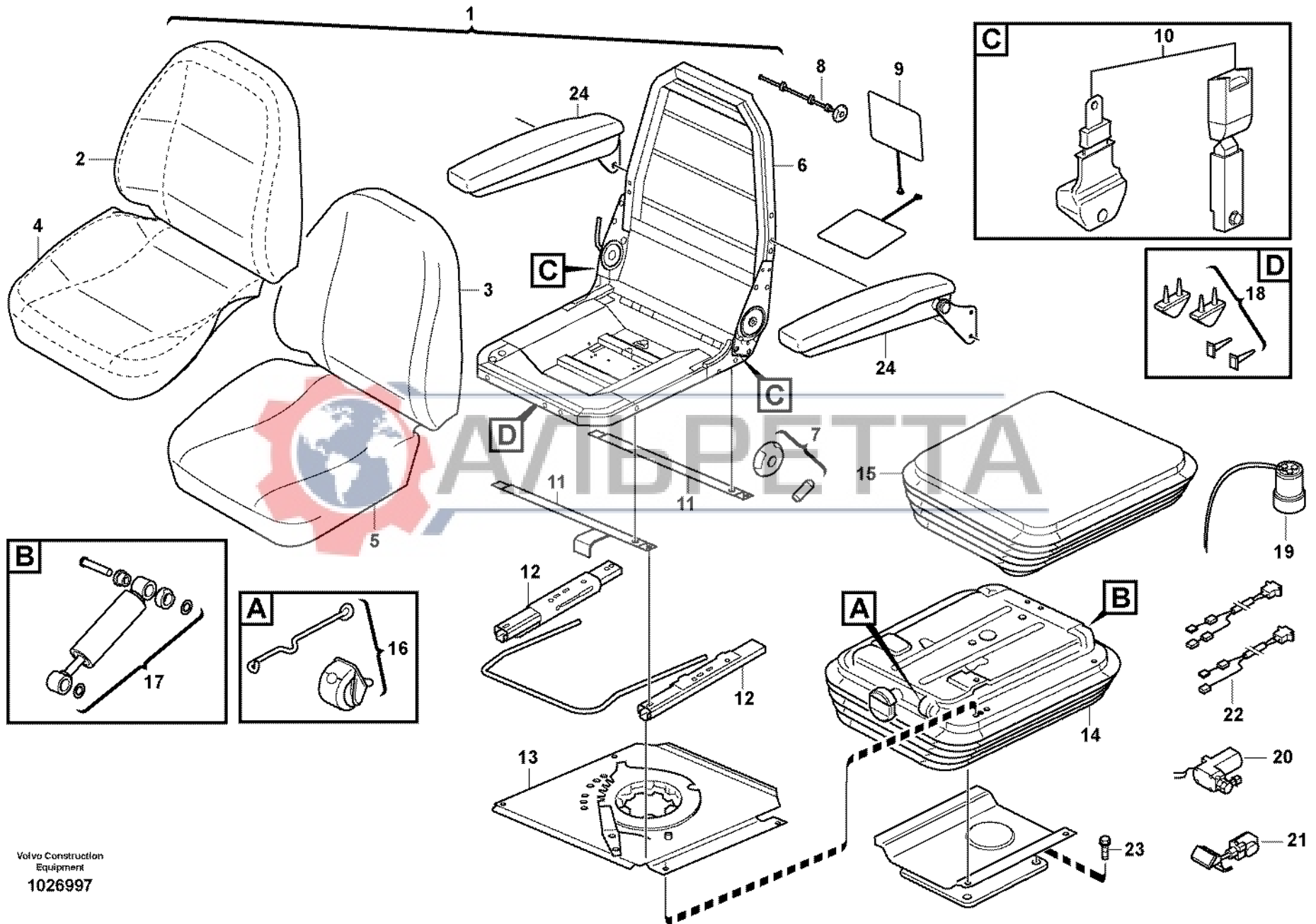
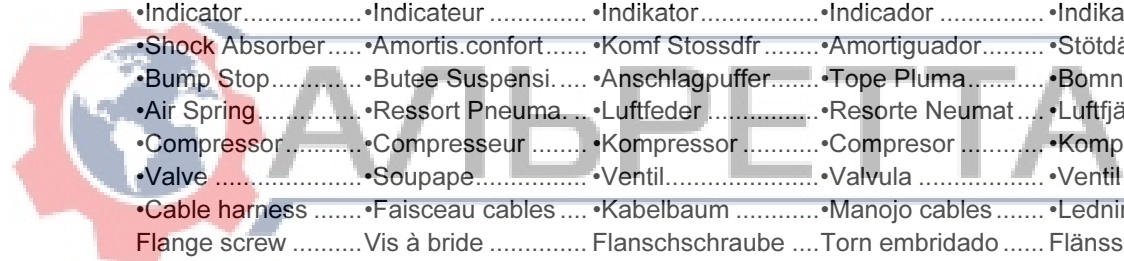


Fig.	Part No.	Quantity					P S	K I T	Description	Dénomination	Bezeichnung	Denominación	Benämning	Notes
		1	2	3	4	5								
1	VOE 11886193	1						Seat .....	Siege .....	Sitz.....	Asiento .....	Sits.....		
1	VOE 11888868		1					Seat Spring Suspe..	Suspension Siege ..	Sitzfederung.....	Resorte Asiento.....	Sitsfjädring.....		
2	VOE 11715083	1						•Upholstery .....	•Garniture Habit.....	•Bezug .....	•Tapizado .....	•Klädsel.....		
3	VOE 11715045	1						•Backrest Cushion ..	•Coussin de dossi...	•Rückenlehnenkiss ..	•Cojín del respaldo ..	•Ryggstödsdyna....		
4	VOE 11715084	1						•Upholstery .....	•Garniture Habit.....	•Bezug .....	•Tapizado .....	•Klädsel.....		
5	VOE 11715047	1						•Seat cushion.....	•Coussin siege .....	•Sitzkissen .....	•Cojin asiento .....	•Sittdyna.....		
6	VOE 11715057	1						•Seat frame .....	•cadre Siege.....	•Sitzrahmen .....	•Marco asiento.....	•Sitsram.....		
7	VOE 11715068	1						•Knob .....	•Bouton.....	•Knopf .....	•Boton.....	•Knapp.....		
8	VOE 11715069	1						•Lumbar Support.....	•Repose-reins.....	•Kreuzstutze.....	•Placa Lumbar .....	•Svankplatta.....		
9	VOE 11715070	1						•Heater.....	•Elément de chauff ..	•Heizkörper .....	•Calefaccion .....	•Värmeelement....		
10	VOE 11715053	1						•Hip Belt.....	•Ceinture Hanche ...	•Hüftgurt.....	•Cinturon Cadera....	•Höftbälte.....		
11	VOE 11715049	1						•Cross Stay .....	•Etaï Transvers.....	•Querstrebe.....	•Barra Transver .....	•Tvärstag.....		
12	VOE 11715050	1						•Seat Rail .....	•Rail Siege.....	•Sitzschiene .....	•Riel Asiento .....	•Stolskena.....		
13	VOE 11715071	1						•Turntable .....	•Sellette Attela.....	•Drehscheibe .....	•Mesa Giratoria.....	•Vändskiva.....		
14	VOE 11715072	1						•Seat Spring Suspe ..	•Suspension Siege ..	•Sitzfederung .....	•Resorte Asiento.....	•Sitsfjädring.....		
15	VOE 11715062	1						•Bellows .....	•Capot Caoutcho. ...	•Gummimantel .....	•Cubierta Goma .....	•Gummikåpa.....		
16	VOE 11715063	1						•Indicator.....	•Indicateur .....	•Indikator.....	•Indicador .....	•Indikator.....		
17	VOE 11715074	1						•Shock Absorber.....	•Amortis.confort.....	•Komf Stossdfr .....	•Amortiguador.....	•Stötdämpare.....		
18	VOE 11715065	1						•Bump Stop.....	•Butee Suspensi.....	•Anschlagpuffer.....	•Tope Pluma.....	•Bomningsanslag...		
19	VOE 11715076	1						•Air Spring.....	•Ressort Pneuma. ...	•Luftfeder .....	•Resorte Neumat ...	•Luftfjäder.....		
20	VOE 11715077	1						•Compressor.....	•Compresseur .....	•Kompressor .....	•Compresor .....	•Kompressor.....		
21	VOE 11715078	1						•Valve .....	•Soupape.....	•Ventil.....	•Valvula .....	•Ventil.....		
22	VOE 11715079	1						•Cable harness .....	•Faisceau cables ...	•Kabelbaum .....	•Manojo cables .....	•Ledningsmatta.....		
23	VOE 13965191	4						Flange screw .....	Vis à bride .....	Flanschschraube ....	Torn embridado .....	Flänsskruv.....		
24	VOE 11191410	1						Arm Rest.....	Accoudoir .....	Armllehne .....	Reposabrazos .....	Armstöd.....		

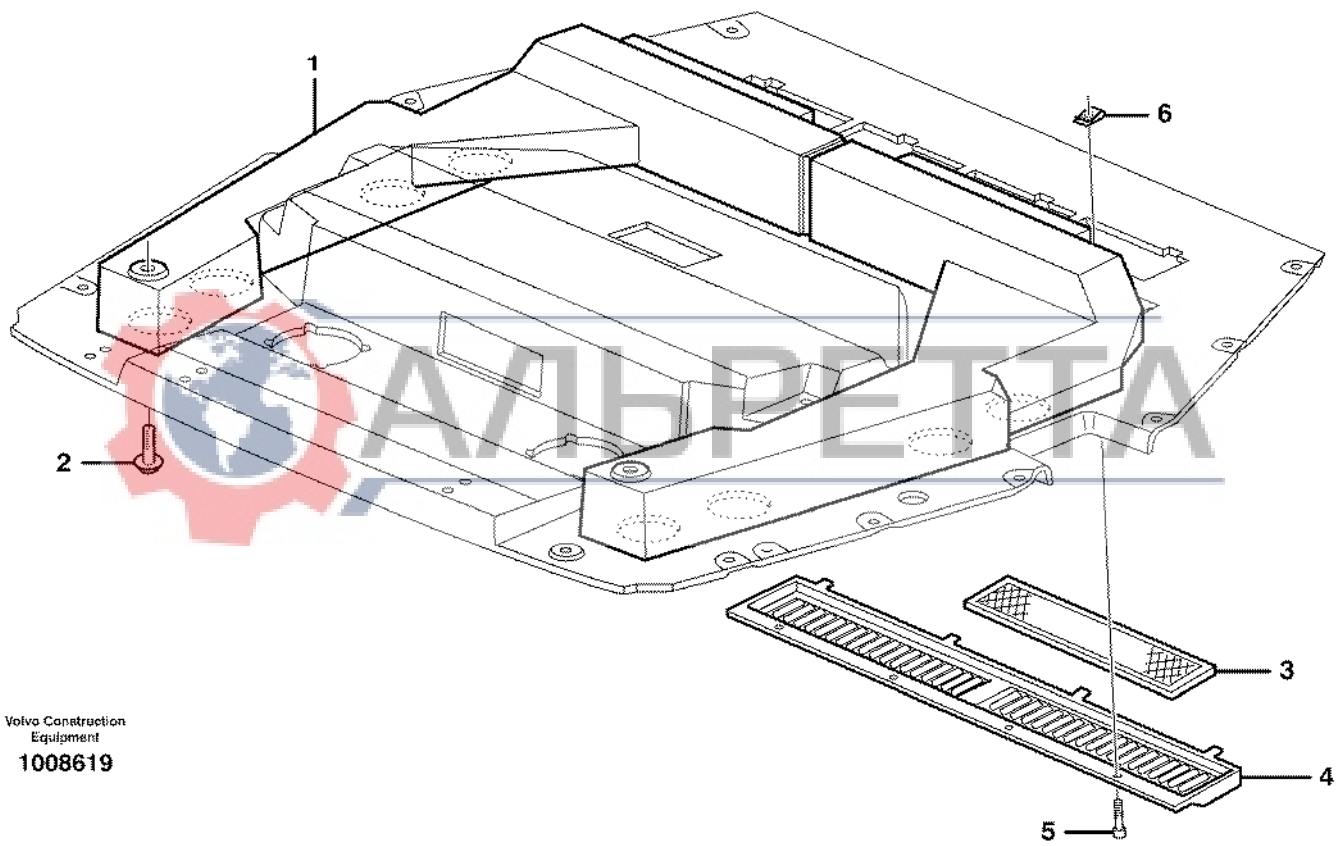


1	11891110	<b>Förarstol</b> <b>Asiento del conductor</b> <b>Fahrersitz</b> <b>Siège du concteur</b> <b>Operator's seat</b>	Catalogue id	Group
2	11888868		<b>20124</b>	<b>852</b>
3			Illustr. No	Section
4			<b>1026997</b>	<b>200</b>
5			Issue	Page
			<b>VOE 63A9920124</b>	<b>413</b>

**VOLVO**

**BL61PLUS**





Volvo Construction  
Equipment  
1008619

Fig.	Part No.	Quantity			P S	K I T	Description	Dénomination	Bezeichnung	Denominación	Benämning	Notes
		1	2	3								
1	VOE 11200530	1				Air duct.....	Canal air.....	Luftkanal.....	Canal aire.....	Luftkanal.....		
2	VOE 13946173	2				Flange screw.....	Vis à bride.....	Flanschschraube.....	Torn embridado.....	Flänsskruv.....		
3	VOE 11200824	2				Filter.....	Filtre.....	Filter.....	Filtro.....	Filter.....		
4	VOE 11202426	1				Filter Retainer.....	Porte-filtre.....	Filtertopf.....	Soporte Filtro.....	Filterhållare.....		
5	VOE 969407	4				6-pt skt screw.....	Vis creuse de 6.....	Hohlschraube.....	Racor 6-dientes.....	Sextandhålskruv.....		
6	VOE 949937	4				Spring Nut.....	Ecrou Ressort.....	Fed. Schliessmutter.....	Tuerca Resorte.....	Fjädermutter.....		



1		<b>Luftkanaler</b> <b>Conductos de aire</b> <b>Luftkanäle</b> <b>Canalisation d'air</b> <b>Air ducts</b>	Catalogue id	Group
2			<b>20124</b>	<b>872</b>
3			Illustr. No	Section
4			<b>1008619</b>	<b>100</b>
5			Issue	Page
		<b>11298233</b>	<b>VOE 63A9920124</b>	<b>415</b>

**VOLVO**

**BL61PLUS**





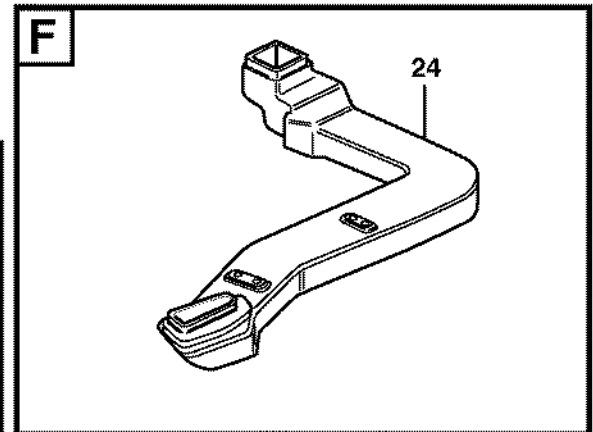
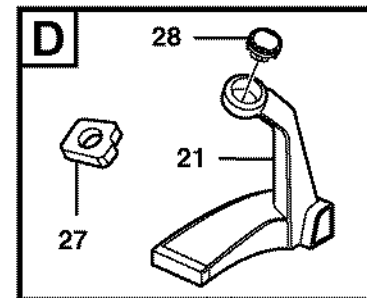
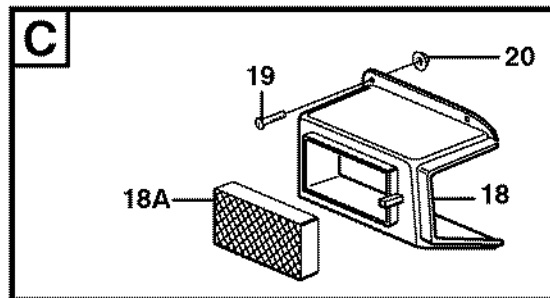
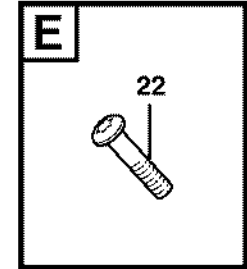
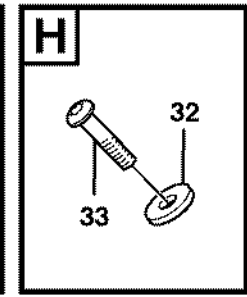
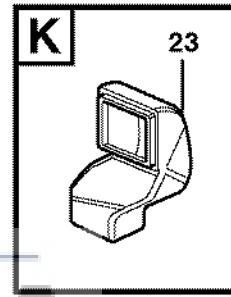
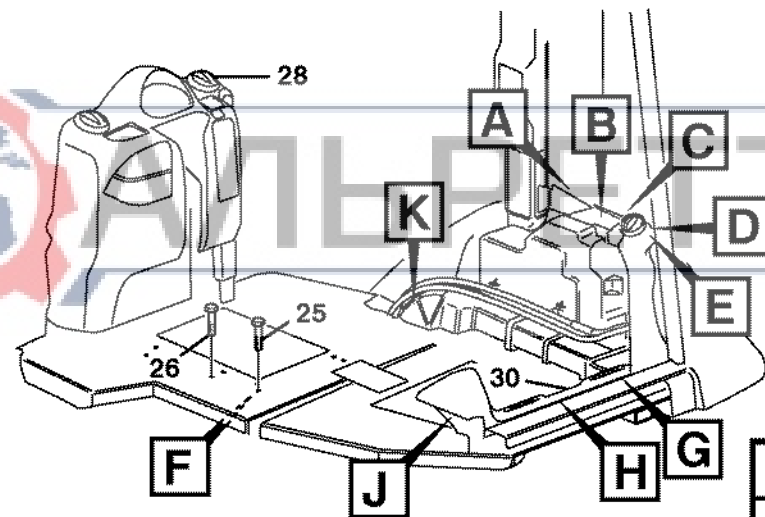
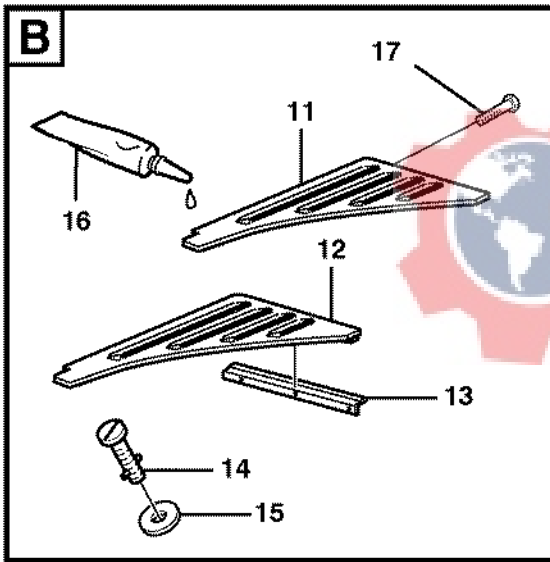
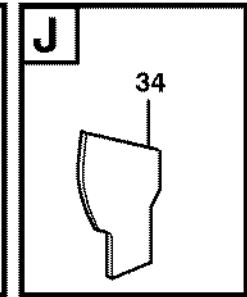
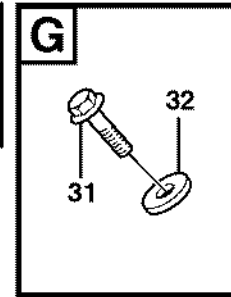
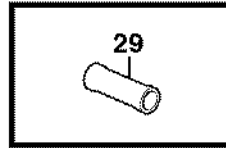
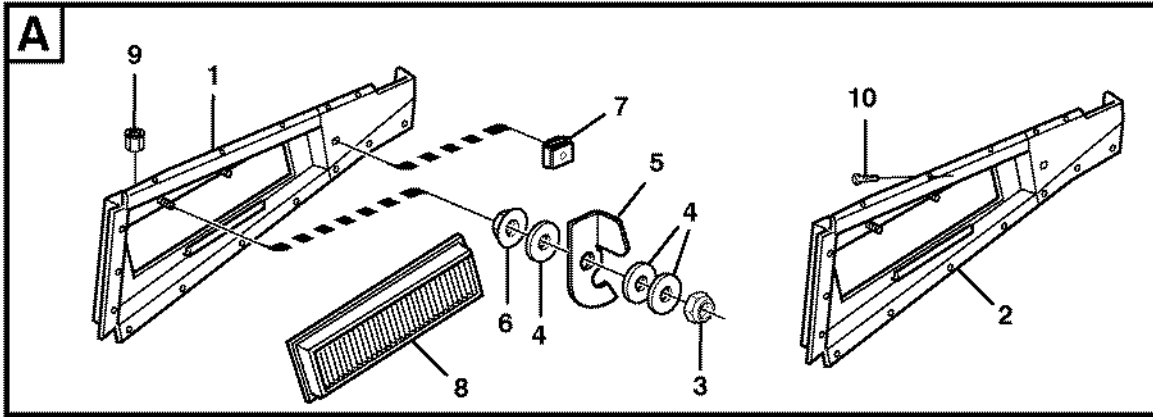


Fig.	Part No.	Quantity			P S	K I T	Description	Dénomination	Bezeichnung	Denominación	Benämning	Notes
		1	2	3								
1		1				NS	Filter Retainer .....	Porte-filtre .....	Filtertopf .....	Soporte Filtro .....	Filterhållare .....	
2	VOE 11201308	1					•Filter Retainer .....	•Porte-filtre .....	•Filtertopf .....	•Soporte Filtro .....	•Filterhållare .....	
3	VOE 13965483	2					•Flange Lock Nut .....	•Contre écrou bride .....	•Flanschmutter .....	•Contratuer Embr .....	•Flänslåsmutter .....	
4	VOE 13940090	6					•Washer .....	•Rondelle .....	•Scheibe .....	•Arandela .....	•Bricka .....	
5	VOE 11200818	2					•Striker Plate .....	•Gache .....	•Schliesskeil .....	•Placa Bloqueo .....	•Låsbleck .....	
6	VOE 13963104	2					•Lock nut .....	•Contre-ecrou .....	•Sicherungsmutter .....	•Contratuerca .....	•Låsmutter .....	
7	VOE 11201055	1					•Buckle .....	•Boucle .....	•Schnalle .....	•Argolla .....	•Spänne .....	
8	VOE 11703979	1					•Primary Filter .....	•Prefiltre .....	•Vorfilter .....	•Prefiltro .....	•Förfilter .....	
9	VOE 977222	1					•Rivet Nut .....	•Ecrou Rivet .....	•Nietmutter .....	•Tuerca Remache .....	•Nitmutter .....	
10	VOE 976162	7					Screw .....	Vis .....	Schraube .....	Tornillo .....	Skruv .....	
11		1				NS	Air Inlet .....	Prise Air .....	Lufteinlass .....	Toma Aire .....	Luftintag .....	
12	VOE 11201291	1					•Air Inlet .....	•Prise Air .....	•Lufteinlass .....	•Toma Aire .....	•Luftintag .....	
13	VOE 11200794	1					•Hinge .....	•Charniere .....	•Scharnier .....	•Bisagra .....	•Gångjärn .....	
14	VOE 11201054	1					•Buckle .....	•Boucle .....	•Schnalle .....	•Argolla .....	•Spänne .....	
15	VOE 11201056	1					•Lock Washer .....	•Rondel.verroui .....	•Sicher Scheibe .....	•Arandel Segurid .....	•Låsbricka .....	
16	VOE 11708567	REQ					•Adhesive .....	•Adhesif .....	•Klebstoff .....	•Adhesivo .....	•Lim .....	
	VOE 762681	REQ					•Rubber Moulding .....	•Joint Caoutchouc .....	•Gummileiste .....	•Liston Goma .....	•Gummilist .....	L = 780 MM L = 925 MM
17	VOE 13946544	3					Flange screw .....	Vis à bride .....	Flanschschraube .....	Torn embridado .....	Flänsskruv .....	
18	VOE 11200836	1					Air Inlet .....	Prise Air .....	Lufteinlass .....	Toma Aire .....	Luftintag .....	
18A	VOE 11712164	1					•Filter .....	•Filtre .....	•Filter .....	•Filtro .....	•Filter .....	
19	VOE 969422	4					6-pt skt screw .....	Vis creuse de 6 .....	Hohlschraube .....	Racor 6-dientes .....	Sextandhålskruv .....	(VOE 13969422)
20	VOE 13949278	4					Flange Lock Nut .....	Contre écrou bride .....	Flanschmutter .....	Contratuer Embr .....	Flänslåsmutter .....	
21	VOE 11204385	1					Air Duct .....	Tambour Air .....	Lufttrommel .....	Conducto Aire .....	Luftrumma .....	
22	VOE 969587	1					6-pt skt screw .....	Vis creuse de 6 .....	Hohlschraube .....	Racor 6-dientes .....	Sextandhålskruv .....	
23	VOE 11204387	1					Air Duct .....	Tambour Air .....	Lufttrommel .....	Conducto Aire .....	Luftrumma .....	
24	VOE 11204395	1					Air Duct .....	Tambour Air .....	Lufttrommel .....	Conducto Aire .....	Luftrumma .....	
25	VOE 13946544	5					Flange screw .....	Vis à bride .....	Flanschschraube .....	Torn embridado .....	Flänsskruv .....	
26	VOE 13946544	4					Flange screw .....	Vis à bride .....	Flanschschraube .....	Torn embridado .....	Flänsskruv .....	
27		1				NS	Insulation .....	Isolant .....	Isolierung .....	Aislante .....	Isolering .....	

1		<b>Luftkanaler</b>	Catalogue id	Group
2		<b>Conductos de aire</b>	<b>20124</b>	<b>872</b>
3		<b>Luftkanäle</b>	Illustr. No	Section
4		<b>Canalisation d'air</b>	<b>1027035</b>	<b>150</b>
4		<b>Air ducts</b>	Issue	Page
5		<b>11298204</b>	<b>VOE 63A9920124</b>	<b>417</b>

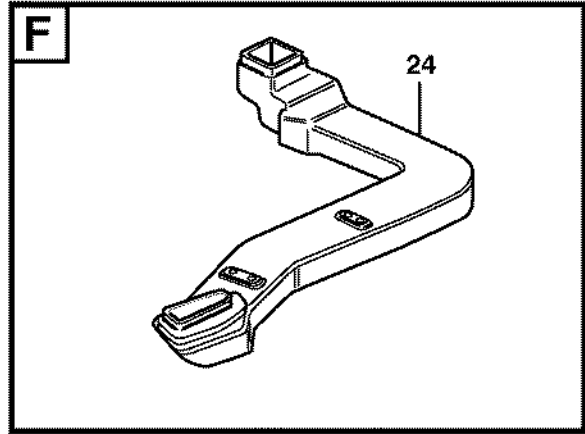
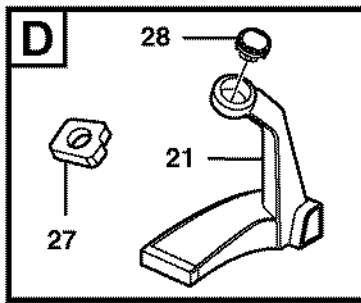
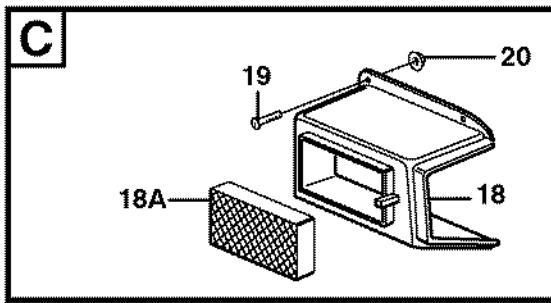
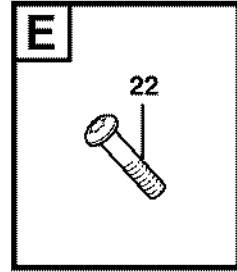
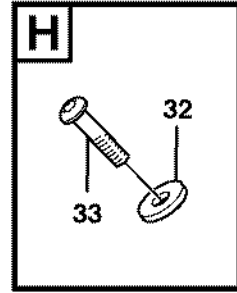
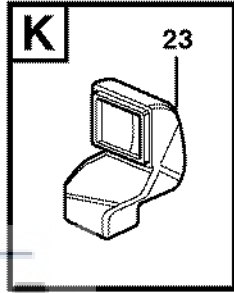
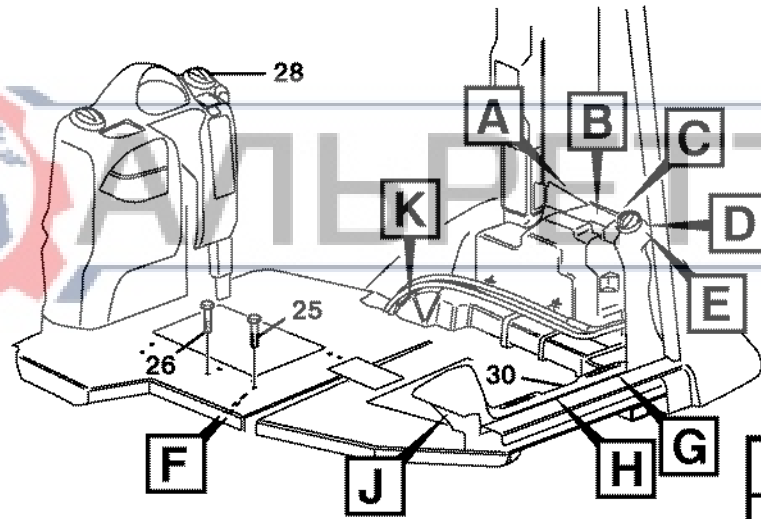
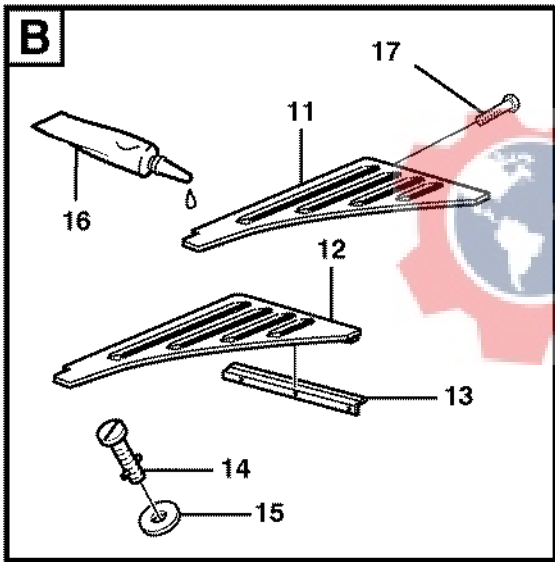
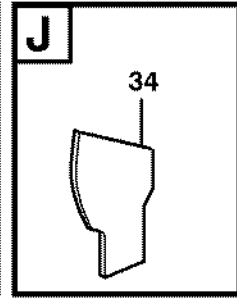
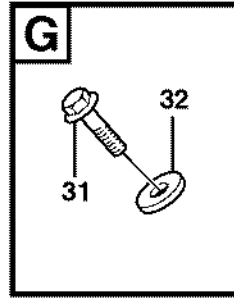
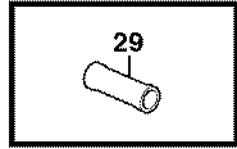
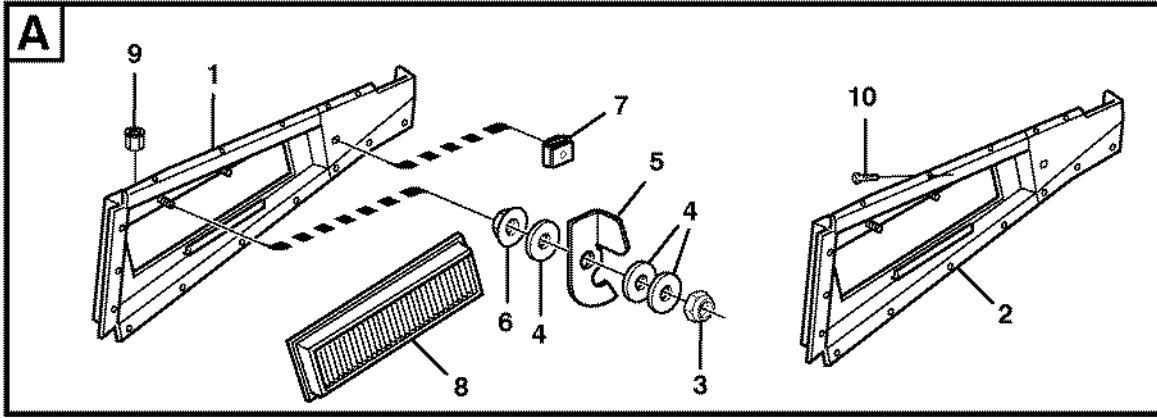


Fig.	Part No.	Quantity			P S	K I T	Description	Dénomination	Bezeichnung	Denominación	Benämning	Notes
		1	2	3								
28	VOE 11104372	4				Air Outlet.....	Diffuseur d'air .....	Luftdüse .....	Difusor de aire .....	Luftmunstycke.....		
29	VOE 11006632	2				Tube.....	Tube .....	Rohr .....	Tubo .....	Rör.....		
30	VOE 11200543	1				Air duct.....	Canal air.....	Luftkanal.....	Canal aire .....	Luftkanal.....		
31	VOE 13947542	2				Screw .....	Vis .....	Schraube.....	Tornillo .....	Skruv.....		
32	VOE 13960138	1				Washer.....	Rondelle .....	Scheibe .....	Arandela.....	Bricka.....		
	VOE 960139	2				Washer.....	Rondelle .....	Scheibe .....	Arandela.....	Bricka.....		
33	VOE 972412	1				Screw .....	Vis .....	Schraube.....	Tornillo .....	Skruv.....		
34		REQ			NS	Insulation.....	Isolant .....	Isolierung.....	Aislante .....	Isolering.....		

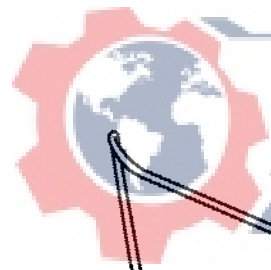


1		<b>Luftkanaler</b>	Catalogue id	Group
2		<b>Conductos de aire</b>	<b>20124</b>	<b>872</b>
3		<b>Luftkanäle</b>	Illustr. No	Section
4		<b>Canalisation d'air</b>	<b>1027035</b>	<b>150</b>
5		<b>Air ducts</b>	Issue	Page
		<b>11298204</b>	<b>VOE 63A9920124</b>	<b>419</b>

**VOLVO**

**BL61PLUS**





АЛЬРЕТ

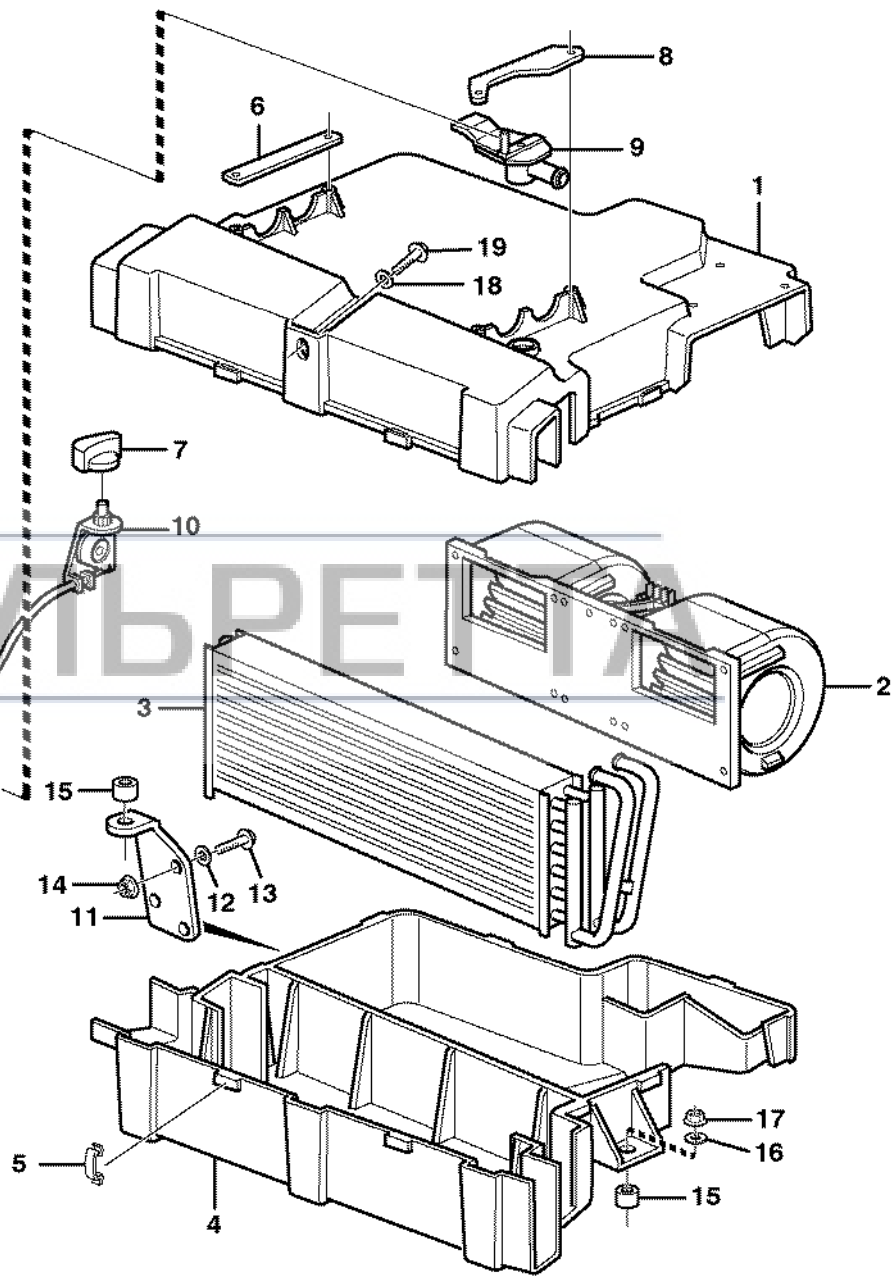


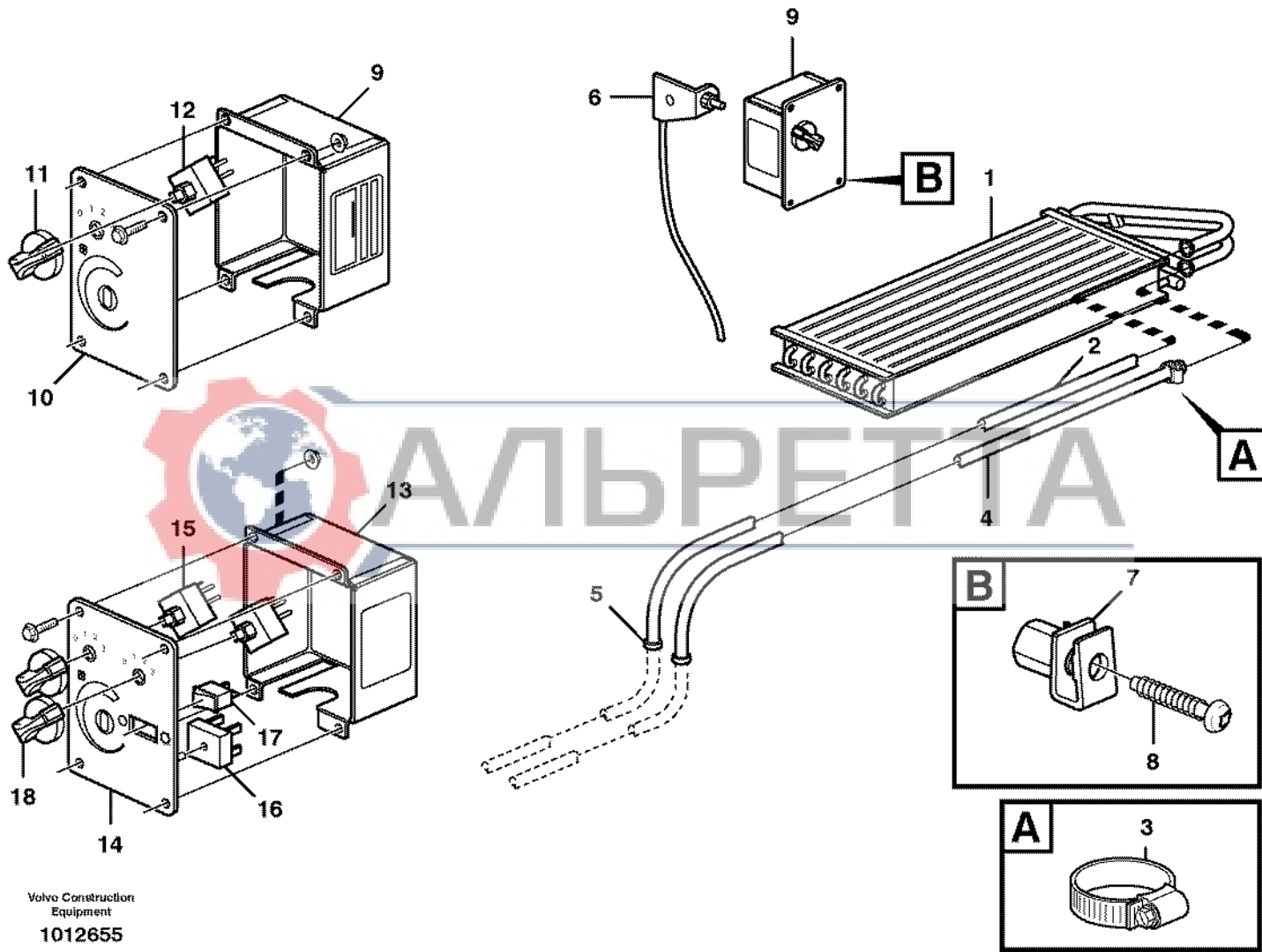
Fig.	Part No.	Quantity			P S	K I T	Description	Dénomination	Bezeichnung	Denominación	Benämning	Notes
		1	2	3								
	<b>VOE 11200528</b>	1					Cab Heater.....	Chauffage cabine.....	Kabinenheizung.....	Calef Cabina.....	Hyttvärmare.....	
1		1			NS		•Housing.....	•Carter.....	•Gehäuse.....	•Carter.....	•Hus.....	
2	<b>VOE 11709685</b>	1					•Motor.....	•Moteur.....	•Motor.....	•Motor.....	•Motor.....	
3		1					•Radiator.....	•Radiateur.....	•Radiator.....	•Radiador.....	•Radiator.....	See group 873, Page 423
4		1			NS		•Housing.....	•Carter.....	•Gehäuse.....	•Carter.....	•Hus.....	
5	<b>VOE 11709691</b>	8					•Clip.....	•Clip.....	•Klemme.....	•Clip.....	•Clips.....	
6	<b>VOE 11709688</b>	1					•Bracket.....	•Console.....	•Konsole.....	•Consola.....	•Konsol.....	
7	<b>VOE 11709689</b>	1					•Handle.....	•Poignee.....	•Drehgriff.....	•Mango.....	•Vred.....	
8	<b>VOE 11709686</b>	1					•Bracket.....	•Console.....	•Konsole.....	•Consola.....	•Konsol.....	
9	<b>VOE 11709687</b>	1					•Valve.....	•Soupape.....	•Ventil.....	•Valvula.....	•Ventil.....	
10	<b>VOE 11709690</b>	1					•Converter.....	•Convertisseur.....	•Wandler.....	•Convertidor.....	•Omvandlare.....	
11		1			NS		Anchorage.....	Fixation.....	Halterung.....	Fijacion.....	Fäste.....	
12	<b>VOE 13960141</b>	3					Washer.....	Rondelle.....	Scheibe.....	Arandela.....	Bricka.....	(VOE 976944)
13	<b>VOE 13945444</b>	3					Flange screw.....	Vis à bride.....	Flanschschraube.....	Torn embridado.....	Flänsskruv.....	
14	<b>VOE 948645</b>	3					Flange Lock Nut.....	Contre écrou bride.....	Flanschmutter.....	Contratuer Embr.....	Flänslåsmutter.....	
15	<b>VOE 11200746</b>	2					Vib Damper.....	Amort.vibration.....	Schwingdämpfer.....	Amortig Vibrac.....	Vibr.dämpare.....	
16	<b>VOE 13960141</b>	3					Washer.....	Rondelle.....	Scheibe.....	Arandela.....	Bricka.....	(VOE 976944)
17	<b>VOE 948645</b>	4					Flange Lock Nut.....	Contre écrou bride.....	Flanschmutter.....	Contratuer Embr.....	Flänslåsmutter.....	
18	<b>VOE 13960141</b>	1					Washer.....	Rondelle.....	Scheibe.....	Arandela.....	Bricka.....	(VOE 976944)
19	<b>VOE 13945444</b>	1					Flange screw.....	Vis à bride.....	Flanschschraube.....	Torn embridado.....	Flänsskruv.....	



1		<b>Hyttvärmare</b>	Catalogue id	Group
2		<b>Calefactor de cabina</b>	<b>20124</b>	<b>873</b>
3		<b>Kabinenheizung</b>	Illustr. No	Section
4		<b>Chauffe-cabine</b>	<b>1001153</b>	<b>100</b>
5		<b>Cab heater</b>	Issue	Page
		<b>11298204</b>	<b>VOE 63A9920124</b>	<b>421</b>

**VOLVO**

**BL61PLUS**



АЛЬРЕТА

Volvo Construction  
Equipment  
1012655

Fig.	Part No.	Quantity			P S	K I T	Description	Dénomination	Bezeichnung	Denominación	Benämning	Notes
		1	2	3								
1	VOE 11709684	1				Radiator .....	Radiateur .....	Radiator.....	Radiador.....	Radiator.....		
2	VOE 11204029	1				Hose.....	Durit .....	Schlauch .....	Tubo flexible.....	Slang.....	L = 2750MM	
3	VOE 13943472	2				Clamp.....	Pince Serrage .....	Klemme .....	Abrazadera.....	Klämma.....		
4	VOE 11204029	1				Hose.....	Durit .....	Schlauch .....	Tubo flexible.....	Slang.....	L = 2750MM	
5	VOE 961970	2				Plug.....	Bouchon.....	Stopfen.....	Tapon .....	Plugg.....		
6		1				Converter .....	Convertisseur.....	Wandler.....	Convertidor.....	Omvandlare.....	See group 873, Page 421	
7	VOE 977982	4				Spring Nut.....	Ecrou Ressort .....	Fed. Schliessmutter ...	Tuerca Resorte .....	Fjädermutter.....		
8	VOE 975380	4				Screw.....	Vis .....	Schraube.....	Tornillo .....	Skruv.....		
9	VOE 11200821	1				Control Panel .....	Tableau de bord.....	Steuerpult.....	Panel de control .....	Kontrollpanel.....		
10	VOE 11709696	1				•Cover .....	•Couvercle.....	•Deckel .....	•Tapa .....	•Lock.....		
11	VOE 11709689	1				•Handle .....	•Poignee.....	•Drehgriff .....	•Mango .....	•Vred.....		
12	VOE 11709697	1				•Switch .....	•Commutateur .....	•Schalter.....	•Contactor .....	•Strömställare.....		
13	VOE 11200533		1			Control Panel .....	Tableau de bord.....	Steuerpult.....	Panel de control .....	Kontrollpanel.....		
14	VOE 11709706		1			•Cover .....	•Couvercle.....	•Deckel .....	•Tapa .....	•Lock.....		
15	VOE 11709697		1			•Switch .....	•Commutateur .....	•Schalter.....	•Contactor .....	•Strömställare.....		
16	VOE 11709707		1			•Rectifier .....	•Redresseur .....	•Gleichrichter.....	•Rectificador .....	•Likriktare.....		
17	VOE 11709708		1			•Switch .....	•Interrupteur .....	•Trennschalter.....	•Interruptor .....	•Brytare.....		
18	VOE 11709689		1			•Handle .....	•Poignee.....	•Drehgriff .....	•Mango .....	•Vred.....		



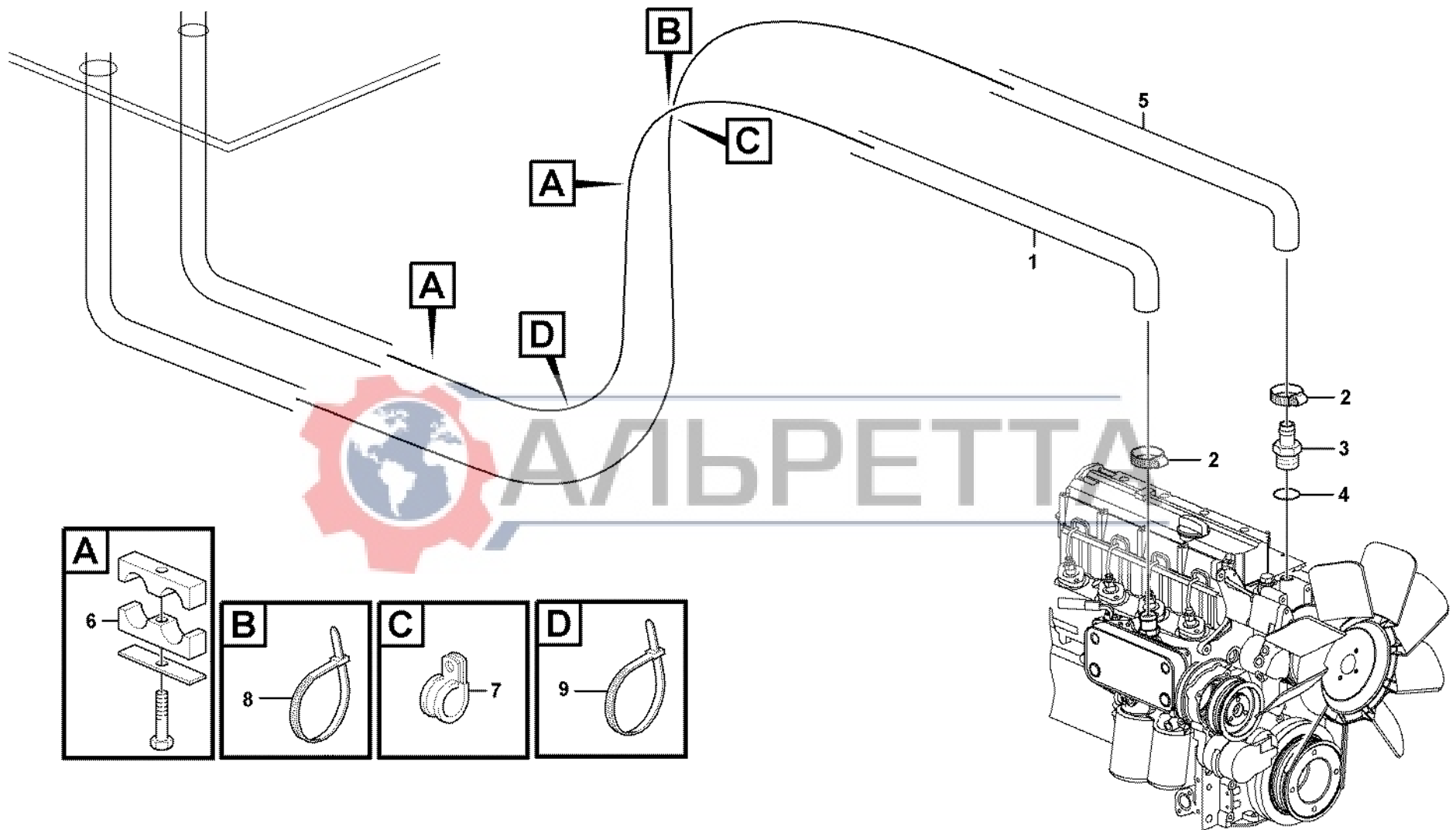
1	11298204	<b>Radiator och reglage</b> <b>Radiador y reglaje</b> <b>Heizkörper und Regler</b> <b>Radiateur et réglage</b> <b>Radiator and control</b>	Catalogue id	Group
2	11298233		<b>20124</b>	<b>873</b>
3			Illustr. No	Section
4			<b>1012655</b>	<b>150</b>
5			Issue	Page
			<b>VOE 63A9920124</b>	<b>423</b>

**VOLVO**

**BL61PLUS**







АЛЬРЕТТА

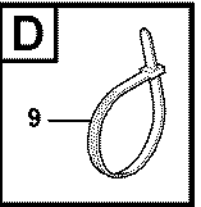
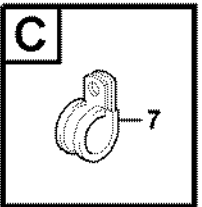
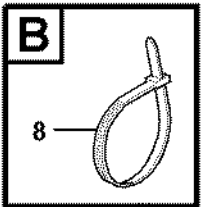
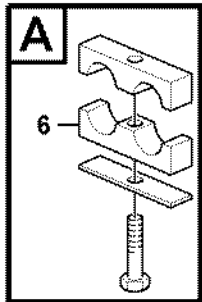


Fig.	Part No.	Quantity			P S	K I T	Description	Dénomination	Bezeichnung	Denominación	Benämning	Notes
		1	2	3								
1		1				Hose.....	Durit .....	Schlauch .....	Tubo flexible .....	Slang.....	See group 873, Page 423	
2	VOE 968847	2				Hose Clamp .....	Collier Serrage .....	Schlauchschelle .....	Abraz Manguera.....	Slangklamma.....		
3	VOE 11883933	2				Connector .....	Raccord.....	Anschluss.....	Union .....	Anslutning.....		
4	VOE 13947628	2				Plane Gasket .....	Joint Plan .....	Flachdichtung.....	Junta Plana .....	Planpackning.....		
5		1				Hose.....	Durit .....	Schlauch .....	Tubo flexible .....	Slang.....	See group 873, Page 423	
6	VOE 11881443	2				Clamp.....	Pince Serrage .....	Klemme .....	Abrazadera.....	Klämma.....		
7	VOE 13977600	1				Clamp.....	Pince Serrage .....	Klemme .....	Abrazadera.....	Klämma.....		
8	VOE 4881440	2				Strip Clamp .....	Ruban Serrage.....	Kabelbinder .....	Abraz Cinta .....	Bandklamma.....		
9	VOE 14016673	1				Strip Clamp .....	Ruban Serrage.....	Kabelbinder .....	Abraz Cinta .....	Bandklamma.....		



1		<b>Hyttvärmare med anslutningar</b> <b>Calefactor cabina con uniones</b> <b>Fahrerhausheizung mit anschlusse</b> <b>Chauffe-cabine avec raccords</b> <b>Cab heater with connectors</b>	Catalogue id	Group
2			<b>20124</b>	<b>873</b>
3			Illustr. No	Section
4			<b>1013222</b>	<b>200</b>
5			Issue	Page
			<b>VOE 63A9920124</b>	<b>425</b>

**VOLVO**

**BL61PLUS**



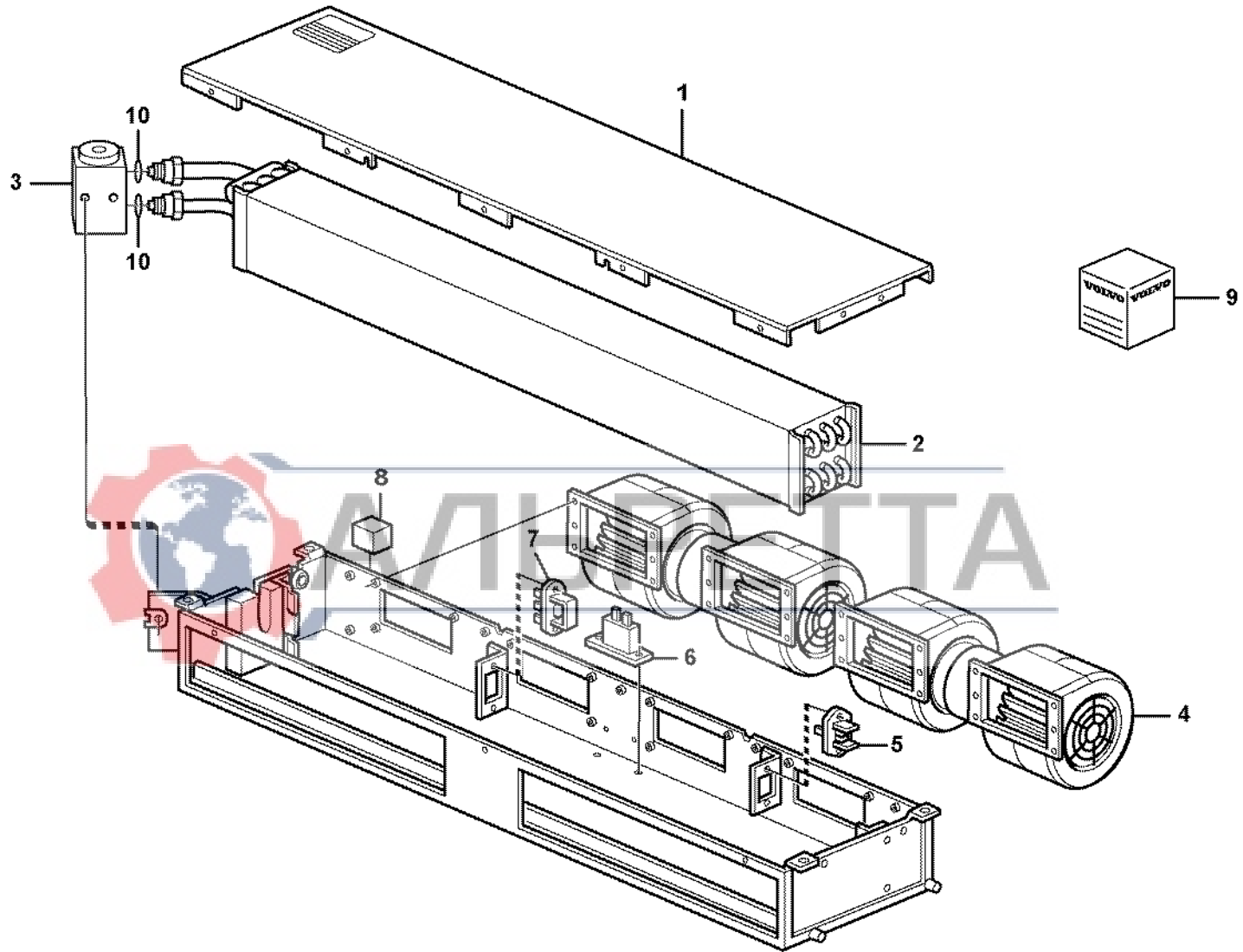


Fig.	Part No.	Quantity			P S	K I T	Description	Dénomination	Bezeichnung	Denominación	Benämning	Notes
		1	2	3								
	<b>VOE 11204911</b>	1				Air Cond .....	Climatisation .....	Klimaanlage .....	Acondicion Aire .....	Luftkond.....		
1		1			NS	•Cap .....	•Chapeau .....	•Kappe .....	•Caperuza .....	•Lock.....		
2		1				•Evaporator .....	•Evaporateur .....	•Verdampfer .....	•Evaporador .....	•Förångare.....	See group 874, Page 429	
3		1				•Expansion Valve .....	•Robin.expansion .....	•Exp Vent .....	•Valv Expansion .....	•Expansionsvent.....	See group 874, Page 429	
4	<b>VOE 11709704</b>	1				•Motor .....	•Moteur.....	•Motor.....	•Motor.....	•Motor.....		
5	<b>VOE 11709700</b>	1				•Resistor .....	•Resistance .....	•Widerstand.....	•Resistencia .....	•Resistor.....		
6	<b>VOE 11709701</b>	1				•Thermostat .....	•Thermostat.....	•Thermostat.....	•Termostato.....	•Termostat.....		
7	<b>VOE 11709702</b>	1				•Resistor .....	•Resistance .....	•Widerstand.....	•Resistencia .....	•Resistor.....		
8	<b>VOE 11709703</b>	1				•Relay .....	•Relais.....	•Relais.....	•Rele.....	•Relä.....		
9	<b>VOE 11715018</b>	1				•Sealing Kit .....	•Jeu Joints.....	•Dichtungssatz .....	•Juego Retenes.....	•Tätningssats.....		
10	<b>VOE 11715021</b>	2				O-ring.....	Joint Torique .....	O-Ring.....	Junta torica.....	O-ring.....		



1		<b>Luftkonditionering</b> <b>Acondicionador de aire</b> <b>Klimaanlage</b> <b>Climatisation</b> <b>Air conditioning</b>	Catalogue id	Group
2			<b>20124</b>	<b>874</b>
3			Illustr. No	Section
4			<b>1001150</b>	<b>100</b>
5			Issue	Page
		<b>11298233</b>	<b>VOE 63A9920124</b>	<b>427</b>

**VOLVO**

**BL61PLUS**



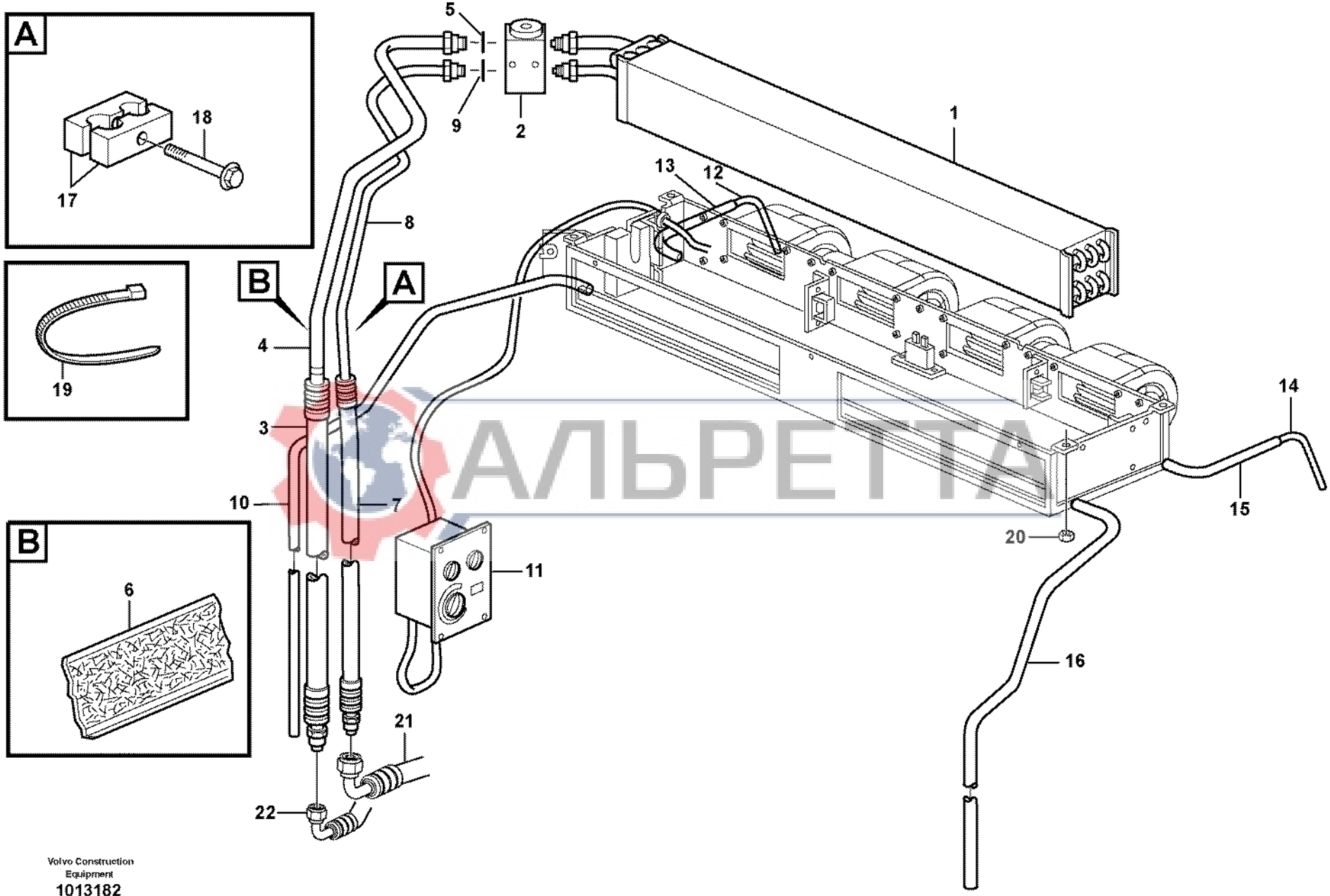
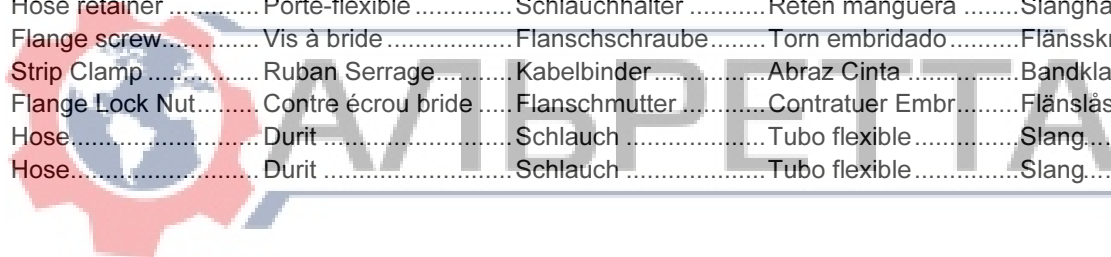


Fig.	Part No.	Quantity			P S	K I T	Description	Dénomination	Bezeichnung	Denominación	Benämning	Notes
		1	2	3								
1	VOE 11709698	1				Evaporator .....	Evaporateur .....	Verdampfer .....	Evaporador.....	Förångare.....		
2	VOE 11709699	1				Expansion Valve .....	Robin.expansion .....	Exp Vent.....	Valv Expansion .....	Expansionsvent.....		
3	VOE 11201065	1				Hose.....	Durit .....	Schlauch .....	Tubo flexible.....	Slang.....		
4	VOE 11201063	1				Tube.....	Tube.....	Rohr .....	Tubo .....	Rör.....		
5	VOE 11715022	1				O-ring.....	Joint Torique .....	O-Ring.....	Junta torica.....	O-ring.....		
6	VOE 11003291	REQ				Tape.....	Scotch.....	Klebeband.....	Cinta.....	Tape.....	L=1000 MM	
7	VOE 11201064	1				Hose.....	Durit .....	Schlauch .....	Tubo flexible.....	Slang.....		
8	VOE 11201062	1				Tube.....	Tube.....	Rohr .....	Tubo .....	Rör.....		
9	VOE 11715020	1				O-ring.....	Joint Torique .....	O-Ring.....	Junta torica.....	O-ring.....		
10	VOE 941507	1				Hose.....	Durit .....	Schlauch .....	Tubo flexible.....	Slang.....	L = 2100MM	
11		1				Control Panel.....	Panneau commande.....	Bedienungstafel .....	Panel Mando .....	Reglagepanel.....	See group 873, Page 423	
12	VOE 11039491	1				Hose.....	Durit .....	Schlauch .....	Tubo flexible.....	Slang.....	L = 150MM	
13	VOE 941507	1				Hose.....	Durit .....	Schlauch .....	Tubo flexible.....	Slang.....	L = 300MM	
14	VOE 11039491	1				Hose.....	Durit .....	Schlauch .....	Tubo flexible.....	Slang.....	L = 150MM	
15	VOE 941507	1				Hose.....	Durit .....	Schlauch .....	Tubo flexible.....	Slang.....	L = 300MM	
16	VOE 941507	1				Hose.....	Durit .....	Schlauch .....	Tubo flexible.....	Slang.....	L = 2100MM	
17	VOE 11200928	2				Hose retainer .....	Porte-flexible .....	Schlauchhalter .....	Reten manguera .....	Slanghållare.....		
18	VOE 946470	1				Flange screw.....	Vis à bride .....	Flanschschraube.....	Torn embridado .....	Flänskruv.....		
19	VOE 4881440	10				Strip Clamp .....	Ruban Serrage.....	Kabelbinder .....	Abraz Cinta .....	Bandklamma.....		
20	VOE 948645	4				Flange Lock Nut.....	Contre écrou bride .....	Flanschmutter .....	Contratuer Embr.....	Flänslåsmutter.....		
21		1				Hose.....	Durit .....	Schlauch .....	Tubo flexible.....	Slang.....	See group 874, Page 431	
22		1				Hose.....	Durit .....	Schlauch .....	Tubo flexible.....	Slang.....	See group 874, Page 431	



1	Evaporator, montering	Catalogue id	Group
2	Evaporador, montaje	<b>20124</b>	<b>874</b>
3	Verdampfer, Anbauteilen	Illustr. No	Section
4	Evaporateur, montage	<b>1013182</b>	<b>350</b>
5	Evaporator, assembly	Issue	Page
	<b>11298233</b>	<b>VOE 63A9920124</b>	<b>429</b>



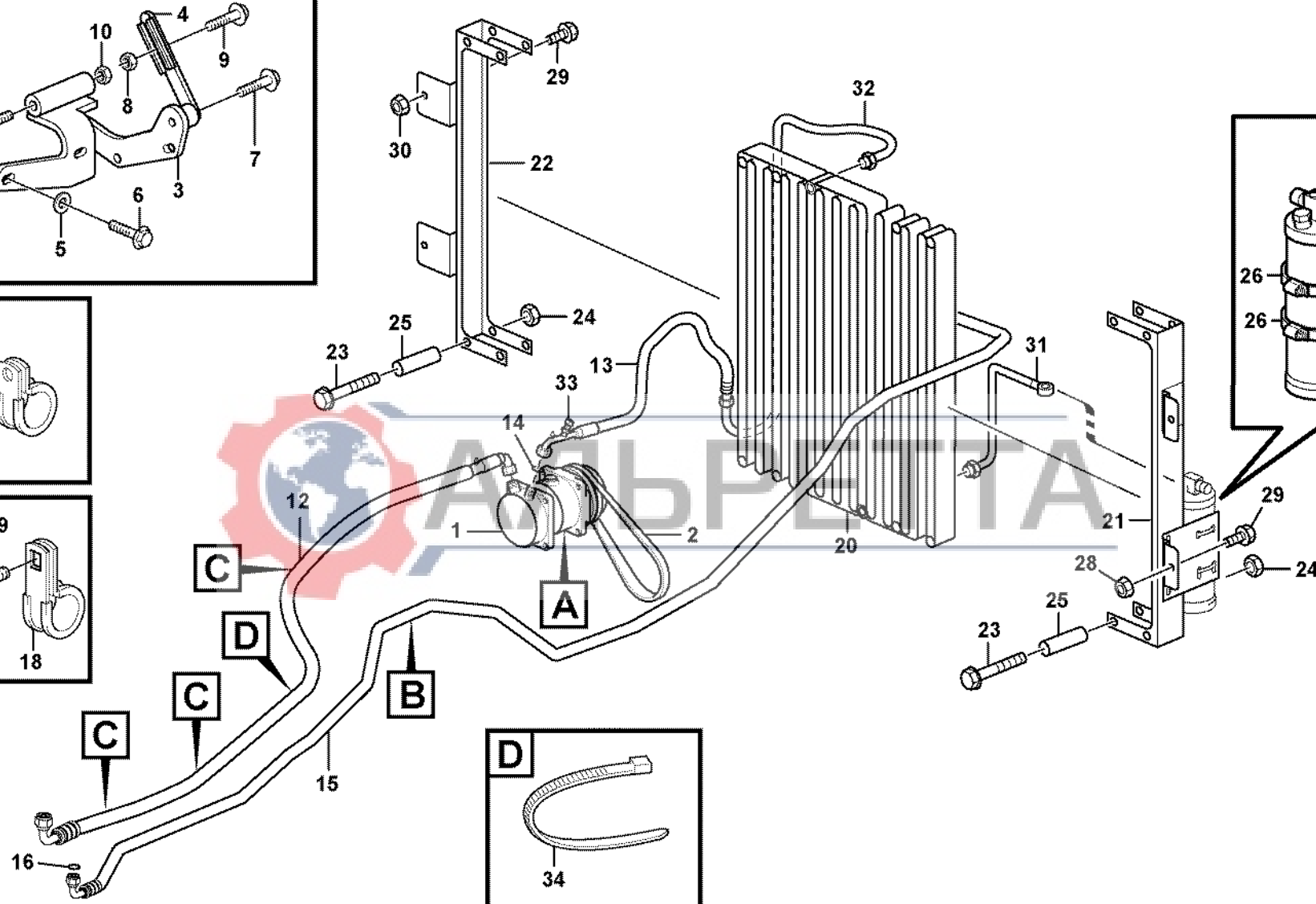
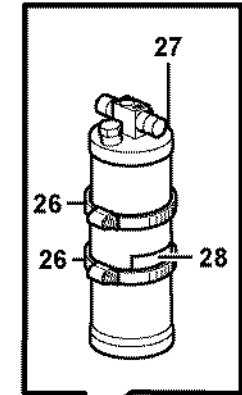
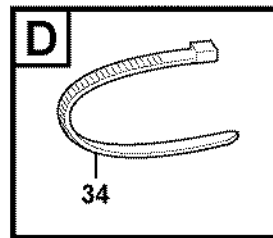
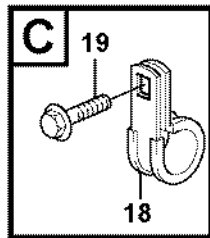
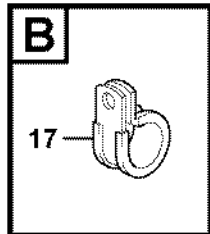
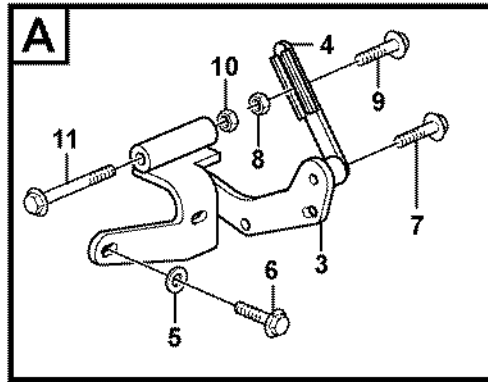


Fig.	Part No.	Quantity			P S	K I T	Description	Dénomination	Bezeichnung	Denominación	Benämning	Notes
		1	2	3								
1	VOE 11882069	1				Compressor .....	Compresseur .....	Kompressor .....	Compresor .....	Kompressor.....		
2	VOE 11883725	1				V-belt.....	Courroie Trape.....	Keilriemen .....	Correa Trapez .....	Kilrem.....		
3	VOE 11888237	1				Bracket.....	Console.....	Konsole .....	Ménsula.....	Konsol.....		
4	VOE 11884868	1				Bracket.....	Console.....	Konsole .....	Ménsula.....	Konsol.....		
5	VOE 11117464	4				Washer.....	Rondelle .....	Scheibe .....	Arandela.....	Bricka.....		
6	VOE 13967630	4				Allen Hd Screw .....	Vis A 6 Pans Cr.....	Inbusschraube.....	Torn Hex Embut.....	Insexskruv.....		
7	VOE 13945444	1				Flange screw.....	Vis à bride .....	Flanschschaube.....	Torn embridado .....	Flänsskruv.....		
8	VOE 961991	1				Hexagon Nut.....	Ecrou Hexagonal .....	Sechskantmutter .....	Tuerca Hexagon.....	Sexkantsmutter.....		
9	VOE 946671	1				Flange screw.....	Vis à bride .....	Flanschschaube.....	Torn embridado .....	Flänsskruv.....		
10	VOE 981314	1				Lock nut .....	Contre-ecrou .....	Sicherungsmutter .....	Contratuerca .....	Låsmutter.....		
11	VOE 13970963	1				Hexagon screw .....	Vis a tête hexagonale	Sechskantschr.....	Tornillo hexago.....	Sexkantsskruv.....		
12	VOE 11883807	1				Hose.....	Durit .....	Schlauch .....	Tubo flexible.....	Slang.....		
13	VOE 11883805	1				Hose.....	Durit .....	Schlauch .....	Tubo flexible.....	Slang.....		
14	VOE 11715021	2				O-ring.....	Joint Torique .....	O-Ring .....	Junta torica.....	O-ring.....		
15	VOE 11883806	1				Hose.....	Durit .....	Schlauch .....	Tubo flexible.....	Slang.....		
16	VOE 11715020	2				O-ring.....	Joint Torique .....	O-Ring .....	Junta torica.....	O-ring.....		
17	VOE 967531	1				Clamp.....	Pince Serrage .....	Klemme .....	Abrazadera.....	Klämma.....		
18	VOE 947457	3				Clamp.....	Pince Serrage .....	Klemme .....	Abrazadera.....	Klämma.....		
19	VOE 972421	1				Screw.....	Vis.....	Schraube.....	Tornillo.....	Skruv.....		
20	VOE 11886552	1				Condenser .....	Condenseur .....	Kondensator.....	Condensador.....	Kondensor.....		
21	VOE 11886585	1				•Support.....	•Support.....	•Stütze.....	•Apoyo.....	•Stöd.....		
22	VOE 11886586	1				•Support.....	•Support.....	•Stütze.....	•Apoyo.....	•Stöd.....		
23	VOE 13965177	8				•Flange screw .....	•Vis à bride.....	•Flanschschaube.....	•Torn embridado.....	•Flänsskruv.....		
24	VOE 13949278	8				•Flange Lock Nut .....	•Contre écrou bride .....	•Flanschmutter .....	•Contratuer Embr .....	•Flänslåsmutter.....		
25	VOE 11886620	8				•Spacer .....	•Partie Intermédiaire .....	•Zwischenstück .....	•Espaciador .....	•Mellandel.....		
26	VOE 943480	2				Hose Clamp .....	Collier Serrage .....	Schlauchschele .....	Abraz Manguera.....	Slangklamma.....		
27	VOE 11709814	1				Receiver Drier.....	Deshydrateur .....	Entfeuchter.....	Secador.....	Torkare.....		
28	VOE 13935003	1				Decal.....	Decalcomanie .....	Abziehbild.....	Decalcomania .....	Dekal.....		
29	VOE 946440	4				Flange screw.....	Vis à bride .....	Flanschschaube.....	Torn embridado .....	Flänsskruv.....		
30	VOE 948645	4				Flange Lock Nut.....	Contre écrou bride .....	Flanschmutter .....	Contratuer Embr.....	Flänslåsmutter.....		

1		<b>Montering slangar: Evaporator, torkare, kondensor.</b> <b>Montaje mangueras, evaporador, secador, condensador</b> <b>Anbauteilen schlauch, verdampfer, entfeuchter</b> <b>Montage flexibles, évaporateur, deshydrateurcondenseur</b> <b>Assembly hoses: Evaparator, receiver drier, condenser.</b>	Catalogue id	Group
2			<b>20124</b>	<b>874</b>
3			Illustr. No	Section
4			<b>1013180</b>	<b>450</b>
5			Issue	Page
		<b>11298233</b>	<b>VOE 63A9920124</b>	<b>431</b>

**VOLVO**

**BL61PLUS**



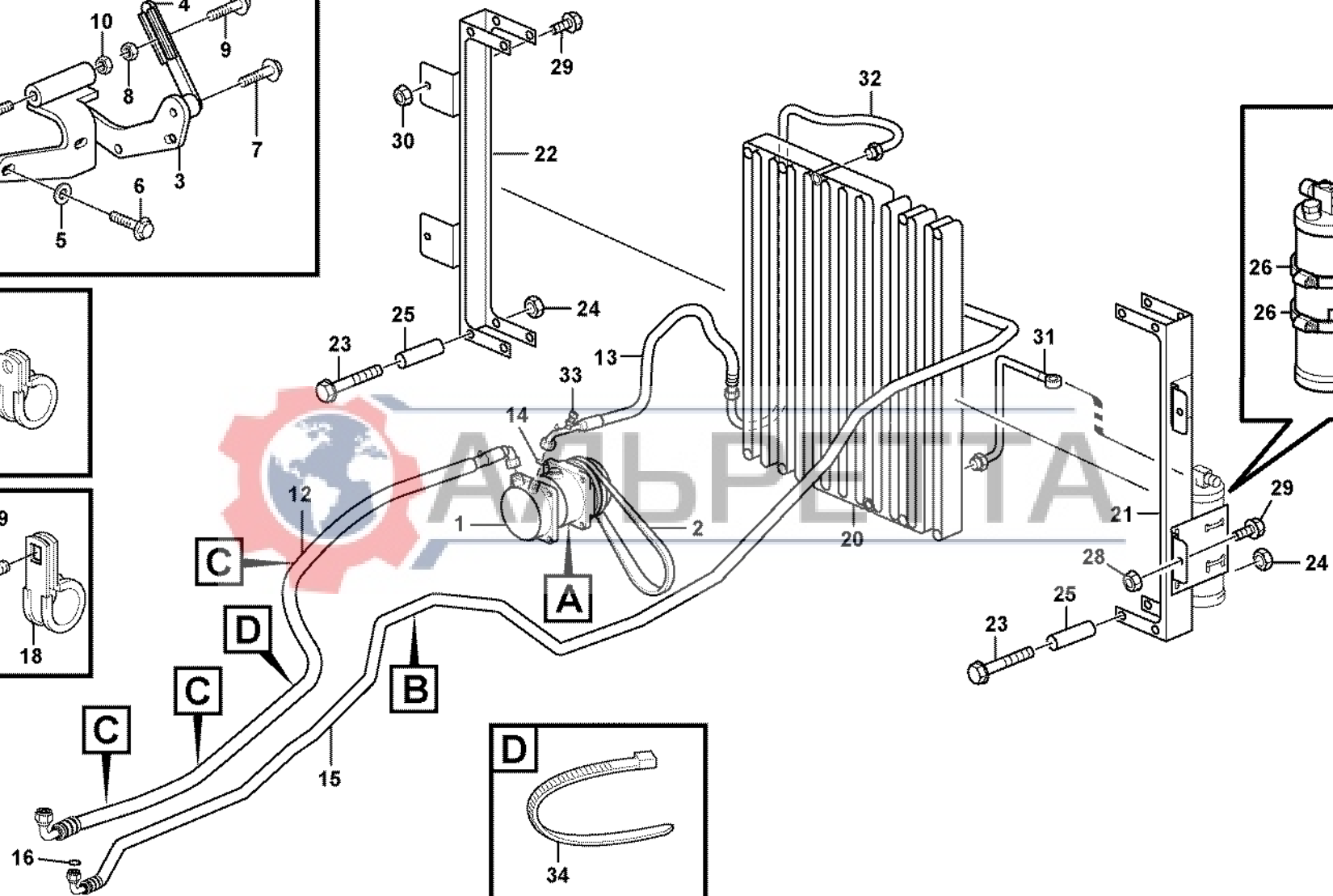
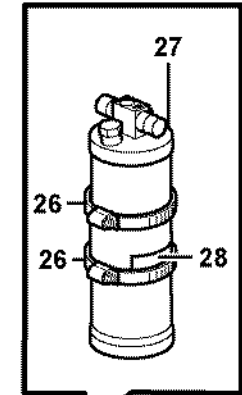
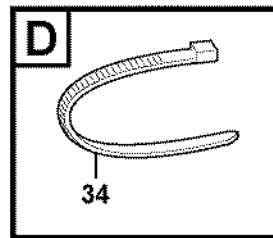
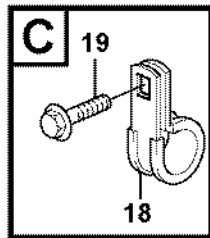
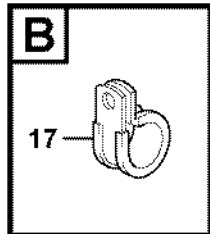
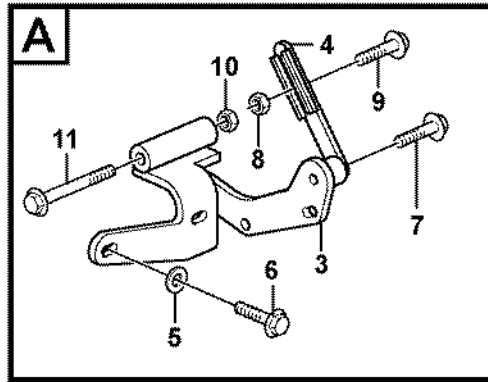


Fig.	Part No.	Quantity			P S	K I T	Description	Dénomination	Bezeichnung	Denominación	Benämning	Notes
		1	2	3								
31	VOE 11886617	1					Tube.....	Tube.....	Rohr.....	Tubo.....	Rör.....	
32	VOE 11886616	1					Tube.....	Tube.....	Rohr.....	Tubo.....	Rör.....	
33	VOE 11881763	1					Pressure Switch.....	Mano contact.....	Druckschalter.....	Manocontacto.....	Tryckkontakt.....	
34	VOE 4881440	2					Strip Clamp.....	Ruban Serrage.....	Kabelbinder.....	Abraz Cinta.....	Bandklamma.....	



1	<b>Montering slangar: Evaporator, torkare, kondensor.</b> <b>Montaje mangueras, evaporador, secador, condensador</b> <b>Anbauteilen schlauch, verdampfer, entfeuchter</b> <b>Montage flexibles, évaporateur, deshydrateurcondenseur</b> <b>Assembly hoses: Evaparator, receiver drier, condenser.</b>	Catalogue id	Group
2		<b>20124</b>	<b>874</b>
3		Illustr. No	Section
4		<b>1013180</b>	<b>450</b>
5		Issue	Page
	11298233	VOE 63A9920124	<b>433</b>

**VOLVO**

**BL61PLUS**



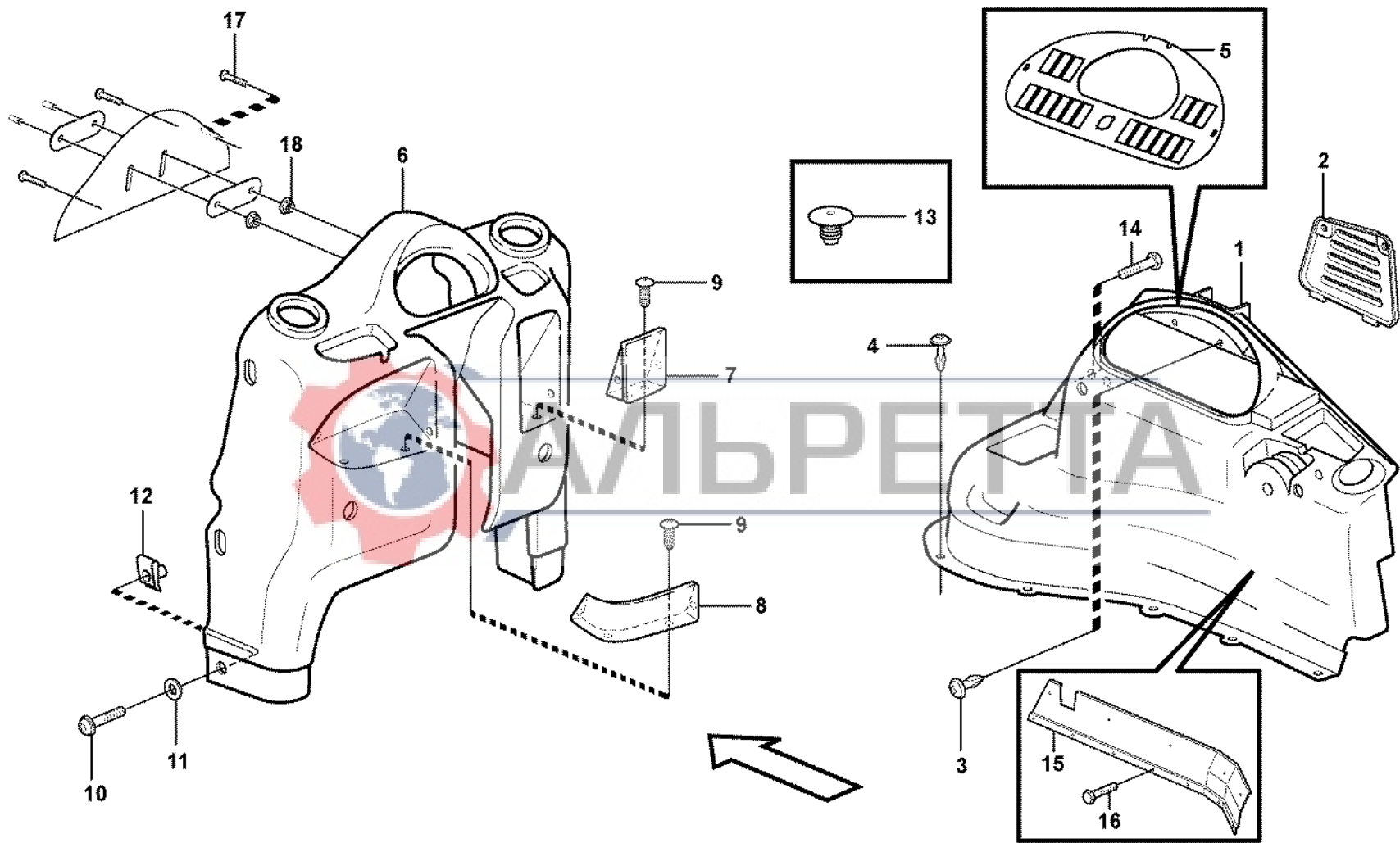
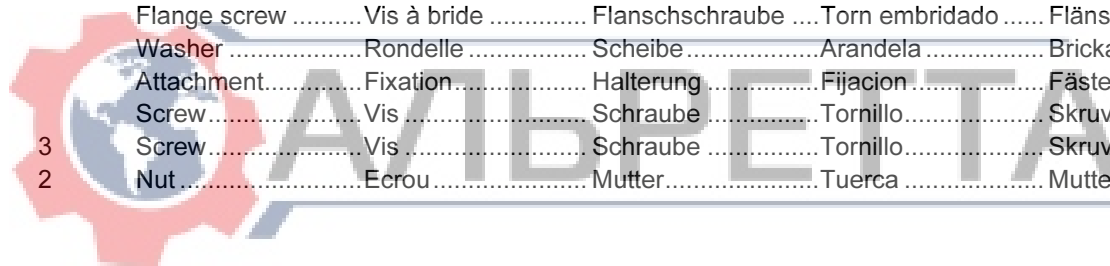


Fig.	Part No.	Quantity					P S	K I T	Description	Dénomination	Bezeichnung	Denominación	Benämning	Notes
		1	2	3	4	5								
1	VOE 11203560	1						Side Panel .....	Panneau Lateral .....	Seit Verkl .....	Panel Lateral .....	Sidopanel.....		
1	VOE 11203562		1					Side Panel .....	Panneau Lateral .....	Seit Verkl .....	Panel Lateral .....	Sidopanel.....		
2	VOE 11204407	1	1					Cover .....	Capot.....	Haube .....	Capo.....	Lock.....		
3	VOE 11201200	5	5					Plastic Rivet.....	Rivet Plastique .....	Kunststoffniet.....	Remache Plast.....	Plastnit.....		
4	VOE 11201200	7	7					Plastic Rivet.....	Rivet Plastique .....	Kunststoffniet.....	Remache Plast.....	Plastnit.....		
5	VOE 11884733			1				Panel.....	Panneau.....	Verkleidung.....	Plancha .....	Panel.....		
5	VOE 11202713				1			Panel.....	Panneau.....	Verkleidung.....	Plancha .....	Panel.....		
6	VOE 11204417	1						Front Panel .....	Panneau Av.....	Frontbekleidung .....	Panel Delantero.....	Frontpanel.....		
6	VOE 11204415		1					Front Panel .....	Panneau Av.....	Frontbekleidung .....	Panel Delantero.....	Frontpanel.....		
7		1	1			NS		•Storage Tray.....	•Case Rangement ..	•Ablagefach.....	•Espac Guardaobj ..	•Förvaringsfack.....		
8		1	1			NS		•Storage Tray.....	•Case Rangement ..	•Ablagefach.....	•Espac Guardaobj ..	•Förvaringsfack.....		
9	VOE 11205191	8	8					•Plug .....	•Bouchon.....	•Stopfen .....	•Tapon .....	•Plugg.....		
10	VOE 969589	6	6					6-pt skt screw.....	Vis creuse de 6 .....	Hohlschraube.....	Racor 6-dientes .....	Sextandhålskruv.....		
11	VOE 960139	6	6					Washer .....	Rondelle .....	Scheibe .....	Arandela .....	Bricka.....		
12	VOE 949921	6	6					Spring Nut.....	Ecrou Ressort.....	Fed. Schliessmutter .....	Tuerca Resorte.....	Fjädermutter.....		
13	VOE 11057786	1	1					Plug.....	Bouchon .....	Stopfen .....	Tapon .....	Plugg.....		
14	VOE 13945444	2						Flange screw .....	Vis à bride .....	Flanschschraube .....	Torn embridado .....	Flänsskruv.....		
	VOE 13960141	2						Washer .....	Rondelle .....	Scheibe .....	Arandela .....	Bricka.....		
15	VOE 11202229		1					Attachment.....	Fixation.....	Halterung .....	Fijacion .....	Fäste.....		
16	VOE 975378		7					Screw .....	Vis .....	Schraube .....	Tornillo.....	Skruv.....		
17	VOE 972007					3		Screw.....	Vis .....	Schraube .....	Tornillo.....	Skruv.....		
18	VOE 13945408					2		Nut.....	Ecrou.....	Mutter.....	Tuerca .....	Mutter.....		



1	11298204	Instrumentpanel Panel de instrumentos Instrumententafel Tableau de bord Instrument panel	Catalogue id	Group
2	11298208		<b>20124</b>	<b>881</b>
3	11880101		Illustr. No	Section
4	11298032		<b>1027423</b>	<b>100</b>
5	11298167		Issue	Page
			<b>VOE 63A9920124</b>	<b>435</b>

**VOLVO**

**BL61PLUS**



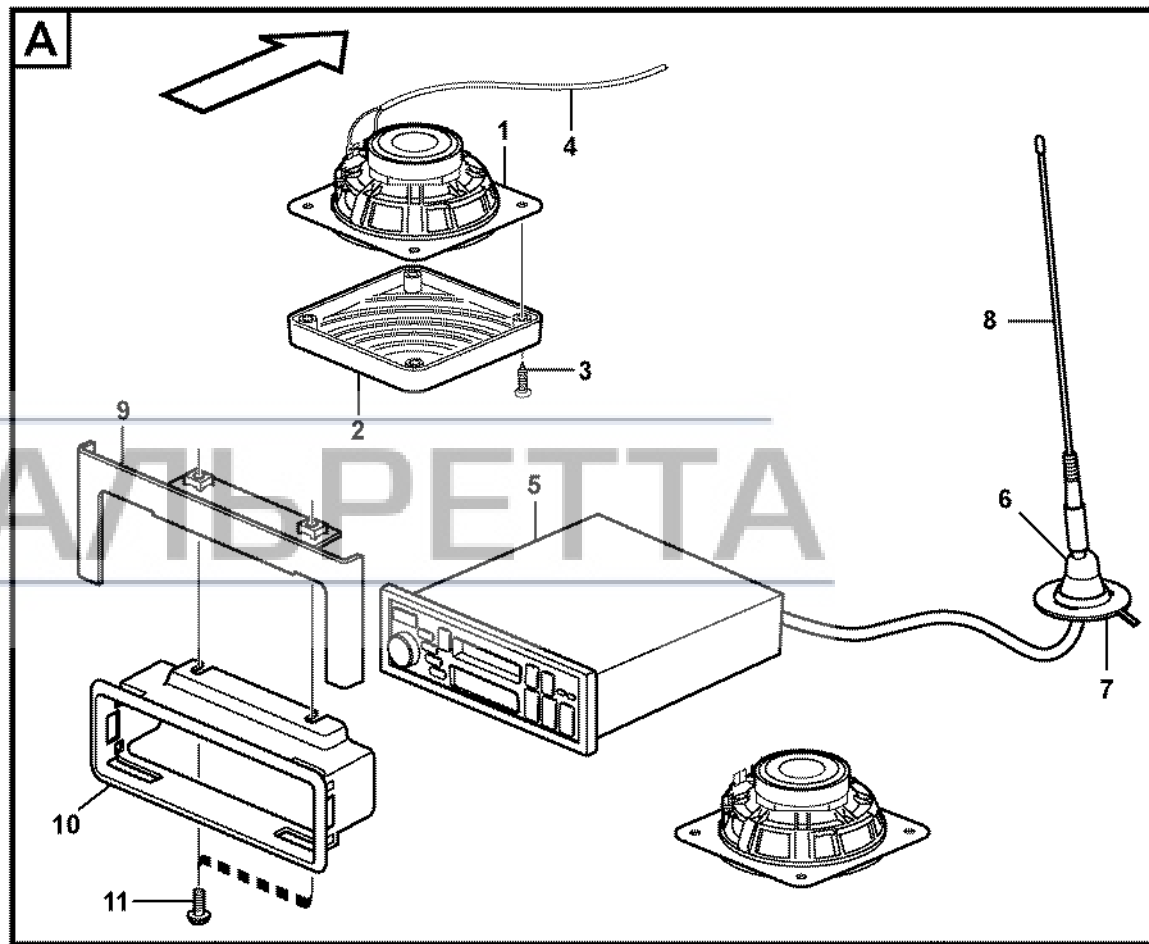
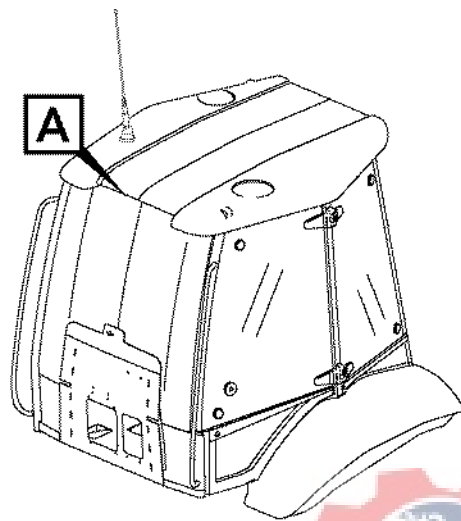


Fig.	Part No.	Quantity			P S	K I T	Description	Dénomination	Bezeichnung	Denominación	Benämning	Notes
		1	2	3								
1	VOE 11201898	2	2			Speaker.....	Haut-parleur .....	Lautsprecher .....	Altavoz .....	Högtalare.....		
2	VOE 11201899	2	2			Speaker Grille .....	Grille Haut-parleur.....	Lautsprechergitter .....	Rejilla Altavoz.....	Högtalargaller.....		
3	VOE 969478	8	8			6-pt skt screw.....	Vis creuse de 6 .....	Hohlschraube .....	Racor 6-dientes .....	Sextandhålskruv.....		
	VOE 11164693	8	8			Spring Nut.....	Ecrou Ressort .....	Fed. Schliessmutter .....	Tuerca Resorte .....	Fjädermutter.....		
4	VOE 11170724	1	1			Cable harness.....	Faisceau cables .....	Kabelbaum .....	Manojo cables .....	Ledningsmatta.....		
5	VOE 11803635	1				Radio.....	Auto-radio .....	Radio.....	Radio .....	Radio.....	(VOE 11884631)	
6	VOE 1578603	1	1			Anchorage.....	Fixation .....	Halterung.....	Fijacion.....	Fäste.....		
7	VOE 11204085	1	1			Ground Conn .....	Liaison Masse .....	Masseanschluss.....	Conexion Tierra.....	Jordförbindning.....		
8	VOE 1083597	1	1			Antenna.....	Antenne.....	Antenne.....	Antena.....	Antenn.....		
9	VOE 11203823	1	1			Anchorage.....	Fixation .....	Halterung.....	Fijacion.....	Fäste.....		
10	VOE 11164554	1	1			Radio Bracket .....	Support Radio .....	Radioträger .....	Consola Radio.....	Radiokonsol.....		
11	VOE 946440	2	2			Flange screw.....	Vis à bride .....	Flanschschraube.....	Torn embridado.....	Flänskskruv.....		

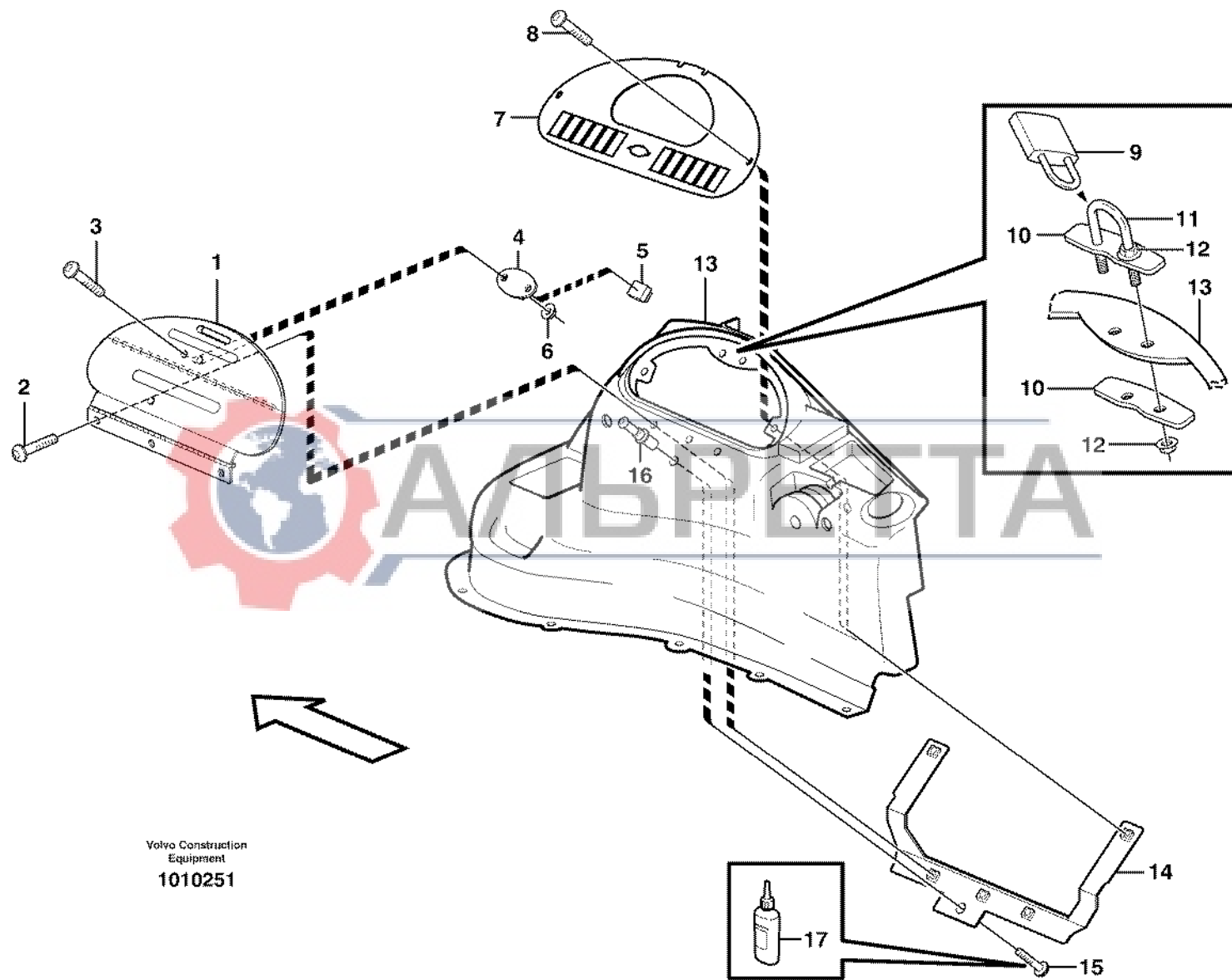


1	11891303	Radiokonsol Panel de radio Radioträger Console radio Radio bracket	Catalogue id	Group
2	11891488		<b>20124</b>	<b>881</b>
3			Illustr. No	Section
4			<b>1012751</b>	<b>150</b>
5			Issue	Page
			<b>VOE 63A9920124</b>	<b>437</b>

**VOLVO**

**BL61PLUS**





Volvo Construction  
Equipment  
1010251

Fig.	Part No.	Quantity			P S	K I T	Description	Dénomination	Bezeichnung	Denominación	Benämning	Notes
		1	2	3								
1	VOE 11202166	1					Vandal Guard.....	Protection antivandali.	Wandal.schutz.....	Protec Antirobo .....	Vandalskydd.....	
2	VOE 972421	3					Screw.....	Vis.....	Schraube.....	Tornillo .....	Skruv.....	(VOE 13969422)
3	VOE 969513	2					Screw.....	Vis.....	Schraube.....	Tornillo .....	Skruv.....	
4	VOE 11202423	1					Door Retainer.....	Support Porte.....	Türhalter.....	Reten Puerta.....	Dörrhållare.....	
5	VOE 11202422	1					Rubber Sleeve.....	Douille Caoutch.....	Gummimanschette.....	Manguito Goma.....	Gummihylsa.....	
6	VOE 975237	2					Lock nut.....	Contre-ecrou.....	Sicherungsmutter.....	Contratuerca.....	Låsmutter.....	(VOE 13975237)
7		1					Panel.....	Panneau.....	Verkleidung.....	Plancha.....	Panel.....	See group 881, Page 435
8	VOE 969147	2					Screw.....	Vis.....	Schraube.....	Tornillo .....	Skruv.....	
	VOE 960139	2					Washer.....	Rondelle.....	Scheibe.....	Arandela.....	Bricka.....	
9	VOE 11885135	1					Padlock.....	Cadenas.....	Vorhängeschloss.....	Cerrojo .....	Hänglås.....	
10	VOE 11201422	2					Plate.....	Plaque.....	Platte.....	Placa.....	Platta.....	
11	VOE 11201421	1					Brace.....	Etrier.....	Bügel.....	Brida.....	Bygel.....	
12	VOE 13949278	4					Flange Lock Nut.....	Contre écrou bride.....	Flanschmutter.....	Contratuer Embr.....	Flänslåsmutter.....	
13		1					Side Panel.....	Panneau Lateral.....	Seit Verkl.....	Panel Lateral.....	Sidopanel.....	See group 881, Page 435
14	VOE 11202424	1					Reinforcing plate.....	Tole renfort.....	Verstärkungsblech.....	Placa refuerzo.....	Förstärkningsplåt.....	
15	VOE 13965175	1					Screw.....	Vis.....	Schraube.....	Tornillo .....	Skruv.....	
16	VOE 11202421	1					Pin.....	Goupille.....	Zapfen.....	Pasador.....	Tapp.....	
17	VOE 11200847	1				OP	Locking Fluid.....	Liquide Blocage.....	Sich.flussigk.....	Liquido Sellad.....	Låsvätska.....	

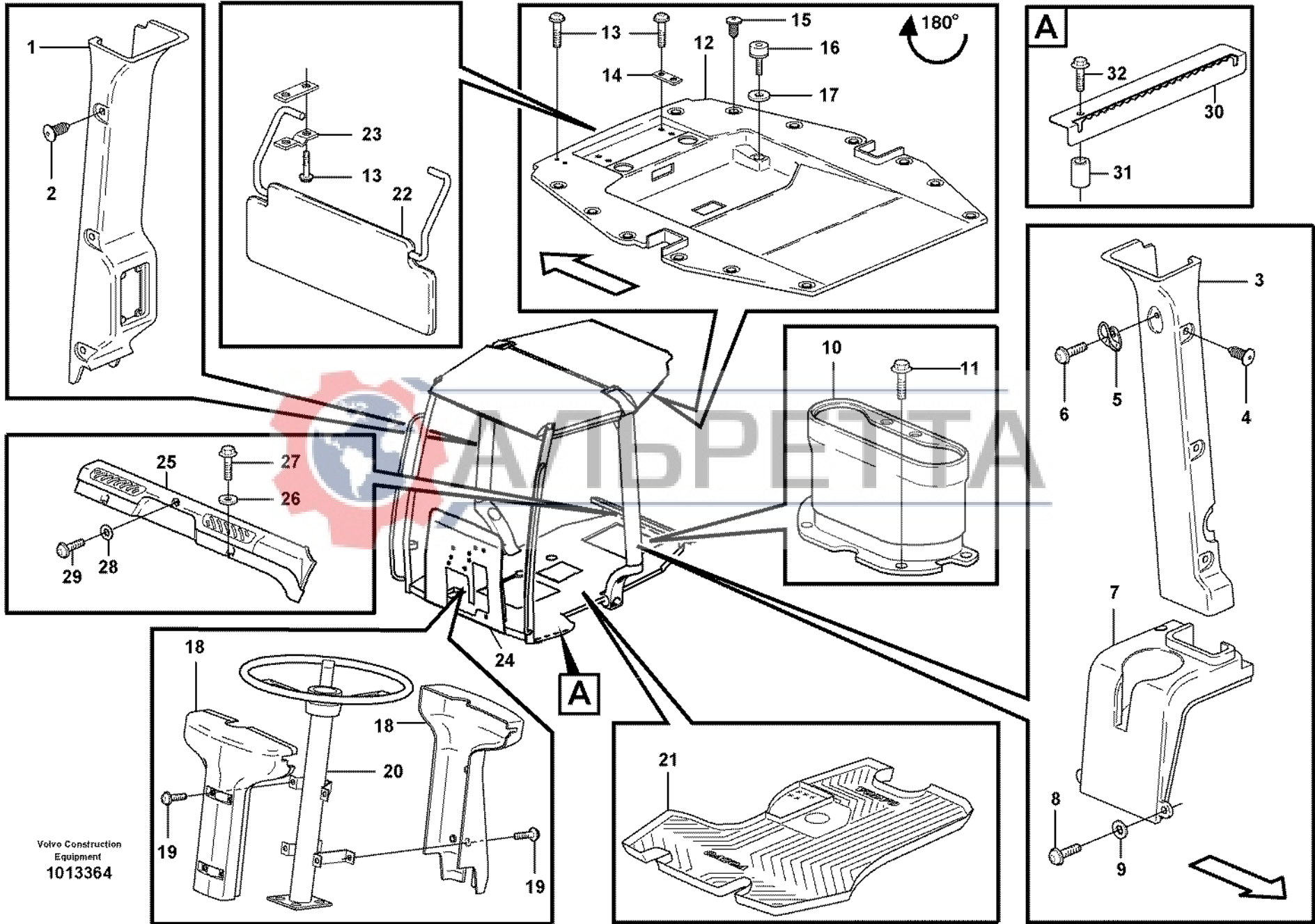


1		<b>Vandalskydd</b>	Catalogue id	Group
2		<b>Protección contra vandalismo</b>	<b>20124</b>	<b>881</b>
3		<b>Vandalisierungschutz</b>	Illustr. No	Section
4		<b>Kit de protection antivandalisme</b>	<b>1010251</b>	<b>200</b>
5		<b>Vandalism kit</b>	Issue	Page
		<b>11298032</b>	<b>VOE 63A9920124</b>	<b>439</b>

**VOLVO**

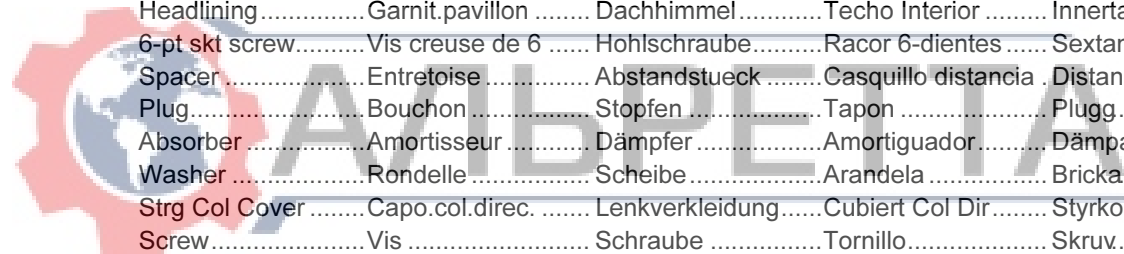
**BL61PLUS**





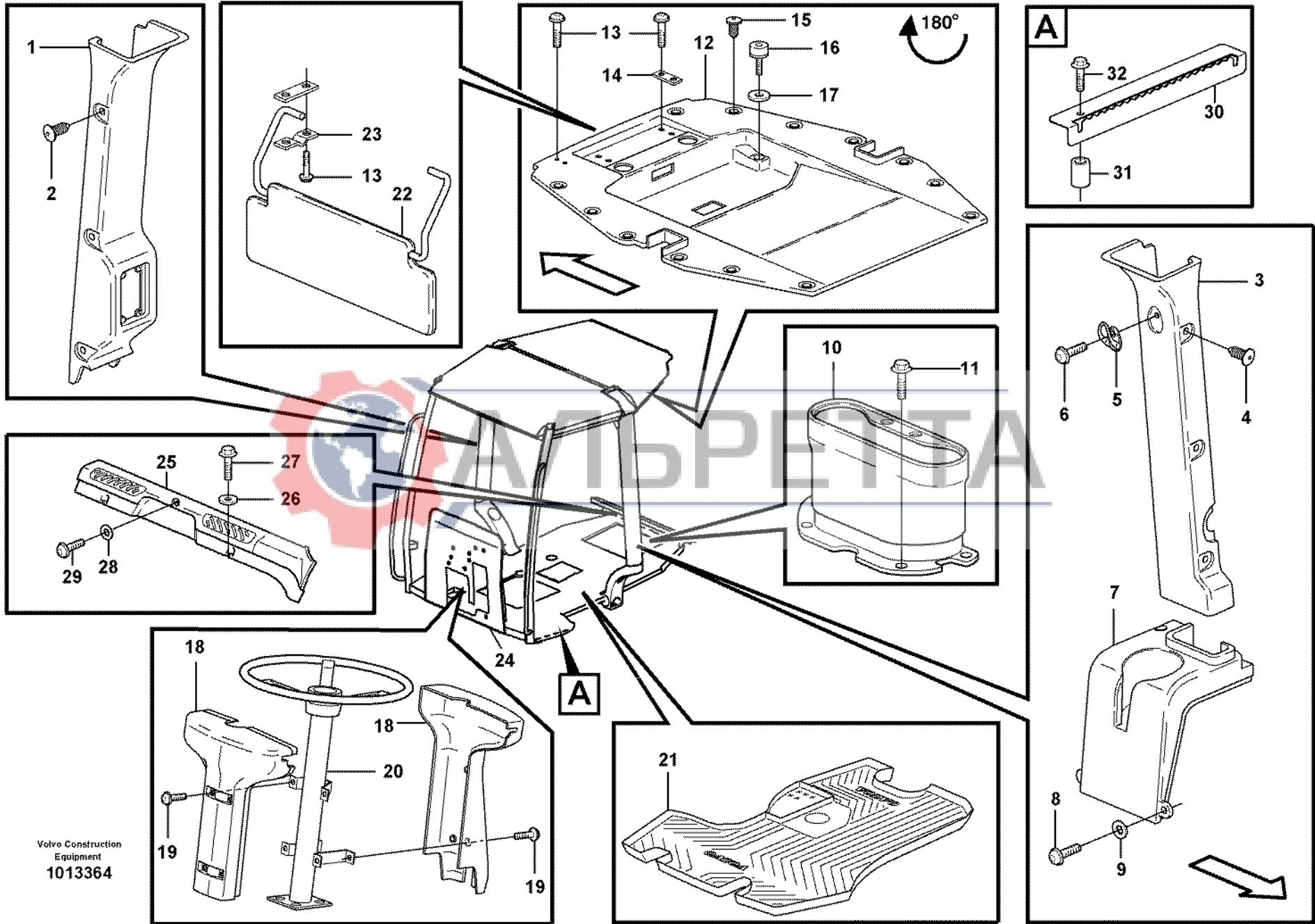
Volvo Construction  
Equipment  
1013364

Fig.	Part No.	Quantity					P S	K I T	Description	Dénomination	Bezeichnung	Denominación	Benämning	Notes
		1	2	3	4	5								
1	VOE 11200546	1						Cover .....	Capotage .....	Deckel .....	Cubierta .....	Täckkåpa .....	RH	
2	VOE 1613068	6						Plug .....	Bouchon .....	Stopfen .....	Tapon .....	Plugg .....		
3	VOE 11203565	1						Cover .....	Capot .....	Haube .....	Cubierta .....	Kåpa .....	LH	
4	VOE 1613068	6						Plug .....	Bouchon .....	Stopfen .....	Tapon .....	Plugg .....		
5	VOE 11078015	1						Coat hanger .....	Porte manteau .....	Kleiderhaken .....	Percha .....	Klädkrok .....		
6	VOE 972401	2						Screw .....	Vis .....	Schraube .....	Tornillo .....	Skruv .....		
7	VOE 11204411	1						Side Panel .....	Panneau Lateral .....	Seit Verkl .....	Panel Lateral .....	Sidopanel .....		
7	VOE 11204335					1		Side Panel .....	Panneau Lateral .....	Seit Verkl .....	Panel Lateral .....	Sidopanel .....		
8	VOE 975378	4				4		Screw .....	Vis .....	Schraube .....	Tornillo .....	Skruv .....		
9	VOE 13940090	4				4		Washer .....	Rondelle .....	Scheibe .....	Arandela .....	Bricka .....		
10	VOE 11203356	1		1				Cover .....	Capot .....	Haube .....	Capo .....	Lock .....	11891162, 11891167	
10	VOE 11204474							Cover .....	Capot .....	Haube .....	Capo .....	Lock .....	11895018, 11895019 11895020	
11	VOE 13946934	4		4				Screw .....	Vis .....	Schraube .....	Tornillo .....	Skruv .....	11891162, 11891167 11895018, 11895019 11895020	
12	VOE 11204962	1						Headlining .....	Garnit.pavillon .....	Dachhimmel .....	Techo Interior .....	Innertak .....		
13	VOE 969587	6		4				6-pt skt screw .....	Vis creuse de 6 .....	Hohlschraube .....	Racor 6-dientes .....	Sextandhålskruv .....		
14	VOE 14343207	2		2				Spacer .....	Entretoise .....	Abstandstueck .....	Casquillo distancia .....	Distans .....		
15	VOE 1613068	13						Plug .....	Bouchon .....	Stopfen .....	Tapon .....	Plugg .....		
16	VOE 11200579	2						Absorber .....	Amortisseur .....	Dämpfer .....	Amortiguador .....	Dämpare .....		
17	VOE 13960141	REQ						Washer .....	Rondelle .....	Scheibe .....	Arandela .....	Bricka .....	(VOE 976944)	
18	VOE 11204410	1		1				Strg Col Cover .....	Capo.col.dir.ec .....	Lenkverkleidung .....	Cubiert Col Dir .....	Styrkolonnkåpa .....		
19	VOE 972410	7		7				Screw .....	Vis .....	Schraube .....	Tornillo .....	Skruv .....		
20		1		1				Steering Column .....	Colonne direction .....	Lenksäule .....	Columna direccion .....	Rattstam .....	See group 641, Page 337	
21	VOE 11200547				1			Floor mat .....	Tapis sol .....	Bodenmatte .....	Alfombra piso .....	Golvmatte .....		
21					1	NS		Foil .....	Feuille Etain .....	Folie .....	Folio .....	Folie .....	11298278	
22	VOE 11006992		1					Sun Visor .....	Pare soleil .....	Sonnenblende .....	Pafasol .....	Solskydd .....		
23	VOE 14343206		2					Cap .....	Cavalier .....	Überwurf .....	Sombrerete .....	Överfall .....		
24	VOE 11204075	1						Insulation .....	Isolation .....	Isolierung .....	Aislamiento .....	Isolering .....	(VOE 11200882)	



1	11298204	<b>Inredningsdetaljer</b> <b>Detalles interiores</b> <b>Innenausstattung</b> <b>Pieces d'amenagement</b> <b>Interior components</b>	Catalogue id	Group
2	11298016		<b>20124</b>	<b>882</b>
3	11298208		Illustr. No	Section
4	11298165		<b>1013364</b>	<b>100</b>
5	11298168		Issue	Page
			<b>VOE 63A9920124</b>	<b>441</b>





Volvo Construction  
Equipment  
1013364

Fig.	Part No.	Quantity					P S	K T	Description	Dénomination	Bezeichnung	Denominación	Benämning	Notes
		1	2	3	4	5								
25	VOE 11201216			1					Foot Rest .....	Repose-pied .....	Fusstutze .....	Apoyo Pie .....	Fotstöd.....	
26	VOE 960139			2					Washer .....	Rondelle .....	Scheibe .....	Arandela .....	Bricka.....	
26	VOE 960139				4				Washer .....	Rondelle .....	Scheibe .....	Arandela .....	Bricka.....	11298278
27	VOE 13947542			2					Screw.....	Vis .....	Schraube .....	Tornillo.....	Skruv.....	
28	VOE 13960138			1					Washer .....	Rondelle .....	Scheibe .....	Arandela .....	Bricka.....	
29	VOE 972412			1					Screw.....	Vis .....	Schraube .....	Tornillo.....	Skruv.....	
30					2	NS			Anchorage .....	Fixation.....	Halterung .....	Fijacion .....	Fäste.....	
31	VOE 930416				4				Spacer Ring.....	Bagu.entretoise .....	Abstandring.....	Anillo Dist .....	Distansring.....	
32	VOE 13948356				4				Flange screw .....	Vis à bride .....	Flanschschraube .....	Torn embridado .....	Flänsskruv.....	



1	11298204	Inredningsdetaljer Detalles interiores Innenausstattung Pieces d'amenagement Interior components	Catalogue id	Group
2	11298016		<b>20124</b>	<b>882</b>
3	11298208		Illustr. No	Section
4	11298165		<b>1013364</b>	<b>100</b>
5	11298168		Issue	Page
			<b>VOE 63A9920124</b>	<b>443</b>

**VOLVO**

**BL61PLUS**



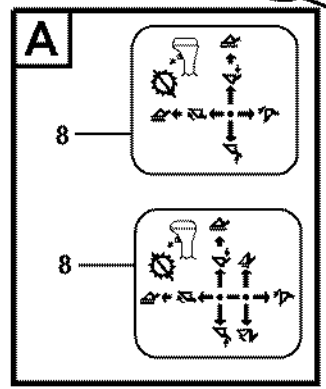
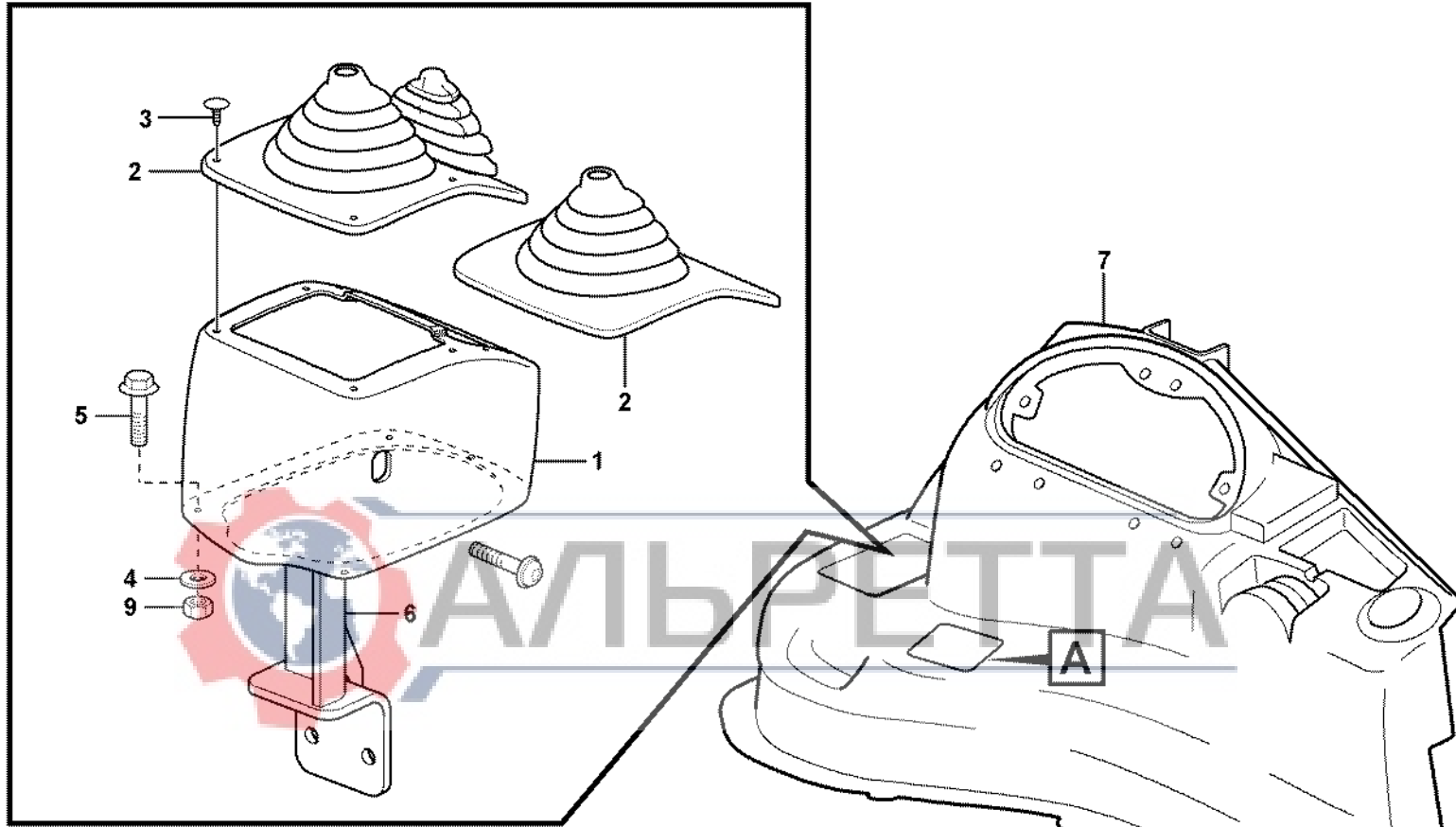


Fig.	Part No.	Quantity			P S	K I T	Description	Dénomination	Bezeichnung	Denominación	Benämning	Notes
		1	2	3								
1	VOE 11885305	1					Cover .....	Capot .....	Haube.....	Capo.....	Lock.....	
2	VOE 11881363	1					Bellows.....	Capot Caoutcho.....	Gummimantel.....	Cubierta Goma.....	Gummikåpa.....	
3	VOE 11884070	8					Screw .....	Vis .....	Schraube.....	Tornillo .....	Skruv.....	
4	VOE 13940090	4					Washer.....	Rondelle .....	Scheibe .....	Arandela.....	Bricka.....	
5	VOE 972410	4					Screw .....	Vis .....	Schraube.....	Tornillo .....	Skruv.....	
6		1					Bracket.....	Console.....	Konsole .....	Ménsula.....	Konsol.....	See group 915, Page 555
7		1					Side Panel.....	Panneau Lateral.....	Seit Verkl.....	Panel Lateral .....	Sidopanel.....	See group 881, Page 435
8		1					Decal.....	Decalcomanie .....	Abziehbild.....	Decalcomania .....	Dekal.....	See group 897, Page 455
9	VOE 949874	4					Lock nut .....	Contre-ecrou .....	Sicherungsmutter .....	Contratuerca .....	Låsmutter.....	



1		<b>Kåpa lastarreglage</b> <b>Cubierta, control de cargadora</b> <b>Abdeckung Ladereglage</b> <b>Capotage, commandes de l'équipement chargeur</b> <b>Casing loader controls</b>	Catalogue id	Group
2			<b>20124</b>	<b>882</b>
3			Illustr. No	Section
4			<b>1012612</b>	<b>200</b>
5			Issue	Page
			<b>VOE 63A9920124</b>	<b>445</b>
			<b>11891415, 11895001, 11895000</b>	

**VOLVO**

**BL61PLUS**



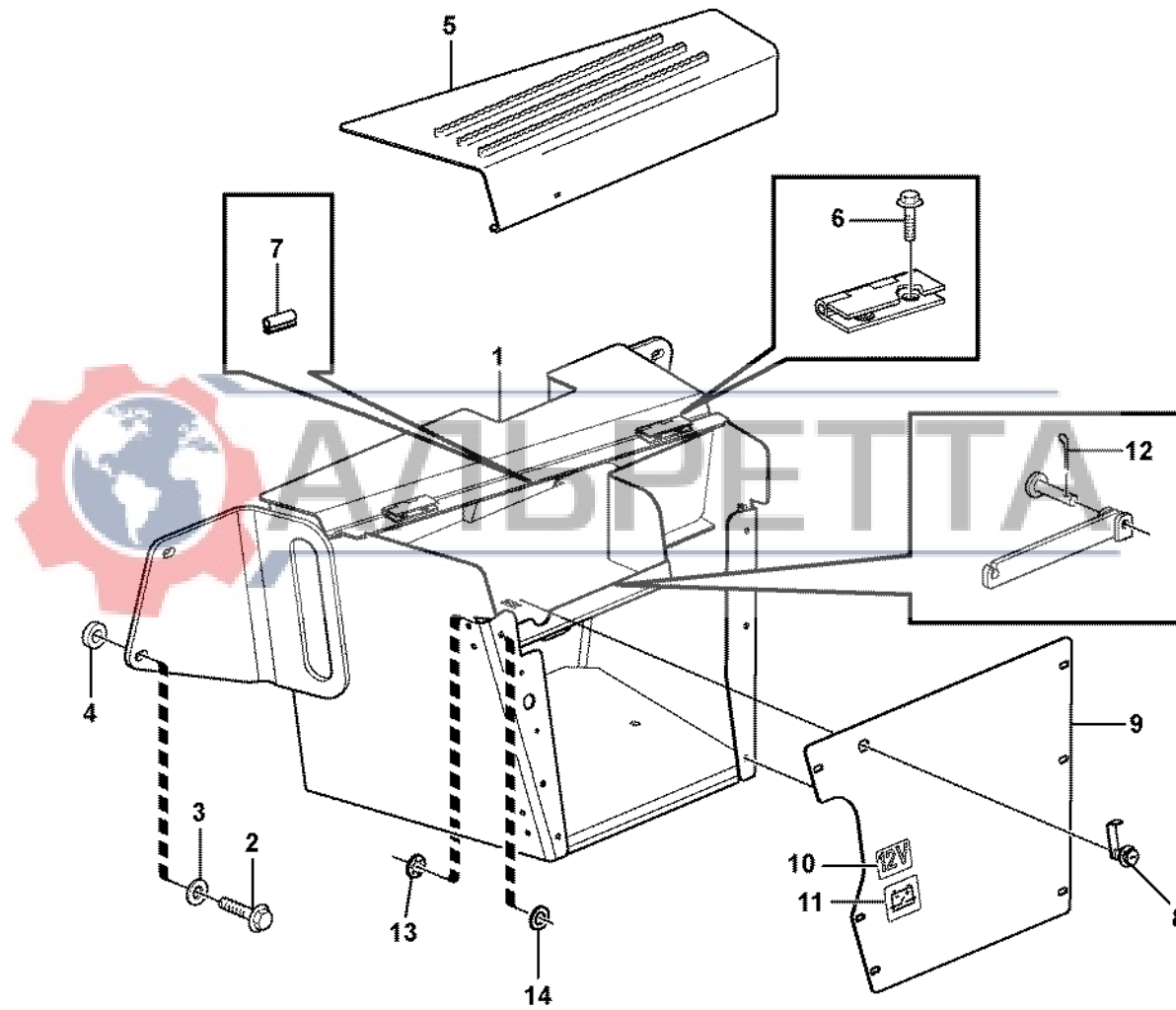


Fig.	Part No.	Quantity			P S	K I T	Description	Dénomination	Bezeichnung	Denominación	Benämning	Notes
		1	2	3								
1	VOE 11887066	1				Tool Box.....	Boite a outils .....	Werkzeugkasten .....	Caja herramientas .....	Verktygslåda.....		
2	VOE 13965194	4				Flange screw.....	Vis à bride .....	Flanschschraube.....	Torn embridado .....	Flänsskruv.....		
3	VOE 947558	6				Washer.....	Rondelle .....	Scheibe .....	Arandela .....	Bricka.....		
4	VOE 11882457	2				Spacer.....	Entretoise .....	Abstandkörper.....	Distanciador .....	Distans.....		
5	VOE 11886999	1				Door .....	Porte .....	Tür.....	Puerta.....	Dörr.....		
6	VOE 13946544	4				Flange screw.....	Vis à bride .....	Flanschschraube.....	Torn embridado .....	Flänsskruv.....		
7	VOE 11886149	1				Seal.....	Joint .....	Dichtring .....	Junta .....	Tätning.....		
8	VOE 11886138	1				Lock .....	Serrure .....	Schloss.....	Cierre .....	Lås.....		
9	VOE 11887050	1				Front Plate .....	Tole Frontale.....	Frontblech .....	Placa Frontal .....	Frontplåt.....		
10	VOE 11883632	1				Decal.....	Decalcomanie .....	Abziehbild.....	Decalcomania .....	Dekal.....		
11	VOE 14346537	1				Decal.....	Decalcomanie .....	Abziehbild.....	Decalcomania .....	Dekal.....		
12	VOE 907825	1				Cotter Pin.....	Goupille Fendue.....	Splint .....	Pasador Hendido .....	Saxpinne.....		
13	VOE 13967580	2				Retainer .....	Retenue .....	Halter.....	Soporte.....	Hållare.....		
14	VOE 13960141	2				Washer.....	Rondelle .....	Scheibe .....	Arandela.....	Bricka.....		



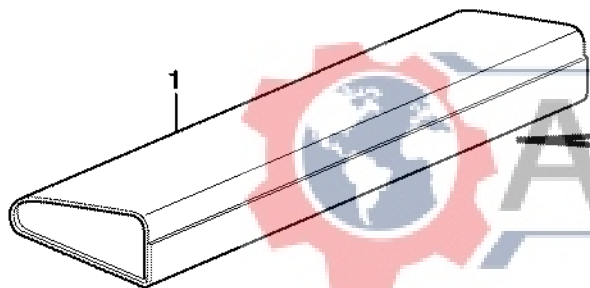
1	<b>Verktygslåda</b> <b>Caja de herramientas</b> <b>Werkzeugkasten</b> <b>Caisse outil</b> <b>Toolbox</b>	Catalogue id	Group
2		<b>20124</b>	<b>896</b>
3		Illustr. No	Section
4		<b>1026978</b>	<b>100</b>
5		Issue	Page
		<b>VOE 63A9920124</b>	<b>447</b>

**VOLVO**

**BL61PLUS**







Volvo Construction  
Equipment  
1006672

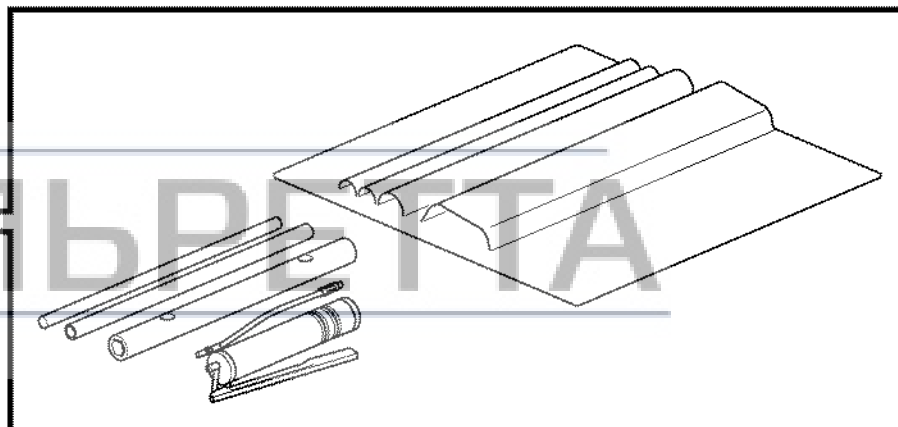


Fig.	Part No.	Quantity			P S	K I T	Description	Dénomination	Bezeichnung	Denominación	Benämning	Notes
		1	2	3								
1	VOE 11885079	1					Tool kit .....	Kit outils .....	Werkzeugsatz .....	Juego herramien .....	Verktygssats.....	

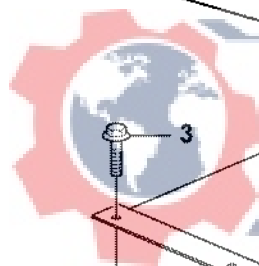
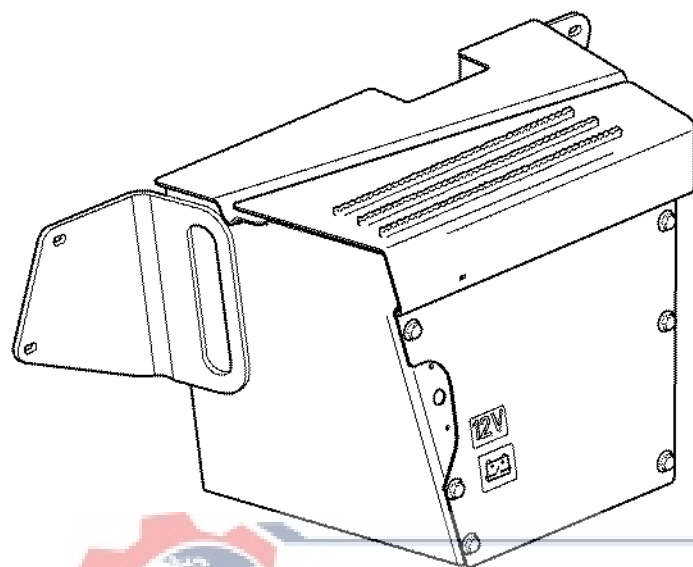


1		<b>Verktyg</b> <b>Herramienta</b> <b>Werkzeug</b> <b>Outil</b> <b>Tool</b>	Catalogue id	Group
2			<b>20124</b>	<b>896</b>
3			Illustr. No	Section
4			<b>1006672</b>	<b>150</b>
5			Issue	Page
		<b>11891152</b>	<b>VOE 63A9920124</b>	<b>449</b>

**VOLVO**

**BL61PLUS**





АЛЬРЕТТА

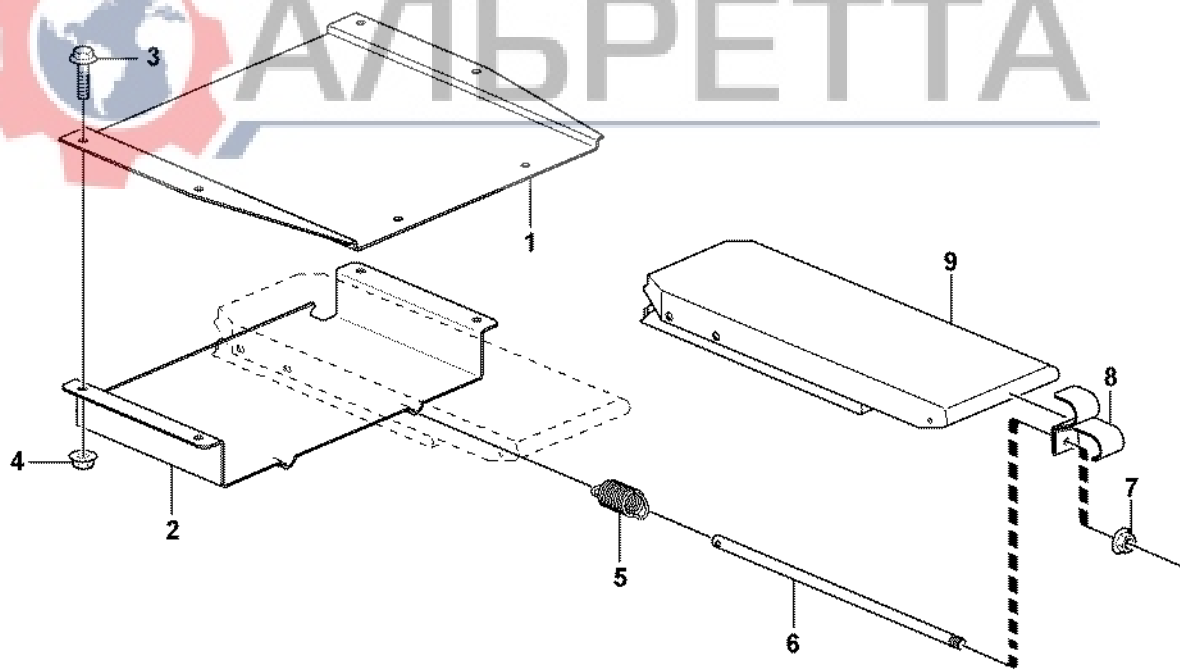


Fig.	Part No.	Quantity			P S	K I T	Description	Dénomination	Bezeichnung	Denominación	Benämning	Notes
		1	2	3								
1	VOE 11886860	1				Support .....	Support .....	Stütze .....	Apoyo .....	Stöd.....		
2	VOE 11886861	1				Drawer .....	Tireur.....	Abzieher .....	Remolcador .....	Dragare.....		
3	VOE 946329	4				Flange screw.....	Vis à bride .....	Flanschschraube.....	Torn embridado .....	Flänsskruv.....		
4	VOE 13971098	4				Flange nut.....	Ecrou accouple. ....	Bundmutter.....	Tuerca embridad .....	Flänsmutter.....		
5	VOE 11200982	2				Tension Spring.....	Ressort de traction .....	Zugfeder.....	Muelle traccion .....	Dragfjäder.....		
6	VOE 11884945	2				Rod .....	Monture.....	Fuhler .....	Varilla .....	Spröt.....		
7	VOE 13945407	4				Nut .....	Ecrou.....	Mutter .....	Tuerca .....	Mutter.....		
8	VOE 11884944	2				Handle.....	Poignee.....	Handgriff.....	Manilla .....	Handgrepp.....		
9	ZM 2812366	2				Wheel chock .....	Cale.....	Unterlegkeil .....	Calzo .....	Bromsklots.....	(VOE 2812366)	

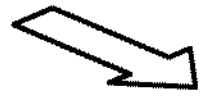
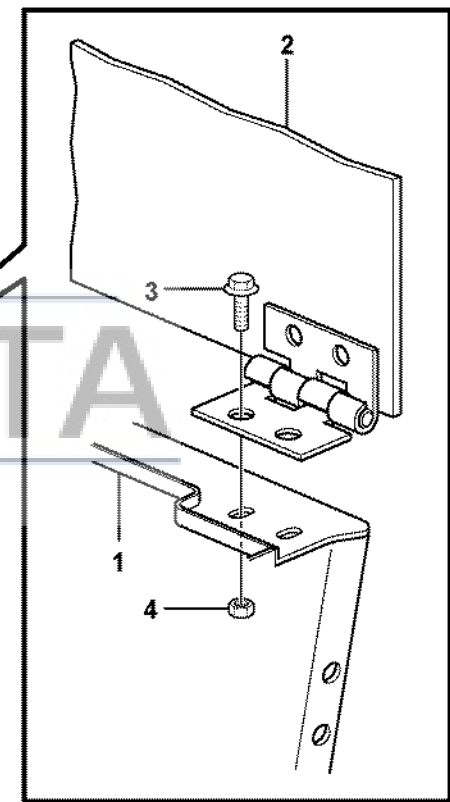
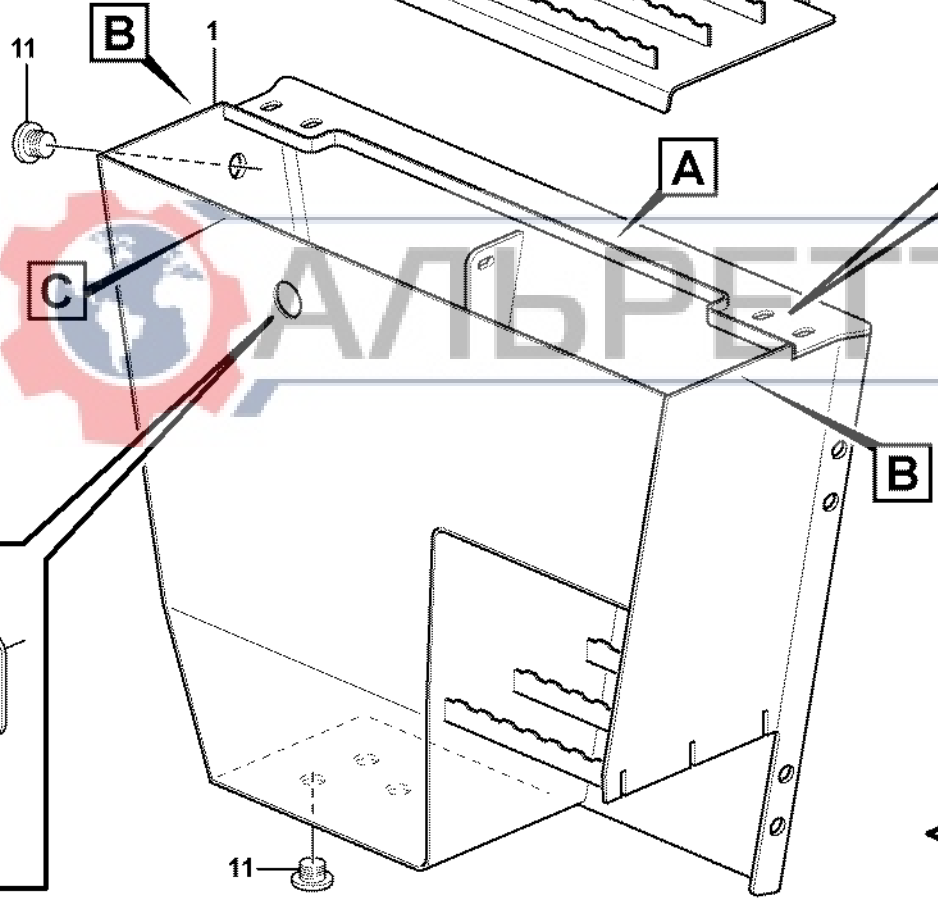
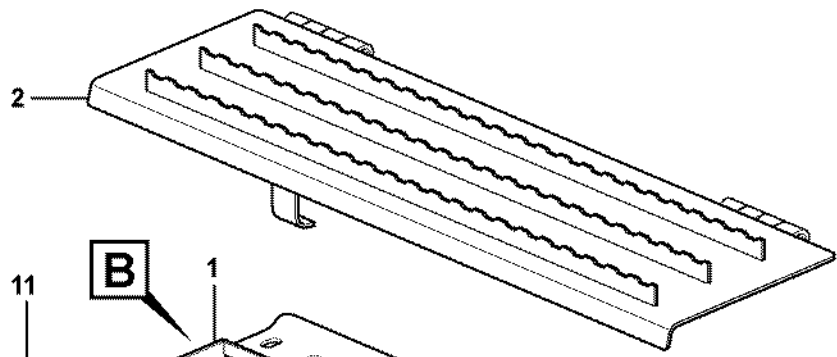
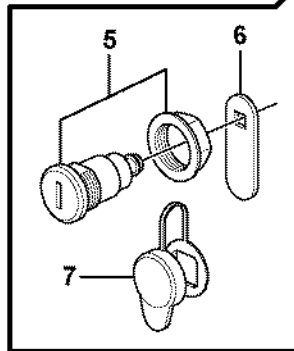
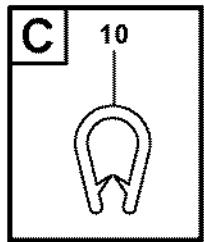
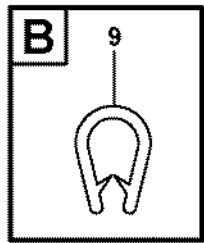
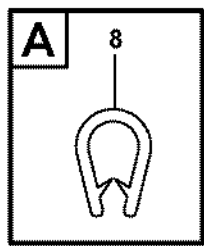


1	<b>Stoppklosshållare</b> <b>Soporte de calzos</b> <b>Stoppklotzhalter</b> <b>Support de rangement pour cales de blocage des roues</b> <b>Stop block holder</b> <b>11891000, 11891050, 11891094</b>	Catalogue id	Group
2		<b>20124</b>	<b>896</b>
3		Illustr. No	Section
4		<b>1012702</b>	<b>200</b>
5		Issue	Page
		<b>VOE 63A9920124</b>	<b>451</b>

**VOLVO**

**BL61PLUS**





АЛЬРЕТА

Fig.	Part No.	Quantity			P S	K I T	Description	Dénomination	Bezeichnung	Denominación	Benämning	Notes
		1	2	3								
	<b>VOE 1188821</b>	1				OP	Box.....	Boîte.....	Kasten.....	Caja.....	Låda.....	
1	<b>VOE 1188822</b>	1					•Box.....	•Boîte.....	•Kasten.....	•Caja.....	•Låda.....	
2	<b>VOE 1188823</b>	1					•Door.....	•Porte.....	•Tür.....	•Puerta.....	•Dörr.....	
3	<b>VOE 13946544</b>	4					•Flange screw.....	•Vis à bride.....	•Flanschschraube.....	•Torn embridado.....	•Flänsskruv.....	
4	<b>VOE 13945407</b>	4					•Nut.....	•Erou.....	•Mutter.....	•Tuerca.....	•Mutter.....	
5	<b>VOE 11886138</b>	1					•Lock.....	•Serrure.....	•Schloss.....	•Cierre.....	•Lås.....	
6	<b>VOE 11888831</b>	1					•Plate.....	•Tole.....	•Blech.....	•Chapa.....	•Plåt.....	
7		1				NS	•Cover.....	•Capot.....	•Haube.....	•Capo.....	•Lock.....	
8	<b>VOE 11888918</b>	1					•Gasket.....	•Joint.....	•Dichtung.....	•Junta.....	•Packning.....	L = 638 MM
9		2				NS	•Gasket.....	•Joint.....	•Dichtung.....	•Junta.....	•Packning.....	L = 2 x 125 MM
10		1				NS	•Gasket.....	•Joint.....	•Dichtung.....	•Junta.....	•Packning.....	L = 586 MM
11	<b>VOE 13961965</b>	3					Protecting Plug.....	Tampon Protect.....	Sicher Stöpsel.....	Tapon Protecc.....	Skyddspropp.....	



1	<b>Verkttygslåda</b> <b>Caja de herramientas</b> <b>Werkzeugkasten</b> <b>Caisse outil</b> <b>Toolbox</b>  <b>11891584</b>	Catalogue id	Group
2		<b>20124</b>	<b>896</b>
3		Illustr. No	Section
4		<b>1027806</b>	<b>250</b>
5		Issue	Page
		<b>VOE 63A9920124</b>	<b>453</b>

**VOLVO**

**BL61PLUS**





Fig.	Part No.	Quantity					P S	K T	Description	Dénomination	Bezeichnung	Denominación	Benämning	Notes
		1	2	3	4	5								
1	VOE 11883735	2						Label, Adhesive .....	Autocollant .....	Aufkleber.....	Etiqueta adhesiva...	Dekal, självhäftand.		
2	VOE 11883888	2						Label.....	Etiquette .....	Etikett.....	Etiqueta .....	Etikett.....		
3	VOE 11881585	1						Label.....	Etiquette .....	Etikett.....	Etiqueta .....	Etikett.....		
4	VOE 11883719	1						Label.....	Etiquette .....	Etikett.....	Etiqueta .....	Etikett.....		
5	VOE 11883720	2						Label.....	Etiquette .....	Etikett.....	Etiqueta .....	Etikett.....		
6	VOE 15602517	2						Decal.....	Decalcomanie.....	Abziehbild .....	Decalcomania.....	Dekal.....		
7	VOE 11883297	1						Decal.....	Decalcomanie.....	Abziehbild .....	Decalcomania.....	Dekal.....	11891162, 11895019	
	VOE 11883298	1						Decal.....	Decalcomanie.....	Abziehbild .....	Decalcomania.....	Dekal.....	11891167, 11895018	
	VOE 11884592	1						Decal.....	Decalcomanie.....	Abziehbild .....	Decalcomania.....	Dekal.....	11891322, 11895020	
8	VOE 11884333	1						Decal.....	Autocollant .....	Aufklebeschild.....	Calcomania .....	Dekal.....	11891417, 11895018 11895019, 11895020	
9	VOE 11026730		4	4	4	4		Decal.....	Decalcomanie.....	Abziehbild .....	Decalcomania.....	Dekal.....		
10	VOE 11004094		4	4	4	4		Decal.....	Decalcomanie.....	Abziehbild .....	Decalcomania.....	Dekal.....		
11	VOE 11003865		1	1	1	1		Decal.....	Decalcomanie.....	Abziehbild .....	Decalcomania.....	Dekal.....		
12	VOE 11003865		1	1	1	1		Decal.....	Decalcomanie.....	Abziehbild .....	Decalcomania.....	Dekal.....		
13	VOE 11883642		1	1	1	1		Decal.....	Decalcomanie.....	Abziehbild .....	Decalcomania.....	Dekal.....		
14	VOE 11180010		1	1	1	1		Decal.....	Decalcomanie.....	Abziehbild .....	Decalcomania.....	Dekal.....		
15	VOE 11883294		1	1	1	1		Decal.....	Decalcomanie.....	Abziehbild .....	Decalcomania.....	Dekal.....		
16	VOE 11883303		1	1	1	1		Decal.....	Decalcomanie.....	Abziehbild .....	Decalcomania.....	Dekal.....		
17	VOE 11883293		1	1	1	1		Decal.....	Decalcomanie.....	Abziehbild .....	Decalcomania.....	Dekal.....		
18	VOE 11887015		1	1	1	1		Decal.....	Decalcomanie.....	Abziehbild .....	Decalcomania.....	Dekal.....		
19	VOE 1578835		4	6				Side Mkg Refl .....	Reflect.lateral .....	Seitenrefl Band .....	Captafaros Lat.....	Sidomark.reflex.....		
20	VOE 11883652		1					Decal.....	Decalcomanie.....	Abziehbild .....	Decalcomania.....	Dekal.....		
21	VOE 11105304		3					Decal.....	Decalcomanie.....	Abziehbild .....	Decalcomania.....	Dekal.....	11891000	
	VOE 11105305		3					Decal.....	Decalcomanie.....	Abziehbild .....	Decalcomania.....	Dekal.....	11891050	
22	VOE 11883304	1						Decal.....	Decalcomanie.....	Abziehbild .....	Decalcomania.....	Dekal.....	11891455	
23	VOE 11884374	1						Decal.....	Decalcomanie.....	Abziehbild .....	Decalcomania.....	Dekal.....	11891455	
24	VOE 11180153		1	1	1		OP	Decal.....	Decalcomanie.....	Abziehbild .....	Decalcomania.....	Dekal.....		
25	VOE 11887639		1	1	1	1		Decal.....	Decalcomanie.....	Abziehbild .....	Decalcomania.....	Dekal.....		
26	VOE 11885420	1						Decal.....	Decalcomanie.....	Abziehbild .....	Decalcomania.....	Dekal.....	11891415	

1	11880101	<b>Skyltar och dekaler</b> <b>Muestras y decalcomanias</b> <b>Schilder und aufklebeschild</b> <b>Enseignes et décalcomanies</b> <b>Sign plates and decals</b>	Catalogue id	Group
2	11891000, 11891050		<b>20124</b>	<b>897</b>
3	11891002		Illustr. No	Section
4	11891249		<b>1027418</b>	<b>100</b>
5	11891248		Issue	Page
			<b>VOE 63A9920124</b>	<b>455</b>





Fig.	Part No.	Quantity					P S	K T	Description	Dénomination	Bezeichnung	Denominación	Benämning	Notes
		1	2	3	4	5								
26	VOE 15604008	1						Decal.....	Decalcomanie.....	Abziehbild .....	Decalcomania.....	Dekal.....	11895000, 11895001	
26	VOE 15604002	1						Decal.....	Decalcomanie.....	Abziehbild .....	Decalcomania.....	Dekal.....	11895023	
27	VOE 11888839	1						Decal.....	Decalcomanie.....	Abziehbild .....	Decalcomania.....	Dekal.....	11891150	
28	VOE 11888840	1						Decal.....	Decalcomanie.....	Abziehbild .....	Decalcomania.....	Dekal.....	11891150	
29	VOE 11888837	1						Decal.....	Decalcomanie.....	Abziehbild .....	Decalcomania.....	Dekal.....	11891151	
	VOE 15603999	1						Decal.....	Autocollant .....	Aufklebeschild.....	Calcomania .....	Dekal.....	11891595	
30	VOE 11889046					1		Decal.....	Decalcomanie.....	Abziehbild .....	Decalcomania.....	Dekal.....		
31	VOE 11886267	1						Decal.....	Decalcomanie.....	Abziehbild .....	Decalcomania.....	Dekal.....	11891595	
32	VOE 14527173	1						Decal.....	Decalcomanie.....	Abziehbild .....	Decalcomania.....	Dekal.....	11891413	
33	VOE 14527170	1						Decal.....	Decalcomanie.....	Abziehbild .....	Decalcomania.....	Dekal.....	11891412	



1	11880101	<b>Skyltar och dekaler</b> <b>Muestras y decalcomanias</b> <b>Schilder und aufklebeschild</b> <b>Enseignes et décalcomanies</b> <b>Sign plates and decals</b>	Catalogue id	Group
2	11891000, 11891050		<b>20124</b>	<b>897</b>
3	11891002		Illustr. No	Section
4	11891249		<b>1027418</b>	<b>100</b>
5	11891248		Issue	Page
			<b>VOE 63A9920124</b>	<b>457</b>

**VOLVO**

**BL61PLUS**



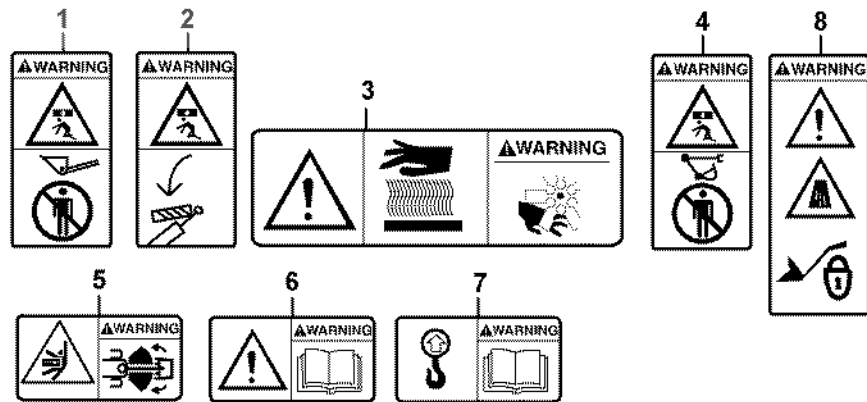
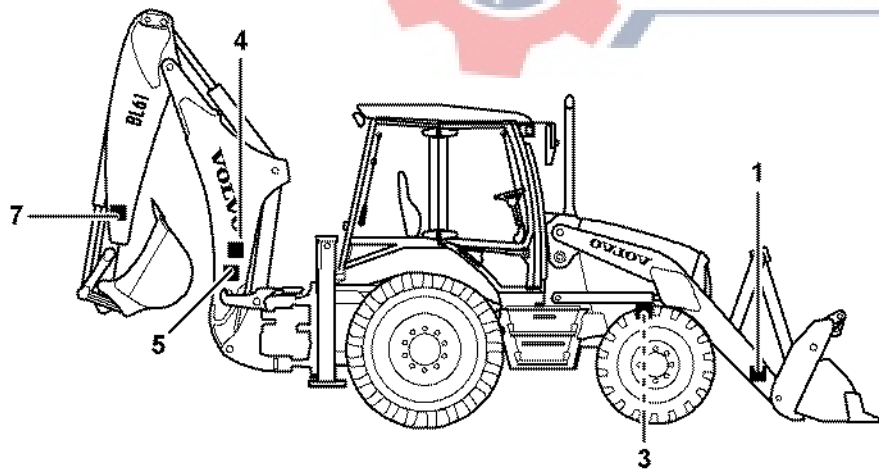
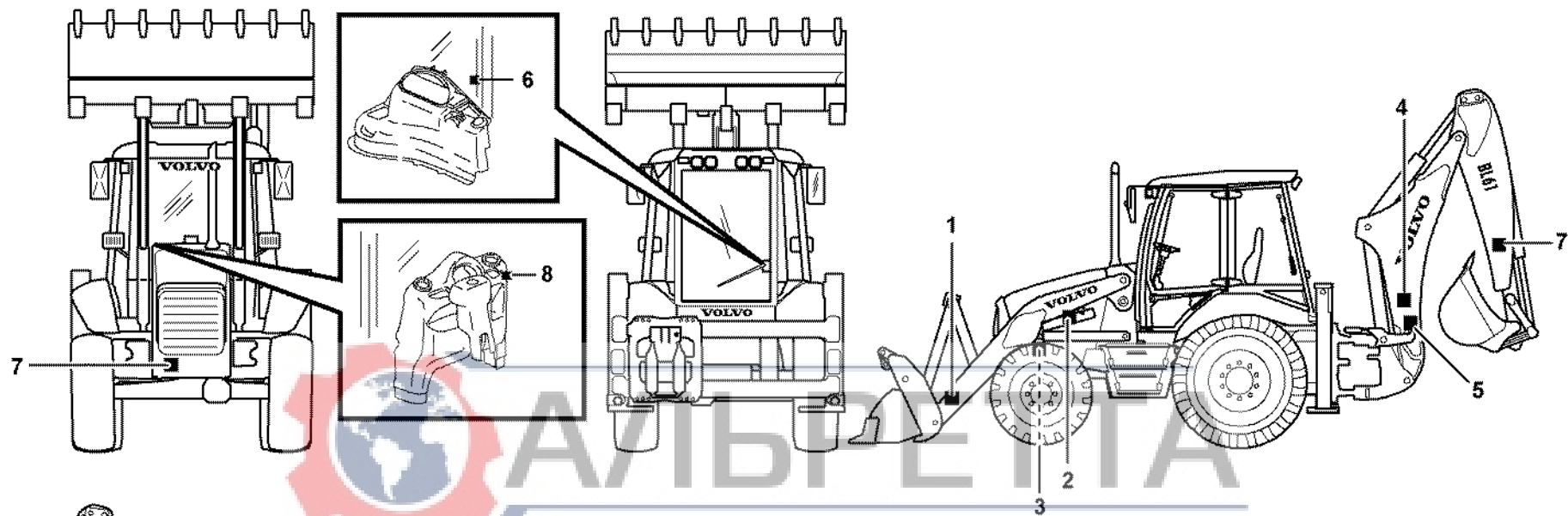


Fig.	Part No.	Quantity			P S	K I T	Description	Dénomination	Bezeichnung	Denominación	Benämning	Notes
		1	2	3								
1	VOE 13935002	2				Warning Decal .....	Decal.avertiss. ....	Warnaufkleber .....	Calcomania Adv .....	Varningsdekal.....		
2	VOE 13935008	1				Warning Decal .....	Decal.avertiss. ....	Warnaufkleber .....	Calcomania Adv .....	Varningsdekal.....		
3	VOE 11884027	2				Decal.....	Decalcomanie .....	Abziehbild.....	Decalcomania .....	Dekal.....		
4	VOE 11883289	2				Decal.....	Decalcomanie .....	Abziehbild.....	Decalcomania .....	Dekal.....		
5	VOE 11883290	2				Decal.....	Decalcomanie .....	Abziehbild.....	Decalcomania .....	Dekal.....		
6	VOE 11883617	1				Decal.....	Decalcomanie .....	Abziehbild.....	Decalcomania .....	Dekal.....		
7	VOE 11883533	3				Decal.....	Decalcomanie .....	Abziehbild.....	Decalcomania .....	Dekal.....		
8	VOE 11885038	1				Decal.....	Decalcomanie .....	Abziehbild.....	Decalcomania .....	Dekal.....		



1	<b>Dekaler</b> <b>Calcomanías</b> <b>Aufklebeschild</b> <b>Calcomanies</b> <b>Decals</b> <b>WARNING</b>	Catalogue id	Group
2		<b>20124</b>	<b>897</b>
3		Illustr. No	Section
4		<b>1012699</b>	<b>150</b>
5		Issue	Page
		<b>VOE 63A9920124</b>	<b>459</b>

**VOLVO**

**BL61PLUS**





**VOLVO**

АЛЬРЕТТА

Construction Equipment

GROUP	Section	Page	GROUP	Section	Page		
911	Hydraulic oil tank.....	100	473	915	Loader controls .....	150	555
911	Hydraulic system, suction line, filter 11891077, 11891595, 11895023250 .....	300	477	915	Pedal 11891417, 11895018, 11895019, 11895020, 11891273 .....	200	557
911	Hydraulic system, return line.....	300	479	916	Hydraulic system, sideshift.....	100	559
911	Hydraulic oil cooler.....	325	483	916	Optional hydraulic equipment 11891369.....	200	561
911	Hydraulic system, feed line .....	350	485	916	Boom suspension system 11891345 .....	350	565
911	Hydraulic system, hammer .....	400	487	924	Attachment bracket, mechanical 11891299 .....	100	567
911	Pipes for hammer attachment 11891375.....	450	491	924	Hydraulic attachment bracket digger 11891448, 11891449, 11891450, 11891451 .....	150	569
911	Hydraulic system, stabiliser legs.....	500	493	924	Hydraulic attachment bracket digger.....	200	573
911	Hydraulics loader (lift & tilt) .....	550	495	924	Hydraulic attachment bracket digger.....	250	575
911	Hydraulic system, excavator .....	700	499	924	Hydraulic attachment bracket 11891448, 11891450.....	300	577
911	Hydraulic system loader.....	800	503	924	Hydraulic attachment bracket 11891238.....	400	579
911	Hydraulic system loader 11891594, 11895001.....	900	507	924	Hydraulic cylinder, quick attachment 11891238.....	450	581
911	Hydraulic system, boom.....	1000	509	924	Hydraulic attachment bracket 11891238.....	500	583
911	Hydraulic system dipper arm .....	1100	511	925	Bucket, straight with teeth .....	100	587
911	Hydraulic system, bucket.....	1200	513	925	Bucket, straight with teeth .....	150	589
911	Hydraulic system extendible dipper arm .....	1250	515	925	Bucket, straight with teeth .....	200	591
911	Hydraulic system, lock cylinder.....	1300	517	925	Bucket, straight lip without teeth .....	250	593
911	Safety valve boom and dipper arm cylinder 11891150 .....	1350	519	925	Bucket, straight lip without teeth .....	300	595
911	Hydraulic system, combi-bucket 11891594, 11895001 .....	1400	521	925	Multi-purpose bucket .....	350	597
911	Hydraulic system loader safety valves 11891151.....	1500	523	925	Multi-purpose bucket 11891541 .....	400	601
912	Valve body .....	150	525	925	Multi-purpose bucket 11891423 .....	450	603
912	Valve body .....	300	527	925	Legal kit for Italy 11891002 .....	500	607
912	Inlet valve.....	350	529	925	Hydraulic cylinder 11891018.....	600	609
912	Magnet valve 11891455.....	400	531	925	Transport bracket without front bucket 11891350 .....	700	611
912	Valve section.....	500	533	926	Fork arm.....	100	613
912	Valve section.....	550	535	926	Retainer for hammer 11891017 .....	200	615
912	Exhaust valve.....	600	537	926	Hammer 11891017 .....	250	617
912	Safety valve boom and dipper arm cylinder 11891150 .....	750	539	926	Forks (optional) 11891498, 11891504, 2805036 .....	300	619
912	Safety valve loader 11891151 .....	800	543	926	Hammer .....	350	621
913	Hydraulic pump 11891077, 11891595, 11895023 .....	200	547	945	Lifting framework with assembly parts .....	100	623
915	Controls.....	100	549				

<b>INDEX OF CONTENTS</b>	Catalogue id <b>20124</b>	Group <b>9</b>
	Issue <b>VOE 63A9920124</b>	Page <b>461</b>

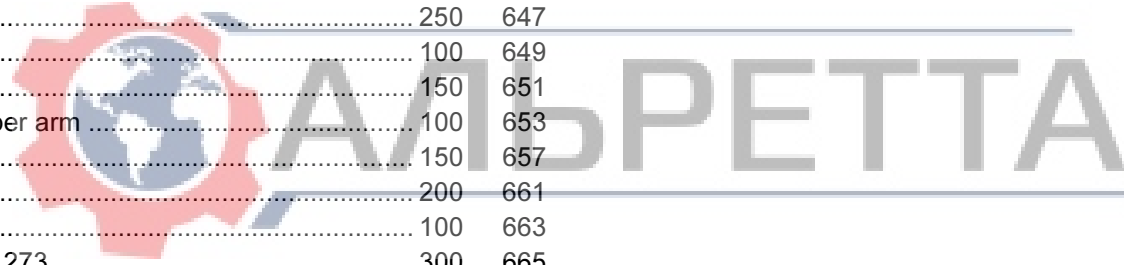
**VOLVO**

**BL61PLUS**



<b>INDEX OF CONTENTS</b>				Catalogue id <b>20124</b>		Group <b>9</b>		
				Issue <b>VOE 63A9920124</b>		Page <b>462</b>		
GROUP	Section	Page	GROUP	Section	Page	GROUP	Section	Page

945	Lifting framework with assembly parts .....	150	627
945	Pins for mounting bucket .....	200	629
945	Mechanical self levelling tilt mechanism .....	250	631
945	Hydraulic cylinder, lifting .....	300	633
945	Hydraulic cylinder, tilt .....	350	635
971	Swing system .....	100	637
971	Boom swing system .....	150	641
971	Swing cylinder .....	200	645
971	Lock cylinder .....	250	647
972	Stabilisers .....	100	649
972	Stabiliser cylinder .....	150	651
974	Excavator boom, extendible dipper arm .....	100	653
974	Boom and dipper arm .....	150	657
974	Boom cylinder .....	200	661
975	Dipper arm cylinder .....	100	663
975	Extendible dipper cylinder 11891273 .....	300	665



GROUPE	Section	Page	GROUPE	Section	Page
911 Réservoir d'huile hydraulique.....	100	473	912 Valve de sécurité, équipement chargeur 11891151.....	800	543
911 Système hydraulique, conduit d'aspiration, filtre 11891077, 11891595, 11895023.....	250	477	913 Pompe hydraulique 11891077, 11891595, 11895023.....	200	547
911 Système hydraulique, conduit retour.....	300	479	915 Commandes.....	100	549
911 Radiateur huile.....	325	483	915 Commandes de l'équipement chargeur.....	150	555
911 Systeme Hydr. conduit alimentation.....	350	485	915 Pedale 11891417, 11895018, 11895019, 11895020, 11891273.....	200	557
911 Système hydraulique, marteau.....	400	487	916 Circuit hydraulique, déport latéral.....	100	559
911 Conduits, marteau 11891375.....	450	491	916 Equipement hydraulique optionnel 11891369.....	200	561
911 Système hydraulique Bequilles.....	500	493	916 Amortisseur vibrations 11891345.....	350	565
911 Equipement chargeur à commande hydraulique (levage et basculement).....	550	495	924 Porte-outil, verrouillage mécanique 11891299.....	100	567
911 Système hydralique groupe pelle.....	700	499	924 Porte-outil à verrouillage hydraulique, balancier 11891448, 11891449, 11891450, 11891451.....	150	569
911 Hydraulic system loader.....	800	503	924 Porte-outil à verrouillage hydraulique, balancier.....	200	573
911 Hydraulic system loader 11891594, 11895001.....	900	507	924 Porte-outil à verrouillage hydraulique, balancier.....	250	575
911 Système hydraulique, flèche.....	1000	509	924 Plaque de fixation à commande hydraulique 11891448, 11891450..	300	577
911 Système hydraulique, balancier.....	1100	511	924 Plaque de fixation à commande hydraulique 11891238.....	400	579
911 Système hydraulique, godet.....	1200	513	924 Verin hydraulique, fixation rapide 11891238.....	450	581
911 Système hydraulique bras de pelle telescope.....	1250	515	924 Plaque de fixation à commande hydraulique 11891238.....	500	583
911 Système hydraulique, vérin de verrouillage.....	1300	517	925 Godet, droit avec dents.....	100	587
911 Valve de sécurité, flèche et balancier 11891150.....	1350	519	925 Godet, droit avec dents.....	150	589
911 Système hydraulique, godet combiné 11891594, 11895001.....	1400	521	925 Godet, droit avec dents.....	200	591
911 Système hydraulique équipement chargeur, valves de sécurité 11891151.....	1500	523	925 Godet, droit sans dents.....	250	593
912 Bloc-soupapes.....	150	525	925 Godet, droit sans dents.....	300	595
912 Bloc-soupapes.....	300	527	925 Godet combiné.....	350	597
912 Soupape d'admission.....	350	529	925 Godet combiné 11891541.....	400	601
912 Vanne electromagnetique 11891455.....	400	531	925 Godet combiné 11891423.....	450	603
912 Section de valve.....	500	533	925 Kit législation italienne 11891002.....	500	607
912 Section de valve.....	550	535	925 Vérins hydrauliques 11891018.....	600	609
912 Soupape d'échappement.....	600	537	925 Fixation transport sans godet frontal 11891350.....	700	611
912 Valve de sécurité, flèche et balancier 11891150.....	750	539	926 Bras fourche.....	100	613
			926 Support de marteau 11891017.....	200	615
			926 Marteau 11891017.....	250	617

<b>TABLE DES MATIÈRES</b>	Catalogue id <b>20124</b>	Group <b>9</b>
	Issue <b>VOE 63A9920124</b>	Page <b>463</b>

**VOLVO**

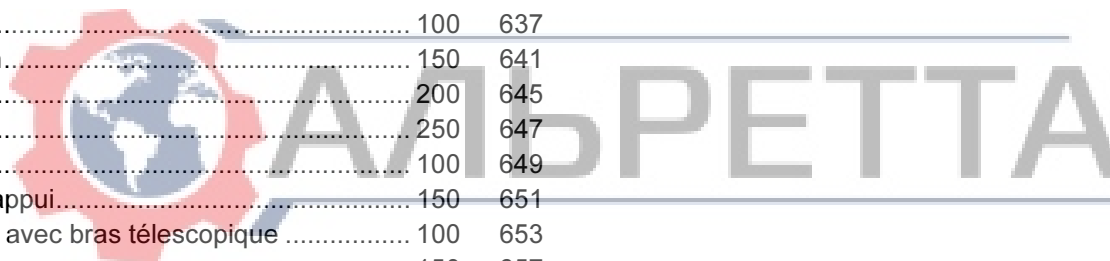
**BL61PLUS**





<b>TABLE DES MATIÈRES</b>				Catalogue id <b>20124</b>		Group <b>9</b>	
				Issue <b>VOE 63A9920124</b>		Page <b>464</b>	
GROUPE		Section	Page	GROUPE		Section	Page

926	Fourches (option) 11891498, 11891504, 2805036.....	300	619
926	Marteau.....	350	621
945	Chassis levage avec pièces de montage.....	100	623
945	Chassis levage avec pièces de montage.....	150	627
945	Pivots d'axe pour fixation de godet.....	200	629
945	Mécanisme de basculement à autoréglage mécanique.....	250	631
945	Cylindre hydraulique, levage.....	300	633
945	Cylindre hydraulique, cavage.....	350	635
971	Système de pivotement.....	100	637
971	Système hydraulique, orientation.....	150	641
971	Vérin d'orientation.....	200	645
971	Vérin de verrouillage.....	250	647
972	Bequille.....	100	649
972	Vérin hydraulique pour jambe d'appui.....	150	651
974	Flèche d'équipement excavateur avec bras télescopique.....	100	653
974	Flèche et balancier.....	150	657
974	Vérin de flèche.....	200	661
975	Vérin de bras.....	100	663
975	Cylindre telescope. 11891273.....	300	665



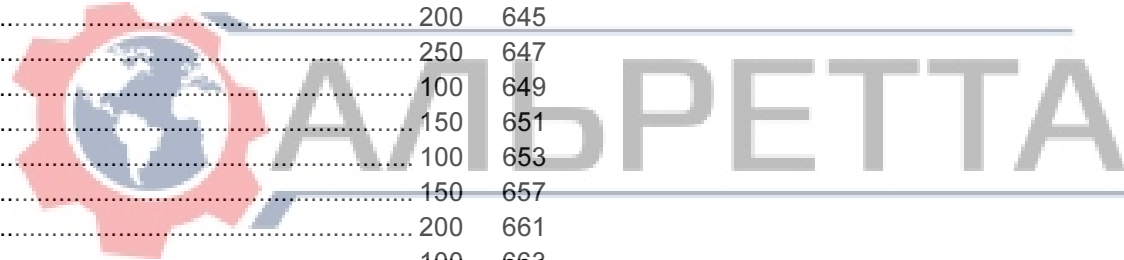
GRUPPE	Abschnitt	Seite	GRUPPE	Abschnitt	Seite
911 Hydrauliköltank .....	100	473	915 Regler .....	100	549
911 Hydraulikanlage, Saugleitung, Filter 11891077, 11891595, 11895023 .....	250	477	915 Loader controls .....	150	555
911 Druckölsystem, Rücklaufleitung .....	300	479	915 Pedal 11891417, 11895018, 11895019, 11895020, 11891273 .....	200	557
911 Hydraulikölkühler .....	325	483	916 Hydraulikanlage, Seitenverschiebung .....	100	559
911 Hydraulikanlage, Druckleitungen .....	350	485	916 Zusätzliche Hydraulikausrüstung 11891369 .....	200	561
911 Hydraulikanlage, Hammer .....	400	487	916 Schwingungsdämpfer 11891345 .....	350	565
911 Leitungen für Hammeranbau 11891375 .....	450	491	924 Geräteträger, mechanisch 11891299 .....	100	567
911 Hydraulikanlage Bodenstützen .....	500	493	924 Hydraulik Geräteträger Baggerarm 11891448, 11891449, 11891450, 11891451 .....	150	569
911 Ladehydraulik (Heben und Kippen) .....	550	495	924 Hydraulik Geräteträger Baggerarm .....	200	573
911 Hydraulikanlage ventil zum ausleger Baggeraggregat .....	700	499	924 Hydraulik Geräteträger Baggerarm .....	250	575
911 Hydraulikanlage, Lader .....	800	503	924 Hydraulisch betätigte Gerätebefestigung 11891448, 11891450 .....	300	577
911 Hydraulikanlage, Lader 11891594, 11895001 .....	900	507	924 Hydraulisch betätigte Gerätebefestigung 11891238 .....	400	579
911 Hydraulikanlage, Baggerausleger .....	1000	509	924 Hydraulikzylinder Schnellwechsler 11891238 .....	450	581
911 Hydraulikanlage, Baggerstiel .....	1100	511	924 Hydraulisch betätigte Gerätebefestigung 11891238 .....	500	583
911 Hydraulikanlage, Löffel .....	1200	513	925 Schaufel, gerade mit Zähnen .....	100	587
911 Hydraulikanlage für teleskopische baggerarm .....	1250	515	925 Schaufel, gerade mit Zähnen .....	150	589
911 Hydraulikanlage, Sperrzylinder .....	1300	517	925 Schaufel, gerade mit Zähnen .....	200	591
911 Sicherheitsventil Ausleger und Stielzylinder 11891150 .....	1350	519	925 Schaufel, gerade, ohne Zähne .....	250	593
911 Hydraulikanlage, Kombilöffel 11891594, 11895001 .....	1400	521	925 Schaufel, gerade, ohne Zähne .....	300	595
911 Hydraulikanlage Lader Sicherheitsventile 11891151 .....	1500	523	925 Kombilöffel .....	350	597
912 Ventilgruppe .....	150	525	925 Kombilöffel 11891541 .....	400	601
912 Ventilgruppe .....	300	527	925 Kombilöffel 11891423 .....	450	603
912 Einlassventil .....	350	529	925 Für Italien vorgeschriebener Satz 11891002 .....	500	607
912 Magnetventil 11891455 .....	400	531	925 Hydraulikzylinder 11891018 .....	600	609
912 Ventil .....	500	533	925 Transporthalterung ohne Schaufel 11891350 .....	700	611
912 Ventil .....	550	535	926 Gabelzinke .....	100	613
912 Auslassventil .....	600	537	926 Halter für Hammer 11891017 .....	200	615
912 Sicherheitsventil Ausleger und Stielzylinder 11891150 .....	750	539	926 Hammer 11891017 .....	250	617
912 Sicherheitsventil Lader 11891151 .....	800	543	926 Gabeln (optional) 11891498, 11891504, 2805036 .....	300	619
913 Hydraulikpumpe 11891077, 11891595, 11895023 .....	200	547	926 Hammer .....	350	621

<b>INHALTSVERZEICHNIS</b>	Catalogue id <b>20124</b>	Group <b>9</b>
	Issue <b>VOE 63A9920124</b>	Page <b>465</b>



<b>INHALTSVERZEICHNIS</b>	Catalogue id <b>20124</b>	Group <b>9</b>
	Issue <b>VOE 63A9920124</b>	Page <b>466</b>

GRUPPE	Abschnitt	Seite	GRUPPE	Abschnitt	Seite
945	Hubgerüst mit Anbauteilen.....	100			623
945	Hubgerüst mit Anbauteilen.....	150			627
945	Bolzen zur Befestigung der Schaufel.....	200			629
945	Selbstregelnder Kippmechanismus .....	250			631
945	Hubzylinder.....	300			633
945	Schwenkzylinder.....	350			635
971	Schwenksystem.....	100			637
971	Hydraulikkreis, Schwenken.....	150			641
971	Schwenkzylinder.....	200			645
971	Sperrzylinder.....	250			647
972	Pratzen.....	100			649
972	Hydraulzylinder für Pratzen.....	150			651
974	Grabausleger mit Teleskopstiel .....	100			653
974	Ausleger und Stiel.....	150			657
974	Auslegerzylinder.....	200			661
975	Stielzylinder.....	100			663
975	Teleskopzylinder. 11891273.....	300			665



GRUPO	Sección	Página	GRUPO	Sección	Página		
911	Depósito de aceite hidráulico	100	473	913	Bomba hidráulica 11891077, 11891595, 11895023	200	547
911	Sistema hidráulico, conducto de aspiración, filtro 11891077, 11891595, 11895023	250	477	915	Mandos	100	549
911	Sistema hidráulico, conducto de retorno	300	479	915	Mandos de la cargadora	150	555
911	Enfriador de aceite hidráulico	325	483	915	Pedal 11891417, 11895018, 11895019, 11895020, 11891273	200	557
911	Sistema hidráulico, conducto presión	350	485	916	Sistema hidráulico, desplazamiento lateral	100	559
911	Sistema hidráulico, martillo	400	487	916	Equipo hidráulico adicional 11891369	200	561
911	Tubería para fijación del martillo 11891375	450	491	916	Amortiguador de vibraciones 11891345	350	565
911	Sistema hidráulico patas de apoyo	500	493	924	Portaimplemento, mecánico 11891299	100	567
911	Sistema hidráulico de cargadora (elevación y volteo)	550	495	924	Portaimplementos hidráulico, brazo 11891448, 11891449, 11891450, 11891451	150	569
911	Sistema hidráulico excavador	700	499	924	Portaimplementos hidráulico, brazo	200	573
911	Hydraulic system loader	800	503	924	Portaimplementos hidráulico, brazo	250	575
911	Hydraulic system loader 11891594, 11895001	900	507	924	Soporte de implemento hidráulico 11891448, 11891450	300	577
911	Sistema hidráulico, pluma de excavación	1000	509	924	Soporte de implemento hidráulico 11891238	400	579
911	Sistema hidráulico, balancín	1100	511	924	Cilindro hidráulico, acoplamiento rápido 11891238	450	581
911	Sistema hidráulico, cuchara	1200	513	924	Soporte de implemento hidráulico 11891238	500	583
911	Sistema hidráulico brazo excavador telescópico	1250	515	925	Cuchara, recta con dientes	100	587
911	Sistema hidráulico, cilindro de bloqueo	1300	517	925	Cuchara, recta con dientes	150	589
911	Cilindros de pluma y brazo, válvulas de seguridad 11891150	1350	519	925	Cuchara, recta con dientes	200	591
911	Sistema hidráulico, cuchara combinada 11891594, 11895001	1400	521	925	Cuchara recta sin dientes	250	593
911	Sistema hidráulico, válvulas de seguridad de la cargadora 11891151	1500	523	925	Cuchara recta sin dientes	300	595
912	Bloque de válvulas	150	525	925	Cuchara multipropósitos	350	597
912	Bloque de válvulas	300	527	925	Cuchara multipropósitos 11891541	400	601
912	Válvula de admisión	350	529	925	Cuchara multipropósitos 11891423	450	603
912	Electrovalvula 11891455	400	531	925	Kit para la normativa italiana 11891002	500	607
912	Sección de válvulas	500	533	925	Cilindros hidráulicos 11891018	600	609
912	Sección de válvulas	550	535	925	Fijaciones de transporte sin cuchara frontal 11891350	700	611
912	Válvula de escape	600	537	926	Brazo horquilla	100	613
912	Cilindros de pluma y brazo, válvulas de seguridad 11891150	750	539	926	Soporte para martillo 11891017	200	615
912	Válvula de seguridad, cargadora 11891151	800	543	926	Martillo 11891017	250	617
				926	Horquillas (opcional) 11891498, 11891504, 2805036	300	619

<b>INDICE</b>	Catalogue id <b>20124</b>	Group <b>9</b>
	Issue <b>VOE 63A9920124</b>	Page <b>467</b>

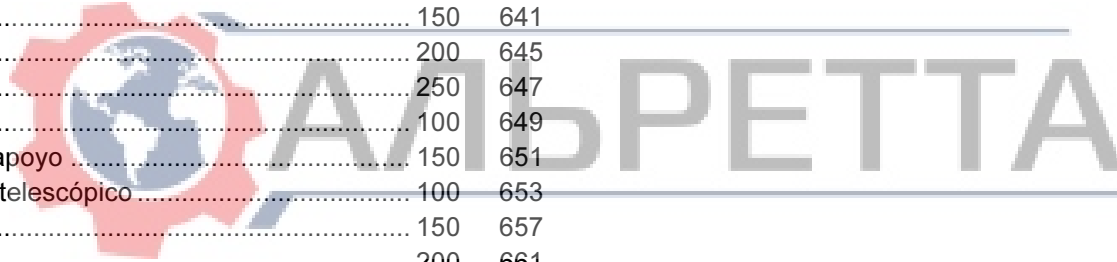
**VOLVO**

**BL61PLUS**



<b>INDICE</b>		Catalogue id <b>20124</b>	Group <b>9</b>		
		Issue <b>VOE 63A9920124</b>	Page <b>468</b>		
GRUPO	Sección	Página	GRUPO	Sección	Página

926	Martillo .....	350	621
945	Bastidor elevación con piezas de montaje.....	100	623
945	Bastidor elevación con piezas de montaje.....	150	627
945	Muñones para fijación de cuchara .....	200	629
945	Mecanismo de basculamiento mecánico autoajustable.....	250	631
945	Cilindro hidráulico, elevac. ....	300	633
945	Cilindro hidráulico, volquet.....	350	635
971	Sistema de oscilación .....	100	637
971	Sistema hidráulico, giro.....	150	641
971	Cilindro de giro .....	200	645
971	Cilindro de bloqueo .....	250	647
972	Pata de apoyo .....	100	649
972	Cilindro hidraulico para pata de apoyo .....	150	651
974	Pluma de excavación con brazo telescópico.....	100	653
974	Pluma y brazo .....	150	657
974	Cilindro de pluma .....	200	661
975	Cilindro de brazo.....	100	663
975	Cilindro telescopico. 11891273.....	300	665



GRUPP	Avsnitt	Sida	GRUPP	Avsnitt	Sida		
911	Hydrauloljetank .....	100	473	915	Lastarreglage .....	150	555
911	Hydraulsystem, sugledning, filter 11891077, 11891595, 11895023 ..	250	477	915	Pedal 11891417, 11895018, 11895019, 11895020, 11891273 .....	200	557
911	Hydraulsystem, returledning .....	300	479	916	Hydraulsystem sidoförskjutning .....	100	559
911	Hydrauloljekylare .....	325	483	916	Extra hydraulutrustning 11891369 .....	200	561
911	Hydraulsystem, tryckledning .....	350	485	916	Svängningsdämpare 11891345 .....	350	565
911	Hydraulsystem hammare .....	400	487	924	Redskapsfäste, mekaniskt 11891299 .....	100	567
911	Rör till hammarredskap 11891375 .....	450	491	924	Hydraulik redskapsfäste grävarm 11891448, 11891449, 11891450, 11891451 .....	150	569
911	Hydraulsystem, stödben .....	500	493	924	Hydraulik redskapsfäste grävarm .....	200	573
911	Hydraulik lastare (lyft & tilt) .....	550	495	924	Hydraulik redskapsfäste grävarm .....	250	575
911	Hydraulsystem, grävare .....	700	499	924	Hydrauliskt redskapsfäste 11891448, 11891450 .....	300	577
911	Hydraulsystem, lastare .....	800	503	924	Hydrauliskt redskapsfäste 11891238 .....	400	579
911	Hydraulsystem, lastare 11891594, 11895001 .....	900	507	924	Hydraulcylinder, snabbfäste 11891238 .....	450	581
911	Hydraulsystem, grävbox .....	1000	509	924	Hydrauliskt redskapsfäste 11891238 .....	500	583
911	Hydraulsystem, grävvarm .....	1100	511	925	Skopa, rak med tänder .....	100	587
911	Hydraulsystem, skopa .....	1200	513	925	Skopa, rak med tänder .....	150	589
911	Hydraulsystem, grävvarm teleskopisk .....	1250	515	925	Skopa, rak med tänder .....	200	591
911	Hydraulsystem, spärrcylinder .....	1300	517	925	Skopa, rak utan tänder .....	250	593
911	Säkerhetsventil bom och skaftcylinder 11891150 .....	1350	519	925	Skopa, rak utan tänder .....	300	595
911	Hydraulsystem, kombiskopa 11891594, 11895001 .....	1400	521	925	Kombiskopa .....	350	597
911	Hydraulsystem lastaggregat säkerhetsventiler 11891151 .....	1500	523	925	Kombiskopa 11891541 .....	400	601
912	Ventilblock .....	150	525	925	Kombiskopa 11891423 .....	450	603
912	Ventilblock .....	300	527	925	Lagkrav, kit för Italien 11891002 .....	500	607
912	Inloppsventil .....	350	529	925	Hydraulcylinder 11891018 .....	600	609
912	Magnetventil 11891455 .....	400	531	925	Transportfäste utan frontskopa 11891350 .....	700	611
912	Ventilsektion .....	500	533	926	Gaffelarm .....	100	613
912	Ventilsektion .....	550	535	926	Hållare för hammare 11891017 .....	200	615
912	Utloppsventil .....	600	537	926	Hammare 11891017 .....	250	617
912	Säkerhetsventil bom och skaftcylinder 11891150 .....	750	539	926	Gafflar (tillval) 11891498, 11891504, 2805036 .....	300	619
912	Säkerhetsventil lastaggregat 11891151 .....	800	543	926	Hammare .....	350	621
913	Hydraulpump 11891077, 11891595, 11895023 .....	200	547	945	Lyftramverk med monteringsdetaljer .....	100	623
915	Reglage .....	100	549				

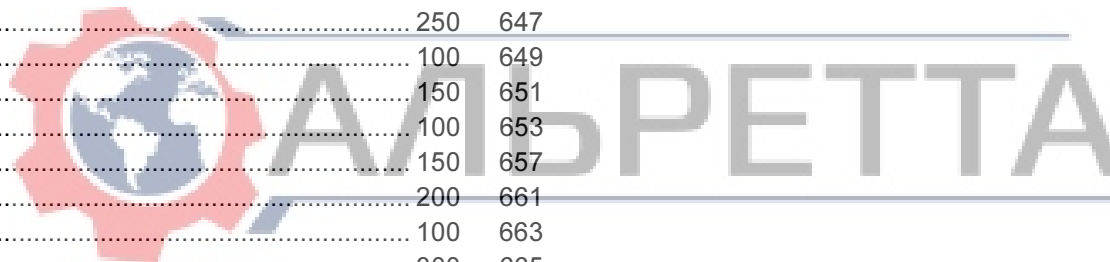
<b>INNEHÅLLSFÖRTECKNING</b>	Catalogue id <b>20124</b>	Group <b>9</b>
	Issue <b>VOE 63A9920124</b>	Page <b>469</b>

**VOLVO**

**BL61PLUS**

<b>INNEHÅLLSFÖRTECKNING</b>				Catalogue id <b>20124</b>		Group <b>9</b>	
				Issue <b>VOE 63A9920124</b>		Page <b>470</b>	
GRUPP	Avsnitt	Sida	GRUPP	Avsnitt	Sida	GRUPP	Sida

945	Lyftramverk med monteringsdetaljer.....	150	627
945	Axeltappar för infästning av skopa.....	200	629
945	Mekanisk självjusterande tiltmekanism.....	250	631
945	Hydraulcylinder, lyft.....	300	633
945	Hydraulcylinder, tilt.....	350	635
971	Svängsystem .....	100	637
971	Hydraulsystem, sväng.....	150	641
971	Svängcylinder .....	200	645
971	Spärrcylinder .....	250	647
972	Stödben.....	100	649
972	Stödbenscylinder .....	150	651
974	Grävbom med teleskoparm.....	100	653
974	Bom och skaft .....	150	657
974	Bomcylinder .....	200	661
975	Skaftcylinder .....	100	663
975	Teleskopcylinder 11891273 .....	300	665





**VOLVO**

АЛЬРЕТТА

Construction Equipment



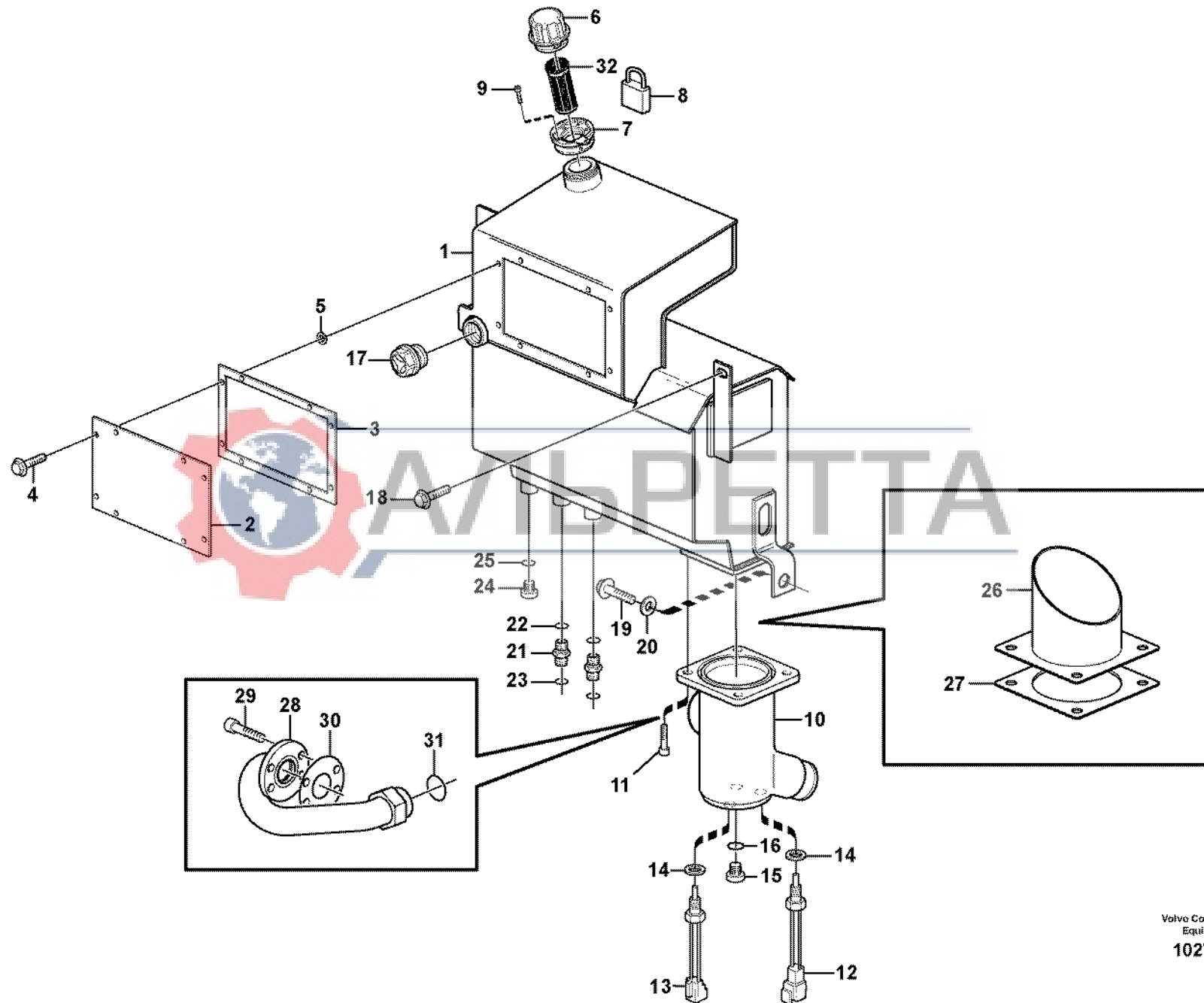


Fig.	Part No.	Quantity					P S	K T	Description	Dénomination	Bezeichnung	Denominación	Benämning	Notes
		1	2	3	4	5								
1	VOE 11886273	1			1			Tank.....	Reservoir.....	Behälter.....	Depósito.....	Tank.....		
2	VOE 11886272	1			1			•Plate.....	•Plaque.....	•Platte.....	•Placa.....	•Platta.....		
3	VOE 11886707	1			1			•Gasket.....	•Joint.....	•Dichtung.....	•Junta.....	•Packning.....		
4	VOE 13946173	10			10			•Flange screw.....	•Vis à bride.....	•Flanschschraube.....	•Torn embridado.....	•Flänsskruv.....		
5	VOE 978254	10			10			•Gasket.....	•Joint.....	•Dichtung.....	•Junta.....	•Packning.....		
6	VOE 11882636		1	1				Cover.....	Couvercle.....	Deckel.....	Tapa.....	Lock.....		
7	VOE 11881028		1	1				Thread Plate.....	Plaque Taraudle.....	Gewindeplatte.....	Chapa Roscada.....	Gängplatta.....		
8	VOE 11885135			1				Padlock.....	Cadenas.....	Vorhängeschloss.....	Cerrojo.....	Hänglås.....		
9	VOE 941460		6	6				Screw.....	Vis.....	Schraube.....	Tornillo.....	Skruv.....		
10	VOE 11888268	1			1			Bowl.....	Coussinet.....	Schale.....	Taza.....	Skål.....		
11	VOE 967635	4			4			Allen Hd Screw.....	Vis A 6 Pans Cr.....	Inbusschraube.....	Torn Hex Embut.....	Insexskruv.....		
12	VOE 11881158	1			1			Temp Sensor.....	Decteur Temp.....	Temperaturgeber.....	Sensor Temperat.....	Temp Givare.....	10 DEG	
13	VOE 11884069	1			1			Temp Sensor.....	Decteur Temp.....	Temperaturgeber.....	Sensor Temperat.....	Temp Givare.....	97 DEG	
14	VOE 977934	2			2			Gasket.....	Joint.....	Dichtung.....	Junta.....	Packning.....		
15	VOE 11885751	1			1			Plug.....	Bouchon.....	Stopfen.....	Tapon.....	Plugg.....	DELETED	
16	VOE 14213676	1			1			•Sealing ring.....	•Bague d'étanchéit.....	•Runddichtring.....	•Anillo reten.....	•Tättningsring.....	DELETED	
17	VOE 11886436	1			1			Oil Level Sensor.....	Decteur de nivea.....	Ölstandgeber.....	Sensor de nivel de.....	Oljenivågivare.....		
18	VOE 13965191	2			2			Flange screw.....	Vis à bride.....	Flanschschraube.....	Torn embridado.....	Flänsskruv.....		
19	VOE 13965192	1			1			Flange screw.....	Vis à bride.....	Flanschschraube.....	Torn embridado.....	Flänsskruv.....		
20	VOE 13947355	1			1			Washer.....	Rondelle.....	Scheibe.....	Arandela.....	Bricka.....		
21	VOE 935085	2			2			Nipple.....	Raccord.....	Nippel.....	Niple.....	Nippel.....		
22	VOE 932039	1			1			•O-ring.....	•Joint Torique.....	•O-Ring.....	•Junta torica.....	•O-ring.....		
23	VOE 990737	1			1			•O-ring.....	•Joint Torique.....	•O-Ring.....	•Junta torica.....	•O-ring.....		
24	VOE 11881384	1			1			Fitting.....	Ecrou raccord.....	Verschraubung.....	Racor.....	Förskruvning.....		
25	VOE 932037	1			1			•O-ring.....	•Joint Torique.....	•O-Ring.....	•Junta torica.....	•O-ring.....		
26	VOE 11885999	1			1			Tube.....	Tube.....	Rohr.....	Tube.....	Rör.....		
27	VOE 11887625	2			2			Gasket.....	Joint.....	Dichtung.....	Junta.....	Packning.....		
28		1			1			Tube.....	Tube.....	Rohr.....	Tube.....	Rör.....	See group 911, Page 479	
29		4			4			Allen Hd Screw.....	Vis A 6 Pans Cr.....	Inbusschraube.....	Torn Hex Embut.....	Insexskruv.....	See group 911, Page 479	
30		1			1			Gasket.....	Joint.....	Dichtung.....	Junta.....	Packning.....	See group 911, Page 479	



1	11891077, 11891595	<b>Hydrauloljetank</b> <b>Depósito de aceite hidráulico</b> <b>Hydrauliköltank</b> <b>Réservoir d'huile hydraulique</b> <b>Hydraulic oil tank</b>	Catalogue id	Group
2	11891298		<b>20124</b>	<b>911</b>
3	11891324		Illustr. No	Section
4	11895023		<b>1027088</b>	<b>100</b>
5			Issue	Page
		<b>VOE 63A9920124</b>	<b>473</b>	



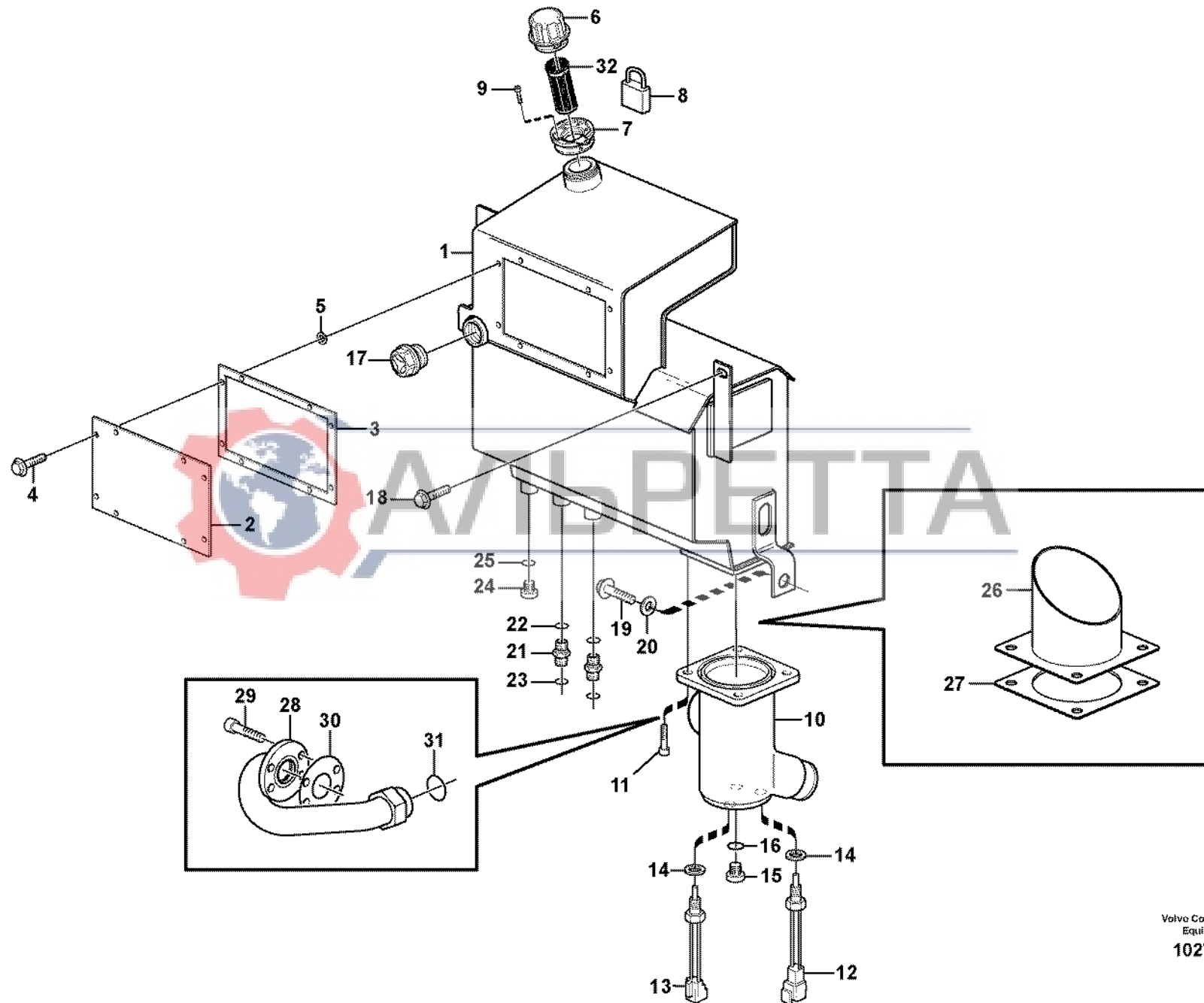


Fig.	Part No.	Quantity					P S	K I T	Description	Dénomination	Bezeichnung	Denominación	Benämning	Notes
		1	2	3	4	5								
31	VOE 981291	1			1			O-ring.....	Joint Torique .....	O-Ring .....	Junta torica .....	O-ring.....		
32	VOE 11885309	1			1			Hydraulic oil filter ....	Filtre hydraulique....	Filter hydraulik .....	Filtro hidraulico .....	Hydrauloljefilter.....	11891393	



1	11891077, 11891595	<b>Hydrauloljetank</b> <b>Depósito de aceite hidráulico</b> <b>Hydrauliköltank</b> <b>Réservoir d'huile hydraulique</b> <b>Hydraulic oil tank</b>	Catalogue id	Group
2	11891298		<b>20124</b>	<b>911</b>
3	11891324		Illustr. No	Section
4	11895023		<b>1027088</b>	<b>100</b>
5			Issue	Page
			<b>VOE 63A9920124</b>	<b>475</b>

**VOLVO**

**BL61PLUS**



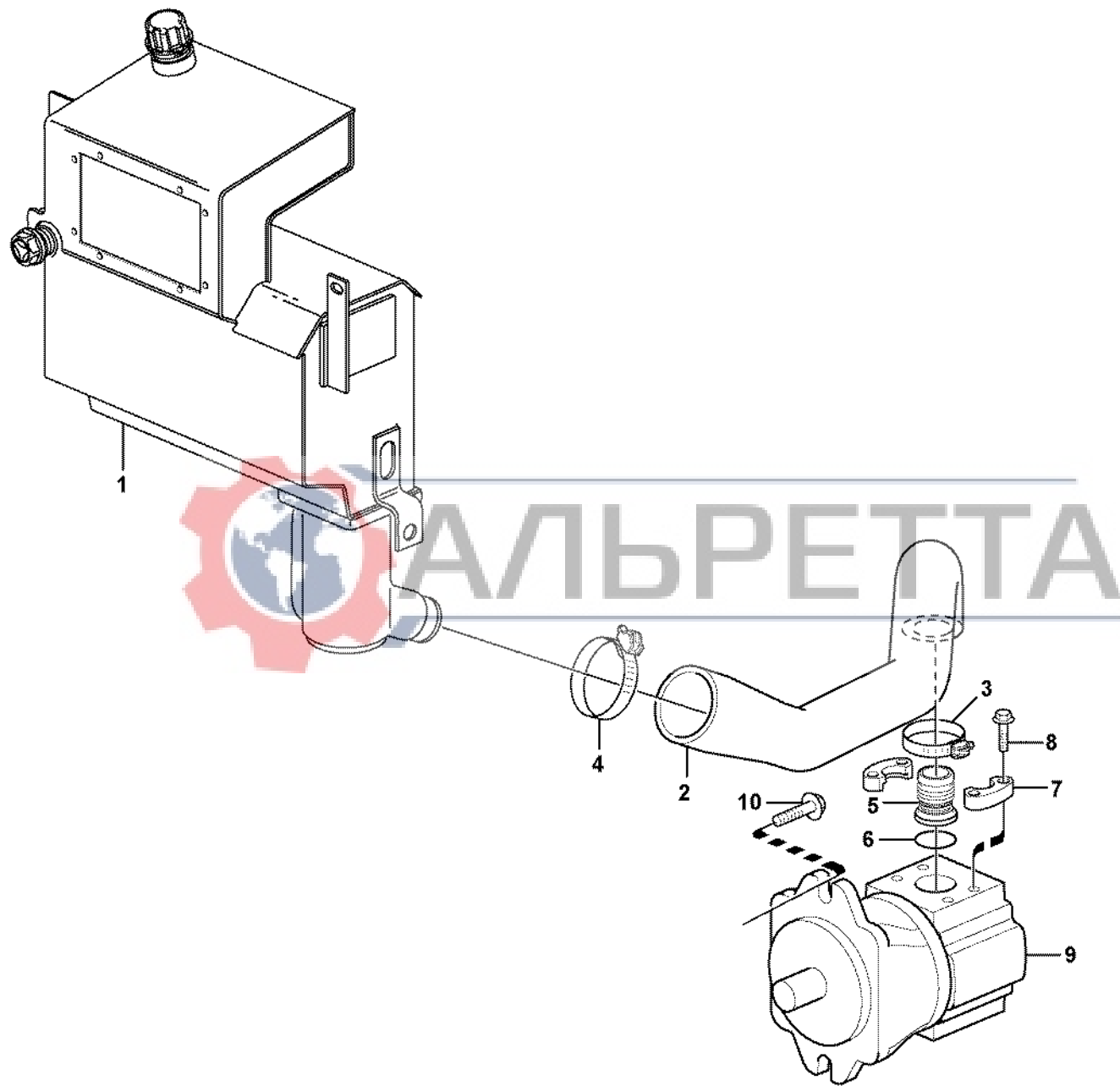


Fig.	Part No.	Quantity			P S	K I T	Description	Dénomination	Bezeichnung	Denominación	Benämning	Notes
		1	2	3								
1		1				Hydr fluid tank .....	Reservoir fluid.hydr. ...	Druckölbehälter .....	Dep Aceit Hidr .....	Hydrauloljetank.....	See group 911, Page 473	
2	<b>VOE 11886177</b>	1				Hose.....	Durit .....	Schlauch .....	Tubo flexible.....	Slang.....	(VOE 11886420)	
3	<b>VOE 11059298</b>	1				Hose Clamp .....	Collier Serrage .....	Schlauchschelle .....	Abraz Manguera.....	Slangklamma.....	ID = 86MM	
4	<b>VOE 11059300</b>	1				Hose Clamp .....	Collier Serrage .....	Schlauchschelle .....	Abraz Manguera.....	Slangklamma.....	ID = 86MM	
5	<b>VOE 11885308</b>	1				Fitting .....	Ecrou raccord.....	Verschraubung.....	Racor.....	Förskruvning.....	(VOE 11885780)	
6	<b>VOE 13949239</b>	1				O-ring .....	Joint Torique .....	O-Ring .....	Junta torica.....	O-ring.....		
7	<b>VOE 936620</b>	2				Flange Half.....	Demi-bride .....	Flanschhälfte.....	Media brida .....	Flänshalva.....		
8	<b>VOE 13965191</b>	4				Flange screw.....	Vis à bride .....	Flanschschaube.....	Torn embridado .....	Flänsskruv.....		
9		1				Pump.....	Pompe.....	Pumpe.....	Bomba.....	Pump.....	See group 913, Page 547	
10	<b>VOE 968589</b>	2				Flange screw.....	Vis à bride .....	Flanschschaube.....	Torn embridado .....	Flänsskruv.....		



1		<b>Hydraulsystem, sugledning, filter</b> <b>Sistema hidráulico, conducto de aspiración, filtro</b> <b>Hydraulikanlage, Saugleitung, Filter</b> <b>Système hydraulique, conduit d'aspiration, filtre</b> <b>Hydraulic system, suction line, filter</b>	Catalogue id	Group
2			<b>20124</b>	<b>911</b>
3			Illustr. No	Section
4			<b>1027923</b>	<b>250</b>
5			Issue	Page
			<b>VOE 63A9920124</b>	<b>477</b>

**VOLVO**

**BL61PLUS**



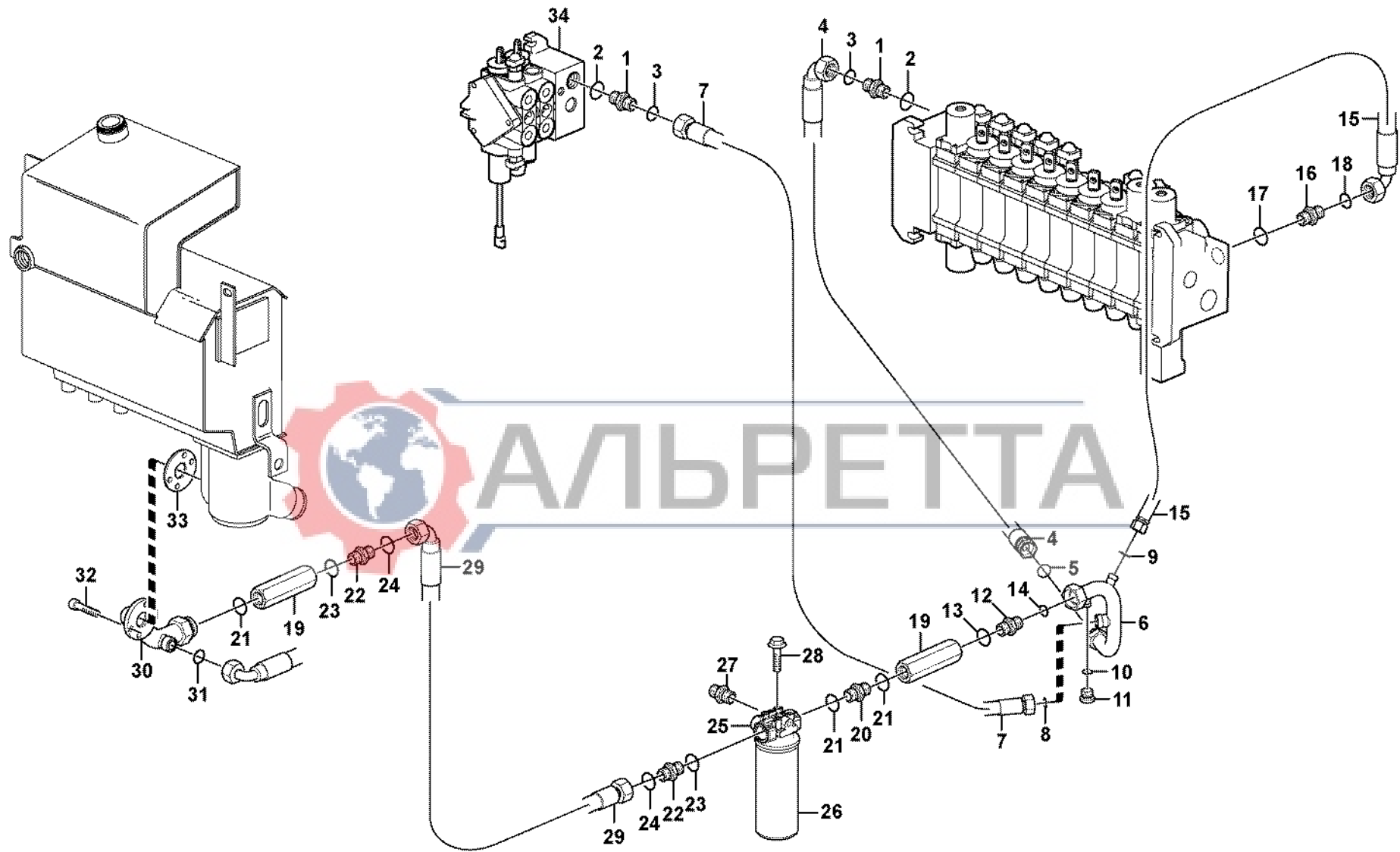


Fig.	Part No.	Quantity			P S	K I T	Description	Dénomination	Bezeichnung	Denominación	Benämning	Notes
		1	2	3								
1	VOE 935229	2				Nipple.....	Raccord.....	Nippel.....	Niple.....	Nippel.....		
2	VOE 981290	2				•O-ring.....	•Joint Torique.....	•O-Ring.....	•Junta torica.....	•O-ring.....		
3	VOE 932043	2				•O-ring.....	•Joint Torique.....	•O-Ring.....	•Junta torica.....	•O-ring.....		
4	VOE 937377	1				Hose assembly.....	Conduit flexible.....	Schlauchleitung.....	Conducto.....	Slangledning.....	L = 800 MM	
5	VOE 981290	1				O-ring.....	Joint Torique.....	O-Ring.....	Junta torica.....	O-ring.....		
6	VOE 11888525	1				Tube Assembly.....	Tuyauterie.....	Rohrleitung.....	Tuberia.....	Rörledning.....		
7	VOE 937990	1				Hose assembly.....	Conduit flexible.....	Schlauchleitung.....	Conducto.....	Slangledning.....	L = 650 MM	
8	VOE 981290	1				O-ring.....	Joint Torique.....	O-Ring.....	Junta torica.....	O-ring.....		
9	VOE 990739	1				O-ring.....	Joint Torique.....	O-Ring.....	Junta torica.....	O-ring.....		
10	VOE 990738	1				O-ring.....	Joint Torique.....	O-Ring.....	Junta torica.....	O-ring.....		
11	VOE 935574	1				Plug.....	Bouchon.....	Stopfen.....	Tapon.....	Plugg.....		
12	VOE 936122	1				Nipple.....	Raccord.....	Nippel.....	Niple.....	Nippel.....		
13	VOE 14211861	1				•Sealing ring.....	•Bague d'étanchéité.....	•Runddichtring.....	•Anillo reten.....	•Tätningsring.....		
14	VOE 981291	1				•O-ring.....	•Joint Torique.....	•O-Ring.....	•Junta torica.....	•O-ring.....		
15	VOE 937967	1				Hose assembly.....	Conduit flexible.....	Schlauchleitung.....	Conducto.....	Slangledning.....	L = 800 MM	
16	VOE 935032	1				Nipple.....	Raccord.....	Nippel.....	Niple.....	Nippel.....		
17	VOE 990739	1				•O-ring.....	•Joint Torique.....	•O-Ring.....	•Junta torica.....	•O-ring.....		
18	VOE 932042	1				•O-ring.....	•Joint Torique.....	•O-Ring.....	•Junta torica.....	•O-ring.....		
19	VOE 11882347	2				Check valve.....	Valve antiretour.....	Rückschlagventil.....	Válvula de retención.....	Backventil.....		
20	VOE 11883508	1				Nipple.....	Raccord.....	Nippel.....	Niple.....	Nippel.....		
21	VOE 11883682	3				Seal.....	Joint.....	Dichtring.....	Junta.....	Tätning.....		
22	VOE 11888088	2				Fitting.....	Ecrou raccord.....	Verschraubung.....	Racor.....	Förskruvning.....		
23		1			NS	•Sealing ring.....	•Bague d'étanchéité.....	•Runddichtring.....	•Anillo reten.....	•Tätningsring.....		
24		1			NS	•O-ring.....	•Joint Torique.....	•O-Ring.....	•Junta torica.....	•O-ring.....		
25	VOE 11882505	1				Filter.....	Filtre.....	Filter.....	Filtro.....	Filter.....		
26	VOE 11882353	1				•Oil Filter.....	•Filtre Huile.....	•Ölfilter.....	•Filtro Aceite.....	•Oljefilter.....		
27	VOE 11712309	1				Sensor.....	Capteur.....	Geber.....	Captador.....	Givare.....		
28	VOE 946441	4				Flange screw.....	Vis à bride.....	Flanschschraube.....	Torn embridado.....	Flänsskruv.....		
29	VOE 937966	1				Hose assembly.....	Conduit flexible.....	Schlauchleitung.....	Conducto.....	Slangledning.....		
30	VOE 11888080	1				Tube.....	Tube.....	Rohr.....	Tubo.....	Rör.....		

1		<b>Hydraulsystem, returledning</b> <b>Sistema hidráulico, conducto de retorno</b> <b>Druckölsystem, Rücklaufleitung</b> <b>Système hydraulique, conduit retour</b> <b>Hydraulic system, return line</b>	Catalogue id	Group
2			<b>20124</b>	<b>911</b>
3			Illustr. No	Section
4			<b>1024752</b>	<b>300</b>
5			Issue	Page
			<b>VOE 63A9920124</b>	<b>479</b>

**VOLVO**

**BL61PLUS**



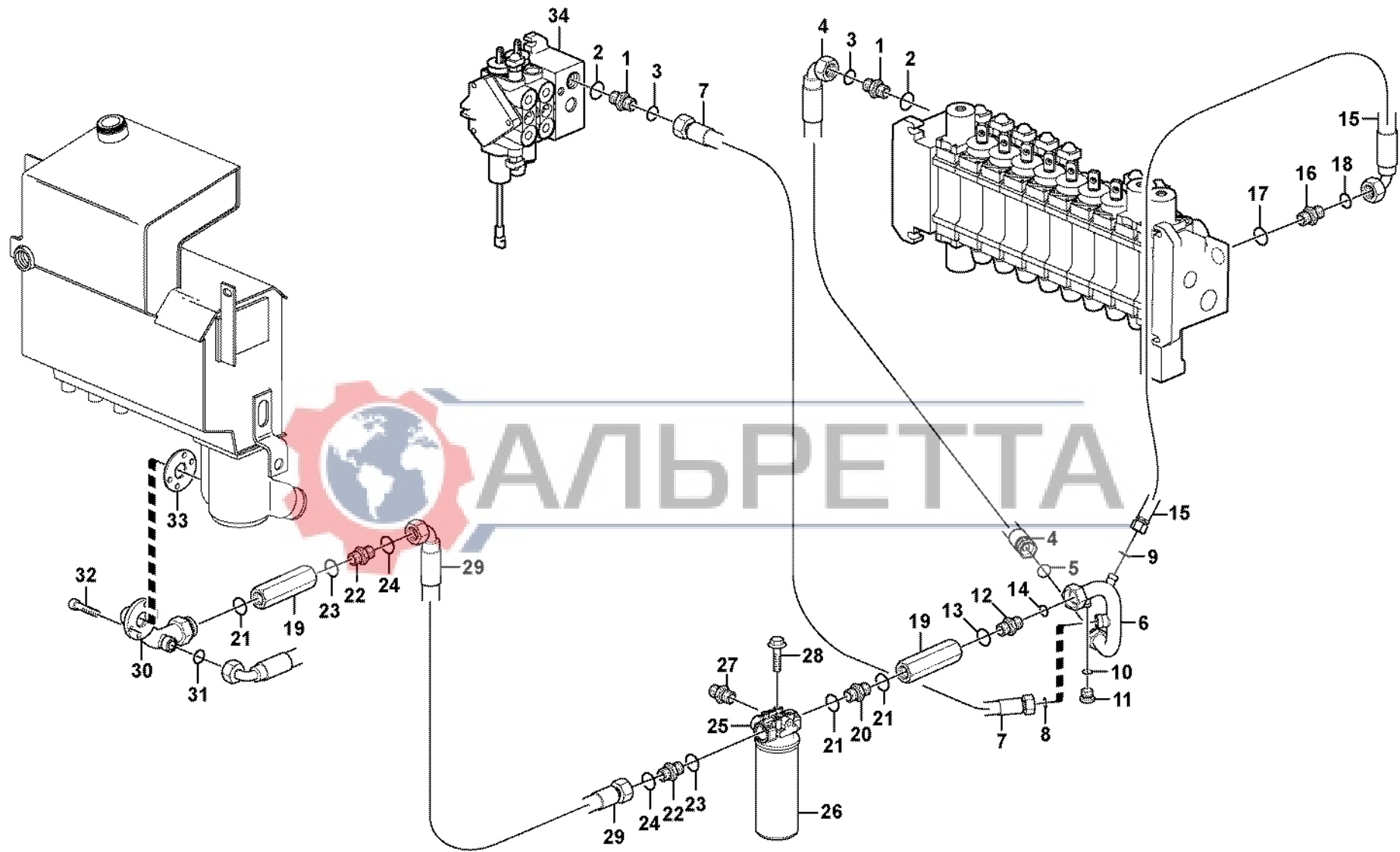


Fig.	Part No.	Quantity			P S	K I T	Description	Dénomination	Bezeichnung	Denominación	Benämning	Notes
		1	2	3								
31	<b>VOE 990740</b>	1				O-ring .....	Joint Torique .....	O-Ring .....	Junta torica .....	O-ring .....		
32	<b>VOE 959238</b>	4				Allen Hd Screw .....	Vis A 6 Pans Cr .....	Inbusschraube .....	Torn Hex Embut .....	Insexskruv .....		
33	<b>VOE 11886430</b>	1				Gasket .....	Joint .....	Dichtung .....	Junta .....	Packning .....		
34		1				Valve .....	Soupape .....	Ventil .....	Valvula .....	Ventil .....	See group 912, Page 525	

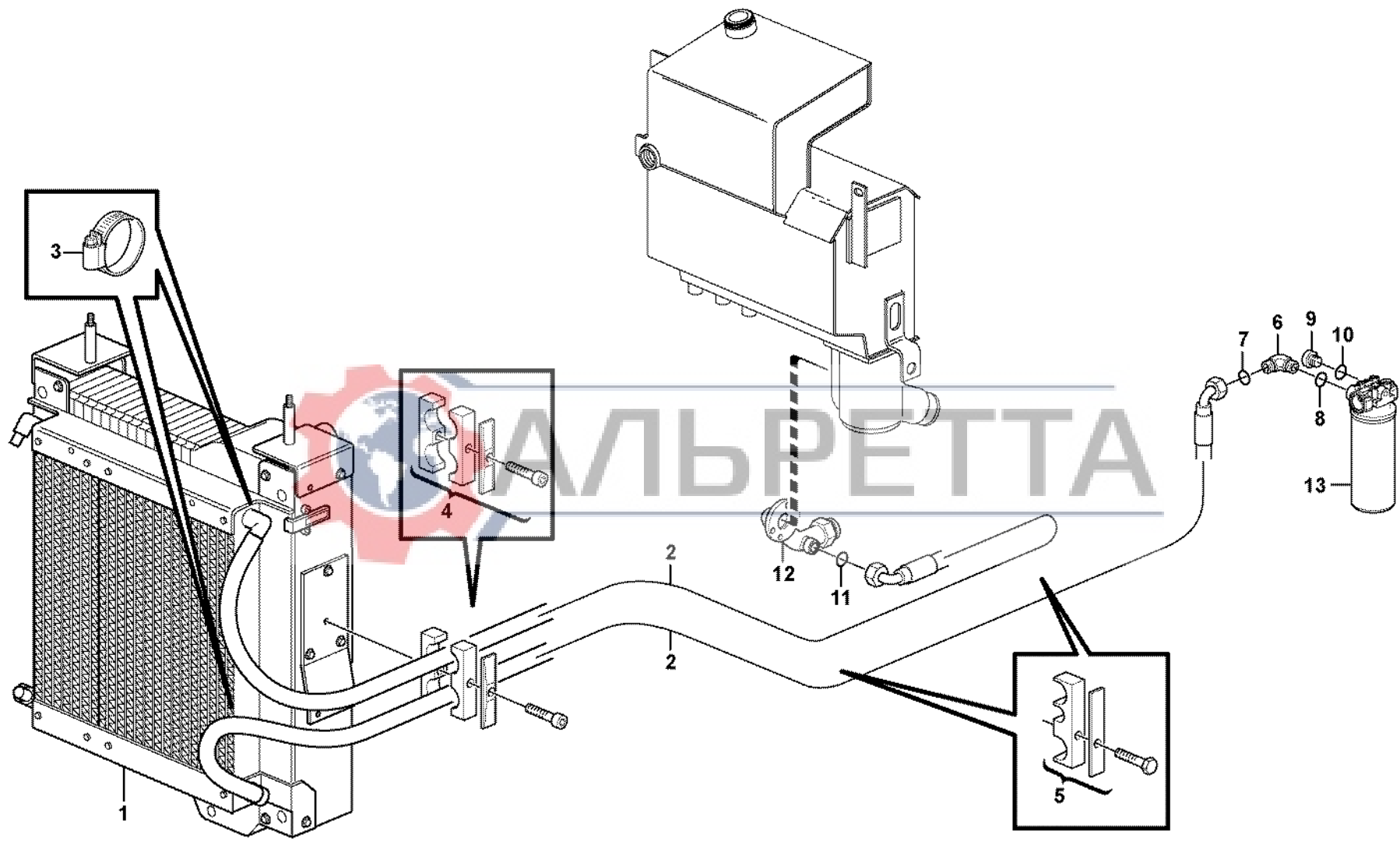


1	<b>Hydraulsystem, returledning</b> <b>Sistema hidráulico, conducto de retorno</b> <b>Druckölsystem, Rücklaufleitung</b> <b>Système hydraulique, conduit retour</b> <b>Hydraulic system, return line</b>	Catalogue id	Group
2		<b>20124</b>	<b>911</b>
3		Illustr. No	Section
4		<b>1024752</b>	<b>300</b>
5		Issue	Page
		<b>VOE 63A9920124</b>	<b>481</b>

**VOLVO**

**BL61PLUS**





АЛЬРЕТТА

Fig.	Part No.	Quantity			P S	K I T	Description	Dénomination	Bezeichnung	Denominación	Benämning	Notes
		1	2	3								
1		1				Oil Cooler.....	Refroidisseur huile .....	Ölkühler.....	Enfriadores aceite .....	Oljekylare.....	See group 261, Page 111	
2	VOE 11888461	2				Hose assembly .....	Conduit flexible .....	Schlauchleitung.....	Conducto.....	Slangledning.....		
3	VOE 943473	2				Hose Clamp .....	Collier Serrage .....	Schlauchschelle .....	Abraz Manguera.....	Slangklamma.....		
4	VOE 11885543	1				Clamp.....	Pince Serrage .....	Klemme .....	Abrazadera.....	Klämma.....		
5	VOE 11888715	2				Clamp.....	Pince Serrage .....	Klemme .....	Abrazadera.....	Klämma.....		
6	VOE 13933864	1				Elbow nipple.....	Raccord angulaire.....	Winkelnippel.....	Niple angular .....	Vinkelnippel.....		
7	VOE 990740	1				•O-ring.....	•Joint Torique .....	•O-Ring.....	•Junta torica .....	•O-ring.....		
8	VOE 932042	1				•O-ring.....	•Joint Torique .....	•O-Ring.....	•Junta torica .....	•O-ring.....		
9	VOE 11882920	1				Plug.....	Bouchon.....	Stopfen.....	Tapon .....	Plugg.....		
10	VOE 932042	1				•O-ring.....	•Joint Torique .....	•O-Ring.....	•Junta torica .....	•O-ring.....		
11		1				O-ring.....	Joint Torique .....	O-Ring.....	Junta torica.....	O-ring.....	See group 911, Page 479	
12		1				Tube.....	Tube.....	Rohr .....	Tube .....	Rör.....	See group 911, Page 479	
13		1				Filter.....	Filtre .....	Filter .....	Filtro .....	Filter.....	See group 911, Page 479	



1		<b>Hydrauloljekylare</b> <b>Enfriador de aceite hidráulico</b> <b>Hydraulikölkühler</b> <b>Radiateur huile</b> <b>Hydraulic oil cooler</b>	Catalogue id	Group
2			<b>20124</b>	<b>911</b>
3			Illustr. No	Section
4			<b>1024601</b>	<b>325</b>
5			Issue	Page
			<b>VOE 63A9920124</b>	<b>483</b>

**VOLVO**

**BL61PLUS**



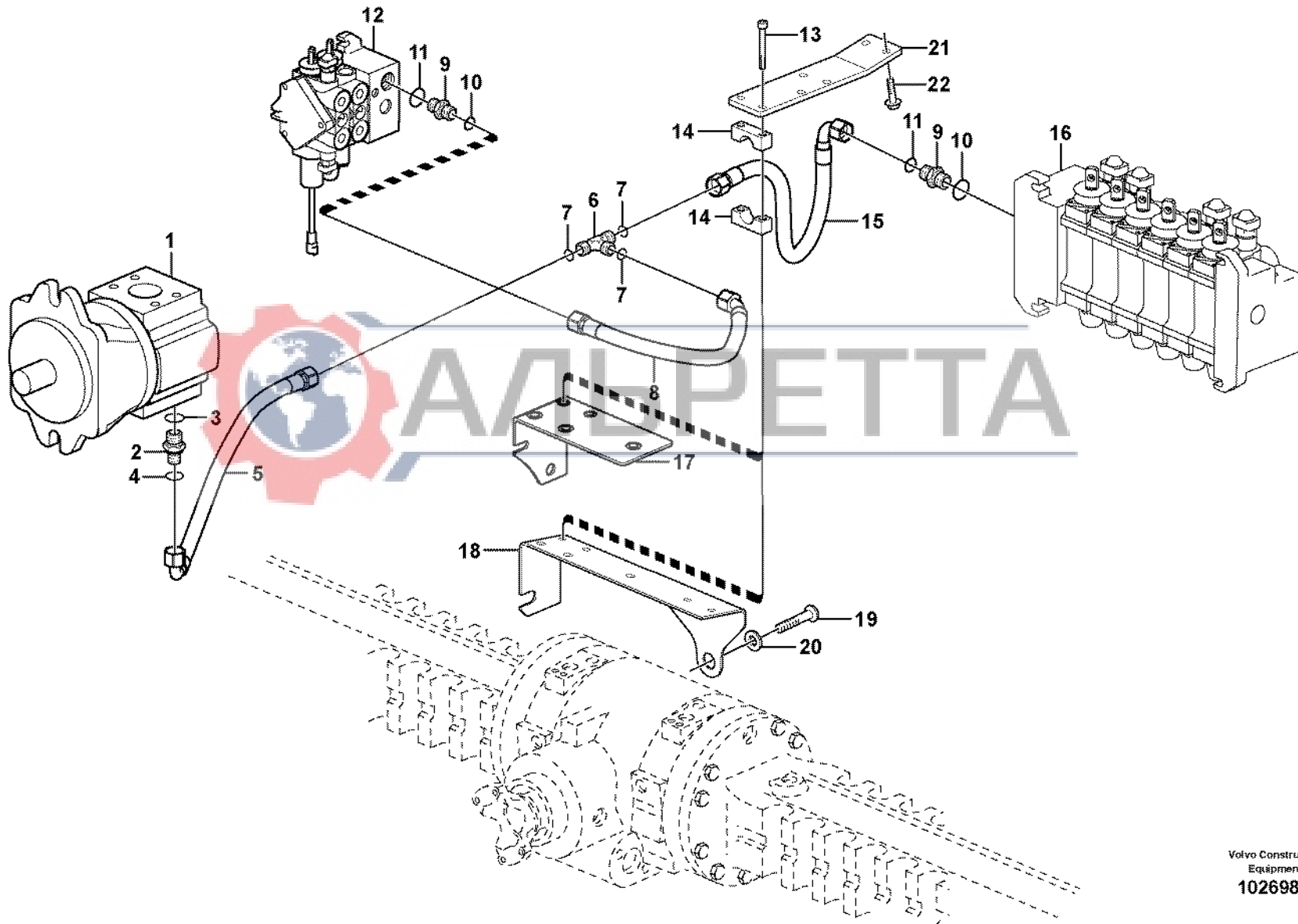


Fig.	Part No.	Quantity			P S	K I T	Description	Dénomination	Bezeichnung	Denominación	Benämning	Notes
		1	2	3								
1		1				Pump.....	Pompe.....	Pumpe.....	Bomba.....	Pump.....	See group 911, Page 477	
2	VOE 936070	1				Nipple.....	Raccord.....	Nippel.....	Niple.....	Nippel.....		
3	VOE 983123	1				•O-ring.....	•Joint Torique.....	•O-Ring.....	•Junta torica.....	•O-ring.....		
4	VOE 983024	1				•O-ring.....	•Joint Torique.....	•O-Ring.....	•Junta torica.....	•O-ring.....		
5	VOE 11886945	1				Hose.....	Durit.....	Schlauch.....	Tubo flexible.....	Slang.....		
6	VOE 11881387	1				Fitting.....	Raccord tuyau.....	Rohrkupplung.....	Acoplamiento Tubo.....	Rörkoppling.....		
7	VOE 990740	3				•O-ring.....	•Joint Torique.....	•O-Ring.....	•Junta torica.....	•O-ring.....		
8	VOE 11431003	1				Hose assembly.....	Conduit flexible.....	Schlauchleitung.....	Conducto.....	Slangledning.....		
9	VOE 13933862	2				Nipple.....	Raccord.....	Nippel.....	Niple.....	Nippel.....		
10	VOE 990740	1				•O-ring.....	•Joint Torique.....	•O-Ring.....	•Junta torica.....	•O-ring.....		
11	VOE 932042	1				•O-ring.....	•Joint Torique.....	•O-Ring.....	•Junta torica.....	•O-ring.....		
12		1				Valve.....	Soupape.....	Ventil.....	Valvula.....	Ventil.....	See group 912, Page 525	
13	VOE 13965178	2				Screw.....	Vis.....	Schraube.....	Tornillo.....	Skruv.....		
14	VOE 11885762	1				Clamp.....	Pince Serrage.....	Klemme.....	Abrazadera.....	Klämma.....		
15	VOE 11431014	1				Hose assembly.....	Conduit flexible.....	Schlauchleitung.....	Conducto.....	Slangledning.....		
16		1				Valve.....	Soupape.....	Ventil.....	Valvula.....	Ventil.....	See group 912, Page 527	
17		1			NS	Plate.....	Plaque.....	Platte.....	Placa.....	Platta.....		
18		1			NS	Plate.....	Plaque.....	Platte.....	Placa.....	Platta.....		
19	VOE 991615	1				Hexagon screw.....	Vis tête hexagonale.....	Sechskantschraube.....	Tornillo hexago.....	Sexkantsskruv.....		
20	VOE 955901	1				Washer.....	Rondelle.....	Scheibe.....	Arandela.....	Bricka.....		
21		1			NS	Bracket.....	Console.....	Konsole.....	Ménsula.....	Konsol.....		
22	VOE 946472	2				Flange screw.....	Vis à bride.....	Flanschschraube.....	Torn embridado.....	Flänsskruv.....		



1		<b>Hydraulsystem, tryckledningar</b> <b>Sistema hidráulico, conducto presion</b> <b>Hydraulikanlage, Druckleitungen</b> <b>Systeme Hydr. conduit alimentation</b> <b>Hydraulic system, feed line</b>	Catalogue id	Group
2			<b>20124</b>	<b>911</b>
3			Illustr. No	Section
4			<b>1026984</b>	<b>350</b>
5			Issue	Page
			<b>VOE 63A9920124</b>	<b>485</b>

**VOLVO**

**BL61PLUS**



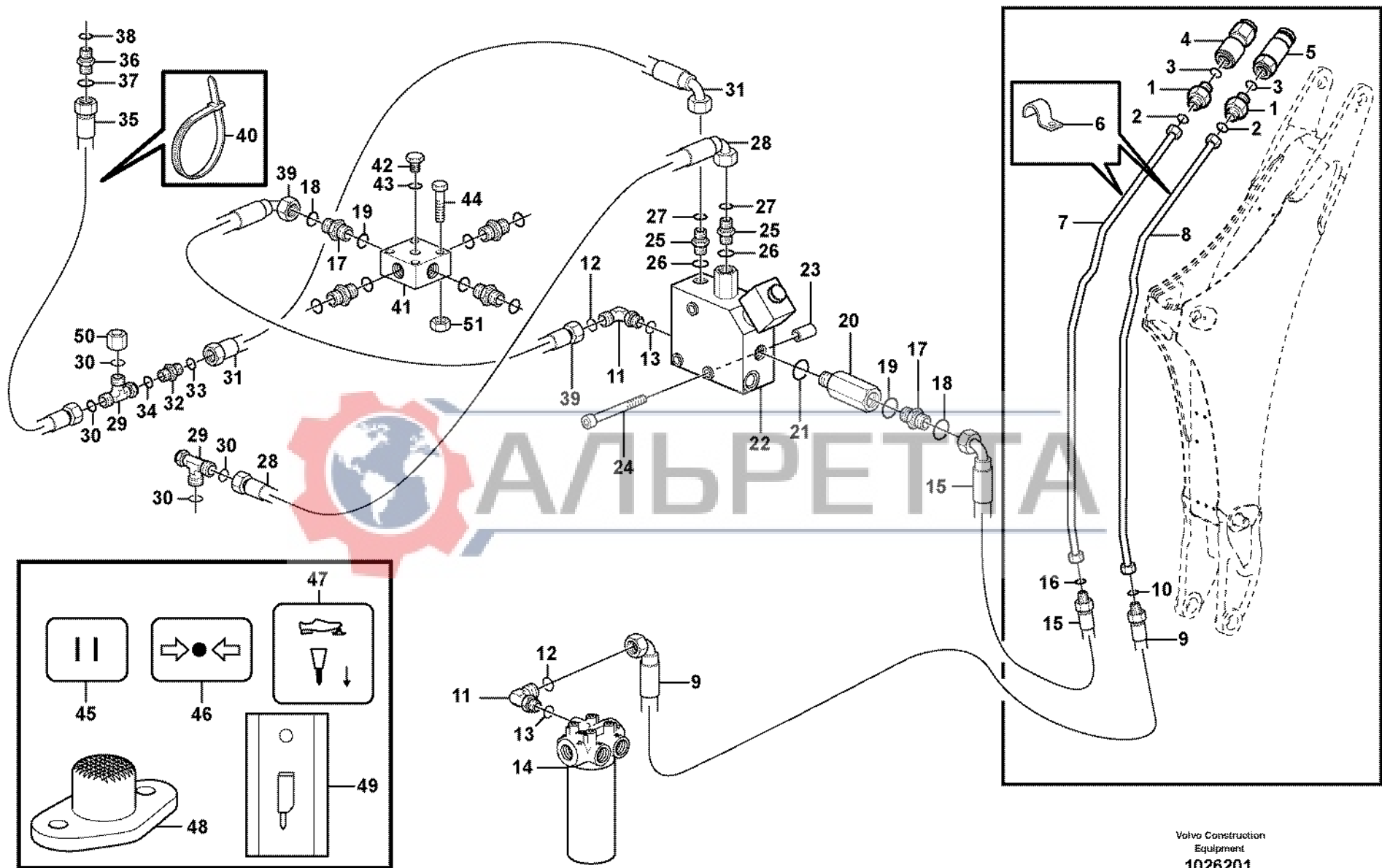


Fig.	Part No.	Quantity			P S	K I T	Description	Dénomination	Bezeichnung	Denominación	Benämning	Notes
		1	2	3								
1	VOE 11881382	2				Nipple.....	Raccord.....	Nippel.....	Niple.....	Nippel.....		
2	VOE 981290	1				•O-ring.....	•Joint Torique.....	•O-Ring.....	•Junta torica.....	•O-ring.....		
3	VOE 932040	1				•O-ring.....	•Joint Torique.....	•O-Ring.....	•Junta torica.....	•O-ring.....		
4	VOE 11882298	1				Fitting.....	Raccord tuyau.....	Rohrkupplung.....	Acoplam tubo.....	Rörkoppling.....		
5	VOE 11882299	1				Fitting.....	Raccord tuyau.....	Rohrkupplung.....	Acoplam tubo.....	Rörkoppling.....		
6	VOE 11887319	2				Clamp.....	Pince Serrage.....	Klemme.....	Abrazadera.....	Klämma.....		
7	VOE 11884833	1				Tube.....	Tube.....	Rohr.....	Tube.....	Rör.....		
8	VOE 11884832	1				Tube.....	Tube.....	Rohr.....	Tube.....	Rör.....		
9	VOE 11888854	1				Hose assembly.....	Conduit flexible.....	Schlauchleitung.....	Conducto.....	Slangledning.....		
10	VOE 981290	1				O-ring.....	Joint Torique.....	O-Ring.....	Junta torica.....	O-ring.....		
11	VOE 13933864	2				Elbow nipple.....	Raccord angulaire.....	Winkelnippel.....	Niple angular.....	Vinkelnippel.....		
12	VOE 990740	1				•O-ring.....	•Joint Torique.....	•O-Ring.....	•Junta torica.....	•O-ring.....		
13	VOE 932042	1				•O-ring.....	•Joint Torique.....	•O-Ring.....	•Junta torica.....	•O-ring.....		
14		1				Filter.....	Filtre.....	Filter.....	Filtro.....	Filter.....	See group 911, Page 477	
15	VOE 11885006	1				Hose.....	Durit.....	Schlauch.....	Tube flexible.....	Slang.....		
16		1			NS	•O-ring.....	•Joint Torique.....	•O-Ring.....	•Junta torica.....	•O-ring.....		
17	VOE 13933862	2	4			Nipple.....	Raccord.....	Nippel.....	Niple.....	Nippel.....		
18	VOE 990740	1	1			•O-ring.....	•Joint Torique.....	•O-Ring.....	•Junta torica.....	•O-ring.....		
19	VOE 932042	1	1			•O-ring.....	•Joint Torique.....	•O-Ring.....	•Junta torica.....	•O-ring.....		
20	VOE 11885860	1				Check valve.....	Valve antiretour.....	Rückschlagventil.....	Válvula de retención.....	Backventil.....		
21	VOE 932042	1				•O-ring.....	•Joint Torique.....	•O-Ring.....	•Junta torica.....	•O-ring.....		
22		1				Valve.....	Soupape.....	Ventil.....	Valvula.....	Ventil.....	See group 912, Page 531	
23	VOE 11888967	3				Mount.....	Plot.....	Unterlage.....	Soporte.....	Underlägg.....		
24	VOE 13965216	3				Screw.....	Vis.....	Schraube.....	Tornillo.....	Skruv.....		
25	VOE 13933858	2				Union.....	Teton Connexion.....	Anschlussnippel.....	Niple Conexcion.....	Anslutn.nippel.....		
26	VOE 932039	1				•O-ring.....	•Joint Torique.....	•O-Ring.....	•Junta torica.....	•O-ring.....		
27	VOE 990736	1				•O-ring.....	•Joint Torique.....	•O-Ring.....	•Junta torica.....	•O-ring.....		
28	VOE 11885262	1				Hose.....	Durit.....	Schlauch.....	Tube flexible.....	Slang.....		
29	VOE 13933859	2				Nipple.....	Raccord.....	Nippel.....	Niple.....	Nippel.....		
30	VOE 990736	2				•O-ring.....	•Joint Torique.....	•O-Ring.....	•Junta torica.....	•O-ring.....		

1	11891455	<b>Hydraulsystem hammare</b> <b>Sistema hidráulico, martillo</b> <b>Hydraulikanlage, Hammer</b> <b>Système hydraulique, marteau</b> <b>Hydraulic system, hammer</b>	Catalogue id	Group
2	11880101		<b>20124</b>	<b>911</b>
3			Illustr. No	Section
4			<b>1026201</b>	<b>400</b>
5			Issue	Page
			<b>VOE 63A9920124</b>	<b>487</b>

**VOLVO**

**BL61PLUS**





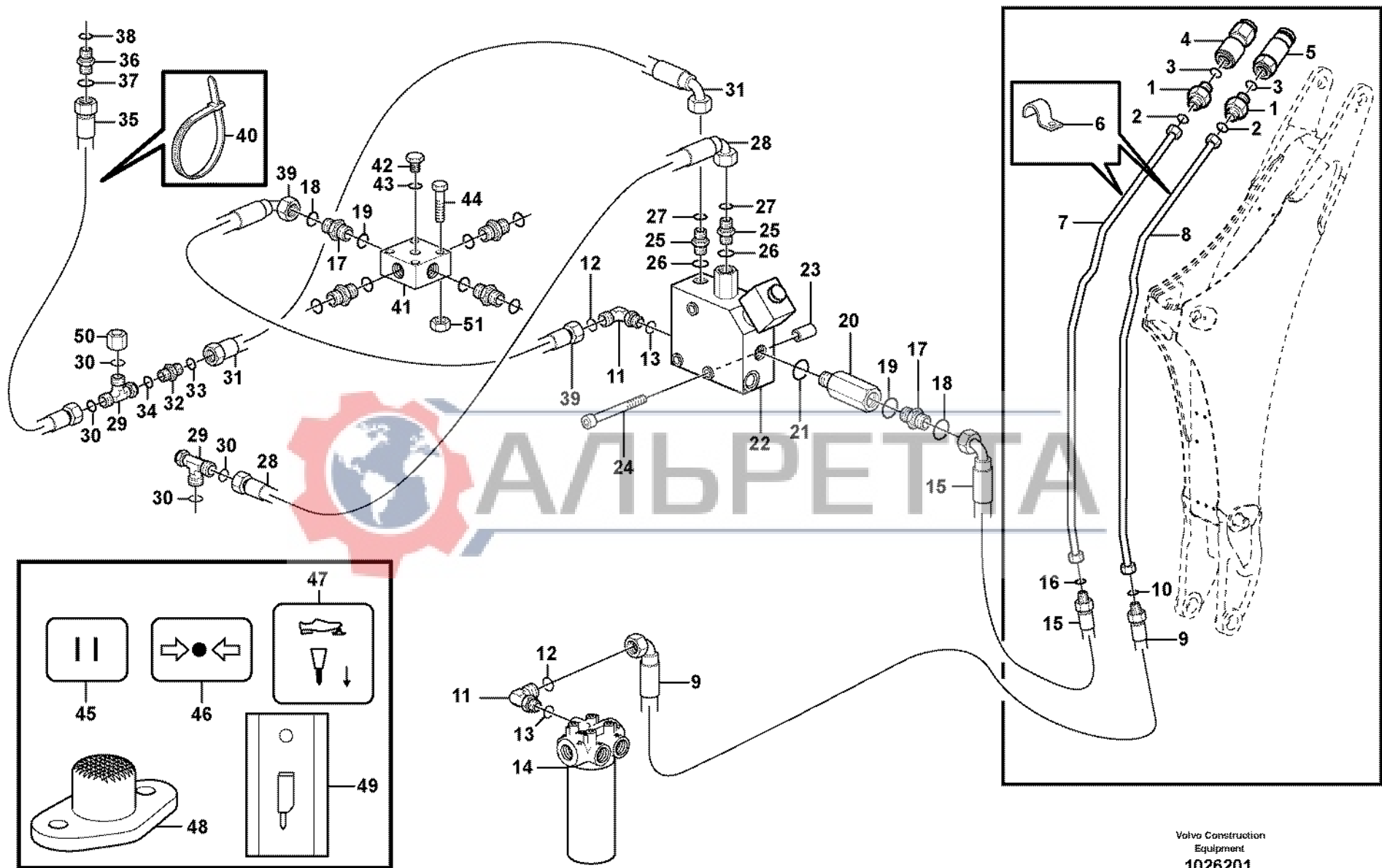


Fig.	Part No.	Quantity			P S	K I T	Description	Dénomination	Bezeichnung	Denominación	Benämning	Notes
		1	2	3								
31	VOE 11884274	1				Hose.....	Durit .....	Schlauch .....	Tubo flexible .....	Slang.....		
32	VOE 935436	1				Nipple.....	Raccord.....	Nippel .....	Niple .....	Nippel.....		
33	VOE 990736	1				•O-ring.....	•Joint Torique .....	•O-Ring.....	•Junta torica .....	•O-ring.....		
34	VOE 990736	1				•O-ring.....	•Joint Torique .....	•O-Ring.....	•Junta torica .....	•O-ring.....		
35	VOE 11885514		1			Hose.....	Durit .....	Schlauch .....	Tubo flexible .....	Slang.....		
36	VOE 935082	1				Nipple.....	Raccord.....	Nippel .....	Niple .....	Nippel.....		
37	VOE 990736	1				•O-ring.....	•Joint Torique .....	•O-Ring.....	•Junta torica .....	•O-ring.....		
38	VOE 932037	1				•O-ring.....	•Joint Torique .....	•O-Ring.....	•Junta torica .....	•O-ring.....		
39	VOE 11885256	1				Hose.....	Durit .....	Schlauch .....	Tubo flexible .....	Slang.....		
40	VOE 14016673	4				Strip Clamp .....	Ruban Serrage.....	Kabelbinder .....	Abraz Cinta .....	Bandklamma.....		
41	VOE 11886192		1			Valve.....	Soupape.....	Ventil .....	Valvula .....	Ventil.....		
42	VOE 11883510		1			Plug.....	Bouchon.....	Stopfen.....	Tapon .....	Plugg.....		
43	VOE 932039		1			•O-ring.....	•Joint Torique .....	•O-Ring.....	•Junta torica .....	•O-ring.....		
44	VOE 983247	2				Hexagon screw .....	Vis a tête hexagonale .....	Sechskantschr.....	Tornillo hexago.....	Sexkantsskruv.....		
44	VOE 13965181		2			Flange screw.....	Vis à bride .....	Flanschschraube .....	Torn embridado .....	Flänssskruv.....		
45			1			Decal.....	Decalcomanie .....	Abziehbild.....	Decalcomania .....	Dekal.....	See group 897, Page 455	
46			1			Decal.....	Decalcomanie .....	Abziehbild.....	Decalcomania .....	Dekal.....	See group 897, Page 455	
47			1			Decal.....	Decalcomanie .....	Abziehbild.....	Decalcomania .....	Dekal.....	See group 897, Page 455	
48	VOE 1589502		1			Foot Operated Switch .....	Contacteur Au Pied .....	Fusschalter.....	Contacto Freno .....	Fotkontakt.....		
49	VOE 11884960		1			Symbol.....	Symbole .....	Symbol .....	Símbolo .....	Symbol.....		
50	VOE 935756		1			Plug.....	Bouchon.....	Stopfen.....	Tapon .....	Plugg.....		
51	VOE 13945408		2			Nut.....	Ecrou.....	Mutter.....	Tuerca .....	Mutter.....		



1	11891455	<b>Hydraulsystem hammare</b> <b>Sistema hidráulico, martillo</b> <b>Hydraulikanlage, Hammer</b> <b>Système hydraulique, marteau</b> <b>Hydraulic system, hammer</b>	Catalogue id	Group
2	11880101		<b>20124</b>	<b>911</b>
3			Illustr. No	Section
4			<b>1026201</b>	<b>400</b>
5			Issue	Page
			<b>VOE 63A9920124</b>	<b>489</b>



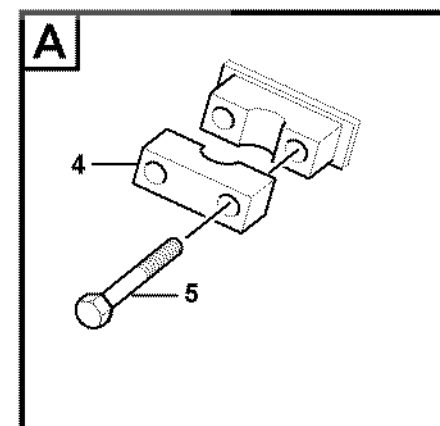
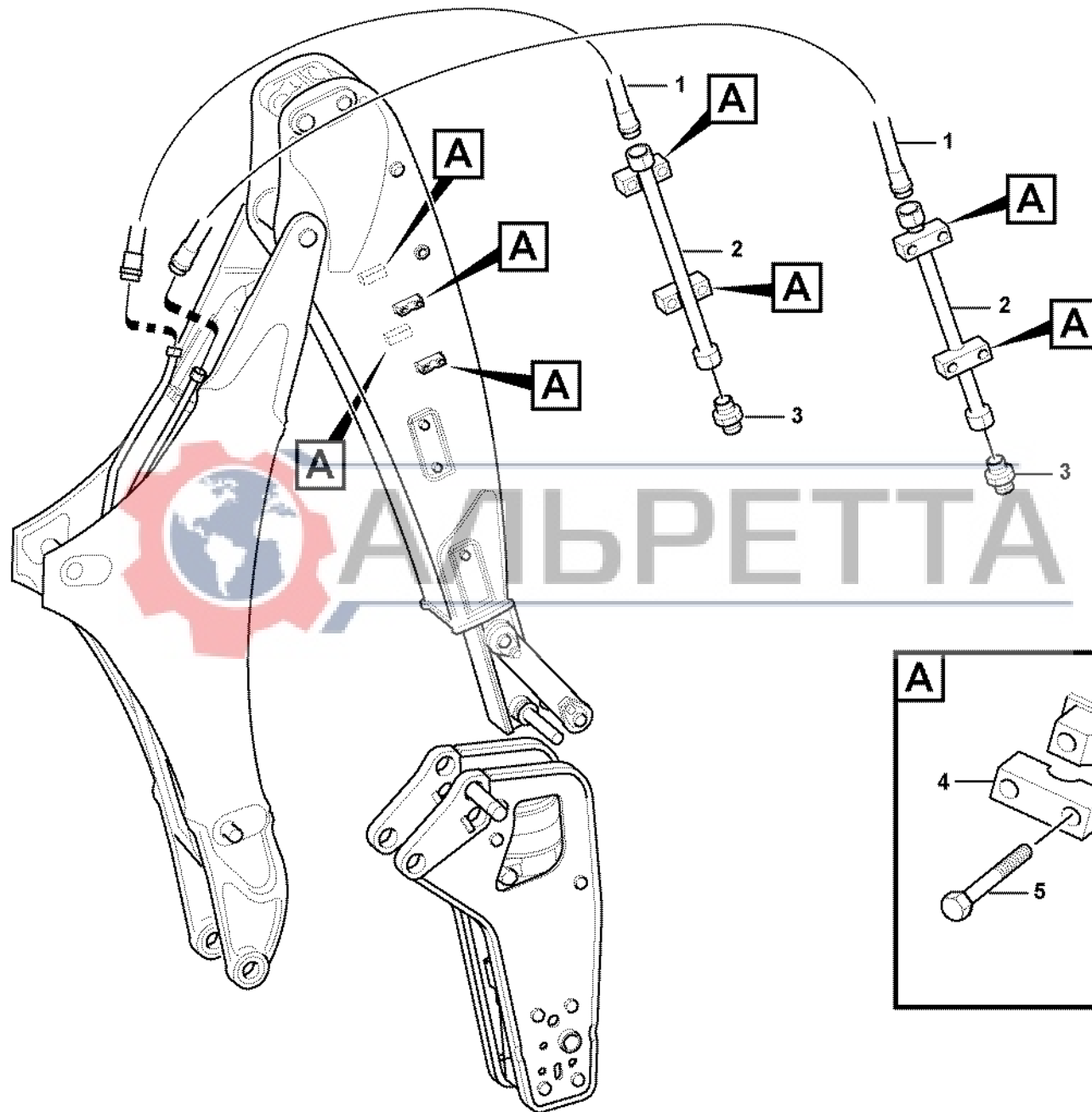


Fig.	Part No.	Quantity			P S	K I T	Description	Dénomination	Bezeichnung	Denominación	Benämning	Notes
		1	2	3								
1	VOE 11885790	2				Hose.....	Durit .....	Schlauch .....	Tube flexible.....	Slang.....		
2	VOE 11885786	2				Tube.....	Tube.....	Rohr .....	Tube .....	Rör.....		
3	VOE 11881382	2				Nipple.....	Raccord.....	Nippel .....	Niple .....	Nippel.....		
	VOE 981290	2				•O-ring.....	•Joint Torique .....	•O-Ring.....	•Junta torica .....	•O-ring.....		
	VOE 932040	2				•O-ring.....	•Joint Torique .....	•O-Ring.....	•Junta torica .....	•O-ring.....		
4	VOE 11886452	4				Clamp.....	Pince Serrage .....	Klemme .....	Abrazadera.....	Klämma.....		
5	VOE 11886495	8				Screw .....	Vis .....	Schraube.....	Tornillo .....	Skruv.....		
5	VOE 959250	8				Allen Hd Screw .....	Vis A 6 Pans Cr.....	Inbusschraube.....	Torn Hex Embut .....	Insexskruv.....		

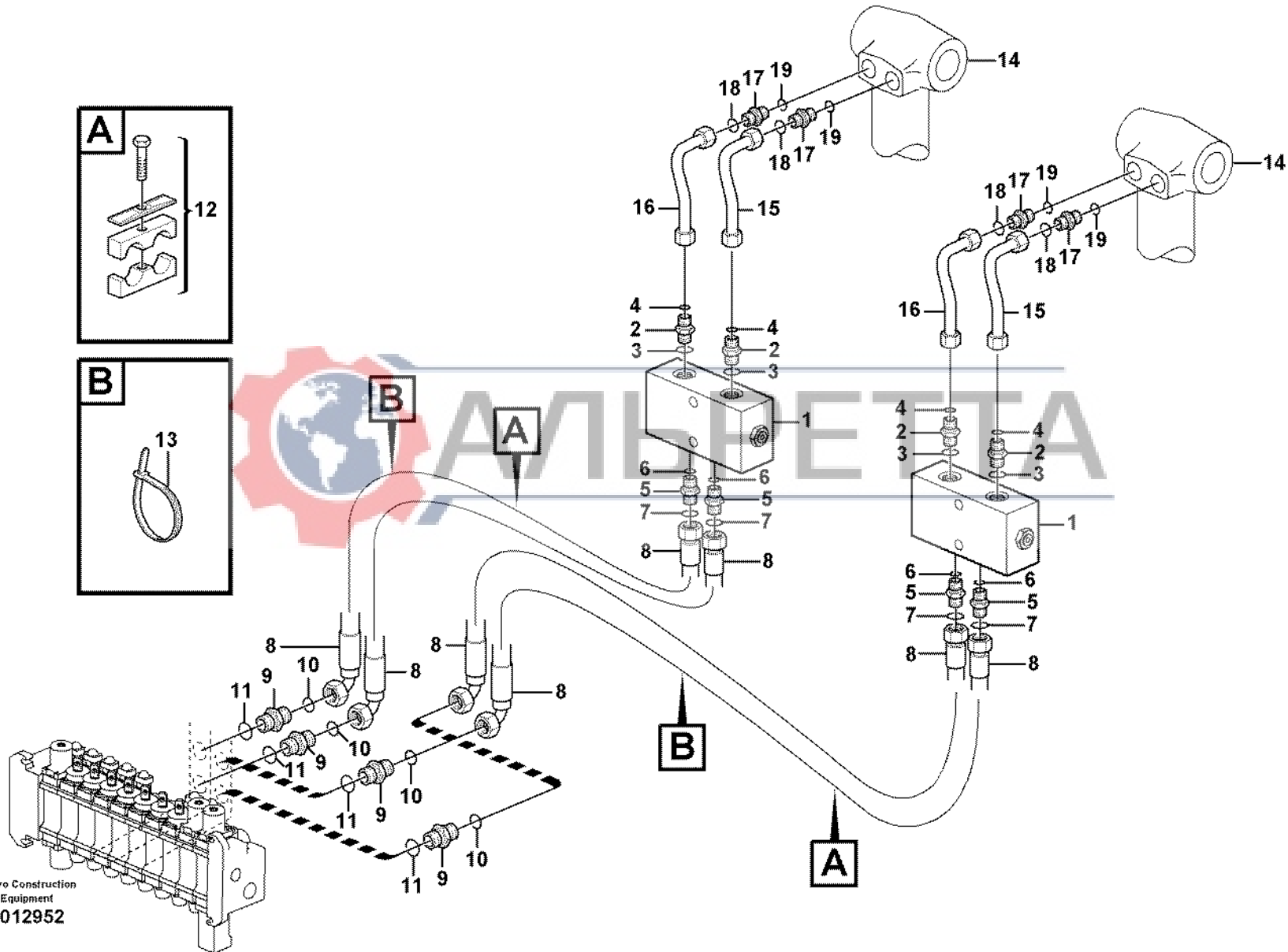
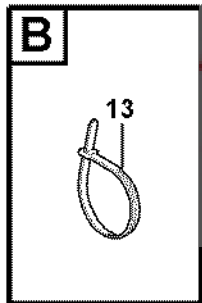
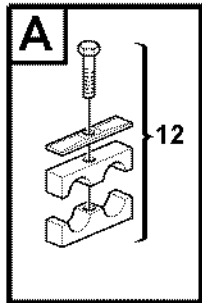


1		<b>Rör till hammarredskap</b> <b>Tubería para fijación del martillo</b> <b>Leitungen für Hammeranbau</b> <b>Conduits, marteau</b> <b>Pipes for hammer attachment</b>	Catalogue id	Group
2			<b>20124</b>	<b>911</b>
3			Illustr. No	Section
4			<b>1027090</b>	<b>450</b>
5			Issue	Page
		<b>11891375</b>	<b>VOE 63A9920124</b>	<b>491</b>

**VOLVO**

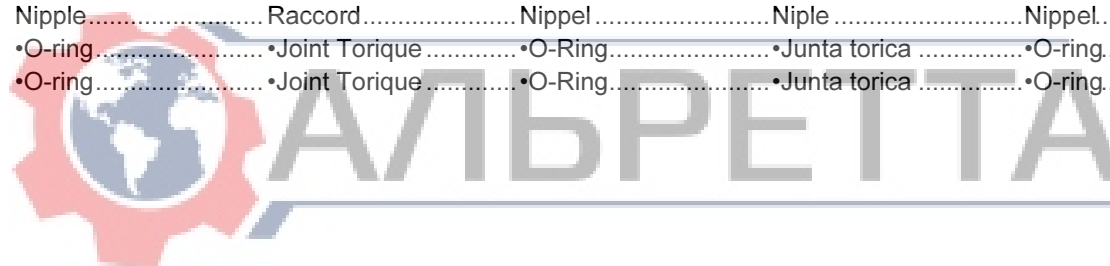
**BL61PLUS**





Volvo Construction  
Equipment  
1012952

Fig.	Part No.	Quantity			P S	K I T	Description	Dénomination	Bezeichnung	Denominación	Benämning	Notes
		1	2	3								
1	VOE 11881880	2				Check valve .....	Valve antiretour .....	Rückschlagventil .....	Válvula de retención .....	Backventil .....		
2	VOE 935091	4				Nipple .....	Raccord .....	Nippel .....	Niple .....	Nippel .....		
3	VOE 4880493	4				•O-ring .....	•Joint Torique .....	•O-Ring .....	•Junta torica .....	•O-ring .....		
4	VOE 932039	4				•O-ring .....	•Joint Torique .....	•O-Ring .....	•Junta torica .....	•O-ring .....		
5	VOE 935085	4				Nipple .....	Raccord .....	Nippel .....	Niple .....	Nippel .....		
6	VOE 4880492	4				•O-ring .....	•Joint Torique .....	•O-Ring .....	•Junta torica .....	•O-ring .....		
7	VOE 932039	4				•O-ring .....	•Joint Torique .....	•O-Ring .....	•Junta torica .....	•O-ring .....		
8	VOE 11882198	4				Hose assembly .....	Conduit flexible .....	Schlauchleitung .....	Conducto .....	Slangledning .....		
9	VOE 11882258	4				Nipple .....	Raccord .....	Nippel .....	Niple .....	Nippel .....		
10	VOE 4880492	4				•O-ring .....	•Joint Torique .....	•O-Ring .....	•Junta torica .....	•O-ring .....		
11	VOE 932042	4				•O-ring .....	•Joint Torique .....	•O-Ring .....	•Junta torica .....	•O-ring .....		
12	VOE 11883635	2				Clamp .....	Collier serrage .....	Klemme .....	Abrazadera .....	Klamma .....		
13	VOE 4881438	2				Strip Clamp .....	Ruban Serrage .....	Kabelbinder .....	Abraz Cinta .....	Bandklamma .....		
14		2				Cylinder .....	Verin .....	Zylinder .....	Cilindro .....	Cylinder .....	See group 972, Page 651	
15	VOE 11886176	2				Tube .....	Tube .....	Rohr .....	Tube .....	Rör .....		
16	VOE 11886178	2				Tube .....	Tube .....	Rohr .....	Tube .....	Rör .....		
17	VOE 935091	4				Nipple .....	Raccord .....	Nippel .....	Niple .....	Nippel .....		
18	VOE 932039	4				•O-ring .....	•Joint Torique .....	•O-Ring .....	•Junta torica .....	•O-ring .....		
19	VOE 4880493	4				•O-ring .....	•Joint Torique .....	•O-Ring .....	•Junta torica .....	•O-ring .....		



1	<b>Hydraulsystem, stödben</b> <b>Sistema hidráulico patas de apoyo</b> <b>Hydraulikanlage Bodenstützen</b> <b>Système hydraulique Bequilles</b> <b>Hydraulic system, stabiliser legs</b>	Catalogue id	Group
2		<b>20124</b>	<b>911</b>
3		Illustr. No	Section
4		<b>1012952</b>	<b>500</b>
5		Issue	Page
		<b>VOE 63A9920124</b>	<b>493</b>

**VOLVO**

**BL61PLUS**



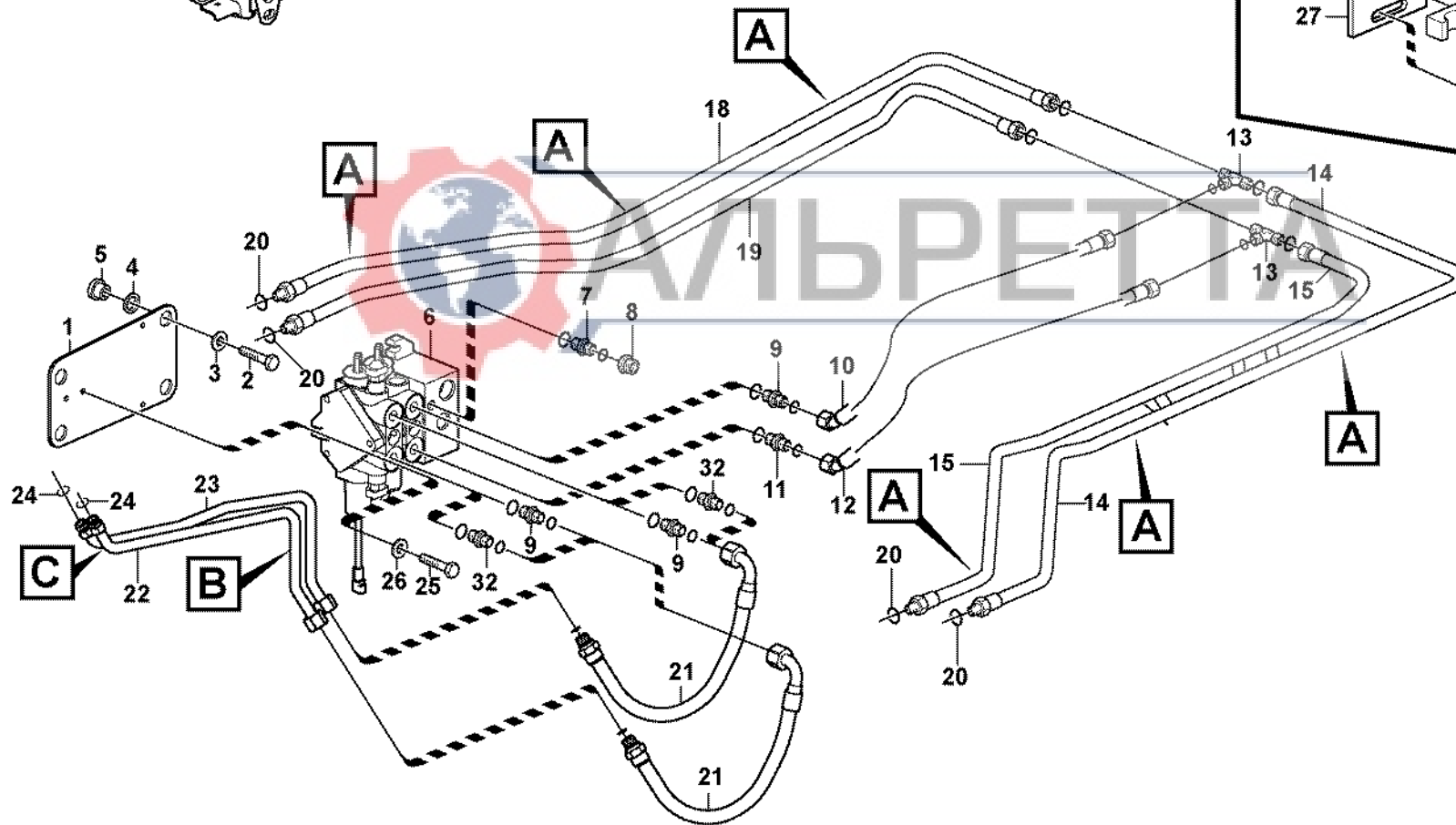
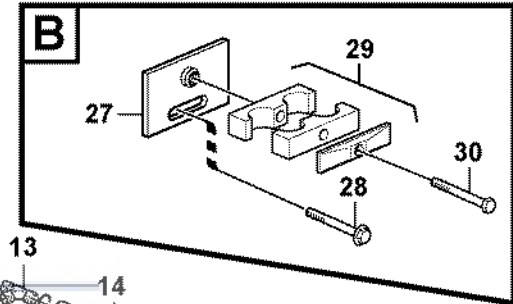
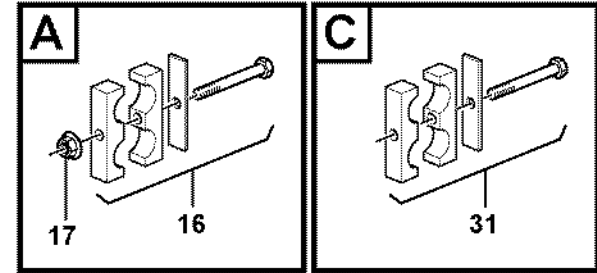
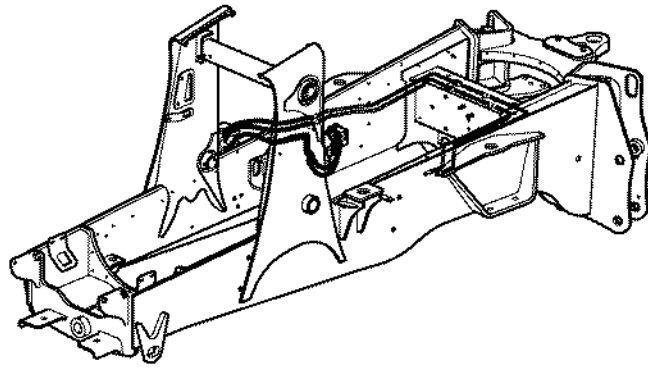


Fig.	Part No.	Quantity			P S	K I T	Description	Dénomination	Bezeichnung	Denominación	Benämning	Notes
		1	2	3								
1		1			NS	Valve Support .....	Support Soupape .....	Ventilstutze.....	Apoyo Valvula .....	Ventilstöd.....		
2	VOE 13965194	4				Flange screw.....	Vis à bride.....	Flanschschraube.....	Torn embridado.....	Flänsskruv.....		
3	VOE 13947355	4				Washer.....	Rondelle.....	Scheibe .....	Arandela.....	Bricka.....		
4	VOE 955908	4				Washer.....	Rondelle.....	Scheibe .....	Arandela.....	Bricka.....		
5	VOE 11881720	4				Rubber element .....	Element caoutch .....	Gummielement.....	Elemento goma .....	Gummielement.....		
6		1				Valve.....	Soupape.....	Ventil.....	Valvula .....	Ventil.....	See group 912, Page 525	
7	VOE 11885699	1				Check valve .....	Valve antiretour.....	Rückschlagventil .....	Válvula de retención..	Backventil.....		
	VOE 9907393	1				•O-ring.....	•Joint Torique .....	•O-Ring.....	•Junta torica .....	•O-ring.....		
	VOE 932039	1				•O-ring.....	•Joint Torique .....	•O-Ring.....	•Junta torica .....	•O-ring.....		
8	VOE 11885733	1				Fitting .....	Ecrou raccord.....	Verschraubung.....	Racor.....	Förskruvning.....		
	VOE 990736	1				•O-ring.....	•Joint Torique .....	•O-Ring.....	•Junta torica .....	•O-ring.....		
9	VOE 935032	1				Nipple.....	Raccord.....	Nippel.....	Niple .....	Nippel.....		
	VOE 990739	1				•O-ring.....	•Joint Torique .....	•O-Ring.....	•Junta torica .....	•O-ring.....		
	VOE 932042	1				•O-ring.....	•Joint Torique .....	•O-Ring.....	•Junta torica .....	•O-ring.....		
10	VOE 11888624	1				Hose assembly .....	Conduit flexible .....	Schlauchleitung.....	Conducto.....	Slangledning.....		
11	VOE 935093	1				Union.....	Teton Connexion.....	Anschlussnippel .....	Niple Conexcion .....	Anslutn.nippel.....		
	VOE 990738	1				•O-ring.....	•Joint Torique .....	•O-Ring.....	•Junta torica .....	•O-ring.....		
	VOE 932042	1				•O-ring.....	•Joint Torique .....	•O-Ring.....	•Junta torica .....	•O-ring.....		
12	VOE 11888625	1				Hose assembly .....	Conduit flexible .....	Schlauchleitung.....	Conducto.....	Slangledning.....		
13	VOE 11884287	2				Fitting .....	Ecrou raccord.....	Verschraubung.....	Racor.....	Förskruvning.....		
	VOE 990739	2				•O-ring.....	•Joint Torique .....	•O-Ring.....	•Junta torica .....	•O-ring.....		
14	VOE 11882768	1				Tube.....	Tube.....	Rohr .....	Tubo .....	Rör.....		
15	VOE 11882767	1				Tube.....	Tube.....	Rohr .....	Tubo .....	Rör.....		
	VOE 990739	2				•O-ring.....	•Joint Torique .....	•O-Ring.....	•Junta torica .....	•O-ring.....		
16	VOE 11881340	6				Clamp.....	Pince Serrage .....	Klemme .....	Abrazadera.....	Klämma.....		
17	VOE 948645	3				Flange Lock Nut.....	Contre écrou bride .....	Flanschmutter .....	Contratuer Embr.....	Flänslåsmutter.....		
18	VOE 11888712	1				Tube.....	Tube.....	Rohr .....	Tubo .....	Rör.....		
19	VOE 11888711	1				Tube.....	Tube.....	Rohr .....	Tubo .....	Rör.....		
20	VOE 990738	4				O-ring.....	Joint Torique .....	O-Ring.....	Junta torica.....	O-ring.....		
21	VOE 11885253	2				Hose.....	Durit .....	Schlauch .....	Tubo flexible.....	Slang.....		

1		<b>Hydraulik lastare (lyft &amp; tilt)</b>	Catalogue id	Group
2		<b>Sistema hidráulico de cargadora (elevación y volteo)</b>	<b>20124</b>	<b>911</b>
3		<b>Ladehydraulik (Heben und Kippen)</b>	Illustr. No	Section
4		<b>Equipement chargeur à commande hydraulique (levage et basculement)</b>	<b>1027028</b>	<b>550</b>
5		<b>Hydraulics loader (lift &amp; tilt)</b>	Issue	Page
			<b>VOE 63A9920124</b>	<b>495</b>

**VOLVO**

**BL61PLUS**





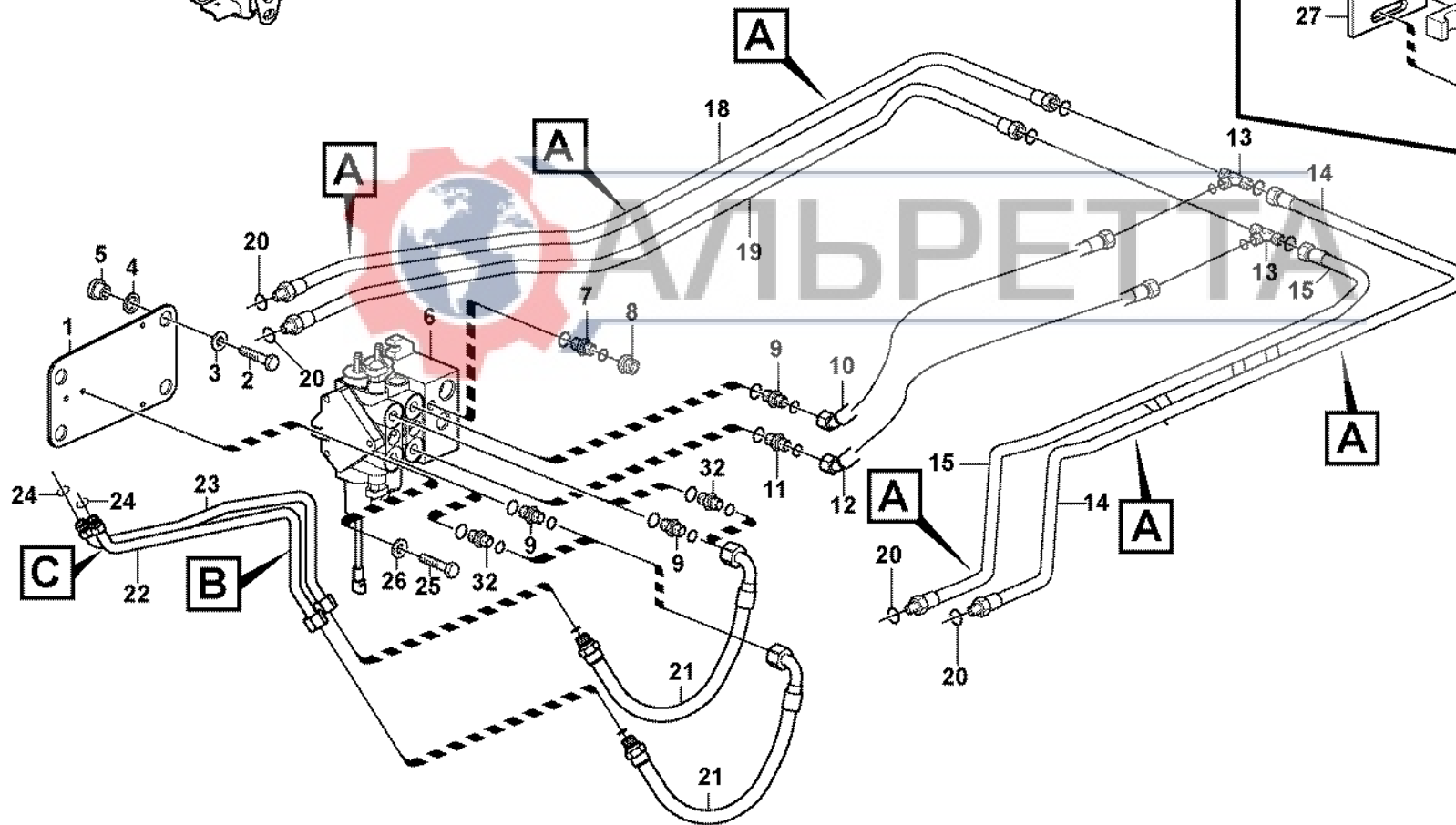
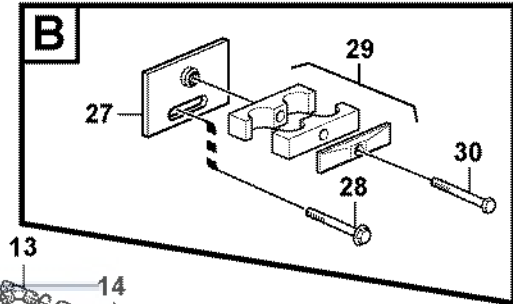
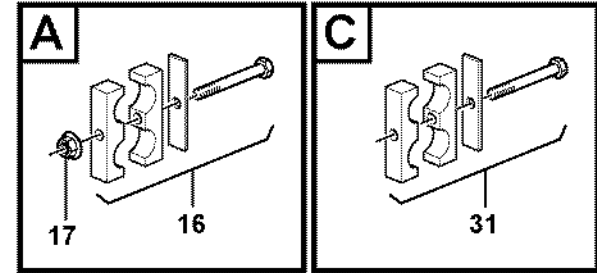
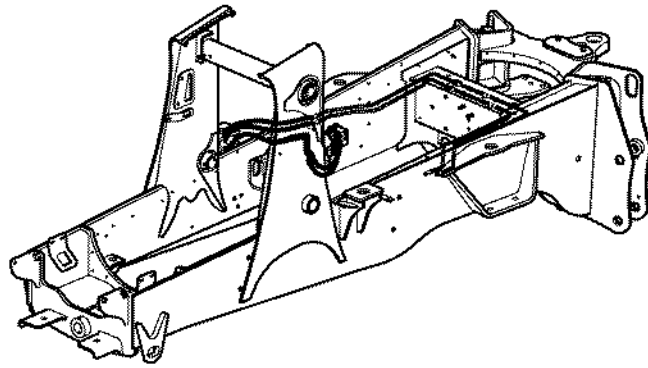


Fig.	Part No.	Quantity			P S	K I T	Description	Dénomination	Bezeichnung	Denominación	Benämning	Notes
		1	2	3								
	VOE 990739	1				O-ring.....	Joint Torique .....	O-Ring.....	Junta torica.....	O-ring.....		
22	VOE 11883522	1				Tube.....	Tube.....	Rohr .....	Tube .....	Rör.....		
23	VOE 11883523	1				Tube.....	Tube.....	Rohr .....	Tube .....	Rör.....		
24	VOE 990739	2				O-ring.....	Joint Torique .....	O-Ring.....	Junta torica.....	O-ring.....		
25	VOE 983253	3				Hexagon screw .....	Vis tête hexagonale ...	Sechskantschraube....	Tornillo hexago.....	Sexkantsskruv.....		
26	VOE 930842	3				Washer.....	Rondelle .....	Scheibe .....	Arandela.....	Bricka.....		
27	VOE 11885758	1				Plate.....	Plaque.....	Platte.....	Placa .....	Platta.....		
28	VOE 946671	1				Flange screw.....	Vis à bride .....	Flanschschraube.....	Torn embridado .....	Flänsskruv.....		
29	VOE 11881641	1				Clamp.....	Pince Serrage .....	Klemme .....	Abrazadera.....	Klämma.....		
30	VOE 983246	1				Hexagon screw .....	Vis a tête hexagonale	Sechskantschr.....	Tornillo hexago.....	Sexkantsskruv.....		
31	VOE 11881372	1				Clamp.....	Pince Serrage .....	Klemme .....	Abrazadera.....	Klämma.....		
32	VOE 13933862	2				Nipple.....	Raccord.....	Nippel.....	Niple .....	Nippel.....		
	VOE 990740	1				•O-ring.....	•Joint Torique .....	•O-Ring.....	•Junta torica .....	•O-ring.....	(VOE 981289)	
	VOE 932042	1				•O-ring.....	•Joint Torique .....	•O-Ring.....	•Junta torica .....	•O-ring.....		



1		<b>Hydraulik lastare (lyft &amp; tilt)</b> <b>Sistema hidráulico de cargadora (elevación y volteo)</b> <b>Ladehydraulik (Heben und Kippen)</b> <b>Equipement chargeur à commande hydraulique (levage et basculement)</b> <b>Hydraulics loader (lift &amp; tilt)</b>	Catalogue id	Group
2			<b>20124</b>	<b>911</b>
3			Illustr. No	Section
4			<b>1027028</b>	<b>550</b>
5			Issue	Page
			<b>VOE 63A9920124</b>	<b>497</b>

**VOLVO**

**BL61PLUS**



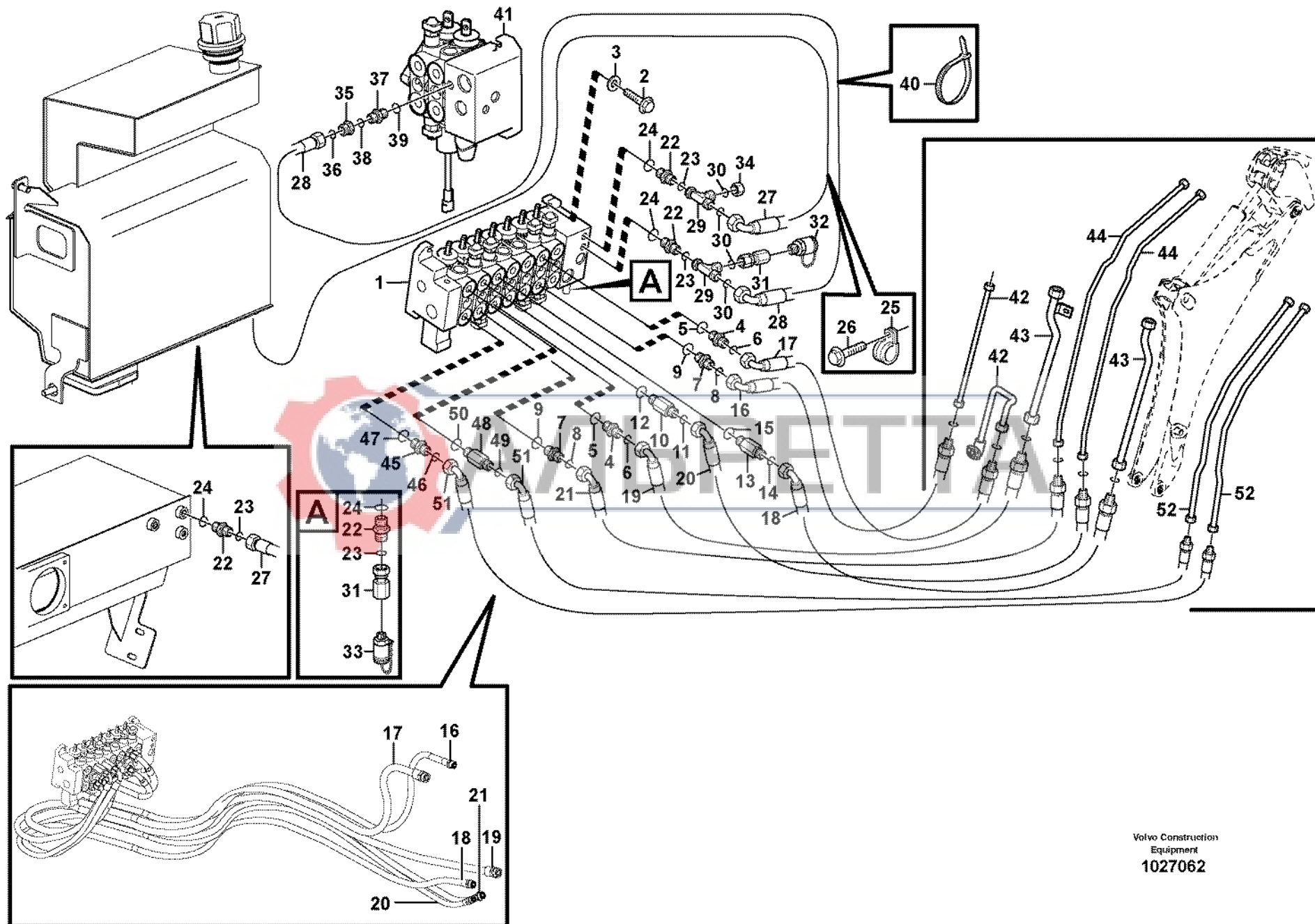
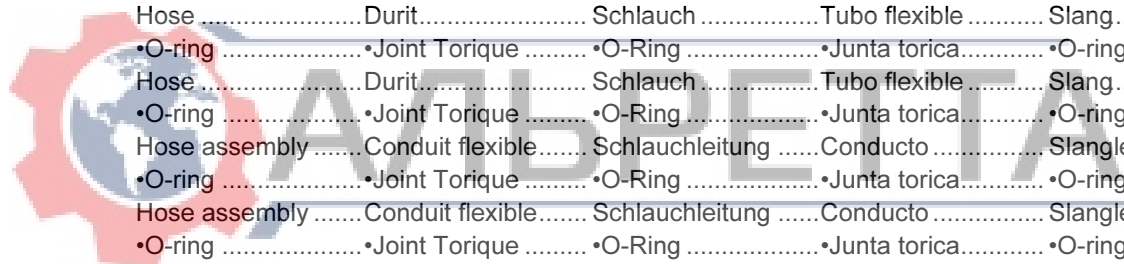


Fig.	Part No.	Quantity					P S	K T	Description	Dénomination	Bezeichnung	Denominación	Benämning	Notes
		1	2	3	4	5								
1		1						Valve.....	Soupape.....	Ventil.....	Valvula.....	Ventil.....	See group 912, Page 527	
1			1	1	1			Valve.....	Soupape.....	Ventil.....	Valvula.....	Ventil.....	See group 912, Page 527	
2	VOE 983253	3						Hexagon screw.....	Vis tête hexagonale	Sechskantschraub ..	Tornillo hexago.....	Sexkantsskruv.....		
3	VOE 13930842	3						Washer.....	Rondelle.....	Scheibe.....	Arandela.....	Bricka.....		
4	VOE 13933862	2						Nipple.....	Raccord.....	Nippel.....	Niple.....	Nippel.....		
5	VOE 932042	2						•O-ring.....	•Joint Torique.....	•O-Ring.....	•Junta torica.....	•O-ring.....		
6	VOE 990740	2						•O-ring.....	•Joint Torique.....	•O-Ring.....	•Junta torica.....	•O-ring.....		
7	VOE 935032	2						Nipple.....	Raccord.....	Nippel.....	Niple.....	Nippel.....		
8	VOE 4880663	2						•O-ring.....	•Joint Torique.....	•O-Ring.....	•Junta torica.....	•O-ring.....		
9	VOE 932042	2						•O-ring.....	•Joint Torique.....	•O-Ring.....	•Junta torica.....	•O-ring.....		
10	VOE 11883712	1						Fitting.....	Ecrou raccord.....	Verschraubung.....	Racor.....	Förskruvning.....		
11	VOE 990738	1						•O-ring.....	•Joint Torique.....	•O-Ring.....	•Junta torica.....	•O-ring.....		
12	VOE 932042	1						•O-ring.....	•Joint Torique.....	•O-Ring.....	•Junta torica.....	•O-ring.....		
13	VOE 11883713	1						Fitting.....	Ecrou raccord.....	Verschraubung.....	Racor.....	Förskruvning.....		
14	VOE 4880663	1						•O-ring.....	•Joint Torique.....	•O-Ring.....	•Junta torica.....	•O-ring.....		
15	VOE 932042	1						•O-ring.....	•Joint Torique.....	•O-Ring.....	•Junta torica.....	•O-ring.....		
16	VOE 11882708	1						Hose.....	Durit.....	Schlauch.....	Tubo flexible.....	Slang.....		
	VOE 990740	1						•O-ring.....	•Joint Torique.....	•O-Ring.....	•Junta torica.....	•O-ring.....		
17	VOE 11882707	1						Hose.....	Durit.....	Schlauch.....	Tubo flexible.....	Slang.....		
	VOE 981290	1						•O-ring.....	•Joint Torique.....	•O-Ring.....	•Junta torica.....	•O-ring.....		
18	VOE 11882199	1						Hose assembly.....	Conduit flexible.....	Schlauchleitung.....	Conducto.....	Slangedning.....		
	VOE 990740	1						•O-ring.....	•Joint Torique.....	•O-Ring.....	•Junta torica.....	•O-ring.....		
19	VOE 11882196	1						Hose assembly.....	Conduit flexible.....	Schlauchleitung.....	Conducto.....	Slangedning.....		
	VOE 981290	1						•O-ring.....	•Joint Torique.....	•O-Ring.....	•Junta torica.....	•O-ring.....		
20	VOE 11882202	1						Inlet Pipe.....	Tubul.admission.....	Einlassrohr.....	Tubo Admision.....	Inloppsör.....		
	VOE 4880663	1						•O-ring.....	•Joint Torique.....	•O-Ring.....	•Junta torica.....	•O-ring.....		
21	VOE 11882197	1						Hose assembly.....	Conduit flexible.....	Schlauchleitung.....	Conducto.....	Slangedning.....		
	VOE 990740	1						•O-ring.....	•Joint Torique.....	•O-Ring.....	•Junta torica.....	•O-ring.....		
22	VOE 13933858	3						Union.....	Teton Connexion.....	Anschlussnippel.....	Niple Conexcion.....	Anslutn.nippel.....		
23	VOE 4881722	1						•O-ring.....	•Joint Torique.....	•O-Ring.....	•Junta torica.....	•O-ring.....		



1	11880101	<b>Hydraulsystem, grävare</b> <b>Sistema hidrlico excavador</b> <b>Hydraulikanlage ventil zum ausleger Baggeraggregat</b> <b>Système hydalrique groupe pelle</b> <b>Hydraulic system, excavator</b>	Catalogue id	Group
2	11891417, 11895018		<b>20124</b>	<b>911</b>
3	11895019, 11895020		Illustr. No	Section
4	11891273		<b>1027062</b>	<b>700</b>
5			Issue	Page
			<b>VOE 63A9920124</b>	<b>499</b>



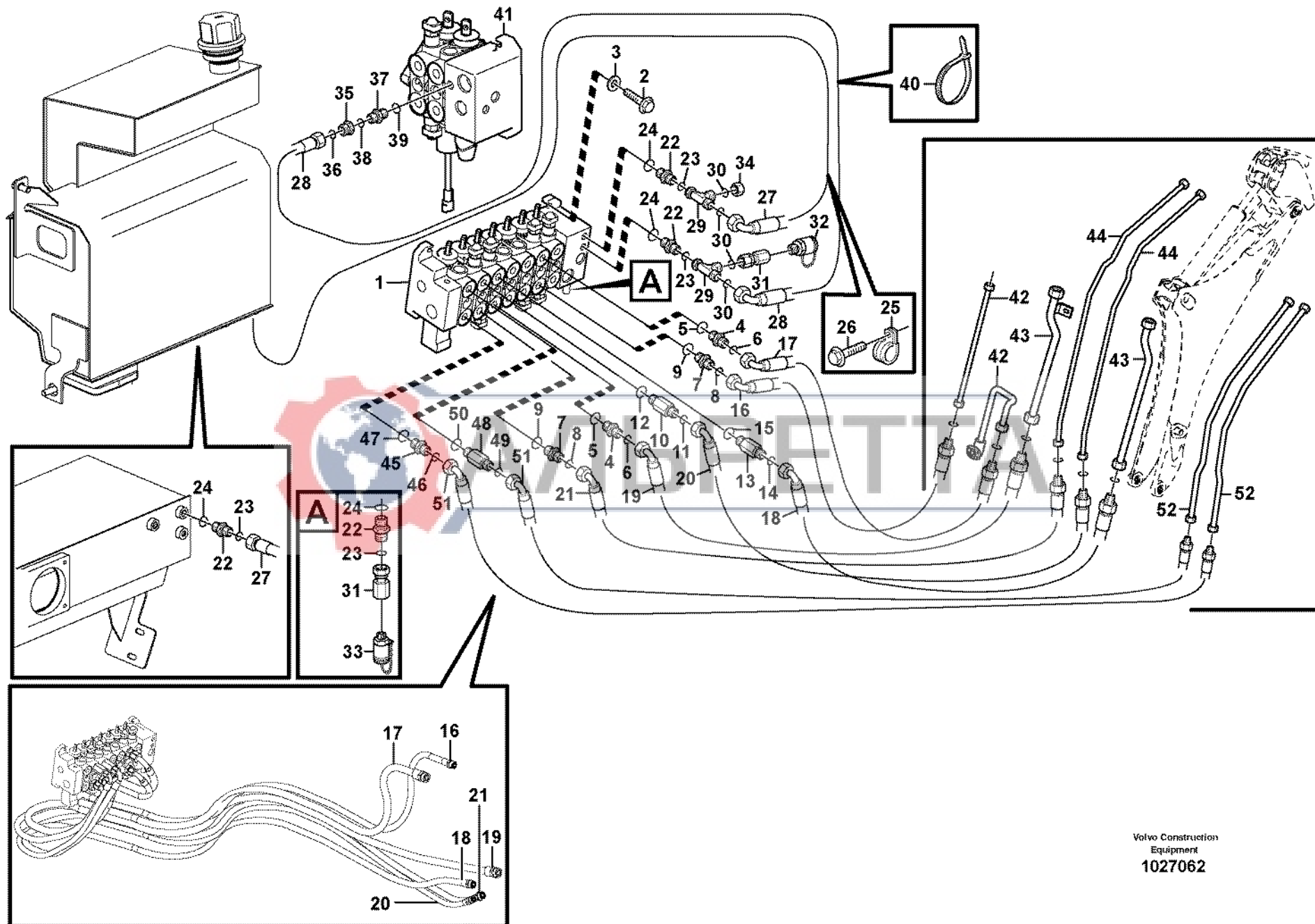
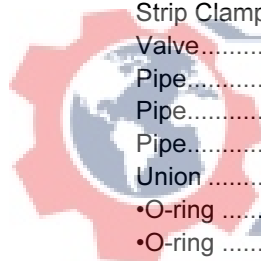


Fig.	Part No.	Quantity					P S	K I T	Description	Dénomination	Bezeichnung	Denominación	Benämning	Notes
		1	2	3	4	5								
24	VOE 932039	1						•O-ring .....	•Joint Torique .....	•O-Ring .....	•Junta torica.....	•O-ring.....		
25	VOE 978869	2						Clamp .....	Pince Serrage .....	Klemme.....	Abrazadera .....	Klämma.....		
26	VOE 946671	2						Flange screw .....	Vis à bride .....	Flanschschraube .....	Torn embridado .....	Flänsskruv.....		
27	VOE 11885263	1						Hose .....	Durit.....	Schlauch .....	Tubo flexible .....	Slang.....		
28	VOE 11885261	1						Hose .....	Durit.....	Schlauch .....	Tubo flexible .....	Slang.....		
29	VOE 13933859	2						Nipple.....	Raccord.....	Nippel.....	Niple .....	Nippel.....		
30	VOE 4881722	2						•O-ring .....	•Joint Torique .....	•O-Ring .....	•Junta torica.....	•O-ring.....		
31	VOE 11884794	1						Fitting .....	Ecrou raccord.....	Verschraubung .....	Racor.....	Förskruvning.....		
32	VOE 936446	1						Testing Nipple.....	Raccord contrôle .....	Prufnippel.....	Niple Medicion.....	Mät-nippel.....		
33	VOE 936439	1						Testing Nipple.....	Raccord contrôle .....	Prufnippel.....	Niple Medicion.....	Mät-nippel.....		
34	VOE 935756	1						Plug.....	Bouchon .....	Stopfen .....	Tapon .....	Plugg.....		
35	VOE 11885733	1						Fitting .....	Ecrou raccord.....	Verschraubung .....	Racor.....	Förskruvning.....		
36	VOE 4881722	1						•O-ring .....	•Joint Torique .....	•O-Ring .....	•Junta torica.....	•O-ring.....		
37	VOE 11885699	1						Check valve .....	Valve antiretour .....	Rückschlagventil.....	Válvula de retenció.....	Backventil.....		
38	VOE 932039	1						•O-ring .....	•Joint Torique .....	•O-Ring .....	•Junta torica.....	•O-ring.....		
39	VOE 4880663	1						•O-ring .....	•Joint Torique .....	•O-Ring .....	•Junta torica.....	•O-ring.....		
40	VOE 14016673	7						Strip Clamp .....	Ruban Serrage .....	Kabelbinder.....	Abraz Cinta.....	Bandklamma.....		
41		1						Valve.....	Soupape .....	Ventil.....	Valvula.....	Ventil.....	See group 912, Page 525	
42		2						Pipe.....	Canalisation .....	Rohrleitung .....	Canalizacion .....	Rör.....	See group 911, Page 507	
43		2						Pipe.....	Canalisation .....	Rohrleitung .....	Canalizacion .....	Rör.....	See group 911, Page 509	
44		2						Pipe.....	Canalisation .....	Rohrleitung .....	Canalizacion .....	Rör.....	See group 911, Page 511	
45	VOE 935093		1	1	1			Union .....	Teton Connexion.....	Anschlussnippel.....	Niple Conexcion .....	Ansluth.nippel.....		
46	VOE 4880493		1	1	1			•O-ring .....	•Joint Torique .....	•O-Ring .....	•Junta torica.....	•O-ring.....		
47	VOE 932042		1	1	1			•O-ring .....	•Joint Torique .....	•O-Ring .....	•Junta torica.....	•O-ring.....		
48	VOE 11883712		1	1	1			Fitting .....	Ecrou raccord.....	Verschraubung .....	Racor.....	Förskruvning.....		
49	VOE 4880493		1	1	1			•O-ring .....	•Joint Torique .....	•O-Ring .....	•Junta torica.....	•O-ring.....		
50	VOE 932042		1	1	1			•O-ring .....	•Joint Torique .....	•O-Ring .....	•Junta torica.....	•O-ring.....		
51	VOE 11882207		2	2	2			Hose .....	Flexible.....	Schlauch .....	Manguera .....	Slang.....		
52			2	2	2			Pipe.....	Canalisation .....	Rohrleitung .....	Canalizacion .....	Rör.....	See group 911, Page 513	



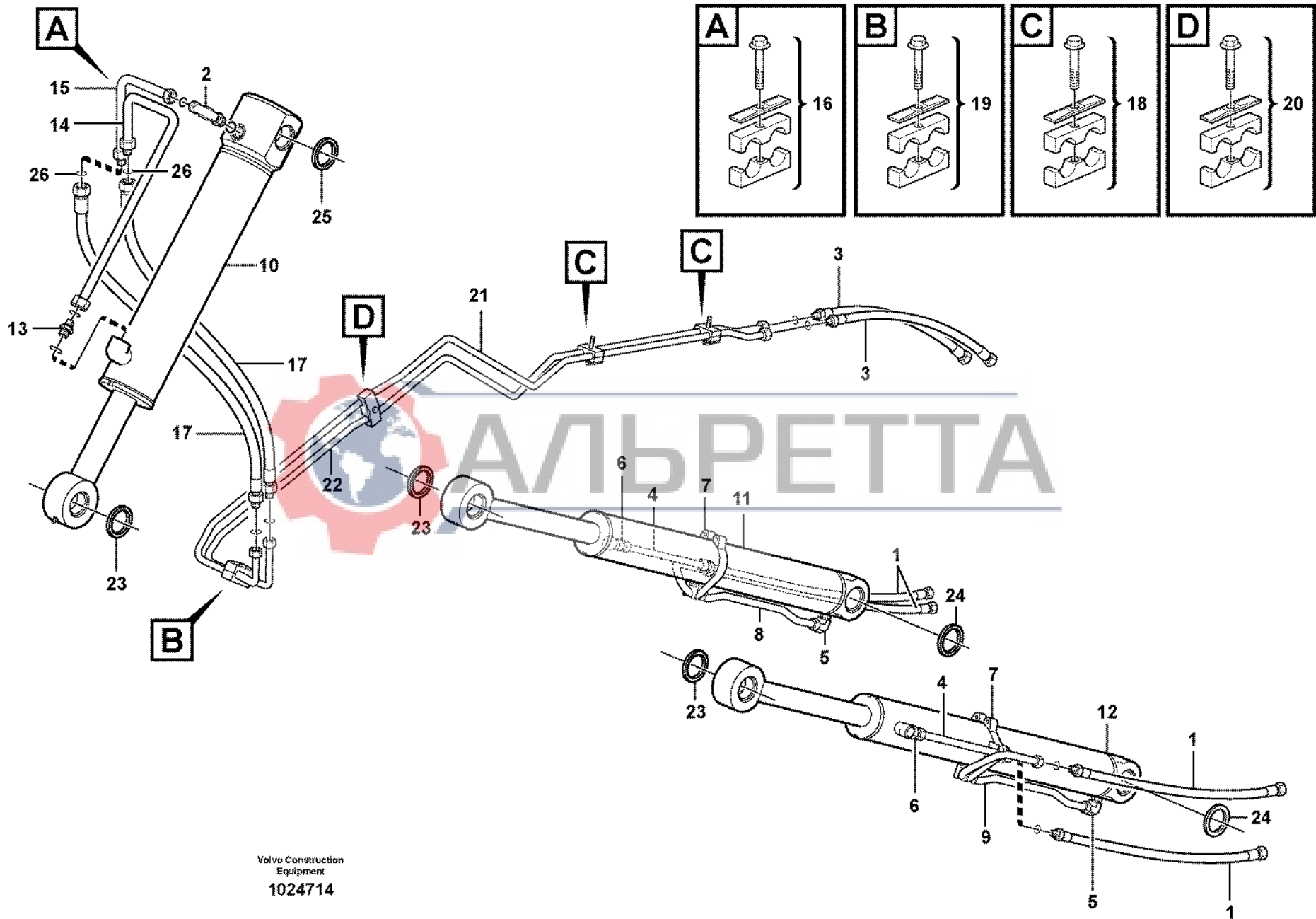
ALBERTA

1	11880101	<b>Hydraulsystem, grävare</b> <b>Sistema hidrlico excavador</b> <b>Hydraulikanlage ventil zum ausleger Baggeraggregat</b> <b>Système hydalrique groupe pelle</b> <b>Hydraulic system, excavator</b>	Catalogue id	Group
2	11891417, 11895018		<b>20124</b>	<b>911</b>
3	11895019, 11895020		Illustr. No	Section
4	11891273		<b>1027062</b>	<b>700</b>
5			Issue	Page
			<b>VOE 63A9920124</b>	<b>501</b>

**VOLVO**

**BL61PLUS**





Volvo Construction  
Equipment  
1024714

Fig.	Part No.	Quantity			P S	K I T	Description	Dénomination	Bezeichnung	Denominación	Benämning	Notes
		1	2	3								
1	VOE 11882204	4				Hose.....	Durit .....	Schlauch .....	Tubo flexible .....	Slang.....		
2	VOE 935079	1	1			Elbow nipple.....	Raccord angulaire.....	Winkelnippel.....	Niple angular.....	Vinkelnippel.....		
	VOE 990740	1	1			•O-ring.....	•Joint Torique .....	•O-Ring.....	•Junta torica .....	•O-ring.....		
	VOE 932041	1	1			•O-ring.....	•Joint Torique .....	•O-Ring.....	•Junta torica .....	•O-ring.....		
3	VOE 11882649	2				Hose assembly .....	Conduit flexible .....	Schlauchleitung.....	Conducto.....	Slangledning.....		
4	VOE 11882799	2	2			Tube.....	Tube.....	Rohr .....	Tubo .....	Rör.....		
5	VOE 935076	2	2			Elbow Nipple.....	Raccord angulaire.....	Winkelnippel.....	Niple Angular.....	V-nippel.....		
	VOE 990739	2	2			•O-ring.....	•Joint Torique .....	•O-Ring.....	•Junta torica .....	•O-ring.....		
	VOE 932040	2	2			•O-ring.....	•Joint Torique .....	•O-Ring.....	•Junta torica .....	•O-ring.....		
6	VOE 935094	2	2			Nipple.....	Raccord.....	Nippel.....	Niple .....	Nippel.....		
	VOE 990739	2	2			•O-ring.....	•Joint Torique .....	•O-Ring.....	•Junta torica .....	•O-ring.....		
	VOE 932040	2	2			•O-ring.....	•Joint Torique .....	•O-Ring.....	•Junta torica .....	•O-ring.....		
7	VOE 11885203	2	2			Clamp.....	Pince Serrage .....	Klemme .....	Abrazadera.....	Klämma.....		
8	VOE 11882798	1	1			Tube.....	Tube.....	Rohr .....	Tubo .....	Rör.....		
9	VOE 11881499	1	1			Tube.....	Tube.....	Rohr .....	Tubo .....	Rör.....		
10		1	1			Cylinder.....	Verin.....	Zylinder .....	Cilindro .....	Cylinder.....	See group 945, Page 635	
11		1	1			Cylinder.....	Cylindre.....	Zylinder .....	Cilindro .....	Cylinder.....	See group 945, Page 633	
12		1	1			Cylinder.....	Cylindre.....	Zylinder .....	Cilindro .....	Cylinder.....	See group 945, Page 633	
13	VOE 13933862	1	1			Nipple.....	Raccord.....	Nippel.....	Niple .....	Nippel.....		
	VOE 990740	1	1			•O-ring.....	•Joint Torique .....	•O-Ring.....	•Junta torica .....	•O-ring.....		
	VOE 932042	1	1			•O-ring.....	•Joint Torique .....	•O-Ring.....	•Junta torica .....	•O-ring.....		
14	VOE 11882800	1	1			Tube.....	Tube.....	Rohr .....	Tubo .....	Rör.....		
15	VOE 11882801	1	1			Tube.....	Tube.....	Rohr .....	Tubo .....	Rör.....		
16	VOE 11881092	1	1			Clamp.....	Pince Serrage .....	Klemme .....	Abrazadera.....	Klämma.....		
17	VOE 11884228	2				Hose.....	Durit .....	Schlauch .....	Tubo flexible .....	Slang.....		
18	VOE 11881093	2	2			Clamp.....	Pince Serrage .....	Klemme .....	Abrazadera.....	Klämma.....		
19	VOE 11881372	1	1			Clamp.....	Pince Serrage .....	Klemme .....	Abrazadera.....	Klämma.....		
20	VOE 11883229	1	1			Clamp.....	Pince Serrage .....	Klemme .....	Abrazadera.....	Klämma.....		
21	VOE 11888396	1				Tube.....	Tube.....	Rohr .....	Tubo .....	Rör.....		
	VOE 11885150	1				Tube.....	Tube.....	Rohr .....	Tubo .....	Rör.....		

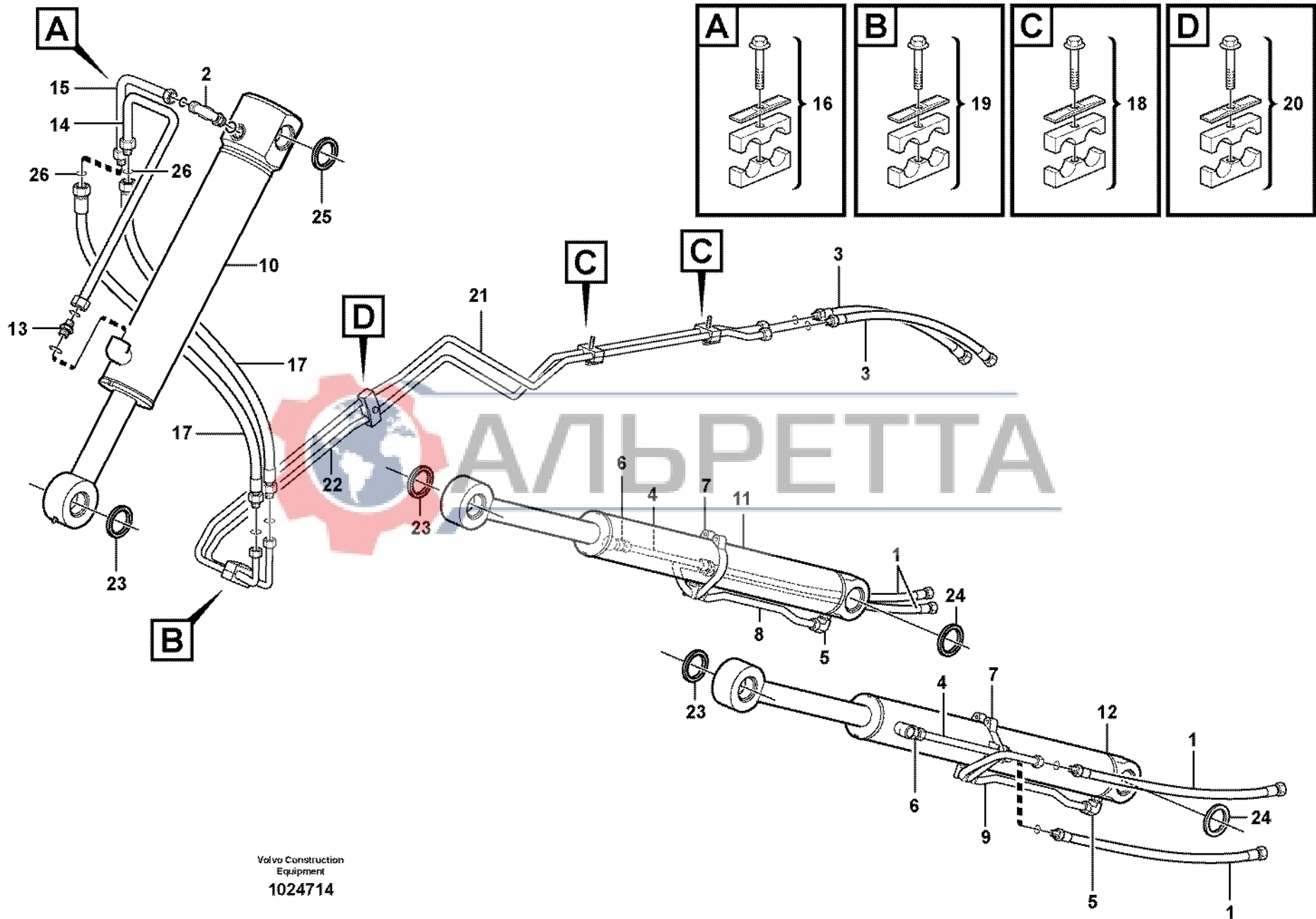
1	11880101	Hydraulsystem, lastare Hydraulic system loader Hydraulikanlage, Lader Hydraulic system loader Hydraulic system loader	Catalogue id	Group
2	11895001, 11895000		<b>20124</b>	<b>911</b>
3			Illustr. No	Section
4			<b>1024714</b>	<b>800</b>
5			Issue	Page
			<b>VOE 63A9920124</b>	<b>503</b>

**VOLVO**

**BL61PLUS**







Volvo Construction  
Equipment  
1024714

Fig.	Part No.	Quantity			P S	K I T	Description	Dénomination	Bezeichnung	Denominación	Benämning	Notes
		1	2	3								
22	VOE 11888397	1				Tube.....	Tube.....	Rohr.....	Tubo.....	Rör.....		
	VOE 11885151		1			Tube.....	Tube.....	Rohr.....	Tubo.....	Rör.....		
23	VOE 11883675	6	6			Scraper.....	Racloir.....	Abstreicher.....	Rascador.....	Skrapa.....		
24	VOE 11890069	4	4			Seal.....	Joint.....	Dichtung.....	Reten.....	Tätning.....		
25	VOE 11883937	2	2			Scraper.....	Racloir.....	Abstreicher.....	Rascador.....	Skrapa.....		
26	VOE 990739	2	2			O-ring.....	Joint Torique.....	O-Ring.....	Junta torica.....	O-ring.....		



1	11880101	Hydraulsystem, lastare Hydraulic system loader Hydraulikanlage, Lader Hydraulic system loader Hydraulic system loader	Catalogue id	Group
2	11895001, 11895000		<b>20124</b>	<b>911</b>
3			Illustr. No	Section
4			<b>1024714</b>	<b>800</b>
5			Issue	Page
		VOE 63A9920124	<b>505</b>	

**VOLVO**

**BL61PLUS**



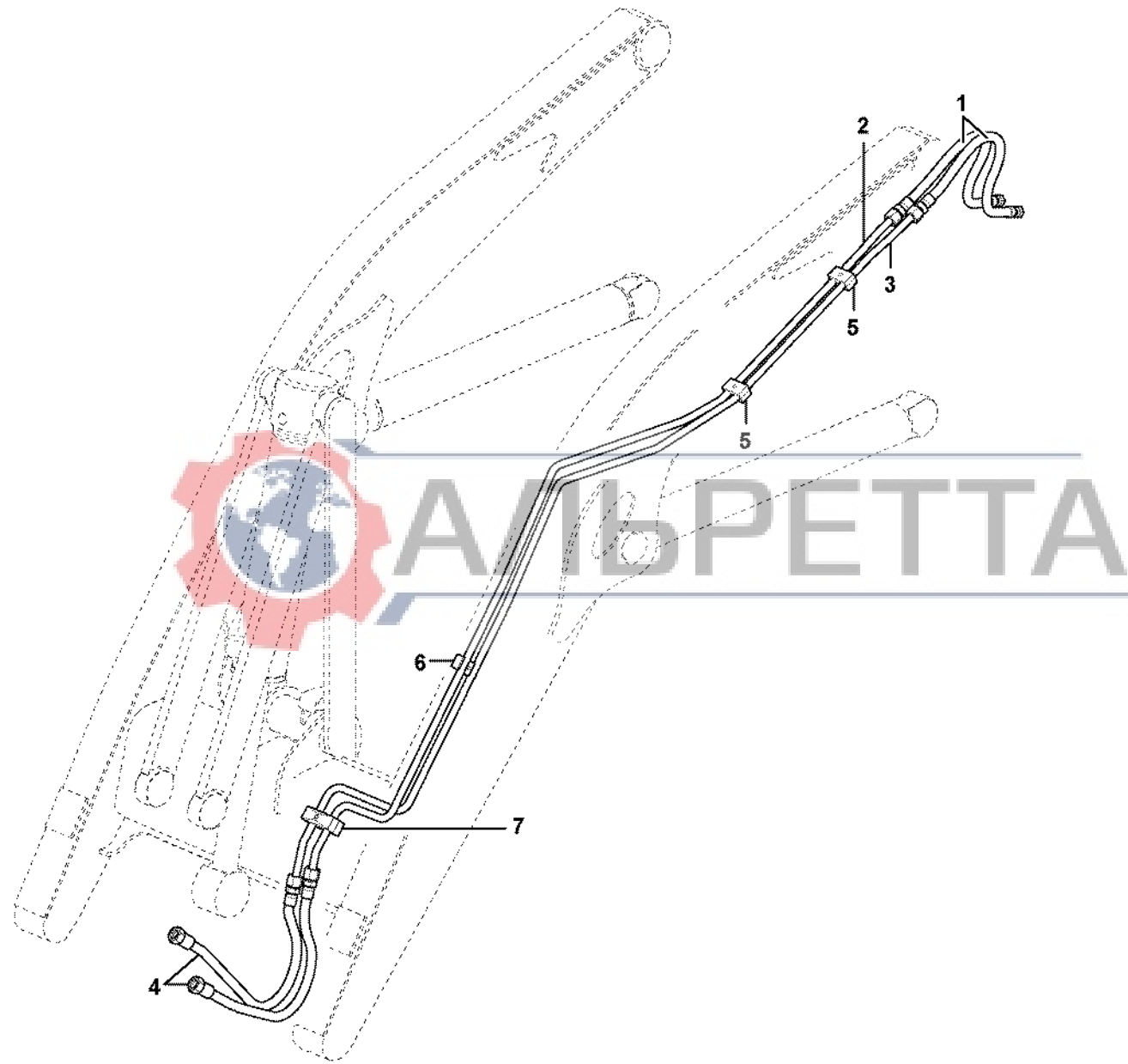


Fig.	Part No.	Quantity			P S	K I T	Description	Dénomination	Bezeichnung	Denominación	Benämning	Notes
		1	2	3								
1	VOE 11882204	2				Hose.....	Durit .....	Schlauch .....	Tubo flexible.....	Slang.....		
2	VOE 11888399	1				Tube.....	Tube.....	Rohr .....	Tubo .....	Rör.....		
3	VOE 11888398	1				Tube.....	Tube.....	Rohr .....	Tubo .....	Rör.....		
4	VOE 11881060	2				Hose assembly .....	Conduit flexible .....	Schlauchleitung.....	Conducto.....	Slangledning.....		
5	VOE 11881340	2				Clamp.....	Pince Serrage .....	Klemme .....	Abrazadera.....	Klämma.....		
6	VOE 11881054	1				Clamp.....	Pince Serrage .....	Klemme .....	Abrazadera.....	Klämma.....		
7	VOE 11882854	1				Clamp.....	Pince Serrage .....	Klemme .....	Abrazadera.....	Klämma.....		

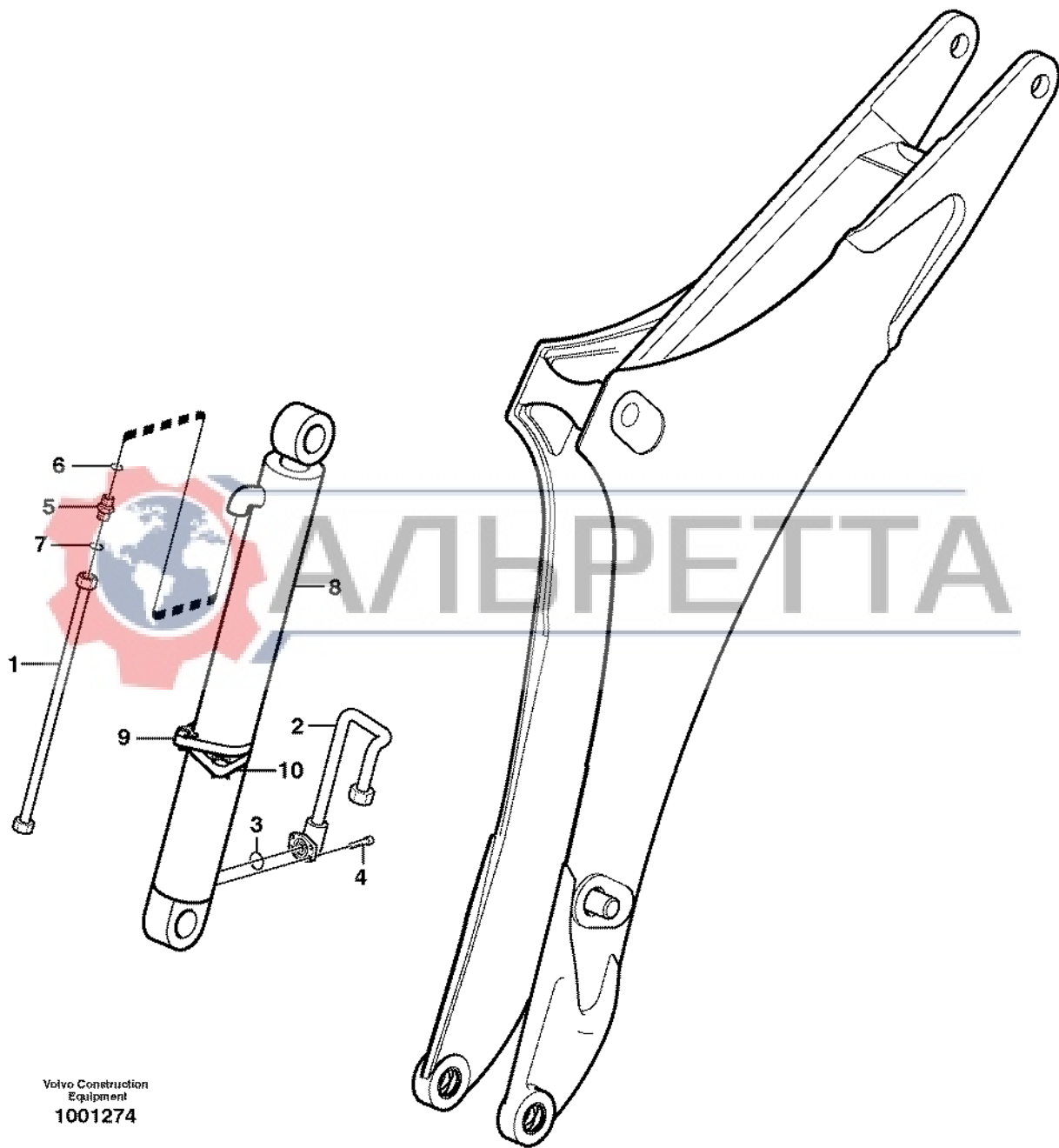


1		<b>Hydraulsystem, lastare</b> <b>Hydraulic system loader</b> <b>Hydraulikanlage, Lader</b> <b>Hydraulic system loader</b> <b>Hydraulic system loader</b>	Catalogue id	Group
2			<b>20124</b>	<b>911</b>
3			Illustr. No	Section
4			<b>1024717</b>	<b>900</b>
5			Issue	Page
		<b>11891594, 11895001</b>	<b>VOE 63A9920124</b>	<b>507</b>

**VOLVO**

**BL61PLUS**





Volvo Construction  
Equipment  
1001274

Fig.	Part No.	Quantity			P S	K I T	Description	Dénomination	Bezeichnung	Denominación	Benämning	Notes
		1	2	3								
1	VOE 11891063	1				Pipe.....	Canalisation .....	Rohrleitung.....	Canalización.....	Rör.....		
2	VOE 11891064	1				Pipe.....	Canalisation .....	Rohrleitung.....	Canalización.....	Rör.....		
3	VOE 13948699	1				O-ring.....	Joint Torique .....	O-Ring.....	Junta torica.....	O-ring.....		
4	VOE 967635	4				Allen Hd Screw .....	Vis A 6 Pans Cr.....	Inbusschraube.....	Torn Hex Embut.....	Insexskruv.....		
5	VOE 13933862	1				Nipple.....	Raccord.....	Nippel.....	Niple.....	Nippel.....		
6	VOE 990740	1				•O-ring.....	•Joint Torique .....	•O-Ring.....	•Junta torica .....	•O-ring.....		
7	VOE 932042	1				•O-ring.....	•Joint Torique .....	•O-Ring.....	•Junta torica .....	•O-ring.....		
8		1				Boom Cylinder .....	Verin de fleche .....	Auslegerzylinder.....	Maquina de flecha.....	Bomcylinder.....	See group 974, Page 661	
9	VOE 11881289	1				Clamp.....	Pince Serrage .....	Klemme .....	Abrazadera.....	Klämma.....		
10	VOE 11881101	1				Clamp.....	Pince Serrage .....	Klemme .....	Abrazadera.....	Klämma.....		



1	<b>Hydraulsystem, grävboom</b> <b>Sistema hidráulico, pluma de excavación</b> <b>Hydraulikanlage, Baggerausleger</b> <b>Système hydraulique, flèche</b> <b>Hydraulic system, boom</b>	Catalogue id	Group
2		<b>20124</b>	<b>911</b>
3		Illustr. No	Section
4		<b>1001274</b>	<b>1000</b>
5		Issue	Page
		<b>VOE 63A9920124</b>	<b>509</b>

**VOLVO**

**BL61PLUS**



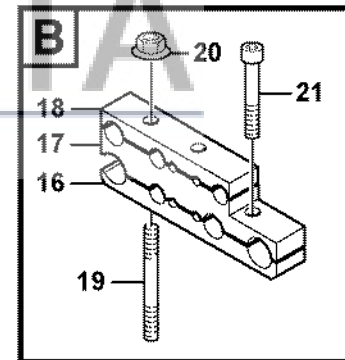
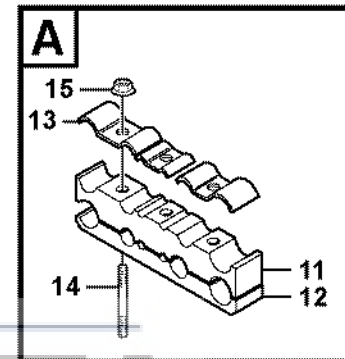
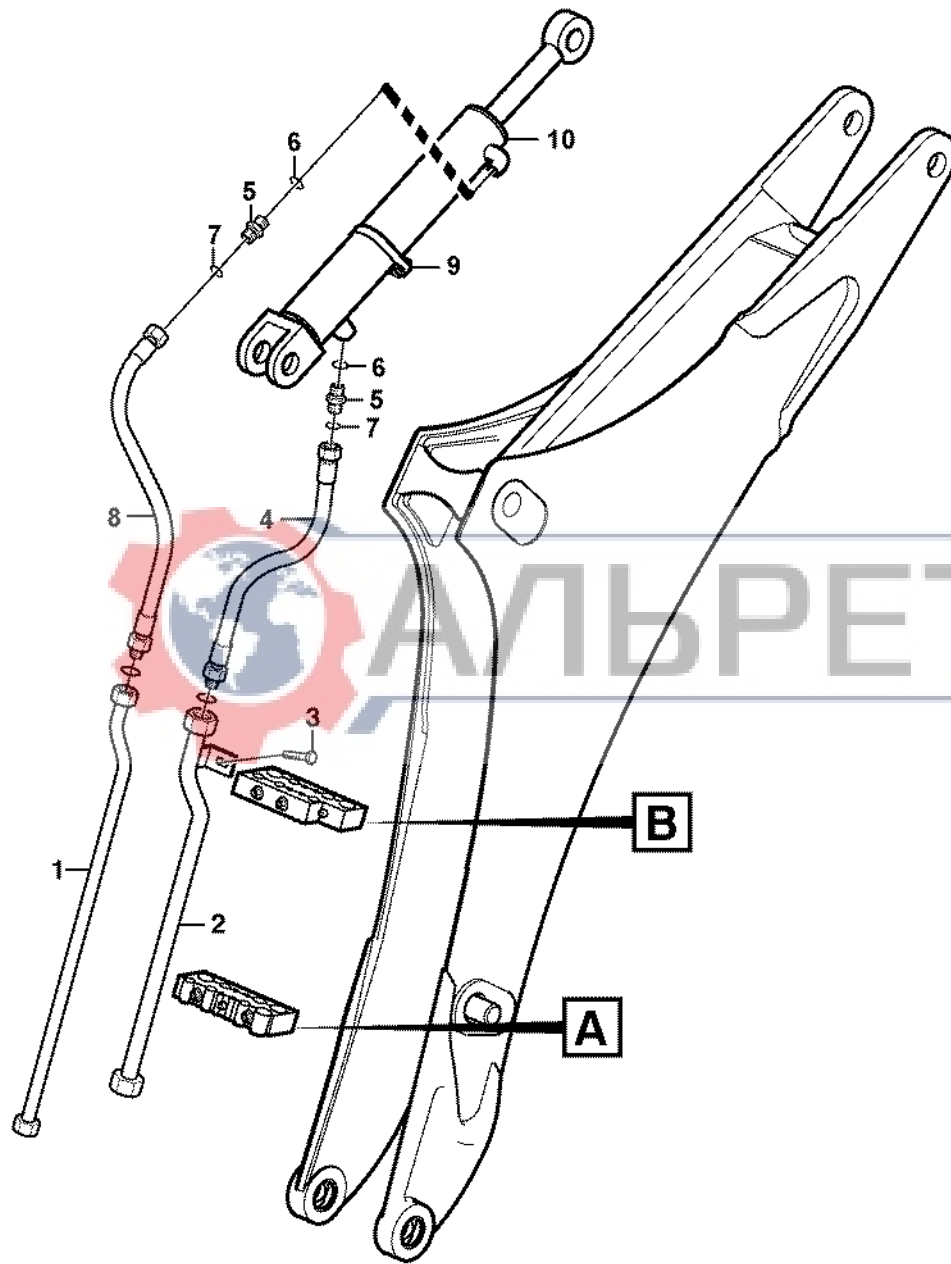
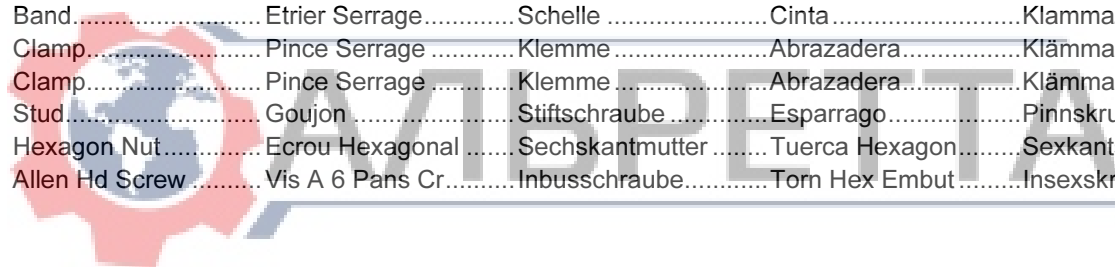


Fig.	Part No.	Quantity			P S	K I T	Description	Dénomination	Bezeichnung	Denominación	Benämning	Notes
		1	2	3								
1	VOE 11891058	1				Pipe.....	Canalisation .....	Rohrleitung.....	Canalización.....	Rör.....		
2	VOE 11891062	1				Pipe.....	Canalisation .....	Rohrleitung.....	Canalización.....	Rör.....		
3	VOE 13945444	1				Flange screw.....	Vis à bride .....	Flanschschraube.....	Torn embridado.....	Flänsskruv.....		
4	VOE 11882200	1				Hose assembly .....	Conduit flexible .....	Schlauchleitung.....	Conducto.....	Slangledning.....		
5	VOE 13933862	2				Nipple.....	Raccord.....	Nippel.....	Niple.....	Nippel.....		
6	VOE 990740	2				•O-ring.....	•Joint Torique.....	•O-Ring.....	•Junta torica.....	•O-ring.....		
7	VOE 932042	2				•O-ring.....	•Joint Torique.....	•O-Ring.....	•Junta torica.....	•O-ring.....		
8	VOE 11888543	1				Hose assembly .....	Conduit flexible .....	Schlauchleitung.....	Conducto.....	Slangledning.....		
	VOE 11882201	1				Hose assembly .....	Conduit flexible .....	Schlauchleitung.....	Conducto.....	Slangledning.....	11891150	
9	VOE 11886454	1				Clamp.....	Pince Serrage .....	Klemme.....	Abrazadera.....	Klämma.....		
10		1				Dipper Arm Cylinder...	Vérin de bras.....	Stielzylinder.....	Cilindro de brazo.....	Skaftcylinder.....	See group 975, Page 663	
11	VOE 11881346	1				Clamp.....	Pince Serrage .....	Klemme.....	Abrazadera.....	Klämma.....		
12	VOE 11886105	1				Band.....	Etrier Serrage.....	Schelle.....	Cinta.....	Klamma.....		
13	VOE 11887870	1				Clamp.....	Pince Serrage .....	Klemme.....	Abrazadera.....	Klämma.....		
14	VOE 953059	2				Stud.....	Goujon .....	Stiftschraube.....	Esparrago.....	Pinnskruv.....		
15	VOE 961991	2				Hexagon Nut.....	Ecrou Hexagonal.....	Sechskantmutter.....	Tuerca Hexagon.....	Sexkantsmutter.....		
16	VOE 11886105	1				Band.....	Etrier Serrage.....	Schelle.....	Cinta.....	Klamma.....		
17	VOE 11881348	1				Clamp.....	Pince Serrage .....	Klemme.....	Abrazadera.....	Klämma.....		
18	VOE 11881349	1				Clamp.....	Pince Serrage .....	Klemme.....	Abrazadera.....	Klämma.....		
19	VOE 11885982	2				Stud.....	Goujon .....	Stiftschraube.....	Esparrago.....	Pinnskruv.....		
20	VOE 961991	2				Hexagon Nut.....	Ecrou Hexagonal.....	Sechskantmutter.....	Tuerca Hexagon.....	Sexkantsmutter.....		
21	VOE 13949927	1				Allen Hd Screw.....	Vis A 6 Pans Cr.....	Inbusschraube.....	Torn Hex Embut.....	Insexskruv.....		



1		<b>Hydraulsystem, grävarm</b> <b>Sistema hidráulico, balancín</b> <b>Hydraulikanlage, Baggerstiel</b> <b>Système hydraulique, balancier</b> <b>Hydraulic system dipper arm</b>	Catalogue id	Group
2			<b>20124</b>	<b>911</b>
3			Illustr. No	Section
4			<b>1024672</b>	<b>1100</b>
5			Issue	Page
			<b>VOE 63A9920124</b>	<b>511</b>

**VOLVO**

**BL61PLUS**





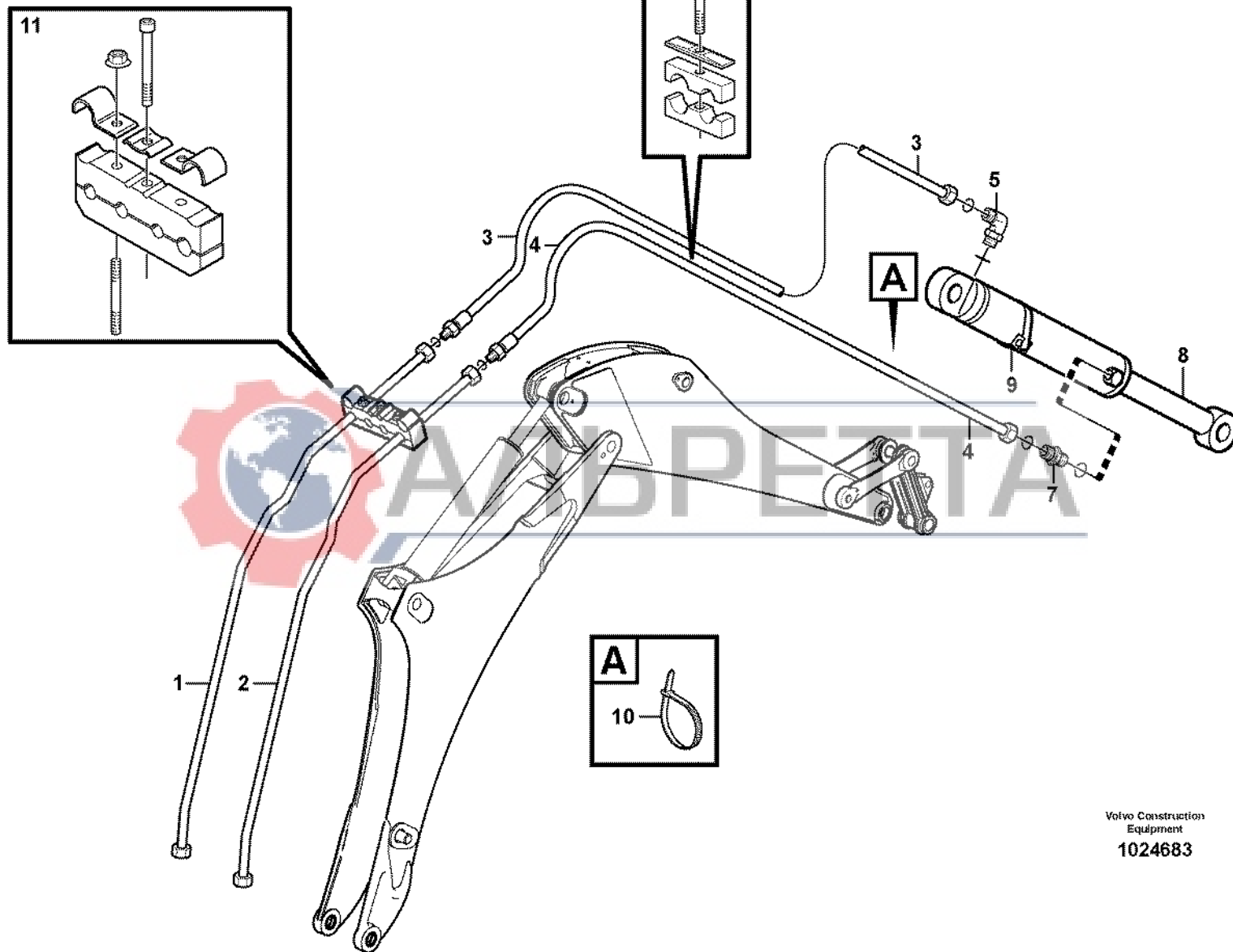


Fig.	Part No.	Quantity			P S	K I T	Description	Dénomination	Bezeichnung	Denominación	Benämning	Notes
		1	2	3								
1	VOE 11891056	1					Pipe.....	Canalisation .....	Rohrleitung.....	Canalización.....	Rör.....	
2	VOE 11891054	1					Pipe.....	Canalisation .....	Rohrleitung.....	Canalización.....	Rör.....	
3	VOE 11888545		1	1			Hose assembly .....	Conduit flexible .....	Schlauchleitung.....	Conducto.....	Slangedning.....	
4	VOE 11888544		1	1			Hose assembly .....	Conduit flexible .....	Schlauchleitung.....	Conducto.....	Slangedning.....	
5	VOE 13933864	1					Elbow nipple.....	Raccord angulaire.....	Winkelnippel.....	Niple angular.....	Vinkelnippel.....	
	VOE 990740	1					•O-ring.....	•Joint Torique.....	•O-Ring.....	•Junta torica.....	•O-ring.....	
	VOE 932042	1					•O-ring.....	•Joint Torique.....	•O-Ring.....	•Junta torica.....	•O-ring.....	
6	VOE 11888547	1					Clamp.....	Pince Serrage .....	Klemme.....	Abrazadera.....	Klämma.....	
7	VOE 935094	1					Nipple.....	Raccord.....	Nippel.....	Niple.....	Nippel.....	
	VOE 990739	1					•O-ring.....	•Joint Torique.....	•O-Ring.....	•Junta torica.....	•O-ring.....	
	VOE 932040	1					•O-ring.....	•Joint Torique.....	•O-Ring.....	•Junta torica.....	•O-ring.....	
8	VOE 11888095	1					Cylinder.....	Verin.....	Zylinder.....	Cilindro.....	Cylinder.....	
	VOE 11709909	1					•Piston rod .....	•Bielle de piston .....	•Kolbenstange.....	•Biela de piston .....	•Kolvstång.....	
	VOE 11709664	2					•Lub Nipple .....	•Graisseur .....	•Schmiernippel.....	•Engrasador .....	•Smörjnippel.....	
	VOE 11709913	1					•Sealing Kit .....	•Jeu Joints.....	•Dichtungssatz .....	•Juego Retenes.....	•Tätningssats.....	
9	VOE 11881292	1					Clamp.....	Pince Serrage .....	Klemme.....	Abrazadera.....	Klämma.....	
10	VOE 4881440		1	1			Strip Clamp.....	Ruban Serrage.....	Kabelbinder.....	Abraz Cinta .....	Bandklamma.....	
11	VOE 11888547		1	1			Clamp.....	Pince Serrage .....	Klemme.....	Abrazadera.....	Klämma.....	

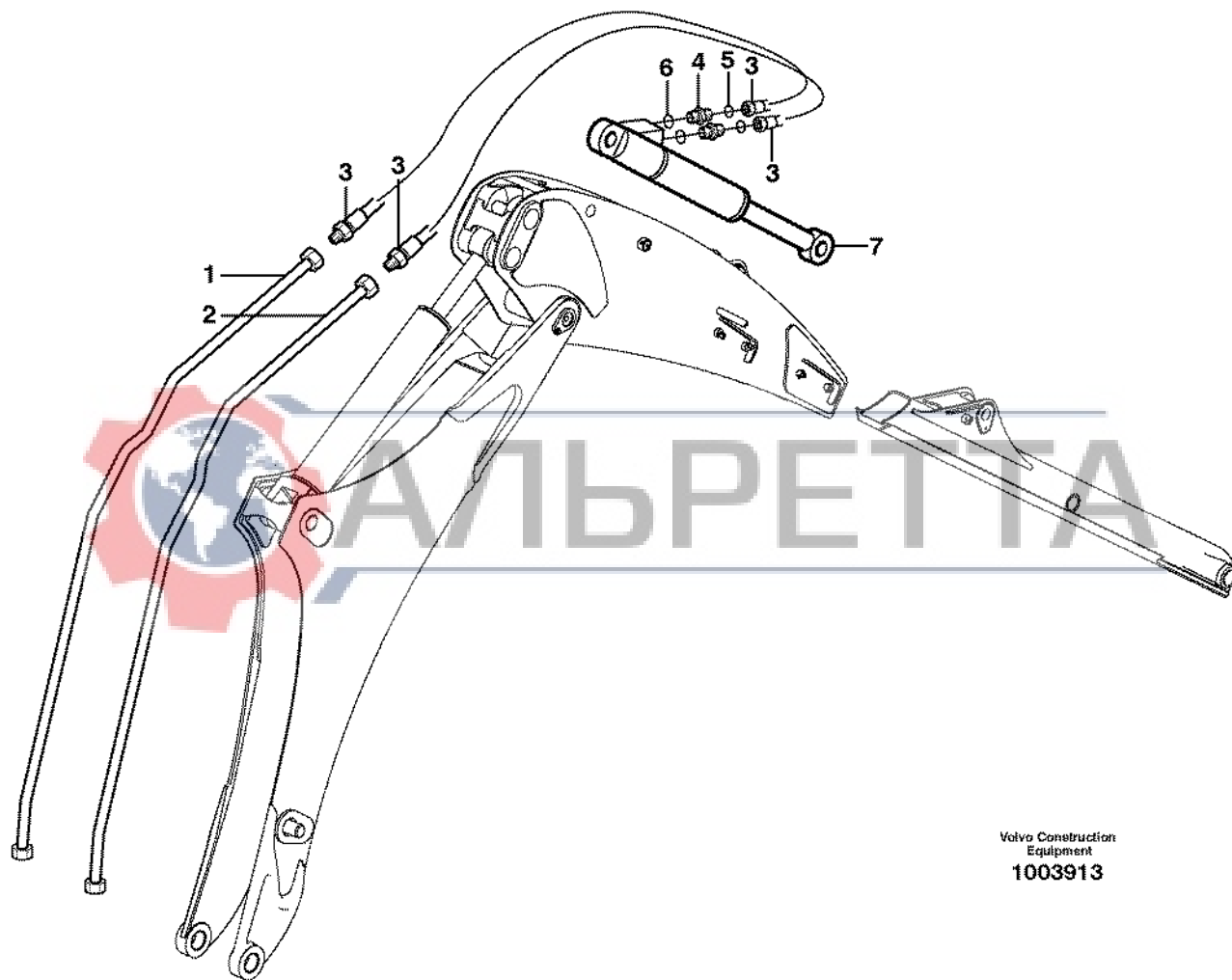


1	11880101	<b>Hydraulsystem, skopa</b> <b>Sistema hidráulico, cuchara</b> <b>Hydraulikanlage, Löffel</b> <b>Système hydraulique, godet</b> <b>Hydraulic system, bucket</b>	Catalogue id	Group
2	11891497		<b>20124</b>	<b>911</b>
3	11891041		Illustr. No	Section
4			<b>1024683</b>	<b>1200</b>
5			Issue	Page
			<b>VOE 63A9920124</b>	<b>513</b>

**VOLVO**

**BL61PLUS**





Volvo Construction  
Equipment  
1003913

Fig.	Part No.	Quantity			P S	K I T	Description	Dénomination	Bezeichnung	Denominación	Benämning	Notes
		1	2	3								
1	<b>VOE 11891060</b>	1	1	1		Pipe.....	Canalisation .....	Rohrleitung.....	Canalización.....	Rör.....		
2	<b>VOE 11891059</b>	1	1	1		Pipe.....	Canalisation .....	Rohrleitung.....	Canalización.....	Rör.....		
3	<b>VOE 11881638</b>	2		2		Hose assembly .....	Conduit flexible .....	Schlauchleitung.....	Conducto.....	Slangedning.....		
4	<b>VOE 13933923</b>	2		2		Nipple.....	Raccord.....	Nippel.....	Niple.....	Nippel.....		
5	<b>VOE 990738</b>	2		2		•O-ring.....	•Joint Torique.....	•O-Ring.....	•Junta torica .....	•O-ring.....		
6	<b>VOE 932040</b>	2		2		•O-ring.....	•Joint Torique.....	•O-Ring.....	•Junta torica .....	•O-ring.....		
7		1		1		Extendible dipper Cyli Verin Telescope .....	Teleskopzyl .....	Cilin Telescop.....	Telesk.cylinder.....		See group 975, Page 665	



1	<b>11891417</b>	<b>Hydraulsystem, grävarm teleskopisk</b> <b>Sistema hidráulico brazo excavador telescopico</b> <b>Hydralikanlage für teleskopische baggerarm</b> <b>Système hydraulique bras de pelle telescope</b> <b>Hydraulic system extendible dipper arm</b>	Catalogue id	Group
2	<b>11891497</b>		<b>20124</b>	<b>911</b>
3	<b>11891273</b>		Illustr. No	Section
4			<b>1003913</b>	<b>1250</b>
5			Issue	Page
			<b>VOE 63A9920124</b>	<b>515</b>

**VOLVO**

**BL61PLUS**



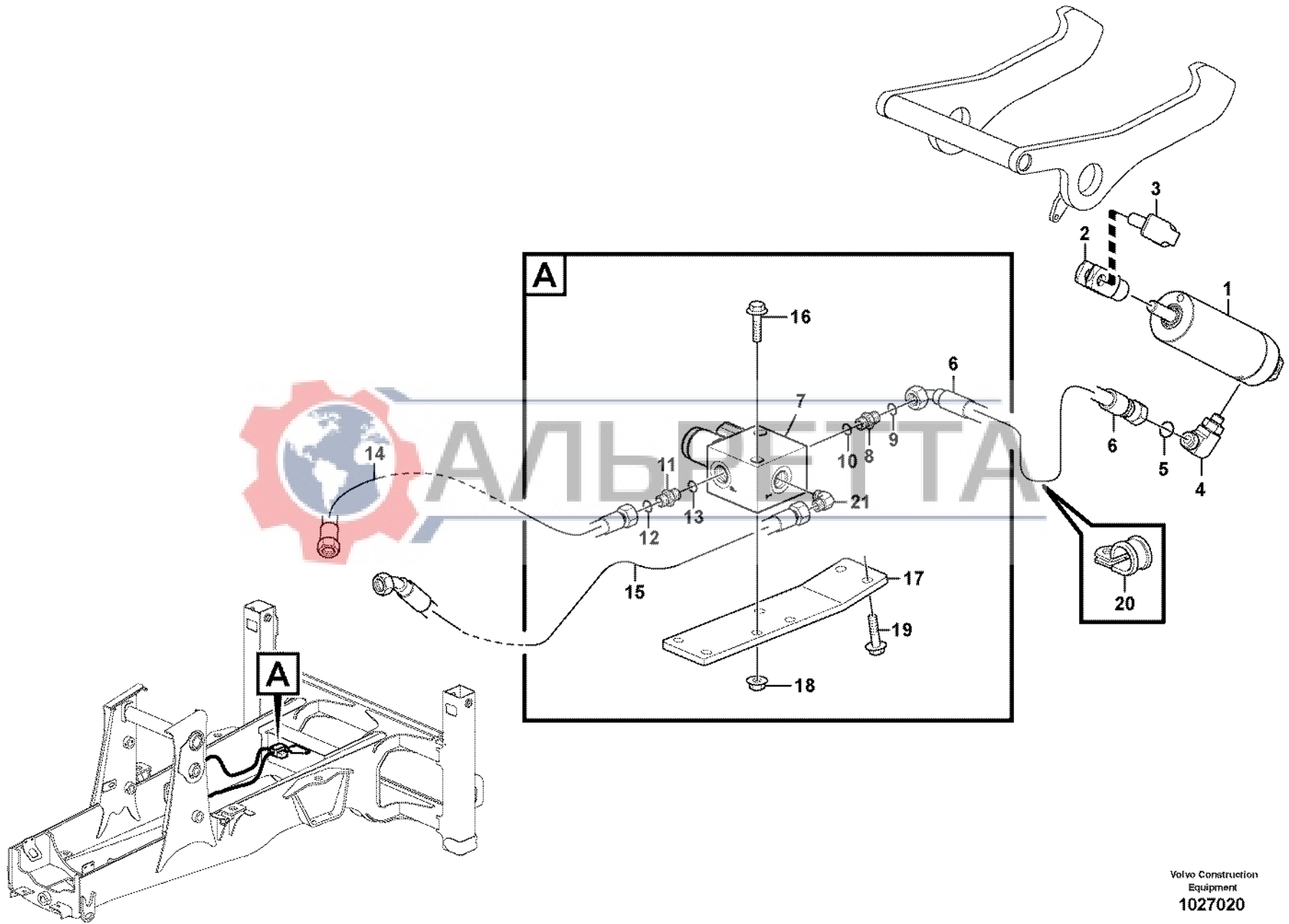


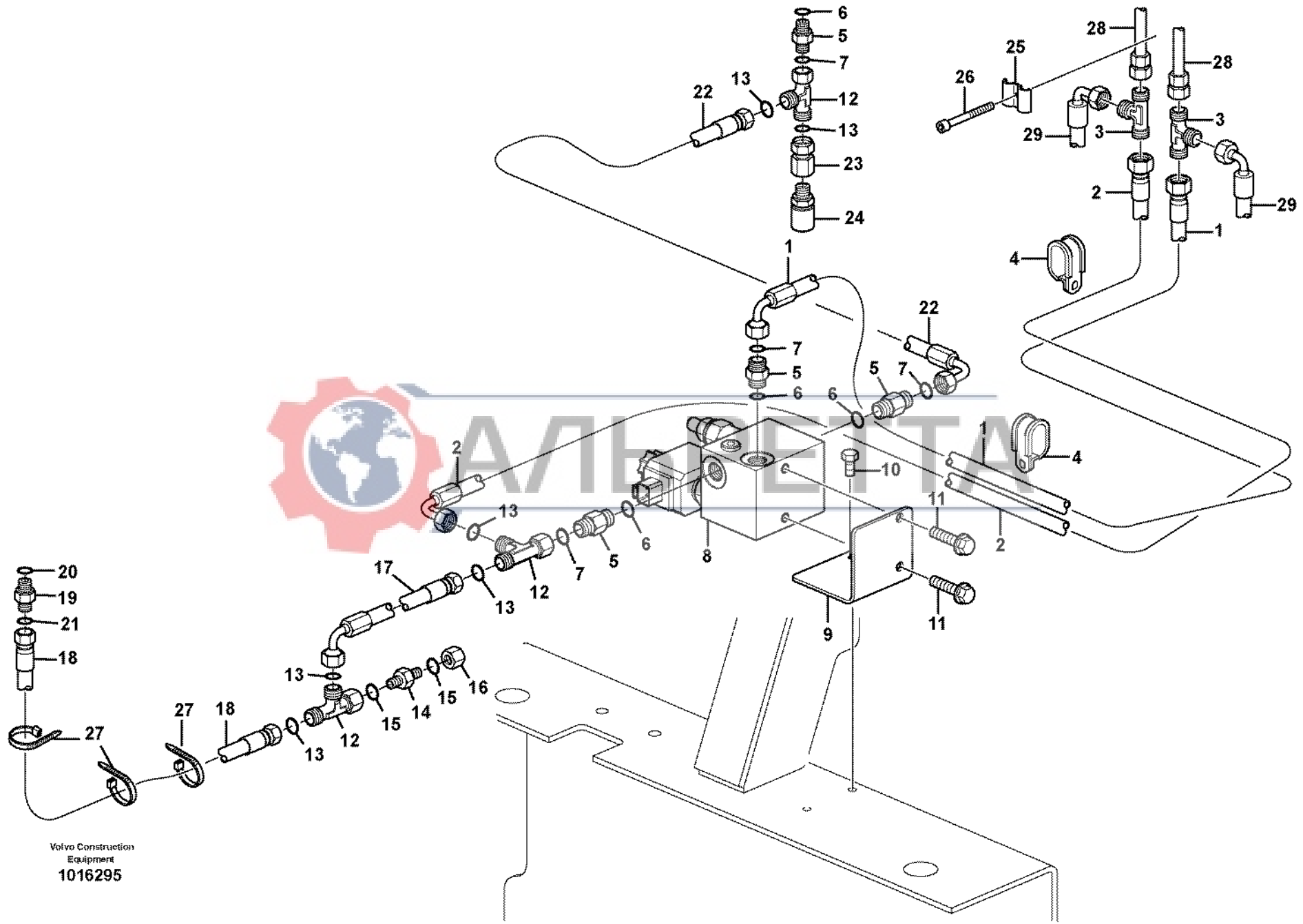
Fig.	Part No.	Quantity			P S	K I T	Description	Dénomination	Bezeichnung	Denominación	Benämning	Notes
		1	2	3								
1		1				Locking Cyl .....	Cyl Verrouil .....	Sperrzylinder .....	Cil Bloqueo .....	Spärrcylinder.....	See group 971, Page 647	
2	VOE 11883319	1				Fork.....	Fourche.....	Gabel.....	Horquilla .....	Gaffel.....		
3	VOE 11883323	1				Clevis Pin .....	Vis A Oeuillet .....	Zylinderbolzen.....	Espiga .....	Cyl.bult.....		
4	VOE 935538	1				Elbow nipple.....	Raccord angulaire.....	Winkelnippel.....	Niple angular .....	Vinkelnippel.....		
5	VOE 990736	1				•O-ring.....	•Joint Torique .....	•O-Ring.....	•Junta torica .....	•O-ring.....		
6	VOE 11882208	1				Hose assembly .....	Conduit flexible .....	Schlauchleitung.....	Conducto .....	Slangledning.....		
7	VOE 11888701	1				Valve.....	Soupape.....	Ventil .....	Valvula .....	Ventil.....		
8	VOE 13933858	1				Union.....	Teton Connexion.....	Anschlussnippel .....	Niple Conexcion .....	Anslutn.nippel.....		
9	VOE 990736	1				•O-ring.....	•Joint Torique .....	•O-Ring.....	•Junta torica .....	•O-ring.....		
10	VOE 932039	1				•O-ring.....	•Joint Torique .....	•O-Ring.....	•Junta torica .....	•O-ring.....		
11	VOE 935085	1				Nipple.....	Raccord.....	Nippel.....	Niple .....	Nippel.....		
12	VOE 990737	1				•O-ring.....	•Joint Torique .....	•O-Ring.....	•Junta torica .....	•O-ring.....		
13	VOE 932039	1				•O-ring.....	•Joint Torique .....	•O-Ring.....	•Junta torica .....	•O-ring.....		
14	VOE 938161	1				Hose.....	Durit .....	Schlauch .....	Tubo flexible.....	Slang.....		
15	VOE 937127	1				Hose assembly .....	Conduit flexible .....	Schlauchleitung.....	Conducto .....	Slangledning.....		
16	VOE 13965188	2				Flange screw.....	Vis à bride .....	Flanschschaube.....	Torn embridado .....	Flänsskruv.....		
17		1			NS	Bracket.....	Console.....	Konsole .....	Ménsula.....	Konsol.....		
18	VOE 13971098	2				Flange nut.....	Ecrou accouple .....	Bundmutter.....	Tuerca embridad .....	Flänsmutter.....		
19	VOE 946472	2				Flange screw.....	Vis à bride .....	Flanschschaube.....	Torn embridado .....	Flänsskruv.....		
20	VOE 978869	1				Clamp.....	Pince Serrage .....	Klemme .....	Abrazadera.....	Klämma.....		
21	VOE 13933857	1				Elbow Nipple.....	Raccord angulaire.....	Winkelnippel.....	Niple Angular.....	V-nippel.....		
	VOE 990736	1				•O-ring.....	•Joint Torique .....	•O-Ring.....	•Junta torica .....	•O-ring.....		
	VOE 932039	1				•O-ring.....	•Joint Torique .....	•O-Ring.....	•Junta torica .....	•O-ring.....		

1		<b>Hydraulsystem, spärrcylinder</b> <b>Sistema hidráulico, cilindro de bloqueo</b> <b>Hydraulikanlage, Sperrzylinder</b> <b>Système hydraulique, vérin de verrouillage</b> <b>Hydraulic system, lock cylinder</b>	Catalogue id	Group
2			<b>20124</b>	<b>911</b>
3			Illustr. No	Section
4			<b>1027020</b>	<b>1300</b>
5			Issue	Page
			<b>VOE 63A9920124</b>	<b>517</b>

**VOLVO**

**BL61PLUS**





Volvo Construction  
Equipment  
1016295

Fig.	Part No.	Quantity			P S	K I T	Description	Dénomination	Bezeichnung	Denominación	Benämning	Notes
		1	2	3								
1	VOE 11884834	1				Hose.....	Durit .....	Schlauch .....	Tubo flexible .....	Slang.....		
2	VOE 11884837	1				Hose.....	Durit .....	Schlauch .....	Tubo flexible .....	Slang.....		
3		2				Nipple.....	Raccord.....	Nippel .....	Niple .....	Nippel.....	See group 912, Page 539	
4	VOE 981661	2				Clamp.....	Pince Serrage .....	Klemme .....	Abrazadera.....	Klämma.....		
5	VOE 13933858	4				Union.....	Teton Connexion.....	Anschlussnippel .....	Niple Conexcion .....	Anslutn.nippel.....		
6	VOE 4881722	1				•O-ring.....	•Joint Torique .....	•O-Ring.....	•Junta torica .....	•O-ring.....		
7	VOE 932039	1				•O-ring.....	•Joint Torique .....	•O-Ring.....	•Junta torica .....	•O-ring.....		
8	VOE 11886376	1				Valve.....	Soupape.....	Ventil .....	Valvula .....	Ventil.....		
9	VOE 11886665	1				Plate.....	Plaque.....	Platte .....	Placa .....	Platta.....		
10	VOE 13946544	1				Flange screw.....	Vis à bride .....	Flanschschraube .....	Torn embridado .....	Flänsskruv.....		
11	VOE 946440	2				Flange screw.....	Vis à bride .....	Flanschschraube .....	Torn embridado .....	Flänsskruv.....		
12	VOE 13933859	3				Nipple.....	Raccord.....	Nippel .....	Niple .....	Nippel.....		
13	VOE 4881722	2				•O-ring.....	•Joint Torique .....	•O-Ring.....	•Junta torica .....	•O-ring.....		
14	VOE 935436	1				Nipple.....	Raccord.....	Nippel .....	Niple .....	Nippel.....		
15	VOE 4881722	2				•O-ring.....	•Joint Torique .....	•O-Ring.....	•Junta torica .....	•O-ring.....		
16	VOE 935756	1				Plug.....	Bouchon.....	Stopfen .....	Tapon .....	Plugg.....		
17	VOE 11884273	1				Hose.....	Flexible.....	Schlauch .....	Manguera .....	Slang.....		
18	VOE 11885514	1				Hose.....	Durit .....	Schlauch .....	Tubo flexible .....	Slang.....		
19	VOE 935082	1				Nipple.....	Raccord.....	Nippel .....	Niple .....	Nippel.....		
20	VOE 4881722	1				•O-ring.....	•Joint Torique .....	•O-Ring.....	•Junta torica .....	•O-ring.....		
21	VOE 932037	1				•O-ring.....	•Joint Torique .....	•O-Ring.....	•Junta torica .....	•O-ring.....		
22	VOE 936339	1				Hose assembly .....	Condui.flexible .....	Schlauchleitung.....	Conducto.....	Slangledning.....		
23	VOE 11884794	1				Fitting .....	Ecrou raccord.....	Verschraubung .....	Racor.....	Förskruvning.....		
24	VOE 936439	1				Testing Nipple .....	Raccord contrôle .....	Prufnippel .....	Niple Medicion.....	Mät-nippel.....		
25	VOE 11881049	1				Clamp.....	Pince Serrage .....	Klemme .....	Abrazadera.....	Klämma.....		
26	VOE 967633	1				Allen Hd Screw .....	Vis A 6 Pans Cr.....	Inbusschraube.....	Torn Hex Embut .....	Insexskruv.....		
27	VOE 14016673	3				Strip Clamp .....	Ruban Serrage.....	Kabelbinder .....	Abraz Cinta .....	Bandklamma.....		
28		2				Tube.....	Tube.....	Rohr .....	Tubo .....	Rör.....	See group 912, Page 539	
29		2				Hose.....	Durit .....	Schlauch .....	Tubo flexible .....	Slang.....	See group 912, Page 539	

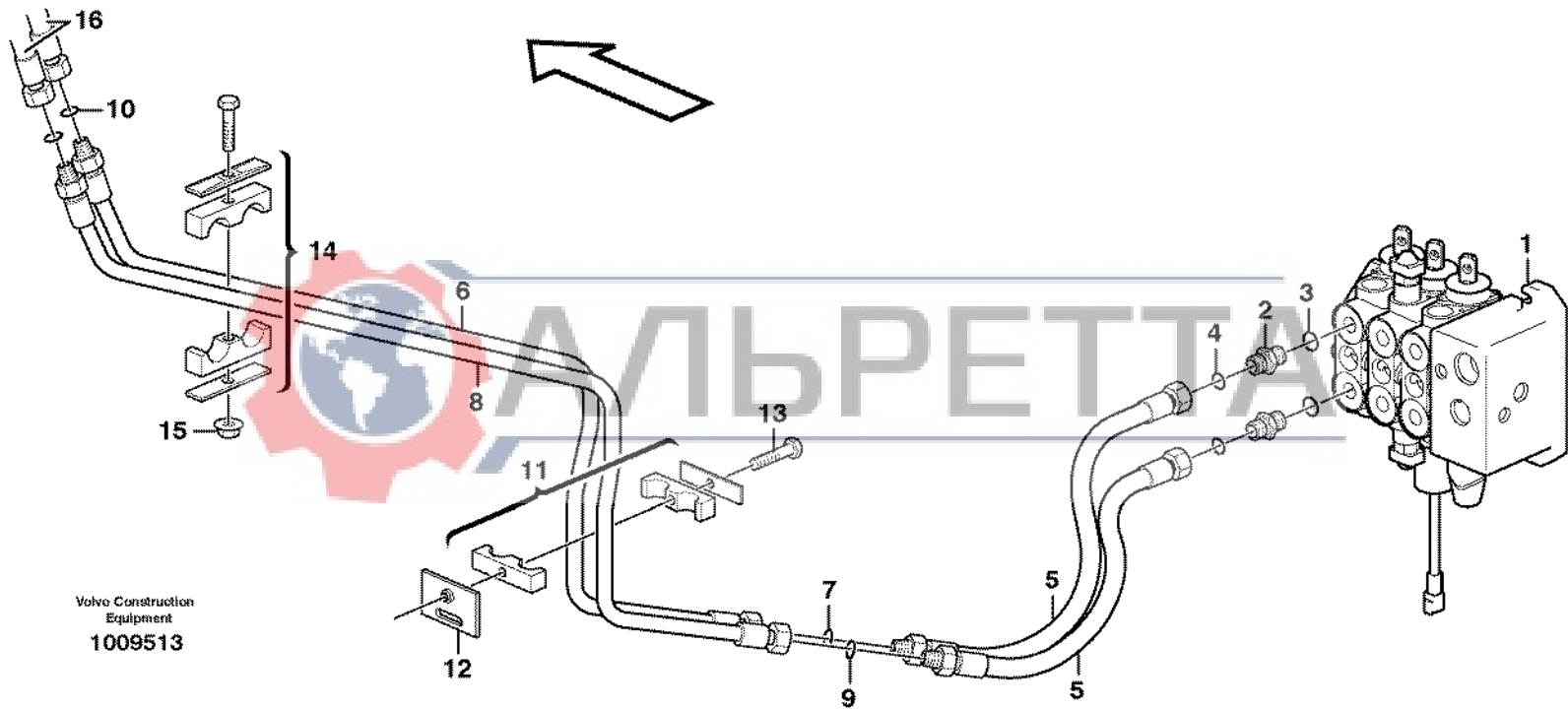
1	<b>Säkerhetsventil bom och skaftcylinder</b> <b>Cilindros de pluma y brazo, válvulas de seguridad</b> <b>Sicherheitsventil Ausleger und Stielzylinder</b> <b>Valve de sécurité, flèche et balancier</b> <b>Safety valve boom and dipper arm cylinder</b>	Catalogue id	Group
2		<b>20124</b>	<b>911</b>
3		Illustr. No	Section
4		<b>1016295</b>	<b>1350</b>
5		Issue	Page
	<b>11891150</b>	<b>VOE 63A9920124</b>	<b>519</b>

**VOLVO**

**BL61PLUS**







Volvo Construction  
Equipment  
1009513

Fig.	Part No.	Quantity			P S	K I T	Description	Dénomination	Bezeichnung	Denominación	Benämning	Notes
		1	2	3								
1		1				Valve .....	Soupape.....	Ventil .....	Valvula .....	Ventil.....	See group 912, Page 525	
2	VOE 935093	2				Union.....	Teton Connexion.....	Anschlussnippel .....	Niple Conexcion .....	Anslutn.nippel.....		
3	VOE 932042	1				•O-ring.....	•Joint Torique .....	•O-Ring.....	•Junta torica .....	•O-ring.....		
4	VOE 990738	1				•O-ring.....	•Joint Torique .....	•O-Ring.....	•Junta torica .....	•O-ring.....		
5	VOE 11885260	2				Hose.....	Durit .....	Schlauch .....	Tube flexible.....	Slang.....		
6	VOE 11885553	1				Tube.....	Tube.....	Rohr .....	Tube .....	Rör.....		
7	VOE 4880493	1				O-ring .....	Joint Torique .....	O-Ring .....	Junta torica.....	O-ring.....		
8	VOE 11885554	1				Tube.....	Tube.....	Rohr .....	Tube .....	Rör.....		
9	VOE 4880493	1				O-ring .....	Joint Torique .....	O-Ring .....	Junta torica.....	O-ring.....		
10	VOE 990738	2				O-ring .....	Joint Torique .....	O-Ring .....	Junta torica.....	O-ring.....		
11	VOE 11882854	1				Clamp.....	Pince Serrage .....	Klemme .....	Abrazadera.....	Klämma.....		
12	VOE 11885758	1				Plate.....	Plaque.....	Platte.....	Placa .....	Platta.....		
13	VOE 946671	1				Flange screw.....	Vis à bride .....	Flanschschraube.....	Torn embridado.....	Flänsskruv.....		
14	VOE 11881340	1				Clamp.....	Pince Serrage .....	Klemme .....	Abrazadera.....	Klämma.....		
15	VOE 948645	1				Flange Lock Nut.....	Contre écrou bride .....	Flanschmutter .....	Contratuer Embr.....	Flänslåsmutter.....		
16		1				Hose.....	Durit .....	Schlauch .....	Tube flexible.....	Slang.....		



1	<b>Hydraulsystem, kombiskopa</b> <b>Sistema hidráulico, cuchara combinada</b> <b>Hydraulikanlage, Kombilöffel</b> <b>Système hydraulique, godet combiné</b> <b>Hydraulic system, combi-bucket</b>	Catalogue id	Group
2		<b>20124</b>	<b>911</b>
3		Illustr. No	Section
4		<b>1009513</b>	<b>1400</b>
5		Issue	Page
	<b>11891594, 11895001</b>	<b>VOE 63A9920124</b>	<b>521</b>

**VOLVO**

**BL61PLUS**



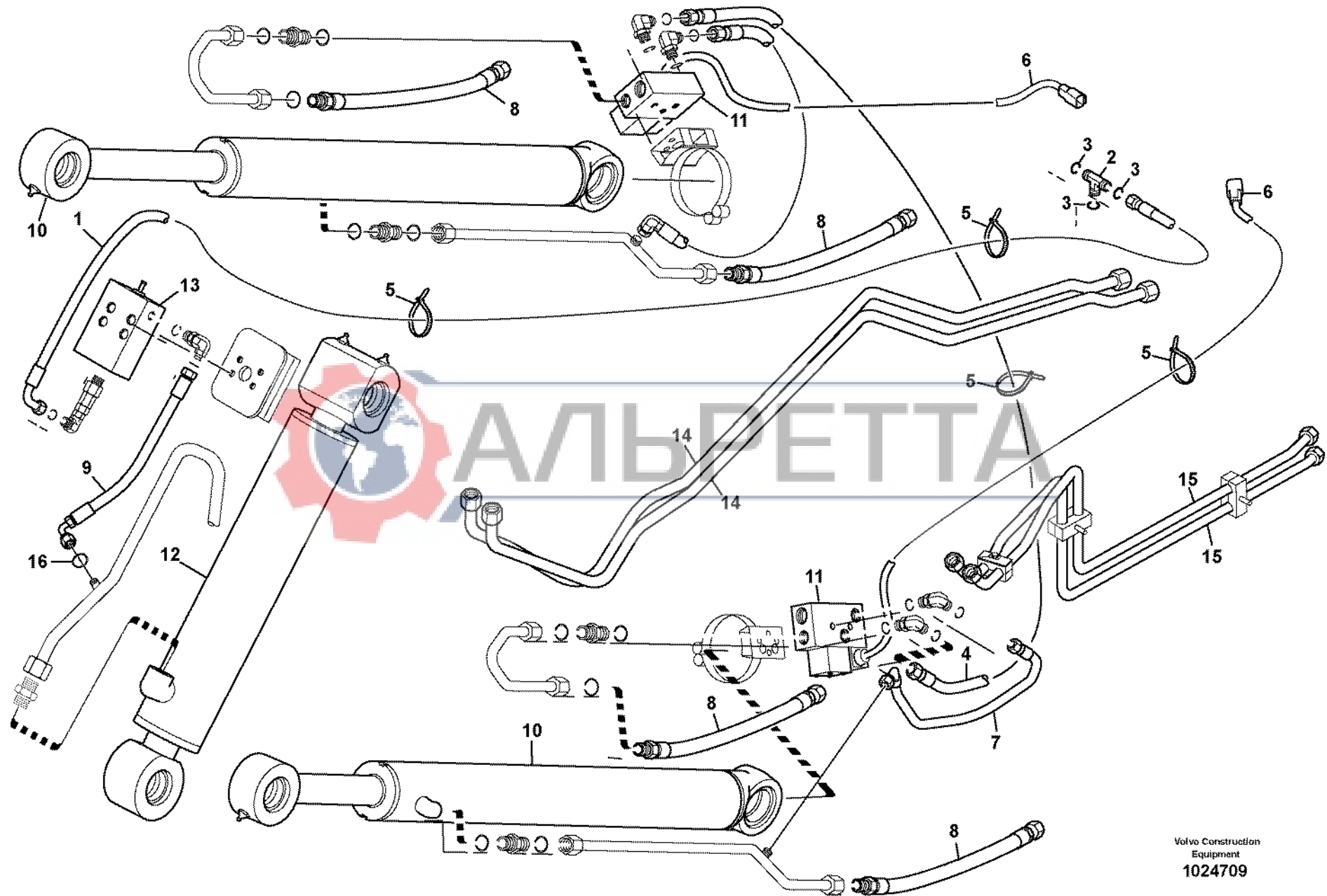


Fig.	Part No.	Quantity			P S	K I T	Description	Dénomination	Bezeichnung	Denominación	Benämning	Notes
		1	2	3								
1	VOE 11885214	1				Hose.....	Durit .....	Schlauch .....	Tubo flexible.....	Slang.....		
2	VOE 11884247	1				Fitting .....	Ecrou raccord.....	Verschraubung.....	Racor.....	Förskruvning.....		
3	VOE 4881722	3				•O-ring.....	•Joint Torique .....	•O-Ring.....	•Junta torica .....	•O-ring.....		
4	VOE 11886733	1				Hose assembly .....	Conduit flexible .....	Schlauchleitung.....	Conducto.....	Slangledning.....		
5	VOE 14016673	REQ				Strip Clamp .....	Ruban Serrage.....	Kabelbinder .....	Abraz Cinta .....	Bandklamma.....		
6	VOE 11886751	2				Wire harness.....	Faisceau électrique....	Kabelbaum.....	Manojo cables .....	Ledningsmatta.....		
7	VOE 11886441	2				Hose assembly .....	Conduit flexible .....	Schlauchleitung.....	Conducto.....	Slangledning.....		
8	VOE 11886745	4				Hose assembly .....	Conduit flexible .....	Schlauchleitung.....	Conducto.....	Slangledning.....		
9	VOE 11884437	1				Hose.....	Durit .....	Schlauch .....	Tubo flexible.....	Slang.....		
10		2				Hydraulic cylinder.....	Vérin hydraulique .....	Hydraulzylinder .....	Cilindro hidráulico.....	Hydraulcylinder.....	See group 945, Page 631	
11		2				Valve.....	Soupape.....	Ventil .....	Valvula .....	Ventil.....	See group 912, Page 543	
12		1				Hydraulic cylinder.....	Vérin hydraulique .....	Hydraulzylinder .....	Cilindro hidráulico.....	Hydraulcylinder.....	See group 945, Page 633	
13		1				Valve.....	Soupape.....	Ventil .....	Valvula .....	Ventil.....	See group 912, Page 543	
14		2				Tube.....	Tube.....	Rohr .....	Tubo .....	Rör.....	See group 911, Page 503	
15		2				Tube.....	Tube.....	Rohr .....	Tubo .....	Rör.....	See group 911, Page 503	
16	VOE 990738	1				O-ring.....	Joint Torique .....	O-Ring.....	Junta torica.....	O-ring.....		

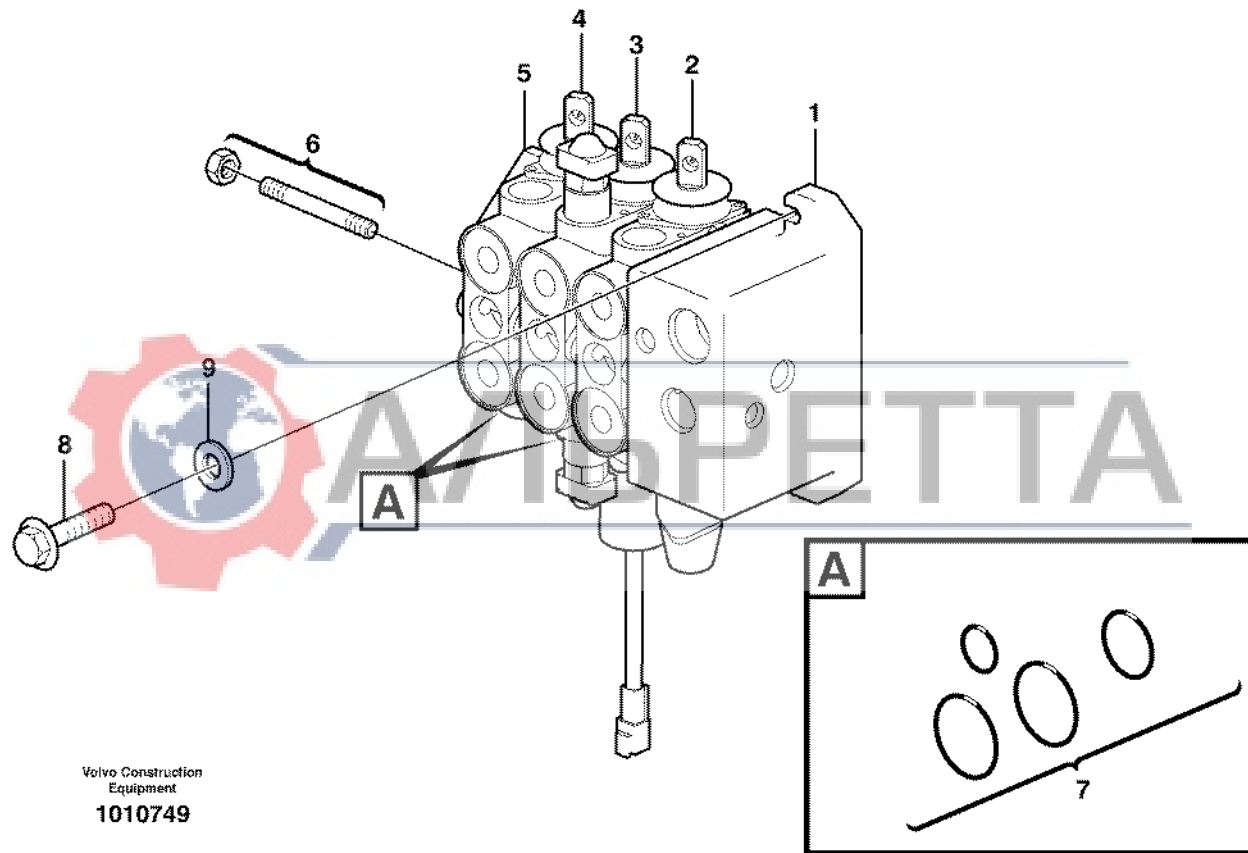


1		<b>Hydraulsystem lastaggregat säkerhetsventiler</b> <b>Sistema hidráulico, válvulas de seguridad de la cargadora</b> <b>Hydraulikanlage Lader Sicherheitsventile</b> <b>Système hydraulique équipement chargeur, valves de sécurité</b> <b>Hydraulic system loader safety valves</b>	Catalogue id	Group
2			<b>20124</b>	<b>911</b>
3			Illustr. No	Section
4			<b>1024709</b>	<b>1500</b>
5			Issue	Page
		<b>11891151</b>	<b>VOE 63A9920124</b>	<b>523</b>

**VOLVO**

**BL61PLUS**





Volvo Construction  
Equipment  
1010749

Fig.	Part No.	Quantity			P S	K I T	Description	Dénomination	Bezeichnung	Denominación	Benämning	Notes
		1	2	3								
	<b>VOE 11889119</b>	1				Valve .....	Soupape.....	Ventil .....	Valvula .....	Ventil.....		
	<b>VOE 11889118</b>		1			Valve .....	Soupape.....	Ventil .....	Valvula .....	Ventil.....	11895001	
1		1	1		NS	•Inlet valve .....	•Soupape d'entrée .....	•Einlassventil.....	•Valvula de entrada .....	•Inloppsventil.....		
2		1	1		NS	•Direction Valve .....	•Valve Direction.....	•Wegeventil .....	•Valvula Orient .....	•Riktningssventil.....		
3		1	1		NS	•Valve, Lift cylinder ...	•Valve, vérin de levag...	•Ventil, Hubzylinder...	•Válvula, cilindro de ..	•Ventil, Lyftcylinder...		
4			1		NS	•Direction Valve .....	•Valve Direction.....	•Wegeventil .....	•Valvula Orient .....	•Riktningssventil.....		
5		1	1		NS	•Direction Valve .....	•Valve Direction.....	•Wegeventil .....	•Valvula Orient .....	•Riktningssventil.....		
6	<b>VOE 11712898</b>	1				•Screw Kit .....	•Kit Vis.....	•Schraubensatz .....	•Juego Tornillos.....	•Skruvsats.....		
	<b>VOE 11712622</b>		1			•Screw Kit .....	•Kit Vis.....	•Schraubensatz .....	•Juego Tornillos.....	•Skruvsats.....		
7	<b>VOE 11712623</b>	3	4			•Sealing Kit .....	•Jeu Joints.....	•Dichtungssatz .....	•Juego Retenes.....	•Tätningssats.....		
8	<b>VOE 983253</b>	3	3			Hexagon screw .....	Vis tête hexagonale ...	Sechskantschraube....	Tornillo hexago.....	Sexkantsskruv.....		
9	<b>VOE 930842</b>	3	3			Washer.....	Rondelle .....	Scheibe .....	Arandela .....	Bricka.....		



1	11889119	<b>Ventilblock</b> <b>Bloque de válvulas</b> <b>Ventilgruppe</b> <b>Bloc-soupapes</b> <b>Valve body</b>	Catalogue id	Group
2	11889118		<b>20124</b>	<b>912</b>
3			Illustr. No	Section
4			<b>1010749</b>	<b>150</b>
5			Issue	Page
			<b>VOE 63A9920124</b>	<b>525</b>

**VOLVO**

**BL61PLUS**



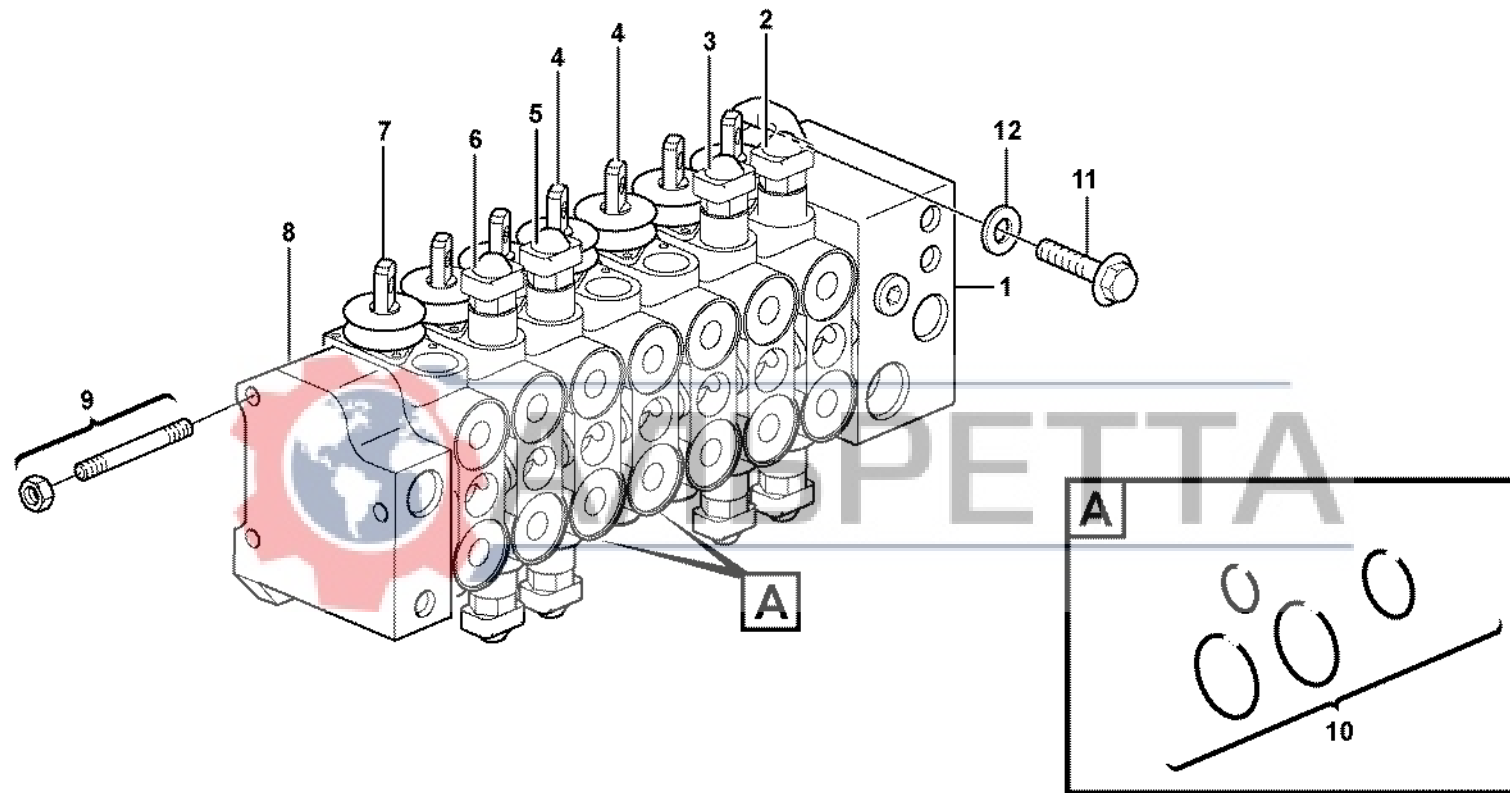


Fig.	Part No.	Quantity			P S	K I T	Description	Dénomination	Bezeichnung	Denominación	Benämning	Notes
		1	2	3								
	<b>VOE 11886143</b>	1				Valve .....	Soupape.....	Ventil .....	Valvula .....	Ventil.....	11880101	
	<b>VOE 11886144</b>		1			Valve .....	Soupape.....	Ventil .....	Valvula .....	Ventil.....	11891417, 11891497 11895018, 11895019 11895020	
1	<b>VOE 11712877</b>	1	1			•Inlet valve .....	•Soupape d'entrée .....	•Einlassventil .....	•Valvula de entrada .....	•Inloppsventil.....	See group 912, Page 529	
2	<b>VOE 11712879</b>	1	1			•Direction Valve .....	•Valve Direction.....	•Wegeventil .....	•Valvula Orient .....	•Riktningssventil.....	See group 912, Page 533	
						•Valve, Slew.....	•Valve, orientation.....	•Ventil, Schwenk .....	•Válvula, giro .....	•Ventil, Sväng.....		
3	<b>VOE 11715273</b>	1	1			•Direction Valve .....	•Valve Direction.....	•Wegeventil .....	•Valvula Orient .....	•Riktningssventil.....	See group 912, Page 533	
						•Valve, Boom cylind	•Valve, vérin de flèch	•Ventil, Auslegerzylin	•Válvula, cilindro de ..	•Ventil, Bomcylinder..		
4	<b>VOE 11715274</b>	2	2			•Direction Valve .....	•Valve Direction.....	•Wegeventil .....	•Valvula Orient .....	•Riktningssventil.....	See group 912, Page 535	
						•Valve, Stabilisers.....	•Valve, stabilisateur ..	•Ventil, Stützbeine.....	•Válvula, patas de ap	•Ventil, Stödben.....		
5	<b>VOE 11712883</b>	1	1			•Direction Valve .....	•Valve Direction.....	•Wegeventil .....	•Valvula Orient .....	•Riktningssventil.....	See group 912, Page 533	
						•Valve, Dipper arm cy	•Valve, vérin de bala.	•Ventil, Schaftzylinder	•Válvula, cilindro del .	•Ventil, Skaftcylinder.		
6	<b>VOE 11712884</b>	1	1			•Direction Valve .....	•Valve Direction.....	•Wegeventil .....	•Valvula Orient .....	•Riktningssventil.....	See group 912, Page 533	
						•Valve, Bucket cylind	•Valve, vérin de gode	•Ventil, Schaufelzylin	•Válvula, cilindro de c	•Ventil, Skopocylinder.		
7	<b>VOE 11712885</b>		1			•Direction Valve .....	•Valve Direction.....	•Wegeventil .....	•Valvula Orient .....	•Riktningssventil.....	See group 912, Page 535	
						•Valve, Telescope cyl	•Valve, vérin de flèch	•Ventil, Teleskopzylin	•Válvula, cilindro tele.	•Ventil, Teleskopcylin		
8	<b>VOE 11988522</b>	1	1			•Direction Valve .....	•Valve Direction.....	•Wegeventil .....	•Valvula Orient .....	•Riktningssventil.....	See group 912, Page 537	
						•Exhaust valve .....	•Soupape d'échappe.	•Auslassventil.....	•Válvula de escape ..	•Utloppsventil.....		
9	<b>VOE 11712921</b>	1				•Screw Kit .....	•Kit Vis.....	•Schraubensatz .....	•Juego Tornillos.....	•Skrusats.....		
	<b>VOE 11712888</b>		1			•Screw Kit .....	•Kit Vis.....	•Schraubensatz .....	•Juego Tornillos.....	•Skrusats.....		
10	<b>VOE 11712623</b>	7	8			•Sealing Kit .....	•Jeu Joints.....	•Dichtungssatz .....	•Juego Retenes.....	•Tätningssats.....		
11	<b>VOE 983253</b>	3	3			Hexagon screw .....	Vis tête hexagonale ...	Sechskantschraube....	Tornillo hexago.....	Sexkantsskruv.....		
12	<b>VOE 13930842</b>	3	3			Washer.....	Rondelle .....	Scheibe .....	Arandela .....	Bricka.....		

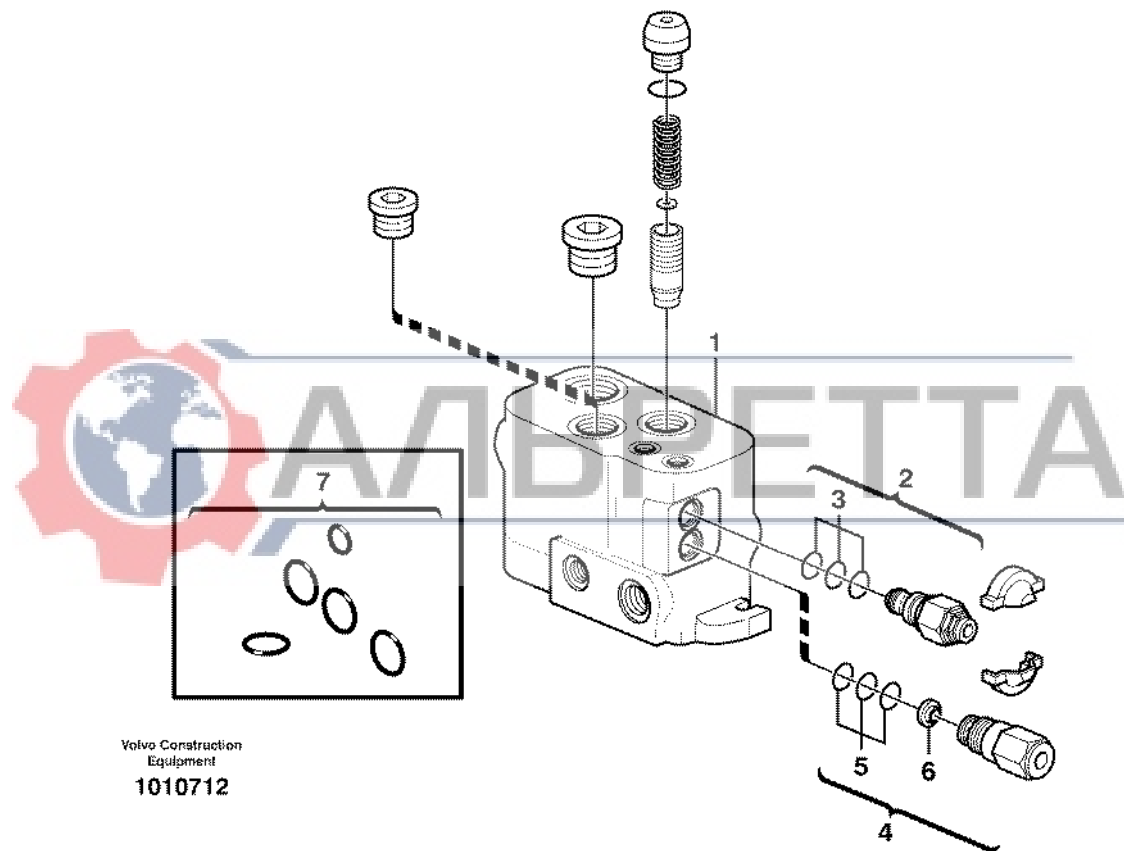
1	<b>11886143</b>	<b>Ventilblock Bloque de válvulas Ventilgruppe Bloc-soupapes Valve body</b>	Catalogue id	Group
2	<b>11886144</b>		<b>20124</b>	<b>912</b>
3			Illustr. No	Section
4			<b>1013552</b>	<b>300</b>
5			Issue	Page
		<b>VOE 63A9920124</b>	<b>527</b>	

**VOLVO**

**BL61PLUS**







Volvo Construction  
Equipment  
1010712

Fig.	Part No.	Quantity			P S	K I T	Description	Dénomination	Bezeichnung	Denominación	Benämning	Notes
		1	2	3								
1	VOE 11712877						Inlet valve.....	Soupape d'entrée.....	Einlassventil .....	Valvula de entrada .....	Inloppsventil.....	
2	VOE 11802877	1					•Relief valve .....	•Limiteur - pression ....	•Druckbegrenzer .....	•Limitador presion .....	•Avlastningsventil.....	(VOE 11988524)
3	VOE 11988540	1					••Sealing Kit .....	••Jeu Joints .....	••Dichtungssatz .....	••Juego Retenes.....	••Tätningssats.....	
4	VOE 11988525	1					•Flow Adj Valve.....	•Valve Reg.debit .....	•Flussregelvent.....	•Valv Ajust Caud .....	•Flödesregl.vent.....	
5	VOE 11988539	1					••Sealing Kit .....	••Jeu Joints .....	••Dichtungssatz .....	••Juego Retenes.....	••Tätningssats.....	
6	VOE 11710925	1					••Filter .....	••Filtre.....	••Filter.....	••Filtro.....	••Filter.....	
7	VOE 11988537	1					•Sealing Kit .....	•Jeu Joints.....	•Dichtungssatz .....	•Juego Retenes .....	•Tätningssats.....	



1	11712877	<b>Inloppsventil</b> <b>Válvula de admisión</b> <b>Einlassventil</b> <b>Soupape d'admission</b> <b>Inlet valve</b>	Catalogue id	Group
2			<b>20124</b>	<b>912</b>
3			Illustr. No	Section
4			<b>1010712</b>	<b>350</b>
5			Issue	Page
			<b>VOE 63A9920124</b>	<b>529</b>

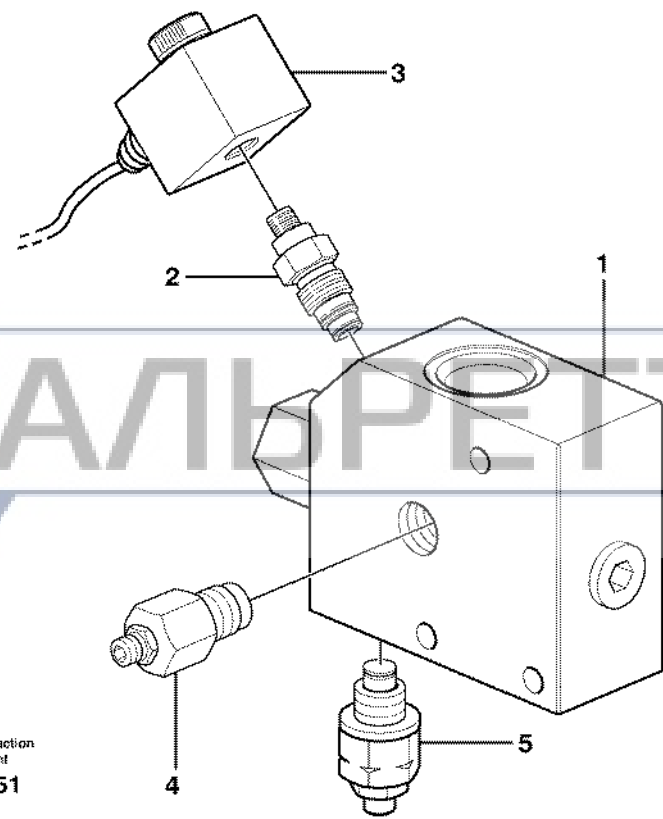
**VOLVO**

**BL61PLUS**





# АЛЪРЕТТА



Volvo Construction  
Equipment  
**1009751**

Fig.	Part No.	Quantity			P S	K I T	Description	Dénomination	Bezeichnung	Denominación	Benämning	Notes
		1	2	3								
1	VOE 11885771	1				Valve .....	Soupape.....	Ventil .....	Valvula .....	Ventil.....		
2	VOE 11712724	1				•Solenoid valve .....	•Vanne electrom.....	•Magnetventil.....	•Electrovalvula.....	•Magnetventil.....		
	VOE 11712725	1				••Sealing Kit .....	••Jeu Joints .....	••Dichtungssatz .....	••Juego Retenes.....	••Tätningssats.....		
3	VOE 11711130	1				•Coil .....	•Bobine.....	•Zündspule .....	•Bobina.....	•Spole.....		
4	VOE 11712726	1				•Flow Valve .....	•Robinet Debit .....	•Flussventil .....	•Valvula Caudal .....	•Flödesventil.....		
	VOE 11712727	1				••Sealing Kit .....	••Jeu Joints .....	••Dichtungssatz .....	••Juego Retenes.....	••Tätningssats.....		
5	VOE 11712728	1				•Pressure Limiting Va	•Pressure Limiti .....	•Pressure Limiti .....	•Pressure Limiti .....	•Begr.ventil.....		
	VOE 11712729	1				••Sealing Kit .....	••Jeu Joints .....	••Dichtungssatz .....	••Juego Retenes.....	••Tätningssats.....		

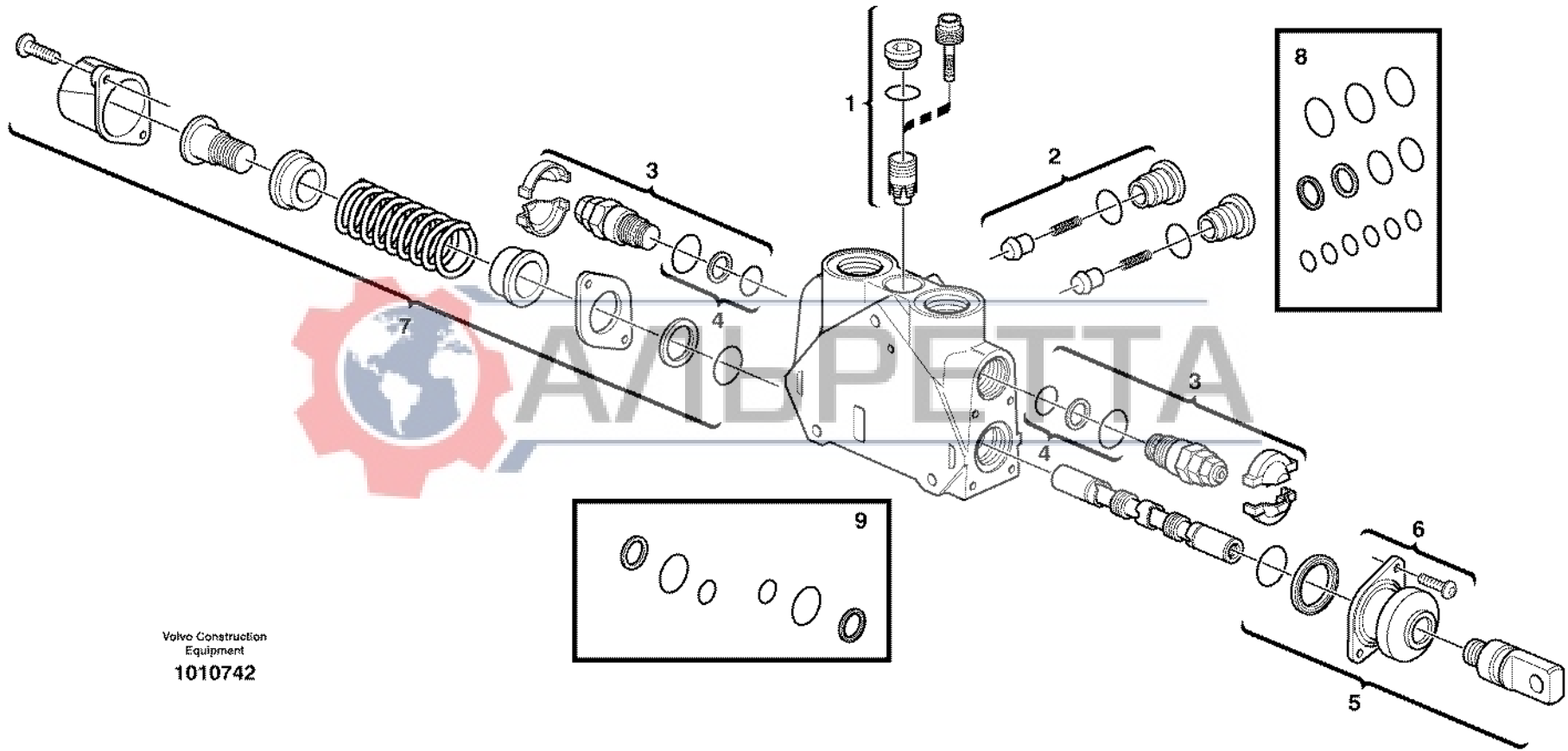


1		<b>Magnetventil</b> <b>Electrovalvula</b> <b>Magnetventil</b> <b>Vanne electromagnetique</b> <b>Magnet valve</b>  <b>11891455</b>	Catalogue id	Group
2			<b>20124</b>	<b>912</b>
3			Illustr. No	Section
4			<b>1009751</b>	<b>400</b>
5			Issue	Page
			<b>VOE 63A9920124</b>	<b>531</b>

**VOLVO**

**BL61PLUS**





ALPETTA

Volvo Construction  
Equipment  
1010742

Fig.	Part No.	Quantity					P S	K T	Description	Dénomination	Bezeichnung	Denominación	Benämning	Notes
		1	2	3	4	5								
	VOE 11712879	1							Direction Valve.....	Valve Direction .....	Wegeventil .....	Valvula Orient.....	Riktningventil.....	
	VOE 11715273		1						•Valve, Slew.....	•Valve, orientation ..	•Ventil, Schwenk .....	•Válvula, giro .....	•Ventil, Sväng.....	
	VOE 11712883			1					Direction Valve.....	Valve Direction .....	Wegeventil .....	Valvula Orient.....	Riktningventil.....	
	VOE 11712884				1				•Valve, Boom cylind	•Valve, vérin de flèc	•Ventil, Auslegerzyli	•Válvula, cilindro de	•Ventil, Bomcylinde	
	VOE 11712884					1			Direction Valve.....	Valve Direction .....	Wegeventil .....	Valvula Orient.....	Riktningventil.....	
	VOE 11712884						1		•Valve, Dipper arm	•Valve, vérin de bal	•Ventil, Schaftzylind	•Válvula, cilindro de	•Ventil, Schaftcylinde	
	VOE 11712884						1		Direction Valve.....	Valve Direction .....	Wegeventil .....	Valvula Orient.....	Riktningventil.....	
	VOE 11712884						1		•Valve, Bucket cylin	•Valve, vérin de god	•Ventil, Schaufelzyli	•Válvula, cilindro de	•Ventil, Skopcylinde	
1	VOE 11988526		1	1					•Press Regulator.....	•Regulateu Press ...	•Druckregler .....	•Regul Presion.....	•Tryckregulator.....	
	VOE 11712880		1						•Compensator.....	•Compensateur .....	•Kompensator .....	•Compensador.....	•Kompensator.....	
2	VOE 11988527		1	1	1				•Check valve.....	•Valve antiretour.....	•Rückschlagventil....	•Válvula de retenció	•Backventil.....	
3	VOE 11988532		2	2	2				•Relief valve.....	•Limiteur - pressio ..	•Druckbegrenzer .....	•Limitador presion...	•Avlastningsventil...	
4	VOE 11988541		1	1	1				••Sealing Kit.....	••Jeu Joints.....	••Dichtungssatz.....	••Juego Retenes.....	••Tätningssats.....	
5	VOE 11715275		1	1	1				•Control.....	•Commande .....	•Regelung .....	•Mando .....	•Reglage.....	
6	VOE 11712580		1	1	1				••Bellows Kit.....	••Kit soufflet .....	••Balgatz.....	••Juego fuelle .....	••Bälgsatz.....	
7	VOE 11988529		1	1					•Control.....	•Commande .....	•Regelung .....	•Mando .....	•Reglage.....	
7	VOE 11715276		1						•Control.....	•Commande .....	•Regelung .....	•Mando .....	•Reglage.....	
8	VOE 11715251		1	1	1				•Sealing Kit .....	•Jeu Joints .....	•Dichtungssatz .....	•Juego Retenes .....	•Tätningssats.....	
9	VOE 11715252		1	1					•Sealing Kit .....	•Jeu Joints .....	•Dichtungssatz .....	•Juego Retenes .....	•Tätningssats.....	

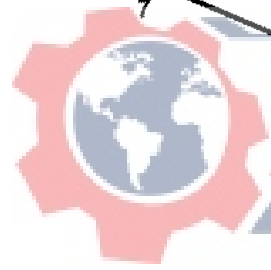
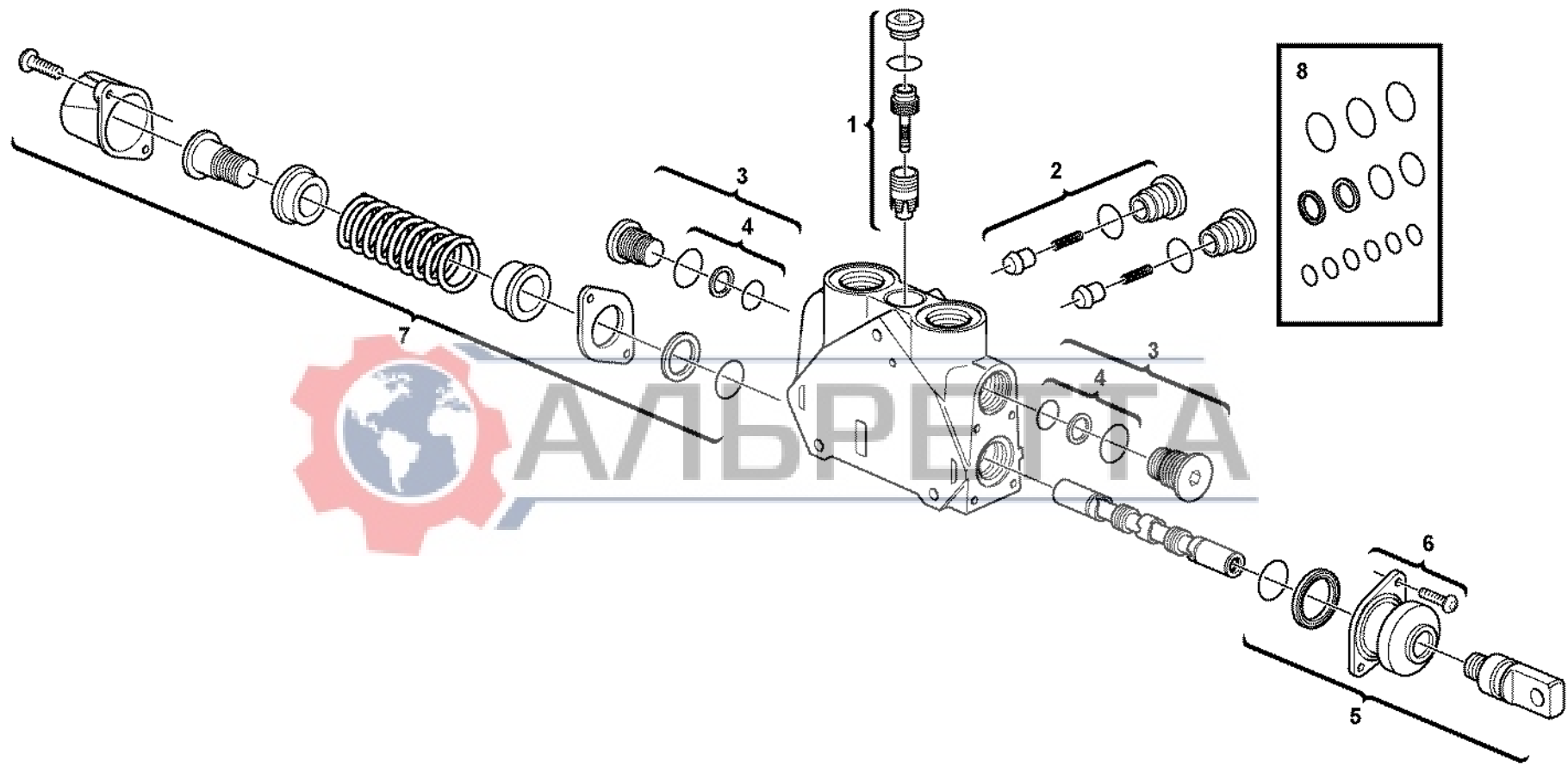


1	11712879	<b>Ventilsektion</b> <b>Sección de válvulas</b> <b>Ventil</b> <b>Section de valve</b> <b>Valve section</b>	Catalogue id	Group
2	11715273		<b>20124</b>	<b>912</b>
3	11712883		Illustr. No	Section
4	11712884		<b>1010742</b>	<b>500</b>
5			Issue	Page
			<b>VOE 63A9920124</b>	<b>533</b>

**VOLVO**

**BL61PLUS**





АЛЬРЕТА

Fig.	Part No.	Quantity			P S	K I T	Description	Dénomination	Bezeichnung	Denominación	Benämning	Notes
		1	2	3								
	VOE 11715274	1					Direction Valve.....	Valve Direction.....	Wegeventil .....	Valvula Orient.....	Riktningventil.....	
	VOE 11712885		1				••Valve, Stabilisers.....	••Valve, stabilisateur ..	••Ventil, Stützbeine.....	••Válvula, patas de ap	••Ventil, Stödben.....	
	VOE 11988526	1	1				Direction Valve.....	Valve Direction.....	Wegeventil .....	Valvula Orient.....	Riktningventil.....	
1	VOE 11988527	1	1				••Valve, Telescope cyl	••Valve, vérin de flèche	••Ventil, Teleskopzylinder	••Válvula, cilindro tele.	••Ventil, Teleskopzylinder	
2	VOE 11988527	1	1				•Press Regulator.....	•Regulateur Press .....	•Druckregler .....	•Regul Presion .....	•Tryckregulator.....	
3	VOE 11712886		2				•Check valve.....	•Valve antiretour.....	•Rückschlagventil.....	•Válvula de retención	•Backventil.....	
4	VOE 11988541		1				•Plug .....	•Bouchon.....	•Stopfen .....	•Tapon.....	•Plugg.....	
5	VOE 11715275	1	1				•Sealing Kit .....	•Jeu Joints .....	•Dichtungssatz .....	•Juego Retenes.....	•Tätningssats.....	
6	VOE 11712580	1	1				•Control .....	•Commande .....	•Regelung.....	•Mando .....	•Reglage.....	
7	VOE 11715276	1	1				•Bellows Kit.....	•Kit soufflet.....	•Balgatz.....	•Juego fuelle .....	•Bälgsatz.....	
7	VOE 11988529		1				•Control .....	•Commande .....	•Regelung.....	•Mando .....	•Reglage.....	
8	VOE 11715251	1	1				•Sealing Kit .....	•Jeu Joints.....	•Dichtungssatz .....	•Juego Retenes.....	•Tätningssats.....	



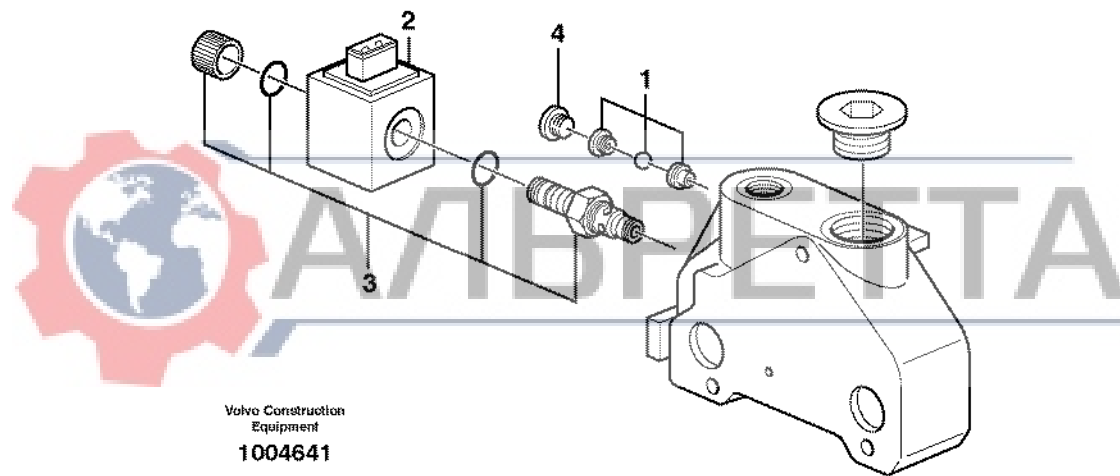
1	11715274	<b>Ventilsektion</b> <b>Sección de válvulas</b> <b>Ventil</b> <b>Section de valve</b> <b>Valve section</b>	Catalogue id	Group
2	11712885		<b>20124</b>	<b>912</b>
3			Illustr. No	Section
4			<b>1017617</b>	<b>550</b>
5			Issue	Page
			<b>VOE 63A9920124</b>	<b>535</b>

**VOLVO**

**BL61PLUS**







Volvo Construction  
Equipment  
**1004641**

Fig.	Part No.	Quantity			P S	K I T	Description	Dénomination	Bezeichnung	Denominación	Benämning	Notes
		1	2	3								
	<b>VOE 11988522</b>					Direction Valve.....	Valve Direction.....	Wegeventil .....	Valvula Orient.....	Riktningventil.....		
1	<b>VOE 11988534</b>	1				•Shuttle Valve .....	•Valve Navette .....	•Wechselventil.....	•Valv Lanzadera .....	•Skyttelventil.....		
2	<b>VOE 11988535</b>	1				•Solenoid.....	•Solénoide.....	•Magnet.....	•Solenoide .....	•Solenoid.....		
3	<b>VOE 11988536</b>	1				•Two-way Valve .....	•Robint 2 Voies .....	•Zweiwegeventil .....	•Valvula 2 Vias .....	•Tvåvägsventil.....		
4	<b>VOE 11716488</b>	1				•Plug .....	•Bouchon.....	•Stopfen .....	•Tapon.....	•Plugg.....		



1		<b>Utloppsventil</b> <b>Válvula de escape</b> <b>Auslassventil</b> <b>Soupape d'échappement</b> <b>Exhaust valve</b>	Catalogue id	Group
2			<b>20124</b>	<b>912</b>
3			Illustr. No	Section
4			<b>1004641</b>	<b>600</b>
5			Issue	Page
			<b>VOE 63A9920124</b>	<b>537</b>

**VOLVO**

**BL61PLUS**



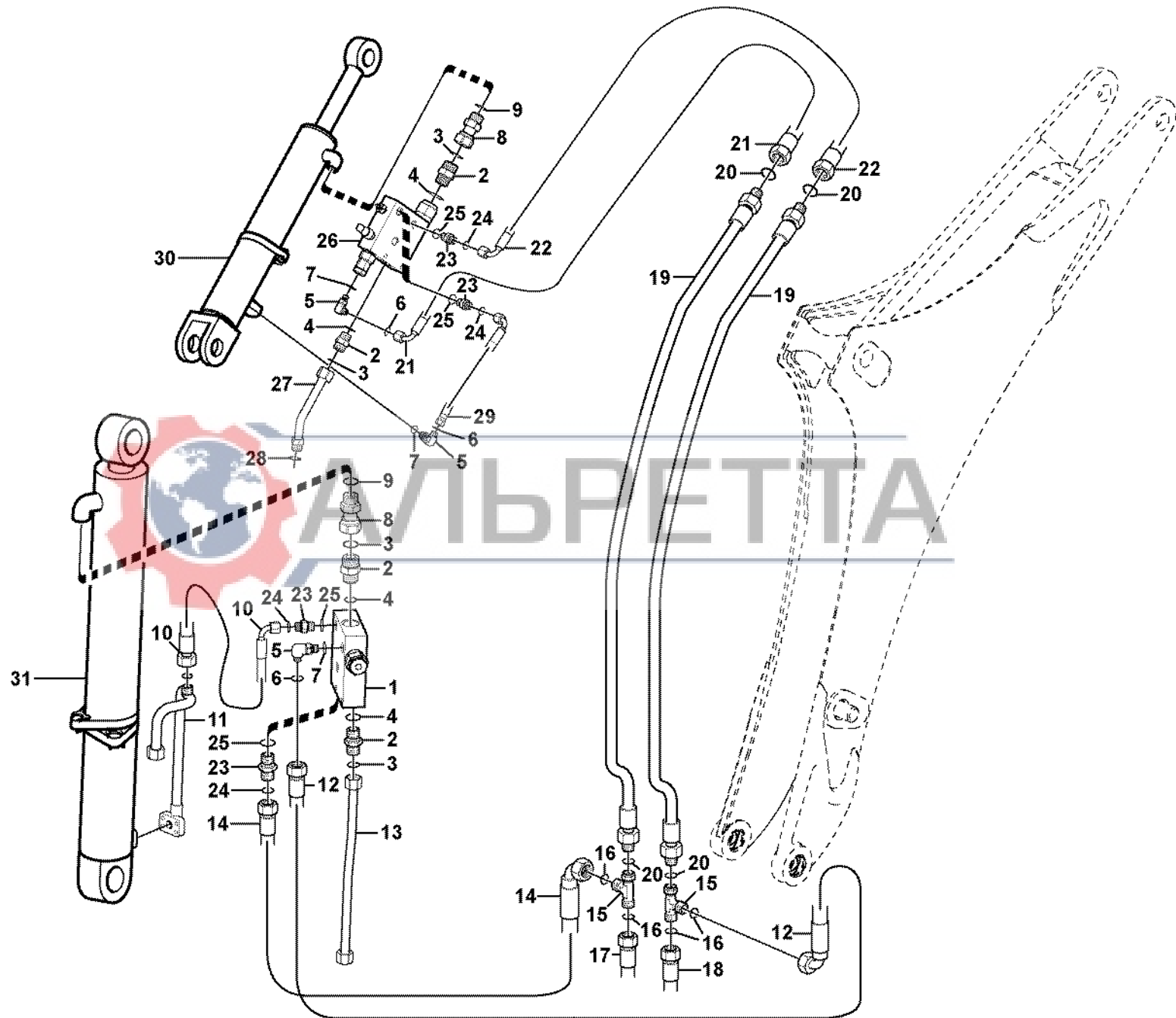


Fig.	Part No.	Quantity			P S	K I T	Description	Dénomination	Bezeichnung	Denominación	Benämning	Notes
		1	2	3								
1	VOE 11884060	1				Valve	Soupape	Ventil	Valvula	Ventil		
2	VOE 13933862	4				Nipple	Raccord	Nippel	Niple	Nippel		
3	VOE 990740	1				•O-ring	•Joint Torique	•O-Ring	•Junta torica	•O-ring	(VOE 981289)	
4	VOE 932042	1				•O-ring	•Joint Torique	•O-Ring	•Junta torica	•O-ring		
5	VOE 13933857	3				Elbow Nipple	Raccord angulaire	Winkelnippel	Niple Angular	V-nippel		
6	VOE 4881722	1				•O-ring	•Joint Torique	•O-Ring	•Junta torica	•O-ring		
7	VOE 932039	1				•O-ring	•Joint Torique	•O-Ring	•Junta torica	•O-ring		
8	VOE 11884785	2				Fitting	Ecrou raccord	Verschraubung	Racor	Förskruvning		
9	VOE 932042	1				•O-ring	•Joint Torique	•O-Ring	•Junta torica	•O-ring		
10	VOE 11884838	1				Hose	Durit	Schlauch	Tube flexible	Slang		
11	VOE 11884315	1				Tube	Tube	Rohr	Tube	Rör		
12	VOE 11884836	1				Hose	Durit	Schlauch	Tube flexible	Slang		
13	VOE 11881624	1				Tube	Tube	Rohr	Tube	Rör		
14	VOE 11884835	1				Hose	Durit	Schlauch	Tube flexible	Slang		
15	VOE 13933859	2				Nipple	Raccord	Nippel	Niple	Nippel		
16	VOE 4881722	2				•O-ring	•Joint Torique	•O-Ring	•Junta torica	•O-ring		
17		1				Hose	Durit	Schlauch	Tube flexible	Slang	See group 911, Page 519	
18		1				Hose	Durit	Schlauch	Tube flexible	Slang	See group 911, Page 519	
19	VOE 11884880	2				Tube	Tube	Rohr	Tube	Rör		
20	VOE 4881722	2				•O-ring	•Joint Torique	•O-Ring	•Junta torica	•O-ring		
21	VOE 11882240	1				Hose	Durit	Schlauch	Tube flexible	Slang		
22	VOE 11884820	1				Hose	Durit	Schlauch	Tube flexible	Slang		
23	VOE 13933858	4				Union	Teton Connexion	Anschlussnippel	Niple Conexcion	Anslutn.nippel		
24	VOE 4881722	1				•O-ring	•Joint Torique	•O-Ring	•Junta torica	•O-ring		
25	VOE 932039	1				•O-ring	•Joint Torique	•O-Ring	•Junta torica	•O-ring		
26	VOE 11881437	1				Valve	Soupape	Ventil	Valvula	Ventil		
27	VOE 11885063	1				Tube	Tube	Rohr	Tube	Rör		
28	VOE 990740	1				•O-ring	•Joint Torique	•O-Ring	•Junta torica	•O-ring	(VOE 981289)	
29	VOE 11884821	1				Hose	Durit	Schlauch	Tube flexible	Slang		
30		1				Dipper Arm Cylinder	Vérin de bras	Stielzylinder	Cilindro de brazo	Skaftcylinder	See group 975, Page 663	

1	<b>Säkerhetsventil bom och skaftcylinder</b> <b>Cilindros de pluma y brazo, válvulas de seguridad</b> <b>Sicherheitsventil Ausleger und Stielzylinder</b> <b>Valve de sécurité, flèche et balancier</b> <b>Safety valve boom and dipper arm cylinder</b> <b>11891150</b>	Catalogue id	Group
2		<b>20124</b>	<b>912</b>
3		Illustr. No	Section
4		<b>1016305</b>	<b>750</b>
5		Issue	Page
		<b>VOE 63A9920124</b>	<b>539</b>

**VOLVO**

**BL61PLUS**

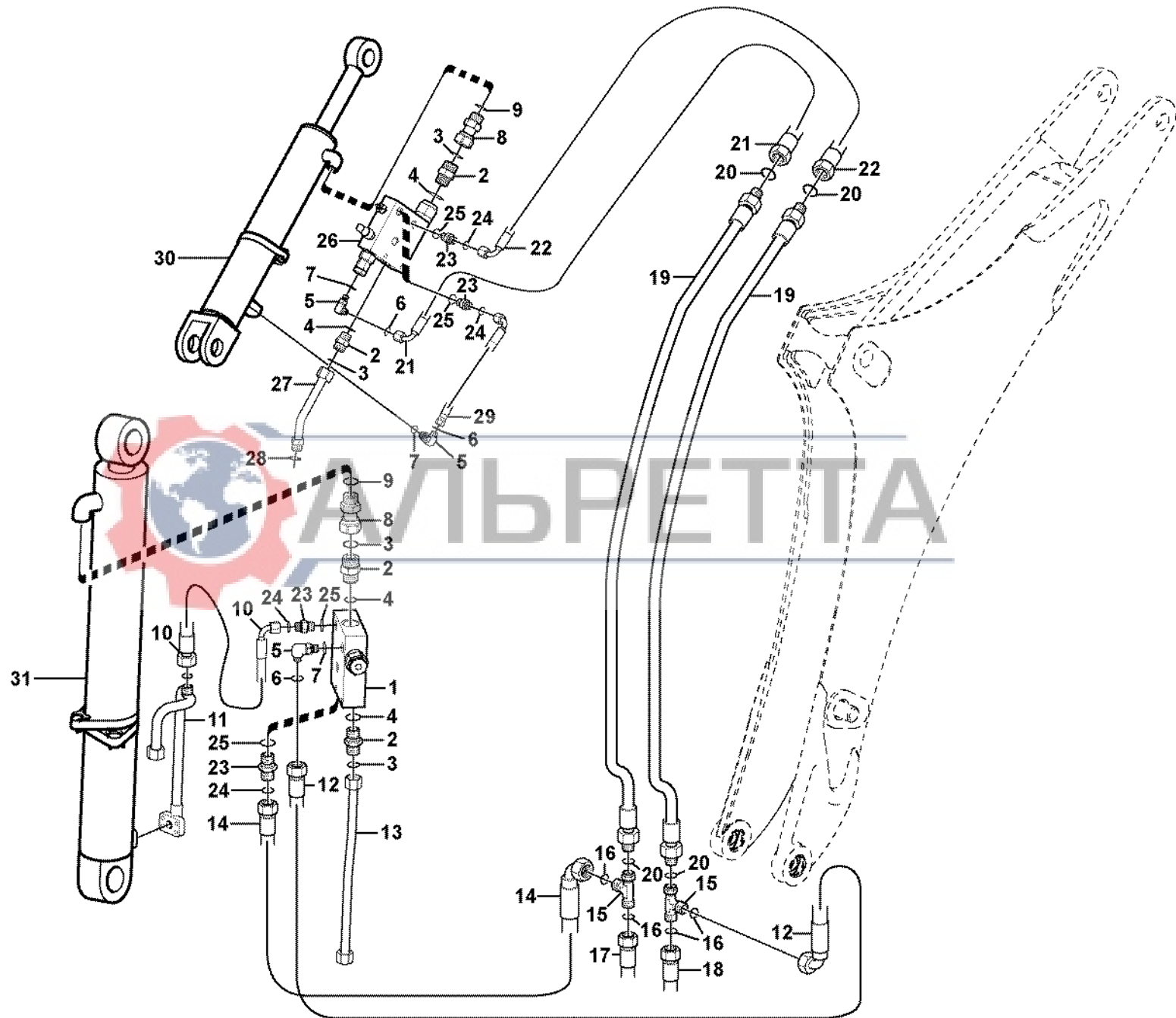


Fig.	Part No.	Quantity			P S	K I T	Description	Dénomination	Bezeichnung	Denominación	Benämning	Notes
		1	2	3								

31		1				Boom Cylinder .....	Verin de fleche .....	Auslegerzylinder.....	Maquina de flecha.....	Bomcylinder.....		See group 974, Page 661
----	--	---	--	--	--	---------------------	-----------------------	-----------------------	------------------------	------------------	--	-------------------------



1		<b>Säkerhetsventil bom och skaftcylinder</b> <b>Cilindros de pluma y brazo, válvulas de seguridad</b> <b>Sicherheitsventil Ausleger und Stielzylinder</b> <b>Valve de sécurité, flèche et balancier</b> <b>Safety valve boom and dipper arm cylinder</b>	Catalogue id	Group
2			<b>20124</b>	<b>912</b>
3			Illustr. No	Section
4			<b>1016305</b>	<b>750</b>
5			Issue	Page
		<b>11891150</b>	<b>VOE 63A9920124</b>	<b>541</b>

**VOLVO**

**BL61PLUS**



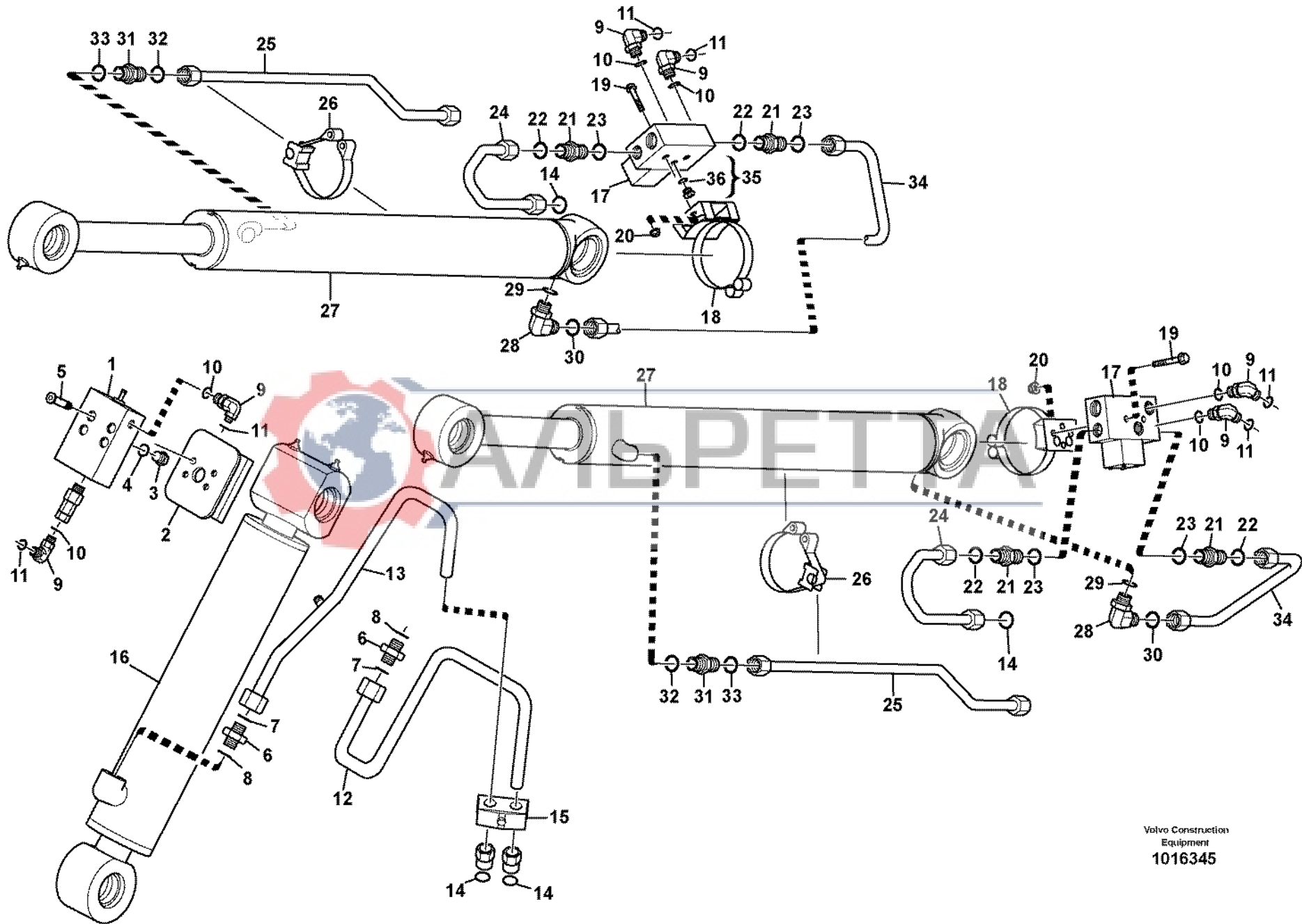


Fig.	Part No.	Quantity			P S	K I T	Description	Dénomination	Bezeichnung	Denominación	Benämning	Notes
		1	2	3								
1	VOE 11886371	1				Valve	Soupape	Ventil	Valvula	Ventil		
2	VOE 11886871	1				Bracket	Console	Konsole	Ménsula	Konsol		
3	VOE 11886868	1				Coupling	Accouplement	Kupplung	Acoplamiento	Koppling		
4	VOE 932041	1				O-ring	Joint Torique	O-Ring	Junta torica	O-ring		
5	VOE 947167	4				Screw	Vis	Schraube	Tornillo	Skruv	M10x50	
6	VOE 13933862	2				Nipple	Raccord	Nippel	Niple	Nippel		
7	VOE 990740	2				•O-ring	•Joint Torique	•O-Ring	•Junta torica	•O-ring	(VOE 981289)	
8	VOE 932042	1				•O-ring	•Joint Torique	•O-Ring	•Junta torica	•O-ring		
9	VOE 13933857	6				Elbow Nipple	Raccord angulaire	Winkelnippel	Niple Angular	V-nippel		
10	VOE 4881722	1				•O-ring	•Joint Torique	•O-Ring	•Junta torica	•O-ring		
11	VOE 932039	1				•O-ring	•Joint Torique	•O-Ring	•Junta torica	•O-ring		
12	VOE 11881542	1				Tube Assembly	Tuyauterie	Rohrleitung	Tuberia	Rörledning		
13	VOE 11886700	1				Tube	Tube	Rohr	Tubo	Rör		
14	VOE 4880663	4				O-ring	Joint Torique	O-Ring	Junta torica	O-ring		
15	VOE 11881092	1				Clamp	Pince Serrage	Klemme	Abrazadera	Klämna	DELETED	
16		1				Hydraulic cylinder	Vérin hydraulique	Hydraulzylinder	Cilindro hidráulico	Hydraulcylinder	See group 945, Page 633	
17	VOE 11886370	2				Valve	Soupape	Ventil	Valvula	Ventil		
18	VOE 11886399	2				Clamp	Pince Serrage	Klemme	Abrazadera	Klämna		
19	VOE 13965216	4				Screw	Vis	Schraube	Tornillo	Skruv	M8x55	
20	VOE 948645	4				Flange Lock Nut	Contre écrou bride	Flanschmutter	Contratuer Embr	Flänslåsmutter	M8	
21	VOE 935095	4				Nipple	Raccord	Nippel	Niple	Nippel		
22	VOE 4880663	1				•O-ring	•Joint Torique	•O-Ring	•Junta torica	•O-ring		
23	VOE 932041	1				•O-ring	•Joint Torique	•O-Ring	•Junta torica	•O-ring		
24	VOE 11886685	2				Tube	Tube	Rohr	Tubo	Rör		
25	VOE 11886686	2				Tube	Tube	Rohr	Tubo	Rör		
26	VOE 11885331	2				Clamp	Pince Serrage	Klemme	Abrazadera	Klämna		
27		2				Hydraulic cylinder	Vérin hydraulique	Hydraulzylinder	Cilindro hidráulico	Hydraulcylinder	See group 945, Page 631	
28	VOE 935076	2				Elbow Nipple	Raccord angulaire	Winkelnippel	Niple Angular	V-nippel	See group 911, Page 503	
29	VOE 4880663	1				•O-ring	•Joint Torique	•O-Ring	•Junta torica	•O-ring		
30	VOE 932040	1				•O-ring	•Joint Torique	•O-Ring	•Junta torica	•O-ring		

1		<b>Säkerhetsventil lastaggregat</b> <b>Válvula de seguridad, cargadora</b> <b>Sicherheitsventil Lader</b> <b>Valve de sécurité, équipement chargeur</b> <b>Safety valve loader</b>	Catalogue id	Group
2			<b>20124</b>	<b>912</b>
3			Illustr. No	Section
4			<b>1016345</b>	<b>800</b>
5			Issue	Page
	<b>11891151</b>		<b>VOE 63A9920124</b>	<b>543</b>

**VOLVO**

**BL61PLUS**





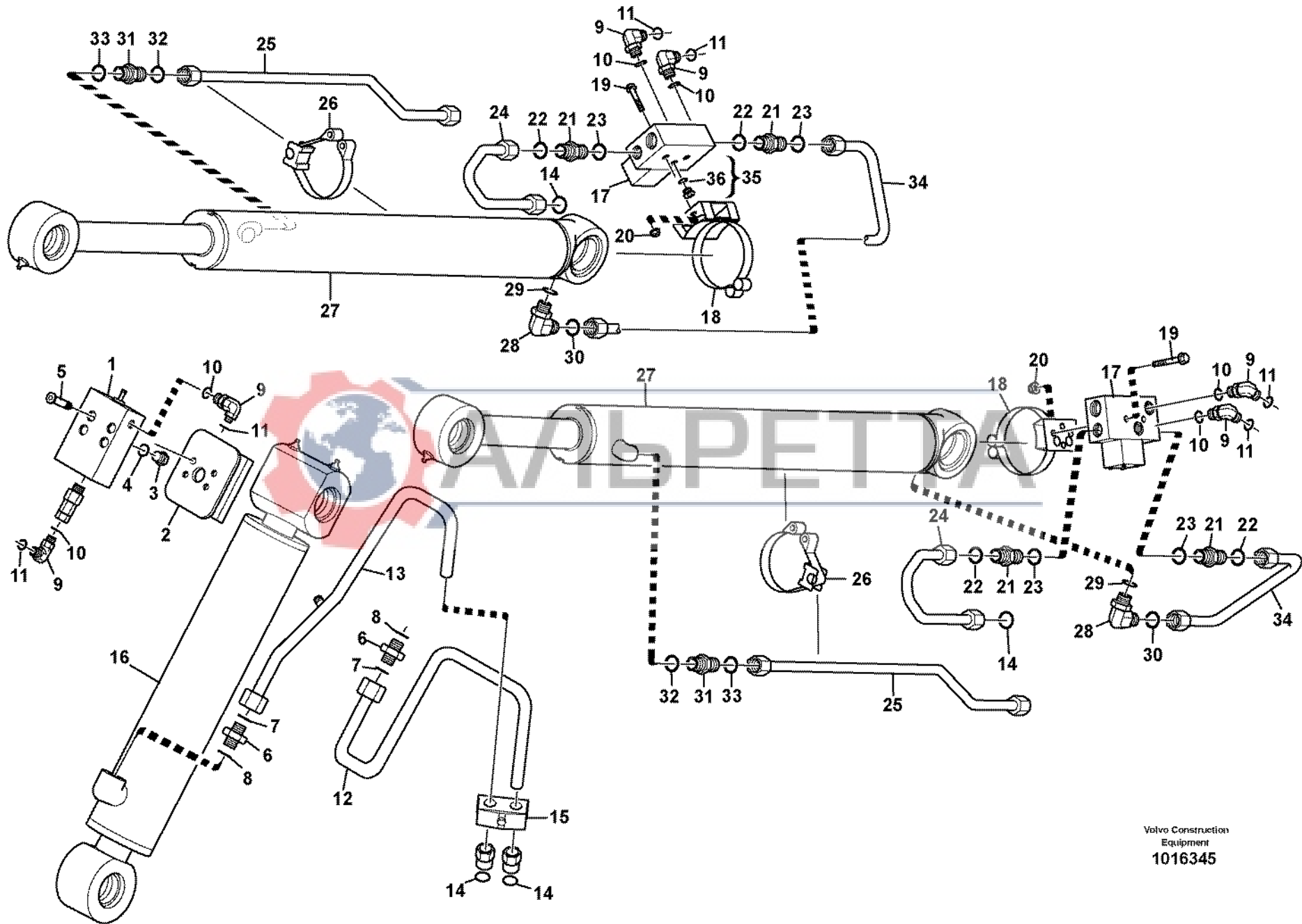


Fig.	Part No.	Quantity			P S	K I T	Description	Dénomination	Bezeichnung	Denominación	Benämning	Notes
		1	2	3								
31	VOE 935094	1				Nipple.....	Raccord.....	Nippel.....	Niple.....	Nippel.....	See group 911, Page 503	
32	VOE 4880663	1				•O-ring.....	•Joint Torique.....	•O-Ring.....	•Junta torica.....	•O-ring.....		
33	VOE 932040	1				•O-ring.....	•Joint Torique.....	•O-Ring.....	•Junta torica.....	•O-ring.....		
34	VOE 11886684	2				Tube.....	Tube.....	Rohr.....	Tube.....	Rör.....		
35	VOE 11883510	4				Plug.....	Bouchon.....	Stopfen.....	Tapon.....	Plugg.....		
36	VOE 932039	1				•O-ring.....	•Joint Torique.....	•O-Ring.....	•Junta torica.....	•O-ring.....		



1	<b>Säkerhetsventil lastaggregat</b> <b>Válvula de seguridad, cargadora</b> <b>Sicherheitsventil Lader</b> <b>Valve de sécurité, équipement chargeur</b> <b>Safety valve loader</b>	Catalogue id	Group
2		<b>20124</b>	<b>912</b>
3		Illustr. No	Section
4		<b>1016345</b>	<b>800</b>
5		Issue	Page
	<b>11891151</b>	<b>VOE 63A9920124</b>	<b>545</b>

**VOLVO**

**BL61PLUS**



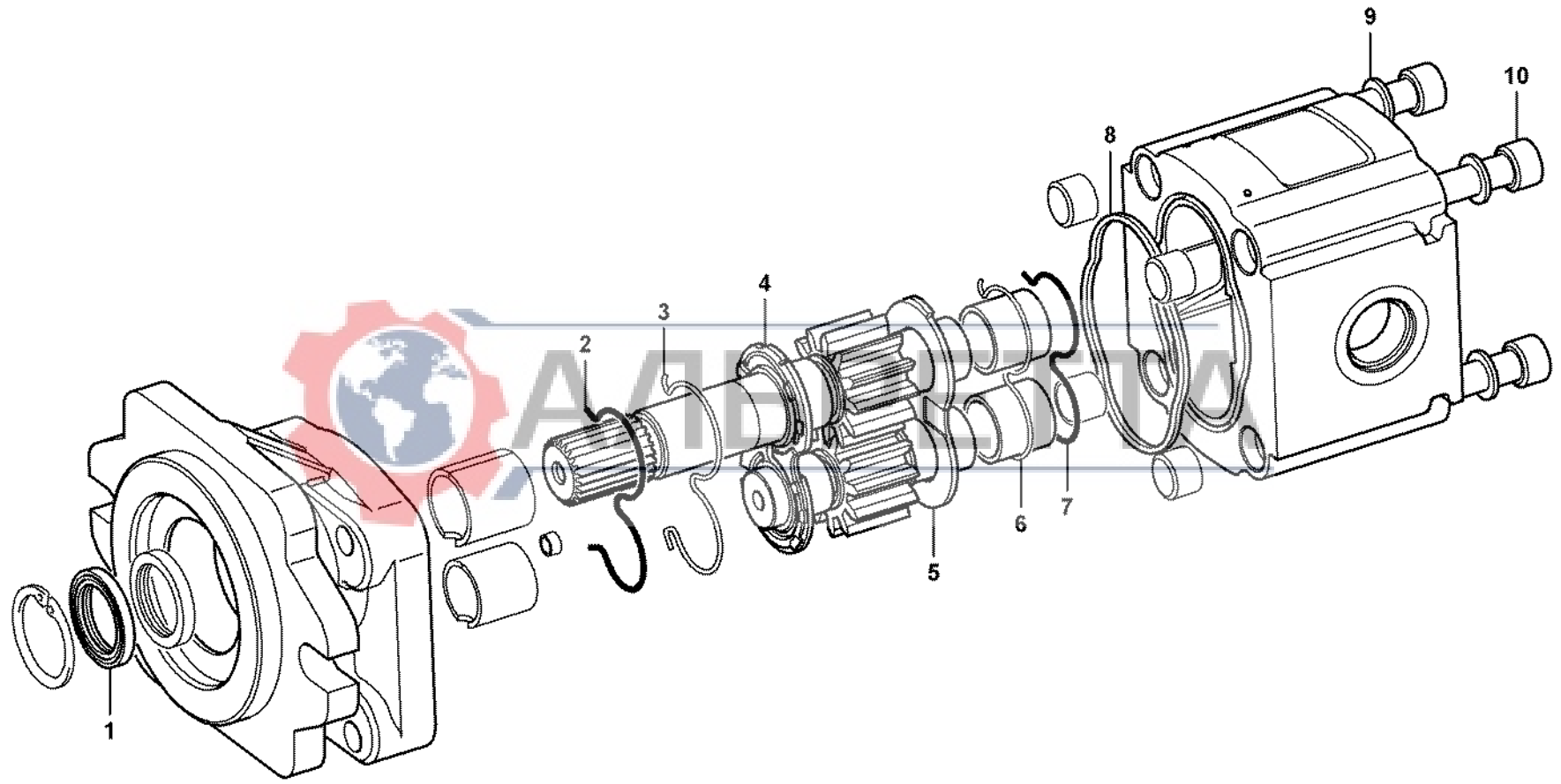


Fig.	Part No.	Quantity			P S	K I T	Description	Dénomination	Bezeichnung	Denominación	Benämning	Notes
		1	2	3								
	VOE 11881939	1				Pump.....	Pompe.....	Pumpe.....	Bomba.....	Pump.....		
1	VOE 11713046	2				•Seal .....	•Joint .....	•Dichtring.....	•Junta .....	•Tätning.....		
2	VOE 11713048	1				•Lock Ring.....	•Anneau Verrouillage .....	•Schlossring .....	•Anillo Segurid .....	•Låsring.....		
3	VOE 11713049	1				•Seal .....	•Joint .....	•Dichtring.....	•Junta .....	•Tätning.....		
4	VOE 11713050	1				•Thrust Ring .....	•Bague Butee .....	•Druckring.....	•Anillo Presion .....	•Tryckring.....		
5	VOE 11713051	1				•Thrust Ring .....	•Bague Butee .....	•Druckring.....	•Anillo Presion .....	•Tryckring.....		
6	VOE 11713052	1				•Seal .....	•Joint .....	•Dichtring.....	•Junta .....	•Tätning.....		
7	VOE 11713053	1				•Lock Ring.....	•Anneau Verrouillage .....	•Schlossring .....	•Anillo Segurid .....	•Låsring.....		
8	VOE 11713054	1				•Sealing ring.....	•Bague d'étanchéité .....	•Runddichtring.....	•Anillo reten .....	•Tätningring.....		
9	VOE 11713055	4				•Washer .....	•Rondelle.....	•Scheibe .....	•Arandela.....	•Bricka.....		
10	VOE 11713056	4				•Screw.....	•Vis.....	•Schraube.....	•Tornillo .....	•Skruv.....		



1		<b>Hydraulic pump</b> <b>Bomba hidráulica</b> <b>Hydraulikpumpe</b> <b>Pompe hydraulique</b> <b>Hydraulic pump</b>	Catalogue id	Group
2			<b>20124</b>	<b>913</b>
3			Illustr. No	Section
4			<b>1013095</b>	<b>200</b>
5			Issue	Page
			<b>VOE 63A9920124</b>	<b>547</b>
			<b>11891077, 11891595, 11895023</b>	

**VOLVO**

**BL61PLUS**



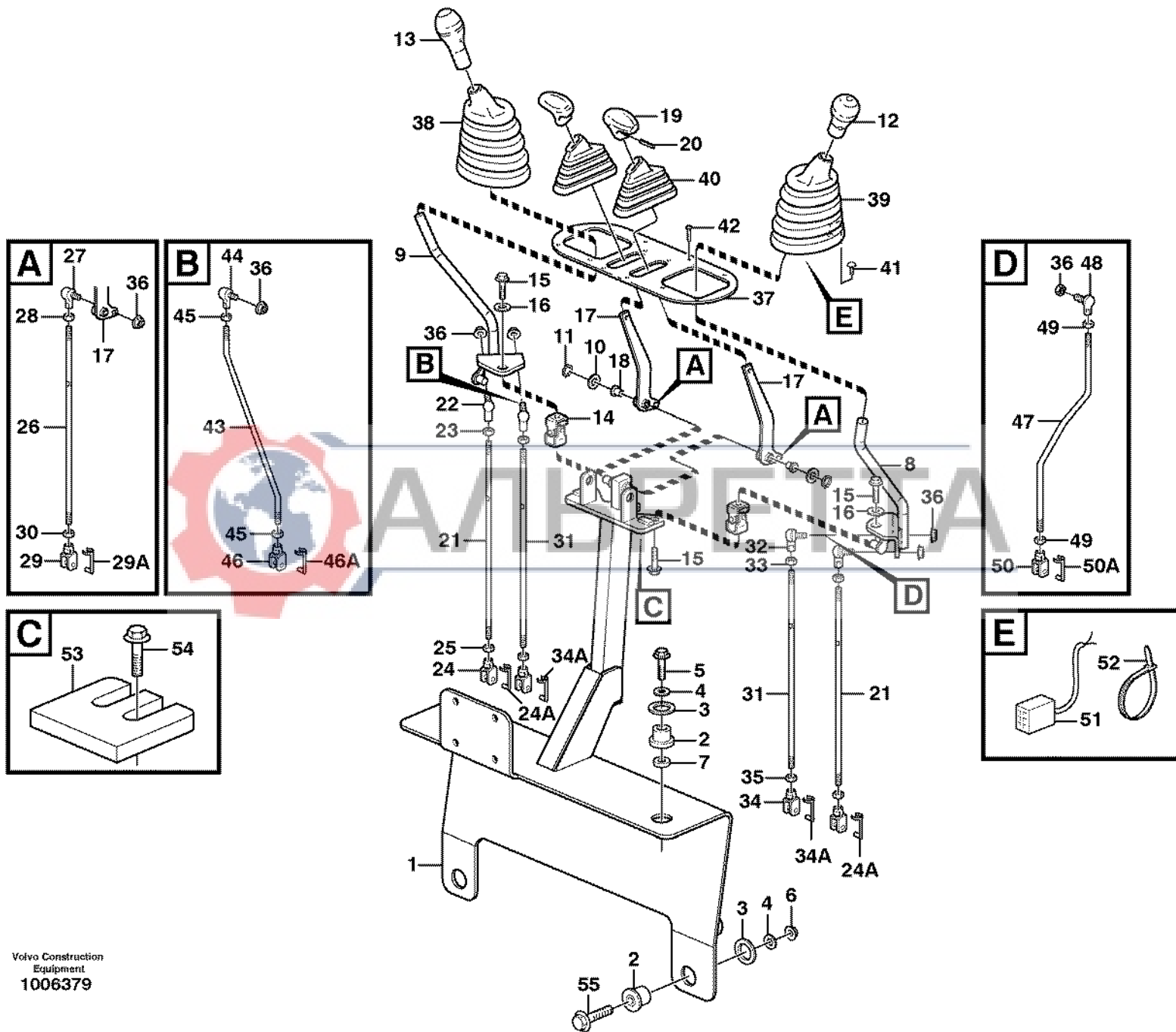


Fig.	Part No.	Quantity			P S	K I T	Description	Dénomination	Bezeichnung	Denominación	Benämning	Notes
		1	2	3								
1	VOE 11886563	1	1	1		Bracket.....	Console.....	Konsole .....	Ménsula.....	Konsol.....		
2	VOE 11881720	4	4	4		Rubber element .....	Element caoutch .....	Gummielement.....	Elemento goma .....	Gummielement.....		
3	VOE 955908	4	4	4		Washer.....	Rondelle.....	Scheibe .....	Arandela.....	Bricka.....		
4	VOE 13947355	4	4	4		Washer.....	Rondelle.....	Scheibe .....	Arandela.....	Bricka.....		
5	VOE 965195	2	2	2		Flange screw.....	Vis à bride.....	Flanschschaube.....	Torn embridado.....	Flänsskruv.....		
6	VOE 971099	2	2	2		Flange Lock Nut.....	Contre écrou bride .....	Flanschmutter .....	Contratuer Embr.....	Flänslåsmutter.....		
7	VOE 11884217	2	2	2		Spacer.....	Entretoise.....	Abstandkörper.....	Distanciador .....	Distans.....		
8	VOE 11881708	1	1			Lever.....	Levier .....	Hebel.....	Palanca .....	Spak.....	LH	
	VOE 11884956			1		Lever.....	Levier .....	Hebel.....	Palanca .....	Spak.....		
9	VOE 11881717	1	1			Lever.....	Levier .....	Hebel.....	Palanca .....	Spak.....	RH	
	VOE 11884957			1		Lever.....	Levier .....	Hebel.....	Palanca .....	Spak.....	LH	
10	VOE 11884269	2	2	2		Plastic Washer.....	Rondelle Plastique .....	Kunstst.scheibe.....	Arandela de plástico.....	Plastbricka.....		
11	VOE 914446	2	2	2		Snap Ring.....	Circlip .....	Nutring.....	Circlip .....	Spårring.....	RH	
12	VOE 11882526	1	1	1		Lever Knob.....	Boule de levier .....	Hebelknopf.....	Bola de palanca .....	Spakknopp.....	LH	
	VOE 11305749	1	1	1		•Switch.....	•Commutateur .....	•Schalter.....	•Contactor .....	•Strömställare.....		
13	VOE 11882525	1	1	1		Lever Knob.....	Boule de levier .....	Hebelknopf.....	Bola de palanca .....	Spakknopp.....	RH	
14	VOE 11881721	2	2	2		Ball joint.....	Rotule articul.....	Kugelgelenk .....	Rotula .....	Kulled.....		
15	VOE 946502	4	4	4		Flange screw.....	Vis à bride.....	Flanschschaube.....	Torn embridado.....	Flänsskruv.....		
16	VOE 967600	4	4	4		Lock Washer.....	Rondel verroui.....	Sicher Scheibe.....	Arandel Segurid .....	Låsbricka.....		
17	VOE 11884431	2	2	2		Lever.....	Levier .....	Hebel.....	Palanca .....	Spak.....		
	VOE 11882182	1	1	1		•Bushing.....	•Bague .....	•Buchse.....	•Casquillo .....	•Bussning.....		
18	VOE 11882115	2	2	2		Bushing.....	Bague.....	Buchse .....	Casquillo .....	Bussning.....		
19	VOE 11882604	2	2	2		Knob.....	Bouton.....	Knauf.....	Boton.....	Knopp.....		
20	VOE 951952	2	2	2		Spring Pin.....	Axe de ressort.....	Federstift .....	Pasador Resorte .....	Fjäderpinne.....		
21	VOE 11884223	2	2	2		Rod.....	Tige .....	Stange.....	Barra .....	Stång.....		
22	VOE 959080	1	1	1		•Anl Ball Joint.....	•Rotul.angulaire.....	•Winkelgelenk.....	•Rotula Angular .....	•Vinkelkulled.....		
23	VOE 961991	1	1	1		•Hexagon Nut.....	•Ecrou Hexagonal .....	•Sechskantmutter.....	•Tuerca Hexagon .....	•Sexkantmutter.....		
24	VOE 11881742	1	1	1		•Fork.....	•Fourche.....	•Gabel .....	•Horquilla .....	•Gaffel.....		
24A	VOE 945634	1	1	1		••Yoke Bolt.....	••Boulon Etrier.....	••Gabelbolzen .....	••Perno Horquilla .....	••Gaffelbult.....		
25	VOE 949847	1	1	1		•Hexagon Nut.....	•Ecrou Hexagonal .....	•Sechskantmutter.....	•Tuerca Hexagon .....	•Sexkantmutter.....		

1	11891162, 11895019	<b>Reglage</b> <b>Mandos</b> <b>Regler</b> <b>Commandes</b> <b>Controls</b>	Catalogue id	Group
2	11891167, 11895018		<b>20124</b>	<b>915</b>
3	11891322, 11895020		Illustr. No	Section
4			<b>1006379</b>	<b>100</b>
5			Issue	Page
			<b>VOE 63A9920124</b>	<b>549</b>

**VOLVO**

**BL61PLUS**



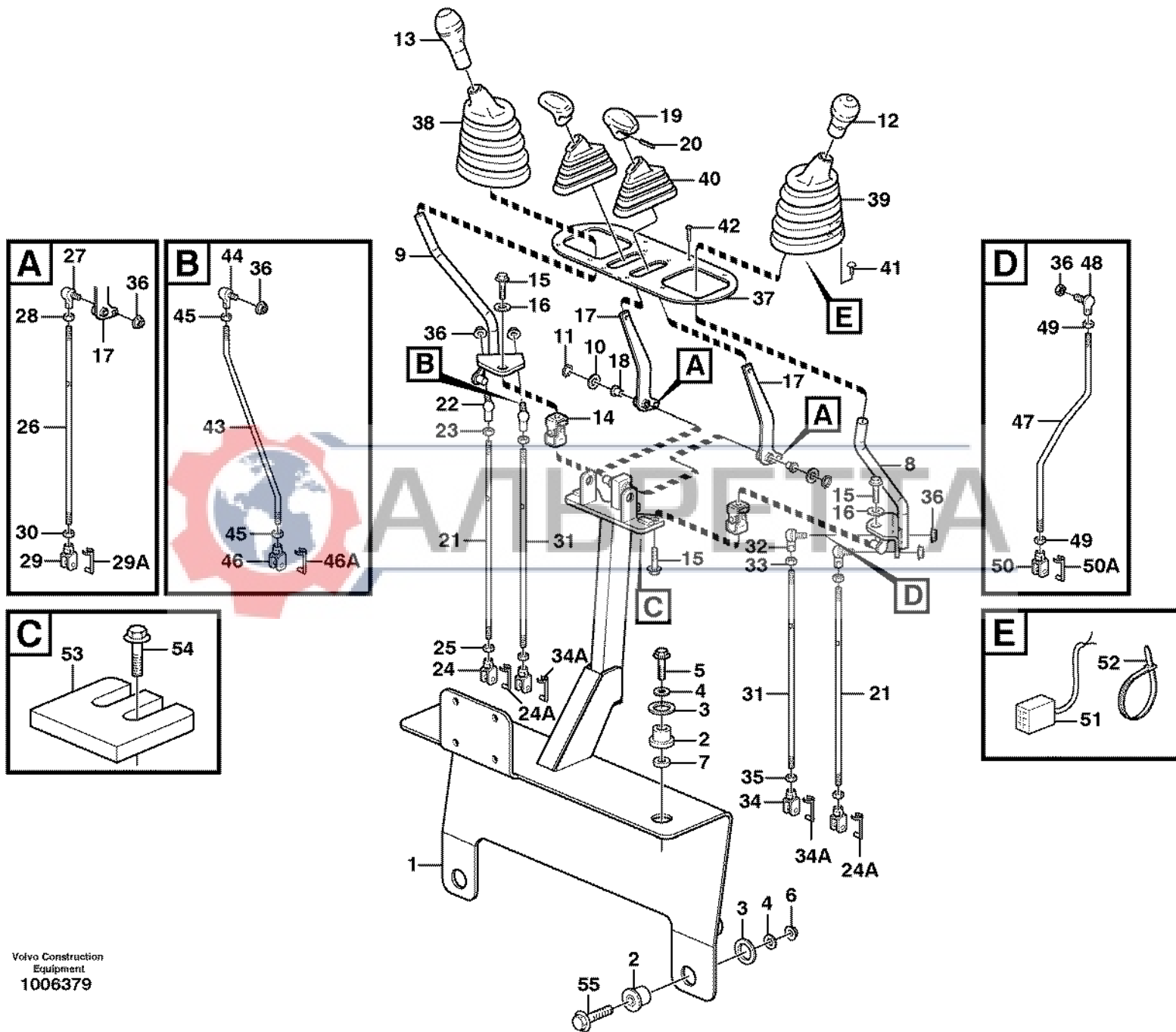


Fig.	Part No.	Quantity			P S	K I T	Description	Dénomination	Bezeichnung	Denominación	Benämning	Notes
		1	2	3								
26	VOE 11884603	2	2	2		Rod	Tige	Stange	Barra	Stång		
27	VOE 959080	1	1	1		•Anl Ball Joint	•Rotul.angulaire	•Winkelgelenk	•Rotula Angular	•Vinkelkulled		
28	VOE 961991	1	1	1		•Hexagon Nut	•Ecrou Hexagonal	•Sechskantmutter	•Tuerca Hexagon	•Sexkantsmutter		
29	VOE 11881742	1	1	1		•Fork	•Fourche	•Gabel	•Horquilla	•Gaffel		
29A	VOE 945634	1	1	1		••Yoke Bolt	••Boulon Etrier	••Gabelbolzen	••Perno Horquilla	••Gaffelbult		
30	VOE 949847	1	1	1		•Hexagon Nut	•Ecrou Hexagonal	•Sechskantmutter	•Tuerca Hexagon	•Sexkantsmutter		
31	VOE 11884223	2		2		Rod	Tige	Stange	Barra	Stång		
32	VOE 959080	1		1		•Anl Ball Joint	•Rotul.angulaire	•Winkelgelenk	•Rotula Angular	•Vinkelkulled		
33	VOE 961991	1		1		•Hexagon Nut	•Ecrou Hexagonal	•Sechskantmutter	•Tuerca Hexagon	•Sexkantsmutter		
34	VOE 11881742	1		1		•Fork	•Fourche	•Gabel	•Horquilla	•Gaffel		
34A	VOE 945634	1		1		••Yoke Bolt	••Boulon Etrier	••Gabelbolzen	••Perno Horquilla	••Gaffelbult		
35	VOE 949847	1		1		•Hexagon Nut	•Ecrou Hexagonal	•Sechskantmutter	•Tuerca Hexagon	•Sexkantsmutter		
36	VOE 948645	6	6	6		Flange Lock Nut	Contre écrou bride	Flanschmutter	Contratuer Embr	Flänslåsmutter		
37		1	1	1	NS	Plate	Tôle	Blech	Chapa	Plåt		
38	VOE 11881339	1	1	1		Bellows	Soufflet	Balg	Fuelle	Bälg	RH	
39	VOE 11881338	1	1	1		Bellows	Soufflet	Balg	Fuelle	Bälg	LH	
40	VOE 11881341	2	2	2		Bellows	Soufflet	Balg	Fuelle	Bälg		
41	VOE 11881360	12	12	12		Retainer	Retenue	Halter	Soporte	Hållare		
42	VOE 13971307	3	3	3		Screw	Vis	Schraube	Tornillo	Skruv		
43	VOE 11885190	1				Rod	Tringle	Stange	Tirante	Stång		
44	VOE 11885184	1				•Ball joint	•Rotule articul.	•Kugelgelenk	•Rotula	•Kulled		
45	VOE 13971068	2				•Hexagon Nut	•Ecrou Hexagonal	•Sechskantmutter	•Tuerca Hexagon	•Sexkantsmutter		
46	VOE 11885182	1				•Clevis	•Fourche	•Gabel	•Horquilla	•Gaffel		
46A	VOE 945634	1				••Yoke Bolt	••Boulon Etrier	••Gabelbolzen	••Perno Horquilla	••Gaffelbult		
47	VOE 11885191	1				Rod	Tringle	Stange	Tirante	Stång		
48	VOE 11885184	1				•Ball joint	•Rotule articul.	•Kugelgelenk	•Rotula	•Kulled		
49	VOE 13971068	2				•Hexagon Nut	•Ecrou Hexagonal	•Sechskantmutter	•Tuerca Hexagon	•Sexkantsmutter		
50	VOE 11885182	1				•Clevis	•Fourche	•Gabel	•Horquilla	•Gaffel		
50A	VOE 945634	1				••Yoke Bolt	••Boulon Etrier	••Gabelbolzen	••Perno Horquilla	••Gaffelbult		
51	VOE 11884023	1	1	1		Wire Harness	Faisceau de câbles	Kabelbaum	Manejo Cables	Ledningsmatta	X89, W2P - X326, X327	

1	11891162, 11895019	<b>Reglage</b> <b>Mandos</b> <b>Regler</b> <b>Commandes</b> <b>Controls</b>	Catalogue id	Group
2	11891167, 11895018		<b>20124</b>	<b>915</b>
3	11891322, 11895020		Illustr. No	Section
4			<b>1006379</b>	<b>100</b>
5			Issue	Page
			<b>VOE 63A9920124</b>	<b>551</b>

**VOLVO**

**BL61PLUS**





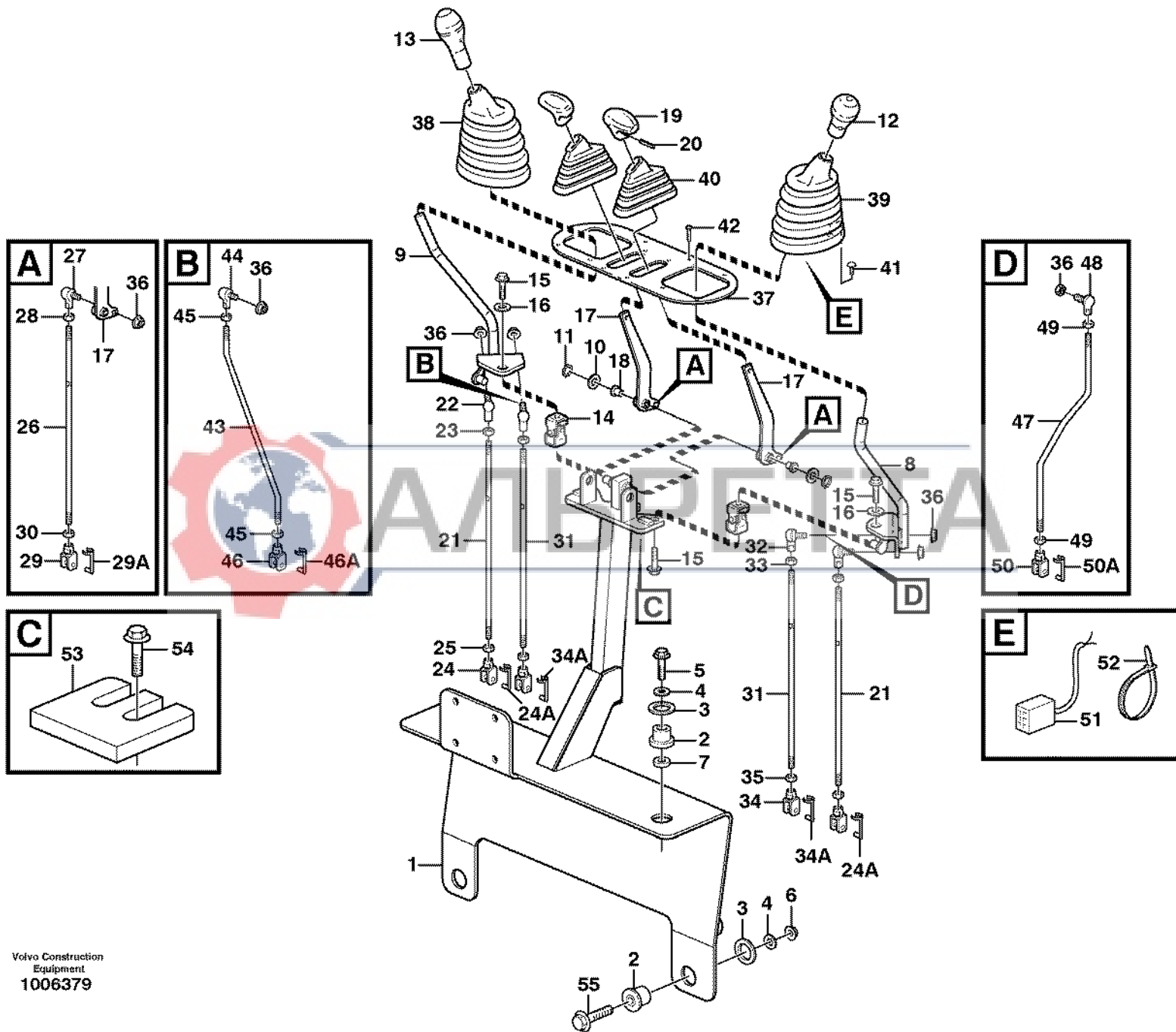


Fig.	Part No.	Quantity			P S	K I T	Description	Dénomination	Bezeichnung	Denominación	Benämning	Notes
		1	2	3								
	<b>VOE 874954</b>	1	1	1			•Connector .....	•Raccord .....	•Anschluss.....	•Union.....	•Anslutning.....	
	<b>VOE 14370881</b>	1	1	1			•Spacer .....	•Partie Intermédiaire ..	•Zwischenstück .....	•Espaciador .....	•Mellandel.....	
52	<b>VOE 4881440</b>	2	2	2			Strip Clamp .....	Ruban Serrage.....	Kabelbinder .....	Abraz Cinta .....	Bandklamma.....	
53	<b>VOE 11885168</b>	2	2				Plate.....	Plaque.....	Platte.....	Placa .....	Platta.....	
	<b>VOE 11885170</b>			2			Plate.....	Plaque.....	Platte.....	Placa .....	Platta.....	
54	<b>VOE 13946544</b>	4	4	4			Flange screw.....	Vis à bride.....	Flanschschraube.....	Torn embridado .....	Flänsskruv.....	
55	<b>VOE 13965194</b>	2	2	2			Flange screw.....	Vis à bride .....	Flanschschraube.....	Torn embridado .....	Flänsskruv.....	



1	11891162, 11895019	<b>Reglage</b> <b>Mandos</b> <b>Regler</b> <b>Commandes</b> <b>Controls</b>	Catalogue id	Group
2	11891167, 11895018		<b>20124</b>	<b>915</b>
3	11891322, 11895020		Illustr. No	Section
4			<b>1006379</b>	<b>100</b>
5			Issue	Page
			<b>VOE 63A9920124</b>	<b>553</b>

**VOLVO**

**BL61PLUS**



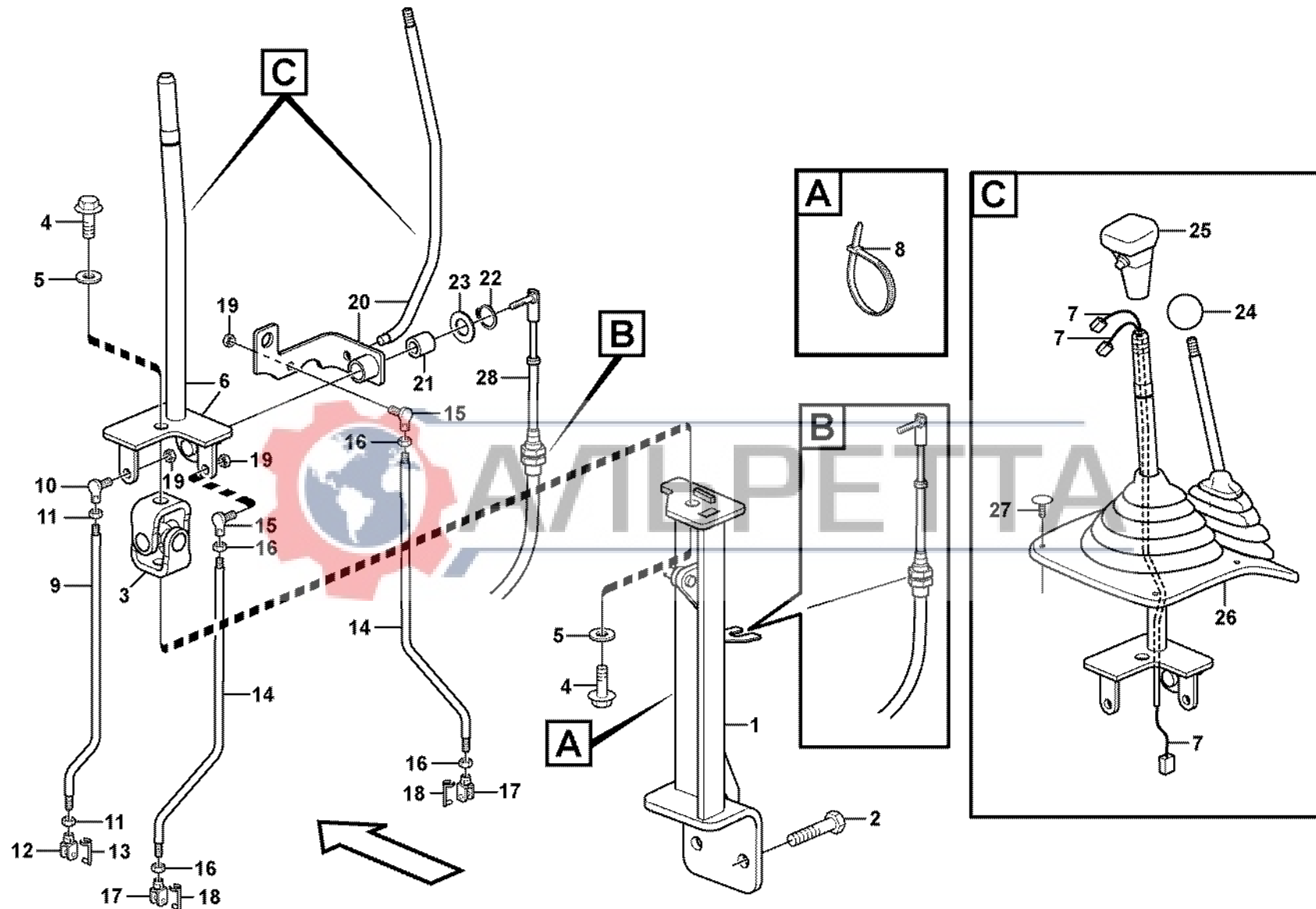


Fig.	Part No.	Quantity			P S	K I T	Description	Dénomination	Bezeichnung	Denominación	Benämning	Notes
		1	2	3								
1	VOE 11886196	1	1	1		Bracket.....	Console.....	Konsole .....	Ménsula.....	Konsol.....		
2	VOE 13965192	2	2	2		Flange screw.....	Vis à bride .....	Flanschschraube.....	Torn embridado .....	Flänsskruv.....		
3	VOE 11881721	1	1	1		Ball joint .....	Rotule articul. ....	Kugelgelenk .....	Rotula .....	Kulled.....		
4	VOE 946502	2	2	2		Flange screw.....	Vis à bride .....	Flanschschraube.....	Torn embridado .....	Flänsskruv.....		
5	VOE 967600	2	2	2		Lock Washer.....	Rondel verroui.....	Sicher Scheibe .....	Arandel Segurid .....	Låsbricka.....		
6	VOE 11887195	1	1	1		Lever.....	Levier .....	Hebel.....	Palanca .....	Spak.....		
7	VOE 11885183	1	1	1		Wire harness.....	Faisceau électrique .....	Kabelbaum.....	Manojo cables .....	Ledningsmatta.....		
8	VOE 4881440	1	1	1		Strip Clamp .....	Ruban Serrage.....	Kabelbinder .....	Abraz Cinta .....	Bandklamma.....		
9	VOE 11886275	1	1	1		Control Rod.....	Tige Commande .....	Schaltstange .....	Barra De Mando.....	Manöverstång.....		
10	VOE 11885184	1	1			•Ball joint .....	•Rotule articul. ....	•Kugelgelenk .....	•Rotula.....	•Kulled.....		
11	VOE 13971068	2	2			•Hexagon Nut.....	•Ecrou Hexagonal .....	•Sechskantmutter .....	•Tuerca Hexagon .....	•Sexkantsmutter.....		
12	VOE 11885182	1	1			•Clevis.....	•Fourche.....	•Gabel .....	•Horquilla .....	•Gaffel.....		
13	VOE 945634	1	1			•Yoke Bolt .....	•Boulon Etrier .....	•Gabelbolzen.....	•Perno Horquilla .....	•Gaffelbult.....		
14	VOE 11886274	1	2	1		Control Rod.....	Tige Commande .....	Schaltstange .....	Barra De Mando.....	Manöverstång.....		
15	VOE 11885184	1	1			•Ball joint .....	•Rotule articul. ....	•Kugelgelenk .....	•Rotula.....	•Kulled.....		
16	VOE 13971068	2	2			•Hexagon Nut.....	•Ecrou Hexagonal .....	•Sechskantmutter .....	•Tuerca Hexagon .....	•Sexkantsmutter.....		
17	VOE 11885182	1	1			•Clevis.....	•Fourche.....	•Gabel .....	•Horquilla .....	•Gaffel.....		
18	VOE 945634	1	1			•Yoke Bolt .....	•Boulon Etrier .....	•Gabelbolzen.....	•Perno Horquilla .....	•Gaffelbult.....		
19	VOE 948645	2	3	2		Flange Lock Nut.....	Contre écrou bride .....	Flanschmutter .....	Contratuer Embr.....	Flänslåsmutter.....		
20	VOE 11887186		1			Lever.....	Levier.....	Hebel.....	Palanca .....	Spak.....		
21	VOE 11885968		1			Bushing.....	Bague.....	Buchse.....	Casquillo .....	Bussning.....		
22	VOE 914450		1			Snap Ring.....	Circlip .....	Nutring.....	Circlip .....	Spårring.....		
23	VOE 11885969		1			Washer.....	Rondelle.....	Scheibe .....	Arandela .....	Bricka.....		
24	VOE 11882040		1			Knob.....	Bouton.....	Knopf.....	Boton .....	Knapp.....		
25	VOE 11886188	1				Knob.....	Bouton.....	Knopf.....	Boton .....	Knapp.....	11895023	
26	VOE 11881364	1	1			Bellows.....	Capot Caoutcho.....	Gummimantel.....	Cubierta Goma .....	Gummikåpa.....		
				1		Bellows.....	Capot Caoutcho.....	Gummimantel.....	Cubierta Goma .....	Gummikåpa.....	See group 882, Page 445	
27	VOE 11881360	8	8	8		Retainer .....	Retenue .....	Halter.....	Soporte.....	Hållare .....		
28		1	1	1		Cable.....	Câble.....	Kabel.....	Cable.....	Kabel.....	See group 945, Page 631	

1	11891415	<b>Lastarreglage</b> <b>Mandos de la cargadora</b> <b>Loader controls</b> <b>Commandes de l'équipement chargeur</b> <b>Loader controls</b>	Catalogue id	Group
2	11895001		<b>20124</b>	<b>915</b>
3	11895000		Illustr. No	Section
4			<b>1012611</b>	<b>150</b>
5			Issue	Page
			<b>VOE 63A9920124</b>	<b>555</b>

**VOLVO**

**BL61PLUS**



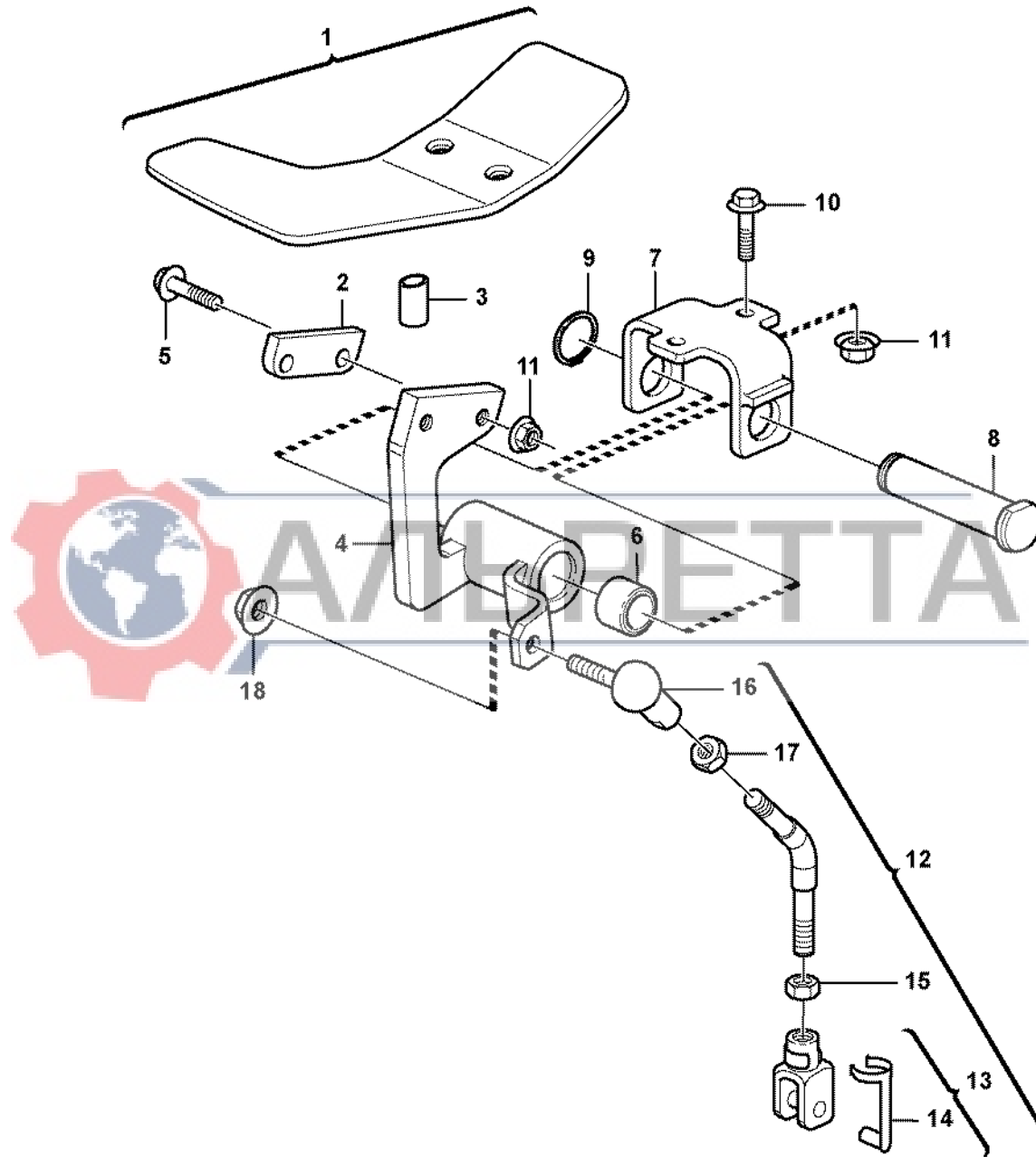


Fig.	Part No.	Quantity			P S	K I T	Description	Dénomination	Bezeichnung	Denominación	Benämning	Notes
		1	2	3								
1	VOE 11885930	1				Pedal.....	Pedale.....	Pedal.....	Pedal.....	Pedal.....		
2	VOE 11885932	1				•Bracket.....	•Console.....	•Konsole.....	•Ménsula.....	•Konsol.....		
3	VOE 11885977	1				•Spacer.....	•Partie Intermédiaire ..	•Zwischenstück.....	•Espaciador.....	•Mellandel.....		
4	VOE 11886331	1				Support.....	Support.....	Stütze.....	Apoyo.....	Stöd.....		
5	VOE 13945444	2				Flange screw.....	Vis à bride.....	Flanschschraube.....	Torn embridado.....	Flänsskruv.....		
6	VOE 11886867	2				Bushing.....	Bague.....	Buchse.....	Casquillo.....	Bussning.....		
7	VOE 11883399	1				Support.....	Support.....	Stütze.....	Apoyo.....	Stöd.....		
8	VOE 11887344	1				Pin.....	Goupille.....	Zapfen.....	Pasador.....	Tapp.....		
9	VOE 914454	1				Snap Ring.....	Circlip.....	Nutring.....	Circlip.....	Spårring.....		
10	VOE 13946173	2				Flange screw.....	Vis à bride.....	Flanschschraube.....	Torn embridado.....	Flänsskruv.....		
11	VOE 948645	4				Flange Lock Nut.....	Contre écrou bride.....	Flanschmutter.....	Contratuer Embr.....	Flänslåsmutter.....		
12	VOE 11885933	1				Rod.....	Tringle.....	Stange.....	Tirante.....	Stång.....		
13	VOE 11882913	1				•Fork.....	•Fourche.....	•Gabel.....	•Horquilla.....	•Gaffel.....		
14	VOE 945634	1				•Yoke Bolt.....	•Boulon Etrier.....	•Gabelbolzen.....	•Perno Horquilla.....	•Gaffelbult.....		
15	VOE 961991	1				•Hexagon Nut.....	•Ecou Hexagonal.....	•Sechskantmutter.....	•Tuerca Hexagon.....	•Sexkantmutter.....		
16	VOE 959080	1				•Anl Ball Joint.....	•Rotul.angulaire.....	•Winkelgelenk.....	•Rotula Angular.....	•Vinkelkulled.....		
17	VOE 961991	1				•Hexagon Nut.....	•Ecou Hexagonal.....	•Sechskantmutter.....	•Tuerca Hexagon.....	•Sexkantmutter.....		
18	VOE 13945408	1				Nut.....	Ecou.....	Mutter.....	Tuerca.....	Mutter.....		

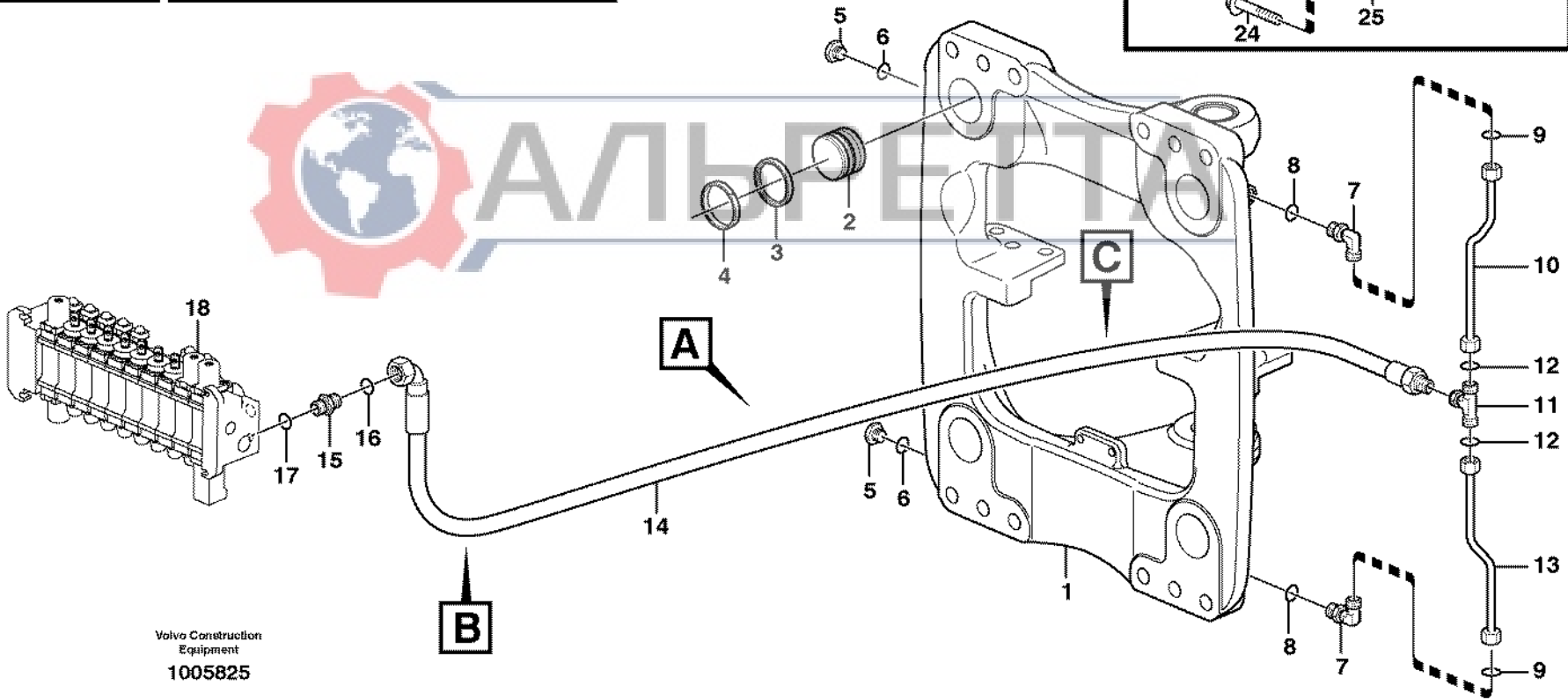
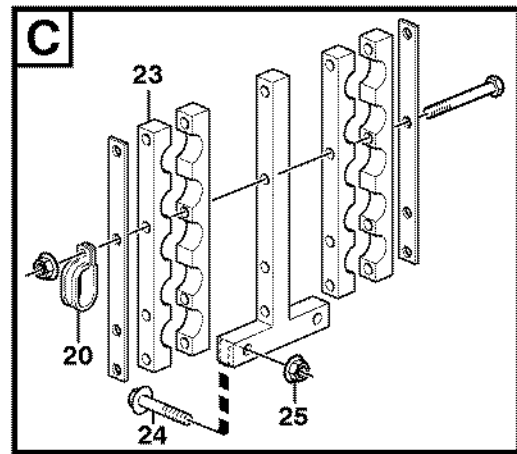
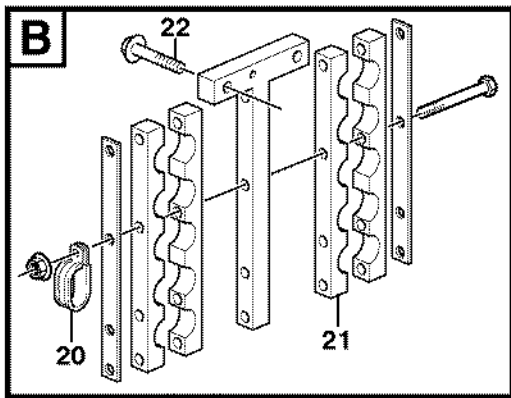
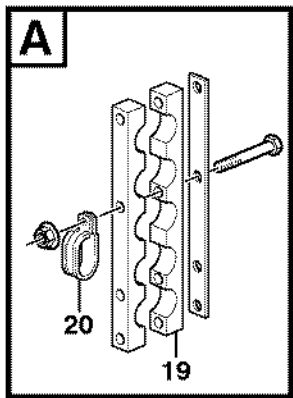


1	Pedal	Catalogue id	Group
2	Pedal	<b>20124</b>	<b>915</b>
3	Pedal	Illustr. No	Section
4	Pedale	<b>1013162</b>	<b>200</b>
5	Pedal	Issue	Page
	<b>11891417, 11895018, 11895019, 11895020, 11891273</b>	<b>VOE 63A9920124</b>	<b>557</b>

**VOLVO**

**BL61PLUS**





Volvo Construction  
Equipment  
1005825

Fig.	Part No.	Quantity			P S	K I T	Description	Dénomination	Bezeichnung	Denominación	Benämning	Notes
		1	2	3								
1		1				Attachment.....	Fixation .....	Halterung.....	Fijacion.....	Fäste.....	See group 971, Page 637	
2	VOE 11882507	4				Piston.....	Piston .....	Kolben .....	Piston .....	Kolv.....		
3	VOE 11881438	4				•Seal .....	•Joint .....	•Dichtung.....	•Reten .....	•Tätning.....		
4	VOE 11881439	4				•Seal .....	•Joint .....	•Dichtung.....	•Reten .....	•Tätning.....		
5	VOE 11883510	2				Plug.....	Bouchon.....	Stopfen.....	Tapon .....	Plugg.....		
6	VOE 932039	2				•O-ring.....	•Joint Torique.....	•O-Ring.....	•Junta torica .....	•O-ring.....		
7	VOE 935069	2				Elbow nipple.....	Raccord angulaire.....	Winkelnippel.....	Niple angular .....	Vinkelnippel.....		
8	VOE 4880492	2				•O-ring.....	•Joint Torique.....	•O-Ring.....	•Junta torica .....	•O-ring.....		
9	VOE 4881722	2				•O-ring.....	•Joint Torique.....	•O-Ring.....	•Junta torica .....	•O-ring.....		
10	VOE 11884949	1				Tube.....	Tube.....	Rohr .....	Tube .....	Rör.....		
11	VOE 13933912	1				T-nipple.....	Raccord-t .....	T-Nippel.....	Niple T .....	T-nippel.....		
12	VOE 4880492	2				•O-ring.....	•Joint Torique.....	•O-Ring.....	•Junta torica .....	•O-ring.....		
13	VOE 11884926	1				Tube.....	Tube.....	Rohr .....	Tube .....	Rör.....		
14	VOE 11882209	1				Hose.....	Durit .....	Schlauch .....	Tube flexible.....	Slang.....		
15	VOE 13933858	1				Union.....	Teton Connexion.....	Anschlussnippel .....	Niple Conexion .....	Anslutn.nippel.....		
16	VOE 4881722	1				•O-ring.....	•Joint Torique.....	•O-Ring.....	•Junta torica .....	•O-ring.....		
17	VOE 932039	1				•O-ring.....	•Joint Torique.....	•O-Ring.....	•Junta torica .....	•O-ring.....		
18		1				Valve.....	Soupape.....	Ventil .....	Valvula .....	Ventil.....	See group 912, Page 527	
19	VOE 11884907	1				Clamp.....	Pince Serrage.....	Klemme .....	Abrazadera.....	Klämma.....		
20	VOE 981661	3				Clamp.....	Pince Serrage.....	Klemme .....	Abrazadera.....	Klämma.....		
21	VOE 11884914	1				Clamp.....	Pince Serrage.....	Klemme .....	Abrazadera.....	Klämma.....		
22	VOE 13965194	2				Flange screw.....	Vis à bride .....	Flanschschraube.....	Torn embridado .....	Flänsskruv.....		
23	VOE 11884896	1				Clamp.....	Pince Serrage.....	Klemme .....	Abrazadera.....	Klämma.....		
24	VOE 965195	2				Flange screw.....	Vis à bride .....	Flanschschraube.....	Torn embridado .....	Flänsskruv.....		
25	VOE 13971096	2				Flange nut.....	Ecrou accouple. ....	Bundmutter.....	Tuerca embridad .....	Flänsmutter.....		

1		<b>Hydraulsystem sidoförskjutning</b> <b>Sistema hidráulico, desplazamiento lateral</b> <b>Hydraulikanlage, Seitenverschiebung</b> <b>Circuit hydraulique, déport latéral</b> <b>Hydraulic system, sideshift</b>	Catalogue id	Group
2			<b>20124</b>	<b>916</b>
3			Illustr. No	Section
4			<b>1005825</b>	<b>100</b>
5			Issue	Page
			<b>VOE 63A9920124</b>	<b>559</b>

**VOLVO**

**BL61PLUS**





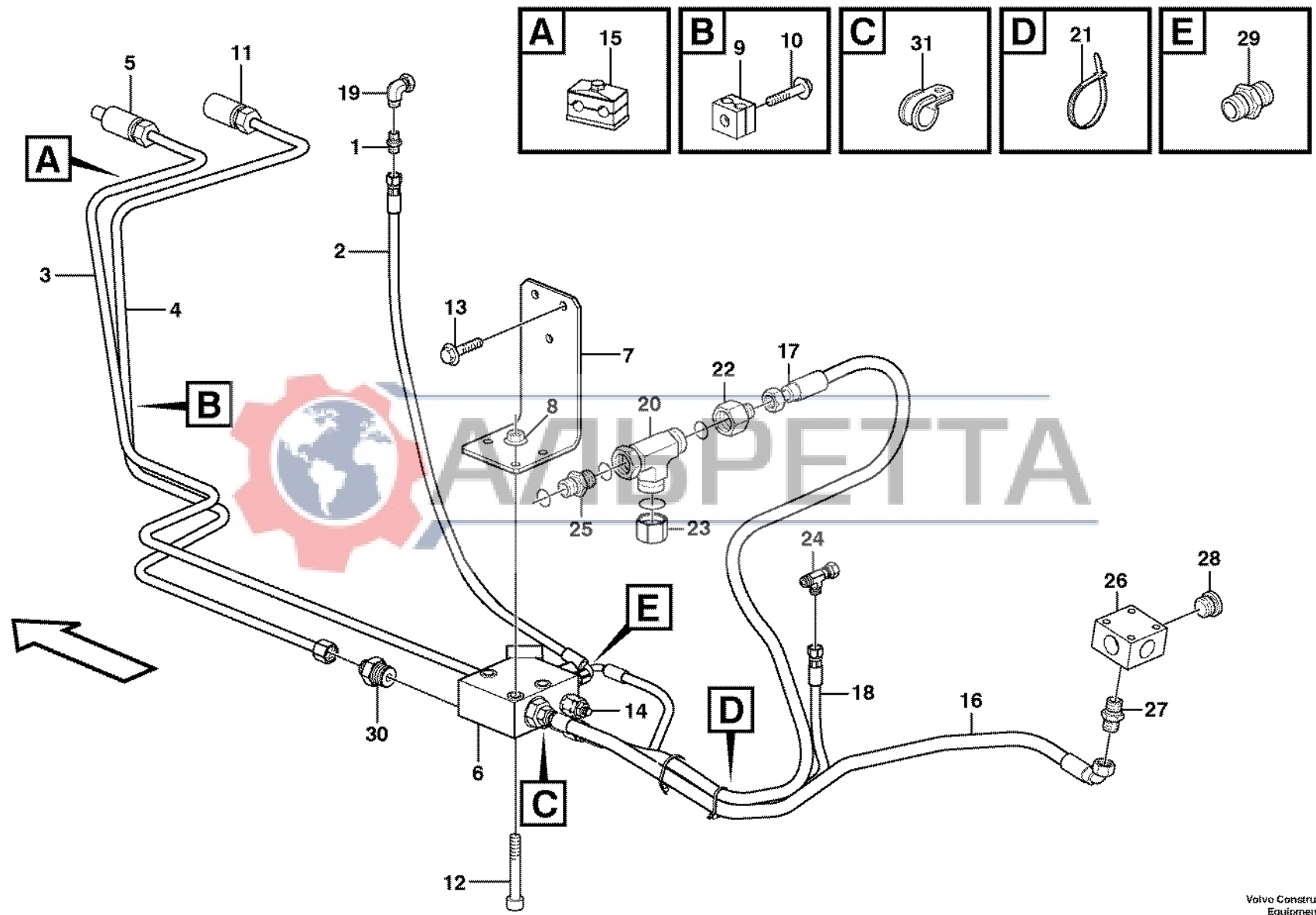


Fig.	Part No.	Quantity			P S	K I T	Description	Dénomination	Bezeichnung	Denominación	Benämning	Notes
		1	2	3								
1	VOE 935082	1				Nipple.....	Raccord.....	Nippel.....	Niple.....	Nippel.....		
1	VOE 4881722	1				•O-ring.....	•Joint Torique.....	•O-Ring.....	•Junta torica.....	•O-ring.....		
1	VOE 932037	1				•O-ring.....	•Joint Torique.....	•O-Ring.....	•Junta torica.....	•O-ring.....		
2	VOE 938074	1				Hose assembly.....	Conduit flexible.....	Schlauchleitung.....	Conducto.....	Slangledning.....		
3	VOE 11885240	1				Tube.....	Tube.....	Rohr.....	Tube.....	Rör.....		
4	VOE 11885241	1				Tube.....	Tube.....	Rohr.....	Tube.....	Rör.....		
5	VOE 11885281	1				Hydraulic clutch.....	Accouplement hydrau.....	Hydraulikkupplung.....	Acoplamiento hidrauli.....	Hydraulkoppling.....		
6	VOE 11885274	1				Valve.....	Soupape.....	Ventil.....	Valvula.....	Ventil.....		
7	VOE 11885273	1				Plate.....	Plaque.....	Platte.....	Placa.....	Platta.....		
8	VOE 948645	3				Flange Lock Nut.....	Contre écrou bride.....	Flanschmutter.....	Contratuer Embr.....	Flänslåsmutter.....		
9	VOE 11884039	1				Clamp.....	Pince Serrage.....	Klemme.....	Abrazadera.....	Klämma.....		
10	VOE 13965177	1				Flange screw.....	Vis à bride.....	Flanschschaube.....	Torn embridado.....	Flänsskruv.....		
11	VOE 11885282	1				Hydraulic clutch.....	Accouplement hydrau.....	Hydraulikkupplung.....	Acoplamiento hidrauli.....	Hydraulkoppling.....		
12	VOE 967633	3				Allen Hd Screw.....	Vis A 6 Pans Cr.....	Inbusschraube.....	Torn Hex Embut.....	Insexskruv.....		
13	VOE 946472	3				Flange screw.....	Vis à bride.....	Flanschschaube.....	Torn embridado.....	Flänsskruv.....		
14	VOE 11882258	1				Nipple.....	Raccord.....	Nippel.....	Niple.....	Nippel.....		
14	VOE 932042	1				•O-ring.....	•Joint Torique.....	•O-Ring.....	•Junta torica.....	•O-ring.....		
14	VOE 4880492	1				•O-ring.....	•Joint Torique.....	•O-Ring.....	•Junta torica.....	•O-ring.....		
15	VOE 11885701	1				Clamp.....	Pince Serrage.....	Klemme.....	Abrazadera.....	Klämma.....		
16	VOE 936539	1				Hose assembly.....	Conduit flexible.....	Schlauchleitung.....	Conducto.....	Slangledning.....		
17	VOE 11888841	1				Hose assembly.....	Conduit flexible.....	Schlauchleitung.....	Conducto.....	Slangledning.....		
18	VOE 11885270	1				Hose.....	Durit.....	Schlauch.....	Tube flexible.....	Slang.....		
19	VOE 13933905	1				Elbow nipple.....	Raccord angulaire.....	Winkelnippel.....	Niple angular.....	Vinkelnippel.....		
19	VOE 4881722	1				•O-ring.....	•Joint Torique.....	•O-Ring.....	•Junta torica.....	•O-ring.....		
20	VOE 13933874	1				Nipple.....	Raccord.....	Nippel.....	Niple.....	Nippel.....		
20	VOE 990740	2				•O-ring.....	•Joint Torique.....	•O-Ring.....	•Junta torica.....	•O-ring.....		
21	VOE 4881440	4				Strip Clamp.....	Ruban Serrage.....	Kabelbinder.....	Abraz Cinta.....	Bandklamma.....		
22	VOE 11885276	1				Reduction.....	Reduction.....	Reduzierung.....	Reduccion.....	Reducering.....		
23	VOE 935576	1				Plug.....	Bouchon.....	Stopfen.....	Tapon.....	Plugg.....		
24	VOE 13933859	2				Nipple.....	Raccord.....	Nippel.....	Niple.....	Nippel.....		

1	<b>Extra hydraulutrustning</b> <b>Equipo hidráulico adicional</b> <b>Zusätzliche Hydraulikausrüstung</b> <b>Equipement hydraulique optionnel</b> <b>Optional hydraulic equipment</b>	Catalogue id	Group
2		<b>20124</b>	<b>916</b>
3		Illustr. No	Section
4		<b>1027089</b>	<b>200</b>
5		Issue	Page
	<b>11891369</b>	<b>VOE 63A9920124</b>	<b>561</b>

**VOLVO**

**BL61PLUS**



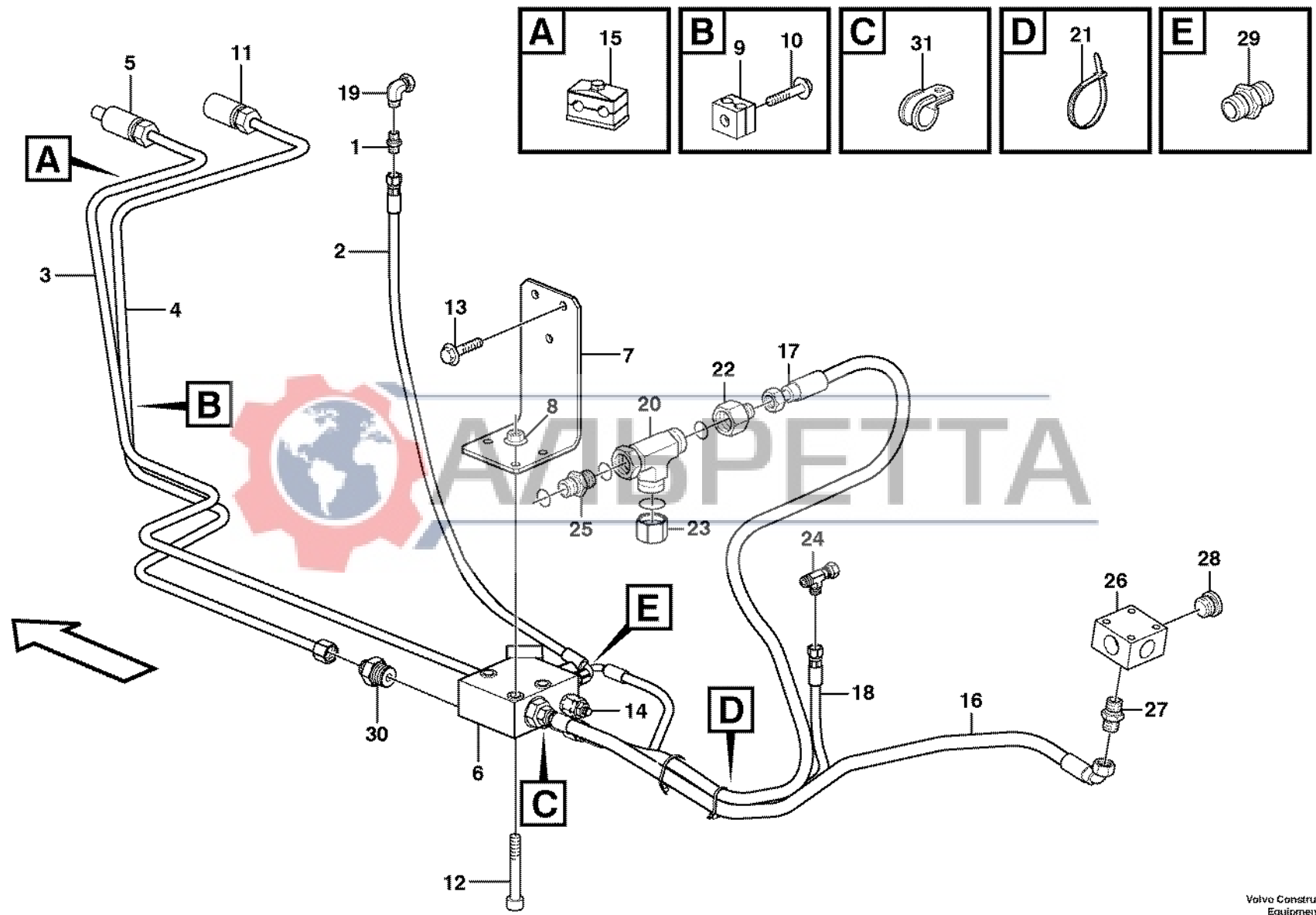


Fig.	Part No.	Quantity			P S	K I T	Description	Dénomination	Bezeichnung	Denominación	Benämning	Notes
		1	2	3								
24	VOE 4881722	2				•O-ring.....	•Joint Torique .....	•O-Ring.....	•Junta torica .....	•O-ring.....		
25	VOE 13933862	1				Nipple.....	Raccord.....	Nippel.....	Niple.....	Nippel.....		
25	VOE 990740	1				•O-ring.....	•Joint Torique .....	•O-Ring.....	•Junta torica .....	•O-ring.....		
25	VOE 932042	1				•O-ring.....	•Joint Torique .....	•O-Ring.....	•Junta torica .....	•O-ring.....		
26		1				Valve.....	Soupape.....	Ventil.....	Valvula.....	Ventil.....		
27	VOE 935085	1				Nipple.....	Raccord.....	Nippel.....	Niple.....	Nippel.....		
27	VOE 932039	1				•O-ring.....	•Joint Torique .....	•O-Ring.....	•Junta torica .....	•O-ring.....		
27	VOE 4880492	1				•O-ring.....	•Joint Torique .....	•O-Ring.....	•Junta torica .....	•O-ring.....		
28	VOE 11882920	1				Plug.....	Bouchon.....	Stopfen.....	Tapon.....	Plugg.....		
	VOE 932042	1				•O-ring.....	•Joint Torique .....	•O-Ring.....	•Junta torica .....	•O-ring.....		
29	VOE 13933858	2				Union.....	Teton Connexion.....	Anschlussnippel.....	Niple Conexcion.....	Anslutn.nippel.....		
	VOE 4881722	1				•O-ring.....	•Joint Torique .....	•O-Ring.....	•Junta torica .....	•O-ring.....		
	VOE 932039	1				•O-ring.....	•Joint Torique .....	•O-Ring.....	•Junta torica .....	•O-ring.....		
30	VOE 935093	1				Union.....	Teton Connexion.....	Anschlussnippel.....	Niple Conexcion.....	Anslutn.nippel.....		
	VOE 4880493	1				•O-ring.....	•Joint Torique .....	•O-Ring.....	•Junta torica .....	•O-ring.....		
	VOE 932042	1				•O-ring.....	•Joint Torique .....	•O-Ring.....	•Junta torica .....	•O-ring.....		
31	VOE 978869	1				Clamp.....	Pince Serrage.....	Klemme.....	Abrazadera.....	Klämma.....		



1	<b>Extra hydraulutrustning</b> <b>Equipo hidráulico adicional</b> <b>Zusätzliche Hydraulikausrüstung</b> <b>Equipement hydraulique optionnel</b> <b>Optional hydraulic equipment</b>	Catalogue id	Group
2		<b>20124</b>	<b>916</b>
3		Illustr. No	Section
4		<b>1027089</b>	<b>200</b>
5		Issue	Page
	<b>11891369</b>	<b>VOE 63A9920124</b>	<b>563</b>

**VOLVO**

**BL61PLUS**



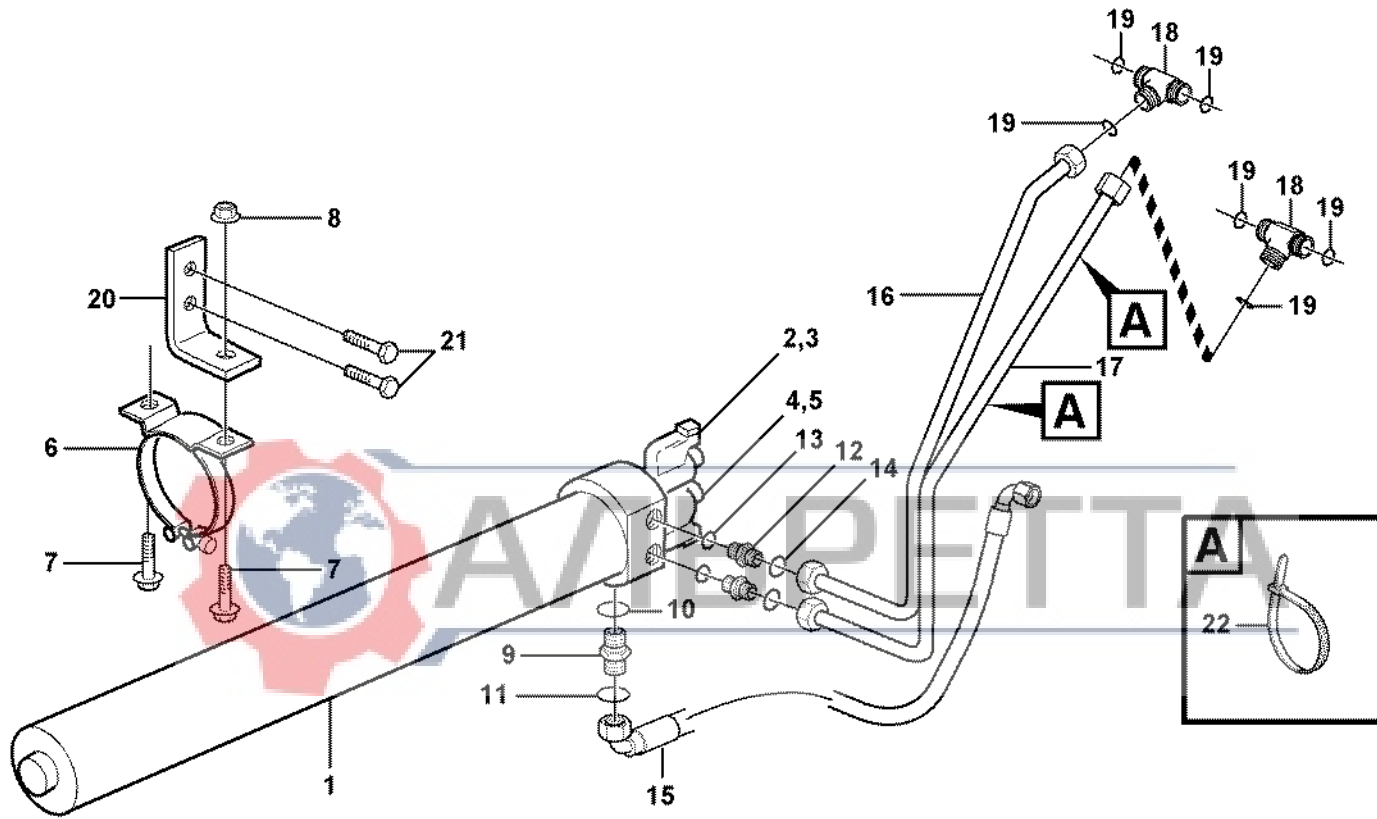
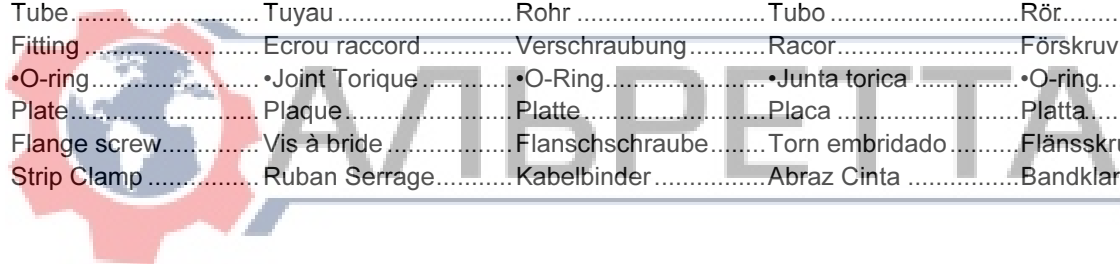


Fig.	Part No.	Quantity			P S	K I T	Description	Dénomination	Bezeichnung	Denominación	Benämning	Notes
		1	2	3								
1	VOE 11709780	1				Accumulator .....	Accumulateur .....	Speicher .....	Acumulador .....	Akkumulator.....		
2	VOE 11709782	1				•Solenoid valve .....	•Vanne electrom.....	•Magnetventil.....	•Electrovalvula.....	•Magnetventil.....		
3	VOE 11709783	1				•Coil .....	•Bobine.....	•Wickel .....	•Bobina.....	•Spole.....		
4	VOE 11709781	1				•Solenoid valve .....	•Vanne electrom.....	•Magnetventil.....	•Electrovalvula.....	•Magnetventil.....		
5	VOE 11709783	1				•Coil .....	•Bobine.....	•Wickel .....	•Bobina.....	•Spole.....		
6	VOE 11882885	2				Clamp.....	Pince Serrage .....	Klemme .....	Abrazadera.....	Klämma.....		
7	VOE 13965179	4				Flange screw.....	Vis à bride .....	Flanschschraube.....	Torn embridado .....	Flänsskruv.....		
8	VOE 948645	2				Flange Lock Nut.....	Contre écrou bride .....	Flanschmutter .....	Contratuer Embr.....	Flänslåsmutter.....		
9	VOE 13933923	1				Nipple.....	Raccord.....	Nippel .....	Niple .....	Nippel.....		
10	VOE 932040	1				•O-ring.....	•Joint Torique .....	•O-Ring.....	•Junta torica .....	•O-ring.....		
11	VOE 4880493	1				•O-ring.....	•Joint Torique .....	•O-Ring.....	•Junta torica .....	•O-ring.....		
12	VOE 935094	2				Nipple.....	Raccord.....	Nippel .....	Niple .....	Nippel.....		
13	VOE 932040	1				•O-ring.....	•Joint Torique .....	•O-Ring.....	•Junta torica .....	•O-ring.....		
14	VOE 4880663	1				•O-ring.....	•Joint Torique .....	•O-Ring.....	•Junta torica .....	•O-ring.....		
15	VOE 11885515	1				Hose.....	Durit .....	Schlauch .....	Tubo flexible.....	Slang.....		
16	VOE 11884869	1				Tube.....	Tuyau .....	Rohr .....	Tubo .....	Rör.....		
17	VOE 11884870	1				Tube.....	Tuyau .....	Rohr .....	Tubo .....	Rör.....		
18	VOE 11884287	2				Fitting.....	Ecrou raccord.....	Verschraubung.....	Racor.....	Förskruvning.....		
19	VOE 4880663	3				•O-ring.....	•Joint Torique .....	•O-Ring.....	•Junta torica .....	•O-ring.....		
20	VOE 11884882	2				Plate.....	Plaque.....	Platte .....	Placa .....	Platta.....		
21	VOE 946671	4				Flange screw.....	Vis à bride .....	Flanschschraube.....	Torn embridado .....	Flänsskruv.....		
22	VOE 14016673	2				Strip Clamp.....	Ruban Serrage.....	Kabelbinder .....	Abraz Cinta .....	Bandklamma.....		



1		<b>Svängningsdämpare</b> <b>Amortiguador de vibraciones</b> <b>Schwingungsdämpfer</b> <b>Amortisseur vibrations</b> <b>Boom suspension system</b>  <b>11891345</b>	Catalogue id	Group
2			<b>20124</b>	<b>916</b>
3			Illustr. No	Section
4			<b>1012803</b>	<b>350</b>
5			Issue	Page
			<b>VOE 63A9920124</b>	<b>565</b>

**VOLVO**

**BL61PLUS**



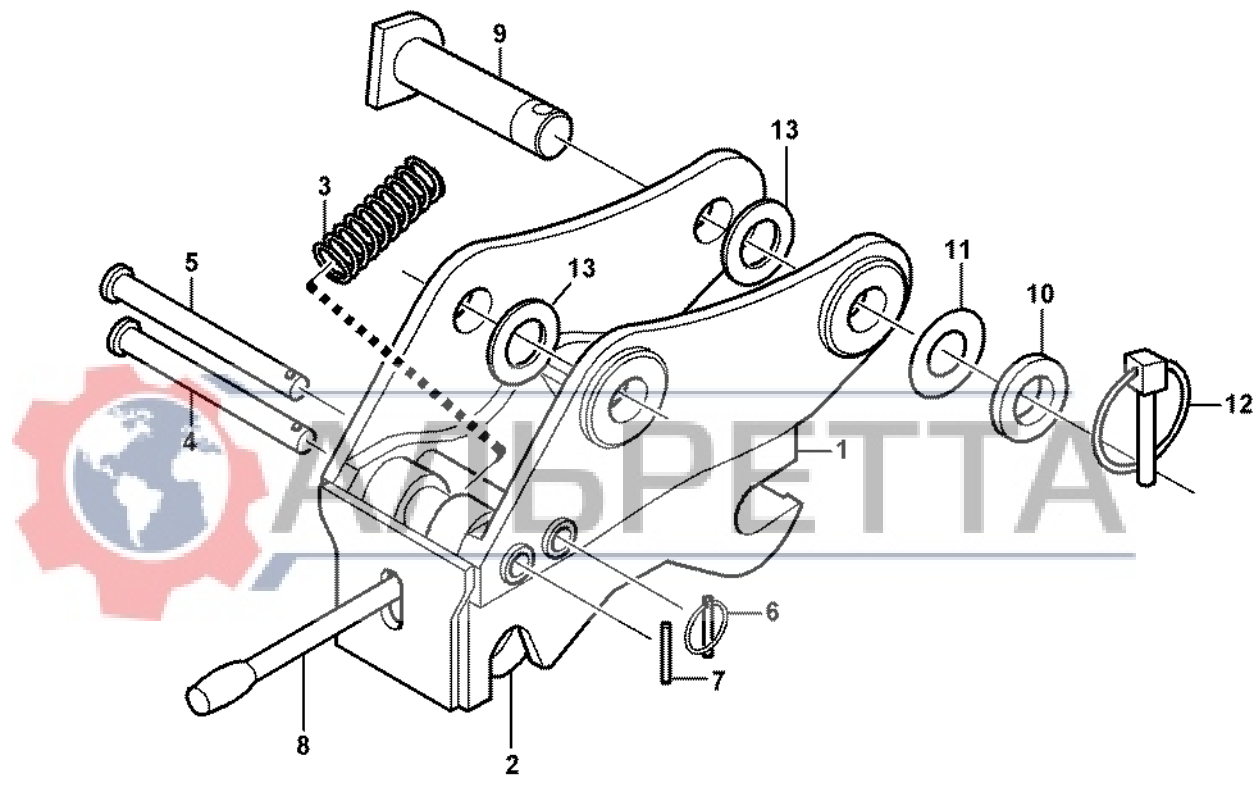


Fig.	Part No.	Quantity			P S	K I T	Description	Dénomination	Bezeichnung	Denominación	Benämning	Notes
		1	2	3								
1	VOE 11886502	1					Qik Attachment .....	Fixation Rapide .....	Schnellwechsler .....	Acoplamiento Rapido .....	Snabbfäste.....	
2	VOE 11712602	1					•Hook .....	•Crochet .....	•Haken.....	•Gancho .....	•Krok.....	
3	VOE 11712603	1					•Spring .....	•Ressort .....	•Feder.....	•Muelle .....	•Fjäder.....	
4	VOE 11712604	1					•Pin .....	•Goupille.....	•Zapfen.....	•Pasador.....	•Tapp.....	
5	VOE 11712605	1					•Pin .....	•Goupille.....	•Zapfen.....	•Pasador.....	•Tapp.....	
6	VOE 11712606	1					•Pin .....	•Goupille.....	•Zapfen.....	•Pasador.....	•Tapp.....	
7	VOE 11712607	1					•Pin .....	•Goupille.....	•Zapfen.....	•Pasador.....	•Tapp.....	
8	VOE 11886254	1					Handle.....	Poignee.....	Handgriff.....	Manilla .....	Handgrepp.....	
9	VOE 11883624	2					Pin.....	Clavette.....	Splint .....	Pasador.....	Sprint.....	
10	VOE 955912	2					Washer.....	Rondelle.....	Scheibe .....	Arandela .....	Bricka.....	
11	VOE 403078	6					Shim.....	Cale Reglage .....	Nachstellblech.....	Laminill Ajuste .....	Justerbleck.....	
12	VOE 11881622	2					Locking pin.....	Goupille d'arrêt.....	Schliessbolzen .....	Pasador de cierre.....	Låspinne.....	
13	VOE 11885220	6					Spacer.....	Entretoise.....	Abstandkörper.....	Distanciador .....	Distans.....	



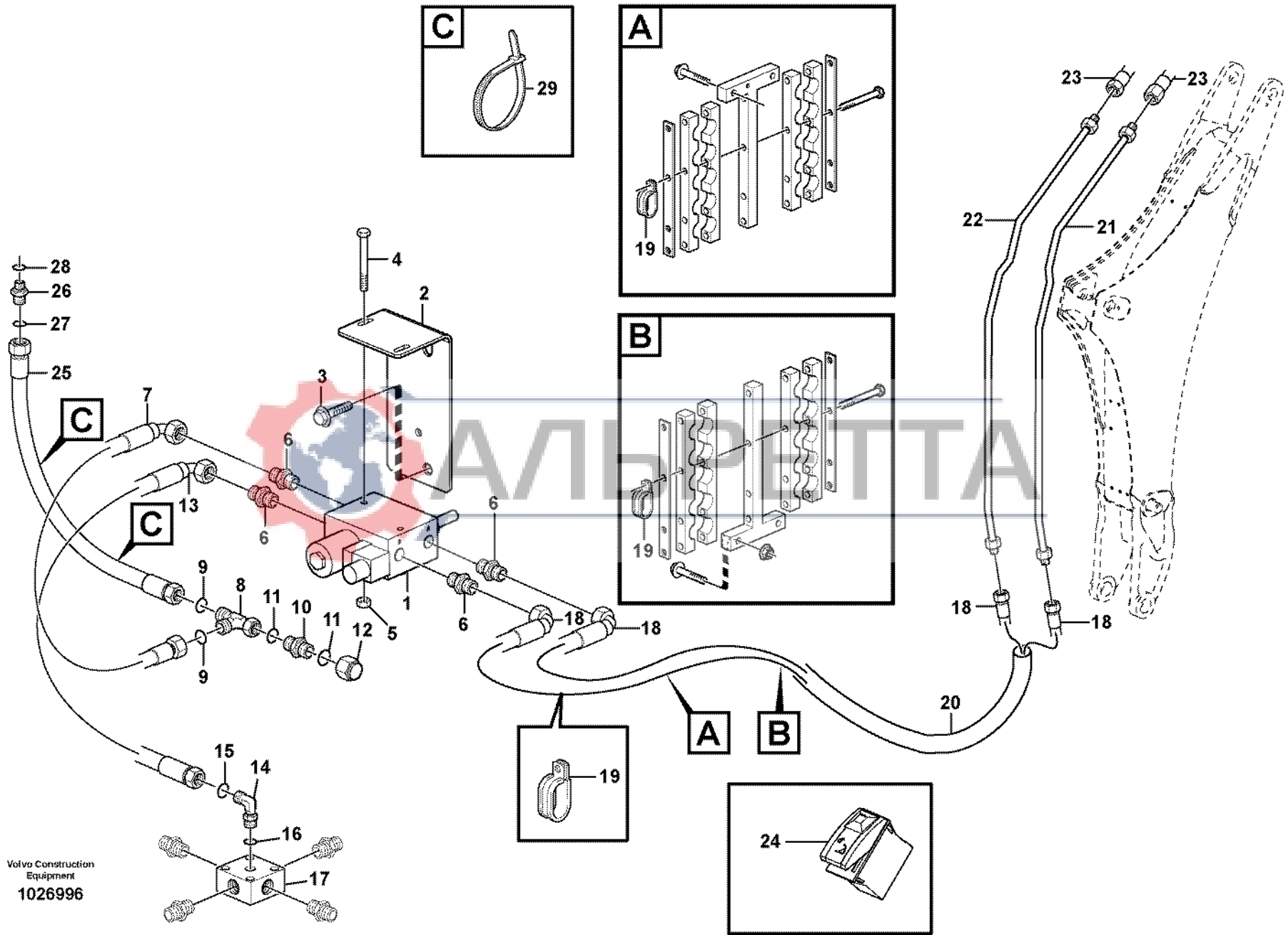
1	<b>Redskapsfäste, mekaniskt</b> <b>Portaimplemento, mecánico</b> <b>Geräteträger, mechanisch</b> <b>Porte-outil, verrouillage mécanique</b> <b>Attachment bracket, mechanical</b>	Catalogue id	Group
2		<b>20124</b>	<b>924</b>
3		Illustr. No	Section
4		<b>1013366</b>	<b>100</b>
5		Issue	Page
	<b>11891299</b>	<b>VOE 63A9920124</b>	<b>567</b>

**VOLVO**

**BL61PLUS**







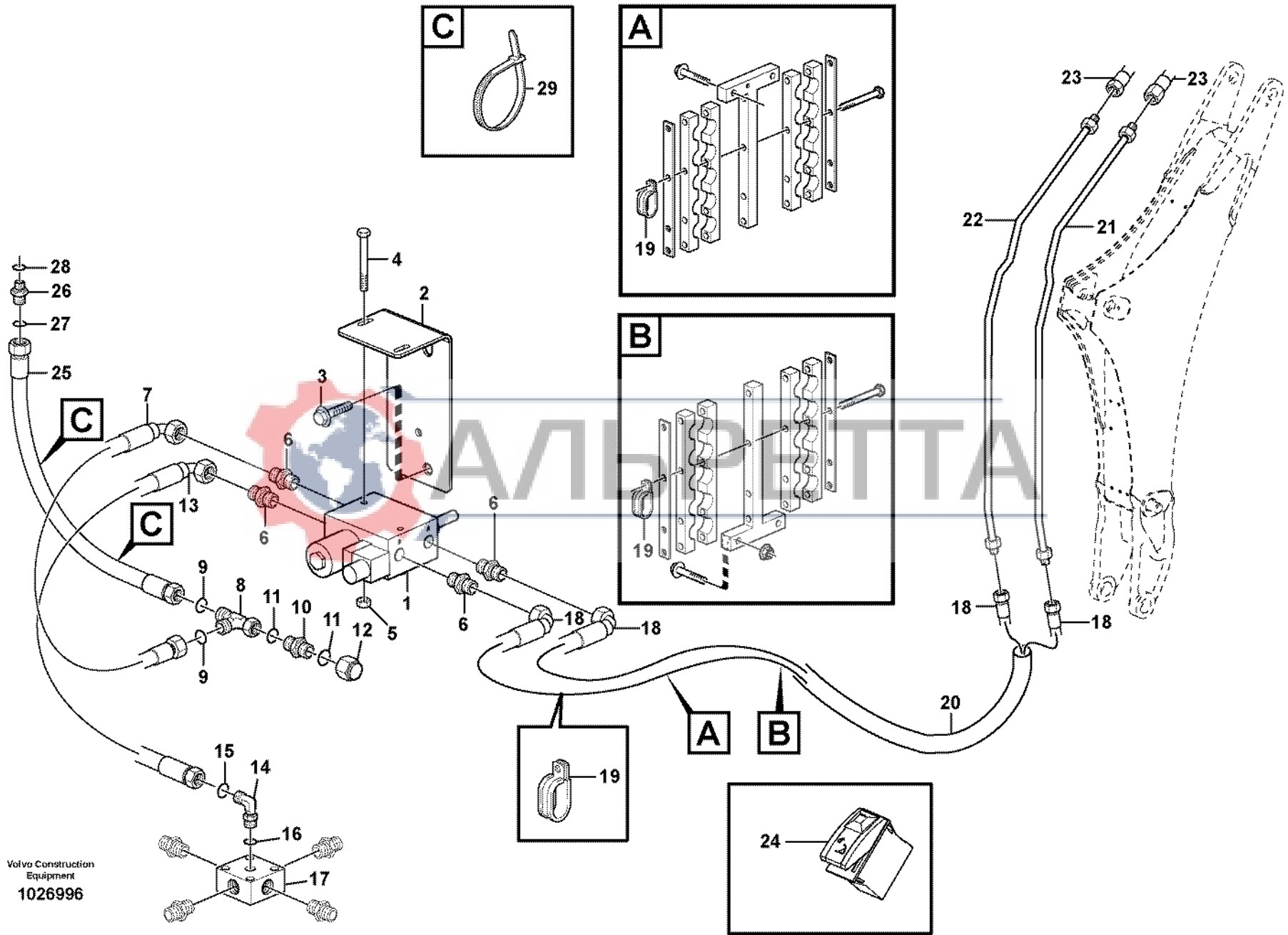
Volvo Construction  
Equipment  
1026996

Fig.	Part No.	Quantity			P S	K I T	Description	Dénomination	Bezeichnung	Denominación	Benämning	Notes
		1	2	3								
1	VOE 11800853	1				Valve .....	Soupape .....	Ventil .....	Valvula .....	Ventil .....		
2	VOE 11887392	1				Bracket .....	Console .....	Konsole .....	Ménsula .....	Konsol .....		
3	VOE 13945444	2				Flange screw .....	Vis à bride .....	Flanschschraube .....	Torn embridado .....	Flänsskruv .....		
4	VOE 965209	2				Flange screw .....	Vis à bride .....	Flanschschraube .....	Torn embridado .....	Flänsskruv .....		
5	VOE 13965483	2				Flange Lock Nut .....	Contre écrou bride .....	Flanschmutter .....	Contratuer Embr .....	Flänslåsmutter .....		
6		2				Union .....	Teton Connexion .....	Anschlussnippel .....	Niple Conexcion .....	Anslutn.nippel .....	See group 924, Page 573	
6		2				Union .....	Teton Connexion .....	Anschlussnippel .....	Niple Conexcion .....	Anslutn.nippel .....	See group 924, Page 575	
7	VOE 11884279	1				Hose .....	Durit .....	Schlauch .....	Tube flexible .....	Slang .....		
8	VOE 13933859	1				Nipple .....	Raccord .....	Nippel .....	Niple .....	Nippel .....		
9	VOE 4881722	2				•O-ring .....	•Joint Torique .....	•O-Ring .....	•Junta torica .....	•O-ring .....		
10	VOE 935436	1				Nipple .....	Raccord .....	Nippel .....	Niple .....	Nippel .....		
11	VOE 4881722	2				•O-ring .....	•Joint Torique .....	•O-Ring .....	•Junta torica .....	•O-ring .....		
12	VOE 935756	1				Plug .....	Bouchon .....	Stopfen .....	Tapon .....	Plugg .....		
13	VOE 11888870	1				Hose assembly .....	Conduit flexible .....	Schlauchleitung .....	Conducto .....	Slangledning .....		
14	VOE 935069	1				Elbow nipple .....	Raccord angulaire .....	Winkelnippel .....	Niple angular .....	Vinkelnippel .....		
15	VOE 4881722	1				•O-ring .....	•Joint Torique .....	•O-Ring .....	•Junta torica .....	•O-ring .....		
16	VOE 990737	1				•O-ring .....	•Joint Torique .....	•O-Ring .....	•Junta torica .....	•O-ring .....		
17		1				Connection block .....	Bloc Raccord .....	Anschlusssockel .....	Bloque Conector .....	Anslutningsblock .....	See group 911, Page 487	
18	VOE 11885435	2				Hose .....	Durit .....	Schlauch .....	Tube flexible .....	Slang .....		
19	VOE 981661	2				Clamp .....	Pince Serrage .....	Klemme .....	Abrazadera .....	Klämma .....		
20	VOE 11885208	1				Protection .....	Protection .....	Schutz .....	Proteccion .....	Skydd .....		
21	VOE 11885218	1				Tube .....	Tube .....	Rohr .....	Tube .....	Rör .....		
22	VOE 11885219	1				Tube .....	Tube .....	Rohr .....	Tube .....	Rör .....		
23		2				Hose .....	Durit .....	Schlauch .....	Tube flexible .....	Slang .....	See group 924, Page 573	
23		2				Hose .....	Durit .....	Schlauch .....	Tube flexible .....	Slang .....	See group 924, Page 575	
24	VOE 11883064	1				Switch .....	Commutateur .....	Schalter .....	Contacteur .....	Strömställare .....		
25	VOE 11885514	1				Hose .....	Durit .....	Schlauch .....	Tube flexible .....	Slang .....		
26	VOE 935082	1				Nipple .....	Raccord .....	Nippel .....	Niple .....	Nippel .....		
27	VOE 4881722	1				•O-ring .....	•Joint Torique .....	•O-Ring .....	•Junta torica .....	•O-ring .....		
28	VOE 932037	1				•O-ring .....	•Joint Torique .....	•O-Ring .....	•Junta torica .....	•O-ring .....		

1		<b>Hydraulik redskapsfäste grävarm</b>	Catalogue id	Group
2		<b>Portaimplementos hidráulico, brazo</b>	<b>20124</b>	<b>924</b>
3		<b>Hydraulik Geräteträger Baggerarm</b>	Illustr. No	Section
4		<b>Porte-outil à verrouillage hydraulique, balancier</b>	<b>1026996</b>	<b>150</b>
4		<b>Hydraulic attachment bracket digger</b>	Issue	Page
5		<b>11891448, 11891449, 11891450, 11891451</b>	<b>VOE 63A9920124</b>	<b>569</b>

**VOLVO**

**BL61PLUS**



Volvo Construction  
Equipment  
1026996

Fig.	Part No.	Quantity			P S	K I T	Description	Dénomination	Bezeichnung	Denominación	Benämning	Notes
		1	2	3								
29	VOE 4881438	3				Strip Clamp .....	Ruban Serrage.....	Kabelbinder .....	Abraz Cinta .....	Bandklamma.....		



1		<b>Hydraulik redskapsfäste grävarm</b> <b>Portaimplementos hidráulico, brazo</b> <b>Hydraulik Geräteträger Baggerarm</b> <b>Porte-outil à verrouillage hydraulique, balancier</b> <b>Hydraulic attachment bracket digger</b> <b>11891448, 11891449, 11891450, 11891451</b>	Catalogue id	Group
2			<b>20124</b>	<b>924</b>
3			Illustr. No	Section
4			<b>1026996</b>	<b>150</b>
5			Issue	Page
			<b>VOE 63A9920124</b>	<b>571</b>

**VOLVO**

**BL61PLUS**



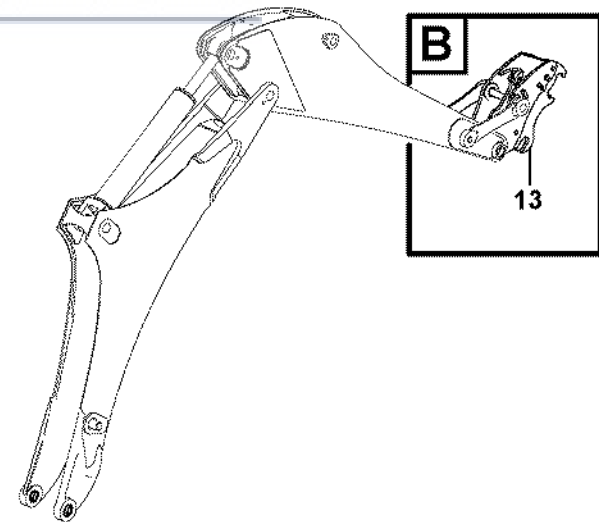
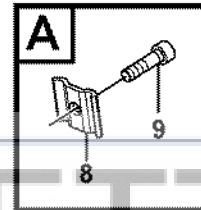
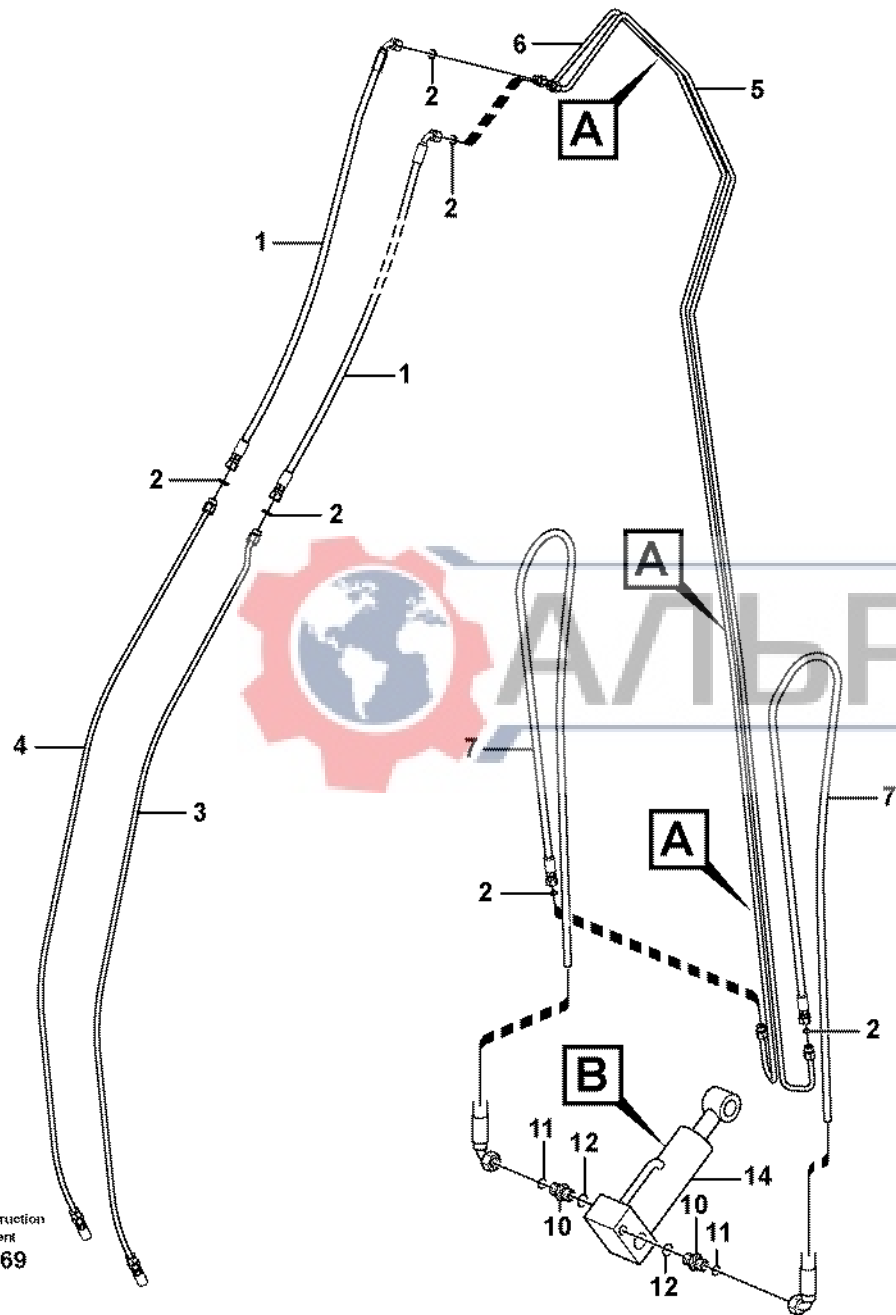


Fig.	Part No.	Quantity			P S	K I T	Description	Dénomination	Bezeichnung	Denominación	Benämning	Notes
		1	2	3								
1	VOE 11885427	2	2			Hose.....	Durit .....	Schlauch .....	Tubo flexible .....	Slang.....		
2	VOE 4881722	8	8			O-ring.....	Joint Torique .....	O-Ring.....	Junta torica.....	O-ring.....		
3		1	1			Tube.....	Tube.....	Rohr .....	Tubo .....	Rör.....	See group 924, Page 569	
4		1	1			Tube.....	Tube.....	Rohr .....	Tubo .....	Rör.....	See group 924, Page 569	
5	VOE 11885442	1	1			Pipe.....	Canalisation .....	Rohrleitung.....	Canalizacion.....	Rör.....		
6	VOE 11885441	1	1			Pipe.....	Canalisation .....	Rohrleitung.....	Canalizacion.....	Rör.....		
7	VOE 11885347	2	2			Hose.....	Durit .....	Schlauch .....	Tubo flexible .....	Slang.....		
8	VOE 11881049	5	5			Clamp.....	Pince Serrage .....	Klemme .....	Abrazadera.....	Klämma.....		
9	VOE 967631	5	5			Allen Hd Screw .....	Vis A 6 Pans Cr.....	Inbusschraube.....	Torn Hex Embut .....	Insexskruv.....		
10	VOE 13933858		2			Union.....	Teton Connexion.....	Anschlussnippel .....	Niple Conexcion .....	Anslutn.nippel.....		
11	VOE 4881722		1			•O-ring.....	•Joint Torique .....	•O-Ring.....	•Junta torica .....	•O-ring.....		
12	VOE 932039		1			•O-ring.....	•Joint Torique .....	•O-Ring.....	•Junta torica .....	•O-ring.....		
13			1			Quick attachment.....	Fixation rapide .....	Schnellkupplung.....	Acoplamiento rapido ..	Snabbfäste.....	See group 924, Page 577	
14			1			Cylinder.....	Verin.....	Zylinder .....	Cilindro .....	Cylinder.....	See group 924, Page 577	

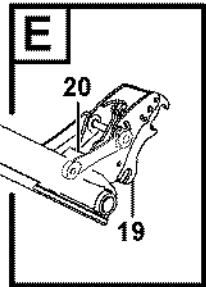
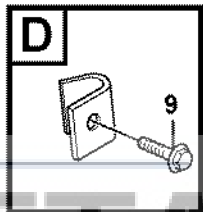
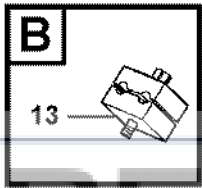
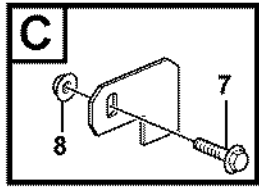
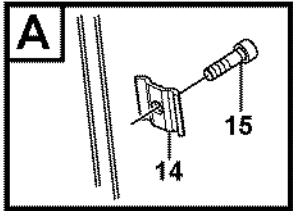
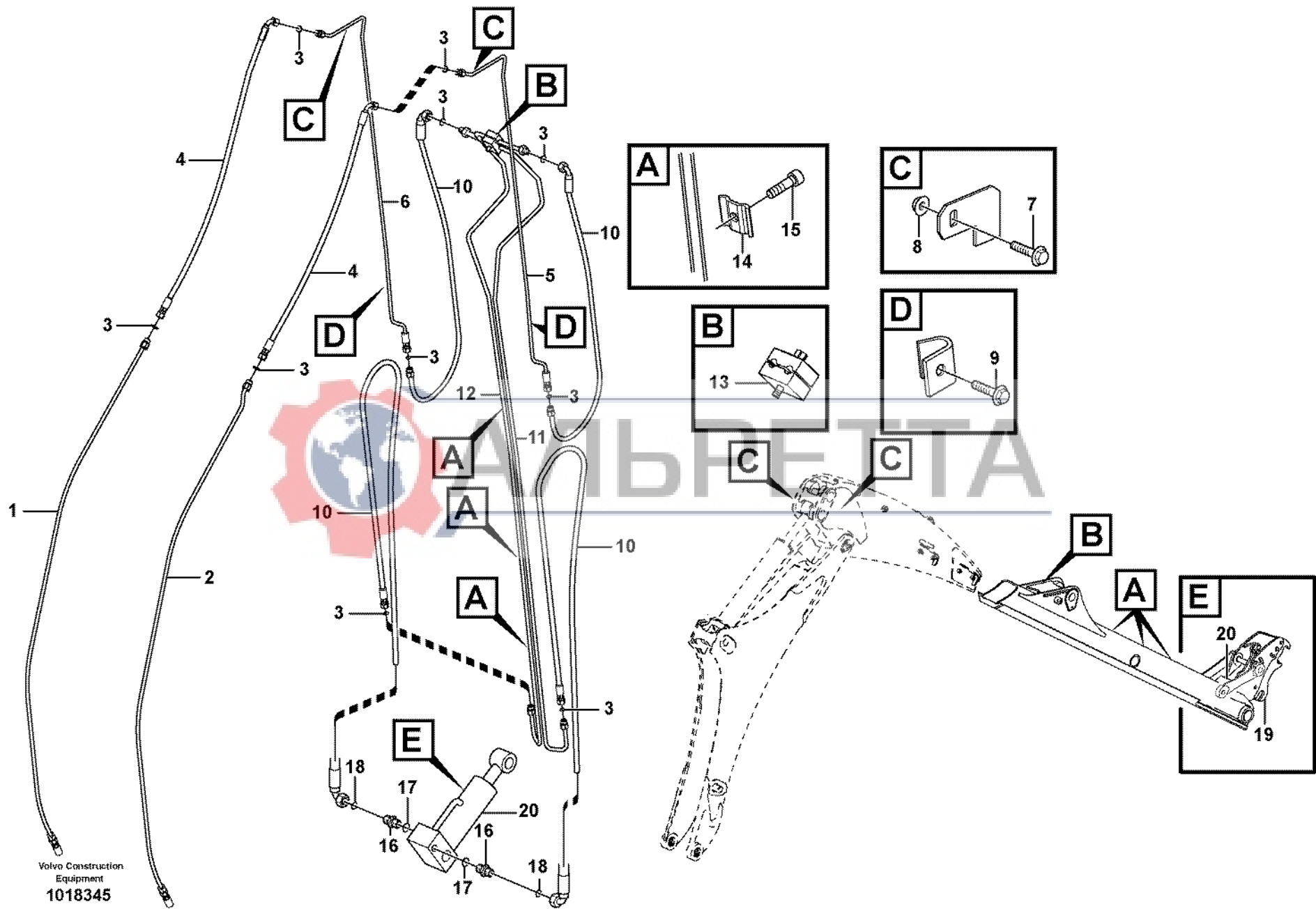


1	11891451	<b>Hydraulik redskapsfäste grävarm</b> <b>Portaimplementos hidráulico, brazo</b> <b>Hydraulik Geräteträger Baggerarm</b> <b>Porte-outil à verrouillage hydraulique, balancier</b> <b>Hydraulic attachment bracket digger</b>	Catalogue id	Group
2	11891450		<b>20124</b>	<b>924</b>
3			Illustr. No	Section
4			<b>1018369</b>	<b>200</b>
5			Issue	Page
			<b>VOE 63A9920124</b>	<b>573</b>

**VOLVO**

**BL61PLUS**





Volvo Construction  
Equipment  
1018345

Fig.	Part No.	Quantity			P S	K I T	Description	Dénomination	Bezeichnung	Denominación	Benämning	Notes
		1	2	3								
1		1	1			Tube.....	Tube.....	Rohr.....	Tube.....	Rör.....	See group 924, Page 569	
2		1	1			Tube.....	Tube.....	Rohr.....	Tube.....	Rör.....	See group 924, Page 569	
3	<b>VOE 4881722</b>	12	12			O-ring.....	Joint Torique.....	O-Ring.....	Junta torica.....	O-ring.....		
4	<b>VOE 11885427</b>	2	2			Hose.....	Durit.....	Schlauch.....	Tube flexible.....	Slang.....		
5	<b>VOE 11885230</b>	1	1			Tube Assembly.....	Tuyauterie.....	Rohrleitung.....	Tuberia.....	Rörledning.....		
6	<b>VOE 11885229</b>	1	1			Tube Assembly.....	Tuyauterie.....	Rohrleitung.....	Tuberia.....	Rörledning.....		
7	<b>VOE 13947760</b>	2	2			Flange screw.....	Vis à bride.....	Flanschschraube.....	Torn embridado.....	Flänsskruv.....		
8	<b>VOE 13945408</b>	2	2			Nut.....	Ecrou.....	Mutter.....	Tuerca.....	Mutter.....		
9	<b>VOE 13945444</b>	2	2			Flange screw.....	Vis à bride.....	Flanschschraube.....	Torn embridado.....	Flänsskruv.....		
10	<b>VOE 11885347</b>	4	4			Hose.....	Durit.....	Schlauch.....	Tube flexible.....	Slang.....		
11	<b>VOE 11887350</b>	1	1			Tube.....	Tube.....	Rohr.....	Tube.....	Rör.....		
12	<b>VOE 11885344</b>	1	1			Tube.....	Tube.....	Rohr.....	Tube.....	Rör.....		
13	<b>VOE 11885371</b>	1	1			Clamp.....	Pince Serrage.....	Klemme.....	Abrazadera.....	Klämma.....		
14	<b>VOE 11881049</b>	3	3			Clamp.....	Pince Serrage.....	Klemme.....	Abrazadera.....	Klämma.....		
15	<b>VOE 967631</b>	3	3			Allen Hd Screw.....	Vis A 6 Pans Cr.....	Inbusschraube.....	Torn Hex Embut.....	Insexskriv.....		
16	<b>VOE 13933858</b>	2				Union.....	Teton Connexion.....	Anschlussnippel.....	Niple Conexcion.....	Anslutn.nippel.....		
17	<b>VOE 932039</b>	1				•O-ring.....	•Joint Torique.....	•O-Ring.....	•Junta torica.....	•O-ring.....		
18	<b>VOE 4881722</b>	1				•O-ring.....	•Joint Torique.....	•O-Ring.....	•Junta torica.....	•O-ring.....		
19		1				Quick attachment.....	Fixation rapide.....	Schnellkupplung.....	Acoplamiento rapido.....	Snabbfäste.....	See group 924, Page 577	
20		1				•Cylinder.....	•Verin.....	•Zylinder.....	•Cilindro.....	•Cylinder.....	See group 924, Page 577	



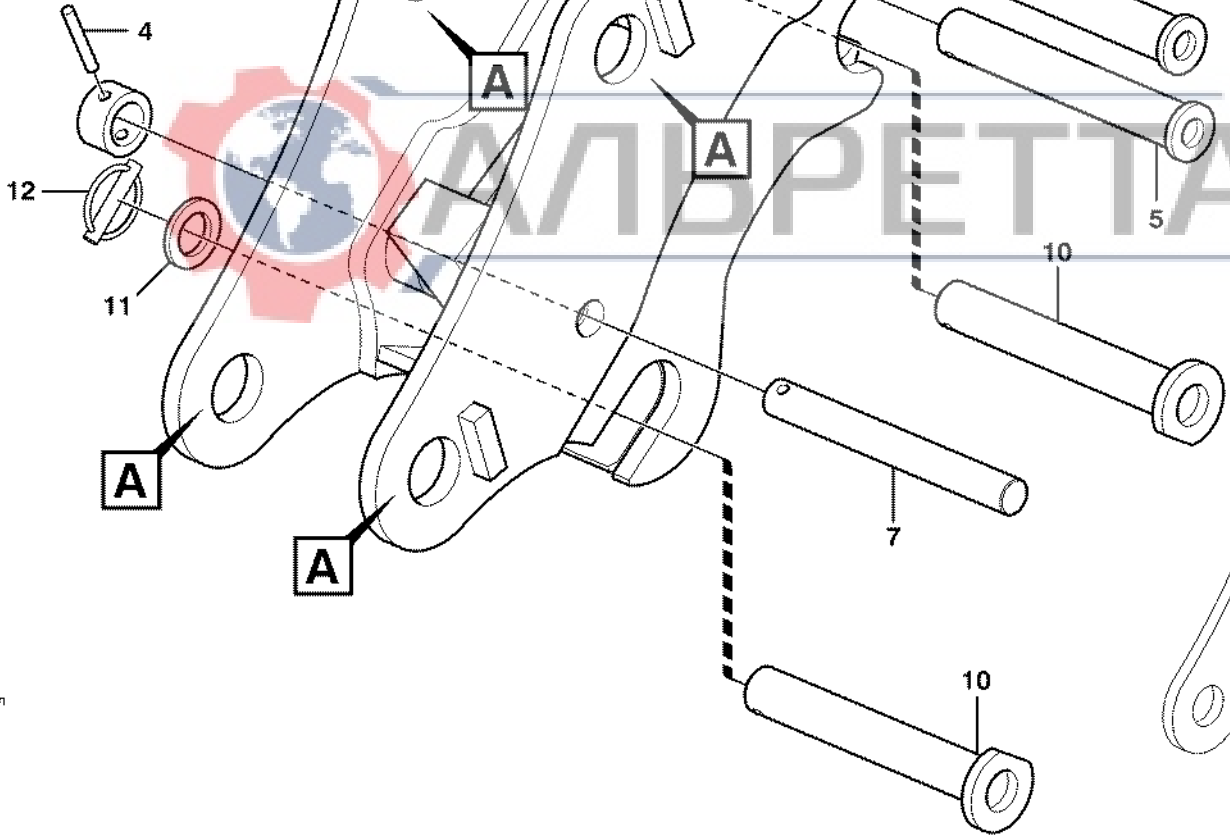
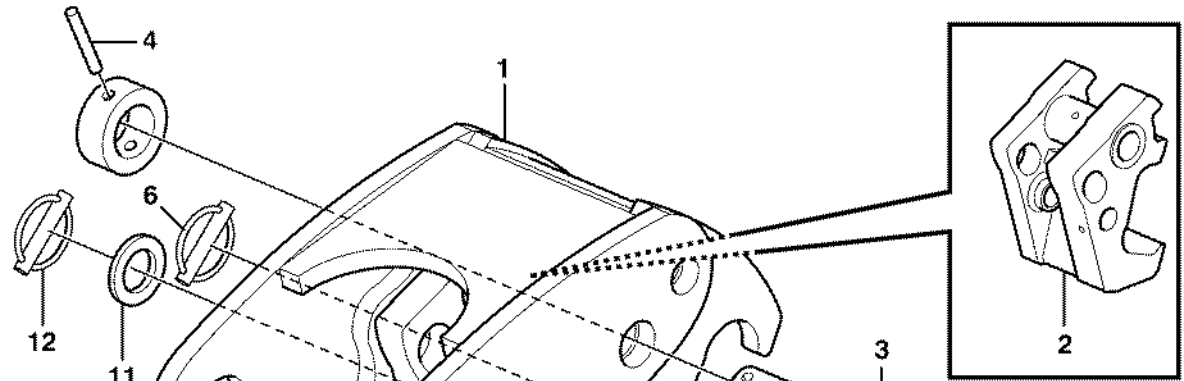
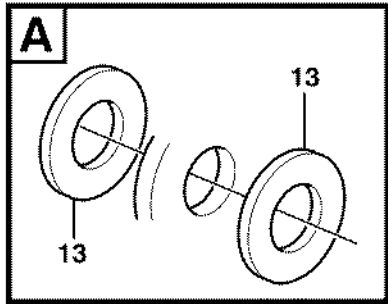
1	<b>11891448</b>	<b>Hydraulik redskapsfäste grävarm</b> <b>Portaimplementos hidráulico, brazo</b> <b>Hydraulik Geräteträger Baggerarm</b> <b>Porte-outil à verrouillage hydraulique, balancier</b> <b>Hydraulic attachment bracket digger</b>	Catalogue id	Group
2	<b>11891449</b>		<b>20124</b>	<b>924</b>
3			Illustr. No	Section
4			<b>1018345</b>	<b>250</b>
5			Issue	Page
			<b>VOE 63A9920124</b>	<b>575</b>

**VOLVO**

**BL61PLUS**







Volvo Construction  
Equipment  
1011489

Fig.	Part No.	Quantity			P S	K I T	Description	Dénomination	Bezeichnung	Denominación	Benämning	Notes
		1	2	3								
1	VOE 11887349	1					Quick attachment.....	Fixation rapide .....	Schnellkupplung.....	Acoplamiento rapido ..	Snabbfäste.....	
2	VOE 11715541	1					•Hook .....	•Crochet .....	•Haken.....	•Gancho .....	•Krok.....	
	VOE 11715545	1					•Pin .....	•Goupille.....	•Zapfen.....	•Pasador.....	•Tapp.....	
	VOE 11715548	1					•Retaining ring .....	•Bague retenue .....	•Haltering.....	•Anillo de apoyo .....	•Hållarring.....	
3	VOE 11715542	1					•Pin .....	•Goupille.....	•Zapfen.....	•Pasador.....	•Tapp.....	
4	VOE 11715544	2					•Retaining ring .....	•Bague retenue .....	•Haltering.....	•Anillo de apoyo .....	•Hållarring.....	
5	VOE 11715549	1					•Pin .....	•Goupille.....	•Zapfen.....	•Pasador.....	•Tapp.....	
6	VOE 11712677	1					•Lock Ring.....	•Anneau Verrouillage ..	•Schlossring .....	•Anillo Segurid .....	•Låsring.....	
7	VOE 11715547	1					•Pin .....	•Goupille.....	•Zapfen.....	•Pasador.....	•Tapp.....	
8	VOE 11715546	1					•Cylinder .....	•Verin .....	•Zylinder .....	•Cilindro.....	•Cylinder.....	
9	VOE 11712676	1					•Lubricating nipple .....	•Graisseur .....	•Schmiernippel .....	•Engrasador .....	•Smörjnippel.....	
10	VOE 11883624	2					Pin.....	Clavette.....	Splint.....	Pasador.....	Sprint.....	
11	VOE 955912	2					Washer.....	Rondelle .....	Scheibe .....	Arandela.....	Bricka.....	
12	VOE 11881622	2					Locking pin.....	Goupille d'arrêt.....	Schliessbolzen .....	Pasador de cierre.....	Låspinne.....	
13	VOE 11885220	8					Spacer.....	Entretoise.....	Abstandkörper.....	Distanciador .....	Distans.....	

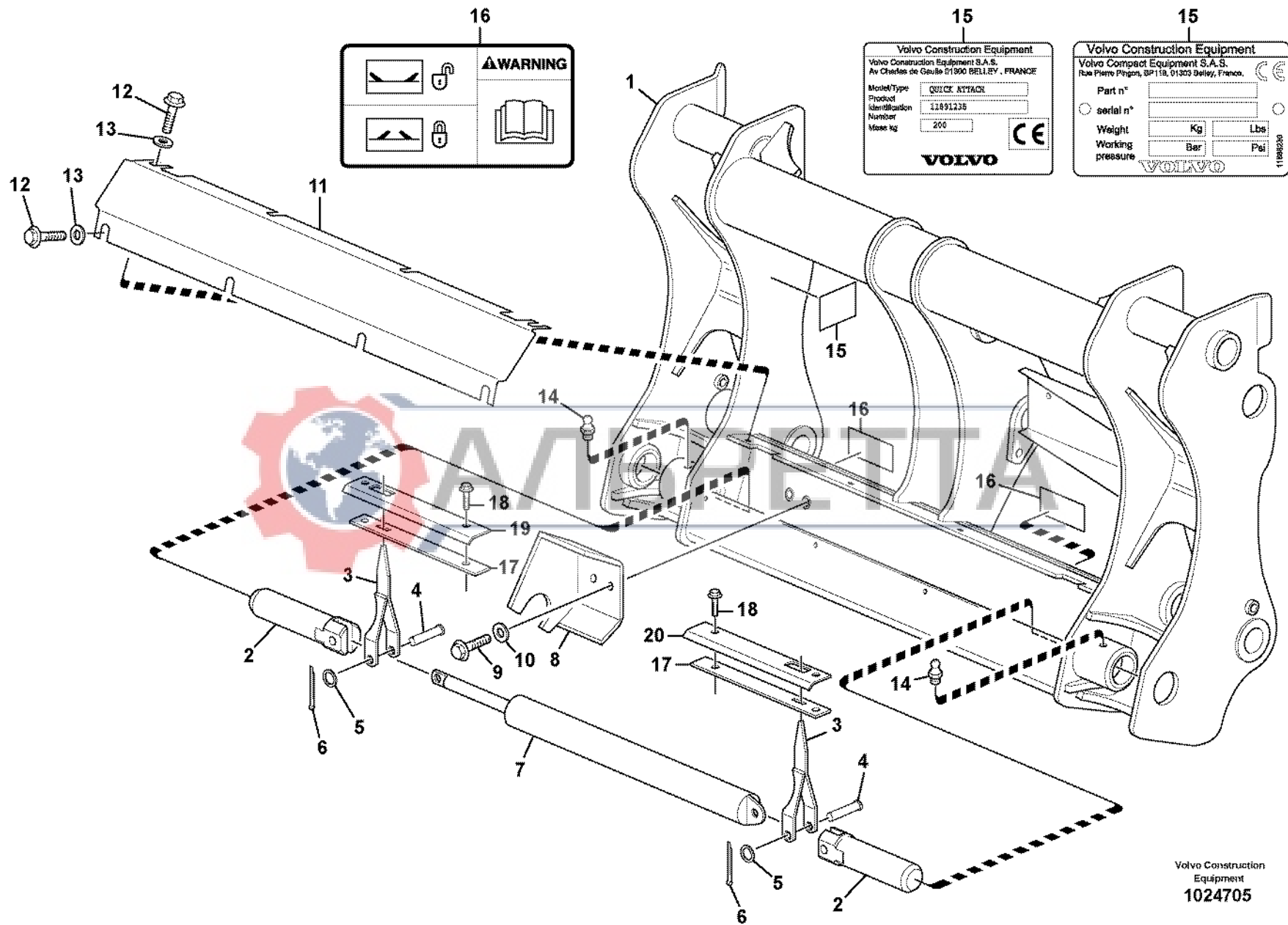


1		<b>Hydrauliskt redskapsfäste</b> <b>Soporte de implemento hidráulico</b> <b>Hydraulisch betätigte Gerätebefestigung</b> <b>Plaque de fixation à commande hydraulique</b> <b>Hydraulic attachment bracket</b> <b>11891448, 11891450</b>	Catalogue id	Group
2			<b>20124</b>	<b>924</b>
3			Illustr. No	Section
4			<b>1011489</b>	<b>300</b>
5			Issue	Page
			<b>VOE 63A9920124</b>	<b>577</b>

**VOLVO**

**BL61PLUS**





16

		<b>WARNING</b>

15

Volvo Construction Equipment		
Volvo Construction Equipment S.A.S. Av. Charles de Gaulle 97190 DELLEVY - FRANCE		
Model/Type	QUICK ATTACH	
Product Identification Number	11891235	
Mass kg	200	
<b>VOLVO</b>		

15

Volvo Construction Equipment		
Volvo Compact Equipment S.A.S. Rue Pierre Piquet, BP118, 01305 Delley, France.		
Part n°		
serial n°		
Weight	Kg	Lbs
Working pressure	Bar	Psi
<b>VOLVO</b>		

Volvo Construction  
Equipment  
1024705

Fig.	Part No.	Quantity			P S	K I T	Description	Dénomination	Bezeichnung	Denominación	Benämning	Notes
		1	2	3								
1	VOE 11887081	1				Quick attachment.....	Fixation rapide .....	Schnellkupplung.....	Acoplamiento rapido ..	Snabbfäste.....		
2	VOE 11886445	2				Pin.....	Goupille.....	Zapfen.....	Pasador.....	Tapp.....		
3	VOE 11887077	2				Indicator.....	Indicateur.....	Indikator.....	Indicador.....	Indikator.....		
4	VOE 13964908	2				Bolt.....	Boulon.....	Bolzen.....	Perno.....	Bult.....		
5	VOE 13955900	2				Washer.....	Rondelle.....	Scheibe.....	Arandela.....	Bricka.....		
6	VOE 13907859	2				Cotter Pin.....	Goupille Fendue.....	Splint.....	Pasador Hendido.....	Saxpinne.....		
7		1				Hydraulic cylinder.....	Vérin hydraulique.....	Hydraulzylinder.....	Cilindro hidráulico.....	Hydraulcylinder.....	See group 924, Page 581	
8	VOE 11011654	1				Stop.....	Arrêt.....	Anschlag.....	Parada.....	Stopp.....		
9	VOE 13965191	2				Flange screw.....	Vis à bride.....	Flanschschaube.....	Torn embridado.....	Flänsskruv.....		
10	VOE 13955897	2				Washer.....	Rondelle.....	Scheibe.....	Arandela.....	Bricka.....		
11	VOE 11888226	1				Cover.....	Capot.....	Haube.....	Capo.....	Lock.....		
12	VOE 946440	4				Flange screw.....	Vis à bride.....	Flanschschaube.....	Torn embridado.....	Flänsskruv.....		
13	VOE 13960141	8				Washer.....	Rondelle.....	Scheibe.....	Arandela.....	Bricka.....		
14	VOE 914167	2				Nipple.....	Raccord.....	Nippel.....	Niple.....	Nippel.....		
15	VOE 11888230	1				Decal.....	Decalcomanie.....	Abziehbild.....	Decalcomania.....	Dekal.....		
16	VOE 11886634	2				Decal.....	Decalcomanie.....	Abziehbild.....	Decalcomania.....	Dekal.....		
17	VOE 11887654	2				Seal.....	Joint.....	Dichtring.....	Junta.....	Tätning.....		
18	VOE 13945444	4				Flange screw.....	Vis à bride.....	Flanschschaube.....	Torn embridado.....	Flänsskruv.....		
19	VOE 11888032	1				Plate.....	Plaque.....	Platte.....	Placa.....	Platta.....		
20	VOE 11888033	1				Plate.....	Plaque.....	Platte.....	Placa.....	Platta.....		



1		<b>Hydrauliskt redskapsfäste</b>	Catalogue id	Group
2		<b>Soporte de implemento hidráulico</b>	<b>20124</b>	<b>924</b>
3		<b>Hydraulisch betätigte Gerätebefestigung</b>	Illustr. No	Section
4		<b>Plaque de fixation à commande hydraulique</b>	<b>1024705</b>	<b>400</b>
5		<b>Hydraulic attachment bracket</b>	Issue	Page
		<b>11891238</b>	<b>VOE 63A9920124</b>	<b>579</b>

**VOLVO**

**BL61PLUS**



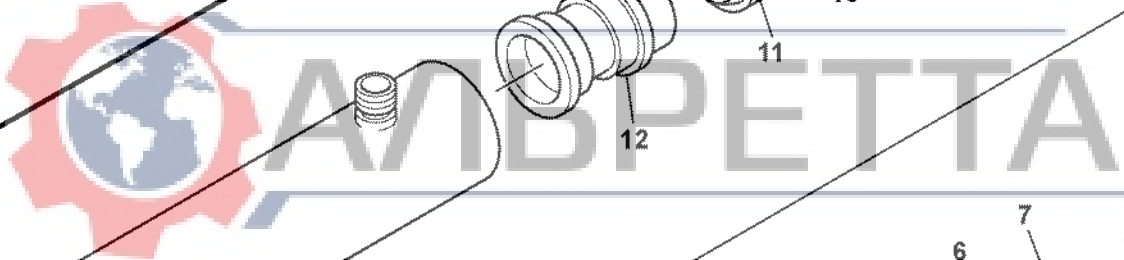
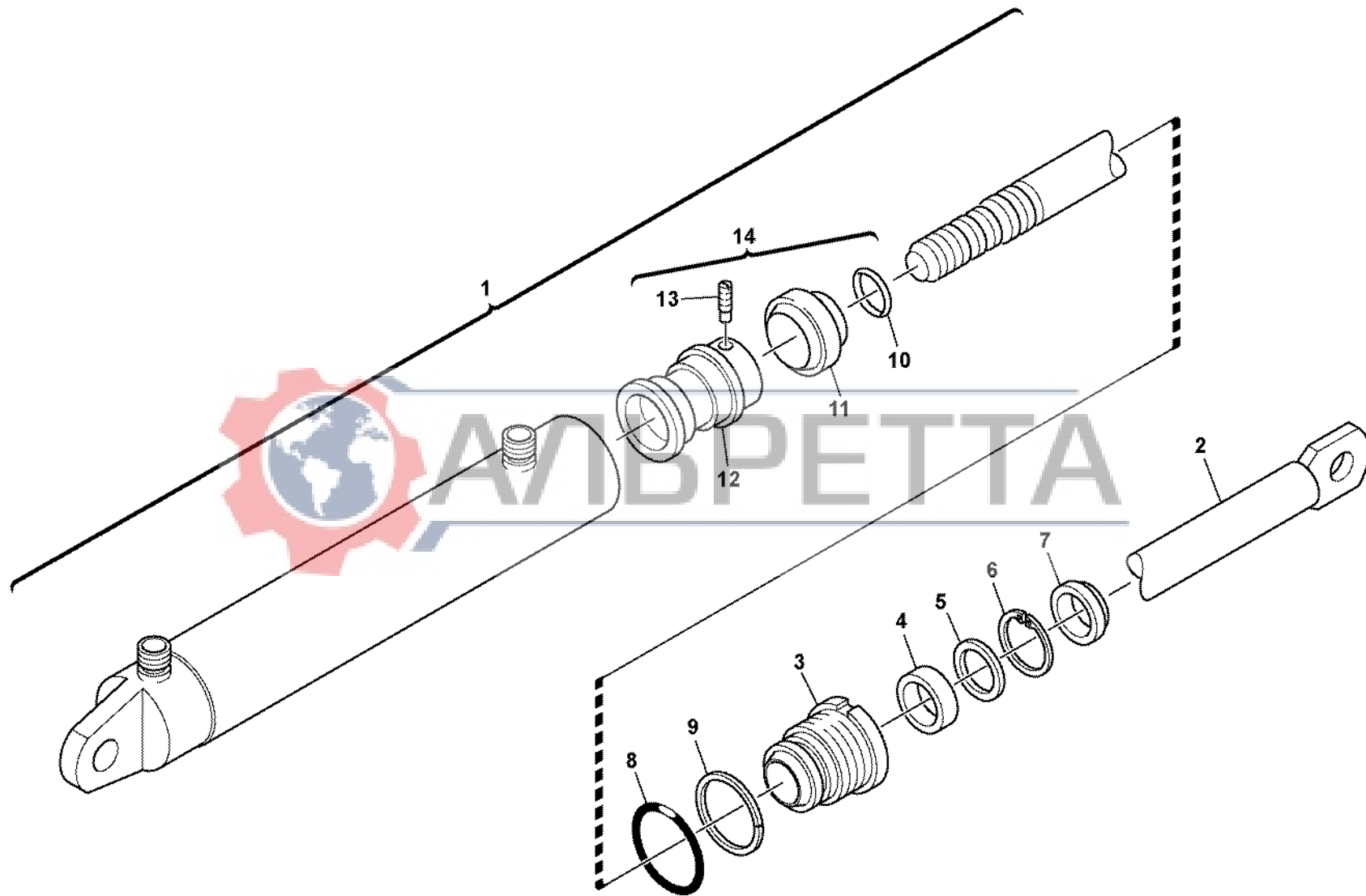


Fig.	Part No.	Quantity			P S	K I T	Description	Dénomination	Bezeichnung	Denominación	Benämning	Notes
		1	2	3								
1	VOE 11157115	1					Hydraulic cylinder.....	Vérin hydraulique .....	Hydraulzylinder .....	Cilindro hidráulico.....	Hydraulicylinder.....	
2	VOE 11999364	1					•Piston rod .....	•Bielle de piston .....	•Kolbenstange .....	•Biela de piston .....	•Kolvstång.....	
3	VOE 11999363	1			OP		•Pstn Rod Guide .....	•Gui.tige Piston .....	•Ko-stang Fuhrg .....	•Guia Var Piston.....	•Kolvst.styrning.....	
4	VOE 4784040	1					•Seal .....	•Joint .....	•Dichtring.....	•Junta .....	•Tätning.....	
5	VOE 11708612	1					•Spacer .....	•Entretoise.....	•Abstandstueck .....	•Casquillo distanciad ..	•Distans.....	
6	VOE 914519	1					•Snap Ring .....	•Circlip.....	•Nutring .....	•Circlip .....	•Spårring.....	
7	VOE 11999360	1					•Scraper .....	•Racleur .....	•Abstreifring.....	•Aro rascador .....	•Avstrykare.....	
8	VOE 925067	1					•O-ring.....	•Joint Torique .....	•O-Ring.....	•Junta torica .....	•O-ring.....	
9	VOE 13962550	1					•Back-up ring .....	•Rondelle anti-extrusi ..	•Stützring.....	•Anillo Apoyo .....	•Stödtring.....	
10	VOE 13960215	1					•O-ring.....	•Joint Torique .....	•O-Ring.....	•Junta torica .....	•O-ring.....	
11	VOE 11999361	1					•Piston seal .....	•Etanchei.piston .....	•Kolbendichtung .....	•Reten piston.....	•Kolvtätning.....	
12	VOE 11999365	1					•Piston.....	•Piston.....	•Kolben.....	•Piston .....	•Kolv.....	
13	VOE 13962970	1					•Screw.....	•Vis .....	•Schraube.....	•Tornillo .....	•Skruv.....	
14	VOE 11999362	1					•Sealing Kit .....	•Jeu Joints.....	•Dichtungssatz .....	•Juego Retenes.....	•Tätningssats.....	



1		<b>Hydraulic cylinder, snabbfäste</b> <b>Cilindro hidráulico, acoplamiento rapido</b> <b>Hydraulikzylinder Schnellwechsler</b> <b>Verin hydraulique, fixation rapide</b> <b>Hydraulic cylinder, quick attachment</b>	Catalogue id	Group
2			<b>20124</b>	<b>924</b>
3			Illustr. No	Section
4			<b>1013175</b>	<b>450</b>
5			Issue	Page
		<b>11891238</b>	<b>VOE 63A9920124</b>	<b>581</b>

**VOLVO**

**BL61PLUS**



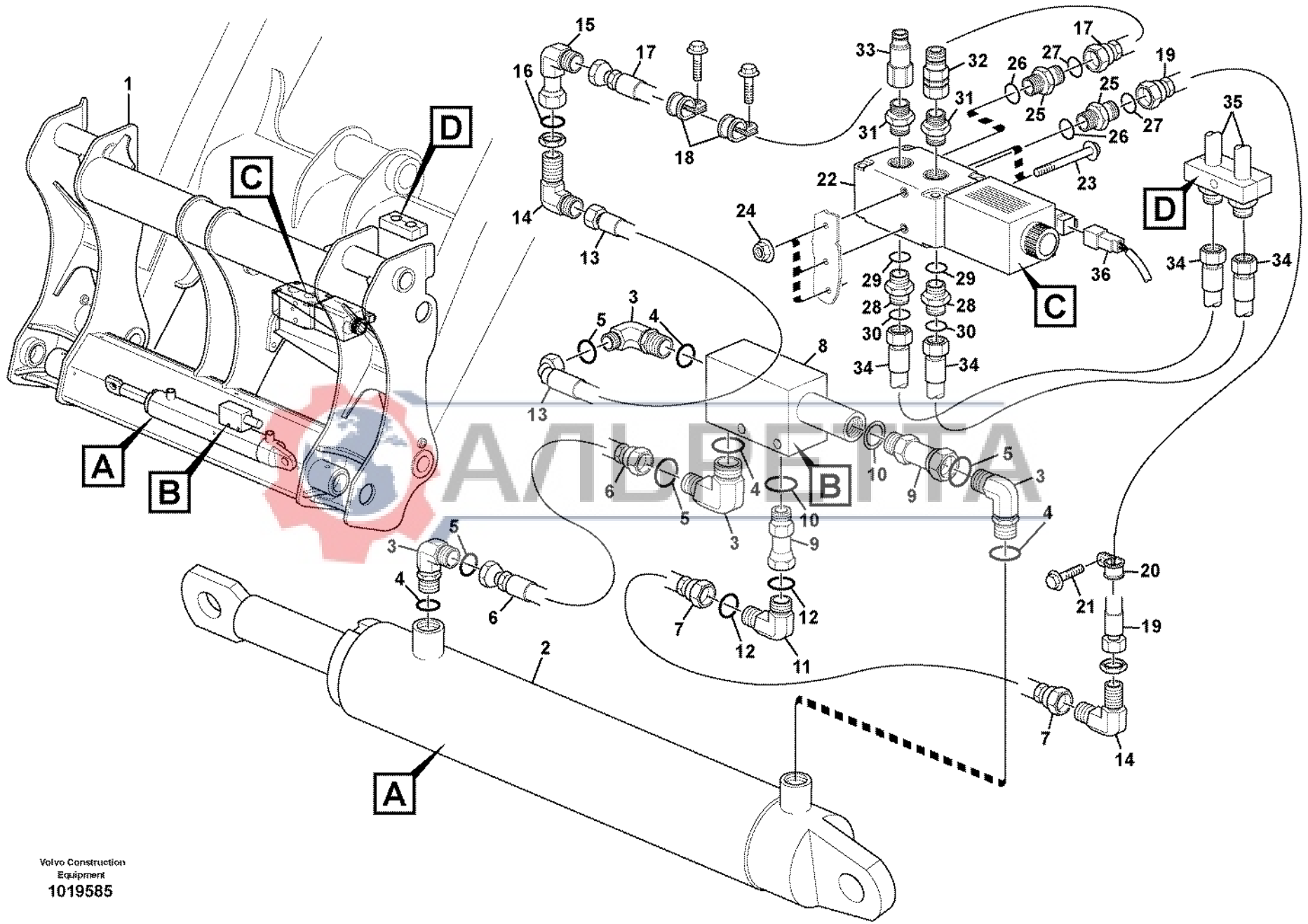


Fig.	Part No.	Quantity			P S	K I T	Description	Dénomination	Bezeichnung	Denominación	Benämning	Notes
		1	2	3								
1		1				Quick attachment.....	Fixation rapide .....	Schnellkupplung.....	Acoplamiento rapido ..	Snabbfäste.....	See group 924, Page 579	
2		1				Hydraulic cylinder.....	Vérin hydraulique .....	Hydraulzylinder .....	Cilindro hidráulico.....	Hydraulcylinder.....	See group 924, Page 581	
3	VOE 13933925	4				Elbow nipple.....	Raccord angulaire.....	Winkelnippel.....	Niple angular .....	Vinkelnippel.....		
4	VOE 4881722	1				•O-ring.....	•Joint Torique .....	•O-Ring.....	•Junta torica .....	•O-ring.....		
5	VOE 931209	1				•O-ring.....	•Joint Torique .....	•O-Ring.....	•Junta torica .....	•O-ring.....		
6	VOE 11886441	1				Hose assembly .....	Conduit flexible .....	Schlauchleitung.....	Conducto.....	Slangledning.....		
7	VOE 11886443	1				Hose assembly .....	Conduit flexible .....	Schlauchleitung.....	Conducto.....	Slangledning.....		
8	VOE 11886439	1				Check valve .....	Valve antiretour.....	Rückschlagventil .....	Válvula de retención..	Backventil.....		
9	VOE 13933843	2				Adapter .....	Raccord Reduct. ....	Verbind Stutzen.....	Adaptador.....	Adapter.....		
10	VOE 14211856	1				•Sealing ring.....	•Bague d'étanchéité ..	•Runddichtring.....	•Anillo reten .....	•Tätningssring.....		
11	VOE 936911	1				Nipple.....	Raccord.....	Nippel.....	Niple .....	Nippel.....		
12	VOE 4881722	2				•O-ring.....	•Joint Torique .....	•O-Ring.....	•Junta torica .....	•O-ring.....		
13	VOE 11886442	1				Hose assembly .....	Conduit flexible .....	Schlauchleitung.....	Conducto.....	Slangledning.....		
14	VOE 935426	2				Elbow nipple.....	Raccord angulaire.....	Winkelnippel.....	Niple angular .....	Vinkelnippel.....		
15	VOE 13933905	1				Elbow nipple.....	Raccord angulaire.....	Winkelnippel.....	Niple angular .....	Vinkelnippel.....		
16	VOE 4881722	1				•O-ring.....	•Joint Torique .....	•O-Ring.....	•Junta torica .....	•O-ring.....		
17	VOE 11886447	1				Hose assembly .....	Conduit flexible .....	Schlauchleitung.....	Conducto.....	Slangledning.....		
18	VOE 978869	2				Clamp.....	Pince Serrage .....	Klemme .....	Abrazadera.....	Klämma.....		
19	VOE 11886444	1				Hose assembly .....	Conduit flexible .....	Schlauchleitung.....	Conducto.....	Slangledning.....		
20	VOE 981661	1				Clamp.....	Pince Serrage .....	Klemme .....	Abrazadera.....	Klämma.....		
21	VOE 13946173	1				Flange screw.....	Vis à bride.....	Flanschschraube.....	Torn embridado.....	Flänsskruv.....		
22	VOE 11886438	1				Diverter Valve .....	Valve Diversion .....	Abzweigventil .....	Valv. Camb Sent.....	Divterterventil.....		
	VOE 11716489	1				•Coil .....	•Bobine.....	•Wickel .....	•Bobina.....	•Spole.....		
	VOE 11716490	1				•Sealing Kit .....	•Jeu Joints.....	•Dichtungssatz .....	•Juego Retenes.....	•Tätningssats.....		
	VOE 11716491	1				•Plug .....	•Bouchon.....	•Stopfen .....	•Tapon.....	•Plugg.....		
23	VOE 13965182	2				Flange screw.....	Vis à bride.....	Flanschschraube.....	Torn embridado.....	Flänsskruv.....		
24	VOE 948645	3				Flange Lock Nut.....	Contre écrou bride .....	Flanschmutter .....	Contratuer Embr.....	Flänslåsmutter.....		
25	VOE 935090	2				Nipple.....	Raccord.....	Nippel.....	Niple .....	Nippel.....		
26	VOE 4880492	1				•O-ring.....	•Joint Torique .....	•O-Ring.....	•Junta torica .....	•O-ring.....		
27	VOE 932041	1				•O-ring.....	•Joint Torique .....	•O-Ring.....	•Junta torica .....	•O-ring.....		

1		<b>Hydrauliskt redskapsfäste</b> <b>Soporte de implemento hidráulico</b> <b>Hydraulisch betätigte Gerätebefestigung</b> <b>Plaque de fixation à commande hydraulique</b> <b>Hydraulic attachment bracket</b>	Catalogue id	Group
2			<b>20124</b>	<b>924</b>
3			Illustr. No	Section
4			<b>1019585</b>	<b>500</b>
5			Issue	Page
		<b>11891238</b>	<b>VOE 63A9920124</b>	<b>583</b>

**VOLVO**

**BL61PLUS**





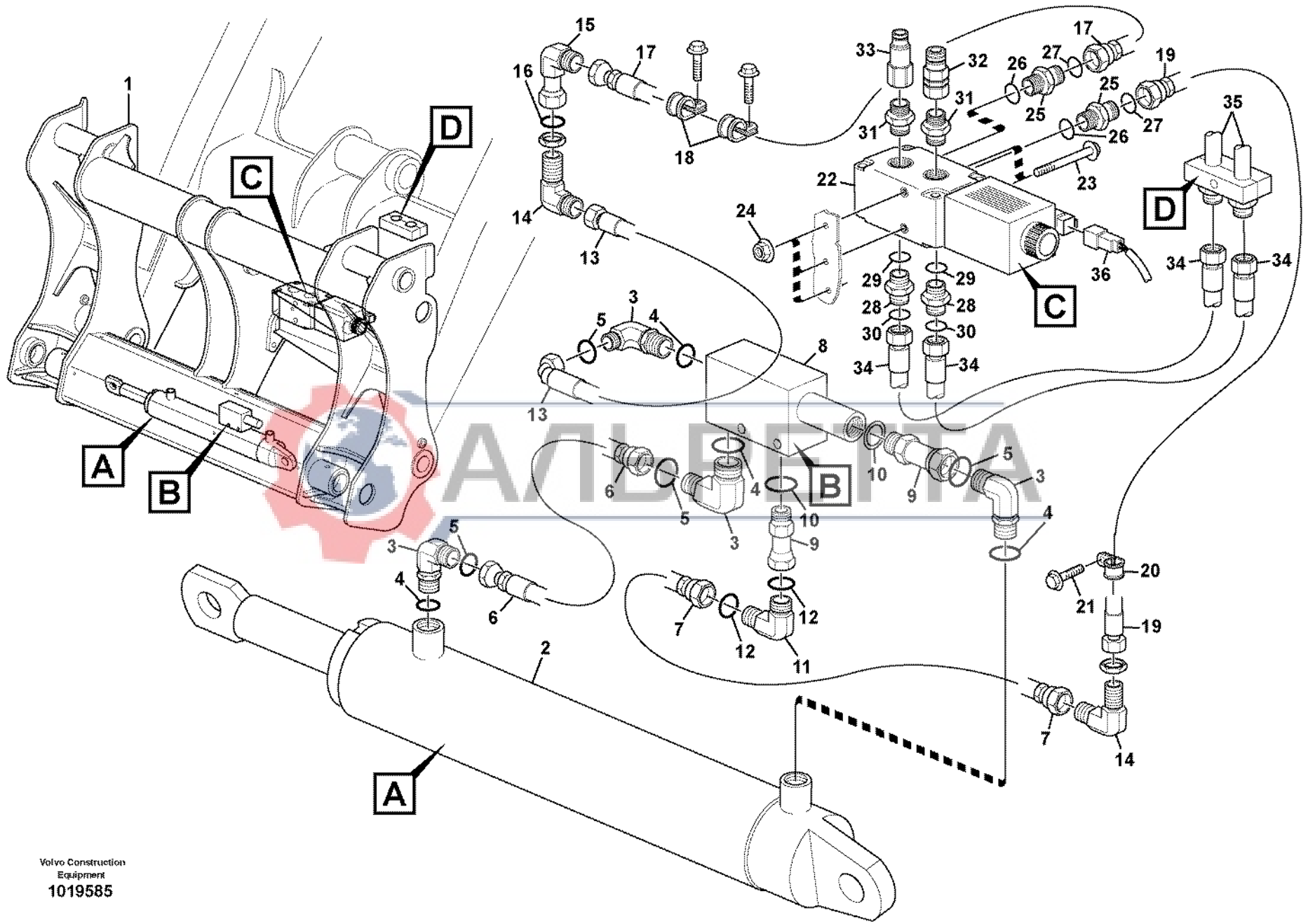


Fig.	Part No.	Quantity			P S	K I T	Description	Dénomination	Bezeichnung	Denominación	Benämning	Notes
		1	2	3								
28	VOE 935092	2				Nipple.....	Raccord.....	Nippel.....	Niple.....	Nippel.....		
29	VOE 4880493	1				•O-ring.....	•Joint Torique.....	•O-Ring.....	•Junta torica.....	•O-ring.....		
30	VOE 932041	1				•O-ring.....	•Joint Torique.....	•O-Ring.....	•Junta torica.....	•O-ring.....		
31	VOE 11886465	2				Fitting.....	Ecrou raccord.....	Verschraubung.....	Racor.....	Förskruvning.....		
32	VOE 11842117	1				Coupling.....	Accouplement.....	Kupplung.....	Acoplamiento.....	Koppling.....		
33	VOE 11886466	1				Quick Coupling.....	Accouple.rapide.....	Schnellkupplung.....	Acoplam Rapido.....	Snabbkoppling.....		
34		2				Hose assembly.....	Conduit flexible.....	Schlauchleitung.....	Conducto.....	Slangledning.....	See group 911, Page 503	
35		2				Tube.....	Tube.....	Rohr.....	Tube.....	Rör.....	See group 911, Page 503	
36		1				Wire harness.....	Faisceau électrique....	Kabelbaum.....	Manojo cables.....	Ledningsmatta.....	See group 371, Page 203	

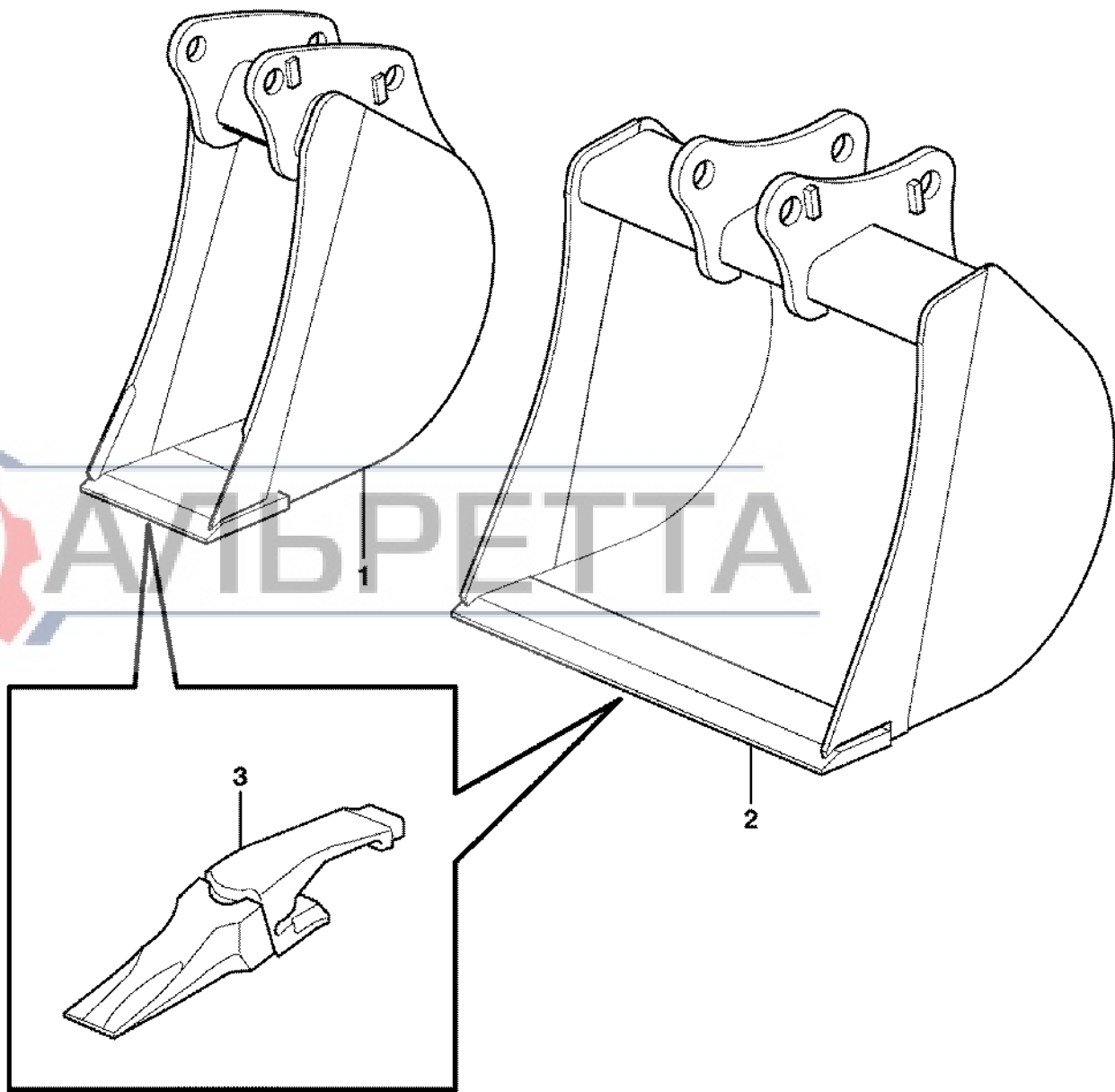
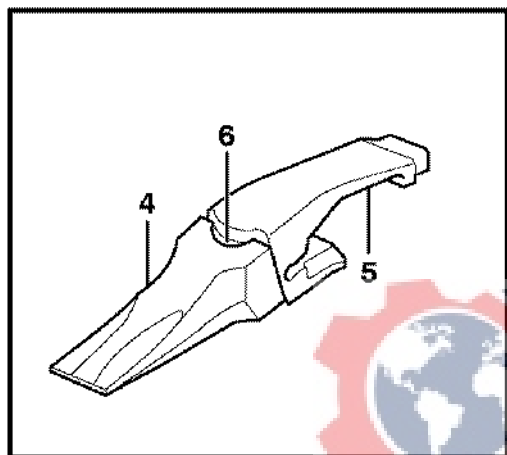


1		<b>Hydrauliskt redskapsfäste</b> <b>Soporte de implemento hidráulico</b> <b>Hydraulisch betätigte Gerätebefestigung</b> <b>Plaque de fixation à commande hydraulique</b> <b>Hydraulic attachment bracket</b>	Catalogue id	Group
2			<b>20124</b>	<b>924</b>
3			Illustr. No	Section
4			<b>1019585</b>	<b>500</b>
5			Issue	Page
		<b>11891238</b>	<b>VOE 63A9920124</b>	<b>585</b>

**VOLVO**

**BL61PLUS**





Volvo Construction  
Equipment  
1003948

Fig.	Part No.	Quantity					P S	K I T	Description	Dénomination	Bezeichnung	Denominación	Benämning	Notes
		1	2	3	4	5								
1	VOE 11888440	1						Bucket.....	Godet .....	Löffel .....	Cuchara .....	Skopa.....	WID = 36"	
1	VOE 11888170		1					Bucket.....	Godet .....	Löffel .....	Cuchara .....	Skopa.....	WID = 24"	
2	VOE 11888438			1				Bucket.....	Godet .....	Löffel .....	Cuchara .....	Skopa.....	WID = 18"	
2	VOE 11888437				1			Bucket.....	Godet .....	Löffel .....	Cuchara .....	Skopa.....	WID = 12"	
2	VOE 11888106					1		Bucket.....	Godet .....	Löffel .....	Cuchara .....	Skopa.....		
3		6	5	4	3		NS	•Tooth Assembly.....	•.....	•.....	•.....	•Tand.....		
3	VOE 11881712					6	SS	•Tooth .....	•Dent .....	•Zahn .....	•Diente.....	•Tand.....		
4	VOE 11884312	6	5	4	3	6		•Bucket Tooth .....	•Dent de godet .....	•Löffelzahn.....	•Diente Cuchara .....	•Skoptand.....		
5	VOE 11801591	6	5	4	3	1		•Tooth Holder .....	•Porte dent .....	•Zahnhalter .....	•Porta-diente .....	•Holktand.....		
6	VOE 11884314	6	5	4	3	2		•Key .....	•Clavette.....	•Keil .....	•Llave (cuna) .....	•Kil.....		

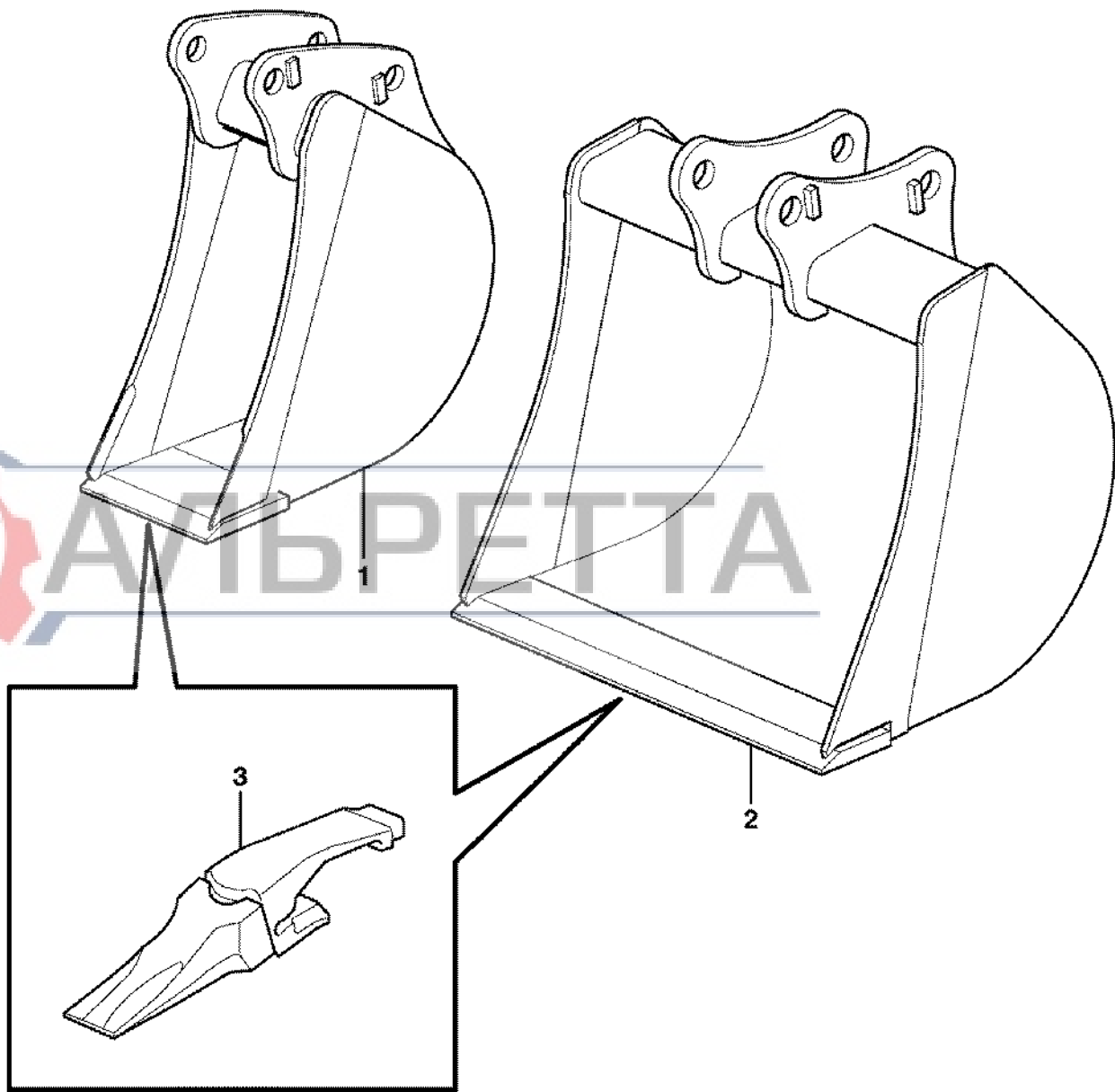
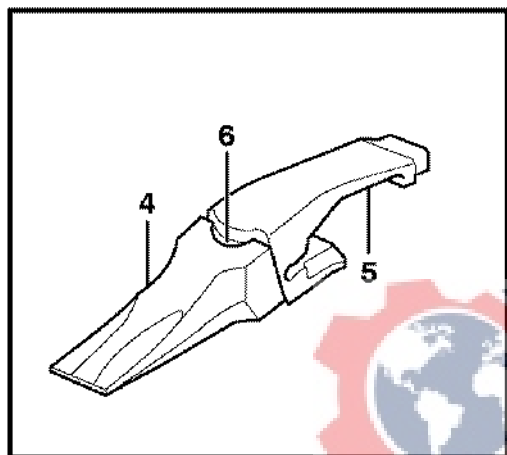


1	11891318	<b>Skopa, rak med tänder</b> <b>Cuchara, recta con dientes</b> <b>Schaufel, gerade mit Zähnen</b> <b>Godet, droit avec dents</b> <b>Bucket, straight with teeth</b>	Catalogue id	Group
2	11891320		<b>20124</b>	<b>925</b>
3	11891043		Illustr. No	Section
4	11891321		<b>1003948</b>	<b>100</b>
5	11891319		Issue	Page
			<b>VOE 63A9920124</b>	<b>587</b>

**VOLVO**

**BL61PLUS**





Volvo Construction  
Equipment  
1003948

Fig.	Part No.	Quantity					P S	K I T	Description	Dénomination	Bezeichnung	Denominación	Benämning	Notes
		1	2	3	4	5								
1	VOE 11888420	1						Bucket.....	Godet .....	Löffel .....	Cuchara .....	Skopa.....	WIDE = 305 mm	
1	VOE 11888421		1					Bucket.....	Godet .....	Löffel .....	Cuchara .....	Skopa.....	WIDE = 400 mm	
1	VOE 11888422			1				Bucket.....	Godet .....	Löffel .....	Cuchara .....	Skopa.....	WIDE = 450 mm	
2	VOE 11888161				1			Bucket.....	Godet .....	Löffel .....	Cuchara .....	Skopa.....	WIDE = 610 mm	
2	VOE 11888423					1		Bucket.....	Godet .....	Löffel .....	Cuchara .....	Skopa.....	WIDE = 910 mm	
3		3	3	4	4	6	NS	•Tooth Assembly.....•	•.....	•.....	•.....	•Tand.....		
4	VOE 11884312	3	3	4	4	6		•Bucket Tooth .....	•Dent de godet .....	•Löffelzahn.....	•Diente Cuchara .....	•Skoptand.....		
5	VOE 11801591	3	3	4	4	6		•Tooth Holder .....	•Porte dent .....	•Zahnhalter .....	•Porta-diente .....	•Holktand.....		
6	VOE 11884314	3	3	4	4	6		•Key .....	•Clavette.....	•Keil .....	•Llave (cuna) .....	•Kil.....		

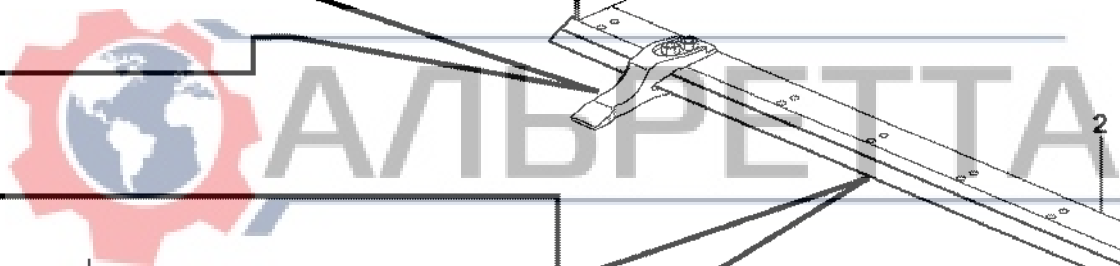
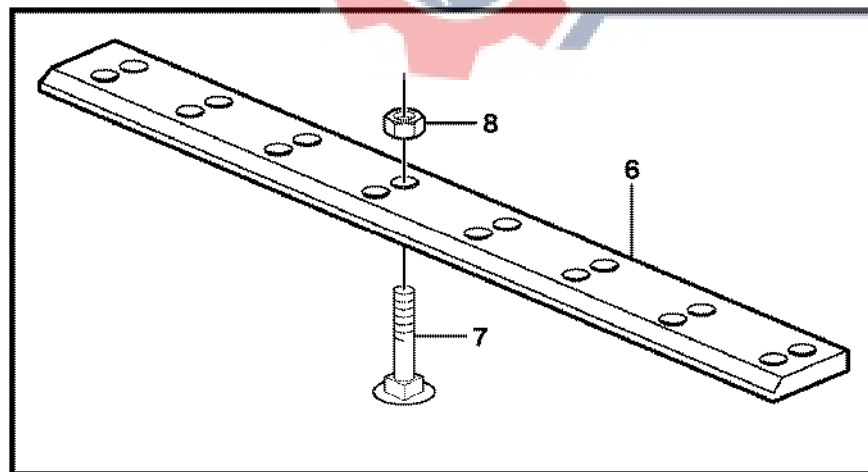
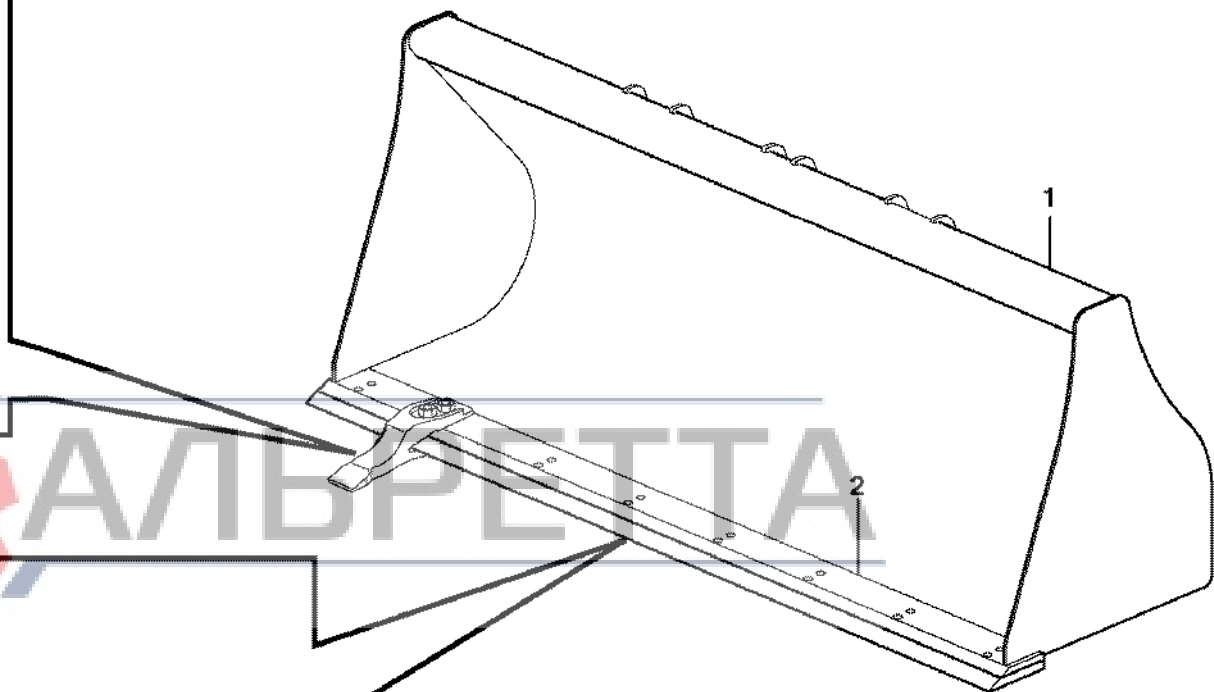
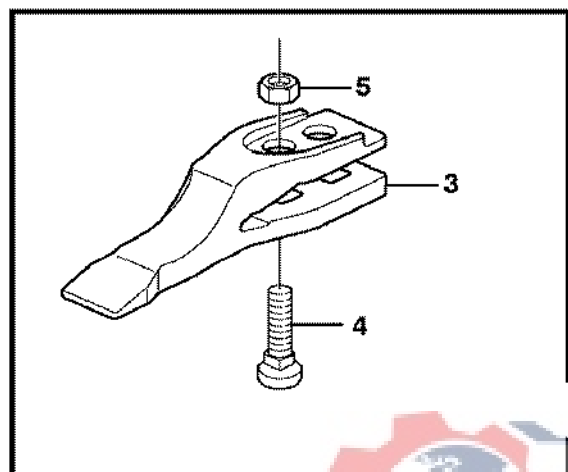


1	11891202	<b>Skopa, rak med tänder</b> <b>Cuchara, recta con dientes</b> <b>Schaufel, gerade mit Zähnen</b> <b>Godet, droit avec dents</b> <b>Bucket, straight with teeth</b>	Catalogue id	Group
2	11891091		<b>20124</b>	<b>925</b>
3	11891092		Illustr. No	Section
4	11891192		<b>1003948</b>	<b>150</b>
5	11891093		Issue	Page
			<b>VOE 63A9920124</b>	<b>589</b>

**VOLVO**

**BL61PLUS**





Volvo Construction  
Equipment  
1003969

Fig.	Part No.	Quantity			P S	K I T	Description	Dénomination	Bezeichnung	Denominación	Benämning	Notes
		1	2	3								
1	VOE 11886653	1				Bucket.....	Godet .....	Löffel .....	Cuchara.....	Skopa.....	(VOE 11884026) WIDE = 2350 MM	
2	VOE 11881240	1				•Blade .....	•Tôle usure.....	•Verschl Klinge.....	•Hoja.....	•Slitstål.....		
3	VOE 11881047		8			Tooth.....	Dent .....	Zahn .....	Diente .....	Tand.....		
4	VOE 11081028		16			Sq Neck Screw .....	Vis Tete Bombée .....	Schr. M. 4-kant.....	Tornillo Rotula .....	Kullerskruv.....		
5	VOE 979022		16			Nut .....	Ecrou.....	Mutter .....	Tuerca .....	Mutter.....		
6	VOE 11883780			1		Blade.....	Tôle usure.....	Verschl Klinge.....	Hoja.....	Slitstål.....		
7	VOE 11081026			16		Sq Neck Screw .....	Vis Tete Bombée .....	Schr. M. 4-kant.....	Tornillo Rotula .....	Kullerskruv.....		
8	VOE 979022			16		Nut .....	Ecrou.....	Mutter .....	Tuerca .....	Mutter.....		



1	11891194	<b>Skopa, rak med tänder</b> <b>Cuchara, recta con dientes</b> <b>Schaufel, gerade mit Zähnen</b> <b>Godet, droit avec dents</b> <b>Bucket, straight with teeth</b>	Catalogue id	Group
2	11891265		<b>20124</b>	<b>925</b>
3	11891264		Illustr. No	Section
4			<b>1003969</b>	<b>200</b>
5			Issue	Page
			<b>VOE 63A9920124</b>	<b>591</b>

**VOLVO**

**BL61PLUS**





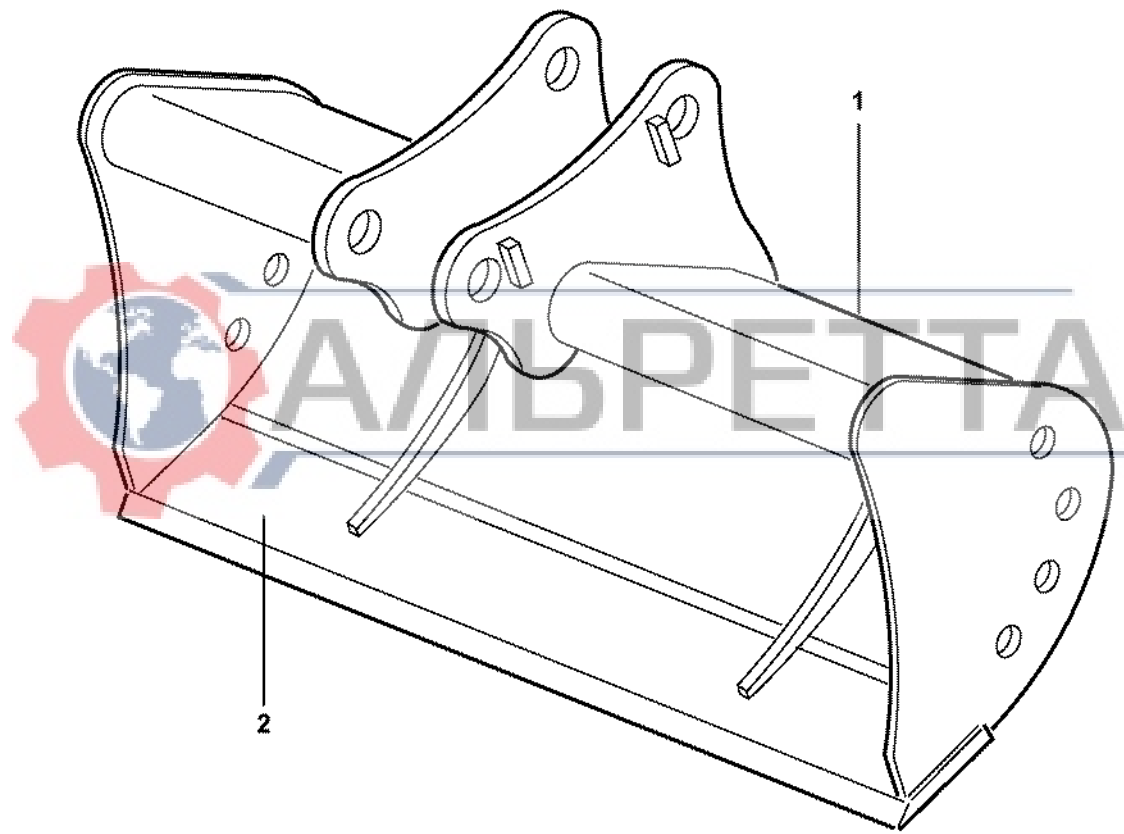


Fig.	Part No.	Quantity			P S	K I T	Description	Dénomination	Bezeichnung	Denominación	Benämning	Notes
		1	2	3								
1	VOE 11886418	1				Bucket.....	Godet .....	Löffel .....	Cuchara.....	Skopa.....	Wide = 1500MM	
1	VOE 11886424		1			Bucket.....	Godet .....	Löffel .....	Cuchara.....	Skopa.....	Wide = 1200MM	
2	VOE 11886425		1			•Plate .....	•Plaque.....	•Platte.....	•Placa .....	•Platta.....		



1	11891295	<b>Skopa, rak utan tänder</b> <b>Cuchara recta sin dientes</b> <b>Schaufel, gerade, ohne Zähne</b> <b>Godet, droit sans dents</b> <b>Bucket, straight lip without teeth</b>	Catalogue id	Group
2	11891296		<b>20124</b>	<b>925</b>
3			Illustr. No	Section
4			<b>1002364</b>	<b>250</b>
5			Issue	Page
			<b>VOE 63A9920124</b>	<b>593</b>

**VOLVO**

**BL61PLUS**



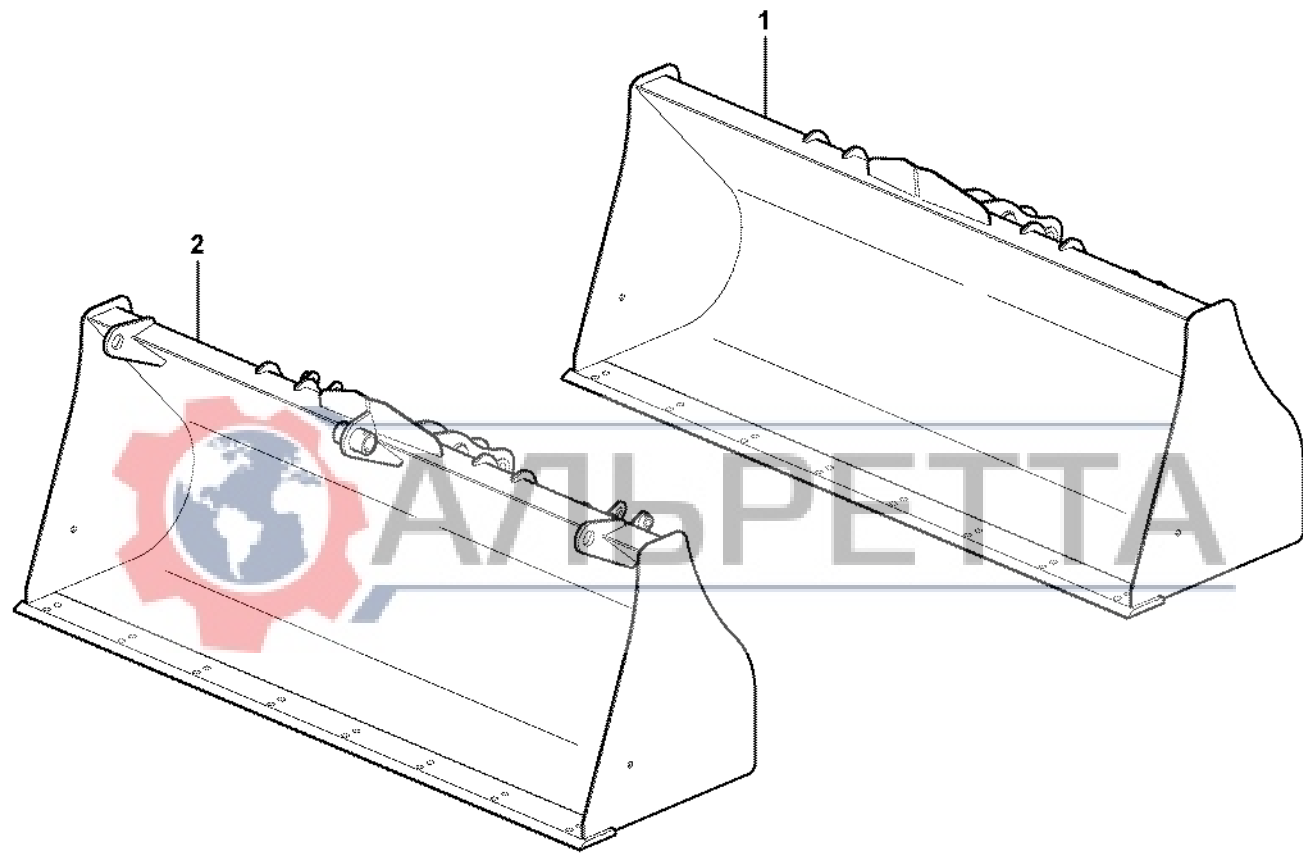


Fig.	Part No.	Quantity			P S	K I T	Description	Dénomination	Bezeichnung	Denominación	Benämning	Notes
		1	2	3								
1	VOE 11888238	1				Bucket.....	Godet .....	Löffel .....	Cuchara.....	Skopa.....		
2	VOE 11888809		1			Bucket.....	Godet .....	Löffel .....	Cuchara.....	Skopa.....		

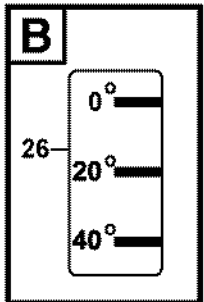
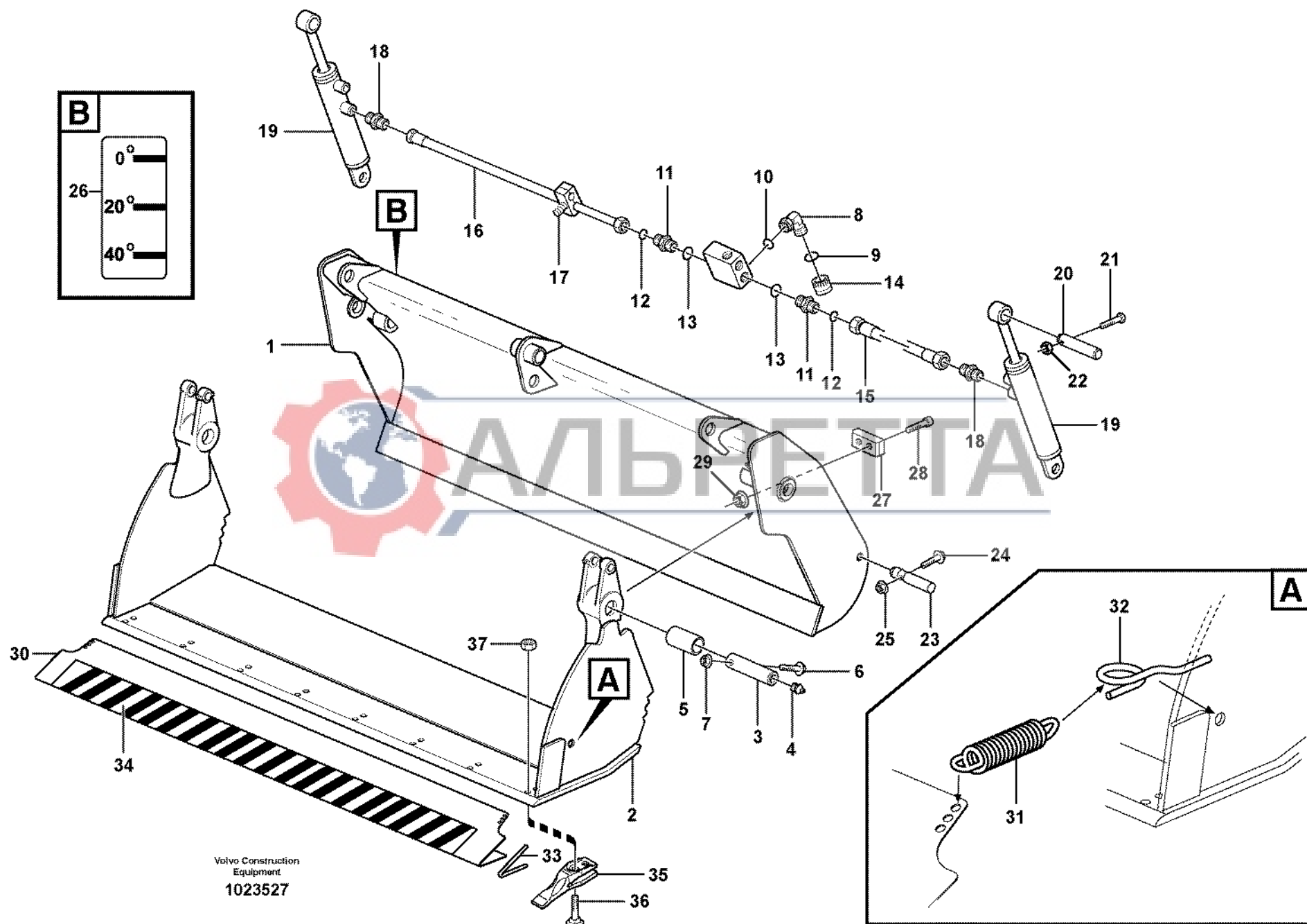


1	11891540	<b>Skopa, rak utan tänder</b> <b>Cuchara recta sin dientes</b> <b>Schaufel, gerade, ohne Zähne</b> <b>Godet, droit sans dents</b> <b>Bucket, straight lip without teeth</b>	Catalogue id	Group
2	11891565		<b>20124</b>	<b>925</b>
3			Illustr. No	Section
4			<b>1025967</b>	<b>300</b>
5			Issue	Page
			<b>VOE 63A9920124</b>	<b>595</b>

**VOLVO**

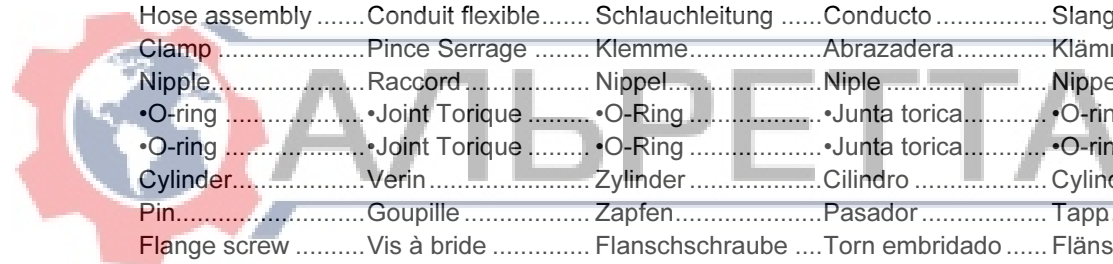
**BL61PLUS**





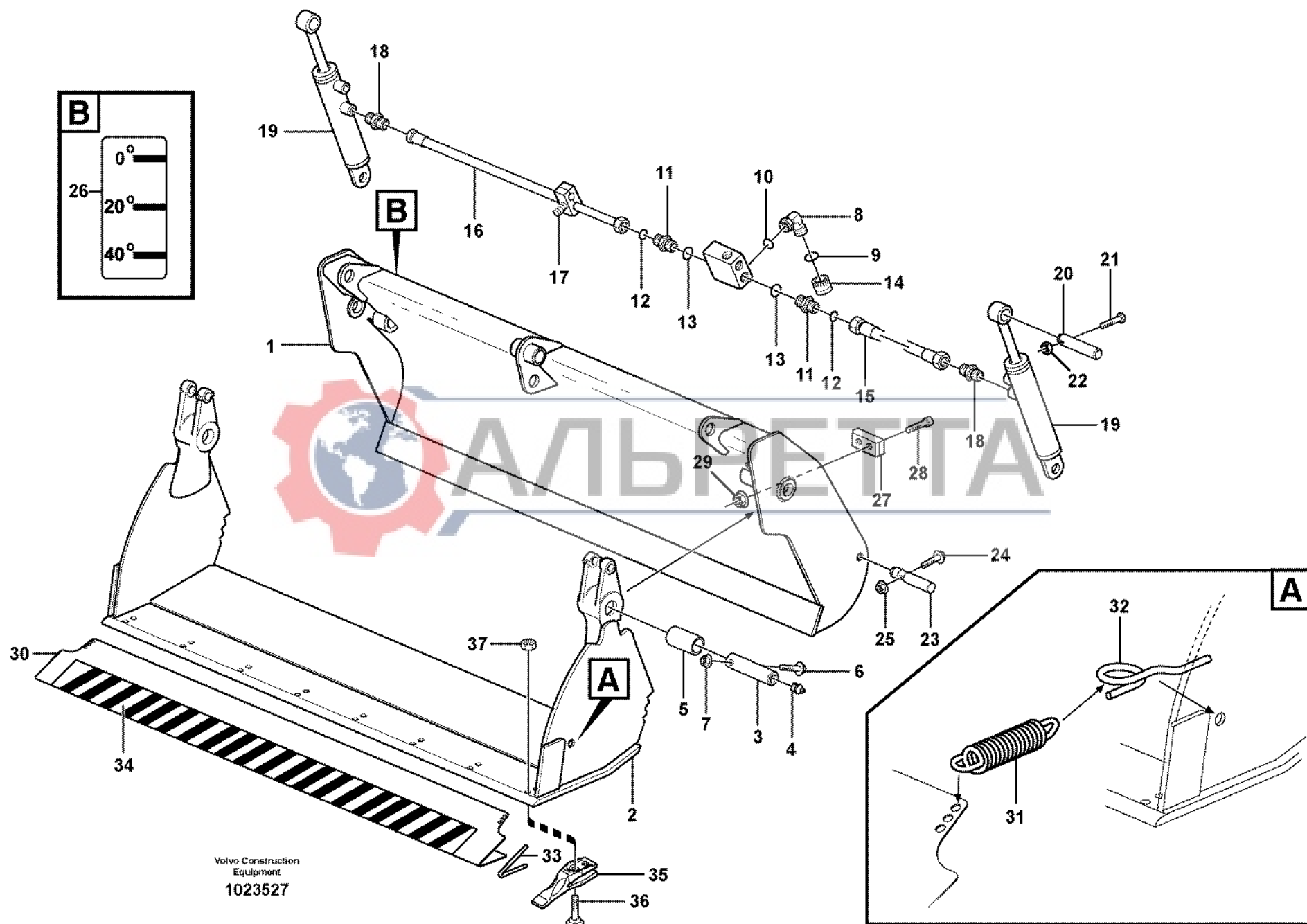
Volvo Construction  
Equipment  
1023527

Fig.	Part No.	Quantity					P S	K I T	Description	Dénomination	Bezeichnung	Denominación	Benämning	Notes
		1	2	3	4	5								
	VOE 11887209	1						Bucket.....	Godet .....	Löffel .....	Cuchara .....	Skopa .....		
1		1					NS	•Backrest Frame .....	•Cadre Dossier .....	•Rückenlehngest.....	•Marco Respaldo .....	•Ryggram.....		
2		1					NS	•Plate .....	•Plaque.....	•Platte .....	•Placa .....	•Platta.....		
3	VOE 11881091	2						•Pin .....	•Goupille.....	•Zapfen .....	•Pasador.....	•Tapp.....		
4	VOE 914167	2						•Nipple .....	•Raccord.....	•Nippel .....	•Niple .....	•Nippel.....		
5	VOE 11881154	2						•Bushing .....	•Bague.....	•Buchse.....	•Casquillo .....	•Bussning.....		
6	VOE 13965190	2						•Screw .....	•Vis.....	•Schraube .....	•Tornillo .....	•Skruv.....		
7	VOE 13971095	2						•Flange nut .....	•Ecrou accouple. ....	•Bundmutter .....	•Tuerca embridad ...	•Flänsmutter.....		
8	VOE 935073	2						Elbow nipple .....	Raccord angulaire ..	Winkelnippel .....	Niple angular .....	Vinkelnippel.....		
9	VOE 990738	1						•O-ring .....	•Joint Torique .....	•O-Ring .....	•Junta torica.....	•O-ring.....		
10	VOE 932041	1						•O-ring .....	•Joint Torique .....	•O-Ring .....	•Junta torica.....	•O-ring.....		
11	VOE 935092	4						Nipple.....	Raccord.....	Nippel.....	Niple .....	Nippel.....		
12	VOE 990739	1						•O-ring .....	•Joint Torique .....	•O-Ring .....	•Junta torica.....	•O-ring.....		
13	VOE 932041	1						•O-ring .....	•Joint Torique .....	•O-Ring .....	•Junta torica.....	•O-ring.....		
14		2					NS	Cap Plug .....	Boucho.capuchon ..	Bundschraube.....	Tapon .....	Hattplugg.....		
15	VOE 11885738	2						Hose assembly .....	Conduit flexible.....	Schlauchleitung .....	Conducto .....	Slangledning.....	L = 750 MM	
16	VOE 11885736	2						Hose assembly .....	Conduit flexible.....	Schlauchleitung .....	Conducto .....	Slangledning.....	L = 750 MM	
17	VOE 11886153	1						Clamp .....	Pince Serrage .....	Klemme .....	Abrazadera .....	Klämma.....		
18	VOE 935091	4						Nipple.....	Raccord.....	Nippel.....	Niple .....	Nippel.....		
	VOE 990738	1						•O-ring .....	•Joint Torique .....	•O-Ring .....	•Junta torica.....	•O-ring.....		
	VOE 932041	1						•O-ring .....	•Joint Torique .....	•O-Ring .....	•Junta torica.....	•O-ring.....		
19		2						Cylinder.....	Verin .....	Zylinder .....	Cilindro .....	Cylinder.....	See group 925, Page 609	
20	VOE 11881149	2						Pin.....	Goupille .....	Zapfen.....	Pasador .....	Tapp.....		
21	VOE 13965182	2						Flange screw .....	Vis à bride .....	Flanschschraube .....	Torn embridado .....	Flänsskruv.....		
22	VOE 13945408	2						Nut .....	Ecrou .....	Mutter.....	Tuerca .....	Mutter.....		
23	VOE 11881153	2						Pin.....	Goupille .....	Zapfen.....	Pasador .....	Tapp.....		
24	VOE 13965188	2						Flange screw .....	Vis à bride .....	Flanschschraube .....	Torn embridado .....	Flänsskruv.....		
25	VOE 13971095	2						Flange nut.....	Ecrou accouple. ....	Bundmutter .....	Tuerca embridad ...	Flänsmutter.....		
26	VOE 11883252	1						Decal.....	Decalcomanie.....	Abziehbild .....	Decalcomania.....	Dekal.....		
27	VOE 11881583		2					Rubber Block .....	Bloc Caoutchouc ....	Gummiblock.....	Bloque Goma .....	Gummikuts.....		



1	11891018	<b>Kombiskopa</b> <b>Cuchara multipropósitos</b> <b>Kombilöffel</b> <b>Godet combiné</b> <b>Multi-purpose bucket</b>	Catalogue id	Group
2	11891265		<b>20124</b>	<b>925</b>
3	11891282		Illustr. No	Section
4	11891015, 11891016		<b>1023527</b>	<b>350</b>
5			Issue	Page
			<b>VOE 63A9920124</b>	<b>597</b>





Volvo Construction  
Equipment  
1023527

Fig.	Part No.	Quantity					P S	K I T	Description	Dénomination	Bezeichnung	Denominación	Benämning	Notes
		1	2	3	4	5								
28	VOE 969846			4				Screw .....	Vis .....	Schraube .....	Tornillo.....	Skruv.....		
29	VOE 948645			4				Flange Lock Nut.....	Contre écrou bride..	Flanschmutter .....	Contratuer Embr.....	Flänslåsmutter.....		
30	VOE 11884094				1			Guard.....	Protection .....	Schutz.....	Protección .....	Skydd.....		
31	VOE 11315002				2			Tension spring .....	Ressort traction .....	Zugfeder .....	Resorte tension .....	Dragfjäder.....		
32	ZM 2801364				2			Lug.....	Oreille.....	Öse .....	Oreja.....	Öra.....		
33	VOE 11305168				1			Edge protection.....	Renfort bord .....	Kantbeschlag .....	Guarnic canto .....	Kantskoning.....	L = 300 MM	
34	VOE 11884095				1			Decal.....	Decalcomanie.....	Abziehbild .....	Decalcomania.....	Dekal.....	11891016 ITALY	
35	VOE 11881047		8					Tooth.....	Dent.....	Zahn.....	Diente .....	Tand.....		
36	VOE 11081028		16					Sq Neck Screw .....	Vis Tete Bombée....	Schr. M. 4-kant .....	Tornillo Rotula .....	Kullerskruv.....		
37	VOE 979022		16					Nut .....	Ecrou .....	Mutter.....	Tuerca .....	Mutter.....		



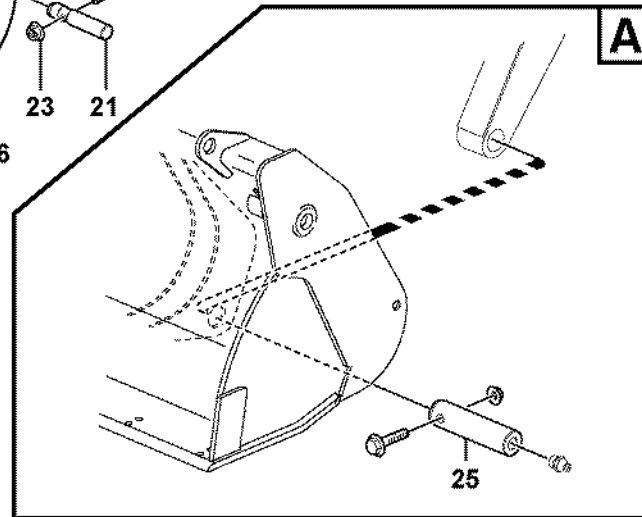
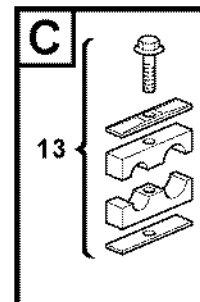
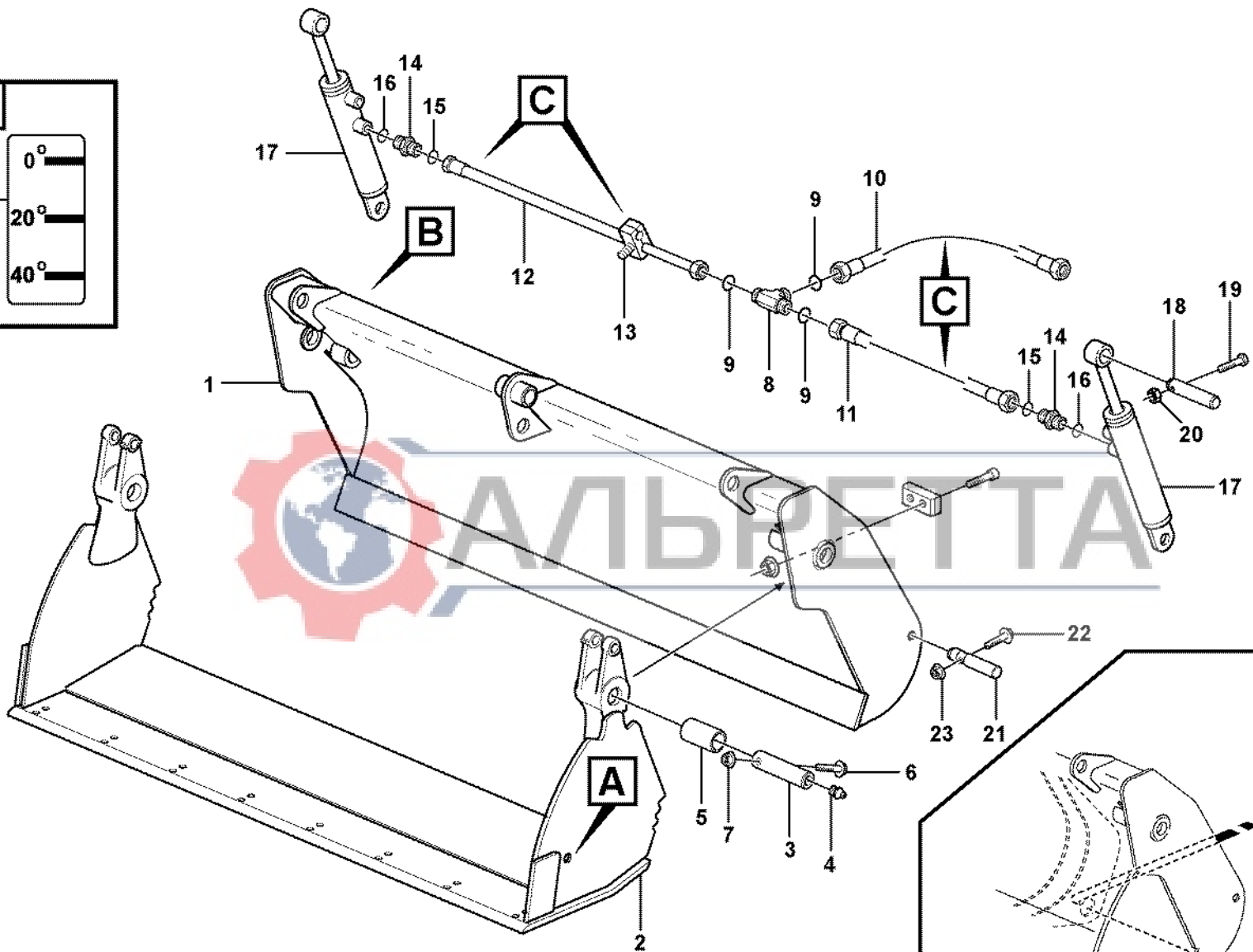
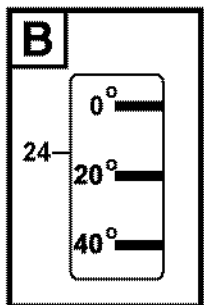
1	11891018	<b>Kombiskopa</b> <b>Cuchara multipropósitos</b> <b>Kombilöffel</b> <b>Godet combiné</b> <b>Multi-purpose bucket</b>	Catalogue id	Group
2	11891265		<b>20124</b>	<b>925</b>
3	11891282		Illustr. No	Section
4	11891015, 11891016		<b>1023527</b>	<b>350</b>
5			Issue	Page
			VOE 63A9920124	<b>599</b>

**VOLVO**

**BL61PLUS**

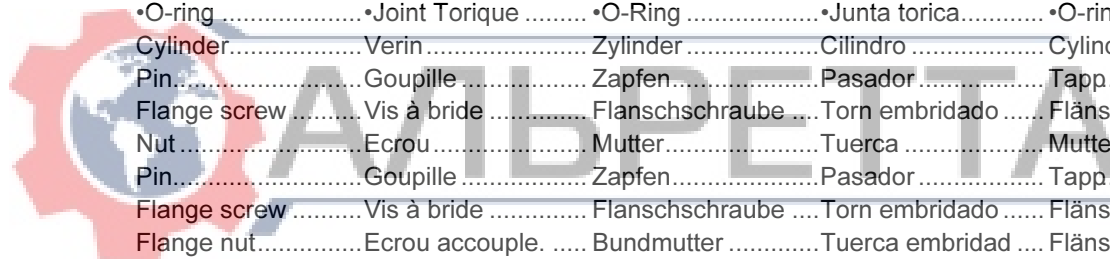






Volvo Construction  
Equipment  
1025969

Fig.	Part No.	Quantity					P S	K I T	Description	Dénomination	Bezeichnung	Denominación	Benämning	Notes
		1	2	3	4	5								
	<b>VOE 11887763</b>	1						Bucket.....	Godet .....	Löffel .....	Cuchara .....	Skopa.....		
1		1					NS	•Backrest Frame .....	•Cadre Dossier .....	•Rückenlehngest.....	•Marco Respaldo .....	•Ryggram.....		
2		1					NS	•Plate .....	•Plaque.....	•Platte .....	•Placa .....	•Platta.....		
3	<b>VOE 11881091</b>	2						•Pin .....	•Goupille.....	•Zapfen .....	•Pasador.....	•Tapp.....		
4	<b>VOE 914167</b>	2						•Nipple .....	•Raccord.....	•Nippel .....	•Niple .....	•Nippel.....		
5	<b>VOE 11881154</b>	2						•Bushing .....	•Bague.....	•Buchse.....	•Casquillo .....	•Bussning.....		
6	<b>VOE 13965190</b>	2						•Screw .....	•Vis.....	•Schraube .....	•Tornillo .....	•Skruv.....		
7	<b>VOE 13971095</b>	2						•Flange nut .....	•Ecrou accouple. ....	•Bundmutter .....	•Tuerca embridad ...	•Flänsmutter.....		
8	<b>VOE 935453</b>	2						T-nipple.....	Raccord-t.....	T-Nippel .....	Niple T.....	T-nippel.....		
9	<b>VOE 990738</b>	6						•O-ring .....	•Joint Torique .....	•O-Ring .....	•Junta torica.....	•O-ring.....		
10	<b>VOE 11888254</b>	2						Hose .....	Durit.....	Schlauch .....	Tubo flexible .....	Slang.....		
11	<b>VOE 11886567</b>	2						Hose assembly .....	Conduit flexible.....	Schlauchleitung .....	Conducto .....	Slangledning.....		
12	<b>VOE 937950</b>	1						Hose assembly .....	Conduit flexible.....	Schlauchleitung .....	Conducto .....	Slangledning.....		
13	<b>VOE 11886153</b>	4						Clamp .....	Pince Serrage .....	Klemme.....	Abrazadera.....	Klämma.....		
14	<b>VOE 935091</b>	4						Nipple.....	Raccord.....	Nippel.....	Niple .....	Nippel.....		
15	<b>VOE 990738</b>	4						•O-ring .....	•Joint Torique .....	•O-Ring .....	•Junta torica.....	•O-ring.....		
16	<b>VOE 932039</b>	4						•O-ring .....	•Joint Torique .....	•O-Ring .....	•Junta torica.....	•O-ring.....		
17	<b>VOE 11887168</b>	2						Cylinder.....	Verin.....	Zylinder .....	Cilindro .....	Cylinder.....		
18	<b>VOE 11881149</b>	2						Pin.....	Goupille .....	Zapfen.....	Pasador .....	Tapp.....		
19	<b>VOE 13965182</b>	2						Flange screw .....	Vis à bride .....	Flanschschraube .....	Torn embridado .....	Flänsskruv.....		
20	<b>VOE 13945408</b>	2						Nut.....	Ecrou.....	Mutter.....	Tuerca .....	Mutter.....		
21	<b>VOE 11888216</b>	2						Pin.....	Goupille .....	Zapfen.....	Pasador .....	Tapp.....		
22	<b>VOE 13965188</b>	2						Flange screw .....	Vis à bride .....	Flanschschraube .....	Torn embridado .....	Flänsskruv.....		
23	<b>VOE 13971095</b>	2						Flange nut.....	Ecrou accouple. ....	Bundmutter .....	Tuerca embridad ...	Flänsmutter.....		
24	<b>VOE 11883252</b>	1						Decal.....	Decalcomanie.....	Abziehbild .....	Decalcomania.....	Dekal.....		
25		1						Attaching kit.....	Kit de fixation.....	Befestigungssatz .....	Juego de fijación .....	Fästsats.....		

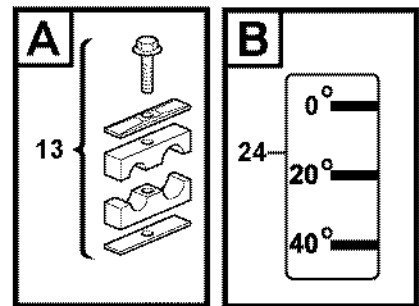
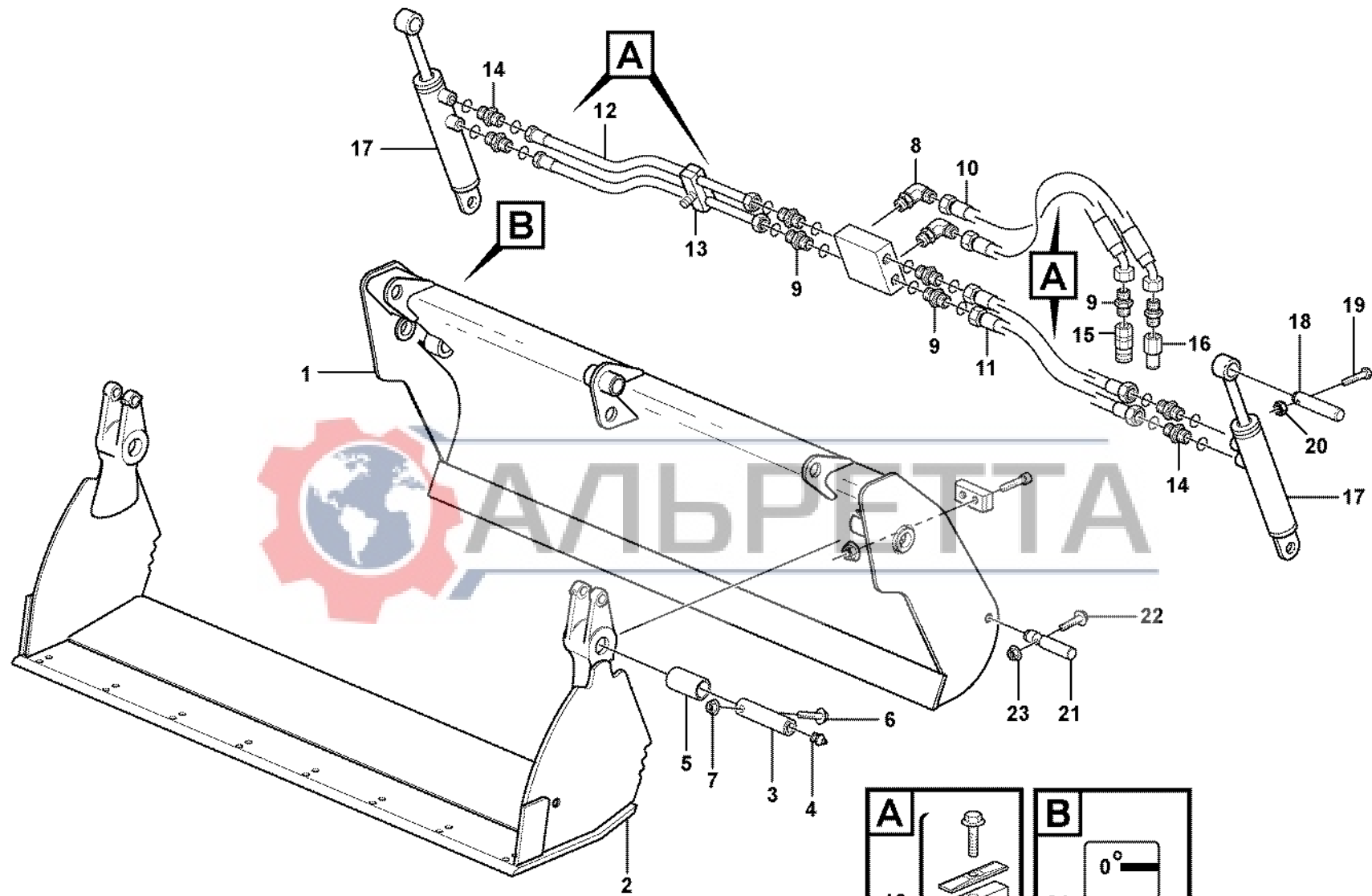


1	<b>Kombiskopa</b> <b>Cuchara multipropósitos</b> <b>Kombilöffel</b> <b>Godet combiné</b> <b>Multi-purpose bucket</b>	Catalogue id	Group
2		<b>20124</b>	<b>925</b>
3		Illustr. No	Section
4		<b>1025969</b>	<b>400</b>
5		Issue	Page
	<b>11891541</b>	<b>VOE 63A9920124</b>	<b>601</b>

**VOLVO**

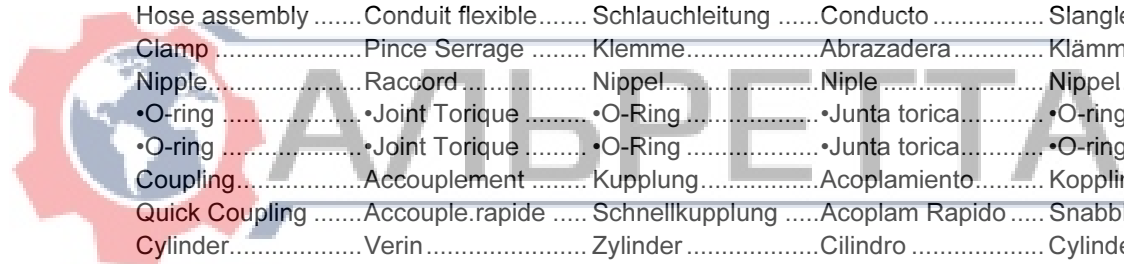
**BL61PLUS**





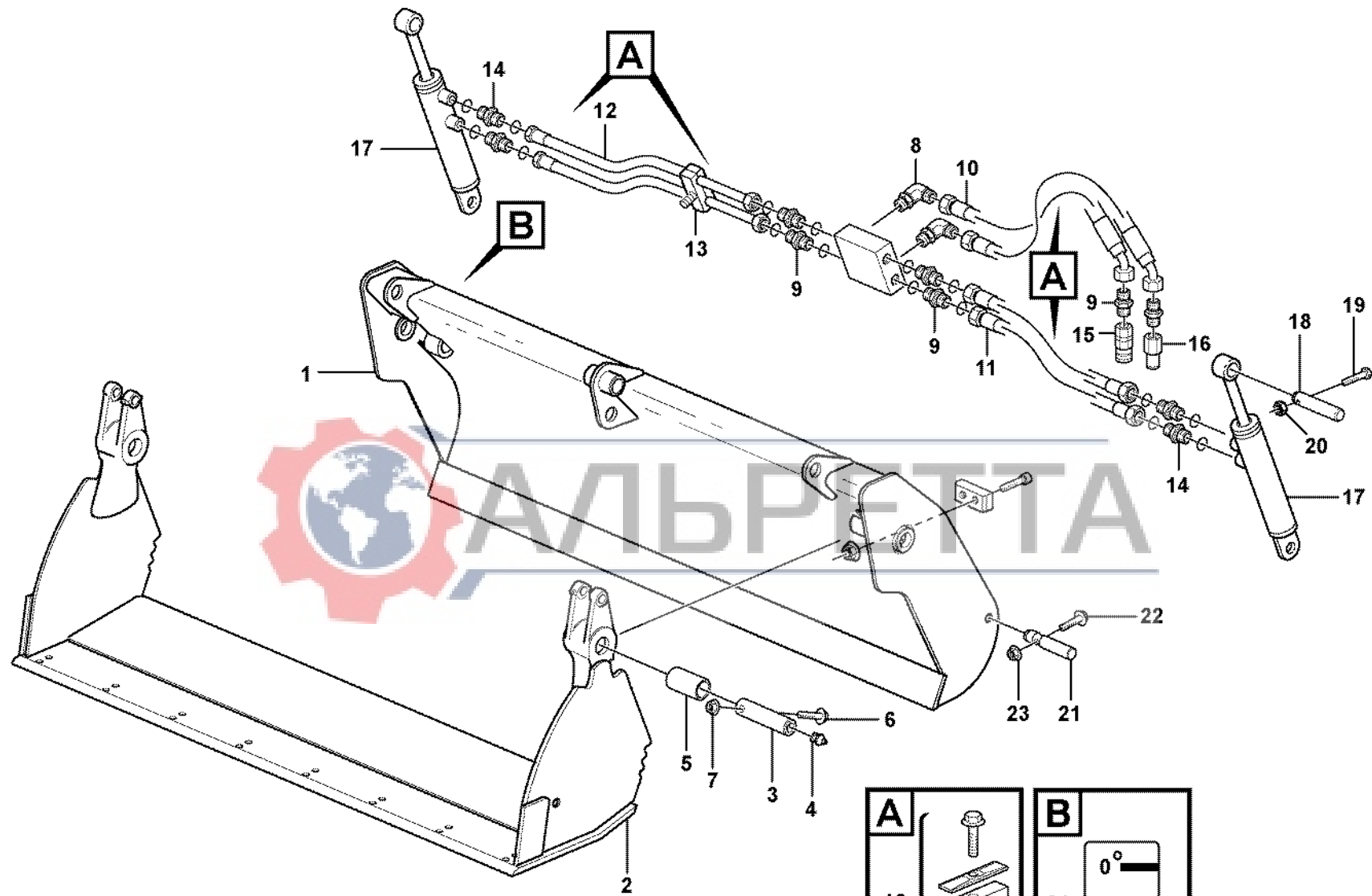
Valvo Construction  
Equipment  
1027827

Fig.	Part No.	Quantity					P S	K I T	Description	Dénomination	Bezeichnung	Denominación	Benämning	Notes
		1	2	3	4	5								
	VOE 11887224	1						Bucket.....	Godet .....	Löffel .....	Cuchara .....	Skopa .....		
1		1					NS	•Backrest Frame .....	•Cadre Dossier .....	•Rückenlehngest.....	•Marco Respaldo .....	•Ryggram.....		
2		1					NS	•Plate .....	•Plaque.....	•Platte .....	•Placa .....	•Platta.....		
3	VOE 11881091	2						•Pin .....	•Goupille.....	•Zapfen .....	•Pasador.....	•Tapp.....		
4	VOE 914167	2						•Nipple .....	•Raccord.....	•Nippel .....	•Niple .....	•Nippel.....		
5	VOE 11881154	2						•Bushing .....	•Bague.....	•Buchse.....	•Casquillo .....	•Bussning.....		
6	VOE 13965190	2						•Screw .....	•Vis .....	•Schraube .....	•Tornillo .....	•Skruv.....		
7	VOE 13971095	2						•Flange nut .....	•Ecrou accouple. ....	•Bundmutter .....	•Tuerca embridad .....	•Flänsmutter.....		
8	VOE 935073	2						Elbow nipple .....	Raccord angulaire ..	Winkelnippel .....	Niple angular .....	Vinkelnippel.....		
	VOE 990738	2						•O-ring .....	•Joint Torique .....	•O-Ring .....	•Junta torica.....	•O-ring.....		
	VOE 967750	2						•O-ring .....	•Joint torique .....	•O-Ring .....	•Anillo torico.....	•O-ring.....		
9	VOE 935092	6						Nipple.....	Raccord.....	Nippel.....	Niple .....	Nippel.....		
	VOE 990738	6						•O-ring .....	•Joint Torique .....	•O-Ring .....	•Junta torica.....	•O-ring.....		
	VOE 932041	6						•O-ring .....	•Joint Torique .....	•O-Ring .....	•Junta torica.....	•O-ring.....		
10	VOE 11886572	2						Hose assembly .....	Conduit flexible.....	Schlauchleitung .....	Conducto .....	Slangledning.....		
11	VOE 11886567	2						Hose assembly .....	Conduit flexible.....	Schlauchleitung .....	Conducto .....	Slangledning.....		
12	VOE 11886568	2						Hose assembly .....	Conduit flexible.....	Schlauchleitung .....	Conducto .....	Slangledning.....		
13	VOE 11886153	4						Clamp .....	Pince Serrage .....	Klemme .....	Abrazadera .....	Klämma.....		
14	VOE 935091	4						Nipple.....	Raccord .....	Nippel.....	Niple .....	Nippel.....		
	VOE 990738	4						•O-ring .....	•Joint Torique .....	•O-Ring .....	•Junta torica.....	•O-ring.....		
	VOE 932039	4						•O-ring .....	•Joint Torique .....	•O-Ring .....	•Junta torica.....	•O-ring.....		
15	VOE 11842117	1						Coupling.....	Accouplement .....	Kupplung.....	Acoplamiento.....	Koppling.....		
16	VOE 11886466	1						Quick Coupling .....	Accouple.rapide .....	Schnellkupplung .....	Acoplam Rapido .....	Snabbkoppling.....		
17	VOE 11882886	2						Cylinder.....	Verin .....	Zylinder .....	Cilindro .....	Cylinder.....		
18	VOE 11881149	2						Pin.....	Goupille .....	Zapfen.....	Pasador .....	Tapp.....		
19	VOE 13965182	2						Flange screw .....	Vis à bride .....	Flanschschraube .....	Torn embridado .....	Flänsskruv.....		
20	VOE 13945408	2						Nut .....	Ecrou.....	Mutter.....	Tuerca .....	Mutter.....		
21	VOE 11881153	2						Pin.....	Goupille .....	Zapfen.....	Pasador .....	Tapp.....		
22	VOE 13965188	2						Flange screw .....	Vis à bride .....	Flanschschraube .....	Torn embridado .....	Flänsskruv.....		
23	VOE 13971095	2						Flange nut.....	Ecrou accouple. ....	Bundmutter .....	Tuerca embridad .....	Flänsmutter.....		

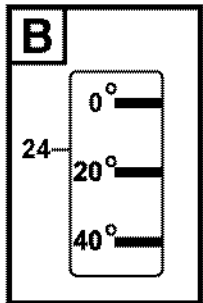
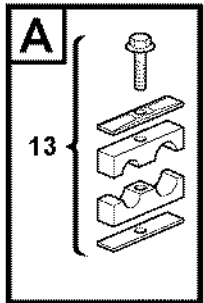


1		<b>Kombiskopa</b> <b>Cuchara multipropósitos</b> <b>Kombilöffel</b> <b>Godet combiné</b> <b>Multi-purpose bucket</b>	Catalogue id	Group
2			<b>20124</b>	<b>925</b>
3			Illustr. No	Section
4			<b>1027827</b>	<b>450</b>
5			Issue	Page
		<b>11891423</b>	<b>VOE 63A9920124</b>	<b>603</b>





АЛЬРЕТА



Valvo Construction  
Equipment  
1027827

Fig.	Part No.	Quantity					P S	K I T	Description	Dénomination	Bezeichnung	Denominación	Benämning	Notes
		1	2	3	4	5								
24	VOE 11883252	1						Decal.....	Decalcomanie.....	Abziehbild .....	Decalcomania.....	Dekal.....		



1		<b>Kombiskopa</b> <b>Cuchara multipropósitos</b> <b>Kombilöffel</b> <b>Godet combiné</b> <b>Multi-purpose bucket</b>	Catalogue id	Group
2			<b>20124</b>	<b>925</b>
3			Illustr. No	Section
4			<b>1027827</b>	<b>450</b>
5			Issue	Page
		<b>11891423</b>	<b>VOE 63A9920124</b>	<b>605</b>

**VOLVO**

**BL61PLUS**



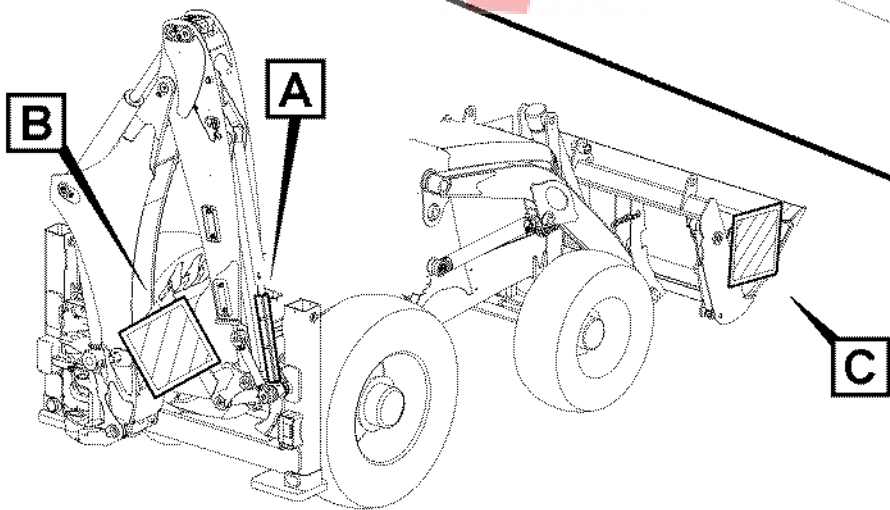
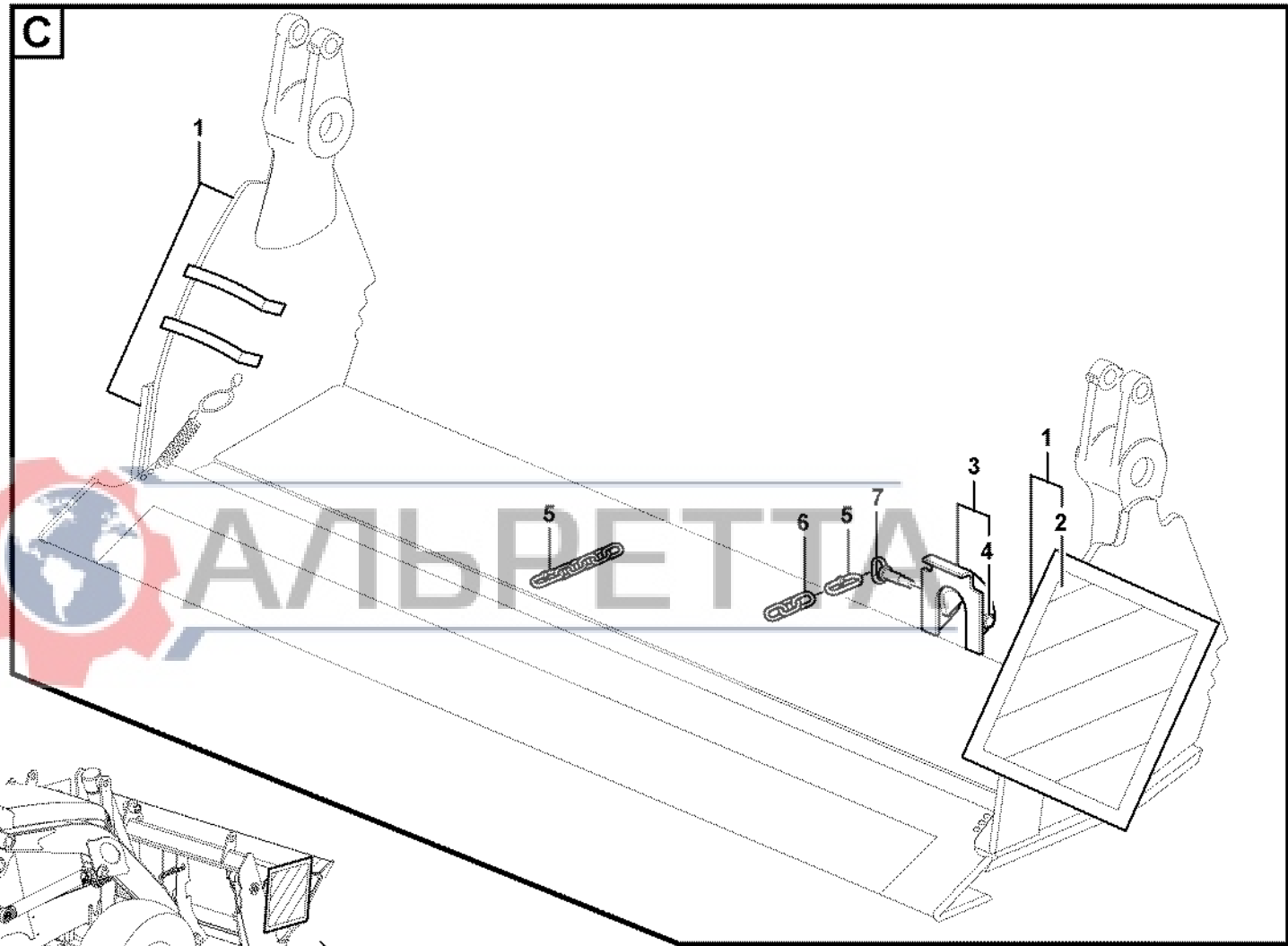
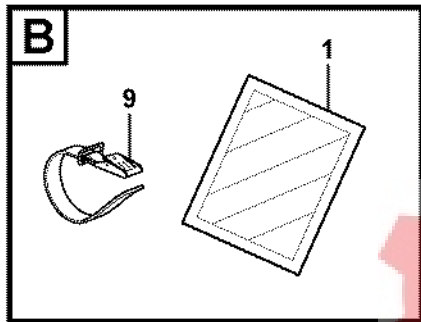
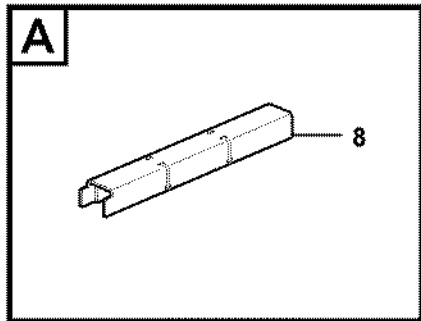


Fig.	Part No.	Quantity			P S	K I T	Description	Dénomination	Bezeichnung	Denominación	Benämning	Notes
		1	2	3								
1	VOE 11887225	3				Warning Plate .....	Panneau Signal.....	Warnschild .....	Letrero Advert .....	Varningsskylt.....		
2	VOE 11105303	1				•Decal .....	•Decalcomanie .....	•Abziehbild .....	•Decalcomania .....	•Dekal.....		
3	VOE 11887216	1				Brace.....	Etrier .....	Bügel.....	Brida.....	Bygel.....		
4	VOE 979021	1				•Hexagon Nut.....	•Ecrou Hexagonal .....	•Sechskantmutter .....	•Tuerca Hexagon .....	•Sexkantsmutter.....		
5	VOE 11884805	2				Link .....	Articulation .....	Gelenk.....	Articulacion.....	Länk.....		
6	VOE 11884806	1				Chain.....	Chaine.....	Kette.....	Cadena.....	Kedja.....		
7	VOE 11884803	1				Pin.....	Goupille.....	Zapfen .....	Pasador.....	Tapp.....		
8	VOE 11884781	1				Safety Brace .....	Etrier Securite .....	Sicherungsbugel .....	Brida Seguridad .....	Säkringsbygel.....		
9	VOE 11887203	1				Belt.....	Courroie .....	Riemen.....	Correa .....	Rem.....		



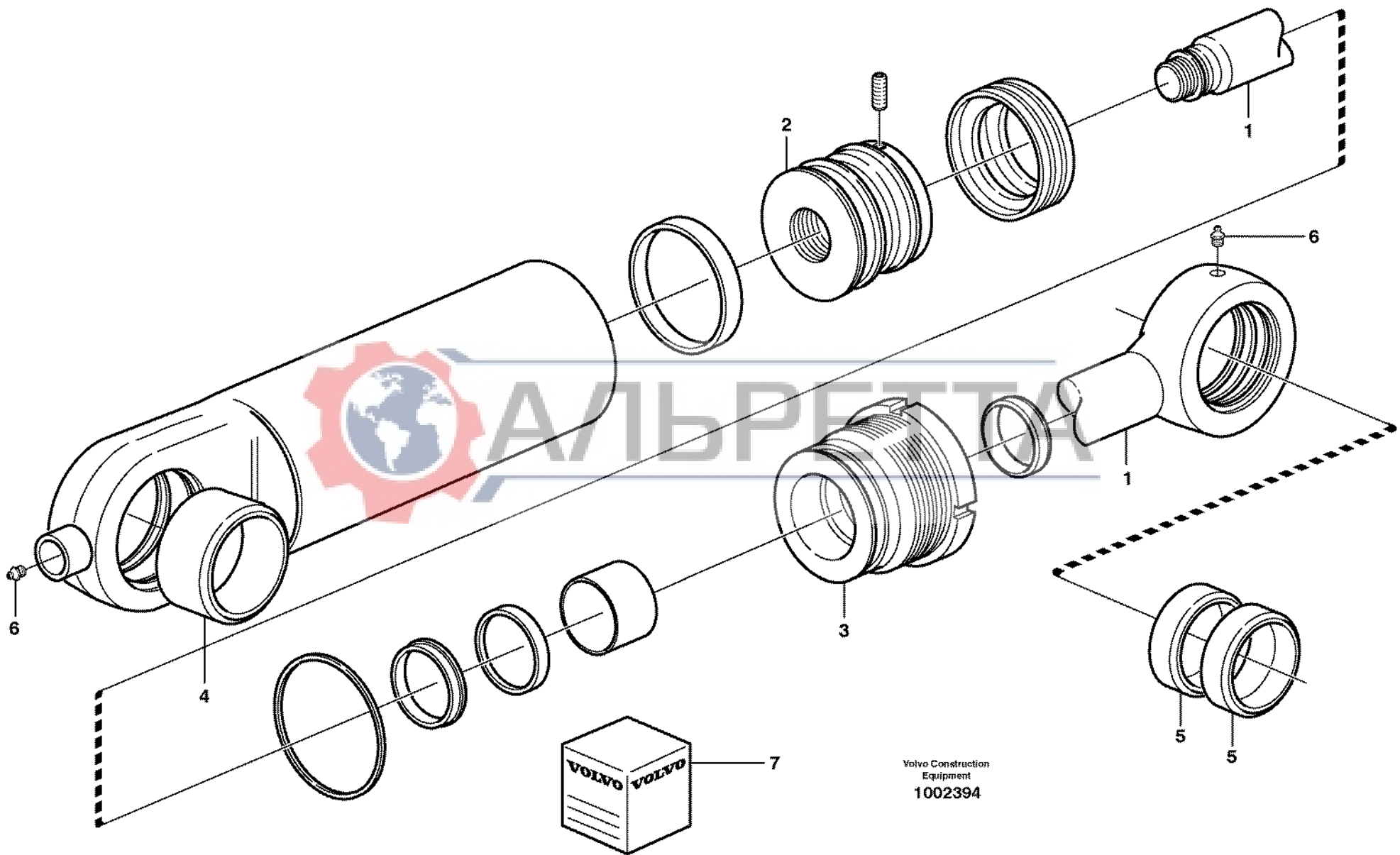
1	<b>Lagkrav, kit för Italien</b> <b>Kit para la normativa italiana</b> <b>Für Italien vorgeschriebener Satz</b> <b>Kit législation italienne</b> <b>Legal kit for Italy</b>	Catalogue id	Group
2		<b>20124</b>	<b>925</b>
3		Illustr. No	Section
4		<b>1027825</b>	<b>500</b>
5		Issue	Page
	<b>11891002</b>	<b>VOE 63A9920124</b>	<b>607</b>

**VOLVO**

**BL61PLUS**







Volvo Construction  
Equipment  
1002394

Fig.	Part No.	Quantity			P S	K I T	Description	Dénomination	Bezeichnung	Denominación	Benämning	Notes
		1	2	3								
	<b>VOE 11882886</b>	1					Cylinder.....	Verin.....	Zylinder .....	Cilindro .....	Cylinder.....	
1	<b>VOE 11709909</b>	1					•Piston rod .....	•Bielle de piston .....	•Kolbenstange .....	•Biela de piston .....	•Kolvstång.....	
2	<b>VOE 11709912</b>	1					•Piston.....	•Piston.....	•Kolben.....	•Piston .....	•Kolv.....	
3	<b>VOE 11709911</b>	1					•Pstn Rod Guide .....	•Gui.tige Piston .....	•Ko-stang Fuhrg .....	•Guia Var Piston .....	•Kolvst.styrning.....	
4	<b>VOE 11709908</b>	1					•Bushing.....	•Bague .....	•Buchse .....	•Casquillo .....	•Bussning.....	
5	<b>VOE 11709910</b>	2					•Bushing.....	•Bague .....	•Buchse .....	•Casquillo .....	•Bussning.....	
6	<b>VOE 11709664</b>	2					•Lub Nipple .....	•Graisseur .....	•Schmiernippel .....	•Engrasador .....	•Smörjnippel.....	
7	<b>VOE 11709913</b>	1					•Sealing Kit .....	•Jeu Joints.....	•Dichtungssatz .....	•Juego Retenes.....	•Tätningssats.....	

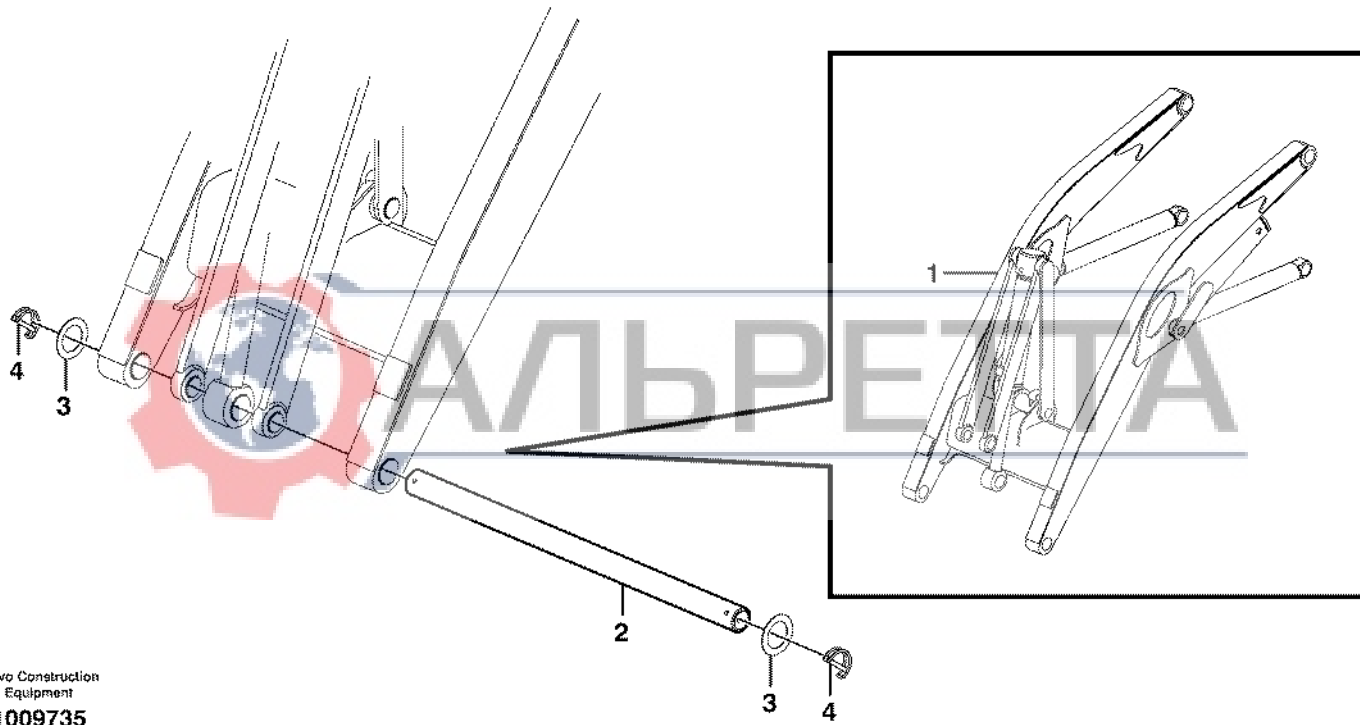


1		<b>Hydraulicylinder</b> <b>Cilindros hidráulicos</b> <b>Hydraulikzylinder</b> <b>Vérins hydrauliques</b> <b>Hydraulic cylinder</b>	Catalogue id	Group
2			<b>20124</b>	<b>925</b>
3			Illustr. No	Section
4			<b>1002394</b>	<b>600</b>
5			Issue	Page
	<b>11891018</b>		<b>VOE 63A9920124</b>	<b>609</b>

**VOLVO**

**BL61PLUS**





Volvo Construction  
Equipment  
1009735

Fig.	Part No.	Quantity			P S	K I T	Description	Dénomination	Bezeichnung	Denominación	Benämning	Notes
		1	2	3								
1		1				Loader arm.....	Bras de chargeur .....	Laderhübarm.....	Brazo de cargador.....	Lastarm.....	See group 945, Page 623	
2	VOE 11885595	1				Pin.....	Goupille.....	Zapfen.....	Pasador.....	Tapp.....		
3	VOE 11890115	2				Washer.....	Rondelle.....	Scheibe.....	Arandela.....	Bricka.....		
4	VOE 11885596	2				Clip.....	Clip.....	Klemme.....	Clip.....	Clips.....		



1	<b>Transportfäste utan frontskopa</b> <b>Fijaciones de transporte sin cuchara frontal</b> <b>Transporthalterung ohne Schaufel</b> <b>Fixation transport sans godet frontal</b> <b>Transport bracket without front bucket</b>	Catalogue id	Group
2		<b>20124</b>	<b>925</b>
3		Illustr. No	Section
4		<b>1009735</b>	<b>700</b>
5		Issue	Page
	<b>11891350</b>	<b>VOE 63A9920124</b>	<b>611</b>

**VOLVO**

**BL61PLUS**



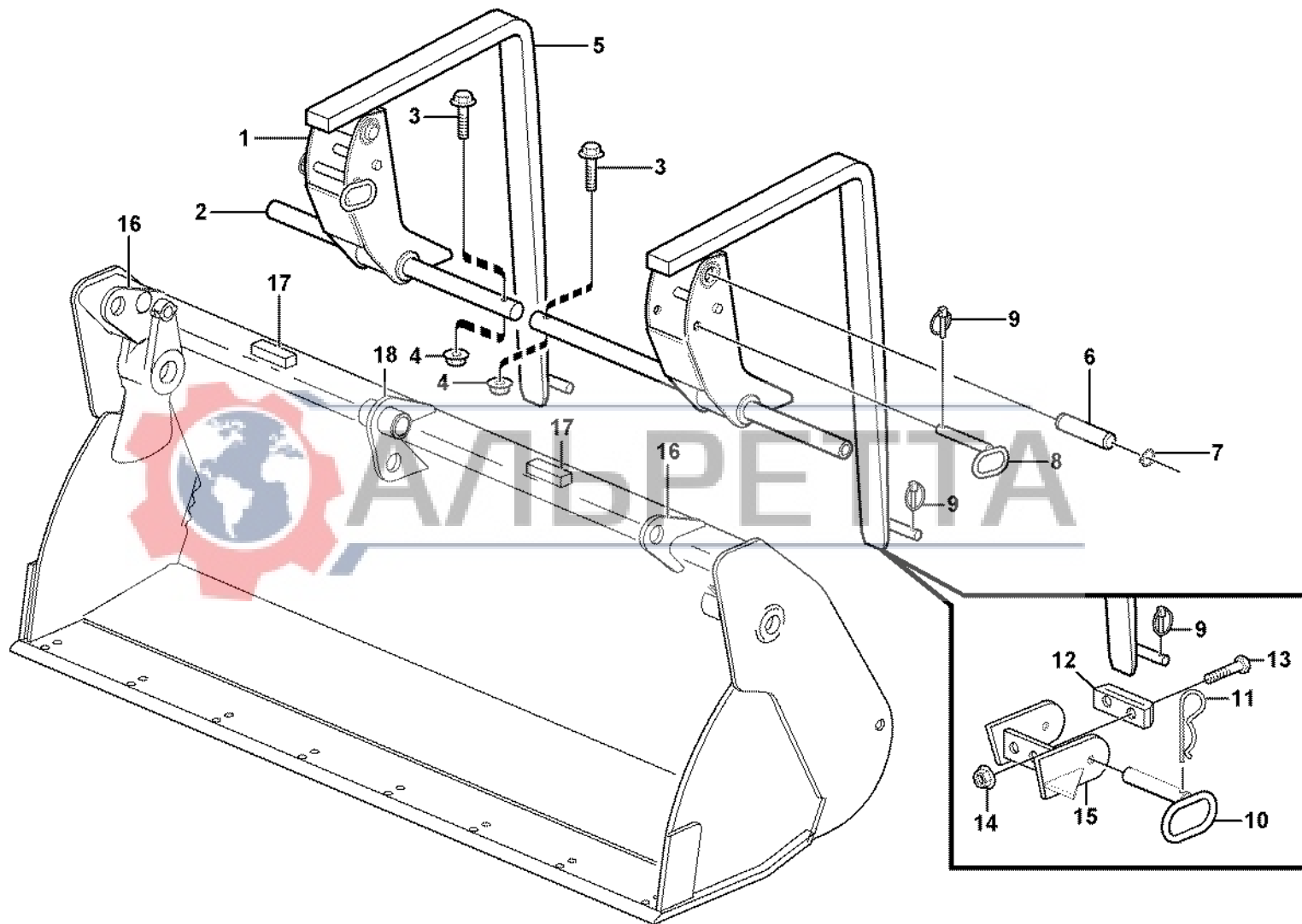
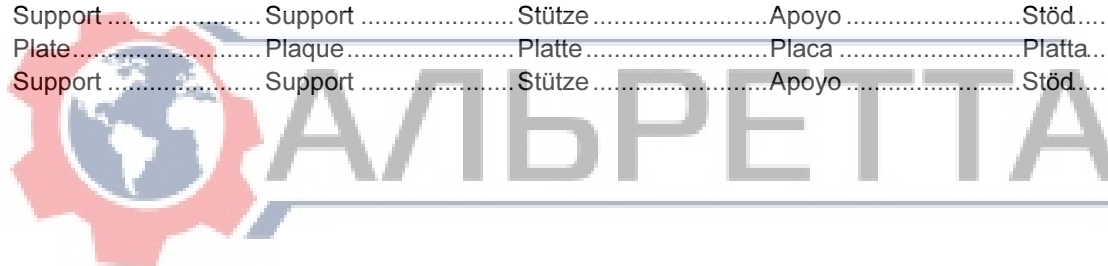


Fig.	Part No.	Quantity			P S	K I T	Description	Dénomination	Bezeichnung	Denominación	Benämning	Notes
		1	2	3								
1	VOE 11884125	2	2			Bracket.....	Console.....	Konsole .....	Ménsula.....	Konsol.....	(VOE 11881578)	
2	VOE 11881580	2	2			Fork bracket.....	Fixation de fourche .....	Gabelbefestigung .....	Soporte de horquilla .....	Gaffelfäste.....		
3	VOE 13965189	2	2			Flange screw.....	Vis a bride .....	Flanschschraube.....	Torn embridado .....	Flänsskruv.....		
4	VOE 13971095	2	2			Flange nut.....	Ecrou accouple. ....	Bundmutter.....	Tuerca embridada .....	Flänsmutter.....		
5	VOE 11881579	2	2			Fork.....	Fourche.....	Gabel.....	Horquilla .....	Gaffel.....		
6	VOE 11881582	2	2			Pin.....	Goupille.....	Zapfen .....	Pasador.....	Tapp.....		
7	VOE 13914468	4	4			Snap Ring .....	Circlip .....	Nutring.....	Circlip .....	Spårring.....		
8	VOE 11881581	2	2			Pin.....	Clavette.....	Splint .....	Pasador.....	Sprint.....		
9	VOE 11881622	2	2			Locking pin.....	Goupille d'arrêt.....	Schliessbolzen .....	Pasador de cierre .....	Låspinne.....		
10	VOE 11884099	2	2			Pin.....	Clavette.....	Splint .....	Pasador.....	Sprint.....	(VOE 11883382)	
11	VOE 978997	2	2			Retaining pin.....	Goupille elast .....	Federsplint .....	Pasador resorte.....	Fjädersprint.....		
12	VOE 11881583	2	2			Rubber Block .....	Bloc Caoutchouc.....	Gummiblock .....	Bloque Goma .....	Gummikuts.....		
13	VOE 13947760	4	4			Flange screw.....	Vis à bride .....	Flanschschraube.....	Torn embridado .....	Flänsskruv.....		
14	VOE 948645	4	4			Flange Lock Nut.....	Contre écrou bride .....	Flanschmutter .....	Contratuer Embr.....	Flänslåsmutter.....		
15	VOE 11884972	1				Bracket.....	Console.....	Konsole .....	Ménsula.....	Konsol.....	LH	
	VOE 11884973	1				Fork bracket.....	Fixation de fourche .....	Gabelbefestigung .....	Soporte de horquilla .....	Gaffelfäste.....	RH	
16	VOE 11884971	2				Support.....	Support .....	Stütze .....	Apoyo .....	Stöd.....		
17	VOE 11884928	2				Plate.....	Plaque .....	Platte .....	Placa .....	Platta.....		
18	VOE 11885010	1				Support.....	Support .....	Stütze .....	Apoyo .....	Stöd.....		

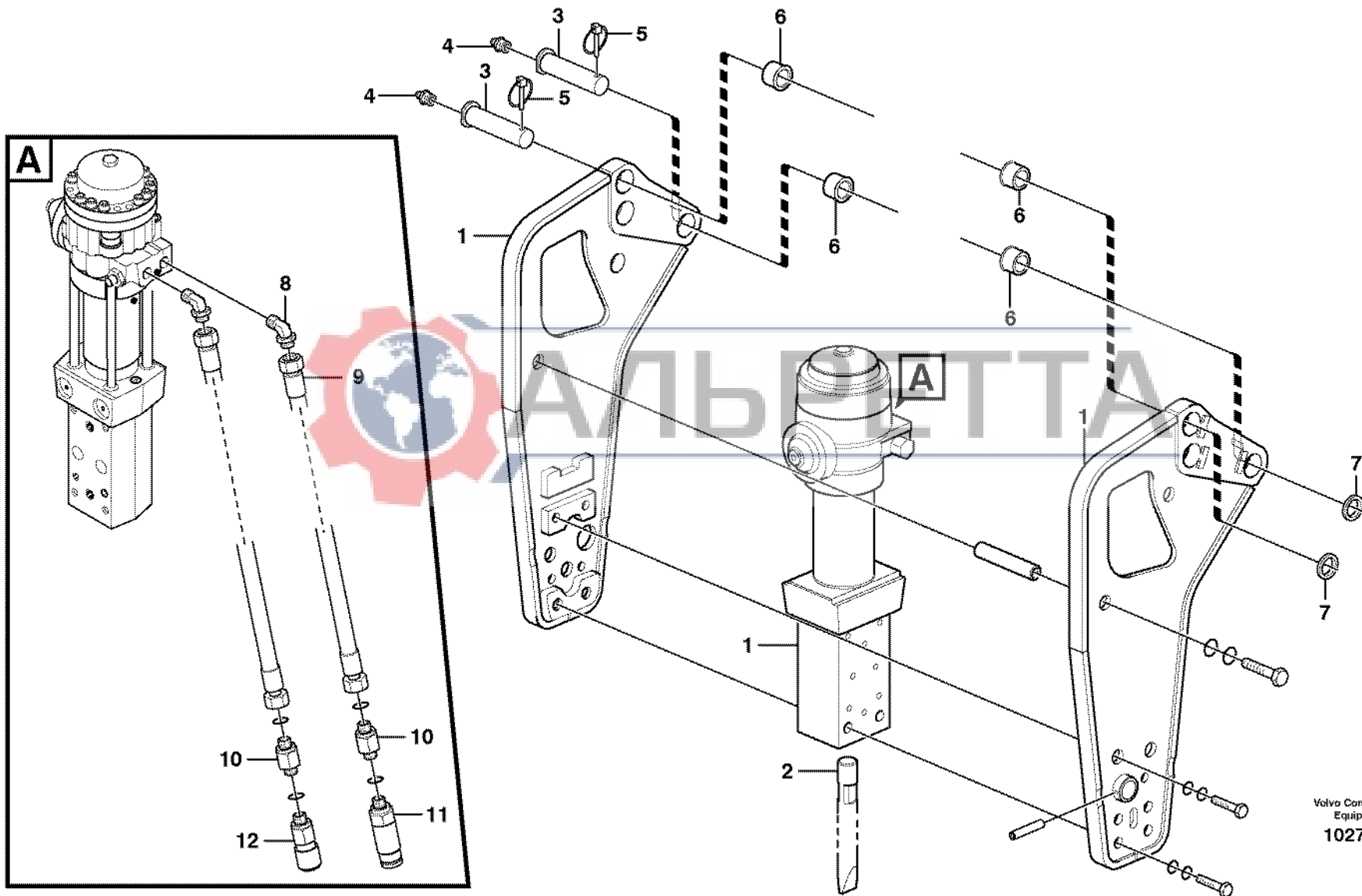


1	11891282	<b>Gaffelarm</b> <b>Brazo horquilla</b> <b>Gabelzinke</b> <b>Bras fourche</b> <b>Fork arm</b>	Catalogue id	Group
2	11891176		<b>20124</b>	<b>926</b>
3			Illustr. No	Section
4			<b>1012596</b>	<b>100</b>
5			Issue	Page
			<b>VOE 63A9920124</b>	<b>613</b>

**VOLVO**

**BL61PLUS**





Volvo Construction  
Equipment  
1027222

Fig.	Part No.	Quantity			P S	K I T	Description	Dénomination	Bezeichnung	Denominación	Benämning	Notes
		1	2	3								
1		1				Hammer .....	Marteau .....	Hammer .....	Martillo .....	Hammare .....	See group 926, Page 617	
2	<b>VOE 11884071</b>	1				Tool .....	Outil .....	Gerät .....	Aparejo .....	Redskap .....		
2		1				Tool .....	Outil .....	Gerät .....	Aparejo .....	Redskap .....	See group 926, Page 621	
3	<b>VOE 11884032</b>	2				Pin .....	Goupille .....	Zapfen .....	Pasador .....	Tapp .....		
4	<b>VOE 914167</b>	2				Nipple .....	Raccord .....	Nippel .....	Niple .....	Nippel .....		
5	<b>VOE 11881622</b>	2				Locking pin .....	Goupille d'arrêt .....	Schliessbolzen .....	Pasador de cierre .....	Låspinne .....		
6	<b>VOE 11883969</b>	4				Bushing .....	Bague .....	Buchse .....	Casquillo .....	Bussning .....		
7	<b>VOE 955912</b>	2				Washer .....	Rondelle .....	Scheibe .....	Arandela .....	Bricka .....		
8	<b>VOE 11885306</b>	2				Fitting .....	Ecrou raccord .....	Verschraubung .....	Racor .....	Förskruvning .....		
9	<b>VOE 11885789</b>	2				Hose .....	Durit .....	Schlauch .....	Tubo flexible .....	Slang .....		
10	<b>VOE 11881382</b>	2				Nipple .....	Raccord .....	Nippel .....	Niple .....	Nippel .....		
	<b>VOE 981290</b>	1				O-ring .....	Joint Torique .....	O-Ring .....	Junta torica .....	O-ring .....		
	<b>VOE 932040</b>	1				O-ring .....	Joint Torique .....	O-Ring .....	Junta torica .....	O-ring .....		
11	<b>VOE 11882299</b>	1				Fitting .....	Raccord tuyau .....	Rohrkupplung .....	Acoplam tubo .....	Rörkoppling .....		
12	<b>VOE 11882298</b>	1				Fitting .....	Raccord tuyau .....	Rohrkupplung .....	Acoplam tubo .....	Rörkoppling .....		



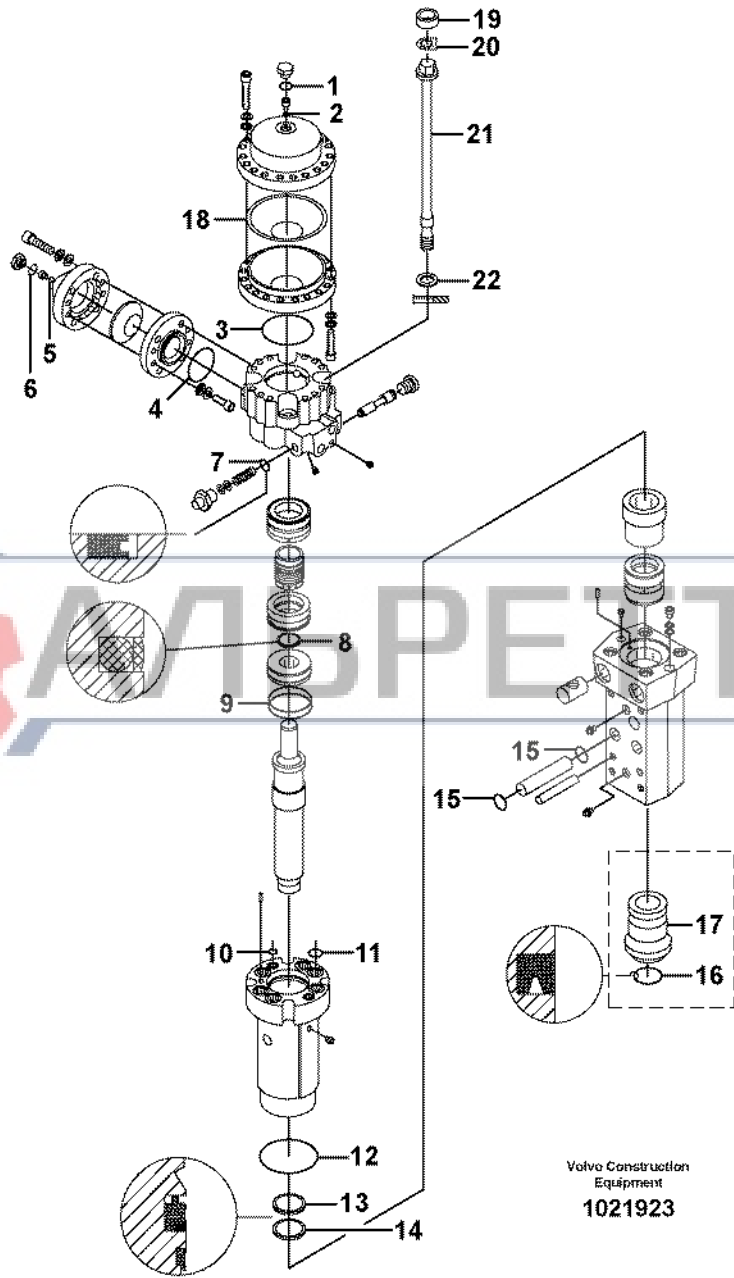
1		<b>Hållare för hammare</b> <b>Soporte para martillo</b> <b>Halter für Hammer</b> <b>Support de marteau</b> <b>Retainer for hammer</b>  <b>11891017</b>	Catalogue id	Group
2			<b>20124</b>	<b>926</b>
3			Illustr. No	Section
4			<b>1027222</b>	<b>200</b>
5			Issue	Page
			<b>VOE 63A9920124</b>	<b>615</b>

**VOLVO**

**BL61PLUS**







Volvo Construction  
Equipment  
1021923

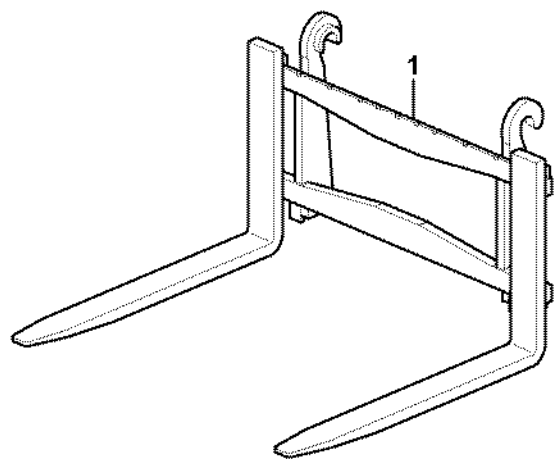
Fig.	Part No.	Quantity			P S	K I T	Description	Dénomination	Bezeichnung	Denominación	Benämning	Notes
		1	2	3								
	<b>VOE 11885267</b>	1				Hammer .....	Marteau .....	Hammer .....	Martillo .....	Hammare .....		
	<b>VOE 11988196</b>	1				•Sealing Kit .....	•Jeu Joints .....	•Dichtungssatz .....	•Juego Retenes .....	•Tätningssats .....		
1		1			NS	•O-ring .....	•Joint Torique .....	•O-Ring .....	•Junta torica .....	•O-ring .....		
2		1			NS	•Ring .....	•Anneau .....	•Ring .....	•Anillo .....	•Ring .....		
3		1			NS	•O-ring .....	•Joint Torique .....	•O-Ring .....	•Junta torica .....	•O-ring .....		
4		1			NS	•O-ring .....	•Joint Torique .....	•O-Ring .....	•Junta torica .....	•O-ring .....		
5		1			NS	•Ring .....	•Anneau .....	•Ring .....	•Anillo .....	•Ring .....		
6		1			NS	•O-ring .....	•Joint Torique .....	•O-Ring .....	•Junta torica .....	•O-ring .....		
7		1			NS	•Seal .....	•Joint .....	•Dichtring .....	•Junta .....	•Tätning .....		
8		1			NS	•Seal .....	•Joint .....	•Dichtring .....	•Junta .....	•Tätning .....		
9		2			NS	•O-ring .....	•Joint Torique .....	•O-Ring .....	•Junta torica .....	•O-ring .....		
10		2			NS	•O-ring .....	•Joint Torique .....	•O-Ring .....	•Junta torica .....	•O-ring .....		
11		6			NS	•O-ring .....	•Joint Torique .....	•O-Ring .....	•Junta torica .....	•O-ring .....		
12		1			NS	•O-ring .....	•Joint Torique .....	•O-Ring .....	•Junta torica .....	•O-ring .....		
13		1			NS	•Seal .....	•Joint .....	•Dichtring .....	•Junta .....	•Tätning .....		
14		1			NS	•Wiper .....	•Essuie-glace .....	•Wischer .....	•Limpiaparabrisa .....	•Torkare .....		
15		4			NS	•O-ring .....	•Joint Torique .....	•O-Ring .....	•Junta torica .....	•O-ring .....		
16		1			NS	•Seal .....	•Joint .....	•Dichtring .....	•Junta .....	•Tätning .....		
17	<b>VOE 11710932</b>	1				•Bushing .....	•Bague .....	•Buchse .....	•Casquillo .....	•Bussning .....		
18	<b>VOE 11710933</b>	1				•Diaphragm .....	•Diaphragme .....	•Membrane .....	•Diafragma .....	•Membran .....		
19	<b>VOE 11716349</b>	4				•Rubber Ring .....	•Bague Caoutcho .....	•Gummiring .....	•Aro Goma .....	•Gummiring .....		
20	<b>VOE 11716348</b>	4				•Lock Plate .....	•Plaque Verroui .....	•Verschl Platte .....	•Placa Seguridad .....	•Låsplatta .....		
21	<b>VOE 11716347</b>	4				•Tie Rod .....	•Barre Accouple .....	•Spurstange .....	•Barra Acoplam .....	•Parallellstag .....		
22	<b>VOE 11716350</b>	4				•Washer .....	•Rondelle .....	•Scheibe .....	•Arandela .....	•Bricka .....		

1		<b>Hammare</b> <b>Martillo</b> <b>Hammer</b> <b>Marteau</b> <b>Hammer</b>  <b>11891017</b>	Catalogue id	Group
2			<b>20124</b>	<b>926</b>
3			Illustr. No	Section
4			<b>1021923</b>	<b>250</b>
5			Issue	Page
			<b>VOE 63A9920124</b>	<b>617</b>

**VOLVO**

**BL61PLUS**





АЛЬРЕТТА

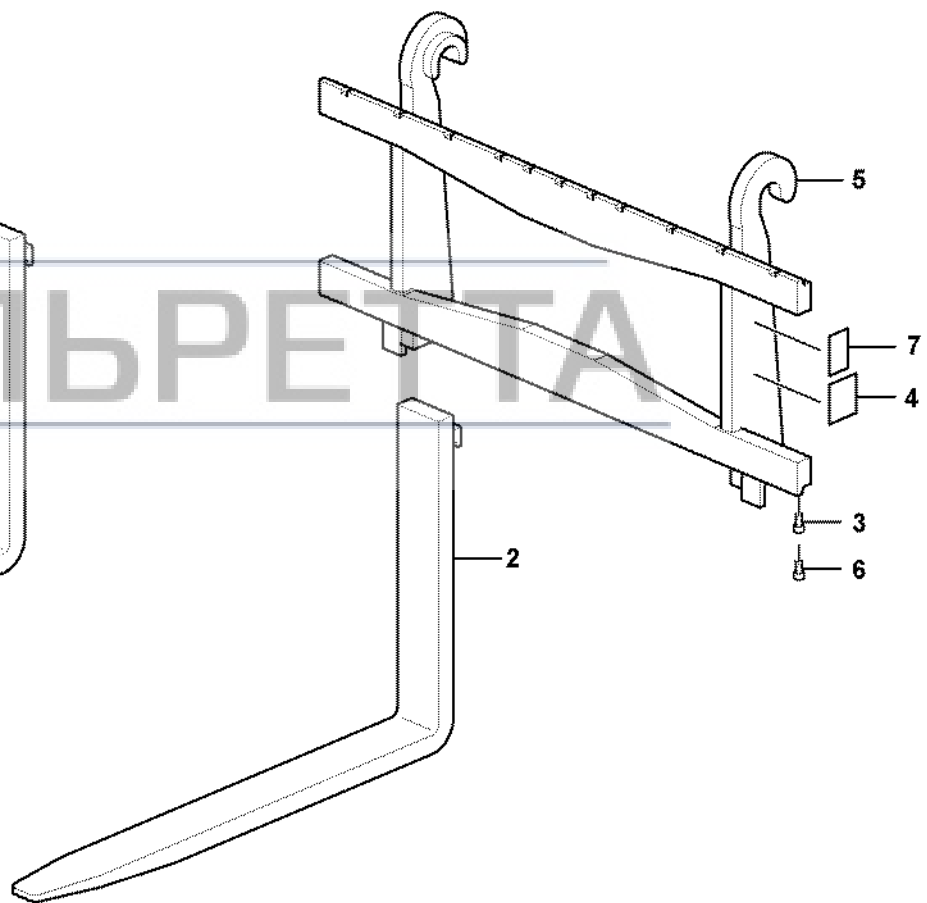
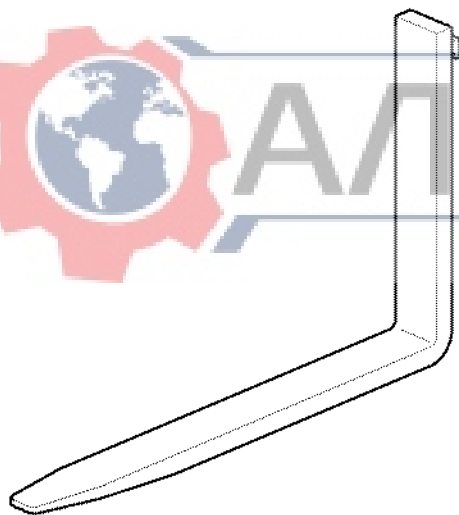


Fig.	Part No.	Quantity			P S	K I T	Description	Dénomination	Bezeichnung	Denominación	Benämning	Notes
		1	2	3								
1	VOE 2805037	1	1			Fork.....	Fourche.....	Gabel.....	Horquilla.....	Gaffel.....		
2	VOE 2801695	2				Fork tines.....	Dent de fourchette.....	Gabelzinke.....	Púas de la horquilla.....	Gaffelarm.....		
2	VOE 2801697		2			Fork tines.....	Dent de fourchette.....	Gabelzinke.....	Púas de la horquilla.....	Gaffelarm.....		
3	VOE 984086	2	2			Screw.....	Vis.....	Schraube.....	Tornillo.....	Skruv.....		
4		1		NS		Decal.....	Decalcomanie.....	Abziehbild.....	Decalcomania.....	Dekal.....		
5	VOE 2805037			1		Support.....	Bati.....	Stativ.....	Base.....	Stativ.....		
6	VOE 11306209			2		Screw.....	Vis.....	Schraube.....	Tornillo.....	Skruv.....		
7				1 NS		Sign.....	Enseigne.....	Schild.....	Letrero.....	Skylt.....		



1	11891498 1000 MM	<b>Gafflar (tillval)</b> <b>Horquillas (opcional)</b> <b>Gabeln (optional)</b> <b>Fourches (option)</b> <b>Forks (optional)</b>	Catalogue id	Group
2	11891504 1200 MM		<b>20124</b>	<b>926</b>
3	2805036 1450 MM		Illustr. No	Section
4			<b>1027807</b>	<b>300</b>
5			Issue	Page
			<b>VOE 63A9920124</b>	<b>619</b>
11891498, 11891504, 2805036				

**VOLVO**

**BL61PLUS**



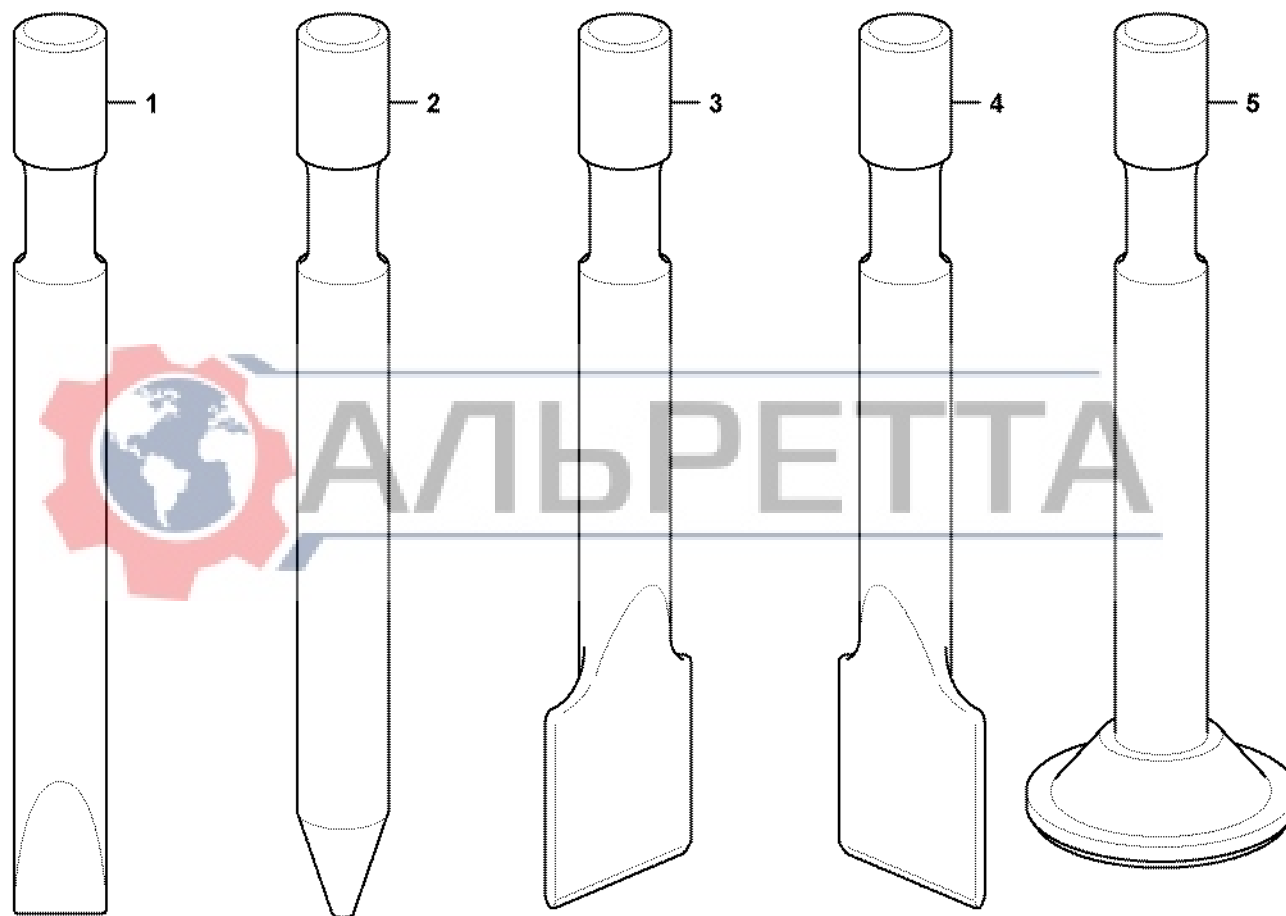


Fig.	Part No.	Quantity					P S	K I T	Description	Dénomination	Bezeichnung	Denominación	Benämning	Notes
		1	2	3	4	5								
1	VOE 11884072	1						Tool.....	Outil.....	Gerät.....	Aparejo.....	Redskap.....		
2	VOE 11884071		1					Tool.....	Outil.....	Gerät.....	Aparejo.....	Redskap.....		
3	VOE 11712547			1				Tool.....	Outil.....	Gerät.....	Aparejo.....	Redskap.....		
4	VOE 11712548				1			Tool.....	Outil.....	Gerät.....	Aparejo.....	Redskap.....		
5	VOE 11712549					1		Tool.....	Outil.....	Gerät.....	Aparejo.....	Redskap.....		



1	11845236	Hammare Martillo Hammer Marteau Hammer	Catalogue id	Group
2	11845237		<b>20124</b>	<b>926</b>
3	11845238		Illustr. No	Section
4	11845239		<b>1027809</b>	<b>350</b>
5	11845240		Issue	Page
			<b>VOE 63A9920124</b>	<b>621</b>

**VOLVO**

**BL61PLUS**



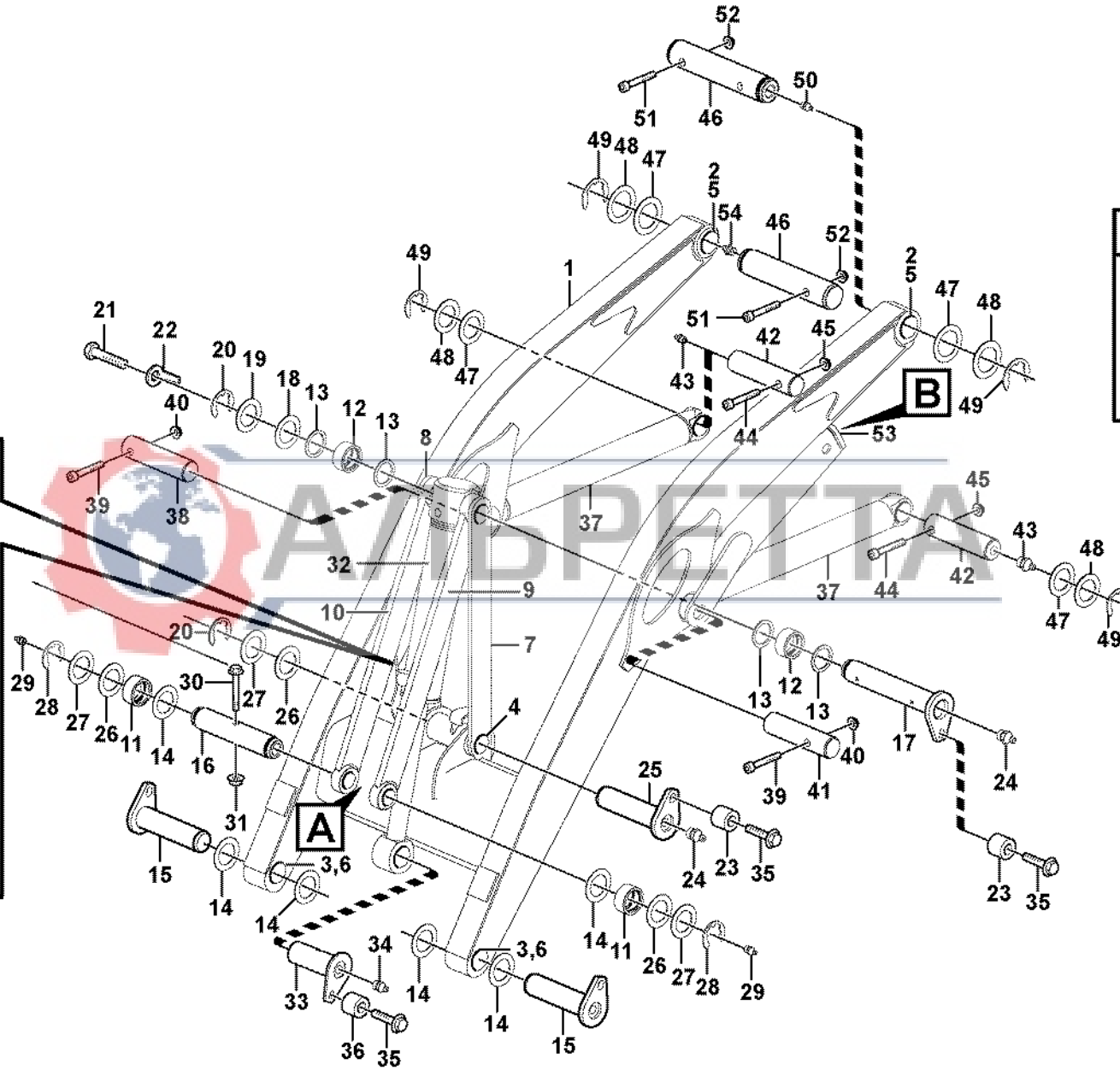
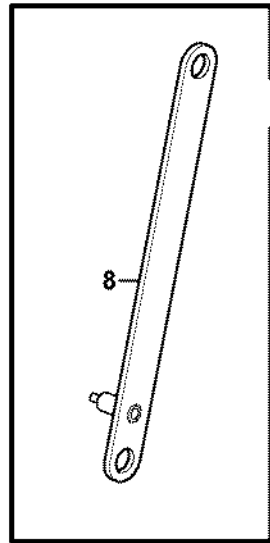
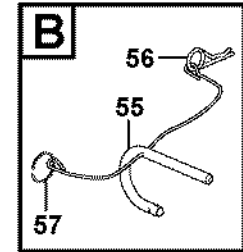
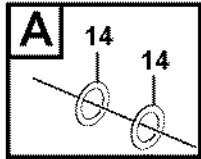


Fig.	Part No.	Quantity			P S	K I T	Description	Dénomination	Bezeichnung	Denominación	Benämning	Notes
		1	2	3								
1	VOE 11889130	1				Loader arm.....	Bras de chargeur .....	Laderhübarm.....	Brazo de cargador.....	Lastarm.....		
2	VOE 11883772	2				•Bushing.....	•Bague .....	•Buchse .....	•Casquillo .....	•Bussning.....		
3	VOE 11883802	2				•Bushing.....	•Bague .....	•Buchse .....	•Casquillo .....	•Bussning.....		
4	VOE 11883803	2				•Bushing.....	•Bague .....	•Buchse .....	•Casquillo .....	•Bussning.....		
5	VOE 11890069	2				Seal.....	Joint .....	Dichtung .....	Reten.....	Tätning.....		
6	VOE 11882456	2				Seal.....	Joint .....	Dichtung .....	Reten.....	Tätning.....		
7	VOE 11884638	1				Link .....	Articulation .....	Gelenk.....	Articulacion.....	Länk.....	LH	
8	VOE 11887308	1				Arm .....	Bras.....	Arm.....	Brazo.....	Arm.....	RH	
9	VOE 11884822	1				Link .....	Articulation .....	Gelenk.....	Articulacion.....	Länk.....	LH	
10	VOE 11884815	1				Link .....	Articulation .....	Gelenk.....	Articulacion.....	Länk.....	RH	
11	VOE 11883801	2				•Bushing.....	•Bague .....	•Buchse .....	•Casquillo .....	•Bussning.....		
12	VOE 11883857	2				•Bushing.....	•Bague .....	•Buchse .....	•Casquillo .....	•Bussning.....		
13	VOE 11883937	4				Scraper .....	Racloir.....	Abstreicher.....	Rascador.....	Skrapa.....		
14	VOE 11882456	8				Seal.....	Joint .....	Dichtung .....	Reten.....	Tätning.....		
15		2				Pin.....	Goupille.....	Zapfen.....	Pasador.....	Tapp.....		
16	VOE 11882932	1				Pin.....	Goupille.....	Zapfen.....	Pasador.....	Tapp.....		
17	VOE 11888280	1				Pin.....	Goupille.....	Zapfen.....	Pasador.....	Tapp.....		
18	VOE 11883929	1				Washer.....	Rondelle.....	Scheibe.....	Arandela.....	Bricka.....	THICK = 2 MM	
19	VOE 11883930	1				Washer.....	Rondelle.....	Scheibe.....	Arandela.....	Bricka.....	THICK = 3 MM	
20	VOE 11890110	2				Snap Ring.....	Circlip.....	Nutring.....	Circlip.....	Spårring.....		
21	VOE 13965191	1				Flange screw.....	Vis à bride.....	Flanschschraube.....	Torn embridado.....	Flänsskruv.....		
22	VOE 11884117	1				Indicator.....	Indicateur.....	Indikator.....	Indicador.....	Indikator.....		
23	VOE 11888951	2				Spacer Tube.....	Tube Entretoise.....	Abstandrohr.....	Tubo Dist.....	Distansrör.....		
24	VOE 914167	2				Nipple.....	Raccord.....	Nippel.....	Niple.....	Nippel.....		
25	VOE 11883032	1				Pin.....	Goupille.....	Zapfen.....	Pasador.....	Tapp.....		
26	VOE 11890115	REQ				Washer.....	Rondelle.....	Scheibe.....	Arandela.....	Bricka.....	THICK = 2 MM	
27	VOE 11890116	REQ				Washer.....	Rondelle.....	Scheibe.....	Arandela.....	Bricka.....	THICK = 3 MM	
28	VOE 11890110	2				Snap Ring.....	Circlip.....	Nutring.....	Circlip.....	Spårring.....		
29	VOE 914167	2				Nipple.....	Raccord.....	Nippel.....	Niple.....	Nippel.....		
30	VOE 969313	1				Flange screw.....	Vis à bride.....	Flanschschraube.....	Torn embridado.....	Flänsskruv.....		

1		<b>Lyftframverk med monteringsdetaljer</b> <b>Bastidor elevación con piezas de montaje</b> <b>Hubgerüst mit Anbauteilen</b> <b>Chassis levage avec pièces de montage</b> <b>Lifting framework with assembly parts</b>	Catalogue id	Group
2			<b>20124</b>	<b>945</b>
3			Illustr. No	Section
4			<b>1026994</b>	<b>100</b>
5			Issue	Page
			<b>VOE 63A9920124</b>	<b>623</b>

**VOLVO**

**BL61PLUS**





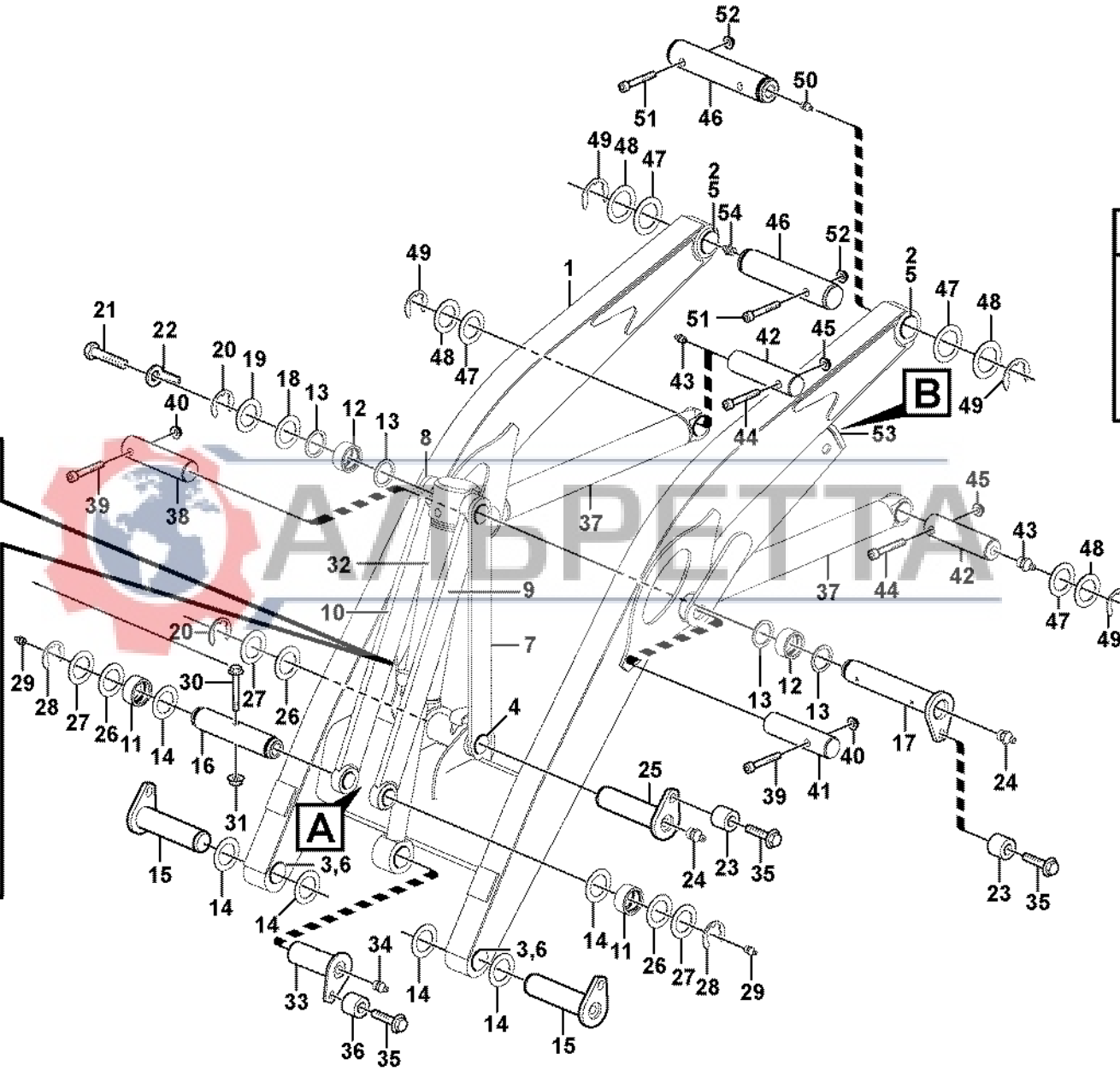
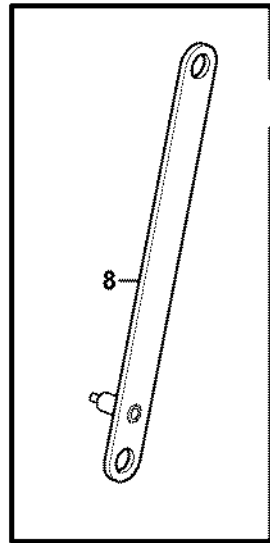
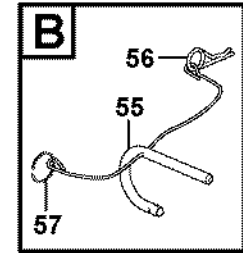
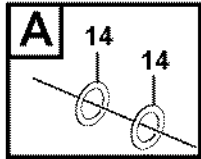


Fig.	Part No.	Quantity			P S	K I T	Description	Dénomination	Bezeichnung	Denominación	Benämning	Notes
		1	2	3								
31	VOE 13971098	1				Flange nut.....	Ecrou accouple.....	Bundmutter.....	Tuerca embridad.....	Flänsmutter.....		
32		1				Tilt Cylinder.....	Verin inclinaison.....	Neigungszylinderr.....	Maquina inclinacion.....	Tiltcylinder.....		
33	VOE 11884182	1				Pin.....	Goupille.....	Zapfen.....	Pasador.....	Tapp.....		
34	VOE 914167	1				Nipple.....	Raccord.....	Nippel.....	Niple.....	Nippel.....		
35	VOE 974428	3				Flange screw.....	Vis à bride.....	Flanschschrabe.....	Torn embridado.....	Flänsskruv.....		
36	VOE 11884170	1				Spacer.....	Entretoise.....	Abstandstueck.....	Casquillo distanciad.....	Distans.....		
37		2				Lifting cylinder.....	Verin levage.....	Hubzylinder.....	Cilindro elevacion.....	Lyftcylinder.....		
38	VOE 11888366	1				Pin.....	Goupille.....	Zapfen.....	Pasador.....	Tapp.....		
39	VOE 967640	2				Screw.....	Vis.....	Schraube.....	Tornillo.....	Skruv.....		
40	VOE 983304	4				Hexagon Nut.....	Ecrou Hexagonal.....	Sechskantmutter.....	Tuerca Hexagon.....	Sexkantsmutter.....		
41	VOE 11883381	1				Pin.....	Goupille.....	Zapfen.....	Pasador.....	Tapp.....	(VOE 11882421)	
42	VOE 11883858	2				Pin.....	Goupille.....	Zapfen.....	Pasador.....	Tapp.....		
43	VOE 914167	2				Nipple.....	Raccord.....	Nippel.....	Niple.....	Nippel.....		
44	VOE 967640	2				Screw.....	Vis.....	Schraube.....	Tornillo.....	Skruv.....		
45	VOE 13971098	2				Flange nut.....	Ecrou accouple.....	Bundmutter.....	Tuerca embridad.....	Flänsmutter.....		
46	VOE 11883029	2				Pin.....	Goupille.....	Zapfen.....	Pasador.....	Tapp.....		
47	VOE 11890117	REQ				Washer.....	Rondelle.....	Scheibe.....	Arandela.....	Bricka.....	THICK = 2 MM	
48	VOE 11890118	REQ				Washer.....	Rondelle.....	Scheibe.....	Arandela.....	Bricka.....	THICK = 3 MM	
49	VOE 11890109	4				Snap Ring.....	Circlip.....	Nutring.....	Circlip.....	Spärring.....		
50	VOE 914167	1				Nipple.....	Raccord.....	Nippel.....	Niple.....	Nippel.....		
51	VOE 968237	2				Flange screw.....	Vis à bride.....	Flanschschrabe.....	Torn embridado.....	Flänsskruv.....		
52	VOE 13971098	2				Flange nut.....	Ecrou accouple.....	Bundmutter.....	Tuerca embridad.....	Flänsmutter.....		
53	VOE 11888910	2				Safety Brace.....	Etrier Securite.....	Sicherungsbugel.....	Brida Seguridad.....	Säkringsbygel.....		
54	VOE 11887317	1				Lubricating nipple.....	Graisseur.....	Schmiernippel.....	Engrasador.....	Smörjnippel.....		
55	VOE 11888912	1				Pin.....	Goupille.....	Zapfen.....	Pasador.....	Tapp.....		
56	VOE 11888913	1				Pin.....	Goupille.....	Zapfen.....	Pasador.....	Tapp.....		
57	VOE 11884616	1				Ring.....	Anneau.....	Ring.....	Anillo.....	Ring.....		

1	<b>Lyftramverk med monteringsdetaljer</b> <b>Bastidor elevación con piezas de montaje</b> <b>Hubgerüst mit Anbauteilen</b> <b>Chassis levage avec pièces de montage</b> <b>Lifting framework with assembly parts</b>	Catalogue id	Group
2		<b>20124</b>	<b>945</b>
3		Illustr. No	Section
4		<b>1026994</b>	<b>100</b>
5		Issue	Page
		<b>VOE 63A9920124</b>	<b>625</b>

**VOLVO**

**BL61PLUS**



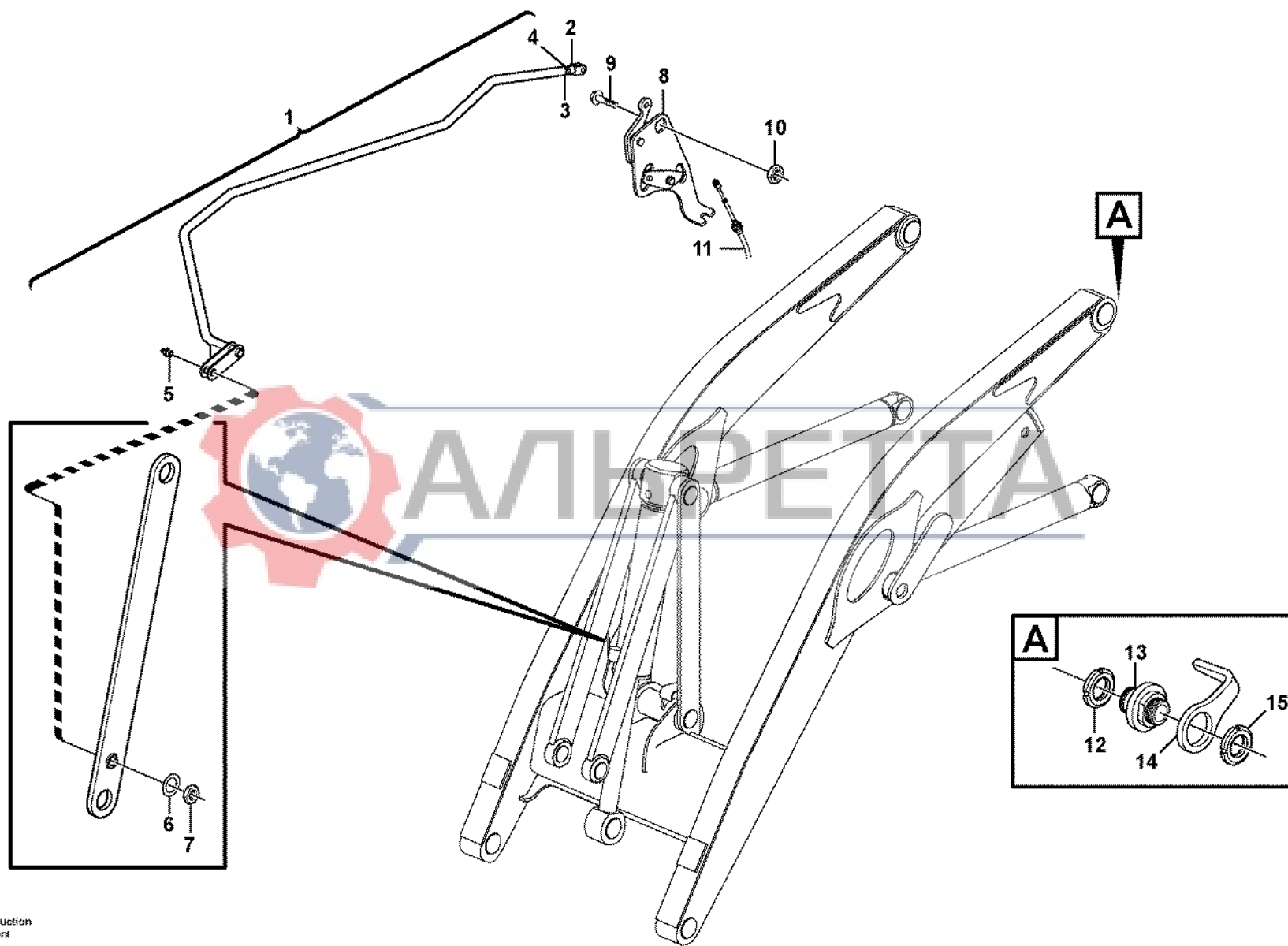


Fig.	Part No.	Quantity			P S	K I T	Description	Dénomination	Bezeichnung	Denominación	Benämning	Notes
		1	2	3								
1	VOE 11887325	1				1	Tube.....	Tube.....	Rohr.....	Tubo.....	Rör.....	
2	VOE 11881413	1				1	•Fork.....	•Fourche.....	•Gabel.....	•Horquilla.....	•Gaffel.....	
3	VOE 971081	1				1	•Hexagon Nut.....	•Ecrou Hexagonal.....	•Sechskantmutter.....	•Tuerca Hexagon.....	•Sexkantsmutter.....	
4	VOE 11888748	1				1	•Rod.....	•Tringle.....	•Stange.....	•Tirante.....	•Stång.....	
5	VOE 914167	1				1	Nipple.....	Raccord.....	Nippel.....	Niple.....	Nippel.....	
6	VOE 983338	1				1	Washer.....	Rondelle.....	Scheibe.....	Arandela.....	Bricka.....	
7	VOE 13967934	1					Flange Lock Nut.....	Contre écrou bride.....	Flanschmutter.....	Contratuer Embr.....	Flänslåsmutter.....	
	VOE 979021					1	Hexagon Nut.....	Ecrou Hexagonal.....	Sechskantmutter.....	Tuerca Hexagon.....	Sexkantsmutter.....	
8		1				1	Bracket.....	Console.....	Konsole.....	Ménsula.....	Konsol.....	See group 945, Page 631
9	VOE 946440	2				2	Flange screw.....	Vis à bride.....	Flanschschraube.....	Torn embridado.....	Flänsskruv.....	
10	VOE 11881654	1				1	Nut.....	Ecrou.....	Mutter.....	Tuerca.....	Mutter.....	
11		1				1	Cable.....	Câble.....	Kabel.....	Cable.....	Kabel.....	See group 945, Page 631
12	VOE 11883692		1				Nut.....	Ecrou.....	Mutter.....	Tuerca.....	Mutter.....	
13	VOE 11881050		1				Pin.....	Goupille.....	Zapfen.....	Pasador.....	Tapp.....	
14	VOE 11885012		1				Indicator.....	Indicateur.....	Indikator.....	Indicador.....	Indikator.....	
15	VOE 11881654		1				Nut.....	Ecrou.....	Mutter.....	Tuerca.....	Mutter.....	

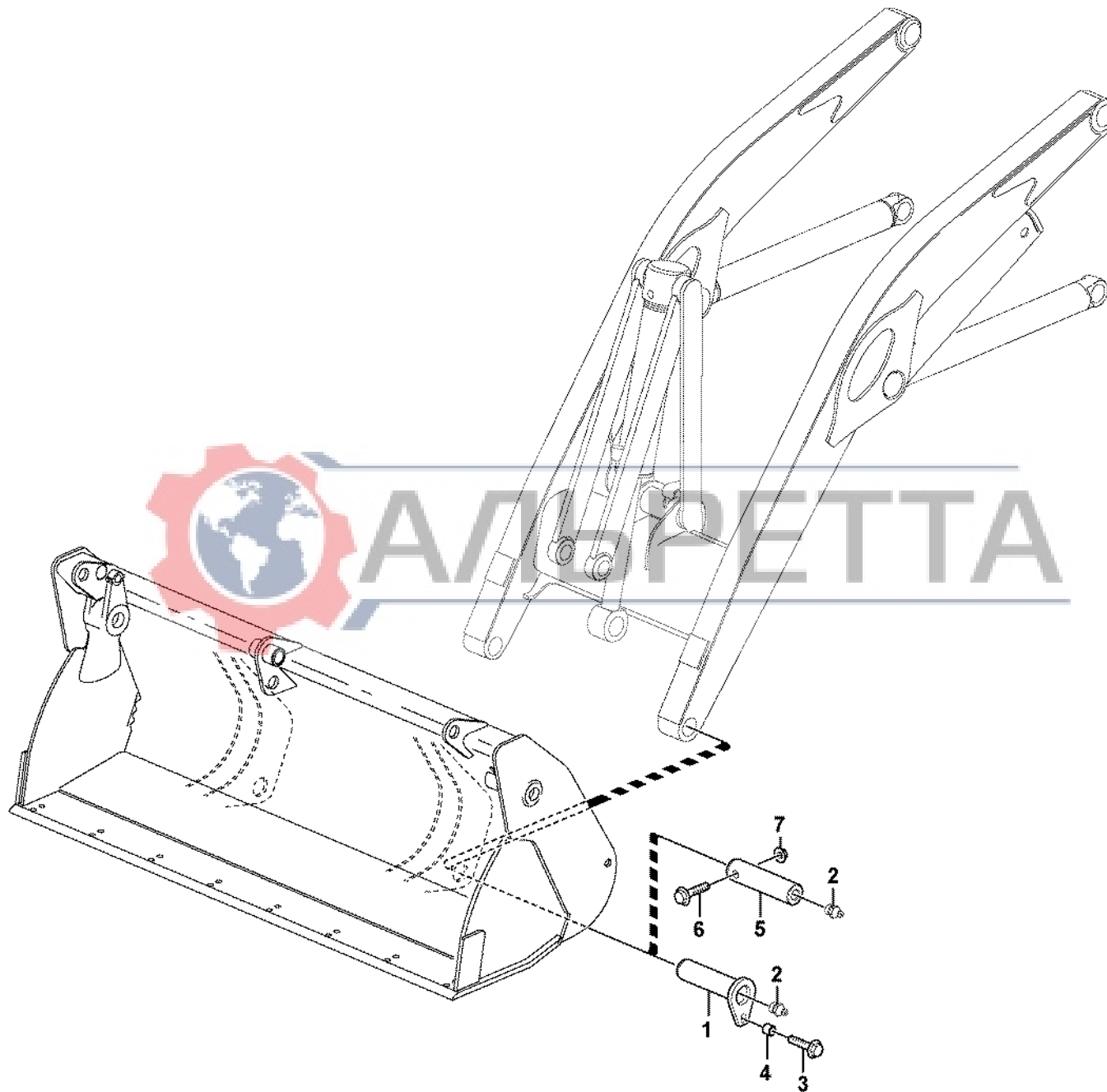


1	11891415	<b>Lyftramverk med monteringsdetaljer</b> <b>Bastidor elevación con piezas de montaje</b> <b>Hubgerüst mit Anbauteilen</b> <b>Chassis levage avec pièces de montage</b> <b>Lifting framework with assembly parts</b>	Catalogue id	Group
2	11891000, 11891050		<b>20124</b>	<b>945</b>
3	11895000, 11895001		Illustr. No	Section
4			<b>1027018</b>	<b>150</b>
5			Issue	Page
			<b>VOE 63A9920124</b>	<b>627</b>

**VOLVO**

**BL61PLUS**





Volvo Construction  
Equipment  
1023838

Fig.	Part No.	Quantity			P S	K I T	Description	Dénomination	Bezeichnung	Denominación	Benämning	Notes
		1	2	3								
1	VOE 11882428	2				Pin.....	Goupille.....	Zapfen.....	Pasador.....	Tapp.....		
2	VOE 914167	2	2			Nipple.....	Raccord.....	Nippel.....	Niple.....	Nippel.....		
3	VOE 968589	2				Flange screw.....	Vis à bride.....	Flanschschraube.....	Torn embridado.....	Flänsskruv.....		
4	VOE 11888951	2				Spacer Tube.....	Tube Entretoise.....	Abstandrohr.....	Tubo Dist.....	Distansrör.....		
5	VOE 11888037		2			Pin.....	Goupille.....	Zapfen.....	Pasador.....	Tapp.....		
6	VOE 13965190		2			Screw.....	Vis.....	Schraube.....	Tornillo.....	Skruv.....		
7	VOE 13971098		2			Flange nut.....	Ecrou accouple.....	Bundmutter.....	Tuerca embridad.....	Flänsmutter.....		



1	11891561	<b>Axeltappar för infästning av skopa</b> <b>Muñones para fijación de cuchara</b> <b>Bolzen zur Befestigung der Schaufel</b> <b>Pivots d'axe pour fixation de godet</b> <b>Pins for mounting bucket</b>	Catalogue id	Group
2	11891539		<b>20124</b>	<b>945</b>
3			Illustr. No	Section
4			<b>1023838</b>	<b>200</b>
5			Issue	Page
			<b>VOE 63A9920124</b>	<b>629</b>

**VOLVO**

**BL61PLUS**



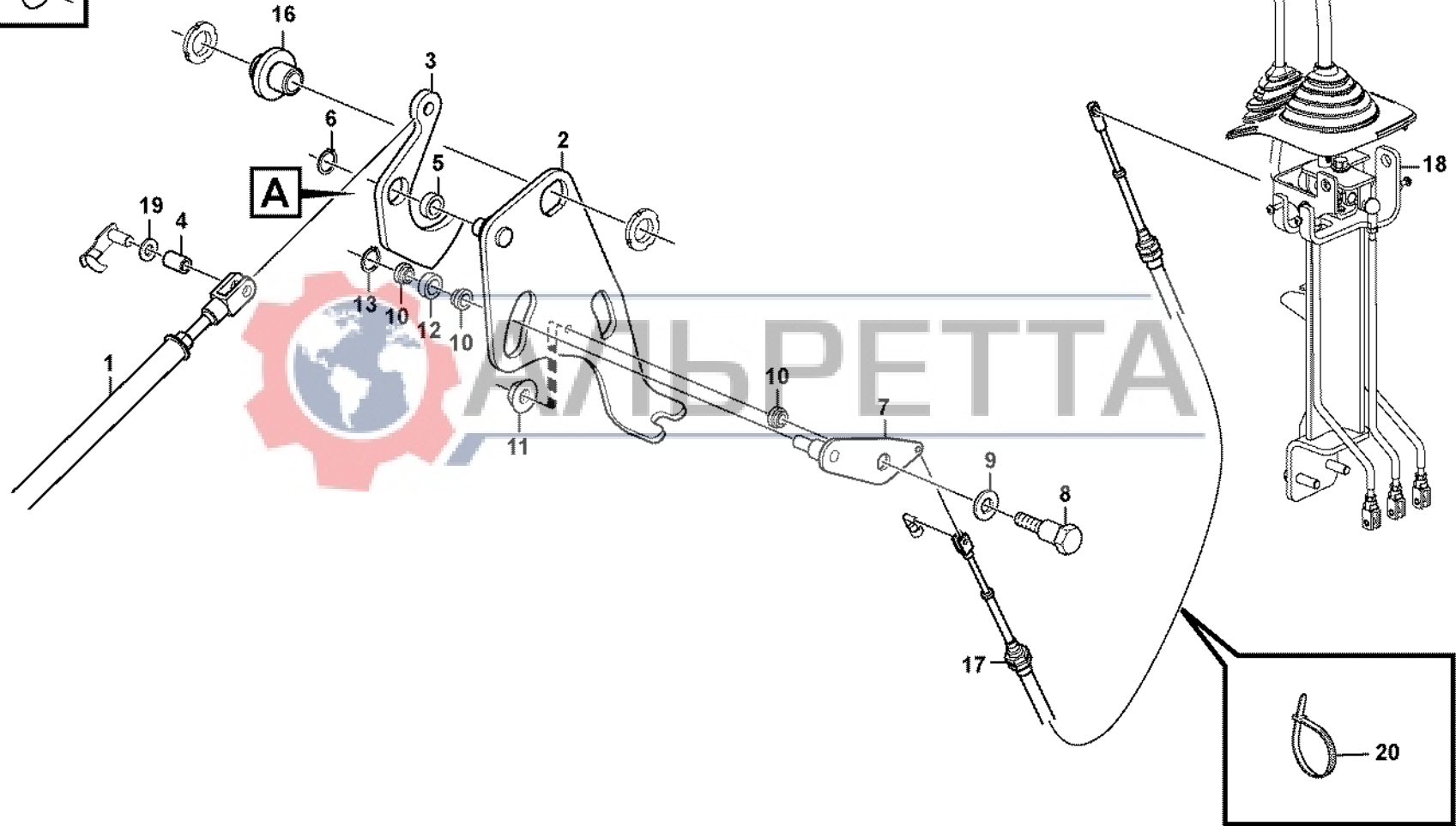
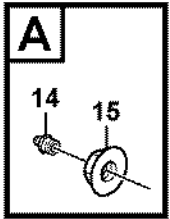


Fig.	Part No.	Quantity			P S	K I T	Description	Dénomination	Bezeichnung	Denominación	Benämning	Notes
		1	2	3								
1		1	1			Linkage .....	Syst.articulat. ....	Gelenksystem .....	Sistem Articul .....	Länksystem.....	See group 945, Page 627	
2	VOE 11887335	1	1			Bracket.....	Console.....	Konsole .....	Ménsula.....	Konsol.....		
		1	1	NS		•Bracket .....	•Console.....	•Konsole .....	•Ménsula .....	•Konsol.....		
3		1	1	NS		•Cam .....	•Came .....	•Nocken .....	•Leva .....	•Kam.....		
4	VOE 968942	1	1			••Bearing Bushing .....	••Coussinet.....	••Lagerbuchse.....	••Casq Cojinete .....	••Lagerbussning.....		
5	VOE 11883447	1	1			••Bushing .....	••Bague .....	••Buchse.....	••Casquillo .....	••Bussning.....		
6	VOE 914450	1	1			•Snap Ring.....	•Circlip.....	•Nutring .....	•Circlip .....	•Spårring.....		
7	VOE 11885663	1	1			•Lever.....	•Levier .....	•Hebel.....	•Palanca .....	•Spak.....		
8	VOE 11885774	1	1			•Bolt .....	•Boulon.....	•Bolzen .....	•Perno .....	•Bult.....		
9	VOE 930872	2	2			•Washer .....	•Rondelle.....	•Scheibe .....	•Arandela.....	•Bricka.....		
10	VOE 11885772	3	3			•Bushing.....	•Bague .....	•Buchse .....	•Casquillo .....	•Bussning.....		
11	VOE 948645	1	1			•Flange Lock Nut .....	•Contre écrou bride .....	•Flanschmutter .....	•Contratuer Embr .....	•Flänslåsmutter.....		
12	VOE 11885773	1	1			•Spacer Bushing .....	•Bagu.entretoise.....	•Abstandbuchse .....	•Buje Distanciad .....	•Distansbussning.....		
13	VOE 914446	1	1			•Snap Ring.....	•Circlip.....	•Nutring .....	•Circlip .....	•Spårring.....		
14	VOE 914167	1	1			•Nipple .....	•Raccord .....	•Nippel.....	•Niple .....	•Nippel.....		
15	VOE 13967934	1	1			•Flange Lock Nut .....	•Contre écrou bride .....	•Flanschmutter .....	•Contratuer Embr .....	•Flänslåsmutter.....		
16		1				Pin.....	Goupille.....	Zapfen .....	Pasador.....	Tapp.....	See group 945, Page 627	
	VOE 11887329		1			Support Pin.....	Goupille Appui.....	Stützzapfen .....	Pasador Apoyo.....	Stödtapp.....		
	VOE 946440		2			Flange screw.....	Vis à bride .....	Flanschschraube .....	Torn embridado .....	Flänsskruv.....		
	VOE 11881654		1			Nut .....	Ecrou .....	Mutter .....	Tuerca .....	Mutter.....		
17	VOE 11888223	1	1			Cable.....	Câble.....	Seil .....	Cable .....	Lina.....		
18		1				Bracket.....	Console.....	Konsole .....	Ménsula.....	Konsol.....	See group 915, Page 555	
19	VOE 11886342	2				Spacer.....	Partie Intermédiaire.....	Zwischenstück.....	Espaciador .....	Mellandel.....		
20	VOE 4881440	1	1			Strip Clamp .....	Ruban Serrage.....	Kabelbinder .....	Abraz Cinta .....	Bandklamma.....		

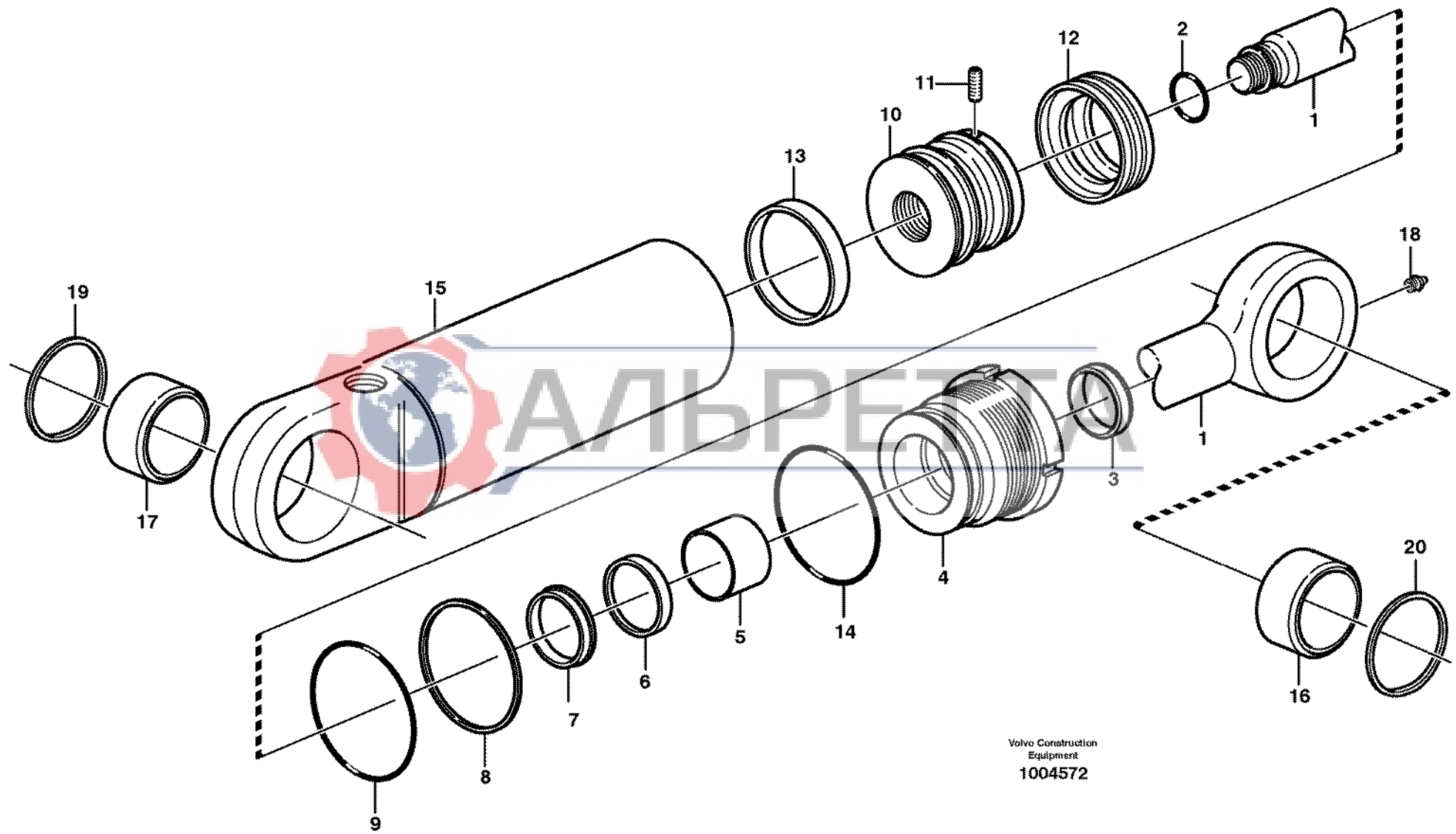
1	11891415	<b>Mekanisk självjusterande tiltmekanism</b> <b>Mecanismo de basculamiento mecánico autoajustable</b> <b>Selbstregelnder Kippmechanismus</b> <b>Mécanisme de basculement à autoréglage mécanique</b> <b>Mechanical self levelling tilt mechanism</b>	Catalogue id	Group
2	11895000,11895001		<b>20124</b>	<b>945</b>
3			Illustr. No	Section
4			<b>1024734</b>	<b>250</b>
5			Issue	Page
			<b>VOE 63A9920124</b>	<b>631</b>

**VOLVO**

**BL61PLUS**







Volvo Construction  
Equipment  
1004572

Fig.	Part No.	Quantity			P S	K I T	Description	Dénomination	Bezeichnung	Denominación	Benämning	Notes
		1	2	3								
	<b>VOE 11883976</b>	1				Cylinder.....	Cylindre.....	Zylinder.....	Cilindro.....	Cylinder.....	RH	
	<b>VOE 11883975</b>		1			Cylinder.....	Cylindre.....	Zylinder.....	Cilindro.....	Cylinder.....	LH	
1	<b>VOE 11988262</b>	1	1			•Piston rod.....	•Bielle de piston.....	•Kolbenstange.....	•Biela de piston.....	•Kolvstång.....		
2		1	1	NS K		•O-ring.....	•Joint Torique.....	•O-Ring.....	•Junta torica.....	•O-ring.....		
3		1	1	NS K		•Scraper.....	•Racleur.....	•Abstreifring.....	•Aro rascador.....	•Avstrykare.....		
4	<b>VOE 11709613</b>	1	1	OP		•Pstn Rod Guide.....	•Gui.tige Piston.....	•Ko-stang Fuhrg.....	•Guia Var Piston.....	•Kolvst.styrning.....		
5		1	1	NS K		•Guide Ring.....	•Bague Guide.....	•Führungsring.....	•Anillo Guia.....	•Styrring.....		
6		1	1	NS K		•Piston Rod Seal.....	•Eta.tige Piston.....	•Ko-stang Dichtg.....	•Reten Var Pist.....	•Kolvstångstätt.....		
7		1	1	NS K		•Lock Ring.....	•Anneau Verrouillage.....	•Schlossring.....	•Anillo Segurid.....	•Låsring.....		
8		1	1	NS K		•Back-up ring.....	•Rondelle anti-extrusi.....	•Stützring.....	•Anillo Apoyo.....	•Stödring.....		
9		1	1	NS K		•O-ring.....	•Joint Torique.....	•O-Ring.....	•Junta torica.....	•O-ring.....		
10	<b>VOE 11709614</b>	1	1	OP		•Piston.....	•Piston.....	•Kolben.....	•Piston.....	•Kolv.....		
11		1	1	NS K		•Screw.....	•Vis.....	•Schraube.....	•Tornillo.....	•Skruv.....		
12		1	1	NS K		•Piston seal.....	•Etanchei.piston.....	•Kolbendichtung.....	•Reten piston.....	•Kolvtätning.....		
13		1	1	NS K		•Guide Ring.....	•Bague Guide.....	•Führungsring.....	•Anillo Guia.....	•Styrring.....		
14		1	1	NS K		•O-ring.....	•Joint Torique.....	•O-Ring.....	•Junta torica.....	•O-ring.....		
15		1	1	NS		•Cylinder tube.....	•Tube cylindre.....	•Zylinderrohr.....	•Tubo cilindro.....	•Cylinderrör.....		
16	<b>VOE 11711136</b>	1	1			•Bushing.....	•Bague.....	•Buchse.....	•Casquillo.....	•Bussning.....		
17	<b>VOE 11988263</b>	1	1			•Bushing.....	•Bague.....	•Buchse.....	•Casquillo.....	•Bussning.....		
18	<b>VOE 11709664</b>	1	1			•Lub Nipple.....	•Graisseur.....	•Schmiernippel.....	•Engrasador.....	•Smörjnippel.....		
19	<b>VOE 11709602</b>	2	2			Scraper.....	Racloir.....	Abstreicher.....	Rascador.....	Skrapa.....		
20	<b>VOE 11709616</b>	2	2			Scraper.....	Racloir.....	Abstreicher.....	Rascador.....	Skrapa.....		
	<b>VOE 11709617</b>	1	1			Sealing Kit.....	Jeu Joints.....	Dichtungssatz.....	Juego Retenes.....	Tätningssats.....		

1	11883976	<b>Hydraulicylinder, lyft.</b> <b>Cilindro hidráulico, elevac.</b> <b>Hubzylinder.</b> <b>Cylindre hydraulique, levage.</b> <b>Hydraulic cylinder, lifting.</b>	Catalogue id	Group
2	11883975		<b>20124</b>	<b>945</b>
3			Illustr. No	Section
4			<b>1004572</b>	<b>300</b>
5			Issue	Page
			<b>VOE 63A9920124</b>	<b>633</b>

**VOLVO**

**BL61PLUS**



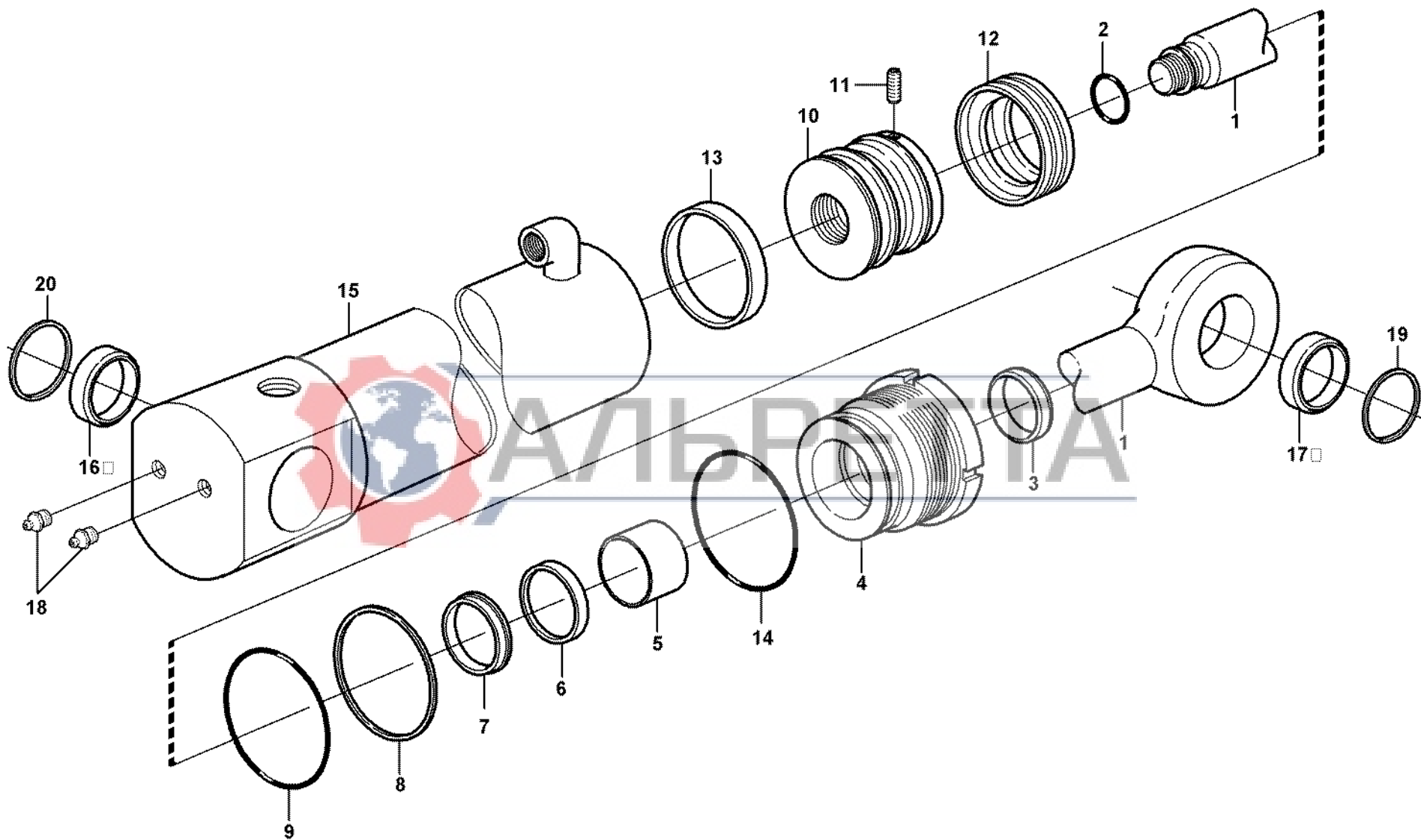
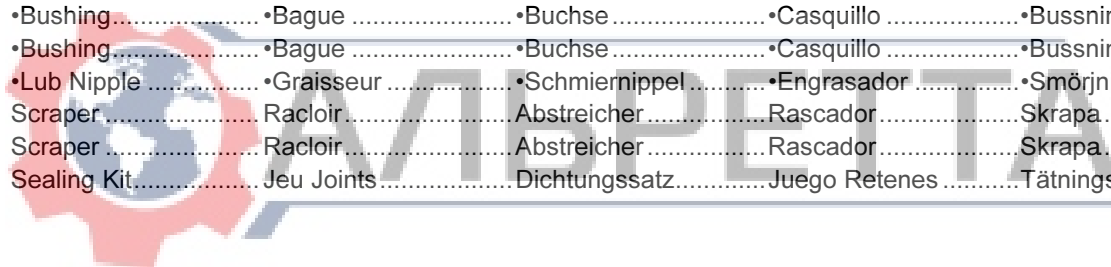


Fig.	Part No.	Quantity			P S	K I T	Description	Dénomination	Bezeichnung	Denominación	Benämning	Notes
		1	2	3								
	<b>VOE 11882905</b>	1				Cylinder.....	Verin.....	Zylinder .....	Cilindro .....	Cylinder.....		
1	<b>VOE 11988259</b>	1				•Piston rod .....	•Bielle de piston .....	•Kolbenstange .....	•Biela de piston .....	•Kolvstång.....		
2		1			NS K	•O-ring.....	•Joint Torique .....	•O-Ring.....	•Junta torica .....	•O-ring.....		
3		1			NS K	•Scraper .....	•Racleur .....	•Abstreifring.....	•Aro rascador .....	•Avstrykare.....		
4	<b>VOE 11712747</b>	1			OP	•Piston rod guide.....	•Guide tige piston.....	•Kolbenstangenführu.....	•Guia varilla piston .....	•Kolvst.styrning.....		
5		1			NS K	•Guide Ring.....	•Bague Guide.....	•Führungsring.....	•Anillo Guia.....	•Styrring.....		
6		1			NS K	•Piston Rod Seal .....	•Eta.tige Piston.....	•Ko-stang Dichtg .....	•Reten Var Pist.....	•Kolvstångstättn.....		
7		1			NS K	•Lock Ring.....	•Anneau Verrouillage .....	•Schlossring .....	•Anillo Segurid .....	•Låsring.....		
8		1			NS K	•Back-up ring .....	•Rondelle anti-extrusi .....	•Stützring.....	•Anillo Apoyo .....	•Stödtring.....		
9		1			NS K	•O-ring.....	•Joint Torique .....	•O-Ring.....	•Junta torica .....	•O-ring.....		
10	<b>VOE 11712748</b>	1			OP	•Piston.....	•Piston.....	•Kolben.....	•Piston .....	•Kolv.....		
11		1			NS K	•Screw.....	•Vis .....	•Schraube.....	•Tornillo .....	•Skruv.....		
12		1			NS K	•Piston seal .....	•Etanchei.piston .....	•Kolbendichtung .....	•Reten piston.....	•Kolvtätning.....		
13		1			NS K	•Guide Ring.....	•Bague Guide.....	•Führungsring.....	•Anillo Guia.....	•Styrring.....		
14		1			NS K	•O-ring.....	•Joint Torique .....	•O-Ring.....	•Junta torica .....	•O-ring.....		
15		1			NS	•Cylinder tube .....	•Tube cylindre .....	•Zylinderrohr.....	•Tubo cilindro .....	•Cylinderrör.....		
16	<b>VOE 11988260</b>	2				•Bushing.....	•Bague .....	•Buchse .....	•Casquillo .....	•Bussning.....		
17	<b>VOE 11711134</b>	1				•Bushing.....	•Bague .....	•Buchse .....	•Casquillo .....	•Bussning.....		
18	<b>VOE 11709664</b>	2				•Lub Nipple .....	•Graisseur .....	•Schmiernippel .....	•Engrasador .....	•Smörjnippel.....		
19	<b>VOE 11883675</b>	2				Scraper .....	Racloir .....	Abstreicher .....	Rascador .....	Skrapa .....		
20	<b>VOE 11883937</b>	2				Scraper .....	Racloir.....	Abstreicher .....	Rascador .....	Skrapa .....		
	<b>VOE 11712749</b>	1				Sealing Kit.....	Jeu Joints.....	Dichtungssatz.....	Juego Retenes .....	Tätningssats.....		



1		<b>Hydraulicylinder, tilt</b> <b>Cilindro hidráulico, volquet</b> <b>Schwenkzylinder</b> <b>Cylindre hydraulique, cavage</b> <b>Hydraulic cylinder, tilt</b>	Catalogue id	Group
2			<b>20124</b>	<b>945</b>
3			Illustr. No	Section
4			<b>1013114</b>	<b>350</b>
5			Issue	Page
			<b>VOE 63A9920124</b>	<b>635</b>

**VOLVO**

**BL61PLUS**



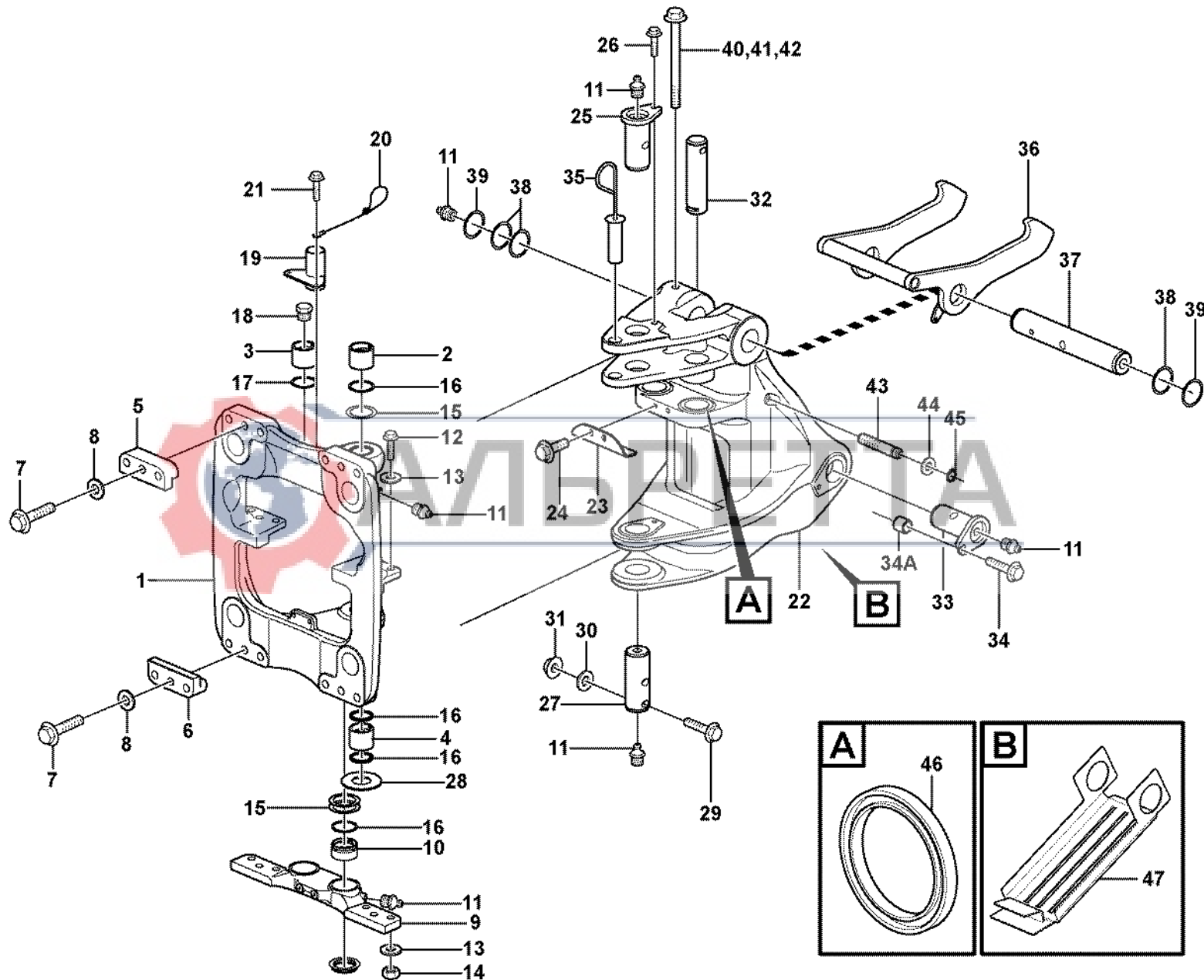


Fig.	Part No.	Quantity			P S	K I T	Description	Dénomination	Bezeichnung	Denominación	Benämning	Notes
		1	2	3								
1	VOE 11887273	1				Carrier .....	Support .....	Träger .....	Soporte .....	Hållare .....		
2	VOE 11884582	1				•Bushing.....	•Bague .....	•Buchse .....	•Casquillo .....	•Bussning.....		
3	VOE 11883756	2				•Bushing.....	•Bague .....	•Buchse .....	•Casquillo .....	•Bussning.....		
4	VOE 11884714	1				•Bushing.....	•Bague .....	•Buchse .....	•Casquillo .....	•Bussning.....		
5	VOE 15011730	2				Guide Plate .....	Plaque-guide.....	Kurvenscheibe .....	Placa Guia.....	Kurvplatta.....		
6	VOE 11886787	2				Guide Plate .....	Plaque-guide.....	Kurvenscheibe .....	Placa Guia.....	Kurvplatta.....		
7	VOE 13963365	12				Hexagon screw .....	Vis tête hexagonale ...	Sechskantschraube....	Tornillo hexago.....	Sexkantsskruv.....		
8	VOE 955905	12				Washer.....	Rondelle .....	Scheibe .....	Arandela .....	Bricka.....		
9	VOE 11887300	1				Center Plate .....	Plaque Centrale .....	Mittenblech .....	Placa Central.....	Centrumplåt.....		
10	VOE 11883757	2				•Bushing.....	•Bague .....	•Buchse .....	•Casquillo .....	•Bussning.....		
11	VOE 914167	9				Nipple.....	Raccord.....	Nippel.....	Niple .....	Nippel.....		
12	VOE 13963362	6				Hexagon screw .....	Vis tête hexagonale ...	Sechskantschraube....	Tornillo hexago.....	Sexkantsskruv.....		
13	VOE 955905	12				Washer.....	Rondelle .....	Scheibe .....	Arandela .....	Bricka.....		
14	VOE 983312	6				Hexagon Nut.....	Ecrou Hexagonal .....	Sechskantmutter .....	Tuerca Hexagon.....	Sexkantsmutter.....		
15	VOE 11882660	6				Shim.....	Cale d'épaisseur .....	Ausgleichscheibe .....	Suplementos de ajust.	Mellanlägg.....		
16	VOE 11881489	6				Scraper .....	Racloir.....	Abstreicher .....	Rascador .....	Skrapa.....		
17	VOE 11883628	2				Wiper.....	Essuie-glace .....	Wischer .....	Limpiaparabrisa.....	Torkare.....		
18	VOE 191900	2				Plug.....	Bouchon.....	Stopfen .....	Tapon .....	Plugg.....		
19	VOE 11883645	1				Bracket.....	Console.....	Konsole .....	Ménsula .....	Konsol.....		
20	VOE 11883651	1				Cable.....	Câble.....	Seil .....	Cable .....	Lina.....		
21	VOE 13946173	2				Flange screw.....	Vis à bride .....	Flanschschaube .....	Torn embridado .....	Flänsskruv.....		
22	VOE 11887295	1				Swing Post.....	Support de rotation .....	Drehstütze .....	Apoyo de giro .....	Svängpelare.....		
23	VOE 11883733	1				Stop.....	Arrêt .....	Anschlag .....	Parada .....	Stopp.....		
24	VOE 974428	2				Flange screw.....	Vis à bride .....	Flanschschaube .....	Torn embridado .....	Flänsskruv.....		
25	VOE 11883727	1				Pin.....	Goupille.....	Zapfen .....	Pasador .....	Tapp.....		
26	VOE 968435	1				Flange screw.....	Vis à bride .....	Flanschschaube .....	Torn embridado .....	Flänsskruv.....		
27	VOE 11883728	1				Pin.....	Goupille.....	Zapfen .....	Pasador .....	Tapp.....		
28	VOE 11883751	2				Spacer.....	Partie Intermédiaire.....	Zwischenstück.....	Espaciador .....	Mellandel.....		
29	VOE 968237	1				Flange screw.....	Vis à bride .....	Flanschschaube .....	Torn embridado .....	Flänsskruv.....		
30	VOE 13960143	1				Washer.....	Rondelle .....	Scheibe .....	Arandela .....	Bricka.....		

1		<b>Svängsystem</b> <b>Sistema de oscilación</b> <b>Schwenksystem</b> <b>Système de pivotement</b> <b>Swing system</b>	Catalogue id	Group
2			<b>20124</b>	<b>971</b>
3			Illustr. No	Section
4			<b>1026982</b>	<b>100</b>
5			Issue	Page
			<b>VOE 63A9920124</b>	<b>637</b>

**VOLVO**

**BL61PLUS**



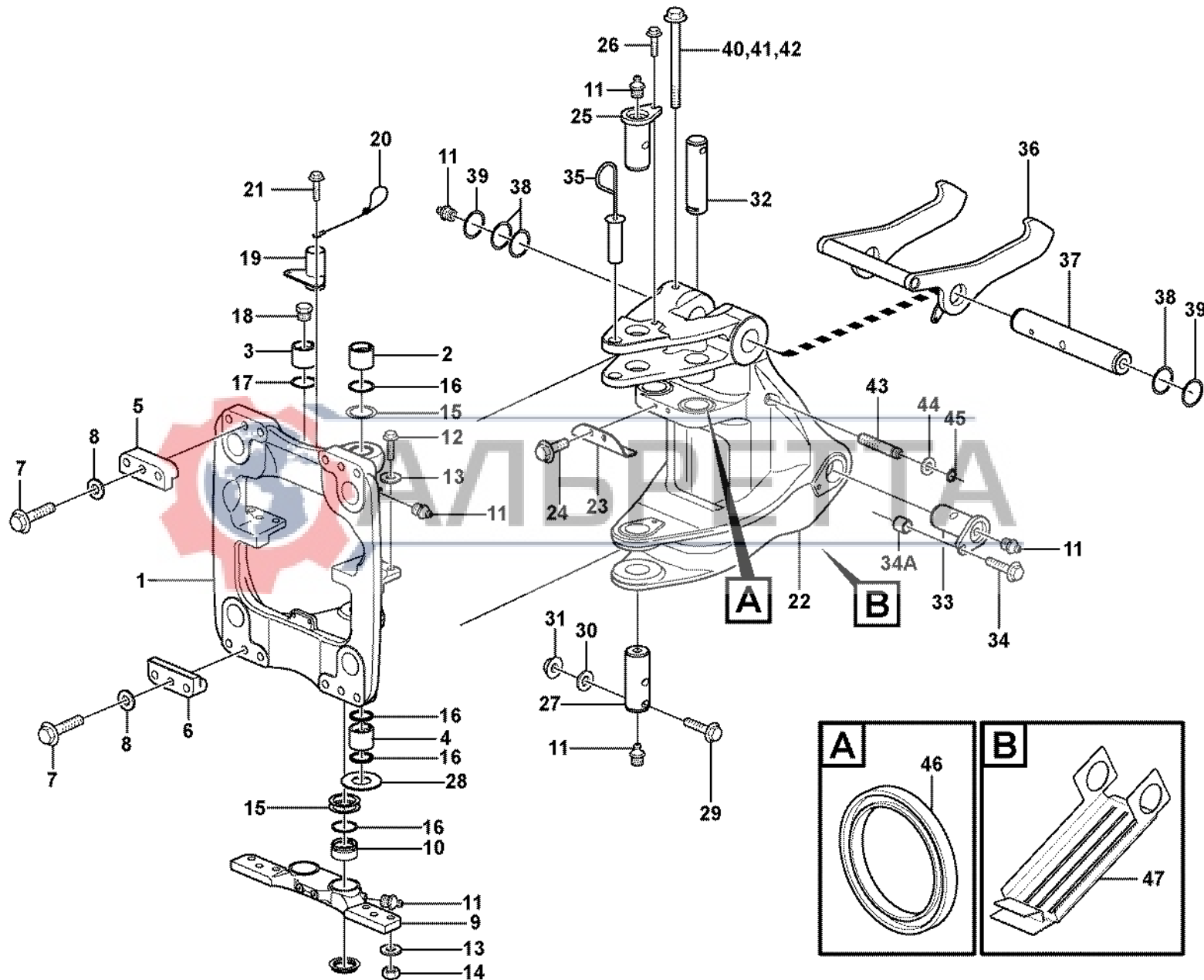
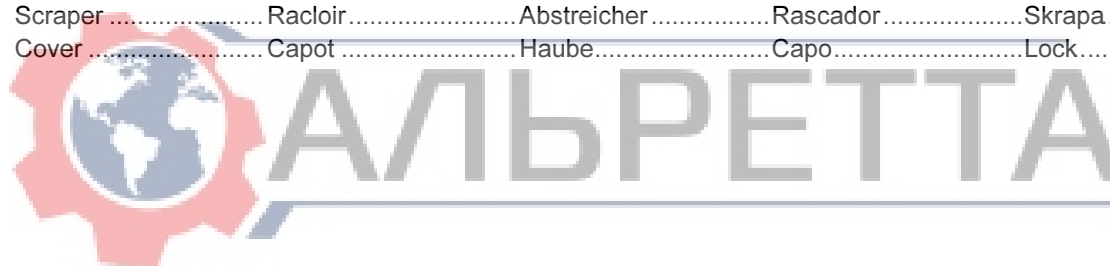


Fig.	Part No.	Quantity			P S	K I T	Description	Dénomination	Bezeichnung	Denominación	Benämning	Notes
		1	2	3								
31	VOE 13971068	1				Hexagon Nut.....	Ecrou Hexagonal .....	Sechskantmutter .....	Tuerca Hexagon.....	Sexkantsmutter.....		
32	VOE 11888681	2				Pin.....	Goupille.....	Zapfen .....	Pasador.....	Tapp.....		
33	VOE 11883753	2				Pin.....	Goupille.....	Zapfen .....	Pasador.....	Tapp.....		
34	VOE 968435	2				Flange screw.....	Vis à bride .....	Flanschschraube.....	Torn embridado .....	Flänsskruv.....		
34A	VOE 11888951	3				Spacer Tube .....	Tube Entretoise.....	Abstandrohr.....	Tubo Dist.....	Distansrör.....		
35	VOE 11884569	1				Lock .....	Serrure .....	Schloß .....	Cierre .....	Låselement.....		
36	VOE 11888656	1				Lock .....	Serrure .....	Schloß .....	Cierre .....	Låselement.....		
37	VOE 11883732	1				Pin.....	Goupille.....	Zapfen .....	Pasador.....	Tapp.....		
38	VOE 11885224	3				Shim.....	Cale d'épaisseur .....	Passscheibe.....	Arandela Ajuste .....	Passbricka.....		
39	VOE 11885225	4				Shim.....	Cale d'épaisseur .....	Passscheibe.....	Arandela Ajuste .....	Passbricka.....		
40	VOE 949824	1				Flange screw.....	Vis à bride .....	Flanschschraube.....	Torn embridado .....	Flänsskruv.....		
41	VOE 13960143	1				Washer.....	Rondelle .....	Scheibe .....	Arandela .....	Bricka.....		
42	VOE 13971068	1				Hexagon Nut.....	Ecrou Hexagonal .....	Sechskantmutter .....	Tuerca Hexagon.....	Sexkantsmutter.....		
43	VOE 11886468	1				Stud.....	Goujon .....	Stiftschraube .....	Esparrago.....	Pinnskruv.....		
44	VOE 13960143	1				Washer.....	Rondelle .....	Scheibe .....	Arandela .....	Bricka.....		
45	VOE 14025792	1				Retaining ring.....	Bague retenue .....	Haltering.....	Anillo de apoyo.....	Hållarring.....		
46		4				Scraper .....	Racloir.....	Abstreicher.....	Rascador.....	Skrapa.....	See group 971, Page 645	
47	VOE 11887863	1				Cover .....	Capot .....	Haube.....	Capo.....	Lock.....	11891568	



1	<b>Svängsystem</b> <b>Sistema de oscilación</b> <b>Schwenksystem</b> <b>Système de pivotement</b> <b>Swing system</b>	Catalogue id	Group
2		<b>20124</b>	<b>971</b>
3		Illustr. No	Section
4		<b>1026982</b>	<b>100</b>
5		Issue	Page
		<b>VOE 63A9920124</b>	<b>639</b>

**VOLVO**

**BL61PLUS**





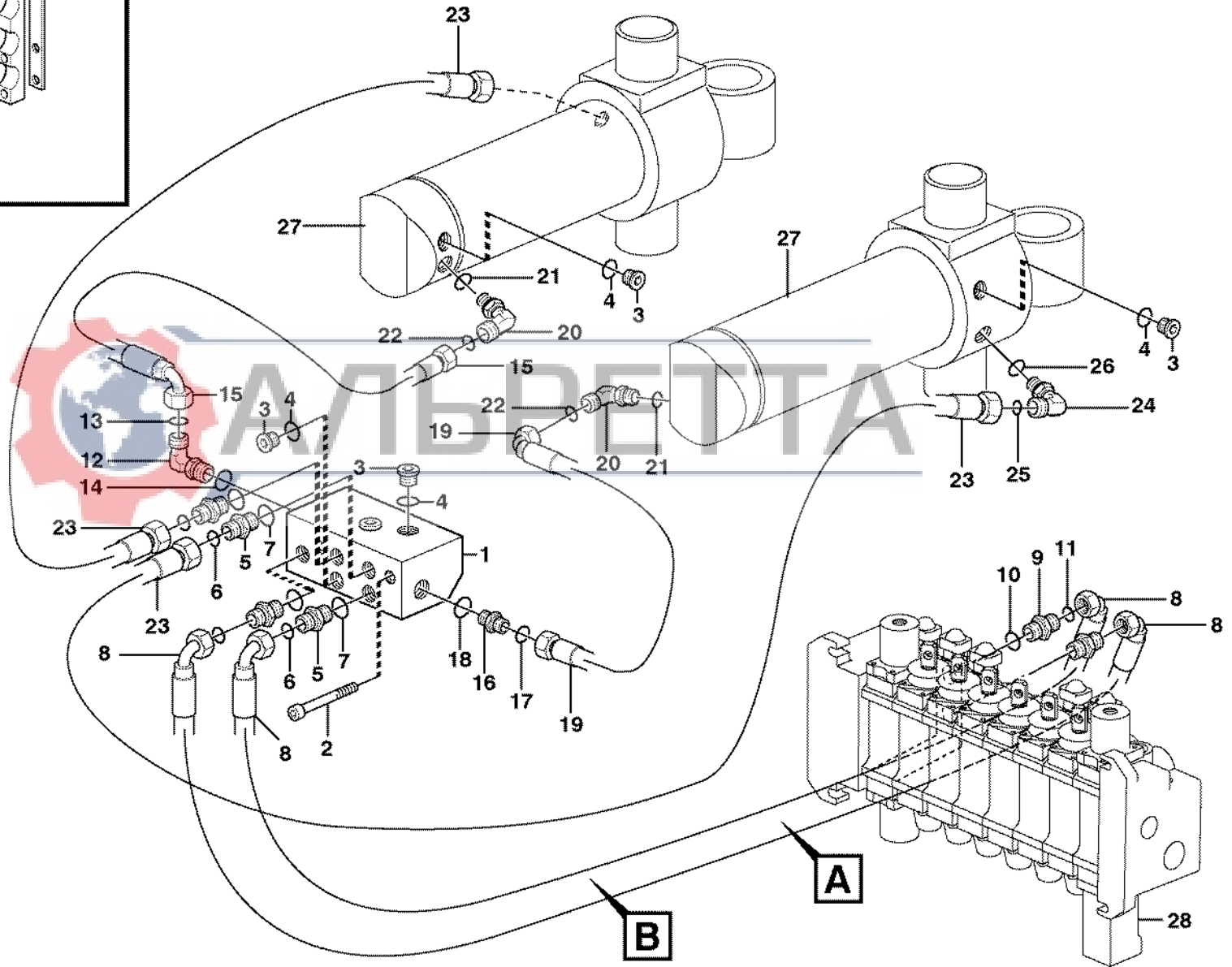
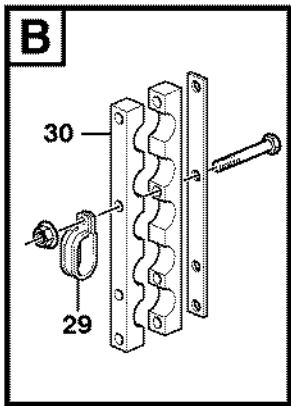
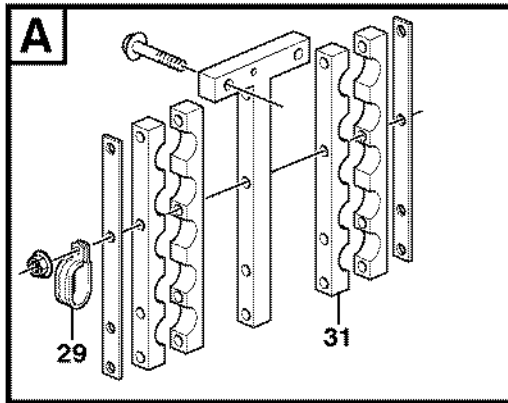


Fig.	Part No.	Quantity			P S	K I T	Description	Dénomination	Bezeichnung	Denominación	Benämning	Notes
		1	2	3								
1	VOE 11882500	1				Valve Body.....	Corps Valve .....	Ventilkörper .....	Cuerpo Valvula.....	Ventilkropp.....		
2	VOE 967632	2				Allen Hd Screw .....	Vis A 6 Pans Cr.....	Inbusschraube.....	Torn Hex Embut.....	Insexskruv.....		
3	VOE 11883510	7				Plug.....	Bouchon.....	Stopfen.....	Tapon.....	Plugg.....		
4	VOE 932039	7				•O-ring.....	•Joint Torique.....	•O-Ring.....	•Junta torica .....	•O-ring.....		
5	VOE 935085	4				Nipple.....	Raccord.....	Nippel.....	Niple.....	Nippel.....		
6	VOE 4880492	4				•O-ring.....	•Joint Torique.....	•O-Ring.....	•Junta torica .....	•O-ring.....		
7	VOE 932039	4				•O-ring.....	•Joint Torique.....	•O-Ring.....	•Junta torica .....	•O-ring.....		
8	VOE 11882190	2				Hose assembly .....	Conduit flexible .....	Schlauchleitung.....	Conducto.....	Slangledning.....		
9	VOE 11882258	2				Nipple.....	Raccord.....	Nippel.....	Niple.....	Nippel.....		
10	VOE 932042	2				•O-ring.....	•Joint Torique.....	•O-Ring.....	•Junta torica .....	•O-ring.....		
11	VOE 4880492	2				•O-ring.....	•Joint Torique.....	•O-Ring.....	•Junta torica .....	•O-ring.....		
12	VOE 935069	1				Elbow nipple.....	Raccord angulaire.....	Winkelnippel.....	Niple angular .....	Vinkelnippel.....		
13	VOE 4881722	1				•O-ring.....	•Joint Torique.....	•O-Ring.....	•Junta torica .....	•O-ring.....		
14	VOE 4880492	1				•O-ring.....	•Joint Torique.....	•O-Ring.....	•Junta torica .....	•O-ring.....		
15	VOE 11882803	1				Hose assembly .....	Conduit flexible .....	Schlauchleitung.....	Conducto.....	Slangledning.....		
16	VOE 935085	1				Nipple.....	Raccord.....	Nippel.....	Niple.....	Nippel.....		
17	VOE 4880492	1				•O-ring.....	•Joint Torique.....	•O-Ring.....	•Junta torica .....	•O-ring.....		
18	VOE 932039	1				•O-ring.....	•Joint Torique.....	•O-Ring.....	•Junta torica .....	•O-ring.....		
19	VOE 11882192	1				Hose assembly .....	Conduit flexible .....	Schlauchleitung.....	Conducto.....	Slangledning.....		
20	VOE 11884787	2				Nipple.....	Raccord.....	Nippel.....	Niple.....	Nippel.....		
21	VOE 932040	2				•O-ring.....	•Joint Torique.....	•O-Ring.....	•Junta torica .....	•O-ring.....		
22	VOE 4880492	2				•O-ring.....	•Joint Torique.....	•O-Ring.....	•Junta torica .....	•O-ring.....		
23	VOE 11882194	2				Hose.....	Flexible.....	Schlauch .....	Manguera .....	Slang.....		
24	VOE 935069	2				Elbow nipple.....	Raccord angulaire.....	Winkelnippel.....	Niple angular .....	Vinkelnippel.....		
25	VOE 4881722	1				•O-ring.....	•Joint Torique.....	•O-Ring.....	•Junta torica .....	•O-ring.....		
26	VOE 4880492	1				•O-ring.....	•Joint Torique.....	•O-Ring.....	•Junta torica .....	•O-ring.....		
27		2				Swing cylinder.....	Vérin d'orientation .....	Schwenkzylinder .....	Cilindro de giro .....	Svängcylinder.....	See group 971, Page 645	
28		1				Valve.....	Soupape.....	Ventil .....	Valvula .....	Ventil.....	See group 912, Page 527	
29	VOE 981665	2				Clamp.....	Pince Serrage .....	Klemme.....	Abrazadera.....	Klämma.....		
30	VOE 11884908	1				Clamp.....	Pince Serrage .....	Klemme.....	Abrazadera.....	Klämma.....		

1		<b>Hydraulsystem, sväng</b> <b>Sistema hidráulico, giro</b> <b>Hydraulikkreis, Schwenken</b> <b>Système hydraulique, orientation</b> <b>Boom swing system</b>	Catalogue id	Group
2			<b>20124</b>	<b>971</b>
3			Illustr. No	Section
4			<b>1005828</b>	<b>150</b>
5			Issue	Page
			<b>VOE 63A9920124</b>	<b>641</b>

**VOLVO**

**BL61PLUS**



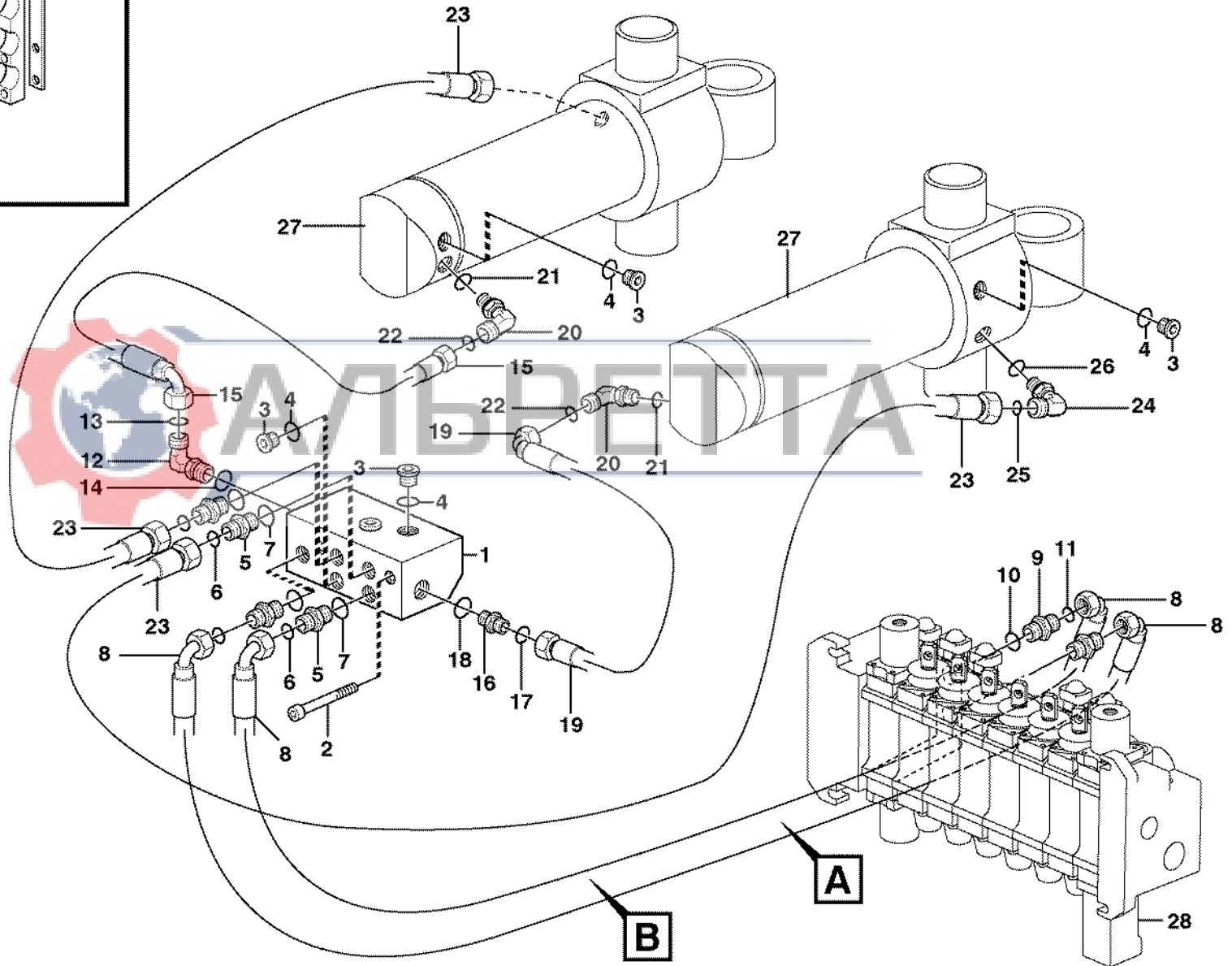
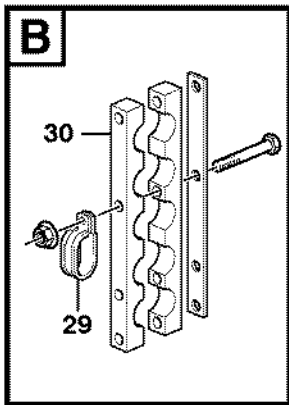
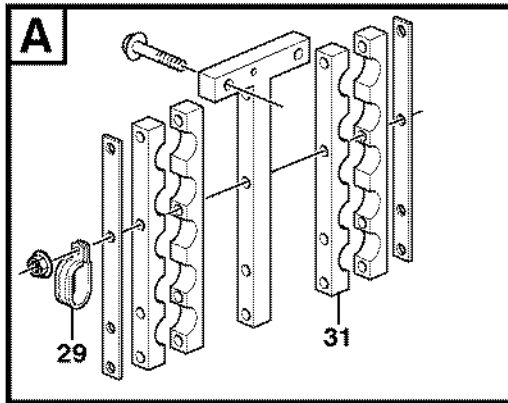


Fig.	Part No.	Quantity			P S	K I T	Description	Dénomination	Bezeichnung	Denominación	Benämning	Notes
		1	2	3								

31	1					Clamp.....	Collier serrage.....	Klemme.....	Abrazadera.....	Klamma.....	See group 916, Page 559
----	---	--	--	--	--	------------	----------------------	-------------	-----------------	-------------	-------------------------

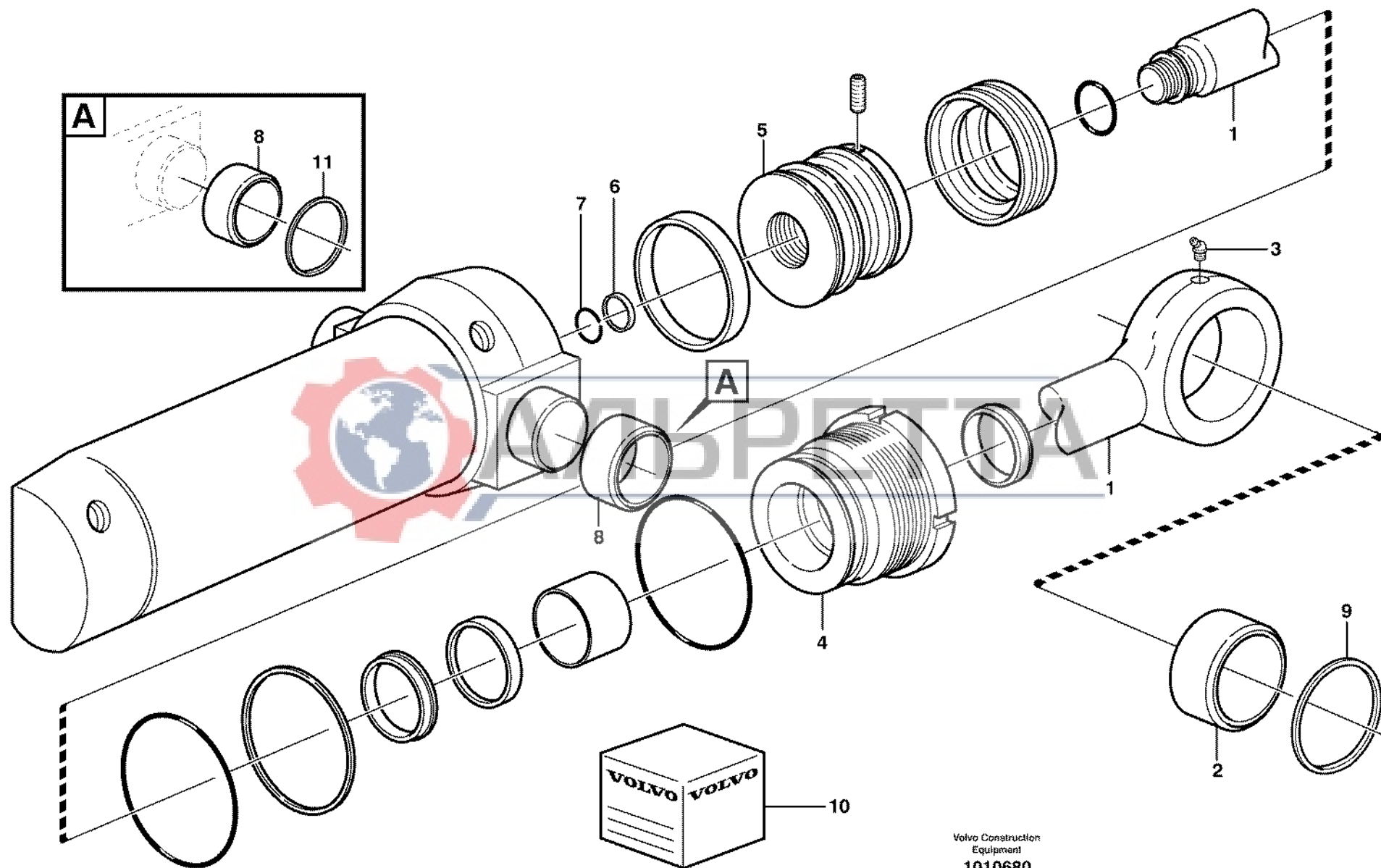


1		<b>Hydraulsystem, sväng</b> <b>Sistema hidráulico, giro</b> <b>Hydraulikkreis, Schwenken</b> <b>Système hydraulique, orientation</b> <b>Boom swing system</b>	Catalogue id	Group
2			<b>20124</b>	<b>971</b>
3			Illustr. No	Section
4			<b>1005828</b>	<b>150</b>
5			Issue	Page
			<b>VOE 63A9920124</b>	<b>643</b>

**VOLVO**

**BL61PLUS**





Volvo Construction  
Equipment  
1010680

Fig.	Part No.	Quantity			P S	K I T	Description	Dénomination	Bezeichnung	Denominación	Benämning	Notes
		1	2	3								
	<b>VOE 11884052</b>	1					Swing cylinder.....	Vérin d'orientation .....	Schwenkzylinder .....	Cilindro de giro .....	Svängcylinder.....	
1	<b>VOE 11988249</b>	1					•Piston rod .....	•Bielle de piston .....	•Kolbenstange .....	•Biela de piston .....	•Kolvstång.....	
2	<b>VOE 11988255</b>	1					•Bushing.....	•Bague .....	•Buchse .....	•Casquillo .....	•Bussning.....	
3	<b>VOE 11988251</b>	1					•Lub Nipple .....	•Graisseur .....	•Schmiernippel .....	•Engrasador .....	•Smörjnippel.....	
4	<b>VOE 11988250</b>	1					•Pstn Rod Guide .....	•Gui.tige Piston .....	•Ko-stang Fuhrg .....	•Guia Var Piston.....	•Kolvst.styrning.....	
5	<b>VOE 11709676</b>	1					•Piston.....	•Piston.....	•Kolben.....	•Piston .....	•Kolv.....	
6	<b>VOE 11709526</b>	1					•Cushion Ring .....	•Douille amortisseurs ..	•Dämpfhülse.....	•Manguito Amorti.....	•Dämpfylsa.....	
7	<b>VOE 11709527</b>	1					•Lock Ring.....	•Anneau Verrouillage ..	•Schlossring .....	•Anillo Segurid.....	•Låsring.....	
8	<b>VOE 11709672</b>	2					•Bushing.....	•Bague .....	•Buchse .....	•Casquillo .....	•Bussning.....	
9	<b>VOE 11883937</b>	4					Scraper .....	Racloir.....	Abstreicher .....	Rascador.....	Skrapa.....	
10	<b>VOE 11709677</b>	1					Sealing Kit.....	Jeu Joints.....	Dichtungssatz.....	Juego Retenes .....	Tätningssats.....	
11	<b>VOE 11709616</b>	2					Scraper .....	Racloir.....	Abstreicher .....	Rascador.....	Skrapa.....	

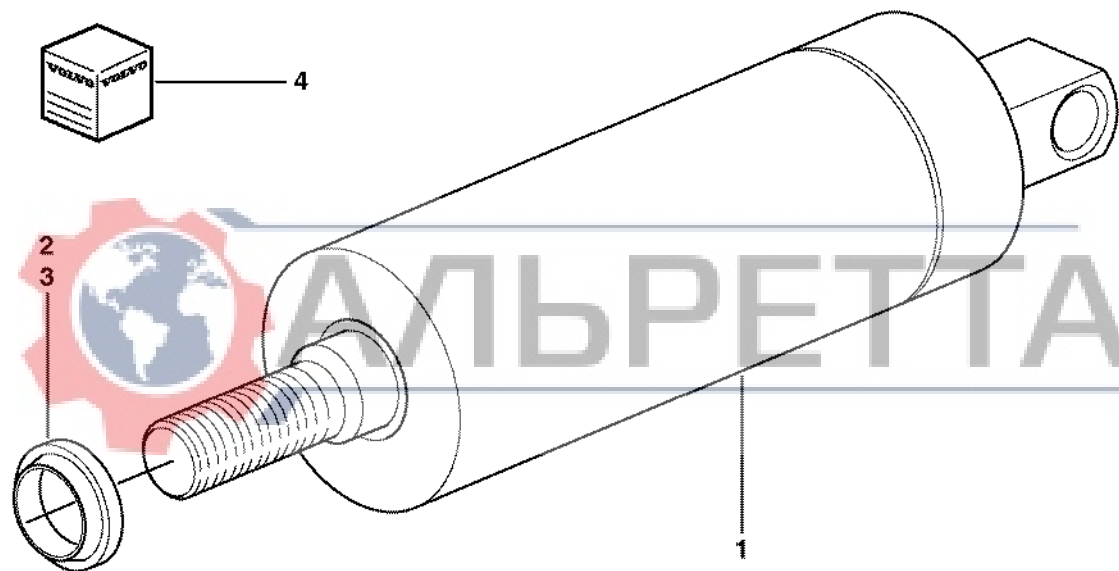


1		<b>Svängcylinder</b> <b>Cilindro de giro</b> <b>Schwenkzylinder</b> <b>Vérin d'orientation</b> <b>Swing cylinder</b>	Catalogue id	Group
2			<b>20124</b>	<b>971</b>
3			Illustr. No	Section
4			<b>1010680</b>	<b>200</b>
5			Issue	Page
			<b>VOE 63A9920124</b>	<b>645</b>

**VOLVO**

**BL61PLUS**





Volvo Construction  
Equipment  
1003011

Fig.	Part No.	Quantity			P S	K I T	Description	Dénomination	Bezeichnung	Denominación	Benämning	Notes
		1	2	3								
1	<b>VOE 11888096</b>	1				Cylinder.....	Verin.....	Zylinder .....	Cilindro .....	Cylinder.....		
2		1			NS	•Scraper .....	•Racloir.....	•Abstreicher.....	•Rascador.....	•Skrapa.....		
3		1			NS	•Filter.....	•Filtre.....	•Filter.....	•Filtro .....	•Filter.....		
4		1			NS	•Sealing Kit .....	•Jeu Joints.....	•Dichtungssatz .....	•Juego Retenes.....	•Tätningssats.....		



1	<b>Spärrcylinder</b> <b>Cilindro de bloqueo</b> <b>Sperrzylinder</b> <b>Vérin de verrouillage</b> <b>Lock cylinder</b>	Catalogue id	Group
2		<b>20124</b>	<b>971</b>
3		Illustr. No	Section
4		<b>1003011</b>	<b>250</b>
5		Issue	Page
		<b>VOE 63A9920124</b>	<b>647</b>

**VOLVO**

**BL61PLUS**





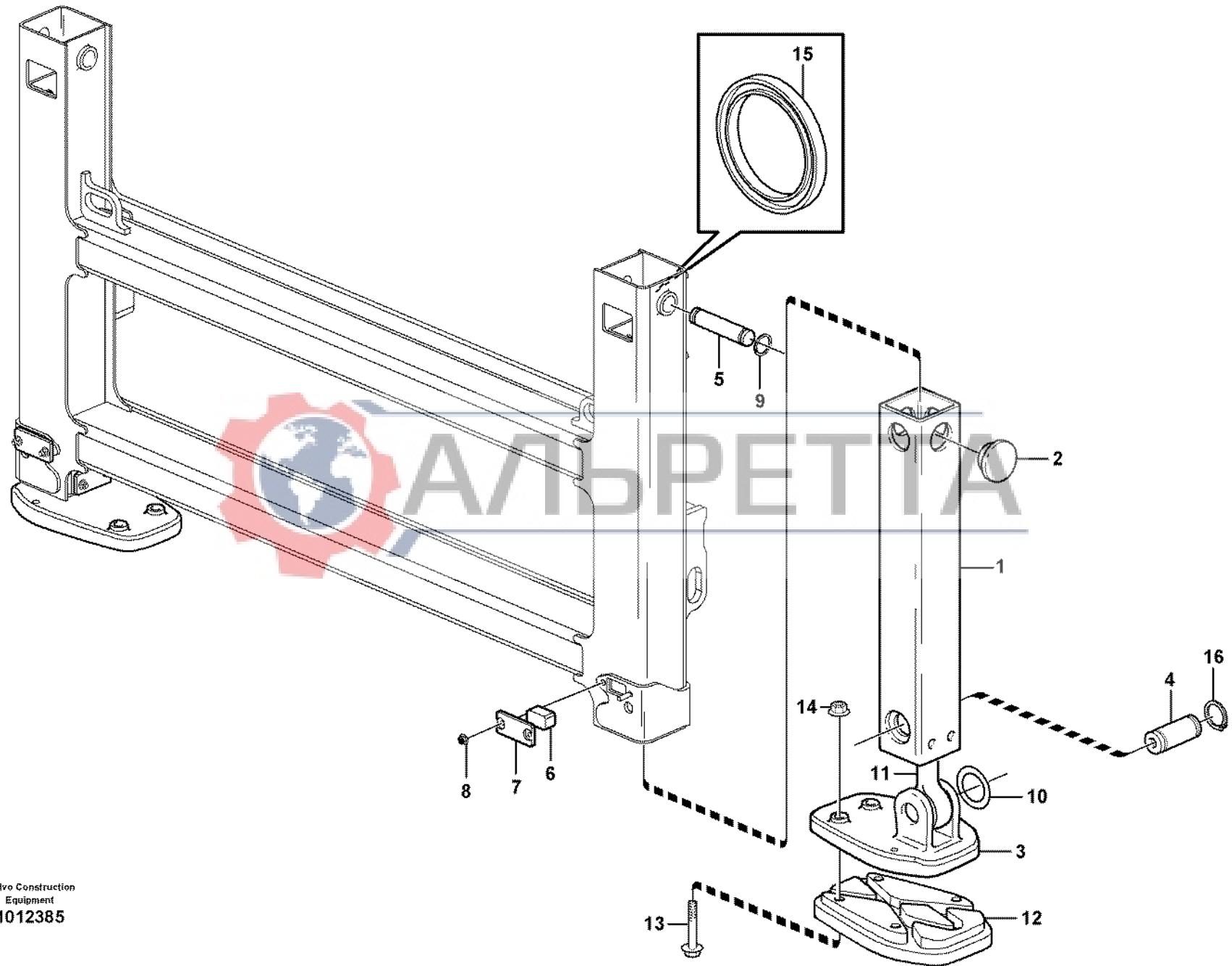


Fig.	Part No.	Quantity			P S	K I T	Description	Dénomination	Bezeichnung	Denominación	Benämning	Notes
		1	2	3								
1	VOE 11887060	2				Square Tube .....	Tuyau Carre .....	Vierkantröhr .....	Tube Cuadrangul .....	Fyrkantrör .....		
2	VOE 11890229	12				Pad .....	Patin .....	Belag .....	Pastilla .....	Pad .....		
3	VOE 11885475	2				Foot Plate .....	Plaque Pedale .....	Fussplatte .....	Placa Pie .....	Fotplatta .....		
4	VOE 11885283	2				Pin .....	Goupille .....	Zapfen .....	Pasador .....	Tapp .....		
5	VOE 11887730	2				Pin .....	Goupille .....	Zapfen .....	Pasador .....	Tapp .....		
6	VOE 11883349	4				Wear Part .....	Piece Usure .....	Verschleissteil .....	Secc Desgaste .....	Slitdel .....		
7	VOE 11887740	4				Plate .....	Plaque .....	Platte .....	Placa .....	Platta .....		
8	VOE 963111	8				Lock nut .....	Contre-ecrou .....	Sicherungsmutter .....	Contratuerca .....	Låsmutter .....		
9	VOE 967562	4				Snap ring .....	Circlip .....	Nutring .....	Circlip .....	Spårring .....		
10	VOE 11890115	REQ				Washer .....	Rondelle .....	Scheibe .....	Arandela .....	Bricka .....		
11		2				Cylinder .....	Verin .....	Zylinder .....	Cilindro .....	Cylinder .....	See group 972, Page 651	
12	VOE 11886020		2			Pad .....	Patin .....	Belag .....	Pastilla .....	Pad .....	(VOE 11883037)	
13	VOE 13965195		8			Screw .....	Vis .....	Schraube .....	Tornillo .....	Skruv .....		
14	VOE 971099		8			Flange Lock Nut .....	Contre écrou bride .....	Flanschmutter .....	Contratuer Embr .....	Flänslåsmutter .....	(VOE 13971099)	
15		4				Sealing ring .....	Bague d'étanchéité .....	Runddichtring .....	Anillo reten .....	Tätningring .....	See group 972, Page 651	
16	VOE 914470	4				Snap Ring .....	Circlip .....	Nutring .....	Circlip .....	Spårring .....		

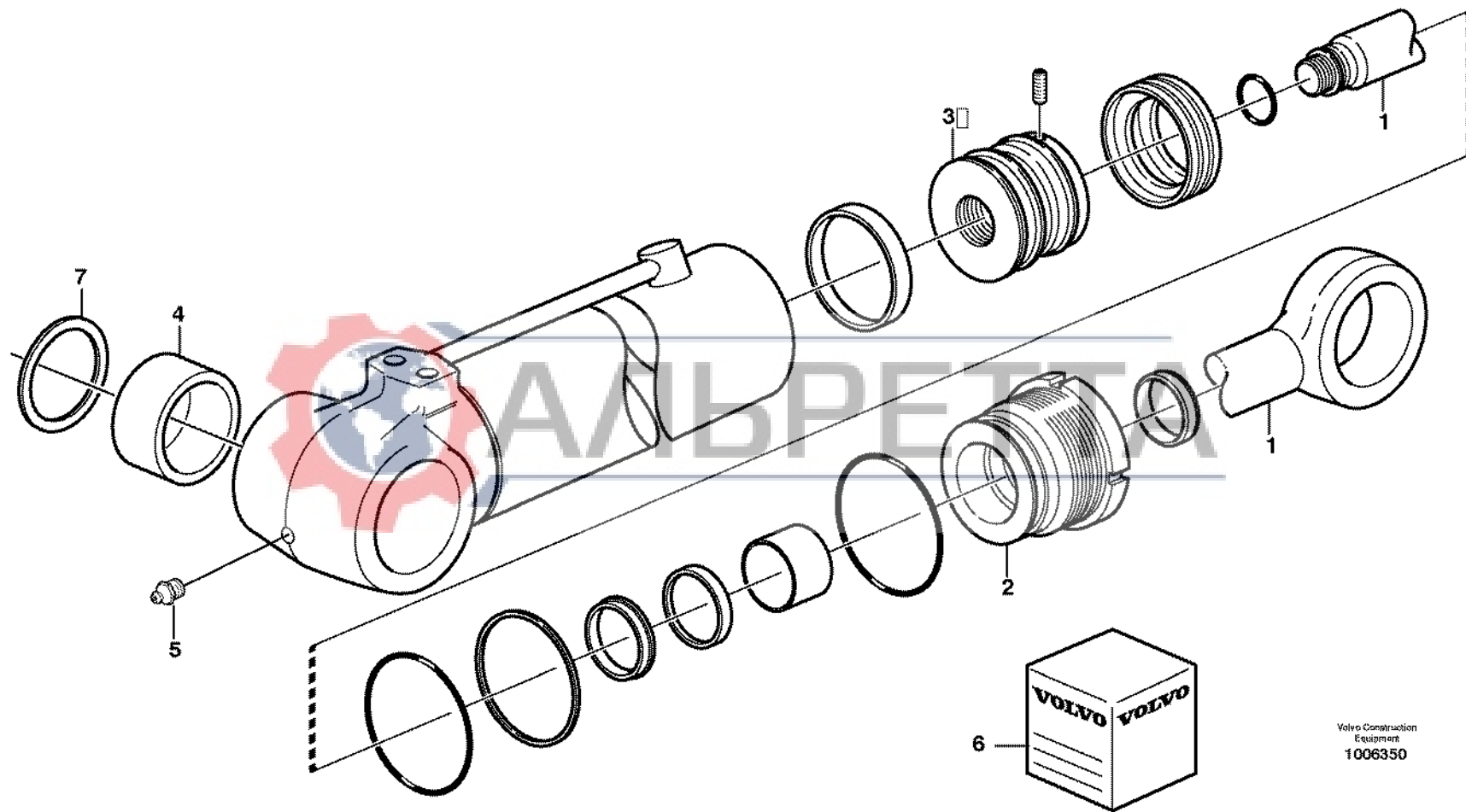


1	11880101	<b>Stödben</b> <b>Pata de apoyo</b> <b>Pratzen</b> <b>Bequille</b> <b>Stabilisers</b>	Catalogue id	Group
2	11891269		<b>20124</b>	<b>972</b>
3			Illustr. No	Section
4			<b>1012385</b>	<b>100</b>
5			Issue	Page
			<b>VOE 63A9920124</b>	<b>649</b>

**VOLVO**

**BL61PLUS**





Volvo Construction  
Equipment  
1006350

Fig.	Part No.	Quantity			P S	K I T	Description	Dénomination	Bezeichnung	Denominación	Benämning	Notes
		1	2	3								
	<b>VOE 11881611</b>	1					Cylinder.....	Verin.....	Zylinder .....	Cilindro .....	Cylinder.....	
1	<b>VOE 11709628</b>	1					•Piston rod .....	•Bielle de piston .....	•Kolbenstange .....	•Biela de piston .....	•Kolvstång.....	
2	<b>VOE 11709629</b>	1					•Pstn Rod Guide .....	•Gui.tige Piston .....	•Ko-stang Fuhrg .....	•Gui.a Var Piston .....	•Kolvst.styrning.....	
3	<b>VOE 11709630</b>	1					•Piston.....	•Piston.....	•Kolben.....	•Piston .....	•Kolv.....	
4	<b>VOE 11712635</b>	2					•Bushing.....	•Bague .....	•Buchse .....	•Casquillo .....	•Bussning.....	
5	<b>VOE 11709664</b>	1					•Lub Nipple .....	•Graisseur .....	•Schmiernippel .....	•Engrasador .....	•Smörjnippel.....	
6	<b>VOE 11709632</b>	1					•Sealing Kit .....	•Jeu Joints.....	•Dichtungssatz .....	•Juego Retenes .....	•Tätningssats.....	
7	<b>VOE 11883674</b>	4					Sealing ring.....	Bague d'étanchéité .....	Runddichtring.....	Anillo reten .....	Tätningsring.....	



1		<b>Stödbenscyliner</b> <b>Cilindro hidraulico para pata de apoyo</b> <b>Hydraulzylinder für Pratzen</b> <b>Vérin hydraulique pour jambe d'appui</b> <b>Stabiliser cylinder</b>	Catalogue id	Group
2			<b>20124</b>	<b>972</b>
3			Illustr. No	Section
4			<b>1006350</b>	<b>150</b>
5			Issue	Page
			<b>VOE 63A9920124</b>	<b>651</b>

**VOLVO**

**BL61PLUS**



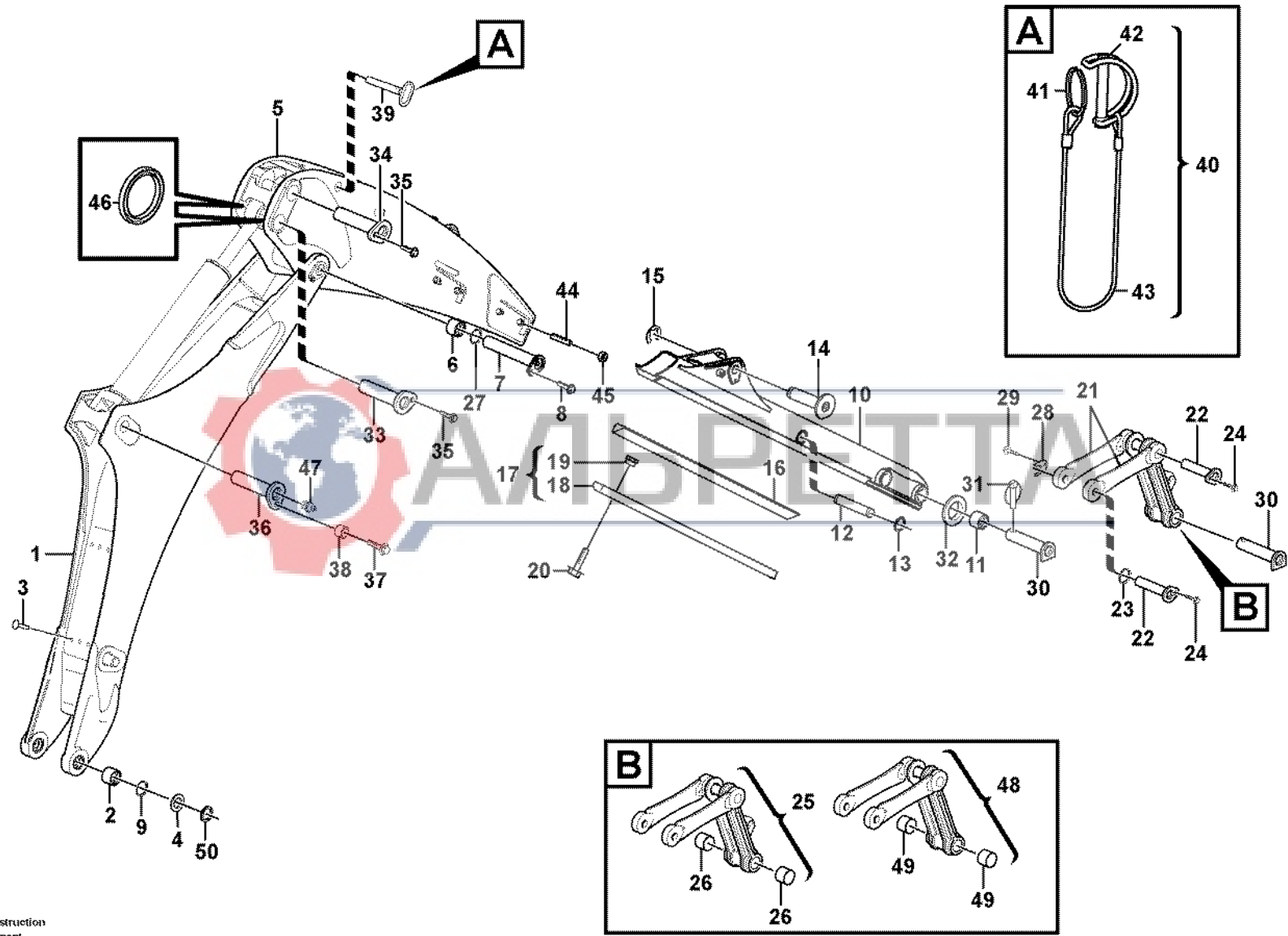
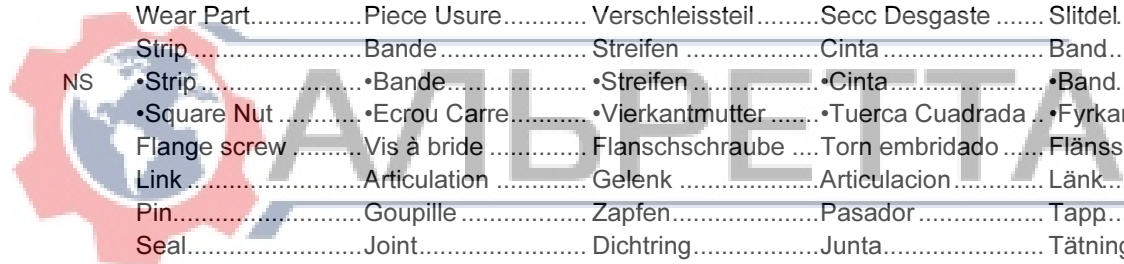


Fig.	Part No.	Quantity					P S	K T	Description	Dénomination	Bezeichnung	Denominación	Benämning	Notes
		1	2	3	4	5								
1	VOE 11888239	1						Boom .....	Fleche .....	Ausleger.....	Pluma .....	Bom.....		
2	VOE 11885426	2						•Bushing .....	•Bague.....	•Buchse.....	•Casquillo .....	•Bussning.....		
3	VOE 11882943	9						•Rivet .....	•Rivet.....	•Niet .....	•Remache.....	•Nit.....		
4	VOE 11885225	REQ						Shim.....	Cale d'épaisseur.....	Passscheibe .....	Arandela Ajuste .....	Passbricka.....		
5	VOE 11886499	1						Arm.....	Bras.....	Arm .....	Brazo .....	Arm.....	(VOE 11884262)	
6	VOE 11883769	2						•Bushing .....	•Bague.....	•Buchse.....	•Casquillo .....	•Bussning.....		
7	VOE 11887962	1						Pin.....	Goupille.....	Zapfen.....	Pasador.....	Tapp.....		
8	VOE 968589	1						Flange screw .....	Vis à bride .....	Flanschschraube .....	Torn embridado .....	Flänsskruv.....		
9	VOE 11890069	6						Seal.....	Joint.....	Dichtung.....	Reten.....	Tätning.....		
10	VOE 11884248	1						Arm.....	Bras.....	Arm .....	Brazo .....	Arm.....		
11	VOE 11883770	4						•Bushing .....	•Bague.....	•Buchse.....	•Casquillo .....	•Bussning.....		
12	VOE 11883897	1						Pin.....	Goupille.....	Zapfen.....	Pasador.....	Tapp.....		
13	VOE 914465	2						Snap Ring .....	Circlip .....	Nutring .....	Circlip .....	Spärring.....		
14	VOE 11884259	1						Pin.....	Goupille.....	Zapfen.....	Pasador.....	Tapp.....		
15	VOE 967562	1						Snap ring .....	Circlip .....	Nutring .....	Circlip .....	Spärring.....		
16	VOE 11885340	1						Wear Part.....	Piece Usure.....	Verschleissteil.....	Secc Desgaste .....	Slitdel.....	RH	
16	VOE 11885339	1						Wear Part.....	Piece Usure.....	Verschleissteil.....	Secc Desgaste .....	Slitdel.....	LH	
17	VOE 11883863	2						Strip .....	Bande.....	Streifen .....	Cinta .....	Band.....		
18		1					NS	•Strip .....	•Bande.....	•Streifen .....	•Cinta .....	•Band.....		
19	VOE 11883865	5						•Square Nut .....	•Erou Carre.....	•Vierkantsmutter .....	•Tuerca Cuadrada .....	•Fyrkantmutter.....		
20	VOE 946441	10						Flange screw .....	Vis à bride .....	Flanschschraube .....	Torn embridado .....	Flänsskruv.....		
21	VOE 11886174	2						Link .....	Articulation .....	Gelenk .....	Articulacion.....	Länk.....		
22	VOE 11882533	2						Pin.....	Goupille.....	Zapfen.....	Pasador.....	Tapp.....		
23	VOE 11890048	4						Seal.....	Joint.....	Dichtring.....	Junta.....	Tätning.....		
24	VOE 968589	2						Flange screw .....	Vis à bride .....	Flanschschraube .....	Torn embridado .....	Flänsskruv.....		
25	VOE 11885940				1			Link .....	Articulation .....	Gelenk .....	Articulacion.....	Länk.....		
26	VOE 11883768				4			•Bushing .....	•Bague.....	•Buchse.....	•Casquillo .....	•Bussning.....		
27	VOE 11890117	REQ						Washer .....	Rondelle .....	Scheibe .....	Arandela.....	Bricka.....		
28	VOE 11881629	2						Clip.....	Clip .....	Klemme.....	Clip .....	Clips.....		
29	VOE 968589	2						Flange screw .....	Vis à bride .....	Flanschschraube .....	Torn embridado .....	Flänsskruv.....		



1	11891417, 11891273	<b>Grävbom med teleskoparm</b> <b>Pluma de excavación con brazo telescópico</b> <b>Grabausleger mit Teleskopstiel</b> <b>Flèche d'équipement excavateur avec bras télescopique</b> <b>Excavator boom, extendible dipper arm</b>	Catalogue id	Group
2	11891109		<b>20124</b>	<b>974</b>
3	11891061		Illustr. No	Section
4	11891379		<b>1013168</b>	<b>100</b>
5	11891380		Issue	Page
			<b>VOE 63A9920124</b>	<b>653</b>



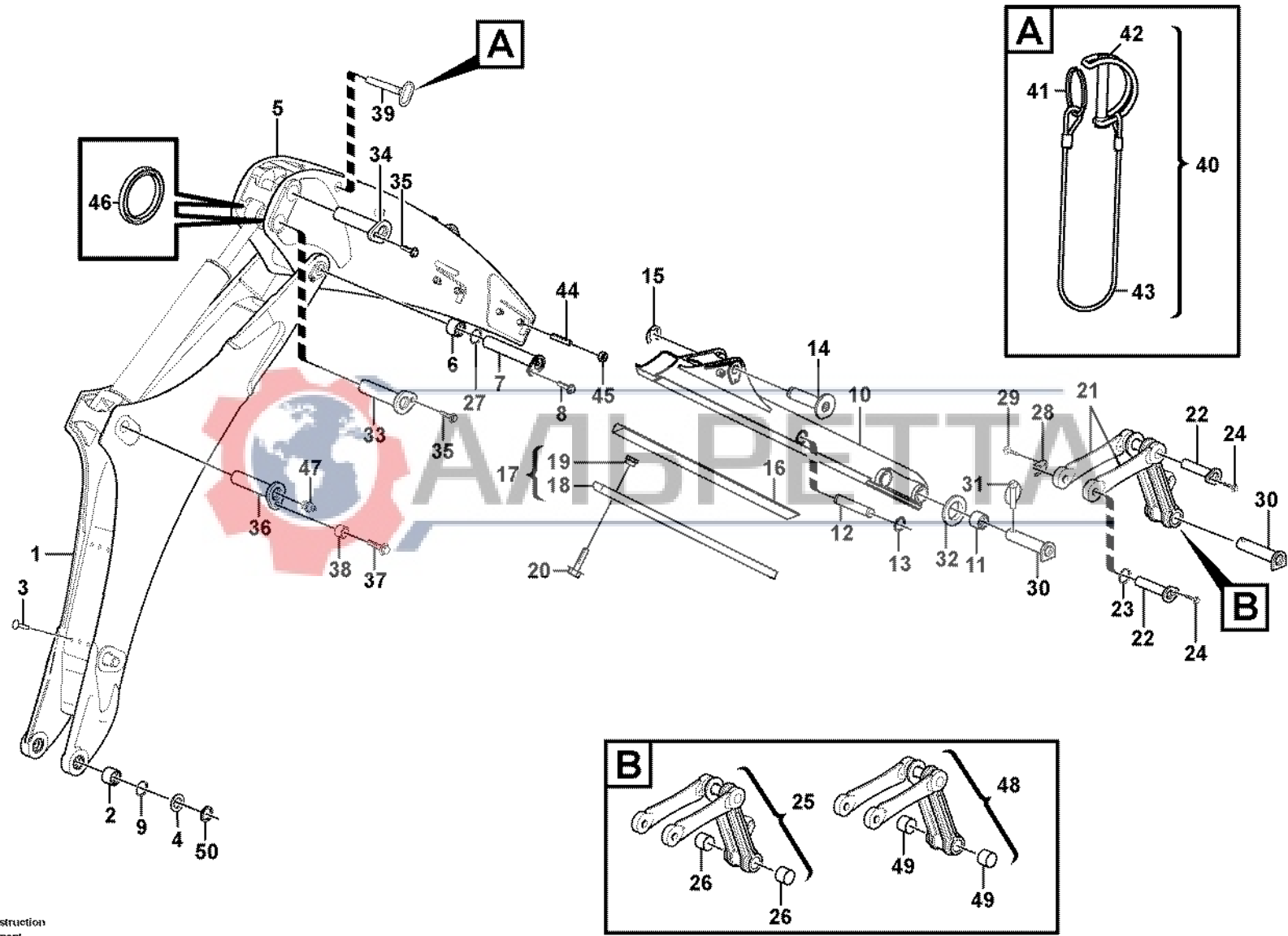
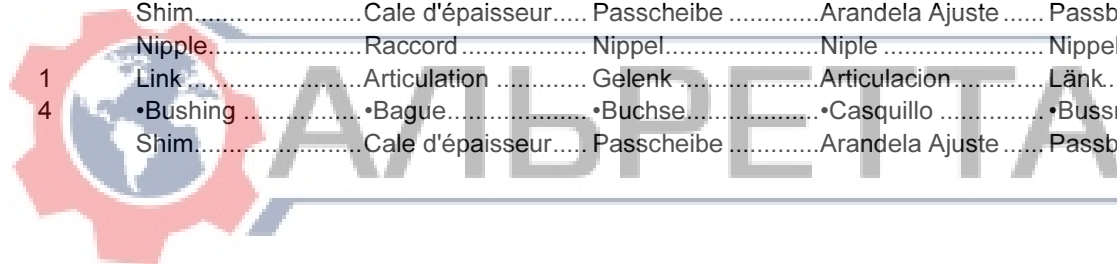


Fig.	Part No.	Quantity					P S	K T	Description	Dénomination	Bezeichnung	Denominación	Benämning	Notes
		1	2	3	4	5								
30	VOE 11883275	2	4	2				Pin.....	Goupille .....	Zapfen.....	Pasador .....	Tapp.....		
31	VOE 11881622	2	4	2				Locking pin.....	Goupille d'arrêt.....	Schliessbolzen.....	Pasador de cierre .....	Låspinne.....		
32	VOE 955912	2	4	2				Washer .....	Rondelle .....	Scheibe .....	Arandela .....	Bricka.....		
33	VOE 11882677	1						Pin.....	Goupille .....	Zapfen.....	Pasador .....	Tapp.....		
34	VOE 11882537	1						Pin.....	Goupille .....	Zapfen.....	Pasador .....	Tapp.....		
35	VOE 968589	2						Flange screw .....	Vis à bride .....	Flanschschraube .....	Torn embridado .....	Flänsskruv.....		
36	VOE 11887958	1						Pin.....	Goupille .....	Zapfen.....	Pasador .....	Tapp.....		
37	VOE 968435	1						Flange screw .....	Vis à bride .....	Flanschschraube .....	Torn embridado .....	Flänsskruv.....		
38	VOE 11888951	2						Spacer Tube .....	Tube Entretoise.....	Abstandrohr .....	Tubo Dist.....	Distansrör.....		
39	VOE 11882540	1						Pin.....	Goupille .....	Zapfen.....	Pasador .....	Tapp.....		
40	VOE 11883476	1						Safety Strap.....	Elingu.securite.....	Zurrband .....	Estrobo Segurid.....	Säkerhetsstropp.....		
41	VOE 11884616	1						•Ring .....	•Anneau.....	•Ring .....	•Anillo .....	•Ring.....		
42	VOE 11884614	1				OP		•Spring Pin .....	•Axe de ressort.....	•Federstift.....	•Pasador Resorte .....	•Fjäderpinne.....		
43	VOE 11881557	1						•Steel Wire .....	•Fil Acier .....	•Stahldraht .....	•Alambre.....	•Ståltråd.....		
44	VOE 11882667	8						Set Screw .....	Vis Butee .....	Anschlagschraub .....	Tornillo Tope .....	Stoppskruv.....		
45	VOE 979021	8						Hexagon Nut.....	Ecrou Hexagonal....	Sechskantmutter .....	Tuerca Hexagon.....	Sexkantsmutter.....		
46	VOE 11887717 REQ							Shim.....	Cale d'épaisseur....	Passscheibe .....	Arandela Ajuste .....	Passbricka.....		
47	VOE 914167	10						Nipple.....	Raccord .....	Nippel.....	Niple .....	Nippel.....		
48	VOE 11885783	1						Link .....	Articulation .....	Gelenk .....	Articulacion .....	Länk .....		
49	VOE 11883768	4						•Bushing .....	•Bague.....	•Buchse.....	•Casquillo .....	•Bussning.....		
50	VOE 11885224 REQ							Shim.....	Cale d'épaisseur....	Passscheibe .....	Arandela Ajuste .....	Passbricka.....		



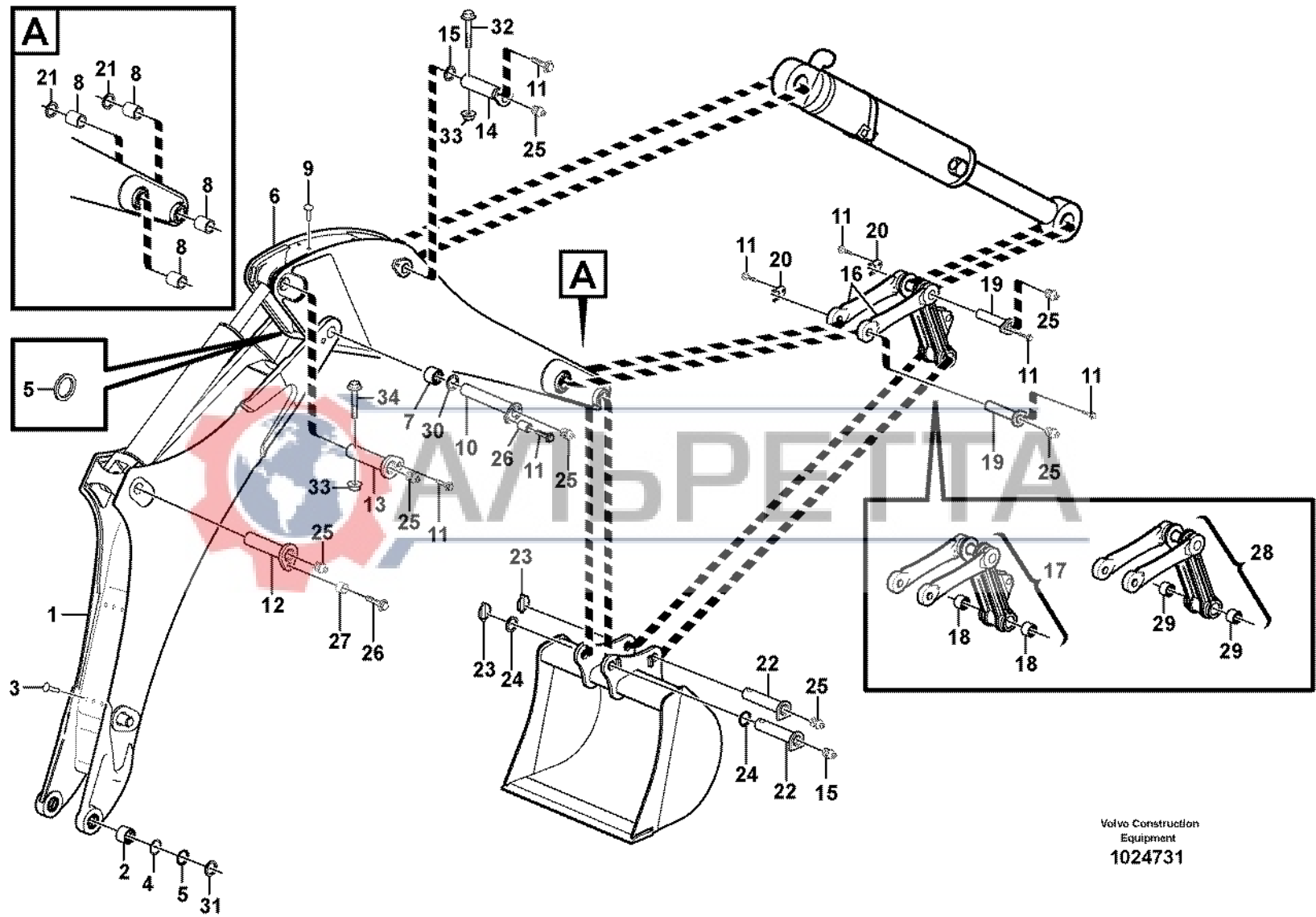
1	11891417, 11891273	<b>Grävbom med teleskoparm</b> <b>Pluma de excavación con brazo telescópico</b> <b>Grabausleger mit Teleskopstiel</b> <b>Flèche d'équipement excavateur avec bras télescopique</b> <b>Excavator boom, extendible dipper arm</b>	Catalogue id	Group
2	11891109		<b>20124</b>	<b>974</b>
3	11891061		Illustr. No	Section
4	11891379		<b>1013168</b>	<b>100</b>
5	11891380		Issue	Page
			<b>VOE 63A9920124</b>	<b>655</b>

**VOLVO**

**BL61PLUS**

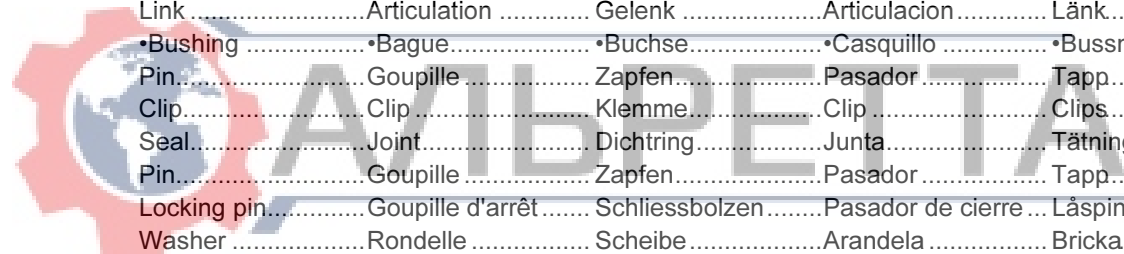






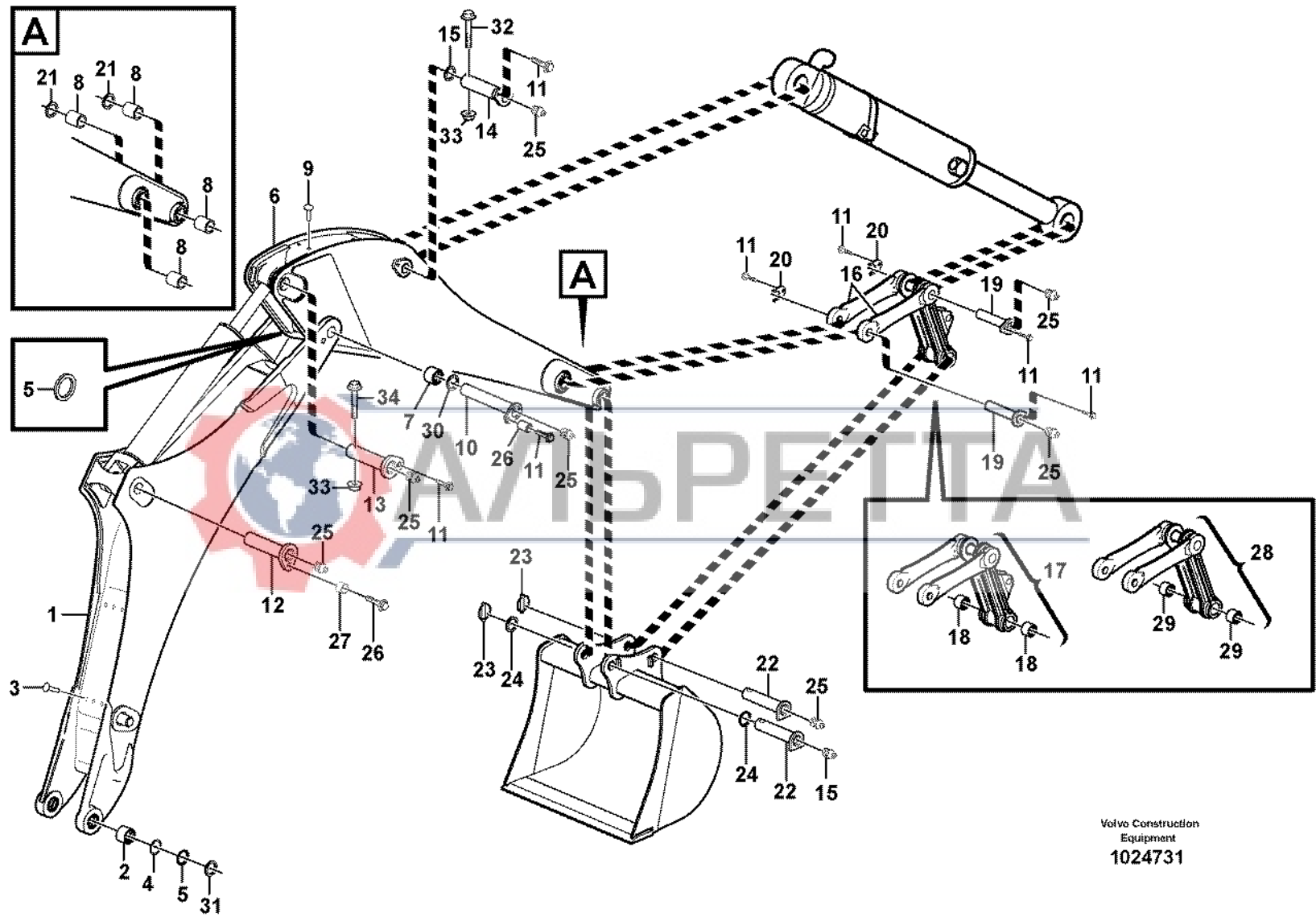
Volvo Construction  
Equipment  
1024731

Fig.	Part No.	Quantity					P S	K T	Description	Dénomination	Bezeichnung	Denominación	Benämning	Notes
		1	2	3	4	5								
1	VOE 11888239	1						Boom .....	Fleche .....	Ausleger.....	Pluma .....	Bom.....		
2	VOE 11885426	2						•Bushing .....	•Bague.....	•Buchse.....	•Casquillo .....	•Bussning.....		
3	VOE 11882943	9						•Rivet .....	•Rivet.....	•Niet .....	•Remache.....	•Nit.....		
4	VOE 11885225	REQ						Shim.....	Cale d'épaisseur.....	Passscheibe .....	Arandela Ajuste .....	Passbricka.....		
5	VOE 11890069	6						Seal.....	Joint.....	Dichtung.....	Reten .....	Tätning.....		
6	VOE 11888559	1						Dipper Arm.....	Balancier .....	Stiel.....	Brazo Cuchara .....	Skaft.....		
7	VOE 11883769	2						•Bushing .....	•Bague.....	•Buchse.....	•Casquillo .....	•Bussning.....		
8	VOE 11883770	4						•Bushing .....	•Bague.....	•Buchse.....	•Casquillo .....	•Bussning.....		
9	VOE 11882943	7						•Rivet .....	•Rivet.....	•Niet .....	•Remache.....	•Nit.....		
10	VOE 11887962	1						Pin.....	Goupille .....	Zapfen.....	Pasador .....	Tapp.....		
11	VOE 968589	5						Flange screw .....	Vis à bride .....	Flanschschraube .....	Torn embridado .....	Flänsskruv.....		
12	VOE 11887958	1						Pin.....	Goupille .....	Zapfen.....	Pasador .....	Tapp.....		
13	VOE 11887964	1						Pin.....	Goupille .....	Zapfen.....	Pasador .....	Tapp.....		
14	VOE 11887965	1						Pin.....	Goupille .....	Zapfen.....	Pasador .....	Tapp.....		
15	VOE 11890117	REQ						Washer .....	Rondelle .....	Scheibe .....	Arandela .....	Bricka.....		
16	VOE 11886174	2						Link .....	Articulation .....	Gelenk .....	Articulacion.....	Länk.....		
17	VOE 11885940				1			Link .....	Articulation .....	Gelenk .....	Articulacion.....	Länk.....		
18	VOE 11883768				4			•Bushing .....	•Bague.....	•Buchse.....	•Casquillo .....	•Bussning.....		
19	VOE 11882533	2						Pin.....	Goupille .....	Zapfen.....	Pasador .....	Tapp.....		
20	VOE 11881629	2						Clip.....	Clip .....	Klemme.....	Clip .....	Clips.....		
21	VOE 11890048	4						Seal.....	Joint.....	Dichtring.....	Junta.....	Tätning.....		
22	VOE 11883275	2	4	2				Pin.....	Goupille .....	Zapfen.....	Pasador .....	Tapp.....		
23	VOE 11881622	2	4	2				Locking pin.....	Goupille d'arrêt.....	Schliessbolzen.....	Pasador de cierre.....	Låspinne.....		
24	VOE 955912	2	4	2				Washer .....	Rondelle .....	Scheibe .....	Arandela .....	Bricka.....		
25	VOE 914167	8						Nipple.....	Raccord .....	Nippel.....	Niple .....	Nippel.....		
26	VOE 968435	1						Flange screw .....	Vis à bride .....	Flanschschraube .....	Torn embridado .....	Flänsskruv.....		
27	VOE 11888951	2						Spacer Tube .....	Tube Entretoise.....	Abstandrohr .....	Tubo Dist.....	Distansrör.....		
28	VOE 11885783					1		Link .....	Articulation .....	Gelenk .....	Articulacion.....	Länk.....		
29	VOE 11883768					4		•Bushing .....	•Bague.....	•Buchse.....	•Casquillo .....	•Bussning.....		
30	VOE 11887717	REQ						Shim.....	Cale d'épaisseur.....	Passscheibe .....	Arandela Ajuste .....	Passbricka.....		



1	11891418, 11891041	<b>Bom och skaft</b> <b>Pluma y brazo</b> <b>Ausleger und Stiel</b> <b>Flèche et balancier</b> <b>Boom and dipper arm</b>	Catalogue id	Group
2	11891109		<b>20124</b>	<b>974</b>
3	11891061		Illustr. No	Section
4	11891379		<b>1024731</b>	<b>150</b>
5	11891380		Issue	Page
			<b>VOE 63A9920124</b>	<b>657</b>





Volvo Construction  
Equipment  
1024731

Fig.	Part No.	Quantity					P S	K T	Description	Dénomination	Bezeichnung	Denominación	Benämning	Notes
		1	2	3	4	5								
31	VOE 11885224	REQ							Shim.....	Cale d'épaisseur.....	Passscheibe .....	Arandela Ajuste .....	Passbricka.....	
32	VOE 965197	1							Screw.....	Vis .....	Schraube .....	Tornillo.....	Skruv.....	
33	VOE 971099	2							Flange Lock Nut.....	Contre écrou bride..	Flanschmutter .....	Contratuer Embr.....	Flänslåsmutter.....	
34	VOE 965229	1							Flange screw .....	Vis à bride .....	Flanschschrabe ....	Torn embridado .....	Flänsskruv.....	(VOE 13965229)

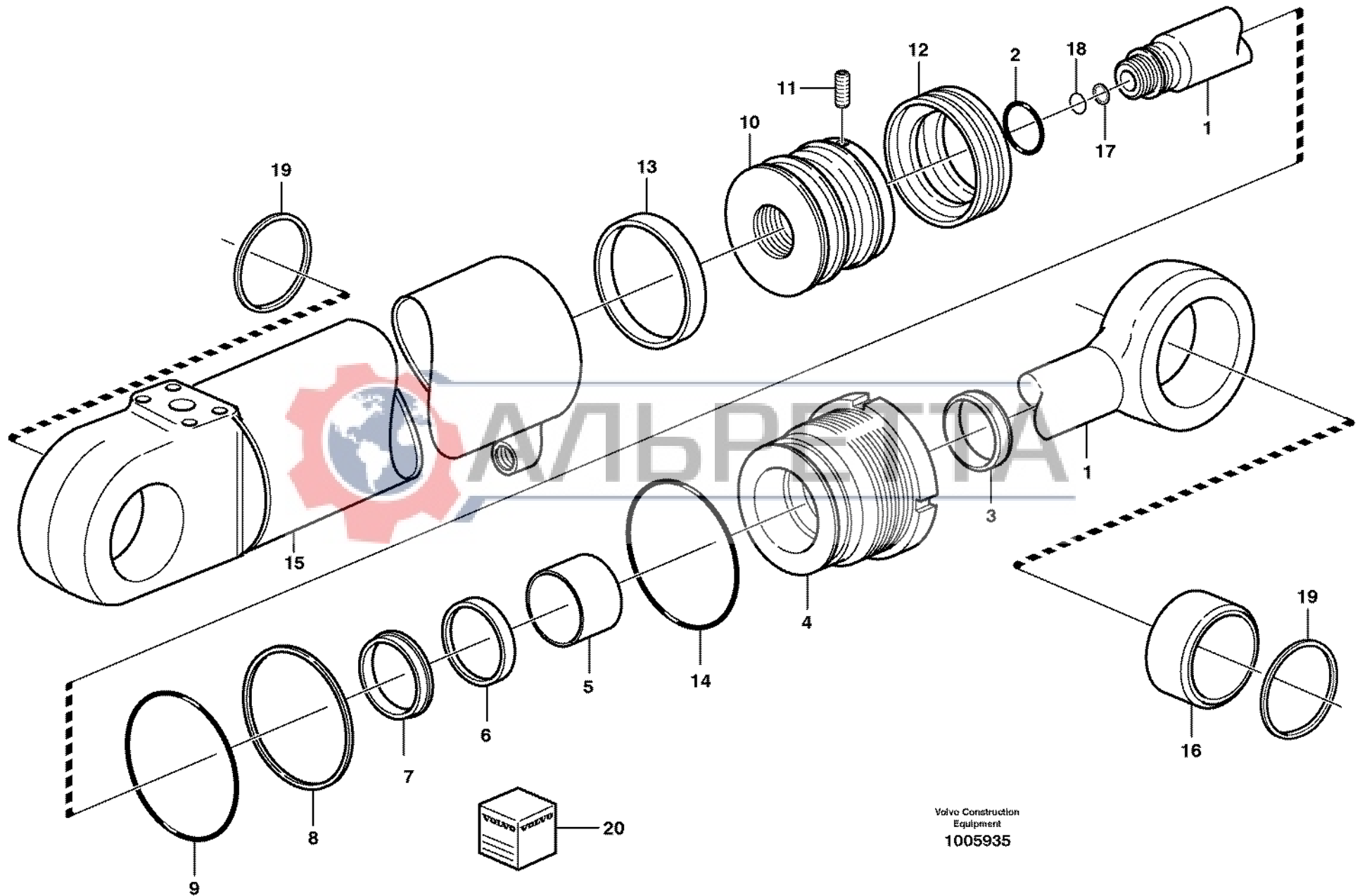


1	11891418, 11891041	<b>Bom och skaft</b> <b>Pluma y brazo</b> <b>Ausleger und Stiel</b> <b>Flèche et balancier</b> <b>Boom and dipper arm</b>	Catalogue id	Group
2	11891109		<b>20124</b>	<b>974</b>
3	11891061		Illustr. No	Section
4	11891379		<b>1024731</b>	<b>150</b>
5	11891380		Issue	Page
			<b>VOE 63A9920124</b>	<b>659</b>

**VOLVO**

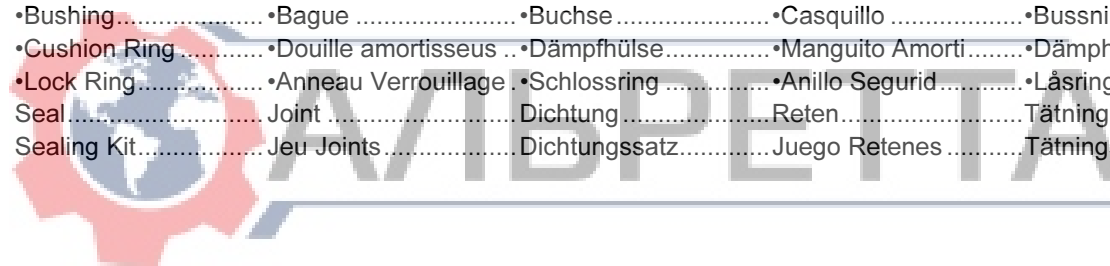
**BL61PLUS**





Volvo Construction  
Equipment  
1005935

Fig.	Part No.	Quantity			P S	K I T	Description	Dénomination	Bezeichnung	Denominación	Benämning	Notes
		1	2	3								
	<b>VOE 11881459</b>	1				Boom Cylinder .....	Verin de fleche .....	Auslegerzylinder.....	Maquina de flecha .....	Bomcylinder.....		
1	<b>VOE 11712451</b>	1				•Piston rod .....	•Bielle de piston .....	•Kolbenstange .....	•Biela de piston .....	•Kolvstång.....		
2		1			NS K	•O-ring.....	•Joint Torique .....	•O-Ring.....	•Junta torica .....	•O-ring.....		
3		1			NS K	•Scraper .....	•Racleur .....	•Abstreifring.....	•Aro rascador .....	•Avstrykare.....		
4	<b>VOE 11709524</b>	1			OP	•Pstn Rod Guide .....	•Gui.tige Piston .....	•Ko-stang Fuhrg .....	•Guia Var Piston.....	•Kolvst.styrning.....		
5		1			NS K	•Guide Ring.....	•Bague Guide.....	•Führungsring.....	•Anillo Guia.....	•Styrning.....		
6		1			NS K	•Piston Rod Seal .....	•Eta.tige Piston.....	•Ko-stang Dichtg .....	•Reten Var Pist.....	•Kolvstångstättn.....		
7		1			NS K	•Lock Ring.....	•Anneau Verrouillage ..	•Schlossring .....	•Anillo Segurid .....	•Låsring.....		
8		1			NS K	•Back-up ring .....	•Rondelle anti-extrusi ..	•Stützring.....	•Anillo Apoyo .....	•Stödtring.....		
9		1			NS K	•O-ring.....	•Joint Torique .....	•O-Ring.....	•Junta torica .....	•O-ring.....		
10	<b>VOE 11709525</b>	1			OP	•Piston.....	•Piston.....	•Kolben.....	•Piston .....	•Kolv.....		
11		1			NS K	•Screw.....	•Vis .....	•Schraube.....	•Tornillo .....	•Skruv.....		
12		1			NS K	•Piston seal .....	•Etanchei.piston .....	•Kolbendichtung .....	•Reten piston.....	•Kolvtätning.....		
13		1			NS K	•Guide Ring.....	•Bague Guide.....	•Führungsring.....	•Anillo Guia.....	•Styrning.....		
14		1			NS K	•O-ring.....	•Joint Torique .....	•O-Ring.....	•Junta torica .....	•O-ring.....		
15		1			NS	•Cylinder tube .....	•Tube cylindre .....	•Zylinderrohr.....	•Tubo cilindro .....	•Cylinderrör.....		
16	<b>VOE 11711135</b>	2				•Bushing.....	•Bague .....	•Buchse .....	•Casquillo .....	•Bussning.....	(VOE 11709599)	
17	<b>VOE 11709526</b>	1				•Cushion Ring .....	•Douille amortisseurs ..	•Dämpfhülse.....	•Manguito Amorti.....	•Dämpfhylsa.....		
18	<b>VOE 11709527</b>	1				•Lock Ring.....	•Anneau Verrouillage ..	•Schlossring .....	•Anillo Segurid .....	•Låsring.....		
19	<b>VOE 11890069</b>	6				Seal.....	Joint .....	Dichtung .....	Reten.....	Tätning.....		
20	<b>VOE 11709528</b>	1				Sealing Kit.....	Jeu Joints.....	Dichtungssatz.....	Juego Retenes .....	Tätningssats.....		

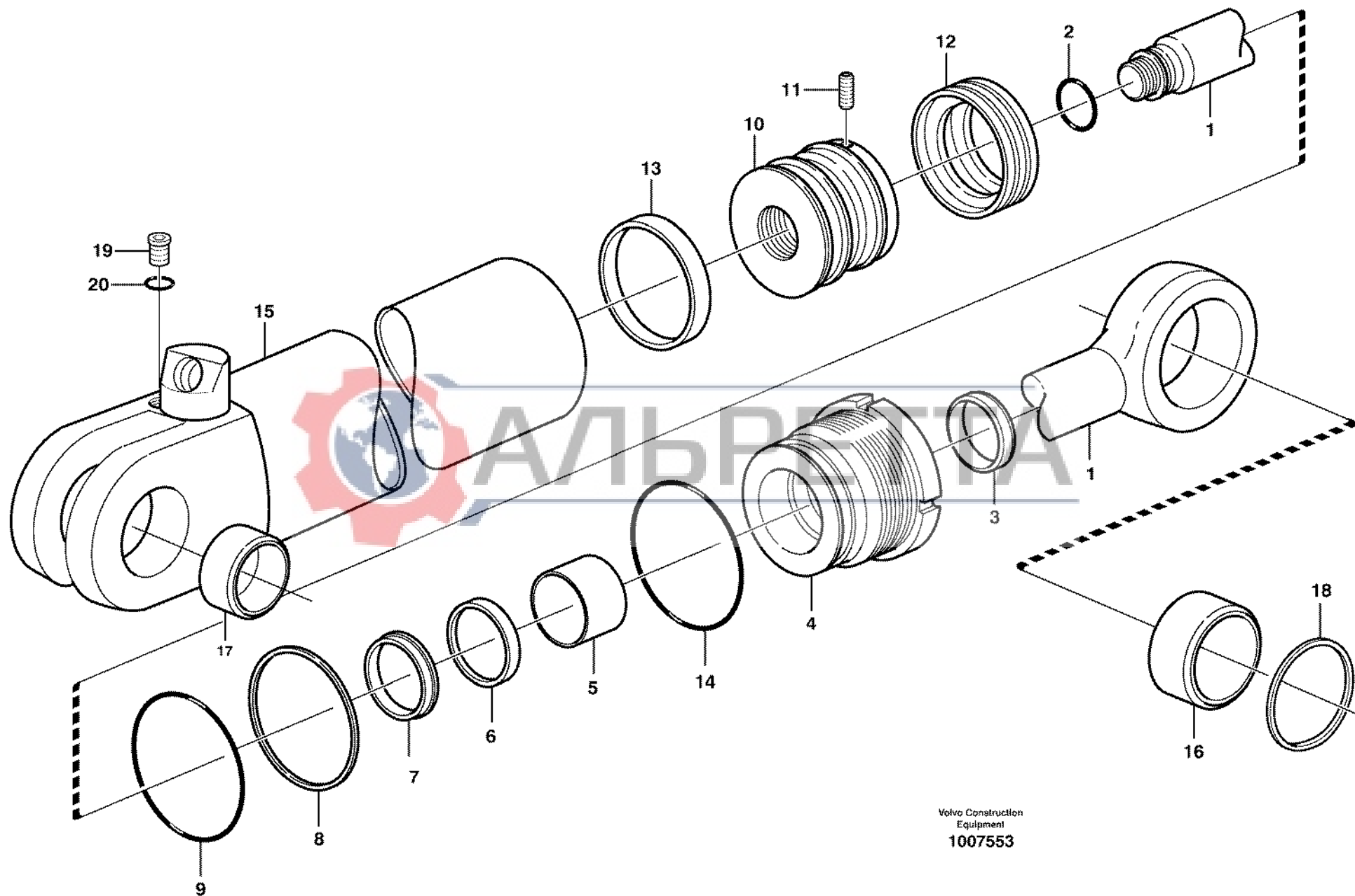


1	<b>Bomcylinder</b> <b>Cilindro de pluma</b> <b>Auslegerzylinder</b> <b>Vérin de flèche</b> <b>Boom cylinder</b>	Catalogue id	Group
2		<b>20124</b>	<b>974</b>
3		Illustr. No	Section
4		<b>1005935</b>	<b>200</b>
5		Issue	Page
		<b>VOE 63A9920124</b>	<b>661</b>

**VOLVO**

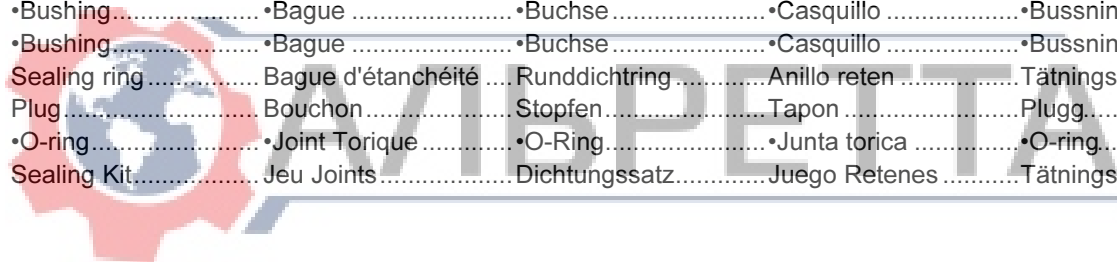
**BL61PLUS**





Volvo Construction  
Equipment  
1007553

Fig.	Part No.	Quantity			P S	K I T	Description	Dénomination	Bezeichnung	Denominación	Benämning	Notes
		1	2	3								
	<b>VOE 11881810</b>	1				Dipper Arm Cylinder...	Vérin de bras.....	Stielzylinder.....	Cilindro de brazo.....	Skaftcylinder.....		
1	<b>VOE 11712444</b>	1				•Piston rod .....	•Bielle de piston .....	•Kolbenstange.....	•Biela de piston .....	•Kolvstång.....		
2		1			NS K	•O-ring.....	•Joint Torique .....	•O-Ring.....	•Junta torica .....	•O-ring.....		
3		1			NS K	•Scraper .....	•Racleur .....	•Abstreifring.....	•Aro rascador .....	•Avstrykare.....		
4	<b>VOE 11709619</b>	1			OP	•Pstn Rod Guide .....	•Gui.tige Piston .....	•Ko-stang Fuhrg .....	•Guia Var Piston.....	•Kolvst.styrning.....		
5		1			NS K	•Guide Ring.....	•Bague Guide.....	•Führungsring.....	•Anillo Guia.....	•Styrning.....		
6		1			NS K	•Piston Rod Seal.....	•Eta.tige Piston.....	•Ko-stang Dichtg .....	•Reten Var Pist.....	•Kolvstångstättn.....		
7		1			NS K	•Lock Ring.....	•Anneau Verrouillage .....	•Schlossring .....	•Anillo Segurid.....	•Låsring.....		
8		1			NS K	•Back-up ring .....	•Rondelle anti-extrusi .....	•Stützring.....	•Anillo Apoyo .....	•Stödtring.....		
9		1			NS K	•O-ring.....	•Joint Torique .....	•O-Ring.....	•Junta torica .....	•O-ring.....		
10	<b>VOE 11709620</b>	1			OP	•Piston.....	•Piston.....	•Kolben.....	•Piston .....	•Kolv.....		
11		1			NS K	•Screw.....	•Vis.....	•Schraube.....	•Tornillo .....	•Skruv.....		
12		1			NS K	•Piston seal .....	•Etanchei.piston .....	•Kolbendichtung .....	•Reten piston.....	•Kolvtätning.....		
13		1			NS K	•Guide Ring.....	•Bague Guide.....	•Führungsring.....	•Anillo Guia.....	•Styrning.....		
14		1			NS K	•O-ring.....	•Joint Torique .....	•O-Ring.....	•Junta torica .....	•O-ring.....		
15		1			NS	•Cylinder tube .....	•Tube cylindre .....	•Zylinderrohr.....	•Tubo cilindro .....	•Cylinderrör.....		
16	<b>VOE 11711135</b>	1				•Bushing.....	•Bague .....	•Buchse .....	•Casquillo .....	•Bussning.....	(VOE 11709599)	
17	<b>VOE 11711974</b>	2				•Bushing.....	•Bague .....	•Buchse .....	•Casquillo .....	•Bussning.....		
18	<b>VOE 11883674</b>	4				Sealing ring.....	Bague d'étanchéité .....	Runddichtring .....	Anillo reten .....	Tätningsring.....		
19	<b>VOE 11883510</b>	1				Plug.....	Bouchon .....	Stopfen .....	Tapon .....	Plugg.....		
20	<b>VOE 932039</b>	1				•O-ring.....	•Joint Torique .....	•O-Ring.....	•Junta torica .....	•O-ring.....		
	<b>VOE 11709624</b>	1				Sealing Kit.....	Jeu Joints.....	Dichtungssatz.....	Juego Retenes .....	Tätningssats.....		



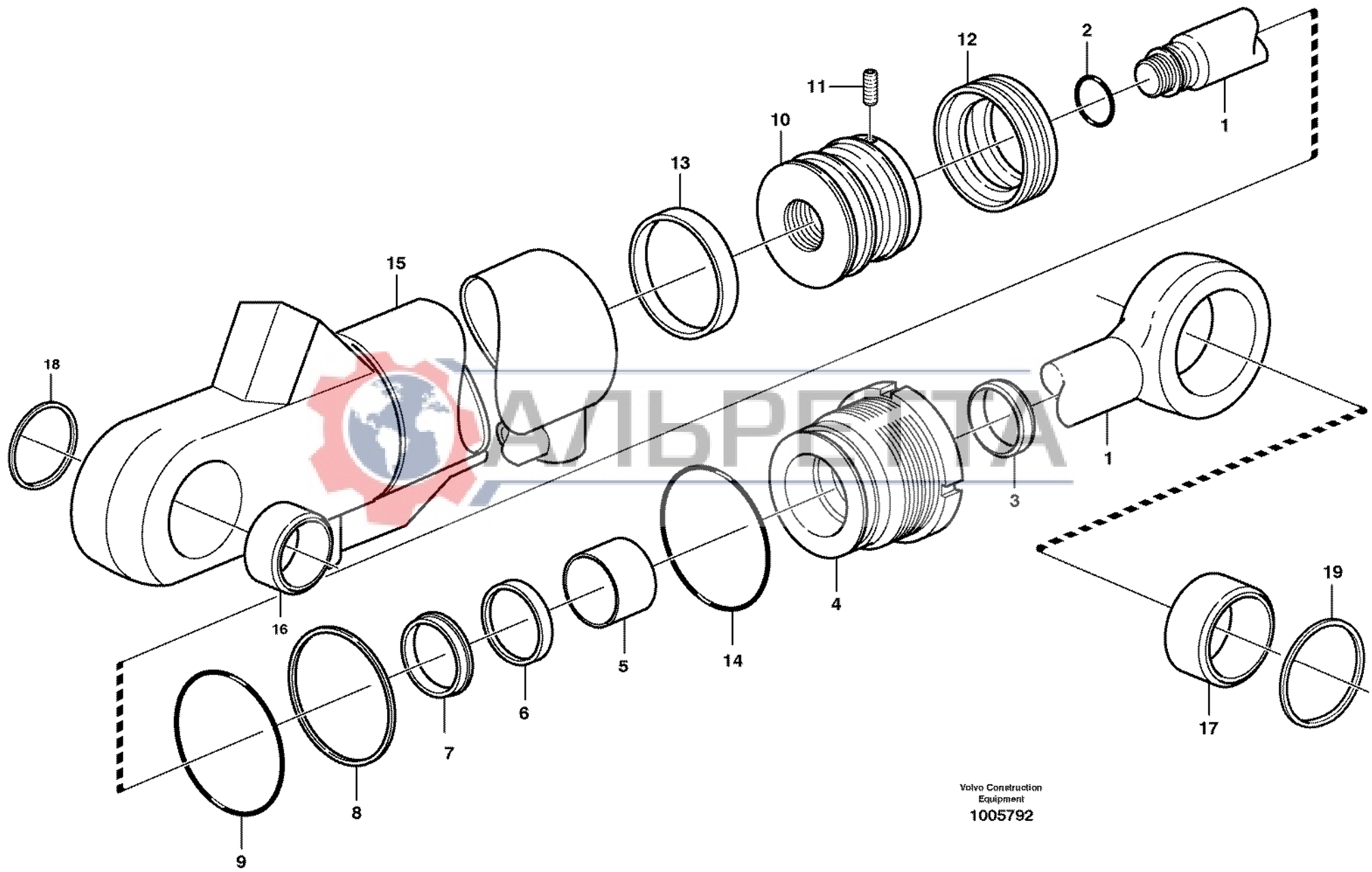
1		<b>Skaftcylinder</b> <b>Cilindro de brazo</b> <b>Stielzylinder</b> <b>Vérin de bras</b> <b>Dipper arm cylinder</b>	Catalogue id	Group
2			<b>20124</b>	<b>975</b>
3			Illustr. No	Section
4			<b>1007553</b>	<b>100</b>
5			Issue	Page
			<b>VOE 63A9920124</b>	<b>663</b>

**VOLVO**

**BL61PLUS**

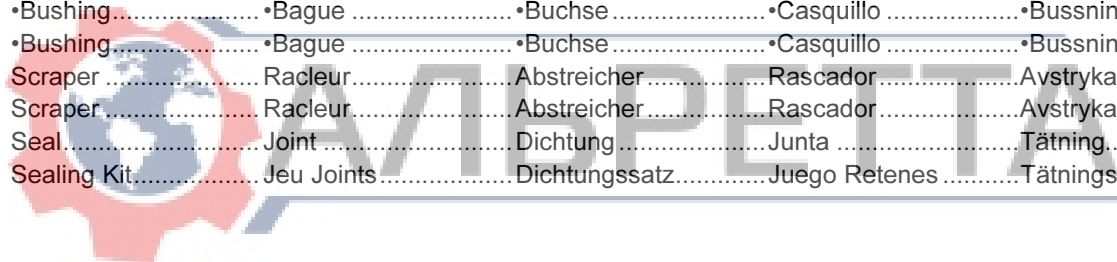






Volvo Construction  
Equipment  
1005792

Fig.	Part No.	Quantity			P S	K I T	Description	Dénomination	Bezeichnung	Denominación	Benämning	Notes
		1	2	3								
	<b>VOE 11886994</b>	1				Cylinder.....	Cylindre.....	Zylinder.....	Cilindro.....	Cylinder.....	(VOE 11885626)	
1	<b>VOE 11988253</b>	1				•Piston Rod.....	•Tige de piston.....	•Kolbenstange.....	•Varilla Piston.....	•Kolvstång.....		
2		1			NS K	•O-ring.....	•Joint Torique.....	•O-Ring.....	•Junta torica.....	•O-ring.....		
3		1			NS K	•Scraper.....	•Racleur.....	•Abstreifring.....	•Aro rascador.....	•Avstrykare.....		
4	<b>VOE 11709536</b>	1				•Pstn Rod Guide.....	•Gui.tige Piston.....	•Ko-stang Fuhrg.....	•Guia Var Piston.....	•Kolvst.styrning.....		
5		1			NS K	•Guide Ring.....	•Bague Guide.....	•Führungsring.....	•Anillo Guia.....	•Styrning.....		
6		1			NS K	•Piston Rod Seal.....	•Eta.tige Piston.....	•Ko-stang Dichtg.....	•Reten Var Pist.....	•Kolvstångstättn.....		
7		1			NS K	•Lock Ring.....	•Anneau Verrouillage.....	•Schlossring.....	•Anillo Segurid.....	•Låsring.....		
8		1			NS K	•Back-up ring.....	•Rondelle anti-extrusi.....	•Stützring.....	•Anillo Apoyo.....	•Stödtring.....		
9		1			NS K	•O-ring.....	•Joint Torique.....	•O-Ring.....	•Junta torica.....	•O-ring.....		
10	<b>VOE 11709537</b>	1				•Piston.....	•Piston.....	•Kolben.....	•Piston.....	•Kolv.....		
11		1			NS K	•Screw.....	•Vis.....	•Schraube.....	•Tornillo.....	•Skruv.....		
12		1			NS K	•Piston seal.....	•Etanchei.piston.....	•Kolbendichtung.....	•Reten piston.....	•Kolvtätning.....		
13		1			NS K	•Guide Ring.....	•Bague Guide.....	•Führungsring.....	•Anillo Guia.....	•Styrning.....		
14		1			NS K	•O-ring.....	•Joint Torique.....	•O-Ring.....	•Junta torica.....	•O-ring.....		
15		1			NS	•Cylinder tube.....	•Tube cylindre.....	•Zylinderrohr.....	•Tubo cilindro.....	•Cylinderrör.....		
16	<b>VOE 11711485</b>	1				•Bushing.....	•Bague.....	•Buchse.....	•Casquillo.....	•Bussning.....		
17	<b>VOE 11988256</b>	1				•Bushing.....	•Bague.....	•Buchse.....	•Casquillo.....	•Bussning.....		
18	<b>VOE 11709605</b>	2				Scraper.....	Racleur.....	Abstreicher.....	Rascador.....	Avstrykare.....		
19	<b>VOE 11988257</b>	2				Scraper.....	Racleur.....	Abstreicher.....	Rascador.....	Avstrykare.....		
19	<b>VOE 11883936</b>	2				Seal.....	Joint.....	Dichtung.....	Junta.....	Tätning.....		
	<b>VOE 11709538</b>	1				Sealing Kit.....	Jeu Joints.....	Dichtungssatz.....	Juego Retenes.....	Tätningssats.....		



1		<b>Teleskopcyliner</b> <b>Cilindro telescopico.</b> <b>Teleskopzylinder.</b> <b>Cylindre telescope.</b> <b>Extendible dipper cylinder</b>  <b>11891273</b>	Catalogue id	Group
2			<b>20124</b>	<b>975</b>
3			Illustr. No	Section
4			<b>1005792</b>	<b>300</b>
5			Issue	Page
			<b>VOE 63A9920124</b>	<b>665</b>

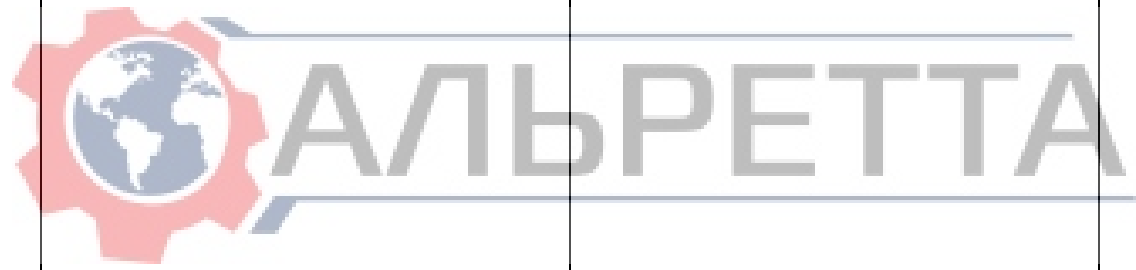
**VOLVO**

**BL61PLUS**



REPLACED PARTS			PIEZAS SUBSTITUDAS			Catalogue id <b>20124</b>		Group <b>1000</b>			
PIÉCES PÉRIMÉES ET REMPLACÉES			ERSATTA ARTIKLAR			Issue <b>VOE 63A9920124</b>		Page <b>1</b>			
ERSETZTE ARTIKEL											
Part No	Replaced by	Quantity	Part No	Replaced by	Quantity	Part No	Replaced by	Quantity	Part No	Replaced by	Quantity

VOE 11201418	*** USE	
	VOE 11202201	SS
VOE 11881712	*** USE	
	VOE 11884312	1.00
	VOE 11884314	1.00
	VOE 11884313	1.00



Part No	Group	Sect	Page	Part No	Group	Sect	Page	Part No	Group	Sect	Page	Part No	Group	Sect	Page	Part No	Group	Sect	Page
15010489	380	100	207	VOE 11105305	897	100	455	VOE 11191410	852	200	413	VOE 11200611	831	100	397	VOE 11201053	831	100	395
VOE 1083597	881	150	437	VOE 11109685	269	100	123	VOE 11200002	810	100	371	VOE 11200633	831	100	395	VOE 11201054	872	150	417
VOE 11003138	451	150	275	VOE 11110668	235	100	87	VOE 11200054	831	100	395	VOE 11200634	831	100	395	VOE 11201055	872	150	417
VOE 11003139	451	150	275	VOE 11110670	235	100	87	VOE 11200059	831	100	395	VOE 11200669	363	100	159	VOE 11201056	872	150	417
VOE 11003291	851	100	407	VOE 11114940	821	100	375	VOE 11200060	831	100	395	VOE 11200674	363	150	161	VOE 11201062	874	350	429
VOE 11003291	874	350	429	VOE 11117464	261	100	111	VOE 11200061	831	100	395	VOE 11200698	363	100	159	VOE 11201063	874	350	429
VOE 11003865	897	100	455	VOE 11117464	874	450	431	VOE 11200070	831	100	395	VOE 11200699	363	100	159	VOE 11201064	874	350	429
VOE 11004094	897	100	455	VOE 11121366	841	100	399	VOE 11200072	831	100	395	VOE 11200705	363	150	161	VOE 11201065	874	350	429
VOE 11006632	872	150	419	VOE 11141656	269	100	123	VOE 11200077	831	100	395	VOE 11200706	363	150	161	VOE 11201071	831	100	393
VOE 11006824	831	100	393	VOE 11141657	269	100	123	VOE 11200081	831	100	395	VOE 11200709	363	100	159	VOE 11201171	810	100	371
VOE 11006824	831	100	395	VOE 11147756	353	150	149	VOE 11200222	825	200	385	VOE 11200710	363	100	159	VOE 11201172	810	100	371
VOE 11006992	882	100	441	VOE 11149399	810	100	371	VOE 11200239	831	100	395	VOE 11200713	363	100	159	VOE 11201200	881	100	435
VOE 11007421	831	100	395	VOE 11149686	525	100	325	VOE 11200244	831	100	393	VOE 11200713	363	200	163	VOE 11201216	882	100	443
VOE 11011654	924	400	579	VOE 11149692	843	100	401	VOE 11200246	831	100	393	VOE 11200746	873	100	421	VOE 11201291	872	150	417
VOE 11026730	897	100	455	VOE 11149693	843	100	401	VOE 11200397	525	100	325	VOE 11200787	363	100	159	VOE 11201308	872	150	417
VOE 11039491	874	350	429	VOE 11149730	843	100	401	VOE 11200464	831	100	393	VOE 11200794	872	150	417	VOE 11201418	363	150	161
VOE 11039689	272	100	127	VOE 11149731	843	100	401	VOE 11200527	641	100	337	VOE 11200803	551	200	329	VOE 11201421	881	200	439
VOE 11039856	352	100	143	VOE 11149772	843	100	401	VOE 11200528	873	100	421	VOE 11200818	872	150	417	VOE 11201422	881	200	439
VOE 11039856	352	200	145	VOE 11149774	843	100	401	VOE 11200530	872	100	415	VOE 11200821	873	150	423	VOE 11201553	825	200	385
VOE 11055610	716	100	355	VOE 11149785	825	200	385	VOE 11200533	873	150	423	VOE 11200824	872	100	415	VOE 11201846	831	100	393
VOE 11055616	818	100	373	VOE 11149786	825	200	385	VOE 11200543	872	150	419	VOE 11200835	827	150	391	VOE 11201898	881	150	437
VOE 11057786	881	100	435	VOE 11157115	924	450	581	VOE 11200546	882	100	441	VOE 11200836	872	150	417	VOE 11201899	881	150	437
VOE 11059298	911	250	477	VOE 11164488	841	100	399	VOE 11200547	882	100	441	VOE 11200838	851	100	407	VOE 11202062	831	100	397
VOE 11059300	911	250	477	VOE 11164554	881	150	437	VOE 11200552	831	100	395	VOE 11200847	831	100	397	VOE 11202166	881	200	439
VOE 11078015	882	100	441	VOE 11164693	881	150	437	VOE 11200556	810	100	371	VOE 11200847	881	200	439	VOE 11202201	363	150	161
VOE 11081026	925	200	591	VOE 11170006	371	100	165	VOE 11200562	641	100	337	VOE 11200885	372	100	205	VOE 11202229	881	100	435
VOE 11081028	925	200	591	VOE 11170006	371	250	171	VOE 11200563	641	100	337	VOE 11200885	831	100	397	VOE 11202231	271	100	125
VOE 11081028	925	350	599	VOE 11170006	371	300	175	VOE 11200579	271	100	125	VOE 11200896	841	100	399	VOE 11202248	271	100	125
VOE 11104125	852	150	411	VOE 11170006	371	400	179	VOE 11200579	525	100	325	VOE 11200910	843	100	401	VOE 11202250	271	100	125
VOE 11104372	872	150	419	VOE 11170006	371	450	183	VOE 11200579	831	100	395	VOE 11200915	354	100	153	VOE 11202254	271	100	125
VOE 11104606	363	200	163	VOE 11170006	371	630	187	VOE 11200579	882	100	441	VOE 11200928	874	350	429	VOE 11202349	831	100	395
VOE 11104898	641	100	337	VOE 11170724	881	150	437	VOE 11200580	831	100	397	VOE 11200936	271	100	125	VOE 11202353	831	100	393
VOE 11104947	810	100	371	VOE 11180010	897	100	455	VOE 11200587	641	100	337	VOE 11200982	896	200	451	VOE 11202354	831	100	393
VOE 11105303	925	500	607	VOE 11180153	897	100	455	VOE 11200600	843	150	405	VOE 11201036	810	100	371	VOE 11202421	881	200	439
VOE 11105304	897	100	455	VOE 11191410	852	100	409	VOE 11200610	525	100	325	VOE 11201052	831	100	395	VOE 11202422	881	200	439

<b>NUMERICAL INDEX</b> <b>RÉPERTOIRE DE NUMÉROS</b> <b>NUMMERNREGISTER</b>	<b>INDICE DE NÚMERO</b>		Catalogue id	Group
	<b>NUMMERREGISTER</b>		<b>20124</b>	<b>1000</b>
			Issue	Page
		<b>VOE 63A9920124</b>	<b>1</b>	

**VOLVO**

**BL61PLUS**

NUMERICAL INDEX				INDICE DE NÚMERO				Catalogue id				Group			
RÉPERTOIRE DE NUMÉROS				NUMMERREGISTER				20124				1000			
NUMMERNREGISTER								Issue				Page			
VOE 63A9920124								VOE 63A9920124				2			
Part No	Group	Sect	Page	Part No	Group	Sect	Page	Part No	Group	Sect	Page	Part No	Group	Sect	Page
VOE 11202423	881	200	439	VOE 11204029	873	150	423	VOE 11298021	641	100	337	VOE 11298204	873	150	423
VOE 11202424	881	200	439	VOE 11204075	882	100	441	VOE 11298032	881	100	435	VOE 11298204	873	200	425
VOE 11202426	872	100	415	VOE 11204085	881	150	437	VOE 11298032	881	200	439	VOE 11298204	881	100	435
VOE 11202437	271	100	125	VOE 11204091	810	100	371	VOE 11298034	353	200	151	VOE 11298204	882	100	441
VOE 11202438	831	100	393	VOE 11204335	882	100	441	VOE 11298160	810	100	371	VOE 11298208	271	100	125
VOE 11202442	843	100	401	VOE 11204385	872	150	417	VOE 11298164	841	100	399	VOE 11298208	272	100	127
VOE 11202448	525	100	325	VOE 11204387	872	150	417	VOE 11298165	882	100	441	VOE 11298208	352	200	145
VOE 11202452	831	100	393	VOE 11204395	872	150	417	VOE 11298166	841	100	399	VOE 11298208	353	100	147
VOE 11202453	831	100	393	VOE 11204407	881	100	435	VOE 11298167	881	100	435	VOE 11298208	371	300	175
VOE 11202463	843	100	401	VOE 11204410	882	100	441	VOE 11298168	882	100	441	VOE 11298208	371	710	197
VOE 11202464	831	100	393	VOE 11204411	882	100	441	VOE 11298203	363	100	159	VOE 11298208	525	100	325
VOE 11202709	353	200	151	VOE 11204415	881	100	435	VOE 11298203	363	150	161	VOE 11298208	551	200	329
VOE 11202713	881	100	435	VOE 11204417	881	100	435	VOE 11298203	363	200	163	VOE 11298208	810	100	371
VOE 11202722	831	100	395	VOE 11204468	272	100	127	VOE 11298203	843	100	401	VOE 11298208	821	100	375
VOE 11202931	272	100	127	VOE 11204474	882	100	441	VOE 11298204	271	100	125	VOE 11298208	825	200	385
VOE 11203022	831	100	393	VOE 11204560	352	100	143	VOE 11298204	272	100	127	VOE 11298208	827	150	391
VOE 11203027	831	100	393	VOE 11204561	352	100	143	VOE 11298204	363	100	159	VOE 11298208	881	100	435
VOE 11203032	831	100	393	VOE 11204911	874	100	427	VOE 11298204	363	150	161	VOE 11298208	882	100	441
VOE 11203078	363	200	163	VOE 11204962	882	100	441	VOE 11298204	363	200	163	VOE 11298233	851	100	407
VOE 11203079	363	200	163	VOE 11205191	881	100	435	VOE 11298204	371	300	175	VOE 11298233	872	100	415
VOE 11203253	810	100	371	VOE 11205272	810	100	371	VOE 11298204	371	350	177	VOE 11298233	873	150	423
VOE 11203345	831	100	397	VOE 11205516	851	100	407	VOE 11298204	371	500	185	VOE 11298233	874	100	427
VOE 11203356	882	100	441	VOE 11205674	551	200	329	VOE 11298204	371	710	197	VOE 11298233	874	350	429
VOE 11203449	810	100	371	VOE 11205701	851	100	407	VOE 11298204	371	750	201	VOE 11298233	874	450	431
VOE 11203487	810	100	371	VOE 11205702	851	100	407	VOE 11298204	380	200	209	VOE 11298239	821	100	375
VOE 11203491	810	100	371	VOE 11205703	851	100	407	VOE 11298204	525	100	325	VOE 11298278	882	100	441
VOE 11203560	881	100	435	VOE 11205704	851	100	407	VOE 11298204	551	200	329	VOE 11298278	882	100	443
VOE 11203562	881	100	435	VOE 11205717	851	100	407	VOE 11298204	810	100	371	VOE 11302220	269	100	123
VOE 11203565	882	100	441	VOE 11205775	525	100	325	VOE 11298204	821	100	375	VOE 11302230	269	100	123
VOE 11203683	810	100	371	VOE 11205776	525	100	325	VOE 11298204	825	200	385	VOE 11305113	362	100	155
VOE 11203704	827	150	391	VOE 11205848	525	100	325	VOE 11298204	831	100	393	VOE 11305168	925	350	599
VOE 11203728	843	150	403	VOE 11205982	271	100	125	VOE 11298204	843	100	401	VOE 11305263	371	100	165
VOE 11203785	841	100	399	VOE 11298009	641	100	337	VOE 11298204	843	150	403	VOE 11305263	371	500	185
VOE 11203823	881	150	437	VOE 11298010	641	100	337	VOE 11298204	872	150	417	VOE 11305263	372	100	205
VOE 11203861	352	100	143	VOE 11298016	882	100	441	VOE 11298204	873	100	421	VOE 11305263	380	350	215
												VOE 11700609	223	100	79
												VOE 11701764	210	50	45
												VOE 11703979	872	150	417
												VOE 11704359	256	200	109
												VOE 11704359	843	100	401
												VOE 11704359	843	150	405
												VOE 11708555	235	150	89
												VOE 11708567	363	150	161
												VOE 11708567	363	200	163
												VOE 11708567	825	200	385
												VOE 11708567	831	100	393
												VOE 11708567	843	100	401
												VOE 11708567	843	150	405
												VOE 11708567	872	150	417
												VOE 11708612	924	450	581
												VOE 11709047	421	200	237
												VOE 11709047	421	230	239
												VOE 11709048	420	150	225
												VOE 11709049	421	230	239
												VOE 11709050	420	150	225

Part No	Group	Sect	Page	Part No	Group	Sect	Page	Part No	Group	Sect	Page	Part No	Group	Sect	Page	Part No	Group	Sect	Page
VOE 11709050	421	230	239	VOE 11709075	463	260	307	VOE 11709088	421	250	241	VOE 11709098	421	400	257	VOE 11709129	421	360	253
VOE 11709051	420	150	225	VOE 11709076	421	250	241	VOE 11709088	421	260	243	VOE 11709098	421	410	259	VOE 11709130	421	360	253
VOE 11709051	421	230	239	VOE 11709076	421	260	243	VOE 11709088	421	320	247	VOE 11709099	421	250	241	VOE 11709131	421	360	253
VOE 11709051	421	400	257	VOE 11709076	421	320	247	VOE 11709088	421	350	249	VOE 11709099	421	260	243	VOE 11709133	420	200	231
VOE 11709052	420	150	225	VOE 11709076	421	350	249	VOE 11709089	421	250	241	VOE 11709100	421	250	241	VOE 11709133	421	350	251
VOE 11709052	421	230	239	VOE 11709076	421	400	257	VOE 11709089	421	260	243	VOE 11709101	421	250	241	VOE 11709133	421	360	255
VOE 11709053	420	150	225	VOE 11709076	421	410	259	VOE 11709089	421	320	247	VOE 11709101	421	260	243	VOE 11709133	421	400	257
VOE 11709053	421	230	239	VOE 11709077	421	250	241	VOE 11709089	421	350	249	VOE 11709102	421	300	245	VOE 11709134	421	360	253
VOE 11709055	420	150	227	VOE 11709077	421	260	243	VOE 11709090	421	250	241	VOE 11709102	421	320	247	VOE 11709135	421	360	253
VOE 11709055	420	200	229	VOE 11709077	461	250	291	VOE 11709090	421	260	243	VOE 11709102	421	410	259	VOE 11709139	421	360	253
VOE 11709056	420	200	229	VOE 11709078	421	250	241	VOE 11709090	421	320	247	VOE 11709103	421	300	245	VOE 11709144	421	350	251
VOE 11709057	420	150	225	VOE 11709078	421	260	243	VOE 11709090	421	350	249	VOE 11709103	421	320	247	VOE 11709144	421	360	255
VOE 11709057	420	200	229	VOE 11709079	421	250	241	VOE 11709091	421	250	241	VOE 11709104	421	300	245	VOE 11709144	421	400	257
VOE 11709057	461	300	295	VOE 11709079	421	260	243	VOE 11709091	421	260	243	VOE 11709104	421	320	247	VOE 11709145	421	350	251
VOE 11709057	461	350	299	VOE 11709079	421	400	257	VOE 11709091	421	320	247	VOE 11709105	421	300	245	VOE 11709145	421	360	255
VOE 11709057	463	110	301	VOE 11709080	421	350	249	VOE 11709091	421	350	249	VOE 11709106	421	300	245	VOE 11709146	421	360	255
VOE 11709060	420	150	227	VOE 11709080	421	360	255	VOE 11709092	421	250	241	VOE 11709106	421	360	253	VOE 11709148	421	320	247
VOE 11709060	420	200	229	VOE 11709081	421	250	241	VOE 11709092	421	260	243	VOE 11709107	421	360	253	VOE 11709148	421	350	251
VOE 11709061	420	150	225	VOE 11709081	421	260	243	VOE 11709092	421	320	247	VOE 11709108	421	360	253	VOE 11709150	421	360	255
VOE 11709061	420	200	229	VOE 11709081	421	320	247	VOE 11709092	421	350	249	VOE 11709112	421	360	253	VOE 11709151	421	250	241
VOE 11709061	421	550	267	VOE 11709081	421	350	249	VOE 11709093	421	250	241	VOE 11709113	421	360	253	VOE 11709151	421	260	243
VOE 11709063	420	150	227	VOE 11709081	421	400	257	VOE 11709093	421	260	243	VOE 11709114	421	360	253	VOE 11709151	421	320	247
VOE 11709063	420	200	229	VOE 11709082	421	260	243	VOE 11709093	421	320	247	VOE 11709115	421	360	253	VOE 11709165	421	460	263
VOE 11709065	420	200	229	VOE 11709083	421	250	241	VOE 11709093	421	350	249	VOE 11709116	421	360	253	VOE 11709167	421	410	259
VOE 11709066	420	200	229	VOE 11709083	421	260	243	VOE 11709095	421	250	241	VOE 11709118	421	360	253	VOE 11709168	421	400	257
VOE 11709068	420	150	225	VOE 11709083	421	320	247	VOE 11709095	421	260	243	VOE 11709119	421	360	253	VOE 11709169	421	400	257
VOE 11709068	420	200	229	VOE 11709083	421	350	249	VOE 11709095	421	320	247	VOE 11709120	421	360	253	VOE 11709170	421	400	257
VOE 11709070	420	200	229	VOE 11709084	421	250	241	VOE 11709095	421	350	249	VOE 11709121	421	360	253	VOE 11709171	421	400	257
VOE 11709071	420	200	229	VOE 11709084	421	260	243	VOE 11709095	421	360	253	VOE 11709122	421	360	253	VOE 11709171	421	410	259
VOE 11709074	420	150	227	VOE 11709084	421	320	247	VOE 11709096	421	260	243	VOE 11709123	421	360	253	VOE 11709171	461	260	293
VOE 11709074	420	200	231	VOE 11709084	421	350	249	VOE 11709097	421	250	241	VOE 11709124	421	360	253	VOE 11709174	421	460	263
VOE 11709075	420	150	225	VOE 11709085	421	250	241	VOE 11709097	421	260	243	VOE 11709125	421	360	253	VOE 11709175	421	460	263
VOE 11709075	420	150	227	VOE 11709085	421	260	243	VOE 11709097	421	320	247	VOE 11709126	421	360	253	VOE 11709176	421	460	263
VOE 11709075	420	200	231	VOE 11709085	421	320	247	VOE 11709097	421	350	249	VOE 11709127	421	360	253	VOE 11709177	421	460	263
VOE 11709075	421	450	261	VOE 11709085	421	350	249	VOE 11709098	421	350	249	VOE 11709128	421	360	253	VOE 11709180	421	460	263

<b>NUMERICAL INDEX</b> <b>RÉPERTOIRE DE NUMÉROS</b> <b>NUMMERNREGISTER</b>	<b>INDICE DE NÚMERO</b> <b>NUMMERREGISTER</b>		Catalogue id <b>20124</b>	Group <b>1000</b>
			Issue <b>VOE 63A9920124</b>	Page <b>3</b>

**VOLVO**

**BL61PLUS**



Part No	Group	Sect	Page	Part No	Group	Sect	Page	Part No	Group	Sect	Page	Part No	Group	Sect	Page	Part No	Group	Sect	Page
VOE 11709664	925	600	609	VOE 11709766	371	675	193	VOE 11709913	925	600	609	VOE 11712505	461	300	295	VOE 11712798	421	460	263
VOE 11709664	945	300	633	VOE 11709766	371	710	197	VOE 11710605	841	100	399	VOE 11712527	461	110	281	VOE 11712853	843	150	403
VOE 11709664	945	350	635	VOE 11709766	371	725	199	VOE 11710925	912	350	529	VOE 11712547	926	350	621	VOE 11712854	843	150	403
VOE 11709664	972	150	651	VOE 11709767	371	300	175	VOE 11710932	926	250	617	VOE 11712548	926	350	621	VOE 11712855	843	150	403
VOE 11709672	971	200	645	VOE 11709767	371	655	189	VOE 11710933	926	250	617	VOE 11712549	926	350	621	VOE 11712856	843	150	403
VOE 11709676	971	200	645	VOE 11709767	371	675	193	VOE 11711130	912	400	531	VOE 11712557	843	150	403	VOE 11712857	843	150	403
VOE 11709677	971	200	645	VOE 11709767	371	710	197	VOE 11711134	945	350	635	VOE 11712580	912	500	533	VOE 11712858	843	150	403
VOE 11709684	873	150	423	VOE 11709767	371	725	199	VOE 11711135	974	200	661	VOE 11712580	912	550	535	VOE 11712859	843	150	403
VOE 11709685	873	100	421	VOE 11709768	354	100	153	VOE 11711135	975	100	663	VOE 11712602	924	100	567	VOE 11712860	843	150	403
VOE 11709686	873	100	421	VOE 11709780	916	350	565	VOE 11711136	945	300	633	VOE 11712603	924	100	567	VOE 11712861	843	150	403
VOE 11709687	873	100	421	VOE 11709781	916	350	565	VOE 11711485	975	300	665	VOE 11712604	924	100	567	VOE 11712862	843	150	403
VOE 11709688	873	100	421	VOE 11709782	916	350	565	VOE 11711974	975	100	663	VOE 11712605	924	100	567	VOE 11712864	843	150	403
VOE 11709689	873	100	421	VOE 11709783	916	350	565	VOE 11712164	872	150	417	VOE 11712606	924	100	567	VOE 11712865	843	150	403
VOE 11709689	873	150	423	VOE 11709787	371	450	183	VOE 11712174	843	150	405	VOE 11712607	924	100	567	VOE 11712866	843	150	403
VOE 11709690	873	100	421	VOE 11709788	371	400	179	VOE 11712309	911	300	479	VOE 11712622	912	150	525	VOE 11712867	843	150	403
VOE 11709691	873	100	421	VOE 11709814	874	450	431	VOE 11712336	210	50	47	VOE 11712623	912	150	525	VOE 11712868	843	150	403
VOE 11709696	873	150	423	VOE 11709836	843	150	403	VOE 11712340	362	150	157	VOE 11712623	912	300	527	VOE 11712869	843	150	403
VOE 11709697	873	150	423	VOE 11709840	843	150	403	VOE 11712444	975	100	663	VOE 11712635	972	150	651	VOE 11712876	843	150	403
VOE 11709698	874	350	429	VOE 11709841	843	150	403	VOE 11712451	974	200	661	VOE 11712659	421	200	237	VOE 11712877	912	300	527
VOE 11709699	874	350	429	VOE 11709843	843	150	403	VOE 11712462	420	200	231	VOE 11712659	421	230	239	VOE 11712877	912	350	529
VOE 11709700	874	100	427	VOE 11709844	843	150	403	VOE 11712463	420	200	229	VOE 11712662	843	150	403	VOE 11712879	912	300	527
VOE 11709701	874	100	427	VOE 11709845	843	150	403	VOE 11712465	420	200	229	VOE 11712663	843	150	403	VOE 11712879	912	500	533
VOE 11709702	874	100	427	VOE 11709850	551	200	329	VOE 11712468	421	250	241	VOE 11712663	843	150	405	VOE 11712880	912	500	533
VOE 11709703	874	100	427	VOE 11709851	551	200	329	VOE 11712468	421	260	243	VOE 11712676	924	300	577	VOE 11712883	912	300	527
VOE 11709704	874	100	427	VOE 11709852	551	200	329	VOE 11712469	421	250	241	VOE 11712677	924	300	577	VOE 11712883	912	500	533
VOE 11709706	873	150	423	VOE 11709853	551	200	329	VOE 11712469	421	260	243	VOE 11712696	272	100	127	VOE 11712884	912	300	527
VOE 11709707	873	150	423	VOE 11709888	645	400	343	VOE 11712469	421	400	257	VOE 11712724	912	400	531	VOE 11712884	912	500	533
VOE 11709708	873	150	423	VOE 11709901	517	200	323	VOE 11712470	421	250	241	VOE 11712725	912	400	531	VOE 11712885	912	300	527
VOE 11709746	256	150	107	VOE 11709908	925	600	609	VOE 11712470	421	260	243	VOE 11712726	912	400	531	VOE 11712885	912	550	535
VOE 11709756	380	100	207	VOE 11709909	911	1200	513	VOE 11712472	421	360	255	VOE 11712727	912	400	531	VOE 11712886	912	550	535
VOE 11709757	380	100	207	VOE 11709909	925	600	609	VOE 11712473	421	460	263	VOE 11712728	912	400	531	VOE 11712888	912	300	527
VOE 11709766	371	250	171	VOE 11709910	925	600	609	VOE 11712474	421	460	263	VOE 11712729	912	400	531	VOE 11712898	912	150	525
VOE 11709766	371	400	179	VOE 11709911	925	600	609	VOE 11712475	421	460	263	VOE 11712747	945	350	635	VOE 11712921	912	300	527
VOE 11709766	371	450	183	VOE 11709912	925	600	609	VOE 11712476	421	460	263	VOE 11712748	945	350	635	VOE 11712950	420	150	227
VOE 11709766	371	655	189	VOE 11709913	911	1200	513	VOE 11712477	421	460	263	VOE 11712749	945	350	635	VOE 11712951	420	150	225

<b>NUMERICAL INDEX</b>  <b>RÉPERTOIRE DE NUMÉROS</b>  <b>NUMMERNREGISTER</b>	<b>INDICE DE NÚMERO</b>		Catalogue id	Group
	<b>NUMMERREGISTER</b>		<b>20124</b>	<b>1000</b>
			Issue	Page
		<b>VOE 63A9920124</b>	<b>5</b>	

**VOLVO**

**BL61PLUS**



NUMERICAL INDEX				INDICE DE NÚMERO				Catalogue id				Group			
RÉPERTOIRE DE NUMÉROS				NUMMERREGISTER				20124				1000			
NUMMERNREGISTER								Issue				Page			
								VOE 63A9920124				6			
Part No	Group	Sect	Page	Part No	Group	Sect	Page	Part No	Group	Sect	Page	Part No	Group	Sect	Page
VOE 11712952	421	250	241	VOE 11712989	421	400	257	VOE 11715047	852	100	409	VOE 11715076	852	200	413
VOE 11712953	421	250	241	VOE 11712990	421	400	257	VOE 11715047	852	150	411	VOE 11715077	852	200	413
VOE 11712953	421	260	243	VOE 11712991	421	400	257	VOE 11715047	852	200	413	VOE 11715078	852	200	413
VOE 11712954	421	250	241	VOE 11712992	421	400	257	VOE 11715048	852	150	411	VOE 11715079	852	200	413
VOE 11712955	421	320	247	VOE 11712993	421	400	257	VOE 11715049	852	100	409	VOE 11715081	852	100	409
VOE 11712956	421	320	247	VOE 11712994	421	400	257	VOE 11715049	852	150	411	VOE 11715082	852	100	409
VOE 11712957	421	320	247	VOE 11712996	421	400	257	VOE 11715049	852	200	413	VOE 11715083	852	100	409
VOE 11712958	421	320	247	VOE 11712997	421	400	257	VOE 11715050	852	100	409	VOE 11715083	852	200	413
VOE 11712958	421	350	249	VOE 11712998	421	400	257	VOE 11715050	852	150	411	VOE 11715084	852	100	409
VOE 11712959	421	320	247	VOE 11712999	421	400	257	VOE 11715050	852	200	413	VOE 11715084	852	200	413
VOE 11712960	420	200	229	VOE 11713003	421	450	261	VOE 11715051	852	100	409	VOE 11715202	272	100	127
VOE 11712960	421	320	247	VOE 11713004	421	450	261	VOE 11715051	852	150	411	VOE 11715218	843	150	403
VOE 11712960	421	350	249	VOE 11713046	913	200	547	VOE 11715052	852	150	411	VOE 11715241	843	150	403
VOE 11712962	421	350	249	VOE 11713048	913	200	547	VOE 11715053	852	100	409	VOE 11715247	641	100	337
VOE 11712966	421	350	249	VOE 11713049	913	200	547	VOE 11715053	852	150	411	VOE 11715251	912	500	533
VOE 11712967	421	350	249	VOE 11713050	913	200	547	VOE 11715053	852	200	413	VOE 11715251	912	550	535
VOE 11712969	421	350	249	VOE 11713051	913	200	547	VOE 11715057	852	100	409	VOE 11715252	912	500	533
VOE 11712970	421	350	249	VOE 11713052	913	200	547	VOE 11715057	852	200	413	VOE 11715253	461	110	281
VOE 11712971	421	350	249	VOE 11713053	913	200	547	VOE 11715058	852	100	409	VOE 11715253	461	150	283
VOE 11712972	421	350	249	VOE 11713054	913	200	547	VOE 11715059	852	100	409	VOE 11715253	461	160	285
VOE 11712973	421	350	249	VOE 11713055	913	200	547	VOE 11715062	852	100	409	VOE 11715254	461	100	279
VOE 11712974	421	350	249	VOE 11713056	913	200	547	VOE 11715062	852	200	413	VOE 11715254	461	110	281
VOE 11712975	421	350	249	VOE 11714203	263	100	119	VOE 11715063	852	100	409	VOE 11715273	912	300	527
VOE 11712976	421	350	249	VOE 11715018	874	100	427	VOE 11715063	852	200	413	VOE 11715273	912	500	533
VOE 11712977	421	350	251	VOE 11715020	874	350	429	VOE 11715064	852	100	409	VOE 11715274	912	300	527
VOE 11712978	421	350	251	VOE 11715020	874	450	431	VOE 11715065	852	100	409	VOE 11715274	912	550	535
VOE 11712979	421	350	251	VOE 11715021	874	100	427	VOE 11715065	852	200	413	VOE 11715275	912	500	533
VOE 11712980	421	350	251	VOE 11715021	874	450	431	VOE 11715066	852	100	409	VOE 11715275	912	550	535
VOE 11712981	421	350	251	VOE 11715022	874	350	429	VOE 11715067	852	100	409	VOE 11715276	912	500	533
VOE 11712982	421	350	251	VOE 11715039	421	200	237	VOE 11715068	852	200	413	VOE 11715276	912	550	535
VOE 11712983	421	350	251	VOE 11715044	852	150	411	VOE 11715069	852	200	413	VOE 11715279	461	300	295
VOE 11712984	421	350	251	VOE 11715045	852	100	409	VOE 11715070	852	200	413	VOE 11715291	641	100	337
VOE 11712986	421	350	251	VOE 11715045	852	150	411	VOE 11715071	852	200	413	VOE 11715354	421	460	263
VOE 11712987	421	400	257	VOE 11715045	852	200	413	VOE 11715072	852	200	413	VOE 11715435	551	200	329
VOE 11712988	421	400	257	VOE 11715046	852	150	411	VOE 11715074	852	200	413	VOE 11715541	924	300	577
VOE 11715542	924	300	577									VOE 11715542	924	300	577
VOE 11715544	924	300	577									VOE 11715544	924	300	577
VOE 11715545	924	300	577									VOE 11715545	924	300	577
VOE 11715546	924	300	577									VOE 11715546	924	300	577
VOE 11715547	924	300	577									VOE 11715547	924	300	577
VOE 11715548	924	300	577									VOE 11715548	924	300	577
VOE 11715549	924	300	577									VOE 11715549	924	300	577
VOE 11715917	380	100	207									VOE 11715917	380	100	207
VOE 11716347	926	250	617									VOE 11716347	926	250	617
VOE 11716348	926	250	617									VOE 11716348	926	250	617
VOE 11716349	926	250	617									VOE 11716349	926	250	617
VOE 11716350	926	250	617									VOE 11716350	926	250	617
VOE 11716488	912	600	537									VOE 11716488	912	600	537
VOE 11716489	924	500	583									VOE 11716489	924	500	583
VOE 11716490	924	500	583									VOE 11716490	924	500	583
VOE 11716491	924	500	583									VOE 11716491	924	500	583
VOE 11716536	421	250	241									VOE 11716536	421	250	241
VOE 11716537	421	320	247									VOE 11716537	421	320	247
VOE 11716538	421	350	249									VOE 11716538	421	350	249
VOE 11716539	421	400	257									VOE 11716539	421	400	257
VOE 11716540	421	450	261									VOE 11716540	421	450	261
VOE 11716541	421	450	261									VOE 11716541	421	450	261
VOE 11716543	463	110	301									VOE 11716543	463	110	301
VOE 11716544	463	110	301									VOE 11716544	463	110	301
VOE 11716545	463	110	301									VOE 11716545	463	110	301
VOE 11716546	463	110	301									VOE 11716546	463	110	301
VOE 11716547	463	110	301									VOE 11716547	463	110	301
VOE 11716550	463	160	303									VOE 11716550	463	160	303
VOE 11716551	463	160	303									VOE 11716551	463	160	303
VOE 11716555	210	50	45									VOE 11716555	210	50	45
VOE 11716556	463	210	305									VOE 11716556	463	210	305
VOE 11716557	463	210	305									VOE 11716557	463	210	305
VOE 11716558	463	210	305									VOE 11716558	463	210	305
VOE 11716559	463	210	305									VOE 11716559	463	210	305
VOE 11716560	463	210	305									VOE 11716560	463	210	305

Part No	Group	Sect	Page	Part No	Group	Sect	Page	Part No	Group	Sect	Page	Part No	Group	Sect	Page	Part No	Group	Sect	Page
VOE 11716561	463	210	305	VOE 11716596	463	260	307	VOE 11716630	461	260	293	VOE 11716677	421	525	265	VOE 11716791	421	410	259
VOE 11716562	463	210	305	VOE 11716597	463	260	307	VOE 11716631	461	260	293	VOE 11716678	421	525	265	VOE 11716792	421	410	259
VOE 11716563	463	210	305	VOE 11716598	463	260	307	VOE 11716632	420	150	225	VOE 11716679	421	525	265	VOE 11716793	421	410	259
VOE 11716564	463	210	305	VOE 11716599	463	260	307	VOE 11716633	420	150	225	VOE 11716680	421	525	265	VOE 11716794	421	410	259
VOE 11716565	463	210	305	VOE 11716600	551	100	327	VOE 11716634	420	150	225	VOE 11716681	421	525	265	VOE 11716795	421	410	259
VOE 11716566	463	210	305	VOE 11716601	551	100	327	VOE 11716635	420	150	225	VOE 11716682	421	525	265	VOE 11716796	421	410	259
VOE 11716567	463	210	305	VOE 11716602	551	100	327	VOE 11716636	420	150	225	VOE 11716683	421	525	265	VOE 11716797	421	410	259
VOE 11716568	468	110	309	VOE 11716603	551	100	327	VOE 11716637	420	150	225	VOE 11716684	421	525	265	VOE 11716798	421	410	259
VOE 11716569	468	110	309	VOE 11716604	551	100	327	VOE 11716638	420	150	225	VOE 11716685	421	525	265	VOE 11716799	421	410	259
VOE 11716570	468	110	309	VOE 11716605	551	100	327	VOE 11716639	420	150	227	VOE 11716686	421	525	265	VOE 11716800	421	410	259
VOE 11716571	468	110	309	VOE 11716606	551	100	327	VOE 11716639	420	200	229	VOE 11716687	421	525	265	VOE 11716801	421	410	259
VOE 11716572	468	110	309	VOE 11716610	463	260	307	VOE 11716640	420	150	227	VOE 11716712	461	100	279	VOE 11716802	421	410	259
VOE 11716573	468	110	309	VOE 11716611	463	260	307	VOE 11716641	420	150	227	VOE 11716713	461	100	279	VOE 11716803	421	460	263
VOE 11716574	517	100	321	VOE 11716612	463	260	307	VOE 11716642	420	150	227	VOE 11716714	461	100	279	VOE 11716804	421	460	263
VOE 11716575	517	100	321	VOE 11716613	463	260	307	VOE 11716643	420	150	227	VOE 11716715	461	100	279	VOE 11800853	924	150	569
VOE 11716576	517	100	321	VOE 11716615	463	160	303	VOE 11716644	420	150	227	VOE 11716716	461	100	279	VOE 11801591	925	100	587
VOE 11716577	517	100	321	VOE 11716617	461	110	281	VOE 11716645	420	150	225	VOE 11716717	645	100	339	VOE 11801591	925	150	589
VOE 11716578	468	110	309	VOE 11716618	461	100	279	VOE 11716646	421	350	249	VOE 11716718	461	100	279	VOE 11802877	912	350	529
VOE 11716579	517	100	321	VOE 11716618	461	110	281	VOE 11716647	421	400	257	VOE 11716719	645	100	339	VOE 11803635	881	150	437
VOE 11716580	517	100	321	VOE 11716619	461	100	279	VOE 11716648	421	400	257	VOE 11716720	645	100	339	VOE 11842117	924	500	585
VOE 11716581	517	100	321	VOE 11716619	461	110	281	VOE 11716650	451	150	275	VOE 11716724	461	250	291	VOE 11842117	925	450	603
VOE 11716582	517	100	321	VOE 11716620	461	100	279	VOE 11716652	551	100	327	VOE 11716725	461	250	291	VOE 11845236	926	350	621
VOE 11716583	517	100	321	VOE 11716620	461	110	281	VOE 11716654	551	100	327	VOE 11716726	461	300	295	VOE 11845237	926	350	621
VOE 11716584	517	100	321	VOE 11716621	461	110	281	VOE 11716655	551	100	327	VOE 11716728	461	160	285	VOE 11845238	926	350	621
VOE 11716585	517	100	321	VOE 11716622	645	150	341	VOE 11716666	421	360	253	VOE 11716780	421	230	239	VOE 11845239	926	350	621
VOE 11716586	517	100	321	VOE 11716623	645	100	339	VOE 11716667	421	360	255	VOE 11716781	421	230	239	VOE 11845240	926	350	621
VOE 11716587	517	100	321	VOE 11716623	645	150	341	VOE 11716668	421	360	253	VOE 11716782	420	200	229	VOE 11870026	372	100	205
VOE 11716588	463	260	307	VOE 11716624	645	150	341	VOE 11716669	421	360	255	VOE 11716783	420	200	229	VOE 11870441	371	100	167
VOE 11716589	463	260	307	VOE 11716625	645	150	341	VOE 11716670	421	360	255	VOE 11716784	420	200	229	VOE 11880001	912	500	533
VOE 11716590	463	260	307	VOE 11716626	461	150	283	VOE 11716671	421	360	255	VOE 11716785	421	260	243	VOE 11880001	912	550	535
VOE 11716591	463	260	307	VOE 11716627	461	150	283	VOE 11716672	421	360	253	VOE 11716786	421	360	253	VOE 11880101	234	100	81
VOE 11716592	463	260	307	VOE 11716627	461	160	285	VOE 11716673	421	460	263	VOE 11716787	421	410	259	VOE 11880101	235	100	87
VOE 11716593	463	260	307	VOE 11716628	461	150	283	VOE 11716674	421	460	263	VOE 11716788	421	410	259	VOE 11880101	252	100	101
VOE 11716594	463	260	307	VOE 11716628	461	160	285	VOE 11716675	421	525	265	VOE 11716789	421	410	259	VOE 11880101	256	100	105
VOE 11716595	463	260	307	VOE 11716629	461	210	289	VOE 11716676	421	525	265	VOE 11716790	421	410	259	VOE 11880101	256	150	107

<b>NUMERICAL INDEX</b> <b>RÉPERTOIRE DE NUMÉROS</b> <b>NUMMERNREGISTER</b>	<b>INDICE DE NÚMERO</b>		Catalogue id	Group
	<b>NUMMERREGISTER</b>		<b>20124</b>	<b>1000</b>
			Issue	Page
		<b>VOE 63A9920124</b>	<b>7</b>	

**VOLVO**

**BL61PLUS**

NUMERICAL INDEX				INDICE DE NÚMERO				Catalogue id				Group			
RÉPERTOIRE DE NUMÉROS				NUMMERREGISTER				20124				1000			
NUMMERNREGISTER								Issue				Page			
NUMMERNREGISTER								VOE 63A9920124				8			
Part No	Group	Sect	Page	Part No	Group	Sect	Page	Part No	Group	Sect	Page	Part No	Group	Sect	Page
VOE 11880101	261	100	111	VOE 11880101	821	100	375	VOE 11881091	925	350	597	VOE 11881340	911	550	495
VOE 11880101	261	200	113	VOE 11880101	881	100	435	VOE 11881091	925	400	601	VOE 11881340	911	900	507
VOE 11880101	261	250	115	VOE 11880101	897	100	455	VOE 11881091	925	450	603	VOE 11881340	911	1400	521
VOE 11880101	263	100	119	VOE 11880101	911	300	479	VOE 11881092	911	800	503	VOE 11881341	915	100	551
VOE 11880101	271	100	125	VOE 11880101	911	325	483	VOE 11881092	912	800	543	VOE 11881346	911	1100	511
VOE 11880101	352	100	143	VOE 11880101	911	350	485	VOE 11881093	911	800	503	VOE 11881348	911	1100	511
VOE 11880101	362	100	155	VOE 11880101	911	400	487	VOE 11881101	911	1000	509	VOE 11881349	911	1100	511
VOE 11880101	371	100	165	VOE 11880101	911	550	495	VOE 11881130	261	250	115	VOE 11881351	821	100	375
VOE 11880101	371	300	175	VOE 11880101	911	700	499	VOE 11881139	252	100	101	VOE 11881360	424	100	269
VOE 11880101	371	400	179	VOE 11880101	911	800	503	VOE 11881149	925	350	597	VOE 11881360	810	100	371
VOE 11880101	371	450	183	VOE 11880101	911	1000	509	VOE 11881149	925	400	601	VOE 11881360	915	100	551
VOE 11880101	371	500	185	VOE 11880101	911	1100	511	VOE 11881149	925	450	603	VOE 11881360	915	150	555
VOE 11880101	372	100	205	VOE 11880101	911	1200	513	VOE 11881153	925	350	597	VOE 11881363	882	200	445
VOE 11880101	380	100	207	VOE 11880101	911	1300	517	VOE 11881153	925	450	603	VOE 11881364	915	150	555
VOE 11880101	380	200	209	VOE 11880101	912	150	525	VOE 11881154	925	350	597	VOE 11881365	380	200	209
VOE 11880101	380	350	215	VOE 11880101	912	300	527	VOE 11881154	925	400	601	VOE 11881372	911	550	497
VOE 11880101	460	150	277	VOE 11880101	912	350	529	VOE 11881154	925	450	603	VOE 11881372	911	800	503
VOE 11880101	461	100	279	VOE 11880101	912	600	537	VOE 11881158	911	100	473	VOE 11881382	911	400	487
VOE 11880101	461	160	285	VOE 11880101	945	300	633	VOE 11881160	420	150	227	VOE 11881382	911	450	491
VOE 11880101	461	210	289	VOE 11880101	945	350	635	VOE 11881160	420	200	231	VOE 11881382	926	200	615
VOE 11880101	461	250	291	VOE 11880101	972	100	649	VOE 11881176	414	100	223	VOE 11881384	911	100	473
VOE 11880101	461	300	295	VOE 11881002	821	100	375	VOE 11881177	414	100	223	VOE 11881387	911	350	485
VOE 11880101	463	110	301	VOE 11881020	371	710	197	VOE 11881191	823	100	379	VOE 11881413	945	150	627
VOE 11880101	463	160	303	VOE 11881020	371	725	199	VOE 11881207	371	500	185	VOE 11881432	424	100	269
VOE 11880101	463	210	305	VOE 11881028	911	100	473	VOE 11881210	460	150	277	VOE 11881437	912	750	539
VOE 11880101	463	260	307	VOE 11881034	424	100	269	VOE 11881211	460	150	277	VOE 11881438	916	100	559
VOE 11880101	468	110	309	VOE 11881047	925	200	591	VOE 11881212	460	150	277	VOE 11881439	916	100	559
VOE 11880101	468	150	311	VOE 11881047	925	350	599	VOE 11881213	460	150	277	VOE 11881443	873	200	425
VOE 11880101	517	200	323	VOE 11881049	911	1350	519	VOE 11881237	821	100	375	VOE 11881459	974	200	661
VOE 11880101	551	200	329	VOE 11881049	924	200	573	VOE 11881240	925	200	591	VOE 11881489	971	100	637
VOE 11880101	641	100	337	VOE 11881049	924	250	575	VOE 11881289	911	1000	509	VOE 11881499	911	800	503
VOE 11880101	645	100	339	VOE 11881050	945	150	627	VOE 11881292	911	1200	513	VOE 11881542	912	800	543
VOE 11880101	645	400	343	VOE 11881054	911	900	507	VOE 11881311	235	100	87	VOE 11881557	974	100	655
VOE 11880101	716	100	355	VOE 11881060	911	900	507	VOE 11881338	915	100	551	VOE 11881579	926	100	613
VOE 11880101	810	100	371	VOE 11881088	352	100	143	VOE 11881339	915	100	551	VOE 11881580	926	100	613
												VOE 11881581	926	100	613
												VOE 11881582	926	100	613
												VOE 11881583	925	350	597
												VOE 11881583	926	100	613
												VOE 11881585	897	100	455
												VOE 11881611	972	150	651
												VOE 11881622	716	100	355
												VOE 11881622	924	100	567
												VOE 11881622	924	300	577
												VOE 11881622	926	100	613
												VOE 11881622	926	200	615
												VOE 11881622	974	100	655
												VOE 11881622	974	150	657
												VOE 11881624	912	750	539
												VOE 11881629	974	100	653
												VOE 11881629	974	150	657
												VOE 11881638	911	1250	515
												VOE 11881641	911	550	497
												VOE 11881654	945	150	627
												VOE 11881654	945	250	631
												VOE 11881708	915	100	549
												VOE 11881712	925	100	587
												VOE 11881717	915	100	549
												VOE 11881720	911	550	495
												VOE 11881720	915	100	549
												VOE 11881721	915	100	549
												VOE 11881721	915	150	555
												VOE 11881742	915	100	549
												VOE 11881742	915	100	551
												VOE 11881763	874	450	433
												VOE 11881773	818	100	373
												VOE 11881792	711	100	351
												VOE 11881810	975	100	663
												VOE 11881819	771	150	359
												VOE 11881824	771	150	359

Part No	Group	Sect	Page	Part No	Group	Sect	Page	Part No	Group	Sect	Page	Part No	Group	Sect	Page	Part No	Group	Sect	Page
VOE 11881832	771	100	357	VOE 11882265	352	100	143	VOE 11882533	974	150	657	VOE 11882920	911	325	483	VOE 11883275	974	100	655
VOE 11881880	911	500	493	VOE 11882266	352	100	143	VOE 11882535	380	100	207	VOE 11882920	916	200	563	VOE 11883275	974	150	657
VOE 11881899	821	100	375	VOE 11882275	380	200	209	VOE 11882537	974	100	655	VOE 11882932	945	100	623	VOE 11883289	897	150	459
VOE 11881914	234	100	81	VOE 11882298	911	400	487	VOE 11882540	974	100	655	VOE 11882937	645	400	343	VOE 11883290	897	150	459
VOE 11881915	234	100	81	VOE 11882298	926	200	615	VOE 11882592	424	100	269	VOE 11882938	645	400	343	VOE 11883293	897	100	455
VOE 11881916	234	100	81	VOE 11882299	911	400	487	VOE 11882604	915	100	549	VOE 11882940	645	400	343	VOE 11883294	897	100	455
VOE 11881939	913	200	547	VOE 11882299	926	200	615	VOE 11882636	911	100	473	VOE 11882943	974	100	653	VOE 11883297	897	100	455
VOE 11882026	711	100	351	VOE 11882303	362	150	157	VOE 11882649	911	800	503	VOE 11882943	974	150	657	VOE 11883298	897	100	455
VOE 11882040	915	150	555	VOE 11882336	371	500	185	VOE 11882659	261	250	115	VOE 11882965	821	100	375	VOE 11883303	897	100	455
VOE 11882069	874	450	431	VOE 11882347	911	300	479	VOE 11882660	971	100	637	VOE 11882980	821	100	375	VOE 11883304	897	100	455
VOE 11882115	915	100	549	VOE 11882353	911	300	479	VOE 11882667	974	100	655	VOE 11882989	821	100	375	VOE 11883319	551	200	329
VOE 11882182	915	100	549	VOE 11882428	945	200	629	VOE 11882677	974	100	655	VOE 11883021	517	200	323	VOE 11883319	911	1300	517
VOE 11882190	971	150	641	VOE 11882444	371	100	167	VOE 11882680	711	100	351	VOE 11883022	517	200	323	VOE 11883320	313	100	137
VOE 11882192	421	150	233	VOE 11882446	371	100	167	VOE 11882707	911	700	499	VOE 11883029	945	100	625	VOE 11883321	313	100	137
VOE 11882192	421	160	235	VOE 11882456	945	100	623	VOE 11882708	911	700	499	VOE 11883032	945	100	623	VOE 11883322	353	150	149
VOE 11882192	517	200	323	VOE 11882457	234	100	81	VOE 11882756	261	250	115	VOE 11883052	821	100	375	VOE 11883323	551	200	329
VOE 11882192	971	150	641	VOE 11882457	896	100	447	VOE 11882757	261	250	115	VOE 11883058	380	200	209	VOE 11883323	911	1300	517
VOE 11882194	971	150	641	VOE 11882478	271	100	125	VOE 11882767	911	550	495	VOE 11883061	380	200	209	VOE 11883346	235	100	87
VOE 11882196	911	700	499	VOE 11882482	271	100	125	VOE 11882768	911	550	495	VOE 11883062	380	200	209	VOE 11883349	972	100	649
VOE 11882197	911	700	499	VOE 11882485	271	100	125	VOE 11882798	911	800	503	VOE 11883063	380	200	211	VOE 11883351	353	150	149
VOE 11882198	911	500	493	VOE 11882487	271	100	125	VOE 11882799	911	800	503	VOE 11883064	380	200	211	VOE 11883381	945	100	625
VOE 11882199	911	700	499	VOE 11882487	821	100	375	VOE 11882800	911	800	503	VOE 11883064	924	150	569	VOE 11883399	915	200	557
VOE 11882200	911	1100	511	VOE 11882487	821	100	377	VOE 11882801	911	800	503	VOE 11883065	380	200	209	VOE 11883409	380	250	213
VOE 11882201	911	1100	511	VOE 11882489	271	100	125	VOE 11882803	971	150	641	VOE 11883066	380	200	209	VOE 11883447	945	250	631
VOE 11882202	911	700	499	VOE 11882489	821	100	375	VOE 11882854	911	900	507	VOE 11883067	380	200	209	VOE 11883476	974	100	655
VOE 11882204	911	800	503	VOE 11882489	821	100	377	VOE 11882854	911	1400	521	VOE 11883103	380	200	209	VOE 11883508	911	300	479
VOE 11882204	911	900	507	VOE 11882493	380	100	207	VOE 11882865	380	200	209	VOE 11883132	823	100	379	VOE 11883510	911	400	489
VOE 11882207	911	700	501	VOE 11882500	971	150	641	VOE 11882885	916	350	565	VOE 11883145	256	100	105	VOE 11883510	912	800	545
VOE 11882208	911	1300	517	VOE 11882505	911	300	479	VOE 11882886	925	450	603	VOE 11883216	353	100	147	VOE 11883510	916	100	559
VOE 11882209	916	100	559	VOE 11882507	916	100	559	VOE 11882886	925	600	609	VOE 11883229	911	800	503	VOE 11883510	971	150	641
VOE 11882240	912	750	539	VOE 11882512	371	100	167	VOE 11882900	235	100	87	VOE 11883251	252	100	101	VOE 11883510	975	100	663
VOE 11882258	911	500	493	VOE 11882519	263	100	119	VOE 11882905	945	350	635	VOE 11883252	925	350	597	VOE 11883522	911	550	497
VOE 11882258	916	200	561	VOE 11882525	915	100	549	VOE 11882913	551	200	329	VOE 11883252	925	400	601	VOE 11883523	911	550	497
VOE 11882258	971	150	641	VOE 11882526	915	100	549	VOE 11882913	915	200	557	VOE 11883252	925	450	605	VOE 11883533	897	150	459
VOE 11882263	352	100	143	VOE 11882533	974	100	653	VOE 11882920	234	100	81	VOE 11883263	371	630	187	VOE 11883584	313	100	137

**NUMERICAL INDEX**

**RÉPERTOIRE DE NUMÉROS**

**NUMMERNREGISTER**

**INDICE DE NÚMERO**

**NUMMERREGISTER**

Catalogue id	Group
<b>20124</b>	<b>1000</b>
Issue	Page
<b>VOE 63A9920124</b>	<b>9</b>

**VOLVO**

**BL61PLUS**

NUMERICAL INDEX				INDICE DE NÚMERO				Catalogue id				Group			
RÉPERTOIRE DE NUMÉROS				NUMMERREGISTER				20124				1000			
NUMMERNREGISTER								Issue				Page			
VOE 63A9920124								VOE 63A9920124				10			
Part No	Group	Sect	Page	Part No	Group	Sect	Page	Part No	Group	Sect	Page	Part No	Group	Sect	Page
VOE 11883593	371	750	201	VOE 11883735	897	100	455	VOE 11883937	971	200	645	VOE 11884223	915	100	551
VOE 11883599	313	100	137	VOE 11883751	971	100	637	VOE 11883969	926	200	615	VOE 11884228	911	800	503
VOE 11883617	897	150	459	VOE 11883753	971	100	639	VOE 11883973	235	100	87	VOE 11884247	911	1500	523
VOE 11883618	256	150	107	VOE 11883756	971	100	637	VOE 11883974	235	100	87	VOE 11884248	974	100	653
VOE 11883619	256	150	107	VOE 11883757	971	100	637	VOE 11883975	945	300	633	VOE 11884259	974	100	653
VOE 11883624	924	100	567	VOE 11883768	974	100	653	VOE 11883976	945	300	633	VOE 11884269	915	100	549
VOE 11883624	924	300	577	VOE 11883768	974	100	655	VOE 11884021	424	100	269	VOE 11884273	911	1350	519
VOE 11883628	971	100	637	VOE 11883768	974	150	657	VOE 11884023	915	100	551	VOE 11884274	911	400	489
VOE 11883632	896	100	447	VOE 11883769	974	100	653	VOE 11884027	897	150	459	VOE 11884279	924	150	569
VOE 11883635	911	500	493	VOE 11883769	974	150	657	VOE 11884032	926	200	615	VOE 11884287	911	550	495
VOE 11883642	897	100	455	VOE 11883770	974	100	653	VOE 11884039	916	200	561	VOE 11884287	916	350	565
VOE 11883645	971	100	637	VOE 11883770	974	150	657	VOE 11884052	971	200	645	VOE 11884312	925	100	587
VOE 11883646	363	200	163	VOE 11883771	711	100	351	VOE 11884060	912	750	539	VOE 11884312	925	150	589
VOE 11883648	363	200	163	VOE 11883772	945	100	623	VOE 11884069	911	100	473	VOE 11884314	925	100	587
VOE 11883650	363	200	163	VOE 11883780	925	200	591	VOE 11884070	882	200	445	VOE 11884314	925	150	589
VOE 11883651	971	100	637	VOE 11883801	945	100	623	VOE 11884071	926	200	615	VOE 11884315	912	750	539
VOE 11883652	897	100	455	VOE 11883802	945	100	623	VOE 11884071	926	350	621	VOE 11884333	897	100	455
VOE 11883674	972	150	651	VOE 11883803	945	100	623	VOE 11884072	926	350	621	VOE 11884361	825	150	383
VOE 11883674	975	100	663	VOE 11883805	874	450	431	VOE 11884079	380	200	211	VOE 11884374	897	100	455
VOE 11883675	911	800	505	VOE 11883806	874	450	431	VOE 11884094	925	350	599	VOE 11884431	915	100	549
VOE 11883675	945	350	635	VOE 11883807	874	450	431	VOE 11884095	925	350	599	VOE 11884437	911	1500	523
VOE 11883678	823	100	379	VOE 11883856	818	100	373	VOE 11884099	926	100	613	VOE 11884504	371	200	169
VOE 11883682	911	300	479	VOE 11883857	945	100	623	VOE 11884117	945	100	623	VOE 11884520	818	100	373
VOE 11883692	945	150	627	VOE 11883858	945	100	625	VOE 11884119	261	100	111	VOE 11884569	971	100	639
VOE 11883693	372	100	205	VOE 11883863	974	100	653	VOE 11884125	926	100	613	VOE 11884582	971	100	637
VOE 11883712	911	700	499	VOE 11883865	974	100	653	VOE 11884152	371	500	185	VOE 11884592	897	100	455
VOE 11883712	911	700	501	VOE 11883888	897	100	455	VOE 11884154	823	100	379	VOE 11884603	915	100	551
VOE 11883713	911	700	499	VOE 11883897	974	100	653	VOE 11884163	823	100	379	VOE 11884613	235	100	87
VOE 11883719	897	100	455	VOE 11883929	945	100	623	VOE 11884165	823	100	379	VOE 11884614	974	100	655
VOE 11883720	897	100	455	VOE 11883930	945	100	623	VOE 11884170	945	100	625	VOE 11884616	945	100	625
VOE 11883725	874	450	431	VOE 11883933	873	200	425	VOE 11884182	945	100	625	VOE 11884616	974	100	655
VOE 11883727	971	100	637	VOE 11883936	975	300	665	VOE 11884214	823	100	379	VOE 11884638	945	100	623
VOE 11883728	971	100	637	VOE 11883937	911	800	505	VOE 11884215	371	500	185	VOE 11884653	821	100	375
VOE 11883732	971	100	639	VOE 11883937	945	100	623	VOE 11884217	915	100	549	VOE 11884714	971	100	637
VOE 11883733	971	100	637	VOE 11883937	945	350	635	VOE 11884223	915	100	549	VOE 11884716	218	150	73
VOE 11884719	218	150	73									VOE 11884722	436	100	271
VOE 11884725	436	100	271									VOE 11884733	881	100	435
VOE 11884781	925	500	607									VOE 11884785	912	750	539
VOE 11884787	971	150	641									VOE 11884790	218	150	73
VOE 11884790	436	100	271									VOE 11884792	218	150	73
VOE 11884792	436	100	271									VOE 11884794	911	700	501
VOE 11884794	911	1350	519									VOE 11884803	925	500	607
VOE 11884805	925	500	607									VOE 11884806	925	500	607
VOE 11884815	945	100	623									VOE 11884821	912	750	539
VOE 11884820	912	750	539									VOE 11884822	945	100	623
VOE 11884832	911	400	487									VOE 11884832	911	400	487
VOE 11884833	911	400	487									VOE 11884833	911	400	487
VOE 11884834	911	1350	519									VOE 11884834	911	1350	519
VOE 11884835	912	750	539									VOE 11884835	912	750	539
VOE 11884836	912	750	539									VOE 11884836	912	750	539
VOE 11884837	911	1350	519									VOE 11884837	911	1350	519
VOE 11884838	912	750	539									VOE 11884838	912	750	539
VOE 11884849	771	150	359									VOE 11884849	771	150	359
VOE 11884849	771	200	361									VOE 11884849	771	200	361
VOE 11884849	771	250	363									VOE 11884849	771	250	363
VOE 11884868	874	450	431									VOE 11884868	874	450	431
VOE 11884869	916	350	565									VOE 11884869	916	350	565
VOE 11884870	916	350	565									VOE 11884870	916	350	565
VOE 11884880	912	750	539									VOE 11884880	912	750	539
VOE 11884882	916	350	565									VOE 11884882	916	350	565

Part No	Group	Sect	Page	Part No	Group	Sect	Page	Part No	Group	Sect	Page	Part No	Group	Sect	Page	Part No	Group	Sect	Page
VOE 11884896	916	100	559	VOE 11885203	911	800	503	VOE 11885308	911	250	477	VOE 11885699	911	700	501	VOE 11885977	915	200	557
VOE 11884907	916	100	559	VOE 11885208	924	150	569	VOE 11885309	911	100	475	VOE 11885701	916	200	561	VOE 11885982	911	1100	511
VOE 11884908	971	150	641	VOE 11885214	911	1500	523	VOE 11885331	912	800	543	VOE 11885733	911	550	495	VOE 11885992	372	100	205
VOE 11884914	916	100	559	VOE 11885218	924	150	569	VOE 11885339	974	100	653	VOE 11885733	911	700	501	VOE 11885999	911	100	473
VOE 11884926	916	100	559	VOE 11885219	924	150	569	VOE 11885340	974	100	653	VOE 11885734	380	200	209	VOE 11886020	972	100	649
VOE 11884928	926	100	613	VOE 11885220	924	100	567	VOE 11885344	924	250	575	VOE 11885736	925	350	597	VOE 11886065	852	150	411
VOE 11884944	896	200	451	VOE 11885220	924	300	577	VOE 11885347	924	200	573	VOE 11885738	925	350	597	VOE 11886084	380	100	207
VOE 11884945	896	200	451	VOE 11885224	971	100	639	VOE 11885347	924	250	575	VOE 11885751	911	100	473	VOE 11886105	911	1100	511
VOE 11884949	916	100	559	VOE 11885224	974	100	655	VOE 11885371	924	250	575	VOE 11885758	911	550	497	VOE 11886120	371	500	185
VOE 11884956	915	100	549	VOE 11885224	974	150	659	VOE 11885420	897	100	455	VOE 11885758	911	1400	521	VOE 11886121	371	100	165
VOE 11884957	915	100	549	VOE 11885225	971	100	639	VOE 11885426	974	100	653	VOE 11885762	911	350	485	VOE 11886124	371	100	165
VOE 11884960	380	200	209	VOE 11885225	974	100	653	VOE 11885426	974	150	657	VOE 11885771	912	400	531	VOE 11886126	371	100	165
VOE 11884960	911	400	489	VOE 11885225	974	150	657	VOE 11885427	924	200	573	VOE 11885772	945	250	631	VOE 11886138	234	200	85
VOE 11884971	926	100	613	VOE 11885229	924	250	575	VOE 11885427	924	250	575	VOE 11885773	945	250	631	VOE 11886138	821	100	375
VOE 11884972	926	100	613	VOE 11885230	924	250	575	VOE 11885435	924	150	569	VOE 11885774	945	250	631	VOE 11886138	896	100	447
VOE 11884973	926	100	613	VOE 11885233	821	100	375	VOE 11885441	924	200	573	VOE 11885783	974	100	655	VOE 11886138	896	250	453
VOE 11885006	911	400	487	VOE 11885234	821	100	375	VOE 11885442	924	200	573	VOE 11885783	974	150	657	VOE 11886139	371	500	185
VOE 11885010	926	100	613	VOE 11885240	916	200	561	VOE 11885475	972	100	649	VOE 11885786	911	450	491	VOE 11886143	912	300	527
VOE 11885012	945	150	627	VOE 11885241	916	200	561	VOE 11885514	911	400	489	VOE 11885789	926	200	615	VOE 11886144	912	300	527
VOE 11885038	897	150	459	VOE 11885253	911	550	495	VOE 11885514	911	1350	519	VOE 11885790	911	450	491	VOE 11886149	896	100	447
VOE 11885063	912	750	539	VOE 11885256	911	400	489	VOE 11885514	924	150	569	VOE 11885812	371	500	185	VOE 11886153	925	350	597
VOE 11885079	896	150	449	VOE 11885260	911	1400	521	VOE 11885515	916	350	565	VOE 11885860	911	400	487	VOE 11886153	925	400	601
VOE 11885135	881	200	439	VOE 11885261	911	700	501	VOE 11885543	491	100	313	VOE 11885862	771	100	357	VOE 11886153	925	450	603
VOE 11885135	911	100	473	VOE 11885262	911	400	487	VOE 11885543	911	325	483	VOE 11885862	771	150	359	VOE 11886174	974	100	653
VOE 11885150	911	800	503	VOE 11885263	911	700	501	VOE 11885553	911	1400	521	VOE 11885862	771	200	361	VOE 11886174	974	150	657
VOE 11885151	911	800	505	VOE 11885267	926	250	617	VOE 11885554	911	1400	521	VOE 11885862	771	250	363	VOE 11886176	911	500	493
VOE 11885168	915	100	553	VOE 11885270	916	200	561	VOE 11885588	716	100	355	VOE 11885930	915	200	557	VOE 11886177	911	250	477
VOE 11885170	915	100	553	VOE 11885273	916	200	561	VOE 11885595	925	700	611	VOE 11885932	915	200	557	VOE 11886178	911	500	493
VOE 11885182	915	100	551	VOE 11885274	916	200	561	VOE 11885596	925	700	611	VOE 11885933	915	200	557	VOE 11886188	915	150	555
VOE 11885182	915	150	555	VOE 11885276	916	200	561	VOE 11885622	371	275	173	VOE 11885934	353	100	147	VOE 11886189	371	300	175
VOE 11885183	915	150	555	VOE 11885281	916	200	561	VOE 11885663	945	250	631	VOE 11885940	974	100	653	VOE 11886192	911	400	489
VOE 11885184	915	100	551	VOE 11885282	916	200	561	VOE 11885684	645	400	343	VOE 11885940	974	150	657	VOE 11886193	852	200	413
VOE 11885184	915	150	555	VOE 11885283	972	100	649	VOE 11885685	645	400	343	VOE 11885968	915	150	555	VOE 11886196	915	150	555
VOE 11885190	915	100	551	VOE 11885305	882	200	445	VOE 11885690	818	100	373	VOE 11885969	915	150	555	VOE 11886215	362	100	155
VOE 11885191	915	100	551	VOE 11885306	926	200	615	VOE 11885699	911	550	495	VOE 11885976	436	100	271	VOE 11886222	852	100	409

NUMERICAL INDEX

RÉPERTOIRE DE NUMÉROS

NUMMERNREGISTER

INDICE DE NÚMERO

NUMMERREGISTER

Catalogue id	Group
<b>20124</b>	<b>1000</b>
Issue	Page
<b>VOE 63A9920124</b>	<b>11</b>

**VOLVO**

**BL61PLUS**

NUMERICAL INDEX				INDICE DE NÚMERO				Catalogue id				Group			
RÉPERTOIRE DE NUMÉROS				NUMMERREGISTER				20124				1000			
NUMMERNREGISTER								Issue				Page			
VOE 63A9920124								VOE 63A9920124				12			
Part No	Group	Sect	Page	Part No	Group	Sect	Page	Part No	Group	Sect	Page	Part No	Group	Sect	Page
VOE 11886223	852	100	409	VOE 11886443	924	500	583	VOE 11886595	771	200	361	VOE 11886865	517	200	323
VOE 11886254	924	100	567	VOE 11886444	924	500	583	VOE 11886596	771	200	361	VOE 11886867	915	200	557
VOE 11886267	897	100	457	VOE 11886445	924	400	579	VOE 11886597	771	200	361	VOE 11886868	912	800	543
VOE 11886272	911	100	473	VOE 11886447	924	500	583	VOE 11886599	771	100	357	VOE 11886871	912	800	543
VOE 11886273	911	100	473	VOE 11886448	371	950	203	VOE 11886599	771	250	363	VOE 11886925	716	100	355
VOE 11886274	915	150	555	VOE 11886452	911	450	491	VOE 11886606	771	200	361	VOE 11886945	911	350	485
VOE 11886275	915	150	555	VOE 11886454	911	1100	511	VOE 11886607	771	200	361	VOE 11886973	234	100	81
VOE 11886286	371	100	165	VOE 11886465	924	500	585	VOE 11886616	874	450	433	VOE 11886987	827	100	389
VOE 11886331	915	200	557	VOE 11886466	924	500	585	VOE 11886617	874	450	433	VOE 11886992	827	100	389
VOE 11886342	945	250	631	VOE 11886466	925	450	603	VOE 11886620	874	450	431	VOE 11886994	975	300	665
VOE 11886347	372	100	205	VOE 11886468	971	100	639	VOE 11886629	269	100	123	VOE 11886999	896	100	447
VOE 11886348	852	150	411	VOE 11886474	821	100	375	VOE 11886630	269	100	123	VOE 11887014	821	100	377
VOE 11886355	451	150	275	VOE 11886495	911	450	491	VOE 11886634	924	400	579	VOE 11887015	897	100	455
VOE 11886362	810	100	371	VOE 11886499	974	100	653	VOE 11886647	818	100	373	VOE 11887050	896	100	447
VOE 11886368	371	950	203	VOE 11886502	924	100	567	VOE 11886653	925	200	591	VOE 11887060	972	100	649
VOE 11886370	912	800	543	VOE 11886544	821	100	377	VOE 11886665	911	1350	519	VOE 11887066	896	100	447
VOE 11886371	912	800	543	VOE 11886545	821	100	377	VOE 11886684	912	800	545	VOE 11887077	924	400	579
VOE 11886376	911	1350	519	VOE 11886546	821	100	377	VOE 11886685	912	800	543	VOE 11887081	924	400	579
VOE 11886377	821	100	375	VOE 11886547	821	100	377	VOE 11886686	912	800	543	VOE 11887149	363	200	163
VOE 11886386	371	630	187	VOE 11886548	821	100	377	VOE 11886700	912	800	543	VOE 11887150	363	200	163
VOE 11886387	252	100	101	VOE 11886549	261	100	111	VOE 11886707	911	100	473	VOE 11887168	925	400	601
VOE 11886391	252	100	101	VOE 11886550	261	100	111	VOE 11886708	818	100	373	VOE 11887186	915	150	555
VOE 11886392	252	100	101	VOE 11886551	261	100	111	VOE 11886733	911	1500	523	VOE 11887195	915	150	555
VOE 11886393	252	100	101	VOE 11886552	874	450	431	VOE 11886741	716	100	355	VOE 11887203	925	500	607
VOE 11886399	912	800	543	VOE 11886557	371	100	167	VOE 11886742	716	100	355	VOE 11887209	925	350	597
VOE 11886418	925	250	593	VOE 11886558	371	100	167	VOE 11886743	716	100	355	VOE 11887216	925	500	607
VOE 11886424	925	250	593	VOE 11886560	371	400	179	VOE 11886745	911	1500	523	VOE 11887224	925	450	603
VOE 11886425	925	250	593	VOE 11886563	915	100	549	VOE 11886751	911	1500	523	VOE 11887225	925	500	607
VOE 11886430	911	300	481	VOE 11886567	925	400	601	VOE 11886787	971	100	637	VOE 11887273	971	100	637
VOE 11886436	911	100	473	VOE 11886567	925	450	603	VOE 11886789	821	100	375	VOE 11887295	971	100	637
VOE 11886438	924	500	583	VOE 11886568	925	450	603	VOE 11886833	771	100	357	VOE 11887300	971	100	637
VOE 11886439	924	500	583	VOE 11886572	925	450	603	VOE 11886837	771	100	357	VOE 11887308	945	100	623
VOE 11886441	911	1500	523	VOE 11886585	874	450	431	VOE 11886838	771	100	357	VOE 11887317	945	100	625
VOE 11886441	924	500	583	VOE 11886586	874	450	431	VOE 11886860	896	200	451	VOE 11887319	911	400	487
VOE 11886442	924	500	583	VOE 11886587	371	100	165	VOE 11886861	896	200	451	VOE 11887322	210	100	51
												VOE 11887322	211	100	53
												VOE 11887322	212	100	55
												VOE 11887322	212	150	57
												VOE 11887322	213	100	59
												VOE 11887322	214	100	61
												VOE 11887322	215	100	63
												VOE 11887322	216	100	65
												VOE 11887322	216	150	67
												VOE 11887322	217	100	69
												VOE 11887322	218	100	71
												VOE 11887322	221	100	75
												VOE 11887322	222	100	77
												VOE 11887322	223	100	79
												VOE 11887322	235	150	89
												VOE 11887322	236	100	91
												VOE 11887322	236	150	95
												VOE 11887322	237	100	97
												VOE 11887322	251	100	99
												VOE 11887322	255	100	103
												VOE 11887322	262	100	117
												VOE 11887322	263	150	121
												VOE 11887322	273	100	129
												VOE 11887322	321	100	139
												VOE 11887322	331	100	141
												VOE 11887325	945	150	627
												VOE 11887329	945	250	631
												VOE 11887335	945	250	631
												VOE 11887344	915	200	557
												VOE 11887349	924	300	577
												VOE 11887350	924	250	575
												VOE 11887361	460	150	277
												VOE 11887361	461	100	279
												VOE 11887361	461	160	285
												VOE 11887361	461	210	289
												VOE 11887361	461	250	291

Part No	Group	Sect	Page	Part No	Group	Sect	Page	Part No	Group	Sect	Page	Part No	Group	Sect	Page	Part No	Group	Sect	Page
VOE 11887361	461	300	295	VOE 11887737	825	150	383	VOE 11888237	874	450	431	VOE 11888496	460	150	277	VOE 11888817	525	100	325
VOE 11887361	645	100	339	VOE 11887740	972	100	649	VOE 11888238	925	300	595	VOE 11888497	460	150	277	VOE 11888821	234	200	85
VOE 11887362	460	150	277	VOE 11887763	925	400	601	VOE 11888239	974	100	653	VOE 11888525	911	300	479	VOE 11888821	896	250	453
VOE 11887362	461	110	281	VOE 11887818	252	100	101	VOE 11888239	974	150	657	VOE 11888534	380	100	207	VOE 11888822	234	200	85
VOE 11887362	461	150	283	VOE 11887863	971	100	639	VOE 11888254	925	400	601	VOE 11888536	371	450	183	VOE 11888822	896	250	453
VOE 11887362	461	200	287	VOE 11887870	911	1100	511	VOE 11888268	911	100	473	VOE 11888539	371	725	199	VOE 11888823	234	200	85
VOE 11887362	461	260	293	VOE 11887958	974	100	655	VOE 11888280	945	100	623	VOE 11888540	371	710	197	VOE 11888823	896	250	453
VOE 11887362	461	310	297	VOE 11887958	974	150	657	VOE 11888306	711	100	351	VOE 11888543	911	1100	511	VOE 11888831	234	200	85
VOE 11887362	461	350	299	VOE 11887962	974	100	653	VOE 11888307	421	450	261	VOE 11888544	911	1200	513	VOE 11888831	896	250	453
VOE 11887362	645	150	341	VOE 11887962	974	150	657	VOE 11888312	256	200	109	VOE 11888545	911	1200	513	VOE 11888837	897	100	457
VOE 11887363	460	150	277	VOE 11887964	974	150	657	VOE 11888366	945	100	625	VOE 11888547	911	1200	513	VOE 11888839	897	100	457
VOE 11887363	463	110	301	VOE 11887965	974	150	657	VOE 11888374	371	350	177	VOE 11888559	974	150	657	VOE 11888840	897	100	457
VOE 11887363	463	160	303	VOE 11887983	261	200	113	VOE 11888392	421	150	233	VOE 11888607	468	150	311	VOE 11888841	916	200	561
VOE 11887363	463	210	305	VOE 11887988	234	100	81	VOE 11888393	421	160	235	VOE 11888624	911	550	495	VOE 11888852	372	100	205
VOE 11887363	463	260	307	VOE 11888014	424	100	269	VOE 11888396	911	800	503	VOE 11888625	911	550	495	VOE 11888854	911	400	487
VOE 11887369	261	100	111	VOE 11888032	924	400	579	VOE 11888397	911	800	505	VOE 11888638	380	350	215	VOE 11888868	852	200	413
VOE 11887380	420	200	229	VOE 11888033	924	400	579	VOE 11888398	911	900	507	VOE 11888649	551	200	329	VOE 11888870	924	150	569
VOE 11887381	420	150	225	VOE 11888037	945	200	629	VOE 11888399	911	900	507	VOE 11888656	971	100	639	VOE 11888904	825	150	383
VOE 11887381	421	150	233	VOE 11888080	911	300	479	VOE 11888412	371	250	171	VOE 11888671	517	200	323	VOE 11888907	825	150	383
VOE 11887382	371	400	179	VOE 11888088	911	300	479	VOE 11888420	925	150	589	VOE 11888681	971	100	639	VOE 11888910	945	100	625
VOE 11887392	924	150	569	VOE 11888095	911	1200	513	VOE 11888421	925	150	589	VOE 11888687	261	100	111	VOE 11888912	945	100	625
VOE 11887447	380	100	207	VOE 11888096	971	250	647	VOE 11888422	925	150	589	VOE 11888693	424	100	269	VOE 11888913	945	100	625
VOE 11887622	460	150	277	VOE 11888106	925	100	587	VOE 11888423	925	150	589	VOE 11888694	424	100	269	VOE 11888918	234	200	85
VOE 11887625	911	100	473	VOE 11888127	826	100	387	VOE 11888437	925	100	587	VOE 11888695	261	250	115	VOE 11888918	896	250	453
VOE 11887626	821	100	375	VOE 11888128	826	100	387	VOE 11888438	925	100	587	VOE 11888701	911	1300	517	VOE 11888926	551	200	329
VOE 11887633	371	100	167	VOE 11888153	825	150	383	VOE 11888440	925	100	587	VOE 11888711	911	550	495	VOE 11888936	460	150	277
VOE 11887639	897	100	455	VOE 11888154	825	150	383	VOE 11888461	911	325	483	VOE 11888712	911	550	495	VOE 11888951	945	100	623
VOE 11887654	924	400	579	VOE 11888161	925	150	589	VOE 11888465	362	150	157	VOE 11888715	491	100	313	VOE 11888951	945	200	629
VOE 11887717	974	100	655	VOE 11888170	925	100	587	VOE 11888465	371	300	175	VOE 11888715	911	325	483	VOE 11888951	971	100	639
VOE 11887717	974	150	657	VOE 11888212	256	200	109	VOE 11888467	421	150	233	VOE 11888748	945	150	627	VOE 11888951	974	100	655
VOE 11887721	371	100	165	VOE 11888216	925	400	601	VOE 11888468	551	200	329	VOE 11888769	380	100	207	VOE 11888951	974	150	657
VOE 11887722	371	100	165	VOE 11888222	271	100	125	VOE 11888469	491	100	313	VOE 11888782	256	100	105	VOE 11888967	911	400	487
VOE 11887730	972	100	649	VOE 11888223	945	250	631	VOE 11888492	451	150	275	VOE 11888809	925	300	595	VOE 11888969	517	200	323
VOE 11887735	825	150	383	VOE 11888226	924	400	579	VOE 11888494	460	150	277	VOE 11888815	371	675	193	VOE 11888981	821	100	375
VOE 11887736	825	150	383	VOE 11888230	924	400	579	VOE 11888495	460	150	277	VOE 11888816	371	655	189	VOE 11889046	897	100	457

<b>NUMERICAL INDEX</b> <b>RÉPERTOIRE DE NUMÉROS</b> <b>NUMMERNREGISTER</b>	<b>INDICE DE NÚMERO</b>		Catalogue id	Group
	<b>NUMMERREGISTER</b>		<b>20124</b>	<b>1000</b>
			Issue	Page
		<b>VOE 63A9920124</b>	<b>13</b>	

**VOLVO**

**BL61PLUS**





Part No	Group	Sect	Page	Part No	Group	Sect	Page	Part No	Group	Sect	Page	Part No	Group	Sect	Page	Part No	Group	Sect	Page
VOE 11891295	925	250	593	VOE 11891392	371	100	165	VOE 11891449	924	250	575	VOE 11891566	234	200	85	VOE 11895000	915	150	555
VOE 11891296	925	250	593	VOE 11891393	911	100	475	VOE 11891450	924	150	569	VOE 11891568	971	100	639	VOE 11895000	945	250	631
VOE 11891298	911	100	473	VOE 11891412	897	100	457	VOE 11891450	924	200	573	VOE 11891580	715	100	353	VOE 11895000	945	300	633
VOE 11891299	924	100	567	VOE 11891413	897	100	457	VOE 11891450	924	300	577	VOE 11891584	896	250	453	VOE 11895000	945	350	635
VOE 11891303	881	150	437	VOE 11891415	882	200	445	VOE 11891451	924	150	569	VOE 11891594	911	900	507	VOE 11895001	882	200	445
VOE 11891305	771	150	359	VOE 11891415	897	100	455	VOE 11891451	924	200	573	VOE 11891594	911	1400	521	VOE 11895001	897	100	457
VOE 11891314	852	100	409	VOE 11891415	915	150	555	VOE 11891455	380	200	209	VOE 11891595	218	150	73	VOE 11895001	911	800	503
VOE 11891314	852	150	411	VOE 11891415	945	150	627	VOE 11891455	897	100	455	VOE 11891595	371	275	173	VOE 11895001	911	900	507
VOE 11891317	716	100	355	VOE 11891415	945	250	631	VOE 11891455	911	400	487	VOE 11891595	371	675	193	VOE 11895001	911	1400	521
VOE 11891318	925	100	587	VOE 11891416	912	350	529	VOE 11891455	912	400	531	VOE 11891595	371	725	199	VOE 11895001	912	150	525
VOE 11891319	925	100	587	VOE 11891416	912	500	533	VOE 11891478	263	100	119	VOE 11891595	372	100	205	VOE 11895001	915	150	555
VOE 11891320	925	100	587	VOE 11891416	912	550	535	VOE 11891488	881	150	437	VOE 11891595	380	100	207	VOE 11895001	945	150	627
VOE 11891321	925	100	587	VOE 11891416	912	600	537	VOE 11891497	911	1200	513	VOE 11891595	380	200	209	VOE 11895001	945	250	631
VOE 11891322	897	100	455	VOE 11891417	897	100	455	VOE 11891497	911	1250	515	VOE 11891595	420	150	225	VOE 11895001	945	300	633
VOE 11891322	915	100	549	VOE 11891417	911	700	499	VOE 11891497	912	300	527	VOE 11891595	421	150	233	VOE 11895001	945	350	635
VOE 11891324	911	100	473	VOE 11891417	911	1250	515	VOE 11891498	926	300	619	VOE 11891595	421	200	237	VOE 11895018	882	100	441
VOE 11891325	825	150	383	VOE 11891417	912	300	527	VOE 11891504	926	300	619	VOE 11891595	421	250	241	VOE 11895018	897	100	455
VOE 11891332	380	250	213	VOE 11891417	912	350	529	VOE 11891514	826	100	387	VOE 11891595	421	320	247	VOE 11895018	911	700	499
VOE 11891345	380	200	209	VOE 11891417	912	500	533	VOE 11891529	256	200	109	VOE 11891595	421	350	249	VOE 11895018	912	300	527
VOE 11891345	916	350	565	VOE 11891417	912	550	535	VOE 11891529	821	100	375	VOE 11891595	421	400	257	VOE 11895018	912	350	529
VOE 11891350	925	700	611	VOE 11891417	912	600	537	VOE 11891531	460	150	277	VOE 11891595	421	450	261	VOE 11895018	912	500	533
VOE 11891358	716	100	355	VOE 11891417	915	200	557	VOE 11891531	461	110	281	VOE 11891595	436	100	271	VOE 11895018	912	550	535
VOE 11891359	716	100	355	VOE 11891417	974	100	653	VOE 11891531	461	150	283	VOE 11891595	451	100	273	VOE 11895018	912	600	537
VOE 11891369	380	200	209	VOE 11891418	974	150	657	VOE 11891531	461	200	287	VOE 11891595	451	150	275	VOE 11895018	915	100	549
VOE 11891369	916	200	561	VOE 11891423	925	450	603	VOE 11891531	461	260	293	VOE 11891595	491	100	313	VOE 11895018	915	200	557
VOE 11891375	911	450	491	VOE 11891424	771	250	363	VOE 11891531	461	310	297	VOE 11891595	517	200	323	VOE 11895019	882	100	441
VOE 11891376	852	150	411	VOE 11891425	771	200	361	VOE 11891531	461	350	299	VOE 11891595	525	100	325	VOE 11895019	897	100	455
VOE 11891377	362	100	155	VOE 11891426	771	200	361	VOE 11891531	645	150	341	VOE 11891595	810	100	371	VOE 11895019	911	700	499
VOE 11891379	974	100	653	VOE 11891427	771	250	363	VOE 11891531	771	100	357	VOE 11891595	897	100	457	VOE 11895019	912	300	527
VOE 11891379	974	150	657	VOE 11891429	269	100	123	VOE 11891539	945	200	629	VOE 11891595	911	100	473	VOE 11895019	912	350	529
VOE 11891380	974	100	653	VOE 11891430	269	100	123	VOE 11891540	925	300	595	VOE 11891595	911	250	477	VOE 11895019	912	500	533
VOE 11891380	974	150	657	VOE 11891448	924	150	569	VOE 11891541	925	400	601	VOE 11891595	913	200	547	VOE 11895019	912	550	535
VOE 11891391	313	100	137	VOE 11891448	924	250	575	VOE 11891561	945	200	629	VOE 11895000	882	200	445	VOE 11895019	912	600	537
VOE 11891391	371	100	165	VOE 11891448	924	300	577	VOE 11891565	925	300	595	VOE 11895000	897	100	457	VOE 11895019	915	100	549
VOE 11891392	313	100	137	VOE 11891449	924	150	569	VOE 11891566	234	150	83	VOE 11895000	911	800	503	VOE 11895019	915	200	557

<b>NUMERICAL INDEX</b> <b>RÉPERTOIRE DE NUMÉROS</b> <b>NUMMERNREGISTER</b>	<b>INDICE DE NÚMERO</b> <b>NUMMERREGISTER</b>		Catalogue id <b>20124</b>	Group <b>1000</b>
			Issue <b>VOE 63A9920124</b>	Page <b>15</b>

**VOLVO**

**BL61PLUS**

## NUMERICAL INDEX

## RÉPERTOIRE DE NUMÉROS

## NUMMERNREGISTER

## INDICE DE NÚMERO

## NUMMERREGISTER

Catalogue id  
**20124**

Group  
**1000**

Issue  
**VOE 63A9920124**

Page  
**16**

Part No	Group	Sect	Page	Part No	Group	Sect	Page	Part No	Group	Sect	Page	Part No	Group	Sect	Page	Part No	Group	Sect	Page
VOE 11895020	882	100	441	VOE 11895023	911	250	477	VOE 11988537	912	350	529	VOE 11999363	924	450	581	VOE 13933862	911	550	497
VOE 11895020	897	100	455	VOE 11895023	913	200	547	VOE 11988539	912	350	529	VOE 11999364	924	450	581	VOE 13933862	911	700	499
VOE 11895020	911	700	499	VOE 11895023	915	150	555	VOE 11988540	912	350	529	VOE 11999365	924	450	581	VOE 13933862	911	800	503
VOE 11895020	912	300	527	VOE 11988148	461	110	281	VOE 11988541	912	500	533	VOE 1304841	363	200	163	VOE 13933862	911	1000	509
VOE 11895020	912	350	529	VOE 11988150	645	150	341	VOE 11988541	912	550	535	VOE 13907859	924	400	579	VOE 13933862	911	1100	511
VOE 11895020	912	500	533	VOE 11988156	461	310	297	VOE 11988552	461	100	279	VOE 13914468	926	100	613	VOE 13933862	912	750	539
VOE 11895020	912	550	535	VOE 11988156	463	260	307	VOE 11988553	461	100	279	VOE 13930842	911	700	499	VOE 13933862	912	800	543
VOE 11895020	912	600	537	VOE 11988157	645	150	341	VOE 11988554	461	100	279	VOE 13930842	912	300	527	VOE 13933862	916	200	563
VOE 11895020	915	100	549	VOE 11988186	353	100	147	VOE 11988555	461	100	279	VOE 13933843	924	500	583	VOE 13933864	911	325	483
VOE 11895020	915	200	557	VOE 11988196	926	250	617	VOE 11988557	461	100	279	VOE 13933857	420	150	227	VOE 13933864	911	400	487
VOE 11895023	218	150	73	VOE 11988249	971	200	645	VOE 11988559	461	100	279	VOE 13933857	460	150	277	VOE 13933864	911	1200	513
VOE 11895023	371	250	171	VOE 11988250	971	200	645	VOE 11988560	461	100	279	VOE 13933857	468	150	311	VOE 13933874	916	200	561
VOE 11895023	371	655	189	VOE 11988251	971	200	645	VOE 11988562	461	100	279	VOE 13933857	517	200	323	VOE 13933905	916	200	561
VOE 11895023	371	710	197	VOE 11988253	975	300	665	VOE 11988563	645	100	339	VOE 13933857	911	1300	517	VOE 13933905	924	500	583
VOE 11895023	380	100	207	VOE 11988255	971	200	645	VOE 11988564	645	100	339	VOE 13933857	912	750	539	VOE 13933912	916	100	559
VOE 11895023	380	200	209	VOE 11988256	975	300	665	VOE 11988565	645	100	339	VOE 13933857	912	800	543	VOE 13933923	911	1250	515
VOE 11895023	380	350	215	VOE 11988257	975	300	665	VOE 11988566	645	100	339	VOE 13933858	420	150	227	VOE 13933923	916	350	565
VOE 11895023	420	200	229	VOE 11988259	945	350	635	VOE 11988567	645	100	339	VOE 13933858	645	400	343	VOE 13933925	924	500	583
VOE 11895023	421	160	235	VOE 11988260	945	350	635	VOE 11988571	461	250	291	VOE 13933858	911	400	487	VOE 13935002	897	150	459
VOE 11895023	421	230	239	VOE 11988262	945	300	633	VOE 11988573	461	250	291	VOE 13933858	911	700	499	VOE 13935003	874	450	431
VOE 11895023	421	260	243	VOE 11988263	945	300	633	VOE 11988575	461	300	295	VOE 13933858	911	1300	517	VOE 13935008	897	150	459
VOE 11895023	421	300	245	VOE 11988505	451	150	275	VOE 11988578	461	300	295	VOE 13933858	911	1350	519	VOE 13940090	272	100	127
VOE 11895023	421	360	253	VOE 11988522	912	300	527	VOE 11988579	461	300	295	VOE 13933858	912	750	539	VOE 13940090	371	500	185
VOE 11895023	421	410	259	VOE 11988522	912	600	537	VOE 11988580	461	300	295	VOE 13933858	916	100	559	VOE 13940090	872	150	417
VOE 11895023	421	460	263	VOE 11988525	912	350	529	VOE 11988582	461	300	295	VOE 13933858	916	200	563	VOE 13940090	882	100	441
VOE 11895023	421	525	265	VOE 11988526	912	500	533	VOE 11988584	461	300	295	VOE 13933858	924	200	573	VOE 13940090	882	200	445
VOE 11895023	421	550	267	VOE 11988526	912	550	535	VOE 11988585	461	300	295	VOE 13933858	924	250	575	VOE 13942915	821	100	375
VOE 11895023	424	100	269	VOE 11988527	912	500	533	VOE 11988586	461	300	295	VOE 13933859	911	400	487	VOE 13943472	873	150	423
VOE 11895023	436	100	271	VOE 11988527	912	550	535	VOE 11988587	461	300	295	VOE 13933859	911	700	501	VOE 13945407	234	150	83
VOE 11895023	451	100	273	VOE 11988529	912	500	533	VOE 11988588	461	300	295	VOE 13933859	911	1350	519	VOE 13945407	234	200	85
VOE 11895023	451	150	275	VOE 11988529	912	550	535	VOE 11988593	421	400	257	VOE 13933859	912	750	539	VOE 13945407	362	100	155
VOE 11895023	491	100	313	VOE 11988532	912	500	533	VOE 11988598	463	210	305	VOE 13933859	916	200	561	VOE 13945407	371	100	167
VOE 11895023	525	100	325	VOE 11988534	912	600	537	VOE 11999360	924	450	581	VOE 13933859	924	150	569	VOE 13945407	372	100	205
VOE 11895023	897	100	457	VOE 11988535	912	600	537	VOE 11999361	924	450	581	VOE 13933862	911	350	485	VOE 13945407	896	200	451
VOE 11895023	911	100	473	VOE 11988536	912	600	537	VOE 11999362	924	450	581	VOE 13933862	911	400	487	VOE 13945407	896	250	453

Part No	Group	Sect	Page	Part No	Group	Sect	Page	Part No	Group	Sect	Page	Part No	Group	Sect	Page	Part No	Group	Sect	Page
VOE 13945408	261	100	111	VOE 13946173	362	100	155	VOE 13947621	210	50	47	VOE 13949578	217	100	69	VOE 13963104	872	150	417
VOE 13945408	272	100	127	VOE 13946173	821	100	375	VOE 13947621	211	100	53	VOE 13949578	221	100	75	VOE 13963105	841	100	399
VOE 13945408	371	100	165	VOE 13946173	823	100	379	VOE 13947621	215	100	63	VOE 13949578	273	100	129	VOE 13963110	218	150	73
VOE 13945408	424	100	269	VOE 13946173	827	100	389	VOE 13947621	251	100	99	VOE 13949927	911	1100	511	VOE 13963110	436	100	271
VOE 13945408	881	100	435	VOE 13946173	841	100	399	VOE 13947621	255	100	103	VOE 13955294	420	150	225	VOE 13963362	716	100	355
VOE 13945408	911	400	489	VOE 13946173	872	100	415	VOE 13947622	210	50	45	VOE 13955294	421	230	239	VOE 13963362	971	100	637
VOE 13945408	915	200	557	VOE 13946173	911	100	473	VOE 13947622	210	50	47	VOE 13955781	271	100	125	VOE 13963365	716	100	355
VOE 13945408	924	250	575	VOE 13946173	915	200	557	VOE 13947622	223	100	79	VOE 13955894	823	100	379	VOE 13963365	971	100	637
VOE 13945408	925	350	597	VOE 13946173	924	500	583	VOE 13947622	235	150	89	VOE 13955894	831	100	393	VOE 13964908	924	400	579
VOE 13945408	925	400	601	VOE 13946173	971	100	637	VOE 13947622	255	100	103	VOE 13955897	831	100	397	VOE 13965175	821	100	375
VOE 13945408	925	450	603	VOE 13946544	234	200	85	VOE 13947622	262	100	117	VOE 13955897	924	400	579	VOE 13965175	881	200	439
VOE 13945444	234	150	83	VOE 13946544	872	150	417	VOE 13947624	210	50	47	VOE 13955900	215	100	63	VOE 13965177	874	450	431
VOE 13945444	261	100	111	VOE 13946544	896	100	447	VOE 13947624	217	100	69	VOE 13955900	924	400	579	VOE 13965177	916	200	561
VOE 13945444	271	100	125	VOE 13946544	896	250	453	VOE 13947628	211	100	53	VOE 13960138	826	100	387	VOE 13965178	911	350	485
VOE 13945444	272	100	127	VOE 13946544	911	1350	519	VOE 13947628	223	100	79	VOE 13960138	872	150	419	VOE 13965179	235	100	87
VOE 13945444	525	100	325	VOE 13946544	915	100	553	VOE 13947628	873	200	425	VOE 13960138	882	100	443	VOE 13965179	916	350	565
VOE 13945444	551	200	329	VOE 13946934	234	150	83	VOE 13947760	352	200	145	VOE 13960141	272	100	127	VOE 13965181	911	400	489
VOE 13945444	821	100	375	VOE 13946934	362	100	155	VOE 13947760	424	100	269	VOE 13960141	825	100	381	VOE 13965182	924	500	583
VOE 13945444	825	200	385	VOE 13946934	371	100	167	VOE 13947760	821	100	375	VOE 13960141	825	200	385	VOE 13965182	925	350	597
VOE 13945444	873	100	421	VOE 13946934	882	100	441	VOE 13947760	924	250	575	VOE 13960141	873	100	421	VOE 13965182	925	400	601
VOE 13945444	874	450	431	VOE 13947281	210	50	45	VOE 13947760	926	100	613	VOE 13960141	881	100	435	VOE 13965182	925	450	603
VOE 13945444	881	100	435	VOE 13947281	210	50	47	VOE 13947949	821	100	377	VOE 13960141	882	100	441	VOE 13965184	251	100	99
VOE 13945444	911	1100	511	VOE 13947281	223	100	79	VOE 13948356	372	100	205	VOE 13960141	896	100	447	VOE 13965185	235	100	87
VOE 13945444	915	200	557	VOE 13947281	236	150	95	VOE 13948356	841	100	399	VOE 13960141	924	400	579	VOE 13965185	252	100	101
VOE 13945444	924	150	569	VOE 13947281	262	100	117	VOE 13948356	882	100	443	VOE 13960143	272	100	127	VOE 13965186	551	200	329
VOE 13945444	924	250	575	VOE 13947282	210	50	45	VOE 13948699	911	1000	509	VOE 13960143	810	100	371	VOE 13965186	825	150	383
VOE 13945444	924	400	579	VOE 13947282	210	50	47	VOE 13948794	371	100	165	VOE 13960143	825	150	383	VOE 13965186	843	150	405
VOE 13946173	256	100	105	VOE 13947355	911	100	473	VOE 13948795	371	100	165	VOE 13960143	971	100	637	VOE 13965188	252	100	101
VOE 13946173	261	100	111	VOE 13947355	911	550	495	VOE 13949239	911	250	477	VOE 13960143	971	100	639	VOE 13965188	911	1300	517
VOE 13946173	263	100	119	VOE 13947355	915	100	549	VOE 13949278	272	100	127	VOE 13960215	924	450	581	VOE 13965188	925	350	597
VOE 13946173	271	100	125	VOE 13947542	271	100	125	VOE 13949278	353	150	149	VOE 13961965	234	150	83	VOE 13965188	925	400	601
VOE 13946173	272	100	127	VOE 13947542	810	100	371	VOE 13949278	831	100	393	VOE 13961965	810	100	371	VOE 13965188	925	450	603
VOE 13946173	352	100	143	VOE 13947542	872	150	419	VOE 13949278	872	150	417	VOE 13961965	896	250	453	VOE 13965189	926	100	613
VOE 13946173	352	200	145	VOE 13947542	882	100	443	VOE 13949278	874	450	431	VOE 13962550	924	450	581	VOE 13965190	925	350	597
VOE 13946173	353	200	151	VOE 13947621	210	50	45	VOE 13949278	881	200	439	VOE 13962970	924	450	581	VOE 13965190	925	400	601

<b>NUMERICAL INDEX</b> <b>RÉPERTOIRE DE NUMÉROS</b> <b>NUMMERNREGISTER</b>	<b>INDICE DE NÚMERO</b> <b>NUMMERREGISTER</b>		Catalogue id <b>20124</b>	Group <b>1000</b>
			Issue <b>VOE 63A9920124</b>	Page <b>17</b>

**VOLVO**

**BL61PLUS**

**NUMERICAL INDEX**

**INDICE DE NÚMERO**

Catalogue id

Group

**RÉPERTOIRE DE NUMÉROS**

**NUMMERREGISTER**

**20124**

**1000**

**NUMMERNREGISTER**

Issue

Page

**VOE 63A9920124**

**18**

Part No	Group	Sect	Page	Part No	Group	Sect	Page	Part No	Group	Sect	Page	Part No	Group	Sect	Page	Part No	Group	Sect	Page
VOE 13965190	925	450	603	VOE 13969516	269	100	123	VOE 13977600	873	200	425	VOE 14370885	371	750	201	VOE 20405560	236	150	95
VOE 13965190	945	200	629	VOE 13969599	823	100	379	VOE 13980100	716	100	355	VOE 14370889	371	200	169	VOE 20405561	221	100	75
VOE 13965191	371	100	165	VOE 13970876	414	100	223	VOE 14016673	261	250	115	VOE 14370889	371	400	179	VOE 20405565	236	100	91
VOE 13965191	436	100	271	VOE 13970944	414	100	223	VOE 14016673	269	100	123	VOE 14371493	641	100	337	VOE 20405584	212	100	55
VOE 13965191	852	100	409	VOE 13970947	420	150	227	VOE 14016673	371	100	167	VOE 14376982	460	150	277	VOE 20405587	251	100	99
VOE 13965191	852	150	411	VOE 13970948	420	200	229	VOE 14016673	371	300	175	VOE 14376982	716	100	355	VOE 20405588	251	100	99
VOE 13965191	852	200	413	VOE 13970949	420	150	225	VOE 14016673	371	950	203	VOE 14527170	897	100	457	VOE 20405590	210	50	45
VOE 13965191	911	100	473	VOE 13970949	420	150	227	VOE 14016673	645	400	343	VOE 14527173	897	100	457	VOE 20405590	210	50	49
VOE 13965191	911	250	477	VOE 13970951	420	200	231	VOE 14016673	821	100	375	VOE 15011534	715	100	353	VOE 20405590	255	100	103
VOE 13965191	924	400	579	VOE 13970963	874	450	431	VOE 14016673	873	200	425	VOE 15011730	971	100	637	VOE 20405599	223	100	79
VOE 13965191	945	100	623	VOE 13971068	517	200	323	VOE 14016673	911	400	489	VOE 1542591	261	200	113	VOE 20405603	221	100	75
VOE 13965192	911	100	473	VOE 13971068	525	100	325	VOE 14016673	911	700	501	VOE 15602517	897	100	455	VOE 20405605	215	100	63
VOE 13965192	915	150	555	VOE 13971068	915	100	551	VOE 14016673	911	1350	519	VOE 15603999	897	100	457	VOE 20405606	218	100	71
VOE 13965194	234	100	81	VOE 13971068	915	150	555	VOE 14016673	911	1500	523	VOE 15604002	897	100	457	VOE 20405616	251	100	99
VOE 13965194	896	100	447	VOE 13971068	971	100	639	VOE 14016673	916	350	565	VOE 15604008	897	100	457	VOE 20405626	212	150	57
VOE 13965194	911	550	495	VOE 13971095	235	100	87	VOE 14025792	971	100	639	VOE 1578603	881	150	437	VOE 20405627	210	50	45
VOE 13965194	915	100	553	VOE 13971095	252	100	101	VOE 14211856	924	500	583	VOE 1578835	897	100	455	VOE 20405627	210	50	49
VOE 13965194	916	100	559	VOE 13971095	256	100	105	VOE 14211861	911	300	479	VOE 1582293	371	100	167	VOE 20405627	212	150	57
VOE 13965195	972	100	649	VOE 13971095	261	200	113	VOE 14213026	363	200	163	VOE 1589502	380	350	215	VOE 20405634	216	100	65
VOE 13965216	911	400	487	VOE 13971095	825	150	383	VOE 14213026	371	300	175	VOE 1589502	911	400	489	VOE 20405653	215	100	63
VOE 13965216	912	800	543	VOE 13971095	925	350	597	VOE 14213676	911	100	473	VOE 1613068	882	100	441	VOE 20405654	216	100	65
VOE 13965483	823	100	379	VOE 13971095	925	400	601	VOE 14340282	831	100	397	VOE 191900	971	100	637	VOE 20405672	223	100	79
VOE 13965483	872	150	417	VOE 13971095	925	450	603	VOE 14343206	882	100	441	VOE 20393420	371	100	165	VOE 20405672	262	100	117
VOE 13965483	924	150	569	VOE 13971095	926	100	613	VOE 14343207	882	100	441	VOE 20405504	263	150	121	VOE 20405706	215	100	63
VOE 13965558	362	100	155	VOE 13971096	916	100	559	VOE 14344720	831	100	397	VOE 20405506	217	100	69	VOE 20405716	212	100	55
VOE 13965886	371	100	167	VOE 13971098	271	100	125	VOE 14346537	896	100	447	VOE 20405509	236	150	95	VOE 20405717	212	100	55
VOE 13967580	896	100	447	VOE 13971098	313	100	137	VOE 14370881	371	750	201	VOE 20405524	214	100	61	VOE 20405719	212	100	55
VOE 13967630	421	150	233	VOE 13971098	551	200	329	VOE 14370881	915	100	553	VOE 20405536	210	50	45	VOE 20405721	212	100	55
VOE 13967630	421	160	235	VOE 13971098	825	150	383	VOE 14370883	371	300	175	VOE 20405536	210	50	47	VOE 20405723	262	100	117
VOE 13967630	874	450	431	VOE 13971098	827	100	389	VOE 14370883	371	655	189	VOE 20405536	251	100	99	VOE 20405724	216	100	65
VOE 13967934	945	150	627	VOE 13971098	896	200	451	VOE 14370883	371	675	193	VOE 20405538	236	150	95	VOE 20405728	210	50	45
VOE 13967934	945	250	631	VOE 13971098	911	1300	517	VOE 14370883	371	710	197	VOE 20405543	210	50	45	VOE 20405728	210	50	49
VOE 13969011	212	100	55	VOE 13971098	945	100	625	VOE 14370883	371	750	201	VOE 20405543	236	100	91	VOE 20405728	273	100	129
VOE 13969011	235	150	89	VOE 13971098	945	200	629	VOE 14370885	371	400	179	VOE 20405553	215	100	63	VOE 20405729	216	150	67
VOE 13969011	237	100	97	VOE 13971307	915	100	551	VOE 14370885	371	400	181	VOE 20405559	237	100	97	VOE 20405729	235	150	89

Part No	Group	Sect	Page	Part No	Group	Sect	Page	Part No	Group	Sect	Page	Part No	Group	Sect	Page	Part No	Group	Sect	Page
VOE 20405729	236	150	95	VOE 20412745	212	100	55	VOE 20459168	221	100	75	VOE 20459839	211	100	53	VOE 20459995	216	150	67
VOE 20405730	236	150	95	VOE 20441521	321	100	139	VOE 20459171	210	50	45	VOE 20459847	214	100	61	VOE 20459996	216	150	67
VOE 20405789	255	100	103	VOE 20450728	212	150	57	VOE 20459171	210	50	49	VOE 20459848	214	100	61	VOE 20459998	210	50	47
VOE 20405792	217	100	69	VOE 20450735	262	100	117	VOE 20459171	255	100	103	VOE 20459849	214	100	61	VOE 20459998	212	100	55
VOE 20405792	221	100	75	VOE 20450736	210	50	45	VOE 20459172	210	50	45	VOE 20459850	214	100	61	VOE 20459999	210	50	47
VOE 20405792	255	100	103	VOE 20450736	262	100	117	VOE 20459172	210	50	49	VOE 20459851	211	100	53	VOE 20459999	212	100	55
VOE 20405792	262	100	117	VOE 20450745	262	100	117	VOE 20459172	255	100	103	VOE 20459852	211	100	53	VOE 20460001	212	100	55
VOE 20405822	255	100	103	VOE 20450749	263	150	121	VOE 20459181	255	100	103	VOE 20459853	214	100	61	VOE 20460006	212	100	55
VOE 20405825	210	50	45	VOE 20450750	263	150	121	VOE 20459183	235	150	89	VOE 20459854	211	100	53	VOE 20460007	214	100	61
VOE 20405825	217	100	69	VOE 20450754	263	150	121	VOE 20459195	223	100	79	VOE 20459855	210	50	47	VOE 20460008	214	100	61
VOE 20405828	331	100	141	VOE 20450756	218	100	71	VOE 20459197	223	100	79	VOE 20459855	210	50	49	VOE 20460009	210	50	47
VOE 20405847	237	100	97	VOE 20450795	215	100	63	VOE 20459200	223	100	79	VOE 20459855	211	100	53	VOE 20460009	213	100	59
VOE 20405885	223	100	79	VOE 20450801	215	100	63	VOE 20459201	223	100	79	VOE 20459857	211	100	53	VOE 20460010	210	50	47
VOE 20405885	262	100	117	VOE 20450867	255	100	103	VOE 20459202	223	100	79	VOE 20459864	263	150	121	VOE 20460010	213	100	59
VOE 20405885	263	150	121	VOE 20450890	223	100	79	VOE 20459203	210	50	45	VOE 20459899	212	100	55	VOE 20460013	210	50	47
VOE 20405888	221	100	75	VOE 20451012	215	100	63	VOE 20459203	223	100	79	VOE 20459900	212	100	55	VOE 20460013	213	100	59
VOE 20405898	262	100	117	VOE 20451012	251	100	99	VOE 20459204	223	100	79	VOE 20459900	262	100	117	VOE 20460021	210	50	47
VOE 20405907	236	100	91	VOE 20451738	221	100	75	VOE 20459222	210	50	45	VOE 20459904	210	50	47	VOE 20460021	217	100	69
VOE 20405917	223	100	79	VOE 20459025	263	150	121	VOE 20459222	210	50	49	VOE 20459904	215	100	63	VOE 20460045	235	150	89
VOE 20405938	210	50	45	VOE 20459061	331	100	141	VOE 20459235	255	100	103	VOE 20459906	237	100	97	VOE 20460045	255	100	103
VOE 20405938	210	50	49	VOE 20459115	210	50	45	VOE 20459236	210	50	45	VOE 20459933	251	100	99	VOE 20460055	255	100	103
VOE 20405938	212	150	57	VOE 20459115	215	100	63	VOE 20459236	210	50	49	VOE 20459941	223	100	79	VOE 20460061	255	100	103
VOE 20405988	263	150	121	VOE 20459115	216	100	65	VOE 20459236	255	100	103	VOE 20459942	223	100	79	VOE 20460061	262	100	117
VOE 20412313	262	100	117	VOE 20459124	216	100	65	VOE 20459246	235	150	89	VOE 20459949	262	100	117	VOE 20460064	236	150	95
VOE 20412318	210	50	45	VOE 20459133	216	100	65	VOE 20459263	263	150	121	VOE 20459952	262	100	117	VOE 20460067	236	150	95
VOE 20412318	210	50	49	VOE 20459134	216	100	65	VOE 20459830	211	100	53	VOE 20459953	210	50	47	VOE 20460069	236	150	95
VOE 20412318	255	100	103	VOE 20459139	216	100	65	VOE 20459830	251	100	99	VOE 20459953	210	50	49	VOE 20460070	236	150	95
VOE 20412324	215	100	63	VOE 20459140	210	50	45	VOE 20459833	210	50	45	VOE 20459953	262	100	117	VOE 20460071	236	100	91
VOE 20412324	221	100	75	VOE 20459140	216	100	65	VOE 20459833	210	50	49	VOE 20459954	210	50	47	VOE 20460072	236	100	91
VOE 20412359	210	50	45	VOE 20459143	216	100	65	VOE 20459835	211	100	53	VOE 20459954	262	100	117	VOE 20460082	236	150	95
VOE 20412589	211	100	53	VOE 20459144	216	100	65	VOE 20459836	211	100	53	VOE 20459955	210	50	47	VOE 20460095	210	50	47
VOE 20412596	235	150	89	VOE 20459148	216	100	65	VOE 20459837	214	100	61	VOE 20459955	210	50	49	VOE 20460095	210	50	49
VOE 20412601	251	100	99	VOE 20459149	210	50	45	VOE 20459838	211	100	53	VOE 20459961	210	50	47	VOE 20460095	237	100	97
VOE 20412733	211	100	53	VOE 20459149	216	100	65	VOE 20459839	210	50	45	VOE 20459961	262	100	117	VOE 20460102	321	100	139
VOE 20412745	211	100	53	VOE 20459168	210	50	45	VOE 20459839	210	50	49	VOE 20459989	216	150	67	VOE 20460106	321	100	139

NUMERICAL INDEX

RÉPERTOIRE DE NUMÉROS

NUMMERNREGISTER

INDICE DE NÚMERO

NUMMERREGISTER

Catalogue id	Group
<b>20124</b>	<b>1000</b>
Issue	Page
<b>VOE 63A9920124</b>	<b>19</b>

**VOLVO**

**BL61PLUS**

NUMERICAL INDEX				INDICE DE NÚMERO				Catalogue id				Group			
RÉPERTOIRE DE NUMÉROS				NUMMERREGISTER				20124				1000			
NUMMERNREGISTER								Issue				Page			
								VOE 63A9920124				20			
Part No	Group	Sect	Page	Part No	Group	Sect	Page	Part No	Group	Sect	Page	Part No	Group	Sect	Page
VOE 20460115	331	100	141	VOE 20522433	216	100	65	VOE 20593357	331	100	141	VOE 20881419	236	100	91
VOE 20460116	331	100	141	VOE 20523284	216	100	65	VOE 20715643	371	100	167	VOE 20881420	236	100	91
VOE 20460117	331	100	141	VOE 20524626	235	150	89	VOE 20723978	218	100	71	VOE 20881424	236	100	93
VOE 20460118	331	100	141	VOE 20528339	255	100	103	VOE 20723984	218	100	71	VOE 20881435	236	100	93
VOE 20460119	331	100	141	VOE 20531832	210	50	47	VOE 20726057	251	100	99	VOE 20881441	236	100	93
VOE 20460120	331	100	141	VOE 20531832	210	50	49	VOE 20726088	221	100	75	VOE 20881451	236	100	93
VOE 20460239	223	100	79	VOE 20531832	251	100	99	VOE 20726092	262	100	117	VOE 20881454	236	100	93
VOE 20460289	236	150	95	VOE 20532396	223	100	79	VOE 20729227	237	100	97	VOE 20882838	210	50	47
VOE 20460936	255	100	103	VOE 20535027	218	100	71	VOE 20758272	236	150	95	VOE 20882838	210	50	49
VOE 20460936	262	100	117	VOE 20535037	211	100	53	VOE 20785813	212	100	55	VOE 20882838	211	100	53
VOE 20460939	255	100	103	VOE 20537029	210	50	47	VOE 20791405	211	100	53	VOE 20882839	210	50	47
VOE 20460945	255	100	103	VOE 20537029	221	100	75	VOE 20791406	262	100	117	VOE 20882839	210	50	49
VOE 20464451	211	100	53	VOE 20547288	216	150	67	VOE 20791517	211	100	53	VOE 20882839	211	100	53
VOE 20480536	216	100	65	VOE 20549886	321	100	139	VOE 20799838	262	100	117	VOE 20882841	210	50	45
VOE 20481768	235	150	89	VOE 20551429	262	100	117	VOE 20881345	236	100	91	VOE 20882841	210	50	49
VOE 20481769	235	150	89	VOE 20555065	263	150	121	VOE 20881359	236	100	91	VOE 20882841	211	100	53
VOE 20482006	217	100	69	VOE 20555084	321	100	139	VOE 20881364	236	100	91	VOE 20882905	216	100	65
VOE 20482010	217	100	69	VOE 20555403	210	50	47	VOE 20881368	236	100	91	VOE 20891184	216	100	65
VOE 20482027	217	100	69	VOE 20555494	255	100	103	VOE 20881372	236	100	91	VOE 20909227	263	150	121
VOE 20482349	217	100	69	VOE 20555503	236	150	95	VOE 20881376	236	100	91	VOE 20917999	235	150	89
VOE 20482739	210	50	47	VOE 20555515	251	100	99	VOE 20881379	236	100	91	VOE 20924080	211	100	53
VOE 20482739	213	100	59	VOE 20557208	210	50	47	VOE 20881381	236	100	91	VOE 20924084	211	100	53
VOE 20496548	223	100	79	VOE 20557208	210	50	49	VOE 20881386	236	100	91	VOE 20943001	222	100	77
VOE 20498714	263	100	119	VOE 20557208	251	100	99	VOE 20881388	236	100	91	VOE 20944091	223	100	79
VOE 20502245	223	100	79	VOE 20558924	211	100	53	VOE 20881390	236	100	91	VOE 20977068	221	100	75
VOE 20502536	262	100	117	VOE 20558934	211	100	53	VOE 20881393	236	100	91	VOE 20999732	263	150	121
VOE 20504812	236	150	95	VOE 20560564	321	100	139	VOE 20881395	236	100	91	VOE 21009699	263	150	121
VOE 20505959	251	100	99	VOE 20562765	273	100	129	VOE 20881396	236	100	91	VOE 21009704	263	150	121
VOE 20508600	212	100	55	VOE 20567447	235	150	89	VOE 20881400	236	100	91	VOE 21009706	212	100	55
VOE 20508630	255	100	103	VOE 20567447	321	100	139	VOE 20881405	236	100	91	VOE 21018766	263	150	121
VOE 20509446	321	100	139	VOE 20585825	251	100	99	VOE 20881406	236	100	91	VOE 21019449	214	100	61
VOE 20509482	321	100	139	VOE 20585971	215	100	63	VOE 20881408	236	100	91	VOE 21026475	251	100	99
VOE 20517048	210	50	47	VOE 20585971	216	150	67	VOE 20881411	236	100	91	VOE 21026959	215	100	63
VOE 20517048	210	50	49	VOE 20590582	236	150	95	VOE 20881413	236	100	91	VOE 21033328	216	100	65
VOE 20517048	255	100	103	VOE 20590598	211	100	53	VOE 20881415	236	100	91	VOE 21035471	236	100	93
												VOE 21035472	236	100	93
												VOE 21035474	236	100	93
												VOE 21035475	236	100	93
												VOE 21035477	236	100	93
												VOE 21035480	236	100	93
												VOE 21035481	236	100	93
												VOE 21044436	216	150	67
												VOE 24425916	237	100	97
												VOE 24425919	237	100	97
												VOE 24426216	216	100	65
												VOE 24426230	251	100	99
												VOE 2801695	926	300	619
												VOE 2801697	926	300	619
												VOE 2805036	926	300	619
												VOE 2805037	926	300	619
												VOE 3987034	371	100	165
												VOE 403078	924	100	567
												VOE 4780802	234	150	83
												VOE 4784040	924	450	581
												VOE 4789869	771	100	357
												VOE 4789869	771	150	359
												VOE 4789869	771	200	361
												VOE 4789869	771	250	363
												VOE 4803745	371	655	191
												VOE 4803745	371	675	195
												VOE 4803746	371	100	167
												VOE 4803746	371	200	169
												VOE 4803746	371	250	171
												VOE 4803746	371	300	175
												VOE 4803746	371	450	183
												VOE 4803746	371	500	185
												VOE 4803746	371	630	187
												VOE 4803746	371	655	191
												VOE 4803746	371	675	195
												VOE 4803748	371	200	169

Part No	Group	Sect	Page	Part No	Group	Sect	Page	Part No	Group	Sect	Page	Part No	Group	Sect	Page	Part No	Group	Sect	Page
VOE 4803748	371	250	171	VOE 4881438	235	100	87	VOE 784076	771	250	363	VOE 874958	371	250	171	VOE 914167	974	100	655
VOE 4803748	371	300	175	VOE 4881438	352	100	143	VOE 8157766	371	100	165	VOE 874958	371	300	175	VOE 914167	974	150	657
VOE 4803748	371	400	179	VOE 4881438	371	500	185	VOE 81709100	421	260	243	VOE 874958	371	655	189	VOE 914446	915	100	549
VOE 4803748	371	450	183	VOE 4881438	911	500	493	VOE 874654	371	100	165	VOE 874958	371	675	193	VOE 914446	945	250	631
VOE 4803748	371	655	191	VOE 4881438	924	150	571	VOE 874654	371	400	179	VOE 874958	371	710	197	VOE 914450	915	150	555
VOE 4803748	371	675	195	VOE 4881440	256	100	105	VOE 874654	371	655	189	VOE 874959	371	400	179	VOE 914450	945	250	631
VOE 4803751	371	200	169	VOE 4881440	371	100	167	VOE 874654	371	675	195	VOE 874959	371	400	181	VOE 914454	915	200	557
VOE 4803751	371	400	179	VOE 4881440	873	200	425	VOE 874802	371	300	175	VOE 874959	371	630	187	VOE 914465	974	100	653
VOE 4803751	371	655	191	VOE 4881440	874	350	429	VOE 874802	371	500	185	VOE 874959	371	750	201	VOE 914470	972	100	649
VOE 4803751	371	675	195	VOE 4881440	874	450	433	VOE 874802	371	655	189	VOE 874960	371	300	175	VOE 914519	924	450	581
VOE 4803752	371	200	169	VOE 4881440	911	1200	513	VOE 874802	371	675	193	VOE 874960	371	400	179	VOE 925067	924	450	581
VOE 4803752	371	400	179	VOE 4881440	915	100	553	VOE 874802	371	710	197	VOE 874960	371	450	183	VOE 925739	261	100	111
VOE 4803752	371	450	183	VOE 4881440	915	150	555	VOE 874802	371	725	199	VOE 874960	371	655	189	VOE 930416	882	100	443
VOE 4803752	371	655	191	VOE 4881440	916	200	561	VOE 874802	371	750	201	VOE 874960	371	675	193	VOE 930434	352	200	145
VOE 4803752	371	675	195	VOE 4881440	945	250	631	VOE 874954	371	250	171	VOE 874965	371	200	169	VOE 930842	911	550	497
VOE 4821292	363	200	163	VOE 4881722	911	700	499	VOE 874954	371	450	183	VOE 874965	371	400	179	VOE 930842	912	150	525
VOE 4821292	517	200	323	VOE 4881722	911	700	501	VOE 874954	371	750	201	VOE 874967	371	250	171	VOE 930872	945	250	631
VOE 4880492	911	500	493	VOE 4881722	911	1350	519	VOE 874954	915	100	553	VOE 874967	371	655	189	VOE 931209	924	500	583
VOE 4880492	916	100	559	VOE 4881722	911	1500	523	VOE 874955	371	250	171	VOE 874967	371	675	193	VOE 932037	645	400	343
VOE 4880492	916	200	561	VOE 4881722	912	750	539	VOE 874955	371	300	175	VOE 874967	371	710	197	VOE 932037	911	100	473
VOE 4880492	916	200	563	VOE 4881722	912	800	543	VOE 874955	371	400	179	VOE 888760	236	150	95	VOE 932037	911	400	489
VOE 4880492	924	500	583	VOE 4881722	916	100	559	VOE 874955	371	400	181	VOE 888774	262	100	117	VOE 932037	911	1350	519
VOE 4880492	971	150	641	VOE 4881722	916	200	561	VOE 874955	371	450	183	VOE 907825	896	100	447	VOE 932037	916	200	561
VOE 4880493	911	500	493	VOE 4881722	916	200	563	VOE 874955	371	630	187	VOE 914167	460	150	277	VOE 932037	924	150	569
VOE 4880493	911	700	501	VOE 4881722	924	150	569	VOE 874955	371	655	189	VOE 914167	924	400	579	VOE 932039	420	150	227
VOE 4880493	911	1400	521	VOE 4881722	924	200	573	VOE 874955	371	675	193	VOE 914167	925	350	597	VOE 932039	460	150	277
VOE 4880493	916	200	563	VOE 4881722	924	250	575	VOE 874955	371	710	197	VOE 914167	925	400	601	VOE 932039	468	150	311
VOE 4880493	916	350	565	VOE 4881722	924	500	583	VOE 874955	371	725	199	VOE 914167	925	450	603	VOE 932039	517	200	323
VOE 4880493	924	500	585	VOE 4881722	971	150	641	VOE 874957	371	250	171	VOE 914167	926	200	615	VOE 932039	645	400	343
VOE 4880663	911	700	499	VOE 7025167	235	150	89	VOE 874957	371	300	175	VOE 914167	945	100	623	VOE 932039	911	100	473
VOE 4880663	911	700	501	VOE 7025167	255	100	103	VOE 874957	371	350	177	VOE 914167	945	100	625	VOE 932039	911	400	487
VOE 4880663	912	800	543	VOE 762681	872	150	417	VOE 874957	371	655	189	VOE 914167	945	150	627	VOE 932039	911	400	489
VOE 4880663	912	800	545	VOE 784076	771	100	357	VOE 874957	371	675	193	VOE 914167	945	200	629	VOE 932039	911	500	493
VOE 4880663	916	350	565	VOE 784076	771	150	359	VOE 874957	371	710	197	VOE 914167	945	250	631	VOE 932039	911	550	495
VOE 4881293	831	100	397	VOE 784076	771	200	361	VOE 874957	371	725	199	VOE 914167	971	100	637	VOE 932039	911	700	501

<b>NUMERICAL INDEX</b> <b>RÉPERTOIRE DE NUMÉROS</b> <b>NUMMERNREGISTER</b>	<b>INDICE DE NÚMERO</b> <b>NUMMERREGISTER</b>		Catalogue id <b>20124</b>	Group <b>1000</b>
			Issue <b>VOE 63A9920124</b>	Page <b>21</b>

**VOLVO**

**BL61PLUS**



NUMERICAL INDEX				INDICE DE NÚMERO				Catalogue id				Group			
RÉPERTOIRE DE NUMÉROS				NUMMERREGISTER				20124				1000			
NUMMERNREGISTER								Issue				Page			
NUMMERNREGISTER								VOE 63A9920124				22			
Part No	Group	Sect	Page	Part No	Group	Sect	Page	Part No	Group	Sect	Page	Part No	Group	Sect	Page
VOE 932039	911	1300	517	VOE 932042	911	400	487	VOE 935082	916	200	561	VOE 935538	911	1300	517
VOE 932039	911	1350	519	VOE 932042	911	500	493	VOE 935082	924	150	569	VOE 935574	911	300	479
VOE 932039	912	750	539	VOE 932042	911	550	495	VOE 935085	468	150	311	VOE 935576	916	200	561
VOE 932039	912	800	543	VOE 932042	911	550	497	VOE 935085	517	200	323	VOE 935756	911	400	489
VOE 932039	912	800	545	VOE 932042	911	700	499	VOE 935085	645	400	343	VOE 935756	911	700	501
VOE 932039	916	100	559	VOE 932042	911	700	501	VOE 935085	911	100	473	VOE 935756	911	1350	519
VOE 932039	916	200	563	VOE 932042	911	800	503	VOE 935085	911	500	493	VOE 935756	924	150	569
VOE 932039	924	200	573	VOE 932042	911	1000	509	VOE 935085	911	1300	517	VOE 936070	911	350	485
VOE 932039	924	250	575	VOE 932042	911	1100	511	VOE 935085	916	200	563	VOE 936122	911	300	479
VOE 932039	925	400	601	VOE 932042	911	1200	513	VOE 935085	971	150	641	VOE 936339	911	1350	519
VOE 932039	925	450	603	VOE 932042	911	1400	521	VOE 935089	645	400	343	VOE 936439	911	700	501
VOE 932039	971	150	641	VOE 932042	912	750	539	VOE 935090	924	500	583	VOE 936439	911	1350	519
VOE 932039	975	100	663	VOE 932042	912	800	543	VOE 935091	911	500	493	VOE 936446	911	700	501
VOE 932040	645	400	343	VOE 932042	916	200	561	VOE 935091	925	350	597	VOE 936539	916	200	561
VOE 932040	911	400	487	VOE 932042	916	200	563	VOE 935091	925	400	601	VOE 936620	911	250	477
VOE 932040	911	450	491	VOE 932042	971	150	641	VOE 935091	925	450	603	VOE 936911	924	500	583
VOE 932040	911	800	503	VOE 932043	911	300	479	VOE 935092	924	500	585	VOE 937127	911	1300	517
VOE 932040	911	1200	513	VOE 935032	911	300	479	VOE 935092	925	350	597	VOE 937377	911	300	479
VOE 932040	911	1250	515	VOE 935032	911	550	495	VOE 935092	925	450	603	VOE 937950	925	400	601
VOE 932040	912	800	543	VOE 935032	911	700	499	VOE 935093	911	550	495	VOE 937966	911	300	479
VOE 932040	912	800	545	VOE 935067	460	150	277	VOE 935093	911	700	501	VOE 937967	911	300	479
VOE 932040	916	350	565	VOE 935067	461	110	281	VOE 935093	911	1400	521	VOE 937990	911	300	479
VOE 932040	926	200	615	VOE 935069	645	400	343	VOE 935093	916	200	563	VOE 938074	916	200	561
VOE 932040	971	150	641	VOE 935069	916	100	559	VOE 935094	911	800	503	VOE 938161	911	1300	517
VOE 932041	491	100	313	VOE 935069	924	150	569	VOE 935094	911	1200	513	VOE 941262	363	150	161
VOE 932041	911	800	503	VOE 935069	971	150	641	VOE 935094	912	800	545	VOE 941267	810	100	371
VOE 932041	912	800	543	VOE 935070	645	400	343	VOE 935094	916	350	565	VOE 941268	810	100	371
VOE 932041	924	500	583	VOE 935073	925	350	597	VOE 935095	912	800	543	VOE 941269	272	100	127
VOE 932041	924	500	585	VOE 935073	925	450	603	VOE 935097	491	100	313	VOE 941269	525	100	325
VOE 932041	925	350	597	VOE 935076	911	800	503	VOE 935229	911	300	479	VOE 941460	911	100	473
VOE 932041	925	450	603	VOE 935076	912	800	543	VOE 935426	924	500	583	VOE 941507	874	350	429
VOE 932042	234	100	81	VOE 935079	911	800	503	VOE 935436	911	400	489	VOE 942290	821	100	375
VOE 932042	911	300	479	VOE 935082	645	400	343	VOE 935436	911	1350	519	VOE 942366	825	150	383
VOE 932042	911	325	483	VOE 935082	911	400	489	VOE 935436	924	150	569	VOE 942767	424	100	269
VOE 932042	911	350	485	VOE 935082	911	1350	519	VOE 935453	925	400	601	VOE 943469	261	250	115
VOE 932042	911	350	485	VOE 935082	911	1350	519					VOE 946440	911	1350	519
												VOE 946440	924	400	579
												VOE 946440	945	150	627
												VOE 946440	945	250	631
												VOE 946441	420	150	225

Part No	Group	Sect	Page	Part No	Group	Sect	Page	Part No	Group	Sect	Page	Part No	Group	Sect	Page	Part No	Group	Sect	Page
VOE 946441	911	300	479	VOE 948645	827	100	389	VOE 952623	272	100	127	VOE 960139	825	200	385	VOE 967633	916	200	561
VOE 946441	974	100	653	VOE 948645	827	150	391	VOE 953059	911	1100	511	VOE 960139	841	100	399	VOE 967635	911	100	473
VOE 946470	874	350	429	VOE 948645	831	100	393	VOE 955245	380	100	207	VOE 960139	872	150	419	VOE 967635	911	1000	509
VOE 946472	252	100	101	VOE 948645	831	100	395	VOE 955276	841	100	399	VOE 960139	881	100	435	VOE 967640	945	100	625
VOE 946472	256	100	105	VOE 948645	841	100	399	VOE 955296	421	410	259	VOE 960139	881	200	439	VOE 967750	925	450	603
VOE 946472	911	350	485	VOE 948645	873	100	421	VOE 955297	421	460	263	VOE 960139	882	100	443	VOE 968207	517	200	323
VOE 946472	911	1300	517	VOE 948645	874	350	429	VOE 955297	831	100	395	VOE 961970	525	100	325	VOE 968237	945	100	625
VOE 946472	916	200	561	VOE 948645	874	450	431	VOE 955302	421	200	237	VOE 961970	843	150	405	VOE 968237	971	100	637
VOE 946502	915	100	549	VOE 948645	911	550	495	VOE 955302	421	230	239	VOE 961970	873	150	423	VOE 968435	218	150	73
VOE 946502	915	150	555	VOE 948645	911	1400	521	VOE 955302	421	550	267	VOE 961991	874	450	431	VOE 968435	971	100	637
VOE 946671	525	100	325	VOE 948645	912	800	543	VOE 955306	421	450	261	VOE 961991	911	1100	511	VOE 968435	971	100	639
VOE 946671	827	150	391	VOE 948645	915	100	551	VOE 955782	823	100	379	VOE 961991	915	100	549	VOE 968435	974	100	655
VOE 946671	874	450	431	VOE 948645	915	150	555	VOE 955822	641	100	337	VOE 961991	915	100	551	VOE 968435	974	150	657
VOE 946671	911	550	497	VOE 948645	915	200	557	VOE 955892	810	100	371	VOE 961991	915	200	557	VOE 968589	715	100	353
VOE 946671	911	700	501	VOE 948645	916	200	561	VOE 955901	911	350	485	VOE 963111	818	100	373	VOE 968589	823	100	379
VOE 946671	911	1400	521	VOE 948645	916	350	565	VOE 955905	810	100	371	VOE 963111	972	100	649	VOE 968589	825	150	383
VOE 946671	916	350	565	VOE 948645	924	500	583	VOE 955905	971	100	637	VOE 965195	915	100	549	VOE 968589	911	250	477
VOE 946777	353	100	147	VOE 948645	925	350	599	VOE 955908	911	550	495	VOE 965195	916	100	559	VOE 968589	945	200	629
VOE 946777	353	150	149	VOE 948645	926	100	613	VOE 955908	915	100	549	VOE 965197	974	150	659	VOE 968589	974	100	653
VOE 946787	371	350	177	VOE 948645	945	250	631	VOE 955912	924	100	567	VOE 965209	924	150	569	VOE 968589	974	100	655
VOE 946830	831	100	397	VOE 949005	371	655	191	VOE 955912	924	300	577	VOE 965225	420	150	227	VOE 968589	974	150	657
VOE 947167	912	800	543	VOE 949005	371	675	195	VOE 955912	926	200	615	VOE 965229	974	150	659	VOE 968593	218	150	73
VOE 947457	874	450	431	VOE 949102	823	100	379	VOE 955912	974	100	655	VOE 965826	352	100	143	VOE 968593	436	100	271
VOE 947558	234	100	81	VOE 949587	371	200	169	VOE 955912	974	150	657	VOE 965826	353	100	147	VOE 968847	873	200	425
VOE 947558	896	100	447	VOE 949824	971	100	639	VOE 955920	371	100	167	VOE 965830	352	100	143	VOE 968942	945	250	631
VOE 948645	252	100	101	VOE 949847	915	100	549	VOE 956926	371	200	169	VOE 965891	371	100	165	VOE 969147	363	100	159
VOE 948645	261	100	111	VOE 949847	915	100	551	VOE 959061	825	100	381	VOE 967531	874	450	431	VOE 969147	380	200	211
VOE 948645	271	100	125	VOE 949874	826	100	387	VOE 959080	915	100	549	VOE 967562	972	100	649	VOE 969147	831	100	393
VOE 948645	352	100	143	VOE 949874	882	200	445	VOE 959080	915	100	551	VOE 967562	974	100	653	VOE 969147	831	100	395
VOE 948645	352	200	145	VOE 949921	380	200	211	VOE 959080	915	200	557	VOE 967600	915	100	549	VOE 969147	881	200	439
VOE 948645	353	200	151	VOE 949921	881	100	435	VOE 959220	831	100	393	VOE 967600	915	150	555	VOE 969161	372	100	205
VOE 948645	362	100	155	VOE 949937	872	100	415	VOE 959238	911	300	481	VOE 967631	924	200	573	VOE 969278	372	100	205
VOE 948645	525	100	325	VOE 950588	420	150	225	VOE 959250	911	450	491	VOE 967631	924	250	575	VOE 969278	380	350	215
VOE 948645	551	200	329	VOE 950588	420	200	229	VOE 960139	363	100	159	VOE 967632	971	150	641	VOE 969313	945	100	623
VOE 948645	825	100	381	VOE 951952	915	100	549	VOE 960139	380	200	211	VOE 967633	911	1350	519	VOE 969373	825	100	381

NUMERICAL INDEX

RÉPERTOIRE DE NUMÉROS

NUMMERNREGISTER

INDICE DE NÚMERO

NUMMERREGISTER

Catalogue id	Group
<b>20124</b>	<b>1000</b>
Issue	Page
<b>VOE 63A9920124</b>	<b>23</b>

**VOLVO**

**BL61PLUS**

NUMERICAL INDEX				INDICE DE NÚMERO				Catalogue id				Group			
RÉPERTOIRE DE NUMÉROS				NUMMERREGISTER				20124				1000			
NUMMERNREGISTER								Issue				Page			
VOE 63A9920124								VOE 63A9920124				24			
Part No	Group	Sect	Page	Part No	Group	Sect	Page	Part No	Group	Sect	Page	Part No	Group	Sect	Page
VOE 969407	371	100	165	VOE 972412	872	150	419	VOE 977934	911	100	473	VOE 981661	924	500	583
VOE 969407	872	100	415	VOE 972412	882	100	443	VOE 977982	873	150	423	VOE 981665	645	400	343
VOE 969408	353	100	147	VOE 972421	272	100	127	VOE 978254	911	100	473	VOE 981665	971	150	641
VOE 969422	872	150	417	VOE 972421	810	100	371	VOE 978392	363	100	159	VOE 981705	261	250	115
VOE 969478	881	150	437	VOE 972421	825	200	385	VOE 978869	911	700	501	VOE 981708	261	250	115
VOE 969513	353	150	149	VOE 972421	831	100	397	VOE 978869	911	1300	517	VOE 982021	256	100	105
VOE 969513	881	200	439	VOE 972421	874	450	431	VOE 978869	916	200	563	VOE 983024	911	350	485
VOE 969557	371	500	185	VOE 972421	881	200	439	VOE 978869	924	500	583	VOE 983123	911	350	485
VOE 969587	371	100	167	VOE 973119	371	200	169	VOE 978953	818	100	373	VOE 983244	831	100	395
VOE 969587	831	100	393	VOE 973119	371	300	175	VOE 978997	926	100	613	VOE 983246	911	550	497
VOE 969587	841	100	399	VOE 973119	371	350	177	VOE 978999	372	100	205	VOE 983247	911	400	489
VOE 969587	872	150	417	VOE 973119	371	450	183	VOE 979021	925	500	607	VOE 983253	911	550	497
VOE 969587	882	100	441	VOE 973119	371	630	187	VOE 979021	945	150	627	VOE 983253	911	700	499
VOE 969589	881	100	435	VOE 973120	371	350	177	VOE 979021	974	100	655	VOE 983253	912	150	525
VOE 969793	272	100	127	VOE 973120	371	450	183	VOE 979022	925	200	591	VOE 983253	912	300	527
VOE 969817	353	150	149	VOE 973126	371	350	177	VOE 979022	925	350	599	VOE 983299	818	100	373
VOE 969846	925	350	599	VOE 973494	215	100	63	VOE 980521	460	150	277	VOE 983302	371	100	165
VOE 970795	371	750	201	VOE 974428	810	100	371	VOE 980883	234	150	83	VOE 983303	525	100	325
VOE 970803	421	460	263	VOE 974428	945	100	625	VOE 980883	353	150	149	VOE 983303	831	100	395
VOE 970827	421	350	251	VOE 974428	971	100	637	VOE 980883	371	500	185	VOE 983304	945	100	625
VOE 970827	421	360	255	VOE 975237	269	100	123	VOE 981269	271	100	125	VOE 983312	971	100	637
VOE 970827	421	400	257	VOE 975237	272	100	127	VOE 981290	911	300	479	VOE 983334	551	200	329
VOE 970827	421	410	259	VOE 975237	353	150	149	VOE 981290	911	400	487	VOE 983336	551	200	329
VOE 970890	460	150	277	VOE 975237	371	500	185	VOE 981290	911	450	491	VOE 983338	945	150	627
VOE 971081	945	150	627	VOE 975237	881	200	439	VOE 981290	911	700	499	VOE 983377	716	100	355
VOE 971099	525	100	325	VOE 975358	371	500	185	VOE 981290	926	200	615	VOE 983695	460	150	277
VOE 971099	915	100	549	VOE 975378	881	100	435	VOE 981291	911	100	475	VOE 984086	926	300	619
VOE 971099	972	100	649	VOE 975378	882	100	441	VOE 981291	911	300	479	VOE 990736	420	150	227
VOE 971099	974	150	659	VOE 975380	873	150	423	VOE 981314	460	150	277	VOE 990736	460	150	277
VOE 971309	826	100	387	VOE 976162	872	150	417	VOE 981314	874	450	431	VOE 990736	645	400	343
VOE 972007	881	100	435	VOE 976256	371	200	169	VOE 981465	352	100	143	VOE 990736	911	400	487
VOE 972401	882	100	441	VOE 976256	371	450	183	VOE 981604	261	250	115	VOE 990736	911	400	489
VOE 972410	363	200	163	VOE 976929	210	50	47	VOE 981661	911	1350	519	VOE 990736	911	550	495
VOE 972410	882	100	441	VOE 977222	872	150	417	VOE 981661	916	100	559	VOE 990736	911	1300	517
VOE 972410	882	200	445	VOE 977781	371	100	165	VOE 981661	924	150	569	VOE 990737	421	160	235
												VOE 990740	911	1100	511
												VOE 990737	468	150	311
												VOE 990737	517	200	323
												VOE 990737	645	400	343
												VOE 990737	911	100	473
												VOE 990737	911	1300	517
												VOE 990737	924	150	569
												VOE 990738	911	300	479
												VOE 990738	911	550	495
												VOE 990738	911	700	499
												VOE 990738	911	1250	515
												VOE 990738	911	1400	521
												VOE 990738	911	1500	523
												VOE 990738	925	350	597
												VOE 990738	925	400	601
												VOE 990738	925	450	603
												VOE 990739	460	150	277
												VOE 990739	491	100	313
												VOE 990739	517	200	323
												VOE 990739	911	300	479
												VOE 990739	911	550	495
												VOE 990739	911	550	497
												VOE 990739	911	800	503
												VOE 990739	911	800	505
												VOE 990739	911	1200	513
												VOE 990739	925	350	597
												VOE 9907393	911	550	495
												VOE 990740	911	300	481
												VOE 990740	911	325	483
												VOE 990740	911	350	485
												VOE 990740	911	400	487
												VOE 990740	911	550	497
												VOE 990740	911	700	499
												VOE 990740	911	800	503
												VOE 990740	911	1000	509
												VOE 990740	911	1100	511

Part No	Group	Sect	Page	Part No	Group	Sect	Page	Part No	Group	Sect	Page	Part No	Group	Sect	Page
VOE 990740	911	1200	513												
VOE 990740	912	750	539												
VOE 990740	912	800	543												
VOE 990740	916	200	561												
VOE 990740	916	200	563												
VOE 991615	911	350	485												
VOE 991618	460	150	277												
ZM 2801364	925	350	599												
ZM 2812366	896	200	451												
ZM 2907157	841	100	399												
ZM 2907158	841	100	399												



<b>NUMERICAL INDEX</b> <b>RÉPERTOIRE DE NUMÉROS</b> <b>NUMMERNREGISTER</b>	<b>INDICE DE NÚMERO</b> <b>NUMMERREGISTER</b>	Catalogue id	Group
		<b>20124</b>	<b>1000</b>
		Issue	Page
		<b>VOE 63A9920124</b>	<b>25</b>

**VOLVO**

**BL61PLUS**