

RECYCLABLE PAPER



Construction Equipment

VOLVO

Ref. No. VOE 63H9920002

LABEL FOR STEELBINDER

VOLVO

BL71

PARTS CATALOG

CUT HERE



VOLVO

PARTS CATALOG VOLVO BL71

PARTS CATALOG

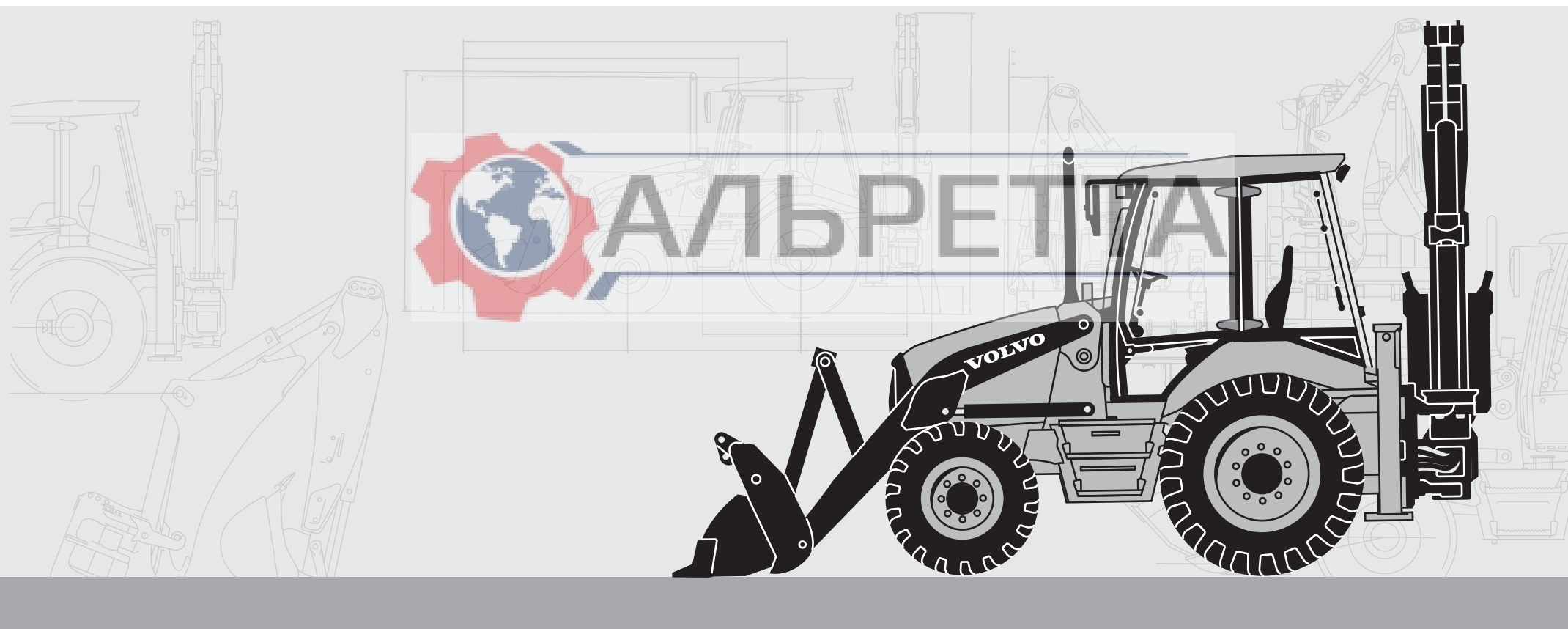
BL71



VOLVO

PARTS CATALOG

BL71



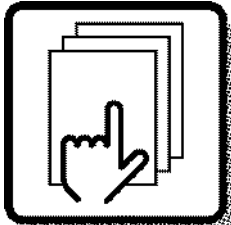
Publ. No. VOE 63H9920002



VOLVO

АЛЬРЕТТА

Construction Equipment



1

Preface and instructions
Préface et instructions
Vorwort und Anweisungen
Prefacio e instrucciones
Förord och anvisningar

Steering system
Système de direction
Lenksystem
Sistema de dirección
Styrssystem

6

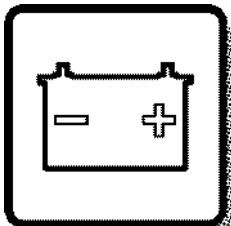
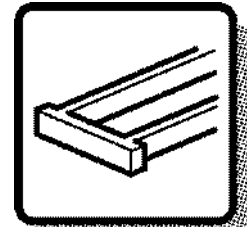


2

Engine
Moteur
Motor
Motor
Motor

Frame and wheels
Bâti et roues
Rahmen und räder
Bastidor y ruedas
Ram och hjul

7

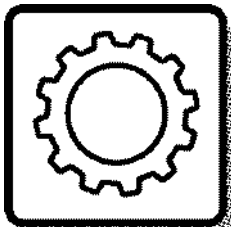
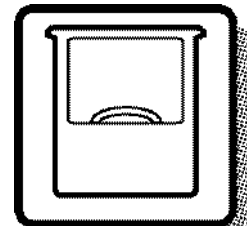


3

Electrical systems and instruments
Système électrique et instruments
Elektrisches System und Instrumente
Sistema eléctrico e instrumentos
Esystem och instrument

Body with associated parts
Carrosserie avec détails
Aufbau mit Zubehörteilen
Carrocería con detalles
Karosseri

8

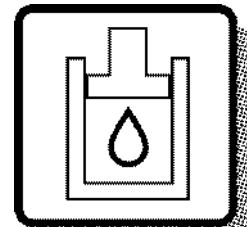


4

Power transmission
Transmission de force
Kraftübertragung
Transmisión de fuerza
Kraftöverföring

Miscellaneous equipment
Equipments divers
Übrige Ausrüstung
Equipo diverso
Övrig utrustning

9

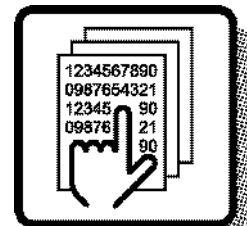


5

Brakes
Freins
Bremsen
Frenos
Bromsar

Numerical index
Répertoire numérique
Nummernverzeichnis
Índice numérico
Nummerregister

10



1

2

3

4

5

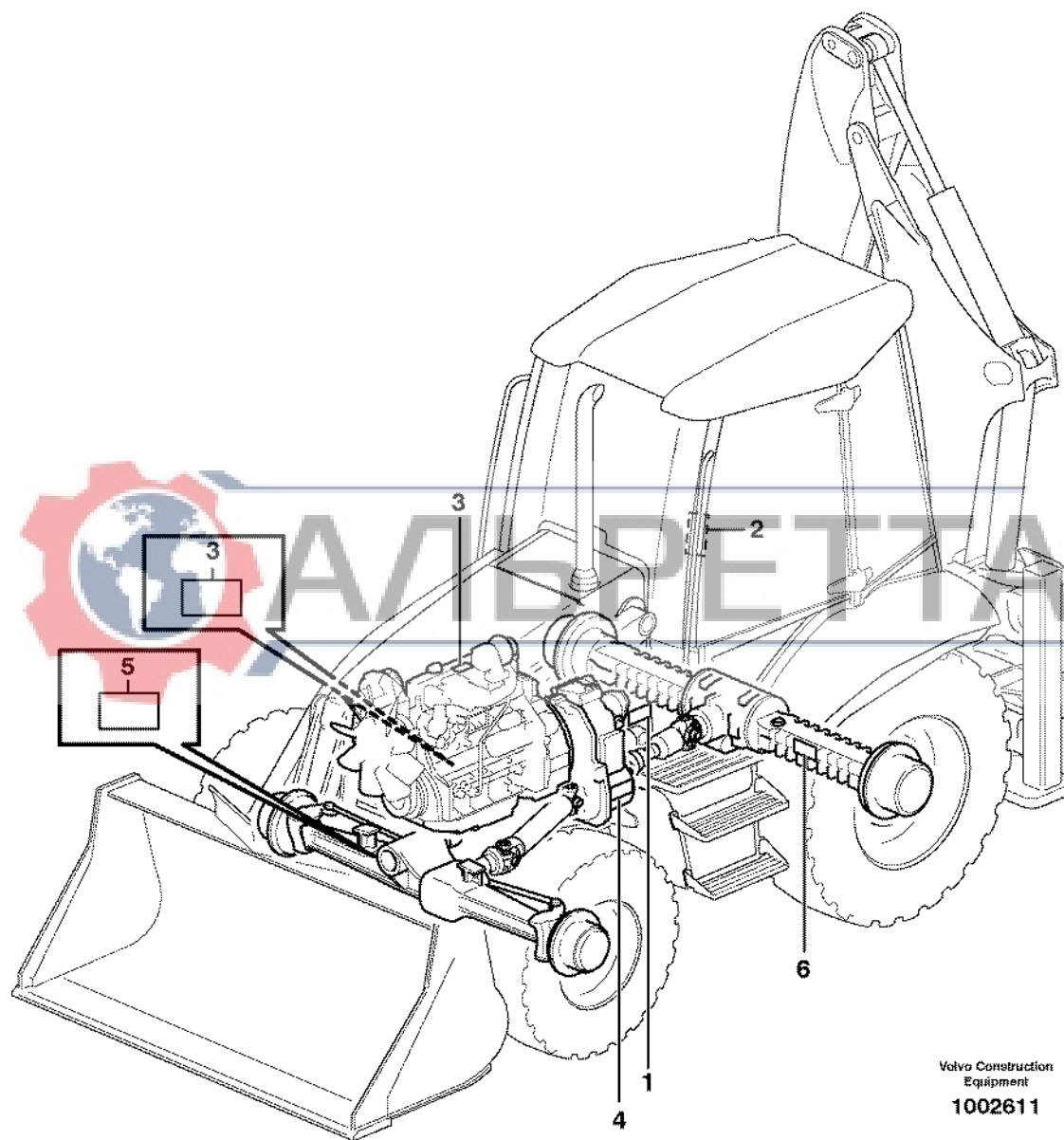
6

7

8

9

10



Volvo Construction
Equipment
1002611

GBR	FRA	DEU	ESP	SWE
1 Product sign plate	1 Enseigne de produit	1 Produktschild	1 Muestra del producto	1 Produktskyt
2 Driver's cab	2 Cabine du conducteur	2 Schutzfahrerhaus	2 Cabina de proteccion	2 Skyddshytt
3 Engine sign plate	3 Enseigne de moteur	3 Motorschild	3 Muestra de motor	3 Motorskyt
4 Power Transmission	4 Transmission De Force	4 Kraftubertragung	4 Transmision De Fuerza	4 Transmission
5 Drive axle front sign plate	5 Enseigne du pont, AV	5 Vorderachsenschild	5 Muestra del puente, delantero	5 Framaxelskyt
6 Drive axle rear sign plate	6 Enseigne du pont, AR	6 Hinterachsenschild	6 Muestra Del Puente, Tra	6 Bakaxelskyt



PRODUCT SIGN PLATE	MUESTRA DEL PRODUCTO	Catalogue id	Group
ENSEIGNE DE PRODUIT	PRODUKSKYLT	20002	1
PRODUKTSCHILD		Issue	Page
		VOE 63H9920002	5

VOLVO

BL71

FOREWORD		Catalogue id 20002	Group 1
		Issue VOE 63H9920002	Page 6
GBR		GBR	

Only genuine parts are presented in this catalogue. These parts have been subjected to the necessary function and endurance tests, and they comply with the high quality and safety requirements that have been set for Volvo Construction Equipment. You should note that warranties do not cover damages that are caused or aggravated by the fact that a non-genuine part was fitted.

The illustrations shown in the catalogues should not be used as assembly or workshop instructions. Separate literature for the various specific subject areas is available for that purpose.

The owner of the machine or equipment should state the model designation, manufacturing number, part number, quantity, and the name, or description, of the part when ordering parts.

For location of the model and engine designation plates, etc, see page 4-5.

Market-adapted equipment entered in catalogue, can be seen on page 26.

See page 13 for a "Catalogue Guide" on how to use the parts catalogue.

See page 22 for table of abbreviations.

This catalogue has been produced by Volvo Construction Equipment AB, Customer Support Division.

If you have any point of views regarding the catalogue, or if you detect any errors in the catalogue, please take a copy of the page in question, indicate the error(s), and send it to us at the following adress:

Volvo Construction Equipment AB
Customer Support Division
Catalogue Department
S-631 85 Eskilstuna.....Telefax: +46 16 15 29 15
E-mail: vce.parts.catalogue@volvo.com

BACKHOE LOADER BL71

BASIC MACHINE

11880005 BL71, SER NO 10021 -

CAB

11294005, Cab, SER NO -10233

11298197, Cab, SER NO 10234-

TRANSMISSION

4WD 11884310

4WD 11890341

4WD 11888337

4WD 11887380, S/N 14670 -

4WD 11887381, S/N 14670 -

DRIVING AXLE

Front 4WD 11883883

Front 4WD 11887362, S/N 14670 -

Rear 11890329

Rear 11887363, S/N 14670 -

ENGINE

11883246, Type D4DCBE1

11885148, Type D4DCBE2, SER NO -12826

11887322, Type D4DCBE2, SER NO 12827-

Seules les pièces d'origine sont présentées dans les catalogues des pièces de rechange. Toutes ces pièces ont été soumises à des tests de fonctionnement et de longévité pour être conformes aux exigences sévères de qualité et de sécurité posées par Volvo Construction Equipment. Notez que les garanties ne couvrent pas les dégâts et les dommages causés par le montage de pièces autres que des pièces d'origine.

Les illustrations dans le catalogue ne doivent pas être utilisées comme notice de montage ni comme instructions d'atelier. Pour ceci, nous vous renvoyons à la documentation spécifiquement éditée dans ce but.

Pour toute commande de pièces de rechange, indiquez la désignation du modèle, le numéro de fabrication, le numéro de référence, la quantité ainsi que la désignation de la pièce.

Le placement des plaques de désignation de modèle et de moteur etc. ressort de la figure ci-contre 4-5.

Equipment adapté au marché et indiqué dans la catalogue, prière de voir la liste en page 26.

Guide pour l'utilisation de catalogues de pièces de rechange, voir page 15.
Pour la liste des abréviations employées, prière de voir en page 22.

Ce catalogue est édité par Volvo Construction Equipment AB, Customer Support Division.
Si vous avez des commentaires ou si vous découvrez des erreurs dans ce catalogue, nous vous serions reconnaissants de bien vouloir photocopier cette page, de la remplir et de nous la renvoyer.

Volvo Construction Equipment AB
Customer Support Division
Catalogue Department
S-631 85 Eskilstuna.....Telefax: +46 16 15 29 15
E-mail: vce.parts.catalog@volvo.com

LA PELLECHARGEUSEILL BL71

MACHINE DE BASE

11880005, SER NO 10021 -

CABINE DU CONDUCTEUR

11294005, Cab, SER NO -10233

11298197, Cab, SER NO 10234-

TRANSMISSION

4WD 11884310

4WD 11890341

4WD 11888337

4WD 11887380, S/N 14670 -

4WD 11887381, S/N 14670 -

ESSIEU MOTEUR

AV 4WD 11883883

AV 4WD 11887362, S/N 14670 -

AR 11890329

AR 11887363, S/N 14670 -

MOTEUR

11883246, Type D4DCBE1

11885148, Type D4DCBE2, SER NO -12826

11887322, Type D4DCBE2, SER NO 12827-

AVANT-PROPOS

Catalogue id	Group
20002	1
Issue	Page
VOE 63H9920002	7

VORWORT		Catalogue id 20002	Group 1
		Issue VOE 63H9920002	Page 8
DEU	DEU		

In den Ersatzteilkatalogen sind nur Originalteile verzeichnet. Diese Teile haben die notwendigen Funktions- und Lebensdauertests durchlaufen und erfüllen die hohen Qualitäts- und Sicherheitsanforderungen von Volvo Construction Equipment. Beachten Sie bitte, dass die Garantien keine Schäden umfassen, die durch die Montage eines fremden Teils verursacht oder verschlimmert wurden.

Die Abbildungen in dem Katalog dürfen nicht als Montageanweisungen oder Werkstattanleitungen verwendet werden. Wir verweisen statt dessen auf die separate Literatur für diesen Zweck.

Der Maschinenbesitzer muss bei der Bestellung von Ersatzteilen die Modellbezeichnung, Fabriknummer, Artikelnummer sowie Anzahl und Bezeichnung des Teils angeben.

Die Anbringung der Schilder für Modell- und Motorbezeichnung usw. geht aus dem Bild auf Seite 4-5 hervor.

Für den Markt angepasste Ausrüstung wurde in den Katalog aufgenommen, Seite 26.

Die Anweisung auf Seite 17 hilft Ihnen sich im Ersatzteilkatalog zurechtzufinden.

Abkürzungsverzeichnis, siehe Seite 22.

Dieser Katalog wurde von Volvo Construction Equipment AB, Customer Support Division herausgegeben. Wenn Sie Kommentare zu diesem Katalog haben oder Fehler darin finden, kopieren Sie bitte die entsprechende Seite, machen Sie eine Notiz und schicken Sie diese ein an:

Volvo Construction Equipment AB
Customer Support Division
Catalogue Department
S-631 85 Eskilstuna, Schweden....Telefax: +46 16 15 29 15
E-mail: vce.parts.catalog@volvo.com

BAGGERLADER BL71

GRUNDMASCHINE
11880005, SER NO 10021 -

FAHRERHAUS
11294005 CAB, SER NO -10233
11298197 CAB, SER NO 10234-

GETRIEBE
4WD 11884310
4WD 11890341
4WD 11888337
4WD 11887380, S/N 14670 -
4WD 11887381, S/N 14670 -

PLANETENWELLE
Vordere 4WD 11883883
Vordere 4WD 11887362, S/N 14670 -

Hintere 11890329
Hintere 11887363, S/N 14670 -

MOTOR
11883246, Typ D4DCBE1
11885148, Typ D4DCBE2, SER NO -12826
11887322, Typ D4DCBE2, SER NO 12827-

En los catálogos de repuestos se presentan únicamente piezas originales que han sido sometidas a las necesarias pruebas de funcionamiento y duración y que cumplen las elevadas exigencias de seguridad y calidad de Volvo Construction Equipment.

Recuerde que las garantías no cubren los daños ocasionados o agravados por no haber montado una pieza original.

Las ilustraciones del catálogo no deben utilizarse como base para el montaje ni como instrucciones de taller. Para ello recomendamos utilizar los manuales de taller editados a propósito.

Al hacer el pedido de repuestos, el propietario de la máquina debe indicar el modelo de la misma, su número de fabricación, la referencia de la pieza, la cantidad y la denominación.

La ubicación de letreros con las denominaciones de modelo y motor etc., puede verse en la página 4-5.

La lista de equipos de adaptación según mercado, introducidos en el catálogo, puede verse en la página 26.

Guía para el uso del catálogo, puede verse en la página 19.

La tabla de abreviaturas puede verse en la página 22.

Esté catálogo ha sido editado por Volvo Construction Equipment AB, Customer Support Division. Si tiene algún comentario que hacer sobre el catálogo, o detecta algún error, le rogamos que haga una copia de la página en cuestión y nos la remita junto con sus comentarios a:

Volvo Construction Equipment AB
Customer Support Division
Catalogue Department
S-631 85 Eskilstuna.....Telefax: +46 16 15 29 15
E-mail: vce.parts.catalog@volvo.com

RETROCARGADORA BL71

MÁQUINA BÁSICA

11880005, SER NO 10021 -

CABINA DEL CONDUCTOR

11294005 Cab, SER NO -10233

11298197 Cab, SER NO 10234-

TRANSMISIÓN

4WD 11884310

4WD 11890341

4WD 11888337

4WD 11887380, S/N 14670 -

4WD 11887381, S/N 14670 -

EJE PROPULSOR

Delantero 4WD 11883883

Delantero 4WD 11887362, S/N 14670 -

Trasero 11890329

Trasero 11887363, S/N 14670 -

MOTOR

11883246, Type D4DCBE1

11885148, Type D4DCBE2, SER NO -12826

11887322, Type D4DCBE2, SER NO 12827-

PROLOGO

Catalogue id	Group
20002	1
Issue	Page
VOE 63H9920002	9

FÖRORD		Catalogue id 20002	Group 1
		Issue VOE 63H9920002	Page 10
SWE		SWE	

I denna reservdelskatalog presenteras endast originaldelar. De har genomgått nödvändiga funktions- och livslängdsprov samt uppfyller Volvo Construction Equipments höga kvalitets- och säkerhetskrav. Observera att garantin ej täcker skador som orsakats eller förvärrats av att en icke originaldel monterats.

Illustrationerna i katalogen skall ej användas som monteringsanvisningar eller verkstadsinstruktioner. Vi hänvisar istället till separat litteratur för ändamålet.

Maskinägaren ska vid beställning av reservdelar ange, modellbeteckning, tillverkningsnummer, artikelnummer, antal samt delens benämning.

Placering av skyltar för modell- och motorbeteckning etc., framgår av bild på sidan 4-5.

Marknadsanpassade utrustningar som är införda i denna katalog framgår av förteckningen på sidan 26.

Katalogguide för hur man använder reservdelskatalogen; se sidan 21.

Förkortningstabell, se sidan 22.

Denna katalog är producerad av Volvo Construction Equipment AB, Customer Support Division. Om ni har synpunkter eller upptäcker något fel i katalogen, var vänlig tag en kopia på sidan, gör en notering och sänd detta till:

Volvo Construction Equipment AB
Customer Support Division
Catalogue Department
S-631 85 Eskilstuna.....Telefax: +46 16 15 29
E-mail: vce.parts.catalog@volvo.com

Grävlastare BL71

BASMASKIN

11880005 BL71, SER NO 10021 -

HYTT

11294005 Cab, SER NO -10233

11298197 Cab, SER NO 10234-

TRANSMISSION

4WD 11884310

4WD 11890341

4WD 11888337

4WD 11887380, S/N 14670 -

4WD 11887381, S/N 14670 -

DRIVAXLAR

Fram 4WD 11883883

Fram 4WD 11887362, S/N 14670 -

Bak 11890329

Bak 11887362, S/N 14670 -

MOTOR

11883246, Typ D4DCBE1

11885148, Typ D4DCBE2, SER NO -12826

11887322, Typ D4DCBE2, SER NO 12827-

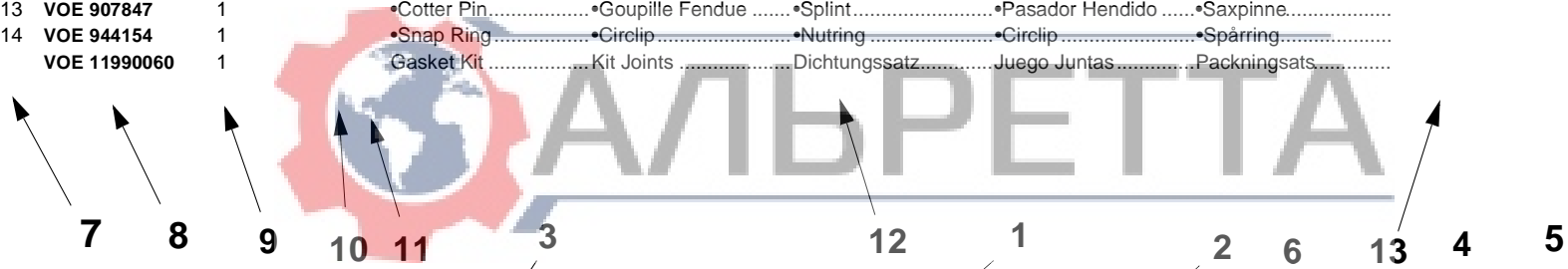


VOLVO

АЛЬРЕТТА

Construction Equipment

Fig.	Part No.	Quantity			P	K	Description	Dénomination	Bezeichnung	Denominación	Benämning	Notes
		1	2	3								
	VOE 4833424	1			SS	Hydr.cylinder	Verin Hydraul.	Druckölzylinder.....	Cilín Hidraul.....	Hydraulcyl.....	963)	
		1				Hydraulic cylinder.....	Verin Hydraulique	Hydraulzylinder	Cilindro Hidraulico	Hydraulcylinder.....	L PROD See group 94, avsn 250	
1	VOE 4833425	1				•Cylinder Tube	•Tube Cylindre	•Zylinderrohr.....	•Tubo Cilindro.....	•Cylinderrör.....		
2	VOE 4741303	1				•Piston Rod	•Tige Piston.....	•Kolbenstange	•Varilla Piston	•Kolstång.....		
3	VOE 4833432	1				•Pstn Rod Guide	•Gui.tige Piston	•Ko-stang Fuhrg	•Guia Var Piston	•Kolvst.styrning.....		
4	VOE 4784039	1			K	•Piston Rod Seal	•Eta.tige Piston.....	•Ko-stang Dichtg	•Reten Var Pist.....	•Kolvstångståtn.....		
5	VOE 4833433	1				•Spacer Ring	•Bagu.entretoise.....	•Abstandring.....	•Anillo Dist	•Distansring.....		
6	VOE 914516	1				•Snap Ring	•Circlip	•Nutring	•Circlip	•Spårring.....		
7	VOE 4784999	1			K	•Scraper	•Racleur	•Abstreicher.....	•Rascador.....	•Avstrykare.....		
8	VOE 4741302	1				•Piston	•Piston.....	•Kolben.....	•Piston	•Kolv.....		
9	VOE 925067	2			K	•O-ring.....	•Joint Torique.....	•O-ring.....	•Anillo Torico	•O-ring.....		
10	VOE 4881024	3			K	•Back-up Ring	•Bague Support.....	•Stutzring.....	•Anillo Apoyo	•Stödtring.....		
11	VOE 955898	1				•Washer	•Rondelle.....	•Scheibe.....	•Arandela.....	•Bricka.....		
12	VOE 13955884	1				•Castle Nut.....	•Ecrou Crenele•Kronenmutter•Tuerca Corona•Kronmutter.....				(VOE 955884)	
13	VOE 907847	1				•Cotter Pin.....	•Goupille Fendue	•Splint.....	•Pasador Hendido	•Saxpinne.....		
14	VOE 944154	1				•Snap Ring	•Circlip	•Nutring	•Circlip	•Spårring.....		
	VOE 11990060	1				Gasket Kit	Kit Joints	Dichtungssatz.....	Juego Juntas.....	Packningsats.....		



963) **GB:** Cylinder tube is marked "424". See illustration fig. A. **FR:** Tube cylindre marquer "424". Voir illustration fig. A. **DE:** Das Zylinderrohr ist gekennzeichnet mit "424". Siehe Illustration fig. A. **ES:** Tubo cilindro marcado "424". Véase ilustración fig. A. **SE:** Cylinderrör är märkt "424". Se bild pos. A.

1	Hydraulcylinder E Prod	Catalogue id	90691	Group	924
2	Cilindro hidráulico E Prod	Illustr. No	AC290A	Section	200
3	Druckölzylinder E Prod	Issue	VOE 63D9990691	Page	623
4	Cylindre hydraulique E Prod				
5	Hydraulic cylinder E Prod				
	90271, 91357, STD USA				



In addition to part numbers, the Parts Catalogue also includes a vast amount of essential information which you, the operator, should be acquainted with.

With the "Catalogue Guide", we want to show clearly how the catalogues are arranged and what sort of information is presented therein.

Group 1 Preface and Instructions

Here you can find the following information:

- Title page and publication number
- Group index
- Product signs
- Preface
- List of items of equipment adapted to market requirements that have been introduced
- Catalogue Guide
- Table of abbreviations

Group 2 - 9 Text and illustration pages

- The table of contents shows the division of the main groups into sub-groups, with reference to page number and section.
- Illustration page. The position number of the illustration refers to the text page.
- Text page
 1. Heading.
 2. Additional text which limits the validity of the section. An example is information relating to manufacturing numbers and equipment adapted to market requirements.
 3. Designation for quantity columns.
 4. Illustrations.
 5. Group, section, page, which you should use when you search for information in the catalogue.
 6. Catalogue identification and issue designation.
 7. Position number of the part on the associated drawing.
 8. Part number
 9. Quantity. The column designation indicates the version which is shown in each column. The quantity stated refers to the quantity for each machine or, where appropriate, for each complete unit.
"REQ" refers to the required amount. See also "Notes" column.
- 10. PS (Parts Status) indicates the status code of the part.
"NS" means that the part is not kept in stock.

"OP" means that the part is no longer in stock.

"SE" means that an alternative part shall be used.

"SS" means that the part has been replaced.

Refer to Group 10 Replaced parts for further information.

11. KIT. Parts that are marked with a "K" are included in a kit. The number of the kit is often indicated after other part numbers.
12. Description. The indentations indicate if one or more parts are included in the assembled unit described above. The parts are included when a complete unit is ordered.
13. Notes. Other information relating to a particular part is given here.
 - Footnote number (963 for example) is given at the bottom of the page.
 - Replaced parts (955884, for example).
 - Product or manufacturing number.
 - Abbreviations and technical information.
 - Reference to page and group.

Group 10 Replaced parts / Number index

- Replaced parts. The part numbers of parts marked with "SS" (in the PS column) are indicated here, together with their replacement numbers.
The replacement parts may in turn be also replaced, and so on.
- Number index. All parts included in the catalogue are indicated here, together with a reference to group, section and page.

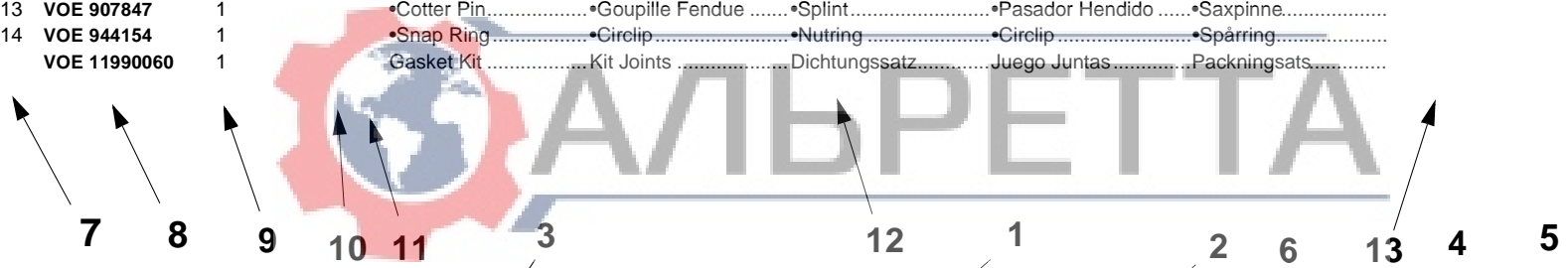
Continued improvements and successes in design could result in modifications to your equipment which are not covered by this publication. Each publication is revised when required to include these modifications in later issues.

Any unauthorized reproduction of any part of this document would be in violation of Volvo Construction Equipment AB, Customer Support Division's rights and will be prosecuted to the fullest extent allowed by law. We reserve the right to make changes without prior notice.

PARTS CATALOGUE INSTRUCTIONS

Catalogue id 20002	Group 1
Issue VOE 63H9920002	Page 13

Fig.	Part No.	Quantity			P	K	Description	Dénomination	Bezeichnung	Denominación	Benämning	Notes
		1	2	3								
	VOE 4833424	1			SS	Hydr.cylinder	Verin Hydraul.	Druckölzylinder.....	Cilín Hidraul.....	Hydraulcyl.....	963)	
		1				Hydraulic cylinder.....	Verin Hydraulique	Hydraulzylinder	Cilindro Hidraulico	Hydraulcylinder.....	L PROD See group 94, avsn 250	
1	VOE 4833425	1				•Cylinder Tube	•Tube Cylindre	•Zylinderrohr.....	•Tubo Cilindro.....	•Cylinderrör.....		
2	VOE 4741303	1				•Piston Rod	•Tige Piston	•Kolbenstange	•Varilla Piston	•Kolstång.....		
3	VOE 4833432	1				•Pstn Rod Guide	•Gui.tige Piston	•Ko-stang Fuhrg	•Guia Var Piston	•Kolvst.styrning.....		
4	VOE 4784039	1			K	•Piston Rod Seal	•Eta.tige Piston.....	•Ko-stang Dichtg	•Reten Var Pist.....	•Kolvstångståtn.....		
5	VOE 4833433	1				•Spacer Ring	•Bagu.entretoise.....	•Abstandring.....	•Anillo Dist	•Distansring.....		
6	VOE 914516	1				•Snap Ring	•Circlip	•Nutring	•Circlip	•Spårring.....		
7	VOE 4784999	1			K	•Scraper	•Racleur	•Abstreicher.....	•Rascador.....	•Avstrykare.....		
8	VOE 4741302	1				•Piston	•Piston.....	•Kolben.....	•Piston	•Kolv.....		
9	VOE 925067	2			K	•O-ring.....	•Joint Torique	•O-ring.....	•Anillo Torico	•O-ring.....		
10	VOE 4881024	3			K	•Back-up Ring	•Bague Support.....	•Stützring.....	•Anillo Apoyo	•Stödtring.....		
11	VOE 955898	1				•Washer	•Rondelle.....	•Scheibe.....	•Arandela.....	•Bricka.....		
12	VOE 13955884	1				•Castle Nut.....	•Ecrou Crenele•Kronenmutter•Tuerca Corona•Kronmutter.....				(VOE 955884)	
13	VOE 907847	1				•Cotter Pin.....	•Goupille Fendue	•Splint.....	•Pasador Hendido	•Saxpinne.....		
14	VOE 944154	1				•Snap Ring	•Circlip	•Nutring	•Circlip	•Spårring.....		
	VOE 11990060	1				Gasket Kit	Kit Joints	Dichtungssatz.....	Juego Juntas	Packningsats.....		



963) **GB:** Cylinder tube is marked "424". See illustration fig. A. **FR:** Tube cylindre marquer "424". Voir illustration fig. A. **DE:** Das Zylinderrohr ist gekennzeichnet mit "424". Siehe Illustration fig. A. **ES:** Tubo cilindro marcado "424". Véase ilustración fig. A. **SE:** Cylinderrör är märkt "424". Se bild pos. A.

1	Hydraulcylinder E Prod	Catalogue id	90691	Group	924
2	Cilindro hidráulico E Prod	Illustr. No	AC290A	Section	200
3	Druckölzylinder E Prod	Issue	VOE 63D9990691	Page	623
4	Cylindre hydraulique E Prod				
5	Hydraulic cylinder E Prod				
	90271, 91357, STD USA				



Le catalogue de pièces de rechange présente, non seulement les numéros de référence, mais également d'autres informations qu'un opérateur se doit de connaître. Ce guide de catalogue vous indique, d'une façon générale, comment sont conçus nos catalogues et quelles informations ils vous apportent.

Groupe 1 Avant-propos et instructions

Sous ce groupe, vous trouvez :

- La page de titre avec le numéro de publication
- Le registre des groupes
- Les plaques de produit
- Un avant-propos
- Une liste des équipements introduits suivant les pays
- Un guide de catalogue
- Un tableau des abréviations

Groupes 2 - 9 Pages de texte et d'illustration

- Le sommaire indique la division des groupes principaux en sous-groupes avec des renvois aux pages et aux sections.
- La page d'illustration. L'illustration donne les numéros de position qui renvoient à la page de texte.
- La page de texte

1. Rubrique

2. Texte supplémentaire qui limite la validité de la section, par exemple numéro de série et équipements adaptés aux pays

3. Désignation des modèles pour les différentes colonnes

4. Illustrations

5. Groupe, section, page utilisés pour la recherche dans le catalogue

6. Identification du catalogue et de l'édition

7. Numéro de position de la pièce sur l'illustration afférente

8. Numéro de référence

9. Quantité. La désignation des colonnes indique le modèle qui se réfère à chaque colonne. La quantité indiquée correspond à la quantité par engin ou, suivant les cas, par unité complète. "REQ" signifie quantité nécessaire, voir la colonne Notes

10. PS (Parts Status) indique le code d'état de la pièce.

- "NS" signifie que la pièce n'existe pas en magasin.

"OP" signifie que la pièce n'est plus en magasin.

"SE" signifie qu'une autre pièce devrait être employée. .

"SS" signifie que la pièce a été remplacée.

Voir le groupe 10, pièces remplacées, pour de plus amples informations.

11. KIT. Les pièces marquées "K" font partie d'un kit. Le numéro du kit est le plus souvent indiqué après les autres numéros de référence.
12. Description. Le décalage indique si une ou plusieurs pièces font partie de l'unité complète indiquée au-dessus. Ces pièces sont envoyées pour une commande d'une unité complète.
13. Notes (Remarques). Diverses informations relatives à une pièce sont notées ici.
 - Un numéro de note de bas de page (par exemple 963) est donné au bas de la page.
 - Pièces remplacées (par exemple 955884).
 - Numéro de produit ou numéro de fabrication.
 - Abréviations et explications techniques.
 - Renvoi aux pages et aux groupes.

Groupe 10 Pièces remplacées/Registre des numéros

- Pièces remplacées. Les numéros de référence marqués "SS" (dans la colonne PS) sont repris ici avec leur numéro de remplacement. Ces pièces remplacées peuvent, à leur tour, être remplacées par d'autres, etc.
- Registre des numéros. Tous les numéros de référence du catalogue se retrouvent ici avec un renvoi au groupe, à la section et à la page.

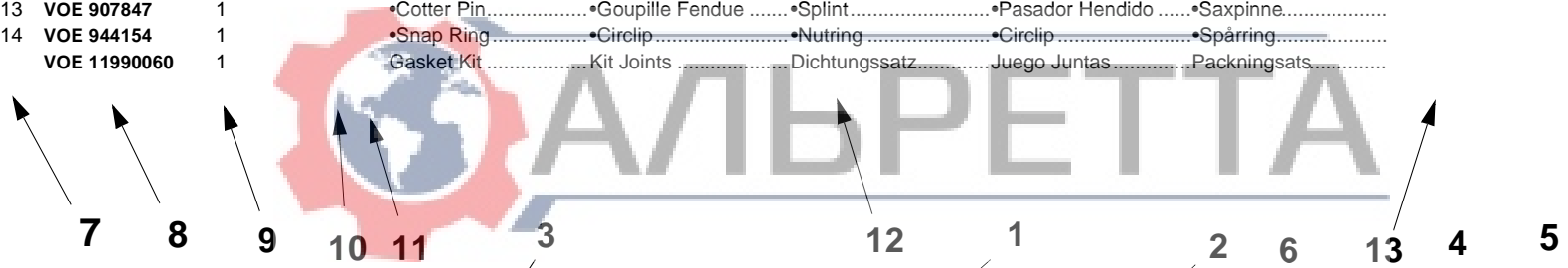
Les perfectionnements continus et les progrès réalisés dans la conception peuvent entraîner, sur votre engin, des modifications qui ne sont pas prises en compte dans cette publication. Chaque publication est remise à jour suivant les besoins pour inclure toutes ces modifications dans les dernières éditions.

La reproduction non autorisée de toute partie de ce document constitue une violation des droits d'auteur de Volvo Construction Equipment AB, Customer Support Division et entraînera des poursuites aux termes de la loi. Nous nous réservons le droit d'apporter des modifications sans préavis.

CATALOGUE DE PIECES INSTRUCTIONS

Catalogue id	Group
20002	1
Issue	Page
VOE 63H9920002	15

Fig.	Part No.	Quantity			P	K	Description	Dénomination	Bezeichnung	Denominación	Benämning	Notes
		1	2	3								
	VOE 4833424	1			SS	Hydr.cylinder	Verin Hydraul.	Druckölzylinder.....	Cilín Hidraul.....	Hydraulcyl.....	963)	
		1				Hydraulic cylinder.....	Verin Hydraulique	Hydraulzylinder	Cilindro Hidraulico	Hydraulcylinder.....	L PROD See group 94, avsn 250	
1	VOE 4833425	1				•Cylinder Tube	•Tube Cylindre	•Zylinderrohr.....	•Tubo Cilindro.....	•Cylinderrör.....		
2	VOE 4741303	1				•Piston Rod	•Tige Piston	•Kolbenstange	•Varilla Piston	•Kolstång.....		
3	VOE 4833432	1				•Pstn Rod Guide	•Gui.tige Piston	•Ko-stang Fuhrg	•Guia Var Piston	•Kolvst.styrning.....		
4	VOE 4784039	1			K	•Piston Rod Seal	•Eta.tige Piston.....	•Ko-stang Dichtg	•Reten Var Pist.....	•Kolvstångståtn.....		
5	VOE 4833433	1				•Spacer Ring	•Bagu.entretoise.....	•Abstandring.....	•Anillo Dist	•Distansring.....		
6	VOE 914516	1				•Snap Ring	•Circlip	•Nutring	•Circlip	•Spårring.....		
7	VOE 4784999	1			K	•Scraper	•Racleur	•Abstreicher.....	•Rascador.....	•Avstrykare.....		
8	VOE 4741302	1				•Piston	•Piston.....	•Kolben.....	•Piston	•Kolv.....		
9	VOE 925067	2			K	•O-ring.....	•Joint Torique	•O-ring.....	•Anillo Torico	•O-ring.....		
10	VOE 4881024	3			K	•Back-up Ring	•Bague Support.....	•Stützring.....	•Anillo Apoyo	•Stödtring.....		
11	VOE 955898	1				•Washer	•Rondelle.....	•Scheibe.....	•Arandela.....	•Bricka.....		
12	VOE 13955884	1				•Castle Nut.....	•Ecrou Crenele•Kronenmutter•Tuerca Corona•Kronmutter.....				(VOE 955884)	
13	VOE 907847	1				•Cotter Pin.....	•Goupille Fendue	•Splint.....	•Pasador Hendido	•Saxpinne.....		
14	VOE 944154	1				•Snap Ring	•Circlip	•Nutring	•Circlip	•Spårring.....		
	VOE 11990060	1				Gasket Kit	Kit Joints	Dichtungssatz.....	Juego Juntas	Packningsats.....		



963) **GB:** Cylinder tube is marked "424". See illustration fig. A. **FR:** Tube cylindre marquer "424". Voir illustration fig. A. **DE:** Das Zylinderrohr ist gekennzeichnet mit "424". Siehe Illustration fig. A. **ES:** Tubo cilindro marcado "424". Véase ilustración fig. A. **SE:** Cylinderrör är märkt "424". Se bild pos. A.

1	Hydraulcylinder E Prod	Catalogue id	90691	Group	924
2	Cilindro hidráulico E Prod	Illustr. No	AC290A	Section	200
3	Druckölzylinder E Prod	Issue	VOE 63D9990691	Page	623
4	Cylindre hydraulique E Prod				
5	Hydraulic cylinder E Prod				
	90271, 91357, STD USA				



Im Ersatzteilkatalog sind außer den Artikelnummern auch eine Reihe von wesentlichen Informationen aufgeführt, die man unbedingt kennen sollte. Mit der Kataloganweisung wollen wir auf eine überschaubare Art und Weise zeigen, wie unsere Kataloge aufgebaut und welche Informationen hier enthalten sind.

Gruppe 1 Vorwort und Anweisungen

Hier findet man folgendes:

- Titelseite mit Publikationsnummer
- Gruppenregister
- Produktschilder
- Vorwort
- Verzeichnis über eingeführte marktangepasste Ausrüstungen
- Kataloganweisung
- Abkürzungstabelle

Gruppe 2 - 9 Text- und Bildseiten

- Das Inhaltsverzeichnis zeigt die Einteilung der Hauptgruppe in Untergruppen mit Hinweis auf Seite und Abschnitt.
- Bildseite. Die Positionsnummer der Abbildung weist auf die Textseite hin.
- Textseite.
 1. Überschrift
 2. Zusatztext, der die Gültigkeit des Abschnitts begrenzt, z.B. Information über Herstellungsnummer und marktangepasste Ausrüstungen.
 3. Bezeichnung für die Anzahl-Spalten
 4. Abbildungen
 5. Gruppe, Abschnitt, Seite, die bei der Suche im Katalog verwendet werden.
 6. Katalogkennung und Ausgabebezeichnung
 7. Positionsnummer des Artikels mit dazugehöriger Abbildung.
 8. Artikelnummer
 9. Anzahl. Die Spaltenbezeichnung zeigt, welche Ausführung per Spalte aufgeführt ist. Die angegebene Anzahl betrifft Anzahl pro Maschine oder ggf. pro komplette Einheit. "REQ" bezeichnet die erforderliche Menge, siehe Anmerkungsspalte.
 10. PS (Parts Status) zeigt den Statuscode des Artikels.
 - "NS" bedeutet, dass der Artikel nicht mehr auf Lager gehalten wird.
 - "OP" bedeutet, dass das Teil nicht mehr geführt wird.
 - "SE" bedeutet, dass ein alternatives Teil zu verwenden ist.
 - "SS" bedeutet, dass der Artikel ersetzt wurde.

Siehe Gruppe 10, Ersetzte Artikel, für weitere Information.

11. KIT. Artikel, die mit einem "K" gekennzeichnet sind, gehören zu einem Satz. Die Nummer des Satzes wird in den meisten Fällen nach den übrigen Artikelnummern angegeben.
12. Bezeichnung. Die Einrückung zeigt, dass ein oder mehrere Artikel in einer oben aufgeführten zusammengesetzten Einheit enthalten sind. Die Artikel sind in der Bestellung der kompletten Einheit enthalten.
13. Notes (Anmerkungen). Hier werden übrige Informationen für einen Artikel aufgeführt:
 - Fußnotennummer, (beispielsweise 963), wird ganz unten auf der Seite angegeben.
 - Ersetzte Artikel, (beispielsweise 955884)
 - Produkt- oder Herstellungsnummer
 - Abkürzungen oder technische Informationen
 - Seiten- und Gruppenhinweis

Gruppe 10 Ersetzte Artikel / Nummernregister

- Ersetzte Artikel. Hier sind die mit "SS" markierten (in der PS-Spalte) Artikelnummern mit ihrem Ersatz aufgeführt. Die ersetzten Artikel können wiederum ersetzt worden sein usw.
- Nummernregister. Hier sind alle im Katalog vorkommenden Artikel aufgeführt, und zwar mit Hinweis auf Gruppe, Abschnitt und Seite.

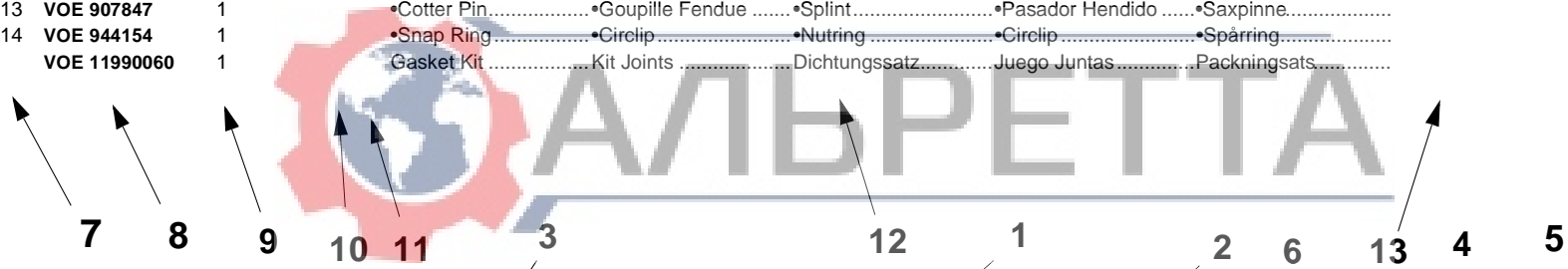
Fortlaufende Verbesserungen und Fortschritte in der Konstruktion können auch bei Ihrer Maschine zu Änderungen führen, die nicht von dieser Schrift umfasst werden. Jede Ausgabe wird bei Bedarf überarbeitet, um diese Veränderungen bei späteren Ausgaben mit zu berücksichtigen.

Jegliche Reproduktion dieses Dokumentes in Auszügen oder in vollem Umfang stellt eine Verletzung der Rechte von Volvo Construction Equipment AB, Customer Support dar und wird unter voller Ausschöpfung der gesetzlichen Möglichkeiten strafrechtlich verfolgt. Wir behalten uns das Recht auf Änderungen ohne vorherige Ankündigung vor.

ERSATZTEILEKATALOGBESTELLANWEISUNGEN

Catalogue id	Group
20002	1
Issue	Page
VOE 63H9920002	17

Fig.	Part No.	Quantity			P	K	Description	Dénomination	Bezeichnung	Denominación	Benämning	Notes
		1	2	3								
	VOE 4833424	1			SS	Hydr.cylinder	Verin Hydraul.	Druckölzylinder.....	Cilín Hidraul.....	Hydraulcyl.....	963)	
		1				Hydraulic cylinder.....	Verin Hydraulique	Hydraulzylinder	Cilindro Hidraulico	Hydraulcylinder.....	L PROD See group 94, avsn 250	
1	VOE 4833425	1				•Cylinder Tube	•Tube Cylindre	•Zylinderrohr.....	•Tubo Cilindro.....	•Cylinderrör.....		
2	VOE 4741303	1				•Piston Rod	•Tige Piston.....	•Kolbenstange	•Varilla Piston	•Kolstång.....		
3	VOE 4833432	1				•Pstn Rod Guide	•Gui.tige Piston	•Ko-stang Fuhrg	•Guia Var Piston	•Kolvst.styrning.....		
4	VOE 4784039	1			K	•Piston Rod Seal	•Eta.tige Piston.....	•Ko-stang Dichtg	•Reten Var Pist.....	•Kolvstångståtn.....		
5	VOE 4833433	1				•Spacer Ring	•Bagu.entretoise.....	•Abstandring.....	•Anillo Dist	•Distansring.....		
6	VOE 914516	1				•Snap Ring	•Circlip	•Nutring	•Circlip	•Spårring.....		
7	VOE 4784999	1			K	•Scraper	•Racleur	•Abstreicher.....	•Rascador.....	•Avstrykare.....		
8	VOE 4741302	1				•Piston	•Piston.....	•Kolben.....	•Piston	•Kolv.....		
9	VOE 925067	2			K	•O-ring.....	•Joint Torique.....	•O-ring.....	•Anillo Torico	•O-ring.....		
10	VOE 4881024	3			K	•Back-up Ring	•Bague Support.....	•Stützring.....	•Anillo Apoyo	•Stödtring.....		
11	VOE 955898	1				•Washer	•Rondelle.....	•Scheibe.....	•Arandela.....	•Bricka.....		
12	VOE 13955884	1				•Castle Nut.....	•Ecrou Crenele•Kronenmutter•Tuerca Corona•Kronmutter.....				(VOE 955884)	
13	VOE 907847	1				•Cotter Pin.....	•Goupille Fendue	•Splint.....	•Pasador Hendido	•Saxpinne.....		
14	VOE 944154	1				•Snap Ring	•Circlip	•Nutring	•Circlip	•Spårring.....		
	VOE 11990060	1				Gasket Kit	Kit Joints	Dichtungssatz.....	Juego Juntas	Packningsats.....		



963) **GB:** Cylinder tube is marked "424". See illustration fig. A. **FR:** Tube cylindre marquer "424". Voir illustration fig. A. **DE:** Das Zylinderrohr ist gekennzeichnet mit "424". Siehe Illustration fig. A. **ES:** Tubo cilindro marcado "424". Véase ilustración fig. A. **SE:** Cylinderrör är märkt "424". Se bild pos. A.

1	Hydraulcylinder E Prod	Catalogue id	90691	Group	924
2	Cilindro hidráulico E Prod	Illustr. No	AC290A	Section	200
3	Druckölzylinder E Prod	Issue	VOE 63D9990691	Page	623
4	Cylindre hydraulique E Prod				
5	Hydraulic cylinder E Prod				
	90271, 91357, STD USA				



En el catálogo de repuestos se incluye, además de los números de artículo, numerosa información muy útil.
El propósito de la guía es explicar la estructura de los catálogos y la información que se ofrece en los mismos.

Grupo 1 Prefacio e instrucciones

Se encontrará aquí:

- El título y el número de publicación
- El índice de grupos
- Los letreros de producto
- El prefacio
- Una lista sobre los equipos adaptados a los mercados
- La guía al catálogo
- Una tabla de abreviaturas

Grupo 2 - 9 páginas con texto e ilustraciones

- El índice muestra la clasificación de los grupos principales en subgrupos con remisiones a páginas y secciones.
- Página de ilustraciones. Los números de posición de las ilustraciones. Remisiones a páginas de texto.
- Páginas de texto
 1. Rúbrica
 2. Texto adicional que delimita la validez de la sección, por ejemplo, información sobre números de fabricación y equipos según mercado.
 3. Designación para columnas de cantidades.
 4. Número de ilustración.
 5. Grupo, sección, página. Se utilizan al manejar el catálogo
 6. Identificación e indicación de la edición del catálogo.
 7. Números de posición en la ilustración correspondiente.
 8. Números de artículo
 9. Cantidad. Se indica en esta columna la ejecución. El número indicado se refiere a la cantidad por máquina o, si procede, por unidad completa. "REQ" significa la cantidad necesaria, véase la columna de las notas.
- 10. PS (Parts Status) indica el código de estado del artículo.
 - "NS" indica que el artículo no se tiene en stock.
 - "OP" significa que ya no se mantiene la pieza en stock.

"SE" significa que se puede usar una pieza alternativa.

- "SS" indica que el artículo ha sido sustituido.

Para más información, véase el grupo 10, artículos sustituidos.

11. KIT. Los artículos marcados con una "K" forman parte de un juego. El número de juego suele indicarse detrás de los demás números de artículo.
12. Denominación. El desplazamiento indica que en la unidad indicada se incluyen uno o varios artículos. Estos se incluyen en la unidad completa pedida.
13. Notas. Aparecen aquí diversas informaciones relativas a los artículos:
 - Números de notas de pie de página; ej. 963) aparece al final de la página.
 - Artículos sustituidos. Ej. (955884)
 - Números de producto o fabricación.
 - Abreviaturas e información técnica.
 - Remisiones a páginas y grupos.

Grupo 10 Artículos sustituidos/Índice de números

- Artículos sustituidos. Se marcan aquí con "SS" (en la columna PS) los números de artículo con sus sustituciones. Los artículos sustituidos, a su vez, pueden haber sido sustituidos, etc.
- Índice de números. Aparecen aquí todos los artículos existentes en el catálogo con remisión a grupo, sección y página.

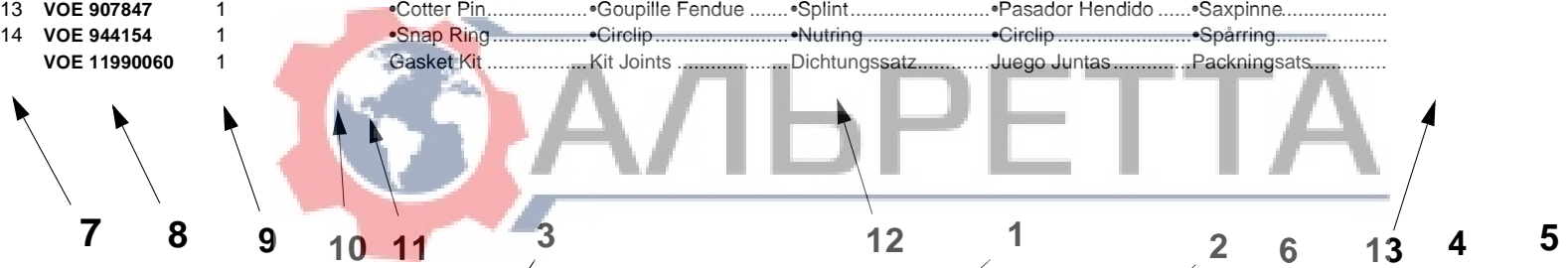
En su modelo de máquina pueden haberse introducido mejoras que no aparecen en esta publicación. Las publicaciones son revisadas para incluir las mejoras en ediciones posteriores.

Este documento está protegido por los derechos de autor y por lo tanto está prohibida su copia, impresión o cualquier otro tipo de reproducción indebida. La infracción de esta prohibición será penalizada. Reservado el derecho a introducir modificaciones.

CATALOGO DE PIEZAS INSTRUCCIONES

Catalogue id	Group
20002	1
Issue	Page
VOE 63H9920002	19

Fig.	Part No.	Quantity			P	K	Description	Dénomination	Bezeichnung	Denominación	Benämning	Notes
		1	2	3								
	VOE 4833424	1			SS	Hydr.cylinder	Verin Hydraul.	Druckölzylinder.....	Cilín Hidraul.....	Hydraulcyl.....	963)	
		1				Hydraulic cylinder.....	Verin Hydraulique	Hydraulzylinder	Cilindro Hidraulico	Hydraulcylinder.....	L PROD See group 94, avsn 250	
1	VOE 4833425	1				•Cylinder Tube	•Tube Cylindre	•Zylinderrohr.....	•Tubo Cilindro.....	•Cylinderrör.....		
2	VOE 4741303	1				•Piston Rod	•Tige Piston.....	•Kolbenstange	•Varilla Piston	•Kolstång.....		
3	VOE 4833432	1				•Pstn Rod Guide	•Gui.tige Piston	•Ko-stang Fuhrg	•Guia Var Piston	•Kolvst.styrning.....		
4	VOE 4784039	1			K	•Piston Rod Seal	•Eta.tige Piston.....	•Ko-stang Dichtg	•Reten Var Pist.....	•Kolvstångståtn.....		
5	VOE 4833433	1				•Spacer Ring	•Bagu.entretoise.....	•Abstandring.....	•Anillo Dist	•Distansring.....		
6	VOE 914516	1				•Snap Ring	•Circlip	•Nutring	•Circlip	•Spårring.....		
7	VOE 4784999	1			K	•Scraper	•Racleur	•Abstreicher.....	•Rascador.....	•Avstrykare.....		
8	VOE 4741302	1				•Piston	•Piston.....	•Kolben.....	•Piston	•Kolv.....		
9	VOE 925067	2			K	•O-ring.....	•Joint Torique.....	•O-ring.....	•Anillo Torico	•O-ring.....		
10	VOE 4881024	3			K	•Back-up Ring	•Bague Support.....	•Stützring.....	•Anillo Apoyo	•Stödtring.....		
11	VOE 955898	1				•Washer	•Rondelle.....	•Scheibe.....	•Arandela.....	•Bricka.....		
12	VOE 13955884	1				•Castle Nut.....	•Ecrou Crenele•Kronenmutter•Tuerca Corona•Kronmutter.....				(VOE 955884)	
13	VOE 907847	1				•Cotter Pin.....	•Goupille Fendue	•Splint.....	•Pasador Hendido	•Saxpinne.....		
14	VOE 944154	1				•Snap Ring	•Circlip	•Nutring	•Circlip	•Spårring.....		
	VOE 11990060	1				Gasket Kit	Kit Joints	Dichtungssatz.....	Juego Juntas	Packningsats.....		



963) **GB:** Cylinder tube is marked "424". See illustration fig. A. **FR:** Tube cylindre marquer "424". Voir illustration fig. A. **DE:** Das Zylinderrohr ist gekennzeichnet mit "424". Siehe Illustration fig. A. **ES:** Tubo cilindro marcado "424". Véase ilustración fig. A. **SE:** Cylinderrör är märkt "424". Se bild pos. A.

1	Hydraulcylinder E Prod	Catalogue id	90691	Group	924
2	Cilindro hidráulico E Prod	Illustr. No	AC290A	Section	200
3	Druckölzylinder E Prod	Issue	VOE 63D9990691	Page	623
4	Cylindre hydraulique E Prod				
5	Hydraulic cylinder E Prod				
	90271, 91357, STD USA				



I reservdelskatalogen presenteras förutom artikelnummer också en mängd information som är viktig att känna till.
Med katalogguiden vill vi på ett överskådligt sätt visa hur våra kataloger är uppbyggda och vad det är för information som presenteras.

Grupp 1 Förord och anvisningar

Här finner man följande:

- Titelsida med publikationsnummer
- Gruppregister
- Produktskyltar
- Förord
- Förteckning över införda marknadsanpassade utrustningar
- Katalogguiden
- Förkortningstabell

Grupp 2 - 9 Text- och bildsidor

- Innehållsförteckningen visar huvudgruppens indelning i undergrupper med hänvisning till sida och avsnitt.
- Bildsida. Illustrationens positionsnr. hänvisar till textsidan
- Textsida
 1. Rubrik
 2. Tilläggstext som begränsar avsnittets giltighet t.ex information om tillverkningsnummer och marknadsanpassade utrustningar.
 3. Beteckning för antalskolumner
 4. Illustrationsnr.
 5. Grupp, avsnitt, sida, användes då man söker i katalogen
 6. Katalogid. och utgåvebeteckning
 7. Artikelns positionsnummer på tillhörande illustration
 8. Artikelnummer
 9. Antal. Kolumnbeteckningen visar vilket utförande som redovisas per kolumn.
Angivet antal avser, antal per maskin eller i förekommande fall, per komplettenhet.
"REQ" avser erforderlig mängd, se Notes- kolumn.
 10. PS (Parts Status) visar artikelns statuskod.
 - "NS" betyder att artikeln inte lagerföres.
 - "OP" betyder att artikeln har utgått och lagerföres inte längre.
 - "SE" betyder att alternativ artikel ska användas.
 - "SS" Betyder att artikeln är ersatt.

Se grupp 10, ersatta artiklar för vidare information.

11. KIT. Artiklar som är markerade med ett "K" ingår i en sats.
Satsens nummer redovisas oftast efter övriga artikelnummer.
12. Benämning. Stegförskjutning visar om en eller flera artiklar ingår i en ovanför redovisad sammansatt enhet. Artiklarna medföljer vid beställning av den kompletta enheten.
13. Notes (Anmärkning). Här redovisas övrig information för en artikel;
 - Fotnotsnr, Ex. 963 återges längst ned på sidan.
 - Ersatta artiklar. Ex. (955884)
 - Produkt- eller tillverkningsnummer
 - Förkortningar och tekniska upplysningar
 - Sid- och grupp hänvisning.

Grupp 10 Ersatta artiklar / Nummerregister

- Ersatta artiklar. Här återfinns de med "SS" markerade (i PS -kolumn) artikelnumren med sina ersättningar. De ersättande artiklarna kan i sin tur vara ersatta osv.
- Nummerregister. Här finns alla i katalogen förekommande artiklar med hänvisning till grupp, avsnitt, sida.

Fortsatta förbättringar och framsteg vad det gäller konstruktion kan förorsaka förändringar på din maskin som inte omfattas av denna publikation. Varje publikation revideras vid behov för att inkludera dessa förändringar i senare utgåvor.

Detta dokument är upphovsrättsligt skyddat och åtnjuter därför skydd mot otillbörlig kopiering, eftertryck eller annan avbildning. Överträdelse mot detta förbud är förenat med straffansvar. Rätt till ändringar förbehålles.

RESERVDELSKATALOG ANVISNINGAR

Catalogue id	Group
20002	1
Issue	Page
VOE 63H9920002	21

TABLE OF ABBREVIATION		PABLO DE ABBREVIATIONS			Catalogue id	Group
POUR LA LISTE DES ABRÉVIATIONS EMPLOYÉES		FÖRKORTNINGSTABELL			20002	1
ABKÜRZUNGSVERZEICHNIS					Issue	Page
					VOE 63H9920002	22
ABBREVIATION	ENGLISH	FRANÇAIS	DEUTSCH	ESPAÑOL	SVENSKA	
A	ampere	ampère	Ampere	amperio	ampere	
ALT	alternative	alternative	wahlweise	alternativa	alternativ	
AWD	All Wheel Drive	Toutes roues motrices	Allradantrieb	Tracción en las todas las ruedas	Allhjulsdrift	
AX ####-	as from axle No.	à partir du N° d'essieu	ab Achsennr.	a partir del eje nro	fr o m axel nr	
AX - ####	up to and incl. axle No.	jusqu'au N° d'essieu	bis Achsennr.	hasta el eje nro	t o m axel nr	
BL	black	noir	schwarz	negro	svart	
BLUE	blue	bleu	blau	azul	blå	
BR	brown	brun	braun	marrón	brun	
BRA	Brazil	Brésil	Brasilien	Brasil	Brasilien	
CAB #### -	as from cab No.	à partir du N° de cabine	ab Kabinen-herstellnr.	a partir de la cabina	fr o m hytt nr	
CAB - ####	up to and incl. cab No.	jusqu'au N° de cabine	bis Kabinen-herstellnr.	hasta la cabina nro	t o m hytt nr	
CAN	Canada	Canada	Kanada	Canadá	Kanada	
CENT	centre	au milieu	Mittlere	central	mittre	
CHN	China	Chine	China	China	Kina	
CIN	component identification number	Numéro de référence de sous-ensemble	Bauteil-Identifizierungsnummer	Número de identificación del componente	komponentidentifikationsnummer	
CPL	complete	complet	komplett	completo	komplett	
CU M	cubic metre	mètre cube	Kubikmeter	metro cúbico	kubikmeter	
DEG	numbers of degrees, C°	nombres de degré de chaleur, C°	Anzahl in Graden C°	numero de grado de calor, C°	antal grader, C°	
DELETED	deleted	supprimé	Nicht mehr lieferbar	Retirado	utgått	
DEU	Germany	Allemagne	Deutschland	Alemania	Tyskland	
DNK	Denmark	Danemark	Dänemark	Dinamarca	Danmark	
EEC	European Economic Community (EEC)	pays du marche commun (EEC)	EU-Markt (EEC)	el mercado común (EEC)	EU-marknad (EEC)	
ENG	Engine	moteur	Motor	motor	motor	
ENG #### -	as from engine No.	à partir du N° de moteur	ab Motornr.	a partir del motor nro	fr o m motor nr	
ENG - ####	up to and incl. engine No.	jusqu'au N° de moteur	bis Motornr.	hasta el motor nro	t o m motor nr	
E PROD	early production	production antérieure	Frühere Ausführung	producción anterior	tidigare utförande	
ESP	Spain	Espagne	Spanien	España	Spanien	
EU	European Union	Union Européenne	Europäische Union	Unión Europea	Europeiska unionen	
EXC ### -	as from excavator unit No.	à partir du N° d'excavateur	Ab Bagger-Aggregatnr.	a partir de agregado excavador nro	fr o m grävaggregat nr	
EXC - ###	up to and incl. excavator unit No.	jusqu'au N° d'excavateur	bis Bagger-Aggregatnr	hasta el agregado excavador nro	t o m grävaggregat nr	
EXCL	excluding	exclus	ausschliesslich	exclusivo	exklusive	
FIN	Finland	Finlande	Finnland	Finlandia	Finland	

ABBREVIATION	ENGLISH	FRANÇAIS	DEUTSCH	ESPAÑOL	SVENSKA
FORW	forward	avant	vordere	delante	främre
FRA	France	France	Frankreich	Francia	Frankrike
GBR	Great Britain	Angleterre	England	Inglaterra	Storbritannien
GRAM	gram	gramme	Gramm	gramo	gram
GREEN	green	vert	grün	verde	grön
GREY	grey	gris	grau	gris	grå
HT ##### -	as from hydraulic transmission No.	à partir du transmission hydraulique N°	ab Hydraulikgetriebe	a partir de transmisión hidráulico nro	fr o m hydraultransmission nr
HT - #####	up to and incl. hydraulic transmission No.	jusqu'au transmission hydraulique N°	bis Hydraulikgetriebe	hasta el transmisión hidráulico nro	t o m hydraultransmission nr
ID	diameter, inner	diamètre, intérieur	Innendurchmesser	diámetro, interior	diameter, inre
IN	inch(es)	pouce	Zoll	pulgada	tum
INCL	inclusive	inclus	einschliesslich	inclusive	inklusive
INCL IN	included in	inclus dans	gehört zur	forma parte de	ingår i
INLET	inlet	entrée	Einlass	entrada	inlopp
INNER	inner	intérieur	innen	interior	inre
IRN	Iran	Iran	Iran	Iran	Iran
ITA	Italy	Italie	Italien	Italia	Italien
ITEM NO	see item No.	voir position	siehe Position Nr.	véase posición	se positionsnummer
K	included in parts kits	fait partie du jeu complet de réparation	gehört zur Satzverpackung	forma parte del juego por juego	ingår i satsförpackning
KOR	Korea	Corée	Korea	Corea	Korea
L	litre, length	litre, longueur	Liter, Länge	litros, longitud	liter, längd
LH	left	gauche	links	izquierdo	vänster
LOAD ##### -	as from loading unit No.	à partir du N° de chargeur	ab Hubaggregatnr.	a partir du unibad carga nro	t o m lastaggregat nr
LOAD - #####	up to and incl. loading unit No.	jusqu'au N° de chargeur	bis Hubaggregatnr.	hasta unidad carga nro	t o m lastaggregat nr
LOW	lower	dessous	unten	inferior	undre
L PROD	late production	production postérieure	jetzige Ausführung	producción posterior	senare utförande
MARKED	marked	marque de	gekennzeichnet mit	marcado	märkt med
MODEL	model designation	Désignation de modèle	Modellbezeichnung	Designación de modelo	modellbeteckning
ML	millilitre	millilitre	Milliliter	mililitro	milliliter
MM	millimetre	millimètre	Millimeter	milímetros	millimeter
NLD	Netherlands	Pays-Bas	Holland	Holanda	Nederländerna
NO	number	numéro	Nummer	número	nummer
NOR	Norway	Norvège	Norwegen	Noruega	Norge



TABLE OF ABBREVIATION POUR LA LISTE DES ABRÉVIATIONS EMPLOYÉES ABKÜRZUNGSVERZEICHNIS	PABLO DE ABBREVIATIONS FÖRKORTNINGSTABELL	Catalogue id	Group
		20002	1
		Issue	Page
		VOE 63H9920002	23

TABLE OF ABBREVIATION		PABLO DE ABBREVIATIONS			Catalogue id	Group
POUR LA LISTE DES ABRÉVIATIONS EMPLOYÉES		FÖRKORTNINGSTABELL			20002	1
ABKÜRZUNGSVERZEICHNIS					Issue	Page
					VOE 63H9920002	24
ABBREVIATION	ENGLISH	FRANÇAIS	DEUTSCH	ESPAÑOL	SVENSKA	
NS	part not stocked as spare part	n'est pas stocké comme pièce de rechange	nicht als Ersatzteil vorrätig	no disponible como repuesto	detaljen lagerföres ej som reservdel	
OP	The part is no longer in stock	La pièce n'est plus en stock	Der Artikel wird nicht länger geführt	El artículo no se mantiene ya en stock	Artikeln lagerföres ej längre	
O SZ	over size	côte supérieur	Übergrösse	sobredimensión	överdimension	
OD	diameter, outer	diamètre extérieur	Aussendurchmesser	diámetro, exterior	diameter, yttre	
OR	orange	orange	orange	naranja	orange	
ORDER	order	commander	bestellen	hacer un pedido	beställ	
OUTER	outer	extérieur	aussen	exterior	yttre	
OUTLET	outlet	échappement	Auslass	escape	utlopp	
PAGE	see page	voir page	siehe Seite	véase página	se sida	
PAIR	pair	paire	Paar	par	par	
PCS	piece(s)	pièce	Stück	cada uno	styck	
PIN	product identification number	Numéro d'identification de produit	Produktidentifizierungs-Nummer	Número de identificación del producto	produktidentifikationsnummer	
PINK	pink	rose	rosa	rosa	rosa	
PROD NO	product No.	N° de produit	Produktnr.	nro de producto	produktnummer	
PRT	Portugal	Portugal	Portugal	Portugal	Portugal	
Q	Quantity l/min	Quantité l/min	Quantität l/min	Cantidad l/min	Kvantitet l/min	
REAR	rear	arrière	hinten	detrás	bakre	
RED	red	rouge	rot	rojo	röd	
REPL BY -	replaced by	remplacé par	ersetzt durch	substituido por	ersättes av	
REQ#	order as required,	quantité nécessaire,	erforderliche Anzahl	cantidad necesaria,	erforderligt antal,	
RH	right	droite	rechts	derecha	höger	
SE	alternative spare part version exists	une version pièce de rechange existe également	Alternative Ersatzteilausführung lieferbar	Existen otras versiones de las piezas de repuesto	alternativt reservdelsutförande finns	
SEE GROUP	see group	voir groupe	siehe Gruppe	véase grupo	se grupp	
SEE SB	see Service Bulletin	voir bulletin de service	siehe Kundendienstmitteilung	ver boletin de servicio	se servicemeddelande	
SER NO # -	as from serial No.	à partir du N° de fabrication	ab Fabrikationsnr.	a partir de fabric. nro	fr o m tillverkningsnr	
SER NO - #	up to and incl. serial No.	jusqu'au N° de fabrication	bis Fabrikationsnr.	hasta el fabric. nro	t o m tillverkningsnr	
S/N ##### -	as from serial No.	à partir du N° de série	ab Fabrikationsnr.	a partir de fabricación nro.	fr o m tillverkningsnr	
S/N - #####	up to and incl. serial No.	jusqu'au N° de série	bis Fabrikationsnr.	hasta el fabricación nro.	t o m tillverkningsnr	
SUPPL	supplementary details, no spare part	indication compléter	zuzätzliche Angaben	parte completar	kompletterande uppgift, ej reservdel	
SPECIAL	special model	construction spéciale	Sonderausführung	modelo especial	specialutförande	
SQ MM	square millimeters	millimètre carré	Quadratmillimeter	milímetros cuadrados	kvadratmillimeter	
SS	superseded part	pièce remplacée	ersetztes Teil	pieza substituida	ersatt artikel	

ABBREVIATION	ENGLISH	FRANÇAIS	DEUTSCH	ESPAÑOL	SVENSKA
STD SZ	standard size	dimension standard	Standardabmessung	dimensión standard	standarddimension
SWE	Sweden	Suède	Schweden	Suecia	Sverige
THICK	thickness	épaisseur	Dicke	espesor	tjocklek
TM NO # -	as from transmission No.	à partir du N° de transmission	ab Getriebrn.	a partir de transmisión nro	fr o m transmission nr
TM NO - #	up to and incl. transmission No.	jusqu'au N° de transmission	bis Getriebrn.	hasta el de transmisión nro	t o m transmission nr
UPPER	upper	supérieur	oben	superior	övre
USA	United States of America	États-Unis	Vereinigte Staaten	Estados Unidos	USA
U SZ	under size	côte interieur	Untergrösse	subdimensión	underdimension
V	volt	volt	Volt	voltio	volt
VIOL	violet	violet	violett	violeta	violett
W	Watt	watt	Watt	watio	watt
WHITE	white	blanc	weiss	blanco	vit
WID	width	largeur	Breite	ancho	bredd
YELL	yellow	jaune	gelb	amarillo	gul
ZAF	South Africa	Afrique du Sud	Südafrika	Sudáfrica	Sydafrika



TABLE OF ABBREVIATION	PABLO DE ABBREVIATIONS	Catalogue id	Group
POUR LA LISTE DES ABRÉVIATIONS EMPLOYÉES	FÖRKORTNINGSTABELL	20002	1
ABKÜRZUNGSVERZEICHNIS		Issue	Page
		VOE 63H9920002	25

VOLVO

BL71

PRODUCT AND EQUIPMENT VARIANTS			VARIANTES DE PRODUCTOS Y EQUIPAMIENTOS			Catalogue id 20002	Group 1
VARIANTES DE PRODUITS ET D'EQUIPMENTS			PRODUKT- OCH UTRUSTNINGSVARIANTER			Issue VOE 63H9920002	Page 26
PRODUKT- UND AUSRÜSTUNGSVARIANTEN							
Equipment	Kit No	Description	Equipment	Kit No	Description		

11294005

Cab
Cabine
Fahrerhaus
Cabina
Hytt

11298016

VOE 11712382

Sun shield
Pare-soleil
Sonnenblende
Visera
Solskydd

11298009

Fixed steering column
Colonne de direction fixe
Feste Lenksäule
Columna de dirección fija
Fast rattstam

11298018

Air conditioning
climatisation
Klimaanlage
acondicionador de air
luftkonditionering

11298010

Adjustable steering column
Colonne de direction réglable
Verstellbare Lenksäule
Columna de dirección ajustable
Inställningsbar rattstam

11298021

Steering Wheel Knob
Boule pour volant
Lenkradknopf
Botón del volante
Rätknopp

11298012

Front window for canopy
Pare-brise, cabine ouverte
Frontscheibe für Überrollbügel
Ventana delantera para protección contra vuelcos
Vindruta för soltak

11298028

Cab
Cabine
Fahrerhaus
Cabina
Hytt

11298013

External mirrors
Rétroviseurs extérieurs
Äußere Rückspiegel
Retrovisores exteriores
Yttre backspeglar

11298029

Cab. Open Rops
Cabine. Open Rops
Kabine. Open Rops
Cabina. Open Rops
Hytt. Open Rops

11298014

Parking brake
Frein de stationnement
Feststellbremse
Freno de estacionamiento
Parkeringsbroms

11298032

VOE 11712693

Anti-vandalism kit
Kit de protection antivandalisme
Vandalisierungsschutz
Protección contra vandalismo
Vandalskydd

Equipment	Kit No	Description	Equipment	Kit No	Description
11298034		Licence plate Eclairage de plaque Nummernschild Chapa de matrícula Registrerings skylt	11298207		Canopy BI71 Cabine ouverte BI71 Canopy BI71 Cabina abierta BI71 Öppen hytt BI71
11298164		Rear view mirror Rétroviseur Rückspiegel Retrovisor Bakspegel	11298280		Floor mat For Pilot Controls Tapis de sol pour commandes pilotes Bodenmatte für Pilotsteuerungen Alfombrilla para mandos piloto Golvmatta för pilotreglage
11298165		Floor mat mechanical exc control Tapis de sol Bodenmatte Alfombra Golvmatta	11880002		Basic machine BI70 Usa Machine de base BL70, USA Grundmaschine BL70 USA Máquina básica BL70 USA Basmaskin BL70 USA
11298166		External mirrors Rétroviseurs extérieurs Äußere Rückspiegel Retrovisores exteriores Yttre backspeglar	11880005		Basic machine Machine de base Grundmaschine Máquina Básica Basmaskin BL71
11298197		BI71 Cab Cabine BI71 BI71 Kabine Cabina BI71 BI71 Hytt	11882593		Single battery Une seule batterie Einzelbatterie Una batería Enkelt batteri
11298203		Front window Pare-brise Windschutzscheibe Parabrisas Vindruta	11882594		Double battery Deux batteries Doppelbatterie Dos baterías Dubbelt batteri

PRODUCT AND EQUIPMENT VARIANTS	VARIANTES DE PRODUCTOS Y EQUIPAMIENTOS	Catalogue id	Group
VARIANTES DE PRODUITS ET D'EQUIPMENTS	PRODUKT- OCH UTRUSTNINGSVARIANTER	20002	1
PRODUKT- UND AUSRÜSTUNGSVARIANTEN		Issue	Page
		VOE 63H9920002	27

VOLVO

BL71

PRODUCT AND EQUIPMENT VARIANTS		VARIANTES DE PRODUCTOS Y EQUIPAMIENTOS		Catalogue id	Group
VARIANTES DE PRODUITS ET D'EQUIPMENTS		PRODUKT- OCH UTRUSTNINGSVARIANTER		20002	1
PRODUKT- UND AUSRÜSTUNGSVARIANTEN				Issue	Page
				VOE 63H9920002	28
Equipment	Kit No	Description	Equipment	Kit No	Description

11883246		Engine Moteur Motor Motor Motor 70 KW	11891002		Legals Italy Législation italienne Gesetzliche Vorschriften, Italien Normativa Italia Lagkrav Italien
11885148		Engine Moteur Motor Motor Motor	11891015		Tooth Guard Europe Protection de dent, Europe Zahnschutz Europa Protección de dientes Europa Tandskydd Europa
11887322		Engine Moteur Motor Motor Motor	11891016		Tooth Guard Italy Protection de dent, Italie Zahnschutz Italien Protección de dientes Italia Tandskydd Italien
11890349		Lock kit Kit serrure Sperrsatz Kit de cerradura Låssats	11891017	VOE 11712669	Hammer HB 440 Marteau HB 440 Hammer HB 440 Martillo HB 440 Hammare HB 440
11891000		40 Kph Leg Germany 40 km/h - vitesse limite en Allemagne 40 km/h gesetzlich vorgeschrieben in Deutschland Versión alemana, 4 km/h 40 km/h lagkrav Tyskland	11891018	VOE 11715299	Multi Purpose Bucket 1m3 Multi Purpose Bucket 1m3 Multi Purpose Bucket 1m3 Multi Purpose Bucket 1m3 Multi Purpose Bucket 1m3
11891001		Rear Number Plate Plaque d'immatriculation AR Hinteres Nummernschild Placa de número trasera Nummerplåt bak	11891041		Digger 4.5m Standard Equipement excavateur 4,5 m std Stiel 4,5 m Standard Excavadora 4,5 m tipo estándar Grävaggregat 4,5 m Standard



Equipment	Kit No	Description	Equipment	Kit No	Description
11891043		Backhoe bucket Godet rétro Tiefräumlöffel Cuchara de retroexcavadora Djupgrävningsskopa 18"	11891093		European bucket 900 wide Godet européen, largeur 900 mm Europäische Schaufel, Breite 900 mm Cuchara europea 900 de ancho Europeisk skopa 900 bred
11891049		Lighting (legal requirement) Europe Eclairage (obligatoire) Europe Beleuchtung (Mindestanforderungen) Europa Alumbrado (legislación) Europa Belysning (lagkrav) Europa	11891099		Operator's seat, imitation leather Siège conducteur, accoudeoir Fahrsitz, Armlehne Asiento de conductor, apoyabrazos Förarstol, armstöd
11891050		25 km/h legal requirement Germany 25 km/h - vitesse limite en Allemagne 25 km/h gesetzlich vorgeschrieben in Deutschland Límite de velocidad de 25km/h Alemania 25 km/h lagkrav Tyskland	11891100		Operator's seat, imitation leather, armrest Siège conducteur, cuir synthétique, accoudeoir Fahrsitz, Kunstleder, Armlehne Asiento de conductor, cuero artificial, apoyabrazos Förarstol, konstläder, armstöd
11891061	VOE 11710775	PinKit - bucket Kit pour le montage direct du godet Satz direktbefestigte Schaufel Kit de cuchara de montaje directo Sats direktinfäst skopa	11891110		Operator's seat, electrically heated, air suspension Siège conducteur, chauffage électrique, suspension pn Fahrsitz, beheizt, luftgedert, Armlehne Asiento del conductor, térmico, suspensión neumática, Förarstol, eluppvärmd, luftfjädrad, armstöd
11891091		400 mm Gp Bucket Godet universel 400 mm 400 mm Allzwecklöffel Cuchara 400mm Gp 400 mm GP Skopa	11891152	VOE 11885079	Tool Kit Jeu d'outillage Werkzeugsatz Kit de herramientas Verktygssats
11891092		European Bucket 450 wide Godet européen, largeur 450 Europäische Schaufel, Breite 450 mm Cuchara europea 450 de ancho Europeisk skopa 450 bred	11891162	VOE 11711206	Excavator control assembly Commande de creusement Baggersteuerausüstung Unidad de control de excavación Grävmaskin manöverenhet

PRODUCT AND EQUIPMENT VARIANTS	VARIANTES DE PRODUCTOS Y EQUIPAMIENTOS	Catalogue id 20002	Group 1
VARIANTES DE PRODUITS ET D'EQUIPMENTS	PRODUKT- OCH UTRUSTNINGSVARIANTER	Issue VOE 63H9920002	Page 29
PRODUKT- UND AUSRÜSTUNGSVARIANTEN			

VOLVO

BL71

PRODUCT AND EQUIPMENT VARIANTS	VARIANTES DE PRODUCTOS Y EQUIPAMIENTOS	Catalogue id 20002	Group 1
VARIANTES DE PRODUITS ET D'EQUIPMENTS	PRODUKT- OCH UTRUSTNINGSVARIANTER	Issue VOE 63H9920002	Page 30
PRODUKT- UND AUSRÜSTUNGSVARIANTEN			

Equipment	Kit No	Description	Equipment	Kit No	Description
11891167	VOE 11711202	Excavator control Iso assembly Commande de creusement ISO Baggersteuerung Iso Einbau Unidad de aislamiento del control de excavación Grävmaskin manöverenhet ISO	11891216		Operator seat Siège de conducteur Fahrsitz Asiento de conductor Förrastol, låg rygg
11891176	VOE 11712670	GP Fork Kit Kit fourche universelle Gabelzinkensatz, GP Kit de horquilla Allround (GP) Gaffelsats	11891217		Operator's seat, imitation leather Siège conducteur, cuir synthétique Fahrsitz, Kunstleder Asiento de conductor, cuero artificial Förrastol, konstläder
11891192		European bucket 610 wide Godet européen, largeur 610 mm Europäische Schaufel, Breite 610 mm Cuchara europea 610 de ancho Europeisk skopa 610 bred	11891224		Transmission 2wd powershuttle Valve navette, transmission 4 roues motrices Getriebe 2-Radantrieb Power Shuttle Transmisión 2a corredera de potencia Kraftöverföring 2-hjulsdrift powershift
11891194		General purpose bucket 2350 wide Godet universel, largeur 2 350 mm Allzweckschaufel, Breite 2350 mm Cuchara para aplicaciones generales 2350 de ancho General purpose skopa 2350 bred	11891238		Hydraulic Loader Quick Attach Porte-outil à verrouillage hydraulique sur équipement c Hydraulischer Schnellwechsler für Lader Enganche rápido de cargadora hidráulica Lastaggregat, hydr. snabbfäste
11891202		European Bucket 305 wide Godet européen, largeur 305 Europäische Schaufel, Breite 305 mm Cuchara europea 305 de ancho Europeisk skopa 305 bred	11891246		Rh external lightning European traffic Eclairage de route européen pour circulation à droite RH Außenbeleuchtung, europäischer Verkehr Alumbrado exterior derecho para tráfico europeo Extern belysning, höger sida, europeisk trafik
11891209		Transmission 4wd powershuttle Valve navette, transmission 4 roues motrices Getriebe 4-Radantrieb Power Shuttle Transmisión 4a corredera de potencia Kraftöverföring 4-hjulsdrift	11891247		Lh external lightning European traffic Eclairage de route européen pour circulation à gauche LH Außenbeleuchtung, europäischer Verkehr Alumbrado exterior izquierdo para tráfico europeo Extern belysning, vänster sida, europeisk trafik

Equipment	Kit No	Description	Equipment	Kit No	Description
11891248		Lighting (legal requirement) UK Eire Eclairage (obligatoire) Royaume-Uni/Irlande Beleuchtung (Mindestanforderungen) UK Eire Alumbrado (legislación) UK Eire Belysning (lagkrav) UK Eire	11891265		Tooth Kit Jeu de dents Zahnsatz Kit de dientes Tandsats
11891249		Legals Europe Législation européenne Gesetzliche Bestimmungen, Europa Normativa Europa Lagkrav Europa	11891269		Street Pad Patin pour chaussées Straßenstützplatte Street Pad Bromskloss för vanlig körning
11891255		Transmission 4wd powershift Valve Power-Shift, transmission 4 roues motrices Getriebe 4-Radantrieb Power Shuttle Transmisión 4a marcha de potencia Kraftöverföring 4-hjulsdraft powershift	11891270		Wheels and tyres 16/70x20 - 16.9x30 Pneus optionnels 9 16/70x20 - 16.9x30 Räder und Reifen 16/70x20 - 16.9x30 Ruedas y neumáticos 16/70x20 - 16.9x30 Hjul och däck 16/70x20 - 16.9x30
11891261	VOE 11712424	One rotating beacon Un seul gyrophare Eine rotierende Warnleuchte Una luz giratoria de advertencia Ett roterande varningsljus	11891271		Wheels and tyres 16/70x20 - 18.4x26 Pneus optionnels 9 16/70x20 - 16.9x30 Räder und Reifen 16/70x20 - 18.4x26 Ruedas y neumáticos 16/70x20 - 18.4x26 Hjul och däck 16/70x20 - 18.4x26
11891262	VOE 11712425	Two rotating beacons Deux gyrophares Zwei rotierende Warnleuchten Dos luces giratorias de advertencia Två roterande varningsljus	11891272	VOE 11711055	Hydraulic loader MP bucket Godet MP, chargeuse hydraulique Hydraulik für Lader Mehrzweckschaufel Cargador hidráulico cuchara MP Hydraulisk lastare multifunktionsskopa
11891264		European Blade Kit 2350mm Lame européenne 2 350 mm Europäischer Scharsatz, 2350 mm Kit de hojas europeas 2350mm Europeisk bladsats 2350 mm	11891273		Excavator 4.5m extendible Équipement excavateur 4,5 m, télescopique Grabarm 4,5 m verlängerbar Excavadora 4,5 m extensible Skaft 4,5 m förlängningsbart

PRODUCT AND EQUIPMENT VARIANTS	VARIANTES DE PRODUCTOS Y EQUIPAMIENTOS	Catalogue id 20002	Group 1
VARIANTES DE PRODUITS ET D'EQUIPMENTS	PRODUKT- OCH UTRUSTNINGSVARIANTER	Issue VOE 63H9920002	Page 31
PRODUKT- UND AUSRÜSTUNGSVARIANTEN			

VOLVO

BL71

PRODUCT AND EQUIPMENT VARIANTS			VARIANTES DE PRODUCTOS Y EQUIPAMIENTOS			Catalogue id 20002	Group 1
VARIANTES DE PRODUITS ET D'EQUIPMENTS			PRODUKT- OCH UTRUSTNINGSVARIANTER			Issue VOE 63H9920002	Page 32
PRODUKT- UND AUSRÜSTUNGSVARIANTEN							
Equipment	Kit No	Description	Equipment	Kit No	Description		

11891278		Instrument panel, Km/h Tableau de bord, km/h Instrumententafel, km/h Tablero de instrumentos, Km/h Instrumentpanel, km/h	11891292		Work lights front Phare travail Arbeitscheinwerfer Faro de trabajo Arbetsstrålkastare, främre <i>FRONT LIGHT USE KIT NO 11988243.</i> <i>REAR LIGHT USE KIT NO 11988244.</i>		
11891279		Instrument panel, m.p.h Tableau de bord, m.p.h. Instrumententafel, m.p.h. Tablero de instrumentos, m.p.h Instrumentpanel, m.p.h	11891293	VOE 11988245	Ride control hydraulic control Commande hydraulique de translation Fahrsteuerung Hydrauliksteuerung Control hidráulico del control de marcha Körmanövrering / hydraulisk manövrering		
11891280		Instrument panel, without speedometer Tableau de bord sans tachymètre Instrumententafel, ohne Geschwindigkeitsmesser Tablero de instrumentos, sin velocímetro Instrumentpanel utan hastighetsmätare	11891294	VOE 11988241	Hammer hydraulics Equipment hydraulique de marteau Hammerausrüstung Hidraulica para martillo Hammare/sax		
11891282	VOE 11988242	MP lifting fork kit Kit fourche de levage MP Hebegabel-Kit Juego de horquilla de elevación Multifunktionslyftgaffel sats	11891295		Grading bucket 1500mm Godet niveleur, largeur 1 500 mm Böschungslöffel 1500 mm Cuchara niveladora 1500 mm Planeringsskopa 1500 mm		
11891291		Work lamp, rear Lampe travail, aari`re Arbeitslampe, hinter Lampara de trabajo, trasero Arbetslampa, bakre	11891296		Grading bucket 1200mm Godet niveleur, largeur 1 200 mm Böschungslöffel 1200 mm Cuchara niveladora 1200 mm Planeringsskopa 1200 mm		

Equipment	Kit No	Description	Equipment	Kit No	Description
11891298		Hydraulic cap without key Bouchon hydraulique sans clé Hydraulische Kappe ohne Schlüssel Cubierta hidráulica sin llave Hydraulisk kåpa utan nyckel	11891317		Counterweight Italy Contrepoids pour l'Italie Gegengewicht Italien Contrapeso, Italia Motvikt Italien
11891299	VOE 11710951	Attachment bracket, mechanical Fixation outil Geräteträger Fijacion herramientas Redskapsfäste, mekaniskt	11891318		Backhoe bucket Godet rétro Tiefräumlöffel Cuchara de retroexcavadora Djupgrävningsskopa 36"
11891303	VOE 11988246	Radio with tape recorder Radio avec magnétophone Radio mit Tonbandgerät Radiocassette Radio med bandspelare	11891319		Backhoe bucket Godet rétro Tiefräumlöffel Cuchara de retroexcavadora Djupgrävningsskopa 30"
11891311		Hydraulic Loader Std Bucket Godet std, chargeuse hydraulique Hydraulische Standardschaufel Cuchara estándar para cargadora hidráulica Hydraullastare, standardskopa	11891320		Backhoe bucket Godet rétro Tiefräumlöffel Cuchara de retroexcavadora Djupgrävningsskopa 24"
11891313		Wheels and tyres Agricult 16/70x20 - 16.9x30 Roues et pneus agriculture 16/70x20 - 16.9x30 Räder und Reifen Landwirtschaft 16/70x20 - 16,9x30 Ruedas y neumáticos, agricultura, 16/70x20 - 16.9x30 Hjul och däck jordbruk 16/70x20 - 16,9x30	11891321		Backhoe bucket Godet rétro Tiefräumlöffel Cuchara de retroexcavadora Djupgrävningsskopa 12"
11891314		Seat belt Wide Ceinture de sécurité, large Sicherheitsgurt, breit Cinturón de seguridad, ancho Brett säkerhetsbälte			

PRODUCT AND EQUIPMENT VARIANTS	VARIANTES DE PRODUCTOS Y EQUIPAMIENTOS	Catalogue id 20002	Group 1
VARIANTES DE PRODUITS ET D'EQUIPMENTS	PRODUKT- OCH UTRUSTNINGSVARIANTER	Issue VOE 63H9920002	Page 33
PRODUKT- UND AUSRÜSTUNGSVARIANTEN			

VOLVO

BL71

PRODUCT AND EQUIPMENT VARIANTS			VARIANTES DE PRODUCTOS Y EQUIPAMIENTOS			Catalogue id 20002	Group 1
VARIANTES DE PRODUITS ET D'EQUIPMENTS			PRODUKT- OCH UTRUSTNINGSVARIANTER			Issue VOE 63H9920002	Page 34
PRODUKT- UND AUSRÜSTUNGSVARIANTEN							
Equipment	Kit No	Description	Equipment	Kit No	Description		

11891322	VOE 11711201	Excavator Controls X Commandes pelles X Bagger Bedienorgane X Mandos de la excavadora X Grävmaskin Reglage X	11891331	VOE 11710906	Hose kit Kit flexibles Schlauchsatz Kit de manguera Slangsats		
11891323		Hydraulic Digger Bracket for Ext Dipper Porte-outil à verrouillage hydraulique pour balancier pr Hydraulischer Geräteträger für verlängerten Baggerarm Portaimplementos hidráulico para brazo opcional Hydrauliskt redskapsfäste till förlängd grävarm	11891332	VOE 11712415	Anti-theft kit Kit alarme antivol Diebstahlalarm-Kit Dispositivo antirrobo Stöldlarmsats		
11891324		Hydraulic Tank Lock Cap Bouchon de verrouillage du réservoir hydraulique Hydrauliktankverschluss Tapa de cierre del depósito hidráulico Hydraultanklock	11891333		Hand Held Hydraulic Commande hydraulique manuelle Handhydraulik Hidráulica manual Extra hydrauluttag för handverktyg		
11891325	VOE 11712419	Front Fenders Gardeboue AV Vordere Stoßstange Guardabarros delanteros Främre Avbärare	11891348		Hydraulic Circuit for Hydraulic Bracket Circuit hydraulique, porte-outil Hydraulikkreis für Hydraulikhalter Circuito hidráulico del portaimplementos hidráulico Hydraulkrets för Hydrauliskt Fäste		
11891326	VOE 11710828	Boom&dipper Safety Valves Valves de sécurité, flèche et balancier Ausleger- und Stielsicherheitsventile Pluma y brazo, válvulas de seguridad Bom & skaft, säkerhetsventiler	11891349		Hydraulic Loader Mp Powershuttle Wo Safety Valve Valve navette multifonctions, sans clapet de sécurité, p Hydrauliklader Mp, Powershuttle, ohne Sicherheitsventil Cargadora hidráulica Mp Powershuttle sin válvula de s Hydraulisk lastare Mp Powershuttle utan säkerhetsvent		
11891327		Loader safety valves Valves de sécurité, équipement chargeur Lader Sicherheitsventile Válvulas de seguridad de la cargadora Lastaggregat säkerhetsventiler	11891350		Without Front Bucket Sans godet frontal Ohne Frontschaufel Sin cuchara frontal Utan frontskopa		

Equipment	Kit No	Description	Equipment	Kit No	Description
11891351		Hydraulic Digger Bracket for Std Dipper Porte-outil à verrouillage hydraulique pour balancier sta Hydraulischer Geräteträger für Standardbaggerarm Portaimplementos hidráulico para brazo estándar Hydrauliskt redskapsfäste till Std Grävarm	11891358		Counterweight 335 kg Contrepoids 335 kg Gegengewicht 335 kg Contrapeso, 335 kg. Motvikt 335 kg
11891354		Hydraulic Loader Mp Powershift Wo Safety Valve Charg. hydraul., transm. power-shift sans clapet sécurité Hydrauliklader Mp Powershiftgetriebe ohne Sicherheits Cargadora hidráulica Mp Powershift sin válvula de seg Hydrauliskt lastaggregat Mp Powershift utan säkerhets	11891359		Counterweight 202 kg Contrepoids 202 kg Gegengewicht 202 kg Contrapeso 202 kg Motvikt 202 kg
11891355		Backhoe bucket Godet rétro Tiefräumlöffel Cuchara de retroexcavadora Djupgrävningsskopa 300 MM	11891362		Hydraulic Digger Bracket for Std Dipper Porte-outil à verrouillage hydraulique pour balancier sta Hydraulischer Geräteträger für Standardbaggerarm Portaimplementos hidráulico para brazo estándar Hydrauliskt redskapsfäste till Std Grävarm
11891356		Backhoe bucket Godet rétro Tiefräumlöffel Cuchara de retroexcavadora Djupgrävningsskopa 610 MM	11891374		Hydraulic Standard Loader Powershift 4wd Circuit hydraulique standard crabotage 4 roues motrice Hydraulik Standardlader Powershift Allradantrieb Cambio hidráulico de potencia 4wd estándar de carga Hydr. lastaggregat standard Powershift 4wd
11891357		Backhoe bucket Godet rétro Tiefräumlöffel Cuchara de retroexcavadora Djupgrävningsskopa 900 MM	11891375	VOE 11715009	Pipe kit for hammer attachment Kit conduits, marteau Leitungssatz für Hammeranbau Kit de tubería para fijación del martillo Rörsats för hammarredskap
			11891376		Non-suspended Vinyl Seat Siège avec habillage vinyle, sans suspension Ungefederter Vinylsitz Asiento de vinilo sin suspensión Ofjädrad Vinylstol

PRODUCT AND EQUIPMENT VARIANTS	VARIANTES DE PRODUCTOS Y EQUIPAMIENTOS	Catalogue id 20002	Group 1
VARIANTES DE PRODUITS ET D'EQUIPMENTS	PRODUKT- OCH UTRUSTNINGSVARIANTER	Issue VOE 63H9920002	Page 35
PRODUKT- UND AUSRÜSTUNGSVARIANTEN			

VOLVO

BL71

PRODUCT AND EQUIPMENT VARIANTS			VARIANTES DE PRODUCTOS Y EQUIPAMIENTOS			Catalogue id 20002	Group 1
VARIANTES DE PRODUITS ET D'EQUIPMENTS			PRODUKT- OCH UTRUSTNINGSVARIANTER			Issue VOE 63H9920002	Page 36
PRODUKT- UND AUSRÜSTUNGSVARIANTEN							
Equipment	Kit No	Description	Equipment	Kit No	Description		

11891377
Back up alarm
Avertisseur de renversement
Rückfahrwarner
Alarma de retrocero
Backalarm

11891430
Engine Preheater
Réchauffeur de moteur
Motorvorwärmer
Precalentador de motor
Motor förvärmare
240 V

11891391
Double Battery
Deux batteries
Doppelbatterie
Batería doble
Dubbelbatteri

11891474
Wheel Equipment 400/70x20-440/80x28
Équipement de roue 400/70x20-440/80x28
Radausrüstung 400/70x20-440/80x28
Equipo de ruedas 400/70x20-440/80x28
Hjulutrustning 400/70x20-440/80x28

11891392
Single Battery
Une seule batterie
Einfachbatterie
Batería simple
Enkelbatteri

11891477
Wheel Equipment 400/70x20-480/80x26
Équipement de roue 400/70x20-480/80x26
Radausrüstung 400/70x20-480/80x26
Equipo de ruedas 400/70x20-480/80x26
Hjulutrustning 400/70x20-480/80x26

11891409
Hydraulic Joystick Extendible SAE/ISO
Levier de commande hydraulique standard SAE/ISO
Hydraulischer Steuerknüppel verlängerbar SAE/ISO
Palanca hidráulica extensible SAE/ISO
Hydraulisk Joystick Förläng SAE/ISO

11891479
Hydraulic Joystick Standard ISO
Levier de commande hydraulique standard ISO
Hydraulisk Steuerknüppel Standard ISO
Palanca hidráulica estándar ISO
Hydraulisk Joystick Standard ISO

11891410
Extend Tubing
Conduit prolongateur
Verlängerungsrohr
Prolongación tubería
Förlängningsrör

11891480
Hydraulic Joystick Standard Sae
Levier de commande hydraulique standard SAE
Hydraulisk Steuerknüppel Standard SAE
Palanca hidráulica estándar SAE
Hydraulisk Joystick Standard Sae

11891429
Engine Preheater
Réchauffeur de moteur
Motorvorwärmer
Precalentador de motor
Motor förvärmare
120 V

11891481
Hydraulic Joystick Standard SAE/ISO
Levier de commande hydraulique standard SAE/ISO
Hydraulisk Steuerknüppel Standard SAE/ISO
Palanca hidráulica estándar SAE/ISO
Hydraulisk Joystick Standard SAE/ISO

Equipment	Kit No	Description	Equipment	Kit No	Description
11891482		Hydraulic Joystick Extendible ISO Levier de commande hydraulique télescopique ISO Hydraulik Steuerknüppel verlängerbar ISO Palanca hidráulica extensible ISO Hydraulisk Joystick Förläng ISO	11891561		Pin kit for bucket Kit de pivot d'axe pour godet Schaufelbolzensatz Juego de muñones para cuchara Axeltappsats för skopa
11891487		Hydraulic Joystic Extendible Sae Levier de commande hydraulique télescopique SAE Hydraulik Steuerknüppel verlängerbar SAE Palanca hidráulica extensible SAE Hydraulisk Joystick Förläng SAE	11891565		Bucket Gp 1m3 With Forks Support Skopa Gp med fästen gafflar
11891488		Radio Pre-installation Pré-installation autoradio Radio Vorbereitung Preinstalación de radio Radio förinstallation			
11891524		Digger 4.5 Std/extending Tubing			
11891539		Pin kit for bucket Kit de pivot d'axe pour godet Schaufelbolzensatz Juego de muñones para cuchara Axeltappsats för skopa			
11891540		Bucket Gp 1m3 Without Forks Support Skopa Gp utan fästen gafflar			
11891541		Kombiskopa direktinfäst			
11891546		Hose kit Kit flexibles Schlauchsatz Kit de manguera Slangsats			

PRODUCT AND EQUIPMENT VARIANTS	VARIANTES DE PRODUCTOS Y EQUIPAMIENTOS	Catalogue id 20002	Group 1
VARIANTES DE PRODUITS ET D'EQUIPMENTS	PRODUKT- OCH UTRUSTNINGSVARIANTER	Issue VOE 63H9920002	Page 37
PRODUKT- UND AUSRÜSTUNGSVARIANTEN			

VOLVO

BL71



VOLVO

АЛЬРЕТТА

Construction Equipment

GROUP	Section	Page	GROUP	Section	Page		
210	Repair kits for engine	50	45	262	Water pump and thermostat housing 11883246, 11885148, 11887322	100	115
210	Engine.....	100	51	263	Fan and installation components	100	119
211	Cylinder head 11883246, 11885148, 11887322	100	53	263	Belt transmission 11883246, 11885148, 11887322	150	121
212	Cylinder block 11883246, 11885148, 11887322	100	55	269	Engine oil preheating	100	123
212	Crankcase ventilation 11883246, 11885148, 11887322	150	57	271	Regulator control	100	125
213	Pistons 11883246, 11885148, 11887322	100	59	272	Hand throttle 11294005, 11298197	100	129
214	Valve mechanism 11883246, 11885148, 11887322	100	61	273	Shutdown device 11883246, 11885148	100	131
215	Timing gear casing and gears 11883246, 11885148, 11887322	100	63				
216	Crankshaft and related parts 11883246, 11885148, 11887322	100	65				
216	Flywheel housing 11883246, 11885148, 11887322	150	69				
217	Oil sump 11883246, 11885148, 11887322	100	71				
218	Engine mounting 11883246, 11885148, 11887322	100	73				
218	Engine mounting	200	75				
221	Lubricating oil system 11883246, 11885148, 11887322	100	77				
222	Oil filter 11883246, 11885148, 11887322	100	79				
223	Oil cooler 11883246, 11885148, 11887322	100	81				
233	Fuel pump 11883246, 11885148, 11887322	100	83				
234	Fuel tank, fuel pipes 11883246, 11885148, 11887322	100	85				
236	Fuel injection pump with fitting parts 11883246, 11885148, 11887322	100	87				
236	Regulator 11883246, 11885148, 11887322	150	93				
237	Fuel lines and injectors 11883246, 11885148, 11887322	100	95				
251	Inlet manifold and exhaust manifold 11883246, 11885148, 11887322	100	97				
252	Exhaust system, silencer	100	101				
255	Turbocharger with fitting parts 11883246, 11885148, 11887322	100	103				
256	Air filter with fitting parts	100	105				
256	Air filter	150	107				
260	Cooling system	100	109				
260	Cooling system incl. expansion tank	200	111				
261	Radiator with fitting parts	100	113				

INDEX OF CONTENTS

Catalogue id 20002	Group 200
Issue VOE 63H9920002	Page 39

VOLVO



BL71

TABLE DES MATIÈRES				Catalogue id 20002	Group 200
				Issue VOE 63H9920002	Page 40
GROUPE	Section	Page	GROUPE	Section	Page

210	Jeu pour moteur.....	50	45	260	Système de refroidissement.....	100	109
210	Moteur.....	100	51	260	Système de refroidissement avec vase d'expansion	200	111
211	Culasse 11883246, 11885148, 11887322	100	53	261	Radiateur avec pièces de montage.....	100	113
212	Bloc-cylindres 11883246, 11885148, 11887322.....	100	55	262	Pompe à eau et boîtier thermostat 11883246, 11885148, 11887322	100	115
212	Ventilation de carter 11883246, 11885148, 11887322	150	57	263	Ventilateur avec pièces de montage	100	119
213	Pistons 11883246, 11885148, 11887322	100	59	263	Transmission courrouie 11883246, 11885148, 11887322.....	150	121
214	Commande des soupapes 11883246, 11885148, 11887322	100	61	269	Préchauffage huile moteur	100	123
215	Carter de distribution et engrenage 11883246, 11885148, 11887322	100	63	271	Commande du régulateur	100	125
216	Axe à vilebrequins 11883246, 11885148, 11887322.....	100	65	272	Accélérateur manuel 11294005, 11298197	100	129
216	Carter de volant 11883246, 11885148, 11887322	150	69	273	Arrêt de moteur 11883246, 11885148	100	131
217	Carter d'huile 11883246, 11885148, 11887322	100	71				
218	Suspension du moteur 11883246, 11885148, 11887322	100	73				
218	Suspension du moteur	200	75				
221	Système de graissage 11883246, 11885148, 11887322	100	77				
222	Filtre à huile 11883246, 11885148, 11887322	100	79				
223	Radiateur d'huile 11883246, 11885148, 11887322	100	81				
233	Pompe carburant 11883246, 11885148, 11887322	100	83				
234	Réservoir de carburant, conduit de carburant 11883246, 11885148, 11887322	100	85				
236	Pompe d'injection de combustible avec pièces de montage 11883246, 11885148, 11887322	100	87				
236	Régulateur 11883246, 11885148, 11887322	150	93				
237	Canalisation à combustible, injecteur 11883246, 11885148, 11887322	100	95				
251	Tubulure admission et tubulure échappement 11883246, 11885148, 11887322	100	97				
252	Système d'aspiration, silencieux.....	100	101				
255	Turbocompresseur avec pièces de montage 11883246, 11885148, 11887322	100	103				
256	Filtre à air avec pièces de montage	100	105				
256	Purificateur d'air	150	107				

GRUPPE	Abschnitt	Seite	GRUPPE	Abschnitt	Seite		
210	Motorsätze	50	45	262	Wasserpumpe und Thermostatgehäuse 11883246, 11885148, 11887322	100	115
210	Motor	100	51	263	Lüfter mit Anbauteilen	100	119
211	Zylinderkopf 11883246, 11885148, 11887322	100	53	263	Riemenantrieb 11883246, 11885148, 11887322	150	121
212	Zylinderblock 11883246, 11885148, 11887322	100	55	269	Motorölvorwärmung	100	123
212	Kurbelgehäusebelüftung 11883246, 11885148, 11887322	150	57	271	Reglersteuerung	100	125
213	Kolben 11883246, 11885148, 11887322	100	59	272	Handgas 11294005, 11298197	100	129
214	Ventilmechanismus 11883246, 11885148, 11887322	100	61	273	Motorabstellung 11883246, 11885148	100	131
215	Stirnradgehäuse und Nabenvorgelege 11883246, 11885148, 11887322	100	63				
216	Kurbelbewegung 11883246, 11885148, 11887322	100	65				
216	Schwungradgehäuse 11883246, 11885148, 11887322	150	69				
217	Ölwanne 11883246, 11885148, 11887322	100	71				
218	Motorbefestigung 11883246, 11885148, 11887322	100	73				
218	Motorbefestigung	200	75				
221	Schmierölsystem 11883246, 11885148, 11887322	100	77				
222	Ölfilter 11883246, 11885148, 11887322	100	79				
223	Ölkühler 11883246, 11885148, 11887322	100	81				
233	Kraftstoffpumpe 11883246, 11885148, 11887322	100	83				
234	Kraftstofftank, kraftstoffrohr 11883246, 11885148, 11887322	100	85				
236	Einspritzpumpe mit Anbauteilen 11883246, 11885148, 11887322	100	87				
236	Regler 11883246, 11885148, 11887322	150	93				
237	Brennstoffrohre 11883246, 11885148, 11887322	100	95				
251	Ansaugrohr und Auspuffkrümmer 11883246, 11885148, 11887322	100	97				
252	Auspuffsystem, Schalldämpfer	100	101				
255	Torbolader mit Anbauteilen 11883246, 11885148, 11887322	100	103				
256	Luftfilter mit Anbauteilen	100	105				
256	Luftfilter	150	107				
260	Kühlanlage	100	109				
260	Kühlsystem mit Expansionstank	200	111				
261	Kühler mit Anbauteilen	100	113				

INHALTSVERZEICHNIS

Catalogue id 20002	Group 200
Issue VOE 63H9920002	Page 41

VOLVO

BL71

INDICE		Catalogue id 20002	Group 200		
		Issue VOE 63H9920002	Page 42		
GRUPO	Sección	Página	GRUPO	Sección	Página

210	Juegos para el motor	50	45	261	Radiador con accesorios de montaje	100	113
210	Motor	100	51	262	Bomba de agua y caja de termostato 11883246, 11885148, 11887322	100	115
211	Culata 11883246, 11885148, 11887322.....	100	53	263	Ventilador con accesorios de montaje	100	119
212	Bloque de cilindros 11883246, 11885148, 11887322.....	100	55	263	Correa distribución 11883246, 11885148, 11887322	150	121
212	Ventilación del cárter 11883246, 11885148, 11887322	150	57	269	Pre calentamiento del aceite de motor.....	100	123
213	Pistones 11883246, 11885148, 11887322	100	59	271	Mando del regulador	100	125
214	Mecanismo de válvulas 11883246, 11885148, 11887322	100	61	272	Acelerador manual 11294005, 11298197	100	129
215	Caja de distribución y engranajes 11883246, 11885148, 11887322	100	63	273	Parada del motor 11883246, 11885148.....	100	131
216	Cigüeñal 11883246, 11885148, 11887322.....	100	65				
216	Carcasa del volante 11883246, 11885148, 11887322	150	69				
217	Cárter 11883246, 11885148, 11887322	100	71				
218	Suspensión del motor 11883246, 11885148, 11887322	100	73				
218	Suspensión del motor	200	75				
221	Sistema de lubricación 11883246, 11885148, 11887322.....	100	77				
222	Filtro de aceite 11883246, 11885148, 11887322	100	79				
223	Enfriador de aceite 11883246, 11885148, 11887322.....	100	81				
233	Bomba de combustible 11883246, 11885148, 11887322	100	83				
234	Depósito de combustible,tubos de combustible 11883246, 11885148, 11887322	100	85				
236	Bomba de inyección de accesorisde montaje 11883246, 11885148, 11887322	100	87				
236	Regulador 11883246, 11885148, 11887322	150	93				
237	Tuberías de combustible, inyector 11883246, 11885148, 11887322	100	95				
251	Tubo admisión y múltiple escape 11883246, 11885148, 11887322..	100	97				
252	Sistema de escape, silenciador	100	101				
255	Turboalimentador con accesorios de montaje 11883246, 11885148, 11887322	100	103				
256	Filtro de aire con accesoris de montaje	100	105				
256	Filtro de aire	150	107				
260	Sistema de refrigeración	100	109				
260	Sistema de refrigeración con vaso expansión	200	111				

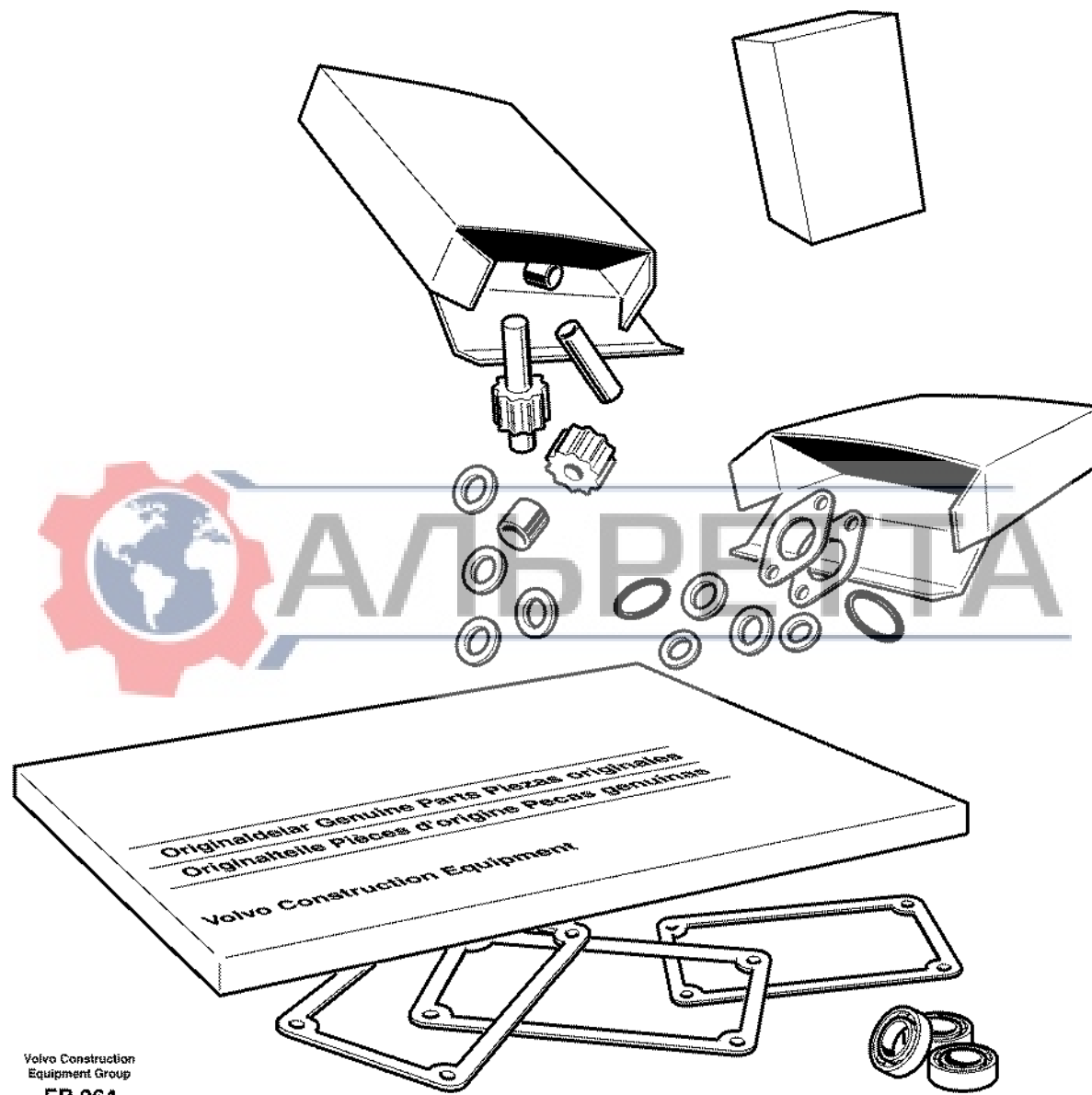
GRUPP	Avsnitt	Sida	GRUPP	Avsnitt	Sida		
210	Satser för motor	50	45	262	Vattenpump och termostathus 11883246, 11885148, 11887322	100	115
210	Motor	100	51	263	Fläkt med monteringsdetaljer	100	119
211	Cylinderhuvud 11883246, 11885148, 11887322	100	53	263	Remtransmission 11883246, 11885148, 11887322	150	121
212	Cylinderblock 11883246, 11885148, 11887322	100	55	269	Motorolja förvärmning	100	123
212	Vevhusventilation 11883246, 11885148, 11887322	150	57	271	Regulatorreglage	100	125
213	Kolvar 11883246, 11885148, 11887322	100	59	272	Handgasreglage 11294005, 11298197	100	129
214	Ventilmekanism 11883246, 11885148, 11887322	100	61	273	Stoppmagnet 11883246, 11885148	100	131
215	Transmissionskåpa och drev 11883246, 11885148, 11887322	100	63				
216	Vevrörelse 11883246, 11885148, 11887322	100	65				
216	Svänghjulskåpa 11883246, 11885148, 11887322	150	69				
217	Oljesump 11883246, 11885148, 11887322	100	71				
218	Motorupphängning 11883246, 11885148, 11887322	100	73				
218	Motorupphängning	200	75				
221	Smörjsystem 11883246, 11885148, 11887322	100	77				
222	Oljefilter 11883246, 11885148, 11887322	100	79				
223	Oljekylare 11883246, 11885148, 11887322	100	81				
233	Bränslepump 11883246, 11885148, 11887322	100	83				
234	Bränsletank, bränslerör 11883246, 11885148, 11887322	100	85				
236	Insprutningspump med monteringsdetaljer 11883246, 11885148, 11887322	100	87				
236	Regulator 11883246, 11885148, 11887322	150	93				
237	Bränslerör och insprutare 11883246, 11885148, 11887322	100	95				
251	Insugningsrör och avgasgrenrör 11883246, 11885148, 11887322	100	97				
252	Avgassystem, ljuddämpare	100	101				
255	Turbokompressor med monteringsdetaljer 11883246, 11885148, 11887322	100	103				
256	Luftrenare med monteringsdetaljer	100	105				
256	Luftrenare	150	107				
260	Kylsystem	100	109				
260	Kylsystem och expansionstank	200	111				
261	Kylare med monteringsdetaljer	100	113				

INNEHÅLLSFÖRTECKNING

Catalogue id 20002	Group 200
Issue VOE 63H9920002	Page 43

VOLVO

BL71



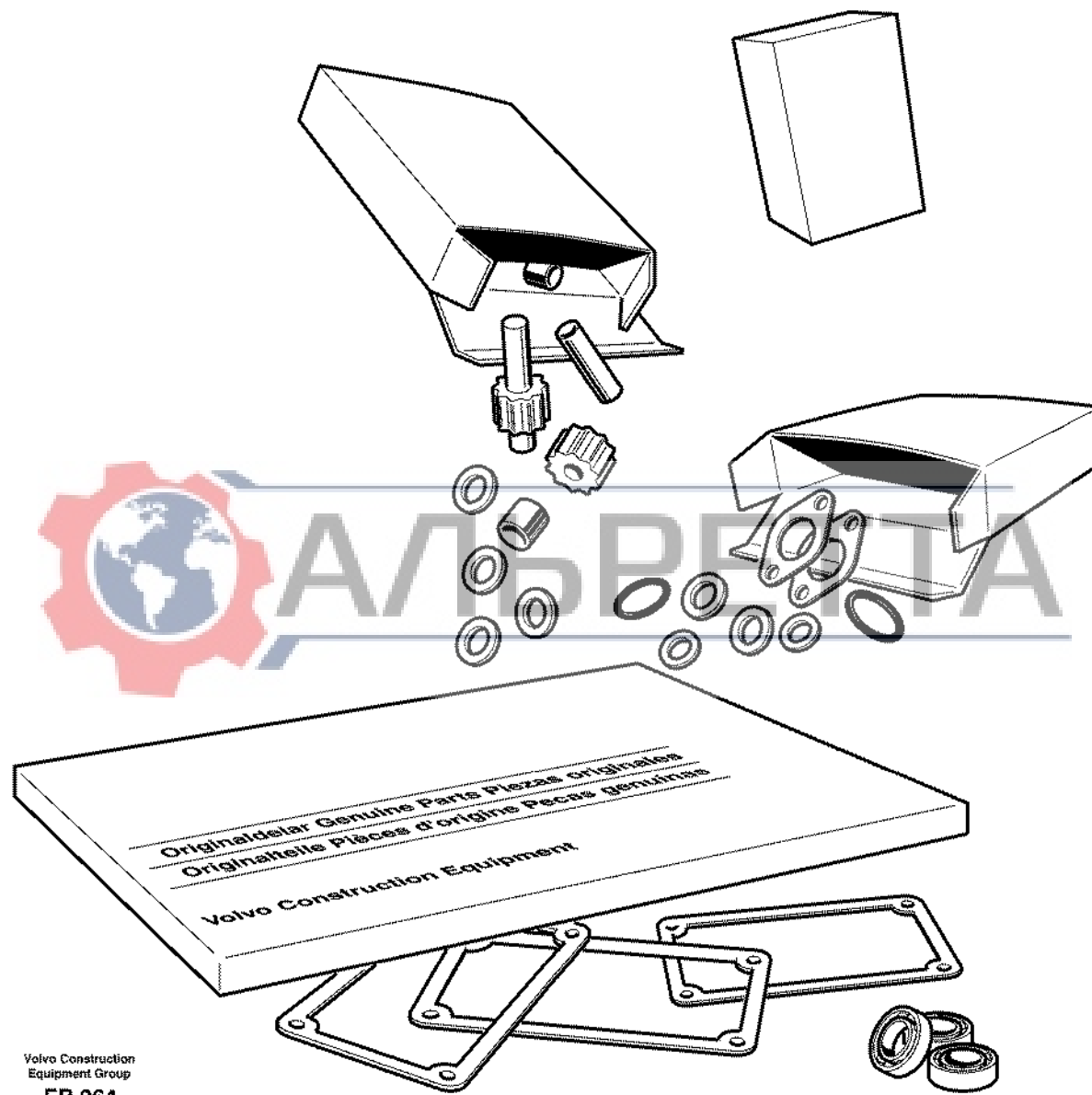
Volvo Construction
Equipment Group
EB 264

Fig.	Part No.	Quantity			P S	K I T	Description	Dénomination	Bezeichnung	Denominación	Benämning	Notes
		1	2	3								
	VOE 11712335					Overhaul Kit	Kit Renovation	Überholungssatz	Juego Reacondic	Renoveringsssats		
	VOE 11700391	1				•Gasket	•Joint	•Dichtung	•Junta	•Packning		
	VOE 11700397	4				•Shim	•Cale Reglage	•Nachstellblech	•Cuna de calzar	•Justerbleck		
	VOE 11701764	12				•O-ring	•Joint Torique	•O-Ring	•Junta torica	•O-ring		
	VOE 13947281	4				•Gasket	•Joint	•Dichtung	•Junta	•Packning		
	VOE 13947282	2				•Gasket	•Joint	•Dichtung	•Junta	•Packning		
	VOE 13947621	2				•Plane Gasket	•Joint Plan	•Flachdichtung	•Junta Plana	•Planpackning		
	VOE 13947622	2				•Plane Gasket	•Joint Plan	•Flachdichtung	•Junta Plana	•Planpackning		
	VOE 20405536	2				•Sealing ring	•Bague d'étanchéité	•Runddichtring	•Anillo reten	•Tätningsring		
	VOE 20405543	8				•Shim	•Cale d'épaisseur	•Passscheibe	•Arandela Ajuste	•Passbricka		
	VOE 20405590	1				•Gasket	•Joint	•Dichtung	•Junta	•Packning		
	VOE 20405627	1				•Gasket	•Joint	•Dichtung	•Junta	•Packning		
	VOE 20405728	1				•Sealing ring	•Bague d'étanchéité	•Runddichtring	•Anillo reten	•Tätningsring		
	VOE 20405825	1				•Gasket	•Joint	•Dichtung	•Junta	•Packning		
	VOE 20405938	1				•Connector	•Raccord	•Anschluss	•Union	•Anslutning		
	VOE 20412318	4				•Stud	•Goujon	•Stiftschraube	•Esparrago	•Pinnskruv		
	VOE 20412359	1				•Sealing ring	•Bague d'étanchéité	•Runddichtring	•Anillo reten	•Tätningsring		
	VOE 20450736	2				•Thermostat	•Thermostat	•Thermostat	•Termostato	•Termostat		
	VOE 20459115	1				•Crankshaft Seal	•Joint Vilebreq	•Kurbelw Dichtg	•Reten Ciguenal	•Vevaxeltätning		
	VOE 20459140	5				•Main Bearing	•Pal.vilebrequin	•Hauptlager	•Cojin Bancada	•Ramlager		
	VOE 20459149	2				•Thrust Washer	•Rondelle Butee	•Druckscheibe	•Arandela Presio	•Tryckbricka		
	VOE 20459168	1				•Crankshaft Seal	•Joint Vilebreq	•Kurbelw Dichtg	•Reten Ciguenal	•Vevaxeltätning		
	VOE 20459171	1				•Nipple	•Raccord	•Nippel	•Niple	•Nippel		
	VOE 20459172	1				•Sealing ring	•Bague d'étanchéité	•Runddichtring	•Anillo reten	•Tätningsring		
	VOE 20459203	1				•Gasket	•Joint	•Dichtung	•Junta	•Packning		
	VOE 20459222	4				•Gasket	•Joint	•Dichtung	•Junta	•Packning		
	VOE 20459236	1				•Gasket	•Joint	•Dichtung	•Junta	•Packning		
	VOE 20459833	1				•Gasket	•Joint	•Dichtung	•Junta	•Packning		
	VOE 20459839	2				•Bushing	•Bague	•Buchse	•Casquillo	•Bussning		
	VOE 20459840	1				•Cyl Head Gasket	•Joint Culasse	•Zyl Kopfdichtfg	•Junta Culata	•Cyl.huvud Packn		

1		Satser för motor Juegos para el motor Motorsätze Jeu pour moteur Repair kits for engine	Catalogue id	Group
2			2002	210
3			Illustr. No	Section
4			EB264	50
5			Issue	Page
			VOE 63H9920002	45

VOLVO

BL71



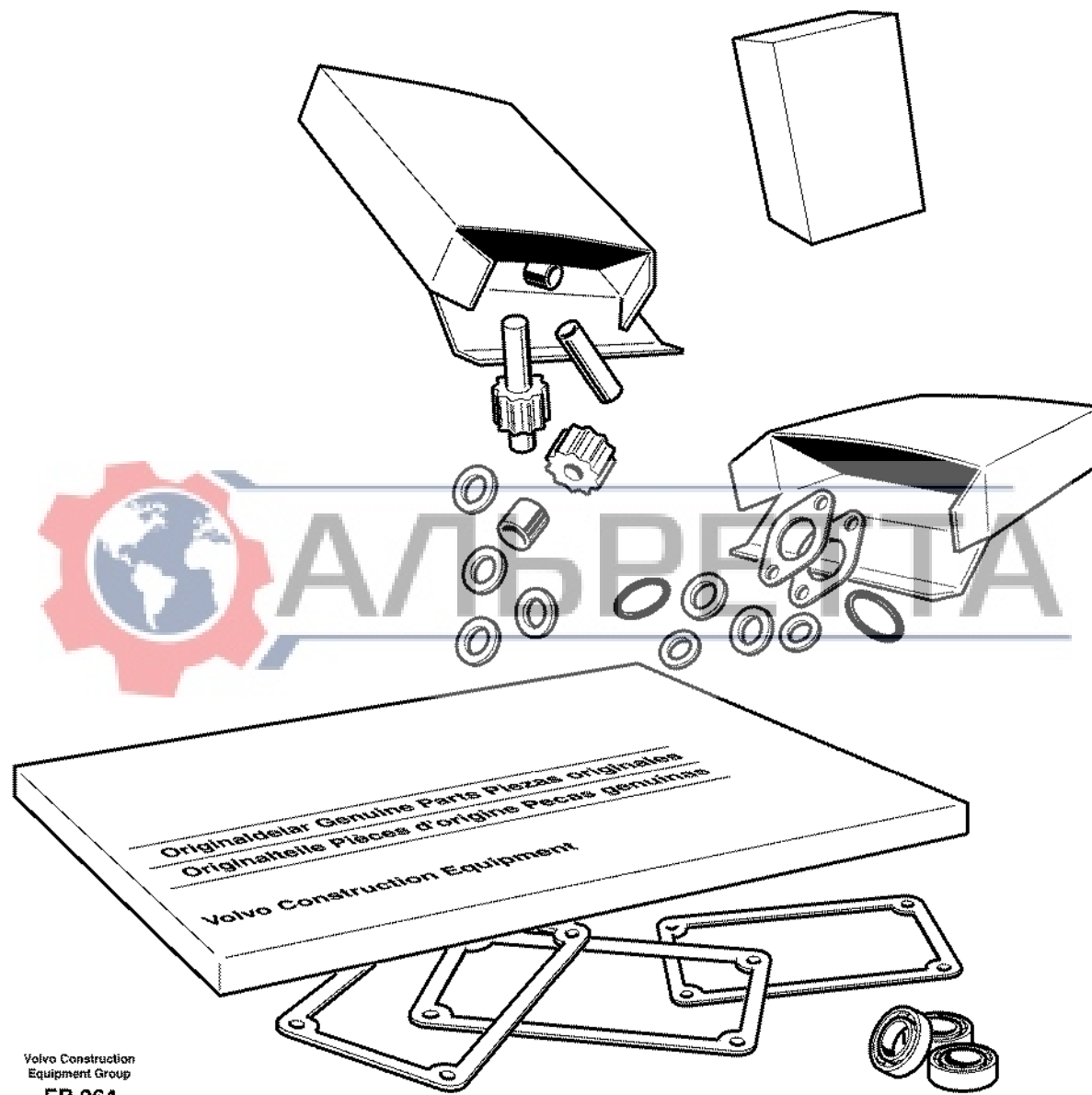
Volvo Construction
Equipment Group
EB 264

Fig.	Part No.	Quantity			P S	K I T	Description	Dénomination	Bezeichnung	Denominación	Benämning	Notes
		1	2	3								
VOE 20459841	1				SS	•Cyl Head Gasket	•Joint Culasse	•Zyl Kopfdichtfg	•Junta Culata	•Cyl.huvud Packn.....		
VOE 20459855	8					•Valve Seal	•Joint Soupape	•Ventildichtung	•Reten Valvula	•Ventiltätning.....		
VOE 20459904	1					•Sealing ring	•Bague d'étanchéité ..	•Runddichtring	•Anillo reten	•Tätningring.....		
VOE 20459953	1					•Sealing ring	•Bague d'étanchéité ..	•Runddichtring	•Anillo reten	•Tätningring.....		
VOE 20459954	1					•Sealing ring	•Bague d'étanchéité ..	•Runddichtring	•Anillo reten	•Tätningring.....		
VOE 20459955	1					•Sealing ring	•Bague d'étanchéité ..	•Runddichtring	•Anillo reten	•Tätningring.....		
VOE 20459961	2					•Sealing ring	•Bague d'étanchéité ..	•Runddichtring	•Anillo reten	•Tätningring.....		
VOE 20459998	1					•Cmshtf Bushing	•Bag.arbre Cames.....	•Nockenw Buchse	•Casqui Arb Lev	•Kamaxelbussning.....		
VOE 20459999	4					•Cmshtf Bushing	•Bag.arbre Cames.....	•Nockenw Buchse	•Casqui Arb Lev	•Kamaxelbussning.....		
VOE 20460009	4					•Piston Pin	•Axe Piston.....	•Kolbenbolzen	•Bulon	•Kolv tapp.....		
VOE 20460010	8					•Clip	•Clip.....	•Klemme	•Clip	•Clips.....		
VOE 20460013	4					•Piston.....	•Piston.....	•Kolben.....	•Piston	•Kolv.....		
VOE 20460022	1					•Gasket	•Joint	•Dichtung.....	•Junta	•Packning.....		
VOE 20460095	4					•Fuel pipe	•Conduit carbura	•Kraftstoffleitung	•Tubo combustib	•Bränslerör.....		
VOE 20482739	4					•Piston Ring Kit	•Jeu Segm.piston	•Kolbenringsatz	•Jg Segm Piston	•Kolv ringsats.....		
VOE 20517048	4					•Hexagon Nut.....	•Ecrou Hexagonal	•Sechskantmutter	•Tuerca Hexagon	•Sexkantsmutter.....		
VOE 20531832	2					•Gasket	•Joint	•Dichtung.....	•Junta	•Packning.....		
VOE 20537029	1					•Gasket	•Joint	•Dichtung.....	•Junta	•Packning.....		
VOE 20555403	4					•Bearing	•Palier	•Lager	•Cojinete	•Lager.....		
VOE 20557208	4					•Gasket	•Joint	•Dichtung.....	•Junta	•Packning.....		
VOE 20570522	1					•Cyl Head Gasket	•Joint Culasse	•Zyl Kopfdichtfg	•Junta Culata	•Cyl.huvud Packn.....		
VOE 7011998	1					•Gasket	•Joint	•Dichtung.....	•Junta	•Packning.....		
VOE 976929	12					•Gasket	•Joint	•Dichtung.....	•Junta	•Packning.....		
VOE 11712336						Cyl Head Kit	Jeu De Culasse	Zyl.kopfsats	Juego De Culata	Cyl.huvudsats.....		
VOE 13947281	2					•Gasket	•Joint	•Dichtung.....	•Junta	•Packning.....		
VOE 13947282	2					•Gasket	•Joint	•Dichtung.....	•Junta	•Packning.....		
VOE 13947621	1					•Plane Gasket	•Joint Plan	•Flachdichtung.....	•Junta Plana	•Planpackning.....		
VOE 13947622	1					•Plane Gasket	•Joint Plan	•Flachdichtung.....	•Junta Plana	•Planpackning.....		
VOE 20405536	2					•Sealing ring	•Bague d'étanchéité ..	•Runddichtring	•Anillo reten	•Tätningring.....		
VOE 20405590	1					•Gasket	•Joint	•Dichtung.....	•Junta	•Packning.....		

1		Satser för motor Juegos para el motor Motorsätze Jeu pour moteur Repair kits for engine	Catalogue id	Group
2			20002	210
3			Illustr. No	Section
4			EB264	50
5			Issue	Page
			VOE 63H9920002	47

VOLVO

BL71



Volvo Construction
Equipment Group
EB 264

Fig.	Part No.	Quantity			P S	K I T	Description	Dénomination	Bezeichnung	Denominación	Benämning	Notes
		1	2	3								
VOE 20405627	1					•Gasket	•Joint	•Dichtung	•Junta	•Packning.....		
VOE 20405728	1					•Sealing ring.....	•Bague d'étanchéité ..	•Runddichtring.....	•Anillo reten	•Tätningring.....		
VOE 20405938	1					•Connector	•Raccord	•Anschluss.....	•Union.....	•Anslutning.....		
VOE 20412318	4					•Stud	•Goujon	•Stiftschraube.....	•Esparrago	•Pinnskruv.....		
VOE 20459171	1					•Nipple	•Raccord	•Nippel.....	•Niple.....	•Nippel.....		
VOE 20459172	1					•Sealing ring.....	•Bague d'étanchéité ..	•Runddichtring.....	•Anillo reten	•Tätningring.....		
VOE 20459222	4					•Gasket	•Joint	•Dichtung.....	•Junta	•Packning.....		
VOE 20459236	1					•Gasket	•Joint	•Dichtung.....	•Junta	•Packning.....		
VOE 20459833	1					•Gasket	•Joint	•Dichtung.....	•Junta	•Packning.....		
VOE 20459839	2					•Bushing.....	•Bague	•Buchse	•Casquillo	•Bussning.....		
VOE 20459840	1					•Cyl Head Gasket	•Joint Culasse	•Zyl Kopfdichtfg	•Junta Culata.....	•Cyl.huvud Packn.....		
VOE 20459841	1				SS	•Cyl Head Gasket	•Joint Culasse	•Zyl Kopfdichtfg	•Junta Culata.....	•Cyl.huvud Packn.....		
VOE 20459855	8					•Valve Seal	•Joint Soupape.....	•Ventildichtung	•Reten Valvula.....	•Ventiltätning.....		
VOE 20459953	1					•Sealing ring.....	•Bague d'étanchéité ..	•Runddichtring.....	•Anillo reten	•Tätningring.....		
VOE 20459955	1					•Sealing ring.....	•Bague d'étanchéité ..	•Runddichtring.....	•Anillo reten	•Tätningring.....		
VOE 20460095	4					•Fuel pipe.....	•Conduit carbura	•Kraftstoffleitung	•Tubo combustib	•Bränslerör.....		
VOE 20517048	4					•Hexagon Nut.....	•Ecroû Hexagonal	•Sechskantmutter	•Tuerca Hexagon	•Sexkantsmutter.....		
VOE 20531832	2					•Gasket	•Joint	•Dichtung.....	•Junta	•Packning.....		
VOE 20557208	4					•Gasket	•Joint	•Dichtung.....	•Junta	•Packning.....		
VOE 20570522	1					•Cyl Head Gasket	•Joint Culasse	•Zyl Kopfdichtfg	•Junta Culata.....	•Cyl.huvud Packn.....		

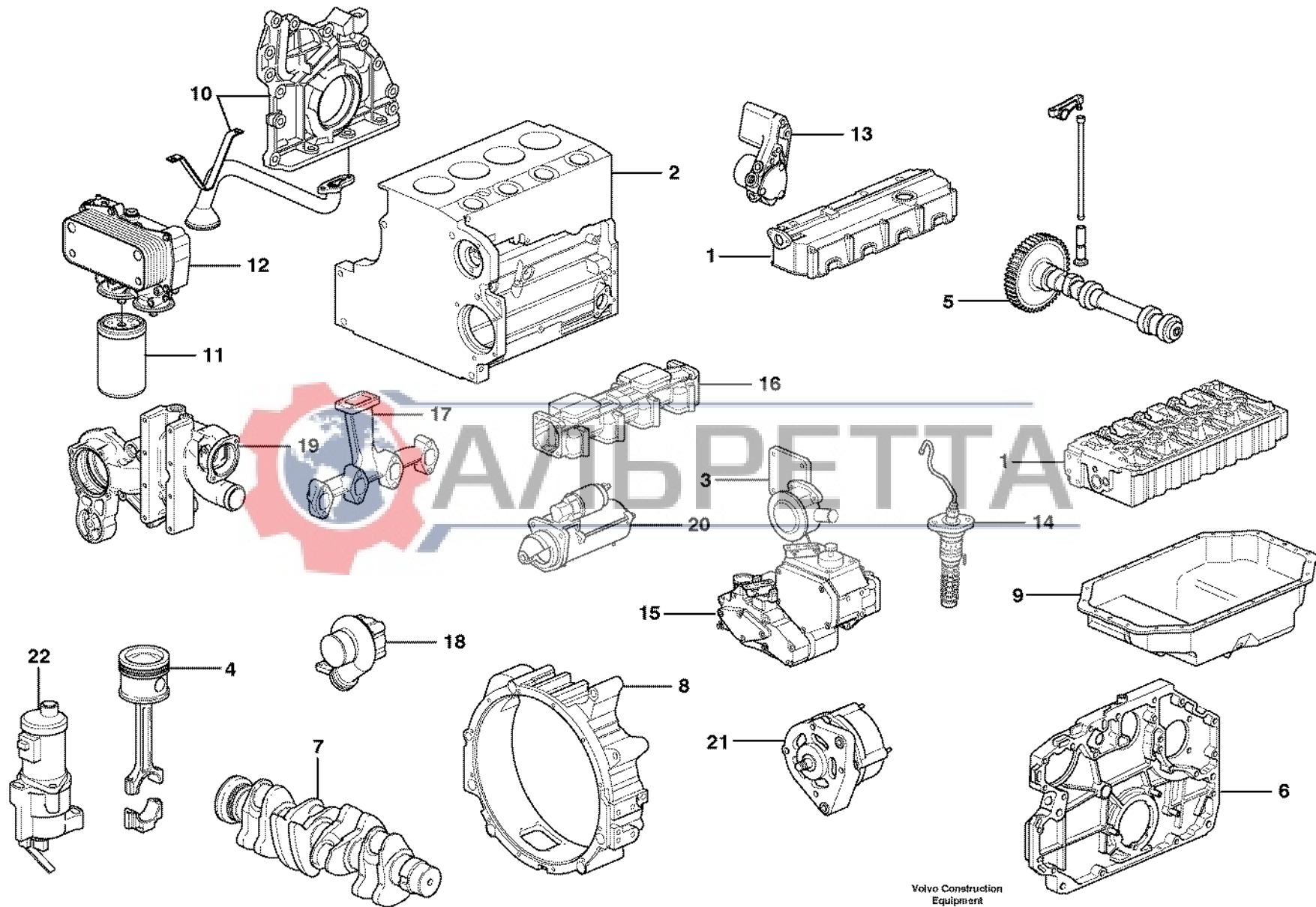


1	Satser för motor Juegos para el motor Motorsätze Jeu pour moteur Repair kits for engine	Catalogue id	Group
2		20002	210
3		Illustr. No	Section
4		EB264	50
5		Issue	Page
		VOE 63H9920002	49

VOLVO



BL71



Volvo Construction
Equipment
1004517

Fig.	Part No.	Quantity			P S	K I T	Description	Dénomination	Bezeichnung	Denominación	Benämning	Notes
		1	2	3								
	VOE 11883246				SS	Engine.....	Moteur.....	Verbrenn Motor.....	Motor.....	Motor.....	2111)	
	VOE 11885148					Engine.....	Moteur.....	Verbrenn Motor.....	Motor.....	Motor.....	2112)	
	VOE 11887322					Engine.....	Moteur.....	Verbrenn Motor.....	Motor.....	Motor.....	S/N 12827 -	
1		1				•Cylinder head.....	•Culasse.....	•Zylinderkopf.....	•Culata.....	•Cylinderhuvud.....	See group 211, Page 53	
2		1				•Cylinder block.....	•Bloc-cylindres.....	•Zylinderblock.....	•Bloque cilindro.....	•Cylinderblock.....	See group 212, Page 55	
3		1				•Crankcase ventilatio ..	•Aération de carter.....	•Kurbelgehäuse,entlü..	•Ventilación del ca.....	•Vevhusventilation.....	See group 212, Page 57	
4		4				•Piston.....	•Piston.....	•Kolben.....	•Piston.....	•Kolv.....	See group 213, Page 59	
5		1				•Valve mechanism.....	•Commande des sou..	•Ventilmechanismus...	•Mecanismo de valvul ..	•Ventilmekanism.....	See group 214, Page 61	
6		1				•Timing gear casing ...	•Carter distribution ..	•Steuergehäuse.....	•Cubierta distribucion ..	•Transmissionskåpa..	See group 215, Page 63	
7		1				•Crankshaft.....	•Vilebrequin.....	•Räderkasten Kubelw ..	•Cigüeñal.....	•Vevrörelse.....	See group 216, Page 65	
8		1				•Flywheel Hsg.....	•Carter Volant.....	•Schwungradgeh.....	•Cubiert Volante.....	•Svånghjulsååpa.....	See group 216, Page 69	
9		1				•Oil sump.....	•Carter d'huile.....	•Ölsumpf.....	•Carter de aceite.....	•Oljesump.....	See group 217, Page 71	
10		1				•Lubricating system...	•Syst.de graissage ..	•Schmierölsystem.....	•Sist.lubrificante.....	•Smörjssystem.....	See group 221, Page 77	
11		1				•Oil filter.....	•Filtre huile.....	•Ölfilter.....	•Filtro aceite.....	•Oljefilter.....	See group 222, Page 79	
12		1				•Oil cooler.....	•Radiateur huile.....	•Ölkühler.....	•Enfriador aceite.....	•Oljekylare.....	See group 223, Page 81	
13		1				•Fuel pump.....	•Pompe Carburant.....	•Kraftstoffpumpe.....	•Bomba Combustib.....	•Bränslepump.....	See group 233, Page 83	
14		4				•Injection pump.....	•Pompe injection.....	•Einspritzpumpe.....	•Bomba inyeccion.....	•Insprutningspump....	See group 236, Page 87	
15		1				•Regulator.....	•Regulateur.....	•Regler.....	•Regulador.....	•Regulator.....	See group 236, Page 93	
16		1				•Inlet pipe.....	•Tubulure.....	•Einlassrohr.....	•Tubo admision.....	•Inloppsår.....	See group 251, Page 97	
17		1				•Exhaust pipe.....	•Tuyau echappem.....	•Abgasschlauch.....	•Tubo escape.....	•Avgasår.....	See group 251, Page 97	
18		1				•Turbocharger.....	•Turbocompresse.....	•Abgasturbolader.....	•Turbocompresor.....	•Turbokompressor.....	See group 255, Page 103	
19		1				•Water pump and ther...	•Pompe a eau et boiti..	•Wasserpumpe und ...	•Bomba de agua y caj ..	•Vattenpump och ter..	See group 262, Page 115	
20		1				•Starter motor.....	•Demarreur.....	•Anlasser.....	•Motor arranque.....	•Startmotor.....	See group 331, Page 143	
21		1				•Alternator with fitti ..	•Dynamo avec piéces ..	•Lichtmaschine mit A..	•Alternador con acces ..	•Generator med mont ..	See group 321, Page 141	
22		1				•Stop solenoid.....	•Aimant d'arret.....	•Haltemagnet.....	•Solenoid parad.....	•Stoppmagnet.....	See group 273, Page 131	

2111) S/n 10021 - 10817, 10822 - 10833, 10838 - 10847, 10850 - 10861, 10864 - 10867, 10869 - 10874, 10906,10907.

2112) S/n 10818 - 10821, 10834 - 10837, 10848, 10849, 10862, 10863, 10868, 10875 - 10905, 10908 -

1		Motor	Catalogue id	Group
2		Motor	20002	210
3		Motor	Illustr. No	Section
4		Moteur	1004517	100
5		Engine	Issue	Page
			VOE 63H9920002	51

VOLVO

BL71

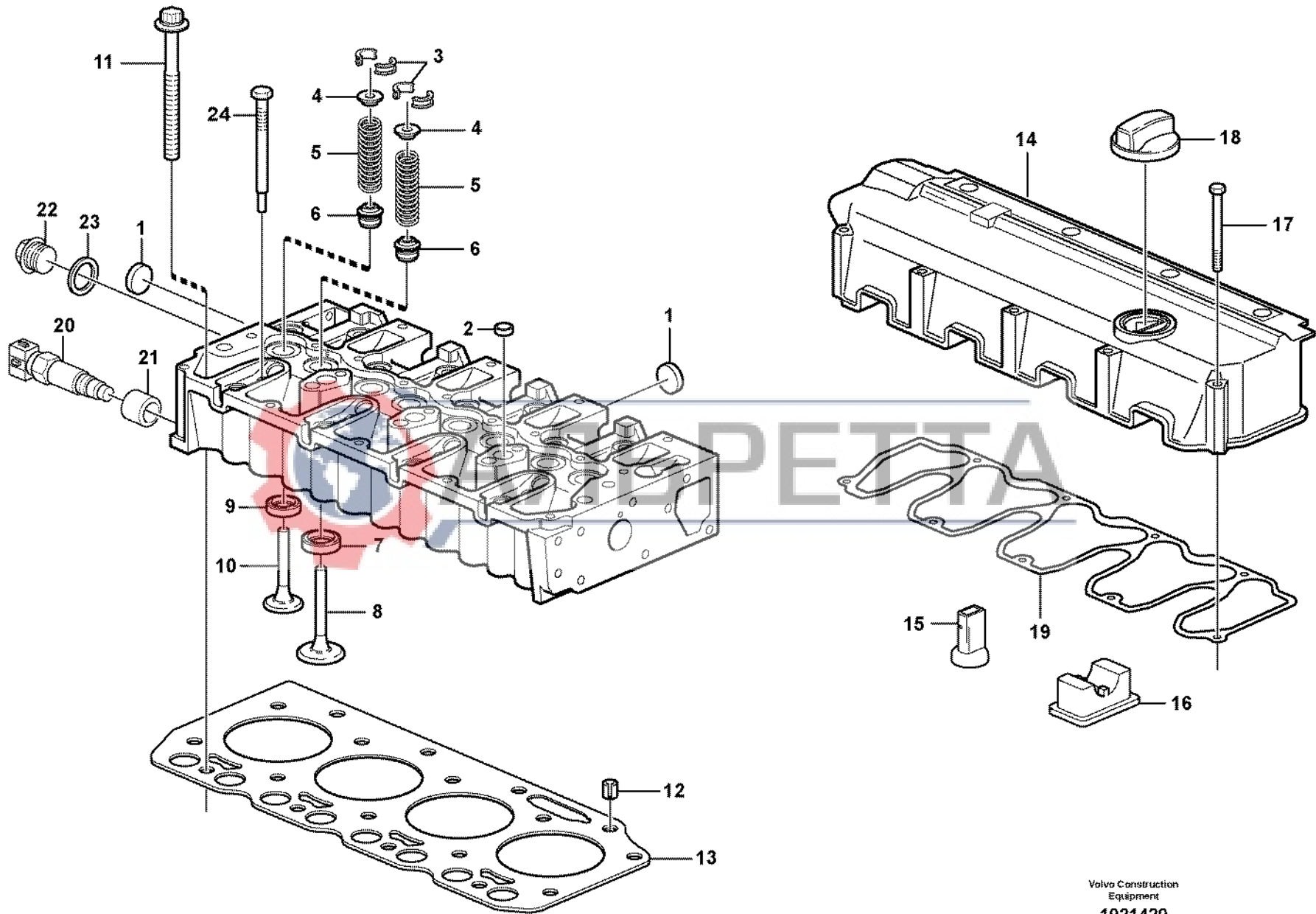
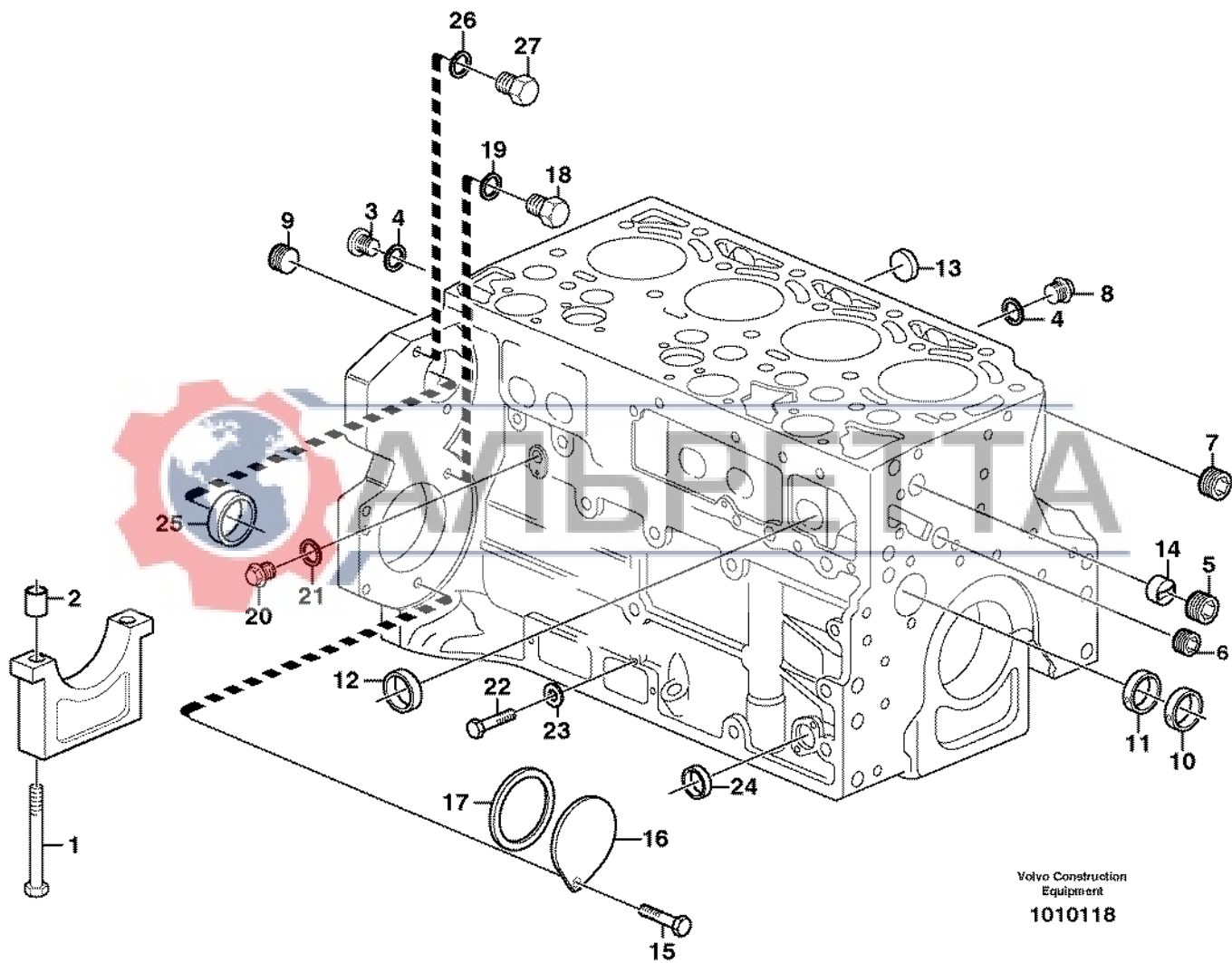


Fig.	Part No.	Quantity			P S	K I T	Description	Dénomination	Bezeichnung	Denominación	Benämning	Notes
		1	2	3								
	VOE 2055189	1	1			Cylinder head.....	Culasse.....	Zylinderkopf.....	Culata.....	Cylinderhuvud.....	ENG - 0902522	
	VOE 20590598	1	1			Cylinder head.....	Culasse.....	Zylinderkopf.....	Culata.....	Cylinderhuvud.....	ENG 0902523 -	
1	VOE 20412745	3	3			•Core Plug.....	•Ronde fermeture.....	•Fullscheibe.....	•Tapon.....	•Täppbricka.....		
2	VOE 20412733	3	3			•Core Plug.....	•Ronde fermeture.....	•Fullscheibe.....	•Tapon.....	•Täppbricka.....		
3	VOE 20459857	16	16			•Valve Cone.....	•Taquet.....	•Ventilkegelst.....	•Valvula Cono.....	•Knaster.....		
4	VOE 20535037	8	8			•Washer.....	•Rondelle.....	•Scheibe.....	•Arandela.....	•Bricka.....		
5	VOE 20459851	8	8			•Valve Spring.....	•Ressort Soupape.....	•Ventilfeder.....	•Resorte Valvula.....	•Ventilfjäder.....		
6	VOE 20459855	8	8			•Valve Seal.....	•Joint Soupape.....	•Ventildichtung.....	•Reten Valvula.....	•Ventiltätning.....		
7	VOE 20459852	4	4			•Valve seat.....	•Siege de soupape.....	•Ventilsitz.....	•Asiento de valvula.....	•Ventilsäte.....		
8	VOE 20791517	4	4			•Inlet valve.....	•Soupape d'entrée.....	•Einlassventil.....	•Valvula de entrada.....	•Inloppsventil.....		
9	VOE 20459854	4	4			•Valve seat.....	•Siege de soupape.....	•Ventilsitz.....	•Asiento de valvula.....	•Ventilsäte.....		
10	VOE 20791405	4	4			•Exhaust Valve.....	•Soupape Echappem.....	•Auslassventil.....	•Valvula Escape.....	•Avgasventil.....		
11	VOE 20459838	13	13			Bolt.....	Boulon.....	Bolzen.....	Perno.....	Bult.....		
12	VOE 20459839	2	2			Bushing.....	Bague.....	Buchse.....	Casquillo.....	Bussning.....		
13	VOE 20882841	1	1			Cyl Head Gasket.....	Joint Culasse.....	Zyl Kopfdichtfg.....	Junta Culata.....	Cyl.huvud Packn.....	1,2 MM	
	VOE 20882839	1	1			Cyl Head Gasket.....	Joint Culasse.....	Zyl Kopfdichtfg.....	Junta Culata.....	Cyl.huvud Packn.....	1,3 MM	
	VOE 20882838	1	1			Cyl Head Gasket.....	Joint Culasse.....	Zyl Kopfdichtfg.....	Junta Culata.....	Cyl.huvud Packn.....	1,4 MM	
14	VOE 20558934	1	1			Valve Cover.....	Cache-soupapes.....	Zylkopfhäube.....	Cubier Valvula.....	Ventilkåpa.....		
15	VOE 20459836	1	1			•Nozzle.....	•Gicleur.....	•Düse.....	•Difusor.....	•Munstycke.....		
16	VOE 20459835	1	1			•Cover.....	•Capot.....	•Haube.....	•Cubierta.....	•Kåpa.....		
17	VOE 20459830	9	9			Screw.....	Vis.....	Schraube.....	Tornillo.....	Skruv.....		
18	VOE 11700341	1	1			Filler cap.....	Bouchon Remplissa.....	Tankverschluss.....	Tapa Llenado.....	Påfyllningslock.....		
19	VOE 20558924	1	1			Gasket.....	Joint.....	Dichtung.....	Junta.....	Packning.....		
20	VOE 20924084	1	1			Sensor.....	Capteur.....	Geber.....	Captador.....	Givare.....		
21	VOE 13947621	1	1			•Plane Gasket.....	•Joint Plan.....	•Flachdichtung.....	•Junta Plana.....	•Planpackning.....		
22	VOE 20464451	1	1			Plug.....	Bouchon.....	Stopfen.....	Tapon.....	Plugg.....		
23	VOE 13947628	1	1			Plane Gasket.....	Joint Plan.....	Flachdichtung.....	Junta Plana.....	Planpackning.....	(VOE 20450898)	
24	VOE 20405895	1				Plug.....	Bouchon.....	Stopfen.....	Tapon.....	Plugg.....		
	VOE 20460459	1				Glow plug.....	Bougie de préchauffe.....	Glühkerze.....	Bujia.....	Glödstift.....		

1	11883246,11885148	Cylinderhuvud Culata Zylinderkopf Culasse Cylinder head	Catalogue id	Group
2	11887322		2002	211
3			Illustr. No	Section
4			1021429	100
5			Issue	Page
	11883246, 11885148, 11887322		VOE 63H9920002	53

VOLVO

BL71



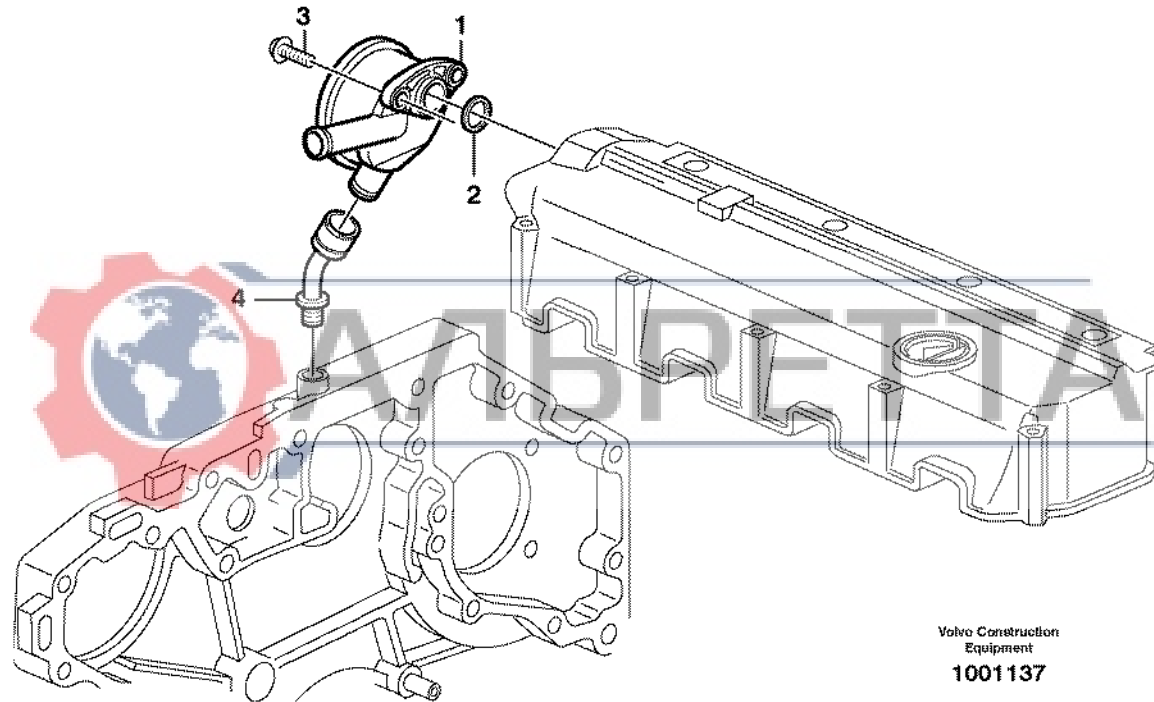
Volvo Construction
Equipment
1010118

Fig.	Part No.	Quantity			P S	K I T	Description	Dénomination	Bezeichnung	Denominación	Benämning	Notes
		1	2	3								
	VOE 24425842	1			SS	Crankcase.....	Carter Moteur.....	Kurbelgehäuse.....	Carter Ciguenal.....	Vevhus.....	ENG - 1064049	
	VOE 20791246	1				Cylinder Block.....	Bloc-cylindres.....	Zylinderblock.....	Bloque Cilindro.....	Cylinderblock.....	ENG 1064050 -	
1	VOE 20460006	10				•Screw.....	•Vis.....	•Schraube.....	•Tornillo.....	•Skruv.....		
2	VOE 20460001	10				•Bushing.....	•Bague.....	•Buchse.....	•Casquillo.....	•Bussning.....		
3	VOE 20460000	1				•Plug.....	•Bouchon.....	•Stopfen.....	•Tapon.....	•Plugg.....	(VOE 11700279)	
4	VOE 13969011	3				•Gasket.....	•Joint.....	•Dichtung.....	•Junta.....	•Packning.....		
5	VOE 20405717	1				•Plug.....	•Bouchon.....	•Stopfen.....	•Tapon.....	•Plugg.....	(VOE 20508585)	
6	VOE 20405719	1				•Plug.....	•Bouchon.....	•Stopfen.....	•Tapon.....	•Plugg.....	(VOE 20508590)	
7	VOE 20508600	2				•Plug.....	•Bouchon.....	•Stopfen.....	•Tapon.....	•Plugg.....		
8	VOE 20405716	2				•Plug.....	•Bouchon.....	•Stopfen.....	•Tapon.....	•Plugg.....		
9	VOE 20508605	1				•Plug.....	•Bouchon.....	•Stopfen.....	•Tapon.....	•Plugg.....		
10	VOE 20459999	4				•Cmshtf Bushing.....	•Bag.arbre Cames.....	•Nockenw Buchse.....	•Casqiu Arb Lev.....	•Kamaxelbussning.....		
11	VOE 20459998	1				•Cmshtf Bushing.....	•Bag.arbre Cames.....	•Nockenw Buchse.....	•Casqiu Arb Lev.....	•Kamaxelbussning.....		
12	VOE 20405721	6				•Hood.....	•Capuchon.....	•Verschlussdeckel.....	•Cubierta de tapón.....	•Huv.....		
13	VOE 20412745	4				•Core Plug.....	•Ronde.fermeture.....	•Fullscheibe.....	•Tapon.....	•Täppbricka.....		
14	VOE 11700288	1				•Sleeve.....	•Douille.....	•Hülse.....	•Manguito.....	•Hylsa.....		
15	VOE 11709826	2				Flange screw.....	Vis à bride.....	Flanschschraube.....	Torn embridado.....	Flänsskruv.....		
16	VOE 20459898	1				Cover.....	Capot.....	Haube.....	Capo.....	Huv.....		
17	VOE 20412359	1				Sealing ring.....	Bague d'étanchéité.....	Runddichtring.....	Anillo reten.....	Tättningsring.....		
18	VOE 20441859	1				Plug.....	Bouchon.....	Stopfen.....	Tapon.....	Plugg.....		
19	VOE 13947281	1				Gasket.....	Joint.....	Dichtung.....	Junta.....	Packning.....		
20	VOE 20405716	1				Plug.....	Bouchon.....	Stopfen.....	Tapon.....	Plugg.....		
21	VOE 13947621	1				Plane Gasket.....	Joint Plan.....	Flachdichtung.....	Junta Plana.....	Planpackning.....		
22	VOE 20459899	2				Screw.....	Vis.....	Schraube.....	Tornillo.....	Skruv.....		
23	VOE 20459900	2				Sealing ring.....	Bague d'étanchéité.....	Runddichtring.....	Anillo reten.....	Tättningsring.....		
24	VOE 20412745	1				Core Plug.....	Ronde.fermeture.....	Fullscheibe.....	Tapon.....	Täppbricka.....		
25	VOE 20450778	1				Core Plug.....	Ronde.fermeture.....	Fullscheibe.....	Tapon.....	Täppbricka.....		
26	VOE 13947281	2				Gasket.....	Joint.....	Dichtung.....	Junta.....	Packning.....		
27	VOE 20441859	2				Plug.....	Bouchon.....	Stopfen.....	Tapon.....	Plugg.....	(VOE 20532680)	

1		Cylinderblock Bloque de cilindros Zylinderblock Bloc-cylindres Cylinder block	Catalogue id	Group
2			20002	212
3			Illustr. No	Section
4			1010118	100
5			Issue	Page
		11883246, 11885148, 11887322	VOE 63H9920002	55

VOLVO

BL71



Volvo Construction
Equipment
1001137

Fig.	Part No.	Quantity			P S	K I T	Description	Dénomination	Bezeichnung	Denominación	Benämning	Notes
		1	2	3								
1	VOE 20405626	1				Regulator	Regulateur	Regler.....	Regulador.....	Regulator.....		
2	VOE 20405627	1				•Gasket	•Joint	•Dichtung.....	•Junta	•Packning.....		
3	VOE 20450728	2				Bolt.....	Boulon.....	Bolzen	Perno.....	Bult.....		
4	VOE 20405938	1				Connector	Raccord.....	Anschluss.....	Union	Anslutning.....		

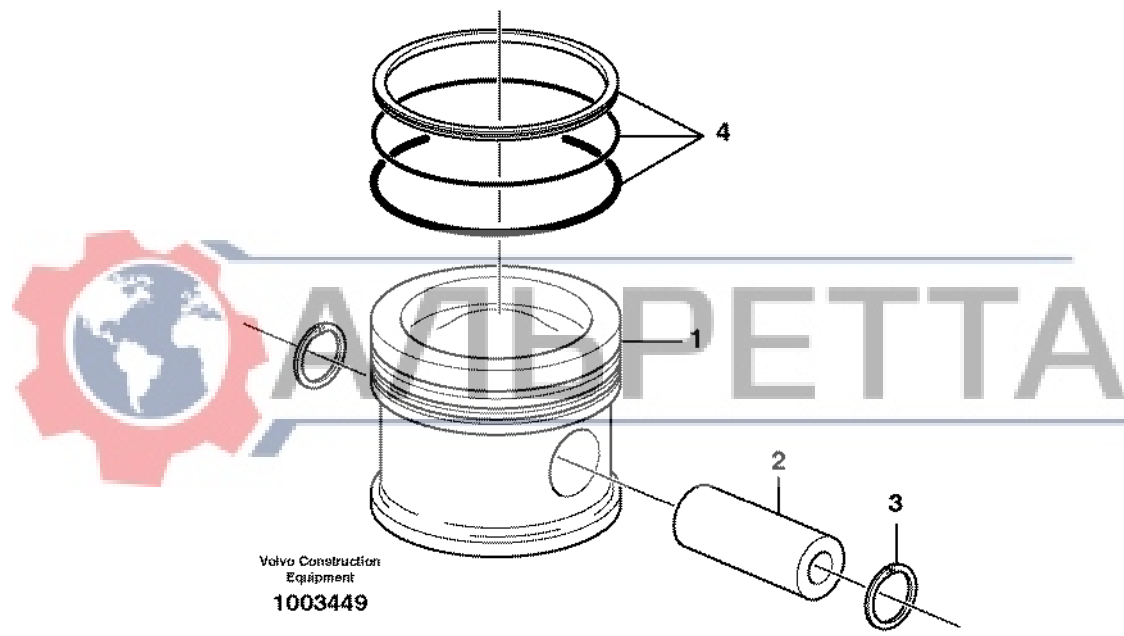


1		Vevhusventilation Ventilación del cárter Kurbelgehäusebelüftung Ventilation de carter Crankcase ventilation	Catalogue id	Group
2			20002	212
3			Illustr. No	Section
4			1001137	150
5			Issue	Page
		11883246, 11885148, 11887322	VOE 63H9920002	57

VOLVO



BL71



Volvo Construction
Equipment
1003449

Fig.	Part No.	Quantity			P S	K I T	Description	Dénomination	Bezeichnung	Denominación	Benämning	Notes
		1	2	3								
1	VOE 20460013	4				Piston	Piston	Kolben	Piston	Kolv.....		
2	VOE 20460009	4				•Piston Pin	•Axe Piston.....	•Kolbenbolzen	•Bulon	•Kolvtapp.....		
3	VOE 20460010	8				•Clip	•Clip.....	•Klemme.....	•Clip.....	•Clips.....		
4	VOE 20482739	4				•Piston Ring Kit	•Jeu Segm.piston	•Kolbenringsatz	•Jg Segm Piston	•Kolvringsats.....		



1		Kolvar Pistones Kolben Pistons Pistons	Catalogue id	Group
2			20002	213
3			Illustr. No	Section
4			1003449	100
5		11883246, 11885148, 11887322	Issue	Page
			VOE 63H9920002	59

VOLVO



BL71

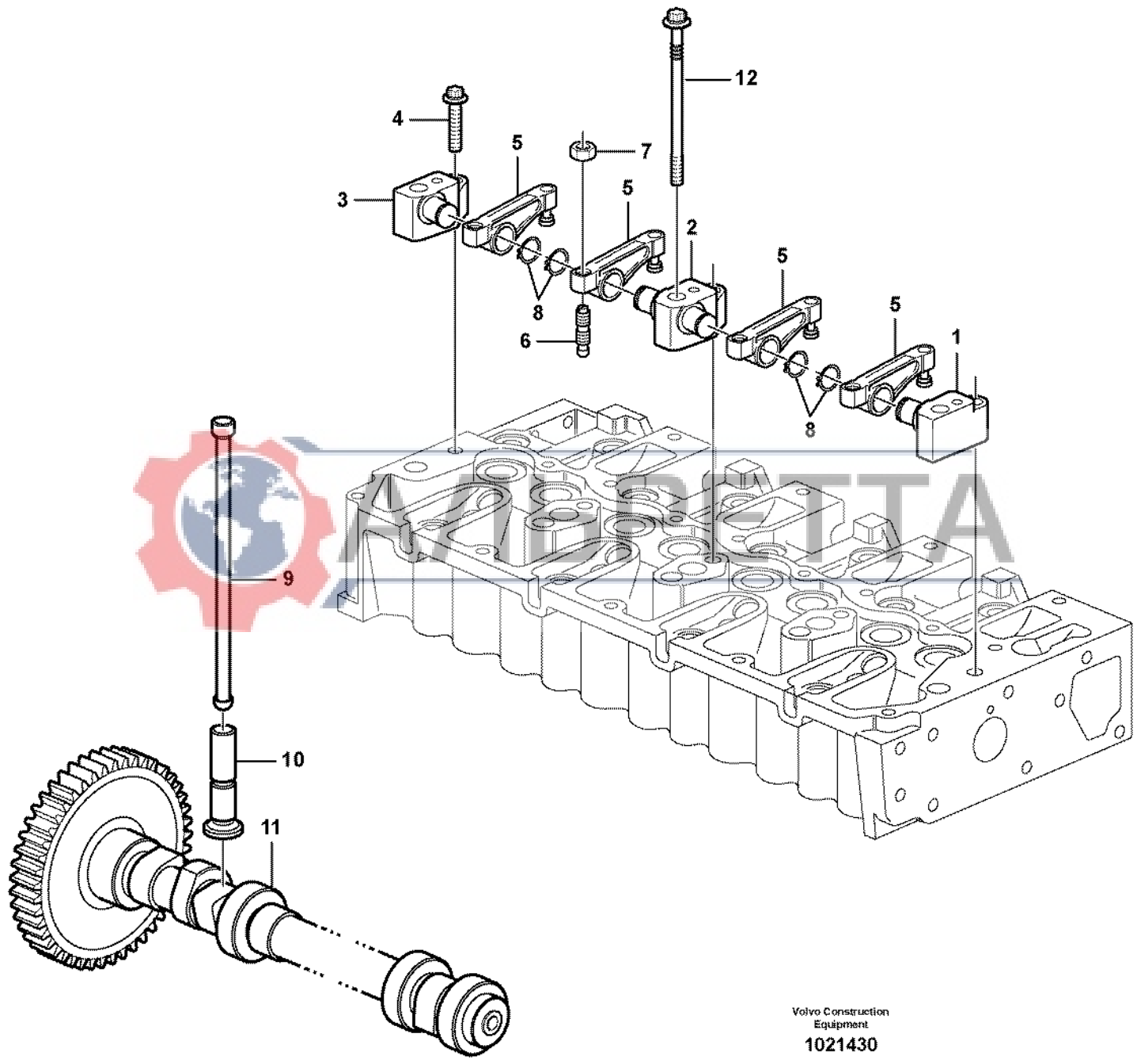


Fig.	Part No.	Quantity			P S	K I T	Description	Dénomination	Bezeichnung	Denominación	Benämning	Notes
		1	2	3								
1	VOE 20459848	1				Bracket.....	Console.....	Konsole	Consola	Konsol.....		
2	VOE 20459847	3				Bracket.....	Console.....	Konsole	Consola	Konsol.....		
3	VOE 20459849	1				Bracket.....	Console.....	Konsole	Consola	Konsol.....		
4	VOE 20459853	5				Screw	Vis	Schraube.....	Tornillo	Skruv.....		
5	VOE 20459850	8				Rocker Arm	Culbuteur	Kipphebel	Balancin	Vipparm.....		
6	VOE 20405524	8				Screw	Vis	Schraube.....	Tornillo	Skruv.....		
7	VOE 11700373	8				Nut	Ecrou.....	Mutter	Tuerca	Mutter.....		
8	VOE 945495	8				Snap Ring	Circlip	Nutring.....	Circlip	Spårring.....	(VOE 20549891)	
9	VOE 20460008	8				Push Rod	Tige-poussoir	Druckstange	Varilla Presion	Tryckstång.....		
10	VOE 20460007	8				Tappet.....	Poussoir Pompe.....	Pumpdrucker.....	Balancin	Lyftare.....		
11	VOE 20555491	1				Camshaft.....	Arbre a cames.....	Nockenwelle.....	Eje de levas.....	Kamaxel.....		
12	VOE 20459837	5				Bolt.....	Boulon.....	Bolzen	Perno.....	Bult.....		

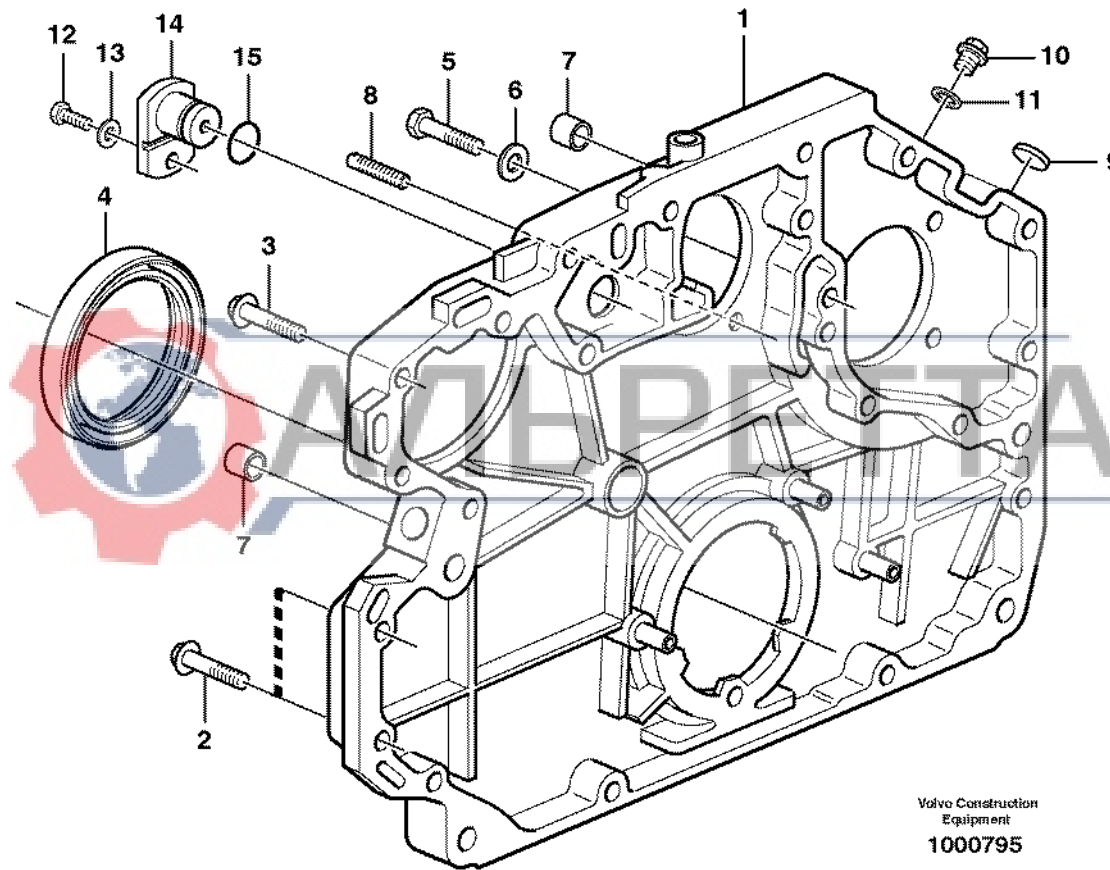


1	Ventilmekanism Mecanismo de válvulas Ventilmechanismus Commande des soupapes Valve mechanism	Catalogue id	Group
2		20002	214
3		Illustr. No	Section
4		1021430	100
5		Issue	Page
	11883246, 11885148, 11887322	VOE 63H9920002	61

VOLVO



BL71



Volvo Construction
Equipment
1000795

Fig.	Part No.	Quantity			P S	K I T	Description	Dénomination	Bezeichnung	Denominación	Benämning	Notes
		1	2	3								
1	VOE 2055502	1				Tmg Gear Cover	Couv.distribut.	Steuergeh Deck	Tapa Distribuc	Transm.lock.....	ENG - 00629848	
	VOE 20592820	1				Cover	Capot	Haube.....	Capo.....	Huv.....	ENG 00629849 -	
2	VOE 20412324	12				Screw	Vis	Schraube.....	Tornillo	Skruv.....		
3	VOE 20450801	4				Screw	Vis	Schraube.....	Tornillo	Skruv.....		
4	VOE 20459115	1				Crankshaft Seal	Joint Vilebreq.	Kurbelw Dichtg	Reten Ciguenal	Vevaxeltätning.....		
5	VOE 20405653	2				Screw	Vis	Schraube.....	Tornillo	Skruv.....		
6	VOE 13955900	2				Washer.....	Rondelle.....	Scheibe	Arandela.....	Bricka.....	(VOE 20539564)	
7	VOE 20585971	2				Bushing	Bague.....	Buchse	Casquillo	Bussning.....		
8	VOE 20450795	1				Set Screw.....	Vis Butee.....	Anschlagschraub.....	Tornillo Tope	Stoppskruv.....		
9	VOE 20405605	1				Cover	Capot	Haube.....	Capo.....	Huv.....		
10	VOE 20451012	1				Plug.....	Bouchon.....	Stopfen.....	Tapon	Plugg.....		
11	VOE 13947621	1				Plane Gasket	Joint Plan	Flachdichtung.....	Junta Plana	Planpackning.....		
12	VOE 20459977	1			SS	Screw	Vis	Schraube.....	Tornillo	Skruv.....		
13	VOE 20459183	1				Washer.....	Rondelle.....	Scheibe	Arandela.....	Bricka.....		
14	VOE 20405553	1				Cover	Capot	Haube.....	Capo.....	Huv.....		
15	VOE 20459904	1				Sealing ring	Bague d'étanchéité ...	Runddichtring.....	Anillo reten	Tättningsring.....		

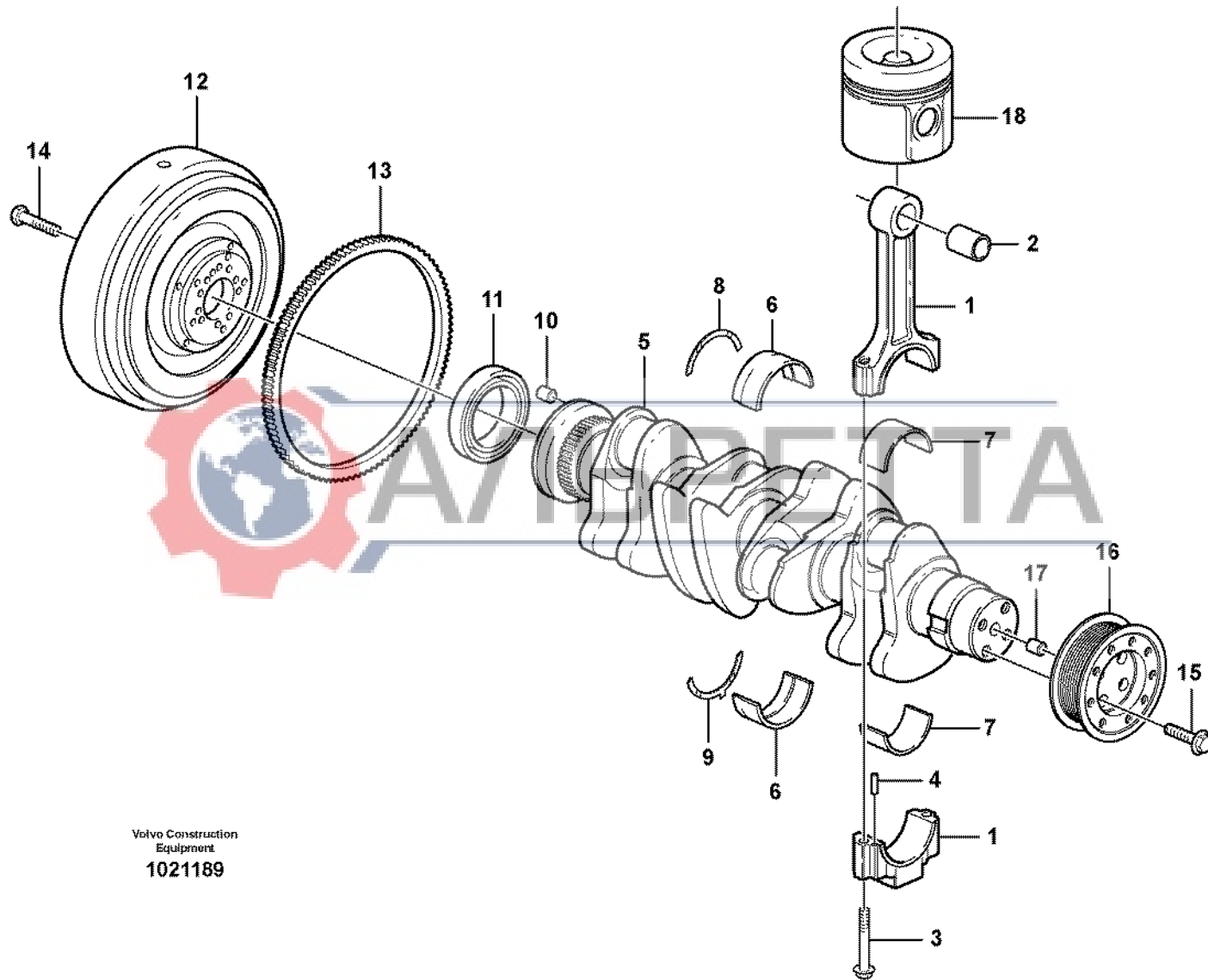


1	Transmissionskåpa och drev Caja de distribución y engranajes Stirnradgehäuse und Nabenvorgelege Carter de distribution et engrenage Timing gear casing and gears 11883246, 11885148, 11887322	Catalogue id	Group
2		20002	215
3		Illustr. No	Section
4		1000795	100
5		Issue	Page
		VOE 63H9920002	63

VOLVO



BL71



Volvo Construction
 Equipment
 1021189

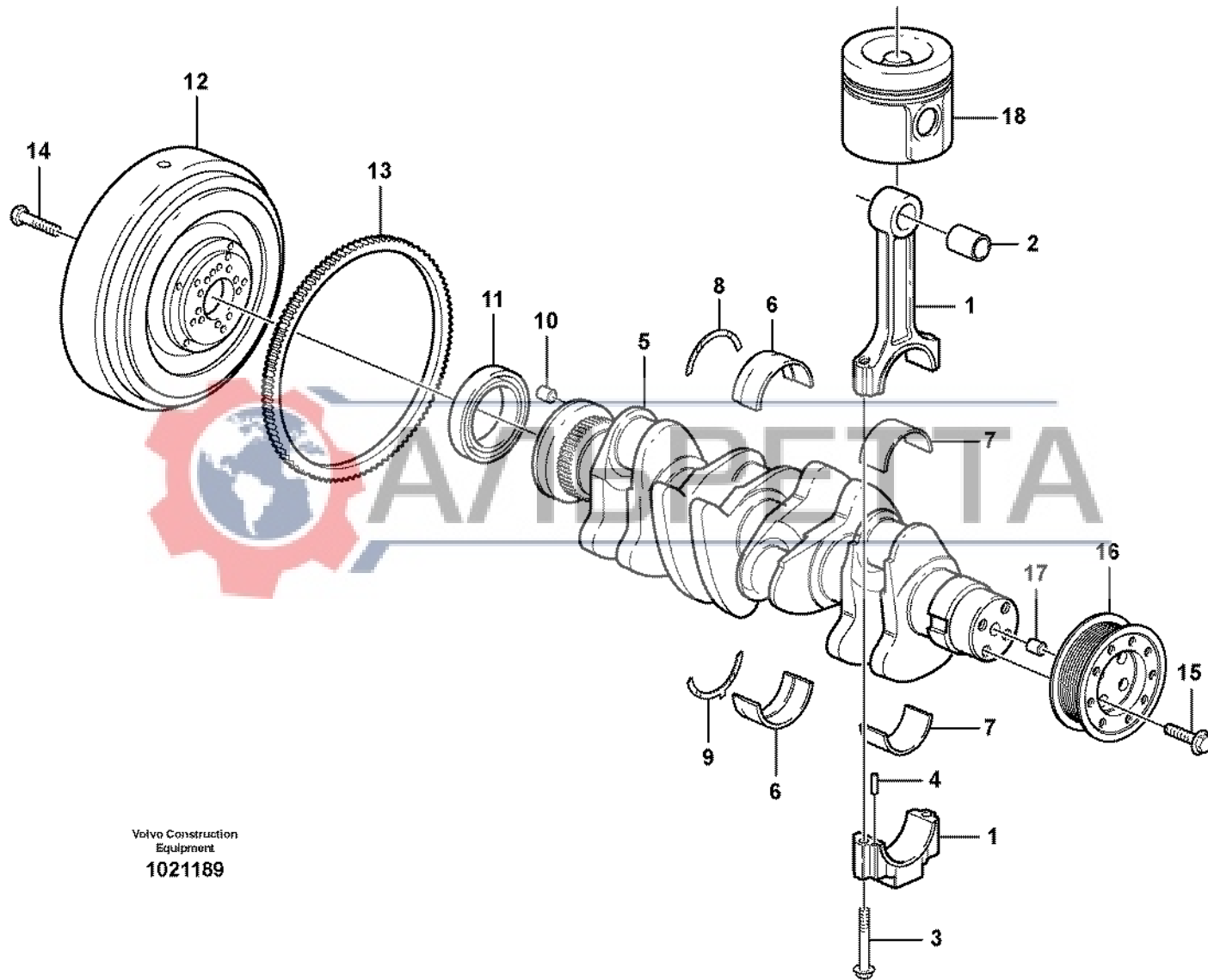
Fig.	Part No.	Quantity			P S	K I T	Description	Dénomination	Bezeichnung	Denominación	Benämning	Notes
		1	2	3								
1	VOE 20882905	4				Connecting Rod	Bielle	Pleuel	Biela	Tapp.....		
2	VOE 20523284	8				•Bushing.....	•Bague	•Buchse	•Casquillo	•Bussning.....		
3	VOE 20459133	8				•Bolt	•Boulon.....	•Bolzen	•Perno	•Bult.....		
4	VOE 20459134	8				•Pin	•Goupille.....	•Zapfen.....	•Pasador.....	•Tapp.....		
5	VOE 20729184	1				Crankshaft.....	Vilebrequin	Kurbelwelle.....	Ciguenal	Vevaxel.....	ENG - 1026595	
	VOE 20891184	1				Crankshaft.....	Vilebrequin	Kurbelwelle.....	Ciguenal	Vevaxel.....	ENG 1026596 -	
6	VOE 20459140	5				Main Bearing.....	Pal.vilebrequin	Hauptlager.....	Cojin Bancada.....	Ramlager.....	STD 84,00 MM	
	VOE 20459139	5				Main Bearing.....	Pal.vilebrequin	Hauptlager.....	Cojin Bancada.....	Ramlager.....	U SZ 83,75 MM	
7	VOE 20555403	4				Bearing.....	Palier	Lager	Cojinete	Lager.....	ENG - 695616 STD 63,00 MM	
		4			NS	Bearing.....	Palier	Lager	Cojinete	Lager.....	ENG - 695616 U SZ 62,75 MM	
	VOE 20480536	4				Bearing.....	Palier	Lager	Cojinete	Lager.....	ENG 695617 - STD 63,00 MM	
	VOE 20522433	4				Bearing.....	Palier	Lager	Cojinete	Lager.....	ENG 695617 - U SZ 62,75 MM	
8	VOE 20459149	2				Thrust Washer	Rondelle Butee	Druckscheibe	Arandela Presio.....	Tryckbricka.....	STD WID 14 MM THICK 2,0 MM	
	VOE 20459148	2				Thrust Washer	Rondelle Butee	Druckscheibe	Arandela Presio.....	Tryckbricka.....	WID 14 MM THICK 2,2 MM	
9	VOE 20459143	2				Thrust Washer	Rondelle Butee	Druckscheibe	Arandela Presio.....	Tryckbricka.....	STD WID 10 MM THICK 2,0 MM	
		2			NS	Thrust Washer	Rondelle Butee	Druckscheibe	Arandela Presio.....	Tryckbricka.....	WID 10 MM THICK 2,2 MM	
10	VOE 20459144	1				Pin.....	Goupille.....	Zapfen	Pasador.....	Tapp.....		
11	VOE 20459115	1				Crankshaft Seal	Joint Vilebreq.	Kurbelw Dichtg	Reten Ciguenal	Vevaxeltätning.....		
12	VOE 20459124	1				Flywheel.....	Volant.....	Schwungrad	Volante	Svänghjul.....		
13	VOE 20706915	1				•Gear Ring	•Couronne dentee	•Zahnkranz	•Corona Dentada.....	•Kuggkrans.....		



1		Vevrörelse Cigüeñal Kurbelbewegung Axe à vilebreguintas Crankshaft and related parts 11883246, 11885148, 11887322	Catalogue id	Group
2			20002	216
3			Illustr. No	Section
4			1021189	100
5			Issue	Page
			VOE 63H9920002	65

VOLVO

BL71



Volvo Construction
Equipment
1021189

Fig.	Part No.	Quantity			P S	K I T	Description	Dénomination	Bezeichnung	Denominación	Benämning	Notes
		1	2	3								
14	VOE 20405654	10				Bolt.....	Boulon.....	Bolzen	Perno.....	Bult.....		
15	VOE 24426216	1				Pulley	Poulie.....	Z-riemenscheibe	Polea Corr Dent	Kuggremhjul.....		
16	VOE 20405724	4				Screw	Vis	Schraube.....	Tornillo	Skruv.....		
17	VOE 20405634	1				Spring Pin	Axe de ressort.....	Federstift	Pasador Resorte	Fjäderpinne.....		
18		1				Piston.....	Piston	Kolben	Piston	Kolv.....	See group 213, Page 59	

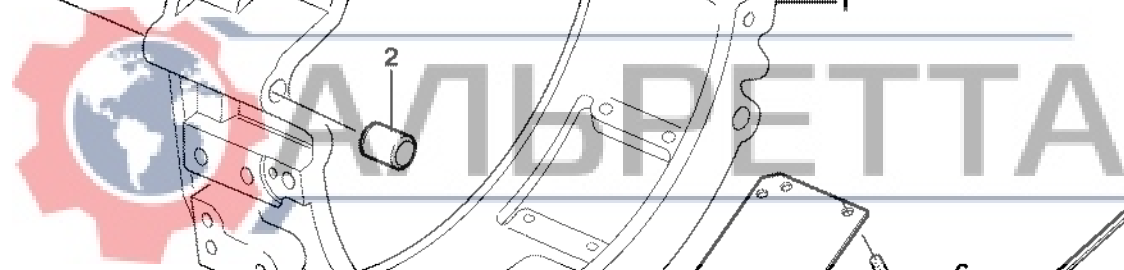
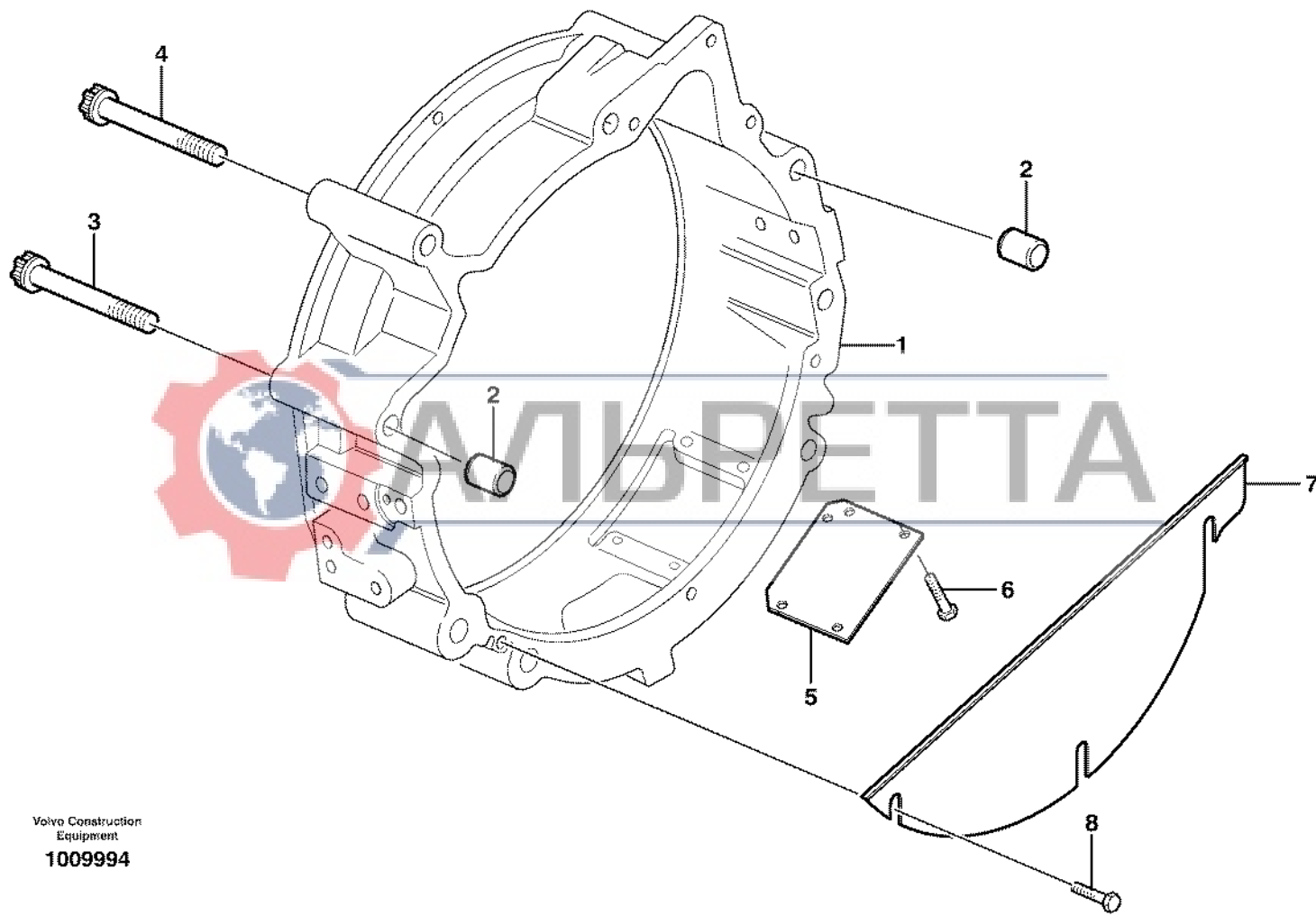


1		Vevrørelse Cigüeñal Kurbelbewegung Axe à vilebreguintas Crankshaft and related parts 11883246, 11885148, 11887322	Catalogue id	Group
2			20002	216
3			Illustr. No	Section
4			1021189	100
5			Issue	Page
			VOE 63H9920002	67

VOLVO



BL71



Volvo Construction
Equipment
1009994

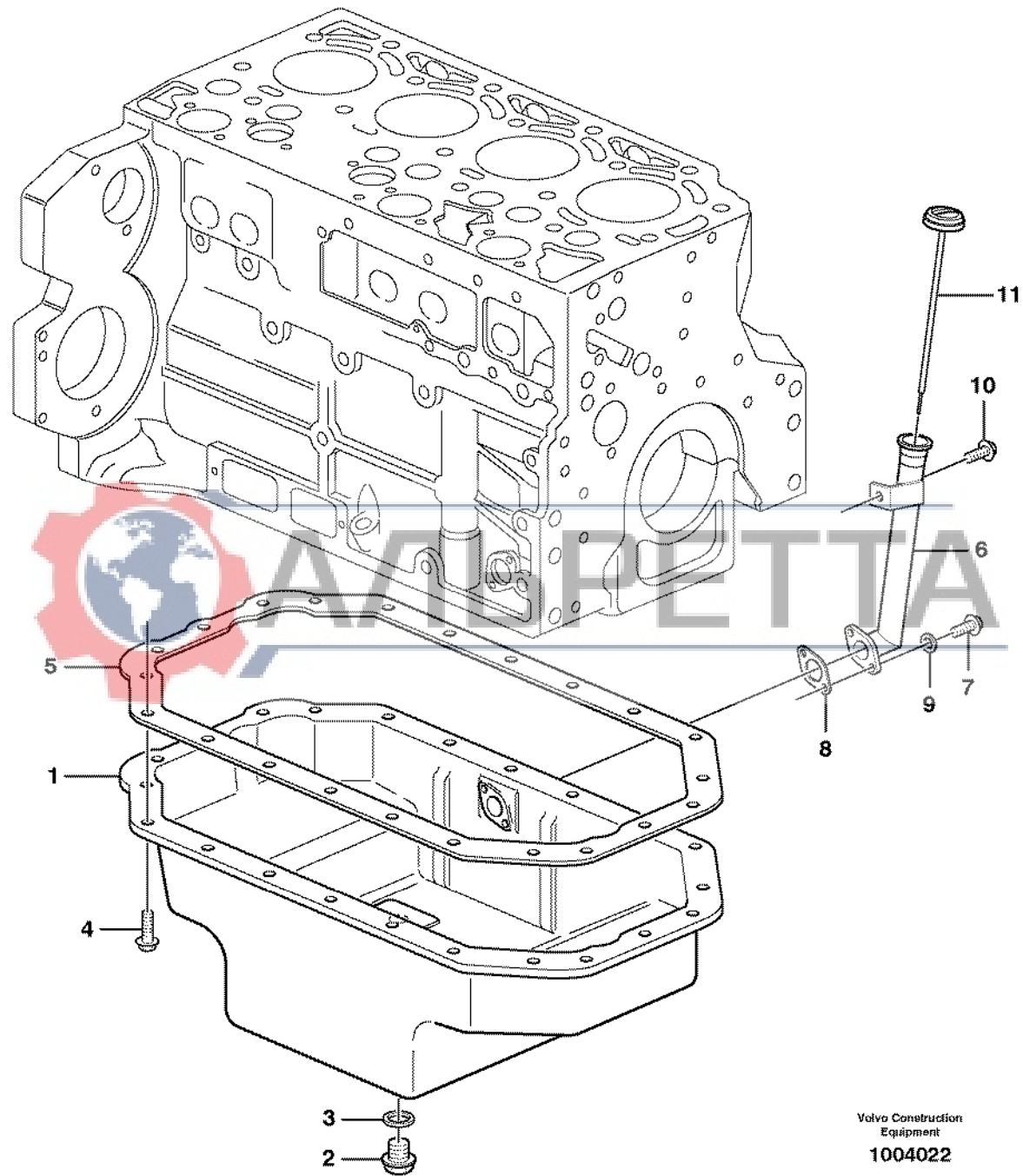
Fig.	Part No.	Quantity			P S	K I T	Description	Dénomination	Bezeichnung	Denominación	Benämning	Notes
		1	2	3								
1	VOE 20459990	1				Flywheel Hsg	Carter Volant.....	Schwungradgeh	Cubierto Volante	Svänghjulskåpa.....	(VOE 20550335)	
2	VOE 20585971	2				Bushing	Bague.....	Buchse	Casquillo	Bussning.....		
3	VOE 20459996	2				Screw	Vis	Schraube.....	Tornillo	Skruv.....		
4	VOE 20459995	4				Screw	Vis	Schraube.....	Tornillo	Skruv.....		
5	VOE 20547288	1				Cover Plate	Protection en tole	Schutzblech.....	Placa Tapa	Täckplatta.....		
6	VOE 20405729	4				Screw	Vis	Schraube.....	Tornillo	Skruv.....		
7	VOE 20459989	1				Cover	Capot	Haube.....	Capo.....	Huv.....		
8	VOE 20405729	3				Screw	Vis	Schraube.....	Tornillo	Skruv.....		



1		Svänghjulskåpa	Catalogue id	Group
2		Carcasa del volante	20002	216
3		Schwungradgehäuse	Illustr. No	Section
4		Carter de volant	1009994	150
5		Flywheel housing	Issue	Page
		11883246, 11885148, 11887322	VOE 63H9920002	69

VOLVO

BL71



Volvo Construction
Equipment
1004022

Fig.	Part No.	Quantity			P S	K I T	Description	Dénomination	Bezeichnung	Denominación	Benämning	Notes
		1	2	3								
1	VOE 20482006	1				Oil Pan	Carter Huile	Ölwanne	Carter Aceite	Oljesump.....		
2	VOE 20405506	1				Screw plug	Bouchon à vis	Verschlusschraube...	Tornillo de cierre	Skruvplugg.....		
3	VOE 20542740	1			SS	Sealing ring	Bague d'étanchéité ...	Runddichtring	Anillo reten	Tättningsring.....		
4	VOE 20405792	22				Screw	Vis	Schraube.....	Tornillo	Skruv.....		
5	VOE 20460021	1				Gasket.....	Joint	Dichtung	Junta	Packning.....		
6	VOE 20482010	1				Filler neck.....	Tuyau rempliss.....	Einfüllstutzen.....	Cuello Llenado	Påfyllningshals.....		
7	VOE 13949578	2				Screw	Vis	Schraube.....	Tornillo	Skruv.....		
8	VOE 20405825	1				Gasket.....	Joint	Dichtung	Junta	Packning.....		
9	VOE 20482736	2				Sealing ring	Bague d'étanchéité ...	Runddichtring	Anillo reten	Tättningsring.....		
10	VOE 20405792	1				Screw	Vis	Schraube.....	Tornillo	Skruv.....		
11	VOE 20482027	1				Filler cap	Bouch.reservoir	Tankverschluss	Tapa deposito	Tanklock.....		



1		Oljesump	Catalogue id	Group
2		Cárter	20002	217
3		Ölwanne	Illustr. No	Section
4		Carter d'huile	1004022	100
5		Oil sump	Issue	Page
		11883246, 11885148, 11887322	VOE 63H9920002	71

VOLVO



BL71

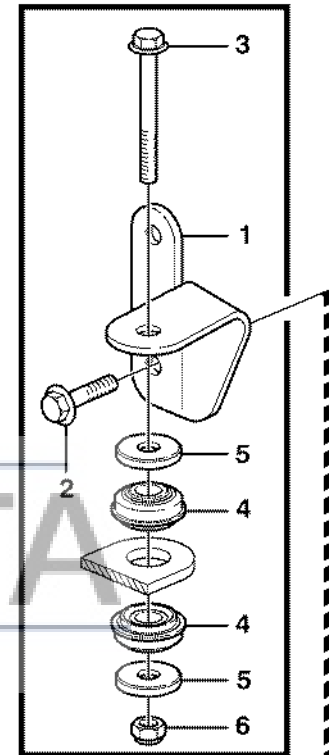
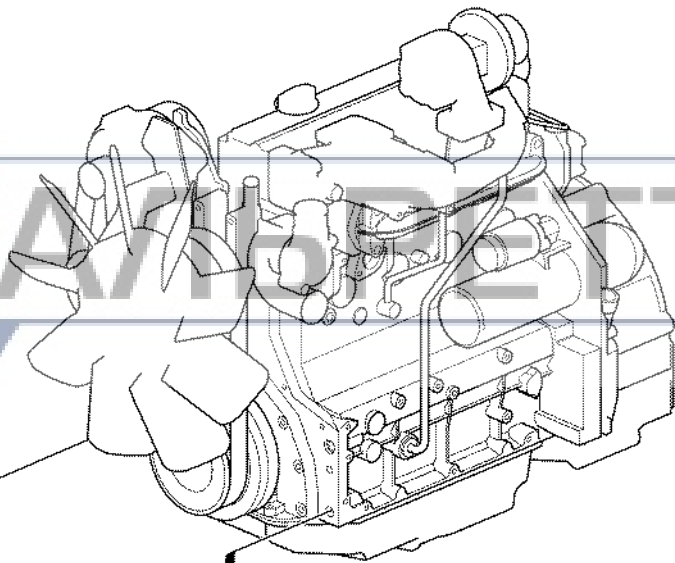
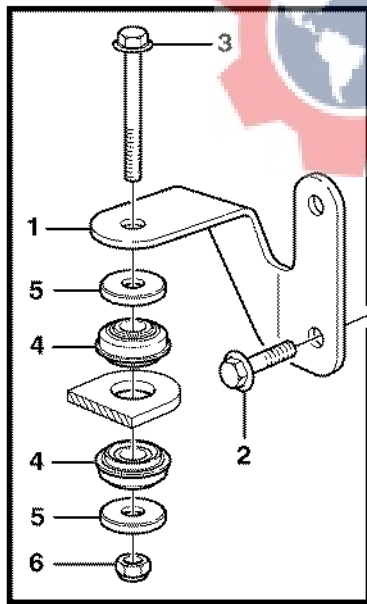


Fig.	Part No.	Quantity			P S	K I T	Description	Dénomination	Bezeichnung	Denominación	Benämning	Notes
		1	2	3								
1	VOE 11884716	1				Engine Mounting	Silentbl.moteur	Motorbefestg	Fijacion Motor.....	Motorfäste.....	LH	
	VOE 11884719	1				Engine Mounting	Silentbl.moteur	Motorbefestg	Fijacion Motor.....	Motorfäste.....	RH	
2	VOE 982377	4				Flange screw.....	Vis à bride	Flanschschraube.....	Torn embridado	Flänsskruv.....		
3	VOE 968298	2				Flange screw.....	Vis à bride	Flanschschraube.....	Torn embridado	Flänsskruv.....		
4	VOE 11881758	4				Vib Damper	Amort.vibration	Schwingdämpfer	Amortig Vibrac.....	Vibr.dämpare.....		
5	VOE 11884792	4				Washer.....	Rondelle	Scheibe	Arandela	Bricka.....	(VOE 11881841)	
6	VOE 13963110	2				Lock nut	Contre-ecrou	Sicherungsmutter	Contratuerca	Låsmutter.....		

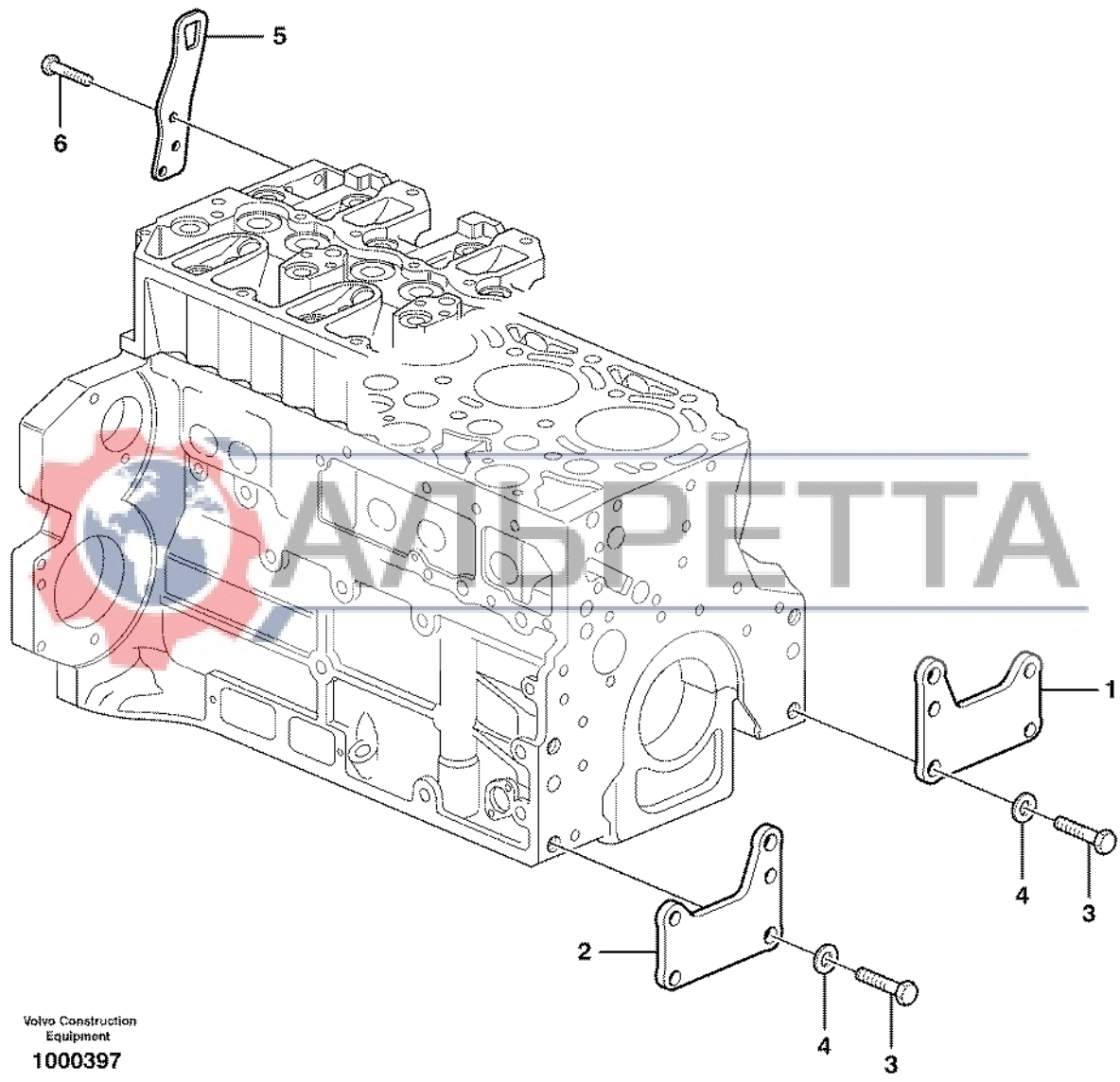


1		Motorupphängning Suspensión del motor Motorbefestigung Suspension du moteur Engine mounting	Catalogue id	Group
2			20002	218
3			Illustr. No	Section
4			1000563	100
5			Issue	Page
			VOE 63H9920002	73

VOLVO



BL71



Volvo Construction
Equipment
1000397

Fig.	Part No.	Quantity			P S	K I T	Description	Dénomination	Bezeichnung	Denominación	Benämning	Notes
		1	2	3								
1	VOE 20723978	1				Bracket.....	Console.....	Konsole	Ménsula.....	Konsol.....		
2	VOE 20723984	1				Bracket.....	Console.....	Konsole	Ménsula.....	Konsol.....		
3	VOE 20535027	2				Screw	Vis	Schraube.....	Tornillo	Skruv.....		
4	VOE 20405606	2				Washer.....	Rondelle.....	Scheibe	Arandela.....	Bricka.....		
5		1			NS	Lifting eye.....	Oeillet levage	Hebeöse.....	Argoll elev	Lyftögla.....		
6	VOE 20450756	3				Screw	Vis	Schraube.....	Tornillo	Skruv.....		

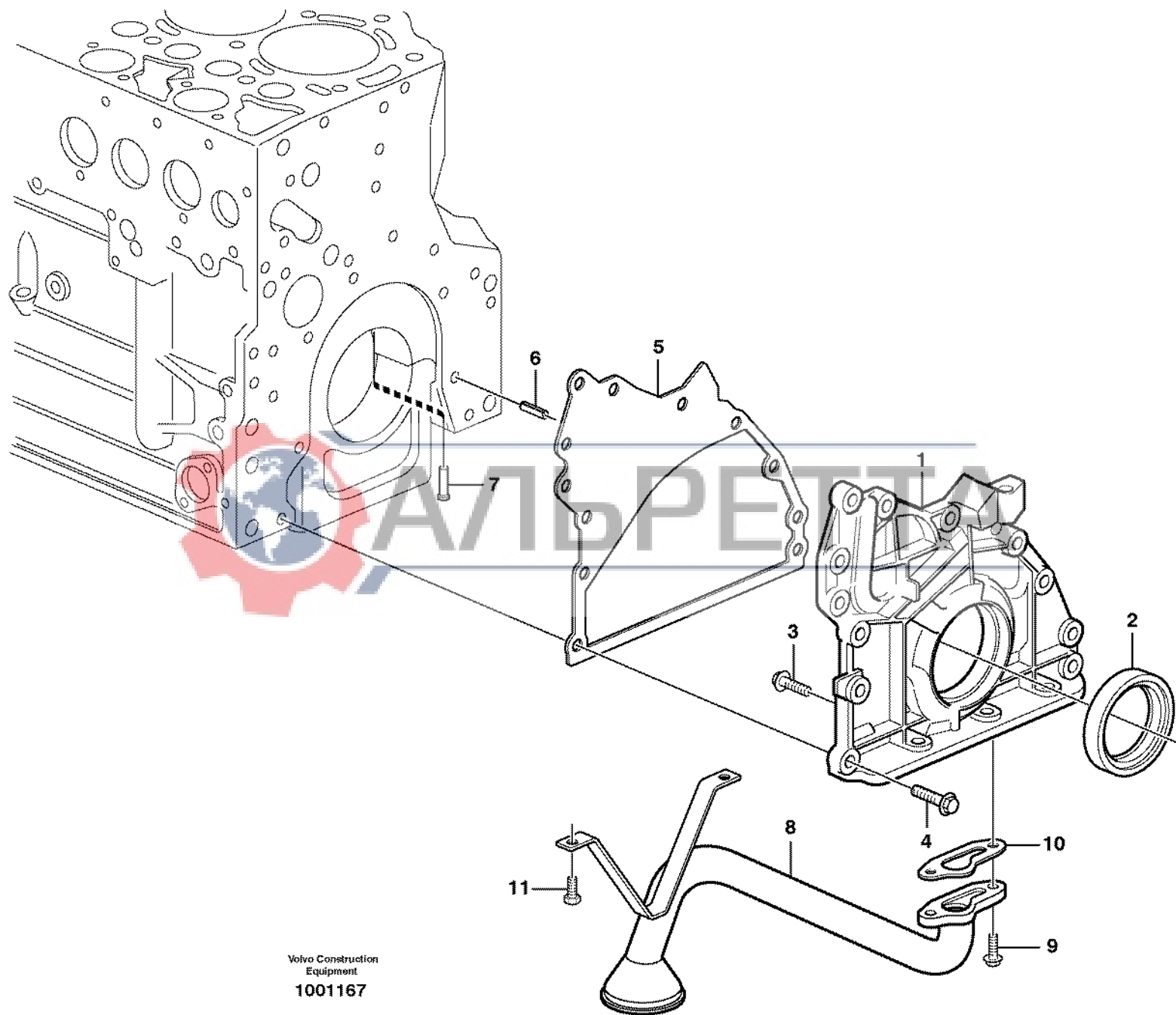


1	Motorupphängning Suspensión del motor Motorbefestigung Suspension du moteur Engine mounting	Catalogue id	Group
2		20002	218
3		Illustr. No	Section
4		1000397	200
5		Issue	Page
		VOE 63H9920002	75

VOLVO



BL71



Volvo Construction
Equipment
1001167

Fig.	Part No.	Quantity			P S	K I T	Description	Dénomination	Bezeichnung	Denominación	Benämning	Notes
		1	2	3								
1	VOE 20581867	1				Oil Pump	Pompe a huile	Ölpumpe.....	Bomba de aceite	Oljepump.....		
2	VOE 20459168	1				•Crankshaft Seal	•Joint Vilebreq	•Kurbelw Dichtg.....	•Reten Ciguenal	•Vevaxeltätning.....		
3	VOE 20451738	8				•Screw.....	•Vis.....	•Schraube.....	•Tornillo	•Skruv.....		
4	VOE 20412324	10				Screw	Vis	Schraube.....	Tornillo	Skruv.....		
5	VOE 20537029	1				Gasket.....	Joint	Dichtung	Junta	Packning.....		
6	VOE 20405603	1				Spring Pin	Axe de ressort.....	Federstift	Pasador Resorte	Fjäderpinne.....		
7	VOE 20405561	1				Pstn Cool Jet.....	Buse Refr.pist.	Kolbenkühlöse.....	Boq.enfr Piston.....	Kolvkyln.munst.....		
8	VOE 20481754	1				Oil Pipe	Conduit Huile	Ölrohr	Tubo Aceite	Oljerör.....		
9	VOE 13949578	2				Screw	Vis	Schraube.....	Tornillo	Skruv.....		
10	VOE 11700391	1				Gasket.....	Joint	Dichtung	Junta	Packning.....		
11	VOE 20405792	1				Screw	Vis	Schraube.....	Tornillo	Skruv.....		



1	Smörjsystem Sistema de lubricación Schmierölsystem Système de graissage Lubricating oil system	Catalogue id	Group
2		20002	221
3		Illustr. No	Section
4		1001167	100
5		Issue	Page
	11883246, 11885148, 11887322	VOE 63H9920002	77

VOLVO



BL71

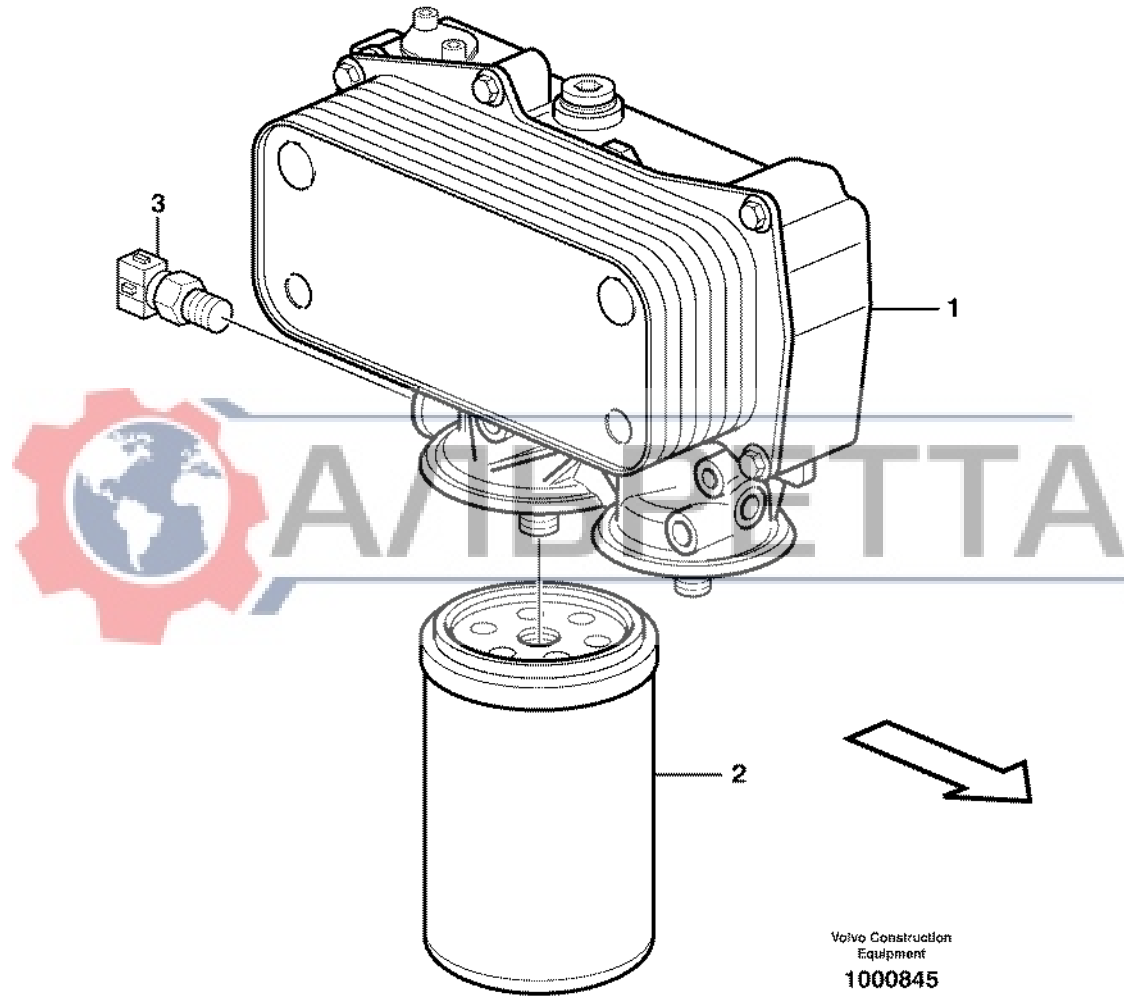


Fig.	Part No.	Quantity			P S	K I T	Description	Dénomination	Bezeichnung	Denominación	Benämning	Notes
		1	2	3								
1		1				Oil Cooler.....	Refroidisseur huile	Ölkühler.....	Enfriadores aceite	Öljekylare.....	See group 223, Page 81	
2	VOE 11700375	1				Oil Filter.....	Filtre Huile.....	Ölfilter.....	Filtro Aceite	Öljefilter.....		
3	VOE 20555385	1				Sensor.....	Capteur	Geber	Captador	Givare.....		

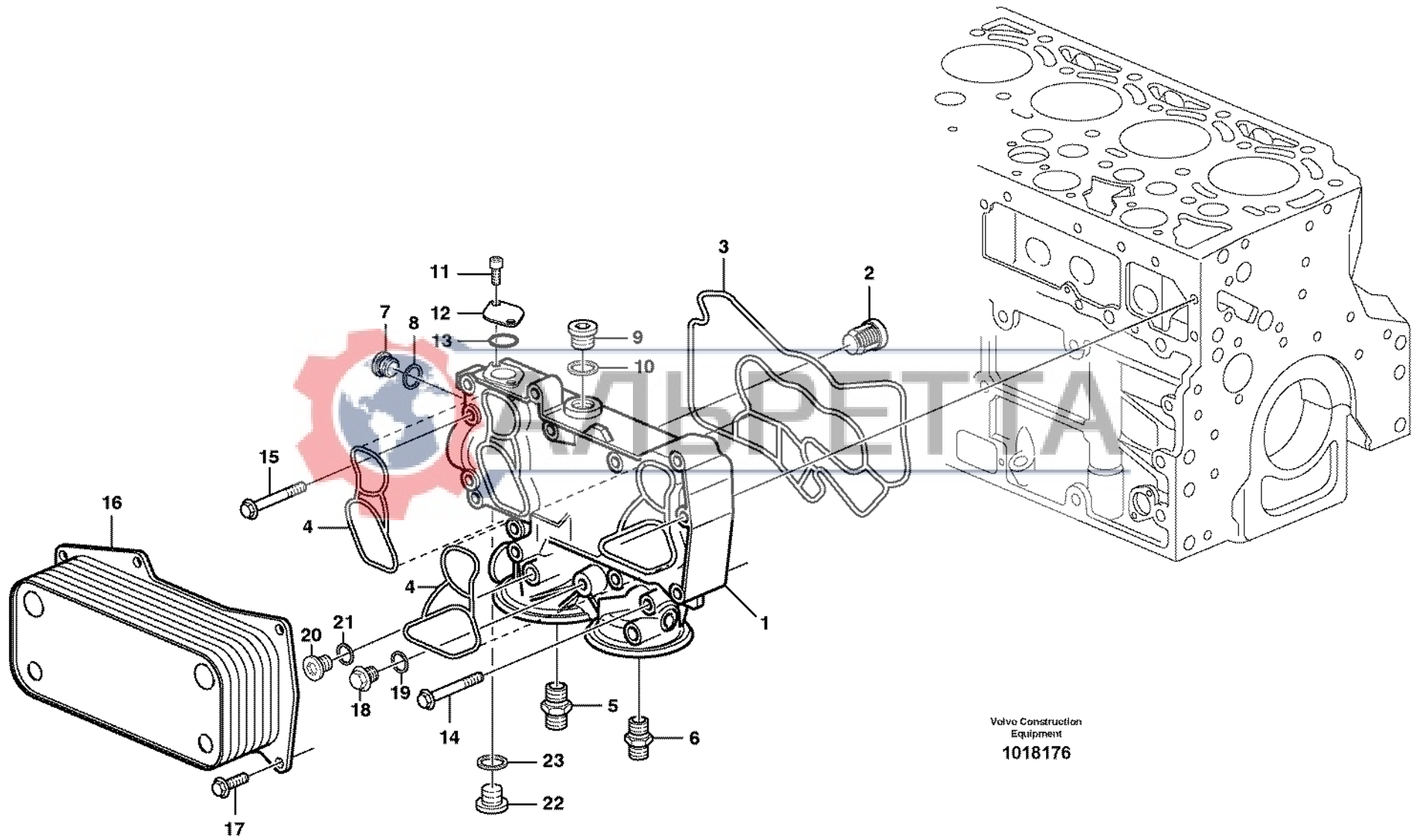


1		Oljefilter	Catalogue id	Group
2		Filtro de aceite	20002	222
3		Ölfilter	Illustr. No	Section
4		Filtre à huile	1000845	100
5		Oil filter	Issue	Page
		11883246, 11885148, 11887322	VOE 63H9920002	79

VOLVO



BL71



Volvo Construction
Equipment
1018176

Fig.	Part No.	Quantity			P S	K I T	Description	Dénomination	Bezeichnung	Denominación	Benämning	Notes
		1	2	3								
1	VOE 20459205	1					Oil Filter Hsg	Boitier Filt Hu	Ölfiltergehäuse	Caja Filt Aceit	Oljefilterhus.....	ENG - 01099408
1	VOE 20944091	1					Oil Filter Hsg	Boitier Filt Hu	Ölfiltergehäuse	Caja Filt Aceit	Oljefilterhus.....	ENG 01099409 -
2	VOE 20459204	1					•Valve.....	•Soupape	•Ventil.....	•Valvula	•Ventil.....	
3	VOE 20459203	1					•Gasket	•Joint	•Dichtung.....	•Junta	•Packning.....	
4	VOE 20459202	2					•Gasket	•Joint	•Dichtung.....	•Junta	•Packning.....	
5	VOE 20459201	1					•Nipple	•Raccord	•Nippel.....	•Niple.....	•Nippel.....	
6	VOE 20459200	1					•Nipple	•Raccord	•Nippel.....	•Niple.....	•Nippel.....	
7	VOE 20502245	1					•Screw plug	•Bouchon à vis	•Schraube.....	•Tapón roscado	•Skruvplugg.....	
8	VOE 20549894	1					•Sealing ring.....	•Bague d'étanchéité	•Runddichtring.....	•Anillo reten	•Tätningring.....	
9	VOE 20459195	2					•Plug	•Bouchon.....	•Stopfen	•Tapon.....	•Plugg.....	
10	VOE 13947628	2					•Plane Gasket.....	•Joint Plan	•Flachdichtung.....	•Junta Plana	•Planpackning.....	
11	VOE 20459197	2					•Screw.....	•Vis	•Schraube.....	•Tornillo	•Skruv.....	
12	VOE 11700609	1					•Cap	•Chapeau	•Kappe	•Caperuza	•Lock.....	
13	VOE 20405599	1					•Sealing ring.....	•Bague d'étanchéité	•Runddichtring.....	•Anillo reten	•Tätningring.....	
14	VOE 20405917	3					Screw	Vis	Schraube.....	Tornillo	Skruv.....	
15	VOE 20405672	5					Screw	Vis	Schraube.....	Tornillo	Skruv.....	
16	VOE 20532396	1					Oil Cooler.....	Refroidisseur huile	Ölkühler.....	Enfriadores aceite	Oljekylare.....	
17	VOE 20405885	7					Screw	Vis	Schraube.....	Tornillo	Skruv.....	
18	VOE 20459941	1					Screw plug	Bouchon à vis	Verschlusschraube	Tornillo de cierre	Skruvplugg.....	
19	VOE 20459942	1					Sealing ring	Bague d'étanchéité	Runddichtring	Anillo reten	Tätningring.....	
20	VOE 20460239	1					Plug	Bouchon.....	Stopfen.....	Tapon.....	Plugg.....	
21	VOE 13947281	1					Gasket.....	Joint	Dichtung.....	Junta	Packning.....	
22	VOE 20496548	1					Plug.....	Tampon.....	Stopfen.....	Tapon.....	Plugg.....	
23	VOE 20450890	1					Sealing ring.....	Bague d'étanchéité	Runddichtring.....	Anillo reten	Tätningring.....	

1		Oljekylare Enfriador de aceite Ölkühler Radiateur d 'huile Oil cooler	Catalogue id	Group
2			20002	223
3			Illustr. No	Section
4			1018176	100
5			Issue	Page
			VOE 63H9920002	81

VOLVO



BL71

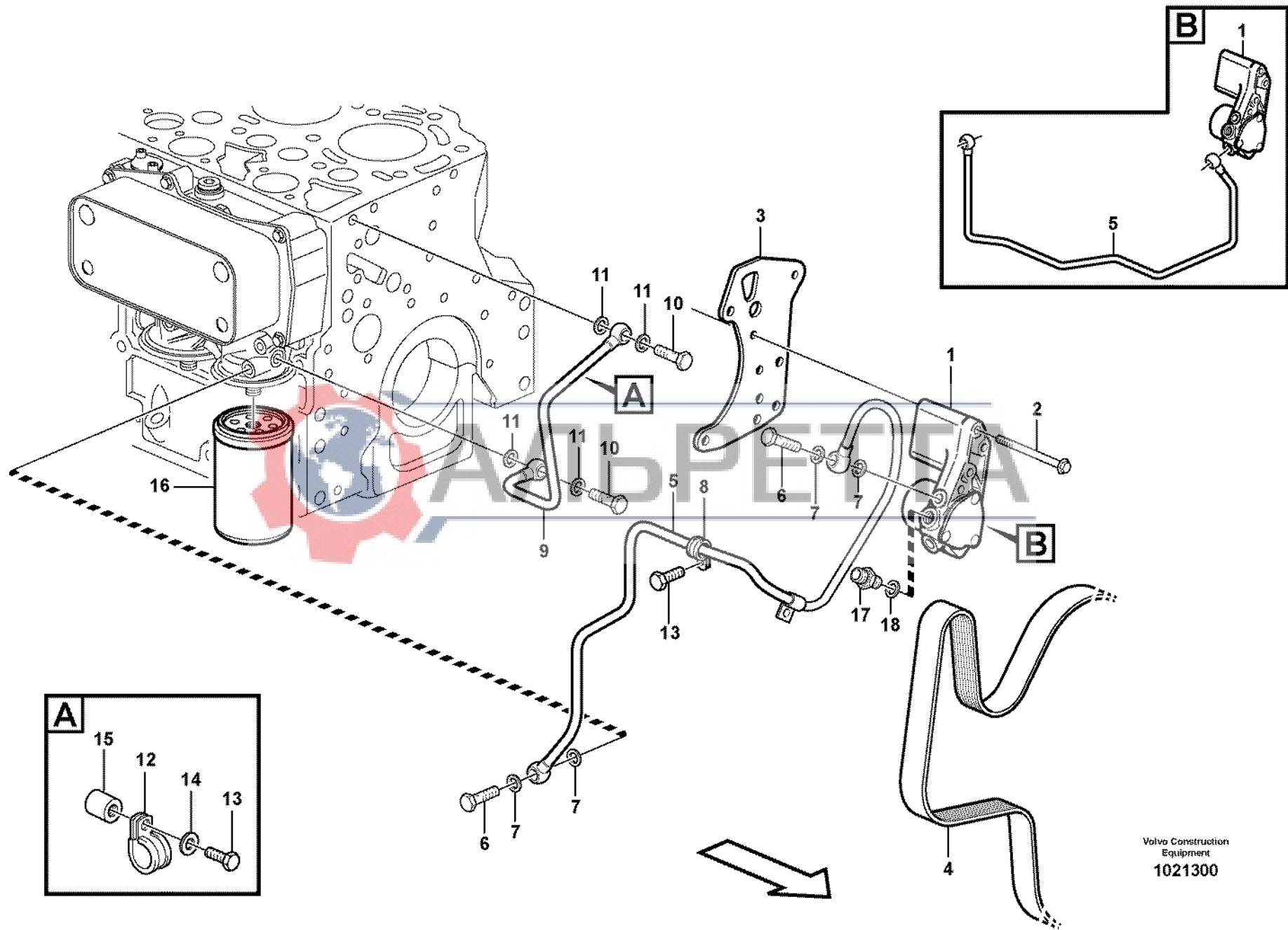


Fig.	Part No.	Quantity			P S	K I T	Description	Dénomination	Bezeichnung	Denominación	Benämning	Notes
		1	2	3								
1	VOE 20524154	1				Fuel pump	Pompe Carburant	Kraftstoffpumpe	Bomba Combustib	Bränslepump	ENG 00737369 -	
	VOE 20518337	1			SS	Fuel pump	Pompe Carburant	Kraftstoffpumpe	Bomba Combustib	Bränslepump	ENG - 00737368	
2	VOE 20459246	3				Screw	Vis	Schraube	Tornillo	Skruv		
3	VOE 20567447	1				Plate	Plaque	Platte	Placa	Platta		
4		1				V-belt	Courroie Trape	Keilriemen	Correa Trapez	Kilrem	See group 263, Page 121	
5	VOE 20524626	1				Fuel line	Flexible carburant	Kraftstoffschlauch	Manguera combustib	Bränsleledning	ENG 00737369 -	
	VOE 20481785	1				Fuel pipe	Conduit carbura	Kraftstoffleitung	Tubo combustib	Bränslerör	ENG - 00737368	
6	VOE 7025167	2				•Hollow Screw	•Vis Creuse	•Hohlschraube	•Tornillo hueco	•Hålskruv		
7	VOE 13969011	4				•Gasket	•Joint	•Dichtung	•Junta	•Packning		
8	VOE 20460045	1				•Clamp	•Pince Serrage	•Klemme	•Abrazadera	•Klämna		
9	VOE 20481768	1				Fuel pipe	Conduit carbura	Kraftstoffleitung	Tubo combustib	Bränslerör		
10	VOE 7025167	2				•Hollow Screw	•Vis Creuse	•Hohlschraube	•Tornillo hueco	•Hålskruv		
11	VOE 13969011	4				•Gasket	•Joint	•Dichtung	•Junta	•Packning		
12	VOE 20460045	1				•Clamp	•Pince Serrage	•Klemme	•Abrazadera	•Klämna		
13	VOE 20405729	2				Screw	Vis	Schraube	Tornillo	Skruv		
14	VOE 20459183	1				Washer	Rondelle	Scheibe	Arandela	Bricka		
15	VOE 20481769	1				Bushing	Bague	Buchse	Casquillo	Bussning		
16	VOE 11708555	1				Fuel filter	Filtre à carburant	Kraftstofffilter	Filtro de combustible	Bränslefilter		
17	VOE 20412596	1				Connector	Raccord	Anschluss	Union	Anslutning		
18	VOE 13947622	1				Plane Gasket	Joint Plan	Flachdichtung	Junta Plana	Planpackning		

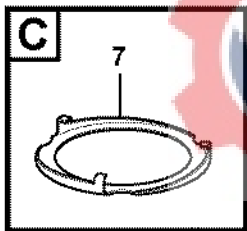
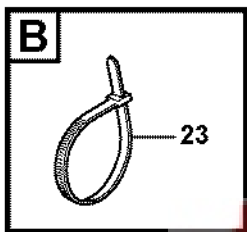
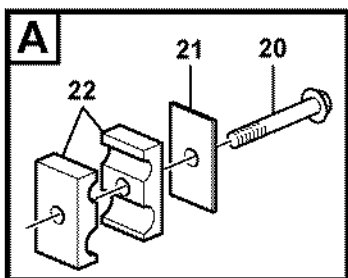
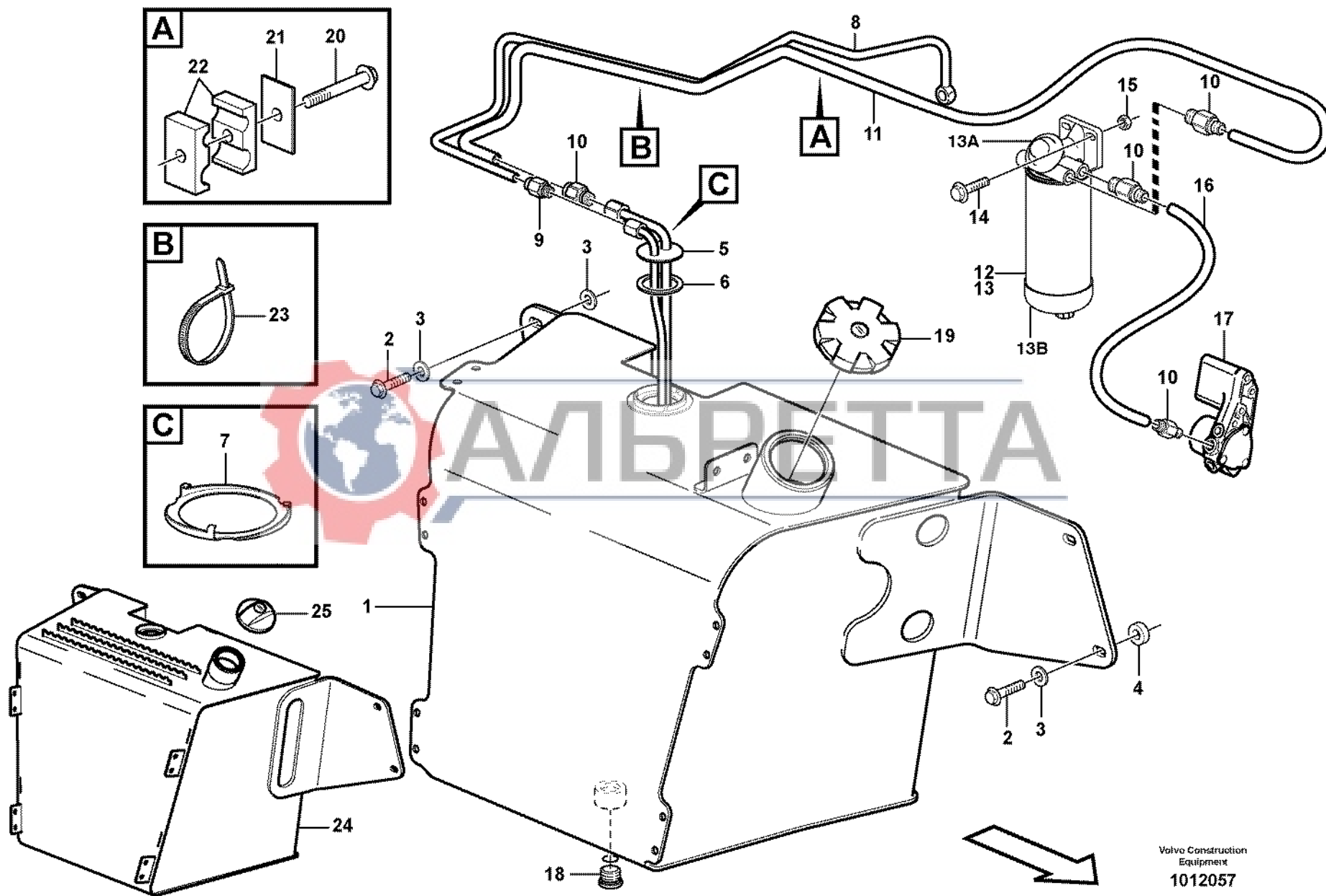


1		Bränslepump Bomba de combustible Kraftstoffpumpe Pompe carburant Fuel pump	Catalogue id	Group
2			20002	233
3			Illustr. No	Section
4			1021300	100
5			Issue	Page
		11883246, 11885148, 11887322	VOE 63H9920002	83

VOLVO



BL71



АЛЬФЕТТА

Fig.	Part No.	Quantity			P S	K I T	Description	Dénomination	Bezeichnung	Denominación	Benämning	Notes
		1	2	3								
1	VOE 11882112	1					Fuel tank	Réservoir carburant ...	Kraftstofftank	Deposit combust	Bränsletank.....	SRE NO -12526
2	VOE 13965194	4					Flange screw.....	Vis à bride	Flanschschraube	Torn embridado	Flänsskruv.....	
3	VOE 947558	6					Washer.....	Rondelle	Scheibe	Arandela	Bricka.....	
4	VOE 11882457	2					Spacer.....	Entretoise	Abstandkörper.....	Distanciador	Distans.....	
5	VOE 11881914	1					Fuel Lvl Sensor	Ind.niv.carbur.	Kraftst V-geber	Sensor Niv Comb	Bränslenivågiv.....	
6	VOE 11881915	1					Rubber Seal	Lèvre Caoutchouc.....	Gummilippe	Labio Goma.....	Gummiläpp.....	
7	VOE 11881916	1					Lock Ring	Anneau Verrouillage ..	Schlossring.....	Anillo Segurid	Låsring.....	
8	VOE 11883974	1					Fuel hose	Flexi.carburant	Kraftstoffschlauch.....	Manguera comb	Bränsleslang.....	
9	VOE 11882900	1					Union.....	Teton Connexion.....	Anschlussnippel	Niple Conexcion	Anslutn.nippel.....	
10	VOE 11883346	4					Union.....	Teton Connexion.....	Anschlussnippel	Niple Conexcion	Anslutn.nippel.....	
11	VOE 11884613	1					Fuel hose	Flexi.carburant	Kraftstoffschlauch.....	Manguera comb	Bränsleslang.....	
12	VOE 11110471	1			SS		Water Separator.....	Separateur Eau	Wasserabscheidr	Separador Agua	Vattenavskiljare.....	S/N - 13315
	VOE 11110670	1					Water Separator.....	Separateur Eau	Wasserabscheidr	Separador Agua	Vattenavskiljare.....	S/N 13316 -
13	VOE 11110474	1			SS		•Filter.....	•Filtre	•Filter	•Filtro	•Filter.....	S/N - 13315
	VOE 11110668	1					•Filter.....	•Filtre	•Filter	•Filtro	•Filter.....	S/N 13316 -
13A	VOE 11713138	1					•Filter Housing	•Corps de filtre	•Filtergehäuse	•Cuerpo de filtro	•Filterhus.....	
13B	VOE 3943382	1					•Bowl.....	•Coussinet.....	•Schale	•Taza	•Skål.....	(VOE 3836024)
14	VOE 13965185	2					Flange screw.....	Vis à bride	Flanschschraube	Torn embridado	Flänsskruv.....	
15	VOE 13971095	2					Flange nut.....	Ecrou accouple	Bundmutter.....	Tuerca embridad	Flänsmutter.....	
16	VOE 11883973	1					Fuel hose	Flexi.carburant	Kraftstoffschlauch.....	Manguera comb	Bränsleslang.....	
17							Fuel pump.....	Pompe Carburant.....	Kraftstoffpumpe.....	Bomba Combustib.....	Bränslepump.....	See group 233, Page 83
18	VOE 11882920	1					Plug.....	Bouchon.....	Stopfen.....	Tapon	Plugg.....	
	VOE 932042	1					•O-ring.....	•Joint Torique	•O-Ring.....	•Junta torica	•O-ring.....	
19	VOE 11884200	1					Filler cap	Bouchon Remplissa ..	Tankverschluss	Tapa Llenado	Påfyllningslock.....	SER NO -12526
20	VOE 13965179	1					Flange screw.....	Vis à bride	Flanschschraube	Torn embridado	Flänsskruv.....	
21	VOE 11881311	1					Plate.....	Plaque.....	Platte	Placa	Platta.....	
22		2			NS		Bracket.....	Console.....	Konsole	Consola	Konsol.....	
23	VOE 4881438	2					Strip Clamp	Ruban Serrage.....	Kabelbinder	Abraz Cinta	Bandklamma.....	
24	VOE 11886973	1					Fuel tank	Réservoir carburant ...	Kraftstofftank	Deposit combust	Bränsletank.....	SER NO 12527-
25	VOE 11887988	1					•Cap.....	•Chapeau	•Kappe	•Caperuza	•Lock.....	SER NO 12527-

1		Bränsletank, bränslerör	Catalogue id	Group
2		Depósito de combustible,tubos de combustible	20002	234
3		Kraftstofftank, kraftstoffrohr	Illustr. No	Section
4		Réservoir de carburant, conduit de carburant	1012057	100
5		Fuel tank, fuel pipes	Issue	Page
		11883246, 11885148, 11887322	VOE 63H9920002	85

VOLVO

BL71

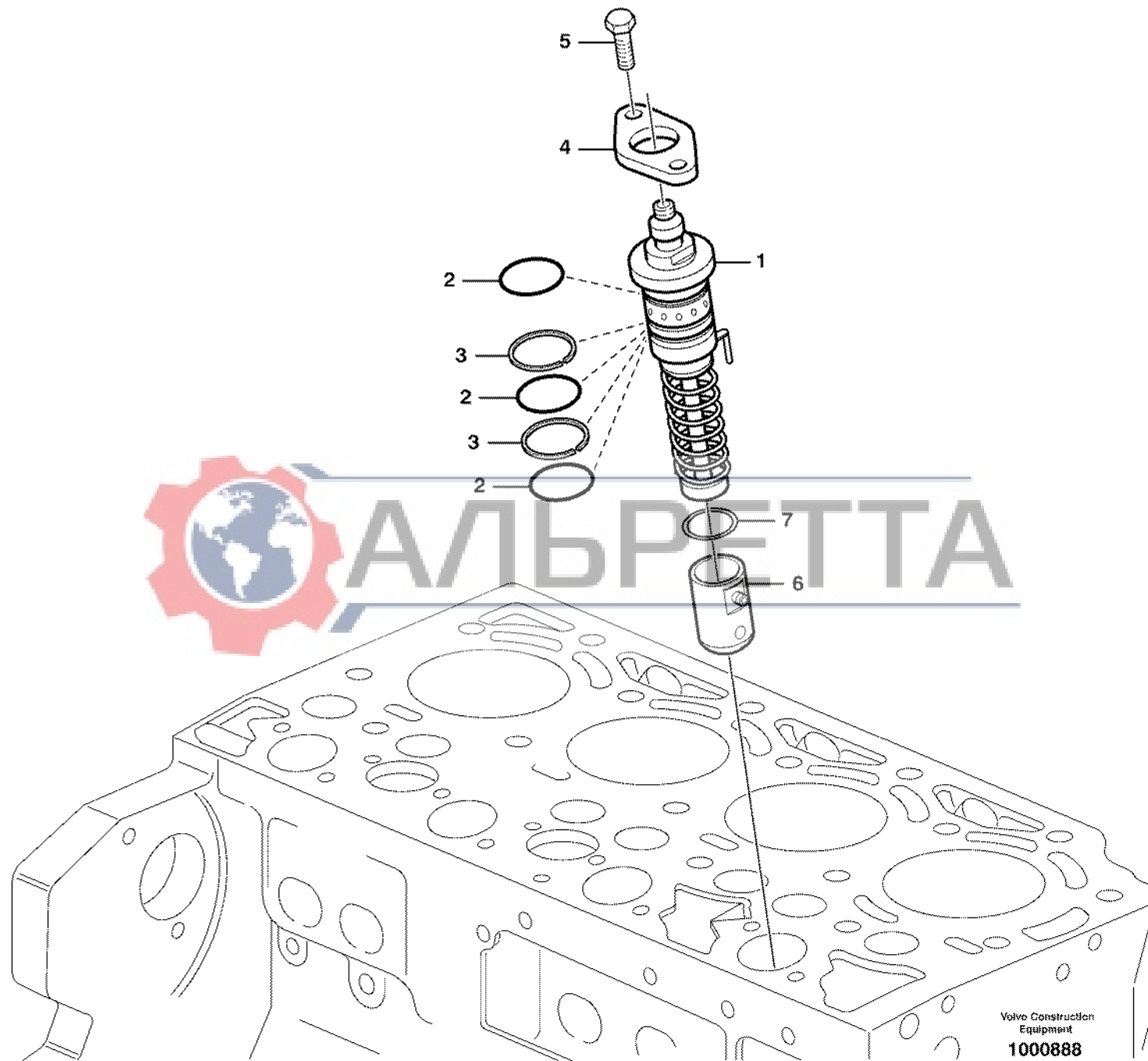


Fig.	Part No.	Quantity			P S	K I T	Description	Dénomination	Bezeichnung	Denominación	Benämning	Notes
		1	2	3								
1	VOE 20460072	4				Injection Pump	Pompe Injection	Einspritzpumpe	Bomba Inyeccion	Insprutn.pump		
	VOE 24425954		4			Injection Pump	Pompe Injection	Einspritzpumpe	Bomba Inyeccion	Insprutn.pump		
2	VOE 11701764	12	12			•O-ring	•Joint Torique	•O-Ring	•Junta torica	•O-ring		
3	VOE 20405543	8	8			•Shim	•Cale d'épaisseur	•Passscheibe	•Arandela Ajuste	•Passbricka		
4	VOE 20405565	4	4			Flange	Flasque	Flansch	Brida	Fläns		
5	VOE 20460071	8	8			Screw	Vis	Schraube	Tornillo	Skruv		
6	VOE 11700392	4				Roller	Galet	Rolle	Rodillo	Rulle		
	VOE 20549905		4			Roller	Galet	Rolle	Rodillo	Rulle		
7	VOE 11700397	1				Shim	Cale Reglage	Nachstellblech	Cuna de calzar	Justerbleck	STD	
	VOE 24425970		1			Shim	Cale d'épaisseur	Passscheibe	Arandela Ajuste	Passbricka	STD	
	VOE 11700398	1				Shim	Cale Reglage	Nachstellblech	Cuna de calzar	Justerbleck	THICK = 1,30 MM	
	VOE 11700399	1				Shim	Cale Reglage	Nachstellblech	Cuna de calzar	Justerbleck	THICK = 1,40 MM	
	VOE 11700400	1				Shim	Cale Reglage	Nachstellblech	Cuna de calzar	Justerbleck	THICK = 1,50 MM	
	VOE 11700401	1				Shim	Cale Reglage	Nachstellblech	Cuna de calzar	Justerbleck	THICK = 1,60 MM	
	VOE 11700402	1				Shim	Cale Reglage	Nachstellblech	Cuna de calzar	Justerbleck	THICK = 1,70 MM	
	VOE 11700403	1				Shim	Cale Reglage	Nachstellblech	Cuna de calzar	Justerbleck	THICK = 1,80 MM	
	VOE 11700404	1				Spacer	Compensation	Ausgleichscheibe	Compensación	Distans	THICK = 1,90 MM	
	VOE 11700405	1				Shim	Cale d'épaisseur	Passscheibe	Arandela Ajuste	Passbricka	THICK = 2,00 MM	
	VOE 11700406	1				Spacer	Compensation	Ausgleichscheibe	Compensación	Distans	THICK = 2,10 MM	
	VOE 11700407	1				Shim	Cale d'épaisseur	Passscheibe	Arandela Ajuste	Passbricka	THICK = 2,20 MM	
	VOE 11700408	1				Spacer	Compensation	Ausgleichscheibe	Compensación	Distans	THICK = 2,30 MM	
	VOE 11700409	1				Shim	Cale Reglage	Nachstellblech	Cuna de calzar	Justerbleck	THICK = 2,40 MM	
	VOE 11700410	1				Shim	Cale d'épaisseur	Passscheibe	Arandela Ajuste	Passbricka	THICK = 2,50 MM	
	VOE 11700411	1				Shim	Cale d'épaisseur	Passscheibe	Arandela Ajuste	Passbricka	THICK = 2,60 MM	
	VOE 11700412	1				Shim	Cale d'épaisseur	Passscheibe	Arandela Ajuste	Passbricka	THICK = 2,70 MM	
	VOE 11700413	1				Shim	Cale d'épaisseur	Passscheibe	Arandela Ajuste	Passbricka	THICK = 2,80 MM	
	VOE 11700414	1				Shim	Cale d'épaisseur	Passscheibe	Arandela Ajuste	Passbricka	THICK = 2,90 MM	
	VOE 11700415	1				Shim	Cale d'épaisseur	Passscheibe	Arandela Ajuste	Passbricka	THICK = 3,00 MM	
	VOE 11700416	1				Punching	Lamelle Reglage	Ausglei.scheibe	Chapa De Ajuste	Justerbleck	THICK = 3,10 MM	
	VOE 11700417	1				Shim	Cale d'épaisseur	Passscheibe	Arandela Ajuste	Passbricka	THICK = 3,20 MM	

1	11887322	Insprutningspump med monteringsdetaljer Bomba de inyección de accesorisde montaje Einspritzpumpe mit Anbauteilen Pompe d'injection de combustible avec pièces de montage Fuel injection pump with fitting parts	Catalogue id	Group
2	11885148		20002	236
3			Illustr. No	Section
4			1000888	100
5			Issue	Page
		11883246, 11885148, 11887322	VOE 63H9920002	87

VOLVO

BL71

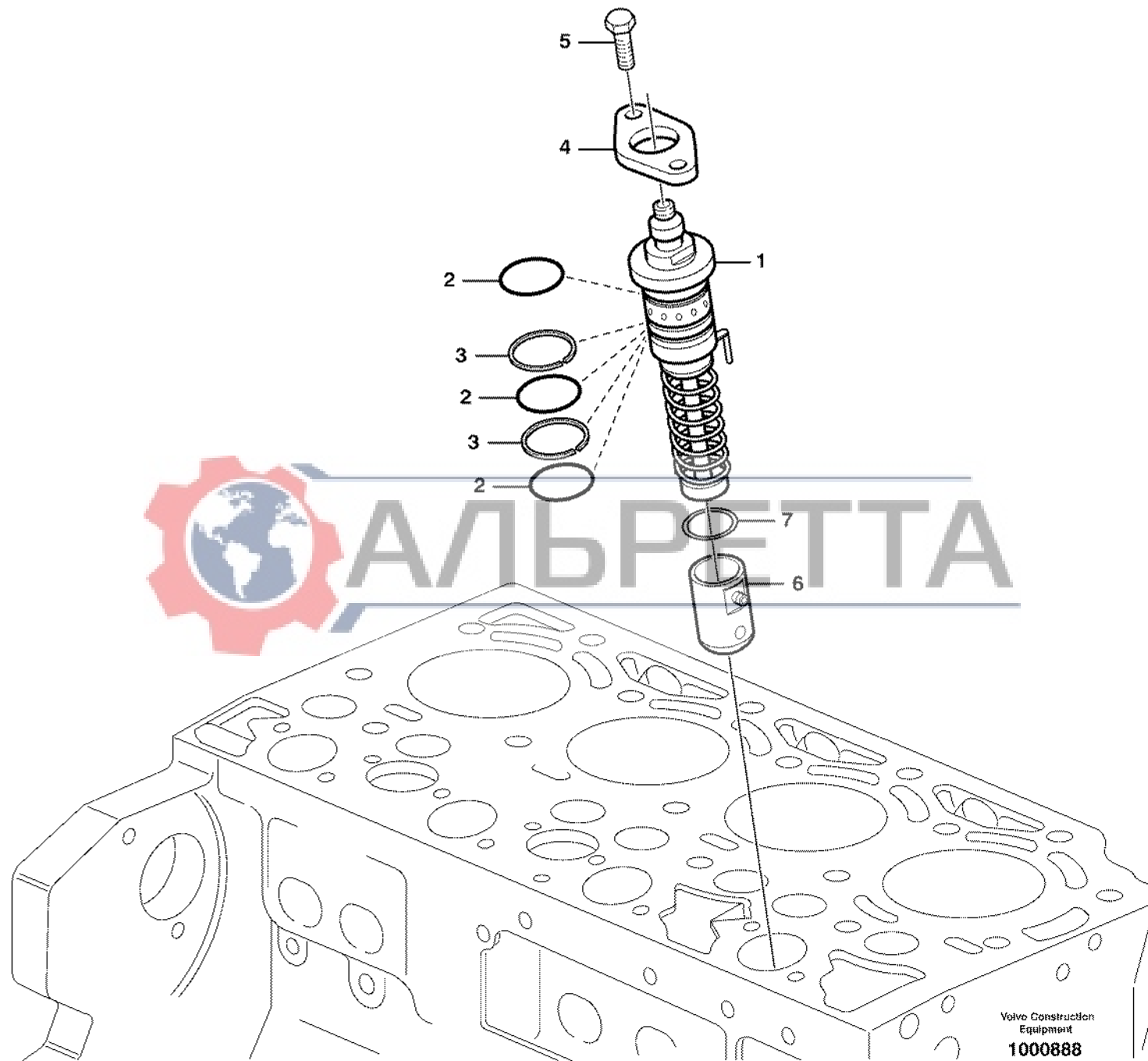


Fig.	Part No.	Quantity			P S	K I T	Description	Dénomination	Bezeichnung	Denominación	Benämning	Notes
		1	2	3								
VOE 11700418		1				Shim.....	Cale d'épaisseur	Passscheibe.....	Arandela Ajuste	Passbricka.....	THICK = 3,30 MM	
VOE 11700419		1				Shim.....	Cale d'épaisseur	Passscheibe.....	Arandela Ajuste	Passbricka.....	THICK = 3,40 MM	
VOE 11700420		1				Shim.....	Cale d'épaisseur	Passscheibe.....	Arandela Ajuste	Passbricka.....	THICK = 3,50 MM	
VOE 11700421		1				Shim.....	Cale d'épaisseur	Passscheibe.....	Arandela Ajuste	Passbricka.....	THICK = 3,60 MM	
VOE 11700422		1				Shim.....	Cale d'épaisseur	Passscheibe.....	Arandela Ajuste	Passbricka.....	THICK = 3,70 MM	
VOE 11700395		1				Shim.....	Cale Reglage	Nachstellblech.....	Cuna de calzar	Justerbleck.....	THICK = 1,00 MM	
VOE 11700396		1				Shim.....	Cale Reglage	Nachstellblech.....	Cuna de calzar	Justerbleck.....	THICK = 1,10 MM	
VOE 24425958			1			Shim.....	Cale d'épaisseur	Passscheibe.....	Arandela Ajuste	Passbricka.....	THICK = 4,70 MM	
VOE 24425969			1			Shim.....	Cale d'épaisseur	Passscheibe.....	Arandela Ajuste	Passbricka.....	THICK = 4,75 MM	
VOE 24425972			1			Shim.....	Cale d'épaisseur	Passscheibe.....	Arandela Ajuste	Passbricka.....	THICK = 4,80 MM	
VOE 24425973			1			Shim.....	Cale d'épaisseur	Passscheibe.....	Arandela Ajuste	Passbricka.....	THICK = 4,85 MM	
VOE 24425974			1			Shim.....	Cale d'épaisseur	Passscheibe.....	Arandela Ajuste	Passbricka.....	THICK = 4,90 MM	
VOE 24425982			1			Shim.....	Cale d'épaisseur	Passscheibe.....	Arandela Ajuste	Passbricka.....	THICK = 4,95 MM	
VOE 24425983			1			Shim.....	Cale d'épaisseur	Passscheibe.....	Arandela Ajuste	Passbricka.....	THICK = 5,00 MM	
VOE 24425984			1			Shim.....	Cale d'épaisseur	Passscheibe.....	Arandela Ajuste	Passbricka.....	THICK = 5,05 MM	
VOE 24425985			1			Shim.....	Cale d'épaisseur	Passscheibe.....	Arandela Ajuste	Passbricka.....	THICK = 5,10 MM	
VOE 24425986			1			Shim.....	Cale d'épaisseur	Passscheibe.....	Arandela Ajuste	Passbricka.....	THICK = 5,15 MM	
VOE 24425987			1			Shim.....	Cale d'épaisseur	Passscheibe.....	Arandela Ajuste	Passbricka.....	THICK = 5,20 MM	
VOE 24425989			1			Shim.....	Cale d'épaisseur	Passscheibe.....	Arandela Ajuste	Passbricka.....	THICK = 5,25 MM	
VOE 24425991			1			Shim.....	Cale d'épaisseur	Passscheibe.....	Arandela Ajuste	Passbricka.....	THICK = 5,30 MM	
VOE 24425992			1			Shim.....	Cale d'épaisseur	Passscheibe.....	Arandela Ajuste	Passbricka.....	THICK = 5,35 MM	
VOE 24425994			1			Shim.....	Cale d'épaisseur	Passscheibe.....	Arandela Ajuste	Passbricka.....	THICK = 5,40 MM	
VOE 24425996			1			Shim.....	Cale d'épaisseur	Passscheibe.....	Arandela Ajuste	Passbricka.....	THICK = 5,45 MM	
VOE 24425998			1			Shim.....	Cale d'épaisseur	Passscheibe.....	Arandela Ajuste	Passbricka.....	THICK = 5,50 MM	
VOE 24426002			1			Shim.....	Cale d'épaisseur	Passscheibe.....	Arandela Ajuste	Passbricka.....	THICK = 5,55 MM	
VOE 24426004			1			Shim.....	Cale d'épaisseur	Passscheibe.....	Arandela Ajuste	Passbricka.....	THICK = 5,60 MM	
VOE 24426005			1			Shim.....	Cale d'épaisseur	Passscheibe.....	Arandela Ajuste	Passbricka.....	THICK = 5,65 MM	
VOE 24426006			1			Shim.....	Cale d'épaisseur	Passscheibe.....	Arandela Ajuste	Passbricka.....	THICK = 5,70 MM	
VOE 24426007			1			Shim.....	Cale d'épaisseur	Passscheibe.....	Arandela Ajuste	Passbricka.....	THICK = 5,75 MM	
VOE 24426010			1			Shim.....	Cale d'épaisseur	Passscheibe.....	Arandela Ajuste	Passbricka.....	THICK = 5,80 MM	

1	11887322	Insprutningspump med monteringsdetaljer Bomba de inyección de accesorisde montaje Einspritzpumpe mit Anbauteilen Pompe d'injection de combustible avec pièces de montage Fuel injection pump with fitting parts	Catalogue id	Group
2	11885148		20002	236
3			Illustr. No	Section
4			1000888	100
5			Issue	Page
			VOE 63H9920002	89

VOLVO

BL71

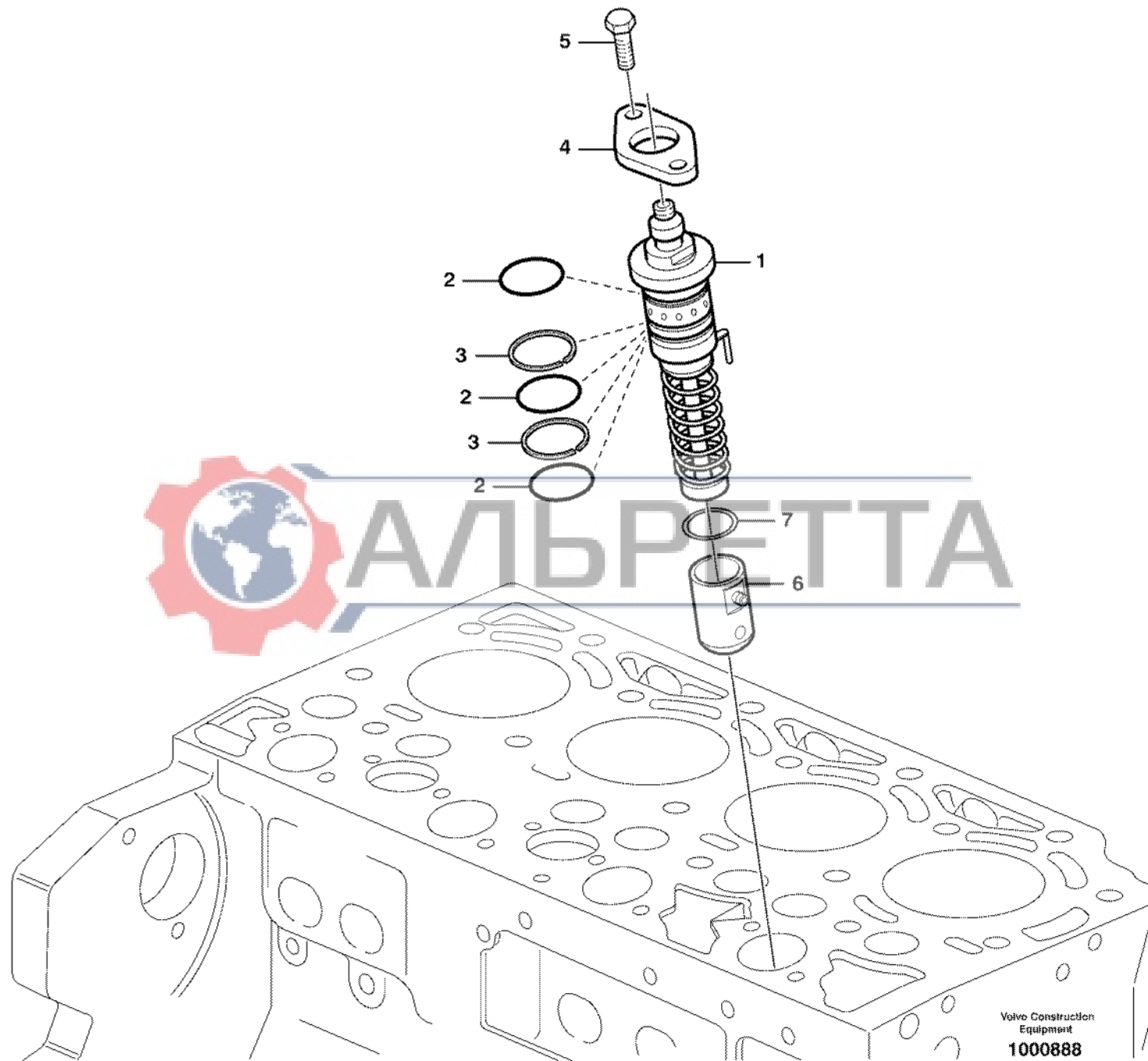


Fig.	Part No.	Quantity			P S	K I T	Description	Dénomination	Bezeichnung	Denominación	Benämning	Notes
		1	2	3								
	VOE 24426011		1			Shim.....	Cale d'épaisseur	Passscheibe.....	Arandela Ajuste	Passbricka.....	THICK = 5,85 MM	
	VOE 24426012		1			Shim.....	Cale d'épaisseur	Passscheibe.....	Arandela Ajuste	Passbricka.....	THICK = 5,90 MM	
	VOE 24426013		1			Shim.....	Cale d'épaisseur	Passscheibe.....	Arandela Ajuste	Passbricka.....	THICK = 5,95 MM	
	VOE 24426014		1			Shim.....	Cale d'épaisseur	Passscheibe.....	Arandela Ajuste	Passbricka.....	THICK = 6,00 MM	
	VOE 24426015		1			Shim.....	Cale d'épaisseur	Passscheibe.....	Arandela Ajuste	Passbricka.....	THICK = 6,05 MM	
	VOE 24426016		1			Shim.....	Cale d'épaisseur	Passscheibe.....	Arandela Ajuste	Passbricka.....	THICK = 6,10 MM	
	VOE 24426017		1			Shim.....	Cale d'épaisseur	Passscheibe.....	Arandela Ajuste	Passbricka.....	THICK = 6,15 MM	
	VOE 24426018		1			Shim.....	Cale d'épaisseur	Passscheibe.....	Arandela Ajuste	Passbricka.....	THICK = 6,20 MM	
	VOE 24426019		1			Shim.....	Cale d'épaisseur	Passscheibe.....	Arandela Ajuste	Passbricka.....	THICK = 6,25 MM	
	VOE 24426020		1			Shim.....	Cale d'épaisseur	Passscheibe.....	Arandela Ajuste	Passbricka.....	THICK = 6,30 MM	
	VOE 24426021		1			Shim.....	Cale d'épaisseur	Passscheibe.....	Arandela Ajuste	Passbricka.....	THICK = 6,35 MM	
	VOE 24426022		1			Shim.....	Cale d'épaisseur	Passscheibe.....	Arandela Ajuste	Passbricka.....	THICK = 6,40 MM	



1	11887322	Insprutningspump med monteringsdetaljer Bomba de inyección de accesorisde montaje Einspritzpumpe mit Anbauteilen Pompe d'injection de combustible avec pièces de montage Fuel injection pump with fitting parts	Catalogue id	Group
2	11885148		20002	236
3			Illustr. No	Section
4			1000888	100
5			Issue	Page
			VOE 63H9920002	91
			11883246, 11885148, 11887322	

VOLVO



BL71

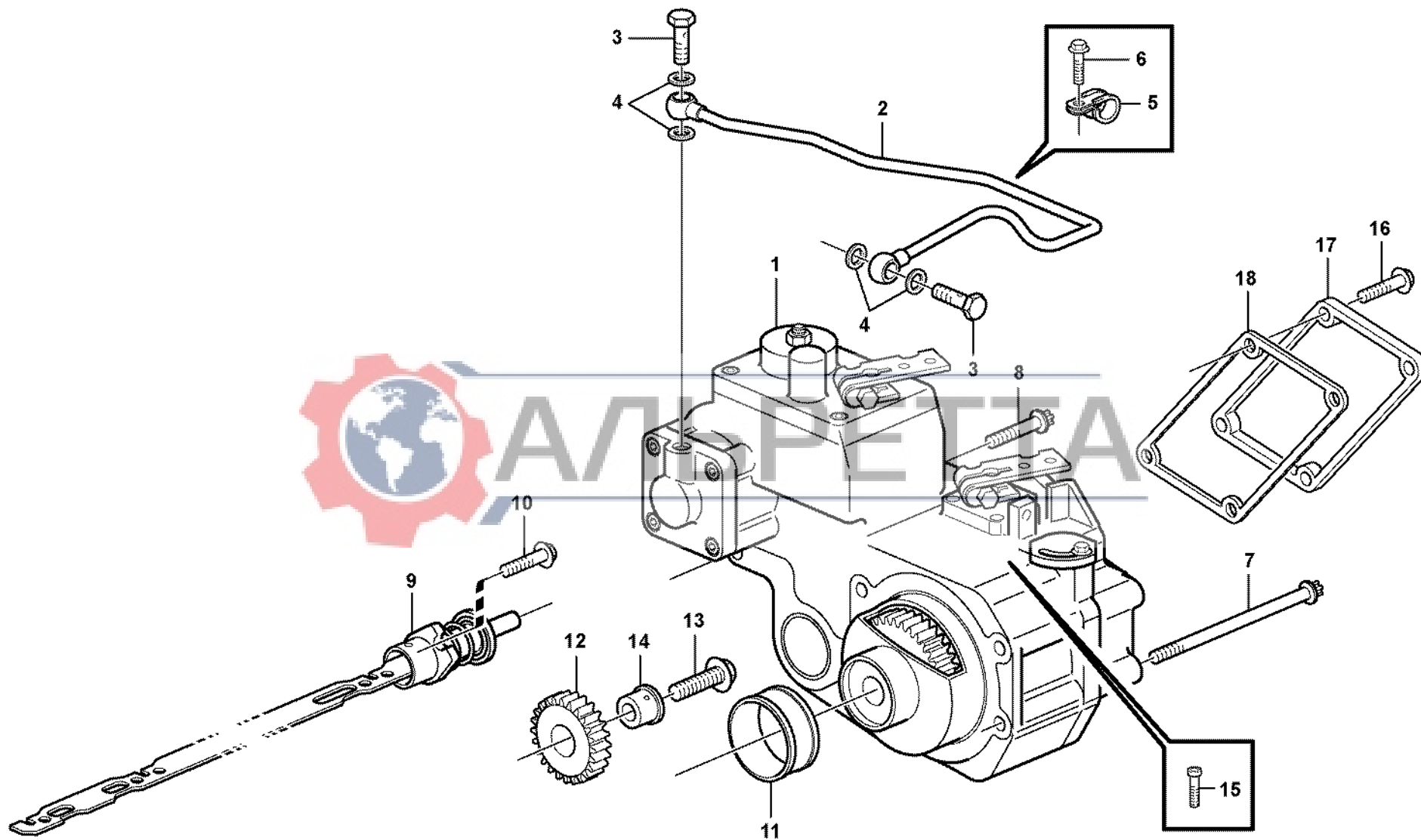
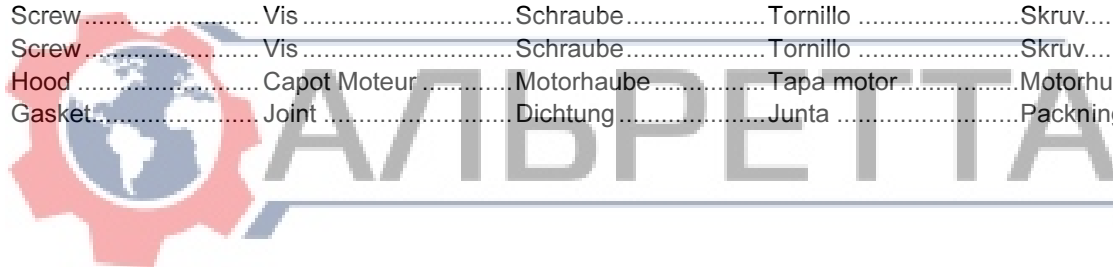


Fig.	Part No.	Quantity			P S	K I T	Description	Dénomination	Bezeichnung	Denominación	Benämning	Notes
		1	2	3								
1	VOE 20590555	1				Control	Commande	Regelung.....	Mando	Reglage.....	2067) ENG - 00894796	
	VOE 20590582	1				Regulator	Regulateur	Regler.....	Regulador.....	Regulator.....	ENG 00894797 -	
2	VOE 20504812	1				Pipe.....	Canalisation	Rohrleitung.....	Canalización.....	Rör.....		
3	VOE 20460289	2				Hollow screw.....	Vis creuse	Hohlschraube.....	Racor-surtidor	Hålskruv.....		
4	VOE 13947281	4				Gasket.....	Joint	Dichtung	Junta	Packning.....		
5	VOE 20405730	1				Clamp.....	Pince Serrage	Klemme.....	Abrazadera.....	Klämma.....		
6	VOE 20405729	1				Screw	Vis	Schraube.....	Tornillo	Skruv.....		
7	VOE 20460064	4				Screw	Vis	Schraube.....	Tornillo	Skruv.....		
8	VOE 888760	1				Screw	Vis	Schraube.....	Tornillo	Skruv.....		
9	VOE 20460069	1				Control Rod.....	Tige Commande	Schaltstange	Barra De Mando.....	Manöverstång.....		
10	VOE 20405538	1				Screw	Vis	Schraube.....	Tornillo	Skruv.....		
11	VOE 20460070	1				Bushing.....	Bague.....	Buchse.....	Casquillo	Bussning.....		
12	VOE 20555503	1				Gear	Pignon.....	Zahnradgetriebe.....	Engranaje.....	Kuggdrev.....		
13	VOE 20405560	1				Screw	Vis	Schraube.....	Tornillo	Skruv.....		
14	VOE 11700504	1				Pivot Pin.....	Goupille-guide.....	Gelenkstift	Pasador Artic.....	Ledpinne.....	ENG - 01047298	
	VOE 20758272	1				Pin.....	Goupille.....	Zapfen	Pasador.....	Tapp.....	ENG 01047299 -	
15	VOE 20460067	1				Screw	Vis	Schraube.....	Tornillo	Skruv.....		
16	VOE 20460082	4				Screw	Vis	Schraube.....	Tornillo	Skruv.....		
17		1			NS	Hood	Capot Moteur.....	Motorhaube	Tapa motor.....	Motorhuv.....		
18	VOE 20405509	1				Gasket.....	Joint	Dichtung	Junta	Packning.....		



2067) **GB:** Contact Volvo CE Customer Support. Individual Setting, Indicate Engine type and Engine number **FR:** Veuillez contacter Volvo CE Customer Support. Réglage individuel, indiquer le type et le numéro de moteur **DE:** Wenden Sie sich bitte an den Volvo CE Customer Support. Individuelle Einstellung, Motortyp und Motornummer angeben. **ES:** Dirigirse a Volvo CE Customer Support. Ajuste individual, indicar el tipo de motor y el número del motor **SE:** Kontakta Volvo CE Customer Support. Individuell inställning, Ange motortyp och motornummer

1	Regulator	Catalogue id	Group
2	Regulador	20002	236
3	Regler	Illustr. No	Section
4	Régulateur	1021192	150
5	Regulator	Issue	Page
	11883246, 11885148, 11887322	VOE 63H9920002	93

VOLVO

BL71

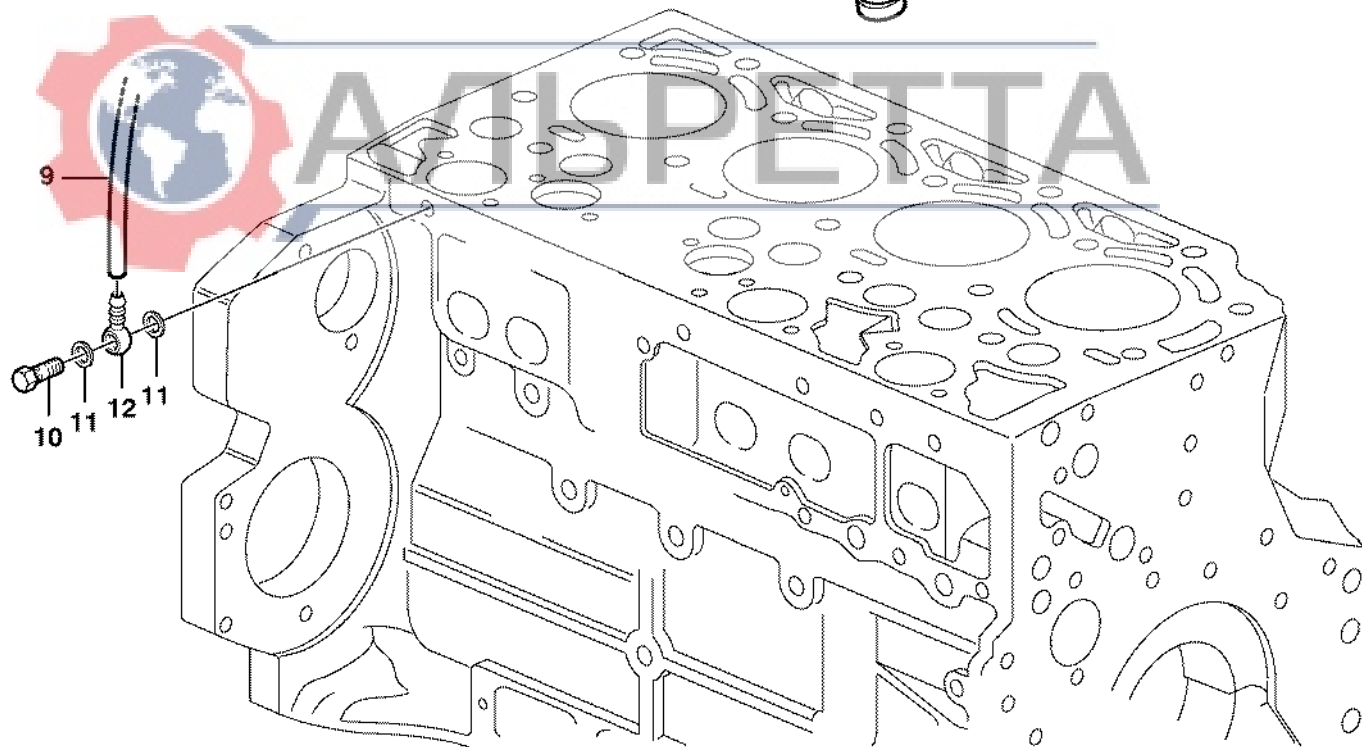
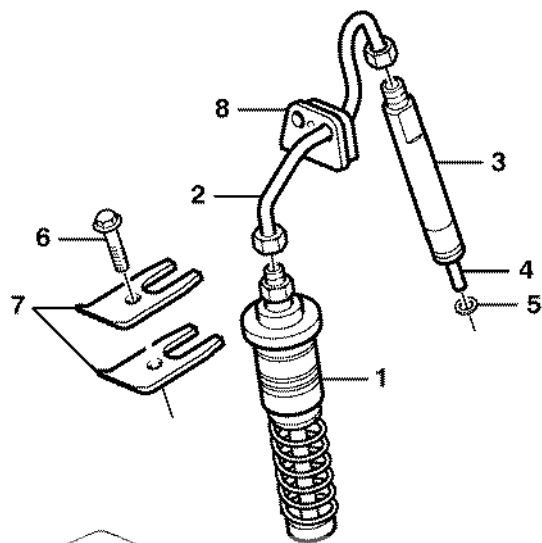


Fig.	Part No.	Quantity			P S	K I T	Description	Dénomination	Bezeichnung	Denominación	Benämning	Notes
		1	2	3								
1		4	4			Injection pump.....	Pompe injection	Einspritzpumpe	Bomba inyeccion	Insprutn.pump.....	See group 236, Page 87	
2	VOE 20460095	4	4			Fuel pipe	Conduit carbura	Kraftstoffleitung	Tubo combustib.....	Bränslerör.....		
3	VOE 20549383	4				Injector	Injecteur	Einspritzdüse.....	Inyector	Insprutare.....		
	VOE 24425916	4				Injector	Injecteur	Einspritzdüse.....	Inyector	Insprutare.....		
4	VOE 20460098	4				•Nozzle.....	•Nez D'injecteur.....	•Einspritzduse	•Tobera.....	•Spridare.....		
	VOE 24425919	4				•Nozzle.....	•Nez D'injecteur.....	•Einspritzduse	•Tobera.....	•Spridare.....		
5	VOE 11700426	4	4			Seal.....	Joint	Dichtring	Junta	Tätning.....		
6	VOE 20405559	4	4			Screw	Vis	Schraube.....	Tornillo	Skruv.....		
7	VOE 11700424	8	8			Retainer	Retenue	Halter.....	Soporte.....	Hållare.....		
8	VOE 11700487	4	4			Rubber Seal	Lèvre Caoutchouc.....	Gummilippe	Labio Goma.....	Gummiläpp.....		
9		1	1			Fuel hose	Flexi.carburant	Kraftstoffschlauch.....	Manguera comb	Bränsleslang.....	See group 234, Page 85	
10	VOE 11704362	1	1			Delivery Valve	Soup.refouleme.....	Druckventil	Valvula Presion	Tryckventil.....		
11	VOE 20459972	2	2			Sealing ring	Bague d'étanchéité ...	Runddichtring	Anillo reten	Tätningsring.....		
12	VOE 20459906	1	1			Nipple.....	Raccord.....	Nippel	Niple	Nippel.....		



1	11883246	Bränslerör och insprutare Tuberias de combustible, inyector Brennstoffrohre Canalisation à combustible, injecteur Fuel lines and injectors	Catalogue id	Group
2	11885148, 11887322		20002	237
3			Illustr. No	Section
4			1009992	100
5			Issue	Page
		11883246, 11885148, 11887322	VOE 63H9920002	95

VOLVO



BL71

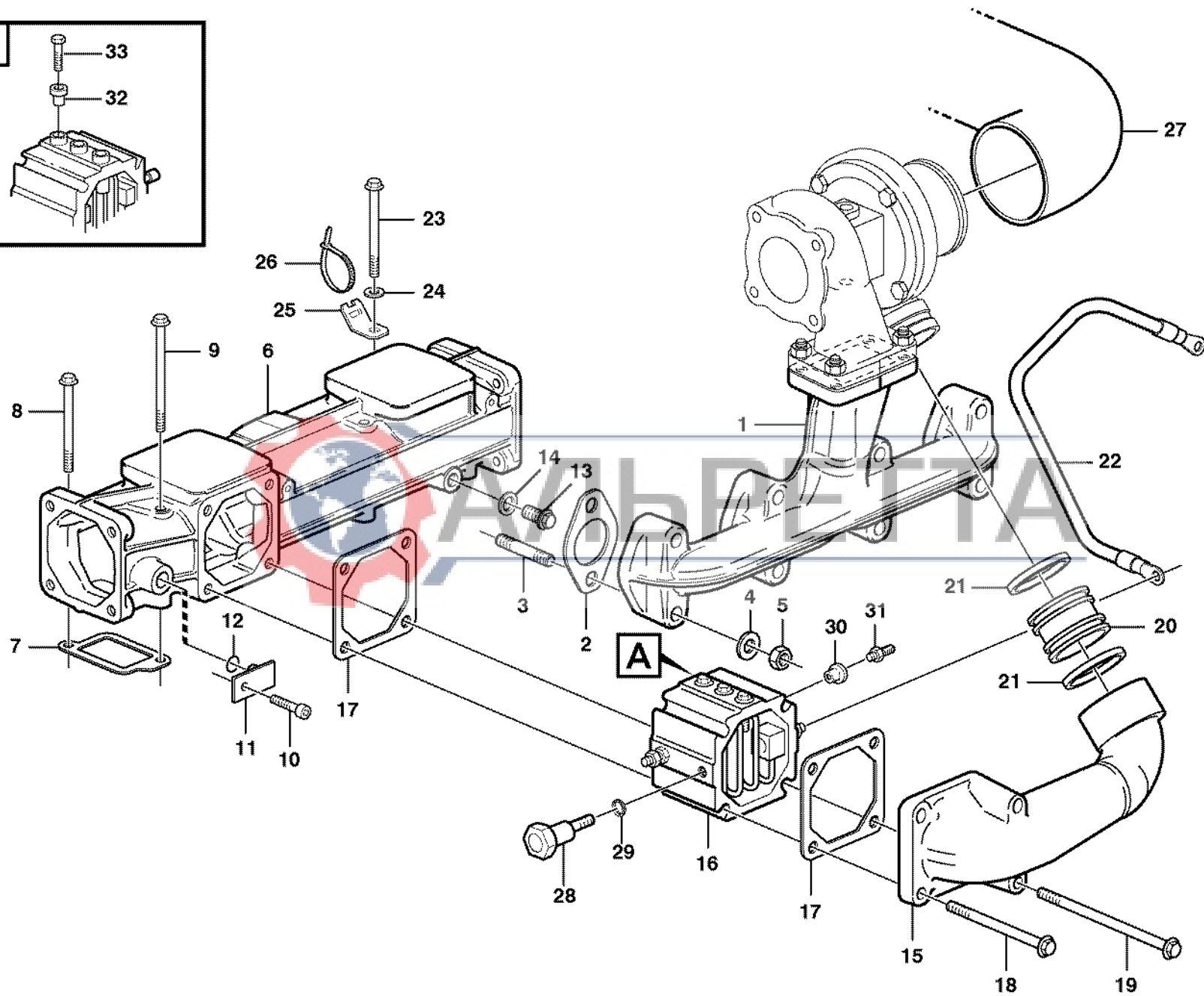
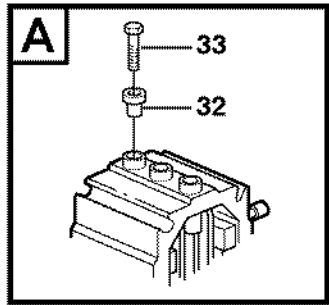


Fig.	Part No.	Quantity			P S	K I T	Description	Dénomination	Bezeichnung	Denominación	Benämning	Notes
		1	2	3								
1	VOE 24426230	1	1	1		Exhaust Pipe.....	Tuyau d'échappemen.	Auspuffrohr.....	Tubo Escape	Avgasrör.....		
2	VOE 20557208	4	4	4		Gasket.....	Joint	Dichtung	Junta	Packning.....		
3	VOE 20405587	8	8	8		Stud.....	Goujon	Stiftschraube	Esparrago.....	Pinnskruv.....		
4	VOE 11700543	8	8	8		Washer.....	Rondelle	Scheibe	Arandela.....	Bricka.....		
5	VOE 20505959	8	8	8		Hexagon Nut.....	Ecrou Hexagonal	Sechskantmutter	Tuerca Hexagon.....	Sexkantsmutter.....		
6	VOE 20565870	1	1	1		Charge Air Pipe.....	Tuyau Suralimen.....	Ladeluftrohr	Tubo Admis Aire.....	Laddluftför.....		
7	VOE 20555515	4	4	4		Gasket.....	Joint	Dichtung	Junta	Packning.....		
8	VOE 20459830	4	4	4		Screw.....	Vis	Schraube.....	Tornillo	Skruv.....		
9	VOE 20412601	4	4	4		Screw.....	Vis	Schraube.....	Tornillo	Skruv.....		
10	VOE 20450694	1	1	1		Screw.....	Vis	Schraube.....	Tornillo	Skruv.....		
11	VOE 20459910	1	1	1		Plug.....	Bouchon.....	Stopfen.....	Tapon	Plugg.....		
12	VOE 20459909	1	1	1		Sealing ring.....	Bague d'étanchéité	Runddichtring	Anillo reten	Tättningsring.....		
13	VOE 20451012	1	1	1		Plug.....	Bouchon.....	Stopfen.....	Tapon	Plugg.....		
14	VOE 13947621	1	1	1		Plane Gasket.....	Joint Plan	Flachdichtung.....	Junta Plana	Planpackning.....		
15	VOE 20459935	1	1			Elbow.....	Coude	Winkelstueck.....	Tubo acodado	Vinkel.....	ENG - 00985236	
	VOE 20726057	1	1	1		Elbow.....	Coude	Winkelstueck.....	Tubo acodado	Vinkel.....	ENG 00985237 -	
16	VOE 20532254	1	1			Heater.....	Elément de chauffag.....	Heizkörper.....	Calefaccion	Värmeelement.....	ENG - 01047118	
	VOE 20758403	1	1			Heater.....	Elément de chauffag.....	Heizkörper.....	Calefaccion	Värmeelement.....	ENG 01047119 -	
	VOE 20585825			1		Flange.....	Flasque.....	Flansch.....	Brida.....	Fläns.....		
17	VOE 20531832	2	2	2		Gasket.....	Joint	Dichtung.....	Junta	Packning.....		
18	VOE 20460123	2	2	2		Screw.....	Vis	Schraube.....	Tornillo	Skruv.....		
19	VOE 20459933	2	2	2		Screw.....	Vis	Schraube.....	Tornillo	Skruv.....		
20	VOE 20405616	1	1	1		Adapter.....	Raccord Reduct.....	Verbind Stutzen.....	Adaptador.....	Adapter.....		
21	VOE 20405536	2	2	2		Sealing ring.....	Bague d'étanchéité	Runddichtring	Anillo reten	Tättningsring.....		
22	VOE 20726062	1				Cable.....	Câble.....	Seil.....	Cable.....	Lina.....		
23	VOE 20405898	1				Screw.....	Vis	Schraube.....	Tornillo	Skruv.....		
24	VOE 20460127	1				Washer.....	Rondelle.....	Scheibe.....	Arandela.....	Bricka.....		
25	VOE 20450997	1				Bracket.....	Console.....	Konsole.....	Consola.....	Konsol.....		
26	VOE 4881440	1				Strip Clamp.....	Ruban Serrage.....	Kabelbinder.....	Abraz Cinta	Bandklamma.....		
27		1	1	1		Hose.....	Durit	Schlauch	Tubo flexible.....	Slang.....	See group 256, Page 105	

1	11883246	Insugningsrör och avgasgrenrör Tubo admisión y múltiple escape Ansaugrohr und Auspuffkrümmer Tubulure admission et tubulure echappement Inlet manifold and exhaust manifold	Catalogue id	Group
2	11885148		20002	251
3	11887322		Illustr. No	Section
4			1021333	100
5			Issue	Page
			VOE 63H9920002	97

VOLVO

BL71

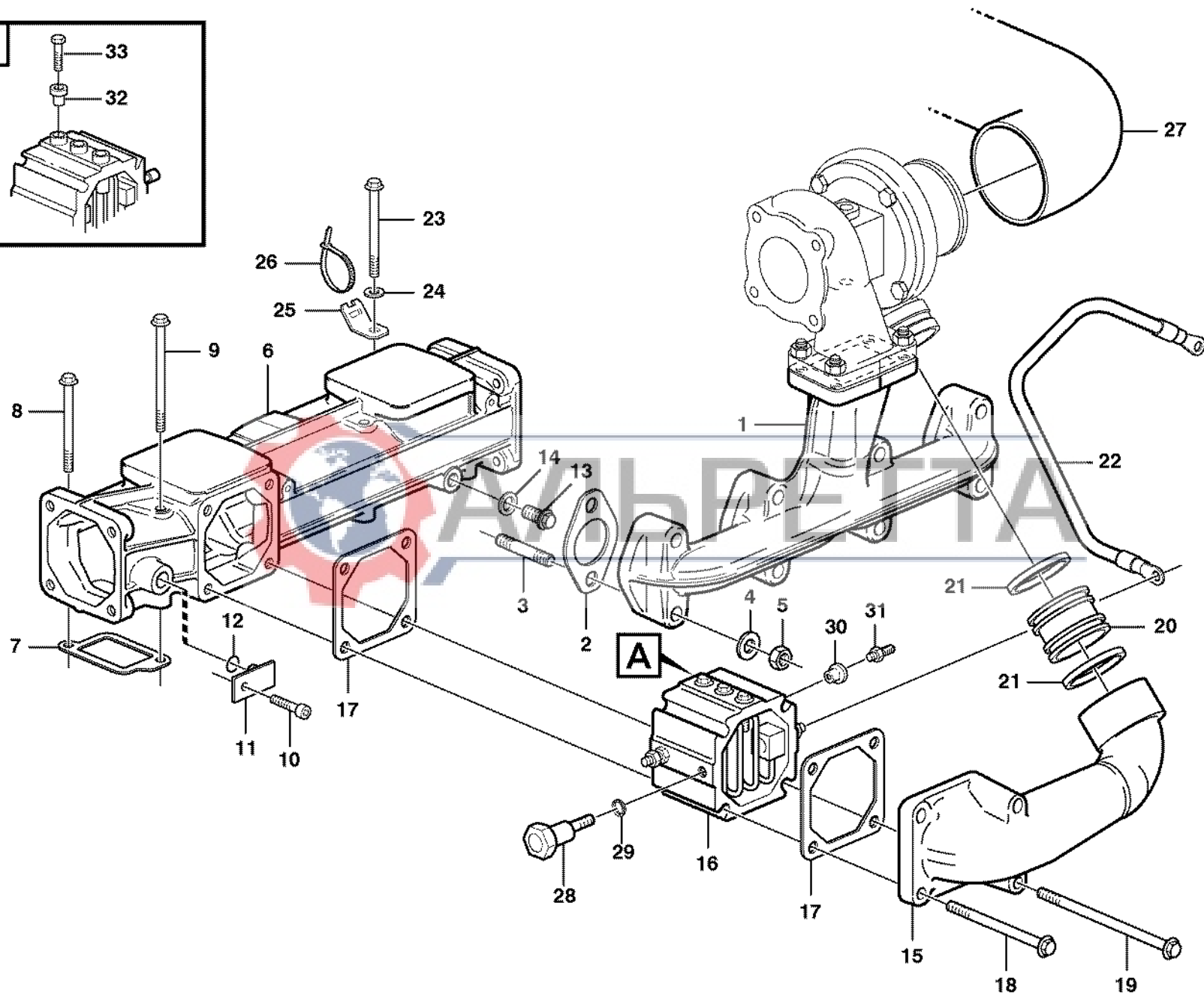
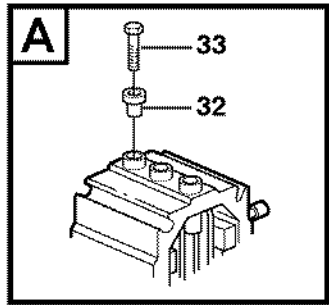


Fig.	Part No.	Quantity			P S	K I T	Description	Dénomination	Bezeichnung	Denominación	Benämning	Notes
		1	2	3								
28	VOE 20498498	1	1			Connector	Raccord.....	Anschluss.....	Union.....	Anslutning.....		
29	VOE 20498524	1	1			Sealing ring	Bague d'étanchéité	Runddichtring.....	Anillo reten	Tätningring.....		
30	VOE 20521558	1	1			Insulator	Isolateur	Isolator	Aislador	Isolator.....		
31	VOE 20572787	1	1			Connector	Raccord.....	Anschluss.....	Union.....	Anslutning.....	See group 256, Page 105	
32	VOE 20550336	1	1			Insulator	Isolateur	Isolator	Aislador	Isolator.....		
33	VOE 20550356	1	1			Bolt.....	Boulon.....	Bolzen	Perno.....	Bult.....		



1	11883246	Insugningsrör och avgasgrenrör Tubo admisión y múltiple escape Ansaugrohr und Auspuffkrümmer Tubulure admission et tubulure echappement Inlet manifold and exhaust manifold 11883246, 11885148, 11887322	Catalogue id 20002	Group 251
2	11885148		Illustr. No 1021333	Section 100
3	11887322			Issue VOE 63H9920002
4				
5				

VOLVO



BL71

Volvo Construction
Equipment
1014926

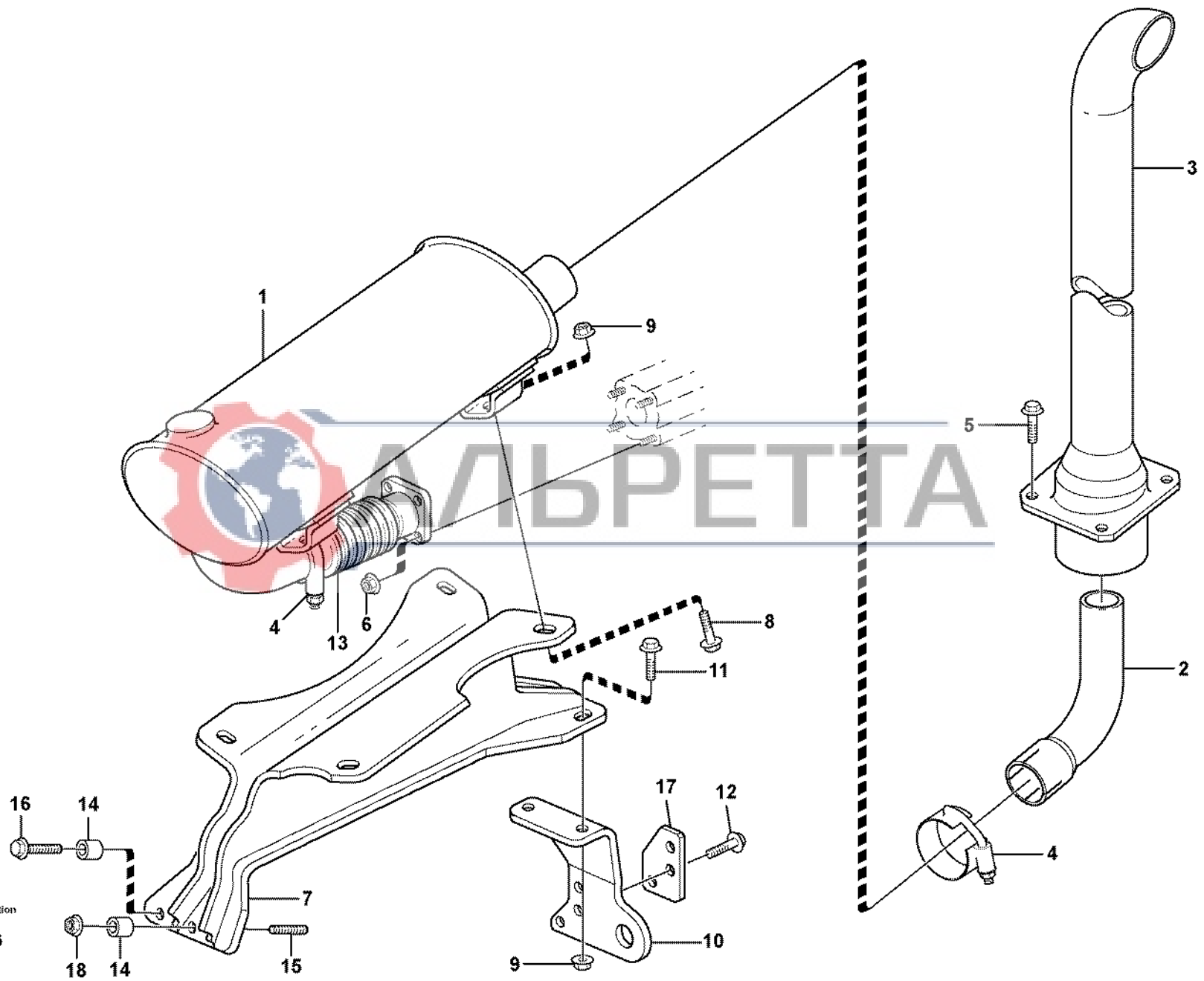
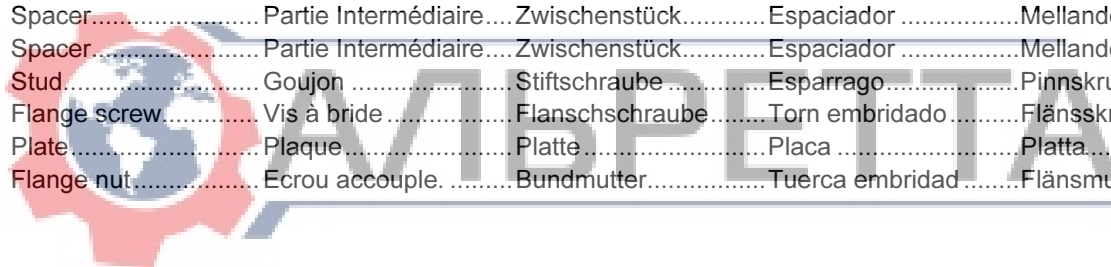


Fig.	Part No.	Quantity			P S	K I T	Description	Dénomination	Bezeichnung	Denominación	Benämning	Notes
		1	2	3								
1	VOE 11890338	1				Muffler	Silencieux	Schalldämpfer	Silencioso	Ljuddämpare		
2	VOE 11881139	1				Pipe	Canalisation	Rohrleitung	Canalización	Rör		
3	VOE 11890160	1				Exhaust Pipe	Tuyau d'échappemen	Auspuffrohr	Tube Escape	Avgasrör		
4	VOE 11883251	2				Clamp	Pince Serrage	Klemme	Abrazadera	Klämma		
5	VOE 946329	4				Flange screw	Vis à bride	Flanschschraube	Torn embridado	Flänsskruv		
6	VOE 948645	4				Flange Lock Nut	Contre écrou bride	Flanschmutter	Contratuer Embr	Flänslåsmutter		
7	VOE 11884001	1				Bracket	Console	Konsole	Ménsula	Konsol	SER NO -11532, 11543	
7	VOE 11886387	1				Bracket	Console	Konsole	Ménsula	Konsol	SER NO 11513, 11533-	
8	VOE 946329	4				Flange screw	Vis à bride	Flanschschraube	Torn embridado	Flänsskruv		
9	VOE 13971095	6				Flange nut	Ecrou accouple	Bundmutter	Tuerca embridad	Flänsmutter		
10	VOE 11884006	1				Plate	Plaque	Platte	Placa	Platta	SER NO -11532, 11543	
10	VOE 11886391	1				Bracket	Console	Konsole	Ménsula	Konsol	SER NO 11513, 11533-	
11	VOE 13965185	2				Flange screw	Vis à bride	Flanschschraube	Torn embridado	Flänsskruv		
12	VOE 946329	3				Flange screw	Vis à bride	Flanschschraube	Torn embridado	Flänsskruv	SER NO -11532, 11543	
12	VOE 946472	3				Flange screw	Vis à bride	Flanschschraube	Torn embridado	Flänsskruv	SER NO 11513, 11533-	
13	VOE 11883424	1			SS	Tube	Tube	Rohr	Tube	Rör		
14	VOE 11884007	2				Spacer	Partie Intermédiaire	Zwischenstück	Espaciador	Mellandel	SER NO -11532, 11543	
14	VOE 11886393	2				Spacer	Partie Intermédiaire	Zwischenstück	Espaciador	Mellandel	SER NO 11513, 11533-	
15	VOE 953073	2				Stud	Goujon	Stiftschraube	Esparrago	Pinnskruv	SER NO -11532, 11543	
16	VOE 13965188	2				Flange screw	Vis à bride	Flanschschraube	Torn embridado	Flänsskruv	SER NO 11513, 11533-	
17	VOE 11886392	1				Plate	Plaque	Platte	Placa	Platta	SER NO 11513, 11533-	
18	VOE 13971095	2				Flange nut	Ecrou accouple	Bundmutter	Tuerca embridad	Flänsmutter	SER NO -11532, 11543	



1	Avgassystem, ljuddämpare Sistema de escape, silenciador Auspuffsystem, Schalldämpfer Système d'aspiration, silencieux Exhaust system, silencer	Catalogue id	Group
2		20002	252
3		Illustr. No	Section
4		1014926	100
5		Issue	Page
		VOE 63H9920002	101

VOLVO



BL71

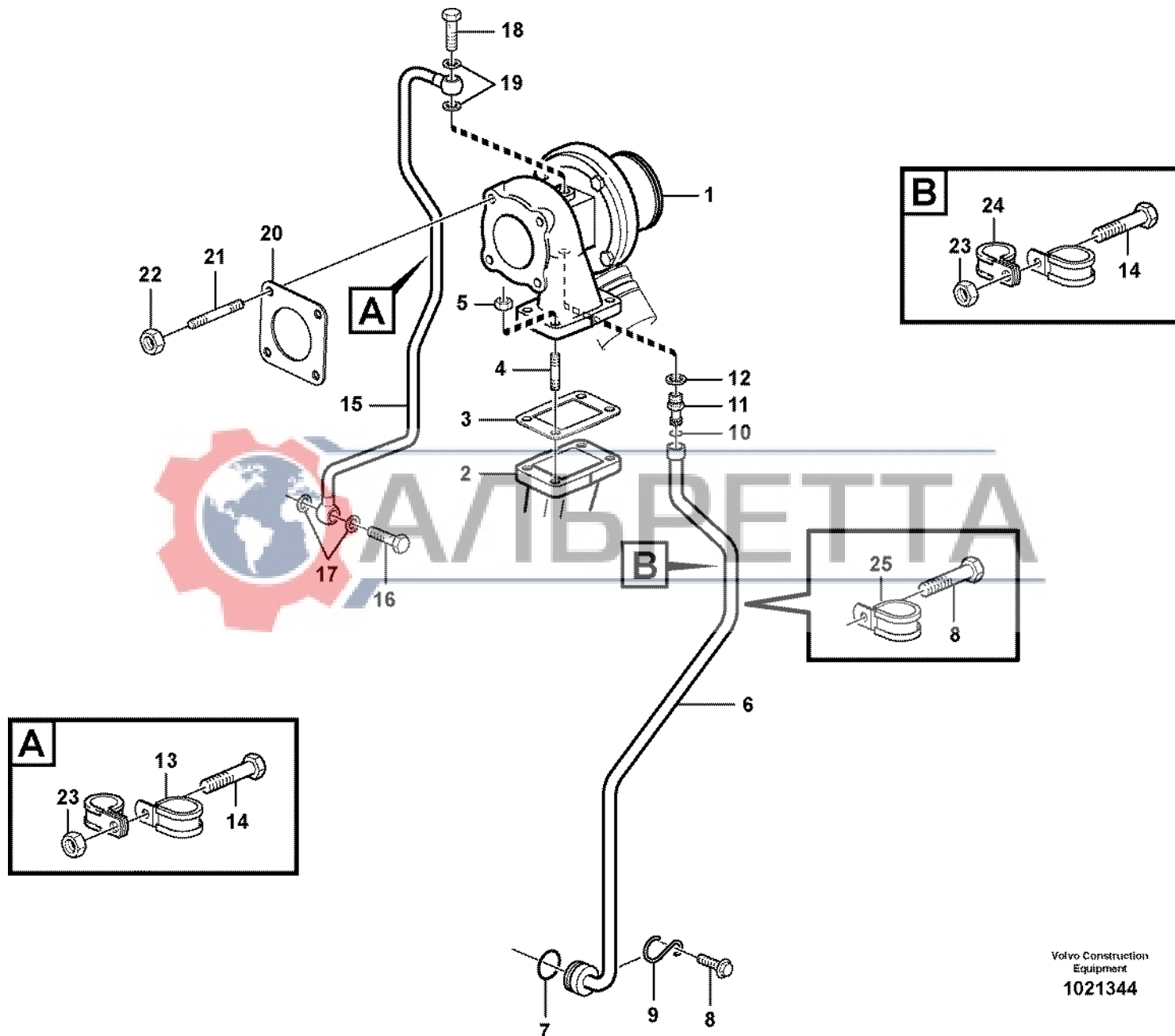


Fig.	Part No.	Quantity			P S	K I T	Description	Dénomination	Bezeichnung	Denominación	Benämning	Notes
		1	2	3								
1	VOE 20460945	1				Turbocharger	Turbocompresse	Abgasturbolader	Turbocompresor	Turbokompressor.....		
	VOE 20508630	1			OP	•Repair Kit	•Kit Réparation	•Reparatursatz	•Kit Reparacion	•Reparationsssats.....		
2		1				Exhaust Pipe.....	Tuyau d'échappemen.....	Auspuffrohr.....	Tube Escape	Avgasrör.....	See group 251, Page 97	
3	VOE 20405590	1				Gasket.....	Joint	Dichtung	Junta	Packning.....		
4	VOE 20412318	4				Stud.....	Goujon	Stiftschraube	Esparrago.....	Pinnskruv.....		
5	VOE 20517048	4				Hexagon Nut.....	Ecrou Hexagonal	Sechskantmutter	Tuerca Hexagon.....	Sexkantsmutter.....		
6	VOE 20528339	1				Return Line	Conduit Retour.....	Rückaufleitung	Conduct Return	Returledning.....		
7	VOE 20405822	1				Sealing ring	Bague d'étanchéité	Runddichtring	Anillo reten	Tätningsring.....		
8	VOE 20405792	2				Screw	Vis	Schraube	Tornillo	Skruv.....		
9	VOE 20405789	1				Retainer	Retenue	Halter.....	Soporte.....	Hållare.....		
10	VOE 20459172	1				Sealing ring	Bague d'étanchéité	Runddichtring	Anillo reten	Tätningsring.....		
11	VOE 20459171	1				Nipple.....	Raccord.....	Nippel	Niple	Nippel.....		
12	VOE 20549894	1				Sealing ring	Bague d'étanchéité	Runddichtring	Anillo reten	Tätningsring.....		
13	VOE 20460045	1				Clamp.....	Pince Serrage	Klemme	Abrazadera.....	Klämma.....		
14	VOE 20460055	1				Screw.....	Vis	Schraube.....	Tornillo	Skruv.....		
15	VOE 20555494	1				Feed Line	Cond.alimentat.....	Druckleitung	Conduct Presion.....	Tryckledning.....		
16	VOE 20460231	1				Hollow screw.....	Vis creuse	Hohlschraube	Racor-surtidor	Hålskruv.....		
17	VOE 13947621	2				Plane Gasket	Joint Plan	Flachdichtung.....	Junta Plana	Planpackning.....		
18	VOE 20460936	1				Hollow screw.....	Vis creuse	Hohlschraube	Racor-surtidor	Hålskruv.....		
19	VOE 20460061	2				Seal.....	Joint	Dichtring	Junta	Tätning.....		
20	VOE 20459236	1				Gasket.....	Joint	Dichtung	Junta	Packning.....		
21	VOE 20459235	4				Stud.....	Goujon	Stiftschraube	Esparrago.....	Pinnskruv.....		
22	VOE 20517048	4				Hexagon Nut.....	Ecrou Hexagonal	Sechskantmutter	Tuerca Hexagon.....	Sexkantsmutter.....		
23	VOE 20460939	1				Hexagon Nut.....	Ecrou Hexagonal	Sechskantmutter	Tuerca Hexagon.....	Sexkantsmutter.....		
24	VOE 20459181	1				Clamp.....	Pince Serrage	Klemme	Abrazadera.....	Klämma.....		
25	VOE 20450867	1				Clamp.....	Pince Serrage	Klemme	Abrazadera.....	Klämma.....		

1		Turbokompressor med monteringsdetaljer Turboalimentador con accesorios de montaje Torbolader mit Anbauteilen Turbocompresseur avec pièces de montage Turbocharger with fitting parts	Catalogue id	Group
2			20002	255
3			Illustr. No	Section
4			1021344	100
5			Issue	Page
		11883246, 11885148, 11887322	VOE 63H9920002	103

VOLVO

BL71

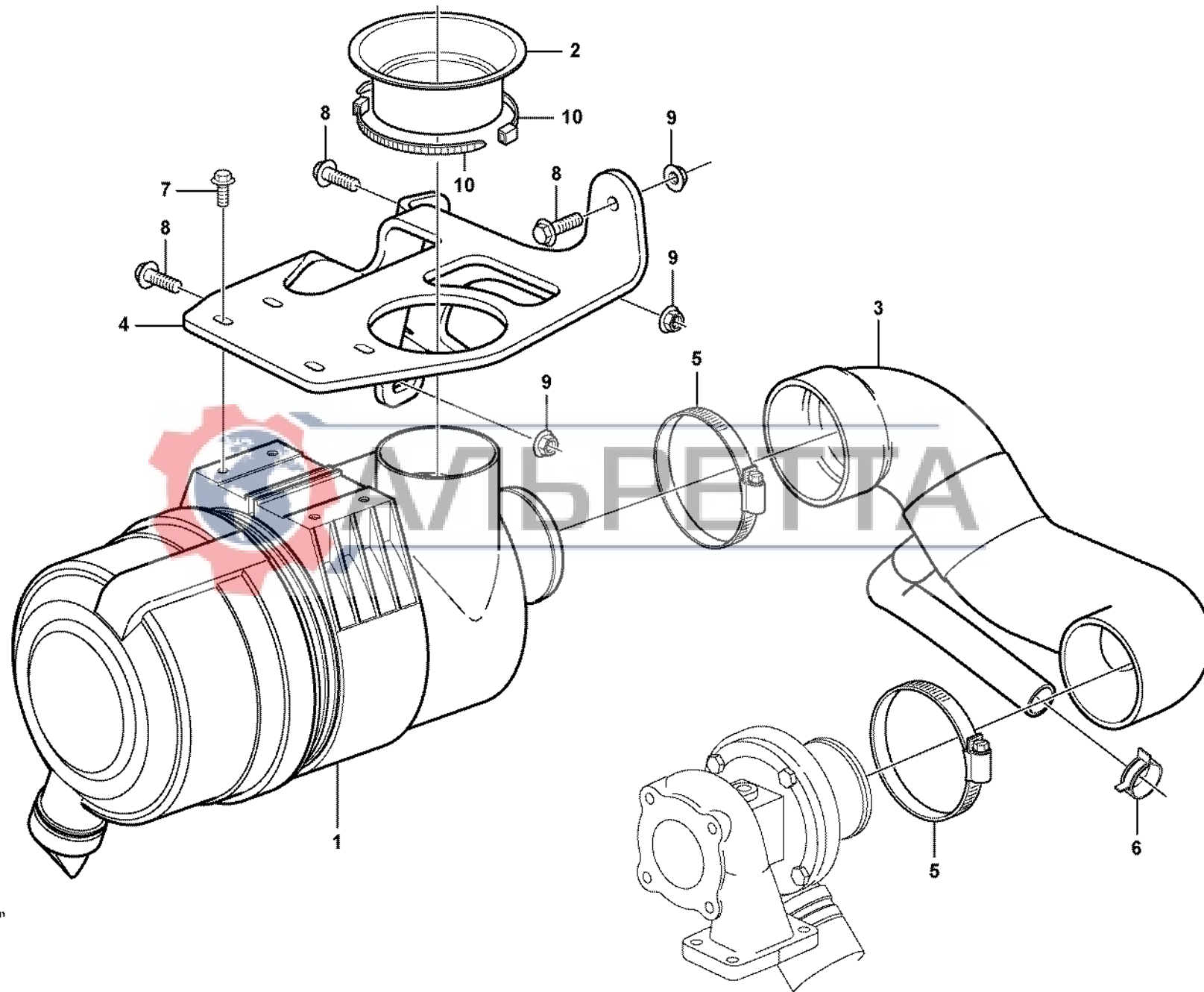


Fig.	Part No.	Quantity			P S	K I T	Description	Dénomination	Bezeichnung	Denominación	Benämning	Notes
		1	2	3								
1		1				Air Cleaner	Filtre Air.....	Luftfilter	Filtro Aire	Luftrenare.....	See group 256, Page 107	
2	VOE 11883145	1				Sealing ring	Bague d'étanchéité ...	Runddichtring	Anillo reten	Tättningsring.....		
3	VOE 11881164	1				Hose.....	Durit	Schlauch	Tubo flexible.....	Slang.....		
4		1		NS		Bracket.....	Console.....	Konsole	Ménsula.....	Konsol.....		
5	VOE 943483	2				Hose Clamp	Collier Serrage	Schlauchschelle	Abraz Manguera.....	Slangklamma.....		
6	VOE 982021	1				Hose Clamp	Collier Serrage	Schlauchschelle	Abraz Manguera.....	Slangklamma.....		
7	VOE 13946173	4				Flange screw.....	Vis à bride	Flanschschraube.....	Torn embridado	Flänsskruv.....		
8	VOE 946472	2				Flange screw.....	Vis à bride	Flanschschraube.....	Torn embridado	Flänsskruv.....		
9	VOE 13971095	2				Flange nut.....	Ecrou accouple.	Bundmutter.....	Tuerca embridad	Flänsmutter.....		
10	VOE 4881440	2				Strip Clamp	Ruban Serrage.....	Kabelbinder	Abraz Cinta	Bandklamma.....		2147)



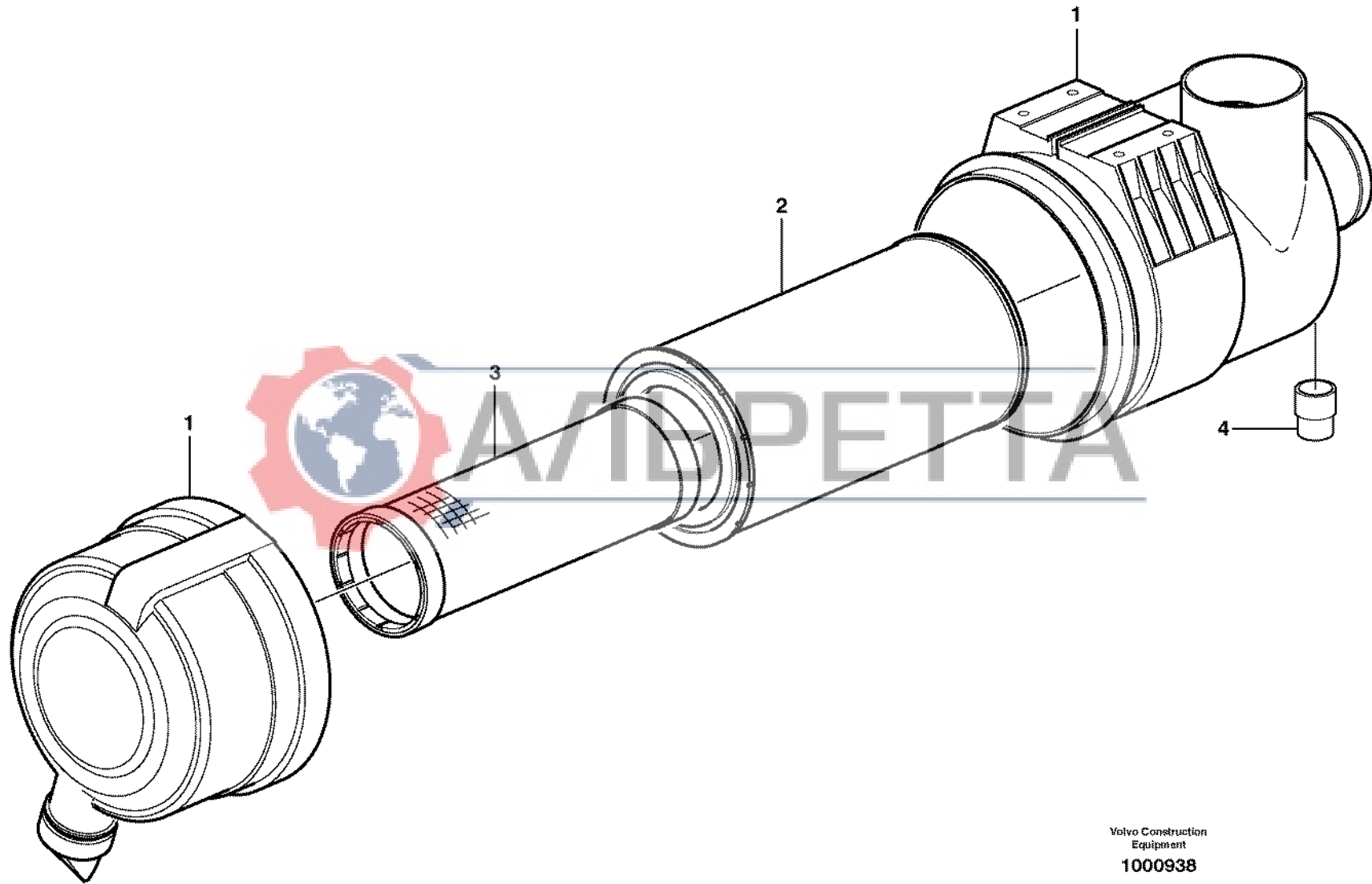
2147) Ser No 11369, 11371-11373, 11380-11381, 11386-11387, 11397, 11423, 11425-

1	Luftrenare med monteringsdetaljer Filtro de aire con accesoris de montaje Luftfilter mit Anbauteilen Filtre à air avec pièces de montage Air filter with fitting parts	Catalogue id	Group
2		20002	256
3		Illustr. No	Section
4		1000937	100
5		Issue	Page
		VOE 63H9920002	105

VOLVO



BL71



Volvo Construction
Equipment
1000938

Fig.	Part No.	Quantity			P S	K I T	Description	Dénomination	Bezeichnung	Denominación	Benämning	Notes
		1	2	3								
1	VOE 11890335	1					Air Cleaner	Filtre Air.....	Luftfilter	Filtro Aire	Luftrenare.....	
2	VOE 11883618	1					•Primary Filter	•Prefiltre	•Vorfilter.....	•Prefiltro.....	•Förfilter.....	
3	VOE 11883619	1					•Safety filter.....	•Filtre de sécurité	•Sicherheitsfilter	•Filtro de seguridad	•Säkerhetsfilter.....	
4	VOE 11709746	1					•Indicator.....	•Indicateur	•Indikator	•Indicador	•Indikator.....	

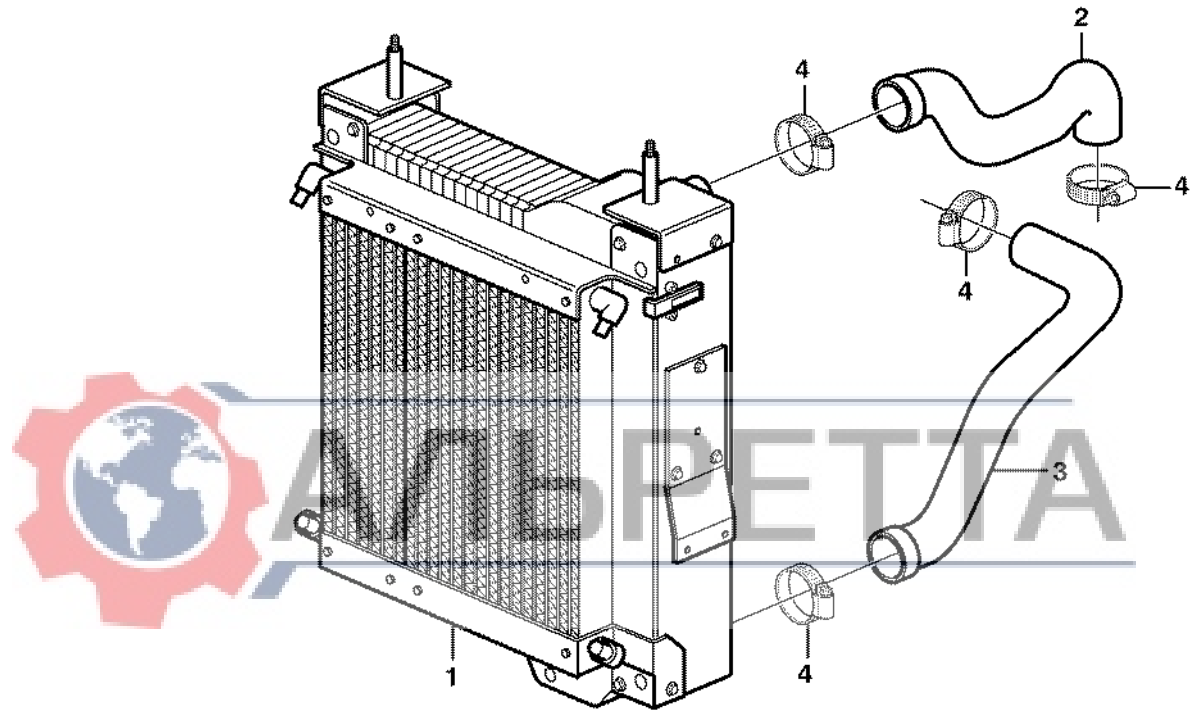


1		Luftrenare	Catalogue id	Group
2		Filtro de aire	20002	256
3		Luftfilter	Illustr. No	Section
4		Purificateur d'air	1000938	150
5		Air filter	Issue	Page
			VOE 63H9920002	107

VOLVO



BL71



Volvo Construction
Equipment
1000555

Fig.	Part No.	Quantity			P S	K I T	Description	Dénomination	Bezeichnung	Denominación	Benämning	Notes
		1	2	3								
1		1				Radiator	Radiateur	Kühler	Radiador	Kylare	See group 261, Page 113	
2	VOE 11881130	1				Radiator Hose	Durit Radiateur	Kuhlerschlauch	Manguera Radiad	Kylarslang		
3	VOE 11881131	1				Radiator Hose	Durit Radiateur	Kuhlerschlauch	Manguera Radiad	Kylarslang	S/N - 14669	
3	VOE 11888695	1				Hose	Durit	Schlauch	Tubo flexible	Slang	S/N 14670 -	
4	VOE 981604	4				Hose Clamp	Collier Serrage	Schlauchschelle	Abraz Manguera	Slangklamma		



1		Kylsystem Sistema de refrigeración Kühlanlage Système de refroidissement Cooling system	Catalogue id	Group
2			20002	260
3			Illustr. No	Section
4			1000555	100
5			Issue	Page
			VOE 63H9920002	109

VOLVO



BL71

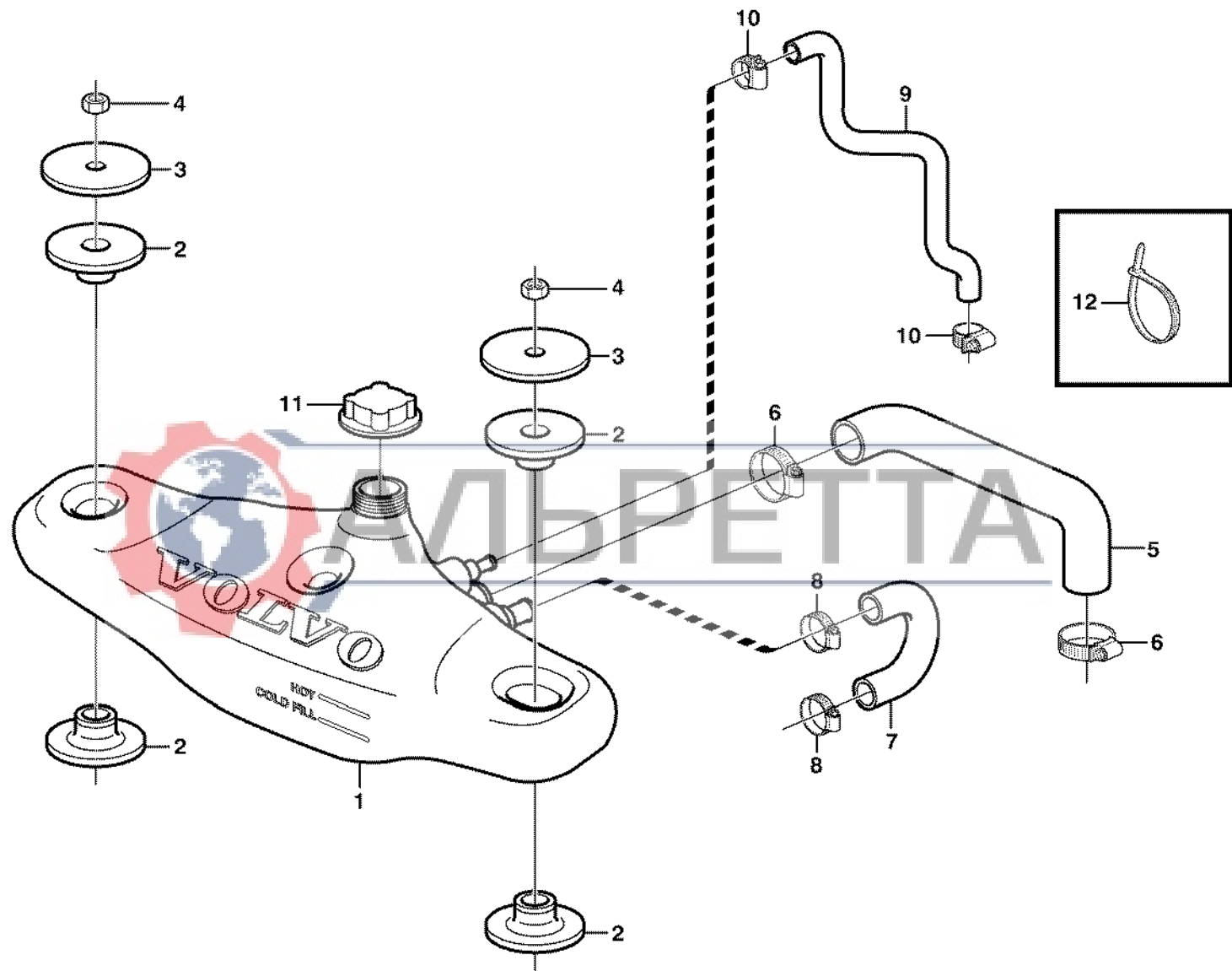


Fig.	Part No.	Quantity			P S	K I T	Description	Dénomination	Bezeichnung	Denominación	Benämning	Notes
		1	2	3								
1	VOE 11886455	1				Expansion Tank	Vase Expansion	Dehngefäß	Tanque Expansio	Expansionskärl.....	(VOE 11884118)	
2		4			NS	Spacer.....	Entretoise	Abstandkörper.....	Distanciador	Distans.....		
3		2			NS	Washer.....	Rondelle	Scheibe	Arandela	Bricka.....		
4	VOE 13971095	2				Flange nut.....	Ecrou accouple.	Bundmutter.....	Tuerca embridad	Flänsmutter.....		
5	VOE 11882659	1				Hose.....	Durit	Schlauch	Tubo flexible	Slang.....		
6	VOE 981708	2				Hose Clamp	Collier Serrage	Schlauchschelle	Abraz Manguera.....	Slangklamma.....		
7	VOE 11882756	1				Hose.....	Durit	Schlauch	Tubo flexible	Slang.....		
8	VOE 981705	2				Hose Clamp	Collier Serrage	Schlauchschelle	Abraz Manguera.....	Slangklamma.....		
9	VOE 11882757	1				Hose.....	Durit	Schlauch	Tubo flexible	Slang.....		
10	VOE 943469	2				Hose Clamp	Collier Serrage	Schlauchschelle	Abraz Manguera.....	Slangklamma.....		
11	VOE 1542591	1				Pressure Cap.....	Boucho.pression	Druckverschluss.....	Tapa Presion.....	Trycklock.....		
12	VOE 4881438	1				Strip Clamp	Ruban Serrage.....	Kabelbinder	Abraz Cinta	Bandklamma.....		

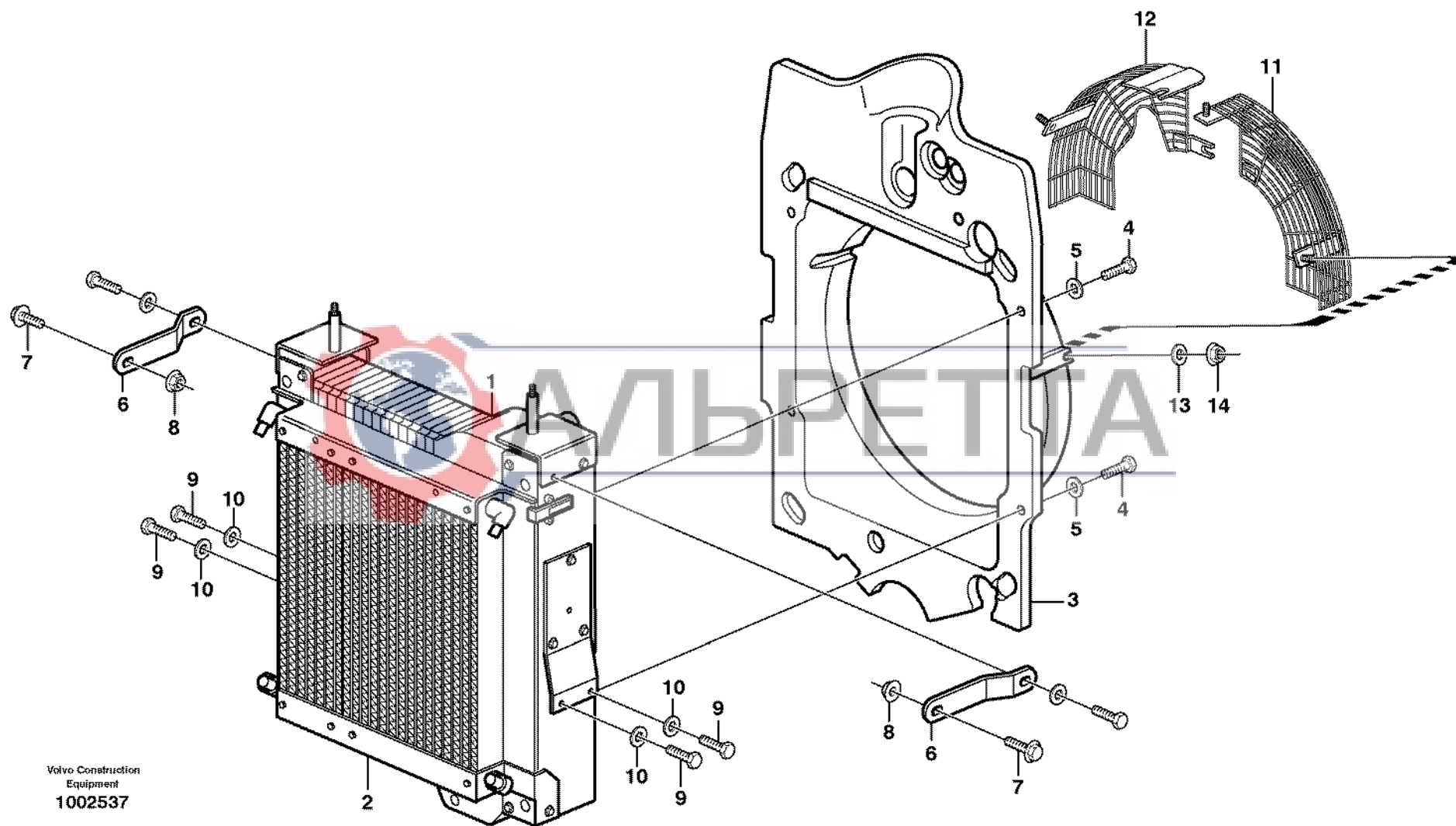


1	Kylsystem och expansionstank Sistema de refrigeración con vaso expansión Kühlsystem mit Expansionstank Système de refroidissement avec vase d'expansion Cooling system incl. expansion tank	Catalogue id	Group
2		20002	260
3		Illustr. No	Section
4		1000559	200
5		Issue	Page
		VOE 63H9920002	111

VOLVO

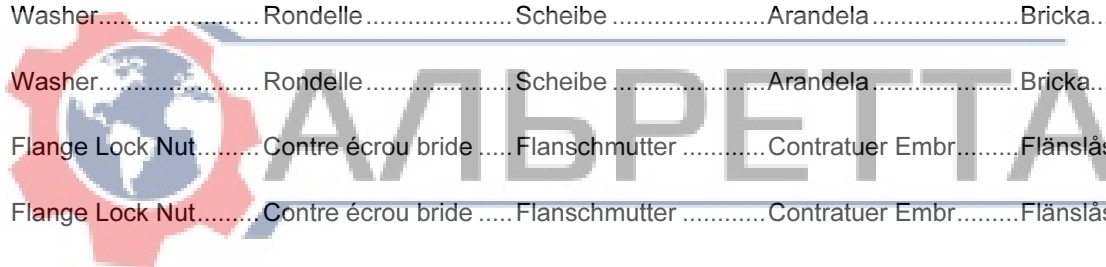


BL71



Volvo Construction
Equipment
1002537

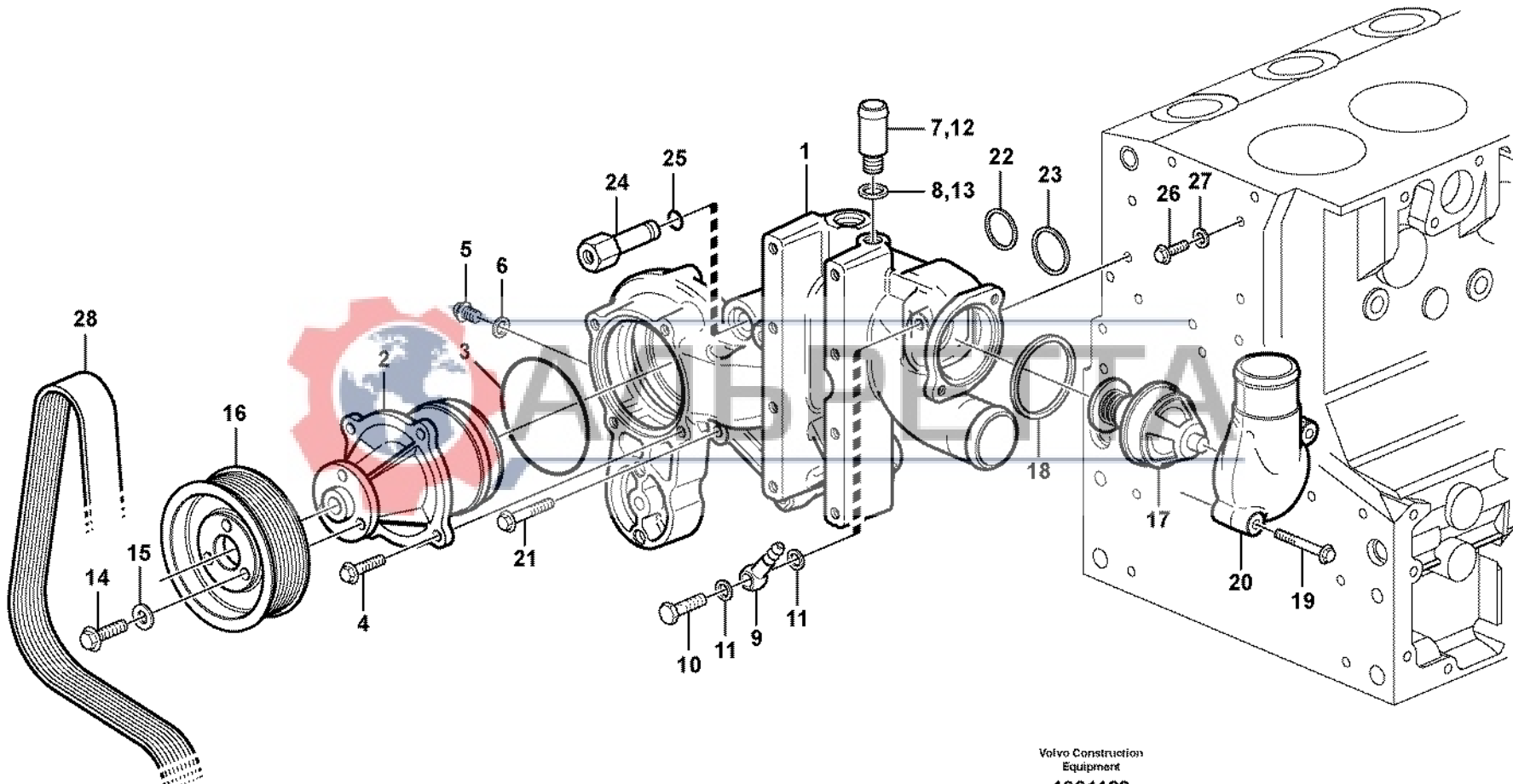
Fig.	Part No.	Quantity			P S	K I T	Description	Dénomination	Bezeichnung	Denominación	Benämning	Notes
		1	2	3								
1	VOE 11890331	1				Radiator	Radiateur	Radiator.....	Radiador.....	Radiator.....		
2	VOE 11890332	1				•Oil Cooler.....	•Refroidisseur huile	•Ölkühler.....	•Enfriadores aceite	•Oljekylare.....		
3	VOE 11888687	1				Fan Shroud	Boitier Ventilateur.....	Lufterhaube	Cubierta Ventilador	Fläktkåpa.....		
4	VOE 13946173	4				Flange screw.....	Vis à bride	Flanschschaube.....	Torn embridado	Flänsskruv.....		
5	VOE 925739	4				Washer.....	Rondelle	Scheibe	Arandela	Bricka.....		
6	VOE 11884119	2				Plate.....	Plaque.....	Platte.....	Placa	Platta.....		
7	VOE 13946173	4				Flange screw.....	Vis à bride	Flanschschaube.....	Torn embridado	Flänsskruv.....		
8	VOE 13945408	2				Nut	Ecrou.....	Mutter	Tuerca	Mutter.....		
9	VOE 13945444	4				Flange screw.....	Vis à bride	Flanschschaube.....	Torn embridado	Flänsskruv.....		
10	VOE 11117464	4				Washer.....	Rondelle	Scheibe	Arandela	Bricka.....		
11	VOE 11885802	1				Grille.....	Grille.....	Kühlergrill	Calandra.....	Grill.....	S/N - 13544	
11	VOE 11887369	1				Grille.....	Grille.....	Kühlergrill	Calandra.....	Grill.....	S/N 13619 - 13637 S/N 13545 - 13618 S/N 13638 -	
12	VOE 11885803	1				Grille.....	Grille.....	Kühlergrill	Calandra.....	Grill.....	S/N - 13544 S/N 13619 - 13637	
13	VOE 11117464	4				Washer.....	Rondelle	Scheibe	Arandela	Bricka.....	S/N - 13544 S/N 13619 - 13637	
13	VOE 11117464	3				Washer.....	Rondelle	Scheibe	Arandela	Bricka.....	S/N 13545 - 13618 S/N 13638 -	
14	VOE 948645	4				Flange Lock Nut.....	Contre écrou bride	Flanschmutter	Contratuer Embr.....	Flänslåsmutter.....	S/N - 13544 S/N 13619 - 13637	
14	VOE 948645	3				Flange Lock Nut.....	Contre écrou bride	Flanschmutter	Contratuer Embr.....	Flänslåsmutter.....	S/N 13545 - 13618 S/N 13638 -	



1	Kylare med monteringsdetaljer Radiador con accesorios de montaje Kühler mit Anbauteilen Radiateur avec pièces de montage Radiator with fitting parts	Catalogue id	Group
2		20002	261
3		Illustr. No	Section
4		1002537	100
5		Issue	Page
		VOE 63H9920002	113

VOLVO

BL71



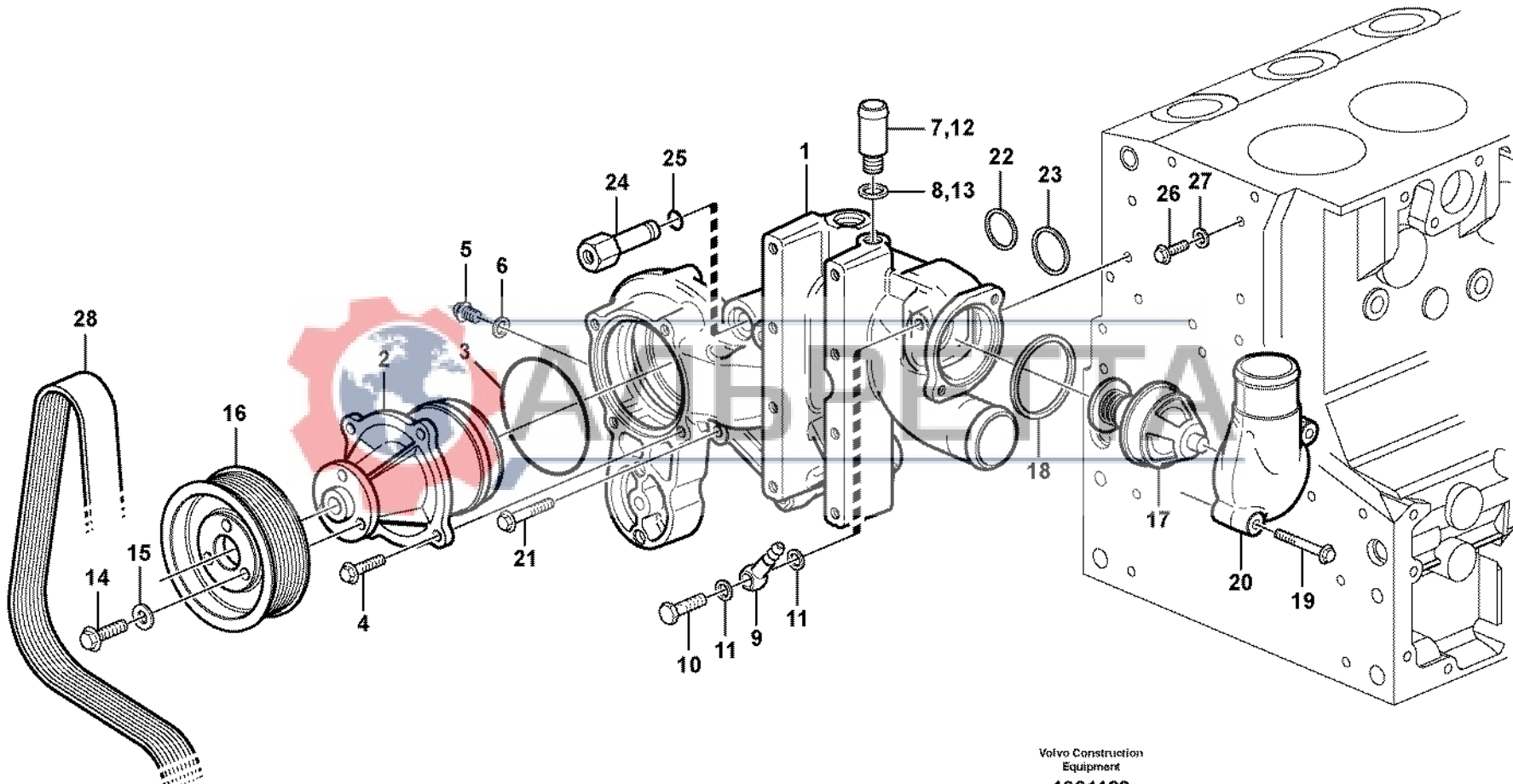
Volvo Construction
Equipment
1021128

Fig.	Part No.	Quantity			P S	K I T	Description	Dénomination	Bezeichnung	Denominación	Benämning	Notes
		1	2	3								
1	VOE 20550117	1				SS	Bracket.....	Console.....	Konsole.....	Ménsula.....	Konsol.....	ENG - 01007594
	VOE 20739051	1					Bracket.....	Console.....	Konsole.....	Ménsula.....	Konsol.....	ENG 01007595 - 10020146
	VOE 20791406	1					Bracket.....	Console.....	Konsole.....	Ménsula.....	Konsol.....	ENG 10020147 -
2	VOE 20502535	1					•Coolant Pump.....	•Pompe a eau.....	•Kühlwasserpumpe.....	•Bomba Ag.refr.....	•Kylvätskepump.....	ENG - 01007594
	VOE 20726092	1					•Coolant Pump.....	•Pompe a eau.....	•Kühlwasserpumpe.....	•Bomba Ag.refr.....	•Kylvätskepump.....	ENG 01007595 -
3	VOE 20502536	1					•Sealing ring.....	•Bague d'étanchéité.....	•Runddichtring.....	•Anillo reten.....	•Tätningring.....	
4	VOE 20405885	4					•Screw.....	•Vis.....	•Schraube.....	•Tornillo.....	•Skruv.....	
5	VOE 888774	1					•Plug.....	•Bouchon.....	•Stopfen.....	•Tapon.....	•Plugg.....	
6	VOE 13947281	1					•Gasket.....	•Joint.....	•Dichtung.....	•Junta.....	•Packning.....	
7	VOE 20412313	1					•Hose Connection.....	•Racco.flexible.....	•Schlauchanschl.....	•Conex Manguera.....	•Slanganslutning.....	ENG - 01007594
8	VOE 20549894	1					•Sealing ring.....	•Bague d'étanchéité.....	•Runddichtring.....	•Anillo reten.....	•Tätningring.....	ENG - 01007594
9	VOE 20551429	1					•Fitting.....	•Ecrou raccord.....	•Verschraubung.....	•Racor.....	•Förskruvning.....	
10	VOE 20460936	1					•Hollow screw.....	•Vis creuse.....	•Hohlschraube.....	•Racor-surtidor.....	•Hålskruv.....	
11	VOE 20460061	2					•Seal.....	•Joint.....	•Dichtring.....	•Junta.....	•Tätning.....	
12	VOE 20412313	1					Hose Connection.....	Racco.flexible.....	Schlauchanschl.....	Conex Manguera.....	Slanganslutning.....	ENG 01007595 -
13	VOE 20549894	1					Sealing ring.....	Bague d'étanchéité.....	Runddichtring.....	Anillo reten.....	Tätningring.....	ENG 01007595 -
14	VOE 20405792	3					Screw.....	Vis.....	Schraube.....	Tornillo.....	Skruv.....	
15	VOE 20450745	3					Washer.....	Rondelle.....	Scheibe.....	Arandela.....	Bricka.....	
16	VOE 20459949	1					Pulley.....	Poulie.....	Z-riemenscheibe.....	Polea Corr Dent.....	Kuggremhjul.....	
17	VOE 20450736	1					Thermostat.....	Thermostat.....	Thermostat.....	Termostato.....	Termostat.....	
18	VOE 20459961	1					Sealing ring.....	Bague d'étanchéité.....	Runddichtring.....	Anillo reten.....	Tätningring.....	
19	VOE 20405672	2					Screw.....	Vis.....	Schraube.....	Tornillo.....	Skruv.....	
20	VOE 20450735	1					Outlet.....	Sortie.....	Auslass.....	Salida.....	Utflopp.....	
21	VOE 20405723	5					Screw.....	Vis.....	Schraube.....	Tornillo.....	Skruv.....	
22	VOE 20459955	1					Sealing ring.....	Bague d'étanchéité.....	Runddichtring.....	Anillo reten.....	Tätningring.....	ENG - 10020146
	VOE 20799838	1					Rubber Seal.....	Lèvre Caoutchouc.....	Gummilippe.....	Labio Goma.....	Gummiläpp.....	ENG 10020147 -
23	VOE 20459953	1					Sealing ring.....	Bague d'étanchéité.....	Runddichtring.....	Anillo reten.....	Tätningring.....	
24	VOE 20459952	1					Connector.....	Raccord.....	Anschluss.....	Union.....	Anslutning.....	
25	VOE 20459954	1					•Sealing ring.....	•Bague d'étanchéité.....	•Runddichtring.....	•Anillo reten.....	•Tätningring.....	
26	VOE 20405898	1					Screw.....	Vis.....	Schraube.....	Tornillo.....	Skruv.....	

1		Vattenspump och termostathus	Catalogue id	Group
2		Bomba de agua y caja de termostato	20002	262
3		Wasserpumpe und Thermostatgehäuse	Illustr. No	Section
4		Pompe à eau et boîtier thermostat	1021128	100
5		Water pump and thermostat housing	Issue	Page
		11883246, 11885148, 11887322	VOE 63H9920002	115

VOLVO

BL71



Volvo Construction
Equipment
1021128

Fig.	Part No.	Quantity			P S	K I T	Description	Dénomination	Bezeichnung	Denominación	Benämning	Notes
		1	2	3								
27	VOE 20459900	1				Sealing ring	Bague d'étanchéité	Runddichtring	Anillo reten	Tätningring.....		
28		1				V-belt.....	Courroie Trape.....	Keilriemen	Correa Trapez	Kilrem.....	See group 263, Page 121	

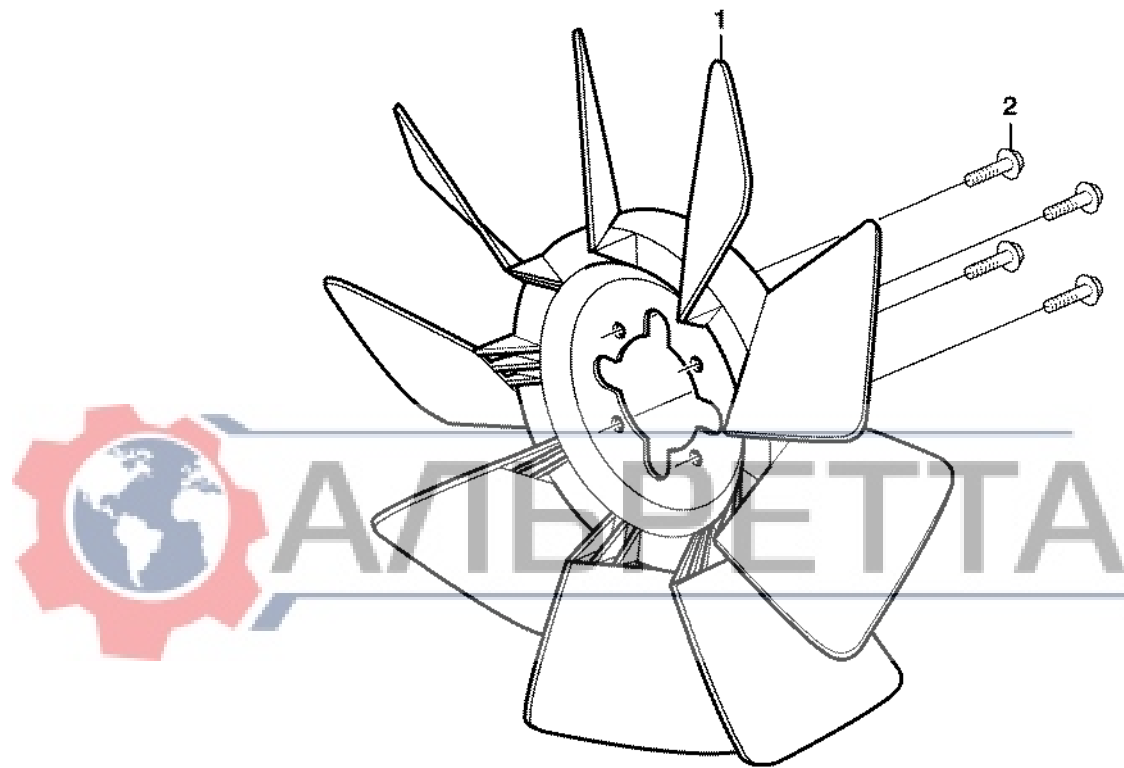


1		Vattenspump och termostathus Bomba de agua y caja de termostato Wasserpumpe und Thermostatgehäuse Pompe à eau et boîtier thermostat Water pump and thermostat housing	Catalogue id	Group
2			20002	262
3			Illustr. No	Section
4			1021128	100
5			Issue	Page
		11883246, 11885148, 11887322	VOE 63H9920002	117

VOLVO



BL71



Volvo Construction
Equipment
1000585

Fig.	Part No.	Quantity			P S	K I T	Description	Dénomination	Bezeichnung	Denominación	Benämning	Notes
		1	2	3								
1	VOE 11882519	1				Fan.....	Ventilateur.....	Ventilator.....	Ventilador.....	Fläkt.....		
2	VOE 20405885	4				Screw.....	Vis.....	Schraube.....	Tornillo.....	Skruv.....		



1		Fläkt med monteringsdetaljer Ventilador con accesorios de montaje Lüfter mit Anbauteilen Ventilateur avec pièces de montage Fan and installation components	Catalogue id	Group
2			20002	263
3			Illustr. No	Section
4			1000585	100
5			Issue	Page
			VOE 63H9920002	119

VOLVO



BL71

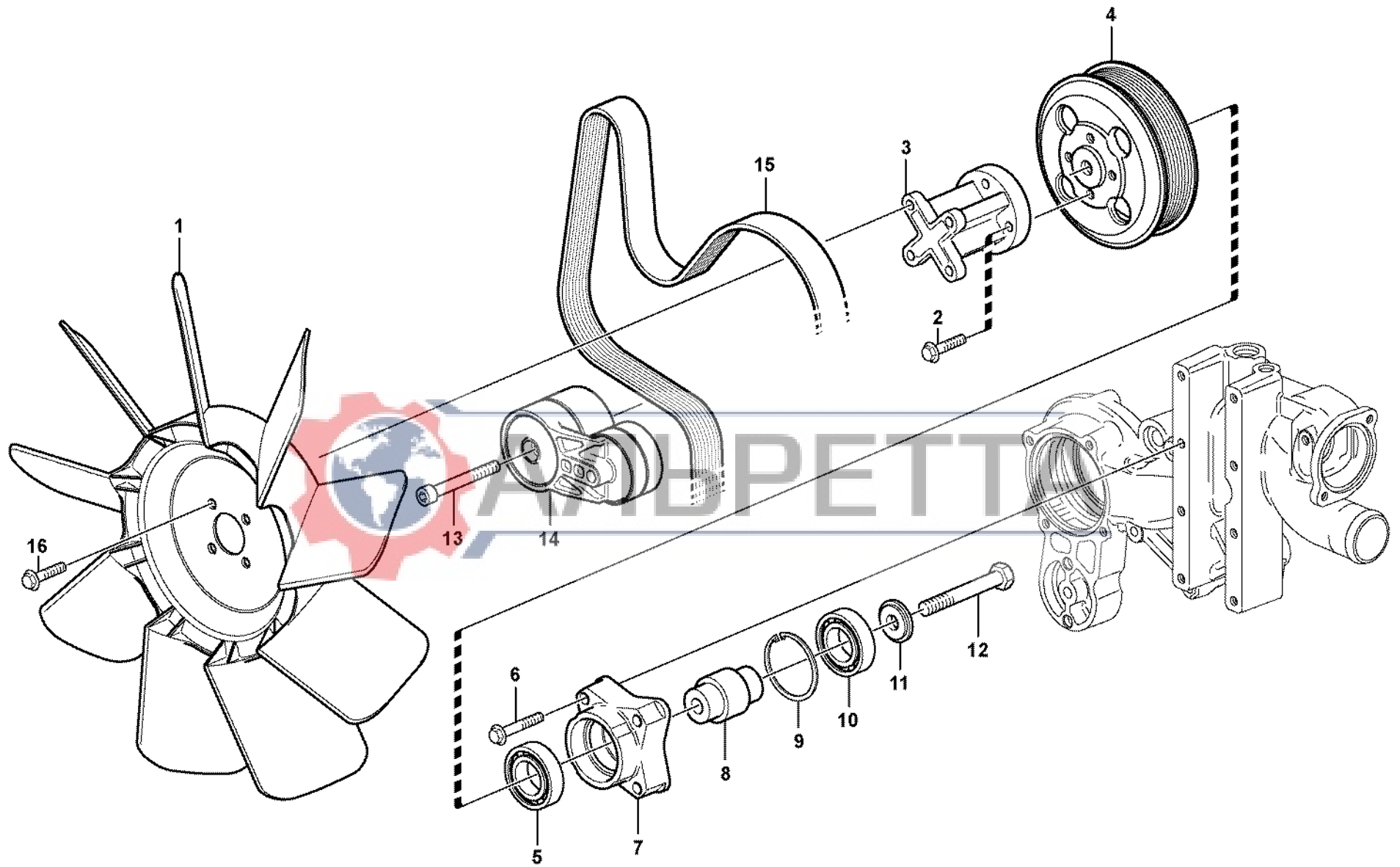
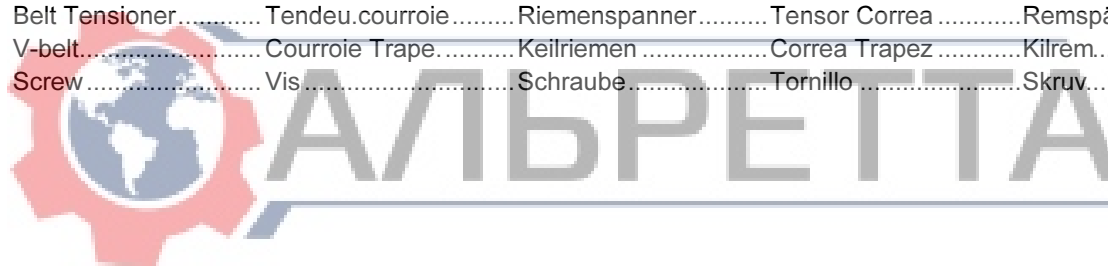


Fig.	Part No.	Quantity			P S	K I T	Description	Dénomination	Bezeichnung	Denominación	Benämning	Notes
		1	2	3								
1		1				Fan.....	Ventilateur.....	Ventilator.....	Ventilador.....	Fläkt.....	See group 263, Page 119	
2	VOE 20405504	4				Screw.....	Vis.....	Schraube.....	Tornillo.....	Skruv.....		
3	VOE 20405988	1				Adapter.....	Raccord Reduct.....	Verbind Stutzen.....	Adaptador.....	Adapter.....		
	VOE 20729310	1				Kit.....	Jeu.....	Bausatz.....	Juego.....	Sats.....		
4	VOE 20459864	1				•Pulley.....	•Poulie.....	•Z-riemenscheibe.....	•Polea Corr Dent.....	•Kuggremhjul.....		
5	VOE 20450749	1				•Ball Bearing.....	•Roulemen.billes.....	•Kugellager.....	•Cojinete Bolas.....	•Kullager.....		
6	VOE 20459263	4				•Screw.....	•Vis.....	•Schraube.....	•Tornillo.....	•Skruv.....		
7	VOE 20715795	1				•Bearing Bracket.....	•Porte-palier.....	•Lagerbock.....	•Soporte Cojin.....	•Lagerbock.....		
8	VOE 20459264	1				•Shaft.....	•Arbre.....	•Welle.....	•Arbol.....	•Axel.....		
9	VOE 20459025	1				•Retaining ring.....	•Bague retenue.....	•Haltering.....	•Anillo de apoyo.....	•Hållarring.....		
10	VOE 20450750	1				•Ball Bearing.....	•Roulemen.billes.....	•Kugellager.....	•Cojinete Bolas.....	•Kullager.....		
11	VOE 20459265	1				•Washer.....	•Rondelle.....	•Scheibe.....	•Arandela.....	•Bricka.....		
12	VOE 20450754	1				•Screw.....	•Vis.....	•Schraube.....	•Tornillo.....	•Skruv.....		
13	VOE 20555065	1				Screw.....	Vis.....	Schraube.....	Tornillo.....	Skruv.....		
14	VOE 20554253	1				Belt Tensioner.....	Tendeu.courroie.....	Riemenspanner.....	Tensor Correa.....	Remspännare.....	(VOE 20459947) ENG - 01099383	
14	VOE 20909227	1				Belt Tensioner.....	Tendeu.courroie.....	Riemenspanner.....	Tensor Correa.....	Remspännare.....	ENG 01099384 -	
15	VOE 11709636	1				V-belt.....	Courroie Trape.....	Keilriemen.....	Correa Trapez.....	Kilrem.....		
16	VOE 20405885	4				Screw.....	Vis.....	Schraube.....	Tornillo.....	Skruv.....		



1	Remtransmission Correa distribución Riemenantrieb Transmission courrouie Belt transmission	Catalogue id	Group
2		20002	263
3		Illustr. No	Section
4		1021381	150
5		Issue	Page
	11883246, 11885148, 11887322	VOE 63H9920002	121

VOLVO



BL71

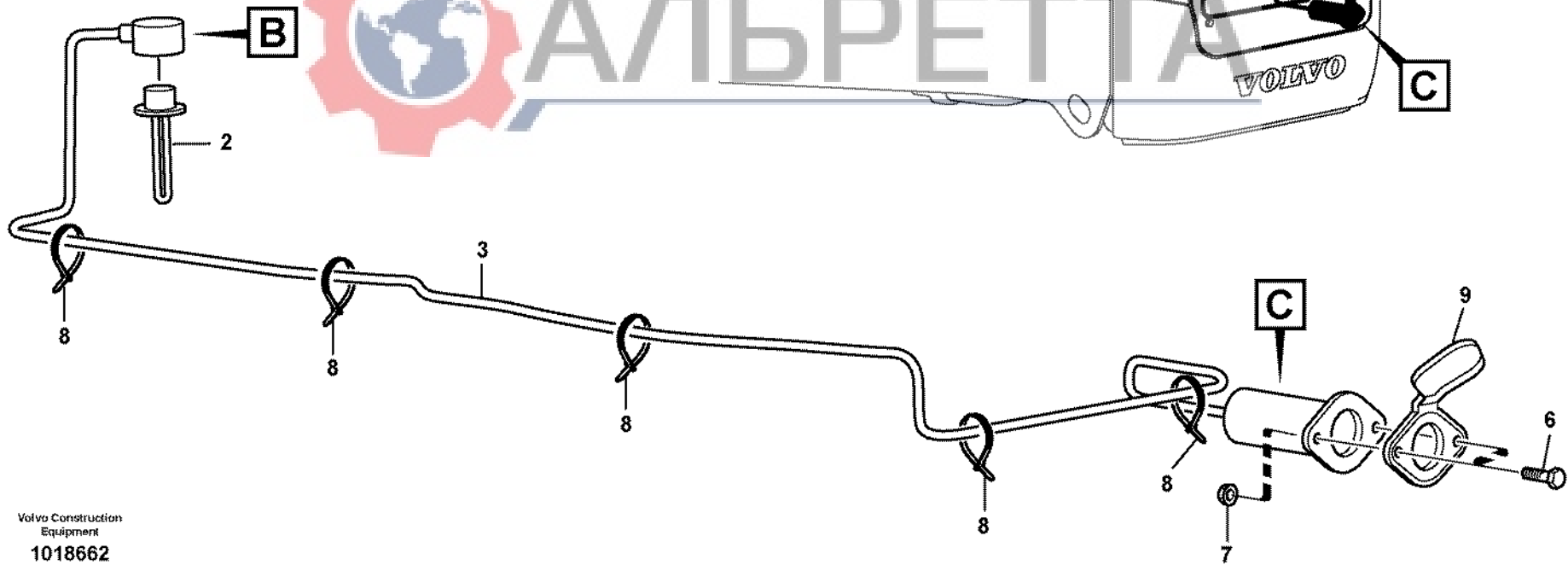
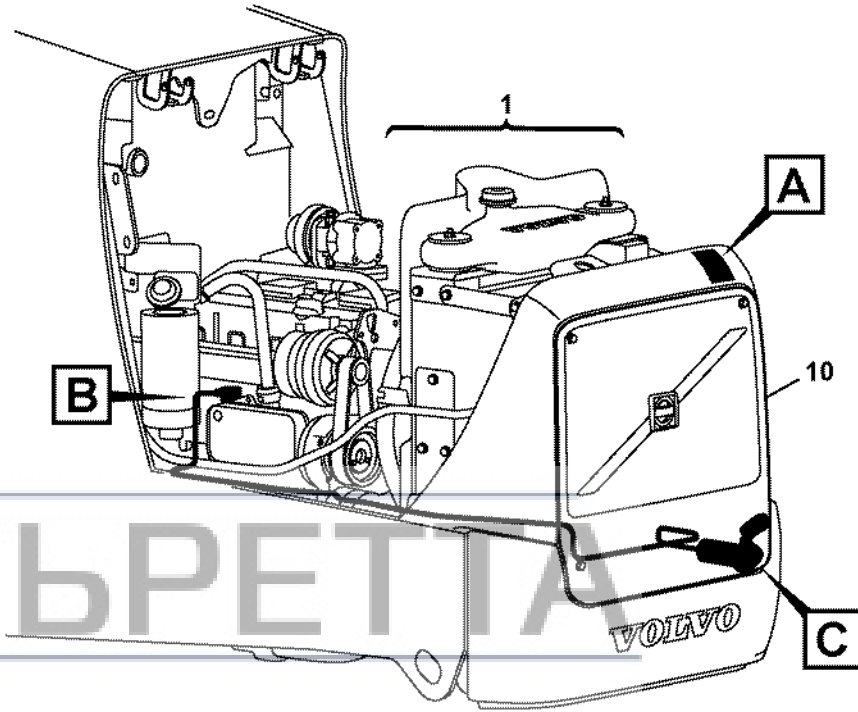
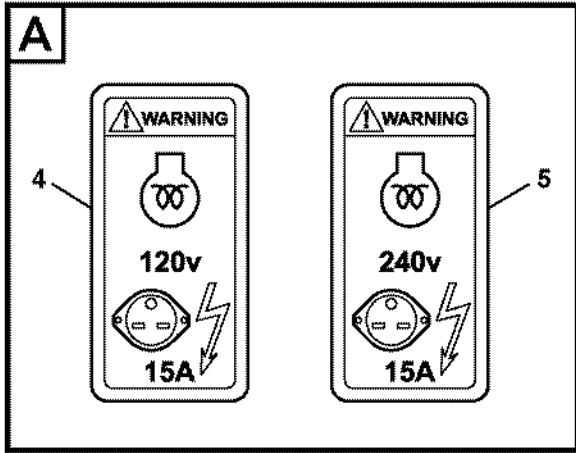


Fig.	Part No.	Quantity			P S	K I T	Description	Dénomination	Bezeichnung	Denominación	Benämning	Notes
		1	2	3								
1		1	1			Engine.....	Moteur.....	Verbrenn Motor.....	Motor.....	Motor.....	See group 210, Page 51	
2	VOE 11886629	1				Pre-heater.....	Prechauffeur.....	Vorwärmer.....	Precaentador.....	Förvärmare.....	120V	
2	VOE 11886630		1			Pre-heater.....	Prechauffeur.....	Vorwärmer.....	Precaentador.....	Förvärmare.....	240V	
3	VOE 11141656	1				Cable.....	Câble.....	Kabel.....	Cable.....	Kabel.....		
3	VOE 11141657		1			Cable.....	Câble.....	Kabel.....	Cable.....	Kabel.....		
4	VOE 11302220	1				Decal.....	Autocollant.....	Aufklebeschild.....	Calcomania.....	Dekal.....		
5	VOE 11302230		1			Decal.....	Decalcomanie.....	Abziehbild.....	Decalcomania.....	Dekal.....		
6	VOE 13969516	2	2			Screw.....	Vis.....	Schraube.....	Tornillo.....	Skruv.....		
7	VOE 975237	2	2			Lock nut.....	Contre-ecrou.....	Sicherungsmutter.....	Contratuerca.....	Låsmutter.....		
8	VOE 14016673	5	5			Strip Clamp.....	Ruban Serrage.....	Kabelbinder.....	Abraz Cinta.....	Bandklamma.....		
9	VOE 11109685	1	1			Cover.....	Couvercle.....	Deckel.....	Tapa.....	Lock.....		
10		1	1			Radiator grille.....	Calandre radia.....	Kühlergrill.....	Rejilla radiad.....	Kylargrill.....	See group 823, Page 449	

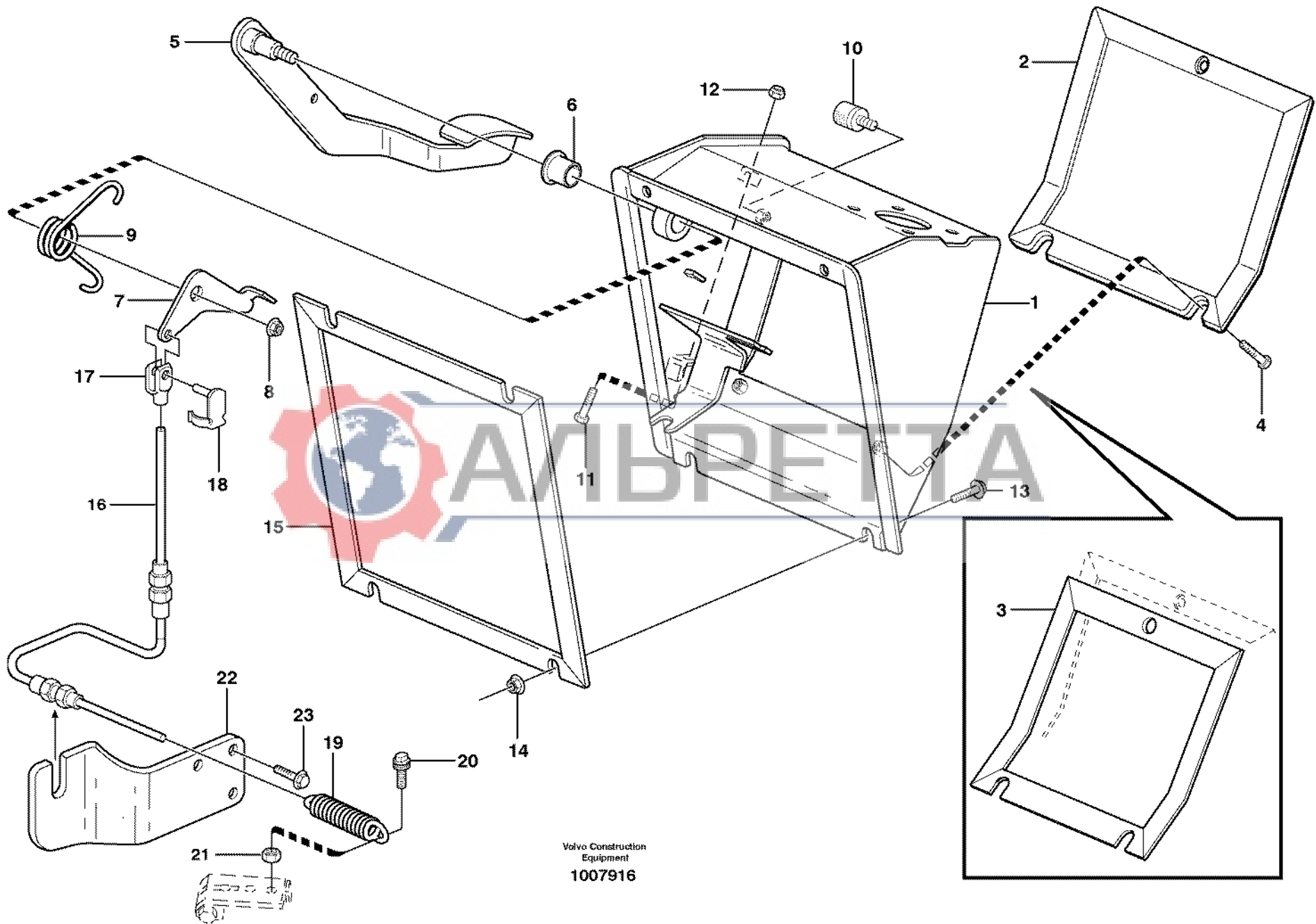


1	11891429	Motorolja förvärmning Precaentamiento del aceite de motor Motorölvorwärmung Préchauffage huile moteur Engine oil preheating	Catalogue id	Group
2	11891430		20002	269
3			Illustr. No	Section
4			1018662	100
5			Issue	Page
			VOE 63H9920002	123

VOLVO



BL71



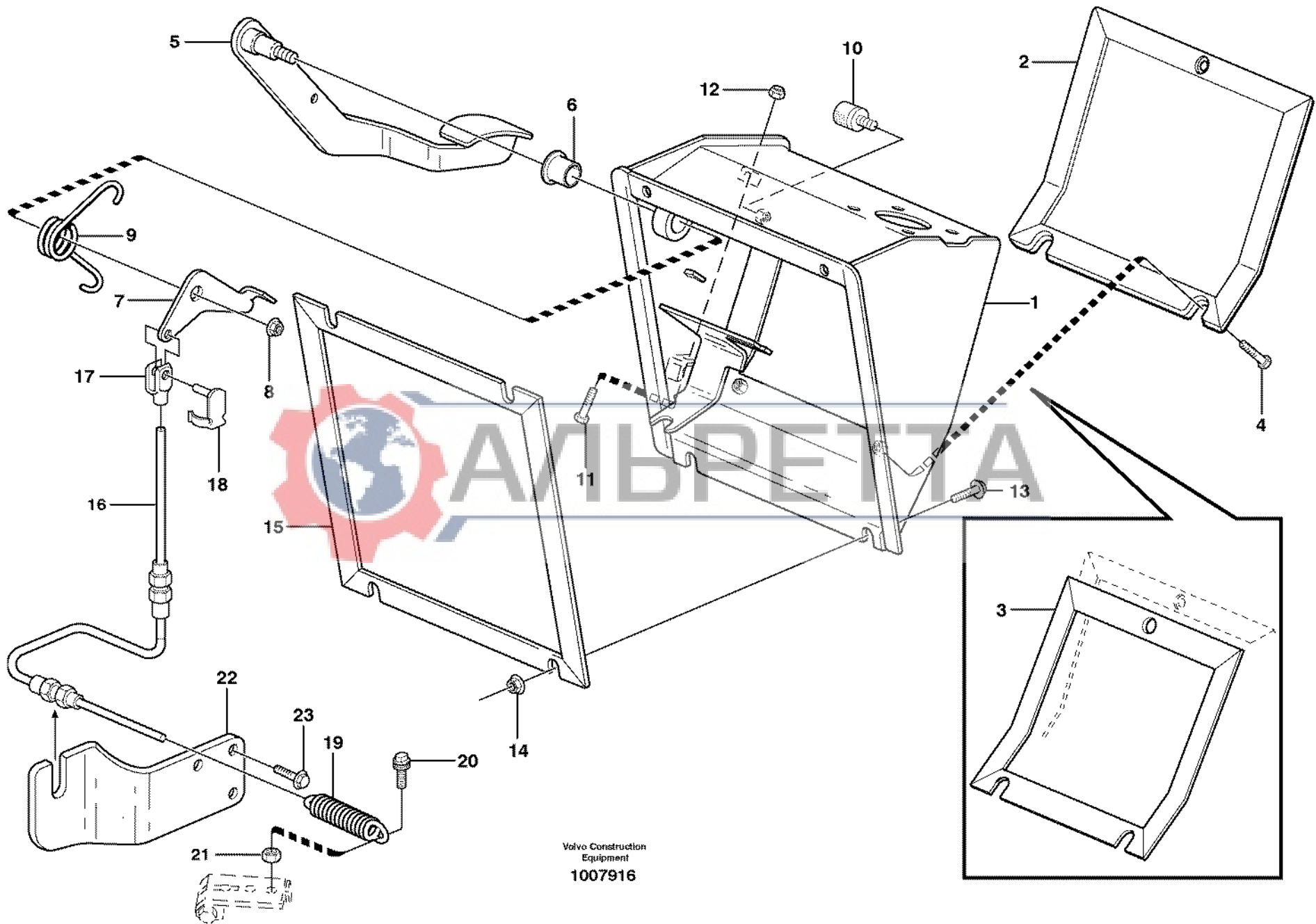
Valvo Construction
 Equipment
 1007916

Fig.	Part No.	Quantity					P S	K I T	Description	Dénomination	Bezeichnung	Denominación	Benämning	Notes
		1	2	3	4	5								
		1					NS	Throttle control.....	Comm. accelerate..	Gasregler	Mando acelerado....	Gasreglage.....	E PROD	
			1	1			NS	Throttle control.....	Comm. accelerate..	Gasregler	Mando acelerado....	Gasreglage.....	L PROD	
1	VOE 11200940	1						•Box	•Boîte.....	•Kasten	•Caja.....	•Låda.....		
	VOE 11202250		1	1				•Box	•Boîte.....	•Kasten	•Caja.....	•Låda.....		
2		1					NS	•Cap.....	•Chapeau	•Kappe	•Caperuza.....	•Lock.....		
			1	1			NS	•Cover.....	•Capot	•Haube.....	•Capo.....	•Huv.....		
3	VOE 11200675	1						••Gasket.....	••Joint	••Dichtung	••Junta	••Packning.....		
	VOE 11202254		1	1				••Gasket.....	••Joint	••Dichtung	••Junta	••Packning.....		
4	VOE 13946934	3						•Screw	•Vis	•Schraube	•Tornillo	•Skruv.....		
	VOE 13947542		3	3				•Screw	•Vis	•Schraube	•Tornillo	•Skruv.....		
5	VOE 11200937	1						•Accel Pedal	•Pedale Acceler.....	•Gaspedal	•Pedal Acelerad	•Gaspedal.....		
	VOE 11202248		1	1				•Accelerator Pedal ..	•Pédale d'accélérat.	•Gaspedal	•Pedal de acelerad ..	•Gaspedal.....		
6	VOE 11200936	2	2	2				•Flange Bearing	•Palier Bride	•Flanschlager.....	•Cojinete Brida.....	•Flänslager.....		
7		1					NS	•Link Arm	•Bras Commande ...	•Gelenkhebel	•Brazo Artic.....	•Länkmarm.....		
	VOE 11202437		1	1				•Link Arm	•Bras Commande ...	•Gelenkhebel	•Brazo Artic.....	•Länkmarm.....		
8	VOE 13971098	1	1	1				•Flange nut	•Ecrou accouple.	•Bundmutter	•Tuerca embridada ..	•Flänsmutter.....		
9	VOE 11200982	1						•Tension Spring	•Ressort de tractio..	•Zugfeder	•Muelle traccion	•Dragfjäder.....		
	VOE 11202231		1	1				•Torsion Spring	•Ressort Torsion.....	•Drehstabfeder.....	•Resorte Torsion.....	•Vridfjäder.....		
10	VOE 11200579	1	1	1				•Absorber	•Amortisseur	•Dämpfer	•Amortiguador.....	•Dämpare.....		
11	VOE 13946173	1	1	1				•Flange screw	•Vis à bride	•Flansschraube	•Torn embridado	•Flänsskruv.....		
12	VOE 946036	1	1	1				•Lock nut	•Contre-ecrou	•Sicherungsmutter ..	•Contratuerca	•Låsmutter.....		
13	VOE 946671	3	3					Flange screw	Vis à bride	Flansschraube	Torn embridado	Flänsskruv.....		
	VOE 13945444				3			Flange screw	Vis à bride	Flansschraube	Torn embridado	Flänsskruv.....		
14	VOE 948645	2	2	2				Flange Lock Nut.....	Contre écrou bride..	Flanschmutter	Contratuer Embr.....	Flänslåsmutter.....		
15	VOE 11200653	1						Gasket	Joint.....	Dichtung.....	Junta.....	Packning.....		
	VOE 11202435			1	1			Gasket	Joint.....	Dichtung.....	Junta.....	Packning.....		
16	VOE 1188222	1						Throt Cont Ca	Câble d'accélératio.	Gasregelzug	Cable Acelerad	Gasreglagewire.....		
17	VOE 11882487	1						Fork.....	Fourche	Gabel	Horquilla	Gaffel.....		
18	VOE 11882489	1						Pin.....	Clavette	Splint.....	Pasador	Sprint.....		
19	VOE 11882485	1						Spring	Ressort.....	Feder	Muelle.....	Fjäder.....		

1	11880002	Regulatorreglage Mando del regulador Reglersteuerung Commande du régulateur Regulator control	Catalogue id	Group
2	11294005 E PROD		20002	271
3	11294005 L PROD		Illustr. No	Section
4	11298197		1007916	100
5			Issue	Page
		VOE 63H9920002	125	

VOLVO

BL71



Valvo Construction
 Equipment
 1007916

Fig.	Part No.	Quantity					P S	K I T	Description	Dénomination	Bezeichnung	Denominación	Benämning	Notes
		1	2	3	4	5								
20	VOE 11882478	1						Screw	Vis	Schraube	Tornillo.....	Skruv.....		
21	VOE 13955781	1						Nut	Ecrou	Mutter.....	Tuerca	Mutter.....		
22	VOE 11882482	1						Bracket.....	Console	Konsole.....	Consola	Konsol.....		
23	VOE 13946173	3						Flange screw	Vis à bride	Flanschschraube	Torn embridado	Flänsskruv.....		

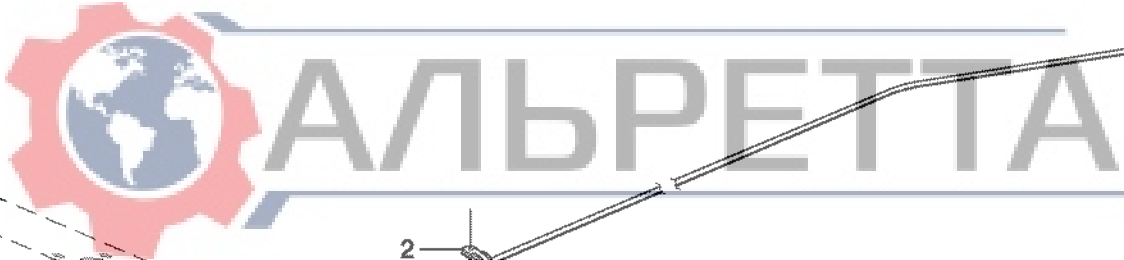
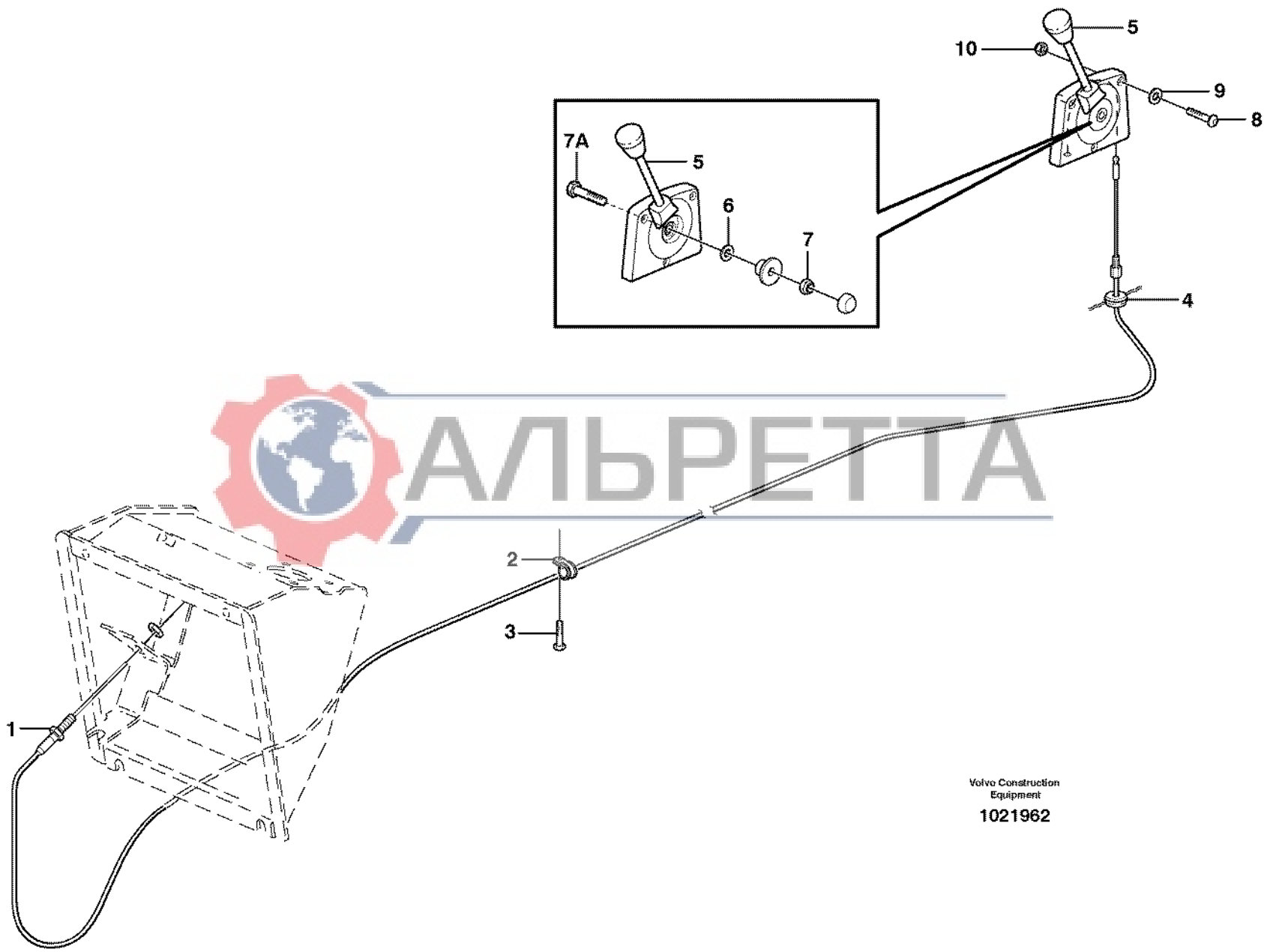


1	11880002	Regulatorreglage Mando del regulador Reglersteuerung Commande du régulateur Regulator control	Catalogue id	Group
2	11294005 E PROD		20002	271
3	11294005 L PROD		Illustr. No	Section
4	11298197		1007916	100
5			Issue	Page
			VOE 63H9920002	127

VOLVO



BL71



Volvo Construction
Equipment
1021962

Fig.	Part No.	Quantity			P S	K I T	Description	Dénomination	Bezeichnung	Denominación	Benämning	Notes
		1	2	3								
1	VOE 11204468	1					Throt Cont Ca	Câble d'accélération...	Gasregelzug	Cable Acelerad.....	Gasreglagewire.....	(VOE 11200943)
2	VOE 952623	1					Clamp.....	Pince Serrage	Klemme	Abrazadera.....	Klämna.....	
3	VOE 972421	1					Screw	Vis	Schraube.....	Tornillo	Skruv.....	
4	VOE 941269	1					Plug.....	Bouchon	Stopfen.....	Tapon	Plugg.....	
5	VOE 11202931	1					Hand throttle control...	Accélérateur a main ...	Handgasregler.....	Mando manual aceler.	Handgasreglage.....	
6	VOE 11712696	1					•Washer	•Rondelle.....	•Scheibe	•Arandela.....	•Bricka.....	
7	VOE 946035	1					•Lock nut.....	•Contre-ecrou.....	•Sicherungsmutter.....	•Contratuerca	•Låsmutter.....	
7A	VOE 11715202	1					•Screw.....	•Vis	•Schraube.....	•Tornillo	•Skruv.....	
8	VOE 969793	3					Screw	Vis	Schraube.....	Tornillo	Skruv.....	
9	VOE 13940090	3					Washer.....	Rondelle	Scheibe	Arandela	Bricka.....	
10	VOE 13975237	3					Lock nut	Contre-ecrou	Sicherungsmutter	Contratuerca	Låsmutter.....	

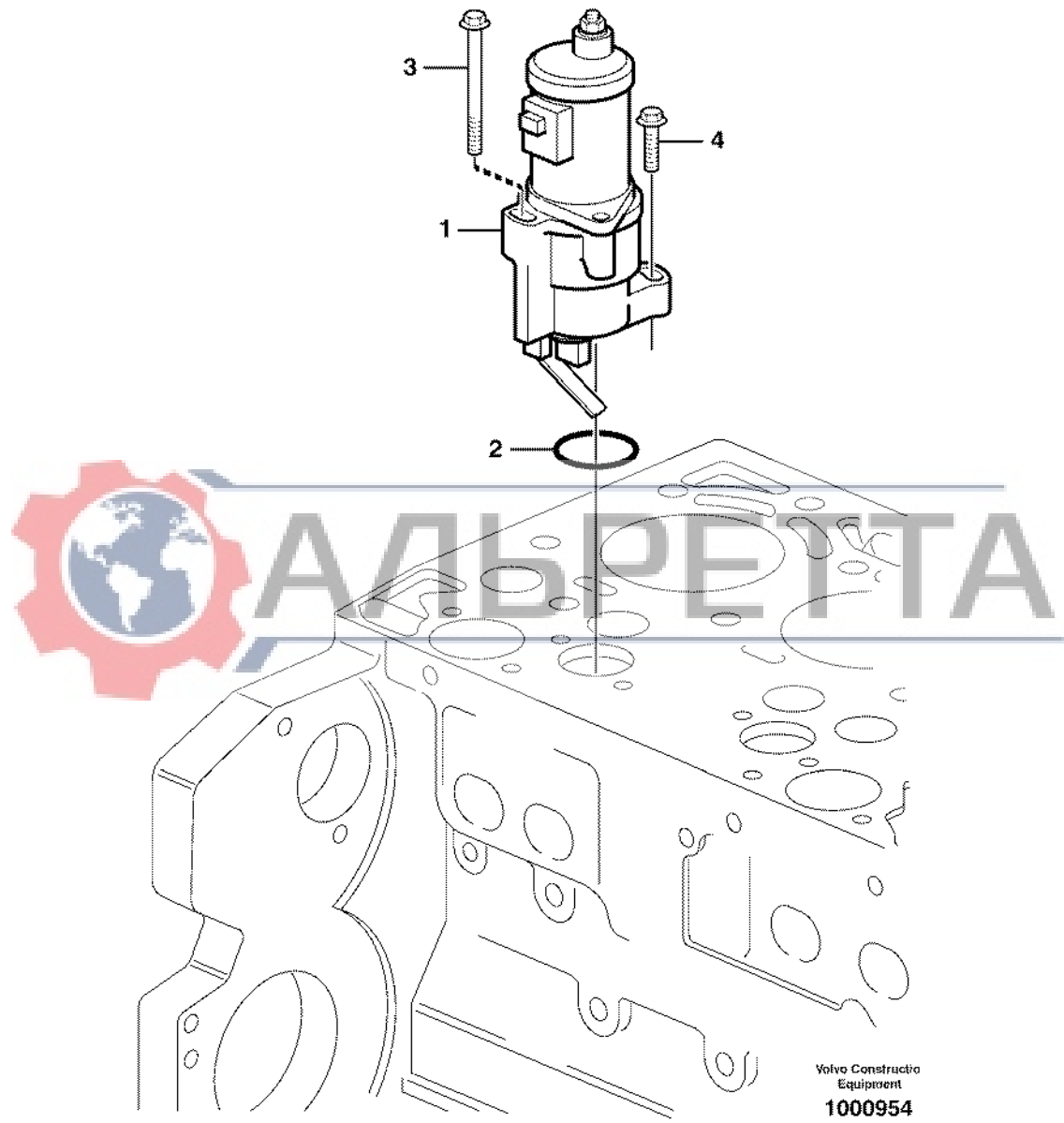


1		Handgasreglage Acelerador manual Handgas Accelérateur manual Hand throttle	Catalogue id	Group
2			20002	272
3			Illustr. No	Section
4			1021962	100
5		11294005, 11298197	Issue	Page
			VOE 63H9920002	129

VOLVO



BL71



Volvo Constructo
Equipment
1000954

Fig.	Part No.	Quantity			P S	K I T	Description	Dénomination	Bezeichnung	Denominación	Benämning	Notes
		1	2	3								
1	VOE 20562765	1				Stop solenoid	Aimant d'arrêt.....	Haltemagnet.....	Solenoido parad	Stoppmagnet.....		
2	VOE 20405728	1				•Sealing ring.....	•Bague d'étanchéité ..	•Runddichtring.....	•Anillo reten	•Tätningring.....		
3	VOE 11700269	1				Screw	Vis	Schraube.....	Tornillo	Skruv.....		
4	VOE 13949578	1				Screw	Vis	Schraube.....	Tornillo	Skruv.....		



1		Stoppmagnet Parada del motor Motorabstellung Arret de moteur Shutdown device	Catalogue id	Group
2			20002	273
3			Illustr. No	Section
4			1000954	100
5			Issue	Page
		11883246, 11885148	VOE 63H9920002	131

VOLVO



BL71

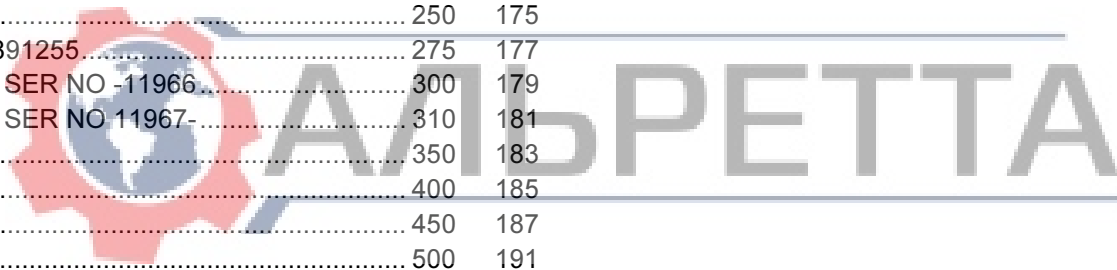


VOLVO

АЛЬРЕТТА

Construction Equipment

GROUP	Section	Page	GROUP	Section	Page		
313	Battery box with fitting parts	100	139	371	Cable harness, control panel right 11891209	710	213
321	Alternator with assembling details	100	141	371	Cable harness, control panel right 11891255	725	215
331	Starter motor with assembling details	100	143	371	Cable harness heater and air conditioning 11298028, 11298197.....	750	217
352	Lighting	100	145	371	Wire harness 4 in 1 11891349, 11891354	800	219
352	Work lights	200	147	371	Cable harness, hand tool hydraulic 11891333	810	221
353	Lighting, rear	100	149	371	Cable harness, Pilot Excavator Controls.....	900	223
353	License plate lamp 11891001	150	151	371	Cable harness, Loader Quick Attach 11891238	950	229
353	Position pointer and anchorage, license plate 11298034	200	153	372	Electrical distribut.unit and control unit.....	100	231
354	Inner lamp	100	155	380	Instrument panel	100	233
362	Horn	100	157	380	Switch.....	200	235
362	Rotating beacon.....	150	159	380	Anti-theft Kit 11891332.....	250	239
363	Windshield wiper, front 11298012, 11298028, 1128197, 11298203..	100	161	380	Foot switch and electric power outlet	350	241
363	Windshield wiper, rear 11298028, 11298197	150	163				
363	Windshield washer	200	165				
371	Battery cable and main switch	100	167				
371	Cable harness, engine	200	173				
371	Cable harness, transmission.....	250	175				
371	Cable harness, transmission. 11891255.....	275	177				
371	Cable Harness Lighting Cab Ext. SER NO -11966.....	300	179				
371	Cable Harness Lighting Cab Ext. SER NO 11967.....	310	181				
371	Cable Harness cab int. roof	350	183				
371	Cable harness chassis	400	185				
371	Cable harness rear valve block.....	450	187				
371	Other cables.....	500	191				
371	Cable harness, tail light 11891246, 11891247, 11891002,11891248	600	193				
371	Cable harness, tail light 11891246, 11891247	610	195				
371	Cable harness, tail light 11891000/002/049/050/248/249.....	620	197				
371	Cable harness, panel SER NO -11966	650	199				
371	Cable harness, panel	655	203				
371	Cable harness, panel 11891255	675	207				
371	Cable harness, control panel right SER NO -11966	700	211				



INDEX OF CONTENTS	Catalogue id 20002	Group 300
	Issue VOE 63H9920002	Page 133

VOLVO

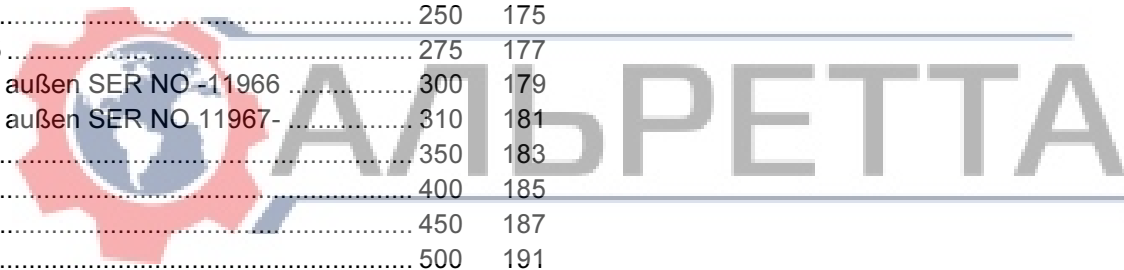


BL7I

TABLE DES MATIÈRES		Catalogue id 20002	Group 300
		Issue VOE 63H9920002	Page 134

GROUPE	Section	Page	GROUPE	Section	Page		
313	Cage batterie avec pièces de montage	100	139	371	Faisceau de câbles, tableau de bord côté droit SER NO -11966	700	211
321	Alternateur avec pieces de montage	100	141	371	Faisceau de câbles, tableau de bord côté droit 11891209	710	213
331	Démarrreur avec pieces de montage	100	143	371	Faisceau de câbles, tableau de bord côté droit 11891255	725	215
352	Eclairage	100	145	371	Faisceau de câbles, chauffage et refroidissement 11298028, 11298197	750	217
352	Phare de travail	200	147	371	Faisceau de câbles 4 en 1 11891349, 11891354	800	219
353	Eclairage, arrière	100	149	371	Faisceau câbles, circuit hydr. outil main 11891333	810	221
353	Eclairage de plaque 11891001	150	151	371	Faisceau de câbles, servocommande hydraulique creusement	900	223
353	Indicateur position et fixation, plaque numéro 11298034	200	153	371	Faisceau de câbles, porte-outil à accouplement rapide 11891238	950	229
354	Interieure lampe	100	155	372	Centrale de électrique	100	231
362	Avertisseur sonore	100	157	380	Tableau de bord	100	233
362	Gyrophare	150	159	380	Interrupteur	200	235
363	Essuie-vitre, avant 11298012, 11298028, 1128197, 11298203	100	161	380	Kit alarme antivol 11891332	250	239
363	Essuie-vitre, arrière 11298028, 11298197	150	163	380	Commutateur au pied et prise d'alimentation	350	241
363	Lave - glace	200	165				
371	Cable batterie et robinet batterie	100	167				
371	Faisceau de câbles, moteur	200	173				
371	Faisceau de câles, transmission	250	175				
371	Faisceau de câles, transmission. 11891255	275	177				
371	Câblage, éclairage extérieur cabine SER NO -11966	300	179				
371	Câblage, éclairage extérieur cabine SER NO 11967-	310	181				
371	Câblage, pavillon cabine	350	183				
371	Faisceau de câbles, châssis	400	185				
371	Faisceau de câbles, bloc-distributeur arrière	450	187				
371	Autres câbles électriques	500	191				
371	Faisceau câbles, eclaireage, arrière 11891246, 11891247, 11891002,11891248	600	193				
371	Faisceau câbles, eclaireage, arrière 11891246, 11891247	610	195				
371	Faisceau câbles, eclaireage, arrière 11891000/002/049/050/248/249	620	197				
371	Faisceau de câbles, pupitre central SER NO -11966	650	199				
371	Faisceau de câbles, pupitre central	655	203				
371	Faisceau de câbles, pupitre central 11891255	675	207				

GRUPPE	Abschnitt	Seite	GRUPPE	Abschnitt	Seite		
313	Batteriekasten mit Anbauteilen	100	139	371	Kabelbaum, rechte Bedientafel SER NO -11966	700	211
321	Generator mit Anbauteilen	100	141	371	Kabelbaum, rechte Bedientafel 11891209	710	213
331	Anlasser mit Anbauteilen	100	143	371	Kabelbaum, rechte Bedientafel 11891255	725	215
352	Beleuchtung	100	145	371	Kabelbaum, Heizung und Kühlung 11298028, 11298197	750	217
352	Arbeitsscheinwerfer	200	147	371	Kabelbaum 4 in 1 11891349, 11891354	800	219
353	Beleuchtung, hinter	100	149	371	Kabelbaum, Handwerkzeughydraulik 11891333	810	221
353	Nummernschildbeleuchtung 11891001	150	151	371	Kabelbaum, vorgesteuerte Bagger-Bedienelemente	900	223
353	Positionszeiger und Halterung, Kennzeichentafel 11298034	200	153	371	Kabelbäume, Lader Schnellwechsler 11891238	950	229
354	Innenlampe	100	155	372	Elektrozentrale	100	231
362	Signalhorn	100	157	380	Armaturenbrett	100	233
362	Rundum-kennleuchte	150	159	380	Schalter	200	235
363	Scheibenwischer, vorne 11298012, 11298028, 1128197, 11298203	100	161	380	Diebstahlalarm-Kit 11891332	250	239
363	Scheibenwischer, hinten 11298028, 11298197	150	163	380	Fußschalter und Stromanschluss	350	241
363	Scheibenwaschanlage	200	165				
371	Batterieleitung und Batterietrennschalter	100	167				
371	Kabelbündel, Motor	200	173				
371	Kabelbaum, Getriebe	250	175				
371	Kabelbaum, Getriebe. 11891255	275	177				
371	Leitung mit Kabinenbeleuchtung außen SER NO -11966	300	179				
371	Leitung mit Kabinenbeleuchtung außen SER NO 11967-	310	181				
371	Leitung mit Kabine innen Decke	350	183				
371	Kabelbaum, Fahrgestell	400	185				
371	Kabelbaum hinterer Ventilblock	450	187				
371	Übrige Leitungen	500	191				
371	Kabelbaum, Beleuchtung, hinten 11891246, 11891247, 11891002, 11891248	600	193				
371	Kabelbaum, Beleuchtung, hinten 11891246, 11891247	610	195				
371	Kabelbaum, Beleuchtung, hinten 11891000/002/049/050/248/249	620	197				
371	Kabelbäume, Mitteltafel SER NO -11966	650	199				
371	Kabelbäume, Mitteltafel	655	203				
371	Kabelbäume, Mitteltafel 11891255	675	207				



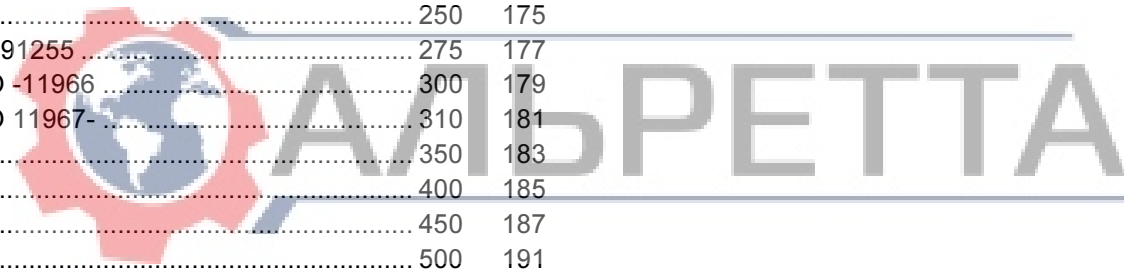
INHALTSVERZEICHNIS	Catalogue id 20002	Group 300
	Issue VOE 63H9920002	Page 135



INDICE		Catalogue id 20002	Group 300		
		Issue VOE 63H9920002	Page 136		
GRUPO	Sección	Página	GRUPO	Sección	Página

313	Caja de batería con accesorios de montaje.....	100	139	371	Haz de cables, panel de mandos derecho SER NO -11966.....	700	211
321	Alternador con asesorios de montage	100	141	371	Haz de cables, panel de mandos derecho 11891209.....	710	213
331	Motor de arranque con asesorios de montaje.....	100	143	371	Haz de cables, panel de mandos derecho 11891255.....	725	215
352	Alumbrado.....	100	145	371	Cableado de equipo de calefacción y refrigeración 11298028, 11298197	750	217
352	Alumbrado de trabajo.....	200	147	371	Wire harness 4 in 1 11891349, 11891354	800	219
353	Alumbrado, trasero	100	149	371	Mazo de cables, hidráulica de herramienta manual 11891333.....	810	221
353	Alumbrado de matrícula 11891001	150	151	371	Mazo de cables, mandos piloto de excavadora	900	223
353	Indicador de posición y fijación, matrícula 11298034	200	153	371	Mazo de cables, enganche rápido cargadora 11891238	950	229
354	Interior lampare	100	155	372	Central eléctrica	100	231
362	Bocina	100	157	380	Panel de instrumentos	100	233
362	Faro de advertencia giratorio	150	159	380	Interruptor.....	200	235
363	Limpiaparabrisas, delantero 11298012, 11298028, 1128197, 11298203	100	161	380	Antirrobo 11891332.....	250	239
363	Limpiaparabrisas, trasero 11298028, 11298197	150	163	380	Interruptor de pie y toma de corriente	350	241
363	Lavaparabrisas	200	165				
371	Cable de batería y desconector batería	100	167				
371	Haz de cables, motor	200	173				
371	Manojo de cable, transmisión	250	175				
371	Manojo de cable, transmisión. 11891255	275	177				
371	Haz de cables de alumbrado exterior de la cabina SER NO -11966 ..	300	179				
371	Haz de cables de alumbrado exterior de la cabina SER NO 11967- ..	310	181				
371	Haz de cables en el techo interior de la cabina	350	183				
371	Haz de cables chasis	400	185				
371	Haz de cables del bloque de ventiladores traseros	450	187				
371	Otros cables	500	191				
371	Manojo cables, trasero 11891246, 11891247, 11891002,11891248 ..	600	193				
371	Manojo cables, trasero 11891246, 11891247.....	610	195				
371	Manojo cables, trasero 11891000/002/049/050/248/249.....	620	197				
371	Haz de cables, panel central SER NO -11966.....	650	199				
371	Haz de cables, panel central.....	655	203				
371	Haz de cables, panel central 11891255.....	675	207				

GRUPP		Avsnitt	Sida	GRUPP		Avsnitt	Sida
313	Batterilåda med monteringsdetaljer	100	139	371	Ledningsmatta, manöverpanel höger SER NO -11966.....	700	211
321	Generator med monteringsdetaljer	100	141	371	Ledningsmatta, manöverpanel höger 11891209.....	710	213
331	Startmotor med monteringsdetaljer.....	100	143	371	Ledningsmatta, manöverpanel höger 11891255.....	725	215
352	Belysning	100	145	371	Ledningsmatta värme och kylanläggning 11298028, 11298197	750	217
352	Arbetsbelysning	200	147	371	Ledningsmatta, 4 i 1 11891349, 11891354.....	800	219
353	Belysning, bakre	100	149	371	Ledningsmatta, handverktyg hydr. 11891333	810	221
353	Nummerskyltsbelysning 11891001	150	151	371	Ledningsmatta, pilotstyrda grävreglage	900	223
353	Lägesvisare och fäste, nummerskylt 11298034.....	200	153	371	Ledningsmatta, lastaggregat snabbfäste 11891238	950	229
354	Innerbelysning.....	100	155	372	Elcentral och styrenhet.....	100	231
362	Signalhorn.....	100	157	380	Instrumentpanel	100	233
362	Roterande varningsljus	150	159	380	Strömställare	200	235
363	Vindrutetorkare, fram 11298012, 11298028, 1128197, 11298203	100	161	380	Stöldlarmsats 11891332	250	239
363	Vindrutetorkare, bak 11298028, 11298197.....	150	163	380	Fotströmställare och strömuttag.....	350	241
363	Vindrutespolare.....	200	165				
371	Batteriledning och batterifrånskiljare.....	100	167				
371	Ledningsmatta, motor	200	173				
371	Ledningsmatta transmission	250	175				
371	Ledningsmatta transmission 11891255	275	177				
371	Ledn.m Belysn Hytt Utv SER NO -11966	300	179				
371	Ledn.m Belysn Hytt Utv SER NO 11967-	310	181				
371	Ledn.m hytt inv tak.....	350	183				
371	Ledningsmatta chassi	400	185				
371	Ledningsmatta bakre ventilblock.....	450	187				
371	Övriga ledningar.....	500	191				
371	Ledningsmatta, belysning,bakre 11891246, 11891247, 11891002, 11891248	600	193				
371	Ledningsmatta, belysning,bakre 11891246, 11891247	610	195				
371	Ledningsmatta, belysning,bakre 11891000/002/049/050/248/249	620	197				
371	Ledningsmatta, mittpanel SER NO -11966.....	650	199				
371	Ledningsmatta, mittpanel.....	655	203				
371	Ledningsmatta, mittpanel 11891255.....	675	207				



INNEHÅLLSFÖRTECKNING	Catalogue id 20002	Group 300
	Issue VOE 63H9920002	Page 137



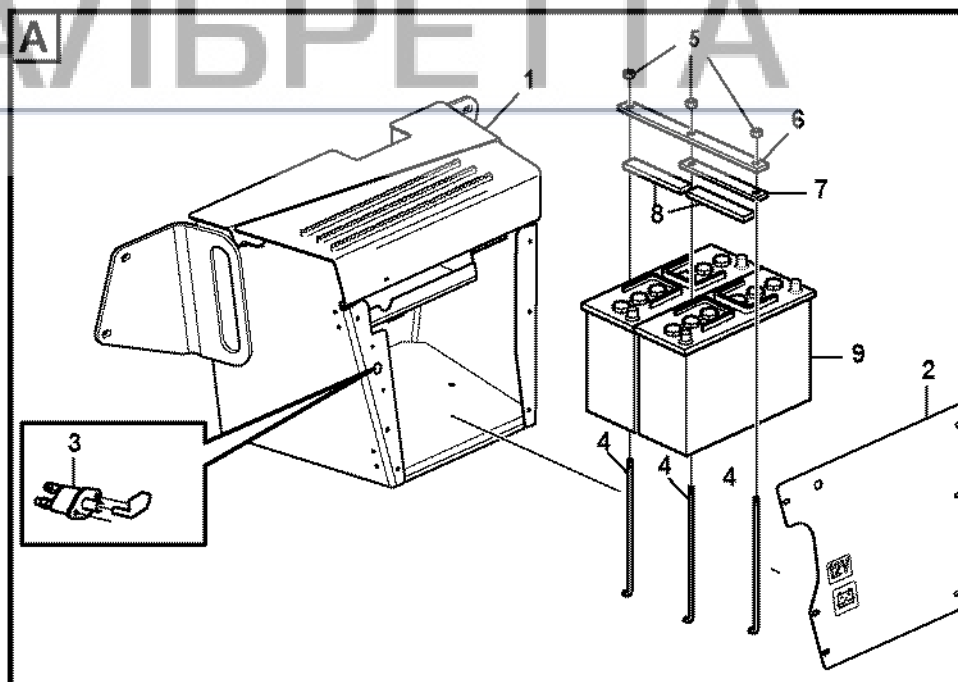
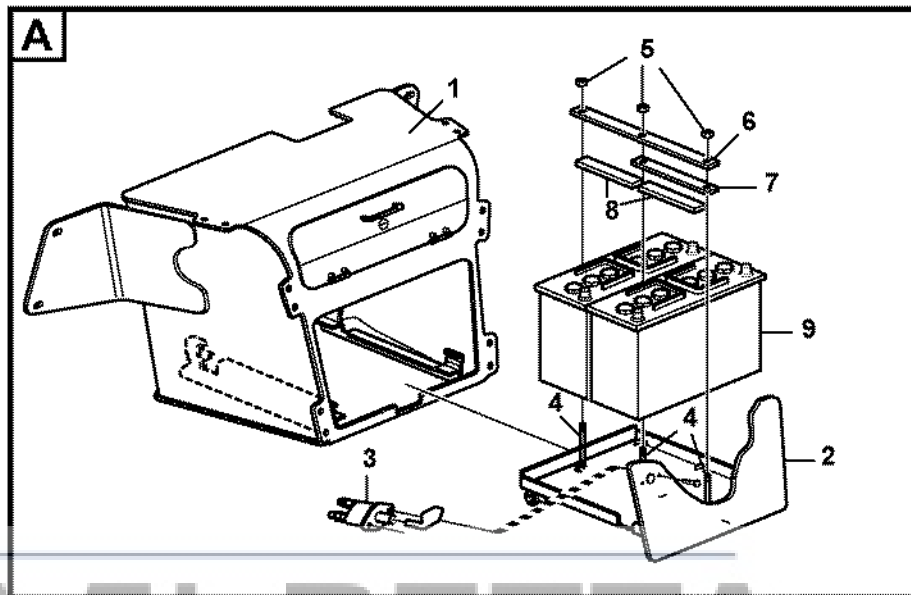
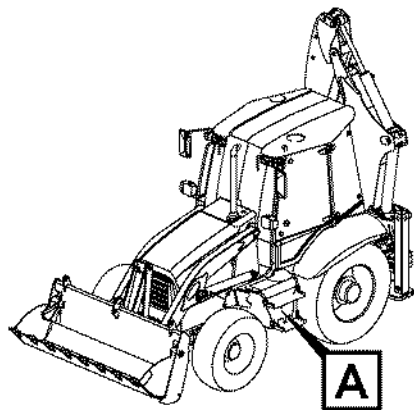


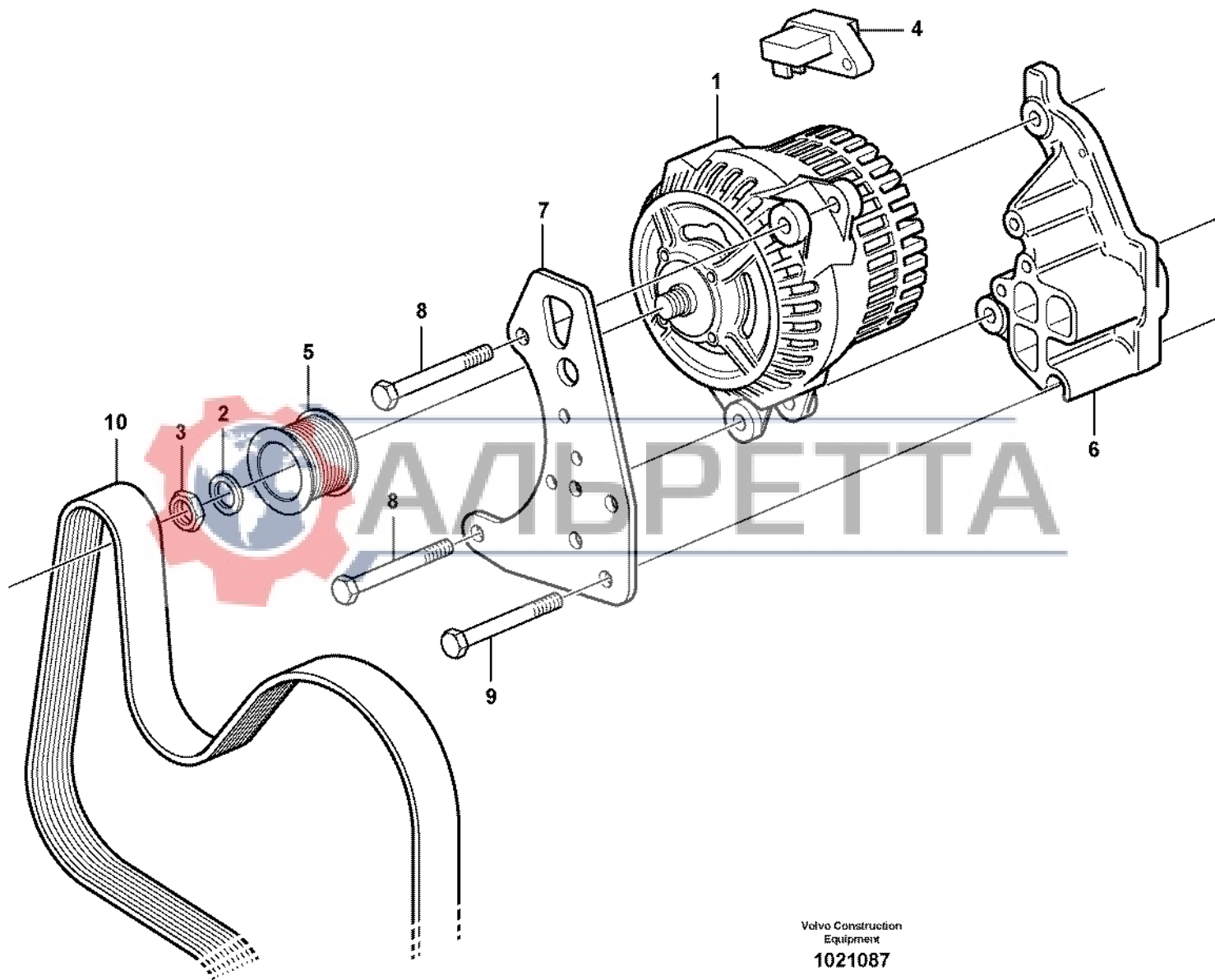
Fig.	Part No.	Quantity			P S	K I T	Description	Dénomination	Bezeichnung	Denominación	Benämning	Notes
		1	2	3								
1		1	1			Tool Box.....	Boite a outils	Werkzeugkasten	Caja herramientas	Verktyglåda.....	See group 896, Page 529	
2		1	1			Drawer	Tireur.....	Abzieher	Remolcador	Dragare.....	See group 896, Page 529	
3		1	1			Main Switch.....	Coupe-circuit pri.....	Hauptschalter	Interr Maestro	Huvudströmst.....	See group 371, Page 167	
4	VOE 11883321	2	3			Stay.....	Tirant.....	Strebe.....	Barra	Stag.....		
5	VOE 13971098	2	3			Flange nut.....	Ecrou accouple.	Bundmutter.....	Tuerca embridad	Flänsmutter.....		
6	VOE 11883320		1			Reinforcement.....	Renfort	Verstärkung.....	Refuerzo.....	Förstärkning.....		
7	VOE 11883584	1				Reinforcement.....	Renfort	Verstärkung.....	Refuerzo.....	Förstärkning.....		
8	VOE 11883599	1	2			Rubber Block	Bloc Caoutchouc.....	Gummiblock	Bloque Goma	Gummikuts.....		
9		1	2			Battery.....	Batterie.....	Batterie.....	Bateria.....	Batteri.....	See group 371, Page 167	



1	11882593, 11891392	Batterilåda med monteringsdetaljer Caja de batería con accesorios de montaje Batteriekasten mit Anbauteilen Cage batterie avec pièces de montage Battery box with fitting parts	Catalogue id	Group
2	11882594, 11891391		20002	313
3			Illustr. No	Section
4			1001173	100
5			Issue	Page
		VOE 63H9920002	139	

VOLVO

BL71



Volvo Construction
Equipment
1021087

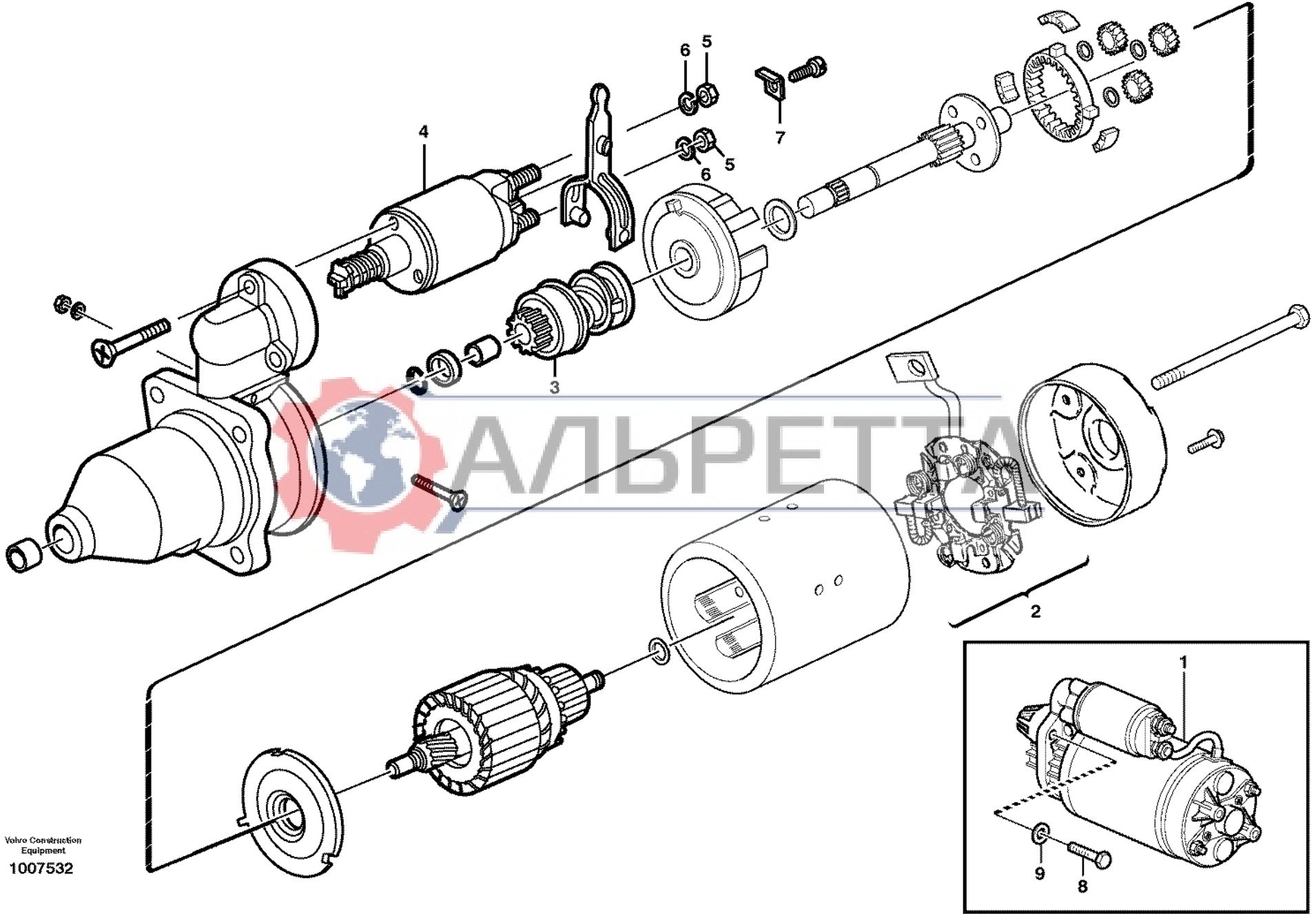
Fig.	Part No.	Quantity			P S	K I T	Description	Dénomination	Bezeichnung	Denominación	Benämning	Notes
		1	2	3								
1	VOE 20509446	1				Alternator	Alternateur	Lichtmaschine	Alternador	Generator.....		
2	VOE 20549886	1				•Spring Washer	•Rondelle élastique	•Federscheibe	•Arandela flexible	•Fjäderbricka.....		
3	VOE 20441521	1				•Nut	•Erou	•Mutter.....	•Tuerca	•Mutter.....		
4	VOE 20509482	1				•Voltage regulator	•Regulateur,tension....	•Spannungregler	•Regulador tension....	•Spänningsregulator..		
5	VOE 20460102	1				Pulley	Poulie	Z-riemenscheibe	Polea Corr Dent	Kuggremhjul.....		
6	VOE 20560564	1				Bracket.....	Console.....	Konsole	Ménsula.....	Konsol.....		
7	VOE 20567447	1				Plate.....	Plaque.....	Platte.....	Placa	Platta.....		
8	VOE 20460106	2				Screw	Vis	Schraube.....	Tornillo	Skruv.....		
9	VOE 20555084	4				Screw	Vis	Schraube.....	Tornillo	Skruv.....		
10		1				V-belt.....	Courroie Trape.....	Keilriemen	Correa Trapez	Kilrem.....	See group 263, Page 121	



1	Generator med monteringsdetaljer Alternador con asesorios de montage Generator mit Anbauteilen Alternateur avec pieces de montage Alternator with assembling details	Catalogue id	Group
2		20002	321
3		Illustr. No	Section
4		1021087	100
5		Issue	Page
		VOE 63H9920002	141

VOLVO

BL71



Volvo Construction
Equipment
1007532

Fig.	Part No.	Quantity			P S	K I T	Description	Dénomination	Bezeichnung	Denominación	Benämning	Notes
		1	2	3								
1	VOE 20405828	1					Starter Motor	Demarreur	Anlasser	Motor de arranque	Startmotor	
2	VOE 20460117	1					•Brush Retainer	•Porte-balai	•Bürstenhalter	•Portaescobilla	•Borsthållare	
3	VOE 20460116	1					•Starter Pinion	•Pigno.demarreur	•Anlasserritzel	•Pinon Motor Arr	•Startmotordrev	
4	VOE 20460115	1					Relay	Relais	Relais	Rele	Relä	
5	VOE 20460118	2					Hexagon Nut	Ecrou Hexagonal	Sechskantmutter	Tuerca Hexagon	Sexkantsmutter	
6	VOE 20460119	2					Lock Washer	Rondel.verroui	Sicher Scheibe	Arandel Segurid	Låsbricka	
7	VOE 20460120	1					Clamp	Pince Serrage	Klemme	Abrazadera	Klämma	
8	VOE 20412751	3					Screw	Vis	Schraube	Tornillo	Skruv	ENG - 01099467
	VOE 20593357	3					Hexagon screw	Vis tête hexagonale	Sechskantschraube	Tornillo hexago	Sexkantsskruv	ENG 01099468 -
9	VOE 20459061	3					Washer	Rondelle	Scheibe	Arandela	Bricka	



1	Startmotor med monteringsdetaljer Motor de arranque con asesorios de montaje Anlasser mit Anbauteilen Démarrreur avec pieces de montage Starter motor with assembling details	Catalogue id	Group
2		20002	331
3		Illustr. No	Section
4		1007532	100
5		Issue	Page
		VOE 63H9920002	143

VOLVO

BL71

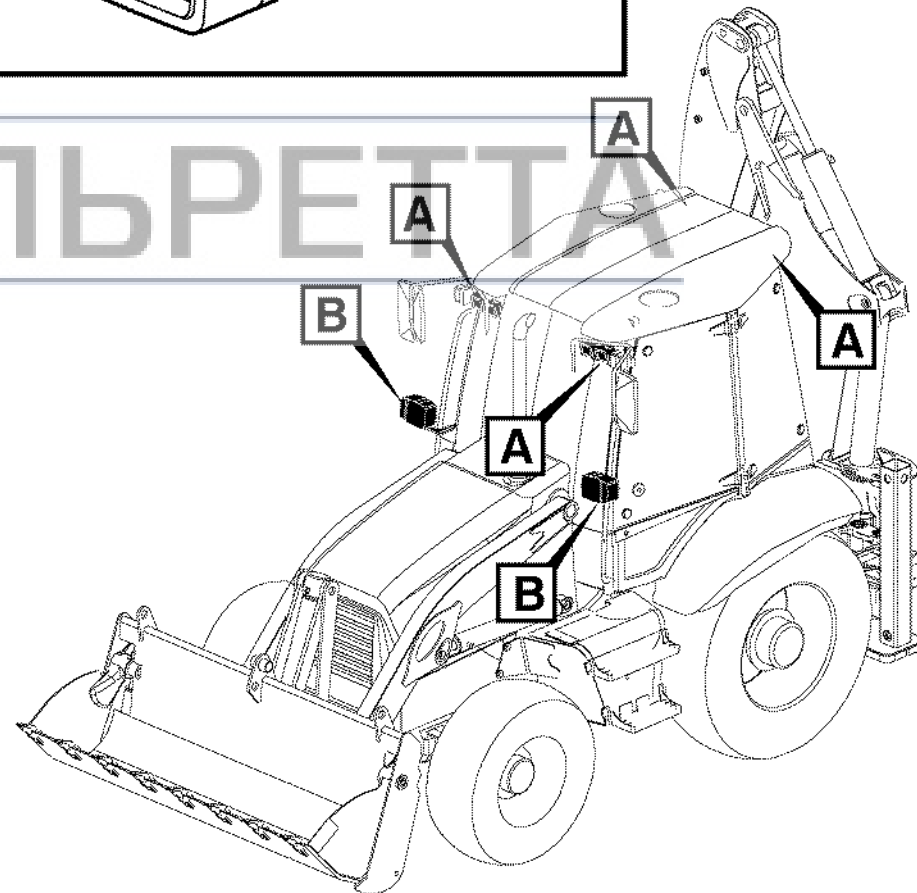
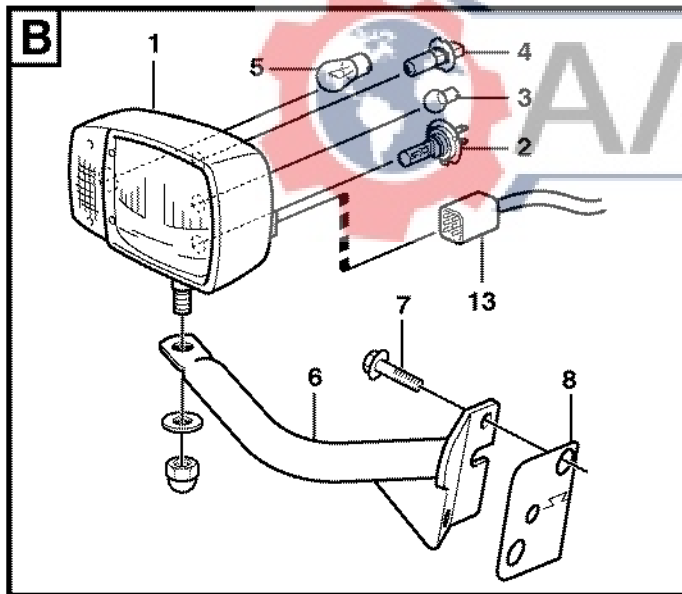
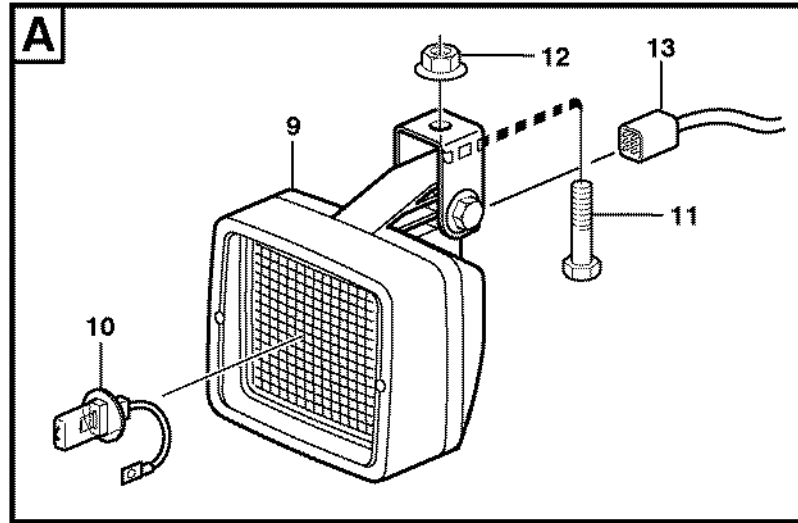


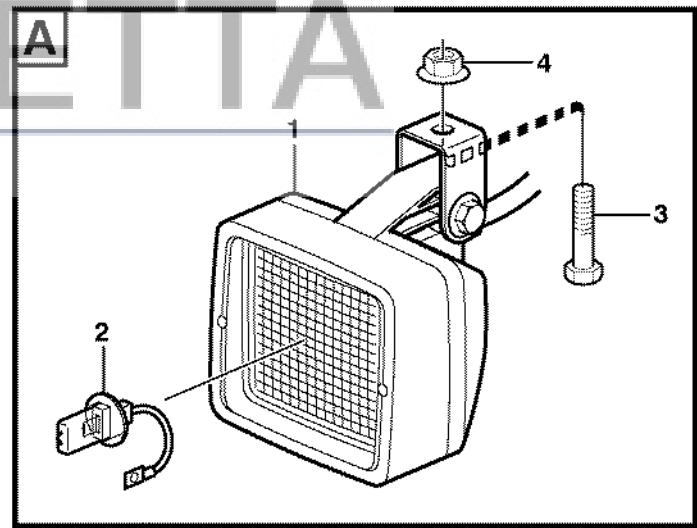
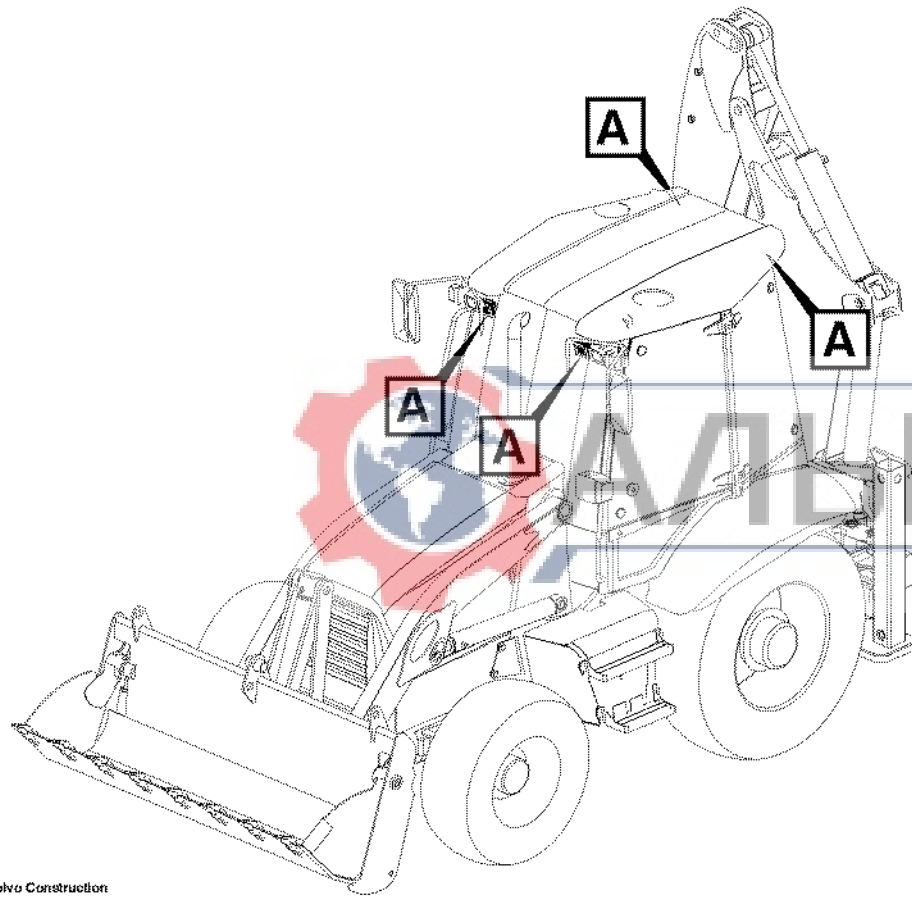
Fig.	Part No.	Quantity					P S	K T	Description	Dénomination	Bezeichnung	Denominación	Benämning	Notes
		1	2	3	4	5								
1	VOE 11881088	1		1	1			Headlamp	Phare	Scheinwerfer	Faro	Strålkastare	LH	
	VOE 11882263	1		1	1			Headlamp	Phare	Scheinwerfer	Faro	Strålkastare	RH	
	VOE 11882265		1					Headlamp	Phare	Scheinwerfer	Faro	Strålkastare	2009) LH	
	VOE 11882266		1					Headlamp	Phare	Scheinwerfer	Faro	Strålkastare	2009) RH	
2	VOE 981465	1	1	1	1			•Bulb	•Ampoule	•Glühlampe	•Bombilla	•Glödlampa	55W	
3	VOE 965830	1	1	1	1			•Bulb	•Ampoule	•Glühlampe	•Bombilla	•Glödlampa	4W	
4	VOE 944265	1	1	1	1			•Bulb	•Ampoule	•Glühlampe	•Bombilla	•Glödlampa	55W	
5	VOE 965826	1	1	1	1			•Bulb	•Ampoule	•Glühlampe	•Bombilla	•Glödlampa	(VOE 11709717)	
6	VOE 11201862	1	1	1	1			Anchorage	Fixation	Halterung	Fijacion	Fäste	LH	
	VOE 11204561	1	1	1	1			Anchorage	Fixation	Halterung	Fijacion	Fäste	S/N - 13173	
	VOE 11201861	1	1	1	1			Anchorage	Fixation	Halterung	Fijacion	Fäste	LH	
	VOE 11204560	1	1	1	1			Anchorage	Fixation	Halterung	Fijacion	Fäste	S/N 13174 -	
7	VOE 13946173	4	4	4	4			Flange screw	Vis à bride	Flanschschraube	Torn embridado	Flänsskruv	RH	
8	VOE 11203861	2	2	2	2			Gasket	Joint	Dichtung	Junta	Packning	S/N - 13173	
9	VOE 11039856	4						Work Lamp	Lampe Travail	Arbeitslampe	Lampara Trabajo	Arbetslampan	RH	
10	VOE 944265	1						•Bulb	•Ampoule	•Glühlampe	•Bombilla	•Glödlampa	S/N 13174 -	
11	VOE 13946173	4						Flange screw	Vis à bride	Flanschschraube	Torn embridado	Flänsskruv	RH	
12	VOE 948645	4						Flange Lock Nut	Contre écrou bride	Flanschmutter	Contratuer Embr	Flänslåsmutter	RH	
13	VOE 4881438	1						Wire harness	Faisceau electriqu	Kabelbaum	Manojo cables	Ledningsmatta	See group 371, Page 179	
		6						Strip Clamp	Ruban Serrage	Kabelbinder	Abraz Cinta	Bandklamma		
								Cable Tie	Serre-cable	Kabelbinder	Abrazadera	Bandklämman		

2009) GB: Lighting left traffic FR: Éclairage, conduite à gauche DE: Beleuchtung, Linksverkehr ES: Alumbrado para circulación por la izquierda SE: Belysning vänstertrafik

1	11891246, 11891002	Belysning Alumbrado Beleuchtung Eclairage Lighting	Catalogue id	Group
2	11891247, 11891248		20002	352
3	11891049, 11891249		Illustr. No	Section
4	11891000, 11891050		1000407	100
5	11880005		Issue	Page
			VOE 63H9920002	145

VOLVO

BL71



Volvo Construction
Equipment
1007996

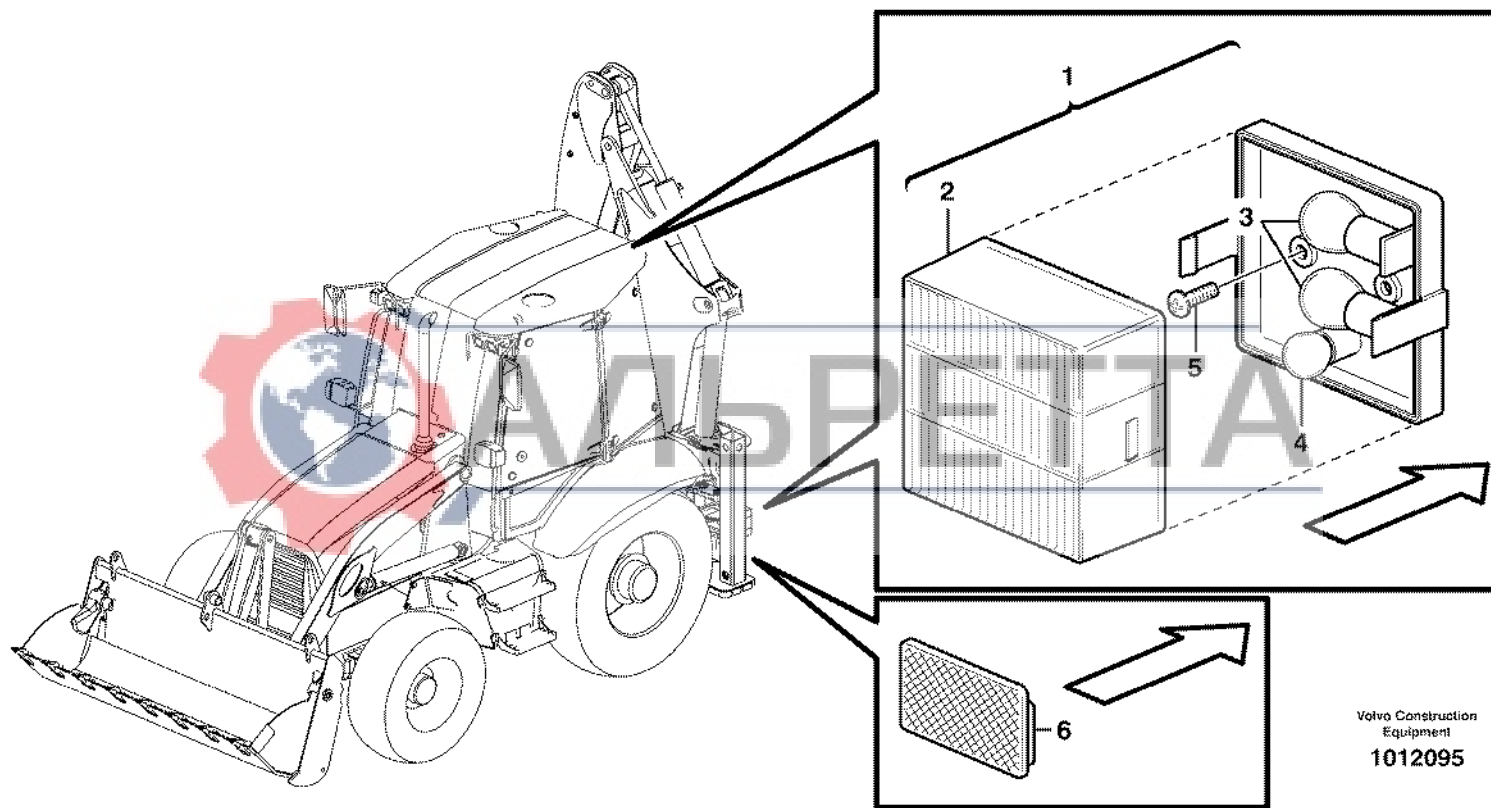
Fig.	Part No.	Quantity			P S	K I T	Description	Dénomination	Bezeichnung	Denominación	Benämning	Notes
		1	2	3								
1	VOE 11039856	2	2			Work Lamp.....	Lampe Travail	Arbeitslampe	Lampara Trabajo	Arbetslampan.....		
2	VOE 944265	1	1			•Bulb	•Ampoule.....	•Glühlampe.....	•Bombilla	•Glödlampa.....		
3	VOE 13946173	2	2			Flange screw.....	Vis à bride	Flanschschraube.....	Torn embridado	Flänsskruv.....		
4	VOE 948645	2	2			Flange Lock Nut.....	Contre écrou bride	Flanschmutter	Contratuer Embr.....	Flänslåsmutter.....		



1	11891291	Arbetsbelysning Alumbrado de trabajo Arbeitsscheinwerfer Phare de travail Work lights	Catalogue id	Group
2	11891292		20002	352
3			Illustr. No	Section
4			1007996	200
5			Issue	Page
		VOE 63H9920002	147	

VOLVO

BL71



Volvo Construction
Equipment
1012095

Fig.	Part No.	Quantity					P S	K I T	Description	Dénomination	Bezeichnung	Denominación	Benämning	Notes
		1	2	3	4	5								
1	VOE 11882270	2	2					Tail Light	Feu Ar	Heckleuchte	Piloto Trasero	Baklykta.....	SER NO -11966	
1	VOE 11885934			2				Tail Light	Feu Ar	Heckleuchte	Piloto Trasero	Baklykta.....	SER NO 11967	
2	VOE 11988186	1	1	1				•Lens.....	•Verre	•Lichtscheibe.....	•Lente	•Glas.....		
3	VOE 965826	2	2	2				•Bulb	•Ampoule.....	•Glühlampe	•Bombilla	•Glödlampa.....	21W	
4	VOE 946777	1	1	1				•Bulb	•Ampoule.....	•Glühlampe	•Bombilla	•Glödlampa.....	10W	
5	VOE 969410	4	4					6-pt skt screw.....	Vis creuse de 6	Hohlschraube.....	Racor 6-dientes	Sextandhålskruv.....	SER NO -11233	
5	VOE 969408	4	4					6-pt skt screw.....	Vis creuse de 6	Hohlschraube.....	Racor 6-dientes	Sextandhålskruv.....	SER NO 11234-	
6	VOE 11883216	2	2					Reflector	Catadioptré.....	Reflektor	Reflector	Reflektor.....		



1	11891002, 11891246	Belysning, bakre Alumbrado, trasero Beleuchtung, hinter Eclairage, arrière Lighting, rear	Catalogue id	Group
2	11891247, 11891248		20002	353
3	11298197		Illustr. No	Section
4			1012095	100
5			Issue	Page
			VOE 63H9920002	149

VOLVO

BL71

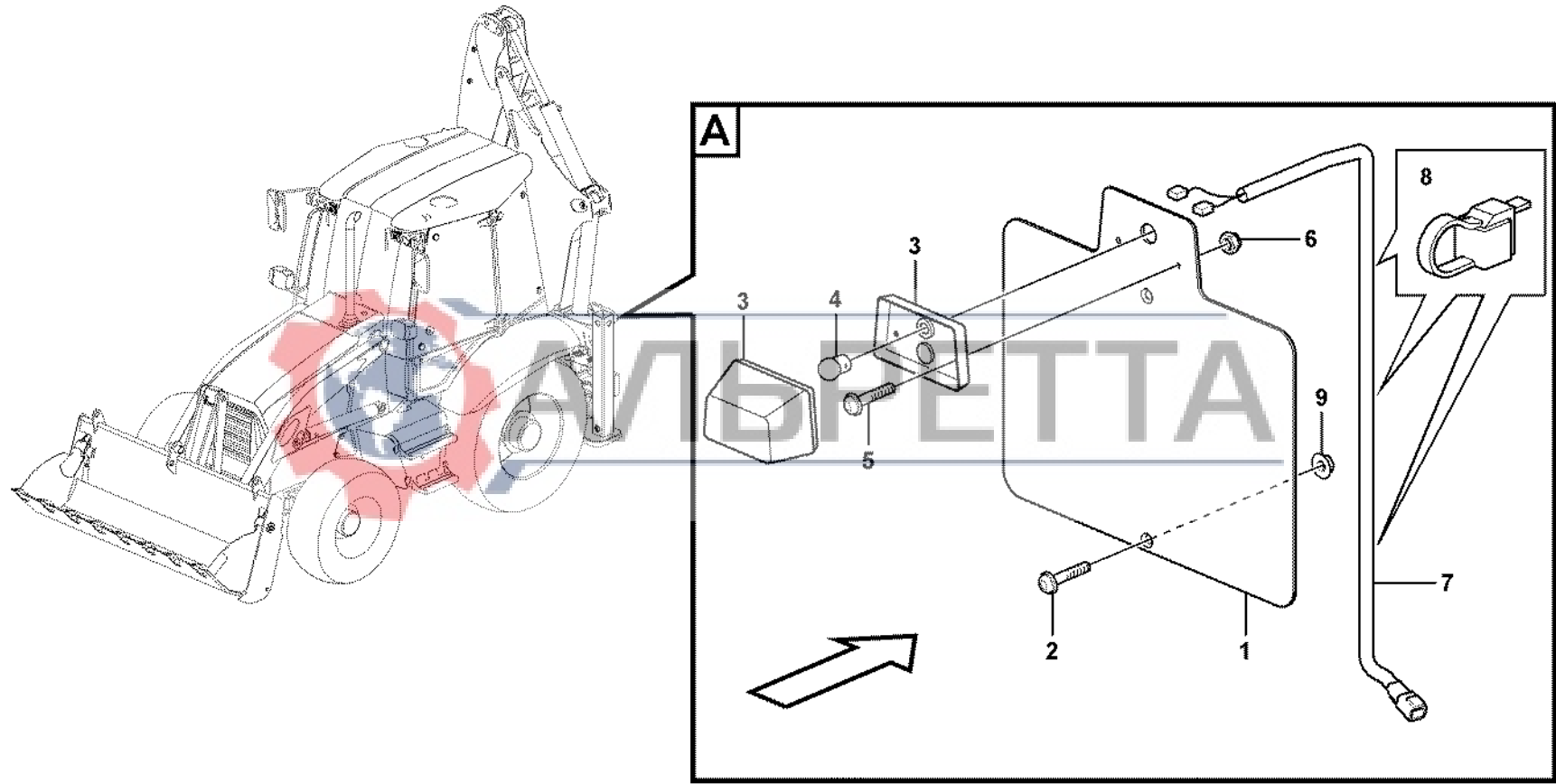


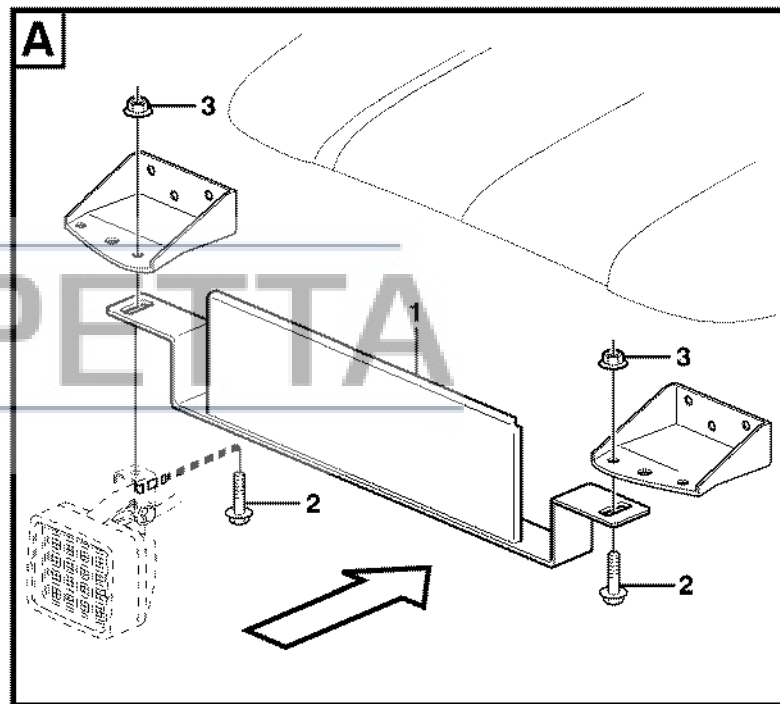
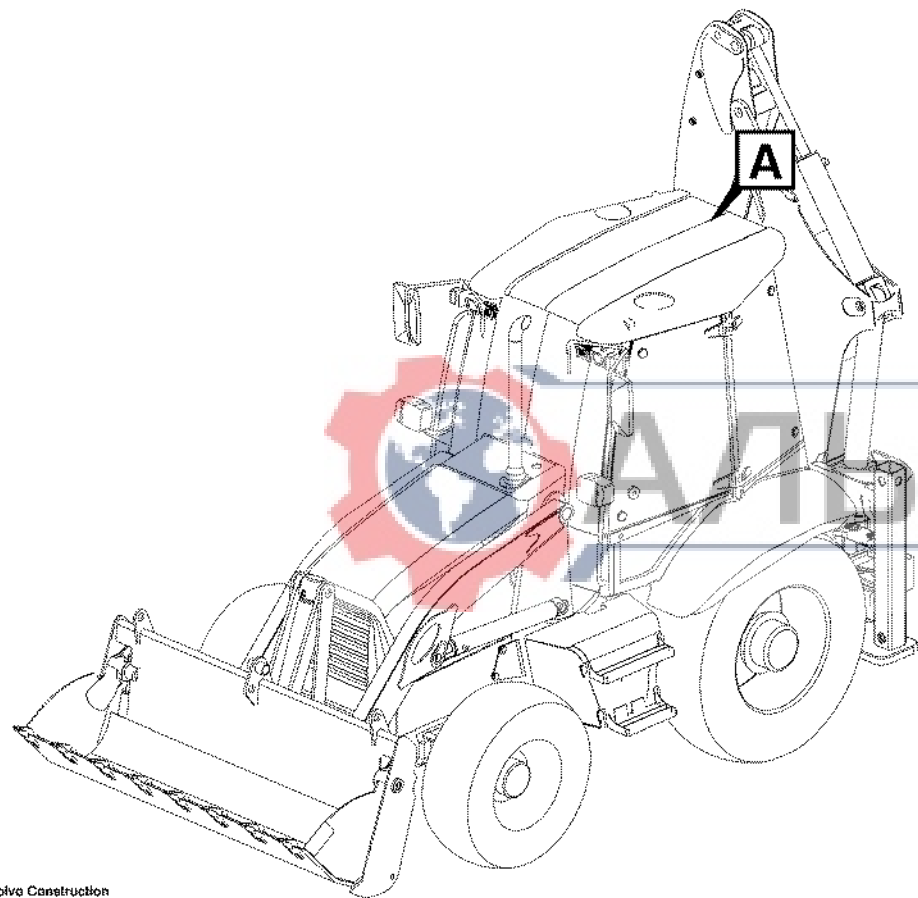
Fig.	Part No.	Quantity			P S	K I T	Description	Dénomination	Bezeichnung	Denominación	Benämning	Notes
		1	2	3								
1	VOE 11883322	1				Bracket.....	Console.....	Konsole.....	Consola.....	Konsol.....		
2	VOE 969817	2				Screw.....	Vis.....	Schraube.....	Tornillo.....	Skruv.....		
3	VOE 11147756	1				Sign Lamp.....	Eclairag.plaque.....	Kennzeichenleuchte.....	Lampara Letrero.....	Skyltlykta.....	(VOE 11883342)	
4	VOE 946777	1				Bulb.....	Ampoule.....	Glühlampe.....	Bombilla.....	Glödlampa.....		
5	VOE 969513	2				Screw.....	Vis.....	Schraube.....	Tornillo.....	Skruv.....		
6	VOE 13975237	2				Lock nut.....	Contre-ecrou.....	Sicherungsmutter.....	Contratuerca.....	Låsmutter.....		
7	VOE 11883351	1				Wire harness.....	Faisceau électrique.....	Kabelbaum.....	Manojo cables.....	Ledningsmatta.....		
8	VOE 980883	3				Strip Clamp.....	Ruban Serrage.....	Kabelbinder.....	Abraz Cinta.....	Bandklamma.....		
9	VOE 13949278	2				Flange Lock Nut.....	Contre écrou bride.....	Flanschmutter.....	Contratuer Embr.....	Flänslåsmutter.....		



1	Nummerskyltsbelysning Alumbrado de matrícula Nummernschildbeleuchtung Eclairage de plaque License plate lamp	Catalogue id	Group
2		20002	353
3		Illustr. No	Section
4		1012595	150
5		Issue	Page
	11891001	VOE 63H9920002	151

VOLVO

BL71



Volvo Construction
Equipment
1012625

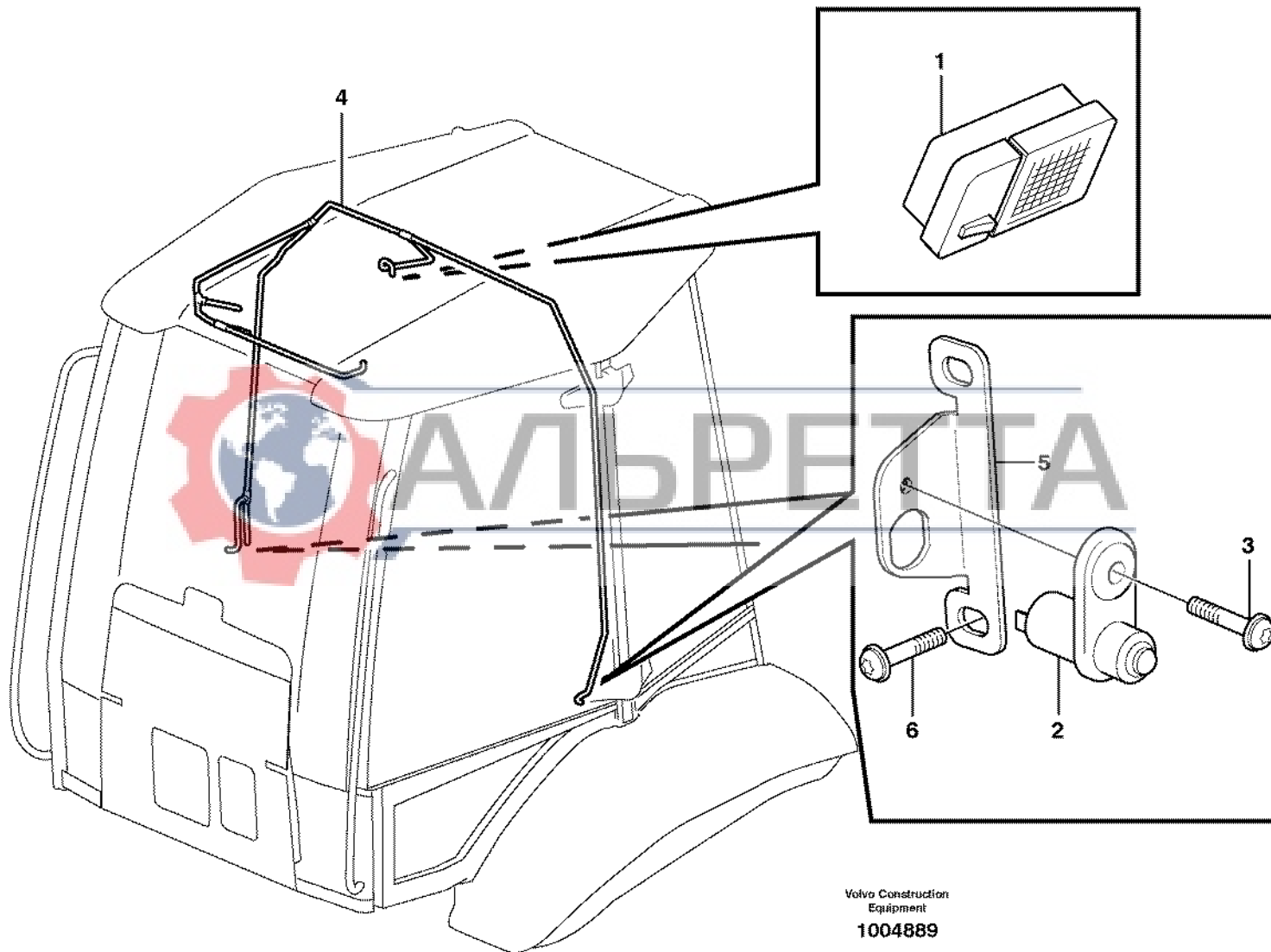
Fig.	Part No.	Quantity			P S	K I T	Description	Dénomination	Bezeichnung	Denominación	Benämning	Notes
		1	2	3								
1	VOE 11202709	1				Sign Retainer	Porte-plaque	Dachschildhalt.....	Soporte Letrero	Skyllthållare.....		
2	VOE 13946173	2				Flange screw.....	Vis à bride	Flanschschraube.....	Torn embridado	Flänsskruv.....		
3	VOE 948645	2				Flange Lock Nut.....	Contre écrou bride	Flanschmutter	Contratuer Embr.....	Flänslåsmutter.....		



1	Lägesvisare och fäste, nummerskylt Indicador de posición y fijación, matrícula Positionszeiger und Halterung, Kennzeichentafel Indicateur position et fixation, plaque numéro Position pointer and anchorage, license plate	Catalogue id	Group
2		20002	353
3		Illustr. No	Section
4		1012625	200
5		Issue	Page
	11298034	VOE 63H9920002	153

VOLVO

BL71



Volvo Construction
Equipment
1004889

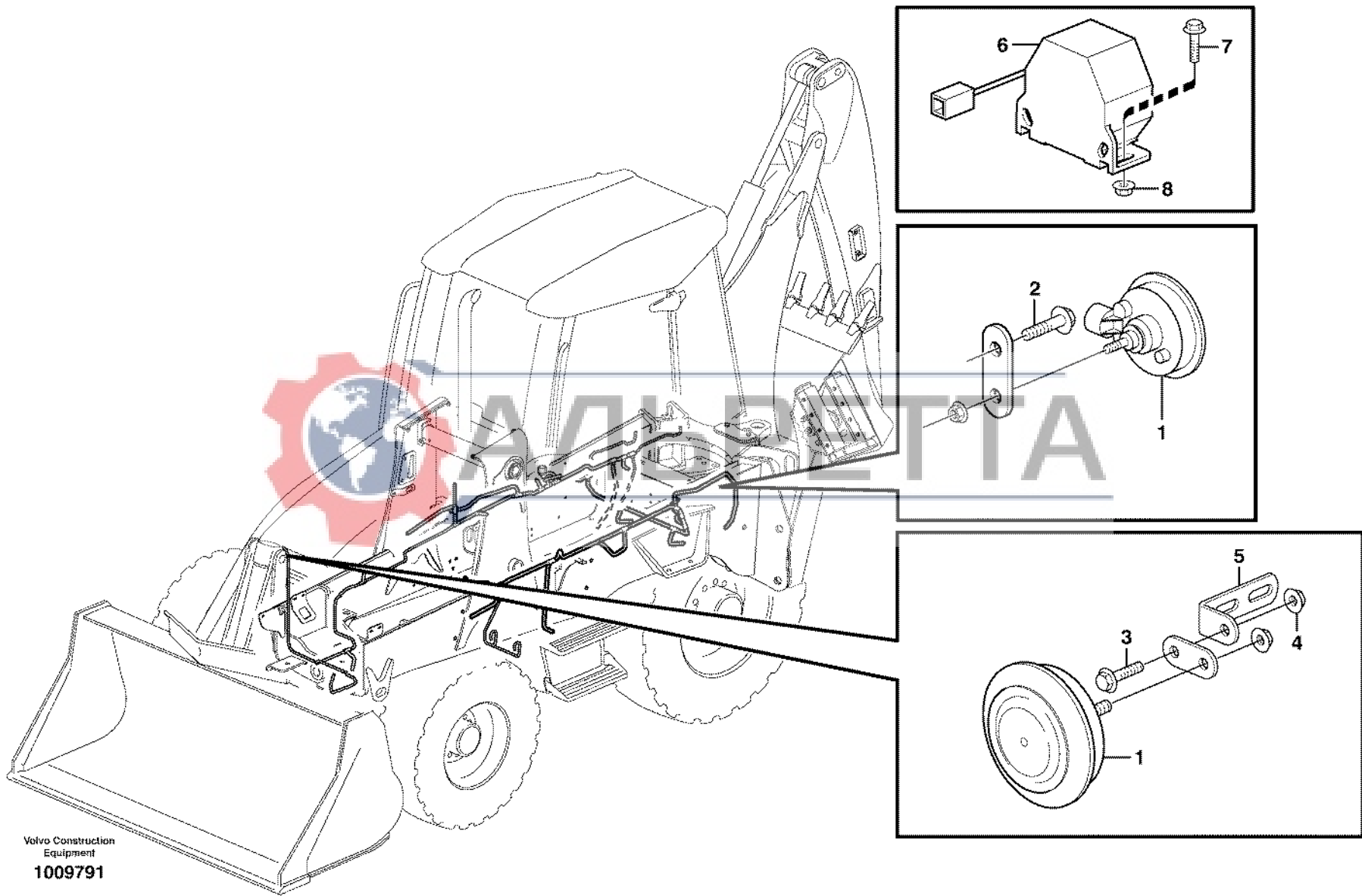
Fig.	Part No.	Quantity			P S	K I T	Description	Dénomination	Bezeichnung	Denominación	Benämning	Notes
		1	2	3								
1	VOE 11200915	1				Interior Lamp.....	Lampe Inter.....	Innenleuchte.....	Lamp Interior.....	Innerlampa.....		
	VOE 11709768	1				•Bulb	•Ampoule.....	•Glühlampe.....	•Ampolla.....	•Glödlampa.....		
2	VOE 3987417	2				Switch	Interrupteur	Trennschalter	Interruptor.....	Brytare.....	SER NO -11597	
3	VOE 969147	2				Screw	Vis	Schraube.....	Tornillo	Skruv.....		
4		1				Wire harness.....	Faisceau électrique....	Kabelbaum.....	Manojo cables	Ledningsmatta.....	See group 371, Page 183	
5	VOE 11200555	2				Anchorage.....	Fixation	Halterung.....	Fijacion.....	Fäste.....	SER NO -11597	
6	VOE 972421	4				Screw	Vis	Schraube.....	Tornillo	Skruv.....	SER NO -11597	



1	Innerbelysning Interior lampare Innen lampe Interieure lampe Inner lamp	Catalogue id	Group
2		20002	354
3		Illustr. No	Section
4		1004889	100
5		Issue	Page
		VOE 63H9920002	155

VOLVO

BL71



Volvo Construction
Equipment
1009791

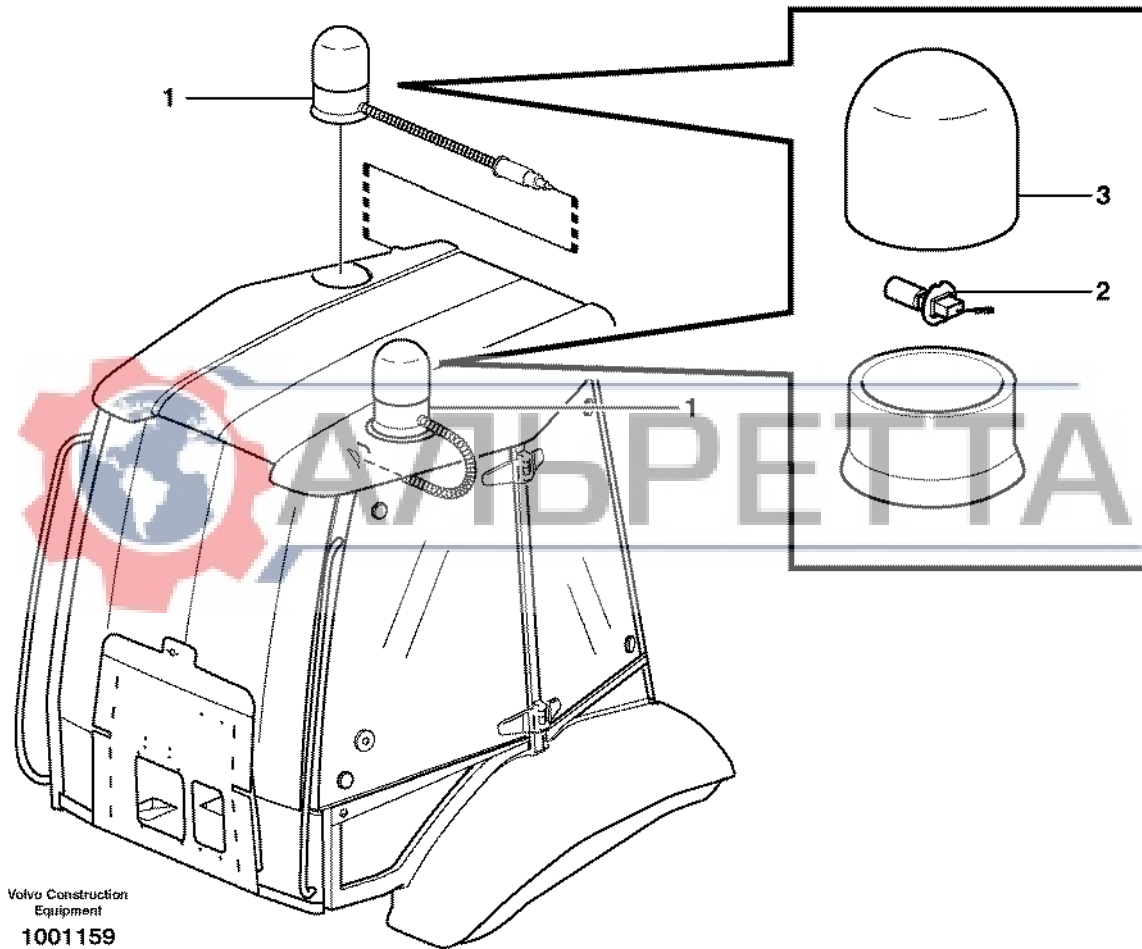
Fig.	Part No.	Quantity			P S	K I T	Description	Dénomination	Bezeichnung	Denominación	Benämning	Notes
		1	2	3								
1	VOE 11884428	2				Horn	Avertisseur sonore	Signalhorn	Avisador sonoro	Signalhorn.....	S/N - 12304	
	VOE 11305113	2				Horn	Avertisseur	Signalhorn	Bocina	Signalhorn.....	S/N 12305 -	
2	VOE 946440	2				Flange screw.....	Vis à bride	Flanschschraube.....	Torn embridado	Flänsskruv.....		
3	VOE 13946173	2				Flange screw.....	Vis à bride	Flanschschraube.....	Torn embridado	Flänsskruv.....		
4	VOE 948645	2				Flange Lock Nut.....	Contre écrou bride	Flanschmutter	Contratuer Embr.....	Flänslåsmutter.....		
5	VOE 13965558	1				Bracket.....	Console.....	Konsole	Consola	Konsol.....		
6	VOE 11886215		1			Alarm.....	Alarme.....	Alarm Richtung.....	Alarma	Varnare.....		
7	VOE 13946934		2			Screw	Vis	Schraube.....	Tornillo	Skruv.....		
8	VOE 13945407		1			Nut	Ecrou.....	Mutter	Tuerca	Mutter.....		



1	11880005	Signalhorn Bocina Signalhorn Avertisseur sonore Horn	Catalogue id	Group
2	11891377		20002	362
3			Illustr. No	Section
4			1009791	100
5			Issue	Page
			VOE 63H9920002	157

VOLVO

BL71



Volvo Construction
Equipment
1001159

Fig.	Part No.	Quantity			P S	K I T	Description	Dénomination	Bezeichnung	Denominación	Benämning	Notes
		1	2	3								
1	VOE 11882303	1	2			Rotating Beacon	Gyrophare	Rundumkennleuchte ..	Luz Rotativa Emerge..	Roterande Varningslj.		
2	VOE 944265	1	1			•Bulb	•Ampoule.....	•Glühlampe.....	•Bombilla	•Glödlampa.....	55W	
3	VOE 11712340	1	1			•Lens.....	•Verre.....	•Lichtscheibe	•Lente	•Glas.....	(VOE 11709899)	



1	11891261	Roterande varningsljus Faro de advertencia giratorio Rundum-kennleuchte Gyrophare Rotating beacon	Catalogue id	Group
2	11891262		20002	362
3			Illustr. No	Section
4			1001159	150
5			Issue	Page
			VOE 63H9920002	159

VOLVO

BL71

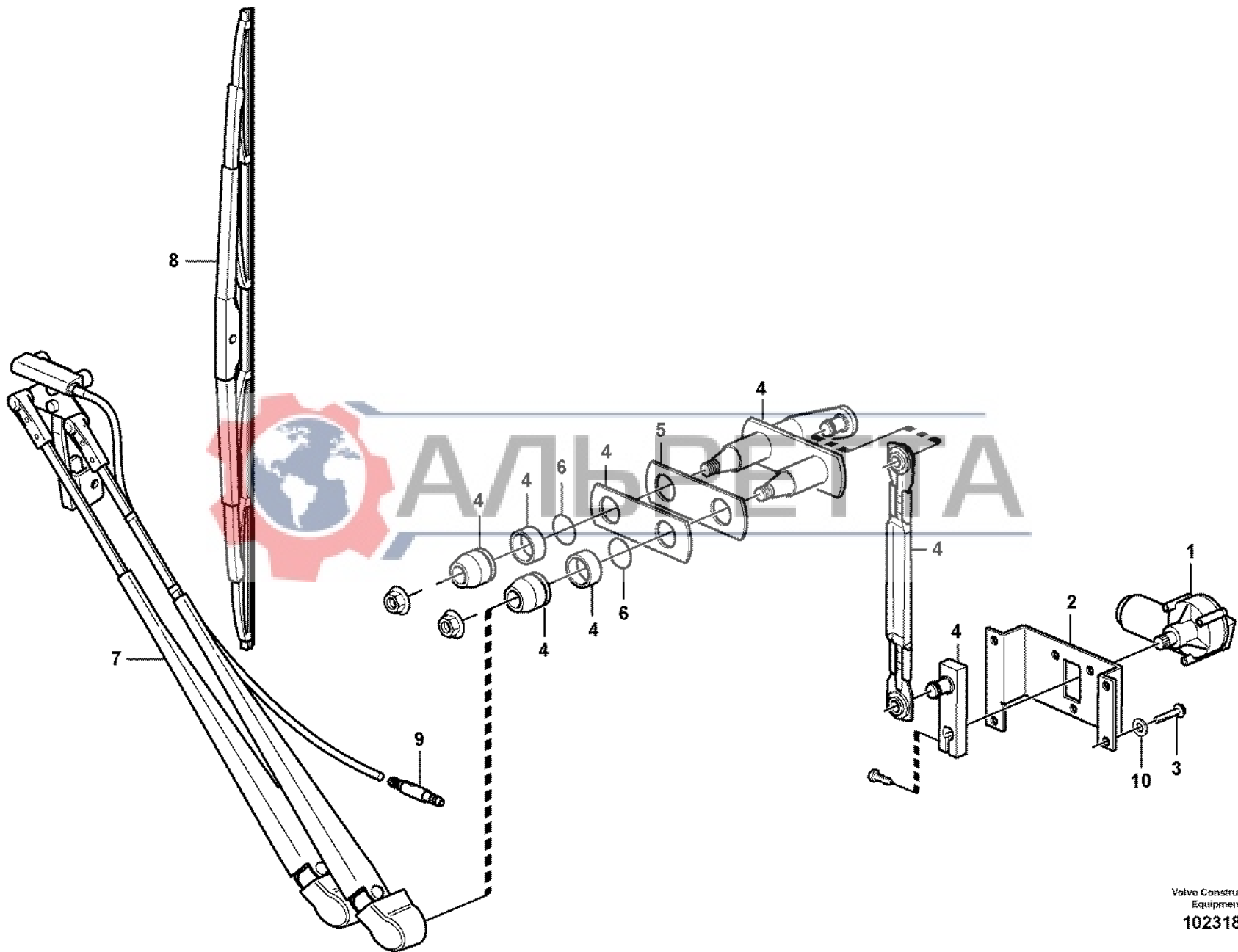


Fig.	Part No.	Quantity			P S	K I T	Description	Dénomination	Bezeichnung	Denominación	Benämning	Notes
		1	2	3								
1	VOE 11200669	1					Wiper Motor	Moteur essuie glace...	Wischermotor	Motor l.p.	Torkarmotor.....	
2	VOE 11200709	1					Anchorage.....	Fixation	Halterung.....	Fijacion.....	Fäste.....	
3	VOE 969147	4					Screw	Vis	Schraube.....	Tornillo	Skruv.....	
4	VOE 11200710	1					Linkage	Articulation	Gestänge.....	Varillado	Länkage.....	
5	VOE 11200787	1					Gasket.....	Joint	Dichtung	Junta	Packning.....	
6	VOE 978392	2					O-ring	Joint Torique	O-Ring	Junta torica.....	O-ring.....	
7	VOE 11200699	1					Wiper Arm.....	Bras Essu.glac.	Wischerarm	Brazo Limpiapar	Torkararm.....	
8	VOE 11200698	1					Wiper blade.....	Balai essuie glace	Wischerblatt	Escobilla l.p.	Torkarblad.....	
9	VOE 11200713	1					Check valve	Valve antiretour.....	Rückschlagventil	Válvula de retención...	Backventil.....	
10	VOE 960139	4					Washer.....	Rondelle	Scheibe	Arandela	Bricka.....	



1		Vindrutetorkare, fram Limpiaparabrisas, delantero Scheibenwischer, vorne Essuie-vitre, avant Windshield wiper, front	Catalogue id	Group
2			20002	363
3			Illustr. No	Section
4			1023186	100
5			Issue	Page
			VOE 63H9920002	161

VOLVO

BL71

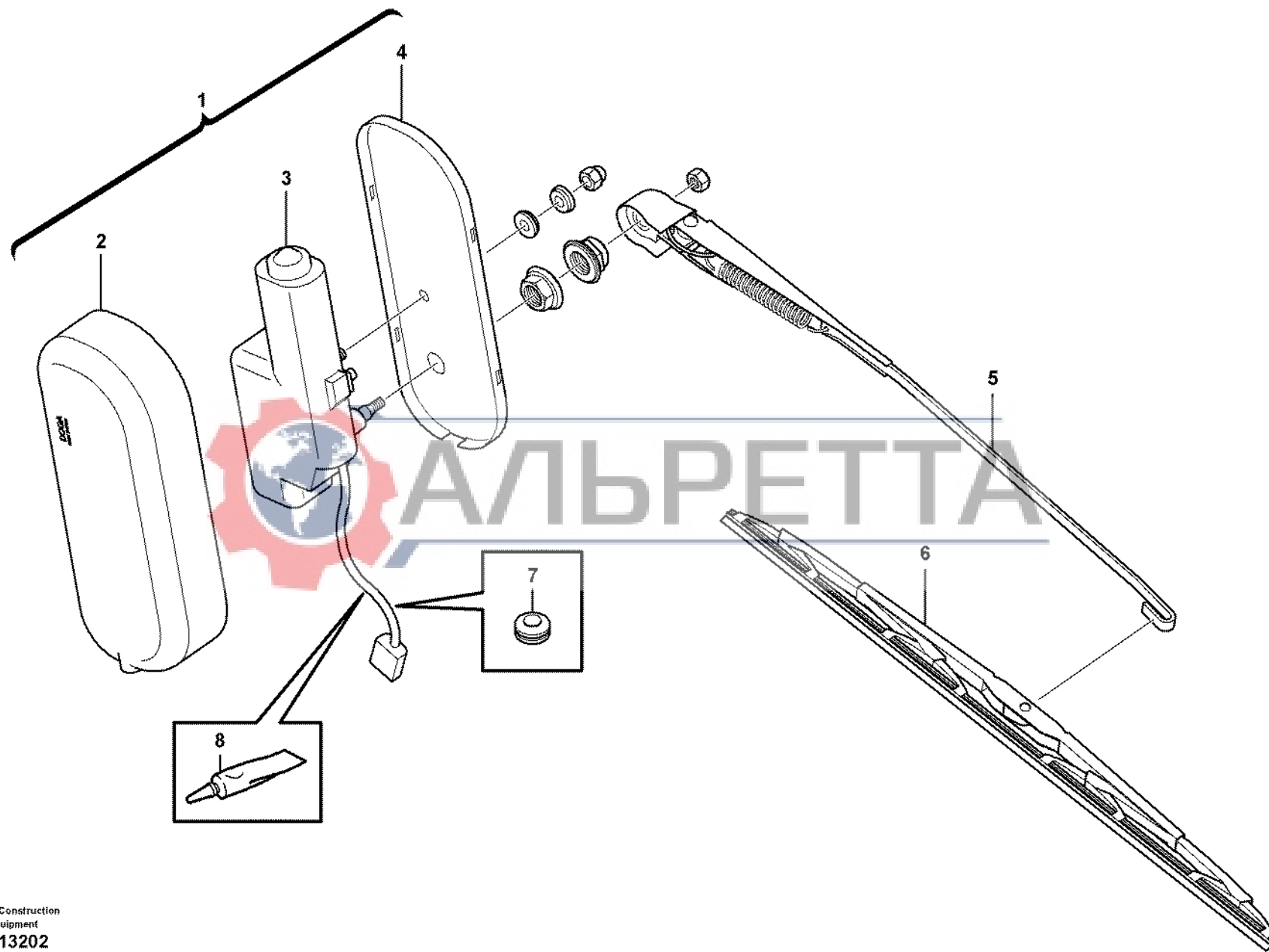


Fig.	Part No.	Quantity			P S	K I T	Description	Dénomination	Bezeichnung	Denominación	Benämning	Notes
		1	2	3								
1	VOE 11202201	1					Wiper Mechanism	Mec.essui.glace	Wischermechanis	Mecanismo Limp	Torkarmekanism.....	
2	VOE 11200674	1					•Cover	•Capot	•Haube	•Capo	•Huv.....	
3	VOE 11201418	1			SS		•Wiper Motor	•Moteur essuie glace..	•Wischermotor.....	•Motor l.p.	•Torkarmotor.....	
5		1			NS		•Anchorage	•Fixation	•Halterung	•Fijacion.....	•Fäste.....	
5	VOE 11200706	1					Wiper Arm	Bras Essu.glac.	Wischerarm	Brazo Limpiapar	Torkararm.....	
6	VOE 11200705	1					Wiper blade.....	Balai essuie glace	Wischerblatt	Escobilla l.p.	Torkarblad.....	
7	VOE 941262	1					Grommet.....	Passe fil	Durchführung	Aislador pasapanel.....	Genomföring.....	
8	VOE 11708567 REQ						Adhesive	Adhesif	Klebstoff	Adhesivo	Lim.....	



1		Vindrutetorkare, bak	Catalogue id	Group
2		Limpiaparabrisas, trasero	20002	363
3		Scheibenwischer, hinten	Illustr. No	Section
4		Essuie-vitre, arrière	1013202	150
5		Windshield wiper, rear	Issue	Page
		11298028, 11298197	VOE 63H9920002	163

VOLVO

BL71

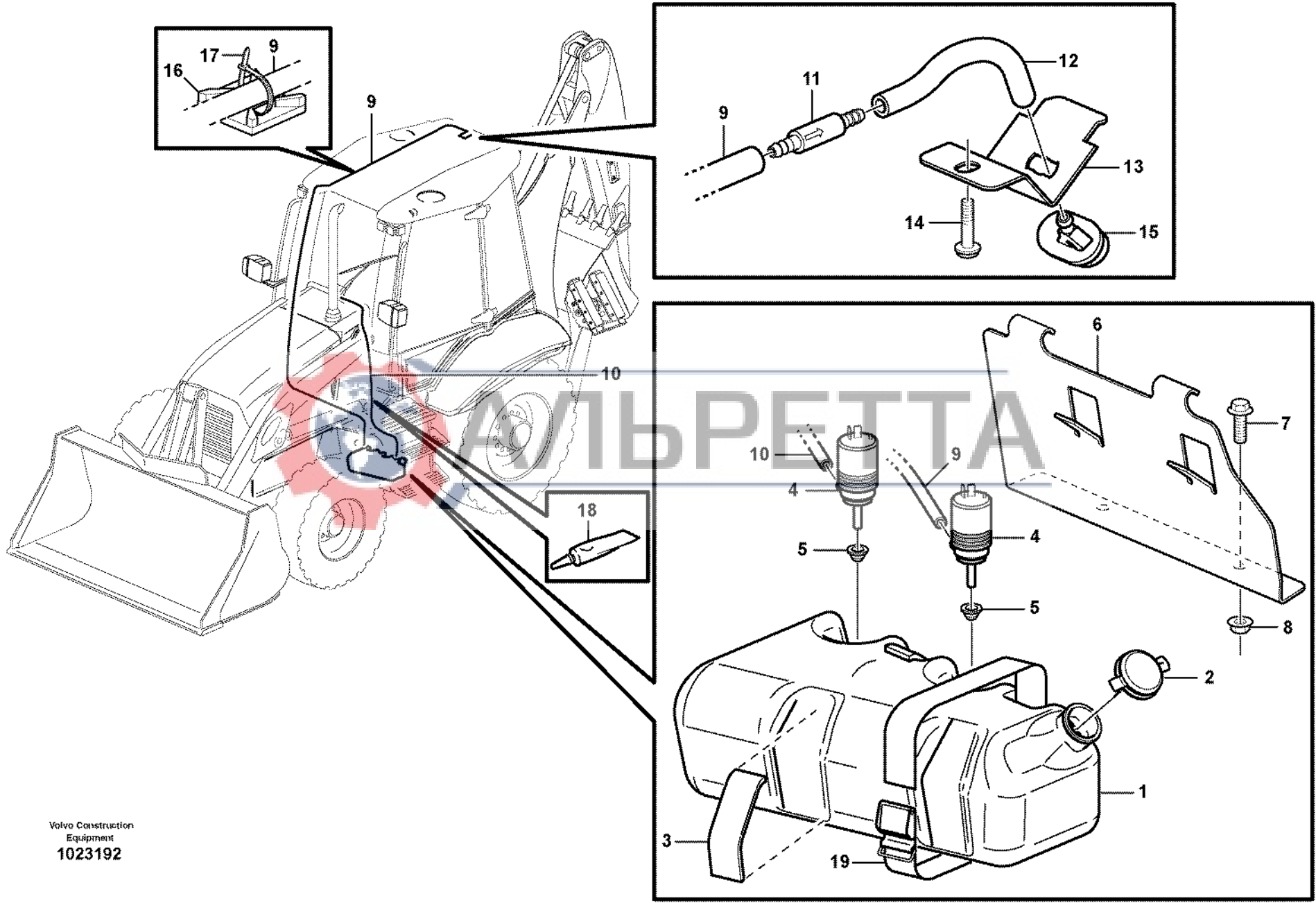


Fig.	Part No.	Quantity			P S	K I T	Description	Dénomination	Bezeichnung	Denominación	Benämning	Notes
		1	2	3								
1	VOE 11887150	1				Tank.....	Reservoir.....	Behälter.....	Depósito.....	Tank.....		
	VOE 11887149		1			Tank.....	Reservoir.....	Behälter.....	Depósito.....	Tank.....		
2	VOE 11883650	1	1			Cap.....	Chapeau.....	Kappe.....	Caperuza.....	Lock.....		
3	VOE 11883640	4	4			Rubber Spacer.....	Cale Caoutchouc.....	Gummieinlage.....	Suplemento Goma.....	Gummimellanlägg.....	SER NO -11564	
4	VOE 11883646	2	1	2		Pump.....	Pompe.....	Pumpe.....	Bomba.....	Pump.....		
5	VOE 11883648	2	1	2		Rubber Spacer.....	Cale Caoutchouc.....	Gummieinlage.....	Suplemento Goma.....	Gummimellanlägg.....		
6	VOE 11883641	1	1			Plate.....	Plaque.....	Platte.....	Placa.....	Platta.....	SER NO -11564	
7	VOE 13946173	2	2			Flange screw.....	Vis à bride.....	Flanschschraube.....	Torn embridado.....	Flänsskruv.....	SER NO -11564	
8	VOE 13945408	2	2			Nut.....	Ecrou.....	Mutter.....	Tuerca.....	Mutter.....	SER NO -11564	
9	VOE 1304841	REQ				Hose.....	Durit.....	Schlauch.....	Tubo flexible.....	Slang.....	L = 5060 MM	
10	VOE 1304841	REQ	REQ			Hose.....	Durit.....	Schlauch.....	Tubo flexible.....	Slang.....	L = 1600 MM	
11	VOE 11200713	1				Check valve.....	Valve antiretour.....	Rückschlagventil.....	Válvula de retención.....	Backventil.....		
12	VOE 1304841	REQ				Hose.....	Durit.....	Schlauch.....	Tubo flexible.....	Slang.....	L = 50 MM	
13	VOE 11203078	1				Anchorage.....	Fixation.....	Halterung.....	Fijacion.....	Fäste.....		
14	VOE 969404	1				6-pt skt screw.....	Vis creuse de 6.....	Hohlschraube.....	Racor 6-dientes.....	Sextandhålskruv.....		
15	VOE 11203079	1				Washer Jet.....	Gicl.lave-glace.....	Sprühdüse.....	Boquill Rociad.....	Spolarmunstycke.....		
16	VOE 14213026	4				Attachment.....	Fixation.....	Halterung.....	Fijacion.....	Fäste.....		
17	VOE 4821292	4				Strip Clamp.....	Ruban Serrage.....	Kabelbinder.....	Abraz Cinta.....	Bandklamma.....		
18	VOE 11708567	REQ	REQ			Adhesive.....	Adhesif.....	Klebstoff.....	Adhesivo.....	Lim.....		
19	VOE 11104606	2	2	2		Retaining Strap.....	Courroi.serrage.....	Halteriemen.....	Correa Tensora.....	Spännrem.....	SER NO 11565-	



1	11298028	Vindrutespolare Lavaparabrisas Scheibenwaschanlage Lave - glace Windshield washer	Catalogue id	Group
2	11298012		20002	363
3	11298197		Illustr. No	Section
4			1023192	200
5			Issue	Page
			VOE 63H9920002	165

VOLVO

BL71

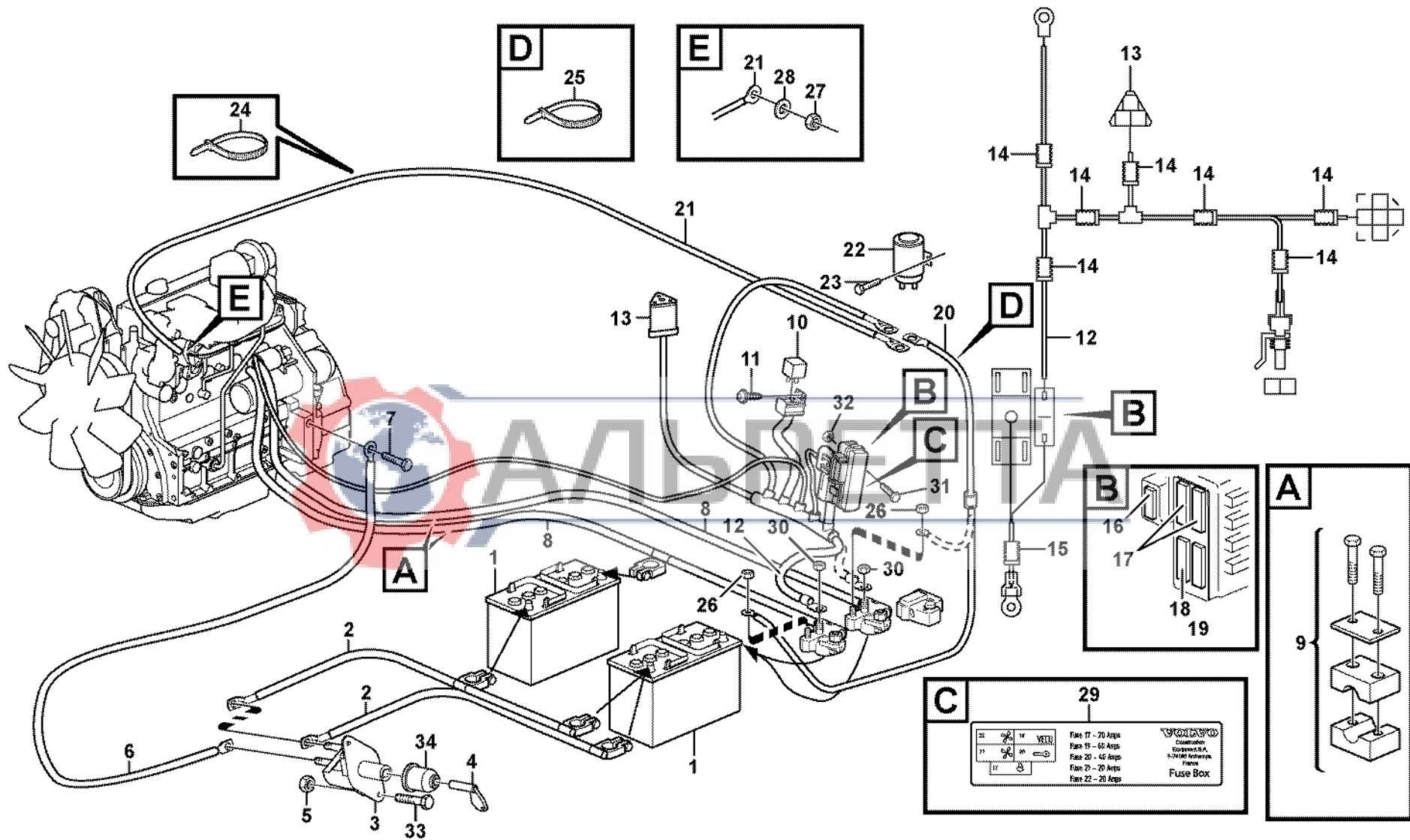
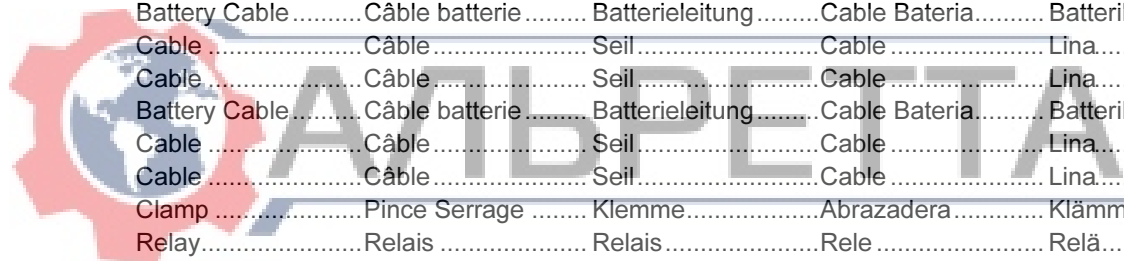


Fig.	Part No.	Quantity					P S	K I T	Description	Dénomination	Bezeichnung	Denominación	Benämning	Notes
		1	2	3	4	5								
1	VOE 20393421	1	2	1	2			Battery	Batterie	Batterie	Bateria	Batteri.....		
2	VOE 11882580	1						Battery Cable	Câble batterie	Batterieleitung	Cable Bateria.....	Batteriledning.....	SER NO -11564	
2	VOE 11886121	1						Battery Cable	Câble batterie	Batterieleitung	Cable Bateria.....	Batteriledning.....	SER NO 11565-	
2	VOE 11886121			1				Battery Cable	Câble batterie	Batterieleitung	Cable Bateria.....	Batteriledning.....		
2	VOE 11884081		1					Battery Cable	Câble batterie	Batterieleitung	Cable Bateria.....	Batteriledning.....	SER NO -11564	
2	VOE 11886126		1					Battery Cable	Câble batterie	Batterieleitung	Cable Bateria.....	Batteriledning.....	SER NO 11565-	
2	VOE 11886126				1			Battery Cable	Câble batterie	Batterieleitung	Cable Bateria.....	Batteriledning.....		
3	VOE 3987034	1	1	1	1			Battery main switch.....	Robinet batterie	Batterietrennschalt.....	Desconectador bat	Batterifrånskiljare.....		
4	VOE 8157766	1	1	1	1			•Handle	•Poignee.....	•Drehgriff.....	•Mango	•Vred.....		
5	VOE 983302	2	2					Nut	Ecrou	Mutter.....	Tuerca	Mutter.....	SER NO -11564	
5	VOE 983302			2	2			Nut	Ecrou	Mutter.....	Tuerca	Mutter.....		
6	VOE 11884768	1	1					Battery Cable	Câble batterie	Batterieleitung	Cable Bateria.....	Batteriledning.....	SER NO -11564	
6	VOE 11886124	1	1					Battery Cable	Câble batterie	Batterieleitung	Cable Bateria.....	Batteriledning.....	SER NO 11565-	
6	VOE 11886124			1	1			Battery Cable	Câble batterie	Batterieleitung	Cable Bateria.....	Batteriledning.....		
	VOE 965891	1	1	1	1			•Cable terminal	•Cosse cable	•Flachsteckhülse.....	•Terminal cable.....	•Ledningssko.....		
7	VOE 13965191	1	1	1	1			Flange screw	Vis à bride	Flanschschraube	Torn embridado	Flänskruv.....		
8	VOE 11884930	1						Battery Cable	Câble batterie	Batterieleitung	Cable Bateria.....	Batteriledning.....	SER NO -11564	
8	VOE 11887721	1						Cable	Câble	Seil	Cable	Lina.....	SER NO 11565-	
8	VOE 11887721			1				Cable	Câble	Seil	Cable	Lina.....		
8	VOE 11884931		1					Battery Cable	Câble batterie	Batterieleitung	Cable Bateria.....	Batteriledning.....	SER NO -11564	
8	VOE 11887722		1					Cable	Câble	Seil	Cable	Lina.....	SER NO 11565-	
8	VOE 11887722				1			Cable	Câble	Seil	Cable	Lina.....		
9	VOE 11883608	2	2					Clamp	Pince Serrage	Klemme.....	Abrazadera	Klämma.....	SER NO -11564	
10	VOE 11305263	1	1	1	1			Relay.....	Relais	Relais	Rele	Relä.....	RE1	
11	VOE 969405	1	1					6-pt skt screw.....	Vis creuse de 6	Hohlschraube.....	Racor 6-dientes	Sextandhålskruv.....		
	VOE 969407			1	1			6-pt skt screw.....	Vis creuse de 6	Hohlschraube.....	Racor 6-dientes	Sextandhålskruv.....		
12	VOE 11884932	1	1					Wire harness.....	Faisceau electriqu	Kabelbaum.....	Manojo cables	Ledningsmatta.....	SER NO -11564	
12	VOE 11886123	1	1					Wire harness.....	Faisceau electriqu	Kabelbaum.....	Manojo cables	Ledningsmatta.....	SER NO 11565-	
12	VOE 11886123			1	1			Wire harness.....	Faisceau electriqu	Kabelbaum.....	Manojo cables	Ledningsmatta.....	SER NO -11966	
12	VOE 11886587			1	1			Wire harness.....	Faisceau electriqu	Kabelbaum.....	Manojo cables	Ledningsmatta.....	SER NO 11967-	



1	11882593 (SINGLE)	Batteriledning och batterifrånskiljare Cable de bateria y desconectador bateria Batterieleitung und Batterietrennschalter Cable batterie et robinet batterie Battery cable and main switch	Catalogue id	Group
2	11882594 (DOUBLE)		20002	371
3	11891392 (SINGLE)		Illustr. No	Section
4	11891391 (DOUBLE)		1017107	100
5			Issue	Page
		VOE 63H9920002	167	

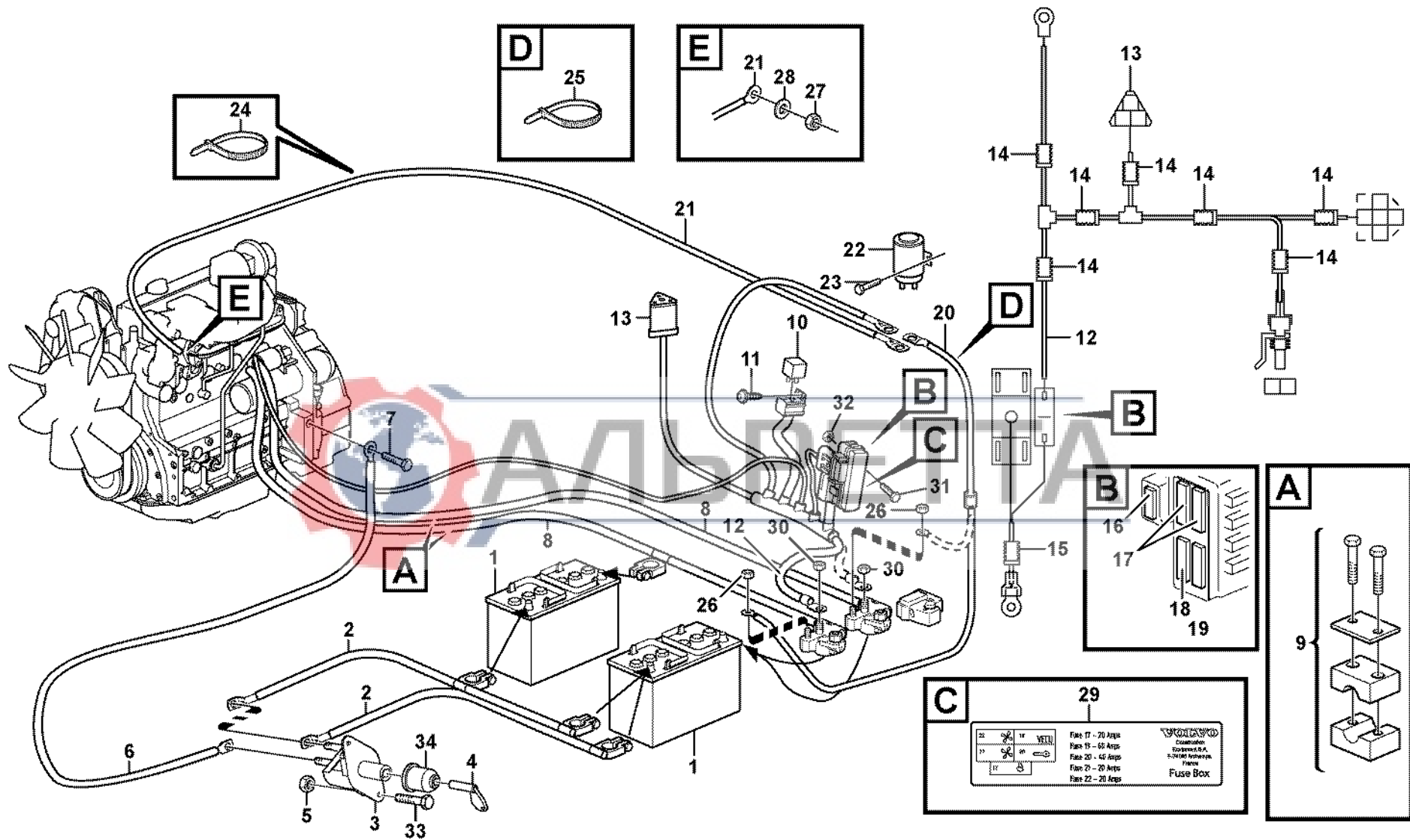
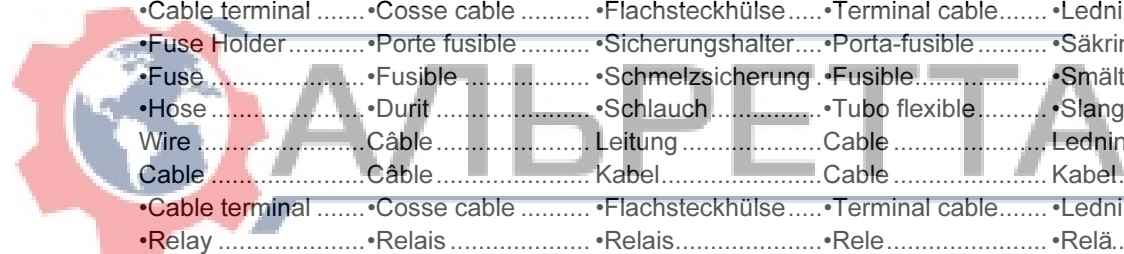


Fig.	Part No.	Quantity					P S	K T	Description	Dénomination	Bezeichnung	Denominación	Benämning	Notes
		1	2	3	4	5								
								•CONNECTED TO: •CONNECTÉ A: •ANGESCHLOSSE •CONECTADO A:... •ANSLUTER TILL:..						
								•Cable harness R ..•Faisceau de câbl. •Hinterer Kabelba ..•Haz de cables tra. •Ledningsmatta B.. X60						
								•Starter Relay •Relais Demarra. •Anlassrelais •Rele Arranque..... •Startrelä..... RE1						
								•Relay,starter ele ... •Relais,elem.dem .. •Relais,kaltstartele. •Rele,calentador a. •Relä,starthelement RE2						
								•Starter Motor •Demarreur..... •Anlasser •Motor de arranqu . •Startmotor..... MO1						
								•Battery..... •Batterie •Batterie •Bateria •Batteri..... BA1						
13	VOE 874654	1	1	1	1			•Rcpt Housing..... •Douille Isolan. •Steckbuchse..... •Aislador Mangui •Hylisolator..... X60						
14	VOE 11170006	REQ	REQ	REQ	REQ			•Hose •Durit •Schlauch..... •Tubo flexible..... •Slang.....						
15	VOE 4803745	REQ	REQ	REQ	REQ			•Hose •Durit •Schlauch..... •Tubo flexible..... •Slang.....						
16	VOE 11882444	1	1	1	1			•Fuse •Fusible •Schmelzsicherung •Fusible..... •Smältsäkring..... 20A						
17	VOE 11882444	2	2	2	2			•Fuse •Fusible •Schmelzsicherung •Fusible..... •Smältsäkring..... 20A						
18	VOE 11882446	1	1	1	1			•Fuse •Fusible •Schmelzsicherung •Fusible..... •Smältsäkring..... 40A						
19	VOE 11882512	1	1	1	1			•Fuse •Fusible •Schmelzsicherung •Fusible..... •Smältsäkring..... 60A						
20	VOE 11886119	1	1	1	1			Cable Câble Kabel..... Cable Kabel..... (VOE 11885028)						
	VOE 11886557	1	1	1	1			Cable Câble Kabel..... Cable Kabel..... S/N - 12826						
	VOE 13947459	2	2	2	2			•Cable terminal •Cosse cable •Flachsteckhülse..... •Terminal cable..... •Ledningssko..... S/N - 12826						
	VOE 11870441	1	1	1	1			•Fuse Holder •Porte fusible •Sicherungshalter..... •Porta-fusible •Säkringshållare..... S/N - 12826						
	VOE 11870440	1	1	1	1			•Fuse •Fusible •Schmelzsicherung •Fusible..... •Smältsäkring..... 175A, S/N - 12826						
	VOE 4803746	REQ	REQ	REQ	REQ			•Hose •Durit •Schlauch..... •Tubo flexible..... •Slang..... S/N - 12826						
21	VOE 11883278	1	1	1	1			Wire Câble Leitung Cable Ledning..... S/N - 12826						
	VOE 11887633	1	1	1	1			Cable Câble Kabel..... Cable Kabel..... S/N 12827 -						
	VOE 881503	2	2	2	2			•Cable terminal •Cosse cable •Flachsteckhülse..... •Terminal cable..... •Ledningssko..... S/N - 12826						
22	VOE 20715643	1	1	1	1			•Relay •Relais •Relais..... •Rele •Relä..... (VOE 20552405)						
	VOE 20715643	1	1	1	1			Relay..... Relais Relais Rele Relä..... S/N 12827 -						
23	VOE 13946934	2	2	2	2			Screw..... Vis Schraube Tornillo..... Skruv.....						
24	VOE 4881438	14	14	14	14			Strip Clamp Ruban Serrage Kabelbinder..... Abraz Cinta..... Bandklamma.....						
25	VOE 4881440	3	3	3	3			Strip Clamp Ruban Serrage Kabelbinder..... Abraz Cinta..... Bandklamma.....						
26	VOE 13945407	1	1	1	1			Nut Ecrou Mutter..... Tuerca Mutter.....						



1	11882593 (SINGLE)	Batteriledning och batterifrånsljare Cable de bateria y desconector bateria Batterieleitung und Batterietrennschalter Cable batterie et robinet batterie Battery cable and main switch	Catalogue id	Group
2	11882594 (DOUBLE)		20002	371
3	11891392 (SINGLE)		Illustr. No	Section
4	11891391 (DOUBLE)		1017107	100
5			Issue	Page
		VOE 63H9920002	169	

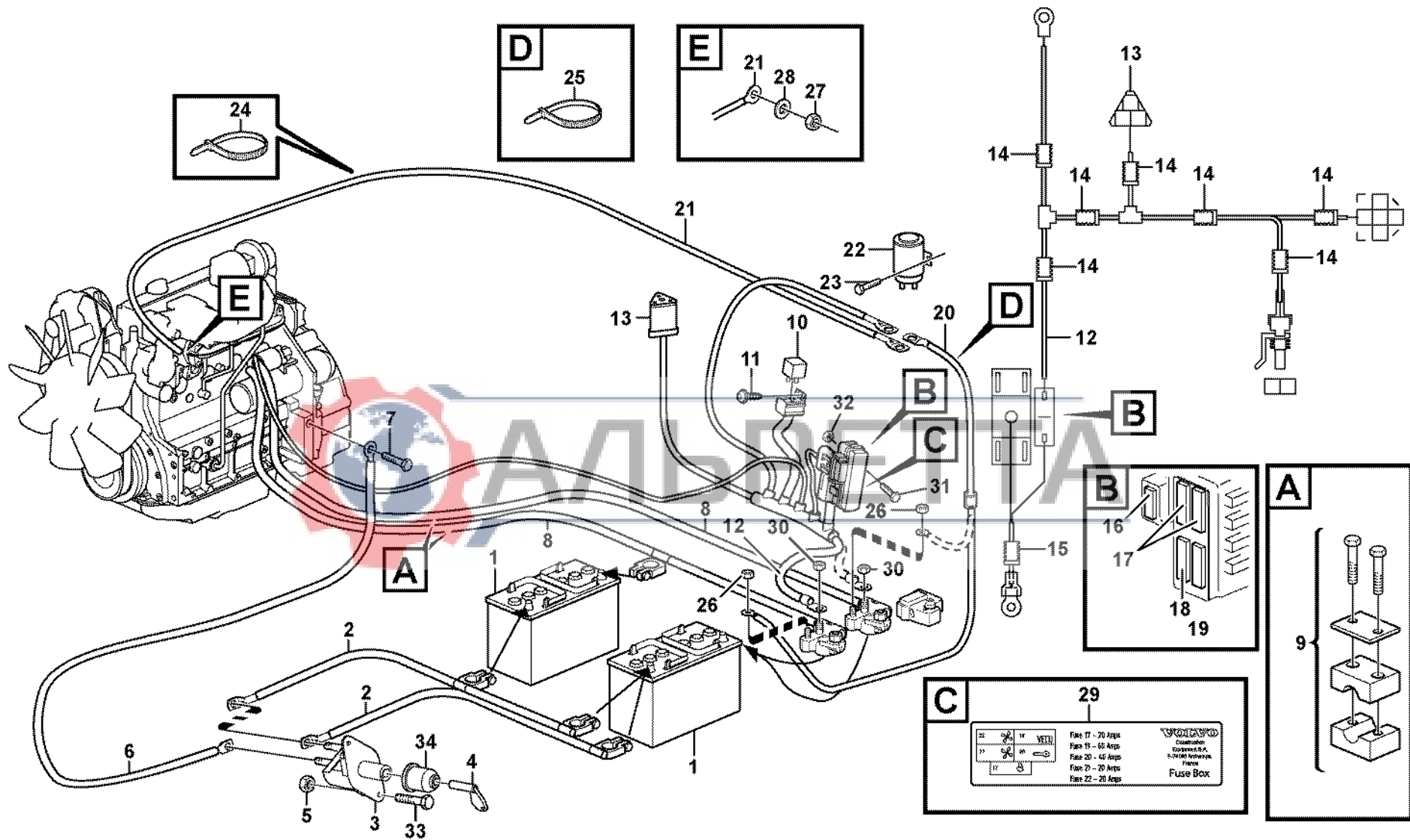


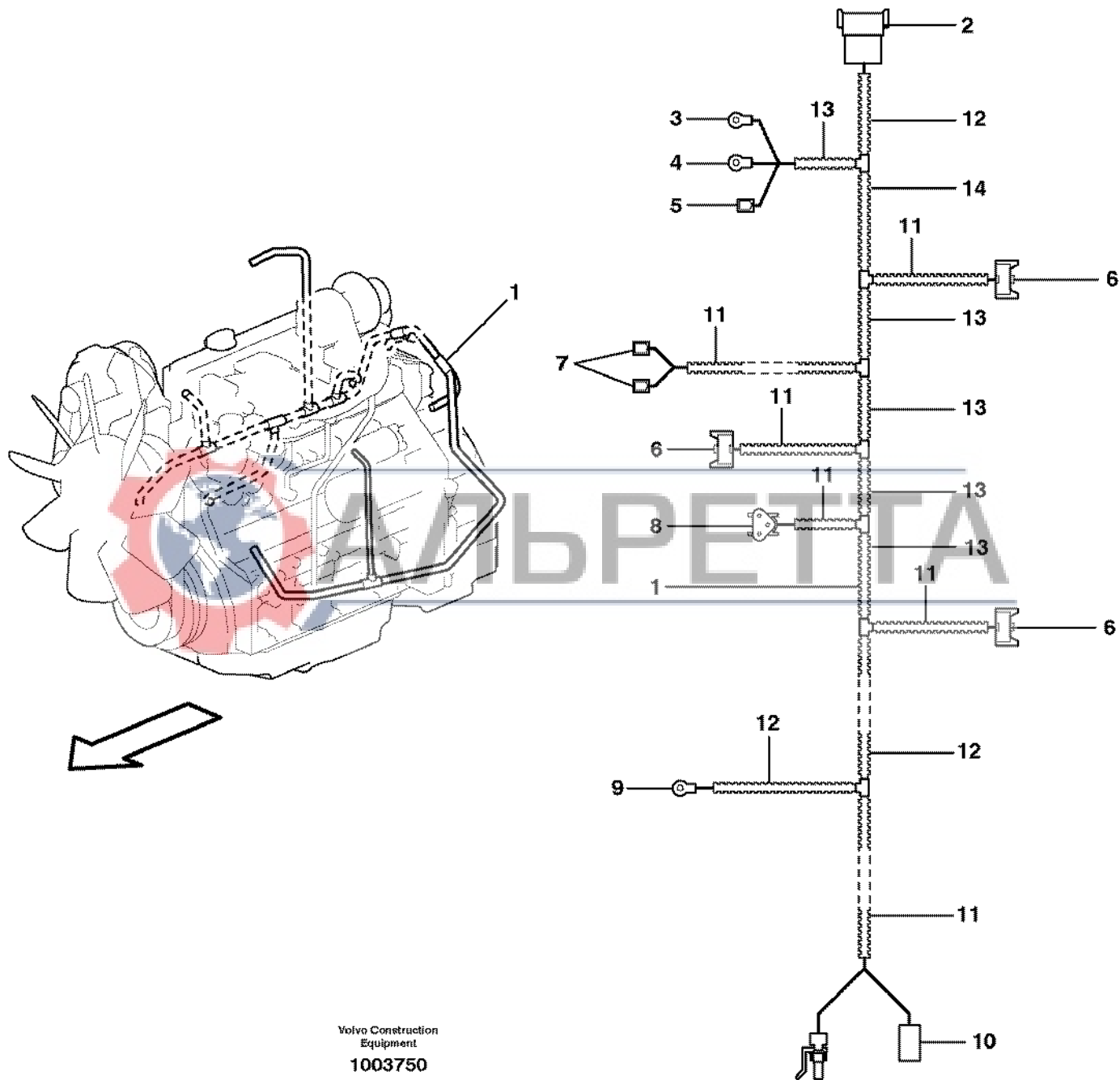
Fig.	Part No.	Quantity					P S	K I T	Description	Dénomination	Bezeichnung	Denominación	Benämning	Notes
		1	2	3	4	5								
27	VOE 983303	1	1	1	1			Nut	Ecrou	Mutter	Tuerca	Mutter	S/N - 12826	
28	VOE 955921	1	1	1	1			Spring Washer	Rondelle élastique ..	Federscheibe	Arandela flexible	Fjäderbricka	S/N - 12826	
	VOE 955920	1	1	1	1			Spring Washer	Rondelle élastique ..	Federscheibe	Arandela flexible	Fjäderbricka	S/N 12827 -	
29	VOE 11886286	1	1	1	1			Decal	Decalcomanie	Abziehbild	Decalcomania	Dekal	SER NO 11533-,INCL 11513	
29	VOE 11883711	1	1					Decal	Decalcomanie	Abziehbild	Decalcomania	Dekal	SER NO -11532,EXCL 11543	
30	VOE 13945408	1	1	1	1			Nut	Ecrou	Mutter	Tuerca	Mutter		
	VOE 946440	1	1	1	1			Flange screw	Vis à bride	Flanschschraube	Torn embridado	Flänsskruv		
31	VOE 13946173	2	2					Flange screw	Vis à bride	Flanschschraube	Torn embridado	Flänsskruv	SER NO 11565-	
31	VOE 13946173			2	2			Flange screw	Vis à bride	Flanschschraube	Torn embridado	Flänsskruv		
32	VOE 13945408	2	2					Nut	Ecrou	Mutter	Tuerca	Mutter	SER NO 11565-	
32	VOE 13945408			2	2			Nut	Ecrou	Mutter	Tuerca	Mutter		
33	VOE 969587			2	2			6-pt skt screw	Vis creuse de 6	Hohlschraube	Racor 6-dientes	Sextandhålskruv		
34	VOE 1582293	1	1	1	1			Bellows	Capot Caoutcho	Gummimantel	Cubierta Goma	Gummikåpa	SER NO 11919-	



1	11882593 (SINGLE)	Batteriledning och batterifrånskiljare Cable de bateria y desconectador bateria Batterieleitung und Batterietrennschalter Cable batterie et robinet batterie Battery cable and main switch	Catalogue id	Group
2	11882594 (DOUBLE)		20002	371
3	11891392 (SINGLE)		Illustr. No	Section
4	11891391 (DOUBLE)		1017107	100
5			Issue	Page
		VOE 63H9920002	171	

VOLVO

BL71



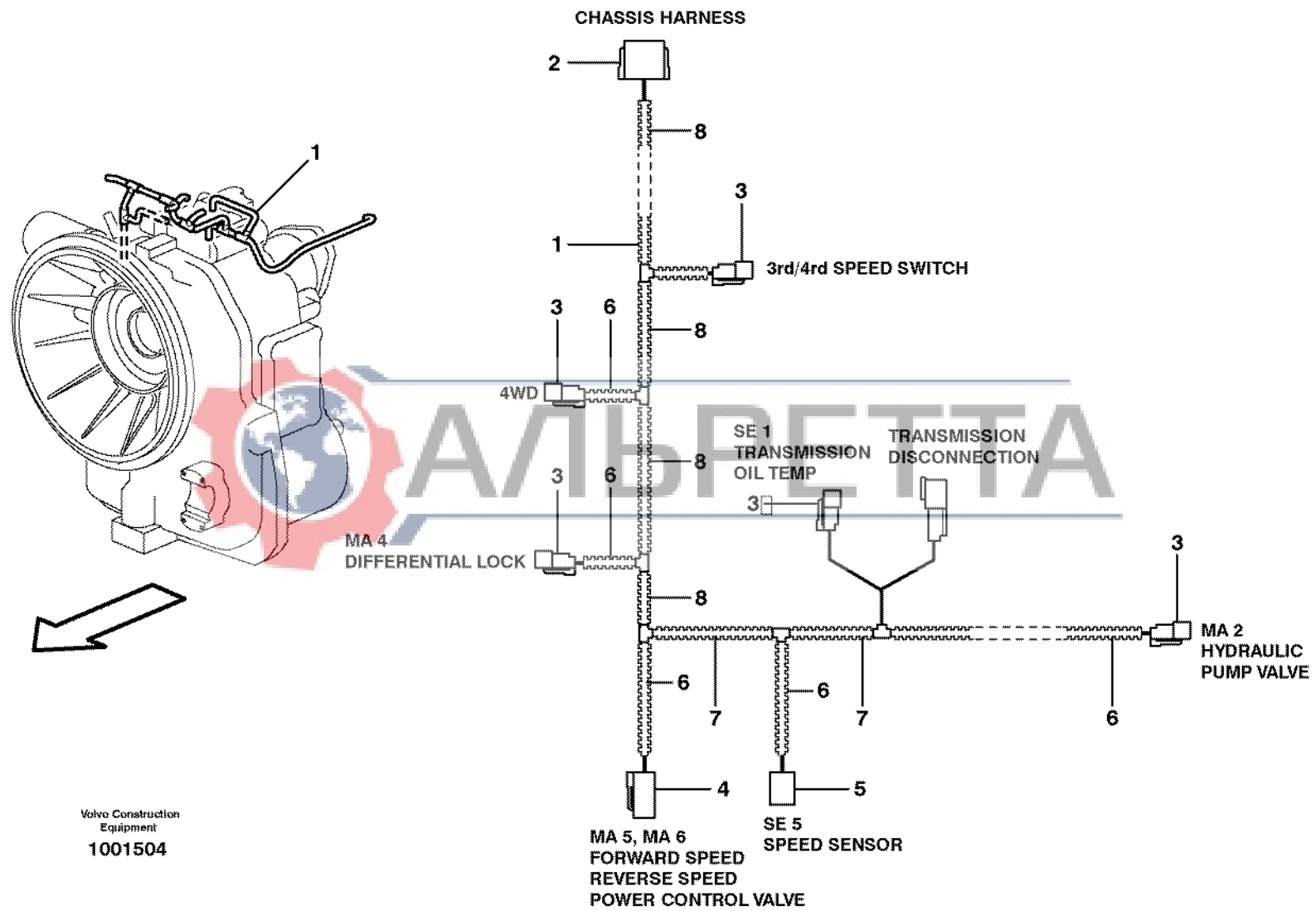
Volvo Construction
Equipment
1003750

Fig.	Part No.	Quantity			P S	K I T	Description	Dénomination	Bezeichnung	Denominación	Benämning	Notes
		1	2	3								
1	VOE 11884504	1					Cable harness..... Faisceau cables Kabelbaum Manoj cables Ledningsmatta..... ••CONNECTED TO:.... ••CONNECTÉ A: ••ANGESCHLOSSEN:••CONECTADO A: ••ANSLUTER TILL:.... ••Cable harness Cha.. ••Faisceau de câbles.. ••Kabelbaum Fahrge .. ••Haz de cables, chas ••Ledningsmatta Cha. X13 ••Alternator ••Alternateur ••Lichtmaschine ••Alternador ••Generator..... AL1 ••Oil press., engine ••Pression huile mote. ••Öldruck, Motor ••Presión de aceite, ... ••Oljetryck, motor..... SE6 ••Air filter ••Filtre air..... ••Luftfilter ••Filtro aire ••Lufffilter..... SE7 ••Key turn engine sto . ••Commande stop ••Abstellvorrichtung ••Mando pare..... ••Nyckelstopp..... MA7 ••Regulator ••Regulateur ••Regler ••Regulador ••Regulator..... MA1 ••Temp.sensor, engin. ••Detecteur temp,mot. ••Temperatargeber,m. ••Sensor temperat,m .. ••Temp.givare, motor. SE2 ••Starter motor ••Demarreur ••Anlasser..... ••Motor arranque ••Startmotor..... MO1 ••AC Compressor ••Compresseur AC ••AC-Kompressor ••Compresor de A/C ... ••A/c Kompressor..... MO10					
2	VOE 874965	1					•Connector •Raccord •Anschluss..... •Union..... •Anslutning..... X13					
	VOE 14370889	1					•Spacer •Partie Intermédiaire .. •Zwischenstück •Espaciador •Mellandel.....					
3		1			NS		•Cable terminal •Cosse cable •Flachsteckhülse •Terminal cable •Ledningssko..... AL1					
4	VOE 956926	1					•Cable terminal •Cosse cable •Flachsteckhülse •Terminal cable •Ledningssko..... AL1					
5	VOE 973119	1					•Cable terminal •Cosse cable •Flachsteckhülse •Terminal cable •Ledningssko..... AL1					
6	VOE 976256	3					•Insulator..... •Isolateur •Isolator •Aislador •Isolator..... SE2, SE6, MA7					
7		2			NS		•Cable terminal •Cosse cable •Flachsteckhülse •Terminal cable •Ledningssko..... SE7					
8		1			NS		•Switch Housing •Boitier Contact •Kontaktgehäuse •Caja Contacto •Kontaktus..... MA1					
9	VOE 949587	1					•Cable terminal •Cosse cable •Flachsteckhülse •Terminal cable •Ledningssko..... MO1					
10		1			NS		•Housing •Carter •Gehäuse •Carter •Hus..... MO10					
11	VOE 4803746	REQ					•Hose •Durit •Schlauch •Tubo flexible..... •Slang.....					
12	VOE 4803748	REQ					•Hose •Durit •Schlauch •Tubo flexible..... •Slang.....					
13	VOE 4803751	REQ					•Hose •Durit •Schlauch •Tubo flexible..... •Slang.....					
14	VOE 4803752	REQ					•Hose •Durit •Schlauch •Tubo flexible..... •Slang.....					

1		Ledningsmatta, motor	Catalogue id	Group
2		Haz de cables, motor	20002	371
3		Kabelbündel, Motor	Illustr. No	Section
4		Faisceau de câbles, moteur	1003750	200
5		Cable harness, engine	Issue	Page
			VOE 63H9920002	173

VOLVO

BL71



Volvo Construction
Equipment
1001504

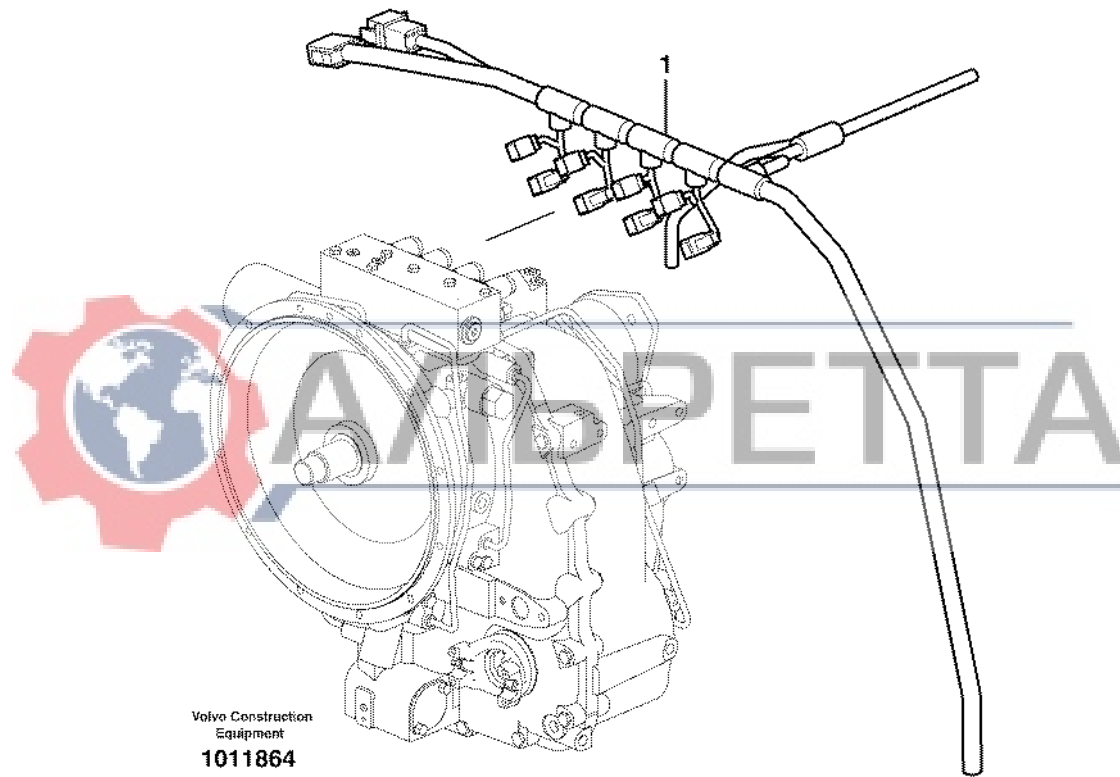
Fig.	Part No.	Quantity			P S	K I T	Description	Dénomination	Bezeichnung	Denominación	Benämning	Notes
		1	2	3								
1	VOE 11884089	1					Cable harness.....	Faisceau cables	Kabelbaum	Manojo cables	Ledningsmatta.....	S/N - 14669
1	VOE 11888412	1					Wire harness.....	Faisceau électrique....	Kabelbaum	Manojo cables	Ledningsmatta.....	S/N 14670 -
							•CONNECTED TO:	•CONNECTÉ A:	•ANGESCHLOSSEN:	•CONECTADO A:	•ANSLUTER TILL:	
							•Switch 3rd/4th gear	•Contact 3ème/4èm	•Schalter 3./4. Gang	•Contacto marcha 3a	•Kontakt 3:e/4:e växel	
							•Four-wheel drive	•Traction sur 4 roues	•Vierradantrieb	•Tracción en cuatro r	•Fyrhjulsdrivning	SE1
							•Diff.lock switch	•Comm.bloca.differe	•Ausgleichsperrscha	•Reglaje diferencial	•Diffspärrkontakt	MA4
							•Gear selector forwar	•Sélecteur de march	•Gangwähler vorwärt	•Selector de marcha	•Växelvälj.fram/back	MA5, MA6
							•Speed sensor	•Commande tachym	•Drehzahlshalter	•Sensor tacometro	•Varvtalsgivare	SE5
							•Hydraulic pump valv	•Valve de pompe hyd	•Hydraulikpumpenve	•Válvula de la bomba	•Hydraulpumpventil	MA2
							•Disconnecter trans	•Coupe-circuit, trans	•Getriebeausrückun	•Disyuntor transmisi	•Frånskiljare transmi	
							•Transmission Tem	•Temp. De Transm.	•Getriebetemp.	•Temp. Transmisión	•Transmissions Te	SE1
2	VOE 11709766	1					•Connector	•Raccord	•Anschluss.....	•Union.....	•Anslutning.....	
3	VOE 874955	6					•Insulator	•Isolateur	•Isolator	•Aislador	•Isolator.....	
4	VOE 874957	1					•Housing	•Isolant	•Isolator	•Aislador	•Isolator.....	
5	VOE 11709812	1			OP		•Connector	•Raccord	•Anschluss.....	•Union.....	•Anslutning.....	
6	VOE 11170006	REQ					•Hose	•Durit	•Schlauch	•Tubo flexible.....	•Slang.....	
7	VOE 4803746	REQ					•Hose	•Durit	•Schlauch	•Tubo flexible.....	•Slang.....	
8	VOE 4803748	REQ					•Hose	•Durit	•Schlauch	•Tubo flexible.....	•Slang.....	



1		Ledningsmatta transmission Manojo de cable, transmisión. Kabelbaum, Getriebe. Faisceau de câles, transmission. Cable harness, transmission.	Catalogue id	Group
2			20002	371
3			Illustr. No	Section
4			1001504	250
5			Issue	Page
			VOE 63H9920002	175

VOLVO

BL71



Volvo Construction
Equipment
1011864

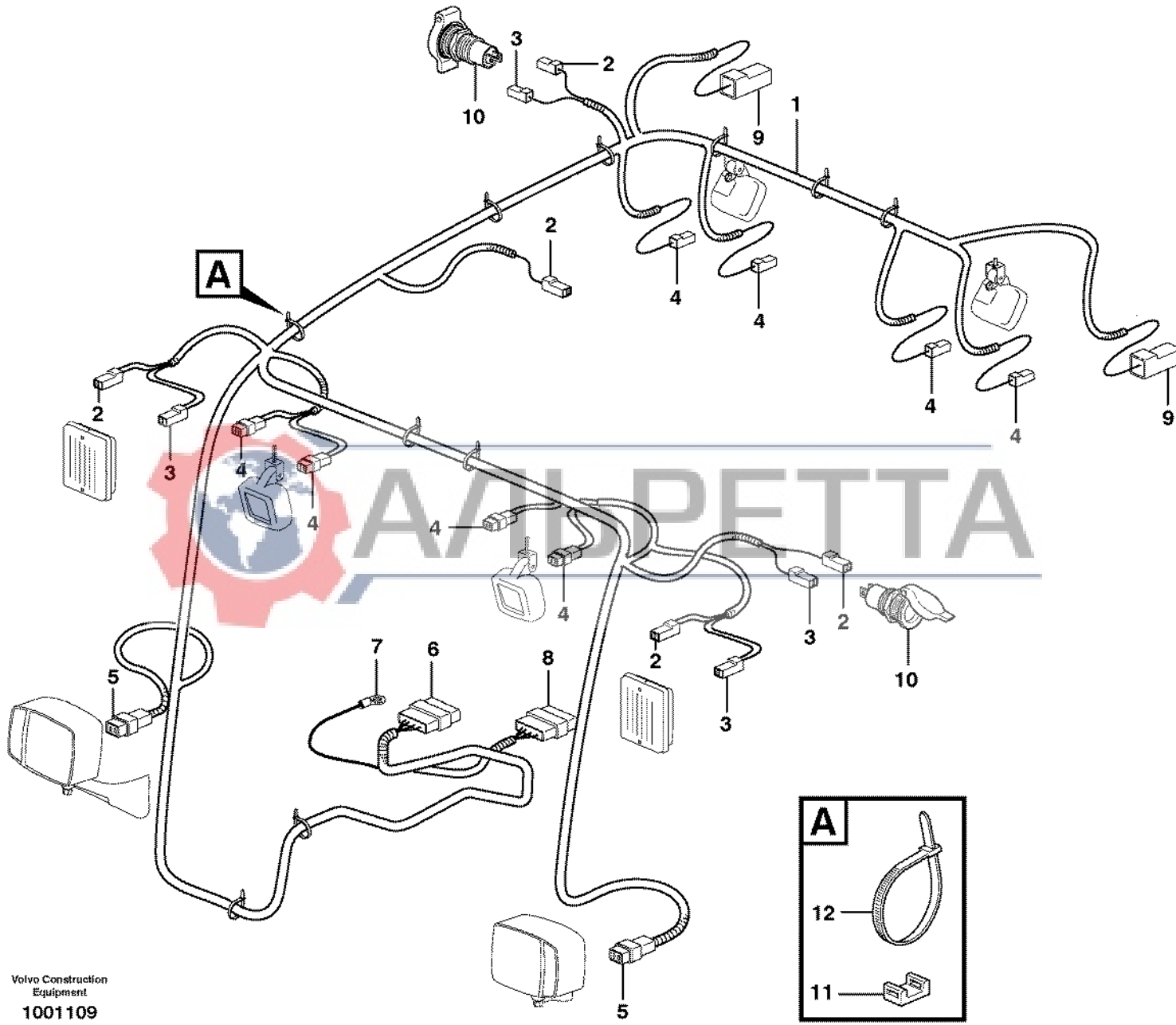
Fig.	Part No.	Quantity			P S	K I T	Description	Dénomination	Bezeichnung	Denominación	Benämning	Notes
		1	2	3								
1	VOE 11885622	1					Wire harness.....	Faisceau électrique....	Kabelbaum.....	Manojo cables.....	Ledningsmatta.....	
							•CONNECTED TO:	•CONNECTÉ A:	•ANGESCHLOSSEN:	•CONECTADO A:	•ANSLUTER TILL:	
							•Wire harness	•Faisceau électrique	•Kabelbaum	•Manojo cables	•Ledningsmatta	X12 CHASSIS HARNESS
							•Wire harness	•Faisceau électrique	•Kabelbaum	•Manojo cables	•Ledningsmatta	X36 RH SIDE DASHBOARD
							•Diff. lock	•Blocage différentiel	•Ausgleichsperre	•Bloqueo diferencial	•Diffspärr	X94
							•Gear valve	•Soupape	•Ventil	•Valvula	•Växelventil	X114, X115, X118, X119
							•Four-wheel drive	•Traction sur 4 roues	•Vierradantrieb	•Tracción en cuatro r	•Fyrhjulsdrivning	X93
							•Gear selector forwar	•Sélecteur de march	•Gangwähler vorwärt	•Selector de marcha	•Växelvälj.fram/back	X116, X117
							•Speed sensor	•Commande tachym	•Drehzahlshalter	•Sensor tacometro	•Varvtalsgivare	X207
							•Temp.gauge, trans	•Indicat.temp. trans	•Temp.anzeiger,getri	•Termometro, trans	•Transm.oljetemp.m	X96
							•Hydraulic pump valv	•Valve de pompe hyd	•Hydraulikpumpenve	•Válvula de la bomba	•Hydraulpumpventil	X97



1		Ledningsmatta transmission Manojo de cable, transmisión. Kabelbaum, Getriebe. Faisceau de câles, transmission. Cable harness, transmission.	Catalogue id	Group
2			20002	371
3			Illustr. No	Section
4			1011864	275
5			Issue	Page
		11891255	VOE 63H9920002	177

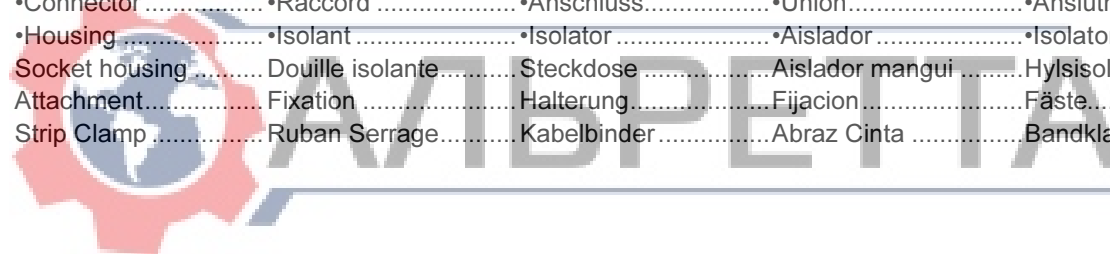
VOLVO

BL71



Volvo Construction
Equipment
1001109

Fig.	Part No.	Quantity			P S	K I T	Description	Dénomination	Bezeichnung	Denominación	Benämning	Notes
		1	2	3								
1	VOE 11884514	1					Cable harness..... Faisceau cables Kabelbaum Manojos cables Ledningsmatta..... •CONNECTED TO:..... •CONNECTÉ A:..... •ANGESCHLOSSEN:..... •CONECTADO A:..... •ANSLUTER TILL:..... •Headlamp •Phare •Scheinwerfer •Faro •Strålkastare..... LA1, LA2 •Rear lighting •Illuminat.arriere..... •Hintere Beleuchtun. •Luz detras •Bakre belysning..... LA5, LA6 •Work lights..... •Eclairage de travail.. •Arbeitsbeleuchtung.. •Alumbrado de trabaj •Arbetsbelysning..... LA13 - LA20 •Antenna •Antenne •Antenne •Antena •Antenn..... X247 •Rotating Beacon..... •Gyrophare..... •Rundumkennleucht.. •Luz Rotativa Emerg. •Roterande Varnings LA23, LA24 •Cable Harness Instr. •Câblage, tableau de •Leitung mit Armatur. •Haz cables tablero i. •Ledn.m Instrum.br F X32 •Earth..... •Terre •Erde •Tierra •Jord..... X165 •Control unit, V-ECU. •Unite commande, V. •Steuergerät, V-ECU. •Unidad mando, V-E. •Styrenhet, V-ECU... X1					
2	VOE 973120	5					•Cable terminal •Cosse cable •Flachsteckhülse •Terminal cable •Ledningssko..... LA23, LA24					
3	VOE 973119	4					•Cable terminal •Cosse cable •Flachsteckhülse •Terminal cable •Ledningssko..... LA23, LA24					
4	VOE 874955	8					•Insulator..... •Isolateur •Isolator •Aislador •Isolator..... LA13 - LA20					
5	VOE 874960	2					•Housing •Isolant •Isolator •Aislador •Isolator..... LA1, LA2					
6	VOE 11709767	1					•Connector •Raccord •Anschluss..... •Union..... •Anslutning..... X32					
7		1			NS		•Connector •Raccord •Anschluss..... •Union..... •Anslutning..... X165					
8	VOE 11709767	1					•Connector •Raccord •Anschluss..... •Union..... •Anslutning..... X1					
9	VOE 874957	2					•Housing •Isolant •Isolator •Aislador •Isolator.....					
10	VOE 14371054	2					Socket housing Douille isolante Steckdose Aislador mangui Hylsisolator.....					
11	VOE 14213026	20					Attachment..... Fixation Halterung..... Fijacion..... Fäste.....					
12	VOE 4881438	20					Strip Clamp Ruban Serrage..... Kabelbinder..... Abraz Cinta Bandklamma.....					



1		Ledn.m Belysn Hytt Utv	Catalogue id	Group
2		Haz de cables de alumbrado exterior de la cabina	20002	371
3		Leitung mit Kabinenbeleuchtung außen	Illustr. No	Section
4		Câblage, éclairage extérieur cabine	1001109	300
5		Cable Harness Lighting Cab Ext.	Issue	Page
		SER NO -11966	VOE 63H9920002	179

VOLVO

BL71

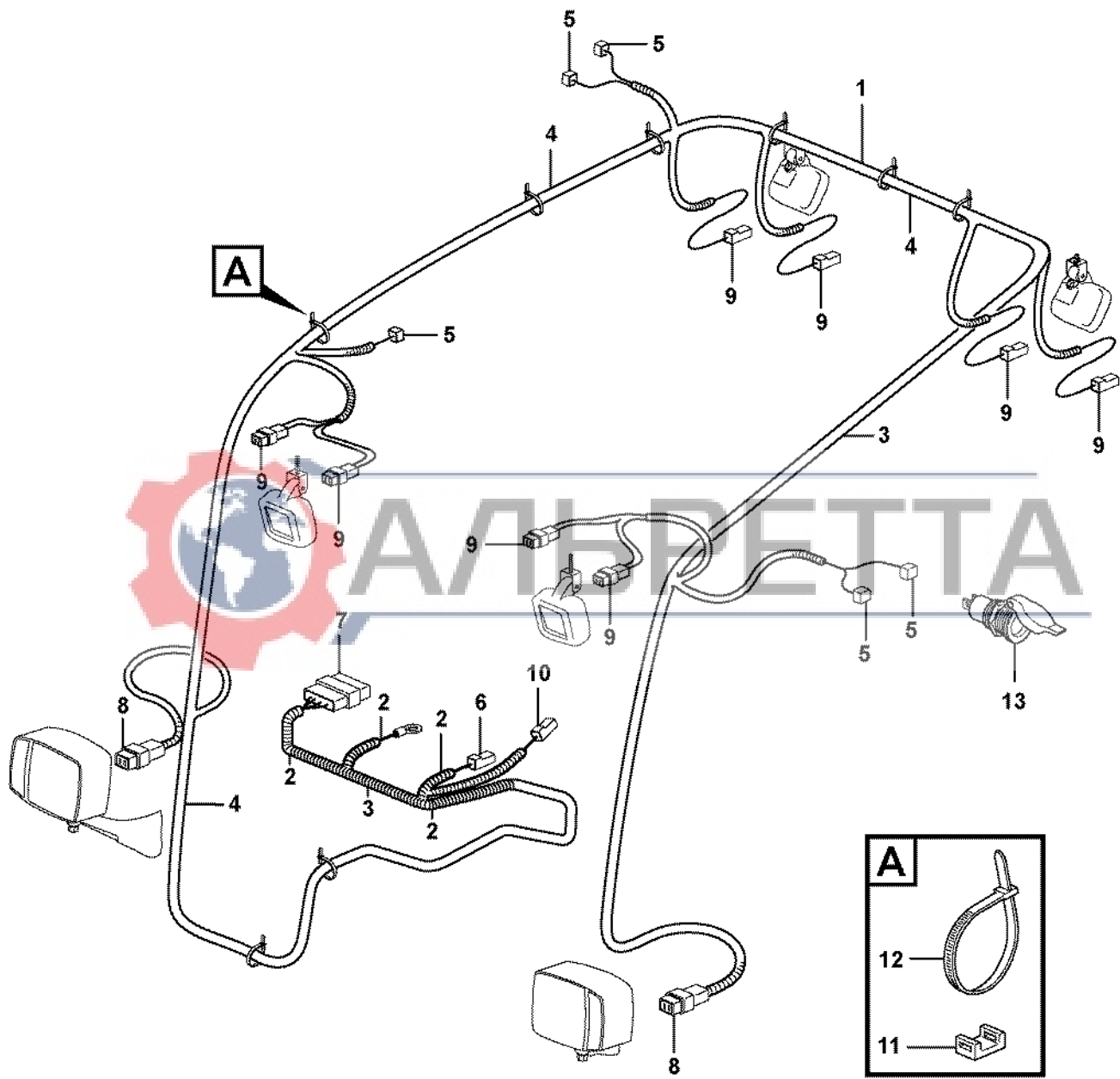
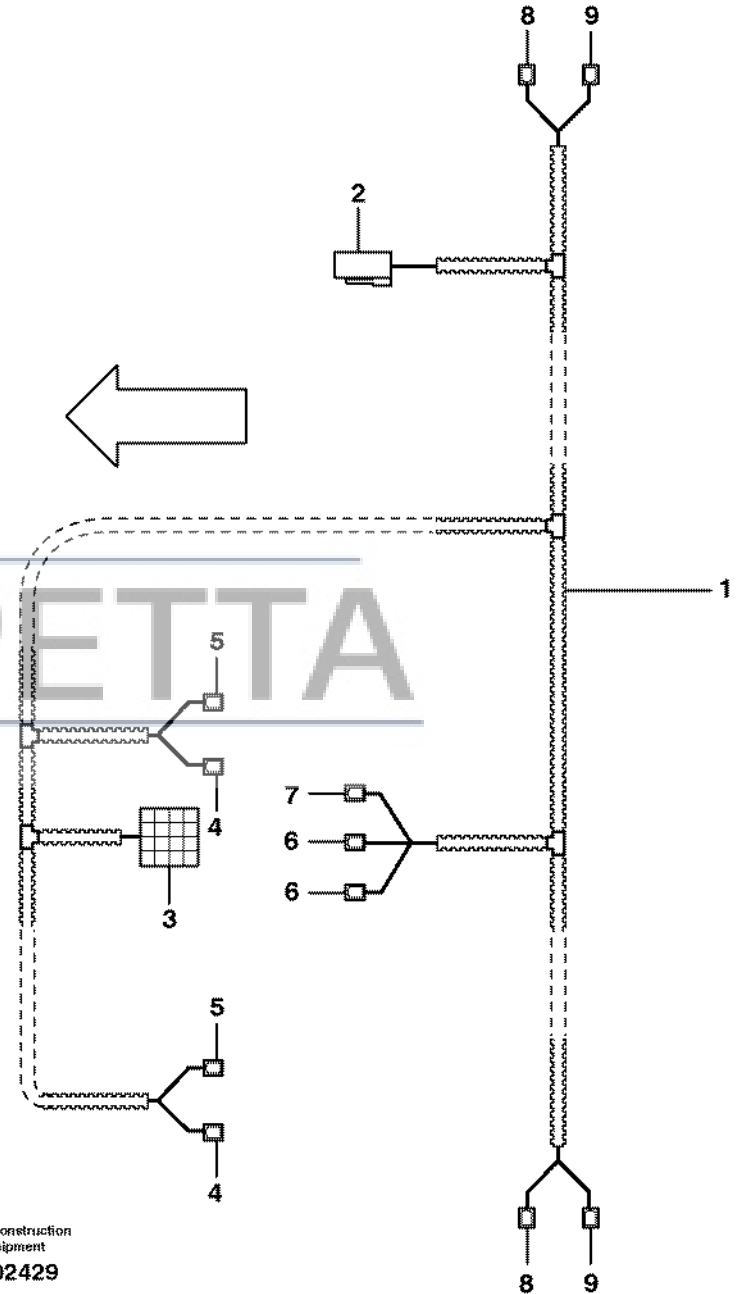
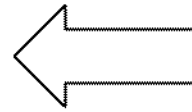
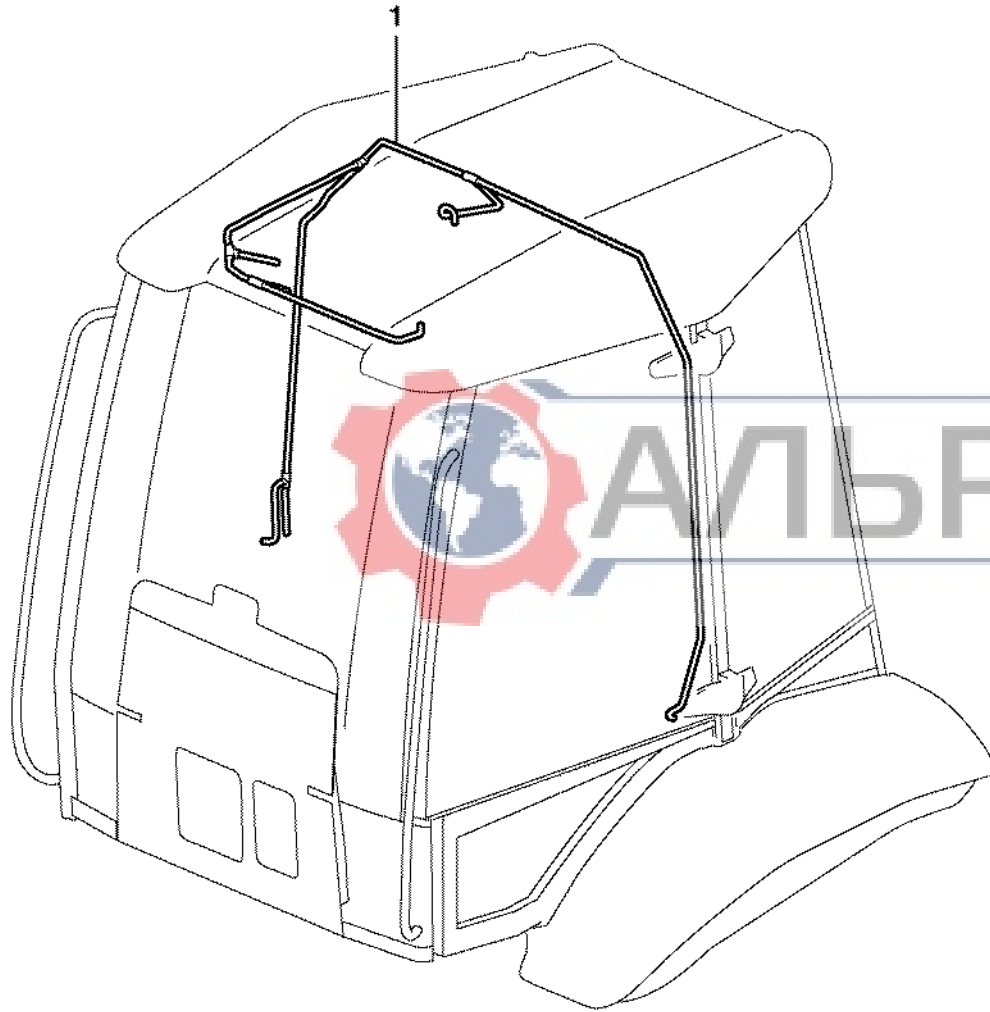


Fig.	Part No.	Quantity			P S	K I T	Description	Dénomination	Bezeichnung	Denominación	Benämning	Notes
		1	2	3								
1	VOE 11886189	1					Wire harness..... Faisceau électrique Kabelbaum Manojos cables Ledningsmatta..... •CONNECTED TO:..... •CONNECTÉ A: •ANGESCHLOSSEN: •CONECTADO A:..... •ANSLUTER TILL:..... •Headlamp •Phare •Scheinwerfer •Faro •Strålkastare..... X42, X43 •Rear lighting •Illuminat.arriere •Hintere Beleuchtun. •Luz detras •Bakre belysning..... X88, X89, X90, X91 •Work lights..... •Eclairage de travail.. •Arbeitsbeleuchtung.. •Alumbrado de trabaj •Arbetsbelysning..... X84, X85, X86, X87 •Antenna •Antenne •Antenne •Antena •Antenn..... X247 •Rotating Beacon •Gyrophare..... •Rundumkennleucht.. •Luz Rotativa Emerg. •Roterande Varnings X245, X246, X248, X249 •Cable Harness Instr. •Câblage, tableau de •Leitung mit Armatur. •Haz cables tablero i. •Ledn.m Instrum.br F X36, X37 •Earth •Terre •Erde •Tierra •Jord..... X165 •Control unit, V-ECU. •Unite commande, V. •Steuergerät, V-ECU. •Unidad mando, V-E. •Styrenhet, V-ECU... X1					
2	VOE 11170006	3					•Hose •Durit •Schlauch •Tubo flexible..... •Slang.....					
3	VOE 4803746	2					•Hose •Durit •Schlauch •Tubo flexible..... •Slang.....					
4	VOE 4803748	3					•Hose •Durit •Schlauch •Tubo flexible..... •Slang.....					
5	VOE 973119	5					•Cable terminal •Cosse cable •Flachsteckhülse •Terminal cable •Ledningssko..... X245-X249					
6	VOE 874957	1					•Housing •Isolant •Isolator •Aislador •Isolator..... X36					
6	VOE 874958	1					•Key •Clavette..... •Keil •Llave (cuna) •Kil..... X36					
7	VOE 11709767	1					•Connector •Raccord •Anschluss..... •Union..... •Anslutning..... X1					
8	VOE 874960	2					•Housing •Isolant •Isolator •Aislador •Isolator..... X42, X43					
9	VOE 874955	8					•Insulator •Isolateur •Isolator •Aislador •Isolator..... X84-X91					
10	VOE 874802	1					•Housing •Isolant •Isolator •Aislador •Isolator..... X37					
10	VOE 14370883	1					•Spacer •Partie Intermédiaire. •Zwischenstück •Espaciador •Mellandel..... X37					
11	VOE 14016673	8					Strip Clamp Ruban Serrage..... Kabelbinder Abraz Cinta Bandklamma.....					
12	VOE 14213026	8					Attachment..... Fixation Halterung..... Fijacion Fäste.....					
13	VOE 14371054	2					Socket housing Douille isolante..... Steckdose Aislador mangui Hylsisolator.....					

1	11298197	Ledn.m Belysn Hytt Utv	Catalogue id	Group
2		Haz de cables de alumbrado exterior de la cabina	20002	371
3		Leitung mit Kabinenbeleuchtung außen	Illustr. No	Section
4		Câblage, éclairage extérieur cabine	1013292	310
5		Cable Harness Lighting Cab Ext.	Issue	Page
		SER NO 11967-	VOE 63H9920002	181

VOLVO

BL71



Volvo Construction
Equipment
1002429

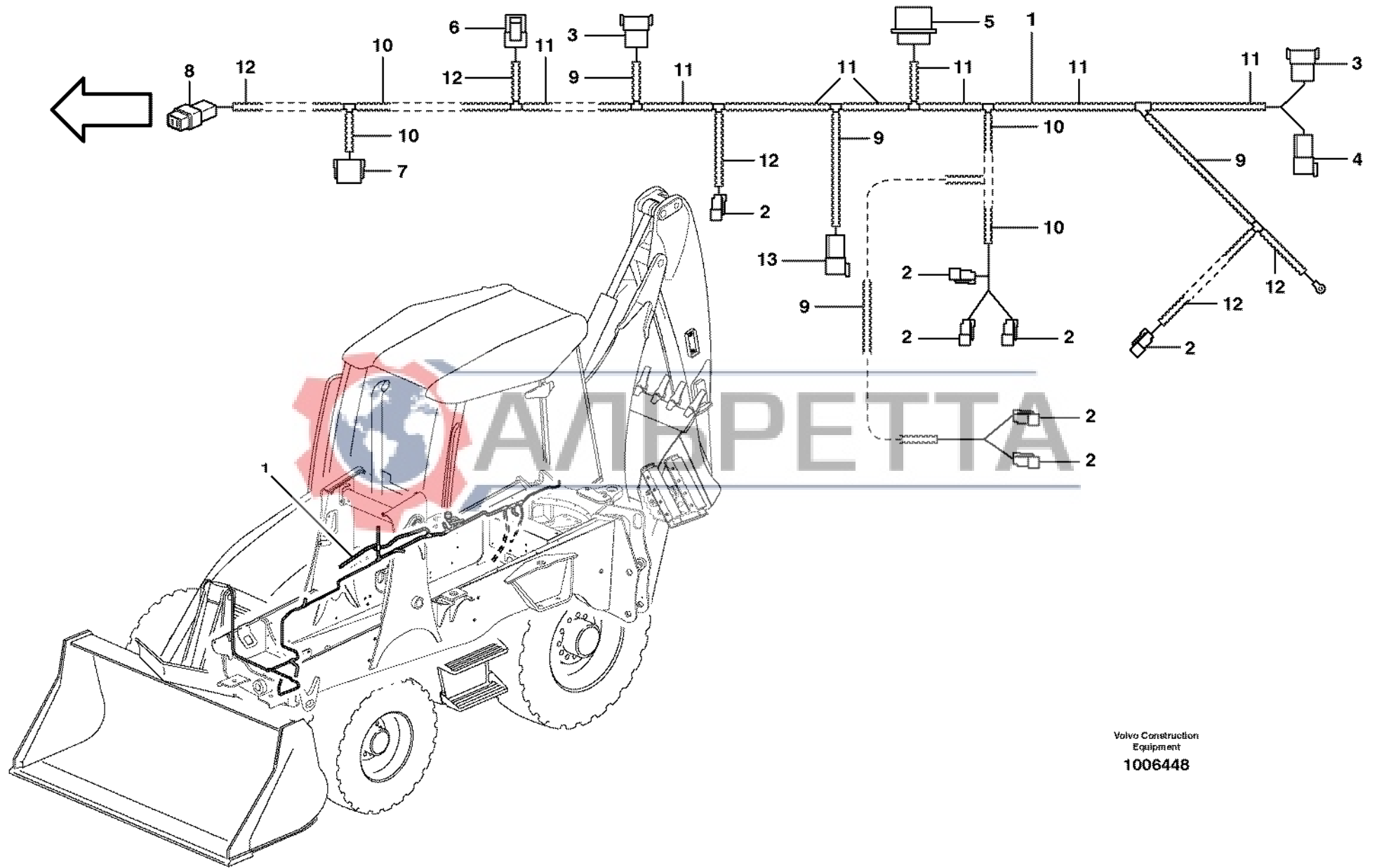
Fig.	Part No.	Quantity			P S	K I T	Description	Dénomination	Bezeichnung	Denominación	Benämning	Notes
		1	2	3								
1	VOE 11887632	1				Wire harness.....	Faisceau électrique	Kabelbaum.....	Manojo cables	Ledningsmatta.....	(VOE 11884085) S/N 13146 -	
	VOE 11884654	1				Cable harness.....	Faisceau cables	Kabelbaum.....	Manojo cables	Ledningsmatta.....	S/N - 13145	
						•CONNECTED TO:.....	•CONNECTÉ A:.....	•ANGESCHLOSSEN:.....	•CONECTADO A:.....	•ANSLUTER TILL:.....	X51	
						••Cable harness, right ..	••Faisceau cables, dr ..	••Kabelbaum, rechts.....	••Manojo cables, dere ..	••Ledningsmatta, hög..	RA1 (X200)	
						••Radio	••Auto-radio	••Radio	••Radio	••Radio.....	See group 881, Page 515	
						••Speaker	••Haut-parleur.....	••Lautsprecher.....	••Altavoz	••Högtalare.....	LH RH	
						••Interior light.....	••Lampe interieure.....	••Innenleuchte	••Lampara interior.....	••Innerbelysning.....	X308 - 310	
											See group 354, Page 155	
						••Door Switch	••Contact Porte.....	••Turschalter.....	••Contacto Puerta.....	••Dörrkontakt.....	LH SW28, RH SW27	
2	VOE 874957	1				•Housing	•Isolant	•Isolator	•Aislador	•Isolator.....	X51	
3		1		NS		•Insulator.....	•Isolateur	•Isolator	•Aislador	•Isolator.....	RA1 X200	
4	VOE 973126	2				•Cable terminal	•Cosse cable	•Flachsteckhülse	•Terminal cable	•Ledningssko.....	X155, X156	
5	VOE 946787	2				•Cable terminal	•Cosse cable	•Flachsteckhülse	•Terminal cable	•Ledningssko.....	X150, X151	
6	VOE 973119	2				•Cable terminal	•Cosse cable	•Flachsteckhülse	•Terminal cable	•Ledningssko.....	X308, X309	
7	VOE 973120	1				•Cable terminal	•Cosse cable	•Flachsteckhülse	•Terminal cable	•Ledningssko.....	X310	
8		2		NS		•Cable terminal	•Cosse cable	•Flachsteckhülse	•Terminal cable	•Ledningssko.....	X305, X307	
9		2		NS		•Cable terminal	•Cosse cable.....	•Flachsteckhülse	•Terminal cable	•Ledningssko.....	X304, X306	



1		Ledn.m hytt inv tak	Catalogue id	Group
2		Haz de cables en el techo interior de la cabina	20002	371
3		Leitung mit Kabine innen Decke	Illustr. No	Section
4		Câblage, pavillon cabine	1002429	350
5		Cable Harness cab int. roof	Issue	Page
			VOE 63H9920002	183

VOLVO

BL71



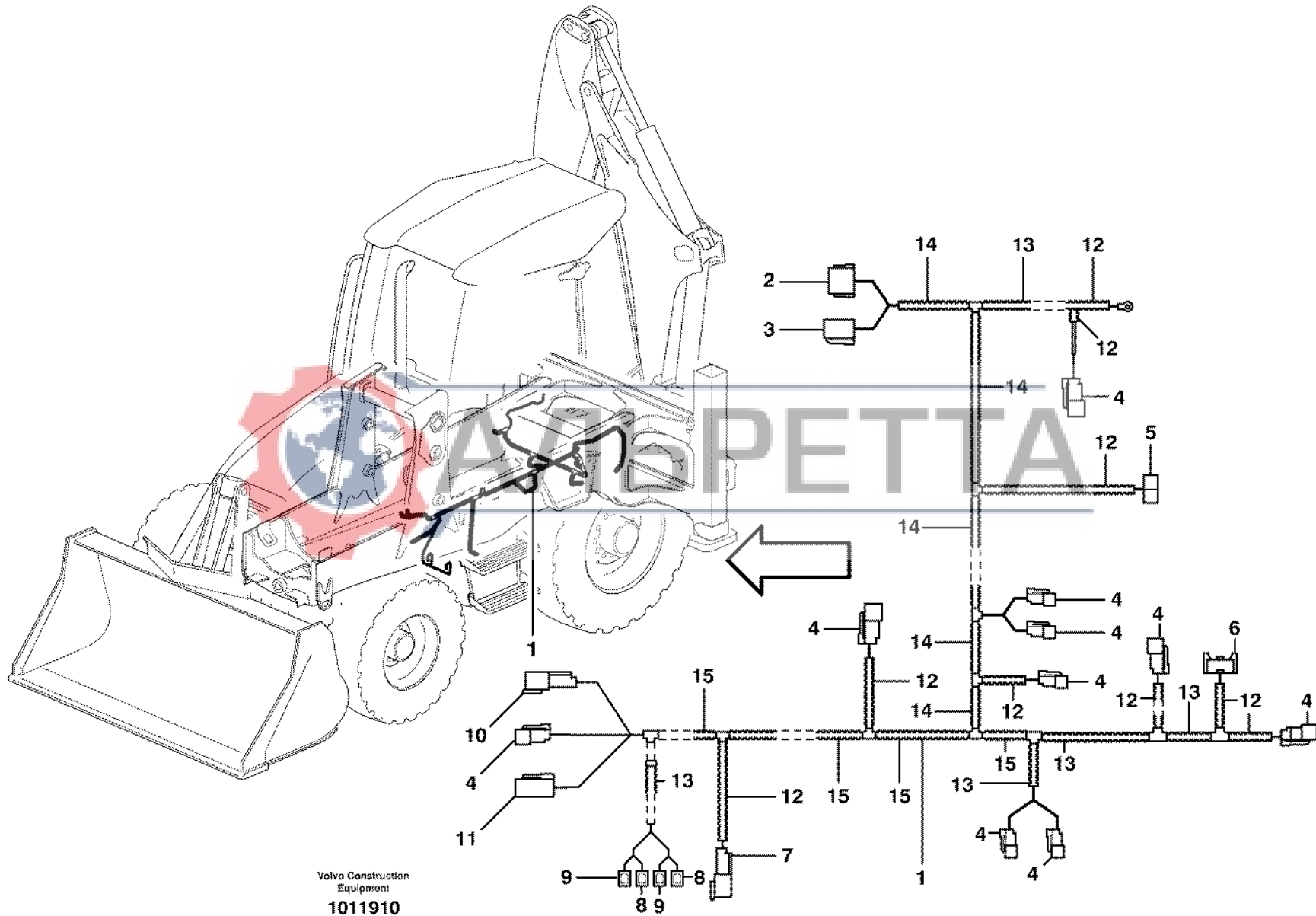
Volvo Construction
Equipment
1006448

Fig.	Part No.	Quantity			P S	K I T	Description	Dénomination	Bezeichnung	Denominación	Benämning	Notes
		1	2	3								
1	VOE 11887382	1				Wire harness.....	Faisceau électrique....	Kabelbaum.....	Manojo cables.....	Ledningsmatta.....	S/N 12305 -	
	VOE 11884799	1				Wire harness.....	Faisceau électrique....	Kabelbaum.....	Manojo cables.....	Ledningsmatta.....	S/N - 12304	
						••CONNECTED TO:...	••CONNECTÉ A:.....	••ANGESCHLOSSEN:••	••CONECTADO A:.....	••ANSLUTER TILL:....		
						••Float Position Valve.	••Soupape Pos.flottan	••Schwimmventil.....	••Valvula Pos Flotacio	••Flytlägesventil.....	X81	
						••Valve block.....	••Bloc-soupape.....	••Ventilblock.....	••Bloque de valvula....	••Ventilblock.....	X11, X40	
						••Valve Hydr. attachm	••Valve, porte-outil à v	••Ventil hydr. Gerätetr	••Válvula, portaimple..	••Ventil Hydr.reds.fäst	X77	
						••Valve Hydr. attachm	••Valve, porte-outil à v	••Ventil hydr. Gerätetr	••Válvula, portaimple..	••Ventil Hydr.reds.fäst	X76	
						••Hand brake.....	••Frein à main.....	••Handbremse.....	••Freno de mano.....	••Handbroms.....	X80	
						••Valve Boom Suspen	••Valve, suspension d	••Ventil Hubgerüstdä..	••Válvula, suspensión.	••Ventil Lastarmsfjädr.	X78, X79	
						••Instrument panel Ri	••Tableau de bord côt.	••Armaturen Brett recht	••Tablero de instrume.	••Instrumentbräda Hö	X8	
						••Valve Automatic Tilt.	••Valve, basculement	••Ventil Kippautomati.	••Válvula, automatism	••Ventil Tiltautomatik..	X41	
						••Fuel Gauge.....	••Jauge Carburant.....	••Kraftst Messer.....	••Indic Combust.....	••Bränslemätare.....	X82	
						••Cable harness,tran	••Faisceau cables,tra	••Kabalbaum, Getrieb.	••Manojo cables,trans.	••Ledningsmatta,tran.	X12	
						••Switch Automatic Til	••Contacteur, bascule.	••Schalter Kippautom.	••Contacto, automatiz.	••Kontakt Tiltautomati.	X83	
						••Cable Harness, En	••Faisceau De Câble..	••Kabelbündel, Motor	••Haz De Cables, Mot.	••Ledningsmatta, Mot.	X13	
						••Horn.....	••Avertisseur sonore...	••Signalhorn.....	••Avisador sonoro.....	••Signalhorn.....	X202	
2	VOE 874955	7				••Insulator.....	••Isolateur.....	••Isolator.....	••Aislador.....	••Isolator.....	X81, X77, X76, X78, X79, X80, X82	
3	VOE 874965	2				••Connector.....	••Raccord.....	••Anschluss.....	••Unión.....	••Anslutning.....	X11, X12	
4	VOE 874959	1				••Housing.....	••Isolant.....	••Isolator.....	••Aislador.....	••Isolator.....	X40	
5	VOE 11709788	1				••Connector.....	••Raccord.....	••Anschluss.....	••Unión.....	••Anslutning.....	X8	
6	VOE 874654	1				••Rcpt Housing.....	••Douille Isolan.....	••Steckbuchse.....	••Aislador Mangui.....	••Hylsisolator.....	X83	
7	VOE 11709766	1				••Connector.....	••Raccord.....	••Anschluss.....	••Unión.....	••Anslutning.....	X13	
8		1			NS	••Insulator.....	••Isolateur.....	••Isolator.....	••Aislador.....	••Isolator.....	X202	
9	VOE 4803748	4				••Hose.....	••Durit.....	••Schlauch.....	••Tubo flexible.....	••Slang.....		
10	VOE 4803751	4				••Hose.....	••Durit.....	••Schlauch.....	••Tubo flexible.....	••Slang.....		
11	VOE 4803752	8				••Hose.....	••Durit.....	••Schlauch.....	••Tubo flexible.....	••Slang.....		
12	VOE 11170006	5				••Hose.....	••Durit.....	••Schlauch.....	••Tubo flexible.....	••Slang.....		
13	VOE 874960	1				••Housing.....	••Isolant.....	••Isolator.....	••Aislador.....	••Isolator.....	X41	

1		Ledningsmatta chassi	Catalogue id	Group
2		Haz de cables chasis	20002	371
3		Kabelbaum, Fahrgestell	Illustr. No	Section
4		Faisceau de câbles, châssis	1006448	400
5		Cable harness chassis	Issue	Page
			VOE 63H9920002	185

VOLVO

BL71



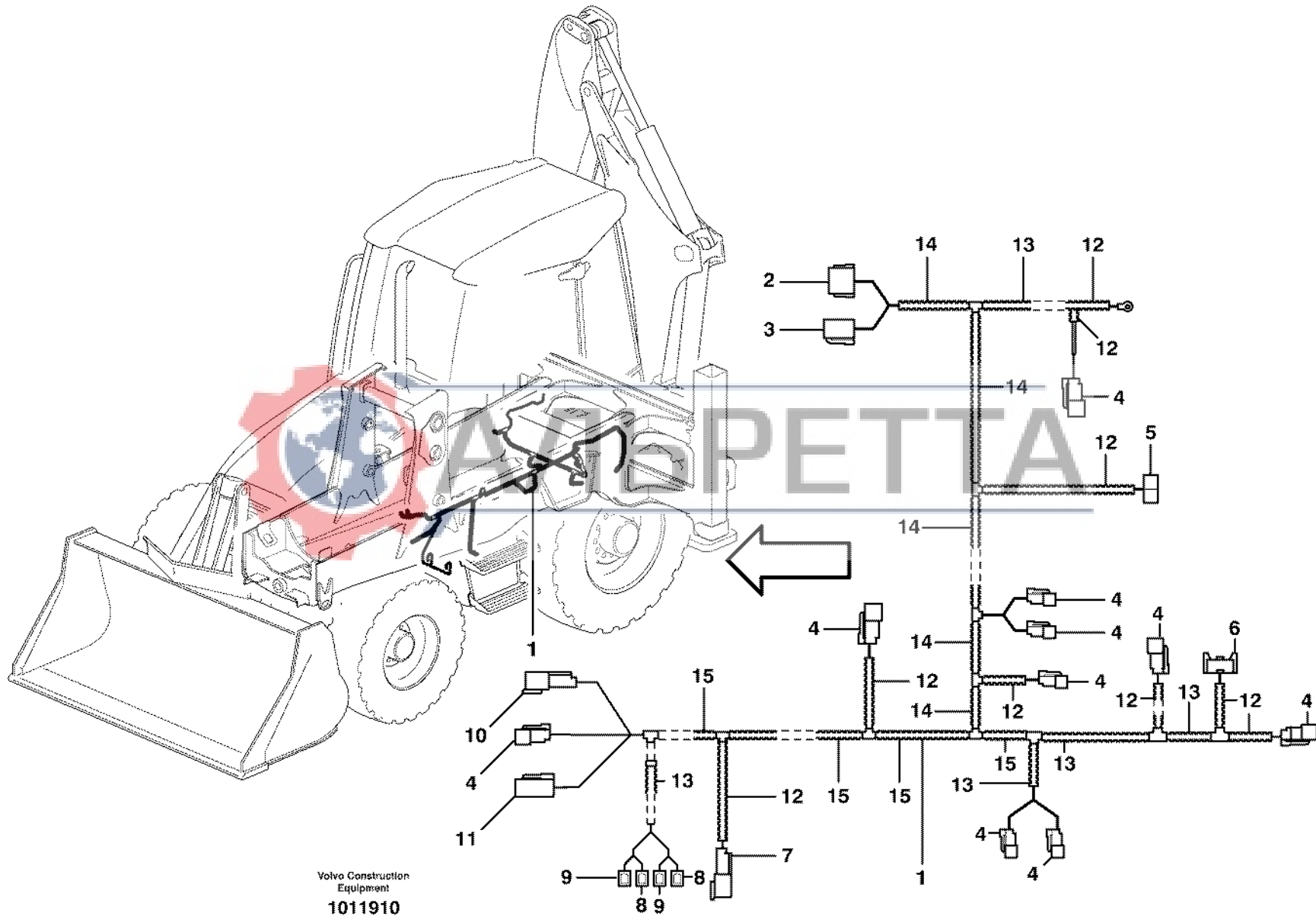
Volvo Construction
Equipment
1011910

Fig.	Part No.	Quantity			P S	K I T	Description	Dénomination	Bezeichnung	Denominación	Benämning	Notes
		1	2	3								
1	VOE 11886210	1					Wire harness.....	Faisceau électrique....	Kabelbaum.....	Manojo cables.....	Ledningsmatta.....	S/N - 12304
1	VOE 11887385	1					Wire harness.....	Faisceau électrique....	Kabelbaum.....	Manojo cables.....	Ledningsmatta.....	S/N 12305 - 13992, 13994 - 14020, 14022 - 14039
1	VOE 11888267	1					Wire harness.....	Faisceau électrique....	Kabelbaum.....	Manojo cables.....	Ledningsmatta.....	S/N 13993 + 14021, 14040 - ?
1	VOE 11888536	1					Wire harness.....	Faisceau électrique....	Kabelbaum.....	Manojo cables.....	Ledningsmatta.....	S/N ? -
							•CONNECTED TO:.....	•CONNECTÉ A:.....	•ANGESCHLOSSEN:.....	•CONECTADO A:.....	•ANSLUTER TILL:.....	
							•Cable harness Cha..	•Faisceau de câbles,.	•Kabelbaum Fahrge..	•Haz de cables, chas	•Ledningsmatta Cha.	X11, X40
							•Float Position Valve.	•Soupape Pos.flottan	•Schwimmventil.....	•Valvula Pos Flotacio	•Flytlägesventil.....	MA19, X112
							•Earth.....	•Terre.....	•Erde.....	•Tierra.....	•Jord.....	X163
							•Horn.....	•Avertisseur sonore...	•Signalhorn.....	•Avisador sonoro.....	•Signalhorn.....	X201
							•Hand brake.....	•Frein à main.....	•Handbremse.....	•Freno de mano.....	•Handbroms.....	X75
							•Boom lock.....	•Verrouillage de flèc..	•Auslegersperre.....	•Bloqueo de la plum..	•Bomlåsning.....	X74
							•Hammer.....	•Marteau.....	•Hammer.....	•Martillo.....	•Hammare.....	X73
							•Sideshift digging eq.	•Équipement excavat	•Seitenversch. Bagg	•Desplazamiento lat..	•Sidoförskjutn.gräva.	X72
							•Overload warning....	•Avertisseur de surc..	•Überlastwarnung.....	•Advertencia de sobr..	•Överlastvarning.....	X109
							•Reverse-motion ala.	•Avertisseur de recul.	•Ruckfahrwarner.....	•Senal acustica de ..	•Backalarm.....	X561
							•Valve Boom Suspen	•Valve, suspension d	•Ventil Hubgerüstdä..	•Válvula, suspensión.	•Ventil Lastarmsfjädr.	X78, X79
							•Hydraulic oil filter.....	•Filtre hydraulique.....	•Filter hydraulik.....	•Filtro hidraulico.....	•Hydrauloljefilter.....	X170
							•Starter Relay.....	•Relais Demarra.....	•Anlassrelais.....	•Rele Arranque.....	•Startrelä.....	X60
							•Wshld Washer.....	•Lave-glace.....	•Frontsch.spuler.....	•Lavaparabrisas.....	•Vindrutespolare.....	X311-X314
							•Temp. sensor Hydr.	•Décteur de tempé.	•Temp.-Geber Hydra.	•Sensor de temperat.	•Temp.givare Hydräu	X70, X71
							•Flow regulator Hydr.	•Régulateur de débit,	•Förderstromregler ..	•Regulador de caud ..	•Flödesregulator Hyd	X59
2	VOE 11709766	1					•Connector.....	•Raccord.....	•Anschluss.....	•Union.....	•Anslutning.....	X11
3	VOE 874960	1					•Housing.....	•Isolant.....	•Isolator.....	•Aislador.....	•Isolator.....	X40
4	VOE 874955	10					•Insulator.....	•Isolateur.....	•Isolator.....	•Aislador.....	•Isolator.....	MA8, MA12, MA13, MA15, MA18, MA19, MA22, SE8, SE10, X561
5		1			NS		•Insulator.....	•Isolateur.....	•Isolator.....	•Aislador.....	•Isolator.....	X201

1		Ledningsmatta bakre ventilblock	Catalogue id	Group
2		Haz de cables del bloque de ventiladores traseros	20002	371
3		Kabelbaum hinterer Ventilblock	Illustr. No	Section
4		Faisceau de câbles, bloc-distributeur arrière	1011910	450
5		Cable harness rear valve block	Issue	Page
			VOE 63H9920002	187

VOLVO

BL71



Volvo Construction
Equipment
1011910

Fig.	Part No.	Quantity			P S	K I T	Description	Dénomination	Bezeichnung	Denominación	Benämning	Notes
		1	2	3								
6	VOE 976256	1					•Insulator.....	•Isolateur.....	•Isolator.....	•Aislador.....	•Isolator.....	MA14
7	VOE 11709787	1					•Connector.....	•Raccord.....	•Anschluss.....	•Union.....	•Anslutning.....	RE1
8	VOE 973119	2					•Cable terminal.....	•Cosse cable.....	•Flachsteckhülse.....	•Terminal cable.....	•Ledningssko.....	X312, X314
9	VOE 973120	2					•Cable terminal.....	•Cosse cable.....	•Flachsteckhülse.....	•Terminal cable.....	•Ledningssko.....	X311, X313
10	VOE 874954	1					•Connector.....	•Raccord.....	•Anschluss.....	•Union.....	•Anslutning.....	SE9
11	VOE 874654	1					•Rcpt Housing.....	•Douille Isolan.....	•Steckbuchse.....	•Aislador Mangui.....	•Hylsisolator.....	SE12
12	VOE 11170006	REQ					•Hose.....	•Durit.....	•Schlauch.....	•Tubo flexible.....	•Slang.....	
13	VOE 4803746	REQ					•Hose.....	•Durit.....	•Schlauch.....	•Tubo flexible.....	•Slang.....	
14	VOE 4803752	REQ					•Hose.....	•Durit.....	•Schlauch.....	•Tubo flexible.....	•Slang.....	
15	VOE 4803748	REQ					•Hose.....	•Durit.....	•Schlauch.....	•Tubo flexible.....	•Slang.....	



1		Ledningsmatta bakre ventilblock Haz de cables del bloque de ventiladores traseros Kabelbaum hinterer Ventilblock Faisceau de câbles, bloc-distributeur arrière Cable harness rear valve block	Catalogue id	Group
2			20002	371
3			Illustr. No	Section
4			1011910	450
5			Issue	Page
			VOE 63H9920002	189

VOLVO

BL71

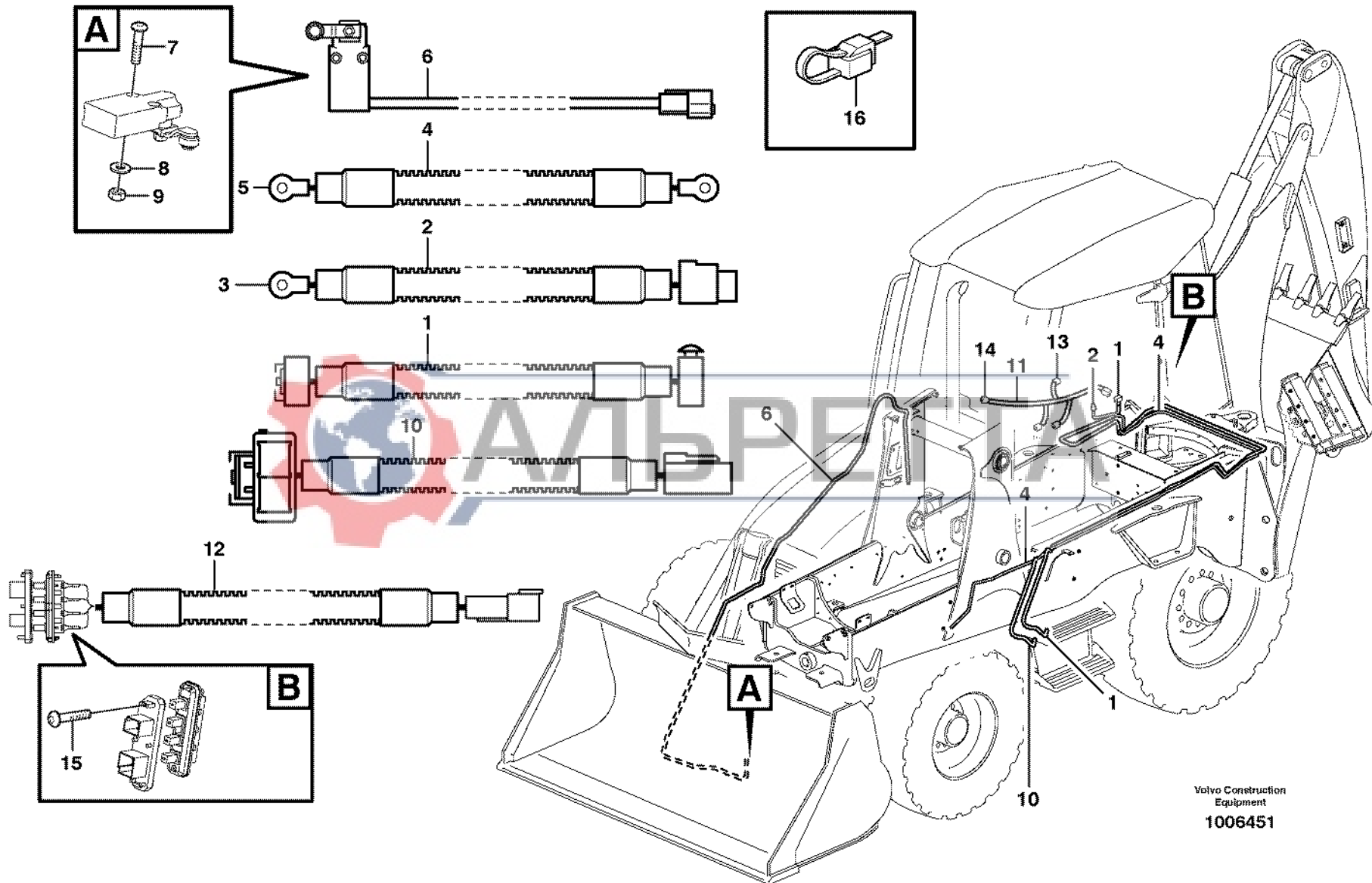


Fig.	Part No.	Quantity			P S	K I T	Description	Dénomination	Bezeichnung	Denominación	Benämning	Notes
		1	2	3								
1	VOE 11886120	1				Wire harness.....	Faisceau électrique....	Kabelbaum.....	Manojo cables.....	Ledningsmatta.....	MAIN FUSE TO CAB FLOOR HARNESS	
2	VOE 11885812	1				Wire Assembly.....	Câble.....	Leitung.....	Cable.....	Ledning.....	CABLE CHASSIS GROUND T CAB	
3	VOE 11882336	1				•Connector.....	•Raccord.....	•Anschluss.....	•Union.....	•Anslutning.....		
4	VOE 11884215	1				Wire Assembly.....	Câble.....	Leitung.....	Cable.....	Ledning.....	ENGINE GROUND TO CHAS GROUND CABLE	
5	VOE 940337	1				•Cable terminal.....	•Cosse cable.....	•Flachsteckhülse.....	•Terminal cable.....	•Ledningssko.....		
6	VOE 11881207	1				Switch.....	Commutateur.....	Schalter.....	Contacteur.....	Strömställare.....		
7	VOE 969557	2				6-pt skt screw.....	Vis creuse de 6.....	Hohlschraube.....	Racor 6-dientes.....	Sextandhålskruv.....		
8	VOE 13940090	2				Washer.....	Rondelle.....	Scheibe.....	Arandela.....	Bricka.....		
9	VOE 13975237	2				Lock nut.....	Contre-ecrou.....	Sicherungsmutter.....	Contratuercas.....	Låsmutter.....		
10	VOE 11884086	1				Wire harness.....	Faisceau électrique....	Kabelbaum.....	Manojo cables.....	Ledningsmatta.....	WIRE HARNESS A/C SUPPL SER NO -11597	
10	VOE 11886139	1				Wire harness.....	Faisceau électrique....	Kabelbaum.....	Manojo cables.....	Ledningsmatta.....	WIRE HARNESS A/C SUPPL SER NO 11598-	
11		1				Cable harness.....	Faisceau cables.....	Kabelbaum.....	Manojo cables.....	Ledningsmatta.....	WIRE HARNESS CAB HEATE See group 371, Page 217	
12	VOE 11884152	1				Cable harness.....	Faisceau cables.....	Kabelbaum.....	Manojo cables.....	Ledningsmatta.....	WINDOW SWITCH	
	VOE 874802	1				•Housing.....	•Isolant.....	•Isolator.....	•Aislador.....	•Isolator.....		
13	VOE 11890298	1				Switch.....	Interrupteur.....	Trennschalter.....	Interruptor.....	Brytare.....	See group 380, Page 235	
14	VOE 11305263	2				Relay.....	Relais.....	Relais.....	Rele.....	Relä.....	See group 372, Page 231	
15	VOE 975358	2				Screw.....	Vis.....	Schraube.....	Tornillo.....	Skruv.....		
16	VOE 980883	51				Strip Clamp.....	Ruban Serrage.....	Kabelbinder.....	Abraz Cinta.....	Bandklamma.....		

1		Övriga ledningar Otros cables Übrige Leitungen Autres câbles électriques Other cables	Catalogue id	Group
2			20002	371
3			Illustr. No	Section
4			1006451	500
5			Issue	Page
			VOE 63H9920002	191

VOLVO

BL71

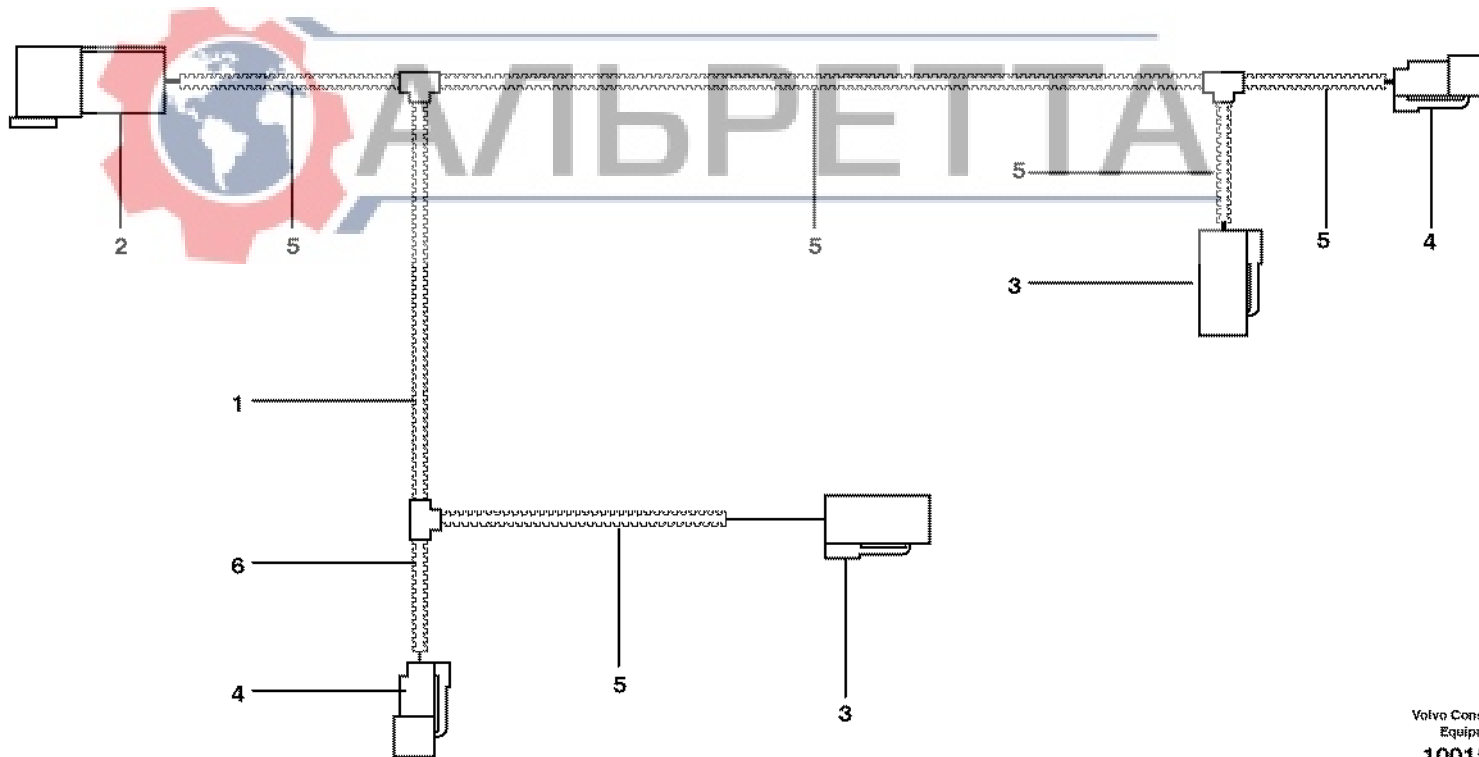
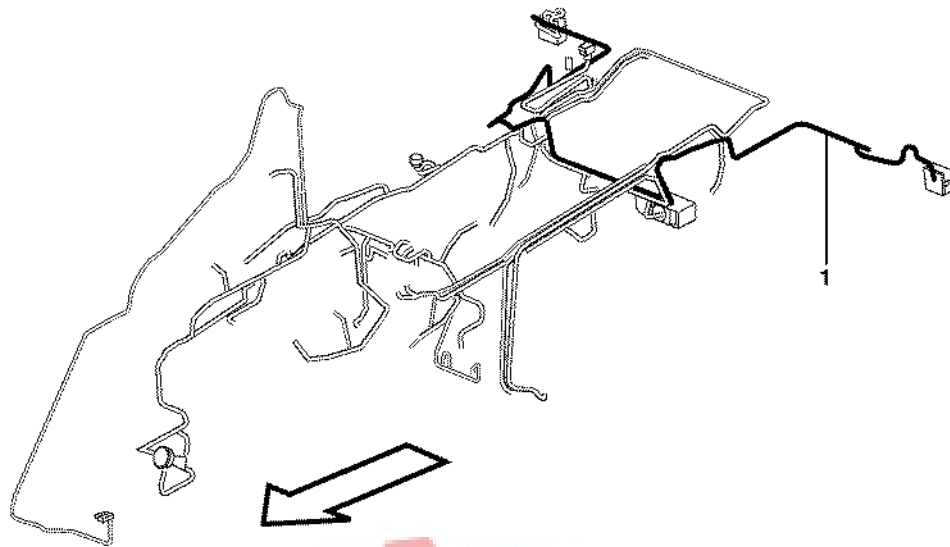


Fig.	Part No.	Quantity			P S	K I T	Description	Dénomination	Bezeichnung	Denominación	Benämning	Notes
		1	2	3								
1	VOE 11884512	1				Cable harness.....	Faisceau cables	Kabelbaum.....	Manojo cables	Ledningsmatta.....		
						••CONNECTED TO:	••CONNECTÉ A:	••ANGESCHLOSSEN:	••CONECTADO A:	••ANSLUTER TILL:		
						••Cable harness	••Faisceau cables	••Kabelbaum	••Manojo cables	••Ledningsmatta	X42	
						••Tail light	••Feu ar	••Heckleuchte	••Piloto trasero	••Baklykta	LH X53, RHX52	
						••No.plate lamp	••Eclairage plaque	••Kennzeichenleuchte	••Lampara letrero	••Skyltbelysning	X90, X91	
2	VOE 874959	1				•Housing	•Isolant	•Isolator	•Aislador	•Isolator.....	X42	
3	VOE 874957	2				•Housing	•Isolant	•Isolator	•Aislador	•Isolator.....	X52, X53	
4	VOE 874955	2				•Insulator.....	•Isolateur	•Isolator	•Aislador	•Isolator.....	X90, X91	
5	VOE 4803746	REQ				•Hose	•Durit	•Schlauch	•Tubo flexible.....	•Slang.....		
6	VOE 11170006	REQ				•Hose	•Durit	•Schlauch	•Tubo flexible.....	•Slang.....		
	VOE 11883263	20				Cable Tie.....	Serre-cable	Kabelbinder	Abrazadera.....	Bandklämma.....		

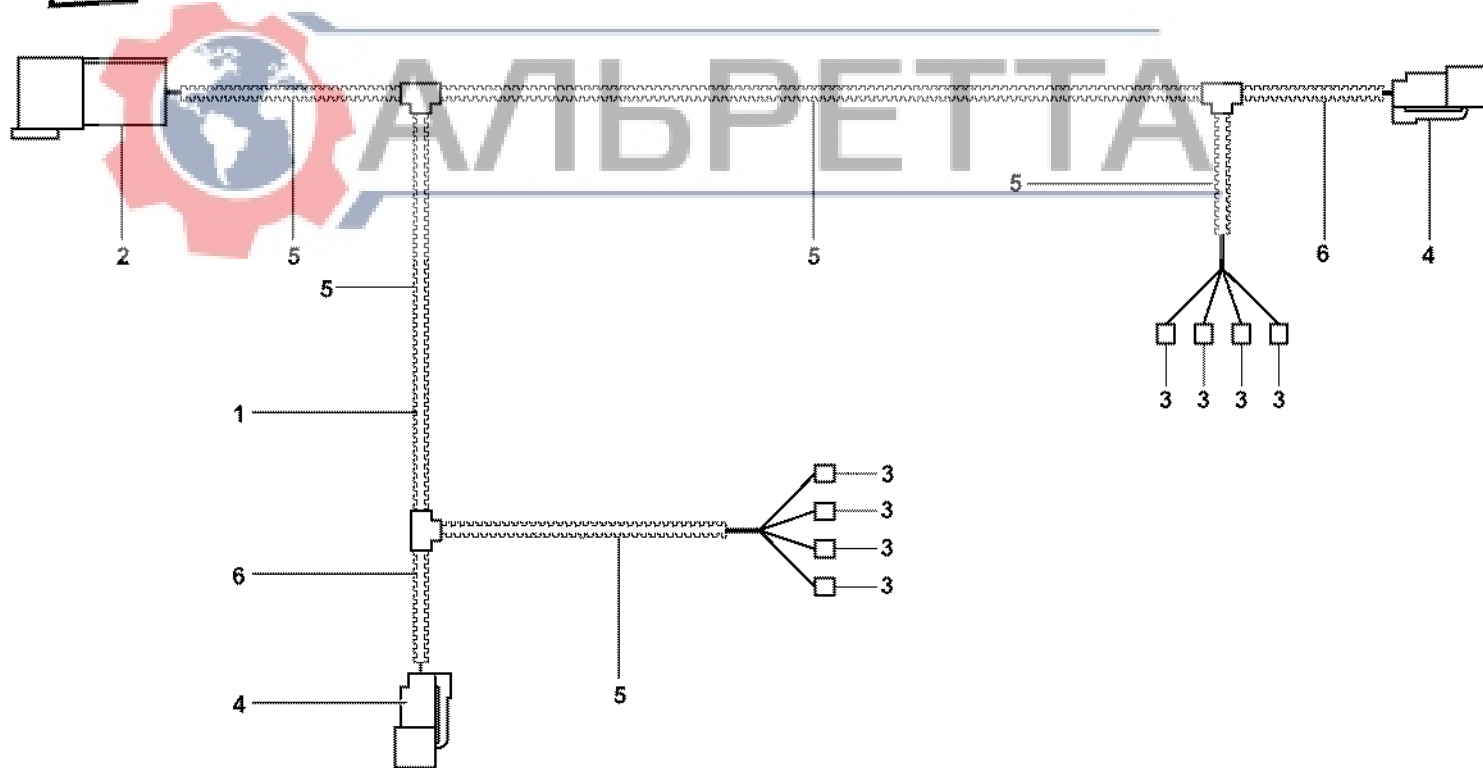
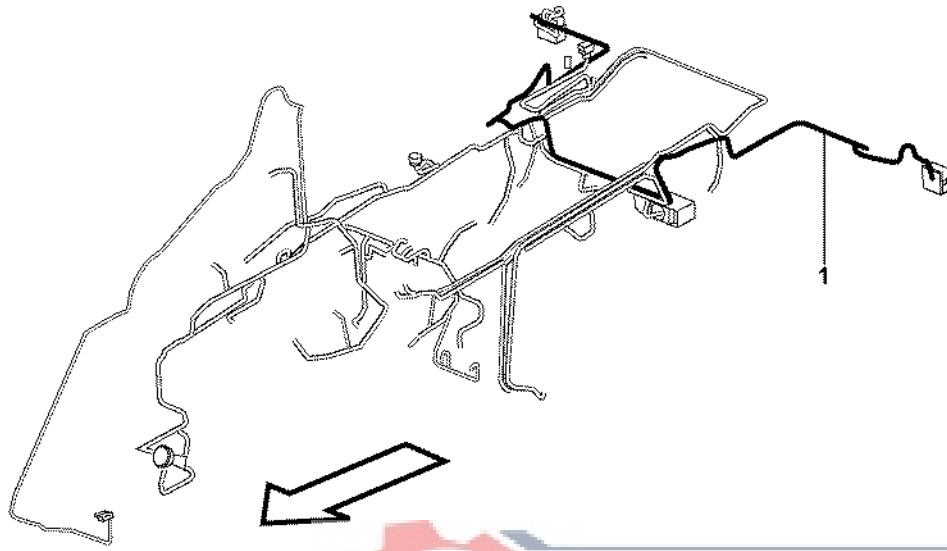


2183) 11891246, 11891247: SER NO -11966

1	S/N - 13173	Ledningsmatta, belysning,bakre Manojo cables, trasero Kabelbaum, Beleuchtung, hinten Faisceau câbles, éclairage, arrière Cable harness, tail light	Catalogue id	Group
2			20002	371
3			Illustr. No	Section
4			1001516	600
5			Issue	Page
		2183) 11891246, 11891247, 11891002,11891248	VOE 63H9920002	193

VOLVO

BL71



Volvo Construction
Equipment
1017002

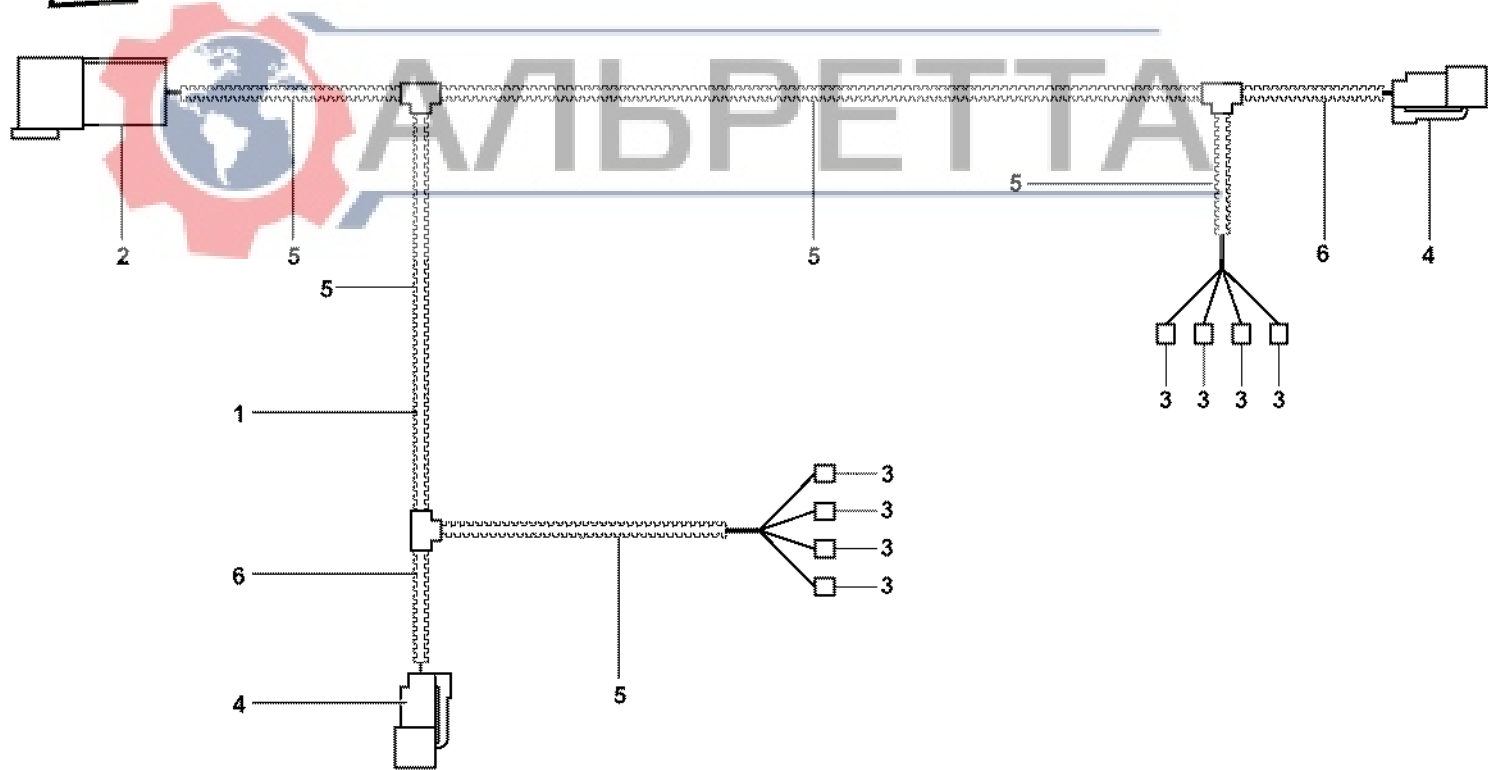
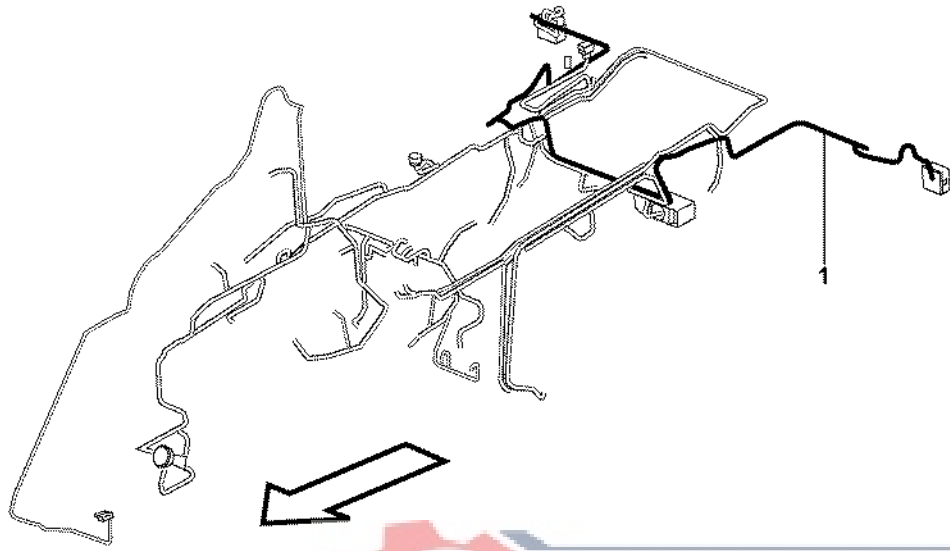
Fig.	Part No.	Quantity			P S	K I T	Description	Dénomination	Bezeichnung	Denominación	Benämning	Notes
		1	2	3								
1	VOE 11886386	1				Wire harness.....	Faisceau électrique....	Kabelbaum.....	Manojo cables.....	Ledningsmatta.....		
						••CONNECTED TO:	••CONNECTÉ A:	••ANGESCHLOSSEN:	••CONECTADO A:	••ANSLUTER TILL:		
						••Cable harness	••Faisceau cables	••Kabelbaum	••Manojo cables	••Ledningsmatta	X42	
						••Tail light	••Feu ar	••Heckleuchte	••Piloto trasero	••Baklykta	LH X53, RHX52	
						••No.plate lamp	••Eclairage plaque	••Kennzeichenleuchte	••Lampara letrero	••Skyltbelysning	X90, X91	
2	VOE 874959	1				•Housing.....	•Isolant.....	•Isolator.....	•Aislador.....	•Isolator.....	X42	
3	VOE 973119	8				•Cable terminal.....	•Cosse cable.....	•Flachsteckhülse.....	•Terminal cable.....	•Ledningssko.....	X52, X53	
4	VOE 874955	2				•Insulator.....	•Isolateur.....	•Isolator.....	•Aislador.....	•Isolator.....	X90, X91	
5	VOE 4803746	5				•Hose.....	•Durit.....	•Schlauch.....	•Tubo flexible.....	•Slang.....		
6	VOE 11170006	2				•Hose.....	•Durit.....	•Schlauch.....	•Tubo flexible.....	•Slang.....		
	VOE 11883263	20				Cable Tie.....	Serre-cable.....	Kabelbinder.....	Abrazadera.....	Bandklämma.....		



1	SER NO 11967-	Ledningsmatta, belysning,bakre	Catalogue id	Group
2		Manojo cables, trasero	20002	371
3		Kabelbaum, Beleuchtung, hinten	Illustr. No	Section
4		Faisceau câbles, éclairage, arrière	1017002	610
5		Cable harness, tail light	Issue	Page
		11891246, 11891247	VOE 63H9920002	195

VOLVO

BL71



Volvo Construction
Equipment
1017002

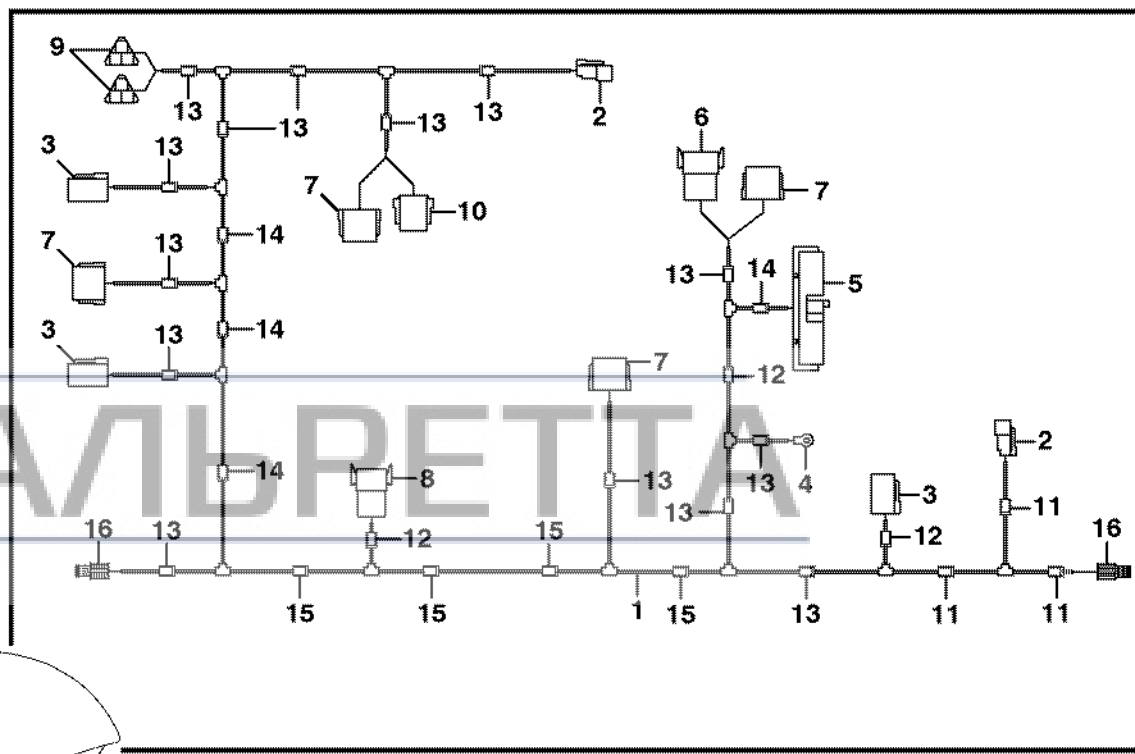
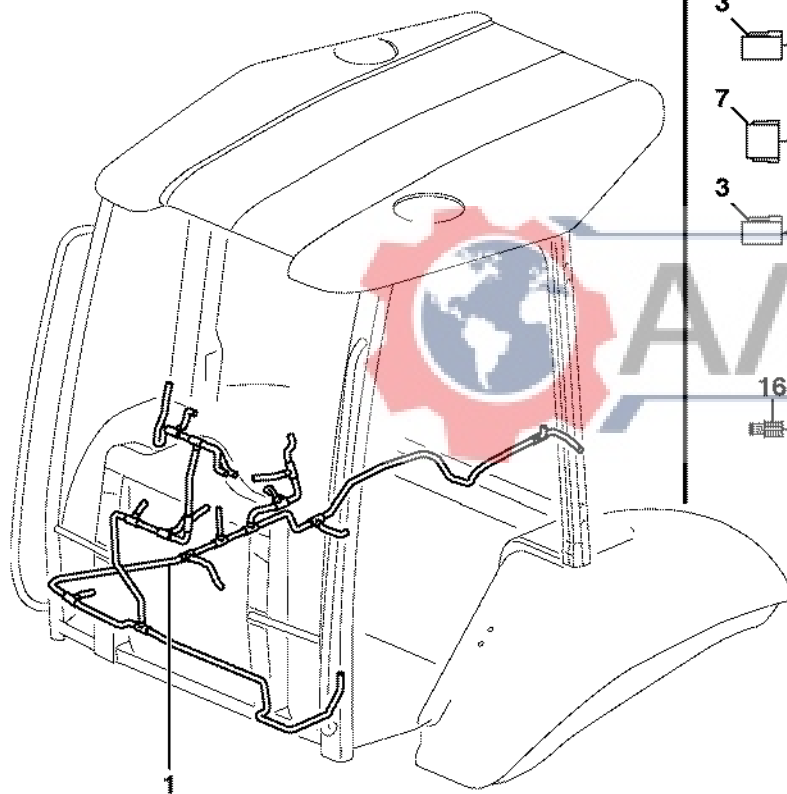
Fig.	Part No.	Quantity			P S	K I T	Description	Dénomination	Bezeichnung	Denominación	Benämning	Notes
		1	2	3								
1	VOE 11886386	1				Wire harness.....	Faisceau électrique....	Kabelbaum.....	Manojo cables.....	Ledningsmatta.....		
						••CONNECTED TO:	••CONNECTÉ A:	••ANGESCHLOSSEN:	••CONECTADO A:	••ANSLUTER TILL:		
						••Cable harness	••Faisceau cables	••Kabelbaum	••Manojo cables	••Ledningsmatta	X42	
						••Tail light	••Feu ar	••Heckleuchte	••Piloto trasero	••Baklykta	LH X53, RHX52	
						••No.plate lamp	••Eclairage plaque	••Kennzeichenleuchte	••Lampara letrero	••Skyltbelysning	X90, X91	
2	VOE 874959	1				•Housing.....	•Isolant.....	•Isolator.....	•Aislador.....	•Isolator.....	X42	
3	VOE 973119	8				•Cable terminal.....	•Cosse cable.....	•Flachsteckhülse.....	•Terminal cable.....	•Ledningssko.....	X52, X53	
4	VOE 874955	2				•Insulator.....	•Isolateur.....	•Isolator.....	•Aislador.....	•Isolator.....	X90, X91	
5	VOE 4803746	5				•Hose.....	•Durit.....	•Schlauch.....	•Tubo flexible.....	•Slang.....		
6	VOE 11170006	2				•Hose.....	•Durit.....	•Schlauch.....	•Tubo flexible.....	•Slang.....		
	VOE 11883263	20				Cable Tie.....	Serre-cable.....	Kabelbinder.....	Abrazadera.....	Bandklämma.....		



1	S/N 13174 -	Ledningsmatta, belysning,bakre Manojo cables, trasero Kabelbaum, Beleuchtung, hinten Faisceau câbles, éclairage, arrière Cable harness, tail light	Catalogue id	Group
2			20002	371
3			Illustr. No	Section
4			1017002	620
5			Issue	Page
	11891000/002/049/050/248/249		VOE 63H9920002	197

VOLVO

BL71



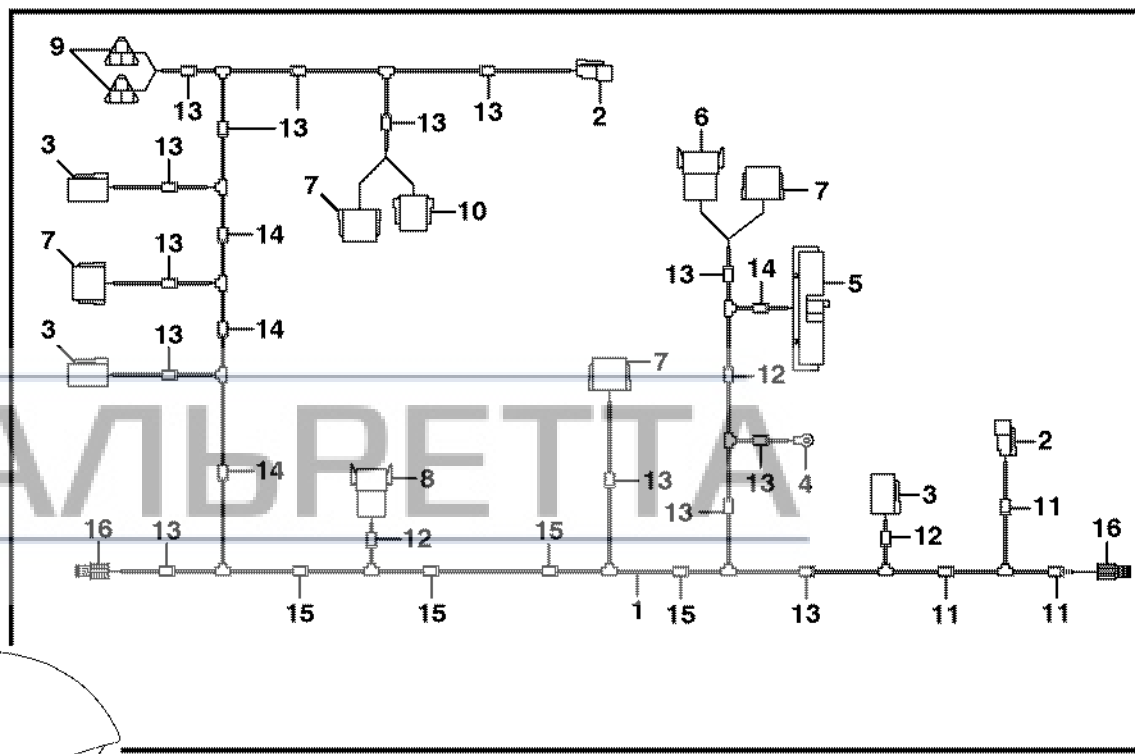
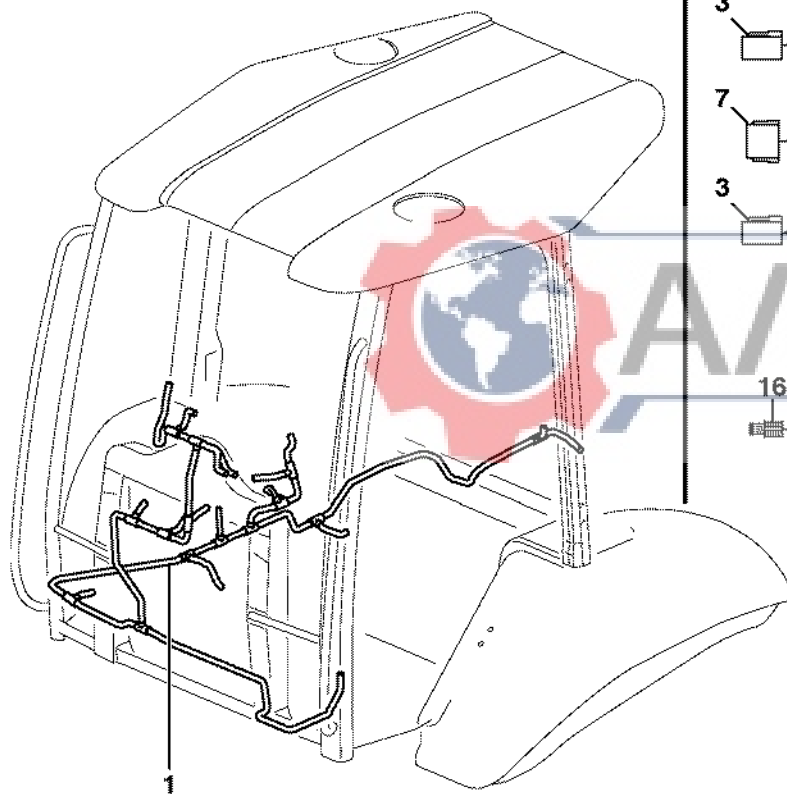
Volvo Construction
Equipment
1005126

Fig.	Part No.	Quantity			P S	K I T	Description	Dénomination	Bezeichnung	Denominación	Benämning	Notes
		1	2	3								
1	VOE 11885470	1					Cable harness..... Faisceau cables Kabelbaum Manojos cables Ledningsmatta.....					FRONT DASHBOARD
							••CONNECTED TO:••CONNECTÉ A:.....••ANGESCHLOSSEN:••CONECTADO A:.....••ANSLUTER TILL:.....					
							••Switch.....••Commutateur.....••Schalter.....••Contactor.....••Strömställare.....					X89 HORN SWITCH
							••Cable harness.....••Faisceau cables.....••Kabelbaum.....••Manojos cables.....••Ledningsmatta.....					X46 REAR LAMPS
							••Earth.....••Terre.....••Erde.....••Tierra.....••Jord.....					X177
							••Control Unit.....••Unite Commande.....••Steuergerät.....••Unidad Mando.....••Styrenhet.....					X4 VECU
							••Cable harness.....••Faisceau cables.....••Kabelbaum.....••Manojos cables.....••Ledningsmatta.....					X34, X48 RH SIDE DASHBOARD
							••Switch.....••Commutateur.....••Schalter.....••Contactor.....••Strömställare.....					X14 HYDRAULIC LEVER SWITCHES
							••Cable harness.....••Faisceau cables.....••Kabelbaum.....••Manojos cables.....••Ledningsmatta.....					X32 CAB.EXTERIOR
							••Windshield wiper Fr. ••Essuie-glace, pare-...••Scheibenwischer vo. ••Limpiaparabrisas d...••Vindrutetorkare Fra.					X44
							••Switch.....••Commutateur.....••Schalter.....••Commutador.....••Omkopplare.....					X47, X16 LH, RH COMBI SWITCH
							••Stop Lt Switch.....••Contacteur Stop.....••Br Lichtschalt.....••Cont Luz Freno.....••Bromsljuskont.....					X61, X62
							••Instr Panel.....••Planche de bord.....••Instr Tafel.....••Panel Instrum.....••Instrumentpanel.....					X15, X33, FRONT
							••Four-wheel steering. ••Quatre roues directr. ••Vierradlenkung.....••Dirección en cuatro.....••Fyrhjulstyrning.....					X102
							••Switch.....••Commutateur.....••Schalter.....••Contactor.....••Strömställare.....					X203 HAMMER SWITCH
							••Switch.....••Commutateur.....••Schalter.....••Contactor.....••Strömställare.....					X204 DIFF LOCK
2	VOE 874955	2					••Insulator.....••Isolateur.....••Isolator.....••Aislador.....••Isolator.....					X89, X102
3	VOE 874960	3					••Housing.....••Isolant.....••Isolator.....••Aislador.....••Isolator.....					X46, X44, X47
4		1			NS		••Cable terminal.....••Cosse cable.....••Flachsteckhülse.....••Terminal cable.....••Ledningssko.....					X177
5		1			NS		••Connector.....••Raccord.....••Anschluss.....••Union.....••Anslutning.....					X4
6	VOE 874965	1					••Connector.....••Raccord.....••Anschluss.....••Union.....••Anslutning.....					X34
	VOE 14370889	1					••Spacer.....••Partie Intermédiaire.....••Zwischenstück.....••Espaciador.....••Mellandel.....					
7	VOE 11709766	4					••Connector.....••Raccord.....••Anschluss.....••Union.....••Anslutning.....					X14, X15, X16, X48
8	VOE 874114	1					••Connector.....••Raccord.....••Anschluss.....••Conexión.....••Anslutning.....					X32
	VOE 14370887	1					••Key.....••Clavette.....••Keil.....••Llave (cuna).....••Kil.....					
9	VOE 874654	2					••Rcpt Housing.....••Douille Isolan.....••Steckbuchse.....••Aislador Mangui.....••Hylsisolator.....					X61, X62
10	VOE 11709767	1					••Connector.....••Raccord.....••Anschluss.....••Union.....••Anslutning.....					X33

1		Ledningsmatta, mittpanel	Catalogue id	Group
2		Haz de cables, panel central	20002	371
3		Kabelbäume, Mitteltafel	Illustr. No	Section
4		Faisceau de câbles, pupitre central	1005126	650
4		Cable harness, panel	Issue	Page
5		SER NO -11966	VOE 63H9920002	199

VOLVO

BL71



Volvo Construction
Equipment
1005126

Fig.	Part No.	Quantity			P S	K I T	Description	Dénomination	Bezeichnung	Denominación	Benämning	Notes
		1	2	3								
11	VOE 4803745	REQ					•Hose	•Durit	•Schlauch	•Tubo flexible.....	•Slang.....	
12	VOE 4803746	REQ					•Hose	•Durit	•Schlauch	•Tubo flexible.....	•Slang.....	
13	VOE 4803748	REQ					•Hose	•Durit	•Schlauch	•Tubo flexible.....	•Slang.....	
14	VOE 4803751	REQ					•Hose	•Durit	•Schlauch	•Tubo flexible.....	•Slang.....	
15	VOE 4803752	REQ					•Hose	•Durit	•Schlauch	•Tubo flexible.....	•Slang.....	
16	VOE 949005	2					•Rcpt Housing	•Douille Isolan.	•Steckbuchse	•Aislador Mangui	•Hylisolator.....	X203,X204



1		Ledningsmatta, mittpanel	Catalogue id	Group
2		Haz de cables, panel central	20002	371
3		Kabelbäume, Mitteltafel	Illustr. No	Section
4		Faisceau de câbles, pupitre central	1005126	650
5		Cable harness, panel	Issue	Page
		SER NO -11966	VOE 63H9920002	201

VOLVO



BL71

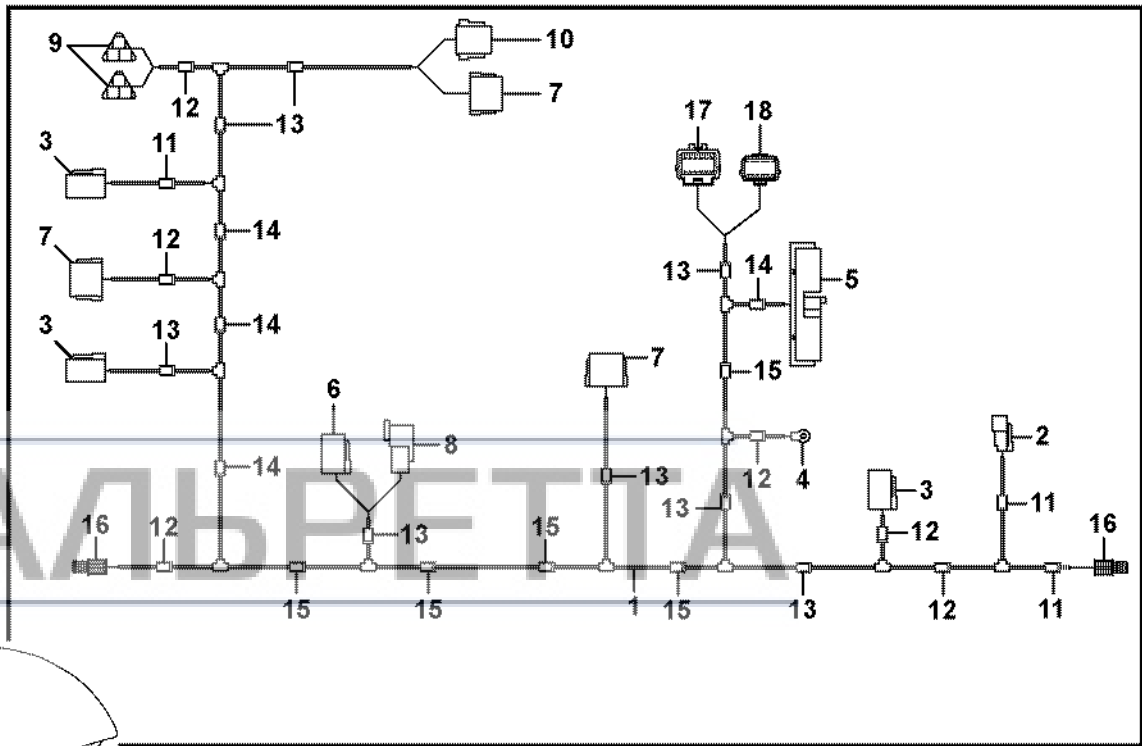
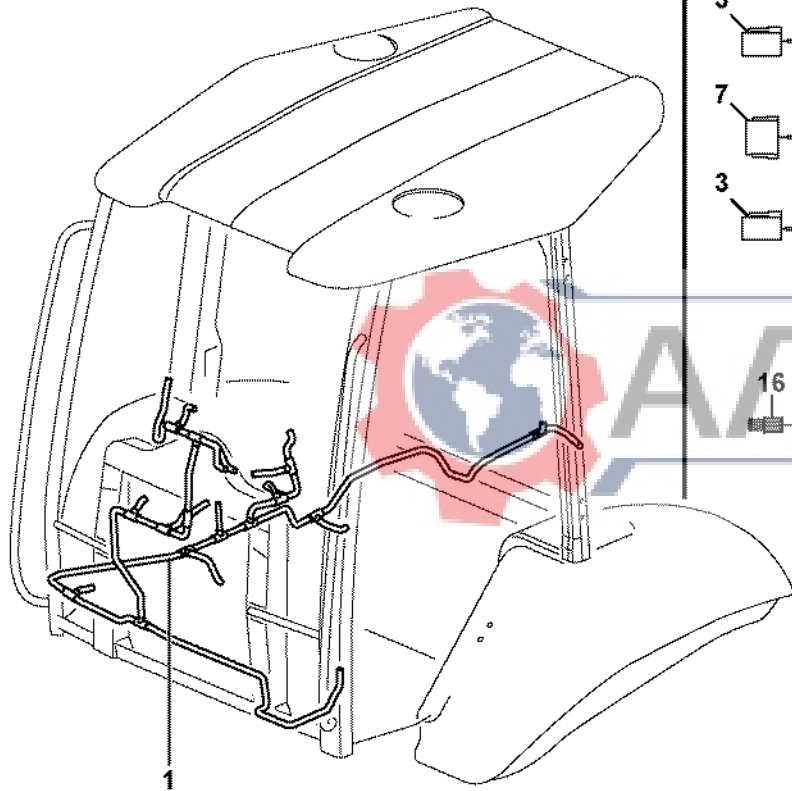


Fig.	Part No.	Quantity			P S	K I T	Description	Dénomination	Bezeichnung	Denominación	Benämning	Notes
		1	2	3								
1	VOE 11887022	1			SS	Wire harness.....	Faisceau électrique....	Kabelbaum.....	Manojo cables.....	Ledningsmatta.....	S/N - 12843	
1	VOE 11887637	1				Wire harness.....	Faisceau électrique....	Kabelbaum.....	Manojo cables.....	Ledningsmatta.....	FRONT DASHBOARD S/N 12844 - 14669	
1	VOE 11888816	1				Wire harness.....	Faisceau électrique....	Kabelbaum.....	Manojo cables.....	Ledningsmatta.....	S/N 14670 -	
						••CONNECTED TO:.....	••CONNECTÉ A:.....	••ANGESCHLOSSEN:.....	••CONECTADO A:.....	••ANSLUTER TILL:.....		
						••Switch.....	••Commutateur.....	••Schalter.....	••Contactor.....	••Strömställare.....	X103 HORN SWITCH	
						••Cable harness.....	••Faisceau cables.....	••Kabelbaum.....	••Manojo cables.....	••Ledningsmatta.....	X46 REAR LAMPS	
						••Earth.....	••Terre.....	••Erde.....	••Tierra.....	••Jord.....	X177	
						••Control Unit.....	••Unite Commande.....	••Steuergerät.....	••Unidad Mando.....	••Styrenhet.....	X4 VECU	
						••Cable harness.....	••Faisceau cables.....	••Kabelbaum.....	••Manojo cables.....	••Ledningsmatta.....	X34, X48 RH SIDE DASHBOARD	
						••Switch.....	••Commutateur.....	••Schalter.....	••Contactor.....	••Strömställare.....	X14 HYDRAULIC LEVER SWITCHES	
						••Cable harness.....	••Faisceau cables.....	••Kabelbaum.....	••Manojo cables.....	••Ledningsmatta.....	X36, X37 CAB.EXTERIOR	
						••Windshield wiper Fr.....	••Essuie-glace, pare-..	••Scheibenwischer vo.....	••Limpiaparabrisas d.....	••Vindrutetorkare Fra.....	X44	
						••Switch.....	••Commutateur.....	••Schalter.....	••Commutador.....	••Omkopplare.....	X47, X16 LH, RH COMBI SWITCH	
						••Stop Lt Switch.....	••Contacteur Stop.....	••Br Lichtschalt.....	••Cont Luz Freno.....	••Bromsljuskont.....	X61, X62	
						••Instr Panel.....	••Planche de bord.....	••Instr Tafel.....	••Panel Instrum.....	••Instrumentpanel.....	X15, X33, FRONT	
						••Switch.....	••Commutateur.....	••Schalter.....	••Contactor.....	••Strömställare.....	X203 HAMMER SWITCH	
						••Switch.....	••Commutateur.....	••Schalter.....	••Contactor.....	••Strömställare.....	X204 DIFF LOCK	
2	VOE 874955	1				••Insulator.....	••Isolateur.....	••Isolator.....	••Aislador.....	••Isolator.....	X103	
3	VOE 874960	3				••Housing.....	••Isolant.....	••Isolator.....	••Aislador.....	••Isolator.....	X46, X44, X47	
4		1			NS	••Cable terminal.....	••Cosse cable.....	••Flachsteckhülse.....	••Terminal cable.....	••Ledningssko.....	X177	
5		1			NS	••Connector.....	••Raccord.....	••Anschluss.....	••Union.....	••Anslutning.....	X4	
6	VOE 874957	1				••Housing.....	••Isolant.....	••Isolator.....	••Aislador.....	••Isolator.....	X36	
6	VOE 874958	1				••Key.....	••Clavette.....	••Keil.....	••Llave (cuna).....	••Kil.....		
7	VOE 11709766	3				••Connector.....	••Raccord.....	••Anschluss.....	••Union.....	••Anslutning.....	X14, X15, X16	
7	VOE 874967	1				••Key.....	••Clavette.....	••Keil.....	••Llave (cuna).....	••Kil.....		
8	VOE 874802	1				••Housing.....	••Isolant.....	••Isolator.....	••Aislador.....	••Isolator.....	X37	

1	11891209	Ledningsmatta, mittpanel	Catalogue id	Group
2		Haz de cables, panel central	20002	371
3		Kabelbäume, Mitteltafel	Illustr. No	Section
4		Faisceau de câbles, pupitre central	1017414	655
5		Cable harness, panel	Issue	Page
			VOE 63H9920002	203

VOLVO

BL71

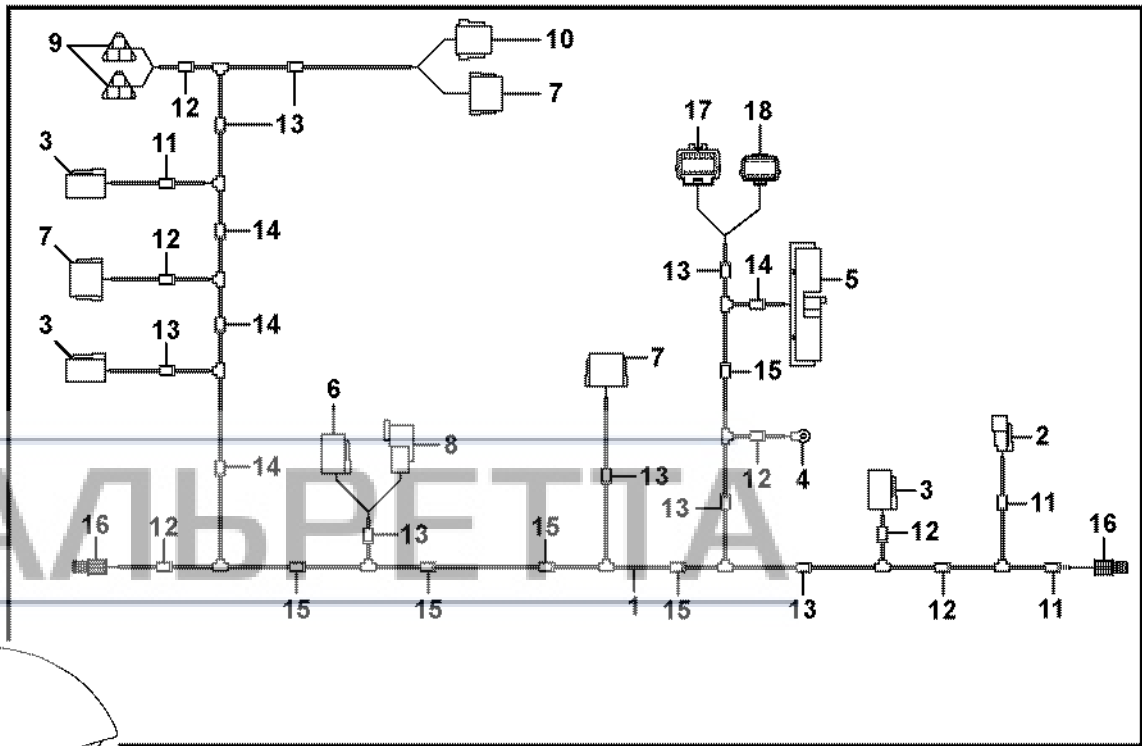
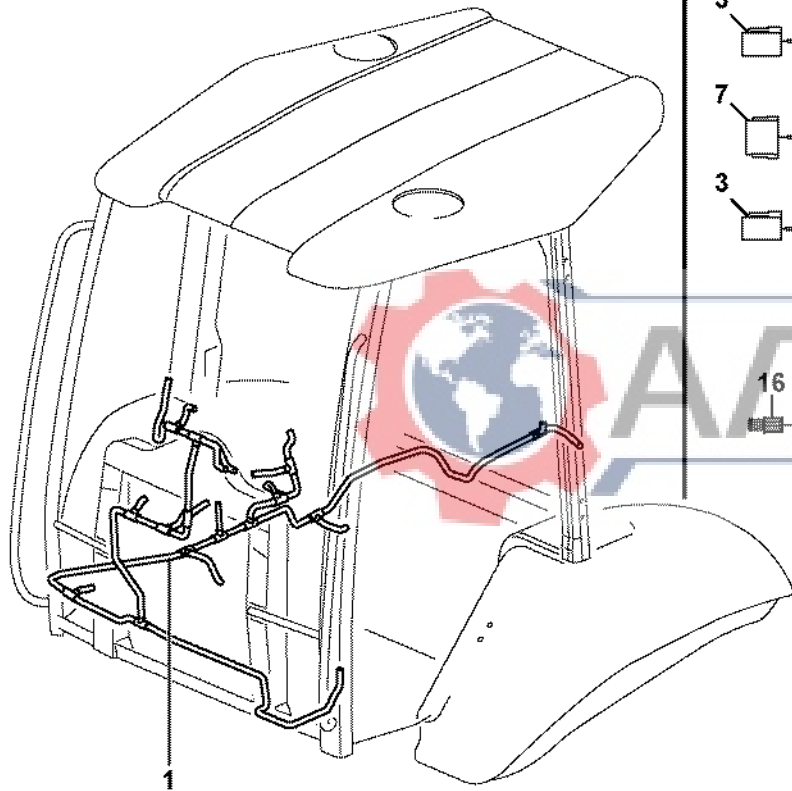


Fig.	Part No.	Quantity			P S	K I T	Description	Dénomination	Bezeichnung	Denominación	Benämning	Notes
		1	2	3								
8	VOE 14370883	1					•Spacer	•Partie Intermédiaire ..	•Zwischenstück	•Espaciador	•Mellandel.....	
9	VOE 874654	2					•Rcpt Housing	•Douille Isolan.	•Steckbuchse	•Aislador Mangui	•Hylisolator.....	X61, X62
10	VOE 11709767	1					•Connector	•Raccord	•Anschluss.....	•Union.....	•Anslutning.....	X33
11	VOE 4803745	REQ					•Hose	•Durit	•Schlauch	•Tubo flexible.....	•Slang.....	
12	VOE 4803746	REQ					•Hose	•Durit	•Schlauch	•Tubo flexible.....	•Slang.....	
13	VOE 4803748	REQ					•Hose	•Durit	•Schlauch	•Tubo flexible.....	•Slang.....	
14	VOE 4803751	REQ					•Hose	•Durit	•Schlauch	•Tubo flexible.....	•Slang.....	
15	VOE 4803752	REQ					•Hose	•Durit	•Schlauch	•Tubo flexible.....	•Slang.....	
16	VOE 949005	2					•Rcpt Housing	•Douille Isolan.	•Steckbuchse	•Aislador Mangui	•Hylisolator.....	X203,X204
17		1			NS		•Connector	•Raccord	•Anschluss.....	•Union.....	•Anslutning.....	X34
18		1			NS		•Connector	•Raccord	•Anschluss.....	•Union.....	•Anslutning.....	X48



1	11891209	Ledningsmatta, mittpanel Haz de cables, panel central Kabelbäume, Mitteltafel Faisceau de câbles, pupitre central Cable harness, panel	Catalogue id	Group
2			20002	371
3			Illustr. No	Section
4			1017414	655
5			Issue	Page
			VOE 63H9920002	205

VOLVO

BL71

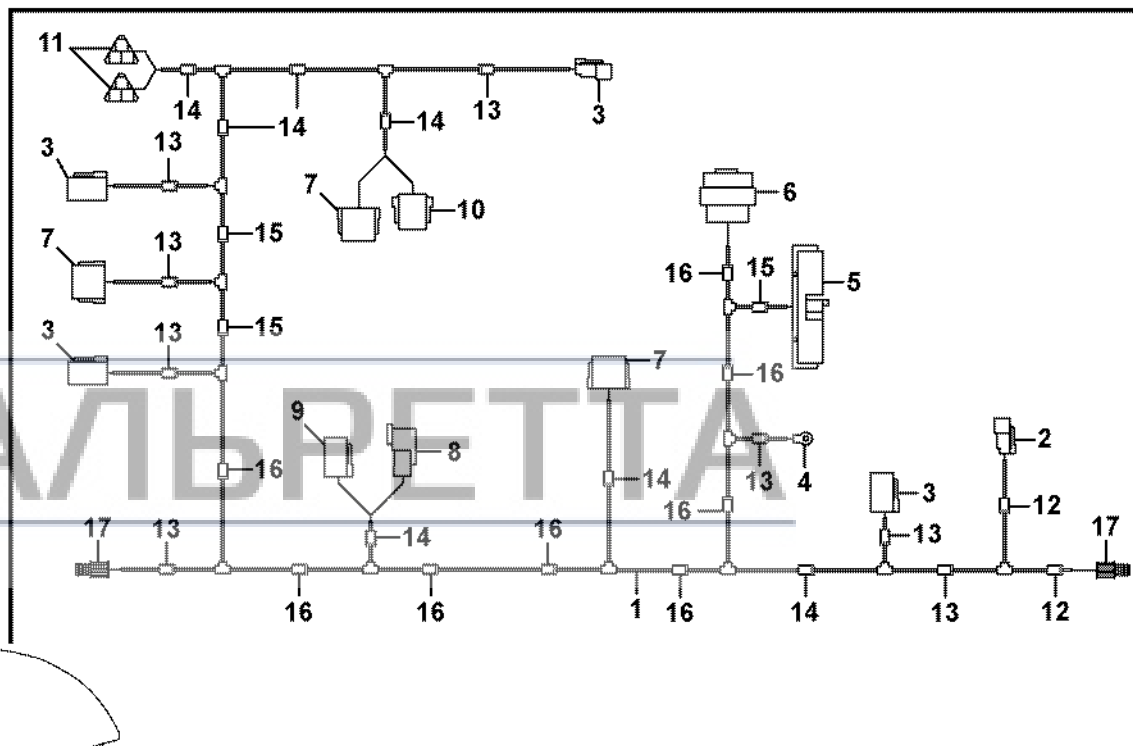
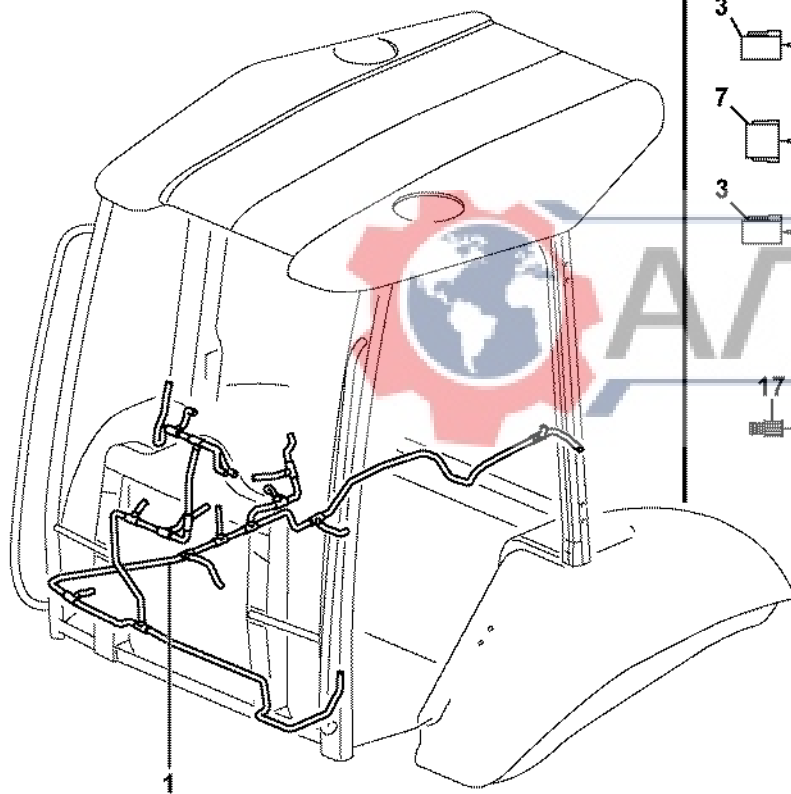


Fig.	Part No.	Quantity			P S	K I T	Description	Dénomination	Bezeichnung	Denominación	Benämning	Notes
		1	2	3								
1	VOE 11887021	1				Wire harness.....	Faisceau électrique....	Kabelbaum.....	Manojo cables.....	Ledningsmatta.....	S/N - 12838	
1	VOE 11887636	1				Wire harness.....	Faisceau électrique....	Kabelbaum.....	Manojo cables.....	Ledningsmatta.....	FRONT DASHBOARD S/N 12839 - 14669	
1	VOE 11888815	1				Wire harness.....	Faisceau électrique....	Kabelbaum.....	Manojo cables.....	Ledningsmatta.....	S/N 14670 -	
						••CONNECTED TO:...	••CONNECTÉ A:.....	••ANGESCHLOSSEN:••	••CONECTADO A:.....	••ANSLUTER TILL:...		
						••Switch.....	••Commutateur.....	••Schalter.....	••Contactor.....	••Strömställare.....	X89 HORN SWITCH	
						••Cable harness.....	••Faisceau cables.....	••Kabelbaum.....	••Manojo cables.....	••Ledningsmatta.....	X46 REAR LAMPS	
						••Earth.....	••Terre.....	••Erde.....	••Tierra.....	••Jord.....	X177	
						••Control Unit.....	••Unite Commande.....	••Steuergerät.....	••Unidad Mando.....	••Styrenhet.....	X4 VECU	
						••Cable harness.....	••Faisceau cables.....	••Kabelbaum.....	••Manojo cables.....	••Ledningsmatta.....	X330 RH SIDE DASHBOARD	
						••Switch.....	••Commutateur.....	••Schalter.....	••Contactor.....	••Strömställare.....	X14 HYDRAULIC LEVER SWITCHES	
						••Cable harness.....	••Faisceau cables.....	••Kabelbaum.....	••Manojo cables.....	••Ledningsmatta.....	X36, X37 CAB.EXTERIOR	
						••Windshield wiper Fr.	••Essuie-glace, pare-..	••Scheibenwischer vo.	••Limpiaparabrisas d..	••Vindrutetorkare Fra.	X44	
						••Switch.....	••Commutateur.....	••Schalter.....	••Commutador.....	••Omkopplare.....	X47, X16 LH, RH COMBI SWITCH	
						••Stop Lt Switch.....	••Contacteur Stop.....	••Br Lichtschalt.....	••Cont Luz Freno.....	••Bromsljuskont.....	X61, X62	
						••Instr Panel.....	••Planche de bord.....	••Instr Tafel.....	••Panel Instrum.....	••Instrumentpanel.....	X15, X33, FRONT	
						••Four-wheel steering.	••Quatre roues directr.	••Vierradlenkung.....	••Dirección en cuatro	••Fyrhjulstyrning.....	X102	
						••Switch.....	••Commutateur.....	••Schalter.....	••Contactor.....	••Strömställare.....	X203 HAMMER SWITCH	
						••Switch.....	••Commutateur.....	••Schalter.....	••Contactor.....	••Strömställare.....	X204 DIFF LOCK	
2	VOE 874955	1				••Insulator.....	••Isolateur.....	••Isolator.....	••Aislador.....	••Isolator.....	X89	
3	VOE 874960	4				••Housing.....	••Isolant.....	••Isolator.....	••Aislador.....	••Isolator.....	X46, X44, X102	
4		1		NS		••Cable terminal.....	••Cosse cable.....	••Flachsteckhülse.....	••Terminal cable.....	••Ledningssko.....	X177	
5		1		NS		••Connector.....	••Raccord.....	••Anschluss.....	••Union.....	••Anslutning.....	X4	
6		1		NS		••Connector.....	••Raccord.....	••Anschluss.....	••Union.....	••Anslutning.....	X330	
7	VOE 11709766	3				••Connector.....	••Raccord.....	••Anschluss.....	••Union.....	••Anslutning.....	X14, X15, X16	
7	VOE 874967	3				••Key.....	••Clavette.....	••Keil.....	••Llave (cuna).....	••Kil.....		
8	VOE 874802	1				••Housing.....	••Isolant.....	••Isolator.....	••Aislador.....	••Isolator.....	X36	
8	VOE 14370883	1				••Spacer.....	••Partie Intermédiaire..	••Zwischenstück.....	••Espaciador.....	••Mellandel.....		

1		Ledningsmatta, mittpanel	Catalogue id	Group
2		Haz de cables, panel central	20002	371
3		Kabelbäume, Mitteltafel	Illustr. No	Section
4		Faisceau de câbles, pupitre central	1011883	675
4		Cable harness, panel	Issue	Page
5		11891255	VOE 63H9920002	207

VOLVO

BL71

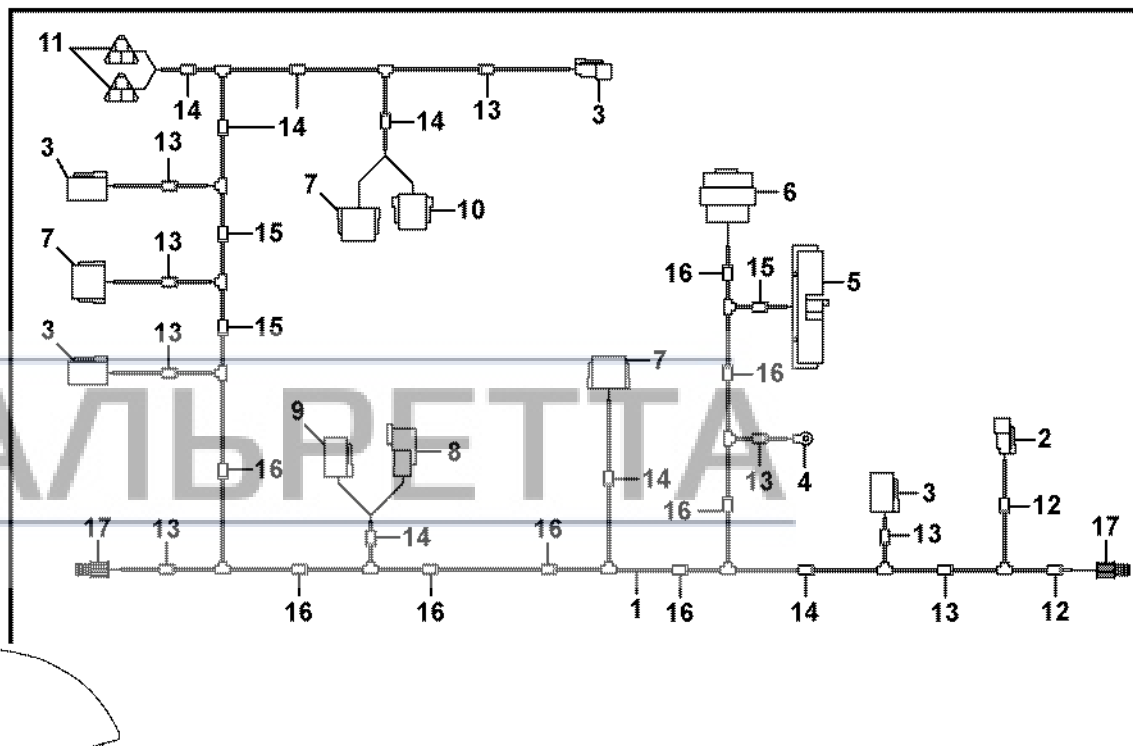
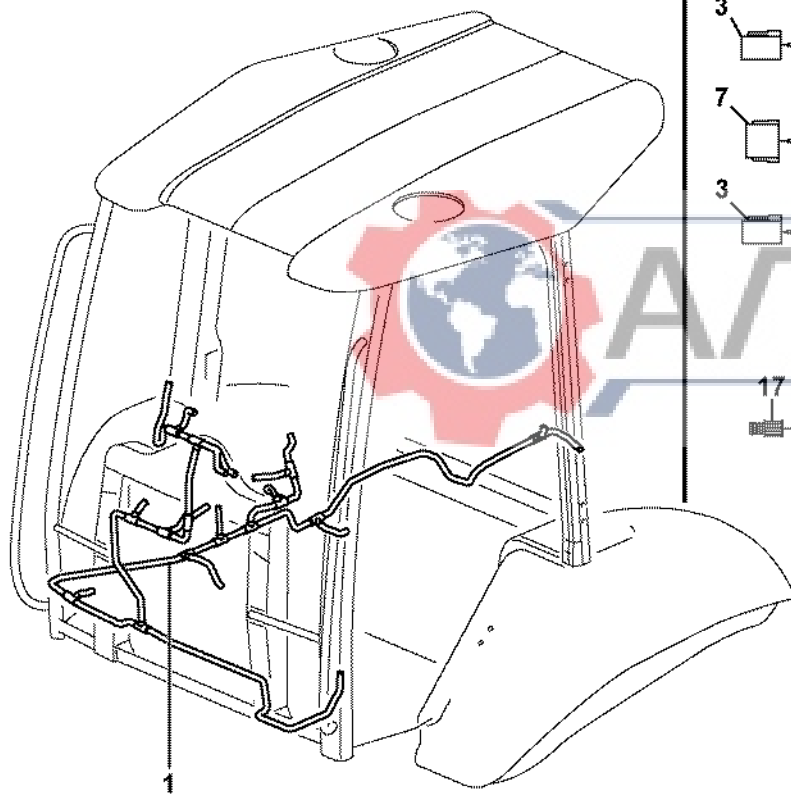


Fig.	Part No.	Quantity			P S	K I T	Description	Dénomination	Bezeichnung	Denominación	Benämning	Notes
		1	2	3								
9	VOE 874957	1				•Housing	•Isolant	•Isolator	•Aislador	•Isolator.....	X37	
9	VOE 874958	1				•Key	•Clavette.....	•Keil	•Llave (cuna)	•Kil.....		
10	VOE 11709767	1				•Connector	•Raccord	•Anschluss.....	•Union.....	•Anslutning.....	X33, X47	
11	VOE 874654	2				•Rcpt Housing	•Douille Isolan.	•Steckbuchse	•Aislador Mangui	•Hylisolator.....	X61, X62	
12	VOE 4803745	REQ				•Hose	•Durit	•Schlauch	•Tubo flexible.....	•Slang.....		
13	VOE 4803746	REQ				•Hose	•Durit	•Schlauch	•Tubo flexible.....	•Slang.....		
14	VOE 4803748	REQ				•Hose	•Durit	•Schlauch	•Tubo flexible.....	•Slang.....		
15	VOE 4803751	REQ				•Hose	•Durit	•Schlauch	•Tubo flexible.....	•Slang.....		
16	VOE 4803752	REQ				•Hose	•Durit	•Schlauch	•Tubo flexible.....	•Slang.....		
17	VOE 949005	2				•Rcpt Housing	•Douille Isolan.	•Steckbuchse	•Aislador Mangui	•Hylisolator.....	X203,X204	



1		Ledningsmatta, mittpanel	Catalogue id	Group
2		Haz de cables, panel central	20002	371
3		Kabelbäume, Mitteltafel	Illustr. No	Section
4		Faisceau de câbles, pupitre central	1011883	675
5		Cable harness, panel	Issue	Page
		11891255	VOE 63H9920002	209

VOLVO

BL71

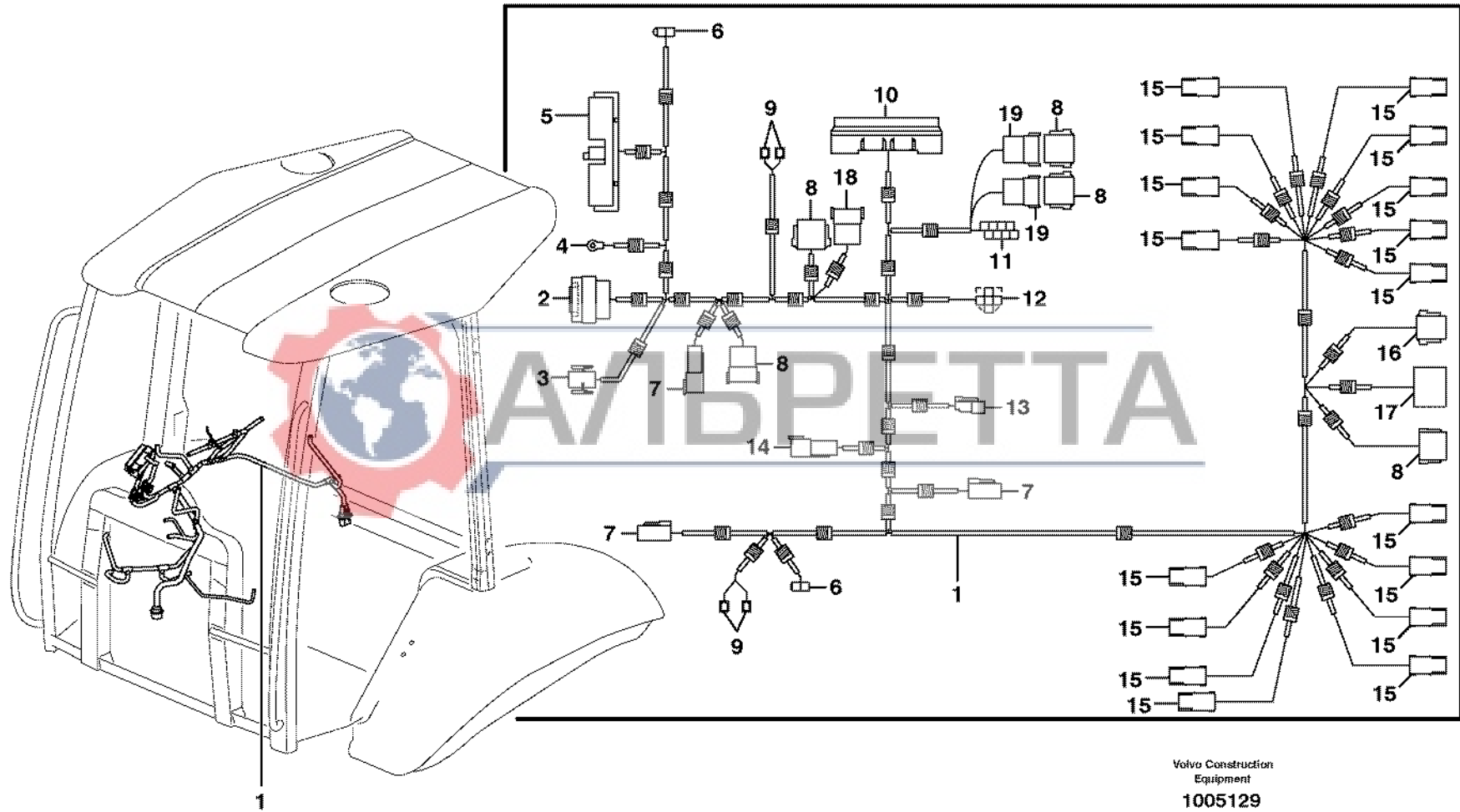
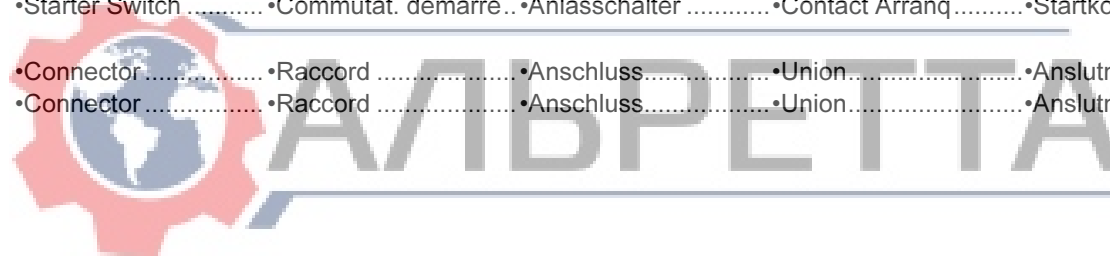


Fig.	Part No.	Quantity			P S	K I T	Description	Dénomination	Bezeichnung	Denominación	Benämning	Notes
		1	2	3								
1	VOE 11884511	1				Cable harness.....	Faisceau cables	Kabelbaum.....	Manejo cables	Ledningsmatta.....	RH SIDE DASHBOARD	
2		1			NS	•Connector	•Raccord	•Anschluss.....	•Union.....	•Anslutning.....	X7	
3		1			NS	•Connector	•Raccord	•Anschluss.....	•Union.....	•Anslutning.....	X140	
4		1			NS	•Cable terminal	•Cosse cable	•Flachsteckhülse	•Terminal cable	•Ledningssko.....	X160	
5		1			NS	•Connector	•Raccord	•Anschluss.....	•Union.....	•Anslutning.....	X2	
6		2			NS	•Housing	•Carter.....	•Gehäuse	•Carter	•Hus.....	X6, X208	
7	VOE 874957	3				•Housing	•Isolant	•Isolator	•Aislador	•Isolator.....	X5, X58, X50	
8	VOE 11709766	5				•Connector	•Raccord	•Anschluss.....	•Union.....	•Anslutning.....	X3,X9,X19,X20,X34	
9		4			NS	•Insulator.....	•Isolateur.....	•Isolator	•Aislador	•Isolator.....	X300,X301	
10		1			NS	•Fuse box.....	•Boite a fusibles	•Sicherungsdose	•Caja de fusibles	•Säkringsdosa.....	See group 372, Page 231	
11	VOE 1096614	1				•Insulator.....	•Isolateur.....	•Isolator	•Aislador	•Isolator.....	X27	
12		2			NS	•Insulator.....	•Isolateur.....	•Isolator	•Aislador	•Isolator.....	X221	
13	VOE 874955	1				•Insulator.....	•Isolateur.....	•Isolator	•Aislador	•Isolator.....	X139	
14	VOE 874802	1				•Housing	•Isolant	•Isolator	•Aislador	•Isolator.....	X51	
15	VOE 11881020	17				•Housing	•Carter.....	•Gehäuse	•Carter	•Hus.....	X120 - 136	
16	VOE 11709767	1				•Connector	•Raccord	•Anschluss.....	•Union.....	•Anslutning.....	X30	
17		1				•Starter Switch	•Commutat. demarre..	•Anlasschalter	•Contact Arranq.....	•Startkontakt.....	X8	
											See group 380, Page 235	
18	VOE 874965	1				•Connector	•Raccord	•Anschluss.....	•Union.....	•Anslutning.....	X48	
19	VOE 11988978	2				•Connector	•Raccord	•Anschluss.....	•Union.....	•Anslutning.....		



1		Ledningsmatta, manöverpanel höger Haz de cables, panel de mandos derecho Kabelbaum, rechte Bedientafel Faisceau de câbles, tableau de bord côté droit Cable harness, control panel right SER NO -11966	Catalogue id	Group
2			20002	371
3			Illustr. No	Section
4			1005129	700
5			Issue	Page
			VOE 63H9920002	211

VOLVO

BL71

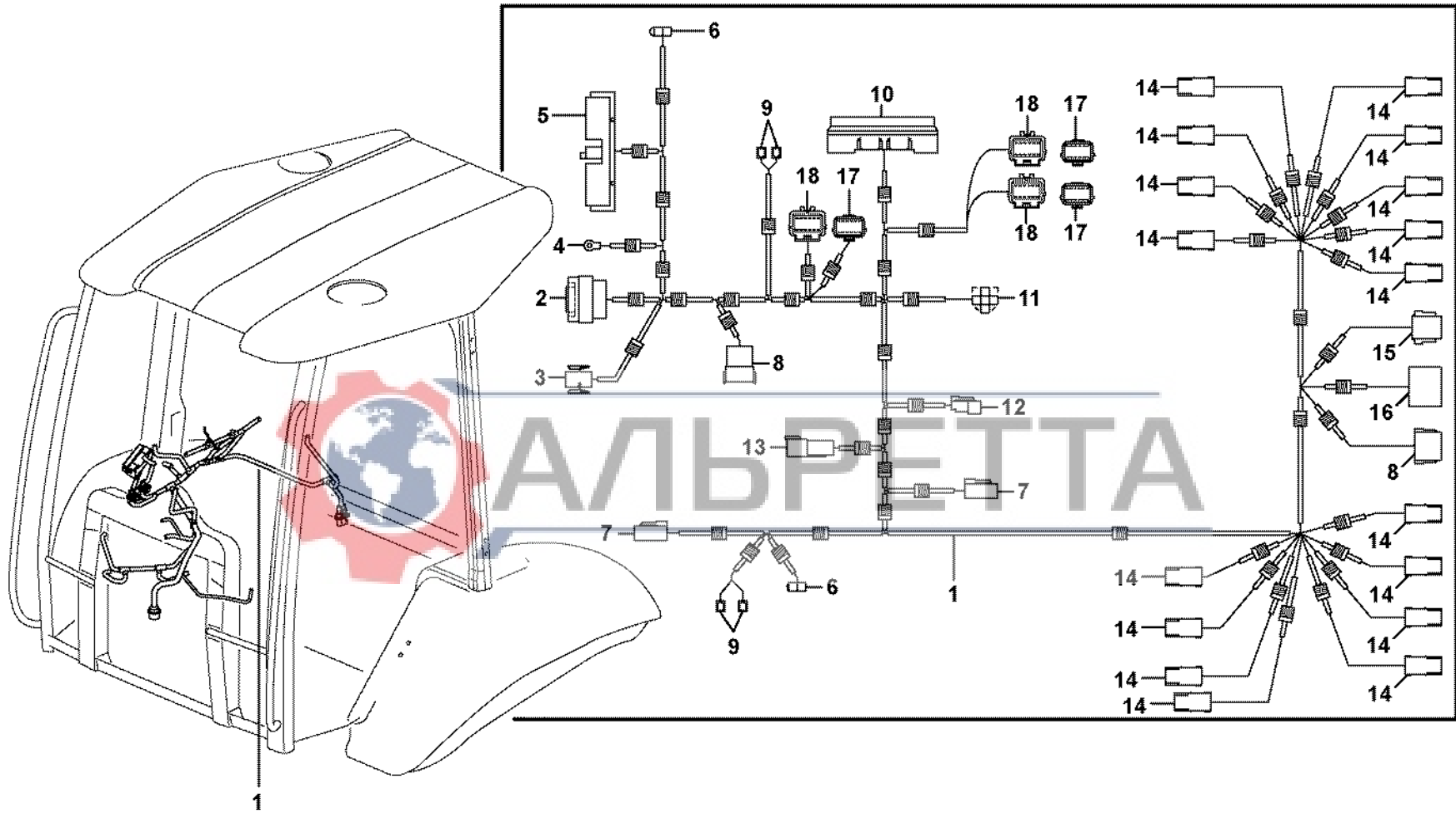
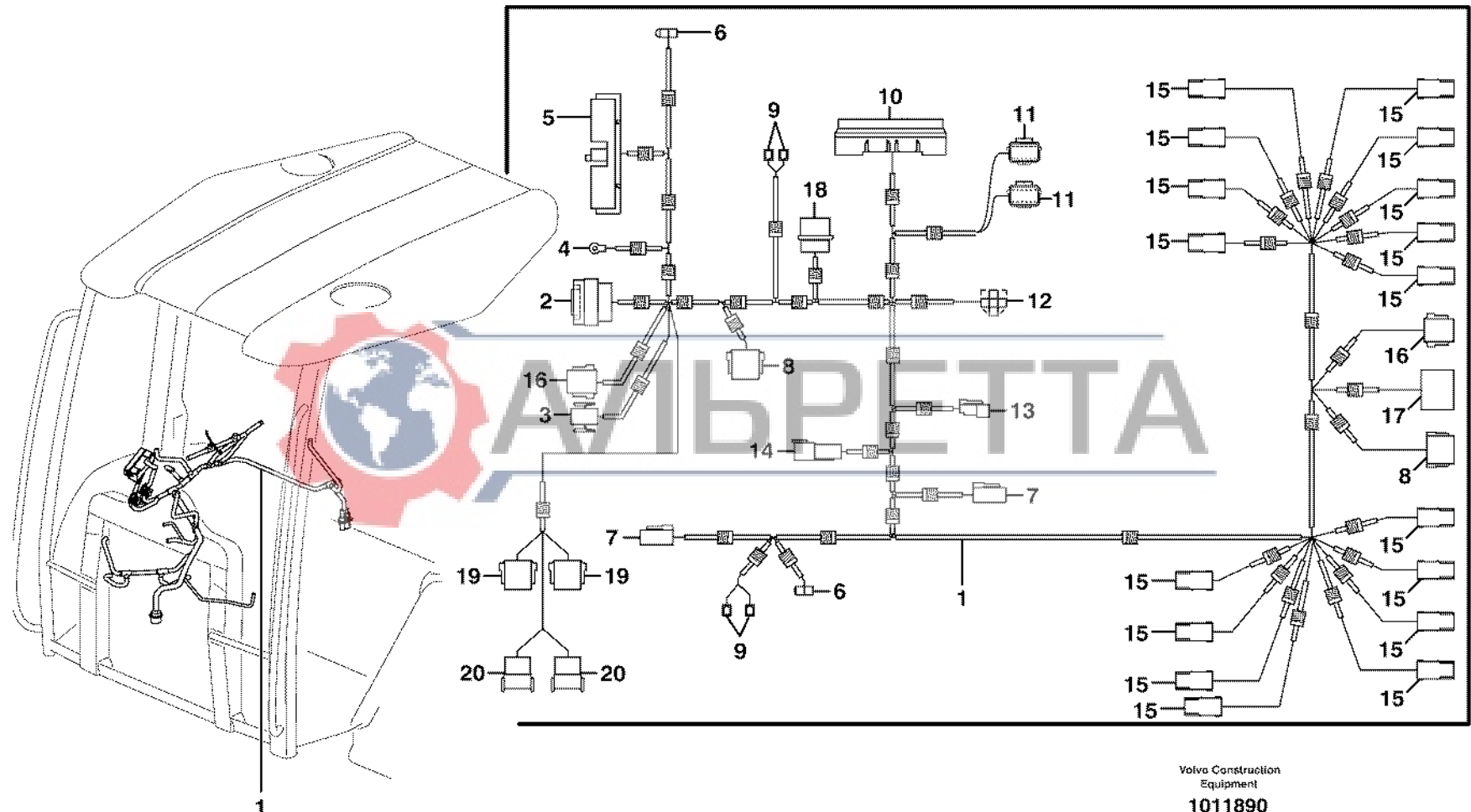


Fig.	Part No.	Quantity			P S	K I T	Description	Dénomination	Bezeichnung	Denominación	Benämning	Notes
		1	2	3								
1	VOE 1188639	1				Wire harness.....	Faisceau électrique....	Kabelbaum.....	Manejo cables.....	Ledningsmatta.....	RH SIDE DASHBOARD S/N 11967 - 13710	
1	VOE 11888002	1				Wire harness.....	Faisceau électrique....	Kabelbaum.....	Manejo cables.....	Ledningsmatta.....	S/N - 14669	
1	VOE 11888540	1				Wire harness.....	Faisceau électrique....	Kabelbaum.....	Manejo cables.....	Ledningsmatta.....	S/N 14670 -	
2		1			NS	•Connector.....	•Raccord.....	•Anschluss.....	•Union.....	•Anslutning.....	X7	
3		1			NS	•Connector.....	•Raccord.....	•Anschluss.....	•Union.....	•Anslutning.....	X140	
4		1			NS	•Cable terminal.....	•Cosse cable.....	•Flachsteckhülse.....	•Terminal cable.....	•Ledningssko.....	X160	
5		1			NS	•Connector.....	•Raccord.....	•Anschluss.....	•Union.....	•Anslutning.....	X2	
6		2			NS	•Housing.....	•Carter.....	•Gehäuse.....	•Carter.....	•Hus.....	X6, X208	
7	VOE 874957	2				•Housing.....	•Isolant.....	•Isolator.....	•Aislador.....	•Isolator.....	X58, X50	
7	VOE 874958	2				•Key.....	•Clavette.....	•Keil.....	•Llave (cuna).....	•Kil.....		
8	VOE 11709766	2				•Connector.....	•Raccord.....	•Anschluss.....	•Union.....	•Anslutning.....	X3,X9	
8	VOE 874967	2				•Key.....	•Clavette.....	•Keil.....	•Llave (cuna).....	•Kil.....		
9		4			NS	•Insulator.....	•Isolateur.....	•Isolator.....	•Aislador.....	•Isolator.....	X300,X301,X302,X303	
10		1			NS	•Fuse box.....	•Boite a fusibles.....	•Sicherungsdose.....	•Caja de fusibles.....	•Säkringsdosa.....	See group 372, Page 231	
11		2			NS	•Housing.....	•Carter.....	•Gehäuse.....	•Carter.....	•Hus.....	X221	
12	VOE 874955	1				•Insulator.....	•Isolateur.....	•Isolator.....	•Aislador.....	•Isolator.....	X139	
13	VOE 874802	1				•Housing.....	•Isolant.....	•Isolator.....	•Aislador.....	•Isolator.....	X51	
13	VOE 14370883	1				•Spacer.....	•Partie Intermédiaire.....	•Zwischenstück.....	•Espaciador.....	•Mellandel.....		
14	VOE 11881020	17				•Housing.....	•Carter.....	•Gehäuse.....	•Carter.....	•Hus.....	X120 - 136	
15	VOE 11709767	1				•Connector.....	•Raccord.....	•Anschluss.....	•Union.....	•Anslutning.....	X30	
16		1				•Starter Switch.....	•Commutat. demarre.....	•Anlasschalter.....	•Contact Arranq.....	•Startkontakt.....	X8 See group 380, Page 235	
17		3			NS	•Connector.....	•Raccord.....	•Anschluss.....	•Union.....	•Anslutning.....	X19,X20,X48	
18		3			NS	•Connector.....	•Raccord.....	•Anschluss.....	•Union.....	•Anslutning.....	X17,X18,X34	

1		Ledningsmatta, manöverpanel höger Haz de cables, panel de mandos derecho Kabelbaum, rechte Bedientafel Faisceau de câbles, tableau de bord côté droit Cable harness, control panel right	Catalogue id	Group
2			20002	371
3			Illustr. No	Section
4			1017432	710
5			Issue	Page
	11891209		VOE 63H9920002	213

VOLVO

BL71



Volvo Construction
Equipment
1011890

Fig.	Part No.	Quantity			P S	K I T	Description	Dénomination	Bezeichnung	Denominación	Benämning	Notes
		1	2	3								
1	VOE 11885600	1				Wire harness.....	Faisceau électrique....	Kabelbaum.....	Manejo cables.....	Ledningsmatta.....	RH SIDE DASHBOARD S/N - 12107	
1	VOE 11886638	1				Wire harness.....	Faisceau électrique....	Kabelbaum.....	Manejo cables.....	Ledningsmatta.....	S/N 12108 - 13710	
1	VOE 11888001	1				Wire harness.....	Faisceau électrique....	Kabelbaum.....	Manejo cables.....	Ledningsmatta.....	S/N 13711 - 14669	
1	VOE 11888539	1				Wire harness.....	Faisceau électrique....	Kabelbaum.....	Manejo cables.....	Ledningsmatta.....	S/N 14670 -	
2		1			NS	•Connector.....	•Raccord.....	•Anschluss.....	•Union.....	•Anslutning.....	X7	
3		1			NS	•Connector.....	•Raccord.....	•Anschluss.....	•Union.....	•Anslutning.....	X140	
4		1			NS	•Cable terminal.....	•Cosse cable.....	•Flachsteckhülse.....	•Terminal cable.....	•Ledningssko.....	X160	
5		1			NS	•Connector.....	•Raccord.....	•Anschluss.....	•Union.....	•Anslutning.....	X2	
6		2			NS	•Housing.....	•Carter.....	•Gehäuse.....	•Carter.....	•Hus.....	X6, X208	
7	VOE 874957	2				•Housing.....	•Isolant.....	•Isolator.....	•Aislador.....	•Isolator.....	X58, X50	
8	VOE 11709766	2				•Connector.....	•Raccord.....	•Anschluss.....	•Union.....	•Anslutning.....	X3, X9	
9		4			NS	•Insulator.....	•Isolateur.....	•Isolator.....	•Aislador.....	•Isolator.....	X300, X301	
10		1			NS	•Fuse box.....	•Boite a fusibles.....	•Sicherungsdose.....	•Caja de fusibles.....	•Säkringsdosa.....	See group 372, Page 231	
11		2			NS	•Connector.....	•Raccord.....	•Anschluss.....	•Union.....	•Anslutning.....	X17, X18	
12		2			NS	•Housing.....	•Carter.....	•Gehäuse.....	•Carter.....	•Hus.....	X221	
13	VOE 874955	1				•Insulator.....	•Isolateur.....	•Isolator.....	•Aislador.....	•Isolator.....	X139	
14	VOE 874802	1				•Housing.....	•Isolant.....	•Isolator.....	•Aislador.....	•Isolator.....	X51	
15	VOE 11881020	17				•Housing.....	•Carter.....	•Gehäuse.....	•Carter.....	•Hus.....	X120 - 136	
16	VOE 11709767	1				•Connector.....	•Raccord.....	•Anschluss.....	•Union.....	•Anslutning.....	X30	
17		1				•Starter Switch.....	•Commutat. demarre.....	•Anlasschalter.....	•Contact Arranq.....	•Startkontakt.....	X8	
18		1			NS	•Connector.....	•Raccord.....	•Anschluss.....	•Union.....	•Anslutning.....	X48	
19		2			NS	•Insulator.....	•Isolateur.....	•Isolator.....	•Aislador.....	•Isolator.....	X21, X22	
20		2			NS	•Connector.....	•Raccord.....	•Anschluss.....	•Union.....	•Anslutning.....	X25, X26	

1		Ledningsmatta, manöverpanel höger Haz de cables, panel de mandos derecho Kabelbaum, rechte Bedientafel Faisceau de câbles, tableau de bord côté droit Cable harness, control panel right	Catalogue id	Group
2			20002	371
3			Illustr. No	Section
4			1011890	725
5			Issue	Page
		11891255	VOE 63H9920002	215

VOLVO

BL71



Fig.	Part No.	Quantity			P S	K I T	Description	Dénomination	Bezeichnung	Denominación	Benämning	Notes
		1	2	3								
1	VOE 11883593	1				Cable harness.....	Faisceau cables	Kabelbaum	Manojo cables	Ledningsmatta.....		
2	VOE 874802	1				•Housing	•Isolant	•Isolator	•Aislador	•Isolator.....		
3	VOE 874954	1				•Connector	•Raccord	•Anschluss.....	•Union.....	•Anslutning.....		
4	VOE 874959	1				•Housing	•Isolant	•Isolator	•Aislador	•Isolator.....		
5		2			NS	•Relay Socket	•Socle Relais.....	•Relaissockel.....	•Zocalo Rele.....	•Reläsocket.....		
6	VOE 970795	1				Cable terminal.....	Cosse cable	Flachsteckhülse	Terminal cable.....	Ledningssko.....		

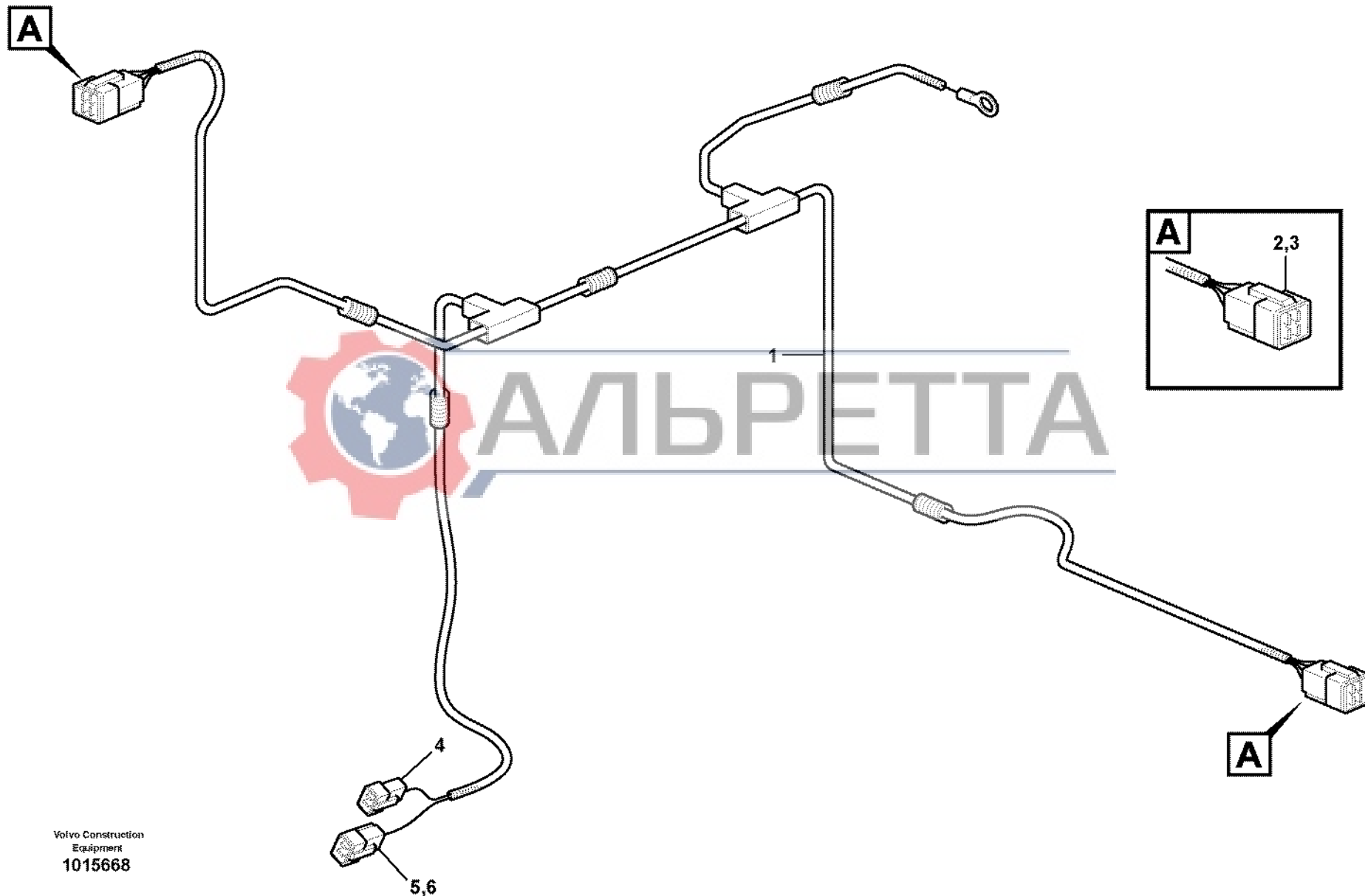


1		Ledningsmatta värme och kylanläggning Cableado de equipo de calefacción y refrigeración Kabelbaum, Heizung und Kühlung Faisceau de câbles, chauffage et refroidissement Cable harness heater and air conditioning	Catalogue id	Group
2			20002	371
3			Illustr. No	Section
4			1013209	750
5			Issue	Page
		11298028, 11298197	VOE 63H9920002	217

VOLVO



BL71



Volvo Construction
Equipment
1015668

Fig.	Part No.	Quantity			P S	K I T	Description	Dénomination	Bezeichnung	Denominación	Benämning	Notes	
		1	2	3									
1	VOE 11885713	1				Wire harness..... Faisceau électrique Kabelbaum Manojó cables Ledningsmatta..... •CONNECTED TO:..... •CONNECTÉ A: •ANGESCHLOSSEN: •CONECTADO A:..... •ANSLUTER TILL:..... ••Ground ••Terre ••Erde ••Tierra ••Jord..... X131 ••Solenoid valve ••Vanne electrom. ••Magnetventil ••Electrovalvula ••Magnetventil..... X131 ••Parking Brake ••Frein Parking ••Feststellbremse ••Freno Estacion..... ••Parkeringsbroms..... X80 ••Hydraulic Lever Swit ••Commutateur, levier ••Hydraulikhebel Sch.. ••Hydraulic Lever Swit ••Hydraulspak ströms. X132							
2	VOE 874957	2				•Housing •Isolant •Isolator •Aislador •Isolator..... X131, X132							
3	VOE 874958	2				•Key •Clavette..... •Keil •Llave (cuna) •Kil.....							
4	VOE 874955	1				•Insulator •Isolateur •Isolator •Aislador •Isolator..... X80							
5	VOE 874954	1				•Connector •Raccord •Anschluss..... •Union..... •Anslutning..... X80							
6	VOE 14370881	1				•Spacer •Partie Intermédiaire .. •Zwischenstück •Espaciador •Mellandel.....							



1		Ledningsmatta, 4 i 1	Catalogue id	Group
2		Wire harness 4 in 1	20002	371
3		Kabelbaum 4 in 1	Illustr. No	Section
4		Faisceau de câbles 4 en 1	1015668	800
5		Wire harness 4 in 1	Issue	Page
		11891349, 11891354	VOE 63H9920002	219

VOLVO

BL71

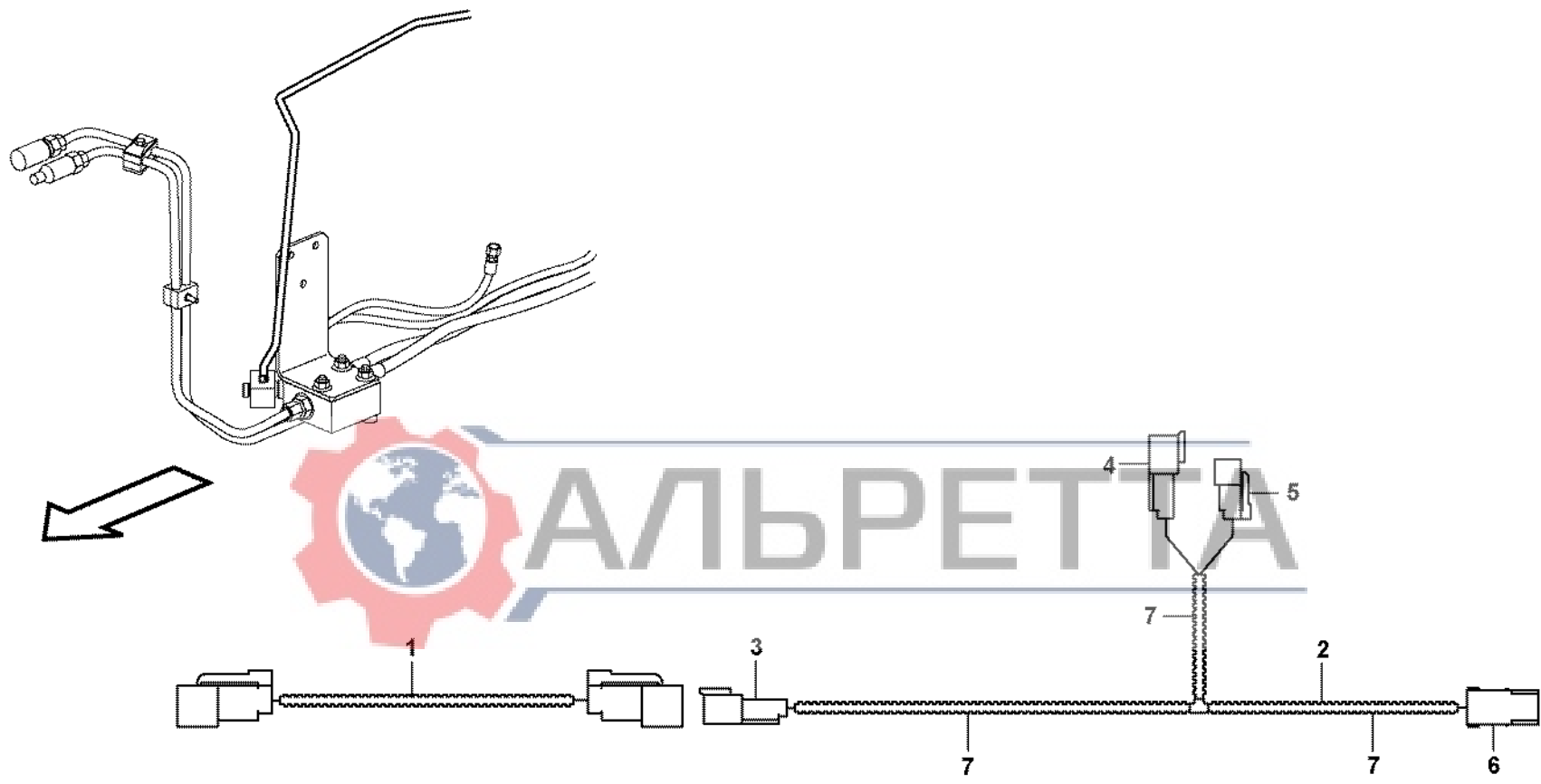
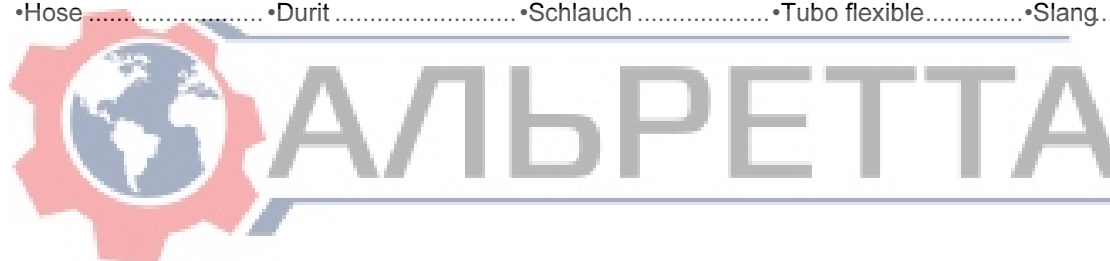


Fig.	Part No.	Quantity			P S	K I T	Description	Dénomination	Bezeichnung	Denominación	Benämning	Notes
		1	2	3								
1	VOE 11886626	1					Cable..... Câble..... Seil..... Cable..... Lina..... •CONNECTED TO:.....•CONNECTÉ A:.....•ANGESCHLOSSEN:.....•CONECTADO A:.....•ANSLUTER TILL:..... •Hand tool cab•Câble outil main.....•Handwerkzeug, Kab •Cabina de herramie. •Handverktyg hytt..... X 337 •Hand tool valve.....•Distrib. outil main.....•Handwerkzeugventil •Válvula de herramie. •Handverktyg ventil... X339					
2	VOE 11886627	1					Cable..... Câble..... Seil..... Cable..... Lina..... •CONNECTED TO:.....•CONNECTÉ A:.....•ANGESCHLOSSEN:.....•CONECTADO A:.....•ANSLUTER TILL:..... •Hand tool chassis h. •Faisceau câbles ch. •Handwerkzeug Fahr •Mazo de chasis de ..•Handverktyg chassi X337 •Hand tool switch•Commutateur outil ..•Handwerkzeugscha. •Conmutador de herr. •Handverktyg ströms X338 •Code lock•Serrure codée.....•Codeschloss•Bloqueo de código...•Kodlås..... X58					
3	VOE 874954	1					•Connector•Raccord•Anschluss.....•Union.....•Anslutning.....					
	VOE 14370881	1					•Spacer•Partie Intermédiaire ..•Zwischenstück•Espaciador•Mellandel.....					
4	VOE 874802	1					•Housing•Isolant•Isolator•Aislador•Isolator.....					
	VOE 14370883	1					•Spacer•Partie Intermédiaire ..•Zwischenstück•Espaciador•Mellandel.....					
5	VOE 874957	1					•Housing•Isolant•Isolator•Aislador•Isolator.....					
	VOE 874958	1					•Key•Clavette.....•Keil.....•Llave (cuna)•Kil.....					
6	VOE 11881020	1					•Housing•Carter.....•Gehäuse•Carter•Hus.....					
7	VOE 4803746	REQ					•Hose•Durit•Schlauch•Tubo flexible.....•Slang.....					



1		Ledningsmatta, handverktyg hydr.	Catalogue id	Group
2		Mazo de cables, hidráulica de herramienta manual	20002	371
3		Kabelbaum, Handwerkzeughydraulik	Illustr. No	Section
4		Faisceau câbles, circuit hydr. outil main	1018138	810
5		Cable harness, hand tool hydraulic	Issue	Page
		11891333	VOE 63H9920002	221

VOLVO

BL71

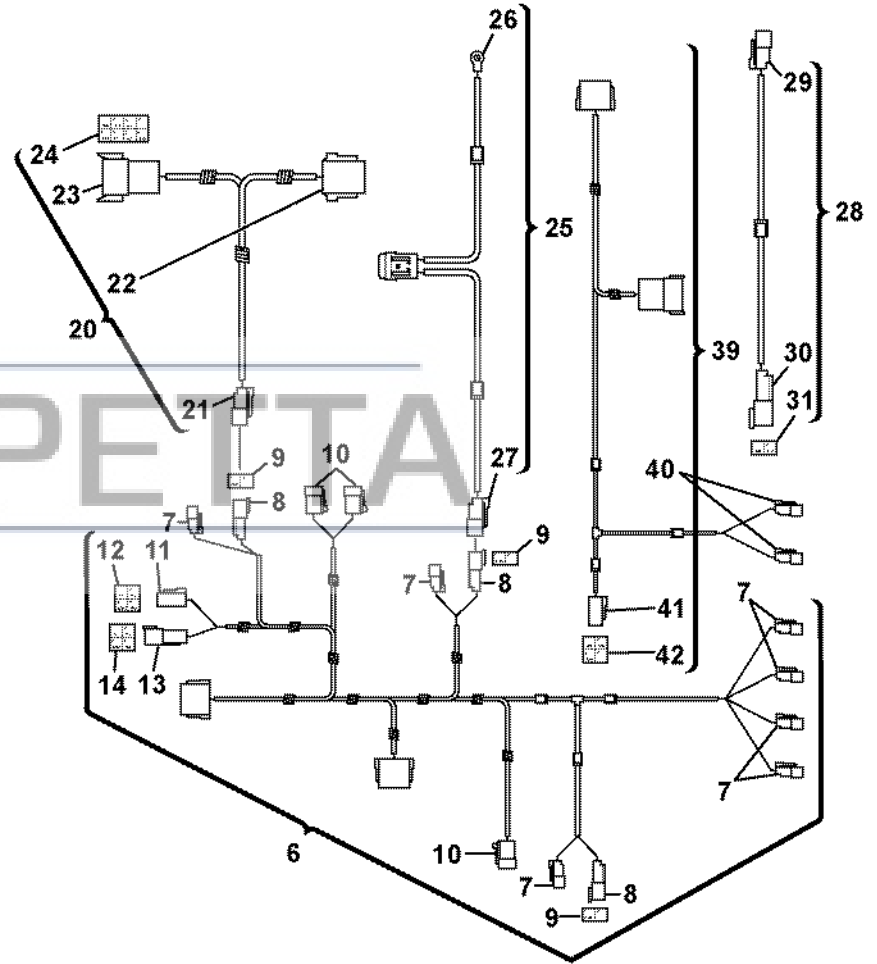
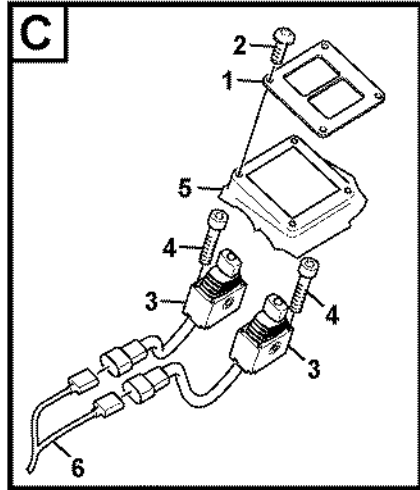
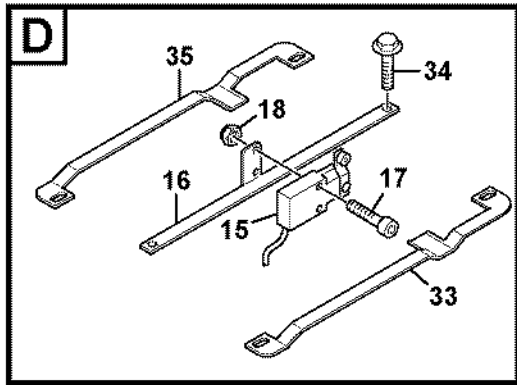
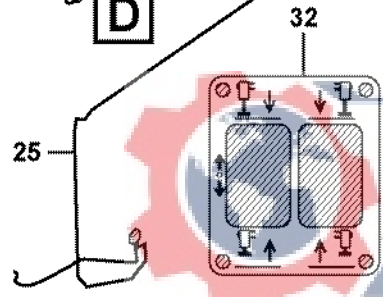
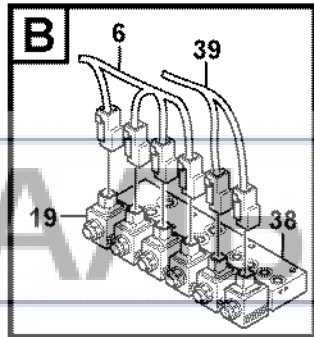
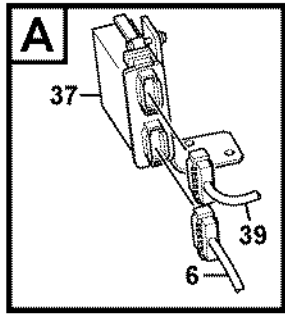
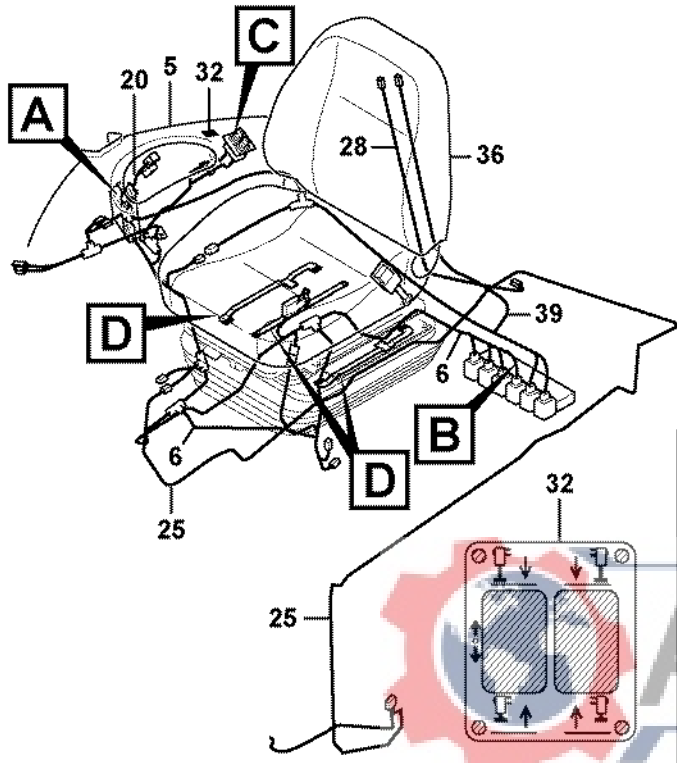
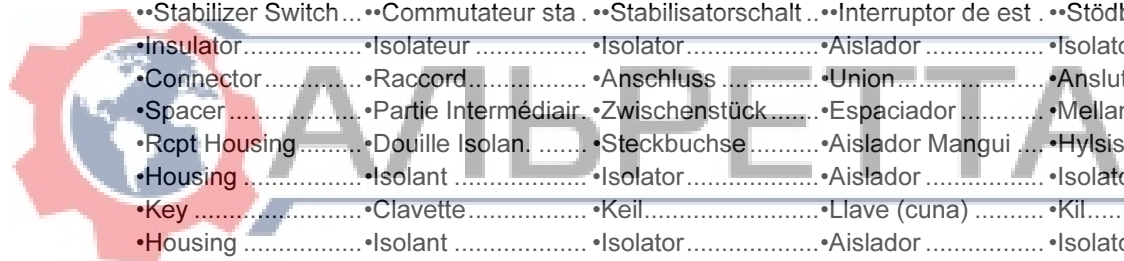


Fig.	Part No.	Quantity					P S	K T	Description	Dénomination	Bezeichnung	Denominación	Benämning	Notes
		1	2	3	4	5								
1		1	1	1	1		NS	Support Plate	Plaque Support	Stützplatte	Placa Apoyo	Stödplatta		
2	VOE 969278	4	4	4	4			Six Point Socket Sc Vis à six pans creu	Innensechskantsc	Tornillo de cabeza	Sexkantsskruv			
3	VOE 11886974	2	2	2	2			Lever	Levier	Hebel	Palanca	Spak		
4	VOE 982176	8	8	8	8			Six Point Socket Sc Vis à six pans creu	Innensechskantsc	Tornillo de cabeza	Sexkantsskruv			
5		1	1	1	1			Side Panel	Panneau Lateral	Seit Verkl	Panel Lateral	Sidopanel	See group 881, Page 513	
6	VOE 11887265	1	1	1	1			Wire harness	Faisceau electriqu	Kabelbaum	Manejo cables	Ledningsmatta		
								•CONNECTED TO:	•CONNECTÉ A:	•ANGESCHLOSSE	•CONECTADO A:	•ANSLUTER TILL:		
								•Anti Theft	•Protection antivol	•Diebstahlschutz	•Antirrobo	•Stöldskydd	X58	
								•Right side Harne	•Faisceau de câbl	•Kabelbaum recht	•Cableado lado de	•Höger ledningsm	X58	
								•HECU	•Unité H-ECU	•HECU	•HECU	•HECU	X371	
								•Extending Dipper	•Faisceau de câbl	•Stielverlängerung	•Cableado de braz	•Förlängning skaft	X378	
								•Seat Switch	•Commutateur siè	•Sitzschalter	•Interruptor de asi	•Stol strömställare	X380	
								•Boom Lock Valve	•Valve de verrouilla	•Ausleger, Rücksc	•Válvula de bloque	•Bomlåsventil	X384	
								•Rear Valve Harne	•Faisceau de câbl	•Rückwärtiges Ven	•Cableado válvula	•Bakre ventil ledni	X385	
								•Stabilizer Valve	•Valve stabilisateu	•Stabilisatorventil	•Válvula de estabili	•Stödben ventil	X374-X377	
								•Hydraulic Option	•Option hydrauliqu	•Hydraulik Zusatza	•Opción hidráulica	•Hydraulik tillval	X372, 373, X388, X389	
								•Stabilizer Switch	•Commutateur sta	•Stabilisatorschalt	•Interruptor de est	•Stödben strömstä	X368, X369	
7	VOE 874955	7	7	7	7			•Insulator	•Isolateur	•Isolator	•Aislador	•Isolator		
8	VOE 874954	3	3	3	3			•Connector	•Raccord	•Anschluss	•Union	•Anslutning		
9	VOE 14370881	3	3	3	3			•Spacer	•Partie Intermédiair	•Zwischenstück	•Espaciador	•Mellandel		
10	VOE 874654	3	3	3	3			•Rcpt Housing	•Douille Isolant	•Steckbuchse	•Aislador Mangui	•Hylsisolator		
11	VOE 874957	1	1	1	1			•Housing	•Isolant	•Isolator	•Aislador	•Isolator		
12	VOE 874958	1	1	1	1			•Key	•Clavette	•Keil	•Llave (cuna)	•Kil		
13	VOE 874802	1	1	1	1			•Housing	•Isolant	•Isolator	•Aislador	•Isolator		
14	VOE 14370883	1	1	1	1			•Spacer	•Partie Intermédiair	•Zwischenstück	•Espaciador	•Mellandel		
15	VOE 11887649	1	1	1	1			Switch	Commutateur	Schalter	Contactador	Strömställare		
16	VOE 11887635	1	1	1	1			Bracket	Console	Konsole	Ménsula	Konsol		
17	VOE 969557	2	2	2	2			6-pt skt screw	Vis creuse de 6	Hohlschraube	Racor 6-dientes	Sextandhålskruv		
18	VOE 975237	2	2	2	2			Lock nut	Contre-ecrou	Sicherungsmutter	Contratuerca	Låsmutter		
19		1	1	1	1			Valve	Soupape	Ventil	Valvula	Ventil	See group 911, Page 637	



1	11891479, 11891480	Ledningsmatta, pilotstyrda grävreglage Mazo de cables, mandos piloto de excavadora Kabelbaum, vorgesteuerte Bagger-Bedienelemente Faisceau de câbles, servocommande hydraulique creusement Cable harness, Pilot Excavator Controls	Catalogue id	Group
2	11891481		20002	371
3	11891482, 11891487		Illustr. No	Section
4	11891409		1018634	900
5			Issue	Page
		VOE 63H9920002	223	

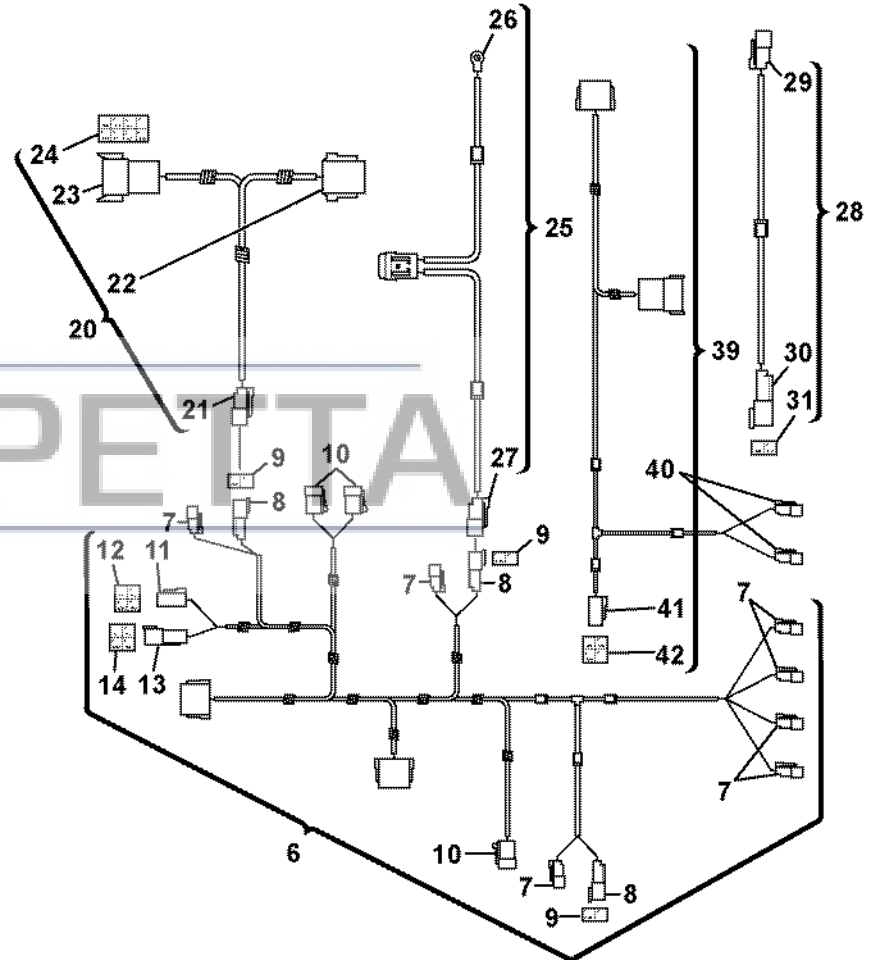
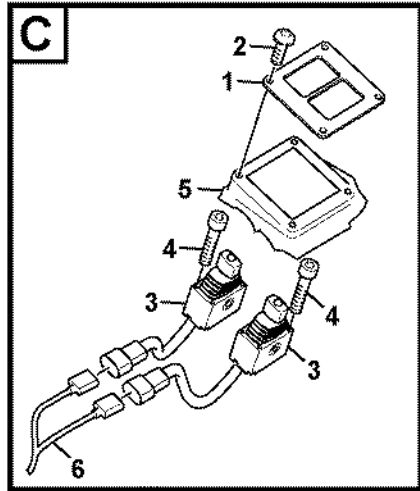
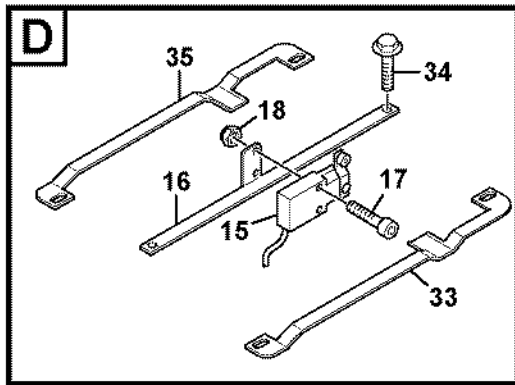
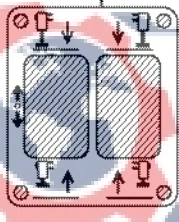
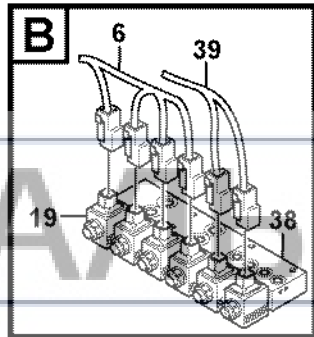
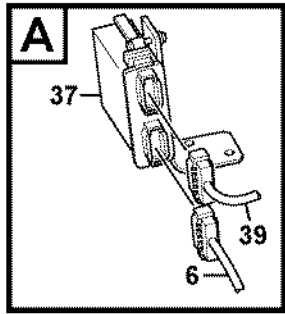
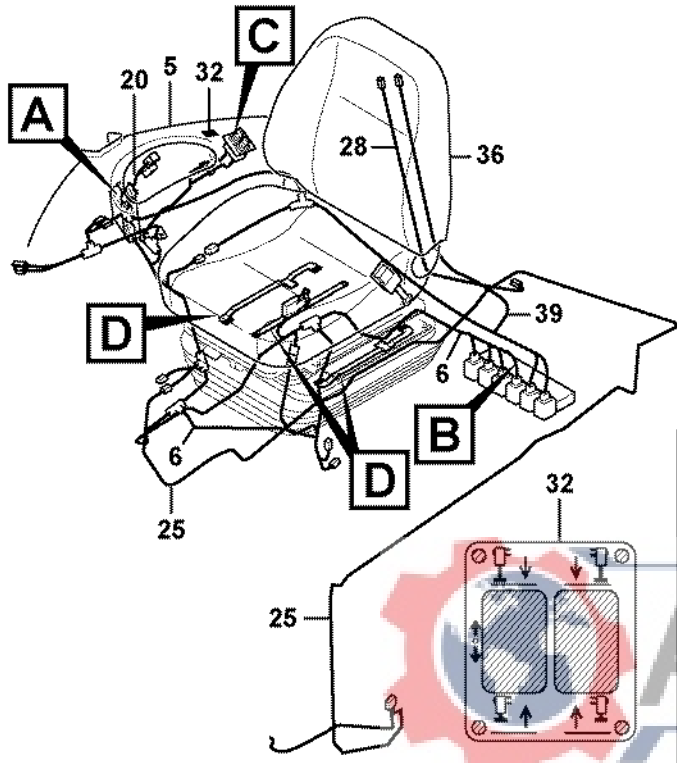


Fig.	Part No.	Quantity					P S	K I T	Description	Dénomination	Bezeichnung	Denominación	Benämning	Notes
		1	2	3	4	5								
20	VOE 11887348	1	1	1	1			Wire harness..... Faisceau electriqu .. Kabelbaum..... Manoj cables Ledningsmatta..... •CONNECTED TO: •CONNECTÉ A: •ANGESCHLOSSE •CONECTADO A: ... •ANSLUTER TILL:.. ••Right side Harne ..•Faisceau de câbl.. •Kabelbaum rech ..•Cableado lado de. •Höger ledningsm. X391 ••Stabilizer El. Harn •Faisceau de câbl.. •Stabilisator, Kabe ••Cableado del est.. •Stödben lednings. X389 ••Right Instrument ..•Ensemble instru ... •Instrumententafel, ••Grupo de instrum . •Höger kombiinstr.. X390						
21	VOE 874955	1	1	1	1			•Insulator..... •Isolateur •Isolator..... •Aislador •Isolator.....						
22	VOE 11709767	1	1	1	1			•Connector..... •Raccord..... •Anschluss •Union •Anslutning.....						
23	VOE 874114	1	1	1	1			•Connector..... •Raccord..... •Anschluss •Conexión •Anslutning.....						
24	VOE 14370887	1	1	1	1			•Key •Clavette..... •Keil..... •Llave (cuna) •Kil.....						
25	VOE 11887260	1	1	1	1			Cable Câble Seil..... Cable Lina..... •CONNECTED TO: •CONNECTÉ A: •ANGESCHLOSSE •CONECTADO A: ... •ANSLUTER TILL:.. ••Stabilizer El. Harn •Faisceau de câbl.. •Stabilisator, Kabe ••Cableado del est.. •Stödben lednings. X373 ••Battery..... •Batterie •Batterie •Bateria •Batteri..... X370						
26	VOE 881508	1	1	1	1			•Cable terminal •Cosse cable •Kabelschuh..... •Terminal cable..... •Ledningssko.....						
27	VOE 874955	1	1	1	1			•Insulator..... •Isolateur •Isolator..... •Aislador •Isolator.....						
28	VOE 11887267	1	1	1	1			Wire harness..... Faisceau electriqu .. Kabelbaum..... Manoj cables Ledningsmatta..... •CONNECTED TO: •CONNECTÉ A: •ANGESCHLOSSE •CONECTADO A: ... •ANSLUTER TILL:.. ••Front Dashboard ..•Faisceau de câbl.. •Vorderes Armatur ••Cableado del pan. •Främre instr. pan. X354 ••Horn •Avertisseur sonor. •Signalhorn •Avisador sonoro ... •Signalhorn..... X386						
29	VOE 874955	1	1	1	1			•Insulator..... •Isolateur •Isolator..... •Aislador •Isolator.....						
30	VOE 874954	1	1	1	1			•Connector..... •Raccord..... •Anschluss •Union •Anslutning.....						
31	VOE 14370881	1	1	1	1			•Spacer..... •Partie Intermédiair. •Zwischenstück •Espaciador •Mellandel.....						
32	VOE 11887630	1	1	1	1			Decal..... Decalcomanie..... Abziehbild Decalcomania..... Dekal.....						
33	VOE 11887634	1	1	1	1			Stop Plate Plaque Butee..... Stopplatte..... Placa Tope Anslagsplatta.....						
34	VOE 946441	2	2	2	2			Flange screw Vis à bride Flanschschraube Torn embridado Flänsskruv.....						
35	VOE 11887640	1	1	1	1			Stop Plate Plaque Butee..... Stopplatte..... Placa Tope Anslagsplatta.....						
36		1	1	1	1			Seat Siège conducteur ... Sitz..... Asiento Stol.....					See group 852, Page	
37		1	1	1	1			ECU ECU..... ECU ECU..... ECU.....					See group 372, Page 231	
38				1	1			Valve Soupape..... Ventil..... Valvula..... Ventil.....					See group 911, Page 637	
39	VOE 11887266			1	1			Wire harness..... Faisceau electriqu .. Kabelbaum..... Manoj cables Ledningsmatta.....						



1	11891479, 11891480	Ledningsmatta, pilotstyrda grävreglage Mazo de cables, mandos piloto de excavadora Kabelbaum, vorgesteuerte Bagger-Bedienenelemente Faisceau de câbles, servocommande hydraulique creusement Cable harness, Pilot Excavator Controls	Catalogue id	Group
2	11891481		20002	371
3	11891482, 11891487		Illustr. No	Section
4	11891409		1018634	900
5			Issue	Page
		VOE 63H9920002	225	

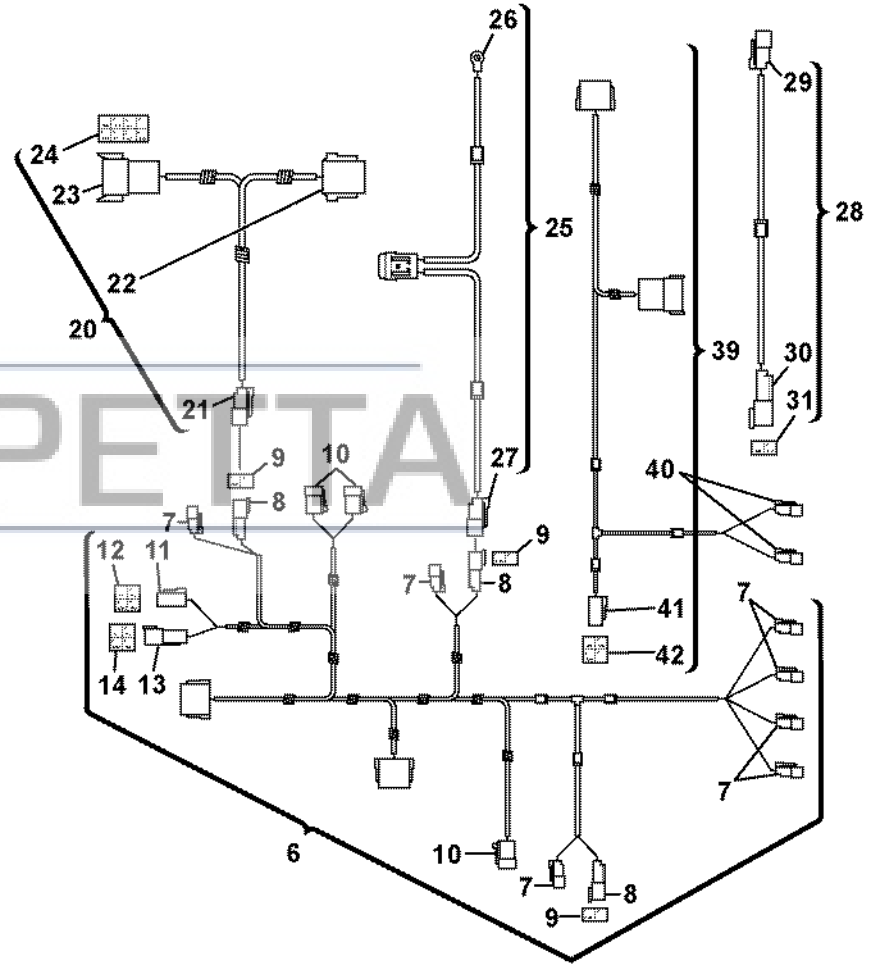
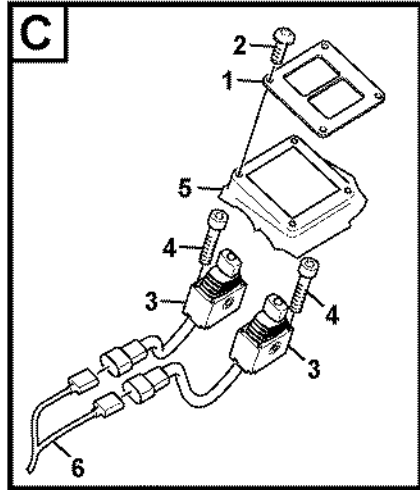
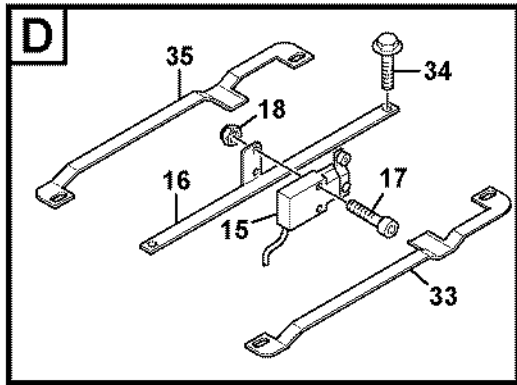
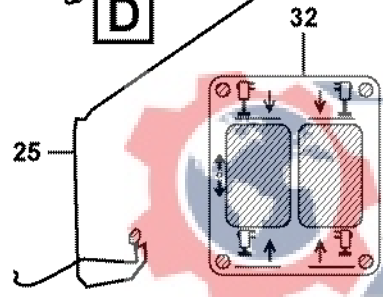
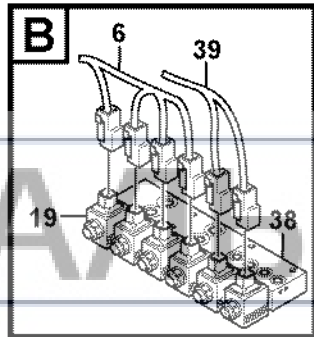
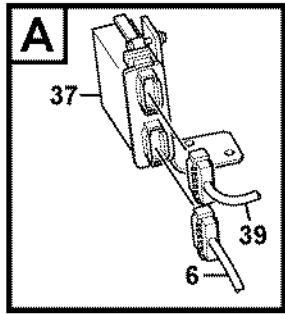
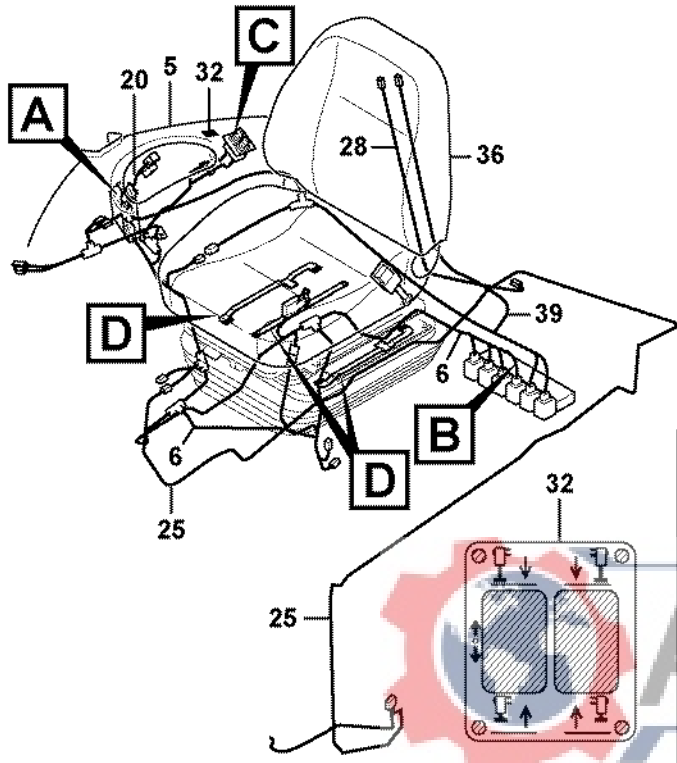


Fig.	Part No.	Quantity					P S	K I T	Description	Dénomination	Bezeichnung	Denominación	Benämning	Notes
		1	2	3	4	5								
								•CONNECTED TO: •CONNECTÉ A: •ANGESCHLOSSE •CONECTADO A:... •ANSLUTER TILL:..						
								•HECU •Unité H-ECU •HECU •HECU •HECU..... X379						
								•Ext. Dipper •Faisceau de câbl. •Stielverlängerung, •Cableado de braz •Förlängning skaft. X378						
								•Ext. Dipper Switch •Balancier télesco •Stielverlängerung, •Interruptor de braz •Förläng skaft strö. X381						
								•Ext. Dipper Valve •Valve balancier tél •Stielverlängerung, •Válvula de brazo e •Förläng skaft venti X382, X383						
40	VOE 874955		2	2				•Insulator •Isolateur •Isolator •Aislador •Isolator.....						
41	VOE 874957		1	1				•Housing •Isolant •Isolator •Aislador •Isolator.....						
42	VOE 874958		1	1				•Key •Clavette •Keil •Llave (cuna) •Kil.....						



1	11891479, 11891480	Ledningsmatta, pilotstyrda grävreglage Mazo de cables, mandos piloto de excavadora Kabelbaum, vorgesteuerte Bagger-Bedienelemente Faisceau de câbles, servocommande hydraulique creusement Cable harness, Pilot Excavator Controls	Catalogue id	Group
2	11891481		20002	371
3	11891482, 11891487		Illustr. No	Section
4	11891409		1018634	900
5			Issue	Page
			VOE 63H9920002	227

VOLVO

BL71

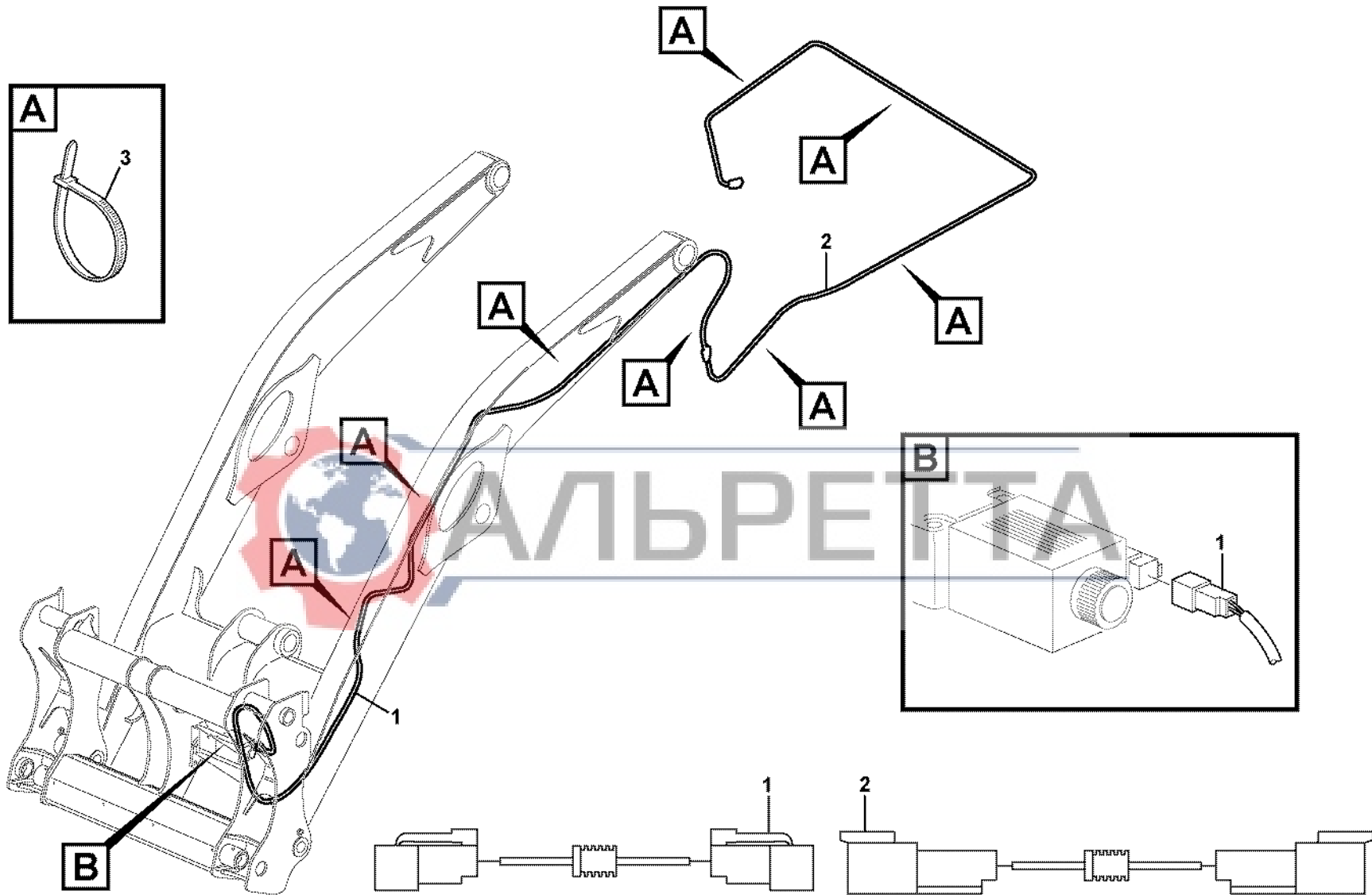


Fig.	Part No.	Quantity			P S	K I T	Description	Dénomination	Bezeichnung	Denominación	Benämning	Notes
		1	2	3								
1	VOE 11886448	1					Wire harness..... Faisceau électrique Kabelbaum	Manojo cables	Ledningsmatta.....			
							•CONNECTED TO:..... •CONNECTÉ A:	•ANGESCHLOSSEN:.....	•CONECTADO A:.....	•ANSLUTER TILL:.....		
							•Quick Attach Loader •Chargeuse avec por	•Schnellwechsler La..	•Enganche rápido ca.	•Snabbfäste lastaggr.	X 141	
2	VOE 11886368	1					Wire harness..... Faisceau électrique Kabelbaum	Manojo cables	Ledningsmatta.....			
							•CONNECTED TO:..... •CONNECTÉ A:	•ANGESCHLOSSEN:.....	•CONECTADO A:.....	•ANSLUTER TILL:.....		
							•Quick Attach chassi. •Châssis avec porte-	•Schnellwechsler Fa .	•Enganche rápido ch.	•Snabbfäste ram.....	X140	
3	VOE 14016673	36					Strip Clamp	Ruban Serrage.....	Kabelbinder	Abraz Cinta	Bandklamma.....	
							•Quick Attach valve... •Distributeur, porte-o.	•Schnellwechsler Ve .	•Enganche rápido vá.	•Snabbfäste ventil.....	X77	



1		Ledningsmatta, lastaggregat snabbfäste Mazo de cables, enganche rápido cargadora Kabelbäume, Lader Schnellwechsler Faisceau de câbles, porte-outil à accouplement rapide Cable harness, Loader Quick Attach	Catalogue id	Group
2			20002	371
3			Illustr. No	Section
4			1019574	950
5			Issue	Page
		11891238	VOE 63H9920002	229

VOLVO

BL71

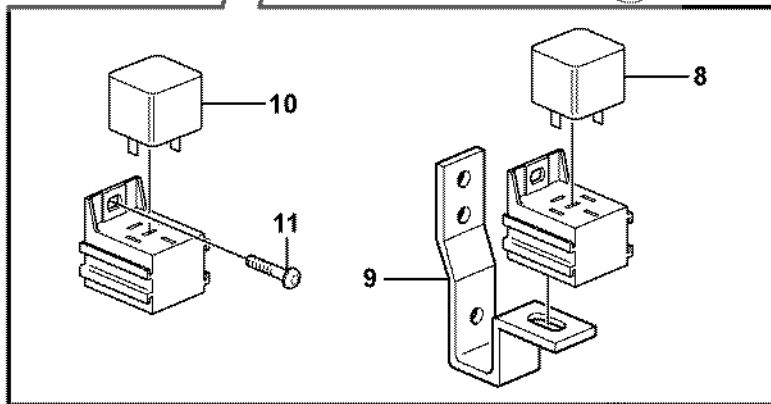
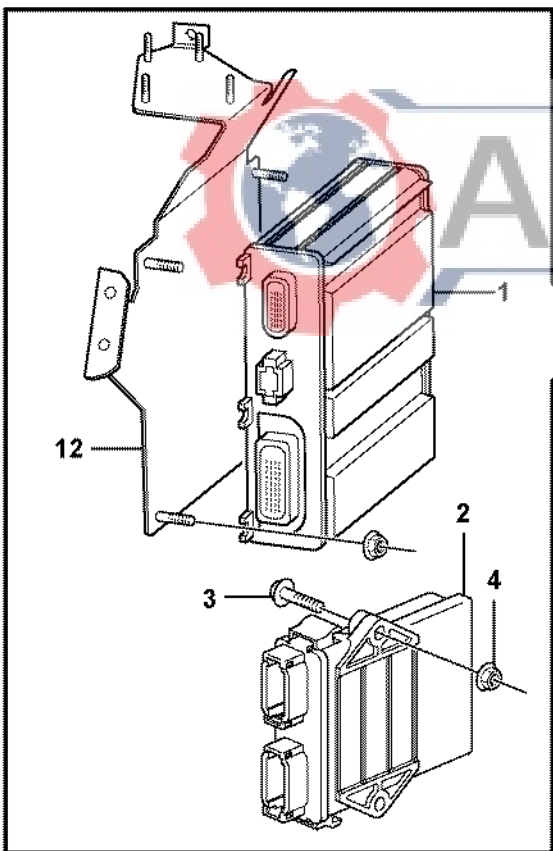
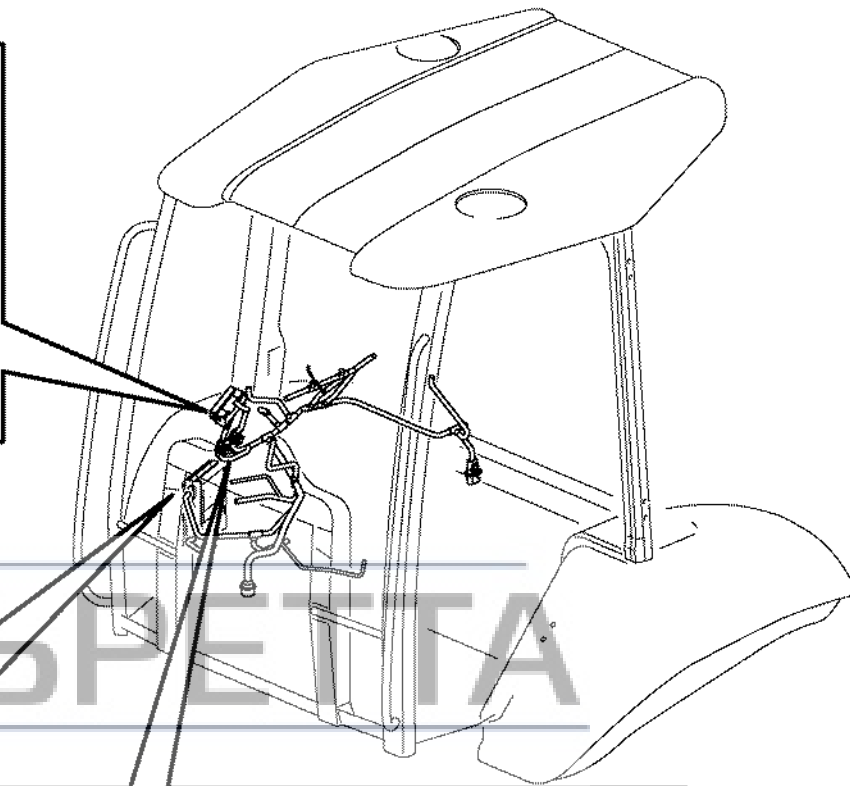
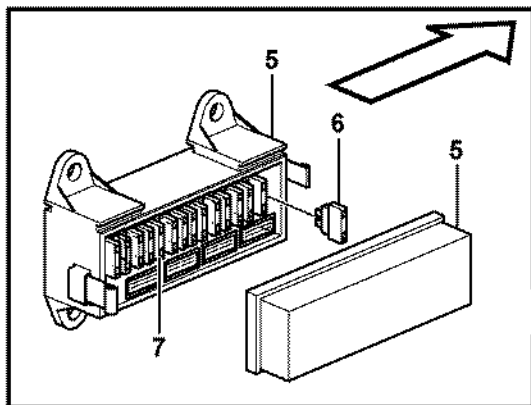


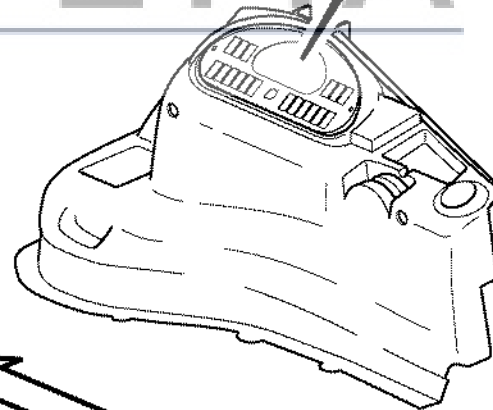
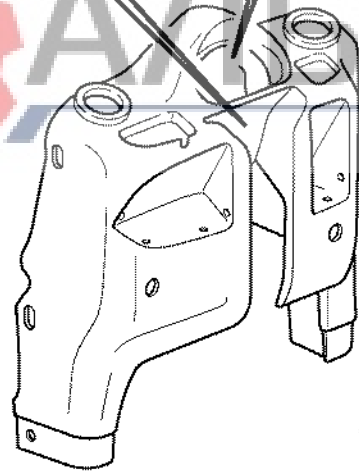
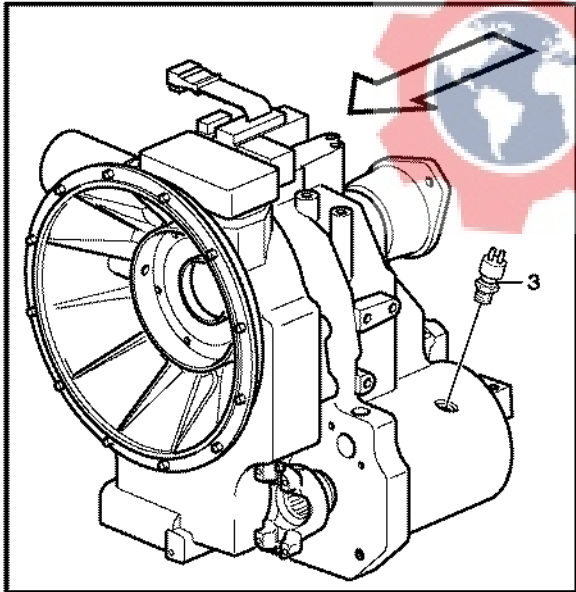
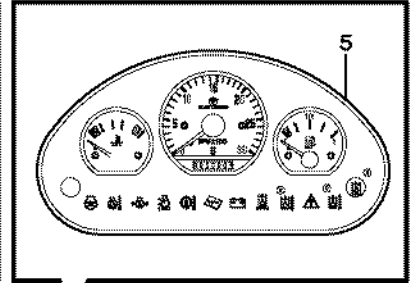
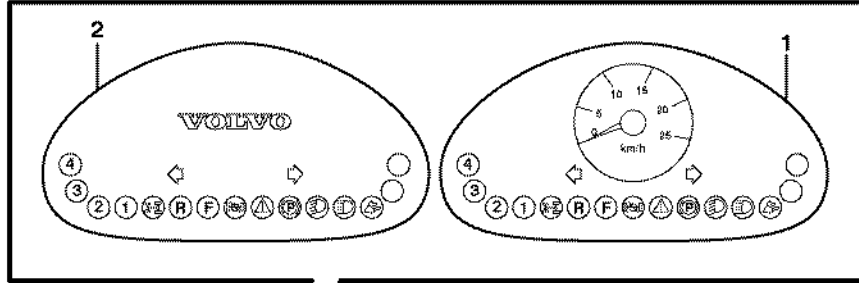
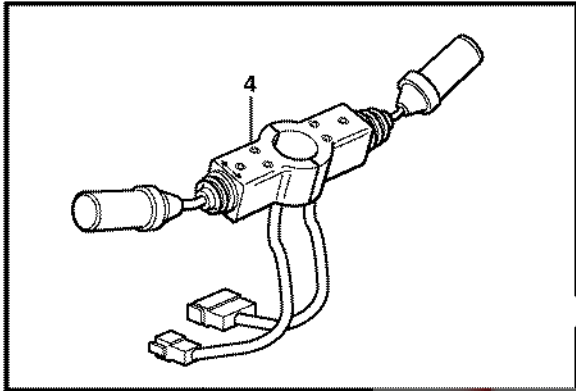
Fig.	Part No.	Quantity					P S	K T	Description	Dénomination	Bezeichnung	Denominación	Benämning	Notes
		1	2	3	4	5								
1	VOE 11886347	1						ECU	ECU.....	ECU	ECU.....	ECU.....	(VOE 11884008)	
2	VOE 11886047		1					ECU	ECU.....	ECU	ECU.....	ECU.....	S/N - 14669	
2	VOE 11888852		1					ECU	ECU.....	ECU	ECU.....	ECU.....	S/N 14670 -	
2	VOE 11887258			1	1	1		ECU	ECU.....	ECU	ECU.....	ECU.....		
3	VOE 13948356		2	2	2	2		Flange screw	Vis à bride	Flanschschraube	Torn embridado	Flänsskruv.....		
4	VOE 13945407		2	2	2	2		Nut	Ecrou	Mutter.....	Tuerca	Mutter.....		
5	VOE 11870026	1	1					Fuse box	Boite a fusibles.....	Sicherungsdose	Caja de fusibles.....	Säkringsdosa.....		
6	VOE 969161	15	15					•Fuse	•Fusible	•Schmelzsicherung	•Fusible.....	•Smältsäkring.....	10A	
7	VOE 978999	1	1					•Fuse	•Fusible	•Schmelzsicherung	•Fusible.....	•Smältsäkring.....	20A	
8	VOE 11305263	2	2					Relay.....	Relais	Relais.....	Rele	Relä.....		
9	VOE 11200885	1	1					Anchorage	Fixation.....	Halterung	Fijacion	Fäste.....		
10	VOE 11305263	2	2					Relay.....	Relais	Relais.....	Rele	Relä.....		
11	VOE 969278	2	2					Six Point Socket Sc	Vis à six pans creu	Innensechskantsc...	Tornillo de cabeza	Sexkantsskruv.....	(VOE 13969278)	
12	VOE 11885991	1	1					Bracket.....	Console	Konsole.....	Ménsula.....	Konsol.....	11880005	



1	11891209	Elcentral och styrenhet Central eléctrica Elektrozentrale Centrale de électricité Electrical distribut.unit and control unit	Catalogue id	Group
2	11891255		20002	372
3	11891479, 11891480		Illustr. No	Section
4	11891481, 11891482		1011894	100
5	11891487, 11891409		Issue	Page
			VOE 63H9920002	231

VOLVO

BL71



Volvo Construction
Equipment
1006688

Fig.	Part No.	Quantity					P S	K I T	Description	Dénomination	Bezeichnung	Denominación	Benämning	Notes
		1	2	3	4	5								
1	VOE 11883051	1							Instr Panel.....	Planche de bord	Instr Tafel.....	Panel Instrum	Instrumentpanel.....	Speed = Km/h S/N - 14669
1	VOE 11888769	1							Instrument panel.....	Tableau de bord	Instrumententafel....	Tablero de instrum .	Instrumentpanel.....	S/N 14670 -
1	VOE 11883583		1				OP		Instr Panel.....	Planche de bord	Instr Tafel.....	Panel Instrum	Instrumentpanel.....	Speed = m.p.h
2	VOE 11882535			1					Instr Panel.....	Planche de bord	Instr Tafel.....	Panel Instrum	Instrumentpanel.....	Without speedometer
3	VOE 4880804	1	1						Ind Sensor	Emett.induction	Induktionsgeber	Sensor Inducc	Indukt.givare.....	
3	VOE 11888534	1							Induction sensor	Commande tachy ...	Drehzahlschalter.....	Sensor tacometro ...	Induktionsgivare.....	S/N 14670 -
4	VOE 11882493				1				Switch	Commutateur.....	Schalter.....	Contacteur.....	Strömställare.....	
	VOE 11886084					1			Switch	Commutateur.....	Schalter.....	Contacteur.....	Strömställare.....	
	VOE 11709756				1				•Switch.....	•Commutateur	•Schalter	•Contacteur.....	•Strömställare.....	LH
	VOE 11715917				1				•Switch.....	•Commutateur	•Schalter	•Contacteur.....	•Strömställare.....	LH
	VOE 11709757				1	1			•Switch.....	•Commutateur	•Schalter	•Contacteur.....	•Strömställare.....	RH
	VOE 955245				1	1			•Hexagon screw.....	•Vis tête hexagonal	•Sechskantschraub .	•Tornillo hexago.....	•Sexkantsskruv.....	
5	VOE 11884151				1		SS		Instrument panel.....	Tableau de bord	Instrumententafel....	Tablero de instrum .	Instrumentpanel.....	S/N - 13218
	VOE 11887447				1				Instrument panel.....	Tableau de bord	Instrumententafel....	Tablero de instrum .	Instrumentpanel.....	S/N 13219 -



1	11891278	Instrumentpanel Panel de instrumentos Armaturenbrett Tableau de bord Instrument panel	Catalogue id	Group
2	11891279		20002	380
3	11891280		Illustr. No	Section
4	STD		1006688	100
5	11891255		Issue	Page
			VOE 63H9920002	233

VOLVO

BL71

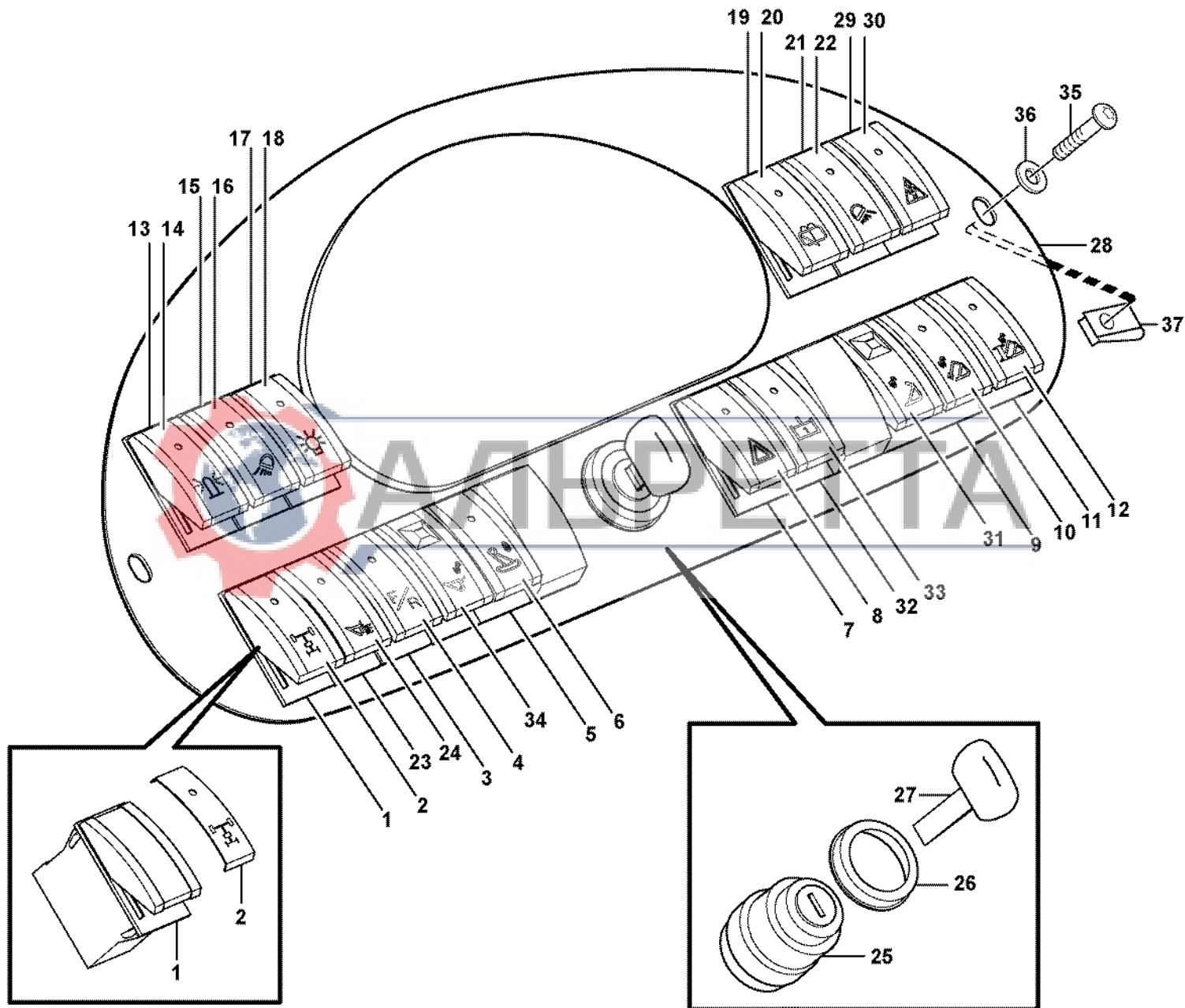


Fig.	Part No.	Quantity			P S	K T	Description	Dénomination	Bezeichnung	Denominación	Benämning	Notes
		1	2	3								
1	VOE 11882865	1					Rocker Switch	Commutateur à basc..	Wippschalter	Interruptor oscilante ..	Vaggomkopplare.....	11891209, 11891255
2	VOE 11883061	1					Symbol.....	Symbole	Symbol	Simbolo	Symbol.....	11891209, 11891255
3	VOE 11883221	1					Switch	Commutateur	Schalter	Contactador.....	Strömställare.....	
4	VOE 11882868	1					Symbol.....	Symbole	Symbol	Simbolo	Symbol.....	
5	VOE 11882865	1					Rocker Switch	Commutateur à basc..	Wippschalter	Interruptor oscilante ..	Vaggomkopplare.....	
6	VOE 11883068	1					Symbol.....	Symbole	Symbol	Simbolo	Symbol.....	
7	VOE 11890297	1					Switch	Commutateur	Schalter	Contactador.....	Strömställare.....	
8	VOE 11883067	1					Symbol.....	Symbole	Symbol	Simbolo	Symbol.....	
9	VOE 11882865	1					Rocker Switch	Commutateur à basc..	Wippschalter	Interruptor oscilante ..	Vaggomkopplare.....	
10	VOE 11890074	1					Symbol.....	Symbole	Symbol	Simbolo	Symbol.....	
11	VOE 11882865	1					Rocker Switch	Commutateur à basc..	Wippschalter	Interruptor oscilante ..	Vaggomkopplare.....	
12	VOE 11890073	1					Symbol.....	Symbole	Symbol	Simbolo	Symbol.....	
13	VOE 11882865	1					Rocker Switch	Commutateur à basc..	Wippschalter	Interruptor oscilante ..	Vaggomkopplare.....	
14	VOE 11890076	1					Symbol.....	Symbole	Symbol	Simbolo	Symbol.....	
15	VOE 11882275	1					Switch	Commutateur	Schalter	Contactador.....	Strömställare.....	
16	VOE 11883103	1					Symbol.....	Symbole	Symbol	Simbolo	Symbol.....	
17	VOE 11882275	1					Switch	Commutateur	Schalter	Contactador.....	Strömställare.....	
18	VOE 11883065	1					Symbol.....	Symbole	Symbol	Simbolo	Symbol.....	
19	VOE 11890298	1					Switch	Interrupteur	Trennschalter	Interruptor	Brytare	
20	VOE 11883066	1					Symbol.....	Symbole	Symbol	Simbolo	Symbol.....	
21	VOE 11882275	1					Switch	Commutateur	Schalter	Contactador.....	Strömställare.....	
22	VOE 11890070	1					Symbol.....	Symbole	Symbol	Simbolo	Symbol.....	
23	VOE 11882275	1					Switch	Commutateur	Schalter	Contactador.....	Strömställare.....	11891293
24	VOE 11883062	1					Symbol.....	Symbole	Symbol	Simbolo	Symbol.....	11891293
25	VOE 11881365	1					Starter Switch.....	Commutat. demarreu.	Anlasschalter.....	Contact Arranq	Startkontakt.....	X8
26		1			NS		•Symbol strip.....	•Ruban symbole.....	•Symbolreihe	•Disco simbolos.....	•Symbolskiva.....	
27	VOE 11306919	REQ			K		•Key	•Cle	•Schlüssel.....	•Llave	•Nyckel.....	2338)
28		1					Panel.....	Panneau.....	Verkleidung	Plancha	Panel.....	See group 881, Page 513

2338) **GB:** Keys, only to be sold in pairs. **FR:** Clés, vendues uniquement par paires **DE:** Schlüssel, werden nur paarweise verkauft. **ES:** Llaves, sólo se venden por pares. **SE:** Nycklar, säljes endast parvis.

1	Strömställare Interruptor Schalter Interrupteur Switch	Catalogue id	Group
2		20002	380
3		Illustr. No	Section
4		1023365	200
5		Issue	Page
		VOE 63H9920002	235

VOLVO

BL71

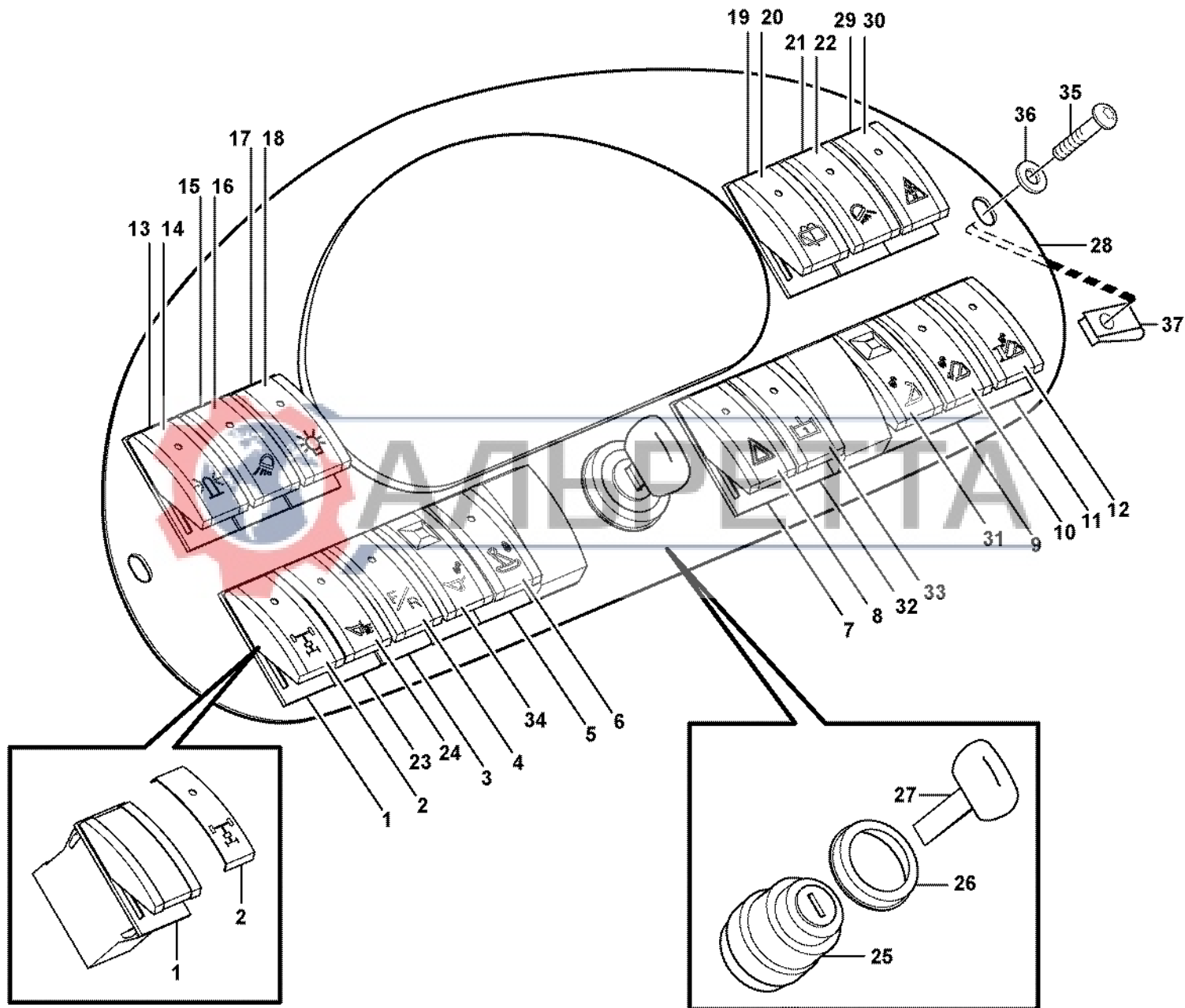


Fig.	Part No.	Quantity			P S	K I T	Description	Dénomination	Bezeichnung	Denominación	Benämning	Notes
		1	2	3								
29	VOE 11884079	1				Switch	Commutateur	Schalter	Contactador	Strömställare	11891326	
30	VOE 11890075	1				Symbol	Symbole	Symbol	Simbolo	Symbol	11891326	
31	VOE 11883064	1				Switch	Commutateur	Schalter	Contactador	Strömställare	11891323	
	VOE 11883064	1				Switch	Commutateur	Schalter	Contactador	Strömställare	2335) 11891362	
32	VOE 11882865	1				Rocker Switch	Commutateur à basc..	Wippschalter	Interruptor oscilante ...	Vaggomkopplare	11891333	
33	VOE 11885734	1				Symbol	Symbole	Symbol	Simbolo	Symbol	11891333	
34	VOE 11883063	1				Switch	Commutateur	Schalter	Contactador	Strömställare	11891238	
35	VOE 969147	2				Screw	Vis	Schraube	Tornillo	Skruv		
36	VOE 960139	2				Washer	Rondelle	Scheibe	Arandela	Bricka		
37	VOE 949921	2				Spring Nut	Ecrou Ressort	Fed. Schliessmutter ...	Tuerca Resorte	Fjädermutter		



2335) S/N - 12838, 12841 - 12856, 12858 - 12865, 12868 - 12891, 12895 - 12904, 12911, 12913, 12914, 12917 - 12923, 12931 - 12954, 12956 - 12973, 12978 - 12986, 12989 - 13040

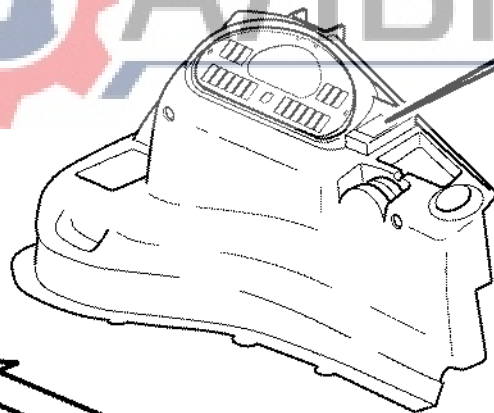
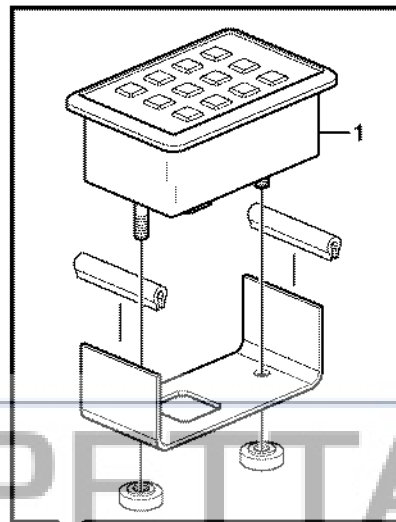
1	Strömställare Interruptor Schalter Interrupteur Switch	Catalogue id	Group
2		20002	380
3		Illustr. No	Section
4		1023365	200
5		Issue	Page
		VOE 63H9920002	237

VOLVO

BL71



АДЪРЕТТА



Valvo Construction
Equipment
1010396

Fig.	Part No.	Quantity			P S	K I T	Description	Dénomination	Bezeichnung	Denominación	Benämning	Notes
		1	2	3								
1	VOE 11883409	1					Keypad.....	Clavier.....	Tastatur.....	Teclado	Knappsats.....	



1		Stöldlarmsats Antirrobo Diebstahlalarm-Kit Kit alarme antivol Anti-theft Kit 11891332	Catalogue id	Group
2			20002	380
3			Illustr. No	Section
4			1010396	250
5			Issue	Page
			VOE 63H9920002	239

VOLVO



BL71

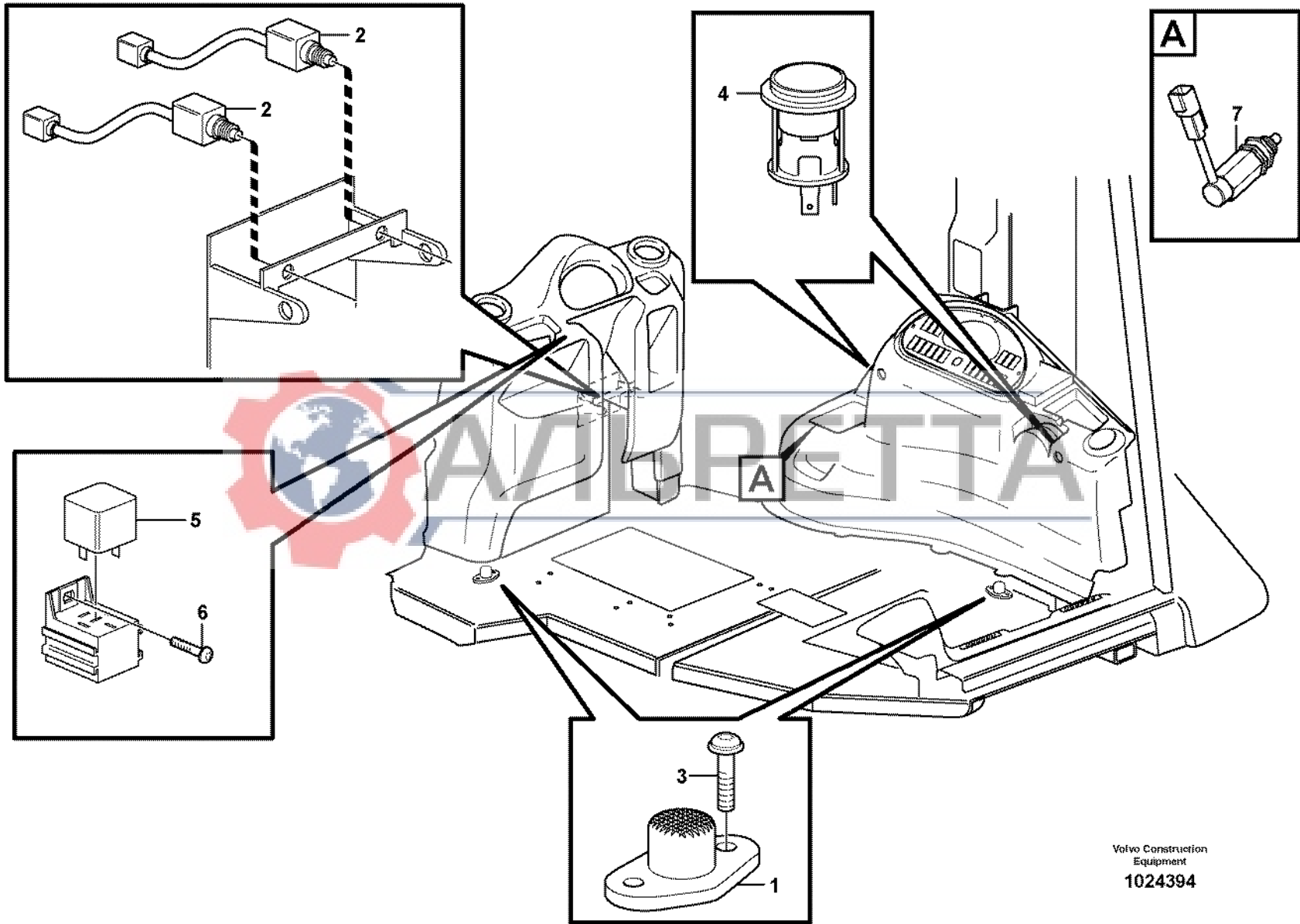


Fig.	Part No.	Quantity			P S	K I T	Description	Dénomination	Bezeichnung	Denominación	Benämning	Notes
		1	2	3								
1	VOE 1589502	1	1			Foot Operated Switch	Contacteur Au Pied	Fusschalter.....	Contacto Freno	Fotkontakt.....		
2		2				Stop Lt Switch	Contacteur Stop	Br Lichtschalt.....	Cont Luz Freno	Bromsljuskont.....	X61, X62 See group 525, Page 393	
3	VOE 969278	2	2			Six Point Socket Scre	Vis à six pans creux ...	Innensechskantschra .	Tornillo de cabeza he.	Sexkantsskruv.....	(VOE 13969278)	
4	VOE 11039750	2				Electrical plug.....	Fiche	Steckdose	Toma eléctrica.....	Eluttag.....		
5	VOE 11305263	1				Relay.....	Relais	Relais	Rele.....	Relä.....	11891209, 11891255 S/N 14670 -	
6	VOE 969278	1				Six Point Socket Scre	Vis à six pans creux ...	Innensechskantschra .	Tornillo de cabeza he.	Sexkantsskruv.....	11891209, 11891255 S/N 14670 -	
7		1				Switch	Commutateur	Schalter	Contactador.....	Strömställare.....	See group 551, Page 397	



1	STD	Fotströmställare och strömuttag Interruptor de pie y toma de corriente Fußschalter und Stromanschluss Commutateur au pied et prise d'alimentation Foot switch and electric power outlet	Catalogue id	Group
2	11891294		20002	380
3			Illustr. No	Section
4			1024394	350
5			Issue	Page
		VOE 63H9920002	241	

VOLVO

BL71



VOLVO

АЛЬРЕТТА

Construction Equipment

GROUP		Section	Page	GROUP		Section	Page
414	Torque converter with fitting parts.....	100	249	460	Planet axles with fitting parts.....	100	331
420	Hydraulic transmission with fitting parts 11891209 S/N - 14669.....	100	251	460	Planet axles with fitting parts S/N 14670 -	150	333
420	Hydraulic transmission with fitting parts 11891209 S/N 14670 -	110	255	461	Planetary axle, front	100	335
420	Hydraulic transmission with fitting parts 11891255.....	150	259	461	Pinion 11891270	150	339
420	Hydraulic transmission with fitting parts 11891255 S/N 14670 -	160	263	461	Pinion S/N 14670 -	160	341
421	Oil filler and dipstick	150	267	461	Differential , front axle 11880005, 11891270	200	343
421	Oil pump 11891209 S/N - 14669	200	269	461	Drive axle	250	345
421	Oil pump 11891209 S/N 14670 -	205	271	461	Wheel hub 11880005, 11891270	300	347
421	Oil pump 11891255 S/N - 14669	225	273	461	Planetary gear 11880005, 11891270	350	349
421	Oil pump 11891255 S/N 14670 -	230	275	463	Planet shaft, rear 11891270.....	100	351
421	Clutch shaft forward/reverse 11891209 S/N - 14669.....	250	277	463	Planet shaft, rear 11880005 S/N 14670 -	110	353
421	Clutch shaft forward/reverse 11891209 S/N 14670 -	260	279	463	Pinion 11891270	150	355
421	Clutch shaft forward/reverse 11891255	275	281	463	Pinion S/N 14670 -	160	357
421	Reverse and primary shaft 11891209.....	300	283	463	Differential. Rear 11891270	200	359
421	Reverse and primary shaft 11891255.....	325	285	463	Differential. Rear	210	361
421	Secondary shaft 11891209 S/N - 14669.....	350	287	463	Wheel hub 11891270	250	363
421	Secondary shaft 11891209 S/N 14670 -	360	291	463	Hub reduction, rear axle S/N 14670 -	260	365
421	Secondary shaft 11891255.....	375	295	463	Planetary gear 11891270.....	300	367
421	Hydraulic clutch, 4wd 11891209.....	400	299	468	Differential lock 11891270.....	100	369
421	Shaft, four wheel drive 11891209 S/N 14670 -	410	303	468	Differential lock S/N 14670 -	110	371
421	Hydraulic clutch, 4wd 11891255	425	305	468	Differential lock 11880005 S/N 14670 -	150	373
421	Gearshifting 11891209.....	450	309	491	Oil cooler, transmission.....	100	375
421	Gearshifting 11891209 S/N 14670 -	470	311				
421	Control valve 11891255.....	475	313				
421	Range selector valve 11891209	500	315				
421	Range selector valve 11891209, 11891224 S/N 14670 -	525	319				
421	Solenoid valve 4wd 11891209	550	321				
424	Gear selector 11891209	100	323				
436	Gear box housing with fitting parts 11891209, 11891255.....	100	325				
451	Propeller shaft, mounting 11891209, 11891255	100	327				
451	Propeller shaft 11891209, 11891255.....	150	329				

INDEX OF CONTENTS	Catalogue id 20002	Group 400
	Issue VOE 63H9920002	Page 243

VOLVO

BL71

TABLE DES MATIÈRES				Catalogue id	
				20002	
				Group	
				400	
				Issue	
				VOE 63H9920002	
		244			

GROUPE	Section	Page	GROUPE	Section	Page		
414	Convertisseur de couple avec pièces de montage	100	249	451	Arbre à cardans 11891209, 11891255.....	150	329
420	Transmission avec pièces de montage 11891209 S/N - 14669	100	251	460	Train planétaire avec pièces de montage	100	331
420	Transmission avec pièces de montage 11891209 S/N 14670 -	110	255	460	Train planétaire avec pièces de montage S/N 14670 -	150	333
420	Transmission avec pièces de montage 11891255.....	150	259	461	Axe satellite, AV	100	335
420	Transmission avec pièces de montage 11891255 S/N 14670 -	160	263	461	Pignon 11891270	150	339
421	Remplissage d'huile et indicateur de niveau.....	150	267	461	Pignon S/N 14670 -	160	341
421	Pompe à huile 11891209 S/N - 14669	200	269	461	Differential, axe satellite, Av 11880005, 11891270.....	200	343
421	Pompe à huile 11891209 S/N 14670 -	205	271	461	Arbre de roue	250	345
421	Pompe à huile 11891255 S/N - 14669	225	273	461	Moyeu de roue 11880005, 11891270	300	347
421	Pompe à huile 11891255 S/N 14670 -	230	275	461	Réducteur planétaire 11880005, 11891270.....	350	349
421	Arbre d'accouplement AV/AR 11891209 S/N - 14669	250	277	463	Essieu moteur, arrière 11891270.....	100	351
421	Arbre d'accouplement AV/AR 11891209 S/N 14670 -	260	279	463	Essieu moteur, arrière 11880005 S/N 14670 -	110	353
421	Arbre d'accouplement AV/AR 11891255.....	275	281	463	Pignon 11891270	150	355
421	Marche AR et arbre primaire 11891209.....	300	283	463	Pignon S/N 14670 -	160	357
421	Marche AR et arbre primaire 11891255.....	325	285	463	Differential. Arrière 11891270	200	359
421	Arbre secondaire 11891209 S/N - 14669	350	287	463	Differential. Arrière	210	361
421	Arbre secondaire 11891209 S/N 14670 -	360	291	463	Moyeu de roue 11891270	250	363
421	Arbre secondaire 11891255.....	375	295	463	Reducteur moyeu, axe satellite, Ar S/N 14670 -	260	365
421	Embrayages, 4 roues motrices 11891209	400	299	463	Réducteur planétaire 11891270.....	300	367
421	11891209 S/N 14670 -	410	303	468	Blocage différentiel 11891270.....	100	369
421	Embrayages, 4 roues motrices 11891255	425	305	468	Blocage différentiel S/N 14670 -	110	371
421	Commande de changement de vitesse 11891209	450	309	468	Blocage différentiel 11880005 S/N 14670 -	150	373
421	Commande de changement de vitesse 11891209 S/N 14670 -	470	311	491	Radiateur huile, transmission.....	100	375
421	Valve de contrôle 11891255	475	313				
421	Soupape sélectrice vitesse 11891209	500	315				
421	Soupape sélectrice vitesse 11891209, 11891224 S/N 14670 -	525	319				
421	Electrovalve 4 roues motrices 11891209.....	550	321				
424	Selecteur vitesse 11891209.....	100	323				
436	Suspension boîte vitesses 11891209, 11891255	100	325				
451	Arbres de transmission avec pièces de montage 11891209, 11891255	100	327				

GRUPPE	Abschnitt	Seite	GRUPPE	Abschnitt	Seite
414 Drehmomentwandler mit Anbauteilen	100	249	460 Planetenwellen mit Anbauteilen	100	331
420 Transmission mit Anbauteilen 11891209 S/N - 14669.....	100	251	460 Planetenwellen mit Anbauteilen S/N 14670 -.....	150	333
420 Transmission mit Anbauteilen 11891209 S/N 14670 -.....	110	255	461 Planetenwelle, vorne	100	335
420 Transmission mit Anbauteilen 11891255.....	150	259	461 Antriebskegelrad 11891270	150	339
420 Transmission mit Anbauteilen 11891255 S/N 14670 -.....	160	263	461 Antriebskegelrad S/N 14670 -	160	341
421 Öleinfüllung und Ölmeßstab	150	267	461 Ausgleichgetriebe, Planetenwelle, vorne 11880005, 11891270	200	343
421 Ölpumpe 11891209 S/N - 14669	200	269	461 Antriebsachse	250	345
421 Ölpumpe 11891209 S/N 14670 -	205	271	461 Radnabe 11880005, 11891270.....	300	347
421 Ölpumpe 11891255 S/N - 14669	225	273	461 Planetenradgetriebe 11880005, 11891270.....	350	349
421 Ölpumpe 11891255 S/N 14670 -	230	275	463 Planetenwelle, hintere 11891270.....	100	351
421 Kupplungswelle vorwärts/rückwärts 11891209 S/N - 14669.....	250	277	463 Planetenwelle, hintere 11880005 S/N 14670 -.....	110	353
421 Kupplungswelle vorwärts/rückwärts 11891209 S/N 14670 -.....	260	279	463 Antriebskegelrad 11891270	150	355
421 Kupplungswelle vorwärts/rückwärts 11891255.....	275	281	463 Antriebskegelrad S/N 14670 -	160	357
421 Rück- und Primärwelle 11891209.....	300	283	463 Ausgleichgetriebe. Hinten 11891270	200	359
421 Rück- und Primärwelle 11891255.....	325	285	463 Ausgleichgetriebe. Hinten	210	361
421 Sekundärachse 11891209 S/N - 14669.....	350	287	463 Radnabe 11891270.....	250	363
421 Sekundärachse 11891209 S/N 14670 -	360	291	463 Nabenvorgelege, Planetenwelle, hinten S/N 14670 -	260	365
421 Sekundärachse 11891255	375	295	463 Planetenradgetriebe 11891270.....	300	367
421 Kupplungen, 4-Radantrieb 11891209	400	299	468 Ausgleichsperre 11891270	100	369
421 11891209 S/N 14670 -	410	303	468 Ausgleichsperre S/N 14670 -	110	371
421 Kupplungen, 4-Radantrieb 11891255	425	305	468 Ausgleichsperre 11880005 S/N 14670 -	150	373
421 Schaltbedienung 11891209	450	309	491 Ölkühler, getriebe.....	100	375
421 Schaltbedienung 11891209 S/N 14670 -	470	311			
421 Steuerventil 11891255	475	313			
421 Getriebewählerventil 11891209	500	315			
421 Getriebewählerventil 11891209, 11891224 S/N 14670 -	525	319			
421 Magnetventil 4-Radantrieb 11891209	550	321			
424 Wählschalter 11891209	100	323			
436 Getriebeaufhängung 11891209, 11891255	100	325			
451 Gelenkwellen mit Anbauteilen 11891209, 11891255.....	100	327			
451 Gelenkwelle 11891209, 11891255	150	329			

INHALTSVERZEICHNIS	Catalogue id 20002	Group 400
	Issue VOE 63H9920002	Page 245

INDICE		Catalogue id 20002	Group 400		
		Issue VOE 63H9920002	Page 246		
GRUPO	Sección	Página	GRUPO	Sección	Página

414	Convertidor de par con accesorios de montaje	100	249	460	Ejes planetarios con accesorios de montaje	100	331
420	Transmisión con accesorios de montaje 11891209 S/N - 14669	100	251	460	Ejes planetarios con accesorios de montaje S/N 14670 -	150	333
420	Transmisión con accesorios de montaje 11891209 S/N 14670 -	110	255	461	Eje planeta, delantera	100	335
420	Transmisión con accesorios de montaje 11891255.....	150	259	461	Piñón de ataque 11891270	150	339
420	Transmisión con accesorios de montaje 11891255 S/N 14670 -	160	263	461	Piñón de ataque S/N 14670 -	160	341
421	Boca de llenado de aceite y varilla de nivel	150	267	461	Diferencial, eje planeta delantero 11880005, 11891270.....	200	343
421	Bomba de aceite 11891209 S/N - 14669.....	200	269	461	Eje propulsor	250	345
421	Bomba de aceite 11891209 S/N 14670 -	205	271	461	Cubo de rueda 11880005, 11891270	300	347
421	Bomba de aceite 11891255 S/N - 14669.....	225	273	461	Engranaje planetario 11880005, 11891270	350	349
421	Bomba de aceite 11891255 S/N 14670 -	230	275	463	Eje propulsor, trasero 11891270	100	351
421	Eje de embrague delante/detrás 11891209 S/N - 14669.....	250	277	463	Eje propulsor, trasero 11880005 S/N 14670 -	110	353
421	Eje de embrague delante/detrás 11891209 S/N 14670 -	260	279	463	Piñón de ataque 11891270	150	355
421	Eje de embrague delante/detrás 11891255.....	275	281	463	Piñón de ataque S/N 14670 -	160	357
421	Eje trasero y primario 11891209.....	300	283	463	Diferencial. Detrás 11891270.....	200	359
421	Eje trasero y primario 11891255.....	325	285	463	Diferencial. Detrás.....	210	361
421	Eje secundario 11891209 S/N - 14669	350	287	463	Cubo de rueda 11891270	250	363
421	Eje secundario 11891209 S/N 14670 -	360	291	463	Reduccion cubo, eje planeta trasero S/N 14670 -	260	365
421	Eje secundario 11891255	375	295	463	Engranaje planetario 11891270	300	367
421	Embragues, tracción 4 ruedas 11891209	400	299	468	Bloqueo del diferencial 11891270.....	100	369
421	11891209 S/N 14670 -	410	303	468	Bloqueo del diferencial S/N 14670 -	110	371
421	Embragues, tracción 4 ruedas 11891255	425	305	468	Bloqueo del diferencial 11880005 S/N 14670 -	150	373
421	Maniobra de la caja de cambios 11891209	450	309	491	Enfriador aceite, transmision.....	100	375
421	Maniobra de la caja de cambios 11891209 S/N 14670 -	470	311				
421	Válvula de control 11891255	475	313				
421	Válvula selectora de gama 11891209.....	500	315				
421	Válvula selectora de gama 11891209, 11891224 S/N 14670 -	525	319				
421	Válvula solenoide, tracción 4 ruedas 11891209	550	321				
424	Selector velocidad 11891209.....	100	323				
436	Suspensión de la caja de cambios 11891209, 11891255	100	325				
451	Ejes cardán con accesorios de montaje 11891209, 11891255	100	327				
451	Ejes cardán 11891209, 11891255	150	329				

GRUPP		Avsnitt	Sida	GRUPP		Avsnitt	Sida
414	Momentomvandlare med monteringsdetaljer.....	100	249	460	Planetaxlar med monteringsdetaljer.....	100	331
420	Transmission med monteringsdetaljer 11891209 S/N - 14669.....	100	251	460	Planetaxlar med monteringsdetaljer S/N 14670 -	150	333
420	Transmission med monteringsdetaljer 11891209 S/N 14670 -	110	255	461	Planetaxel, fram	100	335
420	Transmission med monteringsdetaljer 11891255.....	150	259	461	Pinjong 11891270	150	339
420	Transmission med monteringsdetaljer 11891255 S/N 14670 -	160	263	461	Pinjong S/N 14670 -	160	341
421	Oljefyllning och mätsticka	150	267	461	Differential, framaxel 11880005, 11891270	200	343
421	Oljepump 11891209 S/N - 14669	200	269	461	Drivaxel	250	345
421	Oljepump 11891209 S/N 14670 -	205	271	461	Hjulnav 11880005, 11891270	300	347
421	Oljepump 11891255 S/N - 14669	225	273	461	Planetväxel 11880005, 11891270.....	350	349
421	Oljepump 11891255 S/N 14670 -	230	275	463	Planetaxel, bak 11891270.....	100	351
421	Kopplingsaxel fram/back 11891209 S/N - 14669.....	250	277	463	Planetaxel, bak 11880005 S/N 14670 -	110	353
421	Kopplingsaxel fram/back 11891209 S/N 14670 -	260	279	463	Pinjong 11891270	150	355
421	Kopplingsaxel fram/back 11891255.....	275	281	463	Pinjong S/N 14670 -	160	357
421	Back och primärxel 11891209	300	283	463	Differential. Bak 11891270.....	200	359
421	Back och primärxel 11891255	325	285	463	Differential. Bak.....	210	361
421	Sekundär axel 11891209 S/N - 14669.....	350	287	463	Hjulnav 11891270	250	363
421	Sekundär axel 11891209 S/N 14670 -	360	291	463	Navreduktion, bakaxel S/N 14670 -	260	365
421	Sekundär axel 11891255	375	295	463	Planetväxel 11891270.....	300	367
421	Hydraulkoppling, 4-hjulsdrift 11891209.....	400	299	468	Differentialspärr 11891270.....	100	369
421	Axel, fyrhjuldrift 11891209 S/N 14670 -	410	303	468	Differentialspärr S/N 14670 -	110	371
421	Hydraulkoppling, 4-hjulsdrift 11891255.....	425	305	468	Differentialspärr 11880005 S/N 14670 -	150	373
421	Växelmanövrering 11891209	450	309	491	Oljekylare, transmission.....	100	375
421	Växelmanövrering 11891209 S/N 14670 -	470	311				
421	Kontrollventil 11891255	475	313				
421	Växelväljarventil 11891209	500	315				
421	Växelväljarventil 11891209, 11891224 S/N 14670 -	525	319				
421	Magnetventil 4-hjulsdrift 11891209	550	321				
424	Växelväljare 11891209	100	323				
436	Växellådsupphängning 11891209, 11891255.....	100	325				
451	Kardanaxlar, montering 11891209, 11891255.....	100	327				
451	Kardanaxel 11891209, 11891255.....	150	329				

INNEHÅLLSFÖRTECKNING	Catalogue id 20002	Group 400
	Issue VOE 63H9920002	Page 247

VOLVO

BL71

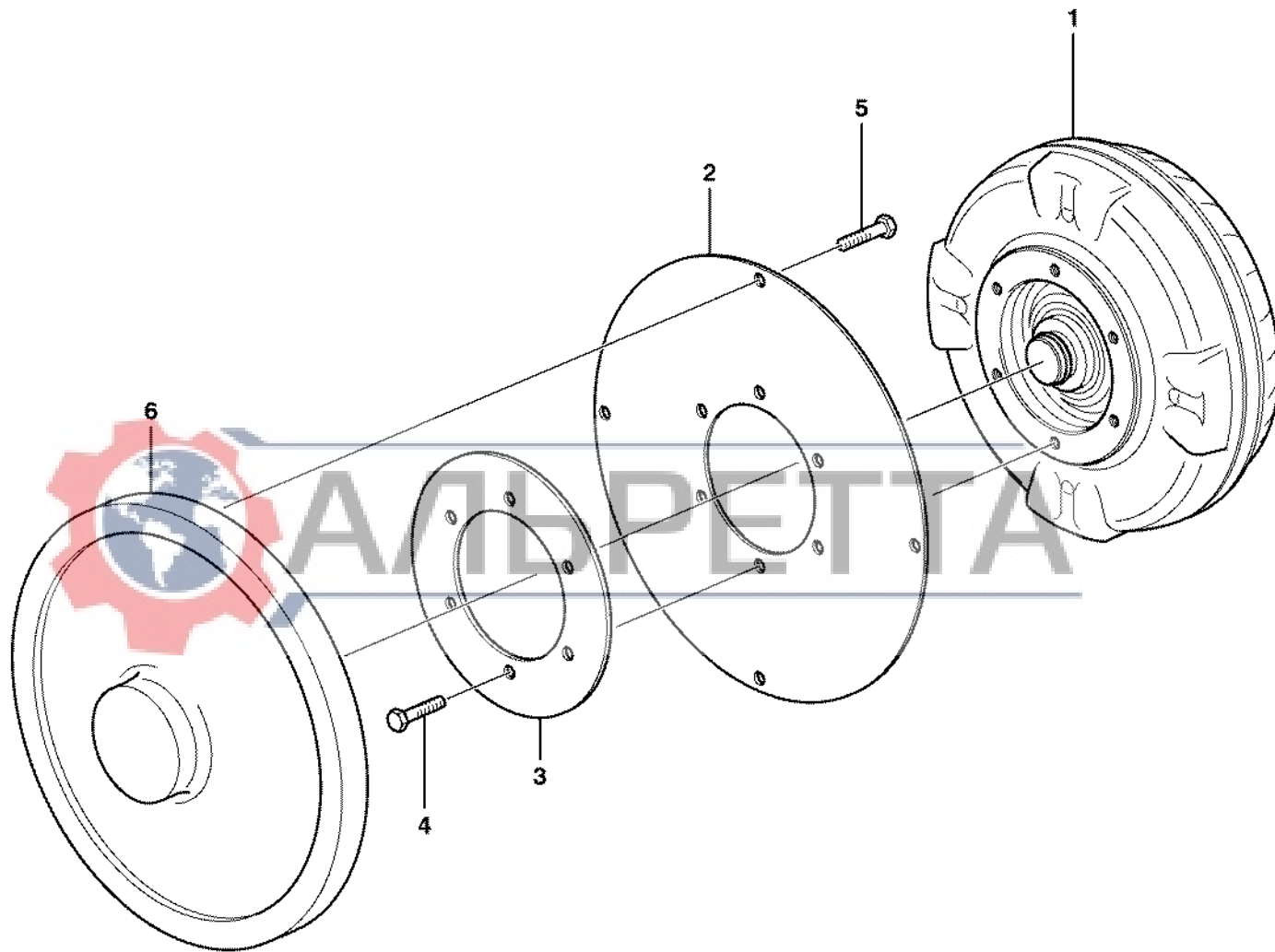


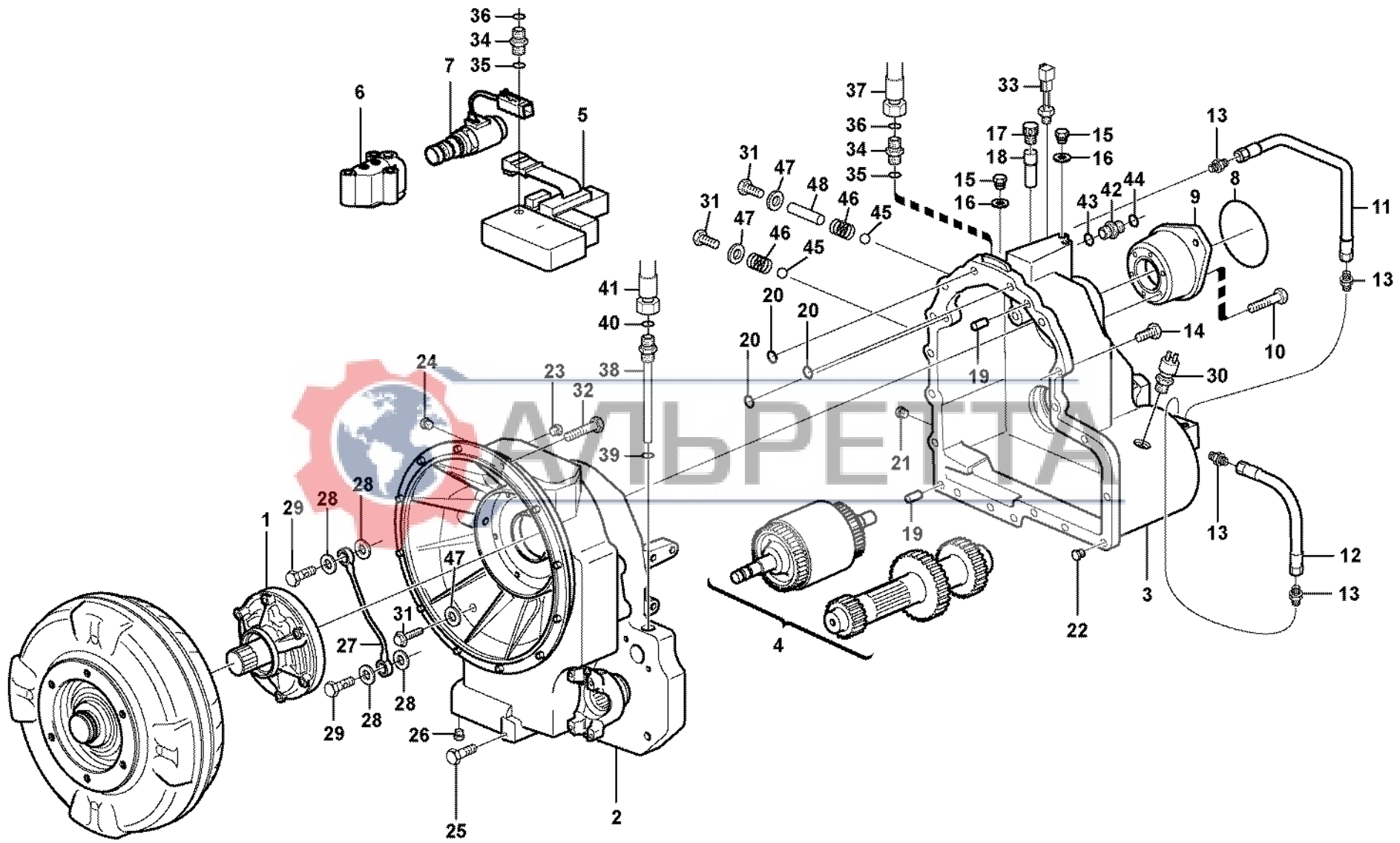
Fig.	Part No.	Quantity			P S	K I T	Description	Dénomination	Bezeichnung	Denominación	Benämning	Notes
		1	2	3								
1	VOE 11890327	1					Trq Converter.....	Converti.couple	Drehm Wandler	Convertidor Par	Momentomvandl.....	
2	VOE 11881176	1					Flexplate	Tole Entrainem.....	Mitnehmerblech.....	Placa De Brida	Medbringarplåt.....	
3	VOE 11881177	1					Flexplate	Tole Entrainem.....	Mitnehmerblech.....	Placa De Brida	Medbringarplåt.....	
4	VOE 13970944	6					Hexagon screw	Vis a tête hexagonale	Sechskantschr.....	Tornillo hexago.....	Sexkantsskruv.....	
5	VOE 13970876	4					Hexagon screw	Vis a tête hexagonale	Sechskantschr.....	Tornillo hexago.....	Sexkantsskruv.....	
6		1					Flywheel.....	Volant.....	Schwungrad	Volante	Svänghjul.....	See group 216, Page 65



1		Momentomvandlare med monteringsdetaljer Convertidor de par con accesorios de montaje Drehmomentwandler mit Anbauteilen Convertisseur de couple avec pièces de montage Torque converter with fitting parts	Catalogue id	Group
2			20002	414
3			Illustr. No	Section
4			1000854	100
5			Issue	Page
			VOE 63H9920002	249

VOLVO

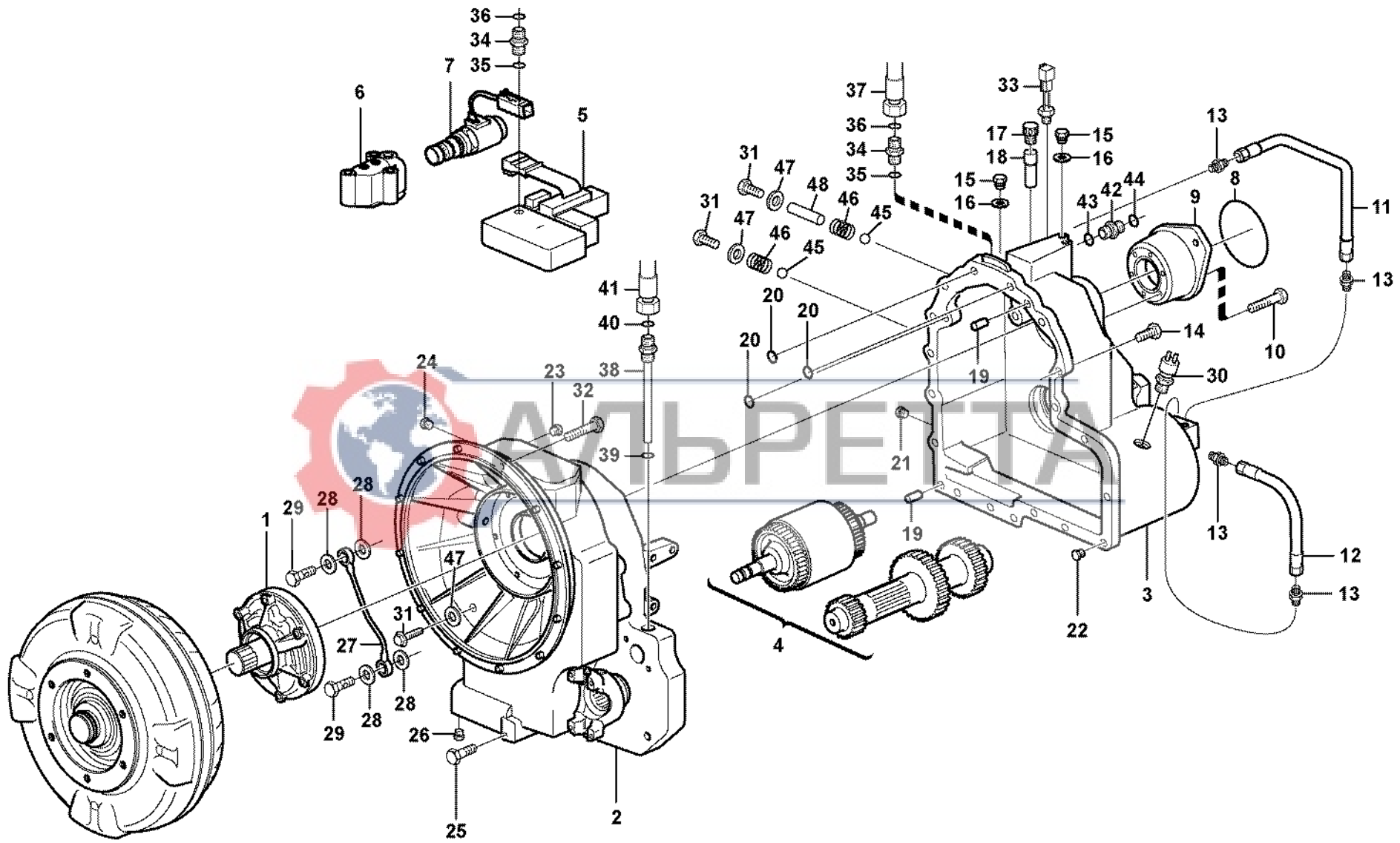
BL71



Volvo Construction
Equipment
1013233

Fig.	Part No.	Quantity			P S	K I T	Description	Dénomination	Bezeichnung	Denominación	Benämning	Notes
		1	2	3								
	VOE 11884310	1				Transmission.....	Transmission.....	Getriebe	Transmision.....	Transmission.....		
1	VOE 11709045	1				•Oil pump	•Pompe huile.....	•Ölpumpe	•Bomba aceite	•Oljepump.....	See group 421, Page 269	
2	VOE 11709058	1				•Housing	•Carter.....	•Gehäuse	•Carter	•Hus.....		
3	VOE 11709059	1				•Housing	•Carter.....	•Gehäuse	•Carter	•Hus.....		
4		1				•Shaft with clutch	•Accouplement hydra.	•Hydraulikkupplung	•Acoplamiento hidrau.	•Axel med koppling....	See group 421, Page 277	
	VOE 11709103	1				•Reverse Shaft.....	•Arbre Marche Ar	•Rucklaufachse	•Eje Marcha Atr	•Backaxel.....	See group 421, Page 283	
	VOE 11709105	1				•Axle.....	•Arbre	•Welle	•Eje	•Axel.....	See group 421, Page 283	
	VOE 11709134	1				•Secondary Shaft	•Arbr.secondaire	•Sekundärwelle	•Eje Secundario.....	•Sekundäraxel.....	See group 421, Page 287	
	VOE 11709152	1				•Axle.....	•Arbre	•Welle	•Eje	•Axel.....	See group 421, Page 299	
5		1				•Gear selector valve...•	•Valve selectr.vitesse.	•Umsteurventil	•valvula select.veloci.	•Växelväljarventil.....	See group 421, Page 315	
6		1				•Valve housing	•Carter soupape	•Ventilgehäuse	•Cuerpo valvula	•Ventilhus.....	See group 421, Page 321	
7		1				•Solinoid valve	•Vannr electrom.	•Magnetventil.....	•Electrovalvula.....	•Magnetventil.....	See group 421, Page 321	
8	VOE 11709074	1				•O-ring.....	•Joint Torique	•O-Ring.....	•Junta torica	•O-ring.....		
9	VOE 11709062	1				•Flange.....	•Flasque	•Flansch	•Brida.....	•Fläns.....		
10	VOE 13970947	6				•Hexagon screw	•Vis a tête hexagonal.	•Sechskantschr.	•Tornillo hexago	•Sexkantsskruv.....		
11	VOE 11709064	1				•Oil Pipe	•Conduit Huile	•Ölrohr	•Tubo Aceite.....	•Oljerör.....		
12	VOE 11709069	1				•Oil Pipe	•Conduit Huile	•Ölrohr	•Tubo Aceite.....	•Oljerör.....		
13	VOE 11709056	4				•Nipple	•Raccord	•Nippel	•Niple	•Nippel.....		
14	VOE 13970949	11				•Hexagon screw	•Vis a tête hexagonal.	•Sechskantschr.	•Tornillo hexago	•Sexkantsskruv.....	(VOE 970807)	
15	VOE 11709061	4				•Plug	•Bouchon.....	•Stopfen	•Tapon.....	•Plugg.....		
16	VOE 13947281	4				•Gasket	•Joint	•Dichtung.....	•Junta	•Packning.....		
17	VOE 11709060	1				•Breather Cap	•Boucho.aeration.....	•Lüftungsdeckel.....	•Tapa Ventilac	•Ventil.lock.....		
18	VOE 11709063	1				•Breather Pipe.....	•Reniffard	•Luftungsrohr.....	•Conduct Ventil.....	•Ventilationsrör.....		
19	VOE 950588	2				•Pin	•Goupille.....	•Stift.....	•Pasador.....	•Pinne.....		
20	VOE 11709068	5				•O-ring.....	•Joint Torique	•O-Ring.....	•Junta torica	•O-ring.....		
21	VOE 11709057	1				•Plug	•Bouchon.....	•Stopfen	•Tapon.....	•Plugg.....		
22	VOE 11709075	3				•Plug	•Bouchon.....	•Stopfen	•Tapon.....	•Plugg.....		
23	VOE 11709054	1				•Plug	•Bouchon.....	•Stopfen	•Tapon.....	•Plugg.....		
	VOE 11709055	2				•Plug	•Bouchon.....	•Stopfen	•Tapon.....	•Plugg.....		
24	VOE 11709070	1				•Plug	•Bouchon.....	•Stopfen	•Tapon.....	•Plugg.....		

1		Transmission med monteringsdetaljer	Catalogue id	Group
2		Transmisión con accesorios de montaje	20002	420
3		Transmission mit Anbauteilen	Illustr. No	Section
4		Transmission avec pièces de montage	1013233	100
5		Hydraulic transmission with fitting parts	Issue	Page
		11891209 S/N - 14669	VOE 63H9920002	251



Volvo Construction
Equipment
1013233

Fig.	Part No.	Quantity			P S	K I T	Description	Dénomination	Bezeichnung	Denominación	Benämning	Notes
		1	2	3								
25	VOE 970812	6				•Hexagon screw	•Vis a tête hexagonal	•Sechskantschr.	•Tornillo hexago	•Sexkantsskruv.....		
26	VOE 11709071	1				•Plug	•Bouchon.....	•Stopfen	•Tapon.....	•Plugg.....		
27	VOE 11709067	1				•Lubrication pipe	•Conduit de graissag...•Schmierrohr	•Tubo de lubricación...•Smörjrör.....				
28	VOE 11709065	4				•Copper Washer	•Rondelle en cuivre•Kupferscheibe	•Arandela Cobre	•Kopparbricka.....			
29	VOE 11709066	2				•Hollow screw	•Vis creuse	•Hohlschraube.....	•Racor-surtidor	•Hålskruv.....		
30		1				Ind Sensor.....	Emett.induction	Induktionsgeber.....	Sensor Inducc	Indukt.givare.....	See group 380, Page 233	
31	VOE 11709175	3				Screw	Vis	Schraube.....	Tornillo	Skruv.....	11890349, 11891050	
32	VOE 959238	12				Allen Hd Screw	Vis A 6 Pans Cr.....	Inbusschraube.....	Torn Hex Embut	Insexskruv.....		
33	VOE 11881160	1				Temp Sensor	Detecteur Temp.	Temperaturgeber	Sensor Temperat	Temp Givare.....		
34	VOE 935085	2				Nipple.....	Raccord.....	Nippel.....	Niple	Nippel.....		
35	VOE 932039	1				•O-ring.....	•Joint Torique	•O-Ring.....	•Junta torica	•O-ring.....		
36	VOE 4880492	1				•O-ring.....	•Joint Torique	•O-Ring.....	•Junta torica	•O-ring.....		
37		1				Hose.....	Durit	Schlauch	Tubo flexible.....	Slang.....	See group 517, Page 389	
38	VOE 11883691	1				Connector	Raccord.....	Anschluss.....	Union	Anslutning.....		
39	VOE 932041	1				•O-ring.....	•Joint Torique	•O-Ring.....	•Junta torica	•O-ring.....		
40	VOE 4880492	1				•O-ring.....	•Joint Torique	•O-Ring.....	•Junta torica	•O-ring.....		
41		1				Hose.....	Durit	Schlauch	Tubo flexible.....	Slang.....	See group 517, Page 389	
42	VOE 11883510	1				Plug.....	Bouchon	Stopfen.....	Tapon	Plugg.....		
43	VOE 932039	1				•O-ring.....	•Joint Torique	•O-Ring.....	•Junta torica	•O-ring.....		
44		1			NS	O-ring.....	Joint Torique	O-Ring.....	Junta torica	O-ring.....		
45	VOE 11709177	2				Ball.....	Bille	Kugel.....	Bola	Kula.....		
46	VOE 11709176	2				Spring.....	Ressort.....	Feder.....	Muelle.....	Fjäder.....		
47	VOE 11709174	3				Washer.....	Rondelle	Scheibe	Arandela	Bricka.....		
48	VOE 11709186	1				Gear Selector.....	Selecte.vitesse	Wählhebel	Select Velocid	Växelväljare.....		

1	Transmission med monteringsdetaljer Transmisión con accesorios de montaje Transmission mit Anbauteilen Transmission avec pièces de montage Hydraulic transmission with fitting parts	Catalogue id	Group
2		20002	420
3		Illustr. No	Section
4		1013233	100
5		Issue	Page
	11891209 S/N - 14669	VOE 63H9920002	253

VOLVO

BL71

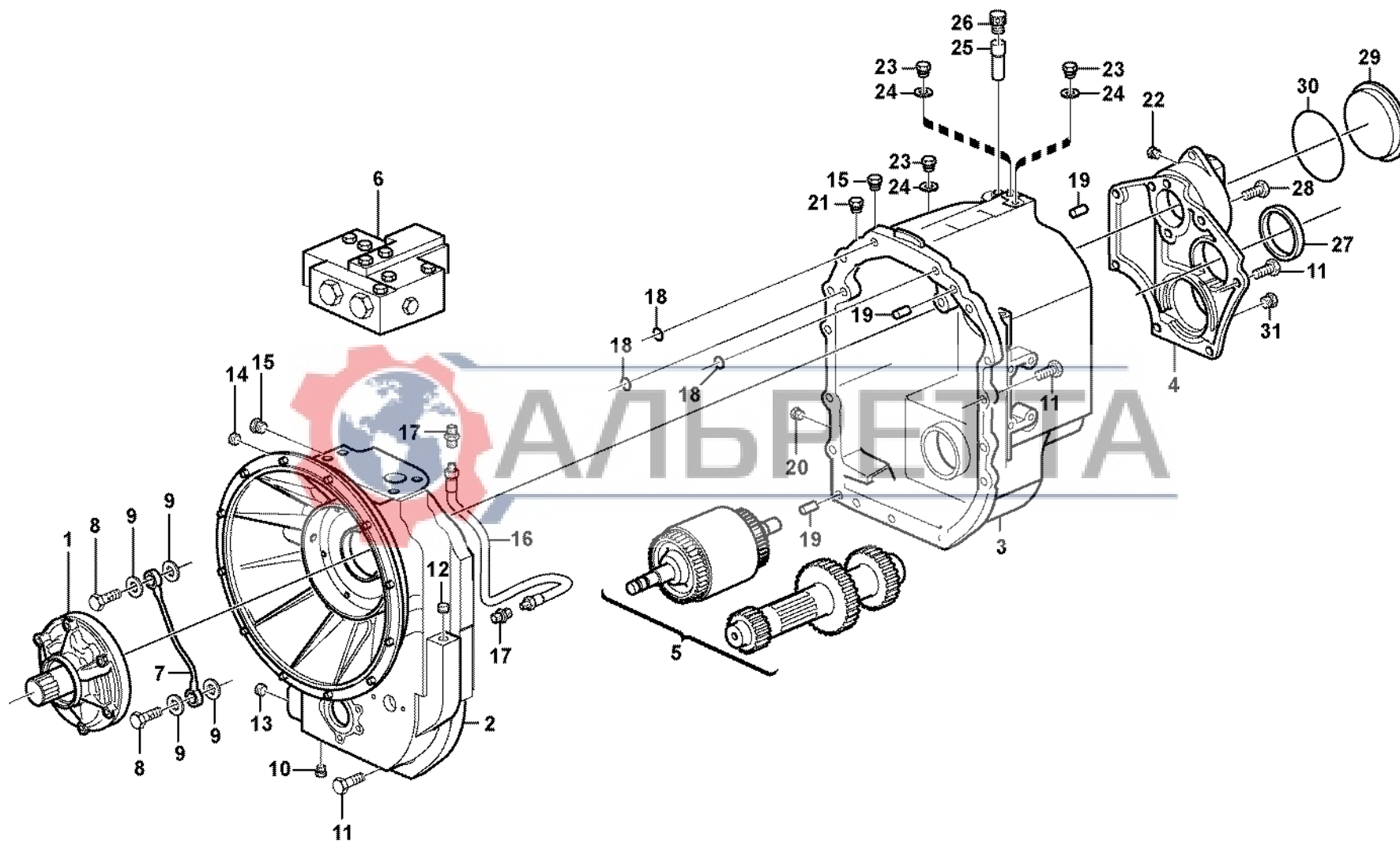


Fig.	Part No.	Quantity			P S	K I T	Description	Dénomination	Bezeichnung	Denominación	Benämning	Notes
		1	2	3								
	VOE 11887380					Transmission.....	Transmission.....	Getriebe	Transmision.....	Transmission.....		
1		1				•Oil pump	•Pompe huile.....	•Ölpumpe	•Bomba aceite	•Oljepump.....	See group 421, Page 271	
2	VOE 11716782	1				•Housing	•Carter.....	•Gehäuse	•Carter	•Hus.....		
3	VOE 11716783	1				•Housing	•Carter.....	•Gehäuse	•Carter	•Hus.....		
4	VOE 11712463	1				•End plate	•Flasque	•Stirnwand	•Extremo.....	•Gavel.....		
5		1				•Shaft with clutch	•Accouplement hydra.	•Hydraulikkupplung	•Acoplamiento hidrau.	•Axel med koppling....	See group 421, Page 279	
		1				•Reverse Shaft.....	•Arbre Marche Ar	•Rucklaufachse	•Eje Marcha Atr	•Backaxel.....	See group 421, Page 283	
		1				•Axle.....	•Arbre	•Welle	•Eje	•Axel.....	See group 421, Page 303	
		1				•Secondary Shaft	•Arbr.secondaire	•Sekundärwelle	•Eje Secundario.....	•Sekundäraxel.....	See group 421, Page 291	
6		1				•Gear selector valve...	•Valve selectr.vitesse.	•Umsteuerventil	•valvula select.veloci ..	•Växelväljarventil.....	See group 421, Page 319	
7	VOE 11712465	1				•Oil Pipe	•Conduit Huile	•Ölrohr	•Tubo Aceite.....	•Oljerör.....		
8	VOE 11709066	2				•Hollow screw	•Vis creuse	•Hohlschraube.....	•Racor-surtidor	•Hålskruv.....		
9	VOE 11709065	4				•Copper Washer	•Rondelle en cuivre	•Kupferscheibe	•Arandela Cobre.....	•Kopparbricka.....		
10	VOE 11709071	1				•Plug	•Bouchon.....	•Stopfen	•Tapon.....	•Plugg.....		
11	VOE 13970948	22				•Hexagon screw	•Vis a tête hexagonal	•Sechskantschr.	•Tornillo hexago	•Sexkantsskruv.....		
12	VOE 11709200	1				•Plug	•Bouchon.....	•Stopfen	•Tapon.....	•Plugg.....		
13	VOE 11712960	1				•Rivet	•Rivet.....	•Niet.....	•Remache	•Nit.....		
14	VOE 11709070	1				•Plug	•Bouchon.....	•Stopfen	•Tapon.....	•Plugg.....		
15	VOE 11709055	2				•Plug	•Bouchon.....	•Stopfen	•Tapon.....	•Plugg.....		
16	VOE 11716784	1				•Lub Pipe	•Tuyau Graissage	•Schmierrohr	•Tubo Lubricante	•Smörjrör.....		
17	VOE 11709056	2				•Nipple	•Raccord	•Nippel.....	•Niple	•Nippel.....		
18	VOE 11709068	3				•O-ring.....	•Joint Torique	•O-Ring.....	•Junta torica	•O-ring.....		
19	VOE 950588	3				•Pin	•Goupille.....	•Stift.....	•Pasador.....	•Pinne.....		
20	VOE 11709057	1				•Plug	•Bouchon.....	•Stopfen	•Tapon.....	•Plugg.....		
21	VOE 11716639	1				•Plug	•Bouchon.....	•Stopfen	•Tapon.....	•Plugg.....		
22	VOE 11709200	1				•Plug	•Bouchon.....	•Stopfen	•Tapon.....	•Plugg.....		
23	VOE 11709061	3				•Plug	•Bouchon.....	•Stopfen	•Tapon.....	•Plugg.....		
24	VOE 11709199	3				•Washer	•Rondelle.....	•Scheibe	•Arandela.....	•Bricka.....		
25	VOE 11709063	1				•Breather Pipe.....	•Reniflard	•Luftungsrohr	•Conduct Ventil.....	•Ventilationsrör.....		
26	VOE 11709060	1				•Breather Cap	•Boucho.aeration.....	•Lüftungsdeckel.....	•Tapa Ventilac	•Ventil.lock.....		

1	11887380	Transmission med monteringsdetaljer Transmisión con accesorios de montaje Transmission mit Anbauteilen Transmission avec pièces de montage Hydraulic transmission with fitting parts 11891209 S/N 14670 -	Catalogue id	Group
2			20002	420
3			Illustr. No	Section
4			1024684	110
5			Issue	Page
			VOE 63H9920002	255

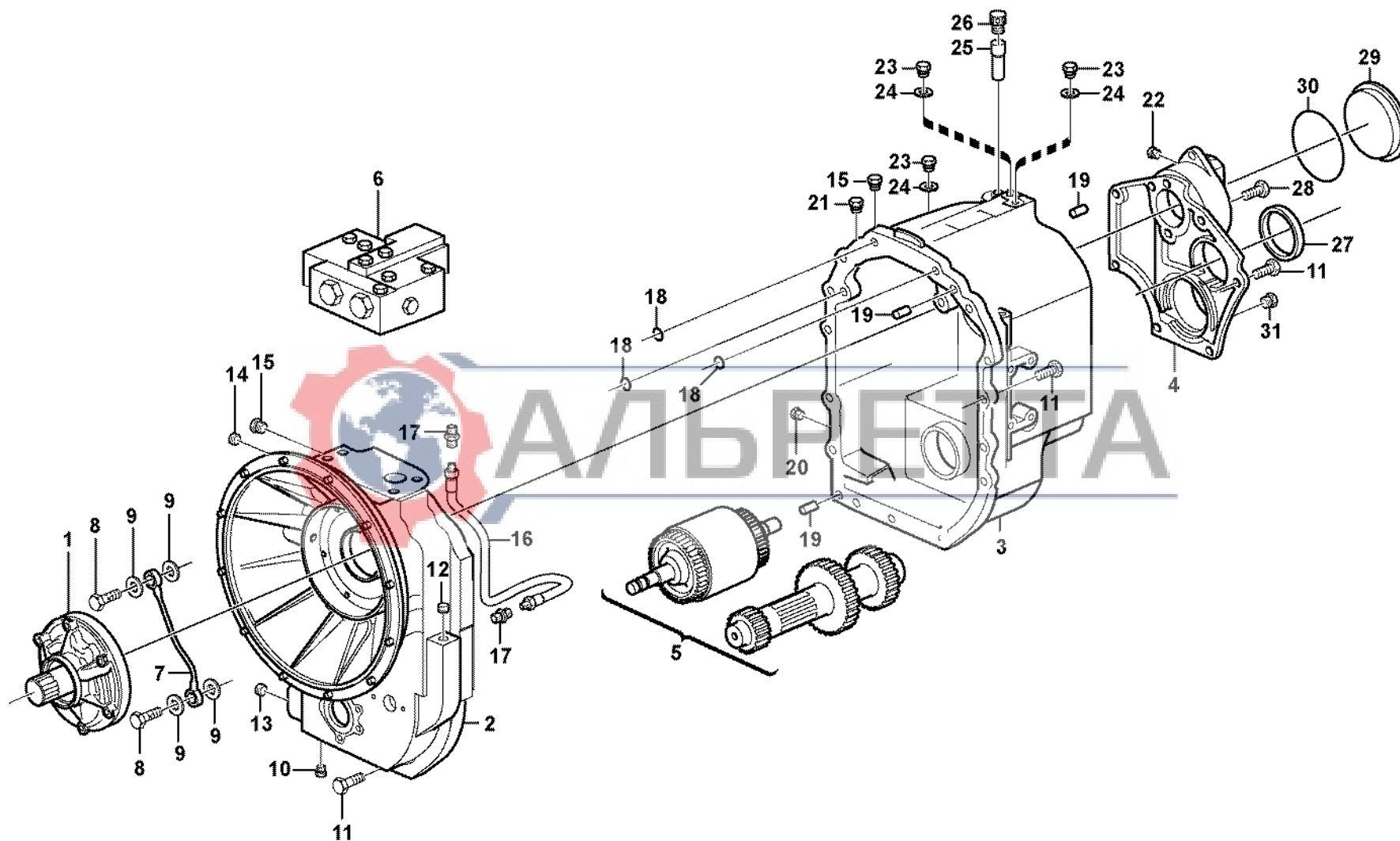


Fig.	Part No.	Quantity			P S	K I T	Description	Dénomination	Bezeichnung	Denominación	Benämning	Notes
		1	2	3								
27	VOE 11709133	1					•Seal	•Joint	•Dichtring.....	•Junta	•Tätning.....	
28	VOE 13970951	2					•Hexagon screw.....	•Vis a tête hexagonal .	•Sechskantschr.	•Tornillo hexago	•Sexkantsskruv.....	
29	VOE 11712462	1					•Plug	•Bouchon.....	•Stopfen	•Tapon.....	•Plugg.....	
30	VOE 11709074	1					•O-ring.....	•Joint Torique	•O-Ring.....	•Junta torica	•O-ring.....	

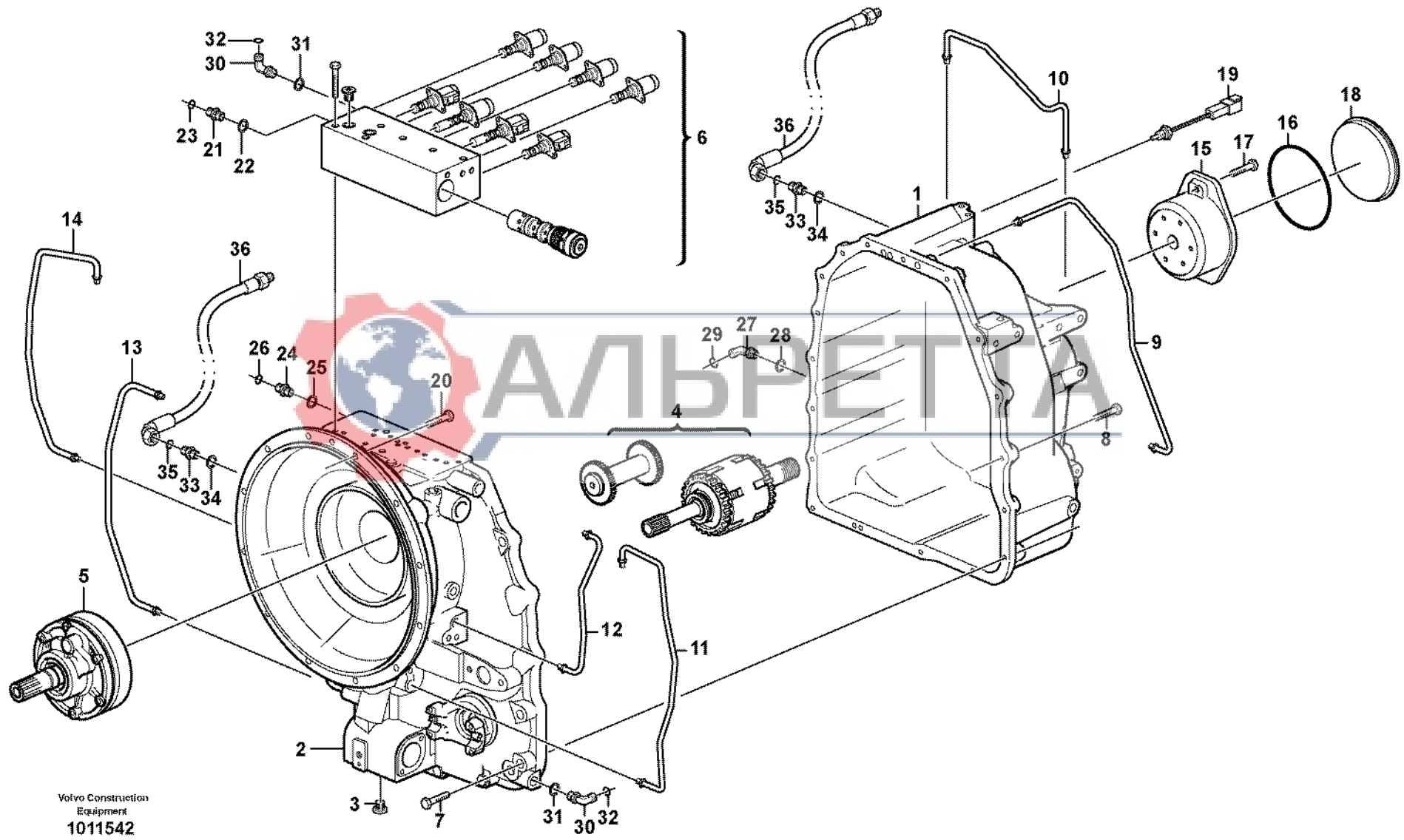


1	11887380	Transmission med monteringsdetaljer Transmisión con accesorios de montaje Transmission mit Anbauteilen Transmission avec pièces de montage Hydraulic transmission with fitting parts	Catalogue id	Group
2			20002	420
3			Illustr. No	Section
4			1024684	110
5			Issue	Page
	11891209 S/N 14670 -		VOE 63H9920002	257

VOLVO

BL71

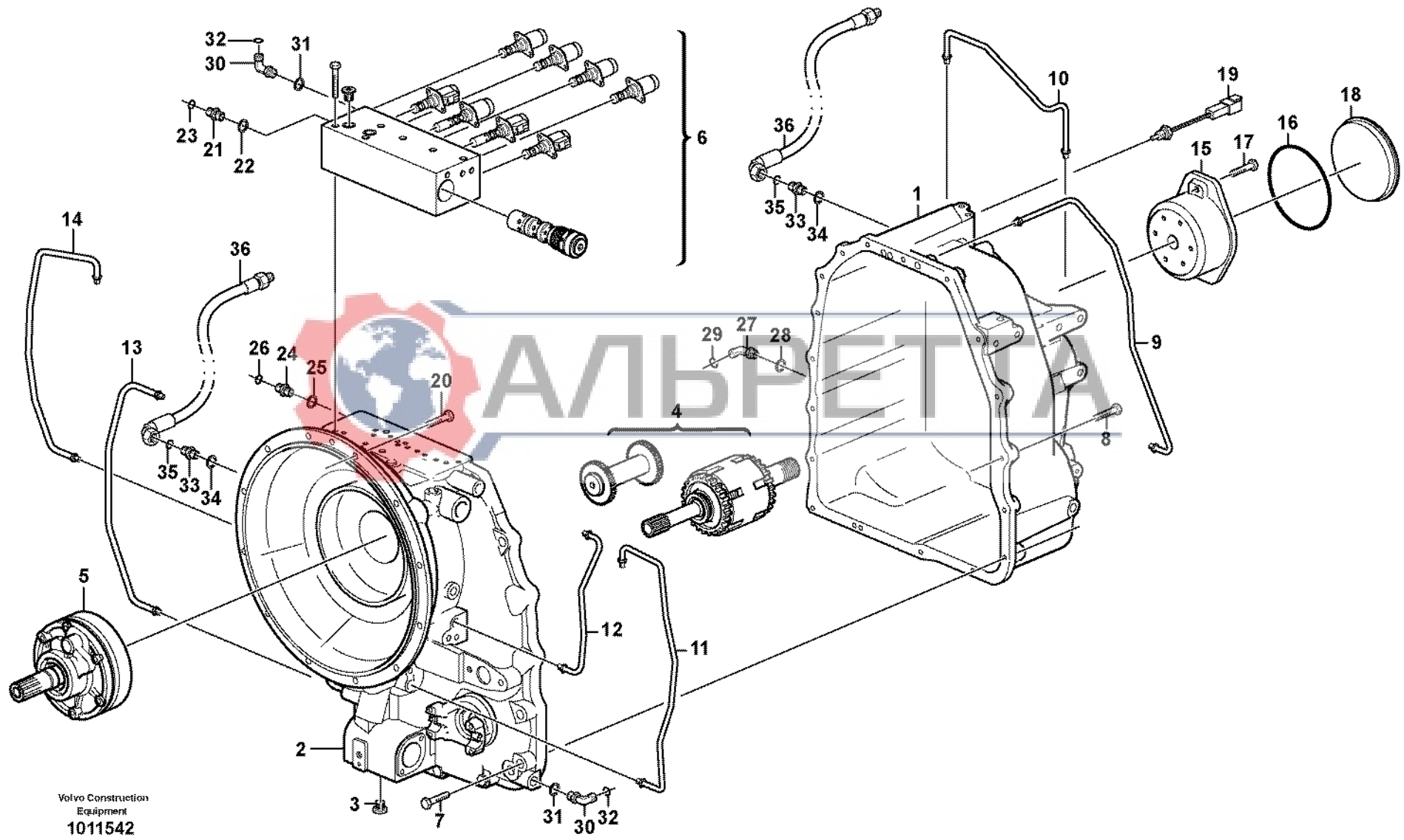




Volvo Construction
Equipment
1011542

Fig.	Part No.	Quantity			P S	K I T	Description	Dénomination	Bezeichnung	Denominación	Benämning	Notes
		1	2	3								
	VOE 11890341	1			SS	Transmission.....	Transmission.....	Getriebe	Transmision.....	Transmission.....	S/N - 14669	
	VOE 11888337		1			Transmission.....	Transmission.....	Getriebe	Transmision.....	Transmission.....	S/N 14670 -	
1	VOE 11712943	1	1			•Housing	•Carter.....	•Gehäuse	•Carter.....	•Hus.....		
2	VOE 11712944	1	1			•Housing	•Carter.....	•Gehäuse	•Carter.....	•Hus.....		
3	VOE 11709071	1	1			••Plug	••Bouchon	••Stopfen	••Tapon.....	••Plugg.....		
4		1	1			•Input Shaft	•Arbre Primaire.....	•Antriebswelle.....	•Eje Primario	•Ingående Axel.....	See group 421, Page 281	
		1	1			•Reverse Shaft.....	•Arbre Marche Ar	•Rucklaufachse	•Eje Marcha Atr	•Backaxel.....	See group 421, Page 285	
		1	1			•Primary shaft	•Arbre primaire	•Primärachse.....	•Eje primario.....	•Primäraxel.....	See group 421, Page 285	
		1	1			•Secondary Shaft	•Arbr.secondaire	•Sekundärwelle	•Eje Secundario.....	•Sekundäraxel.....	See group 421, Page 295	
		1	1			•Output shaft	•Arbre secondaire	•Abtriebswelle.....	•Eje secundario	•Utgående axel.....	See group 421, Page 305	
5		1	1			•Oil pump	•Pompe huile.....	•Ölpumpe	•Bomba aceite	•Oljepump.....	See group 421, Page 273	
6		1	1			•Gear selector valve...	•Valve selectr.vitesse	•Umsteuerventil.....	•valvula select.veloci	•Växelväjlarventil.....	See group 421, Page 313	
7	VOE 970811	5	5			Hexagon screw	Vis tête hexagonale	Sechskantschraube.....	Tornillo hexago.....	Sexkantsskruv.....		
8	VOE 13970948	18				•Hexagon screw	•Vis a tête hexagonal	•Sechskantschr.	•Tornillo hexago	•Sexkantsskruv.....		
8	VOE 13970949		13			•Hexagon screw	•Vis a tête hexagonal	•Sechskantschr.	•Tornillo hexago	•Sexkantsskruv.....		
9	VOE 11712949	1	1			•Pipe	•Canalisation	•Rohrleitung.....	•Canalizacion	•Rör.....		
10	VOE 11712950	1	1			•Pipe	•Canalisation	•Rohrleitung.....	•Canalizacion	•Rör.....		
11	VOE 11712948	1	1			•Pipe	•Canalisation	•Rohrleitung.....	•Canalizacion	•Rör.....		
12	VOE 11712947	1	1			•Pipe	•Canalisation	•Rohrleitung.....	•Canalizacion	•Rör.....		
13	VOE 11712946	1	1			•Pipe	•Canalisation	•Rohrleitung.....	•Canalizacion	•Rör.....		
14	VOE 11712945	1	1			•Pipe	•Canalisation	•Rohrleitung.....	•Canalizacion	•Rör.....		
15	VOE 11709062	1	1			•Flange.....	•Flasque	•Flansch	•Brida.....	•Fläns.....		
16	VOE 11709074	1	1			•O-ring.....	•Joint Torique	•O-Ring.....	•Junta torica	•O-ring.....		
17	VOE 13970947	6	6			•Hexagon screw	•Vis a tête hexagonal	•Sechskantschr.	•Tornillo hexago	•Sexkantsskruv.....		
18	VOE 11712462	1	1			•Plug	•Bouchon.....	•Stopfen	•Tapon.....	•Plugg.....		
19	VOE 11881160	1	1			Temp Sensor	Detecteur Temp.	Temperaturgeber	Sensor Temperat	Temp Givare.....		
20	VOE 13970947	12	12			Hexagon screw	Vis a tête hexagonale	Sechskantschr.....	Tornillo hexago.....	Sexkantsskruv.....		
21	VOE 13933858	1	1			Union.....	Teton Connexion.....	Anschlussnippel	Niple Conexcion	Anslutn.nippel.....		
22	VOE 932039	1	1			•O-ring.....	•Joint Torique	•O-Ring.....	•Junta torica	•O-ring.....		
23	VOE 9907362	1	1			•O-ring.....	•Joint Torique	•O-Ring.....	•Junta torica	•O-ring.....		

1	11890341	Transmission med monteringsdetaljer Transmisión con accesorios de montaje Transmission mit Anbauteilen Transmission avec pièces de montage Hydraulic transmission with fitting parts	Catalogue id	Group
2	11888337		20002	420
3			Illustr. No	Section
4			1011542	150
5			Issue	Page
		11891255	VOE 63H9920002	259



Volvo Construction
Equipment
1011542

Fig.	Part No.	Quantity			P S	K I T	Description	Dénomination	Bezeichnung	Denominación	Benämning	Notes
		1	2	3								
24	VOE 935085	1	1			Nipple.....	Raccord.....	Nippel.....	Niple.....	Nippel.....		
25	VOE 932039	1	1			•O-ring.....	•Joint Torique.....	•O-Ring.....	•Junta torica.....	•O-ring.....		
26	VOE 990737	1	1			•O-ring.....	•Joint Torique.....	•O-Ring.....	•Junta torica.....	•O-ring.....		
27	VOE 935640	1	1			Nipple.....	Raccord.....	Nippel.....	Niple.....	Nippel.....		
28	VOE 932039	1	1			•O-ring.....	•Joint Torique.....	•O-Ring.....	•Junta torica.....	•O-ring.....		
29	VOE 990737	1	1			•O-ring.....	•Joint Torique.....	•O-Ring.....	•Junta torica.....	•O-ring.....		
30	VOE 935069	2	1			Elbow nipple.....	Raccord angulaire.....	Winkelnippel.....	Niple angular.....	Vinkelnippel.....		
31	VOE 990737	1	1			•O-ring.....	•Joint Torique.....	•O-Ring.....	•Junta torica.....	•O-ring.....		
32	VOE 990736	1	1			•O-ring.....	•Joint Torique.....	•O-Ring.....	•Junta torica.....	•O-ring.....		
33	VOE 935095	2	2			Nipple.....	Raccord.....	Nippel.....	Niple.....	Nippel.....		
34	VOE 932041	1	1			•O-ring.....	•Joint Torique.....	•O-Ring.....	•Junta torica.....	•O-ring.....		
35	VOE 990739	1	1			•O-ring.....	•Joint Torique.....	•O-Ring.....	•Junta torica.....	•O-ring.....		
36		2	2			Hose.....	Flexible.....	Schlauch.....	Manguera.....	Slang.....	See group 491, Page 375	



1	11890341	Transmission med monteringsdetaljer Transmisión con accesorios de montaje Transmission mit Anbauteilen Transmission avec pièces de montage Hydraulic transmission with fitting parts	Catalogue id	Group
2	11888337		20002	420
3			Illustr. No	Section
4			1011542	150
5			Issue	Page
	11891255	VOE 63H9920002	261	

VOLVO

BL71

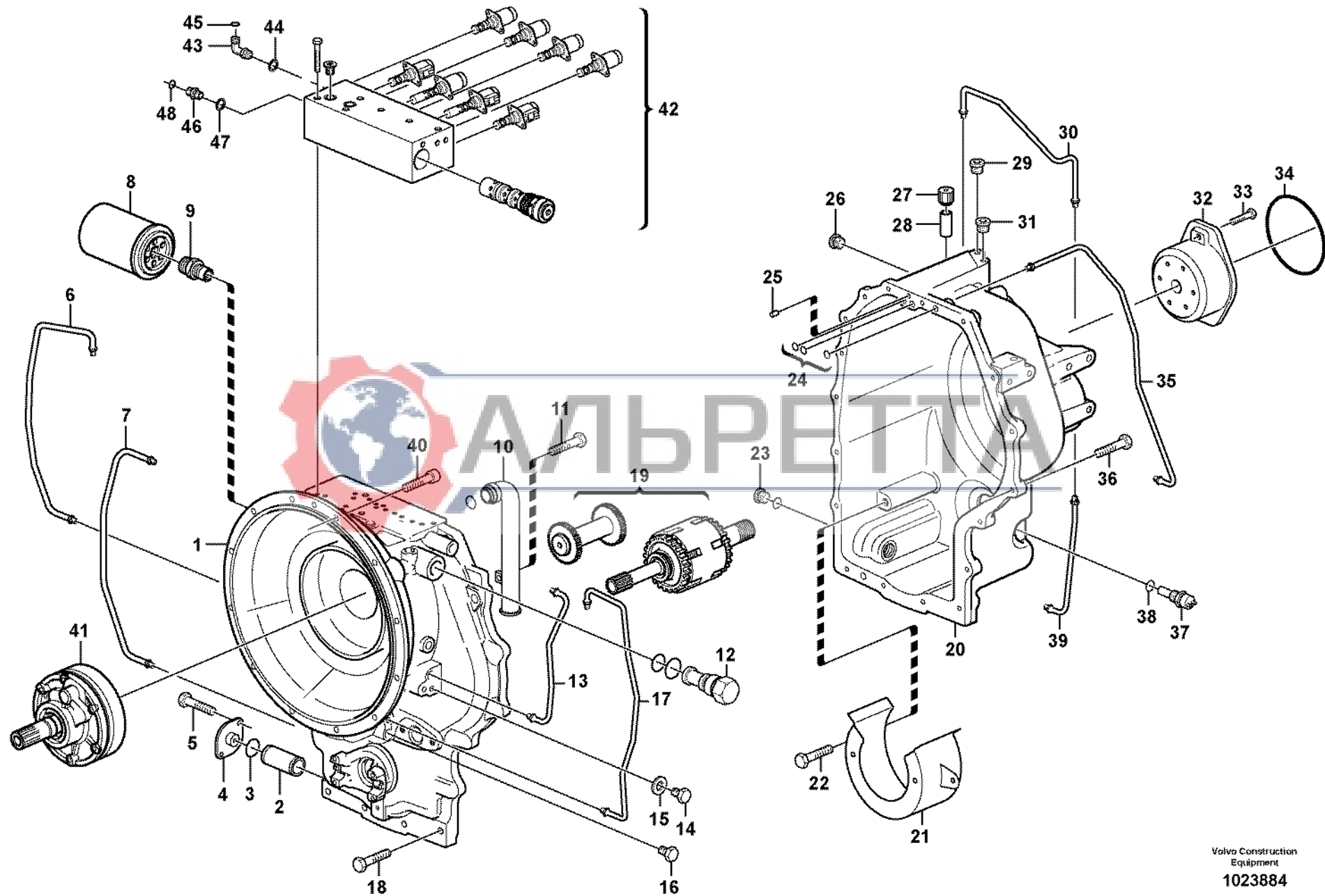


Fig.	Part No.	Quantity			P S	K I T	Description	Dénomination	Bezeichnung	Denominación	Benämning	Notes
		1	2	3								
	VOE 11887381	1				Transmission.....	Transmission.....	Getriebe	Transmision.....	Transmission.....		
1	VOE 11716634	1				Housing.....	Carter.....	Gehäuse.....	Carter.....	Hus.....		
2	VOE 11709050	1				Oil Filter.....	Filtre Huile.....	ÖlfILTER.....	Filtro Aceite	Oljefilter.....		
3	VOE 11709051	1				O-ring.....	Joint Torique	O-Ring.....	Junta torica.....	O-ring.....		
4	VOE 11709052	1				Cover.....	Couvercle.....	Deckel.....	Tapa.....	Lock.....		
5	VOE 13955294	2				Screw.....	Vis.....	Schraube.....	Tornillo	Skruv.....		
6	VOE 11716632	1				Tube.....	Tube.....	Rohr	Tube.....	Rör.....		
7	VOE 11716633	1				Tube.....	Tube.....	Rohr	Tube.....	Rör.....		
8	VOE 11709048	1				Oil Filter.....	Filtre Huile.....	ÖlfILTER.....	Filtro Aceite	Oljefilter.....		
9	VOE 11709053	1				Nipple.....	Raccord.....	Nippel.....	Niple.....	Nippel.....		
10	VOE 11716635	1				Tube.....	Tube.....	Rohr	Tube.....	Rör.....		
11	VOE 946441	1				Flange screw.....	Vis à bride.....	Flanschschrabe.....	Torn embridado.....	Flänsskruv.....		
12	VOE 11712951	1				Valve.....	Soupape.....	Ventil.....	Valvula	Ventil.....		
13	VOE 11716636	1				Tube.....	Tube.....	Rohr	Tube.....	Rör.....		
14	VOE 11709061	5				Plug.....	Bouchon.....	Stopfen.....	Tapon.....	Plugg.....		
15	VOE 11709199	5				Washer.....	Rondelle.....	Scheibe.....	Arandela.....	Bricka.....		
16	VOE 11709075	3				Plug.....	Bouchon.....	Stopfen.....	Tapon.....	Plugg.....		
17	VOE 11716637	1				Tube.....	Tube.....	Rohr	Tube.....	Rör.....		
18	VOE 13970949	5				Hexagon screw.....	Vis a tête hexagonale.....	Sechskantschr.....	Tornillo hexago.....	Sexkantsskruv.....		
19		1				Input Shaft.....	Arbre Primaire.....	Antriebswelle.....	Eje Primario.....	Ingående Axel.....	See group 421, Page 281	
19		1				Reverse Shaft.....	Arbre Marche Ar.....	Rucklaufachse.....	Eje Marcha Atr.....	Backaxel.....	See group 421, Page 285	
19		1				Primary shaft.....	Arbre primaire	Primärachse	Eje primario	Primäraxel.....	See group 421, Page 285	
19		1				Secondary Shaft.....	Arbr.secondaire.....	Sekundärwelle.....	Eje Secundario.....	Sekundäraxel.....	See group 421, Page 295	
19		1				Output shaft.....	Arbre secondaire.....	Abtriebswelle.....	Eje secundario	Utgående axel.....	See group 421, Page 305	
20	VOE 11716645	1				Housing.....	Carter.....	Gehäuse.....	Carter.....	Hus.....		
21	VOE 11716638	1				Protection.....	Protection.....	Schutz.....	Proteccion	Skydd.....		
22	VOE 946441	2				Flange screw.....	Vis à bride.....	Flanschschrabe.....	Torn embridado.....	Flänsskruv.....		
23	VOE 11709057	1				Plug.....	Bouchon.....	Stopfen.....	Tapon.....	Plugg.....		
24	VOE 11709068	3				O-ring.....	Joint Torique	O-Ring.....	Junta torica.....	O-ring.....		
25	VOE 950588	2				Pin.....	Goupille.....	Stift.....	Pasador.....	Pinne.....		

1		Transmission med monteringsdetaljer Transmisión con accesorios de montaje Transmission mit Anbauteilen Transmission avec pièces de montage Hydraulic transmission with fitting parts	Catalogue id	Group
2			20002	420
3			Illustr. No	Section
4			1023884	160
5			Issue	Page
		11891255 S/N 14670 -	VOE 63H9920002	263

VOLVO

BL71

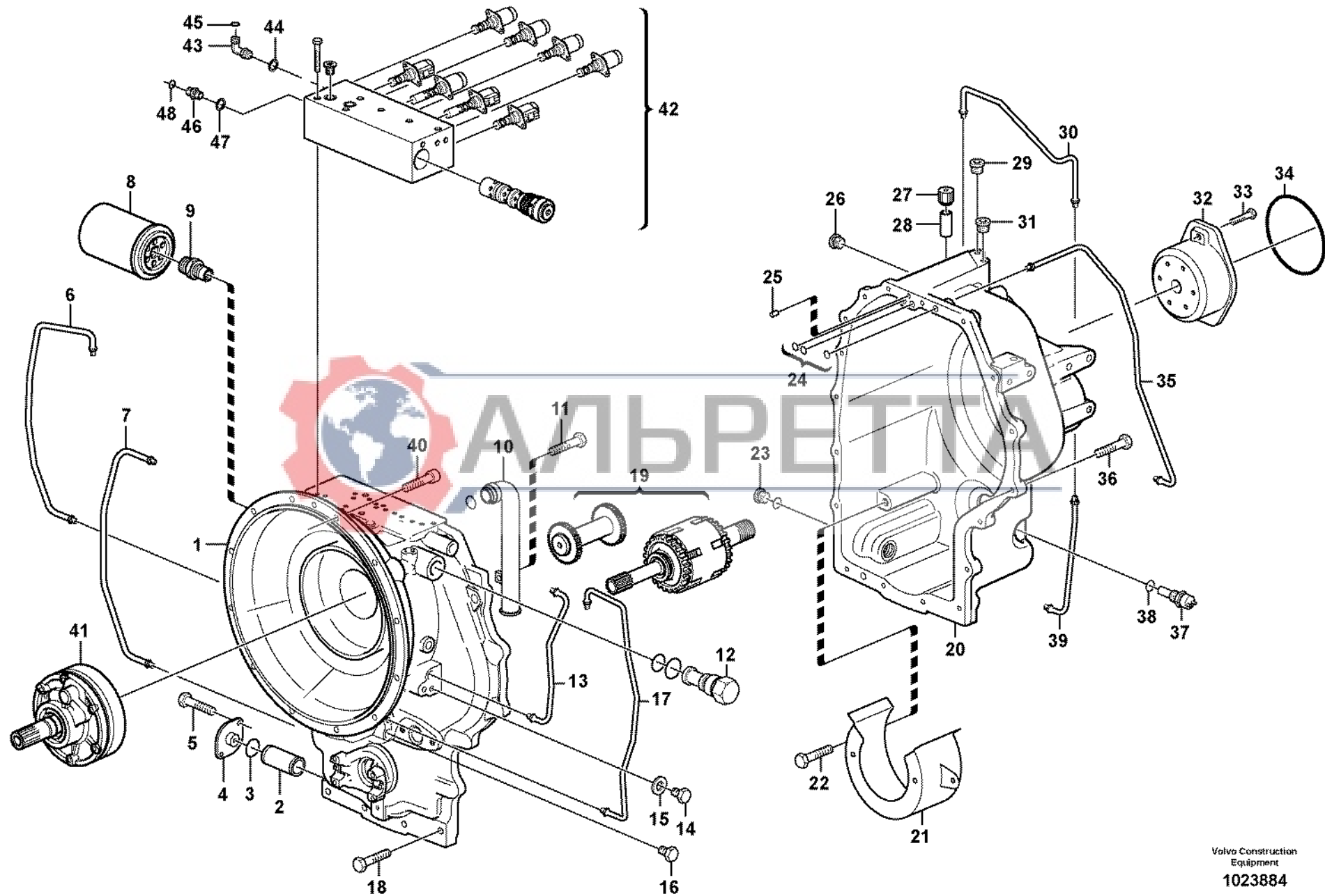


Fig.	Part No.	Quantity			P S	K I T	Description	Dénomination	Bezeichnung	Denominación	Benämning	Notes
		1	2	3								
26	VOE 11709055	2				Plug.....	Bouchon.....	Stopfen.....	Tapon.....	Plugg.....		
27	VOE 11709060	1				Breather Cap.....	Boucho.aeration.....	Lüftungsdeckel.....	Tapa Ventilac.....	Ventil.lock.....		
28	VOE 11709063	1				Breather Pipe.....	Reniflard.....	Luftungsrohr.....	Conduct Ventil.....	Ventilationsrör.....		
29	VOE 11709075	2				Plug.....	Bouchon.....	Stopfen.....	Tapon.....	Plugg.....		
30	VOE 11712950	1				Pipe.....	Canalisation.....	Rohrleitung.....	Canalizacion.....	Rör.....		
31	VOE 11716639	1				Plug.....	Bouchon.....	Stopfen.....	Tapon.....	Plugg.....		
32	VOE 11716640	1				Flange.....	Flasque.....	Flansch.....	Brida.....	Fläns.....		
33	VOE 13970947	6				Hexagon screw.....	Vis a tête hexagonale.....	Sechskantschr.....	Tornillo hexago.....	Sexkantsskruv.....		
34	VOE 11709074	1				O-ring.....	Joint Torique.....	O-Ring.....	Junta torica.....	O-ring.....		
35	VOE 11716641	1				Tube.....	Tube.....	Rohr.....	Tube.....	Rör.....		
36	VOE 13970947	13				Hexagon screw.....	Vis a tête hexagonale.....	Sechskantschr.....	Tornillo hexago.....	Sexkantsskruv.....		
37	VOE 11716642	1				Sensor.....	Capteur.....	Geber.....	Captador.....	Givare.....		
38	VOE 11716643	1				Washer.....	Rondelle.....	Scheibe.....	Arandela.....	Bricka.....		
39	VOE 11716644	1				Tube.....	Tube.....	Rohr.....	Tube.....	Rör.....		
40	VOE 959238	12				Allen Hd Screw.....	Vis A 6 Pans Cr.....	Inbusschraube.....	Torn Hex Embut.....	Insexskriv.....		
41		1				Oil pump.....	Pompe huile.....	Ölpumpe.....	Bomba aceite.....	Oljepump.....	See group 421, Page 275	
42		1				Gear selector valve.....	Valve selectr.vitesse.....	Umsteuventil.....	valvula select.veloci.....	Växelväljarventil.....	See group 421, Page 313	
43	VOE 13933857	1				Elbow Nipple.....	Raccord angulaire.....	Winkelnippel.....	Niple Angular.....	V-nippel.....		
44	VOE 932039	1				•O-ring.....	•Joint Torique.....	•O-Ring.....	•Junta torica.....	•O-ring.....		
45	VOE 990736	1				•O-ring.....	•Joint Torique.....	•O-Ring.....	•Junta torica.....	•O-ring.....		
46	VOE 13933858	1				Union.....	Teton Connexion.....	Anschlussnippel.....	Niple Conexcion.....	Anslutn.nippel.....		
47	VOE 932039	1				•O-ring.....	•Joint Torique.....	•O-Ring.....	•Junta torica.....	•O-ring.....		
48	VOE 990736	1				•O-ring.....	•Joint Torique.....	•O-Ring.....	•Junta torica.....	•O-ring.....		

1	Transmission med monteringsdetaljer Transmisión con accesorios de montaje Transmission mit Anbauteilen Transmission avec pièces de montage Hydraulic transmission with fitting parts	Catalogue id	Group
2		20002	420
3		Illustr. No	Section
4		1023884	160
5		Issue	Page
	11891255 S/N 14670 -	VOE 63H9920002	265

VOLVO

BL71

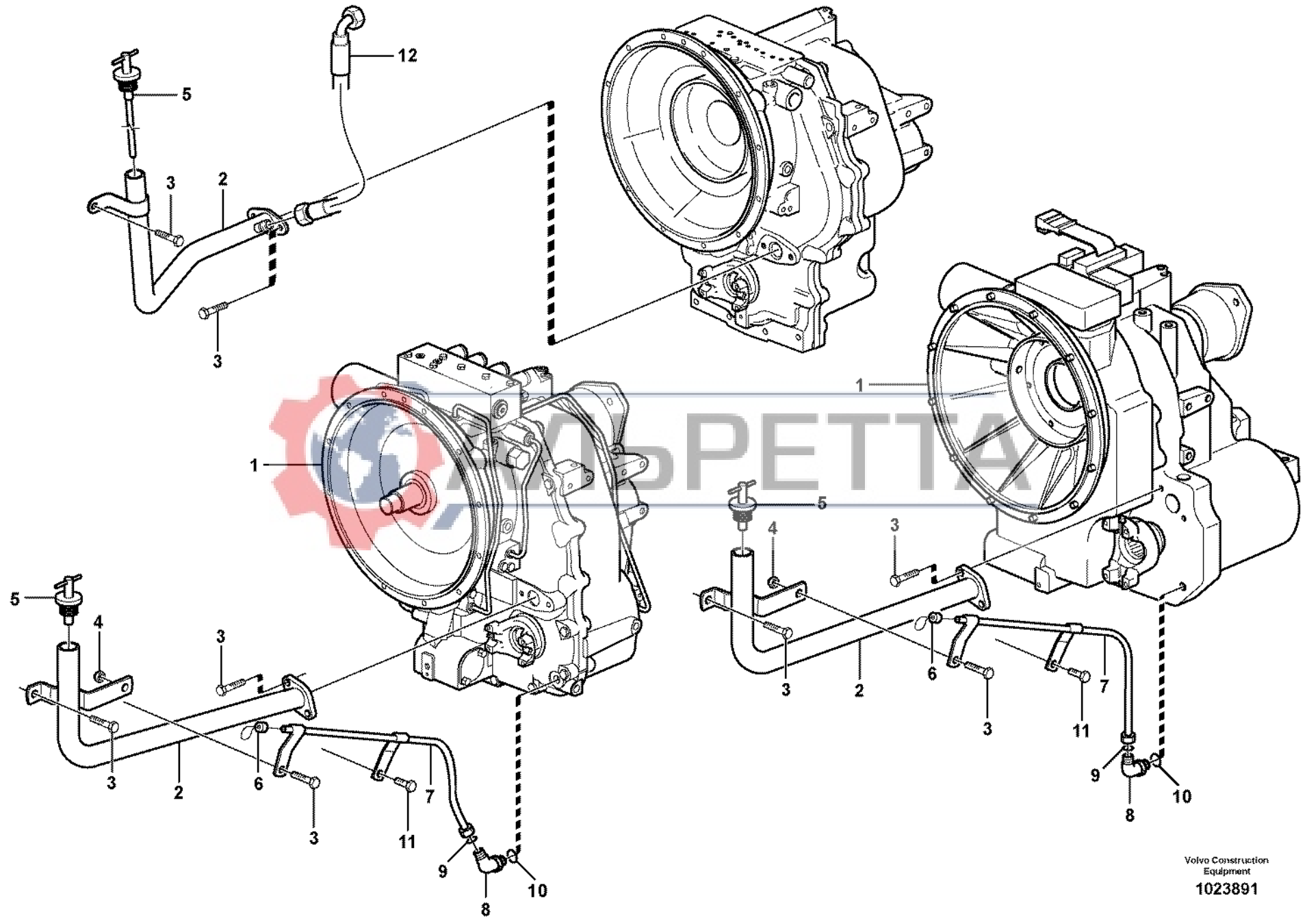
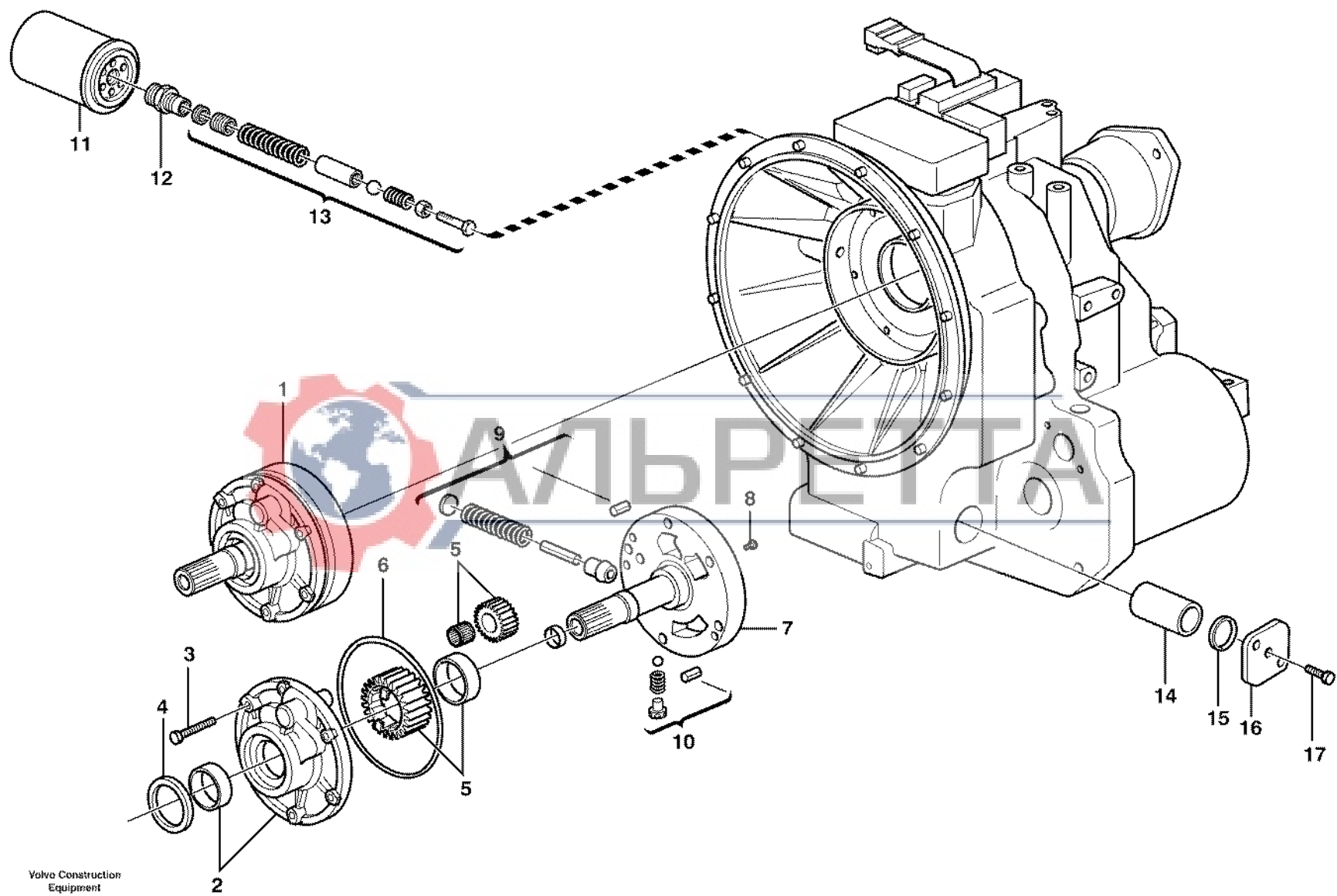


Fig.	Part No.	Quantity					P S	K I T	Description	Dénomination	Bezeichnung	Denominación	Benämning	Notes
		1	2	3	4	5								
1	VOE 11884310	1							Transmission	Transmission	Getriebe	Transmision	Transmission.....	Power shuttle
1	VOE 11890341		1				SS		Transmission	Transmission	Getriebe	Transmision	Transmission.....	Powershift
1	VOE 11888337			1					Transmission	Transmission	Getriebe	Transmision	Transmission.....	POWERSHIFT
1	VOE 11887381				1				Transmission	Transmission	Getriebe	Transmision	Transmission.....	Powershift
1	VOE 11887380					1			Transmission	Transmission	Getriebe	Transmision	Transmission.....	POWERSHUTTLE
2	VOE 11884059	1							Tube.....	Tube	Rohr	Tube	Rör.....	
2	VOE 11884881		1	1					Filler pipe	Tube remplissa	Fullrohr.....	Tube Llenado	Påfyllningsrör.....	
2	VOE 11888392				1				Filler pipe	Tube remplissa	Fullrohr.....	Tube Llenado	Påfyllningsrör.....	
2	VOE 11888393					1			Filler pipe	Tube remplissa	Fullrohr.....	Tube Llenado	Påfyllningsrör.....	
3	VOE 963218		4	4					Hexagon screw	Vis tête hexagonale	Sechskantschraub	Tornillo hexago	Sexkantsskruv.....	
3	VOE 13967630	4				3	3		Allen Hd Screw	Vis A 6 Pans Cr.....	Inbusschraube	Torn Hex Embut	Insexskruv.....	
4	VOE 946036		1	1					Lock nut	Contre-ecrou	Sicherungsmutter.....	Contratuerca.....	Låsmutter.....	
5	VOE 11882698	1	1	1					Filler cap	Bouchon Rempliss	Tankverschluss	Tapa Llenado	Påfyllningslock.....	
5	VOE 11888467				1				Dipstick	Jauge	Messtab	Varill Medic.....	Mätsticka.....	
5	VOE 11889090					1			Dipstick	Jauge	Messtab	Varill Medic.....	Mätsticka.....	
6	VOE 11882695	1							Dipstick	Jauge	Messtab	Varill Medic.....	Mätsticka.....	
	VOE 11885312		1	1					Dipstick	Jauge	Messtab	Varill Medic.....	Mätsticka.....	
7	VOE 11882696	1							Dipstick Tube	Tube De Jauge.....	Messtabrohr	Tube Medicion	Mätstickerör.....	
	VOE 11884176		1	1					Dipstick Tube	Tube De Jauge.....	Messtabrohr	Tube Medicion	Mätstickerör.....	
8	VOE 935069	1							Elbow nipple	Raccord angulaire	Winkelnippel	Niple angular	Vinkelnippel.....	
	VOE 935640		1	1					Nipple.....	Raccord	Nippel.....	Niple	Nippel.....	
	VOE 11883510	1							Plug.....	Bouchon	Stopfen	Tapon	Plugg.....	
9	VOE 4880492		1	1					•O-ring	•Joint Torique	•O-Ring	•Junta torica.....	•O-ring.....	
10	VOE 932039	1							•O-ring	•Joint Torique	•O-Ring	•Junta torica.....	•O-ring.....	
11	VOE 946502	1	1	1					Flange screw	Vis à bride	Flanschschraube	Torn embridado	Flänsskruv.....	
12	VOE 11882192				1	1			Hose assembly	Conduit flexible.....	Schlauchleitung	Conducto	Slangledning.....	

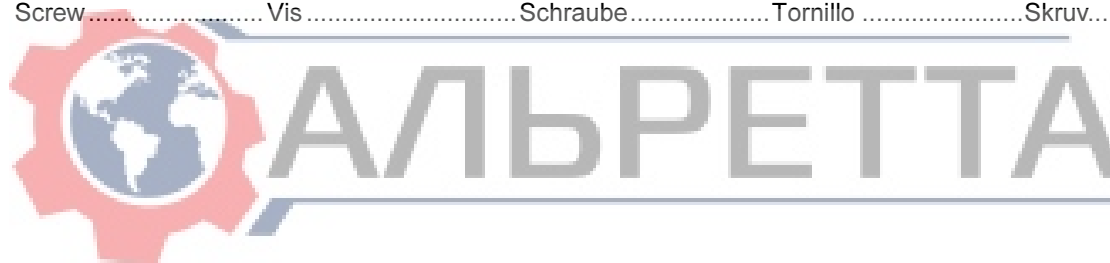


1	11884310	Oljepåfyllning och mätsticka Boca de llenado de aceitey varilla de nivel Öleinfüllung und Ölmeßtab Remplissage d'huile et indicateur de niveau Oil filler and dipstick	Catalogue id	Group
2	11890341		20002	421
3	11888337		Illustr. No	Section
4	11887381		1023891	150
5	11887380		Issue	Page
			VOE 63H9920002	267



Volvo Construction
Equipment
1011548

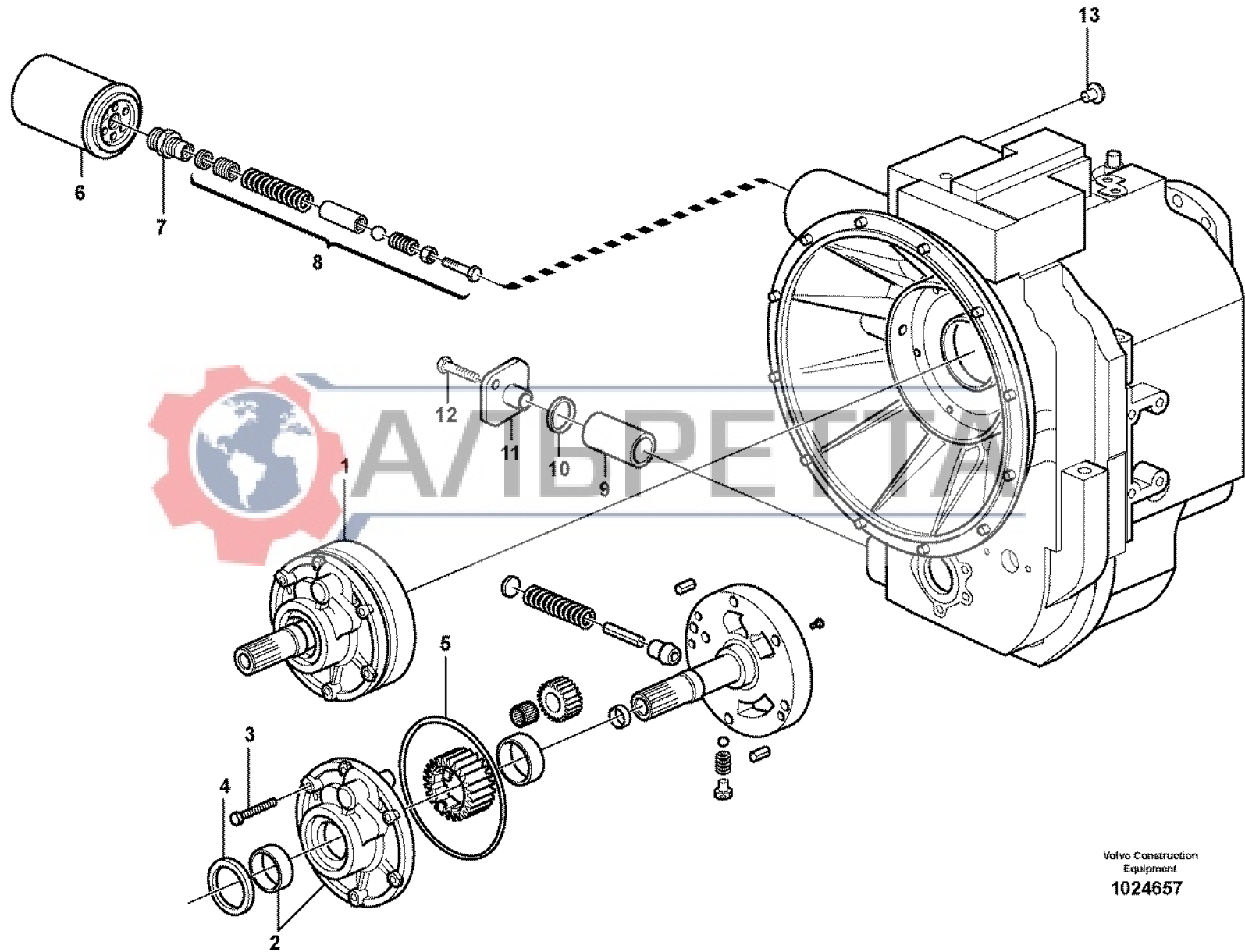
Fig.	Part No.	Quantity			P S	K I T	Description	Dénomination	Bezeichnung	Denominación	Benämning	Notes
		1	2	3								
1	VOE 11709045	1				Oil pump.....	Pompe huile	Ölpumpe.....	Bomba aceite	Oljepump.....		
2		1			NS	•Pump Body	•Corps de pompe	•Pumpengehäuse.....	•Cuerpo Bomba	•Pumpkropp.....		
3	VOE 955302	9				•Hexagon screw	•Vis tête hexagonale ..	•Sechskantschraube ..	•Tornillo hexago	•Sexkantsskruv.....		
4	VOE 11712659	1				•Seal	•Joint	•Dichtring.....	•Junta	•Tätning.....		
5		1			NS	•Gear Set	•Jeu Pignons	•Zahnradsatz	•Juego Engranaje.....	•Kugghjulsats.....		
6	VOE 11709047	1				•O-ring.....	•Joint Torique	•O-Ring.....	•Junta torica	•O-ring.....		
7		1			NS	•Stator	•Stator	•Ständer	•Estator.....	•Stator.....		
8	VOE 13947542	1				•Screw.....	•Vis	•Schraube.....	•Tornillo	•Skruv.....		
9	VOE 11712940	1			OP	•Relief valve	•Limiteur - pression ...	•Druckbegrenzer	•Limitador presion	•Avlastningsventil.....		
10	VOE 11712941	1			OP	•Converter Valve	•Valve Converti.	•Wandlerventil	•Valv Convertid.....	•Momentomv.vent.....		
11	VOE 11709048	1				Oil Filter.....	Filtre Huile.....	Ölfilter.....	Filtro Aceite	Oljefilter.....		
12	VOE 11709053	1				Nipple.....	Raccord.....	Nippel.....	Niple	Nippel.....		
13	VOE 11709049	1				Valve Kit.....	Kit valve	Ventilsatz.....	Juego Valvula.....	Ventilsats.....		
14	VOE 11709050	1				Oil Filter.....	Filtre Huile.....	Ölfilter.....	Filtro Aceite	Oljefilter.....		
15	VOE 11709051	1				O-ring	Joint Torique	O-Ring.....	Junta torica.....	O-ring.....		
16	VOE 11709052	1				Cover	Couvercle.....	Deckel	Tapa	Lock.....		
17	VOE 13955294	2				Screw.....	Vis	Schraube.....	Tornillo	Skruv.....		



1		Oljepump Bomba de aceite Ölpumpe Pompe à huile Oil pump	Catalogue id	Group
2			20002	421
3			Illustr. No	Section
4			1011548	200
5			Issue	Page
			VOE 63H9920002	269
			11891209 S/N - 14669	

VOLVO

BL71



Volvo Construction
Equipment
1024657

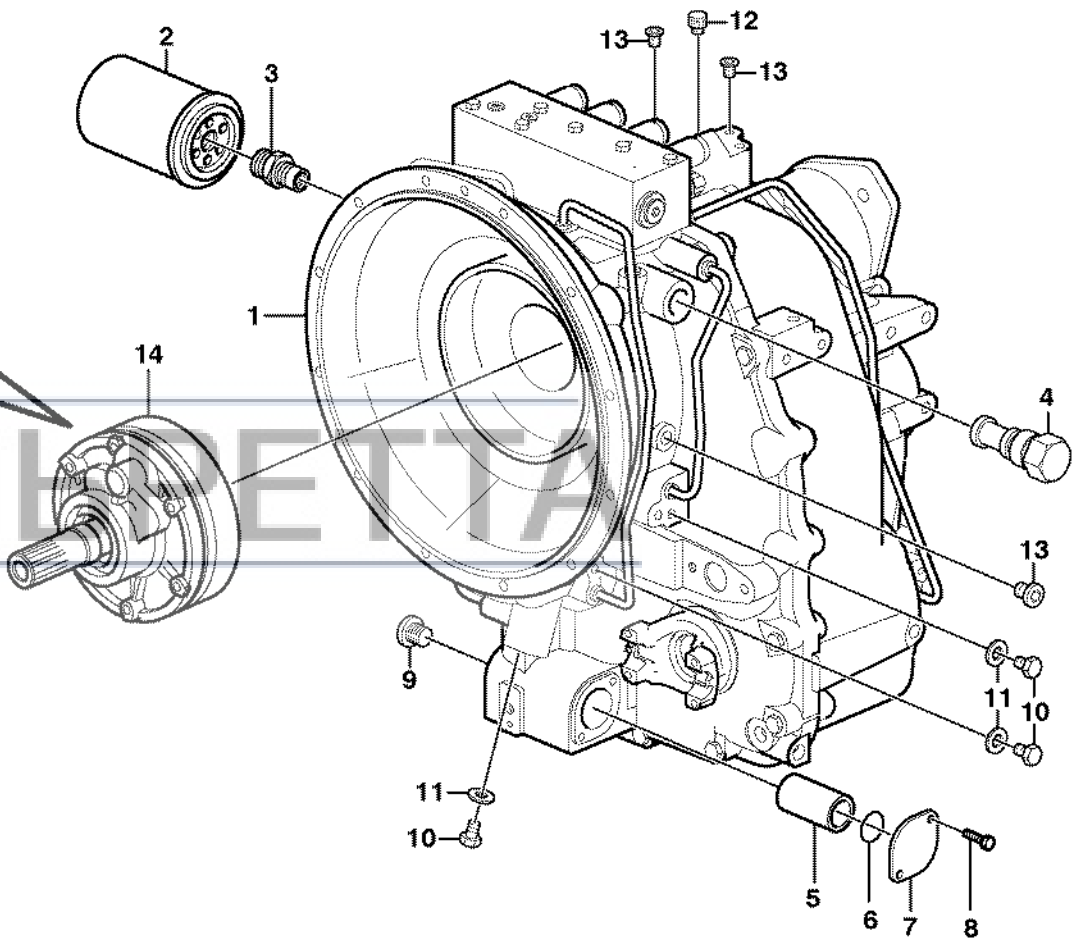
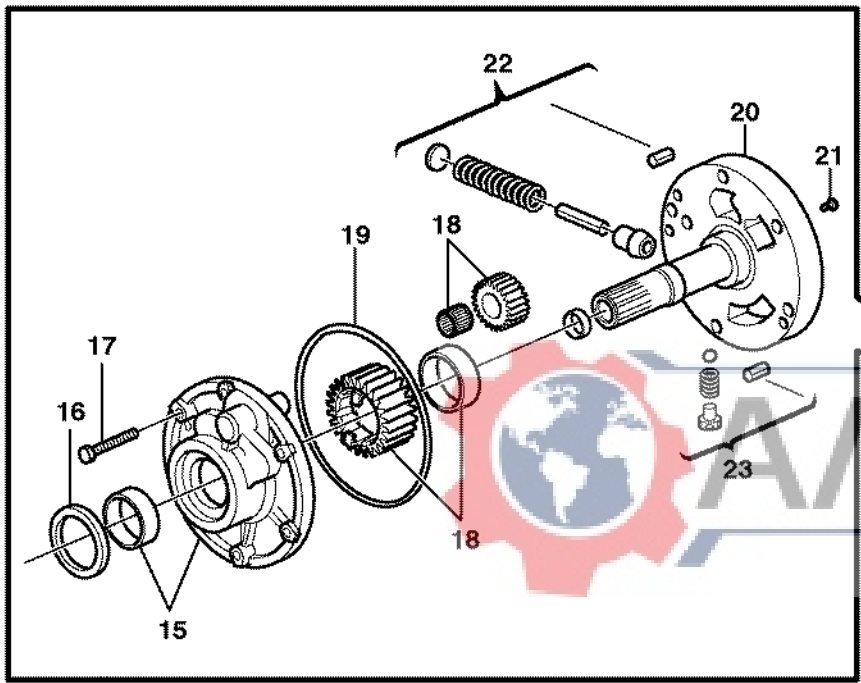
Fig.	Part No.	Quantity			P S	K I T	Description	Dénomination	Bezeichnung	Denominación	Benämning	Notes
		1	2	3								
1	VOE 11716780	1				Oil Pump	Pompe a huile	Ölpumpe.....	Bomba de aceite	Oljepump.....		
2		1			NS	•Pump Body	•Corps de pompe	•Pumpengehäuse.....	•Cuerpo Bomba	•Pumpkropp.....		
3	VOE 955302	6				•Hexagon screw	•Vis tête hexagonale ..	•Sechskantschraube ..	•Tornillo hexago	•Sexkantsskruv.....		
4	VOE 11712659	1				•Seal	•Joint	•Dichtring.....	•Junta	•Tätning.....		
5	VOE 11709047	1				•O-ring.....	•Joint Torique	•O-Ring.....	•Junta torica	•O-ring.....		
6	VOE 11716781	1				Oil Filter.....	Filtre Huile.....	Ölfilter.....	Filtro Aceite	Oljefilter.....		
7	VOE 11709053	1				Nipple.....	Raccord.....	Nippel	Niple	Nippel.....		
8	VOE 11709049	1				Valve Kit.....	Kit valve	Ventilsatz.....	Juego Valvula.....	Ventilsats.....		
9	VOE 11709050	1				Oil Filter.....	Filtre Huile.....	Ölfilter.....	Filtro Aceite	Oljefilter.....		
10	VOE 11709051	1				O-ring.....	Joint Torique	O-Ring.....	Junta torica.....	O-ring.....		
11	VOE 11709052	1				Cover	Couvercle.....	Deckel	Tapa	Lock.....		
12	VOE 13955294	2				Screw.....	Vis	Schraube.....	Tornillo	Skruv.....		
13	VOE 11709200	1				Plug.....	Bouchon	Stopfen.....	Tapon	Plugg.....		



1	11887380	Oljepump Bomba de aceite Ölpumpe Pompe à huile Oil pump	Catalogue id	Group
2			20002	421
3			Illustr. No	Section
4			1024657	205
5			Issue	Page
			VOE 63H9920002	271
			11891209 S/N 14670 -	

VOLVO

BL71



Volvo Construction
Equipment
1011531

Fig.	Part No.	Quantity			P S	K I T	Description	Dénomination	Bezeichnung	Denominación	Benämning	Notes
		1	2	3								
1	VOE 11890341	1				SS	Transmission.....	Transmission.....	Getriebe	Transmision.....	Transmission.....	
1	VOE 11888337		1				Transmission.....	Transmission.....	Getriebe	Transmision.....	Transmission.....	
2	VOE 11709048	1	1				•Oil Filter	•Filtre Huile.....	•Ölfilter.....	•Filtro Aceite	•Oljefilter.....	
3	VOE 11709053	1	1				•Nipple	•Raccord	•Nippel.....	•Niple.....	•Nippel.....	
4	VOE 11712951	1	1				•Valve.....	•Soupape	•Ventil.....	•Valvula	•Ventil.....	
5	VOE 11709050	1	1				•Oil Filter	•Filtre Huile.....	•Ölfilter.....	•Filtro Aceite	•Oljefilter.....	
6	VOE 11709051	1	1				•O-ring.....	•Joint Torique	•O-Ring.....	•Junta torica	•O-ring.....	
7	VOE 11709052	1	1				•Cover	•Couvercle.....	•Deckel.....	•Tapa	•Lock.....	
8	VOE 13955294	2	2				•Screw.....	•Vis.....	•Schraube.....	•Tornillo	•Skruv.....	
9	VOE 11709057	1	1				•Plug	•Bouchon.....	•Stopfen	•Tapon.....	•Plugg.....	
10	VOE 11709061	6	6				•Plug	•Bouchon.....	•Stopfen	•Tapon.....	•Plugg.....	
11	VOE 11709199	6	6				•Washer	•Rondelle.....	•Scheibe.....	•Arandela.....	•Bricka.....	
12	VOE 11709060	1	1				•Breather Cap	•Boucho.aeration.....	•Lüftungsdeckel.....	•Tapa Ventilac	•Ventil.lock.....	
13	VOE 11709075	3	3				•Plug	•Bouchon.....	•Stopfen	•Tapon.....	•Plugg.....	
14	VOE 11709045	1					•Oil pump	•Pompe huile.....	•Ölpumpe	•Bomba aceite	•Oljepump.....	
14	VOE 11715039	1					•Oil Pump.....	•Pompe a huile.....	•Ölpumpe	•Bomba de aceite	•Oljepump.....	
15		1				NS	•Pump Body.....	•Corps de pompe.....	•Pumpengehäuse	•Cuerpo Bomba.....	•Pumpkropp.....	
16	VOE 11712659	1	1				•Seal.....	•Joint.....	•Dichtring	•Junta.....	•Tätning.....	
17	VOE 955302	6	9				•Hexagon screw.....	•Vis tête hexagonale.....	•Sechskantschraube	•Tornillo hexago	•Sexkantsskruv.....	
18		1				NS	•Gear Set.....	•Jeu Pignons.....	•Zahnradsatz.....	•Juego Engranaje.....	•Kugghjulsats.....	
19	VOE 11709047	1	1				•O-ring	•Joint Torique.....	•O-Ring	•Junta torica	•O-ring.....	
20						NS	•Stator.....	•Stator.....	•Ständer.....	•Estator.....	•Stator.....	
21	VOE 13947542	1					•Screw	•Vis.....	•Schraube	•Tornillo	•Skruv.....	
22	VOE 11712940	1				OP	•Relief valve.....	•Limiteur - pression	•Druckbegrenzer	•Limitador presion	•Avlastningsventil.....	
23	VOE 11712941	1				OP	•Converter Valve.....	•Valve Converti.	•Wandlerventil.....	•Valv Convertid	•Momentomv.vent.....	

1	11890341	Oljepump Bomba de aceite Ölpumpe Pompe à huile Oil pump	Catalogue id	Group
2	11888337		20002	421
3			Illustr. No	Section
4			1011531	225
5			Issue	Page
			VOE 63H9920002	273

VOLVO

BL71

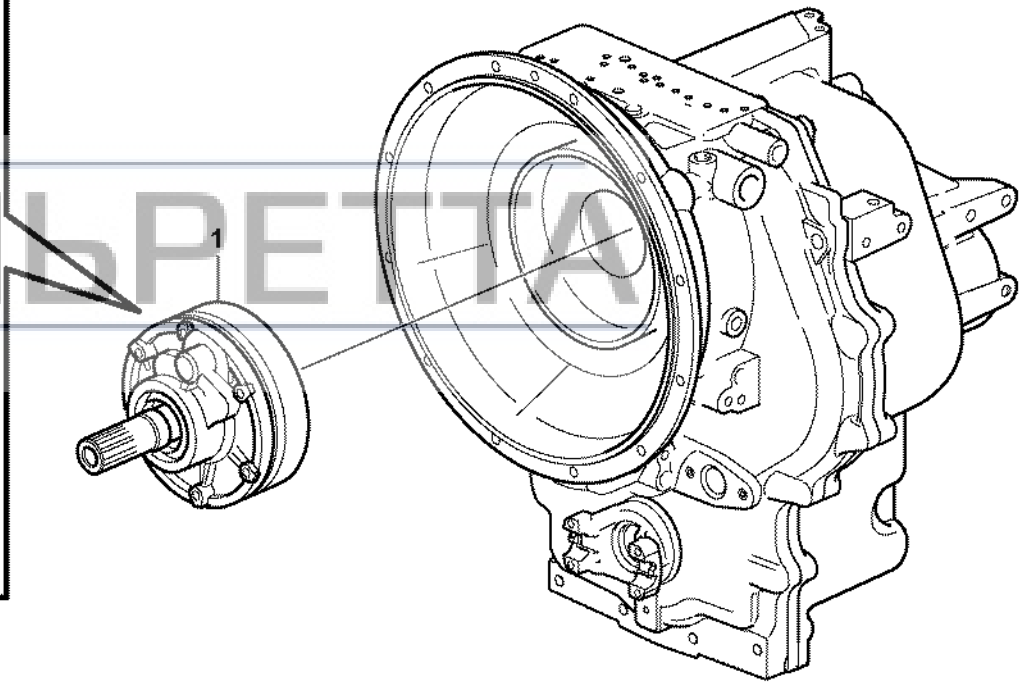
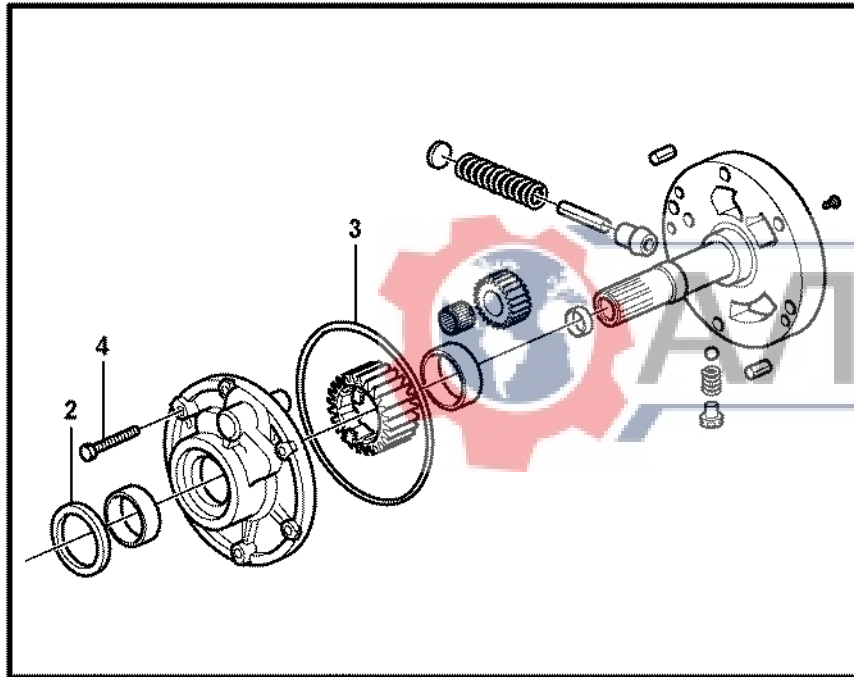


Fig.	Part No.	Quantity			P S	K I T	Description	Dénomination	Bezeichnung	Denominación	Benämning	Notes
		1	2	3								
1	VOE 11715039	1				Oil Pump	Pompe a huile	Ölpumpe.....	Bomba de aceite	Oljepump.....		
2	VOE 11712659	1				•Seal	•Joint	•Dichtring.....	•Junta	•Tätning.....		
3	VOE 11709047	1				•O-ring.....	•Joint Torique	•O-Ring.....	•Junta torica	•O-ring.....		
4	VOE 955302	9				Hexagon screw	Vis tête hexagonale ...	Sechskantschraube....	Tornillo hexago.....	Sexkantsskruv.....		



1		Oljepump Bomba de aceite Ölpumpe Pompe à huile Oil pump	Catalogue id	Group
2			20002	421
3			Illustr. No	Section
4			1023885	230
5			Issue	Page
		11891255 S/N 14670 -	VOE 63H9920002	275

VOLVO

BL71



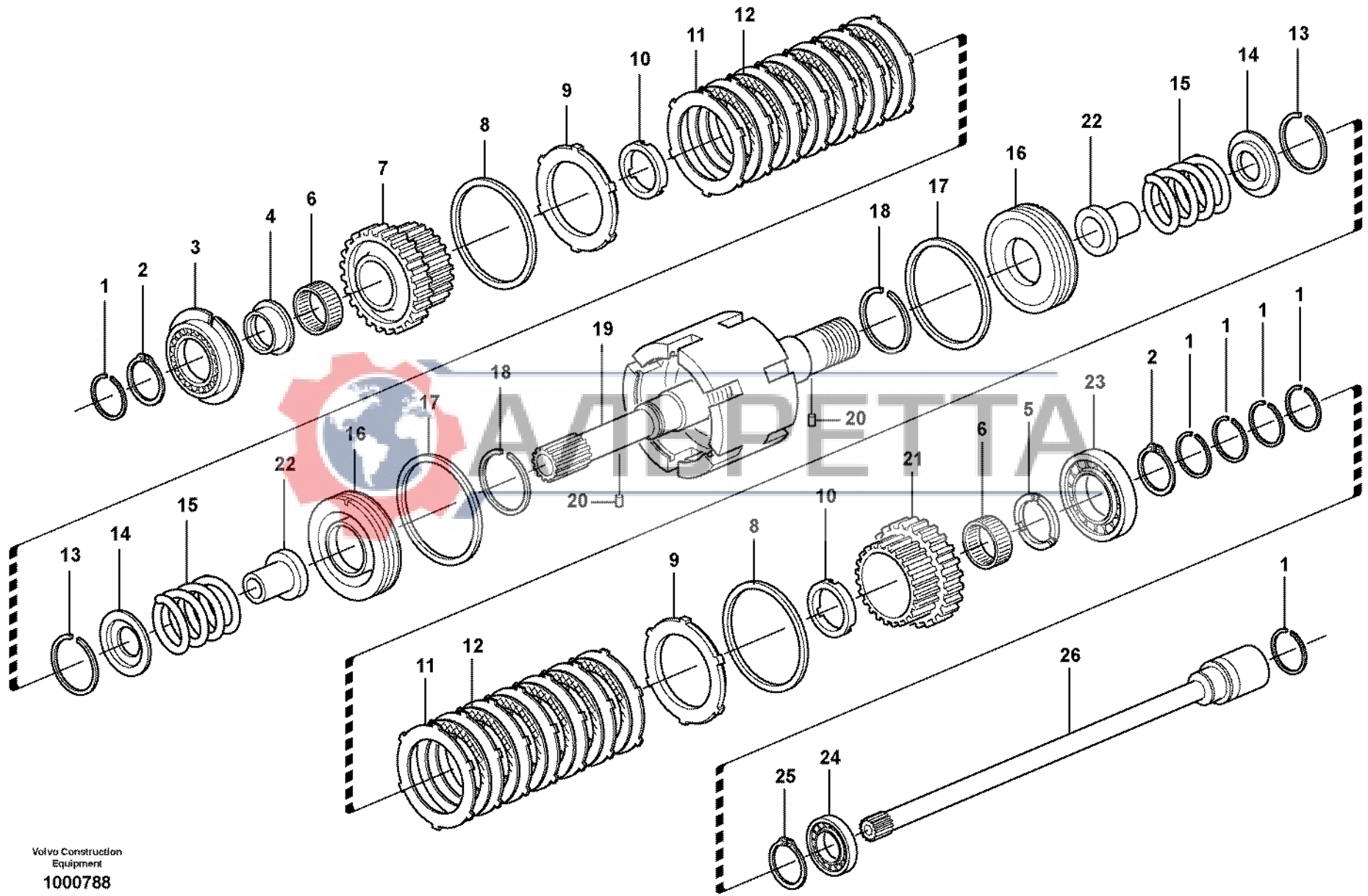


Fig.	Part No.	Quantity			P S	K I T	Description	Dénomination	Bezeichnung	Denominación	Benämning	Notes
		1	2	3								
1	VOE 11709076	6				Sealing ring	Bague d'étanchéité	Runddichtring	Anillo reten	Tätningsring		
2	VOE 11709077	2				Lock Ring	Anneau Verrouillage ..	Schlossring	Anillo Segurid	Låsring		
3	VOE 11709078	1				Bearing	Palier	Lager	Cojinete	Lager		
4	VOE 11709079	1				Spacer	Entretoise	Abstandkörper	Distanciador	Distans		
5	VOE 11709080	1				Spacer Washer	Rond.entretoise	Abstandscheibe	Arandela Dist	Distansbricka		
6	VOE 11709081	2				Needle Bearing	Roule.aiguilles	Nadellager	Cojinete Agujas	Nållager		
7	VOE 11709082	1				Drive gear	Pignon	Triebrad	Pinon	Drev		
8	VOE 11709083	2				Lock Ring	Anneau Verrouillage ..	Schlossring	Anillo Segurid	Låsring		
9	VOE 11709084	2				Clutch Ring	Manchon Acoup	Kupplungsring	Anillo Embrague	Kopplingsring		
10	VOE 11709085	2				Spacer	Entretoise	Abstandkörper	Distanciador	Distans		
11	VOE 11709086	14				Clutch disc	Disque embrayage	Kupplungslamelle	Disco embrague	Kopplingslamell		
12	VOE 11709087	12				Clutch disc	Disque embrayage	Kupplungslamelle	Disco embrague	Kopplingslamell		
13	VOE 11709088	2				Lock Ring	Anneau Verrouillage ..	Schlossring	Anillo Segurid	Låsring		
14	VOE 11709089	2				Cover	Couvercle	Deckel	Tapa	Lock		
15	VOE 11709090	2				Lock Spring	Ressort Verrou	Sperrfeder	Resorte Bloqueo	Låsfjäder		
16	VOE 11709091	2				Piston	Piston	Kolben	Piston	Kolv		
17	VOE 11709092	2				Seal	Joint	Dichtung	Reten	Tätning		
18	VOE 11709093	2				Seal	Joint	Dichtung	Reten	Tätning		
19	VOE 11709094	1				Axle	Arbre	Welle	Eje	Axel		
20	VOE 11709095	2				Pin	Goupille	Stift	Pasador	Pinne		
21	VOE 11709096	1				Drive gear	Pignon	Triebrad	Pinon	Drev		
22	VOE 11709097	2				Flange	Bride	Flansch	Brida	Fläns		
23	VOE 11709098	1				Bearing	Palier	Lager	Cojinete	Lager		
24	VOE 11709099	1				Bearing	Palier	Lager	Cojinete	Lager		
25	VOE 11709100	1				Snap Ring	Circlip	Nutring	Circlip	Spårring		
26	VOE 11709101	1				Axle	Arbre	Welle	Eje	Axel		

1	Kopplingsaxel fram/back Eje de embrague delante/detrás Kupplungswelle vorwärts/rückwärts Arbre d'accouplement AV/AR Clutch shaft forward/reverse	Catalogue id	Group
2		20002	421
3		Illustr. No	Section
4		1000788	250
5		Issue	Page
	11891209 S/N - 14669	VOE 63H9920002	277

VOLVO

BL71

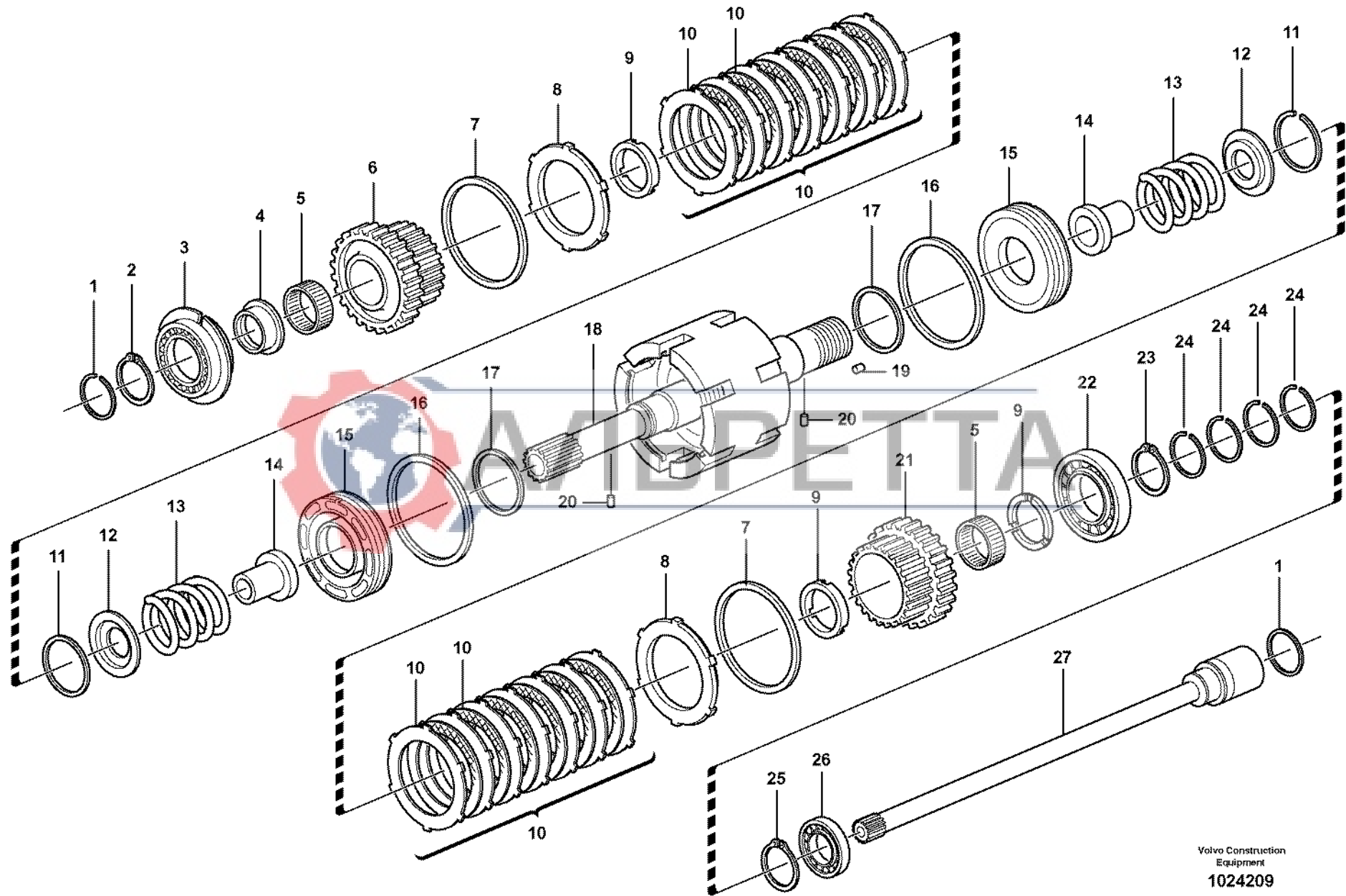
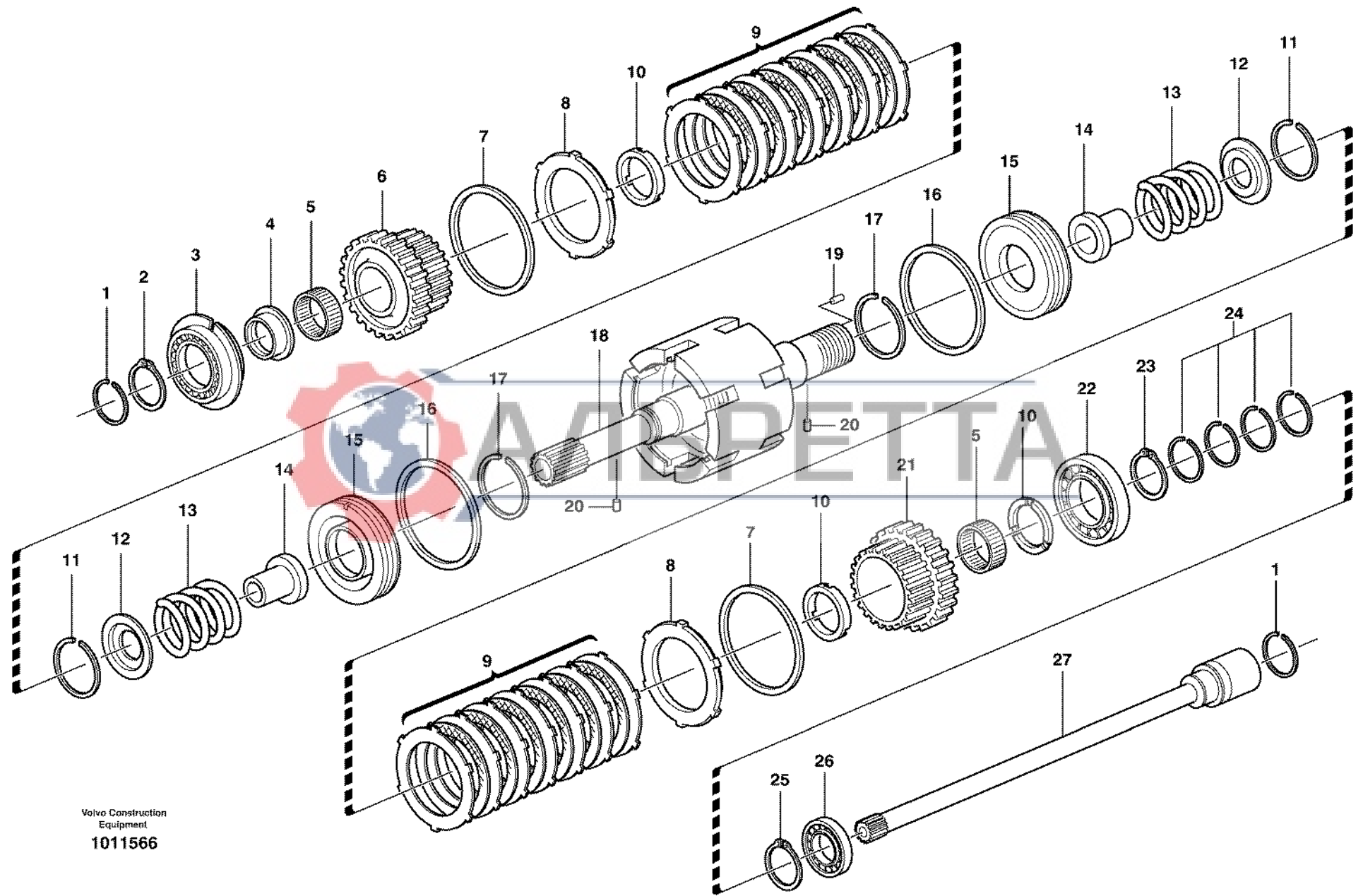


Fig.	Part No.	Quantity			P S	K I T	Description	Dénomination	Bezeichnung	Denominación	Benämning	Notes
		1	2	3								
1	VOE 11709076	2					Sealing ring	Bague d'étanchéité	Runddichtring	Anillo reten	Tätningsring	
2	VOE 11709077	1					Lock Ring	Anneau Verrouillage ..	Schlossring	Anillo Segurid	Låsring	
3	VOE 11709078	1					Bearing	Palier	Lager	Cojinete	Lager	
4	VOE 11709079	1					Spacer	Entretoise	Abstandkörper	Distanciador	Distans	
5	VOE 11709081	2					Needle Bearing	Roule.aiguilles	Nadellager	Cojinete Agujas	Nållager	
6	VOE 11709082	1					Drive gear	Pignon	Triebrad	Pinon	Drev	
7	VOE 11709083	2					Lock Ring	Anneau Verrouillage ..	Schlossring	Anillo Segurid	Låsring	
8	VOE 11709084	2					Clutch Ring	Manchon Acoup.	Kupplungsring	Anillo Embrague	Kopplingsring	
9	VOE 11709085	3					Spacer	Entretoise	Abstandkörper	Distanciador	Distans	
10	VOE 11709087	2					Clutch disc	Disque embrayage	Kupplungslamelle	Disco embrague	Kopplingslamell	
11	VOE 11709088	2					Lock Ring	Anneau Verrouillage ..	Schlossring	Anillo Segurid	Låsring	
12	VOE 11709089	2					Cover	Couvercle	Deckel	Tapa	Lock	
13	VOE 11709090	2					Lock Spring	Ressort Verrou.	Sperrfeder	Resorte Bloqueo	Låsfjäder	
14	VOE 11709097	2					Flange	Bride	Flansch	Brida	Fläns	
15	VOE 11709091	2					Piston	Piston	Kolben	Piston	Kolv	
16	VOE 11709092	2					Seal	Joint	Dichtung	Reten	Tätning	
17	VOE 11709093	2					Seal	Joint	Dichtung	Reten	Tätning	
18	VOE 11716785	1					Shaft	Arbre	Welle	Arbol	Axel	
19	VOE 11712469	4					•Rivet	•Rivet	•Niet	•Remache	•Nit	
20	VOE 11709095	2					Pin	Goupille	Stift	Pasador	Pinne	
21	VOE 11709096	1					Drive gear	Pignon	Triebrad	Pinon	Drev	
22	VOE 11712468	1					Bearing	Palier	Lager	Cojinete	Lager	
23	VOE 11709151	1					Snap Ring	Circlip	Nutring	Circlip	Spårring	
24	VOE 11712470	4					Sealing ring	Bague d'étanchéité	Runddichtring	Anillo reten	Tätningsring	
25	VOE 81709100	1					Snap Ring	Circlip	Nutring	Circlip	Spårring	
26	VOE 11709099	1					Bearing	Palier	Lager	Cojinete	Lager	
27	VOE 11709101	1					Axle	Arbre	Welle	Eje	Axel	

1	11897380	Kopplingsaxel fram/back Eje de embrague delante/detrás Kupplungswelle vorwärts/rückwärts Arbre d'accouplement AV/AR Clutch shaft forward/reverse 11891209 S/N 14670 -	Catalogue id	Group
2			20002	421
3			Illustr. No	Section
4			1024209	260
5			Issue	Page
			VOE 63H9920002	279

VOLVO

BL71



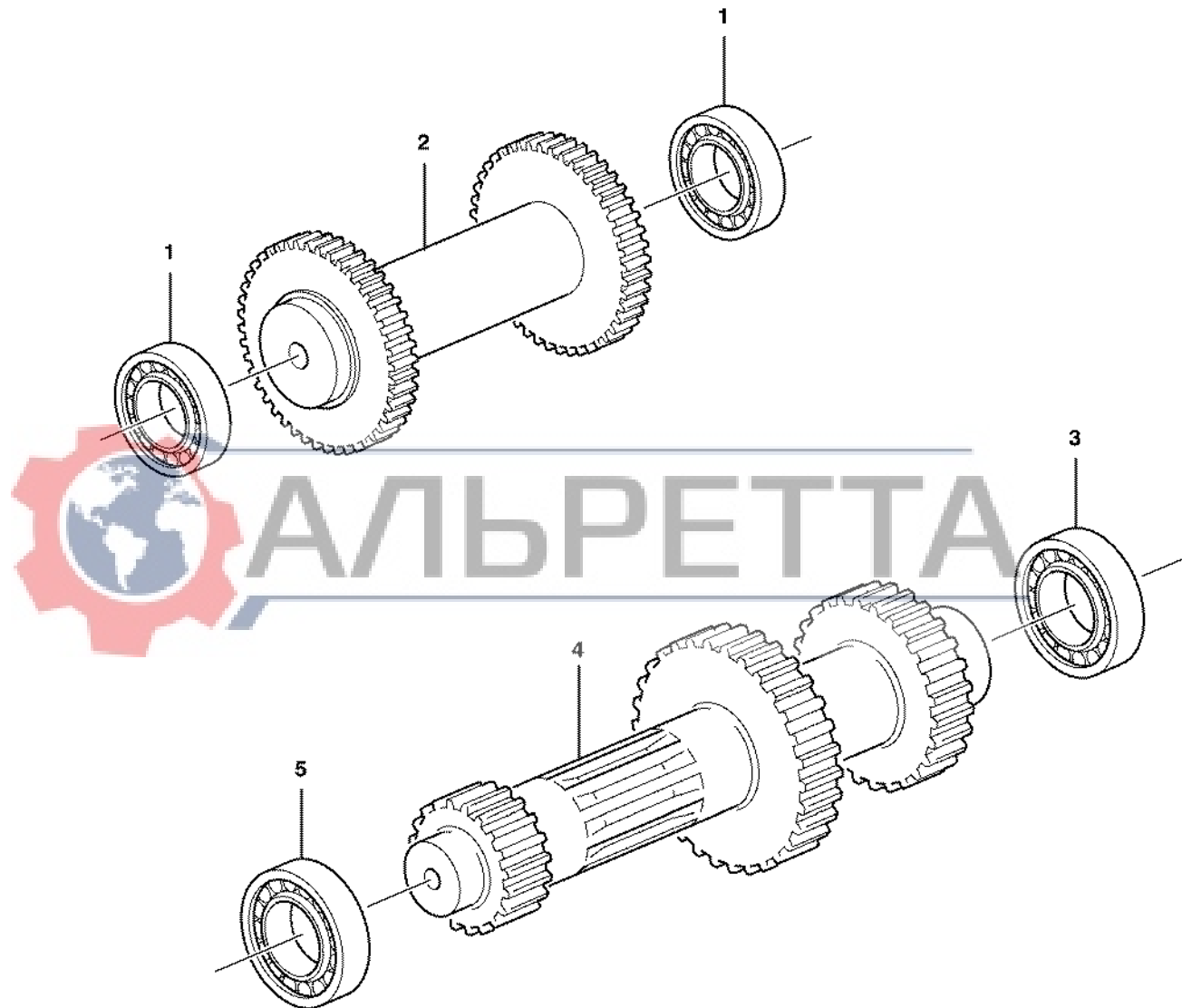
Volvo Construction
 Equipment
 1011566

Fig.	Part No.	Quantity			P S	K I T	Description	Dénomination	Bezeichnung	Denominación	Benämning	Notes
		1	2	3								
1	VOE 11709076	2	2			Sealing ring	Bague d'étanchéité	Runddichtring	Anillo reten	Tätningring		
2	VOE 11709077	1	1			Lock Ring	Anneau Verrouillage	Schlossring	Anillo Segurid	Låsring		
3	VOE 11709078	1	1			Bearing	Palier	Lager	Cojinete	Lager		
4	VOE 11709079	1	1			Spacer	Entretoise	Abstandkörper	Distanciador	Distans		
5	VOE 11709081	2	2			Needle Bearing	Roule.aiguilles	Nadellager	Cojinete Agujas	Nållager		
6	VOE 11712952	1	1			Gear	Pignon	Zahnradgetriebe	Engranaje	Kuggdrev		
7	VOE 11709083	2	2			Lock Ring	Anneau Verrouillage	Schlossring	Anillo Segurid	Låsring		
8	VOE 11709084	2	2			Clutch Ring	Manchon Acoup	Kupplungsring	Anillo Embrague	Kopplingsring		
9	VOE 11712953	2	2			Disc Kit	Jeu Disques	Lamellensatz	Juego Frenos	Lamellsats		
10	VOE 11709085	3	3			Spacer	Entretoise	Abstandkörper	Distanciador	Distans		
11	VOE 11709088	2	2			Lock Ring	Anneau Verrouillage	Schlossring	Anillo Segurid	Låsring		
12	VOE 11709089	2	2			Cover	Couvercle	Deckel	Tapa	Lock		
13	VOE 11709090	2	2			Lock Spring	Ressort Verrou	Sperrfeder	Resorte Bloqueo	Låsfjäder		
14	VOE 11709097	2	2			Flange	Bride	Flansch	Brida	Fläns		
15	VOE 11709091	2	2			Piston	Piston	Kolben	Piston	Kolv		
16	VOE 11709092	2	2			Seal	Joint	Dichtung	Reten	Tätning		
17	VOE 11709093	2	2			Seal	Joint	Dichtung	Reten	Tätning		
18	VOE 11712467	1				Shaft	Arbre	Welle	Arbol	Axel		
18	VOE 11716536		1			Shaft	Arbre	Welle	Arbol	Axel		
19	VOE 11712469	4	4			•Rivet	•Rivet	•Niet	•Remache	•Nit		
20	VOE 11709095	2	2			Pin	Goupille	Stift	Pasador	Pinne		
21	VOE 11712954	1	1			Gear	Pignon	Zahnradgetriebe	Engranaje	Kuggdrev		
22	VOE 11712468	1	1			Bearing	Palier	Lager	Cojinete	Lager		
23	VOE 11709151	1	1			Snap Ring	Circlip	Nutring	Circlip	Spårring		
24	VOE 11712470	4	4			Sealing ring	Bague d'étanchéité	Runddichtring	Anillo reten	Tätningring		
25	VOE 11709100	1	1			Snap Ring	Circlip	Nutring	Circlip	Spårring		
26	VOE 11709099	1	1			Bearing	Palier	Lager	Cojinete	Lager		
27	VOE 11709101	1	1			Axle	Arbre	Welle	Eje	Axel		

1	11884310, 11890341	Kopplingsaxel fram/back Eje de embrague delante/detrás Kupplungswelle vorwärts/rückwärts Arbre d'accouplement AV/AR Clutch shaft forward/reverse	Catalogue id	Group
2	11888337, 11887381		20002	421
3			Illustr. No	Section
4			1011566	275
5			Issue	Page
	11891255	VOE 63H9920002	281	

VOLVO

BL71



АЛЬРЕТТА

Fig.	Part No.	Quantity			P S	K I T	Description	Dénomination	Bezeichnung	Denominación	Benämning	Notes
		1	2	3								
1	VOE 11709102	2				Bearing.....	Palier.....	Lager.....	Cojinete.....	Lager.....		
2	VOE 11709103	1				Reverse Shaft.....	Arbre Marche Ar.....	Rucklaufachse.....	Eje Marcha Atr.....	Backaxel.....	(REVERSE)	
3	VOE 11709104	1				Bearing.....	Palier.....	Lager.....	Cojinete.....	Lager.....		
4	VOE 11709105	1				Axle.....	Arbre.....	Welle.....	Eje.....	Axel.....	(PRIMARY)	
5	VOE 11709106	1				Bearing.....	Palier.....	Lager.....	Cojinete.....	Lager.....		

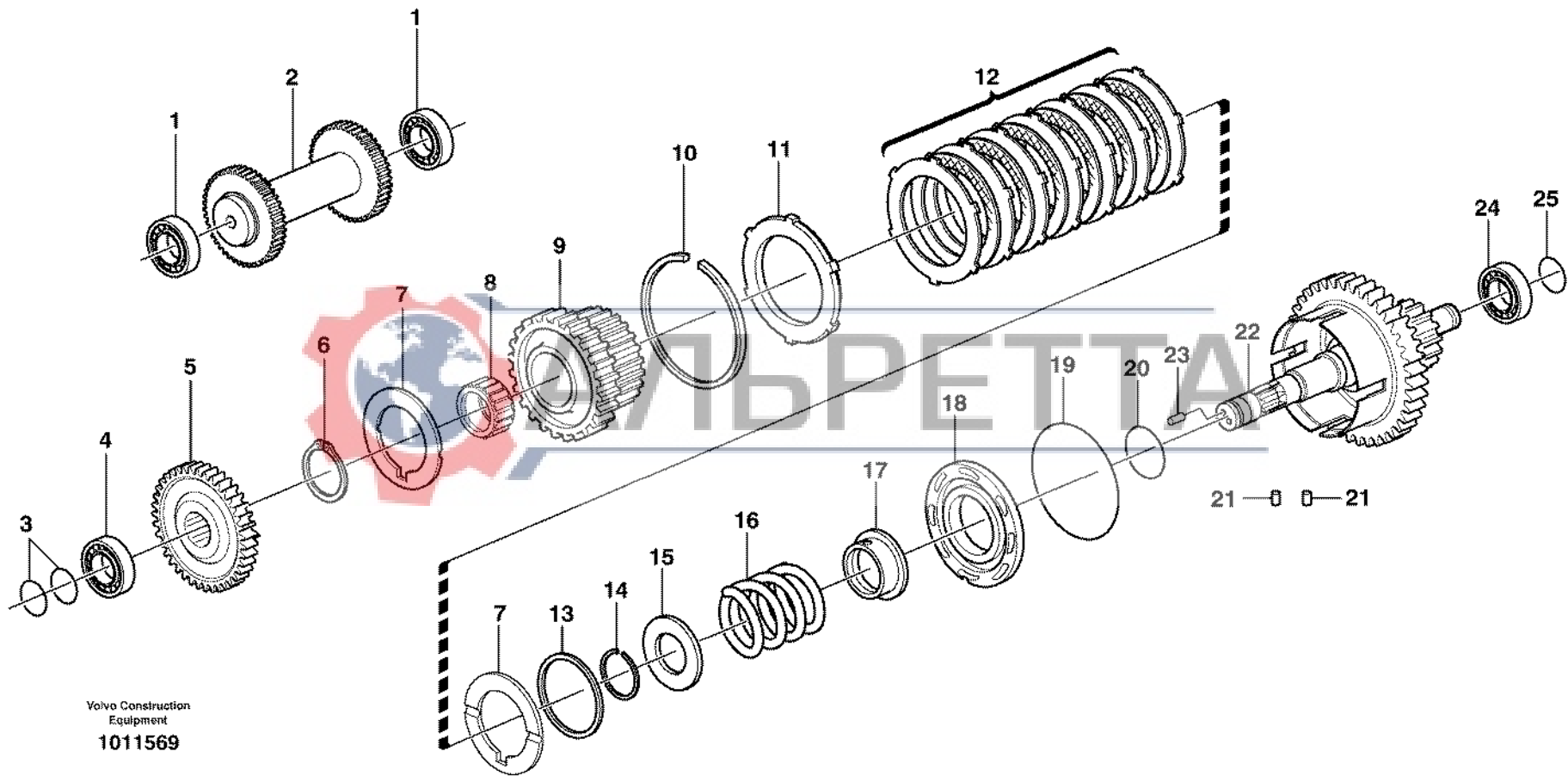


1		Back och primäraxel Eje trasero y primario Rück- und Primärwelle Marche AR et arbre primaire Reverse and primary shaft	Catalogue id	Group
2			20002	421
3			Illustr. No	Section
4			1000789	300
5			Issue	Page
		11891209	VOE 63H9920002	283

VOLVO

BL71





Volvo Construction
 Equipment
 1011569

Fig.	Part No.	Quantity			P S	K I T	Description	Dénomination	Bezeichnung	Denominación	Benämning	Notes
		1	2	3								
1	VOE 11709102	2	2			Bearing.....	Palier.....	Lager.....	Cojinete.....	Lager.....		
2	VOE 11709103	1	1			Reverse Shaft.....	Arbre Marche Ar.....	Rucklaufachse.....	Eje Marcha Atr.....	Backaxel.....	(REVERSE)	
3	VOE 11712955	2	2			Seal.....	Joint.....	Dichtring.....	Junta.....	Tätning.....		
4	VOE 11709104	1	1			Bearing.....	Palier.....	Lager.....	Cojinete.....	Lager.....		
5	VOE 11712956	1	1			Gear.....	Pignon.....	Zahnradgetriebe.....	Engranaje.....	Kuggdrev.....		
6	VOE 11709151	1	1			Snap Ring.....	Circlip.....	Nutring.....	Circlip.....	Spårring.....		
7	VOE 11709085	2	2			Spacer.....	Entretoise.....	Abstandkörper.....	Distanciador.....	Distans.....		
8	VOE 11709081	1	1			Needle Bearing.....	Roule.aiguilles.....	Nadellager.....	Cojinete Agujas.....	Nållager.....		
9	VOE 11712957	1	1			Gear.....	Pignon.....	Zahnradgetriebe.....	Engranaje.....	Kuggdrev.....		
10	VOE 11709083	1	1			Lock Ring.....	Anneau Verrouillage ..	Schlossring.....	Anillo Segurid.....	Låsring.....		
11	VOE 11709084	1	1			Clutch Ring.....	Manchon Acoup.....	Kupplungsring.....	Anillo Embrague.....	Kopplingsring.....		
12	VOE 11712958	1	1			Disc Kit.....	Jeu Disques.....	Lamellensatz.....	Juego Frenos.....	Lamellsats.....		
13	VOE 11712959	1	1			Thrust Washer.....	Rondelle Butee.....	Druckscheibe.....	Arandela Presio.....	Tryckbricka.....		
14	VOE 11709088	1	1			Lock Ring.....	Anneau Verrouillage ..	Schlossring.....	Anillo Segurid.....	Låsring.....		
15	VOE 11709089	1	1			Cover.....	Couvercle.....	Deckel.....	Tapa.....	Lock.....		
16	VOE 11709090	1	1			Lock Spring.....	Ressort Verrou.....	Sperrfeder.....	Resorte Bloqueo.....	Låsfjäder.....		
17	VOE 11709097	1	1			Flange.....	Bride.....	Flansch.....	Brida.....	Fläns.....		
18	VOE 11709091	1	1			Piston.....	Piston.....	Kolben.....	Piston.....	Kolv.....		
19	VOE 11709092	1	1			Seal.....	Joint.....	Dichtung.....	Reten.....	Tätning.....		
20	VOE 11709093	1	1			Seal.....	Joint.....	Dichtung.....	Reten.....	Tätning.....		
21	VOE 11709095	2	2			Pin.....	Goupille.....	Stift.....	Pasador.....	Pinne.....		
22	VOE 11712961	1				Shaft.....	Arbre.....	Welle.....	Arbol.....	Axel.....	(PRIMARY)	
22	VOE 11716537		1			Shaft.....	Arbre.....	Welle.....	Arbol.....	Axel.....		
23	VOE 11712960	2	2			•Rivet.....	•Rivet.....	•Niet.....	•Remache.....	•Nit.....		
24	VOE 11709148	1	1			Bearing.....	Palier.....	Lager.....	Cojinete.....	Lager.....		
25	VOE 11709076	1	1			Sealing ring.....	Bague d'étanchéité ..	Runddichtring.....	Anillo reten.....	Tätningring.....		

1	11884310, 11890341	Back och primärxel Eje trasero y primario Rück- und Primärwelle Marche AR et arbre primaire Reverse and primary shaft	Catalogue id	Group
2	11888337, 11887381		20002	421
3			Illustr. No	Section
4			1011569	325
5			Issue	Page
	11891255	VOE 63H9920002	285	

VOLVO

BL71

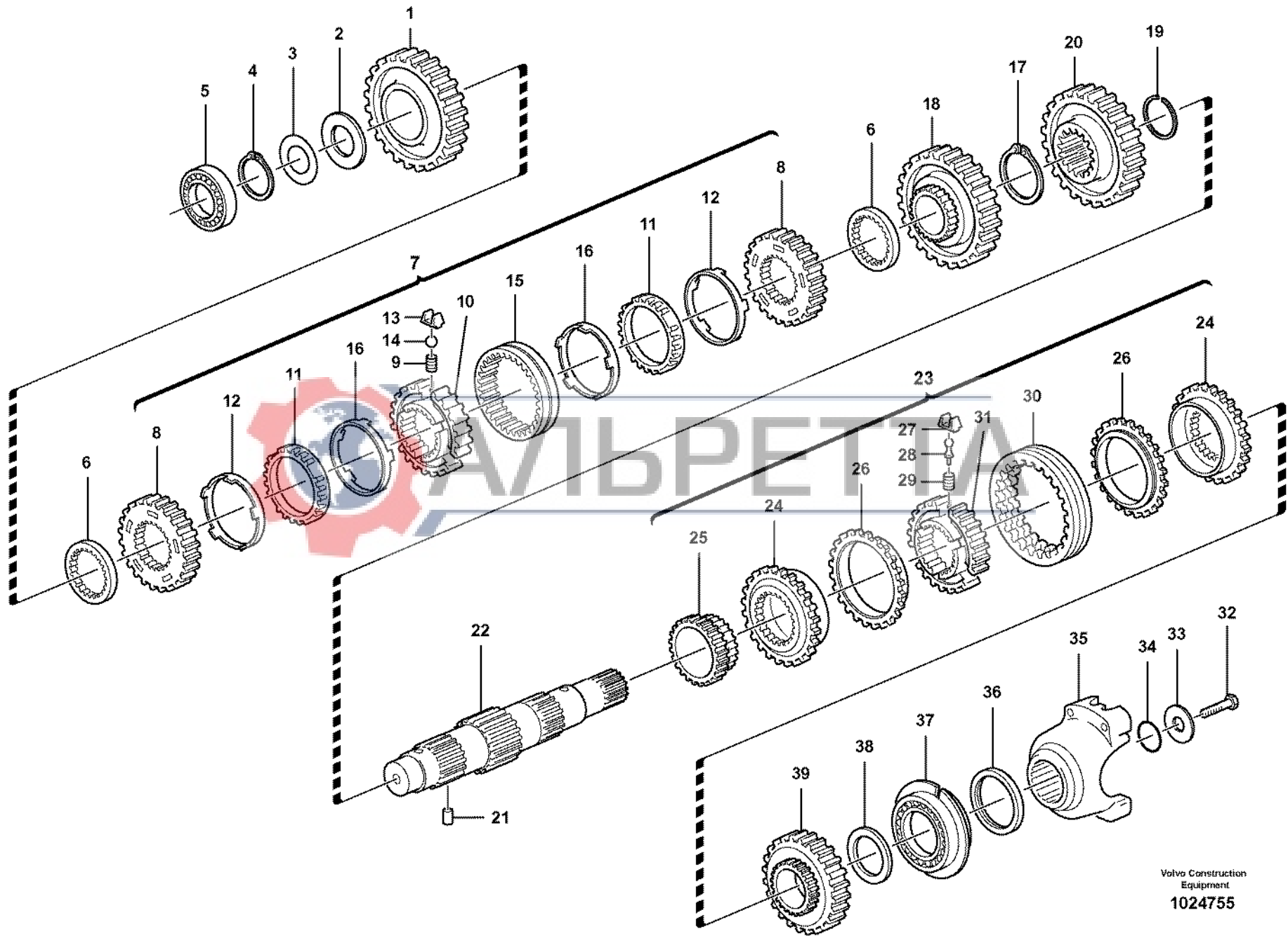


Fig.	Part No.	Quantity			P S	K I T	Description	Dénomination	Bezeichnung	Denominación	Benämning	Notes
		1	2	3								
1	VOE 11709107	1				Drive gear	Pignon.....	Triebrad.....	Pinon	Drev.....		
2	VOE 11709108	1				Thrust Washer	Rondelle Butee	Druckscheibe	Arandela Presio.....	Tryckbricka.....		
3	VOE 11709112	REQ				Adjuster washer	Rondelle ajust.	Passscheibe.....	Arandela ajust.	Justerbricka.....	THICK 0,05 MM	
	VOE 11709113	REQ				Adjuster washer	Rondelle ajust.	Passscheibe.....	Arandela ajust.	Justerbricka.....	THICK 0,10 MM	
	VOE 11709114	REQ				Adjuster washer	Rondelle ajust.	Passscheibe.....	Arandela ajust.	Justerbricka.....	THICK 0,30 MM	
	VOE 11709115	REQ				Adjuster washer	Rondelle ajust.	Passscheibe.....	Arandela ajust.	Justerbricka.....	THICK 0,50 MM	
4	VOE 11709116	1				Snap Ring	Circlip	Nutring.....	Circlip	Spårring.....		
5	VOE 11709106	1				Bearing.....	Palier.....	Lager	Cojinete	Lager.....		
6	VOE 11709118	2				Spacer.....	Entretoise.....	Abstandkörper.....	Distanciador	Distans.....		
7	VOE 11709128	1				Kit.....	Jeu	Bausatz	Juego	Sats.....		
8	VOE 11709120	2				•Sync Cone	•Cone Synchro.....	•Synchronkegel.....	•Cono Sincroniz.....	•Synk.kona.....		
9	VOE 11709121	3				•Spring	•Ressort	•Feder	•Muelle	•Fjäder.....		
10	VOE 11709122	1				•Hub	•Bossage	•Nabe	•Asiento	•Nav.....		
11	VOE 11709123	2				•Cone	•Bague Interieu.	•Innenring.....	•Anillo Interior	•Innerring.....		
12	VOE 11709124	2				•Ring	•Anneau	•Ring.....	•Anillo	•Ring.....		
13	VOE 11709125	3				•Spring Plate	•Plaque Ressort.....	•Fed Spannplatte.....	•Placa Resorte	•Fjäderplatta.....		
14	VOE 11709126	3				•Ball.....	•Bille	•Kugel.....	•Bola	•Kula.....		
15	VOE 11709127	1				•Sleeve.....	•Douille.....	•Hülse.....	•Manguito	•Hylsa.....		
16	VOE 11709119	2				•Cone	•Bague Interieu.	•Innenring.....	•Anillo Interior	•Innerring.....		
17	VOE 11709129	1				Snap Ring	Circlip	Nutring.....	Circlip	Spårring.....		
18	VOE 11709130	1				Drive gear	Pignon.....	Triebrad.....	Pinon	Drev.....		
19	VOE 11709131	1				Snap Ring	Circlip	Nutring.....	Circlip	Spårring.....		
20	VOE 11709132	1				Drive gear	Pignon.....	Triebrad.....	Pinon	Drev.....		
21	VOE 11709095	1				Pin.....	Goupille.....	Stift	Pasador	Pinne.....		
22	VOE 11709134	1				Secondary Shaft	Arbr.secondaire.....	Sekundärwelle.....	Eje Secundario	Sekundäraxel.....		
23	VOE 11709143	1				Kit.....	Jeu	Bausatz	Juego	Sats.....		
24	VOE 11709136	2				•Clutch Gear	•Pignon Embraya.	•Kuppl Treibsch.....	•Pinon Embrague	•Kopplingsdrev.....		
25	VOE 11709135	1				•Drive gear	•Pignon.....	•Triebrad.....	•Pinon.....	•Drev.....		
26	VOE 11709138	2				•Cone	•Bague Interieu.	•Innenring.....	•Anillo Interior	•Innerring.....		
27	VOE 11709139	3				•Spring Plate	•Plaque Ressort.....	•Fed Spannplatte.....	•Placa Resorte	•Fjäderplatta.....		

1		Sekundär axel Eje secundario Sekundärachse Arbre secondaire Secondary shaft 11891209 S/N - 14669	Catalogue id	Group
2			20002	421
3			Illustr. No	Section
4			1024755	350
5			Issue	Page
			VOE 63H9920002	287

VOLVO

BL71

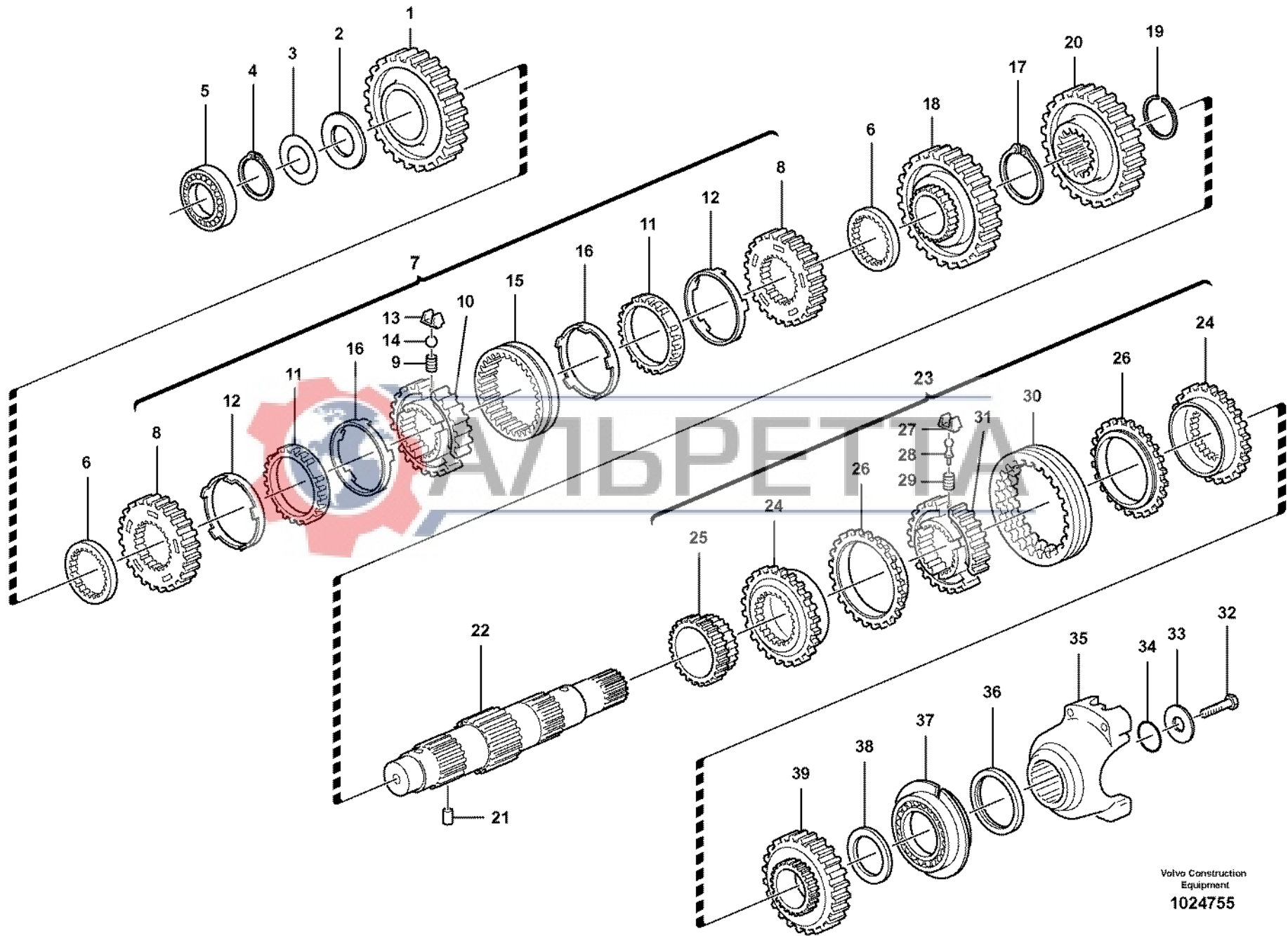


Fig.	Part No.	Quantity			P S	K I T	Description	Dénomination	Bezeichnung	Denominación	Benämning	Notes
		1	2	3								
28	VOE 11709140	3				•Pin	•Goupille.....	•Stift.....	•Pasador.....	•Pinne.....		
29	VOE 11709141	3				•Spring	•Ressort	•Feder.....	•Muelle	•Fjäder.....		
30	VOE 11709142	1				•Sleeve.....	•Douille.....	•Hülse.....	•Manguito	•Hylsa.....		
31	VOE 11709137	1				•Hub	•Bossage.....	•Nabe	•Asiento	•Nav.....		
32	VOE 970827	1				Hexagon screw	Vis a tête hexagonale	Sechskantschr.....	Tornillo hexago.....	Sexkantsskruv.....		
33	VOE 11709144	1				Washer.....	Rondelle.....	Scheibe	Arandela.....	Bricka.....		
34	VOE 11709145	1				O-ring	Joint Torique	O-Ring	Junta torica.....	O-ring.....		
35	VOE 11709146	1				Flange	Bride.....	Flansch.....	Brida.....	Fläns.....		
36	VOE 11709133	1				Seal.....	Joint	Dichtring	Junta	Tätning.....	(VOE 11709147)	
37	VOE 11709148	1				Bearing.....	Palier.....	Lager	Cojinete	Lager.....		
38	VOE 11709080	1				Spacer Washer	Rond.entretoise.....	Abstandscheibe.....	Arandela Dist.....	Distansbricka.....		
39	VOE 11709150	1				Drive gear	Pignon.....	Triebbad.....	Pinon	Drev.....		



1		Sekundär axel Eje secundario Sekundärachse Arbre secondaire Secondary shaft	Catalogue id	Group
2			20002	421
3			Illustr. No	Section
4			1024755	350
5			Issue	Page
			VOE 63H9920002	289

VOLVO

BL71



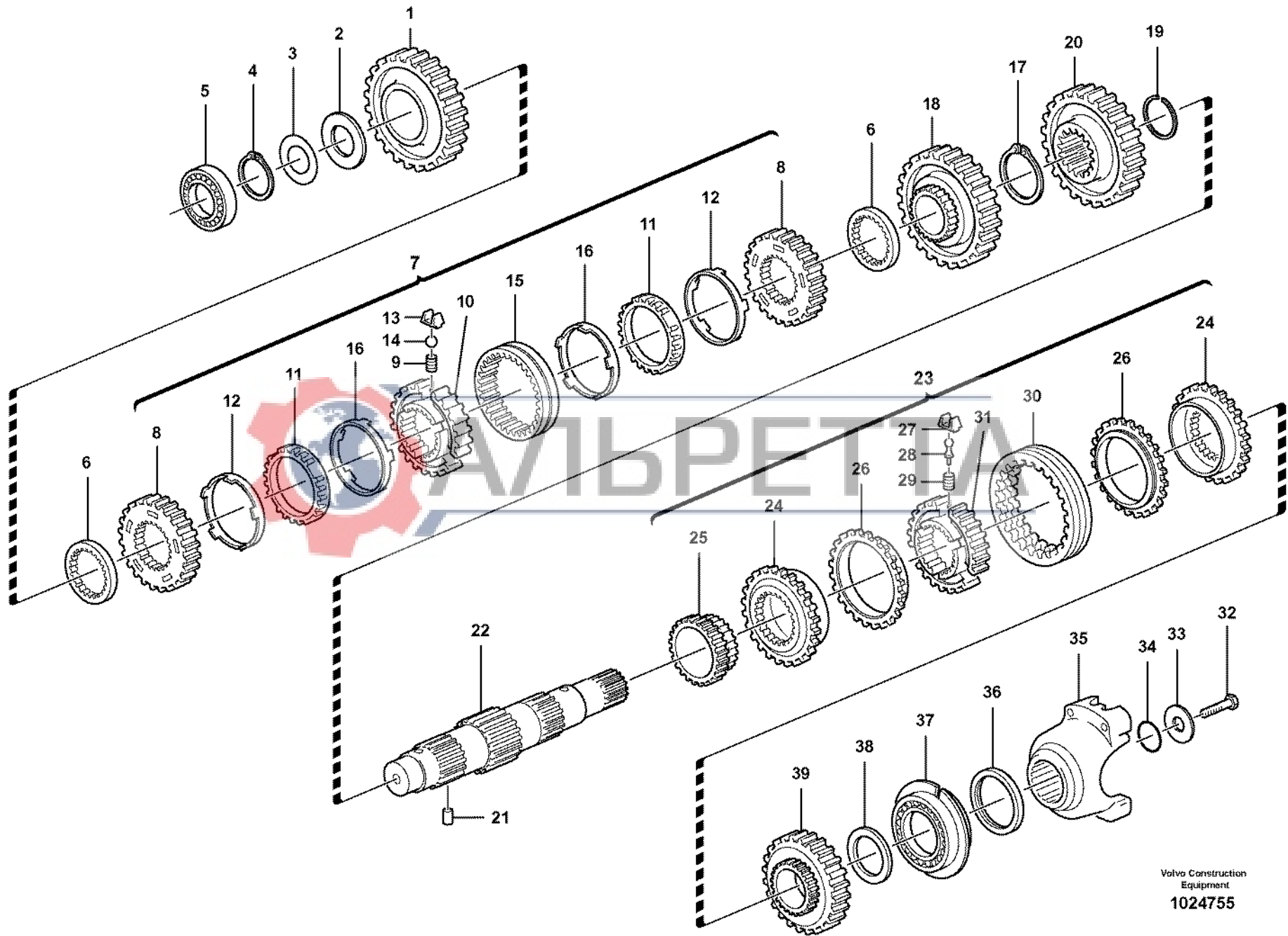


Fig.	Part No.	Quantity			P S	K I T	Description	Dénomination	Bezeichnung	Denominación	Benämning	Notes
		1	2	3								
1	VOE 11709107	1				Drive gear	Pignon.....	Triebrad.....	Pinon	Drev.....		
2	VOE 11709108	1				Thrust Washer	Rondelle Butee	Druckscheibe	Arandela Presio.....	Tryckbricka.....		
3	VOE 11709112	REQ				Adjuster washer	Rondelle ajust.	Passscheibe.....	Arandela ajust.	Justerbricka.....	THICK 0,05 MM	
3	VOE 11709113	REQ				Adjuster washer	Rondelle ajust.	Passscheibe.....	Arandela ajust.	Justerbricka.....	THICK 0,10 MM	
3	VOE 11709114	REQ				Adjuster washer	Rondelle ajust.	Passscheibe.....	Arandela ajust.	Justerbricka.....	THICK 0,30 MM	
3	VOE 11709115	REQ				Adjuster washer	Rondelle ajust.	Passscheibe.....	Arandela ajust.	Justerbricka.....	THICK 0,50 MM	
4	VOE 11709116	1				Snap Ring	Circlip	Nutring.....	Circlip	Spårring.....		
5	VOE 11709106	1				Bearing.....	Palier.....	Lager	Cojinete	Lager.....		
6	VOE 11709118	2				Spacer.....	Entretoise.....	Abstandkörper.....	Distanciador	Distans.....		
7	VOE 11709128	1				Kit.....	Jeu	Bausatz	Juego	Sats.....		
8	VOE 11709120	2				•Sync Cone	•Cone Synchro.....	•Synchronkegel.....	•Cono Sincroniz.....	•Synk.kona.....		
9	VOE 11709121	3				•Spring	•Ressort	•Feder.....	•Muelle	•Fjäder.....		
10	VOE 11709122	1				•Hub	•Bossage.....	•Nabe	•Asiento	•Nav.....		
11	VOE 11709123	2				•Cone	•Bague Interieu.	•Innenring.....	•Anillo Interior	•Innerring.....		
12	VOE 11709124	2				•Ring	•Anneau	•Ring.....	•Anillo	•Ring.....		
13	VOE 11709125	3				•Spring Plate.....	•Plaque Ressort.....	•Fed Spannplatte.....	•Placa Resorte	•Fjäderplatta.....		
14	VOE 11709126	3				•Ball.....	•Bille	•Kugel.....	•Bola	•Kula.....		
15	VOE 11709127	1				•Sleeve.....	•Douille.....	•Hülse.....	•Manguito	•Hylsa.....		
16	VOE 11709119	2				•Cone	•Bague Interieu.	•Innenring.....	•Anillo Interior	•Innerring.....		
17	VOE 11709131	1				Snap Ring	Circlip	Nutring.....	Circlip	Spårring.....		
18	VOE 11709130	1				Drive gear	Pignon.....	Triebrad.....	Pinon	Drev.....		
19	VOE 11709129	1				Snap Ring	Circlip	Nutring.....	Circlip	Spårring.....		
20	VOE 11716786	1				Drive Gear.....	Pignon.....	Triebrad.....	Pinon	Drivhjul.....		
21	VOE 11709095	1				Pin.....	Goupille.....	Stift	Pasador	Pinne.....		
22	VOE 11709134	1				Secondary Shaft	Arbr.secondaire.....	Sekundärwelle.....	Eje Secundario	Sekundäraxel.....		
23	VOE 11716672	1				Synchronizing Hub.....	Moyeu de synchronis.	Synchronisierungsna.....	Cubo sincronizador	Synkroniseringsnav....		
24	VOE 11716666	2				•Clutch Ring	•Manchon Acoup.....	•Kupplungsring.....	•Anillo Embrague.....	•Kopplingsring.....		
25	VOE 11709135	1				•Drive gear	•Pignon.....	•Triebrad.....	•Pinon	•Drev.....		
26	VOE 11716668	2				•Synchronizing Cone ..	•Cone de synchronis. ..	•Synchronisierungsk... ..	•Cono sincronizador ...	•Synkroniseringskon..		
27	VOE 11709139	3				•Spring Plate.....	•Plaque Ressort.....	•Fed Spannplatte.....	•Placa Resorte	•Fjäderplatta.....		

1	11887380	Sekundär axel Eje secundario Sekundärachse Arbre secondaire Secondary shaft 11891209 S/N 14670 -	Catalogue id	Group
2			20002	421
3			Illustr. No	Section
4			1024755	360
5			Issue	Page
			VOE 63H9920002	291

VOLVO

BL71

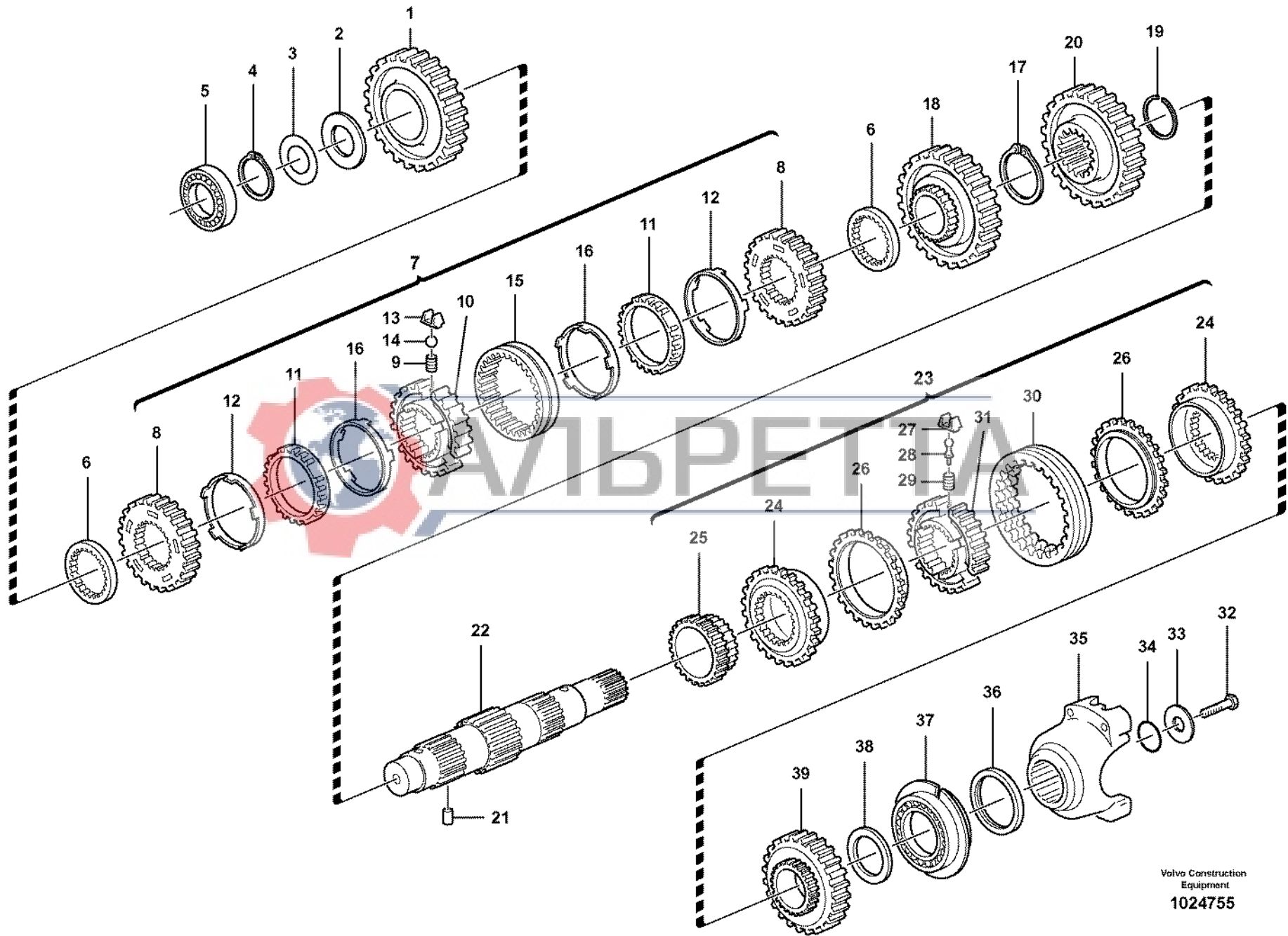


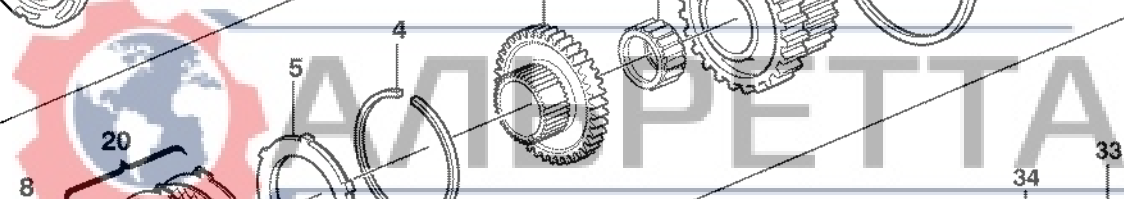
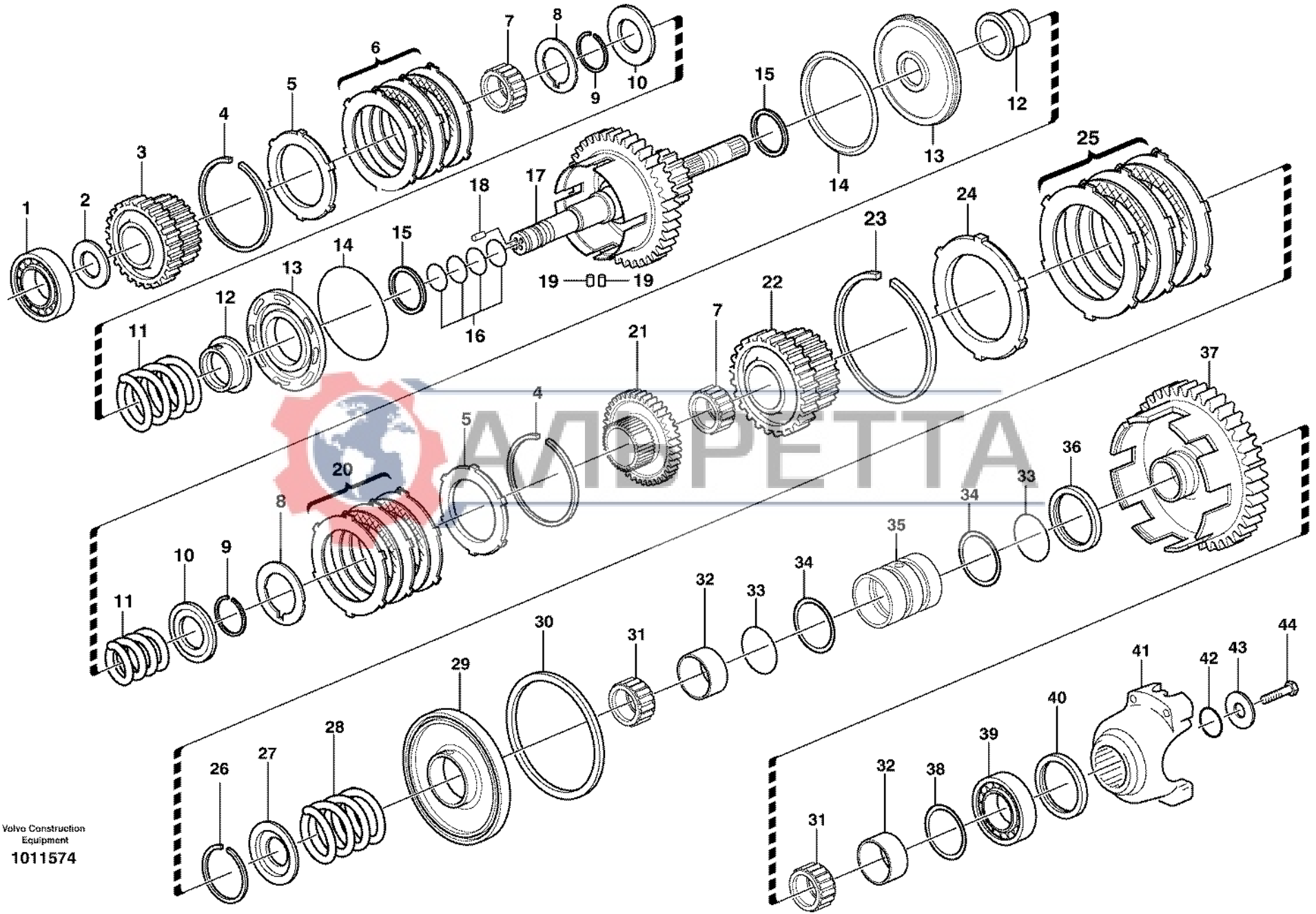
Fig.	Part No.	Quantity			P S	K I T	Description	Dénomination	Bezeichnung	Denominación	Benämning	Notes
		1	2	3								
28	VOE 11716669	3				•Ball.....	•Bille	•Kugel.....	•Bola	•Kula.....		
29	VOE 11716670	3				•Spring	•Ressort	•Feder.....	•Muelle	•Fjäder.....		
30	VOE 11716671	1				•Sleeve.....	•Manchon	•Muffe.....	•Manguito	•Muff.....		
31	VOE 11716667	1				•Hub	•Bossage.....	•Nabe	•Asiento	•Nav.....		
32	VOE 970827	1				Hexagon screw	Vis a tête hexagonale	Sechskantschr.....	Tornillo hexago.....	Sexkantsskruv.....		
33	VOE 11709144	1				Washer.....	Rondelle.....	Scheibe	Arandela.....	Bricka.....		
34	VOE 11709145	1				O-ring	Joint Torique	O-Ring	Junta torica.....	O-ring.....		
35	VOE 11709146	1				Flange	Bride.....	Flansch.....	Brida.....	Fläns.....		
36	VOE 11709133	1				Seal.....	Joint	Dichtring	Junta	Tätning.....	(VOE 11709147)	
37	VOE 11712472	1				Bearing.....	Palier.....	Lager	Cojinete	Lager.....		
38	VOE 11709080	1				Spacer Washer	Rond.entretoise.....	Abstandscheibe.....	Arandela Dist.....	Distansbricka.....		
39	VOE 11709150	1				Drive gear	Pignon.....	Triebrad.....	Pinon	Drev.....		



1	11887380	Sekundär axel Eje secundario Sekundärachse Arbre secondaire Secondary shaft	Catalogue id	Group
2			20002	421
3			Illustr. No	Section
4			1024755	360
5			Issue	Page
		11891209 S/N 14670 -	VOE 63H9920002	293

VOLVO

BL71



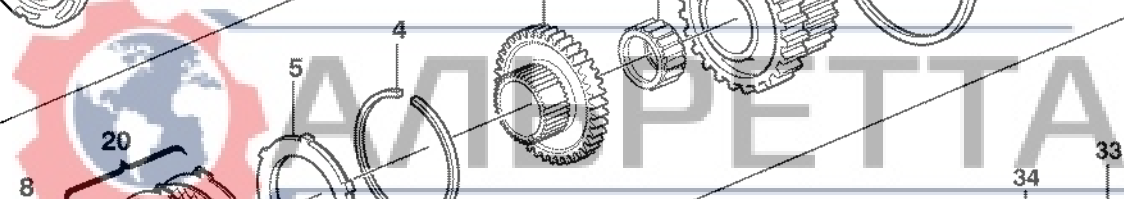
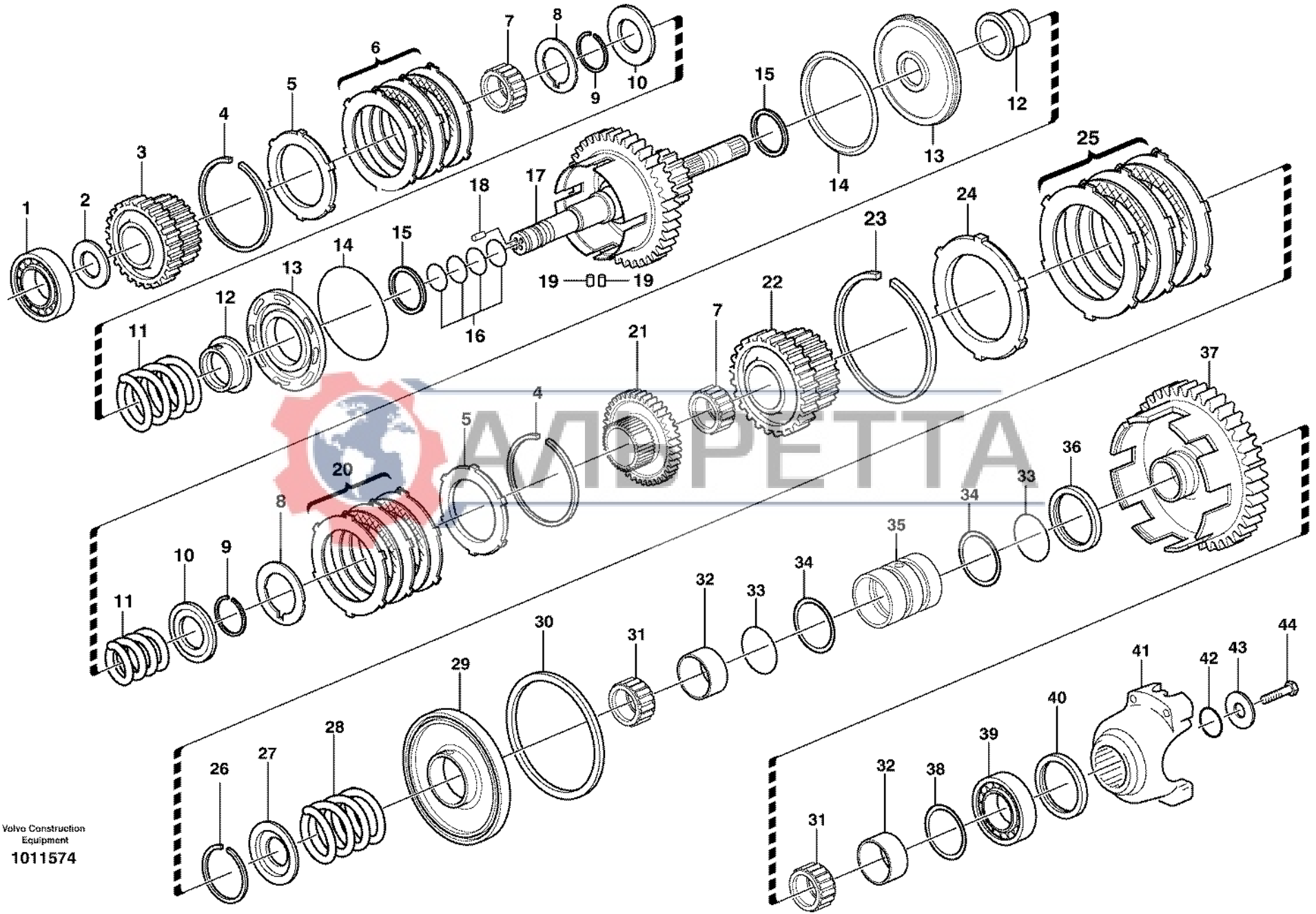
Volvo Construction
Equipment
1011574

Fig.	Part No.	Quantity			P S	K I T	Description	Dénomination	Bezeichnung	Denominación	Benämning	Notes
		1	2	3								
1	VOE 11709098	1	1	1			Bearing.....	Palier.....	Lager.....	Cojinete.....	Lager.....	
2	VOE 11709080	1	1	1			Spacer Washer.....	Rond.entretoise.....	Abstandscheibe.....	Arandela Dist.....	Distansbricka.....	
3	VOE 11712962	1	1	1			Gear.....	Pignon.....	Zahnradgetriebe.....	Engranaje.....	Kuggdrev.....	
4	VOE 11709083	2	2	2			Lock Ring.....	Anneau Verrouillage ..	Schlossring.....	Anillo Segurid	Låsring.....	
5	VOE 11709084	2	2	2			Clutch Ring.....	Manchon Acoup.....	Kupplungsring.....	Anillo Embrague.....	Kopplingsring.....	
6	VOE 11712958	1	1	1			Disc Kit.....	Jeu Disques.....	Lamellensatz.....	Juego Frenos.....	Lamellsats.....	
7	VOE 11709081	2	2	2			Needle Bearing.....	Roule.aiguilles.....	Nadellager.....	Cojinete Agujas.....	Nållager.....	
8	VOE 11709085	2	2	2			Spacer.....	Entretoise.....	Abstandkörper.....	Distanciador.....	Distans.....	
9	VOE 11709088	2	2	2			Lock Ring.....	Anneau Verrouillage ..	Schlossring.....	Anillo Segurid	Låsring.....	
10	VOE 11709089	2	2	2			Cover.....	Couvercle.....	Deckel.....	Tapa.....	Lock.....	
11	VOE 11709090	2	2	2			Lock Spring.....	Ressort Verrou.....	Sperrfeder.....	Resorte Bloqueo	Låsfjäder.....	
12	VOE 11709097	2	2	2			Flange.....	Bride.....	Flansch.....	Brida.....	Fläns.....	
13	VOE 11709091	2	2	2			Piston.....	Piston.....	Kolben.....	Piston.....	Kolv.....	
14	VOE 11709092	2	2	2			Seal.....	Joint.....	Dichtung.....	Reten.....	Tätning.....	
15	VOE 11709093	2	2	2			Seal.....	Joint.....	Dichtung.....	Reten.....	Tätning.....	
16	VOE 11709076	4	4	4			Sealing ring.....	Bague d'étanchéité ..	Runddichtring.....	Anillo reten	Tätningsring.....	
17	VOE 11712964	1					Shaft.....	Arbre.....	Welle.....	Arbol.....	Axel.....	
17	VOE 11716538		1	1			Shaft.....	Arbre.....	Welle.....	Arbol.....	Axel.....	
18	VOE 11712960	3	3	3			•Rivet.....	•Rivet.....	•Niet.....	•Remache.....	•Nit.....	
19	VOE 11709095	2	2	2			Pin.....	Goupille.....	Stift.....	Pasador.....	Pinne.....	
20	VOE 11712966	1	1	1			Disc Kit.....	Jeu Disques.....	Lamellensatz.....	Juego Frenos.....	Lamellsats.....	
21	VOE 11712967	1	1	1			Gear.....	Pignon.....	Zahnradgetriebe.....	Engranaje.....	Kuggdrev.....	
22	VOE 11712968	1		1			Gear.....	Pignon.....	Zahnradgetriebe.....	Engranaje.....	Kuggdrev.....	
22	VOE 11716646		1				Drive Gear.....	Pignon.....	Triebrad.....	Pinon.....	Drivhjul.....	
23	VOE 11712969	1	1	1			Lock Ring.....	Anneau Verrouillage ..	Schlossring.....	Anillo Segurid	Låsring.....	
24	VOE 11712970	1	1	1			Lock Ring.....	Anneau Verrouillage ..	Schlossring.....	Anillo Segurid	Låsring.....	
25	VOE 11712971	1	1	1			Disc Kit.....	Jeu Disques.....	Lamellensatz.....	Juego Frenos.....	Lamellsats.....	
26	VOE 11712972	1	1	1			Lock Ring.....	Anneau Verrouillage ..	Schlossring.....	Anillo Segurid	Låsring.....	
27	VOE 11712973	1	1	1			Lock Cover.....	Couverc.blocage.....	Schlossdeckel.....	Tapa Cierre.....	Låslock.....	
28	VOE 11712974	1	1	1			Spring.....	Ressort.....	Feder.....	Muelle.....	Fjäder.....	

1	31884310, 11890341	Sekundär axel Eje secundario Sekundärachse Arbre secondaire Secondary shaft	Catalogue id	Group
2	11887381		20002	421
3	11888337		Illustr. No	Section
4			1011574	375
5			Issue	Page
	11891255	VOE 63H9920002	295	

VOLVO

BL71



Volvo Construction
Equipment
1011574

Fig.	Part No.	Quantity			P S	K I T	Description	Dénomination	Bezeichnung	Denominación	Benämning	Notes
		1	2	3								
29	VOE 11712975	1	1	1		Piston.....	Piston.....	Kolben.....	Piston.....	Kolv.....		
30	VOE 11712976	1	1	1		Seal.....	Joint.....	Dichtring.....	Junta.....	Tätning.....		
31	VOE 11712977	2	2	2		Bearing Bushing.....	Coussinet.....	Lagerbuchse.....	Casq Cojinete.....	Lagerbussning.....		
32	VOE 11712978	2	2	2		Bushing.....	Bague.....	Buchse.....	Casquillo.....	Bussning.....		
33	VOE 11712979	2	2	2		O-ring.....	Joint Torique.....	O-Ring.....	Junta torica.....	O-ring.....		
34	VOE 11712980	2	2	2		Seal.....	Joint.....	Dichtring.....	Junta.....	Tätning.....		
35	VOE 11712981	1	1	1		Spacer.....	Entretoise.....	Abstandkörper.....	Distanciador.....	Distans.....		
36	VOE 11712982	1	1	1		Seal.....	Joint.....	Dichtring.....	Junta.....	Tätning.....		
37	VOE 11712983	1	1	1		Gear.....	Pignon.....	Zahnradgetriebe.....	Engranaje.....	Kuggdrev.....		
38	VOE 11712984	1	1	1		Washer.....	Rondelle.....	Scheibe.....	Arandela.....	Bricka.....		
39	VOE 11709148	1	1	1		Bearing.....	Palier.....	Lager.....	Cojinete.....	Lager.....		
40	VOE 11709133	1	1	1		Seal.....	Joint.....	Dichtring.....	Junta.....	Tätning.....		
41	VOE 11712986	1	1	1		Companion flange.....	Flasque entrainemen.....	Antriebsflansch.....	Brida.....	Medbringare.....		
42	VOE 11709145	1	1	1		O-ring.....	Joint Torique.....	O-Ring.....	Junta torica.....	O-ring.....		
43	VOE 11709144	1	1	1		Washer.....	Rondelle.....	Scheibe.....	Arandela.....	Bricka.....		
44	VOE 970827	1	1	1		Hexagon screw.....	Vis a tête hexagonale.....	Sechskantschr.....	Tornillo hexago.....	Sexkantsskruv.....		



1	31884310, 11890341	Sekundär axel Eje secundario Sekundärachse Arbre secondaire Secondary shaft	Catalogue id	Group
2	11887381		20002	421
3	11888337		Illustr. No	Section
4			1011574	375
5			Issue	Page
	11891255	VOE 63H9920002	297	

VOLVO

BL71

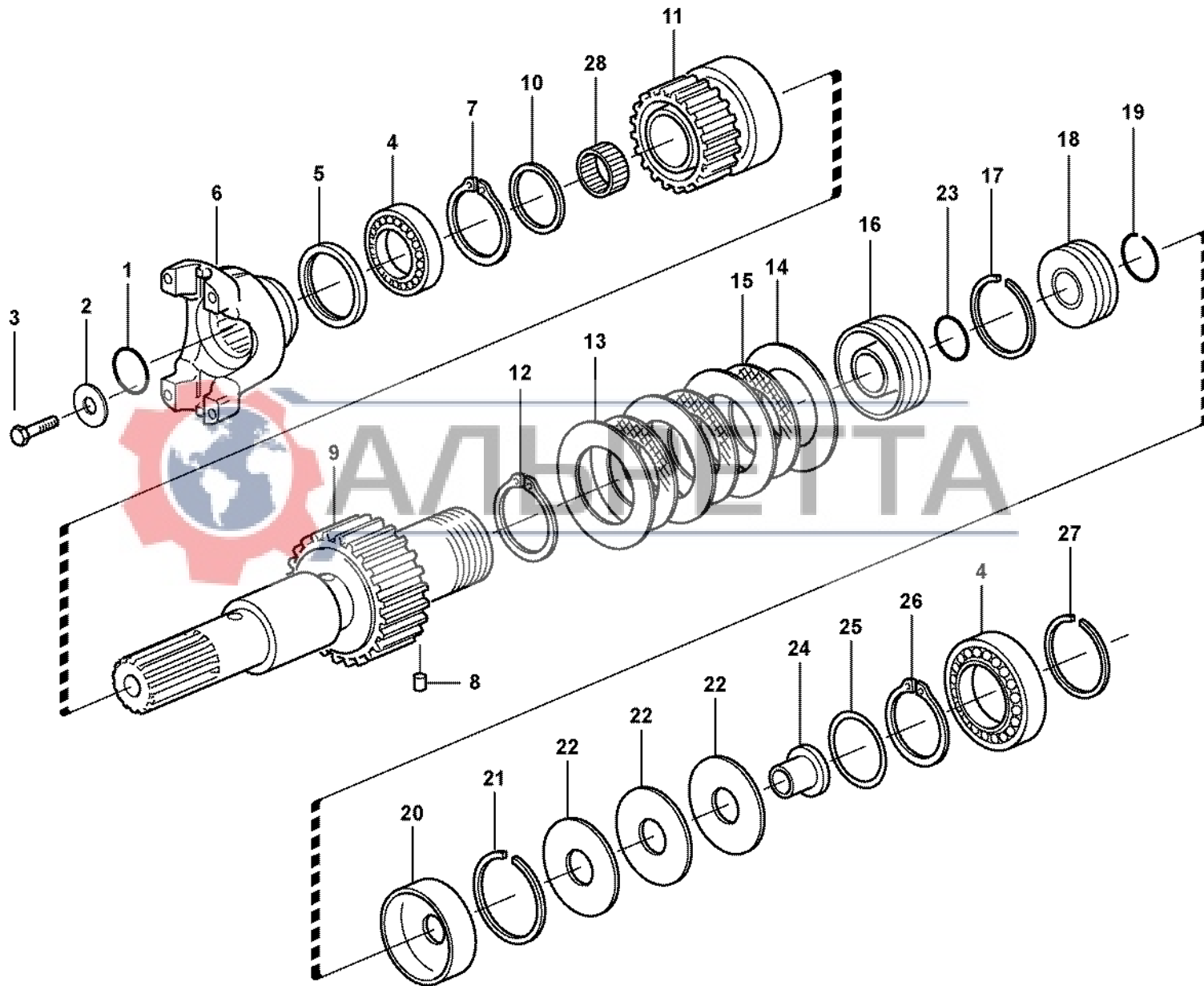


Fig.	Part No.	Quantity			P S	K I T	Description	Dénomination	Bezeichnung	Denominación	Benämning	Notes
		1	2	3								
1	VOE 11709145	1					O-ring	Joint Torique	O-Ring	Junta torica	O-ring	
2	VOE 11709144	1					Washer	Rondelle	Scheibe	Arandela	Bricka	
3	VOE 970827	1					Hexagon screw	Vis a tête hexagonale	Sechskantschr	Tornillo hexago	Sexkantsskruv	
4	VOE 11709098	2					Bearing	Palier	Lager	Cojinete	Lager	
5	VOE 11709133	1					Seal	Joint	Dichtring	Junta	Tätning	
6	VOE 11709146	1					Flange	Bride	Flansch	Brida	Fläns	
7	VOE 11709151	1					Snap Ring	Circlip	Nutring	Circlip	Spårring	
8	VOE 11709095	1					Pin	Goupille	Stift	Pasador	Pinne	
9	VOE 11709152	1					Axle	Arbre	Welle	Eje	Axel	
10	VOE 11709085	1					Spacer	Entretoise	Abstandkörper	Distanciador	Distans	
11	VOE 11709153	1					Drive gear	Pignon	Triebad	Pinon	Drev	
12	VOE 11709154	1					Snap Ring	Circlip	Nutring	Circlip	Spårring	
13	VOE 11709155	1					Flange	Bride	Flansch	Brida	Fläns	
14	VOE 11709156	13					Clutch Drive	Bride Commande	Antriebsflansch	Brida Embrague	Drivfläns	
15	VOE 11709157	12					Disc	Disque	Lamelle	Disco embrague	Lamell	
16	VOE 11709158	1					Clutch Drive	Bride Commande	Antriebsflansch	Brida Embrague	Drivfläns	
17	VOE 11709159	1					Seal	Joint	Dichtung	Reten	Tätning	
18	VOE 11709160	1					Clutch Plate	Disque	Lamelle	Disco Embrague	Lamell	
19	VOE 11709161	1					Seal	Joint	Dichtung	Reten	Tätning	
20	VOE 11709162	1					Sleeve	Douille	Hülse	Manguito	Hylsa	
21	VOE 11709163	1					Disc	Disque	Scheibe	Disco	Skiva	
22	VOE 11709164	3					Disc spring	Ressort diaphragme	Tellerfeder	Resorte disco	Tallriksfjäder	
23	VOE 11709165	1					O-ring	Joint Torique	O-Ring	Junta torica	O-ring	
24	VOE 11709166	1					Guide	Guide	Führung	Guia	Styrning	
25	VOE 11709167	REQ					Shim	Cale réglage	Nachstellblech	Laminilla de ajuste	Justerbleck	THICK 2,00 MM
	VOE 11709168	REQ					Shim	Cale réglage	Nachstellblech	Laminilla de ajuste	Justerbleck	THICK 0,10 MM
	VOE 11709169	REQ					Shim	Cale réglage	Nachstellblech	Laminilla de ajuste	Justerbleck	THICK 0,30 MM
	VOE 11709170	REQ					Shim	Cale réglage	Nachstellblech	Laminilla de ajuste	Justerbleck	THICK 0,50 MM
26	VOE 11709171	1					Snap Ring	Circlip	Nutring	Circlip	Spårring	
27	VOE 11709076	2					Sealing ring	Bague d'étanchéité	Runddichtring	Anillo reten	Tätningring	

1		Hydraulkoppling, 4-hjulsdrift Embragues, tracción 4 ruedas Kupplungen, 4-Radantrieb Embrayages, 4 roues motrices Hydraulic clutch, 4wd	Catalogue id	Group
2			20002	421
3			Illustr. No	Section
4			1000806	400
5			Issue	Page
		11891209	VOE 63H9920002	299

VOLVO

BL71

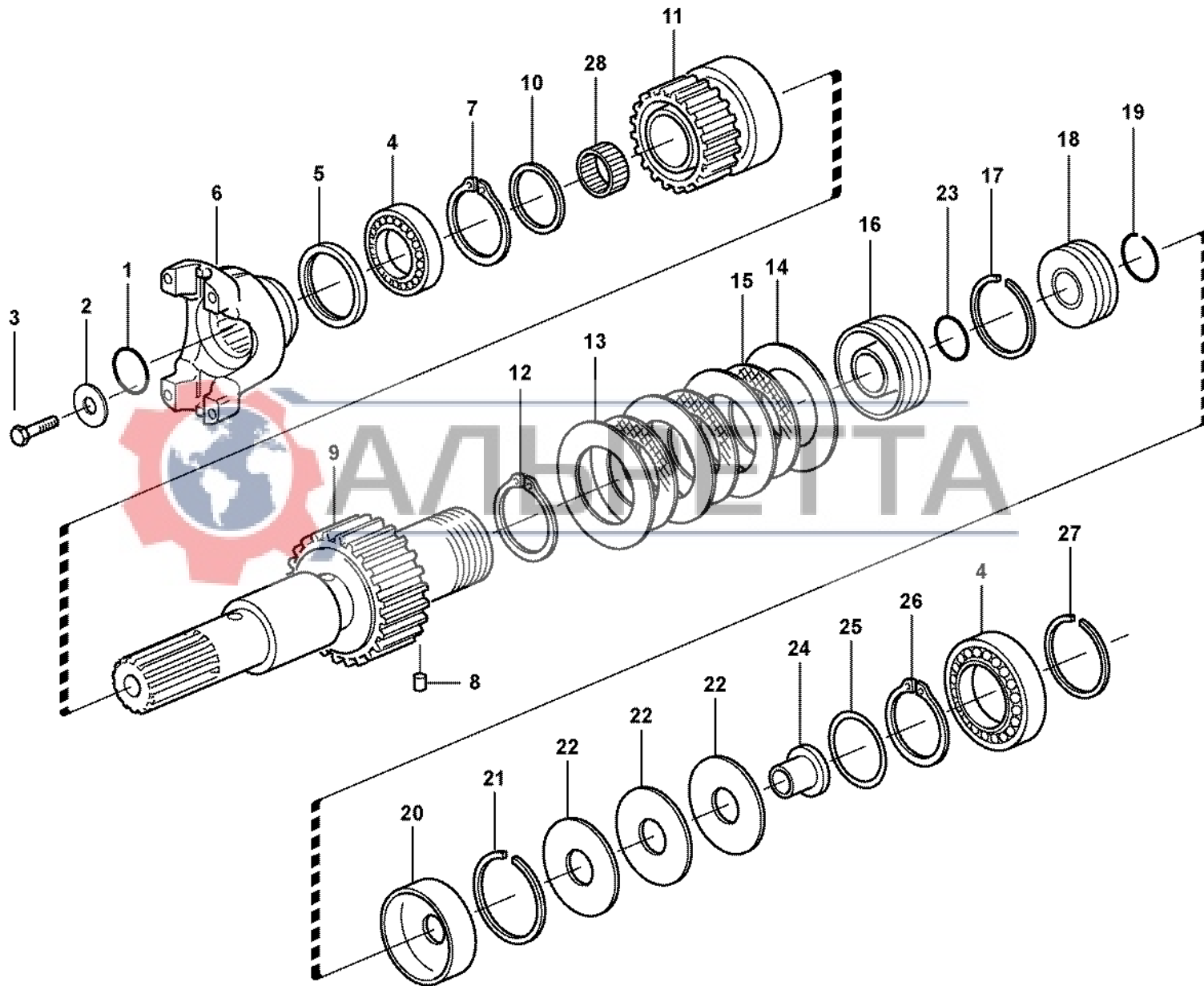


Fig.	Part No.	Quantity			P S	K I T	Description	Dénomination	Bezeichnung	Denominación	Benämning	Notes
		1	2	3								
28	VOE 11709081	1					Needle Bearing	Roule.aiguilles.....	Nadellager.....	Cojinete Agujas	Nållager.....	

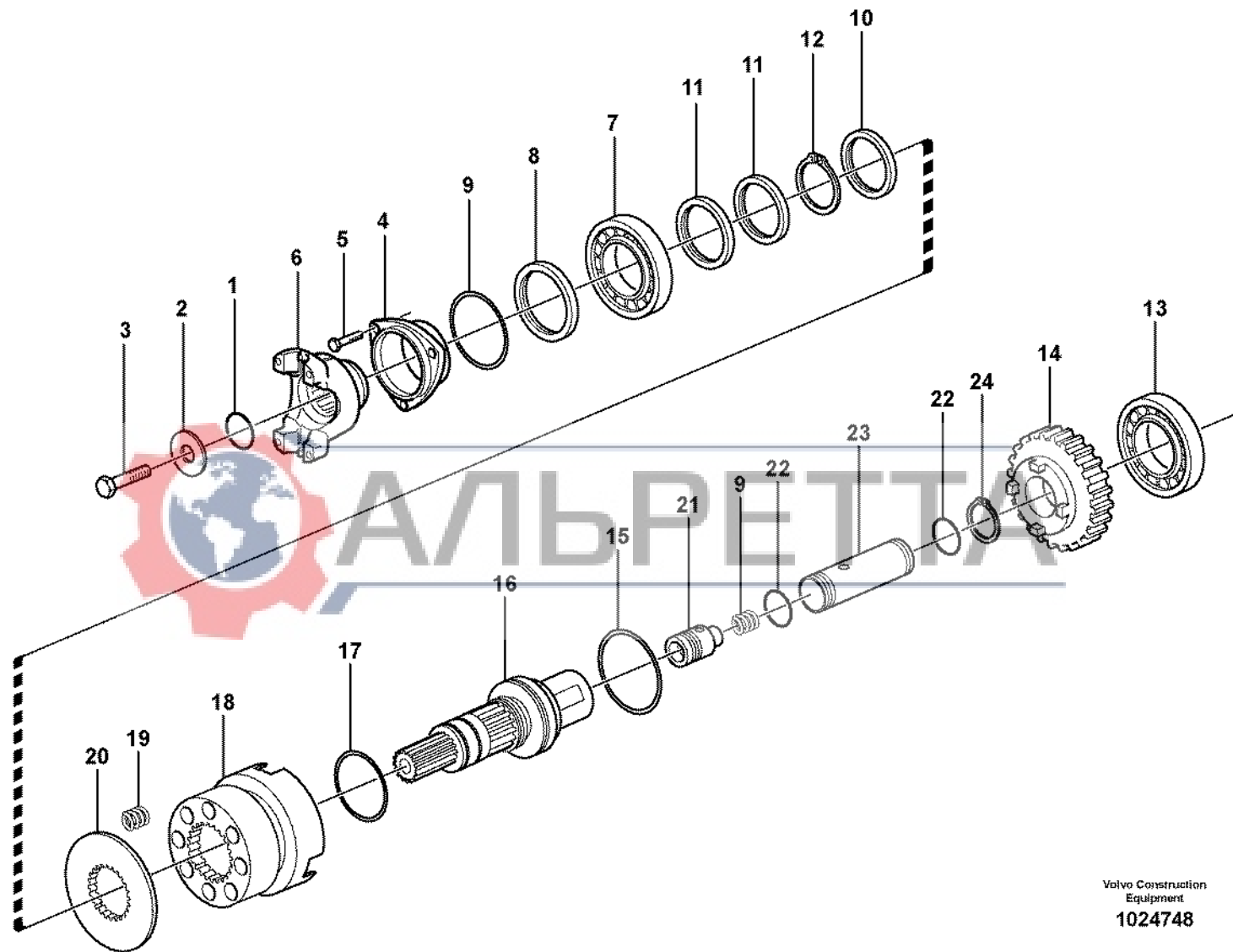


1		Hydraulkoppling, 4-hjulsdrift Embragues, tracción 4 ruedas Kupplungen, 4-Radantrieb Embrayages, 4 roues motrices Hydraulic clutch, 4wd	Catalogue id	Group
2			20002	421
3			Illustr. No	Section
4			1000806	400
5			Issue	Page
		11891209	VOE 63H9920002	301

VOLVO

BL71





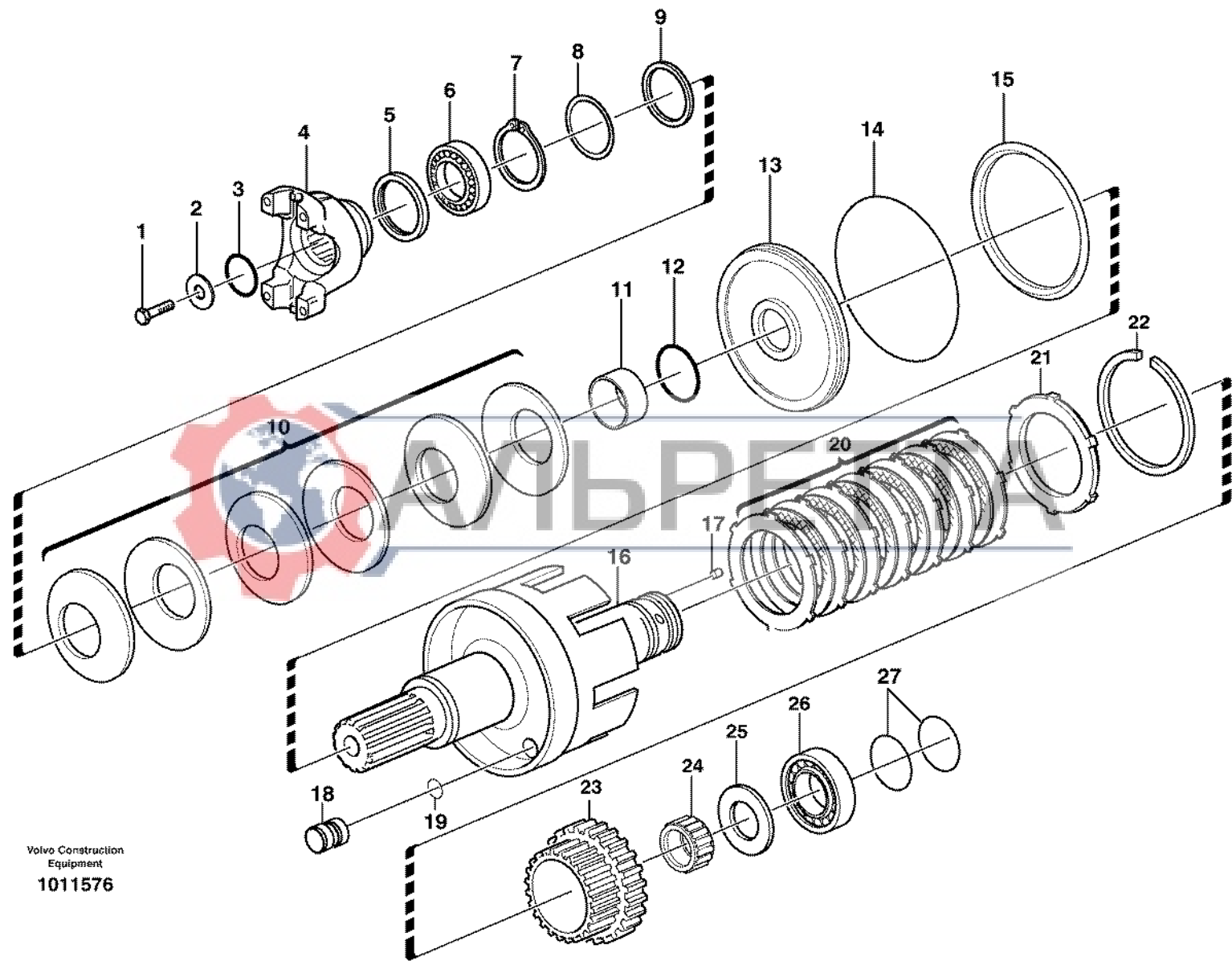
Volvo Construction
Equipment
1024748

Fig.	Part No.	Quantity			P S	K I T	Description	Dénomination	Bezeichnung	Denominación	Benämning	Notes
		1	2	3								
1	VOE 11709321	1				O-ring	Joint Torique	O-Ring	Junta torica	O-ring		
2	VOE 11716787	1				Washer	Rondelle	Scheibe	Arandela	Bricka		
3	VOE 970827	1				Hexagon screw	Vis a tête hexagonale	Sechskantschr	Tornillo hexago	Sexkantsskruv		
4	VOE 11716788	1				End plate	Flasque	Stirnwand	Extremo	Gavel		
5	VOE 955296	3				Hexagon screw	Vis tête hexagonale	Sechskantschraube	Tornillo hexago	Sexkantsskruv		
6	VOE 11716789	1				Flange	Flasque	Flansch	Brida	Fläns		
7	VOE 11709102	1				Bearing	Palier	Lager	Cojinete	Lager		
8	VOE 11716790	1				Seal	Joint	Dichtring	Junta	Tätning		
9	VOE 11716791	1				O-ring	Joint Torique	O-Ring	Junta torica	O-ring		
10	VOE 11709167	1				Shim	Cale réglage	Nachstellblech	Laminilla de ajuste	Justerbleck		
11	VOE 11709076	2				Sealing ring	Bague d'étanchéité	Runddichtring	Anillo reten	Tätningsring		
12	VOE 11709171	1				Snap Ring	Circlip	Nutring	Circlip	Spårring		
13	VOE 11709098	1				Bearing	Palier	Lager	Cojinete	Lager		
14	VOE 11716792	1				Drive Gear	Pignon	Triebrad	Pinon	Drivhjul		
15	VOE 11716793	1				O-ring	Joint Torique	O-Ring	Junta torica	O-ring		
16	VOE 11716794	1				Shaft	Arbre	Welle	Arbol	Axel		
17	VOE 11716795	2				O-ring	Joint Torique	O-Ring	Junta torica	O-ring		
18	VOE 11716796	1				Sleeve	Manchon	Muffe	Manguito	Muff		
19	VOE 11716797	9				Spring	Ressort	Feder	Muelle	Fjäder		
20	VOE 11716798	1				Spacer Washer	Rond entretoise	Abstandscheibe	Arandela Dist	Distansbricka		
21	VOE 11716799	1				Valve	Soupape	Ventil	Valvula	Ventil		
22	VOE 11716800	2				O-ring	Joint Torique	O-Ring	Junta torica	O-ring		
23	VOE 11716801	1				Cylinder	Verin	Zylinder	Cilindro	Cylinder		
24	VOE 11716802	1				Lock Ring	Anneau Verrouillage	Schlossring	Anillo Segurid	Låsring		

1	11887380	Axel, fyrhjulsdrift	Catalogue id	Group
2			20002	421
3			Illustr. No	Section
4			1024748	410
5			Issue	Page
		11891209 S/N 14670 -	VOE 63H9920002	303

VOLVO

BL71



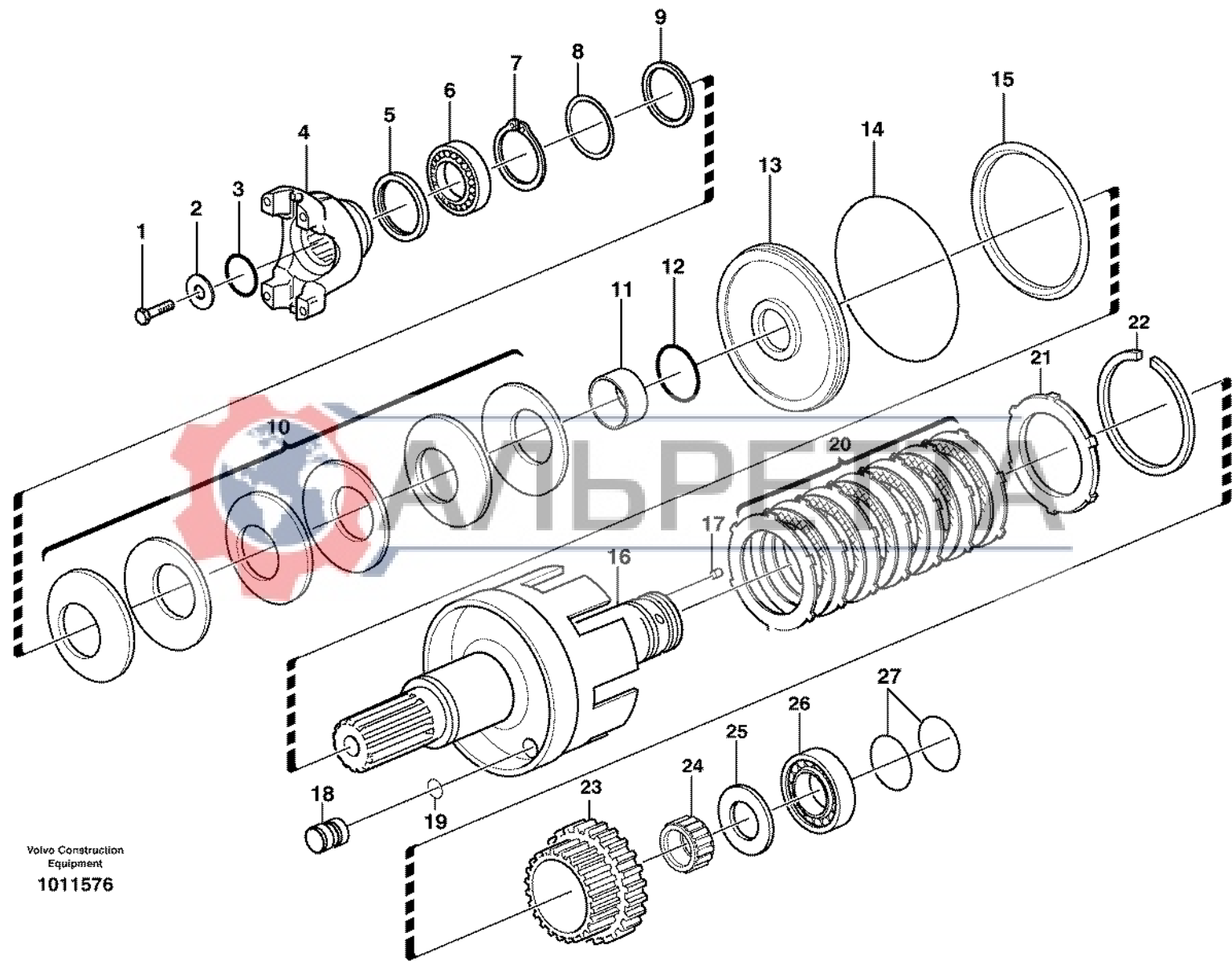
Volvo Construction
Equipment
1011576

Fig.	Part No.	Quantity			P S	K I T	Description	Dénomination	Bezeichnung	Denominación	Benämning	Notes
		1	2	3								
1	VOE 970827	1	1	1		Hexagon screw	Vis a tête hexagonale	Sechskantschr.	Tornillo hexago	Sexkantsskruv		
2	VOE 11709144	1	1	1		Washer	Rondelle	Scheibe	Arandela	Bricka		
3	VOE 11709051	1	1	1		O-ring	Joint Torique	O-Ring	Junta torica	O-ring		
4	VOE 11713001	1		1		Companion flange	Flasque entrainemen	Antriebsflansch	Brida	Medbringare		
4	VOE 11716648		1			Companion flange	Flasque entrainemen	Antriebsflansch	Brida	Medbringare		
5	VOE 11709133	1	1	1		Seal	Joint	Dichtring	Junta	Tätning		
6	VOE 11712987	1	1	1		Bearing	Palier	Lager	Cojinete	Lager		
7	VOE 11709171	1	1	1		Snap Ring	Circlip	Nutring	Circlip	Spårring		
8	VOE 11709168	RQE	REQ	REQ		Shim	Cale réglage	Nachstellblech	Laminilla de ajuste	Justerbleck	THICK 0,1 MM	
	VOE 11709169	REQ	REQ	REQ		Shim	Cale réglage	Nachstellblech	Laminilla de ajuste	Justerbleck	THICK 0,3 MM	
	VOE 11709170	REQ	REQ	REQ		Shim	Cale réglage	Nachstellblech	Laminilla de ajuste	Justerbleck	THICK 0,5 MM	
9	VOE 11712988	1	1	1		Thrust Washer	Rondelle Butee	Druckscheibe	Arandela Presio	Tryckbricka		
10	VOE 11712989	6	6	6		Washer	Rondelle	Scheibe	Arandela	Bricka		
11	VOE 11712990	1	1	1		Sleeve	Douille	Hülse	Manguito	Hylsa		
12	VOE 11712991	1	1	1		O-ring	Joint Torique	O-Ring	Junta torica	O-ring		
13	VOE 11712992	1	1	1		Piston	Piston	Kolben	Piston	Kolv		
14	VOE 11712993	1	1	1		O-ring	Joint Torique	O-Ring	Junta torica	O-ring		
15	VOE 11712994	1	1	1		Brake Plate	Plaque Frein	Bremsplatte	Placa De Freno	Bromsplatta		
16	VOE 11712995	1				Shaft	Arbre	Welle	Arbol	Axel		
16	VOE 11716539		1	1		Shaft	Arbre	Welle	Arbol	Axel		
17	VOE 11712469	1	1	1		•Rivet	•Rivet	•Niet	•Remache	•Nit		
18	VOE 11712996	3	3	3		Pin	Goupille	Zapfen	Pasador	Tapp		
19	VOE 11988593	3	3	3		O-ring	Joint Torique	O-Ring	Junta torica	O-ring		
20	VOE 11712997	1	1	1		Disc Kit	Jeu Disques	Lamellensatz	Juego Frenos	Lamellsats		
21	VOE 11712998	1	1	1		Lock Ring	Anneau Verrouillage	Schlossring	Anillo Segurid	Låsring		
22	VOE 11712999	1	1	1		Lock Ring	Anneau Verrouillage	Schlossring	Anillo Segurid	Låsring		
23	VOE 11713000	1		1		Gear	Pignon	Zahnradgetriebe	Engranaje	Kuggdrev		
23	VOE 11716647		1			Gear	Pignon	Zahnradgetriebe	Engranaje	Kuggdrev		
24	VOE 11709081	1	1	1		Needle Bearing	Roule aiguilles	Nadellager	Cojinete Agujas	Nållager		
25	VOE 11709079	1	1	1		Spacer	Entretoise	Abstandkörper	Distanciador	Distans		

1	11884310, 11890341	Hydraulkoppling, 4-hjulsdrift Embragues, tracción 4 ruedas Kupplungen, 4-Radantrieb Embrayages, 4 roues motrices Hydraulic clutch, 4wd	Catalogue id	Group
2	11887381		20002	421
3	11888337		Illustr. No	Section
4			1011576	425
5			Issue	Page
		11891255	VOE 63H9920002	305

VOLVO

BL71



Volvo Construction
Equipment
1011576

Fig.	Part No.	Quantity			P S	K I T	Description	Dénomination	Bezeichnung	Denominación	Benämning	Notes
		1	2	3								
26	VOE 11709098	1	1	1			Bearing.....	Palier.....	Lager.....	Cojinete.....	Lager.....	
27	VOE 11709076	2	2	2			Sealing ring.....	Bague d'étanchéité....	Runddichtring.....	Anillo reten.....	Tättningsring.....	



1	11884310, 11890341	Hydraulkoppling, 4-hjulsdrift Embragues, tracción 4 ruedas Kupplungen, 4-Radantrieb Embrayages, 4 roues motrices Hydraulic clutch, 4wd	Catalogue id	Group
2	11887381		20002	421
3	11888337		Illustr. No	Section
4			1011576	425
5			Issue	Page
	11891255	VOE 63H9920002	307	

VOLVO

BL71

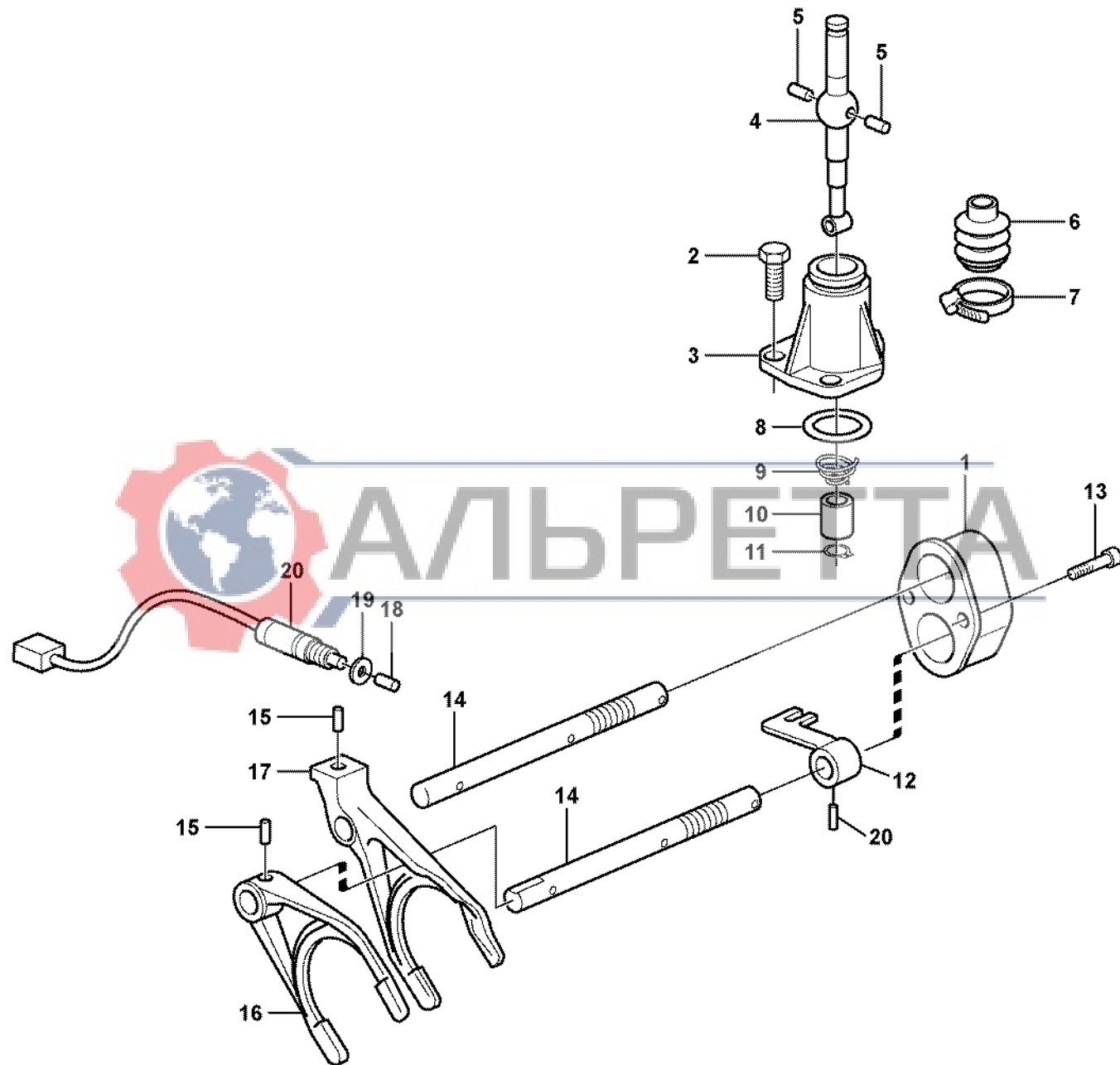


Fig.	Part No.	Quantity			P S	K I T	Description	Dénomination	Bezeichnung	Denominación	Benämning	Notes
		1	2	3								
1	VOE 11709173	1				Cover	Couvercle	Deckel	Tapa	Lock.....		
2	VOE 955297	3				Hexagon screw	Vis tête hexagonale ...	Sechskantschraube...	Tornillo hexago.....	Sexkantsskruv.....		
3	VOE 11709178	1				Gear Lvr Cover	Couv.levi.vite.....	Schaltdeckel.....	Tapa Pal Camb	Växelspakslock.....		
4	VOE 11709179	1				Shift Lever.....	Levier Vitesse	Schalthebel	Palanca Cambios	Växelspak.....		
5	VOE 11709180	2				Pin.....	Goupille.....	Stift	Pasador	Pinne.....		
6	VOE 11709181	1				Boot.....	Soufflet.....	Manschette.....	Proteccion	Damask.....		
7	VOE 11709182	1				Clamp.....	Collier serrage.....	Klemme	Abrazadera.....	Klamma.....		
8	VOE 11709165	1				O-ring	Joint Torique	O-Ring	Junta torica.....	O-ring.....		
9	VOE 11709183	1				Spring.....	Ressort.....	Feder	Muelle.....	Fjäder.....		
10	VOE 11709184	1				Bushing	Bague.....	Buchse	Casquillo	Bussning.....		
11	VOE 11709185	1				Snap Ring	Circlip	Nutring.....	Circlip	Spårring.....		
12	VOE 11709187	1				Gear Selector.....	Selecte.vitesse.....	Wählhebel	Select Velocid	Växelväljare.....		
13	VOE 970808	2				Hexagon screw	Vis a tête hexagonale	Sechskantschr.....	Tornillo hexago.....	Sexkantsskruv.....		
14	VOE 11709188	2				Gear Sel Rod	Tige Selec.vit.	Schaltstange	Varilla Select	Växelförarstång.....		
15	VOE 11709189	3				Pin.....	Goupille.....	Stift	Pasador	Pinne.....		
16	VOE 11709190	1				Shift Yoke.....	Fourchette.....	Schaltgabel	Horquill Cambio.....	Skiftgaffel.....		
17	VOE 11709191	1				Shift Yoke.....	Fourchette.....	Schaltgabel	Horquill Cambio.....	Skiftgaffel.....		
18	VOE 11709192	1				Pin.....	Goupille.....	Stift	Pasador	Pinne.....		
19	VOE 11715354	1				O-ring	Joint Torique	O-Ring	Junta torica.....	O-ring.....		
20	VOE 11712798	1				Sensor.....	Capteur	Geber	Captador	Givare.....	(VOE 11709194)	



1	Växelmanövrering Maniobra de la caja de cambios Schaltbedienung Commande de changement de vitesse Gearshifting	Catalogue id	Group
2		20002	421
3		Illustr. No	Section
4		1000816	450
5		Issue	Page
	11891209	VOE 63H9920002	309

VOLVO

BL71

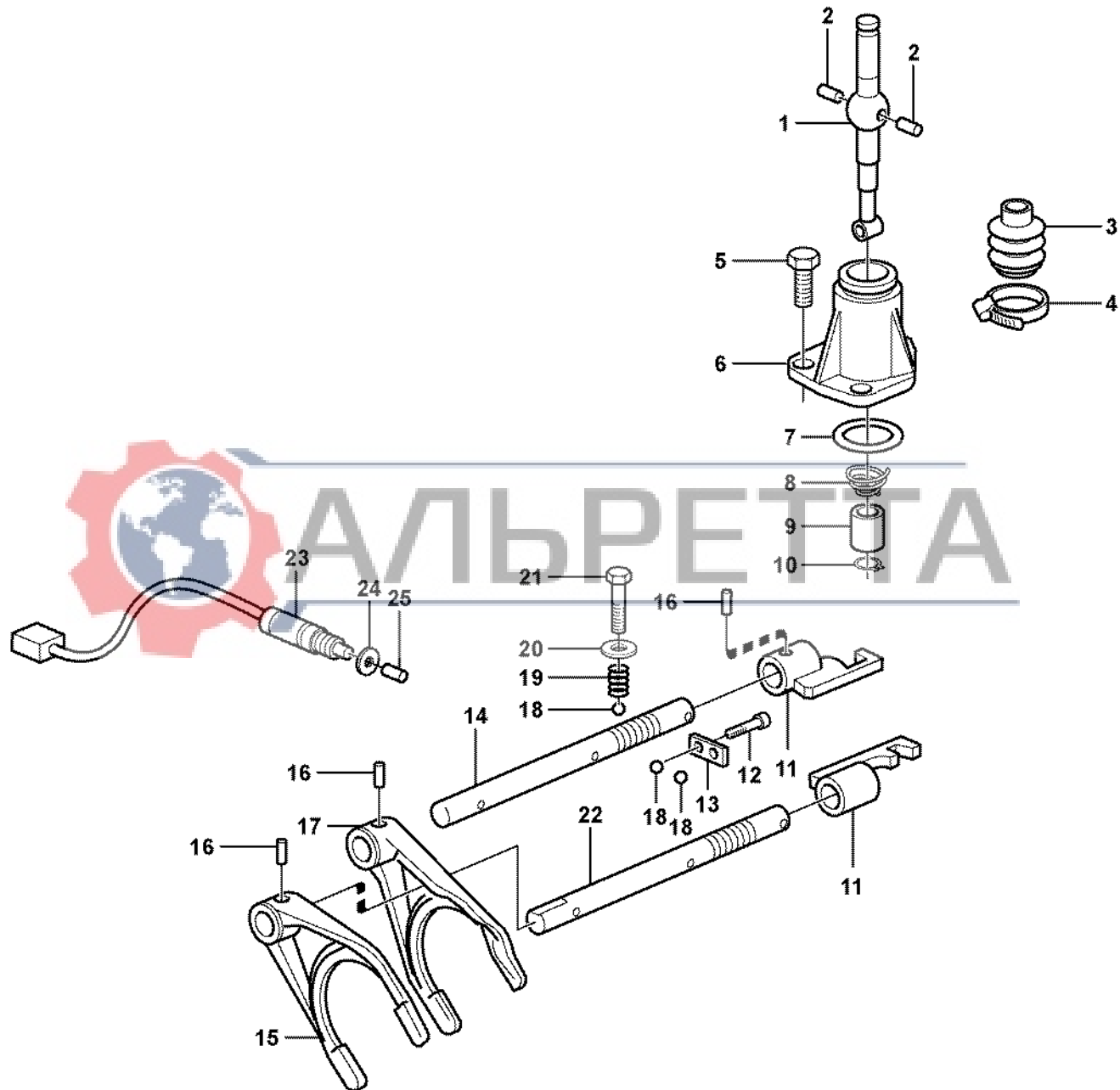
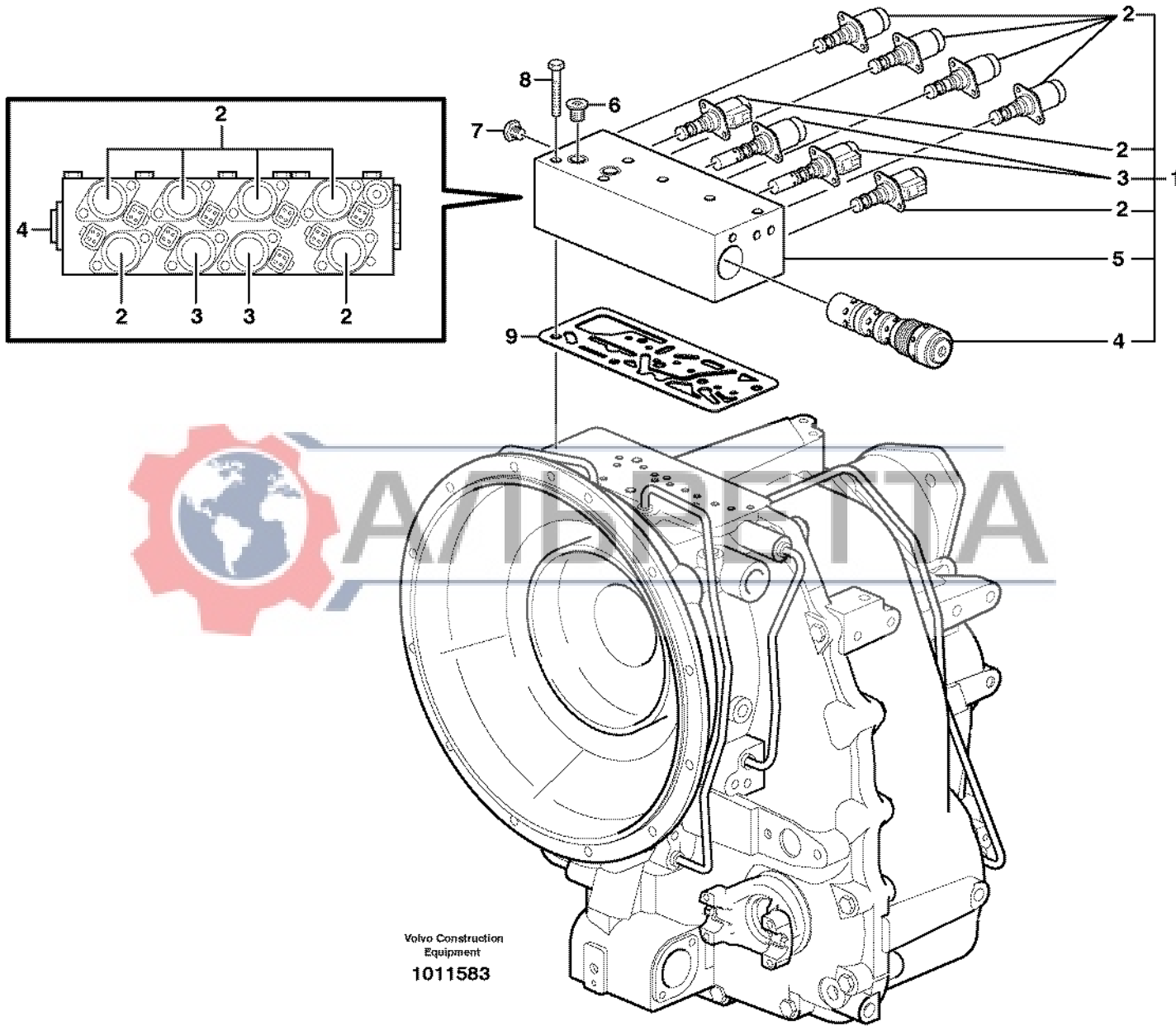


Fig.	Part No.	Quantity			P S	K I T	Description	Dénomination	Bezeichnung	Denominación	Benämning	Notes
		1	2	3								
1	VOE 11716673	1				Control Lever	Levier Commande.....	Bedienungshebel	Palanca Mando	Manöverspak		
2	VOE 11709180	2				Pin.....	Goupille.....	Stift.....	Pasador.....	Pinne.....		
3	VOE 11709181	1				Boot.....	Soufflet.....	Manschette.....	Proteccion	Damask.....		
4	VOE 11709182	1				Clamp.....	Collier serrage.....	Klemme	Abrazadera.....	Klamma.....		
5	VOE 955297	3				Hexagon screw	Vis tête hexagonale ...	Sechskantschraube....	Tornillo hexago.....	Sexkantsskruv.....		
6	VOE 11712473	1				Cover	Capot	Haube.....	Capo.....	Huv.....		
7	VOE 11709165	1				O-ring	Joint Torique	O-Ring	Junta torica.....	O-ring.....		
8	VOE 11709183	1				Spring.....	Ressort.....	Feder.....	Muelle.....	Fjäder.....		
9	VOE 11709184	1				Bushing	Bague.....	Buchse	Casquillo	Bussning.....		
10	VOE 11709185	1				Snap Ring	Circlip	Nutring.....	Circlip	Spårring.....		
11	VOE 11712474	2				Shift Yoke.....	Fourchette.....	Schaltgabel	Horquill Cambio.....	Skiftgaffel.....		
12	VOE 970803	2				Hexagon screw	Vis tête hexagonale ...	Sechskantschraube....	Tornillo hexago.....	Sexkantsskruv.....		
13	VOE 11712475	1				Plate.....	Plaque	Platte	Placa	Platta.....		
14	VOE 11716803	1				Shaft.....	Arbre	Welle	Arbol.....	Axel.....		
15	VOE 11712477	1				Shift Yoke.....	Fourchette.....	Schaltgabel	Horquill Cambio.....	Skiftgaffel.....		
16	VOE 11709189	4				Pin.....	Goupille.....	Stift.....	Pasador.....	Pinne.....		
17	VOE 11716674	1				Fork.....	Fourche	Gabel.....	Horquilla	Gaffel.....		
18	VOE 11709177	4				Ball.....	Bille	Kugel.....	Bola	Kula.....		
19	VOE 11709176	2				Spring.....	Ressort.....	Feder.....	Muelle.....	Fjäder.....		
20	VOE 11709174	3				Washer.....	Rondelle	Scheibe	Arandela	Bricka.....		
21	VOE 11709175	3				Screw.....	Vis	Schraube.....	Tornillo	Skruv.....		
22	VOE 11712476	1				Shift Rail.....	Coulisseau	Schaltchiene.....	Eje Cambio.....	Skiftaxel.....		
23	VOE 11712798	1				Sensor.....	Capteur	Geber	Captador	Givare.....		
24	VOE 11715354	1				O-ring	Joint Torique	O-Ring	Junta torica.....	O-ring.....		
25	VOE 11716804	1				Pin.....	Goupille.....	Zapfen	Pasador.....	Tapp.....		

1	11887380	Växelmanövrering Maniobra de la caja de cambios Schaltbedienung Commande de changement de vitesse Gearshifting	Catalogue id	Group
2			20002	421
3			Illustr. No	Section
4			1024750	470
5			Issue	Page
			VOE 63H9920002	311
			11891209 S/N 14670 -	

VOLVO

BL71



Volvo Construction
Equipment
1011583

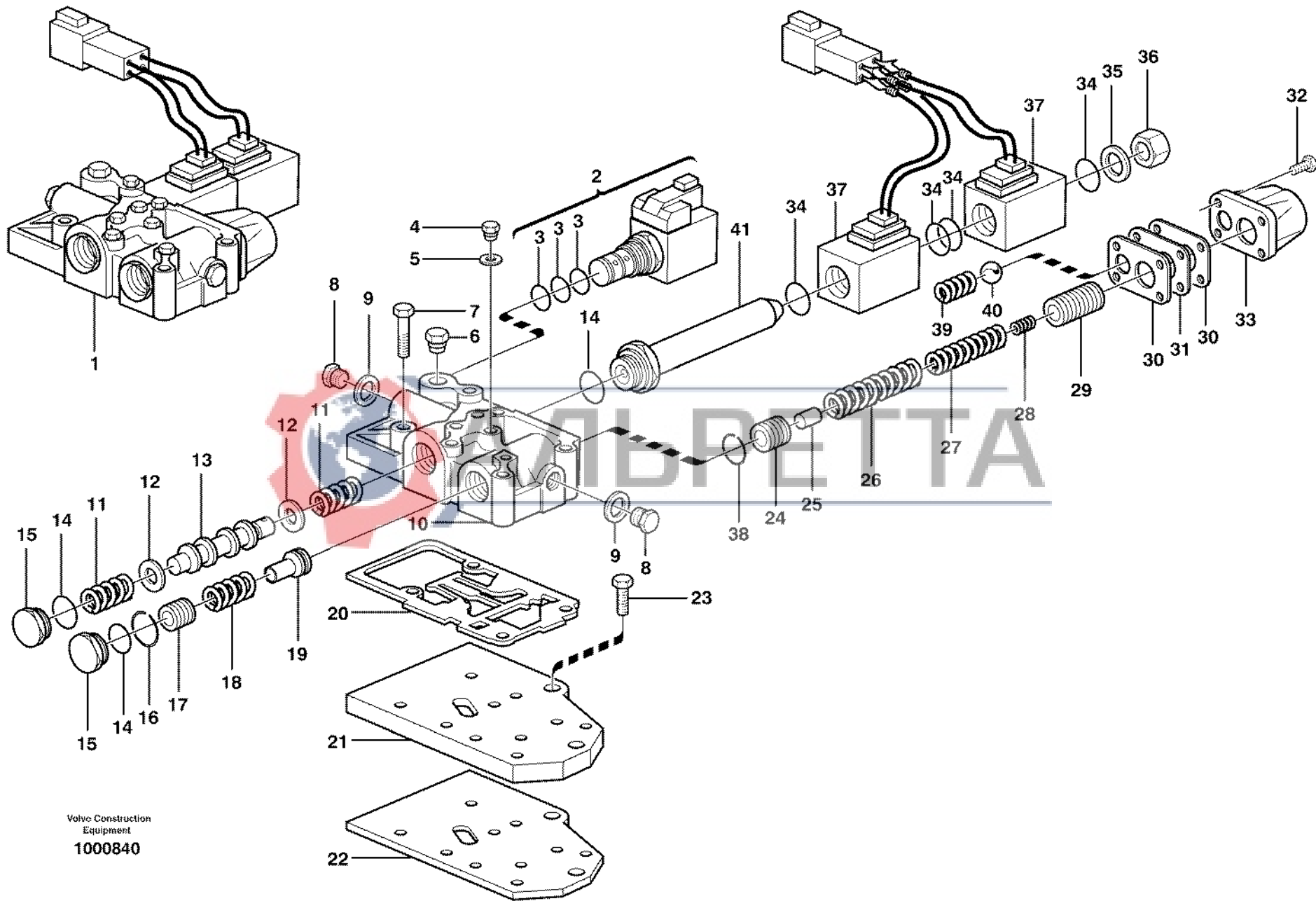
Fig.	Part No.	Quantity			P S	K I T	Description	Dénomination	Bezeichnung	Denominación	Benämning	Notes
		1	2	3								
1	VOE 11713003	1	1	1		Control valve	Valve controle	Steuerventil	Válvula control	Kontrollventil		
2	VOE 11716540	6	6	6		•Valve	•Soupape	•Ventil	•Valvula	•Ventil		
3	VOE 11716541	2	2	2		•Valve	•Soupape	•Ventil	•Valvula	•Ventil	(VOE 11713028)	
4	VOE 11888307	1	1	1		•Valve	•Soupape	•Ventil	•Valvula	•Ventil	(VOE 11713029)	
5		1	1	1	NS	•Valve Housing	•Carter Soupape	•Ventilgehäuse	•Cuerpo Valvula	•Ventilhus		
6	VOE 11709075	2	2	2		Plug	Bouchon	Stopfen	Tapon	Plugg		
7	VOE 11709200	3	3	3		Plug	Bouchon	Stopfen	Tapon	Plugg		
8	VOE 11713005	6		6		Screw	Vis	Schraube	Tornillo	Skruv		
8	VOE 955306		6			Hexagon screw	Vis tête hexagonale ...	Sechskantschraube	Tornillo hexago	Sexkantsskruv		
9	VOE 11713004	1	1	1		Gasket	Joint	Dichtung	Junta	Packning		



1	11884310, 11890341	Kontrollventil Válvula de control Steuerventil Valve de contrôle Control valve	Catalogue id	Group
2	11887381		20002	421
3	11888337		Illustr. No	Section
4			1011583	475
5			Issue	Page
	11891255	VOE 63H9920002	313	

VOLVO

BL71



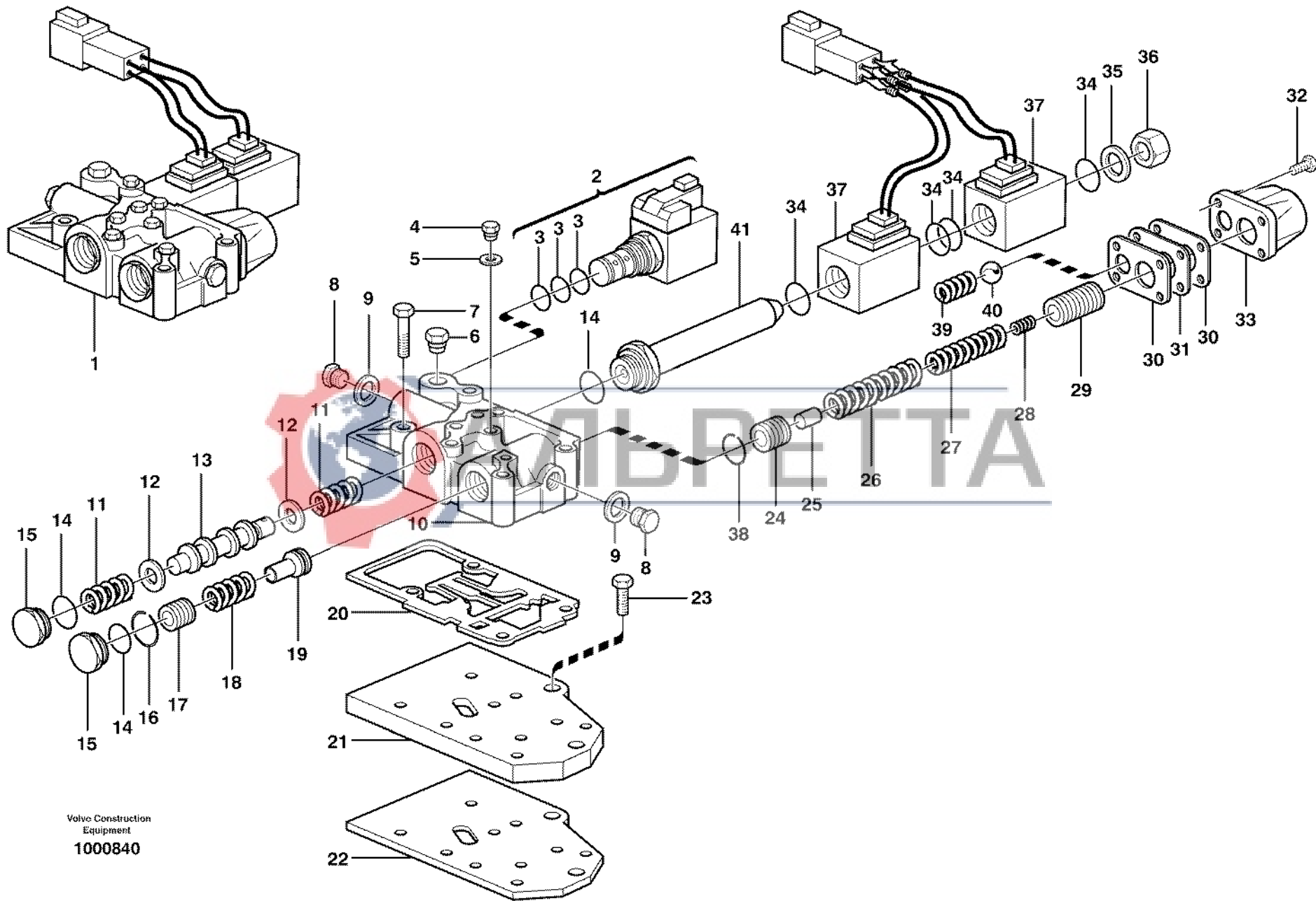
Volvo Construction
 Equipment
 1000840

Fig.	Part No.	Quantity			P S	K I T	Description	Dénomination	Bezeichnung	Denominación	Benämning	Notes
		1	2	3								
1	VOE 11709195	1					Distributor.....	Allumeur.....	Verteiler.....	Distribuidor.....	Fördelare.....	
2	VOE 11709196	1					•Valve.....	•Soupape.....	•Ventil.....	•Valvula.....	•Ventil.....	
3	VOE 11712480	1					••O-ring Kit.....	••Jeu Join.toriq.....	••O-ringsatz.....	••Jueg Anil Toric.....	••O-ringsats.....	
4	VOE 11709061	4					•Plug.....	•Bouchon.....	•Stopfen.....	•Tapon.....	•Plugg.....	
5	VOE 11709199	4					•Washer.....	•Rondelle.....	•Scheibe.....	•Arandela.....	•Bricka.....	
6	VOE 11709200	1					•Plug.....	•Bouchon.....	•Stopfen.....	•Tapon.....	•Plugg.....	
7	VOE 955302	6					•Hexagon screw.....	•Vis tête hexagonale..	•Sechskantschraube..	•Tornillo hexago.....	•Sexkantsskruv.....	
8	VOE 11709201	2					•Plug.....	•Bouchon.....	•Stopfen.....	•Tapon.....	•Plugg.....	
9	VOE 11709202	2					•Washer.....	•Rondelle.....	•Scheibe.....	•Arandela.....	•Bricka.....	
10		1			NS		•Valve housing.....	•Carter soupape.....	•Ventilgehäuse.....	•Cuerpo valvula.....	•Ventilhus.....	
11	VOE 11709203	2					•Spring.....	•Ressort.....	•Feder.....	•Muelle.....	•Fjäder.....	
12	VOE 11709204	2					•Washer.....	•Rondelle.....	•Scheibe.....	•Arandela.....	•Bricka.....	
13	VOE 11709205	1					•Piston.....	•Piston.....	•Kolben.....	•Piston.....	•Kolv.....	
14	VOE 11709206	3					•O-ring.....	•Joint Torique.....	•O-Ring.....	•Junta torica.....	•O-ring.....	
15	VOE 11709207	2					•Plug.....	•Bouchon.....	•Stopfen.....	•Tapon.....	•Plugg.....	
16	VOE 11709208	1					•Snap Ring.....	•Circlip.....	•Nutring.....	•Circlip.....	•Spårring.....	
17	VOE 11709209	1					•Piston.....	•Piston.....	•Kolben.....	•Piston.....	•Kolv.....	
18	VOE 11709210	1					•Spring.....	•Ressort.....	•Feder.....	•Muelle.....	•Fjäder.....	
19	VOE 11709211	1					•Bushing.....	•Bague.....	•Buchse.....	•Casquillo.....	•Bussning.....	
20	VOE 11709212	1					•Gasket.....	•Joint.....	•Dichtung.....	•Junta.....	•Packing.....	
21		1			NS		•Valve plate.....	•Plaque soupape.....	•Ventilplatte.....	•Placa valvula.....	•Ventilplatta.....	
22	VOE 11709213	1					•Gasket.....	•Joint.....	•Dichtung.....	•Junta.....	•Packing.....	
23	VOE 13955295	3					•Screw.....	•Vis.....	•Schraube.....	•Tornillo.....	•Skruv.....	
24	VOE 11709214	1					•Piston.....	•Piston.....	•Kolben.....	•Piston.....	•Kolv.....	
25	VOE 11709215	1					•Pin.....	•Goupille.....	•Stift.....	•Pasador.....	•Pinne.....	
26	VOE 11709216	1					•Spring.....	•Ressort.....	•Feder.....	•Muelle.....	•Fjäder.....	
27	VOE 11709217	1					•Spring.....	•Ressort.....	•Feder.....	•Muelle.....	•Fjäder.....	
28	VOE 11709218	1					•Spring.....	•Ressort.....	•Feder.....	•Muelle.....	•Fjäder.....	
29	VOE 11709219	1					•Piston.....	•Piston.....	•Kolben.....	•Piston.....	•Kolv.....	
30	VOE 11709220	2					•Gasket.....	•Joint.....	•Dichtung.....	•Junta.....	•Packing.....	

1	Växelväljarventil Válvula selectora de gama Getriebewählerventil Soupape sélectrice vitesse Range selector valve	Catalogue id	Group
2		20002	421
3		Illustr. No	Section
4		1000840	500
5		Issue	Page
	11891209	VOE 63H9920002	315

VOLVO

BL71



Volvo Construction
 Equipment
 1000840

Fig.	Part No.	Quantity			P S	K I T	Description	Dénomination	Bezeichnung	Denominación	Benämning	Notes
		1	2	3								
31	VOE 11709221	1				•Plate	•Plaque.....	•Platte.....	•Placa	•Platta.....		
32	VOE 13948356	4				•Flange screw	•Vis à bride.....	•Flanschschraube.....	•Torn embridado.....	•Flänsskruv.....		
33	VOE 11709222	1				•Cover	•Couvercle.....	•Deckel	•Tapa	•Lock.....		
34	VOE 11709223	4				•O-ring.....	•Joint Torique.....	•O-Ring.....	•Junta torica	•O-ring.....		
35	VOE 11709224	1				•Washer	•Rondelle.....	•Scheibe	•Arandela.....	•Bricka.....		
36	VOE 11709225	1				•Plug	•Bouchon.....	•Stopfen	•Tapon.....	•Plugg.....		
37	VOE 11712481	2				•Solenoid valve	•Vanne electrom.....	•Magnetventil.....	•Electrovalvula.....	•Magnetventil.....		
38	VOE 11709228	1				•Snap Ring	•Circlip.....	•Nutring	•Circlip	•Spårring.....		
39	VOE 11709229	1				•Spring	•Ressort	•Feder.....	•Muelle	•Fjäder.....		
40	VOE 11709230	1				•Ball.....	•Bille	•Kugel.....	•Bola	•Kula.....		
41	VOE 11709231	1				•Pipe	•Canalisation	•Rohrleitung.....	•Canalizacion	•Rör.....		



1	Växelväljarventil Válvula selectora de gama Getriebewählerventil Soupape sélectrice vitesse Range selector valve	Catalogue id	Group
2		20002	421
3		Illustr. No	Section
4		1000840	500
5		Issue	Page
	11891209	VOE 63H9920002	317

VOLVO

BL71

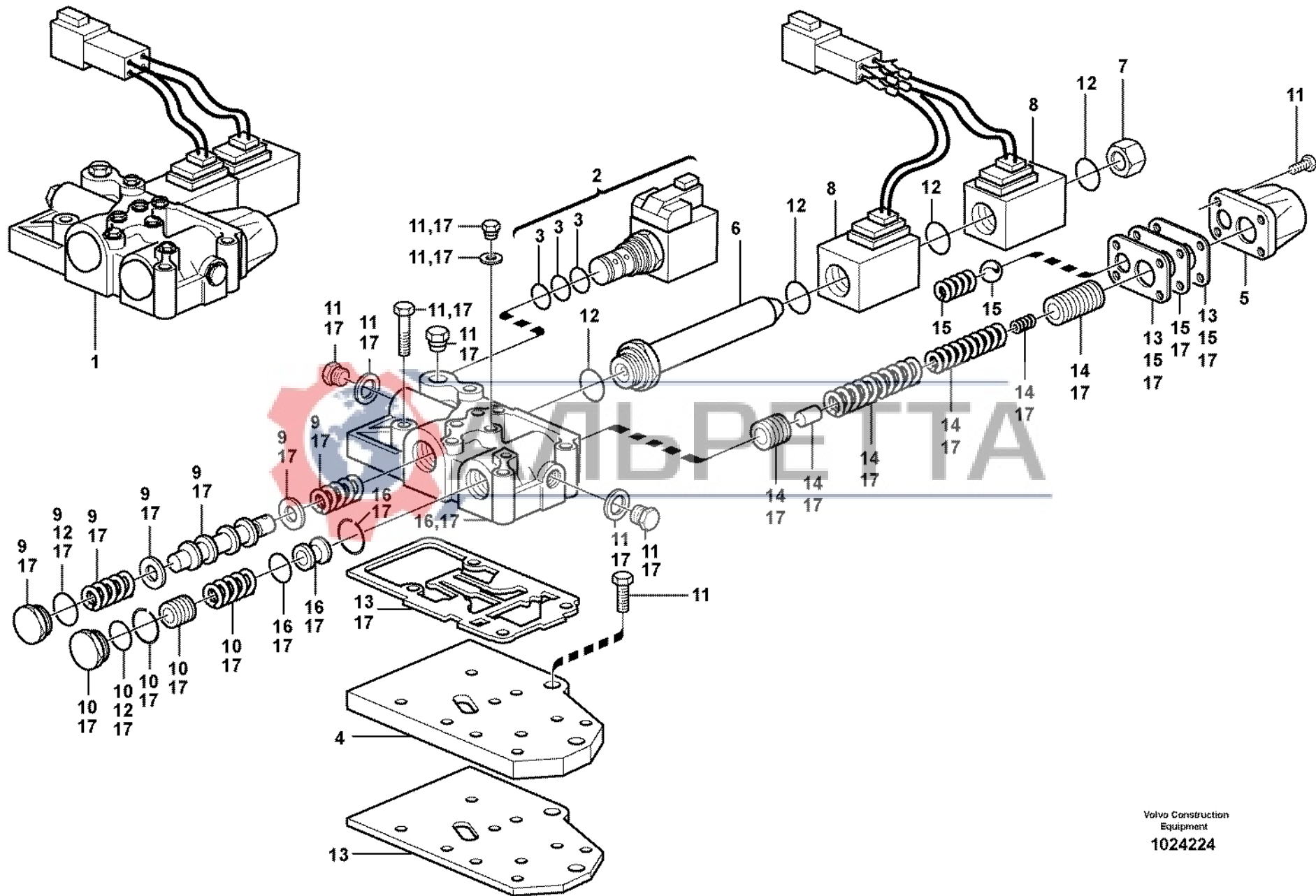


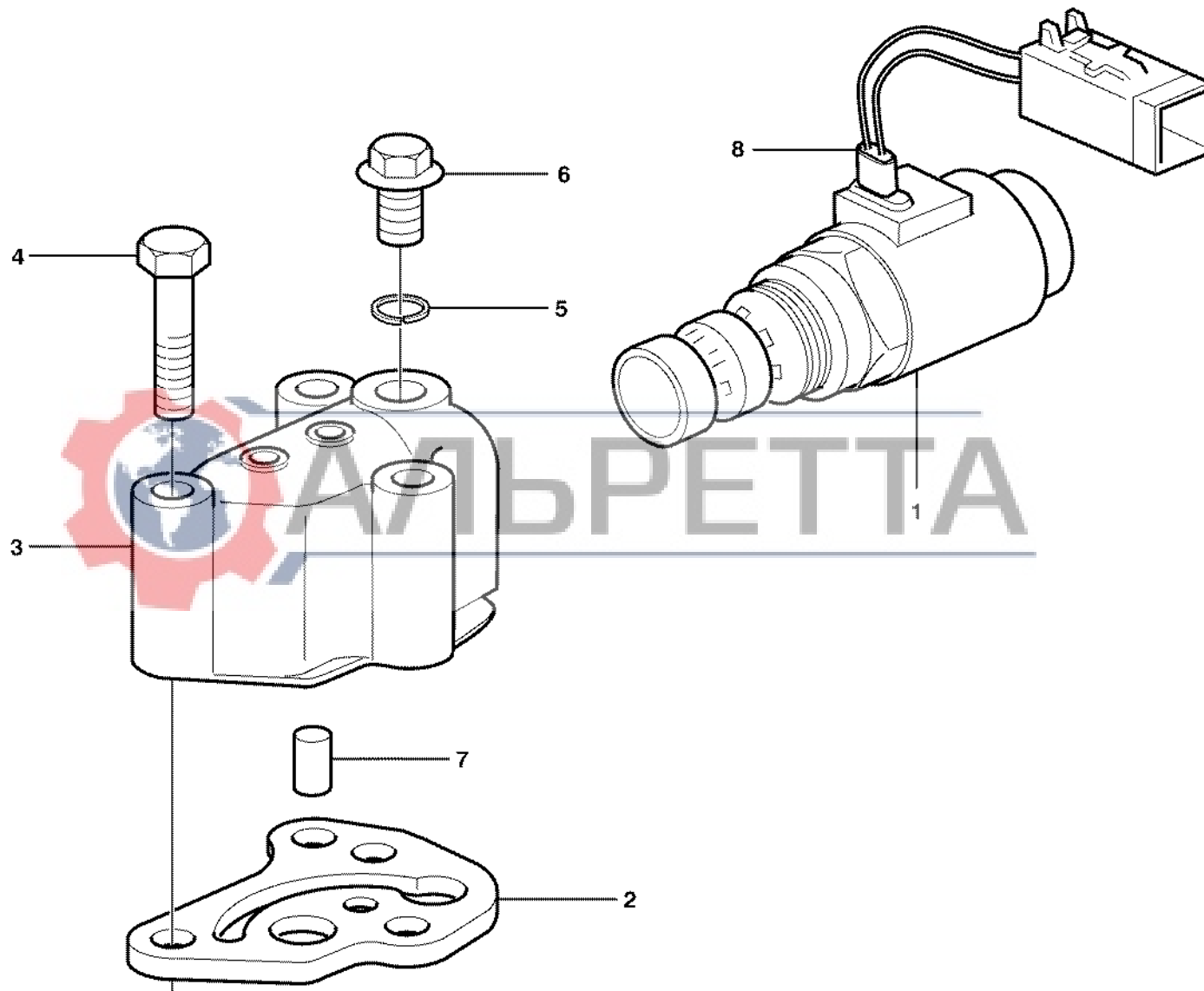
Fig.	Part No.	Quantity			P S	K I T	Description	Dénomination	Bezeichnung	Denominación	Benämning	Notes
		1	2	3								
1	VOE 11716675	1				Control valve	Valve controle	Steuerventil	Válvula control	Kontrollventil		
2	VOE 11709196	1				•Valve	•Soupape	•Ventil	•Valvula	•Ventil		
3	VOE 11709197	1				••O-ring Kit	••Jeu Join.toriq.	••O-ringsatz	••Jueg Anil Toric	••O-ringsats		
4	VOE 11716676	1				•Plate	•Plaque	•Platte	•Placa	•Platta		
5	VOE 11709222	1				•Cover	•Couvercle	•Deckel	•Tapa	•Lock		
6	VOE 11709231	1				•Pipe	•Canalisation	•Rohrleitung	•Canalización	•Rör		
7	VOE 11716677	1				•Plug	•Bouchon	•Stopfen	•Tapon	•Plugg		
8	VOE 11716678	2				•Valve	•Soupape	•Ventil	•Valvula	•Ventil		
9	VOE 11716679	1				•Slide	•Tiroir	•Schieber	•Corredera	•Slid		
10	VOE 11716680	1				•Piston Kit	•Jeu Pistons	•Kolbensatz	•Juego Piston	•Kolvsats		
11	VOE 11716681	1				•Screw Kit	•Kit Vis	•Schraubensatz	•Juego Tornillos	•Skruvsats		
12	VOE 11716682	1				•Sealing Kit	•Jeu Joints	•Dichtungssatz	•Juego Retenes	•Tätningssats		
13	VOE 11716683	1				•Gasket Kit	•Kit Joints	•Dichtungssatz	•Juego Juntas	•Packningsats		
14	VOE 11716684	1				•Valve Kit	•Kit valve	•Ventilsatz	•Juego Valvula	•Ventilsats		
15	VOE 11716685	1				•Plate	•Plaque	•Platte	•Placa	•Platta		
16	VOE 11716686	1				•Valve Kit	•Kit valve	•Ventilsatz	•Juego Valvula	•Ventilsats		
17	VOE 11716687	1				•Valve Kit	•Kit valve	•Ventilsatz	•Juego Valvula	•Ventilsats		



1	Växelväljarventil Válvula selectora de gama Getriebewählerventil Soupape sélectrice vitesse Range selector valve 11891209, 11891224 S/N 14670 -	Catalogue id	Group
2		20002	421
3		Illustr. No	Section
4		1024224	525
5		Issue	Page
		VOE 63H9920002	319

VOLVO

BL71



Volvo Construction
Equipment
1000817

Fig.	Part No.	Quantity			P S	K I T	Description	Dénomination	Bezeichnung	Denominación	Benämning	Notes
		1	2	3								
1	VOE 11709232	1					Solinoid valve.....	Vannr electrom.....	Magnetventil.....	Electrovalvula.....	Magnetventil.....	
2	VOE 11709233	1					Gasket.....	Joint.....	Dichtung.....	Junta.....	Packning.....	
3	VOE 11709234	1					Valve Housing.....	Carter Soupape.....	Ventilgehäuse.....	Cuerpo Valvula.....	Ventilhus.....	
4	VOE 955302	3					Hexagon screw.....	Vis tête hexagonale ...	Sechskantschraube...	Tornillo hexago.....	Sexkantsskruv.....	
5	VOE 11709199	1					Washer.....	Rondelle.....	Scheibe.....	Arandela.....	Bricka.....	
6	VOE 11709061	1					Plug.....	Bouchon.....	Stopfen.....	Tapon.....	Plugg.....	
7	VOE 11709235	1					Pin.....	Goupille.....	Zapfen.....	Pasador.....	Tapp.....	
8	VOE 11709236	1					Protective sleeve.....	Manchon de protectio	Schutzhülle.....	Manguito de protecci	Skyddshylsa.....	



1		Magnetventil 4-hjulsdrift	Catalogue id	Group
2		Válvula solenoide, tracción 4 ruedas	20002	421
3		Magnetventil 4-Radantrieb	Illustr. No	Section
4		Electrovalve 4 roues motrices	1000817	550
5		Solenoid valve 4wd	Issue	Page
		11891209	VOE 63H9920002	321

VOLVO

BL71

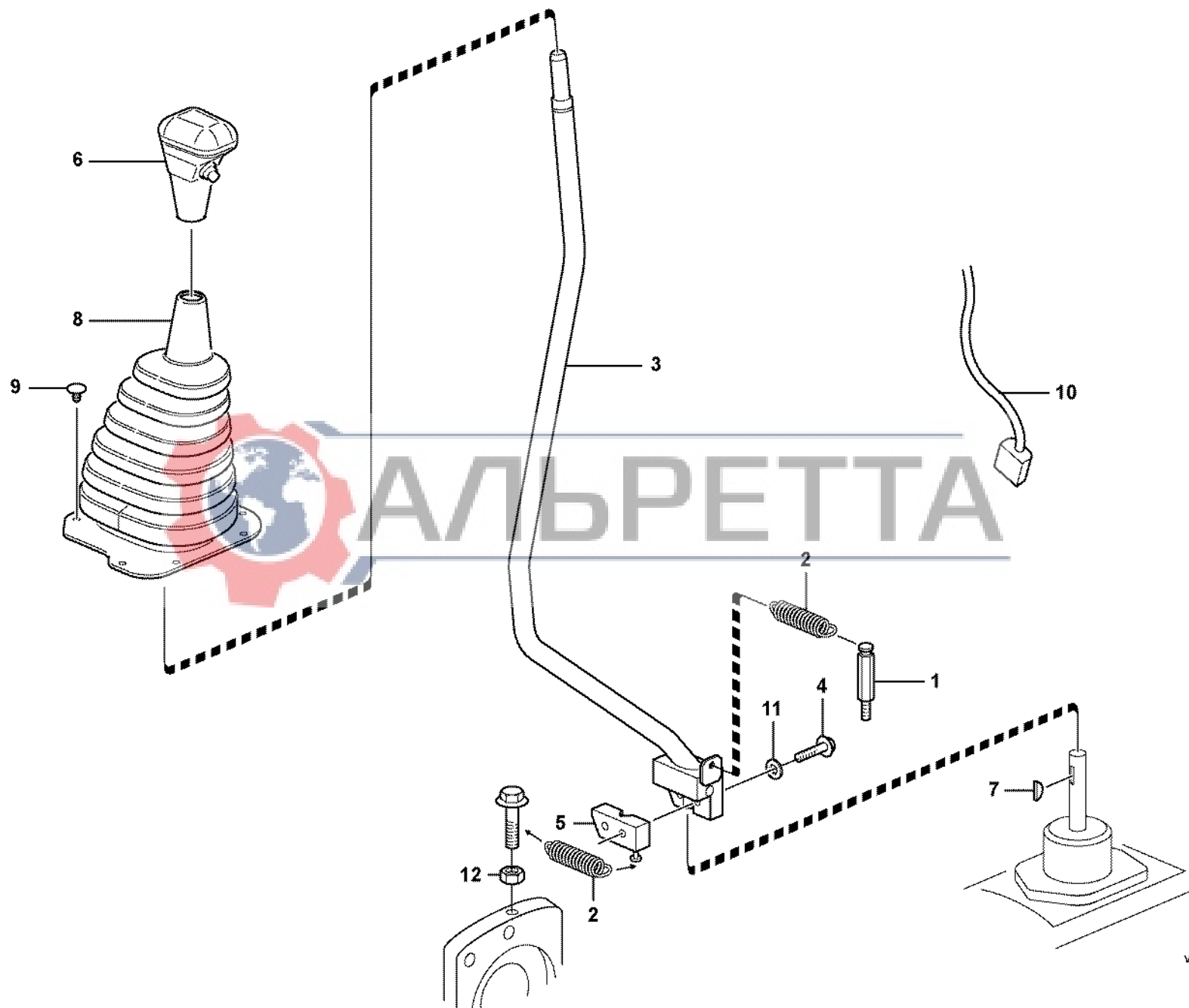


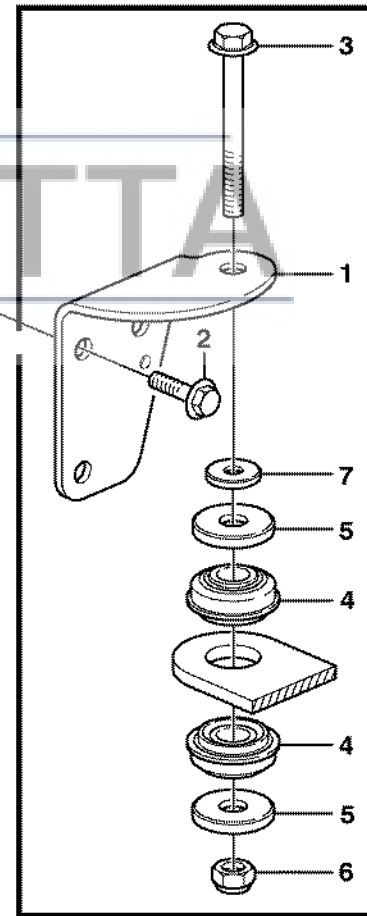
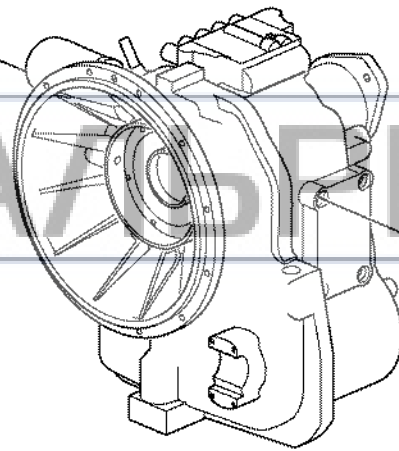
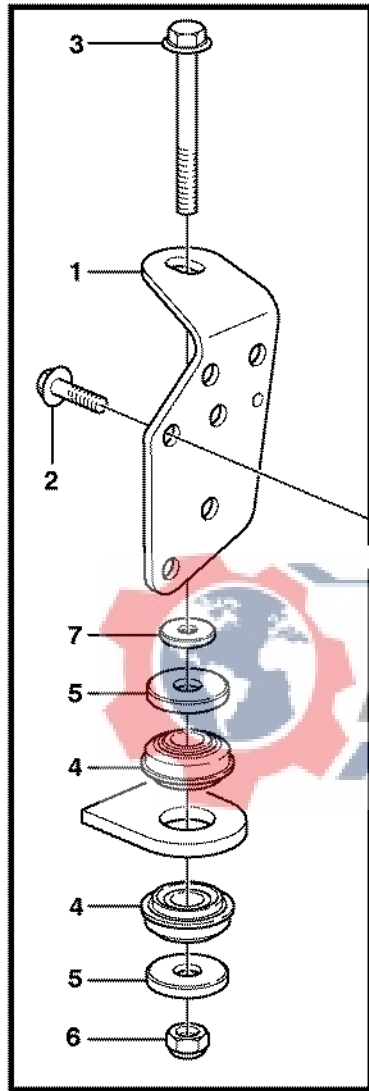
Fig.	Part No.	Quantity			P S	K I T	Description	Dénomination	Bezeichnung	Denominación	Benämning	Notes
		1	2	3								
1	VOE 11882559	1				Bracket.....	Console.....	Konsole.....	Consola.....	Konsol.....		
2	VOE 11882592	1	1			Spring.....	Ressort.....	Feder.....	Muelle.....	Fjäder.....		
3	VOE 11882560	1				Lever.....	Levier.....	Hebel.....	Palanca.....	Spak.....		
3	VOE 11888014		1			Lever.....	Levier.....	Hebel.....	Palanca.....	Spak.....		
4	VOE 13947760	2	3			Flange screw.....	Vis à bride.....	Flanschschraube.....	Torn embridado.....	Flänsskruv.....		
5	VOE 11882564	1				Clamp.....	Pince Serrage.....	Klemme.....	Abrazadera.....	Klämma.....		
5	VOE 11888694		1			Clamp.....	Pince Serrage.....	Klemme.....	Abrazadera.....	Klämma.....		
6	VOE 11881034	1	1			Knob.....	Bouton.....	Knauf.....	Boton.....	Knopp.....		
7	VOE 11881035	1				Key.....	Clavette.....	Keil.....	Llave (cuna).....	Kil.....		
8	VOE 11881432	1	1			Bellows.....	Soufflet.....	Balg.....	Fuelle.....	Bälg.....		
9	VOE 11881360	7	7			Retainer.....	Retenue.....	Halter.....	Soporte.....	Hållare.....		
10	VOE 11884022	1				Cable harness.....	Faisceau cables.....	Kabelbaum.....	Manojo cables.....	Ledningsmatta.....		
10	VOE 11884021		1			Cable harness.....	Faisceau cables.....	Kabelbaum.....	Manojo cables.....	Ledningsmatta.....		
11	VOE 942767	2				Toothed Washer.....	Rondelle Dentee.....	Zahnscheibe.....	Arandela Dentad.....	Tandbricka.....		
12	VOE 13945408		1			Nut.....	Ecrou.....	Mutter.....	Tuerca.....	Mutter.....		



1	S/N - 14669	Växelväljare Selector velocidad Wählschalter Selecteur vitesse Gear selector	Catalogue id	Group
2	S/N 14670 -		20002	424
3			Illustr. No	Section
4			1024233	100
5			Issue	Page
		11891209	VOE 63H9920002	323

VOLVO

BL71



Volvo Construction
Equipment
1007614

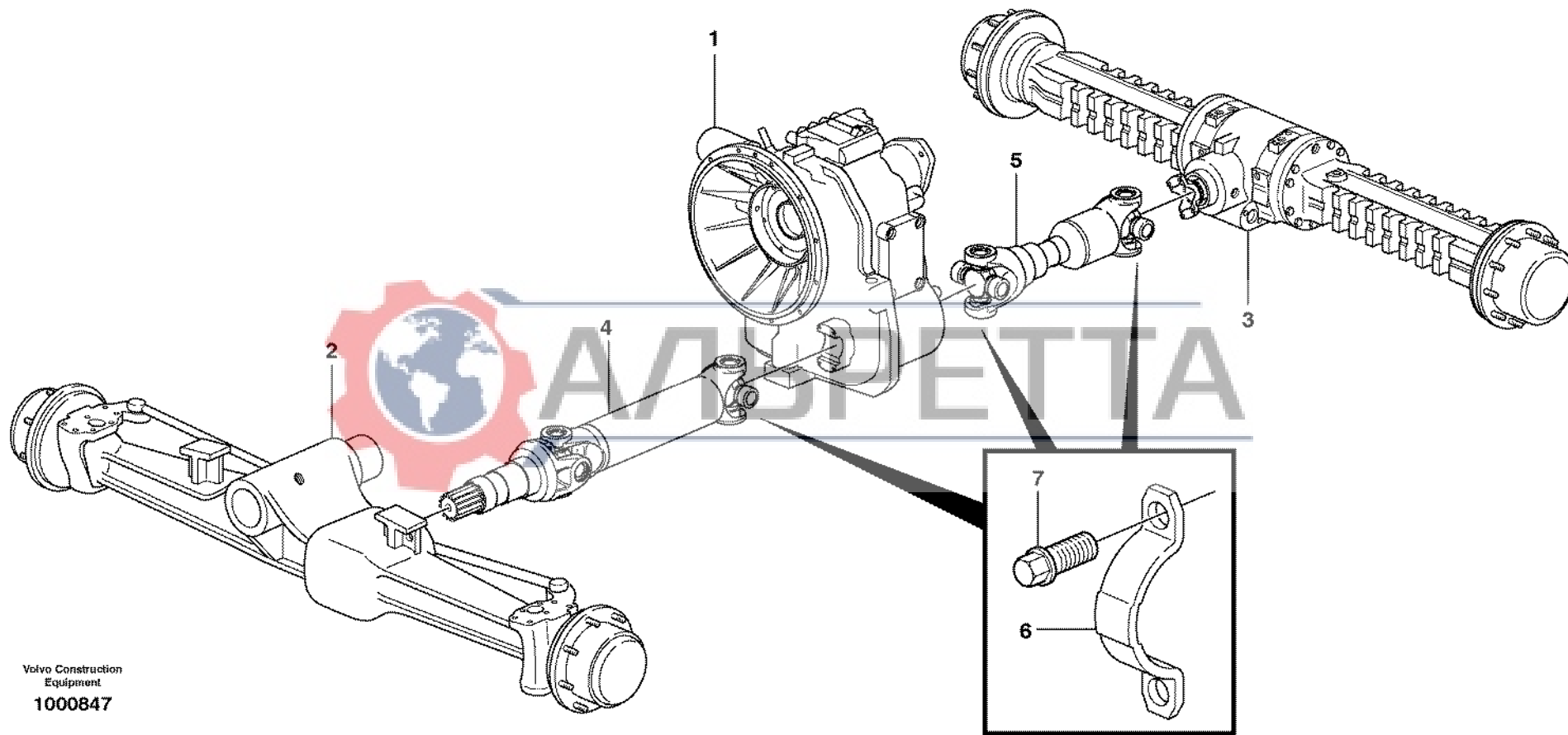
Fig.	Part No.	Quantity			P S	K I T	Description	Dénomination	Bezeichnung	Denominación	Benämning	Notes
		1	2	3								
1	VOE 11884724	1					Transmission Mounti.. Montage de la transm	Getriebe Einbau	Soporte de la transmi.	Växellådsfäste.....	LH	
1	VOE 11884722	1					Transmission Mounti.. Montage de la transm	Getriebe Einbau	Soporte de la transmi.	Växellådsfäste.....	LH S/N 14670 -	
	VOE 11885976	1					Transmission Mounti.. Montage de la transm	Getriebe Einbau	Soporte de la transmi.	Växellådsfäste.....	RH	
	VOE 11885976		2				Transmission Mounti.. Montage de la transm	Getriebe Einbau	Soporte de la transmi.	Växellådsfäste.....		
2	VOE 13965191	6	6				Flange screw..... Vis à bride	Flanschschraube.....	Torn embridado	Flänsskruv.....		
3	VOE 968593	2	2				Flange screw..... Vis à bride	Flanschschraube.....	Torn embridado	Flänsskruv.....		
4	VOE 11884790	4	4				Vibration damper..... Amort.vibration	Schwingdämpfer	Amortig vibrac	Svängningsdämpare..		
5	VOE 118814792	4	4				Washer..... Rondelle	Scheibe	Arandela	Bricka.....		
6	VOE 13963110	2	2				Lock nut	Contre-ecrou	Sicherungsmutter	Contratuerca	Låsmutter.....	
7	VOE 11884725	1					Washer..... Rondelle	Scheibe	Arandela	Bricka.....		
	VOE 11884725		2				Washer..... Rondelle	Scheibe	Arandela	Bricka.....		



1	11891209	Växellådsupphängning Suspensión de la caja de cambios Getriebeaufhängung Suspension boîte vitesses Gear box housing with fitting parts	Catalogue id	Group
2	11891255		20002	436
3			Illustr. No	Section
4			1007614	100
5			Issue	Page
		11891209, 11891255	VOE 63H9920002	325

VOLVO

BL71



Volvo Construction
Equipment
1000847

Fig.	Part No.	Quantity			P S	K I T	Description	Dénomination	Bezeichnung	Denominación	Benämning	Notes
		1	2	3								
1		1				Transmission.....	Transmission.....	Getriebe	Transmision.....	Transmission.....	See group 420, Page 251	
2		1				Front axle.....	Pont avant.....	Vorderachse.....	Eje delantero.....	Framaxel.....	See group 460, Page 331	
3		1				Rear axle.....	Essieu AR	Hinterachse	Eje posterior	Bakaxel.....	See group 460, Page 331	
4		1				Drive Shaft	Arbre transmission	Antriebswelle	Arbol de cde	Drivaxel.....	See group 451, Page 329	
5		1				Drive Shaft	Arbre transmission	Antriebswelle	Arbol de cde	Drivaxel.....	See group 451, Page 329	
6		6				Brace.....	Etrier	Bügel.....	Brida.....	Bygel.....	See group 451, Page 329	
7		12				Screw.....	Vis	Schraube.....	Tornillo	Skruv.....	See group 451, Page 329	

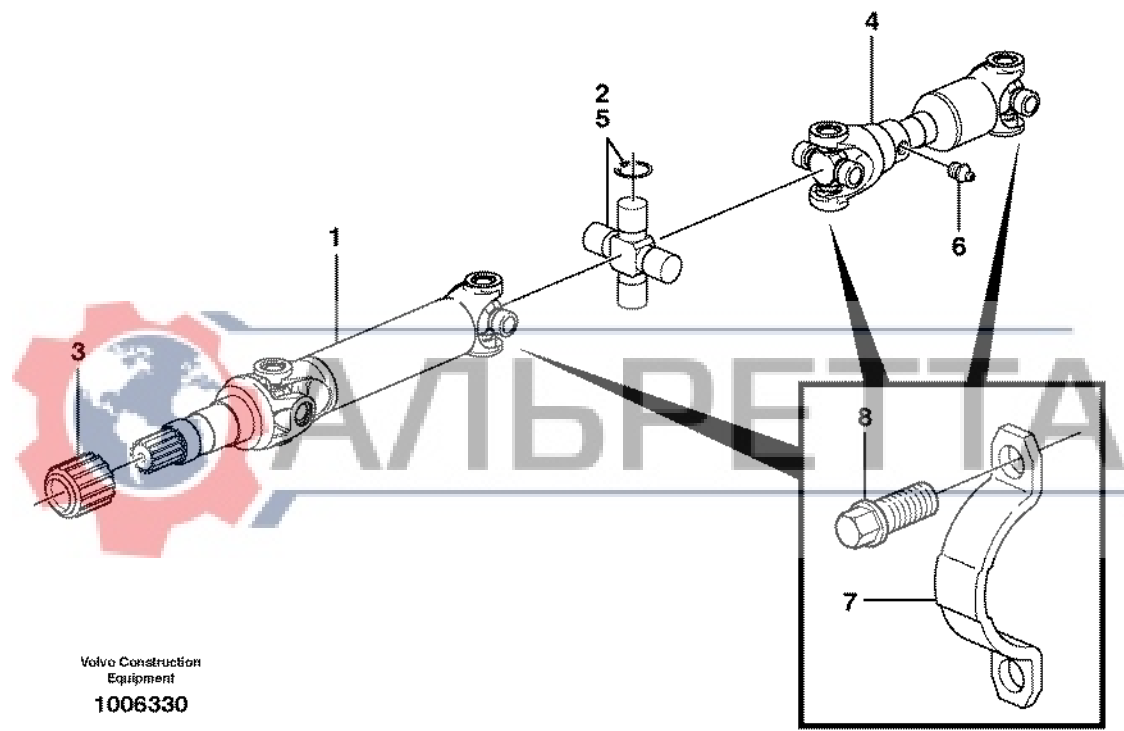


1		Kardanaxlar, montering Ejes cardán con accesorios de montaje Gelenkwellen mit Anbauteilen Arbres de transmission avec pièces de montage Propeller shaft, mounting	Catalogue id	Group
2			20002	451
3			Illustr. No	Section
4			1000847	100
5			Issue	Page
			VOE 63H9920002	327

VOLVO

BL71





Volvo Construction
Equipment
1006330

Fig.	Part No.	Quantity			P S	K I T	Description	Dénomination	Bezeichnung	Denominación	Benämning	Notes
		1	2	3								
1	VOE 11883171	1					Drive Shaft	Arbre transmission	Antriebswelle	Arbol de cde	Drivaxel.....	FRONT
1	VOE 11886355		1				Drive Shaft	Arbre transmission	Antriebswelle	Arbol de cde	Drivaxel.....	FRONT
2	VOE 11709833	2					•Spider	•Croisillon	•Kreuzstück	•Cruceta	•Kors.....	
2	VOE 11716650	2					•Spider	•Croisillon	•Kreuzstück	•Cruceta	•Kors.....	
3	VOE 11700105	1					•Dust Cap.....	•Cache poussiere.....	•Staubkappe.....	•Guardapolvo	•Dammskydd.....	
4	VOE 11883170	1					Drive Shaft	Arbre transmission	Antriebswelle	Arbol de cde	Drivaxel.....	REAR
4	VOE 11888492	1					Driveshaft.....	Arbre Helice	Propellerwelle.....	Arbol Transm.....	Propelleraxel.....	REAR
5	VOE 11709833	2					•Spider	•Croisillon	•Kreuzstück	•Cruceta	•Kors.....	
5	VOE 11716650	2					•Spider	•Croisillon	•Kreuzstück	•Cruceta	•Kors.....	
6	VOE 11988505	1	1				•Lub Nipple	•Graisseur	•Schmiernippel	•Engrasador	•Smörjnippel.....	
7	VOE 11003139	6	6				Brace.....	Etrier	Bügel.....	Brida.....	Bygel.....	
8	VOE 11003138	12	12				Screw.....	Vis	Schraube.....	Tornillo	Skruv.....	



1	S/N - 10469	Kardanaxel Ejes cardán Gelenkwelle Arbre à cardans Propeller shaft	Catalogue id	Group
2	S/N 10470 -		20002	451
3			Illustr. No	Section
4			1006330	150
5			Issue	Page
			VOE 63H9920002	329
			11891209, 11891255	

VOLVO

BL71



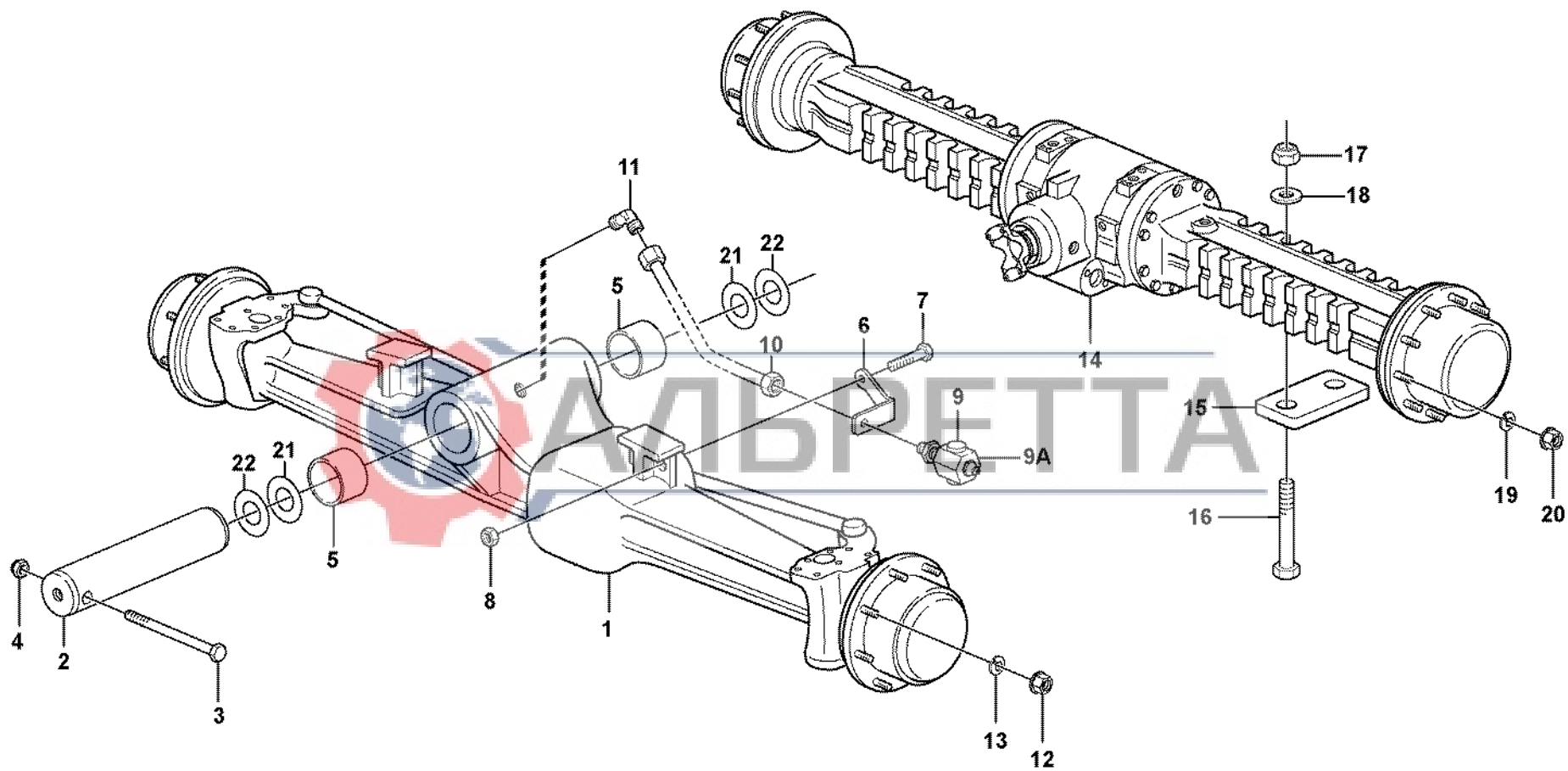
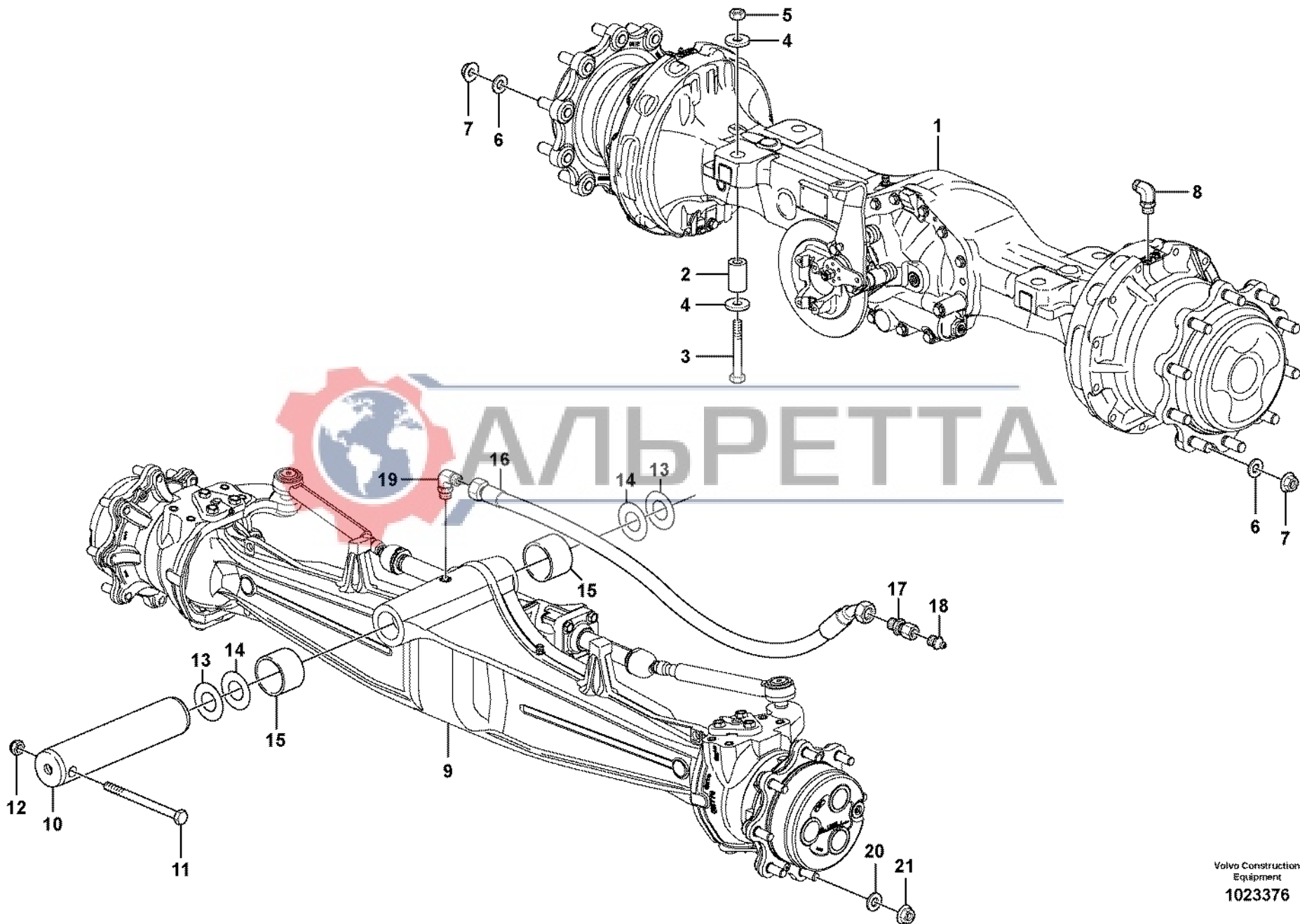


Fig.	Part No.	Quantity			P S	K I T	Description	Dénomination	Bezeichnung	Denominación	Benämning	Notes
		1	2	3								
1		1				Front axle.....	Pont avant.....	Vorderachse.....	Eje delantero.....	Framaxel.....	See group 461, Page 335	
2	VOE 11890146	1				Pin.....	Goupille.....	Stift.....	Pasador.....	Pinne.....		
3	VOE 970890	1				Hexagon screw.....	Vis a tête hexagonale	Sechskantschr.....	Tornillo hexago.....	Sexkantsskruv.....		
4	VOE 981314	1				Lock nut.....	Contre-ecrou.....	Sicherungsmutter.....	Contratuerca.....	Låsmutter.....		
5		2				Bushing.....	Bague.....	Buchse.....	Casquillo.....	Bussning.....	See group 461, Page 335	
6	VOE 11882721	1				Support.....	Support.....	Stütze.....	Apoyo.....	Stöd.....		
7	VOE 13965185	1				Flange screw.....	Vis à bride.....	Flanschschraube.....	Torn embridado.....	Flänsskruv.....		
8	VOE 13971095	1				Flange nut.....	Ecrou accouple.....	Bundmutter.....	Tuerca embridad.....	Flänsmutter.....		
9	VOE 11882693	1				Union.....	Teton Connexion.....	Anschlussnippel.....	Niple Conexcion.....	Anslutn.nippel.....		
9A	VOE 914167	1				Nipple.....	Raccord.....	Nippel.....	Niple.....	Nippel.....		
10	VOE 11882719	1				Tube.....	Tube.....	Rohr.....	Tube.....	Rör.....		
11	VOE 11882718	1				Elbow.....	Coude.....	Winkelstueck.....	Tube acodado.....	Vinkel.....		
12	VOE 11881211	16				Nut.....	Ecrou.....	Mutter.....	Tuerca.....	Mutter.....		
13	VOE 11881213	16				Washer.....	Rondelle.....	Scheibe.....	Arandela.....	Bricka.....		
14	VOE 11890329	1				Rear axle.....	Essieu AR.....	Hinterachse.....	Eje trasero.....	Bakaxel.....	See group 463, Page 351	
15	VOE 11882674	2				Plate.....	Plaque.....	Platte.....	Placa.....	Platta.....		
16	VOE 968852	4				Hexagon screw.....	Vis tête hexagonale	Sechskantschraube.....	Tornillo hexago.....	Sexkantsskruv.....		
17	VOE 948836	4				Lock nut.....	Contre-ecrou.....	Sicherungsmutter.....	Contratuerca.....	Låsmutter.....		
18	VOE 955905	4				Washer.....	Rondelle.....	Scheibe.....	Arandela.....	Bricka.....		
19	VOE 11881212	20				Washer.....	Rondelle.....	Scheibe.....	Arandela.....	Bricka.....		
20	VOE 11881210	20				Nut.....	Ecrou.....	Mutter.....	Tuerca.....	Mutter.....		
21	VOE 11886398	2				Shim.....	Cale d'épaisseur.....	Passscheibe.....	Arandela Ajuste.....	Passbricka.....	3 MM S/N 12353, 12364 -	
22	VOE 11886947	2				Shim.....	Cale d'épaisseur.....	Passscheibe.....	Arandela Ajuste.....	Passbricka.....	2 MM S/N 12288 -	

1	11883883	Planetaxlar med monteringsdetaljer Ejes planetarios con accesorios de montaje Planetenwellen mit Anbauteilen Train planétaire avec pièces de montage Planet axles with fitting parts	Catalogue id	Group
2	11890329		20002	460
3			Illustr. No	Section
4			1023204	100
5			Issue	Page
			VOE 63H9920002	331

VOLVO

BL71



ALPETTA

Fig.	Part No.	Quantity			P S	K I T	Description	Dénomination	Bezeichnung	Denominación	Benämning	Notes
		1	2	3								
1	VOE 11887363	1				Rear axle.....	Essieu AR	Hinterachse	Eje posterior	Bakaxel.....	See group 463, Page 353	
2	VOE 11887622	4				Spacer.....	Entretoise	Abstandstueck.....	Casquillo distanciad	Distans.....		
3	VOE 983695	4				Hexagon screw	Vis tête hexagonale	Sechskantschraube.....	Tornillo hexago.....	Sexkantsskruv.....		
5	VOE 980521	4				Nut	Ecrou.....	Mutter	Tuerca	Mutter.....		
4	VOE 14376982	4				Washer.....	Rondelle	Scheibe	Arandela.....	Bricka.....		
6	VOE 11881212	20				Washer.....	Rondelle	Scheibe	Arandela.....	Bricka.....		
7	VOE 11881210	20				Nut	Ecrou.....	Mutter	Tuerca	Mutter.....		
8	VOE 13933857	2				Elbow Nipple.....	Raccord angulaire.....	Winkelnippel.....	Niple Angular.....	V-nippel.....		
	VOE 990739	1				•O-ring.....	•Joint Torique	•O-Ring.....	•Junta torica	•O-ring.....		
	VOE 932039	1				•O-ring.....	•Joint Torique	•O-Ring.....	•Junta torica	•O-ring.....		
9	VOE 11887362	1				Front axle.....	Pont avant.....	Vorderachse.....	Eje delantero	Framaxel.....	See group 461, Page 335	
10	VOE 11888493	1				Pin.....	Goupille	Zapfen	Pasador.....	Tapp.....		
11	VOE 970890	1				Hexagon screw	Vis a tête hexagonale	Sechskantschr.....	Tornillo hexago.....	Sexkantsskruv.....		
12	VOE 981314	1				Lock nut	Contre-ecrou	Sicherungsmutter	Contratuerca	Låsmutter.....		
13	VOE 11888496	2				Shim.....	Cale d'épaisseur	Passscheibe.....	Arandela Ajuste	Passbricka.....	51X110X3 MM	
14	VOE 11886947	REQ				Shim.....	Cale d'épaisseur	Passscheibe.....	Arandela Ajuste	Passbricka.....	51X110X1 MM	
15		2				Bushing.....	Bague.....	Buchse	Casquillo	Bussning.....		
16	VOE 11888494	1				Hose.....	Durit	Schlauch	Tubo flexible.....	Slang.....		
17	VOE 11888495	1				Union.....	Teton Connexion.....	Anschlussnippel	Niple Conexcion.....	Anslutn.nippel.....		
18	VOE 914167	1				Nipple.....	Raccord.....	Nippel	Niple	Nippel.....		
19	VOE 935067	1				Elbow nipple.....	Raccord angulaire.....	Winkelnippel.....	Niple angular	Vinkelnippel.....		
	991618	1				•	•	•	•	•		
	VOE 990736	1				•O-ring.....	•Joint Torique	•O-Ring.....	•Junta torica	•O-ring.....		
20	VOE 11881213	16				Washer.....	Rondelle	Scheibe	Arandela.....	Bricka.....		
21	VOE 11881211	16				Nut	Ecrou.....	Mutter	Tuerca	Mutter.....		

1	11887363	Planetaxlar med monteringsdetaljer Ejes planetarios con accesorios de montaje Planetenwellen mit Anbauteilen Train planétaire avec pièces de montage Planet axles with fitting parts	Catalogue id	Group
2	11887362		20002	460
3			Illustr. No	Section
4			1023376	150
5			Issue	Page
		S/N 14670 -	VOE 63H9920002	333

VOLVO

BL71

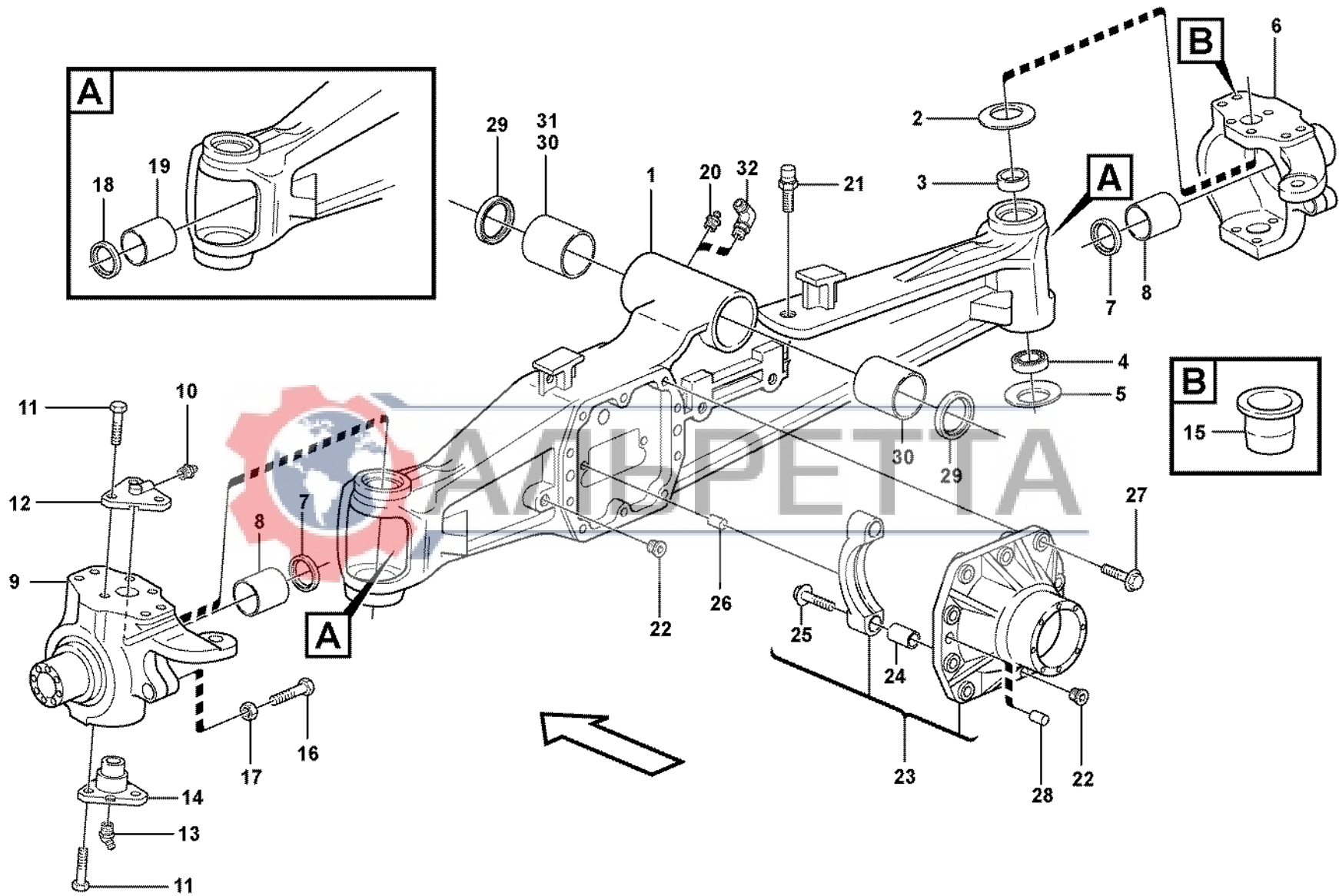


Fig.	Part No.	Quantity			P S	K I T	Description	Dénomination	Bezeichnung	Denominación	Benämning	Notes
		1	2	3								
	VOE 11883883	1				Front axle.....	Pont avant.....	Vorderachse.....	Eje delantero.....	Framaxel.....	See group 460, Page 331	
	VOE 11887362		1			Front axle.....	Pont avant.....	Vorderachse.....	Eje delantero.....	Framaxel.....	See group 460, Page 331	
1	VOE 11709396	1				•Axle Casing.....	•Boite Essieu.....	•Achsgehäuse.....	•Carter Eje.....	•Axelkåpa.....		
1	VOE 11716617		1			•Axle Casing.....	•Boite Essieu.....	•Achsgehäuse.....	•Carter Eje.....	•Axelkåpa.....		
2	VOE 11709397	2	2			•Disc Spring.....	•Rondel Ressort.....	•Scheibenfeder.....	•Arandela Elast.....	•Brickfjäder.....		
3	VOE 11988148	2	2			•Bushing.....	•Bague.....	•Buchse.....	•Casquillo.....	•Bussning.....		
4	VOE 11709400	2	2			•Bearing.....	•Palier.....	•Lager.....	•Cojinete.....	•Lager.....		
5	VOE 11709401	2	2			•Disc Spring.....	•Rondel Ressort.....	•Scheibenfeder.....	•Arandela Elast.....	•Brickfjäder.....		
6	VOE 11709463	1	1			•Housing.....	•Carter.....	•Gehäuse.....	•Carter.....	•Hus.....	RH	
7	VOE 11715254	2	2			•Seal.....	•Joint.....	•Dichtring.....	•Junta.....	•Tätning.....	SEE SB BHL1K	
8	VOE 11709462	2	2			•Bushing.....	•Bague.....	•Buchse.....	•Casquillo.....	•Bussning.....		
9	VOE 11709446	1	1			•Housing.....	•Carter.....	•Gehäuse.....	•Carter.....	•Hus.....	LH	
10	VOE 11709410	2	2			•Lub Nipple.....	•Graisseur.....	•Schmiernippel.....	•Engrasador.....	•Smörjnippel.....		
11	VOE 13970923	12	12			•Hexagon screw.....	•Vis a tête hexagonal.....	•Sechskantschr.....	•Tornillo hexago.....	•Sexkantsskruv.....		
12	VOE 11709445	2	2			•King Pin.....	•Pivot Fusee.....	•Achsschenkelbolzen.....	•Perno Mangueta.....	•Spindelbult.....		
13	VOE 11709464	2	2			•Lub Nipple.....	•Graisseur.....	•Schmiernippel.....	•Engrasador.....	•Smörjnippel.....		
14	VOE 11709450	2	2			•King Pin.....	•Pivot Fusee.....	•Achsschenkelbolzen.....	•Perno Mangueta.....	•Spindelbult.....		
15	VOE 11709449	8				•Plug.....	•Bouchon.....	•Stopfen.....	•Tapon.....	•Plugg.....		
16	VOE 11709452	2	2			•Screw.....	•Vis.....	•Schraube.....	•Tornillo.....	•Skruv.....		
17	VOE 11709453	2	2			•Nut.....	•Erou.....	•Mutter.....	•Tuerca.....	•Mutter.....		
18	VOE 11715253	2	2			•Seal.....	•Joint.....	•Dichtring.....	•Junta.....	•Tätning.....	SEE SB BHL1K	
19	VOE 11709409	2	2			•Bushing.....	•Bague.....	•Buchse.....	•Casquillo.....	•Bussning.....		
20	VOE 11988149	1				•Nipple.....	•Raccord.....	•Nippel.....	•Niple.....	•Nippel.....		
21	VOE 11709275	1	1			•Breather Cap.....	•Boucho.aeration.....	•Lüftungsdeckel.....	•Tapa Ventilac.....	•Ventil.lock.....		
22	VOE 11709403	2	2			•Plug.....	•Bouchon.....	•Stopfen.....	•Tapon.....	•Plugg.....		
23	VOE 11709405	1				•Diff Housing.....	•Carter différentiel.....	•Differentialgehäuse.....	•Carter diferencial.....	•Differentialhus.....		
23	VOE 11716621		1			•Differential Housing.....	•Carter de différentiel.....	•Differentialgehäuse.....	•Cárter de diferencial.....	•Differentialhus.....		
24	VOE 11709406	4	4			••Bushing.....	••Bague.....	••Buchse.....	••Casquillo.....	••Bussning.....		
25	VOE 11709407	4	4			••Screw.....	••Vis.....	••Schraube.....	••Tornillo.....	••Skruv.....		
26	VOE 11709413	1				•Pin.....	•Goupille.....	•Stift.....	•Pasador.....	•Pinne.....		

1	11883883	Planetaxel, fram Eje planeta, delantera Planetenwelle, vorne Axe satellite, AV Planetary axle, front	Catalogue id	Group
2	11887362 S/N 14670 -		20002	461
3			Illustr. No	Section
4			1023512	100
5			Issue	Page
			VOE 63H9920002	335

VOLVO

BL71

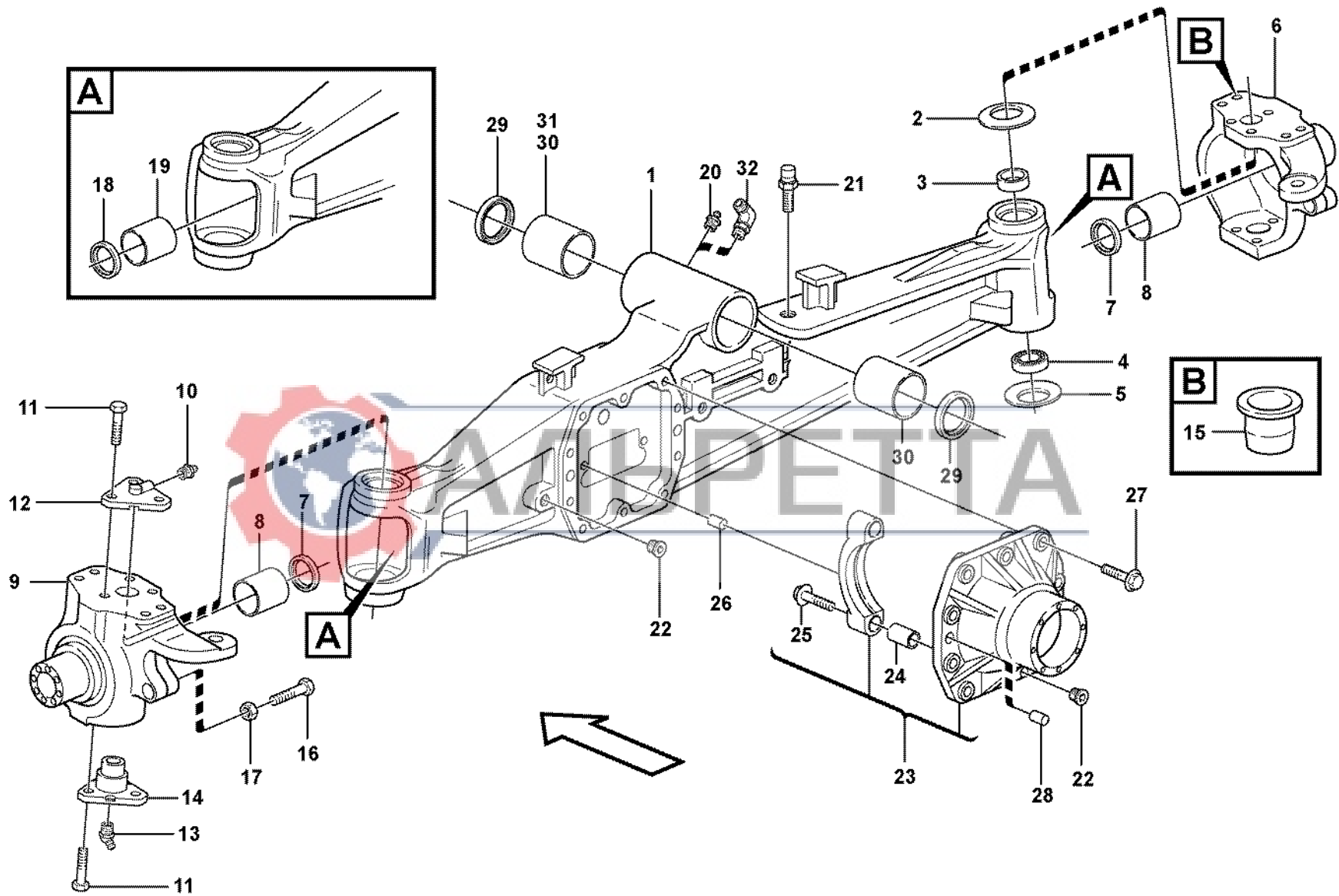


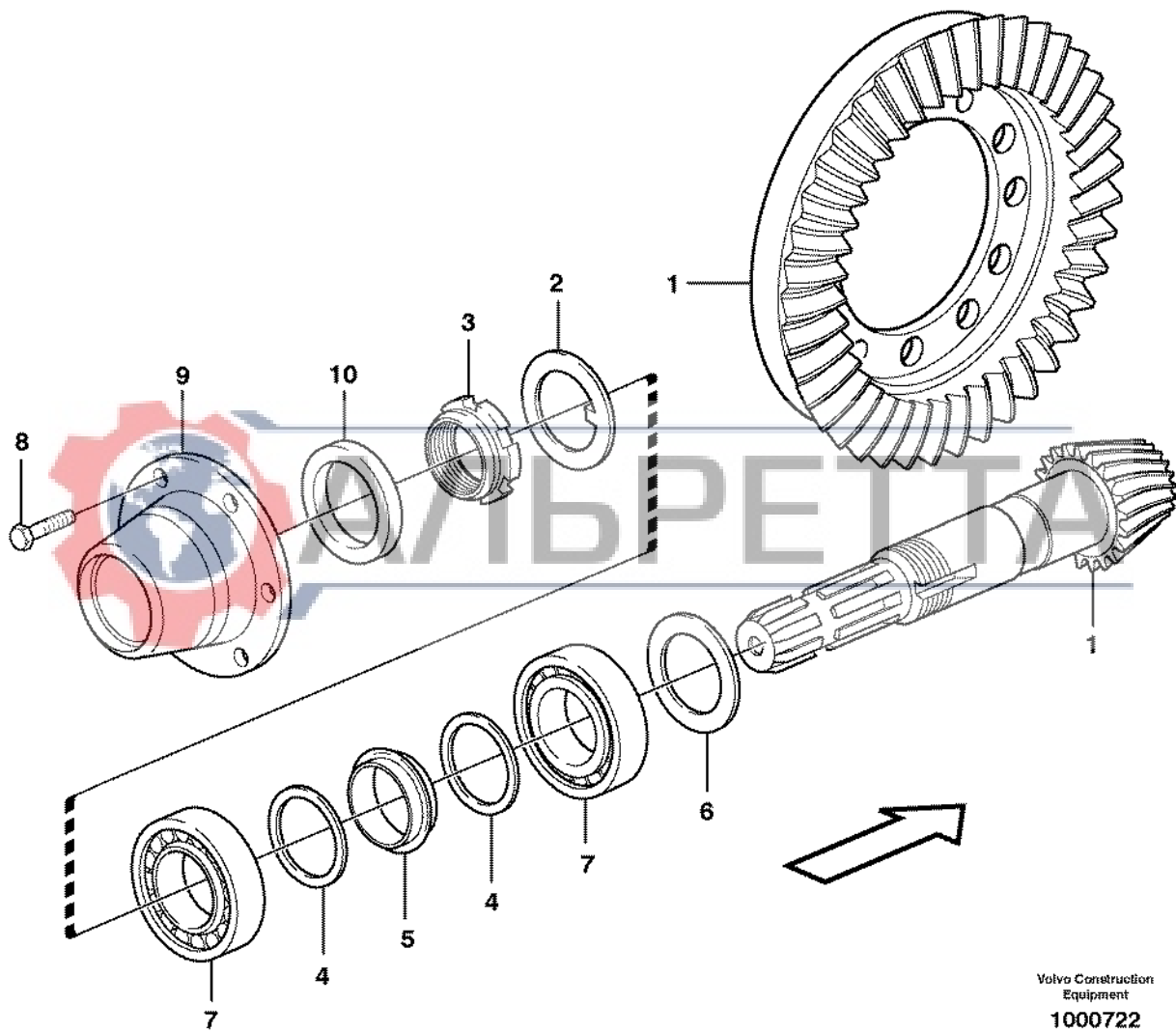
Fig.	Part No.	Quantity			P S	K I T	Description	Dénomination	Bezeichnung	Denominación	Benämning	Notes
		1	2	3								
27	VOE 11709404	10	10			•Screw.....	•Vis.....	•Schraube.....	•Tornillo	•Skruv.....		
28	VOE 11709402	2	2			•Pin	•Goupille.....	•Stift.....	•Pasador.....	•Pinne.....		
29	VOE 11709412	2				•Seal	•Joint	•Dichtung.....	•Reten	•Tätning.....		
29	VOE 11716620		2			•Seal	•Joint	•Dichtring.....	•Junta	•Tätning.....		
30	VOE 11709411	2	1			•Bushing.....	•Bague	•Buchse.....	•Casquillo	•Bussning.....		
31	VOE 11716618		1			•Bushing.....	•Bague	•Buchse.....	•Casquillo	•Bussning.....		
32	VOE 935067		1			•Elbow nipple.....	•Raccord angulaire.....	•Winkelnippel.....	•Niple angular.....	•Vinkelnippel.....	See group 460, Page 333	



1	11883883	Planetaxel, fram Eje planeta, delantera Planetenwelle, vorne Axe satellite, AV Planetary axle, front	Catalogue id	Group
2	11887362 S/N 14670 -		20002	461
3			Illustr. No	Section
4			1023512	100
5			Issue	Page
		VOE 63H9920002	337	

VOLVO

BL71



Volvo Construction
Equipment
1000722

Fig.	Part No.	Quantity			P S	K I T	Description	Dénomination	Bezeichnung	Denominación	Benämning	Notes
		1	2	3								
1	VOE 11709465	1				Drive Gear Set	Kit Pignon.....	Triebsatz	Juego Pinon	Drevsats.....		
2	VOE 11709288	1				•Lock Washer.....	•Rondel.verroui	•Sicher Scheibe.....	•Arandel Segurid	•Låsbricka.....		
3	VOE 11709289	1				•Nut	•Ecrou	•Mutter.....	•Tuerca.....	•Mutter.....		
4	VOE 11709290	2				•Washer	•Rondelle.....	•Scheibe	•Arandela.....	•Bricka.....		
5	VOE 11709472	1				•Spacer	•Partie Intermédiaire ..	•Zwischenstück	•Espaciador	•Mellandel.....		
6	VOE 11709466	REQ				Adjuster washer	Rondelle ajust.	Passscheibe.....	Arandela ajust.	Justerbricka.....	THINCK = 2,50 MM	
	VOE 11709467	REQ				Adjuster washer	Rondelle ajust.	Passscheibe.....	Arandela ajust.	Justerbricka.....	THICK = 2,60 MM	
	VOE 11709468	REQ				Adjuster washer	Rondelle ajust.	Passscheibe.....	Arandela ajust.	Justerbricka.....	THICK = 2,70 MM	
	VOE 11709469	REQ				Adjuster washer	Rondelle ajust.	Passscheibe.....	Arandela ajust.	Justerbricka.....	THICK = 2,80 MM	
	VOE 11709470	REQ				Adjuster washer	Rondelle ajust.	Passscheibe.....	Arandela ajust.	Justerbricka.....	THICK = 2,90 MM	
	VOE 11709471	REQ				Adjuster washer	Rondelle ajust.	Passscheibe.....	Arandela ajust.	Justerbricka.....	THICK = 3,00 MM	
7	VOE 11709299	2				Bearing.....	Palier.....	Lager.....	Cojinete	Lager.....		
8	VOE 11709473	6				Screw	Vis	Schraube.....	Tornillo	Skruv.....		
9	VOE 11988152	1				Flange	Flasque	Flansch.....	Brida.....	Fläns.....		
10	VOE 11715253	1				Seal.....	Joint	Dichtring.....	Junta	Tätning.....	(VOE 11709475)	



1		Pinjong Piñón de ataque Antriebskegelrad Pignon Pinion 11891270	Catalogue id	Group
2			20002	461
3			Illustr. No	Section
4			1000722	150
5			Issue	Page
			VOE 63H9920002	339

VOLVO

BL71

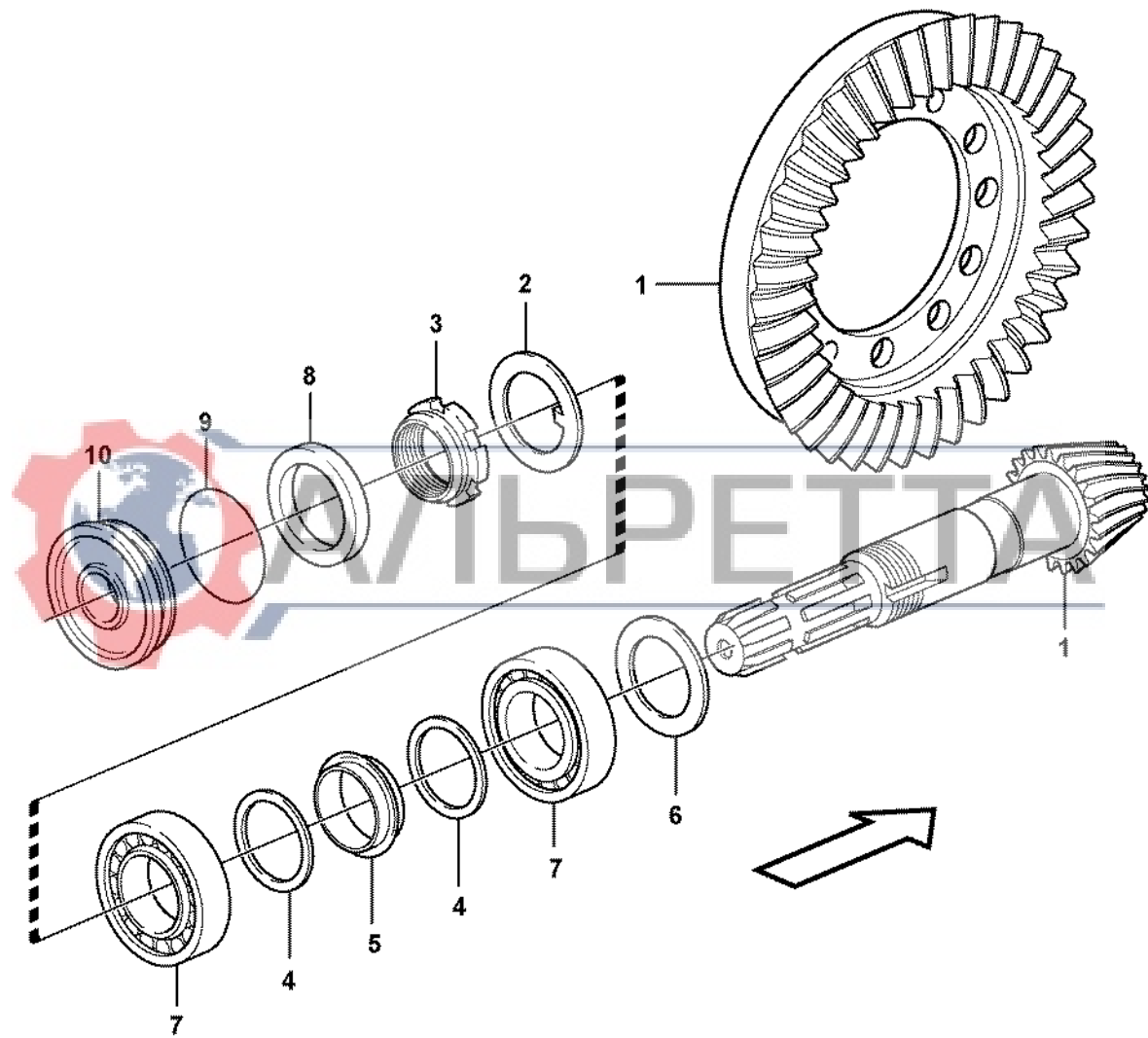


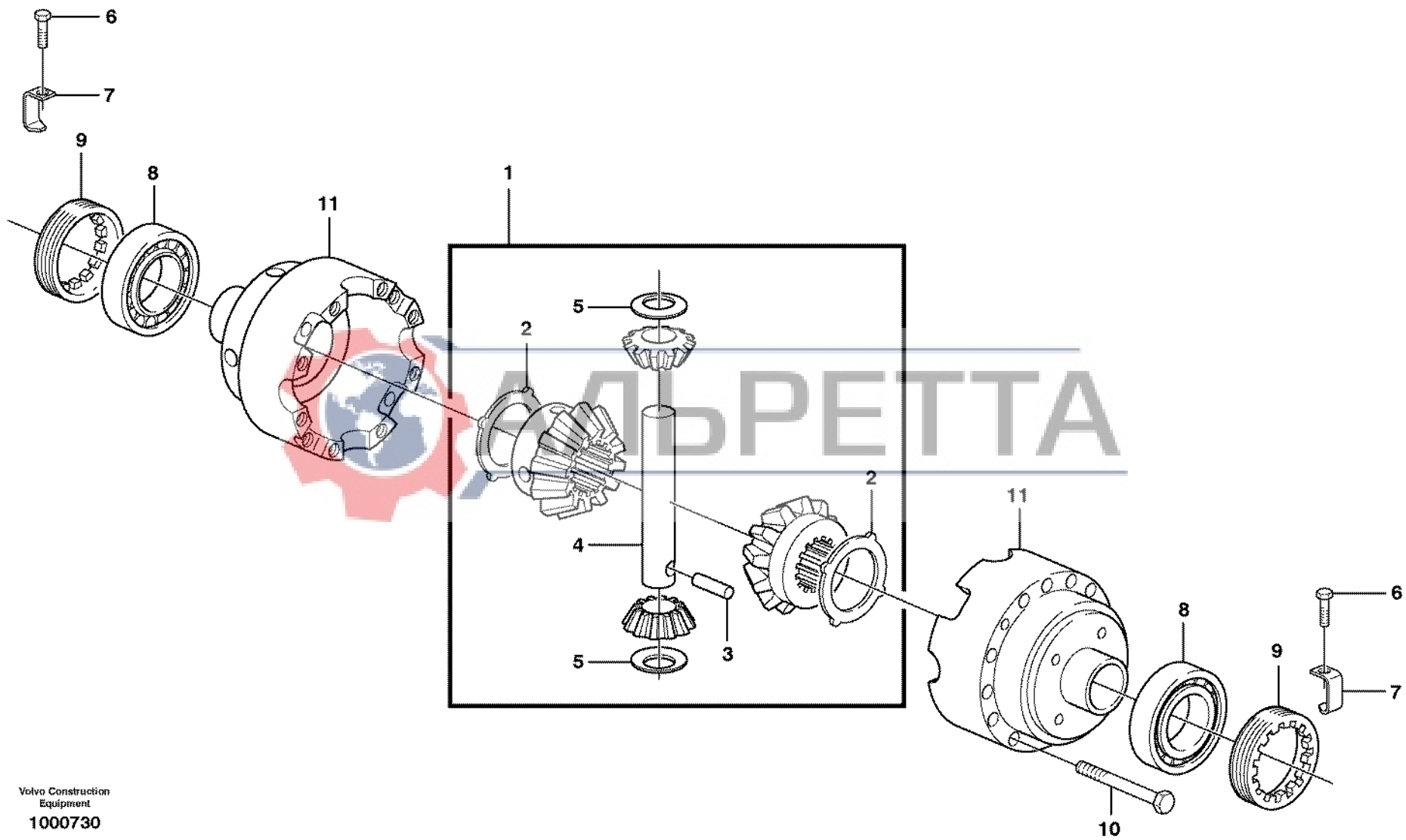
Fig.	Part No.	Quantity			P S	K I T	Description	Dénomination	Bezeichnung	Denominación	Benämning	Notes
		1	2	3								
1	VOE 11716626	1				Drive Gear Set	Kit Pignon.....	Triebsatz	Juego Pinon	Drevsats.....		
2	VOE 11709288	1				•Lock Washer.....	•Rondel.verroui	•Sicher Scheibe.....	•Arandel Segurid	•Låsbricka.....		
3	VOE 11709289	1				•Nut	•Ecrou	•Mutter.....	•Tuerca.....	•Mutter.....		
4	VOE 11709290	2				•Washer	•Rondelle.....	•Scheibe	•Arandela.....	•Bricka.....		
5	VOE 11709472	1				•Spacer	•Partie Intermédiaire ..	•Zwischenstück	•Espaciador	•Mellandel.....		
6	VOE 11709466	REQ				Adjuster washer	Rondelle ajust.	Passscheibe.....	Arandela ajust.	Justerbricka.....	THINCK = 2,50 MM	
	VOE 11709467	REQ				Adjuster washer	Rondelle ajust.	Passscheibe.....	Arandela ajust.	Justerbricka.....	THICK = 2,60 MM	
	VOE 11709468	REQ				Adjuster washer	Rondelle ajust.	Passscheibe.....	Arandela ajust.	Justerbricka.....	THICK = 2,70 MM	
	VOE 11709469	REQ				Adjuster washer	Rondelle ajust.	Passscheibe.....	Arandela ajust.	Justerbricka.....	THICK = 2,80 MM	
	VOE 11709470	REQ				Adjuster washer	Rondelle ajust.	Passscheibe.....	Arandela ajust.	Justerbricka.....	THICK = 2,90 MM	
	VOE 11709471	REQ				Adjuster washer	Rondelle ajust.	Passscheibe.....	Arandela ajust.	Justerbricka.....	THICK = 3,00 MM	
7	VOE 11709299	1				Bearing.....	Palier	Lager	Cojinete	Lager.....		
8	VOE 11715253	1				Seal.....	Joint	Dichtring	Junta	Tätning.....	(VOE 11709475)	
9	VOE 11716628	1				O-ring	Joint Torique	O-Ring	Junta torica.....	O-ring.....		
10	VOE 11716627	1				Cover	Capot	Haube.....	Capo.....	Huv.....		



1		Pinjong Piñón de ataque Antriebskegelrad Pignon Pinion S/N 14670 -	Catalogue id	Group
2			20002	461
3			Illustr. No	Section
4			1023520	160
5			Issue	Page
			VOE 63H9920002	341

VOLVO

BL71



Volvo Construction
 Equipment
 1000730

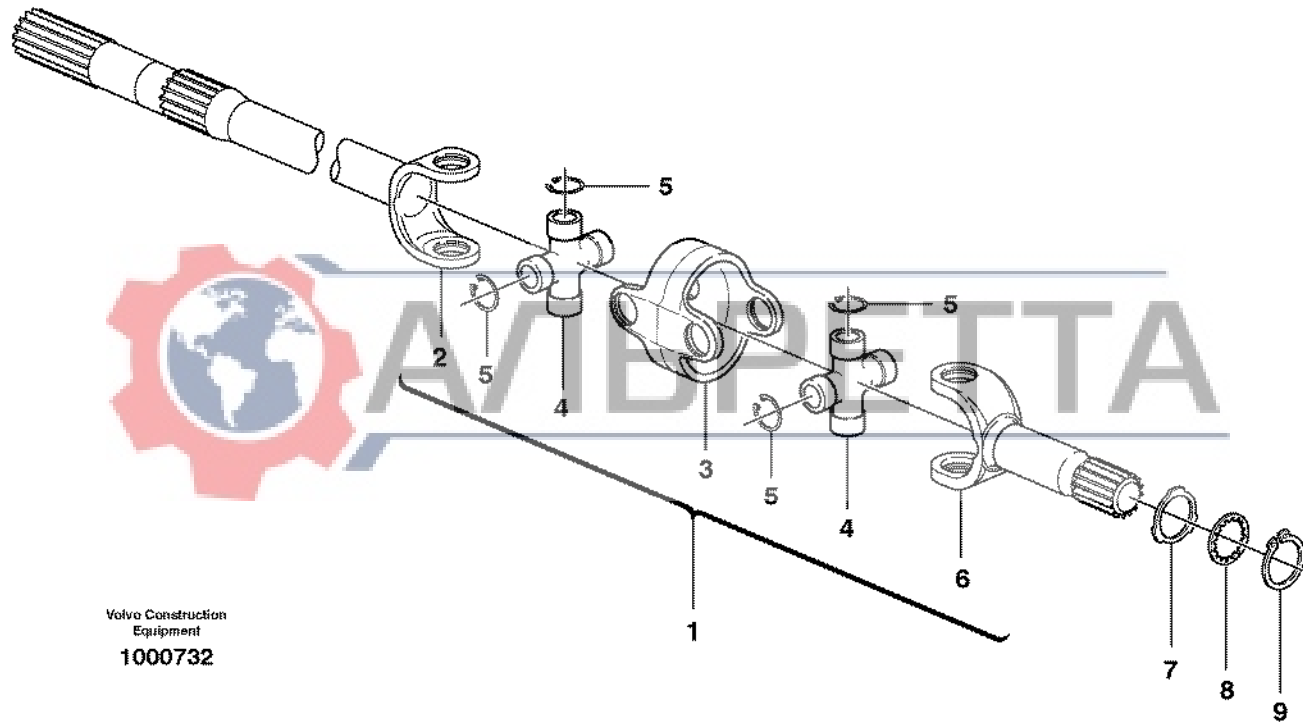
Fig.	Part No.	Quantity			P S	K I T	Description	Dénomination	Bezeichnung	Denominación	Benämning	Notes
		1	2	3								
1	VOE 11709476	1					Diff Pinion Set	Jeu Pign.diffe.	Ausgl Kegsatz	Kit Engran Dif	Diff.drevsats.....	
2	VOE 11709477	2					•Drive Plate	•Plaque Commande ...	•Treibscheibe	•Placa Motriz	•Drivplatta.....	
3	VOE 11709478	1					•Pin	•Goupille.....	•Stift.....	•Pasador.....	•Pinne.....	
4	VOE 11709479	1					•Axle.....	•Arbre.....	•Welle.....	•Eje.....	•Axel.....	
5	VOE 11709480	2					•Thrust Washer	•Rondelle Butee	•Druckscheibe	•Arandela Presio	•Tryckbricka.....	
6	VOE 11709312	2					Screw	Vis	Schraube.....	Tornillo	Skruv.....	
7	VOE 11709311	2					Locking Plate	Languette de verrouill	Sicherungsblech.....	Laminilla De Se	Vikbleck.....	
8	VOE 11709481	2					Bearing.....	Palier.....	Lager	Cojinete	Lager.....	
9	VOE 11709482	2					Ring.....	Anneau.....	Ring.....	Anillo	Ring.....	
10	VOE 11709483	12					Screw	Vis	Schraube.....	Tornillo	Skruv.....	
11	VOE 11709484	1					Diff Housing	Carter différentiel	Differentialgehäuse	Carter diferencial.....	Differentialhus.....	



1	Differential, framaxel Diferencial, eje planeta delantero Ausgleichgetriebe, Planetenwelle, vorne Différentiel, axe satellite, Av Differential , front axle 11880005, 11891270	Catalogue id 20002	Group 461	
2		Illustr. No 1000730	Section 200	
3			Issue VOE 63H9920002	Page 343
4				
5				

VOLVO

BL71



Volvo Construction
Equipment
1000732

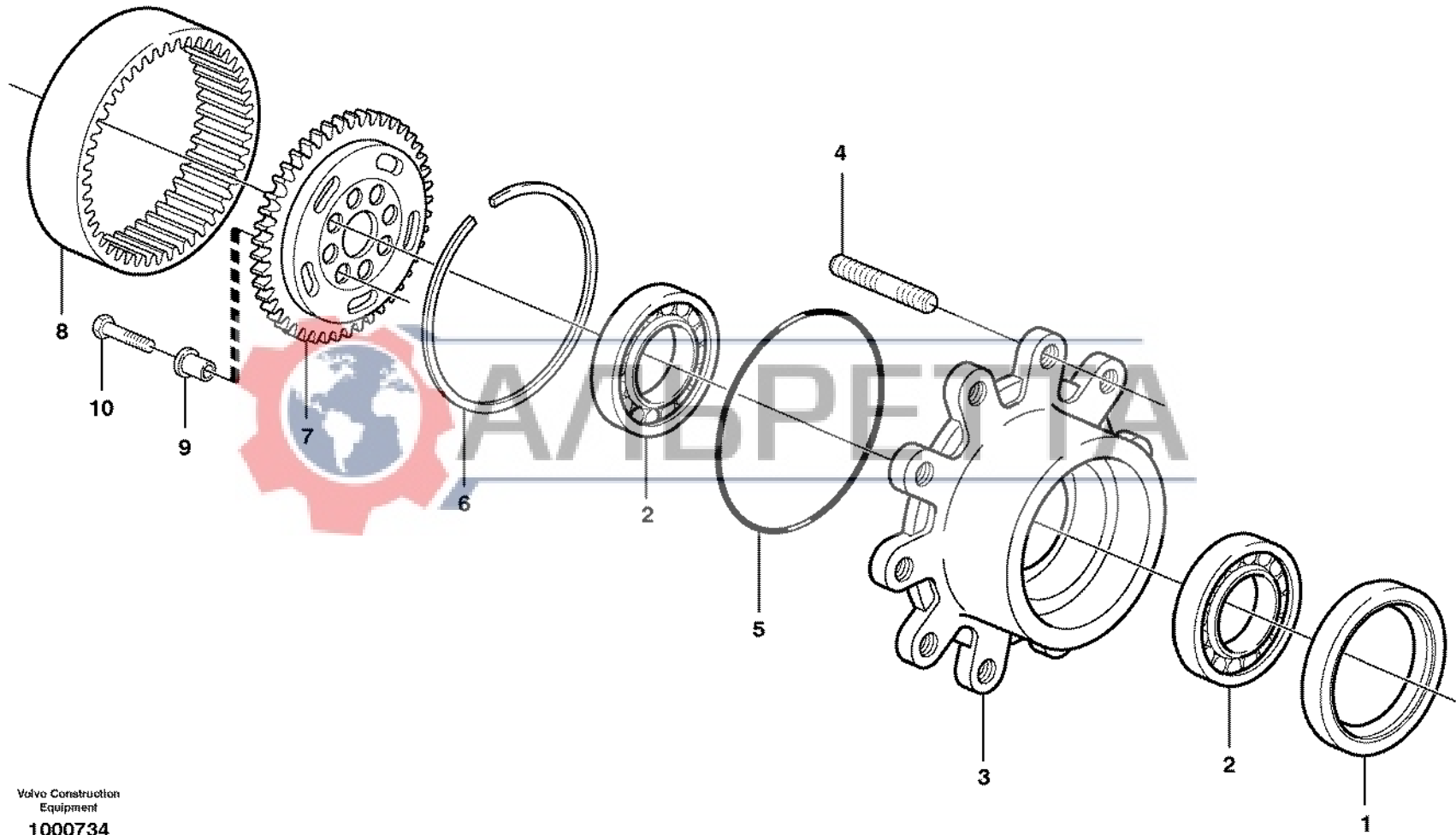
Fig.	Part No.	Quantity			P S	K I T	Description	Dénomination	Bezeichnung	Denominación	Benämning	Notes
		1	2	3								
1	VOE 11988153	1				Double Joint.....	Cardan Double	Doppelarmkreuz.....	Junta Doble	Dubbelknut.....	LH	
1	VOE 11988154	1				Double Joint.....	Cardan Double	Doppelarmkreuz.....	Junta Doble	Dubbelknut.....	RH	
1	VOE 11716630		2			Axle Shaft.....	Arbre Commande.....	Antriebswelle.....	Eje Propulsor.....	Drivaxel.....		
2		1	2		NS	•Drive shaft	•Arbre commande	•Antriebswelle.....	•Eje propulsor.....	•Drivaxel.....	Differential side	
3		2	2		NS	•Companion flange	•Flasque entraineme	•Antriebsflansch	•Brida.....	•Medbringare.....		
4	VOE 11988155	4				•Spider	•Croisillon	•Kreuzstück	•Cruceta	•Kors.....		
4	VOE 11716631		4			•Spider	•Croisillon	•Kreuzstück	•Cruceta	•Kors.....		
5		16	16		NS	••Lock ring.....	••Anneau verrouillage.....	••Schlossring	••Anillo seguridad	••Låsring.....		
6		2	2		NS	•Drive shaft	•Arbre commande	•Antriebswelle.....	•Eje propulsor.....	•Drivaxel.....	Wheel side	
7	VOE 11709487	2	2			Washer.....	Rondelle.....	Scheibe	Arandela.....	Bricka.....		
8	VOE 11709488	2	2			Washer.....	Rondelle.....	Scheibe	Arandela.....	Bricka.....		
9	VOE 11709171	2	2			Snap Ring.....	Circlip	Nutring.....	Circlip	Spårring.....		



1	11891270 S/N 14669 -	Drivaxel Eje propulsor Antriebsachse Arbre de roue Drive axle	Catalogue id	Group
2	11880005 S/N 14670 -		20002	461
3			Illustr. No	Section
4			1000732	250
5			Issue	Page
			VOE 63H9920002	345

VOLVO

BL71



Volvo Construction
Equipment
1000734

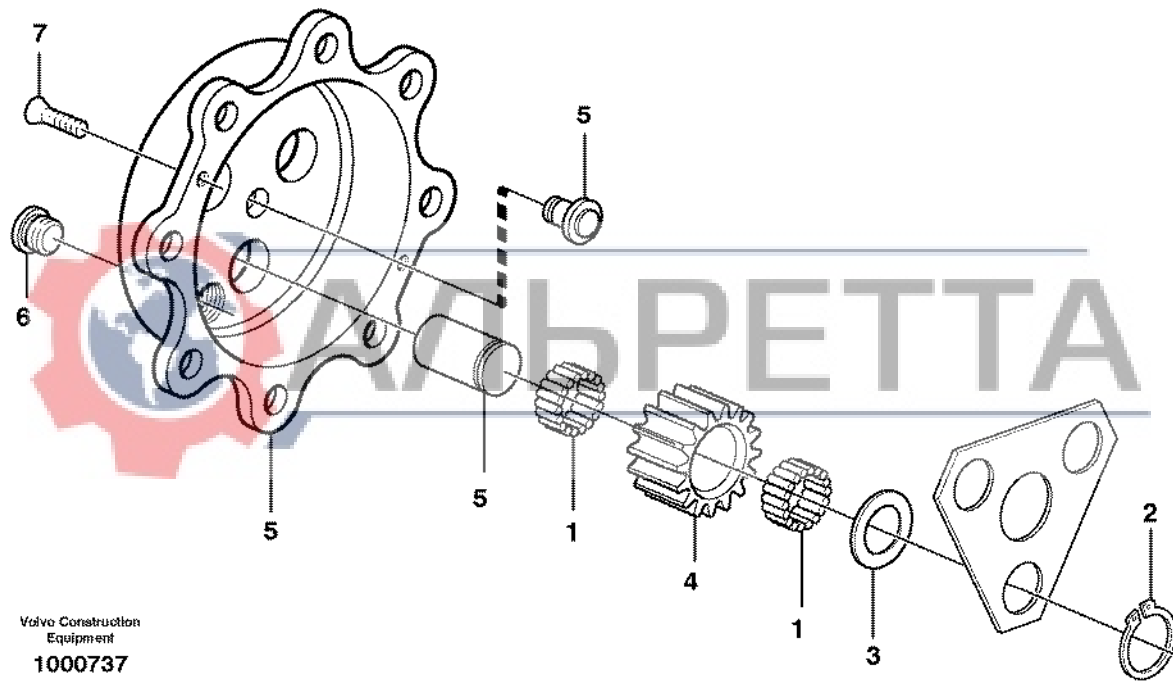
Fig.	Part No.	Quantity			P S	K I T	Description	Dénomination	Bezeichnung	Denominación	Benämning	Notes
		1	2	3								
1	VOE 11988156	2				Seal.....	Joint	Dichtung	Reten.....	Tätning.....		
2	VOE 11709360	4				Bearing.....	Palier	Lager	Cojinete	Lager.....		
3	VOE 11709489	2				Wheel Hub	Moyeu de roue	Radnabe.....	Cubo Rueda	Hjulnav.....		
4	VOE 11709490	16				•Stud	•Goujon	•Stiftschraube.....	•Esparrago	•Pinnskruv.....		
5	VOE 11709491	2				O-ring	Joint Torique	O-Ring	Junta torica.....	O-ring.....		
6	VOE 11709492	2				Ring.....	Anneau.....	Ring.....	Anillo	Ring.....		
7	VOE 11709493	2				Drive Gear.....	Pignon.....	Triebad	Pinon	Drivhjul.....		
8	VOE 11709494	2				Gear	Pignon.....	Zahnradgetriebe.....	Engranaje	Kuggdrev.....		
9	VOE 11709495	16				Bushing	Bague.....	Buchse	Casquillo	Bussning.....		
10	VOE 11709496	16				Screw	Vis	Schraube.....	Tornillo	Skruv.....		



1		Hjulnav	Catalogue id	Group
2		Cubo de rueda	20002	461
3		Radnabe	Illustr. No	Section
4		Moyeu de roue	1000734	300
5		Wheel hub	Issue	Page
		11880005, 11891270	VOE 63H9920002	347

VOLVO

BL71



Volvo Construction
Equipment
1000737

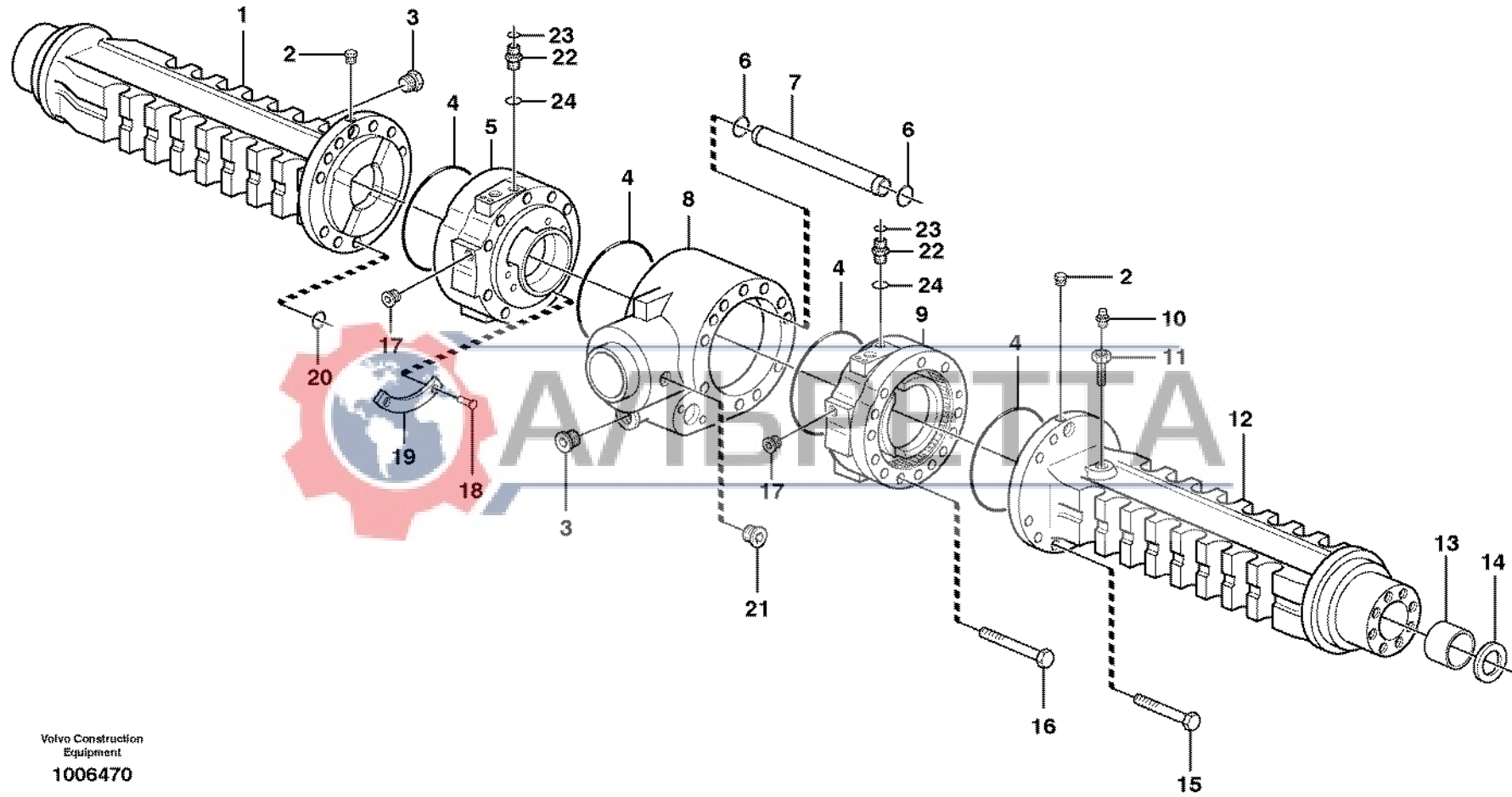
Fig.	Part No.	Quantity			P S	K I T	Description	Dénomination	Bezeichnung	Denominación	Benämning	Notes
		1	2	3								
1	VOE 11709374	34					Needle Bearing	Roule.aiguilles.....	Nadellager.....	Cojinete Agujas	Nållager.....	10pcs/Kit
2	VOE 11709497	6					Lock Ring	Anneau Verrouillage ..	Schlossring.....	Anillo Segurid	Låsring.....	
3	VOE 11709498	6					Washer.....	Rondelle	Scheibe	Arandela	Bricka.....	
4	VOE 11709499	6					Drive Gear.....	Pignon.....	Triebad.....	Pinon	Drivhjul.....	
5	VOE 11709500	2					Planet kit	Jeu planetaire	Planetenradsatz	Kit de planetas	Planetsats.....	
6	VOE 11709057	2					Plug.....	Bouchon.....	Stopfen.....	Tapon	Plugg.....	
7	VOE 11709370	2					Screw.....	Vis	Schraube.....	Tornillo	Skruv.....	



1		Planetväxel Engranaje planetario Planetenradgetriebe Réducteur planétaire Planetary gear	Catalogue id	Group
2			20002	461
3			Illustr. No	Section
4			1000737	350
5			Issue	Page
			VOE 63H9920002	349

VOLVO

BL71



Volvo Construction
Equipment
1006470

Fig.	Part No.	Quantity			P S	K I T	Description	Dénomination	Bezeichnung	Denominación	Benämning	Notes
		1	2	3								
	VOE 11890329	1				Rear axle.....	Essieu AR	Hinterachse	Eje trasero	Bakaxel.....	See group 460, Page 331	
1	VOE 11709267	1				•Axle Casing	•Boite Essieu.....	•Achsgehäuse	•Carter Eje.....	•Axelkåpa.....	RH	
2	VOE 11709268	2				•Plug	•Bouchon.....	•Stopfen	•Tapon.....	•Plugg.....		
3	VOE 11709057	2				•Plug	•Bouchon.....	•Stopfen	•Tapon.....	•Plugg.....		
4	VOE 11709269	4				•O-ring.....	•Joint Torique.....	•O-Ring.....	•Junta torica	•O-ring.....		
5	VOE 11709270	1				•Brake Cylinder	•Cylindre Frein	•Bremszylinder	•Cilindro Frenos.....	•Bromscylinder.....	RH	
6	VOE 11709271	2				•O-ring.....	•Joint Torique.....	•O-Ring.....	•Junta torica	•O-ring.....		
7	VOE 11709272	1				•Pipe	•Canalisation	•Rohrleitung.....	•Canalización	•Rör.....		
8	VOE 11709273	1				•Axle Casing	•Boite Essieu.....	•Achsgehäuse	•Carter Eje.....	•Axelkåpa.....		
9	VOE 11709274	1				•Brake Cylinder	•Cylindre Frein	•Bremszylinder	•Cilindro Frenos.....	•Bromscylinder.....	LH	
10	VOE 11709275	1				•Breather Cap	•Boucho.aeration.....	•Lüftungsdeckel.....	•Tapa Ventilac	•Ventil.lock.....		
11	VOE 11709276	1				•Breather Pipe.....	•Reniflard	•Luftungsrohr.....	•Conduct Ventil.....	•Ventilationsrör.....		
12	VOE 11709277	1				•Axle Casing	•Boite Essieu.....	•Achsgehäuse	•Carter Eje.....	•Axelkåpa.....	LH	
13	VOE 11709278	2				•Bushing.....	•Bague	•Buchse	•Casquillo	•Bussning.....		
14	VOE 11709279	2				•Seal	•Joint	•Dichtung.....	•Reten	•Tätning.....		
15	VOE 11709280	22				•Screw.....	•Vis.....	•Schraube.....	•Tornillo	•Skruv.....		
16	VOE 11709281	2				•Screw.....	•Vis.....	•Schraube.....	•Tornillo	•Skruv.....		
17	VOE 11709282	2				•Plug	•Bouchon.....	•Stopfen	•Tapon.....	•Plugg.....		
18	VOE 11709283	4				•Rivet	•Rivet.....	•Niet	•Remache	•Nit.....		
19	VOE 11709284	2				•Plate	•Plaque.....	•Platte	•Placa	•Platta.....		
20	VOE 11709285	8				•O-ring.....	•Joint Torique.....	•O-Ring.....	•Junta torica	•O-ring.....		
21	VOE 11709286	1				•Plug	•Bouchon.....	•Stopfen	•Tapon.....	•Plugg.....		
22	VOE 935082	2				Nipple.....	Raccord.....	Nippel	Niple	Nippel.....		
23	VOE 4881722	2				•O-ring.....	•Joint Torique.....	•O-Ring.....	•Junta torica	•O-ring.....		
24	VOE 932037	2				•O-ring.....	•Joint Torique.....	•O-Ring.....	•Junta torica	•O-ring.....		

1		Planetaxel, bak Eje propulsor, trasero Planetenwelle, hintere Essieu moteur, arrière Planet shaft, rear	Catalogue id	Group
2			20002	463
3			Illustr. No	Section
4			1006470	100
5			Issue	Page
		11891270	VOE 63H9920002	351

VOLVO

BL71

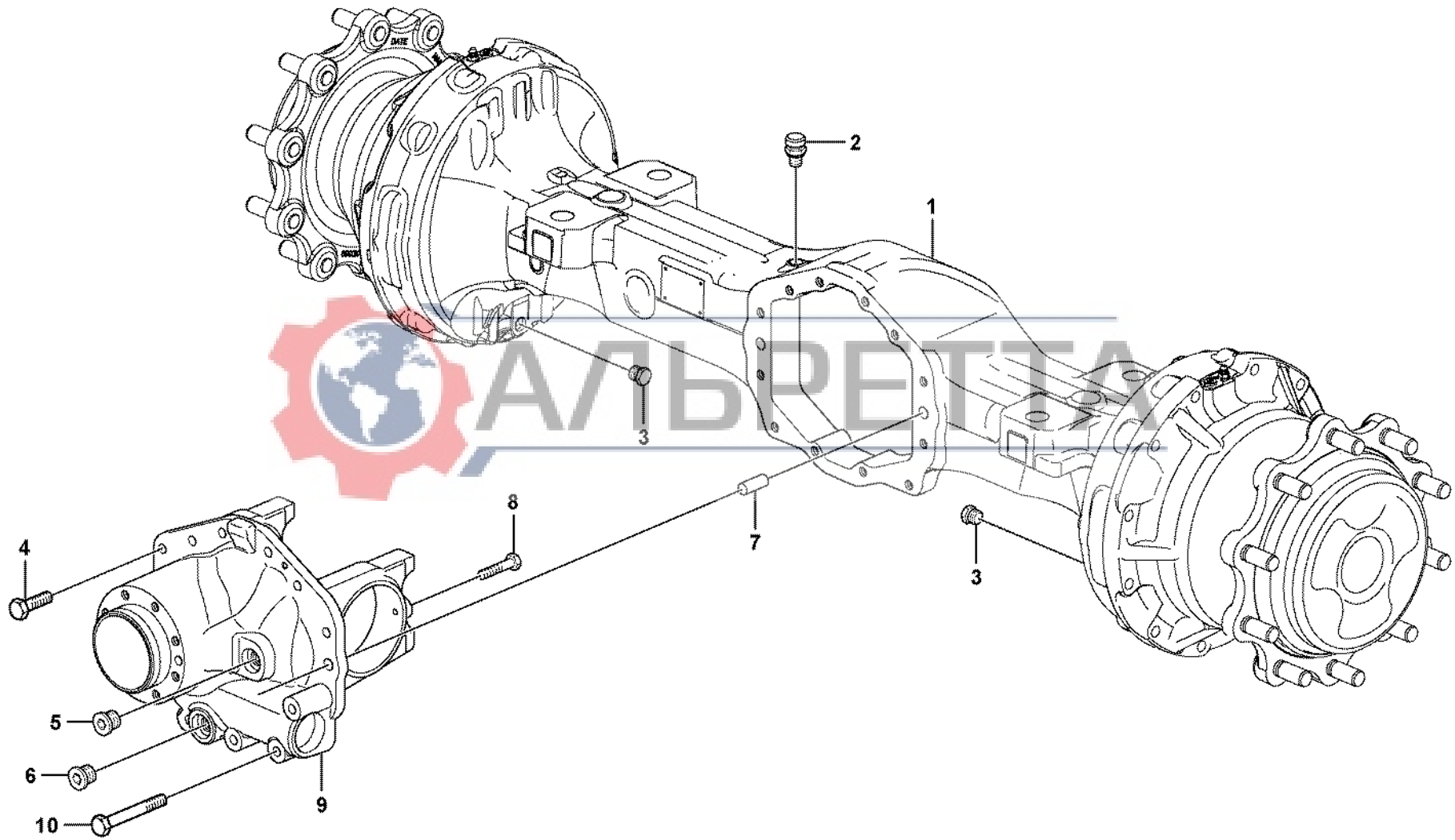


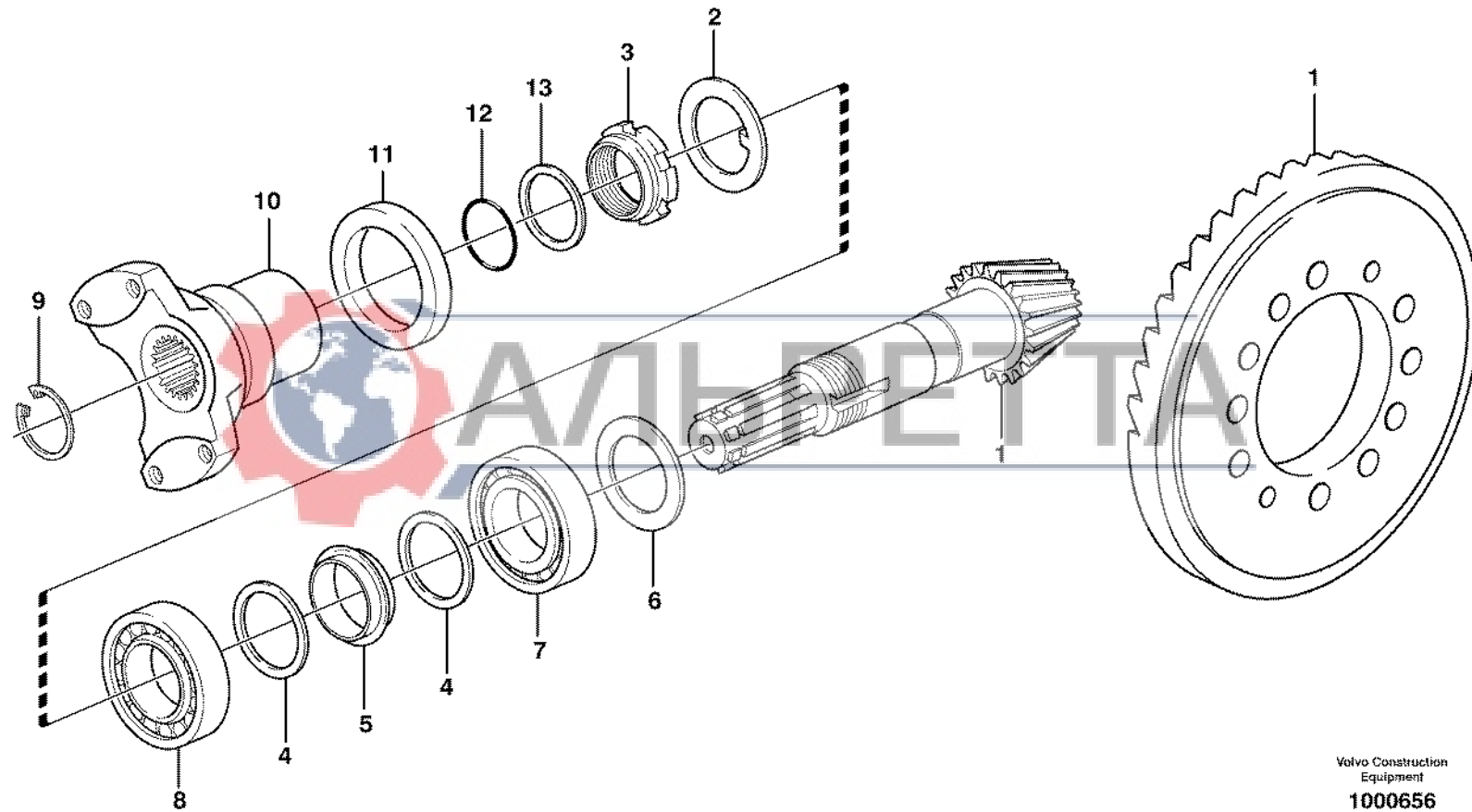
Fig.	Part No.	Quantity			P S	K I T	Description	Dénomination	Bezeichnung	Denominación	Benämning	Notes
		1	2	3								
	VOE 11887363	1					Rear axle.....	Essieu AR	Hinterachse	Eje posterior	Bakaxel.....	See group 460, Page 331
1	VOE 11716543	1					•Axle Casing	•Boite Essieu.....	•Achsgehäuse	•Carter Eje.....	•Axelkåpa.....	
2	VOE 11709275	1					•Breather Cap	•Boucho.aeration.....	•Lüftungsdeckel.....	•Tapa Ventilac	•Ventil.lock.....	
3	VOE 11709403	2					•Plug	•Bouchon.....	•Stopfen	•Tapon.....	•Plugg.....	
4	VOE 11709404	8					•Screw.....	•Vis.....	•Schraube.....	•Tornillo	•Skruv.....	
5	VOE 11716544	1					•Plug	•Bouchon.....	•Stopfen	•Tapon.....	•Plugg.....	
6	VOE 11709057	1					•Plug	•Bouchon.....	•Stopfen	•Tapon.....	•Plugg.....	
7	VOE 11709402	2					•Pin	•Goupille.....	•Stift.....	•Pasador.....	•Pinne.....	
8	VOE 11716545	2					•Screw.....	•Vis.....	•Schraube.....	•Tornillo	•Skruv.....	
9	VOE 11716546	1					•Diff Housing	•Carter différentiel	•Differentialgehäuse...	•Carter diferencial.....	•Differentialhus.....	
10	VOE 11716547	4					•Screw.....	•Vis.....	•Schraube.....	•Tornillo	•Skruv.....	



1		Planetaxel, bak Eje propulsor, trasero Planetenwelle, hintere Essieu moteur, arrière Planet shaft, rear	Catalogue id	Group
2			20002	463
3			Illustr. No	Section
4			1023386	110
5			Issue	Page
			VOE 63H9920002	353

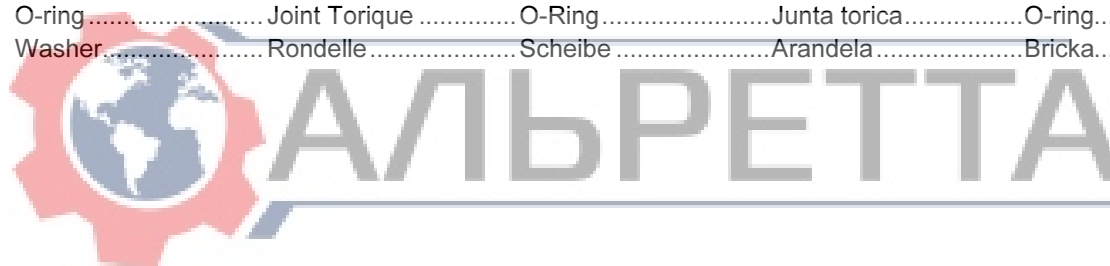
VOLVO

BL71



Valvo Construction
Equipment
1000656

Fig.	Part No.	Quantity			P S	K I T	Description	Dénomination	Bezeichnung	Denominación	Benämning	Notes
		1	2	3								
1	VOE 11709287	1				Drive Gear Set	Kit Pignon.....	Triebsatz	Juego Pinon	Drevsats.....		
2	VOE 11709288	1				•Lock Washer.....	•Rondel.verroui	•Sicher Scheibe.....	•Arandel Segurid	•Låsbricka.....		
3	VOE 11709289	1				•Nut	•Ecrou	•Mutter.....	•Tuerca.....	•Mutter.....		
4	VOE 11709290	2				•Washer	•Rondelle.....	•Scheibe	•Arandela.....	•Bricka.....		
5	VOE 11709291	1				•Spacer	•Entretoise.....	•Abstandkörper.....	•Distanciador	•Distans.....		
6	VOE 11709292	REQ				Adjuster washer	Rondelle ajust.	Passscheibe.....	Arandela ajust.	Justerbricka.....	THICK 2,50 MM	
	VOE 11709293	REQ				Adjuster washer	Rondelle ajust.	Passscheibe.....	Arandela ajust.	Justerbricka.....	THICK 2,60 MM	
	VOE 11709294	REQ				Adjuster washer	Rondelle ajust.	Passscheibe.....	Arandela ajust.	Justerbricka.....	THICK 2,70 MM	
	VOE 11709295	REQ				Adjuster washer	Rondelle ajust.	Passscheibe.....	Arandela ajust.	Justerbricka.....	THICK 2,80 MM	
	VOE 11709296	REQ				Adjuster washer	Rondelle ajust.	Passscheibe.....	Arandela ajust.	Justerbricka.....	THICK 2,90 MM	
	VOE 11709297	REQ				Adjuster washer	Rondelle ajust.	Passscheibe.....	Arandela ajust.	Justerbricka.....	THICK 3,00 MM	
7	VOE 11709298	1				Bearing.....	Palier.....	Lager.....	Cojinete	Lager.....		
8	VOE 11709299	1				Bearing.....	Palier.....	Lager.....	Cojinete	Lager.....		
9	VOE 11709300	1				Lock Ring.....	Anneau Verrouillage ..	Schlossring.....	Anillo Segurid	Låsring.....		
10	VOE 11709301	1				Comp Flange	Flasque Entrai.....	Antriebsflansch.....	Brida.....	Medbringare.....		
11	VOE 11709302	1				Seal.....	Joint	Dichtung	Reten.....	Tätning.....		
12	VOE 11709303	1				O-ring	Joint Torique	O-Ring	Junta torica.....	O-ring.....		
13	VOE 11709304	1				Washer.....	Rondelle	Scheibe	Arandela.....	Bricka.....		



1		Pinjong Piñón de ataque Antriebskegelrad Pignon Pinion	Catalogue id	Group
2			20002	463
3			Illustr. No	Section
4			1000656	150
5			Issue	Page
		11891270	VOE 63H9920002	355

VOLVO

BL71

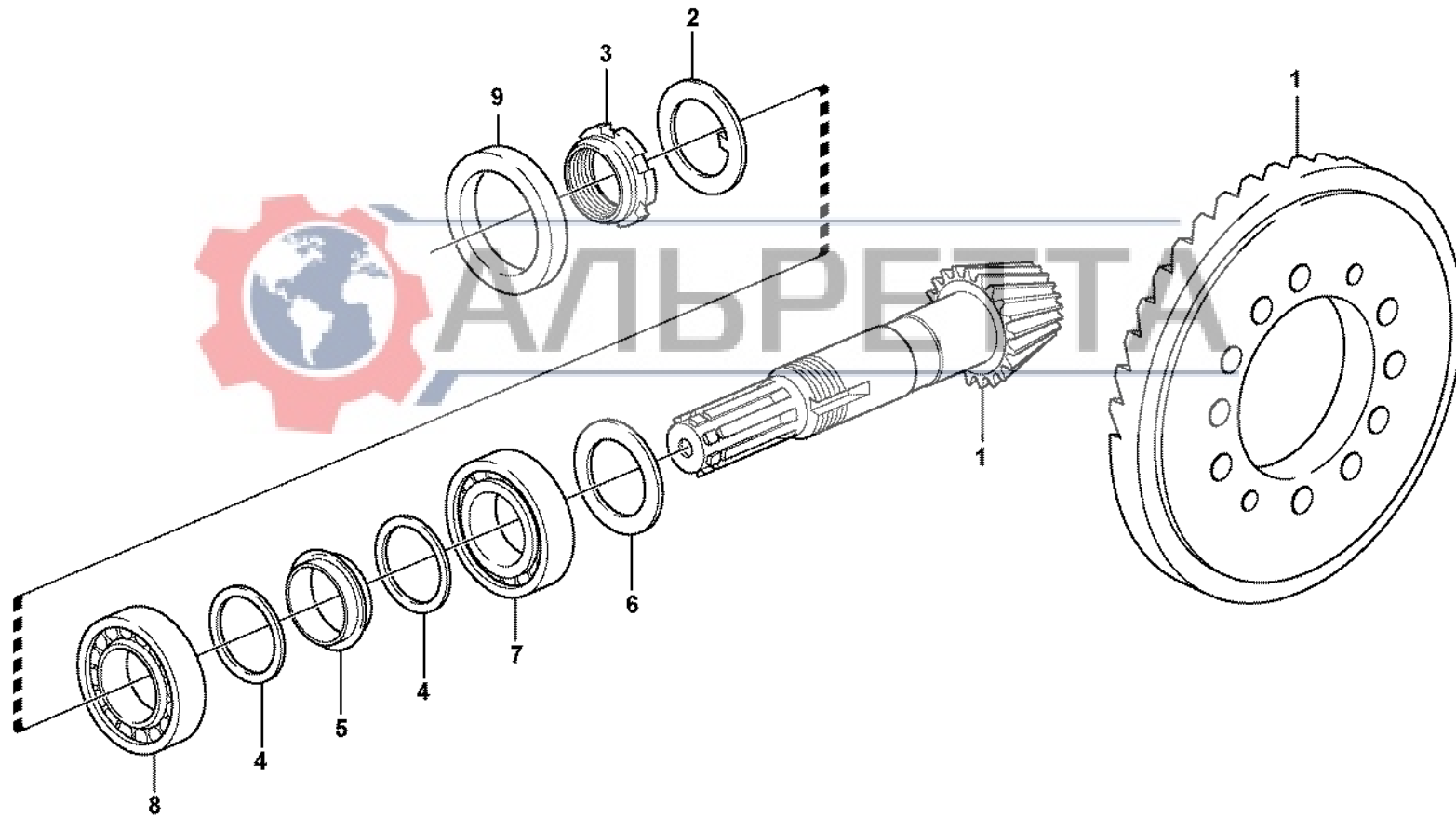


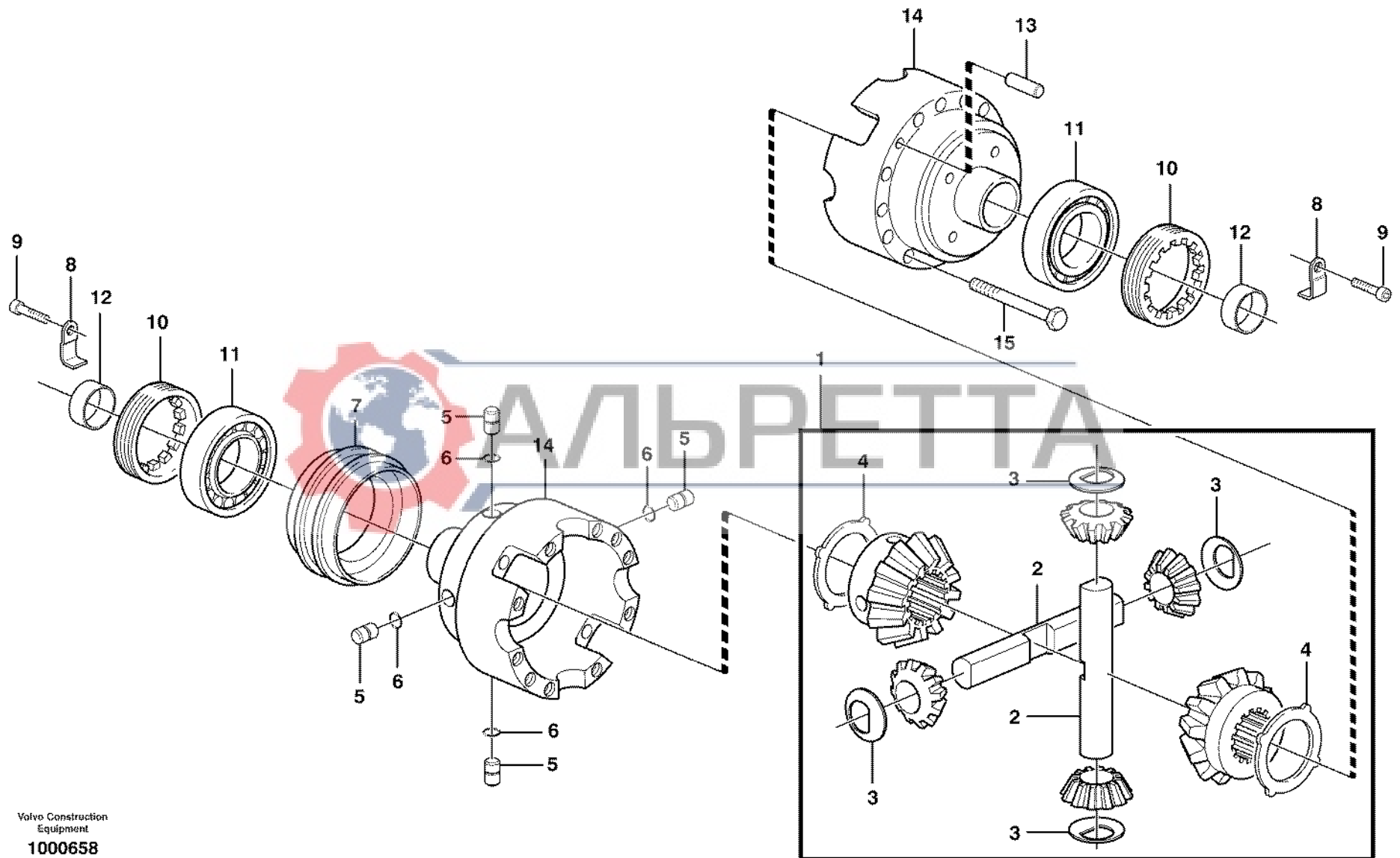
Fig.	Part No.	Quantity			P S	K I T	Description	Dénomination	Bezeichnung	Denominación	Benämning	Notes
		1	2	3								
1	VOE 11716550	1				Drive Gear Set	Kit Pignon.....	Triebsatz	Juego Pinon	Drevsats.....		
2	VOE 11709288	1				•Lock Washer.....	•Rondel.verroui	•Sicher Scheibe.....	•Arandel Segurid	•Låsbricka.....		
3	VOE 11709289	1				•Nut	•Ecrou	•Mutter.....	•Tuerca.....	•Mutter.....		
4	VOE 11709290	2				•Washer	•Rondelle.....	•Scheibe	•Arandela.....	•Bricka.....		
5	VOE 11716551	1				•Spacer	•Entretoise.....	•Abstandkörper.....	•Distancidor	•Distans.....		
6	VOE 11709292	REQ				Adjuster washer	Rondelle ajust.	Passscheibe.....	Arandela ajust.	Justerbricka.....	THICK 2,50 MM	
	VOE 11709293	REQ				Adjuster washer	Rondelle ajust.	Passscheibe.....	Arandela ajust.	Justerbricka.....	THICK 2,60 MM	
	VOE 11709294	REQ				Adjuster washer	Rondelle ajust.	Passscheibe.....	Arandela ajust.	Justerbricka.....	THICK 2,70 MM	
	VOE 11709295	REQ				Adjuster washer	Rondelle ajust.	Passscheibe.....	Arandela ajust.	Justerbricka.....	THICK 2,80 MM	
	VOE 11709296	REQ				Adjuster washer	Rondelle ajust.	Passscheibe.....	Arandela ajust.	Justerbricka.....	THICK 2,90 MM	
	VOE 11709297	REQ				Adjuster washer	Rondelle ajust.	Passscheibe.....	Arandela ajust.	Justerbricka.....	THICK 3,00 MM	
7	VOE 11716615	1				Bearing.....	Palier	Lager.....	Cojinete	Lager.....		
8	VOE 11709299	1				Bearing.....	Palier	Lager.....	Cojinete	Lager.....		
9	VOE 11709302	1				Seal.....	Joint	Dichtung.....	Reten.....	Tätning.....		



1	Pinjong Piñón de ataque Antriebskegelrad Pignon Pinion S/N 14670 -	Catalogue id	Group
2		20002	463
3		Illustr. No	Section
4		1023388	160
5		Issue	Page
		VOE 63H9920002	357

VOLVO

BL71



Volvo Construction
Equipment
1000658

Fig.	Part No.	Quantity			P S	K I T	Description	Dénomination	Bezeichnung	Denominación	Benämning	Notes
		1	2	3								
1	VOE 11709305	1				Diff Pinion Set	Jeu Pign.diffe.	Ausgl Kegsatz	Kit Engran Dif	Diff.drevsats.....		
2		1			NS	•Axle.....	•Arbre	•Welle	•Eje.....	•Axel.....		
3	VOE 11709306	4				•Thrust Washer	•Rondelle Butee	•Druckscheibe	•Arandela Presio	•Tryckbricka.....		
4	VOE 11709307	2				•Drive Plate	•Plaque Commande	•Treibscheibe	•Placa Motriz	•Drivplatta.....		
5	VOE 11709308	4				Pin.....	Goupille.....	Stift	Pasador	Pinne.....		
6	VOE 11709309	4				O-ring	Joint Torique	O-Ring	Junta torica.....	O-ring.....		
7	VOE 11709310	1				Sleeve	Douille	Hülse	Manguito	Hylsa.....		
8	VOE 11709311	2				Locking Plate	Languette de verrouill	Sicherungsblech.....	Laminilla De Se	Vikbleck.....		
9	VOE 11709312	2				Screw	Vis	Schraube.....	Tornillo	Skruv.....		
10	VOE 11709313	2				Nut	Ecrou.....	Mutter	Tuerca	Mutter.....		
11	VOE 11709314	2				Bearing.....	Palier	Lager	Cojinete	Lager.....		
12	VOE 11709315	2				Bushing.....	Bague.....	Buchse	Casquillo	Bussning.....		
13	VOE 11709316	2				Pin.....	Goupille.....	Stift	Pasador	Pinne.....		
14	VOE 11709317	1				Diff Housing	Carter différentiel	Differentialgehäuse	Carter diferencial	Differentialhus.....		
15	VOE 11709318	10				Screw	Vis	Schraube.....	Tornillo	Skruv.....		



1		Differential. Bak Diferencial. Detrás Ausgleichgetriebe. Hinten Différentiel. Arrière Differential. Rear	Catalogue id	Group
2			20002	463
3			Illustr. No	Section
4			1000658	200
5			Issue	Page
		11891270	VOE 63H9920002	359

VOLVO

BL71

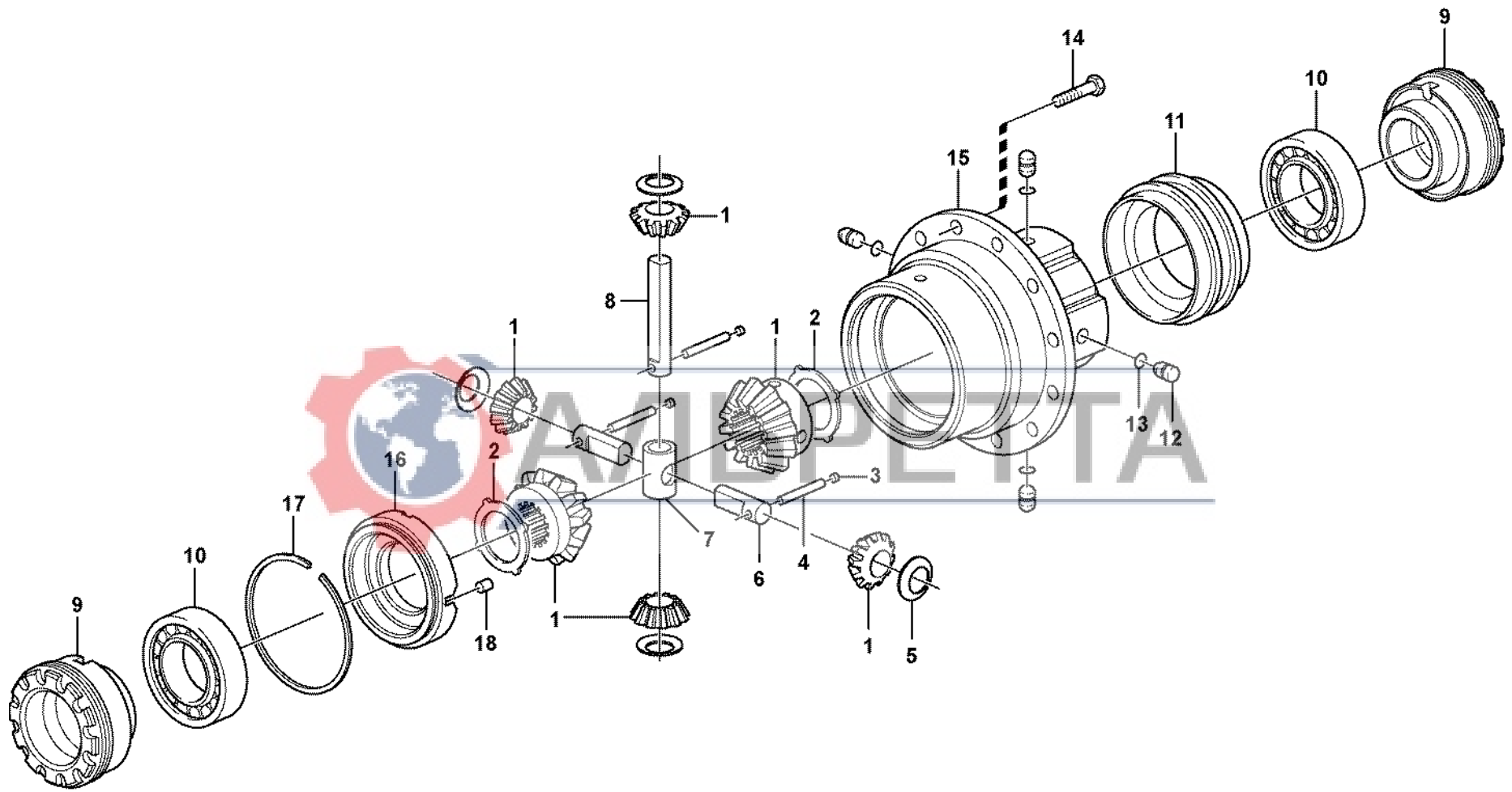


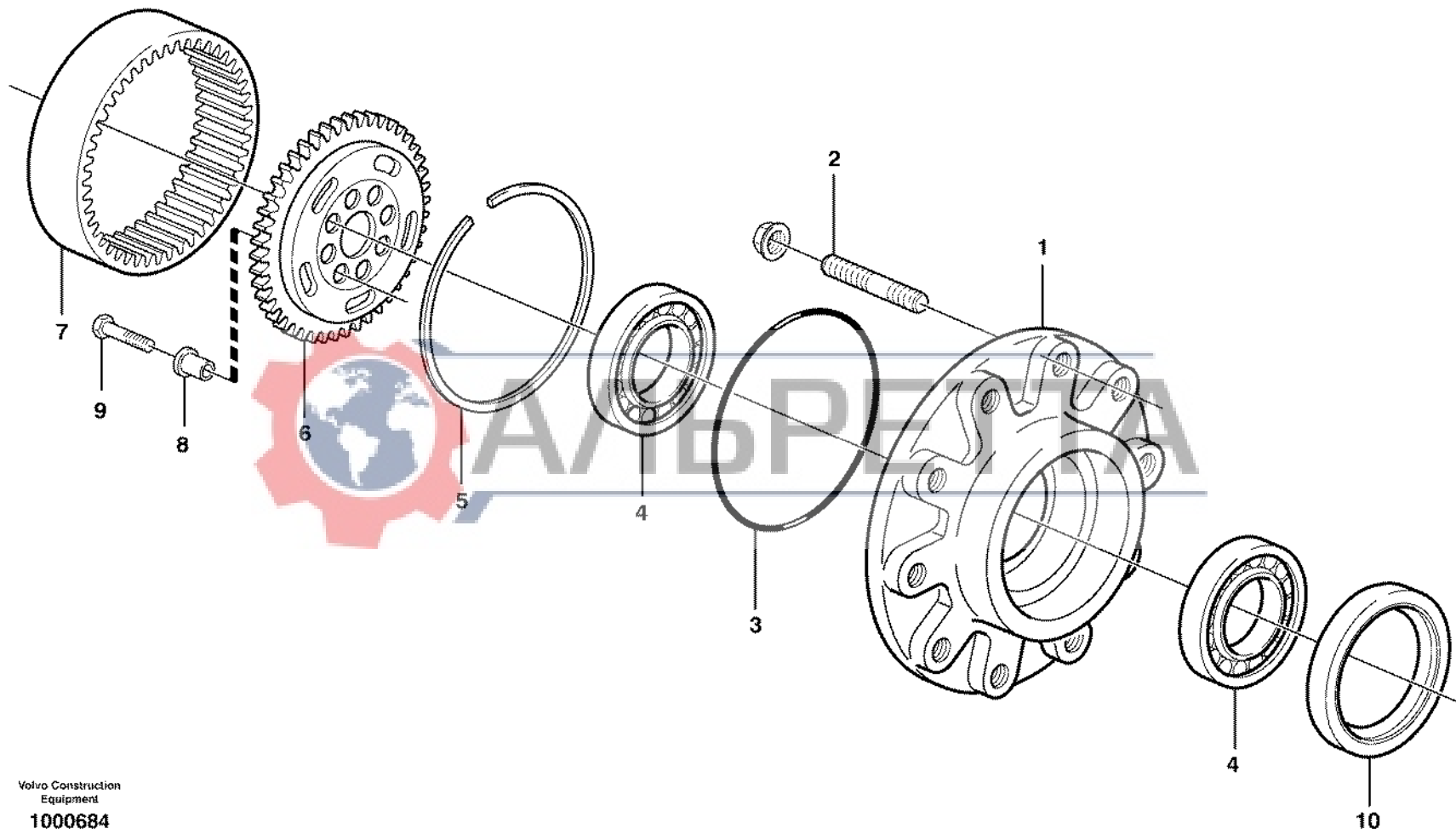
Fig.	Part No.	Quantity			P S	K I T	Description	Dénomination	Bezeichnung	Denominación	Benämning	Notes
		1	2	3								
1	VOE 11716556	1				Diff Pinion Set	Jeu Pign.diffe.	Ausgl Kegsatz	Kit Engran Dif	Diff.drevsats.....		
2	VOE 11716557	2				•Drive Plate	•Plaque Commande ...	•Treibscheibe	•Placa Motriz	•Drivplatta.....		
3	VOE 11709268	3				•Plug	•Bouchon.....	•Stopfen	•Tapon.....	•Plugg.....		
4	VOE 11716558	3				•Pin	•Goupille.....	•Zapfen.....	•Pasador.....	•Tapp.....		
5	VOE 11709306	4				Thrust Washer	Rondelle Butee	Druckscheibe	Arandela Presio.....	Tryckbricka.....		
6	VOE 11716559	2				Shaft.....	Arbre	Welle	Arbol.....	Axel.....		
7	VOE 11716560	1				Spider.....	Croisillon	Kreuzstück	Cruceta.....	Kors.....		
8	VOE 11988598	2				Shaft.....	Arbre	Welle	Arbol.....	Axel.....		
9	VOE 11716561	2				Ring.....	Anneau.....	Ring.....	Anillo	Ring.....		
10	VOE 11709314	2				Bearing.....	Palier.....	Lager.....	Cojinete	Lager.....		
11	VOE 11716562	1				Sleeve.....	Manchon	Muffe	Manguito	Muff.....		
12	VOE 11709308	2				Pin.....	Goupille.....	Stift.....	Pasador.....	Pinne.....		
13	VOE 11709309	4				O-ring.....	Joint Torique	O-Ring.....	Junta torica.....	O-ring.....		
14	VOE 11716563	1				Screw.....	Vis	Schraube.....	Tornillo	Skruv.....		
15	VOE 11716564	10				Diff Housing	Carter différentiel	Differentialgehäuse	Carter diferencial.....	Differentialhus.....		
16	VOE 11716565	1				Cover.....	Capot	Haube.....	Capo.....	Huv.....		
17	VOE 11716566	1				Lock Ring.....	Anneau Verrouillage ..	Schlossring.....	Anillo Segurid	Låsring.....		
18	VOE 11716567	1				Pin.....	Goupille.....	Zapfen.....	Pasador.....	Tapp.....		



1	Differential. Bak Diferencial. Detrás Ausgleichgetriebe. Hinten Différentiel. Arrière Differential. Rear	Catalogue id	Group
2		20002	463
3		Illustr. No	Section
4		1023391	210
5		Issue	Page
		VOE 63H9920002	361

VOLVO

BL71



Volvo Construction
Equipment
1000684

Fig.	Part No.	Quantity			P S	K I T	Description	Dénomination	Bezeichnung	Denominación	Benämning	Notes
		1	2	3								
1	VOE 11709358	2				Wheel Hub	Moyeu de roue	Radnabe.....	Cubo Rueda	Hjulnav.....		
2	VOE 11709357	20				•Stud	•Goujon	•Stiftschraube.....	•Esparrago	•Pinnskruv.....		
3	VOE 11709359	2				O-ring	Joint Torique	O-Ring	Junta torica.....	O-ring.....		
4	VOE 11716473	4				Bearing.....	Palier	Lager	Cojinete	Lager.....		
5	VOE 11709361	2				Lock Ring	Anneau Verrouillage ..	Schlossring.....	Anillo Segurid	Låsring.....		
6	VOE 11709362	2				Drive Gear.....	Pignon.....	Triebad	Pinon	Drivhjul.....		
7	VOE 11709363	2				Gear	Pignon.....	Zahnradgetriebe.....	Engranaje	Kuggdrev.....		
8	VOE 11709364	16				Bushing	Bague.....	Buchse	Casquillo	Bussning.....		
9	VOE 11709365	16				Screw	Vis	Schraube.....	Tornillo	Skruv.....		
10	VOE 11709366	2			SS	Seal.....	Joint	Dichtring	Junta	Tätning.....		



1		Hjulnav	Catalogue id	Group
2		Cubo de rueda	20002	463
3		Radnabe	Illustr. No	Section
4		Moyeu de roue	1000684	250
5		Wheel hub	Issue	Page
		11891270	VOE 63H9920002	363

VOLVO

BL71



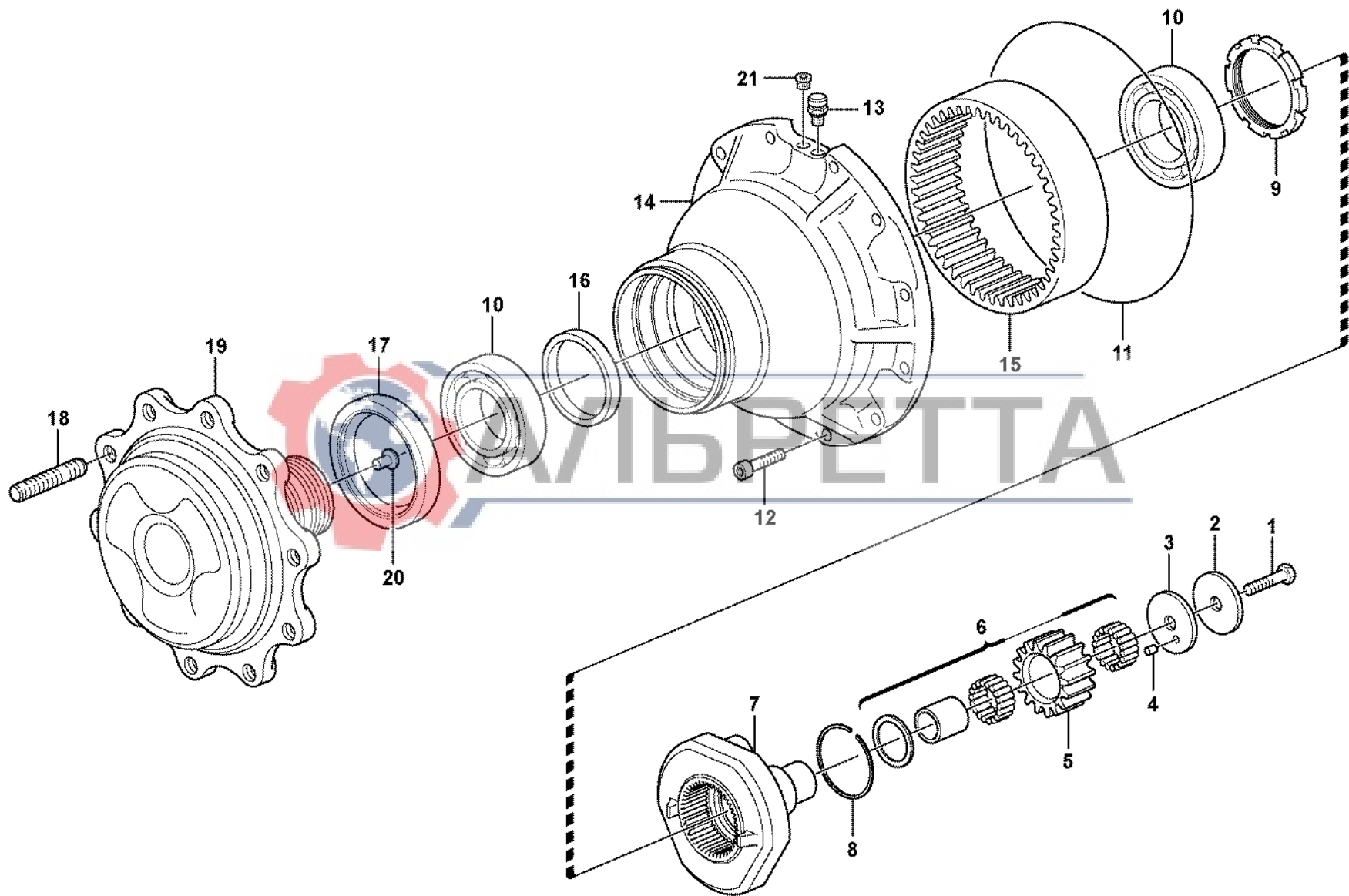
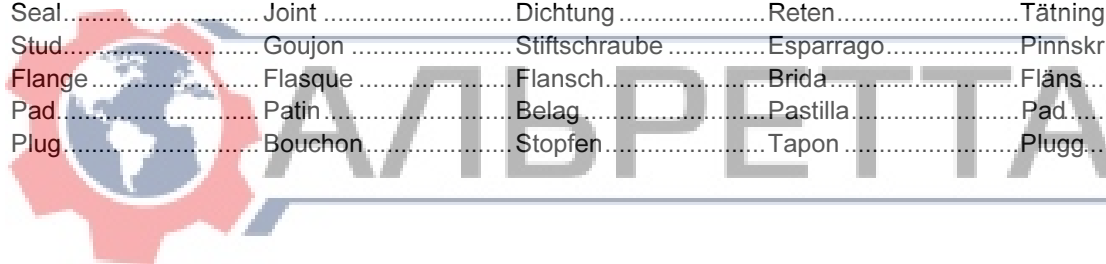


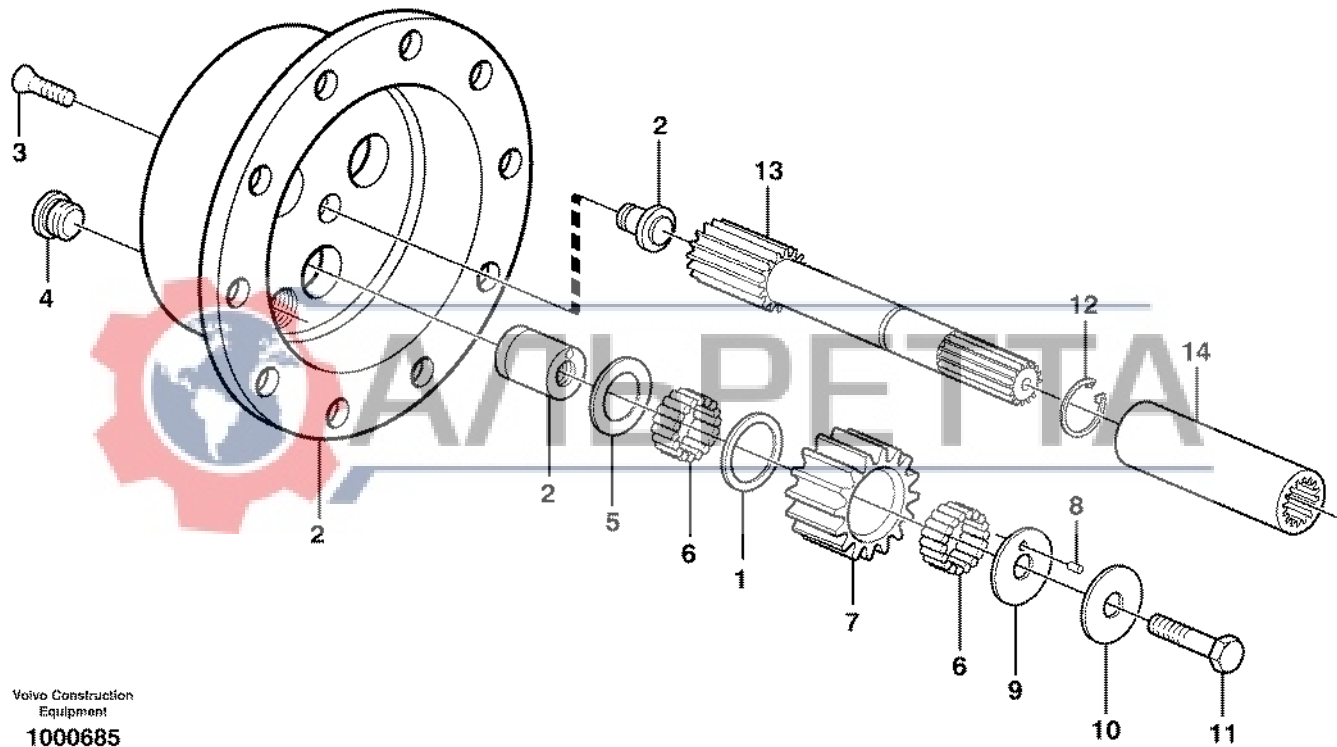
Fig.	Part No.	Quantity			P S	K I T	Description	Dénomination	Bezeichnung	Denominación	Benämning	Notes
		1	2	3								
1	VOE 11709377	6				Screw	Vis	Schraube	Tornillo	Skruv		
2	VOE 11716588	6				Thrust Washer	Rondelle Butee	Druckscheibe	Arandela Presio	Tryckbricka		
3	VOE 11716589	6				Thrust Washer	Rondelle Butee	Druckscheibe	Arandela Presio	Tryckbricka		
4	VOE 11716590	6				Pin	Goupille	Zapfen	Pasador	Tapp		
5	VOE 11716591	6				Drive Gear	Pignon	Triebrad	Pinon	Drivhjul		
6	VOE 11716592	6				Bearing Kit	Jeu Paliers	Lagersatz	Juego Cojinetes	Lagersats		
7	VOE 11716593	2				Planet kit	Jeu planetaire	Planetenradsatz	Kit de planetas	Planetsats		
8	VOE 11716594	2				Lock	Serrure	Schloß	Cierre	Låselement		
9	VOE 11716595	2				Nut	Ecrou	Mutter	Tuerca	Mutter		
10	VOE 11709360	4				Bearing	Palier	Lager	Cojinete	Lager		
11	VOE 11716597	2				O-ring	Joint Torique	O-Ring	Junta torica	O-ring		
12	VOE 11716596	24				Screw	Vis	Schraube	Tornillo	Skruv		
13	VOE 11709350	2				Breather Pipe	Reniflard	Luftungsrohr	Conduct Ventil	Ventilationsrör		
14	VOE 11716610	2				Hub	Bossage	Nabe	Asiento	Nav		
15	VOE 11716599	2				•Gear	•Pignon	•Zahnradgetriebe	•Engranaje	•Kuggdrev		
16	VOE 11716598	2				Spacer	Partie Intermédiaire	Zwischenstück	Espaciador	Mellandel		
17	VOE 11988156	2				Seal	Joint	Dichtung	Reten	Tätning		
18	VOE 11716612	20				Stud	Goujon	Stiftschraube	Esparrago	Pinnskruv		
19	VOE 11716611	2				Flange	Flasque	Flansch	Brida	Fläns		
20	VOE 11716613	2				Pad	Patin	Belag	Pastilla	Pad		
21	VOE 11709075	2				Plug	Bouchon	Stopfen	Tapon	Plugg		



1		Navreduktion, bakaxel Reduccion cubo, eje planeta trasero Nabenvorgelege, Pflanzenwelle, hinten Reducteur moyeu, axe satellite, Ar Hub reduction, rear axle S/N 14670 -	Catalogue id 20002	Group 463
2			Illustr. No 1023393	Section 260
3			Issue VOE 63H9920002	Page 365
4				
5				

VOLVO

BL71



Volvo Construction
 Equipment
1000685

Fig.	Part No.	Quantity			P S	K I T	Description	Dénomination	Bezeichnung	Denominación	Benämning	Notes
		1	2	3								
1	VOE 11709368	6				Thrust Washer	Rondelle Butee	Druckscheibe	Arandela Presio.....	Tryckbricka.....		
2	VOE 11709369	2				Planet kit.....	Jeu planetaire	Planetenradsatz	Kit de planetas	Planetsats.....		
3	VOE 11709370	4				Screw	Vis	Schraube.....	Tornillo	Skruv.....		
4	VOE 11709057	2				Plug.....	Bouchon	Stopfen.....	Tapon	Plugg.....		
5	VOE 11709371	6				Thrust Washer	Rondelle Butee	Druckscheibe	Arandela Presio.....	Tryckbricka.....		
6	VOE 11709372	372				Needle Bearing	Roule.aiguilles.....	Nadellager.....	Cojinete Agujas	Nållager.....	10pcs/Kit	
7	VOE 11709373	6				Drive Gear.....	Pignon.....	Triebrad.....	Pinon	Drivhjul.....		
8	VOE 11709374	6				Needle Bearing	Roule.aiguilles.....	Nadellager.....	Cojinete Agujas	Nållager.....	10pcs/Kit	
9	VOE 11709375	6				Thrust Washer	Rondelle Butee	Druckscheibe	Arandela Presio.....	Tryckbricka.....		
10	VOE 11709376	6				Thrust Washer	Rondelle Butee	Druckscheibe	Arandela Presio.....	Tryckbricka.....		
11	VOE 11709377	6				Screw.....	Vis	Schraube.....	Tornillo	Skruv.....		
12	VOE 11709378	2				Lock Ring.....	Anneau Verrouillage ..	Schlossring.....	Anillo Segurid	Låsring.....		
13	VOE 11709379	2				Axle.....	Arbre	Welle	Eje	Axel.....		
14	VOE 11709380	2				Engaging Sleeve.....	Manchon Accoup.	Kupplungsmuffe	Manguito Embrag.....	Kopplingshylsa.....		



1		Planetväxel Engranaje planetario Planetenradgetriebe Réducteur planétaire Planetary gear	Catalogue id	Group
2			20002	463
3			Illustr. No	Section
4			1000685	300
5			Issue	Page
		11891270	VOE 63H9920002	367

VOLVO

BL71

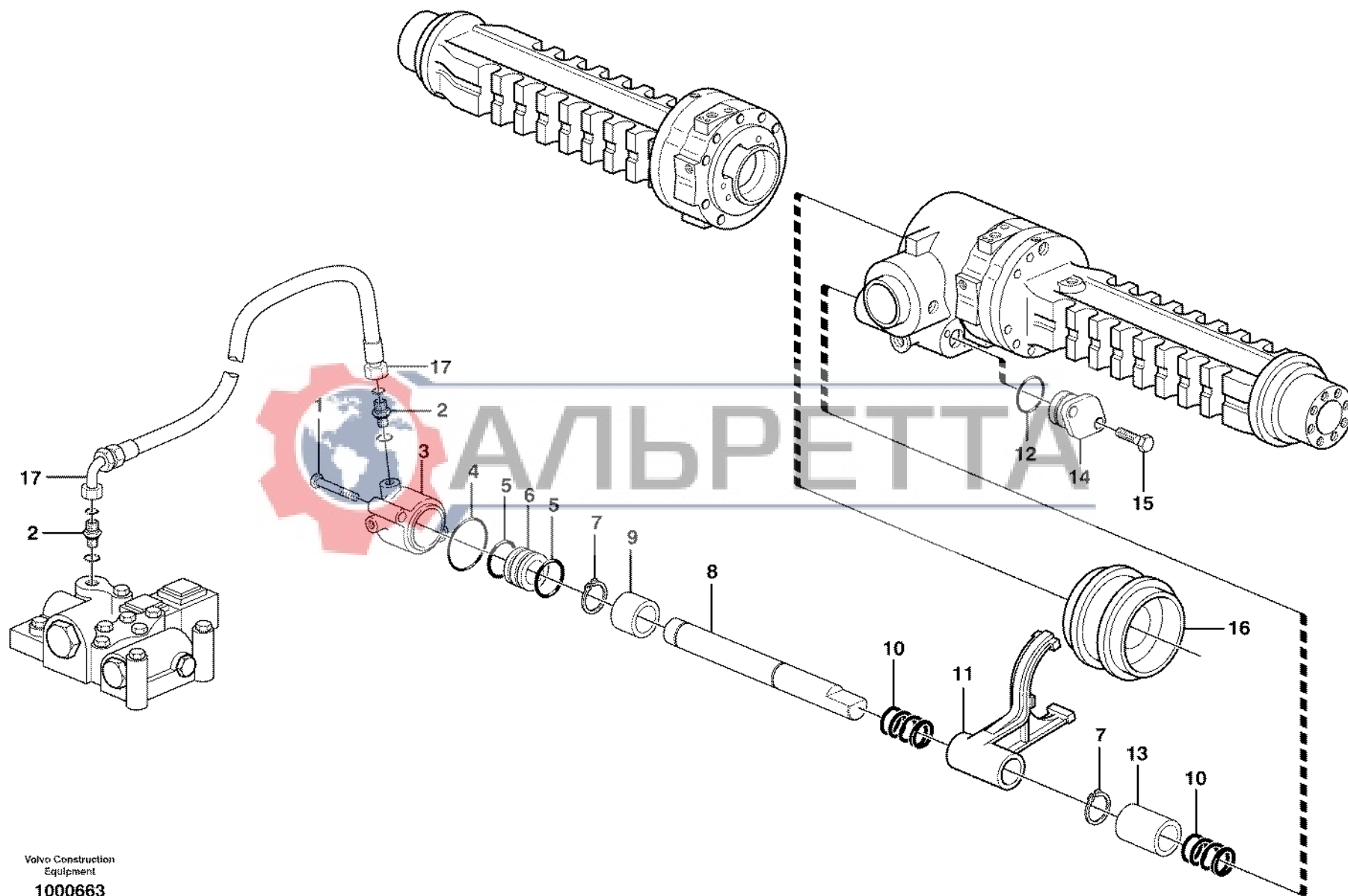


Fig.	Part No.	Quantity			P S	K I T	Description	Dénomination	Bezeichnung	Denominación	Benämning	Notes
		1	2	3								
1	VOE 955306	2				Hexagon screw	Vis tête hexagonale ...	Sechskantschraube....	Tornillo hexago.....	Sexkantsskruv.....		
2	VOE 935085	2				Nipple.....	Raccord.....	Nippel.....	Niple.....	Nippel.....	11880005	
	VOE 4880492	1				•O-ring.....	•Joint Torique	•O-Ring.....	•Junta torica	•O-ring.....	9,25 X 1,78 MM	
	VOE 932039	1				•O-ring.....	•Joint Torique	•O-Ring.....	•Junta torica	•O-ring.....	11,89 X 1,78 MM	
3	VOE 11709319	1				Housing.....	Carter.....	Gehäuse.....	Carter.....	Hus.....		
4	VOE 11709320	1				O-ring.....	Joint Torique	O-Ring.....	Junta torica.....	O-ring.....		
5	VOE 11709321	2				O-ring.....	Joint Torique	O-Ring.....	Junta torica.....	O-ring.....		
6	VOE 11709322	1				Piston.....	Piston.....	Kolben.....	Piston.....	Kolv.....		
7	VOE 11709323	2				Lock Ring.....	Anneau Verrouillage ..	Schlossring.....	Anillo Segurid	Låsring.....		
8	VOE 11709324	1				Axle.....	Arbre.....	Welle.....	Eje.....	Axel.....		
9	VOE 11709325	1				Bushing.....	Bague.....	Buchse.....	Casquillo	Bussning.....		
10	VOE 11709326	2				Spring.....	Ressort.....	Feder.....	Muelle.....	Fjäder.....		
11	VOE 11709327	1				Shift Yoke.....	Fourchette.....	Schaltgabel	Horquill Cambio.....	Skiftgaffel.....		
12	VOE 11709328	2				O-ring.....	Joint Torique	O-Ring.....	Junta torica.....	O-ring.....		
13	VOE 11709329	1				Spacer.....	Partie Intermédiaire ..	Zwischenstück.....	Espaciador	Mellandel.....		
14	VOE 11709330	1				Cover.....	Couvercle.....	Deckel.....	Tapa.....	Lock.....		
15	VOE 940142	2				Hexagon screw	Vis tête hexagonale ...	Sechskantschraube....	Tornillo hexago.....	Sexkantsskruv.....		
16	VOE 11885014	1				Sleeve.....	Douille.....	Hülse.....	Manguito	Hylsa.....	See group 463, Page 359	
17	VOE 11885014	1				Hose.....	Durit.....	Schlauch.....	Tubo flexible.....	Slang.....	11880005	



1	Differentialspärr Bloqueo del diferencial Ausgleichsperre Blocage différentiel Differential lock 11891270	Catalogue id	Group
2		20002	468
3		Illustr. No	Section
4		1000663	100
5		Issue	Page
		VOE 63H9920002	369

VOLVO

BL71

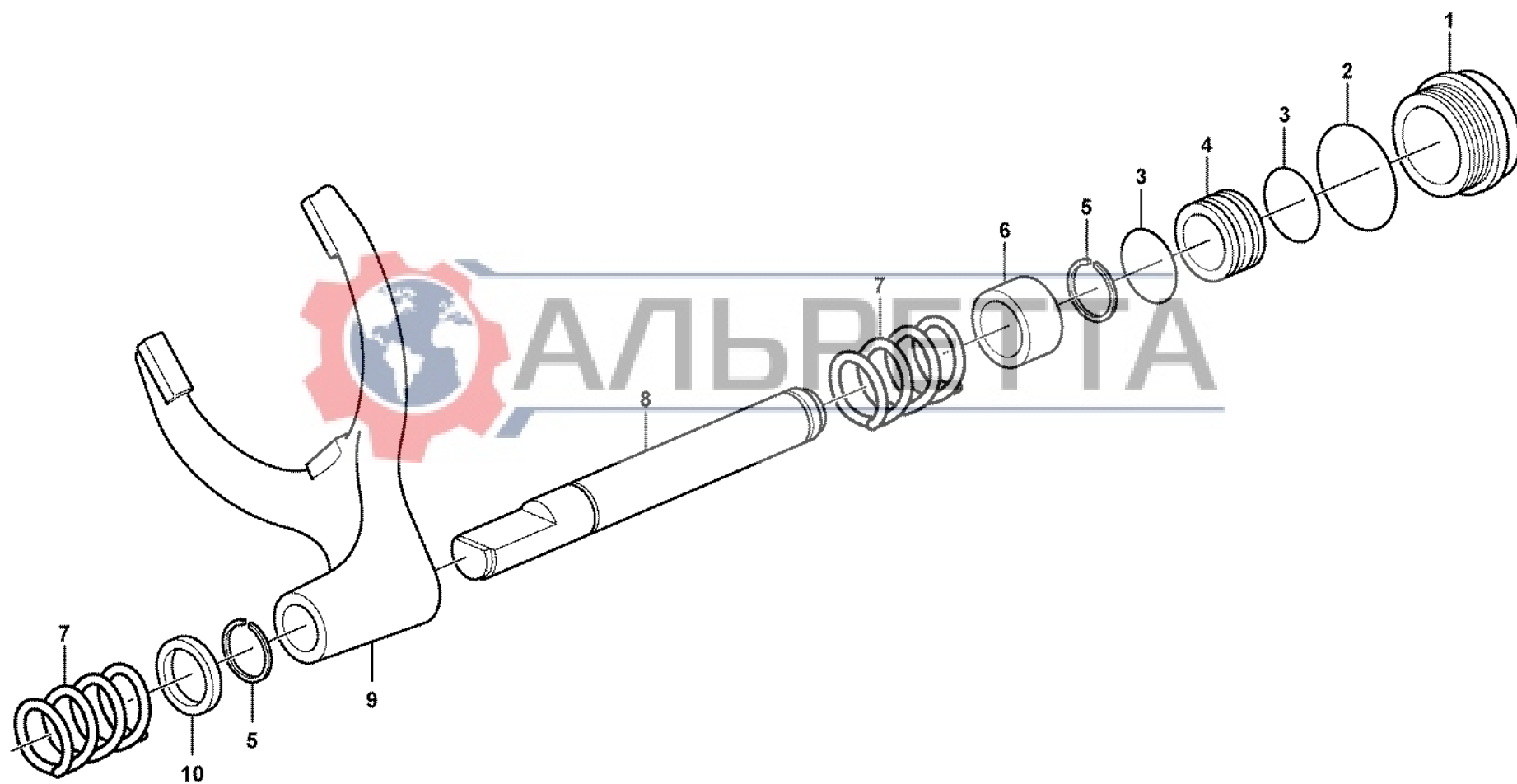


Fig.	Part No.	Quantity			P S	K I T	Description	Dénomination	Bezeichnung	Denominación	Benämning	Notes
		1	2	3								
1	VOE 11716578	1				Cover	Capot	Haube.....	Capo.....	Huv.....		
2	VOE 11716572	1				O-ring	Joint Torique	O-Ring.....	Junta torica.....	O-ring.....		
3	VOE 11709321	2				O-ring	Joint Torique	O-Ring.....	Junta torica.....	O-ring.....		
4	VOE 11709322	1				Piston	Piston	Kolben	Piston	Kolv.....		
5	VOE 11716573	2				Lock Ring	Anneau Verrouillage ..	Schlossring.....	Anillo Segurid	Låsring.....		
6	VOE 11716571	1				Bushing	Bague.....	Buchse	Casquillo	Bussning.....		
7	VOE 11709326	2				Spring.....	Ressort.....	Feder.....	Muelle.....	Fjäder.....		
8	VOE 11716570	1				Piston	Piston	Kolben	Piston	Kolv.....		
9	VOE 11716568	1				Shift Yoke.....	Fourchette.....	Schaltgabel	Horquill Cambio.....	Skiftgaffel.....		
10	VOE 11716569	1				Spacer Washer	Rond.entretoise.....	Abstandscheibe.....	Arandela Dist.....	Distansbricka.....		



1	Differentialspär Bloqueo del diferencial Ausgleichsperre Blocage différentiel Differential lock S/N 14670 -	Catalogue id	Group
2		20002	468
3		Illustr. No	Section
4		1023401	110
5		Issue	Page
		VOE 63H9920002	371

VOLVO

BL71

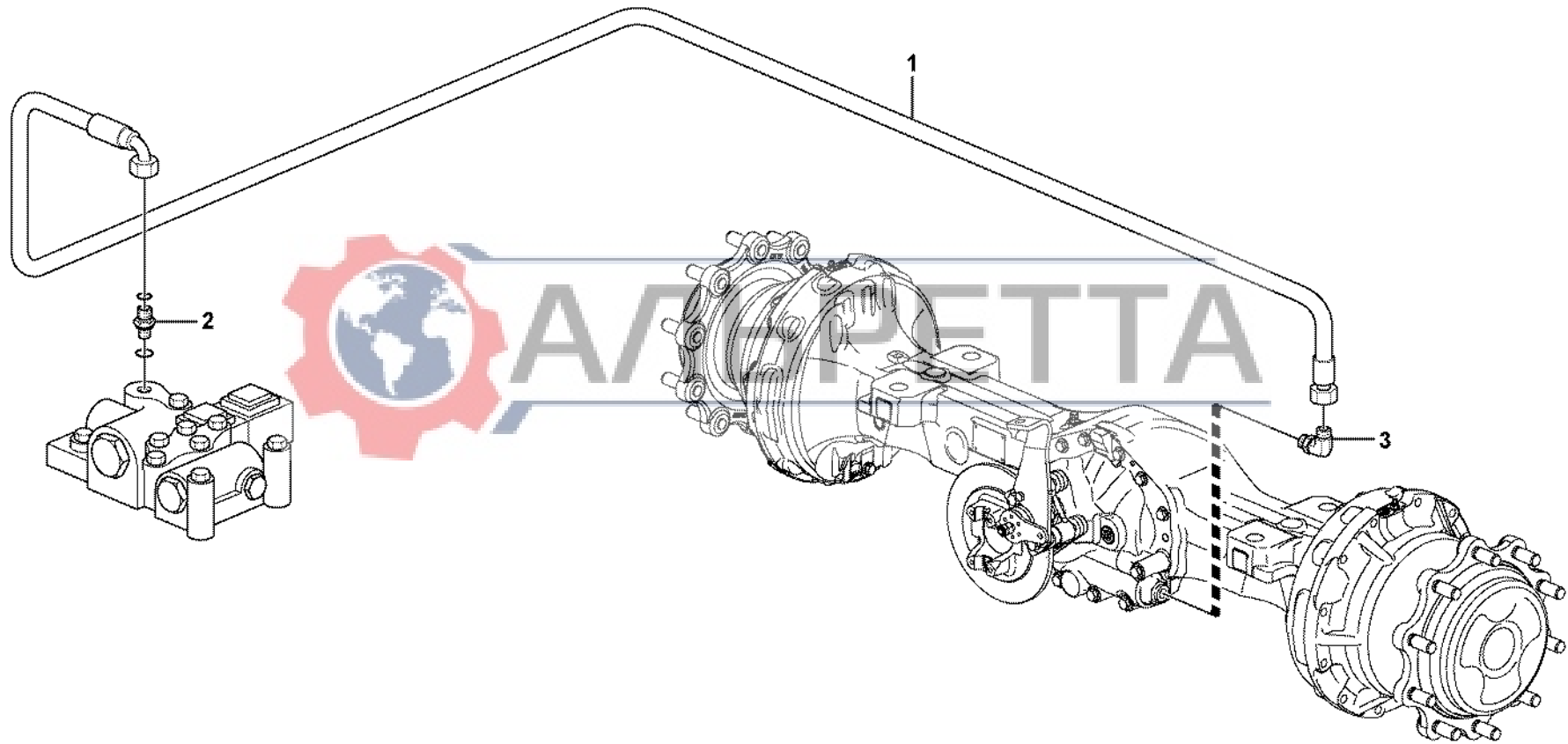


Fig.	Part No.	Quantity			P S	K I T	Description	Dénomination	Bezeichnung	Denominación	Benämning	Notes
		1	2	3								
1	VOE 11888607	1					Hose.....	Durit	Schlauch	Tubo flexible.....	Slang.....	L = 2700 MM
2	VOE 935085	1					Nipple.....	Raccord.....	Nippel.....	Niple.....	Nippel.....	
3	VOE 13933857	1					Elbow Nipple.....	Raccord angulaire.....	Winkelnippel.....	Niple Angular.....	V-nippel.....	



1	Differentialspär Bloqueo del diferencial Ausgleichsperre Blocage différentiel Differential lock 11880005 S/N 14670 -	Catalogue id	Group
2		20002	468
3		Illustr. No	Section
4		1023877	150
5		Issue	Page
		VOE 63H9920002	373

VOLVO

BL71



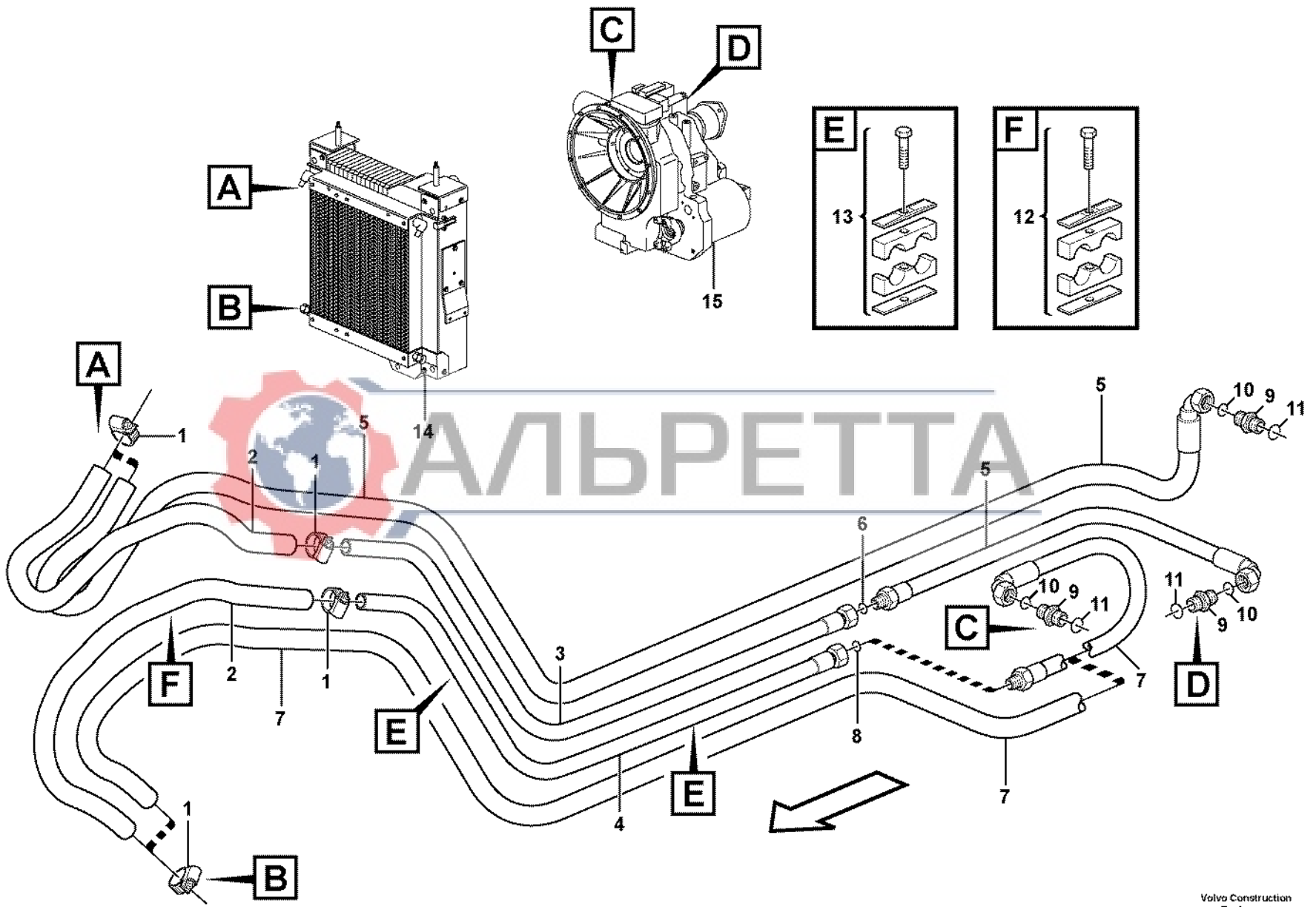


Fig.	Part No.	Quantity			P S	K I T	Description	Dénomination	Bezeichnung	Denominación	Benämning	Notes
		1	2	3								
1	VOE 943473	4	2			Hose Clamp	Collier Serrage	Schlauchschelle	Abraz Manguera.....	Slangklamma.....		
2	VOE 11882743	2				Hose.....	Durit	Schlauch	Tubo flexible.....	Slang.....		
3	VOE 11884818	1				Tube.....	Tube.....	Rohr	Tubo	Rör.....		
4	VOE 11884817	1				Tube.....	Tube.....	Rohr	Tubo	Rör.....		
5	VOE 11884251	1				Hose.....	Flexible.....	Schlauch	Manguera	Slang.....	(VOE 11884976) 11891209 11891255	
5	VOE 11888469		1			Hose.....	Durit	Schlauch	Tubo flexible.....	Slang.....	11891255 L = 2250 MM	
6	VOE 4880663	1				•O-ring.....	•Joint Torique	•O-Ring.....	•Junta torica	•O-ring.....		
7	VOE 11884251	1				Hose.....	Flexible.....	Schlauch	Manguera	Slang.....	11891209, 11891255	
7	VOE 11888469		1			Hose.....	Durit	Schlauch	Tubo flexible.....	Slang.....	11891255 L = 2250 MM	
8	VOE 4880663	1				•O-ring.....	•Joint Torique	•O-Ring.....	•Junta torica	•O-ring.....		
9	VOE 935095	2				Nipple.....	Raccord.....	Nippel.....	Niple	Nippel.....	11891209, 11891255	
9	VOE 935097		2			Nipple.....	Raccord.....	Nippel.....	Niple	Nippel.....	11891255	
10	VOE 4880663	2				•O-ring.....	•Joint Torique	•O-Ring.....	•Junta torica	•O-ring.....	11891209, 11891255	
10	VOE 990740		2			•O-ring.....	•Joint Torique	•O-Ring.....	•Junta torica	•O-ring.....	11891255	
11	VOE 932041	2	2			•O-ring.....	•Joint Torique	•O-Ring.....	•Junta torica	•O-ring.....	11891209, 11891255	
12	VOE 11885543	1	1			Clamp.....	Pince Serrage	Klemme	Abrazadera.....	Klämma.....		
13	VOE 11882855	2				Clamp.....	Pince Serrage	Klemme	Abrazadera.....	Klämma.....		
13	VOE 11888715		2			Clamp.....	Pince Serrage	Klemme	Abrazadera.....	Klämma.....	11891255	
14		1	1			Radiator	Radiateur	Kühler	Radiador.....	Kylare.....	See group 261, Page 113	
15		1	1			Transmission.....	Transmission.....	Getriebe	Transmision.....	Transmission.....	See group 420, Page 251	



1	S/N - 14669	Oljekylare, transmission Enfriador aceite, transmision Ölkühler, getriebe Radiateur huile, transmission Oil cooler, transmission	Catalogue id	Group
2	S/N 14670 -		20002	491
3			Illustr. No	Section
4			1023893	100
5			Issue	Page
			VOE 63H9920002	375

VOLVO

BL71



VOLVO

АЛЬРЕТТА

Construction Equipment

GROUP		Section	Page	GROUP		Section	Page
510	Brake operation rear	100	383				
517	Multi-disc brake, rear	100	385				
517	Multi-disc brake, rear S/N 14670 -	110	387				
517	Wheel brake, rear S/N - 14669	200	389				
517	Wheel brake, rear S/N 14670 -	250	391				
525	Brake system 11294005, 11298197, 11880005	100	393				
551	Parking brake S/N 14670 -	150	395				
551	Parking brake	250	397				



INDEX OF CONTENTS	Catalogue id 20002	Group 500
	Issue VOE 63H9920002	Page 377

VOLVO

BL71



TABLE DES MATIÈRES				Catalogue id 20002		Group 500	
				Issue VOE 63H9920002		Page 378	
GROUPE	Section	Page	GROUPE	Section	Page		

510	Commande des freins AR.....	100	383
517	Frein à disques, AR	100	385
517	Frein à disques, AR S/N 14670 -	110	387
517	Frein de roue, Ar S/N - 14669.....	200	389
517	Frein de roue, Ar S/N 14670 -.....	250	391
525	Système de freinage 11294005, 11298197, 11880005	100	393
551	Frein parking S/N 14670 -.....	150	395
551	Frein parking	250	397



GRUPPE	Abschnitt	Seite	GRUPPE	Abschnitt	Seite
510	Bremsbedienung hinten	100			383
517	Lamellenbremse, hinten.....	100			385
517	Lamellenbremse, hinten S/N 14670 -	110			387
517	Radbremse, Hintere S/N - 14669.....	200			389
517	Radbremse, Hintere S/N 14670 -	250			391
525	Bremssystem 11294005, 11298197, 11880005	100			393
551	Feststellbremse S/N 14670 -	150			395
551	Feststellbremse.....	250			397



INHALTSVERZEICHNIS	Catalogue id 20002	Group 500
	Issue VOE 63H9920002	Page 379

VOLVO

BL71



INDICE		Catalogue id 20002	Group 500		
		Issue VOE 63H9920002	Page 380		
GRUPO	Sección	Página	GRUPO	Sección	Página

510	Maniobra del freno trasero	100	383
517	Freno de disco, trasero	100	385
517	Freno de disco, trasero S/N 14670 -	110	387
517	Freno rueda, trasero S/N - 14669	200	389
517	Freno rueda, trasero S/N 14670 -	250	391
525	Sistema de frenos 11294005, 11298197, 11880005	100	393
551	Freno estacionamiento S/N 14670 -	150	395
551	Freno estacionamiento	250	397



GRUPP	Avsnitt	Sida	GRUPP	Avsnitt	Sida
510	Bromsmanöverering bak.....	100			383
517	Lamellbroms, bak.....	100			385
517	Lamellbroms, bak S/N 14670 -	110			387
517	Hjulbroms, bakre S/N - 14669.....	200			389
517	Hjulbroms, bakre S/N 14670 -.....	250			391
525	Bromssystem 11294005, 11298197, 11880005	100			393
551	Parkeringsbroms S/N 14670 -.....	150			395
551	Parkeringsbroms.....	250			397

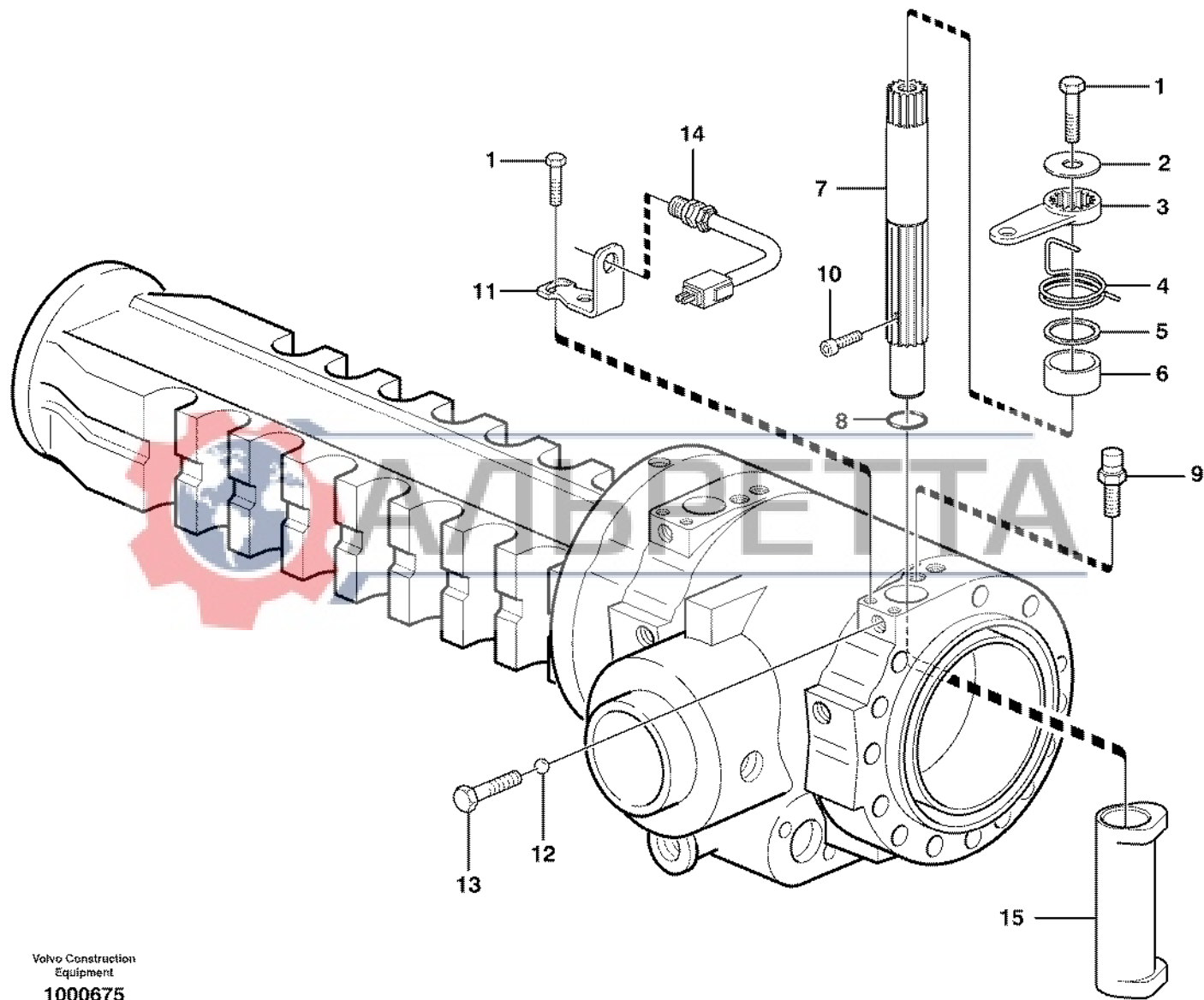


INNEHÅLLSFÖRTECKNING	Catalogue id 20002	Group 500
	Issue VOE 63H9920002	Page 381

VOLVO

BL71





Volvo Construction
Equipment
1000675

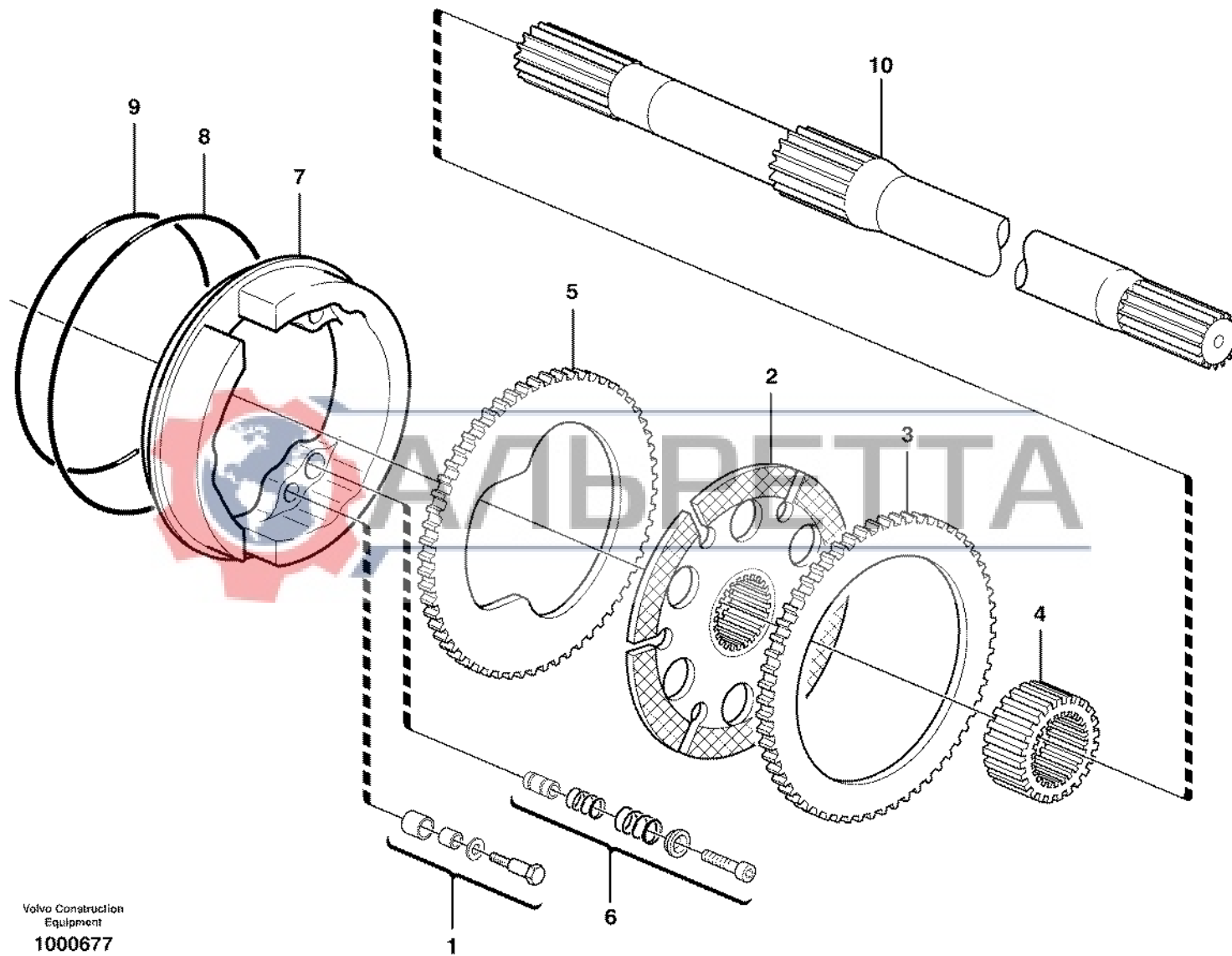
Fig.	Part No.	Quantity			P S	K I T	Description	Dénomination	Bezeichnung	Denominación	Benämning	Notes
		1	2	3								
1	VOE 11709341	6				Screw	Vis	Schraube	Tornillo	Skruv		
2	VOE 11709342	2				Washer	Rondelle	Scheibe	Arandela	Bricka		
3	VOE 11709343	2				Lever	Levier	Hebel	Palanca	Spak		
4	VOE 11709344	1				Spring	Ressort	Feder	Muelle	Fjäder	RH	
	VOE 11709345	1				Spring	Ressort	Feder	Muelle	Fjäder	LH	
5	VOE 11709346	2				Bushing	Bague	Buchse	Casquillo	Bussning		
6	VOE 11709347	2				Spacer sleeve	Douille entretoise	Distanzhülse	Manguito distanciado	Distanshylsa		
7	VOE 11709348	2				Brake Shaft	Arbre Frein	Bremswelle	Eje De Frenos	Bromsaxel		
8	VOE 11709349	2				O-ring	Joint Torique	O-Ring	Junta torica	O-ring		
9	VOE 11709350	2				Breather Pipe	Reniflard	Luftungsrohr	Conduct Ventil	Ventilationsrör		
10	VOE 11709351	2				Screw	Vis	Schraube	Tornillo	Skruv		
11	VOE 11709352	2				Bracket	Console	Konsole	Consola	Konsol		
12	VOE 11709353	2				Ball	Bille	Kugel	Bola	Kula		
13	VOE 11709354	2				Screw	Vis	Schraube	Tornillo	Skruv		
14	VOE 11709355	2				Sensor	Capteur	Geber	Captador	Givare		
15	VOE 11709356	2				Cam	Came	Nocken	Leva	Kam		



1	Bromsmanöverering bak Maniobra del freno trasero Bremsbedienung hinten Commande des freins AR Brake operation rear	Catalogue id	Group
2		20002	510
3		Illustr. No	Section
4		1000675	100
5		Issue	Page
		VOE 63H9920002	383

VOLVO

BL71



Volvo Construction
Equipment
1000677

Fig.	Part No.	Quantity			P S	K I T	Description	Dénomination	Bezeichnung	Denominación	Benämning	Notes
		1	2	3								
1	VOE 11709331	2				Adj Device.....	Disposi.reglage	Nachst Vorrng	Disposit Ajuste	Justeranordning.....		
2	VOE 11709332	6				Brake Plate	Plaque Frein.....	Bremsplatte	Placa De Freno	Bromsplatta.....		
3	VOE 11709333	6				Drive Plate	Plaque Commande	Treibscheibe.....	Placa Motriz	Drivplatta.....		
4	VOE 11709334	2				Hub	Bossage	Nabe.....	Asiento	Nav.....		
5	VOE 11709335	2				Drive Plate	Plaque Commande	Treibscheibe.....	Placa Motriz	Drivplatta.....		
6	VOE 11709336	2				Adj Device.....	Disposi.reglage	Nachst Vorrng	Disposit Ajuste	Justeranordning.....		
7	VOE 11709337	2				Brake Piston.....	Piston Frein.....	Bremskolben	Piston Frenos	Bromskolv.....		
8	VOE 11709338	2				Sealing ring	Bague d'étanchéité	Runddichtring	Anillo reten	Tätningring.....		
9	VOE 11709339	2				Sealing ring	Bague d'étanchéité	Runddichtring	Anillo reten	Tätningring.....		
10	VOE 11709340	2				Axle.....	Arbre	Welle	Eje	Axel.....		



1		Lamellbroms, bak Freno de disco, trasero Lamellenbremse, hinten Frein à disques, AR Multi-disc brake, rear	Catalogue id	Group
2			20002	517
3			Illustr. No	Section
4			1000677	100
5			Issue	Page
			VOE 63H9920002	385

VOLVO

BL71



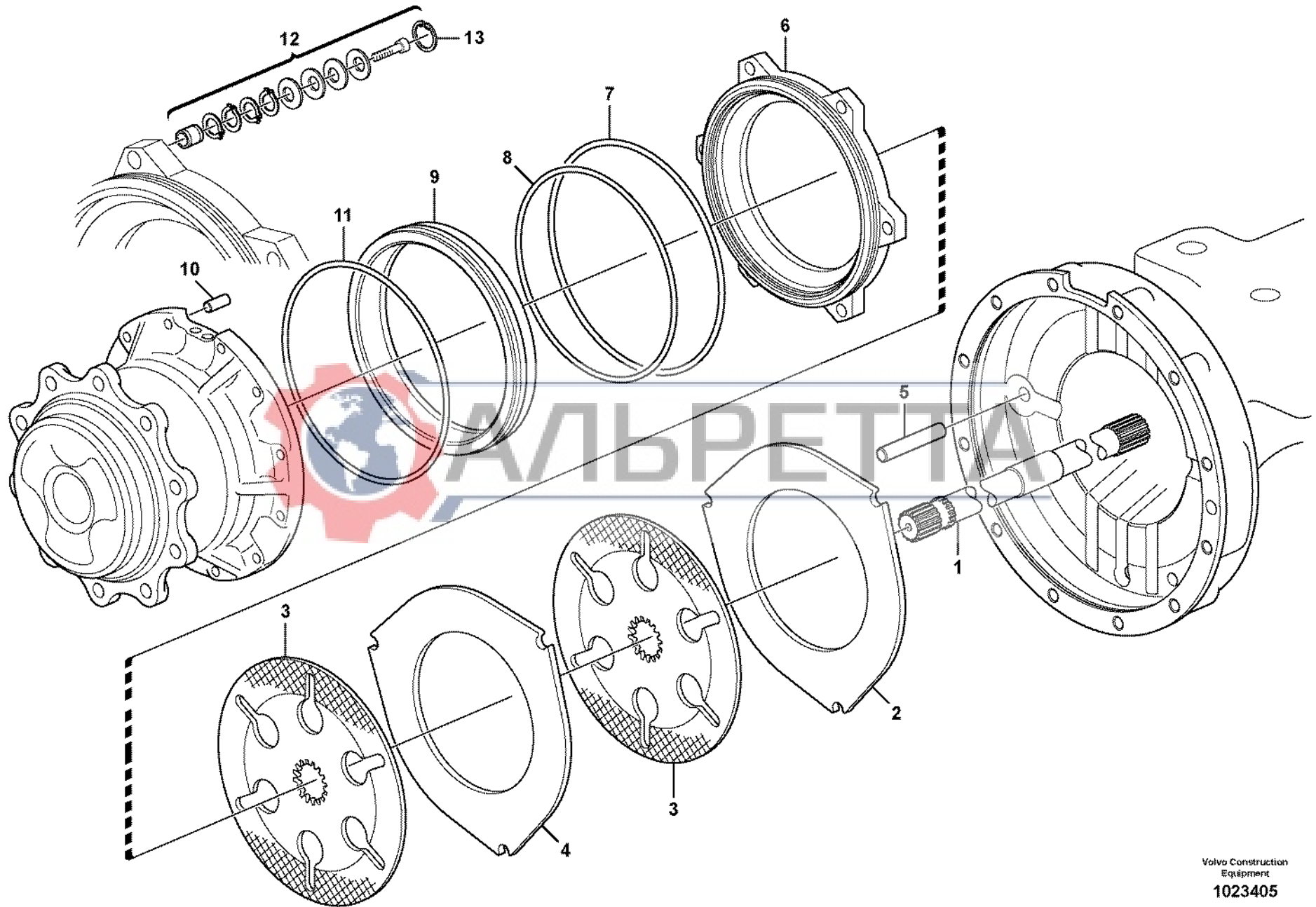


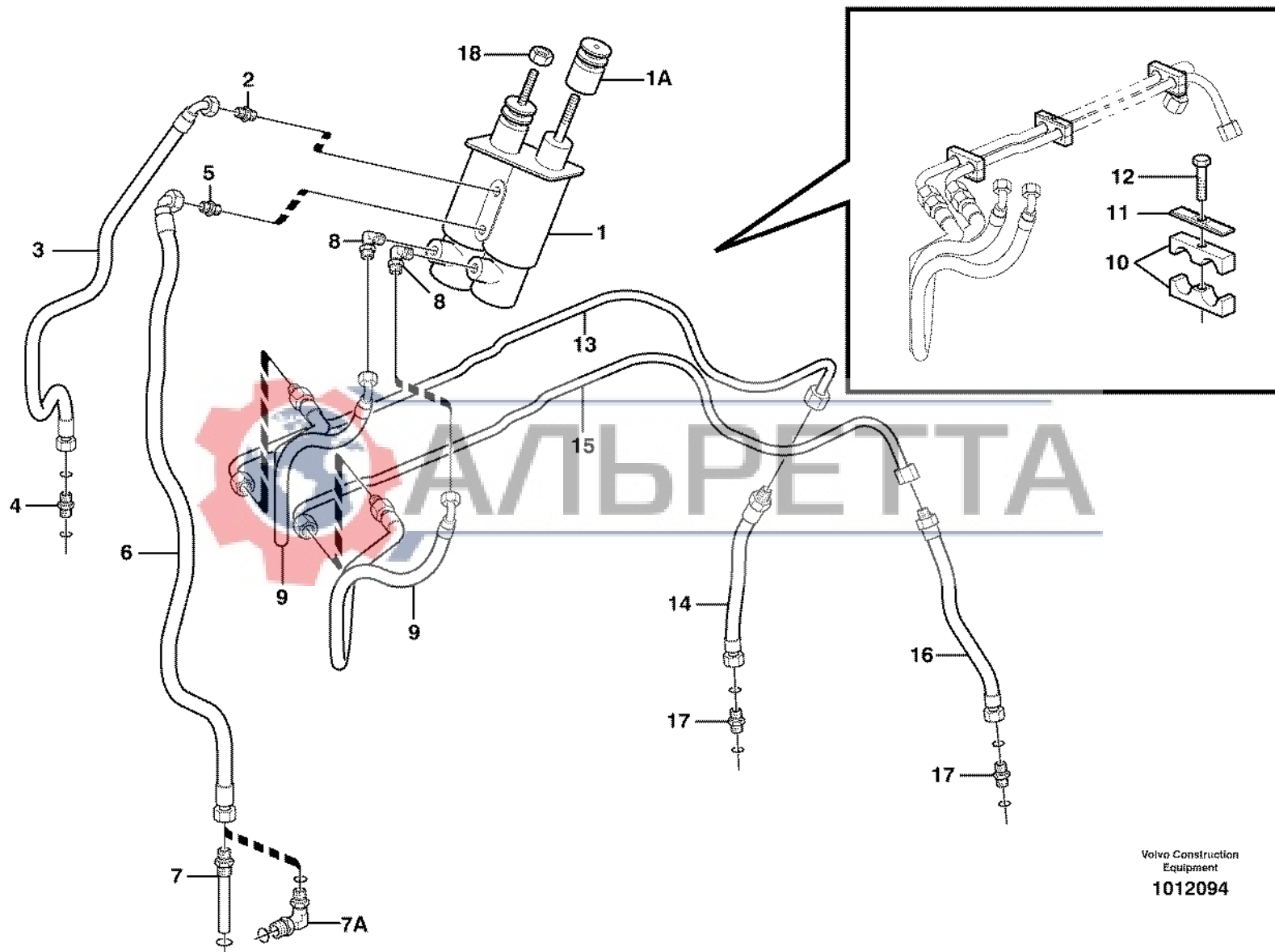
Fig.	Part No.	Quantity			P S	K I T	Description	Dénomination	Bezeichnung	Denominación	Benämning	Notes
		1	2	3								
1	VOE 11716574	1				Shaft.....	Arbre	Welle	Arbol.....	Axel.....	LH	
1	VOE 11716575	1				Shaft.....	Arbre	Welle	Arbol.....	Axel.....	RH	
2	VOE 11716580	2				Drive Plate	Plaque Commande	Treibscheibe.....	Placa Motriz	Drivplatta.....		
3	VOE 11716579	4				Brake Plate	Plaque Frein.....	Bremsplatte	Placa De Freno	Bromsplatta.....		
4	VOE 11716581	2				Drive Plate	Plaque Commande	Treibscheibe.....	Placa Motriz	Drivplatta.....		
5	VOE 11716582	6				Pin.....	Goupille.....	Zapfen	Pasador.....	Tapp.....		
6	VOE 11716583	2				Brake Piston.....	Piston Frein.....	Bremskolben	Piston Frenos	Bromskolv.....		
7	VOE 11716585	2				O-ring	Joint Torique	O-Ring	Junta torica.....	O-ring.....		
8	VOE 11716586	2				O-ring	Joint Torique	O-Ring	Junta torica.....	O-ring.....		
9	VOE 11716584	2				Brake Piston.....	Piston Frein.....	Bremskolben	Piston Frenos	Bromskolv.....		
10	VOE 11709413	2				Pin.....	Goupille.....	Stift	Pasador.....	Pinne.....		
11	VOE 11716587	2				O-ring	Joint Torique	O-Ring	Junta torica.....	O-ring.....		
12	VOE 11716577	6				Adjusting device.....	Dispositif reglage	Nachstellvorrichtung.....	Dispositivo de ajuste	Justeranordnung.....		
13	VOE 11716576	6				Lock	Serrure	Schloß	Cierre	Låselement.....		



1	Lamellbroms, bak Freno de disco, trasero Lamellenbremse, hinten Frein à disques, AR Multi-disc brake, rear S/N 14670 -	Catalogue id	Group
2		20002	517
3		Illustr. No	Section
4		1023405	110
5		Issue	Page
		VOE 63H9920002	387

VOLVO

BL71



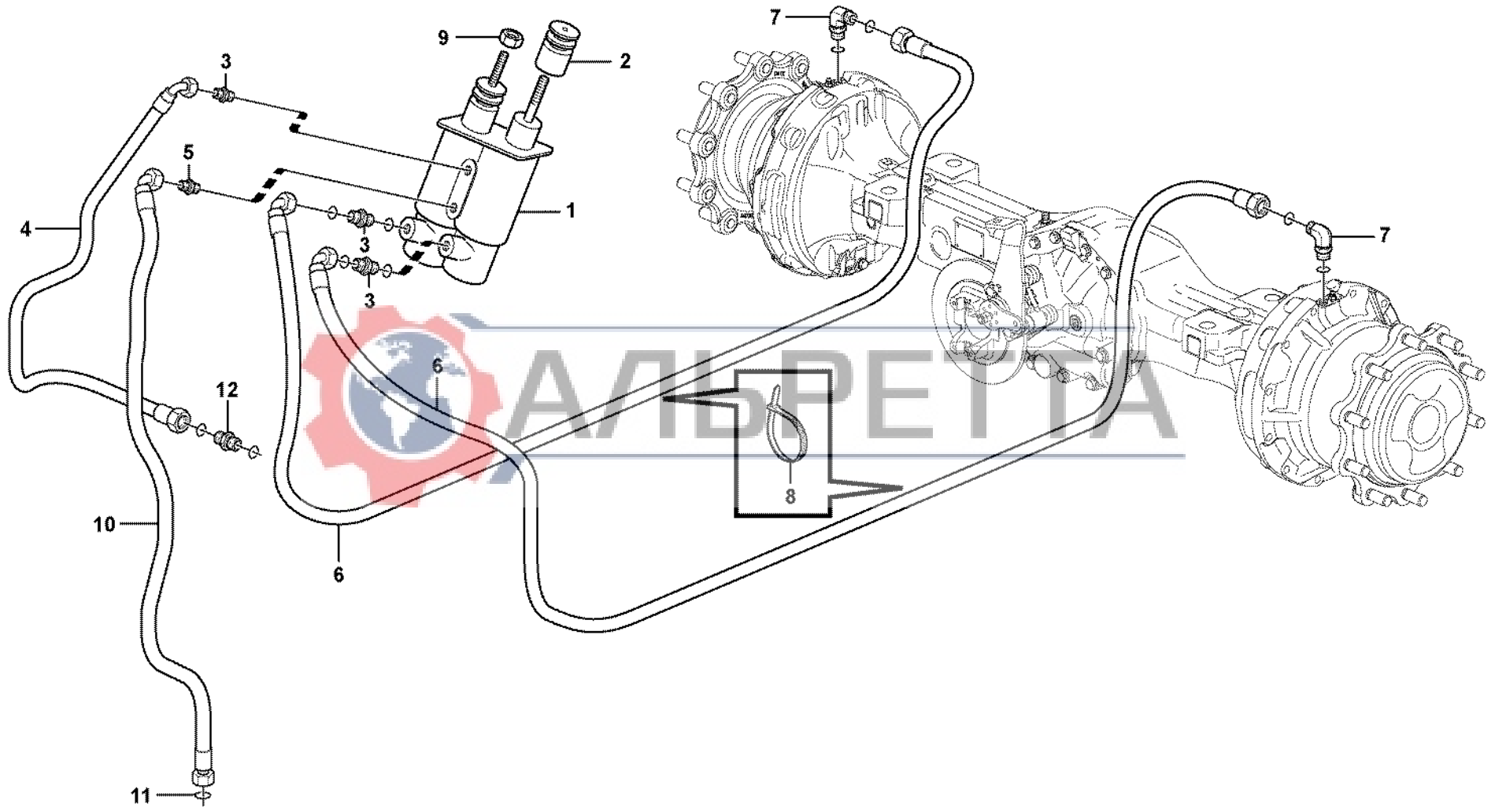
АЛЬРЕТТА

Fig.	Part No.	Quantity			P S	K I T	Description	Dénomination	Bezeichnung	Denominación	Benämning	Notes
		1	2	3								
1	VOE 11886053	1				SS	Brake Servo	Servofrein	Bremsservo	Servofreno	Bromsservo	
1A	VOE 11709901	2					Dust Cover	Pare-poussiere	Staubschutz	Prot Polvo	Dammskydd	
2	VOE 11883022	1					Connector	Raccord	Anschluss	Union	Anslutning	
3	VOE 11882741	1					Hose	Durit	Schlauch	Tubo flexible	Slang	
4		1					Nipple	Raccord	Nippel	Niple	Nippel	See group 420, Page 251
5	VOE 11883021	1					Connector	Raccord	Anschluss	Union	Anslutning	
6	VOE 11883764		1				Hose	Durit	Schlauch	Tubo flexible	Slang	
6	VOE 11882192			1			Hose assembly	Conduit flexible	Schlauchleitung	Conducto	Slangledning	
7		1					Connector	Raccord	Anschluss	Union	Anslutning	11891209 See group 420, Page 251
7A		1					Elbow	Coude	Winkelstueck	Tubo acodado	Vinkel	11891255 See group 420, Page 259
8	VOE 11883020	2					Elbow	Coude	Winkelstueck	Tubo acodado	Vinkel	
9	VOE 11883019	2					Hose	Durit	Schlauch	Tubo flexible	Slang	
10	VOE 11883048	4					Clamp	Pince Serrage	Klemme	Abrazadera	Klämma	
11	VOE 11883049	2					Plate	Plaque	Platte	Placa	Platta	
12	VOE 963196	2					Hexagon screw	Vis tête hexagonale	Sechskantschraube	Tornillo hexago	Sexkantsskruv	
13	VOE 11882992	1					Pipe	Canalisation	Rohrleitung	Canalizacion	Rör	RH
14	VOE 11883018	1					Hose	Durit	Schlauch	Tubo flexible	Slang	
15	VOE 11882993	1					Pipe	Canalisation	Rohrleitung	Canalizacion	Rör	LH
16	VOE 11883018	1					Hose	Durit	Schlauch	Tubo flexible	Slang	
17		2					Nipple	Raccord	Nippel	Niple	Nippel	See group 463, Page 351
18	VOE 13971068	2					Hexagon Nut	Ecrou Hexagonal	Sechskantmutter	Tuerca Hexagon	Sexkantmutter	

1	11880005	Hjulbroms, bakre Freno rueda, trasero Radbremse, Hintere Frein de roue, Ar Wheel brake, rear S/N - 14669	Catalogue id	Group
2	11891209		20002	517
3	11891255		Illustr. No	Section
4			1012094	200
5			Issue	Page
			VOE 63H9920002	389

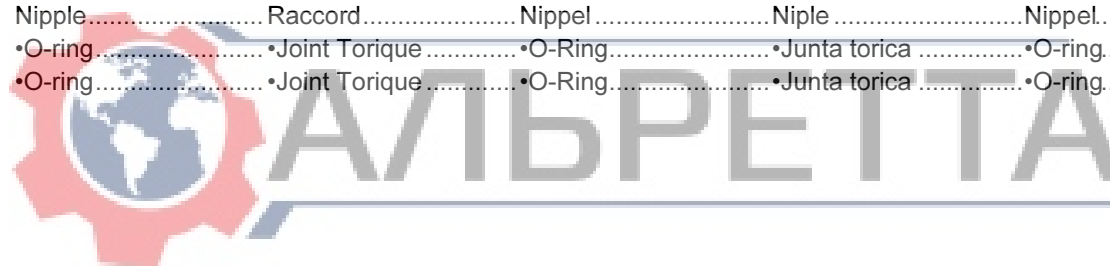
VOLVO

BL71



АЛЬРЕТТА

Fig.	Part No.	Quantity			P S	K I T	Description	Dénomination	Bezeichnung	Denominación	Benämning	Notes
		1	2	3								
1	VOE 11886865	1				Brake Servo	Servofrein	Bremsservo	Servofreno	Bromsservo		
2	VOE 11709901	2				Dust Cover	Pare-poussiere	Staubschutz	Prot Polvo	Dammskydd		
3	VOE 11883022	3				Connector	Raccord	Anschluss	Union	Anslutning		
	VOE 968207	3				•O-ring	•Joint Torique	•O-Ring	•Junta torica	•O-ring		
	VOE 990737	3				•O-ring	•Joint Torique	•O-Ring	•Junta torica	•O-ring		
4	VOE 11888671	1				Hose	Durit	Schlauch	Tubo flexible	Slang		
5	VOE 11883021	1				Connector	Raccord	Anschluss	Union	Anslutning		
6	VOE 11888669	1				Hose	Durit	Schlauch	Tubo flexible	Slang		
7	VOE 13933857	2				Elbow Nipple	Raccord angulaire	Winkelnippel	Niple Angular	V-nippel		
	VOE 990739	1				•O-ring	•Joint Torique	•O-Ring	•Junta torica	•O-ring		
	VOE 932039	1				•O-ring	•Joint Torique	•O-Ring	•Junta torica	•O-ring		
8	VOE 4821292	8				Strip Clamp	Ruban Serrage	Kabelbinder	Abraz Cinta	Bandklamma		
9	VOE 13971068	2				Hexagon Nut	Ecrou Hexagonal	Sechskantmutter	Tuerca Hexagon	Sexkantmutter		
10	VOE 11883764		1			Hose	Durit	Schlauch	Tubo flexible	Slang		
10	VOE 11882192			1		Hose assembly	Conduit flexible	Schlauchleitung	Conducto	Slangledning	See group 421, Page 267	
11	VOE 990737	1				O-ring	Joint Torique	O-Ring	Junta torica	O-ring		
12	VOE 935085	1				Nipple	Raccord	Nippel	Niple	Nippel	See group 420, Page 251	
	VOE 932039	1				•O-ring	•Joint Torique	•O-Ring	•Junta torica	•O-ring		
	VOE 990737	1				•O-ring	•Joint Torique	•O-Ring	•Junta torica	•O-ring		



1	11880005	Hjulbroms, bakre Freno rueda, trasero Radbremse, Hintere Frein de roue, Ar Wheel brake, rear S/N 14670 -	Catalogue id	Group
2	11891209		20002	517
3	11891255		Illustr. No	Section
4			1025978	250
5			Issue	Page
			VOE 63H9920002	391

VOLVO

BL71

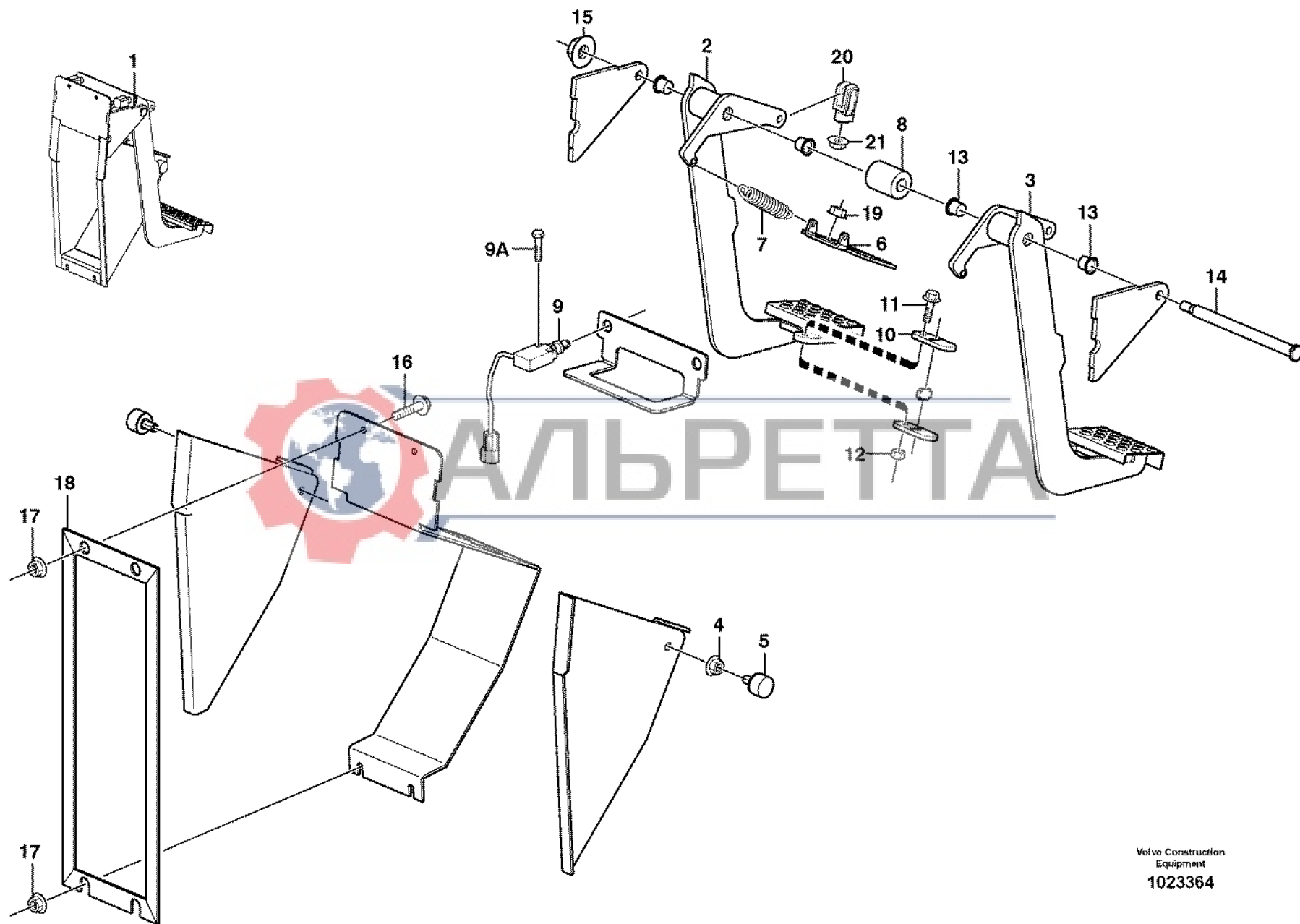


Fig.	Part No.	Quantity			P S	K I T	Description	Dénomination	Bezeichnung	Denominación	Benämning	Notes
		1	2	3								
		1			NS	Brake Unit	Ensemble Frein	Bremsanordnung	Unidad Freno	Bromsenhet		
1		1			NS	•Box	•Boîte	•Kasten	•Caja	•Låda		
2	VOE 11200877	1				•Brake Pedal	•Pedale Frein	•Bremspedal	•Pedal Frenos	•Bromspedal	RH	
3	VOE 11200878	1				•Brake Pedal	•Pedale Frein	•Bremspedal	•Pedal Frenos	•Bromspedal	LH	
4	VOE 981256	2				•Rivet Nut	•Ecrou Rivet	•Nietmutter	•Tuerca Remache	•Nitmutter		
5	VOE 11200579	2				•Absorber	•Amortisseur	•Dämpfer	•Amortiguador	•Dämpare		
6		1			NS	•Plate	•Tôle	•Blech	•Chapa	•Plåt		
7	VOE 11200429	2				•Tension Spring	•Ressort de traction	•Zugfeder	•Muelle traccion	•Dragfjäder		
8		1			NS	•Sleeve	•Douille	•Hülse	•Manguito	•Hylsa		
9	VOE 11887707	2				•Switch	•Commutateur	•Schalter	•Contactor	•Strömställare	X61, X62	
9	VOE 11888817	2				•Switch	•Commutateur	•Schalter	•Contactor	•Strömställare	11891209, 11891255 S/N 14670 - X61, X62	
9A	VOE 969147	2				•Screw	•Vis	•Schraube	•Tornillo	•Skruv		
10	VOE 11200511	1				•Lock Arm	•Bras Verrouill.	•Sperrhebel	•Brazo Bloqueo	•Låsarm		
11	VOE 13947760	1				•Flange screw	•Vis à bride	•Flanschschraube	•Torn embridado	•Flänsskruv		
12	VOE 948645	1				•Flange Lock Nut	•Contre écrou bride	•Flanschmutter	•Contratuer Embr	•Flänslåsmutter		
13	VOE 11200610	4				•Flange Bearing	•Palier Bride	•Flanschlager	•Cojinete Brida	•Flänslager		
14	VOE 11149686	1				•Pedal Shaft	•Axe Pedale	•Pedalchse	•Eje Pedal	•Pedalaxel		
15	VOE 971099	1				•Flange Lock Nut	•Contre écrou bride	•Flanschmutter	•Contratuer Embr	•Flänslåsmutter	(VOE 13971099)	
16	VOE 13945444	3				Flange screw	Vis à bride	Flanschschraube	Torn embridado	Flänsskruv		
17	VOE 981256	3				Rivet Nut	Ecrou Rivet	Nietmutter	Tuerca Remache	Nitmutter		
18	VOE 11202448	1				Gasket	Joint	Dichtung	Junta	Packning		
19	VOE 948645	4				Flange Lock Nut	Contre écrou bride	Flanschmutter	Contratuer Embr	Flänslåsmutter		
20	VOE 11200397	2				Link	Articulation	Gelenk	Articulacion	Länk		
21	VOE 983304	2				Hexagon Nut	Ecrou Hexagonal	Sechskantmutter	Tuerca Hexagon	Sexkantmutter	See group 517, Page 389	

1	Bromssystem Sistema de frenos Bremssystem Système de freinage Brake system	Catalogue id	Group
2		20002	525
3		Illustr. No	Section
4		1023364	100
5		Issue	Page
	11294005, 11298197, 11880005	VOE 63H9920002	393

VOLVO

BL71

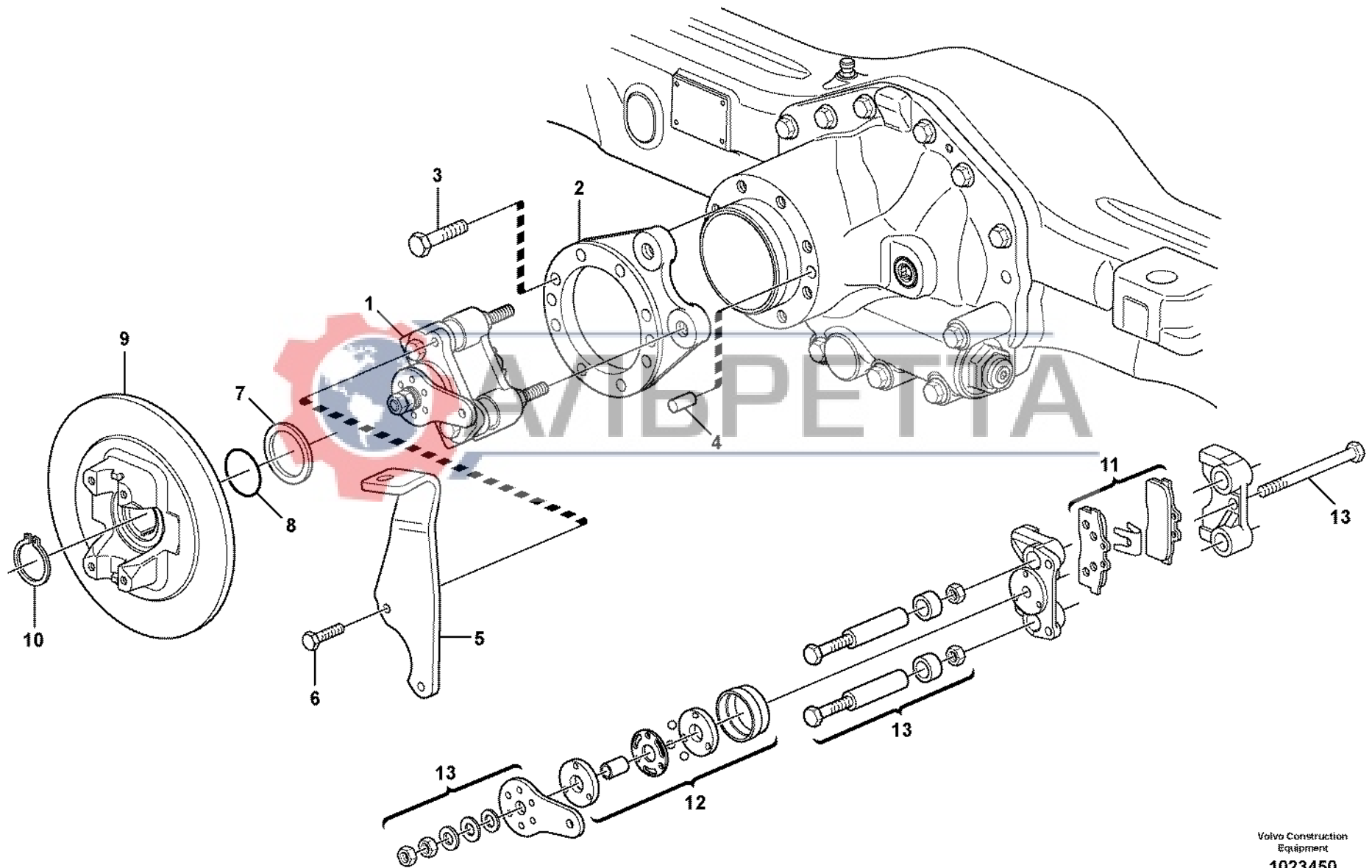


Fig.	Part No.	Quantity			P S	K I T	Description	Dénomination	Bezeichnung	Denominación	Benämning	Notes
		1	2	3								
1	VOE 11716606	1				Brake Disc.....	Disque Frein.....	Bremsscheibe	Disco De Freno	Bromsskiva.....		
2	VOE 11709300	1				Lock Ring.....	Anneau Verrouillage ..	Schlossring.....	Anillo Segurid	Låsring.....		
3	VOE 11709303	1				O-ring.....	Joint Torique	O-Ring.....	Junta torica.....	O-ring.....		
4	VOE 11709304	1				Washer.....	Rondelle	Scheibe	Arandela.....	Bricka.....		
5	VOE 11716602	8				Screw.....	Vis	Schraube.....	Tornillo	Skruv.....		
6	VOE 11716601	1				Anchorage.....	Fixation	Halterung.....	Fijacion.....	Fäste.....		
7	VOE 11716603	2				Pin.....	Goupille.....	Zapfen.....	Pasador.....	Tapp.....		
8	VOE 11716604	1				Bracket.....	Console.....	Konsole	Ménsula.....	Konsol.....		
9	VOE 11716605	2				Screw.....	Vis	Schraube.....	Tornillo	Skruv.....		
10	VOE 11716600	1				Brake Caliper	Etrier Frein	Bremssattel	Mordaza	Bromsok.....		
11	VOE 11716655	1				•Repair Kit.....	•Kit Réparation	•Reparatursatz	•Kit Reparacion	•Reparationsssats.....		
12	VOE 11716654	1				•Repair Kit.....	•Kit Réparation	•Reparatursatz	•Kit Reparacion	•Reparationsssats.....		
13	VOE 11716652	1				•Repair Kit.....	•Kit Réparation	•Reparatursatz	•Kit Reparacion	•Reparationsssats.....		



1	Parkeringsbroms Freno estacionamiento Feststellbremse Frein parking Parking brake S/N 14670 -	Catalogue id	Group
2		20002	551
3		Illustr. No	Section
4		1023450	150
5		Issue	Page
		VOE 63H9920002	395

VOLVO

BL71

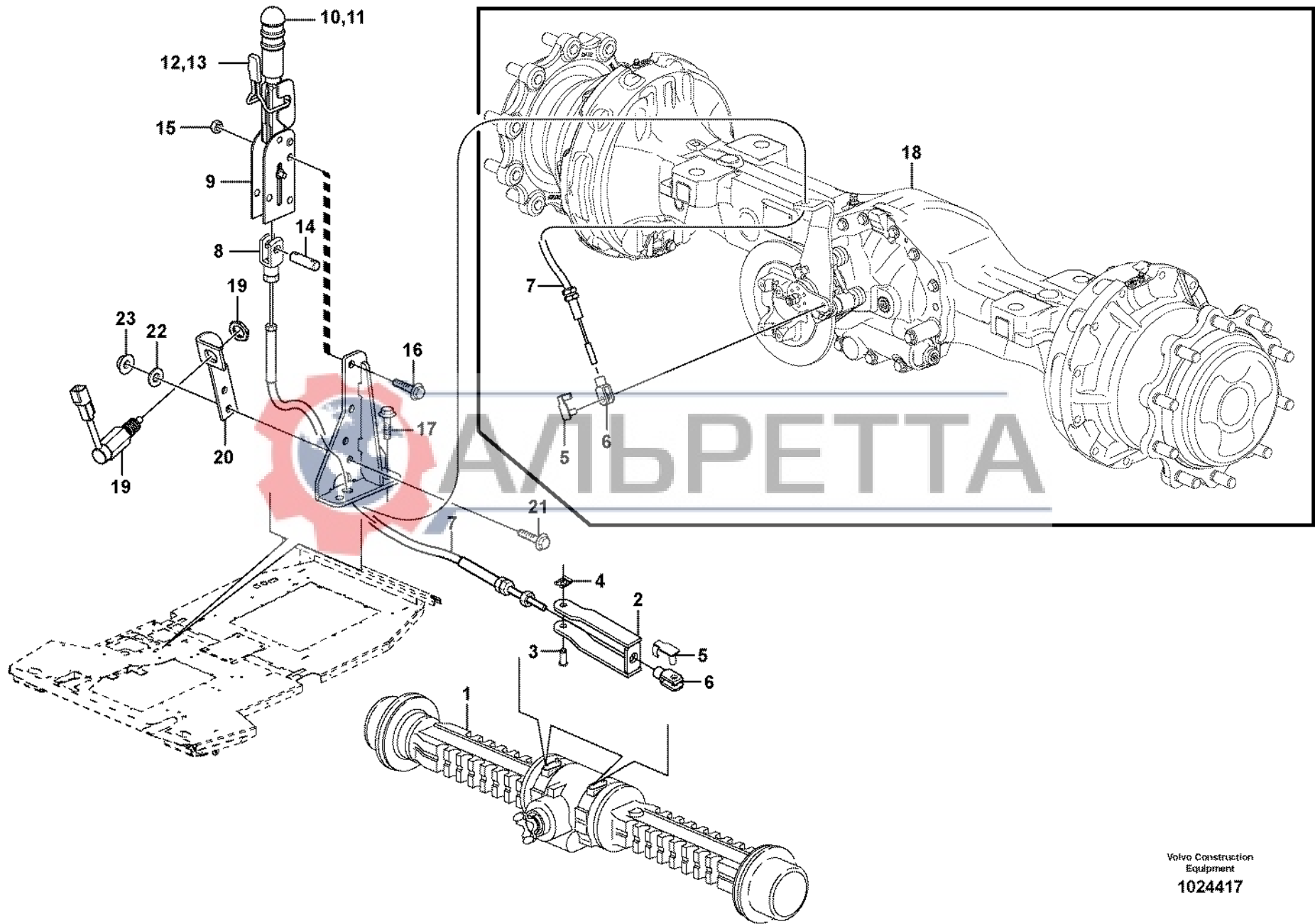


Fig.	Part No.	Quantity			P S	K I T	Description	Dénomination	Bezeichnung	Denominación	Benämning	Notes
		1	2	3								
1		1				Planetary shaft, rear...	Pont moteur, AR	Planetengetriebe, Ru	Puente motor, trasero	Planetaxel, bak.....	See group 460, Page 331	
2	VOE 11882783	1				Bracket.....	Console.....	Konsole	Ménsula.....	Konsol.....		
3	VOE 949755	1				Rtng Ring Bolt.....	Boulon Sill Bag.....	Sich.bolzen.....	Perno Circlip.....	Spårringsbult.....		
4	VOE 943926	1				Lock brace	Etrier de verrouillage..	Sperrklinke	Brazo Seguridad	Låsbygel.....		
5	VOE 11883323	1		1		Clevis Pin	Vis A Oeuillet	Zylinderbolzen.....	Espiga	Cyl.bult.....		
6	VOE 11883319	1		1		Fork.....	Fourche.....	Gabel.....	Horquilla	Gaffel.....		
7	VOE 11888468	1		1		Cable.....	Câble.....	Kabel.....	Cable	Kabel.....		
8	VOE 11882913	1		1		Fork.....	Fourche.....	Gabel.....	Horquilla	Gaffel.....		
9	VOE 11200803		1			Parking Brake	Frein Parking.....	Feststellbremse.....	Freno Estacion	Parkeringsbroms.....		
10	VOE 11709850		1			•Handle	•Poignee.....	•Handgriff	•Manilla.....	•Handgrepp.....		
11	VOE 11709851		1			•Spring	•Ressort	•Feder.....	•Muelle	•Fjäder.....		
12	VOE 11709852		1			•Leaf Spring	•Ressort plat.....	•Blattfeder.....	•Resorte plano.....	•Bladfjäder.....		
13	VOE 11709853		1			•Handle	•Poignee.....	•Handgriff	•Manilla.....	•Handgrepp.....		
14	VOE 11715435		1			•Clevis Pin.....	•Vis A Oeuillet	•Zylinderbolzen.....	•Espiga	•Cyl.bult.....		
15	VOE 13971098		2			Flange nut.....	Ecrou accouple	Bundmutter.....	Tuerca embridada	Flänsmutter.....	M10	
16	VOE 13965186		2			Flange screw.....	Vis à bride	Flanschschaube	Torn embridado	Flänsskruv.....	M10x50	
17	VOE 946329		2			Flange screw.....	Vis à bride	Flanschschaube	Torn embridado	Flänsskruv.....	M10x25	
18				1		Planetary shaft, rear...	Pont moteur, AR	Planetengetriebe, Ru	Puente motor, trasero	Planetaxel, bak.....	See group 460, Page 333	
19	VOE 11888649		1	1		Switch	Commutateur.....	Schalter	Contacteur.....	Strömställare.....	S/N 14670 -	
20	VOE 11205674		1	1		Plate.....	Plaque.....	Platte	Placa	Platta.....		
21	VOE 13945444		2	2		Flange screw.....	Vis à bride	Flanschschaube	Torn embridado	Flänsskruv.....		
22	VOE 983334		4	4		Washer.....	Rondelle.....	Scheibe	Arandela.....	Bricka.....		
23	VOE 948645		2	2		Flange Lock Nut.....	Contre écrou bride	Flanschmutter	Contratuer Embr.....	Flänslåsmutter.....		

1	11880005	Parkeringsbroms Freno estacionamiento Feststellbremse Frein parking Parking brake	Catalogue id	Group
2	11298014, 11298197		20002	551
3	11880005 S/N 14670 -		Illustr. No	Section
4			1024417	250
5			Issue	Page
			VOE 63H9920002	397

VOLVO

BL71



641	Steering column with fitting parts 11298009, 11298010, 11880005, 11298021	100	405
645	Steering system	100	407
645	Steering system S/N 14670 -	150	409
645	Control valve	400	411



INDEX OF CONTENTS	Catalogue id 20002	Group 600
	Issue VOE 63H9920002	Page 399



TABLE DES MATIÈRES				Catalogue id		Group	
				20002		600	
				Issue		Page	
				VOE 63H9920002		400	
GROUPE		Section	Page	GROUPE		Section	Page

641	Colonne de direction avec pièces de montage 11298009, 11298010, 11880005, 11298021	100	405
645	Systeme de direction	100	407
645	Systeme de direction S/N 14670 -	150	409
645	Valve de contrôle	400	411



641	Lenksäule mit Montageteilen 11298009, 11298010, 11880005, 11298021	100	405
645	Lenkungssystem	100	407
645	Lenkungssystem S/N 14670 -	150	409
645	Steuerventil	400	411



INHALTSVERZEICHNIS	Catalogue id 20002	Group 600
	Issue VOE 63H9920002	Page 401



INDICE		Catalogue id 20002	Group 600		
		Issue VOE 63H9920002	Page 402		
GRUPO	Sección	Página	GRUPO	Sección	Página

641	Columna de dirección con accesorios de montaje 11298009, 11298010, 11880005, 11298021	100	405
645	Sistema de direccion.....	100	407
645	Sistema de direccion S/N 14670 -	150	409
645	Válvula de control	400	411



641	Rattstam med monteringsdetaljer 11298009, 11298010, 11880005, 11298021	100	405
645	Styrsystem	100	407
645	Styrsystem S/N 14670 -	150	409
645	Kontrollventil	400	411



INNEHÅLLSFÖRTECKNING	Catalogue id 20002	Group 600
	Issue VOE 63H9920002	Page 403



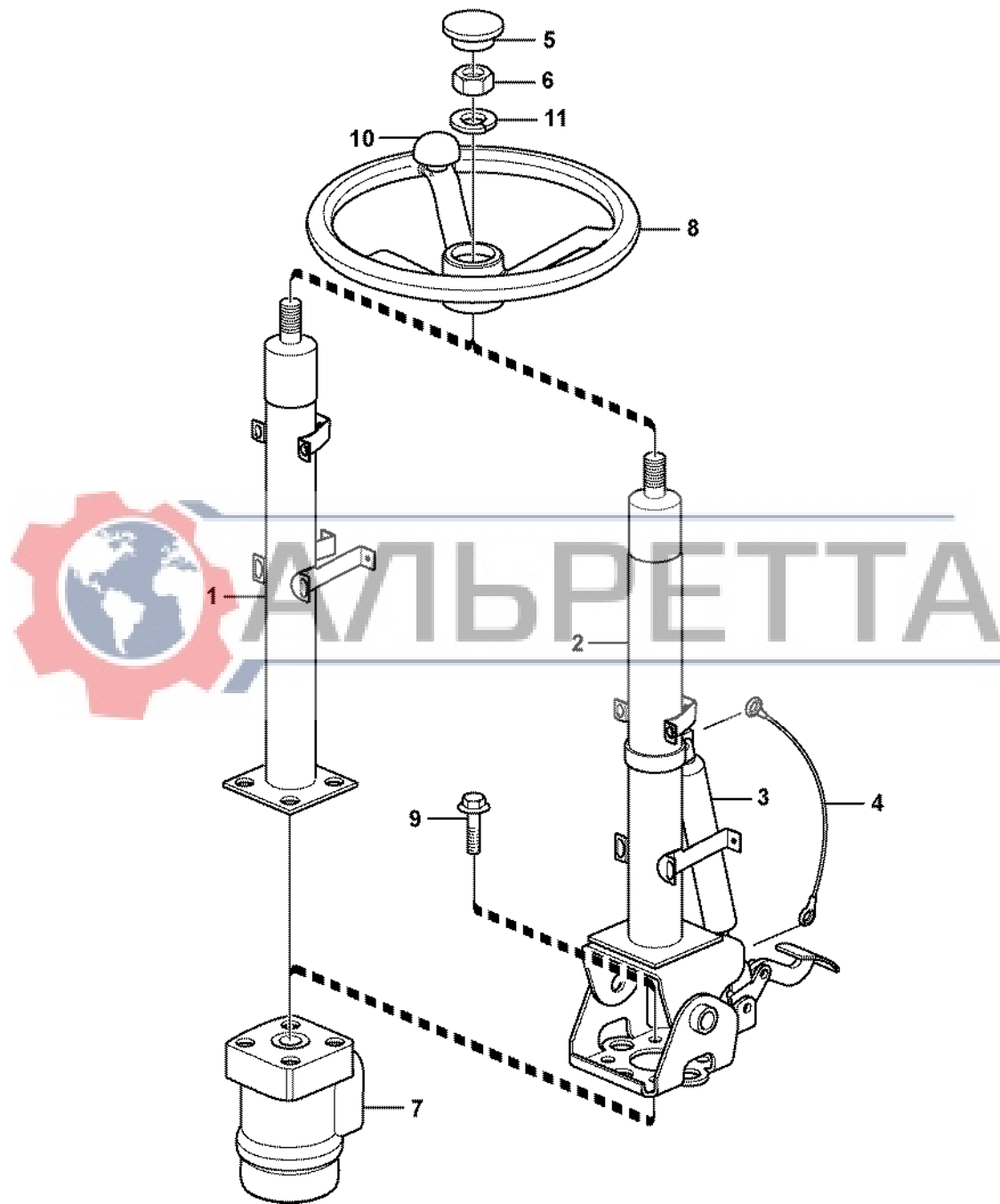


Fig.	Part No.	Quantity					P S	K I T	Description	Dénomination	Bezeichnung	Denominación	Benämning	Notes
		1	2	3	4	5								
1	VOE 11200527	1						Steering Column.....	Colonne direction ...	Lenksäule	Columna direccion..	Rattstam.....		
2	VOE 11200587		1					Steering Column.....	Colonne direction ...	Lenksäule	Columna direccion..	Rattstam.....		
3	VOE 11715247		1					•Gas Spring	•Ressort Gaz	•Gasfeder.....	•Resorte A Gas.....	•Gasfjäder.....		
4	VOE 11715291		1					•Wire	•Fil	•Draht.....	•Alambre.....	•Tråd.....		
5	VOE 14371493	1	1					Cap	Chapeau.....	Verschlusskappe	Caperuza.....	Hatt.....		
6	VOE 955822	1	1					Hexagon Nut.....	Ecrou Hexagonal....	Sechskantmutter.....	Tuerca Hexagon.....	Sexkantsmutter.....		
7				1				Control valve.....	Valve controle	Steuerventil.....	Válvula control.....	Kontrollventil.....	See group 645, Page 411	
8	VOE 11200562	1	1					Steering Wheel	Volant direction	Lenkrad.....	Volante de direccio.	Ratt.....		
9	VOE 946329	4	4					Flange screw	Vis à bride	Flanschschraube	Torn embridado	Flänsskruv.....		
10	VOE 11200563				1			Knob	Bouton.....	Knauf	Boton.....	Knopp.....		
11	VOE 11104898	1	1					Lock Washer.....	Rondel.verroui.....	Sicher Scheibe.....	Arandel Segurid.....	Låsbricka.....		



1	11298009	Rattstam med monteringsdetaljer Columna de dirección con accesorios de montaje Lenksäule mit Montageteilen Colonne de direction avec pièces de montage Steering column with fitting parts	Catalogue id	Group
2	11298010		20002	641
3	11880005		Illustr. No	Section
4	11298021		1012000	100
5			Issue	Page
			VOE 63H9920002	405
			11298009, 11298010, 11880005, 11298021	

VOLVO

BL71



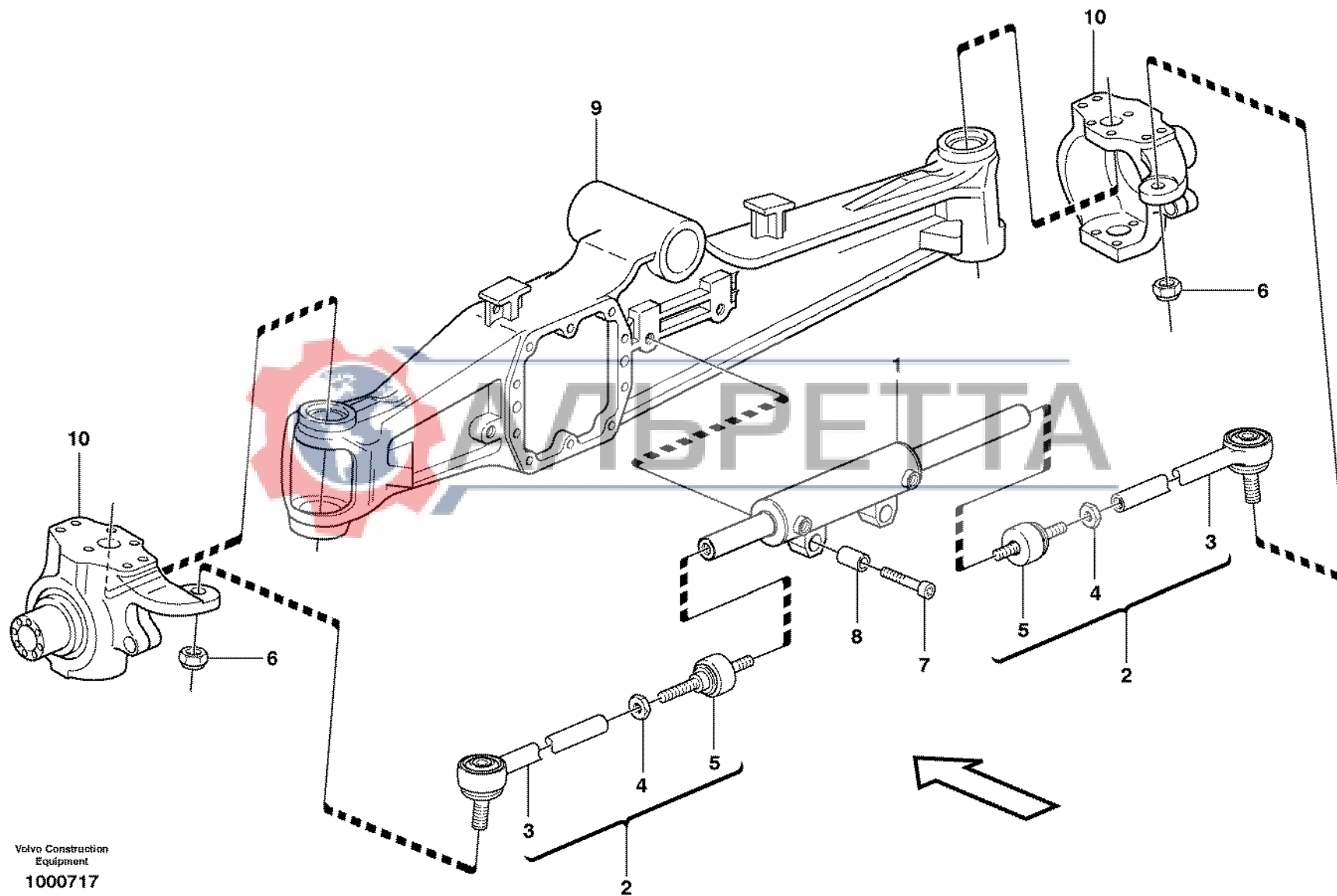


Fig.	Part No.	Quantity			P S	K I T	Description	Dénomination	Bezeichnung	Denominación	Benämning	Notes
		1	2	3								
1	VOE 11988151	1				Strg Cylinder	Verin Direction	Lenkzylinder	Cil Direccion	Styrcylinder.....		
	VOE 11709898	1				•Sealing Kit	•Jeu Joints.....	•Dichtungssatz	•Juego Retenes.....	•Tätningssats.....		
	VOE 11712479	2				•Seal	•Joint	•Dichtring.....	•Junta	•Tätning.....		
2	VOE 11988150	2				Steering Rod	Bielle direction.....	Lenkstange.....	Biela direccion.....	Styrstag.....		
3	VOE 11709456	1				•Tie Rod	•Barre Accouple.	•Spurstange.....	•Barra Acoplam	•Parallelstag.....		
4	VOE 11709457	1				•Nut	•Ecrou	•Mutter.....	•Tuerca.....	•Mutter.....		
5	VOE 11988157	1				•Ball joint.....	•Rotule articul.....	•Kugelgelenk	•Rotula.....	•Kulled.....		
6	VOE 11709451	2				Nut	Ecrou.....	Mutter.....	Tuerca	Mutter.....		
7	VOE 11709454	2				Screw	Vis	Schraube.....	Tornillo	Skruv.....		
8	VOE 11709460	1				Bushing	Bague.....	Buchse	Casquillo	Bussning.....		
9		1				Front axle.....	Pont avant.....	Vorderachse.....	Eje delantero	Framaxel.....	See group 461, Page 335	
10		1				Housing.....	Carter	Gehäuse.....	Carter	Hus.....	See group 461, Page 335	



1	Styrsystem Sistema de direccion Lenkungssystem Systeme de direction Steering system	Catalogue id	Group
2		20002	645
3		Illustr. No	Section
4		1000717	100
5		Issue	Page
		VOE 63H9920002	407

VOLVO

BL71



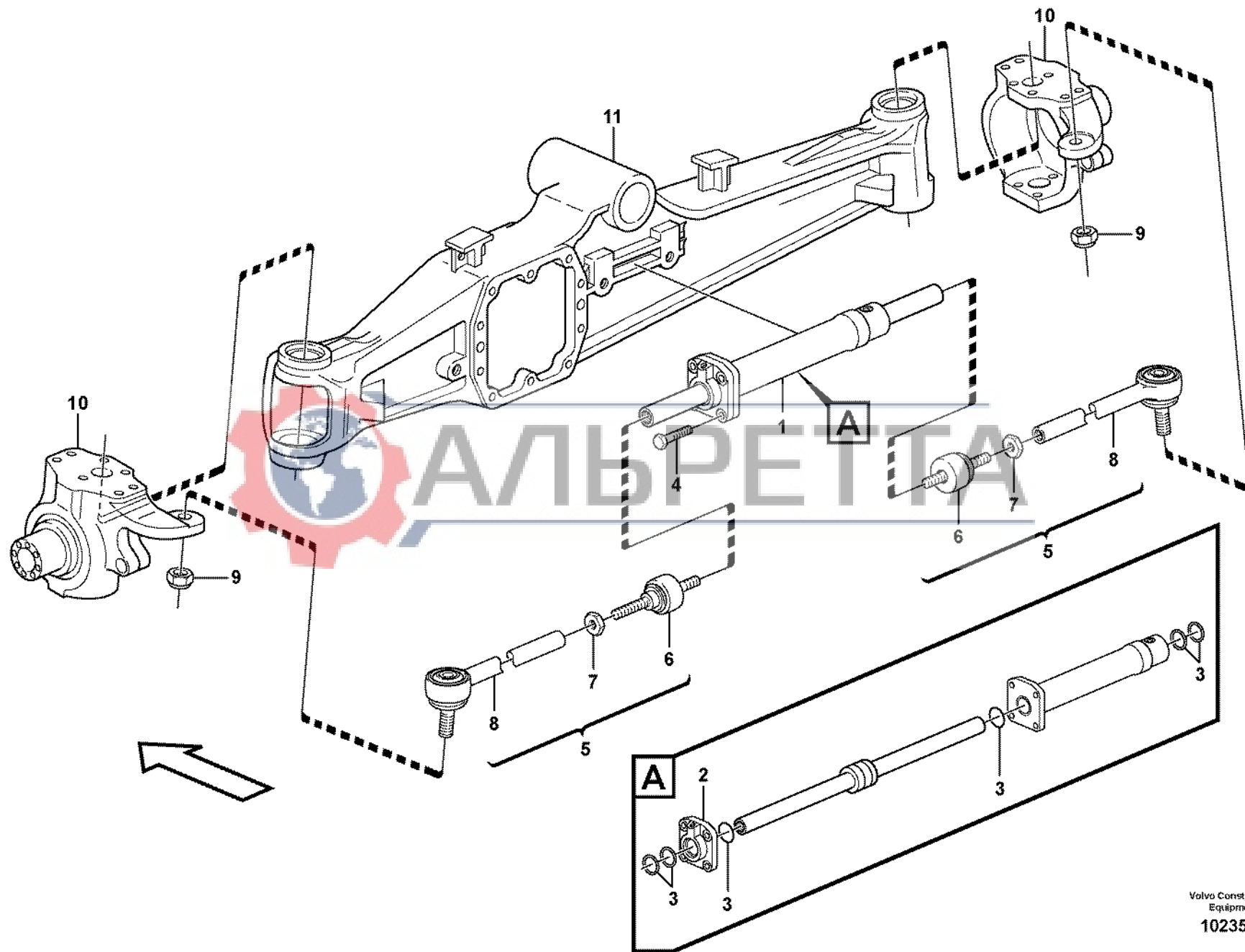


Fig.	Part No.	Quantity			P S	K I T	Description	Dénomination	Bezeichnung	Denominación	Benämning	Notes
		1	2	3								
1	VOE 11716622	1				Steering cylinder	Verin direction	Lenkzylinder	Cilindro direccion.....	Styrcylinder.....		
2	VOE 11716624	1				•Sealing Kit	•Jeu Joints.....	•Dichtungssatz	•Juego Retenes	•Tätningssats.....		
3	VOE 11716625	2				•Sealing Kit	•Jeu Joints.....	•Dichtungssatz	•Juego Retenes	•Tätningssats.....		
4	VOE 11716623	4				Screw	Vis	Schraube.....	Tornillo	Skruv.....		
5	VOE 11988150	2				Steering Rod	Bielle direction.....	Lenkstange.....	Biela direccion.....	Styrstag.....		
6	VOE 11709456	1				•Tie Rod	•Barre Accouple.	•Spurstange.....	•Barra Acoplam	•Parallellstag.....		
7	VOE 11709457	1				•Nut	•Ecrou	•Mutter.....	•Tuerca.....	•Mutter.....		
8	VOE 11988157	1				•Ball joint	•Rotule articul.	•Kugelgelenk	•Rotula.....	•Kulled.....		
9	VOE 11709451	2				Nut	Ecrou.....	Mutter.....	Tuerca	Mutter.....		
10		1				Housing.....	Carter	Gehäuse.....	Carter	Hus.....	See group 461, Page 335	
11		1				Front axle.....	Pont avant.....	Vorderachse.....	Eje delantero	Framaxel.....	See group 461, Page 335	



1	Styrsystem Sistema de direccion Lenkungssystem Systeme de direction Steering system S/N 14670 -	Catalogue id	Group
2		20002	645
3		Illustr. No	Section
4		1023514	150
5		Issue	Page
		VOE 63H9920002	409

VOLVO

BL71



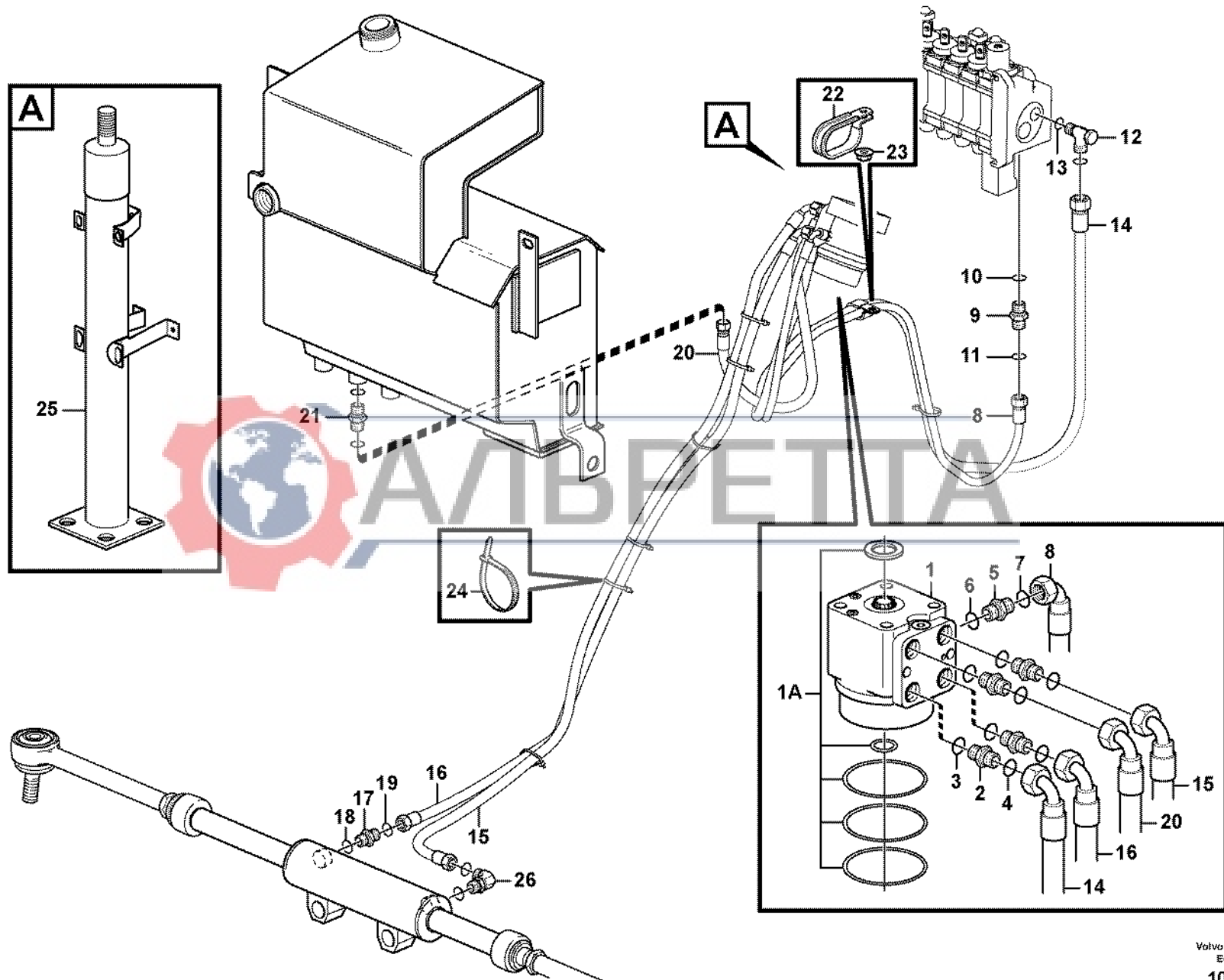


Fig.	Part No.	Quantity			P S	K I T	Description	Dénomination	Bezeichnung	Denominación	Benämning	Notes
		1	2	3								
1	VOE 11890016	1				Control valve	Valve controle	Steuerventil	Válvula control	Kontrollventil		
1A	VOE 11709888	1				Sealing Kit	Jeu Joints	Dichtungssatz	Juego Retenes	Tätningssats		
2	VOE 935089	4				Nipple	Raccord	Nippel	Niple	Nippel		
3	VOE 932040	1				•O-ring	•Joint Torique	•O-Ring	•Junta torica	•O-ring		
4	VOE 4880492	1				•O-ring	•Joint Torique	•O-Ring	•Junta torica	•O-ring		
5	VOE 935082	1				Nipple	Raccord	Nippel	Niple	Nippel		
6	VOE 932037	1				•O-ring	•Joint Torique	•O-Ring	•Junta torica	•O-ring		
7	VOE 4881722	1				•O-ring	•Joint Torique	•O-Ring	•Junta torica	•O-ring		
8	VOE 11882941	1				Hose	Durit	Schlauch	Tube flexible	Slang		
9	VOE 13933858	1				Union	Teton Connexion	Anschlussnippel	Niple Conexcion	Anslutn.nippel		
10	VOE 932039	1				•O-ring	•Joint Torique	•O-Ring	•Junta torica	•O-ring		
11	VOE 4881722	1				•O-ring	•Joint Torique	•O-Ring	•Junta torica	•O-ring		
12	VOE 11881390	1				Nipple	Raccord	Nippel	Niple	Nippel		
13	VOE 13960167	1				•O-ring	•Joint Torique	•O-Ring	•Junta torica	•O-ring		
	VOE 4880492	1				O-ring	Joint Torique	O-Ring	Junta torica	O-ring		
14	VOE 11882938	1				Hose assembly	Conduit flexible	Schlauchleitung	Conducto	Slangledning		
15	VOE 11882938	1				Hose assembly	Conduit flexible	Schlauchleitung	Conducto	Slangledning		
16	VOE 11882937	1				Hose assembly	Conduit flexible	Schlauchleitung	Conducto	Slangledning		
17	VOE 935085	2				Nipple	Raccord	Nippel	Niple	Nippel		
17	VOE 935085	1				Nipple	Raccord	Nippel	Niple	Nippel	S/N 14670 -	
18	VOE 932039	1				•O-ring	•Joint Torique	•O-Ring	•Junta torica	•O-ring		
19	VOE 1880492	1				•Elbow nipple	•Raccord angulaire	•Winkelnippel	•Niple angular	•Vinkelnippel		
20	VOE 1882940	1				Hose	Durit	Schlauch	Tube flexible	Slang		
21		1				Nipple	Raccord	Nippel	Niple	Nippel	See group 911, Page 557	
22	VOE 981665	2				Clamp	Pince Serrage	Klemme	Abrazadera	Klamma		
23	VOE 13945408	1				Nut	Ecrou	Mutter	Tuerca	Mutter		
24	VOE 4881438	16				Strip Clamp	Ruban Serrage	Kabelbinder	Abraz Cinta	Bandklamma		
25		1				Steering Column	Colonne direction	Lenksäule	Columna direccion	Rattstam	See group 641, Page 405	
26	VOE 935069	1				Elbow nipple	Raccord angulaire	Winkelnippel	Niple angular	Vinkelnippel	S/N 14670 -	
	VOE 932039	1				•O-ring	•Joint Torique	•O-Ring	•Junta torica	•O-ring		

1		Kontrollventil Válvula de control Steuerventil Valve de contrôle Control valve	Catalogue id	Group
2			20002	645
3			Illustr. No	Section
4			1025987	400
5			Issue	Page
			VOE 63H9920002	411

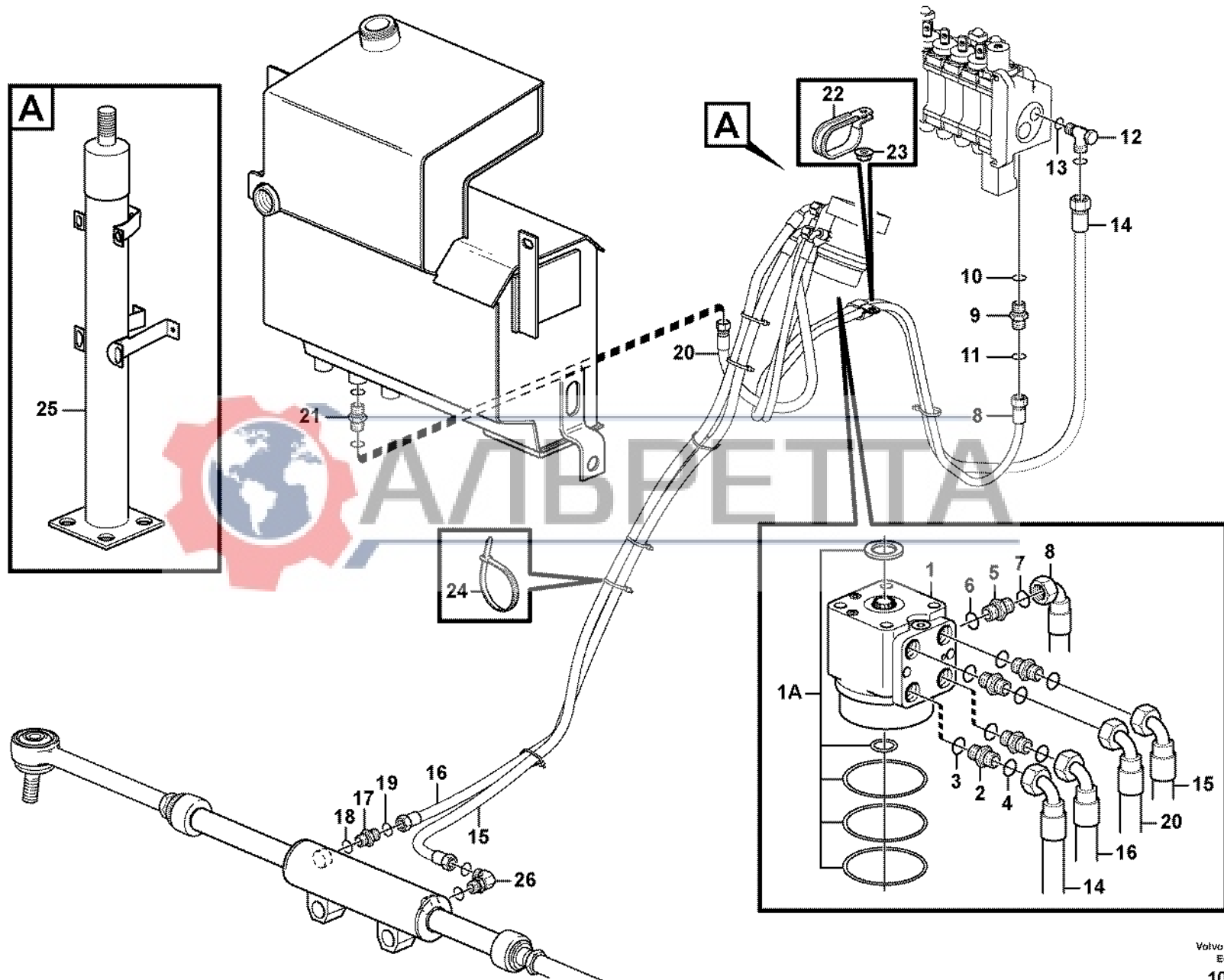


Fig.	Part No.	Quantity			P S	K I T	Description	Dénomination	Bezeichnung	Denominación	Benämning	Notes
		1	2	3								
	VOE 990737	1					•O-ring.....	•Joint Torique	•O-Ring.....	•Junta torica	•O-ring.....	



1		Kontrollventil Válvula de control Steuerventil Valve de contrôle Control valve	Catalogue id	Group
2			20002	645
3			Illustr. No	Section
4			1025987	400
5			Issue	Page
			VOE 63H9920002	413

VOLVO

BL71





VOLVO

АЛЬРЕТТА

Construction Equipment

GROUP	Section	Page	GROUP	Section	Page
711	Frame.....	100			421
716	Counterweight.....	100			423
771	Wheel 11891270.....	110			425
771	Wheel.....	120			427
771	Wheel.....	140			429
771	Wheel AGRICULTURAL.....	150			431



INDEX OF CONTENTS	Catalogue id 20002	Group 700
	Issue VOE 63H9920002	Page 415

VOLVO

BL71



TABLE DES MATIÈRES				Catalogue id 20002		Group 700	
				Issue VOE 63H9920002		Page 416	
GROUPE		Section	Page	GROUPE		Section	Page

711	Chassis	100	421
716	Contrepoids.....	100	423
771	Roue 11891270	110	425
771	Roue	120	427
771	Roue	140	429
771	Roue AGRICULTURAL.....	150	431



GRUPPE	Abschnitt	Seite	GRUPPE	Abschnitt	Seite
711 Rahmen	100	421			
716 Gegengewicht	100	423			
771 Rad 11891270	110	425			
771 Rad	120	427			
771 Rad	140	429			
771 Rad AGRICULTURAL.....	150	431			



INHALTSVERZEICHNIS	Catalogue id 20002	Group 700
	Issue VOE 63H9920002	Page 417

VOLVO

BL71



INDICE		Catalogue id 20002	Group 700		
		Issue VOE 63H9920002	Page 418		
GRUPO	Sección	Página	GRUPO	Sección	Página

711	Bastidor	100	421
716	Contrapeso	100	423
771	Rueda 11891270	110	425
771	Rueda	120	427
771	Rueda	140	429
771	Rueda AGRICULTURAL.....	150	431



GRUPP	Avsnitt	Sida	GRUPP	Avsnitt	Sida
711 Ram	100	421			
716 Motvikt.....	100	423			
771 Hjul 11891270.....	110	425			
771 Hjul.....	120	427			
771 Hjul.....	140	429			
771 Hjul AGRICULTURAL	150	431			

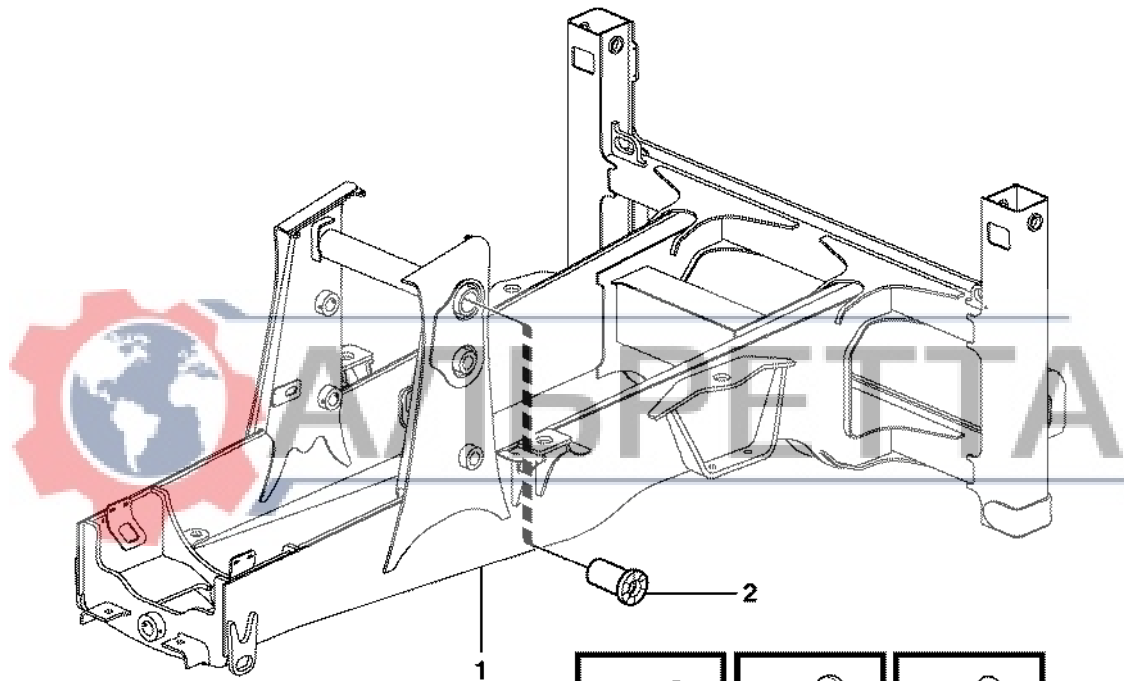


INNEHÅLLSFÖRTECKNING	Catalogue id 20002	Group 700
	Issue VOE 63H9920002	Page 419

VOLVO

BL71





Volvo Construction
Equipment
1006290

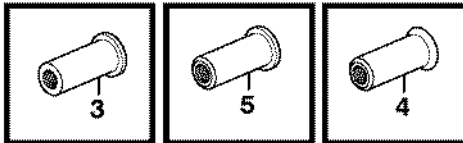


Fig.	Part No.	Quantity			P S	K I T	Description	Dénomination	Bezeichnung	Denominación	Benämning	Notes
		1	2	3								
1	VOE 11885978	1				Frame.....	Chassis	Rahmen.....	Bastidor	Ram.....	(VOE 11884710) SER NO -11796 INCL 11803	
1	VOE 11886328	1				Frame.....	Chassis	Rahmen.....	Bastidor	Ram.....	SER NO 11797-12363	
1	VOE 11886710	1				Frame.....	Chassis	Rahmen.....	Bastidor	Ram.....	SER NO 12364-; INCL 12353	
1	VOE 11888306	1				Chassis	Chassis	Fahrgestell	Chasis	Chassi.....	S/N 14670 -	
2	VOE 11883771	2				•Bushing.....	•Bague	•Buchse	•Casquillo	•Bussning.....		
3	VOE 11881792	11				•Blind Rivet	•Rivet Borgne	•Blindniet	•Remache Ciego	•Blindnit.....	M12	
4	VOE 11882026	11				•Rivet	•Rivet.....	•Niet.....	•Remache.....	•Nit.....	M12	
5	VOE 11882680	3				•Rivet	•Rivet.....	•Niet.....	•Remache.....	•Nit.....	M10	



1		Ram Bastidor Rahmen Chassis Frame	Catalogue id	Group
2			20002	711
3			Illustr. No	Section
4			1006290	100
5			Issue	Page
			VOE 63H9920002	421

VOLVO

BL71



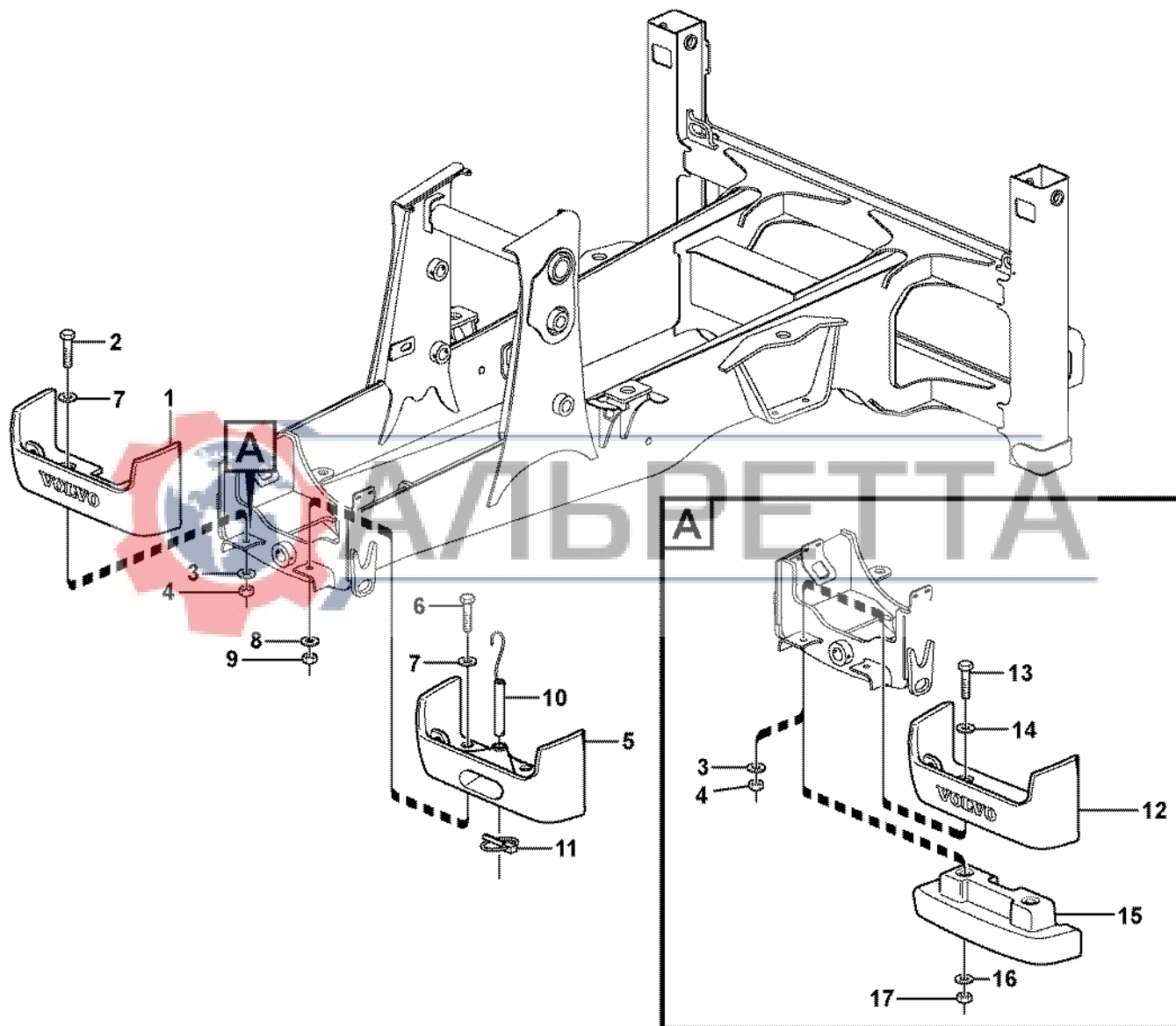
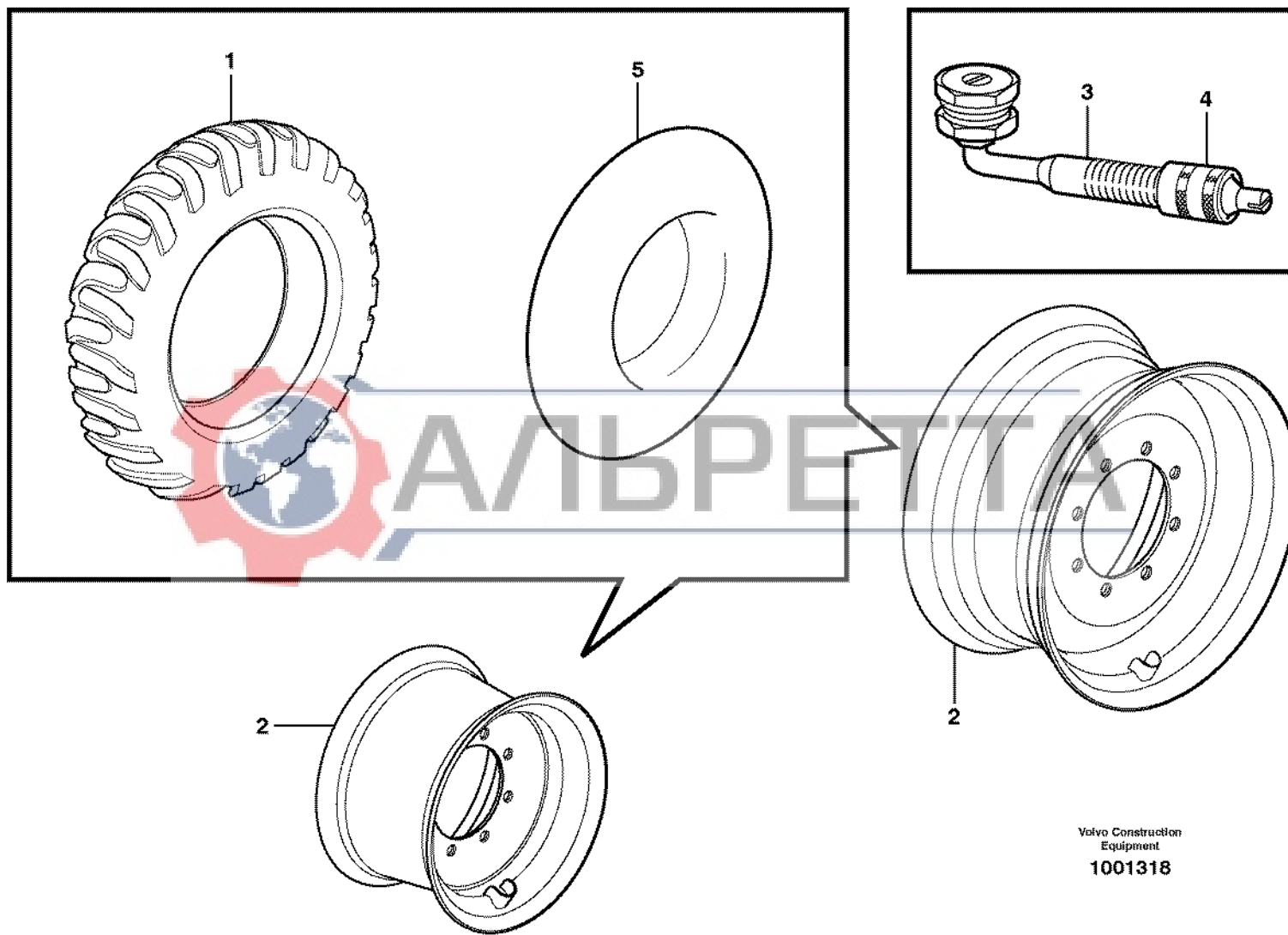


Fig.	Part No.	Quantity					P S	K T	Description	Dénomination	Bezeichnung	Denominación	Benämning	Notes
		1	2	3	4	5								
1	VOE 11886741	1						Counterweight.....	Contrepoids.....	Gegengewicht.....	Contrapeso.....	Motvikt.....	105 kg	
2	VOE 979920	2						Hexagon screw.....	Vis tête hexagonale	Sechskantschraub..	Tornillo hexago.....	Sexkantsskruv.....	SER NO -12096	
2	VOE 13963362	2						Hexagon screw.....	Vis tête hexagonale	Sechskantschraub..	Tornillo hexago.....	Sexkantsskruv.....	SER NO 12097-	
3	VOE 955905	4						Washer.....	Rondelle.....	Scheibe.....	Arandela.....	Bricka.....	SER NO -12096	
3	VOE 11055610	2						Washer.....	Rondelle.....	Scheibe.....	Arandela.....	Bricka.....	SER NO 12097-	
3	VOE 11055610		2					Washer.....	Rondelle.....	Scheibe.....	Arandela.....	Bricka.....		
4	VOE 980521	2		2				Nut.....	Ecrou.....	Mutter.....	Tuerca.....	Mutter.....	SER NO -12096	
4	VOE 983377	2		2				Lock nut.....	Contre-ecrou.....	Sicherungsmutter...	Contratuerca.....	Låsmutter.....	SER NO 12097-	
5	VOE 11886743		1					Counterweight.....	Contrepoids.....	Gegengewicht.....	Contrapeso.....	Motvikt.....	196 kg	
6	VOE 13963365		2					Hexagon screw.....	Vis tête hexagonale	Sechskantschraub..	Tornillo hexago.....	Sexkantsskruv.....		
7	VOE 983340		2					Washer.....	Rondelle.....	Scheibe.....	Arandela.....	Bricka.....	SER NO -12096	
7	VOE 14376982	2	2					Washer.....	Rondelle.....	Scheibe.....	Arandela.....	Bricka.....	SER NO 12097-	
8	VOE 11055610		2					Washer.....	Rondelle.....	Scheibe.....	Arandela.....	Bricka.....		
9	VOE 980521		2					Nut.....	Ecrou.....	Mutter.....	Tuerca.....	Mutter.....	SER NO -12096	
9	VOE 983377		2					Lock nut.....	Contre-ecrou.....	Sicherungsmutter...	Contratuerca.....	Låsmutter.....	SER NO 12097-	
10	VOE 11885588		1					Pin.....	Goupille.....	Zapfen.....	Pasador.....	Tapp.....		
11	VOE 11881622		1					Locking pin.....	Goupille d'arrêt.....	Schliessbolzen.....	Pasador de cierre..	Låspinne.....		
12	VOE 11886742		1	1				Counterweight.....	Contrepoids.....	Gegengewicht.....	Contrapeso.....	Motvikt.....	203 KG	
13	VOE 13963365		2					Hexagon screw.....	Vis tête hexagonale	Sechskantschraub..	Tornillo hexago.....	Sexkantsskruv.....		
13	VOE 13980100			1				Hexagon screw.....	Vis tête hexagonale	Sechskantschraub..	Tornillo hexago.....	Sexkantsskruv.....		
14	VOE 983340		2	2				Washer.....	Rondelle.....	Scheibe.....	Arandela.....	Bricka.....	SER NO -12096	
14	VOE 14376982		2	2				Washer.....	Rondelle.....	Scheibe.....	Arandela.....	Bricka.....	SER NO 12097-	
15	VOE 11886925			1				Counterweight.....	Contrepoids.....	Gegengewicht.....	Contrapeso.....	Motvikt.....	133 KG	
16	VOE 955905			2				Washer.....	Rondelle.....	Scheibe.....	Arandela.....	Bricka.....		
17	VOE 980521			2				Nut.....	Ecrou.....	Mutter.....	Tuerca.....	Mutter.....	SER NO -12096	
17	VOE 983377			2				Lock nut.....	Contre-ecrou.....	Sicherungsmutter...	Contratuerca.....	Låsmutter.....	SER NO 12097-	



1	STD 105 KG	Motvikt Contrapeso Gegengewicht Contrepoids Counterweight	Catalogue id	Group
2	11891317 FOR ITALY		20002	716
3	11891359 202 KG		Illustr. No	Section
4	11891358 202+133 KG		1012677	100
5			Issue	Page
			VOE 63H9920002	423



Volvo Construction
Equipment
1001318

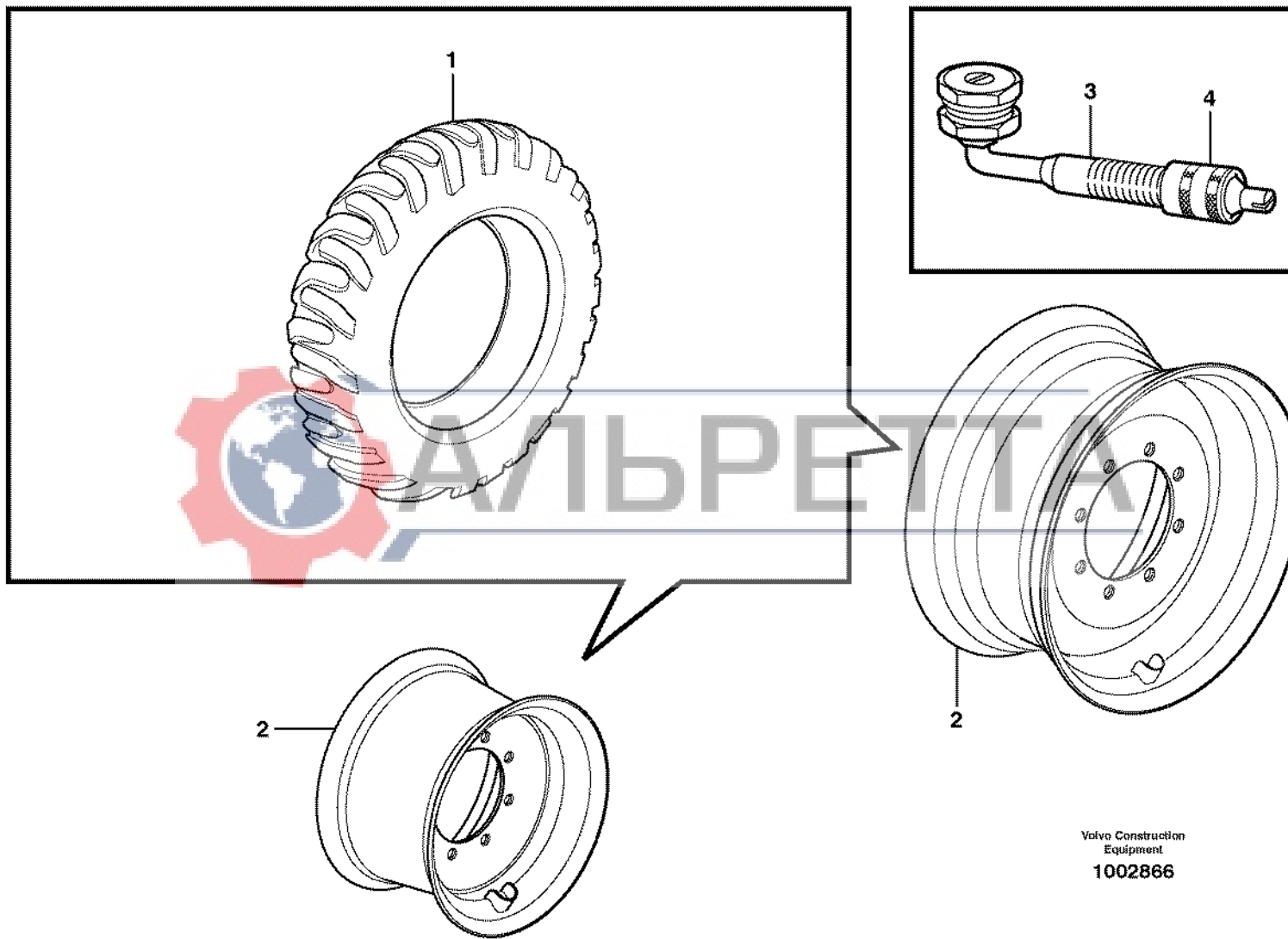
Fig.	Part No.	Quantity					P S	K T	Description	Dénomination	Bezeichnung	Denominación	Benämning	Notes
		1	2	3	4	5								
	VOE 11890362	1						Wheel.....	Roue.....	Rad	Rueda.....	Hjul.....	16/70X20" LH	
	VOE 11890363	1						Wheel.....	Roue.....	Rad	Rueda.....	Hjul.....	16/70X20" RH	
			1				NS	Wheel.....	Roue.....	Rad	Rueda.....	Hjul.....	LH, 16.9X30	
				1			NS	Wheel.....	Roue.....	Rad	Rueda.....	Hjul.....	LH, 16.9X30	
				1			NS	Wheel.....	Roue.....	Rad	Rueda.....	Hjul.....	RH 16.9X30	
					1		NS	Wheel.....	Roue.....	Rad	Rueda.....	Hjul.....	RH 16.9X30	
1	VOE 11881820	1					OP	•Tire	•Pneu.....	•Reifen	•Neumatico	•Däck.....	16/70X20"	
	VOE 11881825		1					•Tire	•Pneu.....	•Reifen	•Neumatico	•Däck.....	16.9X30"	
	VOE 11885916			1				•Tire	•Pneu.....	•Reifen	•Neumatico	•Däck.....	16.9X30"	
2	VOE 11881832	1						•Rim	•Jante	•Radfelge	•Llania.....	•Fälg.....	13X20"	
	VOE 11881837		1					•Rim	•Jante	•Radfelge	•Llania.....	•Fälg.....	16LX30"	
	VOE 11886112			1				•Wheel	•Roue	•Rad	•Rueda.....	•Hjul.....	DW14LX30"	
3	VOE 784076	1	1	1				•Valve	•Soupape.....	•Ventil.....	•Valvula	•Ventil.....		
4	VOE 4789869	1	1	1				•Cap	•Chapeau	•Verschlusskappe	•Caperuza.....	•Hatt.....		
5	VOE 11883475		1					•Inner tube	•Chambre a air	•Innenschlauch	•Camara-de-aire	•Innerslang.....		



1	11891270 FRONT	Hjul	Catalogue id	Group
2	-"-REAR SER NO -10997	Rueda	20002	771
3	-"-REAR SER NO 10998-	Rad	Illustr. No	Section
4		Roue	1001318	110
5		Wheel	Issue	Page
	11891270		VOE 63H9920002	425

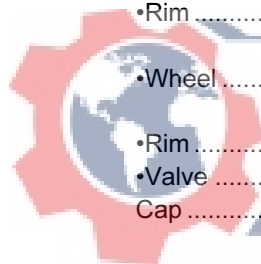
VOLVO

BL71



Volvo Construction
Equipment
1002866

Fig.	Part No.	Quantity					P S	K T	Description	Dénomination	Bezeichnung	Denominación	Benämning	Notes
		1	2	3	4	5								
		1		1			NS	Wheel.....	Roue.....	Rad	Rueda.....	Hjul.....	400/70X20 LH	
		1		1			NS	Wheel.....	Roue.....	Rad	Rueda.....	Hjul.....	400/70X20 RH	
			1				NS	Hydraulic pressure..	Pression hydrauliq..	Hydraulikdruck	Presión hidráulica.....		480/80X26 LH S/N - 14669	
			1				NS	Wheel.....	Roue.....	Rad	Rueda.....	Hjul.....	LH S/N 14670 -	
	VOE 11886608			1				Wheel.....	Roue.....	Rad	Rueda.....	Hjul.....	440/80X28 LH	
			1				NS	Wheel.....	Roue.....	Rad	Rueda.....	Hjul.....	480/80X26 RH S/N - 14669	
			1				NS	Wheel.....	Roue.....	Rad	Rueda.....	Hjul.....	RH S/N 14670 -	
	VOE 11886609			1				Wheel.....	Roue.....	Rad	Rueda.....	Hjul.....	440/80X28 RH	
1	VOE 11886832	1		1				•Tire	•Pneu.....	•Reifen	•Neumatico	•Däck.....	400/70X20 MIX	
	VOE 11886839		1					•Tire	•Pneu.....	•Reifen	•Neumatico	•Däck.....	480/80X26	
	VOE 11886596			1				•Tire	•Pneu.....	•Reifen	•Neumatico	•Däck.....	480/80X26 MIX	
2	VOE 11881832	1		1				•Rim	•Jante	•Radfelge	•Llania.....	•Fälg.....	13X20"	
	VOE 11881835		1					•Rim	•Jante	•Radfelge	•Llania.....	•Fälg.....	16X26" S/N - 14669	
	VOE 11888016		1					•Wheel.....	•Roue.....	•Rad	•Rueda.....	•Hjul.....	16X26" S/N 14670 -	
	VOE 11885862			1				•Rim	•Jante	•Radfelge	•Llania.....	•Fälg.....	15X28"	
3	VOE 784076	1	1	1	1			•Valve	•Soupape.....	•Ventil.....	•Valvula	•Ventil.....		
4	VOE 4789869	1	1	1	1			Cap	Chapeau.....	Verschlusskappe	Caperuza.....	Hatt.....		

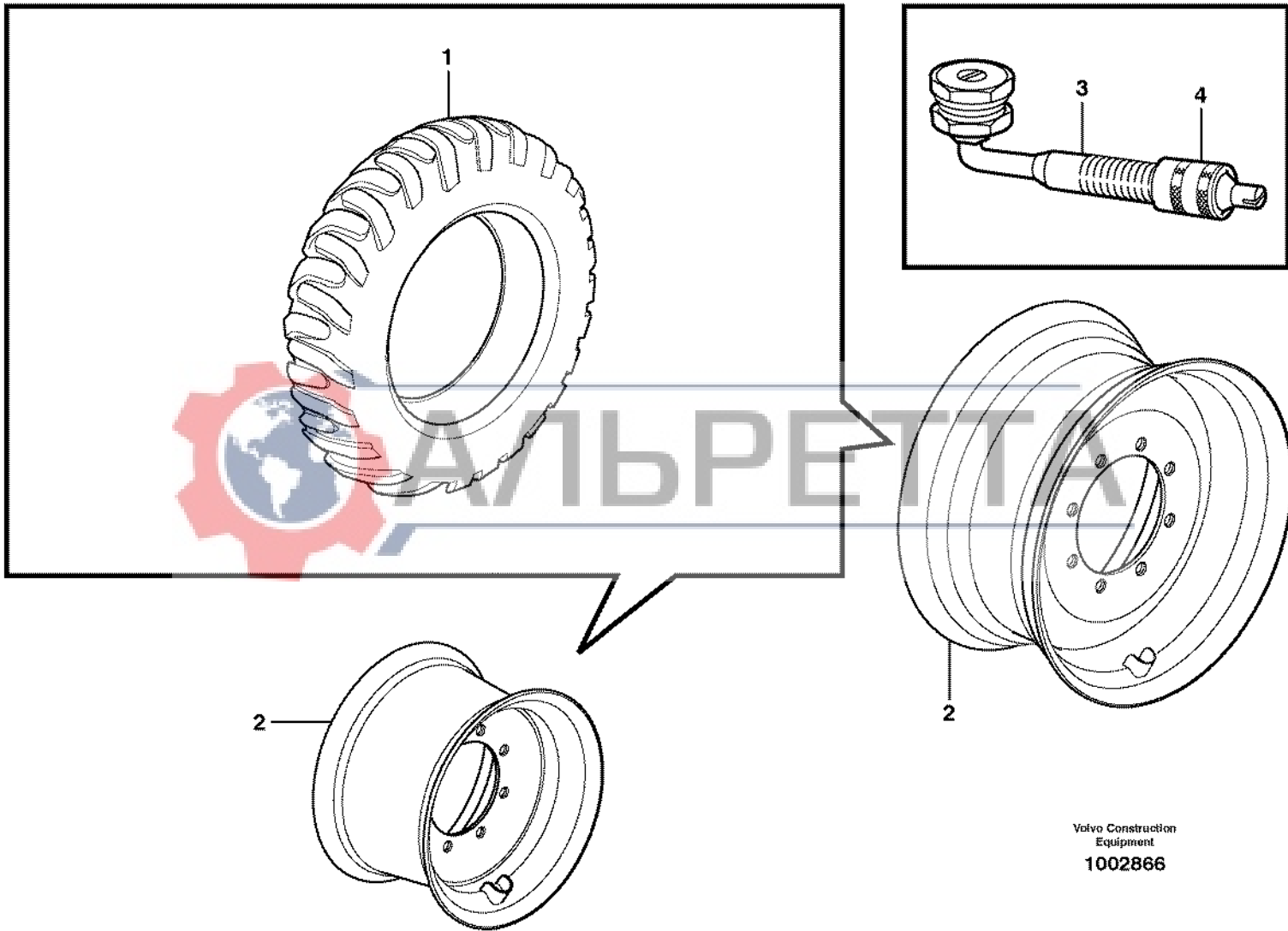


ALPETTA

1	11891271 FRONT	Hjul Rueda Rad Roue Wheel	Catalogue id	Group
2	11891271 REAR		20002	771
3	11891474 FRONT		Illustr. No	Section
4	11891474 REAR		1002866	120
5			Issue	Page
		VOE 63H9920002	427	

VOLVO

BL71



Volvo Construction
Equipment
1002866

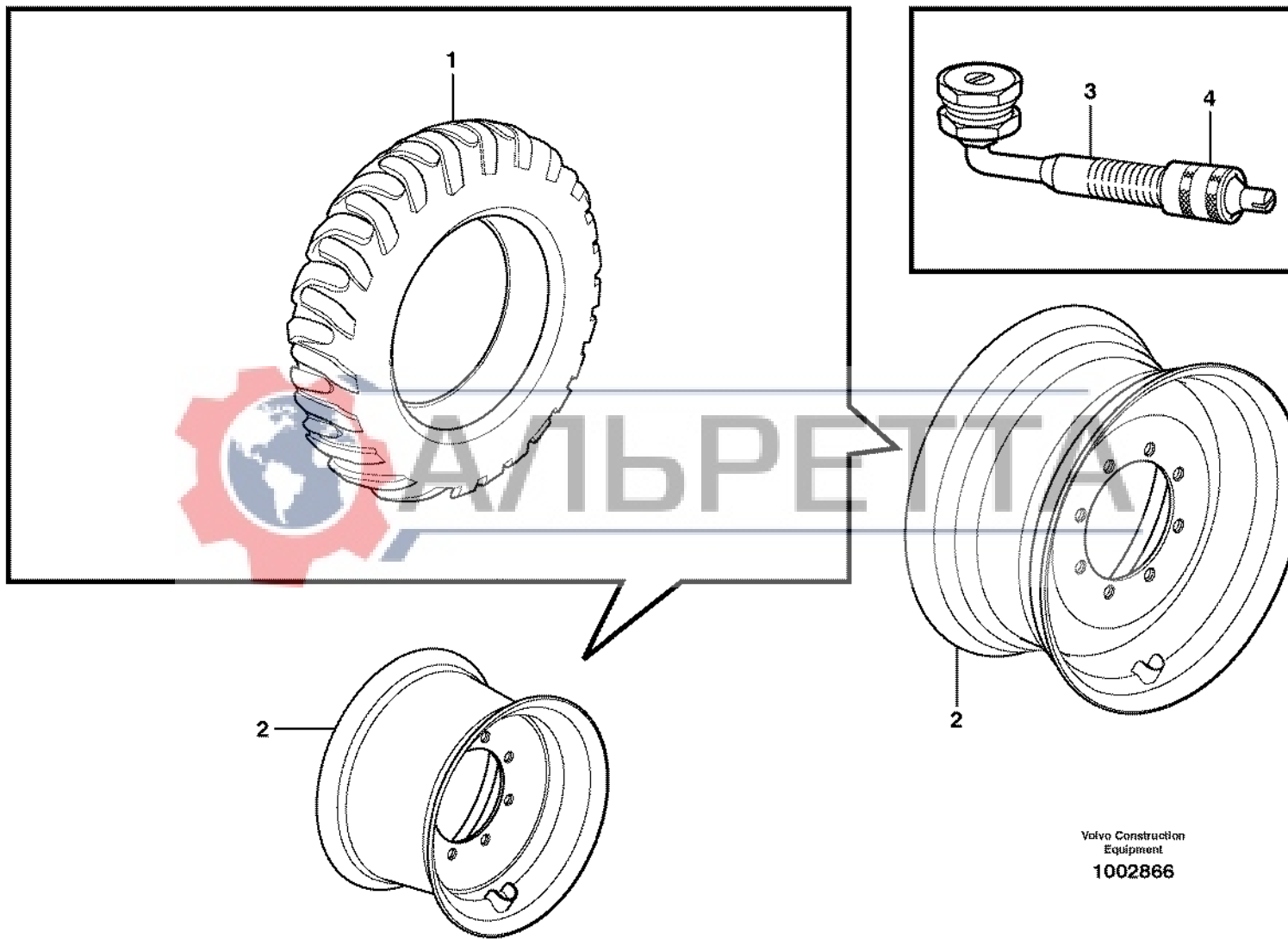
Fig.	Part No.	Quantity					P S	K T	Description	Dénomination	Bezeichnung	Denominación	Benämning	Notes
		1	2	3	4	5								
	VOE 11886838	1							Wheel.....	Roue.....	Rad	Rueda.....	Hjul.....	LH 400/70R20
	VOE 11886837	1							Wheel.....	Roue.....	Rad	Rueda.....	Hjul.....	RH 400/70R20
	VOE 11886836		1						Wheel.....	Roue.....	Rad	Rueda.....	Hjul.....	LH 480/80R26 S/N - 14669
				1			NS		Wheel.....	Roue.....	Rad	Rueda.....	Hjul.....	S/N 14670 -
	VOE 11886835			1					Wheel.....	Roue.....	Rad	Rueda.....	Hjul.....	RH 480/80R26 S/N - 14669
					1		NS		Wheel.....	Roue.....	Rad	Rueda.....	Hjul.....	RH 480/80R26 S/N 14670 -
1	VOE 11886833	1							•Tire	•Pneu.....	•Reifen	•Neumatico	•Däck.....	400/70R20
	VOE 11886834		1						•Tire	•Pneu.....	•Reifen	•Neumatico	•Däck.....	480/80R26
2	VOE 11881832	1							•Rim	•Jante	•Radfelge	•Llania.....	•Fälg.....	20"
	VOE 11881835		1						•Rim	•Jante	•Radfelge	•Llania.....	•Fälg.....	26"
														S/N - 14669
	VOE 11888016		1						•Wheel	•Roue	•Rad	•Rueda.....	•Hjul.....	26"
														S/N 14670 -
3	VOE 784076	1	1						•Valve	•Soupape.....	•Ventil.....	•Valvula	•Ventil.....	
4	VOE 4789869	1	1						•Cap.....	•Chapeau	•Verschlusskappe	•Caperuza.....	•Hatt.....	



1	11891477 FRONT	Hjul	Catalogue id	Group
2	11891477 REAR	Rueda	20002	771
3		Rad	Illustr. No	Section
4		Roue	1002866	140
5		Wheel	Issue	Page
			VOE 63H9920002	429

VOLVO

BL71



Volvo Construction
Equipment
1002866

Fig.	Part No.	Quantity					P S	K I T	Description	Dénomination	Bezeichnung	Denominación	Benämning	Notes
		1	2	3	4	5								
		1					NS	Wheel.....	Roue.....	Rad	Rueda.....	Hjul.....	LH AGRI. 400/70X20	
		1					NS	Wheel.....	Roue.....	Rad	Rueda.....	Hjul.....	RH AGRI.400/70X20	
			1				NS	Wheel.....	Roue.....	Rad	Rueda.....	Hjul.....	LH AGRI. 440/80X28	
			1				NS	Wheel.....	Roue.....	Rad	Rueda.....	Hjul.....	RH AGRI. 440/80X28	
1	VOE 11886855	1						•Tire	•Pneu.....	•Reifen	•Neumatico	•Däck.....	AGRI. 400/70X20	
	VOE 11886597		1					•Tire	•Pneu.....	•Reifen	•Neumatico	•Däck.....	AGRI. 440/80X28	
2	VOE 11881832	1						•Rim	•Jante	•Radfelge	•Llania.....	•Fälg.....	20"	
	VOE 11885862		1					•Rim	•Jante	•Radfelge	•Llania.....	•Fälg.....	28"	
3	VOE 784076	1						•Valve	•Soupape.....	•Ventil.....	•Valvula	•Ventil.....		
4	VOE 4789869	1	1					•Cap	•Chapeau	•Verschlusskappe ...	•Caperuza.....	•Hatt.....		
5	VOE 11883475		1					•Inner tube	•Chambre a air	•Innenschlauch	•Camara-de-aire	•Innerslang.....		



1	11891313 FRONT	Hjul	Catalogue id	Group
2	11891313 REAR	Rueda	20002	771
3		Rad	Illustr. No	Section
4		Roue	1002866	150
5		Wheel	Issue	Page
		AGRICULTURAL	VOE 63H9920002	431

VOLVO

BL71

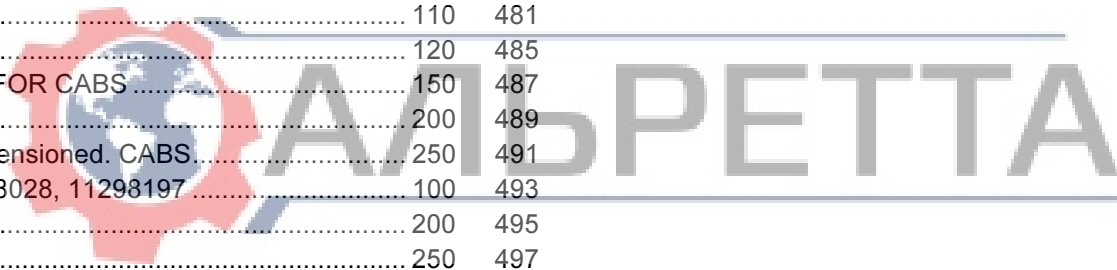


VOLVO

АЛЬРЕТТА

Construction Equipment

GROUP	Section	Page	GROUP	Section	Page
810	Cab body: roof and floor panel.....	150	439	881	Radio bracket 150 515
818	Cab mounting block	100	443	881	Vandalism kit 11298032..... 200 517
821	Engine hood.....	100	445	882	Interior components 100 519
823	Radiator casing.....	100	449	882	Cover for servo valves 11880005 300 523
825	Fenders 11298028, 11298029, 11298197.....	100	451	882	Cover for Pilot Excavator Controls 400 525
825	Fender, front 11891325	150	453	896	Toolbox SER NO -11564 100 529
825	Splashguards, protective plates.....	200	455	896	Toolbox SER NO 11565- 110 531
827	Step handle canopy 11298029	100	457	896	Tool 11891152 150 533
827	Foot step	150	459	896	Stop block holder 200 535
831	Door with fitting parts 11298028, 11298197	100	461	897	Sign plates and decals 100 537
841	Rear view mirror.....	100	467	897	Decals WARNING..... 150 541
841	Rear view mirror.....	150	469		
843	Glass panes	100	471		
843	Windows 11294005, 11298197	150	473		
851	Interior components 11298018, 11298028	150	477		
852	Operator seat with fitting parts	100	479		
852	Operator's seat.....	110	481		
852	Operator's seat.....	120	485		
852	Operator's seat CLOTH SEATS FOR CABS.....	150	487		
852	Operator's seat ROPS	200	489		
852	Operator's seat, heated, air suspensioned. CABS.....	250	491		
872	Heating system 11298018, 11298028, 11298197	100	493		
872	Air ducts 11298018	200	495		
872	Air ducts 11298028, 11298197	250	497		
873	Cab heater 11298028, 11298197	100	501		
873	Radiator and control.....	150	503		
873	Cab heater with connectors 11298028, 11298197	200	505		
874	Air conditioning 11298018	100	507		
874	Evaporator, assembly 11298018	350	509		
874	Assembly hoses: Evaporator, receiver drier, condenser. 11298018	450	511		
881	Instrument panel	100	513		



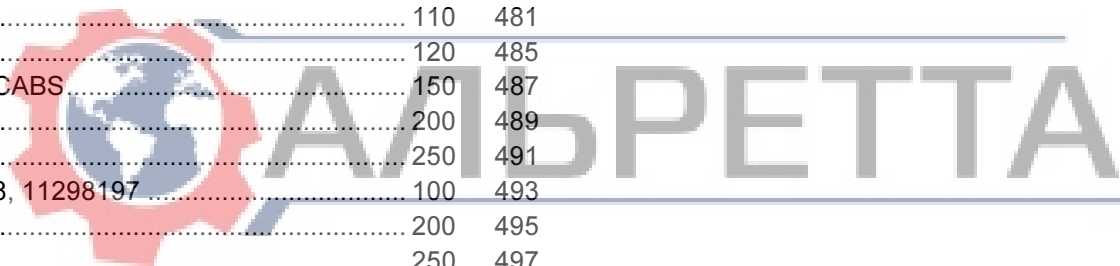
INDEX OF CONTENTS	Catalogue id 20002	Group 800
	Issue VOE 63H9920002	Page 433



TABLE DES MATIÈRES				Catalogue id 20002	Group 800
				Issue VOE 63H9920002	Page 434
GROUPE	Section	Page	GROUPE	Section	Page

810	Corps de cabine: toit et tôle plancher	150	439	881	Console radio	150	515
818	Suspension de cabine.....	100	443	881	Kit de protection antivandalisme 11298032	200	517
821	Capot moteur	100	445	882	Pieces d'amenagement.....	100	519
823	Boitier radiateur.....	100	449	882	Capot pour servovalve 11880005	300	523
825	Garde - boue 11298028, 11298029, 11298197	100	451	882	Capotage, servocommande creusement	400	525
825	Aile, AV 11891325	150	453	896	Caisse outil SER NO -11564.....	100	529
825	Pare-boue, tôles de protection.....	200	455	896	Caisse outil SER NO 11565-.....	110	531
827	Poignée d'accès, cabine ouverte 11298029	100	457	896	Outil 11891152.....	150	533
827	Marche-pied	150	459	896	Support de rangement pour cales de blocage des roues	200	535
831	Porte avec pièces de montage 11298028, 11298197	100	461	897	Enseignes et décalcomanies	100	537
841	Retroviseur.....	100	467	897	Calcomanies WARNING.....	150	541
841	Retroviseur.....	150	469				
843	Vitres.....	100	471				
843	Fenêtres 11294005, 11298197	150	473				
851	Pieces d'amenagement 11298018, 11298028.....	150	477				
852	Siège conducteur avec pièces de montage	100	479				
852	Siège du conucteur	110	481				
852	Siège du conucteur	120	485				
852	Siège du conucteur CLOTH SEATS FOR CABS.....	150	487				
852	Siège du conucteur ROPS.....	200	489				
852	Siège du conducteur suspension pneumatique. CABS	250	491				
872	Système du chauffage 11298018, 11298028, 11298197	100	493				
872	Canalisation d'air 11298018.....	200	495				
872	Canalisation d'air 11298028, 11298197.....	250	497				
873	Chauffe-cabine 11298028, 11298197	100	501				
873	Radiateur et réglage	150	503				
873	Chauffe-cabine avec raccords 11298028, 11298197	200	505				
874	Climatisation 11298018	100	507				
874	Evaporateur, montage 11298018	350	509				
874	Montage flexibles, evaporateur, deshydrateurcondenseur 11298018450		511				
881	Tableau de bord.....	100	513				

GRUPPE	Abschnitt	Seite	GRUPPE	Abschnitt	Seite
810 Fahrerhausgerippe: Dach und Bodenblech.....	150	439	881 Radioträger	150	515
818 Kabinenaufhängung.....	100	443	881 Vandalisierungsschutz 11298032.....	200	517
821 Motorhaube.....	100	445	882 Innenausstattung.....	100	519
823 Kühlerhaube.....	100	449	882 Haube für Servoventil 11880005.....	300	523
825 Kotflügel 11298028, 11298029, 11298197	100	451	882 Abdeckung für vorgesteuerte Bagger-Bedienelemente	400	525
825 Kotflügel, vorn 11891325.....	150	453	896 Werkzeugkasten SER NO -11564	100	529
825 Spritzschutz, Schutzbleche.....	200	455	896 Werkzeugkasten SER NO 11565-	110	531
827 Einstieg, Überrollbügel 11298029.....	100	457	896 Werkzeug 11891152	150	533
827 Trittleiter	150	459	896 Stoppklotzhalter	200	535
831 Tür mit Anbauteilen 11298028, 11298197.....	100	461	897 Schilder und aufklebeschild	100	537
841 Rückspiegel	100	467	897 Aufklebeschild WARNING.....	150	541
841 Rückspiegel	150	469			
843 Fensterscheibe	100	471			
843 Fenster 11294005, 11298197.....	150	473			
851 Innenausstattung 11298018, 11298028	150	477			
852 Fahrersitz mit Anbauteilen	100	479			
852 Fahrersitz	110	481			
852 Fahrersitz	120	485			
852 Fahrersitz CLOTH SEATS FOR CABS.....	150	487			
852 Fahrersitz ROPS.....	200	489			
852 Fahrersitz, Luftfedert. CABS	250	491			
872 Heizsystem 11298018, 11298028, 11298197	100	493			
872 Luftkanäle 11298018	200	495			
872 Luftkanäle 11298028, 11298197	250	497			
873 Kabinenheizung 11298028, 11298197	100	501			
873 Heizkörper und Regler	150	503			
873 Fahrerhausheizung mit anschlusse 11298028, 11298197	200	505			
874 Klimaanlage 11298018	100	507			
874 Verdampfer, Anbauteilen 11298018	350	509			
874 Anbauteilen schlauch, verdampfer, entfeuchter 11298018.....	450	511			
881 Instrumententafel	100	513			



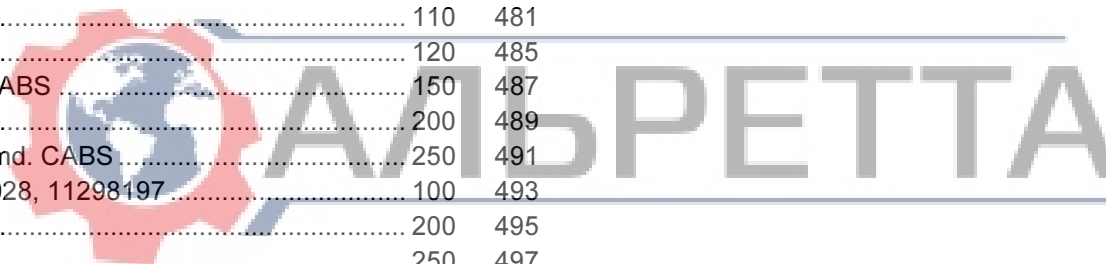
INHALTSVERZEICHNIS	Catalogue id 20002	Group 800
	Issue VOE 63H9920002	Page 435



INDICE		Catalogue id 20002	Group 800		
		Issue VOE 63H9920002	Page 436		
GRUPO	Sección	Página	GRUPO	Sección	Página

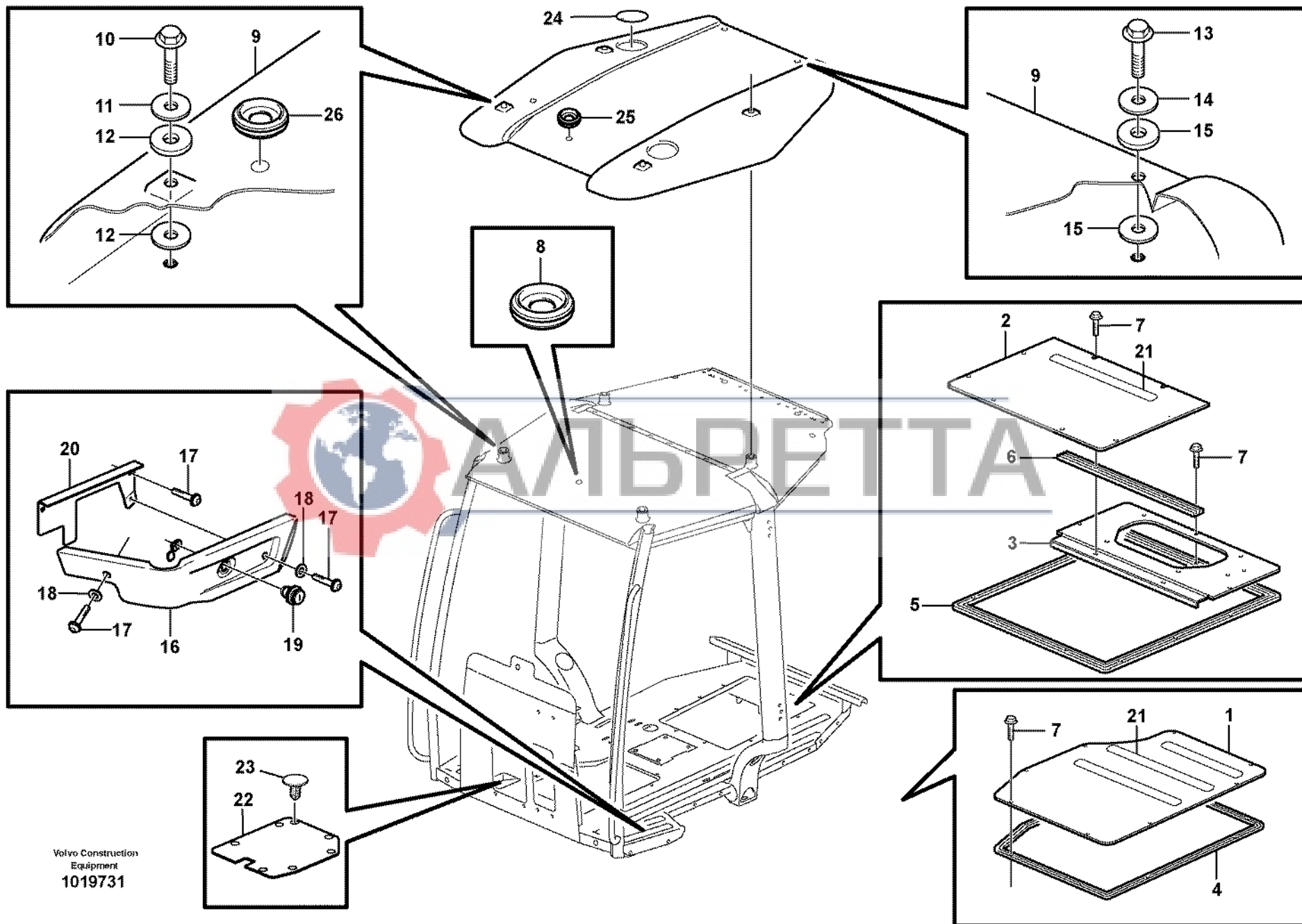
810	Cuerpo de cabina: techo y plancha de piso.....	150	439	881	Panel de radio	150	515
818	Suspensión de cabina.....	100	443	881	Protección contra vandalismo 11298032	200	517
821	Capo	100	445	882	Detalles interiores	100	519
823	Cubierta del radiador	100	449	882	Cubierta para servoválvula 11880005	300	523
825	Guardabarros 11298028, 11298029, 11298197	100	451	882	Tapa de mandos piloto de excavadora	400	525
825	Guardabarros, delantero 11891325.....	150	453	896	Caja de herramientas SER NO -11564.....	100	529
825	Parabarros, chapas de protección	200	455	896	Caja de herramientas SER NO 11565-.....	110	531
827	Asidero de entrada protección contra vuelcos 11298029.....	100	457	896	Herramienta 11891152	150	533
827	Escalón de acceso.....	150	459	896	Soporte de calzos	200	535
831	Puerta con accesorios de montaje 11298028, 11298197.....	100	461	897	Muestras y decalcomanías.....	100	537
841	Retrovisor.....	100	467	897	Calcomanías WARNING.....	150	541
841	Retrovisor.....	150	469				
843	Ventanillas	100	471				
843	Ventanas 11294005, 11298197.....	150	473				
851	Detalles interiores 11298018, 11298028	150	477				
852	Asiento del conductor con piezas de montaje	100	479				
852	Asiento del conductor	110	481				
852	Asiento del conductor	120	485				
852	Asiento del conductor CLOTH SEATS FOR CABS	150	487				
852	Asiento del conductor ROPS	200	489				
852	Asiento de conducción de suspensión neumática. CABS	250	491				
872	Sistema de calefacción 11298018, 11298028, 11298197	100	493				
872	Conductos de aire 11298018.....	200	495				
872	Conductos de aire 11298028, 11298197	250	497				
873	Calefactor de cabina 11298028, 11298197	100	501				
873	Radiador y reglaje.....	150	503				
873	Calefactor cabina con uniones 11298028, 11298197.....	200	505				
874	Acondicionador de aire 11298018	100	507				
874	Evaporador, montaje 11298018.....	350	509				
874	Montaje mangueras, evaporador, secador, condensador 11298018	450	511				
881	Panel de instrumentos	100	513				

GRUPP	Avsnitt	Sida	GRUPP	Avsnitt	Sida		
810	Hyttstomme: tak och golvplåt.....	150	439	881	Radiokonsol.....	150	515
818	Hyttupphängning.....	100	443	881	Vandalskydd 11298032.....	200	517
821	Motorhuv.....	100	445	882	Inredningsdetaljer.....	100	519
823	Kylarkåpa.....	100	449	882	Kåpa för servventil 11880005.....	300	523
825	Stänkskärmar 11298028, 11298029, 11298197.....	100	451	882	Lucka för pilotstyrda grävreglage.....	400	525
825	Stänkskärm, fram 11891325.....	150	453	896	Verktygslåda SER NO -11564.....	100	529
825	Stänkskydd, skyddsplåtar.....	200	455	896	Verktygslåda SER NO 11565-.....	110	531
827	Instegshandtag version med soltak 11298029.....	100	457	896	Verktyg 11891152.....	150	533
827	Fotsteg.....	150	459	896	Stoppklosshållare.....	200	535
831	Dörr med monteringsdetaljer 11298028, 11298197.....	100	461	897	Skyltar och dekaler.....	100	537
841	Backspeglar.....	100	467	897	Dekaler WARNING.....	150	541
841	Backspeglar.....	150	469				
843	Rutor.....	100	471				
843	Fönster 11294005, 11298197.....	150	473				
851	Inredningsdetaljer 11298018, 11298028.....	150	477				
852	Förarstol med monteringsdetaljer.....	100	479				
852	Förarstol.....	110	481				
852	Förarstol.....	120	485				
852	Förarstol CLOTH SEATS FOR CABS.....	150	487				
852	Förarstol ROPS.....	200	489				
852	Luftfjädrande förarstol, Eluppvärmd. CABS.....	250	491				
872	Värmesystem 11298018, 11298028, 11298197.....	100	493				
872	Luftkanaler 11298018.....	200	495				
872	Luftkanaler 11298028, 11298197.....	250	497				
873	Hyttvärmare 11298028, 11298197.....	100	501				
873	Radiator och reglage.....	150	503				
873	Hyttvärmare med anslutningar 11298028, 11298197.....	200	505				
874	Luftkonditionering 11298018.....	100	507				
874	Evaporator, montering 11298018.....	350	509				
874	Montering slangar: Evaporator, torkare, kondensor. 11298018.....	450	511				
881	Instrumentpanel.....	100	513				



INNEHÅLLSFÖRTECKNING	Catalogue id 20002	Group 800
	Issue VOE 63H9920002	Page 437

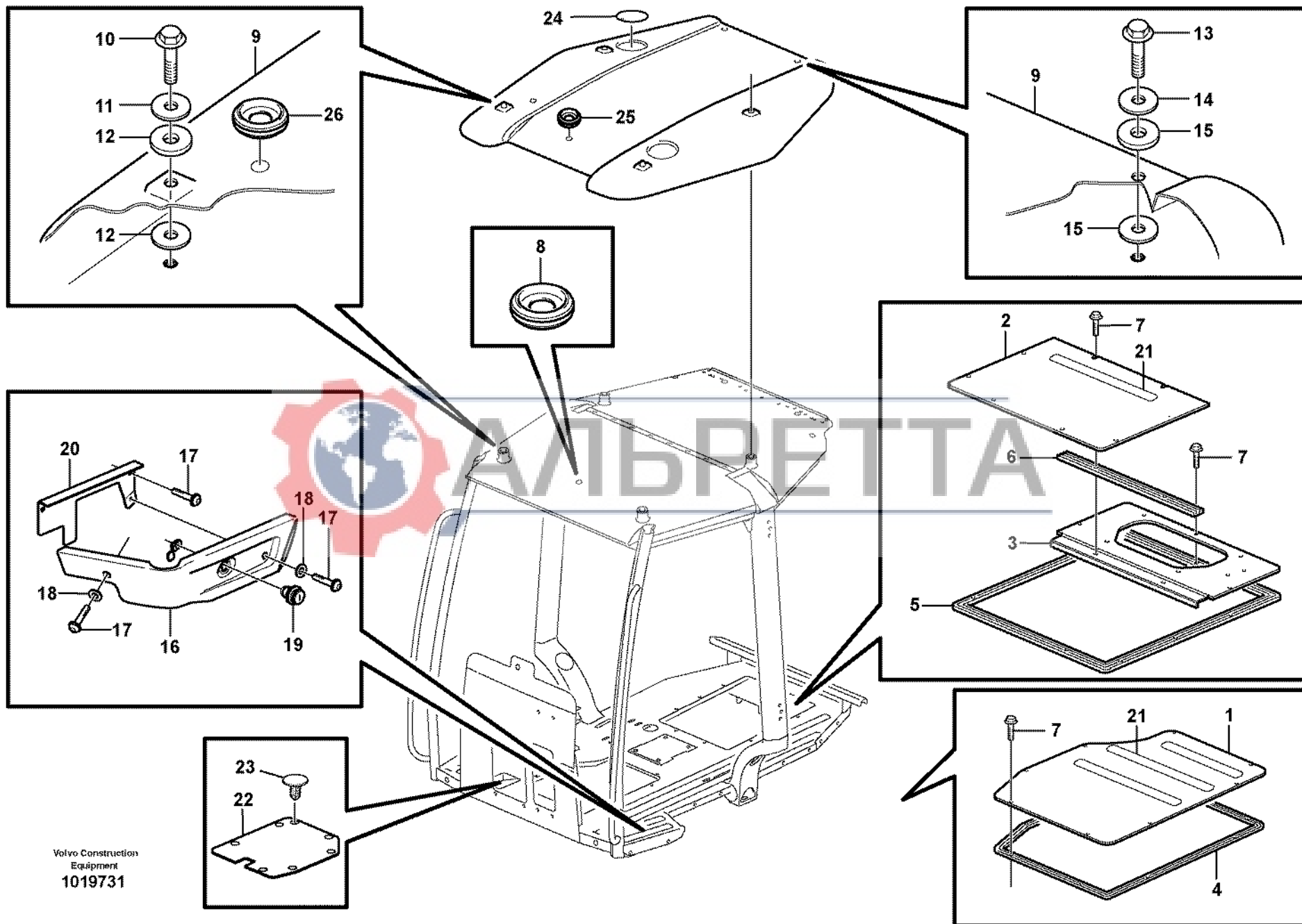




Volvo Construction
 Equipment
 1019731

Fig.	Part No.	Quantity			P S	K I T	Description	Dénomination	Bezeichnung	Denominación	Benämning	Notes
		1	2	3								
	VOE 11203253	1					Cab framework.....	Carcasse cabine	FH-Gerippe	Armazon cabina	Hyttstomme.....	
	VOE 11203683		1				Cab framework.....	Carcasse cabine	FH-Gerippe	Armazon cabina	Hyttstomme.....	
1	VOE 11200797	1					Hatch.....	Trappe.....	Luke	Tapa	Lucka.....	SER NO -11597
1	VOE 11203487	1					Hatch.....	Trappe.....	Luke	Trampilla	Lucka.....	SER NO 11598-
1	VOE 11200797		1				Hatch.....	Trappe.....	Luke	Tapa	Lucka.....	
2	VOE 11201163	1					Hatch.....	Trappe.....	Luke	Trampilla	Lucka.....	SER NO -11597
2	VOE 11203491	1					Hatch.....	Trappe.....	Luke	Trampilla	Lucka.....	SER NO 11598-
2	VOE 11201163		1				Hatch.....	Trappe.....	Luke	Trampilla	Lucka.....	
3	VOE 11200851	1	1				Plate.....	Plaque.....	Platte.....	Placa	Platta.....	
4	VOE 11104947	REQ	REQ				Sealing strip	Lisse etancheite	Dichtleiste.....	Moldura reten	Tättningslist.....	L = 1800 MM
5	VOE 11104947	REQ	REQ				Sealing strip	Lisse etancheite	Dichtleiste.....	Moldura reten	Tättningslist.....	L = 2100 MM
6	VOE 11104947	REQ	REQ				Sealing strip	Lisse etancheite	Dichtleiste.....	Moldura reten	Tättningslist.....	L = 460 MM
7	VOE 13947542	19	19				Screw.....	Vis	Schraube.....	Tornillo	Skruv.....	
8	VOE 941267	1					Plug.....	Bouchon.....	Stopfen.....	Tapon	Plugg.....	
9	VOE 11200004	1					Roof.....	Toit.....	Dach.....	Techo	Tak.....	
10	VOE 974428	4					Flange screw.....	Vis à bride.....	Flanschschraube.....	Torn embridado.....	Flänsskruv.....	
11	VOE 955905	4					Washer.....	Rondelle.....	Scheibe	Arandela.....	Bricka.....	
12	VOE 11200002	8					Spacer.....	Entretoise.....	Abstandkörper.....	Distanciador.....	Distans.....	
13	VOE 946440	2					Flange screw.....	Vis à bride.....	Flanschschraube.....	Torn embridado.....	Flänsskruv.....	
14	VOE 13960143	2					Washer.....	Rondelle.....	Scheibe	Arandela.....	Bricka.....	
15	VOE 11149399	4					Seal.....	Joint.....	Dichtung.....	Reten.....	Tätning.....	
16	VOE 11200556	1					Side Panel.....	Panneau Lateral.....	Seit Verkl.....	Panel Lateral.....	Sidopanel.....	LH
	VOE 11201171	1					Side Panel.....	Panneau Lateral.....	Seit Verkl.....	Panel Lateral.....	Sidopanel.....	RH
17	VOE 972421	9					Screw.....	Vis	Schraube.....	Tornillo	Skruv.....	
18	VOE 955892	5					Washer.....	Rondelle.....	Scheibe	Arandela.....	Bricka.....	
19		1					Lock Cylinder.....	Barille serrure.....	Schliesszyl.....	Cilindro Cierre.....	Låscylinder.....	See group 821, Page 445
20	VOE 11201172	1					Anchorage.....	Fixation.....	Halterung.....	Fijacion.....	Fäste.....	LH
20	VOE 11201036	1					Anchorage.....	Fixation.....	Halterung.....	Fijacion.....	Fäste.....	RH
21	VOE 11203449	REQ					Tape.....	Scotch.....	Klebeband.....	Cinta.....	Tape.....	
22	VOE 11886362		1				Plate.....	Plaque.....	Platte.....	Placa	Platta.....	

1	11294005, 11298197	Hyttstomme: tak och golvplåt. Cuerpo de cabina: techo y plancha de piso. Fahrerhausgerippe: Dach und Bodenblech. Corps de cabine: toit et tôle plancher. Cab body: roof and floor panel.	Catalogue id	Group
2	11298207		20002	810
3	11891255		Illustr. No	Section
4			1019731	150
5			Issue	Page
			VOE 63H9920002	439



Volvo Construction
 Equipment
 1019731

Fig.	Part No.	Quantity			P S	K I T	Description	Dénomination	Bezeichnung	Denominación	Benämning	Notes
		1	2	3								
23	VOE 11881360					7	Retainer	Retenue	Halter.....	Soporte.....	Hållare	
24	VOE 11200459	2					Attaching Plate.....	Fer Fixation	Befestigungsglasche	Plato Fijacion.....	Fästjärn.....	
25	VOE 13961965	1	1	1			Protecting Plug.....	Tampon Protect.	Sicher Stöpsel.....	Tapon Protec.....	Skyddspropp.....	11880005 SER NO 12427-
26	VOE 941268	1	1	1			Plug.....	Bouchon.....	Stopfen.....	Tapon	Plugg.....	11880005 SER NO 12427-



1	11294005, 11298197	Hyttstomme: tak och golvplåt. Cuerpo de cabina: techo y plancha de piso. Fahrerhausgerippe: Dach und Bodenblech. Corps de cabine: toit et tôle plancher. Cab body: roof and floor panel.	Catalogue id	Group
2	11298207		20002	810
3	11891255		Illustr. No	Section
4			1019731	150
5			Issue	Page
			VOE 63H9920002	441

VOLVO

BL71



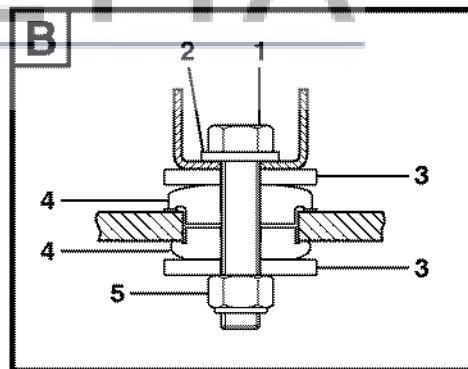
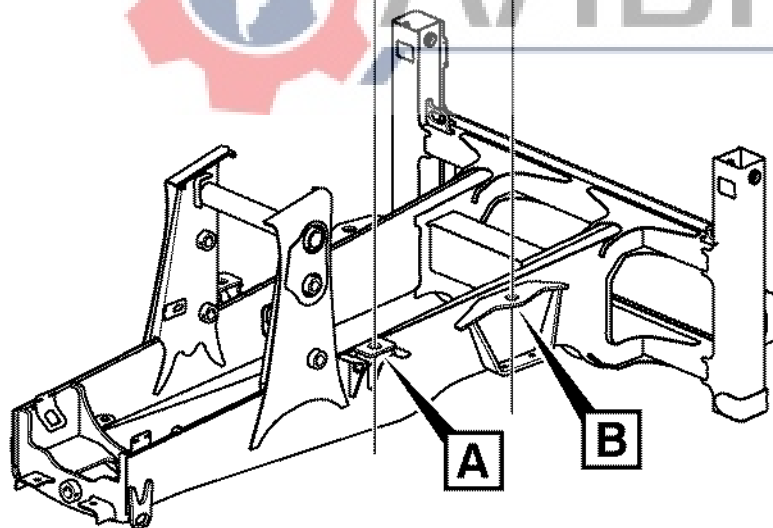
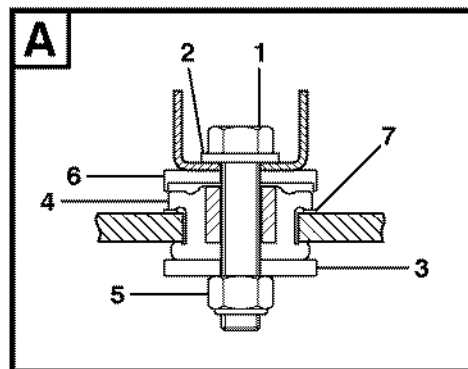
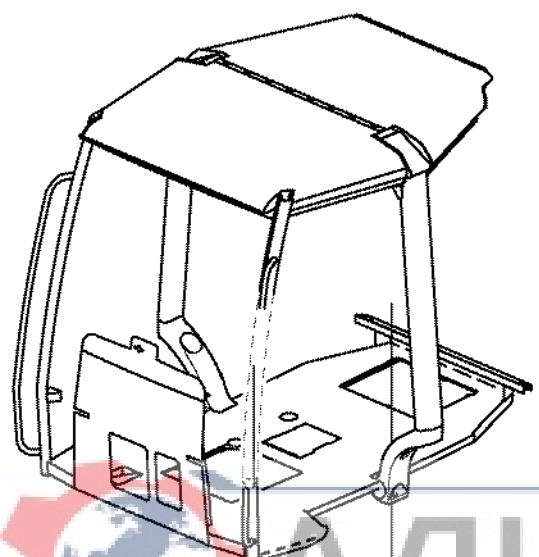


Fig.	Part No.	Quantity			P S	K I T	Description	Dénomination	Bezeichnung	Denominación	Benämning	Notes
		1	2	3								
1	VOE 978953	2				Screw	Vis	Schraube	Tornillo	Skruv		
	VOE 983299		2			Hexagon screw	Vis a tête hexagonale	Sechskantschr.....	Tornillo hexago.....	Sexkantsskruv.....		
2	VOE 11055616	2	2			Washer.....	Rondelle	Scheibe	Arandela	Bricka.....		
3	VOE 11881773	2				Washer.....	Rondelle	Scheibe	Arandela	Bricka.....		
	11884531		4			Washer.....	Rondelle	Scheibe	Arandela	Bricka.....		
4	VOE 11883856	2				Base.....	Pied	Fuss	Base	Fot.....		
	VOE 11884520		4			Base.....	Pied	Fuss	Base	Fot.....		
5	VOE 963111	2	2			Lock nut	Contre-ecrou	Sicherungsmutter	Contratuerca	Låsmutter.....		
6	VOE 11883939	2				Washer.....	Rondelle	Scheibe	Arandela	Bricka.....		
7	VOE 11885690	2				Washer.....	Rondelle	Scheibe	Arandela	Bricka.....	(VOE 11884195)	

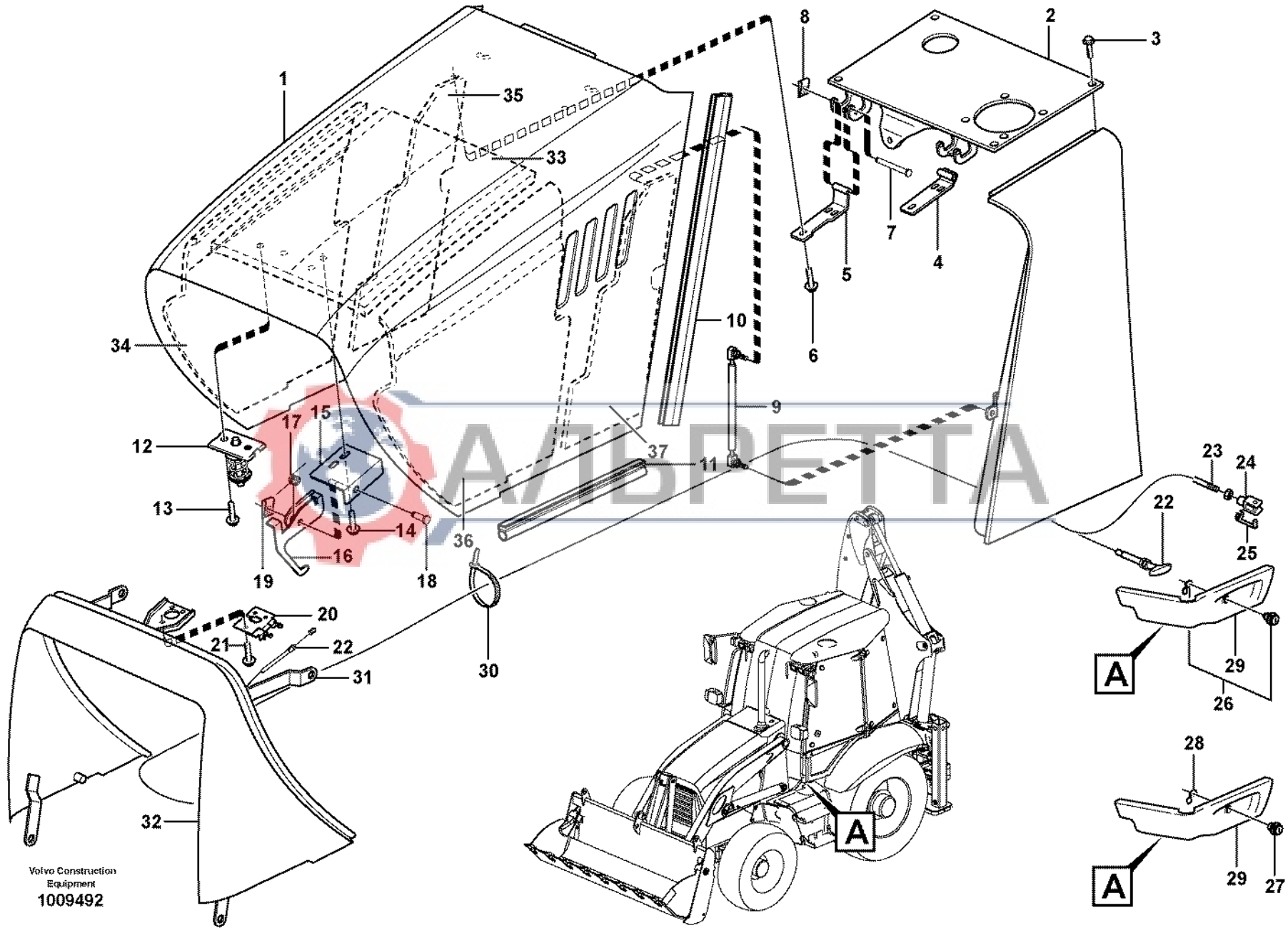


1	FRONT	Hyttupphängning Suspensión de cabina Kabinenaufhängung Suspension de cabine Cab mounting block	Catalogue id	Group
2	REAR		20002	818
3			Illustr. No	Section
4			1006670	100
5			Issue	Page
			VOE 63H9920002	443

VOLVO

BL71





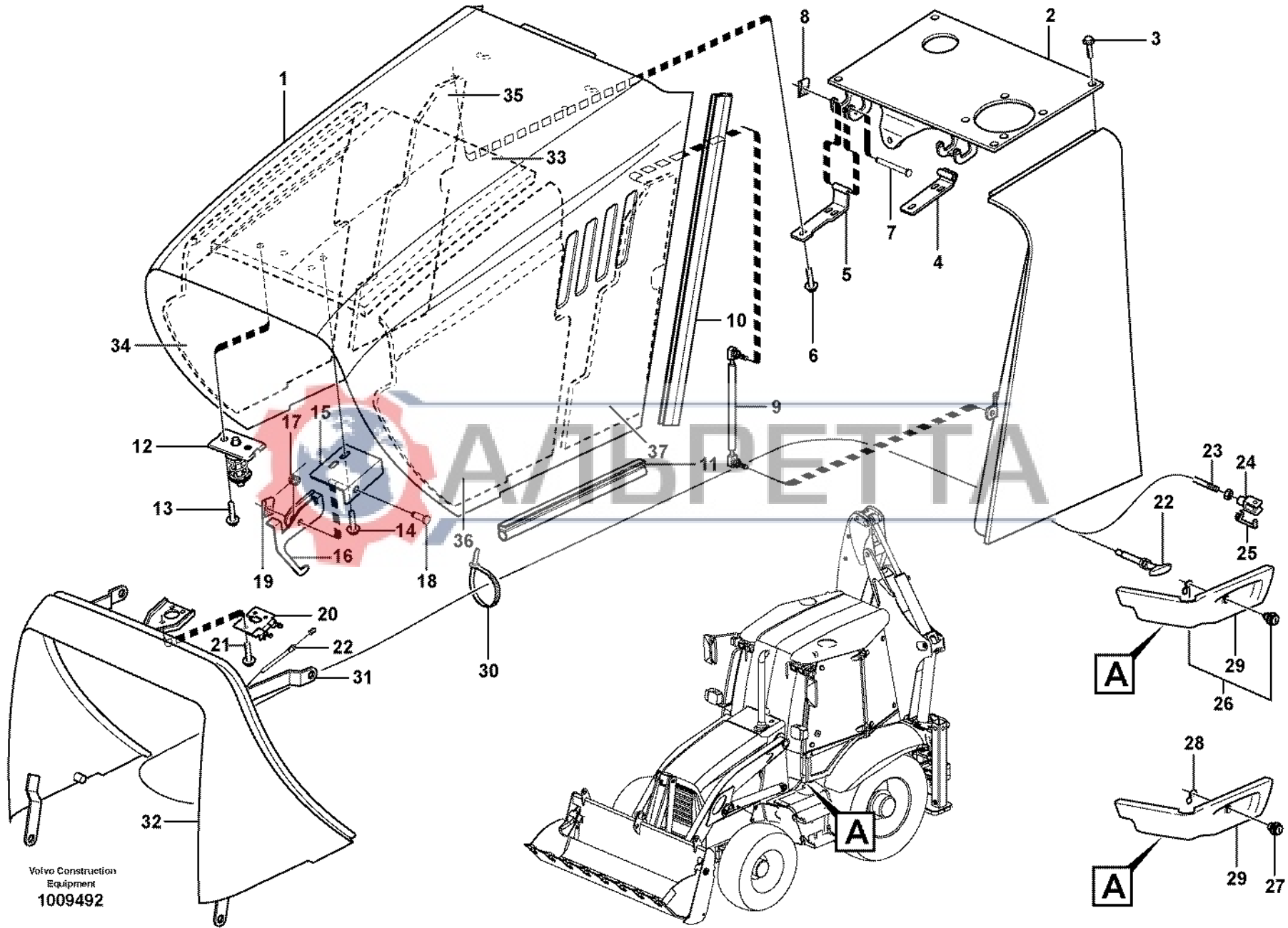
Volvo Construction
 Equipment
 1009492

Fig.	Part No.	Quantity			P S	K I T	Description	Dénomination	Bezeichnung	Denominación	Benämning	Notes
		1	2	3								
1	VOE 11882980	1				Hood	Capot Moteur	Motorhaube	Tapa motor	Motorhuv.....		
2	VOE 11882408	1				Top Plate.....	Tole Superieure	Deckblech	Placa Superior.....	Överplåt.....	SER NO -11796, 11803	
2	VOE 11886377	1				Top Plate.....	Tole Superieure	Deckblech	Placa Superior.....	Överplåt.....	SER NO 11797-11802, 11804-	
	VOE 11887626	REQ				Shim.....	Cale d'épaisseur	Passscheibe.....	Arandela Ajuste	Passbricka.....		
3	VOE 13947760	4				Flange screw.....	Vis à bride	Flanschschaube.....	Torn embridado	Flänsskruv.....		
4	VOE 11881237	1				Hinge.....	Charniere	Scharnier.....	Bisagra	Gångjärn.....		
5	VOE 11882965	1				Hinge.....	Charniere	Scharnier.....	Bisagra	Gångjärn.....		
6	VOE 13945444	6				Flange screw.....	Vis à bride	Flanschschaube.....	Torn embridado	Flänsskruv.....		
7	VOE 11883052	2				Pin.....	Goupille.....	Zapfen	Pasador.....	Tapp.....		
8	VOE 943926	2				Lock brace	Etrier de verrouillage	Sperrklinke	Brazo Seguridad	Låsbygel.....		
9	VOE 11884653	2				Gas Spring	Ressort Gaz	Gasfeder	Resorte A Gas	Gasfjäder.....		
10	VOE 11881899	2				Seal.....	Joint	Dichtung	Reten.....	Tätning.....		
11	VOE 11881002	2				Seal.....	Joint	Dichtung	Reten.....	Tätning.....		
12	VOE 11114940	1				Lock Bolt.....	Boulon Verroui.	Sicher Bolzen	Perno Seguridad	Låsbult.....		
13	VOE 13946173	2				Flange screw.....	Vis à bride	Flanschschaube.....	Torn embridado	Flänsskruv.....		
14	VOE 13946173	2				Flange screw.....	Vis à bride	Flanschschaube.....	Torn embridado	Flänsskruv.....		
15	VOE 11885233	1				Bracket.....	Console	Konsole	Ménsula.....	Konsol.....	(VOE 11884632)	
16	VOE 11885234	1				Hook.....	Crochet	Haken	Gancho	Krok.....		
17	VOE 11881351	1				Spring.....	Ressort.....	Feder	Muelle.....	Fjäder.....		
18	VOE 942290	1				Rtng Ring Bolt.....	Boulon Sill Bag.....	Sich.bolzen.....	Perno Circlip.....	Spärringsbult.....		
19	VOE 13942915	1				Safety Brace	Etrier Securite	Sicherungsbugel	Brida Seguridad	Säkringsbygel.....		
20	VOE 11882989	1				Catch.....	Disque Blocage.....	Sperrplatte.....	Disco Bloqueo	Spärrskiva.....		
21	VOE 13965175	3				Screw.....	Vis	Schraube.....	Tornillo	Skruv.....		
22	VOE 11883860	1				Cable.....	Câble.....	Seil	Cable.....	Lina.....	SER NO -11597	
23	VOE 11886250	1				Cable.....	Câble.....	Seil	Cable.....	Lina.....	SER NO 11598-	
24	VOE 11882487	1				Fork.....	Fourche.....	Gabel.....	Horquilla	Gaffel.....	SER NO 11598-	
25	VOE 11882489	1				Pin.....	Clavette.....	Splint	Pasador.....	Sprint.....	SER NO 11598-	
26	VOE 11881549	1				Lock Cylinder	Barille.serrure.....	Schliesszyl	Cilindro Cierre	Låscylinder.....	CPL; SER NO -11597	

1	11880005	Motorhuv Capo Motorhaube Capot moteur Engine hood	Catalogue id	Group
2	11298197		20002	821
3			Illustr. No	Section
4			1009492	100
5			Issue	Page
			VOE 63H9920002	445

VOLVO

BL71



Volvo Construction
 Equipment
 1009492

Fig.	Part No.	Quantity			P S	K I T	Description	Dénomination	Bezeichnung	Denominación	Benämning	Notes
		1	2	3								
26	VOE 11881549		1			Lock Cylinder	Barille.serrure.....	Schliesszyl	Cilindro Cierre	Låscylinder.....	CPL; SER NO 11598-11641, 11645-11648	
27	VOE 11886138		1			Lock	Serrure	Schloss.....	Cierre	Lås.....	SER NO 11642-11644, 11649-	
28	VOE 11886474		1			Lock Plate	Plaque Verroui.	Verschl Platte	Placa Seguridad	Låsplatta.....	SER NO 11642-11644, 11649-	
29		1				Side Panel.....	Panneau Lateral.....	Seit Verkl.....	Panel Lateral	Sidopanel.....	See group 810, Page 439	
30	VOE 4881438	2				Strip Clamp	Ruban Serrage.....	Kabelbinder	Abraz Cinta	Bandklamma.....	SER NO -11597	
30	VOE 4881438		2			Strip Clamp	Ruban Serrage.....	Kabelbinder	Abraz Cinta	Bandklamma.....	SER NO 11598-	
31		1				Bracket.....	Console.....	Konsole	Ménsula.....	Konsol.....	See group 261, Page 113	
32		1				Nose Part.....	Partie Nez	Frontgeschirr	Parte Delantera	Nosdel.....	See group 823, Page 449	
33	VOE 11883414	1			SS	Insulation.....	Isolant	Isolierung.....	Aislante	Isolering.....		
34	VOE 11883418	1				Insulation.....	Isolant	Isolierung.....	Aislante	Isolering.....		
35	VOE 11883416	1			SS	Insulation.....	Isolant	Isolierung.....	Aislante	Isolering.....		
36	VOE 11883417	1			SS	Insulation.....	Isolant	Isolierung.....	Aislante	Isolering.....		
37	VOE 11883415	1			SS	Insulation.....	Isolant	Isolierung.....	Aislante	Isolering.....		

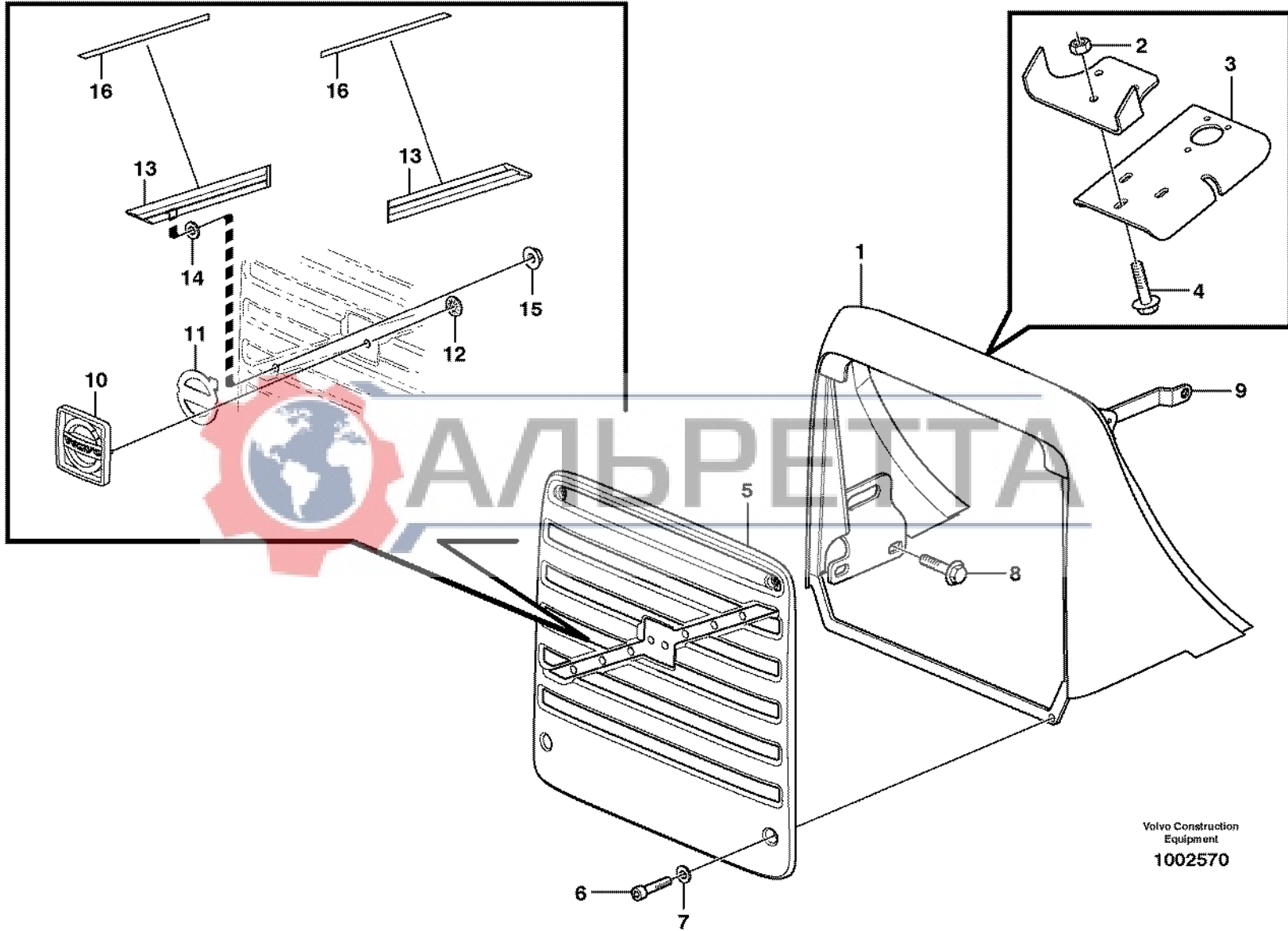


1	11880005	Motorhuv Capo Motorhaube Capot moteur Engine hood	Catalogue id	Group
2	11298197		20002	821
3			Illustr. No	Section
4			1009492	100
5			Issue	Page
			VOE 63H9920002	447

VOLVO

BL71





Volvo Construction
Equipment
1002570

Fig.	Part No.	Quantity			P S	K I T	Description	Dénomination	Bezeichnung	Denominación	Benämning	Notes
		1	2	3								
1	VOE 11883132	1				Nose Part.....	Partie Nez	Frontgeschirr	Parte Delantera	Nosdel.....		
2	VOE 955782	3				•Hexagon Nut.....	•Ecrou Hexagonal	•Sechskantmutter	•Tuerca Hexagon	•Sexkantsmutter.....		
3	VOE 11883678	1				Bracket.....	Console.....	Konsole	Ménsula.....	Konsol.....		
4	VOE 13946173	3				Flange screw.....	Vis à bride	Flanschschraube.....	Torn embridado	Flänsskruv.....		
5	VOE 11881191	1				Radiator grille.....	Calandre radia.	Kühlergrill	Rejilla radiad	Kylargrill.....		
6	VOE 13969599	4				Screw.....	Vis	Schraube.....	Tornillo	Skruv.....		
7	VOE 13955894	4				Washer.....	Rondelle.....	Scheibe	Arandela.....	Bricka.....		
8	VOE 968589	4				Flange screw.....	Vis à bride	Flanschschraube.....	Torn embridado	Flänsskruv.....		
9		2				Bracket.....	Console.....	Konsole	Ménsula.....	Konsol.....	See group 261, Page 113	
10	VOE 11884163	1				Emblem.....	Monogramme	Emblem	Emblema	Emblem.....		
11	VOE 11884214	1				Adhesive	Adhesif	Klebstoff	Adhesivo	Lim.....		
12	VOE 945780	2				Retainer	Retenue	Halter.....	Soporte.....	Hållare.....		
13	VOE 11884154	2				Profile.....	Profile.....	Profil.....	Perfil.....	Profil.....		
14	VOE 949102	6				Washer.....	Rondelle.....	Scheibe	Arandela.....	Bricka.....		
15	VOE 13965483	6				Flange Lock Nut.....	Contre écrou bride	Flanschmutter	Contratuer Embr.....	Flänslåsmutter.....		
16	VOE 11884165	2				Strip.....	Bande.....	Streifen.....	Cinta.....	Band.....		



1		Kylarkåpa Cubierta del radiador Kühlerhaube Boitier radiateur Radiator casing	Catalogue id	Group
2			20002	823
3			Illustr. No	Section
4			1002570	100
5			Issue	Page
			VOE 63H9920002	449

VOLVO

BL71

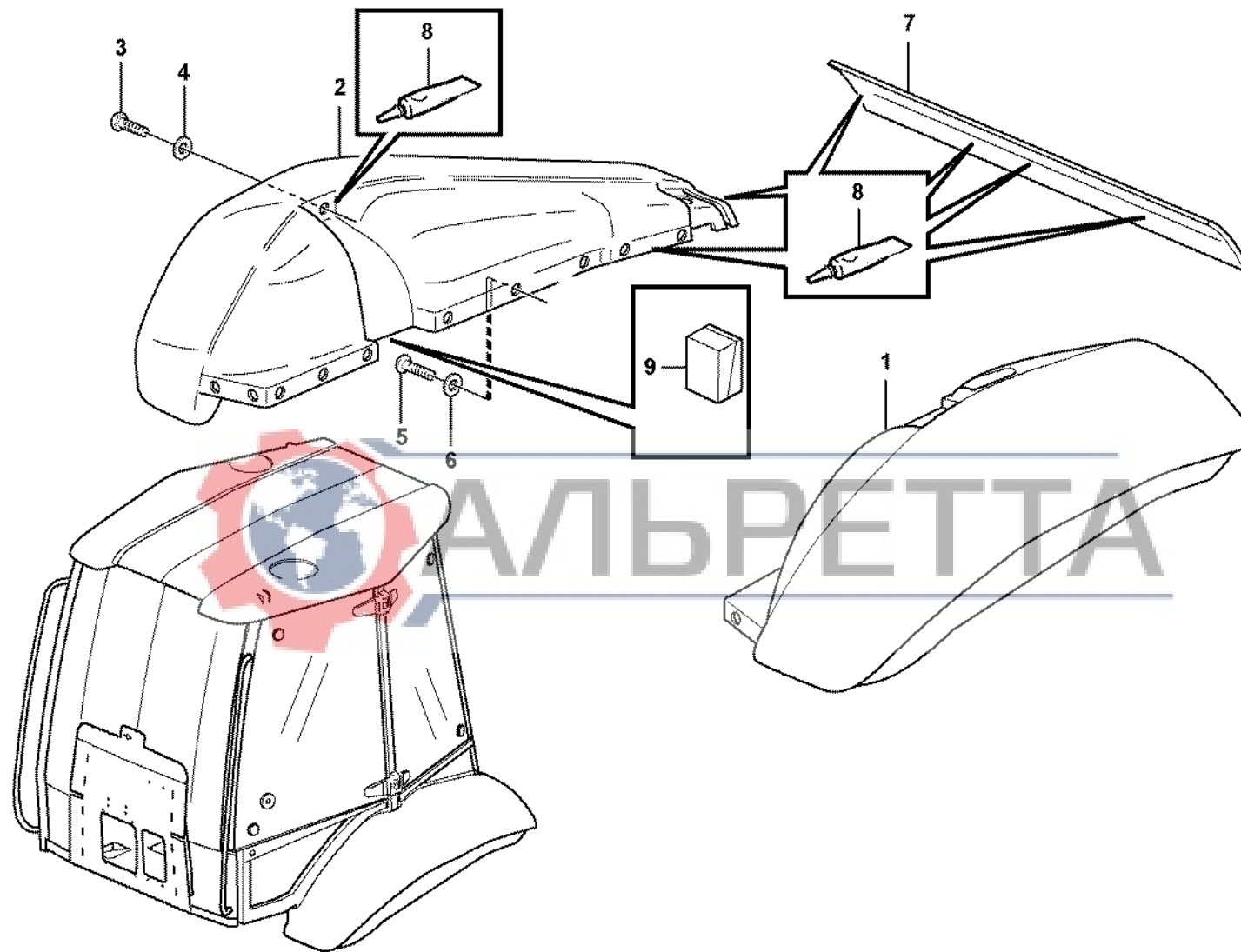


Fig.	Part No.	Quantity			P S	K I T	Description	Dénomination	Bezeichnung	Denominación	Benämning	Notes
		1	2	3								
1	VOE 11149785	1				Fender.....	Aile	Kotflügel	Guardabarro	Stänkskärm.....	LH	
2	VOE 11200890	1			SS	Fender.....	Aile	Kotflügel	Guardabarro	Stänkskärm.....	RH	
3	VOE 13945444	2				Flange screw.....	Vis à bride	Flanschschraube.....	Torn embridado	Flänsskruv.....		
4	VOE 13960141	2				Washer.....	Rondelle	Scheibe	Arandela.....	Bricka.....	(VOE 976944)	
5	VOE 972421	24				Screw	Vis	Schraube.....	Tornillo	Skruv.....		
6	VOE 960139	24				Washer.....	Rondelle	Scheibe	Arandela.....	Bricka.....		
7	VOE 11200222	1				Panel.....	Panneau.....	Verkleidung	Plancha	Panel.....		
8	VOE 11708567	REQ				Adhesive	Adhesif	Klebstoff	Adhesivo	Lim.....		
9	VOE 11201553	REQ				Seal.....	Joint	Dichtung	Reten.....	Tätning.....	Cab only	



1	Stänkskärmar Guardabarro Kotflügel Garde - boue Fenders	Catalogue id	Group
2		20002	825
3		Illustr. No	Section
4		1013212	100
5		Issue	Page
		VOE 63H9920002	451
		11298028, 11298029, 11298197	

VOLVO

BL71



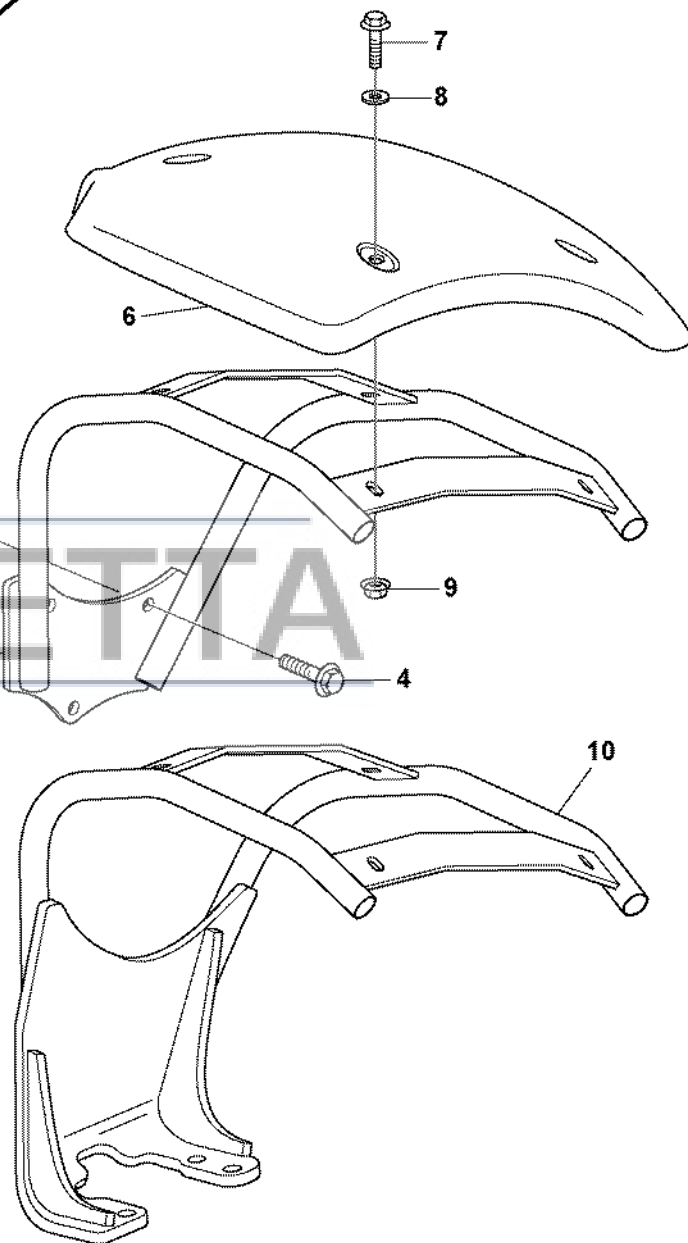
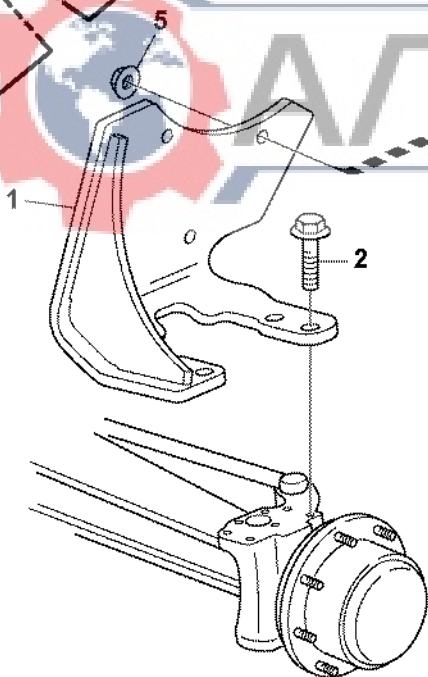
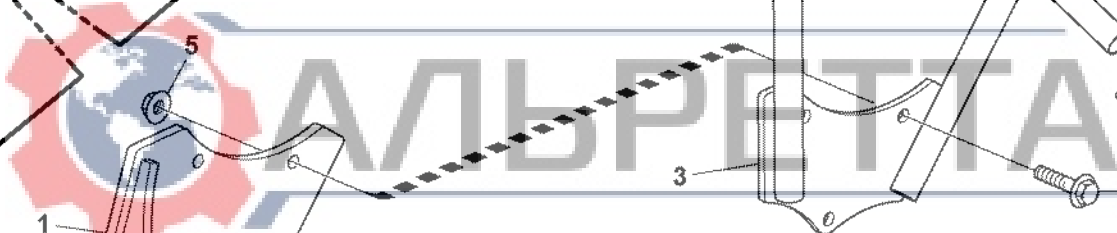
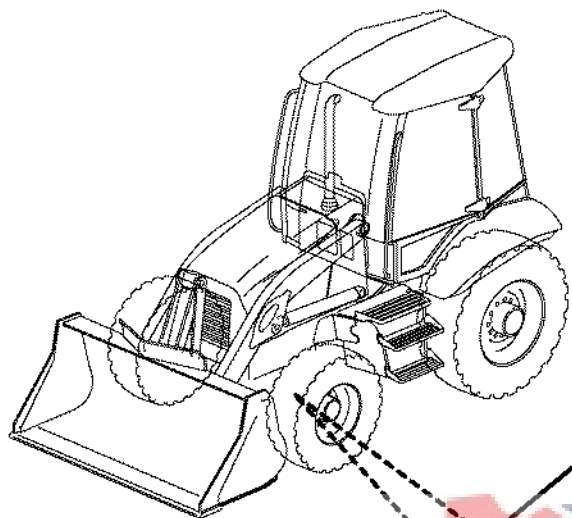


Fig.	Part No.	Quantity			P S	K I T	Description	Dénomination	Bezeichnung	Denominación	Benämning	Notes
		1	2	3								
1	VOE 11885350	1				Bracket.....	Console.....	Konsole	Ménsula.....	Konsol.....	LH; SER NO -12668	
1	VOE 11885351	1				Bracket.....	Console.....	Konsole	Ménsula.....	Konsol.....	RH; SER NO -12668	
2	VOE 968589	8				Flange screw.....	Vis à bride.....	Flanschschraube.....	Torn embridado.....	Flänsskruv.....		
3	VOE 11884365	2				Bracket.....	Console.....	Konsole	Ménsula.....	Konsol.....	SER NO -12668	
4	VOE 13965192	6				Flange screw.....	Vis à bride.....	Flanschschraube.....	Torn embridado.....	Flänsskruv.....	SER NO -12668	
5	VOE 13971096	6				Flange nut.....	Ecrou accouple.....	Bundmutter.....	Tuerca embridada.....	Flänsmutter.....	SER NO -12668	
6	VOE 11884361	2				Front fender	Aile AV	Vorderkotflügel.....	Guardabarro del	Frams-kärm.....		
7	VOE 946329	8				Flange screw.....	Vis à bride.....	Flanschschraube.....	Torn embridado.....	Flänsskruv.....		
8	VOE 13960143	8				Washer.....	Rondelle.....	Scheibe	Arandela.....	Bricka.....		
9	VOE 13971095	8				Flange nut.....	Ecrou accouple.....	Bundmutter.....	Tuerca embridada.....	Flänsmutter.....		
10	VOE 11887187	1				Fender.....	Aile	Kotflügel	Guardabarro	Stänkskärm.....	LH; SER NO 12669-	
10	VOE 11887192	1				Fender.....	Aile	Kotflügel	Guardabarro	Stänkskärm.....	RH; SER NO 12669-	



1	Stänkskärm, fram Guardabarros, delantero Kotflügel, vorn Aile, AV Fender, front 11891325	Catalogue id	Group
2		20002	825
3		Illustr. No	Section
4		1008661	150
5		Issue	Page
		VOE 63H9920002	453

VOLVO

BL71



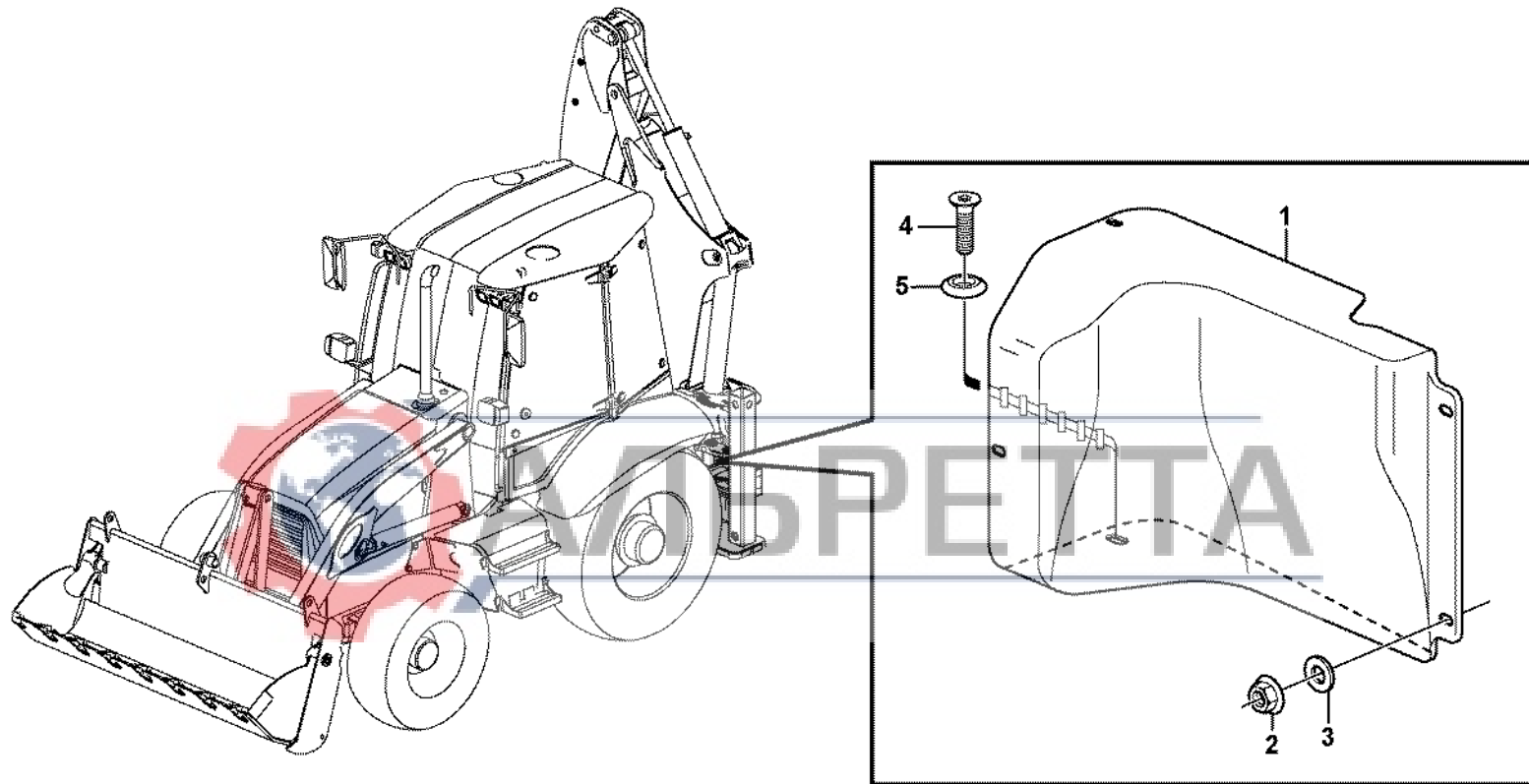


Fig.	Part No.	Quantity			P S	K I T	Description	Dénomination	Bezeichnung	Denominación	Benämning	Notes
		1	2	3								
1	VOE 11884771	1				Fender.....	Aile	Kotflügel	Guardabarro	Stänkskärm.....	LH, SER NO -12437	
1	VOE 11888582	1				Fender.....	Aile	Kotflügel	Guardabarro	Stänkskärm.....	(VOE 11886955) LH, SER NO 12438-	
1	VOE 11884770	1				Fender.....	Aile	Kotflügel	Guardabarro	Stänkskärm.....	RH, SER NO -12437	
1	VOE 11888579	1				Fender.....	Aile	Kotflügel	Guardabarro	Stänkskärm.....	(VOE 11886950) RH, SER NO 12438-	
2	VOE 948645	8				Flange Lock Nut.....	Contre écrou bride	Flanschmutter	Contratuer Embr.....	Flänslåsmutter.....		
3	VOE 13960141	8				Washer.....	Rondelle	Scheibe	Arandela	Bricka.....		
4	VOE 969373	2				6-pt skt screw.....	Vis creuse de 6	Hohlschraube	Racor 6-dientes	Sextandhålskruv.....		
5	VOE 959061	2			OP	Body Washer	Rond.carrosser.	Kaross Scheibe	Arandela Carroc	Karosseribricka.....	SER NO 12438-	

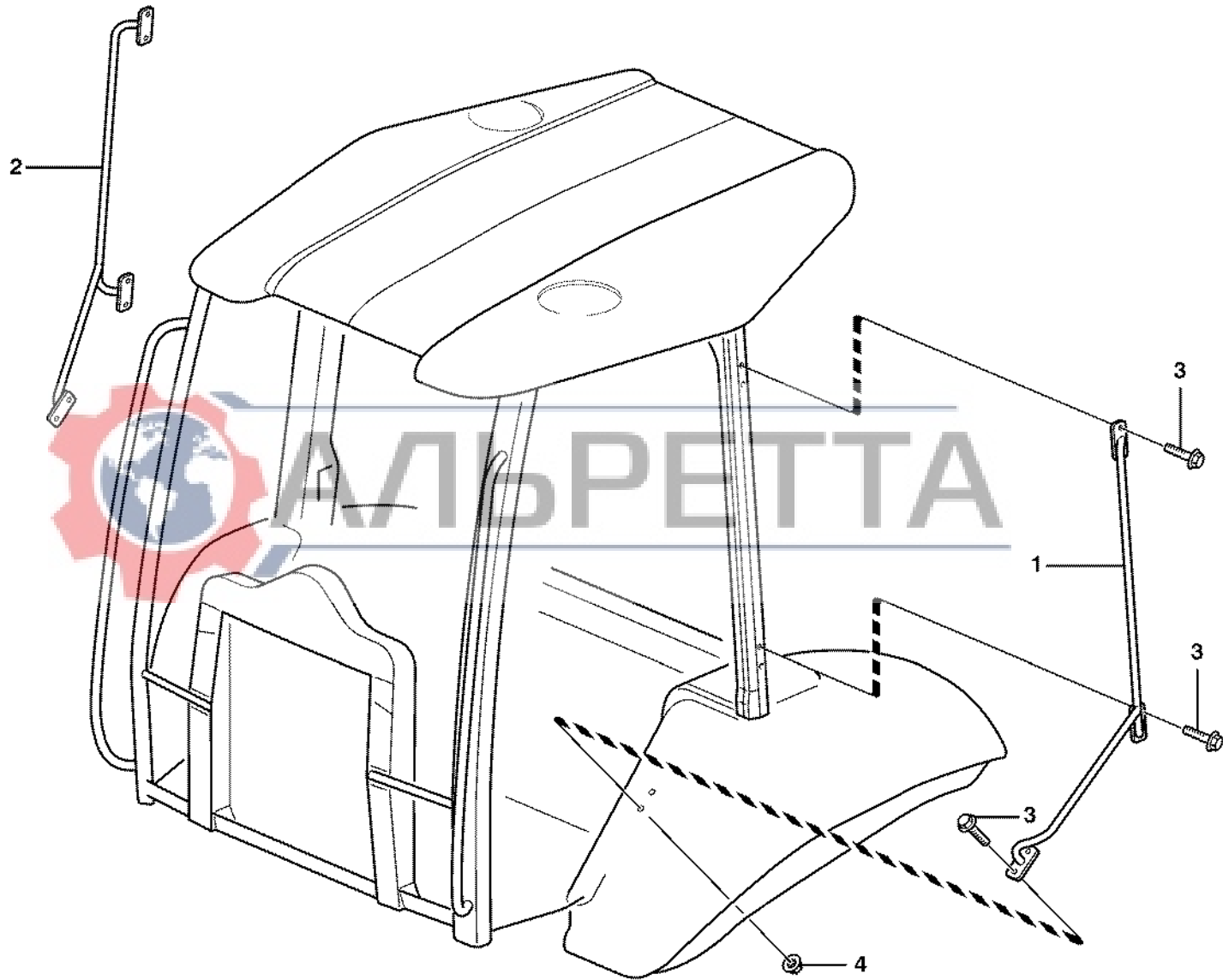


1	Stänkskydd, skyddsplåtar Parabarros, chapas de protección Spritzschutz, Schutzbleche Pare-boue, tôles de protection Splashguards, protective plates	Catalogue id	Group
2		20002	825
3		Illustr. No	Section
4		1005974	200
5		Issue	Page
		VOE 63H9920002	455

VOLVO

BL71





Volvo Construction
Equipment
1001040

Fig.	Part No.	Quantity			P S	K I T	Description	Dénomination	Bezeichnung	Denominación	Benämning	Notes
		1	2	3								
1	VOE 11200658	1					Courtesy Handle	Poignee Entree	Einstieggriff	Manilla Acceso	Instegshandtag.....	LH
2	VOE 11200835	1					Courtesy Handle	Poignee Entree	Einstieggriff	Manilla Acceso	Instegshandtag.....	RH
3	VOE 946671	12					Flange screw.....	Vis à bride	Flanschschraube.....	Torn embridado	Flänsskruv.....	
4	VOE 948645	2					Flange Lock Nut.....	Contre écrou bride	Flanschmutter	Contratuer Embr.....	Flänslåsmutter.....	LH



1	Instegshandtag version med soltak Asidero de entrada protección contra vuelcos Einstieg, Überrollbügel Poignée d'accès, cabine ouverte Step handle canopy	Catalogue id	Group
2		20002	827
3		Illustr. No	Section
4		1001040	100
5		Issue	Page
	11298029	VOE 63H9920002	457

VOLVO

BL71



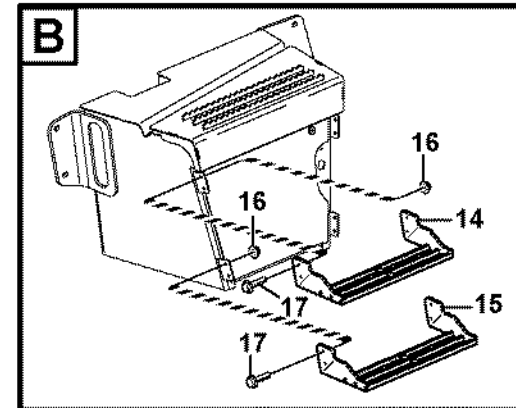
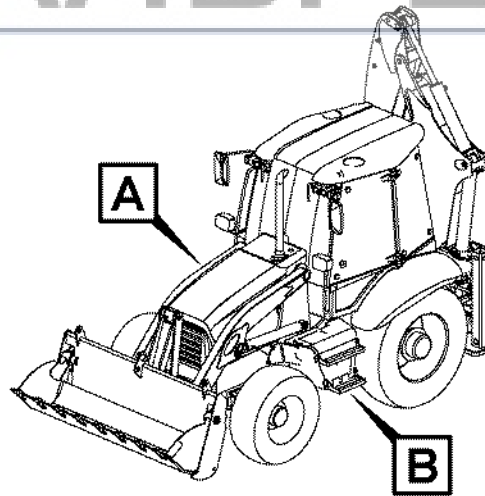
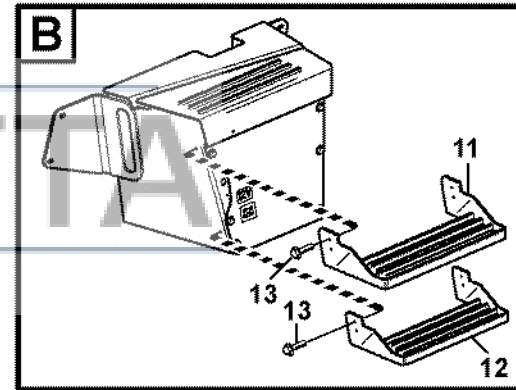
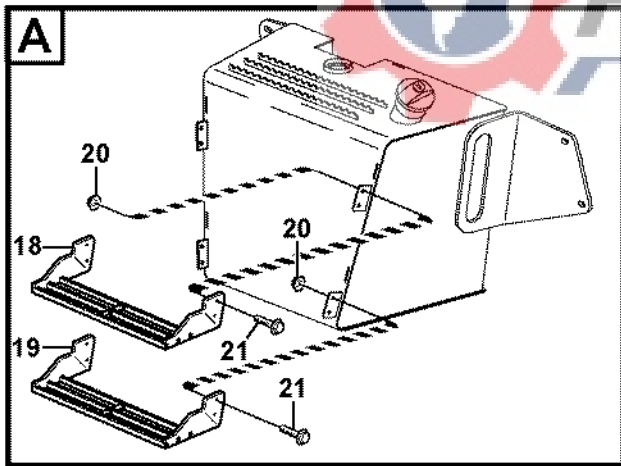
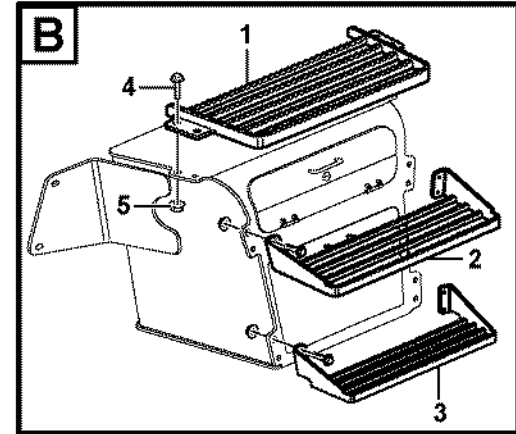
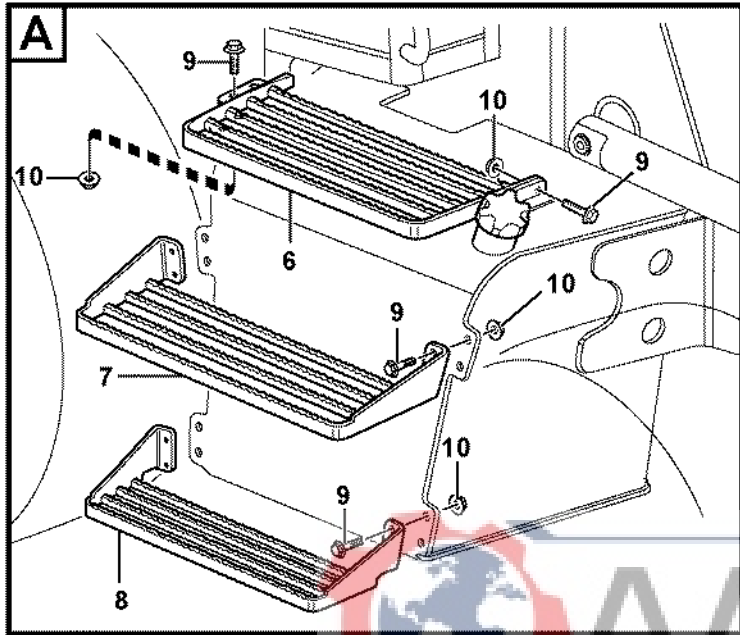


Fig.	Part No.	Quantity			P S	K I T	Description	Dénomination	Bezeichnung	Denominación	Benämning	Notes
		1	2	3								
1	VOE 11882107	1				Step.....	Marche Escalier	Treppenstufe	Escalon	Trappsteg.....	SER NO -11564	
2	VOE 11883232	1				Step.....	Marche Escalier	Treppenstufe	Escalon	Trappsteg.....	SER NO -11564	
3	VOE 11882104	1				Step.....	Marche Escalier	Treppenstufe	Escalon	Trappsteg.....	SER NO -11564	
4	VOE 946329	12				Flange screw.....	Vis à bride	Flanschschraube.....	Torn embridado	Flänsskruv.....	SER NO -11564	
5	VOE 13971098	12				Flange nut.....	Ecrou accouple.	Bundmutter.....	Tuerca embridad	Flänsmutter.....	SER NO -11564	
6	VOE 11883479	1				Step.....	Marche Escalier	Treppenstufe	Escalon	Trappsteg.....	SER NO -12526	
7	VOE 11883232	1				Step.....	Marche Escalier	Treppenstufe	Escalon	Trappsteg.....	SER NO -12526	
8	VOE 11882104	1				Step.....	Marche Escalier	Treppenstufe	Escalon	Trappsteg.....	SER NO -12526	
9	VOE 946329	12				Flange screw.....	Vis à bride	Flanschschraube.....	Torn embridado	Flänsskruv.....	SER NO -12526	
10	VOE 13971098	12				Flange nut.....	Ecrou accouple.	Bundmutter.....	Tuerca embridad	Flänsmutter.....	SER NO -12526	
11	VOE 11886292	1				Step.....	Marche Escalier	Treppenstufe	Escalon	Trappsteg.....	SER NO 11565 - 12546	
12	VOE 11886293	1				Step.....	Marche Escalier	Treppenstufe	Escalon	Trappsteg.....	SER NO 11565 - 12546	
13	VOE 946329	8				Flange screw.....	Vis à bride	Flanschschraube.....	Torn embridado	Flänsskruv.....	SER NO 11565 - 12546	
14	VOE 11886987	1				Step.....	Marche Escalier	Treppenstufe	Escalon	Trappsteg.....	SER NO 12547-	
15	VOE 11886992	1				Step.....	Marche Escalier	Treppenstufe	Escalon	Trappsteg.....	SER NO 12547-	
16	VOE 948645	8				Flange Lock Nut.....	Contre écrou bride	Flanschmutter	Contratuer Embr.....	Flänslåsmutter.....	SER NO 12547-	
17	VOE 13946173	8				Flange screw.....	Vis à bride	Flanschschraube.....	Torn embridado	Flänsskruv.....	SER NO 12547-	
18	VOE 11886987	1				Step.....	Marche Escalier	Treppenstufe	Escalon	Trappsteg.....	SER NO 12527-	
19	VOE 11886992	1				Step.....	Marche Escalier	Treppenstufe	Escalon	Trappsteg.....	SER NO 12527-	
20	VOE 948645	8				Flange Lock Nut.....	Contre écrou bride	Flanschmutter	Contratuer Embr.....	Flänslåsmutter.....	SER NO 12527-	
21	VOE 13946173	8				Flange screw.....	Vis à bride	Flanschschraube.....	Torn embridado	Flänsskruv.....	SER NO 12527-	



1	Fotsteg Escalón de acceso Trittleiter Marche-pied Foot step	Catalogue id	Group
2		20002	827
3		Illustr. No	Section
4		1001057	150
5		Issue	Page
		VOE 63H9920002	459



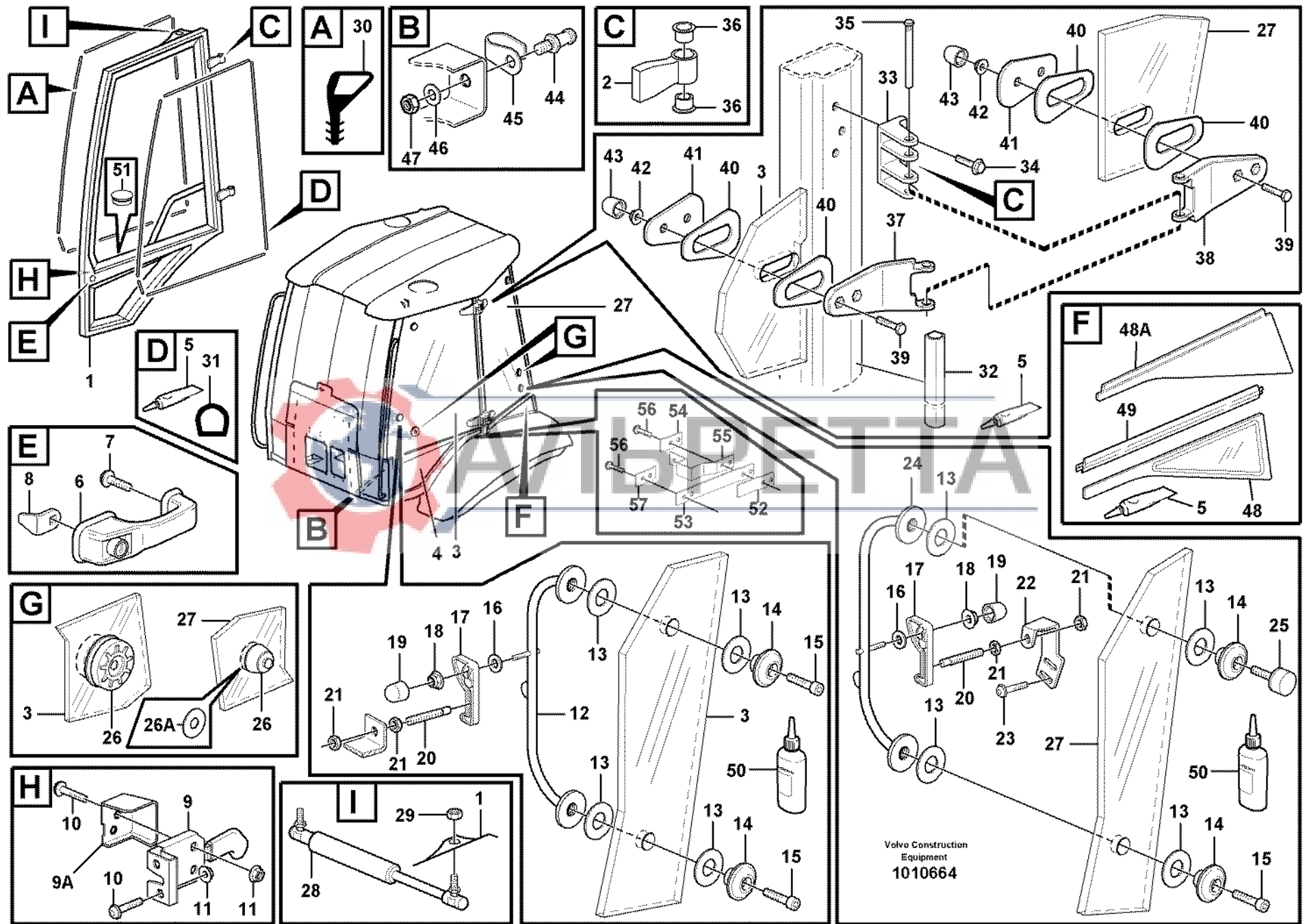


Fig.	Part No.	Quantity			P S	K I T	Description	Dénomination	Bezeichnung	Denominación	Benämning	Notes
		1	2	3								
1	VOE 11203022	1				Door	Porte	Tür	Puerta	Dörr	LH	
	VOE 11203032	1				Door	Porte	Tür	Puerta	Dörr	RH	
2	VOE 11200071	4				•Hinge	•Charniere	•Scharnier	•Bisagra	•Gångjärn		
3		1				Window	Vitre	Fensterscheibe	Ventana	Ruta	LH	
		1				Window	Vitre	Fensterscheibe	Ventana	Ruta	RH	
		1				Window	Vitre	Fensterscheibe	Ventana	Ruta	See group 843, Page 471	
4		1				Window	Vitre	Fensterscheibe	Ventana	Ruta	LH	
		1				Window	Vitre	Fensterscheibe	Ventana	Ruta	See group 843, Page 471	
5	VOE 11708567	REQ				•Adhesive	•Adhesif	•Klebstoff	•Adhesivo	•Lim		
6	VOE 11201846	2				Door Handle	Poignée de porte	Türdrücker	Empunadura de puer	Dörrhandtag		
7	VOE 969147	2				Screw	Vis	Schraube	Tornillo	Skruv		
8	VOE 11200464	2				Lock Lug	Talon Verrouil	Sperrzacken	Talon Cierre	Låsklack		
9	VOE 11202452	1				Door Lock	Serrure Porte	Türschloss	Cerradura Puert	Dörrlås	LH	
	VOE 11202453	1				Door Lock	Serrure Porte	Türschloss	Cerradura Puert	Dörrlås	RH	
9A	VOE 11202353	1				Protection	Protection	Schutz	Proteccion	Skydd	LH	
	VOE 11202354	1				Protection	Protection	Schutz	Proteccion	Skydd	RH	
10	VOE 969587	8				6-pt skt screw	Vis creuse de 6	Hohlschraube	Racor 6-dientes	Sextandhålskruv		
11	VOE 13949278	8				Flange Lock Nut	Contre écrou bride	Flanschmutter	Contratuer Embr	Flänslåsmutter		
12	VOE 11202438	1				Handle	Poignée	Handgriff	Manilla	Handgrepp	LH	
	VOE 11202464	1				Handle	Poignée	Handgriff	Manilla	Handgrepp	RH	
13	VOE 11200244	16				Rubber Washer	Rondelle Caoutchouc	Gummischeibe	Arandela Goma	Gummibricka		
14	VOE 11200246	8				Clamping Plate	Plaque Serrage	Klemmplatte	Placa Apriete	Klämplatta		
15	VOE 959220	6				Allen Hd Screw	Vis A 6 Pans Cr	Inbusschraube	Tom Hex Embut	Insexskruv		
16	VOE 13955894	4				Washer	Rondelle	Scheibe	Arandela	Bricka		
17	VOE 11201071	4				Lock Handle	Poignée Verrou	Schliessgriff	Manilla	Låshandtag		
18	VOE 948645	4				Flange Lock Nut	Contre écrou bride	Flanschmutter	Contratuer Embr	Flänslåsmutter		
19	VOE 11006824	4				Protective cap	Capuchon de protecti	Schutzkappe	Cubierta de protecció	Skyddshatt		

1		Dörr med monteringsdetaljer	Catalogue id	Group
2		Puerta con accesorios de montaje	20002	831
3		Tür mit Anbauteilen	Illustr. No	Section
4		Porte avec pièces de montage	1010664	100
5		Door with fitting parts	Issue	Page
		11298028, 11298197	VOE 63H9920002	461

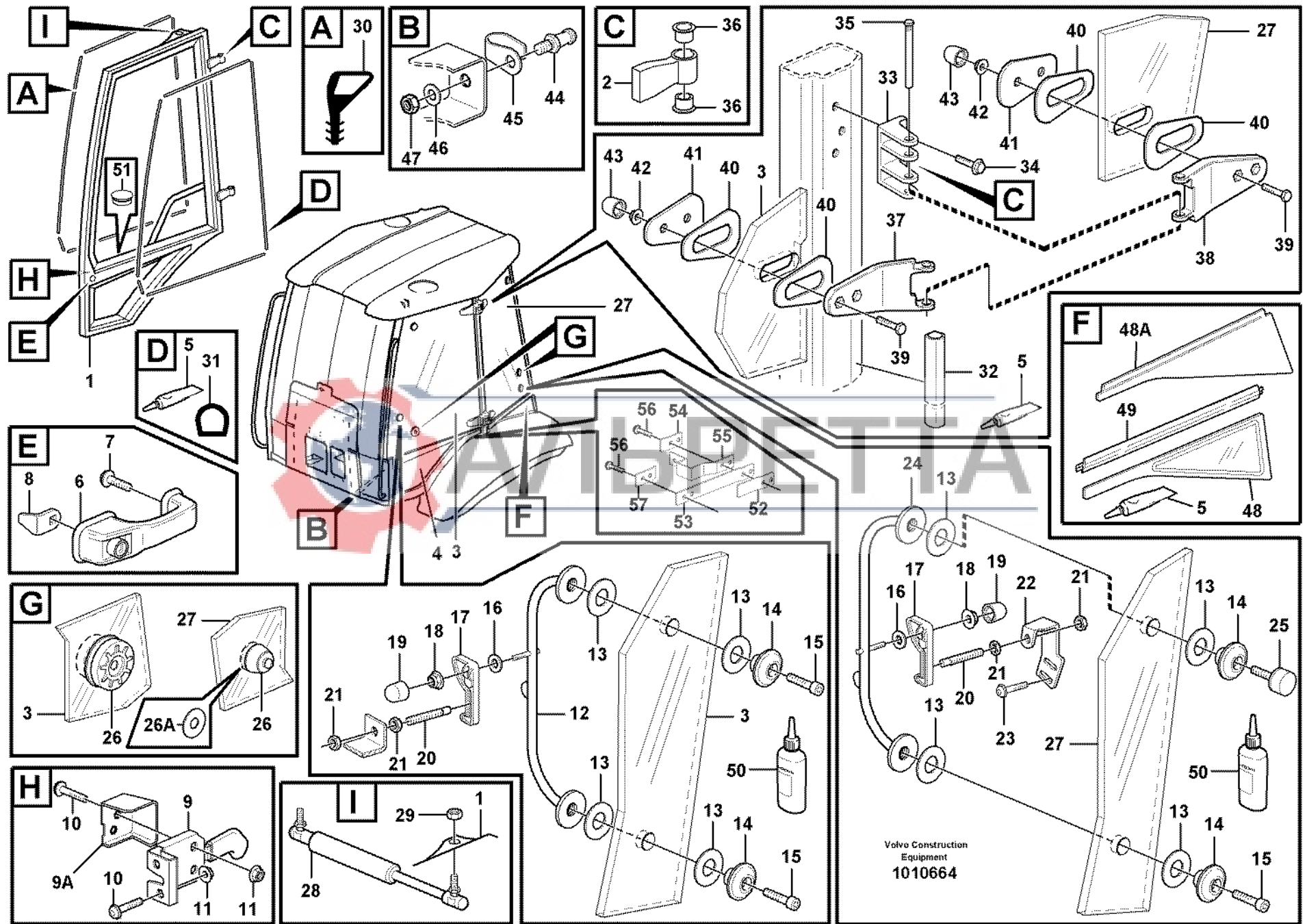


Fig.	Part No.	Quantity			P S	K I T	Description	Dénomination	Bezeichnung	Denominación	Benämning	Notes
		1	2	3								
20	VOE 11202722	4				Shaft.....	Arbre	Welle	Arbol	Axel.....		
21	VOE 983303	8				Nut	Ecrou.....	Mutter	Tuerca	Mutter.....		
22	VOE 11201053	1				Anchorage.....	Fixation	Halterung.....	Fijacion	Fäste.....	LH	
	VOE 11201052	1				Anchorage.....	Fixation	Halterung.....	Fijacion	Fäste.....	RH	
23	VOE 969147	4				Screw	Vis	Schraube.....	Tornillo	Skruv.....		
24	VOE 11200060	1				Handle.....	Poignee.....	Handgriff.....	Manilla.....	Handgrepp.....	LH	
	VOE 11200061	1				Handle.....	Poignee.....	Handgriff.....	Manilla.....	Handgrepp.....	RH	
25	VOE 11200579	2				Absorber	Amortisseur.....	Dämpfer	Amortiguador.....	Dämpare.....		
26	VOE 11200239	2				Locking Device.....	Ens. verrouillage	Verriegelung	Dispos Cierre	Låsanordning.....		
26A	VOE 11200054	2				Spacer.....	Partie Intermédiaire.....	Zwischenstück.....	Espaciador	Mellandel.....		
27		1				Side Window	Fenetre Lat.....	Seitenfenster	Ventana Lateral.....	Sidofönster.....	LH	
		1				Side Window	Fenetre Lat.....	Seitenfenster	Ventana Lateral.....	Sidofönster.....	RH	
											See group 843, Page 471	
											See group 843, Page 471	
28	VOE 11200552	2				Gas Spring	Ressort Gaz	Gasfeder	Resorte A Gas	Gasfjäder.....		
29	VOE 983303	2				Nut	Ecrou.....	Mutter	Tuerca	Mutter.....		
30	VOE 11007421	REQ				Sealing strip	Lisse etancheite	Dichtleiste.....	Moldura reten	Tättningslist.....	2 X L = 4250 MM	
31	VOE 11200633	REQ				Seg moulding	Joint Etancheite	Dichtprofil	Liston reten	Tättningslist.....	2 X L = 3650 MM	
32	VOE 11200633	REQ				Seg moulding	Joint Etancheite	Dichtprofil	Liston reten	Tättningslist.....	2 X L = 3600 MM	
33	VOE 11200077	4				Hinge Anchorage	Fixat.charniere	Scharnierplatte.....	Fijac Bisagra	Gångjärnsfäste.....		
34	VOE 983244	12				Hexagon screw	Vis a tête hexagonale	Sechskantschr.....	Tornillo hexago.....	Sexkantsskruv.....		
35	VOE 11202349	4				Hinge Pin	Axe Charniere	Scharnierstift	Pasador Bisagra.....	Gångjärnspinne.....		
36	VOE 11200634	8				Slide Bearing.....	Palier Glissage	Gleitlager.....	Cojinete Fricci	Glidlager.....		
37	VOE 11200072	4				Hinge.....	Charniere	Scharnier.....	Bisagra	Gångjärn.....		
38	VOE 11200070	4				Hinge.....	Charniere	Scharnier.....	Bisagra	Gångjärn.....		
39	VOE 955297	16				Hexagon screw	Vis tête hexagonale	Sechskantschraube.....	Tornillo hexago.....	Sexkantsskruv.....		
40	VOE 11200059	16				Sealing ring	Bague d'étanchéité	Runddichtring	Anillo reten	Tättningsring.....		
41	VOE 11200081	8				Plate.....	Plaque.....	Platte.....	Placa	Platta.....		
42	VOE 948645	16				Flange Lock Nut.....	Contre écrou bride	Flanschmutter	Contratuer Embr.....	Flänslåsmutter.....		
43	VOE 11006824	16				Protective cap	Capuchon de protecti.....	Schutzkappe	Cubierta de protecció.....	Skyddshatt.....		

1		Dörr med monteringsdetaljer	Catalogue id	Group
2		Puerta con accesorios de montaje	20002	831
3		Tür mit Anbauteilen	Illustr. No	Section
4		Porte avec pièces de montage	1010664	100
5		Door with fitting parts	Issue	Page
		11298028, 11298197	VOE 63H9920002	463

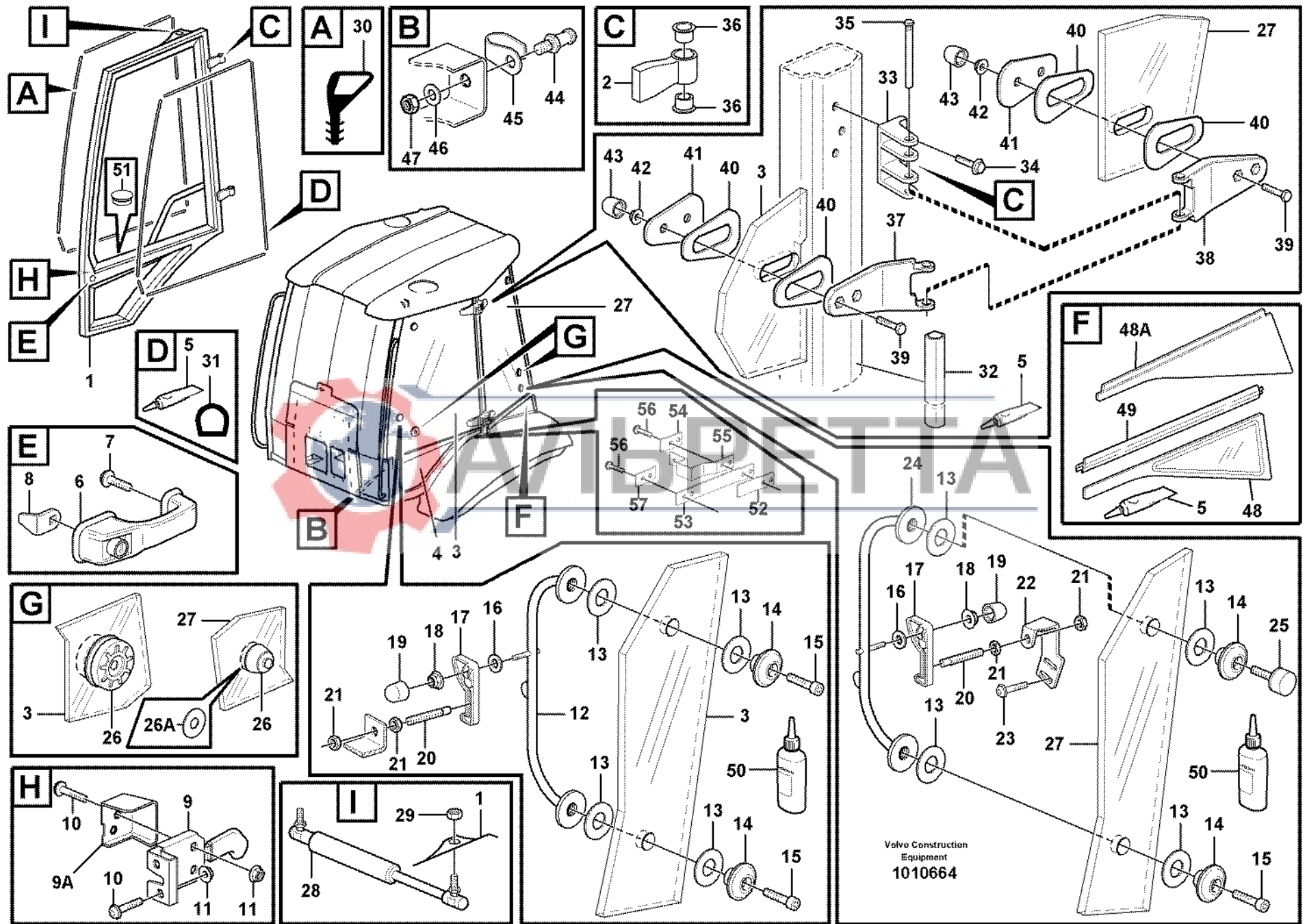


Fig.	Part No.	Quantity			P S	K I T	Description	Dénomination	Bezeichnung	Denominación	Benämning	Notes
		1	2	3								
44	VOE 14340282	2				Lock Bolt.....	Boulon Verroui.....	Sicher Bolzen.....	Perno Seguridad.....	Låsbult.....		
45	VOE 14344720	2				Brace.....	Etrier.....	Bügel.....	Brida.....	Bygel.....		
46	VOE 13955897	2				Washer.....	Rondelle.....	Scheibe.....	Arandela.....	Bricka.....		
47	VOE 946830	2				Hexagon Nut.....	Ecrou Hexagonal.....	Sechskantmutter.....	Tuerca Hexagon.....	Sexkantsmutter.....		
48	VOE 11200615	1				Window.....	Vitre.....	Fensterscheibe.....	Ventana.....	Ruta.....	SER NO -11421	
48A	VOE 11203345	1				Side Plate.....	Tole Laterale.....	Seitenwandblech.....	Placa Lateral.....	Sidoplåt.....	SER NO 11422-	
49	VOE 11200617	1			OP	Edge Stiffening.....	Renfort Bord.....	Kant Absteifg.....	Estiram Canto.....	Kantförstyvning.....	SER NO -11421	
50	VOE 11200847	1				Locking Fluid.....	Liquide Blocage.....	Sich.flussigk.....	Liquido Sellad.....	Låsvätska.....		
51	VOE 4881293	2				Protecting Plug.....	Tampon Protect.....	Sicher Stöpsel.....	Tapon Protecc.....	Skyddspropp.....		
52	VOE 11202062	2				Rubber Plate.....	Plaque Caoutchouc.....	Gummiplatte.....	Placa Goma.....	Gummiplatta.....		
53	VOE 11200580	2				Strip.....	Bande.....	Streifen.....	Cinta.....	Band.....		
54	VOE 11200611	1				Anchorage.....	Fixation.....	Halterung.....	Fijacion.....	Fäste.....		
55	VOE 11200885	1				Anchorage.....	Fixation.....	Halterung.....	Fijacion.....	Fäste.....		
56	VOE 972421	8				Screw.....	Vis.....	Schraube.....	Tornillo.....	Skruv.....		
57	VOE 11200611	2				Anchorage.....	Fixation.....	Halterung.....	Fijacion.....	Fäste.....		



1	Dörr med monteringsdetaljer Puerta con accesorios de montaje Tür mit Anbauteilen Porte avec pièces de montage Door with fitting parts	Catalogue id	Group
2		20002	831
3		Illustr. No	Section
4		1010664	100
5		Issue	Page
	11298028, 11298197	VOE 63H9920002	465

VOLVO

BL71



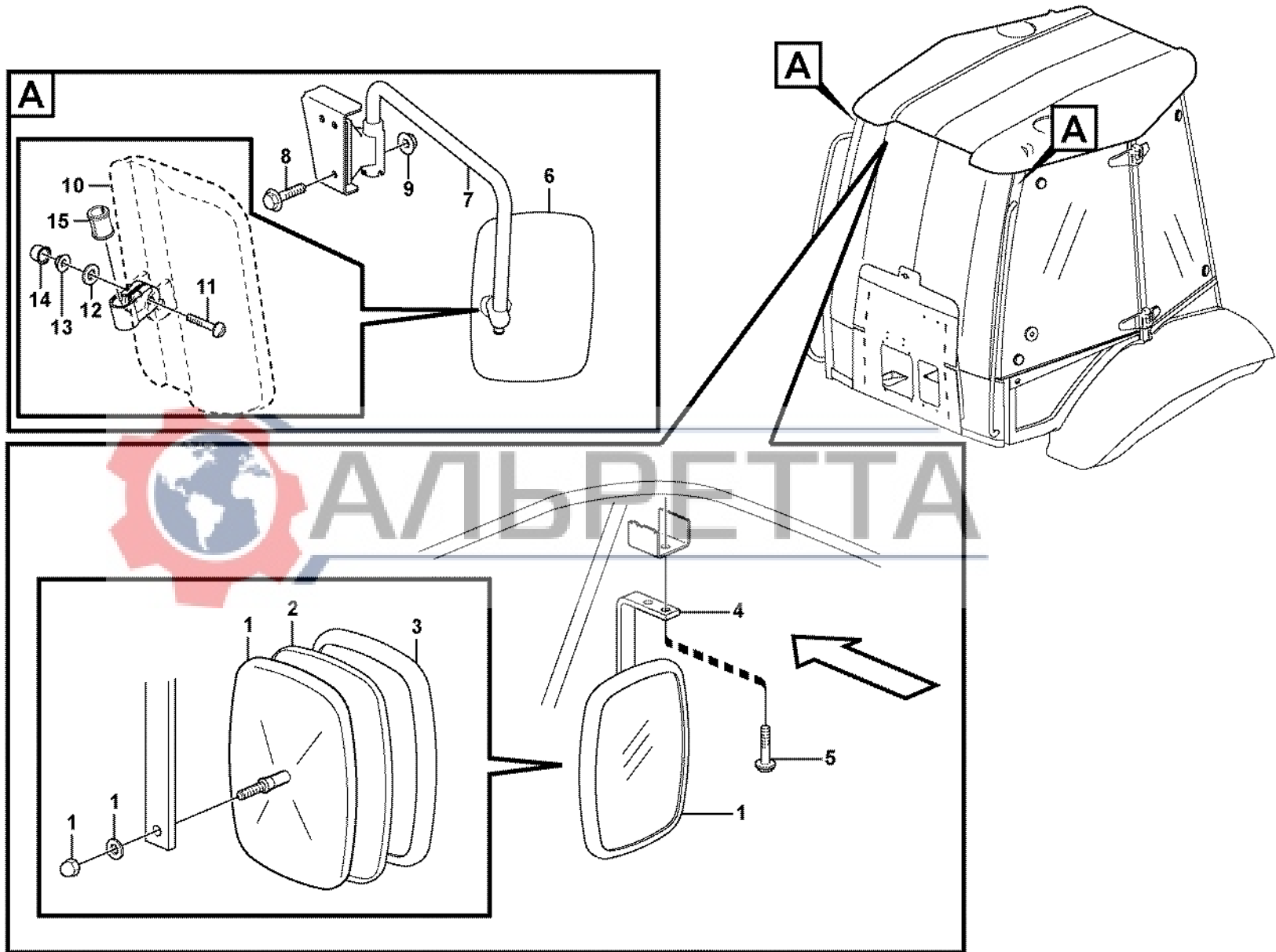


Fig.	Part No.	Quantity					P S	K I T	Description	Dénomination	Bezeichnung	Denominación	Benämning	Notes
		1	2	3	4	5								
1	VOE 11104778	1						Mirror	Miroir	Spiegel.....	Espejo	Spegel.....		
	VOE 11164488		1					Mirror	Miroir	Spiegel.....	Espejo	Spegel.....		
	VOE 13948356		1					Flange screw	Vis à bride	Flanschschraube	Torn embridado	Flänsskruv.....		
2	VOE 11707013	1						•Mirror Glass	•Verre Miroir	•Spiegelglas	•Cristal Espejo	•Spegelglas.....		
3	VOE 11707012	1						•Frame	•Chassis	•Rahmen	•Bastidor	•Ram.....		
4	VOE 11200896	1	1					Attachment.....	Fixation.....	Halterung	Fijacion	Fäste.....		
5	VOE 969587	2	2					6-pt skt screw.....	Vis creuse de 6	Hohlschraube.....	Racor 6-dientes	Sextandhålskruv.....		
6	ZM 2907156			2				Mirror	Miroir	Spiegel.....	Espejo	Spegel.....		
7	ZM 2907157			1	1			Retaining rod, left....	Barre de retenue à	Haltestange, links	Barra de retención, Arm.....		LH	
	ZM 2907158			1	1			Retaining rod, right .	Barre de retenue à	Haltestange, rechts	Barra de retención, Spegelbygel.....		RH	
8	VOE 13946173			4	4			Flange screw	Vis à bride	Flanschschraube	Torn embridado	Flänsskruv.....		
9	VOE 948645			4	4			Flange Lock Nut.....	Contre écrou bride..	Flanschmutter	Contratuer Embr	Flänslåsmutter.....		
10	VOE 11121366				2			Kerb Obs Mirror	Miroir Vu.proc	Nahsichtspiegel	Retrovisor	Närsiktspegel.....		
11	VOE 955276				1			•Hexagon screw.....	•Vis tête hexagonal	•Sechskantschraub	•Tornillo hexago.....	•Sexkantsskruv.....	(VOE 11710604)	
12	VOE 960139				1			•Washer	•Rondelle	•Scheibe.....	•Arandela.....	•Bricka.....		
13	VOE 13963105				1			•Lock nut.....	•Contre-ecrou	•Sicherungsmutter	•Contratuerca	•Låsmutter.....		
14	VOE 11710605				1		OP	•Protective cap.....	•Capuchon de prot	•Schutzkappe.....	•Cubierta de protec	•Skyddshatt.....		
15	VOE 11203785				2			Sleeve.....	Manchon	Muffe	Manguito.....	Muff.....		



1	11294005	Backspeglar Retrovisor Rückspiegel Retroviseur Rear view mirror	Catalogue id	Group
2	11298164		20002	841
3	11298013		Illustr. No	Section
4	11298166		1010113	100
5			Issue	Page
			VOE 63H9920002	467

VOLVO

BL71



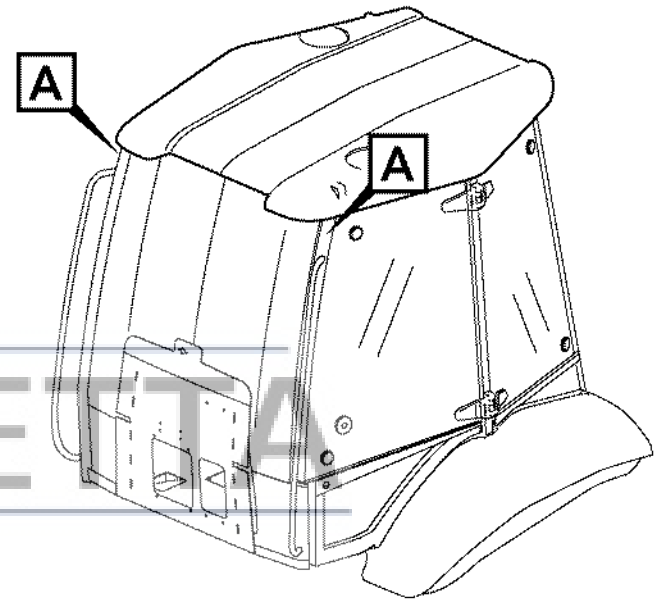
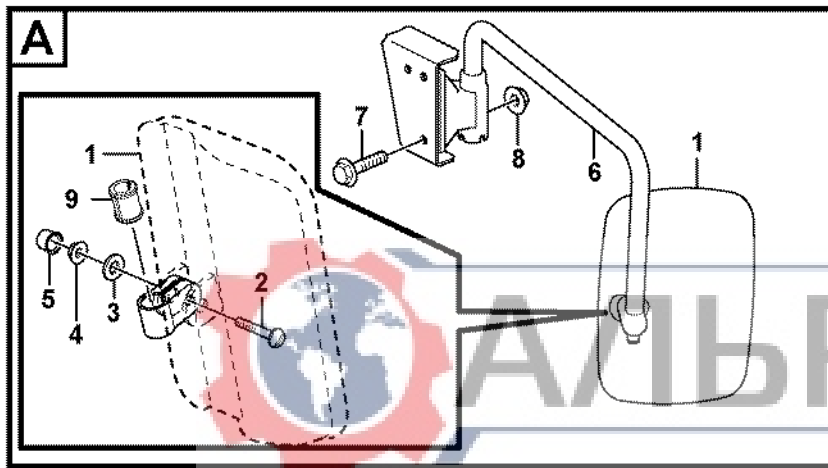


Fig.	Part No.	Quantity					P S	K T	Description	Dénomination	Bezeichnung	Denominación	Benämning	Notes
		1	2	3	4	5								
1	ZM 2907156	2	2	2	2			Mirror	Miroir	Spiegel.....	Espejo	Spegel.....	SER NO -11597	
1	VOE 11121366	2	2	2	2			Kerb Obs Mirror	Miroir Vu.proc.....	Nahsichtspiegel	Retrovisor	Närsiktspegel.....	SER NO 11598-	
2	VOE 955276	1	1	1	1			•Hexagon screw.....	•Vis tête hexagonal	•Sechskantschraub ..	•Tornillo hexago.....	•Sextkantsskruv.....	(VOE 11710604) SER NO 11598-	
3	VOE 960139	1	1	1	1			•Washer	•Rondelle.....	•Scheibe.....	•Arandela.....	•Bricka.....	6,4x18x2 SER NO 11598-	
4	VOE 13963105	1	1	1	1			•Lock nut.....	•Contre-écrou	•Sicherungsmutter ..	•Contratuerca	•Låsmutter.....	M6 SER NO 11598-	
5	VOE 11710605	1	1	1	1	OP		•Protective cap.....	•Capuchon de prot .	•Schutzkappe.....	•Cubierta de protec.	•Skyddshatt.....	SER NO 11598-	
6	ZM 2907157	1	1	1	1			Retaining rod, left....	Barre de retenue à	Haltestange, links ...	Barra de retención, Arm.....		LH	
6	ZM 2907158	1	1	1	1			Retaining rod, right .	Barre de retenue à	Haltestange, rechts.	Barra de retención, Spiegelbygel.....		RH	
7	VOE 13946173	4	4	4	4			Flange screw	Vis à bride	Flanschschraube	Torn embridado	Flänsskruv.....		
8	VOE 948645	4	4	4	4			Flange Lock Nut.....	Contre écrou bride..	Flanschmutter	Contratuer Embr.....	Flänslåsmutter.....		
9	VOE 11203785	2	2	2	2			Sleeve.....	Manchon	Muffe	Manguito.....	Muff.....	SER NO 11598-	

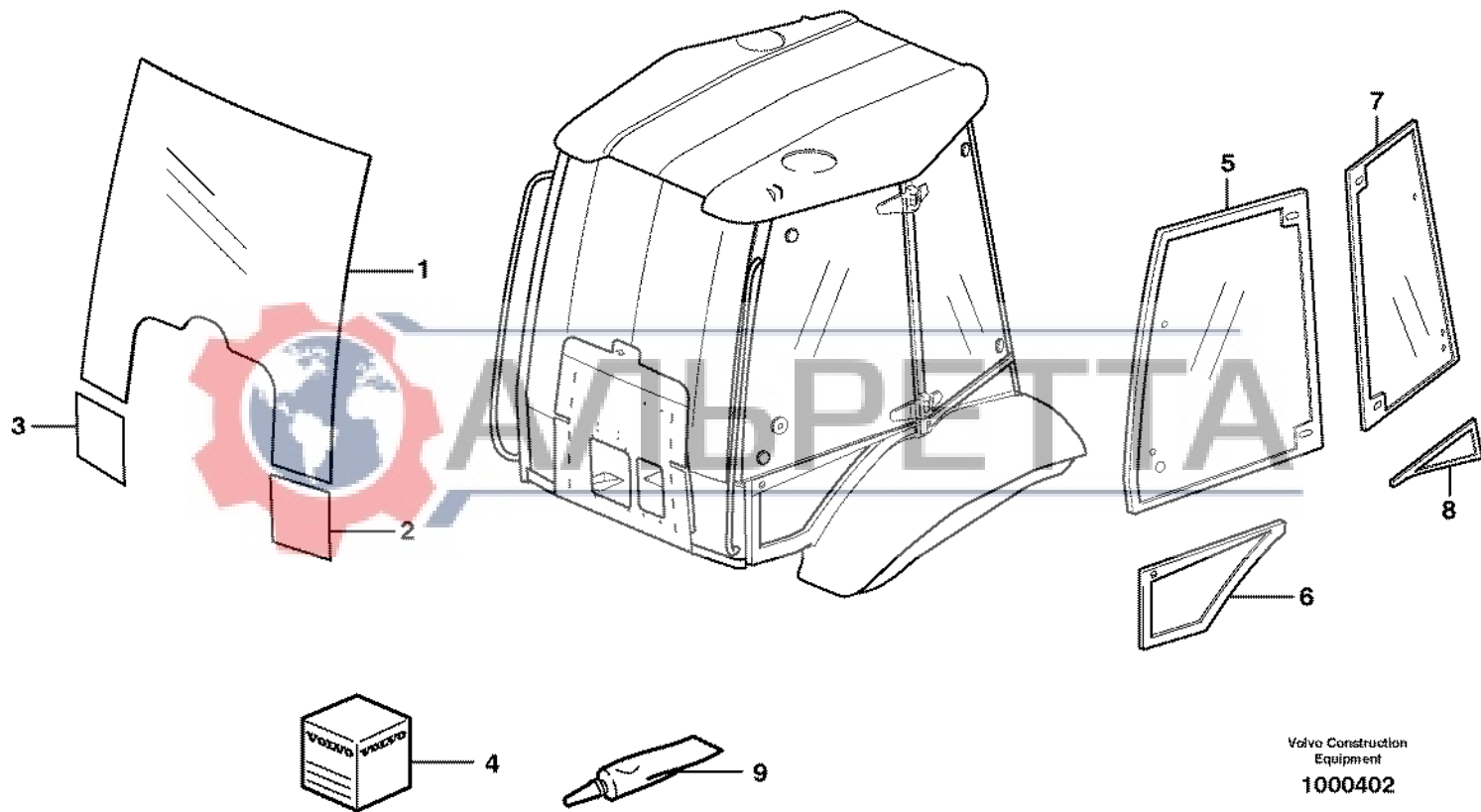


1	11298197	Backspegel Retrovisor Rückspiegel Retroviseur Rear view mirror	Catalogue id	Group
2	11891000, 11891002		20002	841
3	11891049, 11891050		Illustr. No	Section
4	11891248, 11891249		1014632	150
5			Issue	Page
			VOE 63H9920002	469

VOLVO

BL71





Volvo Construction
Equipment
1000402

Fig.	Part No.	Quantity					P S	K T	Description	Dénomination	Bezeichnung	Denominación	Benämning	Notes
		1	2	3	4	5								
1	VOE 11200910	1	1	1				Windshield	Pare-brise.....	Frontscheibe	Parabrisas	Framruta.....		
2	VOE 11149730	1	1	1				Window	Vitre.....	Fensterscheibe	Ventana	Ruta.....	VOLVO	
3	VOE 11149731	1	1	1				Window	Vitre.....	Fensterscheibe	Ventana	Ruta.....		
4	VOE 11704359	REQ	REQ	REQ				Adhesive Kit.....	Kit Colle.....	Leimsatz	Juego Encolado.....	Limsats.....		
5	VOE 11202442		1					Window	Vitre.....	Fensterscheibe	Ventana	Ruta.....	LH	
	VOE 11202463		1					Window	Vitre.....	Fensterscheibe	Ventana	Ruta.....	RH	
6	VOE 11149772		1					Window	Vitre.....	Fensterscheibe	Ventana	Ruta.....	LH	
	VOE 11149774		1					Window	Vitre.....	Fensterscheibe	Ventana	Ruta.....	RH	
7	VOE 11149692		1					Side Window.....	Fenetre Lat.....	Seitenfenster.....	Ventana Lateral	Sidofönster.....	LH	
	VOE 11149693		1					Side Window.....	Fenetre Lat.....	Seitenfenster.....	Ventana Lateral	Sidofönster.....	RH	
8	VOE 11200615		1					Window	Vitre.....	Fensterscheibe	Ventana	Ruta.....	SER NO -11421	
9	VOE 11708567	REQ						Adhesive	Adhesif	Klebstoff.....	Adhesivo.....	Lim.....		

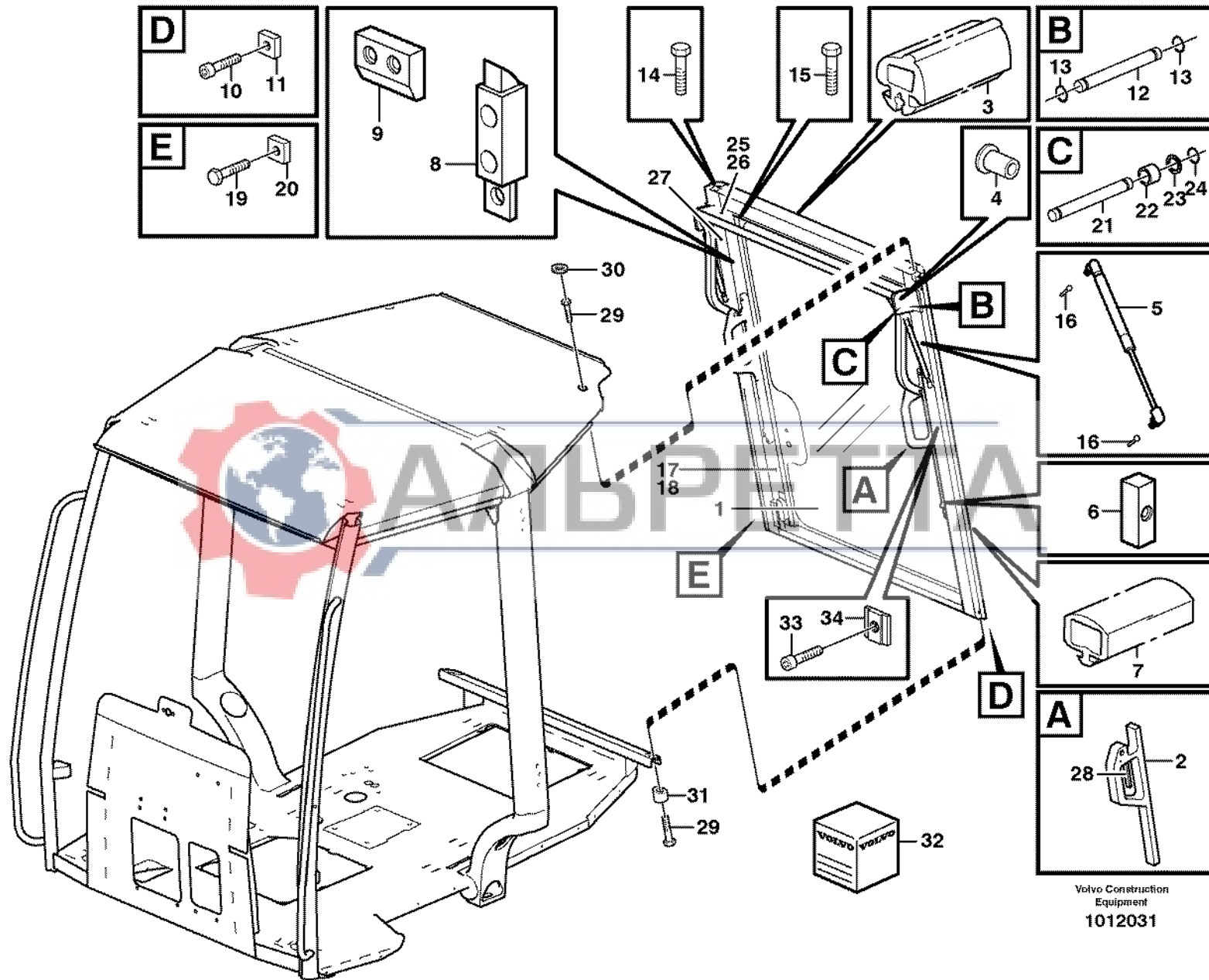


1	11294005	Rutor Ventanillas Fensterscheibe Vitres Glass panes	Catalogue id	Group
2	11298028, 11298197		20002	843
3	11298012, 11298203		Illustr. No	Section
4			1000402	100
5			Issue	Page
			VOE 63H9920002	471

VOLVO

BL71





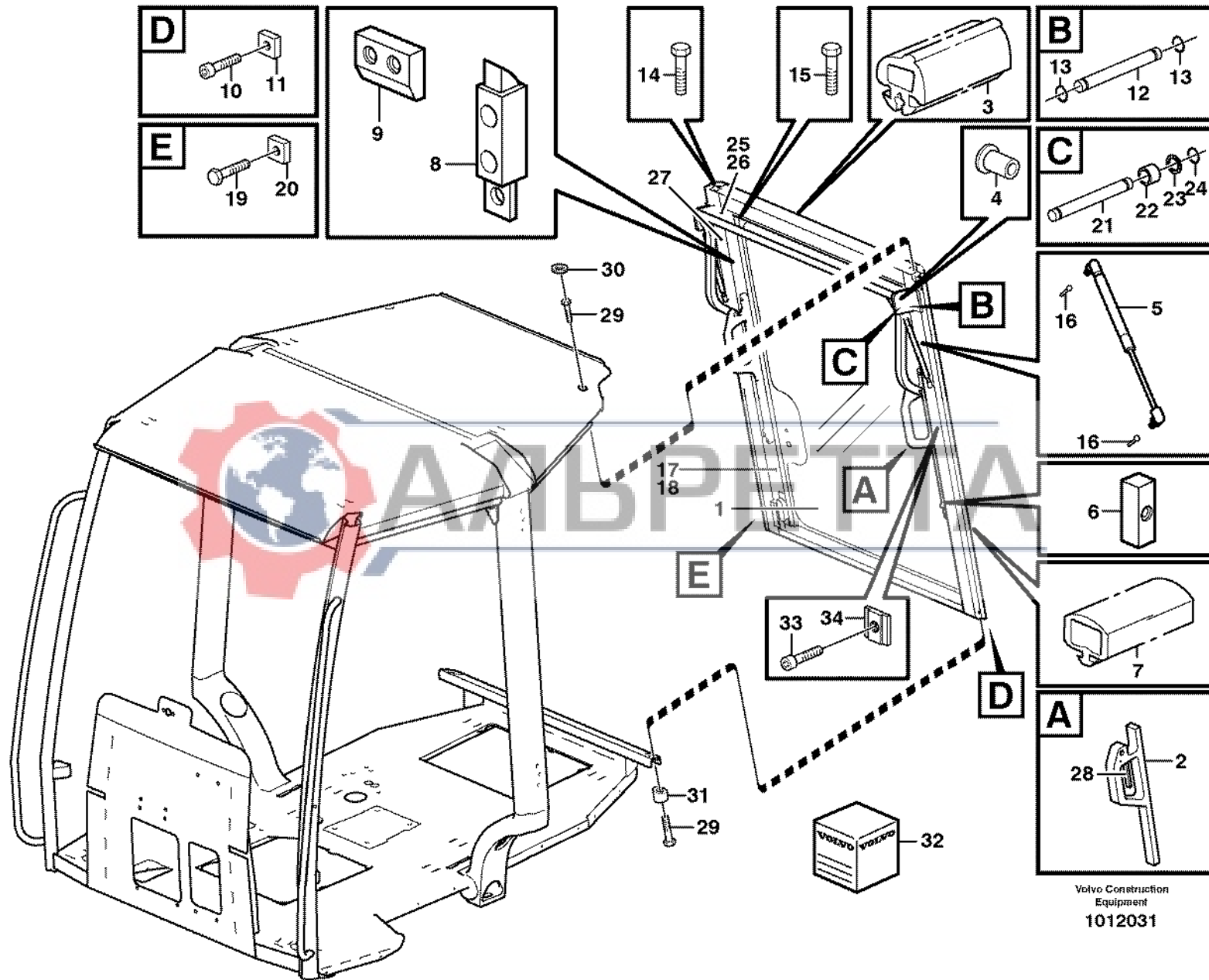
Volvo Construction
Equipment
1012031

Fig.	Part No.	Quantity			P S	K I T	Description	Dénomination	Bezeichnung	Denominación	Benämning	Notes
		1	2	3								
	VOE 11203588	1				Rear Window	Lunette Ar	Heckfenster	Luneta Post	Bakruta		
1	VOE 11709834	1			SS	•Rear Window	•Lunette Ar	•Heckfenster	•Luneta Post	•Bakruta		
2	VOE 11712557	2				•Handle	•Poignee	•Handgriff	•Manilla	•Handgrepp		
3	VOE 11709845	REQ				•Rubber Moulding	•Joint Caoutchouc	•Gummileiste	•Liston Goma	•Gummilist	L = 1800 MM	
4	VOE 11709836	1				•Bushing	•Bague	•Buchse	•Casquillo	•Bussning		
5	VOE 11709843	2				•Gas Spring	•Ressort Gaz	•Gasfeder	•Resorte A Gas	•Gasfjäder		
6	VOE 11713153	2				•Bearing Roller	•Rouleau Palier	•Lagerrolle	•Rodillo Cojinet	•Lagerrulle	SEE SB BHL1K	
7	VOE 11709840	REQ				•Rubber Moulding	•Joint Caoutchouc	•Gummileiste	•Liston Goma	•Gummilist		
8	VOE 11709841	2				•Latch	•Poignee Blocage	•Knebel	•Mango Seguridad	•Låsvred		
9	VOE 11709844	2				•Locating Key	•Cle Localisati	•Führungsnocke	•Llave	•Medbringare		
10	VOE 11712854	2				•Screw	•Vis	•Schraube	•Tornillo	•Skruv		
11	VOE 11712663	2				•Nut	•Ecrou	•Mutter	•Tuerca	•Mutter		
12	VOE 11712866	2				•Shaft	•Arbre	•Welle	•Arbol	•Axel		
13	VOE 11712853	4				•Retaining ring	•Bague retenue	•Haltering	•Anillo de apoyo	•Hållarring		
14	VOE 11712855	8				•Screw	•Vis	•Schraube	•Tornillo	•Skruv		
15	VOE 11712856	4				•Screw	•Vis	•Schraube	•Tornillo	•Skruv		
16	VOE 11712857	4				•Ball Stud	•Axe Bille	•Kugelzapfen	•Gorron De Bola	•Kultapp		
17	VOE 11712858	1				•Locking Plate	•Plaque Verroui	•Sperrblech	•Placa Bloqueo	•Spärrplåt	RH	
18	VOE 11712859	1				•Locking Plate	•Plaque Verroui	•Sperrblech	•Placa Bloqueo	•Spärrplåt	LH	
19	VOE 11712860	4				•Allen Head Screw	•Vis à six pans creux	•Inbussschraube	•Tornillo tipo Allen	•Insexskruv		
20	VOE 11712663	4				•Nut	•Ecrou	•Mutter	•Tuerca	•Mutter		
21	VOE 11712876	2				•Pin	•Goupille	•Zapfen	•Pasador	•Tapp		
22	VOE 11712867	2				•Spacer	•Partie Intermédiaire	•Zwischenstück	•Espaciador	•Mellandel		
23	VOE 11712862	2				•Washer	•Rondelle	•Scheibe	•Arandela	•Bricka		
24	VOE 11712861	2				•Snap Ring	•Circlip	•Nutring	•Circlip	•Spärring		
25	VOE 11712864	1				•Ladder	•Echelle	•Leiter	•Escala	•Lejdare	RH	
26	VOE 11712865	1				•Ladder	•Echelle	•Leiter	•Escala	•Lejdare	LH	
27	VOE 11712868	2				•Slide Dog	•Talon Guidage	•Gleittrucken	•Talon Desliz	•Glidklack		
28	VOE 11712869	2				•Handle	•Poignee	•Handgriff	•Manilla	•Handgrepp		
29	VOE 13965186	4				Flange screw	Vis à bride	Flanschschraube	Torn embridado	Flänsskruv		

1	Fönster Ventanas Fenster Fenêtres Windows 11294005, 11298197	Catalogue id	Group
2		20002	843
3		Illustr. No	Section
4		1012031	150
5		Issue	Page
		VOE 63H9920002	473

VOLVO

BL71



Volvo Construction
Equipment
1012031

Fig.	Part No.	Quantity			P S	K I T	Description	Dénomination	Bezeichnung	Denominación	Benämning	Notes
		1	2	3								
30	VOE 961970	2				Plug.....	Bouchon.....	Stopfen.....	Tapon.....	Plugg.....		
31	VOE 11200600	2				Spacer.....	Entretoise.....	Abstandstueck.....	Casquillo distanciad	Distans.....		
32	VOE 11704359	1				Adhesive Kit.....	Kit Colle.....	Leimsatz.....	Juego Encolado	Limsats.....		
33	VOE 11712662	12				Screw.....	Vis.....	Schraube.....	Tornillo.....	Skruv.....		
34	VOE 11712663	8				Nut.....	Ecrou.....	Mutter.....	Tuerca.....	Mutter.....		

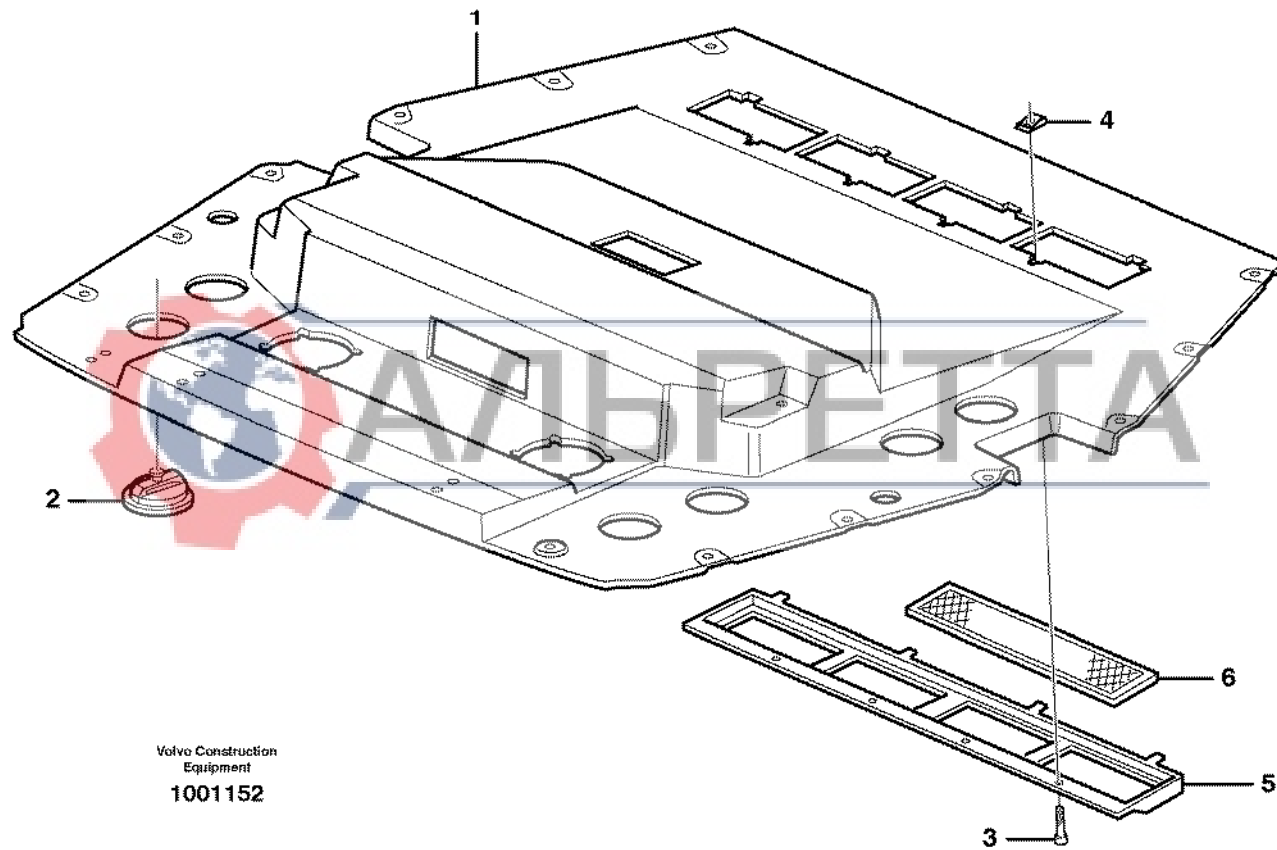


1	Fönster Ventanas Fenster Fenêtres Windows	Catalogue id	Group
2		20002	843
3		Illustr. No	Section
4		1012031	150
5		Issue	Page
	11294005, 11298197	VOE 63H9920002	475

VOLVO

BL71





Volvo Construction
Equipment
1001152

Fig.	Part No.	Quantity			P S	K I T	Description	Dénomination	Bezeichnung	Denominación	Benämning	Notes
		1	2	3								
1	VOE 11200549	1				Headlining	Garnit.pavillon	Dachhimmel	Techo Interior	Innertak.....	S/N - 13738	
	VOE 11200549	1				Headlining	Garnit.pavillon	Dachhimmel	Techo Interior	Innertak.....	S/N 13739 -	
2	VOE 11200838	8				Air Outlet.....	Diffuseur d'air	Luftdüse	Difusor de aire	Luftmunstycke.....		
3		4				Screw	Vis	Schraube.....	Tornillo	Skruv.....	See group 872, Page 495	
4		4				Spring Nut.....	Ecrou Ressort	Fed. Schliessmutter ...	Tuerca Resorte	Fjädermutter.....	See group 872, Page 495	
5		1				Filter Retainer	Porte-filtre	Filtertopf	Soporte Filtro.....	Filterhållare.....	See group 872, Page 495	
6		2				Filter.....	Filtre	Filter	Filtro	Filter.....	See group 872, Page 495	

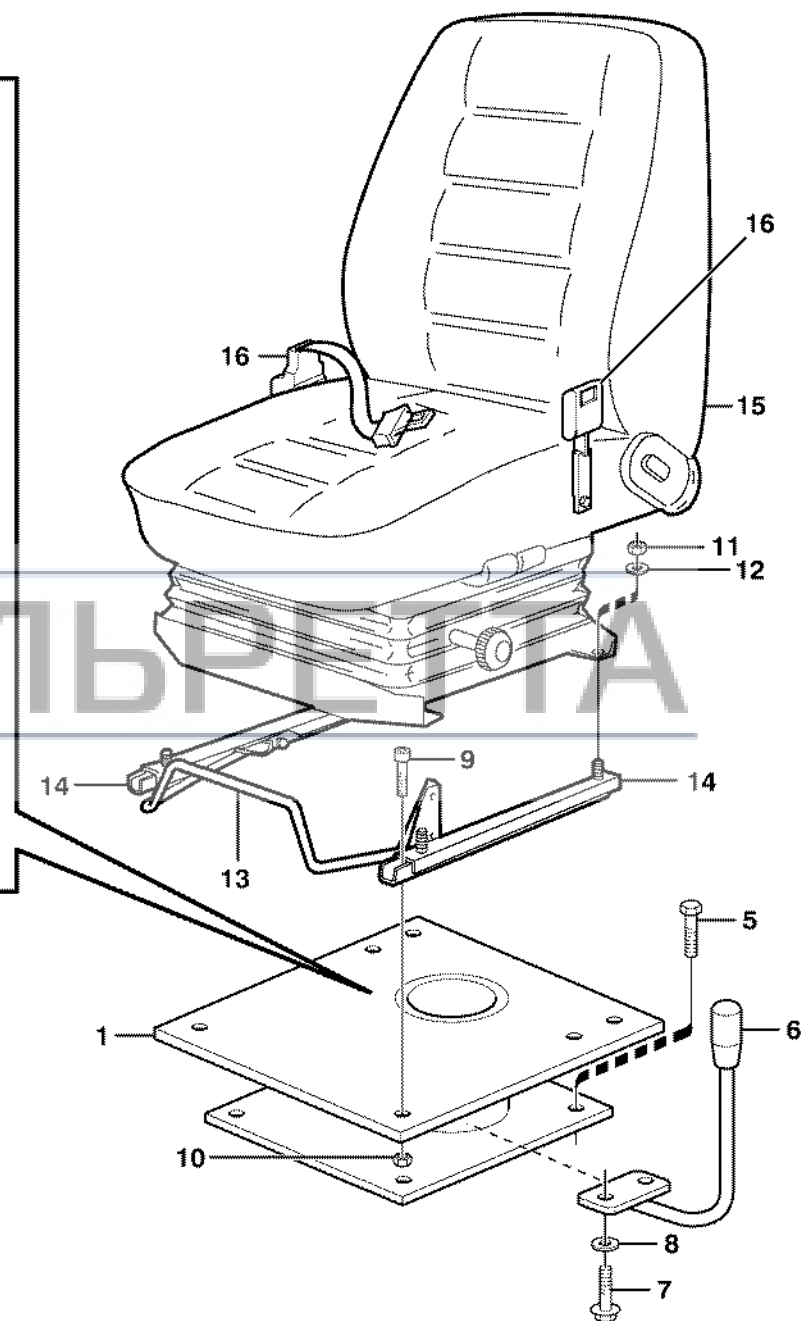
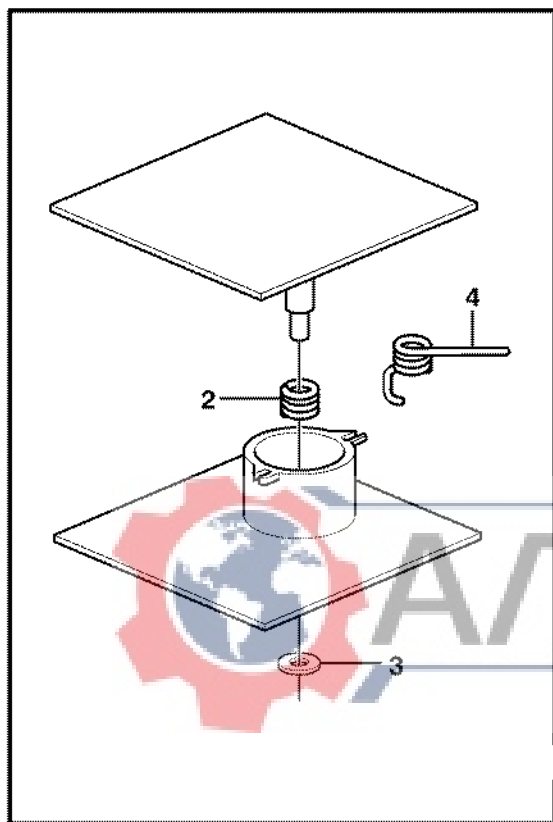


1	Inredningsdetaljer Detalles interiores Innenausstattung Pieces d'aménagement Interior components	Catalogue id	Group
2		20002	851
3		Illustr. No	Section
4		1001152	150
5		Issue	Page
	11298018, 11298028	VOE 63H9920002	477

VOLVO

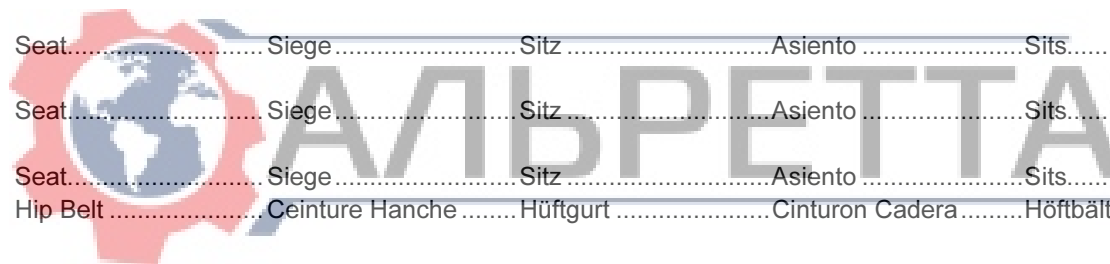
BL71





Volvo Construction
Equipment
1010420

Fig.	Part No.	Quantity			P S	K I T	Description	Dénomination	Bezeichnung	Denominación	Benämning	Notes
		1	2	3								
1	VOE 11715524	1				Swivel.....	Emerillon	Schwingel.....	Placa giratoria	Svivel.....	(VOE 11885153)	
2	VOE 11712757	1			OP	•Spring	•Ressort	•Feder.....	•Muelle	•Fjäder.....		
3	VOE 11712758	1			OP	•Bearing	•Palier.....	•Lager.....	•Cojinete.....	•Lager.....		
4	VOE 11712759	1			OP	•Plastic Washer.....	•Z.....	•Kunstst.scheibe.....	•Arandela Plast.....	•Plastbricka.....		
5	VOE 13965191	4				Flange screw.....	Vis à bride	Flanschschraube.....	Torn embridado	Flänsskruv.....		
6	VOE 11883774	1				Handle.....	Poignee.....	Handgriff.....	Manilla.....	Handgrepp.....		
7	VOE 947107	2				Flange screw.....	Vis à bride	Flanschschraube.....	Torn embridado	Flänsskruv.....		
8	VOE 955921	2				Spring Washer	Rondelle élastique	Federscheibe	Arandela flexible.....	Fjäderbricka.....		
9	VOE 959220	4				Allen Hd Screw	Vis A 6 Pans Cr.....	Inbusschraube.....	Torn Hex Embut.....	Insexskruv.....		
10	VOE 948645	4				Flange Lock Nut.....	Contre écrou bride	Flanschmutter	Contratuer Embr.....	Flänslåsmutter.....		
11	VOE 983403	4				Lock nut	Contre-ecrou	Sicherungsmutter	Contratuerca	Låsmutter.....		
12	VOE 13960141	4				Washer.....	Rondelle	Scheibe	Arandela	Bricka.....		
13	VOE 11883773	1				Handle.....	Poignee.....	Handgriff.....	Manilla.....	Handgrepp.....		
14	VOE 11104093	1				Slide Rail.....	Rail Guidage	Gleitschiene	Riel Deslizam	Glidskena.....	LH	
	VOE 11104092	1				Slide Rail.....	Rail Guidage	Gleitschiene	Riel Deslizam	Glidskena.....	RH	
15	VOE 11884651	1				Seat.....	Siege.....	Sitz	Asiento	Sits.....	11891100, 11891217 See group 852, Page 489	
	VOE 11884650	1				Seat.....	Siege.....	Sitz	Asiento	Sits.....	11891099, 11891216 See group 852, Page 487	
	VOE 11884652	1				Seat.....	Siege.....	Sitz	Asiento	Sits.....	11891110 See group 852, Page 491	
	VOE 11885943	1				Seat.....	Siege.....	Sitz	Asiento	Sits.....	11891376	
16	VOE 11104125	1				Hip Belt	Ceinture Hanche	Hüftgurt	Cinturon Cadera.....	Höftbälte.....	11891314	



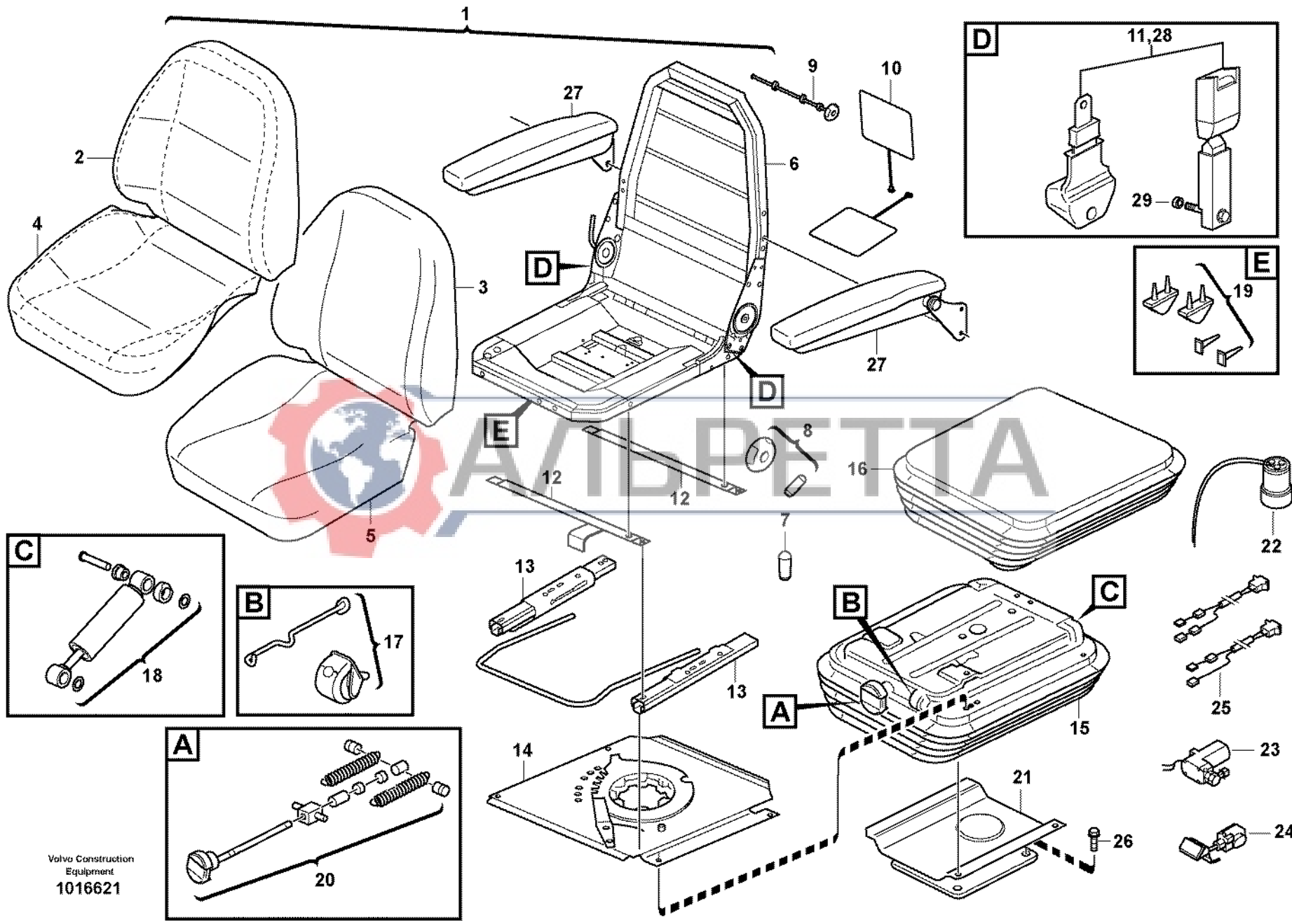
2179) 11891099: S/N -12052; 11881100: S/N -12884, 11891110: S/N -11835; 11891216: S/N -11668; 11891217: S/N -11711, 11891376: S/N -11718

1	Förarstol med monteringsdetaljer Asiento del conductor con piezas de montaje Fahrersitz mit Anbauteilen Siège conducteur avec pièces de montage Operator seat with fitting parts 2179)	Catalogue id	Group
2		20002	852
3		Illustr. No	Section
4		1010420	100
5		Issue	Page
		VOE 63H9920002	479

VOLVO

BL71





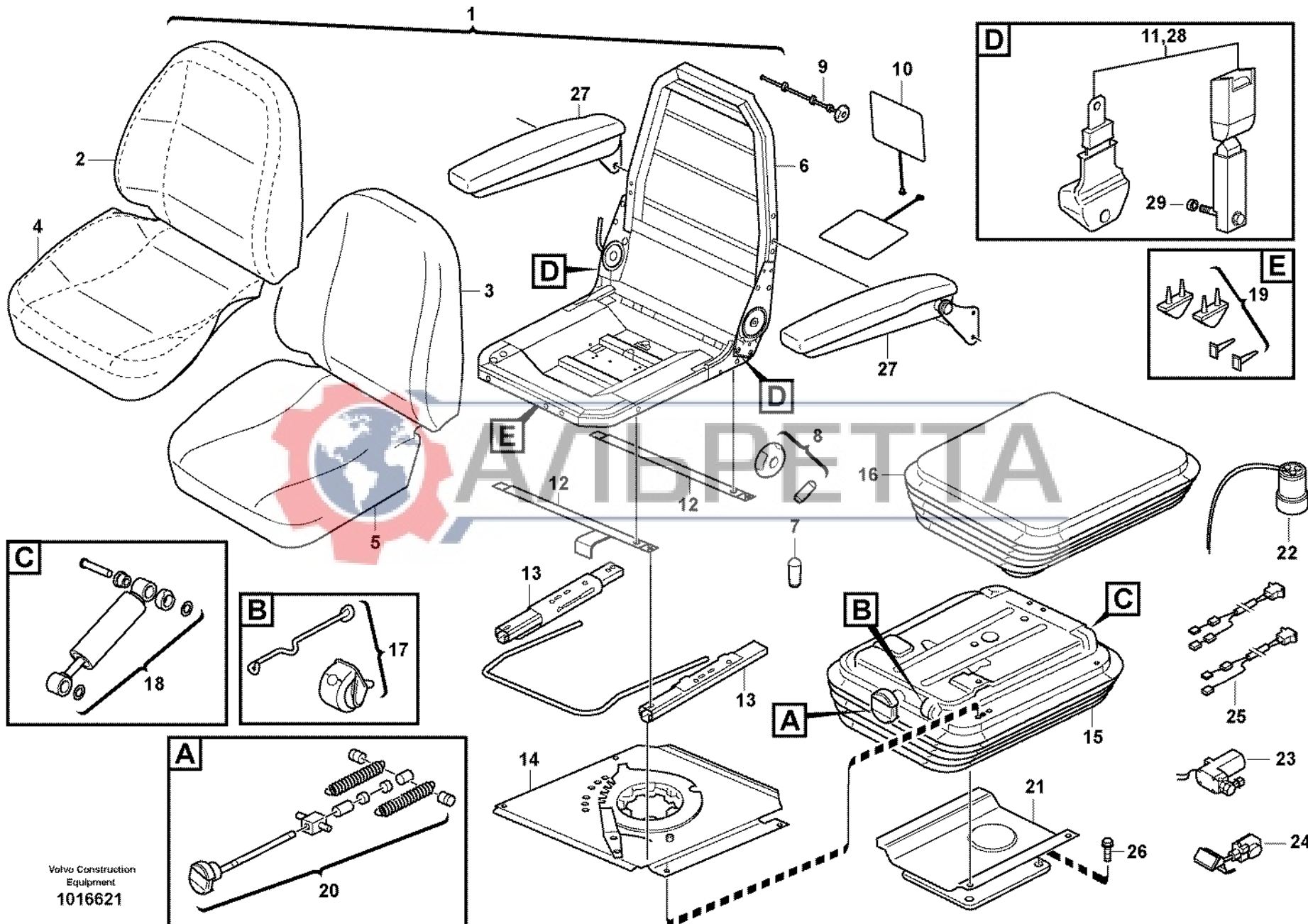
Volvo Construction
Equipment
1016621

Fig.	Part No.	Quantity					P S	K I T	Description	Dénomination	Bezeichnung	Denominación	Benämning	Notes
		1	2	3	4	5								
1	VOE 11886222	1	1					Seat	Siege	Sitz	Asiento	Sits		
1	VOE 11886223			1	1			Seat	Siege	Sitz	Asiento	Sits		
1	VOE 11886193					1		Seat	Siege	Sitz	Asiento	Sits		
2	VOE 11715083	1	1			1		•Upholstery	•Garniture Habit.....	•Bezug	•Tapizado	•Klädsel.....		
2	VOE 11715081			1	1			•Upholstery	•Garniture Habit.....	•Bezug	•Tapizado	•Klädsel.....		
3	VOE 11715045	1	1	1	1	1		•Backrest Cushion ..	•Coussin de dossi...	•Rückenlehnenkiss ..	•Cojín del respaldo ..	•Ryggstödsdyna.....		
4	VOE 11715084	1	1			1		•Upholstery	•Garniture Habit.....	•Bezug	•Tapizado	•Klädsel.....		
4	VOE 11715082			1	1			•Upholstery	•Garniture Habit.....	•Bezug	•Tapizado	•Klädsel.....		
5	VOE 11715047	1	1	1	1	1		•Seat cushion.....	•Coussin siege	•Sitzkissen	•Cojin asiento	•Sittdyna.....		
6	VOE 11715057	1	1	1	1	1		•Seat frame	•cadre Siege	•Sitzrahmen	•Marco asiento.....	•Sitsram.....		
7	VOE 11715058	1	1	1	1			•Knob	•Bouton.....	•Knopf	•Boton.....	•Knapp.....		
8	VOE 11715068					1		•Knob	•Bouton.....	•Knopf	•Boton.....	•Knapp.....		
9	VOE 11715069					1		•Lumbar Support.....	•Repose-reins.....	•Kreuzstutze.....	•Placa Lumbar	•Svankplatta.....		
10	VOE 11715070					1		•Heater.....	•Elément de chauff ..	•Heizkörper	•Calefaccion	•Värmeelement.....		
11	VOE 11715053	1	1	1	1	1		•Hip Belt.....	•Ceinture Hanche ...	•Hüftgurt.....	•Cinturon Cadera....	•Höftbälte.....		
12	VOE 11715049	1	1	1	1	1		•Cross Stay	•Etai Transvers.....	•Querstrebe.....	•Barra Transver	•Tvärstag.....		
13	VOE 11715050	1	1	1	1	1		•Seat Rail	•Rail Siege.....	•Sitzschiene	•Riel Asiento	•Stolskena.....		
14	VOE 11715051	1	1	1	1			•Turntable	•Selle Attela.....	•Drehscheibe	•Mesa Giratoria.....	•Vändskiva.....		
14	VOE 11715071					1		•Turntable	•Selle Attela.....	•Drehscheibe	•Mesa Giratoria.....	•Vändskiva.....		
15	VOE 11715059	1	1	1	1			•Seat Spring Suspe ..	•Suspension Siege ..	•Sitzfeder	•Resorte Asiento....	•Sitsfjädring.....		
15	VOE 11715072					1		•Seat Spring Suspe ..	•Suspension Siege ..	•Sitzfeder	•Resorte Asiento....	•Sitsfjädring.....		
16	VOE 11715062	1	1	1	1	1		•Bellows	•Capot Caoutcho....	•Gummimantel	•Cubierta Goma.....	•Gummikåpa.....		
17	VOE 11715063	1	1	1	1	1		•Indicator	•Indicateur	•Indikator	•Indicador	•Indikator.....		
18	VOE 11715064	1	1	1	1			•Shock Absorber	•Amortis confort.....	•Komf Stossdfr	•Amortiguador.....	•Stötdämpare.....		
18	VOE 11715074					1		•Shock Absorber	•Amortis confort.....	•Komf Stossdfr	•Amortiguador.....	•Stötdämpare.....		
19	VOE 11715065	1	1	1	1	1		•Bump Stop.....	•Butee Suspensi....	•Anschlagpuffer.....	•Tope Pluma.....	•Bomningsanslag...		
20	VOE 11715066	1	1	1	1			•Height Adjuster	•Reglage Hauteur...	•Höhenversteller	•Ajuste Altura.....	•Höjdomställare.....		
21	VOE 11715067	1	1	1	1			•Seat Bracket.....	•Etrier De Siege.....	•Sitzkonsole	•Consola Asiento	•Sitskonsol.....		
22	VOE 11715076					1		•Air Spring.....	•Ressort Pneuma. ...	•Luftfeder	•Resorte Neumat ...	•Luftfjäder.....		
23	VOE 11715077					1		•Compressor.....	•Compresseur	•Kompressor	•Compresor	•Kompressor.....		



1	11891216 S/N 11669-	Förarstol Asiento del conductor Fahrersitz Siège du concteur Operator's seat	Catalogue id	Group
2	11891099 S/N 12053-		20002	852
3	11891217 S/N 11712-		Illustr. No	Section
4	11891100 S/N 12885-		1016621	110
5	11891110 S/N 11836-		Issue	Page
			VOE 63H9920002	481





Volvo Construction
Equipment
1016621

Fig.	Part No.	Quantity					P S	K I T	Description	Dénomination	Bezeichnung	Denominación	Benämning	Notes
		1	2	3	4	5								
24	VOE 11715078						1	•Valve	•Soupape.....	•Ventil.....	•Valvula	•Ventil.....		
25	VOE 11715079						1	•Cable harness	•Faisceau cables	•Kabelbaum	•Manejo cables	•Ledningsmatta.....		
26	VOE 13965191	4	4	4	4	4	4	Flange screw	Vis à bride	Flanschschraube	Torn embridado	Flänsskruv.....		
27	VOE 11191410		1				1	Arm Rest.....	Accoudoir	Armlehne	Reposabrazos	Armstöd.....		
28	VOE 11104125	1	1	1	1	1	1	Hip Belt	Ceinture Hanche	Hüftgurt	Cinturon Cadera	Höftbälte.....	11891314	
29	VOE 11886348	2	2	2	2	2	2	Spacer	Partie Intermédiair..	Zwischenstück	Espaciador	Mellandel.....	11891314	



1	11891216 S/N 11669-	Förarstol Asiento del conductor Fahrersitz Siège du conucteur Operator's seat	Catalogue id	Group
2	11891099 S/N 12053-		20002	852
3	11891217 S/N 11712-		Illustr. No	Section
4	11891100 S/N 12885-		1016621	110
5	11891110 S/N 11836-		Issue	Page
			VOE 63H9920002	483

VOLVO

BL71



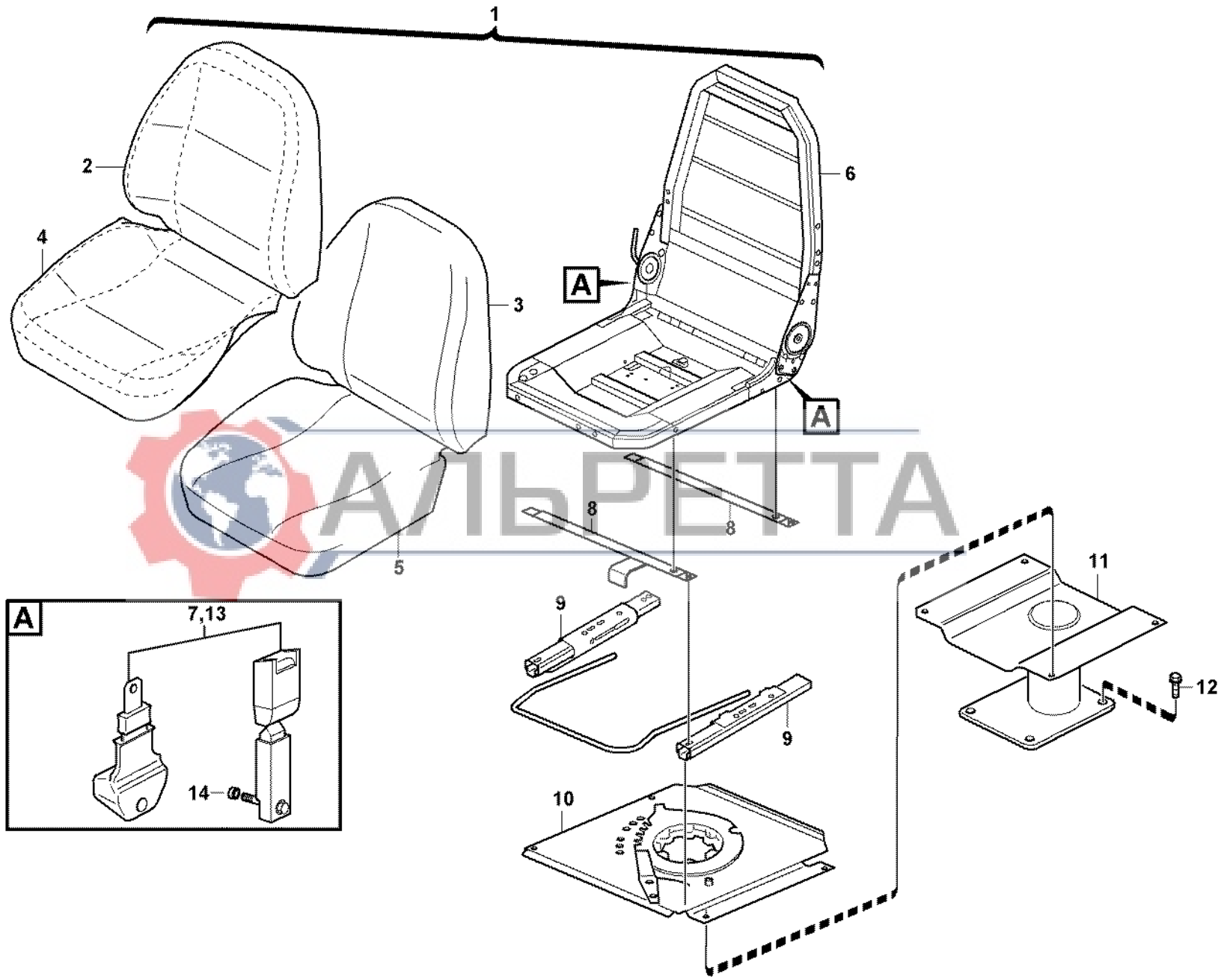


Fig.	Part No.	Quantity			P S	K I T	Description	Dénomination	Bezeichnung	Denominación	Benämning	Notes
		1	2	3								
1	VOE 11886065	1				Seat.....	Siege	Sitz	Asiento	Sits.....		
2	VOE 11715044	1				•Upholstery	•Garniture Habit	•Bezug	•Tapizado	•Klädsel.....		
3	VOE 11715045	1				•Backrest Cushion	•Coussin de dossier	•Rückenlehnenkisse.....	•Cojín del respaldo	•Ryggstödsdyna.....		
4	VOE 11715046	1				•Upholstery	•Garniture Habit	•Bezug	•Tapizado	•Klädsel.....		
5	VOE 11715047	1				•Seat cushion.....	•Coussin siege	•Sitzkissen.....	•Cojin asiento	•Sittdyna.....		
6	VOE 11715048	1				•Seat frame	•cadre Siege.....	•Sitzrahmen.....	•Marco asiento	•Sitsram.....		
7	VOE 11715053	1				•Hip Belt.....	•Ceinture Hanche.....	•Hüftgurt	•Cinturon Cadera.....	•Höftbälte.....		
8	VOE 11715049	1				•Cross Stay	•Etai Transvers.....	•Querstrebe	•Barra Transver	•Tvärstag.....		
9	VOE 11715050	1				•Seat Rail	•Rail Siege	•Sitzschiene.....	•Riel Asiento.....	•Stolskena.....		
10	VOE 11715051	1				•Turntable	•Sellette Attela.....	•Drehscheibe.....	•Mesa Giratoria	•Vändskiva.....		
11	VOE 11715052	1				•Seat Bracket.....	•Etrier De Siege	•Sitzkonsole.....	•Consola Asiento.....	•Sitskonsol.....		
12	VOE 13965191	4				Flange screw.....	Vis à bride	Flanschschraube.....	Torn embridado.....	Flänsskruv.....		
13	VOE 11104125	1				Hip Belt	Ceinture Hanche	Hüftgurt	Cinturon Cadera.....	Höftbälte.....	11891314	
14	VOE 11886348	2				Spacer.....	Partie Intermédiaire.....	Zwischenstück.....	Espaciador	Mellandel.....	11891314	

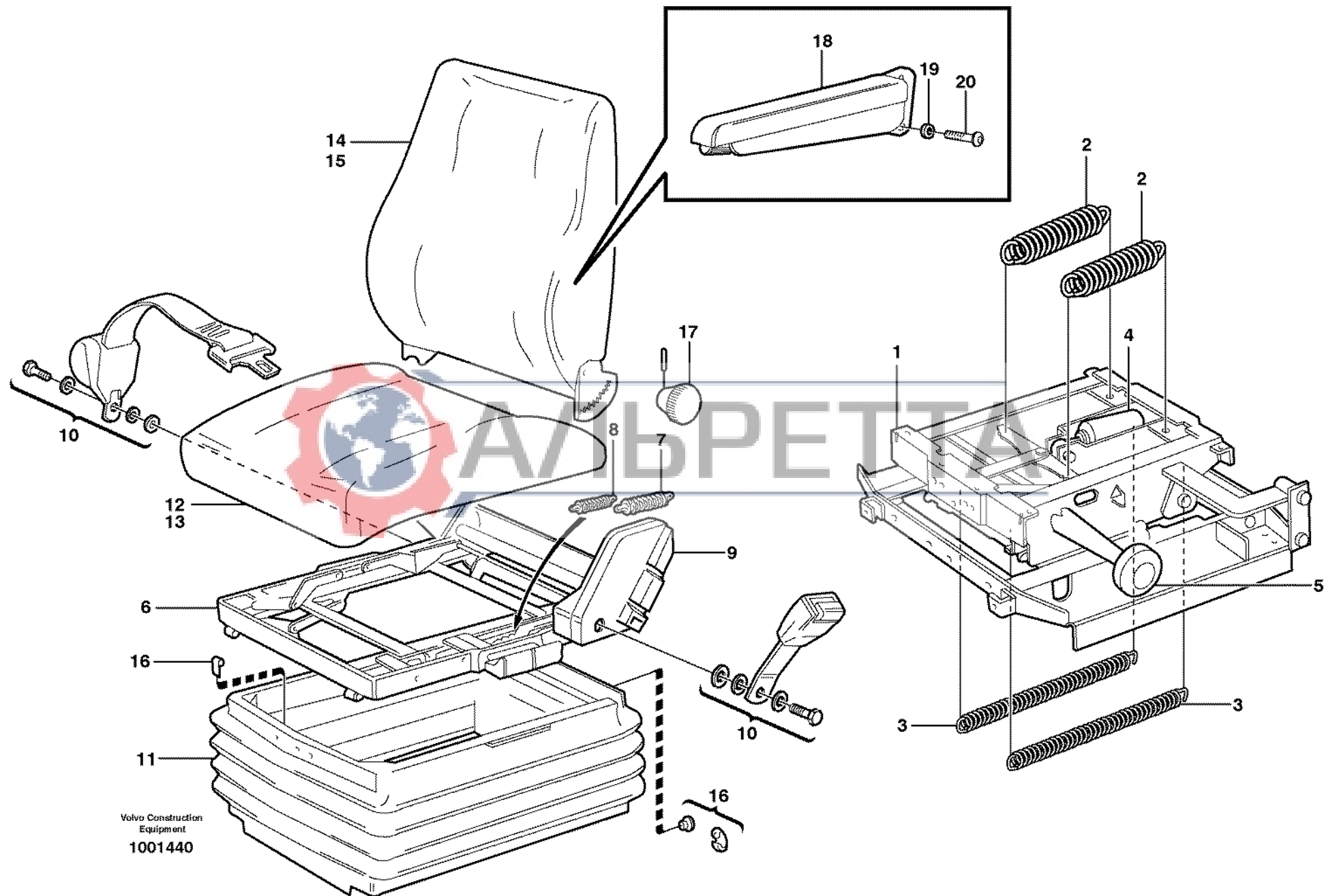


1	11891376 S/N 11719-	Förarstol Asiento del conductor Fahrersitz Siège du concteur Operator's seat	Catalogue id	Group
2			20002	852
3			Illustr. No	Section
4			1013341	120
5			Issue	Page
			VOE 63H9920002	485

VOLVO

BL71





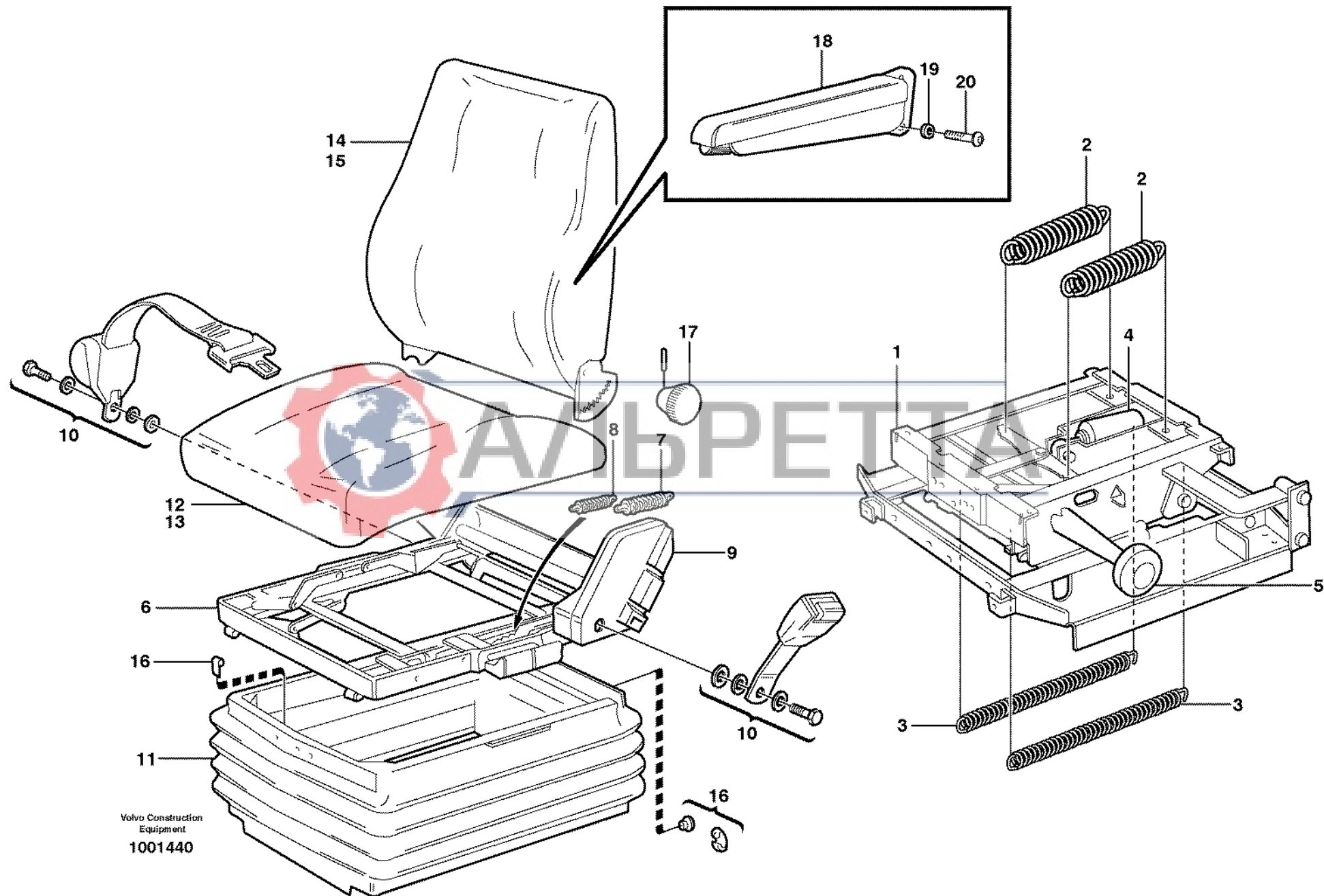
Volvo Construction
Equipment
1001440

Fig.	Part No.	Quantity			P S	K I T	Description	Dénomination	Bezeichnung	Denominación	Benämning	Notes
		1	2	3								
	VOE 11884650	1	1			Seat.....	Siege.....	Sitz.....	Asiento.....	Sits.....		
1	VOE 11707355	1	1			•Spring Suspension ..	•Unite Suspension.....	•Federbündel.....	•Unidad Suspension...	•Fjädringsenhet.....		
2	VOE 6213261	2	2			••Spring.....	••Ressort.....	••Feder.....	••Muelle.....	••Fjäder.....		
3	VOE 11707356	2	2			••Spring.....	••Ressort.....	••Feder.....	••Muelle.....	••Fjäder.....		
4	VOE 11707351	1	1			••Shock absorber.....	••Amortisseur.....	••Stossdämpfer.....	••Amortiguador.....	••Stötdämpare.....		
5	VOE 3090569	1	1			••Knob.....	••Bouton.....	••Knauf.....	••Boton.....	••Knopp.....		
6	VOE 11709744	1	1			•Seat frame.....	•cadre Siege.....	•Sitzrahmen.....	•Marco asiento.....	•Sitsram.....		
7	VOE 1696529	2	2			••Spring.....	••Ressort.....	••Feder.....	••Muelle.....	••Fjäder.....		
8	VOE 1518748	1	1			••Spring.....	••Ressort.....	••Feder.....	••Muelle.....	••Fjäder.....		
9	VOE 11709389	1	1			••Cover.....	••Capot.....	••Haube.....	••Cubierta.....	••Kåpa.....	LH	
	VOE 11709390	1	1			••Cover.....	••Capot.....	••Haube.....	••Cubierta.....	••Kåpa.....	RH	
10	VOE 11707348	1	1			••Hip Belt.....	••Ceinture Hanche.....	••Hüftgurt.....	••Cinturon Cadera.....	••Höftbälte.....		
11	VOE 11709391	1	1			•Bellows.....	•Soufflet.....	•Balg.....	•Fuelle.....	•Bälg.....		
12	VOE 11709388	1	1			•Seat.....	•Siege.....	•Sitz.....	•Asiento.....	•Sits.....		
13	VOE 11996163	1	1			••Upholstery.....	••Garniture Habit.....	••Bezug.....	••Tapizado.....	••Klädsel.....		
14	VOE 11709385	1	1			•Backrest.....	•Dossier.....	•Rücken.....	•Respaldo.....	•Rygg.....		
15	VOE 11709386	1	1			••Upholstery.....	••Garniture Habit.....	••Bezug.....	••Tapizado.....	••Klädsel.....		
16	VOE 11709392	1	1			•Attachment kit.....	•Jeu de fixation.....	•Befestigungssatz.....	•Juego acoplamiento.....	•Fästsats.....		
17	VOE 11709387	1	1			•Steering wheel.....	•Volant.....	•Lenkrad.....	•Volante.....	•Ratt.....		
18	VOE 11882471	1				Arm Rest.....	Accoudoir.....	Armlehne.....	Reposabrazos.....	Armstöd.....	LH	
	VOE 11882470	1				Arm Rest.....	Accoudoir.....	Armlehne.....	Reposabrazos.....	Armstöd.....	RH	
19	VOE 13955894	4				•Washer.....	•Rondelle.....	•Scheibe.....	•Arandela.....	•Bricka.....		
20	VOE 11709040	4				•Screw.....	•Vis.....	•Schraube.....	•Tornillo.....	•Skruv.....		

1	11891216 S/N -11668	Förarstol Asiento del conductor Fahrersitz Siège du concteur Operator's seat CLOTH SEATS FOR CABS	Catalogue id	Group
2	11891099 S/N -12052		20002	852
3			Illustr. No	Section
4			1001440	150
5			Issue	Page
		VOE 63H9920002	487	

VOLVO

BL71



Volvo Construction
 Equipment
 1001440

Fig.	Part No.	Quantity			P S	K I T	Description	Dénomination	Bezeichnung	Denominación	Benämning	Notes
		1	2	3								
	VOE 11884651	1	1			Seat.....	Siege.....	Sitz.....	Asiento.....	Sits.....		
1	VOE 11707355	1	1			•Spring Suspension ..	•Unite Suspension.....	•Federbündel.....	•Unidad Suspension...	•Fjädringsenhet.....		
2	VOE 6213261	2	2			••Spring.....	••Ressort.....	••Feder.....	••Muelle.....	••Fjäder.....		
3	VOE 11707356	2	2			••Spring.....	••Ressort.....	••Feder.....	••Muelle.....	••Fjäder.....		
4	VOE 11707351	1	1			••Shock absorber.....	••Amortisseur.....	••Stossdämpfer.....	••Amortiguador.....	••Stötdämpare.....		
5	VOE 3090569	1	1			••Knob.....	••Bouton.....	••Knauf.....	••Boton.....	••Knopp.....		
6	VOE 11709744	1	1			•Seat frame.....	•cadre Siege.....	•Sitzrahmen.....	•Marco asiento.....	•Sitsram.....		
7	VOE 1696529	2	2			••Spring.....	••Ressort.....	••Feder.....	••Muelle.....	••Fjäder.....		
8	VOE 1518748	1	1			••Spring.....	••Ressort.....	••Feder.....	••Muelle.....	••Fjäder.....		
9	VOE 11709389	1	1			••Cover.....	••Capot.....	••Haube.....	••Cubierta.....	••Kåpa.....	LH	
	VOE 11709390	1	1			••Cover.....	••Capot.....	••Haube.....	••Cubierta.....	••Kåpa.....	RH	
10	VOE 11707348	1	1			••Hip Belt.....	••Ceinture Hanche.....	••Hüftgurt.....	••Cinturon Cadera.....	••Höftbälte.....		
11	VOE 11709391	1	1			•Bellows.....	•Soufflet.....	•Balg.....	•Fuelle.....	•Bälg.....		
12	VOE 11704771	1	1			•Seat.....	•Siege.....	•Sitz.....	•Asiento.....	•Sits.....		
13	VOE 11704772	1	1			••Upholstery.....	••Garniture Habit.....	••Bezug.....	••Tapizado.....	••Klädsel.....		
14	VOE 11709393	1	1			•Backrest.....	•Repose-rein.....	•Rückenlehne.....	•Apoyo respaldo.....	•Ryggstöd.....		
15	VOE 11709394	1	1			••Upholstery.....	••Garniture Habit.....	••Bezug.....	••Tapizado.....	••Klädsel.....		
16	VOE 11709392	1	1			•Attachment kit.....	•Jeu de fixation.....	•Befestigungssatz.....	•Juego acoplamiento.....	•Fästsats.....		
17	VOE 11709387	1	1			•Steering wheel.....	•Volant.....	•Lenkrad.....	•Volante.....	•Ratt.....		
18	VOE 11882471	1				Arm Rest.....	Accoudoir.....	Armlehne.....	Reposabrazos.....	Armstöd.....	LH	
	VOE 11882470	1				Arm Rest.....	Accoudoir.....	Armlehne.....	Reposabrazos.....	Armstöd.....	RH	
19	VOE 13955894	4				•Washer.....	•Rondelle.....	•Scheibe.....	•Arandela.....	•Bricka.....		
20	VOE 11709040	4				Screw.....	Vis.....	Schraube.....	Tornillo.....	Skruv.....		

1	11891217 S/N -11711	Förarstol Asiento del conductor Fahrersitz Siège du concteur Operator's seat ROPS	Catalogue id	Group
2	11891100 S/N -12884		20002	852
3			Illustr. No	Section
4			1001440	200
5			Issue	Page
			VOE 63H9920002	489

VOLVO

BL71

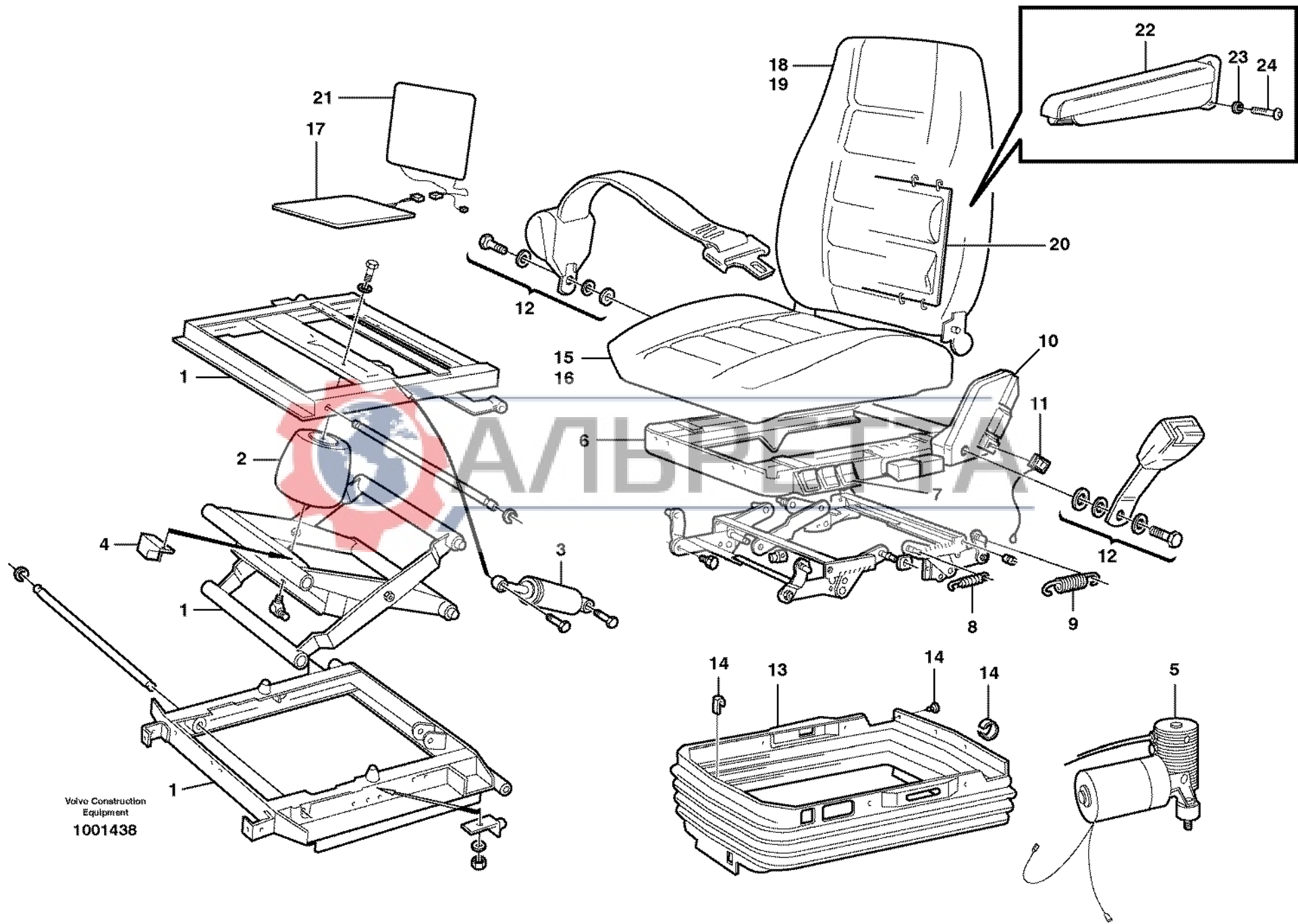


Fig.	Part No.	Quantity			P S	K I T	Description	Dénomination	Bezeichnung	Denominación	Benämning	Notes
		1	2	3								
	VOE 11884652	1				Seat.....	Siege.....	Sitz.....	Asiento.....	Sits.....		
1	VOE 11709420	1				•Suspension unit.....	•Ensemble suspensi...	•Federbündel.....	•Unidad de suspensi ..	•Fjäderupphängnings.		
1A	VOE 3091629	1				••Elbow nipple.....	••Raccord angulaire ..	••Winkelnippel.....	••Niple angular.....	••Vinkelnippel.....		
2	VOE 11707350	1				••Air Bellows.....	••Soufflet Air.....	••Luftbalg.....	••Fuelle Aire.....	••Luftbälg.....		
3	VOE 11707351	1				••Shock absorber.....	••Amortisseur.....	••Stossdämpfer.....	••Amortiguador.....	••Stötdämpare.....		
4	VOE 11709422	1				••Relay.....	••Relais.....	••Relais.....	••Rele.....	••Relä.....		
5	VOE 11709423	1				••Compressor.....	••Compresseur.....	••Kompressor.....	••Compresor.....	••Kompressor.....		
6	VOE 11709421	1				•Seat frame.....	•cadre Siege.....	•Sitzrahmen.....	•Marco asiento.....	•Sitsram.....		
7	VOE 11707347	1				•Control.....	•Commande.....	•Regelung.....	•Mando.....	•Reglage.....		
8	VOE 1518748	1				•Spring.....	•Ressort.....	•Feder.....	•Muelle.....	•Fjäder.....		
9	VOE 1696529	2				•Spring.....	•Ressort.....	•Feder.....	•Muelle.....	•Fjäder.....		
10	VOE 11709419	1				•Cover.....	•Capot.....	•Haube.....	•Cubierta.....	•Kåpa.....	LH	
	VOE 11709390	1				•Cover.....	•Capot.....	•Haube.....	•Cubierta.....	•Kåpa.....	RH	
11	VOE 11707346	1				•Switch.....	•Commutateur.....	•Schalter.....	•Contactor.....	•Strömställare.....		
12	VOE 11707348	1				•Hip Belt.....	•Ceinture Hanche.....	•Hüftgurt.....	•Cinturon Cadera.....	•Höftbälte.....		
13	VOE 11709391	1				•Bellows.....	•Soufflet.....	•Balg.....	•Fuelle.....	•Bälg.....		
14	VOE 11709392	1				•Attachment kit.....	•Jeu de fixation.....	•Befestigungssatz.....	•Juego acoplamiento..	•Fästsats.....		
15	VOE 11709418	1				•Seat.....	•Siege.....	•Sitz.....	•Asiento.....	•Sits.....		
16	VOE 11998561	1				•Upholstery.....	•Garniture Habit.....	•Bezug.....	•Tapizado.....	•Klädsel.....		
17	VOE 11706320	1				•Heater.....	•Elément de chauffa..	•Heizkörper.....	•Calefaccion.....	•Värmeelement.....		
18	VOE 11709417	1				•Backrest.....	•Repose-rein.....	•Rückenlehne.....	•Apoyo respaldo.....	•Ryggstöd.....		
19	VOE 11707344	1				•Upholstery.....	•Garniture Habit.....	•Bezug.....	•Tapizado.....	•Klädsel.....		
20	VOE 11997265	1				•Lumbar Support.....	•Repose-reins.....	•Kreuzstutze.....	•Placa Lumbar.....	•Svankplatta.....		
21	VOE 11706318	1				•Heater.....	•Elément de chauffa..	•Heizkörper.....	•Calefaccion.....	•Värmeelement.....		
22	VOE 11882471	1				Arm Rest.....	Accoudoir.....	Armlehne.....	Reposabrazos.....	Armstöd.....	LH	
	VOE 11882470	1				Arm Rest.....	Accoudoir.....	Armlehne.....	Reposabrazos.....	Armstöd.....	RH	
23	VOE 13955894	4				•Washer.....	•Rondelle.....	•Scheibe.....	•Arandela.....	•Bricka.....		
24	VOE 11709040	4				Screw.....	Vis.....	Schraube.....	Tornillo.....	Skruv.....		

1	11891110 S/N -11835	Luftfjädrande förarstol, Eluppvärmd. Asiento de conducción de suspensión neumática. Fahrersitz, Luftfedert. Siège du conducteur suspension pneumatique. Operator's seat, heated, air suspended. CABS	Catalogue id	Group
2			20002	852
3			Illustr. No	Section
4			1001438	250
5			Issue	Page
		VOE 63H9920002	491	

VOLVO

BL71

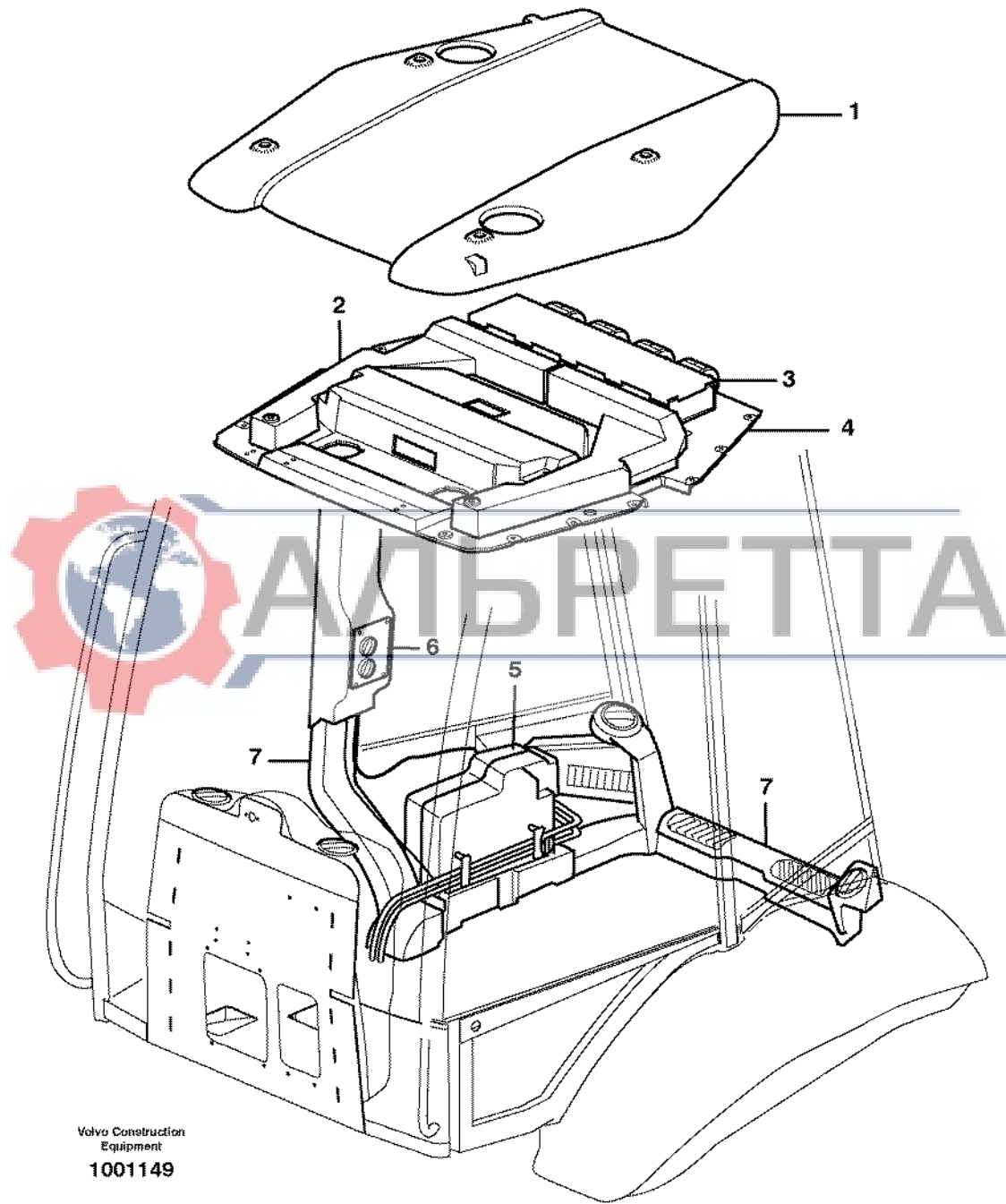


Fig.	Part No.	Quantity			P S	K I T	Description	Dénomination	Bezeichnung	Denominación	Benämning	Notes
		1	2	3								
1		1				Roof	Toit	Dach	Techo	Tak	See group 810, Page 439	
2		1				Air Duct	Tambour Air	Lufttrommel	Conducto Aire	Lufttrumma	See group 872, Page 495	
3		1				Air Cond	Climatisation	Klimaanlage	Acondicion Aire	Luftkond	See group 874, Page 507	
4		1			NS	Headlining	Garnit.pavillon	Dachhimmel	Techo Interior	Innertak	See group 851, Page 477	
5		1				Cab Heater	Chauffage cabine	Kabinenheizung	Calef Cabina	Hyttvärmare	See group 873, Page 501	
6		1				Control Panel	Panneau commande	Bedienungstafel	Panel Mando	Reglagepanel	See group 873, Page 503	
7		1				Air ducts	Canalisation d'air	Luftkanäle	Canales de aire	Luftkanaler	See group 872, Page 497	

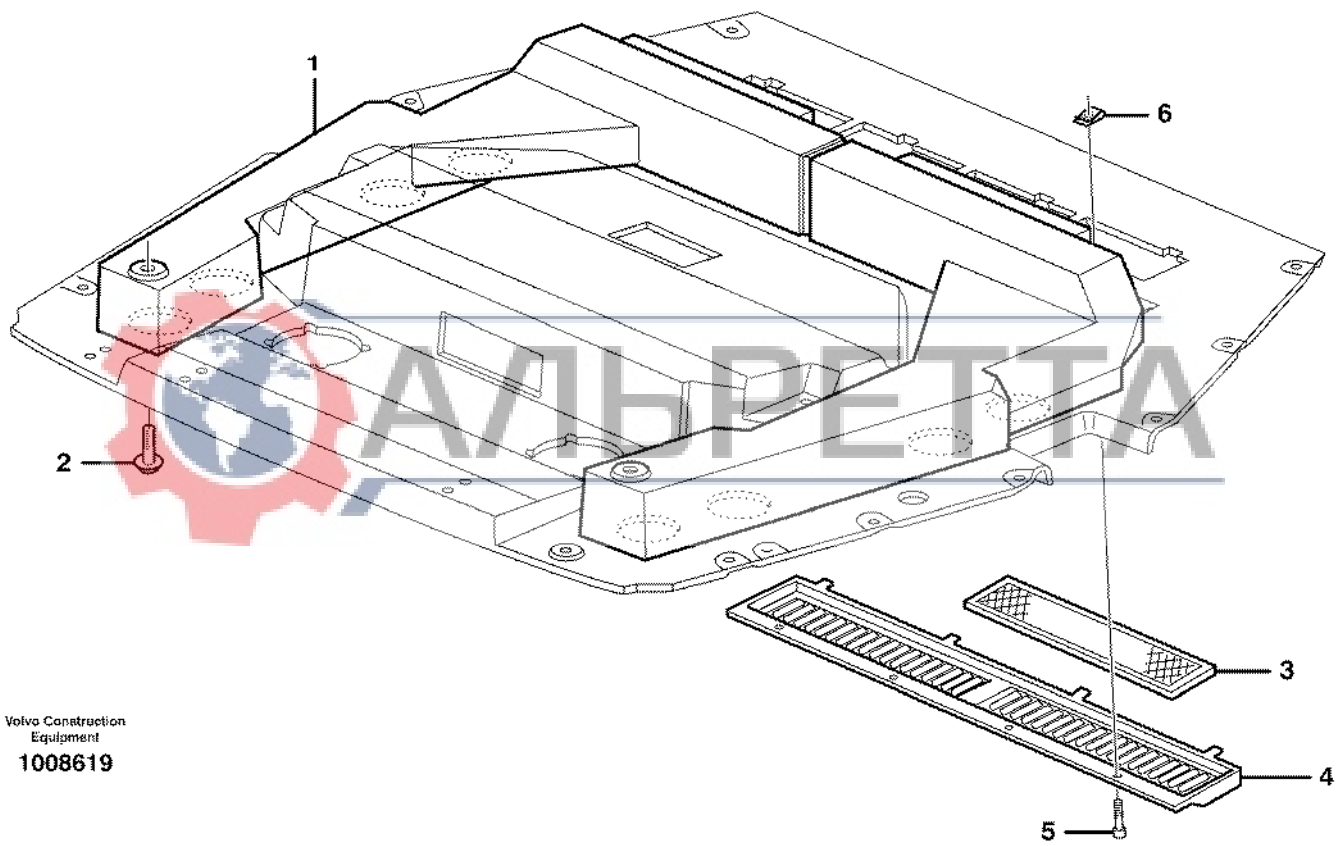


1	Värmesystem Sistema de calefacción Heizsystem Système du chauffage Heating system	Catalogue id	Group
2		20002	872
3		Illustr. No	Section
4		1001149	100
5		Issue	Page
		VOE 63H9920002	493
		11298018, 11298028, 11298197	

VOLVO

BL71





Volvo Construction
Equipment
1008619

Fig.	Part No.	Quantity			P S	K I T	Description	Dénomination	Bezeichnung	Denominación	Benämning	Notes
		1	2	3								
1	VOE 11200530	1				Air duct.....	Canal air.....	Luftkanal.....	Canal aire.....	Luftkanal.....		
2	VOE 13946173	2				Flange screw.....	Vis à bride.....	Flanschschraube.....	Torn embridado.....	Flänsskruv.....		
3	VOE 11200824	2				Filter.....	Filtre.....	Filter.....	Filtro.....	Filter.....		
4	VOE 11202426	1				Filter Retainer.....	Porte-filtre.....	Filtertopf.....	Soporte Filtro.....	Filterhållare.....		
5	VOE 969405	4				6-pt skt screw.....	Vis creuse de 6.....	Hohlschraube.....	Racor 6-dientes.....	Sextandhålskruv.....		
6	VOE 949937	4				Spring Nut.....	Ecrou Ressort.....	Fed. Schliessmutter.....	Tuerca Resorte.....	Fjädermutter.....		



1		Luftkanaler Conductos de aire Luftkanäle Canalisation d'air Air ducts	Catalogue id	Group
2			20002	872
3			Illustr. No	Section
4			1008619	200
5			Issue	Page
		11298018	VOE 63H9920002	495

VOLVO

BL71



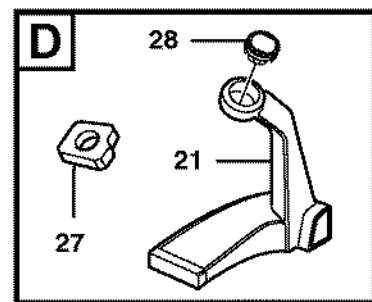
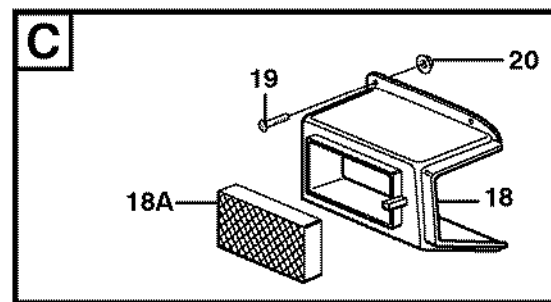
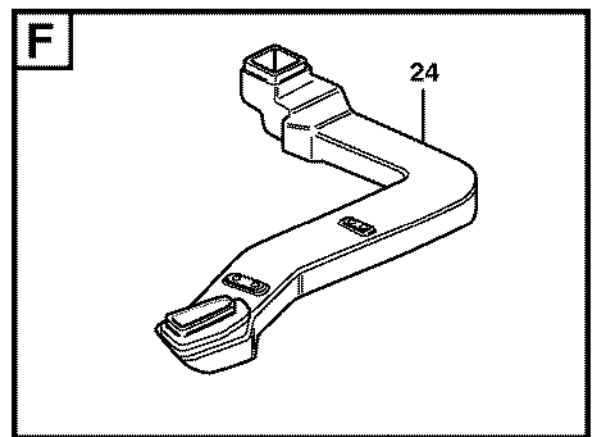
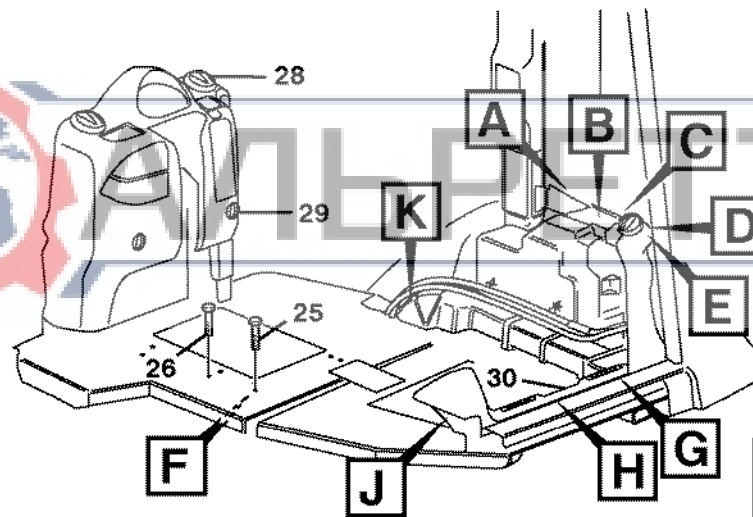
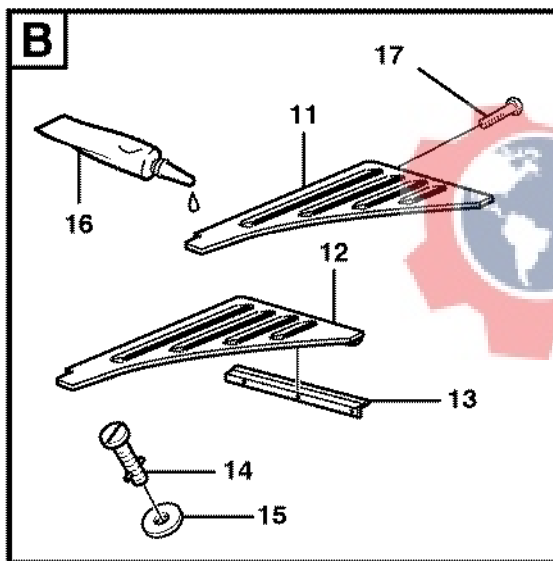
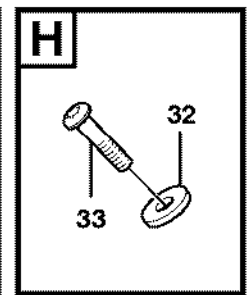
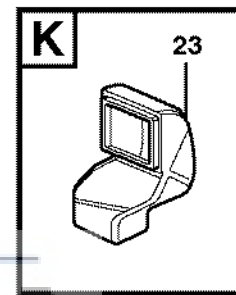
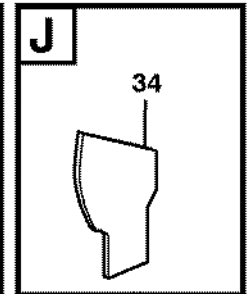
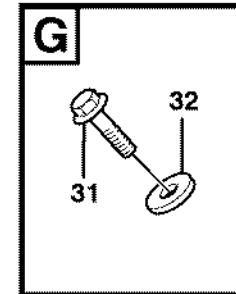
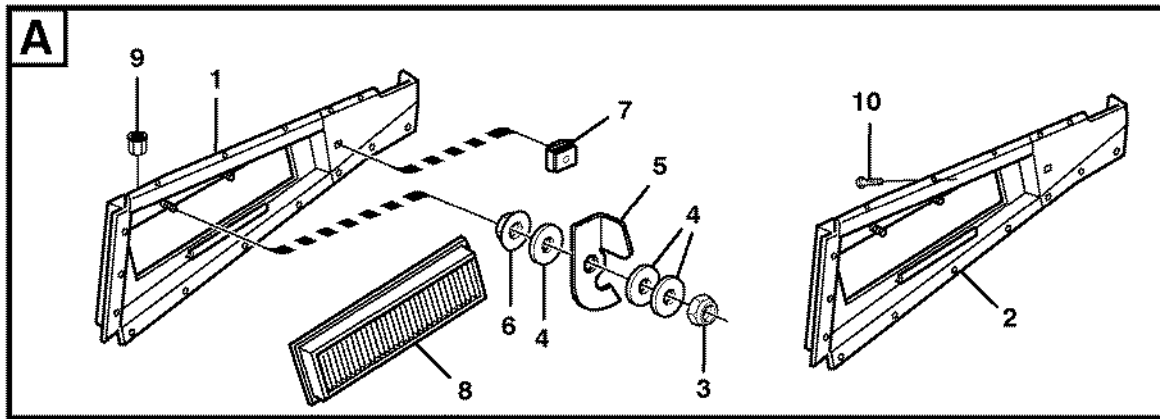


Fig.	Part No.	Quantity			P S	K I T	Description	Dénomination	Bezeichnung	Denominación	Benämning	Notes
		1	2	3								
1		1				NS	Filter Retainer	Porte-filtre	Filtertopf	Soporte Filtro	Filterhållare	
2	VOE 11201308	1					•Filter Retainer	•Porte-filtre	•Filtertopf	•Soporte Filtro	•Filterhållare	
3	VOE 13965483	2					•Flange Lock Nut	•Contre écrou bride	•Flanschmutter	•Contratuer Embr	•Flänslåsmutter	
4	VOE 13940090	6					•Washer	•Rondelle	•Scheibe	•Arandela	•Bricka	
5	VOE 11200818	2					•Striker Plate	•Gache	•Schliesskeil	•Placa Bloqueo	•Låsbleck	
6	VOE 13963104	2					•Lock nut	•Contre-ecrou	•Sicherungsmutter	•Contratuerca	•Låsmutter	
7	VOE 11201055	1					•Buckle	•Boucle	•Schnalle	•Argolla	•Spänne	
8	VOE 11703979	1					•Primary Filter	•Prefiltre	•Vorfilter	•Prefiltro	•Förfilter	
9	VOE 977222	1					•Rivet Nut	•Ecrou Rivet	•Nietmutter	•Tuerca Remache	•Nitmutter	
10	VOE 976162	7					Screw	Vis	Schraube	Tornillo	Skruv	
11		1				NS	Air Inlet	Prise Air	Lufteinlass	Toma Aire	Luftintag	
12	VOE 11201291	1					•Air Inlet	•Prise Air	•Lufteinlass	•Toma Aire	•Luftintag	
13	VOE 11200794	1					•Hinge	•Charniere	•Scharnier	•Bisagra	•Gångjärn	
14	VOE 11201054	1					•Buckle	•Boucle	•Schnalle	•Argolla	•Spänne	
15	VOE 11201056	1					•Lock Washer	•Rondel.verroui	•Sicher Scheibe	•Arandel Segurid	•Låsbricka	
16	VOE 11708567	REQ					•Adhesive	•Adhesif	•Klebstoff	•Adhesivo	•Lim	
	VOE 762681	REQ					•Rubber Moulding	•Joint Caoutchouc	•Gummileiste	•Liston Goma	•Gummilist	L = 780 MM L = 925 MM
17	VOE 13946544	3					Flange screw	Vis à bride	Flanschschraube	Torn embridado	Flänsskruv	
18	VOE 11200836	1					Air Inlet	Prise Air	Lufteinlass	Toma Aire	Luftintag	
18A	11712164	1					•Filter	•Filtre	•Filter	•Filtro	•Filter	(Recirculation)
19	VOE 969422	4					6-pt sct screw	Vis creuse de 6	Hohlschraube	Racor 6-dientes	Sextandhålskruv	(VOE 13969422)
20	VOE 13949278	4					Flange Lock Nut	Contre écrou bride	Flanschmutter	Contratuer Embr	Flänslåsmutter	
21	VOE 11200730	1					Air duct	Canal air	Luftkanal	Canal aire	Luftkanal	
22	VOE 969587	1					6-pt sct screw	Vis creuse de 6	Hohlschraube	Racor 6-dientes	Sextandhålskruv	
23	VOE 11200727	1					Air duct	Canal air	Luftkanal	Canal aire	Luftkanal	
24	VOE 11200990	1					Air duct	Canal air	Luftkanal	Canal aire	Luftkanal	
25	VOE 13946544	5					Flange screw	Vis à bride	Flanschschraube	Torn embridado	Flänsskruv	
26	VOE 13946544	4					Flange screw	Vis à bride	Flanschschraube	Torn embridado	Flänsskruv	
27		1				NS	Insulation	Isolant	Isolierung	Aislante	Isolering	

1		Luftkanaler	Catalogue id	Group
2		Conductos de aire	20002	872
3		Luftkanäle	Illustr. No	Section
4		Canalisation d'air	1007868	250
4		Air ducts	Issue	Page
5		11298028, 11298197	VOE 63H9920002	497

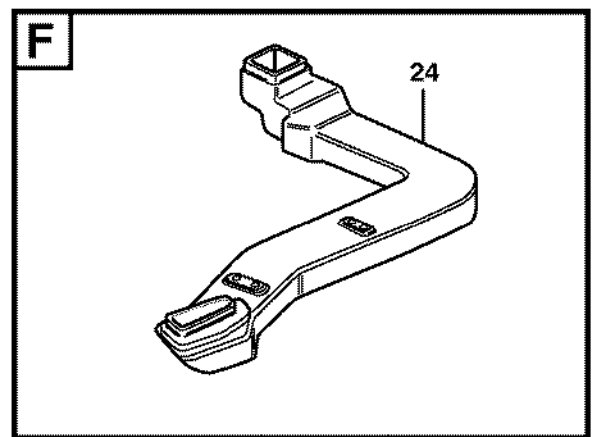
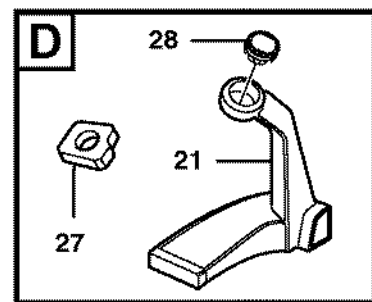
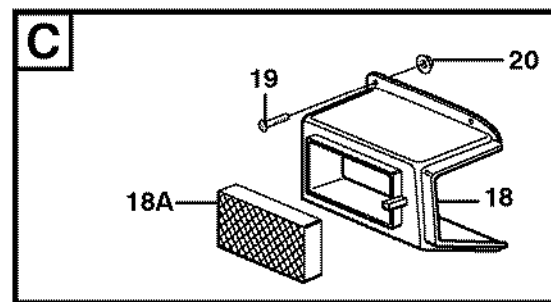
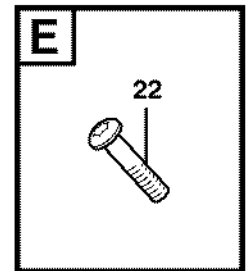
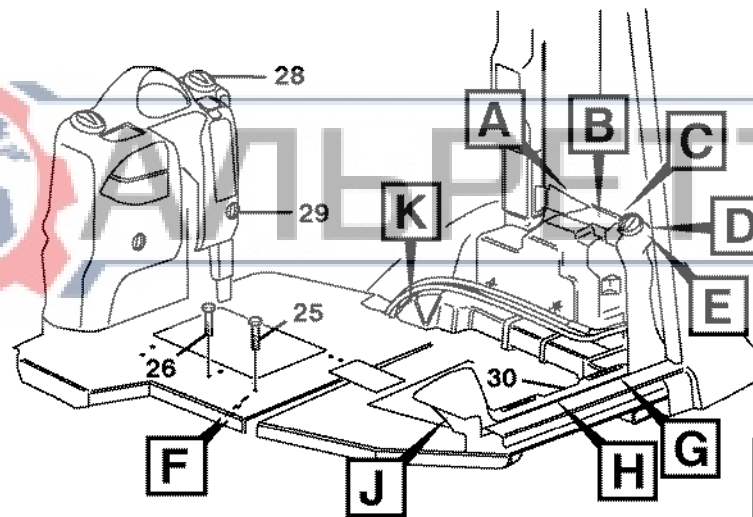
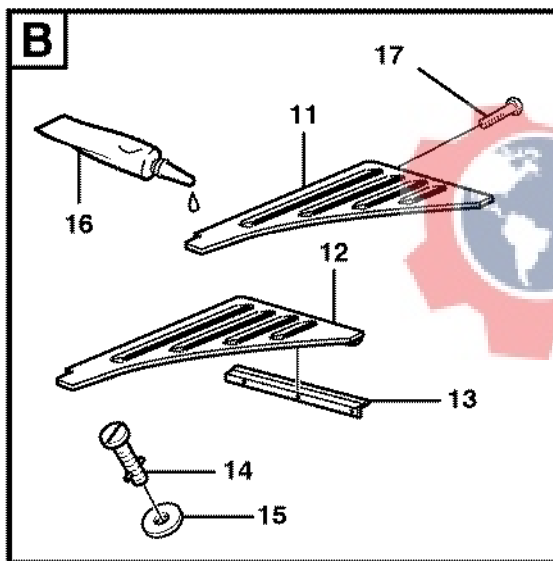
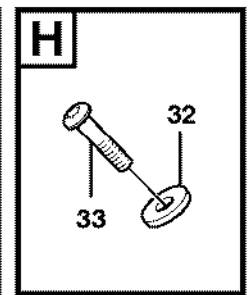
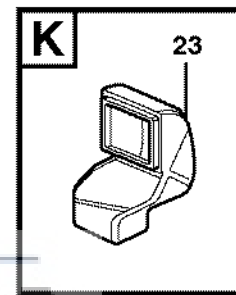
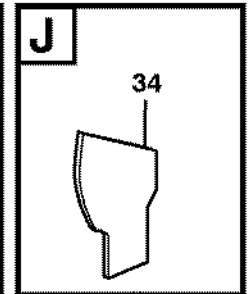
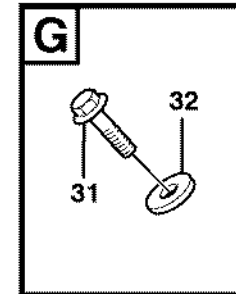
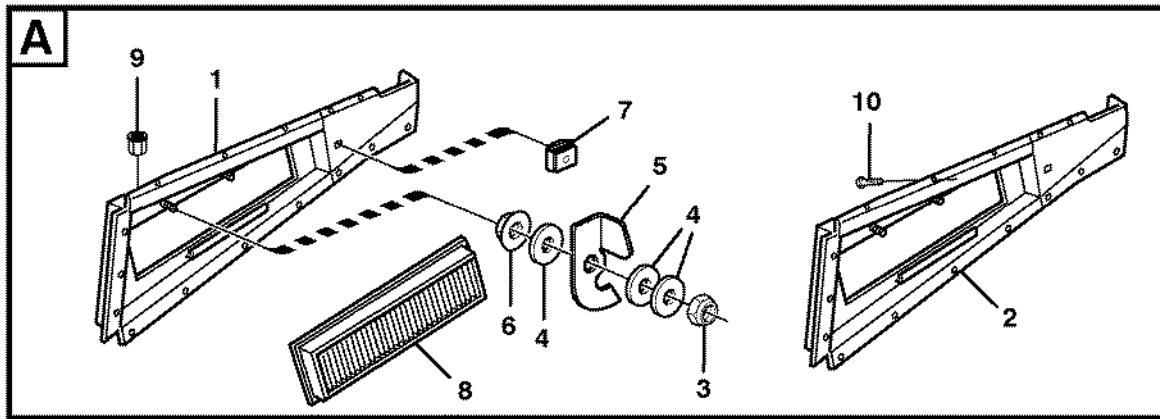


Fig.	Part No.	Quantity			P S	K I T	Description	Dénomination	Bezeichnung	Denominación	Benämning	Notes
		1	2	3								
28	VOE 11104372	4				Air Outlet.....	Diffuseur d'air	Luftdüse	Difusor de aire	Luftmunstycke.....		
29	VOE 11104371	2				Air Outlet.....	Diffuseur d'air	Luftdüse	Difusor de aire	Luftmunstycke.....		
30	VOE 11200543	1				Air duct.....	Canal air.....	Luftkanal.....	Canal aire	Luftkanal.....		
31	VOE 13947542	2				Screw	Vis	Schraube.....	Tornillo	Skruv.....		
32	VOE 13960138	1				Washer.....	Rondelle	Scheibe	Arandela.....	Bricka.....		
	VOE 960139	2				Washer.....	Rondelle	Scheibe	Arandela.....	Bricka.....		
33	VOE 972412	1				Screw	Vis	Schraube.....	Tornillo	Skruv.....		
34		REQ			NS	Insulation.....	Isolant	Isolierung.....	Aislante	Isolering.....		

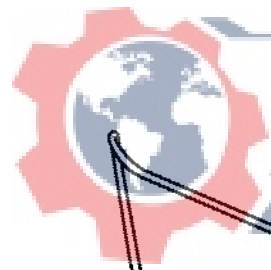


1		Luftkanaler	Catalogue id	Group
2		Conductos de aire	20002	872
3		Luftkanäle	Illustr. No	Section
4		Canalisation d'air	1007868	250
5		Air ducts	Issue	Page
		11298028, 11298197	VOE 63H9920002	499

VOLVO

BL71





АЛБРЕТ

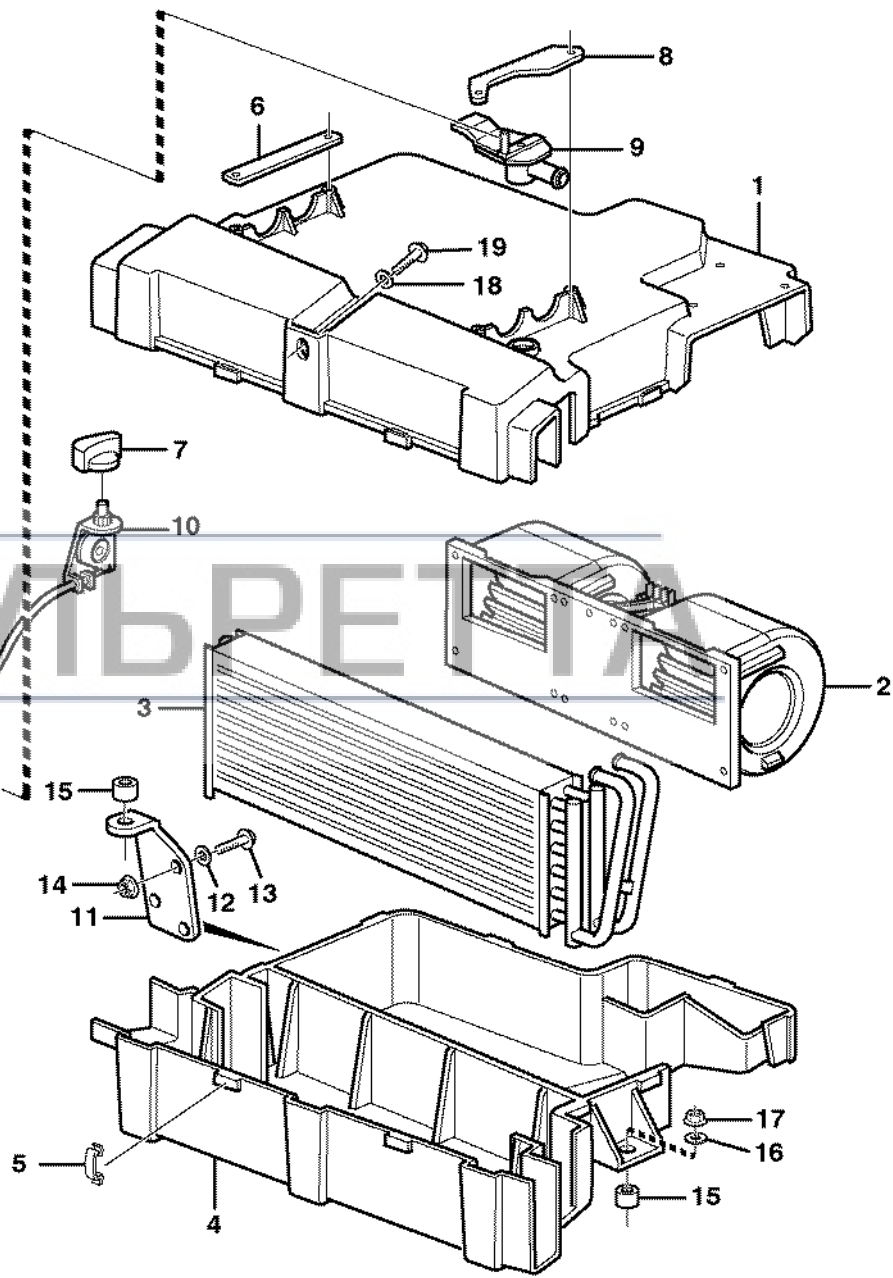


Fig.	Part No.	Quantity			P S	K I T	Description	Dénomination	Bezeichnung	Denominación	Benämning	Notes
		1	2	3								
	VOE 11200528	1					Cab Heater.....	Chauffage cabine.....	Kabinenheizung	Calef Cabina	Hyttvärmare.....	
1		1			NS		•Housing	•Carter.....	•Gehäuse	•Carter.....	•Hus.....	
2	VOE 11709685	1					•Motor	•Moteur.....	•Motor.....	•Motor.....	•Motor.....	
3	VOE 11709684	1					•Radiator.....	•Radiateur	•Radiator	•Radiador	•Radiator.....	See group 873, Page 503
4		1			NS		•Housing	•Carter.....	•Gehäuse	•Carter.....	•Hus.....	
5	VOE 11709691	8					•Clip	•Clip.....	•Klemme.....	•Clip.....	•Clips.....	
6	VOE 11709688	1					•Bracket	•Console.....	•Konsole.....	•Consola.....	•Konsol.....	
7	VOE 11709689	1					•Handle	•Poignee.....	•Drehgriff	•Mango	•Vred.....	
8	VOE 11709686	1					•Bracket	•Console.....	•Konsole.....	•Consola.....	•Konsol.....	
9	VOE 11709687	1					•Valve.....	•Soupape	•Ventil.....	•Valvula	•Ventil.....	
10	VOE 11709690	1					•Converter.....	•Convertisseur.....	•Wandler.....	•Convertidor	•Omvandlare.....	
11		1			NS		Anchorage.....	Fixation	Halterung.....	Fijacion.....	Fäste.....	
12	VOE 13960141	3					Washer.....	Rondelle	Scheibe	Arandela.....	Bricka.....	(VOE 976944)
13	VOE 13945444	3					Flange screw.....	Vis à bride	Flanschschraube.....	Torn embridado.....	Flänsskruv.....	
14	VOE 948645	3					Flange Lock Nut.....	Contre écrou bride	Flanschmutter	Contratuer Embr.....	Flänslåsmutter.....	
15	VOE 11200746	2					Vib Damper.....	Amort.vibration.....	Schwingdämpfer	Amortig Vibrac.....	Vibr.dämpare.....	
16	VOE 13960141	1					Washer.....	Rondelle	Scheibe	Arandela.....	Bricka.....	(VOE 976944)
17	VOE 948645	4					Flange Lock Nut.....	Contre écrou bride	Flanschmutter	Contratuer Embr.....	Flänslåsmutter.....	
18	VOE 13960141	1					Washer.....	Rondelle	Scheibe	Arandela.....	Bricka.....	(VOE 976944)
19	VOE 13945444	1					Flange screw.....	Vis à bride	Flanschschraube.....	Torn embridado.....	Flänsskruv.....	

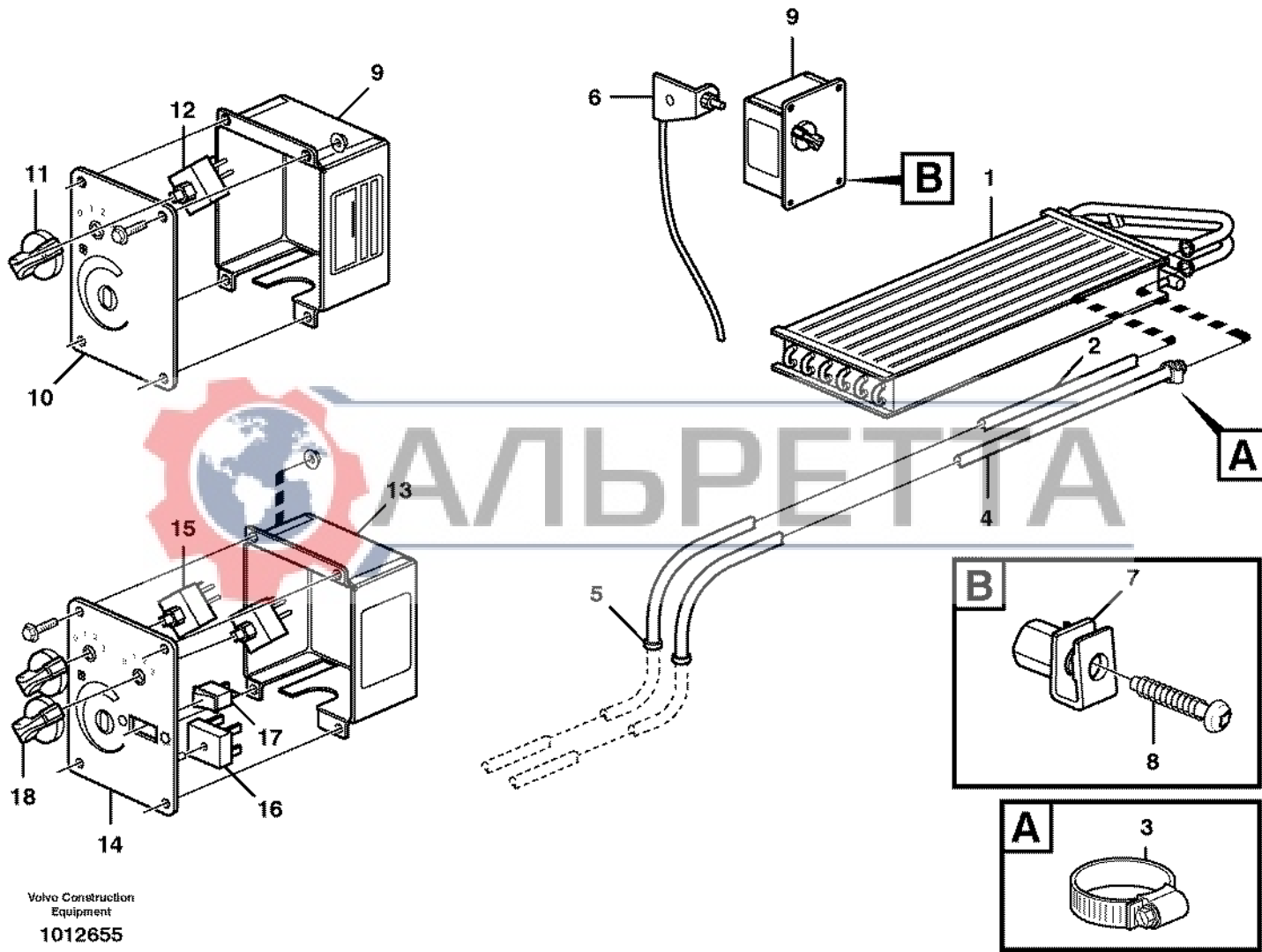


1		Hyttvärmare	Catalogue id	Group
2		Calefactor de cabina	20002	873
3		Kabinenheizung	Illustr. No	Section
4		Chauffe-cabine	1001153	100
5		Cab heater	Issue	Page
		11298028, 11298197	VOE 63H9920002	501

VOLVO

BL71





АЛЬРЕТТА

Volvo Construction
Equipment
1012655

Fig.	Part No.	Quantity			P S	K I T	Description	Dénomination	Bezeichnung	Denominación	Benämning	Notes
		1	2	3								
1	VOE 11709684	1				Radiator	Radiateur	Radiator.....	Radiator.....	Radiator.....		
2	VOE 11204029	1				Hose.....	Durit	Schlauch	Tube flexible.....	Slang.....	L = 2750MM NEW	
2	VOE 943368	REQ				Hose.....	Durit	Schlauch	Tube flexible.....	Slang.....	L = 2675MM OLD	
3	VOE 13943472	2				Clamp.....	Pince Serrage	Klemme	Abrazadera.....	Klämma.....		
4	VOE 11204029	1				Hose.....	Durit	Schlauch	Tube flexible.....	Slang.....	L = 2750MM NEW	
4	VOE 943368	REQ				Hose.....	Durit	Schlauch	Tube flexible.....	Slang.....	L = 2300MM OLD	
5	VOE 961970	2				Plug.....	Bouchon.....	Stopfen.....	Tapon	Plugg.....		
6		1				Converter	Convertisseur	Wandler.....	Convertidor.....	Omvandlare.....	See group 873, Page 501	
7	VOE 977982	4				Spring Nut.....	Ecrou Ressort	Fed. Schliessmutter ...	Tuerca Resorte	Fjädermutter.....		
8	VOE 975380	4				Screw	Vis	Schraube.....	Tornillo	Skruv.....		
9	VOE 11200821	1				Control Panel	Tableau de bord.....	Steuerpult.....	Panel de control	Kontrollpanel.....		
10	VOE 11709696	1				•Cover	•Couvercle.....	•Deckel	•Tapa	•Lock.....		
11	VOE 11709689	1				•Handle	•Poignee.....	•Drehgriff	•Mango	•Vred.....		
12	VOE 11709697	1				•Switch	•Commutateur	•Schalter	•Contactor	•Strömställare.....		
13	VOE 11200533	1				Control Panel	Tableau de bord.....	Steuerpult.....	Panel de control	Kontrollpanel.....		
14	VOE 11709706	1				•Cover	•Couvercle.....	•Deckel	•Tapa	•Lock.....		
15	VOE 11709697	2				•Switch	•Commutateur	•Schalter	•Contactor	•Strömställare.....		
16	VOE 11709707	1				•Rectifier	•Redresseur	•Gleichrichter.....	•Rectificador	•Likriktare.....		
17	VOE 11709708	1				•Switch	•Interrupteur	•Trennschalter.....	•Interruptor	•Brytare.....		
18	VOE 11709689	1				•Handle	•Poignee.....	•Drehgriff	•Mango	•Vred.....		

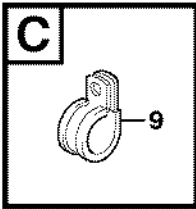
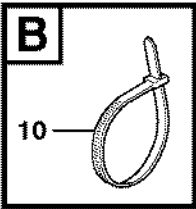
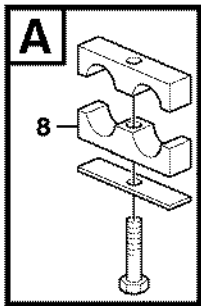
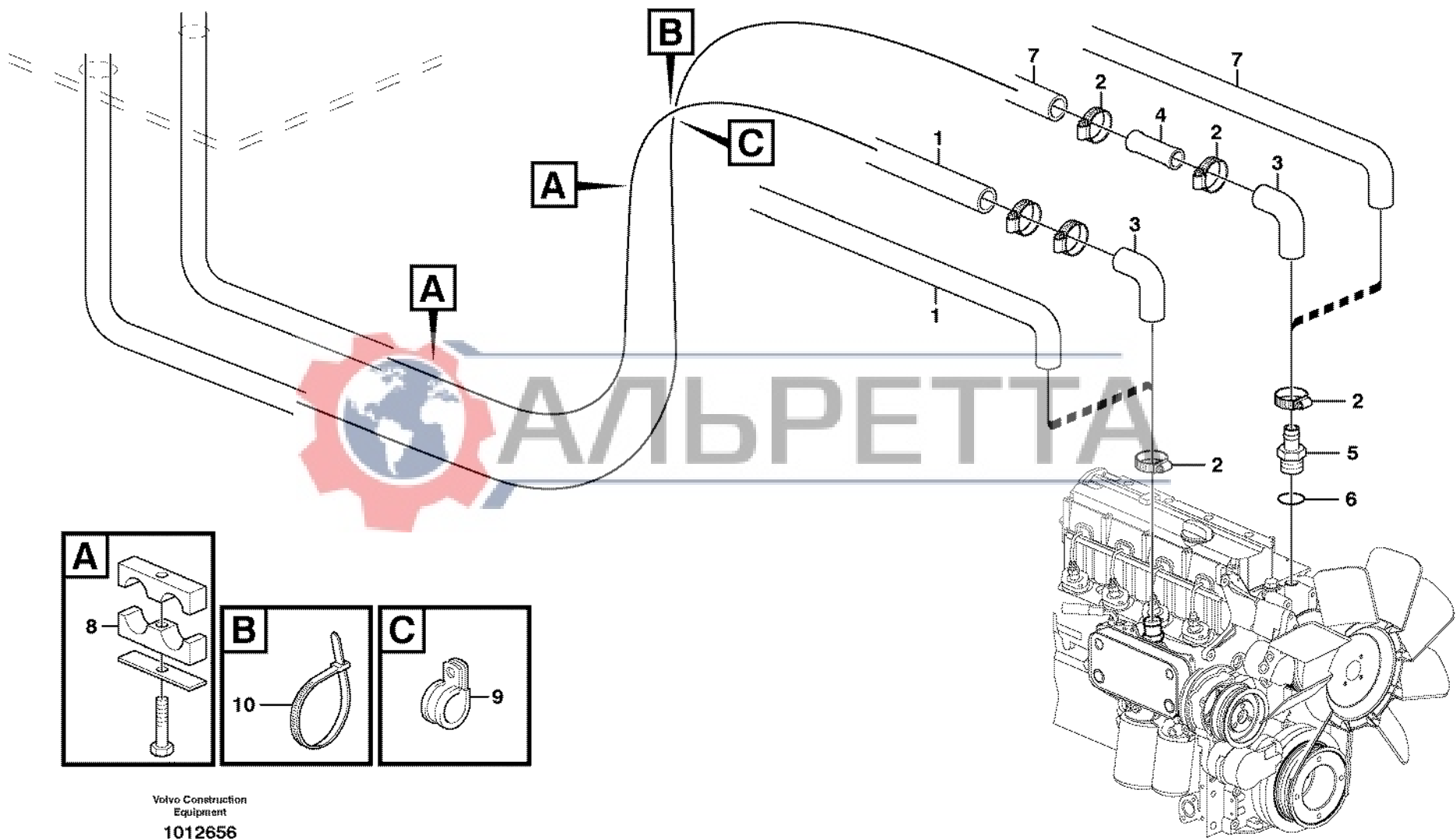


1	11298028, 11298197	Radiator och reglage Radiador y reglaje Heizkörper und Regler Radiateur et réglage Radiator and control	Catalogue id	Group
2	11298018		20002	873
3			Illustr. No	Section
4			1012655	150
5			Issue	Page
			VOE 63H9920002	503

VOLVO

BL71





Volvo Construction
Equipment
1012656

Fig.	Part No.	Quantity			P S	K I T	Description	Dénomination	Bezeichnung	Denominación	Benämning	Notes
		1	2	3								
1	VOE 11204029	1				Hose.....	Durit	Schlauch	Tubo flexible	Slang.....	See group 873, Page 505	
1	VOE 943368		REQ			Hose.....	Durit	Schlauch	Tubo flexible	Slang.....		
2	VOE 968847	2	6			Hose Clamp	Collier Serrage	Schlauchschelle	Abraz Manguera.....	Slangklamma.....		
3	VOE 11881442		2			Elbow	Coude	Winkelstueck	Tubo acodado	Vinkel.....		
4	VOE 11006632		2			Tube.....	Tube.....	Rohr	Tubo	Rör.....		
5	VOE 11883933	2	2			Connector	Raccord.....	Anschluss.....	Union	Anslutning.....		
6	VOE 13947628	2	2			Plane Gasket	Joint Plan	Flachdichtung.....	Junta Plana	Planpackning.....		
7	VOE 11204029	1				Hose.....	Durit	Schlauch	Tubo flexible	Slang.....		
7	VOE 943368		REQ			Hose.....	Durit	Schlauch	Tubo flexible	Slang.....	See group 873, Page 505	
8	VOE 11881443	2	2			Clamp.....	Pince Serrage	Klemme	Abrazadera.....	Klämma.....		
9	VOE 13977600	1				Clamp.....	Pince Serrage	Klemme	Abrazadera.....	Klämma.....	(VOE 977600)	
10	VOE 4881440	1	2			Strip Clamp	Ruban Serrage.....	Kabelbinder	Abraz Cinta	Bandklamma.....		



1	NEW	Hyttvärmare med anslutningar Calefactor cabina con uniones Fahrerhausheizung mit anschlusse Chauffe-cabine avec raccords Cab heater with connectors	Catalogue id	Group
2	OLD		20002	873
3			Illustr. No	Section
4			1012656	200
5			Issue	Page
			VOE 63H9920002	505
			11298028, 11298197	

VOLVO

BL71



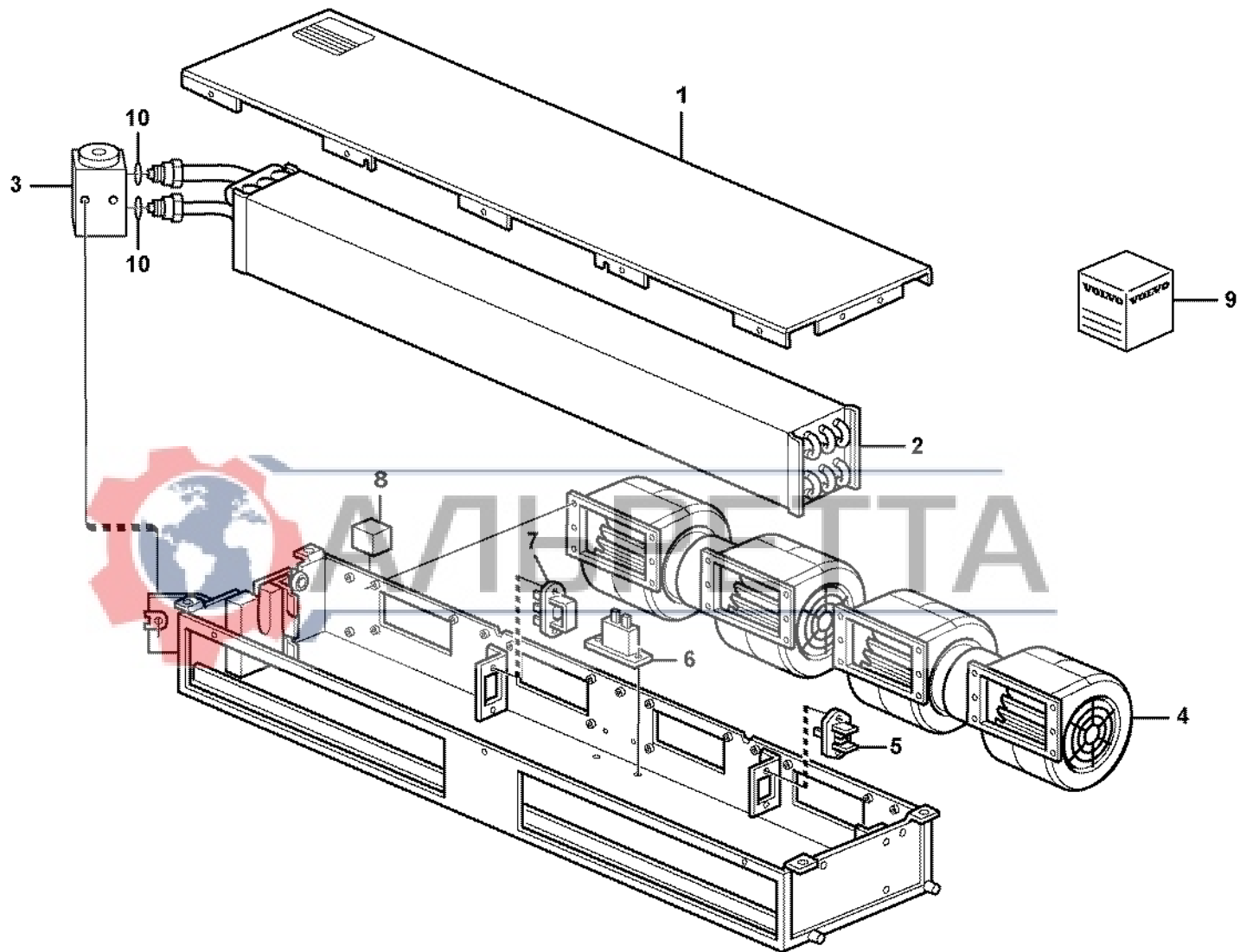


Fig.	Part No.	Quantity			P S	K I T	Description	Dénomination	Bezeichnung	Denominación	Benämning	Notes
		1	2	3								
	VOE 11203150	1				Air conditioning	Climatisation	Klimaanlage	Acondicion de aire.....	Luftkonditinerig.....		
1		1			NS	•Cap	•Chapeau	•Kappe	•Caperuza	•Lock.....		
2		1				•Evaporator	•Evaporateur	•Verdampfer	•Evaporador	•Förångare.....	See group 874, Page 509	
3		1				•Expansion Valve.....	•Robin.expansion	•Exp Vent	•Valv Expansion	•Expansionsvent.....	See group 874, Page 509	
4	VOE 11709704	1				•Motor	•Moteur.....	•Motor.....	•Motor.....	•Motor.....		
5	VOE 11709700	1				•Resistor	•Resistance	•Widerstand.....	•Resistencia	•Resistor.....		
6	VOE 11709701	1				•Thermostat	•Thermostat.....	•Thermostat.....	•Termostato.....	•Termostat.....		
7	VOE 11709702	1				•Resistor	•Resistance	•Widerstand.....	•Resistencia	•Resistor.....		
8	VOE 11709703	1				•Relay	•Relais.....	•Relais.....	•Rele.....	•Relä.....		
9	VOE 11715018	1				•Sealing Kit	•Jeu Joints.....	•Dichtungssatz	•Juego Retenes.....	•Tätningssats.....		
10	VOE 11715021	2				O-ring.....	Joint Torique	O-Ring.....	Junta torica.....	O-ring.....		



1		Luftkonditionering	Catalogue id	Group
2		Acondicionador de aire	20002	874
3		Klimaanlage	Illustr. No	Section
4		Climatisation	1001150	100
5		Air conditioning	Issue	Page
		11298018	VOE 63H9920002	507

VOLVO

BL71



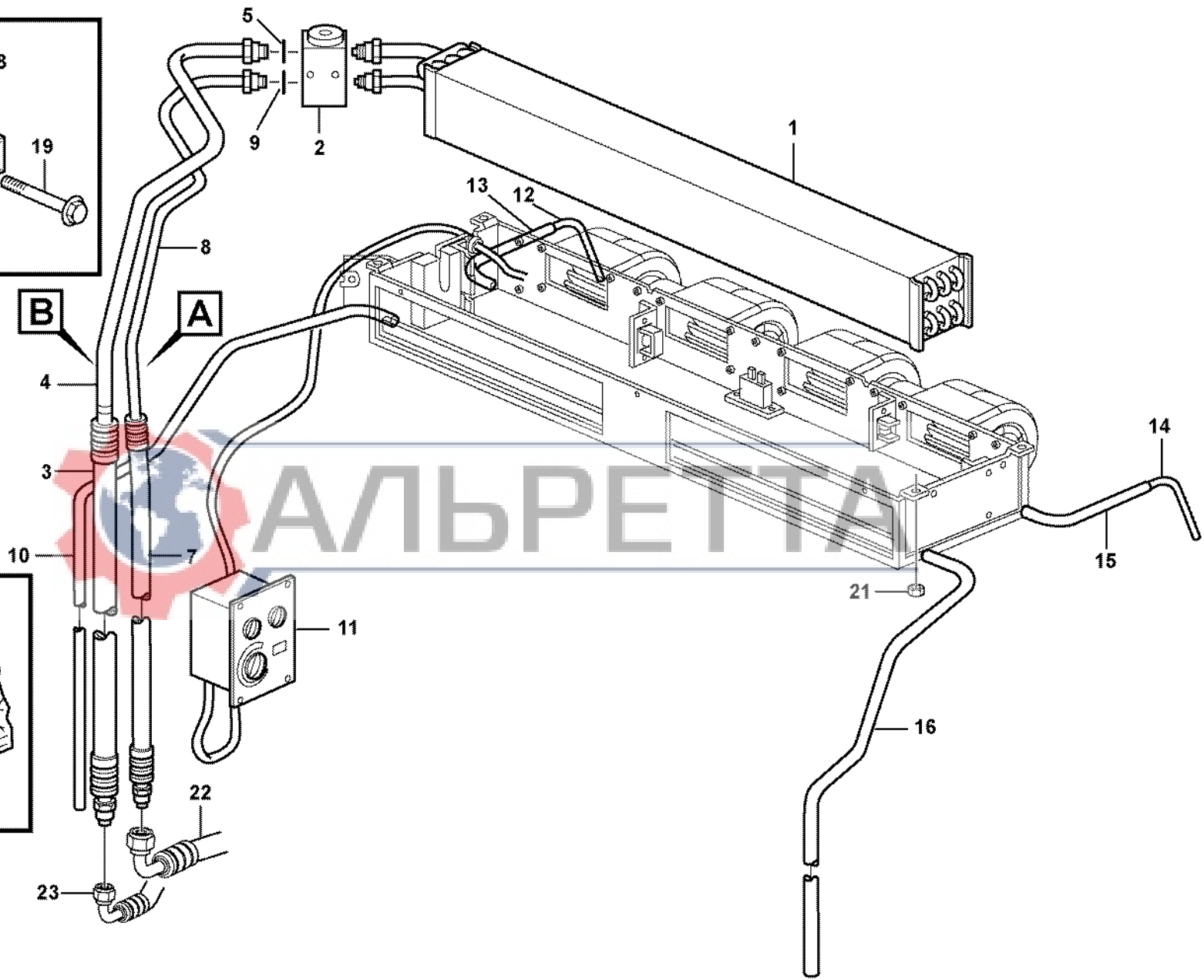
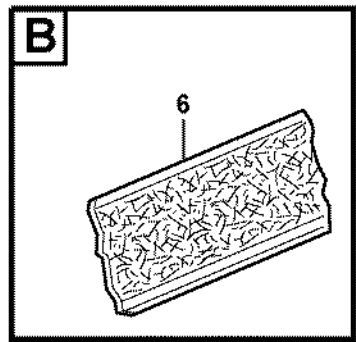
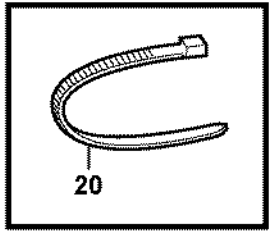
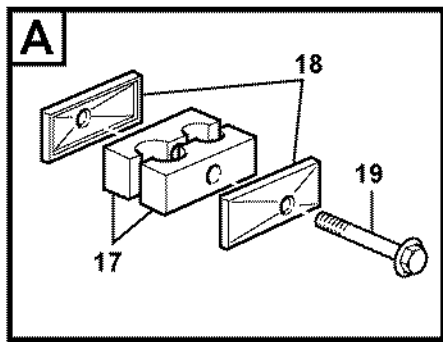
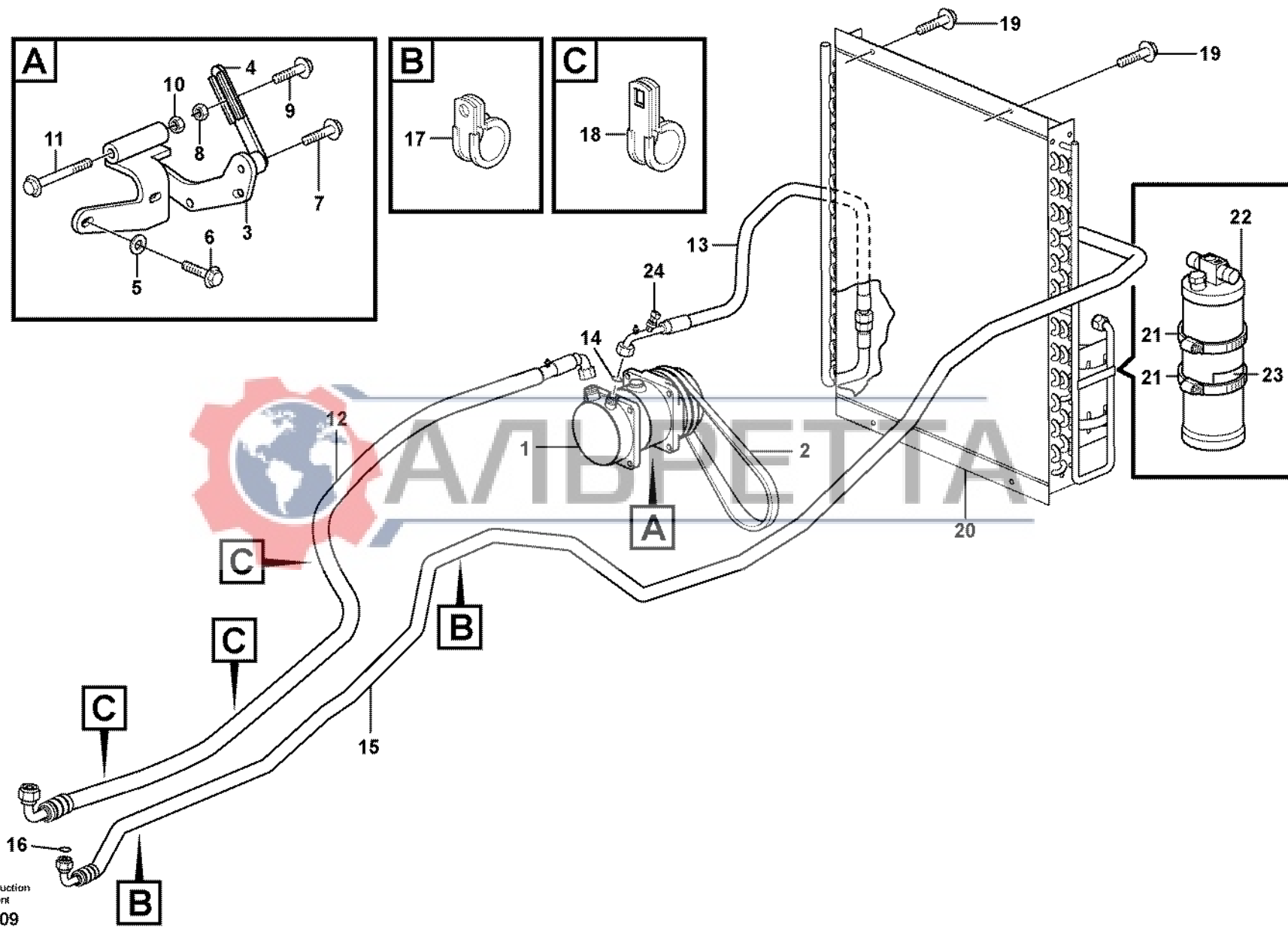
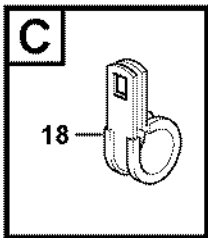
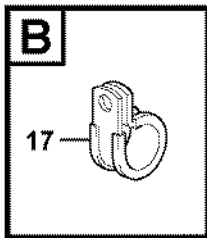
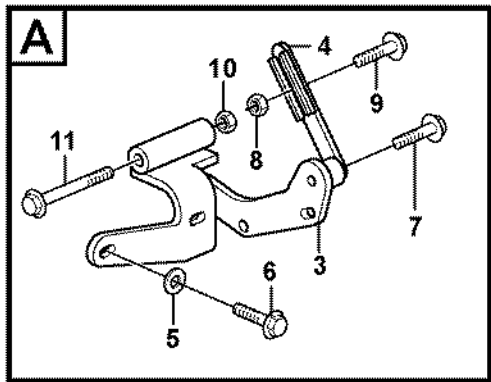


Fig.	Part No.	Quantity			P S	K I T	Description	Dénomination	Bezeichnung	Denominación	Benämning	Notes
		1	2	3								
1	VOE 11709698	1				Evaporator	Evaporateur	Verdampfer	Evaporador.....	Förångare.....		
2	VOE 11709699	1				•Expansion Valve	•Robin.expansion	•Exp Vent	•Valv Expansion	•Expansionsvent.....		
3	VOE 11201065	1				Hose.....	Durit	Schlauch	Tubo flexible.....	Slang.....		
4	VOE 11201063	1				Tube.....	Tube.....	Rohr	Tubo	Rör.....		
5	VOE 11715022	1				O-ring.....	Joint Torique	O-Ring.....	Junta torica.....	O-ring.....		
6	VOE 11003291	REQ				Tape.....	Scotch.....	Klebeband.....	Cinta.....	Tape.....	L=1000 MM	
7	VOE 11201064	1				Hose.....	Durit	Schlauch	Tubo flexible.....	Slang.....		
8	VOE 11201062	1				Tube.....	Tube.....	Rohr	Tubo	Rör.....		
9	VOE 11715020	1				O-ring.....	Joint Torique	O-Ring.....	Junta torica.....	O-ring.....		
10	VOE 941507	1				Hose.....	Durit	Schlauch	Tubo flexible.....	Slang.....	L = 2100MM	
11		1				Control Panel.....	Panneau commande.....	Bedienungstafel	Panel Mando	Reglagepanel.....	See group 873, Page 503	
12	VOE 11039491	1				Hose.....	Durit	Schlauch	Tubo flexible.....	Slang.....	L = 150MM	
13	VOE 941507	1				Hose.....	Durit	Schlauch	Tubo flexible.....	Slang.....	L = 300MM	
14	VOE 11039491	1				Hose.....	Durit	Schlauch	Tubo flexible.....	Slang.....	L = 150MM	
15	VOE 941507	1				Hose.....	Durit	Schlauch	Tubo flexible.....	Slang.....	L = 300MM	
16	VOE 941507	1				Hose.....	Durit	Schlauch	Tubo flexible.....	Slang.....	L = 2100MM	
17	VOE 11200928	2				Hose retainer.....	Porte-flexible	Schlauchhalter	Reten manguera	Slanghållare.....		
18	VOE 11881311	2				Plate.....	Plaquet	Platte	Placa	Platta.....		
19	VOE 946470	1				Flange screw.....	Vis à bride	Flanschschraube.....	Torn embridado	Flänsskruv.....		
20	VOE 4881440	10				Strip Clamp	Ruban Serrage.....	Kabelbinder.....	Abraz Cinta	Bandklamma.....		
21	VOE 948645	4				Flange Lock Nut.....	Contre écrou bride	Flanschmutter	Contratuer Embr.....	Flänslåsmutter.....		
22		1				Hose.....	Durit	Schlauch	Tubo flexible.....	Slang.....	See group 874, Page 511	
23		1				Hose.....	Durit	Schlauch	Tubo flexible.....	Slang.....	See group 874, Page 511	

1		Evaporator, montering	Catalogue id	Group
2		Evaporador, montaje	20002	874
3		Verdampfer, Anbauteilen	Illustr. No	Section
4		Evaporateur, montage	1001188	350
5		Evaporator, assembly	Issue	Page
		11298018	VOE 63H9920002	509

VOLVO

BL71



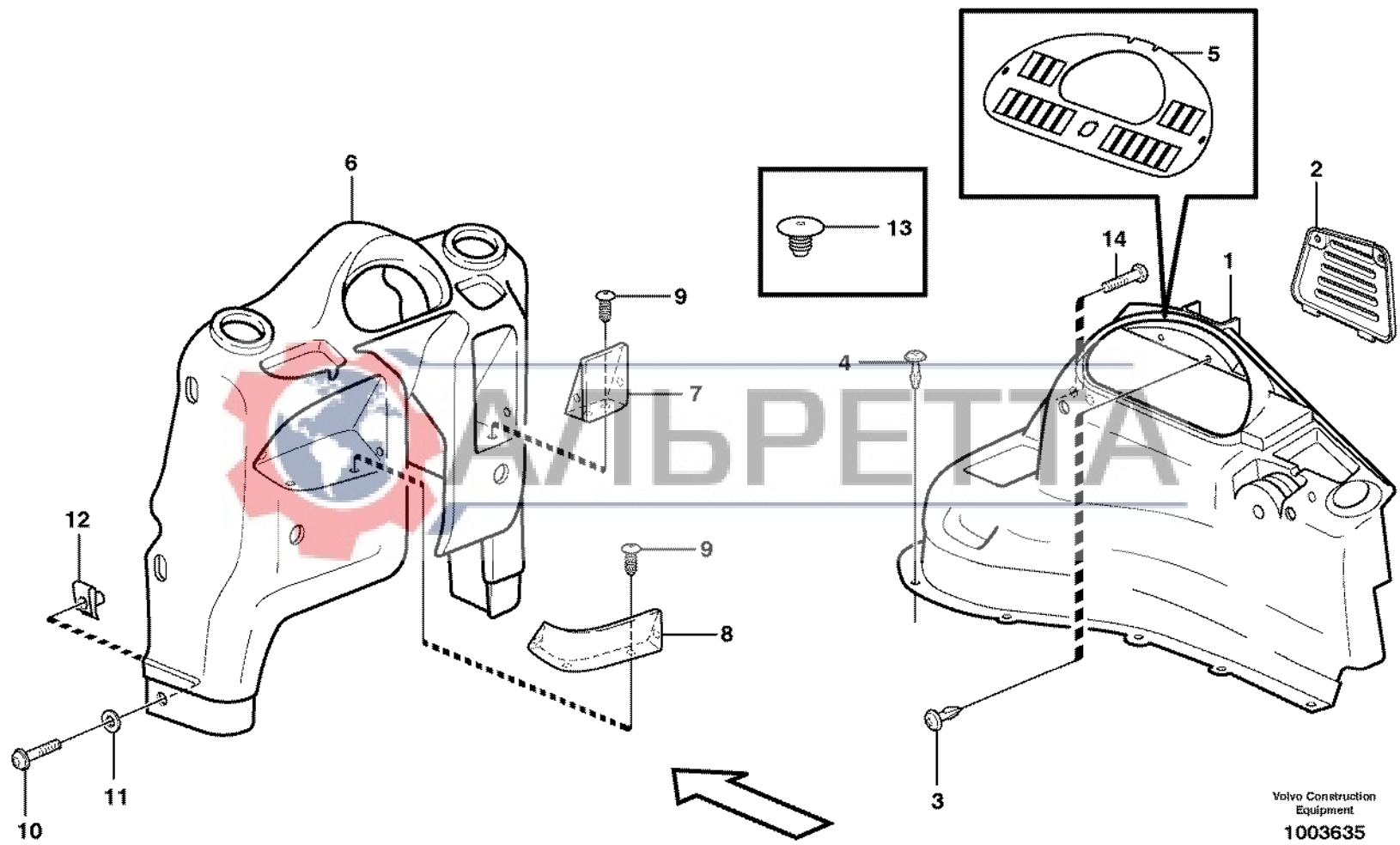
Volvo Construction
Equipment
1012009

Fig.	Part No.	Quantity			P S	K I T	Description	Dénomination	Bezeichnung	Denominación	Benämning	Notes
		1	2	3								
1	VOE 11882069	1				Compressor	Compresseur	Kompressor	Compresor	Kompressor		
2	VOE 11883725	1				V-belt	Courroie Trape.	Keilriemen	Correa Trapez	Kilrem		
3	VOE 11888237	1				Bracket	Console	Konsole	Ménsula	Konsol		
4	VOE 11884868	1				Bracket	Console	Konsole	Ménsula	Konsol		
5	VOE 11117464	4				Washer	Rondelle	Scheibe	Arandela	Bricka		
6	VOE 13967630	4				Allen Hd Screw	Vis A 6 Pans Cr	Inbusschraube	Torn Hex Embut	Insexskruv		
7	VOE 13945444	1				Flange screw	Vis à bride	Flanschschaube	Torn embridado	Flänsskruv		
8	VOE 961991	1				Hexagon Nut	Ecrou Hexagonal	Sechskantmutter	Tuerca Hexagon	Sexkantmutter		
9	VOE 946671	1				Flange screw	Vis à bride	Flanschschaube	Torn embridado	Flänsskruv		
10	VOE 981314	1				Lock nut	Contre-ecrou	Sicherungsmutter	Contratuerca	Låsmutter		
11	VOE 13970963	1				Hexagon screw	Vis a tête hexagonale	Sechskantschr	Tornillo hexago	Sexkantsskruv		
12	VOE 11883807	1				Hose	Durit	Schlauch	Tubo flexible	Slang		
13	VOE 11883805	1				Hose	Durit	Schlauch	Tubo flexible	Slang		
14	VOE 11715021	2				O-ring	Joint Torique	O-Ring	Junta torica	O-ring		
15	VOE 11883806	1				Hose	Durit	Schlauch	Tubo flexible	Slang		
16	VOE 11715020	2				O-ring	Joint Torique	O-Ring	Junta torica	O-ring		
17	VOE 967531	2				Clamp	Pince Serrage	Klemme	Abrazadera	Klämma		
18	VOE 947457	3				Clamp	Pince Serrage	Klemme	Abrazadera	Klämma		
	VOE 972421	1				Screw	Vis	Schraube	Tornillo	Skruv		
19	VOE 13946934	5				Screw	Vis	Schraube	Tornillo	Skruv		
20	VOE 11890334	1				Condenser	Condenseur	Kondensator	Condensador	Kondensor		
21	VOE 11709815	1				•Clamp	•Pince Serrage	•Klemme	•Abrazadera	•Klämma		
22	VOE 11709814	1				•Receiver Drier	•Deshydrateur	•Entfeuchter	•Secador	•Torkare		
23	VOE 13935003	1				Warning Decal	Decal. avertiss.	Warnaufkleber	Calcomania Adv	Varningsdekal		
24	VOE 11881763	1				Pressure Switch	Mano contact	Druckschalter	Manocontacto	Tryckkontakt		

1	Montering slangar: Evaporator, torkare, kondensor. Montaje mangueras, evaporador, secador, condensador Anbauteilen schlauch, verdampfer, entfeuchter Montage flexibles, évaporateur, deshydrateurcondenseur Assembly hoses: Evaparator, receiver drier, condenser.	Catalogue id	Group
2		20002	874
3		Illustr. No	Section
4		1012009	450
5		Issue	Page
	11298018	VOE 63H9920002	511

VOLVO

BL71



Volvo Construction
Equipment
1003635

Fig.	Part No.	Quantity					P S	K T	Description	Dénomination	Bezeichnung	Denominación	Benämning	Notes
		1	2	3	4	5								
1	VOE 11200739	1							Side Panel	Panneau Lateral	Seit Verkl	Panel Lateral	Sidopanel.....	
1	VOE 11200739				1				Side Panel	Panneau Lateral	Seit Verkl	Panel Lateral	Sidopanel.....	SER NO -11597
1	VOE 11203560				1				Side Panel	Panneau Lateral	Seit Verkl	Panel Lateral	Sidopanel.....	SER NO 11598-
2	VOE 11204407	1			1				Cover	Capot.....	Haube	Capo.....	Huv.....	
3	VOE 11201200		5		5				Plastic Rivet.....	Rivet Plastique	Kunststoffniet	Remache Plast	Plastnit.....	
4	VOE 11201200	7			7				Plastic Rivet.....	Rivet Plastique	Kunststoffniet	Remache Plast	Plastnit.....	
5	VOE 11884733			1					Panel.....	Panneau.....	Verkleidung	Plancha	Panel.....	11880005
	VOE 11201170			1					Panel.....	Panneau.....	Verkleidung	Plancha	Panel.....	11298032
6	VOE 11204417	1			1				Front Panel	Panneau Av.....	Frontbekleidung	Panel Delantero.....	Frontpanel.....	
7			1		1	NS			Storage Tray	Case Rangement ...	Ablagefach	Espac Guardaobj....	Förvaringsfack.....	
8			1		1	NS			Storage Tray	Case Rangement ...	Ablagefach	Espac Guardaobj....	Förvaringsfack.....	
9	VOE 11200973		8		8				Plug.....	Bouchon	Stopfen	Tapon	Plugg.....	
10	VOE 969589	6			6				6-pt skt screw.....	Vis creuse de 6	Hohlschraube.....	Racor 6-dientes	Sextandhålskruv.....	
11	VOE 960139	6			6				Washer	Rondelle	Scheibe	Arandela	Bricka.....	
12	VOE 949921	6			6				Spring Nut.....	Ecrou Ressort.....	Fed. Schliessmutter	Tuerca Resorte.....	Fjädermutter.....	
13	VOE 1613068	1			1				Plug.....	Bouchon	Stopfen	Tapon	Plugg.....	
14	VOE 13946173	2							Flange screw	Vis à bride	Flanschschraube	Torn embridado	Flänsskruv.....	
	VOE 13945444				2				Flange screw	Vis à bride	Flanschschraube	Torn embridado	Flänsskruv.....	
	VOE 13960141				2				Washer	Rondelle	Scheibe	Arandela	Bricka.....	



1	11294005	Instrumentpanel Panel de instrumentos Instrumententafel Tableau de bord Instrument panel	Catalogue id	Group
2	11298028		20002	881
3	11298032, 11880005		Illustr. No	Section
4	11298197		1003635	100
5			Issue	Page
			VOE 63H9920002	513

VOLVO

BL71



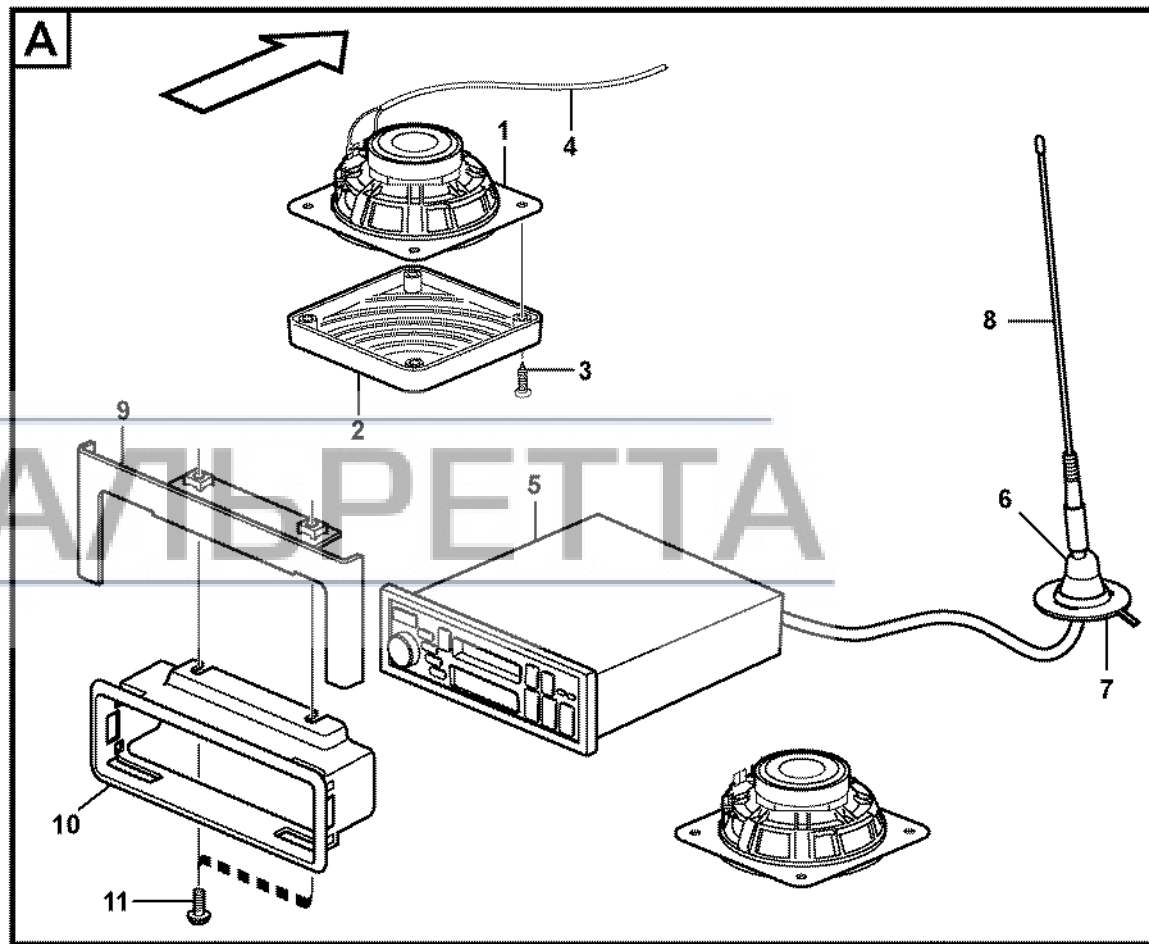
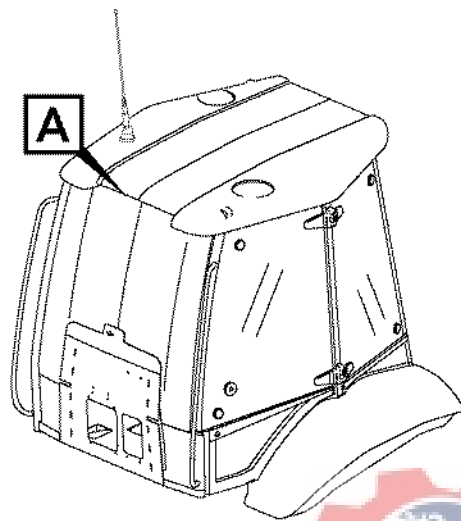


Fig.	Part No.	Quantity			P S	K I T	Description	Dénomination	Bezeichnung	Denominación	Benämning	Notes
		1	2	3								
1	VOE 11201898	2	2			Speaker.....	Haut-parleur	Lautsprecher	Altavoz	Högtalare.....		
2	VOE 11201899	2	2			Speaker Grille	Grille Haut-parleur.....	Lautsprechergitter	Rejilla Altavoz.....	Högtalargaller.....		
3	VOE 972007	8	8			Screw	Vis	Schraube.....	Tornillo	Skruv.....	S/N - 13738	
	VOE 969478	8	8			6-pt skt screw.....	Vis creuse de 6	Hohlschraube.....	Racor 6-dientes	Sextandhålskruv.....	S/N 13739 -	
	VOE 11164693	8	8			Spring Nut.....	Ecrou Ressort	Fed. Schliessmutter	Tuerca Resorte	Fjädermutter.....	S/N 13739 -	
4	VOE 11170724	1	1			Cable harness.....	Faisceau cables	Kabelbaum.....	Manojo cables	Ledningsmatta.....		
5	VOE 11803635	1				Radio.....	Auto-radio	Radio.....	Radio	Radio.....	(VOE 11884631)	
6	VOE 1578603	1	1			Anchorage.....	Fixation	Halterung.....	Fijacion.....	Fäste.....		
7	VOE 11200607	1				Ground Conn	Liaison Masse	Masseanschluss.....	Conexion Tierra.....	Jordförbindning.....	SER NO -12426	
7	VOE 11204085	1				Ground Conn	Liaison Masse	Masseanschluss.....	Conexion Tierra.....	Jordförbindning.....	SER NO 12427-	
7	VOE 11204085		1			Ground Conn	Liaison Masse	Masseanschluss.....	Conexion Tierra.....	Jordförbindning.....		
8	VOE 1083597	1	1			Antenna.....	Antenne	Antenne.....	Antena	Antenn.....		
9	VOE 11203823		1			Anchorage.....	Fixation	Halterung.....	Fijacion.....	Fäste.....		
9	VOE 11203823	1				Anchorage.....	Fixation	Halterung.....	Fijacion.....	Fäste.....	SER NO 12858-	
10	VOE 11164554		1			Radio Bracket	Support Radio	Radioträger	Consola Radio.....	Radiokonsol.....		
10	VOE 11164554	1				Radio Bracket	Support Radio	Radioträger	Consola Radio.....	Radiokonsol.....	SER NO 12858-	
11	VOE 946440		2			Flange screw.....	Vis à bride	Flanschschraube.....	Torn embridado	Flänsskruv.....		
11	VOE 946440	2				Flange screw.....	Vis à bride	Flanschschraube.....	Torn embridado	Flänsskruv.....	SER NO 12858-	

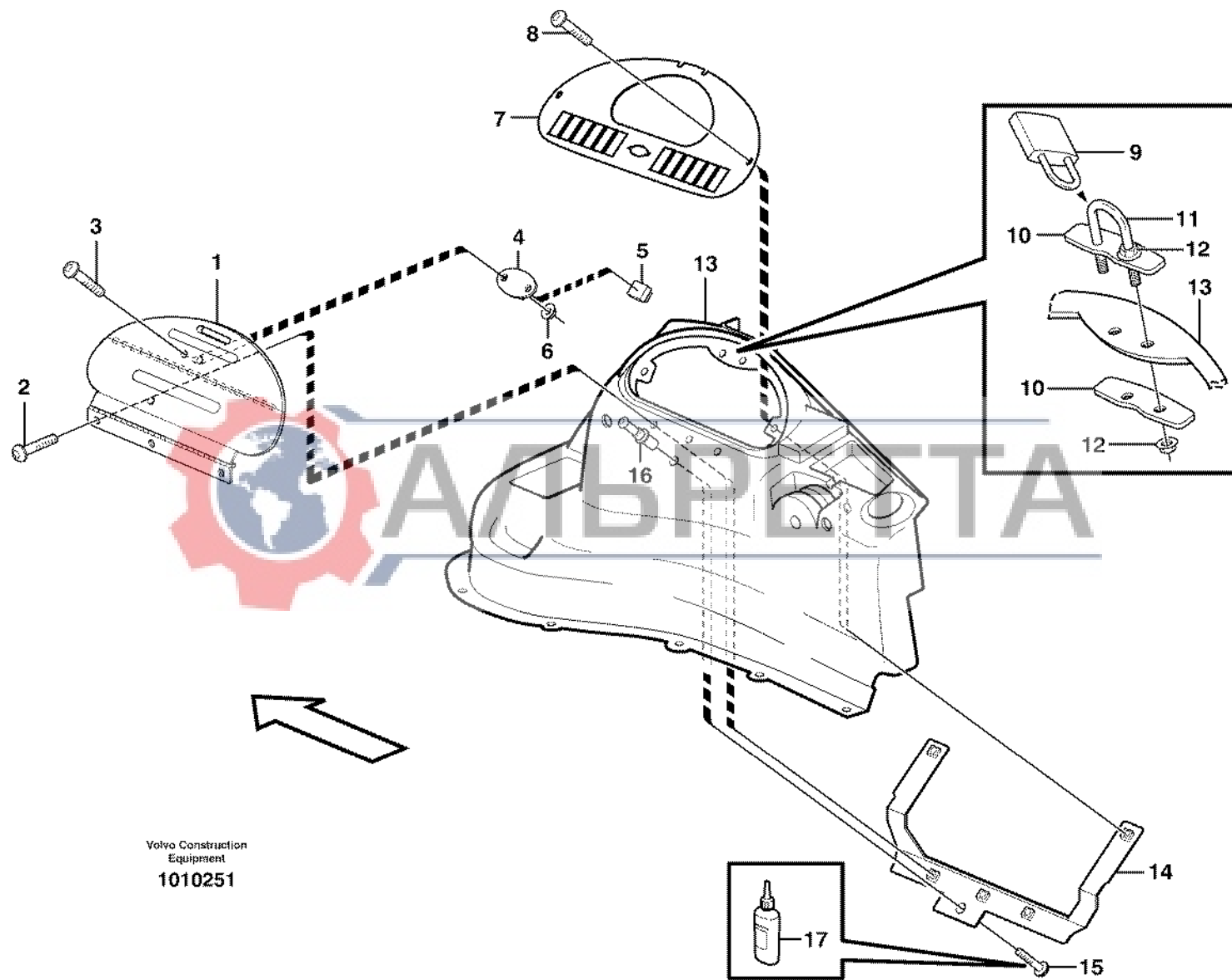


1	11891303	Radiokonsol Panel de radio Radioträger Console radio Radio bracket	Catalogue id	Group
2	11891488		20002	881
3			Illustr. No	Section
4			1012751	150
5			Issue	Page
			VOE 63H9920002	515

VOLVO

BL71





Volvo Construction
Equipment
1010251

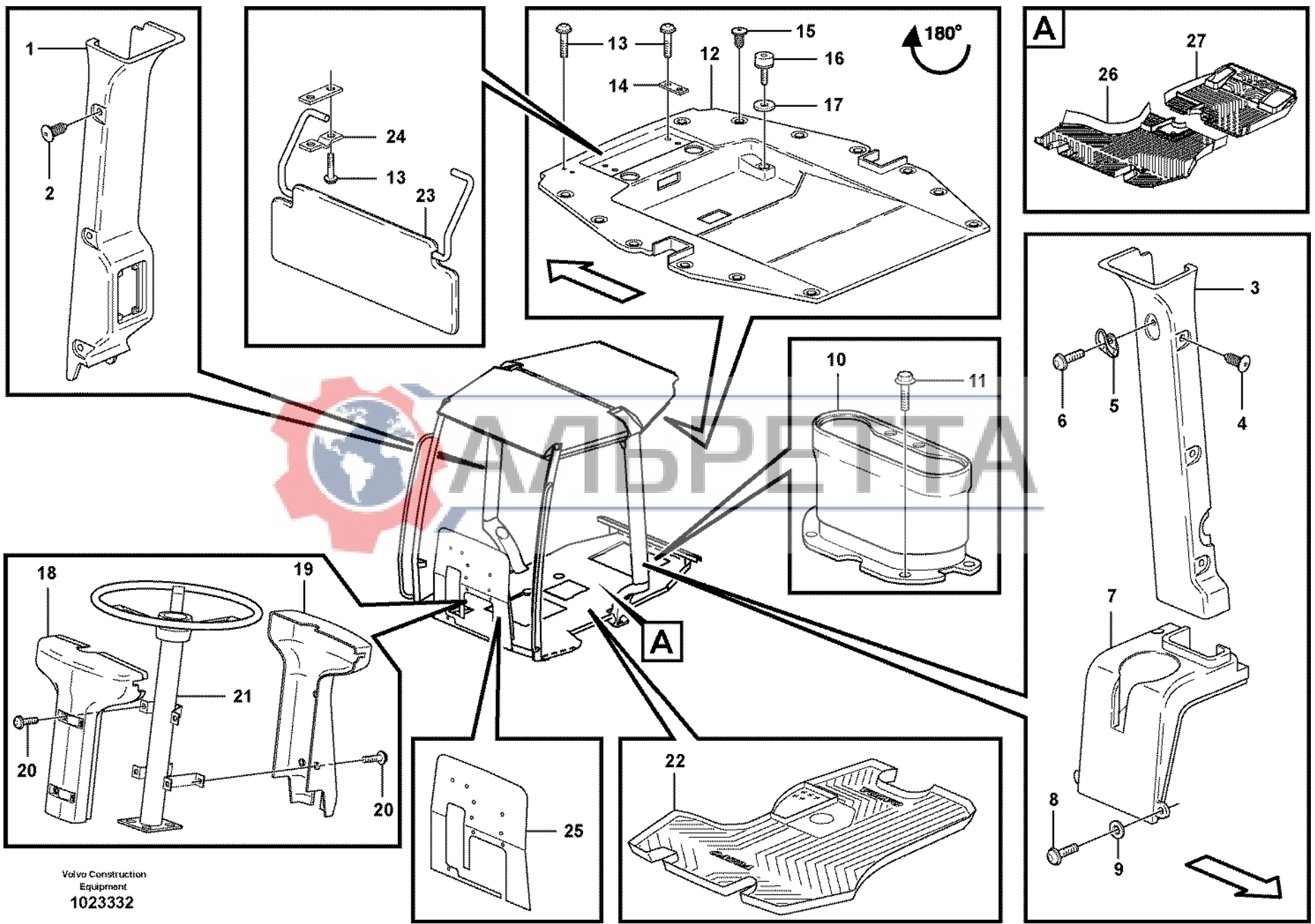
Fig.	Part No.	Quantity			P S	K I T	Description	Dénomination	Bezeichnung	Denominación	Benämning	Notes
		1	2	3								
1	VOE 11202166	1				Vandal Guard.....	Protection antivandali.	Wandal.schutz.....	Protec Antirobo	Vandalskydd.....		
2	VOE 972421	3				Screw.....	Vis.....	Schraube.....	Tornillo	Skruv.....	(VOE 13969422)	
3	VOE 969513	2				Screw.....	Vis.....	Schraube.....	Tornillo	Skruv.....		
4	VOE 11202423	1				Door Retainer.....	Support Porte.....	Türhalter.....	Reten Puerta.....	Dörrhållare.....		
5	VOE 11202422	1				Rubber Sleeve.....	Douille Caoutch.....	Gummimanschette.....	Manguito Goma.....	Gummihylsa.....		
6	VOE 13975237	2				Lock nut.....	Contre-ecrou.....	Sicherungsmutter.....	Contratuerca.....	Låsmutter.....		
7		1				Panel.....	Panneau.....	Verkleidung.....	Plancha.....	Panel.....	See group 881, Page 513	
8	VOE 969147	2				Screw.....	Vis.....	Schraube.....	Tornillo	Skruv.....		
	VOE 960139	2				Washer.....	Rondelle.....	Scheibe.....	Arandela.....	Bricka.....		
9	VOE 11885135	1				Padlock.....	Cadenas.....	Vorhängeschloss.....	Cerrojo	Hänglås.....		
10	VOE 11201422	2				Plate.....	Plaque.....	Platte.....	Placa.....	Platta.....		
11	VOE 11201421	1				Brace.....	Etrier.....	Bügel.....	Brida.....	Bygel.....		
12	VOE 13949278	4				Flange Lock Nut.....	Contre écrou bride.....	Flanschmutter.....	Contratuer Embr.....	Flänslåsmutter.....		
13		1				Side Panel.....	Panneau Lateral.....	Seit Verkl.....	Panel Lateral.....	Sidopanel.....	See group 881, Page 513	
14	VOE 11202424	1				Reinforcing plate.....	Tole renfort.....	Verstärkungsblech.....	Placa refuerzo.....	Förstärkningsplåt.....		
15	VOE 13965175	1				Screw.....	Vis.....	Schraube.....	Tornillo	Skruv.....		
16	VOE 11202421	1				Pin.....	Goupille.....	Zapfen.....	Pasador.....	Tapp.....		
17	VOE 11200847	1			OP	Locking Fluid.....	Liquide Blocage.....	Sich.flussigk.....	Liquido Sellad.....	Låsvätska.....		



1		Vandalskydd	Catalogue id	Group
2		Protección contra vandalismo	20002	881
3		Vandalisierungschutz	Illustr. No	Section
4		Kit de protection antivandalisme	1010251	200
5		Vandalism kit	Issue	Page
		11298032	VOE 63H9920002	517

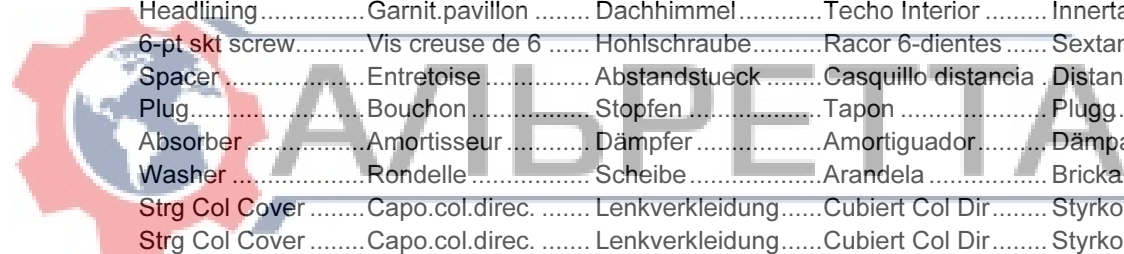
VOLVO

BL71



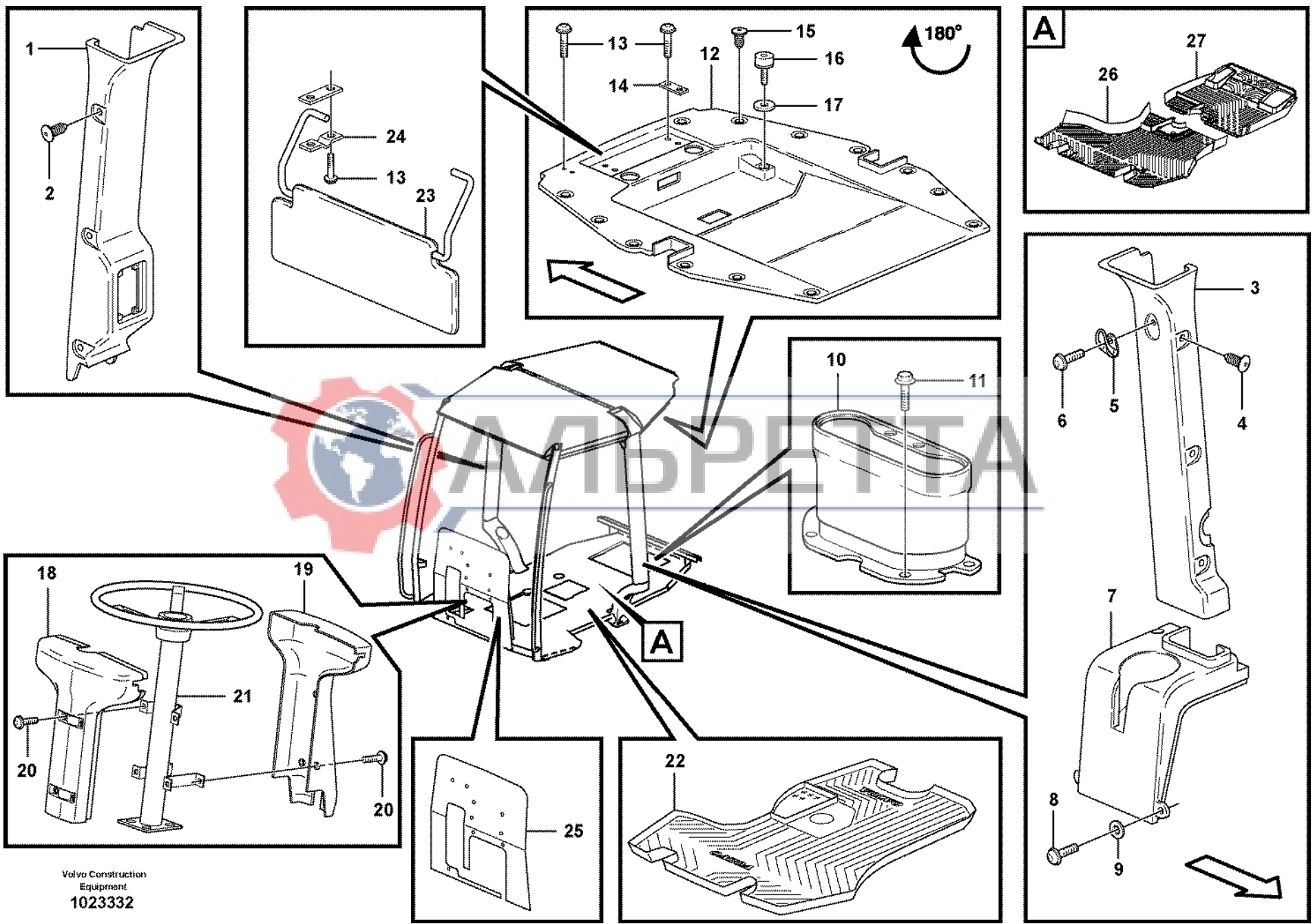
Volvo Construction
Equipment
1023332

Fig.	Part No.	Quantity					P S	K T	Description	Dénomination	Bezeichnung	Denominación	Benämning	Notes
		1	2	3	4	5								
1	VOE 11200546		1		1			Cover	Capotage.....	Deckel.....	Cubierta.....	Täckkåpa.....		
2	VOE 1613068	6			6			Plug.....	Bouchon	Stopfen	Tapon	Plugg.....		
3	VOE 11200545		1					Cover	Capotage.....	Deckel.....	Cubierta.....	Täckkåpa.....		
3	VOE 11200545				1			Cover	Capotage.....	Deckel.....	Cubierta.....	Täckkåpa.....	SER NO -11597	
3	VOE 11203565				1			Cover	Capot.....	Haube	Cubierta.....	Kåpa.....	SER NO 11598-	
4	VOE 1613068	6			6			Plug.....	Bouchon	Stopfen	Tapon	Plugg.....		
5	VOE 11078015	1			1			Coat hanger.....	Porte manteau.....	Kleiderhaken.....	Percha	Klädkrok.....		
6	VOE 972401	2			2			Screw.....	Vis	Schraube	Tornillo.....	Skruv.....		
7	VOE 11204411	1			1			Side Panel	Panneau Lateral.....	Seit Verkl	Panel Lateral	Sidopanel.....		
8	VOE 975378	4			4			Screw.....	Vis	Schraube	Tornillo.....	Skruv.....		
9	VOE 13940090	4			4			Washer	Rondelle	Scheibe.....	Arandela.....	Bricka.....		
10	VOE 11200735	1			1			Cover	Capot.....	Haube	Cubierta.....	Kåpa.....		
	VOE 11203356	1						Cover	Capot.....	Haube	Capo.....	Huv.....	11891162, 11891167	
11	VOE 13946934	4			4			Screw.....	Vis	Schraube	Tornillo.....	Skruv.....	11891162, 11891167	
12	VOE 11200944	1						Headlining.....	Garnit.pavillon	Dachhimmel.....	Techo Interior	Innertak.....		
	VOE 11200944				1			Headlining.....	Garnit.pavillon	Dachhimmel.....	Techo Interior	Innertak.....	S/N - 13738	
	VOE 11204962				1			Headlining.....	Garnit.pavillon	Dachhimmel.....	Techo Interior	Innertak.....	S/N 13739 -	
13	VOE 969587	6			6			6-pt skt screw.....	Vis creuse de 6	Hohlschraube.....	Racor 6-dientes	Sextandhålskruv.....		
14	VOE 14343207	2			2			Spacer	Entretoise	Abstandstueck.....	Casquillo distancia	Distans.....		
15	VOE 1613068	13			13			Plug.....	Bouchon	Stopfen	Tapon	Plugg.....		
16	VOE 11200579		2		2			Absorber	Amortisseur.....	Dämpfer.....	Amortiguador.....	Dämpare.....		
17	VOE 13960141	REQ			REQ			Washer	Rondelle	Scheibe.....	Arandela.....	Bricka.....	(VOE 976944)	
18	VOE 11204410	1			1			Strg Col Cover	Capo.col.dir.ec.....	Lenkverkleidung.....	Cubiert Col Dir.....	Styrkolonnkåpa.....	CPL	
19	VOE 11204410	1			1			Strg Col Cover	Capo.col.dir.ec.....	Lenkverkleidung.....	Cubiert Col Dir.....	Styrkolonnkåpa.....		
20	VOE 972410	7			7			Screw.....	Vis	Schraube	Tornillo.....	Skruv.....		
21		1			1			Steering Column.....	Colonne direction	Lenksäule	Columna direccion.....	Rattstam.....	See group 641, Page 405	
22	VOE 11200547	1			1			Floor mat.....	Tapis sol.....	Bodenmatte	Alfombra piso	Golvmatte.....	11298165	
23	VOE 11006992			1				Sun Visor	Pare soleil	Sonnenblende.....	Pafasol	Solskydd.....		
24	VOE 14343206			2				Cap	Cavalier.....	Überwurf	Sombrete.....	Överfall.....		
25	VOE 11200882	1			1			Insulation	Isolant.....	Isolierung	Aislante.....	Isolering.....		



1	11294005	Inredningsdetaljer Detalles interiores Innenausstattung Pieces d'amenagement Interior components	Catalogue id	Group
2	11298028		20002	882
3	11298016		Illustr. No	Section
4	11298197		1023332	100
5			Issue	Page
			VOE 63H9920002	519





Volvo Construction
Equipment
1023332

Fig.	Part No.	Quantity					P S	K I T	Description	Dénomination	Bezeichnung	Denominación	Benämning	Notes
		1	2	3	4	5								
26	11204605	1						Floor mat.....	Tapis sol.....	Bodenmatte	Alfombra piso	Golvmatta.....	11298280	
27	11204606	1						Floor mat.....	Tapis sol.....	Bodenmatte	Alfombra piso	Golvmatta.....	11298280	



1	11294005	Inredningsdetaljer Detalles interiores Innenausstattung Pieces d'aménagement Interior components	Catalogue id	Group
2	11298028		20002	882
3	11298016		Illustr. No	Section
4	11298197		1023332	100
5			Issue	Page
			VOE 63H9920002	521

VOLVO

BL71



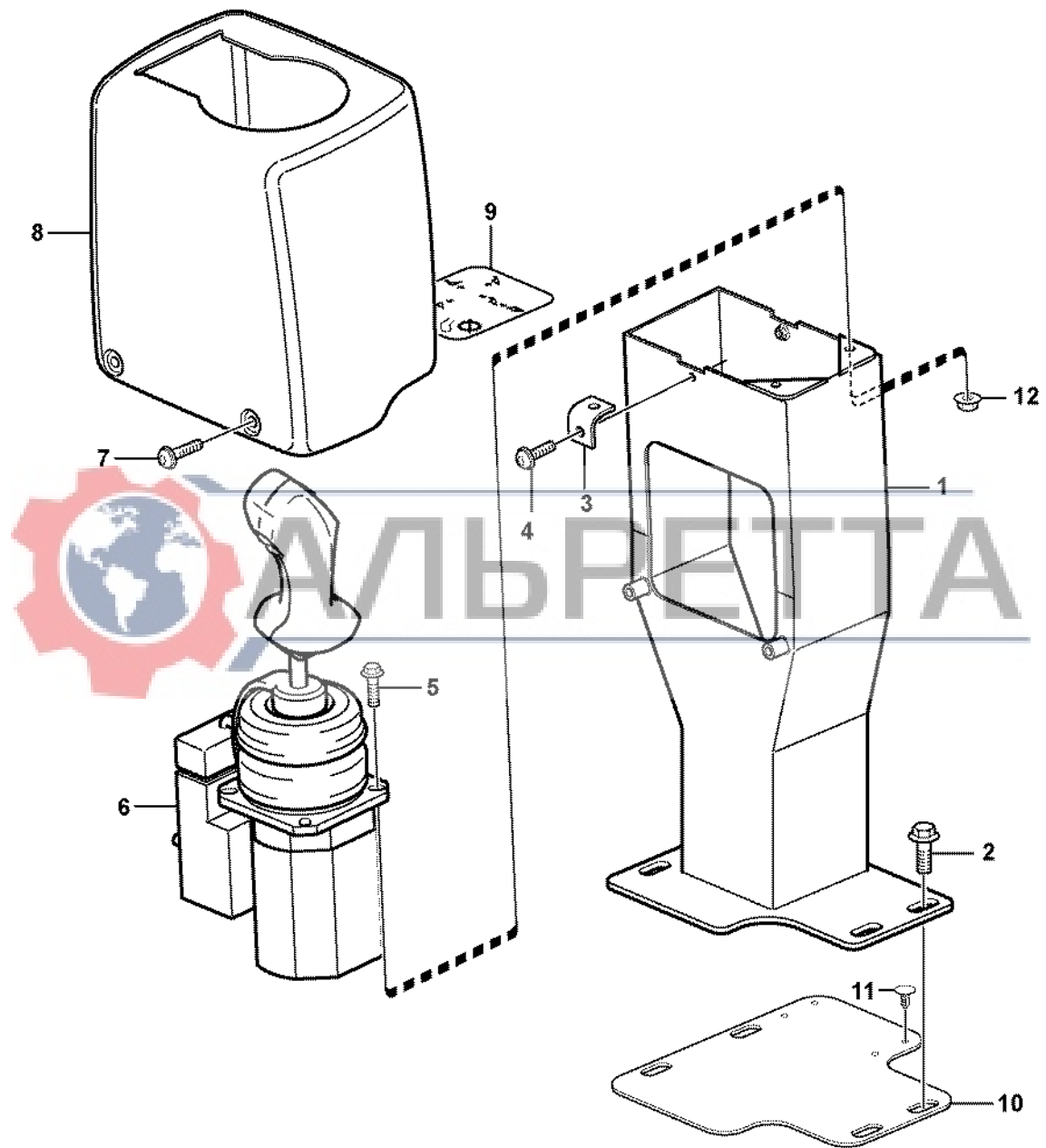


Fig.	Part No.	Quantity			P S	K I T	Description	Dénomination	Bezeichnung	Denominación	Benämning	Notes
		1	2	3								
1	VOE 11884012	1				Support	Support	Stütze	Apoyo	Stöd.....		
1	VOE 11888031		1			Support	Support	Stütze	Apoyo	Stöd.....		
2	VOE 946441	4	4			Flange screw.....	Vis à bride	Flanschschraube.....	Torn embridado	Flänsskruv.....		
3		2	2	NS		Fixation Plate	Plaque Fixation	Fixierplatte.....	Placa Fijacion	Fixerplatta.....		
4	VOE 969800	2	2			Screw	Vis	Schraube.....	Tornillo	Skruv.....		
5	VOE 13946934	4	4			Screw	Vis	Schraube.....	Tornillo	Skruv.....		
6		1	1			Control	Commande	Regelung.....	Mando	Reglage.....	See group 914, Page 703	
7	VOE 969423	3	3			6-pt skt screw.....	Vis creuse de 6	Hohlschraube	Racor 6-dientes	Sextandhålskruv.....	(VOE 13969423)	
8	VOE 11884020	1	1			Casing.....	Boitier.....	Gehäuse.....	Cubierta.....	Kåpa.....		
9	VOE 11885424	1	1			Decal.....	Decalcomanie	Abziehbild.....	Decalcomania	Dekal.....		
10			1	NS		Gasket.....	Joint	Dichtung.....	Junta	Packning.....		
11	VOE 11881360		4			Retainer	Retenue	Halter.....	Soporte.....	Hållare.....		
12	VOE 13945407		4			Nut	Ecrou.....	Mutter	Tuerca	Mutter.....		



1	S/N - 14669	Kåpa för servoventil Cubierta para servoválvula Haube für Servoventil Capot pour servovalve Cover for servo valves	Catalogue id	Group
2	S/N 14670 -		20002	882
3			Illustr. No	Section
4			1024712	300
5			Issue	Page
		11880005	VOE 63H9920002	523

VOLVO

BL71



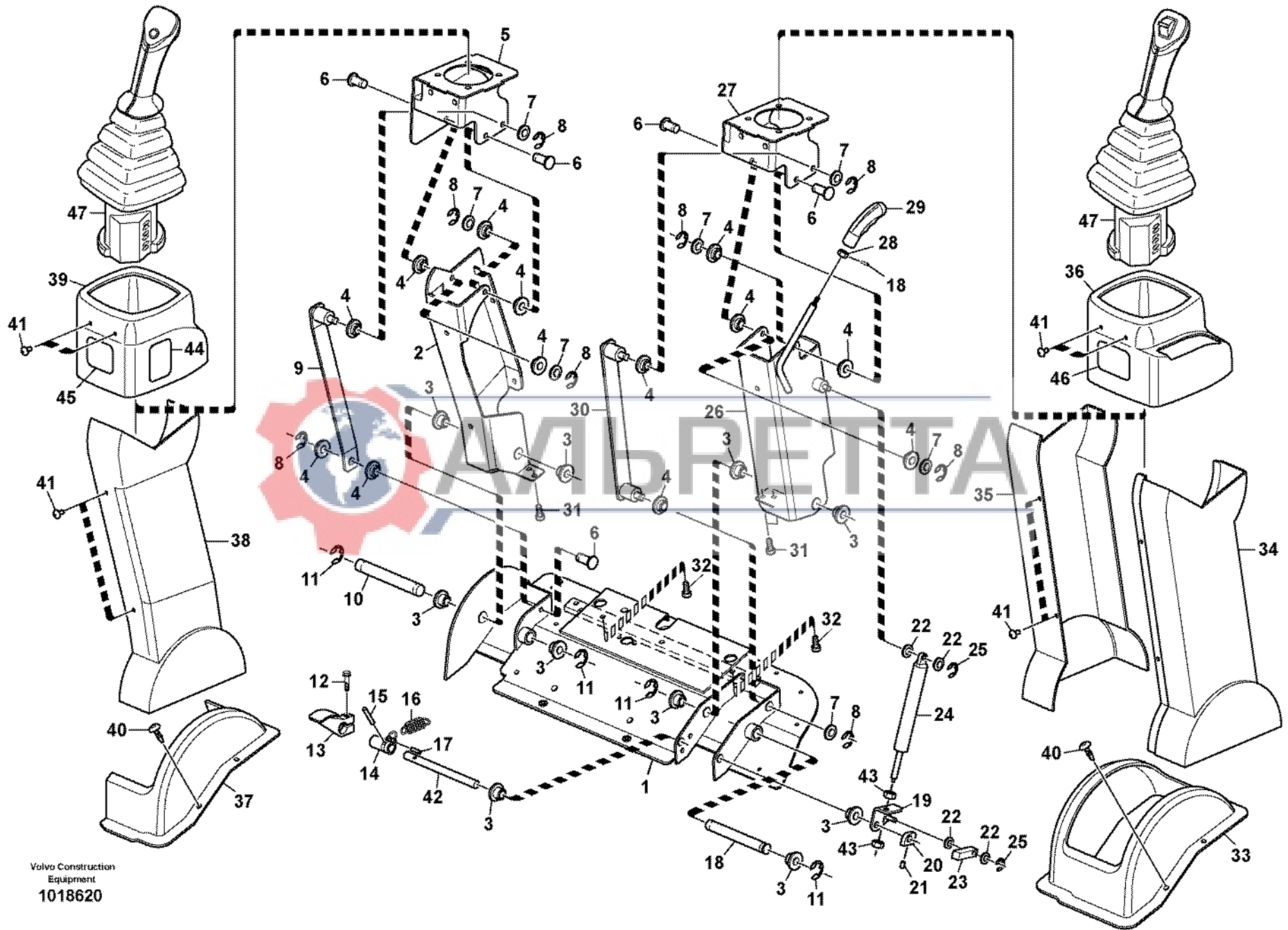
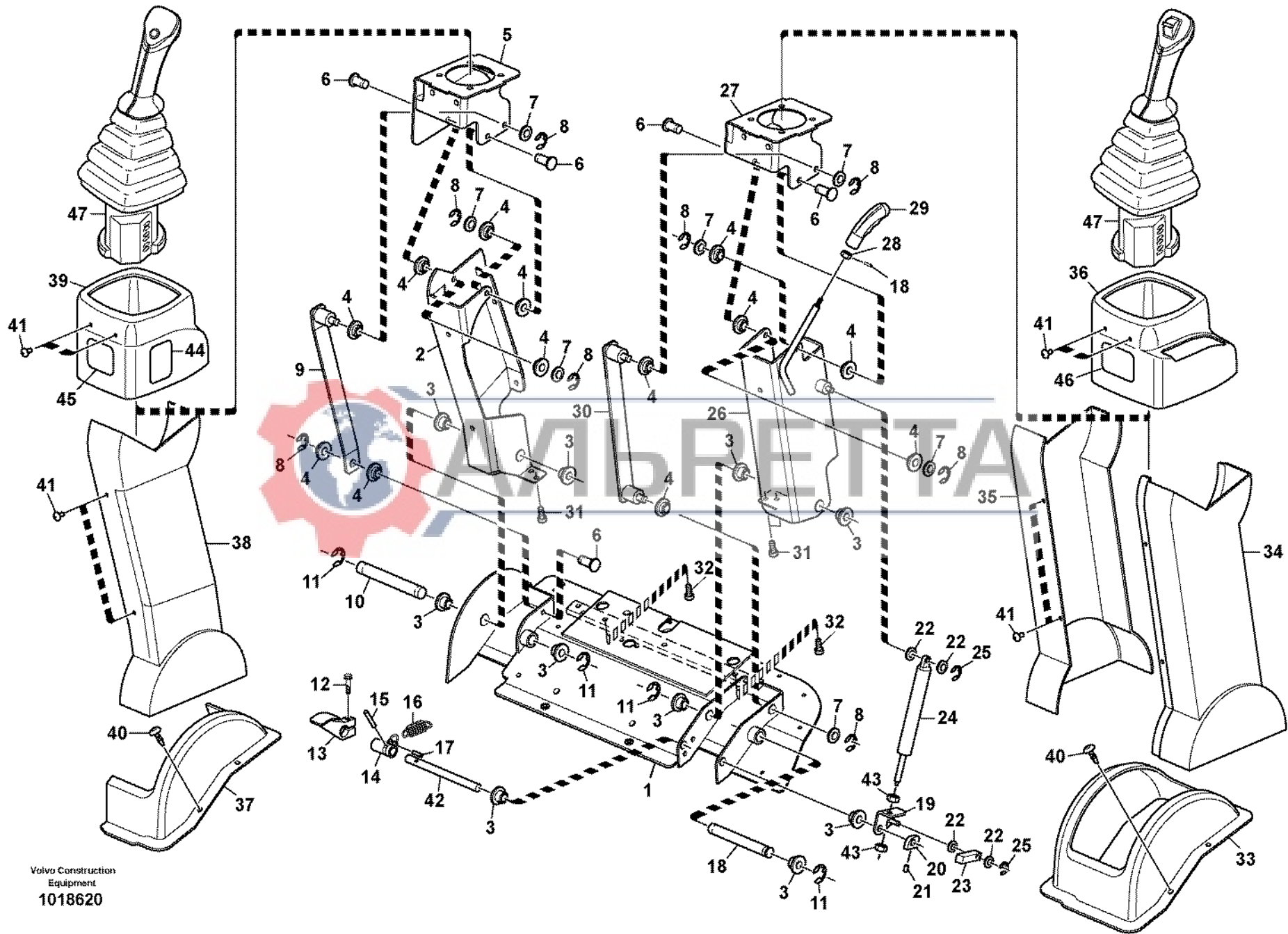


Fig.	Part No.	Quantity			P S	K I T	Description	Dénomination	Bezeichnung	Denominación	Benämning	Notes
		1	2	3								
1	VOE 11887428	1	1	1			Floor Frame	Cadre Plancher	Bodenrahmen.....	Marco Piso	Golvram.....	
2	VOE 11887420	1	1	1			Support Leg	Jambe D'appui	Stützbein	Pata De Apoyo	Stödben.....	
3	VOE 11882115	10	10	10			Bushing	Bague.....	Buchse	Casquillo	Bussning.....	
4	VOE 11887440	13	13	13			Bushing	Bague.....	Buchse	Casquillo	Bussning.....	
5	VOE 11887437	1	1	1			Bracket.....	Console.....	Konsole	Ménsula.....	Konsol.....	
6	VOE 11887410	5	5	5			Pin.....	Goupille.....	Zapfen	Pasador.....	Tapp.....	
7	VOE 983335	7	7	7			Washer.....	Rondelle.....	Scheibe	Arandela.....	Bricka.....	
8	VOE 13966237	8	8	8	OP		Retaining ring.....	Bague retenue	Haltering	Anillo de apoyo.....	Hällarring.....	
9	VOE 11887673	1	1	1			Link	Articulation	Gelenk.....	Articulacion.....	Länk.....	
10	VOE 11887704	1	1	1			Pin.....	Goupille.....	Zapfen	Pasador.....	Tapp.....	
11	VOE 914446	4	4	4			Snap Ring	Circlip	Nutring.....	Circlip	Spärring.....	
12	VOE 13948356	1	1	1			Flange screw.....	Vis à bride	Flanschschraube	Torn embridado.....	Flänsskruv.....	
13	VOE 11887674	1	1	1			Pedal.....	Pedale	Pedal	Pedal	Pedal.....	
14	VOE 11887728	1	1	1			Hub	Moyeu	Nabe.....	Cubo.....	Nav.....	
15	VOE 13951972	1	1	1			Spring Pin	Axe de ressort.....	Federstift	Pasador Resorte	Fjäderpinne.....	
16	VOE 11882592	1	1	1			Spring.....	Ressort.....	Feder.....	Muelle.....	Fjäder.....	
17	VOE 951952	1	1	1			Spring Pin	Axe de ressort.....	Federstift	Pasador Resorte	Fjäderpinne.....	
18	VOE 11887705	1	1	1			Pin.....	Goupille.....	Zapfen	Pasador.....	Tapp.....	
19	VOE 11887686	1	1	1			Bracket.....	Console.....	Konsole	Ménsula.....	Konsol.....	
20	VOE 11887658	1	1	1			Cam	Came	Nocken	Leva	Kam.....	
21	VOE 963051	1	1	1			Set Screw.....	Vis Butee.....	Anschlagschraub.....	Tornillo Tope	Stoppskruv.....	
22	VOE 983334	4	4	4			Washer.....	Rondelle.....	Scheibe	Arandela.....	Bricka.....	
23	VOE 11887661	1	1	1			Pivot.....	Pivot	Lagerzapfen	Pivote	Pivot.....	
24	VOE 11887679	1	1	1			Gas Spring	Ressort Gaz	Gasfeder	Resorte A Gas	Gasfjäder.....	
25	VOE 13951669	2	2	2			Retaining ring.....	Bague retenue	Haltering	Anillo de apoyo.....	Hällarring.....	
26	VOE 11887653	1	1	1			Support Leg	Jambe D'appui	Stützbein	Pata De Apoyo	Stödben.....	
27	VOE 11887414	1	1	1			Bracket.....	Console.....	Konsole	Ménsula.....	Konsol.....	
28	VOE 961991	1	1	1			Hexagon Nut.....	Ecrou Hexagonal	Sechskantmutter	Tuerca Hexagon.....	Sexkantsmutter.....	
29	VOE 14520086	1	1	1			Knob.....	Bouton.....	Knopf.....	Boton	Knapp.....	
30	VOE 11887671	1	1	1			Link	Articulation	Gelenk.....	Articulacion.....	Länk.....	

1	11891479, 11891480	Lucka för pilotstyrda grävreglage Tapa de mandos piloto de excavadora Abdeckung für vorgesteuerte Bagger-Bedienelemente Capotage, servocommande creusement Cover for Pilot Excavator Controls	Catalogue id	Group
2	11891482, 11891487		20002	882
3	11891481, 11891409		Illustr. No	Section
4			1018620	400
5			Issue	Page
			VOE 63H9920002	525





Volvo Construction
Equipment
1018620

Fig.	Part No.	Quantity			P S	K I T	Description	Dénomination	Bezeichnung	Denominación	Benämning	Notes
		1	2	3								
31	VOE 13969599	4	4	4		Screw	Vis	Schraube	Tornillo	Skruv		
32	VOE 13946934	3	3	3		Screw	Vis	Schraube	Tornillo	Skruv		
33	VOE 11204653	1	1	1		Cover	Capot	Haube	Capo	Huv		
34	VOE 11204654	1	1	1		Cover	Capot	Haube	Capo	Huv		
35	VOE 11204655	1	1	1		Cover	Capot	Haube	Capo	Huv		
36	VOE 11204656	1	1	1		Cover	Capot	Haube	Capo	Huv		
37	VOE 11204659	1	1	1		Cover	Capot	Haube	Capo	Huv		
38	VOE 11204658	1	1	1		Cover	Capot	Haube	Capo	Huv		
39	VOE 11204657	1	1	1		Cover	Capot	Haube	Capo	Huv		
40	VOE 11201200	8	8	8		Plastic Rivet	Rivet Plastique	Kunststoffniet	Remache Plast	Plastnit		
41	VOE 1613068	16	16	16		Plug	Bouchon	Stopfen	Tapon	Plugg		
42	VOE 11887659	1	1	1		Pin	Goupille	Zapfen	Pasador	Tapp		
43	VOE 11802318	2	2	2		Nut	Ecrou	Mutter	Tuerca	Mutter		
44		1	1	1		Decal	Decalcomanie	Abziehbild	Decalcomania	Dekal	See group 897, Page 537	
45		1	1	1		Decal	Decalcomanie	Abziehbild	Decalcomania	Dekal	See group 897, Page 537	
46		1	1	1		Decal	Decalcomanie	Abziehbild	Decalcomania	Dekal	See group 897, Page 537	
47		2	2	2		Control Lever	Levier Commande	Bedienungshebel	Palanca Mando	Manöverspak	See group 914, Page 707	



1	11891479, 11891480	Lucka för pilotstyrda grävreglage Tapa de mandos piloto de excavadora Abdeckung für vorgesteuerte Bagger-Bedienelemente Capotage, servocommande creusement Cover for Pilot Excavator Controls	Catalogue id	Group
2	11891482, 11891487		20002	882
3	11891481, 11891409		Illustr. No	Section
4			1018620	400
5			Issue	Page
			VOE 63H9920002	527

VOLVO

BL71



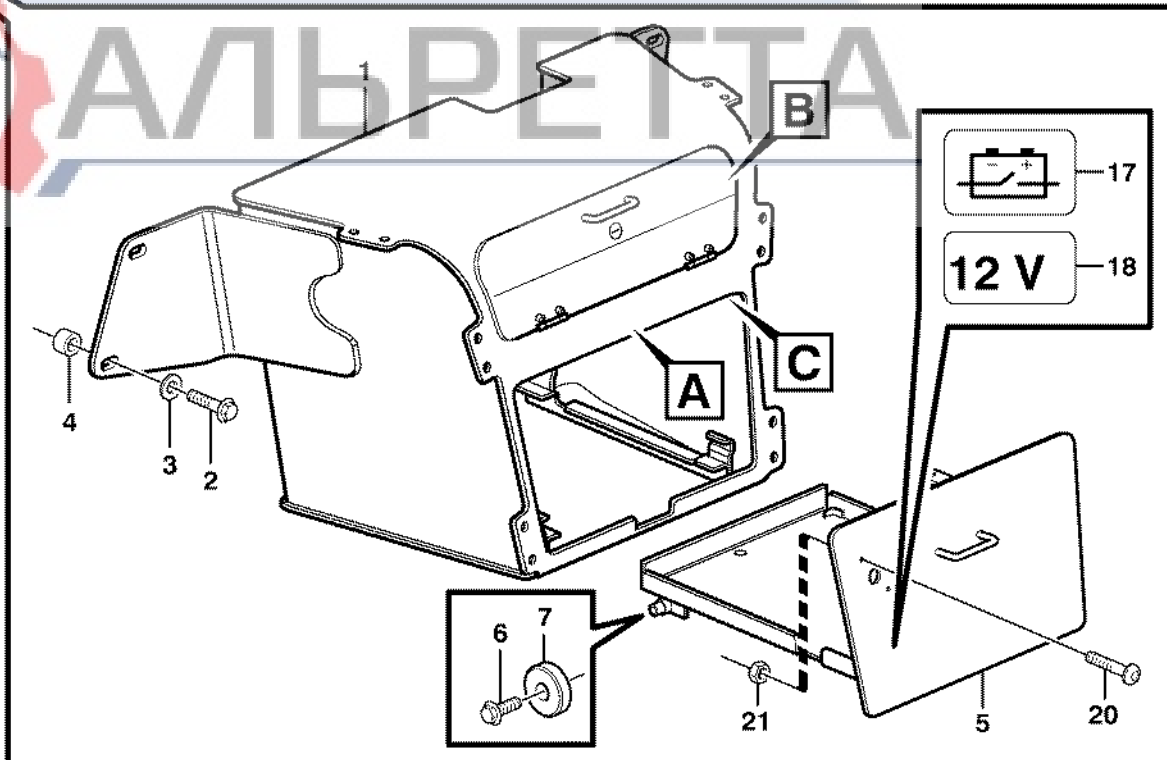
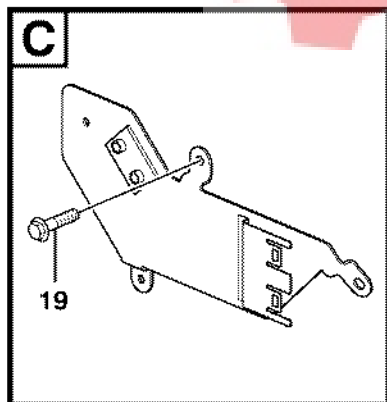
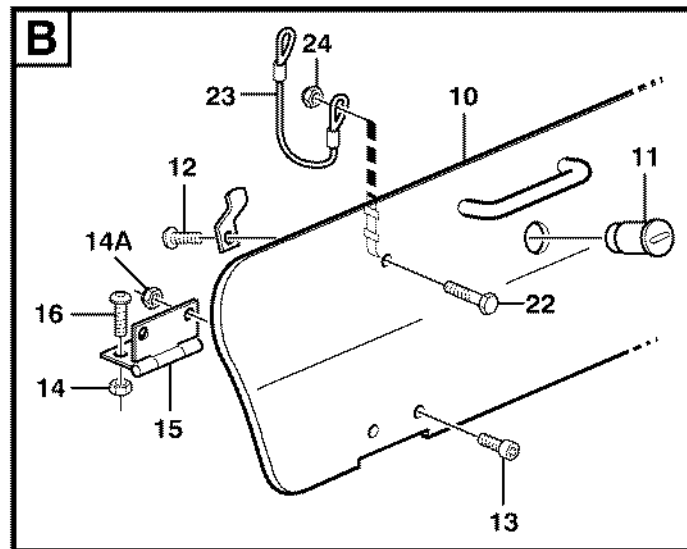
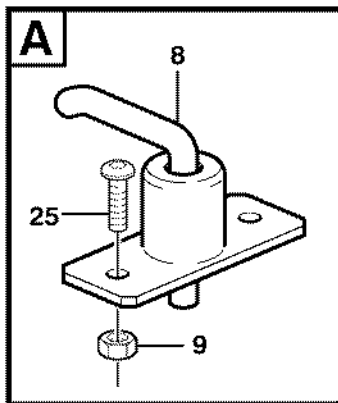
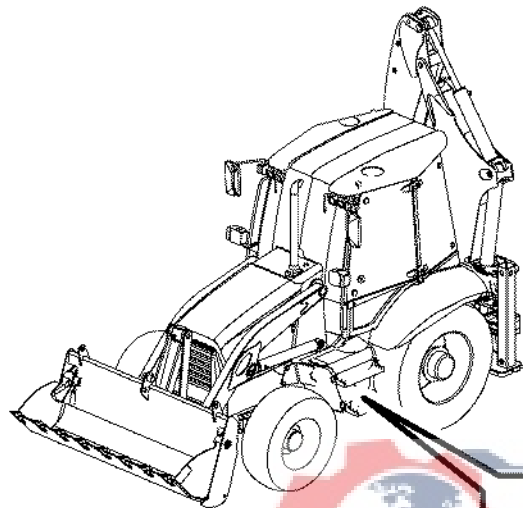


Fig.	Part No.	Quantity			P S	K I T	Description	Dénomination	Bezeichnung	Denominación	Benämning	Notes
		1	2	3								
		1				NS	Tool Box.....	Boite a outils	Werkzeugkasten	Caja herramientas	Verktygslåda.....	
1	VOE 11891117	1					•Tool Box	•Boite a outils	•Werkzeugkasten	•Caja herramientas.....	•Verktygslåda.....	
2	VOE 13965194	4					•Flange screw	•Vis à bride.....	•Flanschschraube.....	•Torn embridado.....	•Flänsskruv.....	
3	VOE 947558	6					•Washer	•Rondelle.....	•Scheibe	•Arandela.....	•Bricka.....	
4	VOE 11882457	2					•Spacer	•Entretoise.....	•Abstandkörper.....	•Distanciador	•Distans.....	
		1				NS	•Drawer	•Tireur	•Abzieher.....	•Remolcador.....	•Dragare.....	
5	VOE 11883283	1					••Drawer.....	••Tireur	••Abzieher	••Remolcador	••Dragare.....	
6	VOE 13965193	2					••Flange screw	••Vis à bride.....	••Flanschschraube	••Torn embridado	••Flänsskruv.....	
7	VOE 181798	2					••Ball Bearing	••Roulemen.billes	••Kugellager	••Cojinete Bolas.....	••Kullager.....	
8	VOE 11883585	1					•Lock	•Serrure.....	•Schloß.....	•Cierre	•Låselement.....	
9	VOE 13949874	2					•Flange Lock Nut	•Contre écrou bride	•Flanschmutter	•Contratuer Embr	•Flänslåsmutter.....	
		1				NS	•Door.....	•Porte	•Tür.....	•Puerta	•Dörr.....	
10	VOE 11885118	1					••Door.....	••Porte.....	••Tür	••Puerta	••Dörr.....	
11	VOE 11881549	1					••Lock Cylinder.....	••Barille.serrure	••Schliesszyl	••Cilindro Cierre.....	••Låscylinder.....	
12	VOE 969147	1					••Screw	••Vis	••Schraube	••Tornillo.....	••Skruv.....	
13	VOE 969422	4					••6-pt skt screw	••Vis creuse de 6.....	••Hohlschraube	••Racor 6-dientes	••Sextandhålskruv.....	(VOE 13969422)
14	VOE 983302	4					••Nut.....	••Erou	••Mutter	••Tuerca.....	••Mutter.....	M6 X 5,2
14A	VOE 13949278	4					••Flange Lock Nut	••Contre écrou bride.....	••Flanschmutter	••Contratuer Embr	••Flänslåsmutter.....	M6 X 7,3
15	VOE 11883315	2					••Hinge.....	••Charniere.....	••Scharnier	••Bisagra	••Gångjärn.....	
16	VOE 969147	4					••Screw.....	••Vis.....	••Schraube	••Tornillo	••Skruv.....	
17	VOE 14346537	1					•Sign.....	•Enseigne.....	•Schild	•Letrero.....	•Skylt.....	
18	VOE 11883632	1					•Decal.....	•Decalcomanie	•Abziehbild	•Decalcomania	•Dekal.....	
19	VOE 13965175	3					•Screw.....	•Vis.....	•Schraube.....	•Tornillo	•Skruv.....	
20	VOE 969420	2					•6-pt skt screw	•Vis creuse de 6	•Hohlschraube.....	•Racor 6-dientes.....	•Sextandhålskruv.....	
21	VOE 983302	2					•Nut.....	•Erou	•Mutter.....	•Tuerca.....	•Mutter.....	
22	VOE 983263	1				SS	•Hexagon screw	•Vis tête hexagonale	•Sechskantschraube	•Tornillo hexago	•Sexkantsskruv.....	
23	VOE 11881557	1					•Steel Wire	•Fil Acier.....	•Stahldraht.....	•Alambre.....	•Ståltråd.....	
24	VOE 948645	1					•Flange Lock Nut	•Contre écrou bride	•Flanschmutter	•Contratuer Embr	•Flänslåsmutter.....	
25	VOE 969408	2					•6-pt skt screw	•Vis creuse de 6	•Hohlschraube.....	•Racor 6-dientes.....	•Sextandhålskruv.....	

1		Verktygslåda Caja de herramientas Werkzeugkasten Caisse outil Toolbox SER NO -11564	Catalogue id	Group
2			20002	896
3			Illustr. No	Section
4			1012640	100
5			Issue	Page
			VOE 63H9920002	529

VOLVO

BL71

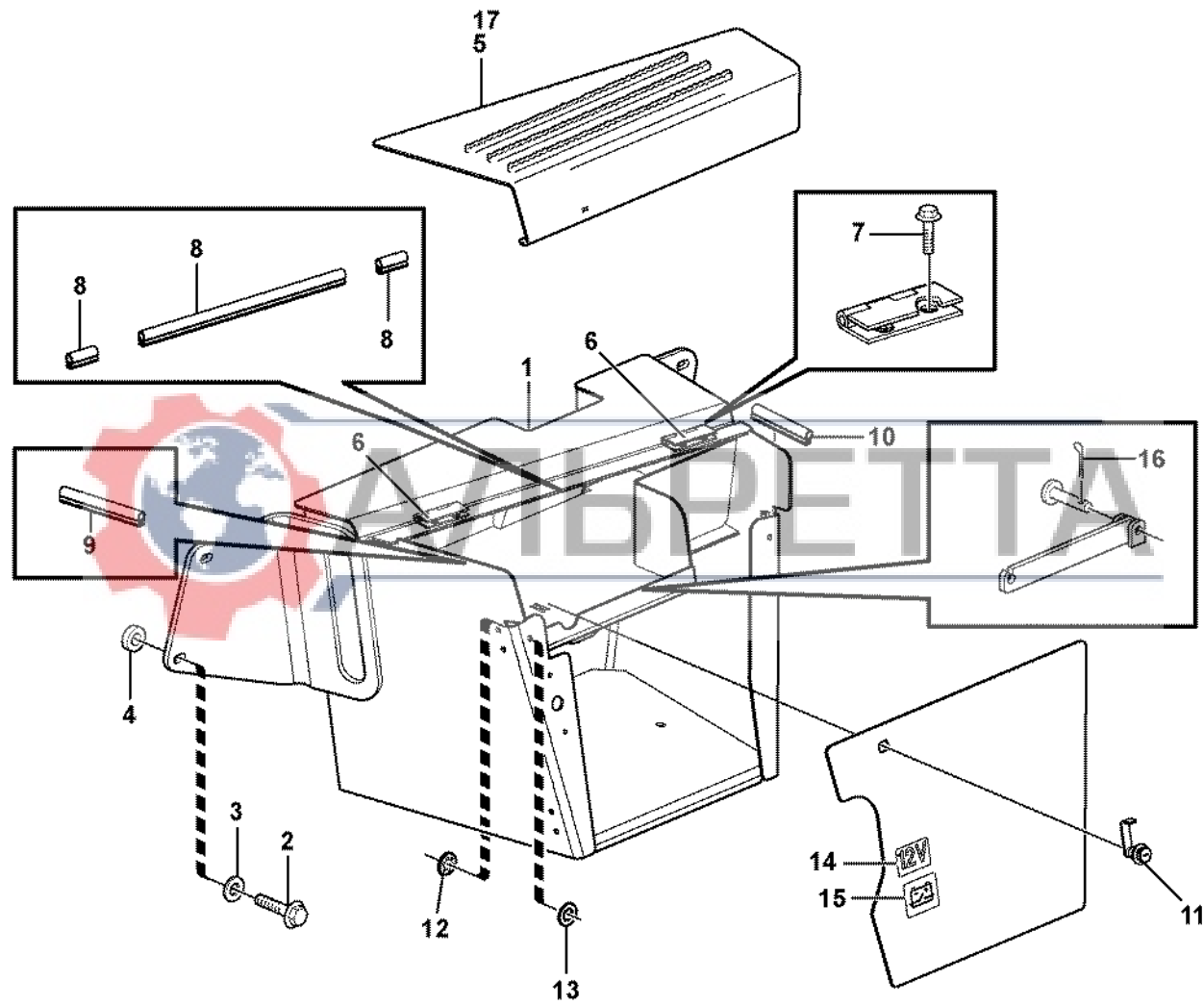


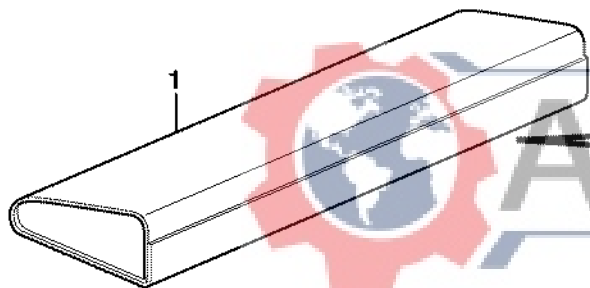
Fig.	Part No.	Quantity			P S	K I T	Description	Dénomination	Bezeichnung	Denominación	Benämning	Notes
		1	2	3								
1	VOE 11886506	1				Tool Box.....	Boite a outils	Werkzeugkasten	Caja herramientas	Verktygslåda.....	SER NO -12546	
1	VOE 11887066	1				Tool Box.....	Boite a outils	Werkzeugkasten	Caja herramientas	Verktygslåda.....	SER NO 12547-	
2	VOE 13965194	4				Flange screw.....	Vis à bride	Flanschschraube	Torn embridado	Flänsskruv.....		
3	VOE 947558	6				Washer.....	Rondelle	Scheibe	Arandela	Bricka.....		
4	VOE 11882457	2				Spacer.....	Entretoise	Abstandkörper.....	Distanciador	Distans.....		
5	VOE 11886530	1				Hatch.....	Trappe.....	Luke	Trampilla	Lucka.....	SER NO -12546	
6	VOE 11886132	2				•Hinge	•Charniere	•Scharnier.....	•Bisagra	•Gångjärn.....	SER NO -12546	
7	VOE 13946544	4				Flange screw.....	Vis à bride	Flanschschraube	Torn embridado	Flänsskruv.....		
8	VOE 11886149	REQ				Seal.....	Joint	Dichtring	Junta	Tätning.....		
9	VOE 11886133	1				Seal.....	Joint	Dichtring	Junta	Tätning.....	L = 200 MM;SER NO -12546	
10	VOE 11886134	1				Seal.....	Joint	Dichtring	Junta	Tätning.....	L = 98 MM; SER NO -12546	
11	VOE 11886138	1				Lock	Serrure	Schloss.....	Cierre	Lås.....		
12	VOE 13967580	2				Retainer	Retenue	Halter	Soporte	Hållare		
13	VOE 13960141	2				Washer.....	Rondelle	Scheibe	Arandela	Bricka.....		
14	VOE 11883632	1				Decal.....	Decalcomanie	Abziehbild.....	Decalcomania	Dekal.....		
15	VOE 14346537	1				Sign.....	Enseigne	Schild	Letrero	Skylt.....		
16	VOE 907825	1				Cotter Pin.....	Goupille Fendue.....	Splint	Pasador Hendido	Saxpinne.....		
17	VOE 11886999	1				Door.....	Porte	Tür.....	Puerta.....	Dörr.....	SER NO 12547-	



1	Verktygslåda Caja de herramientas Werkzeugkasten Caisse outil Toolbox SER NO 11565-	Catalogue id	Group
2		20002	896
3		Illustr. No	Section
4		1016152	110
5		Issue	Page
		VOE 63H9920002	531

VOLVO

BL71



Volvo Construction
Equipment
1006672

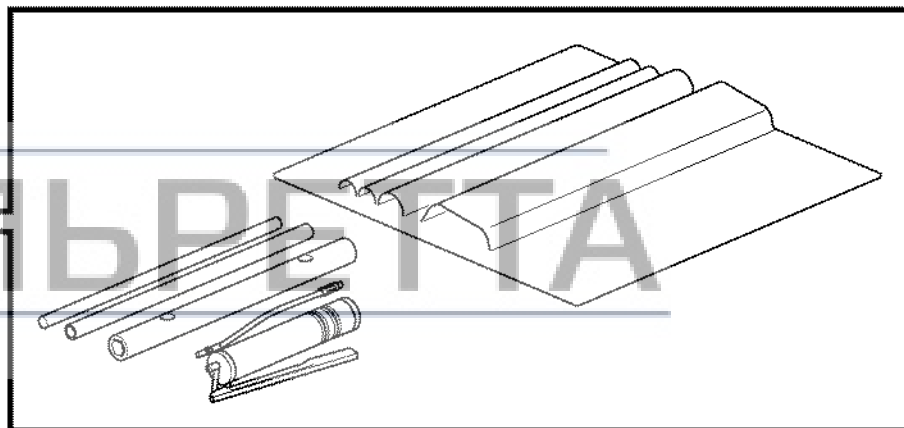


Fig.	Part No.	Quantity			P S	K I T	Description	Dénomination	Bezeichnung	Denominación	Benämning	Notes
		1	2	3								
1	VOE 11885079	1					Tool kit	Kit outils	Werkzeugsatz	Juego herramien	Verktygssats.....	

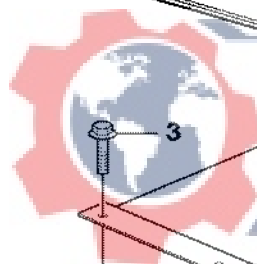
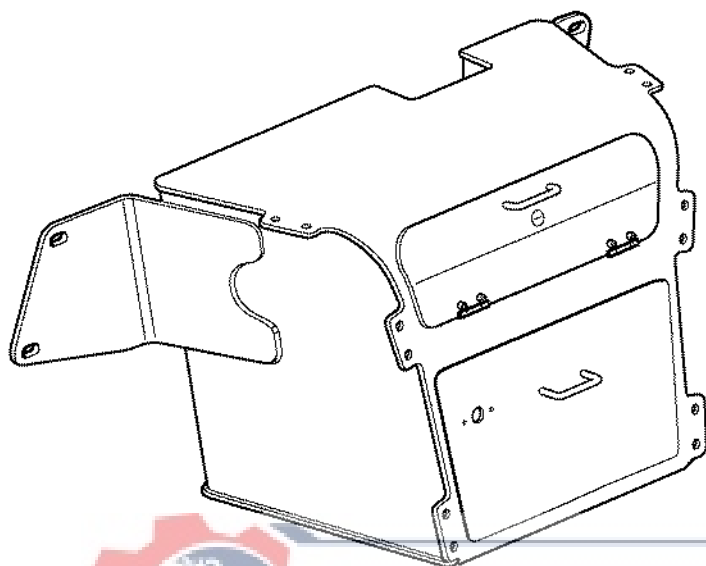


1		Verktyg Herramienta Werkzeug Outil Tool 11891152	Catalogue id	Group
2			20002	896
3			Illustr. No	Section
4			1006672	150
5			Issue	Page
			VOE 63H9920002	533

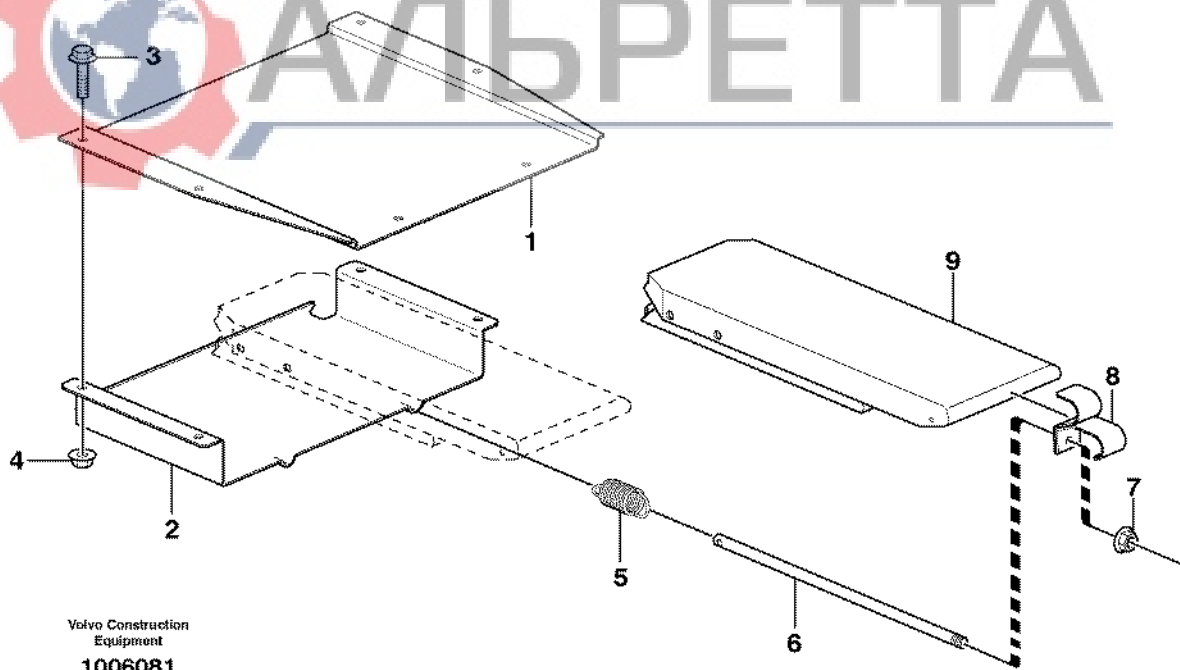
VOLVO

BL71





АЛЬРЕТТА



Volvo Construction
Equipment
1006081

Fig.	Part No.	Quantity			P S	K T	Description	Dénomination	Bezeichnung	Denominación	Benämning	Notes
		1	2	3								
1	VOE 11884942	1				Support	Support	Stütze	Apoyo	Stöd	S/N - 13264	
	VOE 11886860	1				Support	Support	Stütze	Apoyo	Stöd	S/N 13265 -	
2	VOE 11884943	1				Drawer	Tireur	Abzieher	Remolcador	Dragare	S/N - 13264	
	VOE 11886861	1				Drawer	Tireur	Abzieher	Remolcador	Dragare	S/N 13265 -	
3	VOE 946329	4				Flange screw	Vis à bride	Flanschschraube	Torn embridado	Flänsskruv		
4	VOE 13971098	4				Flange nut	Ecrou accouple.	Bundmutter	Tuerca embridad	Flänsmutter		
5	VOE 11200436	2			SS	Tension Spring	Ressort de traction	Zugfeder	Muelle traccion	Dragfjäder		
6	VOE 11884945	2				Rod	Monture	Fuhler	Varilla	Spröt		
7	VOE 945407	4			SS	Flange nut	Ecrou accouple.	Bundmutter	Tuerca embridad	Flänsmutter		
8	VOE 11884944	2				Handle	Poignee	Handgriff	Manilla	Handgrepp		
9	ZM 2812366	2				Wheel chock	Cale	Unterlegkeil	Calzo	Bromsklots	(VOE 2812366)	



1	Stoppklosshållare Soporte de calzos Stoppklotzhalter Support de rangement pour cales de blocage des roues Stop block holder	Catalogue id	Group
2		20002	896
3		Illustr. No	Section
4		1006081	200
5		Issue	Page
		VOE 63H9920002	535

VOLVO

BL71



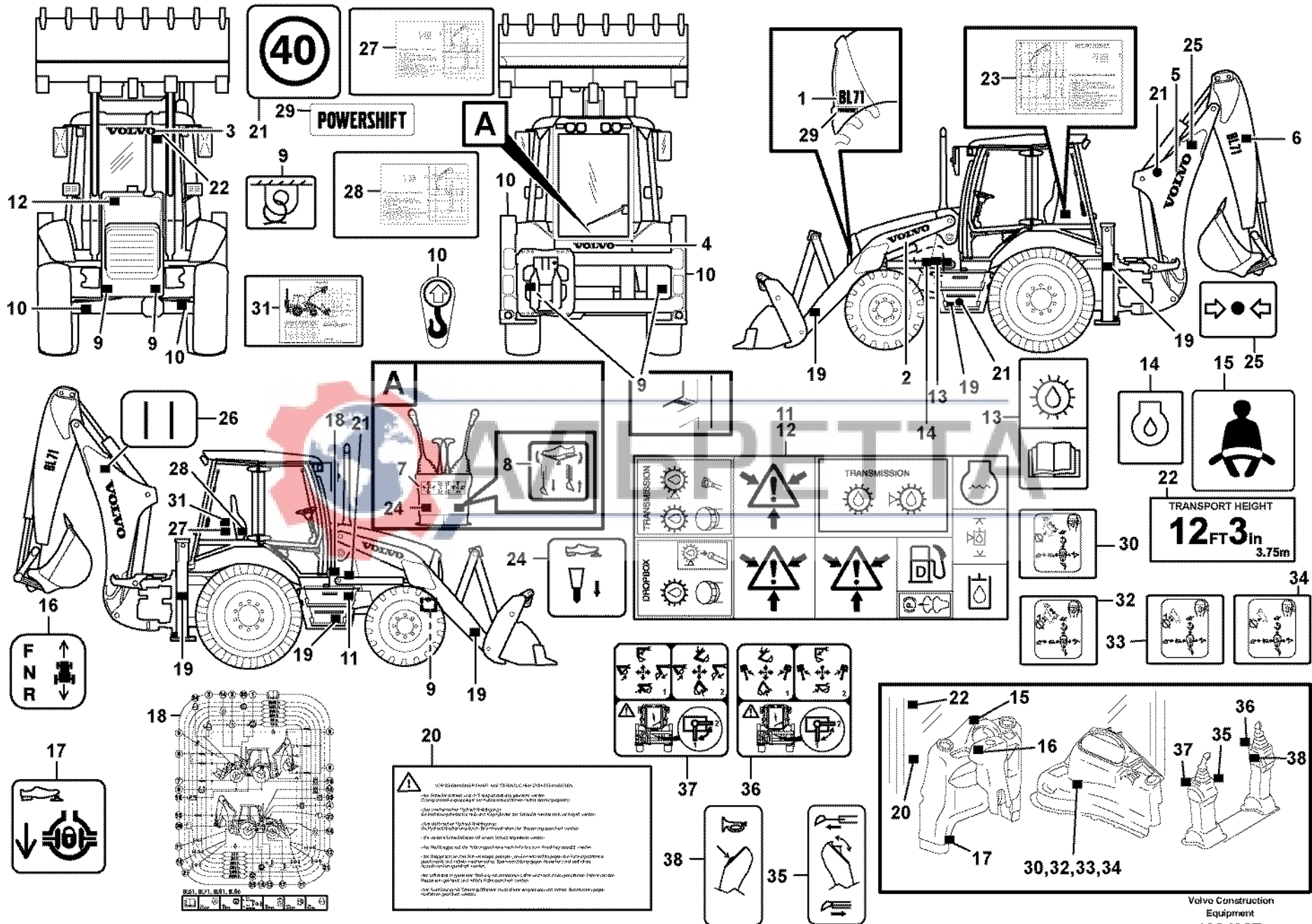


Fig.	Part No.	Quantity					P S	K T	Description	Dénomination	Bezeichnung	Denominación	Benämning	Notes
		1	2	3	4	5								
1	VOE 11883723	2						Label.....	Etiquette.....	Etikett.....	Etiqueta.....	Etikett.....		
2	VOE 11883888	2						Label.....	Etiquette.....	Etikett.....	Etiqueta.....	Etikett.....		
3	VOE 11881585	1						Label.....	Etiquette.....	Etikett.....	Etiqueta.....	Etikett.....		
4	VOE 11883719	1						Label.....	Etiquette.....	Etikett.....	Etiqueta.....	Etikett.....		
5	VOE 11883720	2						Label.....	Etiquette.....	Etikett.....	Etiqueta.....	Etikett.....		
6	VOE 11883724	2						Label.....	Etiquette.....	Etikett.....	Etiqueta.....	Etikett.....		
7	VOE 11883297	1						Decal.....	Decalcomanie.....	Abziehbild.....	Decalcomania.....	Dekal.....	11891162	
	VOE 11883298	1						Decal.....	Decalcomanie.....	Abziehbild.....	Decalcomania.....	Dekal.....	11891167	
	VOE 11884592	1						Decal.....	Decalcomanie.....	Abziehbild.....	Decalcomania.....	Dekal.....	11891322	
8	VOE 11884333	1						Decal.....	Autocollant.....	Aufklebeschild.....	Calcomania.....	Dekal.....	11891273	
9	VOE 11026730	4						Decal.....	Decalcomanie.....	Abziehbild.....	Decalcomania.....	Dekal.....		
10	VOE 11004094	4						Decal.....	Decalcomanie.....	Abziehbild.....	Decalcomania.....	Dekal.....		
11	VOE 11003865	1						Decal.....	Decalcomanie.....	Abziehbild.....	Decalcomania.....	Dekal.....		
12	VOE 11003865	1						Decal.....	Decalcomanie.....	Abziehbild.....	Decalcomania.....	Dekal.....		
13	VOE 11883642	1						Decal.....	Decalcomanie.....	Abziehbild.....	Decalcomania.....	Dekal.....		
14	VOE 11180010	1						Decal.....	Decalcomanie.....	Abziehbild.....	Decalcomania.....	Dekal.....		
15	VOE 11883294	1						Decal.....	Decalcomanie.....	Abziehbild.....	Decalcomania.....	Dekal.....		
16	VOE 11883303	1						Decal.....	Decalcomanie.....	Abziehbild.....	Decalcomania.....	Dekal.....		
17	VOE 11883293	1						Decal.....	Decalcomanie.....	Abziehbild.....	Decalcomania.....	Dekal.....		
18	VOE 11883292	1						Decal.....	Decalcomanie.....	Abziehbild.....	Decalcomania.....	Dekal.....		
19	VOE 1578835	4	6					Side Mkg Refl.....	Reflect.lateral.....	Seitenrefl Band.....	Captafaros Lat.....	Sidomark.reflex.....		
20	VOE 11883652	1						Decal.....	Decalcomanie.....	Abziehbild.....	Decalcomania.....	Dekal.....		
21	VOE 11105304	3						Decal.....	Decalcomanie.....	Abziehbild.....	Decalcomania.....	Dekal.....	4 Speed gear box	
	VOE 11105305	3						Decal.....	Decalcomanie.....	Abziehbild.....	Decalcomania.....	Dekal.....	3 Speed gear box	
22	VOE 11883291				1			Decal.....	Decalcomanie.....	Abziehbild.....	Decalcomania.....	Dekal.....		
23		1					NS	Decal.....	Decalcomanie.....	Abziehbild.....	Decalcomania.....	Dekal.....	Deleted	
24	VOE 11883304	1						Decal.....	Decalcomanie.....	Abziehbild.....	Decalcomania.....	Dekal.....	11891294	
25	VOE 11884374	1						Decal.....	Decalcomanie.....	Abziehbild.....	Decalcomania.....	Dekal.....	11891294	
26	VOE 11884375	1					OP	Decal.....	Decalcomanie.....	Abziehbild.....	Decalcomania.....	Dekal.....	11891294 SER NO -12076	
27	VOE 11885003	1						Decal.....	Decalcomanie.....	Abziehbild.....	Decalcomania.....	Dekal.....	11891326	



1	STD EUROPE	Skyltar och dekaler Muestras y decalcomanias Schilder und aufklebeschild Enseignes et décalcomanias Sign plates and decals	Catalogue id	Group
2	GERMANY ONLY		20002	897
3	ITALY ONLY		Illustr. No	Section
4	UK & EIRE ONLY		1024397	100
5			Issue	Page
		VOE 63H9920002	537	



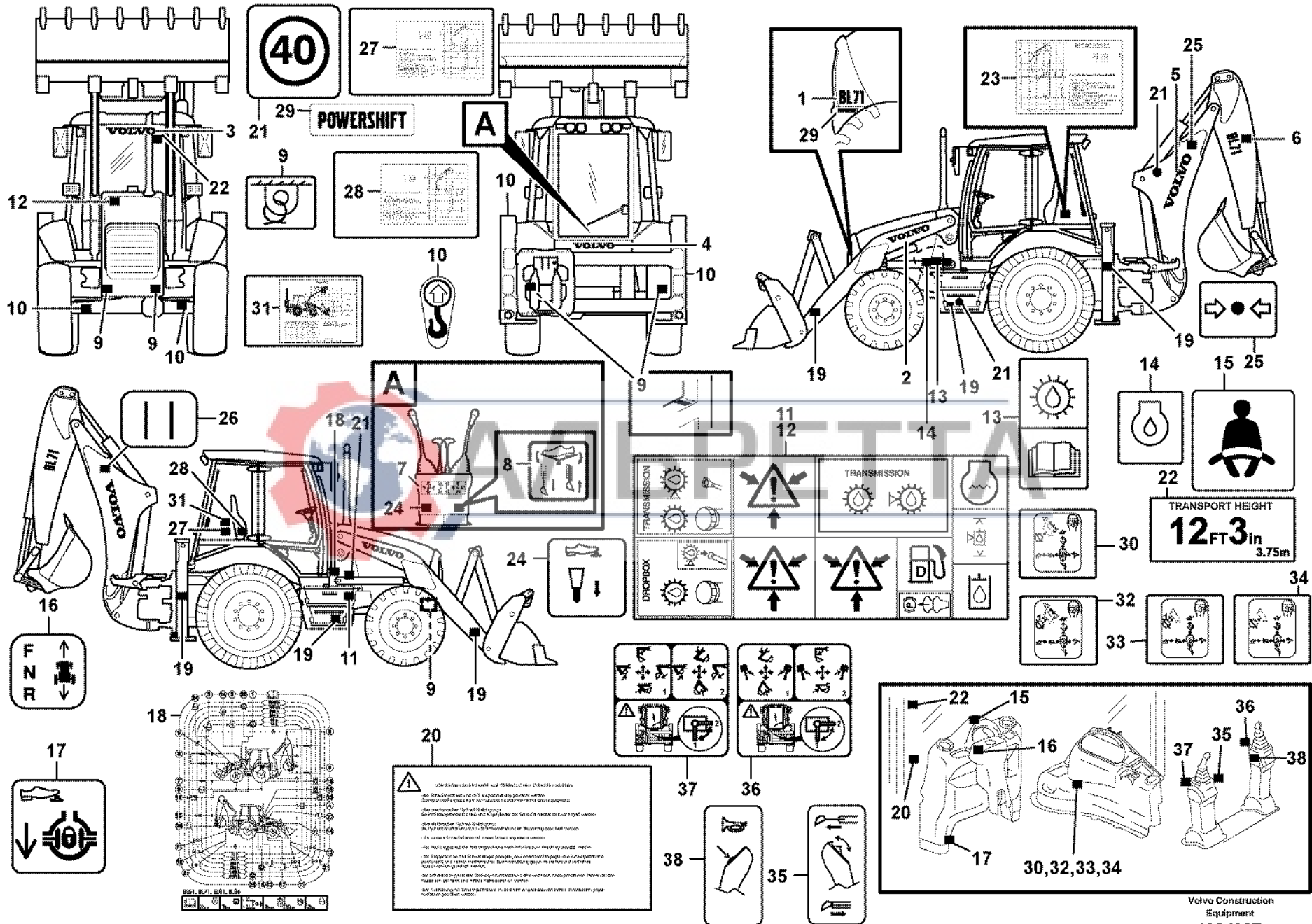


Fig.	Part No.	Quantity					P S	K T	Description	Dénomination	Bezeichnung	Denominación	Benämning	Notes
		1	2	3	4	5								
28	VOE 11885004	1						Decal.....	Decalcomanie.....	Abziehbild	Decalcomania.....	Dekal.....	11891326	
29	VOE 11886267	2						Decal.....	Decalcomanie.....	Abziehbild	Decalcomania.....	Dekal.....	11891255	
30	VOE 11886042	1						Decal.....	Decalcomanie.....	Abziehbild	Decalcomania.....	Dekal.....	11891349	
31	VOE 11885333	1						Decal.....	Decalcomanie.....	Abziehbild	Decalcomania.....	Dekal.....	2335) 11891327	
	VOE 11887607	1						Decal.....	Decalcomanie.....	Abziehbild	Decalcomania.....	Dekal.....	2336) 11891327	
32	VOE 11886048	1						Decal.....	Decalcomanie.....	Abziehbild	Decalcomania.....	Dekal.....	11891354	
33	VOE 11886058	1						Decal.....	Decalcomanie.....	Abziehbild	Decalcomania.....	Dekal.....	11891374	
34	VOE 11886057	1						Decal.....	Decalcomanie.....	Abziehbild	Decalcomania.....	Dekal.....	11891311	
35	VOE 11887113	1						Decal.....	Decalcomanie.....	Abziehbild	Decalcomania.....	Dekal.....	11891409, 11891482 11891487	
36	VOE 11887489	1						Decal.....	Decalcomanie.....	Abziehbild	Decalcomania.....	Dekal.....	11891479, 11891482	
36	VOE 11887490	1						Decal.....	Decalcomanie.....	Abziehbild	Decalcomania.....	Dekal.....	11891480, 11891487	
36	VOE 11887608	1						Decal.....	Decalcomanie.....	Abziehbild	Decalcomania.....	Dekal.....	11891409, 11891481	
37	VOE 11887488	1						Decal.....	Decalcomanie.....	Abziehbild	Decalcomania.....	Dekal.....	11891479, 11891482	
37	VOE 11887491	1						Decal.....	Decalcomanie.....	Abziehbild	Decalcomania.....	Dekal.....	11891480, 11891487	
37	VOE 11887492	1						Decal.....	Decalcomanie.....	Abziehbild	Decalcomania.....	Dekal.....	11891409, 11891481	
38	VOE 11887487	1						Decal.....	Decalcomanie.....	Abziehbild	Decalcomania.....	Dekal.....	11891409, 11891479 11891480, 11891481 11891482, 11891487	



2335) S/N - 12838, 12841 - 12856, 12858 - 12865, 12868 - 12891, 12895 - 12904, 12911, 12913, 12914, 12917 - 12923, 12931 - 12954, 12956 - 12973, 12978 - 12986, 12989 - 13040

2336) S/N 12839, 12840, 12857, 12866, 12867, 12892 - 12894, 12905 - 12910, 12912, 12915, 12916, 12924 - 12929, 12955, 12974 - 12977, 12987, 12988, 12930 13041 -

1	STD EUROPE	Skyltar och dekaler Muestras y decalcomanias Schilder und aufklebeschild Enseignes et décalcomanies Sign plates and decals	Catalogue id	Group
2	GERMANY ONLY		20002	897
3	ITALY ONLY		Illustr. No	Section
4	UK & EIRE ONLY		1024397	100
5			Issue	Page
			VOE 63H9920002	539

VOLVO

BL71

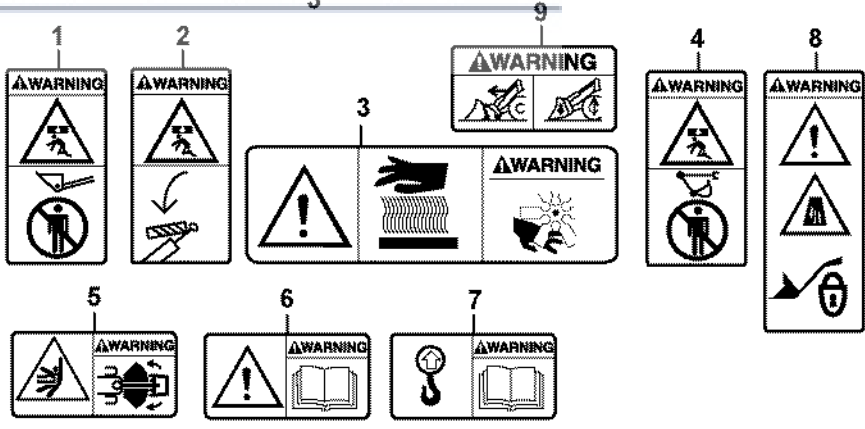
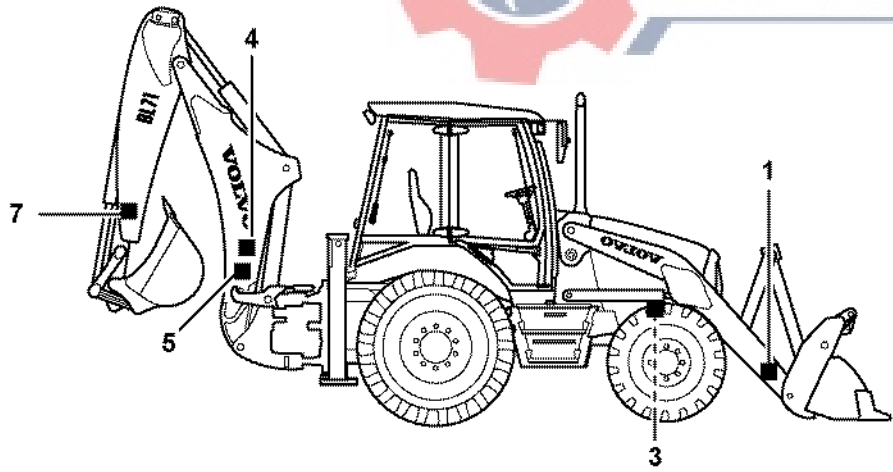
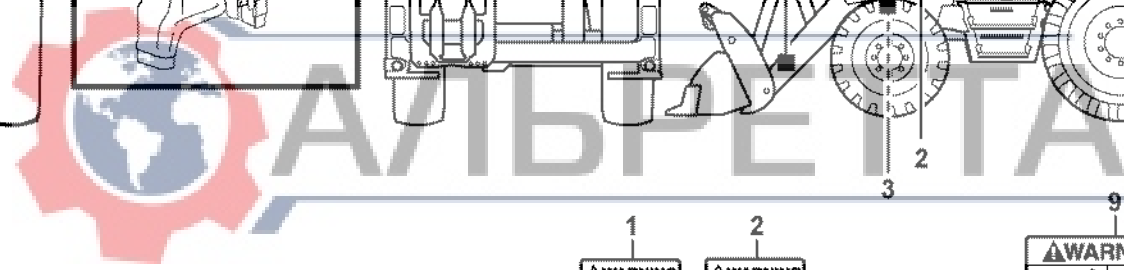
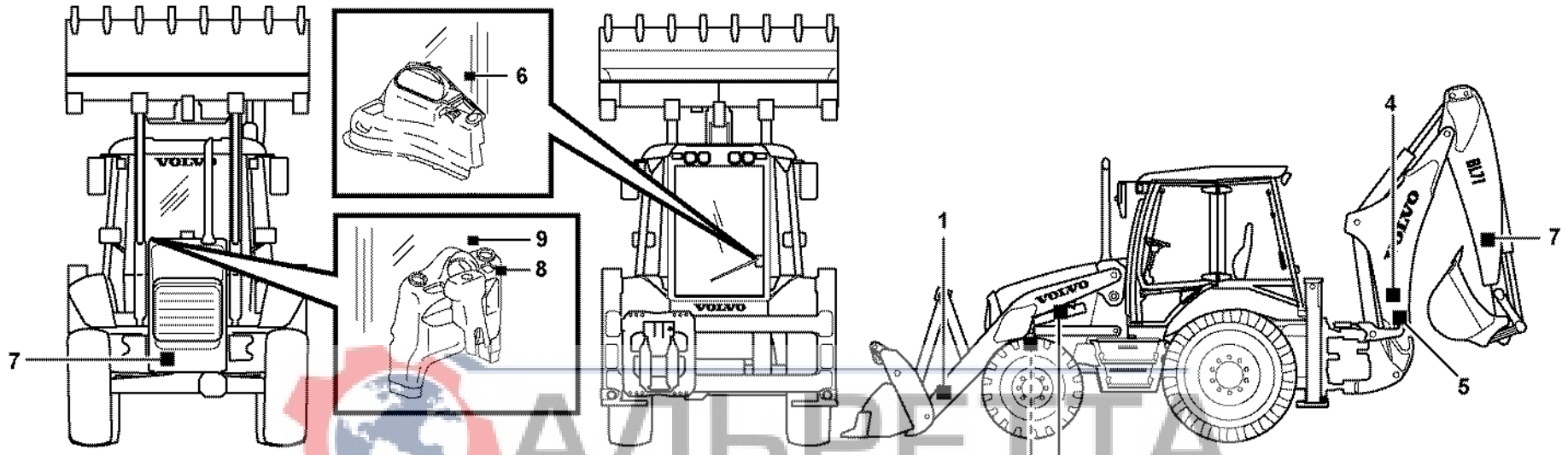


Fig.	Part No.	Quantity			P S	K I T	Description	Dénomination	Bezeichnung	Denominación	Benämning	Notes
		1	2	3								
1	VOE 11027566	2					Warning Decal	Decal.avertiss.	Warnaufkleber	Calcomania Adv	Varningsdekal.....	
2	VOE 13935008	1					Warning Decal	Decal.avertiss.	Warnaufkleber	Calcomania Adv	Varningsdekal.....	
3	VOE 11884027	2					Decal.....	Decalcomanie	Abziehbild.....	Decalcomania	Dekal.....	
4	VOE 11883289	2					Decal.....	Decalcomanie	Abziehbild.....	Decalcomania	Dekal.....	
5	VOE 11883290	2					Decal.....	Decalcomanie	Abziehbild.....	Decalcomania	Dekal.....	
6	VOE 11883617	1					Decal.....	Decalcomanie	Abziehbild.....	Decalcomania	Dekal.....	
7	VOE 11883533	3					Decal.....	Decalcomanie	Abziehbild.....	Decalcomania	Dekal.....	
8	VOE 11885038	1					Decal.....	Decalcomanie	Abziehbild.....	Decalcomania	Dekal.....	
9	VOE 11111506	1					Warning Decal	Decal.avertiss.	Warnaufkleber	Calcomania Adv	Varningsdekal.....	11891238



1		Dekaler Calcomanías Aufklebeschild Calcomanies Decals	Catalogue id	Group
2			20002	897
3			Illustr. No	Section
4			1006507	150
5		WARNING	Issue	Page
			VOE 63H9920002	541

VOLVO

BL71





VOLVO

АЛЬРЕТТА

Construction Equipment

GROUP	Section	Page	GROUP	Section	Page
911 Hydraulic oil tank.....	100	555	912 11880005	110	643
911 Hydraulic oil tank.....	200	557	912 Excavator Controls ISO.....	200	645
911 Hydraulic system, suction line, filter.....	250	561	912 Excavator Controls SAE.....	210	647
911 Hydraulic system, return line S/N - 14669	300	563	912 Excavator Controls SAE/ISO	220	649
911 Hydraulic system, return line S/N 14670 -	310	567	912 Valve body	300	653
911 Hydraulic oil cooler S/N - 14669	325	571	912 Valve body	310	657
911 Hydraulic oil cooler S/N 14670 -	330	573	912 Inlet valve	350	659
911 Hydraulic system, feed line	350	575	912 Valve section	450	661
911 Hydraulic system, feed line 11880005 S/N 14670 -	360	581	912 Valve section	460	663
911 Hydraulic system, hammer 11891294	400	585	912 Valve section	470	665
911 Pipes for hammer attachment 11891375.....	450	589	912 Valve section	500	667
911 Hydraulic system, stabiliser legs.....	500	591	912 Valve section	510	669
911 Hydraulics loader (lift & tilt)	550	593	912 Valve section	520	671
911 Hydraulic system, excavator	700	597	912 Valve section	550	673
911 Hydraulic system loader.....	800	601	912 Valve section	560	675
911 Hydraulic system, boom 11891273, 11891041, 11891410 S/N - 14669	900	605	912 Valve section	600	677
911 Hydraulic system, boom 11880005, S/N 14670 -	910	607	912 Exhaust valve	610	679
911 Hydraulic system dipper arm 11891273, 11891041, 11891410	1000	609	912 Pressure limiting valve	650	681
911 Hydraulic system dipper arm 11880005, S/N 14670 -	1010	611	912 Pressure limiting valve 11880005	700	683
911 Hydraulic system, bucket 11891273 S/N - 14669	1100	613	912 Pressure limiting valve 11880005	710	685
911 Hydraulic system, bucket 11891273 S/N 14670 -	1110	617	912 Self level function 11880005	720	687
911 Hydraulic system, bucket 11891041, 11891410	1150	619	912 Safety valve boom and dipper arm cylinder 11891326	750	689
911 Hydraulic system, bucket S/N 14670 -	1160	623	912 Safety valve loader 11891327	800	693
911 Hydraulic system extendible dipper arm	1200	625	913 Hydraulic pump with fitting parts	100	697
911 Hydraulic system, lock cylinder	1300	627	913 Hydraulic pump SER NO -11701, EXCL 11642, 11681-11699.....	200	699
911 Hydraulic system safety valve boom and dipper arm cylinder 11891326	1400	629	913 Hydraulic pump SER NO 11702-, INCL 11642, 11681-11699.....	210	701
911 Hydraulic system loader safety valves 11891327	1500	631	914 Servo valve	100	703
911 Hydraulic system pilot excavator controls	1600	637	914 Servo valve	200	705
912 Loader controls	100	641	914 Servo valve	300	707
			915 Controls.....	100	709
			915 Pedal	200	715

INDEX OF CONTENTS	Catalogue id 20002	Group 900
	Issue VOE 63H9920002	Page 543



INDEX OF CONTENTS

Catalogue id 20002	Group 900
Issue VOE 63H9920002	Page 544

GROUP	Section	Page	GROUP	Section	Page		
916	Hydraulic system, sideshift	100	717	945	Pins for mounting bucket.....	160	795
916	Optional hydraulic equipment 11891333	200	719	945	Lifting framework with assembly parts	175	797
916	Boom suspension system 11891293 S/N - 14669.....	350	725	945	Hydraulic cylinder, lifting. 11891272, 11891311, 11891349, 11891354	200	803
916	Boom suspension system 11891293 S/N 14670 -	360	727	945	Hydraulic cylinder, tilt 11891272, 11891311, 11891327, 11891349, 11891354	300	805
924	Attachment bracket, mechanical 11891299.....	100	729	971	Swing system	100	807
924	Hydraulic attachment bracket digger 11891323, 11891351, 11891362	150	731	971	Boom swing system	200	811
924	Hydraulic attachment bracket digger (11891351, 11891362).....	200	735	971	Swing cylinder	300	815
924	Hydraulic attachment bracket digger (11891323).....	250	737	971	Lock cylinder	400	817
924	Hydraulic attachment bracket 11891323, 11891362	300	741	972	Stabilisers.....	100	819
924	Hydraulic cylinder, quick attachment 11891323, 11891362	350	743	972	Stabiliser cylinder.....	200	821
924	Hydraulic attachment bracket 11891238	400	745	974	Excavator boom, extendible dipper arm 11891273.....	100	823
924	Hydraulic cylinder, quick attachment 11891238	450	747	974	Boom and dipper arm.....	150	829
924	Hydraulic attachment bracket 11891238	500	749	974	Boom cylinder 11891273, 11891041, 11891410, 11880005	200	833
925	Bucket, straight with teeth (BACKHOE).....	100	753	975	Dipper arm cylinder 11891273, 11891041, 11891410, 11880005	100	835
925	Bucket, straight with teeth S/N 14670 -	125	755	975	Bucket cylinder 11891273, 11891041, 11891410.....	200	837
925	Bucket, straight with teeth S/N 14670 -	130	757	975	Extendible dipper cylinder 11891273	300	839
925	Bucket, straight with teeth CBACKHOE)	150	759				
925	Bucket, straight with teeth (LOADER).....	200	761				
925	Bucket, straight lip without teeth (BACKHOE)	250	763				
925	Bucket, straight lip without teeth	260	765				
925	Multi-purpose bucket.....	300	767				
925	Multi-purpose bucket.....	310	771				
925	Multi-purpose bucket 11891541.....	320	775				
925	Hydraulic cylinder 11891018 (MULTI-PURPOSE BUCKET).....	400	777				
925	Bucket, straight with teeth (BACKHOE).....	450	779				
925	Transport bracket without front bucket 11891350.....	500	781				
926	Fork tine kit	100	783				
926	Retainer for hammer	200	785				
926	Hammer 11891294	250	787				
945	Lifting framework with assembly parts	150	789				

GROUPE	Section	Page	GROUPE	Section	Page
911 Réservoir d'huile hydraulique.....	100	555	911 Servocommande hydraulique creusement.....	1600	637
911 Réservoir d'huile hydraulique.....	200	557	912 Commandes de l'équipement chargeur	100	641
911 Système hydraulique, conduit d'aspiration, filtre.....	250	561	912 11880005	110	643
911 Système hydraulique, conduit retour S/N - 14669	300	563	912 Commandes creusement ISO	200	645
911 Système hydraulique, conduit retour S/N 14670 -	310	567	912 Commandes creusement SAE	210	647
911 Radiateur huile S/N - 14669.....	325	571	912 Commandes creusement SAE/ISO.....	220	649
911 Radiateur huile S/N 14670 -.....	330	573	912 Bloc-soupapes	300	653
911 Systeme Hydr. conduit alimentation	350	575	912 Bloc-soupapes	310	657
911 Systeme Hydr. conduit alimentation 11880005 S/N 14670 -	360	581	912 Soupape d'admission	350	659
911 Système hydraulique, marteau 11891294	400	585	912 Section de valve.....	450	661
911 Conduits, marteau 11891375.....	450	589	912 Section de valve.....	460	663
911 Système hydraulique Bequilles	500	591	912 Section de valve.....	470	665
911 Equipement chargeur à commande hydraulique (levage et basculement)	550	593	912 Section de valve.....	500	667
911 Système hydralique groupe pelle.....	700	597	912 Section de valve.....	510	669
911 Hydraulic system loader.....	800	601	912 Section de valve.....	520	671
911 Système hydraulique, flèche 11891273, 11891041, 11891410 S/N - 14669	900	605	912 Section de valve.....	550	673
911 Système hydraulique, flèche 11880005, S/N 14670 -	910	607	912 Section de valve.....	560	675
911 Système hydraulique, balancier 11891273, 11891041, 11891410 ..	1000	609	912 Section de valve.....	600	677
911 Système hydraulique, balancier 11880005, S/N 14670 -.....	1010	611	912 Section de valve.....	610	679
911 Système hydraulique, godet 11891273 S/N - 14669	1100	613	912 Soupape d'échappement	650	681
911 Système hydraulique, godet 11891273 S/N 14670 -	1110	617	912 Limiteur de pression	700	683
911 Système hydraulique, godet 11891041, 11891410	1150	619	912 Limiteur de pression 11880005.....	710	685
911 Système hydraulique, godet S/N 14670 -	1160	623	912 11880005	720	687
911 Système hydraulique bras de pelle telescope	1200	625	912 Valve de sécurité, flèche et balancier 11891326	750	689
911 Système hydraulique, vérin de verrouillage	1300	627	912 Valve de sécurité, équipement chargeur 11891327.....	800	693
911 Système hydraulique, clapet de sécurité sur les vérins de flèche et de balancier 11891326	1400	629	913 Pompe hydraulique avec pièces de montage	100	697
911 Système hydraulique équipement chargeur, valves de sécurité 11891327	1500	631	913 Pompe hydraulique SER NO -11701, EXCL 11642, 11681-11699....	200	699
			913 Pompe hydraulique SER NO 11702-, INCL 11642, 11681-11699....	210	701
			914 Servo soupape	100	703
			914 Servo soupape	200	705
			914 Servo soupape	300	707

TABLE DES MATIÈRES	Catalogue id 20002	Group 900
	Issue VOE 63H9920002	Page 545

TABLE DES MATIÈRES				Catalogue id	
				20002	
				Group	
				900	
				Issue	
				VOE 63H9920002	
				Page	
				546	

GROUPE	Section	Page	GROUPE	Section	Page
915	Commandes.....	100	709	926	Support de marteau 200 785
915	Pedale.....	200	715	926	Marteau 11891294 250 787
916	Circuit hydraulique, déport latéral	100	717	945	Chassis levage avec pièces de montage..... 150 789
916	Equipement hydraulique optionnel 11891333.....	200	719	945	Pivots d'axe pour fixation de godet 160 795
916	Amortisseur vibrations 11891293 S/N - 14669	350	725	945	Chassis levage avec pièces de montage..... 175 797
916	Amortisseur vibrations 11891293 S/N 14670 -	360	727	945	Cylindre hydraulique, levage. 11891272, 11891311, 11891349, 11891354 200 803
924	Porte-outil, verrouillage mécanique 11891299	100	729	945	Cylindre hydraulique, cavage 11891272, 11891311, 11891327, 11891349, 11891354 300 805
924	Porte-outil à verrouillage hydraulique, balancier 11891323, 11891351, 11891362	150	731	971	Système de pivotement..... 100 807
924	Porte-outil à verrouillage hydraulique, balancier (11891351, 11891362).....	200	735	971	Système hydraulique, orientation..... 200 811
924	Porte-outil à verrouillage hydraulique, balancier (11891323).....	250	737	971	Vérin d'orientation 300 815
924	Plaque de fixation à commande hydraulique 11891323, 11891362.....	300	741	971	Vérin de verrouillage 400 817
924	Verin hydraulique, fixation rapide 11891323, 11891362.....	350	743	972	Bequille 100 819
924	Plaque de fixation à commande hydraulique 11891238.....	400	745	972	Vérin hydraulique pour jambe d'appui..... 200 821
924	Verin hydraulique, fixation rapide 11891238.....	450	747	974	Flèche d'équipement excavateur avec bras télescopique 11891273. 100 823
924	Plaque de fixation à commande hydraulique 11891238	500	749	974	Flèche et balancier..... 150 829
925	Godet, droit avec dents (BACKHOE).....	100	753	974	Vérin de flèche 11891273, 11891041, 11891410, 11880005 200 833
925	Godet, droit avec dents S/N 14670 -.....	125	755	975	Vérin de bras 11891273, 11891041, 11891410, 11880005..... 100 835
925	Godet, droit avec dents S/N 14670 -.....	130	757	975	Vérin de godet 11891273, 11891041, 11891410..... 200 837
925	Godet, droit avec dents CBACKHOE).....	150	759	975	Cylindre telescope. 11891273..... 300 839
925	Godet, droit avec dents (LOADER).....	200	761		
925	Godet, droit sans dents (BACKHOE).....	250	763		
925	Godet, droit sans dents.....	260	765		
925	Godet combiné.....	300	767		
925	Godet combiné.....	310	771		
925	Godet combiné 11891541.....	320	775		
925	Vérins hydrauliques 11891018 (MULTI-PURPOSE BUCKET).....	400	777		
925	Godet, droit avec dents (BACKHOE).....	450	779		
925	Fixation transport sans godet frontal 11891350.....	500	781		
926	Jeu de bras de fourche	100	783		

GRUPPE	Abschnitt	Seite	GRUPPE	Abschnitt	Seite
911 Hydrauliköltank	100	555	912 11880005	110	643
911 Hydrauliköltank	200	557	912 Bagger-Bedienelement ISO	200	645
911 Hydraulikanlage, Saugleitung, Filter	250	561	912 Bagger Bedienelement SAE	210	647
911 Druckölsystem, Rücklaufleitung S/N - 14669	300	563	912 Bagger Bedienelemente SAE/ISO	220	649
911 Druckölsystem, Rücklaufleitung S/N 14670 -	310	567	912 Ventilgruppe	300	653
911 Hydraulikölkühler S/N - 14669	325	571	912 Ventilgruppe	310	657
911 Hydraulikölkühler S/N 14670 -	330	573	912 Einlassventil	350	659
911 Hydraulikanlage, Druckleitungen	350	575	912 Ventil	450	661
911 Hydraulikanlage, Druckleitungen 11880005 S/N 14670 -	360	581	912 Ventil	460	663
911 Hydraulikanlage, Hammer 11891294	400	585	912 Ventil	470	665
911 Leitungen für Hammeranbau 11891375	450	589	912 Ventil	500	667
911 Hydraulikanlage Bodenstützen	500	591	912 Ventil	510	669
911 Ladehydraulik (Heben und Kippen)	550	593	912 Ventil	520	671
911 Hydraulikanlage ventil zum ausleger Baggeraggregat	700	597	912 Ventil	550	673
911 Hydraulikanlage, Lader	800	601	912 Ventil	560	675
911 Hydraulikanlage, Baggerausleger 11891273, 11891041, 11891410 S/N - 14669	900	605	912 Ventil	600	677
911 Hydraulikanlage, Baggerausleger 11880005, S/N 14670 -	910	607	912 Ventil	610	679
911 Hydraulikanlage, Baggerstiel 11891273, 11891041, 11891410	1000	609	912 Auslassventil	650	681
911 Hydraulikanlage, Baggerstiel 11880005, S/N 14670 -	1010	611	912 Druckbegrenzungsventil	700	683
911 Hydraulikanlage, Löffel 11891273 S/N - 14669	1100	613	912 Druckbegrenzungsventil 11880005	710	685
911 Hydraulikanlage, Löffel 11891273 S/N 14670 -	1110	617	912 11880005	720	687
911 Hydraulikanlage, Löffel 11891041, 11891410	1150	619	912 Sicherheitsventil Ausleger und Stielzylinder 11891326	750	689
911 Hydraulikanlage, Löffel S/N 14670 -	1160	623	912 Sicherheitsventil Lader 11891327	800	693
911 Hydraulikanlage für teleskopische baggerarm	1200	625	913 Druckölpumpe mit Anbauteilen	100	697
911 Hydraulikanlage, Sperrzylinder	1300	627	913 Hydraulikpumpe SER NO -11701, EXCL 11642, 11681-11699	200	699
911 Hydraulikanlage, Sicherheitsventil Ausleger und Stielzylinder 11891326	1400	629	913 Hydraulikpumpe SER NO 11702-, INCL 11642, 11681-11699	210	701
911 Hydraulikanlage Lader Sicherheitsventile 11891327	1500	631	914 Servoventil	100	703
911 Hydraulikanlage vorgesteuerte Bagger-Bedienelemente	1600	637	914 Servoventil	200	705
912 Loader controls	100	641	914 Servoventil	300	707
			915 Regler	100	709
			915 Pedal	200	715

INHALTSVERZEICHNIS	Catalogue id 20002	Group 900
	Issue VOE 63H9920002	Page 547



INHALTSVERZEICHNIS		Catalogue id 20002	Group 900
		Issue VOE 63H9920002	Page 548

GRUPPE	Abschnitt	Seite	GRUPPE	Abschnitt	Seite		
916	Hydraulikanlage, Seitenverschiebung.....	100	717	945	Hubgerüst mit Anbauteilen.....	175	797
916	Zusätzliche Hydraulikausrüstung 11891333.....	200	719	945	Hubzylinder. 11891272, 11891311, 11891349, 11891354.....	200	803
916	Schwingungsdämpfer 11891293 S/N - 14669.....	350	725	945	Schwenkzylinder 11891272, 11891311, 11891327, 11891349, 11891354.....	300	805
916	Schwingungsdämpfer 11891293 S/N 14670 -.....	360	727	971	Schwenksystem.....	100	807
924	Geräteträger, mechanisch 11891299.....	100	729	971	Hydraulikkreis, Schwenken.....	200	811
924	Hydraulik Geräteträger Baggerarm 11891323, 11891351, 11891362.....	150	731	971	Schwenkzylinder.....	300	815
924	Hydraulik Geräteträger Baggerarm (11891351, 11891362).....	200	735	971	Sperrzylinder.....	400	817
924	Hydraulik Geräteträger Baggerarm (11891323).....	250	737	972	Pratzen.....	100	819
924	Hydraulisch betätigte Gerätebefestigung 11891323, 11891362.....	300	741	972	Hydraulzylinder für Pratzen.....	200	821
924	Hydraulikzylinder Schnellwechsler 11891323, 11891362.....	350	743	974	Grabausleger mit Teleskopstiel 11891273.....	100	823
924	Hydraulisch betätigte Gerätebefestigung 11891238.....	400	745	974	Ausleger und Stiel.....	150	829
924	Hydraulikzylinder Schnellwechsler 11891238.....	450	747	974	Auslegerzylinder 11891273, 11891041, 11891410, 11880005.....	200	833
924	Hydraulisch betätigte Gerätebefestigung 11891238.....	500	749	975	Stielzylinder 11891273, 11891041, 11891410, 11880005.....	100	835
925	Schaufel, gerade mit Zähnen (BACKHOE).....	100	753	975	Schaufelzylinder 11891273, 11891041, 11891410.....	200	837
925	Schaufel, gerade mit Zähnen S/N 14670.....	125	755	975	Teleskopzylinder. 11891273.....	300	839
925	Schaufel, gerade mit Zähnen S/N 14670 -.....	130	757				
925	Schaufel, gerade mit Zähnen CBACKHOE).....	150	759				
925	Schaufel, gerade mit Zähnen (LOADER).....	200	761				
925	Schaufel, gerade, ohne Zähne (BACKHOE).....	250	763				
925	Schaufel, gerade, ohne Zähne.....	260	765				
925	Kombilöffel.....	300	767				
925	Kombilöffel.....	310	771				
925	Kombilöffel 11891541.....	320	775				
925	Hydraulikzylinder 11891018 (MULTI-PURPOSE BUCKET).....	400	777				
925	Schaufel, gerade mit Zähnen (BACKHOE).....	450	779				
925	Transporthalterung ohne Schaufel 11891350.....	500	781				
926	Gabelarmsatz.....	100	783				
926	Halter für Hammer.....	200	785				
926	Hammer 11891294.....	250	787				
945	Hubgerüst mit Anbauteilen.....	150	789				
945	Bolzen zur Befestigung der Schaufel.....	160	795				

GRUPO	Sección	Página	GRUPO	Sección	Página		
911	Depósito de aceite hidráulico	100	555	912	Mandos de la cargadora	100	641
911	Depósito de aceite hidráulico	200	557	912	11880005	110	643
911	Sistema hidráulico, conducto de aspiración, filtro	250	561	912	Mandos de excavadora ISO	200	645
911	Sistema hidráulico, conducto de retorno S/N - 14669	300	563	912	Mandos de excavadora SAE	210	647
911	Sistema hidráulico, conducto de retorno S/N 14670 -	310	567	912	Mandos de excavadora SAE/ISO	220	649
911	Enfriador de aceite hidráulico S/N - 14669	325	571	912	Bloque de válvulas	300	653
911	Enfriador de aceite hidráulico S/N 14670 -	330	573	912	Bloque de válvulas	310	657
911	Sistema hidráulico, conducto presión	350	575	912	Válvula de admisión	350	659
911	Sistema hidráulico, conducto presión 11880005 S/N 14670 -	360	581	912	Sección de válvulas	450	661
911	Sistema hidráulico, martillo 11891294	400	585	912	Sección de válvulas	460	663
911	Tubería para fijación del martillo 11891375	450	589	912	Sección de válvulas	470	665
911	Sistema hidráulico patas de apoyo	500	591	912	Sección de válvulas	500	667
911	Sistema hidráulico de cargadora (elevación y volteo)	550	593	912	Sección de válvulas	510	669
911	Sistema hidráulico excavador	700	597	912	Sección de válvulas	520	671
911	Hydraulic system loader	800	601	912	Sección de válvulas	550	673
911	Sistema hidráulico, pluma de excavación 11891273, 11891041, 11891410 S/N - 14669	900	605	912	Sección de válvulas	560	675
911	Sistema hidráulico, pluma de excavación 11880005, S/N 14670 -	910	607	912	Sección de válvulas	600	677
911	Sistema hidráulico, balancín 11891273, 11891041, 11891410	1000	609	912	Sección de válvulas	610	679
911	Sistema hidráulico, balancín 11880005, S/N 14670 -	1010	611	912	Válvula de escape	650	681
911	Sistema hidráulico, cuchara 11891273 S/N - 14669	1100	613	912	Válvula limitadora de presión	700	683
911	Sistema hidráulico, cuchara 11891273 S/N 14670 -	1110	617	912	Válvula limitadora de presión 11880005	710	685
911	Sistema hidráulico, cuchara 11891041, 11891410	1150	619	912	11880005	720	687
911	Sistema hidráulico, cuchara S/N 14670 -	1160	623	912	Cilindros de pluma y brazo, válvulas de seguridad 11891326	750	689
911	Sistema hidráulico brazo excavador telescópico	1200	625	912	Válvula de seguridad, cargadora 11891327	800	693
911	Sistema hidráulico, cilindro de bloqueo	1300	627	913	Bomba hidráulica con accesorios de montaje	100	697
911	Sistema hidráulico, válvula de seguridad, pluma y cilindro del brazo 11891326	1400	629	913	Bomba hidráulica SER NO -11701, EXCL 11642, 11681-11699	200	699
911	Sistema hidráulico, válvulas de seguridad de la cargadora 11891327	1500	631	913	Bomba hidráulica SER NO 11702-, INCL 11642, 11681-11699	210	701
911	Sistema hidráulico mandos pilotos de excavadora	1600	637	914	Servoválvula	100	703
				914	Servoválvula	200	705
				914	Servoválvula	300	707
				915	Mandos	100	709

INDICE	Catalogue id 20002	Group 900
	Issue VOE 63H9920002	Page 549

VOLVO

BL7I



INDICE	Catalogue id 20002	Group 900
	Issue VOE 63H9920002	Page 550

GRUPO	Sección	Página	GRUPO	Sección	Página		
915	Pedal.....	200	715	945	Bastidor elevación con piezas de montaje.....	150	789
916	Sistema hidráulico, desplazamiento lateral.....	100	717	945	Muñones para fijación de cuchara	160	795
916	Equipo hidráulico adicional 11891333	200	719	945	Bastidor elevación con piezas de montaje.....	175	797
916	Amortiguador de vibraciones 11891293 S/N - 14669	350	725	945	Cilindro hidráulico, elevac. 11891272, 11891311, 11891349, 11891354	200	803
916	Amortiguador de vibraciones 11891293 S/N 14670 -	360	727	945	Cilindro hidráulico, volquet 11891272, 11891311, 11891327, 11891349, 11891354	300	805
924	Portaimplemento, mecánico 11891299	100	729	971	Sistema de oscilación	100	807
924	Portaimplementos hidráulico, brazo 11891323, 11891351, 11891362	150	731	971	Sistema hidráulico, giro.....	200	811
924	Portaimplementos hidráulico, brazo (11891351, 11891362)	200	735	971	Cilindro de giro	300	815
924	Portaimplementos hidráulico, brazo (11891323)	250	737	971	Cilindro de bloqueo	400	817
924	Soporte de implemento hidráulico 11891323, 11891362	300	741	972	Pata de apoyo	100	819
924	Cilindro hidráulico, acoplamiento rapido 11891323, 11891362	350	743	972	Cilindro hidraulico para pata de apoyo.....	200	821
924	Soporte de implemento hidráulico 11891238	400	745	974	Pluma de excavación con brazo telescópico 11891273	100	823
924	Cilindro hidráulico, acoplamiento rapido 11891238	450	747	974	Pluma y brazo	150	829
924	Soporte de implemento hidráulico 11891238	500	749	974	Cilindro de pluma 11891273, 11891041, 11891410, 11880005	200	833
925	Cuchara, recta con dientes (BACKHOE)	100	753	975	Cilindro de brazo 11891273, 11891041, 11891410, 11880005	100	835
925	Cuchara, recta con dientes S/N 14670 -	125	755	975	Cilindro de cazo 11891273, 11891041, 11891410	200	837
925	Cuchara, recta con dientes S/N 14670 -	130	757	975	Cilindro telescopico. 11891273	300	839
925	Cuchara, recta con dientes CBACKHOE).....	150	759				
925	Cuchara, recta con dientes (LOADER).....	200	761				
925	Cuchara recta sin dientes (BACKHOE)	250	763				
925	Cuchara recta sin dientes	260	765				
925	Cuchara multipropósitos	300	767				
925	Cuchara multipropósitos	310	771				
925	Cuchara multipropósitos 11891541	320	775				
925	Cilindros hidráulicos 11891018 (MULTI-PURPOSE BUCKET)	400	777				
925	Cuchara, recta con dientes (BACKHOE).....	450	779				
925	Fijaciones de transporte sin cuchara frontal 11891350	500	781				
926	Juego de brazos de horquilla	100	783				
926	Soporte para martillo.....	200	785				
926	Martillo 11891294	250	787				

GRUPP	Avsnitt	Sida	GRUPP	Avsnitt	Sida		
911	Hydrauloljetank	100	555	912	Grävreglage ISO	200	645
911	Hydrauloljetank	200	557	912	Grävreglage SAE	210	647
911	Hydraulsystem, sugledning, filter	250	561	912	Grävreglage SAE/ISO	220	649
911	Hydraulsystem, returledning S/N - 14669	300	563	912	Ventilblock	300	653
911	Hydraulsystem, returledning S/N 14670 -	310	567	912	Ventilblock	310	657
911	Hydrauloljekylare S/N - 14669	325	571	912	Inloppsventil	350	659
911	Hydrauloljekylare S/N 14670 -	330	573	912	Ventilsektion	450	661
911	Hydraulsystem, tryckledningar	350	575	912	Ventilsektion	460	663
911	Hydraulsystem, tryckledningar 11880005 S/N 14670 -	360	581	912	Ventilsektion	470	665
911	Hydraulsystem hammare 11891294	400	585	912	Ventilsektion	500	667
911	Rör till hammarredskap 11891375	450	589	912	Ventilsektion	510	669
911	Hydraulsystem, stödben	500	591	912	Ventilsektion	520	671
911	Hydraulik lastare (lyft & tilt)	550	593	912	Ventilsektion	550	673
911	Hydraulsystem, grävare	700	597	912	Ventilsektion	560	675
911	Hydraulsystem, lastare	800	601	912	Ventilsektion	600	677
911	Hydraulsystem, gräv bom 11891273, 11891041, 11891410 S/N - 14669	900	605	912	Ventilsektion	610	679
911	Hydraulsystem, gräv bom 11880005, S/N 14670 -	910	607	912	Utloppsventil	650	681
911	Hydraulsystem, grävvarm 11891273, 11891041, 11891410	1000	609	912	Tryckbegränsningsventil	700	683
911	Hydraulsystem, grävvarm 11880005, S/N 14670 -	1010	611	912	Tryckbegränsningsventil 11880005	710	685
911	Hydraulsystem, skopa 11891273 S/N - 14669	1100	613	912	Automatisk nivåreglering 11880005	720	687
911	Hydraulsystem, skopa 11891273 S/N 14670 -	1110	617	912	Säkerhetsventil bom och skaftcylinder 11891326	750	689
911	Hydraulsystem, skopa 11891041, 11891410	1150	619	912	Säkerhetsventil lastaggregat 11891327	800	693
911	Hydraulsystem, skopa S/N 14670 -	1160	623	913	Hydraulpump med monteringsdetaljer	100	697
911	Hydraulsystem, grävvarm teleskopisk	1200	625	913	Hydraulpump SER NO -11701, EXCL 11642, 11681-11699	200	699
911	Hydraulsystem, spärrcylinder	1300	627	913	Hydraulpump SER NO 11702-, INCL 11642, 11681-11699	210	701
911	Hydraulsystem säkerhetsventil bom och skaftcylinder 11891326 ...	1400	629	914	Servoventil	100	703
911	Hydraulsystem lastaggregat säkerhetsventiler 11891327	1500	631	914	Servoventil	200	705
911	Hydraulsystem pilotstyrda grävreglage	1600	637	914	Servoventil	300	707
912	Lastarreglage	100	641	915	Reglage	100	709
912	Lastarreglage med säkerhets ackumulator 11880005	110	643	915	Pedal	200	715
				916	Hydraulsystem sidoförskjutning	100	717

INNEHÅLLSFÖRTECKNING

Catalogue id 20002	Group 900
Issue VOE 63H9920002	Page 551

VOLVO

BL71

INNEHÅLLSFÖRTECKNING	Catalogue id 20002	Group 900
	Issue VOE 63H9920002	Page 552

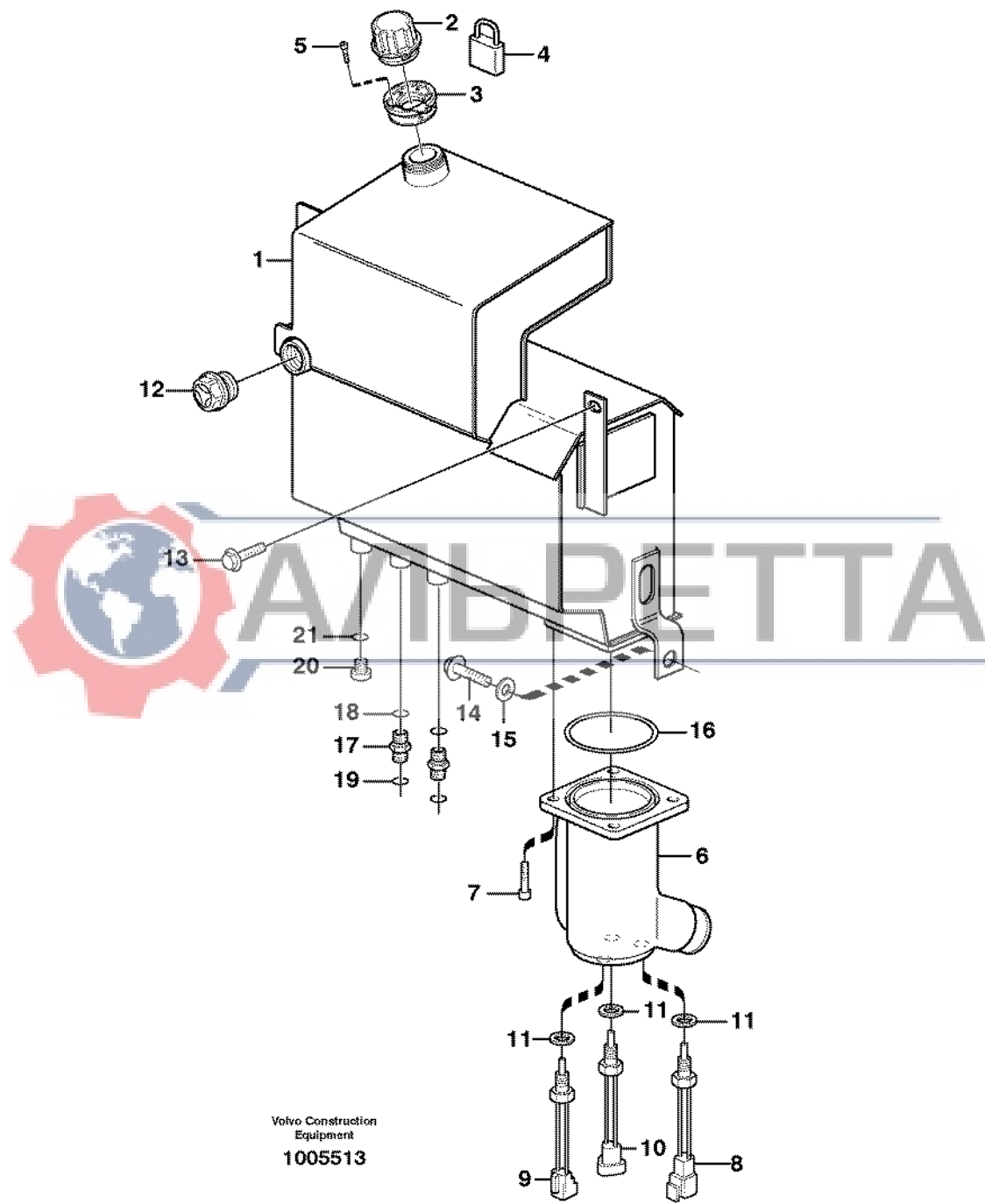
GRUPP	Avsnitt	Sida	GRUPP	Avsnitt	Sida		
916	Extra hydraulrustning 11891333	200	719	945	Hydraulcylinder, lyft. 11891272, 11891311, 11891349, 11891354	200	803
916	Svängningsdämpare 11891293 S/N - 14669	350	725	945	Hydraulcylinder, tilt 11891272, 11891311, 11891327, 11891349, 11891354	300	805
916	Svängningsdämpare 11891293 S/N 14670 -	360	727	971	Svängsystem	100	807
924	Redskapsfäste, mekaniskt 11891299	100	729	971	Hydraulsystem, sväng	200	811
924	Hydraulik redskapsfäste grävarm 11891323, 11891351, 11891362 .	150	731	971	Svängcylinder	300	815
924	Hydraulik redskapsfäste grävarm (11891351, 11891362)	200	735	971	Spärrcylinder	400	817
924	Hydraulik redskapsfäste grävarm (11891323)	250	737	972	Stödben	100	819
924	Hydrauliskt redskapsfäste 11891323, 11891362	300	741	972	Stödbenscylinder	200	821
924	Hydraulcylinder, snabbfäste 11891323, 11891362	350	743	974	Grävbom med teleskoparm 11891273	100	823
924	Hydrauliskt redskapsfäste 11891238	400	745	974	Bom och skaft	150	829
924	Hydraulcylinder, snabbfäste 11891238	450	747	974	Bomcylinder 11891273, 11891041, 11891410, 11880005	200	833
924	Hydrauliskt redskapsfäste 11891238	500	749	975	Skaftcylinder 11891273, 11891041, 11891410, 11880005	100	835
925	Skopa, rak med tänder (BACKHOE)	100	753	975	Skopocylinder 11891273, 11891041, 11891410	200	837
925	Skopa, rak med tänder S/N 14670 -	125	755	975	Teleskopcylinder 11891273	300	839
925	Skopa, rak med tänder S/N 14670 -	130	757				
925	Skopa, rak med tänder CBACKHOE)	150	759				
925	Skopa, rak med tänder (LOADER)	200	761				
925	Skopa, rak utan tänder (BACKHOE)	250	763				
925	Skopa, rak utan tänder	260	765				
925	Kombiskopa	300	767				
925	Kombiskopa	310	771				
925	Kombiskopa 11891541	320	775				
925	Hydraulcylinder 11891018 (MULTI-PURPOSE BUCKET)	400	777				
925	Skopa, rak med tänder (BACKHOE)	450	779				
925	Transportfäste utan frontskopa 11891350	500	781				
926	Gaffelarmsats	100	783				
926	Hållare för hammare	200	785				
926	Hammare 11891294	250	787				
945	Lyftramverk med monteringsdetaljer	150	789				
945	Axeltappar för infästning av skopa	160	795				
945	Lyftramverk med monteringsdetaljer	175	797				



VOLVO

АЛЬРЕТТА

Construction Equipment



Volvo Construction
Equipment
1005513

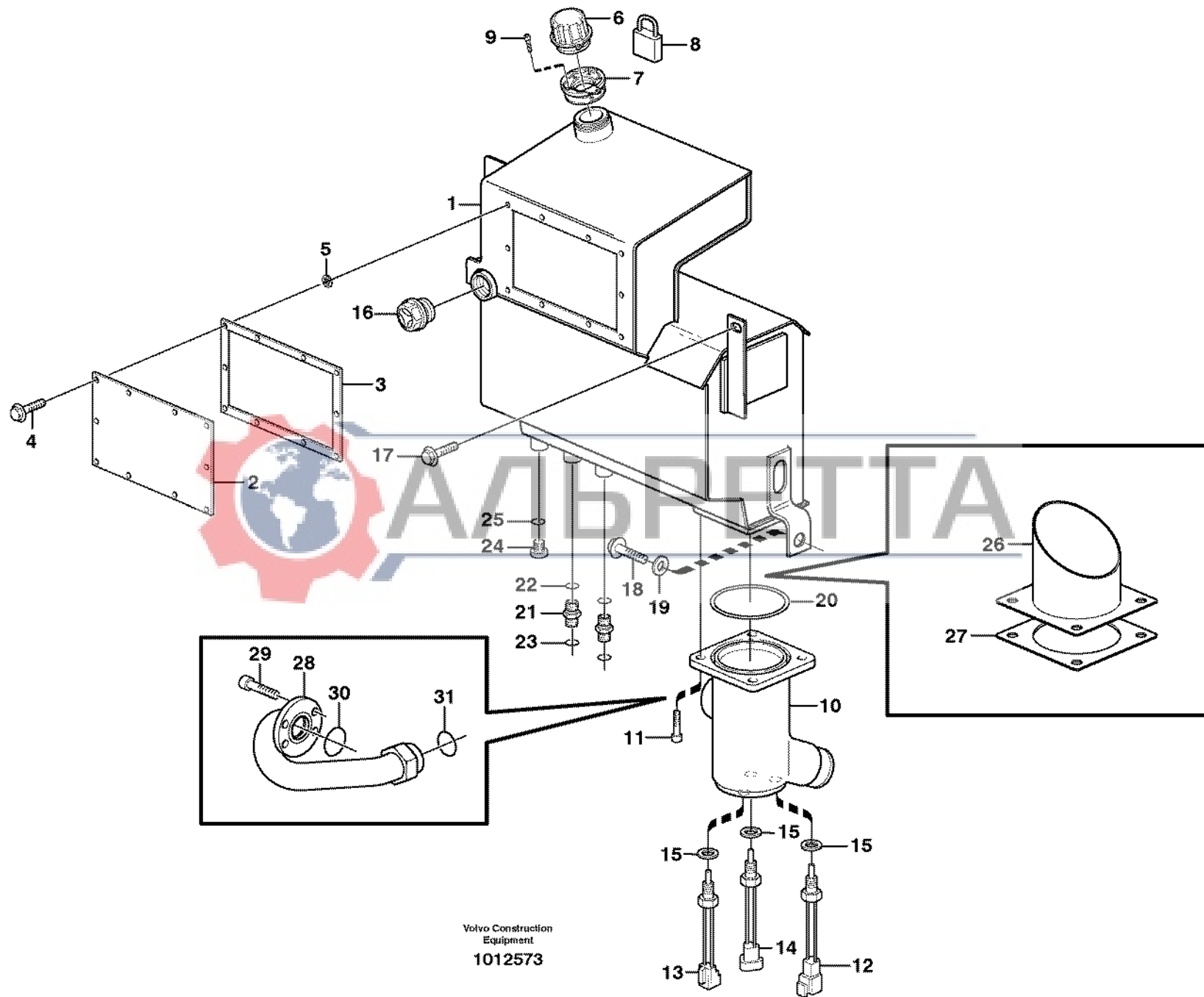
Fig.	Part No.	Quantity			P S	K I T	Description	Dénomination	Bezeichnung	Denominación	Benämning	Notes
		1	2	3								
1	VOE 11891168	1				SS	Tank.....	Reservoir.....	Behälter.....	Depósito.....	Tank.....	
	VOE 11886273	1					Tank.....	Reservoir.....	Behälter.....	Depósito.....	Tank.....	
2	VOE 11882636		1	1			Cover.....	Couvercle.....	Deckel.....	Tapa.....	Lock.....	
3	VOE 11881028		1	1			Thread Plate.....	Plaque Taraud'e.....	Gewindeplatte.....	Chapa Roscada.....	Gängplatta.....	
4	VOE 11885135			1			Padlock.....	Cadenas.....	Vorhängeschloss.....	Cerrojo.....	Hängglås.....	
5	VOE 941460		6	6			Screw.....	Vis.....	Schraube.....	Tornillo.....	Skruv.....	
6	VOE 11884744	1				SS	Bowl.....	Coussinet.....	Schale.....	Taza.....	Skål.....	See group 911, Page 557
7	VOE 967635	4					Allen Hd Screw.....	Vis A 6 Pans Cr.....	Inbusschraube.....	Torn Hex Embut.....	Insexskruv.....	
8	VOE 11881158	1					Temp Sensor.....	Decteur Temp.....	Temperaturgeber.....	Sensor Temperat.....	Temp Givare.....	
9	VOE 11884069	1					Temp Sensor.....	Decteur Temp.....	Temperaturgeber.....	Sensor Temperat.....	Temp Givare.....	
10	VOE 11884063	1					Temp Sensor.....	Decteur Temp.....	Temperaturgeber.....	Sensor Temperat.....	Temp Givare.....	
11	VOE 11883592	3					Seal.....	Joint.....	Dichtring.....	Junta.....	Tätning.....	
12	VOE 11882635	1					Level glass.....	Voyant de contrôle de	Schauglas.....	Mirilla de nivel.....	Nivåglas.....	
13	VOE 13965191	2					Flange screw.....	Vis à bride.....	Flanschschaube.....	Torn embridado.....	Flänsskruv.....	
14	VOE 13965192	1					Flange screw.....	Vis à bride.....	Flanschschaube.....	Torn embridado.....	Flänsskruv.....	
15	VOE 13947355	1					Washer.....	Rondelle.....	Scheibe.....	Arandela.....	Bricka.....	
16	VOE 11882675	1					O-ring.....	Joint Torique.....	O-Ring.....	Junta torica.....	O-ring.....	10 DEG
17	VOE 935085	2					Nipple.....	Raccord.....	Nippel.....	Niple.....	Nippel.....	97 DEG
18	VOE 932039	2					O-ring.....	Joint Torique.....	O-Ring.....	Junta torica.....	O-ring.....	90 DEG
19	VOE 4880492	2					O-ring.....	Joint Torique.....	O-Ring.....	Junta torica.....	O-ring.....	
20	VOE 11881384	1					Fitting.....	Ecrou raccord.....	Verschraubung.....	Racor.....	Förskruvning.....	
21	VOE 932037	1					O-ring.....	Joint Torique.....	O-Ring.....	Junta torica.....	O-ring.....	
22	VOE 11885999	1					Tube.....	Tube.....	Rohr.....	Tubo.....	Rör.....	
23	VOE 11887625	2					Gasket.....	Joint.....	Dichtung.....	Junta.....	Packning.....	

2127) SER NO - 11066, 11068-11070, 11074-11085, 11087-11089, 11093.

1	STD	Hydrauloljetank Depósito de aceite hidráulico Hydrauliköltank Réservoir d'huile hydraulique Hydraulic oil tank	Catalogue id	Group
2	11891298		20002	911
3	11891324		Illustr. No	Section
4			1005513	100
5			Issue	Page
		2127)	VOE 63H9920002	555

VOLVO

BL71



Volvo Construction
 Equipment
 1012573

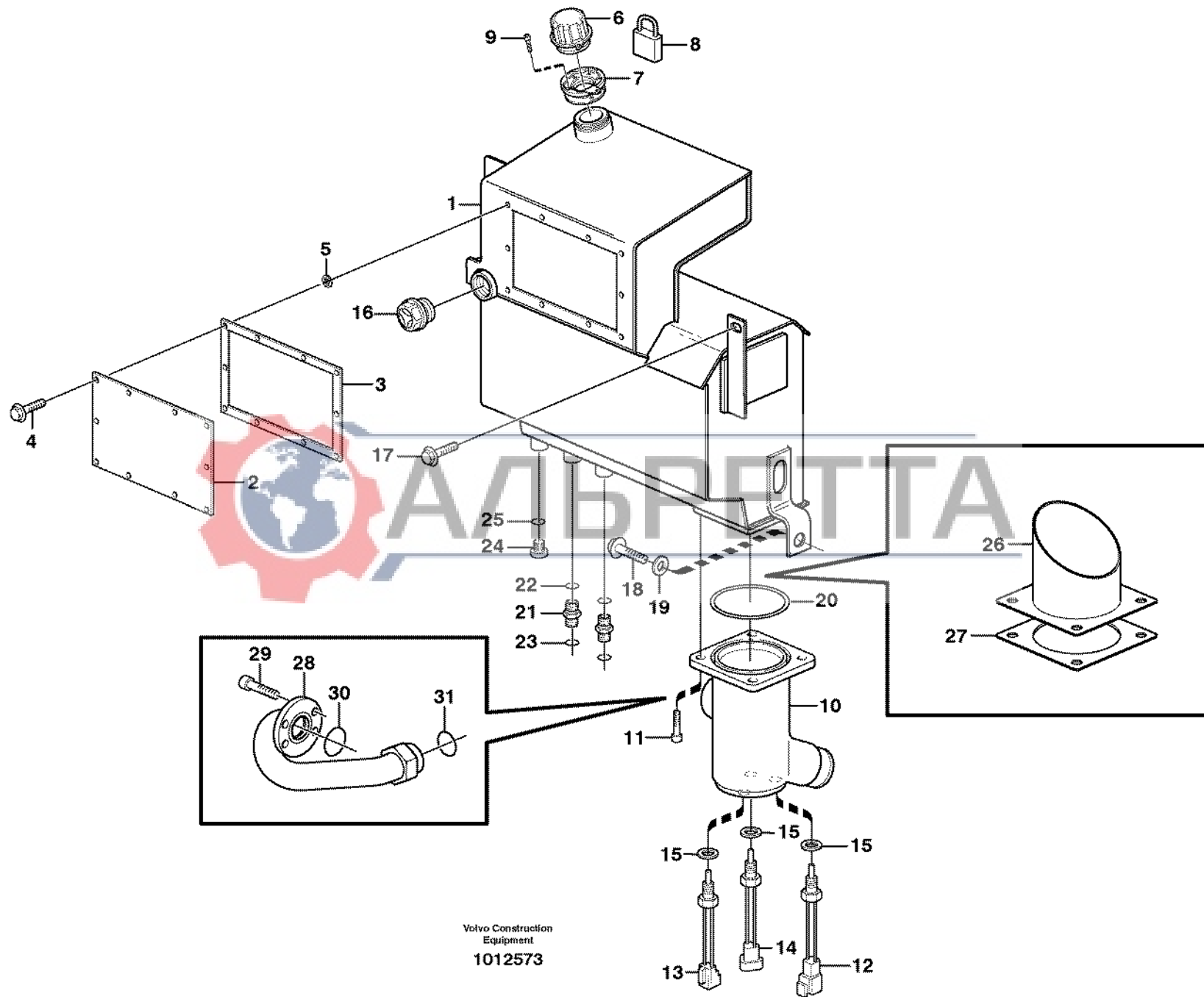
Fig.	Part No.	Quantity			P S	K I T	Description	Dénomination	Bezeichnung	Denominación	Benämning	Notes
		1	2	3								
1	VOE 11886273	1					Tank.....	Reservoir.....	Behälter.....	Depósito.....	Tank.....	
2	VOE 11886272	1					Plate.....	Plaque.....	Platte.....	Placa.....	Platta.....	
3	VOE 11886707	1					Gasket.....	Joint.....	Dichtung.....	Junta.....	Packning.....	
4	VOE 13946173	10					Flange screw.....	Vis à bride.....	Flanschschraube.....	Torn embridado.....	Flänsskruv.....	
5	VOE 978254	10					Gasket.....	Joint.....	Dichtung.....	Junta.....	Packning.....	
6	VOE 11882636		1	1			Cover.....	Couvercle.....	Deckel.....	Tapa.....	Lock.....	
7	VOE 11881028		1	1			Thread Plate.....	Plaque Taraudle.....	Gewindeplatte.....	Chapa Roscada.....	Gängplatta.....	
8	VOE 11885135			1			Padlock.....	Cadenas.....	Vorhängeschloss.....	Cerrojo.....	Hänglås.....	
9	VOE 941460		6	6			Screw.....	Vis.....	Schraube.....	Tornillo.....	Skruv.....	
10	VOE 11886154	1					Bowl.....	Coussinet.....	Schale.....	Taza.....	Skål.....	2124) S/N - 11641 S/N 11643 - 11680 S/N 11700
	VOE 11886464	1			SS		Bowl.....	Coussinet.....	Schale.....	Taza.....	Skål.....	S/N 11642 S/N 11681 - 11699 S/N 11701 - 12867
	VOE 11887207	1					Bowl.....	Coussinet.....	Schale.....	Taza.....	Skål.....	S/N 12868 - 14039 EXCL S/N 13933, 14021
	VOE 11888268	1					Bowl.....	Coussinet.....	Schale.....	Taza.....	Skål.....	S/N 14040 - INCL S/N 13933, 14021
11	VOE 959238	4					Allen Hd Screw.....	Vis A 6 Pans Cr.....	Inbusschraube.....	Torn Hex Embut.....	Insexskruv.....	
11	VOE 967635	4					Allen Hd Screw.....	Vis A 6 Pans Cr.....	Inbusschraube.....	Torn Hex Embut.....	Insexskruv.....	2124)
12	VOE 11881158	1					Temp Sensor.....	Decteur Temp.....	Temperaturgeber.....	Sensor Temperat.....	Temp Givare.....	10 DEG
13	VOE 11884069	1					Temp Sensor.....	Decteur Temp.....	Temperaturgeber.....	Sensor Temperat.....	Temp Givare.....	97 DEG
14	VOE 11884063	1					Temp Sensor.....	Decteur Temp.....	Temperaturgeber.....	Sensor Temperat.....	Temp Givare.....	90 DEG S/N - 14040 S/N 13933, 14021
15	VOE 11883592	3					Seal.....	Joint.....	Dichtring.....	Junta.....	Tätning.....	S/N - 12867
	VOE 977934	3					Gasket.....	Joint.....	Dichtung.....	Junta.....	Packning.....	S/N 12868 - 14039 EXCL S/N 13933, 14021

2124) Ser No 11067, 11071 - 11073, 11086. 11090 - 11092. 11094 -

1	STD	Hydrauloljetank Depósito de aceite hidráulico Hydrauliköltank Réservoir d'huile hydraulique Hydraulic oil tank	Catalogue id	Group
2	11891298		20002	911
3	11891324		Illustr. No	Section
4			1012573	200
5			Issue	Page
		2124)	VOE 63H9920002	557

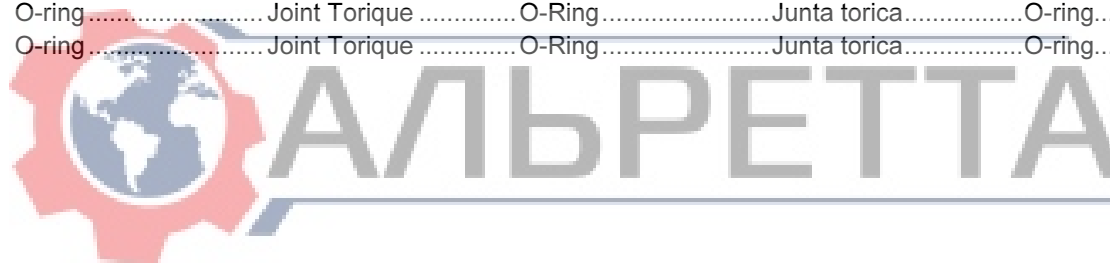
VOLVO

BL71



Volvo Construction
 Equipment
 1012573

Fig.	Part No.	Quantity			P S	K I T	Description	Dénomination	Bezeichnung	Denominación	Benämning	Notes
		1	2	3								
	VOE 977934	2				Gasket.....	Joint	Dichtung	Junta	Packning.....	S/N 14040 - INCL S/N 13933, 14021	
16	VOE 11882635	1				Level glass	Voyant de contrôle de	Schauglas	Mirilla de nivel	Nivåglas.....		
17	VOE 13965191	2				Flange screw.....	Vis à bride	Flanschschraube.....	Torn embridado	Flänsskruv.....		
18	VOE 13965192	1				Flange screw.....	Vis à bride	Flanschschraube.....	Torn embridado	Flänsskruv.....		
19	VOE 13947355	1				Washer.....	Rondelle	Scheibe	Arandela	Bricka.....		
20	VOE 11882675	1				O-ring	Joint Torique	O-Ring	Junta torica	O-ring.....		
21	VOE 935085	2				Nipple.....	Raccord.....	Nippel	Niple	Nippel.....		
22	VOE 932039	1				•O-ring.....	•Joint Torique	•O-Ring.....	•Junta torica	•O-ring.....		
23	VOE 4880492	1				•O-ring.....	•Joint Torique	•O-Ring.....	•Junta torica	•O-ring.....		
24	VOE 11881384	1				Fitting	Ecrou raccord.....	Verschraubung.....	Racor.....	Förskruvning.....		
25	VOE 932037	1				•O-ring.....	•Joint Torique	•O-Ring.....	•Junta torica	•O-ring.....		
26	VOE 11885999	1				Tube.....	Tube	Rohr	Tube	Rör.....		
27	VOE 11887625	2				Gasket.....	Joint	Dichtung	Junta	Packning.....		
28	VOE 11886421	1				Tube.....	Tube	Rohr	Tube	Rör.....	2124)	
29	VOE 959238	4				Allen Hd Screw	Vis A 6 Pans Cr.....	Inbusschraube.....	Torn Hex Embut.....	Insexskruv.....	2124)	
30	VOE 13949238	1				O-ring	Joint Torique	O-Ring	Junta torica	O-ring.....	2124)	
31	VOE 981291	1				O-ring	Joint Torique	O-Ring	Junta torica	O-ring.....	2124)	



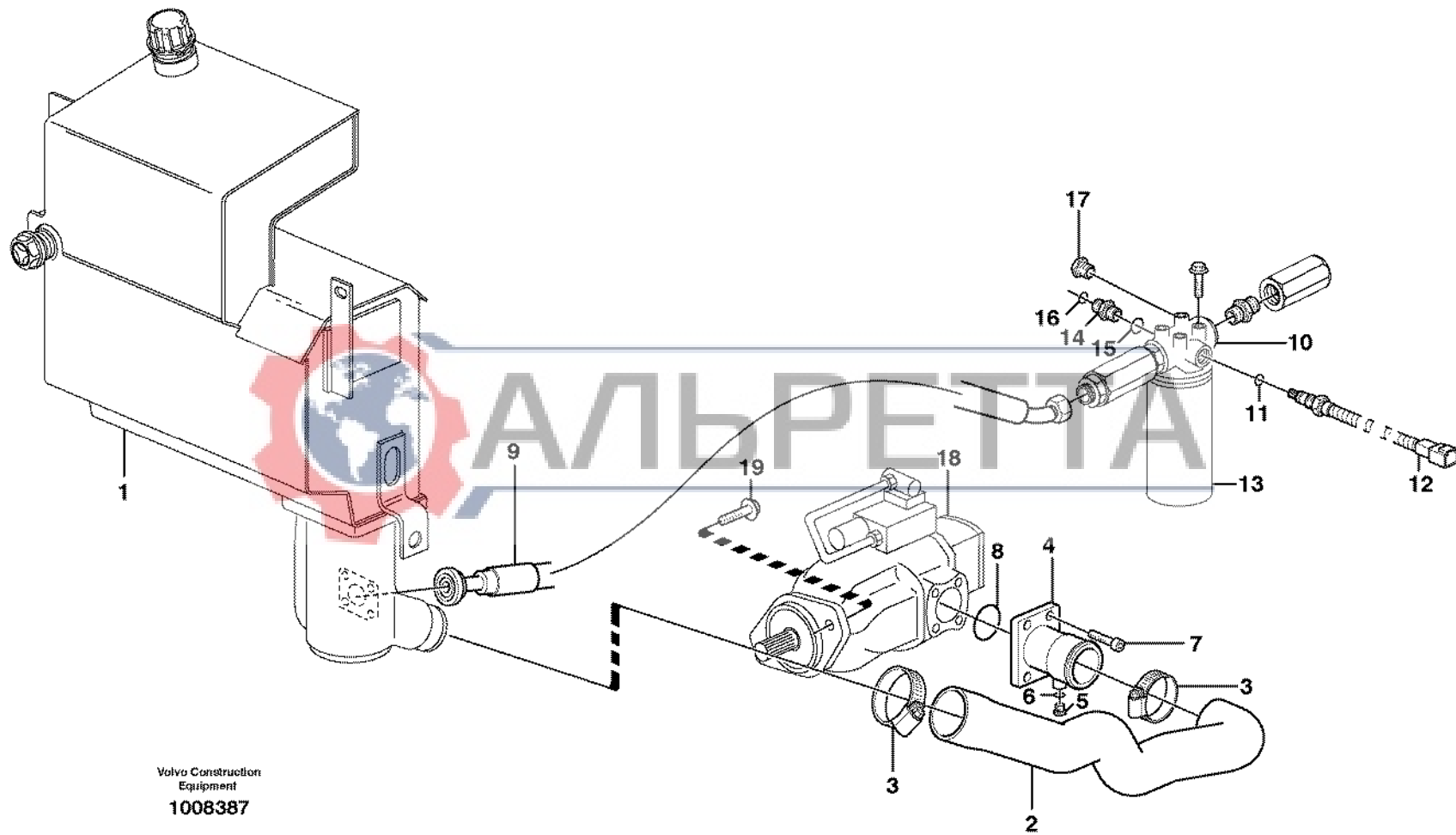
2124) Ser No 11067, 11071 - 11073, 11086. 11090 - 11092. 11094 -

1	STD	Hydrauloljetank Depósito de aceite hidráulico Hydrauliköltank Réservoir d'huile hydraulique Hydraulic oil tank 2124)	Catalogue id 20002	Group 911
2	11891298		Illustr. No 1012573	Section 200
3	11891324			Issue VOE 63H9920002
4				
5				

VOLVO

BL71





Volvo Construction
Equipment
1008387

Fig.	Part No.	Quantity			P S	K I T	Description	Dénomination	Bezeichnung	Denominación	Benämning	Notes
		1	2	3								
1		1				Hydr fluid tank	Reservoir fluid.hydr. ...	Druckölbehälter	Dep Aceit Hidr	Hydrauloljetank.....	See group 911, Page 557	
2	VOE 11886150	1				Hose.....	Durit	Schlauch	Tube flexible	Slang.....		
3	VOE 11059299	2				Hose Clamp	Collier Serrage	Schlauchschelle	Abraz Manguera.....	Slangklamma.....	ID = 86 MM	
4	VOE 11885026	1				Clamp.....	Collier serrage.....	Klemme	Abrazadera.....	Klamma.....	(VOE 11884777)	
5	VOE 11883510	1				Plug.....	Bouchon	Stopfen.....	Tapon	Plugg.....		
6	VOE 932039	1				•O-ring.....	•Joint Torique	•O-Ring.....	•Junta torica	•O-ring.....		
7	VOE 977117	4				Allen Hd Screw	Vis A 6 Pans Cr.....	Inbusschraube.....	Torn Hex Embut.....	Insexskruv.....		
8	VOE 11884842	1				Seal.....	Joint	Dichtring	Junta	Tätning.....		
9		1				Hose assembly	Conduit flexible	Schlauchleitung.....	Conducto	Slangledning.....	See group 911, Page 563	
10	VOE 11881617	1				Filter.....	Filtre	Filter	Filtro	Filter.....		
11	VOE 11712309	1				•Sensor	•Capteur	•Geber.....	•Captador	•Givare.....		
12	VOE 932039	1				•O-ring.....	•Joint Torique	•O-Ring.....	•Junta torica	•O-ring.....		
13	VOE 11037868	1				•Filter Cartridge.....	•Element Filtre.....	•Filterpatrone.....	•Patron Filtrant	•Filterpatron.....		
14	VOE 13933862	1				Nipple.....	Raccord.....	Nippel.....	Niple	Nippel.....		
15	VOE 932042	1				•O-ring.....	•Joint Torique	•O-Ring.....	•Junta torica	•O-ring.....		
16	VOE 981289	1				•O-ring.....	•Joint Torique	•O-Ring.....	•Junta torica	•O-ring.....		
17	VOE 11882920	1				Plug.....	Bouchon	Stopfen.....	Tapon	Plugg.....		
18		1				Pump.....	Pompe	Pumpe	Bomba.....	Pump.....	See group 913, Page 699	
19	VOE 968589	2				Flange screw.....	Vis à bride	Flanschschraube.....	Torn embridado	Flänsskruv.....		

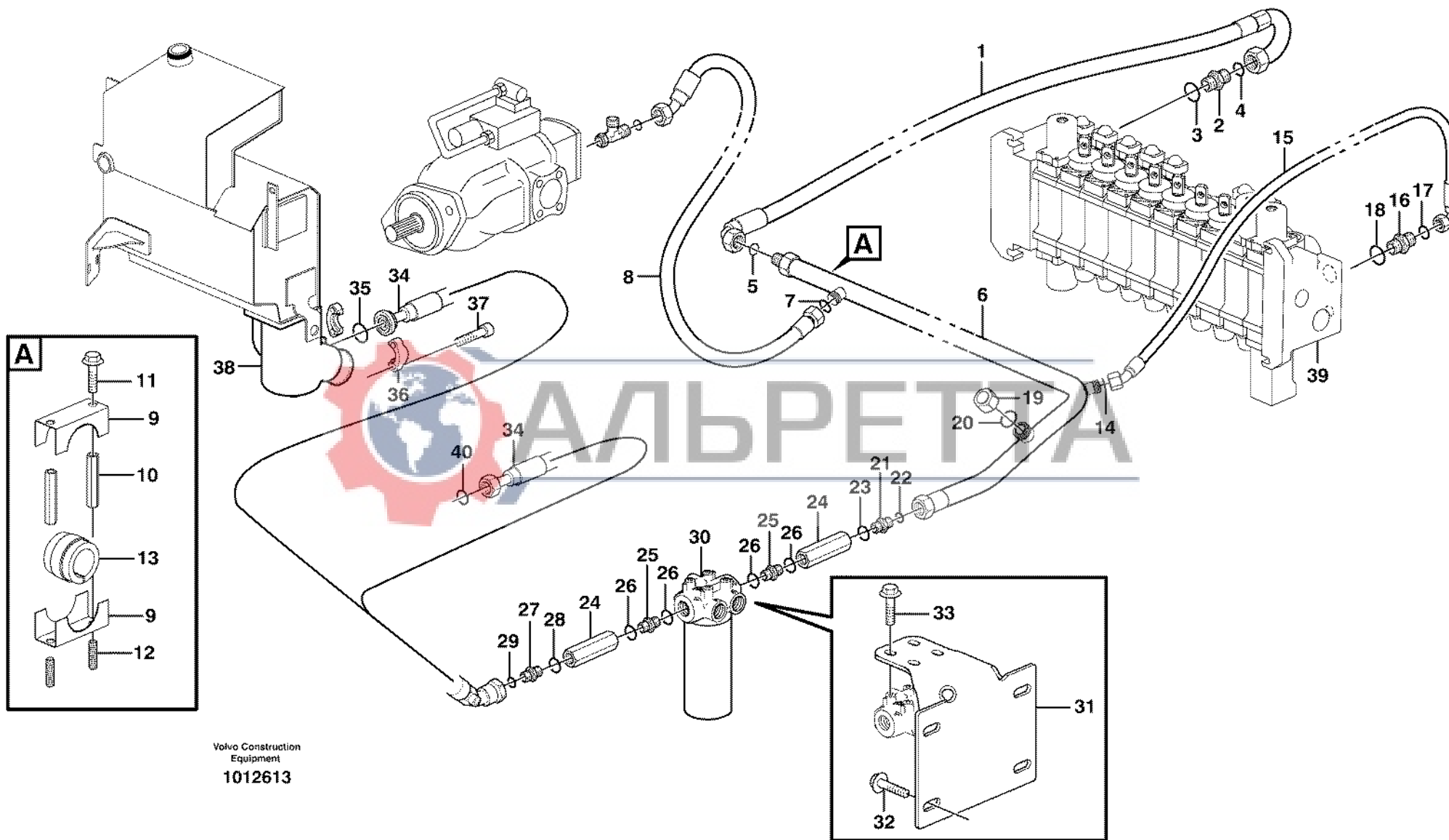


1	Hydraulsystem, sugledning, filter Sistema hidráulico, conducto de aspiración, filtro Hydraulikanlage, Saugleitung, Filter Système hydraulique, conduit d'aspiration, filtre Hydraulic system, suction line, filter	Catalogue id	Group
2		20002	911
3		Illustr. No	Section
4		1008387	250
5		Issue	Page
		VOE 63H9920002	561

VOLVO

BL71





Volvo Construction
Equipment
1012613

Fig.	Part No.	Quantity			P S	K I T	Description	Dénomination	Bezeichnung	Denominación	Benämning	Notes
		1	2	3								
1	VOE 11884727	1	1			Hose.....	Durit	Schlauch	Tubo flexible	Slang.....		
2	VOE 11881388	1	1			Nipple.....	Raccord.....	Nippel	Niple	Nippel.....		
3	VOE 981291	1	1			•O-ring.....	•Joint Torique	•O-Ring.....	•Junta torica	•O-ring.....		
4	VOE 932043	1	1			•O-ring.....	•Joint Torique	•O-Ring.....	•Junta torica	•O-ring.....		
5	VOE 981291	1	1			O-ring.....	Joint Torique	O-Ring.....	Junta torica.....	O-ring.....		
6	VOE 11884904	1	1			Return Line	Conduit Retour.....	Rückaufleitung	Conduct Return	Returledning.....		
7	VOE 4880493	1	1			O-ring.....	Joint Torique	O-Ring.....	Junta torica.....	O-ring.....		
8	VOE 11884900	1	1			Hose.....	Durit	Schlauch	Tubo flexible	Slang.....		
9	VOE 11884642	2	2			Support	Support	Stütze	Apoyo	Stöd.....		
10	VOE 11884640	2	2			Spacer.....	Partie Intermédiaire.....	Zwischenstück.....	Espaciador	Mellandel.....		
11	VOE 946329	2	2			Flange screw.....	Vis à bride	Flanschschraube	Torn embridado	Flänsskruv.....		
12	VOE 11884641	2	2			Stud.....	Goujon	Stiftschraube	Esparrago	Pinnskruv.....		
13	VOE 11884639	1	1			Bushing.....	Bague.....	Buchse	Casquillo	Bussning.....		
14	VOE 4880663	1	1			O-ring.....	Joint Torique	O-Ring.....	Junta torica.....	O-ring.....		
15	VOE 11885859	1	1			Hose.....	Flexible.....	Schlauch	Manguera	Slang.....	(VOE 11884895)	
16	VOE 935032	1	1			Nipple.....	Raccord.....	Nippel	Niple	Nippel.....		
17	VOE 4880663	1	1			•O-ring.....	•Joint Torique	•O-Ring.....	•Junta torica	•O-ring.....		
18	VOE 932042	1	1			•O-ring.....	•Joint Torique	•O-Ring.....	•Junta torica	•O-ring.....		
19	VOE 13933852	1	1			Plug.....	Bouchon.....	Stopfen.....	Tapon	Plugg.....		
20	VOE 981290	1	1			O-ring.....	Joint Torique	O-Ring.....	Junta torica.....	O-ring.....		
21	VOE 11884618	1	1			Nipple.....	Raccord.....	Nippel	Niple	Nippel.....		
22	VOE 984952	1	1			•O-ring.....	•Joint torique	•O-Ring.....	•Anillo torico	•O-ring.....		
23	VOE 14211861	1	1			•Sealing ring.....	•Bague d'étanchéité	•Runddichtring.....	•Anillo reten	•Tätningsring.....		
24	VOE 11882347	2	2			Check valve	Valve antiretour	Rückschlagventil	Válvula de retención	Backventil.....		
25	VOE 11883508	2	2			Nipple.....	Raccord.....	Nippel	Niple	Nippel.....		
26	VOE 11883682	4	4			Seal.....	Joint	Dichtring	Junta	Tätning.....		
27	VOE 936122	1	1			Nipple.....	Raccord.....	Nippel	Niple	Nippel.....		
28	VOE 14211861	1	1			•Sealing ring.....	•Bague d'étanchéité	•Runddichtring.....	•Anillo reten	•Tätningsring.....		

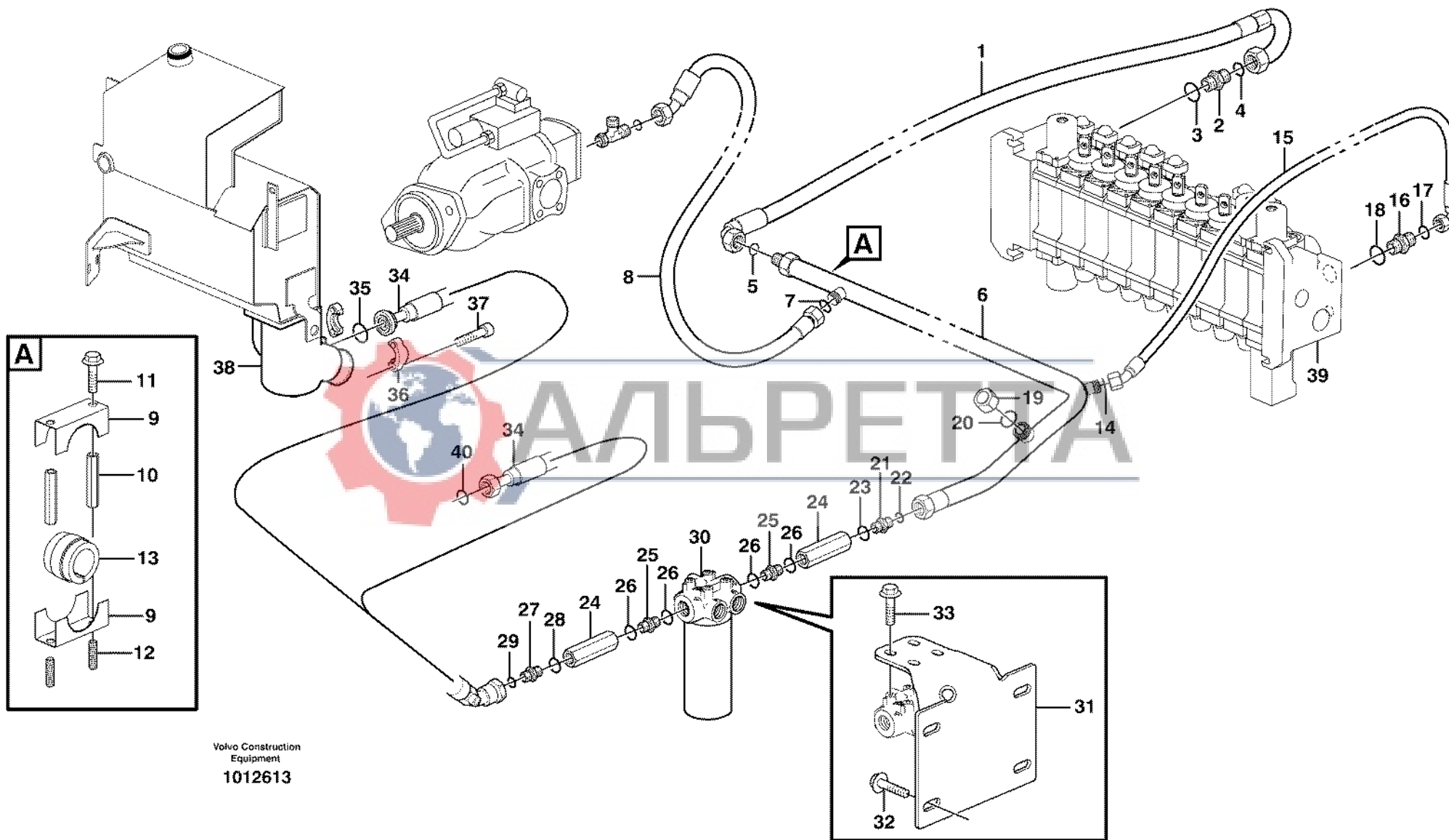
2124) Ser No 11067, 11071 - 11073, 11086. 11090 - 11092. 11094 -

2127) SER NO - 11066, 11068-11070, 11074-11085, 11087-11089, 11093.

1	2127) .	Hydraulsystem, returledning Sistema hidráulico, conducto de retorno Druckölsystem, Rücklaufleitung Système hydraulique, conduit retour Hydraulic system, return line S/N - 14669	Catalogue id	Group
2	2124) .		20002	911
3			Illustr. No	Section
4			1012613	300
5			Issue	Page
		VOE 63H9920002	563	

VOLVO

BL71



Volvo Construction
 Equipment
 1012613

Fig.	Part No.	Quantity			P S	K I T	Description	Dénomination	Bezeichnung	Denominación	Benämning	Notes
		1	2	3								
29	VOE 981291	1	1			•O-ring.....	•Joint Torique	•O-Ring.....	•Junta torica	•O-ring.....		
30		1	1			Filter.....	Filtre	Filter	Filtro	Filter.....	See group 911, Page 561	
31		1	1	NS		Bracket.....	Console.....	Konsole	Ménsula.....	Konsol.....	SER NO -11796 INCL 11803	
32	VOE 965225	4	4			Flange screw.....	Vis à bride	Flanschschraube.....	Torn embridado	Flänsskruv.....	SER NO -11796 INCL 11803	
33	VOE 946441	4	4			Flange screw.....	Vis à bride	Flanschschraube.....	Torn embridado	Flänsskruv.....		
34	VOE 11881378	1				Hose assembly	Conduit flexible	Schlauchleitung.....	Conducto.....	Slangledning.....		
34	VOE 11886151		1			Hose.....	Durit	Schlauch	Tubo flexible.....	Slang.....		
35	VOE 944707	1				O-ring	Joint Torique	O-Ring.....	Junta torica.....	O-ring.....		
36	VOE 11881376	2				Flange.....	Flasque	Flansch.....	Brida.....	Fläns.....		
37	VOE 967635	4				Allen Hd Screw	Vis A 6 Pans Cr.....	Inbusschraube.....	Torn Hex Embut	Insexskriv.....		
38		1		SS		Bowl	Coussinet.....	Schale	Taza	Skål.....	See group 911, Page 557	
			1			Bowl	Coussinet.....	Schale	Taza	Skål.....	See group 911, Page 557	
39		1	1			Valve.....	Soupape.....	Ventil	Valvula	Ventil.....	See group 912, Page 653	
40	VOE 981291		1			O-ring.....	Joint Torique	O-Ring.....	Junta torica.....	O-ring.....		



2124) Ser No 11067, 11071 - 11073, 11086. 11090 - 11092. 11094 -

2127) SER NO - 11066, 11068-11070, 11074-11085, 11087-11089, 11093.

1	2127) .	Hydraulsystem, returledning Sistema hidráulico, conducto de retorno Druckölsystem, Rücklaufleitung Système hydraulique, conduit retour Hydraulic system, return line S/N - 14669	Catalogue id	Group
2	2124) .		20002	911
3			Illustr. No	Section
4			1012613	300
5			Issue	Page
			VOE 63H9920002	565

VOLVO

BL71



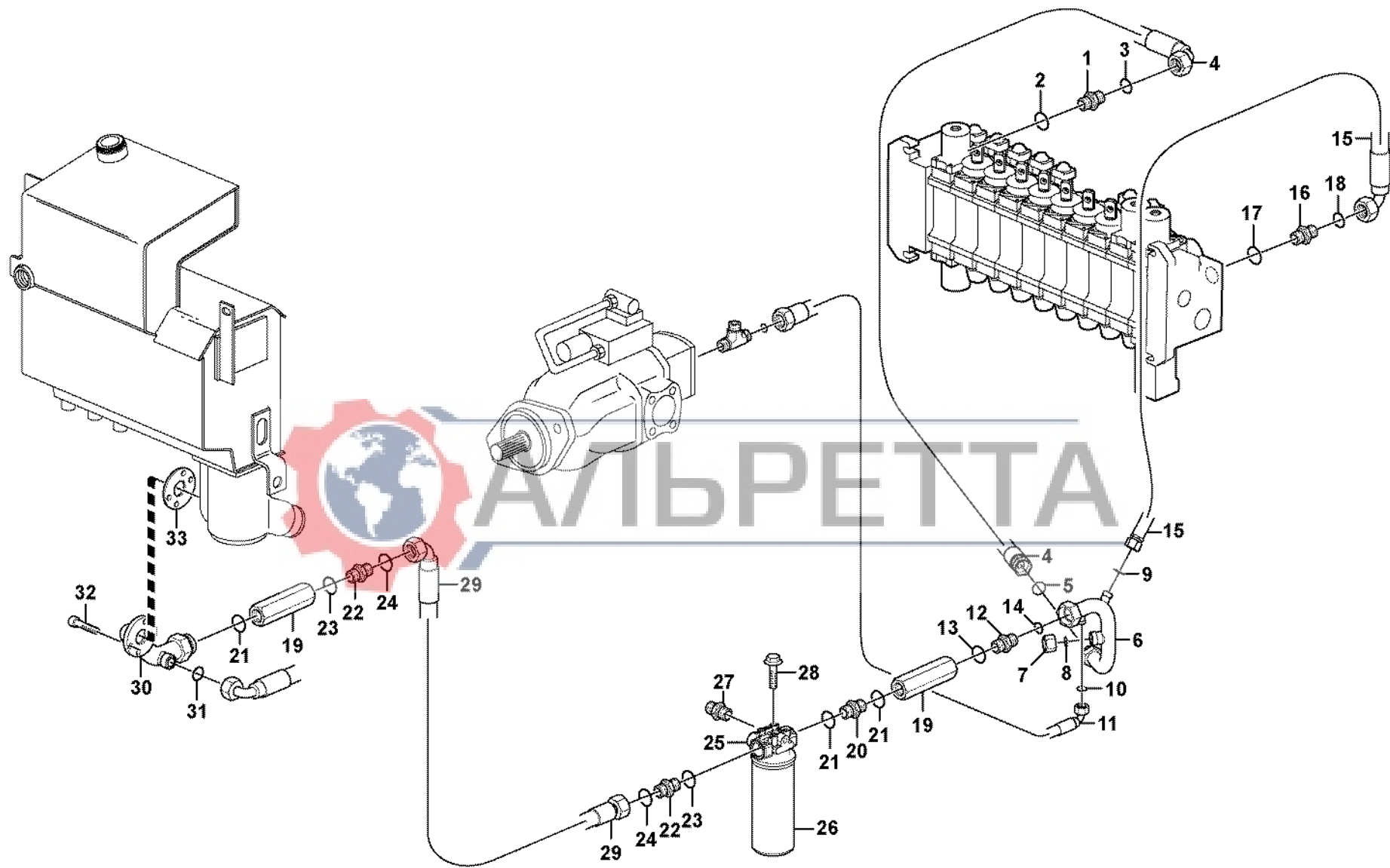


Fig.	Part No.	Quantity			P S	K I T	Description	Dénomination	Bezeichnung	Denominación	Benämning	Notes
		1	2	3								
1	VOE 11881388	1				Nipple.....	Raccord.....	Nippel.....	Niple.....	Nippel.....		
2	VOE 981291	1				•O-ring.....	•Joint Torique.....	•O-Ring.....	•Junta torica.....	•O-ring.....		
3	VOE 932043	1				•O-ring.....	•Joint Torique.....	•O-Ring.....	•Junta torica.....	•O-ring.....		
4	VOE 11888742	1				Hose assembly.....	Conduit flexible.....	Schlauchleitung.....	Conducto.....	Slangledning.....		
5	VOE 981291	1				O-ring.....	Joint Torique.....	O-Ring.....	Junta torica.....	O-ring.....		
6	VOE 11888527	1				Tube Assembly.....	Tuyauterie.....	Rohrleitung.....	Tuberia.....	Rörledning.....		
7	VOE 13933852	1				Plug.....	Bouchon.....	Stopfen.....	Tapon.....	Plugg.....		
8	VOE 981290	1				O-ring.....	Joint Torique.....	O-Ring.....	Junta torica.....	O-ring.....		
9	VOE 990739	1				O-ring.....	Joint Torique.....	O-Ring.....	Junta torica.....	O-ring.....		
10	VOE 990738	1				O-ring.....	Joint Torique.....	O-Ring.....	Junta torica.....	O-ring.....		
11	VOE 936757	1				Hose assembly.....	Conduit flexible.....	Schlauchleitung.....	Conducto.....	Slangledning.....		
12	VOE 11884618	1				Nipple.....	Raccord.....	Nippel.....	Niple.....	Nippel.....		
13	VOE 14211861	1				•Sealing ring.....	•Bague d'étanchéité.....	•Runddichtring.....	•Anillo reten.....	•Tätningring.....		
14	VOE 984952	1				•O-ring.....	•Joint torique.....	•O-Ring.....	•Anillo torico.....	•O-ring.....	(VOE 11884895)	
15	VOE 937967	1				Hose assembly.....	Conduit flexible.....	Schlauchleitung.....	Conducto.....	Slangledning.....		
16	VOE 935032	1				Nipple.....	Raccord.....	Nippel.....	Niple.....	Nippel.....		
17	VOE 990739	1				•O-ring.....	•Joint Torique.....	•O-Ring.....	•Junta torica.....	•O-ring.....		
18	VOE 932042	1				•O-ring.....	•Joint Torique.....	•O-Ring.....	•Junta torica.....	•O-ring.....		
19	VOE 11882347	2				Check valve.....	Valve antiretour.....	Rückschlagventil.....	Válvula de retención.....	Backventil.....		
20	VOE 11883508	1				Nipple.....	Raccord.....	Nippel.....	Niple.....	Nippel.....		
21	VOE 11883682	3				Seal.....	Joint.....	Dichtring.....	Junta.....	Tätning.....		
22	VOE 11888088	2				Fitting.....	Ecrou raccord.....	Verschraubung.....	Racor.....	Förskruvning.....		
23	VOE 14211861	1				•Sealing ring.....	•Bague d'étanchéité.....	•Runddichtring.....	•Anillo reten.....	•Tätningring.....		
24	VOE 981290	1				•O-ring.....	•Joint Torique.....	•O-Ring.....	•Junta torica.....	•O-ring.....		
25	VOE 11881617	1				Filter.....	Filtre.....	Filter.....	Filtro.....	Filter.....		
	VOE 932039	1				•O-ring.....	•Joint Torique.....	•O-Ring.....	•Junta torica.....	•O-ring.....		
26	VOE 11037868	1				•Filter Cartridge.....	•Element Filtre.....	•Filterpatrone.....	•Patron Filtrant.....	•Filterpatron.....		
27	VOE 11712309	1				•Sensor.....	•Capteur.....	•Geber.....	•Captador.....	•Givare.....		
28	VOE 946441	4				Flange screw.....	Vis à bride.....	Flanschschraube.....	Torn embridado.....	Flänsskruv.....		
29	VOE 937966	1				Hose assembly.....	Conduit flexible.....	Schlauchleitung.....	Conducto.....	Slangledning.....		

1		Hydraulsystem, returledning Sistema hidráulico, conducto de retorno Druckölsystem, Rücklaufleitung Système hydraulique, conduit retour Hydraulic system, return line S/N 14670 -	Catalogue id	Group
2			20002	911
3			Illustr. No	Section
4			1024593	310
5			Issue	Page
			VOE 63H9920002	567

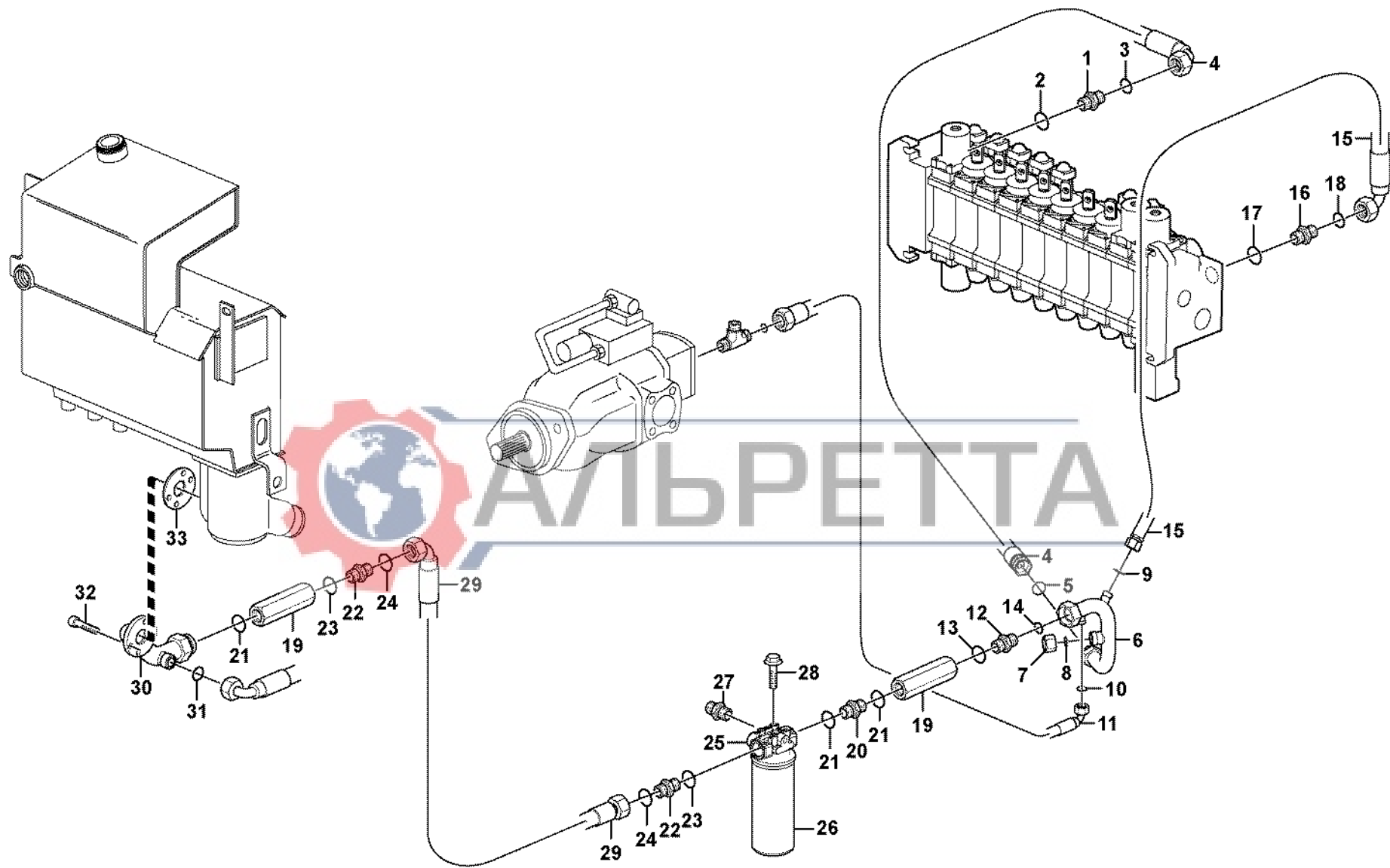


Fig.	Part No.	Quantity			P S	K I T	Description	Dénomination	Bezeichnung	Denominación	Benämning	Notes
		1	2	3								
30	VOE 11888080	1				Tube.....	Tube.....	Rohr.....	Tubo.....	Rör.....		
31	VOE 990740	1				O-ring.....	Joint Torique.....	O-Ring.....	Junta torica.....	O-ring.....		
32	VOE 959238	4				Allen Hd Screw.....	Vis A 6 Pans Cr.....	Inbusschraube.....	Torn Hex Embut.....	Insexskruv.....		
33	VOE 11886430	1				Gasket.....	Joint.....	Dichtung.....	Junta.....	Packning.....		

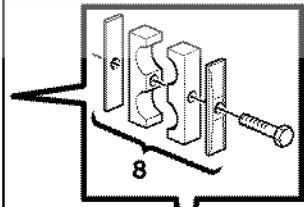
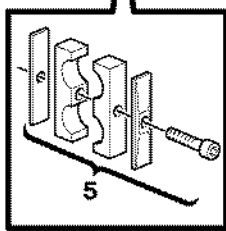
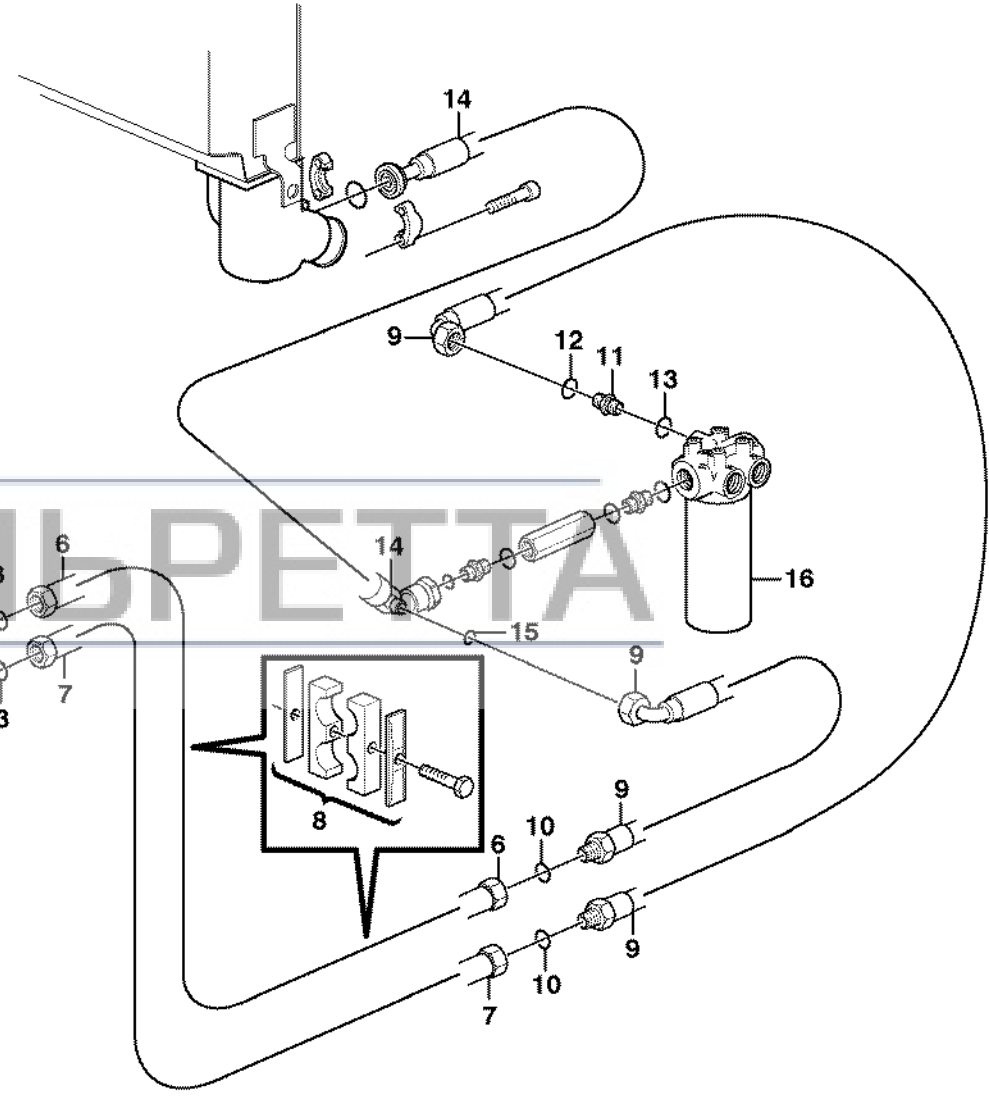
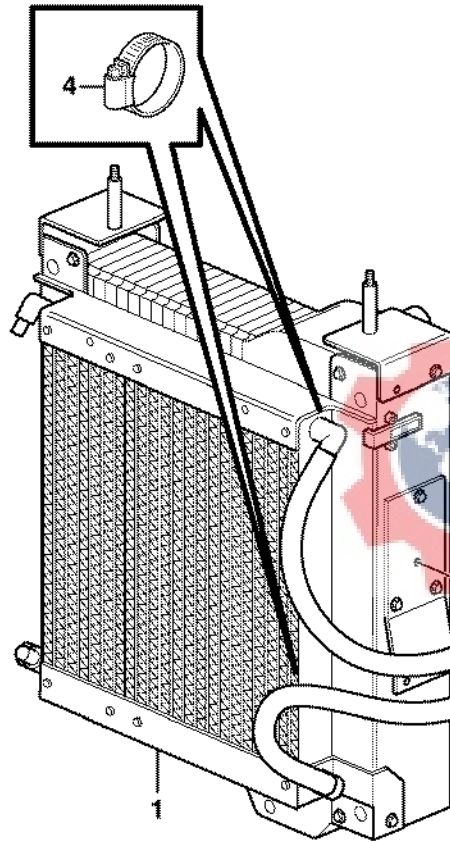


1	Hydraulsystem, returledning Sistema hidráulico, conducto de retorno Druckölsystem, Rücklaufleitung Système hydraulique, conduit retour Hydraulic system, return line S/N 14670 -	Catalogue id	Group
2		20002	911
3		Illustr. No	Section
4		1024593	310
5		Issue	Page
		VOE 63H9920002	569

VOLVO

BL71





Volvo Construction
Equipment
1006374

Fig.	Part No.	Quantity			P S	K I T	Description	Dénomination	Bezeichnung	Denominación	Benämning	Notes
		1	2	3								
1		1				Oil Cooler.....	Refroidisseur huile	Ölkühler.....	Enfriadores aceite	Oljekylare.....	See group 261, Page 113	
2	VOE 11882738	2				Hose.....	Durit	Schlauch	Tubo flexible.....	Slang.....		
3	VOE 981289	1				•O-ring.....	•Joint Torique	•O-Ring.....	•Junta torica	•O-ring.....		
4	VOE 943473	2				Hose Clamp	Collier Serrage	Schlauchschelle	Abraz Manguera.....	Slangklamma.....		
5	VOE 11885543	1				Clamp.....	Pince Serrage	Klemme	Abrazadera.....	Klämma.....		
6	VOE 11884808	1				Tube.....	Tube.....	Rohr	Tubo	Rör.....		
7	VOE 11882912	1				Tube.....	Tube.....	Rohr	Tubo	Rör.....		
8	VOE 11882856	2				Clamp.....	Pince Serrage	Klemme	Abrazadera.....	Klämma.....		
9	VOE 11882737	2				Hose.....	Durit	Schlauch	Tubo flexible.....	Slang.....		
10	VOE 981289	1				•O-ring.....	•Joint Torique	•O-Ring.....	•Junta torica	•O-ring.....		
11	VOE 13933862	1				Nipple.....	Raccord.....	Nippel.....	Niple	Nippel.....		
12	VOE 981289	1				•O-ring.....	•Joint Torique	•O-Ring.....	•Junta torica	•O-ring.....		
13	VOE 932042	1				•O-ring.....	•Joint Torique	•O-Ring.....	•Junta torica	•O-ring.....		
14		1				Hose assembly	Conduit flexible	Schlauchleitung.....	Conducto.....	Slangledning.....	See group 911, Page 563	
15	VOE 981289	1				•O-ring.....	•Joint Torique	•O-Ring.....	•Junta torica	•O-ring.....		
16		1				Filter.....	Filtre	Filter	Filtro	Filter.....	See group 911, Page 563	



1		Hydrauloljekylare	Catalogue id	Group
2		Enfriador de aceite hidráulico	20002	911
3		Hydraulikölkühler	Illustr. No	Section
4		Radiateur huile	1006374	325
5		Hydraulic oil cooler	Issue	Page
		S/N - 14669	VOE 63H9920002	571

VOLVO

BL71



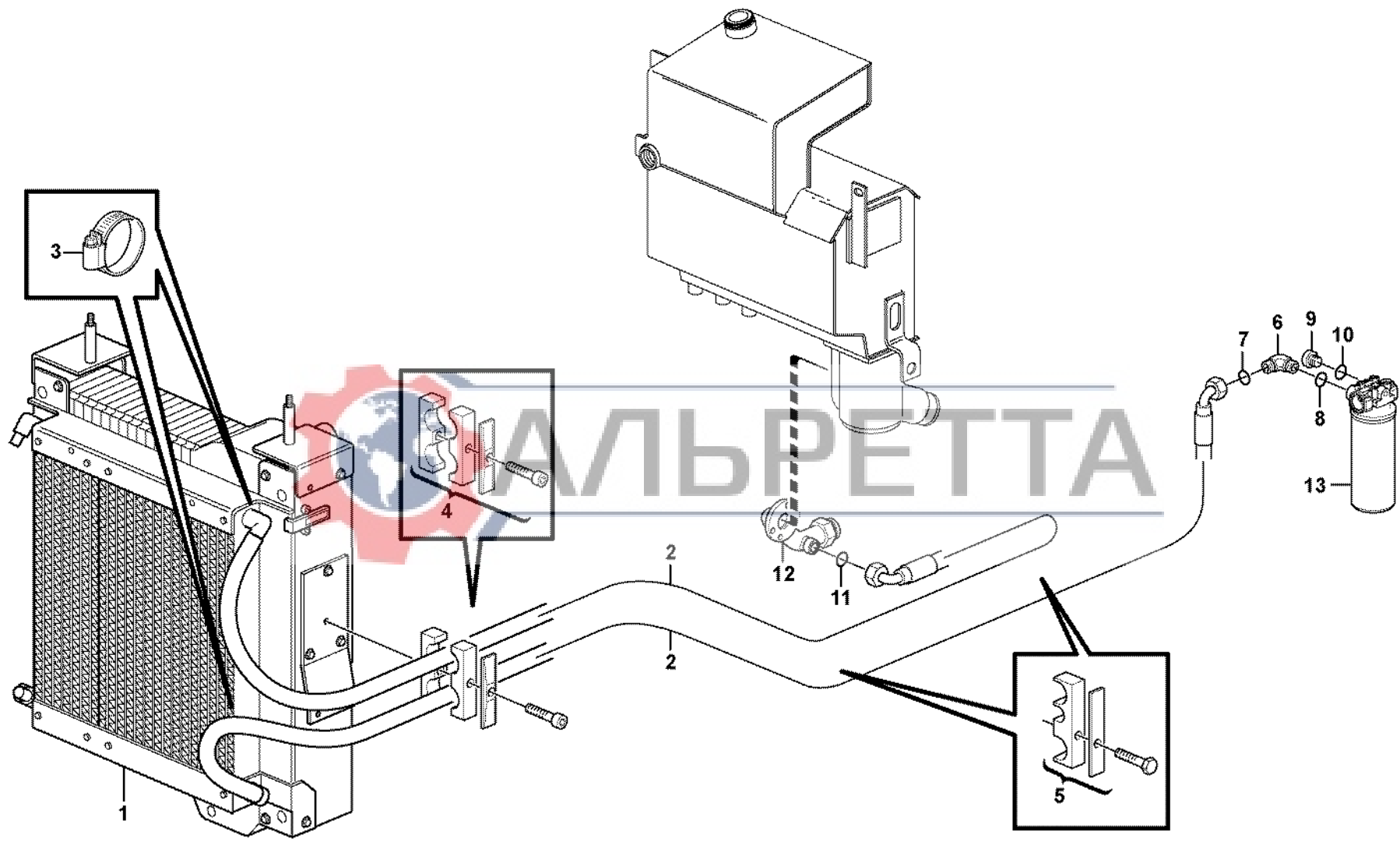


Fig.	Part No.	Quantity			P S	K I T	Description	Dénomination	Bezeichnung	Denominación	Benämning	Notes
		1	2	3								
1		1				Oil Cooler.....	Refroidisseur huile	Ölkühler.....	Enfriadores aceite	Öljekylare.....	See group 261, Page 113	
2	VOE 11888461	2				Hose assembly	Conduit flexible	Schlauchleitung.....	Conducto.....	Slangledning.....		
3	VOE 943473	2				Hose Clamp	Collier Serrage	Schlauchschelle	Abraz Manguera.....	Slangklamma.....		
4	VOE 11885543	1				Clamp.....	Pince Serrage	Klemme	Abrazadera.....	Klämma.....		
5	VOE 11888715	2				Clamp.....	Pince Serrage	Klemme	Abrazadera.....	Klämma.....		
6	VOE 13933864	1				Elbow nipple.....	Raccord angulaire.....	Winkelnippel.....	Niple angular	Vinkelnippel.....		
7	VOE 990740	1				•O-ring.....	•Joint Torique	•O-Ring.....	•Junta torica	•O-ring.....		
8	VOE 932042	1				•O-ring.....	•Joint Torique	•O-Ring.....	•Junta torica	•O-ring.....		
9	VOE 11882920	1				Plug.....	Bouchon.....	Stopfen.....	Tapon	Plugg.....		
10	VOE 932042	1				•O-ring.....	•Joint Torique	•O-Ring.....	•Junta torica	•O-ring.....		
11	VOE 990740	1				O-ring.....	Joint Torique	O-Ring.....	Junta torica.....	O-ring.....		
12		1				Tube.....	Tube.....	Rohr	Tube	Rör.....	See group 911, Page 567	
13		1				Filter.....	Filtre	Filter	Filtro	Filter.....	See group 911, Page 567	



1		Hydraulöljekylare Enfriador de aceite hidráulico Hydraulikölkühler Radiateur huile Hydraulic oil cooler S/N 14670 -	Catalogue id	Group
2			20002	911
3			Illustr. No	Section
4			1024601	330
5			Issue	Page
			VOE 63H9920002	573

VOLVO

BL71



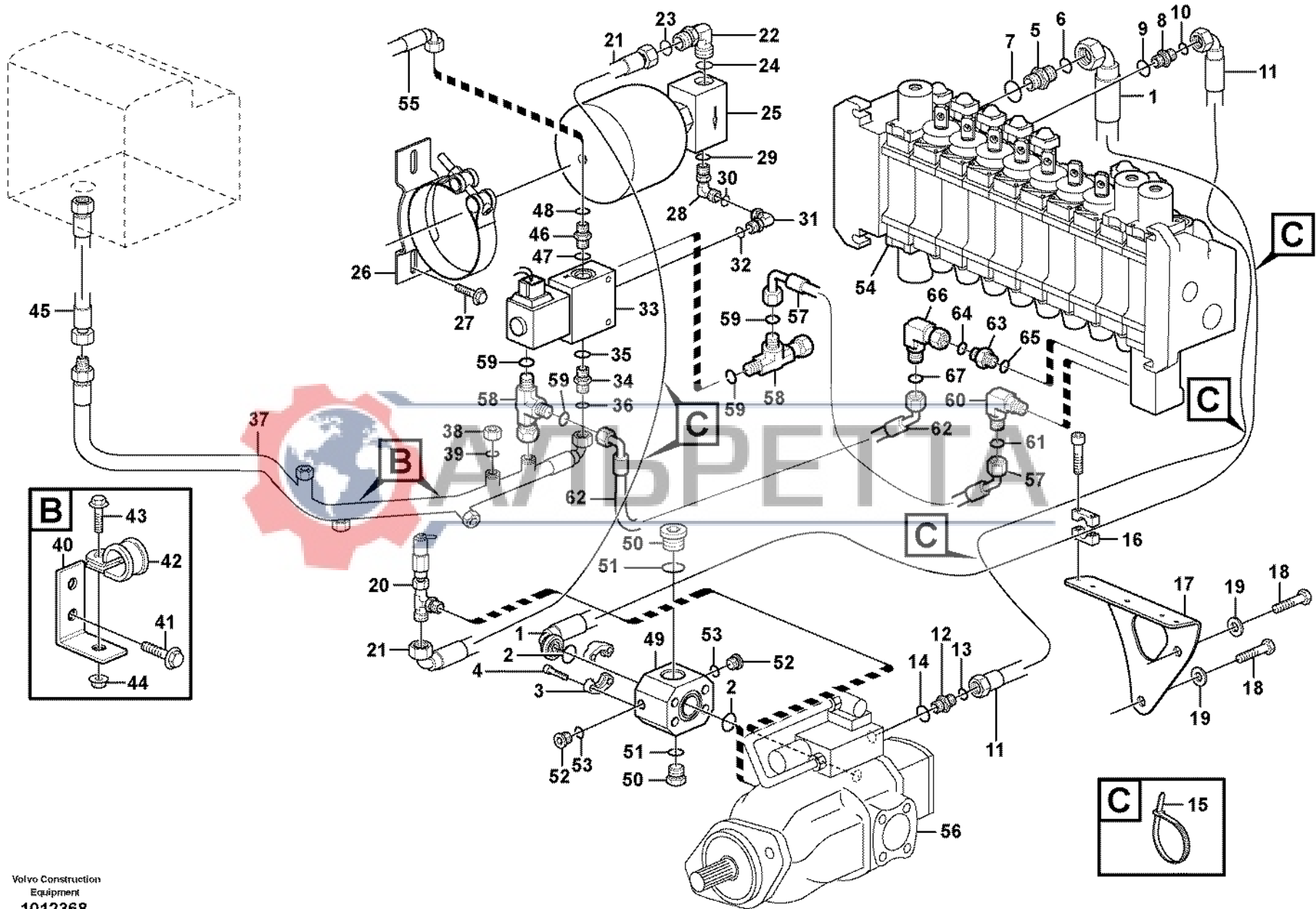


Fig.	Part No.	Quantity			P S	K I T	Description	Dénomination	Bezeichnung	Denominación	Benämning	Notes
		1	2	3								
1	VOE 11882725	1				Hose assembly	Conduit flexible	Schlauchleitung	Conducto	Slangledning		
2	VOE 13948700	2				O-ring	Joint Torique	O-Ring	Junta torica	O-ring		
3	VOE 11015455	2				Flange Half	Demi-bride	Flanschhälfte	Media brida	Flänshalva		
4	VOE 984392	4				Allen Head Screw	Vis à six pans creux	Inbusschraube	Tornillo tipo Allen	Insexskruv		
5	VOE 13933862	1				Nipple	Raccord	Nippel	Niple	Nippel		
6	VOE 981289	1				•O-ring	•Joint Torique	•O-Ring	•Junta torica	•O-ring		
7	VOE 932042	1				•O-ring	•Joint Torique	•O-Ring	•Junta torica	•O-ring		
8	VOE 13933858	1				Union	Teton Connexion	Anschlussnippel	Niple Conexcion	Anslutn.nippel		
9	VOE 932039	1				•O-ring	•Joint Torique	•O-Ring	•Junta torica	•O-ring		
10	VOE 4881722	1				•O-ring	•Joint Torique	•O-Ring	•Junta torica	•O-ring		
11	VOE 11884280	1				Hose	Flexible	Schlauch	Manguera	Slang		
12	VOE 935082	1				Nipple	Raccord	Nippel	Niple	Nippel	See group 913, Page 697	
13	VOE 4881722	1				•O-ring	•Joint Torique	•O-Ring	•Junta torica	•O-ring		
14	VOE 932037	1				•O-ring	•Joint Torique	•O-Ring	•Junta torica	•O-ring		
15	VOE 4881438	6				Strip Clamp	Ruban Serrage	Kabelbinder	Abraz Cinta	Bandklamma		
16	VOE 11884968	1				Clamp	Collier serrage	Klemme	Abrazadera	Klamma		
17		1			NS	Plate	Plaque	Platte	Placa	Platta	SER NO -11362	
17		1			NS	Plate	Plaque	Platte	Placa	Platta	SER NO 11363-	
18	VOE 945911	2				Hexagon screw	Vis tête hexagonale	Sechskantschraube	Tornillo hexago	Sexkantsskruv	SER NO -11362	
19	VOE 955901	2				Washer	Rondelle	Scheibe	Arandela	Bricka	SER NO -11362	
20		1				Testing Nipple	Raccord contrôle	Prufnippel	Niple Medicion	Mätnippel	See group 913, Page 697	
21	VOE 11884884	1				Hose	Flexible	Schlauch	Manguera	Slang		
22	VOE 13933857	1				Elbow Nipple	Raccord angulaire	Winkelnippel	Niple Angular	V-nippel		
23	VOE 4881722	1				•O-ring	•Joint Torique	•O-Ring	•Junta torica	•O-ring		
24	VOE 932039	1				•O-ring	•Joint Torique	•O-Ring	•Junta torica	•O-ring		
25	VOE 11882313	1				Accumulator	Accumulateur	Speicher	Acumulador	Ackumulator		
26	VOE 11881397	1				Clamp	Pince Serrage	Klemme	Abrazadera	Klamma		
27	VOE 13945444	1				Flange screw	Vis à bride	Flanschschraube	Torn embridado	Flänsskruv		
28	VOE 935069	1				Elbow nipple	Raccord angulaire	Winkelnippel	Niple angular	Vinkelnippel		
29	VOE 4880492	1				•O-ring	•Joint Torique	•O-Ring	•Junta torica	•O-ring		

1	11880005 S/N - 14669	Hydraulsystem, tryckledningar Sistema hidráulico, conducto presion Hydraulikanlage, Druckleitungen Systeme Hydr. conduit alimentation Hydraulic system, feed line	Catalogue id	Group
2	11891349, 11891354		20002	911
3			Illustr. No	Section
4			1012368	350
5			Issue	Page
		VOE 63H9920002	575	

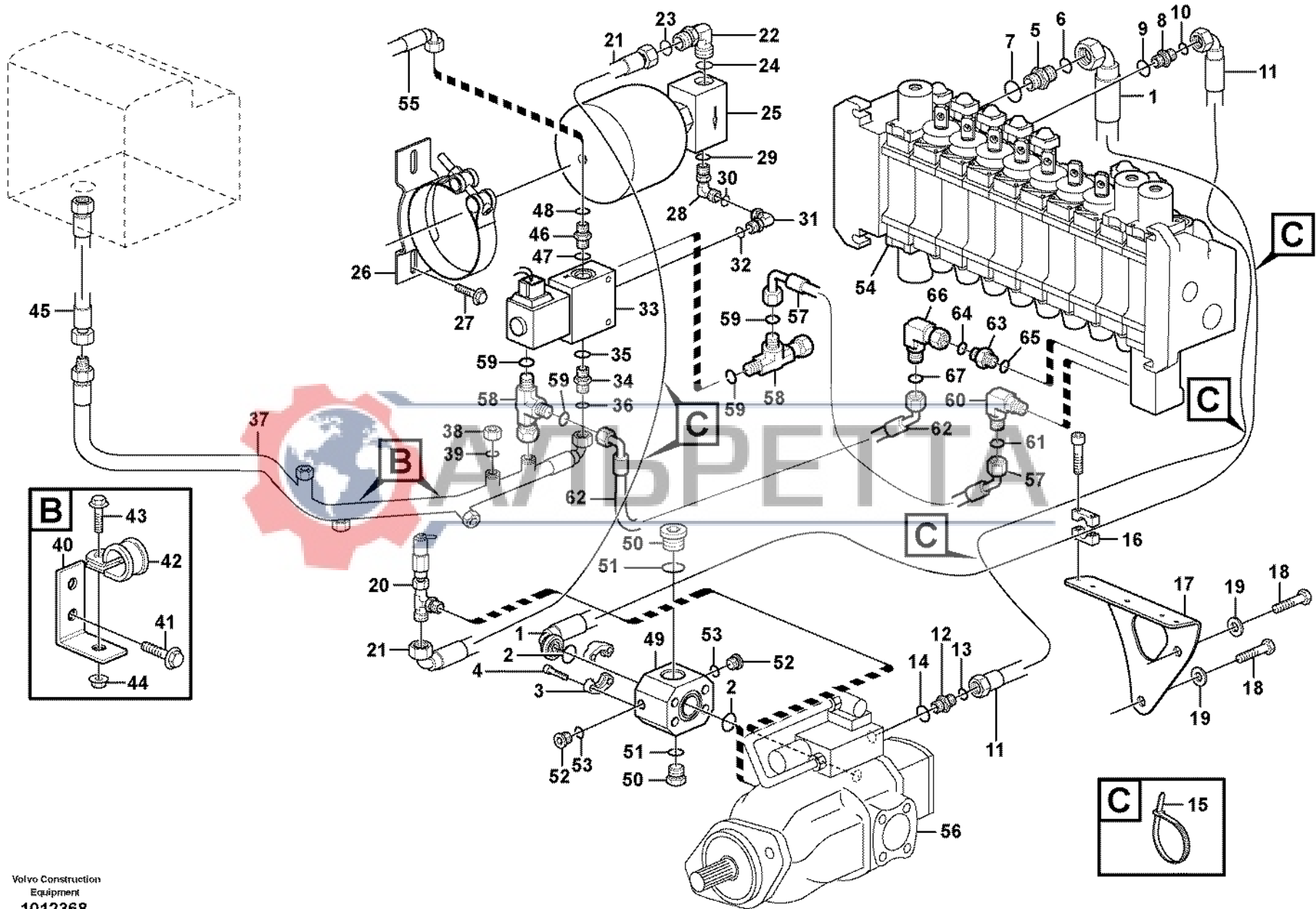


Fig.	Part No.	Quantity			P S	K I T	Description	Dénomination	Bezeichnung	Denominación	Benämning	Notes
		1	2	3								
30	VOE 4881722	1				•O-ring.....	•Joint Torique.....	•O-Ring.....	•Junta torica.....	•O-ring.....		
31	VOE 11884238	1				Fitting.....	Raccord tuyau.....	Rohrkupplung.....	Acoplamiento Tubo.....	Rörkoppling.....		
32	VOE 932039	1				•O-ring.....	•Joint Torique.....	•O-Ring.....	•Junta torica.....	•O-ring.....		
33	VOE 11881356	1				Solenoid valve.....	Vanne electrom.....	Magnetventil.....	Electrovalvula.....	Magnetventil.....		
	VOE 11715259	1				•Solenoid.....	•Solénoide.....	•Magnet.....	•Solenoide.....	•Solenoid.....		
34	VOE 935091	1				Nipple.....	Raccord.....	Nippel.....	Niple.....	Nippel.....		
35	VOE 4880493	1				•O-ring.....	•Joint Torique.....	•O-Ring.....	•Junta torica.....	•O-ring.....		
36	VOE 932039	1				•O-ring.....	•Joint Torique.....	•O-Ring.....	•Junta torica.....	•O-ring.....		
37	VOE 11884864	1				Tube.....	Tuyau.....	Rohr.....	Tubo.....	Rör.....		
38	VOE 935756	5				Plug.....	Bouchon.....	Stopfen.....	Tapon.....	Plugg.....		
39	VOE 4881722	6				O-ring.....	Joint Torique.....	O-Ring.....	Junta torica.....	O-ring.....		
40		2			NS	Anchorage.....	Fixation.....	Halterung.....	Fijacion.....	Fäste.....		
41	VOE 946671	4				Flange screw.....	Vis à bride.....	Flanschschrabe.....	Torn embridado.....	Flänsskruv.....		
42	VOE 978869	2				Clamp.....	Pince Serrage.....	Klemme.....	Abrazadera.....	Klämma.....		
43	VOE 13946173	2				Flange screw.....	Vis à bride.....	Flanschschrabe.....	Torn embridado.....	Flänsskruv.....		
44	VOE 13945408	2				Nut.....	Ecrou.....	Mutter.....	Tuerca.....	Mutter.....		
45	VOE 11884388	1				Hose.....	Durit.....	Schlauch.....	Tubo flexible.....	Slang.....		
46	VOE 13933858	1				Union.....	Teton Connexion.....	Anschlussnippel.....	Niple Conexcion.....	Anslutn.nippel.....		
47	VOE 932039	1				•O-ring.....	•Joint Torique.....	•O-Ring.....	•Junta torica.....	•O-ring.....		
48	VOE 4881722	1				•O-ring.....	•Joint Torique.....	•O-Ring.....	•Junta torica.....	•O-ring.....		
49	VOE 11884962	1				Connection block.....	Bloc Raccord.....	Anschlusssockel.....	Bloque Conector.....	Anslutningsblock.....		
50	VOE 11882920	1				Plug.....	Bouchon.....	Stopfen.....	Tapon.....	Plugg.....		
51	VOE 932042	1				•O-ring.....	•Joint Torique.....	•O-Ring.....	•Junta torica.....	•O-ring.....		
52	VOE 11881384	2				Fitting.....	Ecrou raccord.....	Verschraubung.....	Racor.....	Förskruvning.....		
53	VOE 932037	1				•O-ring.....	•Joint Torique.....	•O-Ring.....	•Junta torica.....	•O-ring.....		
54		1				Valve assembly.....	Bloc-soupape.....	Ventilgruppe.....	Bloque de valvula.....	Ventilblock.....	See group 912, Page 653	
55		1				Hose assembly.....	Conduit flexible.....	Schlauchleitung.....	Conducto.....	Slangledning.....	See group 912, Page 641	
56		1				Pump.....	Pompe.....	Pumpe.....	Bomba.....	Pump.....	See group 913, Page 699	
57	VOE 11885623	1				Hose.....	Durit.....	Schlauch.....	Tubo flexible.....	Slang.....		
58	VOE 13933859	2				Nipple.....	Raccord.....	Nippel.....	Niple.....	Nippel.....		

1	11880005 S/N - 14669	Hydraulsystem, tryckledningar Sistema hidráulico, conducto presion Hydraulikanlage, Druckleitungen Systeme Hydr. conduit alimentation Hydraulic system, feed line	Catalogue id	Group
2	11891349, 11891354		20002	911
3			Illustr. No	Section
4			1012368	350
5			Issue	Page
		VOE 63H9920002	577	

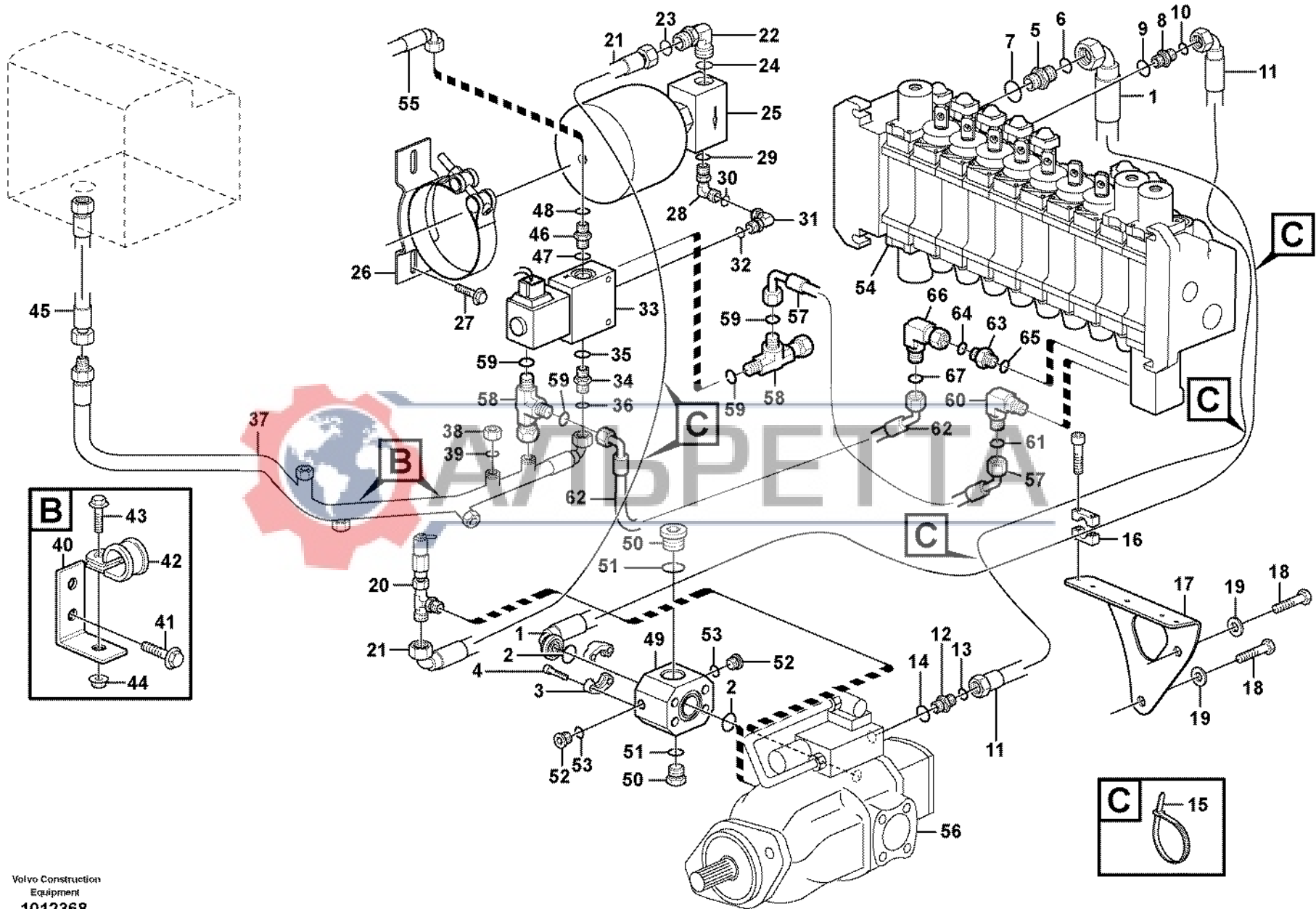


Fig.	Part No.	Quantity			P S	K I T	Description	Dénomination	Bezeichnung	Denominación	Benämning	Notes
		1	2	3								
59	VOE 4881722		2			•O-ring.....	•Joint Torique	•O-Ring.....	•Junta torica	•O-ring.....		
60	VOE 935538		1			Elbow nipple.....	Raccord angulaire.....	Winkelnippel.....	Niple angular	Vinkelnippel.....		
61	VOE 4881722		1			•O-ring.....	•Joint Torique	•O-Ring.....	•Junta torica	•O-ring.....		
62	VOE 11885624		1			Hose.....	Durit	Schlauch	Tubo flexible	Slang.....		
63	VOE 935760		1			Nipple.....	Raccord.....	Nippel.....	Niple	Nippel.....		
64	VOE 4881722		1			•O-ring.....	•Joint Torique	•O-Ring.....	•Junta torica	•O-ring.....		
65	VOE 14211855		1			•Sealing ring.....	•Bague d'étanchéité ...	•Runddichtring.....	•Anillo reten	•Tätningsring.....		
66	VOE 13933905		1			Elbow nipple.....	Raccord angulaire.....	Winkelnippel.....	Niple angular	Vinkelnippel.....		
67	VOE 4881722		1			•O-ring.....	•Joint Torique	•O-Ring.....	•Junta torica	•O-ring.....		



1	11880005 S/N - 14669	Hydraulsystem, tryckledningar Sistema hidráulico, conducto presion Hydraulikanlage, Druckleitungen Systeme Hydr. conduit alimentation Hydraulic system, feed line	Catalogue id	Group
2	11891349, 11891354		20002	911
3			Illustr. No	Section
4			1012368	350
5			Issue	Page
			VOE 63H9920002	579

VOLVO

BL71



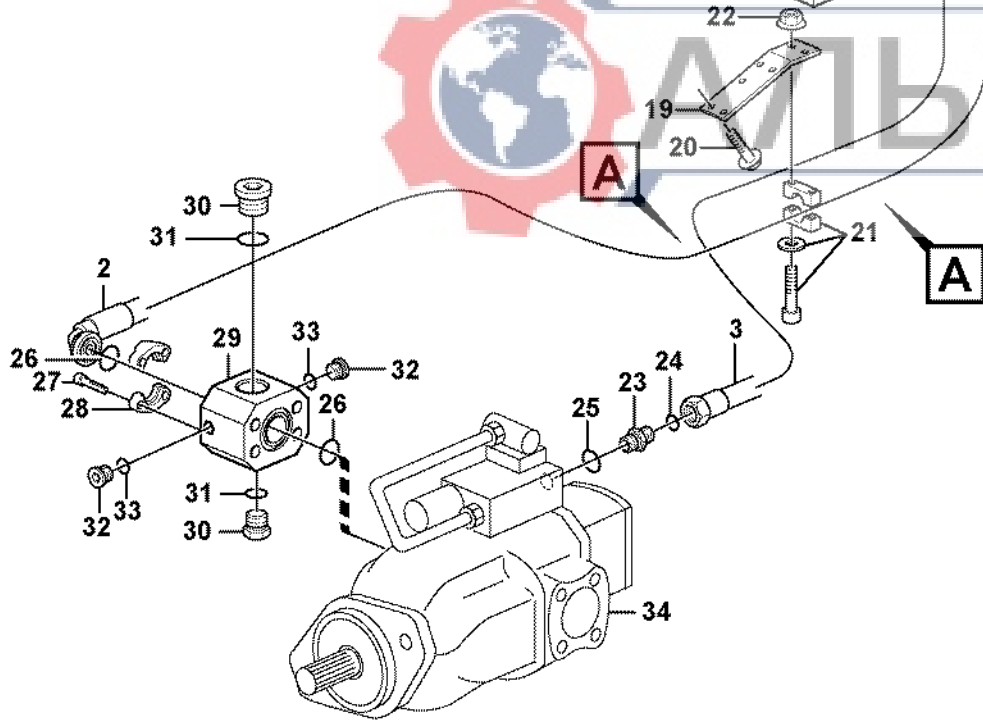
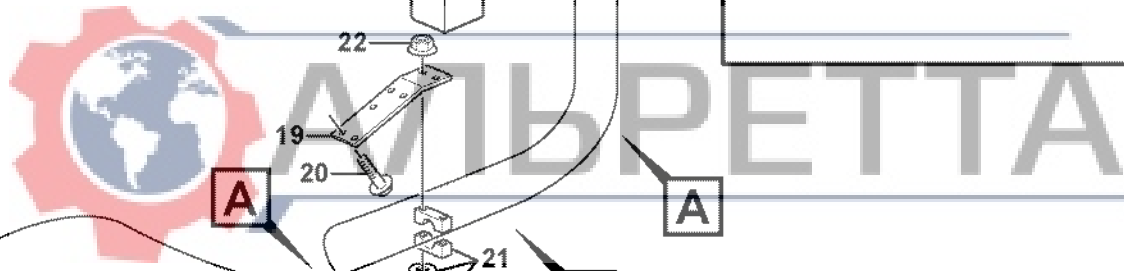
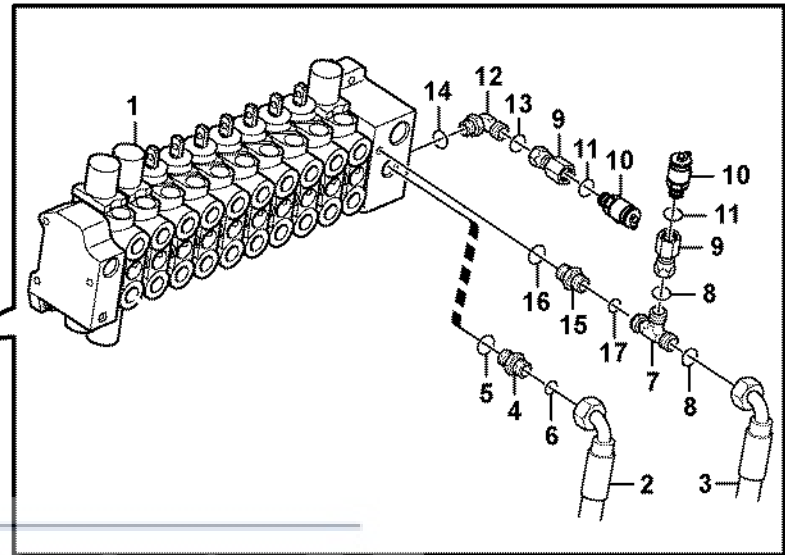
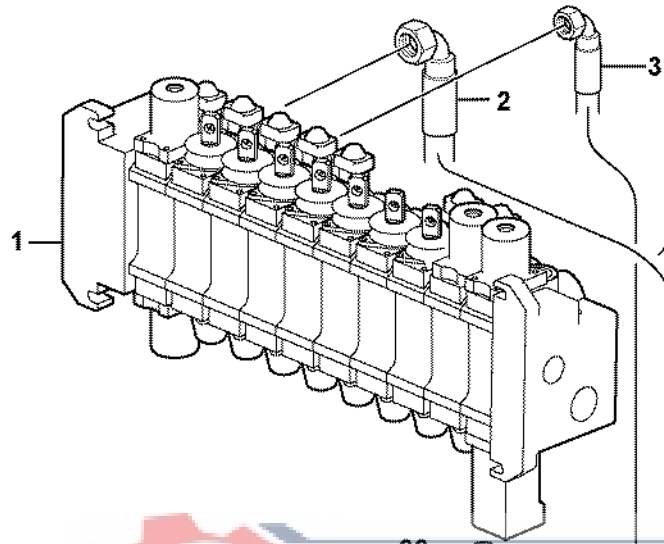
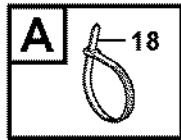


Fig.	Part No.	Quantity			P S	K I T	Description	Dénomination	Bezeichnung	Denominación	Benämning	Notes
		1	2	3								
1		1				Valve assembly.....	Bloc-soupape	Ventilgruppe	Bloque de valvula.....	Ventilblock.....	See group 912, Page 653	
2	VOE 11882725	1				Hose assembly	Conduit flexible	Schlauchleitung.....	Conducto.....	Slängledning.....		
3	VOE 11884280	1				Hose.....	Flexible.....	Schlauch	Manguera	Slang.....		
4	VOE 13933862	1				Nipple.....	Raccord.....	Nippel.....	Niple	Nippel.....		
5	VOE 932042	1				O-ring.....	Joint Torique	O-Ring.....	Junta torica.....	O-ring.....		
6	VOE 990740	1				O-ring.....	Joint Torique	O-Ring.....	Junta torica.....	O-ring.....		
7	VOE 13933859	1				Nipple.....	Raccord.....	Nippel.....	Niple	Nippel.....		
8	VOE 990736	2				•O-ring.....	•Joint Torique	•O-Ring.....	•Junta torica	•O-ring.....		
9	VOE 11884794	2				Fitting	Ecrou raccord.....	Verschraubung.....	Racor.....	Förskruvning.....		
10	VOE 936439	2				Testing Nipple.....	Raccord contrôle.....	Prufnippel.....	Niple Medicion.....	Mät-nippel.....		
11	VOE 14211856	2				•Sealing ring.....	•Bague d'étanchéité	•Runddichtring.....	•Anillo reten	•Tät-ningsring.....		
12	VOE 13933857	1				Elbow Nipple.....	Raccord angulaire.....	Winkel-nippel.....	Niple Angular.....	V-nippel.....		
13	VOE 990736	1				•O-ring.....	•Joint Torique	•O-Ring.....	•Junta torica	•O-ring.....		
14	VOE 932039	1				•O-ring.....	•Joint Torique	•O-Ring.....	•Junta torica	•O-ring.....		
15	VOE 13933858	1				Union.....	Teton Connexion.....	Anschlussnippel	Niple Conexion	Anslutn.nippel.....		
16	VOE 932039	1				•O-ring.....	•Joint Torique	•O-Ring.....	•Junta torica	•O-ring.....		
17	VOE 990736	1				•O-ring.....	•Joint Torique	•O-Ring.....	•Junta torica	•O-ring.....		
18	VOE 4881438	4				Strip Clamp.....	Ruban Serrage.....	Kabelbinder	Abraz Cinta	Bandklamma.....		
19		1			NS	Bracket.....	Console.....	Konsole	Ménsula.....	Konsol.....		
20	VOE 946472	2				Flange screw.....	Vis à bride	Flanschschraube.....	Torn embridado.....	Flänsskruv.....		
21	VOE 11884968	1				Clamp.....	Collier serrage.....	Klemme	Abrazadera.....	Klamma.....		
22	VOE 13949278	2				Flange Lock Nut.....	Contre écrou bride	Flanschmutter	Contratuer Embr.....	Flänslåsmutter.....		
23	VOE 935082	1				Nipple.....	Raccord.....	Nippel.....	Niple	Nippel.....		
24	VOE 990740	1				•O-ring.....	•Joint Torique	•O-Ring.....	•Junta torica	•O-ring.....		
25	VOE 932037	1				•O-ring.....	•Joint Torique	•O-Ring.....	•Junta torica	•O-ring.....		
26	VOE 13948700	2				O-ring.....	Joint Torique	O-Ring.....	Junta torica.....	O-ring.....		
27	VOE 984392	4				Allen Head Screw	Vis à six pans creux	Inbusschraube.....	Tornillo tipo Allen.....	Insexskruv.....		
28	VOE 11015455	2				Flange Half.....	Demi-bride	Flanschhälfte.....	Media brida	Flänshalva.....		
29	VOE 11884962	1				Connection block	Bloc Raccord.....	Anschlusssockel	Bloque Conector	Anslutningsblock.....		
30	VOE 11882920	2				Plug.....	Bouchon.....	Stopfen.....	Tapon	Plugg.....		

1		Hydraulsystem, tryckledningar Sistema hidráulico, conducto presion Hydraulikanlage, Druckleitungen Systeme Hydr. conduit alimentation Hydraulic system, feed line 11880005 S/N 14670 -	Catalogue id	Group
2			20002	911
3			Illustr. No	Section
4			1024618	360
5			Issue	Page
			VOE 63H9920002	581



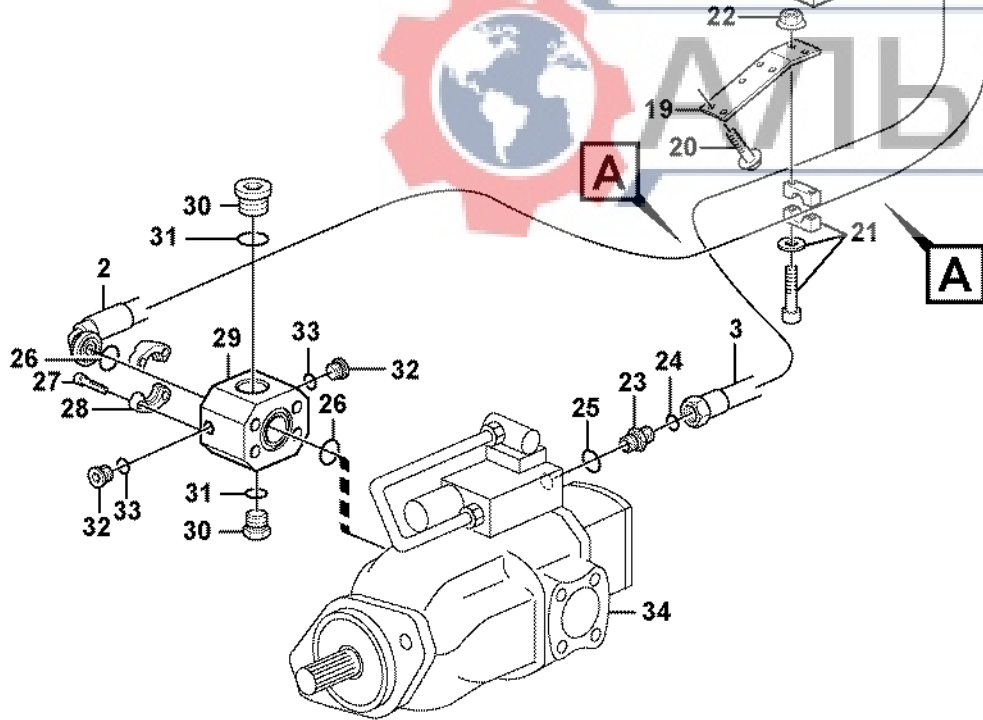
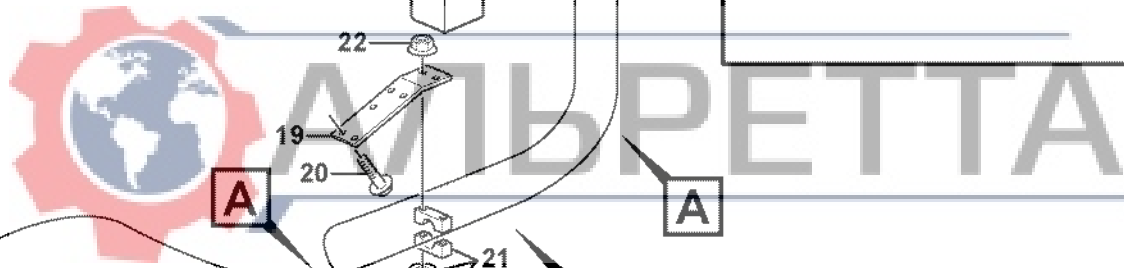
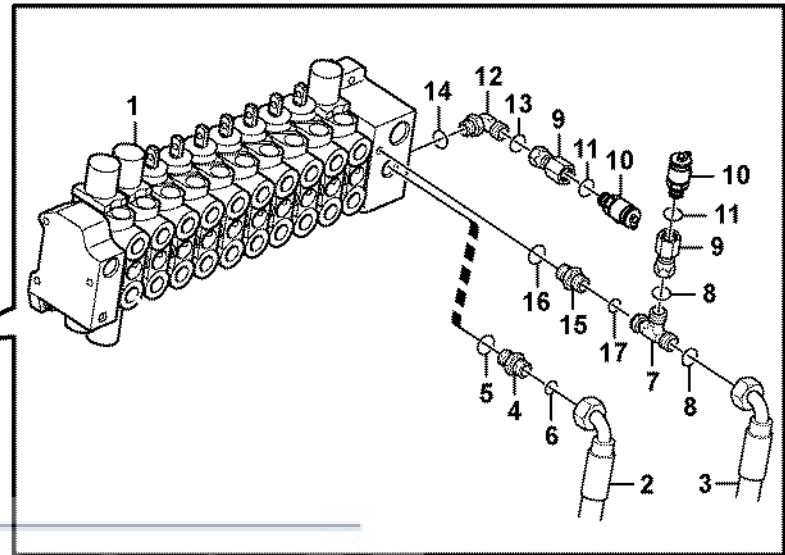
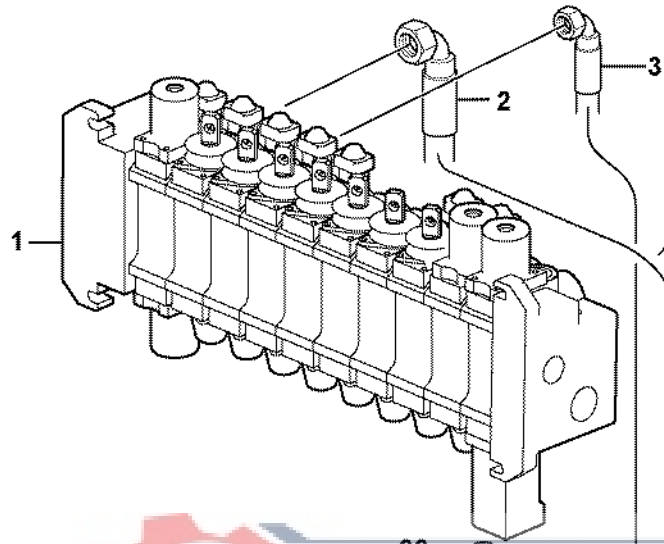
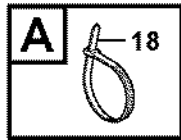


Fig.	Part No.	Quantity			P S	K I T	Description	Dénomination	Bezeichnung	Denominación	Benämning	Notes
		1	2	3								
31	VOE 932042	2				•O-ring.....	•Joint Torique	•O-Ring.....	•Junta torica	•O-ring.....		
32	VOE 11881384	2				Fitting	Ecrou raccord.....	Verschraubung.....	Racor.....	Förskruvning.....		
33	VOE 932037	2				•O-ring.....	•Joint Torique	•O-Ring.....	•Junta torica	•O-ring.....		
34		1				Pump.....	Pompe.....	Pumpe.....	Bomba.....	Pump.....	See group 913, Page 699	

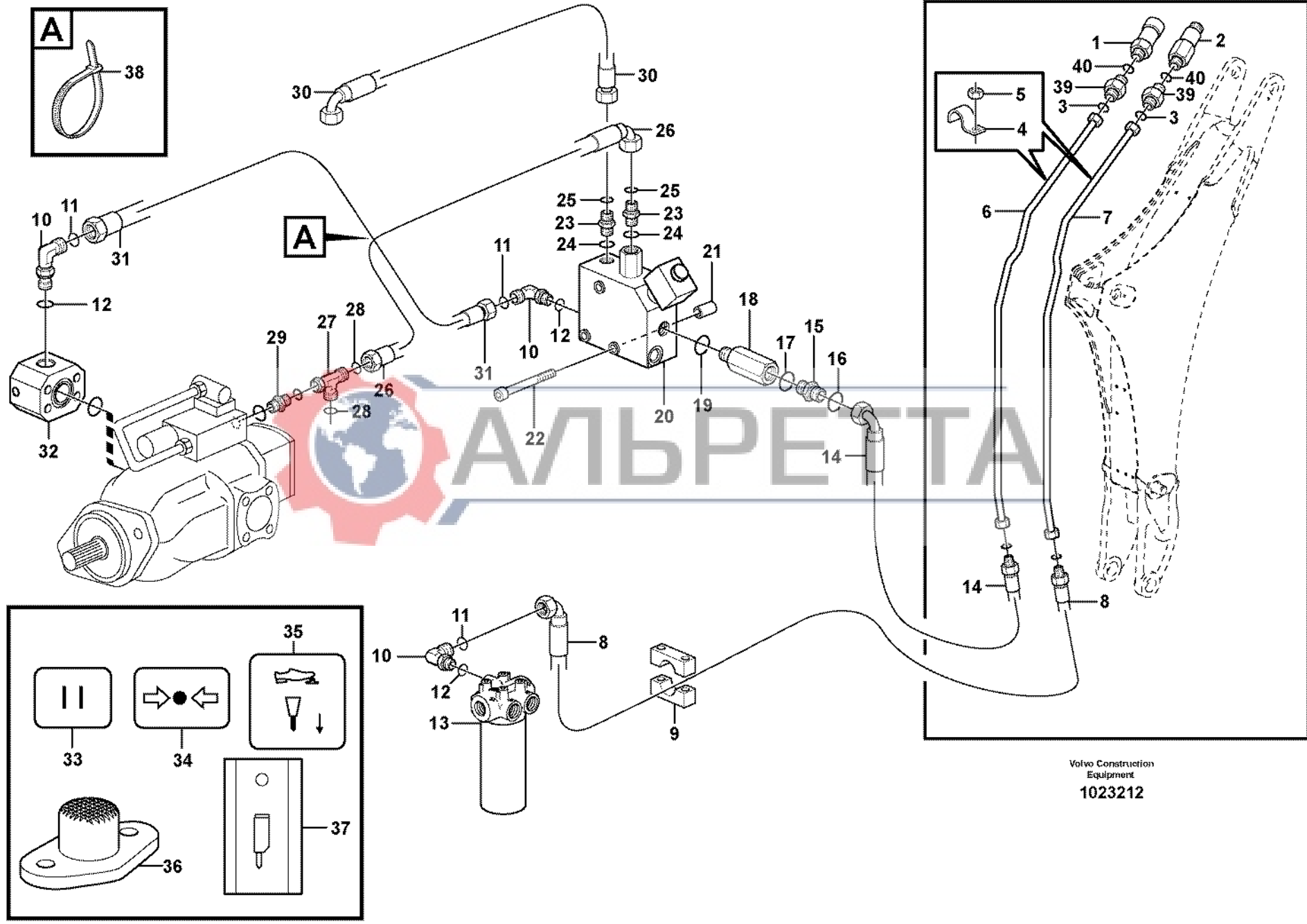


1		Hydraulsystem, tryckledning Sistema hidráulico, conducto presión Hydraulikanlage, Druckleitungen Systeme Hydr. conduit alimentation Hydraulic system, feed line	Catalogue id	Group
2			20002	911
3			Illustr. No	Section
4			1024618	360
5			Issue	Page
		11880005 S/N 14670 -	VOE 63H9920002	583

VOLVO

BL71

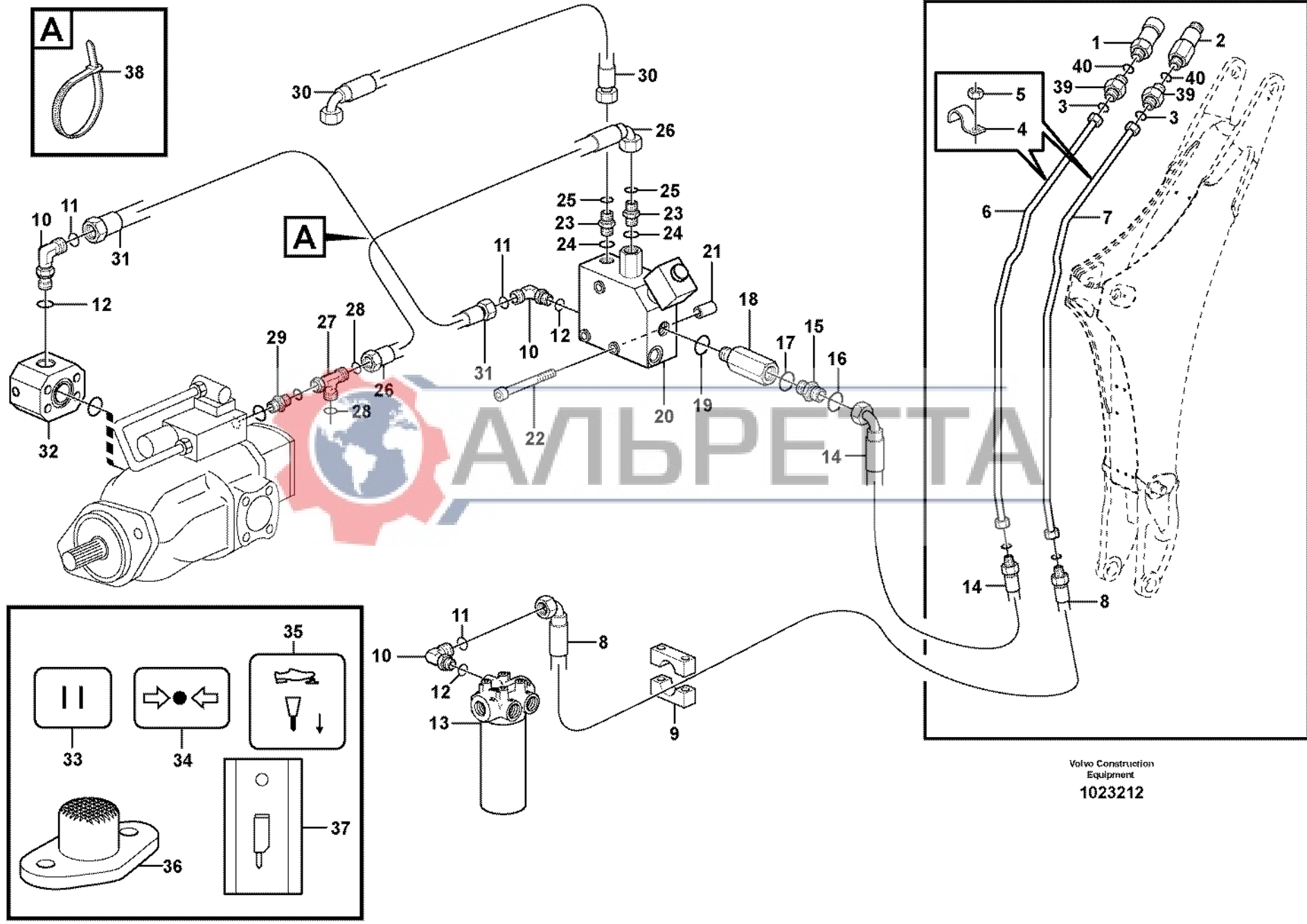




Volvo Construction
Equipment
1023212

Fig.	Part No.	Quantity			P S	K I T	Description	Dénomination	Bezeichnung	Denominación	Benämning	Notes
		1	2	3								
1	VOE 11882298	1				Fitting	Raccord tuyau	Rohrkupplung	Acoplam tubo	Rörkoppling.....		
2	VOE 11882299	1				Fitting	Raccord tuyau	Rohrkupplung	Acoplam tubo	Rörkoppling.....		
3	VOE 981290	2				O-ring	Joint Torique	O-Ring	Junta torica	O-ring.....		
4	VOE 11881053	2				Clamp.....	Pince Serrage	Klemme	Abrazadera.....	Klämma.....		
5	VOE 983306	2				Hexagon Nut.....	Ecrou Hexagonal	Sechskantmutter	Tuerca Hexagon.....	Sexkantsmutter.....		
6	VOE 11884833	1				Tube.....	Tube.....	Rohr	Tube	Rör.....		
7	VOE 11884832	1				Tube.....	Tube.....	Rohr	Tube	Rör.....		
8	VOE 11882210	1				Hose.....	Flexible.....	Schlauch	Manguera	Slang.....	S/N - 14669	
8	VOE 11888854	1				Hose assembly	Conduit flexible	Schlauchleitung.....	Conducto	Slangledning.....	S/N 14670 -	
9	VOE 11884968	1				Clamp.....	Collier serrage.....	Klemme	Abrazadera.....	Klamma.....	S/N - 14669	
10	VOE 13933864	3				Elbow nipple.....	Raccord angulaire.....	Winkelnippel.....	Niple angular	Vinkelnippel.....		
11	VOE 981289	3				•O-ring.....	•Joint Torique	•O-Ring.....	•Junta torica	•O-ring.....		
12	VOE 932042	3				•O-ring.....	•Joint Torique	•O-Ring.....	•Junta torica	•O-ring.....		
13		1				Filter.....	Filtre	Filter	Filtro	Filter.....	See group 911, Page 561	
14	VOE 11885006	1				Hose.....	Durit	Schlauch	Tube flexible.....	Slang.....		
	VOE 981290	1				•O-ring.....	•Joint Torique	•O-Ring.....	•Junta torica	•O-ring.....		
15	VOE 13933862	1				Nipple.....	Raccord.....	Nippel.....	Niple	Nippel.....		
16	VOE 981289	1				•O-ring.....	•Joint Torique	•O-Ring.....	•Junta torica	•O-ring.....		
17	VOE 932042	1				•O-ring.....	•Joint Torique	•O-Ring.....	•Junta torica	•O-ring.....		
18	VOE 11885860	1				Check valve	Valve antiretour.....	Rückschlagventil	Válvula de retención.....	Backventil.....		
19	VOE 932042	1				•O-ring.....	•Joint Torique	•O-Ring.....	•Junta torica	•O-ring.....		
20	VOE 11881719	1				Valve.....	Soupape.....	Ventil	Valvula	Ventil.....		
	VOE 11716875	1				•Solenoid valve	•Vanne electrom.....	•Magnetventil.....	•Electrovalvula.....	•Magnetventil.....		
	VOE 11711130	1				•Coil	•Bobine.....	•Zündspule	•Bobina.....	•Spole.....		
21	VOE 11884291	3				Spacer Sleeve.....	Douï.entretoise	Distanzhülse.....	Manguito Dist	Distanshylsa.....		
22	VOE 13965183	3				Flange screw.....	Vis à bride	Flanschschraube	Torn embridado	Flänsskruv.....		
23	VOE 13933858	2				Union.....	Teton Connexion.....	Anschlussnippel	Niple Conexcion	Anslutn.nippel.....		
24	VOE 932039	1				•O-ring.....	•Joint Torique	•O-Ring.....	•Junta torica	•O-ring.....		
25	VOE 4881722	1				•O-ring.....	•Joint Torique	•O-Ring.....	•Junta torica	•O-ring.....		
26	VOE 11884284	1				Hose.....	Durit	Schlauch	Tube flexible.....	Slang.....		

1		Hydraulsystem hammare Sistema hidráulico, martillo Hydraulikanlage, Hammer Système hydraulique, marteau Hydraulic system, hammer	Catalogue id	Group
2			20002	911
3			Illustr. No	Section
4			1023212	400
5			Issue	Page
		11891294	VOE 63H9920002	585



Volvo Construction
Equipment
1023212

Fig.	Part No.	Quantity			P S	K I T	Description	Dénomination	Bezeichnung	Denominación	Benämning	Notes
		1	2	3								
27	VOE 13933859	1				Nipple.....	Raccord.....	Nippel.....	Niple.....	Nippel.....		
28	VOE 4881722	2				•O-ring.....	•Joint Torique.....	•O-Ring.....	•Junta torica.....	•O-ring.....		
29		1				Nipple.....	Raccord.....	Nippel.....	Niple.....	Nippel.....	See group 913, Page 697	
30	VOE 11884276	1				Hose.....	Durit.....	Schlauch.....	Tubo flexible.....	Slang.....	2335)	
	VOE 11882208	1				Hose assembly.....	Conduit flexible.....	Schlauchleitung.....	Conducto.....	Slangledning.....	2336)	
31	VOE 11884285	1				Hose.....	Durit.....	Schlauch.....	Tubo flexible.....	Slang.....		
32		1				Connection block.....	Bloc Raccord.....	Anschlusssockel.....	Bloque Conector.....	Anslutningsblock.....	See group 911, Page 575	
33		1				Decal.....	Decalcomanie.....	Abziehbild.....	Decalcomania.....	Dekal.....	See group 897, Page 537	
34		1				Decal.....	Decalcomanie.....	Abziehbild.....	Decalcomania.....	Dekal.....	See group 897, Page 537	
35		1				Decal.....	Decalcomanie.....	Abziehbild.....	Decalcomania.....	Dekal.....	See group 897, Page 537	
36		1				Foot Operated Switch.....	Contacteur Au Pied.....	Fusschalter.....	Contacto Freno.....	Fotkontakt.....	See group 380, Page 241	
37		1				Switch.....	Commutateur.....	Schalter.....	Contacto.....	Strömställare.....	See group 380, Page 235	
38	VOE 4881438	2				Strip Clamp.....	Ruban Serrage.....	Kabelbinder.....	Abraz Cinta.....	Bandklamma.....		
39	VOE 11881382	2				Nipple.....	Raccord.....	Nippel.....	Niple.....	Nippel.....		
40	VOE 932040	2				•O-ring.....	•Joint Torique.....	•O-Ring.....	•Junta torica.....	•O-ring.....		



2335) S/N - 12838, 12841 - 12856, 12858 - 12865, 12868 - 12891, 12895 - 12904, 12911, 12913, 12914, 12917 - 12923, 12931 - 12954, 12956 - 12973, 12978 - 12986, 12989 - 13040

2336) S/N 12839, 12840, 12857, 12866, 12867, 12892 - 12894, 12905 - 12910, 12912, 12915, 12916, 12924 - 12929, 12955, 12974 - 12977, 12987, 12988, 12930 13041 -

1		Hydraulsystem hammare Sistema hidráulico, martillo Hydraulikanlage, Hammer Système hydraulique, marteau Hydraulic system, hammer	Catalogue id	Group
2			20002	911
3			Illustr. No	Section
4			1023212	400
5			Issue	Page
		11891294	VOE 63H9920002	587

VOLVO

BL71



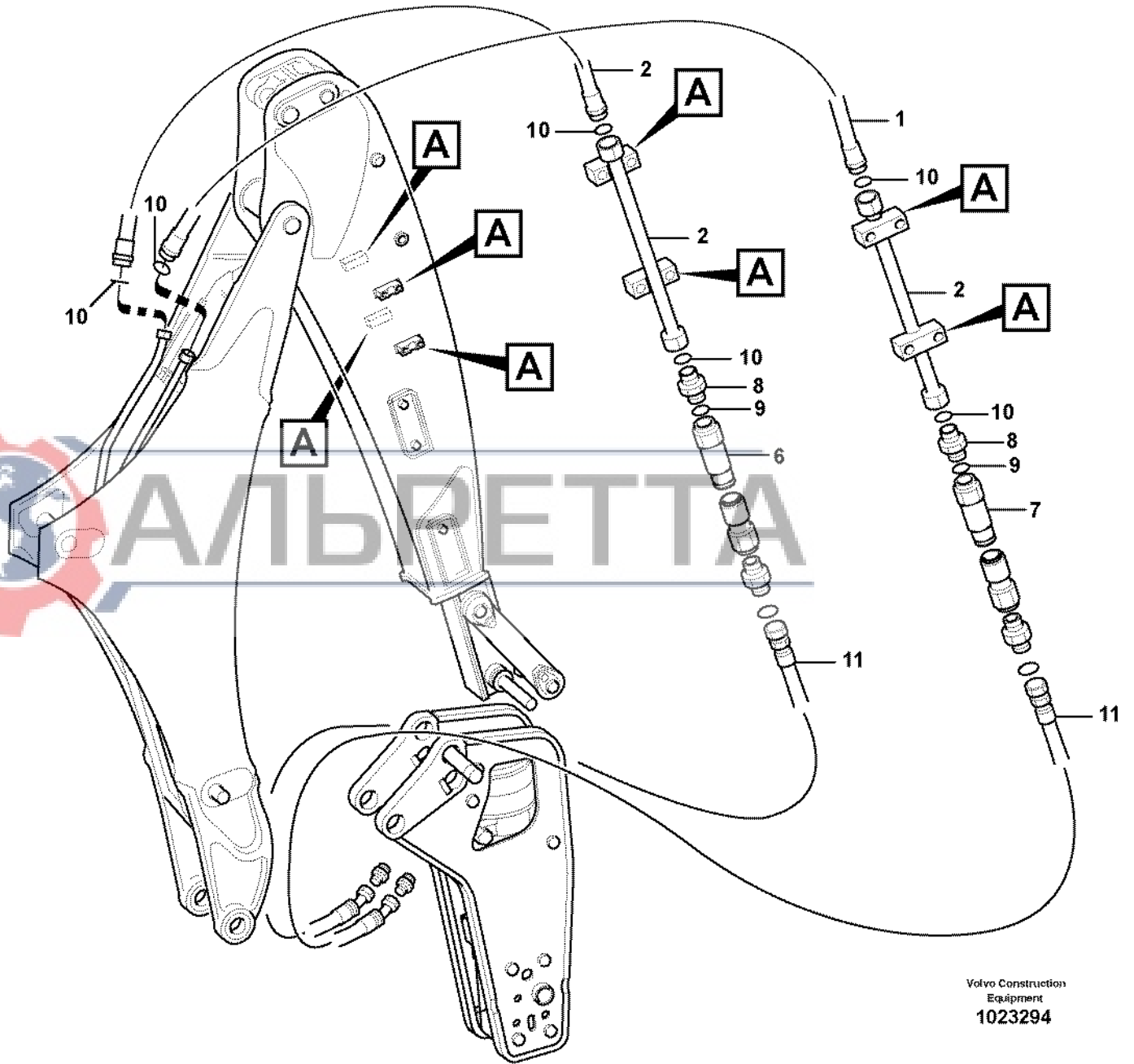
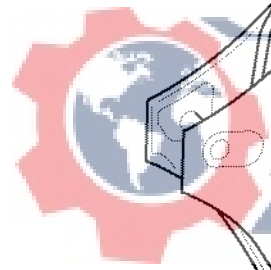
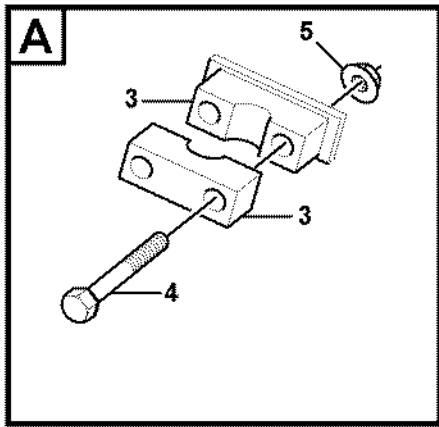


Fig.	Part No.	Quantity			P S	K I T	Description	Dénomination	Bezeichnung	Denominación	Benämning	Notes
		1	2	3								
1	VOE 11885790	2				Hose.....	Durit	Schlauch	Tubo flexible	Slang.....		
2	VOE 11885786	2				Tube.....	Tube.....	Rohr	Tubo	Rör.....		
3	VOE 11886452	4				Clamp.....	Pince Serrage	Klemme	Abrazadera.....	Klämna.....		
4	VOE 11886495	8				Screw.....	Vis	Schraube.....	Tornillo	Skruv.....		
5	VOE 13971098	8				Flange nut.....	Ecrou accouple.	Bundmutter.....	Tuerca embridad	Flänsmutter.....		
6	VOE 11882299	1				Fitting	Raccord tuyau	Rohrkupplung.....	Acoplam tubo	Rörkoppling.....		
7	VOE 11882298	1				Fitting	Raccord tuyau	Rohrkupplung.....	Acoplam tubo	Rörkoppling.....		
8	VOE 11881382	2				Nipple.....	Raccord.....	Nippel	Niple	Nippel.....		
9	VOE 932040	2				•O-ring.....	•Joint Torique	•O-Ring.....	•Junta torica	•O-ring.....		
10	VOE 981290	4				•O-ring.....	•Joint Torique	•O-Ring.....	•Junta torica	•O-ring.....		
11		2				Hose.....	Durit	Schlauch	Tubo flexible	Slang.....	See group 926, Page 785	

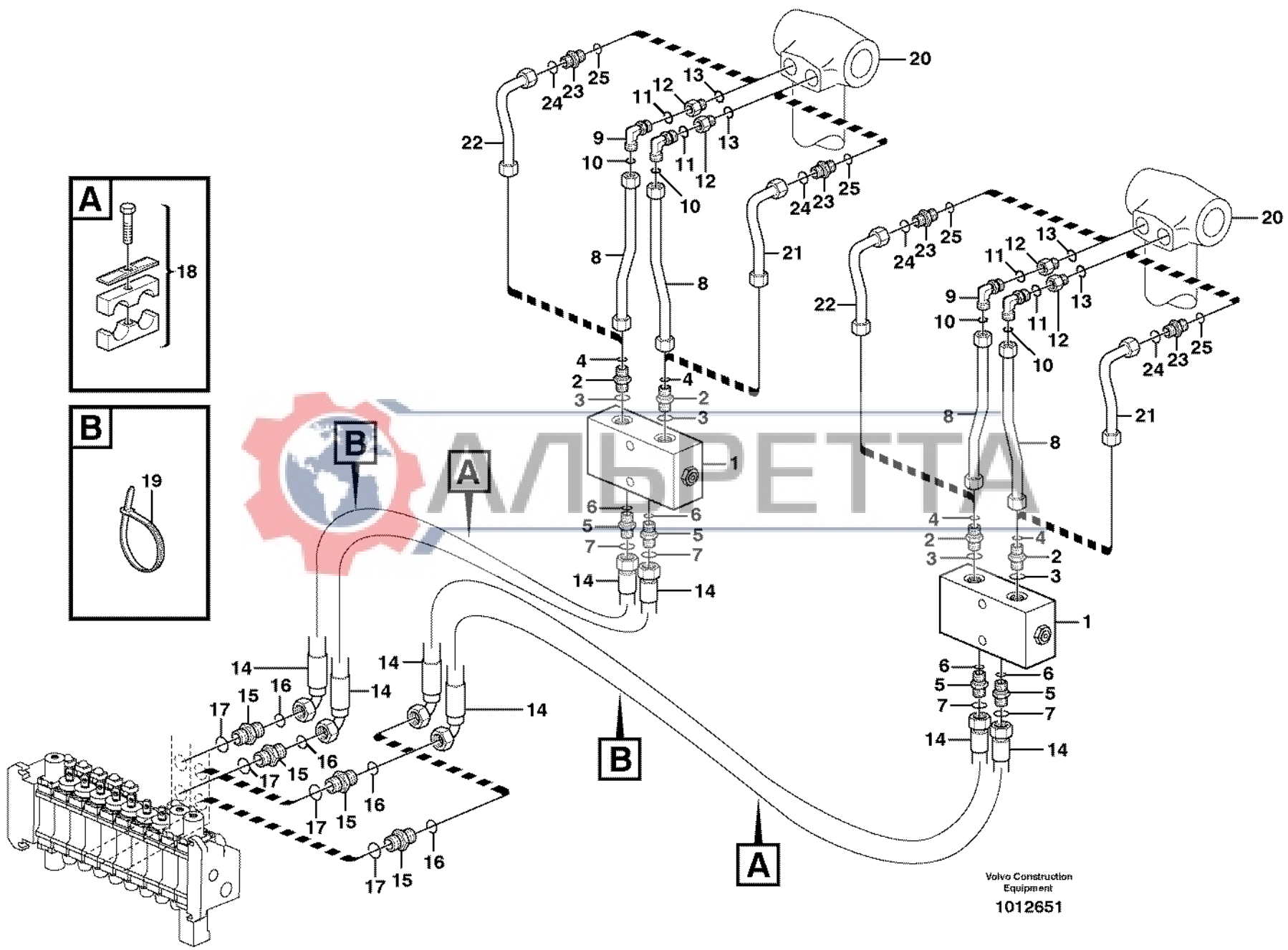


1		Rör till hammarredskap Tubería para fijación del martillo Leitungen für Hammeranbau Conduits, marteau Pipes for hammer attachment	Catalogue id	Group
2			20002	911
3			Illustr. No	Section
4			1023294	450
5			Issue	Page
		11891375	VOE 63H9920002	589

VOLVO

BL71





Volvo Construction
 Equipment
 1012651

Fig.	Part No.	Quantity			P S	K I T	Description	Dénomination	Bezeichnung	Denominación	Benämning	Notes
		1	2	3								
1	VOE 11881880	2	2			Check valve	Valve antiretour	Rückschlagventil	Válvula de retención	Backventil		
2	VOE 935091	4	4			Nipple	Raccord	Nippel	Niple	Nippel		
3	VOE 4880493	1	1			•O-ring	•Joint Torique	•O-Ring	•Junta torica	•O-ring		
4	VOE 932039	1	1			•O-ring	•Joint Torique	•O-Ring	•Junta torica	•O-ring		
5	VOE 935085	4	4			Nipple	Raccord	Nippel	Niple	Nippel		
6	VOE 4880492	2	2			•O-ring	•Joint Torique	•O-Ring	•Junta torica	•O-ring		
7	VOE 932039	2	2			•O-ring	•Joint Torique	•O-Ring	•Junta torica	•O-ring		
8	VOE 11884890	4				Tube	Tuyau	Rohr	Tube	Rör		
9	VOE 13933868	4				Elbow Nipple	Raccord angulaire	Winkelnippel	Niple Angular	V-nippel		
10	VOE 4880493	4				•O-ring	•Joint Torique	•O-Ring	•Junta torica	•O-ring		
11	VOE 932040	4				•O-ring	•Joint Torique	•O-Ring	•Junta torica	•O-ring		
12	VOE 11883511	4				Nipple	Raccord	Nippel	Niple	Nippel		
13	VOE 932039	1				•O-ring	•Joint Torique	•O-Ring	•Junta torica	•O-ring		
14	VOE 11882198	4	4			Hose assembly	Conduit flexible	Schlauchleitung	Conducto	Slangledning		
15	VOE 11882258	4	4			Nipple	Raccord	Nippel	Niple	Nippel		
16	VOE 4880492	1	1			•O-ring	•Joint Torique	•O-Ring	•Junta torica	•O-ring		
17	VOE 932042	1	1			•O-ring	•Joint Torique	•O-Ring	•Junta torica	•O-ring		
18	VOE 11883635	2	2			Clamp	Collier serrage	Klemme	Abrazadera	Klamma		
19	VOE 4881438	2	2			Strip Clamp	Ruban Serrage	Kabelbinder	Abraz Cinta	Bandklamma		
20		2	2			Cylinder	Verin	Zylinder	Cilindro	Cylinder	See group 972, Page 821	
21	VOE 11886176	2				Tube	Tube	Rohr	Tube	Rör		
22	VOE 11886178	2				Tube	Tube	Rohr	Tube	Rör		
23	VOE 935091	4				Nipple	Raccord	Nippel	Niple	Nippel		
24	VOE 932039	1				•O-ring	•Joint Torique	•O-Ring	•Junta torica	•O-ring		
25	VOE 4880493	1				•O-ring	•Joint Torique	•O-Ring	•Junta torica	•O-ring		

2128) Ser No - 11066, 11068 - 11070, 11074 - 11089, 11091 - 11111, 11116 - 11132, 11135, 11142 - 11145.

2129) Ser No 11067, 11071 -11073, 11090, 11112 - 11115, 11133 - 11134, 11136 - 11141, 11146 -

1	2128) .	Hydraulsystem, stödben Sistema hidráulico patas de apoyo Hydraulikanlage Bodenstützen Système hydraulique Bequilles Hydraulic system, stabiliser legs	Catalogue id	Group
2	2129) .		20002	911
3			Illustr. No	Section
4			1012651	500
5			Issue	Page
			VOE 63H9920002	591

VOLVO

BL71

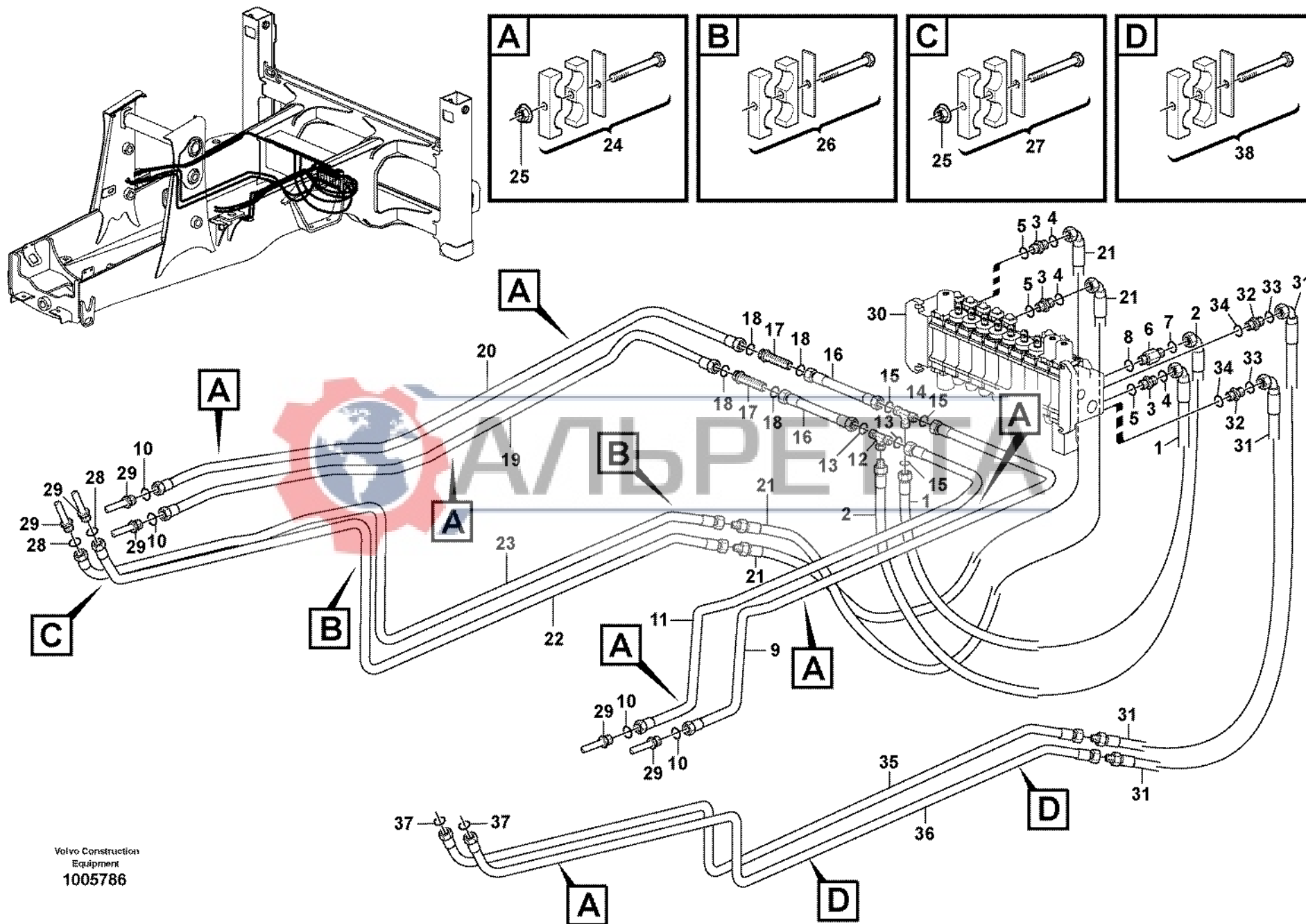


Fig.	Part No.	Quantity			P S	K I T	Description	Dénomination	Bezeichnung	Denominación	Benämning	Notes
		1	2	3								
1	VOE 11884729	1					Hose.....	Durit	Schlauch	Tubo flexible	Slang.....	
2	VOE 11884728	1					Hose.....	Durit	Schlauch	Tubo flexible	Slang.....	
3	VOE 935032	3					Nipple.....	Raccord.....	Nippel	Niple	Nippel.....	
4	VOE 4880663	1					•O-ring.....	•Joint Torique	•O-Ring.....	•Junta torica	•O-ring.....	
5	VOE 932042	1					•O-ring.....	•Joint Torique	•O-Ring.....	•Junta torica	•O-ring.....	
6	VOE 11883712	1					Fitting	Ecrou raccord.....	Verschraubung	Racor.....	Förskruvning.....	
7	VOE 4880493	1					•O-ring.....	•Joint Torique	•O-Ring.....	•Junta torica	•O-ring.....	
8	VOE 932042	1					•O-ring.....	•Joint Torique	•O-Ring.....	•Junta torica	•O-ring.....	
9	VOE 11882768	1					Tube.....	Tube.....	Rohr	Tubo	Rör.....	
10	VOE 4880493	4					O-ring.....	Joint Torique	O-Ring.....	Junta torica.....	O-ring.....	
11	VOE 11882767	1					Tube.....	Tube.....	Rohr	Tubo	Rör.....	
12	VOE 935877	1					Nipple.....	Raccord.....	Nippel	Niple	Nippel.....	
13	VOE 4880663	2					•O-ring.....	•Joint Torique	•O-Ring.....	•Junta torica	•O-ring.....	
14	VOE 11884287	1					Fitting	Ecrou raccord.....	Verschraubung	Racor.....	Förskruvning.....	
15	VOE 4880663	3					•O-ring.....	•Joint Torique	•O-Ring.....	•Junta torica	•O-ring.....	
16	VOE 11882763	2					Tube.....	Tube.....	Rohr	Tubo	Rör.....	S/N - 14669
17	VOE 13933961	2					Nipple.....	Raccord.....	Nippel	Niple	Nippel.....	S/N - 14669
18	VOE 4880663	4					•O-ring.....	•Joint Torique	•O-Ring.....	•Junta torica	•O-ring.....	
19	VOE 11882765	1					Tube.....	Tube.....	Rohr	Tubo	Rör.....	S/N - 14669
19	VOE 11888711	1					Tube.....	Tube.....	Rohr	Tubo	Rör.....	S/N 14670 -
20	VOE 11882766	1					Tube.....	Tube.....	Rohr	Tubo	Rör.....	S/N - 14669
20	VOE 11888712	1					Tube.....	Tube.....	Rohr	Tubo	Rör.....	S/N 14670 -
21	VOE 11882648	2					Hose.....	Durit	Schlauch	Tubo flexible	Slang.....	
22	VOE 11884828	1					Tube.....	Tube.....	Rohr	Tubo	Rör.....	
23	VOE 11884829	1					Tube.....	Tube.....	Rohr	Tubo	Rör.....	
24	VOE 11881340	6	1				Clamp.....	Pince Serrage	Klemme	Abrazadera.....	Klämma.....	
25	VOE 948645	3	1				Flange Lock Nut.....	Contre écrou bride	Flanschmutter	Contratuer Embr.....	Flänslåsmutter.....	
26	VOE 11881641	2					Clamp.....	Pince Serrage	Klemme	Abrazadera.....	Klämma.....	
27	VOE 11881372	1					Clamp.....	Pince Serrage	Klemme	Abrazadera.....	Klämma.....	
28	VOE 4880663	2					O-ring.....	Joint Torique	O-Ring.....	Junta torica.....	O-ring.....	

1	11880005	Hydraulik lastare (lyft & tilt) Sistema hidráulico de cargadora (elevación y volteo) Ladehydraulik (Heben und Kippen) Equipement chargeur à commande hydraulique (levage et basculement) Hydraulics loader (lift & tilt)	Catalogue id	Group
2	11891349, 11891354		20002	911
3			Illustr. No	Section
4			1005786	550
5			Issue	Page
			VOE 63H9920002	593

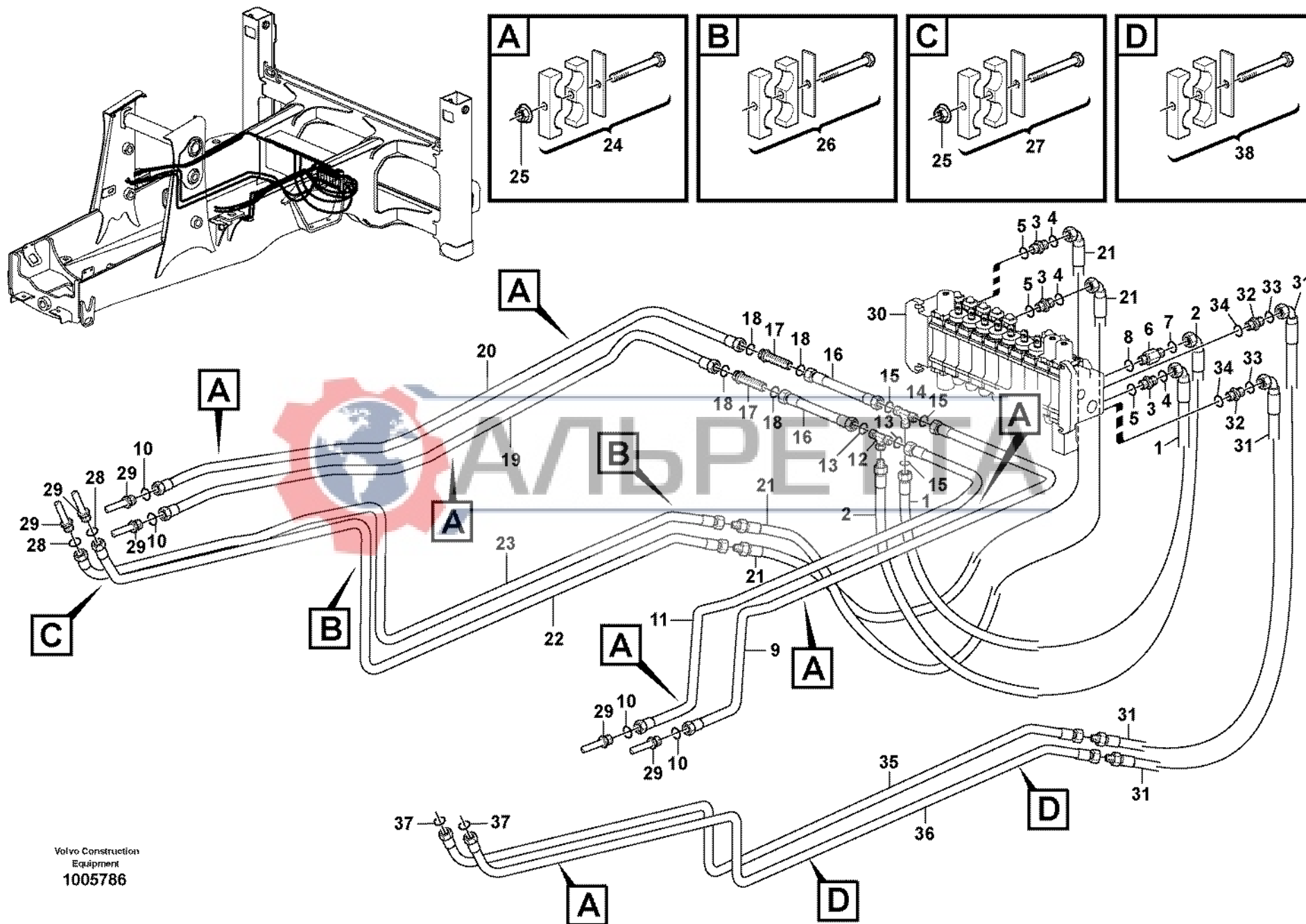


Fig.	Part No.	Quantity			P S	K I T	Description	Dénomination	Bezeichnung	Denominación	Benämning	Notes
		1	2	3								
29		6				Hose assembly	Conduit flexible	Schlauchleitung.....	Conducto.....	Slangledning.....	See group 911, Page 601	
30		1				Valve.....	Soupape.....	Ventil.....	Valvula.....	Ventil.....	See group 912, Page 653	
31	VOE 11882647		2			Hose.....	Durit	Schlauch	Tube flexible.....	Slang.....		
32	VOE 935093		2			Union.....	Teton Connexion.....	Anschlussnippel	Niple Conexcion	Anslutn.nippel.....		
33	VOE 4880493		1			•O-ring.....	•Joint Torique.....	•O-Ring.....	•Junta torica	•O-ring.....		
34	VOE 932042		1			•O-ring.....	•Joint Torique.....	•O-Ring.....	•Junta torica	•O-ring.....		
35	VOE 11886752		1			Tube.....	Tube.....	Rohr	Tube	Rör.....	S/N - 14669	
35	VOE 11888770		1			Tube.....	Tube.....	Rohr	Tube	Rör.....	S/N 14670 -	
36	VOE 11886753		1			Tube.....	Tube.....	Rohr	Tube	Rör.....	S/N - 14669	
36	VOE 11888729		1			Tube.....	Tube.....	Rohr	Tube	Rör.....	S/N 14670 -	
37	VOE 4880493		2			O-ring.....	Joint Torique	O-Ring.....	Junta torica.....	O-ring.....		
38	VOE 11882854		2			Clamp.....	Pince Serrage	Klemme.....	Abrazadera.....	Klämma.....		



1	11880005	Hydraulik lastare (lyft & tilt) Sistema hidráulico de cargadora (elevación y volteo) Ladehydraulik (Heben und Kippen) Equipement chargeur à commande hydraulique (levage et basculement) Hydraulics loader (lift & tilt)	Catalogue id	Group
2	11891349, 11891354		20002	911
3			Illustr. No	Section
4			1005786	550
5			Issue	Page
			VOE 63H9920002	595

VOLVO

BL71



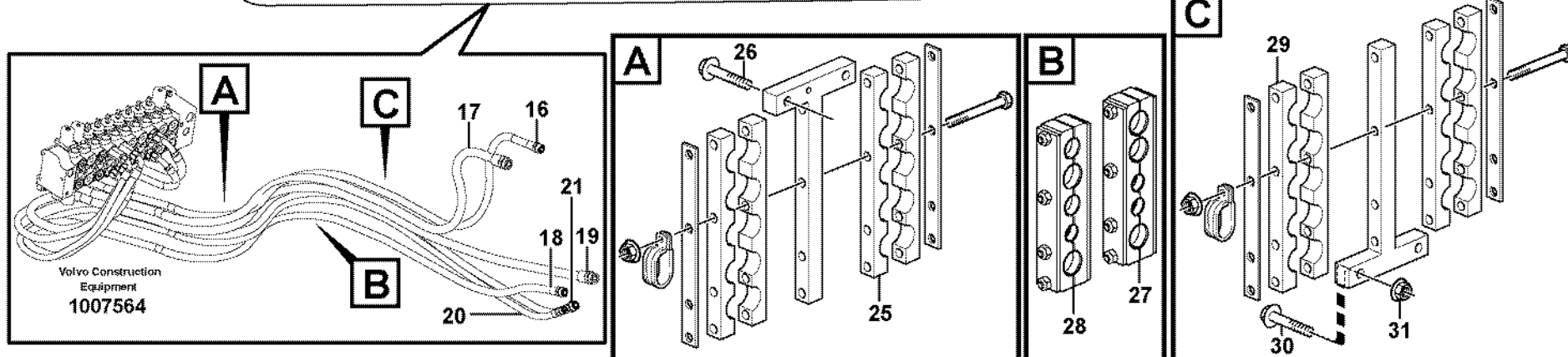
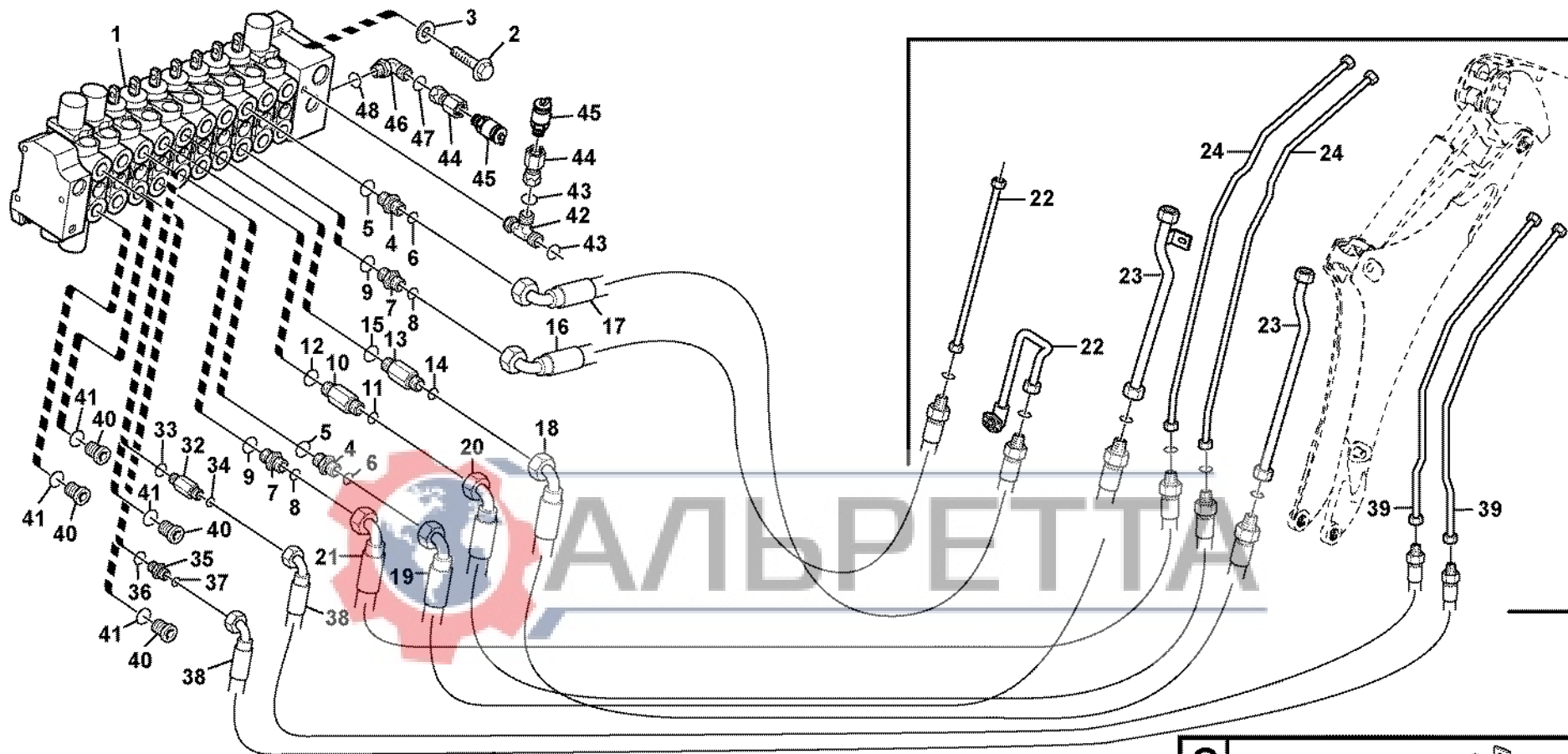


Fig.	Part No.	Quantity					P S	K T	Description	Dénomination	Bezeichnung	Denominación	Benämning	Notes
		1	2	3	4	5								
1		1	1		1	1		Valve.....	Soupape.....	Ventil.....	Valvula.....	Ventil.....	See group 912, Page 653	
2	VOE 983253	3	2		3	3		Hexagon screw.....	Vis tête hexagonale	Sechskantschraub ..	Tornillo hexago.....	Sexkantsskruv.....		
3	VOE 13930842	3	2		3	3		Washer.....	Rondelle.....	Scheibe.....	Arandela.....	Bricka.....		
4	VOE 13933862	2	2		2	2		Nipple.....	Raccord.....	Nippel.....	Niple.....	Nippel.....		
5	VOE 932042	1	2		2	2		•O-ring.....	•Joint Torique.....	•O-Ring.....	•Junta torica.....	•O-ring.....		
6	VOE 990740	1	2		2	2		•O-ring.....	•Joint Torique.....	•O-Ring.....	•Junta torica.....	•O-ring.....		
7	VOE 935032	2	2		2	2		Nipple.....	Raccord.....	Nippel.....	Niple.....	Nippel.....		
8	VOE 990739	2	2		2	2		•O-ring.....	•Joint Torique.....	•O-Ring.....	•Junta torica.....	•O-ring.....		
9	VOE 932042	2	2		2	2		•O-ring.....	•Joint Torique.....	•O-Ring.....	•Junta torica.....	•O-ring.....		
10	VOE 11883712	1	1		1	1		Fitting.....	Ecrou raccord.....	Verschraubung.....	Racor.....	Förskruvning.....		
11	VOE 990738	1	1		1	1		•O-ring.....	•Joint Torique.....	•O-Ring.....	•Junta torica.....	•O-ring.....		
12	VOE 932042	1	1		1	1		•O-ring.....	•Joint Torique.....	•O-Ring.....	•Junta torica.....	•O-ring.....		
13	VOE 11883713	1	1		1	1		Fitting.....	Ecrou raccord.....	Verschraubung.....	Racor.....	Förskruvning.....		
14	VOE 990739	1	1		1	1		•O-ring.....	•Joint Torique.....	•O-Ring.....	•Junta torica.....	•O-ring.....		
15	VOE 932042	1	1		1	1		•O-ring.....	•Joint Torique.....	•O-Ring.....	•Junta torica.....	•O-ring.....		
16	VOE 11882708	1	1		1	1		Hose.....	Durit.....	Schlauch.....	Tubo flexible.....	Slang.....		
	VOE 990740	1	1		1	1		•O-ring.....	•Joint Torique.....	•O-Ring.....	•Junta torica.....	•O-ring.....		
17	VOE 11882707	1	1		1	1		Hose.....	Durit.....	Schlauch.....	Tubo flexible.....	Slang.....		
	VOE 981290	1	1		1	1		•O-ring.....	•Joint Torique.....	•O-Ring.....	•Junta torica.....	•O-ring.....		
18	VOE 11882199	1	1		1	1		Hose assembly.....	Conduit flexible.....	Schlauchleitung.....	Conducto.....	Slangledning.....		
	VOE 990740	1	1		1	1		•O-ring.....	•Joint Torique.....	•O-Ring.....	•Junta torica.....	•O-ring.....		
19	VOE 11882196	1	1		1	1		Hose assembly.....	Conduit flexible.....	Schlauchleitung.....	Conducto.....	Slangledning.....		
	VOE 981290	1	1		1	1		•O-ring.....	•Joint Torique.....	•O-Ring.....	•Junta torica.....	•O-ring.....		
20	VOE 11882202	1	1		1	1		Inlet Pipe.....	Tubul.admission.....	Einlassrohr.....	Tubo Admision.....	Inloppsör.....		
	VOE 990739	1	1		1	1		•O-ring.....	•Joint Torique.....	•O-Ring.....	•Junta torica.....	•O-ring.....		
21	VOE 11882197	1			1	1		Hose assembly.....	Conduit flexible.....	Schlauchleitung.....	Conducto.....	Slangledning.....		
	VOE 990740	1	1		1	1		•O-ring.....	•Joint Torique.....	•O-Ring.....	•Junta torica.....	•O-ring.....		
22			2					Pipe.....	Canalisation.....	Rohrleitung.....	Canalizacion.....	Rör.....	See group 911, Page 605	
23			2					Pipe.....	Canalisation.....	Rohrleitung.....	Canalizacion.....	Rör.....	See group 911, Page 609	
24			2					Pipe.....	Canalisation.....	Rohrleitung.....	Canalizacion.....	Rör.....	See group 911, Page 613	

1	11891311	Hydraulsystem, grävare Sistema hidrlico excavador Hydraulikanlage ventil zum ausleger Baggeraggregat Système hydalrique groupe pelle Hydraulic system, excavator	Catalogue id	Group
2	11880005		20002	911
3	11891273, 11891410		Illustr. No	Section
4	11891349, 11891354		1007564	700
5	11891374		Issue	Page
			VOE 63H9920002	597

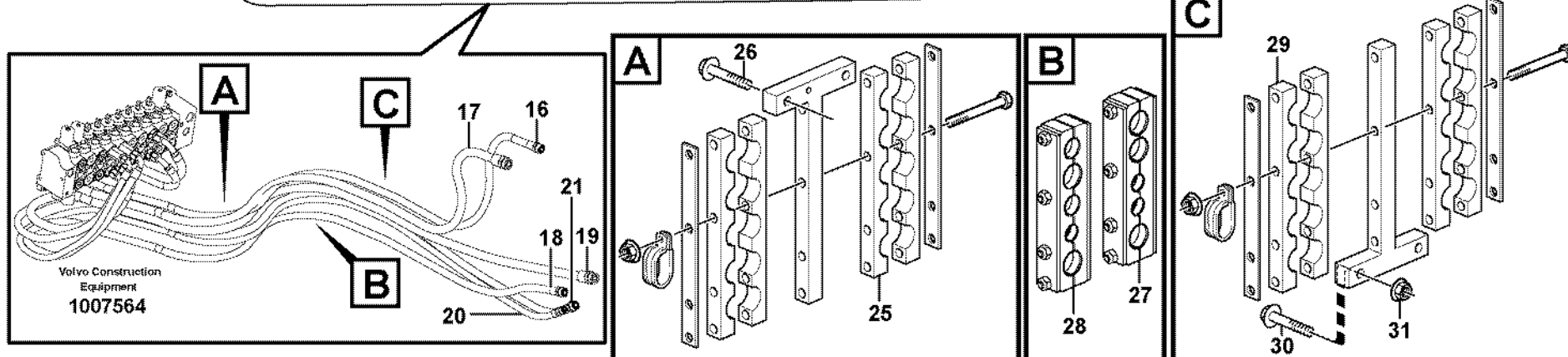
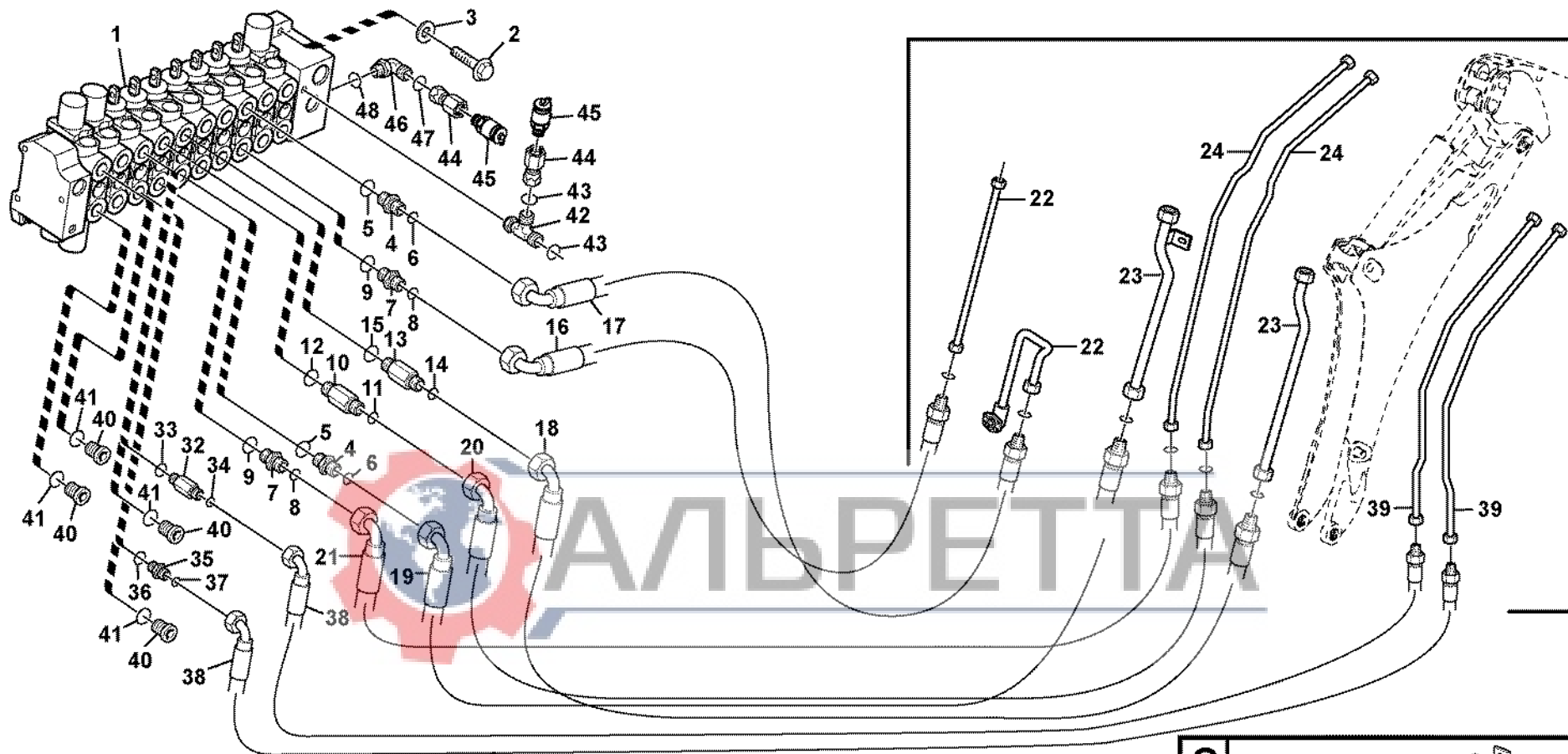


Fig.	Part No.	Quantity					P S	K T	Description	Dénomination	Bezeichnung	Denominación	Benämning	Notes
		1	2	3	4	5								
25	VOE 11884914		1					Clamp	Pince Serrage	Klemme.....	Abrazadera	Klämma.....		
26	VOE 13965194		2					Flange screw	Vis à bride	Flanschschraube	Torn embridado	Flänsskruv.....		
27			1					Clamp	Pince Serrage	Klemme.....	Abrazadera	Klämma.....	See group 916, Page 717	
28			1					Clamp	Pince Serrage	Klemme.....	Abrazadera	Klämma.....	See group 971, Page 811	
29	VOE 11884896		1					Clamp	Pince Serrage	Klemme.....	Abrazadera	Klämma.....		
30	VOE 965195		2					Flange screw	Vis à bride	Flanschschraube	Torn embridado	Flänsskruv.....		
31	VOE 13971096		2					Flange nut.....	Ecrou accouple.	Bundmutter	Tuerca embridada	Flänsmutter.....		
32	VOE 11883712			1				Fitting	Ecrou raccord	Verschraubung	Racor.....	Förskruvning.....		
33	VOE 932042			1				•O-ring	•Joint Torique	•O-Ring	•Junta torica.....	•O-ring.....		
34	VOE 4880493			1				•O-ring	•Joint Torique	•O-Ring	•Junta torica.....	•O-ring.....		
35	VOE 935093			1				Union	Teton Connexion	Anschlussnippel.....	Niple Conexcion	Anslutn.nippel.....		
36	VOE 932042			1				•O-ring	•Joint Torique	•O-Ring	•Junta torica.....	•O-ring.....		
37	VOE 4880493			1				•O-ring	•Joint Torique	•O-Ring	•Junta torica.....	•O-ring.....		
38	VOE 11882207			2				Hose	Flexible.....	Schlauch	Manguera	Slang.....		
39				2				Pipe.....	Canalisation	Rohrleitung	Canalización.....	Rör.....	See group 911, Page 625	
40	VOE 11882920		4		4			Plug.....	Bouchon	Stopfen	Tapon	Plugg.....		
41	VOE 932042		4		4			•O-ring	•Joint Torique	•O-Ring	•Junta torica.....	•O-ring.....		
42	VOE 13933859			1				Nipple.....	Raccord	Nippel.....	Niple	Nippel.....	2210)	
43	VOE 4881722			2				•O-ring	•Joint Torique	•O-Ring	•Junta torica.....	•O-ring.....	2210)	
44	VOE 11884794			2				Fitting	Ecrou raccord	Verschraubung	Racor.....	Förskruvning.....	2210)	
45	VOE 936439			2				Testing Nipple.....	Raccord contrôle	Prüfnippel.....	Niple Medicion.....	Mät-nippel.....	2210)	
46	VOE 13933857			1				Elbow Nipple.....	Raccord angulaire	Winkelnippel	Niple Angular.....	V-nippel.....	2210)	
47	VOE 4881722			1				•O-ring	•Joint Torique	•O-Ring	•Junta torica.....	•O-ring.....	2210)	
48	VOE 932039			1				•O-ring	•Joint Torique	•O-Ring	•Junta torica.....	•O-ring.....	2210)	

2210) SER NO 11702-, INCL 11642, 11681-11699

1	11891311	Hydraulsystem, grävare Sistema hidrlico excavador Hydraulikanlage ventil zum ausleger Baggeraggregat Système hydralique groupe pelle Hydraulic system, excavator	Catalogue id	Group
2	11880005		20002	911
3	11891273, 11891410		Illustr. No	Section
4	11891349, 11891354		1007564	700
5	11891374		Issue	Page
			VOE 63H9920002	599

VOLVO

BL71

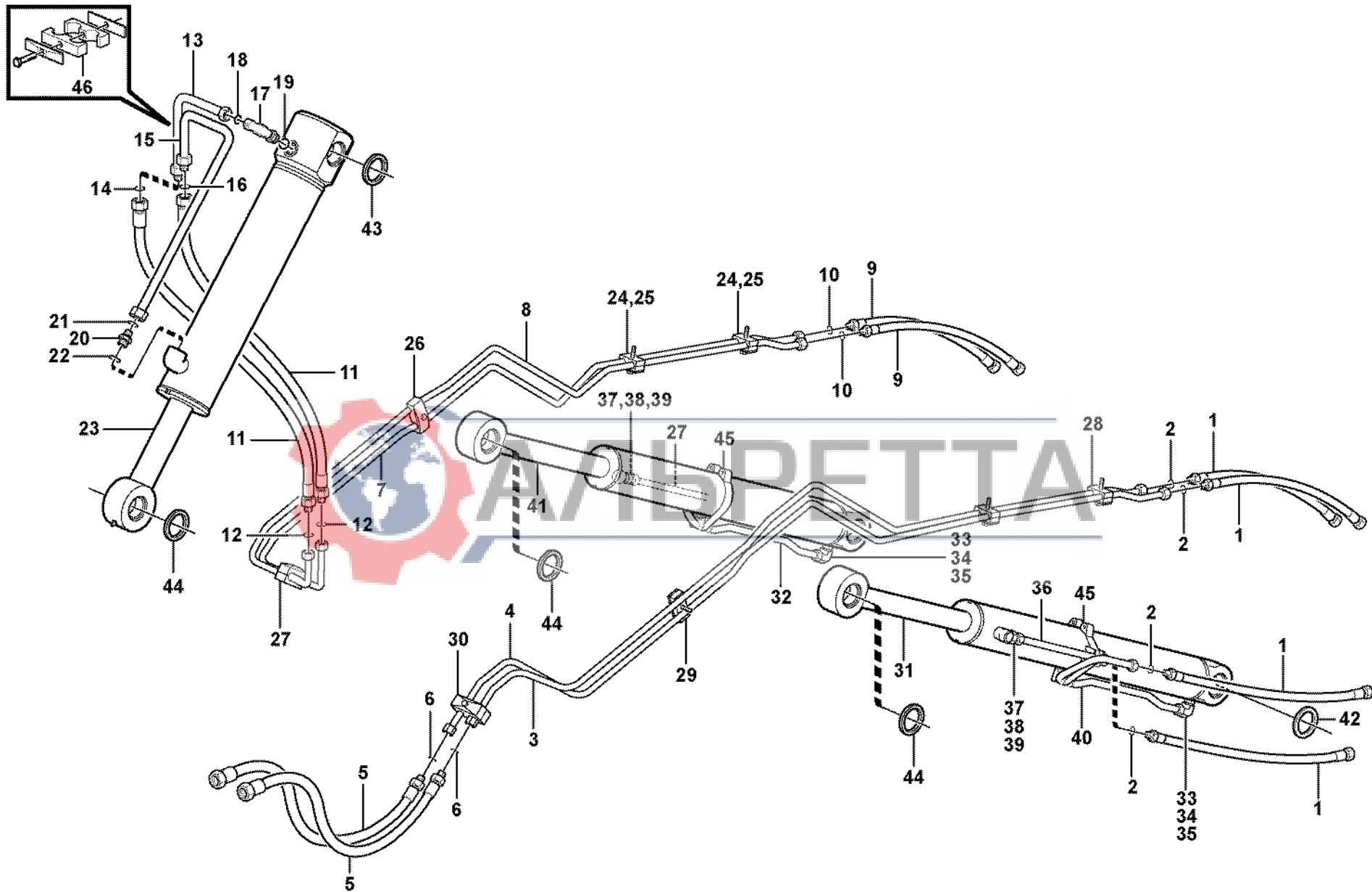


Fig.	Part No.	Quantity					P S	K T	Description	Dénomination	Bezeichnung	Denominación	Benämning	Notes
		1	2	3	4	5								
1	VOE 11882204	2	2		2	2		Hose	Durit.....	Schlauch	Tubo flexible	Slang.....		
2	VOE 4880663		1					•O-ring	•Joint Torique	•O-Ring	•Junta torica.....	•O-ring.....		
3	VOE 11885164	1			1			Tube.....	Tube	Rohr	Tubo	Rör.....	S/N - 14669	
3	VOE 11888398				1			Tube.....	Tube	Rohr	Tubo	Rör.....	S/N 14670 -	
4	VOE 11885163	1			1			Tube.....	Tube	Rohr	Tubo	Rör.....	S/N - 14669	
4	VOE 11888399				1			Tube.....	Tube	Rohr	Tubo	Rör.....	S/N 14670 -	
5	VOE 11881060	2			2			Hose assembly	Conduit flexible.....	Schlauchleitung	Conducto	Slangledning.....		
6	VOE 4880663	1			1			•O-ring	•Joint Torique	•O-Ring	•Junta torica.....	•O-ring.....		
7	VOE 11885151	1		1	1			Tube.....	Tube	Rohr	Tubo	Rör.....		
7	VOE 11888397					1		Tube.....	Tube	Rohr	Tubo	Rör.....		
8	VOE 11885150	1		1	1			Tube.....	Tube	Rohr	Tubo	Rör.....		
8	VOE 11888396					1		Tube.....	Tube	Rohr	Tubo	Rör.....		
9	VOE 11882649		2			2		Hose assembly	Conduit flexible.....	Schlauchleitung	Conducto	Slangledning.....		
10	VOE 990740		2			2		•O-ring	•Joint Torique	•O-Ring	•Junta torica.....	•O-ring.....		
11	VOE 11884228		2			2		Hose	Durit.....	Schlauch	Tubo flexible	Slang.....		
12	VOE 990740		2			2		•O-ring	•Joint Torique	•O-Ring	•Junta torica.....	•O-ring.....		
13	VOE 11882801		1			1		Tube.....	Tube	Rohr	Tubo	Rör.....		
14	VOE 990739		1			1		•O-ring	•Joint Torique	•O-Ring	•Junta torica.....	•O-ring.....		
15	VOE 11882800		1			1		Tube.....	Tube	Rohr	Tubo	Rör.....		
16	VOE 990739		1			1		•O-ring	•Joint Torique	•O-Ring	•Junta torica.....	•O-ring.....		
17	VOE 935079	1		1	1	1		Elbow nipple	Raccord angulaire	Winkelnippel	Niple angular	Vinkelnippel.....		
18	VOE 981289	1		1	1	1		•O-ring	•Joint Torique	•O-Ring	•Junta torica.....	•O-ring.....		
19	VOE 932041	1		1	1	1		•O-ring	•Joint Torique	•O-Ring	•Junta torica.....	•O-ring.....		
20	VOE 13933862	1		1	1	1		Nipple	Raccord	Nippel.....	Niple	Nippel.....		
21	VOE 990740	1		1	1	1		•O-ring	•Joint Torique	•O-Ring	•Junta torica.....	•O-ring.....		
22	VOE 932042	1		1	1	1		•O-ring	•Joint Torique	•O-Ring	•Junta torica.....	•O-ring.....		
23		1		1	1			Cylinder.....	Verin	Zylinder	Cilindro	Cylinder.....	See group 945, Page 805	
24	VOE 11881093	2		2	2	2		Clamp	Pince Serrage	Klemme.....	Abrazadera	Klämma.....		
25	VOE 983267	1		1	1			•Hexagon screw.....	•Vis a tête hexagon	•Sechskantschr.	•Tornillo hexago.....	•Sexkantsskruv.....		
26	VOE 11883229	1		1	1			Clamp	Pince Serrage	Klemme.....	Abrazadera	Klämma.....		



1	11891272, 11891349	Hydraulsystem, lastare Hydraulic system loader Hydraulikanlage, Lader Hydraulic system loader Hydraulic system loader	Catalogue id	Group
2	11880005 S/N - 14669		20002	911
3	11891311, 11891374		Illustr. No	Section
4	11891354		1024589	800
5	11880005 S/N 14670 -		Issue	Page
		VOE 63H9920002	601	



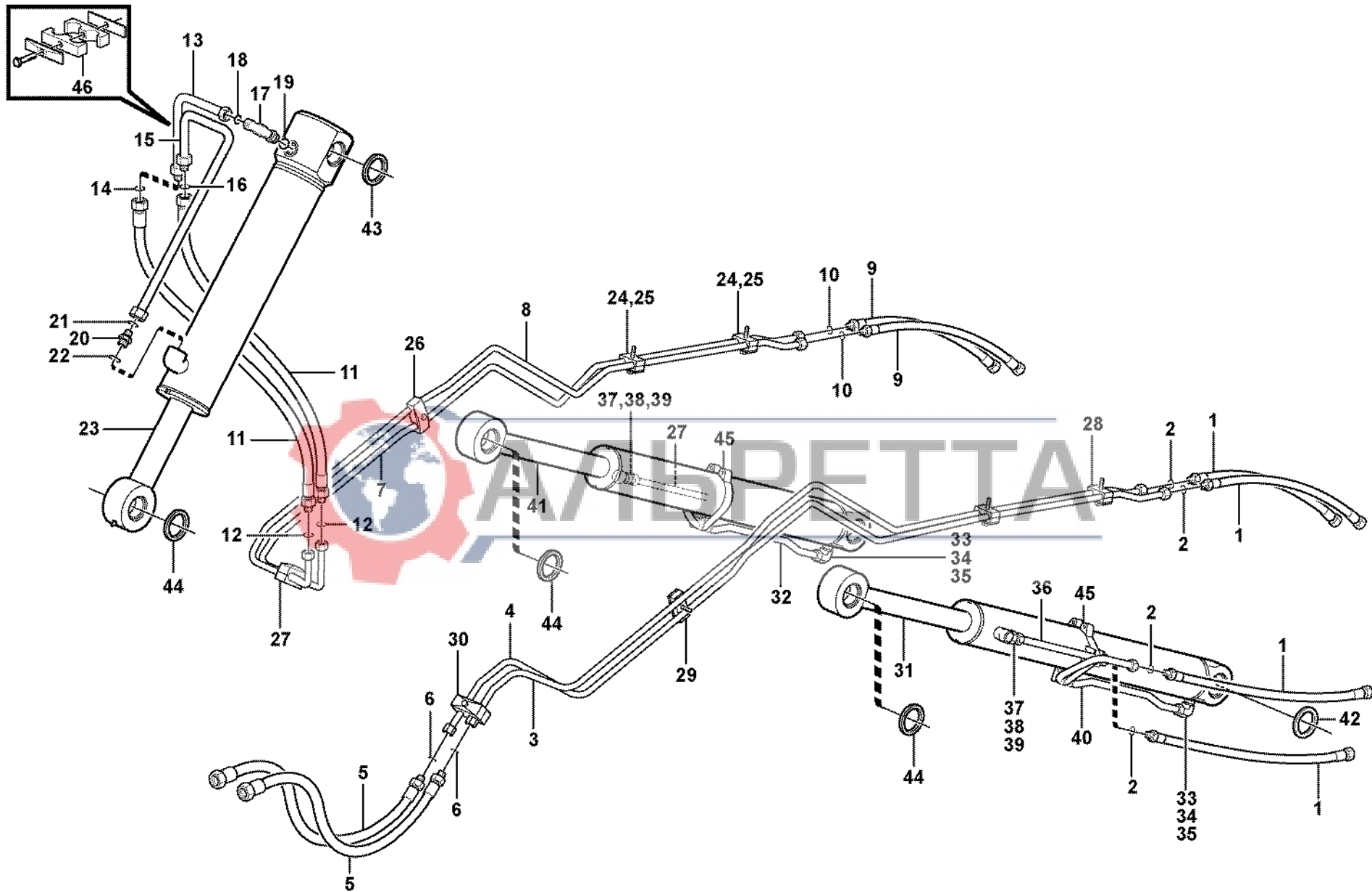


Fig.	Part No.	Quantity					P S	K T	Description	Dénomination	Bezeichnung	Denominación	Benämning	Notes
		1	2	3	4	5								
27	VOE 11881372	1		1	1			Clamp	Pince Serrage	Klemme.....	Abrazadera	Klämma.....		
28	VOE 11881340	2			2			Clamp	Pince Serrage	Klemme.....	Abrazadera	Klämma.....		
29	VOE 11881054	1			1			Clamp	Pince Serrage	Klemme.....	Abrazadera	Klämma.....		
30	VOE 11882854	1			1			Clamp	Pince Serrage	Klemme.....	Abrazadera	Klämma.....		
31		1		1	1	1		Cylinder.....	Verin.....	Zylinder	Cilindro	Cylinder.....	See group 945, Page 803	
32	VOE 11882798					1		Tube.....	Tube	Rohr	Tube	Rör.....		
33	VOE 935076	2		2	2	2		Elbow Nipple.....	Raccord angulaire ..	Winkelnippel	Niple Angular.....	V-nippel.....		
34	VOE 990739	2		2	2	2		•O-ring	•Joint Torique	•O-Ring	•Junta torica.....	•O-ring.....		
35	VOE 932040	2		2	2	2		•O-ring	•Joint Torique	•O-Ring	•Junta torica.....	•O-ring.....		
36	VOE 11882799	2		2	2	2		Tube.....	Tube	Rohr	Tube	Rör.....		
37	VOE 935094	2		2	2	2		Nipple.....	Raccord.....	Nippel.....	Niple	Nippel.....		
38	VOE 4880663	2		2	2	2		•O-ring	•Joint Torique	•O-Ring	•Junta torica.....	•O-ring.....		
39	VOE 932040	2		2	2	2		•O-ring	•Joint Torique	•O-Ring	•Junta torica.....	•O-ring.....		
40	VOE 11881499					1		Tube.....	Tube	Rohr	Tube	Rör.....		
41		1		1	1	1		Cylinder.....	Verin.....	Zylinder	Cilindro	Cylinder.....	See group 945, Page 803	
42	VOE 11890069	4		4	4	4		Seal.....	Joint.....	Dichtung.....	Reten.....	Tätning.....		
43	VOE 11883937	2		2	2	2		Scraper.....	Racloir	Abstreicher.....	Rascador	Skrapa.....		
44	VOE 11883675	6		6	6	6		Scraper.....	Racloir	Abstreicher.....	Rascador	Skrapa.....		
45	VOE 11885203					2		Clamp	Pince Serrage	Klemme.....	Abrazadera	Klämma.....		
46	VOE 11881092					1		Clamp	Pince Serrage	Klemme.....	Abrazadera	Klämma.....		

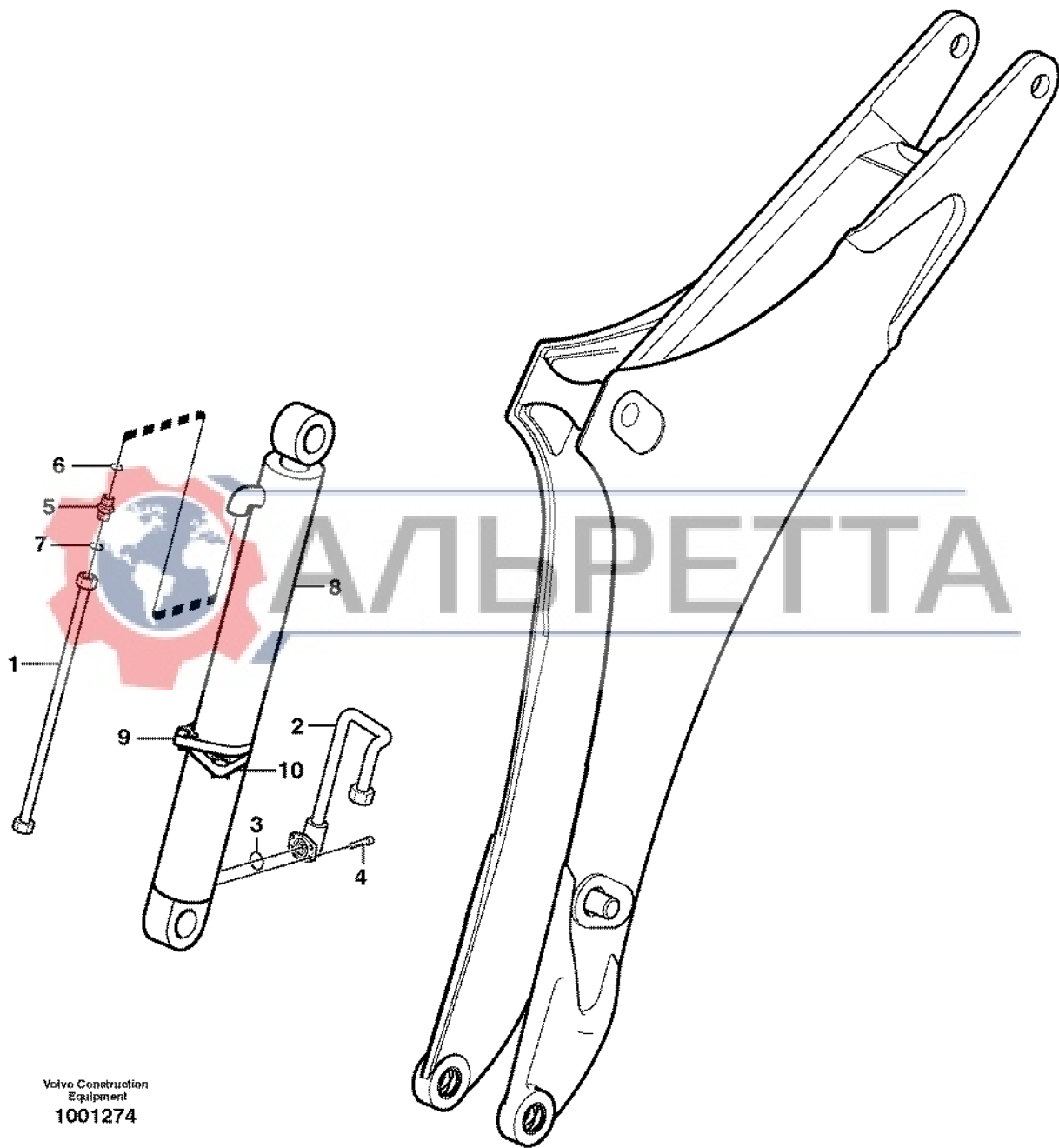


1	11891272, 11891349	Hydraulsystem, lastare Hydraulic system loader Hydraulikanlage, Lader Hydraulic system loader Hydraulic system loader	Catalogue id	Group
2	11880005 S/N - 14669		20002	911
3	11891311, 11891374		Illustr. No	Section
4	11891354		1024589	800
5	11880005 S/N 14670 -		Issue	Page
		VOE 63H9920002	603	

VOLVO

BL71





Volvo Construction
Equipment
1001274

Fig.	Part No.	Quantity			P S	K I T	Description	Dénomination	Bezeichnung	Denominación	Benämning	Notes
		1	2	3								
1	VOE 11891063	1				Pipe.....	Canalisation	Rohrleitung.....	Canalización.....	Rör.....		
2	VOE 11891064	1				Pipe.....	Canalisation	Rohrleitung.....	Canalización.....	Rör.....		
3	VOE 13948699	1				O-ring.....	Joint Torique	O-Ring.....	Junta torica.....	O-ring.....		
4	VOE 967635	4				Allen Hd Screw	Vis A 6 Pans Cr.....	Inbusschraube.....	Torn Hex Embut.....	Insexskruv.....		
5	VOE 13933862	1				Nipple.....	Raccord.....	Nippel.....	Niple.....	Nippel.....		
6	VOE 981289	1				•O-ring.....	•Joint Torique	•O-Ring.....	•Junta torica	•O-ring.....		
7	VOE 932042	1				•O-ring.....	•Joint Torique	•O-Ring.....	•Junta torica	•O-ring.....		
8		1				Boom Cylinder	Verin de fleche	Auslegerzylinder.....	Maquina de flecha.....	Bomcylinder.....	See group 974, Page 833	
9	VOE 11881289	1				Clamp.....	Pince Serrage	Klemme	Abrazadera.....	Klämma.....		
10	VOE 11881101	1				Clamp.....	Pince Serrage	Klemme	Abrazadera.....	Klämma.....		

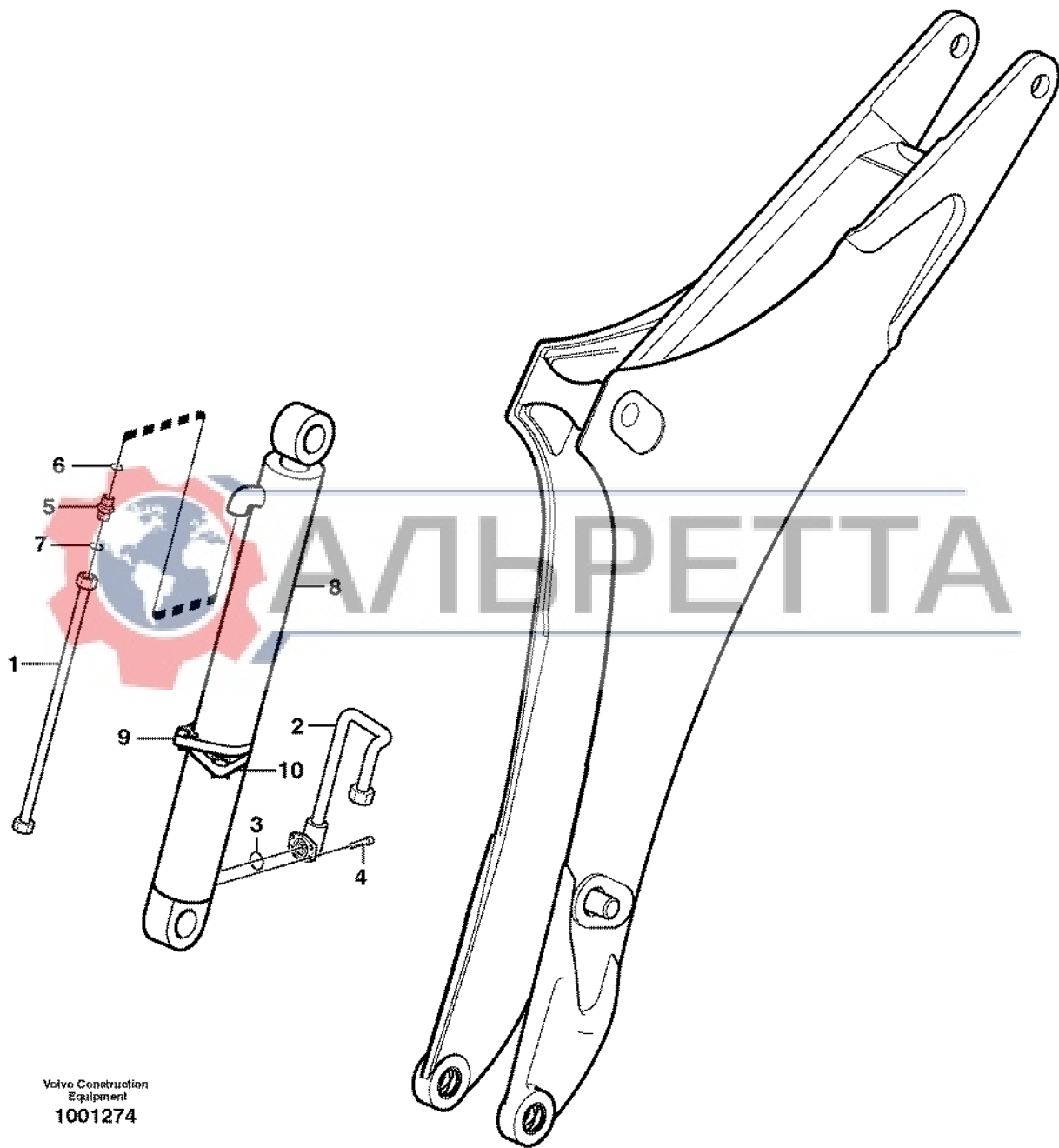


1	Hydraulsystem, grävboom Sistema hidráulico, pluma de excavación Hydraulikanlage, Baggerausleger Système hydraulique, flèche Hydraulic system, boom	Catalogue id	Group
2		20002	911
3		Illustr. No	Section
4		1001274	900
5		Issue	Page
11891273, 11891041, 11891410 S/N - 14669		VOE 63H9920002	605

VOLVO

BL71





Volvo Construction
Equipment
1001274

Fig.	Part No.	Quantity			P S	K I T	Description	Dénomination	Bezeichnung	Denominación	Benämning	Notes
		1	2	3								
1	VOE 11891063	1				Pipe.....	Canalisation	Rohrleitung.....	Canalización.....	Rör.....		
2	VOE 11891064	1				Pipe.....	Canalisation	Rohrleitung.....	Canalización.....	Rör.....		
3	VOE 13948699	1				O-ring.....	Joint Torique	O-Ring.....	Junta torica.....	O-ring.....		
4	VOE 967635	4				Allen Hd Screw	Vis A 6 Pans Cr.....	Inbusschraube.....	Torn Hex Embut.....	Insexskruv.....		
5	VOE 13933862	1				Nipple.....	Raccord.....	Nippel.....	Niple.....	Nippel.....		
6	VOE 981289	1				•O-ring.....	•Joint Torique	•O-Ring.....	•Junta torica	•O-ring.....		
7	VOE 932042	1				•O-ring.....	•Joint Torique	•O-Ring.....	•Junta torica	•O-ring.....		
8	VOE 11881459	1				Boom Cylinder	Verin de fleche	Auslegerzylinder.....	Maquina de flecha.....	Bomcylinder.....	See group 974, Page 833	
9	VOE 11881289	1				Clamp.....	Pince Serrage	Klemme	Abrazadera.....	Klämma.....		
10	VOE 11881101	1				Clamp.....	Pince Serrage	Klemme	Abrazadera.....	Klämma.....		

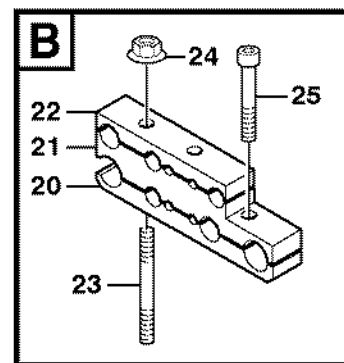
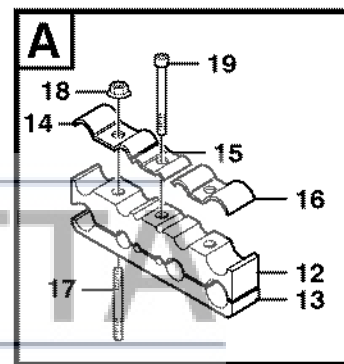
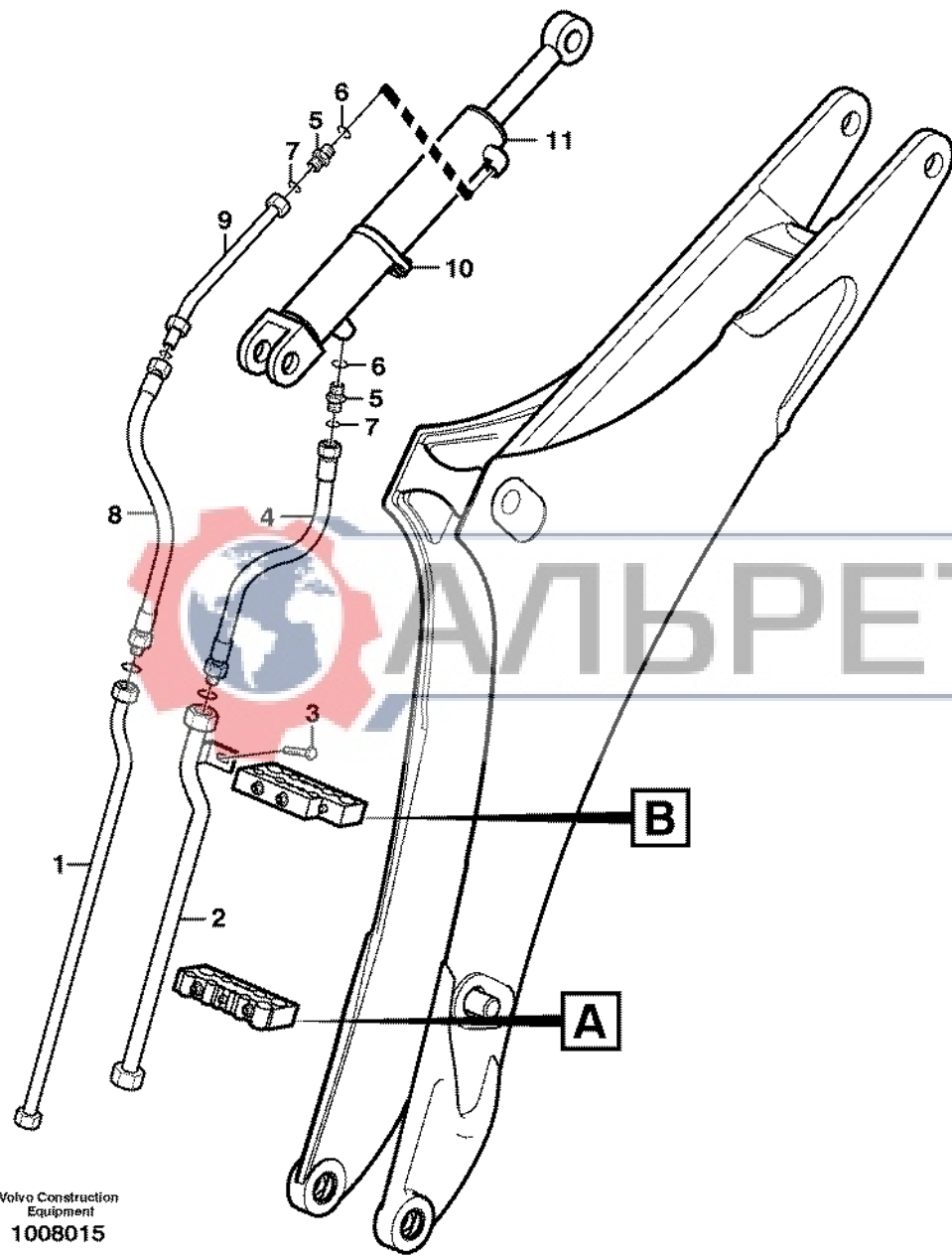


1	Hydraulsystem, grävboom Sistema hidráulico, pluma de excavación Hydraulikanlage, Baggerausleger Système hydraulique, flèche Hydraulic system, boom 11880005, S/N 14670 -	Catalogue id 20002	Group 911	
2		Illustr. No 1001274	Section 910	
3			Issue VOE 63H9920002	Page 607
4				
5				

VOLVO

BL71





Volvo Construction
Equipment
1008015

Fig.	Part No.	Quantity			P S	K I T	Description	Dénomination	Bezeichnung	Denominación	Benämning	Notes
		1	2	3								
1	VOE 11891058	1				Pipe.....	Canalisation	Rohrleitung.....	Canalización.....	Rör.....		
2	VOE 11891062	1				Pipe.....	Canalisation	Rohrleitung.....	Canalización.....	Rör.....		
3	VOE 13967630	1				Allen Hd Screw	Vis A 6 Pans Cr.....	Inbusschraube.....	Torn Hex Embut.....	Insexskruv.....	SER NO -12189	
3	VOE 13945444	1				Flange screw.....	Vis à bride	Flanschschraube.....	Torn embridado.....	Flänsskruv.....	SER NO 12190-	
4	VOE 11882200	1				Hose assembly	Conduit flexible	Schlauchleitung.....	Conducto.....	Slangledning.....		
	VOE 981290	1				•O-ring.....	•Joint Torique	•O-Ring.....	•Junta torica	•O-ring.....		
5	VOE 13933862	2				Nipple.....	Raccord.....	Nippel.....	Niple	Nippel.....		
6	VOE 981289	1				•O-ring.....	•Joint Torique	•O-Ring.....	•Junta torica	•O-ring.....		
7	VOE 932042	1				•O-ring.....	•Joint Torique	•O-Ring.....	•Junta torica	•O-ring.....		
8	VOE 11882201	1				Hose assembly	Conduit flexible	Schlauchleitung.....	Conducto.....	Slangledning.....		
	VOE 981289	1				•O-ring.....	•Joint Torique	•O-Ring.....	•Junta torica	•O-ring.....		
9	VOE 11881937	1				Tube.....	Tube.....	Rohr.....	Tube.....	Rör.....		
	VOE 981289	1				•O-ring.....	•Joint Torique	•O-Ring.....	•Junta torica	•O-ring.....		
10	VOE 11881101	1				Clamp.....	Pince Serrage	Klemme.....	Abrazadera.....	Klämma.....		
11		1				Dipper Cyl. - Boom....	Vérin de balancier - FI	Stielzylinder - Ausleg.	Cilindro de cuchara -	Skaftcylinder - Bom...	See group 975, Page 835	
12	VOE 11881346	1				Clamp.....	Pince Serrage	Klemme.....	Abrazadera.....	Klämma.....		
13	VOE 11881345	1				Clamp.....	Pince Serrage	Klemme.....	Abrazadera.....	Klämma.....		
14	VOE 11881048	1				Clamp.....	Pince Serrage	Klemme.....	Abrazadera.....	Klämma.....		
15	VOE 11881049	1				Clamp.....	Pince Serrage	Klemme.....	Abrazadera.....	Klämma.....		
16	VOE 11882857	1				Clamp.....	Pince Serrage	Klemme.....	Abrazadera.....	Klämma.....		
17	VOE 953059	2				Stud.....	Goujon	Stiftschraube	Esparrago.....	Pinnskruv.....		
18	VOE 961991	2				Hexagon Nut.....	Ecrou Hexagonal	Sechskantmutter	Tuerca Hexagon.....	Sexkantsmutter.....		
19	VOE 967633	1				Allen Hd Screw	Vis A 6 Pans Cr.....	Inbusschraube.....	Torn Hex Embut.....	Insexskruv.....		
20	VOE 11886105	1				Band.....	Etrier Serrage	Schelle	Cinta	Klamma.....	(VOE 11881347)	
21	VOE 11881348	1				Clamp.....	Pince Serrage	Klemme.....	Abrazadera.....	Klämma.....		
22	VOE 11881349	1				Clamp.....	Pince Serrage	Klemme.....	Abrazadera.....	Klämma.....		
23	VOE 953062	2				Stud.....	Goujon	Stiftschraube	Esparrago.....	Pinnskruv.....		
24	VOE 948645	2				Flange Lock Nut.....	Contre écrou bride	Flanschmutter	Contratuer Embr.....	Flänslåsmutter.....		
25	VOE 13949927	1				Allen Hd Screw	Vis A 6 Pans Cr.....	Inbusschraube.....	Torn Hex Embut.....	Insexskruv.....		

1		Hydraulsystem, grävarm Sistema hidráulico, balancín Hydraulikanlage, Baggerstiel Système hydraulique, balancier Hydraulic system dipper arm	Catalogue id	Group
2			20002	911
3			Illustr. No	Section
4			1008015	1000
5			Issue	Page
		11891273, 11891041, 11891410	VOE 63H9920002	609

VOLVO

BL71



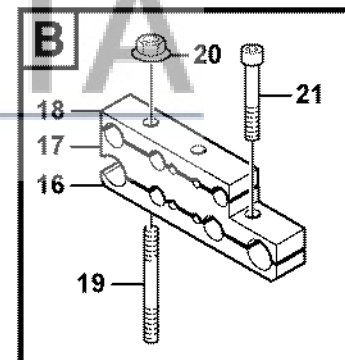
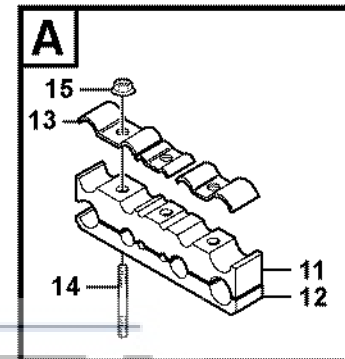
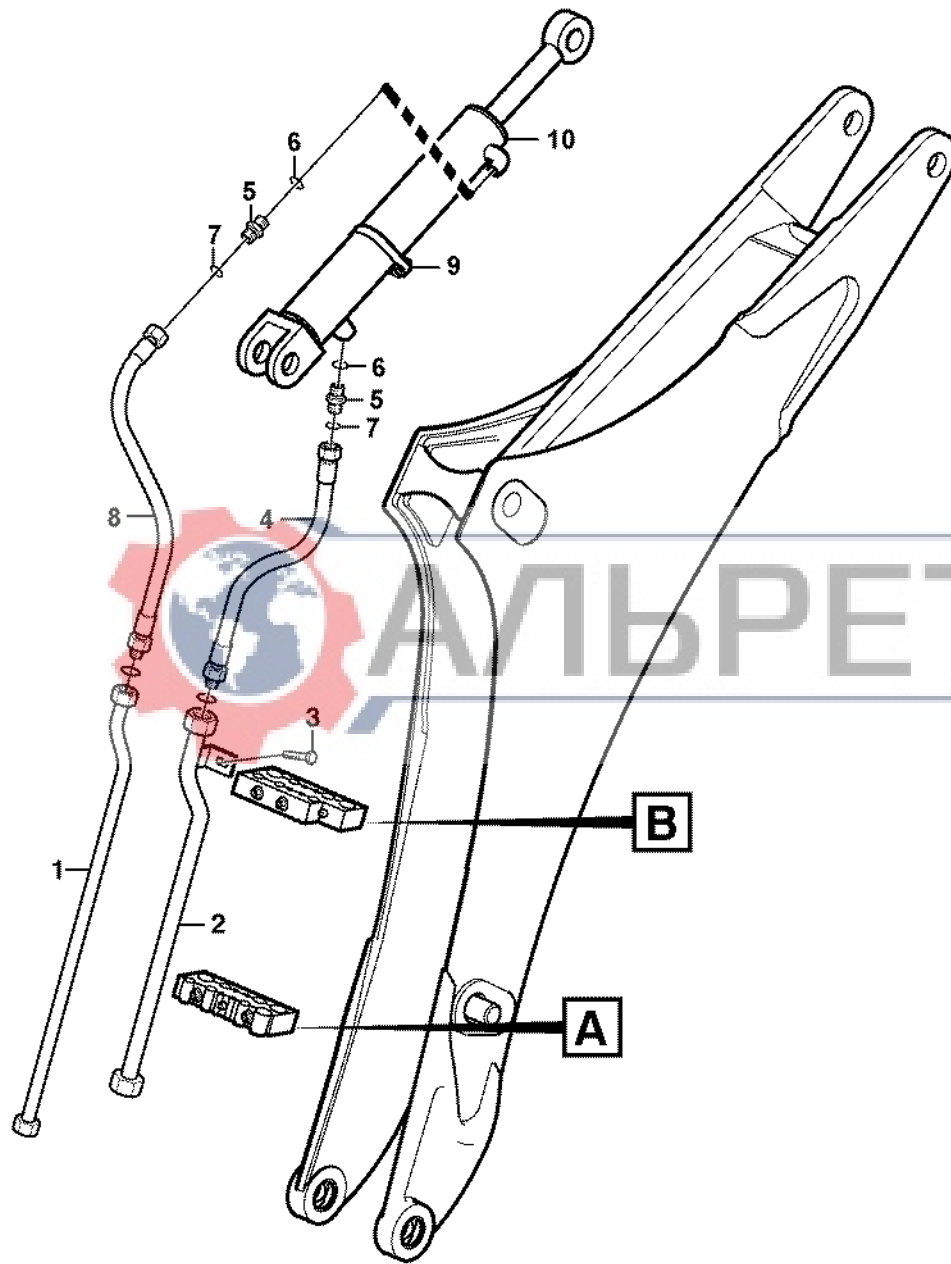


Fig.	Part No.	Quantity			P S	K I T	Description	Dénomination	Bezeichnung	Denominación	Benämning	Notes
		1	2	3								
1	VOE 11891058	1				Pipe.....	Canalisation	Rohrleitung.....	Canalización.....	Rör.....		
2	VOE 11891062	1				Pipe.....	Canalisation	Rohrleitung.....	Canalización.....	Rör.....		
3	VOE 13967630	1				Allen Hd Screw	Vis A 6 Pans Cr.....	Inbusschraube.....	Torn Hex Embut.....	Insexskruv.....	SER NO -12189	
3	VOE 13945444	1				Flange screw.....	Vis à bride	Flanschschraube.....	Torn embridado.....	Flänsskruv.....	SER NO 12190-	
4	VOE 11882200	1				Hose assembly	Conduit flexible	Schlauchleitung.....	Conducto.....	Slangledning.....		
	VOE 981290	1				•O-ring.....	•Joint Torique	•O-Ring.....	•Junta torica	•O-ring.....		
5	VOE 13933862	2				Nipple.....	Raccord.....	Nippel.....	Niple	Nippel.....		
6	VOE 990740	2				•O-ring.....	•Joint Torique	•O-Ring.....	•Junta torica	•O-ring.....		
7	VOE 932042	2				•O-ring.....	•Joint Torique	•O-Ring.....	•Junta torica	•O-ring.....		
8	VOE 11888543	1				Hose assembly	Conduit flexible	Schlauchleitung.....	Conducto.....	Slangledning.....		
9	VOE 11881101	1				Clamp.....	Pince Serrage	Klemme	Abrazadera.....	Klämma.....		
10	VOE 11881460	1				Dipper Arm Cylinder...	Vérin de bras.....	Stielzylinder.....	Cilindro de brazo	Skaftcylinder.....	See group 975, Page 835	
11	VOE 11881346	1				Clamp.....	Pince Serrage	Klemme	Abrazadera.....	Klämma.....		
12	VOE 11886105	1				Band.....	Etrier Serrage	Schelle	Cinta	Klamma.....		
13	VOE 11887870	1				Clamp.....	Pince Serrage	Klemme	Abrazadera.....	Klämma.....		
14	VOE 953059	2				Stud.....	Goujon	Stiftschraube	Esparrago.....	Pinnskruv.....		
15	VOE 961991	2				Hexagon Nut.....	Ecrou Hexagonal	Sechskantmutter	Tuerca Hexagon.....	Sexkantsmutter.....		
16	VOE 11886105	1				Band.....	Etrier Serrage	Schelle	Cinta	Klamma.....	(VOE 11881347)	
17	VOE 11881348	1				Clamp.....	Pince Serrage	Klemme	Abrazadera.....	Klämma.....		
18	VOE 11881349	1				Clamp.....	Pince Serrage	Klemme	Abrazadera.....	Klämma.....		
19	VOE 11885982	2				Stud.....	Goujon	Stiftschraube	Esparrago.....	Pinnskruv.....		
20	VOE 961991	2				Hexagon Nut.....	Ecrou Hexagonal	Sechskantmutter	Tuerca Hexagon.....	Sexkantsmutter.....		
21	VOE 13949927	1				Allen Hd Screw	Vis A 6 Pans Cr.....	Inbusschraube.....	Torn Hex Embut.....	Insexskruv.....		

1		Hydraulsystem, grävarm Sistema hidráulico, balancín Hydraulikanlage, Baggerstiel Système hydraulique, balancier Hydraulic system dipper arm	Catalogue id	Group
2			20002	911
3			Illustr. No	Section
4			1024672	1010
5			Issue	Page
		11880005, S/N 14670 -	VOE 63H9920002	611

VOLVO

BL71



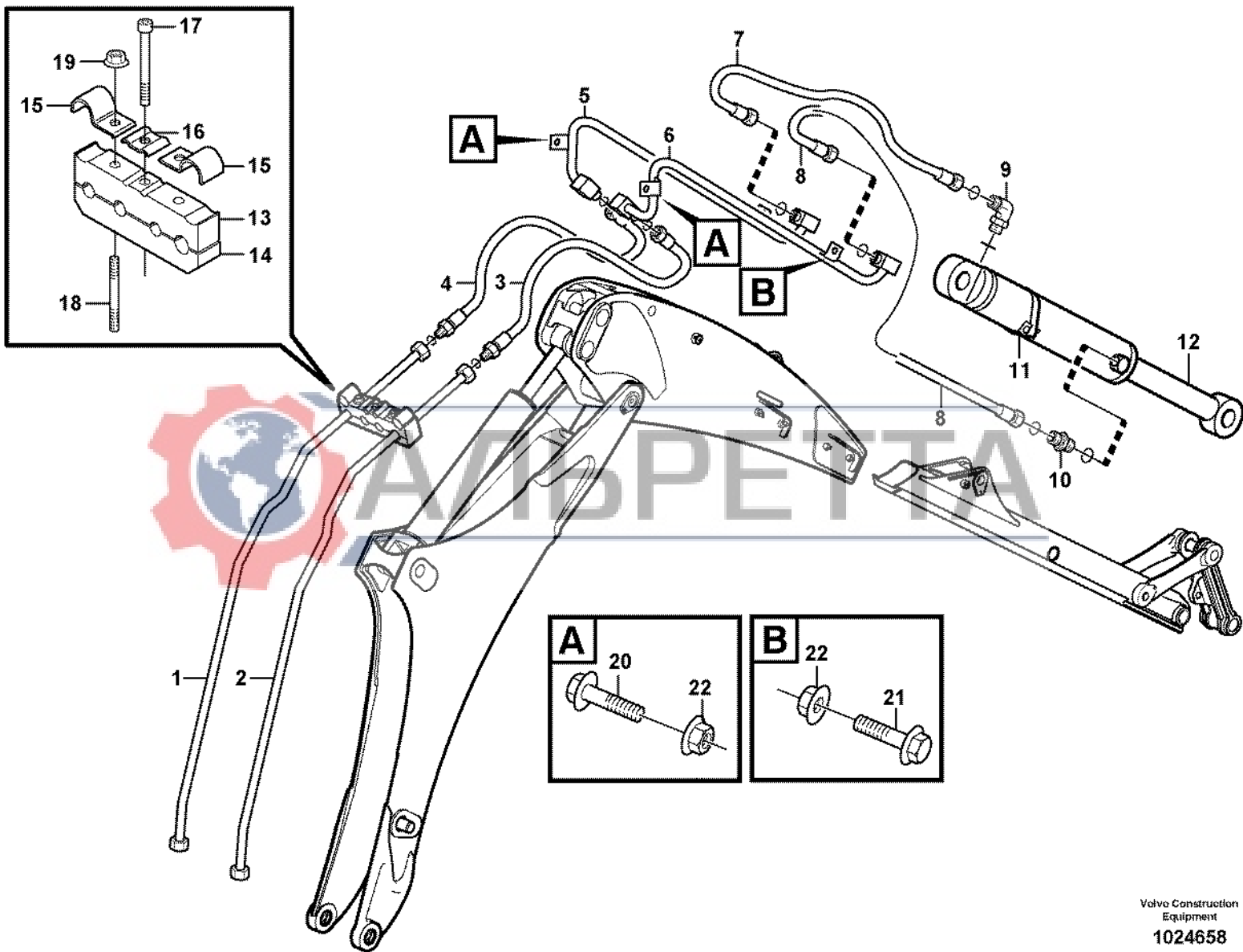
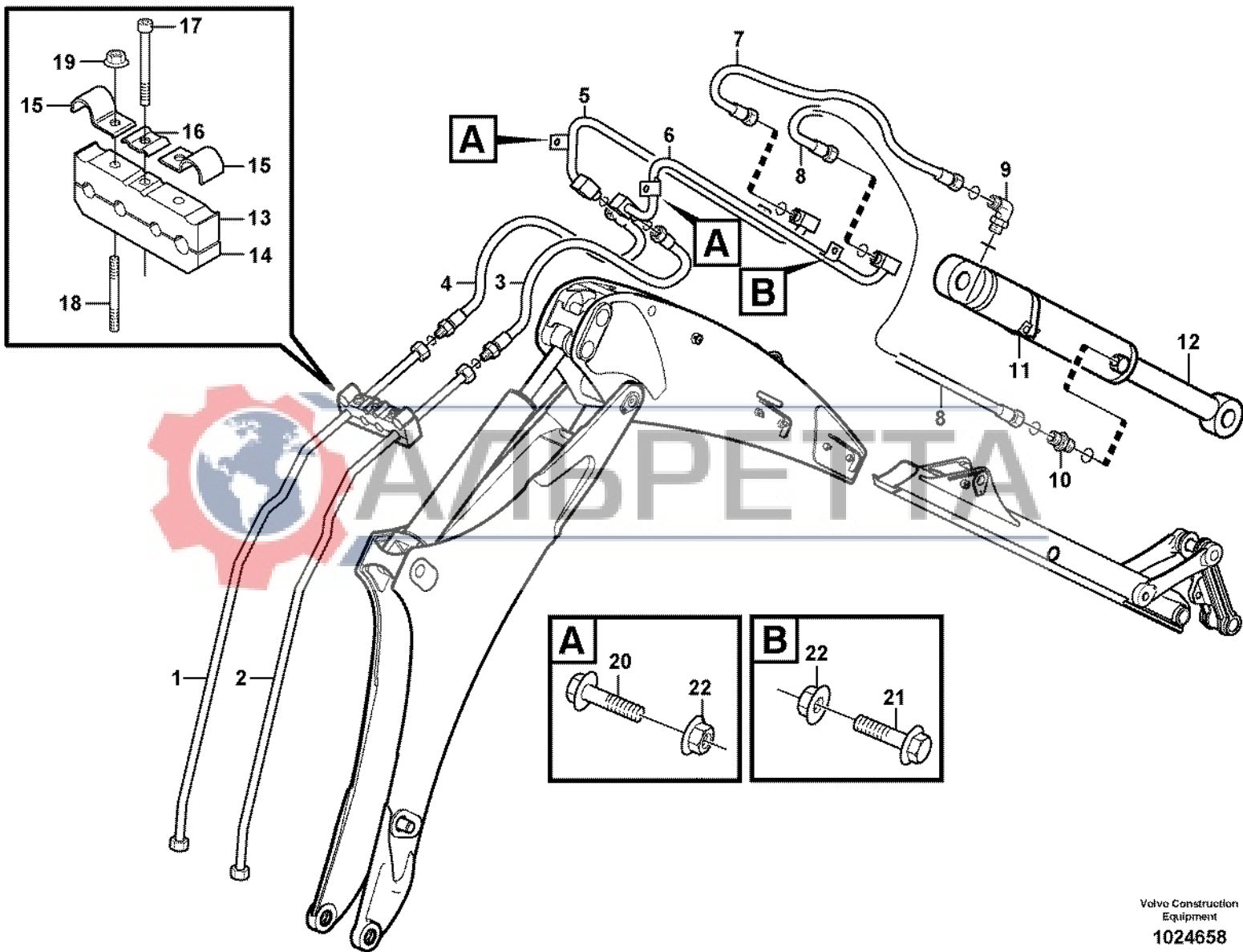


Fig.	Part No.	Quantity			P S	K I T	Description	Dénomination	Bezeichnung	Denominación	Benämning	Notes
		1	2	3								
1	VOE 11891056	1				Pipe.....	Canalisation	Rohrleitung.....	Canalización.....	Rör.....		
2	VOE 11891054	1				Pipe.....	Canalisation	Rohrleitung.....	Canalización.....	Rör.....		
4	VOE 11882203	1				Hose assembly	Conduit flexible	Schlauchleitung.....	Conducto.....	Slangledning.....		
	VOE 990740	1				•O-ring.....	•Joint Torique	•O-Ring.....	•Junta torica	•O-ring.....		
3	VOE 11881638	1				Hose assembly	Conduit flexible	Schlauchleitung.....	Conducto.....	Slangledning.....		
	VOE 990739	1				•O-ring.....	•Joint Torique	•O-Ring.....	•Junta torica	•O-ring.....		
5	VOE 11886476	1				Feed Pipe.....	Conduit Entree	Einlaufrohr.....	Tubo Entrada	Tillopsrör.....		
	VOE 990738	2				O-ring.....	Joint Torique	O-Ring.....	Junta torica.....	O-ring.....		
6	VOE 11886480	1				Feed Pipe.....	Conduit Entree	Einlaufrohr.....	Tubo Entrada	Tillopsrör.....		
	VOE 990739	2				O-ring.....	Joint Torique	O-Ring.....	Junta torica.....	O-ring.....		
7	VOE 11882205	1				Hose assembly	Conduit flexible	Schlauchleitung.....	Conducto.....	Slangledning.....	S/N - 12655 L = 1400 MM	
7	VOE 11887018	1				Hose.....	Durit	Schlauch	Tubo flexible.....	Slang.....	S/N 12656 - 14669 L = 1300 MM	
7		1				Hose assembly	Conduit flexible	Schlauchleitung.....	Conducto.....	Slangledning.....	L = 1400 MM S/N 14670 - See group 911, Page 617	
	VOE 990740	1				•O-ring.....	•Joint Torique	•O-Ring.....	•Junta torica	•O-ring.....		
8	VOE 11882206	1				Hose assembly	Conduit flexible	Schlauchleitung.....	Conducto.....	Slangledning.....	S/N - 12655 L= 1400 MM	
8	VOE 11887019	1				Hose.....	Durit	Schlauch	Tubo flexible.....	Slang.....	S/N 12656 - 14669 L = 1400 MM	
8		1				Hose assembly	Conduit flexible	Schlauchleitung.....	Conducto.....	Slangledning.....	S/N 14670 - L = 2150 MM See group 911, Page 617	
	VOE 990739	1				•O-ring.....	•Joint Torique	•O-Ring.....	•Junta torica	•O-ring.....		
9	VOE 13933864	1				Elbow nipple.....	Raccord angulaire.....	Winkelnippel.....	Niple angular	Vinkelnippel.....		
	VOE 990740	1				•O-ring.....	•Joint Torique	•O-Ring.....	•Junta torica	•O-ring.....		
	VOE 932042	1				•O-ring.....	•Joint Torique	•O-Ring.....	•Junta torica	•O-ring.....		
10	VOE 935094	1				Nipple.....	Raccord.....	Nippel.....	Niple	Nippel.....		
	VOE 990739	1				•O-ring.....	•Joint Torique	•O-Ring.....	•Junta torica	•O-ring.....		
	VOE 932040	1				•O-ring.....	•Joint Torique	•O-Ring.....	•Junta torica	•O-ring.....		
11	VOE 11881292	1				Clamp.....	Pince Serrage	Klemme.....	Abrazadera.....	Klämma.....		
12	VOE 11888094	1				Cylinder.....	Verin.....	Zylinder	Cilindro	Cylinder.....		

1		Hydraulsystem, skopa Sistema hidráulico, cuchara Hydraulikanlage, Löffel Système hydraulique, godet Hydraulic system, bucket	Catalogue id	Group
2			20002	911
3			Illustr. No	Section
4			1024658	1100
5			Issue	Page
		11891273 S/N - 14669	VOE 63H9920002	613



АДЪРЕТТА

Fig.	Part No.	Quantity			P S	K I T	Description	Dénomination	Bezeichnung	Denominación	Benämning	Notes
		1	2	3								
13	VOE 11881344	1				Clamp.....	Pince Serrage	Klemme	Abrazadera.....	Klämma.....		
14	VOE 11881343	1				Clamp.....	Pince Serrage	Klemme	Abrazadera.....	Klämma.....		
15	VOE 11881053	2				Clamp.....	Pince Serrage	Klemme	Abrazadera.....	Klämma.....	See group 911, Page 585	
16	VOE 11881049	1				Clamp.....	Pince Serrage	Klemme	Abrazadera.....	Klämma.....		
17	VOE 967631	1				Allen Hd Screw	Vis A 6 Pans Cr.....	Inbusschraube.....	Torn Hex Embut.....	Insexskruv.....		
18	VOE 11885982	2				Stud.....	Goujon	Stiftschraube	Esparrago.....	Pinnskruv.....		
19	VOE 983306	2				Hexagon Nut.....	Ecrou Hexagonal	Sechskantmutter	Tuerca Hexagon.....	Sexkantsmutter.....		
20	VOE 946671	2				Flange screw.....	Vis à bride	Flanschschraube.....	Torn embridado	Flänsskruv.....		
21	VOE 13946173	2				Flange screw.....	Vis à bride	Flanschschraube.....	Torn embridado	Flänsskruv.....		
22	VOE 13945408	4				Nut	Ecrou.....	Mutter	Tuerca	Mutter.....		



1	Hydraulsystem, skopa Sistema hidráulico, cuchara Hydraulikanlage, Löffel Système hydraulique, godet Hydraulic system, bucket	Catalogue id	Group
2		20002	911
3		Illustr. No	Section
4		1024658	1100
5		Issue	Page
	11891273 S/N - 14669	VOE 63H9920002	615

VOLVO

BL71



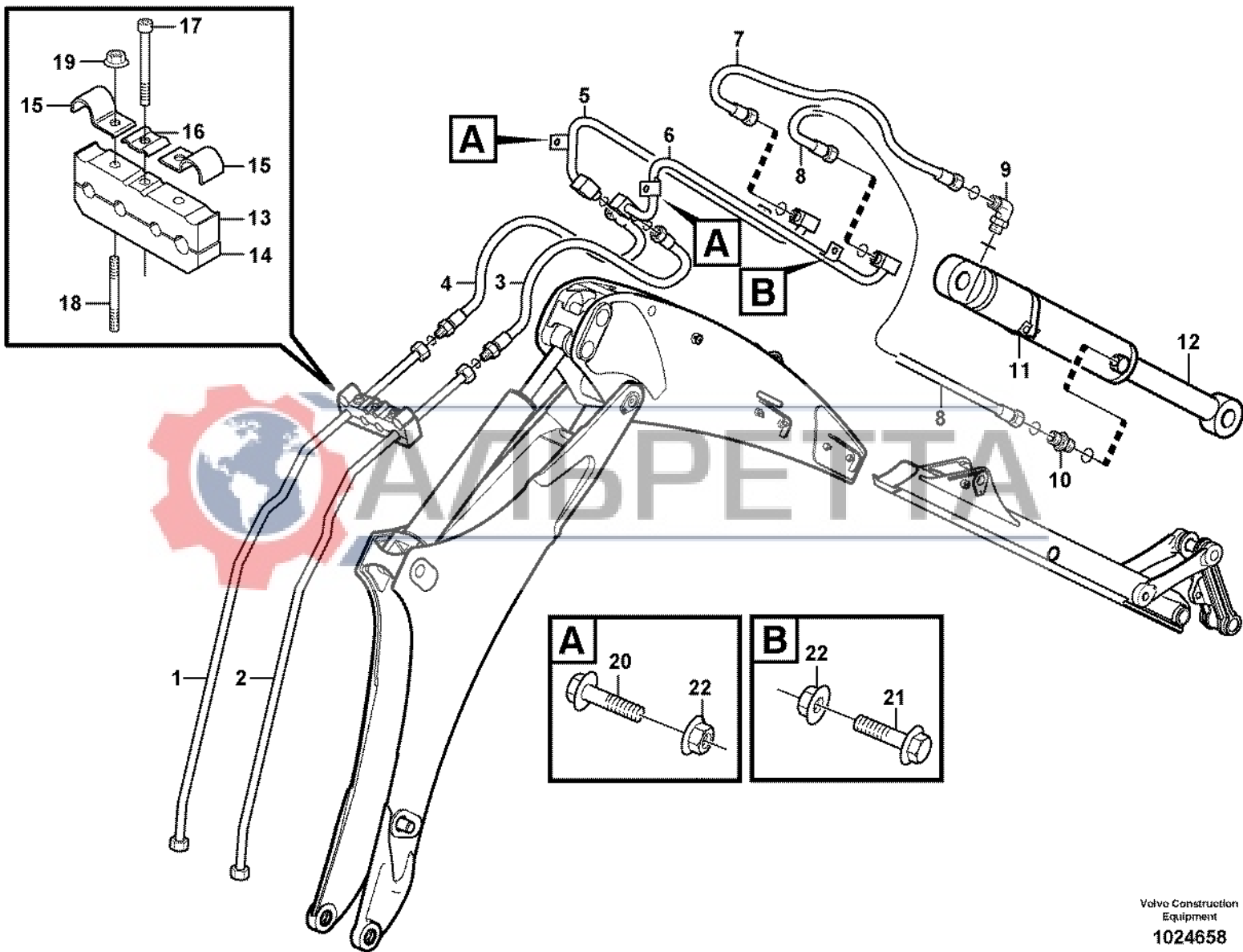


Fig.	Part No.	Quantity			P S	K I T	Description	Dénomination	Bezeichnung	Denominación	Benämning	Notes
		1	2	3								
1	VOE 11891056	1				Pipe.....	Canalisation	Rohrleitung.....	Canalización.....	Rör.....		
2	VOE 11891054	1				Pipe.....	Canalisation	Rohrleitung.....	Canalización.....	Rör.....		
3	VOE 11882203	1				Hose assembly	Conduit flexible	Schlauchleitung.....	Conducto.....	Slangedning.....		
	VOE 990740	1				•O-ring.....	•Joint Torique	•O-Ring.....	•Junta torica	•O-ring.....		
4	VOE 11881638	1				Hose assembly	Conduit flexible	Schlauchleitung.....	Conducto.....	Slangedning.....		
	VOE 990739	1				•O-ring.....	•Joint Torique	•O-Ring.....	•Junta torica	•O-ring.....		
5	VOE 11886476	1				Feed Pipe.....	Conduit Entree	Einlaufrohr.....	Tubo Entrada	Tilloppsrör.....		
	VOE 990738	2				O-ring.....	Joint Torique	O-Ring.....	Junta torica.....	O-ring.....		
6	VOE 11886480	1				Feed Pipe.....	Conduit Entree	Einlaufrohr.....	Tubo Entrada	Tilloppsrör.....		
	VOE 9907393	2				O-ring.....	Joint Torique	O-Ring.....	Junta torica.....	O-ring.....		
7	VOE 11888795	1				Hose assembly	Conduit flexible	Schlauchleitung.....	Conducto.....	Slangedning.....		
8	VOE 11888796	1				Hose assembly	Conduit flexible	Schlauchleitung.....	Conducto.....	Slangedning.....		
9	VOE 13933864	1				Elbow nipple.....	Raccord angulaire.....	Winkel nipple.....	Niple angular	Vinkel nipple.....		
	VOE 990740	1				•O-ring.....	•Joint Torique	•O-Ring.....	•Junta torica	•O-ring.....		
	VOE 932042	1				•O-ring.....	•Joint Torique	•O-Ring.....	•Junta torica	•O-ring.....		
10	VOE 935094	1				Nipple.....	Raccord.....	Nippel.....	Niple	Nippel.....		
	VOE 990739	1				•O-ring.....	•Joint Torique	•O-Ring.....	•Junta torica	•O-ring.....		
	VOE 932040	1				•O-ring.....	•Joint Torique	•O-Ring.....	•Junta torica	•O-ring.....		
11	VOE 11881292	1				Clamp.....	Pince Serrage.....	Klemme.....	Abrazadera.....	Klämma.....		
12	VOE 11888094	1				Cylinder.....	Verin.....	Zylinder.....	Cilindro.....	Cylinder.....		
13	VOE 11881344	1				Clamp.....	Pince Serrage.....	Klemme.....	Abrazadera.....	Klämma.....		
14	VOE 11881343	1				Clamp.....	Pince Serrage.....	Klemme.....	Abrazadera.....	Klämma.....		
15	VOE 11881053	2				Clamp.....	Pince Serrage.....	Klemme.....	Abrazadera.....	Klämma.....		
16	VOE 11881049	1				Clamp.....	Pince Serrage.....	Klemme.....	Abrazadera.....	Klämma.....		
17	VOE 967631	1				Allen Hd Screw	Vis A 6 Pans Cr.....	Inbusschraube.....	Torn Hex Embut	Insexskruv.....		
18	VOE 11885982	2				Stud.....	Goujon	Stiftschraube	Esparrago.....	Pinnskruv.....		
19	VOE 961991	2				Hexagon Nut.....	Ecrou Hexagonal	Sechskantmutter	Tuerca Hexagon.....	Sexkantsmutter.....		
26	VOE 13947760	2				Flange screw.....	Vis à bride	Flanschschraube	Torn embridado.....	Flänsskruv.....		
27	VOE 13945444	2				Flange screw.....	Vis à bride	Flanschschraube	Torn embridado.....	Flänsskruv.....		
28	VOE 13945408	4				Nut.....	Ecrou.....	Mutter.....	Tuerca.....	Mutter.....		

1		Hydraulsystem, skopa Sistema hidráulico, cuchara Hydraulikanlage, Löffel Système hydraulique, godet Hydraulic system, bucket 11891273 S/N 14670 -	Catalogue id	Group
2			20002	911
3			Illustr. No	Section
4			1024658	1110
5			Issue	Page
			VOE 63H9920002	617

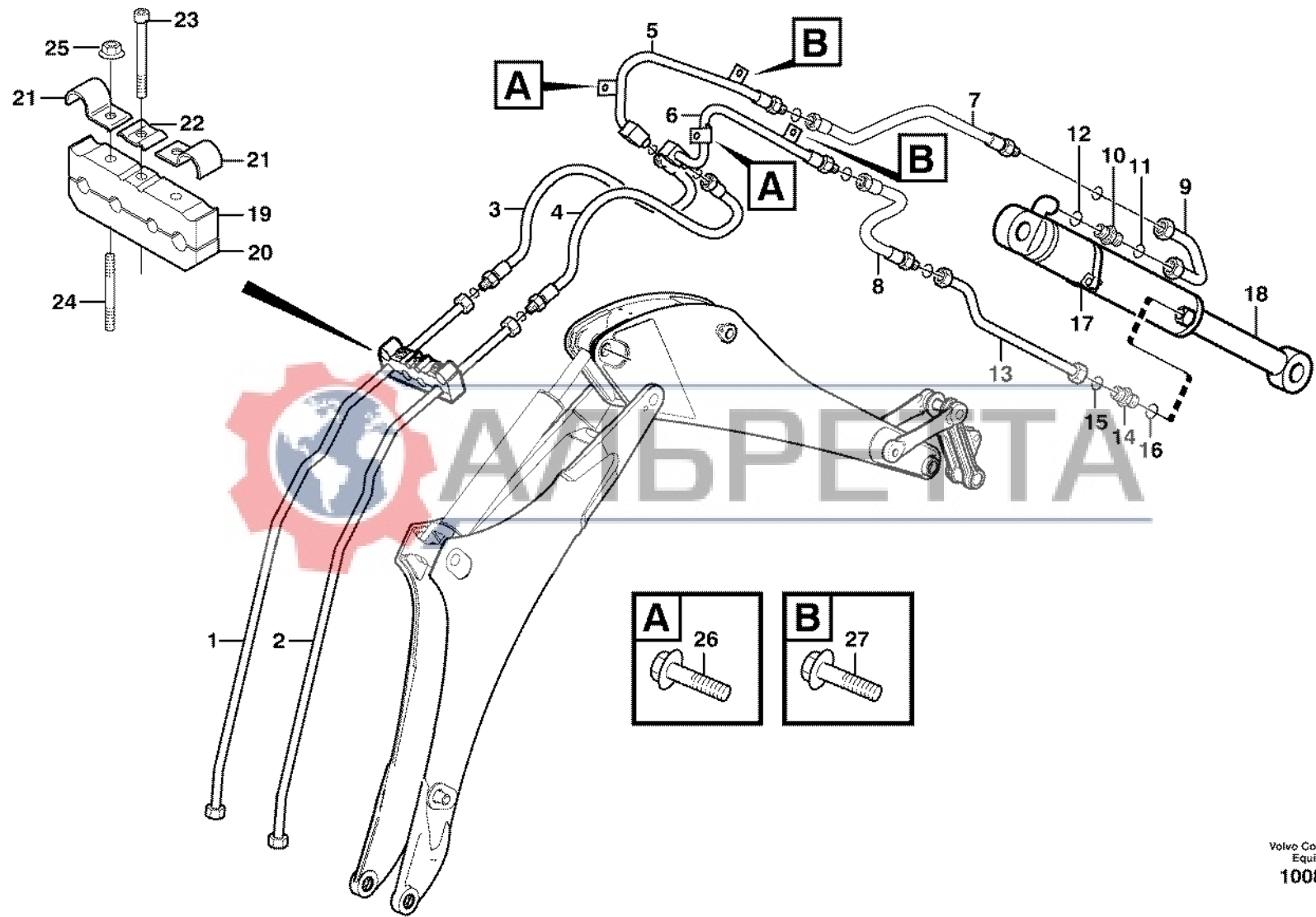


Fig.	Part No.	Quantity			P S	K I T	Description	Dénomination	Bezeichnung	Denominación	Benämning	Notes
		1	2	3								
1	VOE 11891056	1				Pipe.....	Canalisation	Rohrleitung.....	Canalización.....	Rör.....		
2	VOE 11891054	1				Pipe.....	Canalisation	Rohrleitung.....	Canalización.....	Rör.....		
3	VOE 11882203	1				Hose assembly	Conduit flexible	Schlauchleitung.....	Conducto.....	Slangledning.....		
	VOE 981289	1				•O-ring.....	•Joint Torique	•O-Ring.....	•Junta torica	•O-ring.....		
4	VOE 11881638	1				Hose assembly	Conduit flexible	Schlauchleitung.....	Conducto.....	Slangledning.....		
	VOE 4880663	1				•O-ring.....	•Joint Torique	•O-Ring.....	•Junta torica	•O-ring.....		
5	VOE 11885243	1				Pipe.....	Canalisation	Rohrleitung.....	Canalización.....	Rör.....		
	VOE 4880493	2				O-ring.....	Joint Torique	O-Ring.....	Junta torica.....	O-ring.....		
6	VOE 11885242	1				Pipe.....	Canalisation	Rohrleitung.....	Canalización.....	Rör.....		
	VOE 4880663	2				O-ring.....	Joint Torique	O-Ring.....	Junta torica.....	O-ring.....		
7	VOE 11882203	1				Hose assembly	Conduit flexible	Schlauchleitung.....	Conducto.....	Slangledning.....		
	VOE 981289	1				•O-ring.....	•Joint Torique	•O-Ring.....	•Junta torica	•O-ring.....		
8	VOE 11881638	1				Hose assembly	Conduit flexible	Schlauchleitung.....	Conducto.....	Slangledning.....		
	VOE 4880663	1				O-ring.....	Joint Torique	O-Ring.....	Junta torica.....	O-ring.....		
9	VOE 11891088	1				Pipe.....	Canalisation	Rohrleitung.....	Canalización.....	Rör.....		
10	VOE 13933862	1				Nipple.....	Raccord.....	Nippel.....	Niple.....	Nippel.....		
11	VOE 981289	1				•O-ring.....	•Joint Torique	•O-Ring.....	•Junta torica	•O-ring.....		
12	VOE 932042	1				•O-ring.....	•Joint Torique	•O-Ring.....	•Junta torica	•O-ring.....		
13	VOE 11885152	1				Tube.....	Tube.....	Rohr.....	Tube.....	Rör.....		
14	VOE 935094	1				Nipple.....	Raccord.....	Nippel.....	Niple.....	Nippel.....		
15	VOE 4880663	1				•O-ring.....	•Joint Torique	•O-Ring.....	•Junta torica	•O-ring.....		
16	VOE 932040	1				•O-ring.....	•Joint Torique	•O-Ring.....	•Junta torica	•O-ring.....		
17	VOE 11881292	1				Clamp.....	Pince Serrage	Klemme.....	Abrazadera.....	Klämma.....		
18		1				Bucket Cylinder.....	Verin de godet.....	Löffelzylinder.....	Maquina de copa.....	Skopocylinder.....	See group 975, Page 837	
19	VOE 11881344	1				Clamp.....	Pince Serrage	Klemme.....	Abrazadera.....	Klämma.....		
20	VOE 11881343	1				Clamp.....	Pince Serrage	Klemme.....	Abrazadera.....	Klämma.....		
21	VOE 11881053	2				Clamp.....	Pince Serrage	Klemme.....	Abrazadera.....	Klämma.....	See group 911, Page 585	
22	VOE 11881049	1				Clamp.....	Pince Serrage	Klemme.....	Abrazadera.....	Klämma.....		
23	VOE 967631	1				Allen Hd Screw	Vis A 6 Pans Cr.....	Inbusschraube.....	Torn Hex Embut.....	Insexskruv.....		
24	VOE 953062	2				Stud.....	Goujon	Stiftschraube.....	Esparrago.....	Pinnskruv.....		

1		Hydraulsystem, skopa Sistema hidráulico, cuchara Hydraulikanlage, Löffel Système hydraulique, godet Hydraulic system, bucket	Catalogue id	Group
2			20002	911
3			Illustr. No	Section
4			1008784	1150
5			Issue	Page
		11891041, 11891410	VOE 63H9920002	619



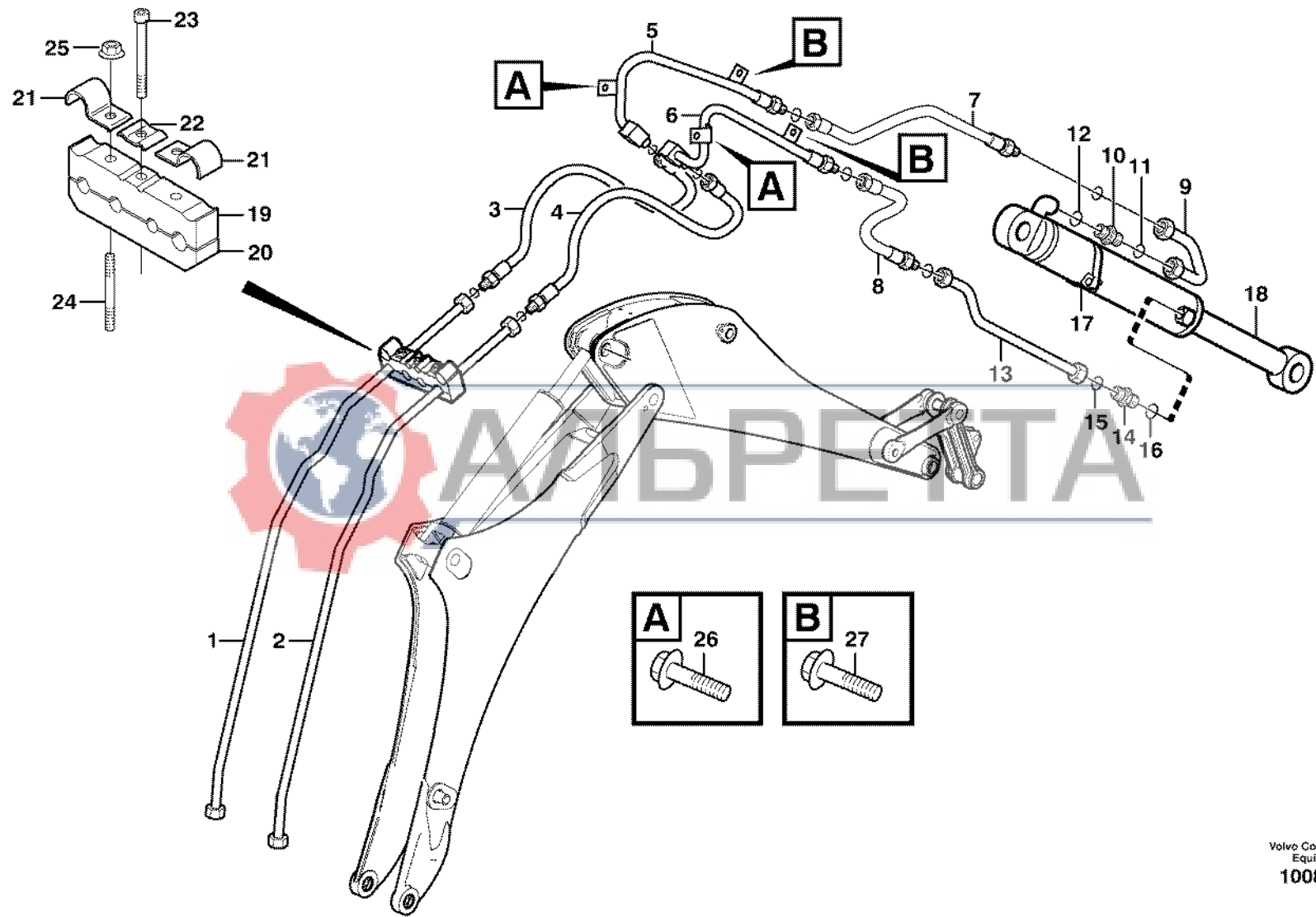


Fig.	Part No.	Quantity			P S	K I T	Description	Dénomination	Bezeichnung	Denominación	Benämning	Notes
		1	2	3								
25	VOE 948645	2				Flange Lock Nut.....	Contre écrou bride	Flanschmutter	Contratuer Embr.....	Flänslåsmutter.....		
26	VOE 13965175	2				Screw	Vis	Schraube.....	Tornillo	Skruv.....		
27	VOE 13945444	2				Flange screw.....	Vis à bride	Flanschschraube.....	Torn embridado	Flänsskruv.....		



1		Hydraulsystem, skopa Sistema hidráulico, cuchara Hydraulikanlage, Löffel Système hydraulique, godet Hydraulic system, bucket	Catalogue id	Group
2			20002	911
3			Illustr. No	Section
4			1008784	1150
5			Issue	Page
		11891041, 11891410	VOE 63H9920002	621

VOLVO

BL71



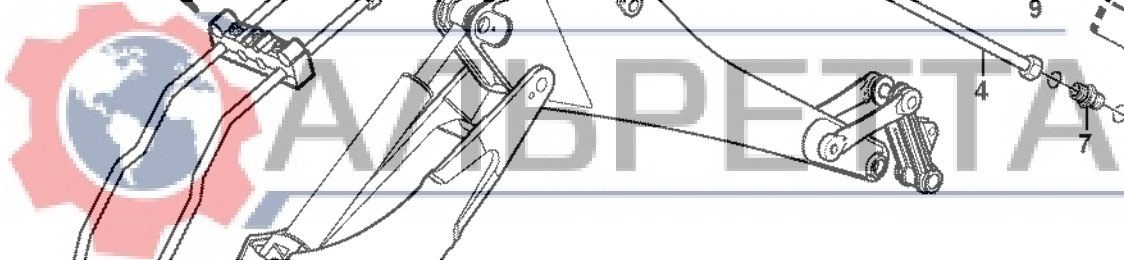
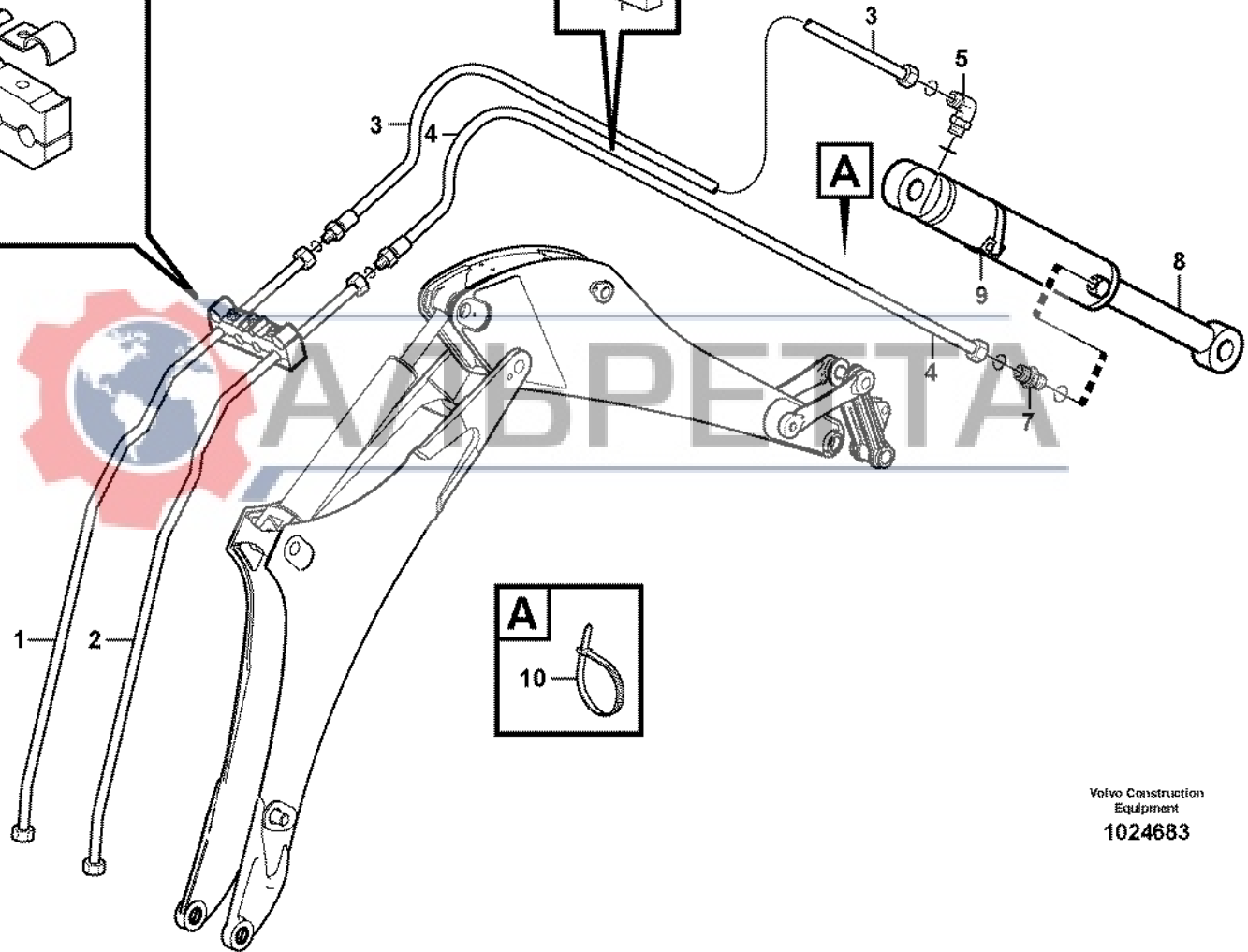
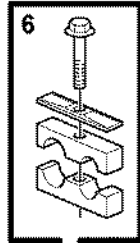
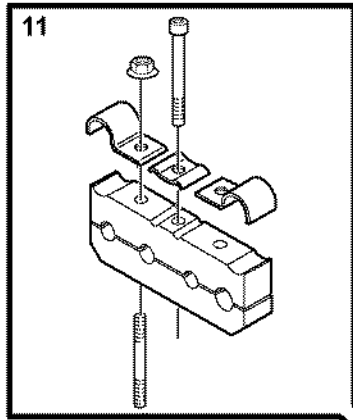


Fig.	Part No.	Quantity			P S	K I T	Description	Dénomination	Bezeichnung	Denominación	Benämning	Notes
		1	2	3								
1	VOE 11891056	1				Pipe.....	Canalisation	Rohrleitung.....	Canalización.....	Rör.....		
2	VOE 11891054	1				Pipe.....	Canalisation	Rohrleitung.....	Canalización.....	Rör.....		
3	VOE 11888545		1	1		Hose assembly	Conduit flexible	Schlauchleitung.....	Conducto.....	Slangedning.....		
	VOE 990740		1	1		•O-ring.....	•Joint Torique	•O-Ring.....	•Junta torica	•O-ring.....		
4	VOE 11888544		1	1		Hose assembly	Conduit flexible	Schlauchleitung.....	Conducto.....	Slangedning.....		
	VOE 990739		1	1		•O-ring.....	•Joint Torique	•O-Ring.....	•Junta torica	•O-ring.....		
5	VOE 13933864	1				Elbow nipple.....	Raccord angulaire.....	Winkelnippel.....	Niple angular.....	Vinkelnippel.....		
	VOE 990740	1				•O-ring.....	•Joint Torique	•O-Ring.....	•Junta torica	•O-ring.....		
	VOE 932042	1				•O-ring.....	•Joint Torique	•O-Ring.....	•Junta torica	•O-ring.....		
6	VOE 11888547	1				Clamp.....	Pince Serrage	Klemme	Abrazadera.....	Klämma.....		
7	VOE 935094	1				Nipple.....	Raccord.....	Nippel.....	Niple	Nippel.....		
	VOE 990739	1				•O-ring.....	•Joint Torique	•O-Ring.....	•Junta torica	•O-ring.....		
	VOE 932040	1				•O-ring.....	•Joint Torique	•O-Ring.....	•Junta torica	•O-ring.....		
8	VOE 11888094	1				Cylinder.....	Verin.....	Zylinder	Cilindro	Cylinder.....		
9	VOE 11881292	1				Clamp.....	Pince Serrage	Klemme	Abrazadera.....	Klämma.....		
10	VOE 4881440		1	1		Strip Clamp	Ruban Serrage.....	Kabelbinder	Abraz Cinta	Bandklamma.....		
11			1	1		•Clamp	•Pince Serrage	•Klemme.....	•Abrazadera	•Klämma.....	See group 911, Page 617	

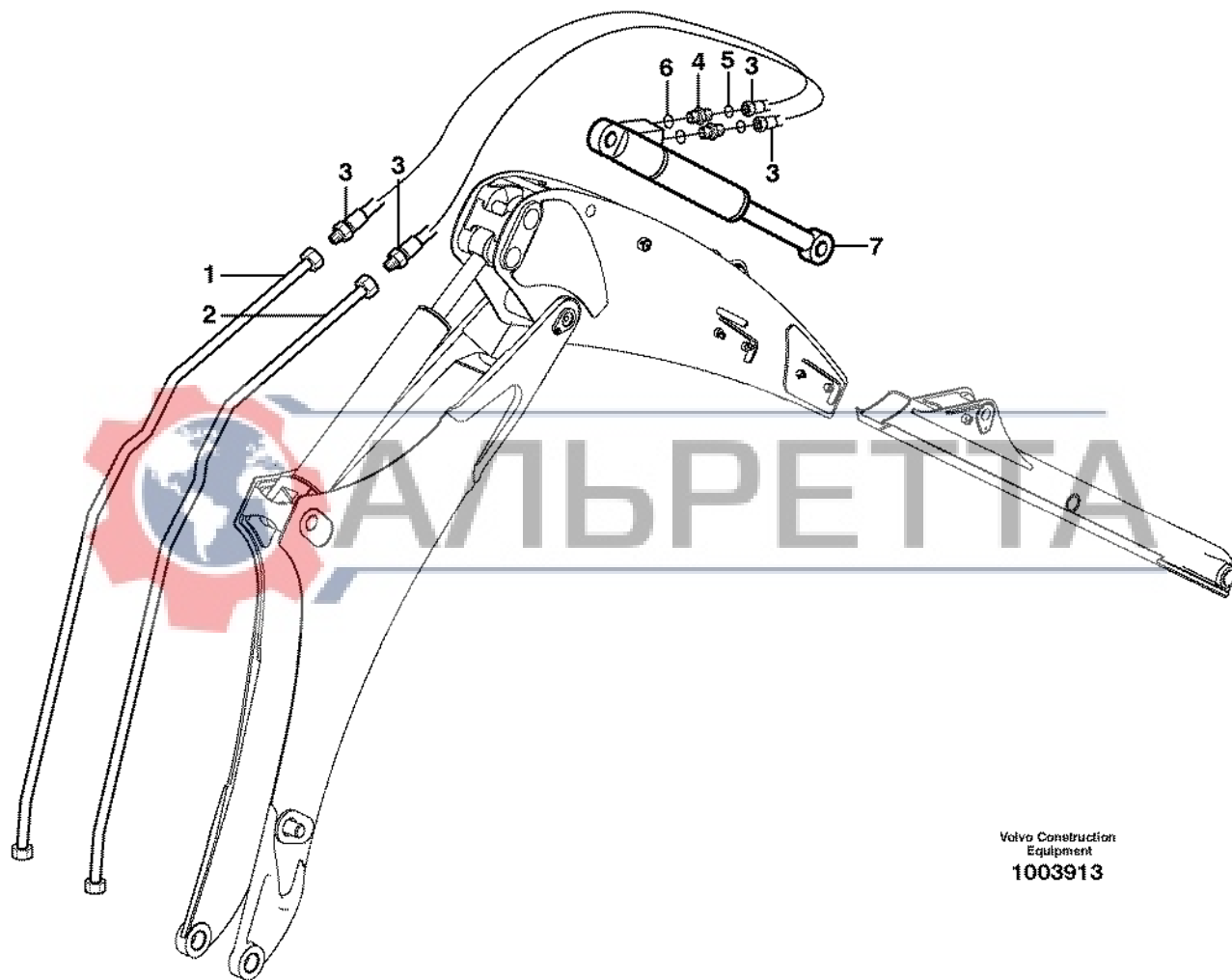


1	11880005	Hydraulsystem, skopa Sistema hidráulico, cuchara Hydraulikanlage, Löffel Système hydraulique, godet Hydraulic system, bucket S/N 14670 -	Catalogue id	Group
2	11891041		20002	911
3	11891524		Illustr. No	Section
4			1024683	1160
5			Issue	Page
		VOE 63H9920002	623	

VOLVO

BL71





Volvo Construction
Equipment
1003913

Fig.	Part No.	Quantity			P S	K I T	Description	Dénomination	Bezeichnung	Denominación	Benämning	Notes
		1	2	3								
1	VOE 11891060	1				Pipe.....	Canalisation	Rohrleitung.....	Canalización.....	Rör.....		
2	VOE 11891059	1				Pipe.....	Canalisation	Rohrleitung.....	Canalización.....	Rör.....		
3	VOE 11881638	2				Hose assembly	Conduit flexible	Schlauchleitung.....	Conducto.....	Slangedning.....		
4	VOE 13933923	2				Nipple.....	Raccord.....	Nippel.....	Niple.....	Nippel.....		
5	VOE 990738	2				•O-ring.....	•Joint Torique.....	•O-Ring.....	•Junta torica	•O-ring.....		
6	VOE 932040	2				•O-ring.....	•Joint Torique.....	•O-Ring.....	•Junta torica	•O-ring.....		
7		1				Extendible dipper Cyli Verin Telescope	Teleskopzyl	Cilin Telescop.....	Telesk.cylinder.....		See group 975, Page 839	

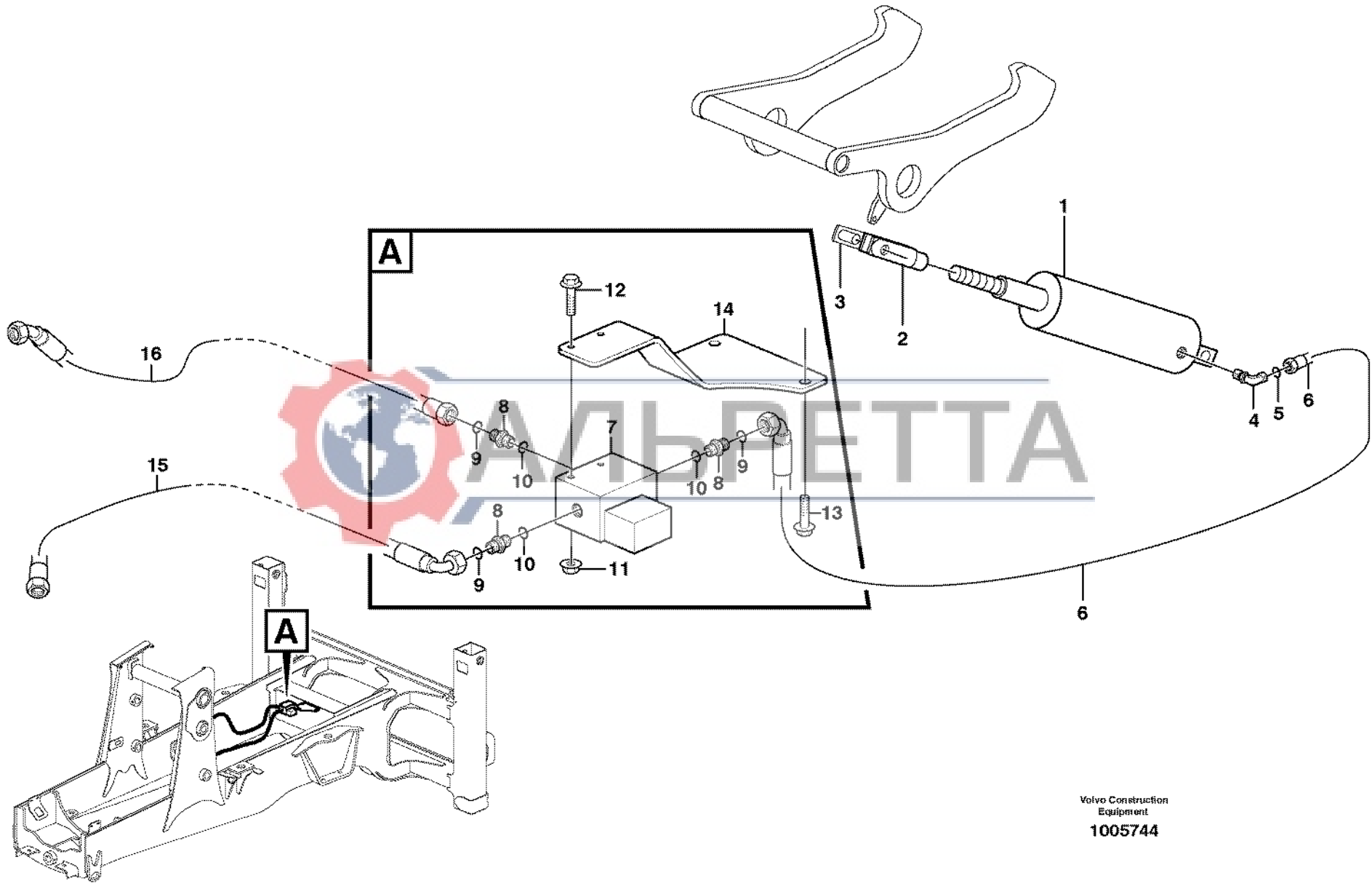


1	11891273	Hydraulsystem, grävarm teleskopisk Sistema hidráulico brazo excavador telescopico Hydralikanlage für teleskopische baggerarm Système hydraulique bras de pelle telescope Hydraulic system extendible dipper arm	Catalogue id	Group
2			20002	911
3			Illustr. No	Section
4			1003913	1200
5			Issue	Page
			VOE 63H9920002	625

VOLVO

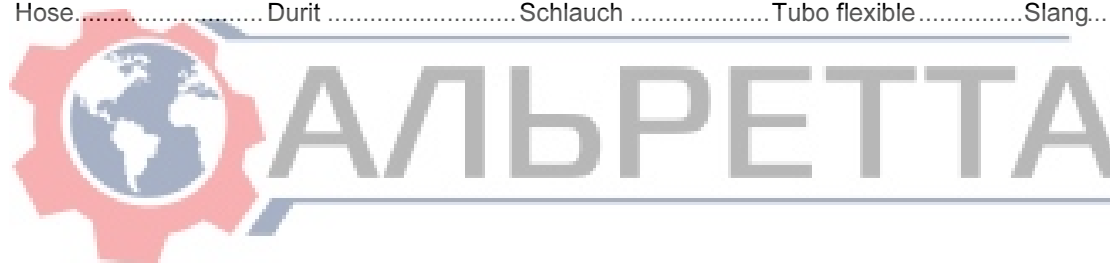
BL71





Volvo Construction
Equipment
1005744

Fig.	Part No.	Quantity			P S	K I T	Description	Dénomination	Bezeichnung	Denominación	Benämning	Notes
		1	2	3								
1		1				Locking Cyl	Cyl Verrouil	Sperrzylinder	Cil Bloqueo	Spärrcylinder.....	See group 971, Page 817	
2	VOE 11883319	1				Fork.....	Fourche.....	Gabel.....	Horquilla	Gaffel.....		
3	VOE 11883323	1				Clevis Pin	Vis A Oeuillet	Zylinderbolzen.....	Espiga	Cyl.bult.....		
4	VOE 935538	1				Elbow nipple.....	Raccord angulaire.....	Winkelnippel.....	Niple angular	Vinkelnippel.....		
5	VOE 4881722	1				•O-ring.....	•Joint Torique	•O-Ring.....	•Junta torica	•O-ring.....		
6	VOE 11882208	1				Hose assembly	Conduit flexible	Schlauchleitung.....	Conducto.....	Slangledning.....		
7	VOE 11881356	1				Solenoid valve.....	Vanne electrom.....	Magnetventil.....	Electrovalvula	Magnetventil.....		
	VOE 11715259	1				•Solenoid.....	•Solénoide.....	•Magnet.....	•Solenoid.....	•Solenoid.....		
8	VOE 13933858	3				Union.....	Teton Connexion.....	Anschlussnippel	Niple Conexcion	Anslutn.nippel.....		
9	VOE 4881722	3				•O-ring.....	•Joint Torique	•O-Ring.....	•Junta torica	•O-ring.....		
10	VOE 932039	3				•O-ring.....	•Joint Torique	•O-Ring.....	•Junta torica	•O-ring.....		
11	VOE 13965177	2				Flange screw.....	Vis à bride	Flanschschraube.....	Torn embridado.....	Flänsskruv.....		
12	VOE 13949278	2				Flange Lock Nut.....	Contre écrou bride	Flanschmutter	Contratuer Embr.....	Flänslåsmutter.....		
13	VOE 946472	2				Flange screw.....	Vis à bride	Flanschschraube.....	Torn embridado.....	Flänsskruv.....		
14	VOE 11884950	1				Bracket.....	Console.....	Konsole	Ménsula.....	Konsol.....		
15	VOE 11884546	1				Hose.....	Durit	Schlauch	Tubo flexible.....	Slang.....		
16	VOE 11884547	1				Hose.....	Durit	Schlauch	Tubo flexible.....	Slang.....		



1	Hydraulsystem, spärrcylinder Sistema hidráulico, cilindro de bloqueo Hydraulikanlage, Sperrzylinder Système hydraulique, vérin de verrouillage Hydraulic system, lock cylinder	Catalogue id	Group
2		20002	911
3		Illustr. No	Section
4		1005744	1300
5		Issue	Page
		VOE 63H9920002	627

VOLVO

BL71



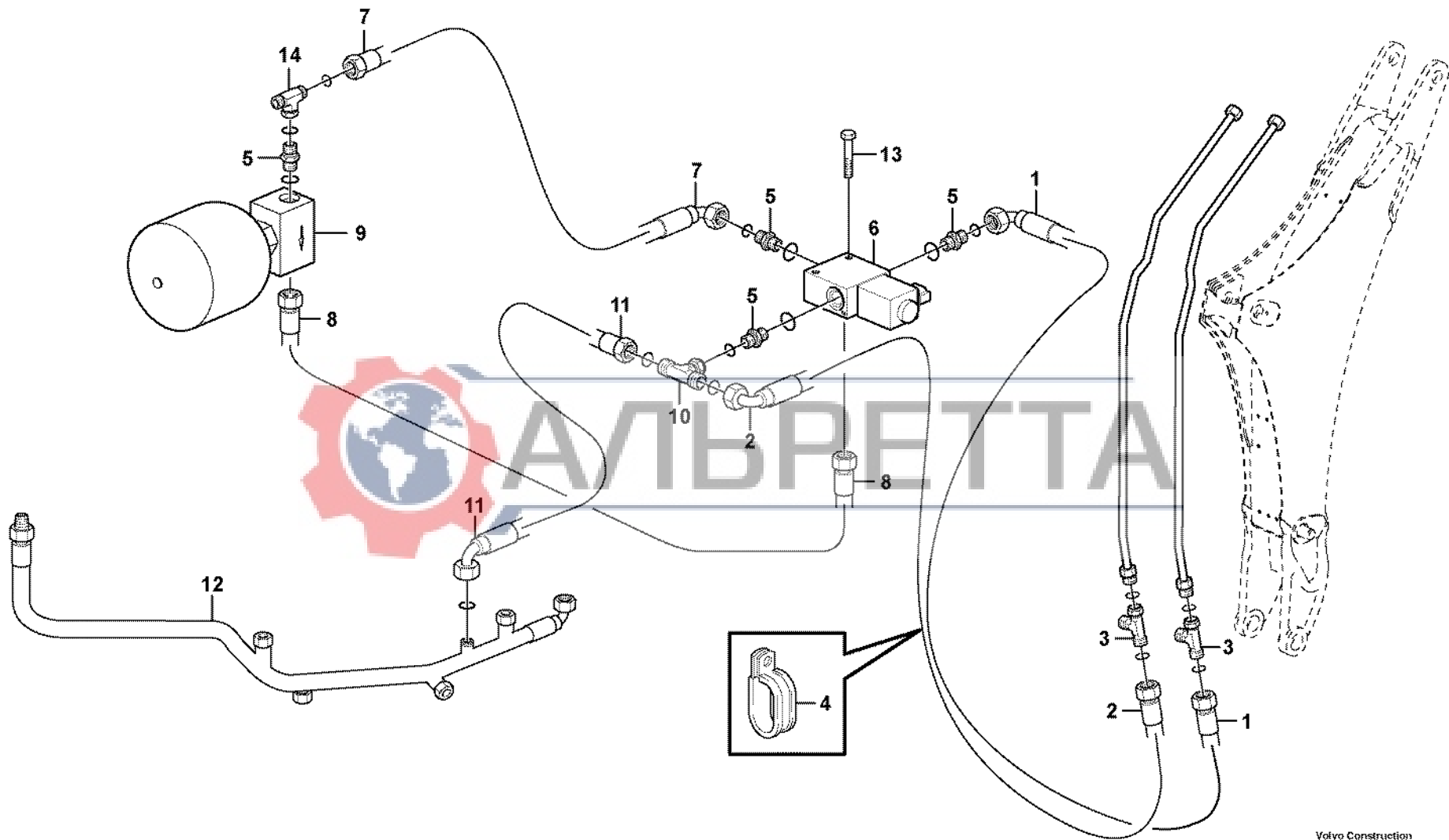
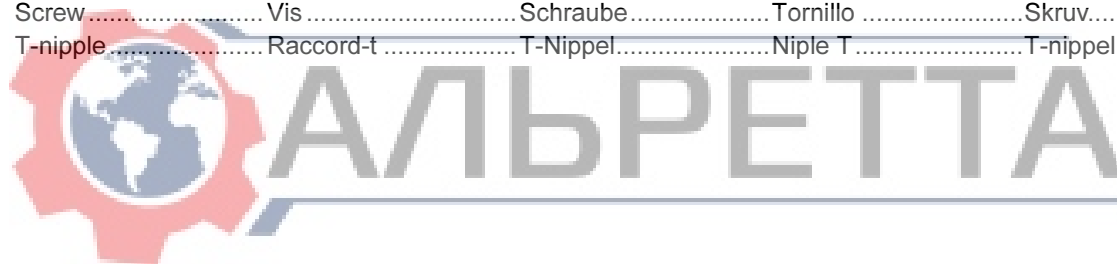


Fig.	Part No.	Quantity			P S	K I T	Description	Dénomination	Bezeichnung	Denominación	Benämning	Notes
		1	2	3								
1	VOE 11884838	1				Hose.....	Durit	Schlauch	Tubo flexible	Slang.....		
2	VOE 11884837	1				Hose.....	Durit	Schlauch	Tubo flexible	Slang.....		
3		2				Nipple.....	Raccord.....	Nippel.....	Niple	Nippel.....	See group 912, Page 689	
4	VOE 981661	2				Clamp.....	Pince Serrage	Klemme	Abrazadera.....	Klämna.....	11891326	
5	VOE 13933858	4				Union.....	Teton Connexion.....	Anschlussnippel	Niple Conexcion	Anslutn.nippel.....		
	VOE 4881722	1				•O-ring.....	•Joint Torique	•O-Ring.....	•Junta torica	•O-ring.....		
	VOE 932039	1				•O-ring.....	•Joint Torique	•O-Ring.....	•Junta torica	•O-ring.....		
6	VOE 11881356	1				Solenoid valve.....	Vanne electrom.....	Magnetventil.....	Electrovalvula	Magnetventil.....		
	VOE 11715259	1				•Solenoid.....	•Solénoide.....	•Magnet.....	•Solenoid	•Solenoid.....		
7	VOE 11888147	1				Hose.....	Durit	Schlauch	Tubo flexible	Slang.....		
8	VOE 11885959	1				Hose.....	Durit	Schlauch	Tubo flexible	Slang.....		
9		1				Accumulator.....	Accumulateur	Speicher.....	Acumulador	Ackumulator.....	See group 911, Page 575	
10	VOE 13933860	1				T-nipple.....	Raccord-t	T-Nippel.....	Niple T	T-nippel.....		
	VOE 4881722	2				•O-ring.....	•Joint Torique	•O-Ring.....	•Junta torica	•O-ring.....		
11	VOE 11887386	1				Hose assembly	Conduit flexible	Schlauchleitung.....	Conducto.....	Slangledning.....		
12		1				Tube.....	Tuyau.....	Rohr	Tubo	Rör.....	See group 911, Page 575	
13	VOE 13965178	2				Screw.....	Vis	Schraube.....	Tornillo	Skruv.....		
14	VOE 936606	1				T-nipple.....	Raccord-t	T-Nippel.....	Niple T	T-nippel.....		

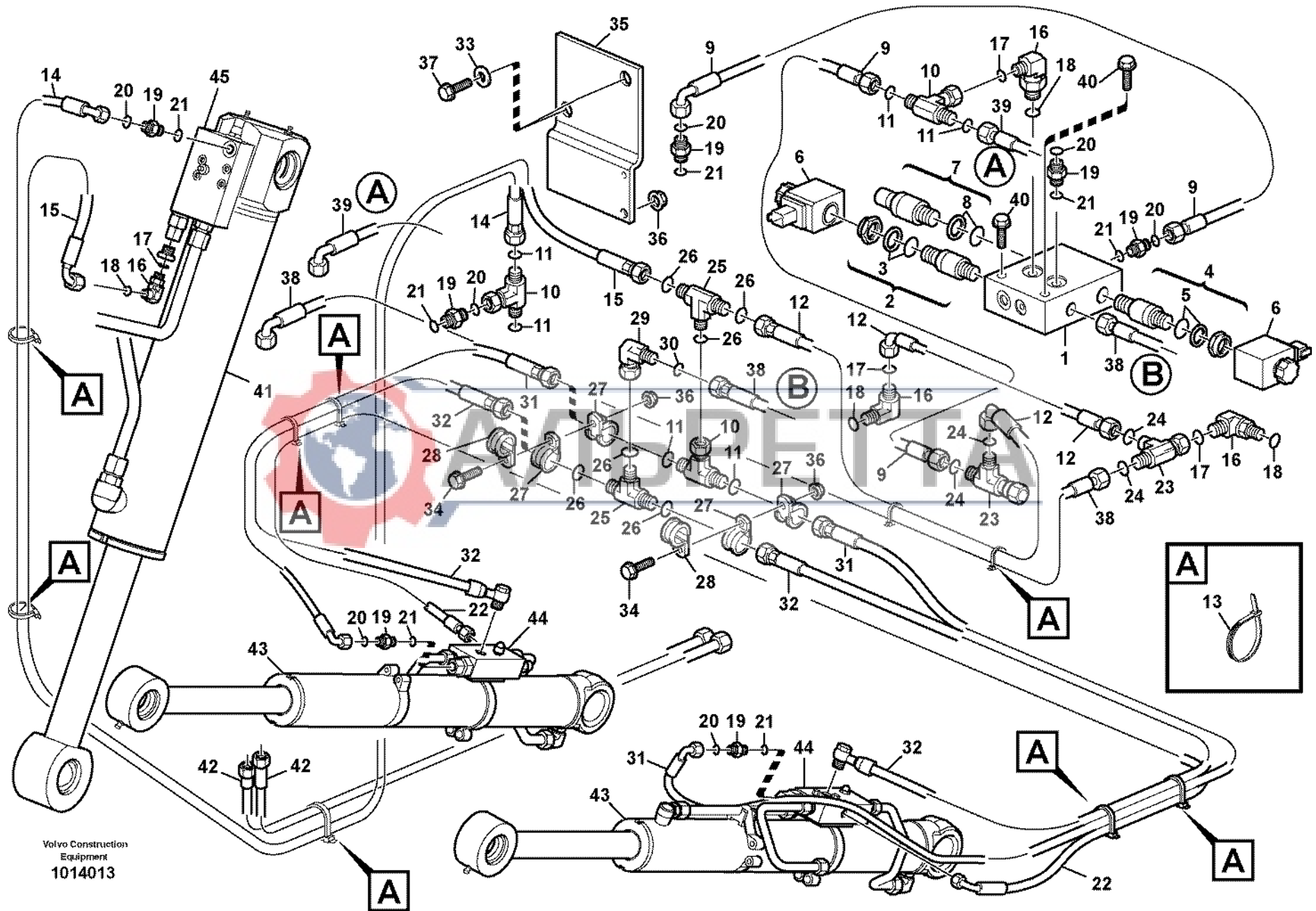


1		Hydraulsystem säkerhetsventil bom och skaftcylinder Sistema hidráulico, válvula de seguridad, pluma y cilindro del brazo Hydraulikanlage, Sicherheitsventil Ausleger und Stielzylinder Système hydraulique, clapet de sécurité sur les vérins de flèche et de balancier Hydraulic system safety valve boom and dipper arm cylinder	Catalogue id	Group
2			20002	911
3			Illustr. No	Section
4			1024751	1400
5			Issue	Page
		11891326	VOE 63H9920002	629

VOLVO

BL71





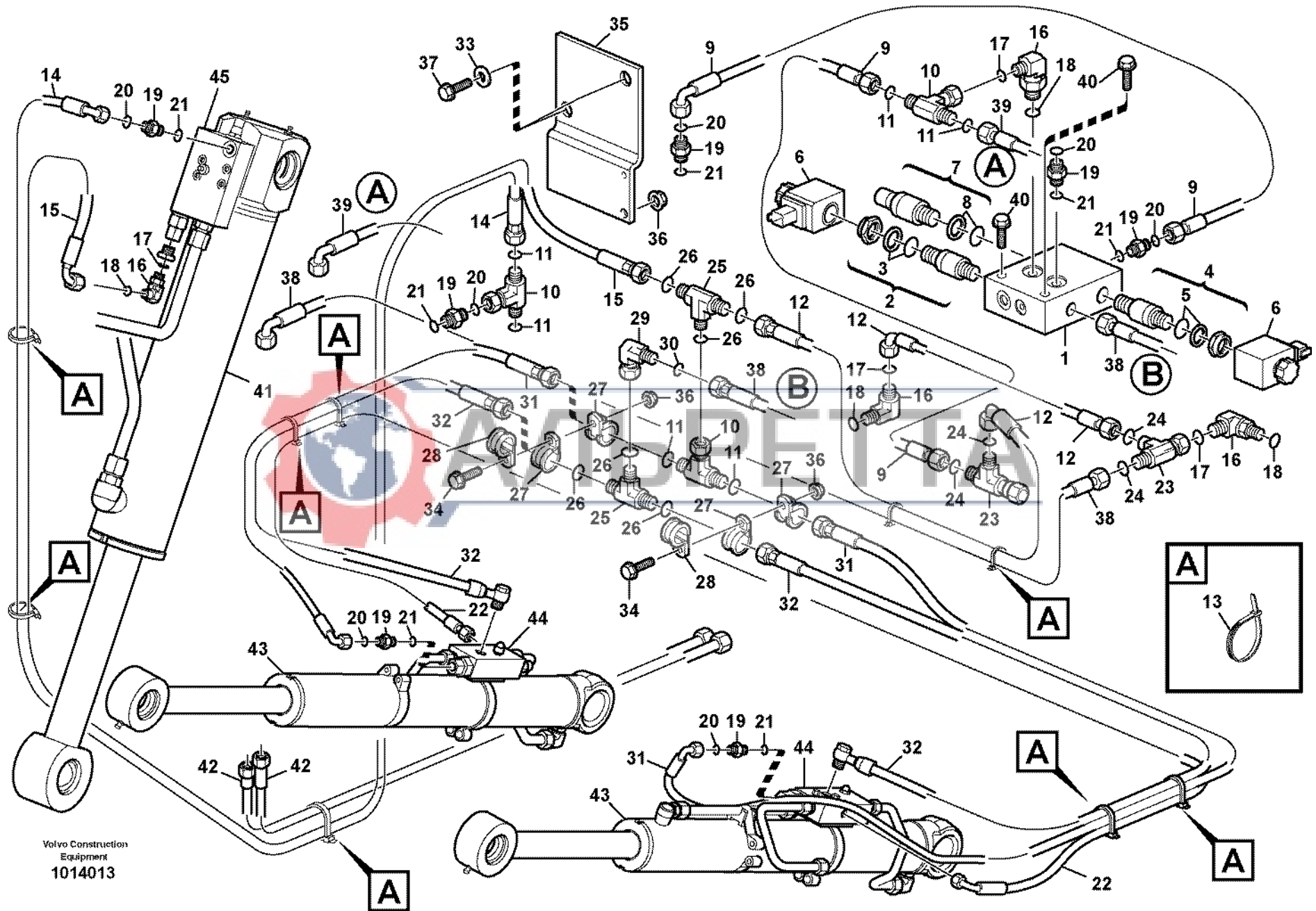
Volvo Construction
Equipment
1014013

Fig.	Part No.	Quantity			P S	K I T	Description	Dénomination	Bezeichnung	Denominación	Benämning	Notes
		1	2	3								
1	VOE 11885237	1				Valve	Soupape.....	Ventil	Valvula	Ventil.....	2335)	
	VOE 11887461		1			Valve	Soupape.....	Ventil	Valvula	Ventil.....	2336)	
2	VOE 11712733	1				•Solenoid valve	•Vanne electrom.....	•Magnetventil.....	•Electrovalvula.....	•Magnetventil.....		
3	VOE 11712734	1				••Sealing Kit	••Jeu Joints	••Dichtungssatz	••Juego Retenes.....	••Tätningssats.....		
4	VOE 11712735	1				•Solenoid valve	•Vanne electrom.....	•Magnetventil.....	•Electrovalvula.....	•Magnetventil.....		
5	VOE 11712736	1				••Sealing Kit	••Jeu Joints	••Dichtungssatz	••Juego Retenes.....	••Tätningssats.....		
6	VOE 11712737	2				•Magnet.....	•Aimant.....	•Magnet.....	•Iman	•Magnet		
7	VOE 11711207	1				•Relief valve	•Limiteur - pression	•Druckbegrenzer	•Limitador presion	•Avlastningsventil.....		
8	VOE 11712738	1				••Sealing Kit	••Jeu Joints	••Dichtungssatz	••Juego Retenes.....	••Tätningssats.....		
9	VOE 11884279	2				Hose.....	Durit	Schlauch	Tubo flexible	Slang.....	2335)	
	VOE 11887386	1				Hose assembly	Conduit flexible	Schlauchleitung.....	Conducto	Slangledning.....	2336) L = 650 MM	
	VOE 936606	1				T-nipple.....	Raccord-t	T-Nippel.....	Niple T	T-nippel.....		
	VOE 11884276	1				Hose.....	Durit	Schlauch	Tubo flexible	Slang.....	2336) L = 750 MM	
10	VOE 13933860	3				T-nipple.....	Raccord-t	T-Nippel.....	Niple T	T-nippel.....	2335)	
	VOE 13933860	1				T-nipple.....	Raccord-t	T-Nippel.....	Niple T	T-nippel.....	2336)	
11	VOE 4881722	6				•O-ring.....	•Joint Torique	•O-Ring.....	•Junta torica	•O-ring.....		
	VOE 4881722	2				•O-ring.....	•Joint Torique	•O-Ring.....	•Junta torica	•O-ring.....		
12	VOE 11886402	2				Hose.....	Durit	Schlauch	Tubo flexible	Slang.....	2335)	
13	VOE 14016673	REQ				Strip Clamp	Ruban Serrage	Kabelbinder	Abraz Cinta	Bandklamma.....		
14	VOE 11885213	1				Hose.....	Durit	Schlauch	Tubo flexible	Slang.....	2335)	
	VOE 11887463	1				Hose assembly	Conduit flexible	Schlauchleitung.....	Conducto	Slangledning.....	2336)	
15	VOE 11885214	1				Hose.....	Durit	Schlauch	Tubo flexible	Slang.....	2335)	
	VOE 11887465	1				Hose assembly	Conduit flexible	Schlauchleitung.....	Conducto	Slangledning.....	2336)	
16	VOE 13933857	4				Elbow Nipple.....	Raccord angulaire.....	Winkelnippel.....	Niple Angular.....	V-nippel.....	2335)	
	VOE 13933857	1				Elbow Nipple.....	Raccord angulaire.....	Winkelnippel.....	Niple Angular.....	V-nippel.....	2336)	
17	VOE 4881722	4				•O-ring.....	•Joint Torique	•O-Ring.....	•Junta torica	•O-ring.....		
	VOE 4881722	1				•O-ring.....	•Joint Torique	•O-Ring.....	•Junta torica	•O-ring.....		
18	VOE 932039	4				•O-ring.....	•Joint Torique	•O-Ring.....	•Junta torica	•O-ring.....		

2335) S/N - 12838, 12841 - 12856, 12858 - 12865, 12868 - 12891, 12895 - 12904, 12911, 12913, 12914, 12917 - 12923, 12931 - 12954, 12956 - 12973, 12978 - 12986, 12989 - 13040

2336) S/N 12839, 12840, 12857, 12866, 12867, 12892 - 12894, 12905 - 12910, 12912, 12915, 12916, 12924 - 12929, 12955, 12974 - 12977, 12987, 12988, 12930 13041 -

1	11885237	Hydraulsystem lastaggregat säkerhetsventiler Sistema hidráulico, válvulas de seguridad de la cargadora Hydraulikanlage Lader Sicherheitsventile Système hydraulique équipement chargeur, valves de sécurité Hydraulic system loader safety valves	Catalogue id	Group
2	11887461		20002	911
3			Illustr. No	Section
4			1014013	1500
5			Issue	Page
		11891327	VOE 63H9920002	631



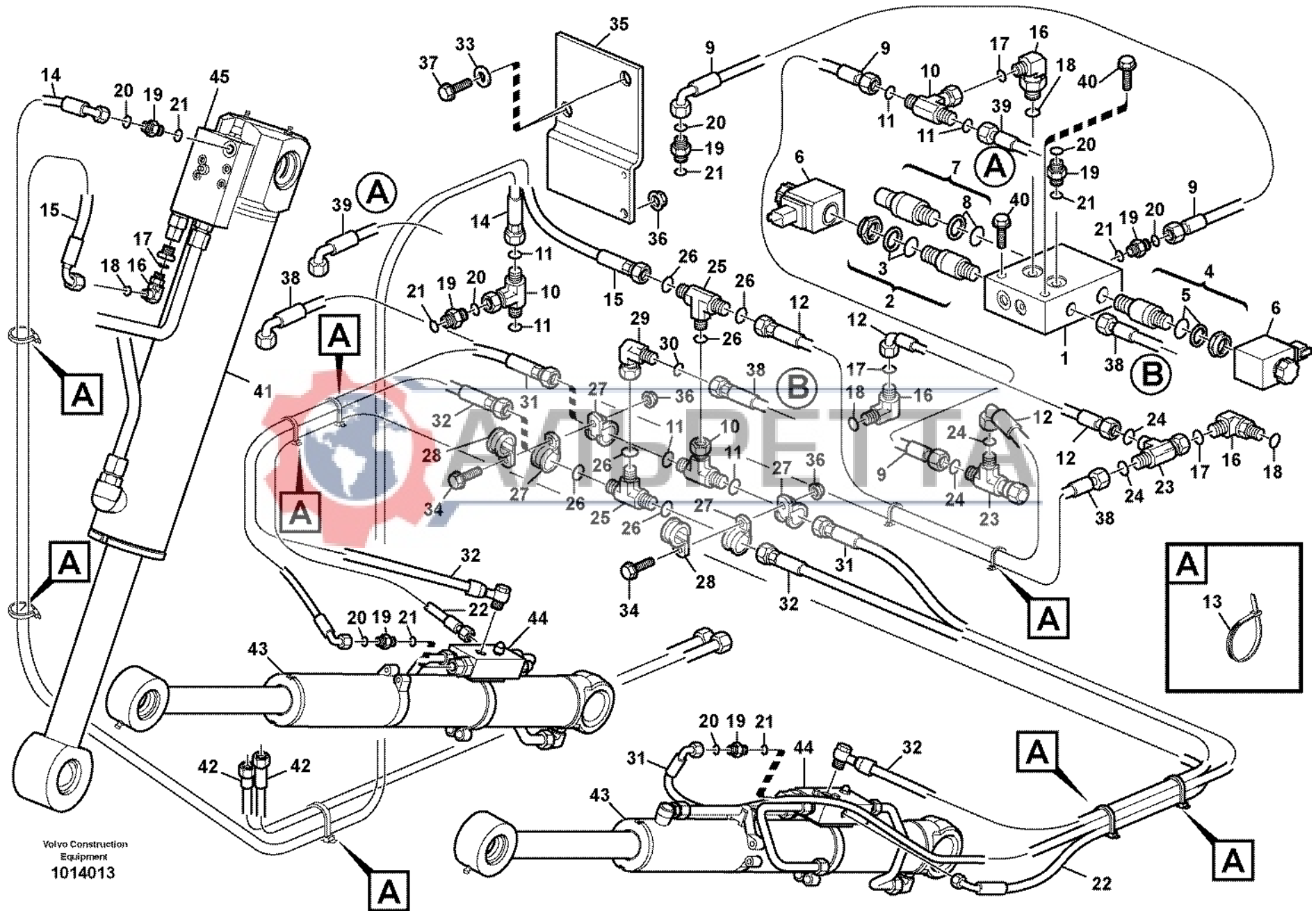
Volvo Construction
Equipment
1014013

Fig.	Part No.	Quantity			P S	K I T	Description	Dénomination	Bezeichnung	Denominación	Benämning	Notes
		1	2	3								
	VOE 932039	1				•O-ring.....	•Joint Torique.....	•O-Ring.....	•Junta torica.....	•O-ring.....		
19	VOE 13933858	7				Union.....	Teton Connexion.....	Anschlussnippel.....	Niple Conexcion.....	Anslutn.nippel.....	2335)	
	VOE 13933858	11				Union.....	Teton Connexion.....	Anschlussnippel.....	Niple Conexcion.....	Anslutn.nippel.....	2336)	
20	VOE 4881722	7				•O-ring.....	•Joint Torique.....	•O-Ring.....	•Junta torica.....	•O-ring.....		
	VOE 4881722	11				•O-ring.....	•Joint Torique.....	•O-Ring.....	•Junta torica.....	•O-ring.....		
21	VOE 932039	7				•O-ring.....	•Joint Torique.....	•O-Ring.....	•Junta torica.....	•O-ring.....		
	VOE 932039	11				•O-ring.....	•Joint Torique.....	•O-Ring.....	•Junta torica.....	•O-ring.....		
22	VOE 11885212	1				Hose.....	Durit.....	Schlauch.....	Tubo flexible.....	Slang.....		
23	VOE 13933859	2				Nipple.....	Raccord.....	Nippel.....	Niple.....	Nippel.....		
24	VOE 4881722	2				•O-ring.....	•Joint Torique.....	•O-Ring.....	•Junta torica.....	•O-ring.....		
25	VOE 11884247	2				Fitting.....	Ecrou raccord.....	Verschraubung.....	Racor.....	Förskruvning.....		
26	VOE 4881722	3				•O-ring.....	•Joint Torique.....	•O-Ring.....	•Junta torica.....	•O-ring.....		
27	VOE 952628	4				Clamp.....	Pince Serrage.....	Klemme.....	Abrazadera.....	Klämma.....		
28	VOE 952629	2				Clamp.....	Pince Serrage.....	Klemme.....	Abrazadera.....	Klämma.....		
29	VOE 13933905	1				Elbow nipple.....	Raccord angulaire.....	Winkelnippel.....	Niple angular.....	Vinkelnippel.....	2335)	
30	VOE 4881722	1				•O-ring.....	•Joint Torique.....	•O-Ring.....	•Junta torica.....	•O-ring.....		
31	VOE 11885211	2				Hose.....	Durit.....	Schlauch.....	Tubo flexible.....	Slang.....		
32	VOE 11885210	2				Hose.....	Durit.....	Schlauch.....	Tubo flexible.....	Slang.....		
33	VOE 13960143	2				Washer.....	Rondelle.....	Scheibe.....	Arandela.....	Bricka.....	2335) 10,5x26x2	
34	VOE 13948356	2				Flange screw.....	Vis à bride.....	Flanschschraube.....	Torn embridado.....	Flänsskruv.....	M6x30	
35	VOE 11885336	1				Support.....	Support.....	Stütze.....	Apoyo.....	Stöd.....	2335)	
36	VOE 13945407	4				Nut.....	Ecrou.....	Mutter.....	Tuerca.....	Mutter.....	2335) M6	
	VOE 13945407	2				Nut.....	Ecrou.....	Mutter.....	Tuerca.....	Mutter.....	2336)	
37	VOE 13965185	2				Flange screw.....	Vis à bride.....	Flanschschraube.....	Torn embridado.....	Flänsskruv.....	2335) M10x40	
38	VOE 11884275	2				Hose.....	Durit.....	Schlauch.....	Tubo flexible.....	Slang.....		
39	VOE 11884274	1				Hose.....	Durit.....	Schlauch.....	Tubo flexible.....	Slang.....	2335)	
	VOE 11885959	1				Hose.....	Durit.....	Schlauch.....	Tubo flexible.....	Slang.....	2336)	
40	VOE 13965179	2				Flange screw.....	Vis à bride.....	Flanschschraube.....	Torn embridado.....	Flänsskruv.....	2335)	

2335) S/N - 12838, 12841 - 12856, 12858 - 12865, 12868 - 12891, 12895 - 12904, 12911, 12913, 12914, 12917 - 12923, 12931 - 12954, 12956 - 12973, 12978 - 12986, 12989 - 13040

2336) S/N 12839, 12840, 12857, 12866, 12867, 12892 - 12894, 12905 - 12910, 12912, 12915, 12916, 12924 - 12929, 12955, 12974 - 12977, 12987, 12988, 12930 13041 -

1	11885237	Hydraulsystem lastaggregat säkerhetsventiler Sistema hidráulico, válvulas de seguridad de la cargadora Hydraulikanlage Lader Sicherheitsventile Système hydraulique équipement chargeur, valves de sécurité Hydraulic system loader safety valves	Catalogue id	Group
2	11887461		20002	911
3			Illustr. No	Section
4			1014013	1500
5			Issue	Page
		11891327	VOE 63H9920002	633



Volvo Construction
Equipment
1014013

Fig.	Part No.	Quantity			P S	K I T	Description	Dénomination	Bezeichnung	Denominación	Benämning	Notes
		1	2	3								
41		1				Hydraulic cylinder.....	Vérin hydraulique	Hydraulzylinder	Cilindro hidráulico.....	Hydraulcylinder.....	See group 945, Page 805	
42		2				Tube.....	Tube.....	Rohr	Tube	Rör.....	See group 911, Page 601	
43		2				Cylinder.....	Cylindre.....	Zylinder	Cilindro	Cylinder.....	See group 945, Page 803	
44		2				Valve.....	Soupape.....	Ventil	Valvula	Ventil.....	See group 912, Page 693	
45		1				Valve.....	Soupape.....	Ventil	Valvula	Ventil.....	See group 912, Page 693	



1	11885237	Hydraulsystem lastaggregat säkerhetsventiler Sistema hidráulico, válvulas de seguridad de la cargadora Hydraulikanlage Lader Sicherheitsventile Système hydraulique équipement chargeur, valves de sécurité Hydraulic system loader safety valves	Catalogue id	Group
2	11887461		20002	911
3			Illustr. No	Section
4			1014013	1500
5			Issue	Page
	11891327	VOE 63H9920002	635	

VOLVO

BL71



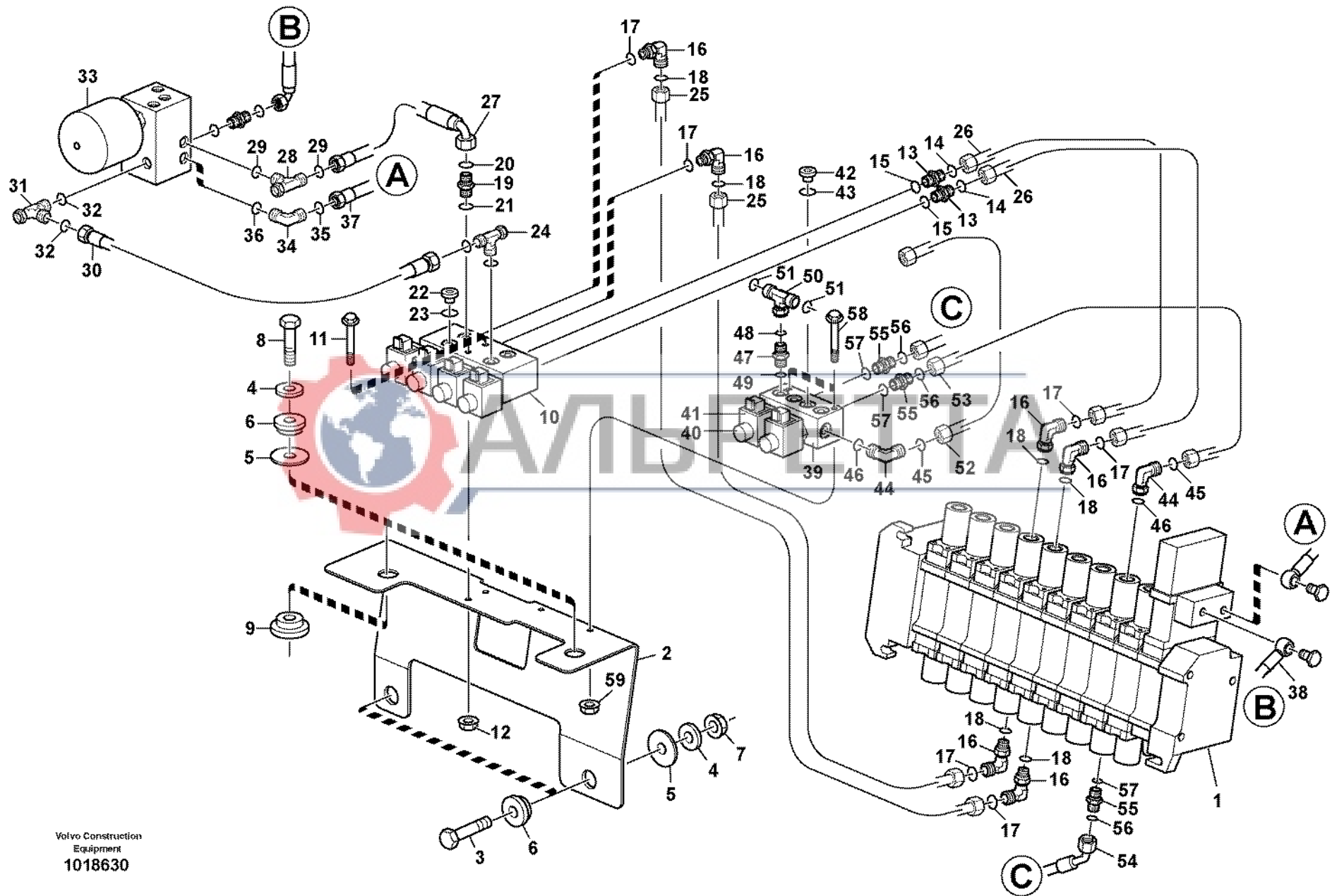


Fig.	Part No.	Quantity					P S	K I T	Description	Dénomination	Bezeichnung	Denominación	Benämning	Notes
		1	2	3	4	5								
1		1	1	1	1			Valve.....	Soupape.....	Ventil.....	Valvula.....	Ventil.....	See group 912, Page 657	
2	VOE 11887047	1	1	1	1			Bracket.....	Console.....	Konsole.....	Ménsula.....	Konsol.....		
3	VOE 13965194	2	2	2	2			Flange screw.....	Vis à bride.....	Flanschschraube.....	Torn embridado.....	Flänsskruv.....		
4	VOE 13947355	4	4	4	4			Washer.....	Rondelle.....	Scheibe.....	Arandela.....	Bricka.....		
5	VOE 955908	4	4	4	4			Washer.....	Rondelle.....	Scheibe.....	Arandela.....	Bricka.....		
6	VOE 11881720	4	4	4	4			Rubber element.....	Element caoutch.....	Gummielement.....	Elemento goma.....	Gummielement.....		
7	VOE 971099	2	2	2	2			Flange Lock Nut.....	Contre écrou bride..	Flanschmutter.....	Contratuer Embr.....	Flänslåsmutter.....		
8	VOE 965195	2	2	2	2			Flange screw.....	Vis à bride.....	Flanschschraube.....	Torn embridado.....	Flänsskruv.....		
9	VOE 11884217	2	2	2	2			Spacer.....	Entretoise.....	Abstandkörper.....	Distanciador.....	Distans.....		
10	VOE 11886762	1	1	1	1			Valve.....	Soupape.....	Ventil.....	Valvula.....	Ventil.....		
11	VOE 13965177	2	2	2	2			Flange screw.....	Vis à bride.....	Flanschschraube.....	Torn embridado.....	Flänsskruv.....		
12	VOE 949278	2	2	2	2	SS		Nut.....	Ecrou.....	Mutter.....	Tuerca.....	Mutter.....		
13	VOE 935085	2	2	2	2			Nipple.....	Raccord.....	Nippel.....	Niple.....	Nippel.....		
14	VOE 4880492	1	1	1	1			•O-ring.....	•Joint Torique.....	•O-Ring.....	•Junta torica.....	•O-ring.....		
15	VOE 932039	1	1	1	1			•O-ring.....	•Joint Torique.....	•O-Ring.....	•Junta torica.....	•O-ring.....		
16	VOE 935069	6	6	6	6			Elbow nipple.....	Raccord angulaire..	Winkelnippel.....	Niple angular.....	Vinkelnippel.....		
17	VOE 4881722	1	1	1	1			•O-ring.....	•Joint Torique.....	•O-Ring.....	•Junta torica.....	•O-ring.....		
18	VOE 4880492	1	1	1	1			•O-ring.....	•Joint Torique.....	•O-Ring.....	•Junta torica.....	•O-ring.....		
19	VOE 13933858	1	1	1	1			Union.....	Teton Connexion.....	Anschlussnippel.....	Niple Conexcion.....	Anslutn.nippel.....		
20	VOE 4881722	1	1	1	1			•O-ring.....	•Joint Torique.....	•O-Ring.....	•Junta torica.....	•O-ring.....		
21	VOE 932039	1	1	1	1			•O-ring.....	•Joint Torique.....	•O-Ring.....	•Junta torica.....	•O-ring.....		
22	VOE 11883510	2	2	2	2			Plug.....	Bouchon.....	Stopfen.....	Tapon.....	Plugg.....		
23	VOE 932039	1	1	1	1			•O-ring.....	•Joint Torique.....	•O-Ring.....	•Junta torica.....	•O-ring.....		
24	VOE 936606	1	1	1	1			T-nipple.....	Raccord-t.....	T-Nippel.....	Niple T.....	T-nippel.....		
25	VOE 11886767	2	2	2	2			Tube.....	Tube.....	Rohr.....	Tubo.....	Rör.....		
26	VOE 11887407	2	2	2	2			Tube.....	Tube.....	Rohr.....	Tubo.....	Rör.....		
27	VOE 11884906	1	1	1	1			Hose.....	Durit.....	Schlauch.....	Tubo flexible.....	Slang.....		
28	VOE 13933859	1	1	1	1			Nipple.....	Raccord.....	Nippel.....	Niple.....	Nippel.....		
29	VOE 4881722	2	2	2	2			•O-ring.....	•Joint Torique.....	•O-Ring.....	•Junta torica.....	•O-ring.....		
30	VOE 11887043	1	1	1	1			Hose assembly.....	Conduit flexible.....	Schlauchleitung.....	Conducto.....	Slangledning.....		



1	11891479, 11891480	Hydraulsystem pilotstyrda grävreglage Sistema hidráulico mandos pilotos de excavadora Hydraulikanlage vorgesteuerte Bagger-Bedienelemente Servocommande hydraulique creusement Hydraulic system pilot excavator controls	Catalogue id	Group
2	11891481		20002	911
3	11891482, 11891487		Illustr. No	Section
4	11891409		1018630	1600
5			Issue	Page
			VOE 63H9920002	637



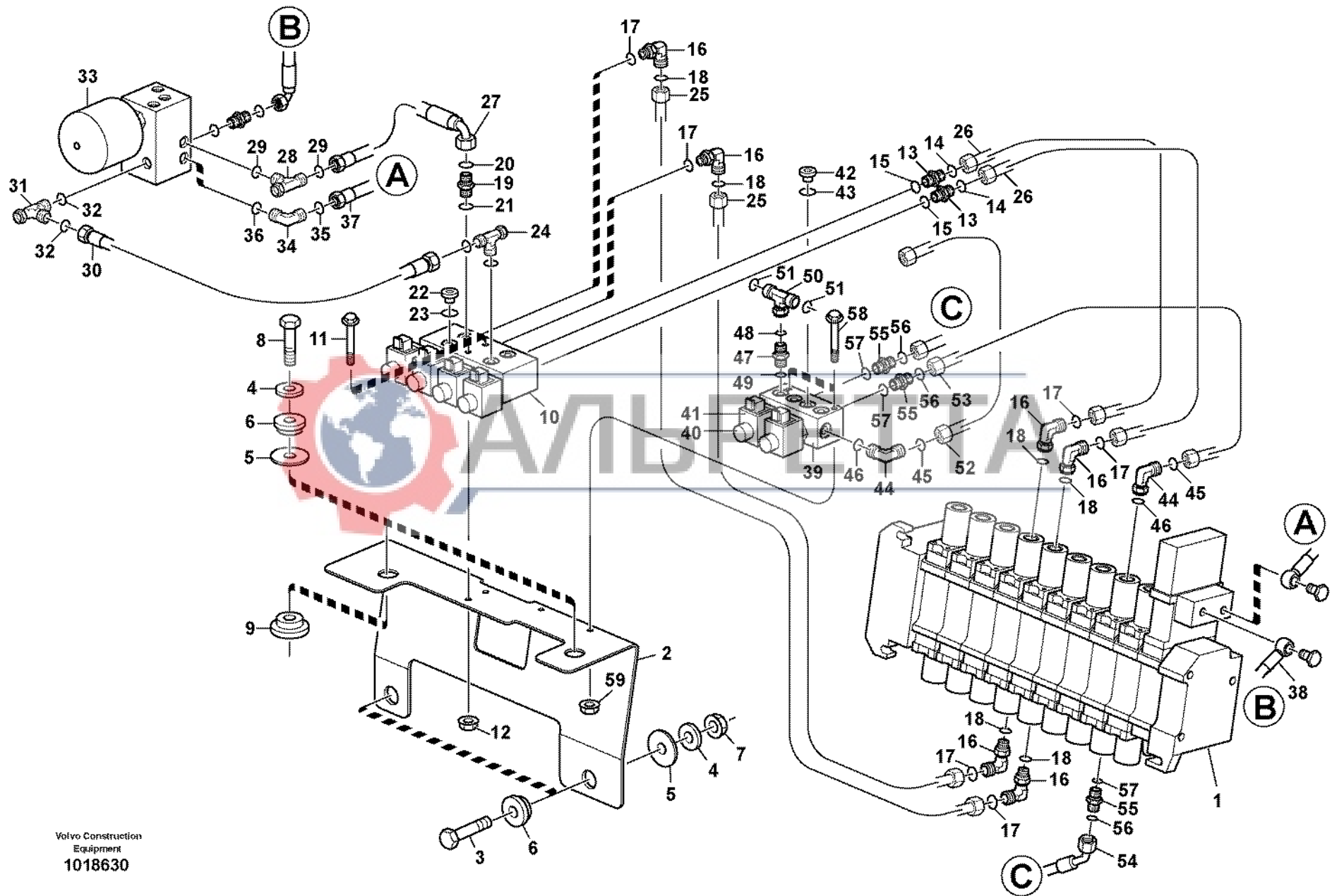
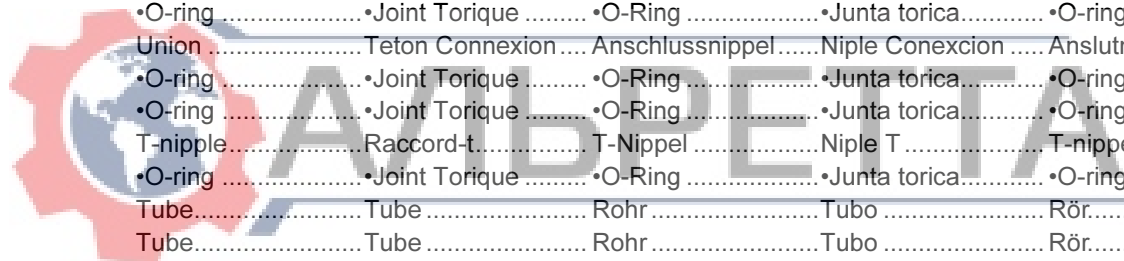


Fig.	Part No.	Quantity					P S	K T	Description	Dénomination	Bezeichnung	Denominación	Benämning	Notes
		1	2	3	4	5								
31	VOE 13933936	1	1	1	1			T-nipple.....	Raccord-t.....	T-Nippel	Niple T	T-nippel.....		
32	VOE 4880492	2	2	2	2			•O-ring	•Joint Torique	•O-Ring	•Junta torica.....	•O-ring.....		
33		1	1	1	1			Accumulator.....	Accumulateur	Speicher.....	Acumulador	Ackumulator.....	See group 911, Page 575	
34	VOE 13933857	1	1	1	1			Elbow Nipple.....	Raccord angulaire..	Winkelnippel	Niple Angular.....	V-nippel.....		
35	VOE 4881722	1	1	1	1			•O-ring	•Joint Torique	•O-Ring	•Junta torica.....	•O-ring.....		
36	VOE 932039	1	1	1	1			•O-ring	•Joint Torique	•O-Ring	•Junta torica.....	•O-ring.....		
37	VOE 11887605	1	1	1	1			Hose assembly	Conduit flexible.....	Schlauchleitung	Conducto	Slangledning.....		
38	VOE 11887604	1	1	1	1			Hose assembly	Conduit flexible.....	Schlauchleitung	Conducto	Slangledning.....		
39	VOE 11801755			1	1			Valve.....	Soupape.....	Ventil.....	Valvula.....	Ventil.....		
	VOE 14527754			1	1			•Sealing Kit	•Jeu Joints.....	•Dichtungssatz	•Juego Retenes	•Tätningssats.....		
40	VOE 11713202			1	1			•Solenoid valve	•Vanne electrom.....	•Magnetventil	•Electrovalvula.....	•Magnetventil.....		
41	VOE 11713203			1	1			•Solenoid	•Solénoide	•Magnet.....	•Solenoid	•Solenoid.....		
42	VOE 11883510			3	3			Plug.....	Bouchon	Stopfen	Tapon	Plugg.....		
43	VOE 932039			1	1			•O-ring	•Joint Torique	•O-Ring	•Junta torica.....	•O-ring.....		
44	VOE 935069			2	2			Elbow nipple	Raccord angulaire..	Winkelnippel	Niple angular	Vinkelnippel.....		
45	VOE 4881722			1	1			•O-ring	•Joint Torique	•O-Ring	•Junta torica.....	•O-ring.....		
46	VOE 4880492			1	1			•O-ring	•Joint Torique	•O-Ring	•Junta torica.....	•O-ring.....		
47	VOE 13933858			1	1			Union	Teton Connexion.....	Anschlussnippel	Niple Conexcion	Anslutn.nippel.....		
48	VOE 4881722			1	1			•O-ring	•Joint Torique	•O-Ring	•Junta torica.....	•O-ring.....		
49	VOE 932039			1	1			•O-ring	•Joint Torique	•O-Ring	•Junta torica.....	•O-ring.....		
50	VOE 13933860			1	1			T-nipple.....	Raccord-t.....	T-Nippel	Niple T	T-nippel.....		
51	VOE 4881722			2	2			•O-ring	•Joint Torique	•O-Ring	•Junta torica.....	•O-ring.....		
52	VOE 11886783			1	1			Tube.....	Tube	Rohr	Tubo	Rör.....		
53	VOE 11886768			1	1			Tube.....	Tube	Rohr	Tubo	Rör.....		
54	VOE 11886769			1	1			Tube.....	Tube	Rohr	Tubo	Rör.....		
55	VOE 935085			3	3			Nipple.....	Raccord.....	Nippel.....	Niple	Nippel.....		
56	VOE 4880492			1	1			•O-ring	•Joint Torique	•O-Ring	•Junta torica.....	•O-ring.....		
57	VOE 932039			1	1			•O-ring	•Joint Torique	•O-Ring	•Junta torica.....	•O-ring.....		
58	VOE 973871			2	2			Flange screw	Vis à bride	Flanschschraube	Torn embridado	Flänsskruv.....		
59	VOE 13949278			2	2			Flange Lock Nut.....	Contre écrou bride..	Flanschmutter	Contratuer Embr.....	Flänslåsmutter.....		



1	11891479, 11891480	Hydraulsystem pilotstyrda grävreglage Sistema hidráulico mandos pilotos de excavadora Hydraulikanlage vorgesteuerte Bagger-Bedienelemente Servocommande hydraulique creusement Hydraulic system pilot excavator controls	Catalogue id	Group
2	11891481		20002	911
3	11891482, 11891487		Illustr. No	Section
4	11891409		1018630	1600
5			Issue	Page
		VOE 63H9920002	639	



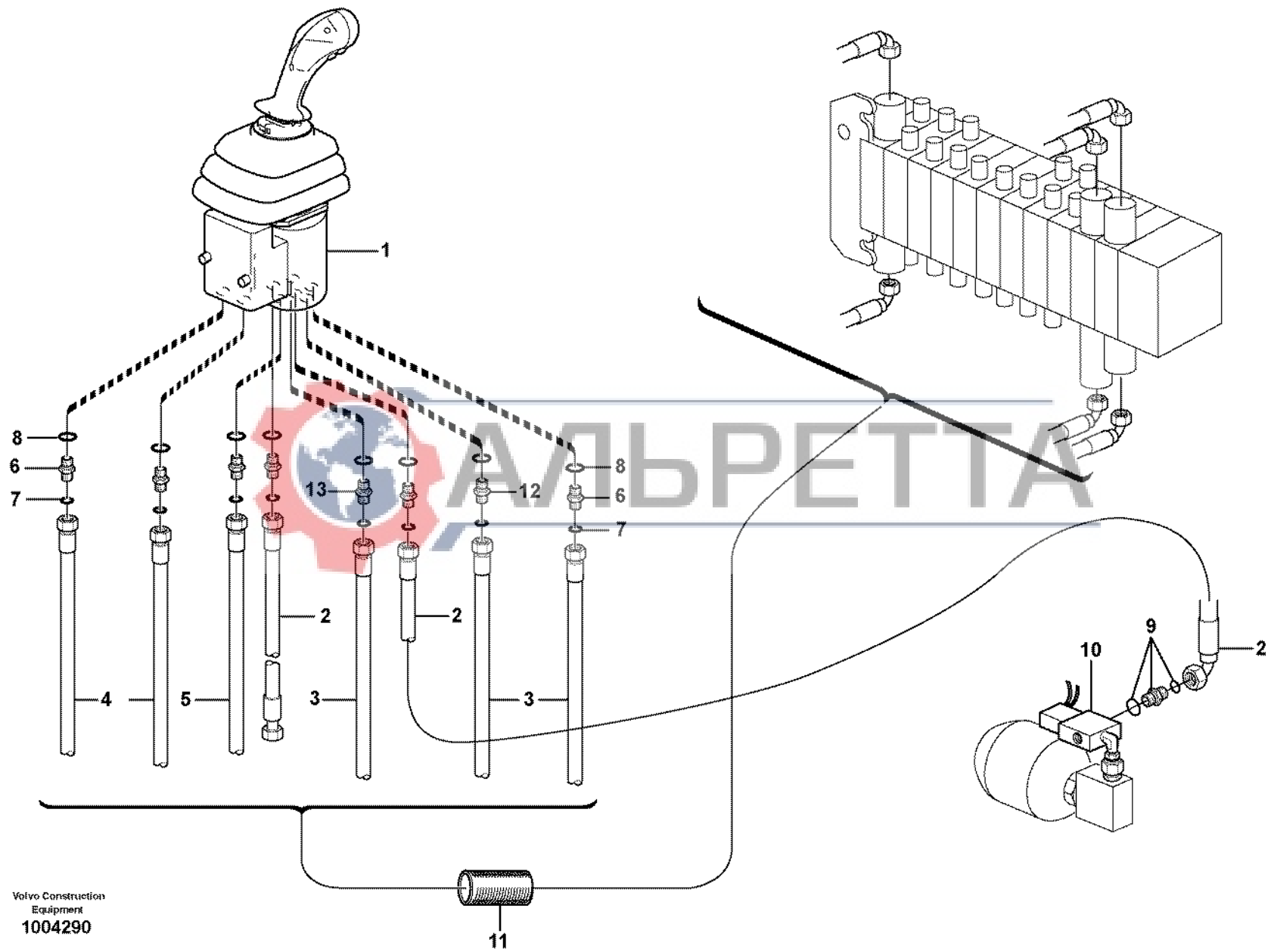


Fig.	Part No.	Quantity					P S	K T	Description	Dénomination	Bezeichnung	Denominación	Benämning	Notes
		1	2	3	4	5								
1		1	1					Lever.....	Levier	Hebel	Palanca	Spak.....	See group 914, Page 703	
1				1	1			Lever.....	Levier	Hebel	Palanca	Spak.....	See group 914, Page 705	
2	VOE 11882722	1	1	1	1			Hose	Durit.....	Schlauch	Tubo flexible	Slang.....	L = 2000MM	
3	VOE 11884272	3	3	3	3			Hose	Flexible.....	Schlauch	Manguera	Slang.....	L = 2500MM	
4	VOE 11884272	2						Hose	Flexible.....	Schlauch	Manguera	Slang.....		
5	VOE 11884273	1	1	1	1			Hose	Flexible.....	Schlauch	Manguera	Slang.....	L = 1200MM	
6	VOE 13933858	8	6	6	6			Union	Teton Connexion	Anschlussnippel	Niple Conexcion	Anslutn.nippel.....		
7	VOE 4881722	1	1	1	1			•O-ring	•Joint Torique	•O-Ring	•Junta torica.....	•O-ring.....		
8	VOE 932039	1	1	1	1			•O-ring	•Joint Torique	•O-Ring	•Junta torica.....	•O-ring.....		
9		1	1	1	1			Nipple.....	Raccord	Nippel.....	Niple	Nippel.....	See group 911, Page 575	
10		1	1	1	1			Solenoid valve	Vanne electrom.	Magnetventil	Electrovalvula	Magnetventil.....	See group 911, Page 575	
11	VOE 11885133	1	1	1	1			Protection.....	Protection	Schutz.....	Proteccion	Skydd.....		
12	VOE 11802772				1			Restrictor	Etrangleur.....	Drosselung.....	Estrangulacion.....	Strypning.....		
13	VOE 11802980				1			Restrictor	Etrangleur.....	Drosselung.....	Estrangulacion.....	Strypning.....		



1	11891272	Lastarreglage Mandos de la cargadora Loader controls Commandes de l'équipement chargeur Loader controls	Catalogue id	Group
2	11891311		20002	912
3	11891349		Illustr. No	Section
4	11891354, 11891374		1004290	100
5			Issue	Page
			VOE 63H9920002	641

VOLVO

BL71



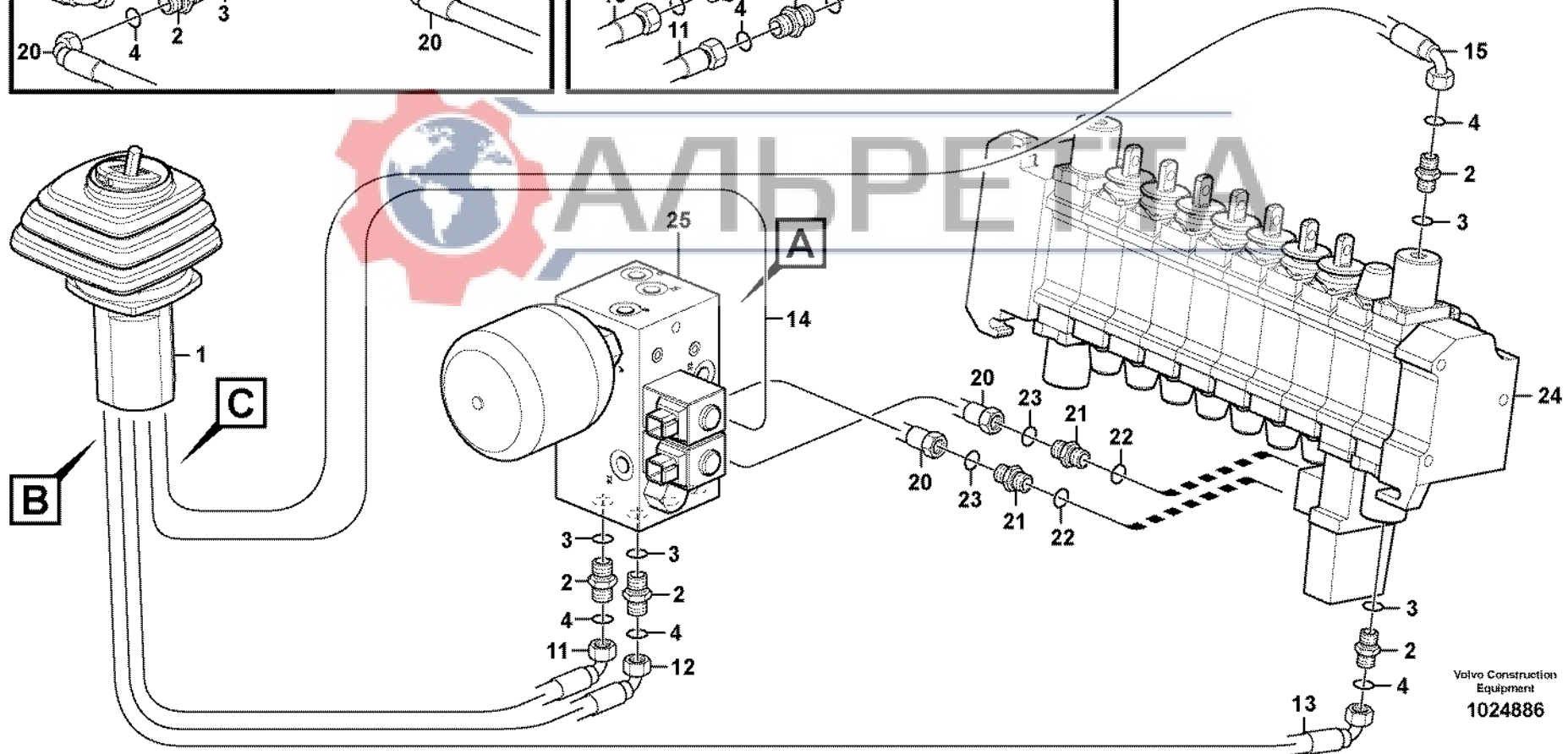
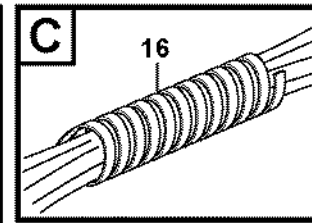
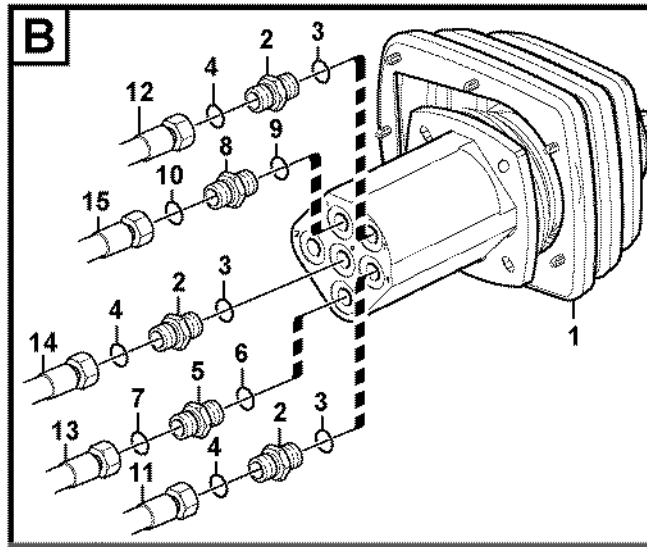
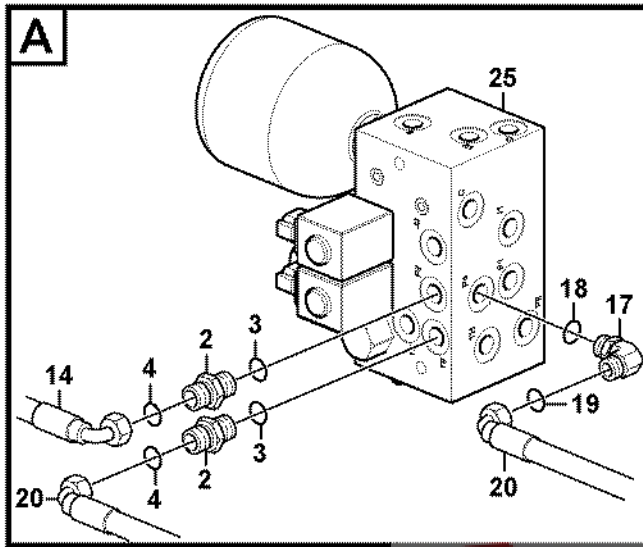


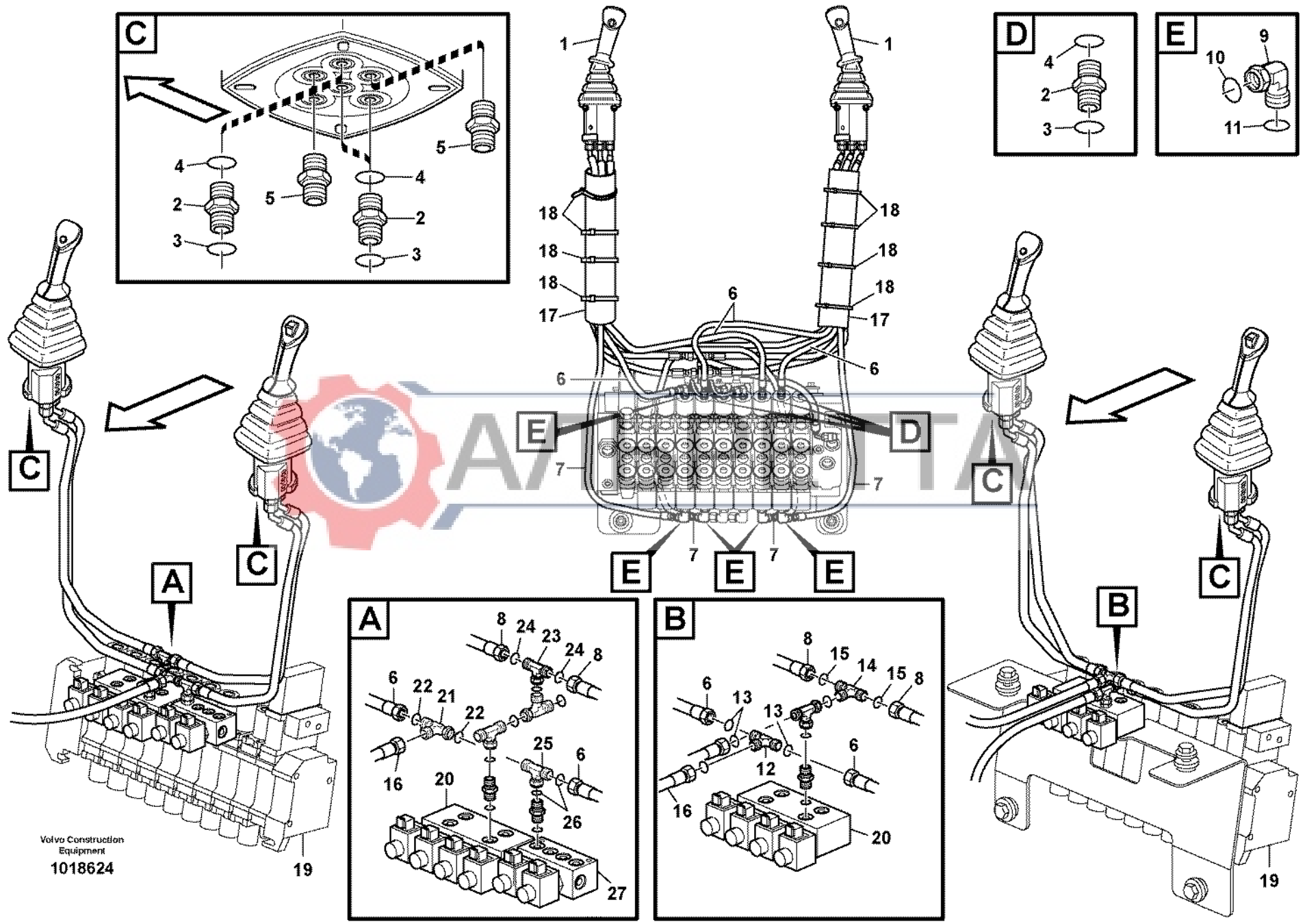
Fig.	Part No.	Quantity			P S	K I T	Description	Dénomination	Bezeichnung	Denominación	Benämning	Notes
		1	2	3								
1	VOE 11885642	1					Hydraulic control	Commande hydrauliq.	Hydr. Steuerung	Mando hidráulico	Hydraulisk manövreri.	
2	VOE 13933858	10					Union.....	Teton Connexion.....	Anschlussnippel	Niple Conexcion	Anslutn.nippel.....	
3	VOE 932039	10					•O-ring.....	•Joint Torique	•O-Ring.....	•Junta torica	•O-ring.....	
4	VOE 990736	10					•O-ring.....	•Joint Torique	•O-Ring.....	•Junta torica	•O-ring.....	
5	VOE 11802772	1					Restrictor.....	Etrangleur	Drosselung	Estrangulacion	Strypning.....	
6	VOE 932039	1					•O-ring.....	•Joint Torique	•O-Ring.....	•Junta torica	•O-ring.....	
7	VOE 990736	1					•O-ring.....	•Joint Torique	•O-Ring.....	•Junta torica	•O-ring.....	
8	VOE 11802980	1					Restrictor.....	Etrangleur	Drosselung	Estrangulacion	Strypning.....	
9	VOE 932039	1					•O-ring.....	•Joint Torique	•O-Ring.....	•Junta torica	•O-ring.....	
10	VOE 990736	1					•O-ring.....	•Joint Torique	•O-Ring.....	•Junta torica	•O-ring.....	
11	VOE 11884273	1					Hose.....	Flexible.....	Schlauch	Manguera	Slang.....	
12	VOE 11884273	1					Hose.....	Flexible.....	Schlauch	Manguera	Slang.....	
13	VOE 11882208	1					Hose assembly	Conduit flexible	Schlauchleitung.....	Conducto	Slangledning.....	
14	VOE 11886625	1					Hose.....	Durit	Schlauch	Tubo flexible.....	Slang.....	
15	VOE 11887143	1					Hose.....	Durit	Schlauch	Tubo flexible.....	Slang.....	
16	VOE 11885133	1					Protection.....	Protection.....	Schutz	Proteccion	Skydd.....	L = 1300 MM
17	VOE 13933857	1					Elbow Nipple.....	Raccord angulaire.....	Winkelnippel.....	Niple Angular.....	V-nippel.....	
18	VOE 932039	1					•O-ring.....	•Joint Torique	•O-Ring.....	•Junta torica	•O-ring.....	
19	VOE 990736	1					•O-ring.....	•Joint Torique	•O-Ring.....	•Junta torica	•O-ring.....	
20	VOE 11884274	2					Hose.....	Durit	Schlauch	Tubo flexible.....	Slang.....	
21	VOE 935760	2					Nipple.....	Raccord.....	Nippel	Niple	Nippel.....	
22	VOE 14211855	2					•Sealing ring.....	•Bague d'étanchéité	•Runddichtring.....	•Anillo reten	•Tätningsring.....	
23	VOE 990736	2					•O-ring.....	•Joint Torique	•O-Ring.....	•Junta torica	•O-ring.....	
24	VOE 11886727	1					Valve.....	Soupape.....	Ventil	Valvula	Ventil.....	See group 912, Page 653
25	VOE 11886770	1					Valve.....	Soupape.....	Ventil	Valvula	Ventil.....	

2352) S/N 12839, 12840, 12857, 12866, 12867, 12892 - 12894, 12905 - 12910, 12912, 12915, 12916, 12924 - 12929, 12955, 12974 - 12977, 12987, 12988, 12930, 13041 -

1	Lastarreglage med säkerhets ackumulator	Catalogue id	Group
2		20002	912
3		Illustr. No	Section
4		1024886	110
5		Issue	Page
	2352) 11880005	VOE 63H9920002	643

VOLVO

BL71



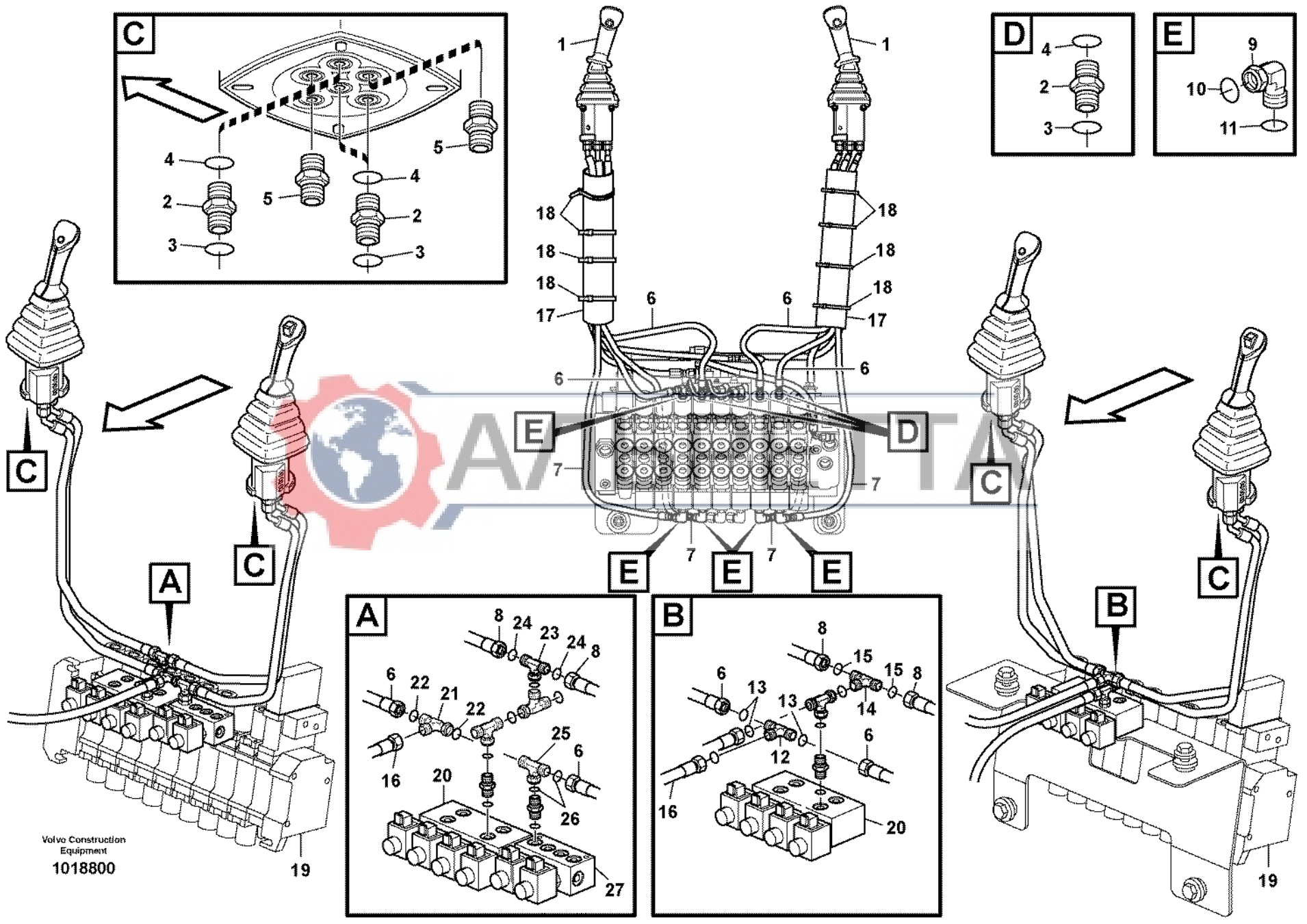
Volvo Construction
Equipment
1018624

Fig.	Part No.	Quantity					P S	K T	Description	Dénomination	Bezeichnung	Denominación	Benämning	Notes
		1	2	3	4	5								
1		2	2					Lever.....	Levier	Hebel	Palanca	Spak.....	See group 914, Page 707	
2	VOE 13933858	12	12					Union	Teton Connexion....	Anschlussnippel.....	Niple Conexcion	Anslutn.nippel.....		
3	VOE 4881722	1	1					•O-ring	•Joint Torique	•O-Ring	•Junta torica.....	•O-ring.....		
4	VOE 932039	1	1					•O-ring	•Joint Torique	•O-Ring	•Junta torica.....	•O-ring.....		
5	VOE 11802772	4	4					Restrictor	Etrangleur.....	Drosselung.....	Estrangulacion.....	Strypning.....		
6	VOE 11887467	6	6					Hose	Durit.....	Schlauch.....	Tubo flexible	Slang.....		
7	VOE 11887473	4	4					Hose	Durit.....	Schlauch.....	Tubo flexible	Slang.....		
8	VOE 11887472	2	2					Hose	Durit.....	Schlauch.....	Tubo flexible	Slang.....		
9	VOE 13933857	5	5					Elbow Nipple.....	Raccord angulaire ..	Winkelnippel	Niple Angular	V-nippel.....		
10	VOE 4881722	1	1					•O-ring	•Joint Torique	•O-Ring	•Junta torica.....	•O-ring.....		
11	VOE 932039	1	1					•O-ring	•Joint Torique	•O-Ring	•Junta torica.....	•O-ring.....		
12	VOE 936798	1						T-nipple.....	Raccord-t.....	T-Nippel	Niple T	T-nippel.....		
13	VOE 4881722	3						•O-ring	•Joint Torique	•O-Ring	•Junta torica.....	•O-ring.....		
14	VOE 13933936	1						T-nipple.....	Raccord-t.....	T-Nippel	Niple T	T-nippel.....		
15	VOE 4880492	2						•O-ring	•Joint Torique	•O-Ring	•Junta torica.....	•O-ring.....		
16	VOE 11886625	1	1					Hose	Durit.....	Schlauch.....	Tubo flexible	Slang.....		
17		2	1				NS	Sleeve.....	Manchon	Muffe	Manguito.....	Muff.....		
18	VOE 4881440	8	8					Strip Clamp	Ruban Serrage	Kabelbinder.....	Abraz Cinta.....	Bandklamma.....		
19		1	1					Valve.....	Soupape.....	Ventil.....	Valvula.....	Ventil.....	See group 912, Page 657	
20		1	1					Valve.....	Soupape.....	Ventil.....	Valvula.....	Ventil.....	See group 911, Page 637	
21	VOE 13933859		1					Nipple.....	Raccord.....	Nippel.....	Niple	Nippel.....		
22	VOE 4881722		2					•O-ring	•Joint Torique	•O-Ring	•Junta torica.....	•O-ring.....		
23	VOE 13933936		1					T-nipple.....	Raccord-t.....	T-Nippel	Niple T	T-nippel.....		
24	VOE 4880492		2					•O-ring	•Joint Torique	•O-Ring	•Junta torica.....	•O-ring.....		
25	VOE 13933912		1					T-nipple.....	Raccord-t.....	T-Nippel	Niple T	T-nippel.....		
26	VOE 4880492		2					•O-ring	•Joint Torique	•O-Ring	•Junta torica.....	•O-ring.....		
27			1					Valve.....	Soupape.....	Ventil.....	Valvula.....	Ventil.....	See group 911, Page 637	



1	11891479	Grävreglage ISO Mandos de excavadora ISO Bagger-Bedienungselement ISO Commandes creusement ISO Excavator Controls ISO	Catalogue id	Group
2	11891482		20002	912
3			Illustr. No	Section
4			1018624	200
5			Issue	Page
			VOE 63H9920002	645





Volvo Construction
Equipment
1018800

Fig.	Part No.	Quantity					P S	K I T	Description	Dénomination	Bezeichnung	Denominación	Benämning	Notes
		1	2	3	4	5								
1		2	2					Lever.....	Levier	Hebel	Palanca	Spak.....	See group 914, Page 707	
2	VOE 13933858	12	12					Union	Teton Connexion....	Anschlussnippel.....	Niple Conexcion	Anslutn.nippel.....		
3	VOE 4881722	1	1					•O-ring	•Joint Torique	•O-Ring	•Junta torica.....	•O-ring.....		
4	VOE 932039	1	1					•O-ring	•Joint Torique	•O-Ring	•Junta torica.....	•O-ring.....		
5	VOE 11802772	4	4					Restrictor	Etrangleur.....	Drosselung.....	Estrangulacion.....	Strypning.....		
6	VOE 11887467	6	6					Hose	Durit.....	Schlauch.....	Tubo flexible	Slang.....		
7	VOE 11887473	4	4					Hose	Durit.....	Schlauch.....	Tubo flexible	Slang.....		
8	VOE 11887472	2	2					Hose	Durit.....	Schlauch.....	Tubo flexible	Slang.....		
9	VOE 13933857	5	5					Elbow Nipple.....	Raccord angulaire ..	Winkelnippel	Niple Angular	V-nippel.....		
10	VOE 4881722	1	1					•O-ring	•Joint Torique	•O-Ring	•Junta torica.....	•O-ring.....		
11	VOE 932039	1	1					•O-ring	•Joint Torique	•O-Ring	•Junta torica.....	•O-ring.....		
12	VOE 936798	1						T-nipple.....	Raccord-t.....	T-Nippel	Niple T	T-nippel.....		
13	VOE 4881722	3						•O-ring	•Joint Torique	•O-Ring	•Junta torica.....	•O-ring.....		
14	VOE 13933936	1						T-nipple.....	Raccord-t.....	T-Nippel	Niple T	T-nippel.....		
15	VOE 4880492	2						•O-ring	•Joint Torique	•O-Ring	•Junta torica.....	•O-ring.....		
16	VOE 11886625	1	1					Hose	Durit.....	Schlauch.....	Tubo flexible	Slang.....		
17		2	2				NS	Sleeve.....	Manchon	Muffe	Manguito.....	Muff.....		
18	VOE 4881440	8	8					Strip Clamp	Ruban Serrage	Kabelbinder.....	Abraz Cinta.....	Bandklamma.....		
19		1	1					Valve.....	Soupape.....	Ventil.....	Valvula.....	Ventil.....	See group 912, Page 657	
20		1	1					Valve.....	Soupape.....	Ventil.....	Valvula.....	Ventil.....	See group 911, Page 637	
21	VOE 13933859		1					Nipple.....	Raccord.....	Nippel.....	Niple	Nippel.....		
22	VOE 4881722		2					•O-ring	•Joint Torique	•O-Ring	•Junta torica.....	•O-ring.....		
23	VOE 13933936		1					T-nipple.....	Raccord-t.....	T-Nippel	Niple T	T-nippel.....		
24	VOE 4880492		2					•O-ring	•Joint Torique	•O-Ring	•Junta torica.....	•O-ring.....		
25	VOE 13933912		1					T-nipple.....	Raccord-t.....	T-Nippel	Niple T	T-nippel.....		
26	VOE 4880492		2					•O-ring	•Joint Torique	•O-Ring	•Junta torica.....	•O-ring.....		
27			1					Valve.....	Soupape.....	Ventil.....	Valvula.....	Ventil.....	See group 911, Page 637	



1	11891480	Grävreglage SAE Mandos de excavadora SAE Bagger Bedienelement SAE Commandes creusement SAE Excavator Controls SAE	Catalogue id	Group
2	11891487		2002	912
3			Illustr. No	Section
4			1018800	210
5			Issue	Page
			VOE 63H9920002	647



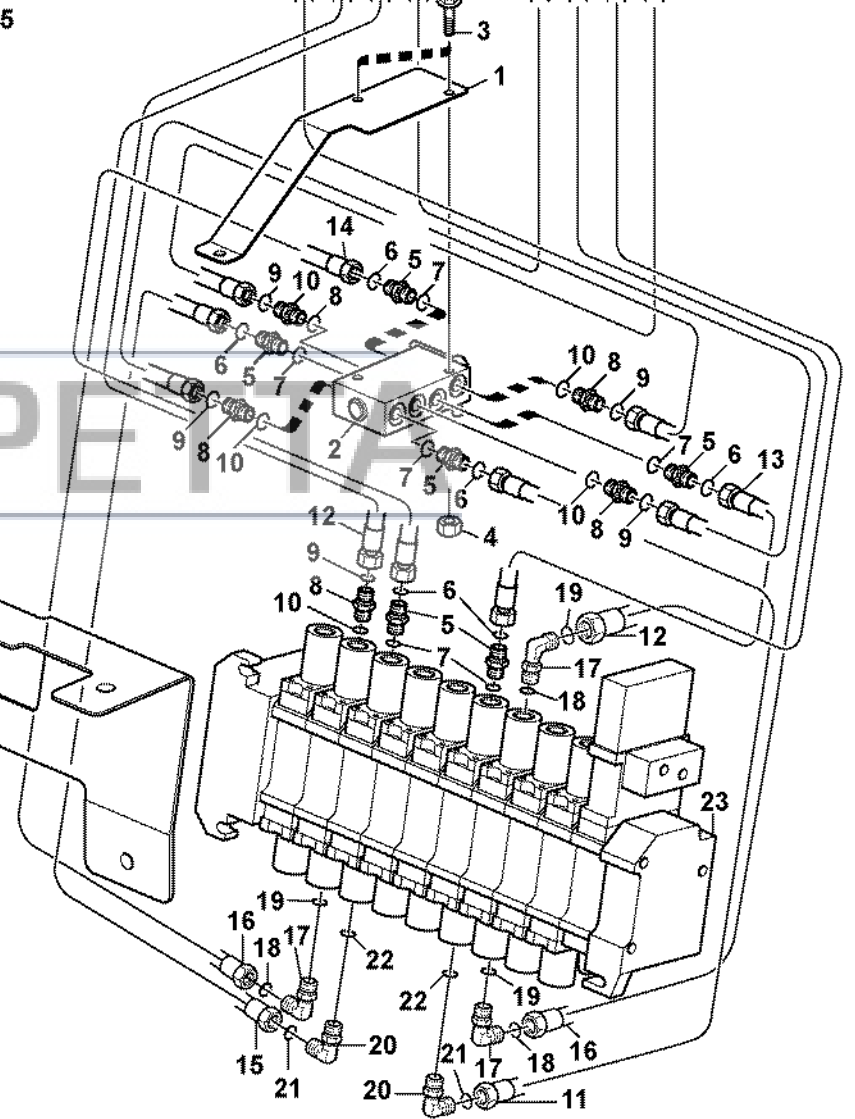
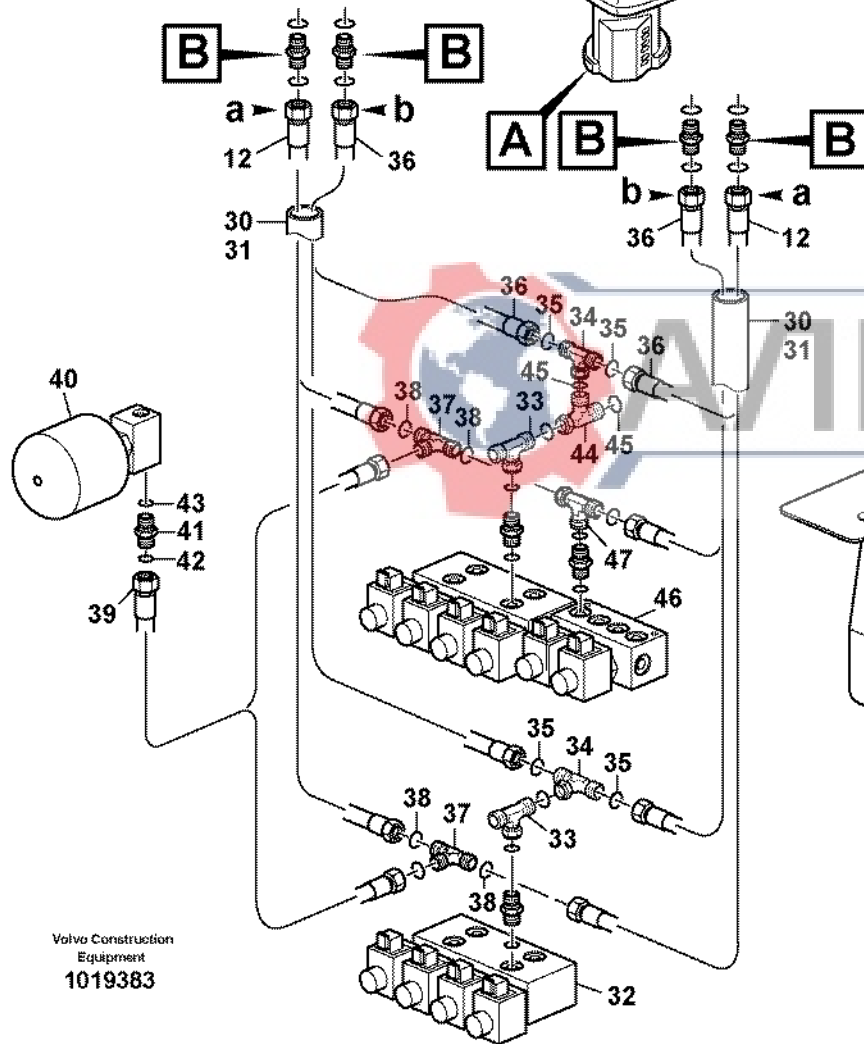
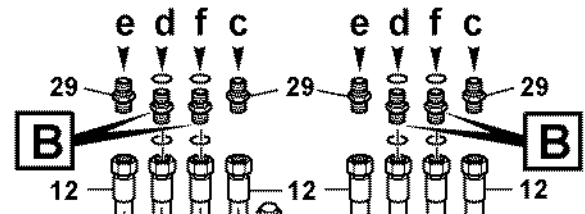
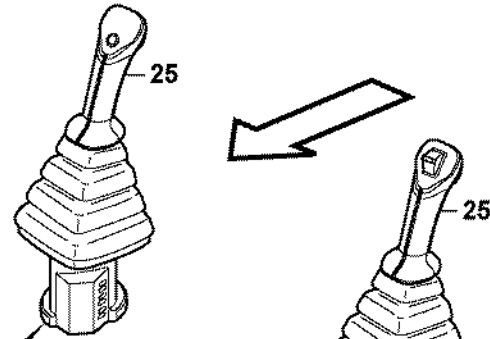
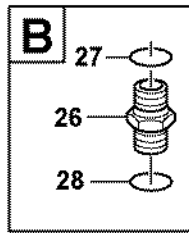
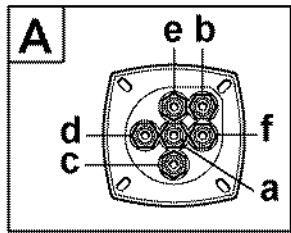
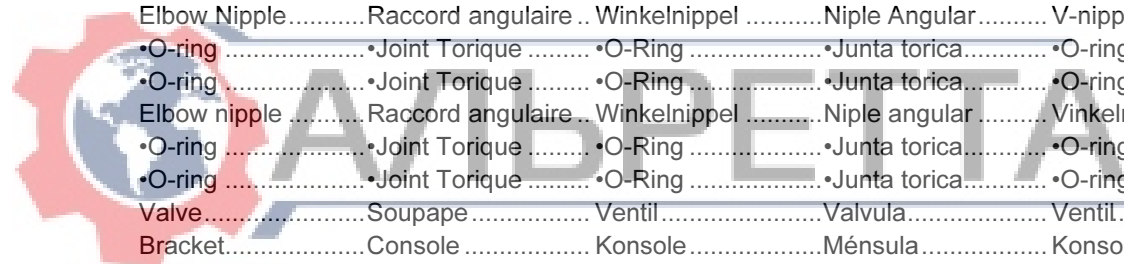
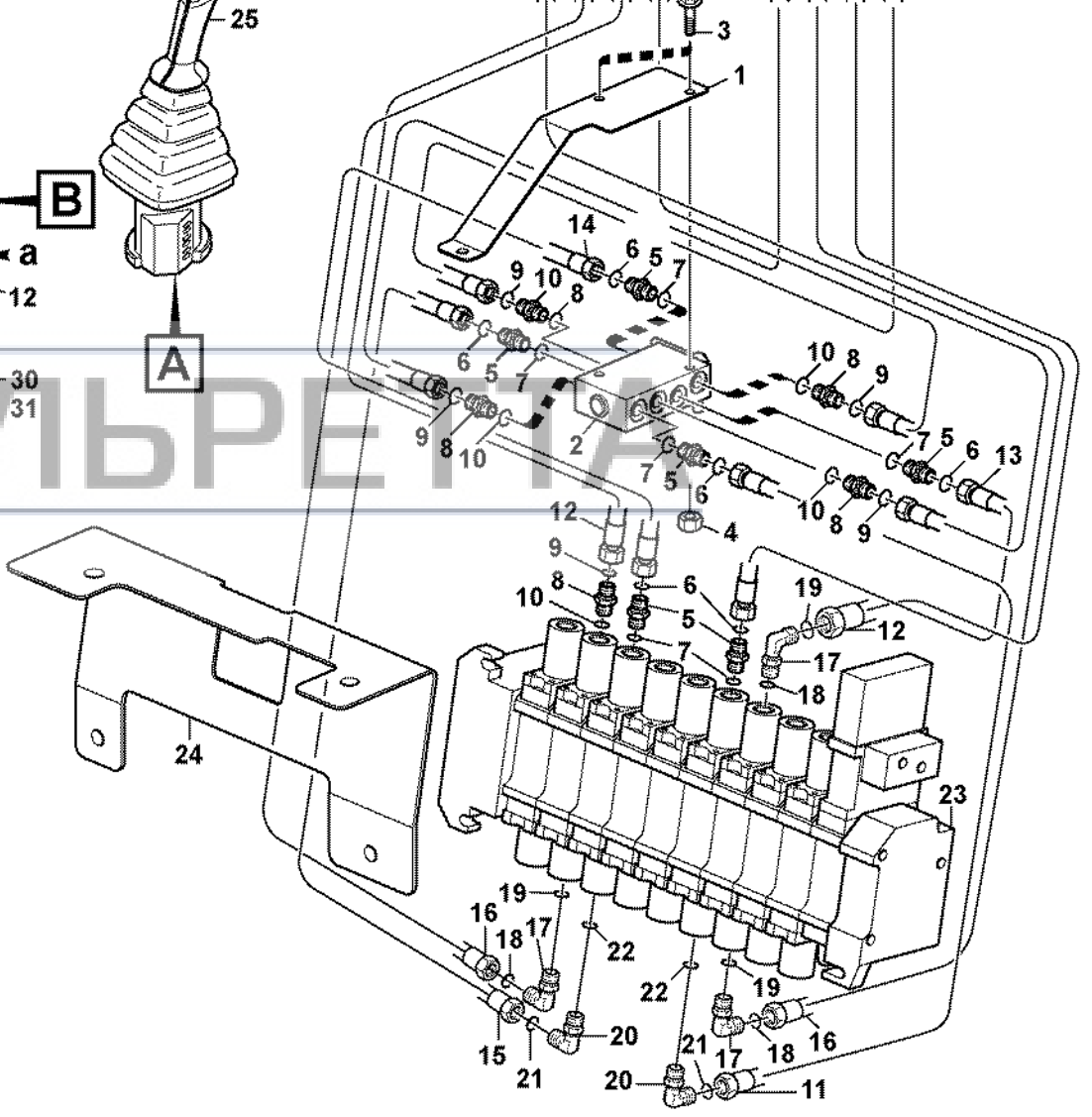
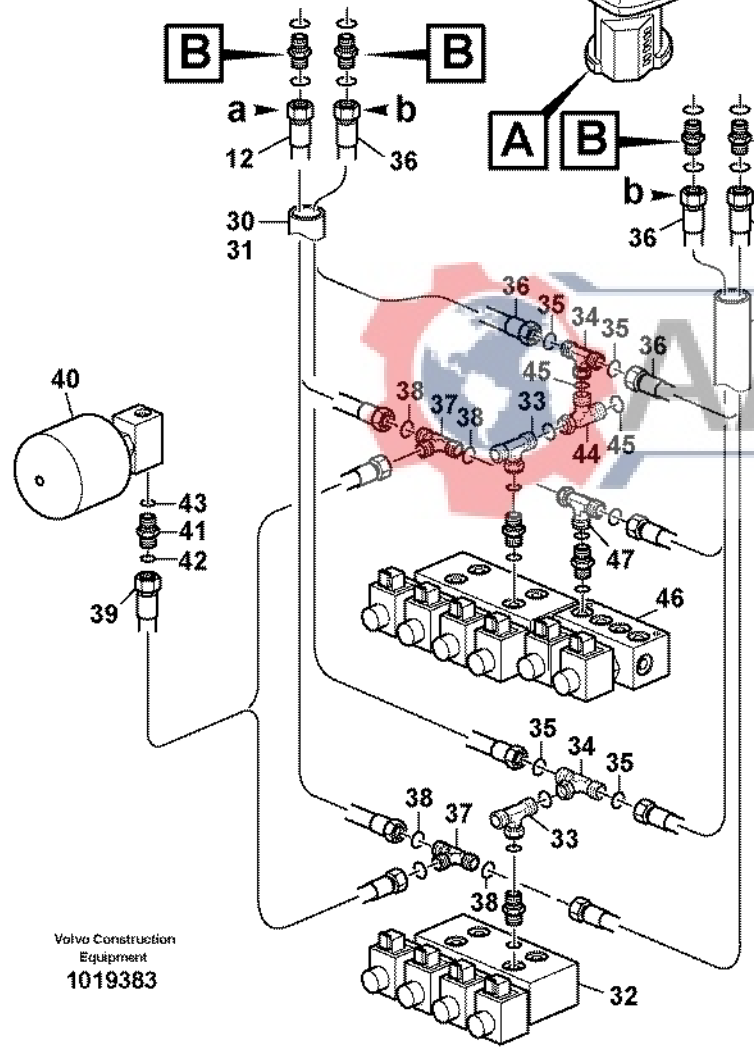
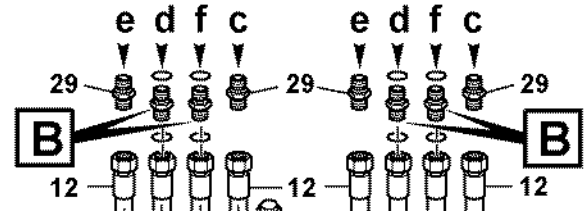
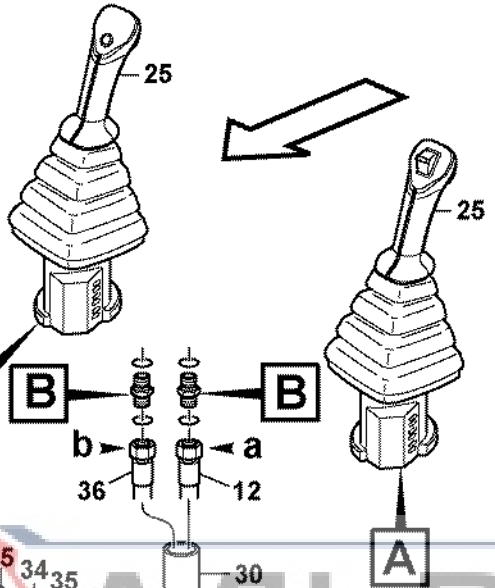
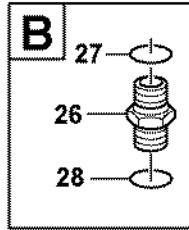
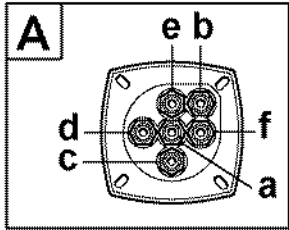


Fig.	Part No.	Quantity					P S	K T	Description	Dénomination	Bezeichnung	Denominación	Benämning	Notes
		1	2	3	4	5								
1	VOE 11887423	1	1					Bracket.....	Console	Konsole	Ménsula	Konsol.....		
2	VOE 11806517	1	1					Valve.....	Soupape	Ventil.....	Valvula.....	Ventil.....		
3	VOE 13965177	2	2					Flange screw	Vis à bride	Flanschschraube	Torn embridado	Flänsskruv.....		
4	VOE 13945407	2	2					Nut.....	Ecrou	Mutter.....	Tuerca	Mutter.....		
5	VOE 935085	6	6					Nipple.....	Raccord	Nippel.....	Niple	Nippel.....		
6	VOE 4880492	1	1					•O-ring	•Joint Torique	•O-Ring	•Junta torica.....	•O-ring.....		
7	VOE 932039	1	1					•O-ring	•Joint Torique	•O-Ring	•Junta torica.....	•O-ring.....		
8	VOE 13933858	5	5					Union	Teton Connexion	Anschlussnippel	Niple Conexcion	Anslutn.nippel.....		
9	VOE 4881722	1	1					•O-ring	•Joint Torique	•O-Ring	•Junta torica.....	•O-ring.....		
10	VOE 932039	1	1					•O-ring	•Joint Torique	•O-Ring	•Junta torica.....	•O-ring.....		
11	VOE 11886773	1	1					Tube.....	Tube	Rohr	Tubo	Rör.....		
12	VOE 11887467	8	8					Hose.....	Durit.....	Schlauch	Tubo flexible	Slang.....		
13	VOE 11886772	1	1					Tube.....	Tube	Rohr	Tubo	Rör.....		
14	VOE 11886771	1	1					Tube.....	Tube	Rohr	Tubo	Rör.....		
15	VOE 11886774	1	1					Tube.....	Tube	Rohr	Tubo	Rör.....		
16	VOE 11887473	2	2					Hose.....	Durit.....	Schlauch	Tubo flexible	Slang.....		
17	VOE 13933857	3	3					Elbow Nipple.....	Raccord angulaire	Winkelnippel	Niple Angular	V-nippel.....		
18	VOE 4881722	1	1					•O-ring	•Joint Torique	•O-Ring	•Junta torica.....	•O-ring.....		
19	VOE 932039	1	1					•O-ring	•Joint Torique	•O-Ring	•Junta torica.....	•O-ring.....		
20	VOE 935069	2	2					Elbow nipple	Raccord angulaire	Winkelnippel	Niple angular	Vinkelnippel.....		
21	VOE 4881722	1	1					•O-ring	•Joint Torique	•O-Ring	•Junta torica.....	•O-ring.....		
22	VOE 4880492	1	1					•O-ring	•Joint Torique	•O-Ring	•Junta torica.....	•O-ring.....		
23		1	1					Valve.....	Soupape	Ventil.....	Valvula.....	Ventil.....	See group 912, Page 657	
24		1	1					Bracket.....	Console	Konsole	Ménsula	Konsol.....	See group 911, Page 637	
25		1	1					Control Lever	Levier Commande	Bedienungshebel	Palanca Mando	Manöverspak.....	See group 914, Page 707	
26	VOE 13933858	8	8					Union	Teton Connexion	Anschlussnippel	Niple Conexcion	Anslutn.nippel.....		
27	VOE 4881722	1	1					•O-ring	•Joint Torique	•O-Ring	•Junta torica.....	•O-ring.....		
28	VOE 932039	1	1					•O-ring	•Joint Torique	•O-Ring	•Junta torica.....	•O-ring.....		
29	VOE 11802772	4	4					Restrictor	Etrangleur.....	Drosselung.....	Estrangulacion.....	Strypning.....		
30	VOE 4881440	8	8					Strip Clamp	Ruban Serrage	Kabelbinder.....	Abraz Cinta.....	Bandklamma.....		



1	11891481	Grävreglage SAE/ISO Mandos de excavadora SAE/ISO Bagger Bedienelemente SAE/ISO Commandes creusement SAE/ISO Excavator Controls SAE/ISO	Catalogue id	Group
2	11891409		20002	912
3			Illustr. No	Section
4			1019383	220
5			Issue	Page
			VOE 63H9920002	649





Volvo Construction
Equipment
1019383

Fig.	Part No.	Quantity					P S	K T	Description	Dénomination	Bezeichnung	Denominación	Benämning	Notes
		1	2	3	4	5								
31		2	2				NS	Sleeve.....	Manchon	Muffe	Manguito.....	Muff.....		
32		1	1					Valve.....	Soupape	Ventil.....	Valvula.....	Ventil.....	See group 911, Page 637	
33		1	1					T-nipple.....	Raccord-t.....	T-Nippel	Niple T	T-nippel.....	See group 911, Page 637	
34	VOE 13933912	1	1					T-nipple.....	Raccord-t.....	T-Nippel	Niple T	T-nippel.....		
35	VOE 4880492	2	2					•O-ring	•Joint Torique	•O-Ring	•Junta torica.....	•O-ring.....		
36	VOE 11887472	2	2					Hose	Durit.....	Schlauch	Tubo flexible	Slang.....		
37	VOE 936798	1						T-nipple.....	Raccord-t.....	T-Nippel	Niple T	T-nippel.....		
37	VOE 13933859		1					Nipple.....	Raccord.....	Nippel.....	Niple	Nippel.....		
38	VOE 4881722	2	2					•O-ring	•Joint Torique	•O-Ring	•Junta torica.....	•O-ring.....		
39	VOE 11886625	1	1					Hose	Durit.....	Schlauch	Tubo flexible	Slang.....		
40		1	1					Accumulator.....	Accumulateur	Speicher.....	Acumulador	Ackumulator.....	See group 911, Page 575	
41	VOE 13933858	1	1					Union	Teton Connexion....	Anschlussnippel.....	Niple Conexcion	Anslutn.nippel.....		
42	VOE 4881722	1	1					•O-ring	•Joint Torique	•O-Ring	•Junta torica.....	•O-ring.....		
43	VOE 932039	1	1					•O-ring	•Joint Torique	•O-Ring	•Junta torica.....	•O-ring.....		
44	VOE 13933936		1					T-nipple.....	Raccord-t.....	T-Nippel	Niple T	T-nippel.....		
45	VOE 4880492	2						•O-ring	•Joint Torique	•O-Ring	•Junta torica.....	•O-ring.....		
46			1					Valve.....	Soupape	Ventil.....	Valvula.....	Ventil.....	See group 911, Page 637	
47			1					T-nipple.....	Raccord-t.....	T-Nippel	Niple T	T-nippel.....	See group 911, Page 637	

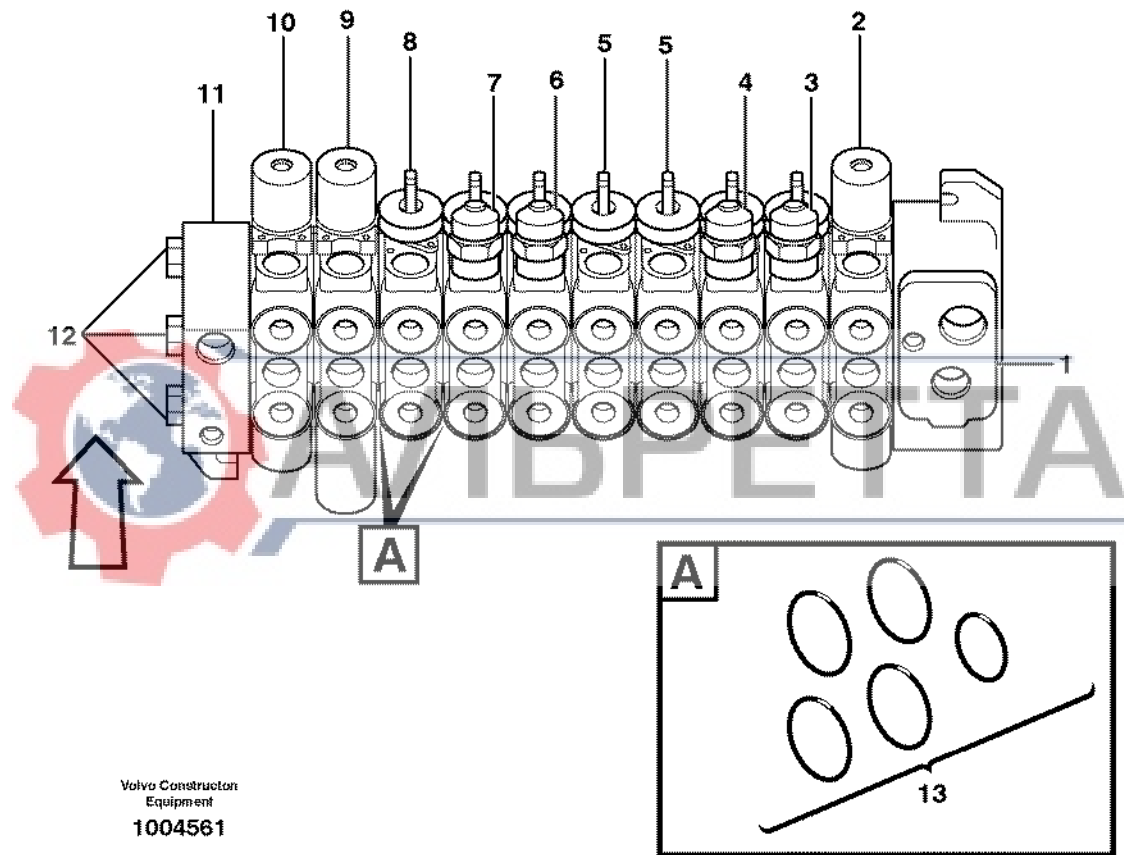


1	11891481	Grävreglage SAE/ISO Mandos de excavadora SAE/ISO Bagger Bedienelemente SAE/ISO Commandes creusement SAE/ISO Excavator Controls SAE/ISO	Catalogue id	Group
2	11891409		20002	912
3			Illustr. No	Section
4			1019383	220
5			Issue	Page
			VOE 63H9920002	651

VOLVO

BL71

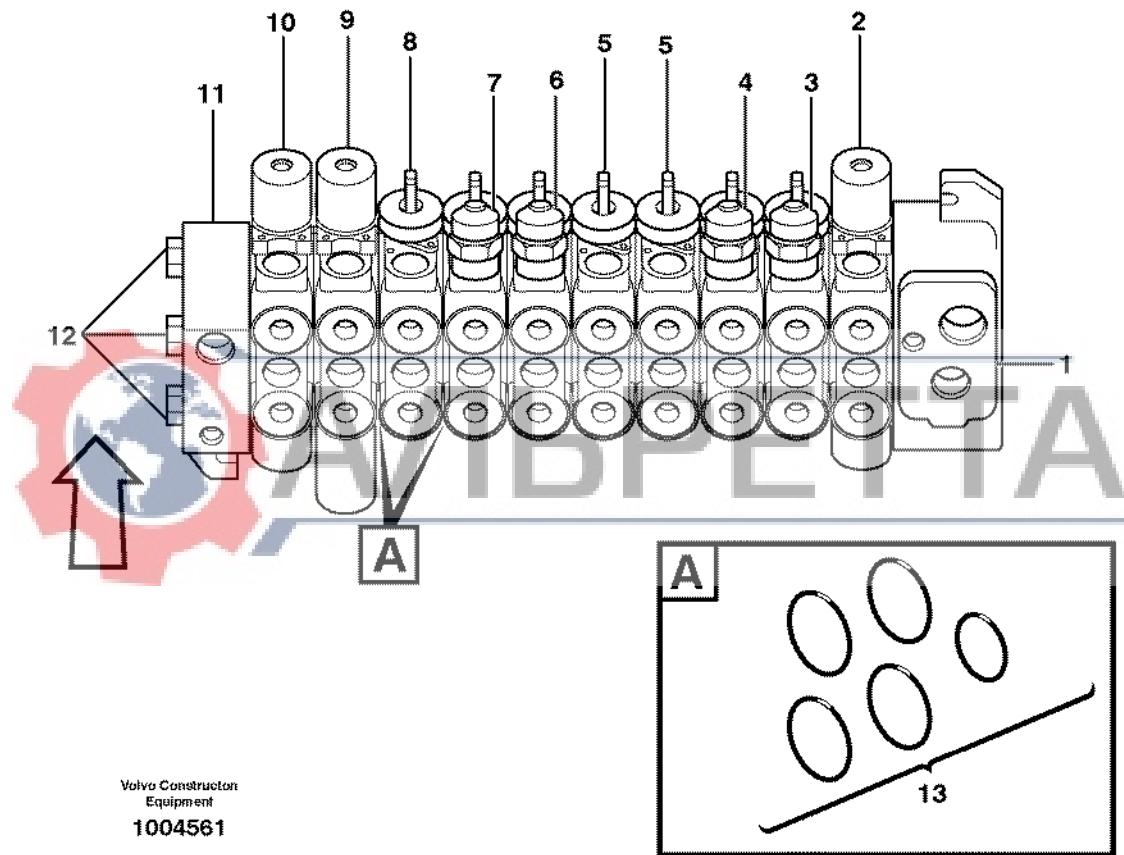




Volvo Constructor
 Equipment
 1004561

Fig.	Part No.	Quantity					P S	K I T	Description	Dénomination	Bezeichnung	Denominación	Benämning	Notes
		1	2	3	4	5								
	VOE 11882463	1						Valve.....	Soupape.....	Ventil.....	Valvula.....	Ventil.....		
	VOE 11885591		1					Valve.....	Soupape.....	Ventil.....	Valvula.....	Ventil.....		
	VOE 11886725			1				Valve.....	Soupape.....	Ventil.....	Valvula.....	Ventil.....		
	VOE 11886727				1			Valve.....	Soupape.....	Ventil.....	Valvula.....	Ventil.....		
1	VOE 11988512	1	1	1	1			•Inlet valve.....	•Soupape d'entrée..	•Einlassventil.....	•Valvula de entrada	•Inloppsventil.....	See group 912, Page 659	
2	VOE 11988513	1	1	1	1			•Direction Valve	•Valve Direction.....	•Wegeventil.....	•Valvula Orient.....	•Riktningventil.....	See group 912, Page 661	
								••Valve, Tilt	••Valve, basculeme	••Ventil, Kippzylinde	••Válvula, volteo	••Ventil, Tilt.....		
3	VOE 11988514	1	1					•Direction Valve	•Valve Direction.....	•Wegeventil.....	•Valvula Orient.....	•Riktningventil.....	See group 912, Page 667	
3	VOE 11715708				1			•Direction Valve	•Valve Direction.....	•Wegeventil.....	•Valvula Orient.....	•Riktningventil.....	See group 912, Page 671	
								••Valve, Slew	••Valve, orientation	••Ventil, Schwenk....	••Válvula, giro	••Ventil, Sväng.....		
4	VOE 11988515	1	1					•Direction Valve	•Valve Direction.....	•Wegeventil.....	•Valvula Orient.....	•Riktningventil.....	See group 912, Page 667	
4	VOE 11715709				1			•Direction Valve	•Valve Direction.....	•Wegeventil.....	•Valvula Orient.....	•Riktningventil.....	See group 912, Page 671	
								••Valve, Boom cylin..	••Valve, vérin de flè	••Ventil, Auslegerzyl	••Válvula, cilindro d.	••Ventil, Bomcylind.		
5	VOE 11988516	2	2					•Direction Valve	•Valve Direction.....	•Wegeventil.....	•Valvula Orient.....	•Riktningventil.....	See group 912, Page 673	
5	VOE 11715710				1			•Direction Valve	•Valve Direction.....	•Wegeventil.....	•Valvula Orient.....	•Riktningventil.....	See group 912, Page 671	
								••Valve, Stabilisers..	••Valve, stabilisateu	••Ventil, Stützbeine	••Válvula, patas de	••Ventil, Stödben....		
6	VOE 11988517	1	1					•Direction Valve	•Valve Direction.....	•Wegeventil.....	•Valvula Orient.....	•Riktningventil.....	See group 912, Page 667	
6	VOE 11715711				1			•Direction Valve	•Valve Direction.....	•Wegeventil.....	•Valvula Orient.....	•Riktningventil.....	See group 912, Page 671	
								••Valve, Dipper arm	••Valve, vérin de bal	••Ventil, Schaftzylin.	••Válvula, cilindro d.	••Ventil, Skaftcylind.		
7	VOE 11988518	1	1					•Direction Valve	•Valve Direction.....	•Wegeventil.....	•Valvula Orient.....	•Riktningventil.....	See group 912, Page 667	
7	VOE 11715712				1			Direction Valve.....	Valve Direction.....	Wegeventil.....	Valvula Orient.....	Riktningventil.....	See group 912, Page 671	
								••Valve, Bucket cylin	••Valve, vérin de go	••Ventil, Schaufelzyl	••Válvula, cilindro d.	••Ventil, Skopcylind.		
8	VOE 11988519	1	1					•Direction Valve	•Valve Direction.....	•Wegeventil.....	•Valvula Orient.....	•Riktningventil.....	See group 912, Page 673	
8	VOE 11715822				1			•Direction Valve	•Valve Direction.....	•Wegeventil.....	•Valvula Orient.....	•Riktningventil.....	See group 912, Page 671	
								••Valve, Telescope	••Valve, vérin de flè	••Ventil, Teleskopzy	••Válvula, cilindro te	••Ventil, Teleskopcy		
9	VOE 11988520	1						•Direction Valve	•Valve Direction.....	•Wegeventil.....	•Valvula Orient.....	•Riktningventil.....	See group 912, Page 677	
9	VOE 11715713				1			•Direction Valve	•Valve Direction.....	•Wegeventil.....	•Valvula Orient.....	•Riktningventil.....		
								••Valve, Lift cylinder	••Valve, vérin de lev	••Ventil, Hubzylinde.	••Válvula, cilindro d.	••Ventil, Lyftcylinder		
9	VOE 11712963		1					•Direction Valve	•Valve Direction.....	•Wegeventil.....	•Valvula Orient.....	•Riktningventil.....	See group 912, Page 663	
								••Valve Multi-bucket	••Valve, godet multi	••Ventil Multischauf	••Válvula, cuchara	••Ventil Multiskopa..		

1	11882463	Ventilblock Bloque de válvulas Ventilgruppe Bloc-soupapes Valve body	Catalogue id	Group
2	11885591		20002	912
3	11886725		Illustr. No	Section
4	11886727 S/N 14670 -		1004561	300
5			Issue	Page
			VOE 63H9920002	653



Volvo Constructor
 Equipment
 1004561

Fig.	Part No.	Quantity					P S	K I T	Description	Dénomination	Bezeichnung	Denominación	Benämning	Notes
		1	2	3	4	5								
10	VOE 11988521	1						•Direction Valve	•Valve Direction	•Wegeventil	•Valvula Orient.....	•Riktningssventil.....	See group 912, Page 661	
10	VOE 11712963				1			•Direction Valve	•Valve Direction	•Wegeventil	•Valvula Orient.....	•Riktningssventil.....	See group 912, Page 663	
10	VOE 11988520		1					••Valve Multi-bucket••Valve, godet multi	••Ventil Multischauf	••Válvula, cuchara	••Ventil Multiskopa.			
10	VOE 11988520		1					•Direction Valve	•Valve Direction	•Wegeventil	•Valvula Orient.....	•Riktningssventil.....	See group 912, Page 677	
11	VOE 11988522	1	1	1	1			•Direction Valve	•Valve Direction	•Wegeventil	•Valvula Orient.....	•Riktningssventil.....	See group 912, Page 681	
12	VOE 11988523	1	1		1			•Screw Kit	•Kit Vis	•Schraubensatz.....	•Juego Tornillos	•Skruvsats		
13	VOE 11988537	11						•Sealing Kit	•Jeu Joints	•Dichtungssatz	•Juego Retenes	•Tätningssats.....		
13	VOE 11712623	11	9	11				•Sealing Kit	•Jeu Joints	•Dichtungssatz	•Juego Retenes	•Tätningssats.....		



1	11882463	Ventilblock Bloque de válvulas Ventilgruppe Bloc-soupapes Valve body	Catalogue id	Group
2	11885591		20002	912
3	11886725		Illustr. No	Section
4	11886727 S/N 14670 -		1004561	300
5			Issue	Page
			VOE 63H9920002	655

VOLVO

BL71



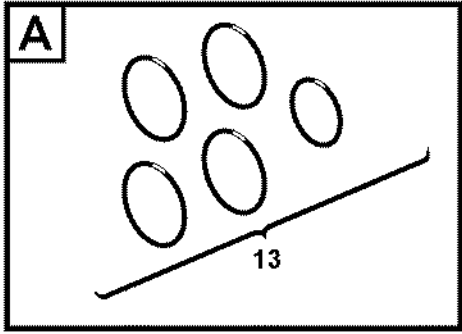
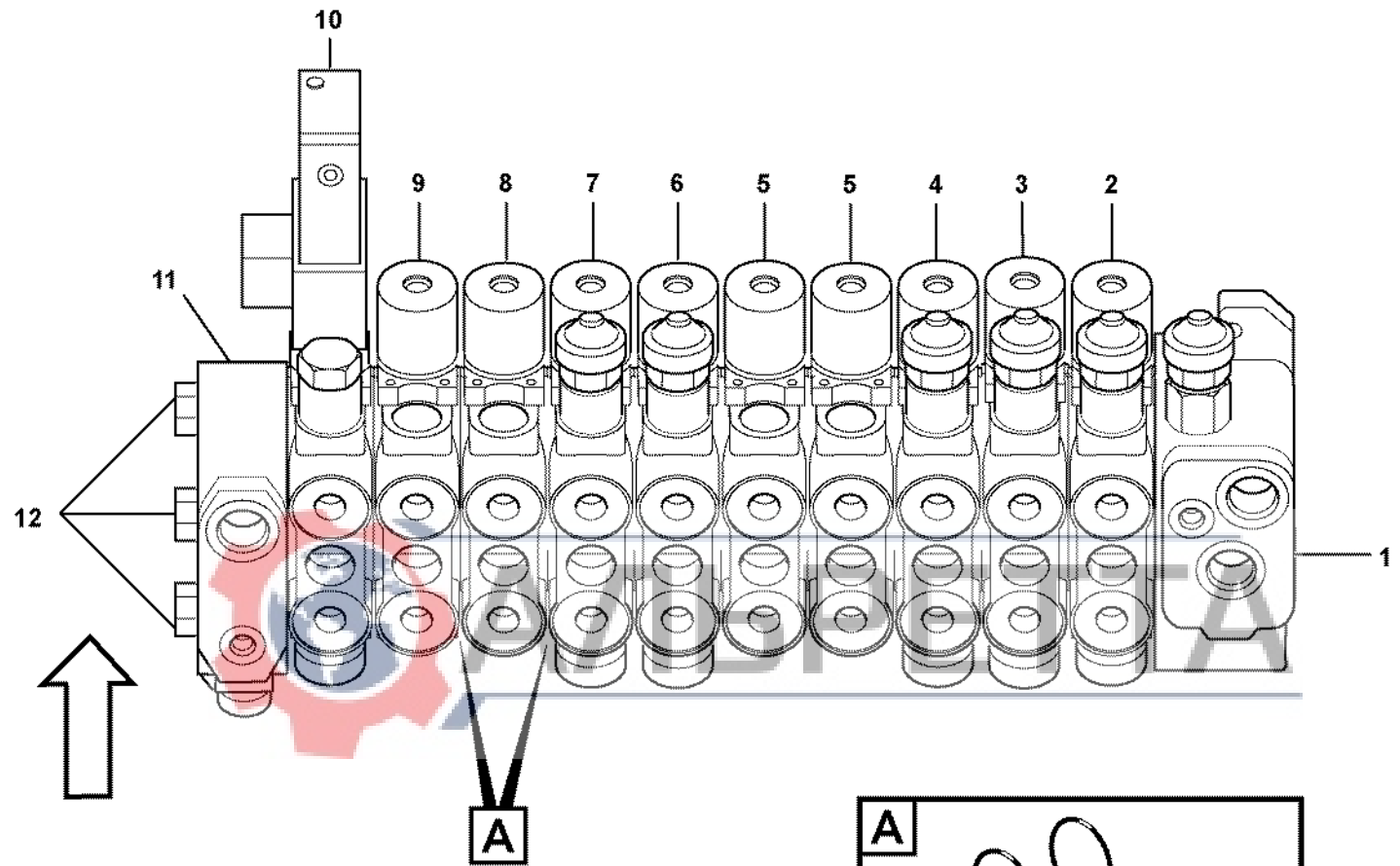


Fig.	Part No.	Quantity			P S	K I T	Description	Dénomination	Bezeichnung	Denominación	Benämning	Notes
		1	2	3								
	VOE 11886145	1				Valve	Soupape.....	Ventil	Valvula	Ventil.....		
1	VOE 11988512	1				•Inlet valve	•Soupape d'entrée	•Einlassventil.....	•Valvula de entrada....	•Inloppsventil.....	See group 912, Page 659	
2	VOE 11988513	1				•Direction Valve	•Valve Direction.....	•Wegeventil	•Valvula Orient	•Rikttningsventil.....	See group 912, Page 661	
						••Valve, Tilt.....	••Valve, basculement ..	••Ventil, Kippzylinder ..	••Válvula, volteo	••Ventil, Tilt.....		
3	VOE 11715626	1				•Direction Valve	•Valve Direction.....	•Wegeventil	•Valvula Orient	•Rikttningsventil.....	See group 912, Page 669	
						••Valve, Slew.....	••Valve, orientation.....	••Ventil, Schwenk	••Válvula, giro	••Ventil, Sväng.....		
4	VOE 11715627	1				•Direction Valve	•Valve Direction.....	•Wegeventil	•Valvula Orient	•Rikttningsventil.....	See group 912, Page 669	
						••Valve, Boom cylinde	••Valve, vérin de flèch	••Ventil, Auslegerzylin	••Válvula, cilindro de ..	••Ventil, Bomcylinder..		
5	VOE 11715628	2				•Direction Valve	•Valve Direction.....	•Wegeventil	•Valvula Orient	•Rikttningsventil.....	See group 912, Page 675	
						••Valve, Stabilisers.....	••Valve, stabilisateur ..	••Ventil, Stützbeine.....	••Válvula, patas de ap	••Ventil, Stödben.....		
6	VOE 11715629	1				•Direction Valve	•Valve Direction.....	•Wegeventil	•Valvula Orient	•Rikttningsventil.....	See group 912, Page 669	
						••Valve, Dipper arm cy	••Valve, vérin de bala.	••Ventil, Schaftzylinder	••Válvula, cilindro del .	••Ventil, Skaftcylinder.		
7	VOE 11715630	1				•Direction Valve	•Valve Direction.....	•Wegeventil	•Valvula Orient	•Rikttningsventil.....	See group 912, Page 669	
						••Valve, Bucket cylind	••Valve, vérin de gode	••Ventil, Schaufelzylin	••Válvula, cilindro de c	••Ventil, Skopcylinder.		
8	VOE 11715631	1				•Direction Valve	•Valve Direction.....	•Wegeventil	•Valvula Orient	•Rikttningsventil.....	See group 912, Page 675	
						••Valve, Telescope cyl	••Valve, vérin de flèch	••Ventil, Teleskopzylin	••Válvula, cilindro tele.	••Ventil, Teleskopcylin		
9	VOE 11715632	1				•Direction Valve	•Valve Direction.....	•Wegeventil	•Valvula Orient	•Rikttningsventil.....	See group 912, Page 679	
						••Valve, Lift cylinder ...	••Valve, vérin de levag	••Ventil, Hubzylinder...	••Válvula, cilindro de ..	••Ventil, Lyftcylinder...		
10	VOE 11715633					•Direction Valve	•Valve Direction.....	•Wegeventil	•Valvula Orient	•Rikttningsventil.....	See group 912, Page 665	
						••Valve Multi-bucket ...	••Valve, godet multi-u	••Ventil Multischaufel...	••Válvula, cuchara mu	••Ventil Multiskopa....		
11	VOE 11988522	1				•Direction Valve	•Valve Direction.....	•Wegeventil	•Valvula Orient	•Rikttningsventil.....	See group 912, Page 681	
						••Exhaust valve	••Soupape d'échappe.	••Auslassventil.....	••Válvula de escape ...	••Utloppsventil.....		
12	VOE 11988523	1				•Screw Kit	•Kit Vis.....	•Schraubensatz.....	•Juego Tornillos.....	•Skrivsats.....		
13	VOE 11712623	11				•Sealing Kit	•Jeu Joints.....	•Dichtungssatz	•Juego Retenes.....	•Tätningssats.....		

1	11886145	Ventilblock Bloque de válvulas Ventilgruppe Bloc-soupapes Valve body	Catalogue id	Group
2			20002	912
3			Illustr. No	Section
4			1018629	310
5			Issue	Page
			VOE 63H9920002	657

VOLVO

BL71



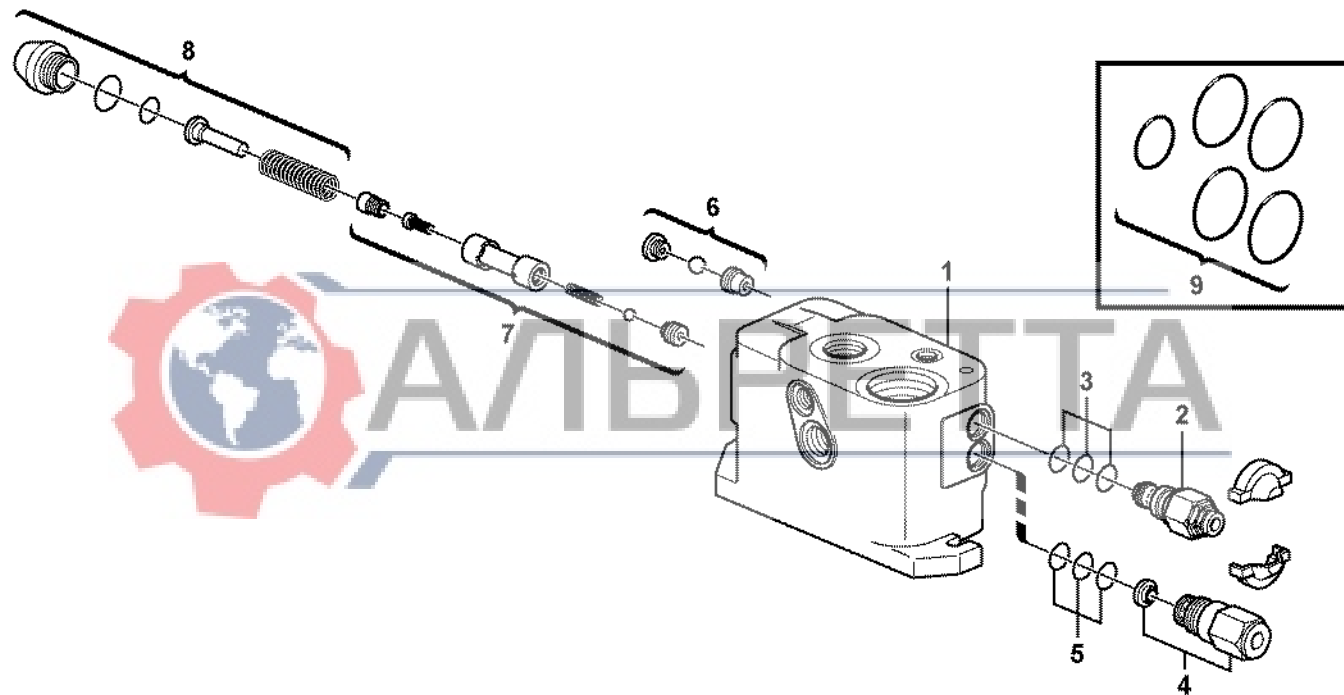


Fig.	Part No.	Quantity			P S	K I T	Description	Dénomination	Bezeichnung	Denominación	Benämning	Notes
		1	2	3								
8 1	VOE 11988512						Inlet valve.....	Soupape d'entrée.....	Einlassventil	Valvula de entrada	Inloppsventil.....	
2	VOE 11988524	1					•Relief valve	•Limiteur - pression	•Druckbegrenzer	•Limitador presion	•Avlastningsventil.....	
3	VOE 11988540	1					•Sealing Kit	•Jeu Joints	•Dichtungssatz	•Juego Retenes.....	•Tätningssats.....	
4	VOE 11988525	1					•Flow Adj Valve.....	•Valve Reg.debit	•Flussregelvent.....	•Valv Ajust Caud	•Flödesregl.vent.....	
	VOE 11710925	1					•Filter	•Filtre.....	•Filter.....	•Filtro.....	•Filter.....	
5	VOE 11988539	1					•Sealing Kit	•Jeu Joints	•Dichtungssatz	•Juego Retenes.....	•Tätningssats.....	
6	VOE 11712902	1					•Shuttle Valve	•Valve Navette	•Wechselventil.....	•Valv Lanzadera	•Skyttelventil.....	
7	VOE 11712900	1					•Spool	•Bobine.....	•Schieber.....	•Bobina.....	•Slid.....	
8	VOE 11712899	1					•Plug Kit	•Kit Tampon	•Stopfensatz	•Kit Tapones.....	•Pluggsats.....	
9	VOE 11988537	1					•Sealing Kit	•Jeu Joints.....	•Dichtungssatz	•Juego Retenes.....	•Tätningssats.....	



1		Inloppsventil Válvula de admisión Einlassventil Soupape d'admission Inlet valve	Catalogue id	Group
2			20002	912
3			Illustr. No	Section
4			1023199	350
5			Issue	Page
			VOE 63H9920002	659

VOLVO

BL71



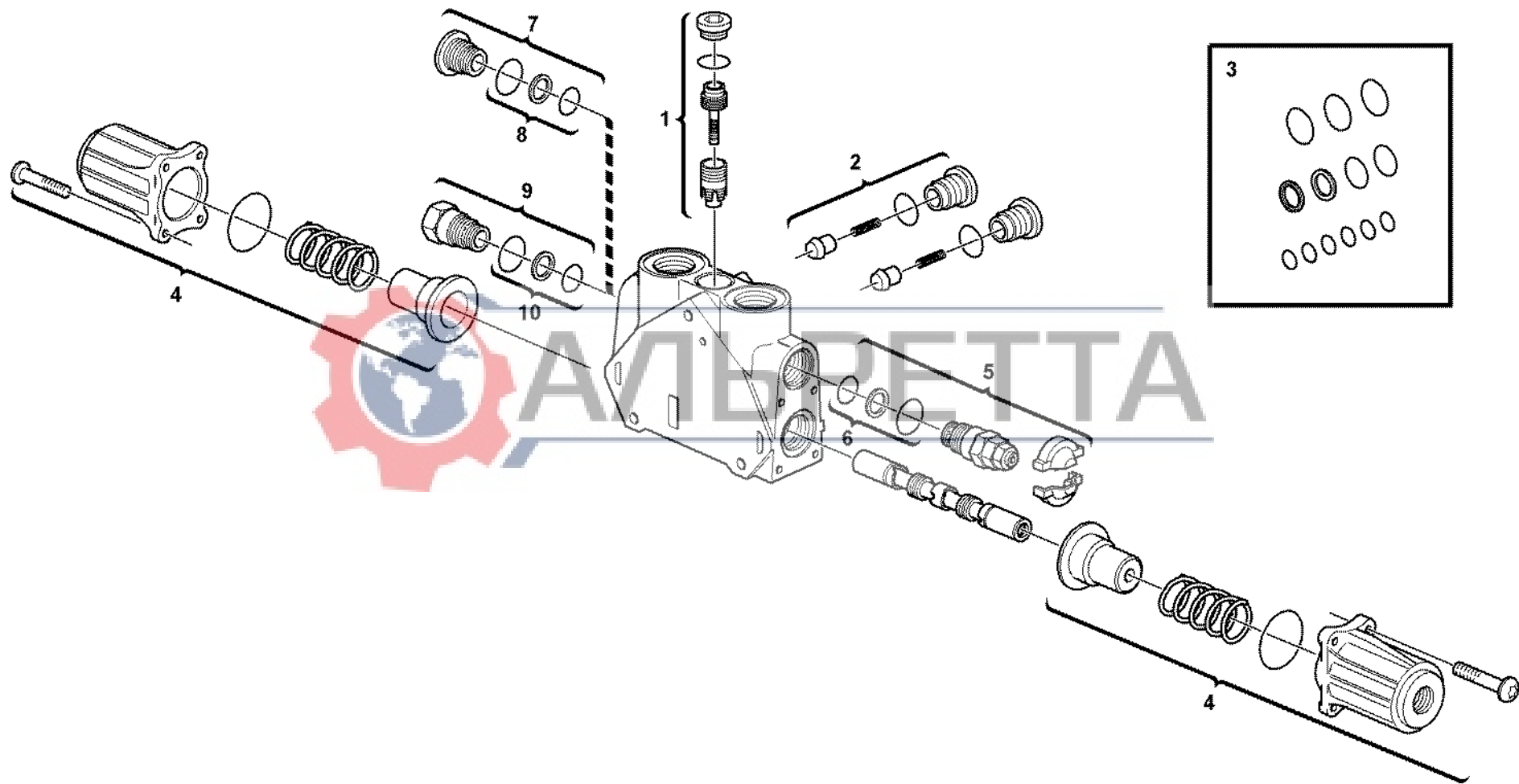


Fig.	Part No.	Quantity			P S	K I T	Description	Dénomination	Bezeichnung	Denominación	Benämning	Notes
		1	2	3								
	VOE 11988513	1					Direction Valve.....	Valve Direction.....	Wegeventil	Valvula Orient.....	Riktningssventil.....	
							•Valve, Tilt.....	•Valve, basculement ..	•Ventil, Kippzylinder ...	•Válvula, volteo.....	•Ventil, Tilt.....	
	VOE 11988521		1				Direction Valve.....	Valve Direction.....	Wegeventil	Valvula Orient.....	Riktningssventil.....	
							•Valve Multi-bucket	•Valve, godet multi-us	•Ventil Multischaufel...	•Válvula, cuchara mul.	•Ventil Multiskopa.....	
1	VOE 11988526	1	1				•Press Regulator.....	•Regulateu Press	•Druckregler	•Regul Presion	•Tryckregulator.....	
2	VOE 11988527	1	1				•Check valve.....	•Valve antiretour.....	•Rückschlagventil.....	•Válvula de retención .	•Backventil.....	
3	VOE 11988538	1	1	SS			•Sealing Kit	•Jeu Joints.....	•Dichtungssatz	•Juego Retenes.....	•Tätningssats.....	
4	VOE 11988530	1	1				•Control	•Commande	•Regelung.....	•Mando	•Reglage.....	
5	VOE 11988532	1	1				•Relief valve	•Limiteur - pression ...	•Druckbegrenzer	•Limitador presion	•Avlastningsventil.....	
6	VOE 11988541	1	1				•Sealing Kit	•Jeu Joints	•Dichtungssatz	•Juego Retenes.....	•Tätningssats.....	
7	VOE 11712886	1					•Plug	•Bouchon.....	•Stopfen	•Tapon.....	•Plugg.....	
8	VOE 11988541	1					•Sealing Kit	•Jeu Joints	•Dichtungssatz	•Juego Retenes.....	•Tätningssats.....	
9	VOE 11988533		1				•Valve.....	•Soupape	•Ventil.....	•Valvula	•Ventil.....	
10	VOE 11988541		1				•Sealing Kit	•Jeu Joints	•Dichtungssatz	•Juego Retenes.....	•Tätningssats.....	

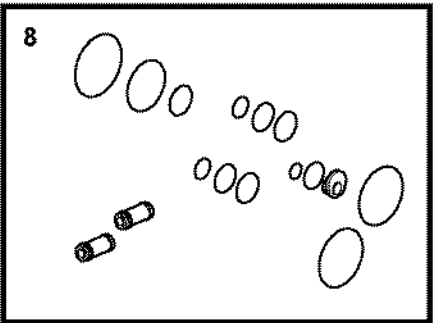
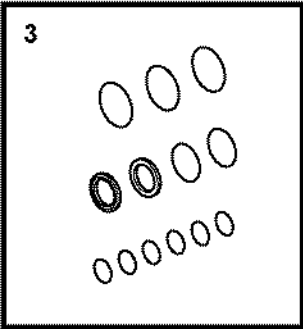
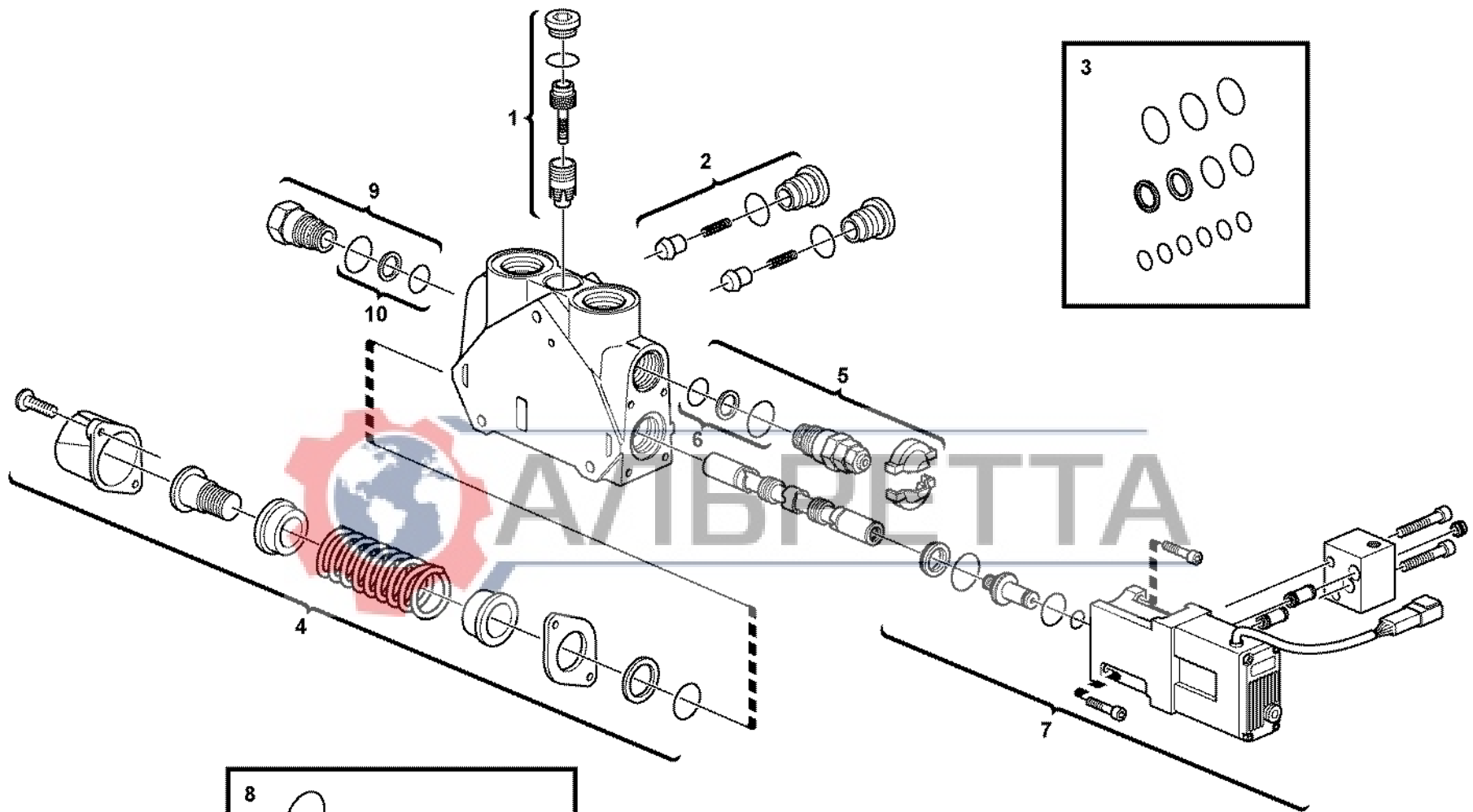


1	11988513	Ventilsektion Sección de válvulas Ventil Section de valve Valve section	Catalogue id	Group
2	11988521		20002	912
3			Illustr. No	Section
4			1004594	450
5			Issue	Page
			VOE 63H9920002	661

VOLVO

BL71





Volvo Construction
Equipment
1015377

Fig.	Part No.	Quantity			P S	K I T	Description	Dénomination	Bezeichnung	Denominación	Benämning	Notes
		1	2	3								
	VOE 11712963	1					Direction Valve.....	Valve Direction.....	Wegeventil	Valvula Orient.....	Riktningventil.....	
							•Valve Multi-bucket	•Valve, godet multi-us	•Ventil Multischaufel...	•Válvula, cuchara mul.	•Ventil Multiskopa.....	
1	VOE 11988526	1					•Press Regulator.....	•Regulateu Press	•Druckregler	•Regul Presion	•Tryckregulator.....	
2	VOE 11988527	1					•Check valve	•Valve antiretour.....	•Rückschlagventil	•Válvula de retención .	•Backventil.....	
3	VOE 11988538	1			SS		•Sealing Kit	•Jeu Joints.....	•Dichtungssatz	•Juego Retenes.....	•Tätningssats.....	
4	VOE 11988529	1					•Control	•Commande	•Regelung.....	•Mando	•Reglage.....	
5	VOE 11988532	1					•Relief valve	•Limiteur - pression	•Druckbegrenzer	•Limitador presion	•Avlastningsventil.....	
6	VOE 11988541	1					•Sealing Kit	•Jeu Joints	•Dichtungssatz	•Juego Retenes.....	•Tätningssats.....	
7	VOE 11712965	1					•Electric Control	•Commande électriq...	•Elektrische Steuerun.	•Electric Control.....	•Elektrisk reglering.....	
8	VOE 11713044	1					•Sealing Kit	•Jeu Joints	•Dichtungssatz	•Juego Retenes.....	•Tätningssats.....	
9	VOE 11988533	1					•Valve.....	•Soupape	•Ventil.....	•Valvula	•Ventil.....	
10	VOE 11988541	1					•Sealing Kit	•Jeu Joints.....	•Dichtungssatz	•Juego Retenes.....	•Tätningssats.....	



1	Ventilsektion Sección de válvulas Ventil Section de valve Valve section	Catalogue id	Group
2		20002	912
3		Illustr. No	Section
4		1015377	460
5		Issue	Page
		VOE 63H9920002	663

VOLVO

BL71



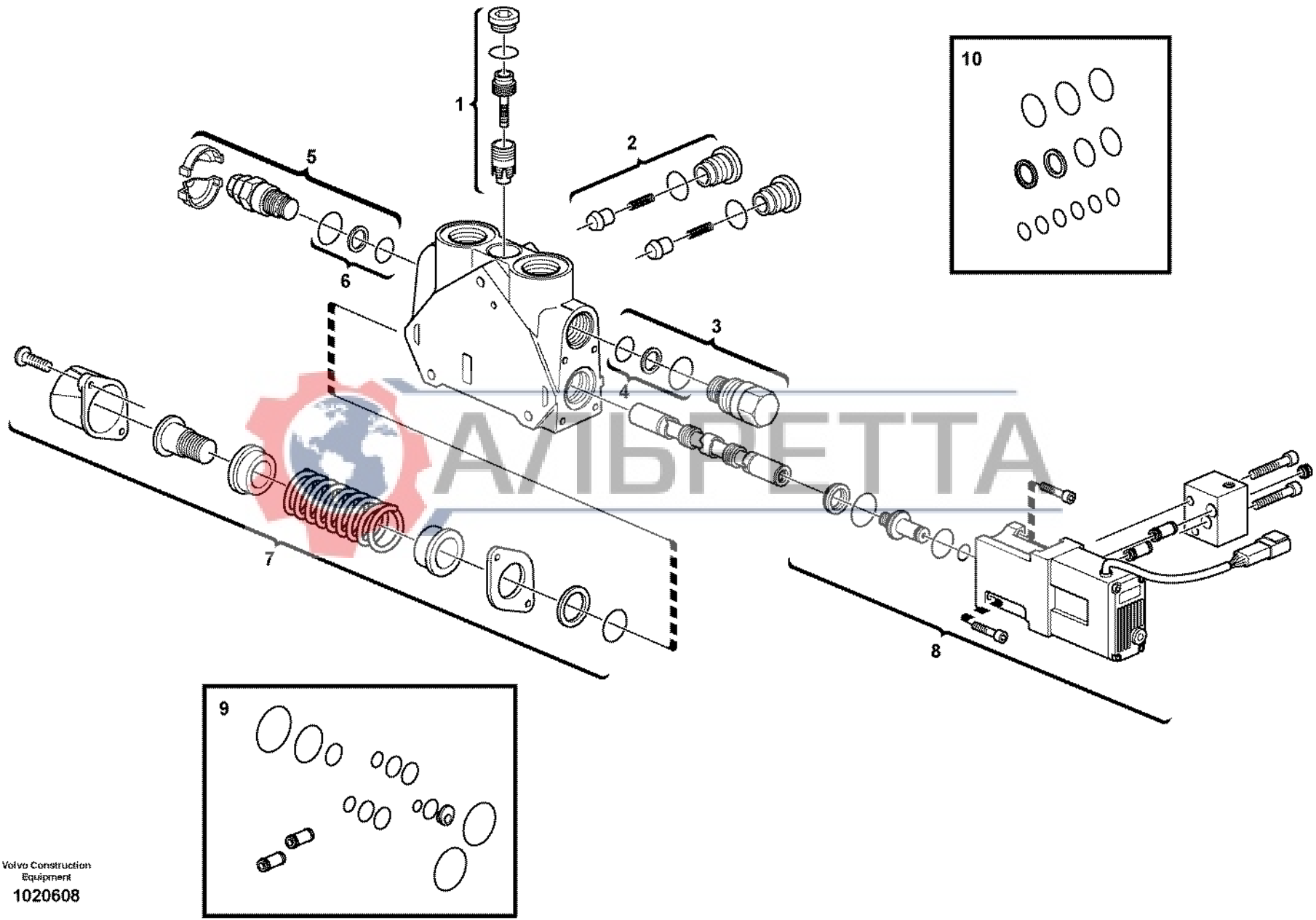


Fig.	Part No.	Quantity			P S	K I T	Description	Dénomination	Bezeichnung	Denominación	Benämning	Notes
		1	2	3								
	VOE 11715633	1					Direction Valve.....	Valve Direction.....	Wegeventil	Valvula Orient.....	Riktningventil.....	
							•Valve Multi-bucket	•Valve, godet multi-us	•Ventil Multischaufel...	•Válvula, cuchara mul.	•Ventil Multiskopa.....	
1	VOE 11988526	1					•Press Regulator.....	•Regulateu Press	•Druckregler	•Regul Presion	•Tryckregulator.....	
2	VOE 11988527	1					•Check valve	•Valve antiretour.....	•Rückschlagventil	•Válvula de retención	•Backventil.....	
3	VOE 11988533	1					•Valve.....	•Soupape	•Ventil	•Valvula	•Ventil.....	
4	VOE 11988541	1					•Sealing Kit	•Jeu Joints	•Dichtungssatz	•Juego Retenes.....	•Tätningssats.....	
5	VOE 11988532	1					•Relief valve	•Limiteur - pression	•Druckbegrenzer	•Limitador presion	•Avlastningsventil.....	
6	VOE 11988541	1					•Sealing Kit	•Jeu Joints	•Dichtungssatz	•Juego Retenes.....	•Tätningssats.....	
7	VOE 11715640	1					•Control	•Commande	•Regelung.....	•Mando	•Reglage.....	
8	VOE 11712965	1					•Electric Control	•Commande électriq...	•Elektrische Steuerun.	•Electric Control.....	•Elektrisk reglering....	
9	VOE 11713044	1					•Sealing Kit	•Jeu Joints	•Dichtungssatz	•Juego Retenes.....	•Tätningssats.....	
10	VOE 11715251	1					•Sealing Kit	•Jeu Joints.....	•Dichtungssatz	•Juego Retenes.....	•Tätningssats.....	

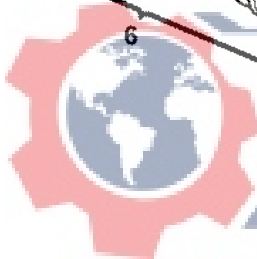
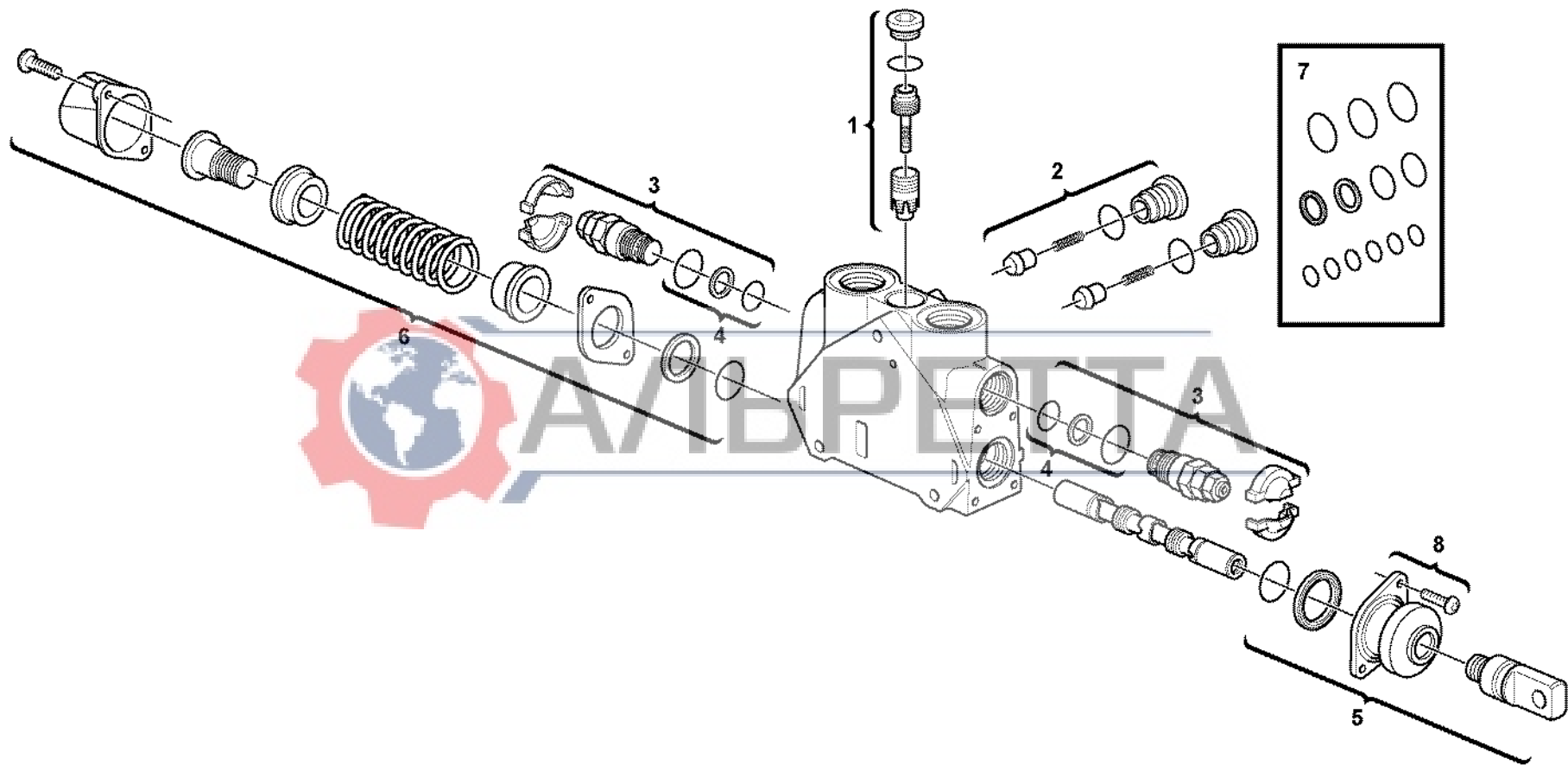


1	11715633	Ventilsektion Sección de válvulas Ventil Section de valve Valve section	Catalogue id	Group
2			20002	912
3			Illustr. No	Section
4			1020608	470
5			Issue	Page
			VOE 63H9920002	665

VOLVO

BL71





АЛЪРЕТА

Fig.	Part No.	Quantity					P S	K T	Description	Dénomination	Bezeichnung	Denominación	Benämning	Notes
		1	2	3	4	5								
	VOE 11988514	1							Direction Valve.....	Valve Direction	Wegeventil	Valvula Orient.....	Riktningventil.....	
	VOE 11988515		1						••Valve, Slew	••Valve, orientation .	••Ventil, Schwenk....	••Válvula, giro	••Ventil, Sväng.....	
	VOE 11988517			1					Direction Valve.....	Valve Direction	Wegeventil	Valvula Orient.....	Riktningventil.....	
	VOE 11988518				1				Direction Valve.....	Valve Direction	Wegeventil	Valvula Orient.....	Riktningventil.....	
1	VOE 11988526	1	1	1	1				••Valve, Dipper arm	••Valve, vérin de bal	••Ventil, Schaftzylin.	••Válvula, cilindro d.	••Ventil, Skaftcylind.	
2	VOE 11988527	1	1	1	1				••Valve, Bucket cylin	••Valve, vérin de go	••Ventil, Schaufelzyl	••Válvula, cilindro d.	••Ventil, Skopcylind.	
3	VOE 11988532	2	2	2	2				•Press Regulator.....	•Regulateu Press ...	•Druckregler	•Regul Presion.....	•Tryckregulator.....	
4	VOE 11988541	1	1	1	1				•Check valve	•Valve antiretour	•Rückschlagventil....	•Válvula de retenció	•Backventil.....	
5	VOE 11715275	1	1	1	1				•Relief valve	•Limiteur - pressio ..	•Druckbegrenzer	•Limitador presion...	•Avlastningsventil...	
6	VOE 11988529	1	1	1	1				••Sealing Kit	••Jeu Joints.....	••Dichtungssatz.....	••Juego Retenes.....	••Tätningssats.....	
7	VOE 11715251	1	1	1	1				•Control	•Commande	•Regelung	•Mando	•Reglage.....	(VOE 11988528)
	VOE 11715252	1	1	1	1				•Control	•Commande	•Regelung	•Mando	•Reglage.....	
8	VOE 11712580	1	1	1	1				•Sealing Kit	•Jeu Joints	•Dichtungssatz	•Juego Retenes	•Tätningssats.....	
									•Sealing Kit	•Jeu Joints	•Dichtungssatz	•Juego Retenes	•Tätningssats.....	
									•Bellows Kit	•Kit soufflet	•Balgatz	•Juego fuelle.....	•Bälgsatz.....	



1	11988514	Ventilsektion Sección de válvulas Ventil Section de valve Valve section	Catalogue id	Group
2	11988515		20002	912
3	11988517		Illustr. No	Section
4	11988518		1023157	500
5			Issue	Page
			VOE 63H9920002	667

VOLVO

BL71



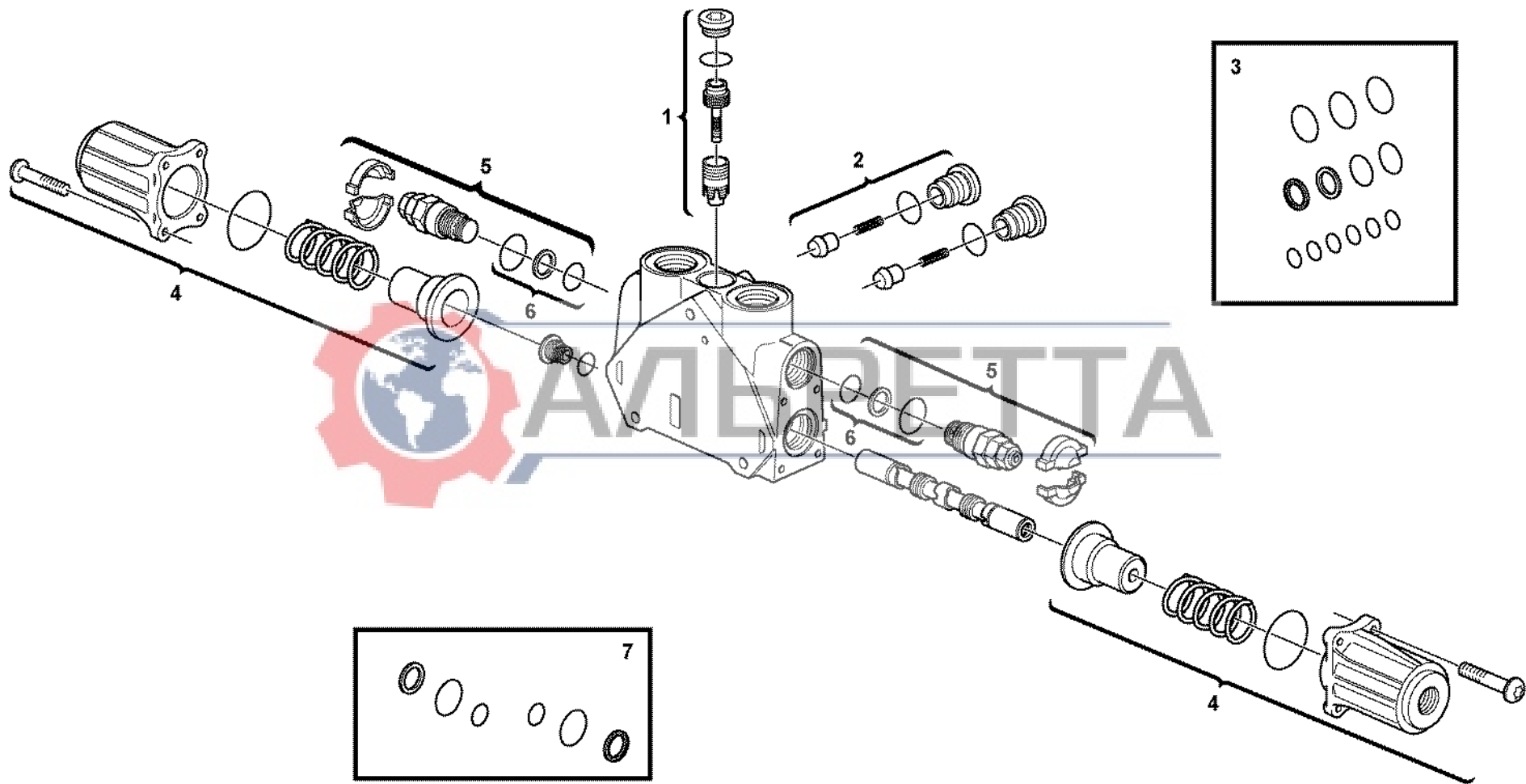


Fig.	Part No.	Quantity					P S	K T	Description	Dénomination	Bezeichnung	Denominación	Benämning	Notes
		1	2	3	4	5								
	VOE 11715626	1							Direction Valve.....	Valve Direction	Wegeventil	Valvula Orient.....	Riktningventil.....	
	VOE 11715627		1						••Valve, Slew	••Valve, orientation .	••Ventil, Schwenk....	••Válvula, giro	••Ventil, Sväng.....	
	VOE 11715629			1					Direction Valve.....	Valve Direction	Wegeventil	Valvula Orient.....	Riktningventil.....	
	VOE 11715630				1				Direction Valve.....	Valve Direction	Wegeventil	Valvula Orient.....	Riktningventil.....	
1	VOE 11988526	1	1	1	1				•Press Regulator.....	•Regulateu Press ...	•Druckregler	•Regul Presion.....	•Tryckregulator.....	
2	VOE 11988527	1	1	1	1				•Check valve	•Valve antiretour	•Rückschlagventil....	•Válvula de retenció	•Backventil.....	
3	VOE 11715251	1	1	1	1				•Sealing Kit	•Jeu Joints	•Dichtungssatz	•Juego Retenes	•Tätningssats.....	
4	VOE 11988530	1	1	1	1				•Control	•Commande	•Regelung	•Mando	•Reglage.....	
5	VOE 11988532	1	1	1	1				•Relief valve	•Limiteur - pressio ..	•Druckbegrenzer	•Limitador presion...	•Avlastningsventil... (VOE 11988528)	
6	VOE 11988541	1	1	1	1				••Sealing Kit	••Jeu Joints.....	••Dichtungssatz.....	••Juego Retenes.....	••Tätningssats.....	
7	VOE 11715252	1		1	1				•Sealing Kit	•Jeu Joints	•Dichtungssatz	•Juego Retenes	•Tätningssats.....	

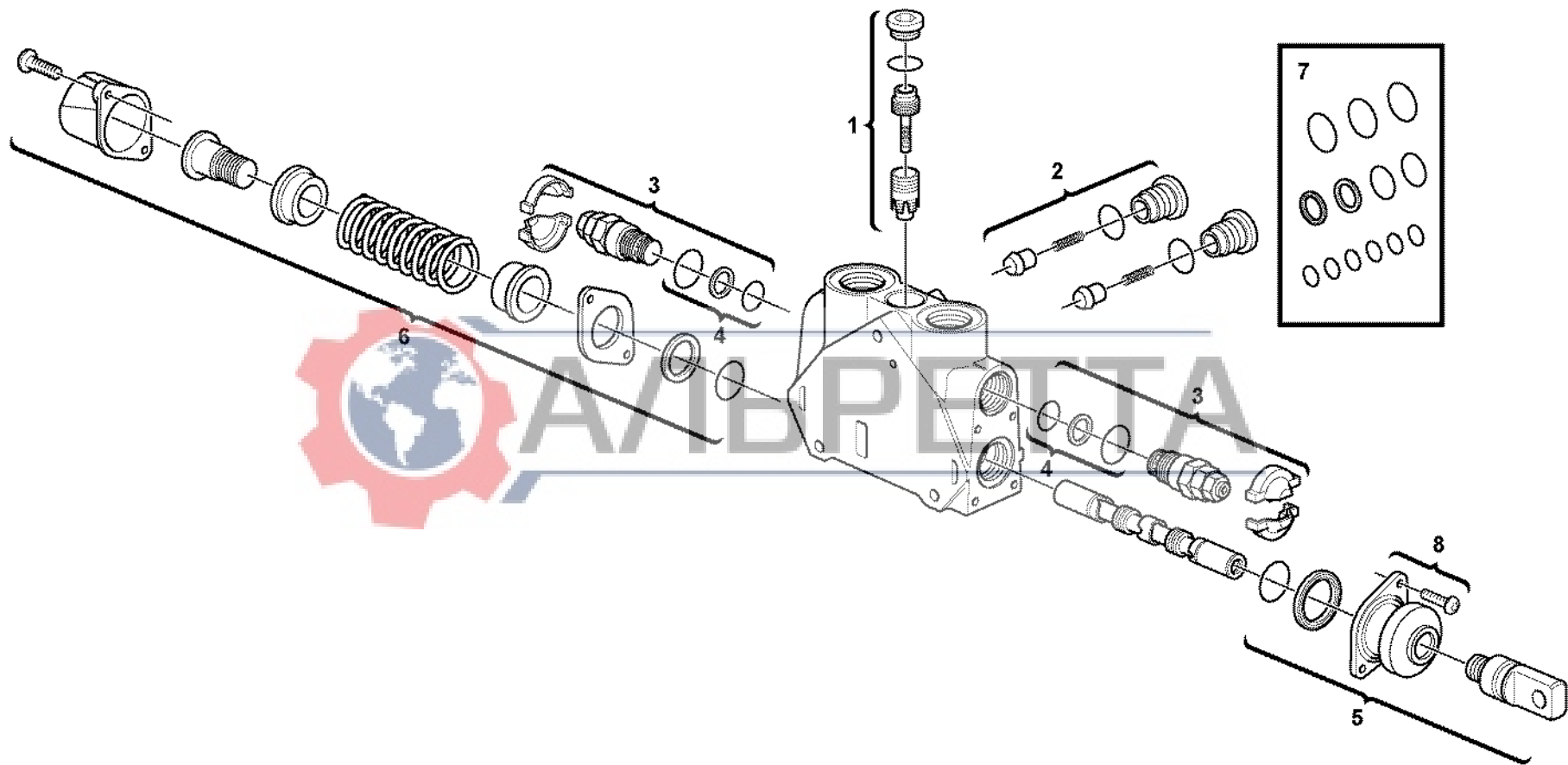


1	11715626	Ventilsektion Sección de válvulas Ventil Section de valve Valve section	Catalogue id	Group
2	11715627		20002	912
3	11715629		Illustr. No	Section
4	11715630		1020427	510
5			Issue	Page
			VOE 63H9920002	669

VOLVO

BL71





АЛЪРЕТА

Fig.	Part No.	Quantity					P S	K T	Description	Dénomination	Bezeichnung	Denominación	Benämning	Notes
		1	2	3	4	5								
	VOE 11715708	1							Direction Valve.....	Valve Direction	Wegeventil	Valvula Orient.....	Riktningssventil.....	
	VOE 11715709		1						Direction Valve.....	Valve Direction	Wegeventil	Valvula Orient.....	Riktningssventil.....	
	VOE 11715710			1					Direction Valve.....	Valve Direction	Wegeventil	Valvula Orient.....	Riktningssventil.....	
	VOE 11715711				1				Direction Valve.....	Valve Direction	Wegeventil	Valvula Orient.....	Riktningssventil.....	
	VOE 11715712					1			Direction Valve.....	Valve Direction	Wegeventil	Valvula Orient.....	Riktningssventil.....	
1	VOE 11988526	1	1	1	1	1			•Press Regulator.....	•Regulateu Press ...	•Druckregler	•Regul Presion.....	•Tryckregulator.....	
2	VOE 11988527	1	1	1	1	1			•Check valve.....	•Valve antiretour.....	•Rückschlagventil....	•Válvula de retenció	•Backventil.....	
3	VOE 11988532	1	1		1	1			•Relief valve.....	•Limiteur - pressio ..	•Druckbegrenzer	•Limitador presion..	•Avlastningsventil...	
4	VOE 11988541	1	1		1	1			••Sealing Kit.....	••Jeu Joints.....	••Dichtungssatz.....	••Juego Retenes.....	••Tätningssats.....	
5	VOE 11715275	1	1	1	1	1			•Control.....	•Commande	•Regelung	•Mando	•Reglage.....	(VOE 11988528)
6	VOE 11712580	1	1	1	1	1			••Bellows Kit.....	••Kit soufflet.....	••Balgatz.....	••Juego fuelle	••Bälgsatz.....	
7	VOE 11715251	1	1	1	1	1			•Sealing Kit	•Jeu Joints	•Dichtungssatz	•Juego Retenes	•Tätningssats.....	
7	VOE 11715252	1			1				•Sealing Kit	•Jeu Joints	•Dichtungssatz	•Juego Retenes	•Tätningssats.....	
8	VOE 11715276	1	1	1	1	1			•Control.....	•Commande	•Regelung	•Mando	•Reglage.....	

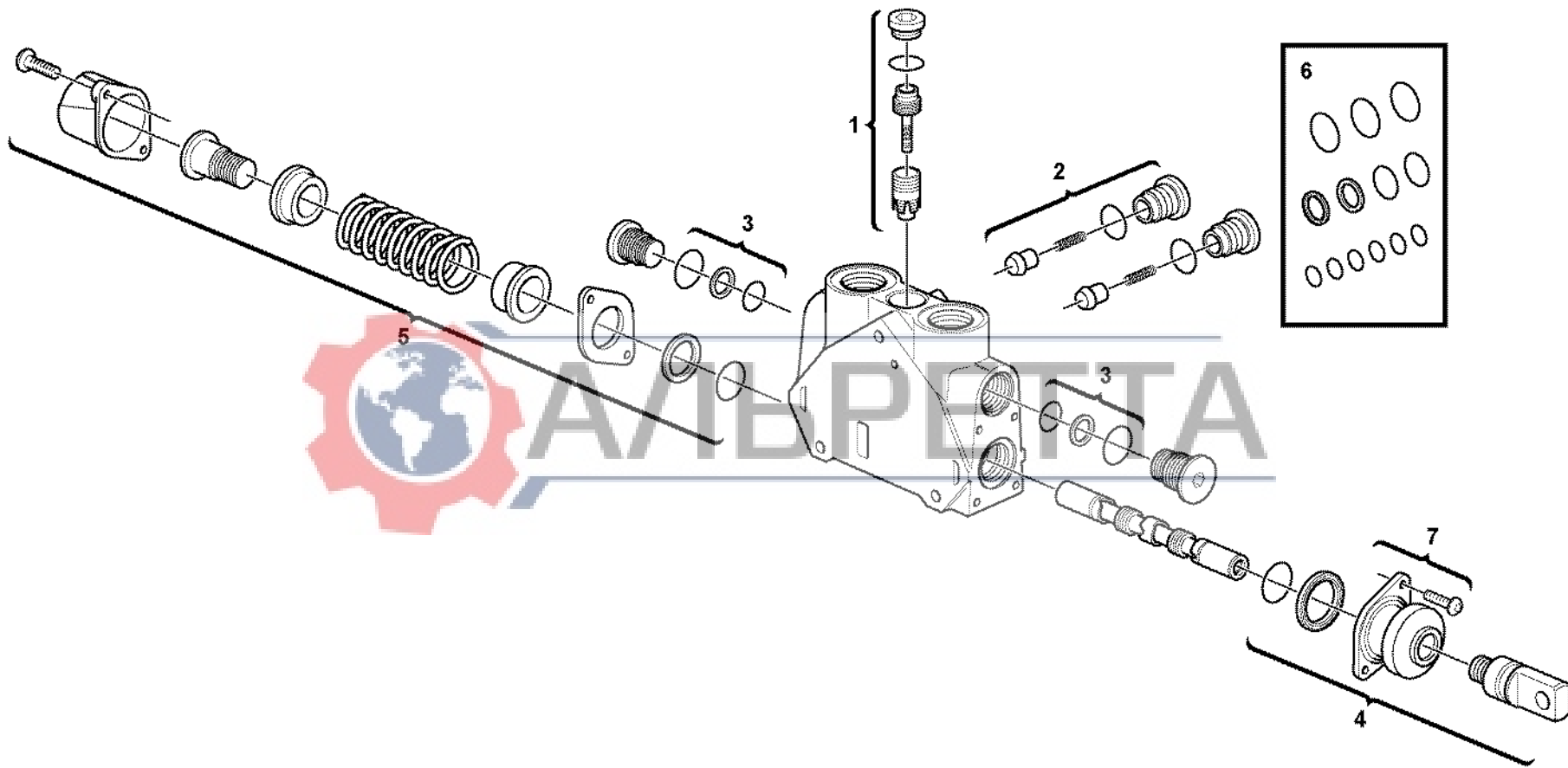


1	11715708	Ventilsektion Sección de válvulas Ventil Section de valve Valve section	Catalogue id	Group
2	11715709		20002	912
3	11715710, 11715822		Illustr. No	Section
4	11715711		1023157	520
5	11715712		Issue	Page
			VOE 63H9920002	671

VOLVO

BL71





АЛЬРЕТА

Fig.	Part No.	Quantity			P S	K I T	Description	Dénomination	Bezeichnung	Denominación	Benämning	Notes
		1	2	3								
	VOE 11988516	1					Direction Valve.....	Valve Direction.....	Wegeventil	Valvula Orient.....	Riktningssventil.....	
							•Valve, Stabilisers.....	•Valve, stabilisateur ..	•Ventil, Stützbeine.....	•Válvula, patas de ap	•Ventil, Stödben.....	
	VOE 11988519		1				Direction Valve.....	Valve Direction.....	Wegeventil	Valvula Orient.....	Riktningssventil.....	
							•Valve, Telescope cyl	•Valve, vérin de flèche	•Ventil, Teleskopzylinder	•Válvula, cilindro tele.	•Ventil, Teleskopzylinder	
1	VOE 11988526	1	1				•Press Regulator.....	•Regulateur Press	•Druckregler	•Regul Presion	•Tryckregulator.....	
2	VOE 11988527	1	1				•Check valve.....	•Valve antiretour.....	•Rückschlagventil.....	•Válvula de retención	•Backventil.....	
3	VOE 11988541	1	1				•Sealing Kit	•Jeu Joints.....	•Dichtungssatz	•Juego Retenes.....	•Tätningssats.....	
4	VOE 11715275	1	1				•Control	•Commande	•Regelung.....	•Mando	•Reglage.....	(VOE 11988528)
5	VOE 11988529	1	1				•Control	•Commande	•Regelung.....	•Mando	•Reglage.....	
6	VOE 11715251	1	1				•Sealing Kit	•Jeu Joints.....	•Dichtungssatz	•Juego Retenes.....	•Tätningssats.....	
	VOE 11715252	1	1				•Sealing Kit	•Jeu Joints.....	•Dichtungssatz	•Juego Retenes.....	•Tätningssats.....	
7	VOE 11712580	1	1				•Bellows Kit.....	•Kit soufflet.....	•Balgsatz	•Juego fuelle.....	•Bälgsats.....	



1	11988516	Ventilsektion Sección de válvulas Ventil Section de valve Valve section	Catalogue id	Group
2	11988519		20002	912
3			Illustr. No	Section
4			1023183	550
5			Issue	Page
			VOE 63H9920002	673

VOLVO

BL71



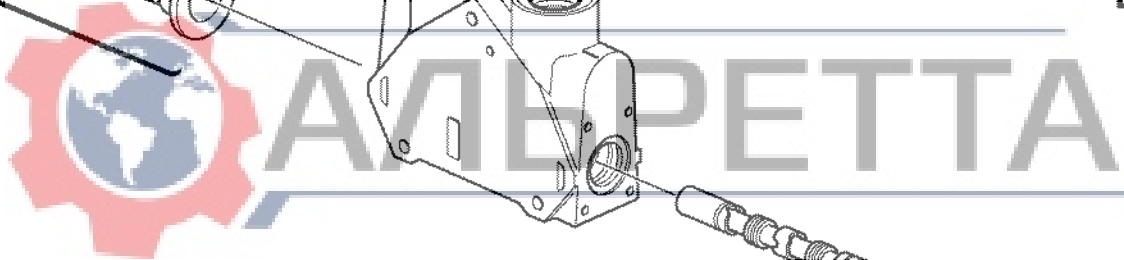
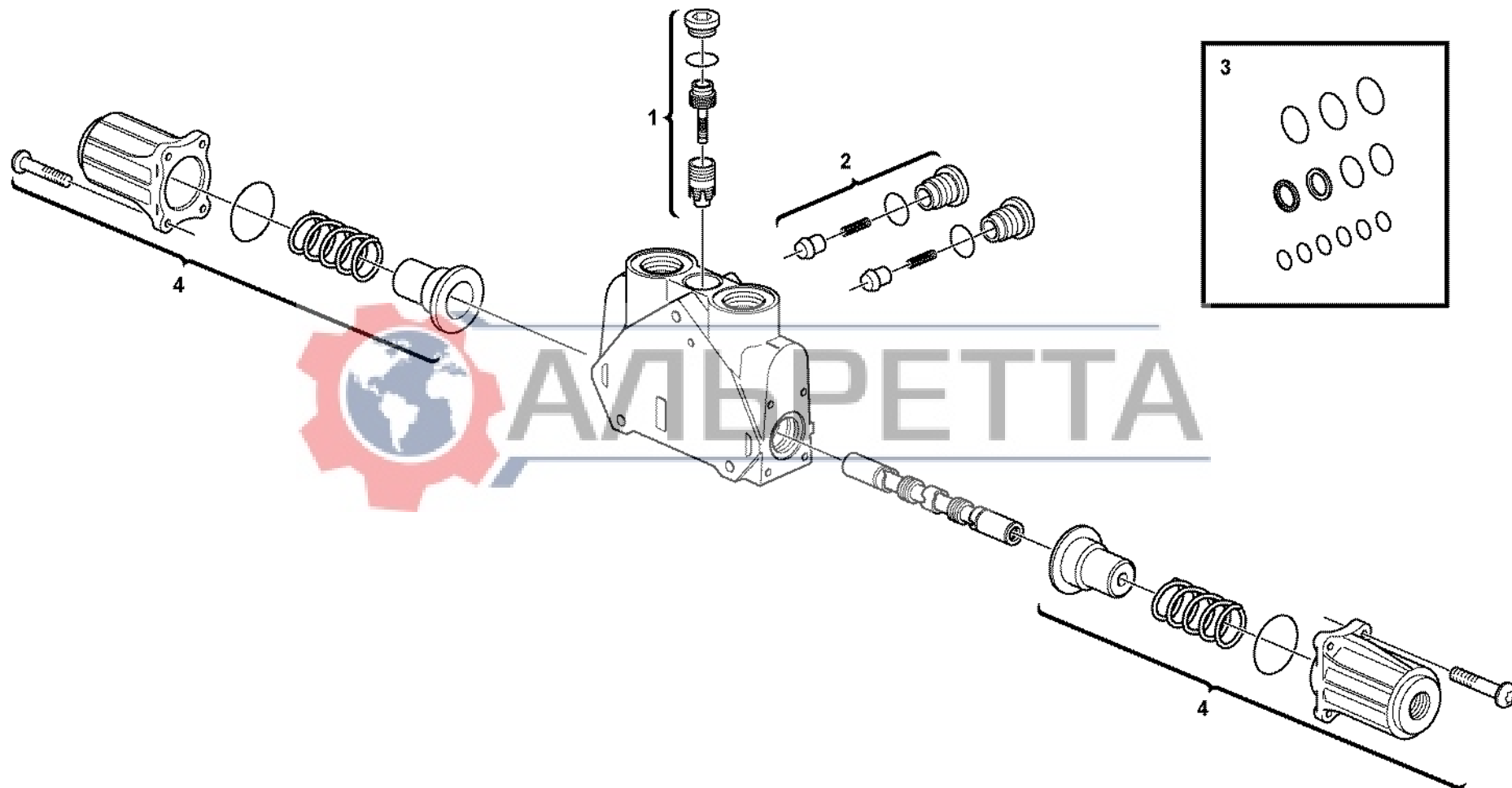


Fig.	Part No.	Quantity			P S	K I T	Description	Dénomination	Bezeichnung	Denominación	Benämning	Notes
		1	2	3								
	VOE 11715628	1					Direction Valve.....	Valve Direction.....	Wegeventil	Valvula Orient.....	Riktningventil.....	
	VOE 11715631		1				••Valve, Stabilisers.....	••Valve, stabilisateur ..	••Ventil, Stützbeine.....	••Válvula, patas de ap	••Ventil, Stödben.....	
1	VOE 11988526	1	1				Direction Valve.....	Valve Direction.....	Wegeventil	Valvula Orient.....	Riktningventil.....	
2	VOE 11988527	1	1				••Valve, Telescope cyl	••Valve, vérin de flèche	••Ventil, Teleskopzylinder	••Válvula, cilindro tele.	••Ventil, Teleskopzylinder	
3	VOE 11715251	1	1				•Press Regulator.....	•Regulateur Press	•Druckregler	•Regul Presion	•Tryckregulator.....	
4	VOE 11988530	1	1				•Check valve.....	•Valve antiretour.....	•Rückschlagventil.....	•Válvula de retención	•Backventil.....	
							•Sealing Kit	•Jeu Joints.....	•Dichtungssatz	•Juego Retenes.....	•Tätningssats.....	
							•Control.....	•Commande	•Regelung.....	•Mando	•Reglage.....	(VOE 11988528)

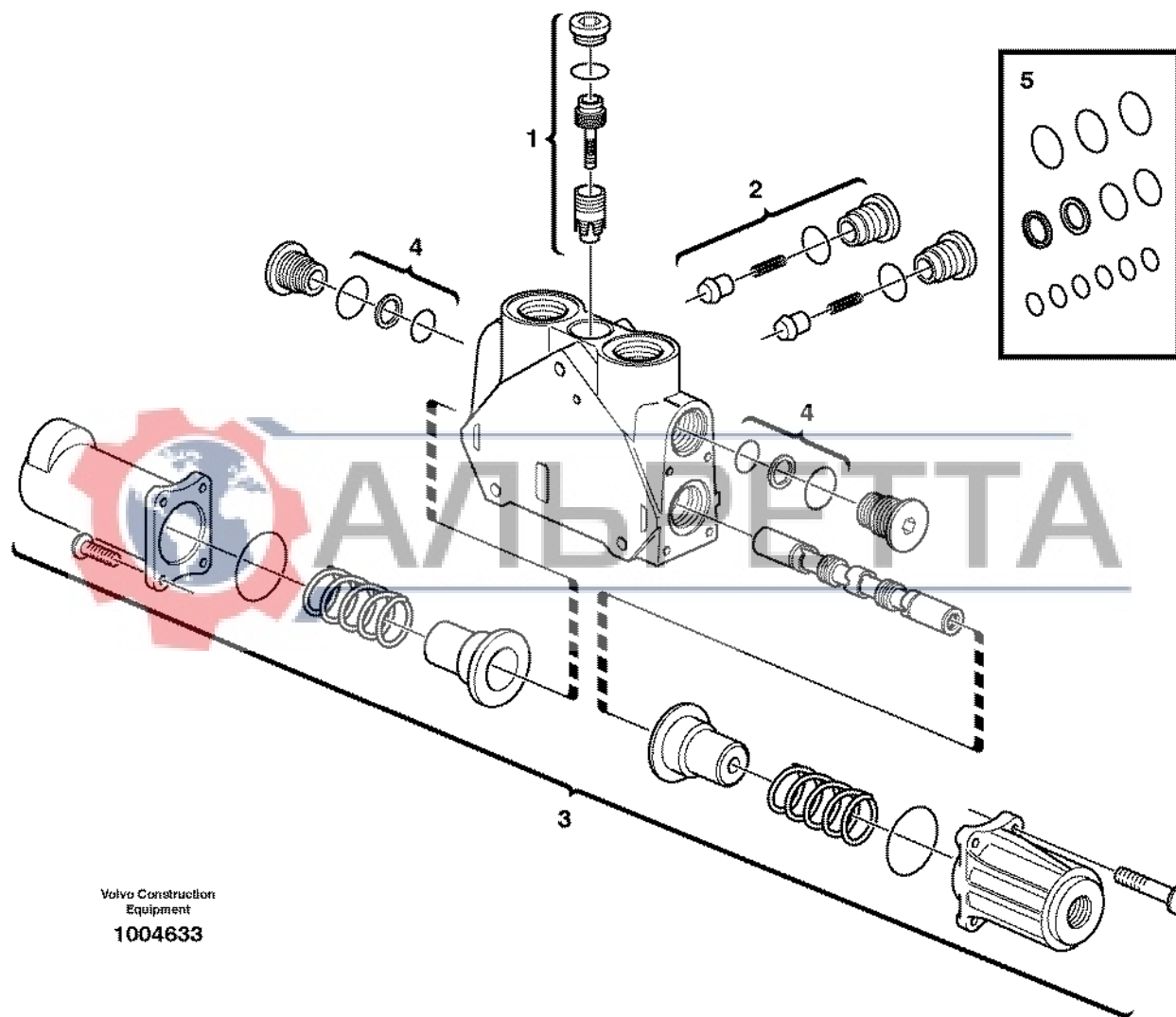


1	11715628	Ventilsektion Sección de válvulas Ventil Section de valve Valve section	Catalogue id	Group
2	11715631		20002	912
3			Illustr. No	Section
4			1020587	560
5			Issue	Page
			VOE 63H9920002	675

VOLVO

BL71





Volvo Construction
Equipment
1004633

Fig.	Part No.	Quantity			P S	K I T	Description	Dénomination	Bezeichnung	Denominación	Benämning	Notes
		1	2	3								
	VOE 11988520					Direction Valve.....	Valve Direction.....	Wegeventil	Valvula Orient.....	Riktningventil.....		
						Valve, Lift cylinder.....	Valve, vérin de levage	Ventil, Hubzylinder	Válvula, cilindro de el.	Ventil, Lyftcylinder.....		
1	VOE 11988526	1				•Press Regulator	•Regulateu Press	•Druckregler	•Regul Presion	•Tryckregulator.....		
2	VOE 11988527	1				•Check valve	•Valve antiretour.....	•Rückschlagventil	•Válvula de retención .	•Backventil.....		
3	VOE 11988531	1				•Control	•Commande	•Regelung.....	•Mando	•Reglage.....		
4	VOE 11988541	1				•Sealing Kit	•Jeu Joints.....	•Dichtungssatz	•Juego Retenes.....	•Tätningssats.....		
5	VOE 11988538	1			SS	•Sealing Kit	•Jeu Joints.....	•Dichtungssatz	•Juego Retenes.....	•Tätningssats.....		



1		Ventilsektion Sección de válvulas Ventil Section de valve Valve section	Catalogue id	Group
2			20002	912
3			Illustr. No	Section
4			1004633	600
5			Issue	Page
			VOE 63H9920002	677

VOLVO

BL71



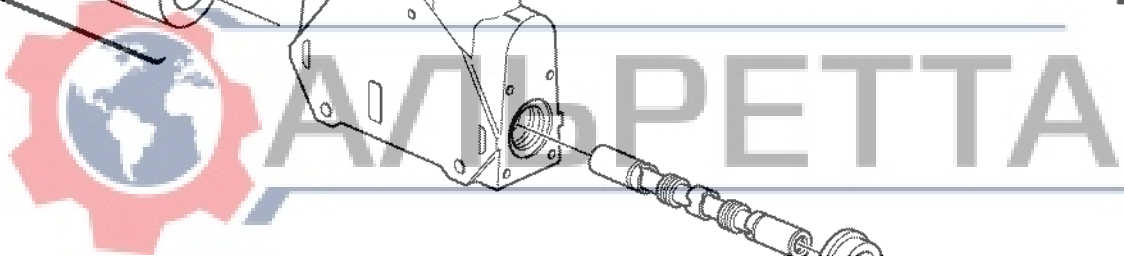
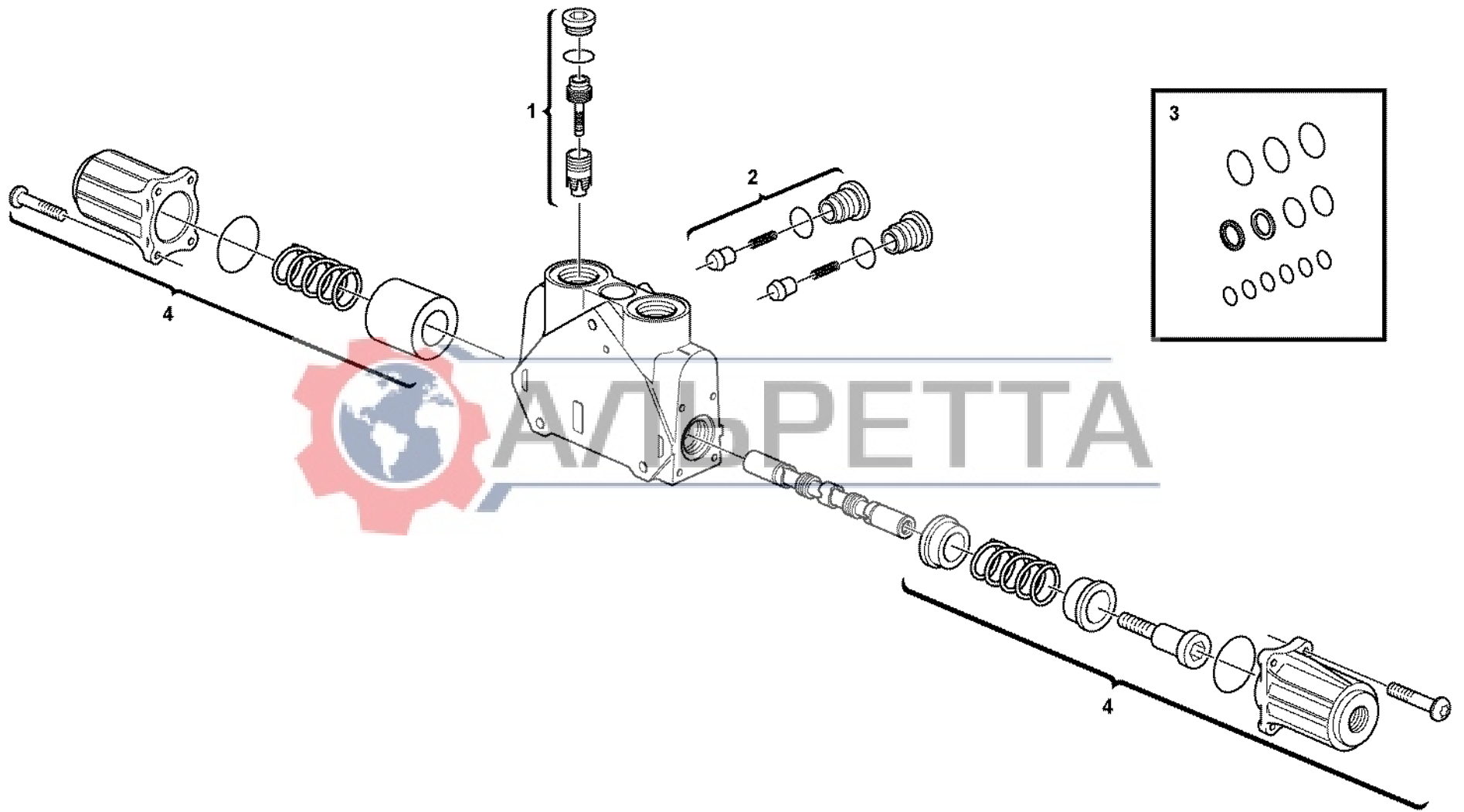


Fig.	Part No.	Quantity			P S	K I T	Description	Dénomination	Bezeichnung	Denominación	Benämning	Notes
		1	2	3								
	VOE 11715632						Direction Valve.....	Valve Direction.....	Wegeventil	Valvula Orient.....	Riktningventil.....	
							Valve, Lift cylinder.....	Valve, vérin de levage	Ventil, Hubzylinder	Válvula, cilindro de el.	Ventil, Lyftcylinder.....	
1	VOE 11715686	1					•Pressure Regulator...	•Régulateur de press .	•Druckregler	•Regulador de presió..	•Tryckregulator.....	
2	VOE 11988527	1					•Check valve	•Valve antiretour.....	•Rückschlagventil	•Válvula de retención .	•Backventil.....	
3	VOE 11715251	1					•Sealing Kit	•Jeu Joints.....	•Dichtungssatz	•Juego Retenes.....	•Tätningssats.....	
4	VOE 11715641	1					•Control	•Commande	•Regelung.....	•Mando	•Reglage.....	

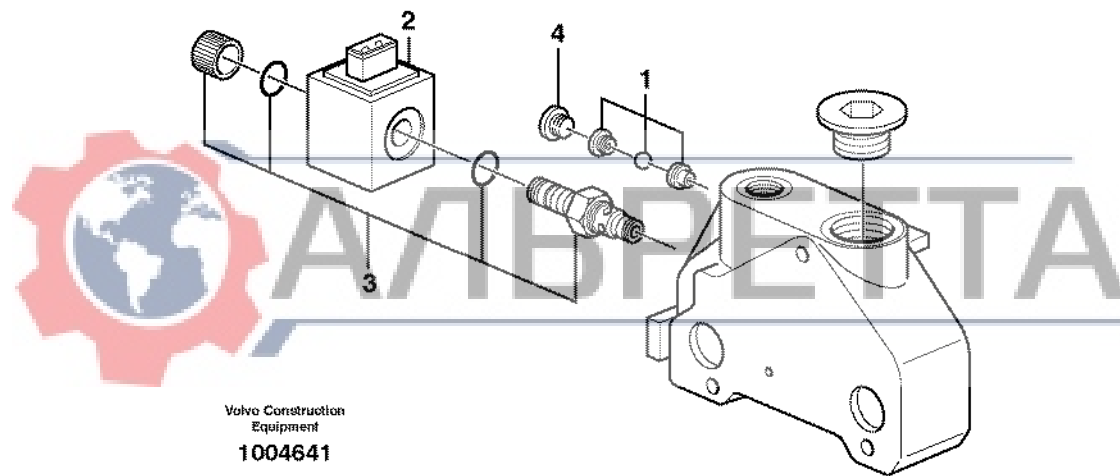


1	11715632	Ventilsektion Sección de válvulas Ventil Section de valve Valve section	Catalogue id	Group
2			20002	912
3			Illustr. No	Section
4			1020600	610
5			Issue	Page
			VOE 63H9920002	679

VOLVO

BL71





Volvo Construction
Equipment
1004641

Fig.	Part No.	Quantity			P S	K I T	Description	Dénomination	Bezeichnung	Denominación	Benämning	Notes
		1	2	3								
	VOE 11988522					Direction Valve.....	Valve Direction.....	Wegeventil	Valvula Orient.....	Riktningventil.....		
1	VOE 11988534	1				•Shuttle Valve	•Valve Navette	•Wechselventil.....	•Valv Lanzadera	•Skyttelventil.....		
2	VOE 11988535	1				•Solenoid.....	•Solénoide.....	•Magnet.....	•Solenoide	•Solenoid.....		
3	VOE 11988536	1				•Two-way Valve	•Robint 2 Voies	•Zweiwegeventil	•Valvula 2 Vias	•Tvåvägsventil.....		
4	VOE 11716488	1				•Plug	•Bouchon.....	•Stopfen	•Tapon.....	•Plugg.....		



1	Utloppsventil Válvula de escape Auslassventil Soupape d'échappement Exhaust valve	Catalogue id	Group
2		20002	912
3		Illustr. No	Section
4		1004641	650
5		Issue	Page
		VOE 63H9920002	681

VOLVO

BL71



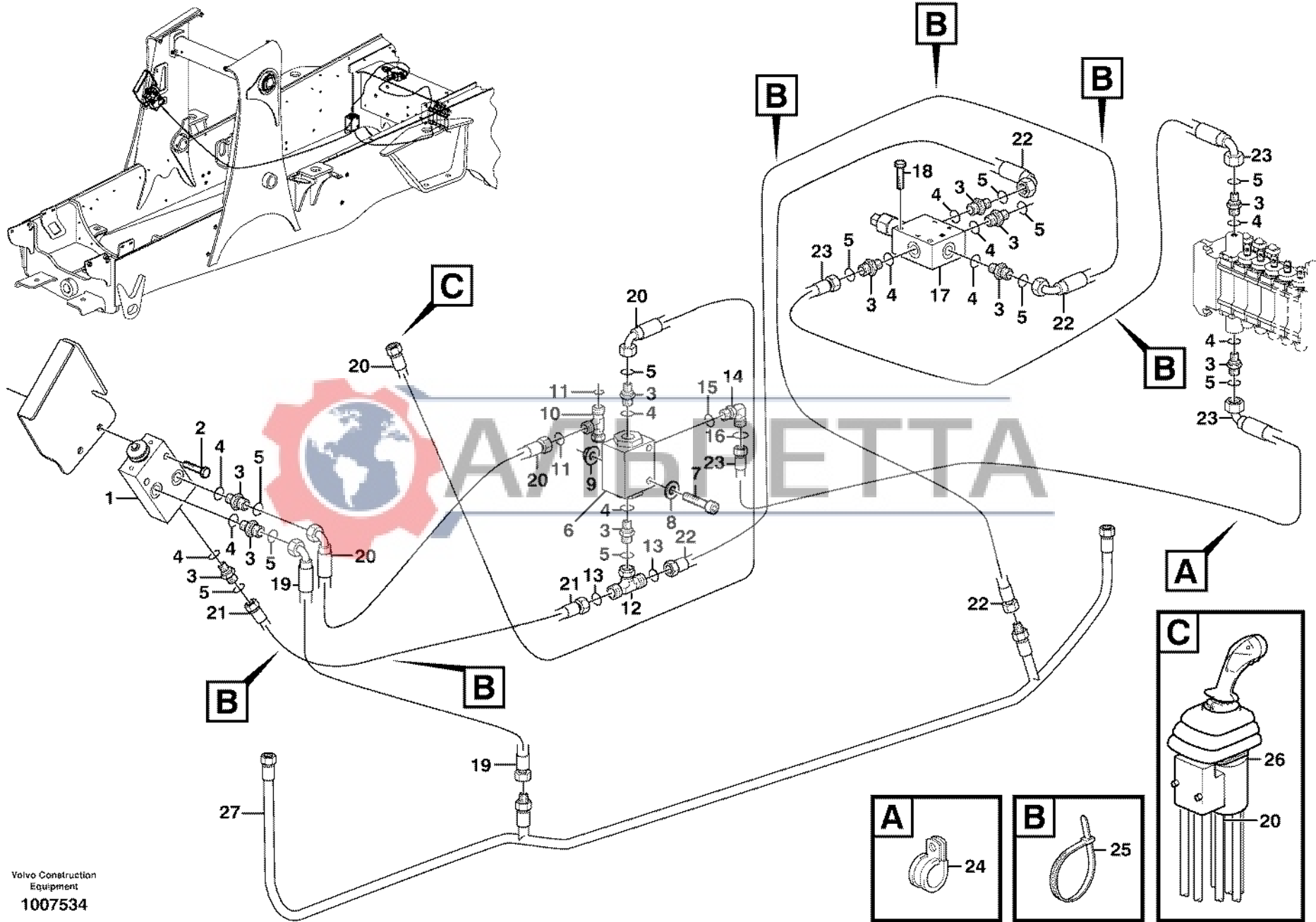


Fig.	Part No.	Quantity			P S	K I T	Description	Dénomination	Bezeichnung	Denominación	Benämning	Notes
		1	2	3								
1	VOE 11885531	1				Valve	Soupape	Ventil	Valvula	Ventil		
2	VOE 13965180	2				Flange screw	Vis à bride	Flanschschraube	Torn embridado	Flänsskruv		
3	VOE 13933858	12				Union	Teton Connexion	Anschlussnippel	Niple Conexcion	Anslutn.nippel		
4	VOE 932039	1				•O-ring	•Joint Torique	•O-Ring	•Junta torica	•O-ring		
5	VOE 4881722	1				•O-ring	•Joint Torique	•O-Ring	•Junta torica	•O-ring		
6	VOE 11882458	1				Operating Valve	Valve Commutat.	Umschaltventil	Valv Accionam	Omkoppl.ventil		
7	VOE 966727	1				Allen Hd Screw	Vis A 6 Pans Cr	Inbusschraube	Torn Hex Embut	Insexskruv		
8	VOE 955892	1				Washer	Rondelle	Scheibe	Arandela	Bricka		
9	VOE 13949278	1				Flange Lock Nut	Contre écrou bride	Flanschmutter	Contratuer Embr	Flänslåsmutter		
10	VOE 13933860	1				T-nipple	Raccord-t	T-Nippel	Niple T	T-nippel		
11	VOE 4881722	2				•O-ring	•Joint Torique	•O-Ring	•Junta torica	•O-ring		
12	VOE 13933859	1				Nipple	Raccord	Nippel	Niple	Nippel		
13	VOE 4881722	2				•O-ring	•Joint Torique	•O-Ring	•Junta torica	•O-ring		
14	VOE 13933857	1				Elbow Nipple	Raccord angulaire	Winkelnippel	Niple Angular	V-nippel		
15	VOE 932039	1				•O-ring	•Joint Torique	•O-Ring	•Junta torica	•O-ring		
16	VOE 4881722	1				•O-ring	•Joint Torique	•O-Ring	•Junta torica	•O-ring		
17	VOE 11884875	1				Valve	Soupape	Ventil	Valvula	Ventil		
18	VOE 13965177	1				Flange screw	Vis à bride	Flanschschraube	Torn embridado	Flänsskruv		
19	VOE 11882722	1				Hose	Durit	Schlauch	Tubo flexible	Slang		
20	VOE 11887143	1				Hose	Durit	Schlauch	Tubo flexible	Slang		
20	VOE 11884385	1				Hose	Durit	Schlauch	Tubo flexible	Slang	TO JOYSTICK	
21	VOE 11887143	1				Hose	Durit	Schlauch	Tubo flexible	Slang		
22	VOE 11884274	2				Hose	Durit	Schlauch	Tubo flexible	Slang		
23	VOE 11884277	2				Hose	Durit	Schlauch	Tubo flexible	Slang		
24	VOE 13977600	1				Clamp	Pince Serrage	Klemme	Abrazadera	Klamma		
25	VOE 4881438	6				Strip Clamp	Ruban Serrage	Kabelbinder	Abraz Cinta	Bandklamma		
26		1				Lever	Levier	Hebel	Palanca	Spak	See group 912, Page 641	
27		1				Tube	Tuyau	Rohr	Tubo	Rör	See group 911, Page 575	

1	Tryckbegränsningsventil Válvula limitadora de presión Druckbegrenzungsventil Limiteur de pression Pressure limiting valve	Catalogue id	Group
2		20002	912
3		Illustr. No	Section
4		1007534	700
5		Issue	Page
		VOE 63H9920002	683

VOLVO

BL71



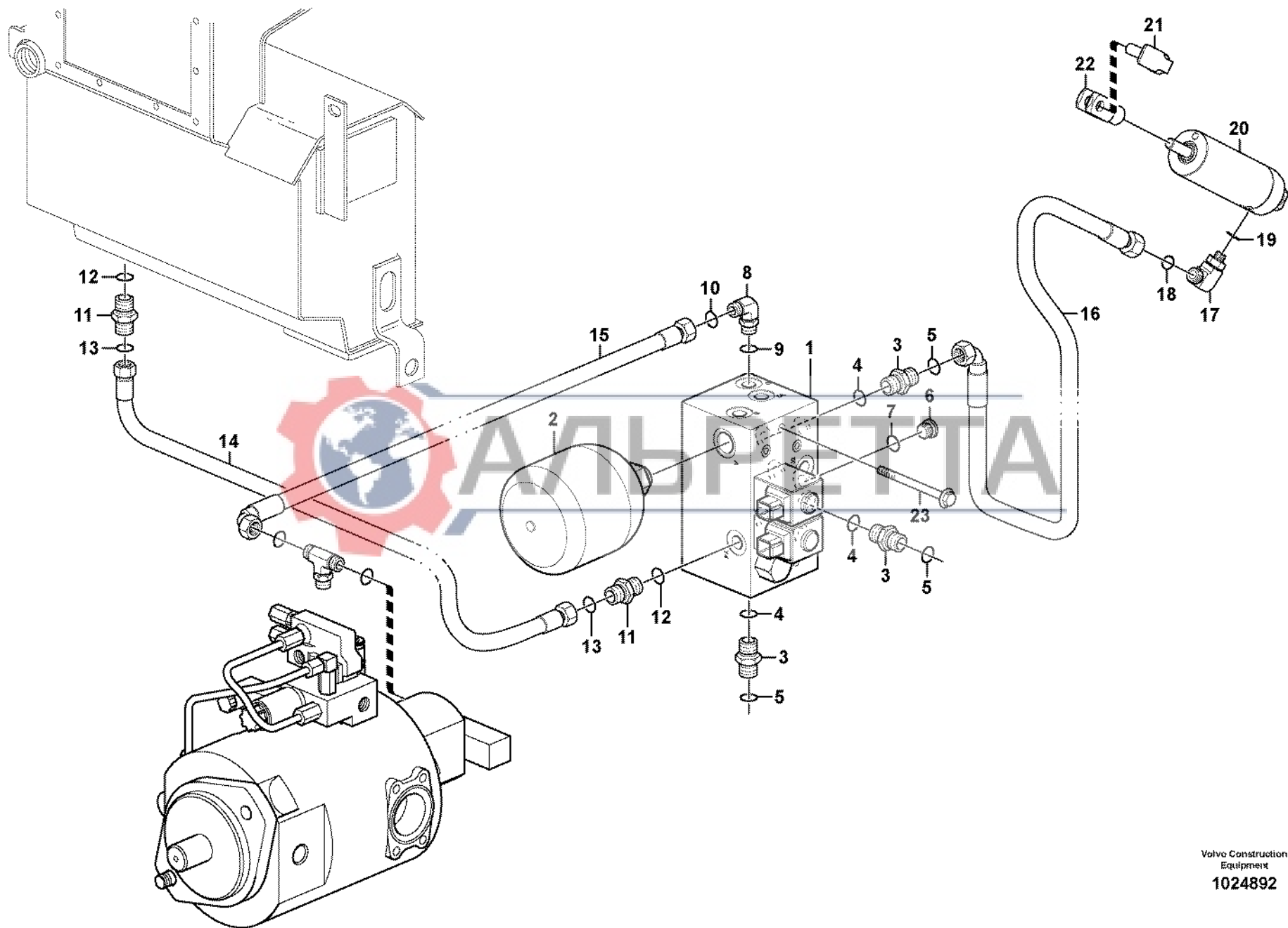


Fig.	Part No.	Quantity			P S	K I T	Description	Dénomination	Bezeichnung	Denominación	Benämning	Notes
		1	2	3								
1	VOE 11886770	1				Valve	Soupape.....	Ventil	Valvula	Ventil.....		
2	VOE 11887057	1				Accumulator	Accumulateur	Speicher	Acumulador	Ackumulator.....		
3	VOE 13933858	3				Union.....	Teton Connexion.....	Anschlussnippel	Niple Conexcion	Anslutn.nippel.....		
4	VOE 932039	3				•O-ring.....	•Joint Torique	•O-Ring.....	•Junta torica	•O-ring.....		
5	VOE 990736	3				•O-ring.....	•Joint Torique	•O-Ring.....	•Junta torica	•O-ring.....		
6	VOE 11883510	13				Plug.....	Bouchon.....	Stopfen.....	Tapon	Plugg.....		
7	VOE 932039	13				•O-ring.....	•Joint Torique	•O-Ring.....	•Junta torica	•O-ring.....		
8	VOE 935069	1				Elbow nipple.....	Raccord angulaire.....	Winkelnippel.....	Niple angular	Vinkelnippel.....		
9	VOE 990737	1				•O-ring.....	•Joint Torique	•O-Ring.....	•Junta torica	•O-ring.....		
10	VOE 990736	1				•O-ring.....	•Joint Torique	•O-Ring.....	•Junta torica	•O-ring.....		
11	VOE 935085	2				Nipple.....	Raccord.....	Nippel.....	Niple	Nippel.....		
12	VOE 932039	2				•O-ring.....	•Joint Torique	•O-Ring.....	•Junta torica	•O-ring.....		
13	VOE 990737	2				•O-ring.....	•Joint Torique	•O-Ring.....	•Junta torica	•O-ring.....		
14	VOE 11887142	1				Hose.....	Durit	Schlauch	Tubo flexible.....	Slang.....		
15	VOE 11887053	1				Hose.....	Durit	Schlauch	Tubo flexible.....	Slang.....		
16	VOE 11884272	1				Hose.....	Flexible.....	Schlauch	Manguera	Slang.....		
17	VOE 935538	1				Elbow nipple.....	Raccord angulaire.....	Winkelnippel.....	Niple angular	Vinkelnippel.....		
18	VOE 990736	1				•O-ring.....	•Joint Torique	•O-Ring.....	•Junta torica	•O-ring.....		
19	VOE 14211855	1				•Sealing ring.....	•Bague d'étanchéité	•Runddichtring.....	•Anillo reten	•Tätningsring.....		
20	VOE 11888096	1				Cylinder.....	Verin.....	Zylinder.....	Cilindro	Cylinder.....		
21	VOE 11883319	1				Fork.....	Fourche.....	Gabel.....	Horquilla	Gaffel.....		
22	VOE 11883323	1				Clevis Pin.....	Vis A Oeuillet	Zylinderbolzen.....	Espiga	Cyl.bult.....		
23	VOE 968842	2				Flange screw.....	Vis à bride	Flanschschraube.....	Torn embridado	Flänsskruv.....		

2352) S/N 12839, 12840, 12857, 12866, 12867, 12892 - 12894, 12905 - 12910, 12912, 12915, 12916, 12924 - 12929, 12955, 12974 - 12977, 12987, 12988, 12930, 13041 -

1	Tryckbegränsningsventil Válvula limitadora de presión Druckbegrenzungsventil Limiteur de pression Pressure limiting valve	Catalogue id	Group
2		20002	912
3		Illustr. No	Section
4		1024892	710
5		Issue	Page
	2352) 11880005	VOE 63H9920002	685

VOLVO

BL71



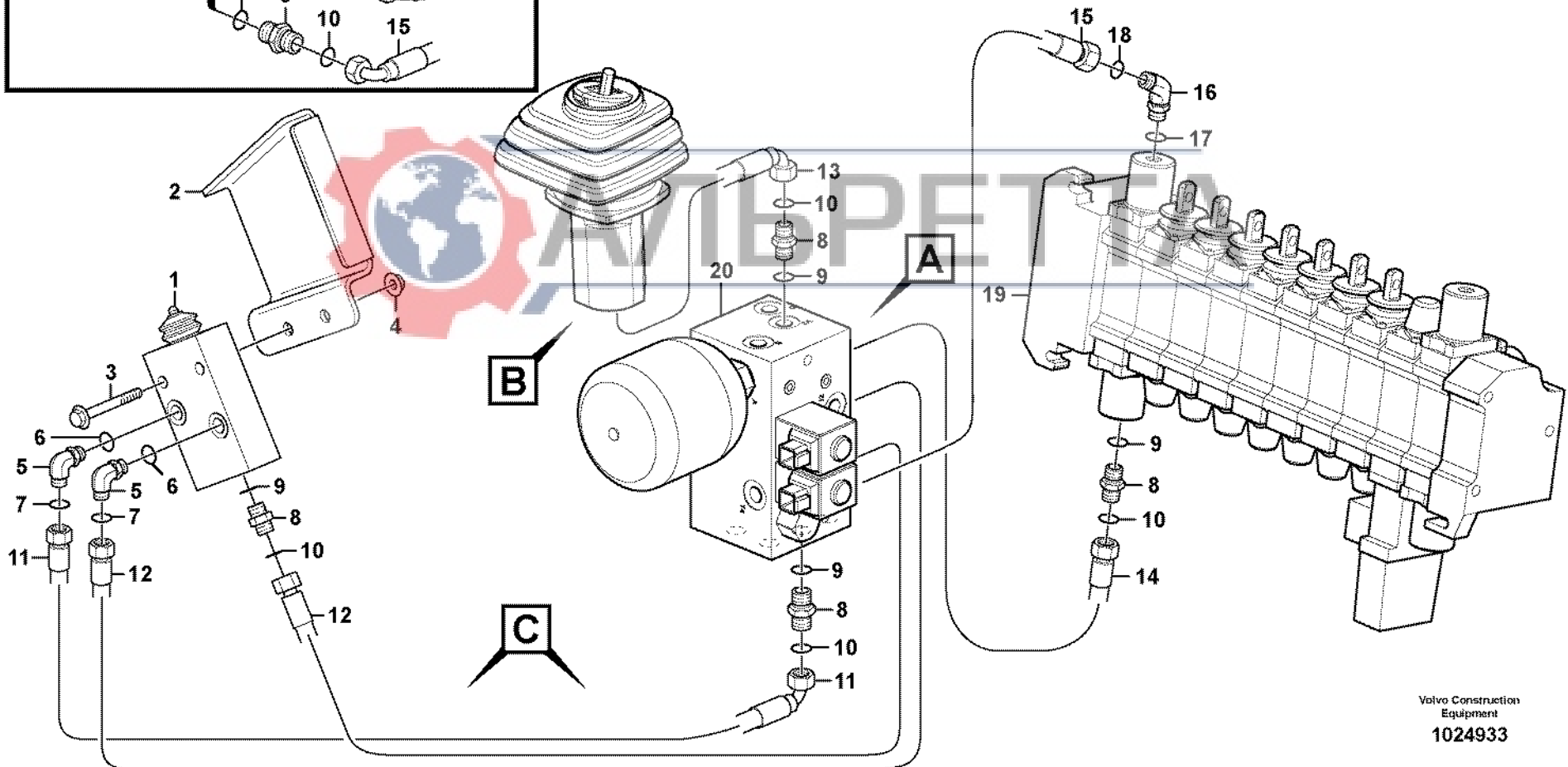
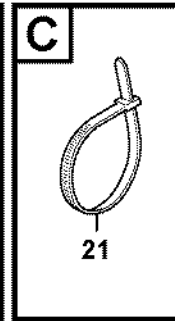
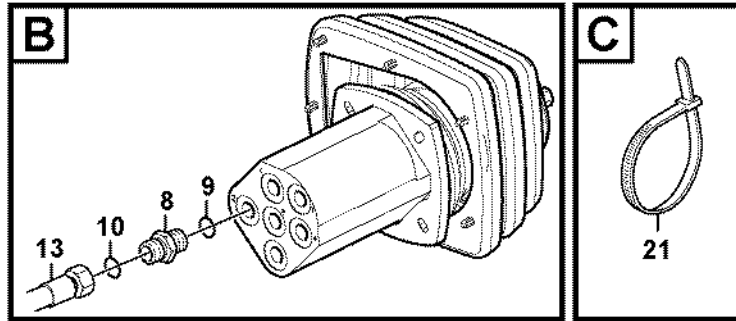
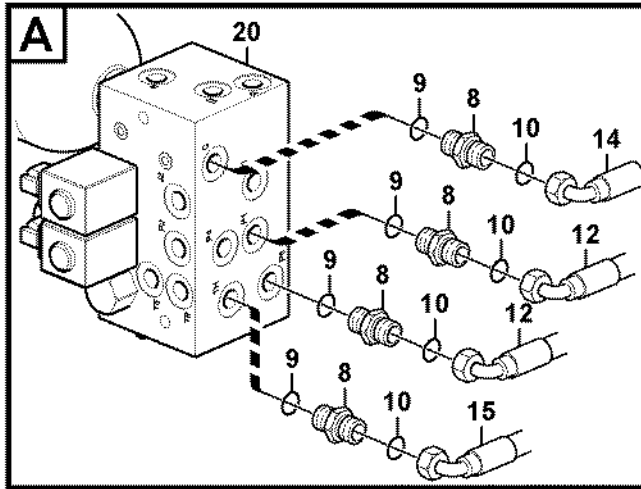
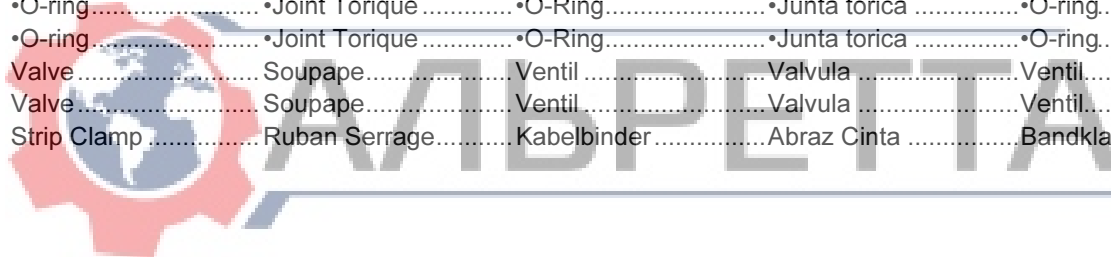


Fig.	Part No.	Quantity			P S	K I T	Description	Dénomination	Bezeichnung	Denominación	Benämning	Notes
		1	2	3								
1	VOE 11885531	1				Valve	Soupape	Ventil	Valvula	Ventil		
2		1			NS	Plate	Plaque	Platte	Placa	Platta		
3	VOE 965180	2			SS	Screw	Vis	Schraube	Tornillo	Skruv		
4	VOE 948645	2				Flange Lock Nut	Contre écrou bride	Flanschmutter	Contratuer Embr	Flänslåsmutter		
5	VOE 13933857	2				Elbow Nipple	Raccord angulaire	Winkelnippel	Niple Angular	V-nippel		
6	VOE 932039	2				•O-ring	•Joint Torique	•O-Ring	•Junta torica	•O-ring		
7	VOE 990736	2				•O-ring	•Joint Torique	•O-Ring	•Junta torica	•O-ring		
8	VOE 13933858	8				Union	Teton Connexion	Anschlussnippel	Niple Conexcion	Anslutn.nippel		
9	VOE 932039	8				•O-ring	•Joint Torique	•O-Ring	•Junta torica	•O-ring		
10	VOE 990736	8				•O-ring	•Joint Torique	•O-Ring	•Junta torica	•O-ring		
11	VOE 11882722	1				Hose	Durit	Schlauch	Tubo flexible	Slang		
12	VOE 11887143	2				Hose	Durit	Schlauch	Tubo flexible	Slang		
13	VOE 11884385	1				Hose	Durit	Schlauch	Tubo flexible	Slang		
14	VOE 11884277	1				Hose	Durit	Schlauch	Tubo flexible	Slang		
15	VOE 11887324	1				Hose assembly	Conduit flexible	Schlauchleitung	Conducto	Slangledning		
16	VOE 937097	1				Elbow nipple	Raccord angulaire	Winkelnippel	Niple angular	Vinkelnippel		
17	VOE 990736	1				•O-ring	•Joint Torique	•O-Ring	•Junta torica	•O-ring		
18	VOE 932039	1				•O-ring	•Joint Torique	•O-Ring	•Junta torica	•O-ring		
19		1				Valve	Soupape	Ventil	Valvula	Ventil	See group 912, Page 643	
20		1				Valve	Soupape	Ventil	Valvula	Ventil	See group 912, Page 685	
21	VOE 4881438	2				Strip Clamp	Ruban Serrage	Kabelbinder	Abraz Cinta	Bandklamma		



2352) S/N 12839, 12840, 12857, 12866, 12867, 12892 - 12894, 12905 - 12910, 12912, 12915, 12916, 12924 - 12929, 12955, 12974 - 12977, 12987, 12988, 12930, 13041 -

1	Automatisk nivåreglering	Catalogue id	Group
2		20002	912
3		Illustr. No	Section
4		1024933	720
5		Issue	Page
	Self level function	VOE 63H9920002	687
	2352) 11880005		

VOLVO

BL71



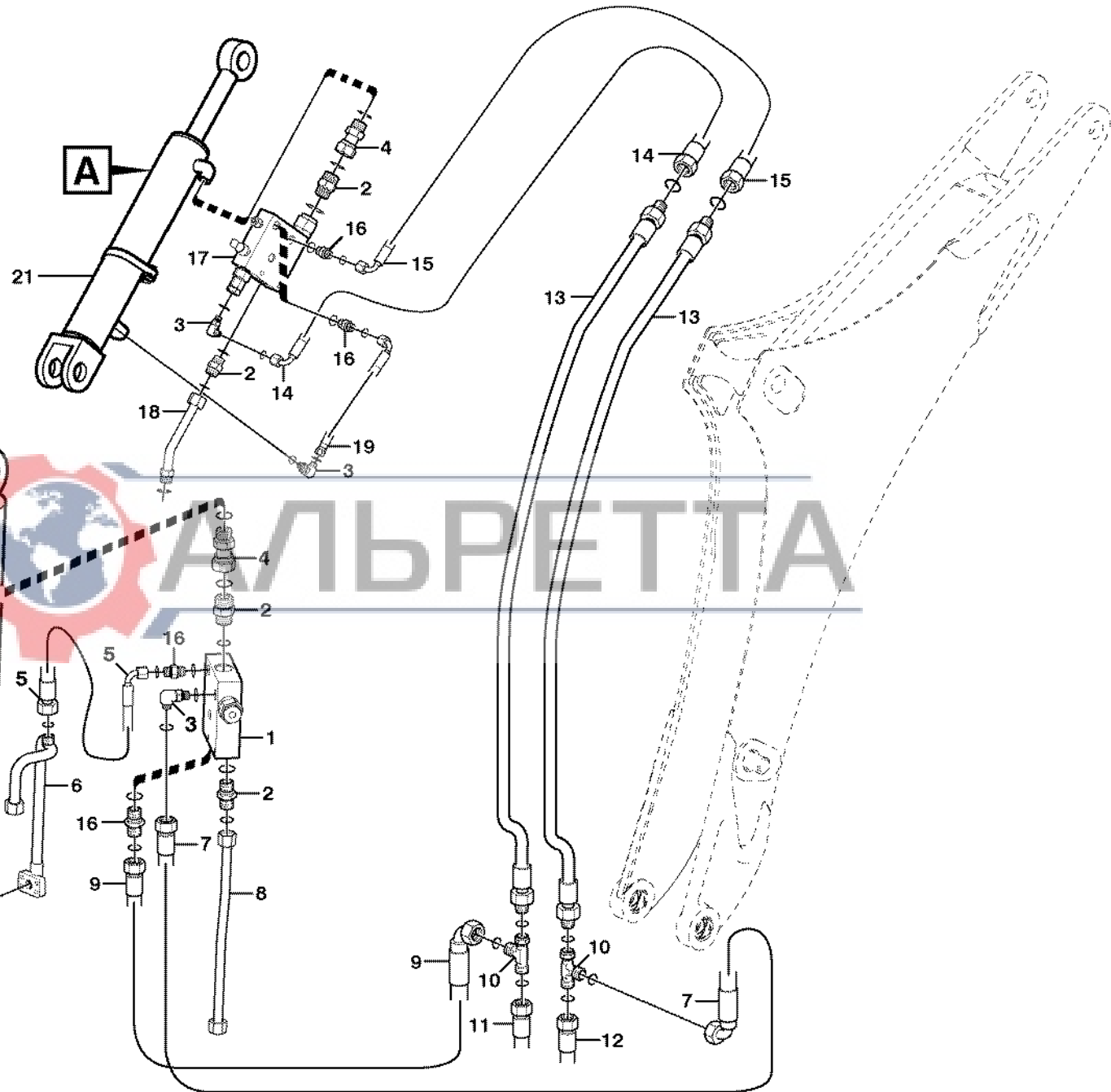
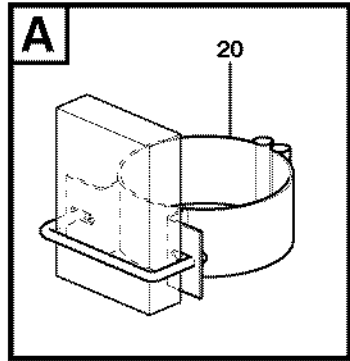


Fig.	Part No.	Quantity			P S	K I T	Description	Dénomination	Bezeichnung	Denominación	Benämning	Notes
		1	2	3								
1	VOE 11884060	1				Valve	Soupape	Ventil	Valvula	Ventil		
2	VOE 13933862	4				Nipple	Raccord	Nippel	Niple	Nippel		
	VOE 981289	1				•O-ring	•Joint Torique	•O-Ring	•Junta torica	•O-ring		
	VOE 932042	1				•O-ring	•Joint Torique	•O-Ring	•Junta torica	•O-ring		
3	VOE 13933857	3				Elbow Nipple	Raccord angulaire	Winkelnippel	Niple Angular	V-nippel		
	VOE 4881722	1				•O-ring	•Joint Torique	•O-Ring	•Junta torica	•O-ring		
	VOE 932039	1				•O-ring	•Joint Torique	•O-Ring	•Junta torica	•O-ring		
4	VOE 11884785	2				Fitting	Ecrou raccord	Verschraubung	Racor	Förskruvning		
	VOE 932042	1				•O-ring	•Joint Torique	•O-Ring	•Junta torica	•O-ring		
5	VOE 11884834	1				Hose	Durit	Schlauch	Tube flexible	Slang		
6	VOE 11884315	1				Tube	Tube	Rohr	Tube	Rör		
7	VOE 11884836	1				Hose	Durit	Schlauch	Tube flexible	Slang		
8	VOE 11881624	1				Tube	Tube	Rohr	Tube	Rör		
9	VOE 11884835	1				Hose	Durit	Schlauch	Tube flexible	Slang		
10	VOE 13933859	2				Nipple	Raccord	Nippel	Niple	Nippel		
	VOE 4881722	2				•O-ring	•Joint Torique	•O-Ring	•Junta torica	•O-ring		
11		1				Hose	Durit	Schlauch	Tube flexible	Slang	See group 911, Page 629	
12		1				Hose	Durit	Schlauch	Tube flexible	Slang	See group 911, Page 629	
13	VOE 11884880	2				Tube	Tube	Rohr	Tube	Rör		
14	VOE 11882240	1				Hose	Durit	Schlauch	Tube flexible	Slang		
15	VOE 11884820	1				Hose	Durit	Schlauch	Tube flexible	Slang		
16	VOE 13933858	4				Union	Teton Connexion	Anschlussnippel	Niple Conexcion	Anslutn.nippel		
	VOE 4881722	1				•O-ring	•Joint Torique	•O-Ring	•Junta torica	•O-ring		
	VOE 932039	1				•O-ring	•Joint Torique	•O-Ring	•Junta torica	•O-ring		
17	VOE 11881437	1				Valve	Soupape	Ventil	Valvula	Ventil		
18	VOE 11885063	1				Tube	Tube	Rohr	Tube	Rör		
	VOE 981289	1				•O-ring	•Joint Torique	•O-Ring	•Junta torica	•O-ring		
19	VOE 11884821	1				Hose	Durit	Schlauch	Tube flexible	Slang		
20	VOE 11881621	2				Clamp	Pince Serrage	Klemme	Abrazadera	Klämma		
21		1				Dipper Arm Cylinder	Vérin de bras	Stielzylinder	Cilindro de brazo	Skaftcylinder	See group 975, Page 835	

1		Säkerhetsventil bom och skaftcylinder Cilindros de pluma y brazo, válvulas de seguridad Sicherheitsventil Ausleger und Stielzylinder Valve de sécurité, flèche et balancier Safety valve boom and dipper arm cylinder	Catalogue id	Group
2			20002	912
3			Illustr. No	Section
4			1007560	750
5			Issue	Page
		11891326	VOE 63H9920002	689

VOLVO

BL71

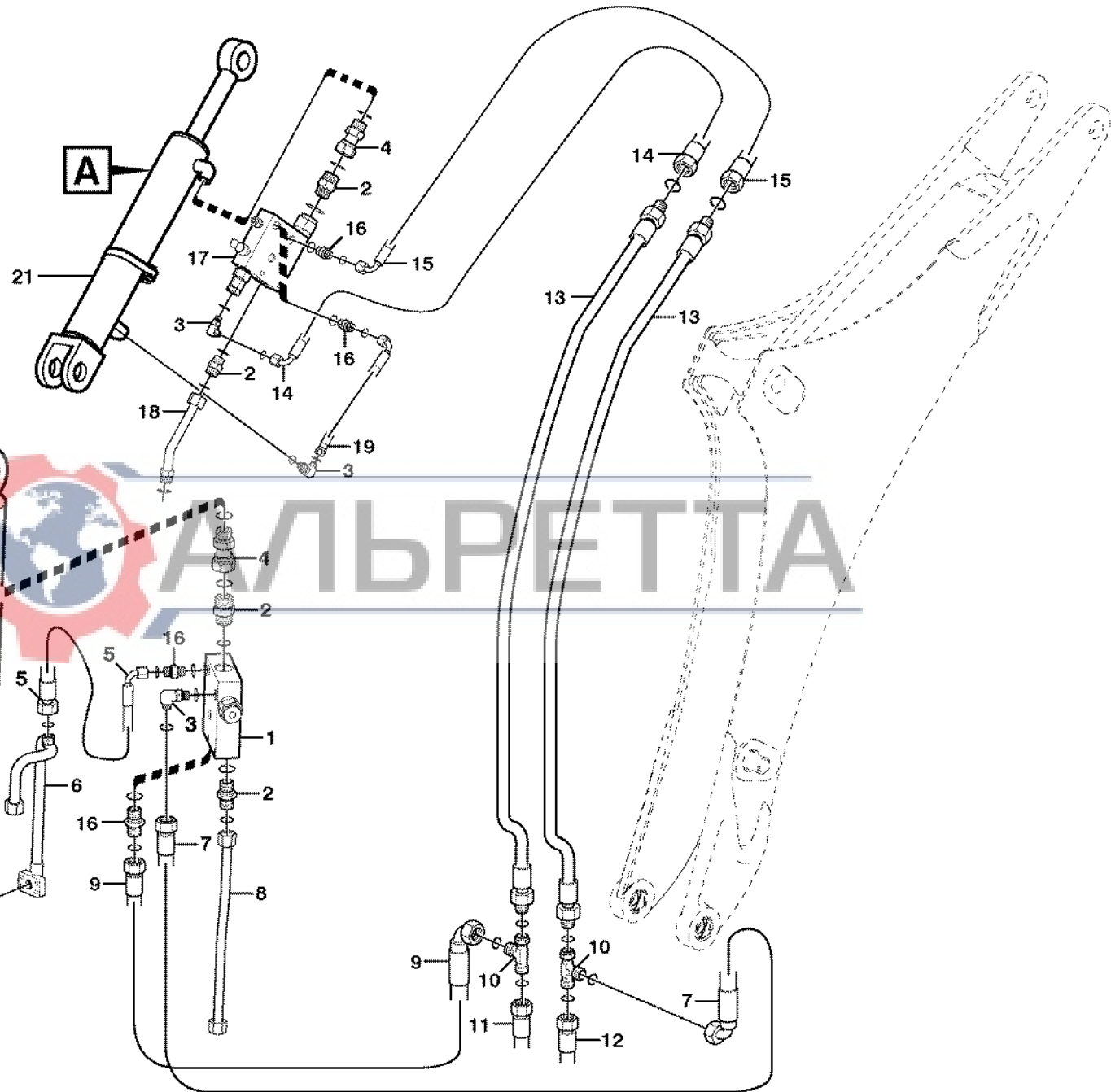
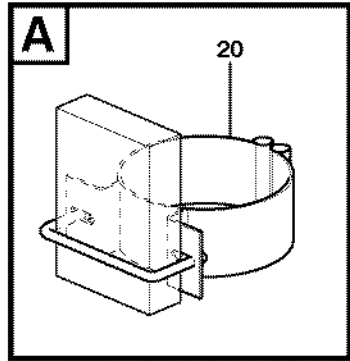


Fig.	Part No.	Quantity			P S	K I T	Description	Dénomination	Bezeichnung	Denominación	Benämning	Notes
		1	2	3								

22		1				Boom Cylinder	Verin de fleche	Auslegerzylinder.....	Maquina de flecha.....	Bomcylinder.....		See group 974, Page 833
----	--	---	--	--	--	---------------------	-----------------------	-----------------------	------------------------	------------------	--	-------------------------



1		Säkerhetsventil bom och skaftcylinder Cilindros de pluma y brazo, válvulas de seguridad Sicherheitsventil Ausleger und Stielzylinder Valve de sécurité, flèche et balancier Safety valve boom and dipper arm cylinder	Catalogue id	Group
2			20002	912
3			Illustr. No	Section
4			1007560	750
5		11891326	Issue	Page
			VOE 63H9920002	691

VOLVO

BL71



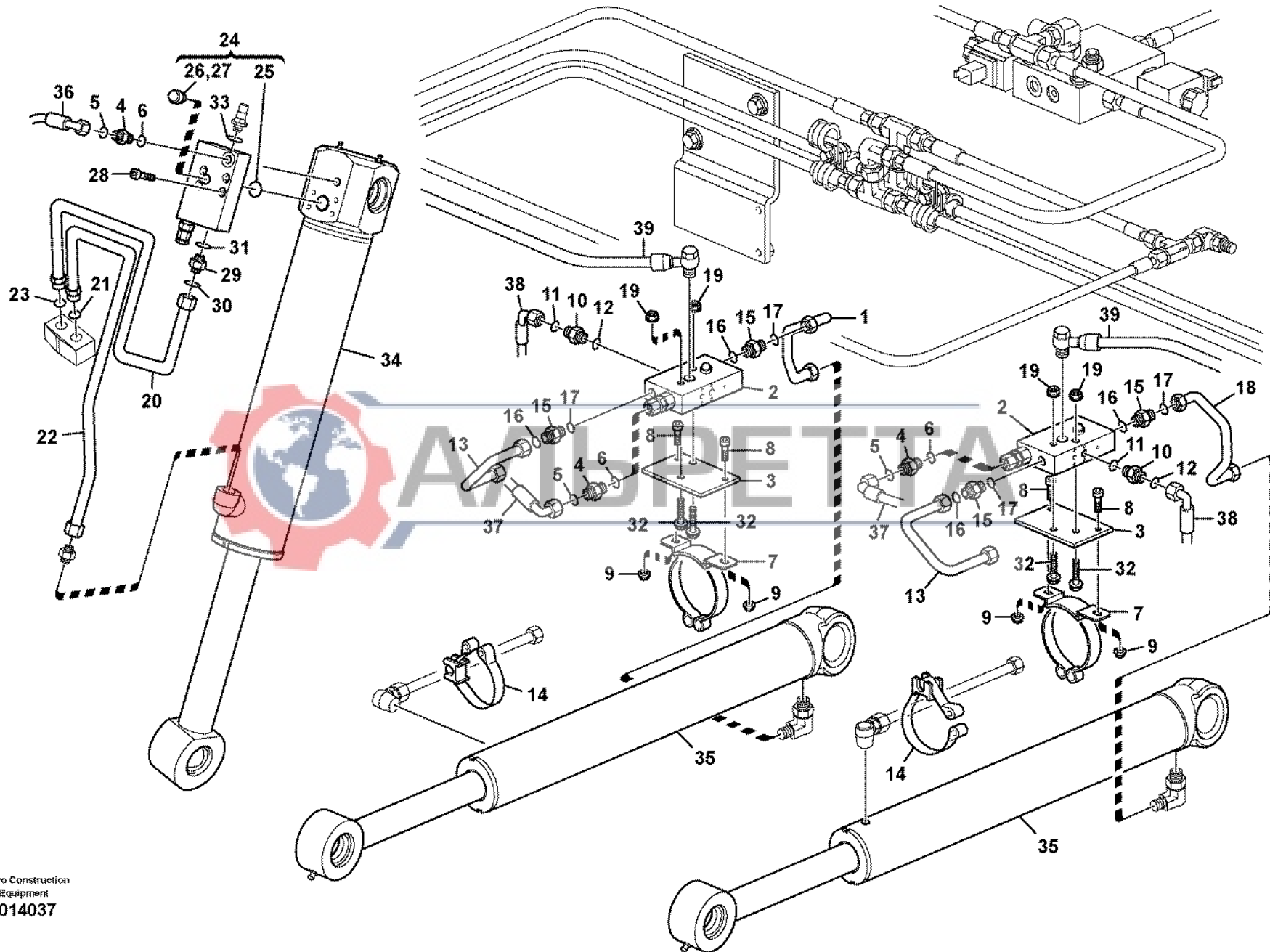


Fig.	Part No.	Quantity			P S	K I T	Description	Dénomination	Bezeichnung	Denominación	Benämning	Notes
		1	2	3								
1	VOE 11883375	1				Tube.....	Tube.....	Rohr.....	Tube.....	Rör.....		
2	VOE 11881764	2				Valve.....	Soupape.....	Ventil.....	Valvula.....	Ventil.....		
3	VOE 11883378	2				Plate.....	Plaque.....	Platte.....	Placa.....	Platta.....		
4	VOE 13933858	3				Union.....	Teton Connexion.....	Anschlussnippel.....	Niple Conexcion.....	Anslutn.nippel.....		
5	VOE 4881722	1				•O-ring.....	•Joint Torique.....	•O-Ring.....	•Junta torica.....	•O-ring.....		
6	VOE 932039	1				•O-ring.....	•Joint Torique.....	•O-Ring.....	•Junta torica.....	•O-ring.....		
7	VOE 11883007	2				Clamp.....	Pince Serrage.....	Klemme.....	Abrazadera.....	Klämma.....		
8	VOE 13967630	4				Allen Hd Screw.....	Vis A 6 Pans Cr.....	Inbusschraube.....	Torn Hex Embut.....	Insexskruv.....	M8x20	
9	VOE 13945408	4				Nut.....	Ecrou.....	Mutter.....	Tuerca.....	Mutter.....	M8	
10	VOE 935082	2				Nipple.....	Raccord.....	Nippel.....	Niple.....	Nippel.....		
11	VOE 4881722	1				•O-ring.....	•Joint Torique.....	•O-Ring.....	•Junta torica.....	•O-ring.....		
12	VOE 932037	1				•O-ring.....	•Joint Torique.....	•O-Ring.....	•Junta torica.....	•O-ring.....		
13	VOE 11885547	2				Tube.....	Tube.....	Rohr.....	Tube.....	Rör.....		
14	VOE 11885331	2				Clamp.....	Pince Serrage.....	Klemme.....	Abrazadera.....	Klämma.....		
15	VOE 935094	4				Nipple.....	Raccord.....	Nippel.....	Niple.....	Nippel.....		
16	VOE 4880663	1				•O-ring.....	•Joint Torique.....	•O-Ring.....	•Junta torica.....	•O-ring.....		
17	VOE 932040	1				•O-ring.....	•Joint Torique.....	•O-Ring.....	•Junta torica.....	•O-ring.....		
18	VOE 11883376	1				Tube.....	Tube.....	Rohr.....	Tube.....	Rör.....		
19	VOE 948645	4				Flange Lock Nut.....	Contre écrou bride.....	Flanschmutter.....	Contratuer Embr.....	Flänslåsmutter.....	M8	
20	VOE 11881542	1				Tube Assembly.....	Tuyauterie.....	Rohrleitung.....	Tuberia.....	Rörledning.....		
21	VOE 4880663	1				O-ring.....	Joint Torique.....	O-Ring.....	Junta torica.....	O-ring.....		
22	VOE 11881541	1				Tube Assembly.....	Tuyauterie.....	Rohrleitung.....	Tuberia.....	Rörledning.....		
23	VOE 4880663	1				O-ring.....	Joint Torique.....	O-Ring.....	Junta torica.....	O-ring.....		
24	VOE 11881546	1				Safety Valve.....	Valve de securite.....	Sicherheitsvent.....	Valv Seguridad.....	Säkerhetsventil.....		
25	VOE 944706	1				•O-ring.....	•Joint Torique.....	•O-Ring.....	•Junta torica.....	•O-ring.....		
26	VOE 11713078	1				•Pressure Limiting Va.....	•Pressure Limiti.....	•Pressure Limiti.....	•Pressure Limiti.....	•Begr.ventil.....		
27	VOE 11713079	1				••Sealing Kit.....	••Jeu Joints.....	••Dichtungssatz.....	••Juego Retenes.....	••Tätningssats.....		
28	VOE 967636	4				Allen Hd Screw.....	Vis A 6 Pans Cr.....	Inbusschraube.....	Torn Hex Embut.....	Insexskruv.....	M10x50	
29	VOE 13933862	1				Nipple.....	Raccord.....	Nippel.....	Niple.....	Nippel.....		
30	VOE 981289	1				•O-ring.....	•Joint Torique.....	•O-Ring.....	•Junta torica.....	•O-ring.....		

1		Säkerhetsventil lastaggregat Válvula de seguridad, cargadora Sicherheitsventil Lader Valve de sécurité, équipement chargeur Safety valve loader	Catalogue id	Group
2			20002	912
3			Illustr. No	Section
4			1014037	800
5			Issue	Page
		11891327	VOE 63H9920002	693

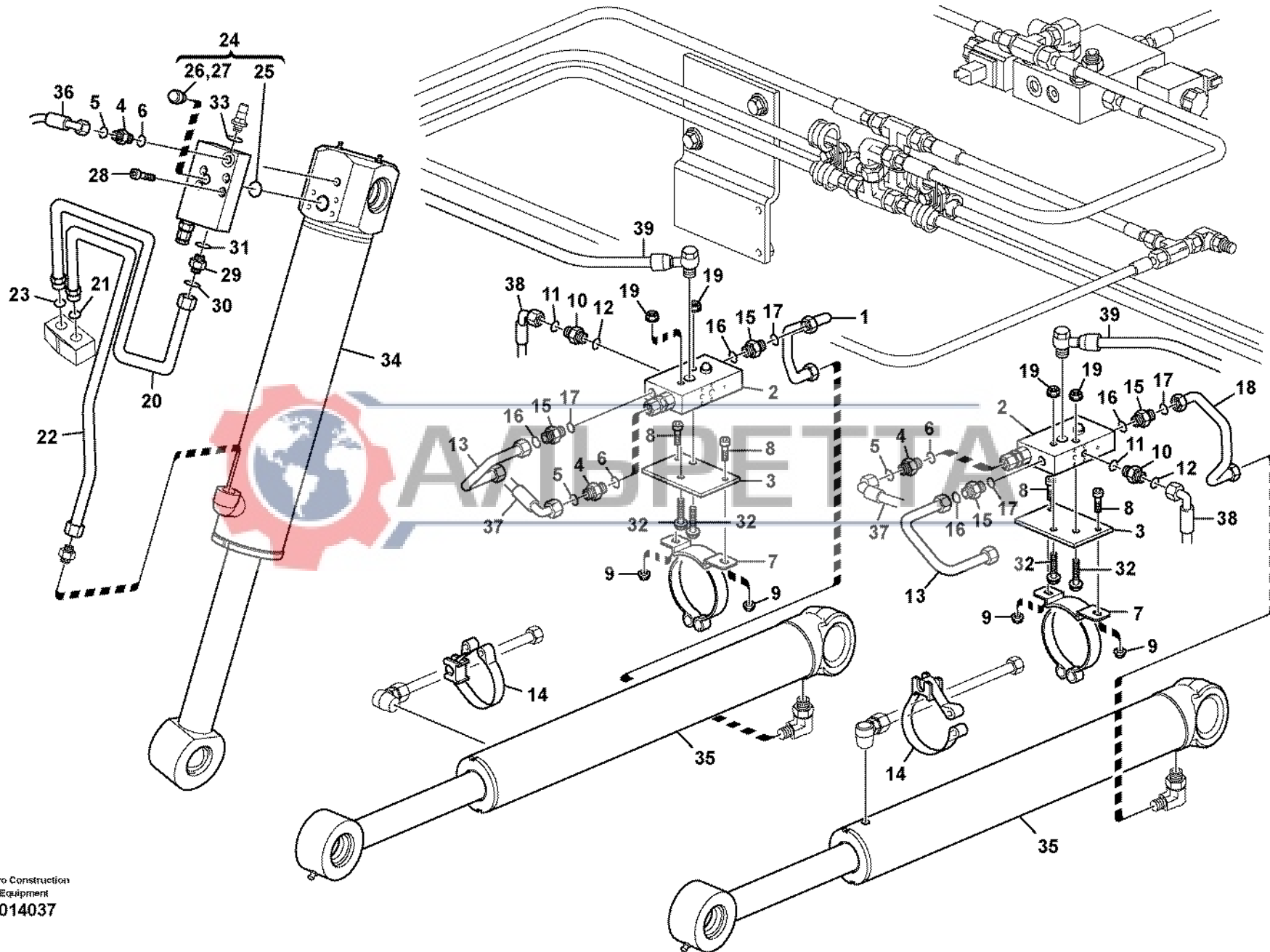


Fig.	Part No.	Quantity			P S	K I T	Description	Dénomination	Bezeichnung	Denominación	Benämning	Notes
		1	2	3								
31	VOE 932042	1				•O-ring.....	•Joint Torique	•O-Ring.....	•Junta torica	•O-ring.....		
32	VOE 13965180	4				Flange screw.....	Vis à bride	Flanschschraube.....	Torn embridado	Flänsskruv.....	2335) M8x60	
	VOE 13965180	6				Flange screw.....	Vis à bride	Flanschschraube.....	Torn embridado	Flänsskruv.....	2336)	
33	VOE 13948700	1				O-ring.....	Joint Torique	O-Ring.....	Junta torica.....	O-ring.....	2335)	
34		1				Hydraulic cylinder.....	Vérin hydraulique	Hydraulzylinder	Cilindro hidráulico.....	Hydraulcylinder.....	See group 945, Page 805	
35		2				Hydraulic cylinder.....	Vérin hydraulique	Hydraulzylinder	Cilindro hidráulico.....	Hydraulcylinder.....	See group 945, Page 803	
36		1				Hose.....	Durit	Schlauch	Tubo flexible.....	Slang.....	See group 911, Page 631	
37		2				Hose.....	Durit	Schlauch	Tubo flexible.....	Slang.....	See group 911, Page 631	
38		1				Hose.....	Durit	Schlauch	Tubo flexible.....	Slang.....	See group 911, Page 631	
39		2				Hose.....	Durit	Schlauch	Tubo flexible.....	Slang.....	See group 911, Page 631	



2335) S/N - 12838, 12841 - 12856, 12858 - 12865, 12868 - 12891, 12895 - 12904, 12911, 12913, 12914, 12917 - 12923, 12931 - 12954, 12956 - 12973, 12978 - 12986, 12989 - 13040

2336) S/N 12839, 12840, 12857, 12866, 12867, 12892 - 12894, 12905 - 12910, 12912, 12915, 12916, 12924 - 12929, 12955, 12974 - 12977, 12987, 12988, 12930 13041 -

1	Säkerhetsventil lastaggregat Válvula de seguridad, cargadora Sicherheitsventil Lader Valve de sécurité, équipement chargeur Safety valve loader	Catalogue id	Group
2		20002	912
3		Illustr. No	Section
4		1014037	800
5		Issue	Page
	11891327	VOE 63H9920002	695

VOLVO

BL71



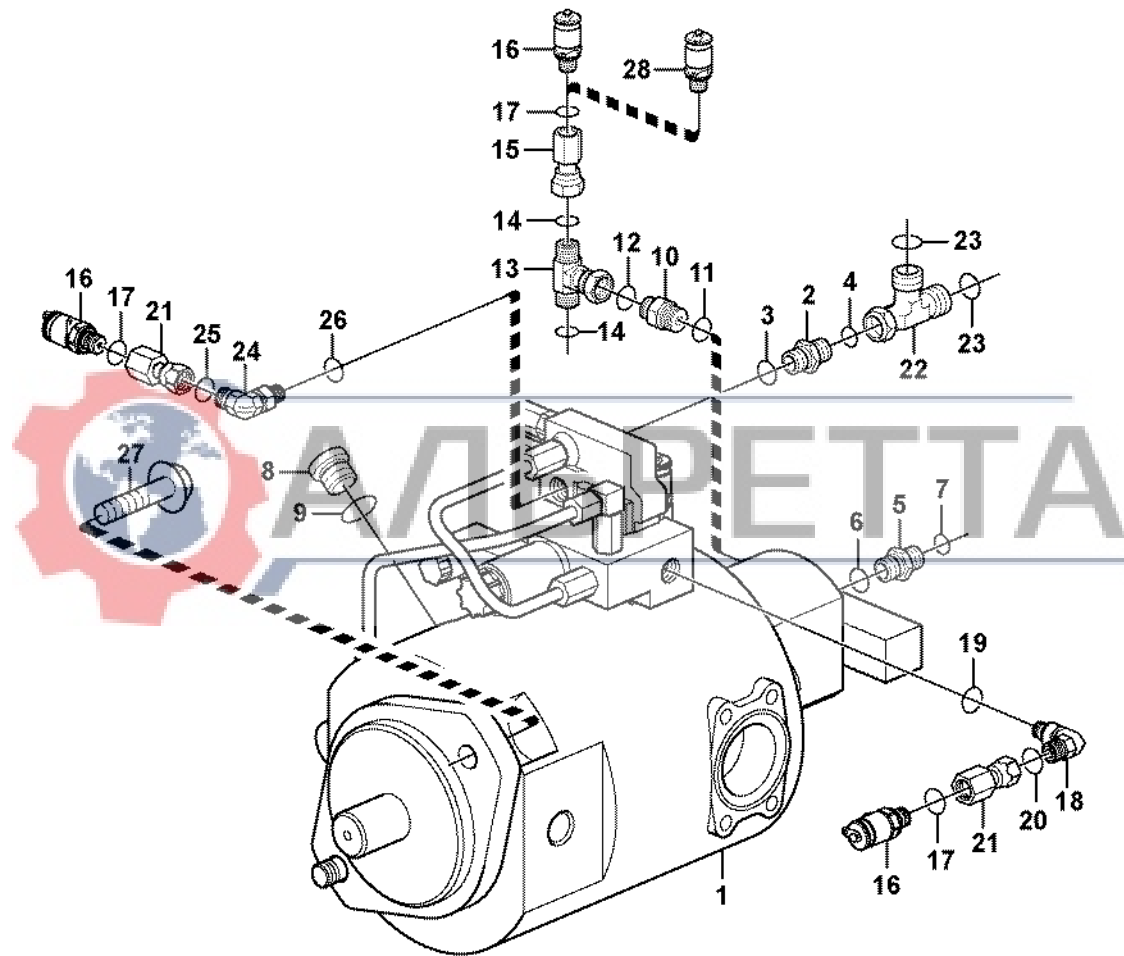


Fig.	Part No.	Quantity			P S	K I T	Description	Dénomination	Bezeichnung	Denominación	Benämning	Notes
		1	2	3								
1		1				Pump.....	Pompe.....	Pumpe.....	Bomba.....	Pump.....	See group 913, Page 699	
2	VOE 935082	1				Nipple.....	Raccord.....	Nippel.....	Niple.....	Nippel.....		
3	VOE 932037	1				•O-ring.....	•Joint Torique.....	•O-Ring.....	•Junta torica.....	•O-ring.....		
4	VOE 4881722	1				•O-ring.....	•Joint Torique.....	•O-Ring.....	•Junta torica.....	•O-ring.....		
5	VOE 935091	1				Nipple.....	Raccord.....	Nippel.....	Niple.....	Nippel.....		
6	VOE 932039	1				•O-ring.....	•Joint Torique.....	•O-Ring.....	•Junta torica.....	•O-ring.....		
7	VOE 4880493	1				•O-ring.....	•Joint Torique.....	•O-Ring.....	•Junta torica.....	•O-ring.....		
8	VOE 11884574	1				Fitting.....	Ecrou raccord.....	Verschraubung.....	Racor.....	Förskruvning.....		
9	VOE 932041	1				•O-ring.....	•Joint Torique.....	•O-Ring.....	•Junta torica.....	•O-ring.....		
10	VOE 935089	1				Nipple.....	Raccord.....	Nippel.....	Niple.....	Nippel.....		
11	VOE 932040	1				•O-ring.....	•Joint Torique.....	•O-Ring.....	•Junta torica.....	•O-ring.....		
12	VOE 4880492	1				•O-ring.....	•Joint Torique.....	•O-Ring.....	•Junta torica.....	•O-ring.....		
13	VOE 13933912	1				T-nipple.....	Raccord-t.....	T-Nippel.....	Niple T.....	T-nippel.....		
14	VOE 4880492	2				•O-ring.....	•Joint Torique.....	•O-Ring.....	•Junta torica.....	•O-ring.....		
15	VOE 935027	1				Test Nipple.....	Raccord Test.....	Prufnippel.....	Niple Prueba.....	Testnippel.....	(VOE 11883655)	
16	VOE 11881392	3				Testing Nipple.....	Raccord contrôle.....	Prufnippel.....	Niple Medicion.....	Mät-nippel.....	2211)	
17	VOE 14211856	1				•Sealing ring.....	•Bague d'étanchéité.....	•Runddichtring.....	•Anillo reten.....	•Tät-ningsring.....		
18	VOE 935067	1				Elbow nipple.....	Raccord angulaire.....	Winkelnippel.....	Niple angular.....	Vinkelnippel.....	2211)	
19	VOE 4881722	1				•O-ring.....	•Joint Torique.....	•O-Ring.....	•Junta torica.....	•O-ring.....		
20	VOE 932037	1				•O-ring.....	•Joint Torique.....	•O-Ring.....	•Junta torica.....	•O-ring.....		
21	VOE 11884794	2				Fitting.....	Ecrou raccord.....	Verschraubung.....	Racor.....	Förskruvning.....	2211)	
22	VOE 13933859	1				Nipple.....	Raccord.....	Nippel.....	Niple.....	Nippel.....		
23	VOE 4881722	2				•O-ring.....	•Joint Torique.....	•O-Ring.....	•Junta torica.....	•O-ring.....		
24	VOE 13933905	1				Elbow nipple.....	Raccord angulaire.....	Winkelnippel.....	Niple angular.....	Vinkelnippel.....	2211)	
25	VOE 4881722	1				•O-ring.....	•Joint Torique.....	•O-Ring.....	•Junta torica.....	•O-ring.....		
26		1			NS	•O-ring.....	•Joint Torique.....	•O-Ring.....	•Junta torica.....	•O-ring.....		
27		2				Flange screw.....	Vis à bride.....	Flanschschraube.....	Torn embridado.....	Flänsskruv.....	See group 911, Page 561	
28	VOE 936439	1				Testing Nipple.....	Raccord contrôle.....	Prufnippel.....	Niple Medicion.....	Mät-nippel.....	2210)	

2210) SER NO 11702-, INCL 11642, 11681-11699

2211) SER NO -11701, EXCL 11642, 11681-11699

1		Hydraulpump med monteringsdetaljer Bomba hidráulica con accesorios de montaje Druckölpumpe mit Anbauteilen Pompe hydraulique avec pièces de montage Hydraulic pump with fitting parts	Catalogue id	Group
2			20002	913
3			Illustr. No	Section
4			1012087	100
5			Issue	Page
			VOE 63H9920002	697

VOLVO

BL71

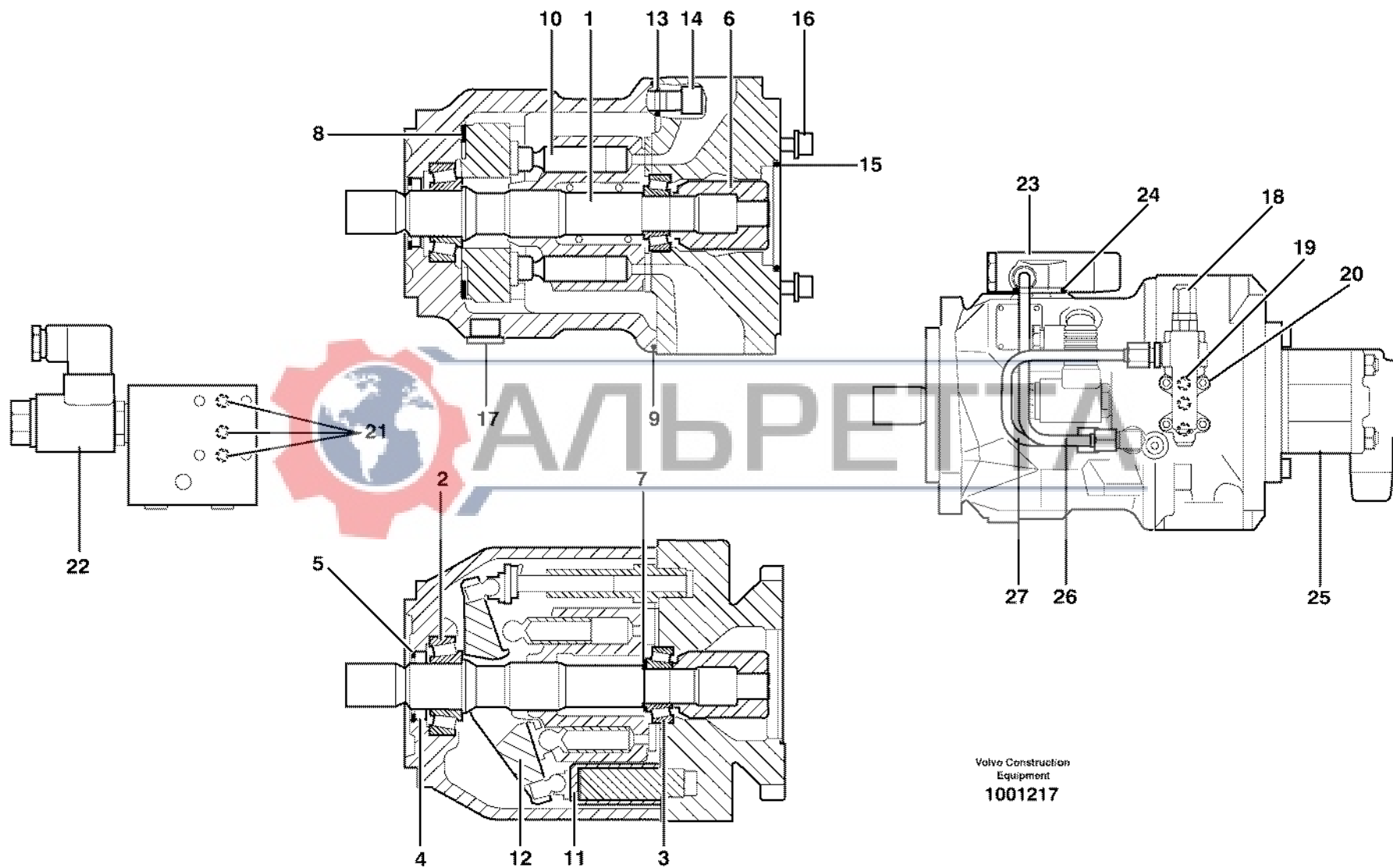


Fig.	Part No.	Quantity			P S	K I T	Description	Dénomination	Bezeichnung	Denominación	Benämning	Notes
		1	2	3								
	VOE 11884583	1				SS	Pump.....	Pompe.....	Pumpe.....	Bomba.....	Pump.....	
1	VOE 11709734	1					•Drive Shaft.....	•Arbre transmission....	•Antriebswelle.....	•Arbol de cde.....	•Drivaxel.....	
2	VOE 11707572	1					•Roller Bearing.....	•Roulement rouleaux..	•Rollenlager.....	•Cojinet Rodillo.....	•Rullager.....	
3	VOE 11708413	1					•Roller Bearing.....	•Roulement rouleaux..	•Rollenlager.....	•Cojinet Rodillo.....	•Rullager.....	
4	VOE 11704552	1					•Sealing ring.....	•Bague d'étanchéité ...	•Runddichtring.....	•Anillo reten.....	•Tätningsring.....	
5	VOE 11708113	1					•Lock Ring.....	•Anneau Verrouillage ..	•Schlossring.....	•Anillo Segurid.....	•Låsring.....	
6	VOE 11707571	1					•Engaging Sleeve.....	•Manchon Accoup.....	•Kupplungsmuffe.....	•Manguito Embrag.....	•Kopplingshylsa.....	
7	VOE 11708412	1					•Shim.....	•Cale Reglage.....	•Nachstellblech.....	•Cuna de calzar.....	•Justerbleck.....	
8	VOE 11708414	2					•Bearing.....	•Palier.....	•Lager.....	•Cojinete.....	•Lager.....	
9	VOE 11709735	1					•O-ring.....	•Joint Torique.....	•O-Ring.....	•Junta torica.....	•O-ring.....	
10	VOE 11709731	1					•Pump Unit.....	•Unite Pompe.....	•Pumpwerk.....	•Unidad Bomba.....	•Pumpenhet.....	
11	VOE 11709732	1					•Control Unit.....	•Unité de commande..	•Steuereinheit.....	•Unidad de mando.....	•Reglerenhet.....	
12	VOE 11709733	1					•Yoke.....	•Chape.....	•Joch.....	•Horquilla.....	•Gaffel.....	
13	VOE 11709736	4					•O-ring.....	•Joint Torique.....	•O-Ring.....	•Junta torica.....	•O-ring.....	
14	VOE 974003	4					•Allen Hd Screw.....	•Vis A 6 Pans Cr.....	•Inbusschraube.....	•Torn Hex Embut.....	•Insexskruv.....	
15	VOE 11709737	1					•O-ring.....	•Joint Torique.....	•O-Ring.....	•Junta torica.....	•O-ring.....	
16	VOE 959238	2					•Allen Hd Screw.....	•Vis A 6 Pans Cr.....	•Inbusschraube.....	•Torn Hex Embut.....	•Insexskruv.....	
17	VOE 11708233	1					•Plug.....	•Bouchon.....	•Stopfen.....	•Tapon.....	•Plugg.....	
18	VOE 11709727	1					•Control Valve.....	•Valve Commande.....	•Steuerventil.....	•Valvula Mando.....	•Manöverventil.....	
19	VOE 982994	3					•O-ring.....	•Joint Torique.....	•O-Ring.....	•Junta torica.....	•O-ring.....	
20	VOE 959216	4					•Allen Hd Screw.....	•Vis A 6 Pans Cr.....	•Inbusschraube.....	•Torn Hex Embut.....	•Insexskruv.....	
21	VOE 982994	3					•O-ring.....	•Joint Torique.....	•O-Ring.....	•Junta torica.....	•O-ring.....	
22	VOE 11709740	1					•Solenoid valve.....	•Vanne electrom.....	•Magnetventil.....	•Electrovalvula.....	•Magnetventil.....	
23	VOE 11709729	1					•Control Valve.....	•Valve Commande.....	•Steuerventil.....	•Valvula Mando.....	•Manöverventil.....	
24	VOE 11709741	1					•O-ring.....	•Joint Torique.....	•O-Ring.....	•Junta torica.....	•O-ring.....	
25	VOE 11709730	1					•Gear Pump.....	•Pomp.engrenages.....	•Zahnradpumpe.....	•Bomba Engranaje.....	•Kugghjulpump.....	
26	VOE 11709738	1					•Pipe.....	•Canalisation.....	•Rohrleitung.....	•Canalización.....	•Rör.....	
27	VOE 11709739	1					•Pipe.....	•Canalisation.....	•Rohrleitung.....	•Canalización.....	•Rör.....	

1		Hydraulpump Bomba hidráulica Hydraulikpumpe Pompe hydraulique Hydraulic pump	Catalogue id	Group
2			20002	913
3			Illustr. No	Section
4			1001217	200
5			Issue	Page
			VOE 63H9920002	699
			SER NO -11701, EXCL 11642, 11681-11699	

VOLVO

BL71

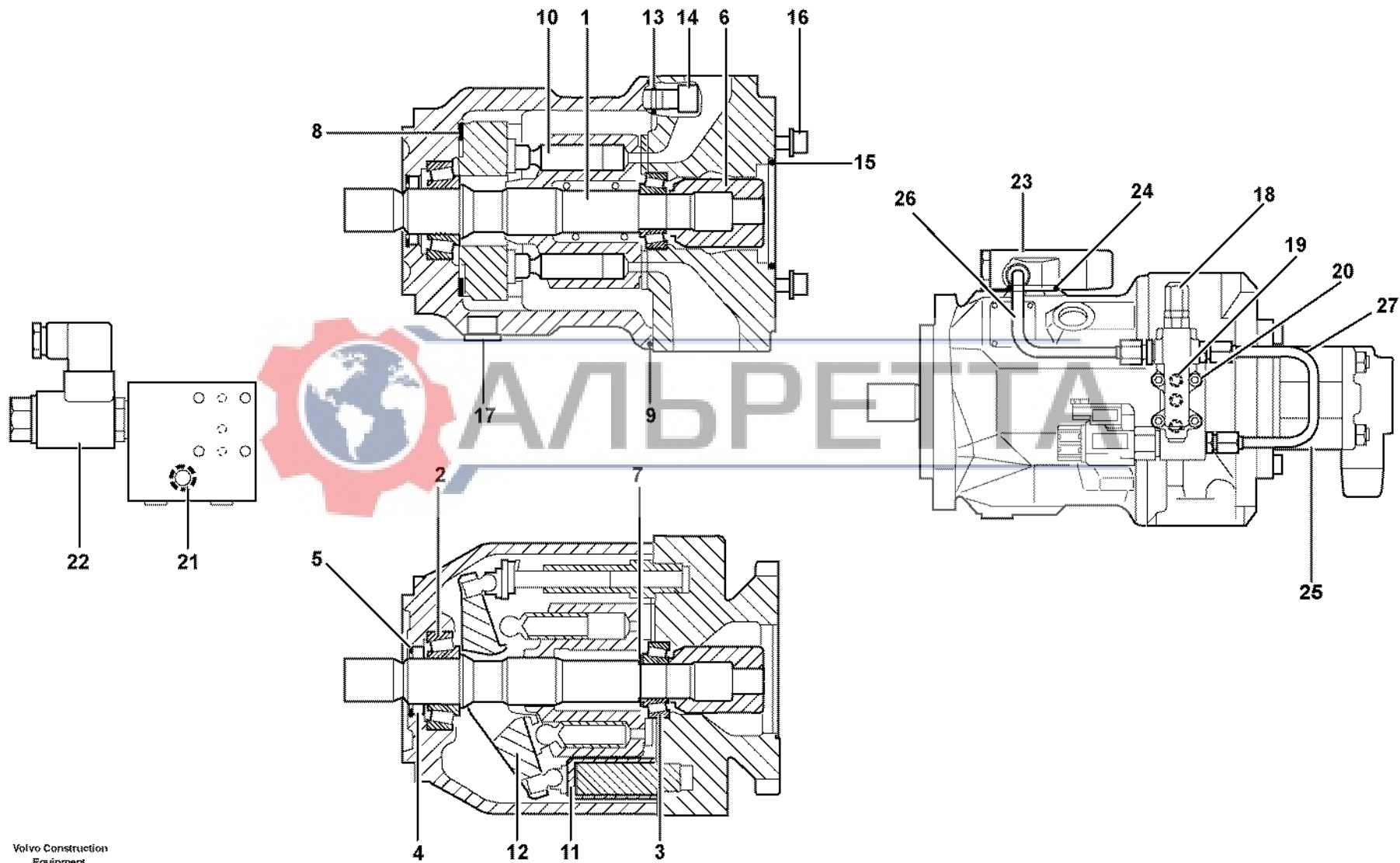


Fig.	Part No.	Quantity			P S	K I T	Description	Dénomination	Bezeichnung	Denominación	Benämning	Notes
		1	2	3								
	VOE 11886357	1				Pump.....	Pompe.....	Pumpe.....	Bomba.....	Pump.....		
1	VOE 11709734	1				•Drive Shaft.....	•Arbre transmission....	•Antriebswelle.....	•Arbol de cde.....	•Drivaxel.....		
2	VOE 11707572	1				•Roller Bearing.....	•Roulement rouleaux..	•Rollenlager.....	•Cojinet Rodillo.....	•Rullager.....		
3	VOE 11708413	1				•Roller Bearing.....	•Roulement rouleaux..	•Rollenlager.....	•Cojinet Rodillo.....	•Rullager.....		
4	VOE 11704552	1				•Sealing ring.....	•Bague d'étanchéité ...	•Runddichtring.....	•Anillo reten	•Tätningsring.....		
5	VOE 11708113	1				•Lock Ring.....	•Anneau Verrouillage .	•Schlossring	•Anillo Segurid.....	•Låsring.....		
6	VOE 11707571	1				•Engaging Sleeve	•Manchon Accoup.	•Kupplungsmuffe.....	•Manguito Embrag.....	•Kopplingshylsa.....		
7	VOE 11708412	1				•Shim	•Cale Reglage	•Nachstellblech.....	•Cuna de calzar.....	•Justerbleck.....		
8	VOE 11708414	2				•Bearing	•Palier.....	•Lager.....	•Cojinete.....	•Lager.....		
9	VOE 11709735	1				•O-ring.....	•Joint Torique	•O-Ring.....	•Junta torica	•O-ring.....		
10	VOE 11709731	1				•Pump Unit.....	•Unite Pompe	•Pumpwerk.....	•Unidad Bomba	•Pumpenhet.....		
11	VOE 11709732	1				•Control Unit.....	•Unité de commande..	•Steuereinheit.....	•Unidad de mando.....	•Reglerenhet.....		
12	VOE 11709733	1				•Yoke	•Chape	•Joch	•Horquilla	•Gaffel.....		
13	VOE 11709736	4				•O-ring.....	•Joint Torique	•O-Ring.....	•Junta torica	•O-ring.....		
14	VOE 974003	4				•Allen Hd Screw	•Vis A 6 Pans Cr	•Inbusschraube	•Torn Hex Embut.....	•Insexskruv.....		
15	VOE 11709737	1				•O-ring.....	•Joint Torique	•O-Ring.....	•Junta torica	•O-ring.....		
16	VOE 959238	2				•Allen Hd Screw	•Vis A 6 Pans Cr	•Inbusschraube	•Torn Hex Embut.....	•Insexskruv.....		
17	VOE 11708233	1				•Plug	•Bouchon.....	•Stopfen	•Tapon.....	•Plugg.....		
18	VOE 11709727	1				•Control Valve.....	•Valve Commande	•Steuerventil.....	•Valvula Mando	•Manöverventil.....		
19	VOE 982994	3				•O-ring.....	•Joint Torique.....	•O-Ring.....	•Junta torica	•O-ring.....		
20	VOE 959216	4				•Allen Hd Screw.....	•Vis A 6 Pans Cr.....	•Inbusschraube.....	•Torn Hex Embut.....	•Insexskruv.....		
21	VOE 11715266	1				•Gasket.....	•Joint	•Dichtung.....	•Junta	•Packning.....		
22	VOE 11715261	1				•Solenoid.....	•Solénoide.....	•Magnet	•Solenoid	•Solenoid.....		
23	VOE 11709729	1				•Control Valve.....	•Valve Commande	•Steuerventil.....	•Valvula Mando	•Manöverventil.....		
24	VOE 11709741	1				•O-ring.....	•Joint Torique.....	•O-Ring.....	•Junta torica	•O-ring.....		
25	VOE 11709730	1				•Gear Pump	•Pomp.engrenages	•Zahnradpumpe.....	•Bomba Engranaje	•Kugghjulpump.....		
26	VOE 11715255	1				•Pipe	•Canalisation	•Rohrleitung.....	•Canalización	•Rör.....		
27	VOE 11715256	1				•Pipe	•Canalisation	•Rohrleitung.....	•Canalización	•Rör.....		

1		Hydraulpump Bomba hidráulica Hydraulikpumpe Pompe hydraulique Hydraulic pump	Catalogue id	Group
2			20002	913
3			Illustr. No	Section
4			1016482	210
5			Issue	Page
			VOE 63H9920002	701
			SER NO 11702-, INCL 11642, 11681-11699	

VOLVO

BL71



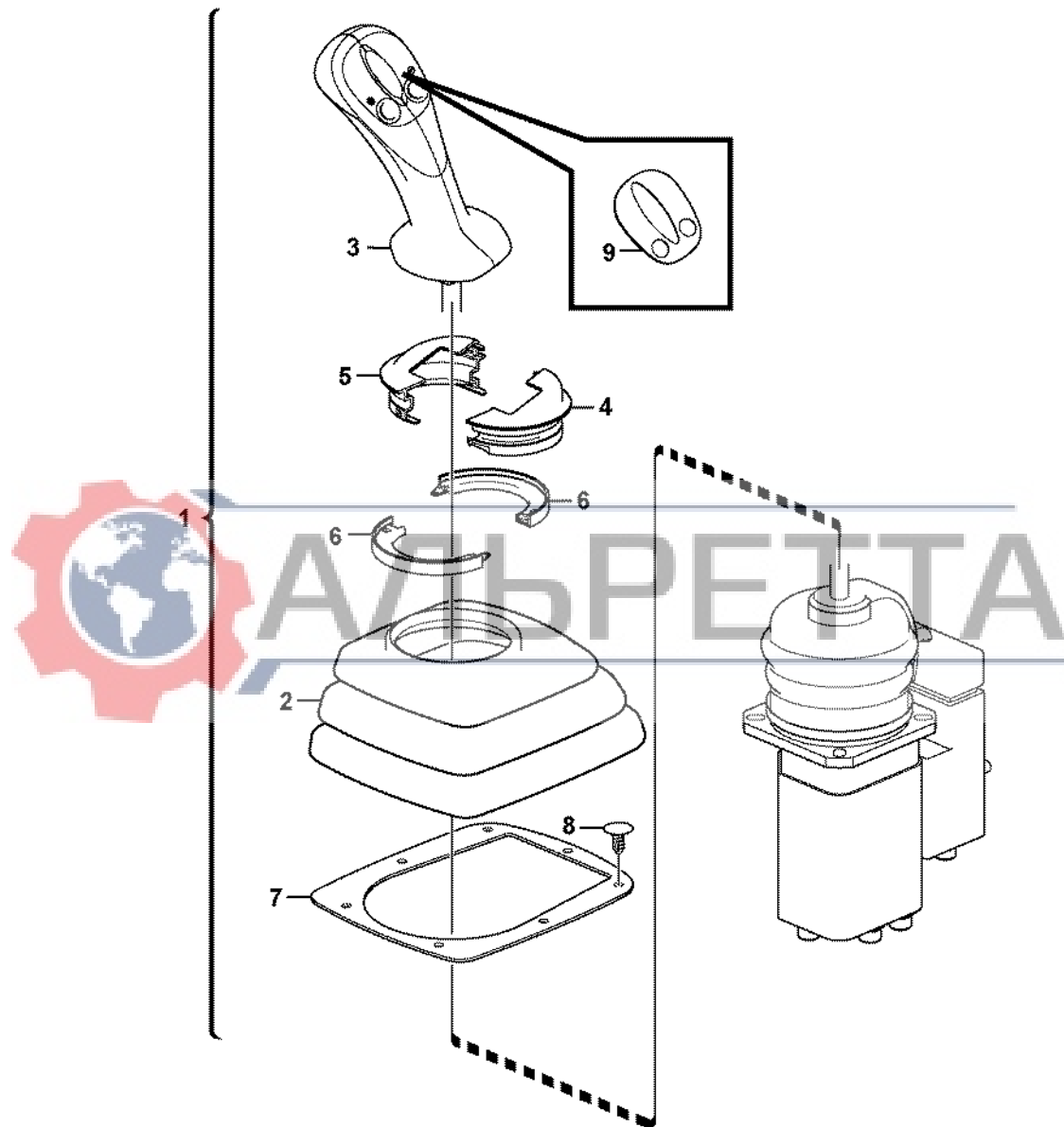


Fig.	Part No.	Quantity			P S	K I T	Description	Dénomination	Bezeichnung	Denominación	Benämning	Notes
		1	2	3								
1	VOE 11884328	1				Lever	Levier	Hebel	Palanca	Spak		
	VOE 11884329		1		SS	Lever	Levier	Hebel	Palanca	Spak		
2	VOE 11883717	1	1			•Rubber Bellows	•Soufflet Caout.	•Gummibalg	•Fuelle Goma	•Gummibälg		
3	VOE 11715211	1	1			•Handle	•Poignee	•Handgriff	•Manilla	•Handgrepp		
4	VOE 11883762	1	1			•Ptct Bellows	•Soufflet Prote.	•Schutzbalg	•Fuelle Protecc	•Skyddsbalg		
5	VOE 11883761	1	1			•Ptct Bellows	•Soufflet Prote.	•Schutzbalg	•Fuelle Protecc	•Skyddsbalg		
6	VOE 11883759	2	2			•Bellows	•Soufflet	•Balg	•Fuelle	•Bälg		
7	VOE 11883763	1	1			•Support	•Support	•Stutze	•Apoyo	•Stöd		
8	VOE 11884070	7	7			Screw	Vis	Schraube	Tornillo	Skruv		
9	VOE 11883598	1	1			Decal	Autocollant	Aufklebeschild	Calcomania	Dekal		



2219) SER NO -11210

1	11891272	Servoventil Servoválvula Servoventil Servo soupape Servo valve	Catalogue id	Group
2	2219) 11891311		20002	914
3			Illustr. No	Section
4			1003664	100
5			Issue	Page
		VOE 63H9920002	703	

VOLVO

BL71



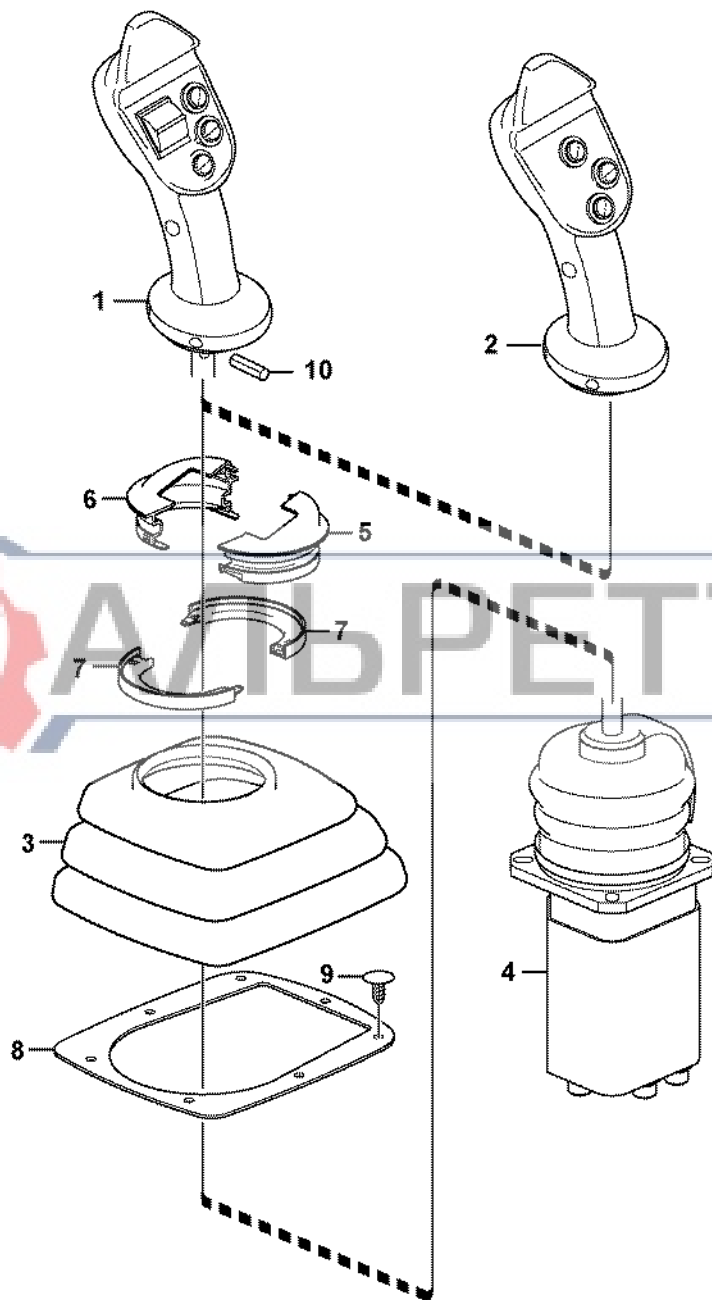


Fig.	Part No.	Quantity					P S	K I T	Description	Dénomination	Bezeichnung	Denominación	Benämning	Notes
		1	2	3	4	5								
1	VOE 11885592	1						Lever.....	Levier	Hebel	Palanca	Spak.....		
1	VOE 11885594		1					Lever.....	Levier	Hebel	Palanca	Spak.....		
2	VOE 11885939			1				Lever.....	Levier	Hebel	Palanca	Spak.....		
2	VOE 11885709				1			Lever.....	Levier	Hebel	Palanca	Spak.....		
3	VOE 11883717	1	1	1	1	1		Rubber Bellows.....	Soufflet Caout.	Gummibalg	Fuelle Goma.....	Gummibälg.....		
4	VOE 11885642	1	1	1	1			Hydraulic control.....	Commande hydrau. Hydr.	Steuerung.....	Mando hidráulico	Hydraulisk manövr..		
4	VOE 11888006					1		Valve.....	Soupape	Ventil.....	Valvula.....	Ventil.....		
5	VOE 11883762	1	1	1	1	1		Ptct Bellows	Soufflet Prote.	Schutzbalg	Fuelle Protecc	Skydds bälg.....		
6	VOE 11883761	1	1	1	1	1		Ptct Bellows	Soufflet Prote.	Schutzbalg	Fuelle Protecc	Skydds bälg.....		
7	VOE 11883759	2	2	2	2	2		Bellows	Soufflet	Balg.....	Fuelle.....	Bälg.....		
8	VOE 11883763	1	1	1	1	1		Support	Support.....	Stutze.....	Apoyo	Stöd.....		
9	VOE 11881360	7	7	7	7	7		Retainer	Retenue.....	Halter	Soporte.....	Hållare.....		
10	VOE 13951967	1	1	1				Spring Pin	Axe de ressort	Federstift.....	Pasador Resorte	Fjäderpinne.....	SER NO -11210	



2218) SER NO 11211-

1	11891349	Servoventil Servoválvula Servoventil Servo soupape Servo valve	Catalogue id	Group
2	11891354		20002	914
3	11891374		Illustr. No	Section
4	2218) 11891311		1015390	200
5	11880005 S/N 14670 -		Issue	Page
			VOE 63H9920002	705

VOLVO

BL71



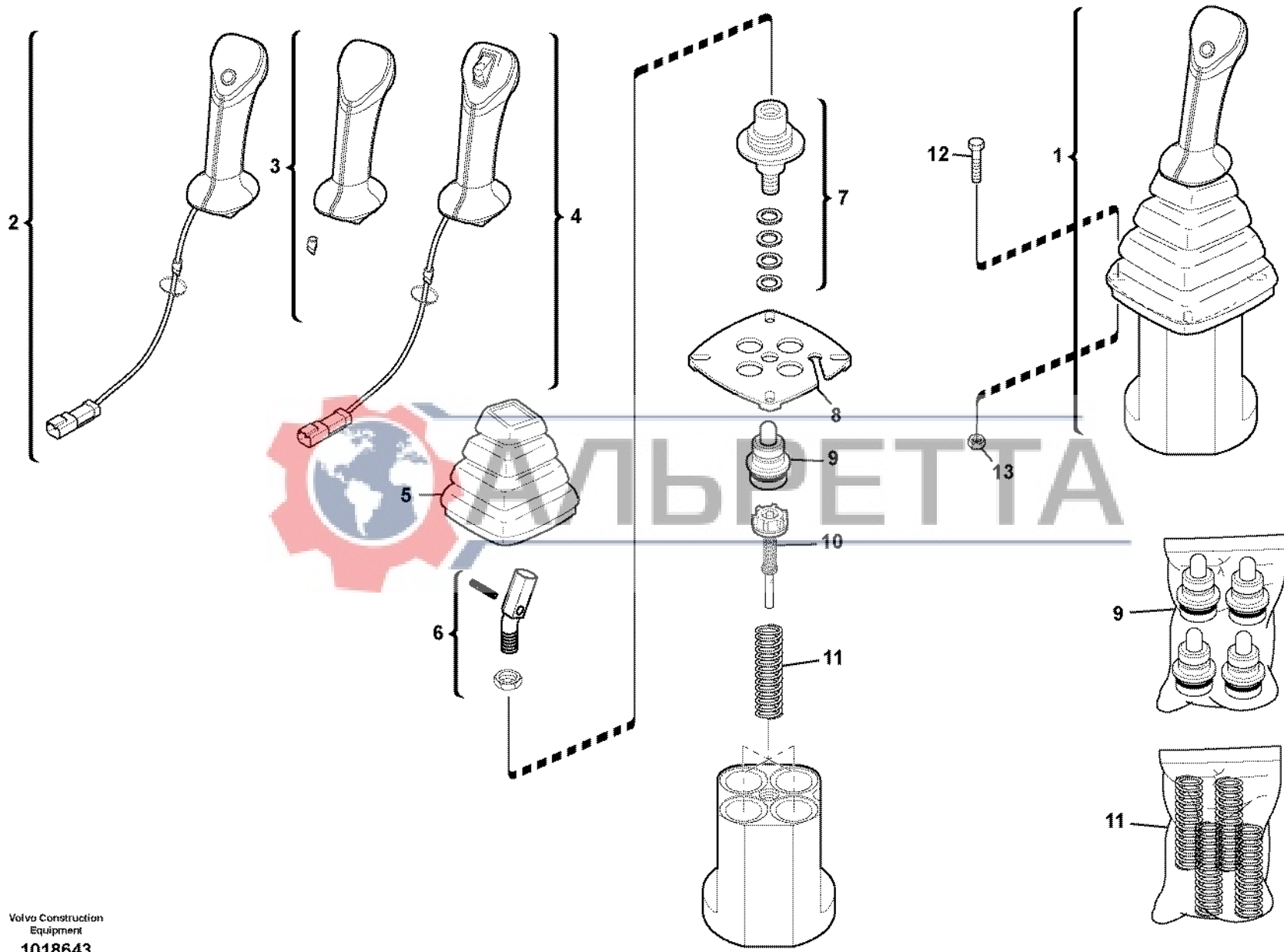


Fig.	Part No.	Quantity					P S	K T	Description	Dénomination	Bezeichnung	Denominación	Benämning	Notes
		1	2	3	4	5								
1	VOE 11886631	1							Control Lever	Levier Commande..	Bedienungshebel....	Palanca Mando	Manöverspak.....	
1	VOE 11886632		1						Control Lever	Levier Commande..	Bedienungshebel....	Palanca Mando	Manöverspak.....	
1	VOE 11886633			1					Control Lever	Levier Commande..	Bedienungshebel....	Palanca Mando	Manöverspak.....	
2	VOE 11713018	1							•Handle	•Poignee.....	•Handgriff.....	•Manilla.....	•Handgrepp.....	
3	VOE 11851327		1						•Control Handle	•Poignee Comm	•Bedienungsgriff.....	•Mango Maniobra ...	•Manöverhandtag...	
4	VOE 11715682			1					•Control Handle	•Poignee Comm	•Bedienungsgriff.....	•Mango Maniobra ...	•Manöverhandtag...	
5	VOE 11714728	1	1	1					•Bellow.....	•Soufflet.....	•Faltenbalg.....	•Fuelle	•Bälg.....	
6	VOE 11370672	1	1	1					•Adapter.....	•Adaptateur	•Adapter.....	•Adaptador.....	•Adapter.....	
7	VOE 11714730	1	1	1					•Propeller shafts	•Arbre A Cardans ...	•Gelenkwellen	•Arbol Transmision .	•Kardanaxlar.....	
8	VOE 11714731	1	1	1					•Plate	•Plaque.....	•Platte	•Placa	•Platta.....	
9	VOE 11712323	1	1	1					•Plunger guide (kit	•Guide de piston (j.	•Kolbenführung (Sa.	•Guía de pistón (kit)	•Kolvskena (sats)...	
10	VOE 11715681	1	1	1					•Regulator.....	•Regulateur	•Regler.....	•Regulador.....	•Regulator.....	
11	VOE 11713017	1	1	1					•Springs (kit)	•Ressorts (jeu).....	•Federn (Satz).....	•Muelles (juego)...	•Fjädrar (sats).....	
12	VOE 13946934	4	4	4					Screw.....	Vis	Schraube	Tornillo.....	Skruv.....	
13	VOE 13949278	4	4	4					Flange Lock Nut.....	Contre écrou bride..	Flanschmutter	Contratuer Embr.....	Flänslåsmutter.....	



1	11886631	Servoventil Servoválvula Servoventil Servo soupape Servo valve	Catalogue id	Group
2	11886632		20002	914
3	11886633		Illustr. No	Section
4			1018643	300
5			Issue	Page
			VOE 63H9920002	707

VOLVO

BL71



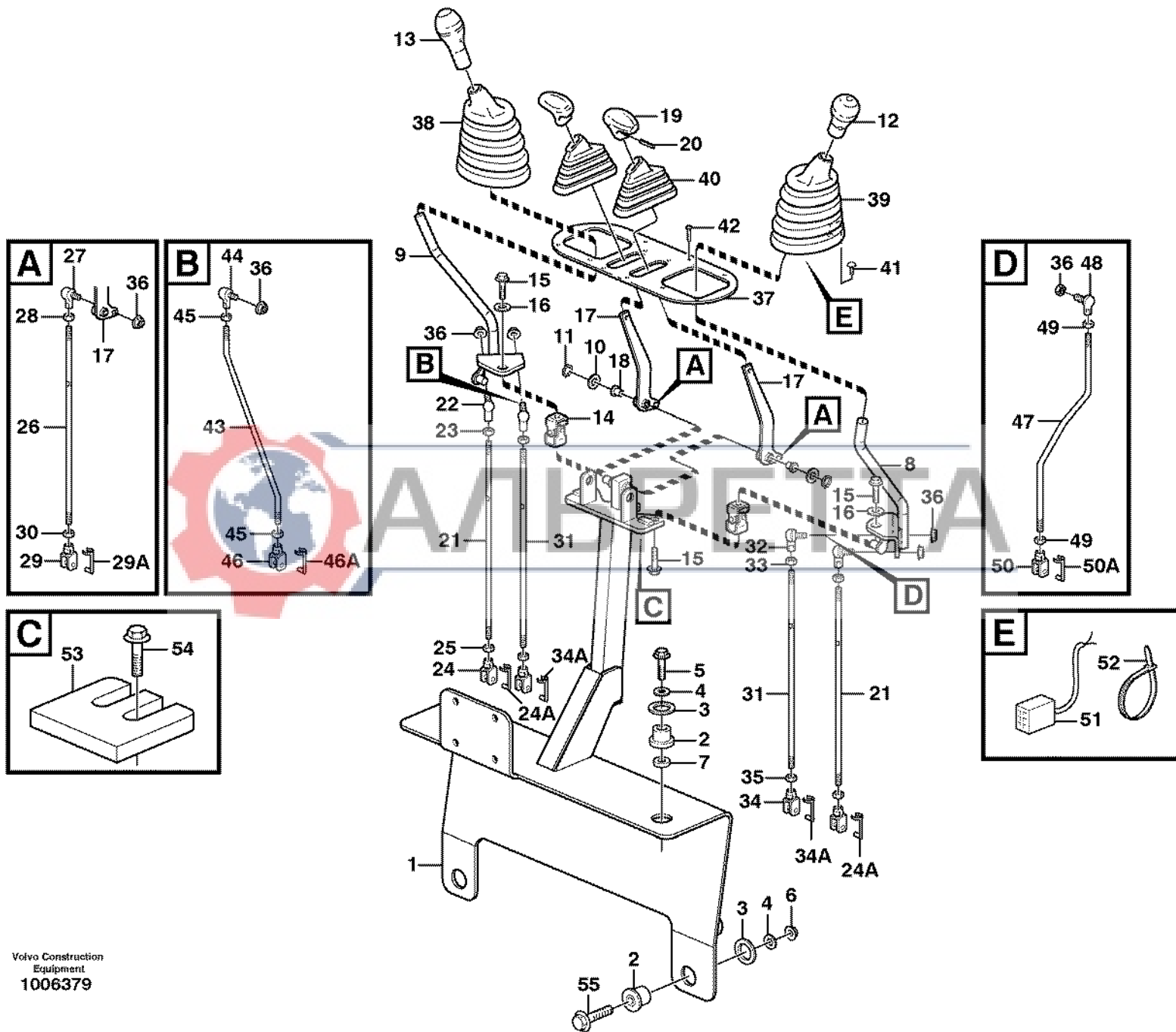


Fig.	Part No.	Quantity			P S	K I T	Description	Dénomination	Bezeichnung	Denominación	Benämning	Notes
		1	2	3								
1	VOE 11886563	1	1	1		Bracket.....	Console.....	Konsole	Ménsula.....	Konsol.....		
2	VOE 11881720	4	4	4		Rubber element	Element caoutch	Gummielement.....	Elemento goma	Gummielement.....		
3	VOE 955908	4	4	4		Washer.....	Rondelle.....	Scheibe	Arandela.....	Bricka.....		
4	VOE 13947355	4	4	4		Washer.....	Rondelle.....	Scheibe	Arandela.....	Bricka.....		
5	VOE 965195	2	2	2		Flange screw.....	Vis à bride	Flanschschaube.....	Torn embridado	Flänsskruv.....		
6	VOE 971099	2	2	2		Flange Lock Nut.....	Contre écrou bride	Flanschmutter	Contratuer Embr.....	Flänslåsmutter.....	(VOE 13971099)	
7	VOE 11884217	2	2	2		Spacer.....	Entretoise.....	Abstandkörper.....	Distanciador	Distans.....		
8	VOE 11881708	1	1			Lever.....	Levier	Hebel.....	Palanca	Spak.....	LH	
	VOE 11884956			1		Lever.....	Levier	Hebel.....	Palanca	Spak.....		
9	VOE 11881717	1	1			Lever.....	Levier	Hebel.....	Palanca	Spak.....	RH	
	VOE 11884957			1		Lever.....	Levier	Hebel.....	Palanca	Spak.....	LH	
10	VOE 11884269	2	2	2		Plastic Washer.....	Rondelle Plastique	Kunstst.scheibe.....	Arandela de plástico.....	Plastbricka.....		
11	VOE 914446	2	2	2		Snap Ring.....	Circlip	Nutring	Circlip	Spårring.....	RH	
12	VOE 11882526	1	1	1		Lever Knob.....	Boule de levier	Hebelknopf.....	Bola de palanca	Spakknopp.....	LH	
	VOE 11305749	1	1	1		Switch	Commutateur	Schalter.....	Contacteur.....	Strömställare.....	(VOE 11711582)	
13	VOE 11882525	1	1	1		Lever Knob.....	Boule de levier	Hebelknopf.....	Bola de palanca	Spakknopp.....	RH	
14	VOE 11881721	2	2	2		Ball joint	Rotule articul.....	Kugelgelenk	Rotula	Kulled.....		
15	VOE 946502	4	4	4		Flange screw.....	Vis à bride	Flanschschaube.....	Torn embridado	Flänsskruv.....		
16	VOE 967600	4	4	4		Lock Washer.....	Rondel verroui.....	Sicher Scheibe.....	Arandel Segurid	Låsbricka.....		
17	VOE 11884431	2	2	2		Lever.....	Levier	Hebel.....	Palanca	Spak.....		
	VOE 11882182	1	1	1		•Bushing.....	•Bague	•Buchse.....	•Casquillo	•Bussning.....		
18	VOE 11882115	2	2	2		Bushing.....	Bague	Buchse	Casquillo	Bussning.....		
19	VOE 11882604	2	2	2		Knob.....	Bouton.....	Knauf.....	Boton.....	Knopp.....		
20	VOE 951952	2	2	2		Spring Pin	Axe de ressort.....	Federstift	Pasador Resorte	Fjäderpinne.....		
21	VOE 11884223	2	2	2		Rod	Tige	Stange.....	Barra	Stång.....		
22	VOE 959080	1	1	1		•Anl Ball Joint.....	•Rotul.angulaire.....	•Winkelgelenk.....	•Rotula Angular	•Vinkelkulled.....		
23	VOE 961991	1	1	1		•Hexagon Nut.....	•Ecrou Hexagonal	•Sechskantmutter.....	•Tuerca Hexagon	•Sexkantsmutter.....		
24	VOE 11881742	1	1	1		•Fork	•Fourche.....	•Gabel	•Horquilla	•Gaffel.....		
24A	VOE 945634	1	1	1		••Yoke Bolt.....	••Boulon Etrier.....	••Gabelbolzen	••Perno Horquilla	••Gaffelbult.....		
25	VOE 949847	1	1	1		•Hexagon Nut.....	•Ecrou Hexagonal	•Sechskantmutter.....	•Tuerca Hexagon	•Sexkantsmutter.....		

1	11891162	Reglage Mandos Regler Commandes Controls	Catalogue id	Group
2	11891167		20002	915
3	11891322		Illustr. No	Section
4			1006379	100
5			Issue	Page
			VOE 63H9920002	709

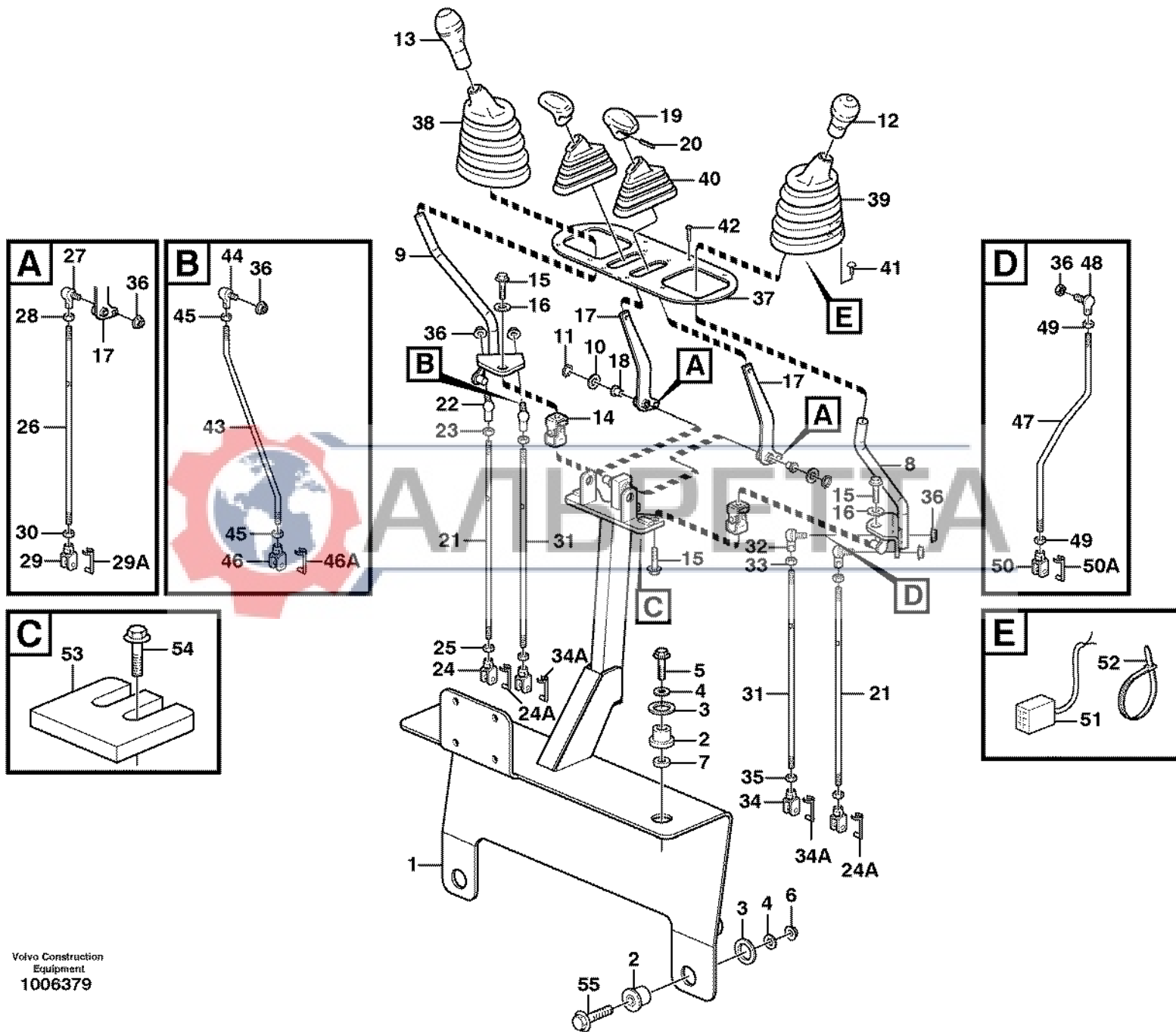


Fig.	Part No.	Quantity			P S	K I T	Description	Dénomination	Bezeichnung	Denominación	Benämning	Notes
		1	2	3								
26	VOE 11884603	2	2			Rod	Tige	Stange	Barra	Stång		
27	VOE 959080	2	2			•Anl Ball Joint	•Rotul.angulaire	•Winkelgelenk	•Rotula Angular	•Vinkelkulled		
28	VOE 961991	2	2			•Hexagon Nut	•Ecrou Hexagonal	•Sechskantmutter	•Tuerca Hexagon	•Sexkantsmutter		
29	VOE 11881742	2	2			•Fork	•Fourche	•Gabel	•Horquilla	•Gaffel		
29A	VOE 945634	1	1			••Yoke Bolt	••Boulon Etrier	••Gabelbolzen	••Perno Horquilla	••Gaffelbult		
30	VOE 949847	2	2			•Hexagon Nut	•Ecrou Hexagonal	•Sechskantmutter	•Tuerca Hexagon	•Sexkantsmutter		
31	VOE 11884223	2				Rod	Tige	Stange	Barra	Stång		
	VOE 11884603			2		Rod	Tige	Stange	Barra	Stång		
32	VOE 959080	1	1			•Anl Ball Joint	•Rotul.angulaire	•Winkelgelenk	•Rotula Angular	•Vinkelkulled		
33	VOE 961991	1	1			•Hexagon Nut	•Ecrou Hexagonal	•Sechskantmutter	•Tuerca Hexagon	•Sexkantsmutter		
34	VOE 11881742	1	1			•Fork	•Fourche	•Gabel	•Horquilla	•Gaffel		
34A	VOE 945634	1	1			••Yoke Bolt	••Boulon Etrier	••Gabelbolzen	••Perno Horquilla	••Gaffelbult		
35	VOE 949847	1	1			•Hexagon Nut	•Ecrou Hexagonal	•Sechskantmutter	•Tuerca Hexagon	•Sexkantsmutter		
36	VOE 948645	6	6	6		Flange Lock Nut	Contre écrou bride	Flanschmutter	Contratuer Embr	Flänslåsmutter		
37		1	1	1	NS	Plate	Tôle	Blech	Chapa	Plåt		
38	VOE 11881339	1	1	1		Bellows	Soufflet	Balg	Fuelle	Bälg	RH	
39	VOE 11881338	1	1	1		Bellows	Soufflet	Balg	Fuelle	Bälg	LH	
40	VOE 11881341	2	2	2		Bellows	Soufflet	Balg	Fuelle	Bälg		
41	VOE 11884070	12	12	12		Screw	Vis	Schraube	Tornillo	Skruv		
42	VOE 13971307	3	3	3		Screw	Vis	Schraube	Tornillo	Skruv		
43	VOE 11885190	1				Rod	Tringle	Stange	Tirante	Stång		
44	VOE 11885184	1				•Ball joint	•Rotule articul.	•Kugelgelenk	•Rotula	•Kulled		
45	VOE 961991	2				•Hexagon Nut	•Ecrou Hexagonal	•Sechskantmutter	•Tuerca Hexagon	•Sexkantsmutter		
46	VOE 11885182	1				•Clevis	•Fourche	•Gabel	•Horquilla	•Gaffel		
46A	VOE 945634	1				••Yoke Bolt	••Boulon Etrier	••Gabelbolzen	••Perno Horquilla	••Gaffelbult		
47	VOE 11885191	1				Rod	Tringle	Stange	Tirante	Stång		
48	VOE 11885184	1				•Ball joint	•Rotule articul.	•Kugelgelenk	•Rotula	•Kulled		
49	VOE 13971068	2				•Hexagon Nut	•Ecrou Hexagonal	•Sechskantmutter	•Tuerca Hexagon	•Sexkantsmutter		
50	VOE 11885182	1				•Clevis	•Fourche	•Gabel	•Horquilla	•Gaffel		
50A	VOE 945634	1				••Yoke Bolt	••Boulon Etrier	••Gabelbolzen	••Perno Horquilla	••Gaffelbult		

1	11891162	Reglage Mandos Regler Commandes Controls	Catalogue id	Group
2	11891167		20002	915
3	11891322		Illustr. No	Section
4			1006379	100
5			Issue	Page
			VOE 63H9920002	711

VOLVO

BL71

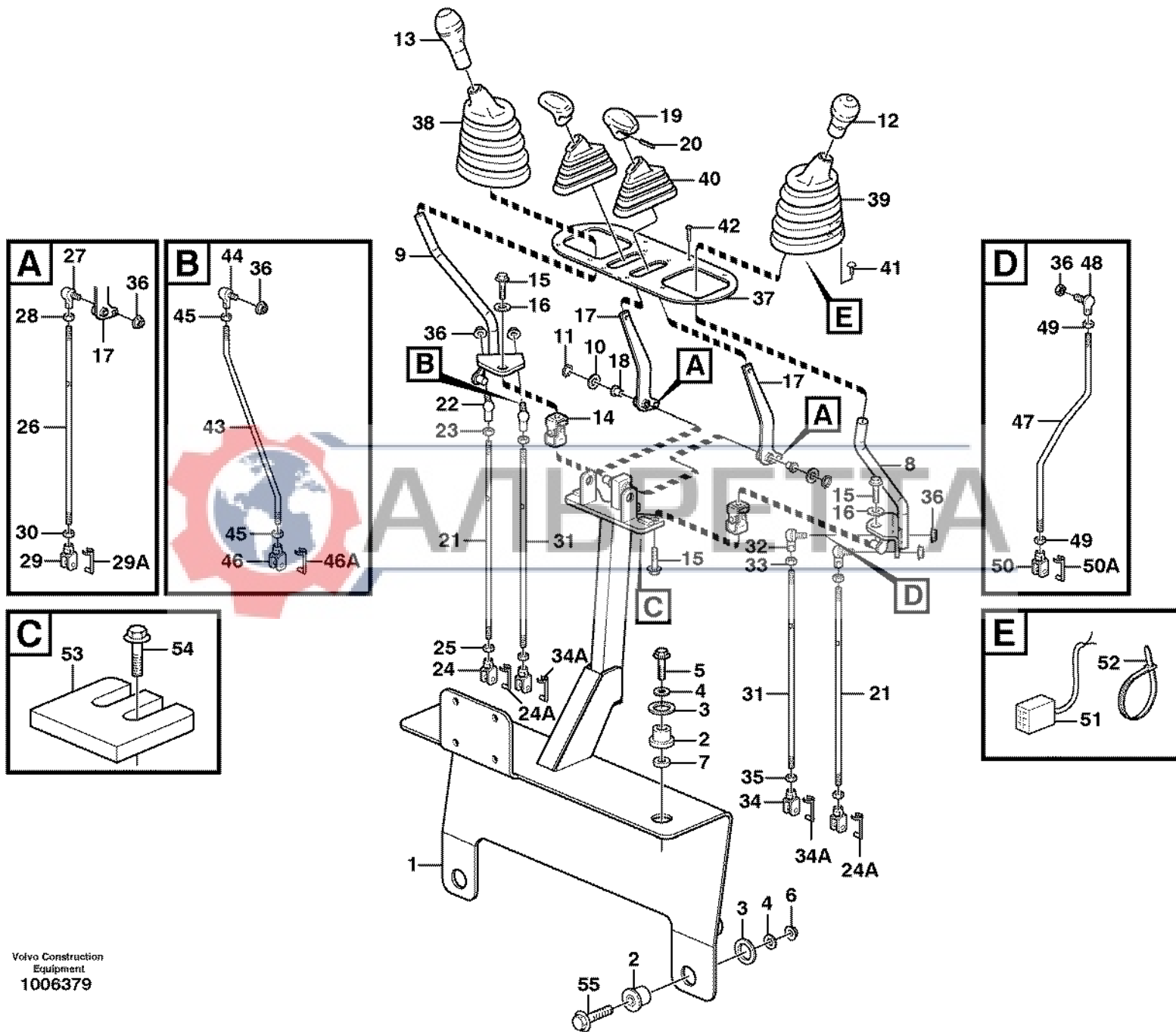


Fig.	Part No.	Quantity			P S	K I T	Description	Dénomination	Bezeichnung	Denominación	Benämning	Notes
		1	2	3								
51	VOE 11884023	1	1	1		Wire Harness	Faisceau de câbles	Kabelbaum	Manejo Cables	Ledningsmatta	X89, W2P - X326, X327	
52	VOE 4881440	2	2	2		Strip Clamp	Ruban Serrage	Kabelbinder	Abraz Cinta	Bandklamma		
53	VOE 11885168	2	2			Plate	Plaque	Platte	Placa	Platta		
	VOE 11885170			2		Plate	Plaque	Platte	Placa	Platta		
54	VOE 13946544	4	4	4		Flange screw	Vis à bride	Flanschschraube	Torn embridado	Flänsskruv		
55	VOE 13965194	2	2	2		Flange screw	Vis à bride	Flanschschraube	Torn embridado	Flänsskruv		



1	11891162	Reglage Mandos Regler Commandes Controls	Catalogue id	Group
2	11891167		20002	915
3	11891322		Illustr. No	Section
4			1006379	100
5			Issue	Page
			VOE 63H9920002	713

VOLVO

BL71



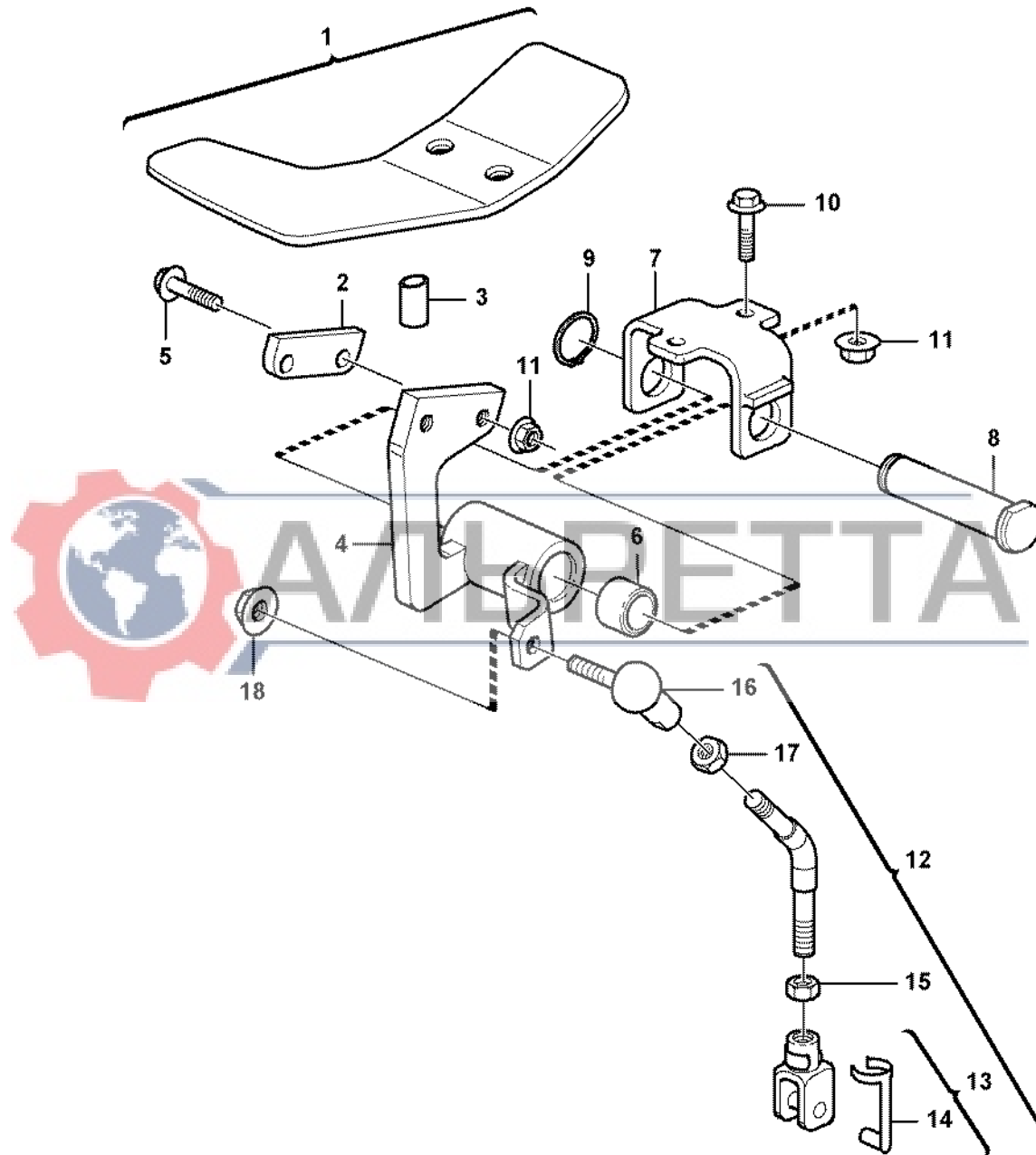


Fig.	Part No.	Quantity			P S	K I T	Description	Dénomination	Bezeichnung	Denominación	Benämning	Notes
		1	2	3								
1	VOE 11883392	1				Pedal.....	Pedale.....	Pedal.....	Pedal.....	Pedal.....		
1	VOE 11885930		1	1		Pedal.....	Pedale.....	Pedal.....	Pedal.....	Pedal.....		
2	VOE 11885932		1	1		•Bracket.....	•Console.....	•Konsole.....	•Ménsula.....	•Konsol.....		
3	VOE 11885977		1	1		•Spacer.....	•Partie Intermédiaire ..	•Zwischenstück.....	•Espaciador.....	•Mellandel.....		
4	VOE 11885929	1				Support.....	Support.....	Stütze.....	Apoyo.....	Stöd.....		
4	VOE 11886331		1	1		Support.....	Support.....	Stütze.....	Apoyo.....	Stöd.....		
5	VOE 13945444	2	2	2		Flange screw.....	Vis à bride.....	Flanschschraube.....	Torn embridado.....	Flänsskruv.....		
6	VOE 11883403	2	2	2		Bushing.....	Bague.....	Buchse.....	Casquillo.....	Bussning.....		
7	VOE 11883399	1	1	1		Support.....	Support.....	Stütze.....	Apoyo.....	Stöd.....		
8	VOE 11883402	1	1	1		Pin.....	Goupille.....	Zapfen.....	Pasador.....	Tapp.....		
9	VOE 914454	1	1	1		Snap Ring.....	Circlip.....	Nutring.....	Circlip.....	Spårring.....		
10	VOE 13946173	2	2	2		Flange screw.....	Vis à bride.....	Flanschschraube.....	Torn embridado.....	Flänsskruv.....		
11	VOE 948645	4	4	4		Flange Lock Nut.....	Contre écrou bride.....	Flanschmutter.....	Contratuer Embr.....	Flänslåsmutter.....		
12	VOE 11884796	1				Rod.....	Tringle.....	Stange.....	Tirante.....	Stång.....		
12	VOE 11885933		1	1		Rod.....	Tringle.....	Stange.....	Tirante.....	Stång.....		
13	VOE 11881742	1				•Fork.....	•Fourche.....	•Gabel.....	•Horquilla.....	•Gaffel.....		
13	VOE 11882913		1	1		•Fork.....	•Fourche.....	•Gabel.....	•Horquilla.....	•Gaffel.....		
14	VOE 945634	1				•Yoke Bolt.....	•Boulon Etrier.....	•Gabelbolzen.....	•Perno Horquilla.....	•Gaffelbult.....		
14	VOE 945634		1	1		•Yoke Bolt.....	•Boulon Etrier.....	•Gabelbolzen.....	•Perno Horquilla.....	•Gaffelbult.....		
15	VOE 949847	1				•Hexagon Nut.....	•Ecrou Hexagonal.....	•Sechskantmutter.....	•Tuerca Hexagon.....	•Sexkantsmutter.....		
15	VOE 961991		1	1		•Hexagon Nut.....	•Ecrou Hexagonal.....	•Sechskantmutter.....	•Tuerca Hexagon.....	•Sexkantsmutter.....		
16	VOE 959080	1	1	1		•Anl Ball Joint.....	•Rotul.angulaire.....	•Winkelgelenk.....	•Rotula Angular.....	•Vinkelkuled.....		
17	VOE 961991	1	1	1		•Hexagon Nut.....	•Ecrou Hexagonal.....	•Sechskantmutter.....	•Tuerca Hexagon.....	•Sexkantsmutter.....		
18	VOE 13945408	1	1	1		Nut.....	Ecrou.....	Mutter.....	Tuerca.....	Mutter.....		

2145) SER NO -10987

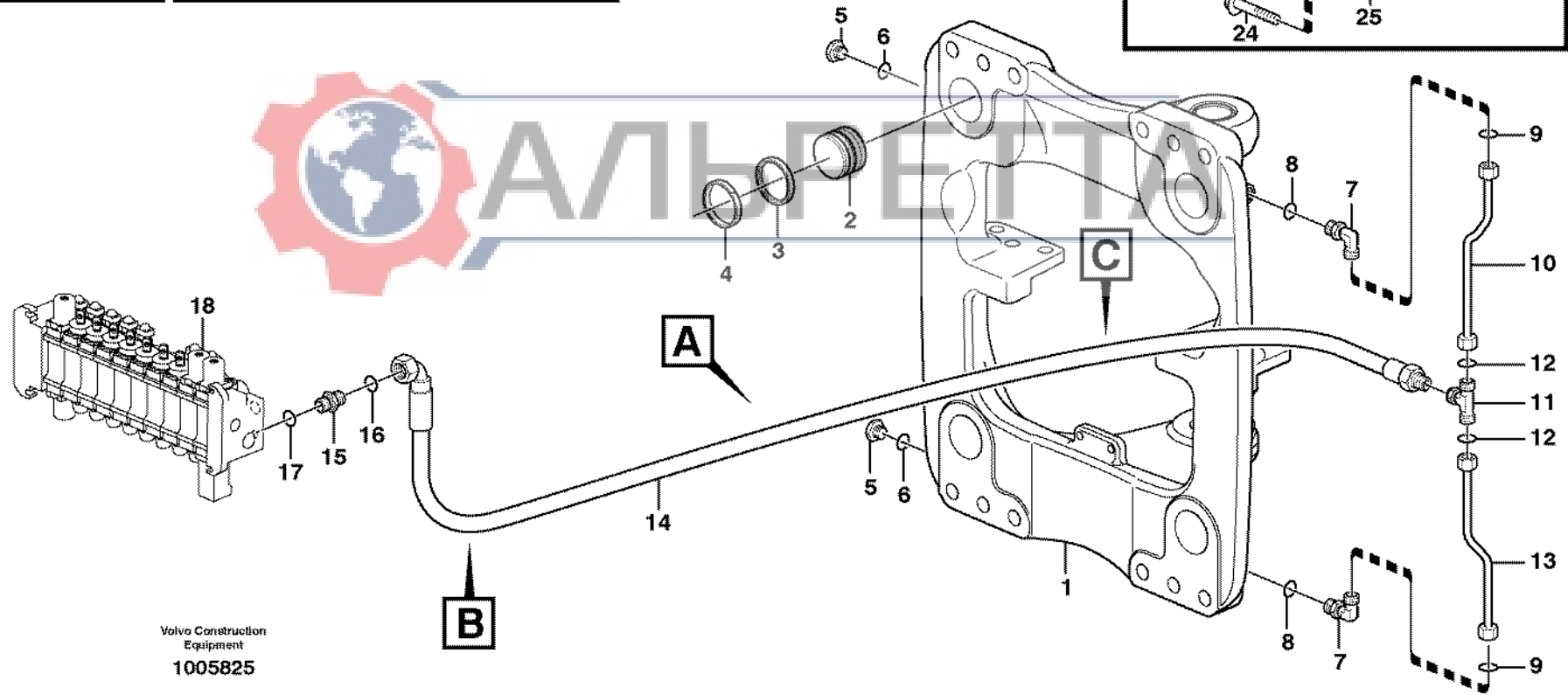
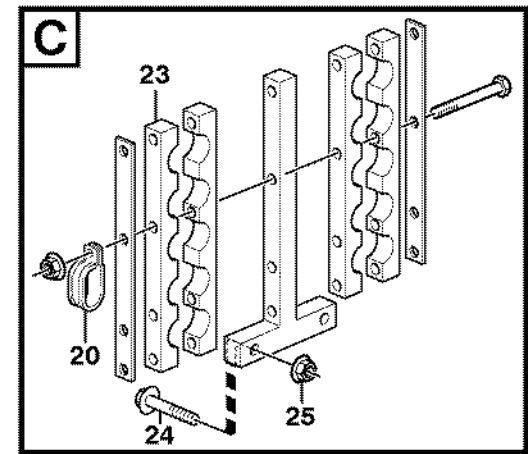
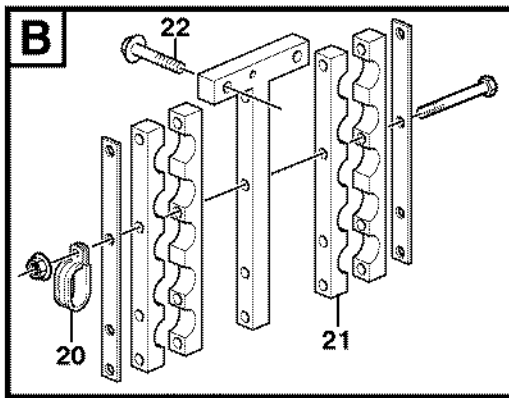
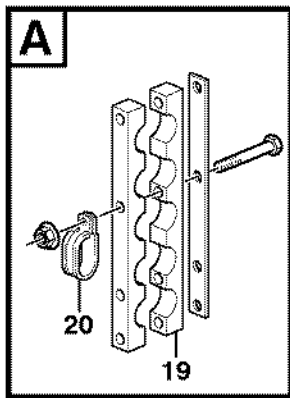
2146) SER NO 10988-

1	2145) 11891273	Pedal Pedal Pedal Pedale Pedal	Catalogue id	Group
2	2146) 11891273		2002	915
3	11891410		Illustr. No	Section
4			1013162	200
5			Issue	Page
			VOE 63H9920002	715

VOLVO

BL71





Volvo Construction
Equipment
1005825

Fig.	Part No.	Quantity			P S	K I T	Description	Dénomination	Bezeichnung	Denominación	Benämning	Notes
		1	2	3								
1		1				Attachment.....	Fixation	Halterung.....	Fijacion.....	Fäste.....	See group 971, Page 807	
2	VOE 11882507	4				Piston.....	Piston	Kolben	Piston	Kolv.....		
3	VOE 11881438	1				•Seal	•Joint	•Dichtung.....	•Reten	•Tätning.....		
4	VOE 11881439	1				•Seal	•Joint	•Dichtung.....	•Reten	•Tätning.....		
5	VOE 11883510	2				Plug.....	Bouchon.....	Stopfen.....	Tapon	Plugg.....		
6	VOE 932039	1				•O-ring.....	•Joint Torique.....	•O-Ring.....	•Junta torica	•O-ring.....		
7	VOE 935069	2				Elbow nipple.....	Raccord angulaire.....	Winkelnippel.....	Niple angular	Vinkelnippel.....		
8	VOE 4880492	1				•O-ring.....	•Joint Torique.....	•O-Ring.....	•Junta torica	•O-ring.....		
9	VOE 4881722	1				•O-ring.....	•Joint Torique.....	•O-Ring.....	•Junta torica	•O-ring.....		
10	VOE 11884949	1				Tube.....	Tube.....	Rohr	Tube	Rör.....		
11	VOE 13933912	1				T-nipple.....	Raccord-t	T-Nippel.....	Niple T	T-nippel.....		
12	VOE 4880492	2				•O-ring.....	•Joint Torique.....	•O-Ring.....	•Junta torica	•O-ring.....		
13	VOE 11884926	1				Tube.....	Tube.....	Rohr	Tube	Rör.....		
14	VOE 11882209	1				Hose.....	Durit	Schlauch	Tube flexible.....	Slang.....		
15	VOE 13933858	1				Union.....	Teton Connexion.....	Anschlussnippel	Niple Conexion	Anslutn.nippel.....		
16	VOE 4881722	1				•O-ring.....	•Joint Torique.....	•O-Ring.....	•Junta torica	•O-ring.....		
17	VOE 932039	1				•O-ring.....	•Joint Torique.....	•O-Ring.....	•Junta torica	•O-ring.....		
18		1				Valve.....	Soupape.....	Ventil	Valvula	Ventil.....	See group 912, Page 653	
19	VOE 11884907	1				Clamp.....	Pince Serrage.....	Klemme	Abrazadera.....	Klämna.....		
20	VOE 981661	3				Clamp.....	Pince Serrage.....	Klemme	Abrazadera.....	Klämna.....		
21		1				Clamp.....	Collier serrage.....	Klemme	Abrazadera.....	Klämna.....	See group 911, Page 597	
22	VOE 13965194	2				Flange screw.....	Vis à bride	Flanschschraube.....	Torn embridado	Flänsskruv.....		
23		1				Clamp.....	Collier serrage.....	Klemme	Abrazadera.....	Klämna.....	See group 911, Page 597	
24	VOE 965195	2				Flange screw.....	Vis à bride	Flanschschraube.....	Torn embridado	Flänsskruv.....		
25	VOE 13971096	2				Flange nut.....	Ecrou accouple.	Bundmutter.....	Tuerca embridad	Flänsmutter.....		

1		Hydraulsystem sidoförskjutning Sistema hidráulico, desplazamiento lateral Hydraulikanlage, Seitenverschiebung Circuit hydraulique, déport latéral Hydraulic system, sideshift	Catalogue id	Group
2			20002	916
3			Illustr. No	Section
4			1005825	100
5			Issue	Page
			VOE 63H9920002	717

VOLVO

BL71



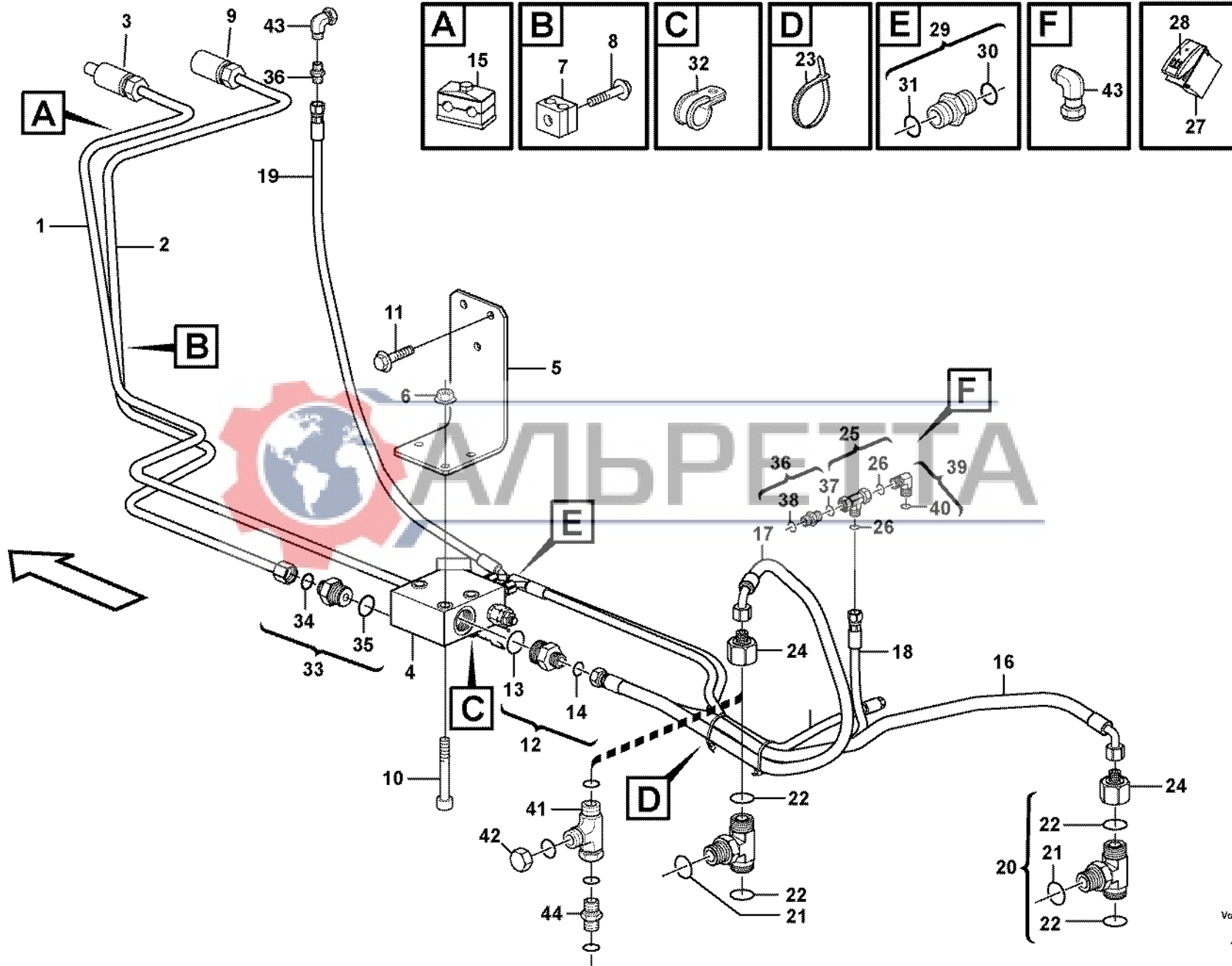


Fig.	Part No.	Quantity			P S	K I T	Description	Dénomination	Bezeichnung	Denominación	Benämning	Notes
		1	2	3								
1	VOE 11885240	1				Tube.....	Tube.....	Rohr.....	Tubo.....	Rör.....		
2	VOE 11885241	1				Tube.....	Tube.....	Rohr.....	Tubo.....	Rör.....		
3	VOE 11885281	1				Hydraulic clutch.....	Accouplement hydrau.....	Hydraulikkupplung.....	Acoplamiento hidrauli.....	Hydraulkoppling.....		
4	VOE 11885274	1				Valve.....	Soupape.....	Ventil.....	Valvula.....	Ventil.....		
	VOE 11716875	1				•Solenoid valve.....	•Vanne electrom.....	•Magnetventil.....	•Electrovalvula.....	•Magnetventil.....		
	VOE 11711130	1				•Coil.....	•Bobine.....	•Zündspule.....	•Bobina.....	•Spole.....		
5	VOE 11885273	1				Plate.....	Plaque.....	Platte.....	Placa.....	Platta.....		
6	VOE 13971098	3				Flange nut.....	Ecrou accouple.....	Bundmutter.....	Tuerca embridad.....	Flänsmutter.....		
7	VOE 11884039	1				Clamp.....	Pince Serrage.....	Klemme.....	Abrazadera.....	Klämma.....		
8	VOE 13965177	1				Flange screw.....	Vis à bride.....	Flanschschrabe.....	Torn embridado.....	Flänsskruv.....		
9	VOE 11885282	1				Hydraulic clutch.....	Accouplement hydrau.....	Hydraulikkupplung.....	Acoplamiento hidrauli.....	Hydraulkoppling.....		
10	VOE 967633	3				Allen Hd Screw.....	Vis A 6 Pans Cr.....	Inbusschraube.....	Torn Hex Embut.....	Insexskruv.....		
11	VOE 946441	3				Flange screw.....	Vis à bride.....	Flanschschrabe.....	Torn embridado.....	Flänsskruv.....		
12	VOE 11882258	1				Nipple.....	Raccord.....	Nippel.....	Niple.....	Nippel.....		
13	VOE 932042	1				•O-ring.....	•Joint Torique.....	•O-Ring.....	•Junta torica.....	•O-ring.....		
14	VOE 4880492	1				•O-ring.....	•Joint Torique.....	•O-Ring.....	•Junta torica.....	•O-ring.....		
15	VOE 11885701	1				Clamp.....	Pince Serrage.....	Klemme.....	Abrazadera.....	Klämma.....		
16	VOE 11885272	1				Hose.....	Durit.....	Schlauch.....	Tubo flexible.....	Slang.....		
17	VOE 11885269	1				Flexible Hose.....	Flexi.accordion.....	Faltenbalg.....	Manguera Fuelle.....	Bälgslang.....		
18	VOE 11885270	1				Hose.....	Durit.....	Schlauch.....	Tubo flexible.....	Slang.....		
19	VOE 11884279	1				Hose.....	Durit.....	Schlauch.....	Tubo flexible.....	Slang.....	2335)	
19	VOE 11885959	1				Hose.....	Durit.....	Schlauch.....	Tubo flexible.....	Slang.....	2336) S/N - 14669	
19	VOE 938074	1				Hose assembly.....	Conduit flexible.....	Schlauchleitung.....	Conducto.....	Slangledning.....	S/N 14670 -	
20	VOE 11884783	2				Fitting.....	Ecrou raccord.....	Verschraubung.....	Racor.....	Förskruvning.....	S/N - 14669	
20	VOE 11884783	1				Fitting.....	Ecrou raccord.....	Verschraubung.....	Racor.....	Förskruvning.....	S/N 14670 -	
21	VOE 932042	1				•O-ring.....	•Joint Torique.....	•O-Ring.....	•Junta torica.....	•O-ring.....		
22	VOE 981289	2				•O-ring.....	•Joint Torique.....	•O-Ring.....	•Junta torica.....	•O-ring.....		
23	VOE 14016673	2				Strip Clamp.....	Ruban Serrage.....	Kabelbinder.....	Abraz Cinta.....	Bandklamma.....		

2335) S/N - 12838, 12841 - 12856, 12858 - 12865, 12868 - 12891, 12895 - 12904, 12911, 12913, 12914, 12917 - 12923, 12931 - 12954, 12956 - 12973, 12978 - 12986, 12989 - 13040

2336) S/N 12839, 12840, 12857, 12866, 12867, 12892 - 12894, 12905 - 12910, 12912, 12915, 12916, 12924 - 12929, 12955, 12974 - 12977, 12987, 12988, 12930 13041 -

1	Extra hydraulutrustning Equipo hidráulico adicional Zusätzliche Hydraulikausrüstung Equipement hydraulique optionnel Optional hydraulic equipment	Catalogue id	Group
2		20002	916
3		Illustr. No	Section
4		1024735	200
5		Issue	Page
	11891333	VOE 63H9920002	719

VOLVO

BL71

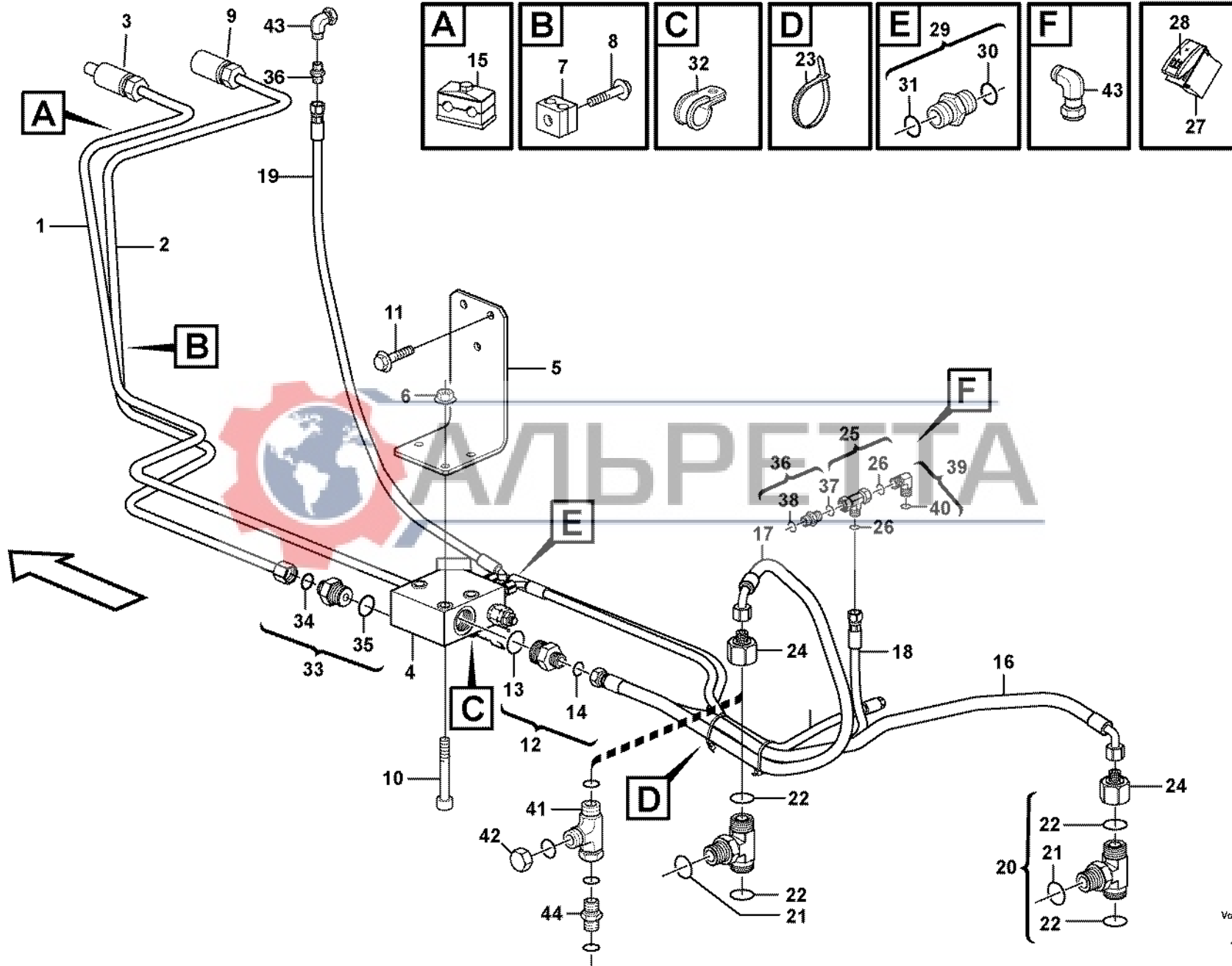


Fig.	Part No.	Quantity			P S	K I T	Description	Dénomination	Bezeichnung	Denominación	Benämning	Notes
		1	2	3								
24	VOE 11885276	2				Reduction.....	Reduction.....	Reduzierung.....	Reduccion.....	Reducering.....		
25	VOE 13933859	1				Nipple.....	Raccord.....	Nippel.....	Niple.....	Nippel.....	S/N - 14669	
25	VOE 13933859	2				Nipple.....	Raccord.....	Nippel.....	Niple.....	Nippel.....	S/N 14670 -	
26	VOE 4881722	2				•O-ring.....	•Joint Torique.....	•O-Ring.....	•Junta torica.....	•O-ring.....		
27	VOE 11882865	1				Rocker Switch.....	Commutateur à basc..	Wippschalter.....	Interruptor oscilante...	Vaggomkopplare.....	See group 380, Page 235	
28	VOE 11885734	1				Symbol.....	Symbole.....	Symbol.....	Simbolo.....	Symbol.....	See group 380, Page 235	
29	VOE 13933858	2				Union.....	Teton Connexion.....	Anschlussnippel.....	Niple Conexcion.....	Anslutn.nippel.....		
30	VOE 4881722	1				•O-ring.....	•Joint Torique.....	•O-Ring.....	•Junta torica.....	•O-ring.....		
31	VOE 932039	1				•O-ring.....	•Joint Torique.....	•O-Ring.....	•Junta torica.....	•O-ring.....		
32	VOE 978869	1				Clamp.....	Pince Serrage.....	Klemme.....	Abrazadera.....	Klämma.....		
33	VOE 935093	1				Union.....	Teton Connexion.....	Anschlussnippel.....	Niple Conexcion.....	Anslutn.nippel.....		
34	VOE 4880493	1				•O-ring.....	•Joint Torique.....	•O-Ring.....	•Junta torica.....	•O-ring.....		
35	VOE 932042	1				•O-ring.....	•Joint Torique.....	•O-Ring.....	•Junta torica.....	•O-ring.....		
36	VOE 935082	1				Nipple.....	Raccord.....	Nippel.....	Niple.....	Nippel.....	2335)	
36	VOE 935082	2				Nipple.....	Raccord.....	Nippel.....	Niple.....	Nippel.....	2336)	
37	VOE 4881722	1				•O-ring.....	•Joint Torique.....	•O-Ring.....	•Junta torica.....	•O-ring.....		
	VOE 4881722	2				•O-ring.....	•Joint Torique.....	•O-Ring.....	•Junta torica.....	•O-ring.....		
38	VOE 932037	1				•O-ring.....	•Joint Torique.....	•O-Ring.....	•Junta torica.....	•O-ring.....		
	VOE 932037	2				•O-ring.....	•Joint Torique.....	•O-Ring.....	•Junta torica.....	•O-ring.....		
39	VOE 13933905	1				Elbow nipple.....	Raccord angulaire.....	Winkelnippel.....	Niple angular.....	Vinkelnippel.....		
40	VOE 4881722	1				•O-ring.....	•Joint Torique.....	•O-Ring.....	•Junta torica.....	•O-ring.....		
41	VOE 13933874	1				Nipple.....	Raccord.....	Nippel.....	Niple.....	Nippel.....	S/N 14670 -	
	VOE 990740	2				•O-ring.....	•Joint Torique.....	•O-Ring.....	•Junta torica.....	•O-ring.....		
42	VOE 935576	1				Plug.....	Bouchon.....	Stopfen.....	Tapon.....	Plugg.....	S/N 14670 -	
43	VOE 13933905	1				Elbow nipple.....	Raccord angulaire.....	Winkelnippel.....	Niple angular.....	Vinkelnippel.....	S/N 14670 -	
	VOE 4881722	1				•O-ring.....	•Joint Torique.....	•O-Ring.....	•Junta torica.....	•O-ring.....		
44	VOE 13933862	1				Nipple.....	Raccord.....	Nippel.....	Niple.....	Nippel.....		
	VOE 990740	1				•O-ring.....	•Joint Torique.....	•O-Ring.....	•Junta torica.....	•O-ring.....		

2335) S/N - 12838, 12841 - 12856, 12858 - 12865, 12868 - 12891, 12895 - 12904, 12911, 12913, 12914, 12917 - 12923, 12931 - 12954, 12956 - 12973, 12978 - 12986, 12989 - 13040

2336) S/N 12839, 12840, 12857, 12866, 12867, 12892 - 12894, 12905 - 12910, 12912, 12915, 12916, 12924 - 12929, 12955, 12974 - 12977, 12987, 12988, 12930 13041 -

1	Extra hydraulutrustning Equipo hidráulico adicional Zusätzliche Hydraulikausrüstung Equipement hydraulique optionnel Optional hydraulic equipment	Catalogue id	Group
2		20002	916
3		Illustr. No	Section
4		1024735	200
5		Issue	Page
	11891333	VOE 63H9920002	721

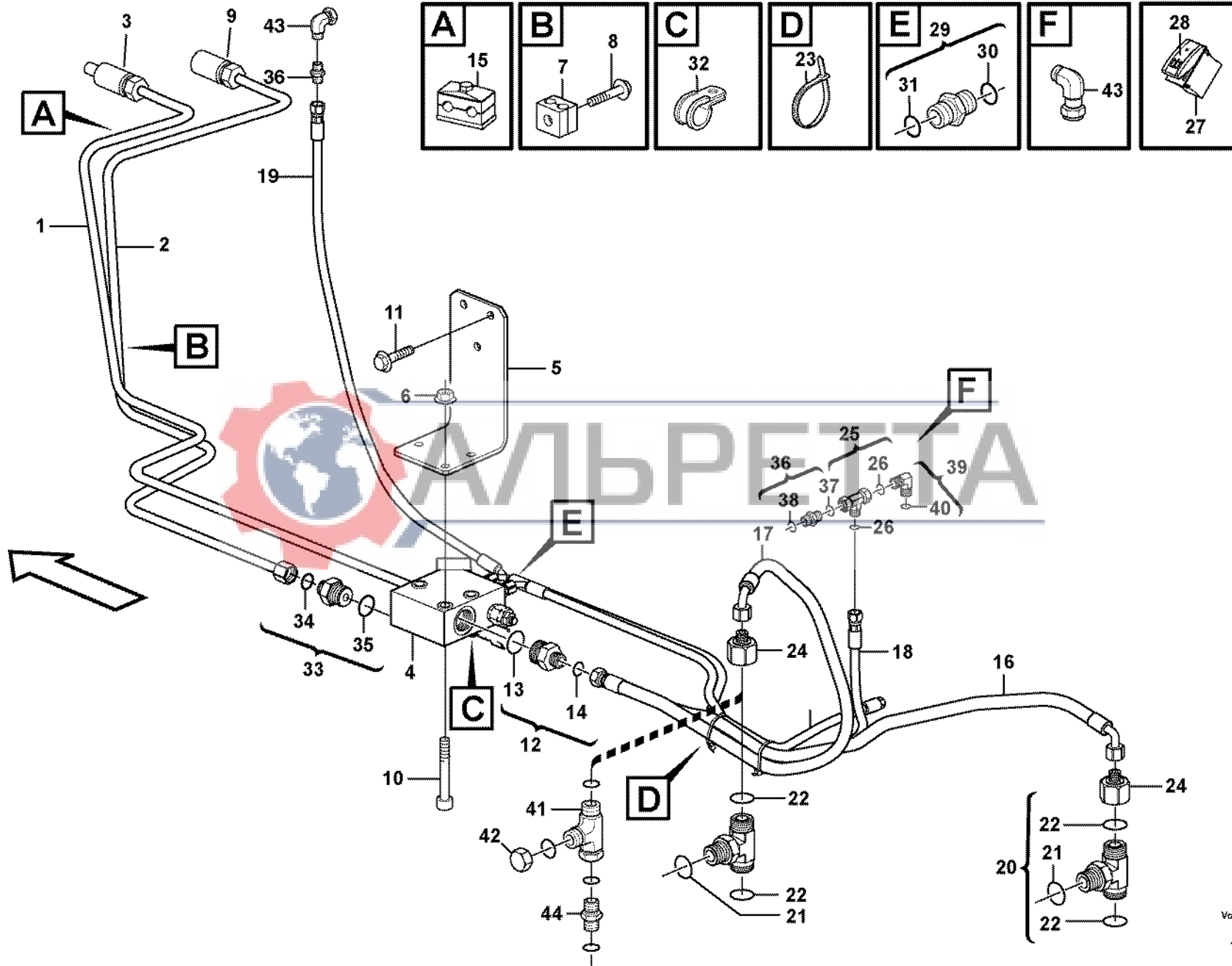


Fig.	Part No.	Quantity			P S	K I T	Description	Dénomination	Bezeichnung	Denominación	Benämning	Notes
		1	2	3								
	VOE 932042	1					•O-ring.....	•Joint Torique	•O-Ring.....	•Junta torica	•O-ring.....	

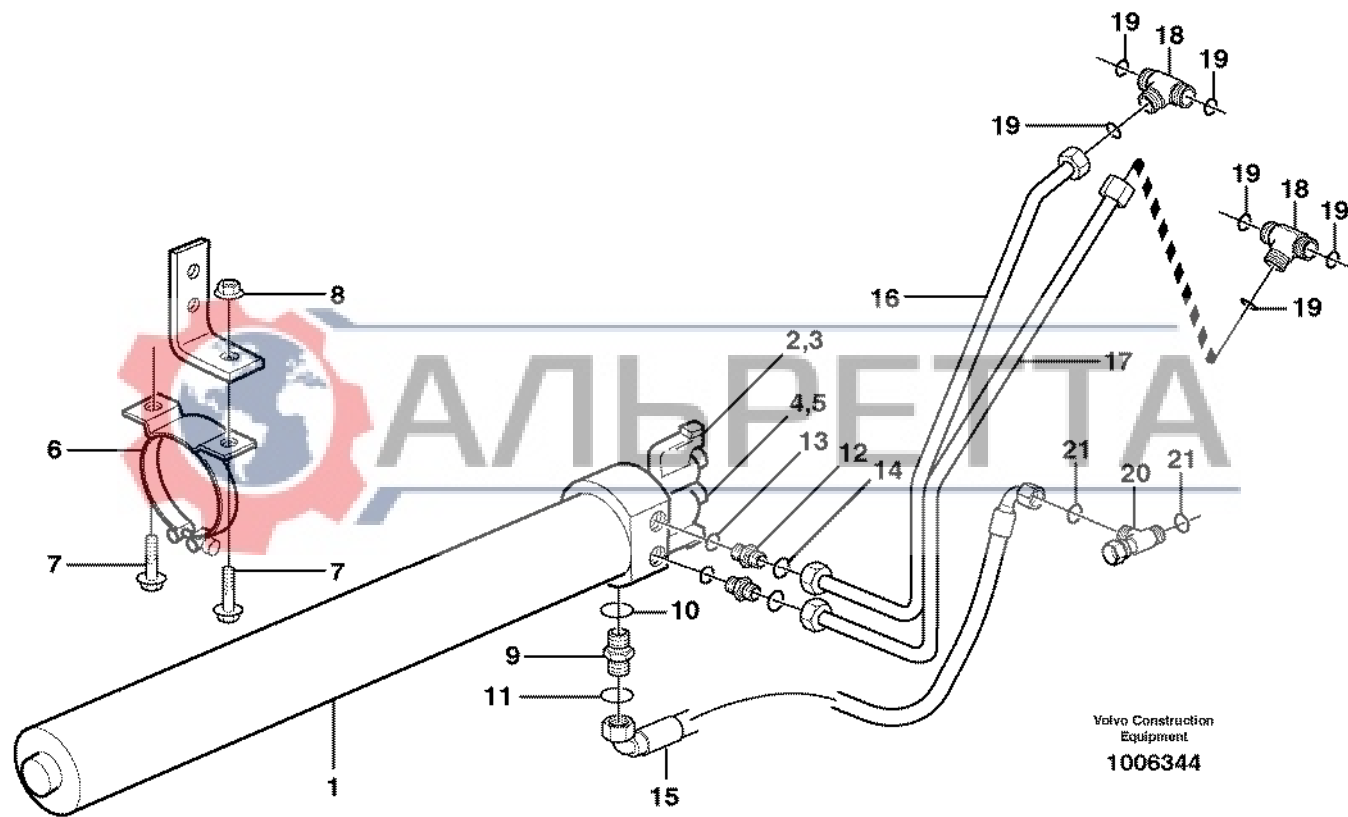


1		Extra hydraulutrustning Equipo hidráulico adicional Zusätzliche Hydraulikausrüstung Equipement hydraulique optionnel Optional hydraulic equipment	Catalogue id	Group
2			20002	916
3			Illustr. No	Section
4			1024735	200
5			Issue	Page
		11891333	VOE 63H9920002	723

VOLVO

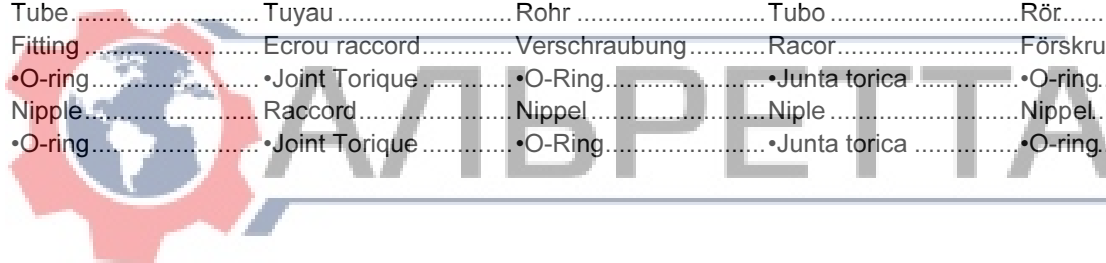
BL71





Volvo Construction
Equipment
1006344

Fig.	Part No.	Quantity			P S	K I T	Description	Dénomination	Bezeichnung	Denominación	Benämning	Notes
		1	2	3								
1	VOE 11709780	1				Accumulator	Accumulateur	Speicher	Acumulador	Accumulator.....		
2	VOE 11709782	1				•Solenoid valve	•Vanne electrom.....	•Magnetventil.....	•Electrovalvula.....	•Magnetventil.....		
3	VOE 11709783	1				•Coil	•Bobine.....	•Wickel	•Bobina.....	•Spole.....		
4	VOE 11709781	1				•Solenoid valve	•Vanne electrom.....	•Magnetventil.....	•Electrovalvula.....	•Magnetventil.....		
5	VOE 11709783	1				•Coil	•Bobine.....	•Wickel	•Bobina.....	•Spole.....		
6	VOE 11882885	2				Clamp.....	Pince Serrage	Klemme	Abrazadera.....	Klämma.....		
7	VOE 13965179	4				Flange screw.....	Vis à bride	Flanschschraube.....	Torn embridado	Flänsskruv.....		
8	VOE 948645	2				Flange Lock Nut.....	Contre écrou bride	Flanschmutter	Contratuer Embr.....	Flänslåsmutter.....		
9	VOE 13933923	1				Nipple.....	Raccord.....	Nippel	Niple	Nippel.....		
10	VOE 932040	1				•O-ring.....	•Joint Torique	•O-Ring.....	•Junta torica	•O-ring.....		
11	VOE 4880493	1				•O-ring.....	•Joint Torique	•O-Ring.....	•Junta torica	•O-ring.....		
12	VOE 935094	2				Nipple.....	Raccord.....	Nippel	Niple	Nippel.....		
13	VOE 932040	2				•O-ring.....	•Joint Torique	•O-Ring.....	•Junta torica	•O-ring.....		
14	VOE 4880663	2				•O-ring.....	•Joint Torique	•O-Ring.....	•Junta torica	•O-ring.....		
15	VOE 11884290	1				Hose.....	Flexible.....	Schlauch	Manguera	Slang.....		
16	VOE 11884869	1				Tube.....	Tuyau	Rohr	Tube	Rör.....		
17	VOE 11884870	1				Tube.....	Tuyau	Rohr	Tube	Rör.....		
18	VOE 11884287	2				Fitting.....	Ecrou raccord.....	Verschraubung.....	Racor.....	Förskruvning.....		
19	VOE 4880663	6				•O-ring.....	•Joint Torique	•O-Ring.....	•Junta torica	•O-ring.....		
20	VOE 13933878	1				Nipple.....	Raccord.....	Nippel	Niple	Nippel.....		
21	VOE 4880493	2				•O-ring.....	•Joint Torique	•O-Ring.....	•Junta torica	•O-ring.....		



1		Svängningsdämpare Amortiguador de vibraciones Schwingungsdämpfer Amortisseur vibrations Boom suspension system 11891293 S/N - 14669	Catalogue id	Group
2			20002	916
3			Illustr. No	Section
4			1006344	350
5			Issue	Page
			VOE 63H9920002	725

VOLVO

BL71



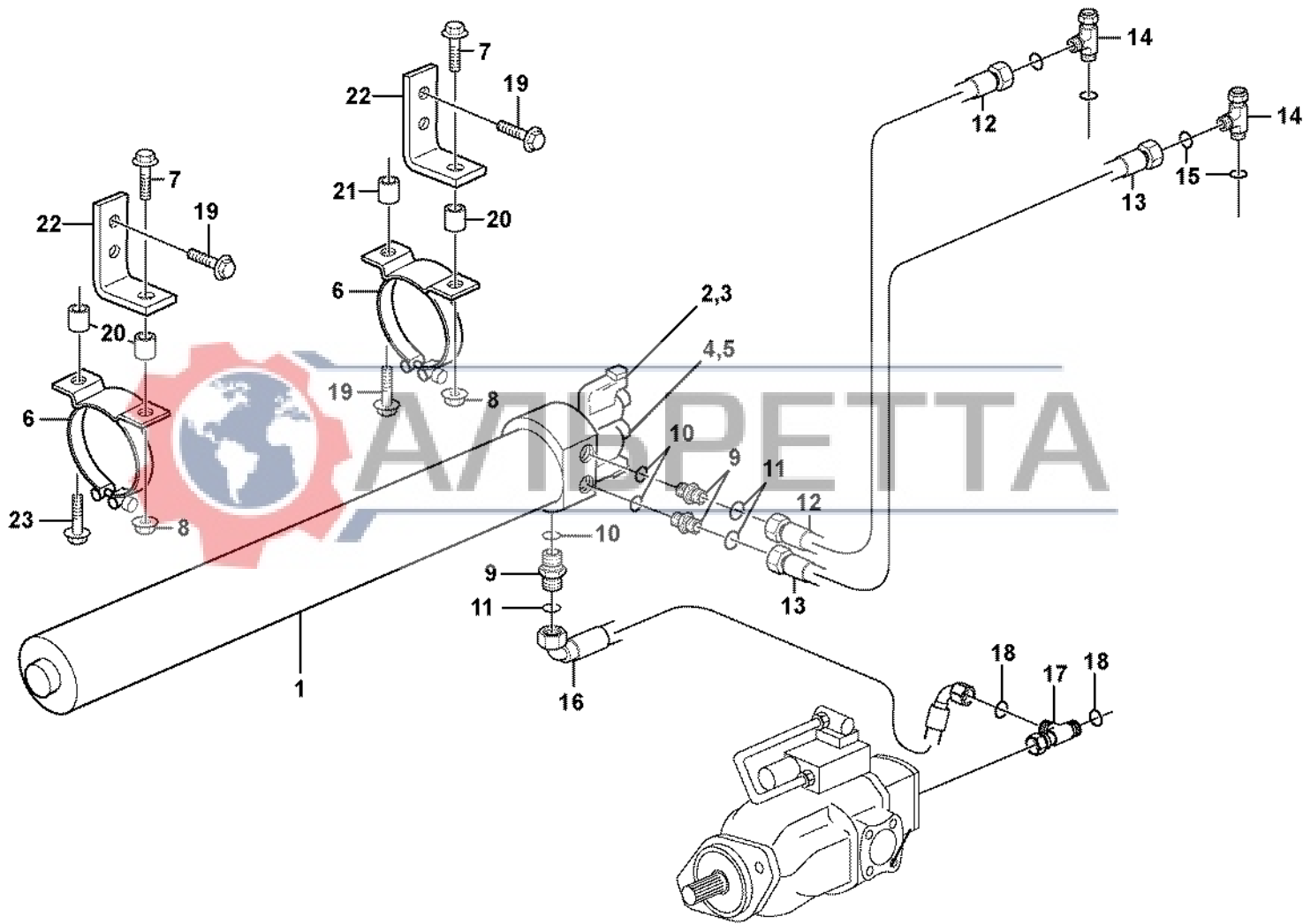


Fig.	Part No.	Quantity			P S	K I T	Description	Dénomination	Bezeichnung	Denominación	Benämning	Notes
		1	2	3								
1	VOE 11709780	1				Accumulator	Accumulateur	Speicher	Acumulador	Accumulator.....		
2	VOE 11709782	1				•Solenoid valve	•Vanne electrom.....	•Magnetventil.....	•Electrovalvula.....	•Magnetventil.....		
3	VOE 11709783	1				•Coil	•Bobine.....	•Wickel	•Bobina.....	•Spole.....		
4	VOE 11709781	1				•Solenoid valve	•Vanne electrom.....	•Magnetventil.....	•Electrovalvula.....	•Magnetventil.....		
5	VOE 11709783	1				•Coil	•Bobine.....	•Wickel	•Bobina.....	•Spole.....		
6	VOE 11888757	2				Clamp.....	Pince Serrage	Klemme	Abrazadera.....	Klämma.....		
7	VOE 13965179	2				Flange screw.....	Vis à bride	Flanschschraube.....	Torn embridado	Flänsskruv.....		
8	VOE 948645	2				Flange Lock Nut.....	Contre écrou bride	Flanschmutter	Contratuer Embr.....	Flänslåsmutter.....		
9	VOE 13933923	3				Nipple.....	Raccord.....	Nippel	Niple	Nippel.....		
10	VOE 932040	1				•O-ring.....	•Joint Torique	•O-Ring.....	•Junta torica	•O-ring.....		
11	VOE 990738	1				•O-ring.....	•Joint Torique	•O-Ring.....	•Junta torica	•O-ring.....		
12	VOE 11888754	1				Hose assembly	Conduit flexible	Schlauchleitung.....	Conducto	Slangledning.....		
13	VOE 11888625	1				Hose assembly	Conduit flexible	Schlauchleitung.....	Conducto	Slangledning.....		
14	VOE 935028	2				Nipple.....	Raccord.....	Nippel	Niple	Nippel.....		
15	VOE 990739	4				•O-ring.....	•Joint Torique	•O-Ring.....	•Junta torica	•O-ring.....		
16	VOE 936757	1				Hose assembly	Conduit flexible	Schlauchleitung.....	Conducto	Slangledning.....		
17	VOE 13933878	1				Nipple.....	Raccord.....	Nippel	Niple	Nippel.....		
18	VOE 990738	2				•O-ring.....	•Joint Torique	•O-Ring.....	•Junta torica	•O-ring.....		
19	VOE 946671	5				Flange screw.....	Vis à bride	Flanschschraube.....	Torn embridado	Flänsskruv.....		
20	VOE 930438	3				Spacer Ring	Bagu.entretoise	Abstandring	Anillo Dist	Distansring.....		
21	VOE 930430	1				Spacer Ring	Bagu.entretoise	Abstandring	Anillo Dist	Distansring.....		
22	VOE 11888756	2				Bracket.....	Console.....	Konsole	Ménsula.....	Konsol.....		
23	VOE 13965180	1				Flange screw.....	Vis à bride	Flanschschraube.....	Torn embridado	Flänsskruv.....		

1		Svängningsdämpare Amortiguador de vibraciones Schwingungsdämpfer Amortisseur vibrations Boom suspension system	Catalogue id	Group
2			20002	916
3			Illustr. No	Section
4			1024702	360
5			Issue	Page
	11891293 S/N 14670 -		VOE 63H9920002	727

VOLVO

BL71



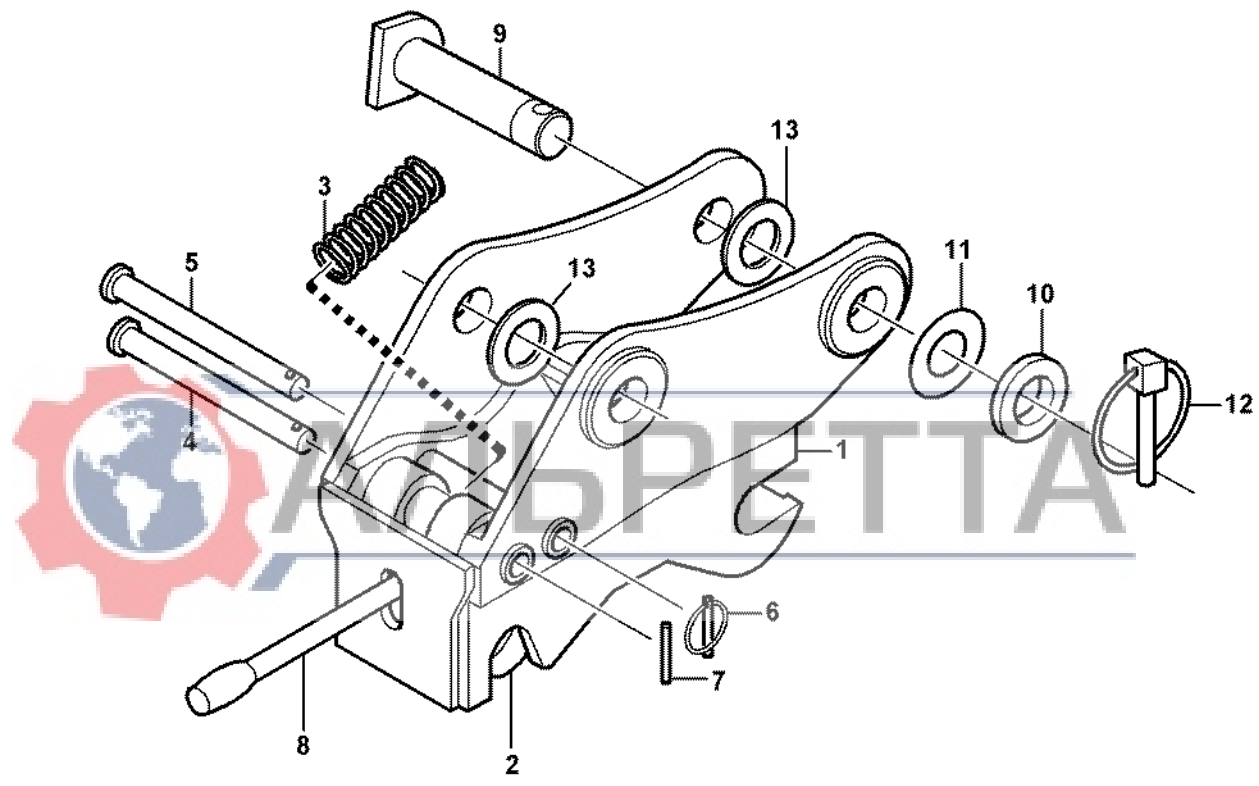


Fig.	Part No.	Quantity			P S	K I T	Description	Dénomination	Bezeichnung	Denominación	Benämning	Notes
		1	2	3								
1	VOE 11884311	1					Quick Coupling.....	Accouplement Ra.....	Schnellkupplung.....	Acoplamiento Ra.....	Snabbkoppling.....	
2	VOE 11712602	1					•Hook	•Crochet	•Haken.....	•Gancho	•Krok.....	
3	VOE 11712603	1					•Spring	•Ressort	•Feder.....	•Muelle	•Fjäder.....	
4	VOE 11712604	1					•Pin	•Goupille.....	•Zapfen.....	•Pasador.....	•Tapp.....	
5	VOE 11712605	1					•Pin	•Goupille.....	•Zapfen.....	•Pasador.....	•Tapp.....	
6	VOE 11712606	1					•Pin	•Goupille.....	•Zapfen.....	•Pasador.....	•Tapp.....	
7	VOE 11712607	1					•Pin	•Goupille.....	•Zapfen.....	•Pasador.....	•Tapp.....	
8	VOE 11886254	1					Handle.....	Poignee.....	Handgriff.....	Manilla.....	Handgrepp.....	
9	VOE 11883624	2					Pin.....	Clavette.....	Splint.....	Pasador.....	Sprint.....	
10	VOE 955912	2					Washer.....	Rondelle.....	Scheibe.....	Arandela.....	Bricka.....	
11	VOE 403078	6					Shim.....	Cale Reglage.....	Nachstellblech.....	Laminill Ajuste.....	Justerbleck.....	
12	VOE 11881622	2					Locking pin.....	Goupille d'arrêt.....	Schliessbolzen.....	Pasador de cierre.....	Låspinne.....	
13	VOE 11885220	6					Spacer.....	Entretoise.....	Abstandkörper.....	Distanciador.....	Distans.....	



1	Redskapsfäste, mekaniskt Portaimplemento, mecánico Geräteträger, mechanisch Porte-outil, verrouillage mécanique Attachment bracket, mechanical	Catalogue id	Group
2		20002	924
3		Illustr. No	Section
4		1013366	100
5		Issue	Page
	11891299	VOE 63H9920002	729

VOLVO

BL71



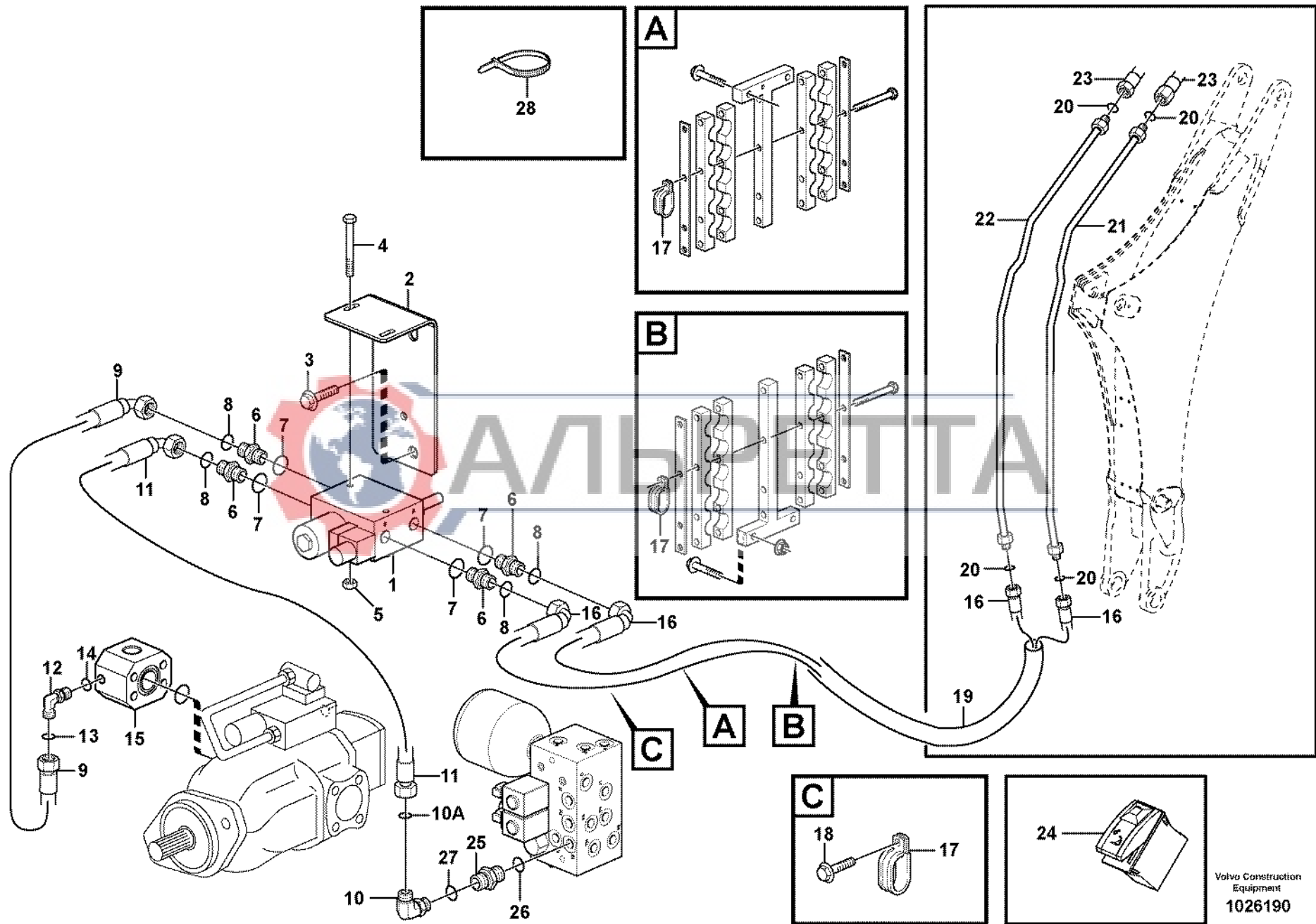


Fig.	Part No.	Quantity			P S	K I T	Description	Dénomination	Bezeichnung	Denominación	Benämning	Notes
		1	2	3								
1	VOE 11883853	1				Valve	Soupape	Ventil	Valvula	Ventil	2335)	
1	VOE 11800853	1				Valve	Soupape	Ventil	Valvula	Ventil	2336) 11891323	
2	VOE 11885711	1				Bracket	Console	Konsole	Ménsula	Konsol	2335)	
2	VOE 11887392	1				Bracket	Console	Konsole	Ménsula	Konsol	2336) 11891323	
3	VOE 13965192	2				Flange screw	Vis à bride	Flanschschaube	Torn embridado	Flänsskruv	11891323	
3	VOE 13965192	2				Flange screw	Vis à bride	Flanschschaube	Torn embridado	Flänsskruv	2335) 11891351 11891362	
4	VOE 13965210	2				Flange screw	Vis à bride	Flanschschaube	Torn embridado	Flänsskruv	2335)	
5	VOE 983302	2				Nut	Ecrou	Mutter	Tuerca	Mutter	2335)	
5	VOE 13965483	2				Flange Lock Nut	Contre écrou bride	Flanschmutter	Contratuer Embr	Flänslåsmutter	2336) 11891323	
6	VOE 13933858	4				Union	Teton Connexion	Anschlussnippel	Niple Conexcion	Anslutn.nippel	2335)	
6	VOE 13933858	1				Union	Teton Connexion	Anschlussnippel	Niple Conexcion	Anslutn.nippel	2336) 11891323	
6	VOE 935082	4				Nipple	Raccord	Nippel	Niple	Nippel	2336)	
6	VOE 13933858	2				Union	Teton Connexion	Anschlussnippel	Niple Conexcion	Anslutn.nippel	2336) 11891362	
7	VOE 932039	1				•O-ring	•Joint Torique	•O-Ring	•Junta torica	•O-ring		
8	VOE 990736	1				•O-ring	•Joint Torique	•O-Ring	•Junta torica	•O-ring		
9	VOE 11884279	1				Hose	Durit	Schlauch	Tubo flexible	Slang	2335)	
9	VOE 936339	1				Hose assembly	Condui flexible	Schlauchleitung	Conducto	Slangledning	2336)	
10	VOE 13933905	1				Elbow nipple	Raccord angulaire	Winkelnippel	Niple angular	Vinkelnippel		
	VOE 990736	1				•O-ring	•Joint Torique	•O-Ring	•Junta torica	•O-ring		
11	VOE 11885433	1				Hose	Durit	Schlauch	Tubo flexible	Slang	2335)	
11	VOE 11884275	1				Hose	Durit	Schlauch	Tubo flexible	Slang	2336) 11891323	
12	VOE 935067	1				Elbow nipple	Raccord angulaire	Winkelnippel	Niple angular	Vinkelnippel	11891323	
12	VOE 13933905	1				Elbow nipple	Raccord angulaire	Winkelnippel	Niple angular	Vinkelnippel	2336)	
12	VOE 935067	1				Elbow nipple	Raccord angulaire	Winkelnippel	Niple angular	Vinkelnippel	2335) 11891351 11891362	
13	VOE 990736	1				•O-ring	•Joint Torique	•O-Ring	•Junta torica	•O-ring		
14	VOE 932037	1				•O-ring	•Joint Torique	•O-Ring	•Junta torica	•O-ring		

2335) S/N - 12838, 12841 - 12856, 12858 - 12865, 12868 - 12891, 12895 - 12904, 12911, 12913, 12914, 12917 - 12923, 12931 - 12954, 12956 - 12973, 12978 - 12986, 12989 - 13040

2336) S/N 12839, 12840, 12857, 12866, 12867, 12892 - 12894, 12905 - 12910, 12912, 12915, 12916, 12924 - 12929, 12955, 12974 - 12977, 12987, 12988, 12930 13041 -

1	Hydraulik redskapsfäste grävarm	Catalogue id	Group
2	Portaimplementos hidráulico, brazo	20002	924
3	Hydraulik Geräteträger Baggerarm	Illustr. No	Section
4	Porte-outil à verrouillage hydraulique, balancier	1026190	150
5	Hydraulic attachment bracket digger	Issue	Page
	11891323, 11891351, 11891362	VOE 63H9920002	731

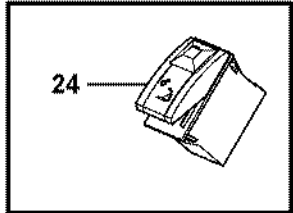
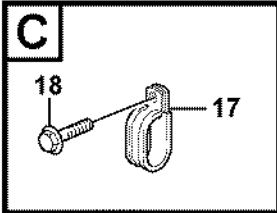
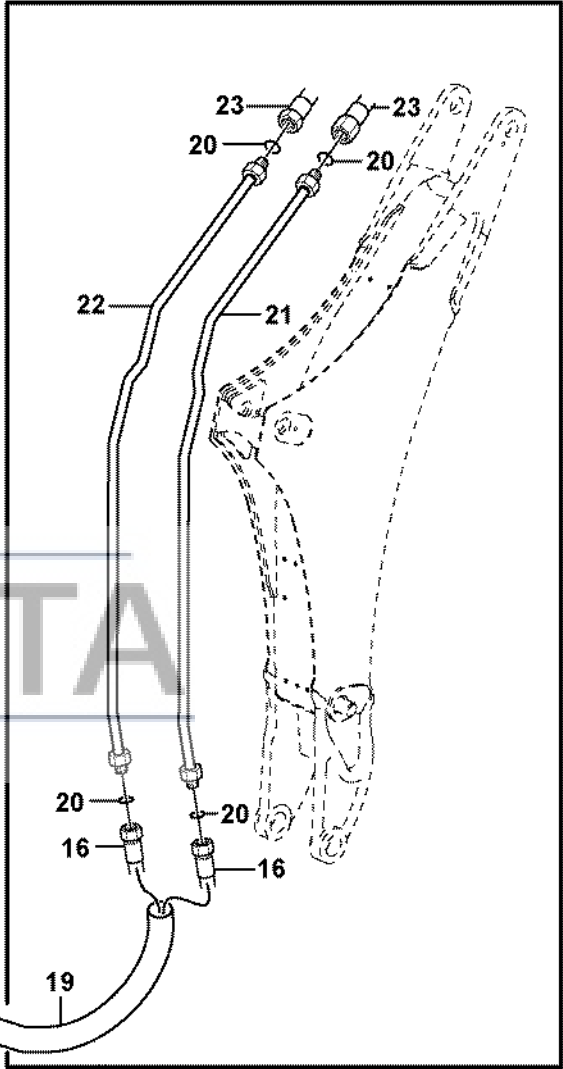
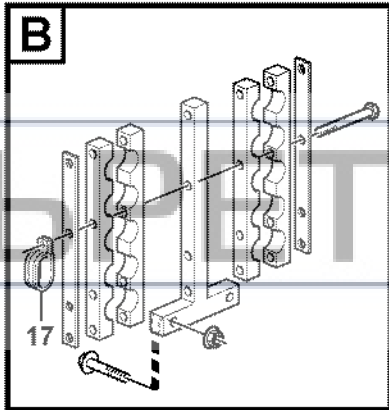
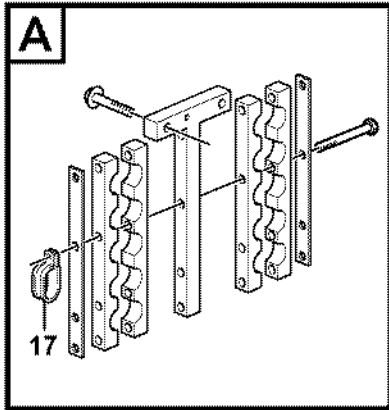
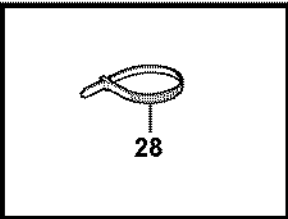
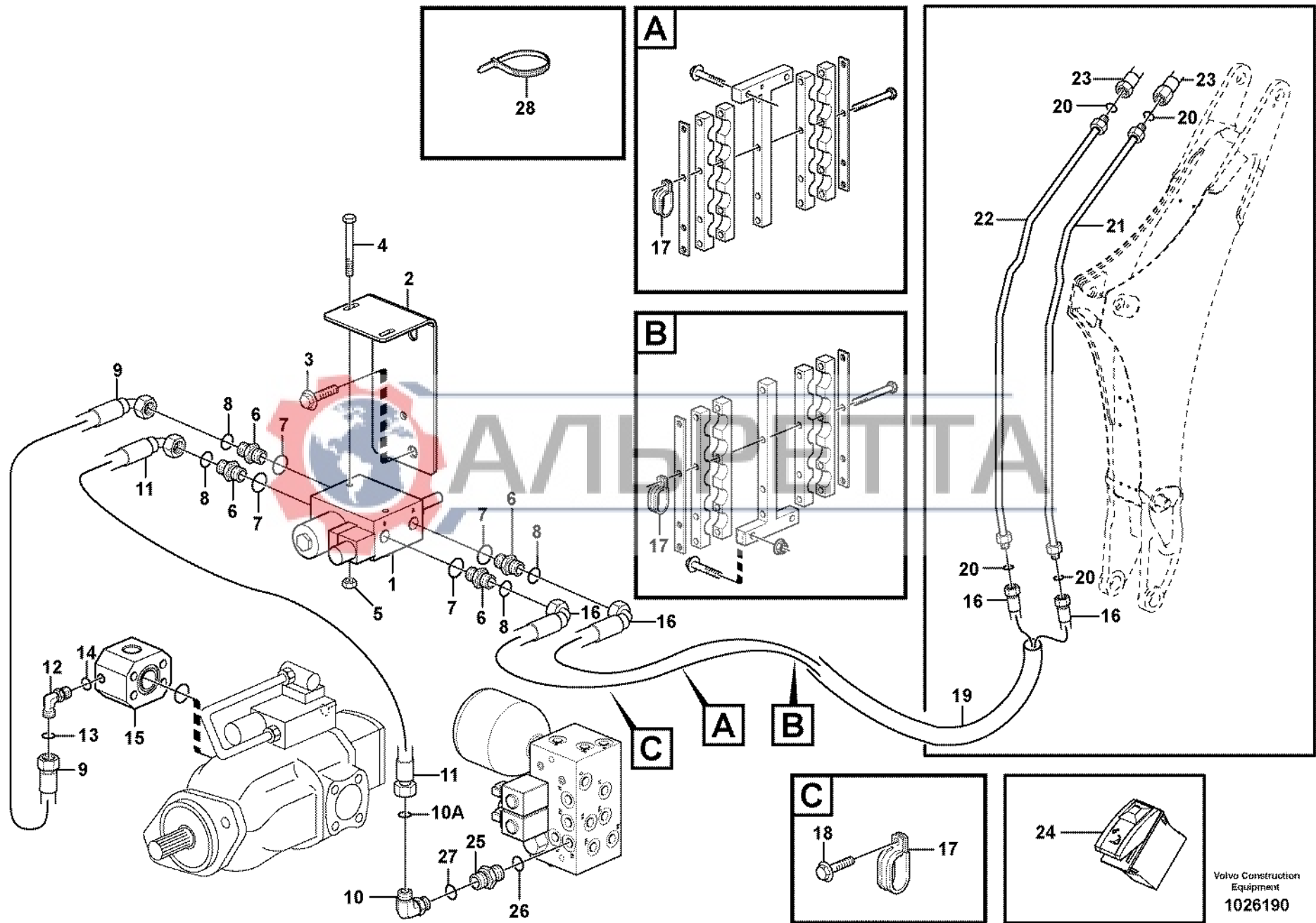


Fig.	Part No.	Quantity			P S	K I T	Description	Dénomination	Bezeichnung	Denominación	Benämning	Notes
		1	2	3								
15		1				Connection block	Bloc Raccord.....	Anschlusssockel	Bloque Conector	Anslutningsblock.....	See group 911, Page 575	
16	VOE 11885435	2				Hose.....	Durit	Schlauch	Tubo flexible.....	Slang.....	2335)	
17	VOE 981661	3				Clamp.....	Pince Serrage	Klemme	Abrazadera.....	Klämna.....	S/N - 14669	
17	VOE 981661	2				Clamp.....	Pince Serrage	Klemme	Abrazadera.....	Klämna.....	S/N 14670 -	
18	VOE 13946173	1				Flange screw.....	Vis à bride.....	Flanschschraube.....	Torn embridado.....	Flänsskruv.....	S/N - 14669	
19	VOE 11885208	1				Protection.....	Protection	Schutz	Proteccion	Skydd.....	11891323	
19	VOE 11885208	1				Protection.....	Protection	Schutz	Proteccion	Skydd.....	2335) 11891351 11891362	
20	VOE 990736	4				O-ring.....	Joint Torique	O-Ring.....	Junta torica.....	O-ring.....		
21	VOE 11885218	1				Tube.....	Tube.....	Rohr	Tubo	Rör.....	2335)	
22	VOE 11885219	1				Tube.....	Tube.....	Rohr	Tubo	Rör.....	2335)	
23		2				Hose.....	Durit	Schlauch	Tubo flexible.....	Slang.....	See group 924, Page 737	
24		1				Switch	Commutateur	Schalter	Contacteur.....	Strömställare.....	See group 380, Page 235	
25	VOE 13933858	1				Union.....	Teton Connexion.....	Anschlussnippel	Niple Conexcion	Anslutn.nippel.....		
26	VOE 932039	1				•O-ring.....	•Joint Torique	•O-Ring.....	•Junta torica	•O-ring.....		
27	VOE 990736	1				•O-ring.....	•Joint Torique	•O-Ring.....	•Junta torica	•O-ring.....		
28	VOE 4881440	1				•Strip Clamp.....	•Ruban Serrage	•Kabelbinder.....	•Abraz Cinta	•Bandklamma.....		



2335) S/N - 12838, 12841 - 12856, 12858 - 12865, 12868 - 12891, 12895 - 12904, 12911, 12913, 12914, 12917 - 12923, 12931 - 12954, 12956 - 12973, 12978 - 12986, 12989 - 13040

1	Hydraulik redskapsfäste grävarm	Catalogue id	Group
2	Portaimplementos hidráulico, brazo	20002	924
3	Hydraulik Geräteträger Baggerarm	Illustr. No	Section
4	Porte-outil à verrouillage hydraulique, balancier	1026190	150
5	Hydraulic attachment bracket digger	Issue	Page
	11891323, 11891351, 11891362	VOE 63H9920002	733

VOLVO

BL71



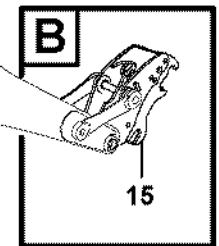
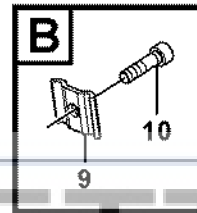
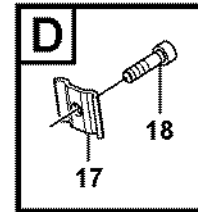
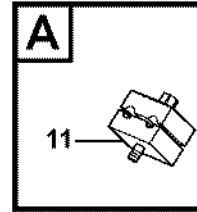
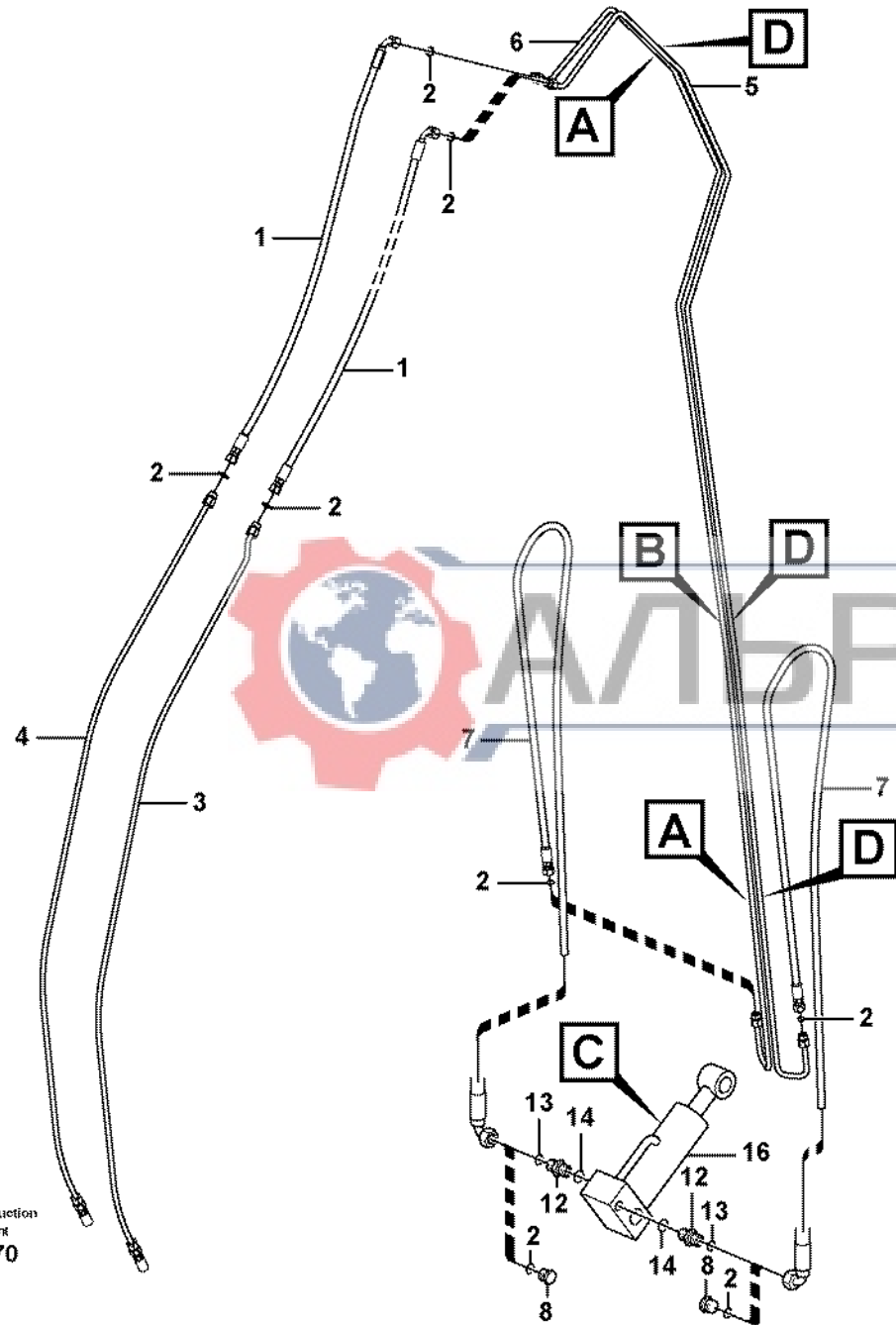


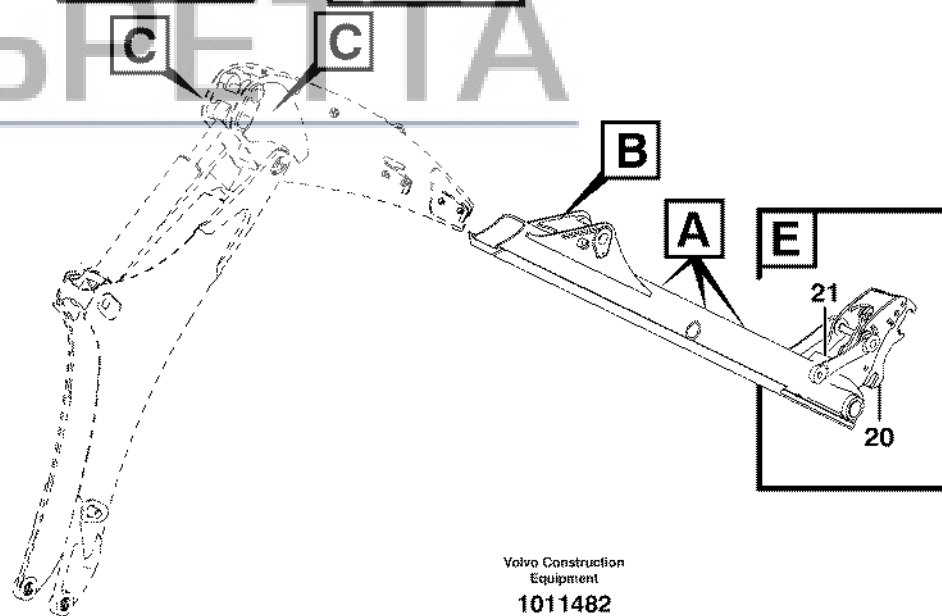
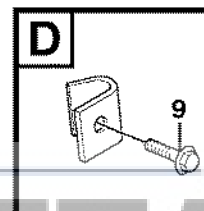
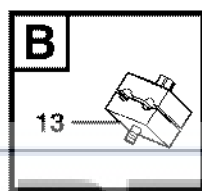
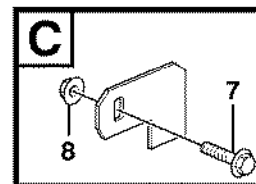
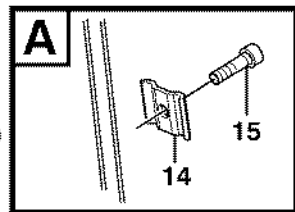
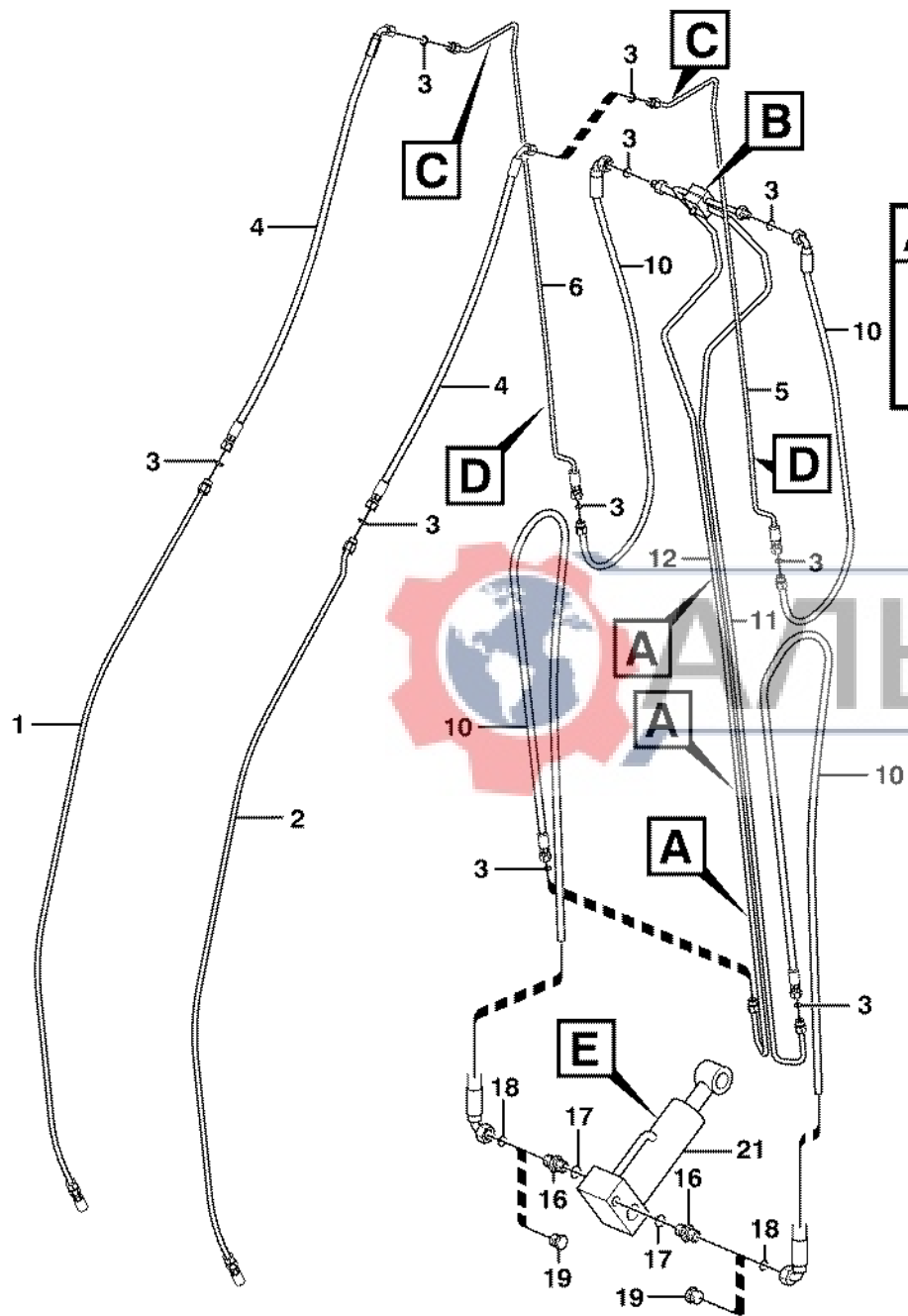
Fig.	Part No.	Quantity			P S	K I T	Description	Dénomination	Bezeichnung	Denominación	Benämning	Notes
		1	2	3								
1	VOE 11885427	2				Hose.....	Durit	Schlauch	Tubo flexible.....	Slang.....		
	VOE 11885427		2			Hose.....	Durit	Schlauch	Tubo flexible.....	Slang.....	2335)	
2	VOE 4881722	8				O-ring.....	Joint Torique	O-Ring.....	Junta torica.....	O-ring.....		
	VOE 4881722		8			O-ring.....	Joint Torique	O-Ring.....	Junta torica.....	O-ring.....	2335)	
3		1	1			Tube.....	Tube.....	Rohr	Tubo	Rör.....	See group 924, Page 731	
4		1	1			Tube.....	Tube.....	Rohr	Tubo	Rör.....	See group 924, Page 731	
5	VOE 11885442	1				Pipe.....	Canalisation	Rohrleitung.....	Canalizacion.....	Rör.....		
	VOE 11885442		1			Pipe.....	Canalisation	Rohrleitung.....	Canalizacion.....	Rör.....	2335)	
6	VOE 11885441	1				Pipe.....	Canalisation	Rohrleitung.....	Canalizacion.....	Rör.....		
	VOE 11885441		1			Pipe.....	Canalisation	Rohrleitung.....	Canalizacion.....	Rör.....	2335)	
7	VOE 11885347	2				Hose.....	Durit	Schlauch	Tubo flexible.....	Slang.....		
	VOE 11885347		2			Hose.....	Durit	Schlauch	Tubo flexible.....	Slang.....	2335)	
8		2			NS	Plug.....	Bouchon.....	Stopfen.....	Tapon.....	Plugg.....		
9	VOE 11881049	1	1			Clamp.....	Pince Serrage	Klemme.....	Abrazadera.....	Klämma.....	SER NO -12077	
10	VOE 967631	1	1			Allen Hd Screw	Vis A 6 Pans Cr.....	Inbusschraube.....	Torn Hex Embut.....	Insexskruv.....	SER NO -12077	
11	VOE 11885371	2	2			Clamp.....	Pince Serrage	Klemme.....	Abrazadera.....	Klämma.....	SER NO -12077	
12	VOE 13933858	2				Union.....	Teton Connexion.....	Anschlussnippel.....	Niple Conexcion.....	Anslutn.nippel.....		
13	VOE 4881722	1				•O-ring.....	•Joint Torique	•O-Ring.....	•Junta torica	•O-ring.....		
14	VOE 932039	1				•O-ring.....	•Joint Torique	•O-Ring.....	•Junta torica	•O-ring.....		
15	VOE 11885374	1				Attachment.....	Fixation.....	Halterung.....	Fijacion.....	Fäste.....	See group 924, Page 741	
16	VOE 11712673	1				Cylinder.....	Verin.....	Zylinder.....	Cilindro.....	Cylinder.....		
17	VOE 11885371	5	5			Clamp.....	Pince Serrage	Klemme.....	Abrazadera.....	Klämma.....	SER NO 12078-	
18	VOE 967631	5				Allen Hd Screw	Vis A 6 Pans Cr.....	Inbusschraube.....	Torn Hex Embut.....	Insexskruv.....	S/N 12078-	
	VOE 967631		5			Allen Hd Screw	Vis A 6 Pans Cr.....	Inbusschraube.....	Torn Hex Embut.....	Insexskruv.....	2335) S/N 12078-	

2335) S/N - 12838, 12841 - 12856, 12858 - 12865, 12868 - 12891, 12895 - 12904, 12911, 12913, 12914, 12917 - 12923, 12931 - 12954, 12956 - 12973, 12978 - 12986, 12989 - 13040

1	11891351	Hydraulik redskapsfäste grävarm (11891351, 11891362) Portaimplementos hidráulico, brazo (11891351, 11891362) Hydraulik Geräteträger Baggerarm (11891351, 11891362) Porte-outil à verrouillage hydraulique, balancier (11891351, 11891362) Hydraulic attachment bracket digger (11891351, 11891362)	Catalogue id	Group
2	11891362		20002	924
3			Illustr. No	Section
4			1011470	200
5			Issue	Page
		VOE 63H9920002	735	

VOLVO

BL71



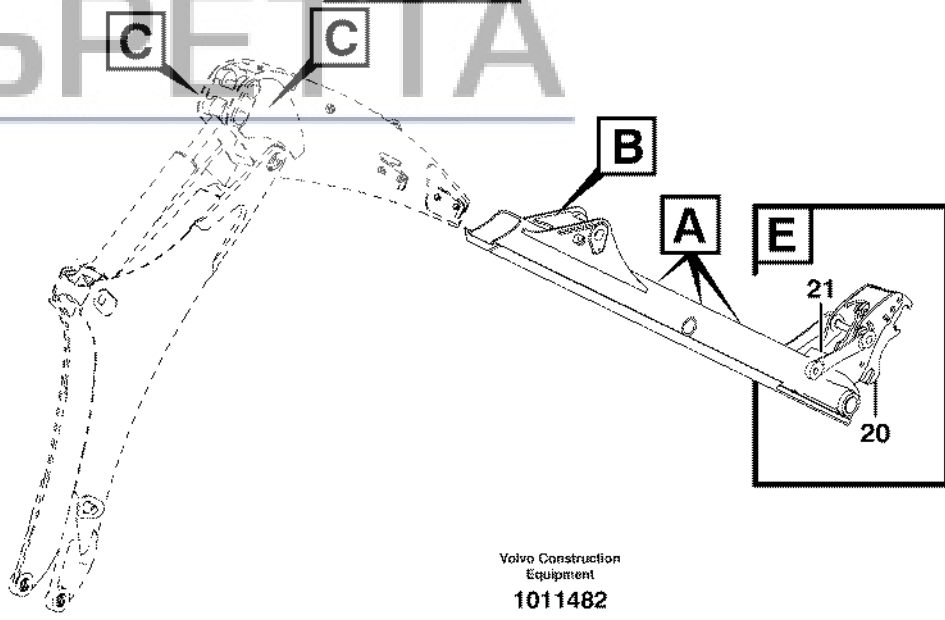
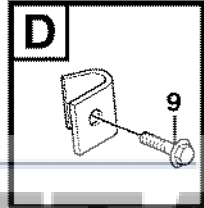
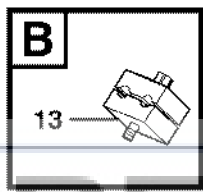
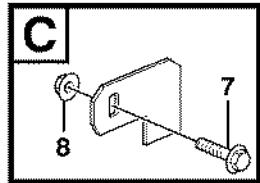
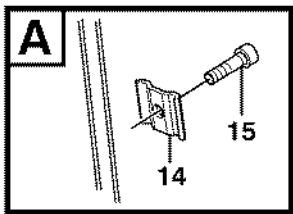
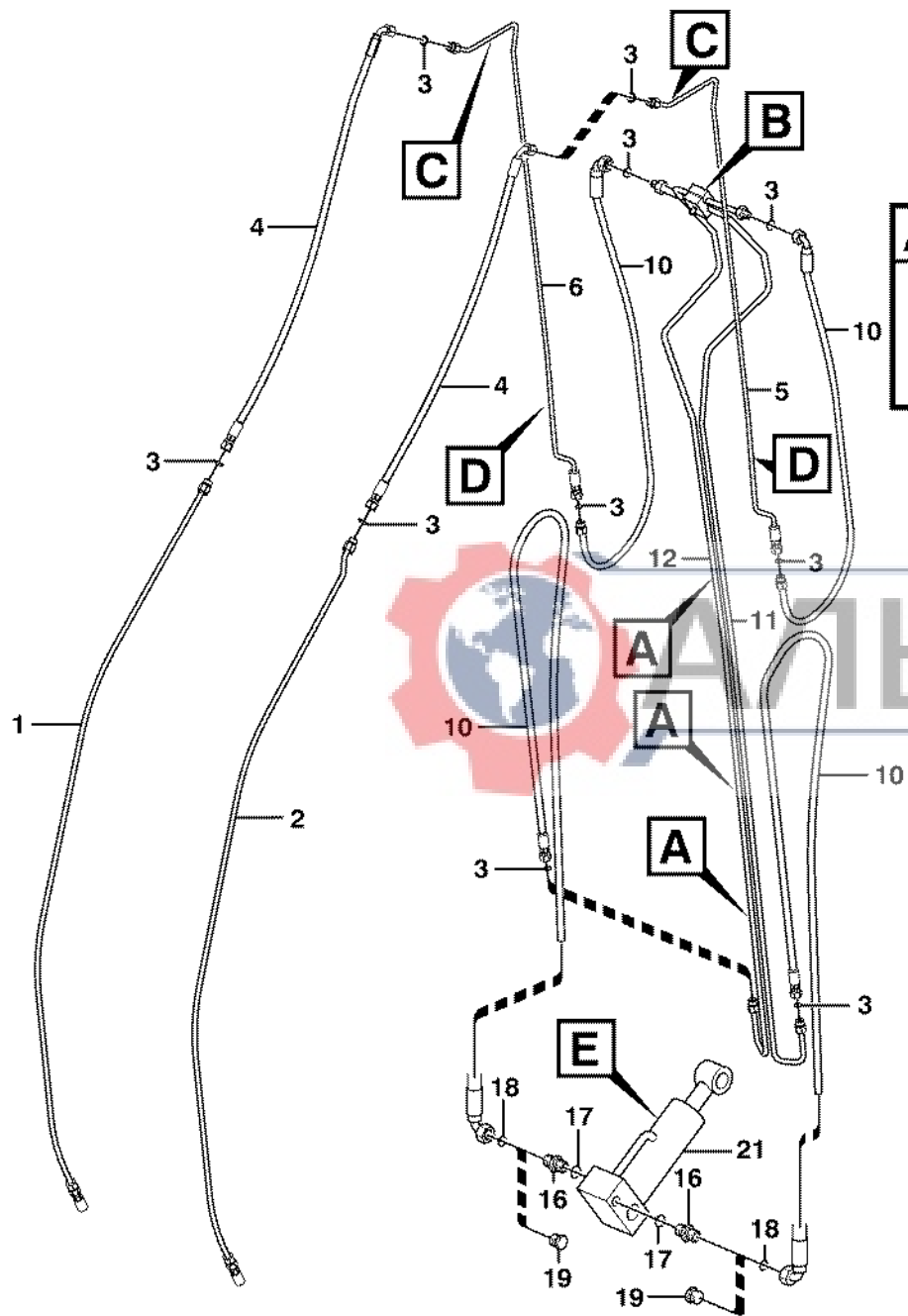
Volvo Construction
Equipment
1011482

Fig.	Part No.	Quantity			P S	K I T	Description	Dénomination	Bezeichnung	Denominación	Benämning	Notes
		1	2	3								
1		1	1			Tube.....	Tube.....	Rohr.....	Tubo.....	Rör.....	See group 924, Page 731	
2		1	1			Tube.....	Tube.....	Rohr.....	Tubo.....	Rör.....	See group 924, Page 731	
3	VOE 4881722	10				O-ring.....	Joint Torique.....	O-Ring.....	Junta torica.....	O-ring.....	2335)	
	VOE 4881722		10			O-ring.....	Joint Torique.....	O-Ring.....	Junta torica.....	O-ring.....		
4	VOE 11885427	2	2			Hose.....	Durit.....	Schlauch.....	Tubo flexible.....	Slang.....	2335)	
	VOE 11885435	2				Hose.....	Durit.....	Schlauch.....	Tubo flexible.....	Slang.....	2336)	
5	VOE 11885230	1	1			Tube Assembly.....	Tuyauterie.....	Rohrleitung.....	Tuberia.....	Rörledning.....	2335)	
6	VOE 11885229	1	1			Tube Assembly.....	Tuyauterie.....	Rohrleitung.....	Tuberia.....	Rörledning.....	2335)	
7	VOE 13947760	2				Flange screw.....	Vis à bride.....	Flanschschaube.....	Torn embridado.....	Flänsskruv.....	2335)	
	VOE 13947760		2			Flange screw.....	Vis à bride.....	Flanschschaube.....	Torn embridado.....	Flänsskruv.....		
8	VOE 13945408	2				Nut.....	Ecrou.....	Mutter.....	Tuerca.....	Mutter.....	2335)	
	VOE 13945408		2			Nut.....	Ecrou.....	Mutter.....	Tuerca.....	Mutter.....		
9	VOE 13945444	2				Flange screw.....	Vis à bride.....	Flanschschaube.....	Torn embridado.....	Flänsskruv.....	2335)	
	VOE 965210	2				Flange screw.....	Vis à bride.....	Flanschschaube.....	Torn embridado.....	Flänsskruv.....	2336)	
	VOE 13945444		2			Flange screw.....	Vis à bride.....	Flanschschaube.....	Torn embridado.....	Flänsskruv.....		
10	VOE 11885347	4				Hose.....	Durit.....	Schlauch.....	Tubo flexible.....	Slang.....	2335)	
	VOE 11885347		4			Hose.....	Durit.....	Schlauch.....	Tubo flexible.....	Slang.....		
11	VOE 11885345	1	1			Tube.....	Tube.....	Rohr.....	Tubo.....	Rör.....	2335)	
	VOE 11887350		1			Tube.....	Tube.....	Rohr.....	Tubo.....	Rör.....	2336)	
12	VOE 11885344	1				Tube.....	Tube.....	Rohr.....	Tubo.....	Rör.....	2335)	
	VOE 11885344		1			Tube.....	Tube.....	Rohr.....	Tubo.....	Rör.....		
13	VOE 11885371	1				Clamp.....	Pince Serrage.....	Klemme.....	Abrazadera.....	Klämma.....	2335)	
	VOE 11885371		1			Clamp.....	Pince Serrage.....	Klemme.....	Abrazadera.....	Klämma.....		
14	VOE 11881049	3				Clamp.....	Pince Serrage.....	Klemme.....	Abrazadera.....	Klämma.....	2335)	
	VOE 11881049		3			Clamp.....	Pince Serrage.....	Klemme.....	Abrazadera.....	Klämma.....		
15	VOE 967631	3				Allen Hd Screw.....	Vis A 6 Pans Cr.....	Inbusschraube.....	Torn Hex Embut.....	Insexskruv.....	2335)	
	VOE 967631		3			Allen Hd Screw.....	Vis A 6 Pans Cr.....	Inbusschraube.....	Torn Hex Embut.....	Insexskruv.....		
16	VOE 13933858	2				Union.....	Teton Connexion.....	Anschlussnippel.....	Niple Conexcion.....	Anslutn.nippel.....	2335)	

2335) S/N - 12838, 12841 - 12856, 12858 - 12865, 12868 - 12891, 12895 - 12904, 12911, 12913, 12914, 12917 - 12923, 12931 - 12954, 12956 - 12973, 12978 - 12986, 12989 - 13040

2336) S/N 12839, 12840, 12857, 12866, 12867, 12892 - 12894, 12905 - 12910, 12912, 12915, 12916, 12924 - 12929, 12955, 12974 - 12977, 12987, 12988, 12930 13041 -

1	11891323	Hydraulik redskapsfäste grävarm (11891323)	Catalogue id 20002	Group 924
2	11891348	Portaimplementos hidráulico, brazo (11891323)	Illustr. No 1011482	Section 250
3		Hydraulik Geräteträger Baggerarm (11891323)		
4		Porte-outil à verrouillage hydraulique, balancier (11891323)	Issue VOE 63H9920002	Page 737
5		Hydraulic attachment bracket digger (11891323)		



Volvo Construction
Equipment
1011482

Fig.	Part No.	Quantity			P S	K I T	Description	Dénomination	Bezeichnung	Denominación	Benämning	Notes
		1	2	3								
17	VOE 932039	1					•O-ring.....	•Joint Torique	•O-Ring.....	•Junta torica	•O-ring.....	
18	VOE 4881722	1					•O-ring.....	•Joint Torique	•O-Ring.....	•Junta torica	•O-ring.....	
	VOE 4881722		2				O-ring.....	Joint Torique	O-Ring.....	Junta torica.....	O-ring.....	
19			2	NS			Plug.....	Bouchon	Stopfen.....	Tapon	Plugg.....	
20	VOE 11885374	1					Attachment.....	Fixation	Halterung.....	Fijacion.....	Fäste.....	See group 924, Page 741
21	VOE 11712673	1					•Cylinder	•Verin	•Zylinder	•Cilindro.....	•Cylinder.....	
	VOE 11713154	1					••Sealing Kit.....	••Jeu Joints.....	••Dichtungssatz.....	••Juego Retenes	••Tätningssats.....	



1	11891323	Hydraulik redskapsfäste grävarm (11891323) Portaimplementos hidráulico, brazo (11891323) Hydraulik Geräteträger Baggerarm (11891323) Porte-outil à verrouillage hydraulique, balancier (11891323) Hydraulic attachment bracket digger (11891323)	Catalogue id	Group
2	11891348		20002	924
3			Illustr. No	Section
4			1011482	250
5			Issue	Page
			VOE 63H9920002	739

VOLVO

BL71



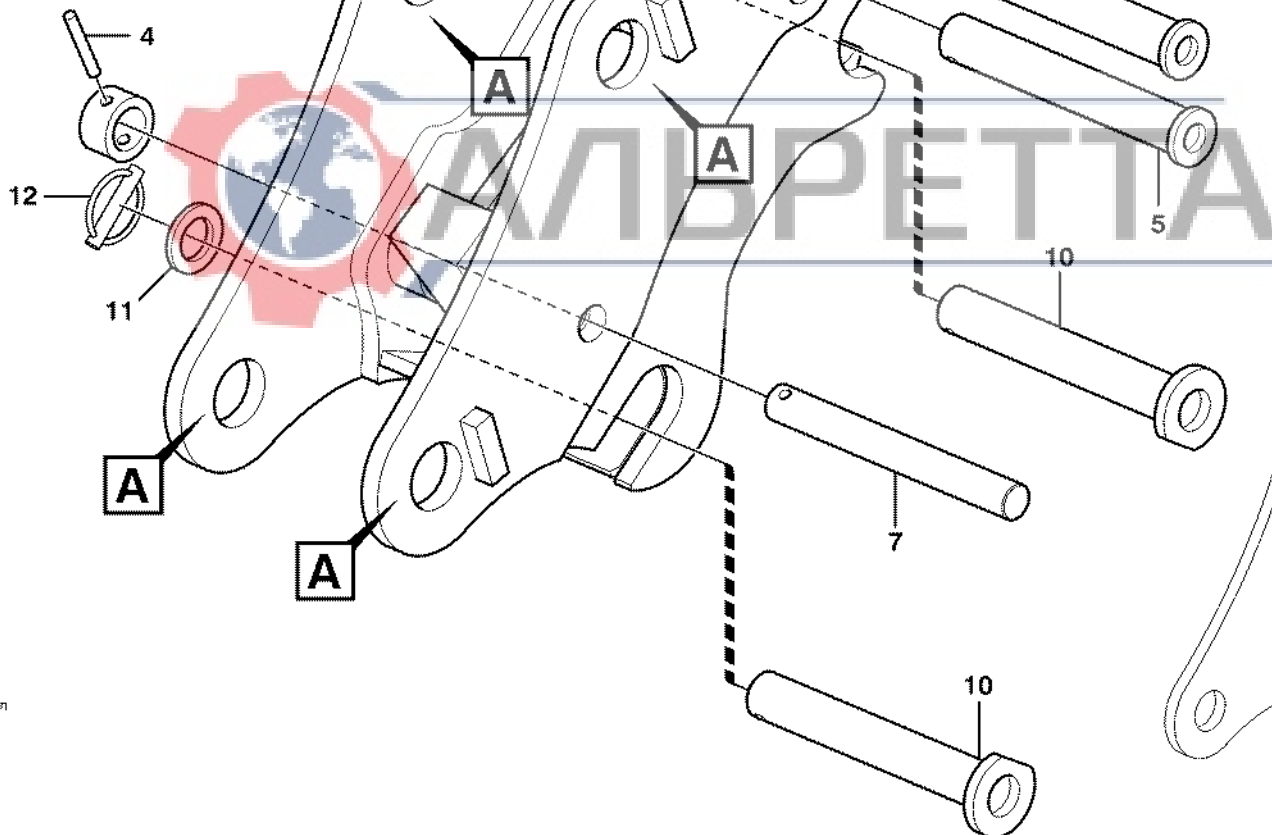
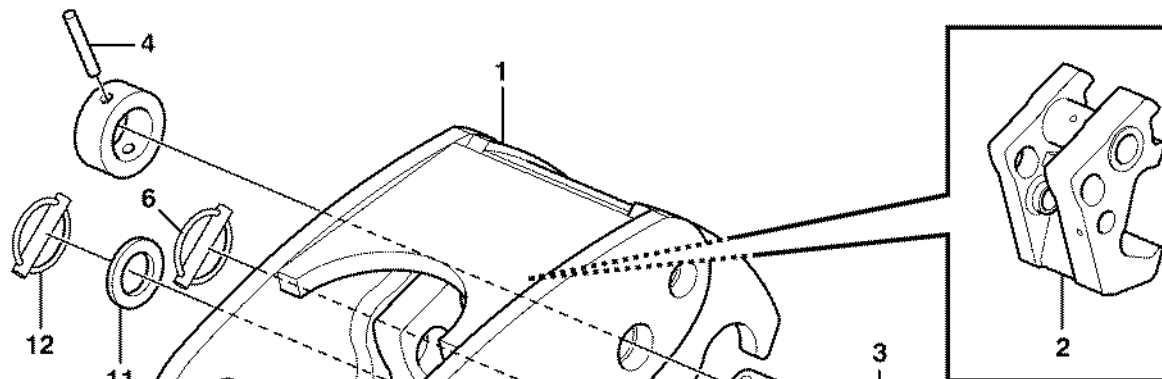
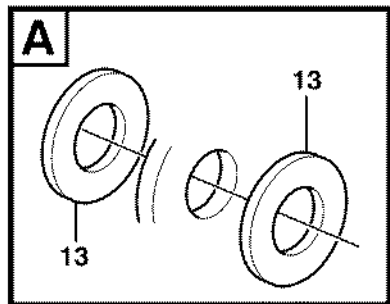
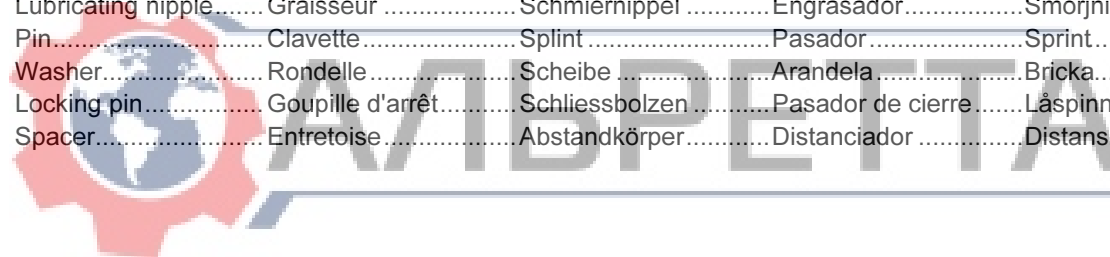


Fig.	Part No.	Quantity			P S	K I T	Description	Dénomination	Bezeichnung	Denominación	Benämning	Notes
		1	2	3								
1	VOE 11886515	1					Quick attachment.....	Fixation rapide	Schnellkupplung.....	Acoplamiento rapido ..	Snabbfäste.....	
1	VOE 11887349						Quick attachment.....	Fixation rapide	Schnellkupplung.....	Acoplamiento rapido ..	Snabbfäste.....	
2	VOE 11712672	1					•Hook	•Crochet	•Haken.....	•Gancho	•Krok.....	
2	VOE 11715541		1				•Hook	•Crochet	•Haken.....	•Gancho	•Krok.....	
3	VOE 11712675	1					•Pin	•Goupille.....	•Zapfen.....	•Pasador.....	•Tapp.....	
3	VOE 11715542		1				•Pin	•Goupille.....	•Zapfen.....	•Pasador.....	•Tapp.....	
4	VOE 11712678	2					•Lock Pin.....	•Goupille Verro.....	•Sicherungsstift	•Pasador Segurid	•Låspinne.....	
4	VOE 11715544		2				•Retaining ring	•Bague retenue	•Haltering.....	•Anillo de apoyo	•Hållarring.....	
5	VOE 11712674	1					•Pin	•Goupille.....	•Zapfen.....	•Pasador.....	•Tapp.....	
5	VOE 11715549		1				•Pin	•Goupille.....	•Zapfen.....	•Pasador.....	•Tapp.....	
6	VOE 11712677	1	1				•Lock Ring.....	•Anneau Verrouillage	•Schlossring	•Anillo Segurid	•Låsring.....	
7	VOE 11712679	1					•Shaft	•Arbre	•Welle	•Arbol.....	•Axel.....	
7	VOE 11715547		1				•Pin	•Goupille.....	•Zapfen.....	•Pasador.....	•Tapp.....	
8	VOE 11712673	1					•Cylinder	•Verin	•Zylinder	•Cilindro.....	•Cylinder.....	See group 924, Page 743
8	VOE 11715546		1				•Cylinder	•Verin	•Zylinder	•Cilindro.....	•Cylinder.....	
	VOE 11713154	1					••Sealing Kit.....	••Jeu Joints	••Dichtungssatz.....	••Juego Retenes	••Tätningssats.....	
9	VOE 11712676	1	1				Lubricating nipple.....	Graisseur	Schmiernippel	Engrasador.....	Smörjnippel.....	
10	VOE 11883624	2	2				Pin.....	Clavette	Splint	Pasador.....	Sprint.....	2335)
11	VOE 955912	2	2				Washer.....	Rondelle	Scheibe	Arandela	Bricka.....	2335)
12	VOE 11881622	2	2				Locking pin.....	Goupille d'arrêt.....	Schliessbolzen	Pasador de cierre	Låspinne.....	2335)
13	VOE 11885220	8	8				Spacer.....	Entretoise.....	Abstandkörper.....	Distanciador	Distans.....	2335)



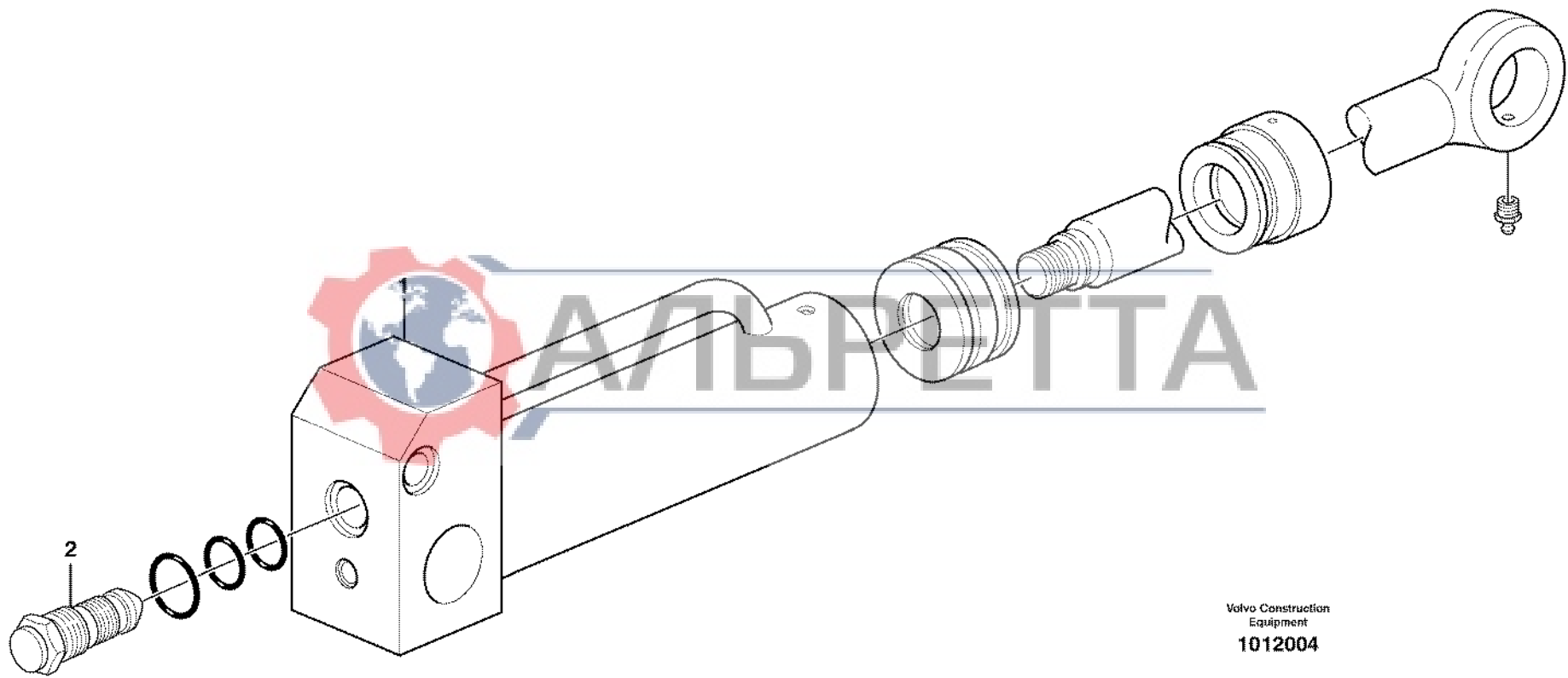
2335) S/N - 12838, 12841 - 12856, 12858 - 12865, 12868 - 12891, 12895 - 12904, 12911, 12913, 12914, 12917 - 12923, 12931 - 12954, 12956 - 12973, 12978 - 12986, 12989 - 13040

1	11886515	Hydrauliskt redskapsfäste Soporte de implemento hidráulico Hydraulisch betätigte Gerätebefestigung Plaque de fixation à commande hydraulique Hydraulic attachment bracket	Catalogue id	Group
2	11887349		20002	924
3			Illustr. No	Section
4			1011489	300
5			Issue	Page
		11891323, 11891362	VOE 63H9920002	741

VOLVO

BL71





Volvo Construction
Equipment
1012004

Fig.	Part No.	Quantity			P S	K I T	Description	Dénomination	Bezeichnung	Denominación	Benämning	Notes
		1	2	3								
1	VOE 11712673	1					Cylinder.....	Verin.....	Zylinder	Cilindro	Cylinder.....	
	VOE 11713154	1					••Sealing Kit	••Jeu Joints	••Dichtungssatz	••Juego Retenes.....	••Tätningssats.....	
2	VOE 11713136	1					•Check valve	•Valve antiretour.....	•Rückschlagventil	•Válvula de retención ..	•Backventil.....	
	VOE 11713137	1					••Sealing Kit	••Jeu Joints	••Dichtungssatz	••Juego Retenes.....	••Tätningssats.....	

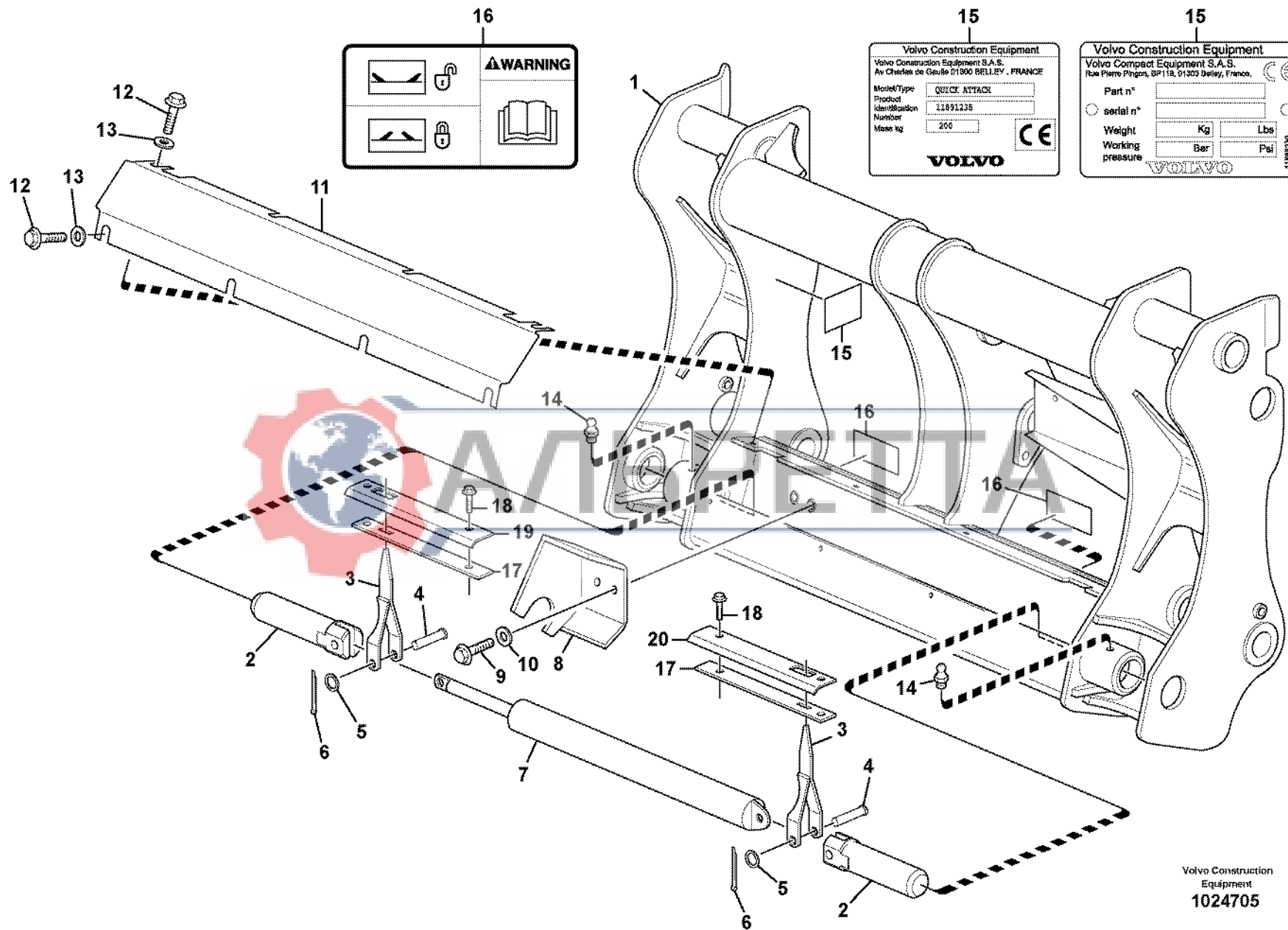


1		Hydraulicylinder, snabbfäste Cilindro hidráulico, acoplamiento rapido Hydraulikzylinder Schnellwechsler Verin hydraulique, fixation rapide Hydraulic cylinder, quick attachment	Catalogue id	Group
2			20002	924
3			Illustr. No	Section
4			1012004	350
5			Issue	Page
		11891323, 11891362	VOE 63H9920002	743

VOLVO

BL71





16

		WARNING

15

Volvo Construction Equipment		
Volvo Construction Equipment S.A.S. Av. Charles de Gaulle 97190 BELLEVY - FRANCE		
Model/Type	QUICK ATTACH	
Product Identification Number	11891235	
Mass kg	200	VOLVO

15

Volvo Construction Equipment		
Volvo Compact Equipment S.A.S. Rue Pierre Pflieger, BP118, 01305 Soley, France.		
Part n°		
serial n°		
Weight	Kg	Lbs
Working pressure	Bar	Psi
VOLVO		11891235

Volvo Construction
Equipment
1024705

Fig.	Part No.	Quantity			P S	K I T	Description	Dénomination	Bezeichnung	Denominación	Benämning	Notes
		1	2	3								
1	VOE 11887081	1				Quick attachment.....	Fixation rapide	Schnellkupplung.....	Acoplamiento rapido ..	Snabbfäste.....		
2	VOE 11886445	2				Pin.....	Goupille.....	Zapfen.....	Pasador.....	Tapp.....		
3	VOE 11886427	2				Indication Arm.....	Bras Indicateur.....	Anzeigefinger.....	Brazo Indicac.....	Indikeringsarm.....	2347)	
	VOE 11887077	2				Indicator.....	Indicateur.....	Indikator.....	Indicador.....	Indikator.....	2346)	
4	VOE 13964908	2				Bolt.....	Boulon.....	Bolzen.....	Perno.....	Bult.....		
5	VOE 13955900	2				Washer.....	Rondelle.....	Scheibe.....	Arandela.....	Bricka.....		
6	VOE 13907859	2				Cotter Pin.....	Goupille Fendue.....	Splint.....	Pasador Hendido.....	Saxpinne.....		
7		1				Hydraulic cylinder.....	Vérin hydraulique.....	Hydraulzylinder.....	Cilindro hidráulico.....	Hydraulcylinder.....	See group 924, Page 747	
8	VOE 11011654	1				Stop.....	Arrêt.....	Anschlag.....	Parada.....	Stopp.....		
9	VOE 978932	2				Screw.....	Vis.....	Schraube.....	Tornillo.....	Skruv.....	2347)	
	VOE 13965191	2				Flange screw.....	Vis à bride.....	Flanschschaube.....	Torn embridado.....	Flänsskruv.....	2346)	
10	VOE 13955897	2				Washer.....	Rondelle.....	Scheibe.....	Arandela.....	Bricka.....	2347)	
11	VOE 11885997	1				Cover.....	Capot.....	Haube.....	Capo.....	Huv.....	2347)	
	VOE 11888226	1				Cover.....	Capot.....	Haube.....	Capo.....	Huv.....	2346)	
12	VOE 947107	8				Flange screw.....	Vis à bride.....	Flanschschaube.....	Torn embridado.....	Flänsskruv.....	2347)	
	VOE 946440	4				Flange screw.....	Vis à bride.....	Flanschschaube.....	Torn embridado.....	Flänsskruv.....	2346)	
13	VOE 13960141	8				Washer.....	Rondelle.....	Scheibe.....	Arandela.....	Bricka.....		
14	VOE 914167	2				Nipple.....	Raccord.....	Nippel.....	Niple.....	Nippel.....		
15	VOE 11886434	1				Decal.....	Decalcomanie.....	Abziehbild.....	Decalcomania.....	Dekal.....	2347)	
	VOE 11888230	1				Decal.....	Decalcomanie.....	Abziehbild.....	Decalcomania.....	Dekal.....	2346)	
16	VOE 11886634	2				Decal.....	Decalcomanie.....	Abziehbild.....	Decalcomania.....	Dekal.....		
17	VOE 11887654	2				Seal.....	Joint.....	Dichtring.....	Junta.....	Tätning.....	2346)	
18	VOE 13945444	4				Flange screw.....	Vis à bride.....	Flanschschaube.....	Torn embridado.....	Flänsskruv.....	2346)	
19	VOE 11888032	1				Plate.....	Plaque.....	Platte.....	Placa.....	Platta.....	2346)	
20	VOE 11888033	1				Plate.....	Plaque.....	Platte.....	Placa.....	Platta.....	2346)	

2346) S/n 14113, 14119, 14137 - 14138, 14141 - 14142, 14151 - 14152, 14155, 14172 - 14173, 14175 - 14176, 14184 - 14188, 14194 - 14195, 14203 -

2347) S/n - 14112, 14114 - 14118, 14120 - 14136, 14139 - 14140, 14143 - 14150, 14153 - 14154, 14156 - 14171, 14174, 14177 - 14183, 14189 - 14193, 14194, 14196 - 14202

1		Hydrauliskt redskapsfäste	Catalogue id	Group
2		Soporte de implemento hidráulico	20002	924
3		Hydraulisch betätigte Gerätebefestigung	Illustr. No	Section
4		Plaque de fixation à commande hydraulique	1024705	400
5		Hydraulic attachment bracket	Issue	Page
		11891238	VOE 63H9920002	745

VOLVO

BL71

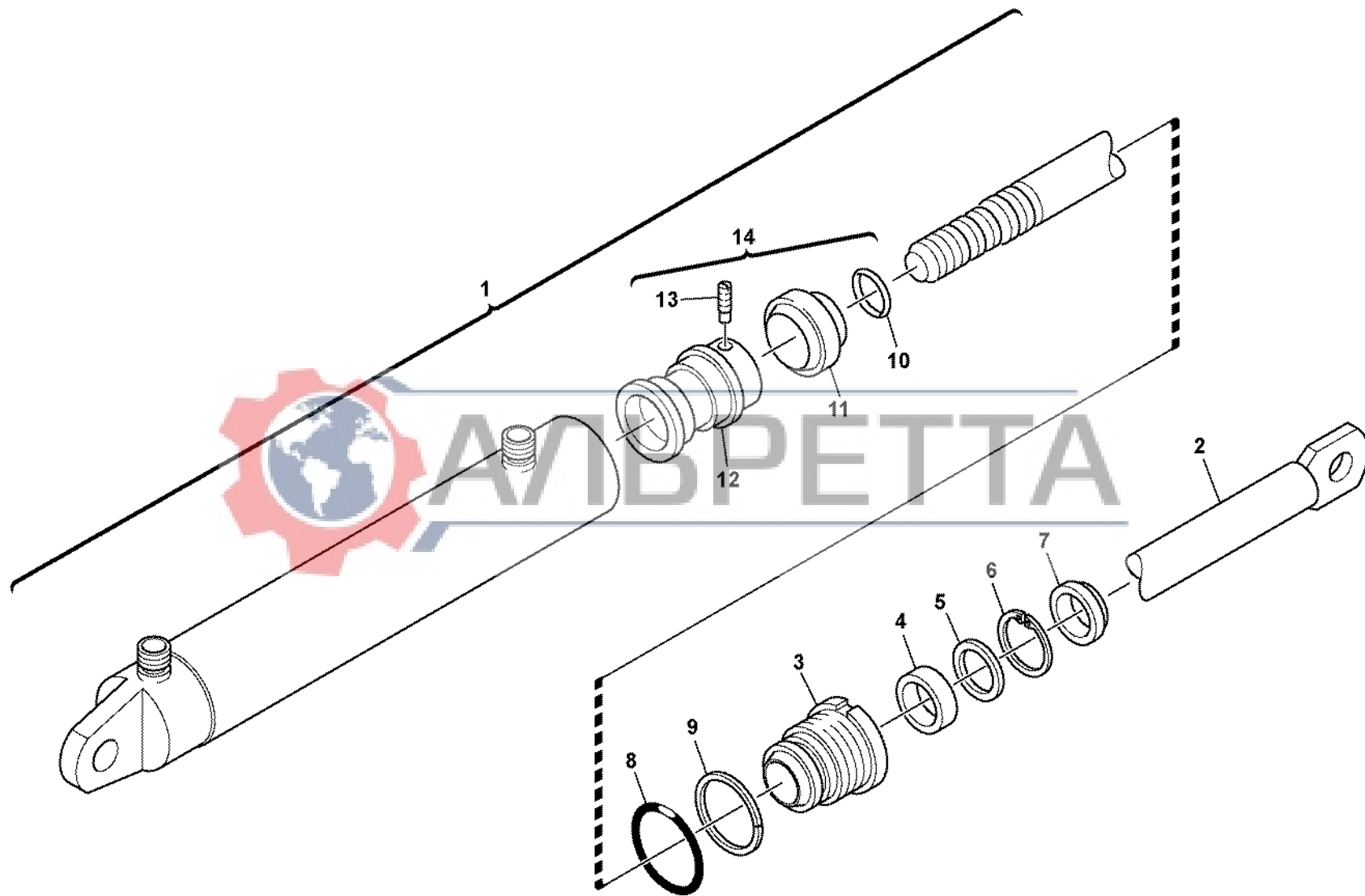


Fig.	Part No.	Quantity			P S	K I T	Description	Dénomination	Bezeichnung	Denominación	Benämning	Notes
		1	2	3								
1	VOE 11157115	1					Hydraulic cylinder.....	Vérin hydraulique	Hydraulzylinder	Cilindro hidráulico.....	Hydraulicylinder.....	
2	VOE 11999364	1					•Piston rod	•Bielle de piston	•Kolbenstange	•Biela de piston	•Kolvstång.....	
3	VOE 11999363	1			OP		•Pstn Rod Guide	•Gui.tige Piston	•Ko-stang Fuhrg	•Guia Var Piston.....	•Kolvst.styrning.....	
4	VOE 4784040	1					•Seal	•Joint	•Dichtring.....	•Junta	•Tätning.....	
5	VOE 11708612	1					•Spacer	•Entretoise.....	•Abstandstueck	•Casquillo distanciad ..	•Distans.....	
6	VOE 914519	1					•Snap Ring.....	•Circlip.....	•Nutring	•Circlip	•Spårring.....	
7	VOE 11999360	1					•Scraper.....	•Racleur	•Abstreifring.....	•Aro rascador	•Avstrykare.....	
8	VOE 925067	1					•O-ring.....	•Joint Torique	•O-Ring.....	•Junta torica	•O-ring.....	
9	VOE 13962550	1					•Back-up ring	•Rondelle anti-extrusi ..	•Stützring.....	•Anillo Apoyo	•Stödtring.....	
10	VOE 13960215	1					•O-ring.....	•Joint Torique	•O-Ring.....	•Junta torica	•O-ring.....	
11	VOE 11999361	1					•Piston seal	•Etanchei.piston	•Kolbendichtung	•Reten piston.....	•Kolv tätning.....	
12	VOE 11999365	1					•Piston.....	•Piston.....	•Kolben.....	•Piston	•Kolv.....	
13	VOE 13962970	1					•Screw.....	•Vis	•Schraube.....	•Tornillo	•Skruv.....	
14	VOE 11999362	1					•Sealing Kit	•Jeu Joints.....	•Dichtungssatz	•Juego Retenes.....	•Tätningssats.....	



1		Hydraulicylinder, snabbfäste Cilindro hidráulico, acoplamiento rapido Hydraulikzylinder Schnellwechsler Verin hydraulique, fixation rapide Hydraulic cylinder, quick attachment	Catalogue id	Group
2			20002	924
3			Illustr. No	Section
4			1013175	450
5			Issue	Page
		11891238	VOE 63H9920002	747

VOLVO

BL71



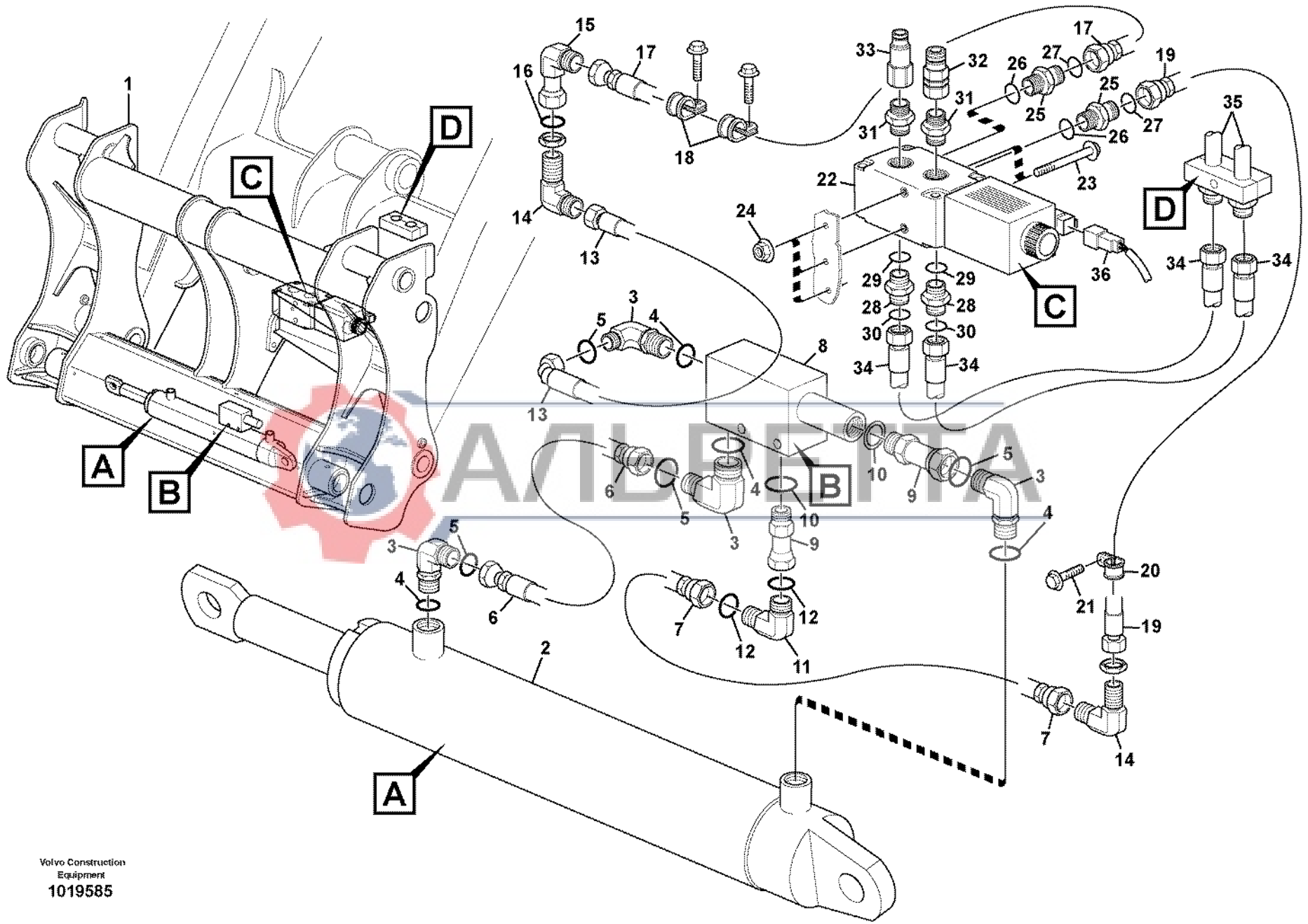


Fig.	Part No.	Quantity			P S	K I T	Description	Dénomination	Bezeichnung	Denominación	Benämning	Notes
		1	2	3								
1		1				Quick attachment.....	Fixation rapide	Schnellkupplung.....	Acoplamiento rapido ..	Snabbfäste.....	See group 924, Page 745	
2		1				Hydraulic cylinder.....	Vérin hydraulique	Hydraulzylinder	Cilindro hidráulico.....	Hydraulcylinder.....	See group 924, Page 747	
3	VOE 13933925	4				Elbow nipple.....	Raccord angulaire.....	Winkelnippel.....	Niple angular	Vinkelnippel.....		
4	VOE 4881722	1				•O-ring.....	•Joint Torique	•O-Ring.....	•Junta torica	•O-ring.....		
5	VOE 931209	1				•O-ring.....	•Joint Torique	•O-Ring.....	•Junta torica	•O-ring.....		
6	VOE 11886441	1				Hose assembly	Conduit flexible	Schlauchleitung.....	Conducto.....	Slangledning.....		
7	VOE 11886443	1				Hose assembly	Conduit flexible	Schlauchleitung.....	Conducto.....	Slangledning.....		
8	VOE 11886439	1				Check valve	Valve antiretour.....	Rückschlagventil	Válvula de retención...	Backventil.....		
9	VOE 13933843	2				Adapter	Raccord Reduct.	Verbind Stutzen.....	Adaptador.....	Adapter.....		
10	VOE 14211856	1				•Sealing ring.....	•Bague d'étanchéité ...	•Runddichtring.....	•Anillo reten	•Tätningssring.....		
11	VOE 936911	1				Nipple.....	Raccord.....	Nippel.....	Niple	Nippel.....		
12	VOE 4881722	2				•O-ring.....	•Joint Torique	•O-Ring.....	•Junta torica	•O-ring.....		
13	VOE 11886442	1				Hose assembly	Conduit flexible	Schlauchleitung.....	Conducto.....	Slangledning.....		
14	VOE 935426	2				Elbow nipple.....	Raccord angulaire.....	Winkelnippel.....	Niple angular	Vinkelnippel.....		
15	VOE 13933905	1				Elbow nipple.....	Raccord angulaire.....	Winkelnippel.....	Niple angular	Vinkelnippel.....		
16	VOE 4881722	1				•O-ring.....	•Joint Torique	•O-Ring.....	•Junta torica	•O-ring.....		
17	VOE 11886447	1				Hose assembly	Conduit flexible	Schlauchleitung.....	Conducto.....	Slangledning.....		
18	VOE 978869	2				Clamp.....	Pince Serrage	Klemme	Abrazadera.....	Klämma.....		
19	VOE 11886444	1				Hose assembly	Conduit flexible	Schlauchleitung.....	Conducto.....	Slangledning.....		
20	VOE 981661	1				Clamp.....	Pince Serrage	Klemme	Abrazadera.....	Klämma.....		
21	VOE 13946173	1				Flange screw.....	Vis à bride.....	Flanschschraube.....	Torn embridado	Flänsskruv.....		
22	VOE 11886438	1				Diverter Valve	Valve Diversion	Abzweigventil	Valv. Camb Sent	Diverterventil.....		
	VOE 11716489	1				•Coil	•Bobine.....	•Wickel	•Bobina.....	•Spole.....		
	VOE 11716490	1				•Sealing Kit	•Jeu Joints.....	•Dichtungssatz	•Juego Retenes	•Tätningssats.....		
	VOE 11716491	1				•Plug	•Bouchon.....	•Stopfen	•Tapon.....	•Plugg.....		
23	VOE 13965182	2				Flange screw.....	Vis à bride	Flanschschraube.....	Torn embridado	Flänsskruv.....		
24	VOE 948645	3				Flange Lock Nut.....	Contre écrou bride	Flanschmutter	Contratuer Embr.....	Flänslåsmutter.....		
25	VOE 935090	2				Nipple.....	Raccord.....	Nippel.....	Niple	Nippel.....		
26	VOE 4880492	1				•O-ring.....	•Joint Torique	•O-Ring.....	•Junta torica	•O-ring.....		
27	VOE 932041	1				•O-ring.....	•Joint Torique	•O-Ring.....	•Junta torica	•O-ring.....		

1		Hydrauliskt redskapsfäste Soporte de implemento hidráulico Hydraulisch betätigte Gerätebefestigung Plaque de fixation à commande hydraulique Hydraulic attachment bracket	Catalogue id	Group
2			20002	924
3			Illustr. No	Section
4			1019585	500
5			Issue	Page
		11891238	VOE 63H9920002	749

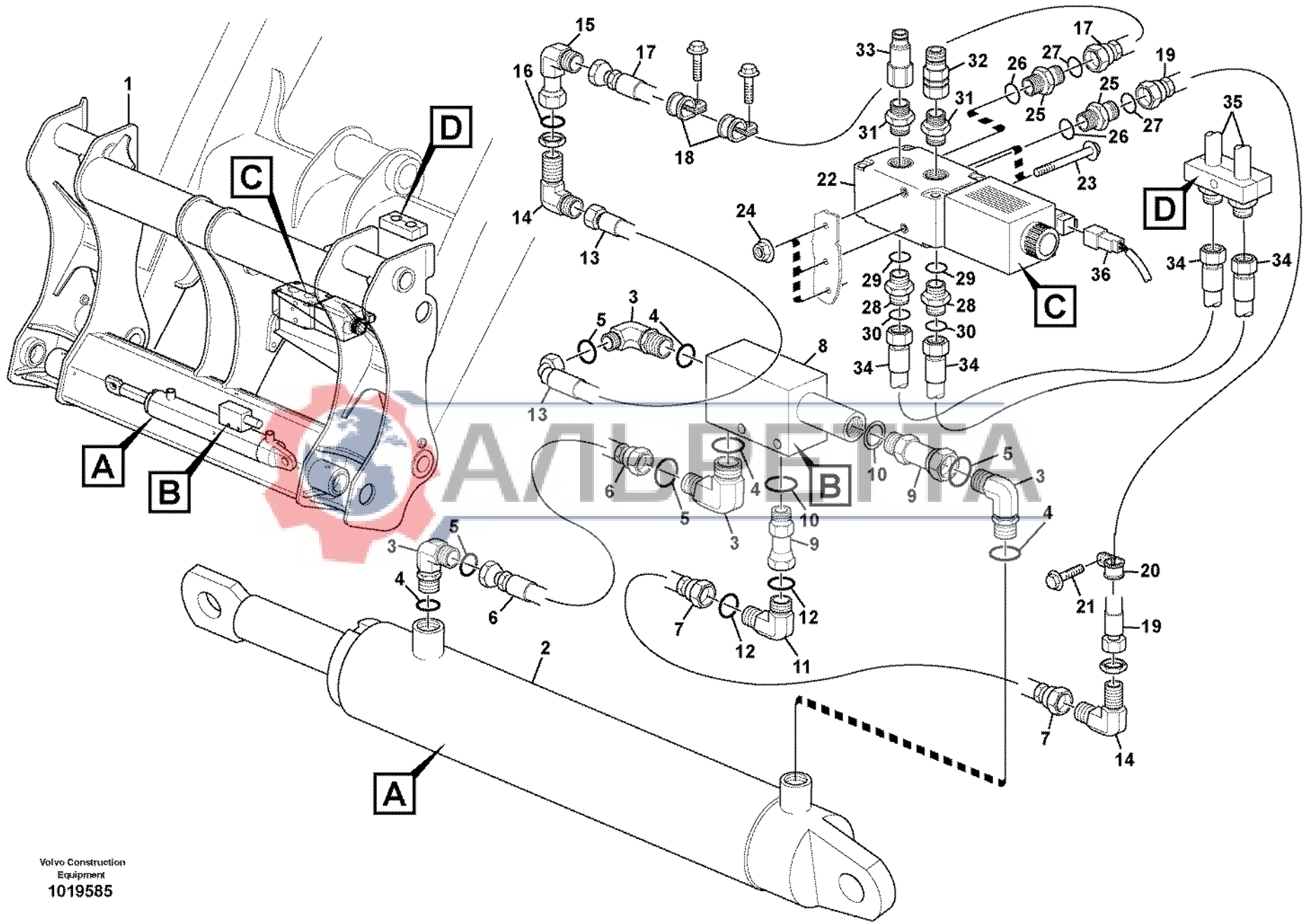


Fig.	Part No.	Quantity			P S	K I T	Description	Dénomination	Bezeichnung	Denominación	Benämning	Notes
		1	2	3								
28	VOE 935092	2				Nipple.....	Raccord.....	Nippel.....	Niple.....	Nippel.....		
29	VOE 4880493	1				•O-ring.....	•Joint Torique.....	•O-Ring.....	•Junta torica.....	•O-ring.....		
30	VOE 932041	1				•O-ring.....	•Joint Torique.....	•O-Ring.....	•Junta torica.....	•O-ring.....		
31	VOE 11886465	2				Fitting.....	Ecrou raccord.....	Verschraubung.....	Racor.....	Förskruvning.....		
32	VOE 11842117	1				Coupling.....	Accouplement.....	Kupplung.....	Acoplamiento.....	Koppling.....		
33	VOE 11886466	1				Quick Coupling.....	Accouple.rapide.....	Schnellkupplung.....	Acoplam Rapido.....	Snabbkoppling.....		
34		2				Hose assembly.....	Conduit flexible.....	Schlauchleitung.....	Conducto.....	Slangledning.....	See group 911, Page 601	
35		2				Tube.....	Tube.....	Rohr.....	Tube.....	Rör.....	See group 911, Page 601	
36		1				Wire harness.....	Faisceau électrique....	Kabelbaum.....	Manojo cables.....	Ledningsmatta.....	See group 371, Page 229	

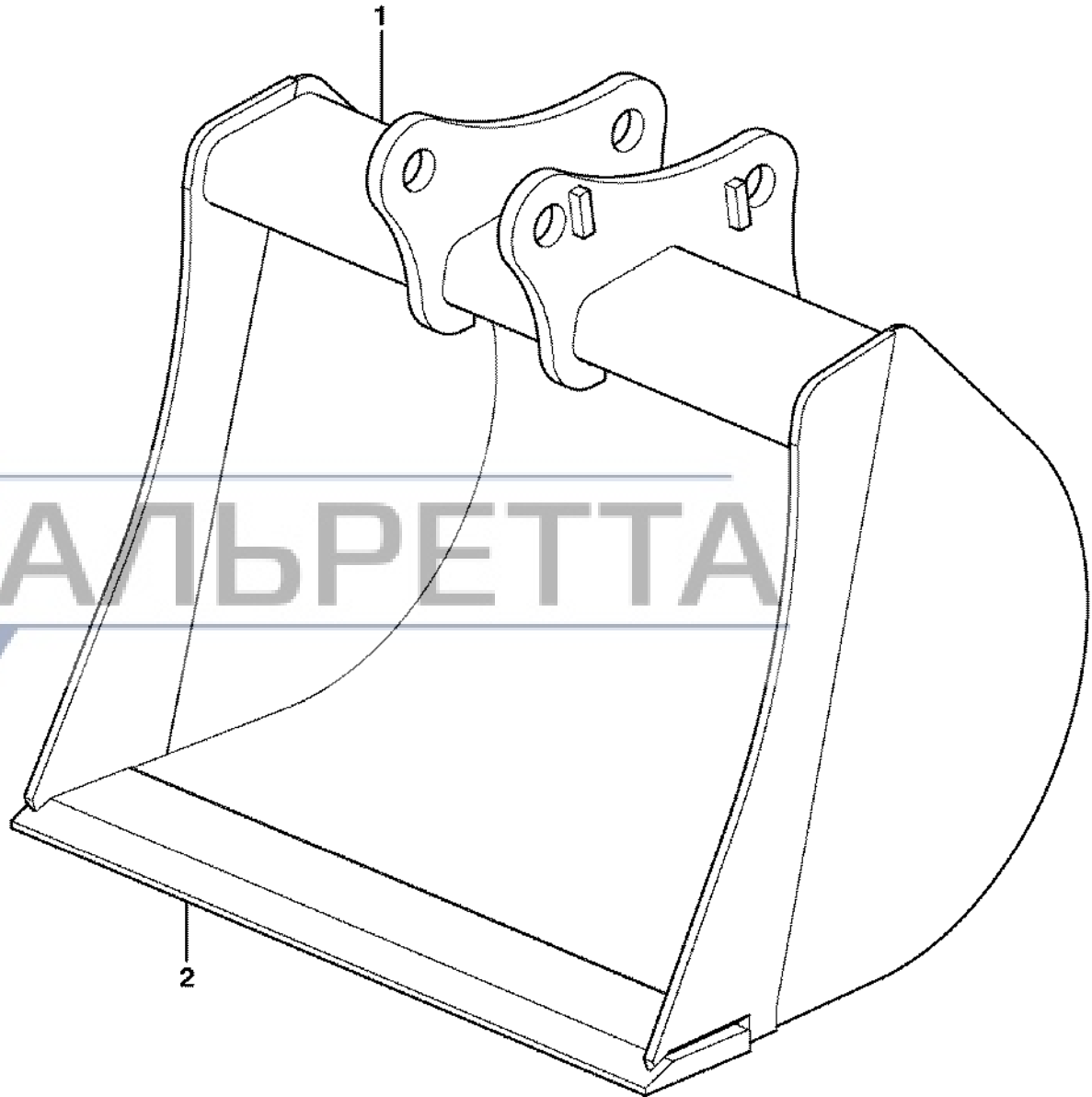
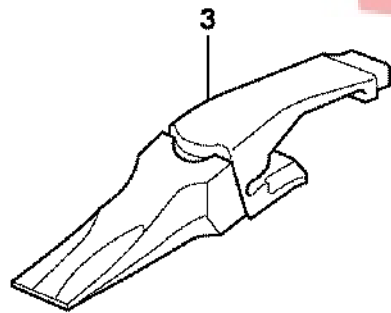
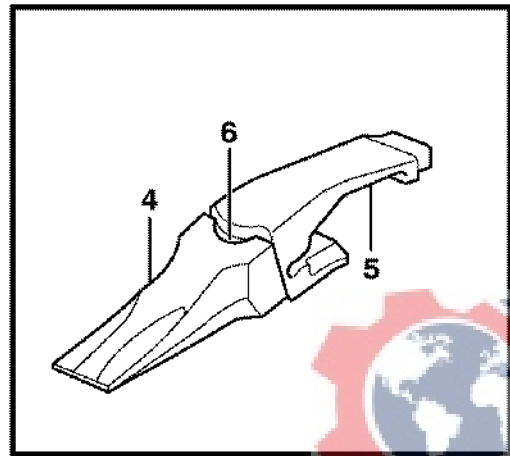


1		Hydrauliskt redskapsfäste Soporte de implemento hidráulico Hydraulisch betätigte Gerätebefestigung Plaque de fixation à commande hydraulique Hydraulic attachment bracket	Catalogue id	Group
2			20002	924
3			Illustr. No	Section
4			1019585	500
5			Issue	Page
		11891238	VOE 63H9920002	751

VOLVO

BL71





Volvo Construction
Equipment
1003955



Fig.	Part No.	Quantity					P S	K I T	Description	Dénomination	Bezeichnung	Denominación	Benämning	Notes
		1	2	3	4	5								
1	VOE 11883426	1						Bucket.....	Godet	Löffel	Cuchara	Skopa.....	WID = 610MM	
1	VOE 11883660		1				SS	Bucket.....	Godet	Löffel	Cuchara	Skopa.....	WID = 910MM	
1	VOE 11888423			1				Bucket.....	Godet	Löffel	Cuchara	Skopa.....	WID = 910 MM	
1	VOE 11888161				1			Bucket.....	Godet	Löffel	Cuchara	Skopa.....	WID = 610 MM	
2	VOE 11882823	1						•Blade	•Tôle usure	•Verschl Klinge.....	•Hoja.....	•Slitstål.....		
3	VOE 11881712	4	5				SS	•Tooth	•Dent	•Zahn	•Diente.....	•Tand.....		
3				6	4		NS	•Tooth Assembly.....	•.....	•.....	•.....	•Tand.....		
4	VOE 11884312	4	5	6	4			•Bucket Tooth	•Dent de godet	•Löffelzahn.....	•Diente Cuchara	•Skoptand.....		
5	VOE 11884313	4	5		4			•Tooth Bracket.....	•Porte-dent.....	•Egge.....	•Soporte	•Holk.....		
5	VOE 11801591			6	4			•Tooth Holder	•Porte dent	•Zahnhalter	•Porta-diente	•Holktand.....		
6	VOE 11884314	4	5	6	4			•Key	•Clavette.....	•Keil	•Llave (cuna)	•Kil.....		

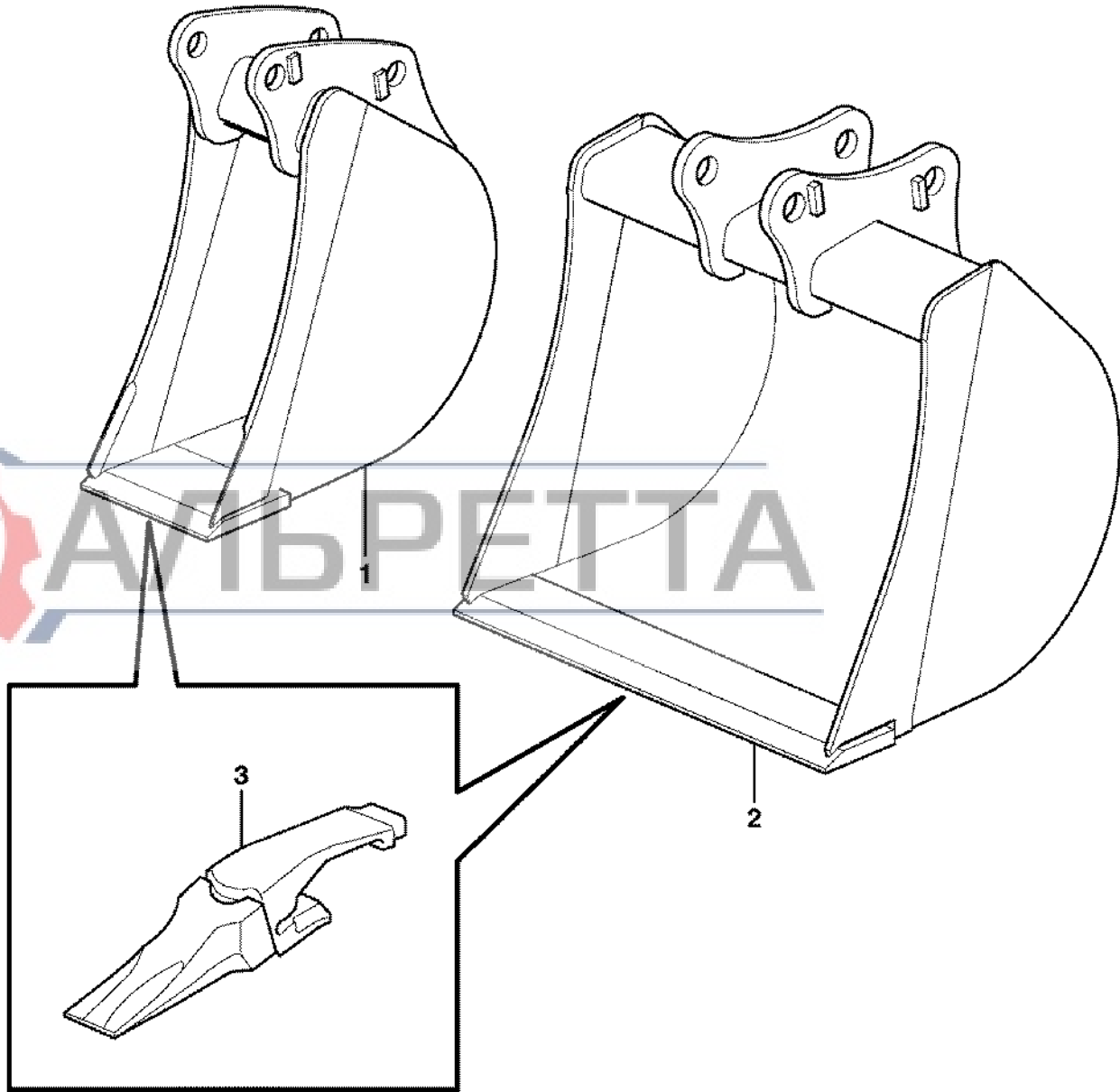
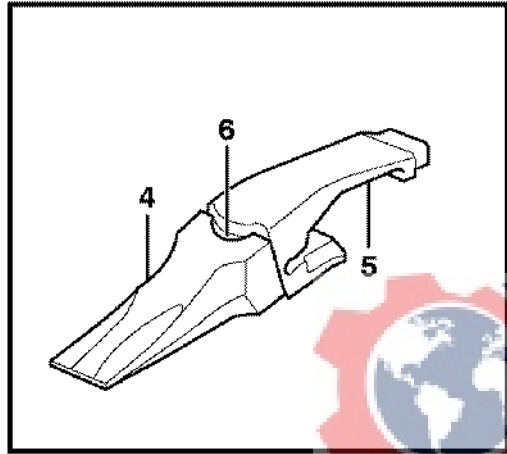


1	11891192 S/N - 14669	Skopa, rak med tänder Cuchara, recta con dientes Schaufel, gerade mit Zähnen Godet, droit avec dents Bucket, straight with teeth (BACKHOE)	Catalogue id	Group
2	11891093 S/N - 14669		20002	925
3	11891093 S/N 14670 -		Illustr. No	Section
4	11891192 S/N 14670 -		1003955	100
5			Issue	Page
			VOE 63H9920002	753

VOLVO

BL71





Volvo Construction
Equipment
1003948

Fig.	Part No.	Quantity					P S	K I T	Description	Dénomination	Bezeichnung	Denominación	Benämning	Notes
		1	2	3	4	5								
1	VOE 11888420	1						Bucket.....	Godet	Löffel	Cuchara	Skopa.....	WID = 300 MM	
1	VOE 11888421		1					Bucket.....	Godet	Löffel	Cuchara	Skopa.....	WID = 400 MM	
1	VOE 11888437				1			Bucket.....	Godet	Löffel	Cuchara	Skopa.....	WID = 12" (300 MM)	
2	VOE 11888422			1				Bucket.....	Godet	Löffel	Cuchara	Skopa.....	WID = 450 MM	
2	VOE 11888438					1		Bucket.....	Godet	Löffel	Cuchara	Skopa.....		
3	VOE 11987752	3	3	4	3	4		•Bucket Tooth	•Dent de godet	•Löffelzahn	•Diente Cuchara	•Skoptand.....		
4	VOE 11884312	3	3	4	3	4		••Bucket Tooth	••Dent de godet	••Löffelzahn.....	••Diente Cuchara	••Skoptand.....		
5	VOE 11801591	3	3	4	3	4		••Tooth Holder	••Porte dent	••Zahnhalter	••Porta-diente	••Holktand.....		
6	VOE 11884314	3	3	4	3	4		••Key	••Clavette.....	••Keil	••Llave (cuna)	••Kil.....		

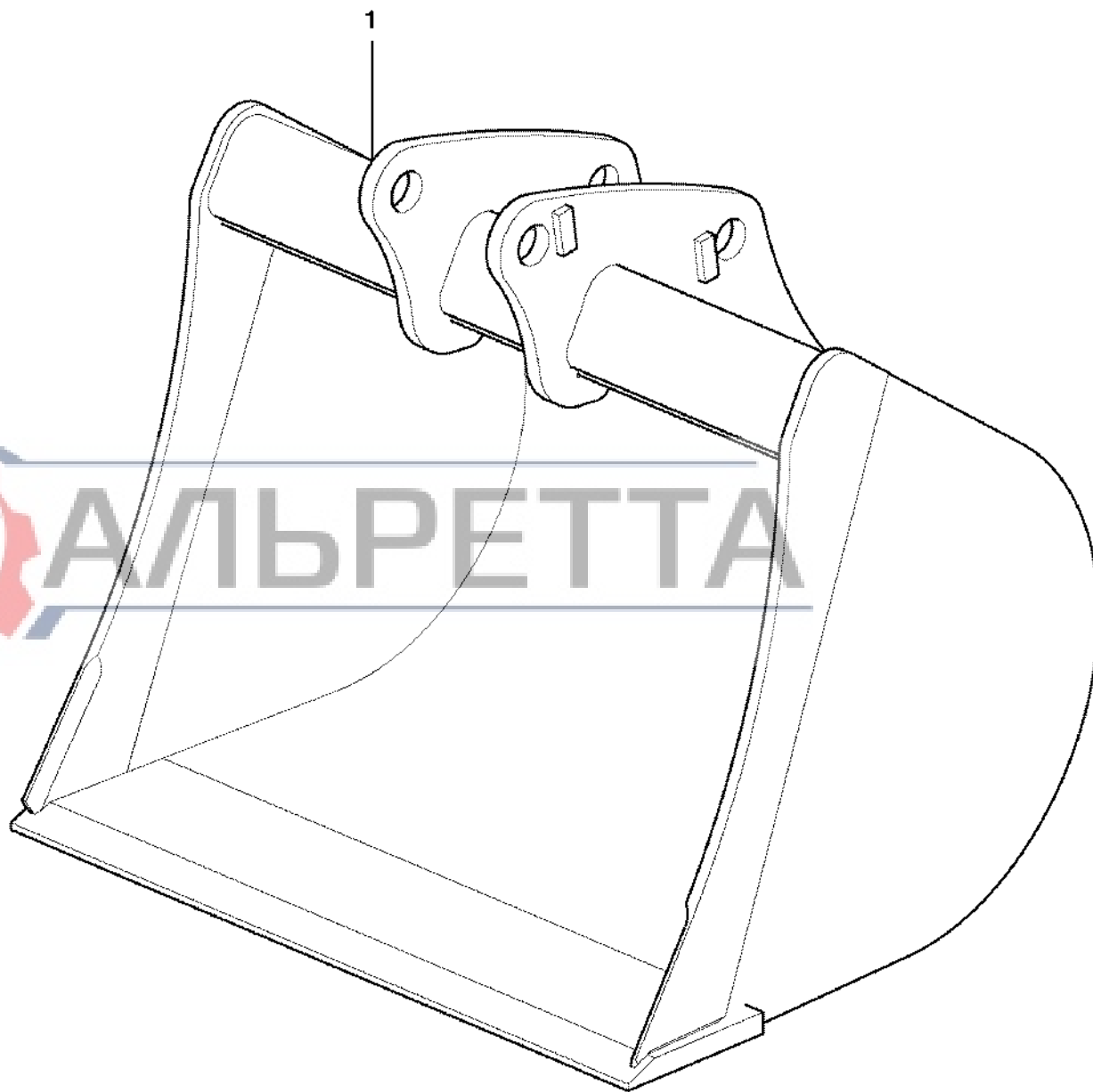
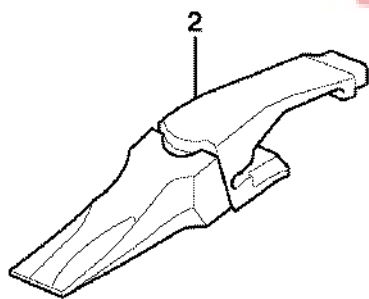
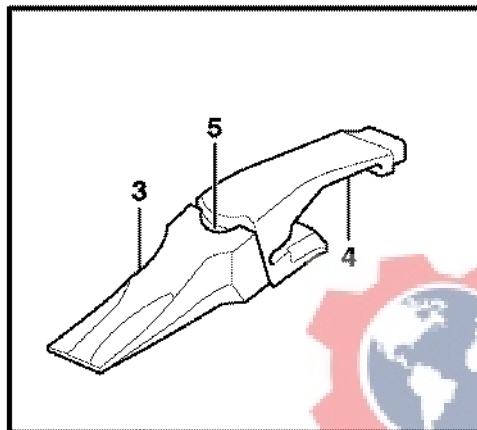


1	11891202	Skopa, rak med tänder Cuchara, recta con dientes Schaufel, gerade mit Zähnen Godet, droit avec dents Bucket, straight with teeth S/N 14670 -	Catalogue id 20002	Group 925
2	11891091		Illustr. No 1003948	Section 125
3	11891092			Issue VOE 63H9920002
4	11891321			
5	11891043			

VOLVO

BL71





Volvo Construction
Equipment
1003947

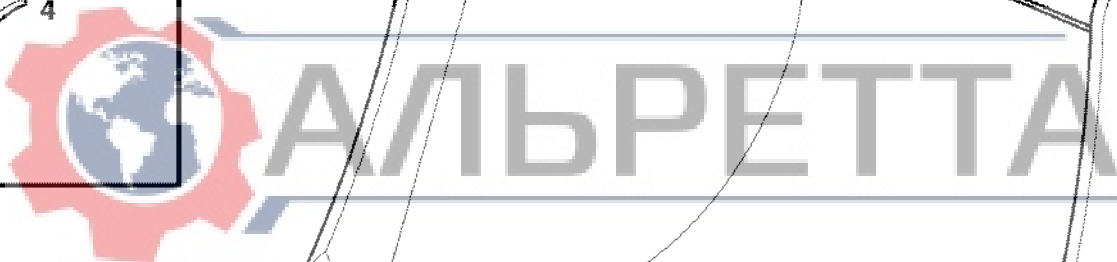


Fig.	Part No.	Quantity			P S	K I T	Description	Dénomination	Bezeichnung	Denominación	Benämning	Notes
		1	2	3								
1	VOE 11888170	1				Bucket.....	Godet	Löffel	Cuchara.....	Skopa.....	WID = 36"	
1	VOE 11888440		1			Bucket.....	Godet	Löffel	Cuchara.....	Skopa.....	WID = 30"	
2		5	6	NS		•Tooth Assembly	•.....	•.....	•.....	•Tand.....		
3	VOE 11884312	5	6			••Bucket Tooth	••Dent de godet.....	••Löffelzahn	••Diente Cuchara.....	••Skoptand.....		
4	VOE 11801591	5	6			••Tooth Holder.....	••Porte dent.....	••Zahnhalter	••Porta-diente	••Holktand.....		
5	VOE 11884314	5	6			••Key	••Clavette	••Keil.....	••Llave (cuna).....	••Kil.....		

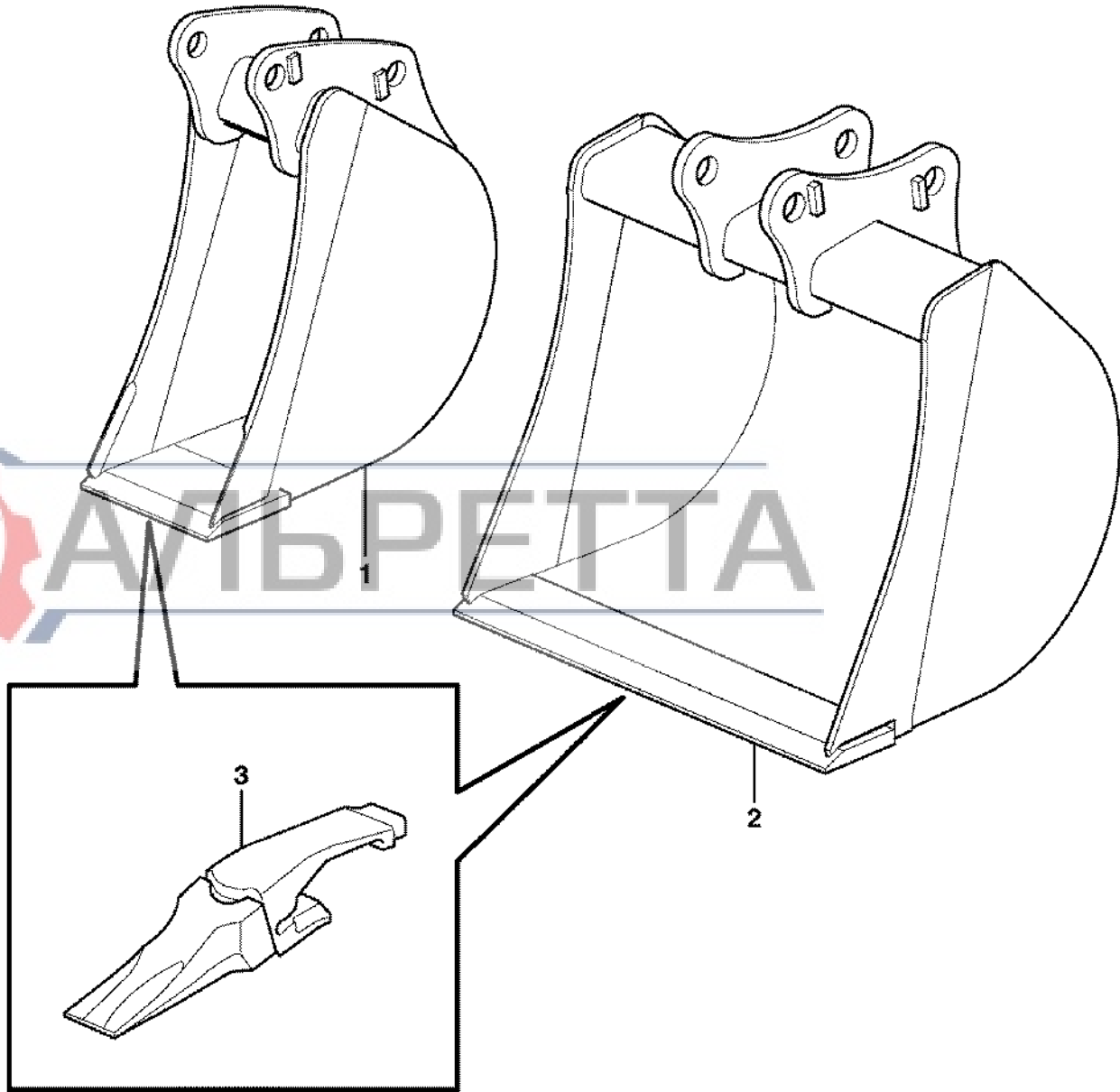
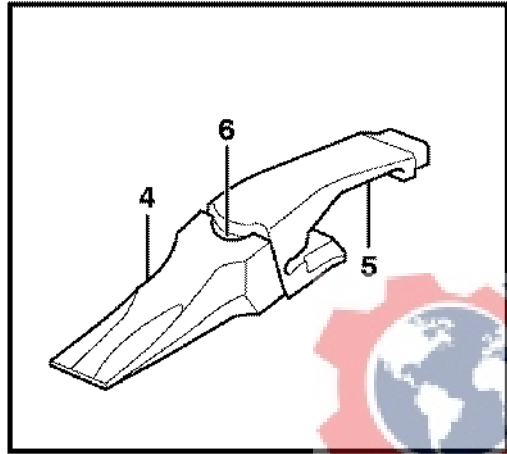


1	11891318	Skopa, rak med tänder Cuchara, recta con dientes Schaufel, gerade mit Zähnen Godet, droit avec dents Bucket, straight with teeth	Catalogue id	Group
2	11891320		20002	925
3			Illustr. No	Section
4			1003947	130
5			Issue	Page
		S/N 14670 -	VOE 63H9920002	757

VOLVO

BL71





Volvo Construction
Equipment
1003948

Fig.	Part No.	Quantity					P S	K I T	Description	Dénomination	Bezeichnung	Denominación	Benämning	Notes
		1	2	3	4	5								
1	VOE 11884454	1						Bucket.....	Godet	Löffel	Cuchara	Skopa.....	WIDE = 12"	
	VOE 11885039					1		Bucket.....	Godet	Löffel	Cuchara	Skopa.....	WIDE = 400MM	
2	VOE 11884471		1					Bucket.....	Godet	Löffel	Cuchara	Skopa.....	WIDE = 24"	
	VOE 11884463			1				Bucket.....	Godet	Löffel	Cuchara	Skopa.....	WIDE = 18"	
	VOE 11884479				1			Bucket.....	Godet	Löffel	Cuchara	Skopa.....	WIDE = 30"	
3	VOE 11881712	3	5	4	6	3	SS	•Tooth	•Dent	•Zahn	•Diente.....	•Tand.....		
4	VOE 11884312	3	5	4	6	3		••Bucket Tooth	••Dent de godet	••Löffelzahn.....	••Diente Cuchara	••Skoptand.....	(VOE 11988296)	
5	VOE 11988403	3	5	4	6	3		••Adapter.....	••Raccord Reduct. ...	••Verbind Stutzen....	••Adaptador	••Adapter.....		
6	VOE 11988297	3	5	4	6	3		••Lock Pin	••Goupille Verro.....	••Sicherungsstift.....	••Pasador Segurid ..	••Låspinne.....		

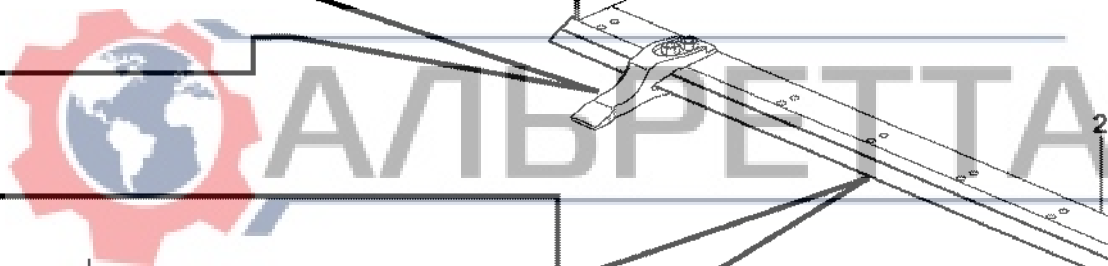
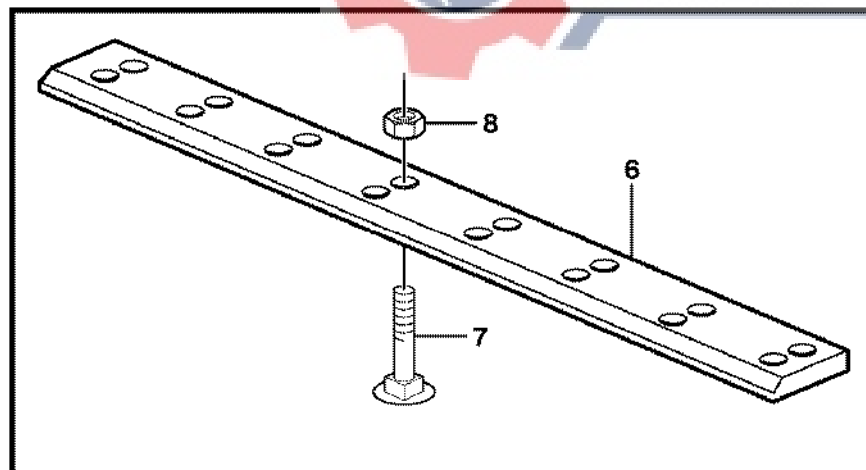
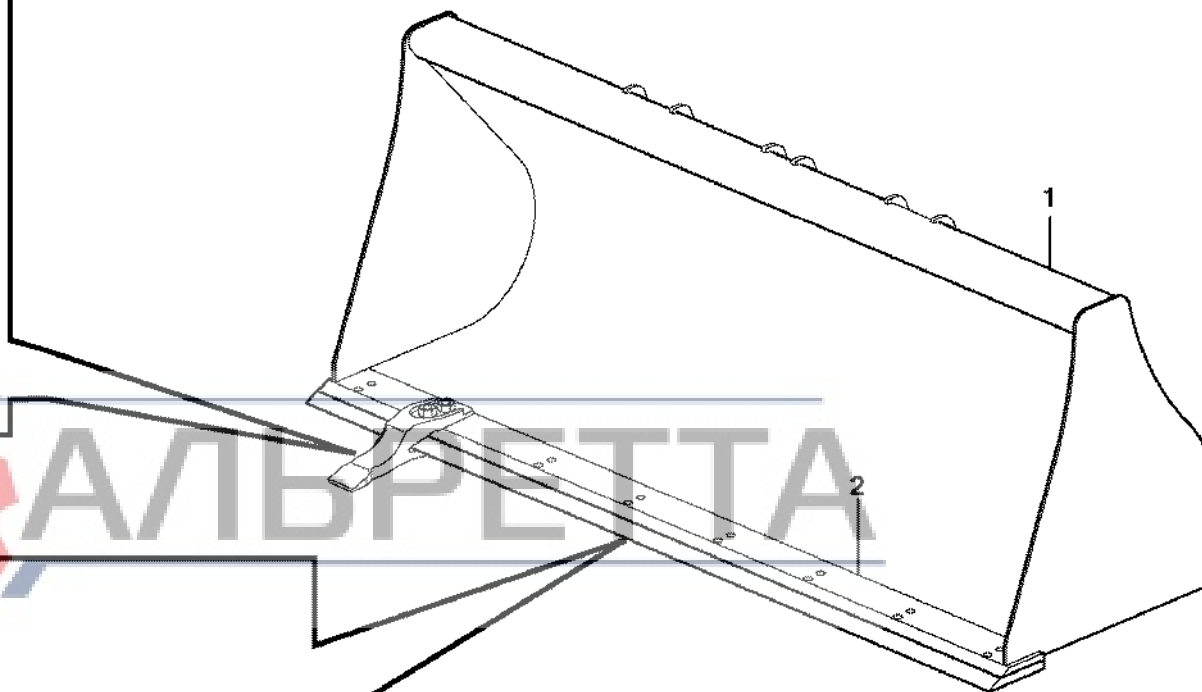
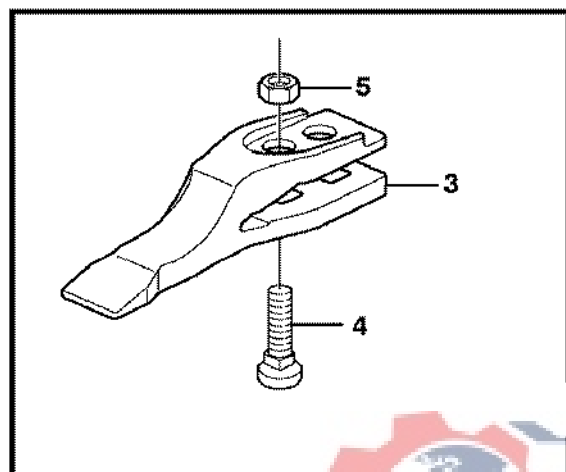


1	11891321 S/N - 14669	Skopa, rak med tänder Cuchara, recta con dientes Schaufel, gerade mit Zähnen Godet, droit avec dents Bucket, straight with teeth CBACKHOE)	Catalogue id	Group
2	11891320 S/N - 14669		20002	925
3	11891043 S/N - 14669		Illustr. No	Section
4	11891319		1003948	150
5	11891091 S/N - 14669		Issue	Page
			VOE 63H9920002	759

VOLVO

BL71





Volvo Construction
Equipment
1003969

Fig.	Part No.	Quantity			P S	K I T	Description	Dénomination	Bezeichnung	Denominación	Benämning	Notes
		1	2	3								
1	VOE 11886653	1				Bucket.....	Godet	Löffel	Cuchara.....	Skopa.....	(VOE 11884026) WIDE = 2350 MM	
2	VOE 11881240	1				•Blade	•Tôle usure.....	•Verschl Klinge.....	•Hoja.....	•Slitstål.....		
3	VOE 11881047		8			Tooth.....	Dent	Zahn	Diente	Tand.....		
4	VOE 11081028		16			Sq Neck Screw	Vis Tete Bombée	Schr. M. 4-kant.....	Tornillo Rotula	Kullerskruv.....		
5	VOE 979022		16			Nut	Ecrou.....	Mutter	Tuerca	Mutter.....		
6	VOE 11883780			1		Blade.....	Tôle usure.....	Verschl Klinge.....	Hoja.....	Slitstål.....		
7	VOE 11081026			16		Sq Neck Screw	Vis Tete Bombée	Schr. M. 4-kant.....	Tornillo Rotula	Kullerskruv.....		
8	VOE 979022			16		Nut	Ecrou.....	Mutter	Tuerca	Mutter.....		



1	11891194	Skopa, rak med tänder Cuchara, recta con dientes Schaufel, gerade mit Zähnen Godet, droit avec dents Bucket, straight with teeth (LOADER)	Catalogue id	Group
2	11891265		20002	925
3	11891264		Illustr. No	Section
4			1003969	200
5			Issue	Page
			VOE 63H9920002	761

VOLVO

BL71



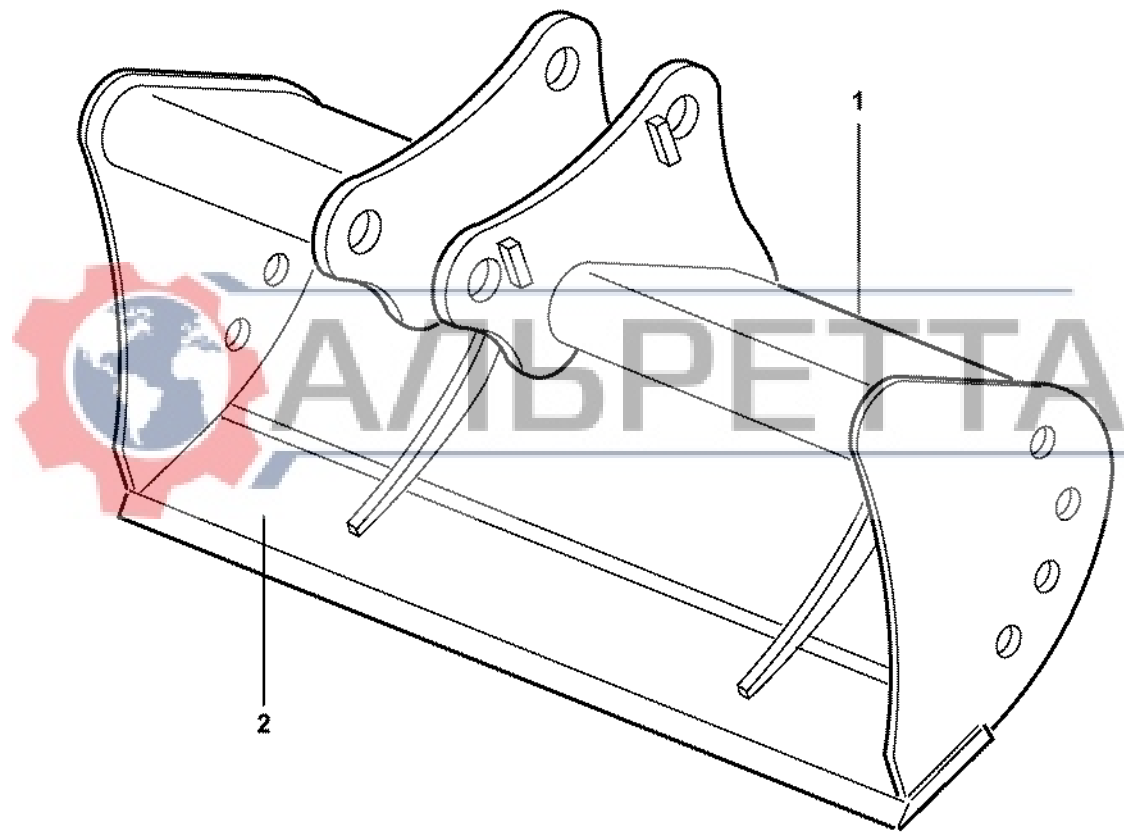


Fig.	Part No.	Quantity			P S	K I T	Description	Dénomination	Bezeichnung	Denominación	Benämning	Notes
		1	2	3								
1	VOE 11886418	1				Bucket.....	Godet	Löffel	Cuchara.....	Skopa.....	Wide = 1500MM	
1	VOE 11886424		1			Bucket.....	Godet	Löffel	Cuchara.....	Skopa.....	Wide = 1200MM	
2	VOE 11886425		1			•Plate	•Plaque.....	•Platte.....	•Placa	•Platta.....		



1	11891295	Skopa, rak utan tänder Cuchara recta sin dientes Schaufel, gerade, ohne Zähne Godet, droit sans dents Bucket, straight lip without teeth (BACKHOE)	Catalogue id	Group
2	11891296		20002	925
3			Illustr. No	Section
4			1002364	250
5			Issue	Page
			VOE 63H9920002	763

VOLVO

BL71



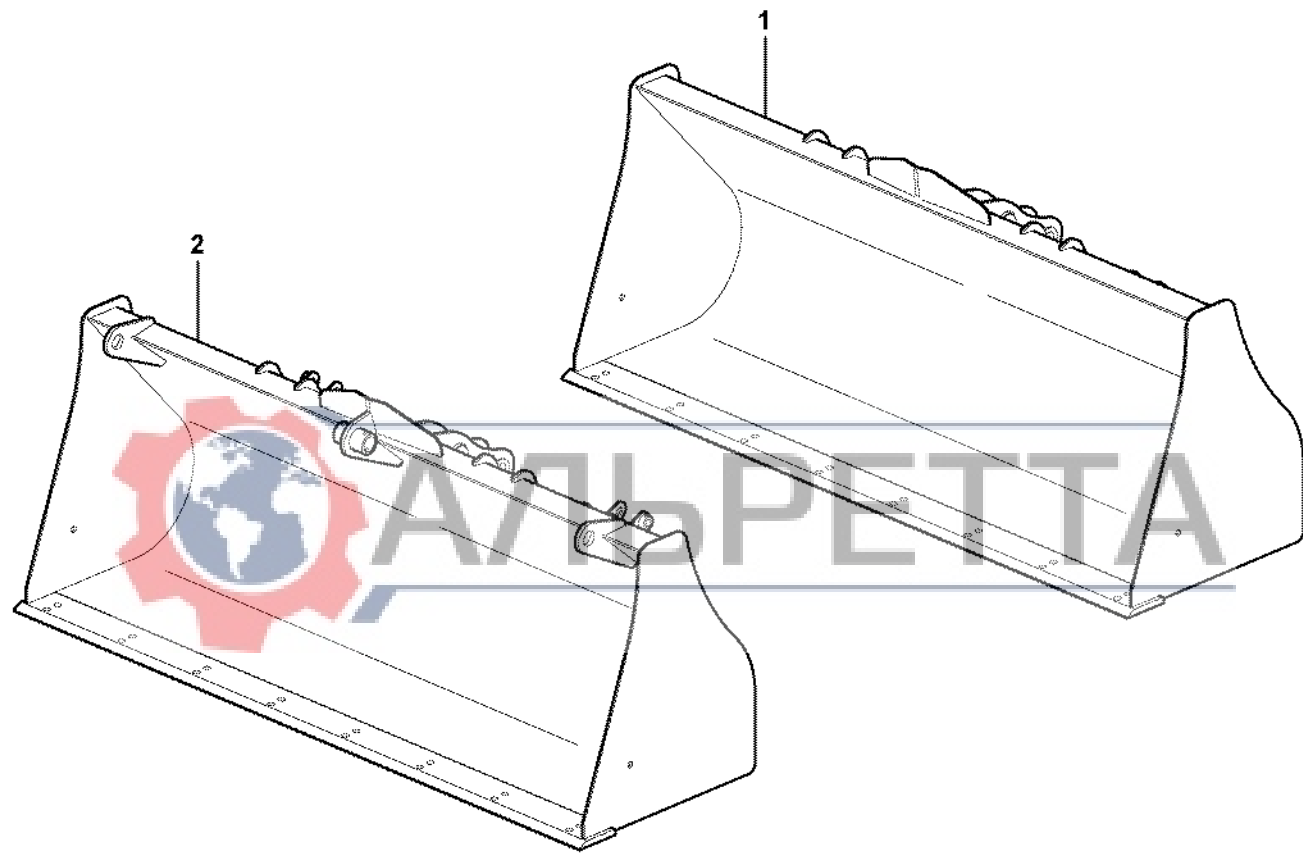


Fig.	Part No.	Quantity			P S	K I T	Description	Dénomination	Bezeichnung	Denominación	Benämning	Notes
		1	2	3								
1	VOE 11888238	1				Bucket.....	Godet	Löffel	Cuchara.....	Skopa.....		
2	VOE 11888809		1			Bucket.....	Godet	Löffel	Cuchara.....	Skopa.....		

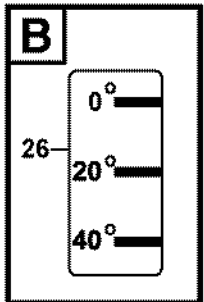
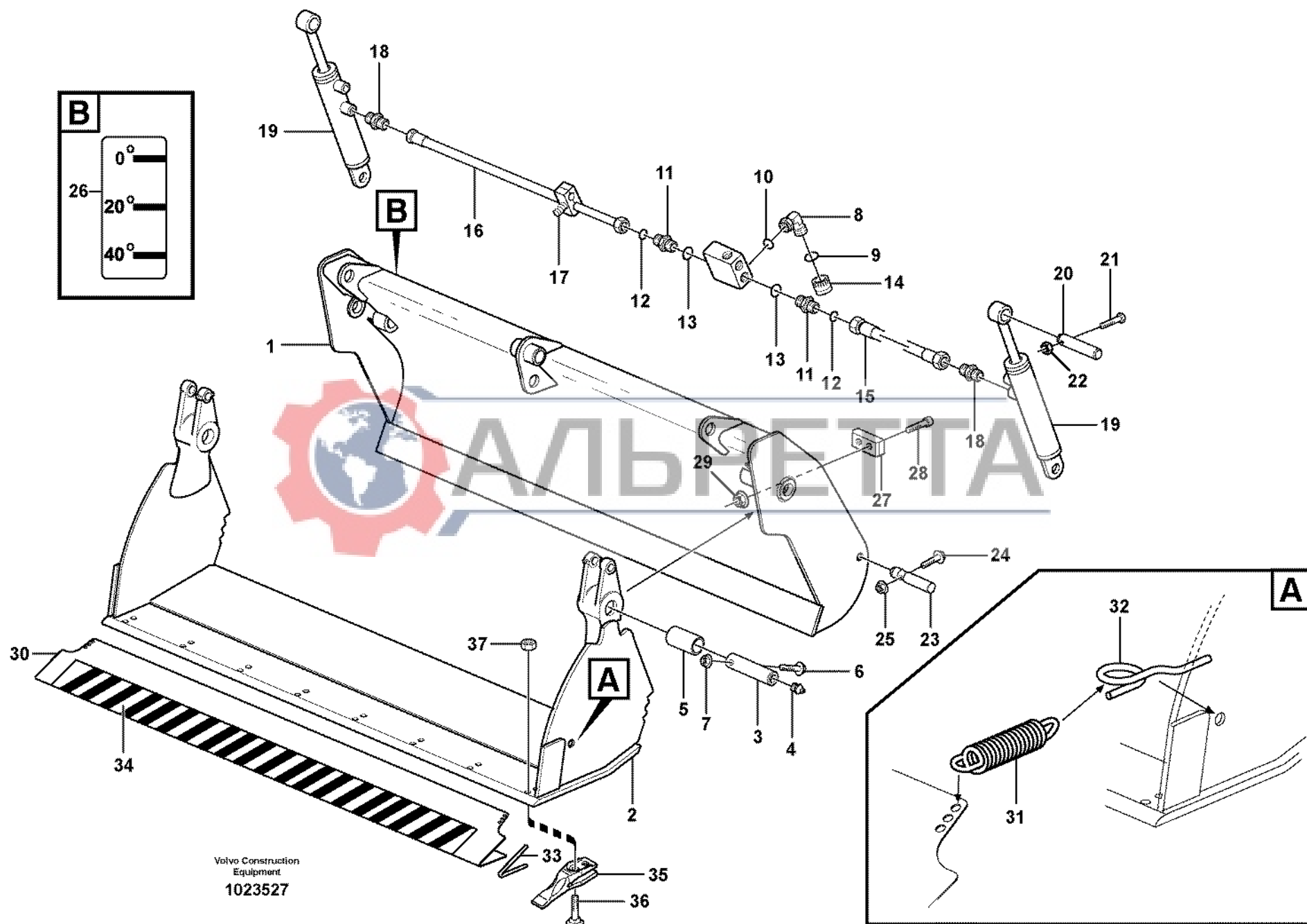


1	11891540	Skopa, rak utan tänder Cuchara recta sin dientes Schaufel, gerade, ohne Zähne Godet, droit sans dents Bucket, straight lip without teeth	Catalogue id	Group
2	11891565		20002	925
3			Illustr. No	Section
4			1025967	260
5			Issue	Page
			VOE 63H9920002	765

VOLVO

BL71





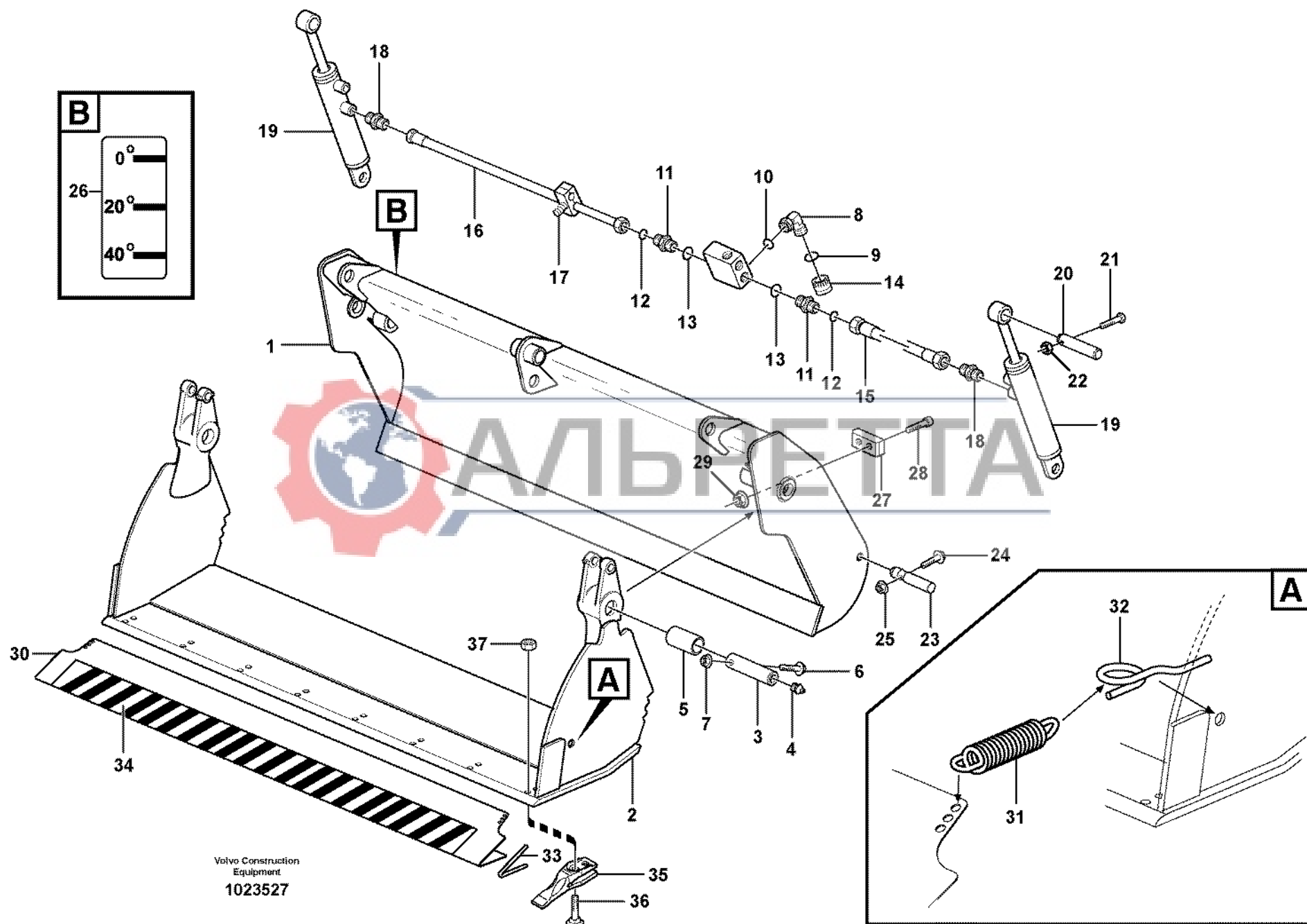
Volvo Construction
Equipment
1023527

Fig.	Part No.	Quantity					P S	K T	Description	Dénomination	Bezeichnung	Denominación	Benämning	Notes
		1	2	3	4	5								
	VOE 11884921	1					SS	Bucket.....	Godet	Löffel	Cuchara	Skopa.....	SER NO - 10960	
1		1					NS	•Backrest Frame	•Cadre Dossier	•Rückenlehngest.....	•Marco Respaldo	•Ryggram.....		
2		1					NS	•Plate	•Plaque.....	•Platte	•Placa	•Platta.....		
3	VOE 11881091	2						•Pin	•Goupille.....	•Zapfen	•Pasador.....	•Tapp.....		
4	VOE 914167	2						•Nipple	•Raccord.....	•Nippel	•Niple	•Nippel.....		
5	VOE 11881154	2						•Bushing	•Bague.....	•Buchse.....	•Casquillo	•Bussning.....		
6	VOE 13965190	2						•Screw	•Vis	•Schraube	•Tornillo	•Skruv.....		
7	VOE 13971095	2						•Flange nut	•Ecrou accouple.	•Bundmutter	•Tuerca embridad... ..	•Flänsmutter.....		
8	VOE 935073	2						•Elbow nipple	•Raccord angulaire.	•Winkelnippel	•Niple angular	•Winkelnippel.....		
9	VOE 990738	1						••O-ring	••Joint Torique	••O-Ring	••Junta torica	••O-ring.....		
10	VOE 932041	1						••O-ring	••Joint Torique	••O-Ring	••Junta torica	••O-ring.....		
11	VOE 935092	4						•Nipple	•Raccord.....	•Nippel	•Niple	•Nippel.....		
12	VOE 990739	1						••O-ring	••Joint Torique	••O-Ring	••Junta torica	••O-ring.....		
13	VOE 932041	1						••O-ring	••Joint Torique	••O-Ring	••Junta torica	••O-ring.....		
14		2					NS	•Cap Plug.....	•Boucho.capuchon	•Bundschraube	•Tapon	•Hattplugg.....		
15	VOE 11885738	2						•Hose assembly	•Conduit flexible	•Schlauchleitung	•Conducto.....	•Slangledning.....	L = 750 MM	
16	VOE 11885736	2						•Hose assembly	•Conduit flexible	•Schlauchleitung	•Conducto.....	•Slangledning.....	L = 750 MM	
17	VOE 11881641	1						•Clamp	•Pince Serrage	•Klemme	•Abrazadera.....	•Klänna.....		
18	VOE 11883196	4						•Fitting.....	•Ecrou raccord	•Verschraubung	•Racor.....	•Förskruvning.....	SER NO - 13690	
	VOE 990738	1						••O-ring	••Joint Torique	••O-Ring	••Junta torica	••O-ring.....		
	VOE 432039	1						••O-ring	••Joint Torique	••O-Ring	••Junta torica	••O-ring.....		
19		2						•Cylinder	•Verin.....	•Zylinder.....	•Cilindro	•Cylinder.....	See group 925, Page 777	
20	VOE 11881149	2						•Pin	•Goupille.....	•Zapfen	•Pasador.....	•Tapp.....		
21	VOE 13965182	2						•Flange screw	•Vis à bride	•Flansschraube	•Torn embridado	•Flänsskruv.....		
22	VOE 13945408	2						•Nut.....	•Ecrou.....	•Mutter	•Tuerca	•Mutter.....		
23	VOE 11881153	2						•Pin	•Goupille.....	•Zapfen	•Pasador.....	•Tapp.....		
24	VOE 13965187	2						•Flange screw	•Vis à bride	•Flansschraube	•Torn embridado	•Flänsskruv.....		
25	VOE 13971095	2						•Flange nut	•Ecrou accouple.	•Bundmutter	•Tuerca embridad... ..	•Flänsmutter.....		
26	VOE 11883252	1						•Decal	•Decalcomanie	•Abziehbild	•Decalcomania	•Dekal.....		
27	VOE 11881583		2					Rubber Block	Bloc Caoutchouc	Gummiblock.....	Bloque Goma	Gummikuts.....	11891282	



1	11891018 EARLY PROD	Kombiskopa Cuchara multipropósitos Kombilöffel Godet combiné Multi-purpose bucket	Catalogue id	Group
2	11891265		20002	925
3	11891282		Illustr. No	Section
4	11891015, 11891016		1023527	300
5			Issue	Page
		VOE 63H9920002	767	





Volvo Construction
Equipment
1023527

Fig.	Part No.	Quantity					P S	K I T	Description	Dénomination	Bezeichnung	Denominación	Benämning	Notes
		1	2	3	4	5								
28	VOE 969846			4				Screw	Vis	Schraube	Tornillo.....	Skruv.....	11891282	
29	VOE 948645			4				Flange Lock Nut.....	Contre écrou bride..	Flanschmutter	Contratuer Embr.....	Flänslåsmutter.....	11891282	
30	VOE 11884094				1			Guard.....	Protection	Schutz.....	Protección	Skydd.....	11891015, 11891016	
31	VOE 11315002				2			Tension spring	Ressort traction	Zugfeder	Resorte tension	Dragfjäder.....	11891015, 11891016	
32	ZM 2801364				2			Lug.....	Oreille.....	Öse	Oreja.....	Öra.....	11891015, 11891016	
33	VOE 11305168				1			Edge protection.....	Renfort bord	Kantbeschlag	Guarnic canto	Kantskoning.....	11891015, 11891016 L = 300 MM	
34	VOE 11884095				1			Decal.....	Decalcomanie.....	Abziehbild	Decalcomania.....	Dekal.....	11891016 ITA	
35	VOE 11881047		8					Tooth.....	Dent.....	Zahn.....	Diente	Tand.....	11891265	
36	VOE 11081028		16					Sq Neck Screw	Vis Tete Bombée....	Schr. M. 4-kant	Tornillo Rotula	Kullerskruv.....	11891265	
37	VOE 979022		16					Nut	Ecrou.....	Mutter.....	Tuerca	Mutter.....	11891265	

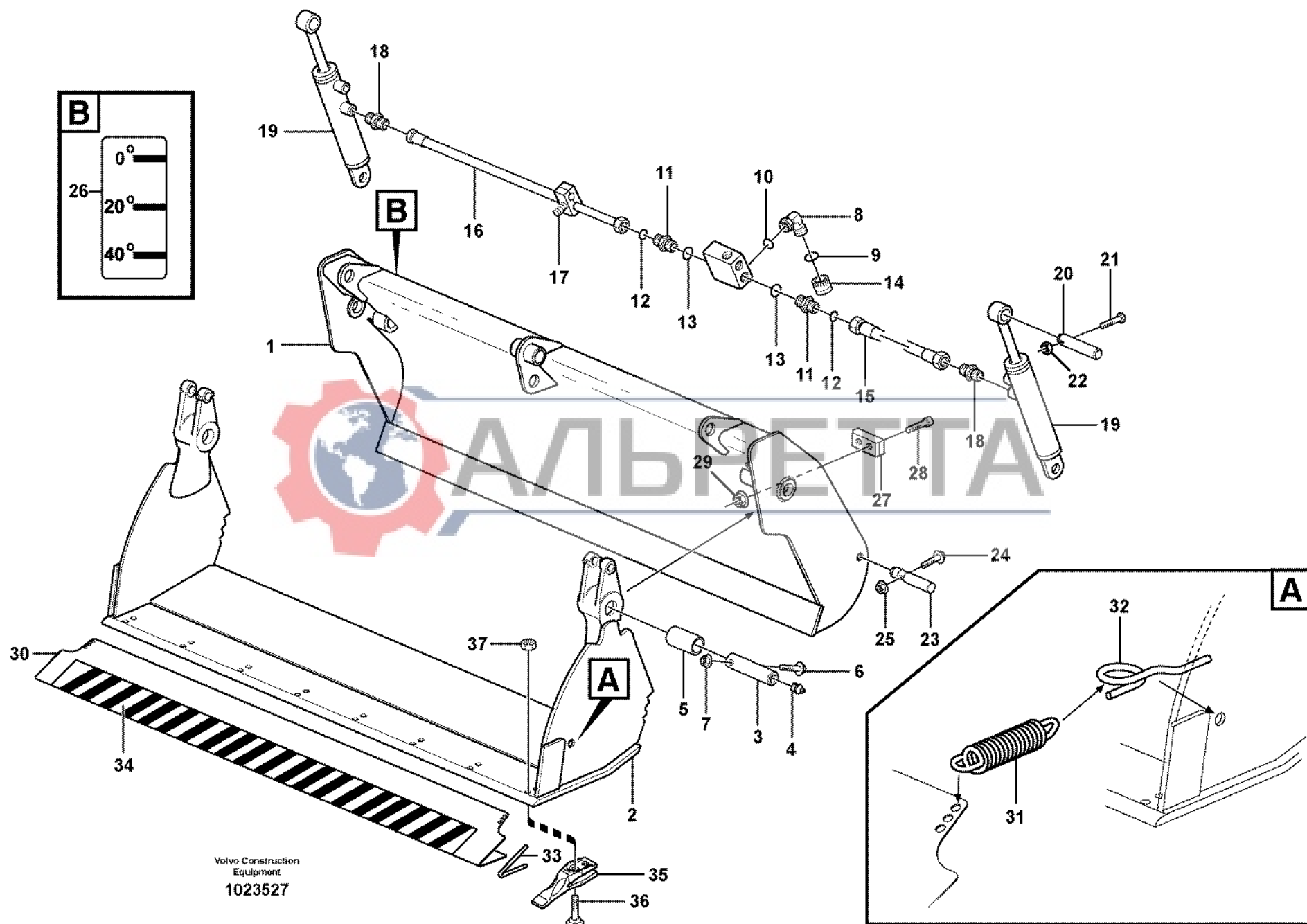


1	11891018 EARLY PROD	Kombiskopa Cuchara multipropósitos Kombilöffel Godet combiné Multi-purpose bucket	Catalogue id	Group
2	11891265		20002	925
3	11891282		Illustr. No	Section
4	11891015, 11891016		1023527	300
5			Issue	Page
		VOE 63H9920002	769	

VOLVO

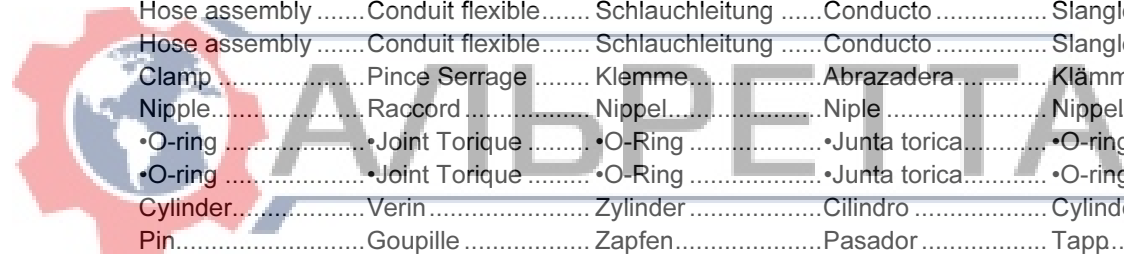
BL71





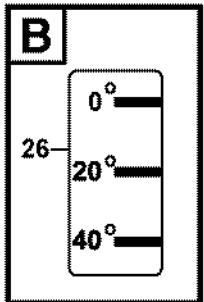
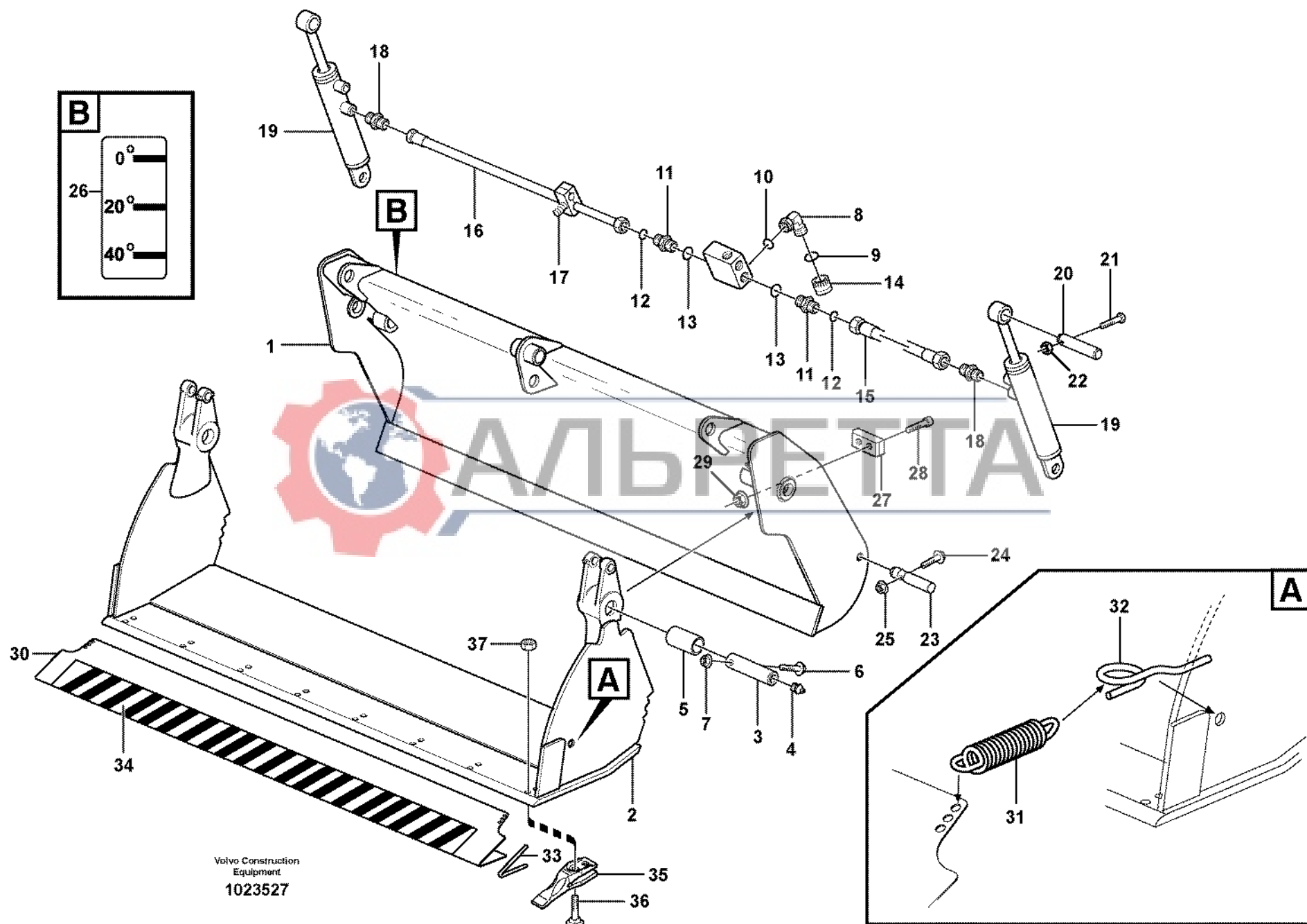
Volvo Construction
Equipment
1023527

Fig.	Part No.	Quantity					P S	K T	Description	Dénomination	Bezeichnung	Denominación	Benämning	Notes
		1	2	3	4	5								
	VOE 11885876	1						Bucket.....	Godet	Löffel	Cuchara.....	Skopa.....	SER NO 10961 - 13690	
	VOE 11887209	1						Bucket.....	Godet	Löffel	Cuchara.....	Skopa.....	SER NO 13691 -	
1		1				NS		•Backrest Frame	•Cadre Dossier	•Rückenlehngest.....	•Marco Respaldo	•Ryggram.....		
2		1				NS		•Plate	•Plaque.....	•Platte	•Placa	•Platta.....		
3	VOE 11881091	2						•Pin	•Goupille.....	•Zapfen	•Pasador.....	•Tapp.....		
4	VOE 914167	2						•Nipple	•Raccord.....	•Nippel	•Niple	•Nippel.....		
5	VOE 11881154	2						•Bushing	•Bague.....	•Buchse.....	•Casquillo	•Bussning.....		
6	VOE 13965190	2						•Screw	•Vis	•Schraube	•Tornillo	•Skruv.....		
7	VOE 13971095	2						•Flange nut	•Ecrou accouple.	•Bundmutter	•Tuerca embridad	•Flänsmutter.....		
8	VOE 935073	2						Elbow nipple	Raccord angulaire ..	Winkelnippel	Niple angular	Vinkelnippel.....		
9	VOE 990738	1						•O-ring	•Joint Torique	•O-Ring	•Junta torica.....	•O-ring.....		
10	VOE 932041	1						•O-ring	•Joint Torique	•O-Ring	•Junta torica.....	•O-ring.....		
11	VOE 935092	4						Nipple.....	Raccord.....	Nippel.....	Niple	Nippel.....		
12	VOE 990739	1						•O-ring	•Joint Torique	•O-Ring	•Junta torica.....	•O-ring.....		
13	VOE 932041	1						•O-ring	•Joint Torique	•O-Ring	•Junta torica.....	•O-ring.....		
14		2				NS		Cap Plug	Boucho.capuchon ..	Bundschraube.....	Tapon	Hattplugg.....		
15	VOE 11885738	2						Hose assembly	Conduit flexible.....	Schlauchleitung	Conducto	Slangledning.....	L = 750 MM	
16	VOE 11885736	2						Hose assembly	Conduit flexible.....	Schlauchleitung	Conducto	Slangledning.....	L = 750 MM	
17	VOE 11886153	1						Clamp	Pince Serrage	Klemme.....	Abrazadera.....	Klämma.....		
18	VOE 935091	4						Nipple.....	Raccord.....	Nippel.....	Niple	Nippel.....	SER NO 13691 -	
	VOE 990738	1						•O-ring	•Joint Torique	•O-Ring	•Junta torica.....	•O-ring.....		
	VOE 932041	1						•O-ring	•Joint Torique	•O-Ring	•Junta torica.....	•O-ring.....		
19		2						Cylinder.....	Verin	Zylinder	Cilindro	Cylinder.....	See group 925, Page 777	
20	VOE 11881149	2						Pin.....	Goupille	Zapfen.....	Pasador	Tapp.....		
21	VOE 13965182	2						Flange screw	Vis à bride	Flanschschraube	Torn embridado	Flänsskruv.....		
22	VOE 13945408	2						Nut	Ecrou.....	Mutter.....	Tuerca	Mutter.....		
23	VOE 11881153	2						Pin.....	Goupille	Zapfen.....	Pasador	Tapp.....		
24	VOE 13965188	2						Flange screw	Vis à bride	Flanschschraube	Torn embridado	Flänsskruv.....		
25	VOE 13971095	2						Flange nut.....	Ecrou accouple.	Bundmutter	Tuerca embridad	Flänsmutter.....		
26	VOE 11883252	1						Decal.....	Decalcomanie.....	Abziehbild	Decalcomania.....	Dekal.....		



1	11891018 LATE PROD	Kombiskopa Cuchara multipropósitos Kombilöffel Godet combiné Multi-purpose bucket	Catalogue id	Group
2	11891265		20002	925
3	11891282		Illustr. No	Section
4	11891015, 11891016		1023527	310
5			Issue	Page
			VOE 63H9920002	771





Volvo Construction
Equipment
1023527

Fig.	Part No.	Quantity					P S	K T	Description	Dénomination	Bezeichnung	Denominación	Benämning	Notes
		1	2	3	4	5								
27	VOE 11881583			2				Rubber Block	Bloc Caoutchouc	Gummiblock	Bloque Goma	Gummikuts	11891282	
28	VOE 969846			4				Screw	Vis	Schraube	Tornillo	Skruv	11891282	
29	VOE 948645			4				Flange Lock Nut	Contre écrou bride ..	Flanschmutter	Contratuer Embr	Flänslåsmutter	11891282	
30	VOE 11884094				1	1		Guard	Protection	Schutz	Protección	Skydd	11891015, 11891016	
31	VOE 11315002				2	2		Tension spring	Ressort traction	Zugfeder	Resorte tension	Dragfjäder	11891015, 11891016	
32	ZM 2801364				2	2		Lug	Oreille	Öse	Oreja	Öra	11891015, 11891016	
33	VOE 11305168				1	1		Edge protection	Renfort bord	Kantbeschlag	Guarnic canto	Kantskoning	11891015, 11891016 L = 300 MM	
34	VOE 11884095				1	1		Decal	Decalcomanie	Abziehbild	Decalcomania	Dekal	11891016 ITA	
35	VOE 11881047		8					Tooth	Dent	Zahn	Diente	Tand	11891265	
36	VOE 11081028		16					Sq Neck Screw	Vis Tete Bombée	Schr. M. 4-kant	Tornillo Rotula	Kullerskruv	11891265	
37	VOE 979022		16					Nut	Ecrou	Mutter	Tuerca	Mutter	11891265	

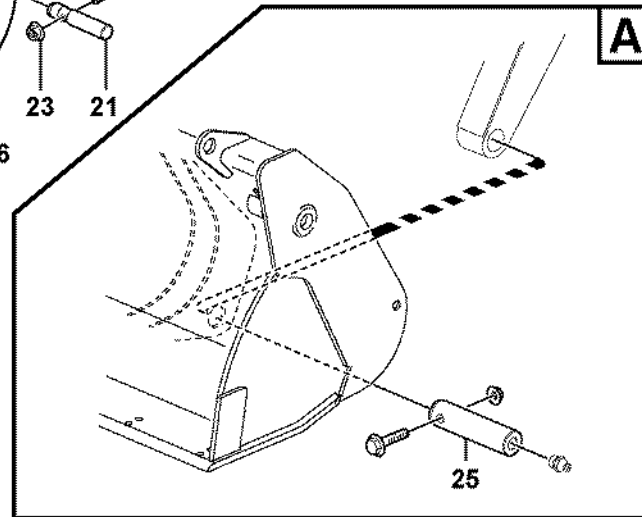
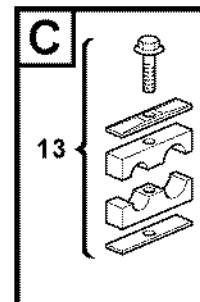
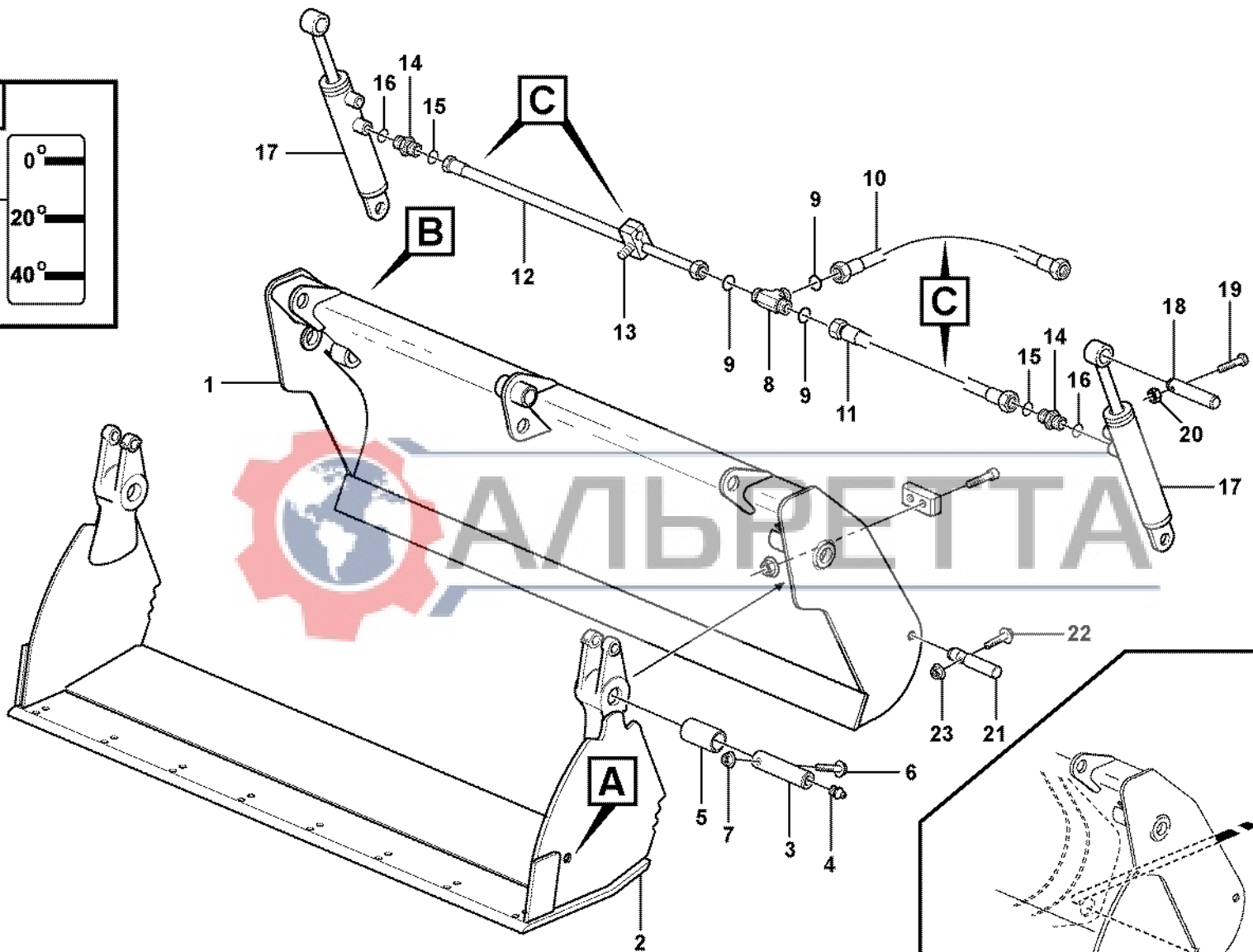
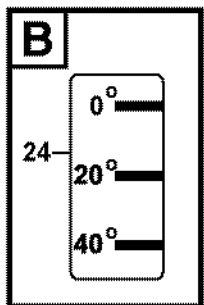


1	11891018 LATE PROD	Kombiskopa Cuchara multipropósitos Kombilöffel Godet combiné Multi-purpose bucket	Catalogue id	Group
2	11891265		20002	925
3	11891282		Illustr. No	Section
4	11891015, 11891016		1023527	310
5			Issue	Page
			VOE 63H9920002	773

VOLVO

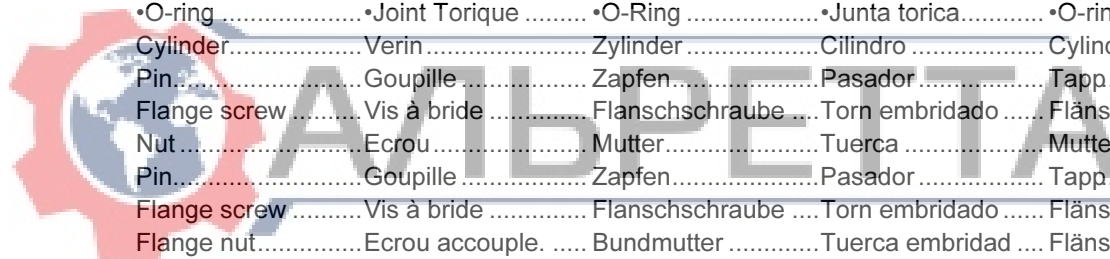
BL71





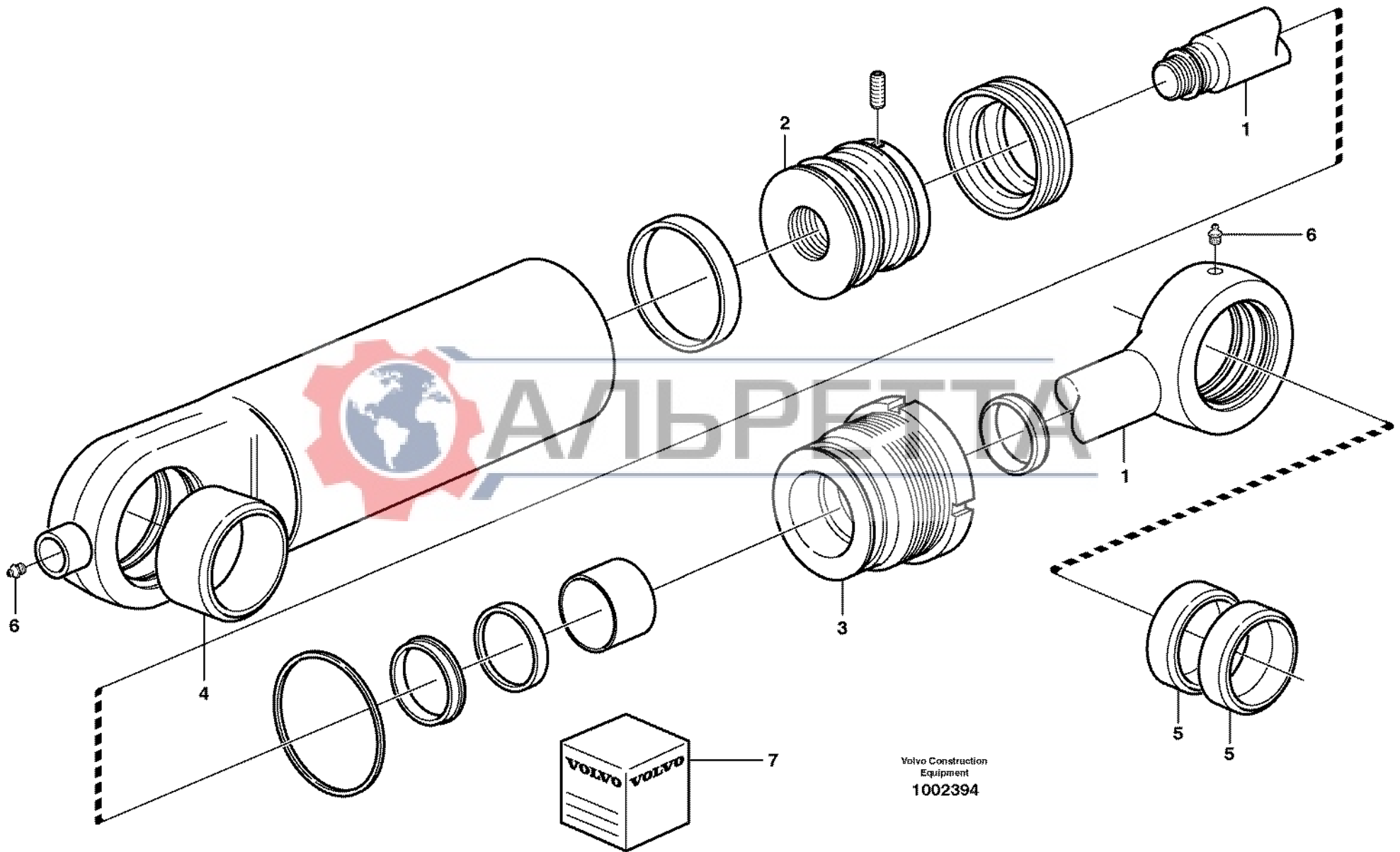
Volvo Construction
Equipment
1025969

Fig.	Part No.	Quantity					P S	K I T	Description	Dénomination	Bezeichnung	Denominación	Benämning	Notes
		1	2	3	4	5								
	VOE 11887763	1						Bucket.....	Godet	Löffel	Cuchara	Skopa.....		
1		1					NS	•Backrest Frame	•Cadre Dossier	•Rückenlehngest.....	•Marco Respaldo	•Ryggram.....		
2		1					NS	•Plate	•Plaque.....	•Platte	•Placa	•Platta.....		
3	VOE 11881091	2						•Pin	•Goupille.....	•Zapfen	•Pasador.....	•Tapp.....		
4	VOE 914167	2						•Nipple	•Raccord.....	•Nippel	•Niple	•Nippel.....		
5	VOE 11881154	2						•Bushing	•Bague.....	•Buchse.....	•Casquillo	•Bussning.....		
6	VOE 13965190	2						•Screw	•Vis.....	•Schraube	•Tornillo	•Skruv.....		
7	VOE 13971095	2						•Flange nut	•Ecrou accouple.	•Bundmutter	•Tuerca embridad ...	•Flänsmutter.....		
8	VOE 935453	2						T-nipple.....	Raccord-t.....	T-Nippel	Niple T.....	T-nippel.....		
9	VOE 990738	6						•O-ring	•Joint Torique	•O-Ring	•Junta torica.....	•O-ring.....		
10	VOE 11888254	2						Hose	Durit.....	Schlauch	Tubo flexible	Slang.....		
11	VOE 11886567	2						Hose assembly	Conduit flexible.....	Schlauchleitung	Conducto	Slangledning.....		
12	VOE 937950	1						Hose assembly	Conduit flexible.....	Schlauchleitung	Conducto	Slangledning.....		
13	VOE 11886153	4						Clamp	Pince Serrage	Klemme.....	Abrazadera.....	Klämma.....		
14	VOE 935091	4						Nipple.....	Raccord.....	Nippel.....	Niple	Nippel.....		
15	VOE 990738	4						•O-ring	•Joint Torique	•O-Ring	•Junta torica.....	•O-ring.....		
16	VOE 932039	4						•O-ring	•Joint Torique	•O-Ring	•Junta torica.....	•O-ring.....		
17	VOE 11887168	2						Cylinder.....	Verin.....	Zylinder	Cilindro	Cylinder.....		
18	VOE 11881149	2						Pin.....	Goupille	Zapfen.....	Pasador	Tapp.....		
19	VOE 13965182	2						Flange screw	Vis à bride	Flanschschraube	Torn embridado	Flänsskruv.....		
20	VOE 13945408	2						Nut.....	Ecrou.....	Mutter.....	Tuerca	Mutter.....		
21	VOE 11888216	2						Pin.....	Goupille	Zapfen.....	Pasador	Tapp.....		
22	VOE 13965188	2						Flange screw	Vis à bride	Flanschschraube	Torn embridado	Flänsskruv.....		
23	VOE 13971095	2						Flange nut.....	Ecrou accouple.	Bundmutter	Tuerca embridad ...	Flänsmutter.....		
24	VOE 11883252	1						Decal.....	Decalcomanie.....	Abziehbild	Decalcomania.....	Dekal.....		
25		1						Attaching kit.....	Kit de fixation.....	Befestigungssatz	Juego de fijación ...	Fästsats.....	See group 945, Page 795	



1	Kombiskopa Cuchara multipropósitos Kombilöffel Godet combiné Multi-purpose bucket 11891541	Catalogue id	Group
2		20002	925
3		Illustr. No	Section
4		1025969	320
5		Issue	Page
		VOE 63H9920002	775





Volvo Construction
Equipment
1002394

Fig.	Part No.	Quantity			P S	K I T	Description	Dénomination	Bezeichnung	Denominación	Benämning	Notes
		1	2	3								
	VOE 11882886	1					Cylinder.....	Verin.....	Zylinder	Cilindro	Cylinder.....	
1	VOE 11709909	1					•Piston rod	•Bielle de piston	•Kolbenstange	•Biela de piston	•Kolvstång.....	
2	VOE 11709912	1					•Piston.....	•Piston.....	•Kolben.....	•Piston	•Kolv.....	
3	VOE 11709911	1					•Pstn Rod Guide	•Gui.tige Piston	•Ko-stang Fuhrg	•Guia Var Piston	•Kolvst.styrning.....	
4	VOE 11709908	1					•Bushing.....	•Bague	•Buchse	•Casquillo	•Bussning.....	
5	VOE 11709910	2					•Bushing.....	•Bague	•Buchse	•Casquillo	•Bussning.....	
6	VOE 11709664	2					•Lub Nipple	•Graisseur	•Schmiernippel	•Engrasador	•Smörjnippel.....	
7	VOE 11709913	1					•Sealing Kit	•Jeu Joints.....	•Dichtungssatz	•Juego Retenes.....	•Tätningssats.....	

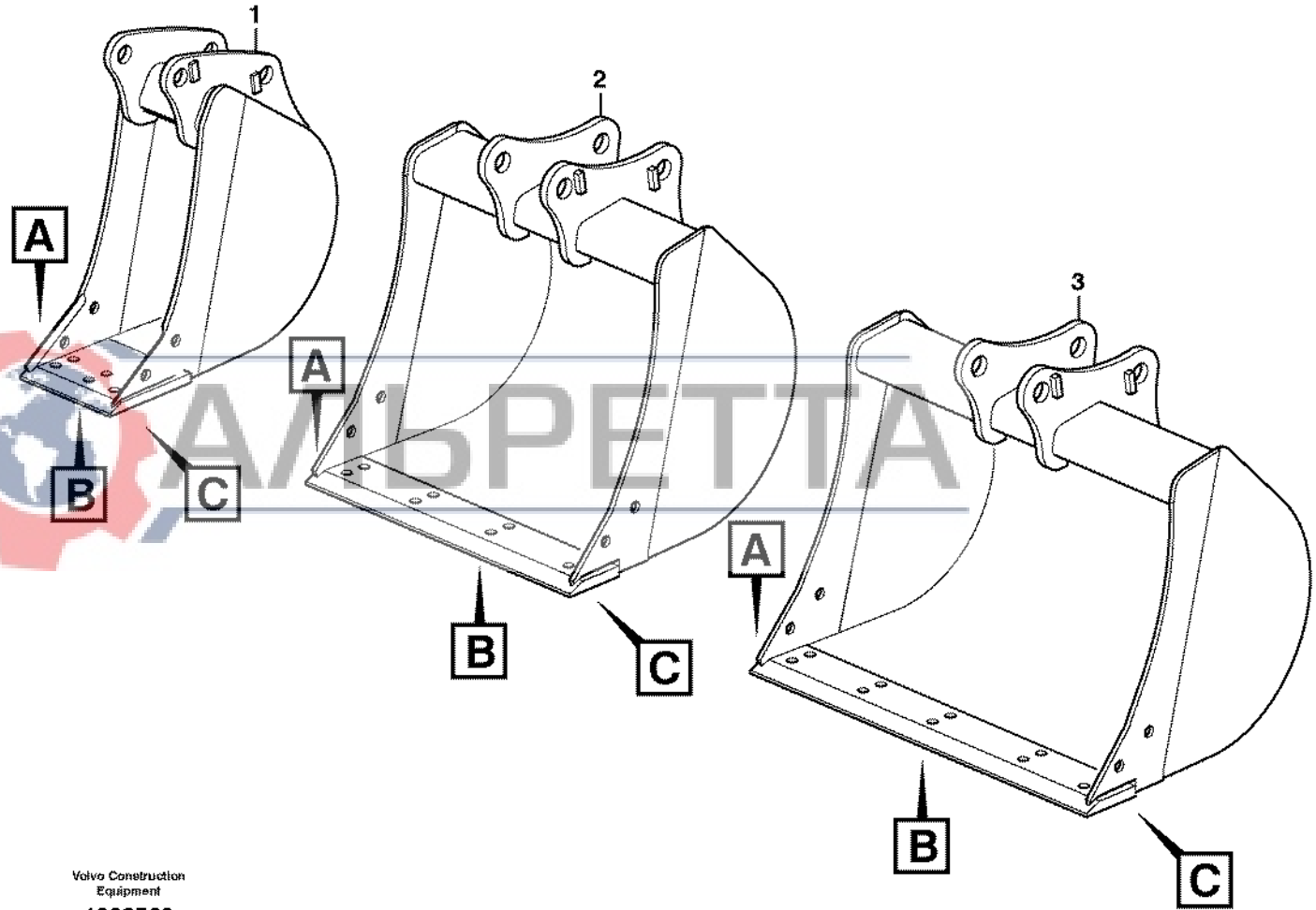
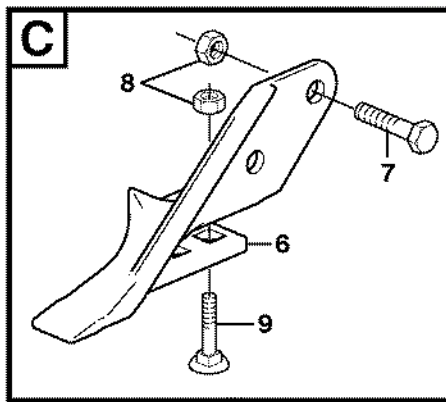
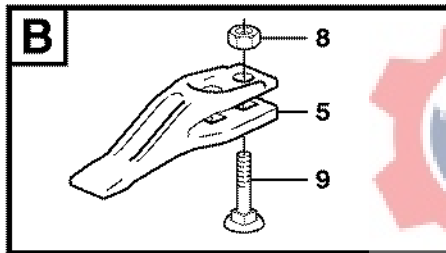
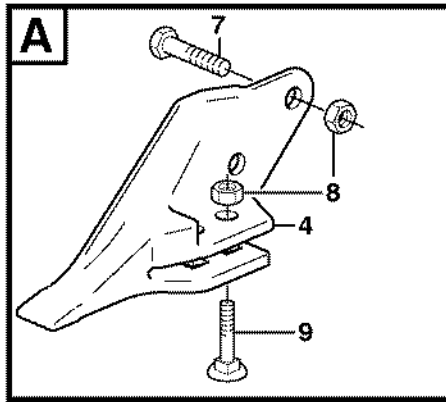


1		Hydraulicylinder Cilindros hidráulicos Hydraulikzylinder Vérins hydrauliques Hydraulic cylinder	Catalogue id	Group
2			20002	925
3			Illustr. No	Section
4			1002394	400
5			Issue	Page
		11891018 (MULTI-PURPOSE BUCKET)	VOE 63H9920002	777

VOLVO

BL71





Volvo Construction
Equipment
1009569

Fig.	Part No.	Quantity			P S	K I T	Description	Dénomination	Bezeichnung	Denominación	Benämning	Notes
		1	2	3								
1	VOE 11884871	1				Bucket.....	Godet	Löffel	Cuchara.....	Skopa.....	WIDE = 300 MM	
2	VOE 11884872		1			Bucket.....	Godet	Löffel	Cuchara.....	Skopa.....	WIDE = 610 MM	
3	VOE 11884873			1		Bucket.....	Godet	Löffel	Cuchara.....	Skopa.....	WIDE = 900 MM	
4	VOE 11884861	1	1	1	OP	•Tooth	•Dent	•Zahn.....	•Diente.....	•Tand.....		
5	VOE 11884862	1	2	3	SS	•Tooth	•Dent	•Zahn.....	•Diente.....	•Tand.....		
6	VOE 11884860	1	1	1	OP	•Tooth	•Dent	•Zahn.....	•Diente.....	•Tand.....		
7	VOE 11884874	4	4	4	OP	•Bolt	•Boulon.....	•Bolzen	•Perno	•Bult.....		
8	VOE 11884867	10	12	14		•Nut.....	•Ecrou	•Mutter.....	•Tuerca.....	•Mutter.....		
9	VOE 11884866	6	8	10		•Bolt	•Boulon.....	•Bolzen	•Perno	•Bult.....		

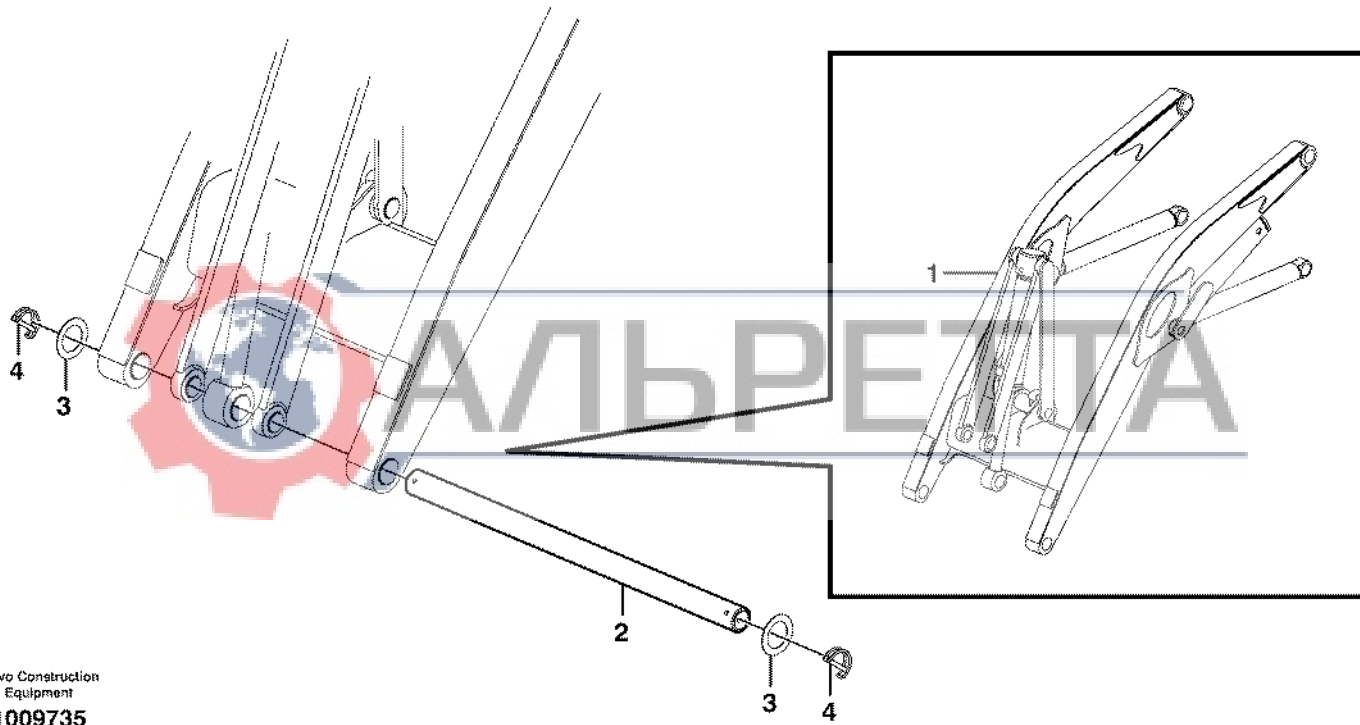


1	11891355	Skopa, rak med tänder Cuchara, recta con dientes Schaufel, gerade mit Zähnen Godet, droit avec dents Bucket, straight with teeth (BACKHOE)	Catalogue id	Group
2	11891356		20002	925
3	11891357		Illustr. No	Section
4			1009569	450
5			Issue	Page
			VOE 63H9920002	779

VOLVO

BL71





Volvo Construction
Equipment
1009735

Fig.	Part No.	Quantity			P S	K I T	Description	Dénomination	Bezeichnung	Denominación	Benämning	Notes
		1	2	3								
1		1				Loader arm.....	Bras de chargeur	Laderhübarm.....	Brazo de cargador.....	Lastarm.....	See group 945, Page 789	
2	VOE 11885595	1				Pin.....	Goupille.....	Zapfen.....	Pasador.....	Tapp.....		
3	VOE 11890115	2				Washer.....	Rondelle.....	Scheibe.....	Arandela.....	Bricka.....		
4	VOE 11885596	2				Clip.....	Clip.....	Klemme.....	Clip.....	Clips.....		



1	Transportfäste utan frontskopa Fijaciones de transporte sin cuchara frontal Transporthalterung ohne Schaufel Fixation transport sans godet frontal Transport bracket without front bucket	Catalogue id	Group
2		20002	925
3		Illustr. No	Section
4		1009735	500
5		Issue	Page
	11891350	VOE 63H9920002	781

VOLVO

BL71



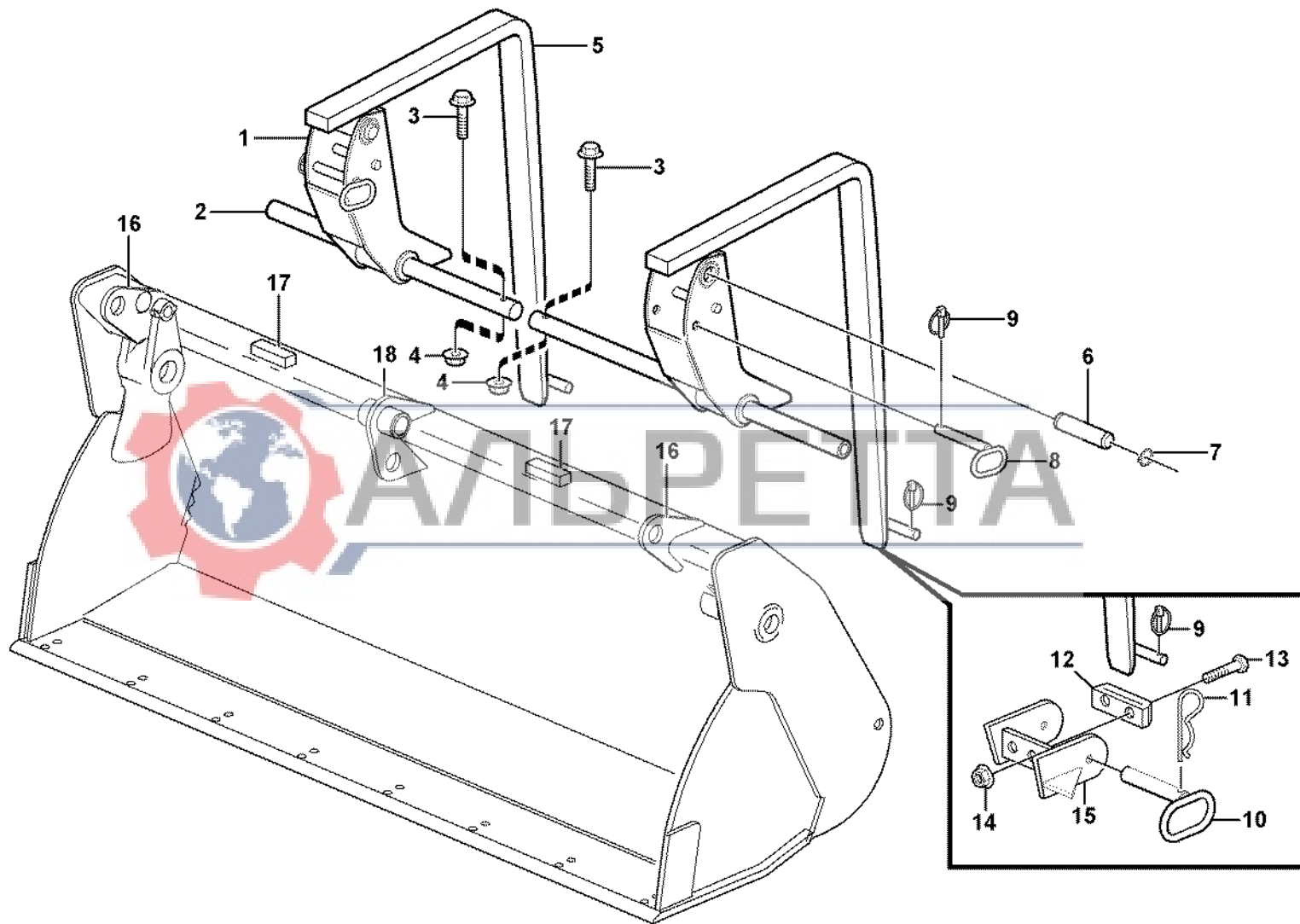
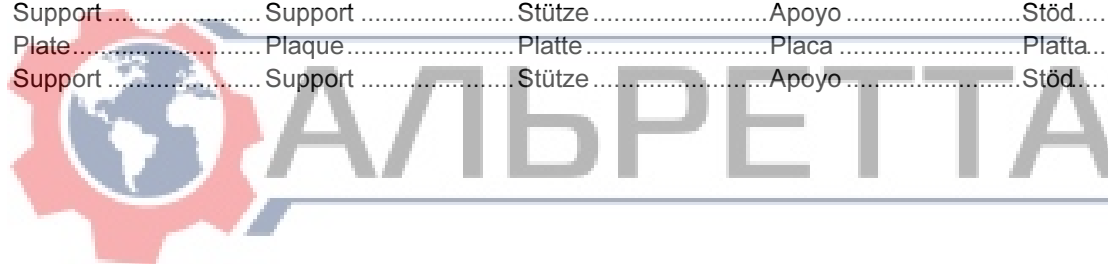


Fig.	Part No.	Quantity			P S	K I T	Description	Dénomination	Bezeichnung	Denominación	Benämning	Notes
		1	2	3								
1	VOE 11884125	2	2			Bracket.....	Console.....	Konsole	Ménsula.....	Konsol.....		
2	VOE 11881580	2	2			Fork Attachment.....	Fixatio.fourche	Gabelbefestig.	Fij Horquilla	Gaffelfäste.....		
3	VOE 13965189	2	2			Flange screw.....	Vis a bride	Flanschschaube.....	Torn embridado	Flänsskruv.....		
4	VOE 13971095	2	2			Flange nut.....	Ecrou accouple.	Bundmutter.....	Tuerca embridad	Flänsmutter.....		
5	VOE 11881579	2	2			Fork.....	Fourche.....	Gabel.....	Horquilla	Gaffel.....		
6	VOE 11881582	2	2			Pin.....	Goupille.....	Zapfen	Pasador.....	Tapp.....		
7	VOE 13914468	4	4			Snap Ring	Circlip	Nutring.....	Circlip	Spårring.....		
8	VOE 11881581	2	2			Pin.....	Clavette.....	Splint	Pasador.....	Sprint.....		
9	VOE 11881622	2	2			Locking pin.....	Goupille d'arrêt.....	Schliessbolzen	Pasador de cierre	Låspinne.....		
10	VOE 11884099	2	2			Pin.....	Clavette.....	Splint	Pasador.....	Sprint.....	(VOE 11883382)	
11	VOE 978997	2	2			Retaining pin.....	Goupille elast	Federsplint	Pasador resorte.....	Fjädersprint.....		
12	VOE 11881583	2	2			Rubber Block	Bloc Caoutchouc.....	Gummiblock	Bloque Goma	Gummikuts.....		
13	VOE 947760	4	4	SS		Flange screw.....	Vis à bride	Flanschschaube.....	Torn embridado	Flänsskruv.....		
14	VOE 948645	4	4			Flange Lock Nut.....	Contre écrou bride	Flanschmutter	Contratuer Embr.....	Flänslåsmutter.....		
15	VOE 11884972	1				Bracket.....	Console.....	Konsole	Ménsula.....	Konsol.....	LH	
	VOE 11884973	1				Fork Attachment.....	Fixatio.fourche	Gabelbefestig.	Fij Horquilla	Gaffelfäste.....	RH	
16	VOE 11884971	2				Support.....	Support	Stütze	Apoyo	Stöd.....		
17	VOE 11884928	2				Plate.....	Plaque	Platte	Placa	Platta.....		
18	VOE 11885010	1				Support.....	Support	Stütze	Apoyo	Stöd.....		

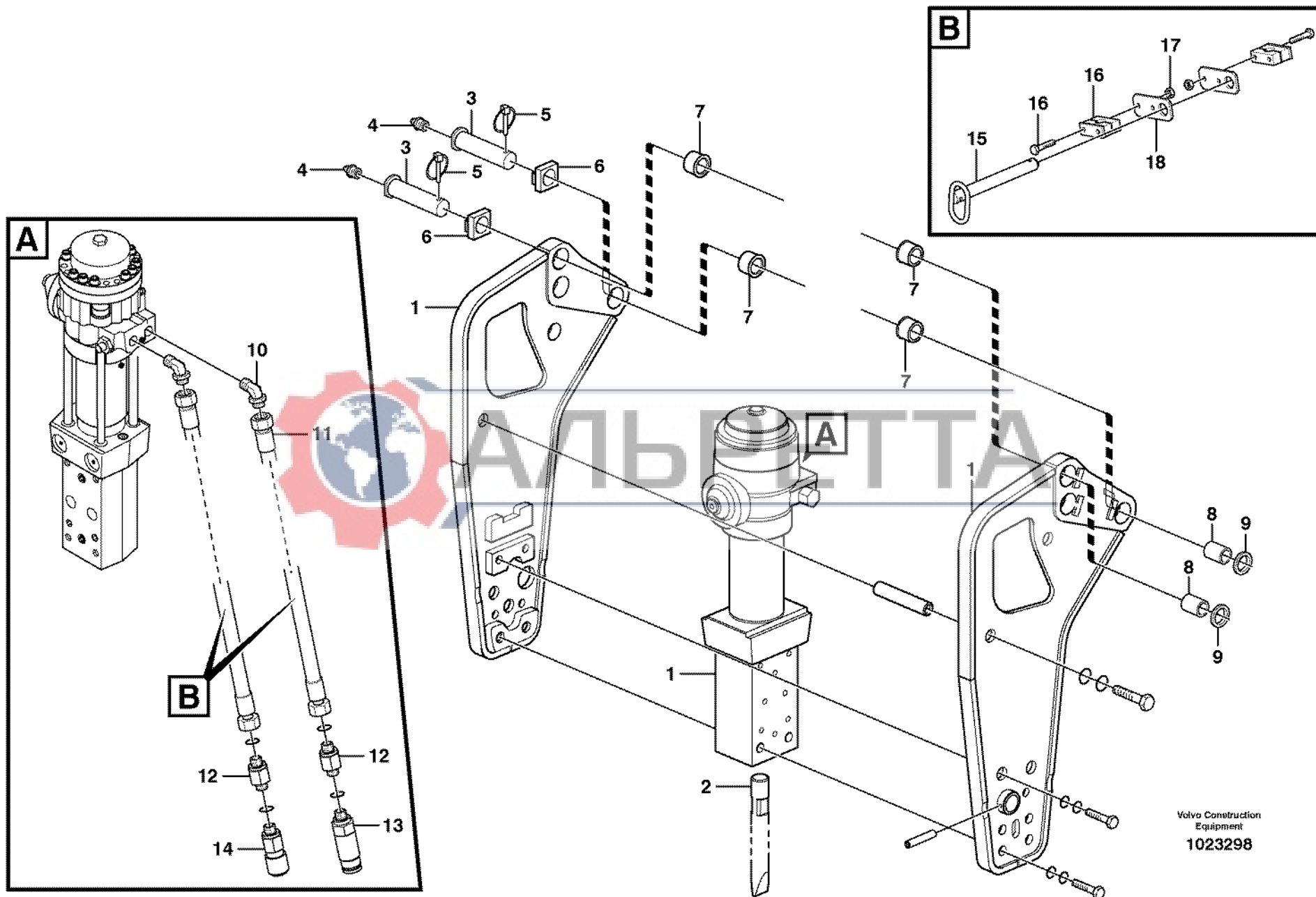


1	11891282	Gaffelarmsats Juego de brazos de horquilla Gabelarmsatz Jeu de bras de fourche Fork tine kit	Catalogue id	Group
2	11891176		20002	926
3			Illustr. No	Section
4			1012596	100
5			Issue	Page
			VOE 63H9920002	783

VOLVO

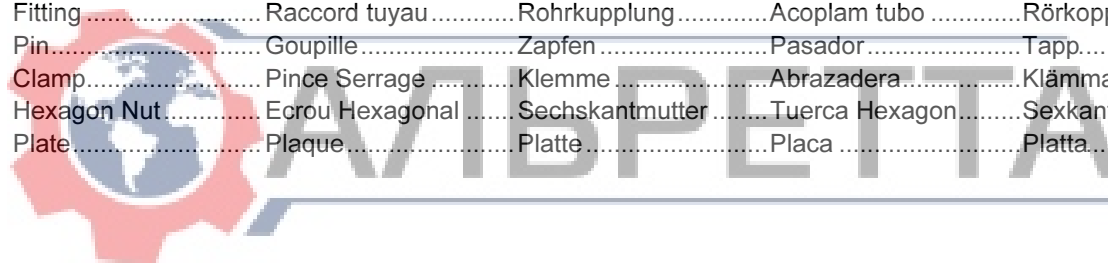
BL71





Volvo Construction
Equipment
1023298

Fig.	Part No.	Quantity			P S	K I T	Description	Dénomination	Bezeichnung	Denominación	Benämning	Notes
		1	2	3								
1	VOE 11885267	1					Hammer	Marteau	Hammer	Martillo	Hammare	
2	VOE 11884071	1					Tool	Outil	Gerät	Aparejo	Redskap	
3	VOE 11884032	2					Pin	Goupille	Zapfen	Pasador	Tapp	
4	VOE 914167	2					Nipple	Raccord	Nippel	Niple	Nippel	
5	VOE 11881622	2					Locking pin	Goupille d'arrêt	Schliessbolzen	Pasador de cierre	Låspinne	
6		2			NS		Spacer	Partie Intermédiaire	Zwischenstück	Espaciador	Mellandel	
7	VOE 11883969	4					Bushing	Bague	Buchse	Casquillo	Bussning	
8	VOE 11884028	2			OP		Spacer	Partie Intermédiaire	Zwischenstück	Espaciador	Mellandel	
9	VOE 955912	2					Washer	Rondelle	Scheibe	Arandela	Bricka	
10	VOE 11885306		2				Fitting	Ecrou raccord	Verschraubung	Racor	Förskruvning	
11	VOE 11885789		2				Hose	Durit	Schlauch	Tubo flexible	Slang	
11	VOE 11885307	2					Hose	Durit	Schlauch	Tubo flexible	Slang	
12	VOE 11881382		2				Nipple	Raccord	Nippel	Niple	Nippel	
	VOE 981290	2	1				•O-ring	•Joint Torique	•O-Ring	•Junta torica	•O-ring	
	VOE 932040		1				•O-ring	•Joint Torique	•O-Ring	•Junta torica	•O-ring	
13	VOE 11882299	1	1				Fitting	Raccord tuyau	Rohrkupplung	Acoplam tubo	Rörkoppling	
14	VOE 11882298	1	1				Fitting	Raccord tuyau	Rohrkupplung	Acoplam tubo	Rörkoppling	
15	VOE 11885264	1					Pin	Goupille	Zapfen	Pasador	Tapp	
16	VOE 11885216	2					Clamp	Pince Serrage	Klemme	Abrazadera	Klämma	
17	VOE 13971068	4					Hexagon Nut	Ecrou Hexagonal	Sechskantmutter	Tuerca Hexagon	Sexkantsmutter	
18	VOE 11885266	2					Plate	Plaque	Platte	Placa	Platta	

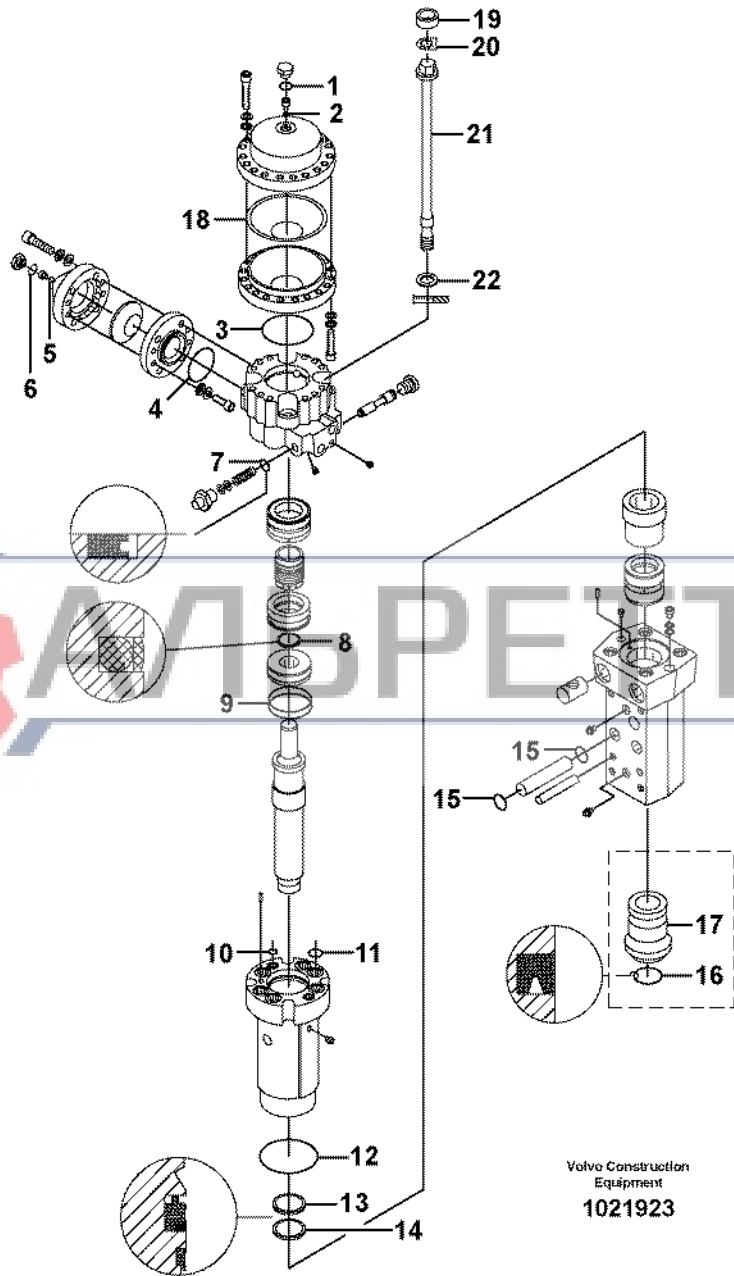


1	11891017	Hållare för hammare Soporte para martillo Halter für Hammer Support de marteau Retainer for hammer	Catalogue id	Group
2	11891331		20002	926
3	11891546		Illustr. No	Section
4			1023298	200
5			Issue	Page
			VOE 63H9920002	785

VOLVO

BL71





Volvo Construction
Equipment
1021923

Fig.	Part No.	Quantity			P S	K I T	Description	Dénomination	Bezeichnung	Denominación	Benämning	Notes
		1	2	3								
	VOE 11885267	1				Hammer	Marteau	Hammer	Martillo	Hammare		
	VOE 11988196	1				•Sealing Kit	•Jeu Joints	•Dichtungssatz	•Juego Retenes	•Tätningssats		
1		1			NS	•O-ring	•Joint Torique	•O-Ring	•Junta torica	•O-ring		
2		1			NS	•Ring	•Anneau	•Ring	•Anillo	•Ring		
3		1			NS	•O-ring	•Joint Torique	•O-Ring	•Junta torica	•O-ring		
4		1			NS	•O-ring	•Joint Torique	•O-Ring	•Junta torica	•O-ring		
5		1			NS	•Ring	•Anneau	•Ring	•Anillo	•Ring		
6		1			NS	•O-ring	•Joint Torique	•O-Ring	•Junta torica	•O-ring		
7		1			NS	•Seal	•Joint	•Dichtring	•Junta	•Tätning		
8		1			NS	•Seal	•Joint	•Dichtring	•Junta	•Tätning		
9		2			NS	•O-ring	•Joint Torique	•O-Ring	•Junta torica	•O-ring		
10		2			NS	•O-ring	•Joint Torique	•O-Ring	•Junta torica	•O-ring		
11		6			NS	•O-ring	•Joint Torique	•O-Ring	•Junta torica	•O-ring		
12		1			NS	•O-ring	•Joint Torique	•O-Ring	•Junta torica	•O-ring		
13		1			NS	•Seal	•Joint	•Dichtring	•Junta	•Tätning		
14		1			NS	•Wiper	•Essuie-glace	•Wischer	•Limpiaparabrisa	•Torkare		
15		4			NS	•O-ring	•Joint Torique	•O-Ring	•Junta torica	•O-ring		
16		1			NS	•Seal	•Joint	•Dichtring	•Junta	•Tätning		
17	VOE 11710932	1				•Bushing	•Bague	•Buchse	•Casquillo	•Bussning		
18	VOE 11710933	1				•Diaphragm	•Diaphragme	•Membrane	•Diafragma	•Membran		
19	VOE 11716349	4				•Rubber Ring	•Bague Caoutcho	•Gummiring	•Aro Goma	•Gummiring		
20	VOE 11716348	4				•Lock Plate	•Plaque Verroui	•Verschl Platte	•Placa Seguridad	•Låsplatta		
21	VOE 11716347	4				•Tie Rod	•Barre Accouple	•Spurstange	•Barra Acoplam	•Parallellstag		
22	VOE 11716350	4				•Washer	•Rondelle	•Scheibe	•Arandela	•Bricka		

1		Hammare Martillo Hammer Marteau Hammer 11891294	Catalogue id	Group
2			20002	926
3			Illustr. No	Section
4			1021923	250
5			Issue	Page
			VOE 63H9920002	787

VOLVO

BL71



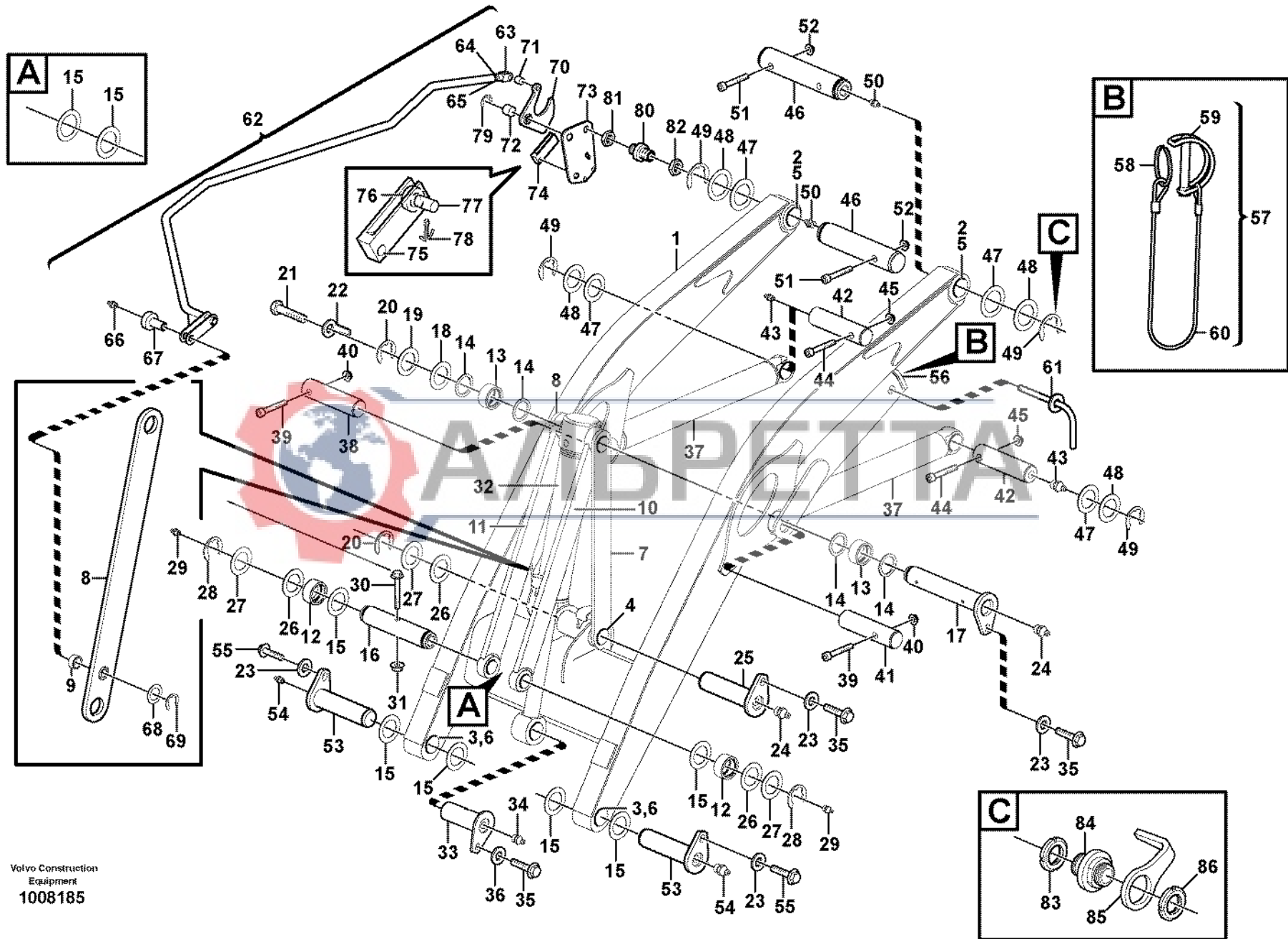
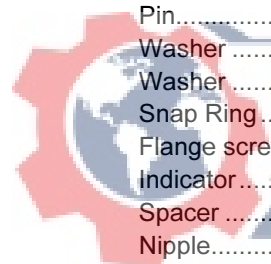


Fig.	Part No.	Quantity					P S	K T	Description	Dénomination	Bezeichnung	Denominación	Benämning	Notes
		1	2	3	4	5								
1	VOE 11885375	1						Loader arm	Bras de chargeur....	Laderhübarm	Brazo de cargador..	Lastarm.....		
2	VOE 11883772	2						•Bushing	•Bague.....	•Buchse.....	•Casquillo	•Bussning.....		
3	VOE 11883802	2						•Bushing	•Bague.....	•Buchse.....	•Casquillo	•Bussning.....		
4	VOE 11883803	2						•Bushing	•Bague.....	•Buchse.....	•Casquillo	•Bussning.....		
5	VOE 11890069	2						Seal.....	Joint.....	Dichtung.....	Reten	Tätning.....		
6	VOE 11882456	2						Seal.....	Joint.....	Dichtung.....	Reten	Tätning.....		
7	VOE 11884638	1						Link	Articulation	Gelenk	Articulacion	Länk.....	LH	
8	VOE 11884637	1						Link	Articulation	Gelenk	Articulacion	Länk.....	RH	
9	VOE 11883447	1						•Bushing	•Bague.....	•Buchse.....	•Casquillo	•Bussning.....		
10	VOE 11884822	1						Link	Articulation	Gelenk	Articulacion	Länk.....	LH	
11	VOE 11884815	1						Link	Articulation	Gelenk	Articulacion	Länk.....	RH	
12	VOE 11883801	2						•Bushing	•Bague.....	•Buchse.....	•Casquillo	•Bussning.....		
13	VOE 11883857	2						•Bushing	•Bague.....	•Buchse.....	•Casquillo	•Bussning.....		
14	VOE 11883937	4						Scraper	Racloir.....	Abstreicher.....	Rascador	Skrapa.....		
15	VOE 11882456	8						Seal.....	Joint.....	Dichtung.....	Reten	Tätning.....		
16	VOE 11882932	1						Pin.....	Goupille.....	Zapfen.....	Pasador.....	Tapp.....		
17	VOE 11884823	1						Pin.....	Goupille.....	Zapfen.....	Pasador.....	Tapp.....		
18	VOE 11883929	1						Washer	Rondelle	Scheibe	Arandela	Bricka.....	THICK = 2 MM	
19	VOE 11883930	1						Washer	Rondelle	Scheibe	Arandela	Bricka.....	THICK = 3 MM	
20	VOE 11890110	2						Snap Ring	Circlip	Nutring	Circlip	Spårring.....		
21	VOE 13965191	1						Flange screw	Vis à bride.....	Flanschschraube	Torn embridado	Flänsskruv.....		
22	VOE 11884117	1						indicator	Indicateur	Indikator	Indicador.....	Indikator.....		
23	VOE 11884168	4						Spacer	Entretoise	Abstandstueck	Casquillo distancia	Distans.....		
24	VOE 914167	2						Nipple	Raccord	Nippel.....	Niple	Nippel.....		
25	VOE 11883032	1						Pin.....	Goupille.....	Zapfen.....	Pasador.....	Tapp.....		
26	VOE 11890115	3						Washer	Rondelle	Scheibe	Arandela	Bricka.....	THICK = 2 MM	
27	VOE 11890116	3						Washer	Rondelle	Scheibe	Arandela	Bricka.....	THICK = 3 MM	
28	VOE 11890110	2						Snap Ring	Circlip	Nutring	Circlip	Spårring.....		
29	VOE 914167	2						Nipple.....	Raccord.....	Nippel.....	Niple	Nippel.....		
30	VOE 969313	1						Flange screw	Vis à bride.....	Flanschschraube	Torn embridado	Flänsskruv.....		



1	STD S/N - 14669	Lyftramverk med monteringsdetaljer Bastidor elevación con piezas de montaje Hubgerüst mit Anbauteilen Chassis levage avec pièces de montage Lifting framework with assembly parts	Catalogue id	Group
2	11891272		20002	945
3	11891311, 11891349		Illustr. No	Section
4	11891354, 11891374		1008185	150
5	11891000, 11891050		Issue	Page
		VOE 63H9920002	789	



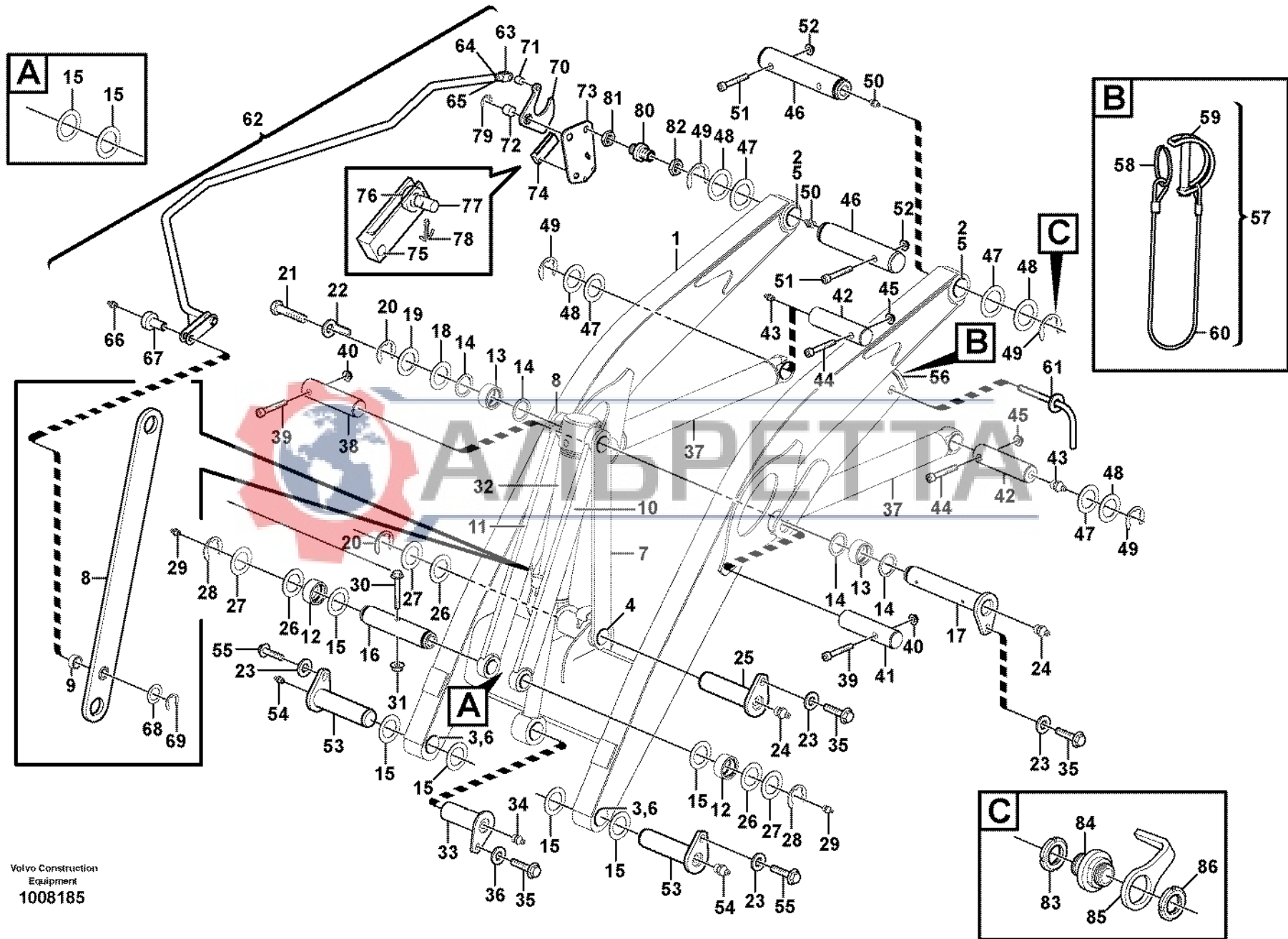
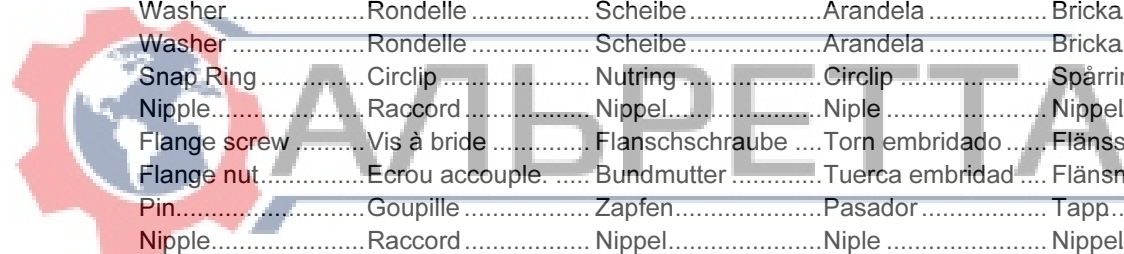


Fig.	Part No.	Quantity					P S	K T	Description	Dénomination	Bezeichnung	Denominación	Benämning	Notes
		1	2	3	4	5								
31	VOE 13971098	1						Flange nut.....	Ecrou accouple.	Bundmutter	Tuerca embridad	Flänsmutter.....		
32		1						Tilt Cylinder.....	Verin inclinaison	Neigungszylinderr	Maquina inclinacio..	Tiltcylinder.....	See group 945, Page 805	
33	VOE 11884182	1						Pin.....	Goupille	Zapfen.....	Pasador	Tapp.....		
34	VOE 914167	1						Nipple.....	Raccord	Nippel.....	Niple	Nippel.....		
35	VOE 974428	3						Flange screw	Vis à bride	Flanschschraube	Torn embridado	Flänsskruv.....		
36	VOE 11884170	1						Spacer	Entretoise	Abstandstueck	Casquillo distancia .	Distans.....		
37		2						Lifting cylinder.....	Verin levage	Hubzylinder	Cilindro elevacion ...	Lyftcylinder.....	See group 945, Page 803	
38	VOE 11883381	1						Pin.....	Goupille	Zapfen.....	Pasador	Tapp.....		
39	VOE 967640	2						Screw.....	Vis	Schraube	Tornillo.....	Skruv.....		
40	VOE 13971068	2						Hexagon Nut.....	Ecrou Hexagonal....	Sechskantmutter	Tuerca Hexagon	Sexkantsmutter.....		
41	VOE 11882477	1						Pin.....	Goupille	Zapfen.....	Pasador	Tapp.....	(VOE 11882421)	
42	VOE 11883858	2						Pin.....	Goupille	Zapfen.....	Pasador	Tapp.....		
43	VOE 914167	2						Nipple.....	Raccord	Nippel.....	Niple	Nippel.....		
44	VOE 13965190	2						Screw.....	Vis	Schraube	Tornillo.....	Skruv.....		
45	VOE 13971098	2						Flange nut.....	Ecrou accouple.	Bundmutter	Tuerca embridad	Flänsmutter.....		
46	VOE 11883029	2						Pin.....	Goupille	Zapfen.....	Pasador	Tapp.....		
47	VOE 11890117	4						Washer	Rondelle	Scheibe	Arandela	Bricka	THICK = 2 MM	
48	VOE 11890118	4						Washer	Rondelle	Scheibe	Arandela	Bricka	THICK = 3 MM	
49	VOE 11890109	4						Snap Ring	Circlip	Nutring	Circlip	Spårring.....		
50	VOE 914167	2						Nipple.....	Raccord	Nippel.....	Niple	Nippel.....		
51	VOE 968237	2						Flange screw	Vis à bride	Flanschschraube	Torn embridado	Flänsskruv.....		
52	VOE 13971098	2						Flange nut.....	Ecrou accouple.	Bundmutter	Tuerca embridad	Flänsmutter.....		
53	VOE 11882428	2						Pin.....	Goupille	Zapfen.....	Pasador	Tapp.....		
54	VOE 914167	2						Nipple.....	Raccord	Nippel.....	Niple	Nippel.....		
55	VOE 968589	2						Flange screw	Vis à bride	Flanschschraube	Torn embridado	Flänsskruv.....		
56	VOE 11884758	1						Saf Catch Kit.....	Kit Bloc.secur.	Sichriegelsatz	Jueg Bloq Segur....	Säkerhetspårsats....		
57	VOE 11883476	1						•Safety Strap.....	•Elingu.securite	•Zurband	•Estrobo Segurid	•Säkerhetsstropp....		
58	VOE 11884616	1						••Ring.....	••Anneau	••Ring	••Anillo	••Ring.....		
59	VOE 11884614	1				OP		••Spring Pin.....	••Axe de ressort.....	••Federstift	••Pasador Resorte..	••Fjäderpinne.....		
60	VOE 11881557	1						••Steel Wire.....	••Fil Acier.....	••Stahldraht	••Alambre	••Ståltråd.....		



1	STD S/N - 14669	Lyftramverk med monteringsdetaljer Bastidor elevación con piezas de montaje Hubgerüst mit Anbauteilen Chassis levage avec pièces de montage Lifting framework with assembly parts	Catalogue id	Group
2	11891272		20002	945
3	11891311, 11891349		Illustr. No	Section
4	11891354, 11891374		1008185	150
5	11891000, 11891050		Issue	Page
			VOE 63H9920002	791



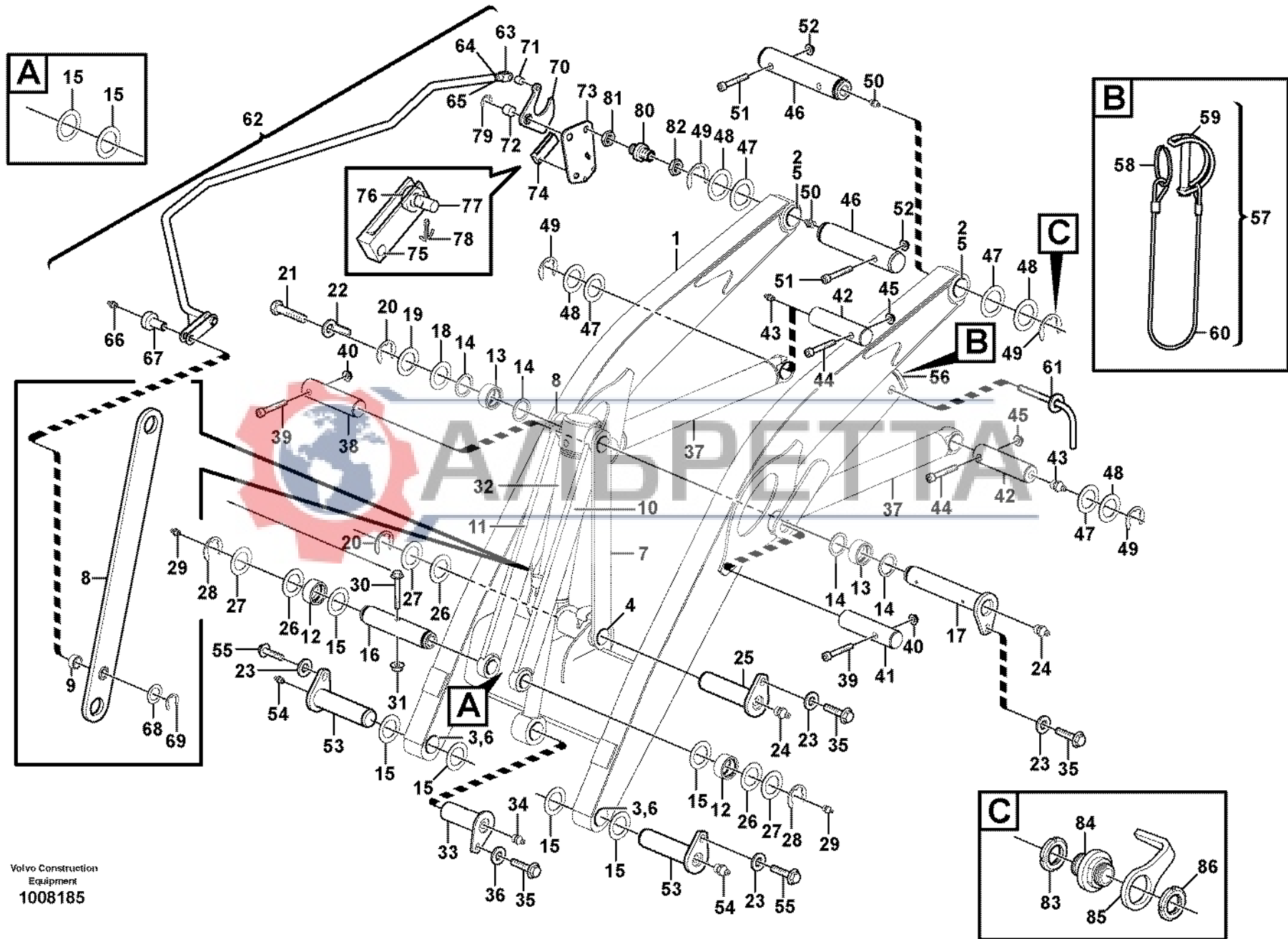
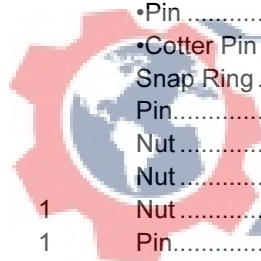


Fig.	Part No.	Quantity					P S	K I T	Description	Dénomination	Bezeichnung	Denominación	Benämning	Notes
		1	2	3	4	5								
61	VOE 11882476	1						Pin.....	Goupille.....	Zapfen.....	Pasador.....	Tapp.....		
62	VOE 11884793		1	1	1			Linkage.....	Syst.articulat.....	Gelenksystem.....	Sistem Articul.....	Länksystem.....		
63	VOE 11881413		1	1	1			•Fork.....	•Fourche.....	•Gabel.....	•Horquilla.....	•Gaffel.....		
64	VOE 13971072		1	1	1			•Hexagon Nut.....	•Ecrou Hexagonal..	•Sechskantmutter....	•Tuerca Hexagon....	•Sexkantsmutter....		
65	VOE 11885207		1	1	1			•Pin.....	•Goupille.....	•Zapfen.....	•Pasador.....	•Tapp.....		
66	VOE 914167		1	1	1			•Nipple.....	•Raccord.....	•Nippel.....	•Niple.....	•Nippel.....		
67	VOE 11885429		1	1	1			•Axle.....	•Axe Rotatif.....	•Wellenzapfen.....	•Eje.....	•Axeltapp.....		
68	VOE 13955900		1	1	1			•Washer.....	•Rondelle.....	•Scheibe.....	•Arandela.....	•Bricka.....		
69	VOE 914450		1	1	1			•Snap Ring.....	•Circlip.....	•Nutring.....	•Circlip.....	•Spårring.....		
70	VOE 11887039		1	1	1			Cam.....	Came.....	Nocken.....	Leva.....	Kam.....		
71	VOE 968942		1	1	1			•Bearing Bushing....	•Coussinet.....	•Lagerbuchse.....	•Casq Cojinete.....	•Lagerbussning.....		
72	VOE 966722		1	1	1			•Bearing Bushing....	•Coussinet.....	•Lagerbuchse.....	•Casq Cojinete.....	•Lagerbussning.....		
73	VOE 11883004		1	1	1			Support.....	Support.....	Stütze.....	Apoyo.....	Stöd.....		
74	VOE 11883130		1	1	1			Lever.....	Levier.....	Hebel.....	Palanca.....	Hävarm.....		
75	VOE 942594		1	1	1			•Bearing Bushing....	•Coussinet.....	•Lagerbuchse.....	•Casq Cojinete.....	•Lagerbussning.....		
76	VOE 11882999		1	1	1			•Roller.....	•Galet.....	•Rolle.....	•Rodillo.....	•Rulle.....		
77	VOE 11883000		1	1	1			•Pin.....	•Goupille.....	•Zapfen.....	•Pasador.....	•Tapp.....		
78	VOE 907838		3	3	3			•Cotter Pin.....	•Goupille Fendue....	•Splint.....	•Pasador Hendido..	•Saxpinne.....		
79	VOE 914450		1	1	1			Snap Ring.....	Circlip.....	Nutring.....	Circlip.....	Spårring.....		
80	VOE 11881050		1	1	1			Pin.....	Goupille.....	Zapfen.....	Pasador.....	Tapp.....		
81	VOE 11883692		1	1	1			Nut.....	Ecrou.....	Mutter.....	Tuerca.....	Mutter.....		
82	VOE 11881654		1	1	1			Nut.....	Ecrou.....	Mutter.....	Tuerca.....	Mutter.....		
83	VOE 11883692					1		Nut.....	Ecrou.....	Mutter.....	Tuerca.....	Mutter.....		
84	VOE 11881050					1		Pin.....	Goupille.....	Zapfen.....	Pasador.....	Tapp.....		
85	VOE 11885012					1		Indicator.....	Indicateur.....	Indikator.....	Indicador.....	Indikator.....		
86	VOE 11881654					1		Nut.....	Ecrou.....	Mutter.....	Tuerca.....	Mutter.....		



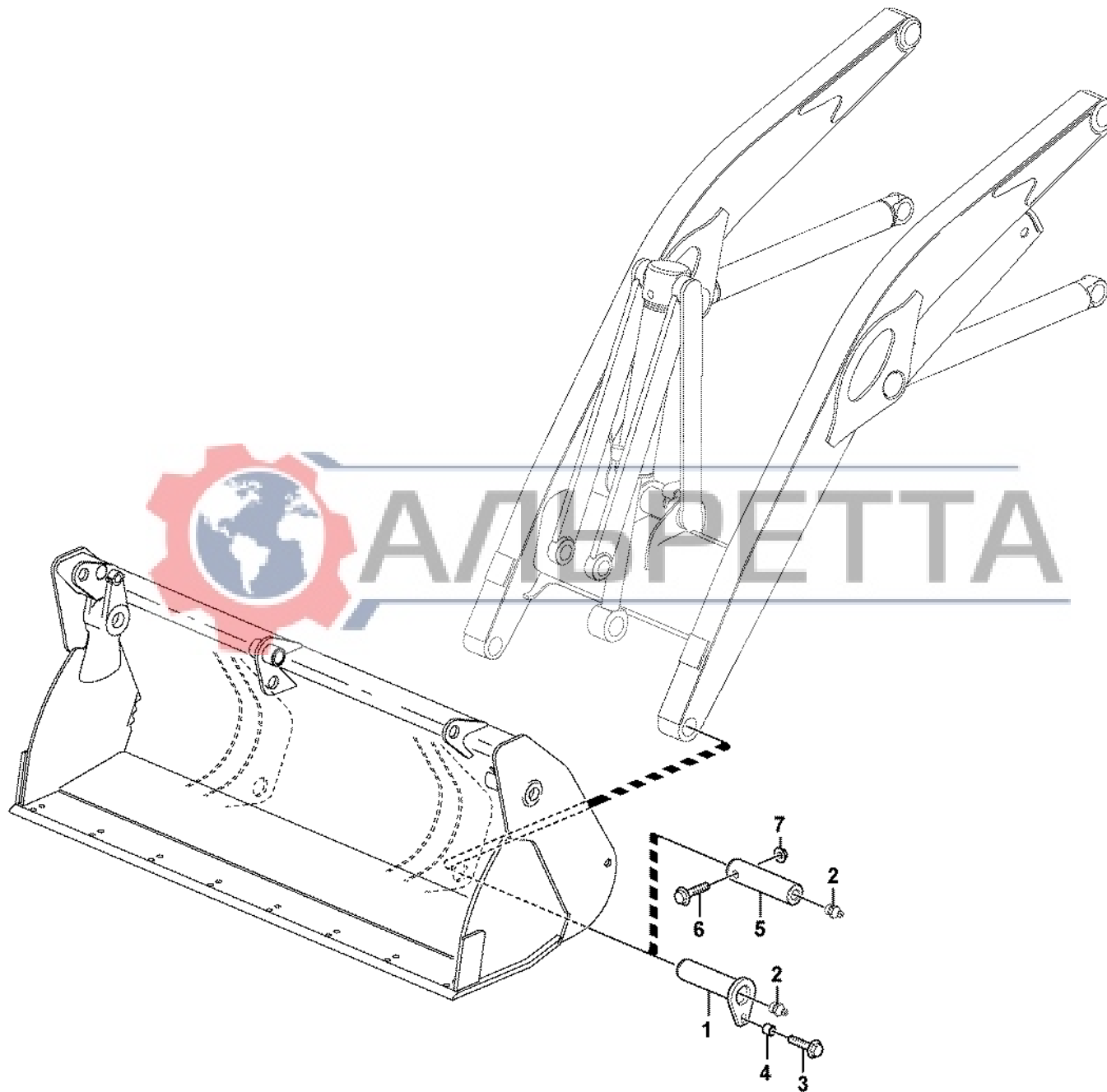
ALPETTA


1	STD S/N - 14669	Lyftramverk med monteringsdetaljer Bastidor elevación con piezas de montaje Hubgerüst mit Anbauteilen Chassis levage avec pièces de montage Lifting framework with assembly parts	Catalogue id	Group
2	11891272		20002	945
3	11891311, 11891349		Illustr. No	Section
4	11891354, 11891374		1008185	150
5	11891000, 11891050		Issue	Page
		VOE 63H9920002	793	

VOLVO

BL71





 **АЛЬБЕТТА**

Volvo Construction
Equipment
1023838

Fig.	Part No.	Quantity			P S	K I T	Description	Dénomination	Bezeichnung	Denominación	Benämning	Notes
		1	2	3								
1	VOE 11882428	2				Pin.....	Goupille.....	Zapfen.....	Pasador.....	Tapp.....		
2	VOE 914167	2	2			Nipple.....	Raccord.....	Nippel.....	Niple.....	Nippel.....		
3	VOE 968589	2				Flange screw.....	Vis à bride.....	Flanschschraube.....	Torn embridado.....	Flänsskruv.....		
4	VOE 11884168	2				Spacer.....	Entretoise.....	Abstandstueck.....	Casquillo distanciad ..	Distans.....		
5	VOE 11888037		2			Pin.....	Goupille.....	Zapfen.....	Pasador.....	Tapp.....		
6	VOE 13965190		2			Screw.....	Vis.....	Schraube.....	Tornillo.....	Skruv.....		
7	VOE 13971098		2			Flange nut.....	Ecrou accouple.....	Bundmutter.....	Tuerca embridad	Flänsmutter.....		



1	11891561	Axeltappar för infästning av skopa Muñones para fijación de cuchara Bolzen zur Befestigung der Schaufel Pivots d'axe pour fixation de godet Pins for mounting bucket	Catalogue id	Group
2	11891539		20002	945
3			Illustr. No	Section
4			1023838	160
5			Issue	Page
			VOE 63H9920002	795

VOLVO

BL71



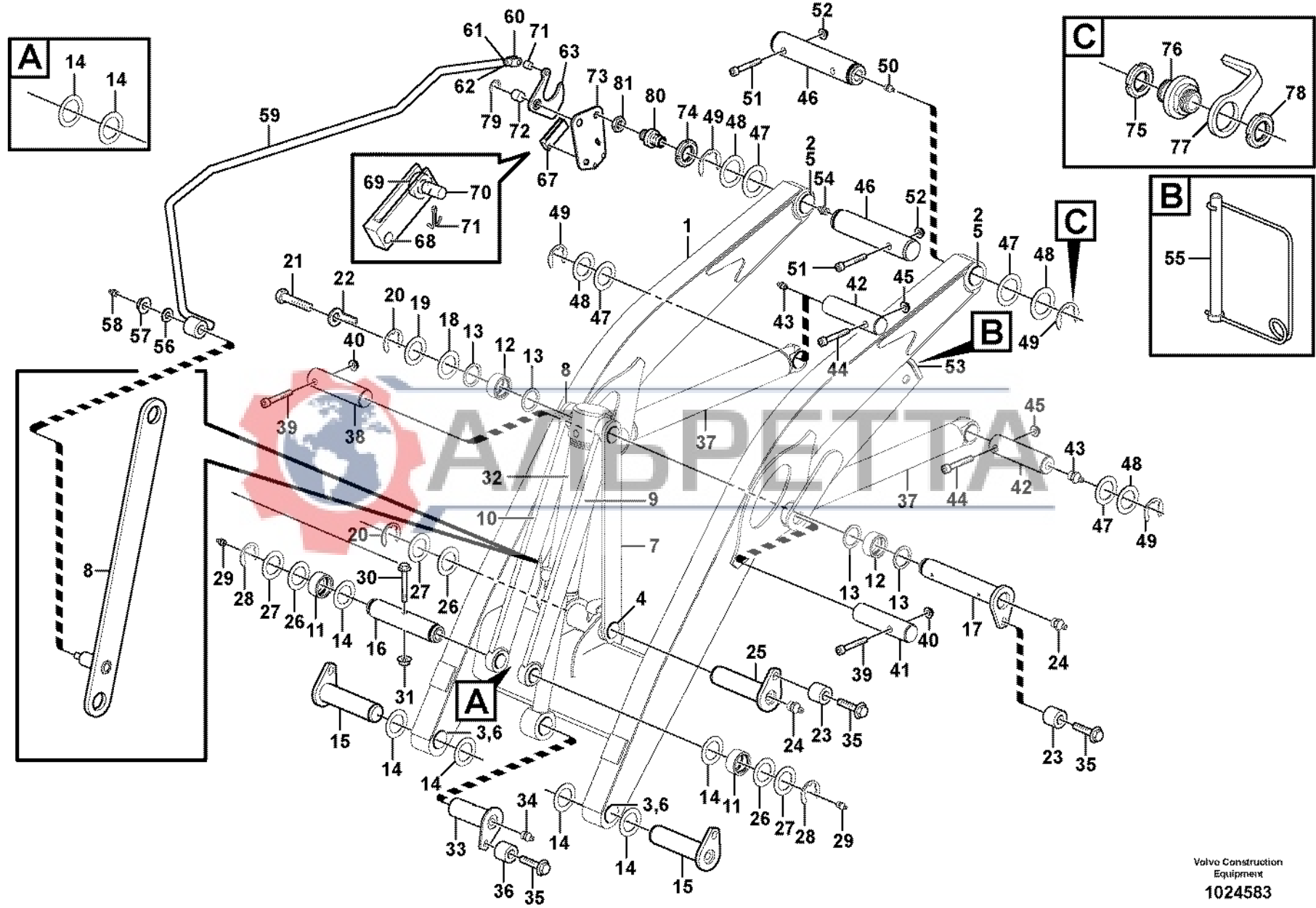
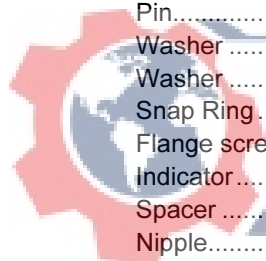


Fig.	Part No.	Quantity					P S	K I T	Description	Dénomination	Bezeichnung	Denominación	Benämning	Notes
		1	2	3	4	5								
1	VOE 11889130	1						Loader arm	Bras de chargeur....	Laderhübarm	Brazo de cargador..	Lastarm.....		
2	VOE 11883772	2						•Bushing	•Bague.....	•Buchse.....	•Casquillo	•Bussning.....		
3	VOE 11883802	2						•Bushing	•Bague.....	•Buchse.....	•Casquillo	•Bussning.....		
4	VOE 11883803	2						•Bushing	•Bague.....	•Buchse.....	•Casquillo	•Bussning.....		
5	VOE 11890069	2						Seal.....	Joint.....	Dichtung.....	Reten	Tätning.....		
6	VOE 11882456	2						Seal.....	Joint.....	Dichtung.....	Reten	Tätning.....		
7	VOE 11884638	1						Link	Articulation	Gelenk	Articulacion	Länk.....	LH	
8	VOE 11887308	1						Arm	Bras	Arm	Brazo	Arm.....	RH	
9	VOE 11884822	1						Link	Articulation	Gelenk	Articulacion	Länk.....	LH	
10	VOE 11884815	1						Link	Articulation	Gelenk	Articulacion	Länk.....	RH	
11	VOE 11883801	2						•Bushing	•Bague.....	•Buchse.....	•Casquillo	•Bussning.....		
12	VOE 11883857	2						•Bushing	•Bague.....	•Buchse.....	•Casquillo	•Bussning.....		
13	VOE 11883937	4						Scraper	Racloir	Abstreicher.....	Rascador	Skrapa.....		
14	VOE 11882456	8						Seal.....	Joint.....	Dichtung.....	Reten	Tätning.....		
15		2						Pin.....	Goupille	Zapfen.....	Pasador	Tapp.....	See group 945, Page 795	
16	VOE 11882932	1						Pin.....	Goupille	Zapfen.....	Pasador	Tapp.....		
17	VOE 11888280	1						Pin.....	Goupille	Zapfen.....	Pasador	Tapp.....		
18	VOE 11883929	1						Washer	Rondelle	Scheibe	Arandela	Bricka.....	THICK = 2 MM	
19	VOE 11883930	1						Washer	Rondelle	Scheibe	Arandela	Bricka.....	THICK = 3 MM	
20	VOE 11890110	2						Snap Ring	Circlip	Nutring	Circlip	Spårring.....		
21	VOE 13965191	1						Flange screw	Vis à bride	Flanschschraube	Torn embridado	Flänsskruv.....		
22	VOE 11884117	1						indicator	Indicateur	Indikator	Indicador.....	Indikator.....		
23	VOE 11884168	2						Spacer	Entretoise	Abstandstueck	Casquillo distancia	Distans.....		
24	VOE 914167	2						Nipple	Raccord	Nippel.....	Niple	Nippel.....		
25	VOE 11883032	1						Pin.....	Goupille	Zapfen.....	Pasador	Tapp.....		
26	VOE 11890115	REQ						Washer	Rondelle	Scheibe	Arandela	Bricka.....	THICK = 2 MM	
27	VOE 11890116	REQ						Washer	Rondelle	Scheibe	Arandela	Bricka.....	THICK = 3 MM	
28	VOE 11890110	2						Snap Ring	Circlip	Nutring	Circlip	Spårring.....		
29	VOE 914167	2						Nipple.....	Raccord.....	Nippel.....	Niple	Nippel.....		
30	VOE 969313	1						Flange screw	Vis à bride	Flanschschraube	Torn embridado	Flänsskruv.....		



1	11880005, S/N 14670 -	Lyftramverk med monteringsdetaljer Bastidor elevación con piezas de montaje Hubgerüst mit Anbauteilen Chassis levage avec pièces de montage Lifting framework with assembly parts	Catalogue id	Group
2	11891000, 11891050		20002	945
3			Illustr. No	Section
4			1024583	175
5			Issue	Page
		VOE 63H9920002	797	



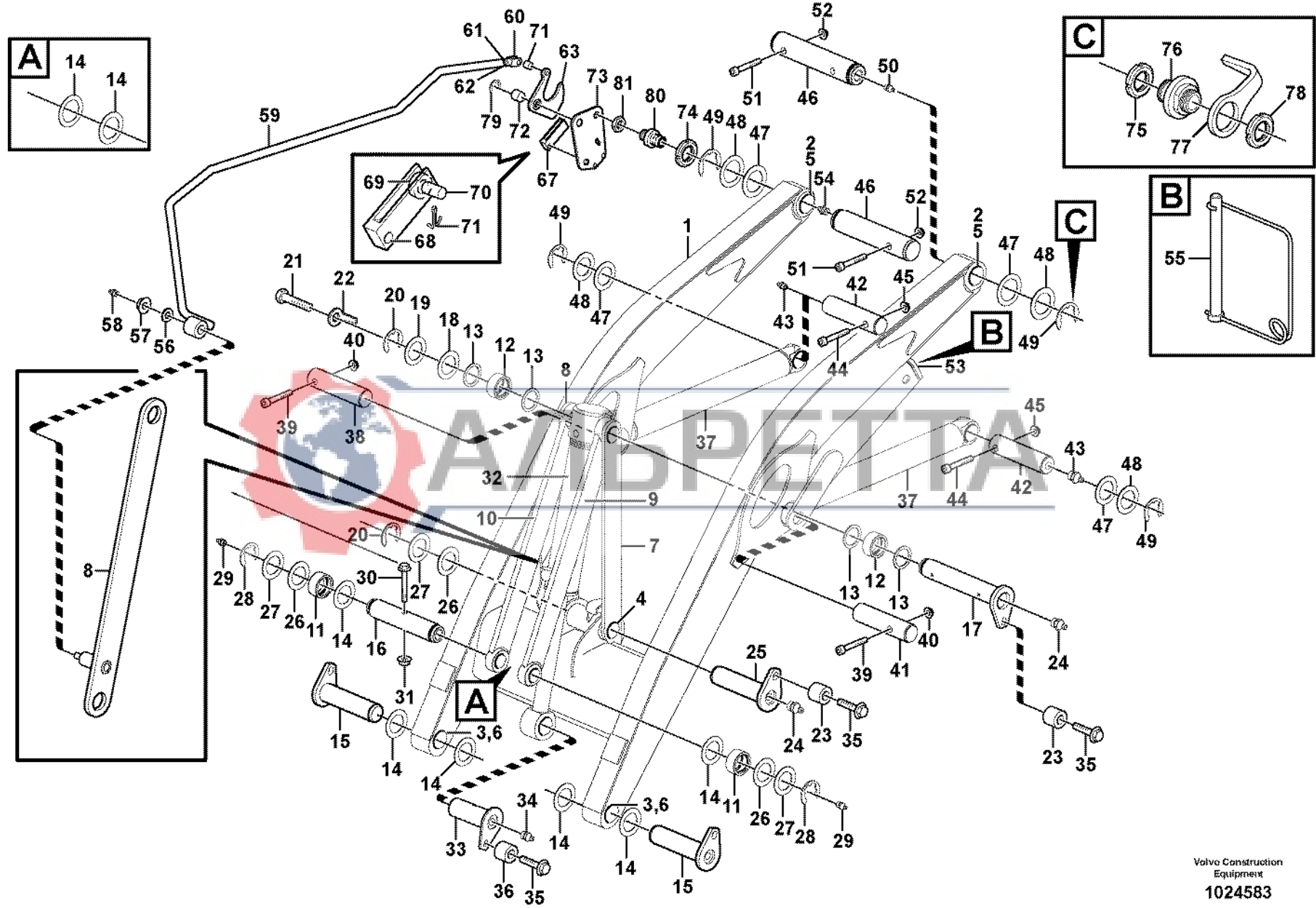
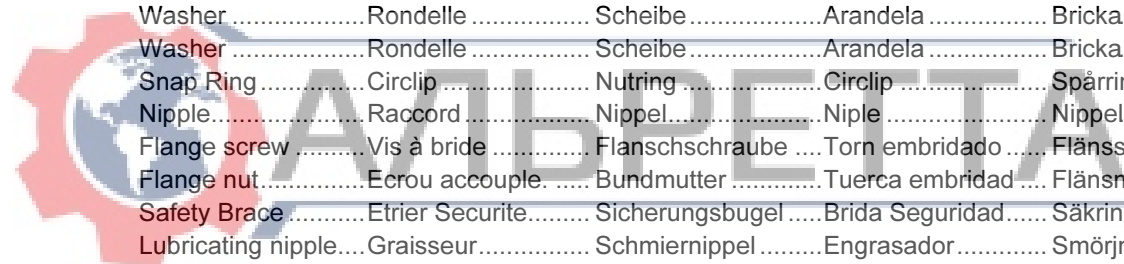


Fig.	Part No.	Quantity					P S	K T	Description	Dénomination	Bezeichnung	Denominación	Benämning	Notes
		1	2	3	4	5								
31	VOE 13971098	1						Flange nut.....	Ecrou accouple.	Bundmutter	Tuerca embridad ...	Flänsmutter.....		
32		1						Tilt Cylinder.....	Verin inclinaison	Neigungszynderr	Maquina inclinacio..	Tiltcylinder.....	See group 945, Page 805	
33	VOE 11884182	1						Pin.....	Goupille	Zapfen.....	Pasador	Tapp.....		
34	VOE 914167	1						Nipple.....	Raccord	Nippel.....	Niple	Nippel.....		
35	VOE 974428	3						Flange screw	Vis à bride	Flanschschraube ...	Torn embridado	Flänsskruv.....		
36	VOE 11884170	1						Spacer	Entretoise	Abstandstueck	Casquillo distancia .	Distans.....		
37		2						Lifting cylinder.....	Verin levage	Hubzylinder.....	Cilindro elevacion ...	Lyftcylinder.....	See group 945, Page 803	
38	VOE 11888366	1						Pin.....	Goupille	Zapfen.....	Pasador	Tapp.....		
39	VOE 967640	2						Screw.....	Vis	Schraube	Tornillo.....	Skruv.....		
40	VOE 983304	2						Hexagon Nut.....	Ecrou Hexagonal....	Sechskantmutter	Tuerca Hexagon.....	Sexkantsmutter.....		
41	VOE 11883381	1						Pin.....	Goupille	Zapfen.....	Pasador	Tapp.....	(VOE 11882421)	
42	VOE 11883858	2						Pin.....	Goupille	Zapfen.....	Pasador	Tapp.....		
43	VOE 914167	2						Nipple.....	Raccord	Nippel.....	Niple	Nippel.....		
44	VOE 967640	2						Screw.....	Vis	Schraube	Tornillo.....	Skruv.....		
45	VOE 13971098	2						Flange nut.....	Ecrou accouple.	Bundmutter	Tuerca embridad ...	Flänsmutter.....		
46	VOE 11883029	2						Pin.....	Goupille	Zapfen.....	Pasador	Tapp.....		
47	VOE 11890117	REQ						Washer	Rondelle	Scheibe	Arandela	Bricka.....	THICK = 2 MM	
48	VOE 11890118	REQ						Washer	Rondelle	Scheibe	Arandela	Bricka.....	THICK = 3 MM	
49	VOE 11890109	4						Snap Ring	Circlip	Nutring	Circlip	Spårring.....		
50	VOE 914167	1						Nipple.....	Raccord	Nippel.....	Niple	Nippel.....		
51	VOE 968237	2						Flange screw	Vis à bride	Flanschschraube ...	Torn embridado	Flänsskruv.....		
52	VOE 13971098	2						Flange nut.....	Ecrou accouple.	Bundmutter	Tuerca embridad ...	Flänsmutter.....		
53	VOE 11888616	2						Safety Brace	Etrier Securite.....	Sicherungsbugel	Brida Seguridad.....	Säkringsbygel.....		
54	VOE 11887317	1						Lubricating nipple....	Graisseur.....	Schmiernippel	Engrasador	Smörjnippel.....		
55	VOE 11888737	1						•Lock brace	•Etrier de verrouilla .	•Sperrklinke.....	•Brazo Seguridad ...	•Låsbygel.....		
56	VOE 983338	1						Washer	Rondelle	Scheibe	Arandela	Bricka.....		
57	VOE 13967934	1						Flange Lock Nut.....	Contre écrou bride..	Flanschmutter	Contratuer Embr.....	Flänslåsmutter.....		
58	VOE 914167	1						Nipple.....	Raccord	Nippel.....	Niple	Nippel.....		
59	VOE 11887325	1						Tube.....	Tube	Rohr	Tubo	Rör.....		
60	VOE 11881413	1						Fork.....	Fourche	Gabel	Horquilla	Gaffel.....		



1	11880005, S/N 14670 -	Lyftramverk med monteringsdetaljer Bastidor elevación con piezas de montaje Hubgerüst mit Anbauteilen Chassis levage avec pièces de montage Lifting framework with assembly parts	Catalogue id	Group
2	11891000, 11891050		20002	945
3			Illustr. No	Section
4			1024583	175
5			Issue	Page
		VOE 63H9920002	799	



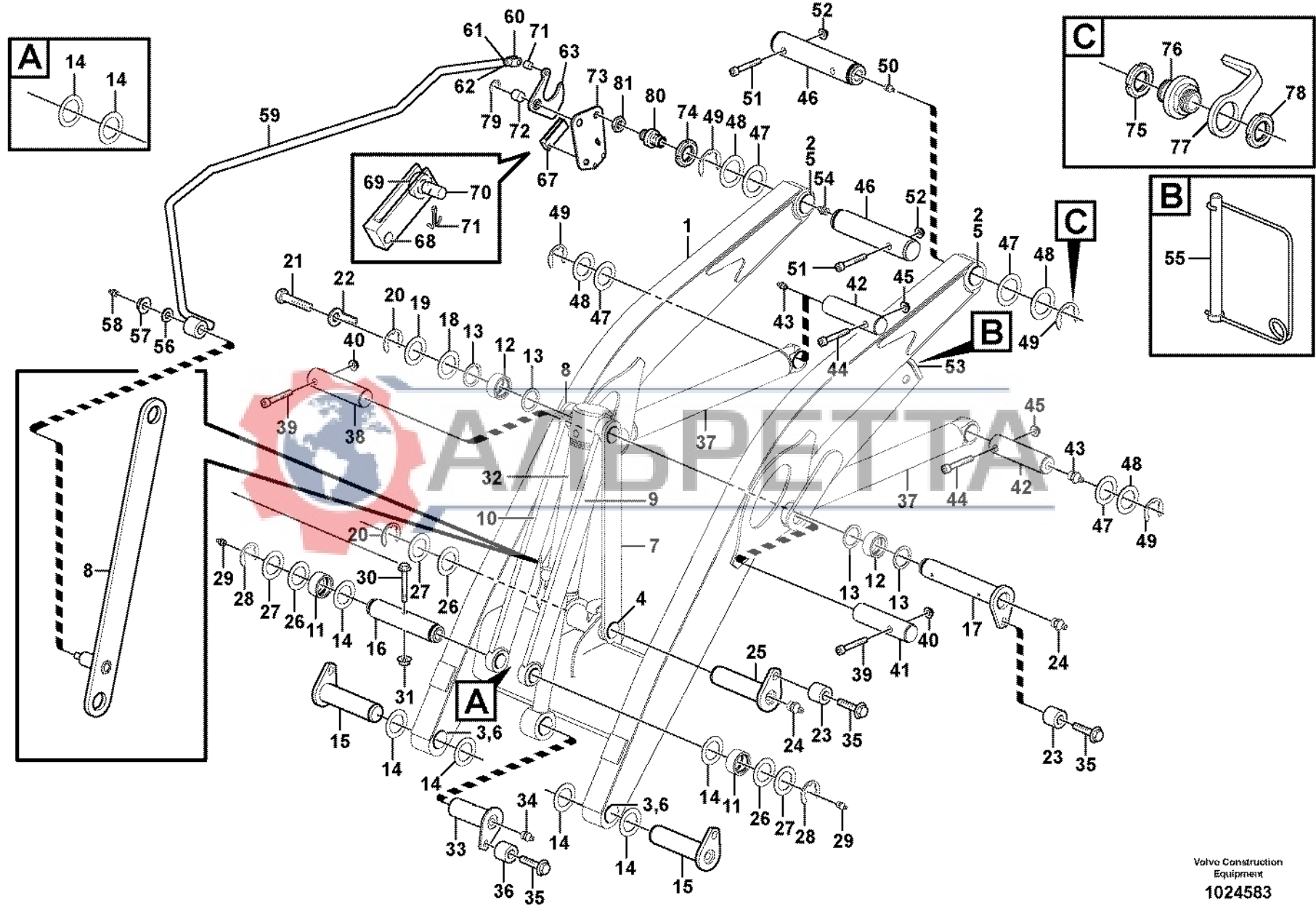


Fig.	Part No.	Quantity					P S	K T	Description	Dénomination	Bezeichnung	Denominación	Benämning	Notes
		1	2	3	4	5								
61	VOE 971081	1						Hexagon Nut.....	Ecrou Hexagonal....	Sechskantmutter	Tuerca Hexagon	Sexkantsmutter.....		
62	VOE 11888748	1						Rod	Tringle	Stange	Tirante	Stång.....		
63	VOE 11887303	1						Cam	Came.....	Nocken.....	Leva.....	Kam.....		
64	VOE 914167	1						Nipple.....	Raccord.....	Nippel.....	Niple	Nippel.....		
65	VOE 13967934	1						Flange Lock Nut.....	Contre écrou bride..	Flanschmutter	Contratuer Embr.....	Flänslåsmutter.....		
66	VOE 11887302	1						Support	Support.....	Stütze.....	Apoyo	Stöd.....		
67	VOE 11888274	1						Bracket.....	Console	Konsole.....	Ménsula.....	Konsol.....		
68	VOE 11887440	1						Bushing.....	Bague	Buchse.....	Casquillo.....	Bussning.....		
68	VOE 11882999	1						Roller	Galet.....	Rolle.....	Rodillo	Rulle.....		
70	VOE 11883000	1						Pin.....	Goupille	Zapfen.....	Pasador	Tapp.....		
71	VOE 907838	3						Cotter Pin.....	Goupille Fendue.....	Splint.....	Pasador Hendido....	Saxpinne.....		
72	VOE 946440	2						Flange screw	Vis à bride	Flanschschrabe	Torn embridado	Flänsskruv.....		
73	VOE 11887329	1						Support Pin.....	Goupille Appui.....	Stützzapfen.....	Pasador Apoyo.....	Stödtapp.....		
74	VOE 11881654	1						Nut	Ecrou	Mutter.....	Tuerca	Mutter.....		
75	VOE 11883692	1						Nut	Ecrou	Mutter.....	Tuerca	Mutter.....		
76	VOE 11881050	1						Pin.....	Goupille	Zapfen.....	Pasador	Tapp.....		
77	VOE 11885012	1						Indicator.....	Indicateur	Indikator	Indicador.....	Indikator.....		
78	VOE 11881654	1						Nut	Ecrou	Mutter.....	Tuerca	Mutter.....		

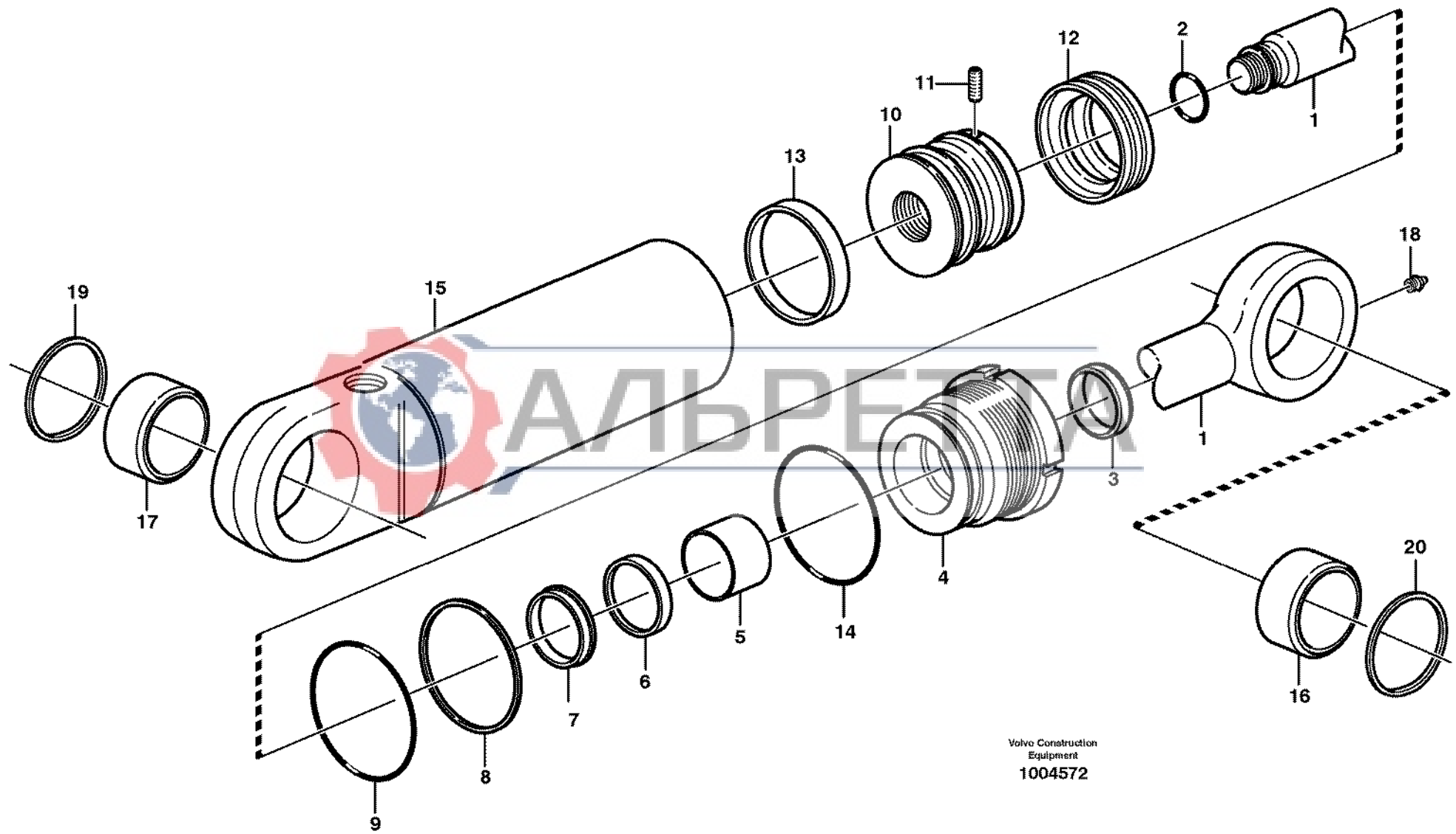


1	11880005, S/N 14670 -	Lyftframverk med monteringsdetaljer Bastidor elevación con piezas de montaje Hubgerüst mit Anbauteilen Chassis levage avec pièces de montage Lifting framework with assembly parts	Catalogue id	Group
2	11891000, 11891050		20002	945
3			Illustr. No	Section
4			1024583	175
5			Issue	Page
		VOE 63H9920002	801	

VOLVO

BL71





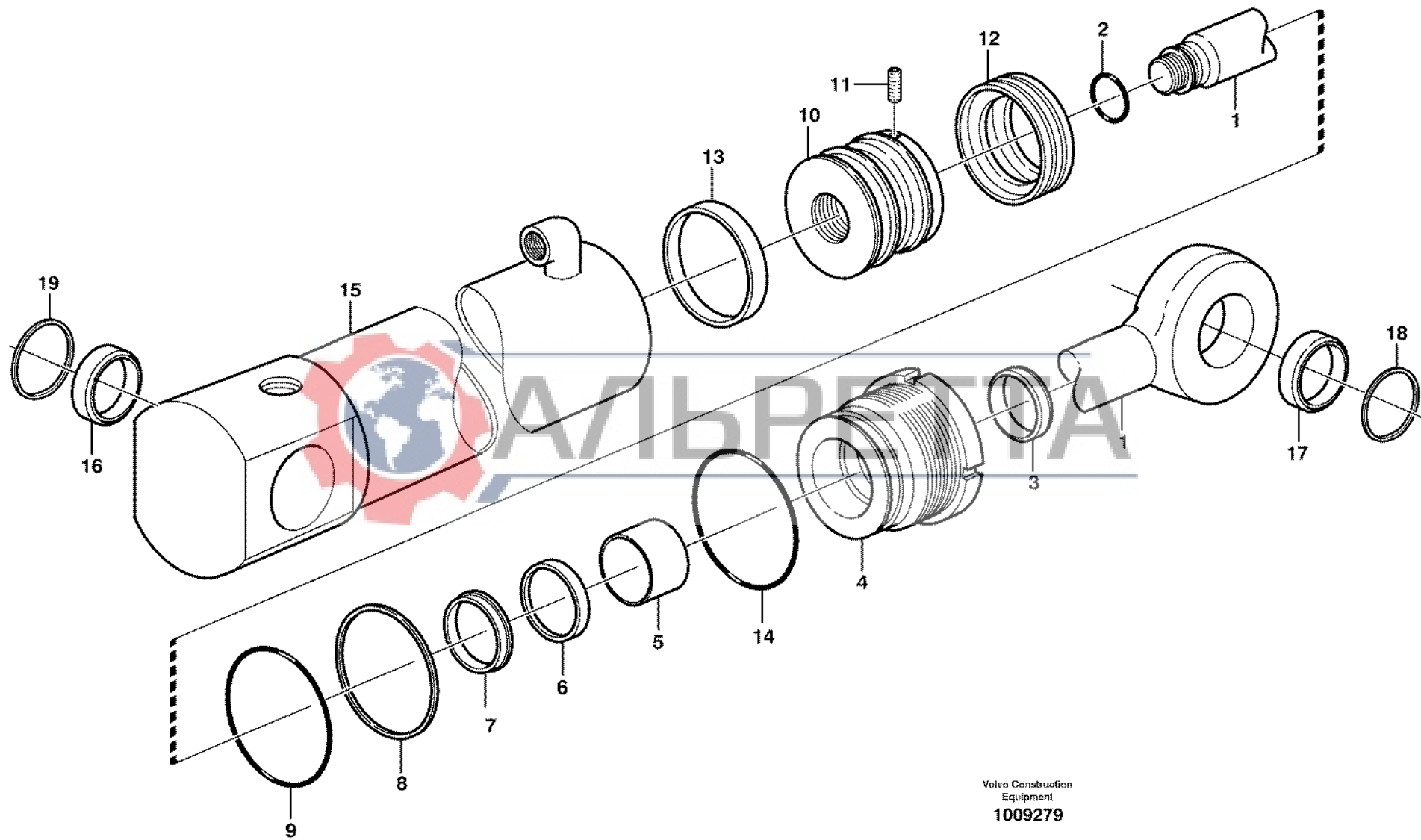
Volvo Construction
Equipment
1004572

Fig.	Part No.	Quantity			P S	K I T	Description	Dénomination	Bezeichnung	Denominación	Benämning	Notes
		1	2	3								
	VOE 11883976	1				Cylinder.....	Cylindre.....	Zylinder.....	Cilindro.....	Cylinder.....	RH	
	VOE 11883975		1			Cylinder.....	Cylindre.....	Zylinder.....	Cilindro.....	Cylinder.....	LH	
1	VOE 11988262	1	1			•Piston rod.....	•Bielle de piston.....	•Kolbenstange.....	•Biela de piston.....	•Kolvstång.....		
2		1	1	NS K		•O-ring.....	•Joint Torique.....	•O-Ring.....	•Junta torica.....	•O-ring.....		
3		1	1	NS K		•Scraper.....	•Racleur.....	•Abstreifring.....	•Aro rascador.....	•Avstrykare.....		
4	VOE 11709613	1	1	OP		•Pstn Rod Guide.....	•Gui.tige Piston.....	•Ko-stang Fuhrg.....	•Guia Var Piston.....	•Kolvst.styrning.....		
5		1	1	NS K		•Guide Ring.....	•Bague Guide.....	•Führungsring.....	•Anillo Guia.....	•Styrring.....		
6		1	1	NS K		•Piston Rod Seal.....	•Eta.tige Piston.....	•Ko-stang Dichtg.....	•Reten Var Pist.....	•Kolvstångstätt.....		
7		1	1	NS K		•Lock Ring.....	•Anneau Verrouillage.....	•Schlossring.....	•Anillo Segurid.....	•Låsring.....		
8		1	1	NS K		•Back-up ring.....	•Rondelle anti-extrusi.....	•Stützring.....	•Anillo Apoyo.....	•Stödring.....		
9		1	1	NS K		•O-ring.....	•Joint Torique.....	•O-Ring.....	•Junta torica.....	•O-ring.....		
10	VOE 11709614	1	1	OP		•Piston.....	•Piston.....	•Kolben.....	•Piston.....	•Kolv.....		
11		1	1	NS K		•Screw.....	•Vis.....	•Schraube.....	•Tornillo.....	•Skruv.....		
12		1	1	NS K		•Piston seal.....	•Etanchei.piston.....	•Kolbendichtung.....	•Reten piston.....	•Kolv tätning.....		
13		1	1	NS K		•Guide Ring.....	•Bague Guide.....	•Führungsring.....	•Anillo Guia.....	•Styrring.....		
14		1	1	NS K		•O-ring.....	•Joint Torique.....	•O-Ring.....	•Junta torica.....	•O-ring.....		
15		1	1	NS		•Cylinder tube.....	•Tube cylindre.....	•Zylinderrohr.....	•Tubo cilindro.....	•Cylinderrör.....		
16	VOE 11711136	1	1			•Bushing.....	•Bague.....	•Buchse.....	•Casquillo.....	•Bussning.....	(VOE 11709615)	
17	VOE 11988263	1	1			•Bushing.....	•Bague.....	•Buchse.....	•Casquillo.....	•Bussning.....		
18	VOE 11709664	1	1			•Lub Nipple.....	•Graisseur.....	•Schmiernippel.....	•Engrasador.....	•Smörjnippel.....		
19	VOE 11709602	2	2			Scraper.....	Racloir.....	Abstreicher.....	Rascador.....	Skrapa.....		
20	VOE 11709616	2	2			Scraper.....	Racloir.....	Abstreicher.....	Rascador.....	Skrapa.....		
	VOE 11709617	1	1			Sealing Kit.....	Jeu Joints.....	Dichtungssatz.....	Juego Retenes.....	Tätningssats.....		

1	11883975	Hydraulic cylinder, lyft. Cilindro hidráulico, elevac. Hubzylinder. Cylindre hydraulique, levage. Hydraulic cylinder, lifting.	Catalogue id	Group
2	11883976		20002	945
3			Illustr. No	Section
4			1004572	200
5			Issue	Page
			VOE 63H9920002	803
			11891272, 11891311, 11891349, 11891354	

VOLVO

BL71



Volvo Construction
Equipment
1009279

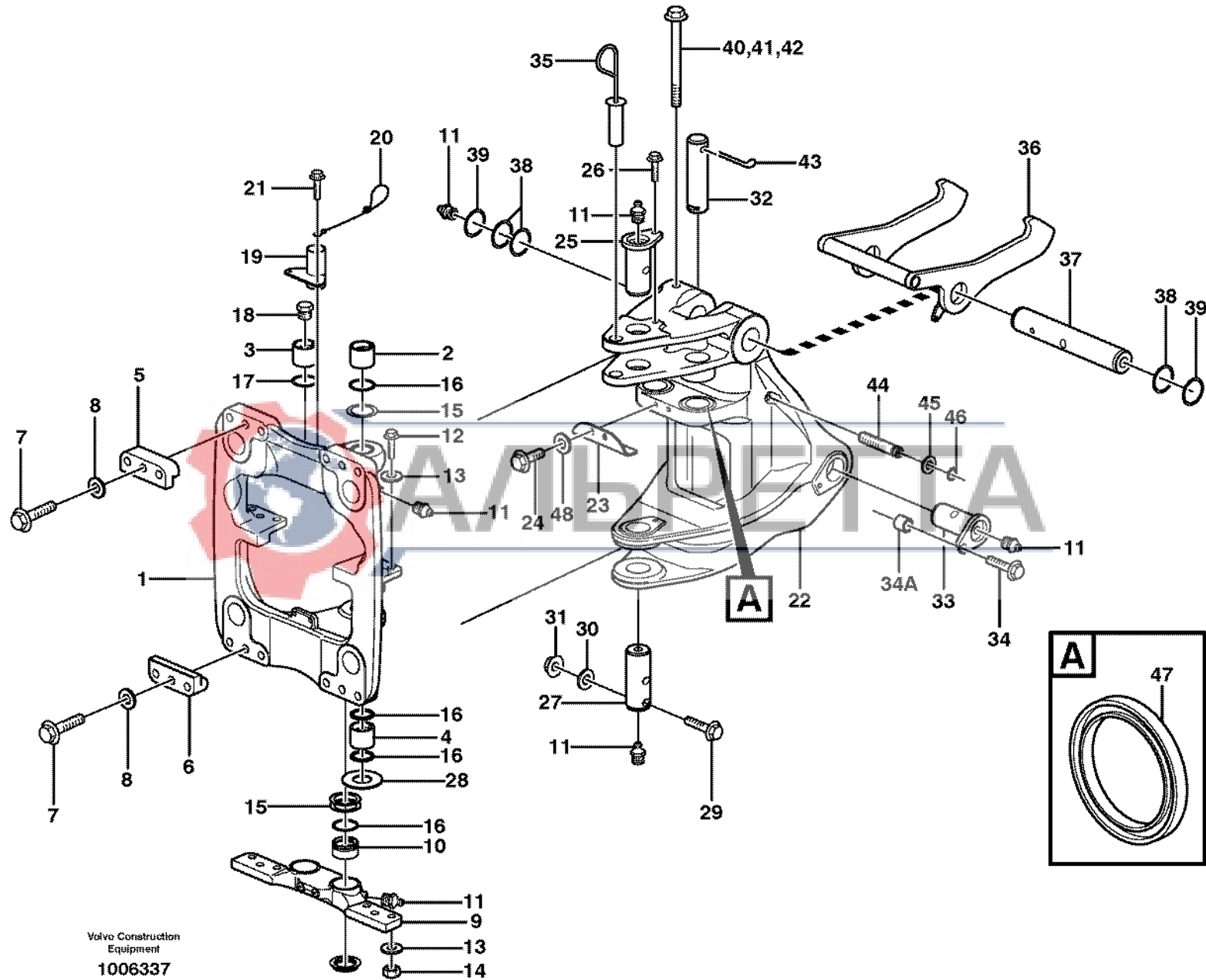
Fig.	Part No.	Quantity			P S	K I T	Description	Dénomination	Bezeichnung	Denominación	Benämning	Notes
		1	2	3								
	VOE 11885484	1				Cylinder.....	Verin.....	Zylinder	Cilindro	Cylinder.....		
	VOE 11883977		1			Hydraulic cylinder.....	Vérin hydraulique	Hydraulzylinder	Cilindro hidráulico.....	Hydraulcylinder.....		
1	VOE 11988259	1	1			•Piston rod	•Bielle de piston	•Kolbenstange	•Biela de piston	•Kolvstång.....		
2		1	1	NS	K	•O-ring.....	•Joint Torique	•O-Ring.....	•Junta torica	•O-ring.....		
3		1	1	NS	K	•Scraper	•Racleur	•Abstreifring.....	•Aro rascador	•Avstrykare.....		
4	VOE 11709619	1	1	OP		•Pstn Rod Guide	•Gui.tige Piston	•Ko-stang Fuhrg	•Guia Var Piston.....	•Kolvst.styrning.....		
5		1	1	NS	K	•Guide Ring.....	•Bague Guide.....	•Führungsring.....	•Anillo Guia.....	•Styrring.....		
6		1	1	NS	K	•Piston Rod Seal.....	•Eta.tige Piston.....	•Ko-stang Dichtg	•Reten Var Pist.....	•Kolvstångstättn.....		
7		1	1	NS	K	•Lock Ring.....	•Anneau Verrouillage	•Schlossring	•Anillo Segurid	•Låsring.....		
8		1	1	NS	K	•Back-up ring	•Rondelle anti-extrusi	•Stützring.....	•Anillo Apoyo	•Stödring.....		
9		1	1	NS	K	•O-ring.....	•Joint Torique	•O-Ring.....	•Junta torica	•O-ring.....		
10	VOE 11709620	1	1	OP		•Piston.....	•Piston.....	•Kolben.....	•Piston	•Kolv.....		
11		1	1	NS	K	•Screw.....	•Vis	•Schraube.....	•Tornillo	•Skruv.....		
12		1	1	NS	K	•Piston seal	•Etanchei.piston	•Kolbendichtung	•Reten piston.....	•Kolvtätning.....		
13		1	1	NS	K	•Guide Ring.....	•Bague Guide.....	•Führungsring.....	•Anillo Guia.....	•Styrring.....		
14		1	1	NS	K	•O-ring.....	•Joint Torique	•O-Ring.....	•Junta torica	•O-ring.....		
15		1	1	NS		•Cylinder tube	•Tube cylindre	•Zylinderrohr.....	•Tubo cilindro	•Cylinderrör.....		
16	VOE 11988260	2	2			•Bushing.....	•Bague	•Buchse	•Casquillo	•Bussning.....		
17	VOE 11711134	1	1			•Bushing.....	•Bague	•Buchse	•Casquillo	•Bussning.....		
18	VOE 11709616	2				Scraper	Racloir	Abstreicher	Rascador	Skrapa		
19	VOE 11712559	2				Scraper	Racloir.....	Abstreicher	Rascador	Skrapa		
	VOE 11709624	1	1			Sealing Kit.....	Jeu Joints.....	Dichtungssatz.....	Juego Retenes	Tätningssats.....		

1	11885484	Hydraulic cylinder, tilt Cilindro hidráulico, volquet Schwenkzylinder Cylindre hydraulique, cavage Hydraulic cylinder, tilt	Catalogue id	Group
2	11883977		20002	945
3			Illustr. No	Section
4			1009279	300
5			Issue	Page
			VOE 63H9920002	805
			11891272, 11891311, 11891327, 11891349, 11891354	

VOLVO

BL71





Volvo Construction
 Equipment
 1006337

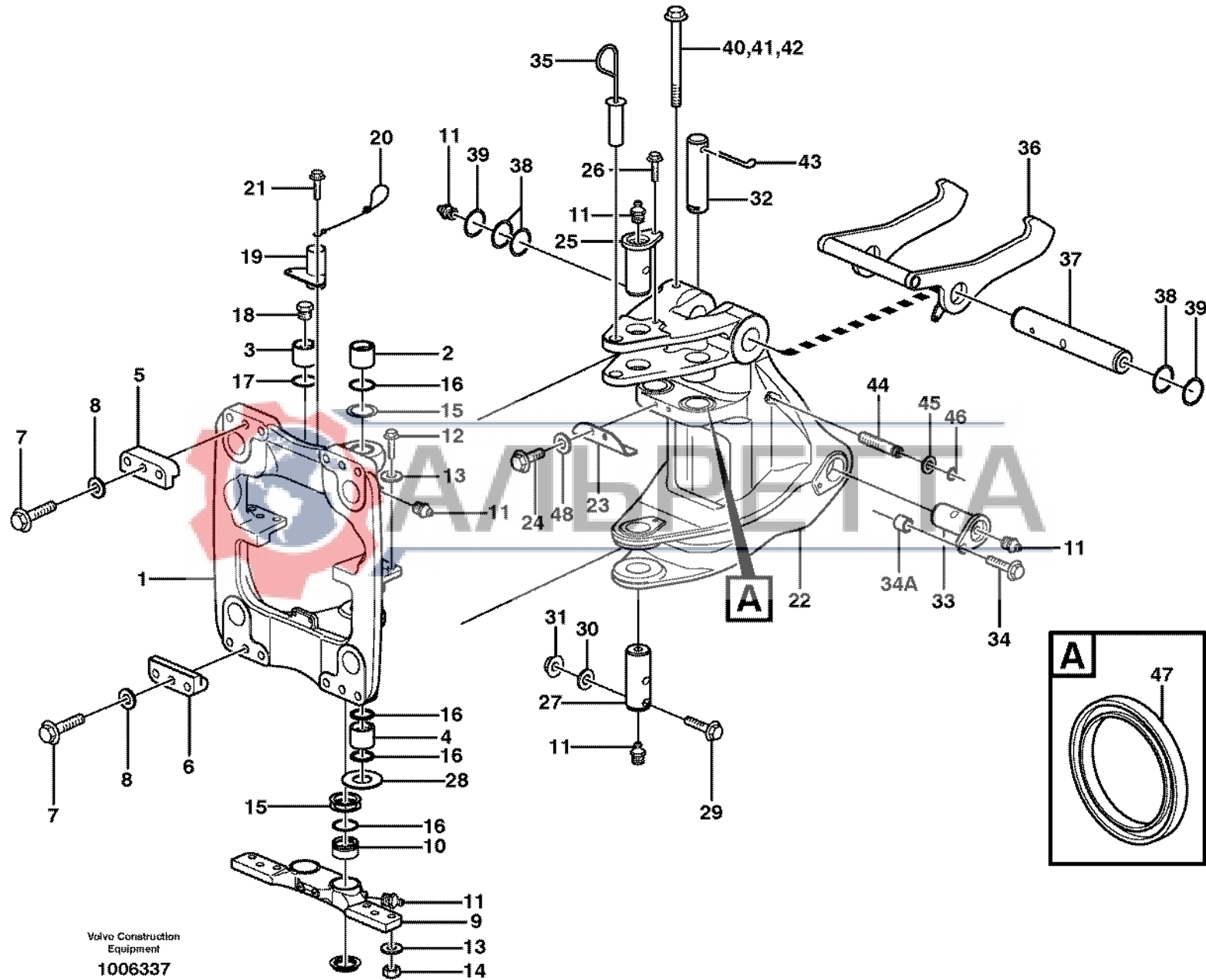
Fig.	Part No.	Quantity			P S	K I T	Description	Dénomination	Bezeichnung	Denominación	Benämning	Notes
		1	2	3								
1	VOE 11884584	1				Carriage	Support de fourche	Gabelhalter	Portahorquilla	Gaffelhållare	SER NO -11990	
1	VOE 11886473	1				Carriage	Support de fourche	Gabelhalter	Portahorquilla	Gaffelhållare	S/N 11991 - 13180, S/N 13186 - 13205.	
	VOE 11887273	1				Carrier	Support	Träger	Soporte	Hållare	S/N 13181 - 13185, S/N 13206 - (VOE 11883754)	
2	VOE 11884582	1				•Bushing	•Bague	•Buchse	•Casquillo	•Bussning	(VOE 11883755)	
3	VOE 11883756	2				•Bushing	•Bague	•Buchse	•Casquillo	•Bussning		
4	VOE 11884714	1				•Bushing	•Bague	•Buchse	•Casquillo	•Bussning	(VOE 11883755)	
5	VOE 11883485	2				Guide Plate	Plaque-guide	Kurvenscheibe	Placa Guia	Kurvplatta		
6	VOE 11883486	2				Guide Plate	Plaque-guide	Kurvenscheibe	Placa Guia	Kurvplatta		
7	VOE 13963365	12				Hexagon screw	Vis tête hexagonale	Sechskantschraube	Tornillo hexago	Sexkantsskruv		
8	VOE 955905	12				Washer	Rondelle	Scheibe	Arandela	Bricka		
9	VOE 11883439	1				Center Plate	Plaque Centrale	Mittenblech	Placa Central	Centrumplåt	S/N - 13335	
	VOE 11887300	1				Center Plate	Plaque Centrale	Mittenblech	Placa Central	Centrumplåt	S/N 10336 -	
10	VOE 11883757	2				•Bushing	•Bague	•Buchse	•Casquillo	•Bussning		
11	VOE 914167	9				Nipple	Raccord	Nippel	Niple	Nippel		
12	VOE 13963362	6				Hexagon screw	Vis tête hexagonale	Sechskantschraube	Tornillo hexago	Sexkantsskruv		
13	VOE 955905	12				Washer	Rondelle	Scheibe	Arandela	Bricka		
14	VOE 983312	6				Hexagon Nut	Ecrou Hexagonal	Sechskantmutter	Tuerca Hexagon	Sexkantmutter		
15	VOE 11882660	6				Shim	Cale d'épaisseur	Ausgleichscheibe	Suplementos de ajust	Mellanlägg		
16	VOE 11881489	6				Scraper	Racloir	Abstreicher	Rascador	Skrapa		
17	VOE 11883628	2				Wiper	Essuie-glace	Wischer	Limpiaparabrisa	Torkare		
18	VOE 191900	2				Plug	Bouchon	Stopfen	Tapon	Plugg		
19	VOE 11883645	1				Bracket	Console	Konsole	Ménsula	Konsol		
20	VOE 11883651	1				Cable	Câble	Seil	Cable	Lina		
21	VOE 13946173	2				Flange screw	Vis à bride	Flanschschrabe	Torn embridado	Flänsskruv		
22	VOE 11883729	1			SS	Swing Post	Support de rotation	Drehstütze	Apoyo de giro	Svängpelare	S/N - 13172	
	VOE 11887295	1				Swing Post	Support de rotation	Drehstütze	Apoyo de giro	Svängpelare	S/N 13173 -	
23	VOE 11883733	1				Stop	Arrêt	Anschlag	Parada	Stopp		
24	VOE 974428	2				Flange screw	Vis à bride	Flanschschrabe	Torn embridado	Flänsskruv		

1		Svängsystem Sistema de oscilación Schwenksystem Système de pivotement Swing system	Catalogue id	Group
2			20002	971
3			Illustr. No	Section
4			1006337	100
5			Issue	Page
			VOE 63H9920002	807

VOLVO

BL71





Volvo Construction
 Equipment
 1006337

Fig.	Part No.	Quantity			P S	K I T	Description	Dénomination	Bezeichnung	Denominación	Benämning	Notes
		1	2	3								
25	VOE 11883727	1				Pin.....	Goupille.....	Zapfen.....	Pasador.....	Tapp.....		
26	VOE 968435	1				Flange screw.....	Vis à bride.....	Flanschschraube.....	Torn embridado.....	Flänsskruv.....		
27	VOE 11883728	1				Pin.....	Goupille.....	Zapfen.....	Pasador.....	Tapp.....		
28	VOE 11883751	2				Spacer.....	Partie Intermédiaire.....	Zwischenstück.....	Espaciador.....	Mellandel.....		
29	VOE 968237	1				Flange screw.....	Vis à bride.....	Flanschschraube.....	Torn embridado.....	Flänsskruv.....		
30	VOE 13960143	1				Washer.....	Rondelle.....	Scheibe.....	Arandela.....	Bricka.....		
31	VOE 13971068	1				Hexagon Nut.....	Ecrou Hexagonal.....	Sechskantmutter.....	Tuerca Hexagon.....	Sexkantsmutter.....		
32	VOE 11888681	2				Pin.....	Goupille.....	Zapfen.....	Pasador.....	Tapp.....		
33	VOE 11883753	2				Pin.....	Goupille.....	Zapfen.....	Pasador.....	Tapp.....		
34	VOE 968435	2				Flange screw.....	Vis à bride.....	Flanschschraube.....	Torn embridado.....	Flänsskruv.....		
34A	VOE 11884168	3				Spacer.....	Entretoise.....	Abstandstueck.....	Casquillo distanciad.....	Distans.....		
35	VOE 11884569	1				Lock.....	Serrure.....	Schloß.....	Cierre.....	Låselement.....		
36	VOE 11888656	1				Lock.....	Serrure.....	Schloß.....	Cierre.....	Låselement.....		
37	VOE 11883732	1				Pin.....	Goupille.....	Zapfen.....	Pasador.....	Tapp.....		
38	VOE 11885224	3				Shim.....	Cale d'épaisseur.....	Passscheibe.....	Arandela Ajuste.....	Passbricka.....		
39	VOE 11885225	4				Shim.....	Cale d'épaisseur.....	Passscheibe.....	Arandela Ajuste.....	Passbricka.....		
40	VOE 949824	1				Flange screw.....	Vis à bride.....	Flanschschraube.....	Torn embridado.....	Flänsskruv.....		
41	VOE 13960143	1				Washer.....	Rondelle.....	Scheibe.....	Arandela.....	Bricka.....		
42	VOE 13971068	1				Hexagon Nut.....	Ecrou Hexagonal.....	Sechskantmutter.....	Tuerca Hexagon.....	Sexkantsmutter.....		
43	VOE 907903	1				Cotter Pin.....	Goupille Fendue.....	Splint.....	Pasador Hendido.....	Saxpinne.....	When required	
44	VOE 11886468	1				Stud.....	Goujon.....	Stiftschraube.....	Esparrago.....	Pinnskruv.....		
45	VOE 13960143	1				Washer.....	Rondelle.....	Scheibe.....	Arandela.....	Bricka.....		
46	VOE 14025792	1				Retaining ring.....	Bague retenue.....	Haltering.....	Anillo de apoyo.....	Hållfarring.....		
47		4				Scraper.....	Racloir.....	Abstreicher.....	Rascador.....	Skrapa.....	See group 971, Page 815	
48	VOE 983338	2				Washer.....	Rondelle.....	Scheibe.....	Arandela.....	Bricka.....		

1	Svängsystem Sistema de oscilación Schwenksystem Système de pivotement Swing system	Catalogue id	Group
2		20002	971
3		Illustr. No	Section
4		1006337	100
5		Issue	Page
		VOE 63H9920002	809

VOLVO

BL71

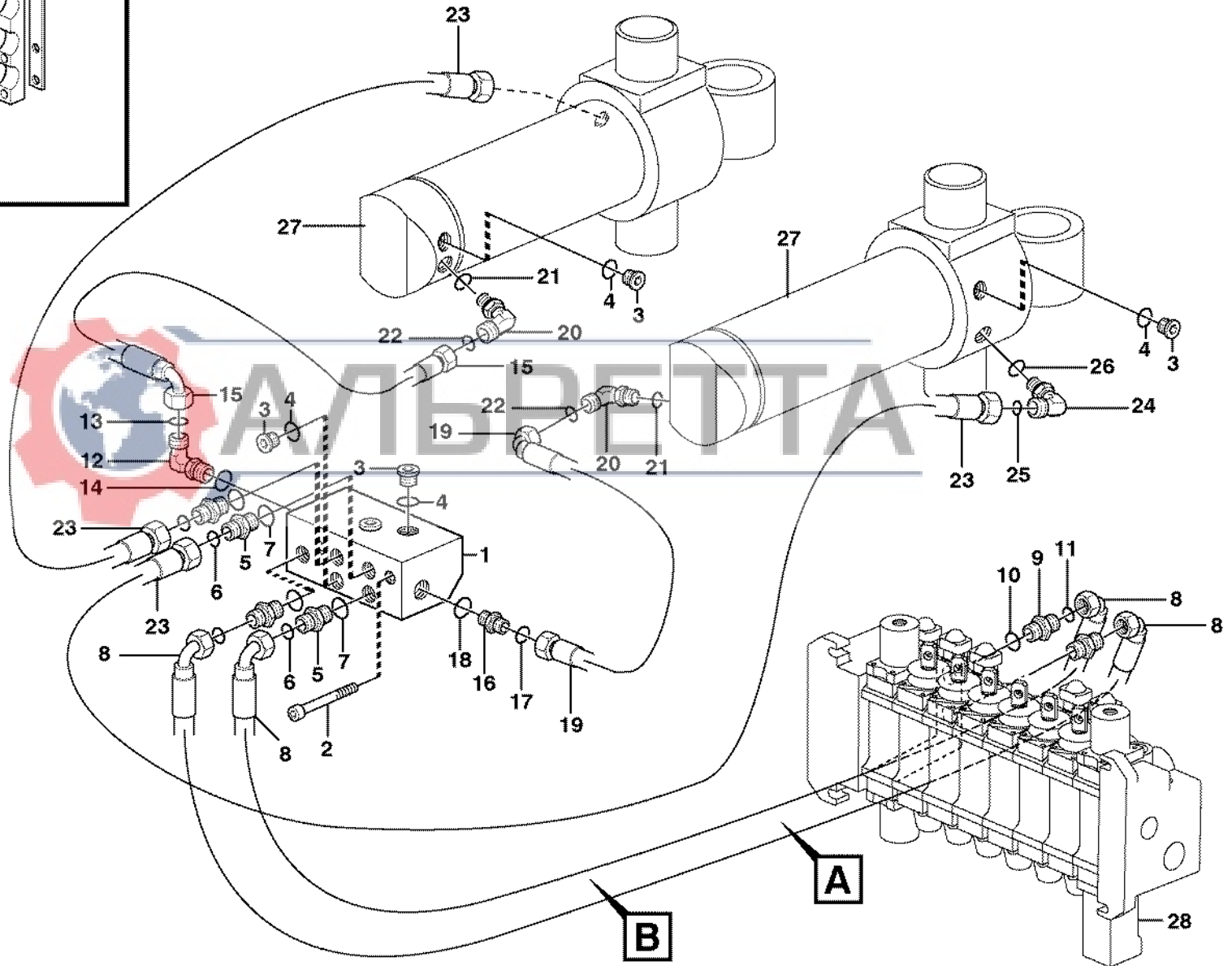
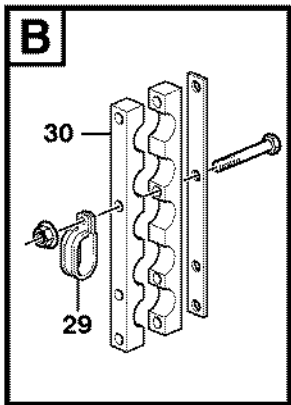
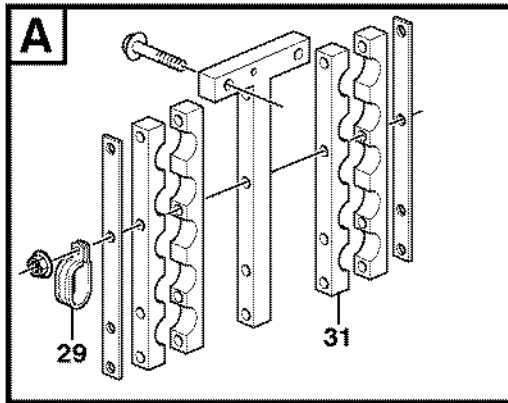


Fig.	Part No.	Quantity			P S	K I T	Description	Dénomination	Bezeichnung	Denominación	Benämning	Notes
		1	2	3								
1	VOE 11882500	1				Valve Body.....	Corps Valve	Ventilkörper	Cuerpo Valvula.....	Ventilkropp.....		
2	VOE 967632	2				Allen Hd Screw	Vis A 6 Pans Cr.....	Inbusschraube.....	Torn Hex Embut.....	Insexskruv.....		
3	VOE 11883510	9				Plug.....	Bouchon.....	Stopfen.....	Tapon.....	Plugg.....		
4	VOE 932039	1				•O-ring.....	•Joint Torique.....	•O-Ring.....	•Junta torica	•O-ring.....		
5	VOE 935085	4				Nipple.....	Raccord.....	Nippel.....	Niple.....	Nippel.....		
6	VOE 4880492	1				•O-ring.....	•Joint Torique.....	•O-Ring.....	•Junta torica	•O-ring.....		
7	VOE 932039	1				•O-ring.....	•Joint Torique.....	•O-Ring.....	•Junta torica	•O-ring.....		
8	VOE 11882190	2				Hose assembly	Conduit flexible	Schlauchleitung.....	Conducto.....	Slangledning.....		
9	VOE 11882258	2				Nipple.....	Raccord.....	Nippel.....	Niple.....	Nippel.....		
10	VOE 932042	1				•O-ring.....	•Joint Torique.....	•O-Ring.....	•Junta torica	•O-ring.....		
11	VOE 4880492	1				•O-ring.....	•Joint Torique.....	•O-Ring.....	•Junta torica	•O-ring.....		
12	VOE 935069	1				Elbow nipple.....	Raccord angulaire.....	Winkelnippel.....	Niple angular	Vinkelnippel.....		
13	VOE 4881722	1				•O-ring.....	•Joint Torique.....	•O-Ring.....	•Junta torica	•O-ring.....		
14	VOE 4880492	1				•O-ring.....	•Joint Torique.....	•O-Ring.....	•Junta torica	•O-ring.....		
15	VOE 11882803	1				Hose assembly	Conduit flexible	Schlauchleitung.....	Conducto.....	Slangledning.....		
16	VOE 935085	1				Nipple.....	Raccord.....	Nippel.....	Niple.....	Nippel.....		
17	VOE 4880492	1				•O-ring.....	•Joint Torique.....	•O-Ring.....	•Junta torica	•O-ring.....		
18	VOE 932039	1				•O-ring.....	•Joint Torique.....	•O-Ring.....	•Junta torica	•O-ring.....		
19	VOE 11882192	1				Hose assembly	Conduit flexible	Schlauchleitung.....	Conducto.....	Slangledning.....		
20	VOE 11884787	1				Nipple.....	Raccord.....	Nippel.....	Niple.....	Nippel.....		
21		1				•O-ring.....	•Joint Torique.....	•O-Ring.....	•Junta torica	•O-ring.....		
22		1				•O-ring.....	•Joint Torique.....	•O-Ring.....	•Junta torica	•O-ring.....		
23	VOE 11882194	2				Hose.....	Flexible.....	Schlauch	Manguera	Slang.....		
24	VOE 935069	2				Elbow nipple.....	Raccord angulaire.....	Winkelnippel.....	Niple angular	Vinkelnippel.....		
25	VOE 4881722	1				•O-ring.....	•Joint Torique.....	•O-Ring.....	•Junta torica	•O-ring.....		
26	VOE 4880492	1				•O-ring.....	•Joint Torique.....	•O-Ring.....	•Junta torica	•O-ring.....		
27		1				Swing cylinder.....	Vérin d'orientation	Schwenkzylinder	Cilindro de giro	Svängcylinder.....	See group 971, Page 815	
28		1				Valve.....	Soupape.....	Ventil	Valvula	Ventil.....	See group 912, Page 653	
29	VOE 981665	2				Clamp.....	Pince Serrage	Klemme	Abrazadera.....	Klämma.....		
30	VOE 11884908	1				Clamp.....	Pince Serrage	Klemme	Abrazadera.....	Klämma.....		

1		Hydraulsystem, sväng Sistema hidráulico, giro Hydraulikkreis, Schwenken Système hydraulique, orientation Boom swing system	Catalogue id	Group
2			20002	971
3			Illustr. No	Section
4			1005828	200
5			Issue	Page
			VOE 63H9920002	811

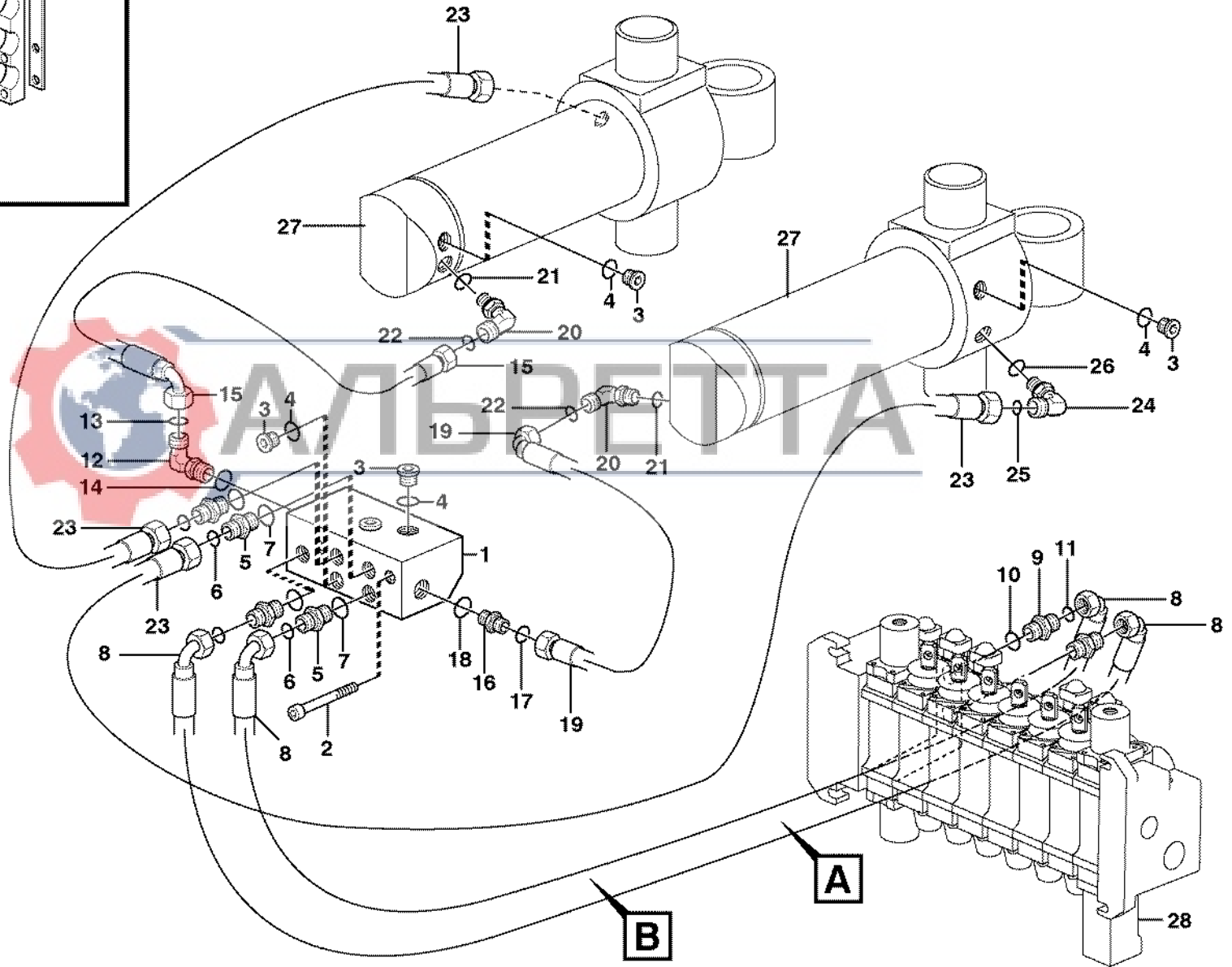
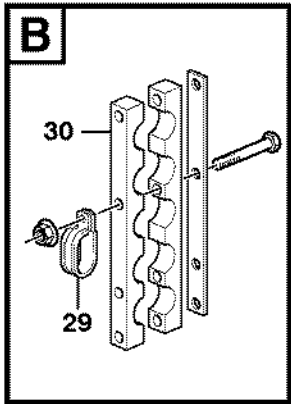
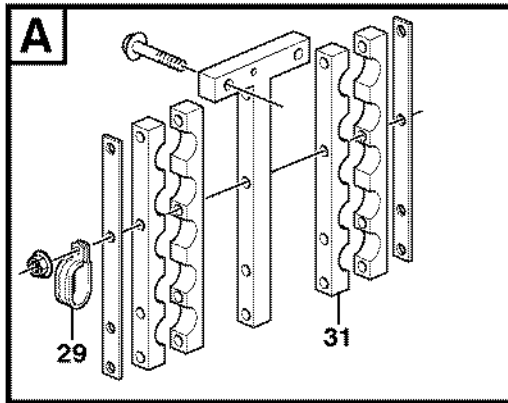


Fig.	Part No.	Quantity			P S	K I T	Description	Dénomination	Bezeichnung	Denominación	Benämning	Notes
		1	2	3								

31	1					Clamp.....	Collier serrage.....	Klemme.....	Abrazadera.....	Klamma.....	See group 911, Page 597
----	---	--	--	--	--	------------	----------------------	-------------	-----------------	-------------	-------------------------

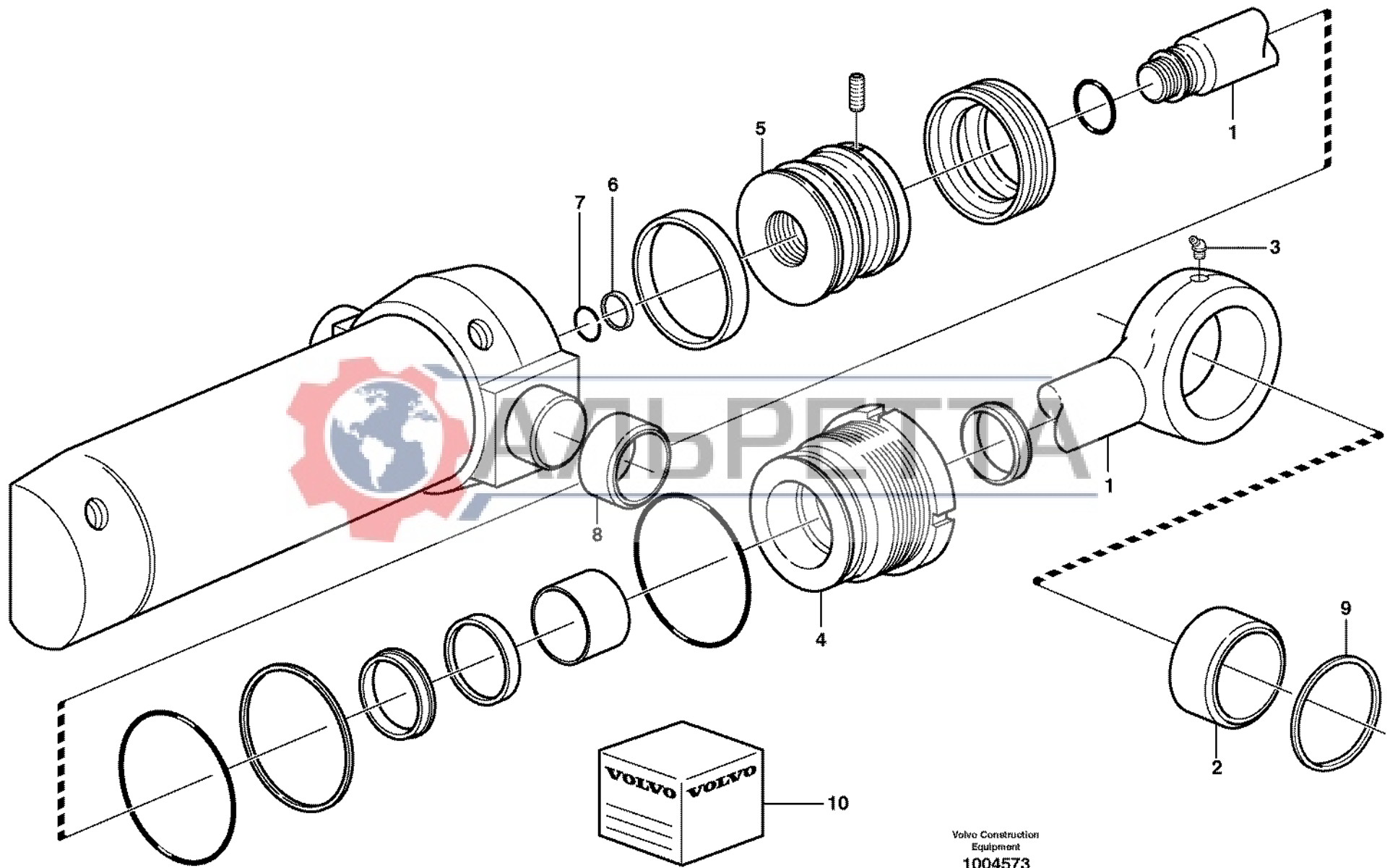


1		Hydraulsystem, sväng Sistema hidráulico, giro Hydraulikkreis, Schwenken Système hydraulique, orientation Boom swing system	Catalogue id	Group
2			20002	971
3			Illustr. No	Section
4			1005828	200
5			Issue	Page
			VOE 63H9920002	813

VOLVO

BL71





Volvo Construction
Equipment
1004573

Fig.	Part No.	Quantity			P S	K I T	Description	Dénomination	Bezeichnung	Denominación	Benämning	Notes
		1	2	3								
	VOE 11884052	1					Swing cylinder.....	Vérin d'orientation	Schwenkzylinder	Cilindro de giro	Svängcylinder.....	
1	VOE 11988249	1					•Piston rod	•Bielle de piston	•Kolbenstange	•Biela de piston	•Kolvstång.....	
2	VOE 11988255	1					•Bushing.....	•Bague	•Buchse	•Casquillo	•Bussning.....	
3	VOE 11988251	1					•Lub Nipple	•Graisseur	•Schmiernippel	•Engrasador	•Smörjnippel.....	
4	VOE 11988250	1					•Pstn Rod Guide	•Gui.tige Piston	•Ko-stang Fuhrg	•Guia Var Piston.....	•Kolvst.styrning.....	
5	VOE 11709676	1					•Piston.....	•Piston.....	•Kolben.....	•Piston	•Kolv.....	
6	VOE 11709526	1					•Cushion Ring	•Douille amortisseurs ..	•Dämpfhülse.....	•Manguito Amorti.....	•Dämpfylsa.....	
7	VOE 11709527	1					•Lock Ring.....	•Anneau Verrouillage ..	•Schlossring	•Anillo Segurid.....	•Låsring.....	
8	VOE 11709672	2					•Bushing.....	•Bague	•Buchse	•Casquillo	•Bussning.....	
9	VOE 11883937	2					Scraper	Racloir.....	Abstreicher	Rascador.....	Skrapa.....	
10	VOE 11709677	1					Sealing Kit.....	Jeu Joints.....	Dichtungssatz.....	Juego Retenes	Tätningssats.....	

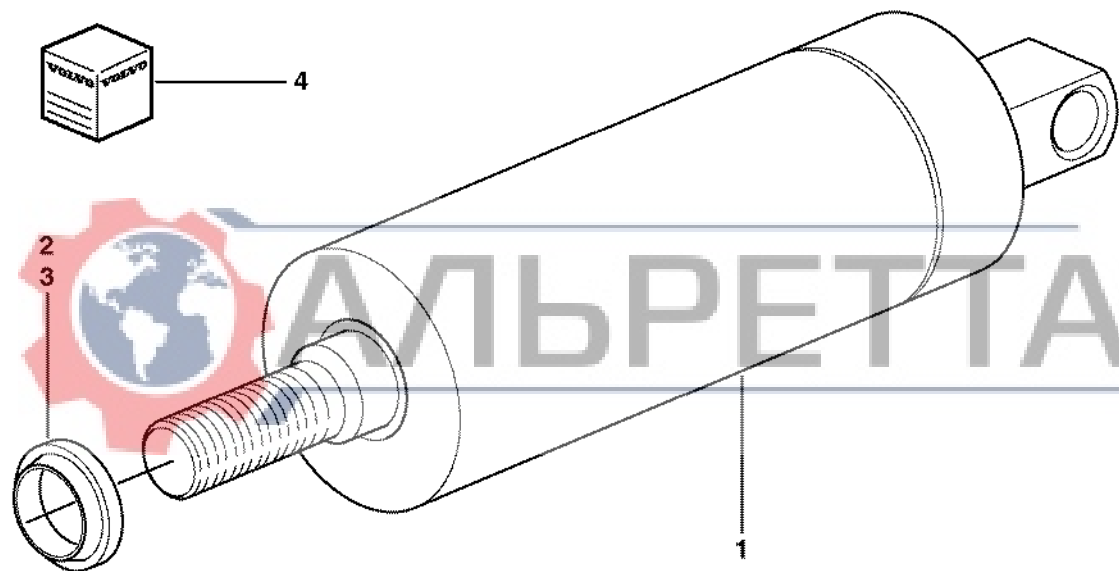


1		Svängcylinder Cilindro de giro Schwenkzylinder Vérin d'orientation Swing cylinder	Catalogue id	Group
2			20002	971
3			Illustr. No	Section
4			1004573	300
5			Issue	Page
			VOE 63H9920002	815

VOLVO

BL71





Volvo Construction
Equipment
1003011

Fig.	Part No.	Quantity			P S	K I T	Description	Dénomination	Bezeichnung	Denominación	Benämning	Notes
		1	2	3								
1	VOE 11884579	1				Locking Cyl	Cyl Verrouil	Sperrzylinder	Cil Bloqueo	Spärrcylinder.....		
1	VOE 11888096		1			Cylinder.....	Verin.....	Zylinder	Cilindro	Cylinder.....		
2	VOE 11709679	1				•Scraper	•Racloir.....	•Abstreicher.....	•Rascador.....	•Skrapa.....		
3	VOE 11709680	1				•Filter.....	•Filtre.....	•Filter.....	•Filtro	•Filter.....		
4	VOE 11710606	1				•Sealing Kit	•Jeu Joints.....	•Dichtungssatz	•Juego Retenes.....	•Tätningssats.....		

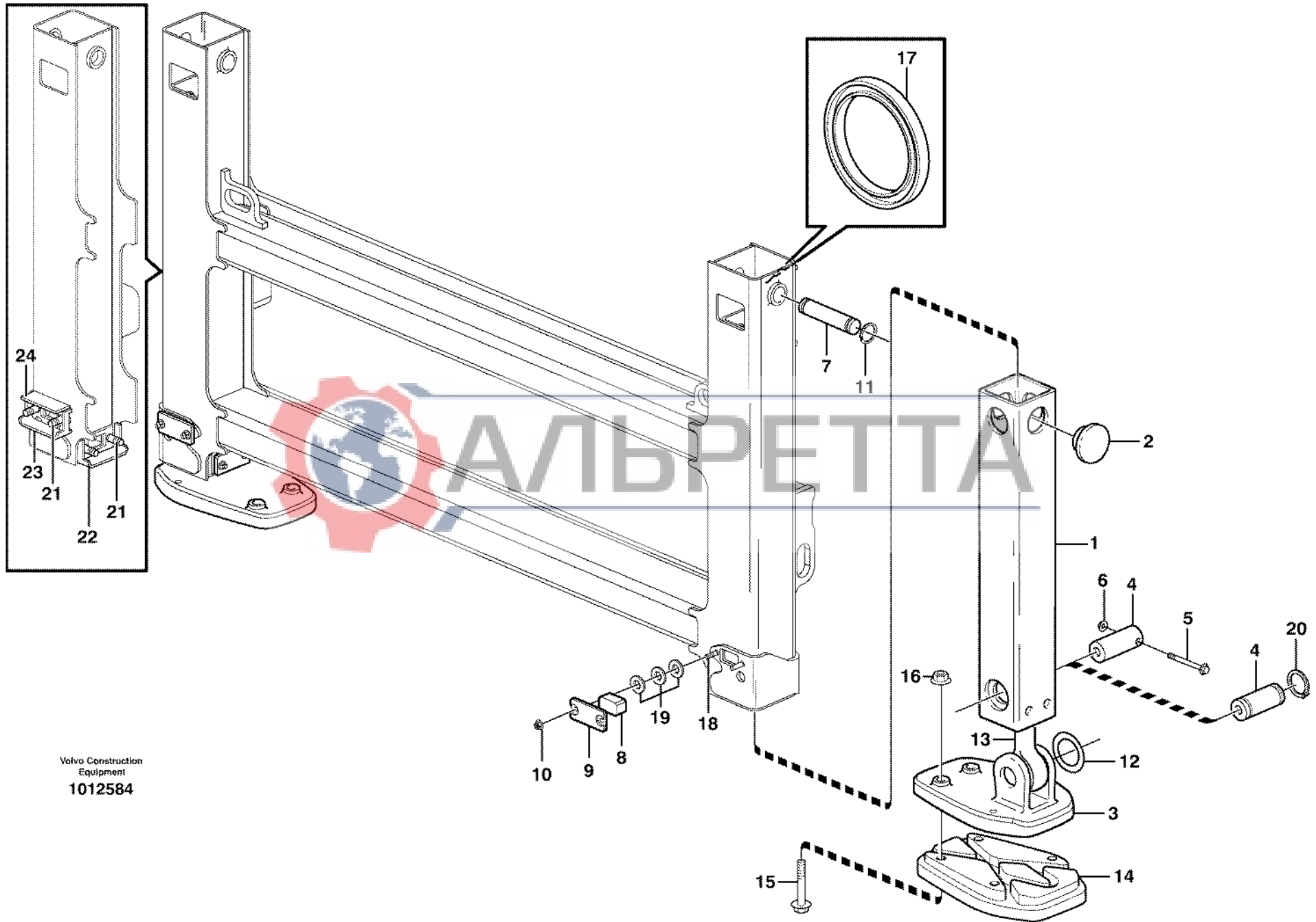


1	11884579	Spärrcylinder Cilindro de bloqueo Sperrzylinder Vérin de verrouillage Lock cylinder	Catalogue id	Group
2	11888096 S/N 14670 -		20002	971
3			Illustr. No	Section
4			1003011	400
5			Issue	Page
			VOE 63H9920002	817

VOLVO

BL71





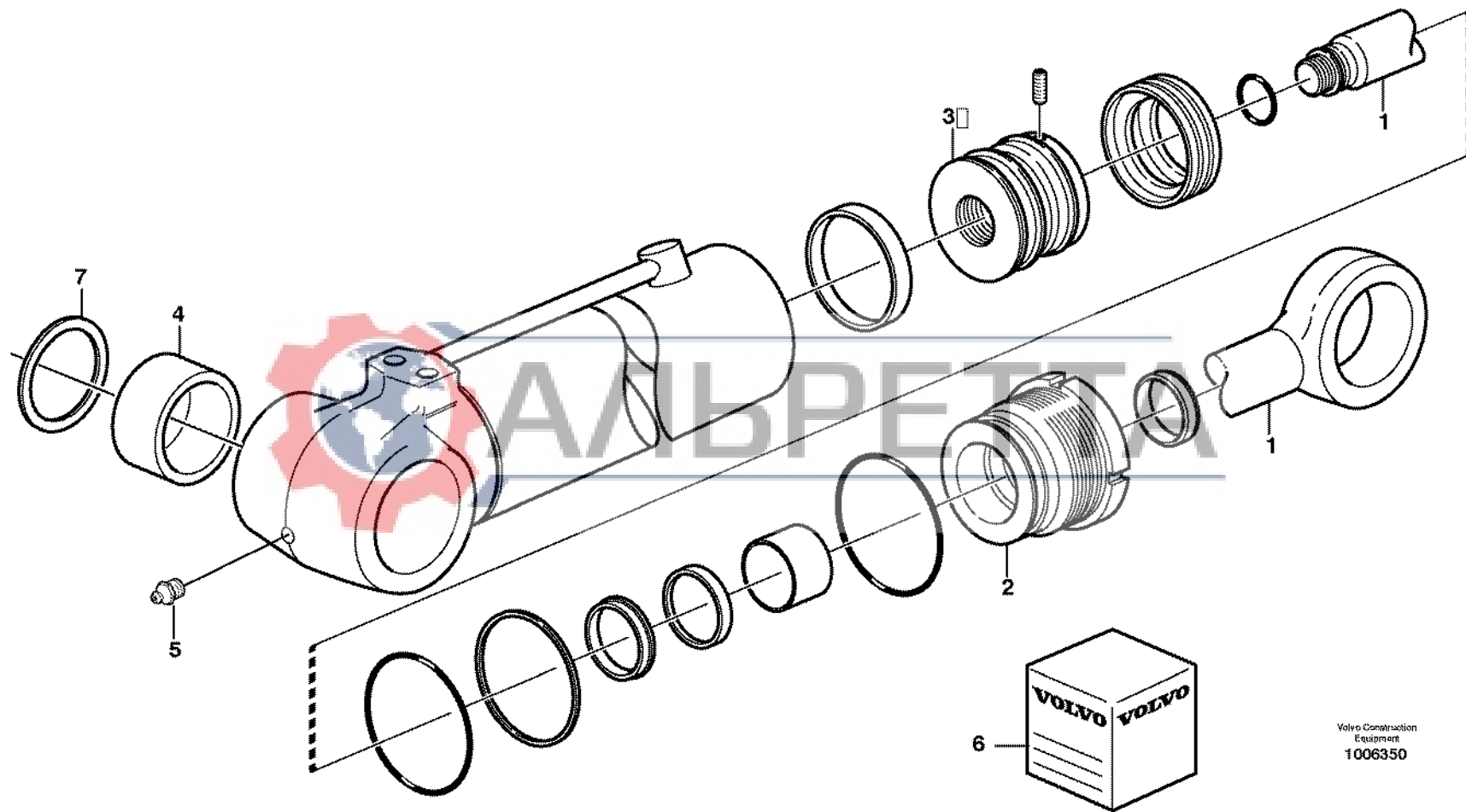
Volvo Construction
Equipment
1012584

Fig.	Part No.	Quantity			P S	K I T	Description	Dénomination	Bezeichnung	Denominación	Benämning	Notes
		1	2	3								
1	VOE 11884156	2				Tube.....	Tube.....	Rohr.....	Tube.....	Rör.....		
	VOE 11887060			2		Square Tube.....	Tuyau Carre.....	Vierkantröhr.....	Tube Cuadrangul.....	Fyrkantrör.....		
2	VOE 11890229	12		12		Pad.....	Patin.....	Belag.....	Pastilla.....	Pad.....		
3	VOE 11882981	2				Foot Plate.....	Plaque Pedale.....	Fussplatte.....	Placa Pie.....	Fotplatta.....		
	VOE 11885475			2		Foot Plate.....	Plaque Pedale.....	Fussplatte.....	Placa Pie.....	Fotplatta.....		
4	VOE 11884155	2				Pin.....	Goupille.....	Zapfen.....	Pasador.....	Tapp.....		
	VOE 11885283			2		Pin.....	Goupille.....	Zapfen.....	Pasador.....	Tapp.....		
5	VOE 13965184	2				Flange screw.....	Vis a bride.....	Flanschschraube.....	Torn embridado.....	Flänsskruv.....		
6	VOE 948645	2				Flange Lock Nut.....	Contre écrou bride.....	Flanschmutter.....	Contratuer Embr.....	Flänslåsmutter.....		
7	VOE 11887730	2		2		Pin.....	Goupille.....	Zapfen.....	Pasador.....	Tapp.....		
8	VOE 11883349	4		4		Wear Part.....	Piece Usure.....	Verschleissteil.....	Secc Desgaste.....	Slittdel.....		
9	VOE 11887740	4		4		Plate.....	Plaque.....	Platte.....	Placa.....	Platta.....		
10	VOE 963111	8		8		Lock nut.....	Contre-ecrou.....	Sicherungsmutter.....	Contratuerca.....	Låsmutter.....		
11	VOE 967562	4		4		Snap ring.....	Circlip.....	Nutring.....	Circlip.....	Spårring.....		
12	VOE 11890115	REQ		REQ		Washer.....	Rondelle.....	Scheibe.....	Arandela.....	Bricka.....		
13		2		2		Cylinder.....	Verin.....	Zylinder.....	Cilindro.....	Cylinder.....	See group 972, Page 821	
14	VOE 11886020		2			Pad.....	Patin.....	Belag.....	Pastilla.....	Pad.....	(VOE 11883037)	
15	VOE 13965195		8			Screw.....	Vis.....	Schraube.....	Tornillo.....	Skruv.....		
16	VOE 971099		8			Flange Lock Nut.....	Contre écrou bride.....	Flanschmutter.....	Contratuer Embr.....	Flänslåsmutter.....	(VOE 13971099)	
17		8		8		Sealing ring.....	Bague d'étanchéité.....	Runddichtring.....	Anillo reten.....	Tätningring.....	See group 972, Page 821	
18	VOE 965521		8			Press Screw.....	Vis Pression.....	Pressspindel.....	Torn Presion.....	Pressskruv.....		
19	VOE 930844			12		Washer.....	Rondelle.....	Scheibe.....	Arandela.....	Bricka.....		
20	VOE 914470			4		Snap Ring.....	Circlip.....	Nutring.....	Circlip.....	Spårring.....		
21	VOE 11885907			8		Nut.....	Ecrou.....	Mutter.....	Tuerca.....	Mutter.....		
22	VOE 11885905			2		Plate.....	Plaque.....	Platte.....	Placa.....	Platta.....		
23	VOE 11886018			1		Plate.....	Plaque.....	Platte.....	Placa.....	Platta.....	LH	
	VOE 11886019			1		Plate.....	Plaque.....	Platte.....	Placa.....	Platta.....	RH	
24	VOE 11885904			2		Plate.....	Plaque.....	Platte.....	Placa.....	Platta.....		

1	STD, SER NO - 10418	Stödben Pata de apoyo Pratzen Bequille Stabilisers	Catalogue id	Group
2	11891269		20002	972
3	STD, SER NO 10419 -		Illustr. No	Section
4			1012584	100
5			Issue	Page
			VOE 63H9920002	819

VOLVO

BL71



Volvo Construction
Equipment
1006350

Fig.	Part No.	Quantity			P S	K I T	Description	Dénomination	Bezeichnung	Denominación	Benämning	Notes
		1	2	3								
	VOE 11881611	1					Cylinder.....	Verin.....	Zylinder	Cilindro	Cylinder.....	
1	VOE 11709628	1					•Piston rod	•Bielle de piston	•Kolbenstange	•Biela de piston	•Kolvstång.....	
2	VOE 11709629	1					•Pstn Rod Guide	•Gui.tige Piston	•Ko-stang Fuhrg	•Gui.a Var Piston	•Kolvst.styrning.....	
3	VOE 11709630	1					•Piston.....	•Piston.....	•Kolben.....	•Piston	•Kolv.....	
4	VOE 11712635	2					•Bushing.....	•Bague	•Buchse	•Casquillo	•Bussning.....	
5	VOE 11709664	1					•Lub Nipple	•Graisseur	•Schmiernippel	•Engrasador	•Smörjnippel.....	
6	VOE 11709632	1					•Sealing Kit	•Jeu Joints.....	•Dichtungssatz	•Juego Retenes	•Tätningssats.....	
7	VOE 11883674	2					Sealing ring.....	Bague d'étanchéité	Runddichtring.....	Anillo reten	Tätningssring.....	



1		Stödbenscylander Cilindro hidraulico para pata de apoyo Hydraulzylinder für Pratzen Vérin hydraulique pour jambe d'appui Stabiliser cylinder	Catalogue id	Group
2			20002	972
3			Illustr. No	Section
4			1006350	200
5			Issue	Page
			VOE 63H9920002	821

VOLVO

BL71



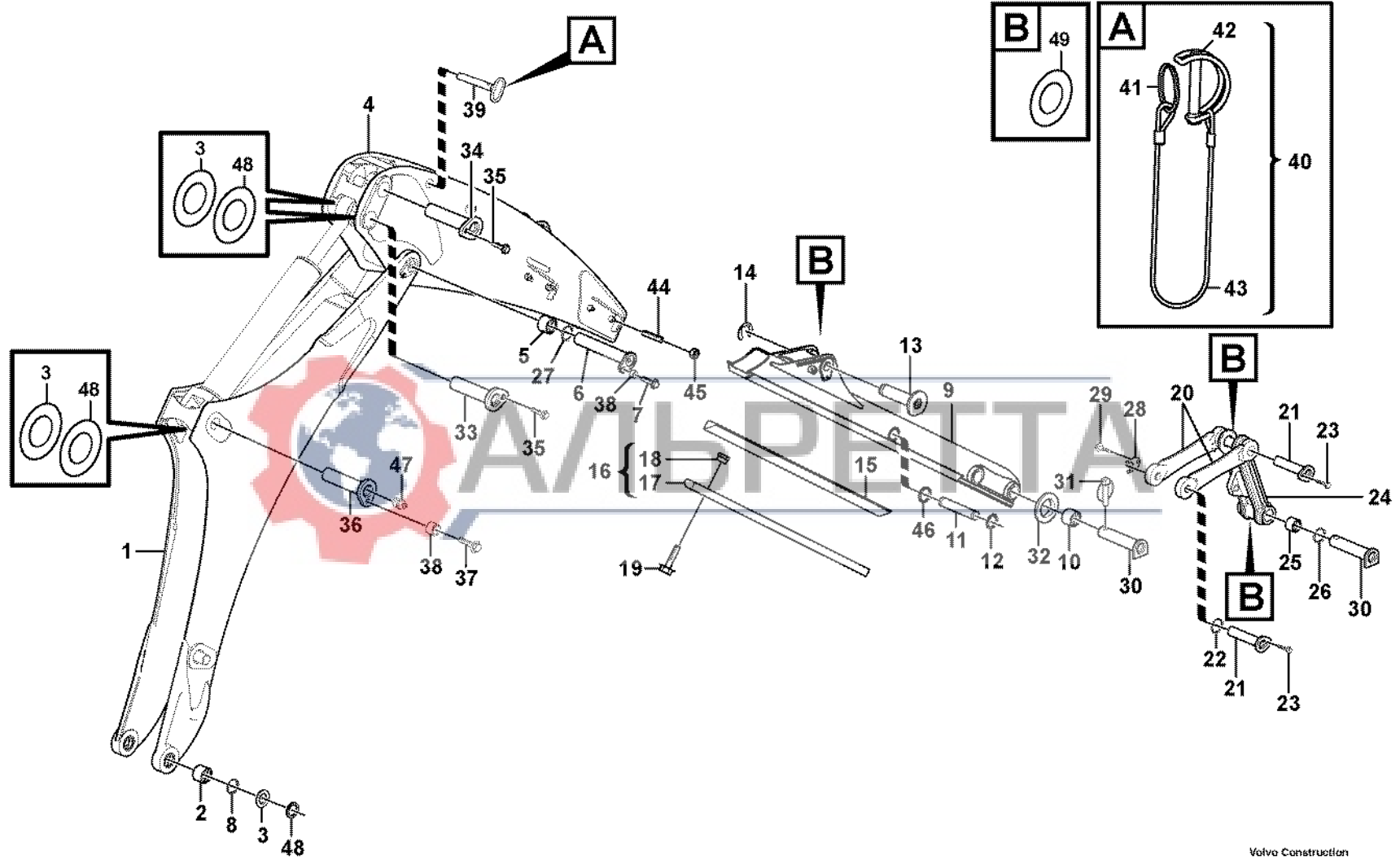


Fig.	Part No.	Quantity			P S	K I T	Description	Dénomination	Bezeichnung	Denominación	Benämning	Notes
		1	2	3								
1	VOE 11884737	1				SS	Boom.....	Fleche.....	Ausleger.....	Pluma.....	Bom.....	SER NO - 10425
1	VOE 11886266		1				Boom.....	Fleche.....	Ausleger.....	Pluma.....	Bom.....	2069)
1	VOE 11888239			1			Boom.....	Fleche.....	Ausleger.....	Pluma.....	Bom.....	
2	VOE 11885426		2				•Bushing.....	•Bague.....	•Buchse.....	•Casquillo.....	•Bussning.....	2069)
2	VOE 11885426	2		2			•Bushing.....	•Bague.....	•Buchse.....	•Casquillo.....	•Bussning.....	(VOE 11884713)
3	VOE 11885225		4	REQ			Shim.....	Cale d'épaisseur.....	Passscheibe.....	Arandela Ajuste.....	Passbricka.....	2069)
4	VOE 11886499	1	1	1			Arm.....	Bras.....	Arm.....	Brazo.....	Arm.....	(VOE 11884262)
5	VOE 11883769	2	2	2			•Bushing.....	•Bague.....	•Buchse.....	•Casquillo.....	•Bussning.....	
6	VOE 11886255	1	1				Pin.....	Goupille.....	Zapfen.....	Pasador.....	Tapp.....	
6	VOE 11887962			1			Pin.....	Goupille.....	Zapfen.....	Pasador.....	Tapp.....	
7	VOE 968589	1	1	1			Flange screw.....	Vis à bride.....	Flanschschraube.....	Torn embridado.....	Flänsskruv.....	
8	VOE 11890069	6	6	6			Seal.....	Joint.....	Dichtung.....	Reten.....	Tätning.....	
9	VOE 11884248	1	1	1			Arm.....	Bras.....	Arm.....	Brazo.....	Arm.....	
10	VOE 11883770	4	4	4			•Bushing.....	•Bague.....	•Buchse.....	•Casquillo.....	•Bussning.....	
11	VOE 11881786	1	1				Pin.....	Goupille.....	Zapfen.....	Pasador.....	Tapp.....	
11	VOE 11883897			1			Pin.....	Goupille.....	Zapfen.....	Pasador.....	Tapp.....	
12	VOE 914461	2	2				Snap Ring.....	Circlip.....	Nutring.....	Circlip.....	Spårring.....	
12	VOE 914465			2			Snap Ring.....	Circlip.....	Nutring.....	Circlip.....	Spårring.....	
13	VOE 11884259	1	1	1			Pin.....	Goupille.....	Zapfen.....	Pasador.....	Tapp.....	
14	VOE 967562	1	1	1			Snap ring.....	Circlip.....	Nutring.....	Circlip.....	Spårring.....	
15	VOE 11885340	1	1	1			Wear Part.....	Piece Usure.....	Verschleissteil.....	Secc Desgaste.....	Slitdel.....	RH
15	VOE 11885339	1	1	1			Wear Part.....	Piece Usure.....	Verschleissteil.....	Secc Desgaste.....	Slitdel.....	LH
16	VOE 11883863	2					Strip.....	Bande.....	Streifen.....	Cinta.....	Band.....	S/N - 13927
16	VOE 11887915	2	2	2			Strip.....	Bande.....	Streifen.....	Cinta.....	Band.....	S/N 13928 -
17	VOE 11883862	1	1			SS	•Strip.....	•Bande.....	•Streifen.....	•Cinta.....	•Band.....	S/N - 13927
17	11887914			1			•Strip.....	•Bande.....	•Streifen.....	•Cinta.....	•Band.....	
18	VOE 11883865	5	5	5			•Square Nut.....	•Erou Carre.....	•Vierkantmutter.....	•Tuerca Cuadrada.....	•Fyrkantmutter.....	
19	VOE 946329	10	10				Flange screw.....	Vis à bride.....	Flanschschraube.....	Torn embridado.....	Flänsskruv.....	
19	VOE 946441			10			Flange screw.....	Vis à bride.....	Flanschschraube.....	Torn embridado.....	Flänsskruv.....	

2069) SER NO 10426 - EXCL SER NO 10427, 10432 - 10436, 10449 - 10451

1	11884737	Gräv bom med teleskoparm Pluma de excavación con brazo telescópico Grabausleger mit Teleskopstiel Flèche d'équipement excavateur avec bras télescopique Excavator boom, extendible dipper arm	Catalogue id	Group
2	11886266		20002	974
3	11888239 S/N 14670 -		Illustr. No	Section
4			1024636	100
5			Issue	Page
	11891273	VOE 63H9920002	823	

VOLVO

BL71

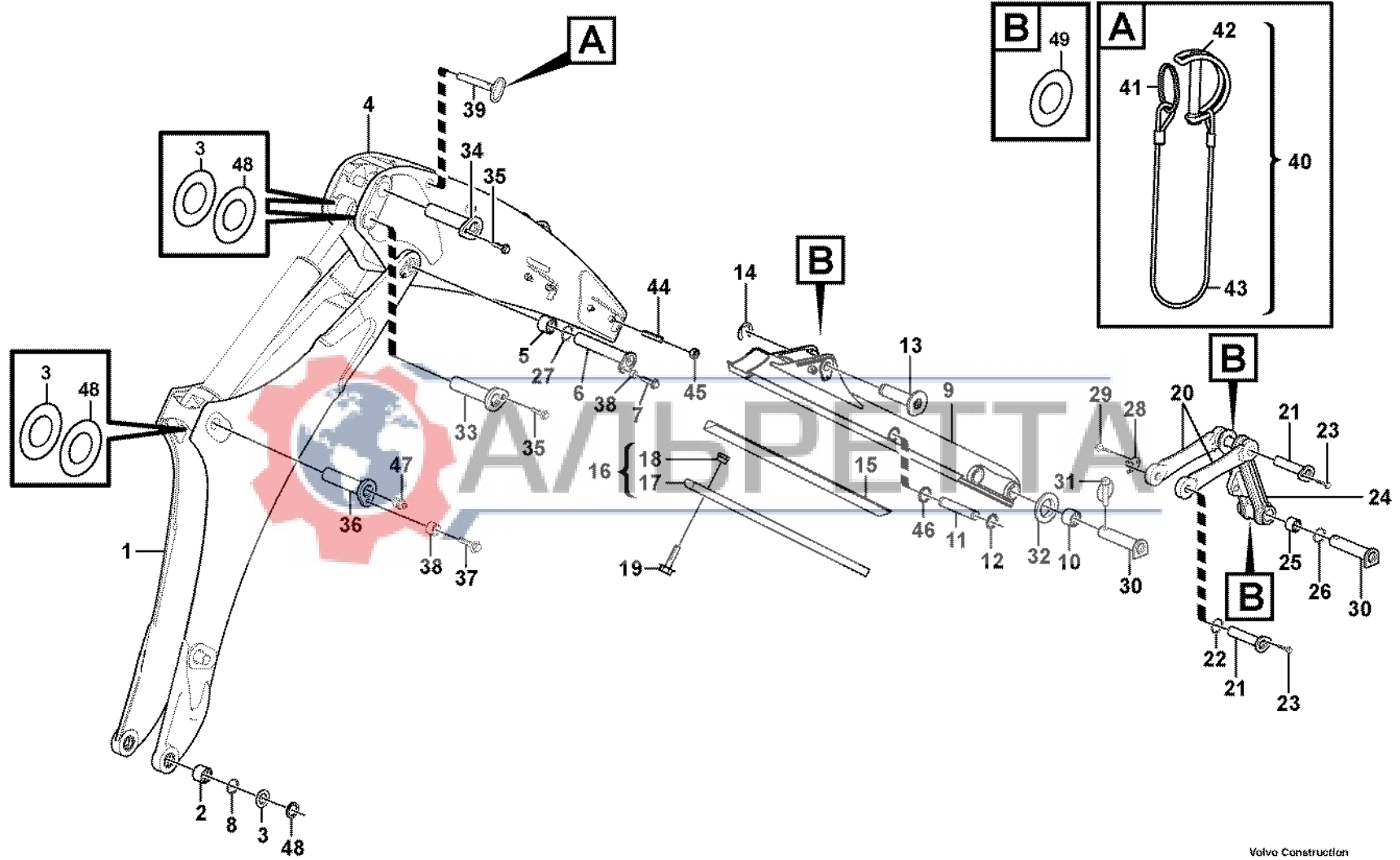


Fig.	Part No.	Quantity			P S	K I T	Description	Dénomination	Bezeichnung	Denominación	Benämning	Notes
		1	2	3								
20	VOE 11886174	2	2	2		Link	Articulation	Gelenk.....	Articulacion.....	Länk.....		
21	VOE 11882533	2	2	2		Pin.....	Goupille.....	Zapfen.....	Pasador.....	Tapp.....		
22	VOE 11890048	4	4	4		Seal.....	Joint	Dichtring	Junta	Tätning.....		
23	VOE 968589	1	1	2		Flange screw.....	Vis à bride.....	Flanschschraube.....	Torn embridado.....	Flänsskruv.....		
24	VOE 11881575	1	1			Link	Articulation	Gelenk.....	Articulacion.....	Länk.....		
24	VOE 11885940			1		Link	Articulation	Gelenk.....	Articulacion.....	Länk.....		
25	VOE 11883768	4	4	4		•Bushing.....	•Bague	•Buchse.....	•Casquillo	•Bussning.....		
26	VOE 11890048	6				Seal.....	Joint	Dichtring	Junta	Tätning.....		
27	VOE 11890117	REQ	REQ			Washer.....	Rondelle.....	Scheibe	Arandela.....	Bricka.....	2069)	
28	VOE 11881629	2	2	2		Clip.....	Clip.....	Klemme	Clip	Clips.....		
29	VOE 968589	2	2	2		Flange screw.....	Vis à bride.....	Flanschschraube.....	Torn embridado.....	Flänsskruv.....		
30	VOE 11883275	2	2	2		Pin.....	Goupille.....	Zapfen.....	Pasador.....	Tapp.....	11891061	
31	VOE 11881622	2	2	2		Locking pin.....	Goupille d'arrêt.....	Schliessbolzen	Pasador de cierre.....	Låspinne.....	11891061	
32	VOE 955912	2	2	2		Washer.....	Rondelle.....	Scheibe	Arandela.....	Bricka.....	11891061	
33	VOE 11882677	1	1	1		Pin.....	Goupille.....	Zapfen.....	Pasador.....	Tapp.....		
34	VOE 11882537	1	1	1		Pin.....	Goupille.....	Zapfen.....	Pasador.....	Tapp.....		
35	VOE 968589	2	2	2		Flange screw.....	Vis à bride.....	Flanschschraube.....	Torn embridado.....	Flänsskruv.....		
36	VOE 11884607	1	1			Pin.....	Goupille.....	Zapfen.....	Pasador.....	Tapp.....		
36	VOE 11887958			1		Pin.....	Goupille.....	Zapfen.....	Pasador.....	Tapp.....		
37	VOE 968435	1	1	1		Flange screw.....	Vis à bride.....	Flanschschraube.....	Torn embridado.....	Flänsskruv.....		
38	VOE 11884168	1	2	2		Spacer.....	Entretoise.....	Abstandstueck.....	Casquillo distanciad	Distans.....		
39	VOE 11882540	1	1	1		Pin.....	Goupille.....	Zapfen.....	Pasador.....	Tapp.....		
40	VOE 11883476	1	1	1		Safety Strap.....	Elingu.securite	Zurrband.....	Estrobo Segurid	Säkerhetsstropp.....		
41	VOE 11884616	1	1	1		•Ring	•Anneau	•Ring.....	•Anillo	•Ring.....		
42	VOE 11884614	1	1	1 OP		•Spring Pin	•Axe de ressort.....	•Federstift.....	•Pasador Resorte	•Fjäderpinne.....		
43	VOE 11881557	1	1	1		•Steel Wire	•Fil Acier.....	•Stahldraht.....	•Alambre.....	•Ståltråd.....		
44	VOE 11882667	8	8	8		Set Screw.....	Vis Butee.....	Anschlagschraub.....	Tornillo Tope	Stoppskruv.....		
45	VOE 979021	8	8	8		Hexagon Nut.....	Ecrou Hexagonal	Sechskantmutter	Tuerca Hexagon.....	Sexkantsmutter.....		
46	VOE 11883936	2	2	2		Seal.....	Joint	Dichtung	Junta	Tätning.....		

2069) SER NO 10426 - EXCL SER NO 10427, 10432 - 10436, 10449 - 10451

1	11884737	Gräv bom med teleskoparm Pluma de excavación con brazo telescópico Grabausleger mit Teleskopstiel Flèche d'équipement excavateur avec bras télescopique Excavator boom, extendible dipper arm	Catalogue id	Group
2	11886266		20002	974
3	11888239 S/N 14670 -		Illustr. No	Section
4			1024636	100
5			Issue	Page
		11891273	VOE 63H9920002	825

VOLVO

BL71

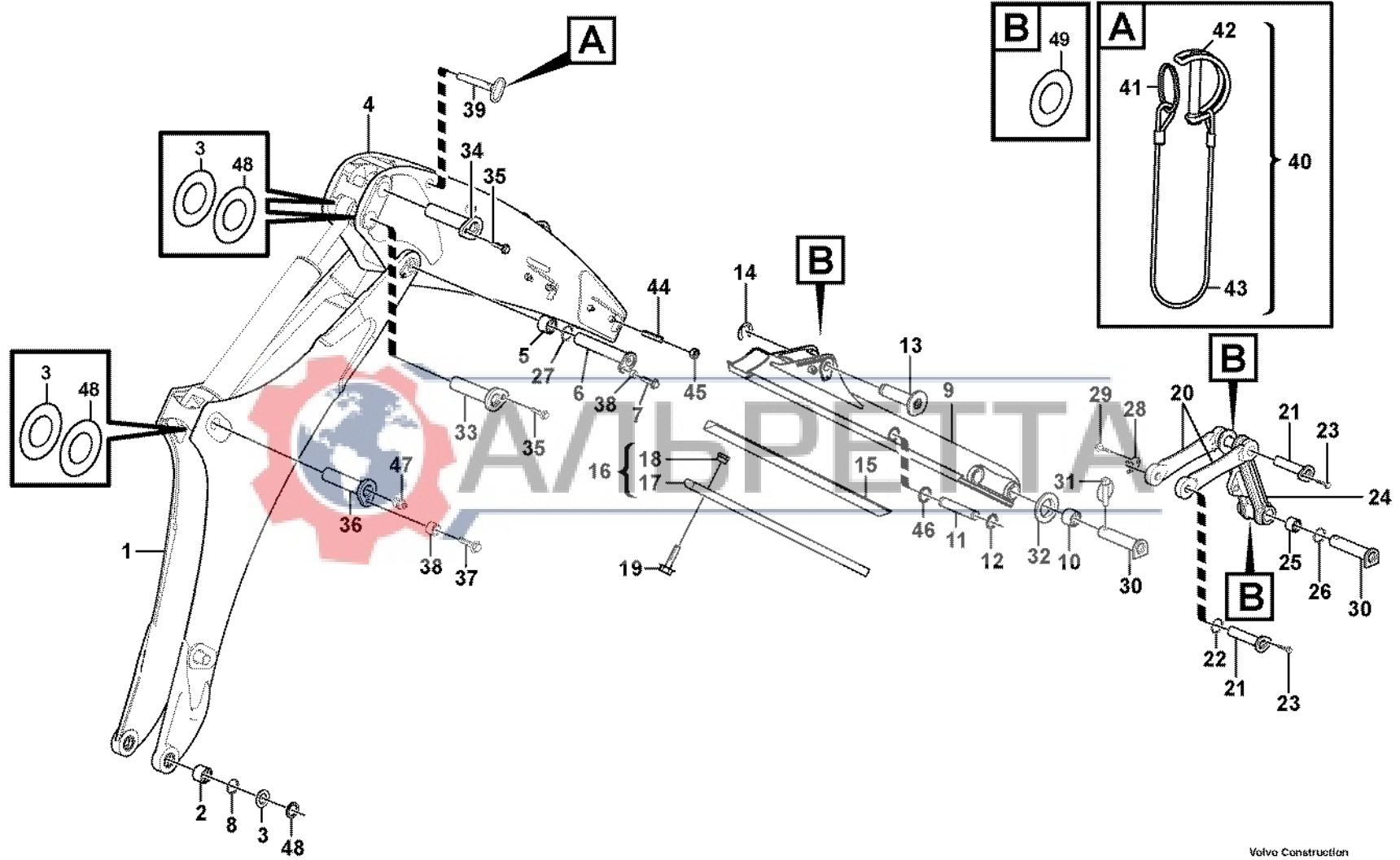


Fig.	Part No.	Quantity			P S	K I T	Description	Dénomination	Bezeichnung	Denominación	Benämning	Notes
		1	2	3								
47	VOE 914167	11	11	10			Nipple.....	Raccord.....	Nippel.....	Niple.....	Nippel.....	
48	VOE 11885224	REQ	REQ	REQ			Shim.....	Cale d'épaisseur.....	Passscheibe.....	Arandela Ajuste.....	Passbricka.....	
49	VOE 11887717		REQ				Shim.....	Cale d'épaisseur.....	Passscheibe.....	Arandela Ajuste.....	Passbricka.....	



1	11884737	Grävbom med teleskoparm Pluma de excavación con brazo telescópico Grabausleger mit Teleskopstiel Flèche d'équipement excavateur avec bras télescopique Excavator boom, extendible dipper arm	Catalogue id	Group
2	11886266		20002	974
3	11888239 S/N 14670 -		Illustr. No	Section
4			1024636	100
5			Issue	Page
	11891273	VOE 63H9920002	827	

VOLVO

BL71



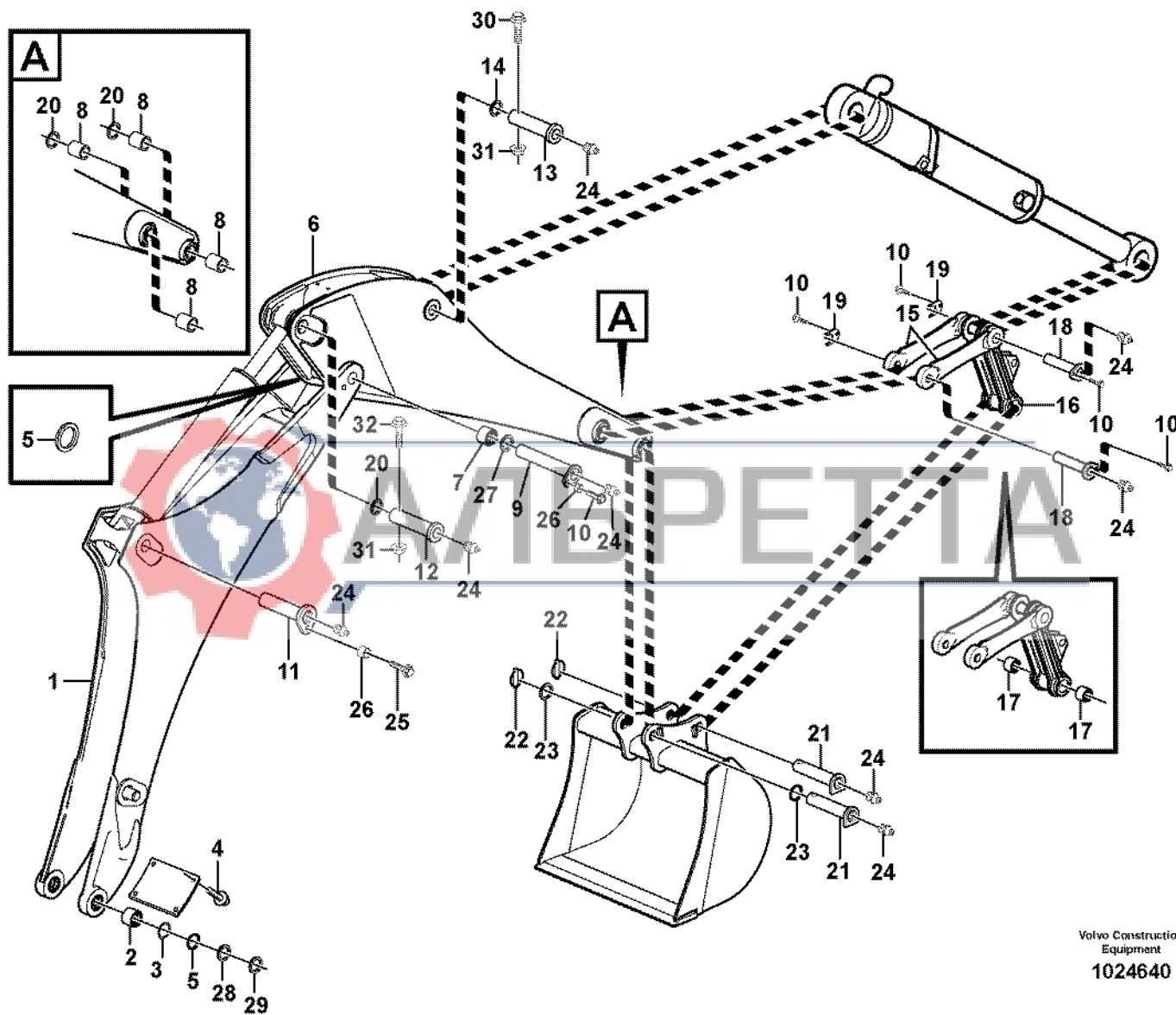
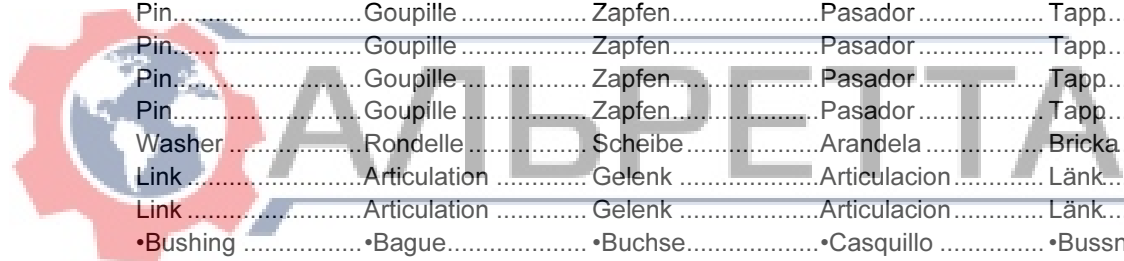


Fig.	Part No.	Quantity					P S	K T	Description	Dénomination	Bezeichnung	Denominación	Benämning	Notes
		1	2	3	4	5								
1	VOE 11886266	1	1					Boom	Fleche	Ausleger.....	Pluma	Bom.....		
1	VOE 11888239	1	1		1			Boom	Fleche	Ausleger.....	Pluma	Bom.....	S/N 14670 -	
2	VOE 11885426	2	2		2			•Bushing	•Bague.....	•Buchse.....	•Casquillo	•Bussning.....	(VOE 11884713)	
3	VOE 11885225	REQ	REQ		REQ			Shim.....	Cale d'épaisseur.....	Passscheibe	Arandela Ajuste	Passbricka.....		
4	VOE 946440	4						Flange screw	Vis à bride	Flanschschraube	Torn embridado	Flänsskruv.....		
5	VOE 11890069	6	6		6			Seal.....	Joint.....	Dichtung.....	Reten	Tätning.....		
6	VOE 11885329	1	1					Dipper Arm.....	Balancier	Stiel.....	Brazo Cuchara	Skaft.....		
6	VOE 11888559	1	1		1			Dipper Arm.....	Balancier	Stiel.....	Brazo Cuchara	Skaft.....	S/N 14670 -	
7	VOE 11883769	2	2		2			•Bushing	•Bague.....	•Buchse.....	•Casquillo	•Bussning.....		
8	VOE 11883770	4	4		4			•Bushing	•Bague.....	•Buchse.....	•Casquillo	•Bussning.....		
9	VOE 11886255	1	1					Pin.....	Goupille	Zapfen.....	Pasador	Tapp.....		
9	VOE 11887962	1	1		1			Pin.....	Goupille	Zapfen.....	Pasador	Tapp.....	S/N 14670 -	
10	VOE 968589	7	7					Flange screw	Vis à bride	Flanschschraube	Torn embridado	Flänsskruv.....		
10	VOE 968589	5	5		5			Flange screw	Vis à bride	Flanschschraube	Torn embridado	Flänsskruv.....	S/N 14670 -	
11	VOE 11884607	1	1					Pin.....	Goupille	Zapfen.....	Pasador	Tapp.....		
11	VOE 11887958	1	1		1			Pin.....	Goupille	Zapfen.....	Pasador	Tapp.....	S/N 14670 -	
12	VOE 11884016	1	1					Pin.....	Goupille	Zapfen.....	Pasador	Tapp.....		
12	VOE 11887964	1	1		1			Pin.....	Goupille	Zapfen.....	Pasador	Tapp.....	S/N 14670 -	
13	VOE 11884573	1	1					Pin.....	Goupille	Zapfen.....	Pasador	Tapp.....		
13	VOE 11887965	1	1		1			Pin.....	Goupille	Zapfen.....	Pasador	Tapp.....	S/N 14670 -	
14	VOE 11890117	2	2					Washer	Rondelle	Scheibe	Arandela	Bricka		
15	VOE 11886174	2	2		2			Link	Articulation	Gelenk	Articulacion	Länk.....		
16	VOE 11885940	1	1		1			Link	Articulation	Gelenk	Articulacion	Länk.....		
17	VOE 11883768	4	4		4			•Bushing	•Bague.....	•Buchse.....	•Casquillo	•Bussning.....		
18	VOE 11882533	2	2		2			Pin.....	Goupille	Zapfen.....	Pasador	Tapp.....		
19	VOE 11881629	2	2		2			Clip.....	Clip	Klemme.....	Clip	Clips.....		
20	VOE 11890048	4	4		4			Seal.....	Joint.....	Dichtring.....	Junta.....	Tätning.....		
21	VOE 11883275	2	2	2	2			Pin.....	Goupille	Zapfen.....	Pasador	Tapp.....		
22	VOE 11881622	2	2	2	2			Locking pin.....	Goupille d'arrêt.....	Schliessbolzen.....	Pasador de cierre	Låspinne.....		
23	VOE 955912	2	2	2	2			Washer	Rondelle	Scheibe	Arandela	Bricka		



1	11891041	Bom och skaft Pluma y brazo Ausleger und Stiel Flèche et balancier Boom and dipper arm	Catalogue id	Group
2	11891410		20002	974
3	11891061		Illustr. No	Section
4	11891524		1024640	150
5			Issue	Page
		VOE 63H9920002	829	



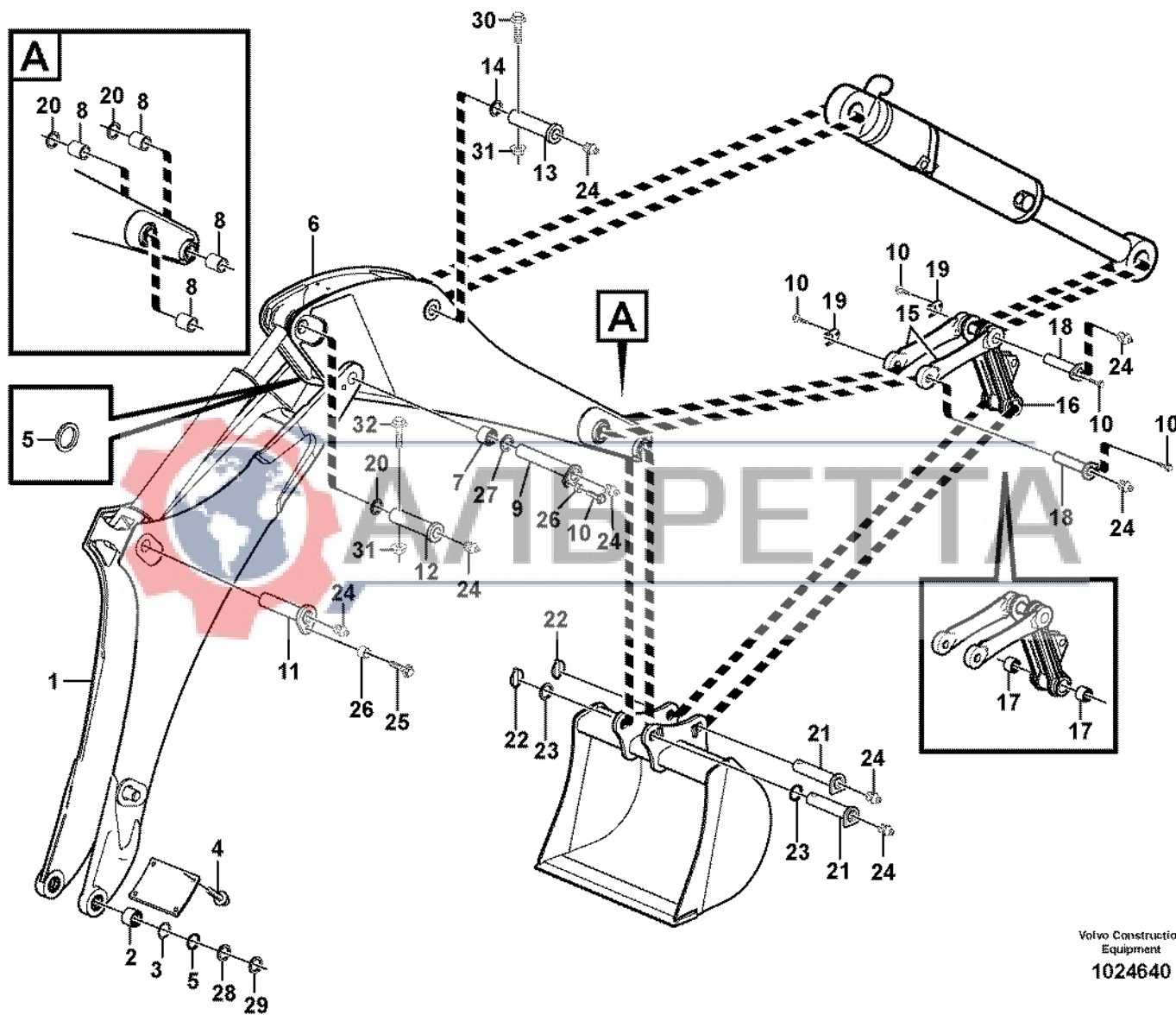


Fig.	Part No.	Quantity					P S	K T	Description	Dénomination	Bezeichnung	Denominación	Benämning	Notes
		1	2	3	4	5								
24	VOE 914167	9	9			8		Nipple.....	Raccord.....	Nippel.....	Niple.....	Nippel.....		
24	VOE 914167	8	8			8		Nipple.....	Raccord.....	Nippel.....	Niple.....	Nippel.....	S/N 14670 -	
25	VOE 968435	1	1			1		Flange screw	Vis à bride	Flanschschraube	Torn embridado	Flänsskruv.....		
26	VOE 11884168	2	2			2		Spacer	Entretoise	Abstandstueck	Casquillo distancia	Distans.....		
27	VOE 11890117	REQ	REQ			REQ		Washer	Rondelle	Scheibe	Arandela	Bricka.....		
28	VOE 11885224	REQ	REQ			REQ		Shim.....	Cale d'épaisseur.....	Passscheibe	Arandela Ajuste	Passbricka.....		
29	VOE 11890048	1	1			2		Seal.....	Joint.....	Dichtring.....	Junta.....	Tätning.....	S/N 14670 -	
30	VOE 965197	1	1			1		Screw.....	Vis	Schraube	Tornillo.....	Skruv.....	S/N 14670 -	
31	VOE 971099	2	2			2		Flange Lock Nut.....	Contre écrou bride..	Flanschmutter	Contratuer Embr.....	Flänslåsmutter.....	S/N 14670 -	
32	VOE 13965229	1	1			1		Flange screw	Vis à bride	Flanschschraube	Torn embridado	Flänsskruv.....	S/N 14670 -	

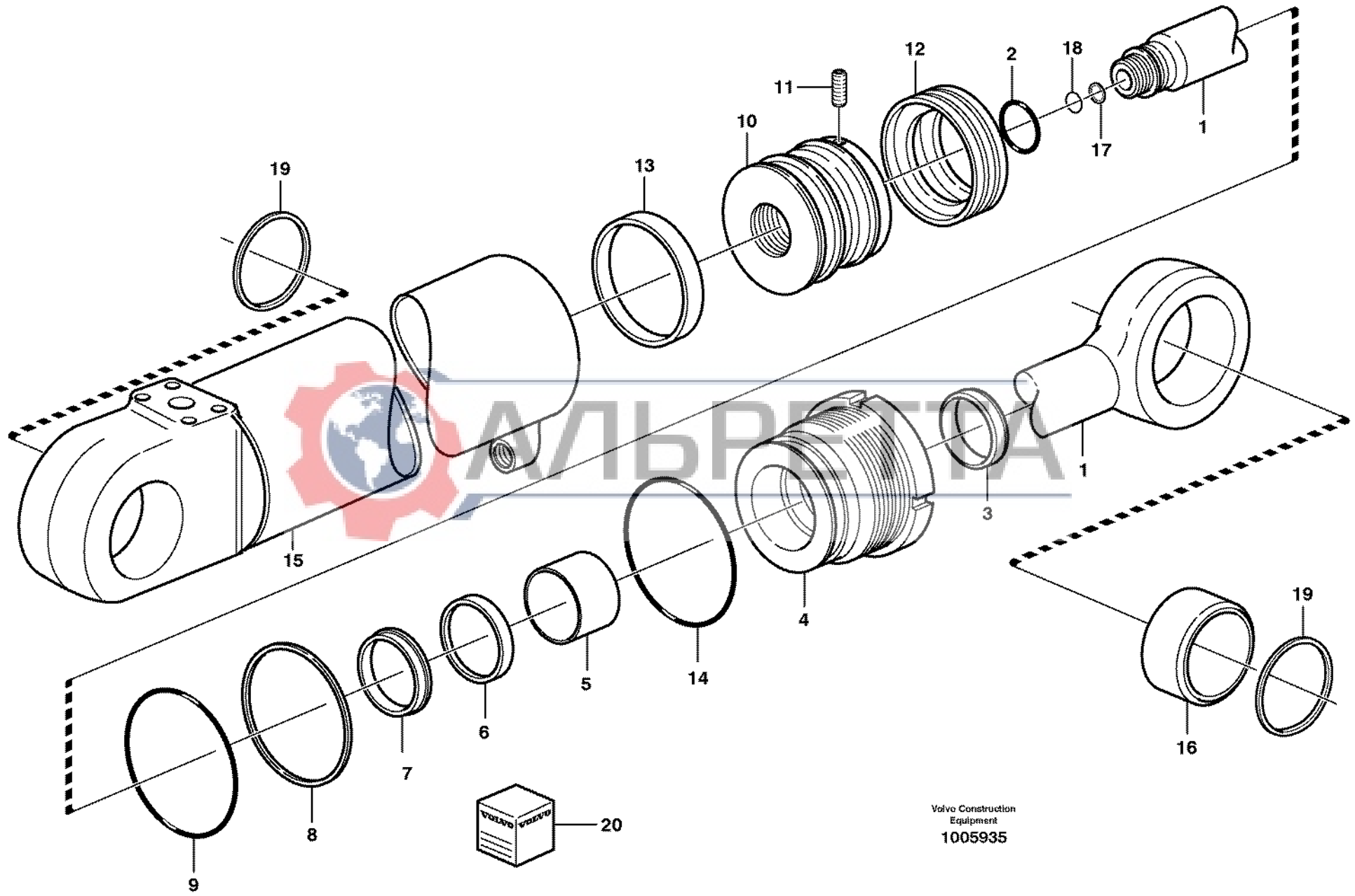


1	11891041	Bom och skaft Pluma y brazo Ausleger und Stiel Flèche et balancier Boom and dipper arm	Catalogue id	Group
2	11891410		20002	974
3	11891061		Illustr. No	Section
4	11891524		1024640	150
5			Issue	Page
			VOE 63H9920002	831

VOLVO

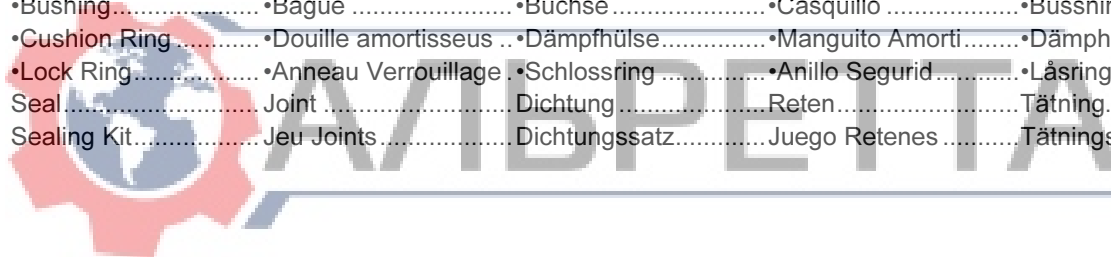
BL71





Volvo Construction
Equipment
1005935

Fig.	Part No.	Quantity			P S	K I T	Description	Dénomination	Bezeichnung	Denominación	Benämning	Notes
		1	2	3								
	VOE 11881459	1				Boom Cylinder	Verin de fleche	Auslegerzylinder.....	Maquina de flecha	Bomcylinder.....		
1	VOE 11709523	1			SS	•Piston rod	•Bielle de piston	•Kolbenstange	•Biela de piston	•Kolvstång.....		
2		1			NS K	•O-ring.....	•Joint Torique	•O-Ring.....	•Junta torica	•O-ring.....		
3		1			NS K	•Scraper	•Racleur	•Abstreifring	•Aro rascador	•Avstrykare.....		
4	VOE 11709524	1			OP	•Pstn Rod Guide	•Gui.tige Piston	•Ko-stang Fuhrg	•Guia Var Piston.....	•Kolvst.styrning.....		
5		1			NS K	•Guide Ring.....	•Bague Guide.....	•Führungsring.....	•Anillo Guia.....	•Styrring.....		
6		1			NS K	•Piston Rod Seal	•Eta.tige Piston.....	•Ko-stang Dichtg	•Reten Var Pist.....	•Kolvstångstättn.....		
7		1			NS K	•Lock Ring.....	•Anneau Verrouillage ..	•Schlossring	•Anillo Segurid	•Låsring.....		
8		1			NS K	•Back-up ring	•Rondelle anti-extrusi ..	•Stützring.....	•Anillo Apoyo	•Stödtring.....		
9		1			NS K	•O-ring.....	•Joint Torique	•O-Ring.....	•Junta torica	•O-ring.....		
10	VOE 11709525	1			OP	•Piston.....	•Piston.....	•Kolben.....	•Piston	•Kolv.....		
11		1			NS K	•Screw.....	•Vis	•Schraube.....	•Tornillo	•Skruv.....		
12		1			NS K	•Piston seal	•Etanchei.piston	•Kolbendichtung	•Reten piston.....	•Kolvtätning.....		
13		1			NS K	•Guide Ring.....	•Bague Guide.....	•Führungsring.....	•Anillo Guia.....	•Styrring.....		
14		1			NS K	•O-ring.....	•Joint Torique	•O-Ring.....	•Junta torica	•O-ring.....		
15		1			NS	•Cylinder tube	•Tube cylindre	•Zylinderrohr.....	•Tubo cilindro	•Cylinderrör.....		
16	VOE 11711135	2				•Bushing.....	•Bague	•Buchse	•Casquillo	•Bussning.....	(VOE 11709599)	
17	VOE 11709526	4				•Cushion Ring	•Douille amortisseus ..	•Dämpfhülse.....	•Manguito Amorti.....	•Dämpfhylsa.....		
18	VOE 11709527	1				•Lock Ring.....	•Anneau Verrouillage ..	•Schlossring	•Anillo Segurid	•Låsring.....		
19	VOE 11890069	6				Seal.....	Joint	Dichtung	Reten.....	Tätning.....		
20	VOE 11709528	1				Sealing Kit.....	Jeu Joints.....	Dichtungssatz.....	Juego Retenes	Tätningssats.....		

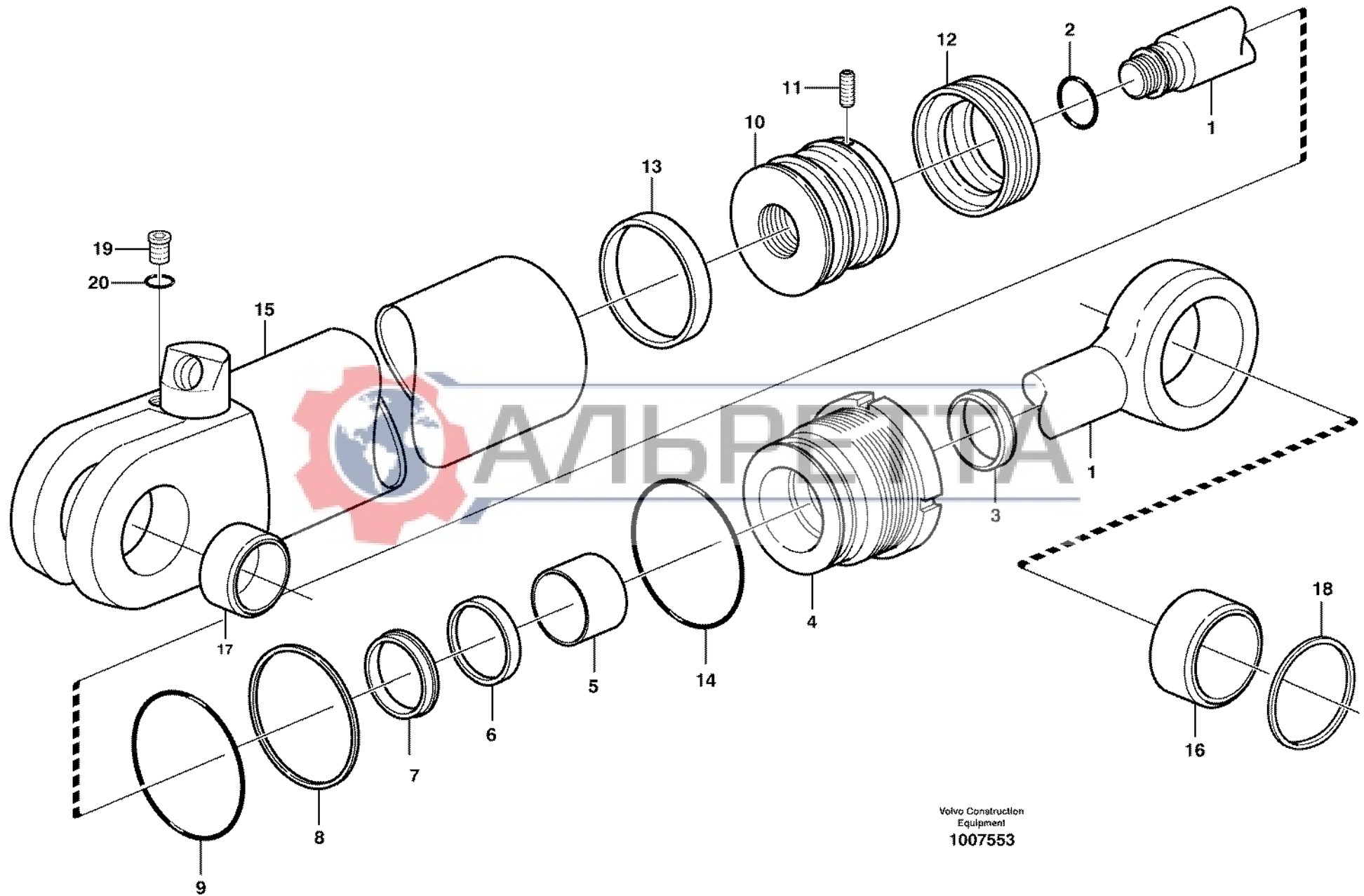


1		Bomcylinder Cilindro de pluma Auslegerzylinder Vérin de flèche Boom cylinder 11891273, 11891041, 11891410, 11880005	Catalogue id	Group
2			20002	974
3			Illustr. No	Section
4			1005935	200
5			Issue	Page
			VOE 63H9920002	833

VOLVO

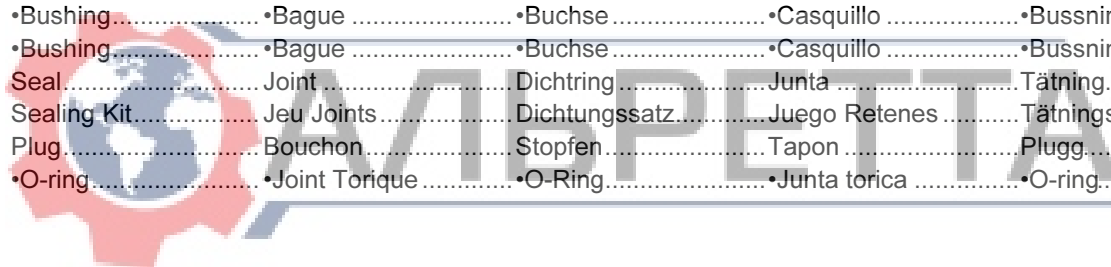
BL71





Volvo Construction
Equipment
1007553

Fig.	Part No.	Quantity			P S	K I T	Description	Dénomination	Bezeichnung	Denominación	Benämning	Notes
		1	2	3								
	VOE 11881460	1				Dipper Arm Cylinder...	Vérin de bras.....	Stielzylinder.....	Cilindro de brazo.....	Skaftcylinder.....		
1	VOE 11709540	1			SS	•Piston rod	•Bielle de piston	•Kolbenstange.....	•Biela de piston	•Kolvstång.....		
2		1			NS K	•O-ring.....	•Joint Torique	•O-Ring.....	•Junta torica	•O-ring.....		
3		1			NS K	•Scraper.....	•Racleur	•Abstreifring.....	•Aro rascador	•Avstrykare.....		
4	VOE 11709541	1			OP	•Pstn Rod Guide	•Gui.tige Piston	•Ko-stang Fuhrg	•Guia Var Piston.....	•Kolvst.styrning.....		
5		1			NS K	•Guide Ring.....	•Bague Guide.....	•Führungsring.....	•Anillo Guia.....	•Styrning.....		
6		1			NS K	•Piston Rod Seal.....	•Eta.tige Piston.....	•Ko-stang Dichtg	•Reten Var Pist.....	•Kolvstångstättn.....		
7		1			NS K	•Lock Ring.....	•Anneau Verrouillage	•Schlossring	•Anillo Segurid.....	•Låsring.....		
8		1			NS K	•Back-up ring	•Rondelle anti-extrusi	•Stützring.....	•Anillo Apoyo	•Stödtring.....		
9		1			NS K	•O-ring.....	•Joint Torique	•O-Ring.....	•Junta torica	•O-ring.....		
10	VOE 11709542	1			OP	•Piston.....	•Piston.....	•Kolben.....	•Piston	•Kolv.....		
11		1			NS K	•Screw.....	•Vis.....	•Schraube.....	•Tornillo	•Skruv.....		
12		1			NS K	•Piston seal	•Etanchei.piston	•Kolbendichtung	•Reten piston.....	•Kolvtätning.....		
13		1			NS K	•Guide Ring.....	•Bague Guide.....	•Führungsring.....	•Anillo Guia.....	•Styrning.....		
14		1			NS K	•O-ring.....	•Joint Torique	•O-Ring.....	•Junta torica	•O-ring.....		
15		1			NS	•Cylinder tube	•Tube cylindre	•Zylinderrohr.....	•Tubo cilindro	•Cylinderrör.....		
16	VOE 11711135	1				•Bushing.....	•Bague	•Buchse	•Casquillo	•Bussning.....	(VOE 11709599)	
17	VOE 11711974	2				•Bushing.....	•Bague	•Buchse	•Casquillo	•Bussning.....	(VOE 11709601)	
18	VOE 11883676	2				Seal.....	Joint.....	Dichtring.....	Junta.....	Tätning.....		
	VOE 11709543	1				Sealing Kit.....	Jeu Joints.....	Dichtungssatz.....	Juego Retenes	Tätningssats.....		
19	VOE 11883510	1				Plug.....	Bouchon.....	Stopfen.....	Tapon	Plugg.....		
20	VOE 932039	1				•O-ring.....	•Joint Torique	•O-Ring.....	•Junta torica	•O-ring.....		

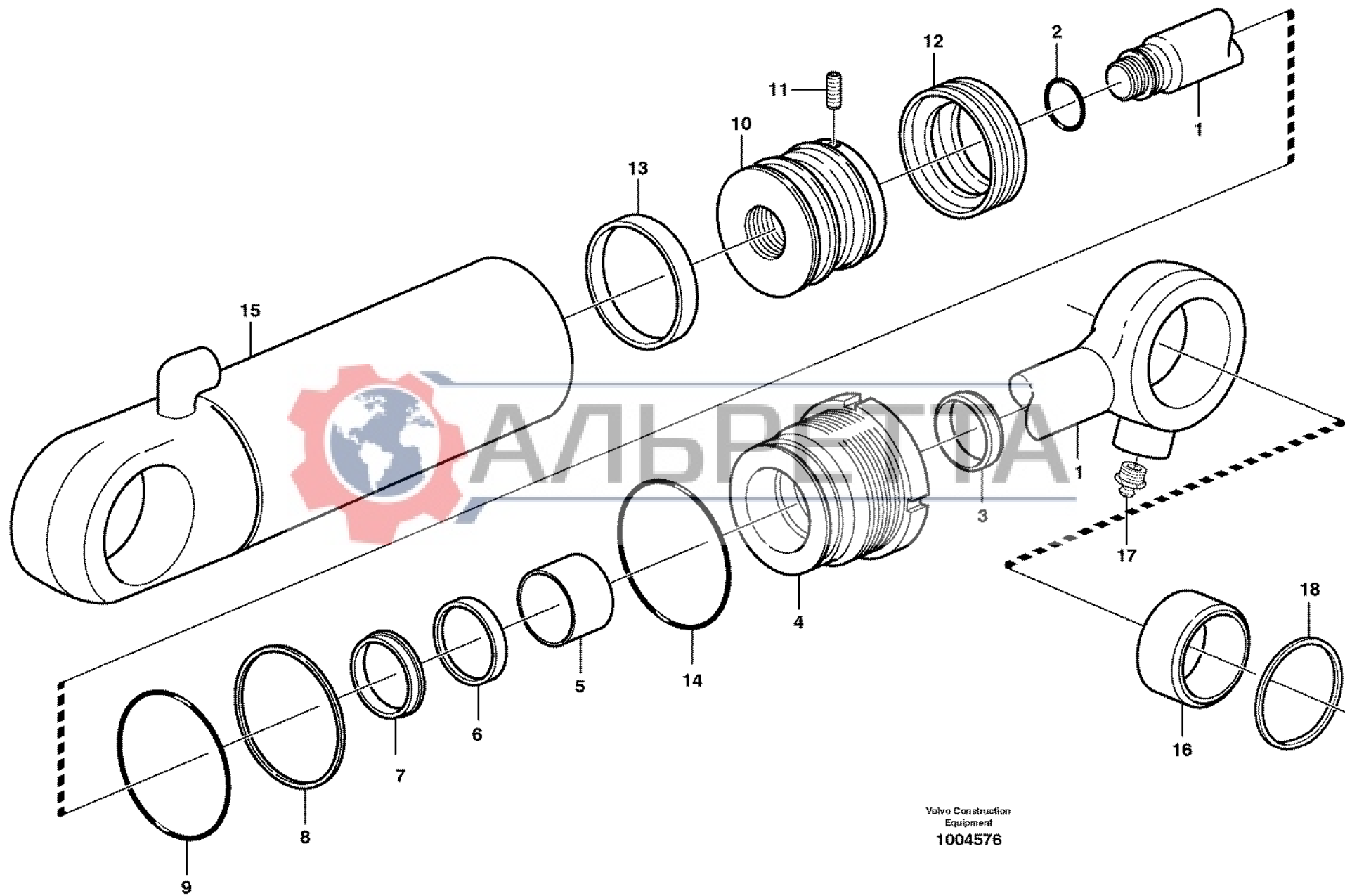


1		Skaftcylinder	Catalogue id	Group
2		Cilindro de brazo	20002	975
3		Stielzylinder	Illustr. No	Section
4		Vérin de bras	1007553	100
5		Dipper arm cylinder	Issue	Page
		11891273, 11891041, 11891410, 11880005	VOE 63H9920002	835

VOLVO

BL71





Volvo Construction
Equipment
1004576

Fig.	Part No.	Quantity			P S	K I T	Description	Dénomination	Bezeichnung	Denominación	Benämning	Notes
		1	2	3								
	VOE 11885113	1			SS	Bucket Cylinder.....	Verin de godet.....	Löffelzylinder.....	Maquina de copa.....	Skoppcylinder.....		
	VOE 11886251		1			Bucket Cylinder.....	Verin de godet.....	Löffelzylinder.....	Maquina de copa.....	Skoppcylinder.....		
1	VOE 11711462	1	1			•Piston rod.....	•Bielle de piston.....	•Kolbenstange.....	•Biela de piston.....	•Kolvstång.....		
2		1	1		NS K	•O-ring.....	•Joint Torique.....	•O-Ring.....	•Junta torica.....	•O-ring.....		
3		1	1		NS K	•Scraper.....	•Racleur.....	•Abstreifring.....	•Aro rascador.....	•Avstrykare.....		
4	VOE 11709545	1	1		OP	•Pstn Rod Guide.....	•Gui.tige Piston.....	•Ko-stang Fuhrg.....	•Guia Var Piston.....	•Kolvst.styrning.....		
5		1	1		NS K	•Guide Ring.....	•Bague Guide.....	•Führungsring.....	•Anillo Guia.....	•Styrring.....		
6		1	1		NS K	•Piston Rod Seal.....	•Eta.tige Piston.....	•Ko-stang Dichtg.....	•Reten Var Pist.....	•Kolvstångstätt.....		
7		1	1		NS K	•Lock Ring.....	•Anneau Verrouillage.....	•Schlossring.....	•Anillo Segurid.....	•Låsring.....		
8		1	1		NS K	•Back-up ring.....	•Rondelle anti-extrusi.....	•Stützring.....	•Anillo Apoyo.....	•Stödring.....		
9		1	1		NS K	•O-ring.....	•Joint Torique.....	•O-Ring.....	•Junta torica.....	•O-ring.....		
10	VOE 11709546	1	1		OP	•Piston.....	•Piston.....	•Kolben.....	•Piston.....	•Kolv.....		
11		1	1		NS K	•Screw.....	•Vis.....	•Schraube.....	•Tornillo.....	•Skruv.....		
12		1	1		NS K	•Piston seal.....	•Etanchei.piston.....	•Kolbendichtung.....	•Reten piston.....	•Kolvtätning.....		
13		1	1		NS K	•Guide Ring.....	•Bague Guide.....	•Führungsring.....	•Anillo Guia.....	•Styrring.....		
14		1	1		NS K	•O-ring.....	•Joint Torique.....	•O-Ring.....	•Junta torica.....	•O-ring.....		
15		1	1		NS	•Cylinder tube.....	•Tube cylindre.....	•Zylinderrohr.....	•Tubo cilindro.....	•Cylinderrör.....		
16	VOE 11710944	2	2			•Bushing.....	•Bague.....	•Buchse.....	•Casquillo.....	•Bussning.....		
17	VOE 11709664	1	1			•Lub Nipple.....	•Graisseur.....	•Schmiernippel.....	•Engrasador.....	•Smörjnippel.....		
18	VOE 11883674	4				Sealing ring.....	Bague d'étanchéité.....	Runddichtring.....	Anillo reten.....	Tätningsring.....		
18	VOE 11709605		4			Scraper.....	Racleur.....	Abstreicher.....	Rascador.....	Avstrykare.....		
	VOE 11709547	1	1			Sealing Kit.....	Jeu Joints.....	Dichtungssatz.....	Juego Retenes.....	Tätningssats.....		

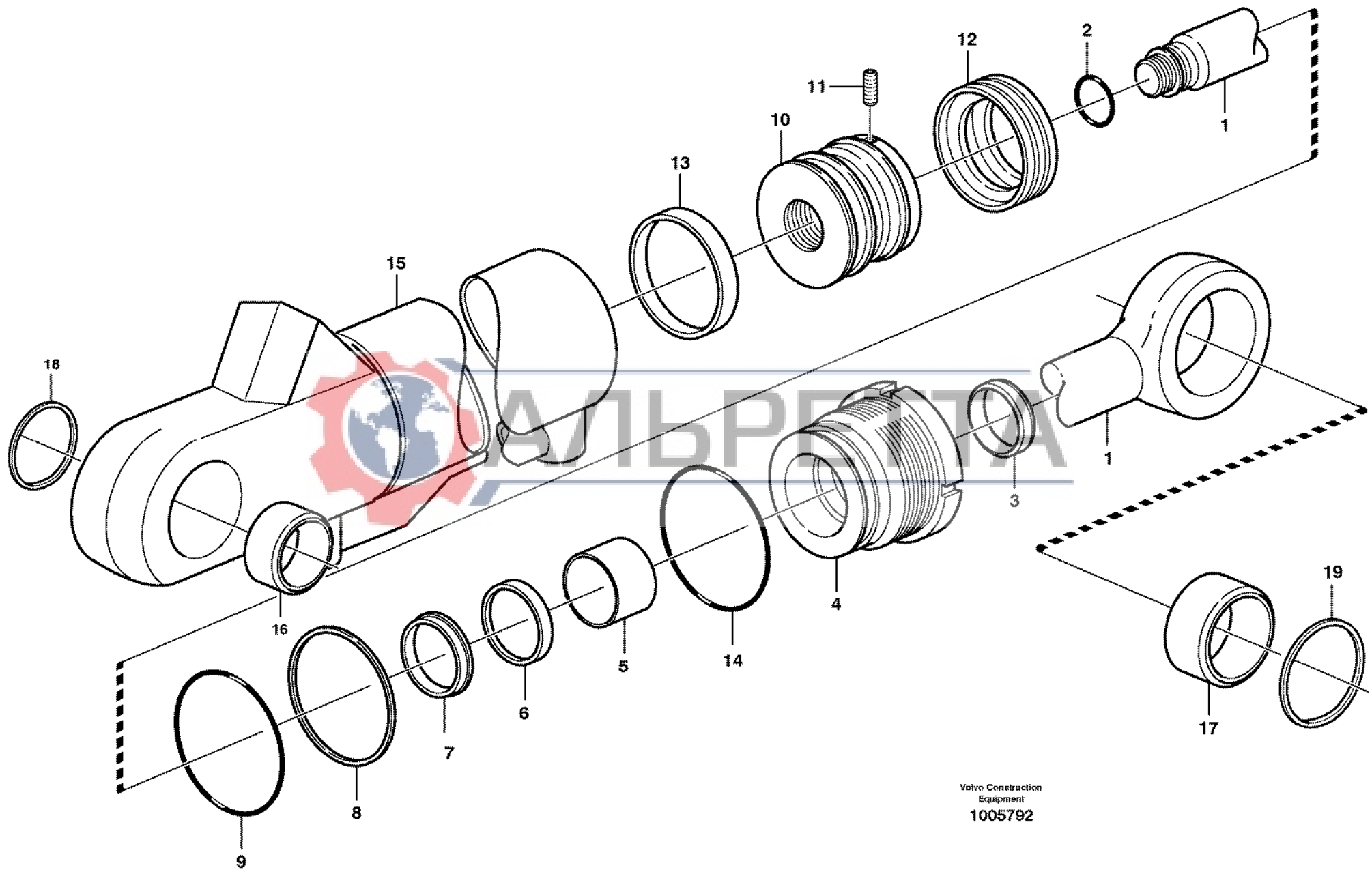
2189) SER NO -11573, 11575, 11577, 11581-11588, 11590-11591, 11593-11595, 11597, 11610-11611, 11613-11614, 11617-11622

2190) SER NO 11574, 11576, 11578-11580, 11589, 11592, 11596, 11598-11609, 11612, 11615-11616, 11623-

1	2189) 11885113	Skoppcylinder Cilindro de cazo Schaufelzylinder Vérin de godet Bucket cylinder 11891273, 11891041, 11891410	Catalogue id 20002	Group 975
2	2190) 11886251		Illustr. No 1004576	Section 200
3			Issue VOE 63H9920002	Page 837
4				
5				

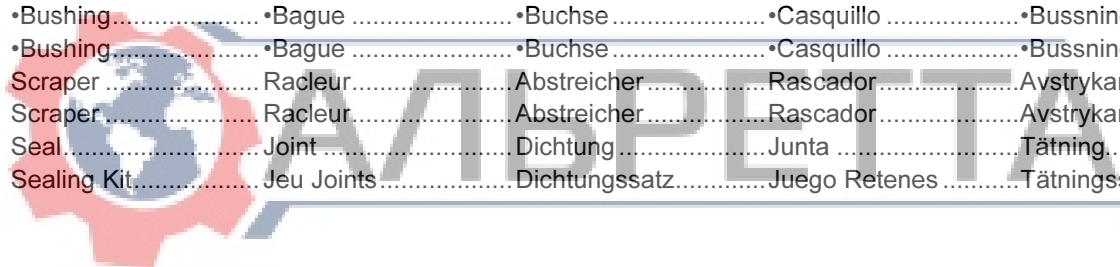
VOLVO

BL71



Volvo Construction
Equipment
1005792

Fig.	Part No.	Quantity			P S	K I T	Description	Dénomination	Bezeichnung	Denominación	Benämning	Notes
		1	2	3								
	VOE 11886994	1				Cylinder.....	Cylindre.....	Zylinder.....	Cilindro.....	Cylinder.....	(VOE 11885626)	
1	VOE 11988253	1				•Piston Rod.....	•Tige de piston.....	•Kolbenstange.....	•Varilla Piston.....	•Kolvstång.....		
2		1			NS K	•O-ring.....	•Joint Torique.....	•O-Ring.....	•Junta torica.....	•O-ring.....		
3		1			NS K	•Scraper.....	•Racleur.....	•Abstreifring.....	•Aro rascador.....	•Avstrykare.....		
4	VOE 11709536	1				•Pstn Rod Guide.....	•Gui.tige Piston.....	•Ko-stang Fuhrg.....	•Guia Var Piston.....	•Kolvst.styrning.....		
5		1			NS K	•Guide Ring.....	•Bague Guide.....	•Führungsring.....	•Anillo Guia.....	•Styrning.....		
6		1			NS K	•Piston Rod Seal.....	•Eta.tige Piston.....	•Ko-stang Dichtg.....	•Reten Var Pist.....	•Kolvstångstättn.....		
7		1			NS K	•Lock Ring.....	•Anneau Verrouillage.....	•Schlossring.....	•Anillo Segurid.....	•Låsring.....		
8		1			NS K	•Back-up ring.....	•Rondelle anti-extrusi.....	•Stützring.....	•Anillo Apoyo.....	•Stödring.....		
9		1			NS K	•O-ring.....	•Joint Torique.....	•O-Ring.....	•Junta torica.....	•O-ring.....		
10	VOE 11709537	1				•Piston.....	•Piston.....	•Kolben.....	•Piston.....	•Kolv.....		
11		1			NS K	•Screw.....	•Vis.....	•Schraube.....	•Tornillo.....	•Skruv.....		
12		1			NS K	•Piston seal.....	•Etanchei.piston.....	•Kolbendichtung.....	•Reten piston.....	•Kolvtätning.....		
13		1			NS K	•Guide Ring.....	•Bague Guide.....	•Führungsring.....	•Anillo Guia.....	•Styrning.....		
14		1			NS K	•O-ring.....	•Joint Torique.....	•O-Ring.....	•Junta torica.....	•O-ring.....		
15		1			NS	•Cylinder tube.....	•Tube cylindre.....	•Zylinderrohr.....	•Tubo cilindro.....	•Cylinderrör.....		
16	VOE 11711485	1				•Bushing.....	•Bague.....	•Buchse.....	•Casquillo.....	•Bussning.....		
17	VOE 11988256	1				•Bushing.....	•Bague.....	•Buchse.....	•Casquillo.....	•Bussning.....		
18	VOE 11709605	2				Scraper.....	Racleur.....	Abstreicher.....	Rascador.....	Avstrykare.....		
19	VOE 11988257	2				Scraper.....	Racleur.....	Abstreicher.....	Rascador.....	Avstrykare.....		
19	VOE 11883936	2				Seal.....	Joint.....	Dichtung.....	Junta.....	Tätning.....		
	VOE 11709538	1				Sealing Kit.....	Jeu Joints.....	Dichtungssatz.....	Juego Retenes.....	Tätningssats.....		



1		Teleskopcyliner Cilindro telescopico. Teleskopzylinder. Cylindre telescope. Extendible dipper cylinder 11891273	Catalogue id	Group
2			20002	975
3			Illustr. No	Section
4			1005792	300
5			Issue	Page
			VOE 63H9920002	839

VOLVO

BL71



REPLACED PARTS			PIEZAS SUBSTITUDAS			Catalogue id 20002		Group 1000			
PIÈCES PÉRIMÉES ET REMPLACÉES			ERSATTA ARTIKLAR			Issue VOE 63H9920002		Page 1			
ERSETZTE ARTIKEL											
Part No	Replaced by	Quantity	Part No	Replaced by	Quantity	Part No	Replaced by	Quantity	Part No	Replaced by	Quantity
VOE 11110471	*** USE		VOE 11887447	1.00		VOE 20524154	SS				
	VOE 11110670	SS	VOE 11884329	*** USE		VOE 20527040	SS				
VOE 11110474	*** USE		VOE 11884583	*** USE		VOE 20542740	*** USE				
VOE 11200436	*** USE		VOE 11886357	SS		VOE 20550117	*** USE				
	VOE 11200982	1.00	VOE 11884737	*** USE		VOE 20739051	SS				
VOE 11200890	*** USE		VOE 11885653	SS		VOE 24425842	*** USE				
	VOE 11149786	1.00	VOE 11884744	*** USE		VOE 20791246	SS				
VOE 11201418	*** USE		VOE 959238	4.00		VOE 945407	*** USE				
	VOE 11202201	SS	VOE 11886003	2.00			FOR VOLVO				
VOE 11709366	*** USE		VOE 11886150	1.00		VOE 13945407	1.00				
	VOE 11988156	1.00	VOE 11887207	1.00			FOR MICHIGAN				
VOE 11709523	*** USE		VOE 11886421	1.00		VOE 12000434	1.00				
	VOE 11712451	1.00	VOE 11886430	1.00		VOE 947760	*** USE				
VOE 11709540	*** USE		VOE 11884862	*** USE			FÖR VOLVO BM				
	VOE 11712444	1.00	VOE 11988296	SS		VOE 13947760	SS				
VOE 11709834	*** USE		VOE 11988403	1.00			FÖR MICHIGAN				
	VOE 11715218	1.00	VOE 11988297	1.00		VOE 12000579	SS				
VOE 11881712	*** USE		VOE 11884921	*** USE		VOE 949278	*** USE				
VOE 11883246	*** USE		VOE 11715299	SS		VOE 965180	*** USE				
	VOE 11885148	1.00	VOE 11885113	*** USE		VOE 983263	*** USE				
VOE 11883414	*** USE		VOE 11886251	SS		VOE 983243	1.00				
	VOE 11886544	1.00	VOE 11886053	*** USE							
VOE 11883415	*** USE		VOE 11886865	SS							
	VOE 11886545	1.00	VOE 11886464	*** USE							
VOE 11883416	*** USE		VOE 11887207	1.00							
	VOE 11886546	1.00	VOE 11887022	*** USE							
VOE 11883417	*** USE		VOE 11887637	SS							
	VOE 11886547	1.00	VOE 11890341	*** USE							
VOE 11883424	*** USE		VOE 11888337	1.00							
	VOE 11887818	1.00	VOE 11891168	*** USE							
VOE 11883660	*** USE		VOE 11886167	SS							
	VOE 11884852	1.00	VOE 11988538	*** USE							
VOE 11883729	*** USE		VOE 11715251	1.00							
	VOE 11887295	1.00	VOE 20459841	*** USE							
VOE 11883862	*** USE		VOE 20570519	1.00							
	VOE 11883863	1.00	VOE 20459977	*** USE							
VOE 11884151	*** USE		VOE 20518337	*** USE							

Part No	Group	Sect	Page	Part No	Group	Sect	Page	Part No	Group	Sect	Page	Part No	Group	Sect	Page	Part No	Group	Sect	Page
11204605	882	100	521	VOE 11081028	925	300	769	VOE 11149772	843	100	471	VOE 11200436	896	200	535	VOE 11200669	363	100	161
11204606	882	100	521	VOE 11081028	925	310	773	VOE 11149774	843	100	471	VOE 11200459	810	150	441	VOE 11200674	363	150	163
11712164	872	250	497	VOE 11104092	852	100	479	VOE 11149785	825	100	451	VOE 11200464	831	100	461	VOE 11200675	271	100	125
11884531	818	100	443	VOE 11104093	852	100	479	VOE 11157115	924	450	747	VOE 11200511	525	100	393	VOE 11200698	363	100	161
11887914	974	100	823	VOE 11104125	852	100	479	VOE 11164488	841	100	467	VOE 11200527	641	100	405	VOE 11200699	363	100	161
991618	460	150	333	VOE 11104125	852	110	483	VOE 11164554	881	150	515	VOE 11200528	873	100	501	VOE 11200705	363	150	163
VOE 1083597	881	150	515	VOE 11104125	852	120	485	VOE 11164693	881	150	515	VOE 11200530	872	200	495	VOE 11200706	363	150	163
VOE 1096614	371	700	211	VOE 11104371	872	250	499	VOE 11170006	371	100	169	VOE 11200533	873	150	503	VOE 11200709	363	100	161
VOE 11003138	451	150	329	VOE 11104372	872	250	499	VOE 11170006	371	250	175	VOE 11200543	872	250	499	VOE 11200710	363	100	161
VOE 11003139	451	150	329	VOE 11104606	363	200	165	VOE 11170006	371	310	181	VOE 11200545	882	100	519	VOE 11200713	363	100	161
VOE 11003291	874	350	509	VOE 11104778	841	100	467	VOE 11170006	371	400	185	VOE 11200546	882	100	519	VOE 11200713	363	200	165
VOE 11003865	897	100	537	VOE 11104898	641	100	405	VOE 11170006	371	450	189	VOE 11200547	882	100	519	VOE 11200727	872	250	497
VOE 11004094	897	100	537	VOE 11104947	810	150	439	VOE 11170006	371	600	193	VOE 11200549	851	150	477	VOE 11200730	872	250	497
VOE 11006632	873	200	505	VOE 11105304	897	100	537	VOE 11170006	371	610	195	VOE 11200552	831	100	463	VOE 11200735	882	100	519
VOE 11006824	831	100	461	VOE 11105305	897	100	537	VOE 11170006	371	620	197	VOE 11200555	354	100	155	VOE 11200739	881	100	513
VOE 11006824	831	100	463	VOE 11109685	269	100	123	VOE 11170724	881	150	515	VOE 11200556	810	150	439	VOE 11200746	873	100	501
VOE 11006992	882	100	519	VOE 11110471	234	100	85	VOE 11180010	897	100	537	VOE 11200562	641	100	405	VOE 11200787	363	100	161
VOE 11007421	831	100	463	VOE 11110474	234	100	85	VOE 11191410	852	110	483	VOE 11200563	641	100	405	VOE 11200794	872	250	497
VOE 11011654	924	400	745	VOE 11110668	234	100	85	VOE 11200002	810	150	439	VOE 11200579	271	100	125	VOE 11200797	810	150	439
VOE 11015455	911	350	575	VOE 11110670	234	100	85	VOE 11200004	810	150	439	VOE 11200579	525	100	393	VOE 11200803	551	250	397
VOE 11015455	911	360	581	VOE 11111506	897	150	541	VOE 11200054	831	100	463	VOE 11200579	831	100	463	VOE 11200818	872	250	497
VOE 11026730	897	100	537	VOE 11114940	821	100	445	VOE 11200059	831	100	463	VOE 11200579	882	100	519	VOE 11200821	873	150	503
VOE 11027566	897	150	541	VOE 11117464	261	100	113	VOE 11200060	831	100	463	VOE 11200580	831	100	465	VOE 11200824	872	200	495
VOE 11037868	911	250	561	VOE 11117464	874	450	511	VOE 11200061	831	100	463	VOE 11200587	641	100	405	VOE 11200835	827	100	457
VOE 11037868	911	310	567	VOE 11121366	841	100	467	VOE 11200070	831	100	463	VOE 11200600	843	150	475	VOE 11200836	872	250	497
VOE 11039491	874	350	509	VOE 11121366	841	150	469	VOE 11200071	831	100	461	VOE 11200607	881	150	515	VOE 11200838	851	150	477
VOE 11039750	380	350	241	VOE 11141656	269	100	123	VOE 11200072	831	100	463	VOE 11200610	525	100	393	VOE 11200847	831	100	465
VOE 11039856	352	100	145	VOE 11141657	269	100	123	VOE 11200077	831	100	463	VOE 11200611	831	100	465	VOE 11200847	881	200	517
VOE 11039856	352	200	147	VOE 11147756	353	150	151	VOE 11200081	831	100	463	VOE 11200615	831	100	465	VOE 11200851	810	150	439
VOE 11055610	716	100	423	VOE 11149399	810	150	439	VOE 11200222	825	100	451	VOE 11200615	843	100	471	VOE 11200877	525	100	393
VOE 11055616	818	100	443	VOE 11149686	525	100	393	VOE 11200239	831	100	463	VOE 11200617	831	100	465	VOE 11200878	525	100	393
VOE 11059299	911	250	561	VOE 11149692	843	100	471	VOE 11200244	831	100	461	VOE 11200633	831	100	463	VOE 11200882	882	100	519
VOE 11078015	882	100	519	VOE 11149693	843	100	471	VOE 11200246	831	100	461	VOE 11200634	831	100	463	VOE 11200885	372	100	231
VOE 11081026	925	200	761	VOE 11149730	843	100	471	VOE 11200397	525	100	393	VOE 11200653	271	100	125	VOE 11200885	831	100	465
VOE 11081028	925	200	761	VOE 11149731	843	100	471	VOE 11200429	525	100	393	VOE 11200658	827	100	457	VOE 11200890	825	100	451

NUMERICAL INDEX RÉPERTOIRE DE NUMÉROS NUMMERNREGISTER	INDICE DE NÚMERO NUMMERREGISTER		Catalogue id 2002	Group 1000
			Issue VOE 63H9920002	Page 1

VOLVO

BL71

NUMERICAL INDEX				INDICE DE NÚMERO				Catalogue id				Group			
RÉPERTOIRE DE NUMÉROS				NUMMERREGISTER				20002				1000			
NUMMERNREGISTER								Issue				Page			
VOE 63H9920002								VOE 63H9920002				2			
Part No	Group	Sect	Page	Part No	Group	Sect	Page	Part No	Group	Sect	Page	Part No	Group	Sect	Page
VOE 11200896	841	100	467	VOE 11201861	352	100	145	VOE 11203150	874	100	507	VOE 11294005	272	100	129
VOE 11200910	843	100	471	VOE 11201862	352	100	145	VOE 11203253	810	150	439	VOE 11294005	525	100	393
VOE 11200915	354	100	155	VOE 11201898	881	150	515	VOE 11203345	831	100	465	VOE 11294005	810	150	439
VOE 11200928	874	350	509	VOE 11201899	881	150	515	VOE 11203356	882	100	519	VOE 11294005	841	100	467
VOE 11200936	271	100	125	VOE 11202062	831	100	465	VOE 11203449	810	150	439	VOE 11294005	843	100	471
VOE 11200937	271	100	125	VOE 11202166	881	200	517	VOE 11203487	810	150	439	VOE 11294005	843	150	473
VOE 11200940	271	100	125	VOE 11202201	363	150	163	VOE 11203491	810	150	439	VOE 11294005	881	100	513
VOE 11200944	882	100	519	VOE 11202231	271	100	125	VOE 11203560	881	100	513	VOE 11294005	882	100	519
VOE 11200973	881	100	513	VOE 11202248	271	100	125	VOE 11203565	882	100	519	VOE 11298009	641	100	405
VOE 11200982	271	100	125	VOE 11202250	271	100	125	VOE 11203588	843	150	473	VOE 11298010	641	100	405
VOE 11200990	872	250	497	VOE 11202254	271	100	125	VOE 11203683	810	150	439	VOE 11298012	363	100	161
VOE 11201036	810	150	439	VOE 11202349	831	100	463	VOE 11203785	841	100	467	VOE 11298012	363	200	165
VOE 11201052	831	100	463	VOE 11202353	831	100	461	VOE 11203785	841	150	469	VOE 11298012	843	100	471
VOE 11201053	831	100	463	VOE 11202354	831	100	461	VOE 11203823	881	150	515	VOE 11298013	841	100	467
VOE 11201054	872	250	497	VOE 11202421	881	200	517	VOE 11203861	352	100	145	VOE 11298014	551	250	397
VOE 11201055	872	250	497	VOE 11202422	881	200	517	VOE 11204029	873	150	503	VOE 11298016	882	100	519
VOE 11201056	872	250	497	VOE 11202423	881	200	517	VOE 11204029	873	200	505	VOE 11298018	851	150	477
VOE 11201062	874	350	509	VOE 11202424	881	200	517	VOE 11204085	881	150	515	VOE 11298018	872	100	493
VOE 11201063	874	350	509	VOE 11202426	872	200	495	VOE 11204407	881	100	513	VOE 11298018	872	200	495
VOE 11201064	874	350	509	VOE 11202435	271	100	125	VOE 11204410	882	100	519	VOE 11298018	873	150	503
VOE 11201065	874	350	509	VOE 11202437	271	100	125	VOE 11204411	882	100	519	VOE 11298018	874	100	507
VOE 11201071	831	100	461	VOE 11202438	831	100	461	VOE 11204417	881	100	513	VOE 11298018	874	350	509
VOE 11201163	810	150	439	VOE 11202442	843	100	471	VOE 11204468	272	100	129	VOE 11298018	874	450	511
VOE 11201170	881	100	513	VOE 11202448	525	100	393	VOE 11204560	352	100	145	VOE 11298021	641	100	405
VOE 11201171	810	150	439	VOE 11202452	831	100	461	VOE 11204561	352	100	145	VOE 11298028	363	100	161
VOE 11201172	810	150	439	VOE 11202453	831	100	461	VOE 11204653	882	400	527	VOE 11298028	363	150	163
VOE 11201200	881	100	513	VOE 11202463	843	100	471	VOE 11204654	882	400	527	VOE 11298028	363	200	165
VOE 11201200	882	400	527	VOE 11202464	831	100	461	VOE 11204655	882	400	527	VOE 11298028	371	750	217
VOE 11201291	872	250	497	VOE 11202709	353	200	153	VOE 11204656	882	400	527	VOE 11298028	825	100	451
VOE 11201308	872	250	497	VOE 11202722	831	100	463	VOE 11204657	882	400	527	VOE 11298028	831	100	461
VOE 11201418	363	150	163	VOE 11202931	272	100	129	VOE 11204658	882	400	527	VOE 11298028	843	100	471
VOE 11201421	881	200	517	VOE 11203022	831	100	461	VOE 11204659	882	400	527	VOE 11298028	851	150	477
VOE 11201422	881	200	517	VOE 11203032	831	100	461	VOE 11204962	882	100	519	VOE 11298028	852	200	489
VOE 11201553	825	100	451	VOE 11203078	363	200	165	VOE 11205674	551	250	397	VOE 11298028	852	250	491
VOE 11201846	831	100	461	VOE 11203079	363	200	165	VOE 11294005	271	100	125	VOE 11298028	872	100	493

Part No	Group	Sect	Page	Part No	Group	Sect	Page	Part No	Group	Sect	Page	Part No	Group	Sect	Page	Part No	Group	Sect	Page
VOE 11298197	873	200	505	VOE 11700399	236	100	87	VOE 11704362	237	100	95	VOE 11708414	913	200	699	VOE 11709052	421	200	269
VOE 11298197	881	100	513	VOE 11700400	236	100	87	VOE 11704552	913	200	699	VOE 11708414	913	210	701	VOE 11709052	421	205	271
VOE 11298203	363	100	161	VOE 11700401	236	100	87	VOE 11704552	913	210	701	VOE 11708555	233	100	83	VOE 11709052	421	225	273
VOE 11298203	363	200	165	VOE 11700402	236	100	87	VOE 11704771	852	200	489	VOE 11708567	363	150	163	VOE 11709053	420	160	263
VOE 11298203	843	100	471	VOE 11700403	236	100	87	VOE 11704772	852	200	489	VOE 11708567	363	200	165	VOE 11709053	421	200	269
VOE 11298207	810	150	439	VOE 11700404	236	100	87	VOE 11706318	852	250	491	VOE 11708567	825	100	451	VOE 11709053	421	205	271
VOE 11298280	882	100	521	VOE 11700405	236	100	87	VOE 11706320	852	250	491	VOE 11708567	831	100	461	VOE 11709053	421	225	273
VOE 11302220	269	100	123	VOE 11700406	236	100	87	VOE 11707012	841	100	467	VOE 11708567	843	100	471	VOE 11709054	420	100	251
VOE 11302230	269	100	123	VOE 11700407	236	100	87	VOE 11707013	841	100	467	VOE 11708567	872	250	497	VOE 11709055	420	100	251
VOE 11305113	362	100	157	VOE 11700408	236	100	87	VOE 11707344	852	250	491	VOE 11708612	924	450	747	VOE 11709055	420	110	255
VOE 11305168	925	300	769	VOE 11700409	236	100	87	VOE 11707346	852	250	491	VOE 11709040	852	150	487	VOE 11709055	420	160	265
VOE 11305168	925	310	773	VOE 11700410	236	100	87	VOE 11707347	852	250	491	VOE 11709040	852	200	489	VOE 11709056	420	100	251
VOE 11305263	371	100	167	VOE 11700411	236	100	87	VOE 11707348	852	150	487	VOE 11709040	852	250	491	VOE 11709056	420	110	255
VOE 11305263	371	500	191	VOE 11700412	236	100	87	VOE 11707348	852	200	489	VOE 11709045	420	100	251	VOE 11709057	420	100	251
VOE 11305263	372	100	231	VOE 11700413	236	100	87	VOE 11707348	852	250	491	VOE 11709045	421	200	269	VOE 11709057	420	110	255
VOE 11305263	380	350	241	VOE 11700414	236	100	87	VOE 11707350	852	250	491	VOE 11709045	421	225	273	VOE 11709057	420	160	263
VOE 11305749	915	100	709	VOE 11700415	236	100	87	VOE 11707351	852	150	487	VOE 11709047	421	200	269	VOE 11709057	421	225	273
VOE 11306919	380	200	235	VOE 11700416	236	100	87	VOE 11707351	852	200	489	VOE 11709047	421	205	271	VOE 11709057	461	350	349
VOE 11315002	925	300	769	VOE 11700417	236	100	87	VOE 11707351	852	250	491	VOE 11709047	421	225	273	VOE 11709057	463	100	351
VOE 11315002	925	310	773	VOE 11700418	236	100	89	VOE 11707355	852	150	487	VOE 11709047	421	230	275	VOE 11709057	463	110	353
VOE 11370672	914	300	707	VOE 11700419	236	100	89	VOE 11707355	852	200	489	VOE 11709048	420	160	263	VOE 11709057	463	300	367
VOE 11700105	451	150	329	VOE 11700420	236	100	89	VOE 11707356	852	150	487	VOE 11709048	421	200	269	VOE 11709058	420	100	251
VOE 11700269	273	100	131	VOE 11700421	236	100	89	VOE 11707356	852	200	489	VOE 11709048	421	225	273	VOE 11709059	420	100	251
VOE 11700288	212	100	55	VOE 11700422	236	100	89	VOE 11707571	913	200	699	VOE 11709049	421	200	269	VOE 11709060	420	100	251
VOE 11700341	211	100	53	VOE 11700424	237	100	95	VOE 11707571	913	210	701	VOE 11709049	421	205	271	VOE 11709060	420	110	255
VOE 11700373	214	100	61	VOE 11700426	237	100	95	VOE 11707572	913	200	699	VOE 11709050	420	160	263	VOE 11709060	420	160	265
VOE 11700375	222	100	79	VOE 11700487	237	100	95	VOE 11707572	913	210	701	VOE 11709050	421	200	269	VOE 11709060	421	225	273
VOE 11700391	210	50	45	VOE 11700504	236	150	93	VOE 11708113	913	200	699	VOE 11709050	421	205	271	VOE 11709061	420	100	251
VOE 11700391	221	100	77	VOE 11700543	251	100	97	VOE 11708113	913	210	701	VOE 11709050	421	225	273	VOE 11709061	420	110	255
VOE 11700392	236	100	87	VOE 11700609	223	100	81	VOE 11708233	913	200	699	VOE 11709051	420	160	263	VOE 11709061	420	160	263
VOE 11700395	236	100	89	VOE 11701764	210	50	45	VOE 11708233	913	210	701	VOE 11709051	421	200	269	VOE 11709061	421	225	273
VOE 11700396	236	100	89	VOE 11701764	236	100	87	VOE 11708412	913	200	699	VOE 11709051	421	205	271	VOE 11709061	421	500	315
VOE 11700397	210	50	45	VOE 11703979	872	250	497	VOE 11708412	913	210	701	VOE 11709051	421	225	273	VOE 11709061	421	550	321
VOE 11700397	236	100	87	VOE 11704359	843	100	471	VOE 11708413	913	200	699	VOE 11709051	421	425	305	VOE 11709062	420	100	251
VOE 11700398	236	100	87	VOE 11704359	843	150	475	VOE 11708413	913	210	701	VOE 11709052	420	160	263	VOE 11709062	420	150	259

NUMERICAL INDEX RÉPERTOIRE DE NUMÉROS NUMMERNREGISTER	INDICE DE NÚMERO NUMMERREGISTER		Catalogue id 20002	Group 1000
			Issue VOE 63H9920002	Page 3

VOLVO

BL71

Part No	Group	Sect	Page	Part No	Group	Sect	Page	Part No	Group	Sect	Page	Part No	Group	Sect	Page	Part No	Group	Sect	Page
VOE 11709123	421	360	291	VOE 11709141	421	350	289	VOE 11709162	421	400	299	VOE 11709182	421	470	311	VOE 11709208	421	500	315
VOE 11709124	421	350	287	VOE 11709142	421	350	289	VOE 11709163	421	400	299	VOE 11709183	421	450	309	VOE 11709209	421	500	315
VOE 11709124	421	360	291	VOE 11709143	421	350	287	VOE 11709164	421	400	299	VOE 11709183	421	470	311	VOE 11709210	421	500	315
VOE 11709125	421	350	287	VOE 11709144	421	350	289	VOE 11709165	421	400	299	VOE 11709184	421	450	309	VOE 11709211	421	500	315
VOE 11709125	421	360	291	VOE 11709144	421	360	293	VOE 11709165	421	450	309	VOE 11709184	421	470	311	VOE 11709212	421	500	315
VOE 11709126	421	350	287	VOE 11709144	421	375	297	VOE 11709165	421	470	311	VOE 11709185	421	450	309	VOE 11709213	421	500	315
VOE 11709126	421	360	291	VOE 11709144	421	400	299	VOE 11709166	421	400	299	VOE 11709185	421	470	311	VOE 11709214	421	500	315
VOE 11709127	421	350	287	VOE 11709144	421	425	305	VOE 11709167	421	400	299	VOE 11709186	420	100	253	VOE 11709215	421	500	315
VOE 11709127	421	360	291	VOE 11709145	421	350	289	VOE 11709167	421	410	303	VOE 11709187	421	450	309	VOE 11709216	421	500	315
VOE 11709128	421	350	287	VOE 11709145	421	360	293	VOE 11709168	421	400	299	VOE 11709188	421	450	309	VOE 11709217	421	500	315
VOE 11709128	421	360	291	VOE 11709145	421	375	297	VOE 11709168	421	425	305	VOE 11709189	421	450	309	VOE 11709218	421	500	315
VOE 11709129	421	350	287	VOE 11709145	421	400	299	VOE 11709169	421	400	299	VOE 11709189	421	470	311	VOE 11709219	421	500	315
VOE 11709129	421	360	291	VOE 11709146	421	350	289	VOE 11709169	421	425	305	VOE 11709190	421	450	309	VOE 11709220	421	500	315
VOE 11709130	421	350	287	VOE 11709146	421	360	293	VOE 11709170	421	400	299	VOE 11709191	421	450	309	VOE 11709221	421	500	317
VOE 11709130	421	360	291	VOE 11709146	421	400	299	VOE 11709170	421	425	305	VOE 11709192	421	450	309	VOE 11709222	421	500	317
VOE 11709131	421	350	287	VOE 11709148	421	325	285	VOE 11709171	421	400	299	VOE 11709195	421	500	315	VOE 11709222	421	525	319
VOE 11709131	421	360	291	VOE 11709148	421	350	289	VOE 11709171	421	410	303	VOE 11709196	421	500	315	VOE 11709223	421	500	317
VOE 11709132	421	350	287	VOE 11709148	421	375	297	VOE 11709171	421	425	305	VOE 11709196	421	525	319	VOE 11709224	421	500	317
VOE 11709133	420	110	257	VOE 11709150	421	350	289	VOE 11709171	461	250	345	VOE 11709197	421	525	319	VOE 11709225	421	500	317
VOE 11709133	421	350	289	VOE 11709150	421	360	293	VOE 11709173	421	450	309	VOE 11709199	420	110	255	VOE 11709228	421	500	317
VOE 11709133	421	360	293	VOE 11709151	421	260	279	VOE 11709174	420	100	253	VOE 11709199	420	160	263	VOE 11709229	421	500	317
VOE 11709133	421	375	297	VOE 11709151	421	275	281	VOE 11709174	421	470	311	VOE 11709199	421	225	273	VOE 11709230	421	500	317
VOE 11709133	421	400	299	VOE 11709151	421	325	285	VOE 11709175	420	100	253	VOE 11709199	421	500	315	VOE 11709231	421	500	317
VOE 11709133	421	425	305	VOE 11709151	421	400	299	VOE 11709175	421	470	311	VOE 11709199	421	550	321	VOE 11709231	421	525	319
VOE 11709134	420	100	251	VOE 11709152	420	100	251	VOE 11709176	420	100	253	VOE 11709200	420	110	255	VOE 11709232	421	550	321
VOE 11709134	421	350	287	VOE 11709152	421	400	299	VOE 11709176	421	470	311	VOE 11709200	421	205	271	VOE 11709233	421	550	321
VOE 11709134	421	360	291	VOE 11709153	421	400	299	VOE 11709177	420	100	253	VOE 11709200	421	475	313	VOE 11709234	421	550	321
VOE 11709135	421	350	287	VOE 11709154	421	400	299	VOE 11709177	421	470	311	VOE 11709200	421	500	315	VOE 11709235	421	550	321
VOE 11709135	421	360	291	VOE 11709155	421	400	299	VOE 11709178	421	450	309	VOE 11709201	421	500	315	VOE 11709236	421	550	321
VOE 11709136	421	350	287	VOE 11709156	421	400	299	VOE 11709179	421	450	309	VOE 11709202	421	500	315	VOE 11709267	463	100	351
VOE 11709137	421	350	289	VOE 11709157	421	400	299	VOE 11709180	421	450	309	VOE 11709203	421	500	315	VOE 11709268	463	100	351
VOE 11709138	421	350	287	VOE 11709158	421	400	299	VOE 11709180	421	470	311	VOE 11709204	421	500	315	VOE 11709268	463	210	361
VOE 11709139	421	350	287	VOE 11709159	421	400	299	VOE 11709181	421	450	309	VOE 11709205	421	500	315	VOE 11709269	463	100	351
VOE 11709139	421	360	291	VOE 11709160	421	400	299	VOE 11709181	421	470	311	VOE 11709206	421	500	315	VOE 11709270	463	100	351
VOE 11709140	421	350	289	VOE 11709161	421	400	299	VOE 11709182	421	450	309	VOE 11709207	421	500	315	VOE 11709271	463	100	351

NUMERICAL INDEX RÉPERTOIRE DE NUMÉROS NUMMERNREGISTER	INDICE DE NÚMERO		Catalogue id	Group
	NUMMERREGISTER		20002	1000
			Issue	Page
		VOE 63H9920002	5	

VOLVO

BL71

Part No	Group	Sect	Page	Part No	Group	Sect	Page	Part No	Group	Sect	Page	Part No	Group	Sect	Page	Part No	Group	Sect	Page
VOE 11709405	461	100	335	VOE 11709466	461	160	341	VOE 11709499	461	350	349	VOE 11709636	263	150	121	VOE 11709729	913	210	701
VOE 11709406	461	100	335	VOE 11709467	461	150	339	VOE 11709500	461	350	349	VOE 11709664	925	400	777	VOE 11709730	913	200	699
VOE 11709407	461	100	335	VOE 11709467	461	160	341	VOE 11709523	974	200	833	VOE 11709664	945	200	803	VOE 11709730	913	210	701
VOE 11709409	461	100	335	VOE 11709468	461	150	339	VOE 11709524	974	200	833	VOE 11709664	972	200	821	VOE 11709731	913	200	699
VOE 11709410	461	100	335	VOE 11709468	461	160	341	VOE 11709525	974	200	833	VOE 11709664	975	200	837	VOE 11709731	913	210	701
VOE 11709411	461	100	337	VOE 11709469	461	150	339	VOE 11709526	971	300	815	VOE 11709672	971	300	815	VOE 11709732	913	200	699
VOE 11709412	461	100	337	VOE 11709469	461	160	341	VOE 11709526	974	200	833	VOE 11709676	971	300	815	VOE 11709732	913	210	701
VOE 11709413	461	100	335	VOE 11709470	461	150	339	VOE 11709527	971	300	815	VOE 11709677	971	300	815	VOE 11709733	913	200	699
VOE 11709413	517	110	387	VOE 11709470	461	160	341	VOE 11709527	974	200	833	VOE 11709679	971	400	817	VOE 11709733	913	210	701
VOE 11709417	852	250	491	VOE 11709471	461	150	339	VOE 11709528	974	200	833	VOE 11709680	971	400	817	VOE 11709734	913	200	699
VOE 11709418	852	250	491	VOE 11709471	461	160	341	VOE 11709536	975	300	839	VOE 11709684	873	100	501	VOE 11709734	913	210	701
VOE 11709419	852	250	491	VOE 11709472	461	150	339	VOE 11709537	975	300	839	VOE 11709684	873	150	503	VOE 11709735	913	200	699
VOE 11709420	852	250	491	VOE 11709472	461	160	341	VOE 11709538	975	300	839	VOE 11709685	873	100	501	VOE 11709735	913	210	701
VOE 11709421	852	250	491	VOE 11709473	461	150	339	VOE 11709540	975	100	835	VOE 11709686	873	100	501	VOE 11709736	913	200	699
VOE 11709422	852	250	491	VOE 11709476	461	200	343	VOE 11709541	975	100	835	VOE 11709687	873	100	501	VOE 11709736	913	210	701
VOE 11709423	852	250	491	VOE 11709477	461	200	343	VOE 11709542	975	100	835	VOE 11709688	873	100	501	VOE 11709737	913	200	699
VOE 11709445	461	100	335	VOE 11709478	461	200	343	VOE 11709543	975	100	835	VOE 11709689	873	100	501	VOE 11709737	913	210	701
VOE 11709446	461	100	335	VOE 11709479	461	200	343	VOE 11709545	975	200	837	VOE 11709689	873	150	503	VOE 11709738	913	200	699
VOE 11709449	461	100	335	VOE 11709480	461	200	343	VOE 11709546	975	200	837	VOE 11709690	873	100	501	VOE 11709739	913	200	699
VOE 11709450	461	100	335	VOE 11709481	461	200	343	VOE 11709547	975	200	837	VOE 11709691	873	100	501	VOE 11709740	913	200	699
VOE 11709451	645	100	407	VOE 11709482	461	200	343	VOE 11709602	945	200	803	VOE 11709696	873	150	503	VOE 11709741	913	200	699
VOE 11709451	645	150	409	VOE 11709483	461	200	343	VOE 11709605	975	200	837	VOE 11709697	873	150	503	VOE 11709741	913	210	701
VOE 11709452	461	100	335	VOE 11709484	461	200	343	VOE 11709605	975	300	839	VOE 11709698	874	350	509	VOE 11709744	852	150	487
VOE 11709453	461	100	335	VOE 11709487	461	250	345	VOE 11709613	945	200	803	VOE 11709699	874	350	509	VOE 11709744	852	200	489
VOE 11709454	645	100	407	VOE 11709488	461	250	345	VOE 11709614	945	200	803	VOE 11709700	874	100	507	VOE 11709746	256	150	107
VOE 11709456	645	100	407	VOE 11709489	461	300	347	VOE 11709616	945	200	803	VOE 11709701	874	100	507	VOE 11709756	380	100	233
VOE 11709456	645	150	409	VOE 11709490	461	300	347	VOE 11709616	945	300	805	VOE 11709702	874	100	507	VOE 11709757	380	100	233
VOE 11709457	645	100	407	VOE 11709491	461	300	347	VOE 11709617	945	200	803	VOE 11709703	874	100	507	VOE 11709766	371	250	175
VOE 11709457	645	150	409	VOE 11709492	461	300	347	VOE 11709619	945	300	805	VOE 11709704	874	100	507	VOE 11709766	371	400	185
VOE 11709460	645	100	407	VOE 11709493	461	300	347	VOE 11709620	945	300	805	VOE 11709706	873	150	503	VOE 11709766	371	450	187
VOE 11709462	461	100	335	VOE 11709494	461	300	347	VOE 11709624	945	300	805	VOE 11709707	873	150	503	VOE 11709766	371	650	199
VOE 11709463	461	100	335	VOE 11709495	461	300	347	VOE 11709628	972	200	821	VOE 11709708	873	150	503	VOE 11709766	371	655	203
VOE 11709464	461	100	335	VOE 11709496	461	300	347	VOE 11709629	972	200	821	VOE 11709727	913	200	699	VOE 11709766	371	675	207
VOE 11709465	461	150	339	VOE 11709497	461	350	349	VOE 11709630	972	200	821	VOE 11709727	913	210	701	VOE 11709766	371	700	211
VOE 11709466	461	150	339	VOE 11709498	461	350	349	VOE 11709632	972	200	821	VOE 11709729	913	200	699	VOE 11709766	371	710	213

NUMERICAL INDEX RÉPERTOIRE DE NUMÉROS NUMMERNREGISTER	INDICE DE NÚMERO		Catalogue id	Group
	NUMMERREGISTER		20002	1000
			Issue	Page
		VOE 63H9920002	7	

VOLVO

BL71

Part No	Group	Sect	Page	Part No	Group	Sect	Page	Part No	Group	Sect	Page	Part No	Group	Sect	Page	Part No	Group	Sect	Page
VOE 11712956	421	325	285	VOE 11712986	421	375	297	VOE 11714730	914	300	707	VOE 11715068	852	110	481	VOE 11715259	911	1300	627
VOE 11712957	421	325	285	VOE 11712987	421	425	305	VOE 11714731	914	300	707	VOE 11715069	852	110	481	VOE 11715259	911	1400	629
VOE 11712958	421	325	285	VOE 11712988	421	425	305	VOE 11715018	874	100	507	VOE 11715070	852	110	481	VOE 11715261	913	210	701
VOE 11712958	421	375	295	VOE 11712989	421	425	305	VOE 11715020	874	350	509	VOE 11715071	852	110	481	VOE 11715266	913	210	701
VOE 11712959	421	325	285	VOE 11712990	421	425	305	VOE 11715020	874	450	511	VOE 11715072	852	110	481	VOE 11715275	912	500	667
VOE 11712960	420	110	255	VOE 11712991	421	425	305	VOE 11715021	874	100	507	VOE 11715074	852	110	481	VOE 11715275	912	520	671
VOE 11712960	421	325	285	VOE 11712992	421	425	305	VOE 11715021	874	450	511	VOE 11715076	852	110	481	VOE 11715275	912	550	673
VOE 11712960	421	375	295	VOE 11712993	421	425	305	VOE 11715022	874	350	509	VOE 11715077	852	110	481	VOE 11715276	912	520	671
VOE 11712961	421	325	285	VOE 11712994	421	425	305	VOE 11715039	421	225	273	VOE 11715078	852	110	483	VOE 11715291	641	100	405
VOE 11712962	421	375	295	VOE 11712995	421	425	305	VOE 11715039	421	230	275	VOE 11715079	852	110	483	VOE 11715354	421	450	309
VOE 11712963	912	300	653	VOE 11712996	421	425	305	VOE 11715044	852	120	485	VOE 11715081	852	110	481	VOE 11715354	421	470	311
VOE 11712963	912	300	655	VOE 11712997	421	425	305	VOE 11715045	852	110	481	VOE 11715082	852	110	481	VOE 11715435	551	250	397
VOE 11712963	912	460	663	VOE 11712998	421	425	305	VOE 11715045	852	120	485	VOE 11715083	852	110	481	VOE 11715524	852	100	479
VOE 11712964	421	375	295	VOE 11712999	421	425	305	VOE 11715046	852	120	485	VOE 11715084	852	110	481	VOE 11715541	924	300	741
VOE 11712965	912	460	663	VOE 11713000	421	425	305	VOE 11715047	852	110	481	VOE 11715202	272	100	129	VOE 11715542	924	300	741
VOE 11712965	912	470	665	VOE 11713001	421	425	305	VOE 11715047	852	120	485	VOE 11715211	914	100	703	VOE 11715544	924	300	741
VOE 11712966	421	375	295	VOE 11713003	421	475	313	VOE 11715048	852	120	485	VOE 11715247	641	100	405	VOE 11715546	924	300	741
VOE 11712967	421	375	295	VOE 11713004	421	475	313	VOE 11715049	852	110	481	VOE 11715251	912	470	665	VOE 11715547	924	300	741
VOE 11712968	421	375	295	VOE 11713005	421	475	313	VOE 11715049	852	120	485	VOE 11715251	912	500	667	VOE 11715549	924	300	741
VOE 11712969	421	375	295	VOE 11713017	914	300	707	VOE 11715050	852	110	481	VOE 11715251	912	510	669	VOE 11715626	912	310	657
VOE 11712970	421	375	295	VOE 11713018	914	300	707	VOE 11715050	852	120	485	VOE 11715251	912	520	671	VOE 11715626	912	510	669
VOE 11712971	421	375	295	VOE 11713044	912	460	663	VOE 11715051	852	110	481	VOE 11715251	912	550	673	VOE 11715627	912	310	657
VOE 11712972	421	375	295	VOE 11713044	912	470	665	VOE 11715051	852	120	485	VOE 11715251	912	560	675	VOE 11715627	912	510	669
VOE 11712973	421	375	295	VOE 11713078	912	800	693	VOE 11715052	852	120	485	VOE 11715251	912	610	679	VOE 11715628	912	310	657
VOE 11712974	421	375	295	VOE 11713079	912	800	693	VOE 11715053	852	110	481	VOE 11715252	912	500	667	VOE 11715628	912	560	675
VOE 11712975	421	375	297	VOE 11713136	924	350	743	VOE 11715053	852	120	485	VOE 11715252	912	510	669	VOE 11715629	912	310	657
VOE 11712976	421	375	297	VOE 11713137	924	350	743	VOE 11715057	852	110	481	VOE 11715252	912	520	671	VOE 11715629	912	510	669
VOE 11712977	421	375	297	VOE 11713138	234	100	85	VOE 11715058	852	110	481	VOE 11715252	912	550	673	VOE 11715630	912	310	657
VOE 11712978	421	375	297	VOE 11713153	843	150	473	VOE 11715059	852	110	481	VOE 11715253	461	100	335	VOE 11715630	912	510	669
VOE 11712979	421	375	297	VOE 11713154	924	250	739	VOE 11715062	852	110	481	VOE 11715253	461	150	339	VOE 11715631	912	310	657
VOE 11712980	421	375	297	VOE 11713154	924	300	741	VOE 11715063	852	110	481	VOE 11715253	461	160	341	VOE 11715631	912	560	675
VOE 11712981	421	375	297	VOE 11713154	924	350	743	VOE 11715064	852	110	481	VOE 11715254	461	100	335	VOE 11715632	912	310	657
VOE 11712982	421	375	297	VOE 11713202	911	1600	639	VOE 11715065	852	110	481	VOE 11715255	913	210	701	VOE 11715632	912	610	679
VOE 11712983	421	375	297	VOE 11713203	911	1600	639	VOE 11715066	852	110	481	VOE 11715256	913	210	701	VOE 11715633	912	310	657
VOE 11712984	421	375	297	VOE 11714728	914	300	707	VOE 11715067	852	110	481	VOE 11715259	911	350	577	VOE 11715633	912	470	665

NUMERICAL INDEX RÉPERTOIRE DE NUMÉROS NUMMERNREGISTER	INDICE DE NÚMERO		Catalogue id	Group
	NUMMERREGISTER		20002	1000
			Issue	Page
			VOE 63H9920002	9

VOLVO

BL71

Part No	Group	Sect	Page	Part No	Group	Sect	Page	Part No	Group	Sect	Page	Part No	Group	Sect	Page	Part No	Group	Sect	Page
VOE 11716802	421	410	303	VOE 11880005	461	350	349	VOE 11881020	371	700	211	VOE 11881101	911	1010	611	VOE 11881292	911	1150	619
VOE 11716803	421	470	311	VOE 11880005	463	110	353	VOE 11881020	371	710	213	VOE 11881130	260	100	109	VOE 11881292	911	1160	623
VOE 11716804	421	470	311	VOE 11880005	468	100	369	VOE 11881020	371	725	215	VOE 11881131	260	100	109	VOE 11881311	234	100	85
VOE 11716875	911	400	585	VOE 11880005	468	150	373	VOE 11881020	371	810	221	VOE 11881139	252	100	101	VOE 11881311	874	350	509
VOE 11716875	916	200	719	VOE 11880005	517	200	389	VOE 11881028	911	100	555	VOE 11881149	925	300	767	VOE 11881338	915	100	711
VOE 11800853	924	150	731	VOE 11880005	517	250	391	VOE 11881028	911	200	557	VOE 11881149	925	310	771	VOE 11881339	915	100	711
VOE 11801591	925	100	753	VOE 11880005	525	100	393	VOE 11881034	424	100	323	VOE 11881149	925	320	775	VOE 11881340	911	550	593
VOE 11801591	925	125	755	VOE 11880005	551	250	397	VOE 11881035	424	100	323	VOE 11881153	925	300	767	VOE 11881340	911	800	603
VOE 11801591	925	130	757	VOE 11880005	645	150	409	VOE 11881047	925	200	761	VOE 11881153	925	310	771	VOE 11881341	915	100	711
VOE 11801755	911	1600	639	VOE 11880005	645	400	411	VOE 11881047	925	300	769	VOE 11881154	925	300	767	VOE 11881343	911	1100	615
VOE 11802318	882	400	527	VOE 11880005	716	100	423	VOE 11881047	925	310	773	VOE 11881154	925	310	771	VOE 11881343	911	1110	617
VOE 11802772	912	100	641	VOE 11880005	771	110	425	VOE 11881048	911	1000	609	VOE 11881154	925	320	775	VOE 11881343	911	1150	619
VOE 11802772	912	110	643	VOE 11880005	771	120	427	VOE 11881049	911	1000	609	VOE 11881158	911	100	555	VOE 11881344	911	1100	615
VOE 11802772	912	200	645	VOE 11880005	810	150	441	VOE 11881049	911	1100	615	VOE 11881158	911	200	557	VOE 11881344	911	1110	617
VOE 11802772	912	210	647	VOE 11880005	821	100	445	VOE 11881049	911	1110	617	VOE 11881160	420	100	253	VOE 11881344	911	1150	619
VOE 11802772	912	220	649	VOE 11880005	827	150	459	VOE 11881049	911	1150	619	VOE 11881160	420	150	259	VOE 11881345	911	1000	609
VOE 11802980	912	100	641	VOE 11880005	881	100	513	VOE 11881049	924	200	735	VOE 11881164	256	100	105	VOE 11881346	911	1000	609
VOE 11802980	912	110	643	VOE 11880005	882	300	523	VOE 11881049	924	250	737	VOE 11881176	414	100	249	VOE 11881346	911	1010	611
VOE 11803635	881	150	515	VOE 11880005	896	110	531	VOE 11881050	945	150	793	VOE 11881177	414	100	249	VOE 11881348	911	1000	609
VOE 11806517	912	220	649	VOE 11880005	911	310	567	VOE 11881050	945	175	801	VOE 11881191	823	100	449	VOE 11881348	911	1010	611
VOE 11842117	924	500	751	VOE 11880005	911	350	575	VOE 11881053	911	400	585	VOE 11881207	371	500	191	VOE 11881349	911	1000	609
VOE 11851327	914	300	707	VOE 11880005	911	360	581	VOE 11881053	911	1100	615	VOE 11881210	460	100	331	VOE 11881349	911	1010	611
VOE 11870026	372	100	231	VOE 11880005	911	550	593	VOE 11881053	911	1110	617	VOE 11881210	460	150	333	VOE 11881351	821	100	445
VOE 11870440	371	100	169	VOE 11880005	911	700	597	VOE 11881053	911	1150	619	VOE 11881211	460	100	331	VOE 11881356	911	350	577
VOE 11870441	371	100	169	VOE 11880005	911	910	607	VOE 11881054	911	800	603	VOE 11881211	460	150	333	VOE 11881356	911	1300	627
VOE 11880002	271	100	125	VOE 11880005	911	1010	611	VOE 11881060	911	800	601	VOE 11881212	460	100	331	VOE 11881356	911	1400	629
VOE 11880005	352	100	145	VOE 11880005	911	1160	623	VOE 11881088	352	100	145	VOE 11881212	460	150	333	VOE 11881360	424	100	323
VOE 11880005	362	100	157	VOE 11880005	912	110	643	VOE 11881091	925	300	767	VOE 11881213	460	100	331	VOE 11881360	810	150	441
VOE 11880005	372	100	231	VOE 11880005	912	710	685	VOE 11881091	925	310	771	VOE 11881213	460	150	333	VOE 11881360	882	300	523
VOE 11880005	380	100	233	VOE 11880005	912	720	687	VOE 11881091	925	320	775	VOE 11881237	821	100	445	VOE 11881360	914	200	705
VOE 11880005	461	100	335	VOE 11880005	914	200	705	VOE 11881092	911	800	603	VOE 11881240	925	200	761	VOE 11881365	380	200	235
VOE 11880005	461	160	341	VOE 11880005	945	175	797	VOE 11881093	911	800	601	VOE 11881289	911	900	605	VOE 11881372	911	550	593
VOE 11880005	461	200	343	VOE 11880005	974	200	833	VOE 11881101	911	900	605	VOE 11881289	911	910	607	VOE 11881372	911	800	603
VOE 11880005	461	250	345	VOE 11880005	975	100	835	VOE 11881101	911	910	607	VOE 11881292	911	1100	613	VOE 11881376	911	300	565
VOE 11880005	461	300	347	VOE 11881002	821	100	445	VOE 11881101	911	1000	609	VOE 11881292	911	1110	617	VOE 11881378	911	300	565

NUMERICAL INDEX	INDICE DE NÚMERO		Catalogue id	Group
	RÉPERTOIRE DE NUMÉROS	NUMMERREGISTER	20002	1000
			Issue	Page
NUMMERNREGISTER			VOE 63H9920002	11

VOLVO

BL71

Part No	Group	Sect	Page	Part No	Group	Sect	Page	Part No	Group	Sect	Page	Part No	Group	Sect	Page	Part No	Group	Sect	Page
VOE 11882485	271	100	125	VOE 11882659	260	200	111	VOE 11882799	911	800	603	VOE 11882992	517	200	389	VOE 11883170	451	150	329
VOE 11882487	271	100	125	VOE 11882660	971	100	807	VOE 11882800	911	800	601	VOE 11882993	517	200	389	VOE 11883171	451	150	329
VOE 11882487	821	100	445	VOE 11882667	974	100	825	VOE 11882801	911	800	601	VOE 11882999	945	150	793	VOE 11883196	925	300	767
VOE 11882489	271	100	125	VOE 11882674	460	100	331	VOE 11882803	971	200	811	VOE 11882999	945	175	801	VOE 11883216	353	100	149
VOE 11882489	821	100	445	VOE 11882675	911	100	555	VOE 11882823	925	100	753	VOE 11883000	945	150	793	VOE 11883221	380	200	235
VOE 11882493	380	100	233	VOE 11882675	911	200	559	VOE 11882854	911	550	595	VOE 11883000	945	175	801	VOE 11883229	911	800	601
VOE 11882500	971	200	811	VOE 11882677	974	100	825	VOE 11882854	911	800	603	VOE 11883004	945	150	793	VOE 11883232	827	150	459
VOE 11882507	916	100	717	VOE 11882680	711	100	421	VOE 11882855	491	100	375	VOE 11883007	912	800	693	VOE 11883246	210	50	45
VOE 11882512	371	100	169	VOE 11882693	460	100	331	VOE 11882856	911	325	571	VOE 11883018	517	200	389	VOE 11883246	210	100	51
VOE 11882519	263	100	119	VOE 11882695	421	150	267	VOE 11882857	911	1000	609	VOE 11883019	517	200	389	VOE 11883246	211	100	53
VOE 11882525	915	100	709	VOE 11882696	421	150	267	VOE 11882865	380	200	235	VOE 11883020	517	200	389	VOE 11883246	212	100	55
VOE 11882526	915	100	709	VOE 11882698	421	150	267	VOE 11882865	380	200	237	VOE 11883021	517	200	389	VOE 11883246	212	150	57
VOE 11882533	974	100	825	VOE 11882707	911	700	597	VOE 11882865	916	200	721	VOE 11883021	517	250	391	VOE 11883246	213	100	59
VOE 11882533	974	150	829	VOE 11882708	911	700	597	VOE 11882868	380	200	235	VOE 11883022	517	200	389	VOE 11883246	214	100	61
VOE 11882535	380	100	233	VOE 11882718	460	100	331	VOE 11882885	916	350	725	VOE 11883022	517	250	391	VOE 11883246	215	100	63
VOE 11882537	974	100	825	VOE 11882719	460	100	331	VOE 11882886	925	400	777	VOE 11883029	945	150	791	VOE 11883246	216	100	65
VOE 11882540	974	100	825	VOE 11882721	460	100	331	VOE 11882900	234	100	85	VOE 11883029	945	175	799	VOE 11883246	216	150	69
VOE 11882559	424	100	323	VOE 11882722	912	100	641	VOE 11882912	911	325	571	VOE 11883032	945	150	789	VOE 11883246	217	100	71
VOE 11882560	424	100	323	VOE 11882722	912	700	683	VOE 11882913	551	250	397	VOE 11883032	945	175	797	VOE 11883246	218	100	73
VOE 11882564	424	100	323	VOE 11882722	912	720	687	VOE 11882913	915	200	715	VOE 11883048	517	200	389	VOE 11883246	221	100	77
VOE 11882580	371	100	167	VOE 11882725	911	350	575	VOE 11882920	234	100	85	VOE 11883049	517	200	389	VOE 11883246	222	100	79
VOE 11882592	424	100	323	VOE 11882725	911	360	581	VOE 11882920	911	250	561	VOE 11883051	380	100	233	VOE 11883246	223	100	81
VOE 11882592	882	400	525	VOE 11882737	911	325	571	VOE 11882920	911	330	573	VOE 11883052	821	100	445	VOE 11883246	233	100	83
VOE 11882593	313	100	139	VOE 11882738	911	325	571	VOE 11882920	911	350	577	VOE 11883061	380	200	235	VOE 11883246	234	100	85
VOE 11882593	371	100	167	VOE 11882741	517	200	389	VOE 11882920	911	360	581	VOE 11883062	380	200	235	VOE 11883246	236	100	87
VOE 11882594	313	100	139	VOE 11882743	491	100	375	VOE 11882920	911	700	599	VOE 11883063	380	200	237	VOE 11883246	236	150	93
VOE 11882594	371	100	167	VOE 11882756	260	200	111	VOE 11882932	945	150	789	VOE 11883064	380	200	237	VOE 11883246	237	100	95
VOE 11882604	915	100	709	VOE 11882757	260	200	111	VOE 11882932	945	175	797	VOE 11883065	380	200	235	VOE 11883246	251	100	97
VOE 11882635	911	100	555	VOE 11882763	911	550	593	VOE 11882937	645	400	411	VOE 11883066	380	200	235	VOE 11883246	255	100	103
VOE 11882635	911	200	559	VOE 11882765	911	550	593	VOE 11882938	645	400	411	VOE 11883067	380	200	235	VOE 11883246	262	100	115
VOE 11882636	911	100	555	VOE 11882766	911	550	593	VOE 11882941	645	400	411	VOE 11883068	380	200	235	VOE 11883246	263	150	121
VOE 11882636	911	200	557	VOE 11882767	911	550	593	VOE 11882965	821	100	445	VOE 11883103	380	200	235	VOE 11883246	273	100	131
VOE 11882647	911	550	595	VOE 11882768	911	550	593	VOE 11882980	821	100	445	VOE 11883130	945	150	793	VOE 11883251	252	100	101
VOE 11882648	911	550	593	VOE 11882783	551	250	397	VOE 11882981	972	100	819	VOE 11883132	823	100	449	VOE 11883252	925	300	767
VOE 11882649	911	800	601	VOE 11882798	911	800	603	VOE 11882989	821	100	445	VOE 11883145	256	100	105	VOE 11883252	925	310	771

NUMERICAL INDEX RÉPERTOIRE DE NUMÉROS NUMMERNREGISTER	INDICE DE NÚMERO NUMMERREGISTER		Catalogue id 20002	Group 1000
			Issue VOE 63H9920002	Page 13

VOLVO

BL71

NUMERICAL INDEX				INDICE DE NÚMERO				Catalogue id				Group							
RÉPERTOIRE DE NUMÉROS				NUMMERREGISTER				20002				1000							
NUMMERNREGISTER								Issue				Page							
VOE 63H9920002								VOE 63H9920002				14							
Part No	Group	Sect	Page	Part No	Group	Sect	Page	Part No	Group	Sect	Page	Part No	Group	Sect	Page	Part No	Group	Sect	Page
VOE 11883252	925	320	775	VOE 11883381	945	175	799	VOE 11883583	380	100	233	VOE 11883691	420	100	253	VOE 11883768	974	150	829
VOE 11883263	371	600	193	VOE 11883392	915	200	715	VOE 11883584	313	100	139	VOE 11883692	945	150	793	VOE 11883769	974	100	823
VOE 11883263	371	610	195	VOE 11883399	915	200	715	VOE 11883585	896	100	529	VOE 11883692	945	175	801	VOE 11883769	974	150	829
VOE 11883263	371	620	197	VOE 11883402	915	200	715	VOE 11883592	911	100	555	VOE 11883711	371	100	171	VOE 11883770	974	100	823
VOE 11883275	974	100	825	VOE 11883403	915	200	715	VOE 11883592	911	200	557	VOE 11883712	911	550	593	VOE 11883770	974	150	829
VOE 11883275	974	150	829	VOE 11883409	380	250	239	VOE 11883593	371	750	217	VOE 11883712	911	700	597	VOE 11883771	711	100	421
VOE 11883278	371	100	169	VOE 11883414	821	100	447	VOE 11883598	914	100	703	VOE 11883712	911	700	599	VOE 11883772	945	150	789
VOE 11883283	896	100	529	VOE 11883415	821	100	447	VOE 11883599	313	100	139	VOE 11883713	911	700	597	VOE 11883772	945	175	797
VOE 11883289	897	150	541	VOE 11883416	821	100	447	VOE 11883608	371	100	167	VOE 11883717	914	100	703	VOE 11883773	852	100	479
VOE 11883290	897	150	541	VOE 11883417	821	100	447	VOE 11883617	897	150	541	VOE 11883717	914	200	705	VOE 11883774	852	100	479
VOE 11883291	897	100	537	VOE 11883418	821	100	447	VOE 11883618	256	150	107	VOE 11883719	897	100	537	VOE 11883780	925	200	761
VOE 11883292	897	100	537	VOE 11883424	252	100	101	VOE 11883619	256	150	107	VOE 11883720	897	100	537	VOE 11883801	945	150	789
VOE 11883293	897	100	537	VOE 11883426	925	100	753	VOE 11883624	924	100	729	VOE 11883723	897	100	537	VOE 11883801	945	175	797
VOE 11883294	897	100	537	VOE 11883439	971	100	807	VOE 11883624	924	300	741	VOE 11883724	897	100	537	VOE 11883802	945	150	789
VOE 11883297	897	100	537	VOE 11883447	945	150	789	VOE 11883628	971	100	807	VOE 11883725	874	450	511	VOE 11883802	945	175	797
VOE 11883298	897	100	537	VOE 11883475	771	110	425	VOE 11883632	896	100	529	VOE 11883727	971	100	809	VOE 11883803	945	150	789
VOE 11883303	897	100	537	VOE 11883475	771	150	431	VOE 11883632	896	110	531	VOE 11883728	971	100	809	VOE 11883803	945	175	797
VOE 11883304	897	100	537	VOE 11883476	945	150	791	VOE 11883635	911	500	591	VOE 11883729	971	100	807	VOE 11883805	874	450	511
VOE 11883315	896	100	529	VOE 11883476	974	100	825	VOE 11883640	363	200	165	VOE 11883732	971	100	809	VOE 11883806	874	450	511
VOE 11883319	551	250	397	VOE 11883479	827	150	459	VOE 11883641	363	200	165	VOE 11883733	971	100	807	VOE 11883807	874	450	511
VOE 11883319	911	1300	627	VOE 11883485	971	100	807	VOE 11883642	897	100	537	VOE 11883751	971	100	809	VOE 11883853	924	150	731
VOE 11883319	912	710	685	VOE 11883486	971	100	807	VOE 11883645	971	100	807	VOE 11883753	971	100	809	VOE 11883856	818	100	443
VOE 11883320	313	100	139	VOE 11883508	911	300	563	VOE 11883646	363	200	165	VOE 11883756	971	100	807	VOE 11883857	945	150	789
VOE 11883321	313	100	139	VOE 11883508	911	310	567	VOE 11883648	363	200	165	VOE 11883757	971	100	807	VOE 11883857	945	175	797
VOE 11883322	353	150	151	VOE 11883510	420	100	253	VOE 11883650	363	200	165	VOE 11883759	914	100	703	VOE 11883858	945	150	791
VOE 11883323	551	250	397	VOE 11883510	421	150	267	VOE 11883651	971	100	807	VOE 11883759	914	200	705	VOE 11883858	945	175	799
VOE 11883323	911	1300	627	VOE 11883510	911	250	561	VOE 11883652	897	100	537	VOE 11883761	914	100	703	VOE 11883860	821	100	445
VOE 11883323	912	710	685	VOE 11883510	911	1600	637	VOE 11883660	925	100	753	VOE 11883761	914	200	705	VOE 11883862	974	100	823
VOE 11883346	234	100	85	VOE 11883510	911	1600	639	VOE 11883674	972	200	821	VOE 11883762	914	100	703	VOE 11883863	974	100	823
VOE 11883349	972	100	819	VOE 11883510	912	710	685	VOE 11883674	975	200	837	VOE 11883762	914	200	705	VOE 11883865	974	100	823
VOE 11883351	353	150	151	VOE 11883510	916	100	717	VOE 11883675	911	800	603	VOE 11883763	914	100	703	VOE 11883883	461	100	335
VOE 11883375	912	800	693	VOE 11883510	971	200	811	VOE 11883676	975	100	835	VOE 11883763	914	200	705	VOE 11883888	897	100	537
VOE 11883376	912	800	693	VOE 11883510	975	100	835	VOE 11883678	823	100	449	VOE 11883764	517	200	389	VOE 11883897	974	100	823
VOE 11883378	912	800	693	VOE 11883511	911	500	591	VOE 11883682	911	300	563	VOE 11883764	517	250	391	VOE 11883929	945	150	789
VOE 11883381	945	150	791	VOE 11883533	897	150	541	VOE 11883682	911	310	567	VOE 11883768	974	100	825	VOE 11883929	945	175	797

Part No	Group	Sect	Page	Part No	Group	Sect	Page	Part No	Group	Sect	Page	Part No	Group	Sect	Page	Part No	Group	Sect	Page
VOE 11883930	945	150	789	VOE 11884069	911	200	557	VOE 11884200	234	100	85	VOE 11884287	916	350	725	VOE 11884520	818	100	443
VOE 11883930	945	175	797	VOE 11884070	914	100	703	VOE 11884214	823	100	449	VOE 11884290	916	350	725	VOE 11884546	911	1300	627
VOE 11883933	873	200	505	VOE 11884070	915	100	711	VOE 11884215	371	500	191	VOE 11884291	911	400	585	VOE 11884547	911	1300	627
VOE 11883936	974	100	825	VOE 11884071	926	200	785	VOE 11884217	911	1600	637	VOE 11884310	420	100	251	VOE 11884569	971	100	809
VOE 11883936	975	300	839	VOE 11884079	380	200	237	VOE 11884217	915	100	709	VOE 11884310	421	150	267	VOE 11884573	974	150	829
VOE 11883937	911	800	603	VOE 11884081	371	100	167	VOE 11884223	915	100	709	VOE 11884311	924	100	729	VOE 11884574	913	100	697
VOE 11883937	945	150	789	VOE 11884086	371	500	191	VOE 11884223	915	100	711	VOE 11884312	925	100	753	VOE 11884579	971	400	817
VOE 11883937	945	175	797	VOE 11884089	371	250	175	VOE 11884228	911	800	601	VOE 11884312	925	125	755	VOE 11884582	971	100	807
VOE 11883937	971	300	815	VOE 11884094	925	300	769	VOE 11884238	911	350	577	VOE 11884312	925	130	757	VOE 11884583	913	200	699
VOE 11883939	818	100	443	VOE 11884094	925	310	773	VOE 11884247	911	1500	633	VOE 11884312	925	150	759	VOE 11884584	971	100	807
VOE 11883969	926	200	785	VOE 11884095	925	300	769	VOE 11884248	974	100	823	VOE 11884313	925	100	753	VOE 11884592	897	100	537
VOE 11883973	234	100	85	VOE 11884095	925	310	773	VOE 11884251	491	100	375	VOE 11884314	925	100	753	VOE 11884603	915	100	711
VOE 11883974	234	100	85	VOE 11884099	926	100	783	VOE 11884259	974	100	823	VOE 11884314	925	125	755	VOE 11884607	974	100	825
VOE 11883975	945	200	803	VOE 11884117	945	150	789	VOE 11884269	915	100	709	VOE 11884314	925	130	757	VOE 11884607	974	150	829
VOE 11883976	945	200	803	VOE 11884117	945	175	797	VOE 11884272	912	100	641	VOE 11884315	912	750	689	VOE 11884613	234	100	85
VOE 11883977	945	300	805	VOE 11884119	261	100	113	VOE 11884272	912	710	685	VOE 11884328	914	100	703	VOE 11884614	945	150	791
VOE 11884001	252	100	101	VOE 11884125	926	100	783	VOE 11884273	912	100	641	VOE 11884329	914	100	703	VOE 11884614	974	100	825
VOE 11884006	252	100	101	VOE 11884151	380	100	233	VOE 11884273	912	110	643	VOE 11884333	897	100	537	VOE 11884616	945	150	791
VOE 11884007	252	100	101	VOE 11884152	371	500	191	VOE 11884274	911	1500	633	VOE 11884361	825	150	453	VOE 11884616	974	100	825
VOE 11884012	882	300	523	VOE 11884154	823	100	449	VOE 11884274	912	110	643	VOE 11884365	825	150	453	VOE 11884618	911	300	563
VOE 11884016	974	150	829	VOE 11884155	972	100	819	VOE 11884274	912	700	683	VOE 11884374	897	100	537	VOE 11884618	911	310	567
VOE 11884020	882	300	523	VOE 11884156	972	100	819	VOE 11884275	911	1500	633	VOE 11884375	897	100	537	VOE 11884637	945	150	789
VOE 11884021	424	100	323	VOE 11884163	823	100	449	VOE 11884275	924	150	731	VOE 11884385	912	700	683	VOE 11884638	945	150	789
VOE 11884022	424	100	323	VOE 11884165	823	100	449	VOE 11884276	911	400	587	VOE 11884385	912	720	687	VOE 11884638	945	175	797
VOE 11884023	915	100	713	VOE 11884168	945	150	789	VOE 11884276	911	1500	631	VOE 11884388	911	350	577	VOE 11884639	911	300	563
VOE 11884027	897	150	541	VOE 11884168	945	160	795	VOE 11884277	912	700	683	VOE 11884428	362	100	157	VOE 11884640	911	300	563
VOE 11884028	926	200	785	VOE 11884168	945	175	797	VOE 11884277	912	720	687	VOE 11884431	915	100	709	VOE 11884641	911	300	563
VOE 11884032	926	200	785	VOE 11884168	971	100	809	VOE 11884279	911	1500	631	VOE 11884454	925	150	759	VOE 11884642	911	300	563
VOE 11884039	916	200	719	VOE 11884168	974	100	825	VOE 11884279	916	200	719	VOE 11884463	925	150	759	VOE 11884650	852	100	479
VOE 11884052	971	300	815	VOE 11884168	974	150	831	VOE 11884279	924	150	731	VOE 11884471	925	150	759	VOE 11884650	852	150	487
VOE 11884059	421	150	267	VOE 11884170	945	150	791	VOE 11884280	911	350	575	VOE 11884479	925	150	759	VOE 11884651	852	100	479
VOE 11884060	912	750	689	VOE 11884170	945	175	799	VOE 11884280	911	360	581	VOE 11884504	371	200	173	VOE 11884651	852	200	489
VOE 11884063	911	100	555	VOE 11884176	421	150	267	VOE 11884284	911	400	585	VOE 11884511	371	700	211	VOE 11884652	852	100	479
VOE 11884063	911	200	557	VOE 11884182	945	150	791	VOE 11884285	911	400	587	VOE 11884512	371	600	193	VOE 11884652	852	250	491
VOE 11884069	911	100	555	VOE 11884182	945	175	799	VOE 11884287	911	550	593	VOE 11884514	371	300	179	VOE 11884653	821	100	445

NUMERICAL INDEX RÉPERTOIRE DE NUMÉROS NUMMERNREGISTER	INDICE DE NÚMERO		Catalogue id	Group
	NUMMERREGISTER		20002	1000
			Issue	Page
		VOE 63H9920002	15	

VOLVO

BL71

Part No	Group	Sect	Page	Part No	Group	Sect	Page	Part No	Group	Sect	Page	Part No	Group	Sect	Page	Part No	Group	Sect	Page
VOE 11885241	916	200	719	VOE 11885375	945	150	789	VOE 11885709	914	200	705	VOE 11885959	916	200	719	VOE 11886138	896	110	531
VOE 11885242	911	1150	619	VOE 11885424	882	300	523	VOE 11885711	924	150	731	VOE 11885976	436	100	325	VOE 11886139	371	500	191
VOE 11885243	911	1150	619	VOE 11885426	974	100	823	VOE 11885713	371	800	219	VOE 11885977	915	200	715	VOE 11886145	912	310	657
VOE 11885264	926	200	785	VOE 11885426	974	150	829	VOE 11885734	380	200	237	VOE 11885978	711	100	421	VOE 11886149	896	110	531
VOE 11885266	926	200	785	VOE 11885427	924	200	735	VOE 11885734	916	200	721	VOE 11885982	911	1010	611	VOE 11886150	911	250	561
VOE 11885267	926	200	785	VOE 11885427	924	250	737	VOE 11885736	925	300	767	VOE 11885982	911	1100	615	VOE 11886151	911	300	565
VOE 11885267	926	250	787	VOE 11885429	945	150	793	VOE 11885736	925	310	771	VOE 11885982	911	1110	617	VOE 11886153	925	310	771
VOE 11885269	916	200	719	VOE 11885433	924	150	731	VOE 11885738	925	300	767	VOE 11885991	372	100	231	VOE 11886153	925	320	775
VOE 11885270	916	200	719	VOE 11885435	924	150	733	VOE 11885738	925	310	771	VOE 11885997	924	400	745	VOE 11886154	911	200	557
VOE 11885272	916	200	719	VOE 11885435	924	250	737	VOE 11885786	911	450	589	VOE 11885999	911	100	555	VOE 11886174	974	100	825
VOE 11885273	916	200	719	VOE 11885441	924	200	735	VOE 11885789	926	200	785	VOE 11885999	911	200	559	VOE 11886174	974	150	829
VOE 11885274	916	200	719	VOE 11885442	924	200	735	VOE 11885790	911	450	589	VOE 11886018	972	100	819	VOE 11886176	911	500	591
VOE 11885276	916	200	721	VOE 11885470	371	650	199	VOE 11885802	261	100	113	VOE 11886019	972	100	819	VOE 11886178	911	500	591
VOE 11885281	916	200	719	VOE 11885475	972	100	819	VOE 11885803	261	100	113	VOE 11886020	972	100	819	VOE 11886189	371	310	181
VOE 11885282	916	200	719	VOE 11885484	945	300	805	VOE 11885812	371	500	191	VOE 11886042	897	100	539	VOE 11886193	852	110	481
VOE 11885283	972	100	819	VOE 11885531	912	700	683	VOE 11885859	911	300	563	VOE 11886047	372	100	231	VOE 11886210	371	450	187
VOE 11885306	926	200	785	VOE 11885531	912	720	687	VOE 11885860	911	400	585	VOE 11886048	897	100	539	VOE 11886215	362	100	157
VOE 11885307	926	200	785	VOE 11885543	491	100	375	VOE 11885862	771	120	427	VOE 11886053	517	200	389	VOE 11886222	852	110	481
VOE 11885312	421	150	267	VOE 11885543	911	325	571	VOE 11885862	771	150	431	VOE 11886057	897	100	539	VOE 11886223	852	110	481
VOE 11885329	974	150	829	VOE 11885543	911	330	573	VOE 11885876	925	310	771	VOE 11886058	897	100	539	VOE 11886250	821	100	445
VOE 11885331	912	800	693	VOE 11885547	912	800	693	VOE 11885904	972	100	819	VOE 11886065	852	120	485	VOE 11886251	975	200	837
VOE 11885333	897	100	539	VOE 11885588	716	100	423	VOE 11885905	972	100	819	VOE 11886084	380	100	233	VOE 11886254	924	100	729
VOE 11885336	911	1500	633	VOE 11885591	912	300	653	VOE 11885907	972	100	819	VOE 11886105	911	1000	609	VOE 11886255	974	100	823
VOE 11885339	974	100	823	VOE 11885592	914	200	705	VOE 11885916	771	110	425	VOE 11886105	911	1010	611	VOE 11886255	974	150	829
VOE 11885340	974	100	823	VOE 11885594	914	200	705	VOE 11885929	915	200	715	VOE 11886112	771	110	425	VOE 11886266	974	100	823
VOE 11885344	924	250	737	VOE 11885595	925	500	781	VOE 11885930	915	200	715	VOE 11886119	371	100	169	VOE 11886266	974	150	829
VOE 11885345	924	250	737	VOE 11885596	925	500	781	VOE 11885932	915	200	715	VOE 11886120	371	500	191	VOE 11886267	897	100	539
VOE 11885347	924	200	735	VOE 11885600	371	725	215	VOE 11885933	915	200	715	VOE 11886121	371	100	167	VOE 11886272	911	200	557
VOE 11885347	924	250	737	VOE 11885622	371	275	177	VOE 11885934	353	100	149	VOE 11886123	371	100	167	VOE 11886273	911	100	555
VOE 11885350	825	150	453	VOE 11885623	911	350	577	VOE 11885939	914	200	705	VOE 11886124	371	100	167	VOE 11886273	911	200	557
VOE 11885351	825	150	453	VOE 11885624	911	350	579	VOE 11885940	974	100	825	VOE 11886126	371	100	167	VOE 11886286	371	100	171
VOE 11885371	924	200	735	VOE 11885642	912	110	643	VOE 11885940	974	150	829	VOE 11886132	896	110	531	VOE 11886292	827	150	459
VOE 11885371	924	250	737	VOE 11885642	914	200	705	VOE 11885943	852	100	479	VOE 11886133	896	110	531	VOE 11886293	827	150	459
VOE 11885374	924	200	735	VOE 11885690	818	100	443	VOE 11885959	911	1400	629	VOE 11886134	896	110	531	VOE 11886328	711	100	421
VOE 11885374	924	250	739	VOE 11885701	916	200	719	VOE 11885959	911	1500	633	VOE 11886138	821	100	447	VOE 11886331	915	200	715

NUMERICAL INDEX RÉPERTOIRE DE NUMÉROS NUMMERNREGISTER	INDICE DE NÚMERO		Catalogue id	Group
	NUMMERREGISTER		20002	1000
			Issue	Page
		VOE 63H9920002	17	

VOLVO

BL71

Part No	Group	Sect	Page	Part No	Group	Sect	Page	Part No	Group	Sect	Page	Part No	Group	Sect	Page	Part No	Group	Sect	Page
VOE 11887324	912	720	687	VOE 11887467	912	220	649	VOE 11887671	882	400	525	VOE 11888088	911	310	567	VOE 11888420	925	125	755
VOE 11887325	945	175	799	VOE 11887472	912	200	645	VOE 11887673	882	400	525	VOE 11888094	911	1100	613	VOE 11888421	925	125	755
VOE 11887329	945	175	801	VOE 11887472	912	210	647	VOE 11887674	882	400	525	VOE 11888094	911	1110	617	VOE 11888422	925	125	755
VOE 11887348	371	900	225	VOE 11887472	912	220	651	VOE 11887679	882	400	525	VOE 11888094	911	1160	623	VOE 11888423	925	100	753
VOE 11887349	924	300	741	VOE 11887473	912	200	645	VOE 11887686	882	400	525	VOE 11888096	912	710	685	VOE 11888437	925	125	755
VOE 11887350	924	250	737	VOE 11887473	912	210	647	VOE 11887704	882	400	525	VOE 11888096	971	400	817	VOE 11888438	925	125	755
VOE 11887362	460	150	333	VOE 11887473	912	220	649	VOE 11887705	882	400	525	VOE 11888147	911	1400	629	VOE 11888440	925	130	757
VOE 11887362	461	100	335	VOE 11887487	897	100	539	VOE 11887707	525	100	393	VOE 11888161	925	100	753	VOE 11888461	911	330	573
VOE 11887363	460	150	333	VOE 11887488	897	100	539	VOE 11887717	974	100	827	VOE 11888170	925	130	757	VOE 11888467	421	150	267
VOE 11887363	463	110	353	VOE 11887489	897	100	539	VOE 11887721	371	100	167	VOE 11888216	925	320	775	VOE 11888468	551	250	397
VOE 11887369	261	100	113	VOE 11887490	897	100	539	VOE 11887722	371	100	167	VOE 11888222	271	100	125	VOE 11888469	491	100	375
VOE 11887380	420	110	255	VOE 11887491	897	100	539	VOE 11887728	882	400	525	VOE 11888226	924	400	745	VOE 11888492	451	150	329
VOE 11887380	421	150	267	VOE 11887492	897	100	539	VOE 11887730	972	100	819	VOE 11888230	924	400	745	VOE 11888493	460	150	333
VOE 11887381	420	160	263	VOE 11887604	911	1600	639	VOE 11887740	972	100	819	VOE 11888237	874	450	511	VOE 11888494	460	150	333
VOE 11887381	421	150	267	VOE 11887605	911	1600	639	VOE 11887763	925	320	775	VOE 11888238	925	260	765	VOE 11888495	460	150	333
VOE 11887382	371	400	185	VOE 11887607	897	100	539	VOE 11887870	911	1010	611	VOE 11888239	974	100	823	VOE 11888496	460	150	333
VOE 11887385	371	450	187	VOE 11887608	897	100	539	VOE 11887915	974	100	823	VOE 11888239	974	150	829	VOE 11888527	911	310	567
VOE 11887386	911	1400	629	VOE 11887622	460	150	333	VOE 11887958	974	100	825	VOE 11888254	925	320	775	VOE 11888534	380	100	233
VOE 11887386	911	1500	631	VOE 11887625	911	100	555	VOE 11887958	974	150	829	VOE 11888267	371	450	187	VOE 11888536	371	450	187
VOE 11887392	924	150	731	VOE 11887625	911	200	559	VOE 11887962	974	100	823	VOE 11888268	911	200	557	VOE 11888539	371	725	215
VOE 11887407	911	1600	637	VOE 11887626	821	100	445	VOE 11887962	974	150	829	VOE 11888274	945	175	801	VOE 11888540	371	710	213
VOE 11887410	882	400	525	VOE 11887630	371	900	225	VOE 11887964	974	150	829	VOE 11888280	945	175	797	VOE 11888543	911	1010	611
VOE 11887414	882	400	525	VOE 11887632	371	350	183	VOE 11887965	974	150	829	VOE 11888306	711	100	421	VOE 11888544	911	1160	623
VOE 11887420	882	400	525	VOE 11887633	371	100	169	VOE 11887988	234	100	85	VOE 11888307	421	475	313	VOE 11888545	911	1160	623
VOE 11887423	912	220	649	VOE 11887634	371	900	225	VOE 11888001	371	725	215	VOE 11888337	420	150	259	VOE 11888547	911	1160	623
VOE 11887428	882	400	525	VOE 11887635	371	900	223	VOE 11888002	371	710	213	VOE 11888337	421	150	267	VOE 11888559	974	150	829
VOE 11887437	882	400	525	VOE 11887636	371	675	207	VOE 11888006	914	200	705	VOE 11888337	421	225	273	VOE 11888579	825	200	455
VOE 11887440	882	400	525	VOE 11887637	371	655	203	VOE 11888014	424	100	323	VOE 11888366	945	175	799	VOE 11888582	825	200	455
VOE 11887440	945	175	801	VOE 11887640	371	900	225	VOE 11888016	771	120	427	VOE 11888392	421	150	267	VOE 11888607	468	150	373
VOE 11887447	380	100	233	VOE 11887649	371	900	223	VOE 11888016	771	140	429	VOE 11888393	421	150	267	VOE 11888616	945	175	799
VOE 11887461	911	1500	631	VOE 11887653	882	400	525	VOE 11888031	882	300	523	VOE 11888396	911	800	601	VOE 11888625	916	360	727
VOE 11887463	911	1500	631	VOE 11887654	924	400	745	VOE 11888032	924	400	745	VOE 11888397	911	800	601	VOE 11888649	551	250	397
VOE 11887465	911	1500	631	VOE 11887658	882	400	525	VOE 11888033	924	400	745	VOE 11888398	911	800	601	VOE 11888656	971	100	809
VOE 11887467	912	200	645	VOE 11887659	882	400	527	VOE 11888037	945	160	795	VOE 11888399	911	800	601	VOE 11888669	517	250	391
VOE 11887467	912	210	647	VOE 11887661	882	400	525	VOE 11888080	911	310	569	VOE 11888412	371	250	175	VOE 11888671	517	250	391

NUMERICAL INDEX RÉPERTOIRE DE NUMÉROS NUMMERNREGISTER	INDICE DE NÚMERO NUMMERREGISTER		Catalogue id 2002	Group 1000
			Issue VOE 63H9920002	Page 19

VOLVO

BL71

Part No	Group	Sect	Page	Part No	Group	Sect	Page	Part No	Group	Sect	Page	Part No	Group	Sect	Page	Part No	Group	Sect	Page
VOE 11891209	380	350	241	VOE 11891238	897	150	541	VOE 11891255	421	375	295	VOE 11891270	517	100	385	VOE 11891294	380	350	241
VOE 11891209	420	100	251	VOE 11891238	924	400	745	VOE 11891255	421	425	305	VOE 11891270	771	110	425	VOE 11891294	897	100	537
VOE 11891209	420	110	255	VOE 11891238	924	450	747	VOE 11891255	421	475	313	VOE 11891271	771	120	427	VOE 11891294	911	400	585
VOE 11891209	421	150	267	VOE 11891238	924	500	749	VOE 11891255	436	100	325	VOE 11891272	911	800	601	VOE 11891294	926	250	787
VOE 11891209	421	200	269	VOE 11891246	352	100	145	VOE 11891255	451	100	327	VOE 11891272	912	100	641	VOE 11891295	925	250	763
VOE 11891209	421	205	271	VOE 11891246	353	100	149	VOE 11891255	451	150	329	VOE 11891272	914	100	703	VOE 11891296	925	250	763
VOE 11891209	421	250	277	VOE 11891246	371	600	193	VOE 11891255	491	100	375	VOE 11891272	945	150	789	VOE 11891298	911	100	555
VOE 11891209	421	260	279	VOE 11891246	371	610	195	VOE 11891255	517	200	389	VOE 11891272	945	200	803	VOE 11891298	911	200	557
VOE 11891209	421	300	283	VOE 11891247	352	100	145	VOE 11891255	517	250	391	VOE 11891272	945	300	805	VOE 11891299	924	100	729
VOE 11891209	421	350	287	VOE 11891247	353	100	149	VOE 11891255	525	100	393	VOE 11891273	897	100	537	VOE 11891303	881	150	515
VOE 11891209	421	360	291	VOE 11891247	371	600	193	VOE 11891255	810	150	439	VOE 11891273	911	700	597	VOE 11891311	897	100	539
VOE 11891209	421	400	299	VOE 11891247	371	610	195	VOE 11891255	897	100	539	VOE 11891273	911	900	605	VOE 11891311	911	700	597
VOE 11891209	421	410	303	VOE 11891248	352	100	145	VOE 11891261	362	150	159	VOE 11891273	911	1000	609	VOE 11891311	911	800	601
VOE 11891209	421	450	309	VOE 11891248	353	100	149	VOE 11891262	362	150	159	VOE 11891273	911	1100	613	VOE 11891311	912	100	641
VOE 11891209	421	470	311	VOE 11891248	371	600	193	VOE 11891264	925	200	761	VOE 11891273	911	1110	617	VOE 11891311	914	100	703
VOE 11891209	421	500	315	VOE 11891248	371	620	197	VOE 11891265	925	200	761	VOE 11891273	911	1200	625	VOE 11891311	914	200	705
VOE 11891209	421	525	319	VOE 11891248	841	150	469	VOE 11891265	925	300	767	VOE 11891273	915	200	715	VOE 11891311	945	150	789
VOE 11891209	421	550	321	VOE 11891249	352	100	145	VOE 11891265	925	300	769	VOE 11891273	974	100	823	VOE 11891311	945	200	803
VOE 11891209	424	100	323	VOE 11891249	371	620	197	VOE 11891265	925	310	771	VOE 11891273	974	200	833	VOE 11891311	945	300	805
VOE 11891209	436	100	325	VOE 11891249	841	150	469	VOE 11891265	925	310	773	VOE 11891273	975	100	835	VOE 11891313	771	150	431
VOE 11891209	451	100	327	VOE 11891249	897	150	541	VOE 11891269	972	100	819	VOE 11891273	975	200	837	VOE 11891314	852	100	479
VOE 11891209	451	150	329	VOE 11891255	371	275	177	VOE 11891270	460	100	331	VOE 11891273	975	300	839	VOE 11891314	852	110	483
VOE 11891209	491	100	375	VOE 11891255	371	675	207	VOE 11891270	461	100	335	VOE 11891278	380	100	233	VOE 11891314	852	120	485
VOE 11891209	517	200	389	VOE 11891255	371	725	215	VOE 11891270	461	150	339	VOE 11891279	380	100	233	VOE 11891317	716	100	423
VOE 11891209	517	250	391	VOE 11891255	372	100	231	VOE 11891270	461	200	343	VOE 11891280	380	100	233	VOE 11891318	925	130	757
VOE 11891209	525	100	393	VOE 11891255	380	100	233	VOE 11891270	461	250	345	VOE 11891282	925	300	767	VOE 11891319	925	150	759
VOE 11891216	852	100	479	VOE 11891255	380	200	235	VOE 11891270	461	300	347	VOE 11891282	925	300	769	VOE 11891320	925	130	757
VOE 11891216	852	110	481	VOE 11891255	380	350	241	VOE 11891270	461	350	349	VOE 11891282	925	310	771	VOE 11891320	925	150	759
VOE 11891216	852	150	487	VOE 11891255	420	150	259	VOE 11891270	463	100	351	VOE 11891282	925	310	773	VOE 11891321	925	125	755
VOE 11891217	852	100	479	VOE 11891255	420	160	263	VOE 11891270	463	150	355	VOE 11891282	926	100	783	VOE 11891321	925	150	759
VOE 11891217	852	110	481	VOE 11891255	421	150	267	VOE 11891270	463	200	359	VOE 11891291	352	200	147	VOE 11891322	897	100	537
VOE 11891217	852	200	489	VOE 11891255	421	225	273	VOE 11891270	463	250	363	VOE 11891292	352	200	147	VOE 11891322	915	100	709
VOE 11891224	421	525	319	VOE 11891255	421	230	275	VOE 11891270	463	300	367	VOE 11891293	380	200	235	VOE 11891323	380	200	237
VOE 11891238	371	950	229	VOE 11891255	421	275	281	VOE 11891270	468	100	369	VOE 11891293	916	350	725	VOE 11891323	924	150	731
VOE 11891238	380	200	237	VOE 11891255	421	325	285	VOE 11891270	510	100	383	VOE 11891293	916	360	727	VOE 11891323	924	150	733

NUMERICAL INDEX RÉPERTOIRE DE NUMÉROS NUMMERNREGISTER	INDICE DE NÚMERO NUMMERREGISTER		Catalogue id 20002	Group 1000
			Issue VOE 63H9920002	Page 21

VOLVO

BL71

Part No	Group	Sect	Page	Part No	Group	Sect	Page	Part No	Group	Sect	Page	Part No	Group	Sect	Page	Part No	Group	Sect	Page
VOE 11988512	912	350	659	VOE 11988526	912	560	675	VOE 11988538	912	600	677	VOE 13933857	911	360	581	VOE 13933858	916	200	721
VOE 11988513	912	300	653	VOE 11988526	912	600	677	VOE 11988539	912	350	659	VOE 13933857	911	700	599	VOE 13933858	924	150	731
VOE 11988513	912	310	657	VOE 11988527	912	450	661	VOE 11988540	912	350	659	VOE 13933857	911	1500	631	VOE 13933858	924	150	733
VOE 11988513	912	450	661	VOE 11988527	912	460	663	VOE 11988541	912	450	661	VOE 13933857	911	1600	639	VOE 13933858	924	200	735
VOE 11988514	912	300	653	VOE 11988527	912	470	665	VOE 11988541	912	460	663	VOE 13933857	912	110	643	VOE 13933858	924	250	737
VOE 11988514	912	500	667	VOE 11988527	912	500	667	VOE 11988541	912	470	665	VOE 13933857	912	200	645	VOE 13933859	911	350	577
VOE 11988515	912	300	653	VOE 11988527	912	510	669	VOE 11988541	912	500	667	VOE 13933857	912	210	647	VOE 13933859	911	360	581
VOE 11988515	912	500	667	VOE 11988527	912	520	671	VOE 11988541	912	510	669	VOE 13933857	912	220	649	VOE 13933859	911	400	587
VOE 11988516	912	300	653	VOE 11988527	912	550	673	VOE 11988541	912	520	671	VOE 13933857	912	700	683	VOE 13933859	911	700	599
VOE 11988516	912	550	673	VOE 11988527	912	560	675	VOE 11988541	912	550	673	VOE 13933857	912	720	687	VOE 13933859	911	1500	633
VOE 11988517	912	300	653	VOE 11988527	912	600	677	VOE 11988541	912	600	677	VOE 13933857	912	750	689	VOE 13933859	911	1600	637
VOE 11988517	912	500	667	VOE 11988527	912	610	679	VOE 11988593	421	425	305	VOE 13933858	420	150	259	VOE 13933859	912	200	645
VOE 11988518	912	300	653	VOE 11988529	912	460	663	VOE 11988598	463	210	361	VOE 13933858	420	160	265	VOE 13933859	912	210	647
VOE 11988518	912	500	667	VOE 11988529	912	500	667	VOE 11988978	371	700	211	VOE 13933858	645	400	411	VOE 13933859	912	220	651
VOE 11988519	912	300	653	VOE 11988529	912	550	673	VOE 11996163	852	150	487	VOE 13933858	911	350	575	VOE 13933859	912	700	683
VOE 11988519	912	550	673	VOE 11988530	912	450	661	VOE 11997265	852	250	491	VOE 13933858	911	350	577	VOE 13933859	912	750	689
VOE 11988520	912	300	653	VOE 11988530	912	510	669	VOE 11998561	852	250	491	VOE 13933858	911	360	581	VOE 13933859	913	100	697
VOE 11988520	912	300	655	VOE 11988530	912	560	675	VOE 11999360	924	450	747	VOE 13933858	911	400	585	VOE 13933859	916	200	721
VOE 11988520	912	600	677	VOE 11988531	912	600	677	VOE 11999361	924	450	747	VOE 13933858	911	1300	627	VOE 13933860	911	1400	629
VOE 11988521	912	300	655	VOE 11988532	912	450	661	VOE 11999362	924	450	747	VOE 13933858	911	1400	629	VOE 13933860	911	1500	631
VOE 11988521	912	450	661	VOE 11988532	912	460	663	VOE 11999363	924	450	747	VOE 13933858	911	1500	633	VOE 13933860	911	1600	639
VOE 11988522	912	300	655	VOE 11988532	912	470	665	VOE 11999364	924	450	747	VOE 13933858	911	1600	637	VOE 13933860	912	700	683
VOE 11988522	912	310	657	VOE 11988532	912	500	667	VOE 11999365	924	450	747	VOE 13933858	911	1600	639	VOE 13933862	911	250	561
VOE 11988522	912	650	681	VOE 11988532	912	510	669	VOE 1304841	363	200	165	VOE 13933858	912	100	641	VOE 13933862	911	325	571
VOE 11988523	912	300	655	VOE 11988532	912	520	671	VOE 13907859	924	400	745	VOE 13933858	912	110	643	VOE 13933862	911	350	575
VOE 11988523	912	310	657	VOE 11988533	912	450	661	VOE 13914468	926	100	783	VOE 13933858	912	200	645	VOE 13933862	911	360	581
VOE 11988524	912	350	659	VOE 11988533	912	460	663	VOE 13930842	911	700	597	VOE 13933858	912	210	647	VOE 13933862	911	400	585
VOE 11988525	912	350	659	VOE 11988533	912	470	665	VOE 13933843	924	500	749	VOE 13933858	912	220	649	VOE 13933862	911	700	597
VOE 11988526	912	450	661	VOE 11988534	912	650	681	VOE 13933852	911	300	563	VOE 13933858	912	220	651	VOE 13933862	911	800	601
VOE 11988526	912	460	663	VOE 11988535	912	650	681	VOE 13933852	911	310	567	VOE 13933858	912	700	683	VOE 13933862	911	900	605
VOE 11988526	912	470	665	VOE 11988536	912	650	681	VOE 13933857	420	160	265	VOE 13933858	912	710	685	VOE 13933862	911	910	607
VOE 11988526	912	500	667	VOE 11988537	912	300	655	VOE 13933857	460	150	333	VOE 13933858	912	720	687	VOE 13933862	911	1000	609
VOE 11988526	912	510	669	VOE 11988537	912	350	659	VOE 13933857	468	150	373	VOE 13933858	912	750	689	VOE 13933862	911	1010	611
VOE 11988526	912	520	671	VOE 11988538	912	450	661	VOE 13933857	517	250	391	VOE 13933858	912	800	693	VOE 13933862	911	1150	619
VOE 11988526	912	550	673	VOE 11988538	912	460	663	VOE 13933857	911	350	575	VOE 13933858	916	100	717	VOE 13933862	912	750	689

NUMERICAL INDEX

RÉPERTOIRE DE NUMÉROS

NUMMERNREGISTER

INDICE DE NÚMERO

NUMMERREGISTER

Catalogue id

20002

Group

1000

Issue

VOE 63H9920002

Page

23

VOLVO

BL71

Part No	Group	Sect	Page	Part No	Group	Sect	Page	Part No	Group	Sect	Page	Part No	Group	Sect	Page	Part No	Group	Sect	Page
VOE 13951669	882	400	525	VOE 13962550	924	450	747	VOE 13965185	234	100	85	VOE 13965194	911	1600	637	VOE 13970951	420	110	257
VOE 13951967	914	200	705	VOE 13962970	924	450	747	VOE 13965185	252	100	101	VOE 13965194	915	100	713	VOE 13970963	874	450	511
VOE 13951972	882	400	525	VOE 13963104	872	250	497	VOE 13965185	460	100	331	VOE 13965194	916	100	717	VOE 13971068	517	200	389
VOE 13955294	420	160	263	VOE 13963105	841	100	467	VOE 13965185	911	1500	633	VOE 13965195	972	100	819	VOE 13971068	517	250	391
VOE 13955294	421	200	269	VOE 13963105	841	150	469	VOE 13965186	551	250	397	VOE 13965210	924	150	731	VOE 13971068	915	100	711
VOE 13955294	421	205	271	VOE 13963110	218	100	73	VOE 13965186	843	150	473	VOE 13965229	974	150	831	VOE 13971068	926	200	785
VOE 13955294	421	225	273	VOE 13963110	436	100	325	VOE 13965187	925	300	767	VOE 13965483	823	100	449	VOE 13971068	945	150	791
VOE 13955295	421	500	315	VOE 13963362	716	100	423	VOE 13965188	252	100	101	VOE 13965483	872	250	497	VOE 13971068	971	100	809
VOE 13955781	271	100	127	VOE 13963362	971	100	807	VOE 13965188	925	310	771	VOE 13965483	924	150	731	VOE 13971072	945	150	793
VOE 13955894	823	100	449	VOE 13963365	716	100	423	VOE 13965188	925	320	775	VOE 13965558	362	100	157	VOE 13971095	234	100	85
VOE 13955894	831	100	461	VOE 13963365	971	100	807	VOE 13965189	926	100	783	VOE 13966237	882	400	525	VOE 13971095	252	100	101
VOE 13955894	852	150	487	VOE 13964908	924	400	745	VOE 13965190	925	300	767	VOE 13967580	896	110	531	VOE 13971095	256	100	105
VOE 13955894	852	200	489	VOE 13965175	821	100	445	VOE 13965190	925	310	771	VOE 13967630	421	150	267	VOE 13971095	260	200	111
VOE 13955894	852	250	491	VOE 13965175	881	200	517	VOE 13965190	925	320	775	VOE 13967630	874	450	511	VOE 13971095	460	100	331
VOE 13955897	831	100	465	VOE 13965175	896	100	529	VOE 13965190	945	150	791	VOE 13967630	911	1000	609	VOE 13971095	825	150	453
VOE 13955897	924	400	745	VOE 13965175	911	1150	621	VOE 13965190	945	160	795	VOE 13967630	911	1010	611	VOE 13971095	925	300	767
VOE 13955900	215	100	63	VOE 13965177	911	1300	627	VOE 13965191	371	100	167	VOE 13967630	912	800	693	VOE 13971095	925	310	771
VOE 13955900	924	400	745	VOE 13965177	911	1600	637	VOE 13965191	436	100	325	VOE 13967934	945	175	799	VOE 13971095	925	320	775
VOE 13955900	945	150	793	VOE 13965177	912	220	649	VOE 13965191	852	100	479	VOE 13967934	945	175	801	VOE 13971095	926	100	783
VOE 13960138	872	250	499	VOE 13965177	912	700	683	VOE 13965191	852	110	483	VOE 13969011	212	100	55	VOE 13971096	825	150	453
VOE 13960141	825	100	451	VOE 13965177	916	200	719	VOE 13965191	852	120	485	VOE 13969011	233	100	83	VOE 13971096	911	700	599
VOE 13960141	825	200	455	VOE 13965178	911	1400	629	VOE 13965191	911	100	555	VOE 13969516	269	100	123	VOE 13971096	916	100	717
VOE 13960141	852	100	479	VOE 13965179	234	100	85	VOE 13965191	911	200	559	VOE 13969599	823	100	449	VOE 13971098	271	100	125
VOE 13960141	873	100	501	VOE 13965179	911	1500	633	VOE 13965191	924	400	745	VOE 13969599	882	400	527	VOE 13971098	313	100	139
VOE 13960141	881	100	513	VOE 13965179	916	350	725	VOE 13965191	945	150	789	VOE 13970876	414	100	249	VOE 13971098	551	250	397
VOE 13960141	882	100	519	VOE 13965179	916	360	727	VOE 13965191	945	175	797	VOE 13970923	461	100	335	VOE 13971098	827	150	459
VOE 13960141	896	110	531	VOE 13965180	912	700	683	VOE 13965192	825	150	453	VOE 13970944	414	100	249	VOE 13971098	896	200	535
VOE 13960141	924	400	745	VOE 13965180	912	800	695	VOE 13965192	911	100	555	VOE 13970947	420	100	251	VOE 13971098	911	450	589
VOE 13960143	810	150	439	VOE 13965180	916	360	727	VOE 13965192	911	200	559	VOE 13970947	420	150	259	VOE 13971098	916	200	719
VOE 13960143	825	150	453	VOE 13965182	924	500	749	VOE 13965192	924	150	731	VOE 13970947	420	160	265	VOE 13971098	945	150	791
VOE 13960143	911	1500	633	VOE 13965182	925	300	767	VOE 13965193	896	100	529	VOE 13970948	420	110	255	VOE 13971098	945	160	795
VOE 13960143	971	100	809	VOE 13965182	925	310	771	VOE 13965194	234	100	85	VOE 13970948	420	150	259	VOE 13971098	945	175	799
VOE 13960167	645	400	411	VOE 13965182	925	320	775	VOE 13965194	896	100	529	VOE 13970949	420	100	251	VOE 13971307	915	100	711
VOE 13960215	924	450	747	VOE 13965183	911	400	585	VOE 13965194	896	110	531	VOE 13970949	420	150	259	VOE 13975237	272	100	129
VOE 13961965	810	150	441	VOE 13965184	972	100	819	VOE 13965194	911	700	599	VOE 13970949	420	160	263	VOE 13975237	353	150	151

NUMERICAL INDEX RÉPERTOIRE DE NUMÉROS NUMMERNREGISTER	INDICE DE NÚMERO		Catalogue id	Group
	NUMMERREGISTER		20002	1000
			Issue	Page
		VOE 63H9920002	25	

VOLVO

BL71

NUMERICAL INDEX				INDICE DE NÚMERO				Catalogue id				Group			
RÉPERTOIRE DE NUMÉROS				NUMMERREGISTER				20002				1000			
NUMMERNREGISTER								Issue				Page			
VOE 63H9920002								VOE 63H9920002				26			
Part No	Group	Sect	Page	Part No	Group	Sect	Page	Part No	Group	Sect	Page	Part No	Group	Sect	Page
VOE 13975237	371	500	191	VOE 14370883	371	710	213	VOE 20405509	236	150	93	VOE 20405723	262	100	115
VOE 13975237	881	200	517	VOE 14370883	371	810	221	VOE 20405524	214	100	61	VOE 20405724	216	100	67
VOE 13977600	873	200	505	VOE 14370883	371	900	223	VOE 20405536	210	50	45	VOE 20405728	210	50	45
VOE 13977600	912	700	683	VOE 14370887	371	650	199	VOE 20405536	210	50	47	VOE 20405728	210	50	49
VOE 13980100	716	100	423	VOE 14370887	371	900	225	VOE 20405536	251	100	97	VOE 20405728	273	100	131
VOE 14016673	269	100	123	VOE 14370889	371	200	173	VOE 20405538	236	150	93	VOE 20405729	216	150	69
VOE 14016673	371	310	181	VOE 14370889	371	650	199	VOE 20405543	210	50	45	VOE 20405729	233	100	83
VOE 14016673	371	950	229	VOE 14371054	371	300	179	VOE 20405543	236	100	87	VOE 20405729	236	150	93
VOE 14016673	911	1500	631	VOE 14371054	371	310	181	VOE 20405553	215	100	63	VOE 20405730	236	150	93
VOE 14016673	916	200	719	VOE 14371493	641	100	405	VOE 20405559	237	100	95	VOE 20405789	255	100	103
VOE 14025792	971	100	809	VOE 14376982	460	150	333	VOE 20405560	236	150	93	VOE 20405792	217	100	71
VOE 14211855	911	350	579	VOE 14376982	716	100	423	VOE 20405561	221	100	77	VOE 20405792	221	100	77
VOE 14211855	912	110	643	VOE 14520086	882	400	525	VOE 20405565	236	100	87	VOE 20405792	255	100	103
VOE 14211855	912	710	685	VOE 14527754	911	1600	639	VOE 20405587	251	100	97	VOE 20405792	262	100	115
VOE 14211856	911	360	581	VOE 1518748	852	150	487	VOE 20405590	210	50	45	VOE 20405822	255	100	103
VOE 14211856	913	100	697	VOE 1518748	852	200	489	VOE 20405590	210	50	47	VOE 20405825	210	50	45
VOE 14211856	924	500	749	VOE 1518748	852	250	491	VOE 20405590	255	100	103	VOE 20405825	217	100	71
VOE 14211861	911	300	563	VOE 1542591	260	200	111	VOE 20405599	223	100	81	VOE 20405828	331	100	143
VOE 14211861	911	310	567	VOE 1578603	881	150	515	VOE 20405603	221	100	77	VOE 20405885	223	100	81
VOE 14213026	363	200	165	VOE 1578835	897	100	537	VOE 20405605	215	100	63	VOE 20405885	262	100	115
VOE 14213026	371	300	179	VOE 1582293	371	100	171	VOE 20405606	218	200	75	VOE 20405885	263	100	119
VOE 14213026	371	310	181	VOE 1589502	380	350	241	VOE 20405616	251	100	97	VOE 20405885	263	150	121
VOE 14340282	831	100	465	VOE 1613068	881	100	513	VOE 20405626	212	150	57	VOE 20405895	211	100	53
VOE 14343206	882	100	519	VOE 1613068	882	100	519	VOE 20405627	210	50	45	VOE 20405898	251	100	97
VOE 14343207	882	100	519	VOE 1613068	882	400	527	VOE 20405627	210	50	49	VOE 20405898	262	100	115
VOE 14344720	831	100	465	VOE 1696529	852	150	487	VOE 20405627	212	150	57	VOE 20405917	223	100	81
VOE 14346537	896	100	529	VOE 1696529	852	200	489	VOE 20405634	216	100	67	VOE 20405938	210	50	45
VOE 14346537	896	110	531	VOE 1696529	852	250	491	VOE 20405653	215	100	63	VOE 20405938	210	50	49
VOE 14370881	371	800	219	VOE 181798	896	100	529	VOE 20405654	216	100	67	VOE 20405938	212	150	57
VOE 14370881	371	810	221	VOE 1880492	645	400	411	VOE 20405672	223	100	81	VOE 20405988	263	150	121
VOE 14370881	371	900	223	VOE 1882940	645	400	411	VOE 20405672	262	100	115	VOE 20412313	262	100	115
VOE 14370881	371	900	225	VOE 191900	971	100	807	VOE 20405716	212	100	55	VOE 20412318	210	50	45
VOE 14370883	371	310	181	VOE 20393421	371	100	167	VOE 20405717	212	100	55	VOE 20412318	210	50	49
VOE 14370883	371	655	205	VOE 20405504	263	150	121	VOE 20405719	212	100	55	VOE 20412318	255	100	103
VOE 14370883	371	675	207	VOE 20405506	217	100	71	VOE 20405721	212	100	55	VOE 20412324	215	100	63
												VOE 20459025	263	150	121
												VOE 20459061	331	100	143
												VOE 20459115	210	50	45
												VOE 20459115	215	100	63
												VOE 20459115	216	100	65

Part No	Group	Sect	Page	Part No	Group	Sect	Page	Part No	Group	Sect	Page	Part No	Group	Sect	Page	Part No	Group	Sect	Page
VOE 20459124	216	100	65	VOE 20459236	210	50	49	VOE 20459899	212	100	55	VOE 20460001	212	100	55	VOE 20460120	331	100	143
VOE 20459133	216	100	65	VOE 20459236	255	100	103	VOE 20459900	212	100	55	VOE 20460006	212	100	55	VOE 20460123	251	100	97
VOE 20459134	216	100	65	VOE 20459246	233	100	83	VOE 20459900	262	100	117	VOE 20460007	214	100	61	VOE 20460127	251	100	97
VOE 20459139	216	100	65	VOE 20459263	263	150	121	VOE 20459904	210	50	47	VOE 20460008	214	100	61	VOE 20460231	255	100	103
VOE 20459140	210	50	45	VOE 20459264	263	150	121	VOE 20459904	215	100	63	VOE 20460009	210	50	47	VOE 20460239	223	100	81
VOE 20459140	216	100	65	VOE 20459265	263	150	121	VOE 20459906	237	100	95	VOE 20460009	213	100	59	VOE 20460289	236	150	93
VOE 20459143	216	100	65	VOE 20459830	211	100	53	VOE 20459909	251	100	97	VOE 20460010	210	50	47	VOE 20460459	211	100	53
VOE 20459144	216	100	65	VOE 20459830	251	100	97	VOE 20459910	251	100	97	VOE 20460010	213	100	59	VOE 20460936	255	100	103
VOE 20459148	216	100	65	VOE 20459833	210	50	45	VOE 20459933	251	100	97	VOE 20460013	210	50	47	VOE 20460936	262	100	115
VOE 20459149	210	50	45	VOE 20459833	210	50	49	VOE 20459935	251	100	97	VOE 20460013	213	100	59	VOE 20460939	255	100	103
VOE 20459149	216	100	65	VOE 20459835	211	100	53	VOE 20459941	223	100	81	VOE 20460021	217	100	71	VOE 20460945	255	100	103
VOE 20459168	210	50	45	VOE 20459836	211	100	53	VOE 20459942	223	100	81	VOE 20460022	210	50	47	VOE 20464451	211	100	53
VOE 20459168	221	100	77	VOE 20459837	214	100	61	VOE 20459949	262	100	115	VOE 20460045	233	100	83	VOE 20480536	216	100	65
VOE 20459171	210	50	45	VOE 20459838	211	100	53	VOE 20459952	262	100	115	VOE 20460045	255	100	103	VOE 20481754	221	100	77
VOE 20459171	210	50	49	VOE 20459839	210	50	45	VOE 20459953	210	50	47	VOE 20460055	255	100	103	VOE 20481768	233	100	83
VOE 20459171	255	100	103	VOE 20459839	210	50	49	VOE 20459953	210	50	49	VOE 20460061	255	100	103	VOE 20481769	233	100	83
VOE 20459172	210	50	45	VOE 20459839	211	100	53	VOE 20459953	262	100	115	VOE 20460061	262	100	115	VOE 20481785	233	100	83
VOE 20459172	210	50	49	VOE 20459840	210	50	45	VOE 20459954	210	50	47	VOE 20460064	236	150	93	VOE 20482006	217	100	71
VOE 20459172	255	100	103	VOE 20459840	210	50	49	VOE 20459954	262	100	115	VOE 20460067	236	150	93	VOE 20482010	217	100	71
VOE 20459181	255	100	103	VOE 20459841	210	50	47	VOE 20459955	210	50	47	VOE 20460069	236	150	93	VOE 20482027	217	100	71
VOE 20459183	215	100	63	VOE 20459841	210	50	49	VOE 20459955	210	50	49	VOE 20460070	236	150	93	VOE 20482736	217	100	71
VOE 20459183	233	100	83	VOE 20459847	214	100	61	VOE 20459955	262	100	115	VOE 20460071	236	100	87	VOE 20482739	210	50	47
VOE 20459195	223	100	81	VOE 20459848	214	100	61	VOE 20459961	210	50	47	VOE 20460072	236	100	87	VOE 20482739	213	100	59
VOE 20459197	223	100	81	VOE 20459849	214	100	61	VOE 20459961	262	100	115	VOE 20460082	236	150	93	VOE 20496548	223	100	81
VOE 20459200	223	100	81	VOE 20459850	214	100	61	VOE 20459972	237	100	95	VOE 20460095	210	50	47	VOE 20498498	251	100	99
VOE 20459201	223	100	81	VOE 20459851	211	100	53	VOE 20459977	215	100	63	VOE 20460095	210	50	49	VOE 20498524	251	100	99
VOE 20459202	223	100	81	VOE 20459852	211	100	53	VOE 20459989	216	150	69	VOE 20460095	237	100	95	VOE 20502245	223	100	81
VOE 20459203	210	50	45	VOE 20459853	214	100	61	VOE 20459990	216	150	69	VOE 20460098	237	100	95	VOE 20502535	262	100	115
VOE 20459203	223	100	81	VOE 20459854	211	100	53	VOE 20459995	216	150	69	VOE 20460102	321	100	141	VOE 20502536	262	100	115
VOE 20459204	223	100	81	VOE 20459855	210	50	47	VOE 20459996	216	150	69	VOE 20460106	321	100	141	VOE 20504812	236	150	93
VOE 20459205	223	100	81	VOE 20459855	210	50	49	VOE 20459998	210	50	47	VOE 20460115	331	100	143	VOE 20505959	251	100	97
VOE 20459222	210	50	45	VOE 20459855	211	100	53	VOE 20459998	212	100	55	VOE 20460116	331	100	143	VOE 20508600	212	100	55
VOE 20459222	210	50	49	VOE 20459857	211	100	53	VOE 20459999	210	50	47	VOE 20460117	331	100	143	VOE 20508605	212	100	55
VOE 20459235	255	100	103	VOE 20459864	263	150	121	VOE 20459999	212	100	55	VOE 20460118	331	100	143	VOE 20508630	255	100	103
VOE 20459236	210	50	45	VOE 20459898	212	100	55	VOE 20460000	212	100	55	VOE 20460119	331	100	143	VOE 20509446	321	100	141

NUMERICAL INDEX RÉPERTOIRE DE NUMÉROS NUMMERNREGISTER	INDICE DE NÚMERO NUMMERREGISTER		Catalogue id 2002	Group 1000
			Issue VOE 63H9920002	Page 27

VOLVO

BL71

NUMERICAL INDEX				INDICE DE NÚMERO				Catalogue id				Group			
RÉPERTOIRE DE NUMÉROS				NUMMERREGISTER				20002				1000			
NUMMERNREGISTER								Issue				Page			
								VOE 63H9920002				28			
Part No	Group	Sect	Page	Part No	Group	Sect	Page	Part No	Group	Sect	Page	Part No	Group	Sect	Page
VOE 20509482	321	100	141	VOE 20555189	211	100	53	VOE 20723984	218	200	75	VOE 24425985	236	100	89
VOE 20517048	210	50	47	VOE 20555385	222	100	79	VOE 20726057	251	100	97	VOE 24425986	236	100	89
VOE 20517048	210	50	49	VOE 20555403	210	50	47	VOE 20726062	251	100	97	VOE 24425987	236	100	89
VOE 20517048	255	100	103	VOE 20555403	216	100	65	VOE 20726092	262	100	115	VOE 24425989	236	100	89
VOE 20518337	233	100	83	VOE 20555491	214	100	61	VOE 20729184	216	100	65	VOE 24425991	236	100	89
VOE 20521558	251	100	99	VOE 20555494	255	100	103	VOE 20729310	263	150	121	VOE 24425992	236	100	89
VOE 20522433	216	100	65	VOE 20555502	215	100	63	VOE 20739051	262	100	115	VOE 24425994	236	100	89
VOE 20523284	216	100	65	VOE 20555503	236	150	93	VOE 20758272	236	150	93	VOE 24425996	236	100	89
VOE 20524154	233	100	83	VOE 20555515	251	100	97	VOE 20758403	251	100	97	VOE 24425998	236	100	89
VOE 20524626	233	100	83	VOE 20557208	210	50	47	VOE 20791246	212	100	55	VOE 24426002	236	100	89
VOE 20528339	255	100	103	VOE 20557208	210	50	49	VOE 20791405	211	100	53	VOE 24426004	236	100	89
VOE 20531832	210	50	47	VOE 20557208	251	100	97	VOE 20791406	262	100	115	VOE 24426005	236	100	89
VOE 20531832	210	50	49	VOE 20558924	211	100	53	VOE 20791517	211	100	53	VOE 24426006	236	100	89
VOE 20531832	251	100	97	VOE 20558934	211	100	53	VOE 20799838	262	100	115	VOE 24426007	236	100	89
VOE 20532254	251	100	97	VOE 20560564	321	100	141	VOE 20882838	211	100	53	VOE 24426010	236	100	89
VOE 20532396	223	100	81	VOE 20562765	273	100	131	VOE 20882839	211	100	53	VOE 24426011	236	100	91
VOE 20535027	218	200	75	VOE 20565870	251	100	97	VOE 20882841	211	100	53	VOE 24426012	236	100	91
VOE 20535037	211	100	53	VOE 20567447	233	100	83	VOE 20882905	216	100	65	VOE 24426013	236	100	91
VOE 20537029	210	50	47	VOE 20567447	321	100	141	VOE 20891184	216	100	65	VOE 24426014	236	100	91
VOE 20537029	221	100	77	VOE 20570522	210	50	47	VOE 20909227	263	150	121	VOE 24426015	236	100	91
VOE 20542740	217	100	71	VOE 20570522	210	50	49	VOE 20924084	211	100	53	VOE 24426016	236	100	91
VOE 20547288	216	150	69	VOE 20572787	251	100	99	VOE 20944091	223	100	81	VOE 24426017	236	100	91
VOE 20549383	237	100	95	VOE 20581867	221	100	77	VOE 24425842	212	100	55	VOE 24426018	236	100	91
VOE 20549886	321	100	141	VOE 20585825	251	100	97	VOE 24425916	237	100	95	VOE 24426019	236	100	91
VOE 20549894	223	100	81	VOE 20585971	215	100	63	VOE 24425919	237	100	95	VOE 24426020	236	100	91
VOE 20549894	255	100	103	VOE 20585971	216	150	69	VOE 24425954	236	100	87	VOE 24426021	236	100	91
VOE 20549894	262	100	115	VOE 20590555	236	150	93	VOE 24425958	236	100	89	VOE 24426022	236	100	91
VOE 20549905	236	100	87	VOE 20590582	236	150	93	VOE 24425969	236	100	89	VOE 24426216	216	100	67
VOE 20550117	262	100	115	VOE 20590598	211	100	53	VOE 24425970	236	100	87	VOE 24426230	251	100	97
VOE 20550336	251	100	99	VOE 20592820	215	100	63	VOE 24425972	236	100	89	VOE 3090569	852	150	487
VOE 20550356	251	100	99	VOE 20593357	331	100	143	VOE 24425973	236	100	89	VOE 3090569	852	200	489
VOE 20551429	262	100	115	VOE 20706915	216	100	65	VOE 24425974	236	100	89	VOE 3091629	852	250	491
VOE 20554253	263	150	121	VOE 20715643	371	100	169	VOE 24425982	236	100	89	VOE 3943382	234	100	85
VOE 20555065	263	150	121	VOE 20715795	263	150	121	VOE 24425983	236	100	89	VOE 3987034	371	100	167
VOE 20555084	321	100	141	VOE 20723978	218	200	75	VOE 24425984	236	100	89	VOE 3987417	354	100	155
VOE 403078	924	100	729					VOE 24425985	236	100	89	VOE 4803748	371	310	181
VOE 432039	925	300	767					VOE 24425986	236	100	89	VOE 4803748	371	400	185
VOE 4784040	924	450	747					VOE 24425987	236	100	89	VOE 4803748	371	450	189
VOE 4789869	771	110	425					VOE 24425989	236	100	89	VOE 4803748	371	650	201
VOE 4789869	771	120	427					VOE 24425991	236	100	89	VOE 4803748	371	655	205
VOE 4789869	771	140	429					VOE 24425992	236	100	89	VOE 4803748	371	675	209
VOE 4789869	771	150	431					VOE 24425994	236	100	89	VOE 4803751	371	200	173
VOE 4803745	371	100	169					VOE 24425996	236	100	89	VOE 4803751	371	400	185
VOE 4803745	371	650	201					VOE 24425998	236	100	89	VOE 4803751	371	650	201
VOE 4803745	371	655	205					VOE 24426002	236	100	89	VOE 4803751	371	655	205
VOE 4803745	371	675	209					VOE 24426004	236	100	89				
VOE 4803746	371	100	169					VOE 24426005	236	100	89				
VOE 4803746	371	200	173					VOE 24426006	236	100	89				
VOE 4803746	371	250	175					VOE 24426007	236	100	89				
VOE 4803746	371	310	181					VOE 24426010	236	100	89				
VOE 4803746	371	450	189					VOE 24426011	236	100	91				
VOE 4803746	371	600	193					VOE 24426012	236	100	91				
VOE 4803746	371	610	195					VOE 24426013	236	100	91				
VOE 4803746	371	620	197					VOE 24426014	236	100	91				
VOE 4803746	371	650	201					VOE 24426015	236	100	91				
VOE 4803746	371	655	205					VOE 24426016	236	100	91				
VOE 4803746	371	675	209					VOE 24426017	236	100	91				
VOE 4803746	371	810	221					VOE 24426018	236	100	91				
VOE 4803748	371	200	173					VOE 24426019	236	100	91				
VOE 4803748	371	250	175					VOE 24426020	236	100	91				
VOE 4803748	371	310	181					VOE 24426021	236	100	91				
VOE 4803748	371	400	185					VOE 24426022	236	100	91				
VOE 4803748	371	450	189					VOE 24426216	216	100	67				
VOE 4803748	371	650	201					VOE 24426230	251	100	97				
VOE 4803748	371	655	205					VOE 3090569	852	150	487				
VOE 4803748	371	675	209					VOE 3090569	852	200	489				
VOE 4803751	371	200	173					VOE 24425973	236	100	89				
VOE 4803751	371	400	185					VOE 24425974	236	100	89				
VOE 4803751	371	400	185					VOE 24425982	236	100	89				
VOE 4803751	371	650	201					VOE 24425983	236	100	89				
VOE 4803751	371	655	205					VOE 24425984	236	100	89				

Part No	Group	Sect	Page	Part No	Group	Sect	Page	Part No	Group	Sect	Page	Part No	Group	Sect	Page	Part No	Group	Sect	Page
VOE 4803751	371	675	209	VOE 4880493	913	100	697	VOE 4881440	912	220	649	VOE 7011998	210	50	47	VOE 874955	371	300	179
VOE 4803752	371	200	173	VOE 4880493	916	200	721	VOE 4881440	915	100	713	VOE 7025167	233	100	83	VOE 874955	371	310	181
VOE 4803752	371	400	185	VOE 4880493	916	350	725	VOE 4881440	924	150	733	VOE 762681	872	250	497	VOE 874955	371	400	185
VOE 4803752	371	450	189	VOE 4880493	924	500	751	VOE 4881722	463	100	351	VOE 784076	771	110	425	VOE 874955	371	450	187
VOE 4803752	371	650	201	VOE 4880663	491	100	375	VOE 4881722	645	400	411	VOE 784076	771	120	427	VOE 874955	371	600	193
VOE 4803752	371	655	205	VOE 4880663	911	300	563	VOE 4881722	911	350	575	VOE 784076	771	140	429	VOE 874955	371	610	195
VOE 4803752	371	675	209	VOE 4880663	911	550	593	VOE 4881722	911	350	577	VOE 784076	771	150	431	VOE 874955	371	620	197
VOE 4821292	363	200	165	VOE 4880663	911	800	601	VOE 4881722	911	350	579	VOE 8157766	371	100	167	VOE 874955	371	650	199
VOE 4821292	517	250	391	VOE 4880663	911	800	603	VOE 4881722	911	400	585	VOE 81709100	421	260	279	VOE 874955	371	655	203
VOE 4880492	420	100	253	VOE 4880663	911	1150	619	VOE 4881722	911	400	587	VOE 874114	371	650	199	VOE 874955	371	675	207
VOE 4880492	421	150	267	VOE 4880663	912	800	693	VOE 4881722	911	700	599	VOE 874114	371	900	225	VOE 874955	371	700	211
VOE 4880492	468	100	369	VOE 4880663	916	350	725	VOE 4881722	911	1300	627	VOE 874654	371	100	169	VOE 874955	371	710	213
VOE 4880492	645	400	411	VOE 4880804	380	100	233	VOE 4881722	911	1400	629	VOE 874654	371	400	185	VOE 874955	371	725	215
VOE 4880492	911	100	555	VOE 4881293	831	100	465	VOE 4881722	911	1500	631	VOE 874654	371	450	189	VOE 874955	371	800	219
VOE 4880492	911	200	559	VOE 4881438	234	100	85	VOE 4881722	911	1500	633	VOE 874654	371	650	199	VOE 874955	371	900	223
VOE 4880492	911	350	575	VOE 4881438	260	200	111	VOE 4881722	911	1600	637	VOE 874654	371	655	205	VOE 874955	371	900	225
VOE 4880492	911	500	591	VOE 4881438	352	100	145	VOE 4881722	911	1600	639	VOE 874654	371	675	209	VOE 874955	371	900	227
VOE 4880492	911	1600	637	VOE 4881438	371	100	169	VOE 4881722	912	100	641	VOE 874654	371	900	223	VOE 874957	371	250	175
VOE 4880492	911	1600	639	VOE 4881438	371	300	179	VOE 4881722	912	200	645	VOE 874802	371	310	181	VOE 874957	371	300	179
VOE 4880492	912	200	645	VOE 4881438	645	400	411	VOE 4881722	912	210	647	VOE 874802	371	500	191	VOE 874957	371	310	181
VOE 4880492	912	210	647	VOE 4881438	821	100	447	VOE 4881722	912	220	649	VOE 874802	371	655	203	VOE 874957	371	350	183
VOE 4880492	912	220	649	VOE 4881438	911	350	575	VOE 4881722	912	220	651	VOE 874802	371	675	207	VOE 874957	371	600	193
VOE 4880492	912	220	651	VOE 4881438	911	360	581	VOE 4881722	912	700	683	VOE 874802	371	700	211	VOE 874957	371	655	203
VOE 4880492	913	100	697	VOE 4881438	911	400	587	VOE 4881722	912	750	689	VOE 874802	371	710	213	VOE 874957	371	675	209
VOE 4880492	916	100	717	VOE 4881438	911	500	591	VOE 4881722	912	800	693	VOE 874802	371	725	215	VOE 874957	371	700	211
VOE 4880492	916	200	719	VOE 4881438	912	700	683	VOE 4881722	913	100	697	VOE 874802	371	750	217	VOE 874957	371	710	213
VOE 4880492	924	500	749	VOE 4881438	912	720	687	VOE 4881722	916	100	717	VOE 874802	371	810	221	VOE 874957	371	725	215
VOE 4880492	971	200	811	VOE 4881440	251	100	97	VOE 4881722	916	200	721	VOE 874802	371	900	223	VOE 874957	371	800	219
VOE 4880493	911	300	563	VOE 4881440	256	100	105	VOE 4881722	924	200	735	VOE 874954	371	450	189	VOE 874957	371	810	221
VOE 4880493	911	350	577	VOE 4881440	371	100	169	VOE 4881722	924	250	737	VOE 874954	371	750	217	VOE 874957	371	900	223
VOE 4880493	911	500	591	VOE 4881440	873	200	505	VOE 4881722	924	250	739	VOE 874954	371	800	219	VOE 874957	371	900	227
VOE 4880493	911	550	593	VOE 4881440	874	350	509	VOE 4881722	924	500	749	VOE 874954	371	810	221	VOE 874958	371	310	181
VOE 4880493	911	550	595	VOE 4881440	911	1160	623	VOE 4881722	971	200	811	VOE 874954	371	900	223	VOE 874958	371	655	203
VOE 4880493	911	700	599	VOE 4881440	912	200	645	VOE 6213261	852	150	487	VOE 874954	371	900	225	VOE 874958	371	675	209
VOE 4880493	911	1150	619	VOE 4881440	912	210	647	VOE 6213261	852	200	489	VOE 874955	371	250	175	VOE 874958	371	710	213

NUMERICAL INDEX RÉPERTOIRE DE NUMÉROS NUMMERNREGISTER	INDICE DE NÚMERO NUMMERREGISTER		Catalogue id 20002	Group 1000
			Issue VOE 63H9920002	Page 29

VOLVO

BL71

NUMERICAL INDEX				INDICE DE NÚMERO				Catalogue id				Group							
RÉPERTOIRE DE NUMÉROS				NUMMERREGISTER				20002				1000							
NUMMERNREGISTER								Issue				Page							
								VOE 63H9920002				30							
Part No	Group	Sect	Page	Part No	Group	Sect	Page	Part No	Group	Sect	Page	Part No	Group	Sect	Page				
VOE 874958	371	800	219	VOE 914167	925	310	771	VOE 932037	912	800	693	VOE 932039	912	700	683	VOE 932041	924	500	749
VOE 874958	371	810	221	VOE 914167	925	320	775	VOE 932037	913	100	697	VOE 932039	912	710	685	VOE 932041	924	500	751
VOE 874958	371	900	223	VOE 914167	926	200	785	VOE 932037	916	200	721	VOE 932039	912	720	687	VOE 932041	925	300	767
VOE 874958	371	900	227	VOE 914167	945	150	789	VOE 932037	924	150	731	VOE 932039	912	750	689	VOE 932041	925	310	771
VOE 874959	371	400	185	VOE 914167	945	150	791	VOE 932039	420	100	253	VOE 932039	912	800	693	VOE 932042	234	100	85
VOE 874959	371	600	193	VOE 914167	945	150	793	VOE 932039	420	150	259	VOE 932039	913	100	697	VOE 932042	911	250	561
VOE 874959	371	610	195	VOE 914167	945	160	795	VOE 932039	420	150	261	VOE 932039	916	100	717	VOE 932042	911	300	563
VOE 874959	371	620	197	VOE 914167	945	175	797	VOE 932039	420	160	265	VOE 932039	916	200	721	VOE 932042	911	310	567
VOE 874959	371	750	217	VOE 914167	945	175	799	VOE 932039	421	150	267	VOE 932039	924	150	731	VOE 932042	911	325	571
VOE 874960	371	300	179	VOE 914167	945	175	801	VOE 932039	460	150	333	VOE 932039	924	150	733	VOE 932042	911	330	573
VOE 874960	371	310	181	VOE 914167	971	100	807	VOE 932039	468	100	369	VOE 932039	924	200	735	VOE 932042	911	350	575
VOE 874960	371	400	185	VOE 914167	974	100	827	VOE 932039	517	250	391	VOE 932039	924	250	739	VOE 932042	911	350	577
VOE 874960	371	450	187	VOE 914167	974	150	831	VOE 932039	645	400	411	VOE 932039	925	320	775	VOE 932042	911	360	581
VOE 874960	371	650	199	VOE 914446	882	400	525	VOE 932039	911	100	555	VOE 932039	971	200	811	VOE 932042	911	360	583
VOE 874960	371	655	203	VOE 914446	915	100	709	VOE 932039	911	200	559	VOE 932039	975	100	835	VOE 932042	911	400	585
VOE 874960	371	675	207	VOE 914450	945	150	793	VOE 932039	911	250	561	VOE 932040	645	400	411	VOE 932042	911	500	591
VOE 874965	371	200	173	VOE 914454	915	200	715	VOE 932039	911	310	567	VOE 932040	911	400	587	VOE 932042	911	550	593
VOE 874965	371	400	185	VOE 914461	974	100	823	VOE 932039	911	350	575	VOE 932040	911	450	589	VOE 932042	911	550	595
VOE 874965	371	650	199	VOE 914465	974	100	823	VOE 932039	911	350	577	VOE 932040	911	500	591	VOE 932042	911	700	597
VOE 874965	371	700	211	VOE 914470	972	100	819	VOE 932039	911	360	581	VOE 932040	911	800	603	VOE 932042	911	700	599
VOE 874967	371	655	203	VOE 914519	924	450	747	VOE 932039	911	400	585	VOE 932040	911	1100	613	VOE 932042	911	800	601
VOE 874967	371	675	207	VOE 925067	924	450	747	VOE 932039	911	500	591	VOE 932040	911	1110	617	VOE 932042	911	900	605
VOE 874967	371	710	213	VOE 925739	261	100	113	VOE 932039	911	700	599	VOE 932040	911	1150	619	VOE 932042	911	910	607
VOE 881503	371	100	169	VOE 930430	916	360	727	VOE 932039	911	1300	627	VOE 932040	911	1160	623	VOE 932042	911	1000	609
VOE 881508	371	900	225	VOE 930438	916	360	727	VOE 932039	911	1400	629	VOE 932040	911	1200	625	VOE 932042	911	1010	611
VOE 888760	236	150	93	VOE 930844	972	100	819	VOE 932039	911	1500	631	VOE 932040	912	800	693	VOE 932042	911	1100	613
VOE 888774	262	100	115	VOE 931209	924	500	749	VOE 932039	911	1500	633	VOE 932040	913	100	697	VOE 932042	911	1110	617
VOE 907825	896	110	531	VOE 932037	463	100	351	VOE 932039	911	1600	637	VOE 932040	916	350	725	VOE 932042	911	1150	619
VOE 907838	945	150	793	VOE 932037	645	400	411	VOE 932039	911	1600	639	VOE 932040	916	360	727	VOE 932042	911	1160	623
VOE 907838	945	175	801	VOE 932037	911	100	555	VOE 932039	912	100	641	VOE 932040	926	200	785	VOE 932042	912	750	689
VOE 907903	971	100	809	VOE 932037	911	200	559	VOE 932039	912	110	643	VOE 932041	420	100	253	VOE 932042	912	800	695
VOE 914167	460	100	331	VOE 932037	911	350	575	VOE 932039	912	200	645	VOE 932041	420	150	261	VOE 932042	916	200	719
VOE 914167	460	150	333	VOE 932037	911	350	577	VOE 932039	912	210	647	VOE 932041	491	100	375	VOE 932042	916	200	721
VOE 914167	924	400	745	VOE 932037	911	360	581	VOE 932039	912	220	649	VOE 932041	911	800	601	VOE 932042	916	200	723
VOE 914167	925	300	767	VOE 932037	911	360	583	VOE 932039	912	220	651	VOE 932041	913	100	697	VOE 932042	971	200	811

Part No	Group	Sect	Page	Part No	Group	Sect	Page	Part No	Group	Sect	Page	Part No	Group	Sect	Page	Part No	Group	Sect	Page
VOE 932043	911	300	563	VOE 935085	420	150	261	VOE 935095	491	100	375	VOE 941262	363	150	163	VOE 946329	551	250	397
VOE 932043	911	310	567	VOE 935085	468	100	369	VOE 935097	491	100	375	VOE 941267	810	150	439	VOE 946329	641	100	405
VOE 935027	913	100	697	VOE 935085	468	150	373	VOE 935426	924	500	749	VOE 941268	810	150	441	VOE 946329	825	150	453
VOE 935028	916	360	727	VOE 935085	517	250	391	VOE 935453	925	320	775	VOE 941269	272	100	129	VOE 946329	827	150	459
VOE 935032	911	300	563	VOE 935085	645	400	411	VOE 935538	911	350	579	VOE 941460	911	100	555	VOE 946329	896	200	535
VOE 935032	911	310	567	VOE 935085	911	100	555	VOE 935538	911	1300	627	VOE 941460	911	200	557	VOE 946329	911	300	563
VOE 935032	911	550	593	VOE 935085	911	200	559	VOE 935538	912	710	685	VOE 941507	874	350	509	VOE 946329	974	100	823
VOE 935032	911	700	597	VOE 935085	911	500	591	VOE 935576	916	200	721	VOE 942290	821	100	445	VOE 946440	362	100	157
VOE 935067	460	150	333	VOE 935085	911	1600	637	VOE 935640	420	150	261	VOE 942594	945	150	793	VOE 946440	371	100	171
VOE 935067	461	100	337	VOE 935085	911	1600	639	VOE 935640	421	150	267	VOE 942767	424	100	323	VOE 946440	810	150	439
VOE 935067	913	100	697	VOE 935085	912	220	649	VOE 935756	911	350	577	VOE 943368	873	150	503	VOE 946440	881	150	515
VOE 935067	924	150	731	VOE 935085	912	710	685	VOE 935760	911	350	579	VOE 943368	873	200	505	VOE 946440	924	400	745
VOE 935069	420	150	261	VOE 935085	971	200	811	VOE 935760	912	110	643	VOE 943469	260	200	111	VOE 946440	945	175	801
VOE 935069	421	150	267	VOE 935089	645	400	411	VOE 935877	911	550	593	VOE 943473	491	100	375	VOE 946440	974	150	829
VOE 935069	645	400	411	VOE 935089	913	100	697	VOE 936122	911	300	563	VOE 943473	911	325	571	VOE 946441	371	900	225
VOE 935069	911	350	575	VOE 935090	924	500	749	VOE 936339	924	150	731	VOE 943473	911	330	573	VOE 946441	420	160	263
VOE 935069	911	1600	637	VOE 935091	911	350	577	VOE 936439	911	360	581	VOE 943483	256	100	105	VOE 946441	882	300	523
VOE 935069	911	1600	639	VOE 935091	911	500	591	VOE 936439	911	700	599	VOE 943926	551	250	397	VOE 946441	911	300	565
VOE 935069	912	220	649	VOE 935091	913	100	697	VOE 936439	913	100	697	VOE 943926	821	100	445	VOE 946441	911	310	567
VOE 935069	912	710	685	VOE 935091	925	310	771	VOE 936606	911	1400	629	VOE 944265	352	100	145	VOE 946441	916	200	719
VOE 935069	916	100	717	VOE 935091	925	320	775	VOE 936606	911	1500	631	VOE 944265	352	200	147	VOE 946441	974	100	823
VOE 935069	971	200	811	VOE 935092	924	500	751	VOE 936606	911	1600	637	VOE 944265	362	150	159	VOE 946470	874	350	509
VOE 935073	925	300	767	VOE 935092	925	300	767	VOE 936757	911	310	567	VOE 944706	912	800	693	VOE 946472	252	100	101
VOE 935073	925	310	771	VOE 935092	925	310	771	VOE 936757	916	360	727	VOE 944707	911	300	565	VOE 946472	256	100	105
VOE 935076	911	800	603	VOE 935093	911	550	595	VOE 936798	912	200	645	VOE 945407	896	200	535	VOE 946472	911	360	581
VOE 935079	911	800	601	VOE 935093	911	700	599	VOE 936798	912	210	647	VOE 945495	214	100	61	VOE 946472	911	1300	627
VOE 935082	463	100	351	VOE 935093	916	200	721	VOE 936798	912	220	651	VOE 945634	915	100	709	VOE 946502	421	150	267
VOE 935082	645	400	411	VOE 935094	911	800	603	VOE 936911	924	500	749	VOE 945634	915	100	711	VOE 946502	915	100	709
VOE 935082	911	350	575	VOE 935094	911	1100	613	VOE 937097	912	720	687	VOE 945634	915	200	715	VOE 946671	271	100	125
VOE 935082	911	360	581	VOE 935094	911	1110	617	VOE 937950	925	320	775	VOE 945780	823	100	449	VOE 946671	827	100	457
VOE 935082	912	800	693	VOE 935094	911	1150	619	VOE 937966	911	310	567	VOE 945911	911	350	575	VOE 946671	874	450	511
VOE 935082	913	100	697	VOE 935094	911	1160	623	VOE 937967	911	310	567	VOE 946035	272	100	129	VOE 946671	911	350	577
VOE 935082	916	200	721	VOE 935094	912	800	693	VOE 938074	916	200	719	VOE 946036	271	100	125	VOE 946671	911	1100	615
VOE 935082	924	150	731	VOE 935094	916	350	725	VOE 940142	468	100	369	VOE 946036	421	150	267	VOE 946671	916	360	727
VOE 935085	420	100	253	VOE 935095	420	150	261	VOE 940337	371	500	191	VOE 946329	252	100	101	VOE 946777	353	100	149

NUMERICAL INDEX

RÉPERTOIRE DE NUMÉROS

NUMMERNREGISTER

INDICE DE NÚMERO

NUMMERREGISTER

Catalogue id	Group
20002	1000
Issue	Page
VOE 63H9920002	31

VOLVO

BL71

Part No	Group	Sect	Page	Part No	Group	Sect	Page	Part No	Group	Sect	Page	Part No	Group	Sect	Page	Part No	Group	Sect	Page
VOE 967635	911	900	605	VOE 969278	371	900	223	VOE 970808	421	450	309	VOE 973120	371	300	179	VOE 979022	925	200	761
VOE 967635	911	910	607	VOE 969278	372	100	231	VOE 970811	420	150	259	VOE 973120	371	350	183	VOE 979022	925	300	769
VOE 967636	912	800	693	VOE 969278	380	350	241	VOE 970812	420	100	253	VOE 973120	371	450	189	VOE 979022	925	310	773
VOE 967640	945	150	791	VOE 969313	945	150	789	VOE 970827	421	350	289	VOE 973126	371	350	183	VOE 979920	716	100	423
VOE 967640	945	175	799	VOE 969313	945	175	797	VOE 970827	421	360	293	VOE 973871	911	1600	639	VOE 980521	460	150	333
VOE 968207	517	250	391	VOE 969373	825	200	455	VOE 970827	421	375	297	VOE 974003	913	200	699	VOE 980521	716	100	423
VOE 968237	945	150	791	VOE 969404	363	200	165	VOE 970827	421	400	299	VOE 974003	913	210	701	VOE 980883	353	150	151
VOE 968237	945	175	799	VOE 969405	371	100	167	VOE 970827	421	410	303	VOE 974428	810	150	439	VOE 980883	371	500	191
VOE 968237	971	100	809	VOE 969405	872	200	495	VOE 970827	421	425	305	VOE 974428	945	150	791	VOE 981256	525	100	393
VOE 968298	218	100	73	VOE 969407	371	100	167	VOE 970890	460	100	331	VOE 974428	945	175	799	VOE 981289	911	250	561
VOE 968435	971	100	809	VOE 969408	353	100	149	VOE 970890	460	150	333	VOE 974428	971	100	807	VOE 981289	911	325	571
VOE 968435	974	100	825	VOE 969408	896	100	529	VOE 971081	945	175	801	VOE 975237	269	100	123	VOE 981289	911	350	575
VOE 968435	974	150	831	VOE 969410	353	100	149	VOE 971099	525	100	393	VOE 975237	371	900	223	VOE 981289	911	400	585
VOE 968589	823	100	449	VOE 969420	896	100	529	VOE 971099	911	1600	637	VOE 975358	371	500	191	VOE 981289	911	800	601
VOE 968589	825	150	453	VOE 969422	872	250	497	VOE 971099	915	100	709	VOE 975378	882	100	519	VOE 981289	911	900	605
VOE 968589	911	250	561	VOE 969422	896	100	529	VOE 971099	972	100	819	VOE 975380	873	150	503	VOE 981289	911	910	607
VOE 968589	945	150	791	VOE 969423	882	300	523	VOE 971099	974	150	831	VOE 976162	872	250	497	VOE 981289	911	1000	609
VOE 968589	945	160	795	VOE 969478	881	150	515	VOE 972007	881	150	515	VOE 976256	371	200	173	VOE 981289	911	1150	619
VOE 968589	974	100	823	VOE 969513	353	150	151	VOE 972401	882	100	519	VOE 976256	371	450	189	VOE 981289	912	750	689
VOE 968589	974	100	825	VOE 969513	881	200	517	VOE 972410	882	100	519	VOE 976929	210	50	47	VOE 981289	912	800	693
VOE 968589	974	150	829	VOE 969557	371	500	191	VOE 972412	872	250	499	VOE 977117	911	250	561	VOE 981289	916	200	719
VOE 968593	436	100	325	VOE 969557	371	900	223	VOE 972421	272	100	129	VOE 977222	872	250	497	VOE 981290	911	300	563
VOE 968842	912	710	685	VOE 969587	371	100	171	VOE 972421	354	100	155	VOE 977934	911	200	557	VOE 981290	911	310	567
VOE 968847	873	200	505	VOE 969587	831	100	461	VOE 972421	810	150	439	VOE 977934	911	200	559	VOE 981290	911	400	585
VOE 968852	460	100	331	VOE 969587	841	100	467	VOE 972421	825	100	451	VOE 977982	873	150	503	VOE 981290	911	450	589
VOE 968942	945	150	793	VOE 969587	872	250	497	VOE 972421	831	100	465	VOE 978254	911	200	557	VOE 981290	911	700	597
VOE 969147	354	100	155	VOE 969587	882	100	519	VOE 972421	874	450	511	VOE 978392	363	100	161	VOE 981290	911	1000	609
VOE 969147	363	100	161	VOE 969589	881	100	513	VOE 972421	881	200	517	VOE 978869	911	350	577	VOE 981290	911	1010	611
VOE 969147	380	200	237	VOE 969793	272	100	129	VOE 973119	371	200	173	VOE 978869	916	200	721	VOE 981290	926	200	785
VOE 969147	525	100	393	VOE 969800	882	300	523	VOE 973119	371	300	179	VOE 978869	924	500	749	VOE 981291	911	200	559
VOE 969147	831	100	461	VOE 969817	353	150	151	VOE 973119	371	310	181	VOE 978932	924	400	745	VOE 981291	911	300	563
VOE 969147	831	100	463	VOE 969846	925	300	769	VOE 973119	371	350	183	VOE 978953	818	100	443	VOE 981291	911	300	565
VOE 969147	881	200	517	VOE 969846	925	310	773	VOE 973119	371	450	189	VOE 978997	926	100	783	VOE 981291	911	310	567
VOE 969147	896	100	529	VOE 970795	371	750	217	VOE 973119	371	610	195	VOE 978999	372	100	231	VOE 981314	460	100	331
VOE 969161	372	100	231	VOE 970803	421	470	311	VOE 973119	371	620	197	VOE 979021	974	100	825	VOE 981314	460	150	333

NUMERICAL INDEX

RÉPERTOIRE DE NUMÉROS

NUMMERNREGISTER

INDICE DE NÚMERO

NUMMERREGISTER

Catalogue id

20002

Group

1000

Issue

VOE 63H9920002

Page

33

VOLVO

BL71

